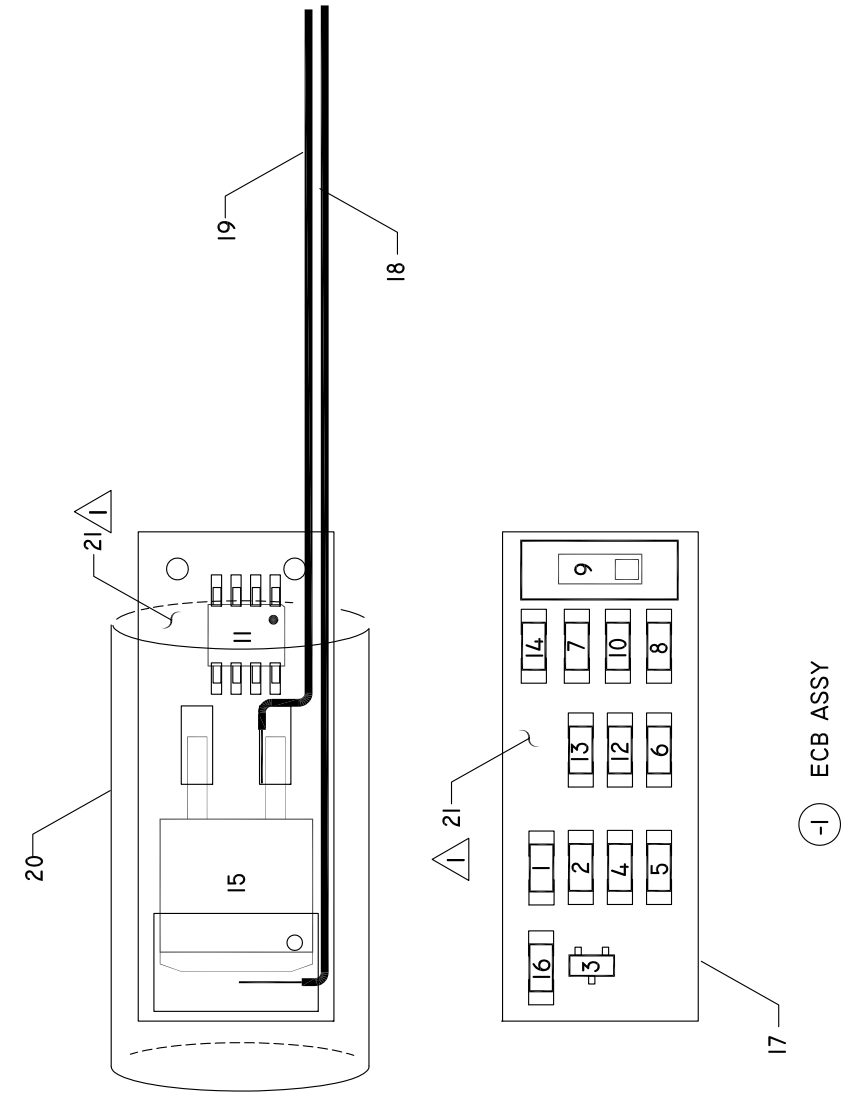


AEC9003 MkIII CROWBAR OV MANAGEMENT MODULE

AEROELECTRIC CONNECTION
PO BOX 130
MEDICINE LODGE, KANSAS 67104

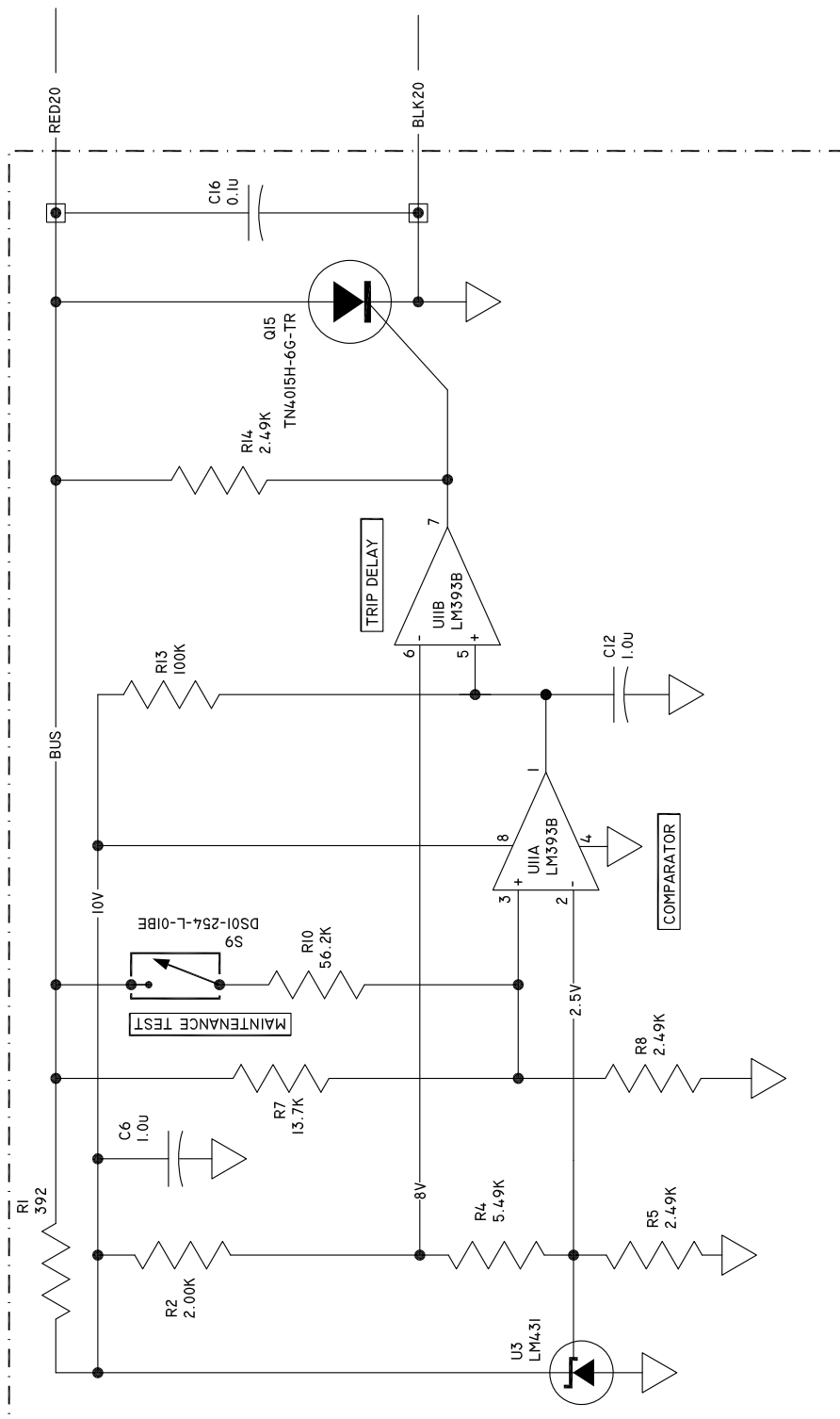
REV P6 11/2/23

TITLE	PAGE
9003-630-IP6, OVM-14 Mk III, COVER	0.0



- NOTES:
- 1 POLYETHYLENE CONFORMAL COAT ASSEMBLED BOARD BY BRUSHING. *AVOID DIP SWITCH MECHANISM*
 - 2 ASSEMBLE COMPONENTS WITH 63/37 TIN-LEAD SOLDER FLUX TYPE OPTIONAL
 - 3

TITLE	PAGE
9003-630-IP6, OVM-14 Mk III, ECB ASSEMBLY	2.2



TITLE	PAGE
9003-630-IP6, OVM-I4 Mk III, SCHEMATIC	6.1

