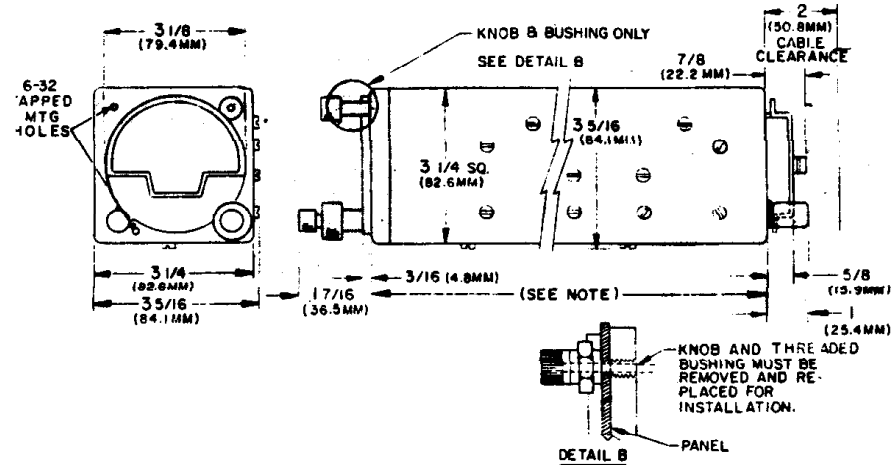
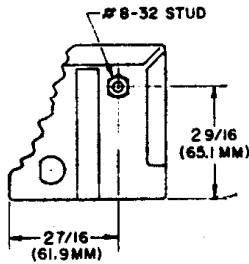


INSTALLATION SECTION 2

	INCHES	MILLIMETERS
A	3-3/16	81.0
B	1/4 DIA	6.4 DIA
C	5/32 DIA	4.0 DIA
D	1/8 R	3.2 R
E	1-3/4 R	44.5 R
F	1-41/64 R	41.7 R
G	13/16	20.6
H	1-39/64 R	40.9 R
J	9/32 R	7.1 R
K	1-31/64	37.7



NOTES:

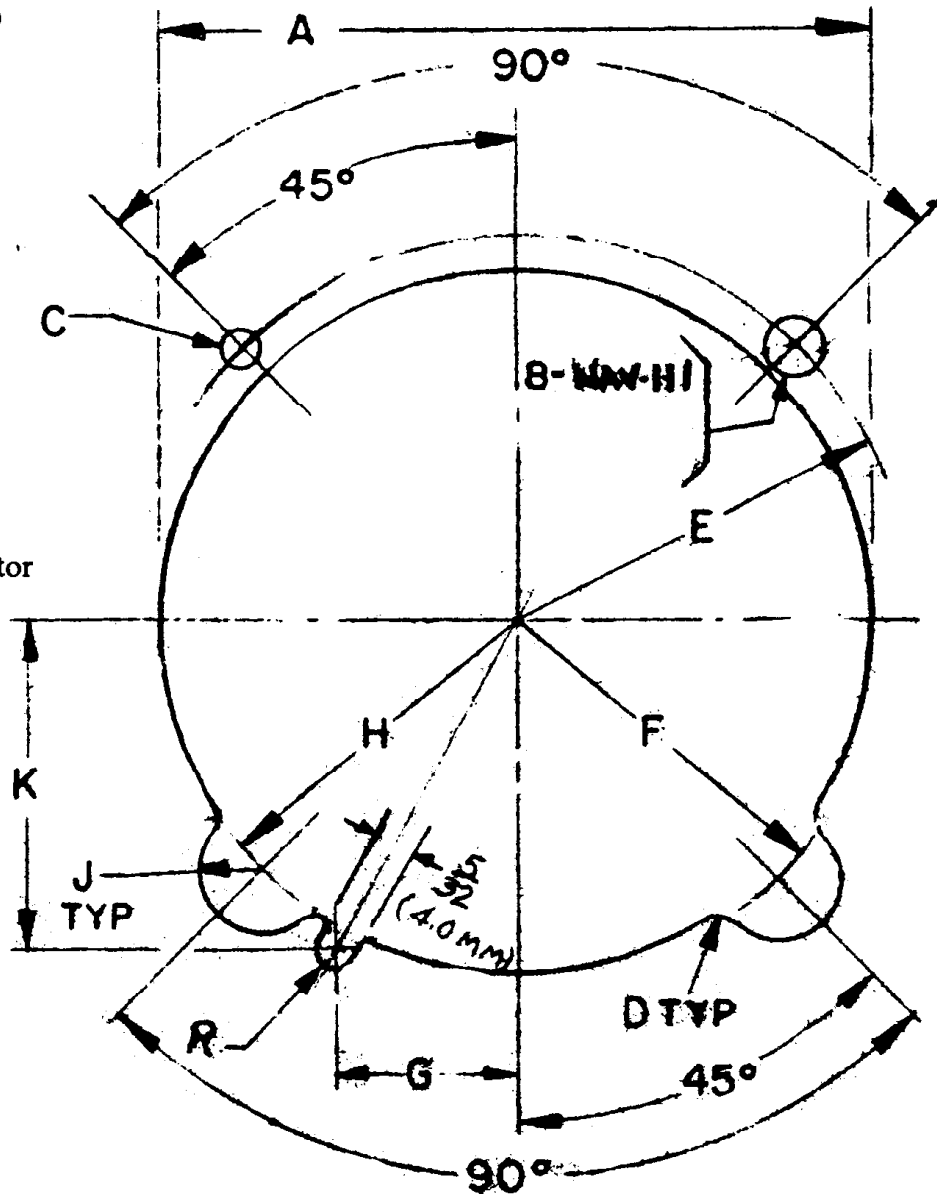
These equipments are rear panel mounted.

Chassis length 8 1/2" (215.9MM)

Mounting screws to be No. 6-32,
Length to be: 7/16 Min 3/4" Max.
Plus thickness of panel.

Rear connections:

Has one rear connector, units wired
for DME channeling also have a connector
on a pigtail as well as a G/S pigtail connector



Part Number	Installation Kit	Quantity
41316-0007	CONNECTOR, SHELL, 15 pin	1
41317-0001	CONTACT, CONNECTOR	15
82019-0002	STRAP, CABLE	1
82814-0004	SCREW, 4-40 x 5/16	3
82802-0003	LOCKWASHER, No. 4	3
82900-0004	NUT, HEX, No. 4-40	3
82815-0109	SCREW, 6-32 x 3/4	2
55951-0001	HANDLE, CONNECTOR without eyelet	
81254-0012	EYELET (to be installed in) handle)	1
84038-0001	ADAPTER, Cable to BNC	1
90058-	CABLE, RG-188A/U, 18"	1
41229-0001	CONNECTOR, BNC	1

FIGURE 2-11. NAV 111 TSO INSTALLATION DRAWING

INSTALLATION TEMPLATE