

RST ENGINEERING

MAIL: 13249 Grass Valley Ave

SHIP: 13993 Downwind Court

Grass Valley CA 95945

Voice (916) 272-2203

E-mail: sales@rst-engr.com

Web Page: <http://www.rst-engr.com>

27 November 01

RST-502/503

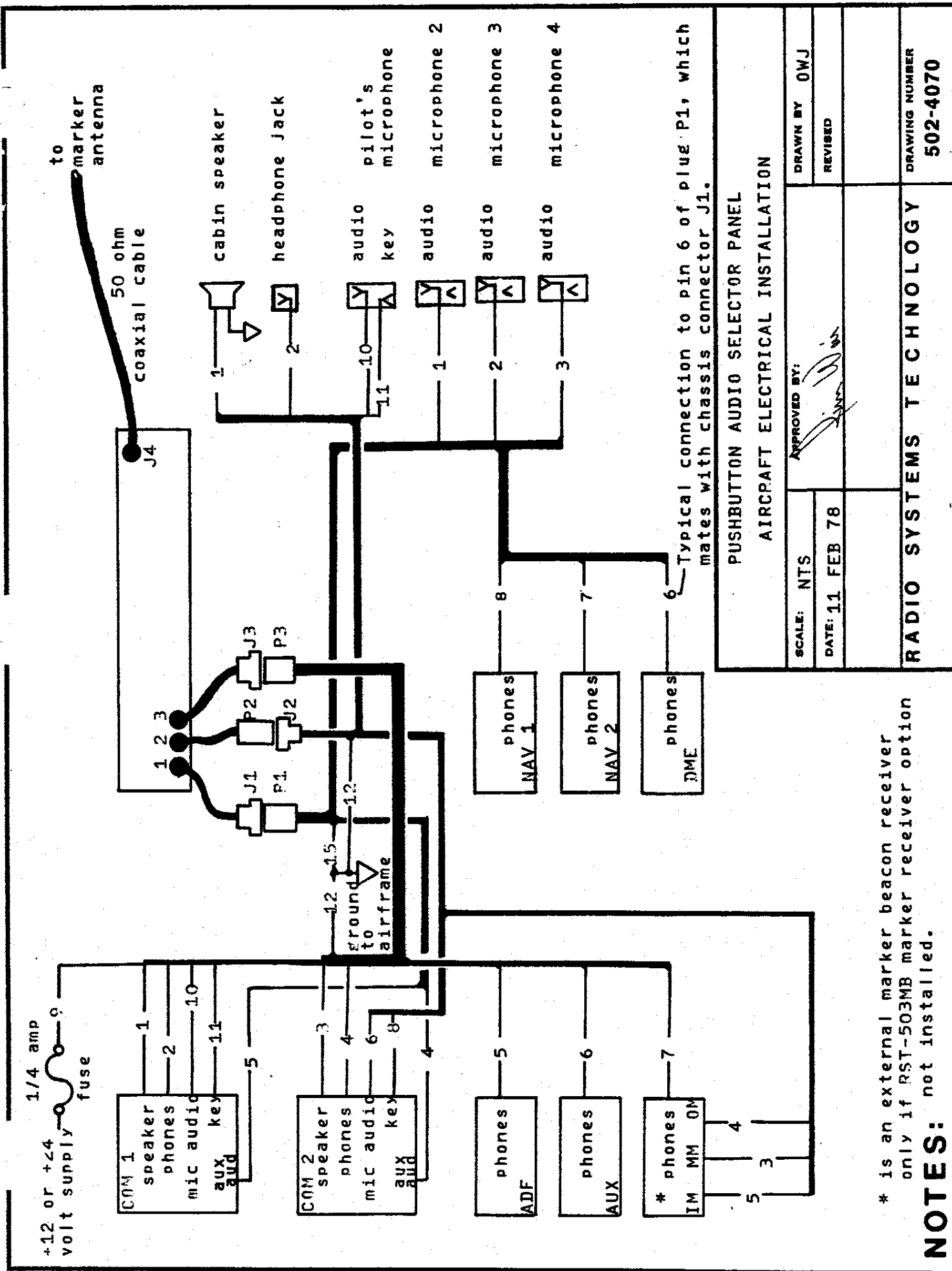
DOCUMENT SUMMARY

502-4070 -- Aircraft Electrical Installation

502-7000 -- Chassis Schematic

503-PIN -- Aircraft Electrical Installation

503-7000 -- Chassis Schematic



Typical connection to pin 6 of plug P1, which mates with chassis connector J1.

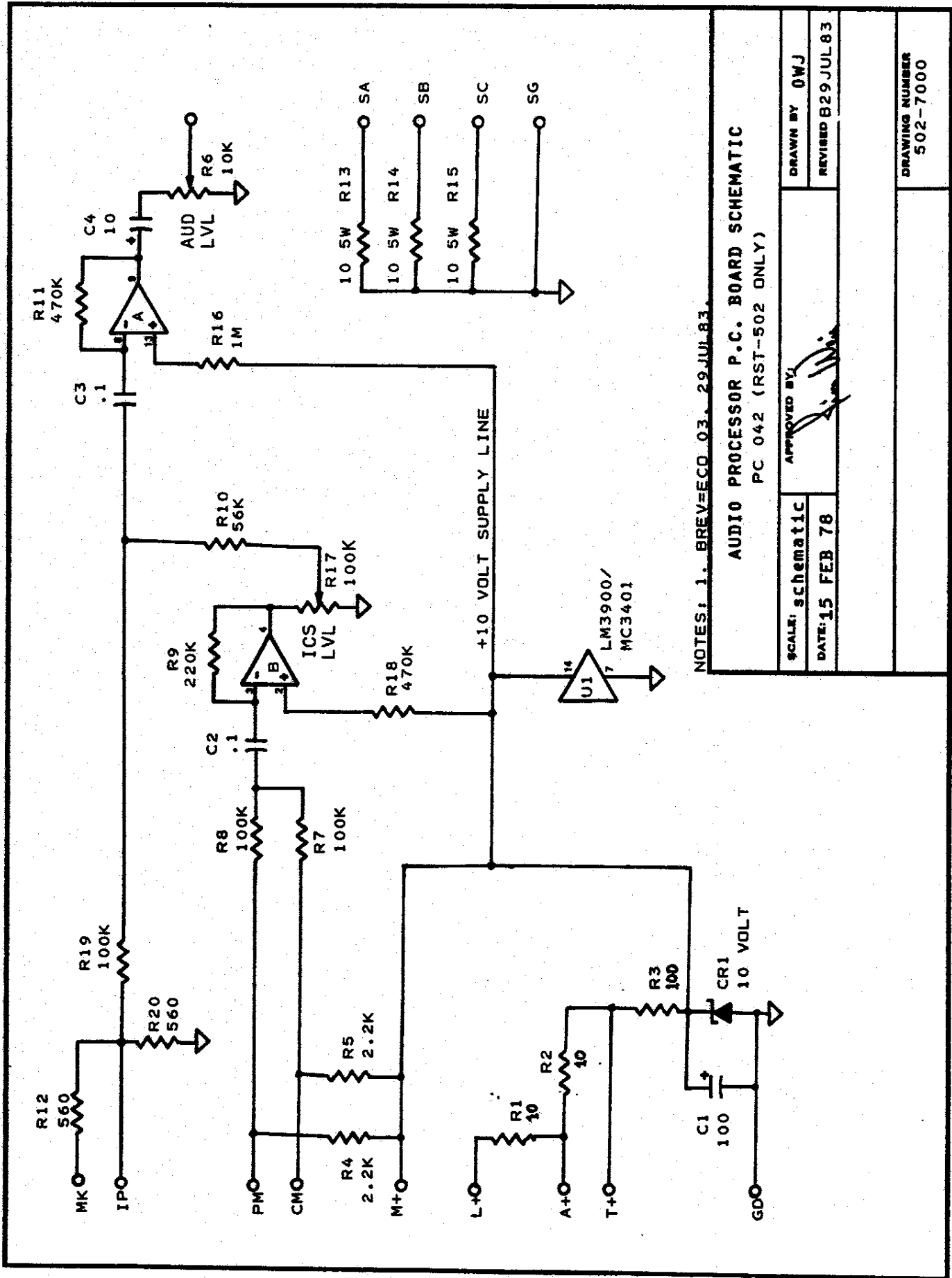
**PUSHBUTTON AUDIO SELECTOR PANEL
AIRCRAFT ELECTRICAL INSTALLATION**

SCALE: NTS	APPROVED BY:	DRAWN BY: OWJ
DATE: 11 FEB 78	<i>[Signature]</i>	REVISED:

RADIO SYSTEMS TECHNOLOGY
DRAWING NUMBER
502-4070

* is an external marker beacon receiver only if RST-503MB marker receiver option not installed.

NOTES:



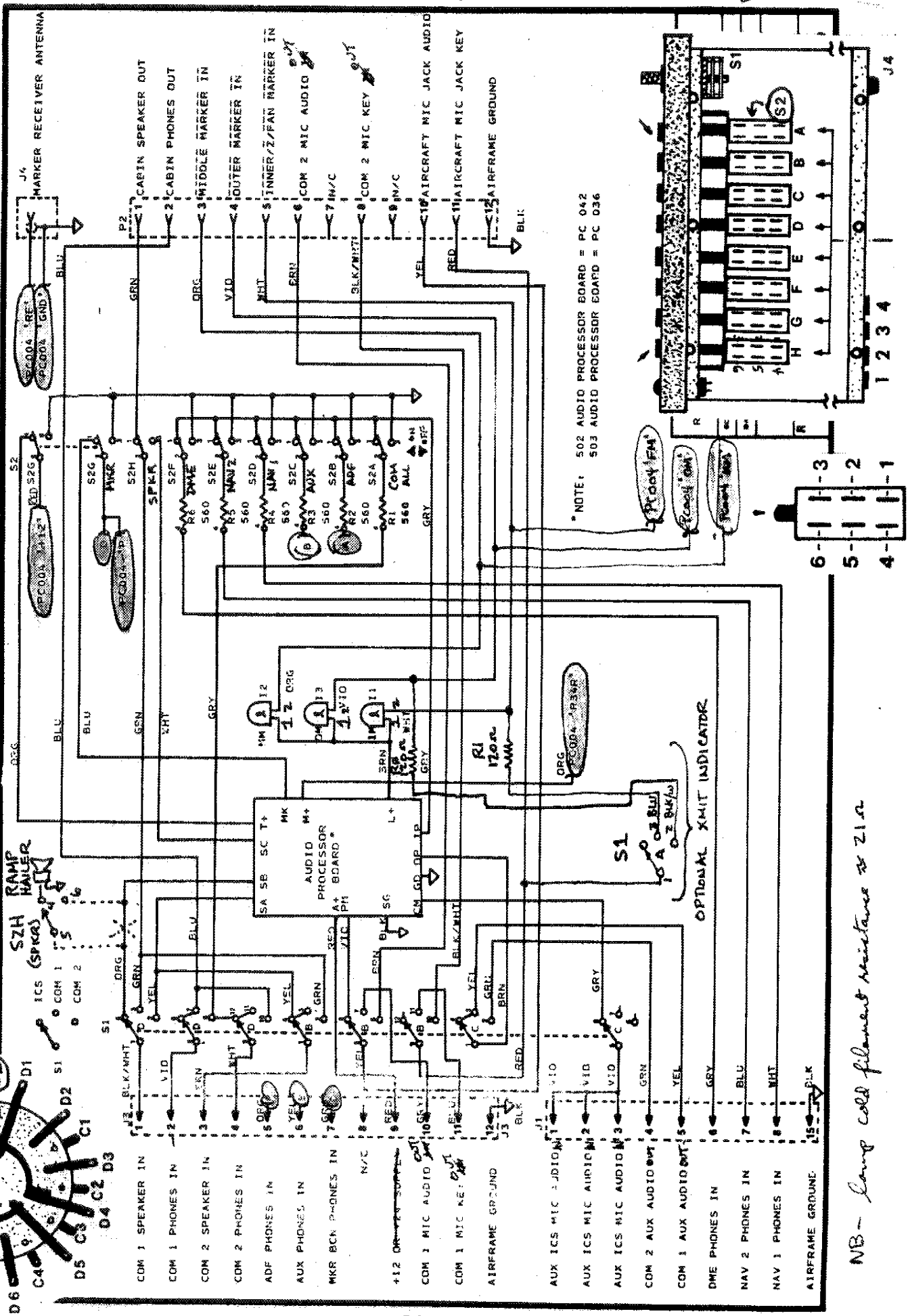
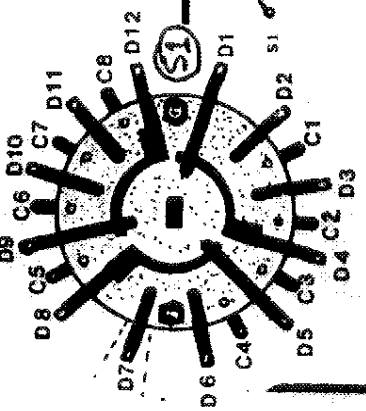
NOTES: 1. BREV=ECO 03. 29 JUL 83.

AUDIO PROCESSOR P.C. BOARD SCHEMATIC
PC 042 (RST-502 ONLY)

SCALE: schematic	APPROVED BY: <i>[Signature]</i>	DRAWN BY: DMJ
DATE: 15 FEB 78		REVISED: 829 JUL 83

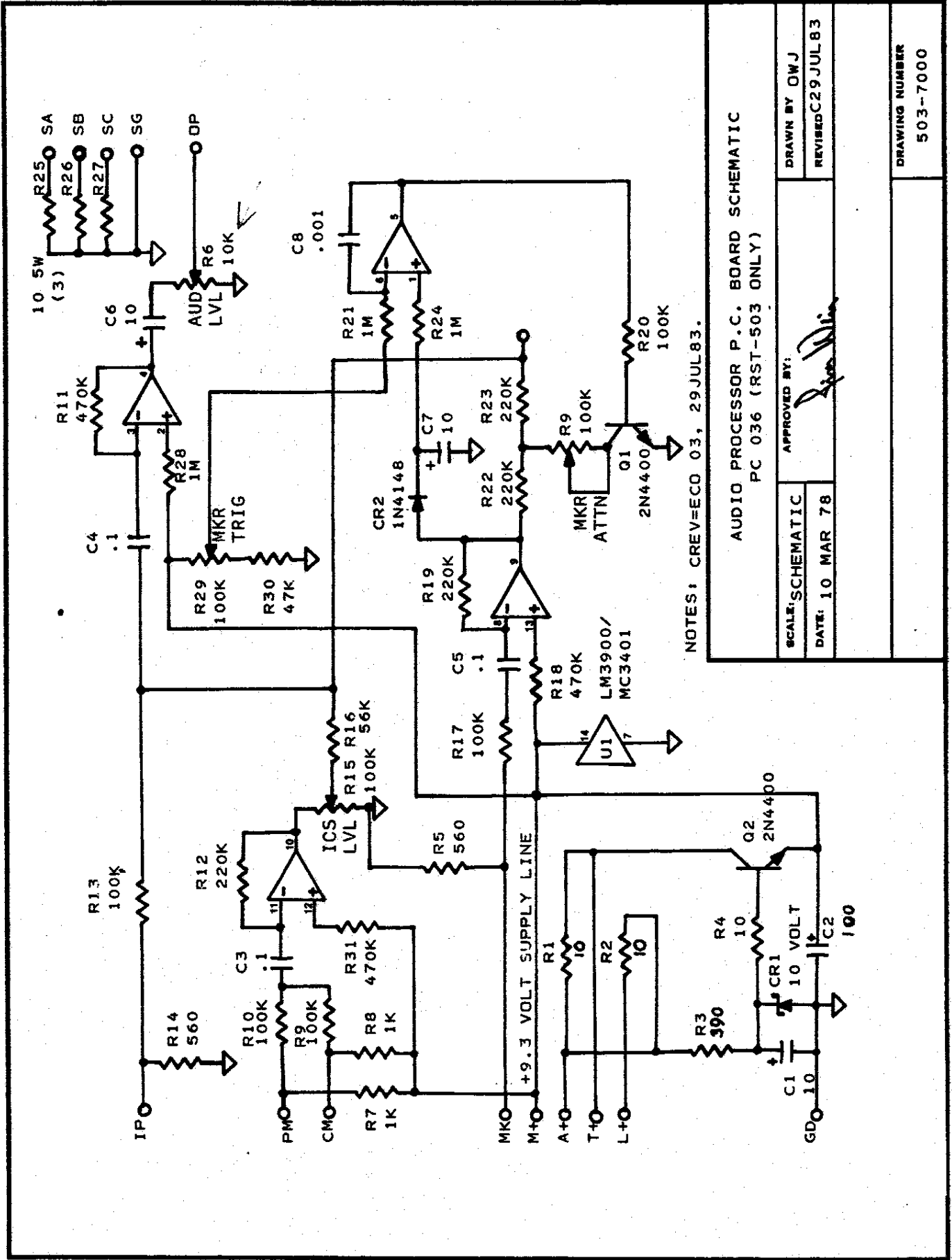
DRAWING NUMBER	502-7000
----------------	----------

for optional S1 ramp hailer in ICS mode of "SPKR" engaged



*NOTE: 502 AUDIO PROCESSOR BOARD = PC 042
503 AUDIO PROCESSOR BOARD = PC 036

NB - Lamp cold filament resistance is 21.2



NOTES: CREV=ECO 03, 29JUL83.

AUDIO PROCESSOR P.C. BOARD SCHEMATIC PC 036 (RST-503 ONLY)	
SCALE: SCHEMATIC	APPROVED BY: <i>[Signature]</i>
DATE: 10 MAR 78	DRAWN BY OWJ
	REVISED C29 JUL 83
DRAWING NUMBER 503-7000	