

## FEATURES AND SPECIFICATIONS

### Features and Benefits

- Optional mounting flanges
- Optional polarizing keys
- Housing accommodates terminals for 18 to 30 AWG

### Reference Information

Packaging: Bag  
 UL File No.: E29179  
 CSA File No.: LR19980  
 Use With: [4366](#), [4573](#) and [4574](#) terminals  
 Designed In: Inches

### Electrical

Voltage: 250V  
 Current: 5.0A  
 Contact Resistance: 20mΩ max.  
 Dielectric Withstanding Voltage: 1500V AC  
 Insulation Resistance: 50,000 MΩ min.

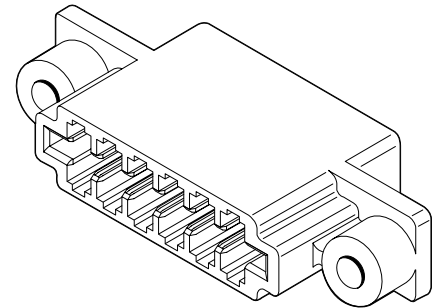
### Physical

Housing: Polyester, UL 94V-0  
 Operating Temperature: 0 to +75°C  
 Recommended PCB Thickness: 1.57mm (.062")

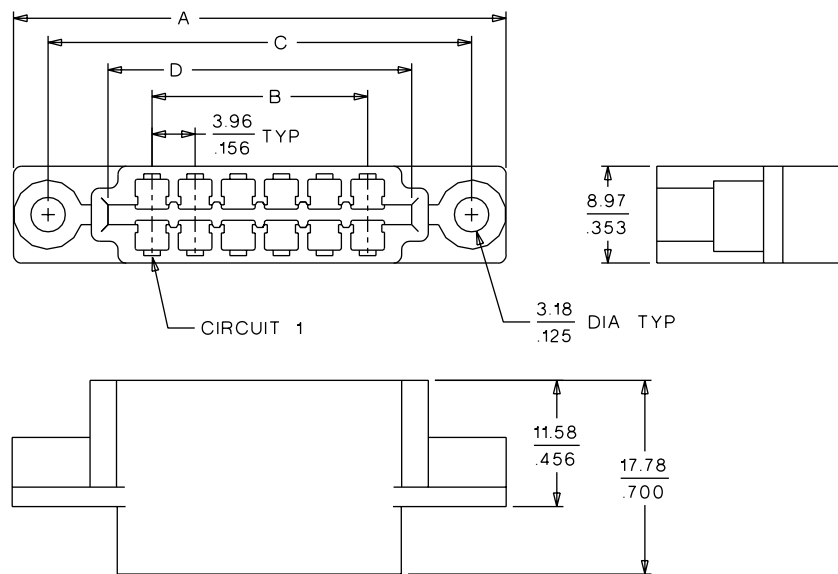


# 3.96mm (.156") Pitch KK® Double-Sided Edge Connector Housing

## 4338 Crimp Housing



## CATALOG DRAWING (FOR REFERENCE ONLY)



## ORDERING INFORMATION AND DIMENSIONS

| Dual Circuits | Order No.            |                         | Dimension      |                |                |                |
|---------------|----------------------|-------------------------|----------------|----------------|----------------|----------------|
|               | With Mounting Flange | Without Mounting Flange | A              | B              | C              | D              |
| 6             | • 09-50-6065         | 09-50-5065              | 45.24 (1.781)  | 19.81 (.780)   | 38.89 (1.531)  | 28.07 (1.105)  |
| 8             | • 09-50-6085         | 09-50-5085              | 51.23 (2.017)  | 27.74 (1.092)  | 44.88 (1.767)  | 35.94 (1.415)  |
| 10            | • 09-50-6105         | 09-50-5105              | 61.11 (2.406)  | 35.66 (1.404)  | 54.76 (2.156)  | 43.92 (1.729)  |
| 12            | • 09-50-6125         | 09-50-5125              | 68.96 (2.715)  | 43.59 (1.716)  | 62.61 (2.465)  | 51.84 (2.041)  |
| 15            | • 09-50-6155         | 09-50-5155              | 80.98 (3.188)  | 55.47 (2.184)  | 74.63 (2.938)  | 63.75 (2.510)  |
| 18            | • 09-50-6185         | 09-50-5185              | 92.86 (3.656)  | 67.36 (2.652)  | 86.51 (3.406)  | 75.06 (2.955)  |
| 22            | • 09-50-6225         | 09-50-5225              | 108.94 (4.289) | 83.21 (3.276)  | 102.59 (4.039) | 91.69 (3.610)  |
| 24            | • 09-50-6245         | 09-50-5245              | 116.84 (4.600) | 91.14 (3.588)  | 110.49 (4.350) | 99.62 (3.922)  |
| 25            | • 09-50-6255         | 09-50-5255              | 120.73 (4.753) | 95.10 (3.744)  | 114.38 (4.503) | 103.58 (4.078) |
| 28            | • 09-50-6285         | 09-50-5285              | 132.56 (5.219) | 106.98 (4.212) | 126.21 (4.969) | 115.54 (4.549) |

| Optional Polarizing Keys | Order No.  |
|--------------------------|------------|
| 6532 intercontact        | 15-04-0233 |
| 43072 on contact         | 15-05-1004 |

• US Standard Product, available through Molex franchised distributors