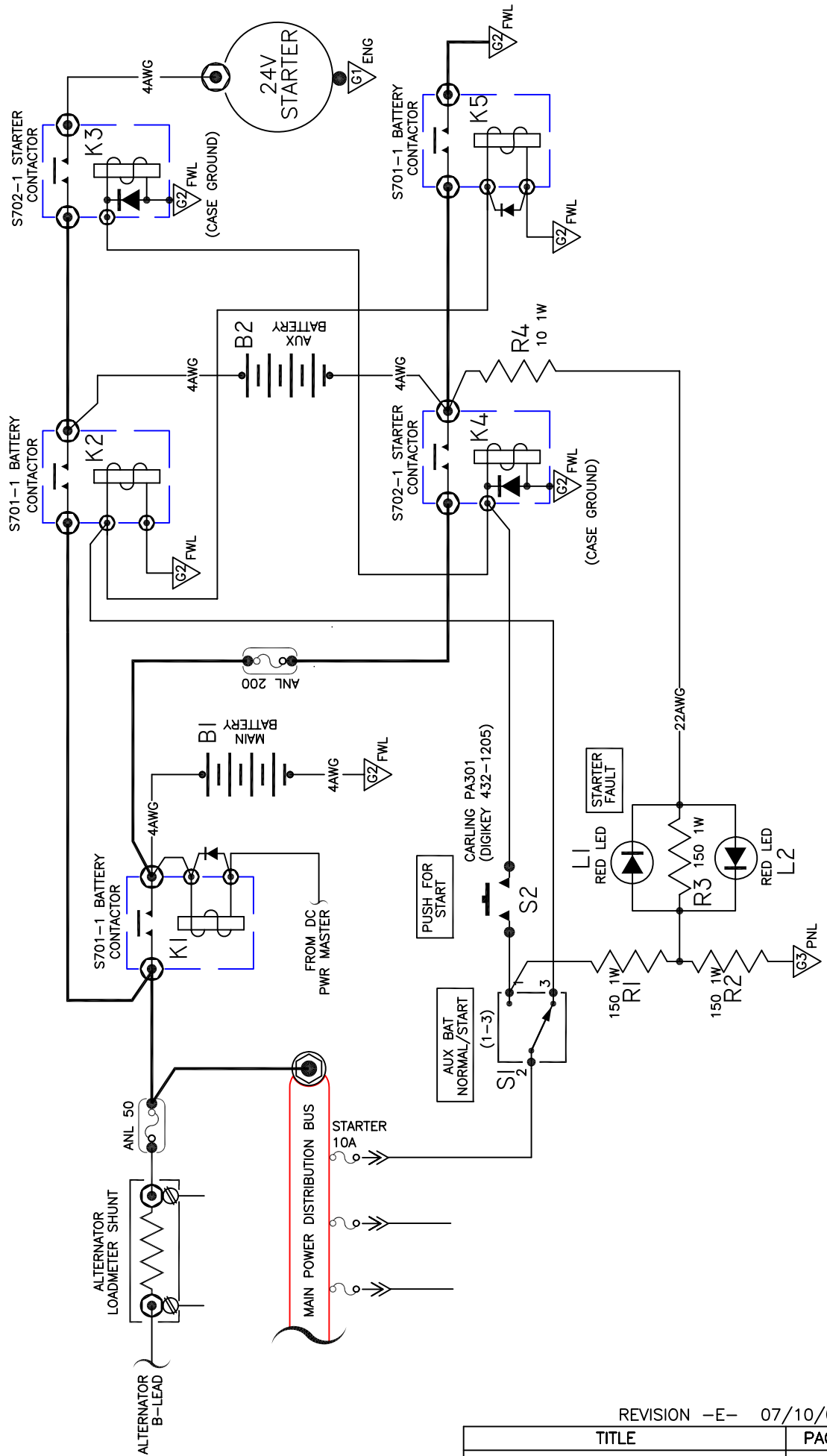


NOTES:

1. ALL CONTACTORS AND BATTERIES ARE 12/14-VOLT PARTS. ONLY THE STARTER IS A 24V DEVICE.
2. ALL CONTROL WIRING IS 18AWG
3. ALL "FAT" WIRES (———) ARE 4AWG WIRE OR JUMPER STRAPS FABRICATED FROM COPPER OR BRASS.
4. "CLUSTER" ALL CONTACTORS, LIMITERS AND SHUNTS AS CLOSE AS PRACTICAL TO TAKE ADVANTAGE OF "STRAPPING" TECHNIQUES.
5. CAUTION - THIS ARCHITECTURE HAS BEEN CRAFTED TO REDUCE NUMBER OF FAT WIRES ON EACH STUD TO A MAXIMUM OF TWO. FURTHER, THE USE OF A TOGGLE SWITCH AND PUSHBUTTON DRIVES PROBABILITY OF HARD FAULTS DUE TO A "RELAY RACE" TO ZERO. MAKE CHANGES WITH CARE.



REVISION -E- 07/10/05

TITLE	PAGE
24V STARTER 14V SYSTEM	