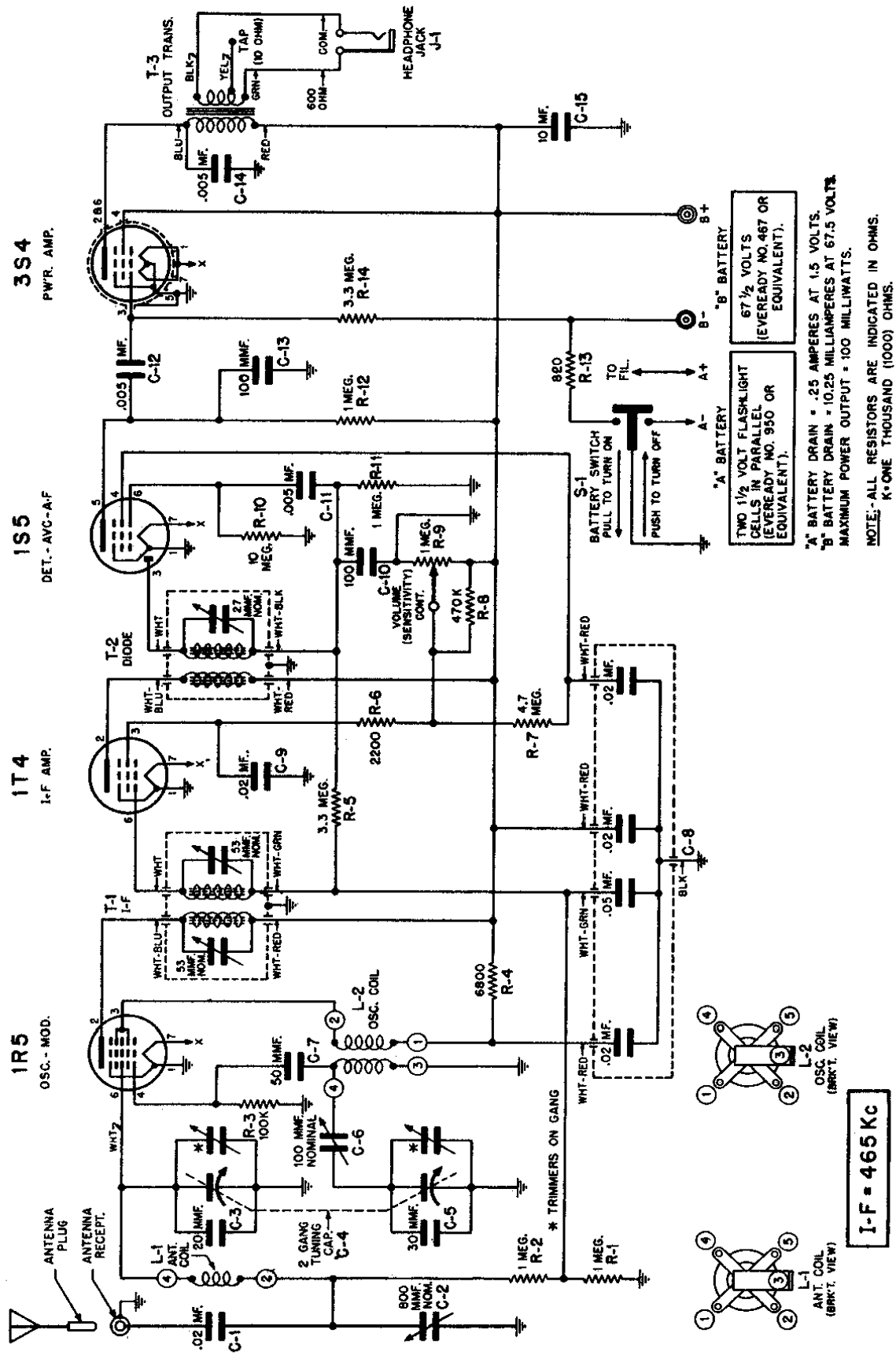


MOTOROLA INC.

MODELS AR-96-23,
AIRBOY



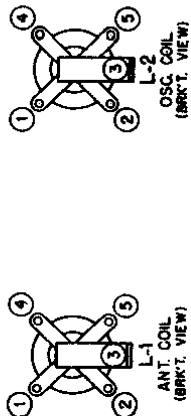
"A" BATTERY
TWO 1½ VOLT FLASHLIGHT
CELLS IN PARALLEL
(EVEREADY NO. 467 OR
EQUIVALENT).

"B" BATTERY
67½ VOLTS
(EVEREADY NO. 467 OR
EQUIVALENT).

A BATTERY DRAIN = .25 AMPERES AT 1.5 VOLTS.
B BATTERY DRAIN = 10.25 MILLIAMPERES AT 67.5 VOLTS.
MAXIMUM POWER OUTPUT = 100 MILLIWATTS.

NOTE: ALL RESISTORS ARE INDICATED IN OHMS.
K = ONE THOUSAND (1000) OHMS.

MODEL AR-96-23



I-F = 465 Kc

FREQUENCY RANGE
200 Kc TO 410 Kc
NOTE: ADJUST ANTENNA PADDER (C-2)
AT APPROX. 220 Kc, ON WEAK SIGNAL.