

Beechcraft

BONANZA

ILLUSTRATED PARTS CATALOG

33 }
A33 } (CD-1 THRU CD-387)

B33 (CD-388 THRU CD-813)

C33 (CD-814 THRU CD-1118)

E33 (CD-1119 THRU CD-1234)

C33A (CE-1 THRU CE-179)

E33A (CE-180 THRU CE-289)

Courtesy of Bomar Flying Service
www.bomar.biz

PUBLISHED BY
COMMERCIAL PRODUCT SUPPORT
BEECH AIRCRAFT CORPORATION
WICHITA, KANSAS 67201
U. S. A.

BEECHCRAFT
BONANZA 33 THRU E33
ILLUSTRATED PARTS CATALOG

LIST OF EFFECTIVE REVISIONS

Always destroy superseded pages when you insert revised pages.

LOG OF REVISIONS

Part Number		Date	Figures Affected
33-590011-3	Issued	November 5, 1959	
33-590011-3B	Reissued		
33-590011-3C	Reissued	December 4, 1964	
33-590011-3D	Reissued	February 1, 1966	
33-590011-3E	Reissued	February 24, 1984	

98-36416

E

Basic publications are assigned a part number which appears on the title page with the date of the issue. Subsequent revisions are identified by the addition of a revision code after the part number. A₁ after a part number denotes the first revision to the basic publication, A₂ the second, etc. Occasionally, it is necessary to completely reissue and reprint a publication for the purpose of obsoleting a previous issue and outstanding revisions thereto. As these replacement reissues are made, the code will also change to the next successive letter of the alphabet at each issue. For example, B for the first reissue, C for the second reissue, etc.

When ordering a handbook, give the basic number, and the reissue code when applicable, if a complete up-to-date publication is desired. Should only revision pages be required, give the basic number and revision code for the particular set of revision pages you desire.

BEECHCRAFT
BONANZA '33 THRU E33
ILLUSTRATED PARTS CATALOG

LIST OF EFFECTIVE PAGES

Always destroy superseded pages when you insert revised pages.

DESCRIPTION	PAGE NUMBER	DATE
Title Page		February 24, 1984
Logo Page		
"A" Page thru "E" Page		February 24, 1984
Introduction	Pages 1 thru 18	February 24, 1984
Alpha-Numeric Index	Pages 1 thru 38	February 24, 1984

LIST OF PAGES
FOR
BONANZA 33 THRU E33

FIGURE NO.	PAGE NO.	DATE	FIGURE NO.	PAGE NO.	DATE	FIGURE NO.	PAGE NO.	DATE
001	1	2/24/84	013	1	2/24/84	016A	3	2/24/84
001	2	2/24/84	013	2	2/24/84	016A	4	2/24/84
002	1	2/24/84	013	3	2/24/84	016B	1	2/24/84
002	2	2/24/84	013	4	2/24/84	016B	2	2/24/84
002	3	2/24/84	013A	1	2/24/84	016B	3	2/24/84
002	4	2/24/84	013A	2	2/24/84	016B	4	2/24/84
002	5	2/24/84	013A	3	2/24/84	016B	5	2/24/84
003	1	2/24/84	013A	4	2/24/84	016B	6	2/24/84
003	2	2/24/84	013A	5	2/24/84	017	1	2/24/84
003	3	2/24/84	013B	1	2/24/84	017	2	2/24/84
003	4	2/24/84	013B	2	2/24/84	017	3	2/24/84
003	5	2/24/84	013B	3	2/24/84	017	4	2/24/84
003	6	2/24/84	013B	4	2/24/84	018	1	2/24/84
004	1	2/24/84	013B	5	2/24/84	018	2	2/24/84
004	2	2/24/84	014	1	2/24/84	018	3	2/24/84
004	3	2/24/84	014	2	2/24/84	018	4	2/24/84
004	4	2/24/84	014	3	2/24/84	018	5	2/24/84
005	1	2/24/84	014A	1	2/24/84	018A	1	2/24/84
005	2	2/24/84	014A	2	2/24/84	018A	2	2/24/84
005	3	2/24/84	014A	3	2/24/84	018A	3	2/24/84
005	4	2/24/84	014A	4	2/24/84	018A	4	2/24/84
006	1	2/24/84	014A	5	2/24/84	018A	5	2/24/84
006	2	2/24/84	014A	6	2/24/84	018A	6	2/24/84
006	3	2/24/84	014B	1	2/24/84	019	1	2/24/84
006	4	2/24/84	014B	2	2/24/84	019	2	2/24/84
006	5	2/24/84	014B	3	2/24/84	019	3	2/24/84
006	6	2/24/84	014B	4	2/24/84	019	4	2/24/84
006	7	2/24/84	014B	5	2/24/84	019	5	2/24/84
006	8	2/24/84	014C	1	2/24/84	019	6	2/24/84
006	9	2/24/84	014C	2	2/24/84	020	1	2/24/84
006	10	2/24/84	014C	3	2/24/84	020	2	2/24/84
006	11	2/24/84	015	1	2/24/84	020	3	2/24/84
007	1	2/24/84	015	2	2/24/84	021	1	2/24/84
007	2	2/24/84	015	3	2/24/84	021	2	2/24/84
007	3	2/24/84	015	4	2/24/84	021	3	2/24/84
007	4	2/24/84	015A	1	2/24/84	022	1	2/24/84
007	5	2/24/84	015A	2	2/24/84	022	2	2/24/84
008	1	2/24/84	015A	3	2/24/84	022	3	2/24/84
008	2	2/24/84	015A	4	2/24/84	023	1	2/24/84
008	3	2/24/84	015A	5	2/24/84	023	2	2/24/84
008	4	2/24/84	015B	1	2/24/84	023	3	2/24/84
008	5	2/24/84	015B	2	2/24/84	024	1	2/24/84
008A	1	2/24/84	015B	3	2/24/84	024	2	2/24/84
008A	2	2/24/84	015B	4	2/24/84	024	3	2/24/84
008A	3	2/24/84	015B	5	2/24/84	024A	1	2/24/84
009	1	2/24/84	015B	6	2/24/84	024A	2	2/24/84
009	2	2/24/84	015B	7	2/24/84	024A	3	2/24/84
009	3	2/24/84	015C	1	2/24/84	025	1	2/24/84
009	4	2/24/84	015C	2	2/24/84	025	2	2/24/84
009	5	2/24/84	015C	3	2/24/84	025	3	2/24/84
009	6	2/24/84	015C	4	2/24/84	026	1	2/24/84
009	7	2/24/84	015C	5	2/24/84	026	2	2/24/84
010	1	2/24/84	015C	6	2/24/84	026	3	2/24/84
010	2	2/24/84	015C	7	2/24/84	026	4	2/24/84
010	3	2/24/84	015C	8	2/24/84	026	5	2/24/84
010	4	2/24/84	015D	1	2/24/84	027	1	2/24/84
010	5	2/24/84	015D	2	2/24/84	027	2	2/24/84
010	6	2/24/84	015D	3	2/24/84	027	3	2/24/84
010A	1	2/24/84	015D	4	2/24/84	027	4	2/24/84
010A	2	2/24/84	015D	5	2/24/84	028	1	2/24/84
010A	3	2/24/84	015D	6	2/24/84	028	2	2/24/84
011	1	2/24/84	015D	7	2/24/84	028	3	2/24/84
011	2	2/24/84	015D	8	2/24/84	028	4	2/24/84
011	3	2/24/84	015D	9	2/24/84	029	1	2/24/84
011	4	2/24/84	016	1	2/24/84	029	2	2/24/84
012	1	2/24/84	016	2	2/24/84	029	3	2/24/84
012	2	2/24/84	016	3	2/24/84	030	1	2/24/84
012	3	2/24/84	016	4	2/24/84	030	2	2/24/84
012	4	2/24/84	016	5	2/24/84	030	3	2/24/84
012	5	2/24/84	016A	1	2/24/84	030	4	2/24/84
012	6	2/24/84	016A	2	2/24/84	030	5	2/24/84

LIST OF PAGES
FOR
BONANZA 33 THRU E33

FIGURE NO.	PAGE NO.	DATE	FIGURE NO.	PAGE NO.	DATE	FIGURE NO.	PAGE NO.	DATE
031	1	2/24/84	044A	3	2/24/84	052	5	2/24/84
031	2	2/24/84	044A	4	2/24/84	052A	1	2/24/84
031	3	2/24/84	044A	5	2/24/84	052A	2	2/24/84
031	4	2/24/84	045	1	2/24/84	052A	3	2/24/84
031	5	2/24/84	045	2	2/24/84	052A	4	2/24/84
031	6	2/24/84	045	3	2/24/84	052A	5	2/24/84
032	1	2/24/84	046	1	2/24/84	052A	6	2/24/84
032	2	2/24/84	046	2	2/24/84	052A	7	2/24/84
032	3	2/24/84	046	3	2/24/84	052B	1	2/24/84
032	4	2/24/84	046	4	2/24/84	052B	2	2/24/84
032	5	2/24/84	046	5	2/24/84	052B	3	2/24/84
033	1	2/24/84	046A	1	2/24/84	052B	4	2/24/84
033	2	2/24/84	046A	2	2/24/84	052B	5	2/24/84
033	3	2/24/84	046A	3	2/24/84	052R	6	2/24/84
033	4	2/24/84	046A	4	2/24/84	053	1	2/24/84
033	5	2/24/84	046A	5	2/24/84	053	2	2/24/84
033	6	2/24/84	046B	1	2/24/84	053	3	2/24/84
034	1	2/24/84	046B	2	2/24/84	053	4	2/24/84
034	2	2/24/84	046B	3	2/24/84	054	1	2/24/84
034	3	2/24/84	046B	4	2/24/84	054	2	2/24/84
035	1	2/24/84	046B	5	2/24/84	054	3	2/24/84
035	2	2/24/84	046B	6	2/24/84	054	4	2/24/84
035	3	2/24/84	046B	7	2/24/84	054	5	2/24/84
035	4	2/24/84	046B	8	2/24/84	055	1	2/24/84
035	5	2/24/84	046C	1	2/24/84	055	2	2/24/84
035	6	2/24/84	046C	2	2/24/84	055	3	2/24/84
035	7	2/24/84	046C	3	2/24/84	056	1	2/24/84
036	1	2/24/84	046C	4	2/24/84	056	2	2/24/84
036	2	2/24/84	046C	5	2/24/84	056	3	2/24/84
036	3	2/24/84	046C	6	2/24/84	056	4	2/24/84
036	4	2/24/84	047	1	2/24/84	057	1	2/24/84
036	5	2/24/84	047	2	2/24/84	057	2	2/24/84
037	1	2/24/84	047	3	2/24/84	057	3	2/24/84
037	2	2/24/84	047	4	2/24/84	058	1	2/24/84
037	3	2/24/84	047	5	2/24/84	058	2	2/24/84
037	4	2/24/84	047A	1	2/24/84	058	3	2/24/84
038	1	2/24/84	047A	2	2/24/84	058	4	2/24/84
038	2	2/24/84	047A	3	2/24/84	058A	1	2/24/84
038	3	2/24/84	047A	4	2/24/84	058A	2	2/24/84
038	4	2/24/84	047A	5	2/24/84	058A	3	2/24/84
039	1	2/24/84	047A	6	2/24/84	058A	4	2/24/84
039	2	2/24/84	048	1	2/24/84	058A	5	2/24/84
039	3	2/24/84	048	2	2/24/84	058A	6	2/24/84
039	4	2/24/84	048	3	2/24/84	058A	7	2/24/84
039	5	2/24/84	048	4	2/24/84	058B	1	2/24/84
039A	1	2/24/84	049	1	2/24/84	058B	2	2/24/84
039A	2	2/24/84	049	2	2/24/84	058B	3	2/24/84
039A	3	2/24/84	049	3	2/24/84	058B	4	2/24/84
039A	4	2/24/84	049	4	2/24/84	058B	5	2/24/84
039A	5	2/24/84	050	1	2/24/84	058B	6	2/24/84
040	1	2/24/84	050	2	2/24/84	058B	7	2/24/84
040	2	2/24/84	050	3	2/24/84	059	1	2/24/84
040	3	2/24/84	050A	1	2/24/84	059	2	2/24/84
040	4	2/24/84	050A	2	2/24/84	059	3	2/24/84
040	5	2/24/84	050A	3	2/24/84	059	4	2/24/84
041	1	2/24/84	050A	4	2/24/84	059	5	2/24/84
041	2	2/24/84	051	1	2/24/84	059	6	2/24/84
041	3	2/24/84	051	2	2/24/84	059	7	2/24/84
042	1	2/24/84	051	3	2/24/84	059	8	2/24/84
042	2	2/24/84	051	4	2/24/84	059	9	2/24/84
042	3	2/24/84	051	5	2/24/84	059	10	2/24/84
043	1	2/24/84	051A	1	2/24/84	059	11	2/24/84
043	2	2/24/84	051A	2	2/24/84	060	1	2/24/84
043	3	2/24/84	051A	3	2/24/84	060	2	2/24/84
044	1	2/24/84	051A	4	2/24/84	060	3	2/24/84
044	2	2/24/84	051A	5	2/24/84	060	4	2/24/84
044	3	2/24/84	051A	6	2/24/84	060	5	2/24/84
044	4	2/24/84	052	1	2/24/84	060	6	2/24/84
044	5	2/24/84	052	2	2/24/84	060	7	2/24/84
044A	1	2/24/84	052	3	2/24/84	061	1	2/24/84
044A	2	2/24/84	052	4	2/24/84	061	2	2/24/84

LIST OF PAGES
FBR
BONANZA 33 THRU E33

FIGURE NO.	PAGE NO.	DATE	FIGURE NO.	PAGE NO.	DATE	FIGURE NO.	PAGE NO.	DATE
061	3	2/24/84	068	2	2/24/84	073	4	2/24/84
061	4	2/24/84	068	3	2/24/84	073	5	2/24/84
062	1	2/24/84	069	1	2/24/84	073	6	2/24/84
062	2	2/24/84	069	2	2/24/84	073	7	2/24/84
062	3	2/24/84	069	3	2/24/84	073	8	2/24/84
062	4	2/24/84	069A	1	2/24/84	073	9	2/24/84
062	5	2/24/84	069A	2	2/24/84	074	1	2/24/84
063	1	2/24/84	069A	3	2/24/84	074	2	2/24/84
063	2	2/24/84	070	1	2/24/84	074	3	2/24/84
063	3	2/24/84	070	2	2/24/84	074	4	2/24/84
063	4	2/24/84	070	3	2/24/84	074	5	2/24/84
064	1	2/24/84	071	1	2/24/84	074	6	2/24/84
064	2	2/24/84	071	2	2/24/84	075	1	2/24/84
064	3	2/24/84	071	3	2/24/84	075	2	2/24/84
064	4	2/24/84	072	1	2/24/84	075	3	2/24/84
065	1	2/24/84	072	2	2/24/84	076	1	2/24/84
065	2	2/24/84	072	3	2/24/84	076	2	2/24/84
065	3	2/24/84	072	4	2/24/84	076	3	2/24/84
066	1	2/24/84	072	5	2/24/84	077	1	2/24/84
066	2	2/24/84	072	6	2/24/84	077	2	2/24/84
066	3	2/24/84	072	7	2/24/84	077	3	2/24/84
067	1	2/24/84	072	8	2/24/84	077	4	2/24/84
067	2	2/24/84	073	1	2/24/84	077	5	2/24/84
067	3	2/24/84	073	2	2/24/84	077	6	2/24/84
068	1	2/24/84	073	3	2/24/84			

B E E C H C R A F T
BONANZA 33 THRU E33
I L L U S T R A T E D P A R T S C A T A L O G

INTRODUCTION

The purpose of this catalog is to provide a method for identifying and ordering spare parts for your BEEHCRAFT Bonanza 33 Thru E33. See the following paragraphs for detailed information. To order replacement parts for electrical components refer to the applicable BEEHCRAFT Wiring Diagram Manual, or Shop Manual.

LIST OF EFFECTIVE REVISIONS AND PAGES

The List of Effective Revisions and Pages following the Logo Page of the manual lists the revisions currently effective for the manual and a list of all effective pages with date. The list of pages is in numerical order by figure number.

NOTE

Neither Service Publications, Reissues, nor Revisions are automatically provided to the holders of this manual. For information on how to obtain "Revision Service" applicable to this manual, consult a BEEHCRAFT Aero or Aviation Center or International Distributor or Dealer, or refer to the latest revision of BEEHCRAFT Service Bulletin No. 2001.

FIGURE NUMBERING SYSTEM

This BEEHCRAFT Parts Catalog uses the figure number system. Some figure numbers are skipped because certain figure numbers do not apply to this parts catalog and are therefore omitted. Other numbers are reserved for future additions.

This catalog contains figure numbers followed by the letter "A", "B", etc. This indicates that the particular assembly or installation has been changed and that the original figure number is effective only on certain airplane serials and the figure numbers containing alphabetical

characters are effective for different airplane serials.

FIGURE NUMBER INDEX GUIDE

The Figure Number Index Guide is a listing of figures by title and figure number, in figure number order, of figures applicable to this catalog. This Index is located in the Introduction and starts on page 6.

ALPHABETICAL INDEX

The Alphabetical Index is a listing of component items or systems arranged in alphabetical order and referenced by figure number to their location in the Illustrated Parts List. This index is a part of the Introduction and follows the Figure Number Index Guide.

ALPHA-NUMERIC INDEX

This section of the catalog is an Alpha-Numerical listing in tabular form of part numbers listed in the Illustrated Parts List. All part numbers in the Illustrated Parts List, except those coded as attaching parts, will appear in this index.

Parts common to more than one figure or assembly may be listed once for each time it appears, in order to reflect the different figures.

The Alpha-Numeric Index follows the Introduction.

ILLUSTRATED PARTS LIST

The Illustrated Parts List consists of installations broken down into assemblies, sub-assemblies, detail parts and attaching parts. A separation symbol (---*---) follows the listing of attaching parts to distinguish them from assembly breakdown.

If two assemblies are made up of a majority of identical parts, or the assemblies are opposite, i.e., left and right hand, the assemblies are listed together with their detail parts listed as common for

BEECHCRAFT BONANZA 33 THRU E33 ILLUSTRATED PARTS CATALOG

both assemblies. In this case, only the left or right hand part, but not both, is indexed and illustrated, with the difference between left and right hand parts noted in the description column. The Units Per Assembly column indicates the number of detail parts required per assembly, "NP" indicates the part or assembly is Non-Procurement as a spare, while "AR" indicates use As Required rather than a specific quantity. The notation "(see Figure)" indicates that this assembly and its detail parts are illustrated and broken down in another figure.

When a number is shown in the Usable On Code Column, refer to the Codes of Effectivity at the end of the listing of parts for that particular figure to determine airplane serial effectivity. Each figure has its own distinct coding, i.e., the code number denoting airplane serial effectivity for one figure may not be the same for another figure.

For convenience, each page of the Illustrated Parts List contains the figure number in a lower corner.

HOW TO USE THIS CATALOG

BEECHCRAFT ILLUSTRATED PARTS CATALOG					
FIG. INDEX NO.	PART NO.	DESCRIPTION	UNITS PER ASSY.	USABLE ON CODE	
247	99-940000 50-940085-451 HG-B3TN3/T1017	PROPELLER INSTL. REVERSING PROPELLER ASSY. ELECTRIC DEICER /WITH SPINNER/ SUPERSEDES 50-940085-17 PROPELLER ASSY. ELECTRIC DEICER /D3000/ WITHOUT SPINNER/ ATTACHING PARTS/ BOLT. O RING, CRANKSHAFT SEAL. WASHER.	NP 2 1		
- 1	A2047		8		
- 2	PRP909-8		1		
- 3	A2048		8		
- 4	840-60 A1891	HUB SPIDER ASSY. PILOT TUBE.	1 3		
- 5	C3479	HUB SPIDER.	1		
- 6	T10173E8	BLADE /WITH DEICER ROOTS/	3		
- 7	A1854	WIRE, BEARING RETAINING.	3		
- 8	A1852	GUIDE RING.	3		
- 9	A1889	SPACER, BALL.	3		
- 10	A18517	BEARING, SPLIT.	3		
- 11	A1877	RING, BEARING RETAINING.	3		
- 12	PRP909-10 PRP909-9 PRP909-8	O RING, BLADE. O RING, BLADE. O RING, BLADE.	AR AR AR		
NOTE USE PRP909-8, PRP909-9 OR PRP909-10 AS REQUIRED FOR PROPER FIT					
- 13	A1305	WEIGHT, BALANCE.	AR		
- 42	C3021 C3021DET#1 A862-1 A946	PISTON UNIT PISTON BUSHING, PLASTIC BUSHING, BRONZE.	1 1 1 6		

The example above shows the indenture system used to indicate parts in any given assembly. By this indenture system, parts shown in column 2 are component parts of the immediately preceding assembly, column 1; parts shown in column 3 are component parts of the immediately preceding assembly in column 2, etc., through column 7. For example, the HG-B3TN3/T10173E8 propeller assembly includes all parts listed starting after index 3. Note that items 1 and 3 (attaching parts) are not part of the propeller assembly. If part number 840-60 PROPELLER HUB SPIDER UNIT were ordered, it would include item 4 and item 5. There may be times a part number consists of more than 16 characters; in that case, an asterisk (*) will appear at the end of the part number column and the remainder of the number will be in the description field. See above example.

99-608-27

FIG. 247
PAGE 3

BEECHCRAFT BONANZA 33 THRU E33 ILLUSTRATED PARTS CATALOG

FIG. 247
 247

STEP 1
 Locate figure & item number
 on ILLUSTRATION.

FIG. 247		BEECHCRAFT AIRCRAFT 99, A99, A99A, E 899 ILLUSTRATED PARTS CATALOG							UNITS	USABLE
INDEX	PART	DESCRIPTION							PER	ON
NO.	NO.	1	2	3	4	5	6	7	ASSY	CODE
247	99-940000	PROPELLER INSTL. REVERSING							MP	
	50-940003-651	PROPELLER ASSY. ELECTRIC DEICER /WITH SPINNER/							2	
	50-940003-651	/SUPERSEDES 50-940005-1/								
	MG-837N3/T1017	3EB . . . PROPELLER ASSY. ELECTRIC DEICER/D3000/							1	
		/WITHOUT SPINNER/								
		/ATTACHING PARTS/								
- 1	A2047	. . . BOLT							8	
- 2	PRP90-8	. . . O RING, CRANKSHAFT SEAL							8	
- 3	A2048	. . . O RING, CRANKSHAFT SEAL							8	
- 4	840-60 A1891	. . . HUB SPIDER ASSY							1	
- 5		. . . PILOT TUBE							1	
- 6	110173B	. . . WIRE BEARING RETAINING							3	
- 7	A1854	. . . GUIDE RING							3	
- 8	A1852	. . . BEARING RETAINING							3	
- 9	A1890	. . . BEARING SPLIT							3	
- 10	A1851T	. . . BEARING RETAINING							3	
- 11	A1877	. . . GASKET							AR	
- 12	PRP90-10	. . . GASKET							AR	
	PRP90-9	. . . GASKET							AR	
	PRP90-8	. . . GASKET							AR	
DESCRIPTION 9-8, PRP90-9 OR PRP90-10 AS REQUIRED FOR PROPER FIT										
- 13	A1305	. . . WEIGHT/BALANCE							AR	
- 14	AN501A10-6	. . . SCREW, FILLISTER HEAD							6	
- 15	A944	. . . SLEEVE, LIMB SCREW							3	
- 16	AN380-3-3	. . . PIN, SLEEVE COTTER							3	
- 17	A890-8	. . . SLUG, COUNTERWEIGHT							3	
- 18	A3039	. . . SLUG, COUNTERWEIGHT							3	
- 19	ANAM14A/W/	. . . BOLT, HEX HEAD							6	
- 20	AN940-16	. . . WASHER							6	
	B37-65	. . . CLAMP, ASSY							3	
- 21	C1301-1	. . . CLAMP							1	
- 22	A1306	. . . GASKET, CLAMP							2	
- 23	A1372	. . . NUT, CLAMP							2	
- 24	3 LUBRICAP	. . . LUBRICAP							2	
- 25	A282	. . . SCREW, CLAMP SOCKET HEAD							2	
- 26	AN380-3-2	. . . PIN, COTTER							2	
- 27	A2004	. . . LIMB SCREW							1	
- 28	A285	. . . PIN, LIMB SCREW STAKING							1	
- 29	A2034-22	. . . SCREW, COUNTERWEIGHT SOCKET HEAD CAP							2	
- 30	A285	. . . PIN, SOCKET HEAD CAP SCREW STAKING							2	
- 31	B3007	. . . COUNTERWEIGHT							1	
- 32	A65	. . . PIN, COUNTERWEIGHT STAKING							1	
- 33	MS15001-1	. . . FITTING, LUBRICATOR							1	
- 34	B34-12	. . . COLLAR, ASSY, GUIDE							1	
	B5020	. . . COLLAR, GUIDE							3	
	A2029	. . . BUSHING, PLASTIC							1	
	A2038-14	. . . SCREW, SOCKET HEAD CAP							1	
	A114C	. . . PIN, STAKING							1	
	B31-19	. . . SPRING, ASSY, FEATHERING							1	
- 35	B848A	. . . TUBE, PILOT							1	
- 36	A1827-1	. . . RETAINER, SPRING CUP							1	
- 37	A3042	. . . TUBE, SPACER							1	
		. . . SPRING, INNER							1	
		. . . SPRING, OUTER							1	
		. . . RETAINER, SPRING							1	
		. . . RETAINER, SPLIT							1	
		. . . PISTON ASSY							1	
		. . . PISTON UNIT							1	
		. . . PISTON							1	
		. . . BUSHING, PLASTIC							1	
		. . . BUSHING, BRONZE							4	

FIG. 247
 PAGE 3

HOW TO LOCATE A PART WHEN THE DESCRIPTION IS KNOWN

Consult the Alphabetical Index, for the figure in which the part is listed. Immediately preceding the listing of parts is an illustration for each figure; locate the necessary part in the illustration (see step 1 in the example shown above). The index number adjacent to the illustrated part will appear in the listing of parts in the column entitled "Figure and Index Number" (see step 2 above). Immediately to the right of the index number will be found the required part number.

**BEECHCRAFT
BONANZA 33 THRU E33
ILLUSTRATED PARTS CATALOG**

SUPERSEDED PART NUMBERS

Superseded Part Numbers will appear in the Alpha-Numeric Index with the letter "S" just to the left of the number. They should also appear in the description field of the parts list, for example ". . . BOLT/ supersedes AN3-7/". In this instance, AN3-7 would be the superseded number.

REVISED LINES

Revised Lines in the parts list are indicated by the letter "R" which indicates that the line has either been revised or added.


HOW TO LOCATE A PART WHEN THE PART NUMBER IS KNOWN

If the part number is known and the illustrated parts list must be consulted for model applicability or description, refer to the Alpha-Numeric Index, for the figure and item number of the required part. Refer to the example shown below.

Part Number	Fig	Item	Description	Part Number	Fig	Item	Description
35-810142	42	7
...

When part number only is known turn to the ALPHA-NUMERICAL INDEX to locate correct figure & index number for illustration.

Delays in filling spare parts orders often occur as a result of incomplete information being furnished with the original order, i.e. lack of model designation and airplane serial number. The original order should always contain the information indicated by check marks on the placard shown below, in addition to the correct part number and description or any pertinent information which might further define the parts required.


**MANUFACTURED BY
BEECH AIRCRAFT
CORPORATION**
 SERIAL MODEL

 T.C. P.C.

The serial placard shown above is located on the main access door frame.

NOTICE

Beech Aircraft Corporation expressly reserves the right to supersede, cancel and/or declare obsolete any part, part numbers, kits or publications that may be referenced in this manual without prior notice.

IMPORTANT WHEN ORDERING PARTS

Always use the COMPLETE manufacturer's part number listed in the part number column. Be sure the "airplane serial number" accompanies all spares orders.

BEECHCRAFT
BONANZA 33 THRU E33
ILLUSTRATED PARTS CATALOG

WARNING

This parts catalog has but one function; to facilitate ordering replacement parts for the BEECHCRAFT Bonanza 33 Thru E33.

Illustrations in this catalog are to be used only as aids in identifying parts and should not be used as a maintenance reference for reassembly.

Address all orders to:

Commercial Product Support
Beech Aircraft Corporation
Wichita Kansas 67201
U.S.A.

MICROFICHE/AEROFICHE

The General Aviation Manufacturers Association has developed a specification for Microfiche and registered the name Aerofiche for use by all GAMA Members. This manual is available on Aerofiche or on paper, and either form of this manual may be obtained from BEECHCRAFT Aero or Aviation Centers and International Distributors or Dealers.

WARNING

Use only genuine BEECHCRAFT or BEECHCRAFT approved parts obtained from BEECHCRAFT approved sources, in connection with the maintenance and repair of Beech airplanes.

Genuine BEECHCRAFT parts are produced and inspected under rigorous procedures to insure airworthiness and suitability for use in Beech airplane applications. Parts purchased from sources other than BEECHCRAFT, even though outwardly identical in appearance may not have had the required tests and inspections performed, may be different in fabrication techniques and materials, and may be dangerous when installed in an airplane.

Salvaged airplane parts, reworked parts obtained from non-BEECHCRAFT approved sources, or parts, components, or structural assemblies, the service history of which is unknown or cannot be authenticated, may have been subjected to unacceptable stresses or temperatures or have other hidden damage, not discernible through routine visual or usual nondestructive testing techniques. This may render the part, component or structural assembly, even though originally manufactured by BEECHCRAFT, unsuitable and unsafe for airplane use.

BEECHCRAFT expressly disclaims any responsibility for malfunctions, failures, damage or injury caused by use of non-BEECHCRAFT approved parts.

B E E C H C R A F T
 BONANZA 33 THRU E33
 I L L U S T R A T E D P A R T S C A T A L O G

GENERAL WING CENTER SECTION FUSELAGE EMPENNAGE FLIGHT CONTROLS AUTOPILOT VACUUM OR PRESSURE SYSTEMS LANDING GEAR HYDRAULIC POWER POWER PLANT	FUEL SYSTEM CABIN FURNISHINGS OXYGEN SYSTEM ELECTRICAL INSTRUMENTS CONDITIONED AIR PRESSURIZATION ALCOHOL ANTI-ICER SYSTEMS FIRE EXTINGUISHER & FIRE DETECTION SYSTEMS AVIONICS
--	---

GROUP INDEX GUIDE

=====

GROUP NUMBER	TITLE
002	WING AND HORIZONTAL STABILIZER SKINS
003	FUSELAGE SKINS
004	EXTERIOR MARKINGS
005	LOOSE TOOLS AND ACCESSORIES
006	FUSELAGE STRUCTURE
007	AFT FUSELAGE STRUCTURE
008	ENGINE COMPARTMENT STRUCTURE
008A	AIR INTAKE CE-1 AND AFTER

B E E C H C R A F T
 BONANZA 33 THRU E33
 I L L U S T R A T E D P A R T S C A T A L O G

GROUP INDEX GUIDE
 =====

GROUP NUMBER	TITLE
009	CABIN DOOR.
010	WINDSHIELD AND WINDOWS.
010A	ONE PIECE WINDSHIELD. CD-1119 AND AFTER,CE-180 AND AFTER
011	BAGGAGE DOOR.
012	FLOORBOARDS
013	FRONT SEAT. CD-1 THRU CD-387
013A	FRONT SEAT. CD-388 THRU CD-1118,CE-1 THRU CE-179
013B	FRONT SEAT. CD-1119 AND AFTER,CE-180 AND AFTER
014	REAR SEAT CD-1 THRU CD-813
014A	REAR SEAT CD-814 THRU CD-1118,CE-1 THRU CE-179
014B	REAR SEAT CD-1119 AND AFTER,CE-180 AND AFTER
014C	FIFTH SEAT. CD-956 AND AFTER,CE-1 AND AFTER
015	UPHOLSTERY. CD-1 THRU CD-224,CD-233,CD-234, CD-236,CD-241,CD-246 THRU CD-250
015A	UPHOLSTERY. CD-255 THRU CD-232,CD-235,CD-237 THRU CD-240, CD-242 THRU CD-245,CD-251 THRU CD-387
015B	UPHOLSTERY. CD-388 THRU CD-813
015C	UPHOLSTERY. CD-814 THRU CD-1118,CE-1 THRU CE-179
015D	UPHOLSTERY. CD-1119 AND AFTER,CE-180 AND AFTER
016	MISCELLANEOUS FURNISHINGS AND FRESH AIR SYSTEM. CD-1 THRU CD-224,CD-233,CD-234,CD-236,CD-241
016A	OVERHEAD PANEL AND FRESH AIR SYSTEM CD-225 THRU CD-232,CD-235,CD-237 THRU CD-240 CD-242 THRU CD-1026,CE-1 THRU CE-25
016B	OVERHEAD PANEL AND FRESH AIR SYSTEM CD-1027 AND AFTER,CE-26 AND AFTER
017	WING.

B E E C H C R A F T
 BONANZA 33 THRU E33
 I L L U S T R A T E D P A R T S C A T A L O G

GROUP INDEX GUIDE
 =====

GROUP NUMBER	TITLE
018	WING LEADING EDGE CD-1 THRU CD-387
018A	WING LEADING EDGE CD-388 AND AFTER,CE-1 AND AFTER
019	WING BOX SECTION.
020	AILERON
021	FLAP.
022	FLAP DRIVE MECHANISM.
023	FLAP ACTUATOR AND LIMIT SWITCH.
024	FLAP MOTOR. CD-1 THRU CD-57
024A	FLAP MOTOR.
025	EMPENNAGE
026	HORIZONTAL STABILIZER
027	VERTICAL STABILIZER AND DORSAL FIN.
028	ELEVATOR.
029	RUDDER.
030	AILERON CONTROL CABLES.
031	ELEVATOR CONTROL CABLES
032	ELEVATOR TRIM TAB CONTROL CABLES.
033	RUDDER PEDALS
034	RUDDER CONTROL CABLES
035	MAIN LANDING GEAR
036	MAIN LANDING GEAR RETRACT SYSTEM.
037	LANDING GEAR ACTUATOR
038	MAIN LANDING GEAR DOORS
039	NOSE LANDING GEAR CD-1 THRU CD-370
039A	NOSE LANDING GEAR CD-371 AND AFTER,CE-1 AND AFTER
040	NOSE LANDING GEAR RETRACT SYSTEM.
041	NOSE GEAR SHIMMY DAMPENER
042	NOSE WHEEL STEERING MECHANISM

B E E C H C R A F T
 BONANZA 33 THRU E33
 I L L U S T R A T E D P A R T S C A T A L O G

GROUP INDEX GUIDE
 =====

GROUP NUMBER	TITLE
043	NOSE LANDING GEAR DOORS
044	HYDRALIC BRAKE PLUMBING CD-1 THRU CD-905
044A	HYDRALIC BRAKE PLUMBING CD-906 AND AFTER,CE-1 AND AFTER
045	BRAKE MASTER CYLINDER
046	CABIN HEAT AND VENT CD-1 THRU CD-387
046A	CABIN HEAT AND VENT CD-388 THRU CD-735
046B	HEAT AND CABIN VENT CD-736 AND AFTER,CE-1 AND AFTER
046C	HEAT AND CABIN VENT CD-1200 AND AFTER,CE-249 AND AFTER
047	POWER PLANT CD-1 AND AFTER
047A	POWER PLANT AND EXHAUST SYSTEM. CE-1 AND AFTER
048	EXHAUST SYSTEM. CD-1 AND AFTER
049	ENGINE COWLING.
050	ENGINE BAFFLES. CD-1 AND AFTER
050A	ENGINE BAFFLES. CE-1 AND AFTER
051	ENGINE CONTROLS CD-1 AND AFTER
051A	ENGINE CONTROLS AND COWL FLAP CONTROL CE-1 AND AFTER
052	FUEL SYSTEM CD-1 THRU CD-387
052A	FUEL SYSTEM CD-388 AND AFTER
052B	FUEL SYSTEM CE-1 AND AFTER
053	WING AUXILIARY FUEL SYSTEM. CD-1 THRU CD-387
054	FIXED INSTRUMENT PANEL. CD-1 THRU CD-387
055	CENTER INSTRUMENT PANEL
056	CONTROL COLUMN.

B E E C H C R A F T
 BONANZA 33 THRU E33
 I L L U S T R A T E D P A R T S C A T A L O G

GROUP INDEX GUIDE
 =====

GROUP NUMBER	TITLE
057	SINGLE AND DUAL CONTROL ARM CD-1 THRU CD-1061,CE-1 THRU CE-117
058	FLOATING INSTRUMENT PANEL CD-1 THRU CD-387
058A	FLOATING INSTRUMENT PANEL CD-388 THRU CD-1118,CE-1 THRU CE-179
058B	FLOATING INSTRUMENT PANEL CD-1119 AND AFTER,CE-180 AND AFTER
059	INSTRUMENT PLUMBING
060	ELECTRICAL EQUIPMENT.
061	INSTRUMENT PANEL ELECTRICAL EQUIPMENT CD-388 AND AFTER,CE-1 AND AFTER
062	FUSELAGE ELECTRICAL EQUIPMENT CD-388 AND AFTER,CE-1 AND AFTER
063	3 BLADED PROPELLER. CD-814 AND AFTER,CE-1 AND AFTER
064	LANDING GEAR SAFETY SYSTEM. CD-895 AND AFTER,CE-1 AND AFTER
065	60 AMP ALTERNATOR EQUIPMENT CD-814 AND AFTER
066	60 AMP ALTERNATOR CD-814 AND AFTER
067	SUBPANEL AND INSTRUMENT LIGHT CD-388 AND AFTER,CE-1 AND AFTER
068	BRAKE CD-1 THRU CD-624,CD-626 THRU CD-631 CD-633 THRU CD-636,CD-639
069	BRAKE CD-625,CD-632,CD-637 THRU CD-638 CD-640 THRU CD-1115,CE-1 THRU CE-171
069A	BRAKE CD-1116 AND AFTER,CE-172 AND AFTER
070	MAIN GEAR WHEEL CD-1 THRU CD-634
071	MAIN GEAR WHEEL CD-635 AND AFTER,CE-1 AND AFTER
072	OXYGEN SYSTEM CD-814 THRU CD-1051,CE-1 THRU CE-90
073	OXYGEN SYSTEM

B E E C H C R A F T
BONANZA 33 THRU E33
I L L U S T R A T E D P A R T S C A T A L O G

GROUP INDEX GUIDE
=====

GROUP NUMBER	TITLE
073	OXYGEN SYSTEM (CONT) CD-1052 AND AFTER,CE-91 AND AFTER
074	CONTROL COLUMN AND MAP LIGHT. CD-1062 AND AFTER,CE-118 AND AFTER
075	ELECTRIC ELEVATOR TRIM TAB CONTROL. CD-1202 AND AFTER,CE-239 AND AFTER
076	STABILITY AUGMENTATION SYSTEM CD-976 THRU CD-1118,CE-1 THRU CE-179
077	WING TIP FUEL TANKS CE-1 AND AFTER

ALPHABETICAL INDEX

BEECHCRAFT
 BONANZA 33 THRU E33
 ILLUSTRATED PARTS CATALOG

ALPHABETICAL INDEX

COMPONENT ITEM OR SYSTEM NAME	FIGURE NO.	COMPONENT ITEM OR SYSTEM NAME	FIGURE NO.
A		B	
ACTUATOR MOTOR, TRIM TAB	75	BOTTLE, OXYGEN	72
ACTUATOR, ELEVATOR TAB/ELECTRIC	75	BOX SECTION STRUCTURE	19
ACTUATOR, ELEVATOR TRIM TAB	26	BOX, BATTERY	62
ACTUATOR, FLAP	23	BOX, GLOVE	16
ACTUATOR, LANDING GEAR	37	BRACKET, FLAP	21
ADAPTER, CONTROL WHEEL	74	BRAKE	68
AFT BULKHEAD TRIM	15C	BRAKE LINING	69
AFT BULKHEAD UPHOLSTERY PANELS	15C	BRAKE PLUMBING	44
AILERON CABLE	30	BRAKE, DISC	69
AILERON TRIM CONTROL	74	BRUSH KIT, ALTERNATOR	66
AIR FILTER	59	BRUSH, ALTERNATOR	47A
AIR FILTER, INDUCTION	8	BRUSH, FLAP MOTOR	24
AIR INTAKE, INDUCTION	8	BRUSH, LG GEAR ACTUATOR MOTOR	37
AIR PRESSURE REGULATOR	59	BRUSH, STARTER	47A
AIR PRESSURE SYSTEM FILTER	58B	BUCKLE, SEAT BELT	13A
AIR SHUT-OFF CONTROL, AFT CABIN	46B	BULB, CYLINDER HEAD TEMPERATURE	47A
AIR SOURCE, EMERGENCY STATIC	59	BULB, OIL TEMPERATURE	47A
AIR TEMP INDICATOR, OUTSIDE	10	BUMPER, FLAP	21
AIR VALVE, COLD	46		
AIR VALVE, DEFROSTER	46A	C	
AIRCRAFT LOG BOOK	5	CABIN DOOR	9
AIRSPEED INDICATOR	58	CABIN DOOR TRIM	15C
ALTERNATE AIR DOOR	8A	CABIN DOOR UPHOLSTERY PANELS	15C
ALTERNATE AIR DOOR CONTROL	8A	CABIN DOOR WINDLACE	15D
ALTERNATOR OVERVOLTAGE RELAY	62	CABIN FLOOR CARPET	15D
ALTIMETER	58	CABIN HEADLINER	15D
AMMETER	54	CABIN LIGHT	60
ARM, DUAL CONTROL	57	CABIN VENT	3
ARM, SINGLE CONTROL COLUMN	74	CABIN WINDOW	10
ARM, THROWOVER CONTROL	57	CABLE, AILERON	30
ARMATURE, FLAP MOTOR	24	CABLE, ELEVATOR	31
ARMREST, FRONT SEAT	15A	CABLE, ELEVATOR TAB	32
ARMREST, SIDE PANEL	15D	CABLE, MAIN GEAR UPLOCK	36
ASH TRAY	15A	CABLE, RUDDER	34
ASSIST, HANDLE	6	CALCULATOR, HORSEPOWER	5
ASSIST, STEP	6	CAP, FUEL	52
		CARPET	15
B		CARRY THRU COVER, SPAR	15D
BAFFLE, ENGINE	50	CATALOG, PARTS	5
BAFFLE, NOSE COWL	5	CATCH, BAGGAGE DOOR	11
BAFFLE, OIL RADIATOR	5	CELL, FUEL	52
BAG, FLIGHT	5	CENTER INSTRUMENT PANEL	55
BAGGAGE DOOR	11	CHAIR ADJUSTMENT HANDLE	13B
BAGGAGE DOOR UPHOLSTERY PANEL	15C	CIGARETTE LIGHTER	61
BAGGAGE DOOR WINDLACE	15D	CLOCK	58
BAGGAGE HOLD DOWN STRAP	15D	CLUSTER, INSTRUMENT	54
BAR, TOW	5	COAT HANGER	16
BATTERY	62	COAT HANGER HOOK	15A
BATTERY & GENERATOR SWITCH	54	COIL, FLAP MOTOR FIELD	24A
BATTERY BOX	62	COMPASS	15C
BATTERY RELAY	62	CONE, TAIL	6
BATTERY VENT & DRAIN TUBES	62	CONTROL COLUMN	74
BEACON, ROTATING	60	CONTROL COLUMN LOCK	5
BELLCRANK, AILERON	30	CONTROL COLUMN STOP	55
BELLCRANK, ELEVATOR	31	CONTROL WHEEL	74
BELLCRANK, RUDDER PEDAL	33	CONTROL WHEEL ADAPTER	74
BELT, ALTERNATOR DRIVE	65	CONTROL WHEEL CLOCK	74
BELT, GENERATOR	47	CONTROL WHEEL COVER PLATE	74
BELT, SEAT	13	CONTROL WHEEL EMBLEM	74
BOB WEIGHT, ELEVATOR	31	CONTROL WHEEL MAP LIGHT	74
BOLT LIGHT	67	CONTROL, AFT CABIN AIR SHUTOFF	46B
BOOST PUMP, FUEL	52	CONTROL, AILERON TRIM	74
BOOT, RUDDER PEDAL	15D	CONTROL, ALTERNATE AIR DOOR	8A

BEECHCRAFT
 BONANZA 33 THRU E33
 ILLUSTRATED PARTS CATALOG

ALPHABETICAL INDEX

COMPONENT ITEM OR SYSTEM NAME	FIGURE NO.	COMPONENT ITEM OR SYSTEM NAME	FIGURE NO.
C			
CONTROL, COWL FLAP	51A	DRIVE, FLAP	32
CONTROL, DEFROSTER	46B	DUAL CONTROL ARM	57
CONTROL, ENGINE	51	E	
CONTROL, FRESH AIR	16A	EDGELITE SUBPANEL	67
CONTROL, FUEL INJECTION	47A	ELECTRIC TRIM CONTROL SWITCH	75
CONTROL, HEAT REGULATING	46	ELECTRIC TRIM CONTROL, ELEVATOR	75
CONTROL, MIXTURE	51	ELECTRICAL EQUIP INSTR PANEL	61
CONTROL, PARKING BRAKE	44	ELEMENT, OIL FILTER	47A
CONTROL, PROPELLER	51	ELEVATOR	28
CONTROL, THROTTLE	51	ELEVATOR CABLE	31
COOLER, OIL	47	ELEVATOR ELEC TRIM ACTUATOR	75
COORDINATOR, TURN	58A	ELEVATOR ELECTRIC TRIM CONTROL	75
COSOLE, OXYGEN	72	ELEVATOR TAB CABLE	32
COVER, EMER LANDING GEAR CRANK	15D	ELEVATOR TRIM CABLE	75
COVER, FIREWALL	15C	EMBLEM, CONTROL WHEEL	74
COVER, FUEL SELECTOR VALVE	72	EMERGENCY LDG GEAR CRANK COVER	15
COVER, PASSENGERS SEAT	14B	EMERGENCY STATIC AIR SOURCE	59
COVER, PILOT & COPILOT SEAT	13B	EMPENNAGE	25
COVER, SPAR CARRY THRU	15D	ENGINE	47
COVER, WHEEL WELL	8	ENGINE BAFFLE	50
COWL FLAP CONTROL	51A	ENGINE COMPARTMENT	6
COWL GILL	6	ENGINE COMPARTMENT STRUCTURE	8
COWL HINGE	3	ENGINE CONTROL	51
COWL OIL FILLER DOOR	3	ENGINE COWLING	49
COWLING DOOR	3	ENGINE INSTRUMENT CLUSTER	54
COWLING, ENGINE	49	ENGINE LOG BOOK	5
CURTAIN	16	ENGINE MAINTENANCE INSTRUCTION	5
CYLINDER HEAD TEMPERATURE BULB	47C	ENGINE MOUNT	47A
CYLINDER HEAD TEMPERATURE GAGE	54	ENGINE MOUNT FITTING	8
CYLINDER, MASTER	44	ENGINE OPERATORS MANUAL	5
D			
DAMPENER, SHIMMY	41	EXHAUST GAS TEMP INDICATOR	58A
DECAL, EXTERIOR	4	EXHAUST GAS TEMP PROBE	58A
DECAL, HAT SHELF	15D	EXHAUST STACK	47A
DEFROSTER AIR VALVE	46A	EXHAUST VALVE, OVERHEAD	16B
DEFROSTER CONTROL	46B	EXHAUST VENT	6
DIAGRAM, FUSELAGE SKIN	3	EXTERIOR MARKINGS	4
DIAGRAM, HORIZONTAL STAB SKIN	2	EXTINGUISHER, FIRE	16
DIAGRAM, WING	2	F	
DIRECTIONAL GYRO	58A	FAIRING, DORSAL FIN	27
DISC, BRAKE	70	FASTENER, COWL	49
DOME LIGHT	16B	FIELD COIL, FLAP MOTOR	24
DOOR UPHOLSTERY PANEL, BAGGAGE	15D	FIFTH SEAT	14C
DOOR WINDLACE, BAGGAGE	15D	FILLER VALVE & CAP, OXYGEN	72
DOOR WINDLACE, CABIN	15D	FILLET, LEADING EDGE	17
DOOR, ALTERNATE AIR	8A	FILLET, VERTICAL STABILIZER	27
DOOR, ALTERNATE AIR CONTROL	8A	FILTER, AIR PRESSURE SYSTEM	59
DOOR, BAGGAGE	11	FILTER, INDUCTION AIR	8
DOOR, CABIN	9	FILTER, INTAKE AIR	8A
DOOR, COWLING	49	FILTER, OIL	47A
DOOR, FUSELAGE	6	FILTER, SUCTION RELIEF VALVE	59
DOOR, GLOVE BOX	16	FIRE EXTINGUISHER	16
DOOR, MAIN LANDING GEAR	38	FIREWALL COVER	15C
DOOR, NOSE GEAR	43	FIREWALL SHUTOFF VALVE	46B
DOOR, OIL FILLER	49	FITTING, ENGINE MOUNT	8
DOOR, WING	17	FITTING, SEAT BELT END	13B
DORSAL FIN FAIRING	27	FLAP	21
DOUBLER, PITOT MAST MOUNTING	2	FLAP ACTUATOR	23
DRAG LEG, NOSE GEAR RETRACT	40	FLAP BUMPER	21
DRAIN VALVE, FUEL STRAINER	77	FLAP COWL	51A
DRAIN VALVE, MANIFOLD	47	FLAP DRIVE	22
DRIVE SHAFT, FLAP ACTUATOR	23		

BEECHCRAFT
 BONANZA 33 THRU E33
 ILLUSTRATED PARTS CATALOG

ALPHABETICAL INDEX

COMPONENT ITEM OR SYSTEM NAME	FIGURE NO.	COMPONENT ITEM OR SYSTEM NAME	FIGURE NO.
F			
FLAP LIMIT SWITCH	23	GYRO,HORIZON	58A
FLAP MOTOR	24	H	
FLAP POSITION INDICATOR	58A	HAND CRANK,LG GEAR ACTUATOR	58A
FLAP SWITCH	54	HANDLE,ASSIST	6
FLASHER,WARNING HORN	60	HANDLE,CABIN DOOR	9
FLIGHT BAG	5	HANDLE,CHAIR ADJUSTMENT	13B
FLIGHT MANUAL	5	HANDLE,FUEL SELECTOR	77
FLOATING INSTRUMENT PANEL	58	HANGER,COAT	16
FLOOR CARPET,CABIN	15D	HAT SHELF	15A
FLOORBOARD	12	HAT SHELF DECAL	15D
FORM,INSPECTION	5	HEADLINER,CABIN	15C
FRAME,CABIN DOOR	9	HEADREST ASSY	14B
FRAME,SEAT	13B	HEAT AND VENT,CABIN	46
FRESH AIR SYSTEM	16	HEAT REGULATING VALVE	46
FRONT SEAT	13	HEATER	47A
FRONT SEAT ARM REST	15A	HINGE,CABIN DOOR	9
FRONT SPAR,WING	17	HINGE,COWL	3
FUEL & MANIFOLD PRESSURE IND	58A	HINGE,COWL FLAP	51A
FUEL CAP	52	HINGE,ELEVATOR	25
FUEL CELL	52	HINGE,LEADING EDGE	18
FUEL CELL LINER	18A	HINGE,MAIN LANDING GEAR DOOR	38
FUEL GAGE	54	HINGE,NOSE GEAR DOOR	43
FUEL INDICATOR SWITCH	54	HINGE,RUDDER	27
FUEL INJECTION CONTROL	47A	HOISTING SLING	5
FUEL MANIFOLD VALVE	47	HOLD DOWN STRAP,BAGGAGE	15D
FUEL PRESSURE INDICATOR	58	HOOK,COAT HANGER	15A
FUEL PUMP	47	HORIZON GYRO	58A
FUEL QUANTITY GAGE SWITCH	77	HORIZONTAL STAB SKIN DIAGRAM	2
FUEL QUANTITY GAGE,TIP TANK	77	HORIZONTAL STABILIZER	26
FUEL SELECTOR & STRAINER VALVE	77	HORN,LANDING GEAR WARNING	60
FUEL SELECTOR HANDLE	77	HORN,RUDDER	29
FUEL SELECTOR PANEL SWITCH	77	HORN,STALL WARNING	62
FUEL SELECTOR VALVE COVER	72	HORSEPOWER CALCULATOR	5
FUEL STRAINER DRAIN VALVE	77	I	
FUEL SYSTEM	52	IGNITION SWITCH	61
FUEL TANK,WING TIP	77	INDICATOR,AIR SPEED	58
FUEL TRANSMITTER	52	INDICATOR,ELEV TAB POSITION	32
FUSELAGE SKIN DIAGRAM	3	INDICATOR,EXHAUST GAS TEMP	58A
FUSELAGE STRUCTURE	6	INDICATOR,FLAP POSITION	58A
G			
GAGE,CYLINDER HEAD TEMPERATURE	54	INDICATOR,FUEL PRESSURE	58
GAGE,FUEL	54	INDICATOR,INSTR AIR PRESSURE	58B
GAGE,OIL PRESSURE	54	INDICATOR,MANIFOLD PRESSURE	58
GAGE,OIL TEMPERATURE	54	INDICATOR,NOSE GEAR POSITION	40
GAGE,OXYGEN PRESSURE	72	INDICATOR,OUTSIDE AIR TEMP	10
GAGE,SUCTION	58A	INDICATOR,OXYGEN CYL PRESSURE	72
GAGE,TIP TANK FUEL QUANTITY	77	INDICATOR,RATE OF CLIMB	58
GASKET,EXHAUST STACK	17A	INDICATOR,TURN AND BANK	58
GEAR,MAIN LANDING	35	INDICATOR,TURN COORDINATOR	58A
GEAR,NOSE LANDING	39	INDICATOR,VERTICAL SPEED	58
GENERATOR	47	INDUCTION AIR FILTER	8
GENERATOR BELT	47	INDUCTION AIR INTAKE	8
GILL,COWL	6	INDUCTION AIR INTAKE	8
GLARE SHIELD	15B	INDUCTION AIR INTAKE FILTER	8
GLOVE BOX	16	INFLATION VALVE KIT	5
GLOVE BOX DOOR	16	INSPECTION FORM	5
GLOVE BOX DOOR MEDALLION	58A	INSTRU PLMB,LDG GR SAFETY SYS	64
GOVERNOR	47	INSTRUMENT AIR PRESS INDICATOR	58B
GRILL,NOSE BUG	6	INSTRUMENT CLUSTER	54
GRILL,SPEAKER	15	INSTRUMENT LIGHT	67
GROUNDING JACK	6	INSTRUMENT LIGHT RHEOSTAT	54
GYRO,DIRECTIONAL	58A		

BEECHCRAFT
 BONANZA 33 THRU E33
 ILLUSTRATED PARTS CATALOG

ALPHABETICAL INDEX

Courtesy of Bomar Flying Service
www.bomar.biz

COMPONENT ITEM OR SYSTEM NAME	FIGURE NO.	COMPONENT ITEM OR SYSTEM NAME	FIGURE NO.
I			
INSTRUMENT PANEL	54	MAIN LANDING GEAR	35
INSTRUMENT PANEL ELEC EQUIP	61	MAIN LANDING GEAR DOOR	38
INSTRUMENT PANEL PLUMBING	59	MAIN LANDING GEAR DOOR SEAL	19
INSTRUMENT PANEL STRUCTURE	58A	MAINTENANCE INSTRUCT,ENGINE	5
INSTRUMENT PANEL,CENTER	55	MANIFOLD & FUEL PRESS IND	58A
INSTRUMENT PANEL,FLOATING	58	MANIFOLD DRAIN VALVE	47
INSTRUMENT PANEL,MAIN	54	MANIFOLD PRESSURE INDICATOR	58
INSTRUMENT SUBPANEL	54	MANIFOLD VALVE ASSY,FUEL	47
INTERCYLINDER BAFFLE	50	MANUAL,FLIGHT	5
J			
JACK,GROUNDING	6	MANUAL,OPERATORS	5
K			
KEEL ASSEMBLY	6	MANUAL,SHOP	5
KNEE,CONTROL COLUMN TORQUE	56	MAP LIGHT SWITCH	74
KNEE,MAIN GEAR TORQUE	35	MAP LIGHT,CONTROL WHEEL	74
KNEE,NOSE GEAR TORQUE	39	MARKINGS,EXTERIOR	4
L			
LANDING GEAR ACTUATOR	37	MASK,OXYGEN	72
LANDING GEAR CRANK COVER,EMER	15	MAST,PITOT	59
LANDING GEAR DOOR CLAMP	35	MASTER CYLINDER	45
LANDING GEAR LIMIT SWITCH	60	MEDALLION,GLOVE BOX DOOR	58A
LANDING GEAR SAFETY SWITCH	60	MICROPHONE SWITCH	74
LANDING GEAR SAFETY SYSTEM	64	MIXTURE CONTROL	51
LANDING GEAR SWITCH	54	MOTOR,FLAP	24
LANDING GEAR WARNING HORN	60	MOTOR,LANDING GEAR ACTUATOR	37
LANDING GEAR,MAIN	35	MOTOR,TRIM TAB ACTUATOR	75
LANDING GEAR,NOSE	39	MOUNT,ENGINE	47A
LANDING LIGHT	62	MOUNT,INSTRUMENT PANEL SHOCK	58A
LANDING LIGHT SWITCH	54	MUFFLER	48
LATCH,BAGGAGE DOOR	11	MULTI-DISC BRAKE	69A
LATCH,CABIN DOOR	9	N	
LATCH,COWL FASTENER	49	NAVIGATION LIGHT SWITCH	54
LEADING EDGE FILLET	17	NOSE BUG GRILL	6
LEADING EDGE STRUCTURE	18	NOSE COWL BAFFLE	5
LIGHT SWITCH,MAP	74	NOSE GEAR DOOR	43
LIGHT,CABIN	60	NOSE GEAR POSITION INDICATOR	40
LIGHT,CONTROL WHEEL MAP	74	NOSE GEAR RETRACT SYSTEM	40
LIGHT,DOME	16	NOSE WHEEL SCRAPER GUARD	39
LIGHT,INSTRUMENT	67	NOSE WHEEL STEERING	42
LIGHT,LANDING	62	O	
LIGHT,POSITION	77	OIL COOLER	47A
LIGHT,TAIL CONE	6	OIL COOLER BAFFLE	50
LIGHT,WING POSITION	60	OIL FILLER DOOR	49
LIGHTER,CIGARETTE	61	OIL FILTER	47A
LIMIT SWITCH,FLAP	23	OIL PRESSURE GAGE	54
LINER,FUEL CELL	18A	OIL RADIATOR BAFFLE	5
LOCK,CONTROL COLUMN	5	OIL SEPARATOR	59
LOG BOOK,AIRCRAFT	5	OIL TEMPERATURE BULB	47A
LOG BOOK,ENGINE	5	OIL TEMPERATURE GAGE	54
LOOSE TOOL & ACCESSORIES	5	OPERATORS MANUAL,ENGINE	5
LUG,TIE DOWN	7	OUTLET,OXYGEN	72
M			
MAGIC HAND LOG GEAR SAFETY SYS	64	OUTSIDE AIR TEMP INDICATOR	10
MAGNETO	47	OVERHEAD PANEL	16
MAIN GEAR RETRACT SYSTEM	36	OVERHEAD SPEAKER	168
MAIN GEAR WHEEL	70	OXYGEN BOTTLE	72
		OXYGEN CONSOLE	72
		OXYGEN CYLINDER PRESS IND	72
		OXYGEN FILLER VALVE & CAP	72
		OXYGEN MASK	72
		OXYGEN OUTLET	72
		OXYGEN PRESSURE GAGE	72
		OXYGEN REGULATOR	72
		OXYGEN REGULATOR VALVE	72

BEECHCRAFT
 BONANZA 33 THRU E33
 ILLUSTRATED PARTS CATALOG

ALPHABETICAL INDEX

COMPONENT ITEM OR SYSTEM NAME	FIGURE NO.	COMPONENT ITEM OR SYSTEM NAME	FIGURE NO.
O			
OXYGEN SYSTEM	72		
P			
PANEL STRUCTURE, INSTRUMENT	58A	PRESSURE GAGE, OXYGEN	72
PANEL UPHOLSTERY	15D	PRESSURE INDICATOR, INSTR AIR	58B
PANEL, CENTER INSTRUMENT	55	PRESSURE PUMP	59
PANEL, FLOATING INSTRUMENT	58	PRESSURE REGULATOR, AIR	59
PANEL, INSTRUMENT	54	PRESSURE SW, LDG GR SAFETY SYS	64
PANEL, MAIN INSTRUMENT	54	PRESSURE SYSTEM	59
PANEL, OVERHEAD	16	PRESSURE SYSTEM AIR FILTER	59
PARKING BRAKE CONTROL	44	PROBE, EXHAUST GAS TEMPERATURE	58A
PARKING BRAKE VALVE	44	PROPELLER	63
PARTS CATALOG	5	PROPELLER CONTROL	51
PASSENGER SEATS	14	PUMP, FUEL	47
PASSENGERS SEAT	14B	PUMP, FUEL BOOST	52
PASSENGERS SEAT ADJUSTMENT	14B	PUMP, PRESSURE	59
PASSENGERS SEAT COVER	14B	PUMP, VACUUM	59
PASSENGERS SEAT FRAME	14B		
PASSENGERS SEAT HEADREST	14B	Q	
PASSENGERS SEAT TRACK	14B	QUANTITY GAGE, TIP TANK FUEL	77
PEDAL BOOT, RUDDER	15D		
PEDAL, RUDDER	33	R	
PILOT & COPILOT SEATS	13B	RATE OF CLIMB INDICATOR	58
PILOT & COPILOT SEATS ADJUST	13B	REAR SEAT	14
PILOT & COPILOT SEATS COVER	13B	REAR SPAR, WING	19
PILOT & COPILOT SEATS FRAME	13B	REBOUND CONTROL, NOSE GEAR	39
PILOT & COPILOT SEATS TRACK	13B	RECTIFIER, ALTERNATOR	66
PITOT MAST	59	REGULATOR VALVE, OXYGEN	72
PITOT MAST MOUNTING DOUBLER	2	REGULATOR, AIR PRESSURE	59
PITOT PLMB, LDG GEAR SAFETY SYS	64	REGULATOR, OXYGEN	72
PITOT PLUMBING	59	REGULATOR, VOLTAGE	62
PITOT TUBE	59	RELAY, ALTERNATOR OVERVOLTAGE	62
PLACARD, ALTERNATOR OUT	58B	RELAY, BATTERY	62
PLACARD, BAGGAGE DOOR	15D	RELAY, LANDING GEAR	64
PLACARD, COPILOT OXY OUTLET V	72	RELAY, STARTER	62
PLACARD, EMER LDG GEAR INSTRUCT	15D	RELIEF VALVE, SUCTION	59
PLACARD, FLIGHT PROCEDURE	58B	RESERVOIR, BRAKE FLUID	44
PLACARD, FUEL SELECTOR SWITCH	77	RETRACT SYSTEM, MAIN GEAR	36
PLACARD, FUEL SELECTOR VALVE	72	RETRACT SYSTEM, NOSE GEAR	40
PLACARD, LANDING GEAR POSITION	58B	RHEOSTAT, INSTRUMENT LIGHT	54
PLACARD, LWR SUBPANEL CRT BKR	58A	RHEOSTAT, RADIO & BOLT LIGHT	67
PLACARD, MARKER BEACON LIGHTS	58B	ROLLER, CONTROL COLUMN	56
PLACARD, OPERATION LIMITATIONS	15D	ROLLER, FLAP	21
PLACARD, OXYGEN OUTLET	73	ROTATING BEACON	60
PLACARD, OXYGEN RECHARGE	72	ROTOR, ALTERNATOR	66
PLACARD, PILOT OXY OUTLET VALVE	72	RUDDER	29
PLACARD, PITCH TRIM	75	RUDDER CABLE	34
PLACARD, RADIO CALL	54	RUDDER HINGE	27
PLACARD, UPPER CONTROL PANEL	58B	RUDDER PEDAL	33
PLACARDS, EXTERIOR	4	RUDDER PEDAL BOOT	15D
PLATE, CONTROL WHEEL COVER	74		
PLUMBING, BRAKE	44	S	
PLUMBING, FUEL	52	SAFETY SYSTEM, LANDING GEAR	64
PLUMBING, INSTRUMENT	59	SCOOP, FRESH AIR	16A
PLUMBING, OXYGEN	73	SCRAPER, NOSE WHEEL	39
PLUMBING, PITOT	59	SEAL, BAGGAGE DOOR	11
PLUMBING, STATIC	59	SEAL, CABIN DOOR	9
PLUMBING, VACUUM	59	SEAL, HORIZ STAB TO FUSELAGE	25
POSITION INDICATOR, ELEV TAB	32	SEAL, MAIN LANDING GEAR DOOR	19
POSITION INDICATOR, NOSE GEAR	40	SEAL, VERTICAL STAB TO FUSELAGE	27
POSITION LIGHT, WING	60	SEAL, WING TO FUSELAGE	17
POWER PLANT	47	SEAT ADJUSTMENT	13B
PRESSURE GAGE, OIL	54	SEAT BACK TABLE	15B
		SEAT BELT	13

BEECHCRAFT
 BONANZA 33 THRU E33
 ILLUSTRATED PARTS CATALOG

ALPHABETICAL INDEX

COMPONENT ITEM OR SYSTEM NAME	FIGURE NO.	COMPONENT ITEM OR SYSTEM NAME	FIGURE NO.
S			
SEAT COVER	13A	SUBPANEL, EDGELIT	67
SEAT TRACK	13	SUBPANEL, INSTRUMENT	54
SEAT, FIFTH	14C	SUCTION GAGE	58A
SEAT, FRONT	13	SUCTION RELIEF VALVE	59
SEAT, REAR	14	SUN SHADE	16
SELECTOR & STRAINER VALVE, FUEL	77	SUN VISOR	15B
SELECTOR HANDLE, FUEL	77	SWITCH, BATTERY & GENERATOR	54
SELECTOR PANEL SWITCH, FUEL	77	SWITCH, ELECTRIC TRIM CONTROL	75
SELECTOR VALVE, FUEL	52	SWITCH, FLAP	54
SEPERATOR, OIL	59	SWITCH, FLAP LIMIT	23
SHADE, SUN VISOR	15D	SWITCH, FUEL INDICATOR	54
SHAFT, TACHOMETER	47	SWITCH, FUEL SELECTOR PANEL	77
SHELF DECAL, HAT	15D	SWITCH, IGNITION	61
SHELF, HAT	15A	SWITCH, LANDING GEAR	54
SHIELD, GLARE	15B	SWITCH, LANDING GEAR LIMIT	60
SHIMMY DAMPENER	41	SWITCH, LANDING GEAR SAFETY	60
SHOCK ABSORBER, MAIN GEAR	35	SWITCH, LANDING LIGHT	54
SHOCK MOUNTS, INSTRUMENT PANEL	54	SWITCH, LDG GR SAFETY SYS PRESS	64
SHOCK STRUT, NOSE GEAR	39	SWITCH, MAGIC HAND	64
SHOP MANUAL	5	SWITCH, MAP LIGHT	74
SHUTOFF CONTROL, AFT CABIN AIR	46B	SWITCH, MICROPHONE	74
SHUTTLE VALVE, BRAKE	44	SWITCH, NAVIGATION LIGHT	54
SIDE PANEL ARM RESTS	15D	SWITCH, STARTER	54
SIDE UPHOLSTERY PANELS	15D	SWITCH, STARTER SOLENOID	47
SINGLE CONTROL COLUMN ARM	74	SWITCH, THROTTLE WARNING	60
SKIN DIAGRAM, FUSELAGE	3	T	
SKIN DIAGRAM, HORIZONTAL STAB	2	TAB, RUDDER	29
SKIN DIAGRAM, WING	2	TABLE, SEAT BACK	15B
SLING, HOISTING	5	TACHOMETER	58
SOLENOID SWITCH, STARTER	47	TACHOMETER & HOUR COUNTER	58A
SPAR COVER, CARRY THRU	6	TACHOMETER, SHAFT	47
SPAR, WING FRONT	17	TAIL CONE	6
SPAR, WING REAR	19	TAIL PIPE	48
SPARK PLUG	47A	TAIL SECTION STRUCTURE	7
SPEAKER, GRILL	15	TANK, WING TIP FUEL	77
SPEAKER, OVERHEAD	16B	TEMPERATURE GAGE, CYLINGER HEAD	54
SPINNER, PROPELLER	63	TEMPERATURE GAGE, OIL	54
SPRING, MAIN GEAR UPLOCK	36	TEMPERATURE IND, EXHAUST GAS	58A
STABILIZER, HORIZONTAL	26	TEMPERATURE IND, OUTSIDE AIR	10
STABILIZER, VERTICAL	27	TEMPERATURE PROBE, EXHAUST GAS	58A
STACK, EXHAUST	47A	THIRD WINDOW	10
STALL STRIP	18	THROTTLE CONTROL	51
STALL WARNING HORN	62	THROTTLE VALVE	47
STALL WARNING UNIT	60	THROTTLE WARNING SWITCH	62
STARTER	47	THROWOVER CONTROL ARM	57
STARTER RELAY	62	TIE DOWN LUG	7
STARTER SOLENOID SWITCH	47	TIP TANK FUEL QUANTITY GAGE	77
STARTER SWITCH	54	TIP, VERTICAL STABILIZER	27
STARTING VIBRATOR	62	TIP, WING	17
STATIC AIR SOURCE, EMERGENCY	59	TIRE, MAIN GEAR	35
STATIC PLUMBING	59	TIRE, NOSE GEAR	39
STATOR & COIL, ALTERNATOR	66	TORQUE KNEE, CONTROL COLUMN	56
STEERING, NOSE WHEEL	42	TORQUE KNEE, MAIN GEAR	35
STEP, ASSIST	6	TORQUE KNEE, NOSE GEAR	39
STOP, CONTROL COLUMN	55	TOW BAR	5
STORM WINDOW	10	TRACK, NOSE WHEEL STRAIGHTENER	42
STRAP, BAGGAGE HOLD DOWN	15D	TRACK, SEAT	13
STRIP, STALL	18D	TRANSMITTER, FUEL	52
STRUCTURE, BOX SECTION	19	TRAY, ASH	15D
STRUCTURE, ENGINE COMPARTMENT	8	TRIM ACTUATOR MOTOR	75
STRUCTURE, FUSELAGE	6	TRIM CABLE, ELEVATOR	75
STRUCTURE, INSTRUMENT PANEL	58A	TRIM CONTROL SWITCH, ELECTRIC	75
STRUCTURE, LEADING EDGE	18		
STRUCTURE, TAIL SECTION	7		

BEECHCRAFT
 BONANZA 33 THRU E33
 ILLUSTRATED PARTS CATALOG

ALPHABETICAL INDEX

COMPONENT ITEM OR SYSTEM NAME	FIGURE NO.	COMPONENT ITEM OR SYSTEM NAME	FIGURE NO.
T		W	
TRIM CONTROL,AILERON	74	WINDOW,CABIN	10
TRIM CONTROL,ELEVATOR ELECTRIC	75	WINDOW,STORM	10
TRIM ELECTRIC ACTUATOR,ELEV	75	WINDOW,THIRD	10
TRIM TAB,ELEVATOR	28	WINDSHIELD	10
TRIM,AFT BULKHEAD	15D	WING BOLT WRENCHES	5
TRIM,BAGGAGE DOOR	15D	WING POSITION LIGHT	60
TRIM,CABIN DOOR	15D	WING SKIN DIAGRAM	2
TRIM,SIDE UPHOLSTERY PANELS	15D	WING TIP	17
TUBE,PITOT	59	WING TIP FUEL TANK	77
TURN & BANK INDICATOR	58	WING WALKWAY	19
TURN COORDINATOR INDICATOR	58A	WRENCH,WING BOLT	5
U			
UPHOLSTERY	15		
UPHOLSTERY PANELS TRIM,SIDE	15D		
UPHOLSTERY PANELS,AFT BULKHEAD	15D		
UPHOLSTERY PANELS,BAGGAGE DOOR	15D		
UPHOLSTERY PANELS,CABIN DOOR	15D		
UPHOLSTERY PANELS,SIDE	15D		
V			
VACUUM PLUMBING	59		
VACUUM PUMP	59		
VALVE,BRAKE SHUTTLE	44		
VALVE,COLD AIR	46		
VALVE,DEFROSTER AIR	46A		
VALVE,FIREWALL SHUTOFF	46B		
VALVE,FRESH AIR	16		
VALVE,FUEL MANIFOLD	47		
VALVE,FUEL SELECTOR	52		
VALVE,FUEL SELECTOR & STRAINER	77		
VALVE,FUEL STRAINER DRAIN	47		
VALVE,HEAT REGULATING	46		
VALVE,MANIFOLD DRAIN	47		
VALVE,OVERHEAD EXHAUST	16B		
VALVE,OXYGEN REGULATOR	72		
VALVE,PARKING BRAKE	44		
VALVE,SUCTION RELIEF	59		
VALVE,THROTTLE	47		
VENT AND HEAT,CABIN	46		
VENT,CABIN	3		
VERTICAL SPEED INDICATOR	58		
VERTICAL STABILIZER	27		
VIBRATOR,STARTING	62		
VISOR SHADE,SUN	15D		
VISOR,FRONT SUN	15D		
VISOR,REAR SUN	15D		
VOLTAGE REGULATOR	47		
VOLTAGE REGULATOR,ALTERNATOR	65		
W			
WALKWAY,WING	19		
WARNING HORN,STALL	62		
WHEEL ADAPTER,CONTROL	74		
WHEEL EMBLEM,CONTROL	74		
WHEEL HELL COVER	15A		
WHEEL,CONTROL	57		
WHEEL,MAIN GEAR	35		
WHEEL,NOSE GEAR	39		
WINDLACE,BAGGAGE DOOR	15D		
WINDLACE,CABIN DOOR	15D		

ALPHA- NUMERIC INDEX

B E E C H C R A F T
SONANZA 33 THRU E33
I L L U S T R A T E D P A R T S C A T A L O G

PART NUMBER	FIGURE & ITEM NO.	PART NUMBER	FIGURE & ITEM NO.	PART NUMBER	FIGURE & ITEM NO.
#10X1/2	069 - 11	AN316-6R	036 - 14	AN5H14A	068 - 17
AC268-38-7	073 - 1	AN316-6R	031	AN5H5A/M/	069 - 17
AC273	047A- 9	AN316-6R	040	AN501-416-32	054 - 7
AD877	047A- 62	AN316-6R	042 - 6	AN501A10-6	063 - 20
AD877-1	047 - 30C	AN3169-1	023 - 15	AN502-10-4	069 - 20
AF5-1	005	AN320-18	031	AN507-6R	015
AGC3	062	AN320-3	026	AN507-632	061 - 16
AN155-32L	034 - 9	AN340-6	074	AN507-632R5	064 - 27
AN155-32L	031 - 26	AN340B8	015C	AN507-832-8	010
AN155-32S	030	AN3433-2-2	054	AN507B632R	058B
AN155-8L	032 - 41	AN363-1032	062	AN515-4R12	064 - 7
AN155-8S	032 - 53	AN363-524	071 - 2	AN515-8-5	040 - 29
AN161-16RS	060 - 71	AN363-624	069 - 24	AN515-8-6	047
AN165-8RS	032 - 52	AN364-428	042	AN515-8-6	047
AN227-6	015	AN364-624	068 - 12	AN515-8R20	044A
AN227-6	014C	AN364-624	068 - 33	AN515-8R7	054 - 6
AN227-6B	015	AN365-1032	046A	AN51588-7	015C
AN227-6B	073	AN365-1032	046A	AN520-10R10	059
AN227-7B	015	AN365-1032C	065	AN520-10R8	065 - 25
AN227-7B	014C	AN365-428	054	AN525-10	009 - 46
AN227-7B	073	AN365-428	070	AN525-10	015
AN227-8B	012	AN365-624	036	AN526-632-40	044A
AN227-8B	012	AN365B632A	058B	AN526-632-40	044
AN227-8B	012	AN366F1032	006	AN530-10-10	044A
AN227-8B	012	AN366F1032	026	AN565A6H4	016A
AN227-8B	012	AN366F1032	026	AN565A6H4	075 - 13
AN227-8B	012	AN366F632	002	AN565D8H2	064 - 26
AN227-8B	012	AN366F832	006	AN6H26A/M/	069 - 22
AN227-8B	015	AN366F832	006	AN6012-1A	072 - 26
AN227-9B	015	AN366F832	006	AN6227-1	041 - 12
AN23-14	026 - 70	AN366F832	028	AN6227-13	041 - 10
AN230GB2	015	AN380-2-1	046A	AN6227-13	042 - 19
AN230WB2	015	AN380-2-2	026	AN6227-20	039 - 24
AN286-1	036 - 25B	AN380-2-2	034	AN6227-23	068 - 24
AN3-14A/M/	013B- 12	AN380-2-2	049	AN6227-24	039 - 25
AN3-14A/M/	014B- 18	AN380-2-3	035	AN6227-27	039 - 26
AN3-14A/M/	014B- 20	AN380-3-2	041	AN6227-29	068 - 3
AN3-14A/M/	013B- 25	AN380-3-2	063	AN6227-5	016 - 10
AN3-15/M/	047A- 37	AN380-3-3	063	AN6227-7	041 - 11
AN3021-2	054 - 24	AN380-3-4	037	AN6227-8	026 - 49
AN3021-2	054 - 24A	AN380-6-10	014 - 2	AN6227B10	045
AN3021-3	053 - 40	AN380-6-6	014 - 1	AN6227B11	045 - 6
AN3021-3	054 - 14	AN380C2-2	045 - 12	AN6227B13	023 - 13
AN3021-3	054 - 13	AN386-2-12A	033 - 20	AN6227B27	064 - 23
AN3021-3	054	AN392-13	010 - 71	AN6227B27	069 - 4
AN3027-2	054 - 26	AN392-15	032 - 24	AN6227B31	035 - 24
AN3033-1	060	AN392-19	030 - 8	AN6227B5	045
AN3033-12	060	AN392-19	031 - 14	AN6227B6	039A- 13
AN310-3	047A	AN392-19	034 - 16	AN6227B6	045 - 5
AN310-3	060	AN392-23	030	AN6227B9	037 - 12
AN310-4	039A	AN392-23	031 - 4	AN6227B9	045 - 17
AN310-4	042	AN392-23	030	AN6230B1	039A- 18
AN310-5	035	AN392-23	032 - 30	AN6230B2	039A- 22
AN3111-2	006	AN392-23	034 - 17	AN6230B20	039A
AN3121-1813	054 - 45	AN392-25	042 - 11	AN6230B22	039A- 60
AN315-3R	026 - 75	AN392-35	014C- 7	AN6230B30	071 - 10
AN315-3R	040 - 51	AN392-35	030 - 19	AN6230B5	035
AN316-4L	030	AN392-35	031 - 10	AN6230B7	035 - 17
AN316-4L	038	AN392-35	031	AN6231A19	039A- 26
AN316-4R	013 - 21	AN392-45	031 - 5	AN6270-2-12 1/2	047A
AN316-4R	030	AN392-65	032 - 36	AN6270-2-12-1/2	047 - 40
AN316-4R	038	AN392-67	031 - 17	AN6270-2-12-1/2	047 - 43
AN316-4R	042 - 14	AN392-67	032 - 33	AN6270-2-13 1/2	052 - 54
AN316-4R	045	AN393-77	037 - 5	AN6270-2-13 1/2	052A- 6
AN316-4R	051A- 29	AN4-11A/M/	058B- 40	AN6270-2-13 1/2	052A- 1
AN316-5R	030	AN4-12 /M/	039A- 37	AN6270-2-16	047A
AN316-5R	040	AN4-40A	070 - 6	AN6270-2-16	052A- 8
AN316-5R	045 - 11	AN4-6 /M/	044	AN6270-3-17 1/2	052A
AN316-5R	063 - 30	AN4-6A /M/	065 - 22	AN6270-4-18	052A
AN316-5R	062	AN4H16A	068 - 38	AN6270-6-18	059 - 64
AN316-6L	040	AN4022-1	052 - 59	AN6270-6-20 1/2	059 - 66
AN316-6R	033	AN42-4	060 - 73	AN6270-6-6 7/8	059 - 32
AN316-6R	040	AN5-13 /M/	035 - 39	AN6270-6-7 5/8	059 - 33

B E E C H C R A F T
SONANZA 33 THRU E33
I L L U S T R A T E D P A R T S C A T A L O G

PART NUMBER	FIGURE & ITEM NO.	PART NUMBER	FIGURE & ITEM NO.	PART NUMBER	FIGURE & ITEM NO.
AN6271-4-10-7/8	044	AN807-6D	059 - 43	AN821-8D	052 - 9
AN6271-4-12	044	AN813-1A	039 - 51	AN822-2B	047 - 40A
AN6290-2	039 - 49	AN813-1A	035 - 22	AN822-4D	035
AN6290-4	035 - 53	AN813-1B	039A- 15	AN822-4D	044
AN6290-5	035 - 23	AN815-2D	047	AN822-4D	044
AN659-5	037	AN815-4D	077 - 20	AN822-4D	058 - 27C
AN663C4	031 - 45	AN815-4D	035 - 54	AN822-4D	059 - 17
AN665-10R	036 - 47	AN815-4D	035 - 42	AN822-4D	068 - 37
AN665-21R	009 - 75	AN815-4D	044	AN822-5D	072 - 106
AN666-2	036 - 44	AN815-4D	044	AN822-6D	059 - 71
AN667-2	036 - 43	AN815-4D	044A- 58	AN823-4	044
AN667-4	031 - 47	AN815-4D	044A- 32	AN823-4	044
AN668-2	026 - 64	AN815-4D	044A- 41	AN823-4	044
AN669L4	031 - 46	AN815-4D	044A- 45	AN823-4	052A- 21
AN669S2LH	026 - 63	AN815-4D	044	AN823-4D	044
AN735032	046A- 41	AN815-4D	044	AN823-4D	059 - 19
AN73506	047	AN815-4D	044	AN823-4D	053
AN73506	047	AN815-4D	052B	AN823-4D	072 - 85
AN737-30	059 - 75	AN815-4D	052A- 55A	AN823-5D	072 - 49
AN737RM107	016B- 34	AN815-4D	059 - 5	AN823-6D	059 - 63
AN737RM22	059 - 11	AN815-4D	053	AN823-6D	059 - 31
AN737RM22	059 - 25	AN815-5D	072 - 96	AN824-4D	044
AN737RM22	059 - 8	AN815-5D	072 - 99	AN824-4D	044
AN737RM22	064 - 31	AN815-5D	073 - 89	AN824-4D	044A- 5
AN737RM22	059 - 91	AN815-6D	077 - 29	AN824-4D	044A- 12
AN737RM24	059 - 42	AN815-6D	077 - 27	AN824-4D	053
AN737RM26	052A	AN815-6D	052A- 14	AN824-4D	052 - 41
AN737RM26	052B	AN815-6D	052B- 19	AN824-4D	053
AN737RM26	059 - 78	AN815-6D	0523- 41	AN824-4D	059 - 3
AN737RM34	047	AN816-2	052 - 30	AN824-4D	064 - 42
AN737RM34	059 - 84	AN816-2B	052A- 46	AN824-5D	073 - 102
AN737RM34	059 - 88	AN816-2D	047	AN824-5D	073 - 85A
AN737RM34	059	AN816-2D	059 - 59	AN824-6D	052 - 25
AN737RM38	046B- 65	AN816-2D	058B- 29	AN824-6D	052A- 42
AN737RM44	059 - 97	AN816-3D	052A- 5	AN824-6D	059 - 37
AN737RM46	046C- 39	AN816-4	044	AN826-4D	058 - 27B
AN737TW66	046C- 70	AN816-4B	059 - 111	AN826-4D	059 - 12
AN737TW74-91	046C- 75	AN816-4B	059 - 93	AN826-4D	059 - 15
AN737TW82	046B- 42	AN816-4D	044A- 21	AN832-2D	047A
AN737TW82	046C- 52	AN816-4D	044	AN832-2D	047
AN737TW82	046A- 61	AN816-4D	044A- 64	AN832-2D	052A- 7
AN737TW98	046C- 24	AN816-4D	052A- 10	AN832-3	047
AN742-11	061 - 29	AN816-4D	068 - 16	AN832-3	047A- 45
AN742-3	016B- 40	AN816-4D	072 - 87	AN832-3	047
AN742-4	016B- 46	AN816-5D	072 - 101	AN832-3	052A
AN742-4	016A- 13	AN816-5D	073 - 90	AN832-4D	035
AN742-4	046A- 24	AN816-6	052B	AN832-4D	044
AN742-6C	077 - 25	AN816-6D	059 - 30	AN832-4D	044A- 43
AN742-6C	044	AN816-6D	059 - 65	AN832-4D	052A
AN742D24	046A- 34	AN816-6D	053	AN832-6D	052A- 41
AN742D32	046A- 39	AN818-4D	035	AN833-2D	047A- 45A
AN743-12	022 - 10	AN818-6D	077	AN833-2D	052 - 57
AN743-13	008	AN818-6D	077	AN833-2D	052A
AN743-13	016B- 45	AN819-4	035	AN833-4	052A- 52
AN743-13	016A	AN819-6D	077	AN833-4	052B- 58
AN743-13	016A- 6	AN819-6D	077	AN833-4D	044A- 60
AN743-13	062	AN820-4D	052 - 39	AN833-4D	044A- 23
AN743-13	061 - 28	AN820-6D	052 - 17	AN833-4D	044A- 30
AN743P12	062 - 28	AN821-4D	044	AN833-4D	044
AN749-1-4	025 - 15	AN821-4D	044	AN833-4D	044A- 36
AN750-6	015C-118	AN821-4D	044A- 34	AN833-4D	044A- 14
AN780-3	072 - 37	AN821-4D	044A- 55	AN833-4D	052B- 26
AN780-3	073 - 34	AN821-4D	044	AN833-4D	052 - 36
AN790-3	072 - 32	AN821-4D	052B- 23	AN833-4D	052A- 54
AN790-3	072 - 22	AN821-4D	052B- 30	AN833-4D	052 - 38
AN791-3	072 - 28	AN821-4D	052B- 14	AN833-4D	052B- 34
AN791-3	072 - 52	AN821-4D	052 - 44	AN833-4D	052B- 60
AN791-3	073 - 43	AN821-4D	052A- 57	AN833-6	052B- 43
AN795-3	072 - 30	AN821-4D	052B- 6	AN833-6	052A- 44
AN8013D2	058A- 28	AN821-4D	052B- 32	AN833-6D	052A- 12
AN804-4D	044A	AN821-4D	059 - 22	AN833-6D	052B- 17
AN804-4D	044A- 24	AN821-5D	073	AN833-6D	052 - 27
AN807-10	059 - 153	AN821-6D	053	AN833-6D	052A- 29

B E E C H C R A F T
 BONANZA 33 THRU E33
 I L L U S T R A T E D P A R T S C A T A L O G

PART NUMBER	FIGURE & ITEM NO.	PART NUMBER	FIGURE & ITEM NO.	PART NUMBER	FIGURE & ITEM NO.
AN833-6D	052A- 23	AN924-4D	044A	AN960-416L	031
AN833-6D	052 -013	AN924-4D	044A	AN960-416L	033
AN834-4D	044	AN924-4D	044A	AN960-416L	039A
AN834-6D	052 - 14	AN924-4D	044	AN960-416L	054
AN837-2D	052 - 55	AN924-4D	044A	AN960-416L	068 - 39
AN837-2D	052A- 2	AN924-4D	047A	AN960-516	035
AN837-4D	035	AN924-4D	052B	AN960-516	047A
AN837-4D	035	AN924-4D	052A	AN960-516	047
AN837-4D	044A- 47	AN924-4D	052B	AN960-516	052A
AN837-4D	044	AN924-4D	052B	AN960-516	052
AN837-4D	044	AN924-4D	052A	AN960-516	052A
AN837-4D	044	AN924-4D	052	AN960-516	052
AN837-4D	044A- 38	AN924-4D	052	AN960-516	052A
AN837-4D	044A- 49	AN924-4D	052B	AN960-516	062
AN837-4D	044A- 11A	AN924-6	052B	AN960-516	071 - 3
AN837-4D	047A- 70	AN924-6D	052A	AN960-516L	040
AN837-4D	052B- 52	AN924-6D	052B	AN960-516L	069 - 18
AN837-4D	052B- 50	AN924-6D	052	AN960-516L	068 - 18
AN837-4D	052 - 43	AN924-6D	052	AN960-6	044A
AN837-6D	052A- 17	AN924-6D	052B	AN960-6	044
AN837-6D	052 - 16	AN924-6D	052A	AN960-6	058B
AN840-4	059 -124	AN924-6D	052	AN960-616	013A
AN840-8	059 - 86	AN924-6D	052A	AN960-616	014A
AN840-8	059 -106	AN924-8D	059	AN960-616	031
AN840-8	059 -120	AN924-9	052A	AN960-616	036
AN840-8D	059 - 73	AN929-5	072 -111	AN960-616	047
AN842-8D	059 - 81	AN929-5D	073 -103	AN960-616	047
AN844-6D	058A- 22C	AN929-6	059 - 44	AN960-616	047A
AN844-8D	059 - 82	AN931-12-17	047 - 48	AN960-616	052A
AN848-8D	059 - 76	AN931-12-17	058B	AN960-616	069 - 23
AN865-1	050 - 35	AN931-12-17	059 - 94	AN960-616L	016 - 11
AN865-1	050A- 18B	AN931-3-9	015	AN960-616L	024 - 26
AN894-3-2D	047	AN931-5S13	050A- 31	AN960-616L	024A- 26
AN894-3D	047	AN931A4-7	076 - 3	AN960-616L	040
AN894D3-2	047A	AN935-416	051A	AN960-616L	040
AN900-10	060	AN936A1216	059	AN960-616L	040
AN900-10	062 - 23	AN936B10	070	AN960-616L	042 - 5
AN900-9	037	AN936B416	052A	AN960-616L	068 - 32
AN910-1	073 - 33	AN960-10	016B	AN960-616L	068 - 11
AN910-2	053	AN960-10	026	AN960-716	035
AN911-1D	072 - 47	AN960-10	046A	AN960-716	044
AN912-1D	053	AN960-10	046B	AN960-716	044A
AN912-2D	059	AN960-10	047A	AN960-716	044
AN913-1D	072 -102	AN960-10	052A	AN960-716	044
AN914-1D	064 - 35	AN960-10	059	AN960-716	044A
AN914-5D	073 -124	AN960-10L	008A	AN960-716	044
AN917-3D	059 - 72	AN960-10L	013B	AN960-716	047A
AN919-0D	047	AN960-10L	013B- 13	AN960-716	052B
AN919-6D	059 - 35	AN960-10L	014B	AN960-716	052
AN924-10	059	AN960-10L	014B	AN960-716	052B
AN924-2D	047	AN960-10L	037	AN960-716	052A
AN924-2D	047A	AN960-10L	046A	AN960-716	052A
AN924-2D	052	AN960-10L	046A	AN960-716	052B
AN924-2D	052A	AN960-10L	060	AN960-716L	035
AN924-2D	052A	AN960-1216L	059	AN960-716L	044A
AN924-2D	052A	AN960-1416	059	AN960-716L	044A
AN924-2D	052	AN960-1416	064	AN960-716L	044A
AN924-3	047	AN960-3	041 - 13	AN960-716L	044A
AN924-3	047A	AN960-3	040	AN960-716L	044A
AN924-3	047	AN960-3	046B- 84	AN960-716L	044A
AN924-3	052A	AN960-4	064 - 25	AN960-716L	044A
AN924-4	052B	AN960-4	060	AN960-8	040
AN924-4	052A	AN960-4	064	AN960-8	046
AN924-4	052B	AN960-416	014A	AN960-8	047
AN924-4D	035	AN960-416	032	AN960-8	047
AN924-4D	044A	AN960-416	039A	AN960-8	054
AN924-4D	044A	AN960-416	046	AN960-8	054
AN924-4D	044	AN960-416	042	AN960-8	051
AN924-4D	044	AN960-416	044	AN960-8	051A
AN924-4D	044	AN960-416	046B	AN960-8	060
AN924-4D	044A	AN960-416	070	AN960-916	052B
AN924-4D	044A	AN960-416L	013B- 10	AN960-916	052
AN924-4D	044A	AN960-416L	014B	AN960-916	052A

B E E C H C R A F T
 BONANZA 33 THRU E33
 I L L U S T R A T E D P A R T S C A T A L O G

PART NUMBER	FIGURE & ITEM NO.	PART NUMBER	FIGURE & ITEM NO.	PART NUMBER	FIGURE & ITEM NO.
AN960A816L	060 - 59	A57G336	045	B4-3	047 - 14
AN960C10	062	A57G363	045	B40-1	040 - 50
AN960D10L	040	A57G393	045 - 1	B40-1	051A- 44
AN960D516	032	A57G394	045	B55	026 - 14
AN970-4	054	A57G395	045 - 2	B55	026 - 12
AN975-3	033	A57G395	045 - 7	B78X	057 - 2
AQ4S	060 - 31	A57G396	045 - 16	B78X	074 - 4
AQ6Q	062 - 41	A57G399	045 - 4	B88	037 - 28
AQ6Q	060 - 29	A57G400	045 - 10	CB2320	061 - 7
AQ6Q	060 - 21	A57G401	045 - 3	CB3115A	061 - 58
AQ8Q	062 - 42	A6	076 - 24	CB3115A	060 - 76
AQ8Q	060 - 19	A6K161	006	CCA3400	052 - 82
AR4	030	A6191-6Z1	006	CCA3400	053 - 2
A10	047A	A6194-8Z1	006	CCA3400	052B- 81
A1037-012-67	015	A6195-8Z1	008	CCA3400	052A- 75
A114G	063 - 27	A6195-8Z3	007	CCA4850	052A-106
A1170-2	033 - 10	A6195-8Z3	007	CCA4850	052 - 73
A1170-2	033 - 7	A6195-8Z3	018A	CCA4850	052B- 72
A1170-6	006	A6196-8Z1	002	CCA4850	077 - 16
A1170-7	033 - 37	A6196-8Z1	002	CDLM80	061
A1170-7	033 - 43	A6196-8Z1	008	CLM70	061 - 24
A1170-8	033 - 22	A6914-1024	002 - 79	CM10	054 - 30
A1170-8	033 - 26	A6914-1024-1	008	CM10	061 - 21A
A1170-8	033 - 24	A6914-1024-1	021 - 8	CM10	061 - 14
A12	047 - 47	A6914-1024-1	026 - 32	CM10	061 - 11
A12	059	A7165-4	067 - 4	CM10	061 - 18
A12	059	A779	042 - 8	CM10	061 - 17
A12	059	A8	058A	CM15	061 - 8
A12	059	A8	059	CM20	054 - 31
A12	059	A8	059	CM5	054 - 29
A12	059	A817-4	063 - 25	CM5	061 - 12
A1265	074 - 42	A861-3L	063 - 19	CM5	061 - 9
A14	059	A862-2	063 - 24	CM5	061 - 10
A14	059	A872-012-1	015	CM5	061 - 13
A1444	063 - 31	A8926-3	074 - 38	CP6P	062 - 44
A1464	063 - 21	A8928-1	074 - 36	CP6P	060 - 17
A1496	063 - 4	A8931-1	074 - 37	CR1720	016 - 9
A1777-623	015D	A8932-1	074 - 40	CS10A	059
A18	047A	A8970-1-330	067 - 8	CS17A	062 - 15
A2	016 - 17	A8970-1-330	073 - 82	CS20A	062 - 13
A20	047A- 22	A8970-1-330	072 - 91	CS400W/265-4	014C
A20	047 - 16	A8970-2-330	067	CS400W/265-4	0138- 42
A20	059	A8970B-1-330	061 - 4A	CS400W/265-4	014B- 40
A2016	074 - 49	A8970B1-330	067 - 9	C1399	063 - 37
A2027	063 - 13	A8970B1-330	073 -127	C1477-1	063 - 3
A2036-22	063 - 11	A8970B2-330	067	C1881-1	063 - 23
A2037	063 - 29	A8970B2-330	067 - 6	C1881-1DET1	063 - 28
A225	033 - 65	A8975-2-330	067 - 7	C226-2	063 - 40
A225	033 - 61	A944	063 - 22	C2400L4P1	015C- 88B
A282	063 - 9	A946	063 - 26	C2400L4P1	016 - 49
A321	054 - 8	BE180	005 - 13A	C2400L4VT35-50	010 - 8
A3278-1-1	057	BHC92ZF1D1/8447	047 - 11	C3-1E	063 - 6
A3278-1-1	074	BS48140	054	C3NF10094A	066 - 4
A4194-1	074 - 47	BS98577	015D	C3TF10379B	066
A4196-4	074 - 48	BS98577	015D	C3XF10328A1	066
A4197	074 - 45	BZ3YT	060 - 62	C3XF10370A	066
A4490-2	074 - 43	B111745	018A- 41	C4FF10380A	066
A47-1	063 - 7	B111745X	006 - 28	C4100Y2	076 - 2
A5-30	049	B148	056 - 24	C41006Y2-1	074 - 58
A50H011	045 - 14	B1480	063 - 10	C4189	026 - 66
A5397A	074 - 46	B1843	063 - 35	C4189	032 - 50
A57G032	045 - 15	92014-6	074 - 44	C5AF10A303A	066
A57G102	045	82120	016	C5AF10A304A	066 - 24
A57G103	045	82120	016 - 31	C5AF10A351A	066 - 3
A57G104	045	82120-501	016A- 36	C5AF10A355A	066 - 5
A57G105	045	82155-501	016A- 36A	C5AF10A360A	066
A57G107	045	83243	047A	C5AF10A377A	066
A57G107	045	83243	047A	C5AF10A378A	066
A57G109	045	83410-16	047A	C5AF10A383B	066 - 21
A57G111	045 - 8	B3550-1	016B- 3	C5AF10A383C	066 - 16
A57G113	045	B36	024 - 30	C5AF10B301C	066 - 17
A57G118	045	B36	024A- 34	C5AF10B302A	066
A57G334	045	B39094	070 - 15	C5AF10B306B	066

B E E C H C R A F T
B O N A N Z A 3 3 T H R U E 3 3
I L L U S T R A T E D P A R T S C A T A L O G

PART NUMBER	FIGURE & ITEM NO.	PART NUMBER	FIGURE & ITEM NO.	PART NUMBER	FIGURE & ITEM NO.
C5AF108306B	066	HE1331	077	LFA2850	054 - 21
C5AF108308C	066	HE1332	077	LM67010XL	039A
C5AF108338A	066 - 13	HE1526-1	077	LM67048XL	039A
C5AF108339A	066 - 15	HE1526-2	077	LOT6A10	047A- 16
C5AF10320A	066 - 10	HE1528-8	077 - 14	LPA27630	054 - 18
C5AF10327A	066	HE1568-1	077 - 13	LS6	036 - 6
C5AF10329A	066 - 27	HE1569	077 - 1	LU27054	054 - 19
C5AF10329B	066 - 25	HE1570	077 - 2	LU27054	061 - 39
C5AF10329C	066 - 9	HE1571	077 - 3	LWA2919	054 - 20
C5AF10329D	066 - 29	HE1572	077 - 6	L1148	046B
C5AF10349A	066 - 11	HE1573	077	L1148	046
C5AF10351A	066	HE1574	077 - 12	L1148	046A
C5AF10355A	066	HE1575	077 - 15	L1148	046B
C5AF10373A	066	HE189	077 - 8	L18366-1	016B- 5
C5AF10377A	066	HE191	077 - 9	L18366-5	074 - 33
C5AF10392A	066	HE191	077 - 10	L20	006
C5AF14443A	066 - 18A	HE193	077	MCD662	047
C5SF10374A1	066	HE636	009 - 2	MCI106-53	048 - 2A
C5SF10378A1	066	HE641	059 - 89	MC2711	060 - 61
C5TF10304B	066	HE641	059 -108	MD46-15	042 - 3
C6AF10A383A	066 - 12	HE641	059 -122	MK1000-832	027
C6AF18827A1	066 - 22	HE763	077	ML34-14	038
C6FF10A352A	066	HE825-1	052 - 64	MODEL 106B	058B
C6FF10A366B	066 - 18	HE833	052A- 97	MODEL 106B	058A
C6FF10A367A	066 - 11A	HE833	052B- 67	MRBA81581-X0250	039
C6FF10A367B	066 - 11B	HML4	030	MRBA81581-X0250	039
C6FF108341A	066	HML6	040 - 4	MS15001-1	063 - 8
C6FF10330A	066	HMXL6FG	040	MS15002-1	035 - 15
C6FF10334A	066 - 23	HMX5FG	040	MS15002-1	035 - 38
C6FF10335A	066 - 7	HMX5FG	040 - 13	MS15002-1	039A- 35
C6FF10344A	066 - 2	HM4	038 - 22	MS15002-1	039A- 44
D165-100-2	058B	HM4	042 - 13	MS171496	014A- 14
D3393	047A	HM4U	030 - 42	MS171496	013A- 15
D3586	047A	HM5	040 - 3	MS171498	014A- 12
D611A	013B- 43	HM6	036 - 13	MS171499	013B- 33
D611A	014B- 41	HS49014	015D	MS171499	013A- 16
D611A	014C- 15	HS49014	015D	MS171499	014A- 13
D6752-1-50	054 - 28	HS49014	015D	MS171499	014B- 26
D7270-5-10	059	HS49014	015D	MS171507	014B- 33
EBD03-0012	058B- 49	HS51248	014C- 5	MS171530	013A- 17
EBG03-0003	058A- 22A	H5000-032-040	049	MS171530	014A- 15
EF5-1	005	IOC-2	005	MS171534	014B- 30
FCA25750	052A- 80A	IO470J	047 - 1	MS171539	013A- 18
FCB25722	052A- 88	IO470K	047	MS171539	014A- 16
FC6446	068 - 35	IO52-2	005	MS171539	014B- 31
FC6446	068 - 14	IO-520B	047A	MS20002-5	071
FC6600CX2	054	JV5	060 - 3	MS20201KP6A	075 - 9
FDC2500-37	013 - 9	JV5	064 - 3	MS20364-1032	033
FDC2500-37-2	013	JV5	062 - 3	MS20364-1032	046B
FDC2700-105	014 -009	J2005-2	065 - 11	MS20364-832	054 - 9
FDC2700-105	013A- 3	J2049-2D	054	MS20365-1032	008A
FDC2700-107	013A	KP10A /AN201/	057	MS20365-1032	013B- 17
FDC2700-107	014A- 51	KP10A /AN201/	057 - 3	MS20365-1032	013B- 26
FDK2707	013A	KP10A /AN201/	074	MS20365-1032	014B
FDK2707	014	KP10A /AN201/	074 - 3	MS20365-1032	014B
FDK2707	014A	KP21B	037 - 22	MS20365-1032	015D
FDK2707	014C- 14	KP3A	026 - 43	MS20365-1032	016B
FDK2707-1	014	KP4A	033 - 66	MS20365-1032	052A
FDK2707-1	013A	KP4A	033 - 62	MS20365-1032	059
FDK2707-1	014A	KP6A	026 - 51	MS20365-428	009 - 96
FR2-1/2	016	KS4	029 - 22	MS20365-428	031
F34-14M	051 - 33	KS4	025 - 14	MS20365-428	044
F34-14M	051A- 19	K1000-08	002	MS20365-428	058B
F631	055 - 6	K1000-08	002	MS20365-440	064
F6500AX2	009 - 20	K1000-38C	015D	MS20365-524	035
F6608DX2	011 - 6	K1000-38C	015D	MS20365-524	035
F723-6	055 - 21	K1000-38C	015D	MS20365-524	062
GA5-312	049	K1000-38C	015D	MS20365-632	044A
GYS5-49	071 - 4	K3L	056 - 20	MS20365-632	044
G455PM	059 -119	K3L	056 - 25	MS20365-632	061
G455PM	059 -105	K9000S1A	053 - 39	MS20365-632	061
G455PM	059 - 85	LBA27492	054	MS20365-832	008
G51H-A	062 - 17A	LBA27492	061 - 40	MS20365-832	040

S E E C H C R A F T
B O N A N Z A 3 3 T H R U E 3 3
I L L U S T R A T E D P A R T S C A T A L O G

PART NUMBER	FIGURE & ITEM NO.	PART NUMBER	FIGURE & ITEM NO.	PART NUMBER	FIGURE & ITEM NO.
MS20365-832	047	MS24665-132	032	MS3106-18-4S	062
MS20365-832	047	MS24665-132	030	MS3106AB10SL3S	058B- 28
MS20365-832	054	MS24665-132	031	MS35058-21	077 - 39
MS20392-1-37	040 - 8	MS24665-132	032	MS35058-23	076 - 5
MS20392-3C45	032 -057	MS24665-132	040	MS35058-23	077 - 35
MS20392-5-81	014A- 8	MS24665-132	039A	MS35223-29	074 - 41
MS20392-5-81	013A- 13	MS24665-132	047A	MS35333-37	074
MS20392-5-93	014A- 9	MS24665-132	060	MS35489-1	076
MS20392-5-93	013A- 14	MS24665-134	032	MS35489-10	072
MS20813-1	035	MS25005-20	054 - 27	MS35489-11	047A
MS20822-3B	047A- 47A	MS25010-4A	067	MS35489-11	059 - 27
MS20822-3B	047	MS25026-1	023 - 17	MS35489-14S	050A- 34
MS20822-4D	044A- 51	MS25026-1	060 - 44	MS35489-23	050A- 18
MS20822-4D	044A- 20	MS25026-1	060 - 42	MS35489-23	050 - 32
MS20822-4D	044A- 53	MS25026-1	060 - 39	MS35489-27	050A- 35
MS20822-5D	072 - 41	MS25026-1	060 - 40	MS35489-35	074
MS20822-5D	072 - 45	MS25026-1	062 - 35	MS35489-35	074
MS20823-5D	072 - 90	MS25026-1	060 - 43	MS35489-4	060 - 99
MS20823-5D	073 -121	MS25036-8	065 - 26	MS35489-6	047A
MS20823-5D	073 - 81	MS25083-1BC6	058B- 39	MS35489-6	059 - 21
MS20823D4	044A- 9	MS25083-1BC6	058A- 11	MS35489-7	052B- 46
MS20825-4D	059 -135	MS25123-3-2	062 - 52	MS35489-9	0163- 9
MS20825-5D	073 -123	MS25226-6-2	062	MS35490-11	059 - 46
MS20826-5D	072 -109	MS28741-3-0124	047	MWA29455	061 - 42
MS20826-5D	073 - 79	MS28741-3-0124	047	M2005M2	0133
MS20826-5D	073 - 99	MS28741-3-0130	052A	M2005M2	0143
MS20832-4D	073 - 76	MS28741-4-0100	044 - 8	M2005M2	014C
MS21045-3	069 - 8	MS28741-4-0100	044 - 18	M471	037 - 33
MS21252-3LS	009 - 86	MS28741-4-0100	044	NAS222-10	015
MS21252-3RS	009 - 85	MS28741-4-0102	044 - 29	NAS222-16	039A- 10
MS21919-3	046B	MS28741-4-0102	052 - 32	NAS287-25-2	026 - 62
MS21919-32	046B- 3	MS28741-4-0102	052A- 48	NAS302-66-3242	032 - 26
MS21919-48	046C- 3	MS28741-4-0107	044 - 19	NAS304-22-0255	030 - 13
MS21919-63	046A- 54	MS28741-4-0107	044 - 11	NAS304-24-1520	031 - 48
MS21919DG11	047A- 72	MS28741-4-0107	044	NAS304-26-0603	030 - 20
MS21919DG11	052B	MS28741-4-0114	044 - 28	NAS304-35-0564	031 - 27
MS21919DG11	059 -152	MS28741-4-0120	052A	NAS304-35-1325	034 - 5
MS21919DG17	022 - 19	MS28741-4-0125	035 - 52A	NAS304-66-0173	030 - 27
MS21919DG17	052B	MS28741-4-0126	052B- 51	NAS312-37-0790	032 - 42
MS21919DG2	076 - 27	MS28741-4-0133	035	NAS384-6-6P	046B
MS21919DG36	051 - 2	MS28741-4-0140	035 - 59	NAS384-6-8P	016B
MS21919DG4	035	MS28741-4-0160	052B- 49	NAS384-6P	015
MS21919DG4	044	MS28741-4-0160	052A	NAS384-6P	015D
MS21919DG4	044A	MS28741-4-0166	052B- 54	NAS387-6	061 - 20
MS21919DG48	016B- 35	MS28741-4-0180	035	NAS387-6R	058B
MS21919DG6	051 - 8	MS28741-6-0162	052B- 44	NAS387-832-12	056
MS21919DG6	051 - 18	MS28776R2-20	035 - 25	NAS387-832-8P	006
MS21919DG6	051A	MS28778-3	047	NAS387-832-8P	006
MS21919DG6	051A	MS28778-3	047	NAS390-6P	046B
MS21919DG7	022 - 7	MS28778-3	047A	NAS390-6P	061
MS24400D4	044A	MS28778-5	035	NAS391-6P	015D
MS24402D4	044A	MS28778-5	039A	NAS395-6-1	016B
MS24566-3B	030 -009	MS29512-03	047A	NAS395-6-1	073
MS24566-3B	030 -006	MS29512-06	052A	NAS397-10	036
MS24566-4B	030 -028	MS29512-06	052A	NAS397-16	036 - 61
MS24566-4B	030 - 25	MS29512-06	052A	NAS397-18	016 - 36
MS24566-4B	030 -022	MS29512-06	052A	NAS397-18	036
MS24566-4B	030 -017	MS29512-06	052A	NAS397-24	047A- 17
MS24665-130	010	MS29512-06	052B	NAS397-28	047A- 19
MS24665-130	040	MS29512-06	052B	NAS397-8	036 - 62
MS24665-132	010	MS29512-4	052	NAS42HT3-28	026 - 47
MS24665-132	032	MS29512-4	052B	NAS427K11	034 - 19
MS24665-132	031	MS29512-4	052B	NAS427K21	032 - 56
MS24665-132	030	MS29512-4	052A	NAS427K24	032 - 45
MS24665-132	030	MS29512-4	052B	NAS428-4-10	013 - 20
MS24665-132	031	MS29512-6	052	NAS43DD3-44	047A- 71
MS24665-132	030	MS29512-6	052B	NAS444-4	006
MS24665-132	031	MS29512-6	052	NAS444-4	006
MS24665-132	032	MS29513-10	077 - 11	NAS446-2-1	016B
MS24665-132	031	MS29513-10	077 - 5	NAS50-112	023 - 4
MS24665-132	031	MS29513-11	077	NAS50-187	039A- 17
MS24665-132	032	MS29513-12	077	NAS50-262	035 - 16
MS24665-132	032	MS29513-136	077 - 7	NAS50-87	026 - 52

B E E C H C R A F T
B O N A N Z A 3 3 T H R U E 3 3
I L L U S T R A T E D P A R T S C A T A L O G

PART NUMBER	FIGURE & ITEM NO.	PART NUMBER	FIGURE & ITEM NO.	PART NUMBER	FIGURE & ITEM NO.
NAS50-87	042 - 20	SK162	024A- 9	1/16 X 1/2	0148- 10
NAS50-93	041 - 9	SK4501A635/16	023	1/16X1/2	013A- 47
NAS505-3J	019	SS-32-1	060 - 96	1/16X1/2X10	018A
NAS505-3J	019	SS32-1	016A- 33	1/2 IN.	046A- 8
NAS505-3J	027 - 22	SS48152	054	1/4X1/4X3	011 - 16
NAS505-3J	027 - 25	SS48152	058A- 9	1/4X20X3/8	072 - 70
NAS505-4J	039A- 9	SS48155	050A- 21A	1/4X20X3/8	073 - 61
NAS505-4J	039 - 22	SS48172	054	1/4X3/8X10.75	018A
NAS51-131	037 - 39	SS51051	054	1/4X3/8X10.75	018
NAS51-131	037 - 41	SS51058	050A- 18A	1H30-9	059 -148
NAS51-18N	010 - 72	SS51351	040	1J1-1	059 -141
NAS51-31	060 - 56	S123	036 - 46	1K1-6-10	059 -118
NAS51-43	037 - 32	S1452-048	039A- 11	1K1-6-10	059 -104
NAS51-87	056 - 21	S152X84	011 - 8	1K1-6-10	059 -143
NAS54-34	042 - 33	S152X84	010 - 28	1K17-1	058B- 26
NAS548P6	015D	S15500-6	076 - 16	1K17-2	059 - 68
NAS557-4A	046B- 21	S167-46	036 - 42	1K39-8-8	058B- 56
NAS557-4A	049	S185-111-003	030 - 37	1K9-4-6	058B- 25
NAS557-4A	046C- 19	S23AR-RT-CS	015D	1K9-4-6	059 - 67
NAS561PF4-15	075 - 6	S5-200	049	1N4004	064 - 9
NAS697A3	006	S550	062	10-126676	061
NAS697A3	006	S6RN1201	047A- 7	10-176487-122	062 - 53
NAS697A3	006	S6RN1205	047A- 8	10-24 X 1/2	070 - 12
NO-R4A	024A- 36	TA15M3	062	10-32NF2X3/4	069 - 6
NO77R4	024A- 16	TA1718DT3	008A- 14	10-32NF2X5/16	069 - 15
NO77R4	024 - 8	TS1171-2	005 - 17	10-357200-1	061 - 4
NO NUMBER	013B- 48	TS1176-1	005 - 16	10-377007	061
NO NUMBER	013B- 47	TS1222-3	005 - 15	10000586	072 - 55
NO NUMBER	014B- 39	TS1222-5	005	10000586	073 - 46
NO NUMBER	014B- 53	TS1222-5	005 - 14	10000596	072 - 74
NO NUMBER	014B- 38	TYPE XII	074 - 52	10000596	073 - 65
NO NUMBER	035	VB6532	054	100696D-ZF008	015D
NW25-6875	009 - 95	VM911M2A	061 - 36	100696D-ZF020	044A
OF81A	047A- 13	VM911M3A	061 - 37	100696S-YZ017	024A- 25
PF3001-2	072 - 88	VM911M3A	061 - 34	100696S-ZY017	024 - 25
PHC-A3VF4/V843 *	047A	VM911M4A	061 - 35	100696X-YD024	037 - 16
PHC-A3VF4/V843 *	047	VV15-625	044 - 10	100801X12-0065	009
PHC-A3VF4/V343 *	063	VV15-625	045	100942C0020-31	036 - 53
PL1	061 - 26	VV15-625-1	045	100942H0022-22	009 - 50
PP561DS4	051 - 5	V230	015C-114	100942H0022-22	046 - 18
PP561DS4	051 - 22	V3-1	060 - 2	100942H0022-22	046A- 17
PP561DS4	051 - 30	V3-1	064 - 2	100942L0023-17	008A- 25
PP561DS4	051A- 13	V3-1	062 - 1	100942L0023-17	009 - 62
PRP902-50	063 - 34	WAIT14-3-4	047 - 46	100942L0200-48	014C- 6
PRP909-13	063 - 33	WAIT3-14-4	047A- 22A	100943YD302C	042 - 17
PRP909-6	063 - 12	WAIT3-14-4	059 -100	100943YN012R	016B- 17
PS0-810-1	015 - 36	WAIT3-14-4	059 -127	100943ZA016J	014B- 22
RE3S7	033 - 54	WC122-5B24-2	044 - 32	100943ZA016J	013B- 15
RE3S7	033 - 51	WC122-5B37-3	046 - 21	100943ZE316G	041 - 4
RRN237C	035	WC154-5	051 - 24	100943ZG108G	057 - 9
RRN237C	035	WC154-5-50	051	100943ZG108G	074 - 14
RTV-108	037	WC169-0-B36-4	046	100943ZJ108D	013A- 43
R102	062 - 27	WWD26	059	100943ZJ108D	014A- 33
R102	060 - 34	XR4561	067 - 10	100943ZS023G	014A- 35
R25-10RS30	067 - 12	YZ10-1	037	100943ZS023G	013A- 45
R25-10RS30	061 - 47	YZ14H1	060 - 95	100943ZS027G	013B- 9
R25-10RS30	061 - 49	YZ18-1	006	100943ZS027G	014B- 9
R426-0011	024 - 32	YZ18H1	040 - 28	100951B091YA	046C
R451-0019-475	024 - 3	ZC268-38-7	072 - 1	100951DD020NA	072
R457-0627-475	024A- 8	ZF454	072	100951DD020WH	073
R457-0627-475	024 - 6	OF11A	047A	100951DD020WH	073
R768-0004	024 - 9	002-430000-73	009 - 89	100951DD032VA	044
R768-0004	024A- 15	0145-351	054 - 37	100951DD032VA	044A
R8	023 - 8	0145-351	061	100951DD032YF	060 - 57
R901-311	024A- 40	0363	075 - 16	100951DD080YK	062
R901-311	024 - 36	08125	039 - 66	100951DD190ZD	046C- 37
R901-327-34	024A- 17	08231	039A- 59	100951S031XW	033 - 29
R901-327-36	024A- 18	08231	039A- 54	100951S031XW	033 - 45
R903	005	08231	039 - 58	100951S031XW	033
S8500-6	077	08231	039 - 61	100951S031XW	033
S8500-6	077	09916M1	037 - 29	100951S031XW	033 - 32
SC2611	016B- 18	1/16 X 1/2	014A- 37	100951S031XW	040 - 69
SC2611	060 - 94	1/16 X 1/2	013B- 11	100951S063XP	036 - 10

B E E C H C R A F T
BONANZA 33 THRU E33
I L L U S T R A T E D P A R T S C A T A L O G

PART NUMBER	FIGURE & ITEM NO.	PART NUMBER	FIGURE & ITEM NO.	PART NUMBER	FIGURE & ITEM NO.
100951S053XP	036	105739X-ZR0102	009 - 42	106242-10	044
100951S063YH	039A	105739X-ZR0110	009 - 30	106242-10	044
100951S063YU	036 - 12	105739X-ZR0168	009 - 39	106242-10	044
100951S063ZZ	039A	105739X-ZR0187	009 - 31	106242-10	044
100951X031X3	061	105739X-ZR0220	009 - 36	106242-10-01208	060 - 25
100951X063WZ	013A	105740X-XC0968	031	106242-12	047 - 22
100951X063YW	037 - 10	105740X-XJ0190	030	106242-4-00300	053
100951X100WL	035 - 47	105740X-YN1458	039 - 8	106242-9-00400	054 - 47
1010	054 - 25	105740X-ZH0115	028 - 36	107463-4	0583- 60
101321-00A0750	009 - 19	105740X-ZH0310	029 - 23	107463-4	058A- 33
102361-00128	058A	105740X-ZJ0490	038 - 17	1076-13	076 - 13
102808-4D012	046B	105740X-ZR0480	038 - 10	108492S1416-116	059
102808-4D012	046	105740X-ZU0164	040 - 6A	108492S1416-116	059
102808-4D012	046A	105740X-ZU1365	039 - 6	1101912	047
102808-4D012	046	105774C-ZA00216	002 - 20	1101913	047 - 8
102808-4D012	046B	105774C-ZA00320	006	1108249	047A- 4
102808-4D012	046B	105774C-ZE00328	0588- 75	1108249	047A- 5
102808-4E324	046B- 98	105774M-ZB04200	009 - 94	1109684	047 - 6
102808-4E324	046 - 46	105798-1-8	047A- 64	1109694	047
102808-4E324	046A- 74	105798-12	046B- 50	1111-595272	053 - 17
102808-4E324	046B- 74	105798-12	046B- 2	1111-595272	052 - 34
102808-4F516	046	105798-12	046C- 7	11116M1	023 - 7
102808-4F516	046A	105798-18	046C- 5	111171C100	015
102808-4F516	046B	105798-18	046B- 8	111190-14	041 - 8
102808-4F516	046B	105798-18	046B- 6	111190-2	039 - 29
102808-4G012	046B	105798-18	046C- 2	111191-06000	012 - 5
102808-4G012	046	105798-18	047 - 30D	111191-06000	015C-108
102808-4G012	046A	105798-7	046	111191-06000	015D-107
102808-4G012	046B	105798-7	046A- 38	111192-02400	012 - 6
102809-072-018	057 - 15	105798-9	046A- 65	111192-02400	015D
102809-072-018	074 - 21	105798-9	046B- 56	111192-02400	015C-109
102809-093-026	041 - 6	105798-9	046C- 51	111200-2	039 - 30
102809-125-029	009 - 48	105982-5A11-010	062 - 17	111200-6	035 - 26
102809A093-011	010 - 24	106-100002	047A- 44	111200-6	039A- 24
102809A125-014	033	106B	047A- 25	1114213	047A- 53
102809A125-014	033	106043S-ZD300	027 - 40	1114213	047 - 7
102809A187-024	009 - 55	106043ZK022	052A- 66	1114213	062 - 20
102933D1ZA0410	060 - 8	106043ZK022	052 - 2	111504ZM0020-8	013 - 16
102933D1ZA0410	064 - 5	106200FR12-11	047 - 15	111504ZT0324-3	052B- 69B
102933D1ZA0410	062 - 6	106200FR12-12	059 - 96	111504ZT0324-3	052A-102
102933D4ZJ0190	014B- 23	106200FR12-12	059 -114	111504ZT0324-3	052 - 69
102933D4ZJ0190	013B- 16	106200FR12-14	047A- 21	111716-6X223	046A- 9
102933D4ZJ1000	014B- 19	106200FR4-16	059 - 90	111716AX2X214	062 - 14
102933D4ZJ1000	013B	106200FR4-16	059 -109	111716AX4XX127	046A
102933D5ZX0749	033	106200FR4-80	047A- 77	111716AX4XX135	046A- 37
102933D5ZX0749	033	106200FR4-80	052B- 47	111716AX4XX15	046B- 48
102933D7ZR0200	061	106200FR8-20	059 - 99	111716AX4XX15	046C- 69
102933S4ZJ0040	046B	106200FR8-20	059 -112	111716AX4XX160	046 - 33
102933S4ZJ0062	051 - 37	106200FR8-25	059 -107	111716AX5XX34	046B- 54
102933S4ZJ0093	016B- 48	106200FR8-25	059 - 87	111716AX5XX34	046C- 74
102933S4ZJ0095	046A- 58	106200FR8-44	059 - 83	111716AX5XX44	046A- 60
102933S4ZJ0095	046A- 23	106200H10-7	0588- 52	111716AX5XX44	046C- 50
102933S4ZJ0187	051 - 36	106200H10-72	0588- 57	111716AZ6XX110	016B- 33
103637	021 - 9	106200H12-14	047A	111722	017 - 36
103637	020 - 7	106200H4-12	052A- 39	111722	025 - 19
104036-1ZC0012	015D	106200H4-12	052B	111745	004 - 8
104036-1ZC1900	015C- 31	106200H4-13	053 - 21	1119220	047 - 10
104036-1ZC1900	015B- 27	106200H4-15	052A- 61	1119220	062 - 30
104036-1ZC1900	015B- 3	106200H4-15	052B- 28	1119224C	047
105-210-101	075 - 24	106200H4-15	052 - 47	1119224C	062
105090B005-6E	024 - 27	106200H4-15	052A- 70	112136-12	044 - 1
105090B005-6E	024A- 27	106200H4-15	052B- 21	112136-12	044A- 1
105090CR032-4E	037 - 35	106200H4-15	052B- 4	112136-4	044
105090D050-12G	064 - 21	106200H4-15	052 - 8	112149-11	060 - 10
105090D220-9F	051	106200H4-15	052B- 11	112149-12	060 - 26
105739S-YK0431	035 - 40	106200H4-7	0588- 54	112412	008A- 5
105739S-YZ0391	033 - 33	106200H4-9	052A- 64	112412	046A- 29
105739S-YZ0532	033 - 48	106200H4-9	052 - 6	112412	046
105739S-YZ0594	033 - 30	106200H6-	058B	112412	044
105739S-YZ0641	033	106200H6-27	052A	112412	051A- 8
105739S-YZ0641	033 - 46	106200H8-23	058B- 32	112412	051 - 13
105739X-ZK0156	008A- 13	106200H8-60	059 - 70	112412	047A- 49
105739X-ZR0070	009 - 35	106200H8-7	058B- 53	112413-2	008A- 6

B E E C H C R A F T
BONANZA 33 THRU E33
I L L U S T R A T E D P A R T S C A T A L O G

PART NUMBER	FIGURE & ITEM NO.	PART NUMBER	FIGURE & ITEM NO.	PART NUMBER	FIGURE & ITEM NO.
112413-2	046A- 30	118540BHP2	032 - 27	130498C19-39	014C
112413-2	046	118540BHP3	032 - 34	130524-3-0124	047A- 47
112413-2	044	118540BHP3	032 - 43	130524-3-0160	047A- 46
112413-4	051 - 14	118540BHP3	031 - 18	130524-4-0130	047A- 74
112413-4	051A- 9	118540BHP4	006	130524-4-0130	052B
112413-4	051	118540BHP4	031 - 15	130524-4-0160	047A- 69
112413-4	047A- 50	118540BHP4	031 - 2	130524-4-0160	052B
112413-8	051A- 10	118540BHP4	032 - 37	130524-4-0170	047A- 75
112413-8	051	118540BHP4	032 - 31	130524-4-0170	052B
112416	072 - 13	118540BHP4	031 - 21	130524-6-0185	047A
112416	073 - 13	118540BHP4	031 - 11	130569	0138- 44
112416-01316	060 - 85	118540BHP4	034 - 10	130569	0148- 43
112436-4	060 - 11	118593	005	130728	004 - 8A
112436-4	060 - 27	118610	005	130909N17	032
112436-6	008A- 4	118613	005	131881-6	031 - 43
112436-6	046A- 27	118641	014A- 41	133A3	059 -116
112436-6	046 - 23	118641	013A- 37	133A3	059 -102
112436-6	044	118641	013A- 51	135	058A- 39
112436-6	051A- 7	118641	0138- 14	135	058B- 80
112436-6	051 - 12	118641	0148- 21	13621XL	071 - 7
112436-6	047A- 51	118641	014A- 27	13621XL	071 - 9
112733-2	004 - 3	118642-1	039A	13685XL	071 - 1
112733-4	004	118642-7	035	13753	072 - 81
112734	004 - 10	118649	060 - 24	13753	073 - 72
112735 B-C	004 - 6	118649	062 - 8	138-1	062
112735 W-C	004	118650	015D-118	13830	071 - 18
112735-1	004	118664	061 - 32	13830	071
112736 B-C	004 - 7	118665	061 - 51	13830	071
112736 W-C	004	11868	076 - 9	13830	071 - 25
113-205-102	061 - 55	11869	076 - 8	13836	070 - 2
113-210-102	059 -132	11870-240G	076 - 18	13836	070 - 4
113-220-102	061 - 53	11870-240R	076 - 17	13889	070 - 8
11321-36G	076 - 23	11870-36GR	076 - 19	13889	071 - 12
11321-36GR	076 - 21	11870-34BL	076 - 20	13889	071
11321-36R	076 - 22	11873-7	076 - 15	13917	008 - 33
113667	005	119	061 - 44	1440-14	016
11385	076 - 25	11900-29	076 - 10	150PDL12	058A- 14
114632-8-8	016 - 35	1195	015	150PDL12	058B- 38
114693-2-	0588- 31	1208	070	150PL14	054 - 5
114693-2-00212	047	1208	070	150PL14	058A- 26
114693-2-00212	047 - 33A	1232-4	054	150PL14	058B- 64
114693-2-01300	047A- 56	13X1565	016	150PL8	054
114693-4-	0588- 27	130000BEP1	032	1502093	058A- 4E
114693-6-	0588- 30	130000BEP3	031	1502093	058B- 47
114931-1-13	061 - 15	130000BEP3	030	1509413	058A- 48
114931-1-3	061 - 19	130000BEP3	030	151	060 - 50
114931-7-6	061 - 57	130000BEP3	032	151-1	070 - 1
115-384018	0588- 4	130000BEP4	030	151-2	039A- 53
115081-5	004 - 9	130000BEP4	030	151-2	039 - 57
115081-7	004	130000BEP4	031	1512926	047A- 68
115092	017 - 37	130000BEP4	030	1512926	060 - 1
115098-3	004 - 18	130001882	030	1512926	062 - 22
115098-5	004	130001882	030	1514243	058A
115123-4	014C- 16	130001882	032	1514243	058A- 4D
115155X10 FT	009 - 72	130001882	030	1514244	058B- 45
115167CXZ060295	047 - 24	130001882	030	1514244	058A
115167CXZ060585	047A- 18	130001882	031	1514244	058A- 4C
115167CXZ060585	047 - 23	130001882	030	1514340	047 - 39
115167CXZ080565	047 - 35	130008A1032BC	044A	1514340	047A- 67
115167CXZ120333	046A- 6	130010	014A- 23	1518770	053 - 10
115167CXZ120333	046 - 4	130010	013A- 33	1518771	053
115167DXX040363	046C- 38	130010	014 - 48	152-1	070 - 3
115167DXX081343	0468- 1	130010	0138- 49	152-2	039A- 58
115167DXX081483	046C- 6	130010	0148- 34	152-2	039 - 60
115167DXX120603	0468- 5	130019	004 - 15	153-1	039A- 61
115167DXX121123	0468- 7	130019-1	004	153-1	039 - 63
115167DXX121563	046C- 1	130030-1	058A- 11G	15320	072 -115
115167DXX3-0363	0468- 64	130030-3	0588- 78	154-1	039A- 63
115167DXZ120684	046 - 7	130066-3	005	154-1	039 - 65
115167XX120523	0468	130071	004 - 16	155-2	039 - 64
115192	005	130400	010 - 19	156-1	070 - 13
11814	076 - 12	130498C19-39	0138	156-10	054
118540BHP1	032 - 54	130498C19-39	0148	157-1	070 - 11

B E E C H C R A F T
 BONANZA 33 THRU E33
 I L L U S T R A T E D P A R T S C A T A L O G

PART NUMBER	FIGURE & ITEM NO.	PART NUMBER	FIGURE & ITEM NO.	PART NUMBER	FIGURE & ITEM NO.
158-1	070 - 9	18-534015-1	014A- 20	25378-3	073 - 74
1589084	047	18-534015-1	013A- 25	254-160801-00- *	074 - 7
16-0072-1	074 - 39	18-534015-2	013A- 26	26006	075 - 23
161-4	070	18-534015-2	014A	268P1/4-1/8	0588- 22
161-5	039	18-534016-1	013A- 10	268P1/4-1/8	059 - 58
161-5	039A	18-534016-1	014A- 5	26875-48	073 - 32
162-4	070	18-534016-2	014A- 6	269P1/4-1/4	059 - 62
162-5	039A	18-534016-2	013A- 11	269P1/4-1/8	064 - 37
162-5	039	18-534022-1	014A- 17	27-1000	035 - 50
164-1	070	18-534022-1	013A- 19	27-1000	070
164-7	070 - 5	18-534022-2	014A	271P1/4-1/8	0588- 21
1679	0588- 18	18-534022-2	013A	271P1/4-1/8	059 - 54
1679	058A	1816	074 - 50	271P1/4-1/8	064 - 36
169-324013	058A- 10	183-1	068 - 36	2824	072 - 76
169-380005-11	0468-022	183-1	068 - 15	2824	073 - 67
169-380021-7	016A	185678	049 - 11	28316-11	073
169-380021-7	060 - 33	186-216	048 - 5	28317-11	073
169-380021-7	062 - 24	186-218	047A- 38	294660-1	015A- 37
169-910028-13	046C- 12	186-6	048 - 6	294660-1	0150- 50
169-910028-13	0468- 61	186-8A	048 - 8	2985-6	076 - 11
169-910028-13	046C- 61	186-8A	048 - 9B	2985054	062
17288	039 - 9	186D	048 - 7	3/16IDX1/16WALL	073 -109
1729	036 - 25A	186E	048 - 7A	3/16IDX1/16WALL	072 -118
1729	035 - 33	1866-22	039 - 62	3A32C76T/82NB2	047A
1729	039A- 36	1866-30	070 - 7	3V710-1177-2	051A- 2
1729	039A- 45	18754-1	031 - 7	3V710-1177-4	051A- 31
1729	039 - 40	18754-6	031 - 49	3V710-1177-5	051A- 21
1755	076 - 7	1882	063 - 32	3XSK8720-63 5/16	023 - 2
18-300001-1	072	189	043 - 9A	30-0009-5	077 - 34
18-300001-5	072	1891	0588	30-0009-6	077
18-300004-1	072	1906945	047A	30-15	061
18-300009-11	072 - 14	1958197	047A	30-15	076
18-300009-11	073 - 14	2A20580	015C- 13	30-24	035
18-300009-21	072 - 7	2A20580	015B- 10	30-24	068
18-300009-21	073 - 7	2A36C23DE/848-0	047	30C1023	061
18-300009-21	073 - 24	2A36C23P/848-0	047A- 66	300-3TTM	073 -116
18-300009-23	072 - 38	20-0041	074	300-8-2	073 -118
18-300009-27	072	20-0041-1-1816	074	300-911-930	005 - 1
18-300009-29	072 - 46	20-0041-3	074	3002	068 - 23
18-300009-31	072 - 48	200-2-2	072 - 77	3005A1	059
18-300009-31	072 -103	200-2-2	073 - 68	3005A1	059
18-380021-3	0588- 16	200-8-2	072 - 79	3012	068 - 28
18-534013-13	014A- 1	200-8-2	073 - 70	3013	068 - 10
18-534013-13	013A- 6	200CW	059 -144	3013	068 - 31
18-534013-15	014A- 3	206	075 - 12	302D	035 - 21
18-534013-15	013A- 8	207-400301-00- *	057	302D	039 - 50
18-534013-17	014A- 18	21-1000	039	302D	039A- 14
18-534013-17	013A- 20	21-1000	039A	31	005
18-534013-19	014A- 7	21-104	039A- 62	31890	040
18-534013-19	013A- 12	210335	047	319A208-4	075 - 4
18-534013-24	014A	2104	009 - 51	32-436	059 - 80
18-534013-24	013A	2140-53	052A- 37	32-456-900	059
18-534013-25	013A- 22	217-H	054 - 44	32-456-900	059
18-534013-25	014A- 10	2192	0588- 59	32-456-900	059
18-534013-27	014A- 22	2194	022 - 21	327	073
18-534013-27	013A- 28	2194	021 - 12	33-000010	004
18-534013-3	014A	22-262-07	058 - 13	33-000011	004 - 17
18-534013-3	013A	22-627	052A	33-000012	004
18-534013-39	014A	22-627	059 - 60	33-000013-1	004
18-534013-39	013A	22-696-013	058 - 7	33-000013-3	004
18-534013-4	013A	22A5-02	006	33-000019	004
18-534013-4	014A	22A5-02	006	33-000019-1	004 - 20
18-534013-45	013A	22427-1	073 -114	33-000019-2	004
18-534013-45	014A	23-75-1	058A- 228	33-000019-3	004 - 21
18-534013-46	014A	2356	061 - 45	33-000019-4	004
18-534013-46	013A	23599	073 - 91	33-000019-5	004 - 22
18-534013-63	013A- 29	23599	072 -112	33-000019-6	004
18-534013-65	013A- 30	2373	0168- 2	33-000020	004 - 11
18-534013-67	014A- 24	2373	0163- 22	33-000026-1	004 - 5A
18-534013-67	013A- 34	24555-7	073 -115	33-000026-3	004
18-534013-71	014A- 11	24567-1	073 -113	33-000042-1	004
18-534013-71	013A- 23	2505	040 - 33	33-000042-3	004
18-534013-77	013A- 31	25378-3	072 - 83	33-000043-1	004 - 58

B E E C H C R A F T
BONANZA 33 THRU E33
I L L U S T R A T E D P A R T S C A T A L O G

PART NUMBER	FIGURE & ITEM NO.	PART NUMBER	FIGURE & ITEM NO.	PART NUMBER	FIGURE & ITEM NO.
33-000043-3	004	33-324001-3	018A	33-364017	060
33-110000-601	017	33-324010	059	33-364017	061
33-110000-602	017	33-324010-1	058	33-364017	062
33-110000-661	017	33-324010-11	059 - 16	33-364018	075 - 25
33-110000-662	017	33-324010-11	058 - 29	33-369108	065 - 6
33-110010-1	018	33-324010-27	059 - 10	33-369109	065 - 23
33-110010-10	018	33-324010-27	058 - 27A	33-369110	047
33-110010-11	018 - 24	33-324010-3	059 - 13	33-369110	065
33-110010-12	018	33-324010-3	058 - 27	33-369111	065 - 24
33-110010-13	018 - 26	33-324010-7	059 - 14	33-380001-1	060
33-110010-14	018	33-324010-7	058 - 28	33-380002	058 - 23
33-110010-15	002 - 7	33-324011-1	054	33-380004-1	051
33-110010-15	018 - 2	33-324011-17	054 - 32	33-380004-3	051
33-110010-16	002 - 8	33-324011-19	054 - 33	33-380004-5	051
33-110010-16	018	33-324011-19	054 - 17B	33-380005-1	051
33-110010-2	018	33-324011-2	054	33-380006-3	058A- 3
33-110010-34	018A- 3	33-324011-21	054 - 35	33-380006-5	058A
33-110010-34	018 - 42	33-324011-3	054 - 12A	33-380006-5	058B
33-110010-36	018A- 4	33-324011-9	054	33-380008	047
33-110010-36	018 - 43	33-324013	055 - 4	33-380009	065 - 1
33-110010-5	002 - 3	33-324014	054	33-380009	066
33-110010-5	018 - 1	33-324014-1	054	33-400300	009
33-110010-5	018A	33-324014-11	054	33-400300-1	009
33-110010-6	002 - 4	33-324014-13	054	33-400300-3	009
33-110010-6	018	33-324014-3	054	33-400300-601	003 - 48
33-110010-6	018A	33-324014-5	054	33-400300-601	009
33-110010-601	018	33-324014-7	054	33-400300-603	003
33-110010-602	018	33-324014-9	054	33-400300-603	009
33-110010-603	018	33-324016	054	33-400300-605	003
33-110010-604	018	33-324017	054 - 16	33-400300-605	009
33-110010-607	018A- 15	33-324017	053	33-400300-607	003
33-110010-608	018A	33-324019	054 - 22	33-400300-607	009
33-110010-621	018	33-324021-1	054 - 17C	33-400300-613	009
33-110010-622	018	33-324024	054 - 23	33-400300-615	009
33-110010-7	018 - 20	33-324028	058A	33-410000-1	006
33-110010-8	018	33-324029	015C- 21	33-410000-602	006
33-110010-9	018 - 22	33-324029	015B- 19	33-410000-604	006
33-115381	018A- 5	33-324029	015D- 12	33-410000-612	006
33-115381-1	018A	33-324031	058A	33-410000-613	006
33-130000	020	33-324032	015B- 47	33-410000-614-1	006 -001
33-130000-1	020 - 9	33-324032	015C- 62	33-410000-614-2	006
33-130000-3	020 - 16	33-324032	015D- 93	33-410000-615	006
33-324000	054	33-324034-9	058A- 36	33-410000-616	006
33-324000-1	054	33-324035-9	058A	33-410000-617	006
33-324000-11	054	33-324035-9	058B- 68	33-410000-630	006 - 27
33-324000-13	054 - 36	33-324036	015C	33-410000-632	006 - 55
33-324000-19	054	33-324037	015D- 11	33-410000-633	006
33-324000-21	054	33-324038	015C	33-410000-634	006
33-324000-23	054	33-324039	015C	33-410000-636	006 - 32
33-324000-25	054	33-324039	015D	33-410000-640	006
33-324000-3	054 - 1	33-329010	059	33-410000-646	006
33-324000-31	054	33-329010-11	059	33-410000-648	006
33-324000-33	054 - 11C	33-329010-13	059	33-410000-650	006
33-324000-35	054	33-329010-15	059	33-410000-656	006
33-324000-37	054	33-329010-17	059	33-410000-660	007
33-324000-37	054	33-329010-19	050A- 9	33-410000-660	006 -108
33-324000-37	054	33-329010-19	050 - 34	33-410000-662	007
33-324000-37	054	33-329010-19	059 -147	33-410000-663	007
33-324000-39	054	33-329010-3	059	33-410000-664	007
33-324000-41	054	33-329010-7	059	33-410000-665	006
33-324000-43	054	33-360001-602	065	33-410000-666	006
33-324000-45	054	33-360001-607	016B	33-410000-676	006
33-324000-47	054	33-360001-617	016B	33-410000-677	006
33-324000-5	054 - 11B	33-360010	060	33-410010	010
33-324000-51	054	33-361010	059	33-410010-1	010 - 26
33-324000-53	054	33-364013	060	33-410010-17	010
33-324000-7	054	33-364013-1	060 - 81	33-410010-19	010
33-324000-9	054	33-364013-3	060 - 82	33-410010-2	010
33-324000-9	054	33-364013-5	060	33-410010-21	010
33-324000-9	054	33-364015	060	33-410010-23	010
33-324000-9	054	33-364015	061	33-410010-3	010 - 27
33-324001	059	33-364015	062	33-410010-4	010
33-324001-1	059 - 26	33-364016	061	33-410010-7	010 - 29

B E E C H C R A F T
B O N A N Z A 3 3 T H R U E 3 3
I L L U S T R A T E D P A R T S C A T A L O G

PART NUMBER	FIGURE & ITEM NO.	PART NUMBER	FIGURE & ITEM NO.	PART NUMBER	FIGURE & ITEM NO.
33-410011	010	33-410031-170	007 - 2A	33-410032-16	006
33-410011-1	015	33-410031-171	007 - 3A	33-410032-17	003
33-410011-11	015A	33-410031-173	007	33-410032-3	003 - 3
33-410011-13	015B	33-410031-174	007 - 4A	33-410032-3	006 - 44
33-410011-13	015A	33-410031-175	007 - 4B	33-410032-5	003 - 15
33-410011-15	015A	33-410031-177	007	33-410032-5	006 - 70
33-410011-19	015B	33-410031-178	007 - 5A	33-410032-9	003
33-410011-2	015	33-410031-179	007	33-410032-9	006
33-410011-20	015B	33-410031-183	007	33-410033-5	016
33-410011-21	010	33-410031-19	007	33-410034-1	006
33-410011-5	015	33-410031-23	003 - 28	33-410034-13	006
33-410011-7	010	33-410031-23	007 - 18	33-410034-3	006
33-410011-9	015B	33-410031-24	003 - 34	33-410034-602	006 - 37
33-410011-9	015A	33-410031-24	007	33-410034-604	006
33-410012	010	33-410031-25	003 - 29	33-410035-601	006 -105
33-410012-1	003	33-410031-25	007 - 17	33-410036-5	006 -125
33-410012-1	006	33-410031-26	003 - 35	33-410036-9	006 -122
33-410012-2	003	33-410031-26	007	33-410037-11	007
33-410012-2	006	33-410031-27	003 - 37	33-410037-13	007
33-410012-3	003	33-410031-27	007 - 29	33-410037-17	007
33-410020	012	33-410031-29	003 - 30	33-410037-23	007
33-410020-1	012	33-410031-29	007 - 16	33-410037-3	007 - 34
33-410020-3	012	33-410031-30	003 - 36	33-410037-5	007
33-410020-5	012	33-410031-30	007	33-410037-601	007
33-410020-7	012	33-410031-31	003 - 38	33-410037-603	007
33-410020-9	012	33-410031-31	007 - 30	33-410037-7	007
33-410030-13	003 - 57	33-410031-311	007	33-410037-9	007
33-410030-13	006 - 13	33-410031-313	007 - 23	33-410040-17	013 - 28
33-410030-14	006	33-410031-317	003	33-410040-602	006 -104
33-410030-14	003 - 58	33-410031-317	007	33-410040-604	006
33-410030-39	006	33-410031-33	007	33-410040-606	006
33-410030-41	006	33-410031-37	007 - 39	33-410042-601	006 - 18
33-410030-42	006	33-410031-39	007 - 11	33-410042-602	006 - 43
33-410030-5	006 -113	33-410031-41	003 - 31	33-410043	016
33-410030-603	006	33-410031-41	006 -118	33-410043-13	016 - 38
33-410030-604	006	33-410031-43	007	33-410043-15	016 - 37
33-410030-605	006	33-410031-45	007 - 21	33-410043-17	016 - 29
33-410030-614	006	33-410031-46	007	33-410043-19	016 - 30
33-410030-615	006	33-410031-47	007 - 22	33-410043-21	016 - 34
33-410031-100	007 - 8	33-410031-48	007	33-410043-23	016 - 32
33-410031-103	007 - 25	33-410031-49	007 - 10	33-410043-27	016
33-410031-105	007	33-410031-51	007	33-410043-31	016
33-410031-107	007	33-410031-52	007 - 7	33-410046-1	007
33-410031-111	006	33-410031-55	007	33-410046-3	007
33-410031-113	007	33-410031-56	007 - 6	33-410046-5	007
33-410031-117	003 - 32	33-410031-57	007	33-410046-602	007
33-410031-117	006 -119	33-410031-58	007 - 4	33-410046-7	007
33-410031-119	007	33-410031-601	007 - 14	33-410046-9	007
33-410031-123	007	33-410031-602	007 - 38	33-430010	011
33-410031-124	007	33-410031-603	007 - 37	33-430010-1	011 - 11
33-410031-125	007	33-410031-604	007 - 36	33-430010-5	011 - 12
33-410031-126	007	33-410031-605	007	33-430011-1	010
33-410031-133	007	33-410031-606	007 - 15	33-430011-3	010
33-410031-134	007	33-410031-607	007 - 35	33-440000-601	003 - 43
33-410031-135	007	33-410031-609	007	33-440000-601	006 -116
33-410031-137	007	33-410031-61	007	33-440011	027
33-410031-141	007	33-410031-611	007	33-440011-10	027
33-410031-143	007	33-410031-613	007	33-440011-15	027 - 39
33-410031-145	007	33-410031-63	007	33-440011-3	003
33-410031-149	007	33-410031-65	007	33-440011-3	027 - 37
33-410031-153	007	33-410031-81	007	33-440011-5	027 - 36
33-410031-154	007	33-410031-82	007	33-440011-601	003
33-410031-155	007	33-410031-83	007	33-440011-601	027 - 35
33-410031-156	007	33-410031-85	007	33-440011-7	016B- 32
33-410031-157	007	33-410031-87	007	33-440011-9	027 - 38
33-410031-158	007	33-410031-97	007 - 24	33-500003-1	076
33-410031-159	007	33-410031-99	007	33-524000	030
33-410031-161	003 - 53	33-410032-1	003 - 21	33-524000	032
33-410031-161	007	33-410032-1	006 - 80	33-524000	031
33-410031-162	003 - 54	33-410032-1	006	33-524000	034
33-410031-162	007	33-410032-15	003 - 51	33-524000-1	034 - 1
33-410031-163	007 - 1	33-410032-15	006	33-524000-11	026
33-410031-169	007	33-410032-16	003 - 52	33-524000-13	026 - 60

B E E C H C R A F T
 BONANZA 33 THRU E33
 I L L U S T R A T E D P A R T S C A T A L O G

PART NUMBER	FIGURE & ITEM NO.	PART NUMBER	FIGURE & ITEM NO.	PART NUMBER	FIGURE & ITEM NO.
33-524000-13	032 - 48	33-530000-41	015 - 19	33-530002-23	015A
33-524000-15	032 - 49	33-530000-41	015A- 54	33-530002-25	015A- 9
33-524000-15	026 - 61	33-530000-43	015 - 20	33-530002-27	015A
33-524000-17	031 - 1	33-530000-47	015 - 21	33-530002-27	015B- 13
33-524000-21	026	33-530000-47	015A- 56	33-530002-27	015C
33-524000-23	032	33-530000-49	015B- 97	33-530002-27	072 - 19
33-524000-23	026	33-530000-5	015 - 6	33-530002-29	015A- 25
33-524000-25	026	33-530000-51	015 - 22	33-530002-3	015A
33-524000-25	032	33-530000-51	015A- 57	33-530002-31	015B- 31
33-524000-27	034 - 8	33-530000-55	015A- 55	33-530002-31	015C- 58
33-524000-31	034	33-530000-57	015 - 23	33-530002-31	015A
33-524000-33	034 - 3	33-530000-57	015A- 52	33-530002-33	015A- 10
33-524000-35	034	33-530000-59	015 -034A	33-530002-35	015A
33-524000-37	034	33-530000-59	015A- 67	33-530002-35	015B- 5
33-524000-41	031 - 37	33-530000-603	013	33-530002-35	015C- 6
33-524000-43	031 - 39A	33-530000-61	015 - 25	33-530002-37	015A- 11
33-524000-47	032	33-530000-61	015B	33-530002-39	015A
33-524000-49	032	33-530000-61	015A- 46	33-530002-39	015B- 4
33-524000-49	032	33-530000-65	013	33-530002-41	015A- 27
33-524000-53	032	33-530000-65	015 - 43	33-530002-43	015B- 28
33-524000-59	030	33-530000-67	013	33-530002-43	015C- 29
33-524000-59	032	33-530000-67	015 - 42	33-530002-43	015A
33-524000-59	031	33-530000-69	013 - 23	33-530002-45	013
33-524000-59	034	33-530000-69	015	33-530002-45	015A- 64
33-524000-61	031	33-530000-69	015A	33-530002-47	013
33-524000-63	031 - 44	33-530000-7	015	33-530002-47	015A- 63
33-524000-9	032	33-530000-71	015	33-530002-49	015A- 62
33-524001	030	33-530000-73	015 - 44	33-530002-5	015A- 22
33-524001	032	33-530000-75	015	33-530002-51	015A
33-524001	031	33-530000-75	013 - 22	33-530002-55	015A- 14
33-524001	034	33-530000-75	015A	33-530002-57	015A- 15
33-524001-1	032	33-530000-79	015 - 26	33-530002-59	015A- 18
33-524001-11	032	33-530000-79	015 - 46	33-530002-59	015D- 7
33-524001-11	030	33-530000-81	015 - 27	33-530002-59	015C- 18
33-524001-11	031	33-530000-85	015 - 37	33-530002-59	015B- 16
33-524001-11	034	33-530000-87	015 - 39	33-530002-603	013
33-524001-5	031 - 39B	33-530000-87	015B- 73	33-530002-63	015B- 6
33-524001-7	032	33-530000-89	015 - 38	33-530002-63	015C- 7
33-524012	033	33-530000-89	015B- 72	33-530002-63	015D- 21
33-524012	034	33-530000-9	015 - 9	33-530002-63	015A- 16
33-524013	033	33-530000-91	015 - 24	33-530002-7	015A
33-524015	032 - 19	33-530000-93	015	33-530002-71	015B- 36
33-524017-3	031 - 29	33-530000-93	015A- 58	33-530002-75	015B- 34
33-524018	032	33-530000-93	015B- 69	33-530002-75	015C- 59
33-524020	031	33-530000-95	015 - 45	33-530002-75	015D- 78
33-524021	032	33-530000-96	015	33-530002-77	015A- 8
33-524022	075	33-530000-97	015 - 16A	33-530002-79	015A- 26
33-524022-1	075 - 1	33-530000-99	015A- 53	33-530002-81	015A
33-524022-15	075 - 15	33-530001	010	33-530002-81	015C- 39
33-524022-19	075 - 3	33-530002	015A	33-530002-81	015B- 29
33-524022-3	075 - 2	33-530002-1	015A- 1	33-530002-83	015C- 61
33-524023-11	075 - 10	33-530002-11	015A	33-530002-83	015B- 33
33-524023-3	075	33-530002-117	015A	33-530002-83	015D- 73
33-524024	075 - 14	33-530002-119	015A- 70	33-530002-85	015D- 8
33-524025	075 - 5	33-530002-121	015C- 30	33-530002-85	015C- 17
33-530000	015	33-530002-121	015B- 26	33-530002-85	015B- 15
33-530000-1	015 - 1	33-530002-121	015A- 28	33-530002-85	015A- 17
33-530000-107	015 - 35	33-530002-121	015D- 77	33-530002-9	015A- 20
33-530000-107	015A- 48	33-530002-123	015A	33-530003	015B
33-530000-109	015 - 16B	33-530002-125	015B- 67	33-530003-1	015B
33-530000-11	015	33-530002-125	015A	33-530003-10	011 - 18
33-530000-111	015 - 46A	33-530002-127	015A- 60	33-530003-10	015B- 22
33-530000-113	015	33-530002-129	015A- 61	33-530003-107	015D
33-530000-115	015	33-530002-13	015A- 31	33-530003-11	015B-102
33-530000-117	015	33-530002-131	015B- 70	33-530003-13	015B-101
33-530000-15	015 - 11	33-530002-131	015A- 59	33-530003-135	015D
33-530000-23	015 - 12	33-530002-133	015B	33-530003-137	015D
33-530000-27	015 - 13	33-530002-133	015A- 32	33-530003-139	015B
33-530000-3	015	33-530002-137	015A	33-530003-145	011
33-530000-31	015 - 14	33-530002-15	015A	33-530003-15	015B- 1
33-530000-35	015 - 16	33-530002-17	015A- 13	33-530003-151	015C- 81
33-530000-37	015 - 17	33-530002-19	015A	33-530003-151 C	015B- 59
33-530000-39	015	33-530002-21	015A- 33	33-530003-151 C	015D- 99

B E E C H C R A F T
B O N A N Z A 3 3 T H R U E 3 3
I L L U S T R A T E D P A R T S C A T A L O G

PART NUMBER	FIGURE & ITEM NO.	PART NUMBER	FIGURE & ITEM NO.	PART NUMBER	FIGURE & ITEM NO.
33-530003-153	015C	33-530004-59	015C-104	33-530005-69	015D
33-530003-153 C	015B- 60	33-530004-59	015D- 90	33-530005-7	015D
33-530003-153 C	015D- 98	33-530004-61	015C-102	33-530005-71	011
33-530003-17	015B- 12	33-530004-61	015D-112	33-530005-71	015D
33-530003-20	015B- 25	33-530004-63	015C-113	33-530005-77	015D- 61
33-530003-22	015B- 42	33-530004-63	015D	33-530005-79	015D
33-530003-24	015B- 24	33-530004-65	015C	33-530005-81	015D- 63
33-530003-25	015B- 52	33-530004-65	015D	33-530005-83	015D
33-530003-27	015B- 55	33-530004-69	015C- 5	33-530005-89	015D- 70
33-530003-29	015B- 71	33-530004-7 C	015C- 1	33-530005-9	015D
33-530003-3	015B	33-530004-73	015C- 95	33-530005-93	011 - 22A
33-530003-32	015B- 57	33-530004-75	015C	33-530005-97	011
33-530003-33	015B- 65	33-530004-83	015C	33-530005-97	015D- 65
33-530003-35	015B- 68	33-530004-87 C	015C- 52	33-530010-1	015A- 7
33-530003-37 C	013A	33-530004-91	015C	33-530010-3	015A- 6
33-530003-37 C	015B- 62	33-530004-93	015C	33-530010-5	015A- 30
33-530003-39 C	013A	33-530005-1	015D	33-530010-7	015A- 29
33-530003-39 C	015B- 63	33-530005-101	015D- 51	33-530011-1	015B- 39
33-530003-41	015B- 18	33-530005-103	015D	33-530012-1	015B- 37
33-530003-47	015B- 49	33-530005-107	015D- 53	33-530013-1	015B- 20
33-530003-48	015B- 50	33-530005-109	015D	33-530014-1	015B- 7
33-530003-49 C	015B- 93	33-530005-11	015D- 2	33-534010-1	013 - 2
33-530003-49 C	015C- 94	33-530005-111	015D- 52	33-534010-13	013 - 25
33-530003-49 C	015D-104	33-530005-119	015D- 54	33-534010-23	013 - 14
33-530003-51 C	015B- 43	33-530005-123	015D- 55	33-534010-27	013 - 4
33-530003-53 C	015B	33-530005-125	015D	33-534010-3	013 - 3
33-530003-53 C	015C-106	33-530005-127	015D- 56	33-534010-33	013 - 15
33-530003-53 C	015D- 83	33-530005-13	015D	33-534011	014
33-530003-55	015B	33-530005-131	015D- 71	33-534011-33	014 - 12
33-530003-55	015C-110	33-530005-135	015D- 58	33-534011-35	014 - 15
33-530003-55	015D- 84	33-530005-137	015D	33-534011-37	014 - 16
33-530003-57	015B- 96	33-530005-145	015D-108	33-534011-39	014 - 3
33-530003-57	015D- 85	33-530005-147	015D	33-534011-41	014 - 4
33-530003-59	015B	33-530005-149	015D-109	33-534011-43	014 - 5
33-530003-59	015D	33-530005-15	015D- 3	33-534011-45	014 - 6
33-530003-6	015B	33-530005-151	015D	33-534011-46	014 - 7
33-530003-603	013A	33-530005-153	015D-110	33-534011-47	014 - 8
33-530003-604	013A	33-530005-155	015D	33-534011-47	014
33-530003-621	015A	33-530005-161	015D-114	33-534011-51	014
33-530003-621 C	015B	33-530005-163	015D-111	33-534011-55	014
33-530003-621 C	015B- 45	33-530005-165	015D	33-534011-57	014
33-530003-621 C	015C-120	33-530005-171	015D- 64	33-534011-63	014 - 4A
33-530003-621 C	015D-123	33-530005-173	015D	33-534011-69	014 - 8A
33-530003-63	015B-100	33-530005-175	015D	33-534011-71	014
33-530003-65	015B- 66	33-530005-189	015D	33-534012	016
33-530003-67	015B- 58	33-530005-19	015D- 4	33-534012-1	016 - 4
33-530003-69	015B- 56	33-530005-191	015D	33-534012-5	016 - 5
33-530003-71	015B- 53	33-530005-197	015D	33-534013	016
33-530003-73	015B- 51	33-530005-199	015D	33-534013-1	016
33-530003-75	015B	33-530005-23	015D-005	33-534014	016
33-530003-77	015B- 94	33-530005-25	015D-006	33-534014-1	016 - 1
33-530003-79	015B- 99	33-530005-27	015D- 19	33-534014-3	016 - 2
33-530003-8	015B	33-530005-3	015D	33-534015	015
33-530003-81	015B- 21	33-530005-33	015D- 20	33-534015	015B
33-530003-83	015B- 41	33-530005-35	015D	33-534015	015A
33-530003-85	015B- 30	33-530005-37	015D- 22	33-534015-1	015 - 34
33-530003-85	015C- 40	33-530005-39	015D	33-534015-1	015B
33-530003-87	015B- 8	33-530005-41	015D- 23	33-534015-1	015A- 65
33-530003-89	015D- 27	33-530005-43	015D- 24	33-534015-2	015
33-530004-1	015C	33-530005-45	015D	33-534015-2	015B
33-530004-11	015C- 8	33-530005-47	015D- 26	33-534015-2	015A
33-530004-15	015C- 22	33-530005-49	015D	33-534015-3	015B- 64
33-530004-17	015C- 20	33-530005-5	015D- 1	33-534015-4	015B
33-530004-17	015D- 10	33-530005-51	015D	33-534015-7	015D- 95
33-530004-21	015C- 10	33-530005-53	015D- 25	33-534015-7	015C- 82
33-530004-22	015C- 38	33-530005-55	015D- 57	33-534015-8	015D
33-530004-23	011 - 21	33-530005-57	015D	33-534015-8	015C
33-530004-23	015C- 33	33-530005-59	015D	33-534015-9	015C
33-530004-25	015C- 37	33-530005-61	015D- 60	33-534015-9	015D
33-530004-29	015C- 42	33-530005-63	015D	33-534016-601	015 - 47
33-530004-3	015C	33-530005-65	015D	33-534017	015A
33-530004-45 C	015C- 15	33-530005-67	015D- 62	33-534017-3	013 - 24
33-530004-53	015C- 97	33-530005-69	011	33-534017-3	015A- 66

B E E C H C R A F T
B O N A N Z A 3 3 T H R U E 3 3
I L L U S T R A T E D P A R T S C A T A L O G

PART NUMBER	FIGURE & ITEM NO.	PART NUMBER	FIGURE & ITEM NO.	PART NUMBER	FIGURE & ITEM NO.
33-534018	016	33-534036	011	33-610000-694	028
33-534018-1	016	33-534036	0150- 82	33-610000-695	028
33-534021-3	013A- 5	33-534038-1	0138	33-610000-696	028
33-534023	011 - 19	33-534038-1	0148	33-610000-9	028
33-534023	011 - 22	33-534038-3	0148	33-610010-1	028
33-534023	015D	33-534039-1	0138	33-610010-2	028
33-534023	0158- 23	33-534039-11	0138- 45	33-610010-3	028 - 35
33-534023	015C- 35	33-534039-11	0148- 36	33-610010-5	028 - 28
33-534024-19	015D- 33	33-534039-15	0138- 46	33-610010-6	028
33-534024-21	015D	33-534039-15	0148- 37	33-610010-7	028 - 29
33-534025-1	015B	33-534039-3	0138	33-610010-8	028
33-534025-3	015B	33-534039-5	0148	33-610010-9	028
33-534025-5	015B	33-534039-7	0148	33-620000-11	026 - 20
33-534025-7	015C	33-534040-1	0148	33-620000-13	026 - 21
33-534027-1	014A	33-534041	061 - 1	33-620000-15	026 - 9
33-534027-1	013A	33-534042-1	015D- 43	33-620000-17	026 - 29
33-534027-10	014A	33-534042-3	015D	33-620000-19	026 - 28
33-534027-11	013A- 58A	33-534042-5	0588- 76	33-620000-23	026 - 36
33-534027-13 C	013A- 56A	33-534043	015D	33-620000-25	026 - 10
33-534027-15 C	013A- 55A	33-534044	015D	33-620000-27	002 - 74
33-534027-15 C	014C- 9	33-534047	036	33-620000-27	026 - 25
33-534027-2	013A	33-534047-1	036 - 60	33-620000-28	002 - 75
33-534027-2	014A	33-550000-1	046	33-620000-28	026 - 26
33-534027-3 C	014A- 48	33-550000-13	046	33-620000-3	026 - 16
33-534027-3 C	013A- 56	33-550000-17	046 - 60	33-620000-33	026
33-534027-5	013A	33-550000-17	046A- 47	33-620000-35	026 - 2
33-534027-5	014A- 47	33-550000-9	046 - 31	33-620000-37	026 - 30
33-534027-7 C	014A- 46	33-590000	005	33-620000-43	002 - 70
33-534027-7 C	013A- 55	33-590000-15B	005	33-620000-43	026 - 15
33-534027-9	014A	33-590000-17B	005	33-620000-44	002 - 71
33-534031-1	014A	33-590001	005	33-620000-44	026
33-534031-11	014A- 54	33-590002	005	33-620000-45	002 - 72
33-534031-11	0148- 45	33-590002-9B	005	33-620000-45	026 - 23
33-534031-12	0148	33-590003	005	33-620000-46	002 - 73
33-534031-12	014A	33-590003-7B	005	33-620000-46	026
33-534031-17	014A- 55	33-590004	005	33-620000-47	002 - 76
33-534031-17	0148- 46	33-590005	005	33-620000-47	026 - 24
33-534031-21	0148	33-590010	005	33-620000-48	002 - 77
33-534031-21	014A	33-590011	005	33-620000-48	026
33-534031-23	014A	33-590011-1C	005	33-620000-5	026 - 17
33-534031-25	014A	33-590011-3D	005	33-620000-51	026 - 5
33-534031-27	0148	33-590018	005	33-620000-53	026 - 6
33-534031-29	0148	33-590020	005	33-620000-55	026 - 1
33-534031-31	0148- 48	33-590023	005	33-620000-57	026 - 8
33-534031-7	014A- 57	33-590024	005	33-620000-601	025 - 1
33-534031-9	014A- 56	33-600000	025	33-620000-601	026
33-534031-9	0148	33-600011	027	33-620000-602	026
33-534031-9	0148- 47	33-600011-1	003 - 33	33-620000-602	025
33-534032	015D	33-600011-1	027 - 31	33-620000-603	026
33-534032	015C	33-600012	027	33-620000-605	026
33-534032-3	015C-105	33-600012-1	003 - 59	33-620000-607	026
33-534032-3	015D- 89	33-600012-1	027 - 34	33-620000-609	026
33-534033-1	014C	33-600012-3	003 - 60	33-620000-610	026
33-534033-13	014C- 22	33-600012-3	027 - 32	33-620000-611	025
33-534033-15	014C- 23	33-600012-5	027 - 33	33-620000-611	026
33-534033-21	014C	33-600012-6	027	33-620000-612	025
33-534033-27	014C- 17	33-610000-39	028 - 15	33-620000-612	026
33-534033-29	014C- 3	33-610000-41	028	33-620000-613	026
33-534033-33	014C- 11	33-610000-45	028 - 4	33-620000-615	026
33-534033-35	014C- 12	33-610000-47	028 - 14	33-620000-7	026 - 18
33-534033-39	014C- 25	33-610000-48	028	33-620000-9	026 - 19
33-534033-43	014C- 24	33-610000-49	028	33-630000-13	029 - 3
33-534033-45	014C- 26	33-610000-59	028	33-630000-15	029 - 1
33-534033-55	014C- 21	33-610000-603	025 - 5	33-630000-17	029 - 10
33-534033-57	014C- 20	33-610000-603	028	33-630000-21	029 - 20
33-534033-601 C	014C	33-610000-604	025	33-630000-23	029 - 16
33-534033-603 C	014C	33-610000-604	028	33-630000-25	029 - 18
33-534033-63	014C	33-610000-605	025	33-630000-27	029 - 13
33-534033-67	014C	33-610000-605	028	33-630000-29	029 - 9
33-534033-69	014C	33-610000-606	025	33-630000-3	029 - 17
33-534033-7	014C- 19	33-610000-606	028	33-630000-31	029 - 7
33-534033-8	014C	33-610000-61	028 - 17	33-630000-33	029 - 6
33-534034	011 - 25	33-610000-693	028	33-630000-35	029

B E E C H C R A F T
B O N A N Z A 3 3 T H R U E 3 3
I L L U S T R A T E D P A R T S C A T A L O G

PART NUMBER	FIGURE & ITEM NO.	PART NUMBER	FIGURE & ITEM NO.	PART NUMBER	FIGURE & ITEM NO.
33-630000-41	029 - 21	33-815001	044	33-921011-1	052A- 83
33-630000-43	029	33-820000	040	33-921011-3	052A
33-630000-49	029 - 15	33-820000-1	040	33-921012-1	052A- 85
33-630000-5	029 - 12	33-820000-3	040	33-921012-3	052A
33-630000-59	029 - 19	33-820010	039	33-921012-5	052A- 86
33-630000-601	025 - 8	33-820010-1	039	33-921012-7	052A
33-630000-601	029	33-820010-1	039A	33-924001	052B
33-630000-65	029 - 8	33-820010-601	039	33-940000	051
33-630000-69	029 - 4	33-824010	040	33-940000-11	051 - 27
33-630000-7	029 - 14	33-824010-1	040 - 43	33-940000-13	051
33-630000-71	029 - 24	33-824010-3	040	33-940000-15	051
33-630000-9	029 - 11	33-9001	047	33-940000-7	051 - 20
33-640000-11	027 - 12	33-910000	047	33-940000-9	051 - 21
33-640000-13	027 - 10	33-910000	059	33-940000-9	051 - 29
33-640000-15	027 - 8	33-910000-11	047	33-940000-9	051
33-640000-17	027 - 1	33-910000-13	047A- 61	33-940001	051
33-640000-19	027	33-910000-13	047 - 5	33-940001-1	051
33-640000-21	003 - 46	33-910000-3	047	33-940001-1	051
33-640000-21	027 - 26	33-910000-5	047	33-940001-3	051
33-640000-23	003 - 45	33-910000-650	047	33-950000	047 - 37
33-640000-23	027 - 27	33-910000-7	047	33-950000	048
33-640000-24	003 - 44	33-910000-9ECH	047	33-950000-1	048
33-640000-24	027	33-910010	050	33-950000-1	048 - 11
33-640000-25	027 - 3	33-910010-101	050 - 26	33-950000-5	047
33-640000-27	027 - 15	33-910010-103	050 - 24	33-950000-5	048
33-640000-28	027	33-910010-105	050 - 22	33-950001	047
33-640000-29	027 - 5	33-910010-109	050 - 37	33-950001	048
33-640000-3	027 - 7	33-910010-11	050 - 15	33-950001-5	048
33-640000-31	027 - 6	33-910010-113	050	33-950010	048
33-640000-33	027 - 20	33-910010-13	050 - 14	33-950011	048
33-640000-35	027	33-910010-15	050 - 13	330	072
33-640000-37	027 - 21	33-910010-17	050 - 21	330	067
33-640000-39	027 - 4	33-910010-19	050 - 18	330	067 - 5
33-640000-41	027 - 2	33-910010-21	050 - 19	330	061 - 38
33-640000-43	027 - 23	33-910010-23	050	330	074
33-640000-45	027	33-910010-25	050 - 20	330	073
33-640000-47	027 - 24	33-910010-41	050 - 16	34C8759	015D- 14
33-640000-49	027	33-910010-47	050 - 17	34C8759	015C- 46
33-640000-5	027 - 9	33-910010-5	050 - 2	34C8759	015C- 27
33-640000-51	027	33-910010-601	050 - 1	345-001-43	051
33-640000-53	003 - 47	33-910010-602	050	345-001-5	051 - 1
33-640000-53	027 - 14	33-910010-7	050	345-001-6	051 - 16
33-640000-55	027 - 28	33-910010-73	050 - 12	35-000064-11	004 - 12
33-640000-57	027 - 16	33-910010-75	050 - 11	35-000064-13	004 - 13
33-640000-58	027	33-910010-77	050	35-000064-37	004 - 14
33-640000-59	027 - 19	33-910010-81	050	35-000066 B-C	004 - 2
33-640000-601	025 - 3	33-910010-83	050	35-000066 W-C	004
33-640000-601	027	33-910010-87	050 - 3	35-000068	004
33-640000-603	027	33-910010-91	050	35-001029-19	010 - 35
33-640000-604	027	33-910010-93	050	35-001029-20	010
33-640000-606	027	33-910010-97	050	35-001029-6	003 - 50
33-640000-61	027 - 18	33-910010-99	050 - 5	35-050085-63	016 - 33
33-640000-63	027 - 17	33-910011-1	008	35-105005-10	017 - 3
33-640000-64	027	33-910011-1	047 - 30B	35-105005-11	017
33-640000-65	027 - 29	33-910012-47	065 - 10	35-105005-12	017 - 1
33-640000-7	027 - 011	33-910012-49	065	35-105005-13	017
33-640000-9	027 - 13	33-920000-1	052 - 4	35-105005-8	017 - 4
33-640010	027	33-920000-1	052A- 65	35-105005-9	017
33-640010-1	027 - 30	33-920000-11	052 - 33	35-105100	017
33-640010-2	027	33-920000-11	052A- 49	35-105100-1	017
33-810000-1	035	33-920000-11	052B- 55	35-105110	017 - 2
33-810000-10	035	33-920000-13	052B- 57	35-105110-1	017
33-810000-11	035	33-920000-13	052 - 35	35-110009-85	017
33-810000-12	035	33-920000-13	052A- 51	35-110009-86	017
33-810000-13	035	33-920000-15	052	35-110061-1	017 - 31
33-810000-15	035	33-920000-2	052	35-110061-1	018A- 50
33-810000-2	035	33-920000-2	052A	35-110061-2	017
33-810000-3	035	33-920000-21	052A	35-110061-2	018A
33-810000-4	035	33-921000-1	052	35-110062-1	019 - 2
33-810000-5	035 - 45	33-921000-2	052	35-115010-606	018 - 39
33-810000-7	035 - 46	33-921000-3	052 - 79	35-115010-607	018
33-810000-9	035	33-921001	053 - 1	35-115010-663	018
33-815000	044	33-921010	052 - 92	35-115010-666	018

B E E C H C R A F T
 BONANZA 33 THRU E33
 I L L U S T R A T E D P A R T S C A T A L O G

PART NUMBER	FIGURE & ITEM NO.	PART NUMBER	FIGURE & ITEM NO.	PART NUMBER	FIGURE & ITEM NO.
35-115031	019 - 42	35-115137-12	019 - 19	35-115199-24	019 - 63
35-115031-1	019	35-115137-13	019	35-115199-25	002 - 51
35-115032-602	019 - 41	35-115137-14	019 - 19A	35-115199-25	019
35-115032-603	019	35-115137-15	019	35-115199-26	002 - 45
35-115033-612	019 - 39	35-115137-18	002 - 38	35-115199-27	002 - 46
35-115033-613	019	35-115137-18	019 - 62	35-115199-28	002
35-115034	018A- 47	35-115137-19	002 - 39	35-115199-29	002
35-115034-1	018A	35-115137-19	019	35-115199-30	019 - 20
35-115035	018 - 36	35-115137-20	002	35-115199-31	019
35-115035	018A- 46	35-115137-20	019	35-115199-32	019
35-115035-1	018	35-115137-21	002	35-115199-33	019
35-115035-1	018A	35-115137-21	019	35-115199-4	019 - 21
35-115036	018 - 35	35-115137-22	002 - 36	35-115199-5	019
35-115036	018A- 45	35-115137-22	019 - 15	35-115199-6	019 - 22
35-115036-1	018	35-115137-23	002 - 37	35-115199-7	019
35-115036-1	018A	35-115137-23	019	35-115199-8	002 - 47
35-115037	018 - 33	35-115137-6	019 - 17	35-115199-8	019 - 23
35-115037	018A- 43	35-115137-7	019	35-115199-9	002 - 48
35-115037-1	018	35-115137-8	019 - 16	35-115199-9	019
35-115037-1	018A	35-115137-9	019	35-115200-100	002 - 62
35-115038	018A- 44	35-115142-10	019 - 6	35-115200-101	002 - 63
35-115038	018 - 34	35-115142-100	002	35-115200-104	002
35-115038-1	018	35-115142-101	002	35-115200-104	019
35-115038-1	018A	35-115142-106	002 - 32	35-115200-105	002
35-115041-602	019 - 34	35-115142-110	019 - 7A	35-115200-105	019
35-115041-603	019	35-115142-113	019	35-115200-106	002
35-115042-603	019 - 33	35-115142-114	002	35-115200-107	002
35-115042-604	019	35-115142-114	019	35-115200-108	002 - 57
35-115043	018 - 29	35-115142-115	002	35-115200-11	002
35-115043-1	018	35-115142-115	019	35-115200-11	019
35-115045-602	019 - 37	35-115142-13	019	35-115200-116	002
35-115045-603	019	35-115142-18	019 - 4	35-115200-116	019
35-115046	018 - 32	35-115142-21	019	35-115200-117	002
35-115046	018A	35-115142-52	002	35-115200-117	019
35-115046-1	018	35-115142-52	019 - 1	35-115200-118	002
35-115046-1	018A	35-115142-55	002	35-115200-118	019
35-115046-8	018A- 42	35-115142-55	019	35-115200-119	002
35-115046-9	018A	35-115142-59	002 - 33	35-115200-119	019
35-115047	019 - 56	35-115142-6	019 - 7	35-115200-14	002
35-115047-1	019	35-115142-60	019 - 3	35-115200-15	002
35-115048	019 - 57	35-115142-63	019	35-115200-20	019 - 65
35-115048-1	019	35-115142-68	002 - 34	35-115200-22	019 - 66
35-115049	019 - 58	35-115142-69	002	35-115200-24	019 - 67
35-115049-1	019	35-115142-70	019 - 5	35-115200-26	019 - 68
35-115050-604	019 - 44	35-115142-73	019	35-115200-30	002
35-115050-605	019	35-115142-9	019	35-115200-30	019
35-115051-606	019 - 32	35-115147	019	35-115200-31	002
35-115051-607	019	35-115160	019 - 55	35-115200-31	019
35-115058	019 - 46	35-115160-1	019	35-115200-36	019 - 12
35-115058-1	019	35-115166-14	018A	35-115200-37	019
35-115059-1	019	35-115166-16	018A	35-115200-38	019 - 11
35-115059-601	019 - 45	35-115166-20	018A	35-115200-39	019
35-115070-602	019 - 25	35-115194	019 - 60	35-115200-4	002 - 58
35-115071	019 - 59	35-115194-20	019	35-115200-4	019 - 8
35-115071-1	019	35-115194-26	002 - 40	35-115200-42	002 - 56
35-115071-12	019	35-115194-28	002	35-115200-5	002 - 59
35-115078	019 - 54	35-115194-31	002 - 42	35-115200-5	019
35-115078-1	019	35-115194-33	002 - 43	35-115200-613	002
35-115079-604	019 - 26	35-115194-35	002 - 41	35-115200-613	019
35-115096	019 - 47	35-115194-37	002	35-115200-614	002
35-115106-602	019	35-115194-38	002	35-115200-614	019
35-115110-2	019	35-115194-40	002	35-115200-663	019
35-115121-10	019 - 49	35-115194-6	002	35-115200-664	019
35-115122-6	019 - 50	35-115194-8	002	35-115200-70	019 - 13
35-115122-7	019	35-115194-8	002	35-115200-71	019
35-115123-4	019 - 51	35-115199-12	002 - 49	35-115200-72	002 - 52
35-115123-5	019	35-115199-14	002	35-115200-72	019 - 10
35-115124-4	019 - 52	35-115199-14	019 - 24	35-115200-73	002 - 53
35-115124-5	019	35-115199-15	002	35-115200-73	019
35-115130-602	019	35-115199-15	019	35-115200-74	002 - 55
35-115131	019	35-115199-16	019 - 24A	35-115200-76	019 - 14
35-115137-10	019 - 18	35-115199-17	019	35-115200-77	019
35-115137-11	019	35-115199-24	002 - 50	35-115200-8	002

B E E C H C R A F T
B O N A N Z A 3 3 T H R U E 3 3
I L L U S T R A T E D P A R T S C A T A L O G

PART NUMBER	FIGURE & ITEM NO.	PART NUMBER	FIGURE & ITEM NO.	PART NUMBER	FIGURE & ITEM NO.
35-115200-82	002 - 54	35-115301-32	019 - 72	35-115431-114	018A
35-115200-84	002	35-115301-33	019	35-115431-115	018A
35-115200-85	002	35-115301-34	019 - 73	35-115431-116	018A
35-115200-88	002	35-115301-35	019	35-115431-117	018A
35-115200-88	019	35-115301-36	019	35-115431-118	018A
35-115200-89	002	35-115301-37	019	35-115431-12	018A
35-115200-89	019	35-115301-38	019 - 74	35-115431-123	018A
35-115200-9	002	35-115301-39	019	35-115431-13	018A- 34
35-115200-90	019 - 14A	35-115301-44	019 - 64	35-115431-14	018A
35-115200-91	019	35-115301-601	019 - 48	35-115431-23	018A
35-115200-92	002	35-115301-602	019	35-115431-24	019A
35-115200-92	019	35-115301-603	019 - 53	35-115431-29	018A
35-115200-94	002 - 60	35-115301-604	019	35-115431-30	018A
35-115200-94	019	35-115301-617	002 - 44	35-115431-31	018A
35-115200-95	002 - 61	35-115301-617	019 - 43	35-115431-39	018A- 24
35-115200-95	019	35-115301-630	019	35-115431-40	018A
35-115200-96	002	35-115301-631	019	35-115431-41	018A
35-115200-96	019 - 9	35-115303-652	019 - 29	35-115431-42	018A
35-115200-97	002	35-115304-602	019	35-115431-45	018A
35-115200-97	019	35-115381	002 - 29	35-115431-46	018A
35-115200-98	002	35-115381	017 - 34	35-115431-5	018A- 27
35-115200-99	002	35-115381-1	002 - 30	35-115431-6	018A
35-115203	019 -076	35-115381-1	017	35-115431-603	018A
35-115203-1	019	35-115382	002 - 31	35-115431-604	018A
35-115205	019 - 75	35-115382	017 - 35	35-115431-609	018A- 26
35-115205-1	019	35-115382	018A	35-115431-610	018A
35-115211-2	002 - 9	35-115382-1	002	35-115431-611	018A- 25
35-115211-3	002 - 10	35-115382-1	017	35-115431-612	018A
35-115211-3	018	35-115382-1	018A	35-115431-613	018A
35-115211-4	002	35-115383	018 - 15	35-115431-614	018A
35-115211-6	002	35-115383	018A	35-115431-615	018A
35-115211-6	018 - 3	35-115383-2	018	35-115431-616	018A
35-115237	002	35-115383-2	018A- 8	35-115431-617	018A
35-115241	019	35-115383-5	018A	35-115431-618	018A
35-115242	019	35-115383-5	018	35-115431-621	018A- 38
35-115246	019 - 28	35-115383-7	018	35-115431-622	018A
35-115247	019 - 27	35-115383-7	018A	35-115431-627	018A- 23
35-115253	019 - 36	35-115388-657	018A	35-115431-628	018A
35-115253-1	019	35-115388-657	018	35-115431-651	018A
35-115256	019	35-115388-657	017	35-115431-652	018A
35-115264	019	35-115388-658	017	35-115431-653	018A
35-115265	019 - 61	35-115388-658	018	35-115431-654	018A
35-115265-1	019	35-115388-658	018A	35-115431-663	018A
35-115265-3	002 - 65	35-115388-667	018	35-115431-664	018A
35-115265-6	002 - 64	35-115388-667	018A	35-115431-681	018A
35-115265-601	002	35-115388-667	017	35-115431-682	018A
35-115265-602	002	35-115388-668	018A	35-115431-684	018A
35-115265-8	002	35-115388-668	018	35-115431-685	018A
35-115272	019 - 38	35-115388-668	017	35-115431-69	018A
35-115272-1	019	35-115388-677	018A	35-115431-7	018A- 31
35-115273	019 - 40	35-115388-677	017	35-115431-70	018A
35-115273-1	019	35-115388-678	018A	35-115431-8	018A
35-115274	019 - 30	35-115388-678	017	35-115431-9	018A- 32
35-115274-1	019	35-115430-3	002 - 5	35-115431-93	018A- 37
35-115275-2	019 - 31	35-115430-3	018 - 1A	35-115431-94	018A
35-115275-3	019	35-115430-4	002 - 6	35-115431-99	002 - 13
35-115300-608	017	35-115430-4	018	35-115431-99	018A- 2
35-115300-608	019	35-115431-10	018A	35-135025-10	020 - 13
35-115300-609	017	35-115431-100	002 - 14	35-135025-2	020 - 14
35-115300-609	019	35-115431-100	018A	35-135025-32	020 - 5
35-115300-610	017	35-115431-103	018A- 7	35-135025-36	020 - 3
35-115300-610	019	35-115431-104	018A	35-135025-40	020 - 15
35-115300-611	017	35-115431-105	018A	35-135025-8	020 - 10
35-115300-611	019	35-115431-107	002 - 15	35-160025-1	022
35-115301 SA34	019 - 69	35-115431-107	018A- 39	35-160025-5	022 - 16
35-115301 SA35	019	35-115431-108	002 - 16	35-160025-7	022 - 20
35-115301-14	019	35-115431-108	018A	35-160025-9	022
35-115301-26	019	35-115431-109	018A- 11	35-160025-9	022 - 14
35-115301-27	019	35-115431-11	018A- 33	35-165004	021 - 11
35-115301-28	019 - 70	35-115431-110	018A	35-165050-30	021 - 4
35-115301-29	019	35-115431-111	018A	35-165050-31	021
35-115301-30	019 - 71	35-115431-112	018A	35-165050-34	021 - 5
35-115301-31	019	35-115431-113	018A- 48	35-165050-35	021

B E E C H C R A F T
 BONANZA 33 THRU E33
 I L L U S T R A T E D P A R T S C A T A L O G

PART NUMBER	FIGURE & ITEM NO.	PART NUMBER	FIGURE & ITEM NO.	PART NUMBER	FIGURE & ITEM NO.
35-165050-40	021 - 6	35-324115-10	054 - 2	35-324392-83	059 - 69
35-165050-605	021	35-324158	054 - 3	35-324392-93	058A
35-165050-606	021	35-324166-14	058 - 5	35-324393	058A
35-165050-78	021	35-324166-15	058 - 6	35-324394	058A
35-165050-79	021	35-324166-8	058 - 1	35-324396	058A- 8
35-165051-8	021	35-324204	016 - 24	35-324397	058A- 7
35-165051-9	021	35-324280-12	059 - 74	35-324398	058A
35-170004-11	060	35-324280-38	059 - 77	35-324399	058A
35-170004-12	060	35-324281-8	058 - 2	35-324401-1	058A
35-175001	002 - 1	35-324281-9	058 - 3	35-324401-11	058A
35-175001	017 - 30	35-324324-3	058	35-324401-11	058B
35-175001-1	002 - 2	35-324345	059 - 18	35-324401-13	058A
35-175001-1	017	35-324365-11	058A	35-324401-13	058B
35-200A	035 - 48	35-324365-11	058B- 2	35-324401-3	058A
35-200A	068	35-324365-3	058A- 2	35-324401-7	058A
35-202	068 - 2	35-324365-3	058 - 15	35-324404-11	067 - 3
35-203	068 - 4	35-324365-3	058B	35-324404-13	067
35-204	068 - 5	35-324379-1	047	35-324404-15	067 - 1
35-204	068 - 8	35-324379-1	059	35-324404-3	067
35-321117-12	059 - 28	35-324386-3	058A	35-324404-7	067
35-324002-103	059 - 45	35-324386-3	058B	35-324404-9	067 - 2
35-324002-105	059 - 47	35-324386-31	058A	35-324405-11	067
35-324002-107	059 - 50	35-324386-33	058A- 32	35-324405-3	067
35-324002-123	064	35-324386-35	058B- 61	35-324405-9	067
35-324002-125	059 - 34	35-324386-35	058A- 12A	35-324408	058B- 79
35-324002-25	059	35-324386-39	058A	35-324408	058A- 11H
35-324002-27	059	35-324386-45	056	35-324409	058A
35-324002-37	059 - 23	35-324386-45	058A	35-324410	058A
35-324002-41	059	35-324386-45	058B	35-324410	058B- 7
35-324002-47	064	35-324386-49	058B- 58	35-324418	058A- 14A
35-324002-49	064 - 39	35-324386-5	056	35-324419	058A- 38
35-324002-53	064 - 41	35-324386-57	058B	35-324420	058B- 70
35-324002-57	064 - 32	35-324387	058A	35-324420	058A- 37
35-324002-7	059 - 7	35-324387-11	058A	35-324426	059
35-324002-71	064 - 34	35-324387-13	058B	35-324426-11	059 -123
35-324002-73	064 - 38	35-324387-13	058A- 23	35-324426-15	047
35-324002-75	064 - 30	35-324387-15	058A	35-324426-15	059
35-324002-77	059	35-324387-19	058B	35-324426-25	059 -126
35-324002-81	059	35-324387-21	058B- 62	35-324426-27	059
35-324002-83	059 - 48	35-324387-3	058B- 63	35-324426-27	059
35-324002-85	064 - 43	35-324387-3	058A- 24	35-324426-29	059 -117
35-324002-87	059 - 40	35-324388-11	058A- 35	35-324426-29	059 -103
35-324002-89	059 - 41	35-324388-19	058B- 67	35-324426-7	059 -125
35-324002-9	059 - 20	35-324388-19	058A	35-324426-9	059 -121
35-324002-91	059 - 39	35-324388-21	058B- 65	35-324428	059
35-324002-93	059 - 49	35-324388-21	058A	35-324428-11	059 -137
35-324002-93	064 - 44	35-324388-23	058A	35-324428-13	059
35-324002-95	059 - 36	35-324388-25	058B- 66	35-324428-15	059 -138
35-324002-99	059 - 38	35-324388-27	058B	35-324428-17	059 -134
35-324021	055 - 15	35-324388-27	058A	35-324428-21	059
35-324025-18	055 - 1	35-324388-3	058A	35-324428-23	059
35-324025-20	055 - 2	35-324388-5	058A- 34	35-324428-25	059
35-324025-22	055 - 3	35-324388-7	058A	35-324428-3	059 -139
35-324025-24	055 - 5	35-324390	067	35-324434	076 - 6
35-324025-25	055	35-324390-3	067	35-324439	058A
35-324025-30	054 - 35A	35-324392-1	059	35-324441-1	058B
35-324025-30	055	35-324392-101	058A	35-324441-25	058B
35-324031	016 - 20C	35-324392-103	058A	35-324441-29	058B
35-324031-8	016 - 22	35-324392-105	058A- 22D	35-324441-41	058B- 35
35-324033	016 - 18	35-324392-107	058A- 22E	35-324441-43	058B- 33
35-324069	055 - 7	35-324392-13	059 - 61	35-324441-45	058B- 34
35-324070	055 - 8	35-324392-15	059 - 55	35-324441-47	058B- 24
35-324073	055	35-324392-17	059 - 56	35-324441-49	058B- 23
35-324073-16	058A	35-324392-19	059 - 57	35-324441-7	058B
35-324073-2	055 - 20	35-324392-21	059	35-324442-1	058B
35-324075	058 - 30	35-324392-29	058A- 12	35-324442-3	058B
35-324087	054 - 38	35-324392-37	058A	35-324442-5	058B
35-324091	059	35-324392-41	058A	35-324442-7	058B- 8
35-324092	059 - 2	35-324392-43	059 - 52	35-324443-1	058B
35-324093	059 - 4	35-324392-45	059 - 53	35-324443-2	058B- 48
35-324098	059 - 6	35-324392-47	059 - 51	35-324443-3	058B- 51
35-324100	059 - 9	35-324392-47	064 - 40	35-324443-6	058B- 50
35-324109-10	054 - 17A	35-324392-47	064 - 33	35-324443-7	058B- 55

B E E C H C R A F T
B O N A N Z A 3 3 T H R U E 3 3
I L L U S T R A T E D P A R T S C A T A L O G

PART NUMBER	FIGURE & ITEM NO.	PART NUMBER	FIGURE & ITEM NO.	PART NUMBER	FIGURE & ITEM NO.
35-324444	061	35-364126	062 - 33	35-364238	062 - 38
35-324446	0588- 69	35-364127	036 - 2	35-364247	060 - 47
35-324446-3	0588	35-364129-3	062	35-364247	062 - 39
35-324447-1	0588- 11	35-364129-601	060	35-364258	062
35-329006	058A	35-364130	036 - 3	35-364259-1	062 - 57
35-329006	0588	35-364136	060 - 49	35-369002-17	060
35-329012-11	059 -145	35-364136	062 - 40	35-369002-17	062 - 16
35-329012-15	059 -149	35-364137	060 - 48	35-369002-3	060 - 13
35-329012-17	059 -150	35-364151-1	024A- 20	35-369002-5	060 - 15
35-329012-19	059 -151	35-364151-11	024A- 5	35-369017-1	062
35-329012-3	059 -142	35-364151-13	024A- 6	35-369017-1	062
35-329012-5	059	35-364151-15	024A	35-369018-11	065 - 15
35-329012-9	059 -146	35-364151-17	024 - 28	35-369018-13	065 - 16
35-344073-14	054 - 10	35-364151-17	024A- 33	35-369018-15	065
35-344073-16	0588- 41	35-364151-21	024A- 11	35-369018-17	065 - 12
35-344137	006 - 36	35-364151-23	024A- 37	35-369018-23	065 - 18
35-344152	016A- 17	35-364151-25	024A- 7	35-369123	051A- 18
35-344169	016A- 19	35-364151-25	024 - 5	35-369123	051 - 11
35-344234	058A- 1	35-364151-27	024 - 21	35-369124-1	060 - 6
35-344234	0588- 1	35-364151-27	024A- 39	35-369124-3	062 -005
35-344247-15	074	35-364151-29	024A- 13	35-369124-3	064 - 6
35-344278-11	015D- 88	35-364151-3	024 - 1	35-369131	062 - 4
35-344278-12	015D	35-364151-3	024A- 2	35-369131	060 - 4
35-344278-15	015D- 87	35-364151-31	024A- 30	35-369131	064 - 4
35-344278-19	015D	35-364151-33	024A- 23	35-369145	062
35-360010-3	062 - 7	35-364151-35	024A- 21	35-369150	060 - 14
35-361016	004	35-364151-41	024A- 10	35-369151	060 - 16
35-361016-1	004 - 5	35-364151-43	024A- 14	35-380001-603	006 -117
35-361025	060	35-364151-43	024 - 10	35-380019-1	010 - 53
35-361028-603	064	35-364151-45	024A- 24	35-380019-3	010 - 54
35-361108-8	059 -130	35-364151-47	024A- 32	35-380019-5	061 - 6A
35-361109	059 -131	35-364151-49	024A- 35	35-380020-3	039A- 23
35-361131-601	060	35-364151-5	024A- 38	35-380023	052A- 79
35-361132	060 - 53	35-364151-51	024A	35-380035-1	008A- 1
35-361133	060 - 51	35-364151-55	022	35-380035-5	008A
35-361134	060 - 64	35-364151-55	024A	35-380036-1	058
35-361135	060 - 66	35-364151-7	024A	35-380036-1	058A- 17
35-361136	060 - 65	35-364151-9	024A- 28	35-380036-13	058B
35-361144	060	35-364153-606	064	35-380036-15	058B
35-361145	060	35-364154	061	35-380036-7	058B- 17
35-361145-2	060 - 69	35-364154-1	061 - 2	35-380036-7	058A
35-361145-4	060 - 70	35-364155	061 - 46	35-380036-9	058A
35-361148-1	060 - 55	35-364155	067 - 11	35-380036-9	058B
35-361150	060 - 58	35-364157	061	35-380039-1	058A- 19
35-361151	002 - 28	35-364158	061 - 3	35-380040	058
35-361151	018A- 40	35-364160-3	061 - 41	35-380043-1	058A- 18
35-361151	059 - 29	35-364161-1	060	35-380045	058 - 9
35-361153	060 - 60	35-364161-11	060	35-380045-1	058A- 21A
35-361156-1	053	35-364161-3	060	35-380049-1	046A- 53
35-361157-1	053	35-364161-5	060	35-380049-3	046C- 58
35-361159	059	35-364161-7	060	35-380049-3	046A- 56
35-361701	060	35-364162	061	35-380049-3	046B
35-361701-1	060	35-364163	061	35-380049-3	046B- 87
35-361702-2	060 - 74	35-364163-1	061	35-380049-7	044
35-361702-4	060	35-364168-1	065 - 20	35-380050-1	051A
35-361703	060 - 75	35-364170-1	064	35-380051-1	046A- 31
35-361703-1	060	35-364170-3	064	35-380051-11	046C- 26
35-364010-2	006	35-364170-5	064	35-380051-11	044A- 66
35-364022	016A- 41	35-364170-9	064	35-380051-13	016B- 37
35-364022	016B- 16	35-364171-1	064 - 13	35-380051-5	046B- 59
35-364022	060 - 89	35-364171-11	064	35-380051-5	046C- 25
35-364040	060	35-364171-13	064	35-380051-7	046C- 41
35-364040-10	060 - 88	35-364171-15	064 - 20	35-380051-7	046B- 31
35-364040-12	060 - 86	35-364171-17	064 - 19	35-380052	061 - 6
35-364040-8	060 - 92	35-364171-19	064 - 18	35-380052	061 - 23
35-364050-604	054 - 39	35-364171-21	064 - 17	35-380052	064 - 12
35-364071	060	35-364171-3	064 - 15	35-380053-11	064 - 11
35-364073	060 - 93	35-364171-7	064 - 14	35-380053-7	061 - 5
35-364078	054 - 43	35-364171-9	064 - 16	35-380053-7	061 - 22
35-364084-2	054 - 42	35-364202-1	054 - 40	35-380054-3	058A
35-364084-4	054 - 41	35-364202-3	054 - 46	35-380054-3	058B- 3
35-364123-601	060 - 79	35-364238	060 - 63	35-380055	058A- 11F
35-364126	060 - 38	35-364238	060 - 46	35-380055-1	061 - 48

B E E C H C R A F T
 BONANZA 33 THRU E33
 I L L U S T R A T E D P A R T S C A T A L O G

PART NUMBER	FIGURE & ITEM NO.	PART NUMBER	FIGURE & ITEM NO.	PART NUMBER	FIGURE & ITEM NO.
35-380055-1	061 - 43	35-400364-8	006	35-410000-626	006
35-380060-21	057	35-400366-1	006	35-410000-627	006
35-380060-23	057	35-400366-10	006 - 19	35-410000-64	006
35-380060-27	057	35-400366-3	006	35-410000-650	006 - 38
35-380060-31	076	35-400366-4	006	35-410000-66	006 - 72
35-380063-1	008A- 3	35-400366-5	006	35-410000-670	006
35-380065-1	044 - 5	35-400366-6	006	35-410000-671	006
35-380065-1	044A- 8	35-400366-7	006	35-410000-8	006 - 73
35-380072-1	057	35-400366-8	006	35-410000-90	006 - 76
35-380072-1	074 - 29	35-400379	009 - 76	35-410000-92	010 - 37
35-380072-1	076	35-400380	009	35-410000-93	010
35-380079-1	064 - 22	35-400395	009 - 58	35-410000-94	010 - 36
35-380087	064 - 24	35-400404	009 - 14	35-410000-95	010
35-380088	047A- 14	35-400404-1	009	35-410000-96	010 - 40
35-380092-11	064 - 29	35-400405	009 - 93	35-410000-97	010
35-380092-7	064 - 28	35-400414	009 - 70	35-410000-98	010
35-380093-1	062	35-400417	009 - 66	35-410000-99	010
35-380094-3	037	35-400434	009 - 54	35-410001-60	006 -110
35-380109	022	35-400435	009 - 56	35-410001-61	006 - 41
35-380141-23	054 -011A	35-400445-2	006	35-410007-16	007
35-380141-25	054	35-400445-6	006	35-410007-20	007
35-380141-27	054	35-400461	009 - 65	35-410008-12	007
35-380141-29	054	35-400462	009 - 61	35-410009-6	007 - 9
35-380141-5	054	35-400464-6	009 - 60	35-410010-10	007 - 5
35-380141-7	054	35-400464-8	009	35-410010-14	007 - 3
35-380141-9	054	35-400467-3	009 - 53	35-410015	007 - 41
35-400008-12	009	35-400471-21	007 - 26	35-410015-1	007 - 42
35-400008-6	009 - 5	35-400471-23	007 - 27	35-410016	007
35-400008-8	009	35-400471-27	007 - 28	35-410017-1	006 - 23
35-400010-30	009 - 3A	35-400472	009	35-410017-3	006
35-400010-32	009 - 2A	35-400473-15	006	35-410018-1	055
35-400010-34	009 - 9	35-400473-16	006 - 8	35-410018-3	055 - 17
35-400010-36	009 - 7	35-400473-17	006	35-410020-14	003 - 40
35-400010-42	009	35-400473-18	006 - 14	35-410020-14	006 -120
35-400010-60	009	35-400473-606	006	35-410020-15	003 - 42
35-400010-64	009	35-400474	009 - 90	35-410020-15	006
35-400010-67	009	35-410000-100	010 - 38	35-410020-2	006
35-400010-83	009	35-410000-102	010 - 39	35-410020-3	006
35-400013	009 - 16	35-410000-102	006 -112	35-410020-602	006 - 12
35-400013-1	009	35-410000-108	006 - 67	35-410020-603	006
35-400014	009	35-410000-109	006 - 66	35-410030-45	006
35-400014-3	009	35-410000-11	006 - 63	35-410035	006 - 22
35-400018-18	009	35-410000-110	006 - 65	35-410035-1	006
35-400018-6	009 - 4	35-410000-114	006 -111	35-410038-120	006
35-400018-8	009	35-410000-115	006	35-410038-122	006
35-400031	009 - 17	35-410000-116	010 - 41	35-410038-44	006
35-400031-1	009	35-410000-12	006 - 74	35-410038-46	006
35-400032	009 - 11	35-410000-15	006 - 68	35-410038-54	006
35-400032-5	009	35-410000-16	006 - 84	35-410038-58	006
35-400033	009 - 18	35-410000-17	006	35-410038-6	006
35-400036	009 - 62A	35-410000-18	006 - 85	35-410038-60	006
35-400041	009 - 68	35-410000-2	006 - 75	35-410038-602	006
35-400044-1	009 - 21	35-410000-21	006	35-410038-604	006
35-400212	007 - 19	35-410000-24	006 - 97	35-410038-610	006
35-400212	059 - 1	35-410000-25	006	35-410038-62	006
35-400213	007 - 40	35-410000-26	006 - 98	35-410038-634	006
35-400304-1	006	35-410000-30	006 - 71	35-410038-654	006
35-400320-32	009	35-410000-31	006 - 62	35-410038-90	006
35-400320-34	009 - 22B	35-410000-36	006 - 99	35-410067	006
35-400320-50	009 - 91	35-410000-37	006	35-410070-40	011 - 7
35-400320-56	009 - 73	35-410000-38	006 - 64	35-410070-606	006
35-400320-6	009 - 22	35-410000-44	006	35-410070-606	003
35-400320-66	009 - 98	35-410000-45	006 - 3	35-410070-606	011
35-400320-8	009 - 22A	35-410000-46	006	35-410070-65	011
35-400339-2	030	35-410000-47	006 - 9	35-410070-652	003 - 49
35-400359-10	006 - 21	35-410000-48	007	35-410070-652	006 -107
35-400364	006 - 20	35-410000-49	007 - 2	35-410070-652	011 - 1
35-400364-2	006	35-410000-5	006 - 69	35-410070-67	011
35-400364-3	006	35-410000-6	006	35-410070-77	011 - 17
35-400364-4	006	35-410000-624	003 - 18	35-410070-93	003
35-400364-602	006	35-410000-624	006	35-410070-93	006
35-400364-609	006	35-410000-625	006	35-410070-93	011
35-400364-610	006	35-410000-625	003 - 19	35-410077-12	043 - 8

B E E C H C R A F T
 BONANZA 33 THRU E33
 I L L U S T R A T E D P A R T S C A T A L O G

PART NUMBER	FIGURE & ITEM NO.	PART NUMBER	FIGURE & ITEM NO.	PART NUMBER	FIGURE & ITEM NO.
35-410077-28	043	35-410291-102	010 - 75	35-410369-7	007
35-410077-28	040	35-410291-11	010	35-410370	007
35-410077-29	043	35-410291-114	010 - 77	35-410370-1	007
35-410077-29	040	35-410291-14	010 - 30	35-410372	007
35-410077-30	043 - 1	35-410291-142	010 - 31	35-410384-12	008 - 29
35-410077-31	043 - 2	35-410291-146	010 - 58	35-410384-13	008
35-410077-34	043 - 9	35-410291-147	010	35-410392	043 - 7
35-410077-8	043 - 5	35-410291-15	010	35-410398-14	007
35-410077-9	043 - 6	35-410291-164	010	35-410408	006
35-410106	006	35-410291-164	015 - 40	35-410414-1	007
35-410145 SA4	006 - 87	35-410291-165	010	35-410419	006 -106
35-410145-12	006	35-410291-165	015 - 41	35-410421-2	073
35-410145-14	006	35-410291-166	010	35-410432	011 - 5
35-410145-16	006	35-410291-167	010	35-410435	009 - 77
35-410145-2	006	35-410291-170	010 - 6	35-410436	009 - 78
35-410145-4	006	35-410291-175	010 - 74	35-410442	011 - 9
35-410145-6	006	35-410291-175	010 - 32	35-410444-11	006 - 29
35-410145-602	003	35-410291-180	010 - 59	35-410444-13	006 - 42
35-410145-602	006	35-410291-183	010 - 57	35-410444-14	006
35-410145-604	006	35-410291-187	010 - 56	35-410444-17	006 - 30
35-410145-612	006 - 88	35-410291-189	010 - 34	35-410444-19	006 - 31
35-410145-612	003 - 24	35-410291-203	010	35-410444-21	006 - 86
35-410147	006 -115	35-410291-205	010	35-410444-23	006
35-410147	006	35-410291-34	010 - 1	35-410444-24	006 - 10
35-410147-1	006	35-410291-35	010	35-410444-25	006 - 26
35-410152	003 - 55	35-410291-36	015	35-410444-3	006 - 33
35-410152	016	35-410291-39	010	35-410444-31	006 - 40
35-410154-3	016B- 56	35-410291-39	015	35-410444-32	006
35-410158-10	006	35-410291-40	010 - 3	35-410444-37	006 - 39
35-410158-11	006 - 59	35-410291-40	015	35-410444-45	006
35-410160-28	007	35-410291-43	010	35-410444-49	006 - 96
35-410160-30	007	35-410291-43	015	35-410444-50	006
35-410160-32	007	35-410291-44	010 - 4	35-410444-51	006
35-410160-38	006 -124	35-410291-46	010 - 2	35-410444-52	006
35-410160-40	007	35-410291-46	010	35-410444-54	006
35-410160-8	007	35-410291-52	010 - 60	35-410444-55	006
35-410162-2	007 - 43	35-410291-626	010 - 16	35-410444-56	006
35-410169 B-C	004 - 4	35-410291-628	010 - 9	35-410444-57	006
35-410169 W-C	004	35-410291-631	010	35-410444-58	006
35-410170-16	006	35-410291-632	010	35-410444-59	006 - 83
35-410170-2	006	35-410291-72	010 - 33	35-410444-7	006 - 34
35-410170-4	006 - 60	35-410291-73	010	35-410444-7	006
35-410175	015 - 3	35-410291-8	010	35-410444-7	006
35-410175	015A- 3	35-410291-88	010 - 10	35-410446-1	006
35-410176	006	35-410291-90	010 - 18	35-410446-109	008
35-410180-14	011 - 16A	35-410291-98	010 - 61	35-410446-11	008 - 44
35-410180-2	006	35-410315	010 - 6A	35-410446-117	008 - 41
35-410180-6	006 - 61	35-410315	010A- 2	35-410446-119	008
35-410210-12	006	35-410316	010 - 73	35-410446-12	008
35-410211-2	006	35-410316-1	010	35-410446-121	008 - 26
35-410214	011 - 3	35-410317	010 -068	35-410446-123	008
35-410214-5	011	35-410318	010	35-410446-13	008
35-410215-14	006	35-410321-1	010 - 20	35-410446-131	008
35-410215-5	006 - 57	35-410323	010 - 62	35-410446-133	008 - 14
35-410217-16	006 - 58	35-410324	010 - 12	35-410446-135	008
35-410217-18	006	35-410324-4	010 - 15	35-410446-137	008 - 17
35-410217-44	006	35-410325	010 - 21	35-410446-139	008 - 18
35-410217-46	006	35-410326	010 - 25	35-410446-139	008 - 15
35-410225-2	006	35-410330-10	006	35-410446-145	008
35-410225-3	006	35-410330-12	006	35-410446-149	008
35-410225-4	006 -100	35-410330-2	006	35-410446-15	006 - 35
35-410241	073 - 22	35-410330-5	006	35-410446-15	008
35-410259-12	006	35-410330-6	006	35-410446-151	008 - 19
35-410259-14	006	35-410330-602	006 - 89	35-410446-153	008
35-410259-16	003 - 25	35-410330-603	006	35-410446-157	008 - 16
35-410259-16	006 -121	35-410330-7	006	35-410446-159	008
35-410259-18	006 - 92	35-410331-602	006 - 90	35-410446-16	006
35-410259-624	006 - 91	35-410365	007 - 20	35-410446-161	008 - 22
35-410265	055 - 9	35-410369-2	007	35-410446-163	008 - 21
35-410279	006 -101	35-410369-3	007	35-410446-167	008
35-410279-1	006	35-410369-4	007	35-410446-169	008
35-410286 B-C	004 - 19	35-410369-5	007	35-410446-17	008
35-410286 W-C	004	35-410369-6	007	35-410446-171	008 - 5

B E E C H C R A F T
 BONANZA 33 THRU E33
 I L L U S T R A T E D P A R T S C A T A L O G

PART NUMBER	FIGURE & ITEM NO.	PART NUMBER	FIGURE & ITEM NO.	PART NUMBER	FIGURE & ITEM NO.
35-410446-172	008	35-410447-3	007 - 33	35-410456-601	009
35-410446-173	008 - 4	35-410447-5	007 - 32	35-410456-7	009 - 37
35-410446-175	008 - 9	35-410451-29	015 - 15	35-410457	011 - 10
35-410446-176	008	35-410451-35	072 - 12	35-410460-10	006
35-410446-177	008	35-410451-35	073 - 12	35-410460-5	006
35-410446-178	008	35-410451-35	073 - 29	35-410460-5	003
35-410446-179	008 - 11	35-410451-39	072 - 11	35-410460-6	003
35-410446-181	008 - 8	35-410451-39	073 - 11	35-410460-6	006
35-410446-182	008	35-410451-39	073 - 28	35-410460-7	006
35-410446-183	008 - 12	35-410451-41	073	35-410460-8	006
35-410446-185	008	35-410451-41	072	35-410460-9	006
35-410446-19	008 - 43	35-410451-41	073	35-410461-19	007
35-410446-191	008 - 20	35-410451-43	072	35-410461-21	007
35-410446-193	008 - 23	35-410451-43	073	35-410461-29	007
35-410446-197	008	35-410451-43	073	35-410461-30	007
35-410446-199	008	35-410452-109	006	35-410461-31	007
35-410446-20	008	35-410452-109	003	35-410461-32	007
35-410446-203	003	35-410452-137	006	35-410461-49	006
35-410446-203	008	35-410452-138	006	35-410461-50	006
35-410446-207	008	35-410452-139	006	35-410461-51	010 - 42
35-410446-209	008	35-410452-140	006	35-410461-52	010
35-410446-21	008 - 40	35-410452-142	003 - 39	35-410462-25	062 - 12
35-410446-215	008	35-410452-142	006	35-410462-3	062 - 10
35-410446-235	008	35-410452-143	006 - 11	35-410462-31	062
35-410446-243	008 - 24	35-410452-143	003 - 41	35-410462-33	062 - 11
35-410446-253	050	35-410452-165	006	35-410465-1	010 - 11
35-410446-253	050A	35-410452-165	003	35-410466-1	042 - 34
35-410446-259	008	35-410452-167	003	35-410474-43	010 - 3A
35-410446-277	062	35-410452-167	006	35-410474-45	010 - 2A
35-410446-279	062	35-410452-17	006	35-410474-47	010 - 3B
35-410446-281	008	35-410452-17	003 - 22	35-410474-49	010 - 4A
35-410446-283	008	35-410452-178	003	35-410474-49	010A- 3
35-410446-285	008	35-410452-179	003	35-410474-50	010
35-410446-287	008	35-410452-23	003 - 17	35-410474-50	010A
35-410446-293	008	35-410452-23	006 - 25	35-410474-53	010 - 55
35-410446-295	008 - 37	35-410452-25	003 - 23	35-410474-57	010
35-410446-297	008 - 18A	35-410452-25	006 - 78	35-410474-59	010
35-410446-299	008	35-410452-29	003 - 9	35-410474-61	010 - 1A
35-410446-3	008 - 34	35-410452-29	006 - 47	35-410474-63	010
35-410446-45	003 - 27	35-410452-3	006	35-415309-1	010 - 76
35-410446-45	008 - 31	35-410452-3	003 - 14	35-415309-2	010
35-410446-5	008	35-410452-33	003 - 13	35-415310-1	010 - 69
35-410446-55	008	35-410452-35	003 - 12	35-415310-2	010
35-410446-56	008	35-410452-35	006	35-415311-1	010 - 70
35-410446-59	008 - 10	35-410452-39	006 - 77	35-415312-3	010 - 64
35-410446-606	006	35-410452-39	003 - 10	35-415312-4	010
35-410446-606	008	35-410452-41 U	003 - 2	35-415320	006 - 24
35-410446-610	006	35-410452-41 U	006 - 46	35-415320-2	006
35-410446-610	008	35-410452-45	006 - 45	35-415320-4	006
35-410446-620	008	35-410452-45	003 - 4	35-415330-118	006
35-410446-630	006 - 2	35-410452-47	003	35-415330-158	006
35-410446-630	008	35-410452-5	003	35-415330-72	048
35-410446-632	006 - 17	35-410452-5	006	35-415330-72	048 - 16
35-410446-632	008	35-410452-7	006	35-415330-73	048 - 17
35-410446-634	006	35-410452-7	003 - 11	35-415330-73	048
35-410446-634	008	35-410452-73	003 - 8	35-415333	046 - 30
35-410446-642	006	35-410452-73	006 - 48	35-415340-1	006 - 5
35-410446-642	008	35-410452-77	006	35-415340-2	006
35-410446-646	006	35-410452-77	003	35-415341	006
35-410446-646	008	35-410452-79	003 - 20	35-415341-1	006 - 6
35-410446-650	006	35-410452-79	006 - 79	35-415342	006
35-410446-660	008	35-410452-9	006	35-415342-1	006
35-410446-664	008	35-410452-9	003 - 16	35-415342-2	006
35-410446-666	008	35-410455-1	016B- 53	35-415342-3	006 - 7
35-410446-67	008 - 13	35-410456	009	35-415343-12	006
35-410446-69	008 - 25	35-410456-1	009	35-415343-13	006
35-410446-7	008	35-410456-11	009 - 32	35-415343-14	006
35-410446-79	006 - 126	35-410456-13	009 - 49	35-415343-15	006
35-410446-8	008 - 35	35-410456-27	009 - 43	35-415343-16	006
35-410446-81	008 - 28	35-410456-29	009 - 47	35-415343-2	006
35-410446-89	008 - 32	35-410456-3	009 - 23	35-415343-24	006
35-410446-9	008 - 39	35-410456-31	009 - 27	35-415343-27	006
35-410447-1	007 - 31	35-410456-5	009 - 40	35-415343-28	006

B E E C H C R A F T
B O N A N Z A 3 3 T H R U E 3 3
I L L U S T R A T E D P A R T S C A T A L O G

PART NUMBER	FIGURE & ITEM NO.	PART NUMBER	FIGURE & ITEM NO.	PART NUMBER	FIGURE & ITEM NO.
35-415343-29	006	35-415417-29	012	35-524041	031
35-415343-32	006	35-415417-3	012	35-524041	056
35-415343-33	006	35-415417-35	012	35-524047	056 - 11
35-415343-36	006	35-415417-39	012	35-524048	057 - 7
35-415343-5	006	35-415417-41	012 - 17	35-524048	074
35-415343-6	006	35-415417-45	012	35-524048	074 - 12
35-415343-604	006 - 15	35-415417-49	012 - 18	35-524051-1	057 - 11
35-415343-605	006	35-415417-5	012	35-524051-1	074 - 16
35-415343-608	006	35-415417-51	012 - 19	35-524060	033
35-415343-609	006	35-415417-7	012 - 15	35-524060	033
35-415343-7	006	35-415417-9	012	35-524060-1	033
35-415343-8	006	35-420011	046B- 90	35-524060-1	033
35-415343-9	006	35-420011	046C- 63	35-524060-2	033 - 5
35-415349-1	008 - 27	35-420013	046B	35-524060-2	033 - 8
35-415352	006	35-420013	046C	35-524060-3	033 - 6
35-415352-1	006 - 4	35-420013-1	046C	35-524060-3	033 - 9
35-415373-10	006	35-420013-1	046B	35-524087-6	074 - 1
35-415373-14	006	35-420013-13	046C- 62	35-524087-8	074
35-415373-602	006 -103	35-420013-13	046B- 88	35-524095	057 - 8
35-415373-604	006 -109	35-420013-15	046C- 57	35-524095	074 - 13
35-415373-608	006	35-420013-15	046B- 86	35-524096	057 - 10
35-415373-610	006 - 56	35-420013-17	046C- 64	35-524096	074 - 15
35-415374-10	006	35-420013-17	046B- 89	35-524125	056
35-415374-12	006	35-420013-3	046B- 79	35-524125-2	056 - 27
35-415374-14	006	35-420013-3	046C- 53	35-524125-4	056
35-415374-16	006	35-420013-5	046C- 54	35-524126	055 - 13
35-415374-6	006	35-420013-5	046B- 80	35-524136	006
35-415374-602	006 - 93	35-420013-7	046C- 55	35-524136	033 - 55
35-415374-604	006 - 94	35-420013-7	046B- 81	35-524136	033 - 57
35-415374-606	006 - 95	35-420013-9	046B- 82	35-524138	033
35-415380-10	012 - 9	35-420013-9	046C- 56	35-524138	033
35-415380-12	012 - 8	35-420015	009 - 21A	35-524138-2	033 - 60
35-415380-14	012 - 1	35-5034-1	013	35-524138-2	033 - 64
35-415380-16	012	35-5034-5	013	35-524139	057
35-415380-18	012 - 2	35-5034-5	013A	35-524139	057 - 12
35-415380-2	012	35-521152	030	35-524139	074
35-415380-22	012 - 10	35-521152-4	030 - 41	35-524139	074
35-415380-22	015C-111	35-521158-2	030 - 36	35-524139-1	057
35-415380-22	015B- 98	35-521158-3	030	35-524139-1	074 - 18
35-415380-22	015D-121	35-521158-5	030	35-524140-2	057 - 13
35-415380-24	012 - 3	35-521158-6	030	35-524140-2	074 - 19
35-415380-28	012 - 4	35-521180	030	35-524140-4	057 - 14
35-415380-32	012	35-521180 SA2	030	35-524140-4	074 - 20
35-415380-4	012	35-521180 SA3	030	35-524141	057 - 16
35-415380-50	012	35-521180-1	030	35-524141	057
35-415380-52	012	35-521181	030 - 33	35-524141	074
35-415380-58	012	35-521190	030 - 38	35-524141	074 - 22
35-415380-6	012	35-521213	023 - 1	35-524143-2	033 - 21
35-415380-60	012	35-521215	023 - 12	35-524143-6	033
35-415380-62	012	35-521225	024	35-524144	033
35-415380-64	012	35-521225	022 - 1	35-524144-8	033 - 68
35-415380-80	012	35-521225-14	024 - 13	35-524170	033
35-415380-82	012	35-521225-16	024 - 14	35-524170	033
35-415380-86	012	35-521225-2	024 - 12	35-524170-1	033
35-415380-88	012	35-521225-6	024	35-524170-1	033
35-415406	059 - 79	35-521227	024 - 22	35-524170-2	033 - 13
35-415410-70	060	35-521227	024A- 29	35-524170-2	033 - 14
35-415410-71	060	35-521227-4	024 - 23	35-524170-3	033 - 15
35-415412-31	048 - 18	35-521229	023 - 3	35-524170-3	033 - 16
35-415412-53	048 - 19	35-521230	023 - 6	35-524171	033 - 17
35-415412-54	048 - 20	35-521230-2	023 - 5	35-524171	033 - 18
35-415412-622	006	35-521240	022	35-524183	033
35-415412-623	006	35-524003	034 - 18	35-524183	033
35-415412-624	006	35-524003	032 - 39	35-524183-2	033 - 36
35-415412-625	006	35-524007	056 - 1	35-524183-2	033 - 42
35-415412-89	048 - 21	35-524011	033 - 70	35-524197	056 - 28
35-415412-90	048 - 22	35-524011	033 - 1	35-524197-4	056
35-415416	011 - 4	35-524011	044 - 33	35-524202-602	056 - 4
35-415417-11	012 - 16	35-524018	033 - 28	35-524202-610	056
35-415417-15	012 - 12	35-524028	032 - 13	35-524202-614	056
35-415417-23	012 - 13	35-524040	056	35-524227	056 - 9
35-415417-25	012 - 14	35-524040-4	056	35-524230	056
35-415417-27	012	35-524040-6	056	35-524230-2	056 - 23

B E E C H C R A F T
 BONANZA 33 THRU E33
 I L L U S T R A T E D P A R T S C A T A L O G

PART NUMBER	FIGURE & ITEM NO.	PART NUMBER	FIGURE & ITEM NO.	PART NUMBER	FIGURE & ITEM NO.
35-524231	056 - 22	35-524647-7	032	35-534221-15 C	016 - 14
35-524234	055 - 10	35-524647-9	032	35-534222-19 C	016 - 15
35-524238-12	057	35-524650-7	033	35-534242	015 - 30
35-524238-12	074 - 26	35-524650-7	033	35-534242-602	015A- 50
35-524238-4	057 - 19	35-524650-9	033	35-534244-1	015D- 38
35-524238-4	074 - 25	35-524655	051A- 39	35-534300-112	015A- 49
35-524240	056 - 14	35-524656-5	057	35-534300-112	015 - 31
35-524241	057 - 4	35-524656-620	074	35-534300-152	015C- 92
35-524241	074 - 5	35-524656-651	057	35-534300-192	015D-102
35-524247	031 - 13	35-524656-9	074	35-534300-192	015C- 93
35-524247	031 - 9	35-524664	030 - 16A	35-534300-238	015A- 21
35-524248	032 - 29	35-524667	076 - 26	35-534300-238	015 - 10
35-524258	033 - 69	35-524667-3	076	35-534300-308	015 - 18
35-524261-10	074	35-524669-5	075 - 22	35-534304-147	015
35-524261-8	074 - 2	35-524669-7	075 - 21	35-534304-79	015B- 38
35-524262-1	057	35-530000-81	015A- 42	35-534304-79	015D
35-524262-1	074 - 17	35-534014-5	015A- 43	35-534304-93	015C- 50
35-524274	056	35-534033	011	35-534304-93	015D- 59
35-524274-4	056 - 19	35-534052	015 - 28	35-534305-43	015A- 47
35-524297	033 - 39	35-534052	015A- 51	35-534305-43	015 - 32
35-524297	030 - 43	35-534052	015C- 63	35-534305-55	015D- 86
35-524297-6	030 - 44	35-534052	015B- 48	35-534305-65	015D
35-524300	033 - 19	35-534052	015D-100	35-534306-31	015C- 56
35-524301	033 - 27	35-534057-8	010 - 63	35-534306-31	015B- 44
35-524302	030 - 15	35-534061	010 - 66	35-534307-61	015C- 36
35-524305	030 - 16	35-534063	010 - 65	35-534307-61	015D- 81
35-524308	033	35-534064	010 - 67	35-534307-67	015 - 33
35-524308	033	35-534079-2	015D	35-534307-67	015A- 48A
35-524309	030 - 11	35-534079-22	015D	35-534308-43 C	015D-105
35-524314	030	35-534079-24	016 - 7	35-534308-43 C	015C
35-524314-10	030 - 4	35-534079-4	015D	35-534309-145	015D-122
35-524314-6	030 - 3	35-534085	016	35-534309-145	015C-100
35-524314-8	030 - 2	35-534085-10	016	35-534309-147	015C-103
35-524344-2	055 - 16	35-534085-11	016 - 8	35-534309-147	015D-113
35-524346	031 - 6	35-534085-14	016 - 13	35-534314-3	015B- 2
35-524347-1	055	35-534085-16	016	35-534314-3	015A- 12
35-524347-2	055 - 11	35-534085-18	016 - 12	35-534372-25	015A
35-524367	033	35-534085-8	016	35-534372-25	015B
35-524367-1	033	35-534085-9	016	35-534372-25	015D-125
35-524367-2	033 - 23	35-534090-16	015D	35-534372-25	015C
35-524367-3	033 - 25	35-534090-17	015D	35-534372-31	015D
35-524531-2	032 - 25	35-534090-2	015D	35-534372-39	015D
35-524531-4	032	35-534090-24	015D	35-534372-41	015A- 76
35-524531-6	032 - 7	35-534090-26	015D	35-534372-41	015D-126
35-524531-8	032 - 8	35-534090-4	015D	35-534372-41	015B-112
35-524538	032 - 12	35-534098	015D-101	35-534372-41	015C-121
35-524539	032	35-534157	013A	35-534372-45	015D
35-524542	032	35-534157	013A- 32	35-534372-49	015D
35-524542-2	032 - 2	35-534191-11	015B	35-534372-5	015A- 79
35-524542-8	032	35-534191-13	015B	35-534372-5	015D-124
35-524543	032 - 4	35-534191-15 C	015B	35-534372-5	015B-115
35-524546-2	032	35-534191-4	015B- 88	35-534372-5	015C-123
35-524546-5	032	35-534191-9	015B- 87	35-534372-61	015A
35-524546-7	032	35-534192-14	015A- 2	35-534372-61	015B
35-524546-9	032	35-534192-14	015 - 2	35-534372-61	015C
35-524547	032 - 18	35-534192-14	015 - 29	35-534372-77	015A
35-524553	032 - 22	35-534201-2	015 - 4	35-534372-77	015D
35-524554	032 - 20	35-534201-2	015A- 4	35-534372-77	015B
35-524555	032 - 3	35-534201-2	015D- 17	35-534372-77	015C
35-524585-19	057	35-534201-2	015C- 25	35-534372-79	015D
35-524585-21	057 - 17	35-534201-3	015A- 23	35-534372-81	015D
35-524585-25	074	35-534201-3	015 - 7	35-534372-85	015A- 84
35-524585-620	074	35-534201-3	015C- 48	35-534372-85	015B-120
35-524585-651	057 - 1	35-534201-3	015D- 74	35-534372-85	015D-128
35-524587	057	35-534202-2	015 - 5	35-534372-85	015C-126
35-524587	074	35-534202-2	015A- 5	35-534372-89	015A- 75
35-524587-2	057	35-534202-2	015D- 18	35-534372-89	015B-111
35-524587-2	074 - 24	35-534202-2	015C- 24	35-534372-89	015C
35-524587-4	057	35-534202-3	015 - 8	35-534372-91	015A- 78
35-524587-4	074	35-534202-3	015A- 24	35-534372-91	015C-122
35-524641	033 - 3	35-534202-3	015C- 47	35-534372-91	015D-129
35-524647-11	032	35-534202-3	015D- 75	35-534372-91	015B-114
35-524647-3	032	35-534220-27 C	016 - 16	35-534372-99	015A- 82

B E E C H C R A F T
BONANZA 33 THRU E33
I L L U S T R A T E D P A R T S C A T A L O G

PART NUMBER	FIGURE & ITEM NO.	PART NUMBER	FIGURE & ITEM NO.	PART NUMBER	FIGURE & ITEM NO.
35-534372-99	015D-127	35-534417	015C- 49	35-550057	046
35-534372-99	015C-125	35-534417	015D	35-550057	046B
35-534372-99	015B-118	35-534420-109	015D-103	35-550057	046B- 92
35-534382	015A- 69	35-534420-109	015C- 84	35-550057	046 - 40
35-534382	016 - 6	35-534420-21 C	015C- 57	35-550058-10	046 - 49
35-534394-1	015A	35-534420-29 C	015C- 41	35-550058-10	046A
35-534394-11	015A- 35A	35-534420-37 C	011 - 20	35-550058-10	046B
35-534394-11	015B- 54	35-534420-37 C	015C- 32	35-550058-10	046B
35-534394-11	015C- 64	35-534420-49	015D- 16	35-550058-4	046
35-534394-13	015A- 39	35-534420-49	015C- 26	35-550058-4	046B- 77
35-534394-15	015A- 34	35-534420-69	015D	35-550058-4	046B-101
35-534394-17	015A- 38	35-534420-71	015C- 16	35-550058-4	046A- 77
35-534394-19	015A- 40	35-534420-93	006	35-550058-6	046B
35-534394-21	015A- 36	35-534420-93	015B- 61	35-550058-6	046B
35-534394-23	015A- 35	35-534420-93	015C- 77	35-550058-6	046
35-534394-25	015A- 41	35-534420-93	015D- 97	35-550058-6	046A
35-534394-27	015C- 72	35-534421-1	052B	35-550058-8	016A
35-534394-31	015C- 73	35-534421-1 C	015B	35-550058-8	046
35-534394-31	015D	35-534421-1 C	015D- 96	35-550058-8	046B
35-534394-33	015C- 70	35-534421-1 C	015C	35-550059	016A- 23
35-534394-37	015C- 66	35-534421-11	052B	35-550059	046 - 53
35-534394-39	015D- 49	35-534421-11	072 - 18	35-550059	046B-104
35-534394-39	015C- 71	35-534421-11	073 - 18	35-550060	016A- 25
35-534394-47	015D	35-534421-11	073 - 37	35-550060	046B-106
35-534394-47	015C- 68	35-534421-3	052B	35-550060	046 - 55
35-534394-53	015D	35-534421-5	052B	35-550061	016A- 24
35-534394-53	015C- 67	35-534421-5 C	015C- 78	35-550061	046 - 54
35-534394-83	015C- 65	35-534421-7	015C- 79	35-550061	046B-105
35-534394-85	015C	35-534421-7	052B- 63	35-550062	016A- 28
35-534398-11	015A- 45	35-534421-9	015C- 80	35-550062	046 - 58
35-534398-13	015A	35-534421-9	052B	35-550062	046B
35-534398-3	015A- 44	35-534422	015B	35-550062-2	016A
35-534399	016	35-534422	015C	35-550062-2	046B-109
35-534402	015C-101	35-534426-3	013A	35-550062-2	046
35-534402	015D-117	35-534426-3	014A- 45	35-550063	016A- 29
35-534406-25	015C- 99	35-534432-7	014C- 10	35-550063	046B-110
35-534406-27	015D-115	35-534437-71	015D	35-550063	046 - 59
35-534406-27	015C- 98	35-534437-83	015D	35-550075	016A
35-534406-29	015C- 96	35-550024-2	046C- 35	35-550075	046 - 45
35-534406-29	015D-116	35-550024-2	046B- 28	35-550075	046A- 73
35-534406-41	015C- 51	35-550026	046	35-550075	046B
35-534406-83	015C- 11	35-550026	046A	35-550075	046
35-534406-87	011 - 24	35-550026-14	046 - 17	35-550075	046B- 73
35-534406-87	015D-120	35-550026-14	046A- 16	35-550075	046B- 97
35-534407-11 C	015C	35-550026-18	046A- 15	35-550078	046
35-534407-11 C	015B	35-550026-18	046 - 15	35-550078	046B
35-534407-11 C	015D- 91	35-550026-26	046 - 13	35-550078	046B
35-534407-13	015C- 74	35-550026-26	046A- 14	35-550078	046A
35-534407-13	015B	35-550026-44	046 - 19	35-550079	046A
35-534407-3	015B	35-550026-44	046A- 18	35-550079	046B
35-534407-5	015B- 89	35-550026-602	046	35-550079	046
35-534407-9	015B- 90	35-550034	046A- 21	35-550079	046B
35-534407-9	015C- 75	35-550034	046 - 16	35-550079-2	046B- 96
35-534408	015B- 92	35-550035	046A- 20	35-550079-2	046B- 72
35-534410-13	058B	35-550035	046 - 14	35-550079-2	046A- 72
35-534410-5	058A- 11E	35-550042	046 - 34	35-550079-2	046 - 44
35-534410-5	058B- 74	35-550042	046A- 45	35-550080	046 - 47
35-534410-601	058A- 11C	35-550050	046B	35-550080	046B- 99
35-534410-7	058A- 11A	35-550050-13	046B	35-550080	046B- 75
35-534410-7	058B- 71	35-550050-15	046B	35-550080	046A- 75
35-534411	015B	35-550054	046B	35-550082	046A
35-534411	015C	35-550054	046B	35-550082	046 - 42
35-534411-1	015B- 11	35-550054	046 - 38	35-550082	046B
35-534411-1	015C- 14	35-550054	046A- 66	35-550082	046B
35-534413-49	015C	35-550055	016A	35-550082-2	046B- 70
35-534413-49	015C	35-550055	046B	35-550082-2	046A- 70
35-534414-1	015B- 9	35-550055	046 - 51	35-550082-2	046B- 94
35-534414-1	015B- 17	35-550056	016A	35-550082-2	046
35-534414-1	015B- 35	35-550056	016A- 26	35-550084	046 - 43
35-534414-3	015B- 40	35-550056	046 - 56	35-550084	046B- 71
35-534415-1	015C	35-550056	046B-107	35-550084	046A- 71
35-534415-5	015D	35-550057	046A- 68	35-550084	046B- 95
35-534415-9	015D	35-550057	046B- 68	35-550087	046A- 1

B E E C H C R A F T
B O N A Z Z A 3 3 T H R U E 3 3
I L L U S T R A T E D P A R T S C A T A L O G

PART NUMBER	FIGURE & ITEM NO.	PART NUMBER	FIGURE & ITEM NO.	PART NUMBER	FIGURE & ITEM NO.
35-550087	046 - 3	35-550562-57	016A-007	35-560010-1	072
35-550091	046 - 29	35-550562-607	003 - 56	35-560010-1	073
35-550115-1	046C	35-550562-607	016A	35-560010-11	072 - 5
35-550115-1	046B	35-550562-609	016A	35-560010-11	073 - 5
35-550115-101	046C	35-550562-61	016A- 8	35-560010-13	072 - 3
35-550115-107	046C- 17	35-550562-87	016A- 9	35-560010-13	073 - 3
35-550115-19	046B- 18	35-550562-89	016A	35-560010-15	072 - 4
35-550115-23	046C- 18	35-550562-9	016	35-560010-15	073 - 4
35-550115-23	046B- 20	35-550562-9	016A	35-560010-17	072
35-550115-3	046C- 8	35-550562-91	016A- 5	35-560010-19	073 - 6
35-550115-3	046B- 10	35-550562-93	016A- 2B	35-560010-19	072 - 6
35-550115-31	046B- 14	35-550562-95	016A- 2A	35-560010-21	072
35-550115-33	046B	35-550562-97	016A- 14A	35-560010-23	073 - 8
35-550115-39	046C- 16	35-550565	046A	35-560010-23	072
35-550115-39	046B- 16	35-550565-11	046A	35-560010-3	072 - 8
35-550115-41	046B	35-550565-11	046B- 29	35-560010-33	073 - 15
35-550115-43	046B	35-550565-13	046C- 36	35-560010-33	073 - 31
35-550115-43	046C	35-550565-3	046A	35-560010-33	072 - 15
35-550115-5	046C- 9	35-550565-3	046B- 41	35-560010-35	073 - 8
35-550115-5	046B- 11	35-550565-5	046A	35-560010-35	072
35-550115-53	046B- 17	35-550565-5	046B- 43	35-560010-37	072
35-550115-55	046C- 11A	35-550565-7	046A	35-560010-37	073
35-550115-55	046B- 13	35-550565-9	046B- 51	35-560010-39	073
35-550115-57	046B- 63	35-550565-9	046C- 72	35-560010-5	072 - 9
35-550115-65	046B- 66	35-550565-9	046	35-560010-5	073 - 9
35-550115-67	046B- 12A	35-550565-9	046A	35-560010-601	073 - 10
35-550115-67	046C- 11	35-550566	046B	35-560010-601	072 - 10
35-550115-69	046C	35-550566	046A	35-560010-603	073
35-550115-69	046B	35-550566	046C	35-560010-603	072
35-550115-7	046B- 12	35-550566-3	046B- 40	35-560010-9	072 - 2
35-550115-7	046C- 10	35-550566-3	046C- 48	35-560010-9	073 - 2
35-550115-75	046C- 40	35-550566-7	046C- 44	35-560011-1	073
35-550115-83	046C- 23	35-550566-7	046A- 49	35-560011-13	073 - 36
35-550115-85	046C	35-550566-7	046B- 34	35-560011-23	073 - 38
35-550115-87	046C- 14	35-550567-19	046B	35-560011-27	073 - 039
35-550115-89	046C- 21	35-550567-21	046B- 46B	35-560011-37	073 - 20
35-550115-97	046C	35-550567-23	046B- 46A	35-560011-39	073 - 21
35-550115-99	046C- 4	35-550567-27	046C- 66	35-560011-41	073 - 25
35-550501-2	046 - 27	35-550567-27	046B- 44	35-560011-43	073 - 26
35-550501-20	046B- 38	35-550567-29	046C- 67	35-560011-45	073 - 23
35-550501-20	046A- 50	35-550567-29	046B- 46	35-560011-601 C	073 - 27
35-550501-20	046C- 46	35-550567-31	046C	35-560011-603	073
35-550502-32	046A- 3	35-550567-33	046B	35-574021	016
35-550502-32	046 - 1	35-550567-35	046C- 65	35-574024	016
35-550503-4	046A- 11	35-550567-35	046B	35-574025	016
35-550520	009 - 63	35-554030-1	046 - 10	35-580000	044A
35-550520	008A- 12	35-554030-1	046A- 32	35-580000-11	044A- 31
35-550520	016B- 47	35-554039	046C- 20	35-580000-15	044A- 40
35-550520	046A- 57	35-560000-1	072	35-580000-19	044A- 42
35-550520	046B- 85	35-560000-15	072 -120	35-580000-23	044A- 29
35-550520	046A- 22	35-560000-19	072	35-580000-25	044A- 39
35-550523	046 - 25	35-560000-21	072 -119	35-580000-27	044A- 11
35-550532	046 - 37	35-560000-7	072	35-580000-3	044A
35-550561-11	016A- 30	35-560001-1	073	35-580000-31	044A- 10
35-550561-29	016A- 37	35-560001-19	073 - 98	35-580000-39	044A- 13
35-550561-31	016	35-560001-21	073 - 88	35-580000-41	044A
35-550561-31	016A	35-560001-23	073 -106	35-580000-47	044A- 3
35-550561-33	016A- 20	35-560001-25	073 -105	35-580000-7	044A
35-550561-35	016A- 15	35-560001-27	073 -101	35-580001	044A
35-550561-37	016A- 21	35-560001-35	073 - 86	35-580001-15	044A- 62
35-550561-5	016A- 38	35-560001-37	073 - 87	35-580001-19	044A- 54
35-550561-53	016A- 35A	35-560001-39	073 - 95	35-580001-23	044A- 61
35-550561-55	016A- 35B	35-560001-41	073 - 44	35-580001-27	044A- 59
35-550561-9	016A- 31	35-560001-47	073 -104	35-580001-3	044A- 50
35-550562-21	016A- 1	35-560001-49	073 - 88A	35-580001-31	044A- 63
35-550562-23	016	35-560001-51	073	35-580001-35	044A- 57
35-550562-23	016A	35-560001-53	073 - 85	35-580001-39	044A- 6
35-550562-3	016	35-560001-55	073 - 77	35-580001-41	044A
35-550562-3	016A	35-560001-59	073 - 85B	35-580001-45	044A- 7
35-550562-39	016A	35-560001-601	073 - 40	35-580001-49	044A- 4
35-550562-41	016A- 2	35-560001-75	073	35-580001-51	044A
35-550562-43	016A	35-560001-77	073	35-580001-53	044A
35-550562-51	016A- 4	35-560001-9	073	35-580001-55	044A

B E E C H C R A F T
BONANZA 33 THRU E33
I L L U S T R A T E D P A R T S C A T A L O G

PART NUMBER	FIGURE & ITEM NO.	PART NUMBER	FIGURE & ITEM NO.	PART NUMBER	FIGURE & ITEM NO.
35-580001-57	044A	35-810026-18	035	35-815024-6	044
35-580001-7	044A	35-810026-2	035	35-815024-8	044
35-580010-1	044A- 28	35-810026-3	035	35-815027	044
35-580010-11	044A- 27	35-810026-39	035	35-815036	044
35-580010-13	044A- 25	35-810026-4	035	35-815037	044 - 20
35-580010-15	044A- 26	35-810026-41	035	35-815038	035 - 55
35-580010-3	044A- 18	35-810026-42	035	35-815043	035 - 41
35-580010-5	044A- 15	35-810026-5	035	35-815044	035
35-580010-7	044A- 16	35-810026-601	035	35-815048	044 - 21
35-580010-9	044A- 17	35-810026-602	035	35-815049	044 - 9
35-580011-1	044A- 65	35-810026-603	035	35-815053	044 - 7
35-590002	005 - 8	35-810026-604	035	35-815054	044 - 17
35-590021	005 - 18	35-810075-11	037 - 11	35-815055	038
35-590027	005	35-810075-3	037 - 36	35-815055-1	038
35-590050-1	005	35-810075-5	037	35-815055-10	038 - 15
35-590063	005 - 20	35-810075-7	037	35-815055-11	038
35-590064-1	005 - 19	35-810075-7	036 - 1	35-815055-12	038 - 16
35-590077	005	35-810076	037 - 25	35-815055-13	038
35-590077-11	005 - 9	35-810077	037 - 27	35-815055-56	038 - 5
35-590081	005 - 3	35-810083	037 - 21	35-815055-57	038
35-590099-1	005 - 2	35-810087	037 - 18	35-815055-60	038
35-590099-25	005	35-810088	037 - 20	35-815055-601	002 - 68
35-590099-35	011 - 6A	35-810091	037 - 31	35-815055-602	002 - 69
35-590103	005	35-810094	037	35-815055-61	038
35-590103-1	005 - 4	35-810094-2	037 - 3	35-815055-62	038 - 18
35-590103-3	005 - 7	35-810094-6	037 - 4	35-815055-63	038
35-590115	005	35-810095	037 - 6	35-815055-64	038 - 14
35-600003	026 - 69	35-810117	037 - 24	35-815055-65	038
35-650009-30	026 - 22	35-810119	037 - 17	35-815055-68	002 - 66
35-650121-2	026	35-810132	022	35-815055-68	038
35-650121-4	026 - 11	35-810132	037	35-815055-69	002 - 67
35-650121-8	028 - 13	35-810132-2	037 - 44	35-815055-69	038
35-650121-8	026 - 67	35-810133	037 - 45	35-815056	038
35-650122-2	026	35-810134	037 - 9	35-815056-10	038
35-650122-6	026 - 13	35-810134-1	037	35-815056-2	038 - 21
35-650122-8	026 - 68	35-810139	037 - 34	35-815056-4	038 - 23
35-650122-8	028 - 12	35-810140	037 - 30	35-815056-6	038
35-660043-10	028 - 33	35-810141	037 - 13	35-815056-8	038
35-660043-13	028 - 30	35-810141-3	037	35-815069	044 - 13
35-660043-14	028	35-810142	037 - 7	35-815077-12	036
35-660043-19	028 - 37	35-810147	037	35-815077-13	036
35-660043-20	028	35-810162	035 - 57	35-815077-14	036 - 49
35-660043-21	028 - 38	35-810163	035	35-815077-15	036
35-660043-22	028	35-810170	035	35-815077-4	036 - 50
35-660043-5	028 - 31	35-810171	035	35-815077-5	036
35-660043-6	028	35-815001-8	035	35-815078	036 - 37
35-660043-7	028 - 34	35-815004	035 - 43	35-815081	035
35-660043-9	028 - 32	35-815004-1	035	35-815081	035
35-663-1A M	057 - 4A	35-815004-6	035	35-815086-4	035
35-663-1AM	076 - 1	35-815004-7	035	35-815086-5	035
35-668-5	077	35-815006-10	044 - 25	35-815088-10	035 - 18
35-8002-11	069A- 15	35-815006-10	044A- 46	35-815088-4	035 - 19
35-8002-13	069A- 5	35-815006-12	044 - 16	35-815088-6	035 - 20
35-8002-15	069A- 6	35-815006-12	044A- 37	35-815095	044 - 14
35-8002-17	069A- 7	35-815006-13	044 - 26	35-815095	044A- 33
35-8002-19	069A- 8	35-815006-13	044A- 48	35-815101-3	036
35-8002-21	069A	35-815006-24	044 - 34	35-815102-20	036
35-8002-23	069A	35-815006-24	044A	35-815102-21	036
35-8002-25	035	35-815006-4	044	35-815109	036
35-8002-25	069A	35-815006-6	044	35-815109-2	036 - 45
35-8002-3	035	35-815006-8	044 - 15	35-815115	036 - 52
35-8002-3	071	35-815006-8	044A- 35	35-815118	036
35-8002-5	035	35-815007-4	036 - 29	35-815125-10	036
35-8002-5	069A	35-815016	038	35-815125-2	036
35-8002-7	071 - 22	35-815016-1	038	35-815125-4	036
35-8002-9	071 - 17	35-815016-2	038 - 9	35-815125-602	036 - 7
35-810001-13	006	35-815016-3	038	35-815125-604	036
35-810026-1	035	35-815020	037 - 14	35-815129	036 - 22
35-810026-15	035	35-815024-10	044	35-815131	036 - 8
35-810026-16	035	35-815024-12	044	35-815133	040 - 30
35-810026-17	035	35-815024-13	044	35-815144	040
35-810026-17	035	35-815024-16	044 - 27	35-815144-2	040 - 24
35-810026-18	035	35-815024-4	044	35-815145	040 - 27

B E E C H C R A F T
B O N A N Z A 3 3 T H R U E 3 3
I L L U S T R A T E D P A R T S C A T A L O G

PART NUMBER	FIGURE & ITEM NO.	PART NUMBER	FIGURE & ITEM NO.	PART NUMBER	FIGURE & ITEM NO.
35-815146	040 - 25	35-815254-22	035	35-825092	039 - 18
35-815147	040 - 26	35-815254-25	035	35-825094-4	040 - 11
35-815148-9	040 - 22	35-815254-26	035	35-825097	042 - 28
35-815150-2	035 - 58	35-815254-3	035	35-825100-2	039 - 27
35-815155-610	036 - 15	35-815254-4	035	35-825100-4	039 - 17
35-815155-611	036	35-815254-605	035	35-825100-6	039
35-815156-4	036 - 54	35-815254-606	035	35-825101	039 - 20
35-815156-5	036	35-815254-613	035	35-825102-2	039 - 14
35-815180	044	35-815254-614	035	35-825107	040
35-815180-10	044A - 2	35-815254-655	035	35-825110-4	039
35-815180-10	044 - 2	35-815254-656	035	35-825111	040 - 32
35-815180-12	044A	35-815254-7	035	35-825112	039 - 5
35-815180-12	044	35-815254-9	035	35-825115	039 - 12
35-815180-2	044	35-815260-1	035 - 4	35-825117-6	008
35-815180-4	044	35-815260-2	035	35-825117-6	040
35-815180-6	044A	35-815261	035	35-825117-8	008 - 45
35-815180-6	044	35-815261	035	35-825117-8	040
35-815180-8	044A	35-815264-1	035	35-825125	039 - 11
35-815180-8	044	35-815264-2	035	35-825125-	039
35-815186	044 - 4	35-815266-1	038	35-825125-602	039
35-815186	044A	35-815266-2	038	35-825145	039 - 41
35-815189	044 - 6	35-820028	039A - 38	35-825145	039A - 28
35-815192-13	035 - 10	35-820045	042 - 4	35-825145	041
35-815192-21	035 - 7	35-820062	039 - 39	35-825146	041 - 1
35-815192-23	035 - 9	35-820094	040	35-825147	041 - 5
35-815192-3	035 - 8	35-820094-2	040 - 5	35-825148	041 - 2
35-815192-33	035	35-820094-4	040 - 6	35-825151	041 - 7
35-815192-34	035	35-820095	040 - 7	35-825152	041 - 3
35-815192-4	035	35-820107	039A	35-825153	039 - 28
35-815192-43	035	35-820107-5	039A - 33	35-825160	042
35-815192-44	035	35-820111	039 - 4	35-825160-602	042
35-815192-51	035 - 6	35-820113	039 - 7	35-825161	042
35-815192-57	035	35-820115	039A - 5A	35-825162	042 - 22
35-815192-9	035	35-820123	039A - 34	35-825163	042 - 16
35-815194-3	035	35-820125	039A - 12	35-825164	042 - 18
35-815194-5	035 - 36	35-820130-2	039A - 27	35-825165	042 - 15
35-815196-618	035	35-820133	039A - 47	35-825166-6	006 - 16
35-815196-619	035	35-820134	039A - 16	35-825166-6	042 - 35
35-815239	040	35-820135	039A - 5B	35-825170	042 - 32
35-815239-11	040 - 41	35-825001-14	039A	35-825171-1	042 - 31
35-815239-13	040 - 37	35-825001-6	039A - 52	35-825172-2	037 - 38
35-815239-17	040 - 38	35-825001-8	039	35-825173	042 - 23
35-815239-5	040 - 40	35-825005	042 - 27	35-825175	039 - 68
35-815239-7	040 - 35	35-825006	042 - 24	35-825175-12	039A - 65
35-815239-9	040 - 39	35-825007	042 - 26	35-825185	040
35-815240	040 - 42	35-825024	039	35-825185-12	040
35-815243	044	35-825024-2	039 - 21	35-825185-14	040
35-815243-1	044	35-825025-4	039	35-825185-4	040
35-815243-1	044A	35-825030	039	35-825188	040 - 12
35-815244	044	35-825032	039 - 16	35-825189	039 - 53
35-815244-1	044	35-825035	042 - 29	35-825190	039 - 48
35-815244-3	044 - 3	35-825044-4	042	35-825191-1	040
35-815244-3	044A	35-825044-6	042 - 2A	35-825191-3	040
35-815244-5	044	35-825045	042 - 28	35-825191-5	040 - 49
35-815246-1	035 - 3A	35-825046	042 - 30	35-825191-7	040
35-815246-11	035	35-825049	006	35-825192	004 - 1
35-815246-3	035	35-825049	042 - 9	35-825193	039A
35-815246-5	035	35-825051	042 - 10	35-825193-1	039A - 42
35-815246-7	035	35-825052	042	35-825195	039A
35-815246-9	035	35-825052-2	042 - 7	35-825195-13	039A - 21
35-815249-1	035	35-825054	033 - 38	35-825195-15	039A
35-815251-1	035 - 38	35-825054	042 - 1	35-825195-21	039A
35-815252-1	035 - 3D	35-825060	039 - 31	35-825195-27	039A - 19
35-815252-3	035 - 3C	35-825064	039 - 52	35-825195-31	039A
35-815254-13	035	35-825071-5	040	35-825195-33	039A
35-815254-14	035	35-825072-11	040 - 19	35-825195-55	039A
35-815254-15	035	35-825074-1	040 - 46	35-825195-601	039A - 46
35-815254-15	035	35-825076-1	040 - 9	35-825195-603	039A
35-815254-16	035	35-825080-10	040 - 18	35-825196-1	039A
35-815254-16	035	35-825087-14	040 - 10	35-825196-11	039A
35-815254-19	035	35-825087-16	040	35-825196-17	039A
35-815254-20	035	35-825090-10	039 - 10	35-825196-25	039A
35-815254-21	035	35-825090-10-	039	35-825196-29	039A

B E E C H C R A F T
B O N A Z Z A 3 3 T H R U E 3 3
I L L U S T R A T E D P A R T S C A T A L O G

PART NUMBER	FIGURE & ITEM NO.	PART NUMBER	FIGURE & ITEM NO.	PART NUMBER	FIGURE & ITEM NO.
35-825196-5	039A	35-910066-199	050 - 6	35-910160-26	049
35-825196-603	039A	35-910066-205	050 - 30	35-910160-27	049
35-825196-605	039A	35-910066-239	050A- 20	35-910160-30	003 - 6
35-825196-615	039A	35-910066-43	050A- 2	35-910160-30	049
35-825196-616	039A	35-910066-49	050A- 3	35-910160-32	049
35-825196-691	039A	35-910067	050A	35-910160-36	049 - 16
35-825196-695	039A	35-910067-1	050A	35-910160-50	049 - 12
35-825196-9	039A	35-910067-103	050A- 37	35-910160-616	003
35-910003-125	039A- 6	35-910067-113	050A- 20A	35-910160-616	049 - 3
35-9014-5 S	054	35-910067-115	050A- 46A	35-910160-617	003 - 7
35-910003-123	047	35-910067-117	050A- 32	35-910160-617	049
35-910003-125	059 -110	35-910067-129	050A	35-910160-618	049
35-910003-125	059 - 92	35-910067-13	050A- 39	35-910160-619	049
35-910003-31	047 - 18	35-910067-15	050A- 40	35-910160-626	049
35-910003-41	047A- 28	35-910067-17	050A- 41	35-910160-627	049
35-910003-43	047A- 29	35-910067-19	050A- 42	35-910160-628	049
35-910003-71	059 - 98	35-910067-21	050A- 43	35-910160-629	049
35-910003-71	059 -115	35-910067-23	050A- 44	35-910160-654	003 - 5
35-910003-95	047 - 29	35-910067-25	050A- 12	35-910160-654	049
35-910004-11	047 - 31	35-910067-27	050A- 13	35-910160-656	049
35-910004-17	047 - 44	35-910067-29	050A- 14	35-910160-66	049 - 14
35-910004-23	059	35-910067-3	050A- 11	35-910160-67	049
35-910004-27	059 - 95	35-910067-31	050A- 15	35-910160-74	049 - 19
35-910004-27	059 -113	35-910067-33	050A- 16	35-910160-76	049 - 18
35-910004-3	047 - 17	35-910067-35	050A- 17	35-910160-78	049
35-910004-5	047 - 42	35-910067-43	050A	35-910160-8	049
35-910005-3	047 - 34	35-910067-47	050A- 23	35-910160-80	049
35-910005-5	047A- 42	35-910067-51	050A	35-910160-82	049
35-910005-5	047	35-910067-53	050A- 5	35-910160-86	049 - 17
35-910007	047A	35-910067-55	050A- 6	35-910160-88	049
35-910007	059	35-910067-57	050A- 7	35-910160-90	049
35-910007-11	047 - 45	35-910067-59	050A- 45	35-910215	050A- 25
35-910007-11	047A- 57	35-910067-601	050A	35-910215	050 - 7
35-910007-11	059 -101	35-910067-61	050A- 46	35-910216	050 - 9
35-910007-11	059 -128	35-910067-7	050A- 38	35-910216	050A- 26
35-910007-13	047A- 20	35-910067-71	050 - 33	35-910224	008 - 2
35-910007-15	047A- 15	35-910067-71	050A- 21	35-910224-1	008 - 3
35-910007-17	047A	35-910067-79	050A- 8	35-910226-10	008
35-910007-5	047A	35-910067-81	050A- 47	35-910226-6	008 - 1
35-910007-606	047A	35-910067-83	050A- 48	35-910238-6	049 - 20
35-910007-607	047A	35-910067-85	050A	35-910238-8	049 - 21
35-910007-7	047A	35-910067-87	050A	35-910238-9	049
35-910007-9	047A- 63	35-910068	050A- 49	35-910244	049 - 22
35-910018-3	008 - 6	35-910073-1	050A	35-910263	047 - 41
35-910018-4	008	35-910073-3	050A- 51	35-910277-1	005
35-910019-1	008 - 42	35-910073-5	050A- 52	35-910277-3	005
35-910019-3	008	35-910101	049	35-910278	005 - 11
35-910027-11	008	35-910101-1	049	35-910278-1	005 - 12
35-910027-3	008	35-910101-5	049	35-910278-3	005
35-910027-5	008	35-910102-1	049 - 4	35-910279	005 - 13
35-910027-9	008	35-910103	049 - 5	35-910288-1	008A- 23
35-910028-21	047A	35-910103-1	049	35-910293	008
35-910028-23	047A	35-910104-1	003 - 1	35-910293	047 - 27
35-910028-7	047A- 65	35-910104-1	049	35-910294	050
35-910028-9	047A	35-910107	049 - 7	35-910296-1	005
35-910053-1	051A- 49	35-910107-10	049	35-910303-1	008
35-910053-12	051A- 48	35-910107-2	049	35-919025	008 - 30
35-910053-2	051A	35-910107-8	049 - 8	35-919025	008A
35-910053-3	051A	35-910108	049 - 9	35-919025-1	008A
35-910053-4	051A	35-910109-1	049 - 10	35-919025-11	008A- 18
35-910053-5	051A	35-910160-10	049	35-919025-13	008A
35-910056	051A- 51	35-910160-106	049 - 15	35-919025-15	008A- 21
35-910056-1	051A- 52	35-910160-108	049	35-919025-17	008A- 19
35-910057	051A- 53	35-910160-110	049	35-919025-19	008A- 24
35-910057-1	051A- 54	35-910160-132	049	35-919025-21	008A- 8
35-910058	051A- 55	35-910160-134	049	35-919025-23	008A- 9
35-910066-13	050 - 29	35-910160-136	049	35-919025-25	008A- 22
35-910066-159	050 - 28	35-910160-140	049	35-919025-27	008A
35-910066-165	050A- 53	35-910160-142	049	35-919025-3	008A-015
35-910066-165	050A- 4	35-910160-146	049	35-919025-7	008A- 16
35-910066-173	050 - 27	35-910160-148	049	35-919025-9	008A- 17
35-910066-175	050 - 25	35-910160-150	049 - 2A	35-921105	052 - 5
35-910066-177	050 - 23	35-910160-20	049	35-921105	052A- 63

BEECHCRAFT
 BONANZA 33 THRU E33
 ILLUSTRATED PARTS CATALOG

PART NUMBER	FIGURE & ITEM NO.	PART NUMBER	FIGURE & ITEM NO.	PART NUMBER	FIGURE & ITEM NO.
35-921152-71	052A- 13	35-921155-105	052A- 28	35-921228-47	053 - 14
35-921154-101	018A	35-921155-105	052B- 16	35-921228-48	053
35-921154-103	052 - 31	35-921155-107	052A	35-921228-49	053 - 27
35-921154-103	052A- 47	35-921155-109	052B	35-921228-5	053 - 35
35-921154-107	052 - 15	35-921155-111	052B- 53	35-921228-53	053 - 36
35-921154-109	052 - 58	35-921155-115	052B- 48	35-921228-57	053 - 37
35-921154-11	052 - 50	35-921155-117	052B	35-921228-7	053 - 38
35-921154-11	052B- 35	35-921155-119	047A- 78	35-921228-9	053 - 33
35-921154-13	052 - 49	35-921155-119	052B- 45	35-921229-1	053 - 41
35-921154-13	052B- 36	35-921155-121	052A- 9	35-921229-3	053
35-921154-15	052 - 48	35-921155-127	052A	35-921230-1	053
35-921154-17	052 - 21	35-921155-127	052B- 7	35-921230-3	053
35-921154-19	052 - 24	35-921155-128	052A	35-921242-5	052A- 81
35-921154-19	052A- 24	35-921155-128	052B- 15	35-921242-5	052B- 74A
35-921154-21	052 - 37	35-921155-3	052A- 32	35-921242-6	052A
35-921154-23	052 - 45	35-921155-3	052B	35-921242-6	052B
35-921154-23	052A- 56	35-921155-49	052A	35-921249	052B
35-921154-23	052B- 24	35-921155-49	052B- 22	35-921249	052A- 92
35-921154-27	052A- 27	35-921155-51	052A	35-921252-5	052B- 88
35-921154-27	052 - 23	35-921155-51	052B- 5	35-921252-7	052B
35-921154-3	052A- 22	35-921155-53	052A	35-921255	052A- 33
35-921154-3	052 - 53	35-921155-53	052B- 29	35-921257-3	077
35-921154-31	052 - 11	35-921155-55	052A	35-921258-5	077 - 42
35-921154-35	052 - 12	35-921155-55	052B- 13	35-921258-7	077 - 41
35-921154-37	052 - 42	35-921155-603	052B- 65	35-921500-1	052B
35-921154-41	052	35-921155-603	052A- 95	35-921500-2	052B
35-921154-41	052B- 31	35-921155-606	047A- 76	35-921502	052 - 87
35-921154-41	052A- 59	35-921155-608	047A	35-921502	053 - 7
35-921154-43	052 - 26	35-921155-63	052A- 53	35-921502	052B- 86
35-921154-43	052A- 43	35-921155-63	052B- 59	35-921503	052 - 81
35-921154-43	052B- 42	35-921155-65	052A- 16	35-921503	053 - 13
35-921154-45	052 - 51	35-921155-67	052A- 25	35-921503	052B- 80
35-921154-45	052B- 73	35-921155-69	052A- 58	35-921522	052 - 85
35-921154-47	052 - 52	35-921155-69	052B- 33	35-921525	052 - 89
35-921154-47	052B- 74	35-921155-71	052B- 18	35-921526-30	052 - 91
35-921154-49	052 - 20	35-921155-73	052A- 11	35-921526-32	052 - 88
35-921154-49	052A- 20	35-921155-75	052A- 55	35-921548	052A- 78
35-921154-53	052 - 10	35-921155-75	052B- 25	35-924059	052A- 67
35-921154-53	052A- 73	35-921155-83	052A- 4	35-924059	052 - 1
35-921154-54	052	35-921155-91	052A- 30	35-924060	052
35-921154-54	052A	35-921155-91	052B- 37	35-924060	052A
35-921154-55	052 - 29	35-921155-93	052A- 40	35-924148	052 - 60
35-921154-59	052A- 3	35-921155-93	052B- 40	35-924148	052B- 90
35-921154-59	052 - 56	35-921155-95	052A- 38	35-924254-1	047 - 33
35-921154-602	052	35-921155-95	052B- 39	35-924254-1	047A- 55
35-921154-606	052A- 45	35-921155-99	052A- 67A	35-924255	052B- 66
35-921154-606	052 - 28	35-921155-99	052B- 1	35-924255-1	052 - 62
35-921154-608	052A- 18	35-921181	052 - 72	35-924255-1	052A-107
35-921154-608	052 - 18	35-921181	052A-105	35-924255-1	077
35-921154-612	052A- 36	35-921181	052B- 70	35-924256-23	052
35-921154-63	052 - 40	35-921221-41	053 - 18	35-924256-3	052 - 74
35-921154-69	052 - 7	35-921222-5	053	35-924256-3	073 - 17
35-921154-69	052A- 72	35-921222-6	053	35-924256-3	072 - 17
35-921154-69	052B	35-921226-1	053 - 9	35-924256-5	052B- 64
35-921154-71	052A- 60	35-921226-3	053	35-924262	052 - 75
35-921154-71	052 - 46	35-921228-1	053 - 34	35-924262-1	052
35-921154-71	052B	35-921228-10	053	35-924263-1	053 - 42
35-921154-73	052	35-921228-11	053 - 31	35-924276	052B
35-921154-73	052A	35-921228-12	053	35-939140-3	047A- 43
35-921154-73	052B	35-921228-13	053 - 30	35-939181	049 - 13
35-921154-75	052A	35-921228-14	053	35-94054-3	051A
35-921154-75	052	35-921228-17	053 - 4	35-944001-4	051A- 43
35-921154-75	052B	35-921228-31	053 - 28	35-944011-8	051A- 47
35-921154-95	052A- 62	35-921228-32	053	35-944012	051A- 45
35-921154-95	052 - 47A	35-921228-33	053 - 26	35-944018	051A- 40
35-921154-95	052B- 20	35-921228-35	053 - 25	35-944025	051A- 46
35-921154-95	052B- 27	35-921228-37	053 - 24	35-944035-1	051A- 33
35-921155	052A	35-921228-38	053	35-944035-1	051A- 23
35-921155-100	052A	35-921228-39	053 - 23	35-944035-1	051A- 4
35-921155-100	052B- 8	35-921228-40	053	35-944037	051A- 41
35-921155-101	052A- 69	35-921228-43	053 - 20	35-944042-1	051A- 3
35-921155-101	052B- 10	35-921228-44	053	35-944046-5	051A
35-921155-101	052B- 3	35-921228-45	053 - 16	35-944046-5	051

B E E C H C R A F T
 BONANZA 33 THRU E33
 I L L U S T R A T E D P A R T S C A T A L O G

PART NUMBER	FIGURE & ITEM NO.	PART NUMBER	FIGURE & ITEM NO.	PART NUMBER	FIGURE & ITEM NO.
35-944047-1	051 - 17	366-00	052A- 68	45-115060	019
35-944047-1	051A	366-00	052A- 50	45-115060-1	019
35-944048-3	051	366-00	052B- 2	45-115072	019
35-944048-3	051A	366-00	052B- 56	45-115072-1	019
35-944049	051	367-00	052A- 26	45-115089-33	018A- 36
35-944049-3	051A- 32	367-00	052 - 22	45-115178-14	018 - 40
35-944049-5	051A- 22	367-00	053 - 32	45-115178-15	018
35-944051-1	051A- 26	3686	042 - 21	45-135031-55	020 - 11
35-944052-5	051A- 12	37-206	068 - 34	45-135031-57	020 - 12
35-944052-5	051 - 7	37-206	068 - 13	45-135037	026 - 73
35-944052-5	051 - 26	377282S88	066	45-135038	026 - 74
35-944052-9	051A- 28	378462S88	066 - 19	45-361115	023
35-944055-3	051 - 25	378463S88	066 - 14	45-361116	023
35-944056	051A	378466S7	066 - 8	45-361116-1	023 - 18
35-944057-1	051	378658S	066 - 20	45-361117	023
35-944058	051	379201S100	066 - 6	45-361117-1	023 - 19
35-944059	051	379608S	066 - 17A	45-364164	062
35-944060	051	379616S8	066 - 28	45-364164-1	062 - 47
35-944061	051	379618S8	066 - 26	45-364164-3	062 - 48
35-944062	051	379920S100	066	45-364165-7	062 - 49
35-944064-1	051A- 38	379920S100	066	45-364182	062
35-944064-3	051 - 40	380056S88	066 - 15A	45-364182-1	062 - 50
35-944065	051 - 39	39SBECL7CC5-5- *	075 - 11	45-364182-3	062 - 51
35-944065	051A- 37	39092	070 - 14	45-364182-3	062
35-944066	051 - 38	4-4050-00-91	074	45-410354	008 - 36
35-944066	051A- 36	4F7H	060 - 9	45-410356	008 - 38
35-944068	051	4G14G	060 - 23	45-521212-2	023 - 10
35-944071-3	064	4G7H	062 - 54	45-521212-4	023
35-944072-1	064	40-37	035	45-521212-5	023
35-944072-3	064 - 10	40-37	070	45-521212-604	023
35-950004-17	047A- 34	4001-23	076 - 4	45-521212-604	022 - 3
35-950005-1	047A- 23	4024-3	077 - 30	45-521212-605	022
35-950005-11	047A- 33	404-189064	051	45-521212-605	023
35-950005-29	047A- 24	408-0293-233	024A- 19	45-521214	023 - 11
35-950005-3	047A	408-0293-233	024 - 7	45-521214-1	023
35-950005-9	047A	4085	076 - 14	45-521216	023 - 9
35-950116	048 - 2	4099	016A- 39	45-521216-1	023
35-950118	048 - 1	414-180657-3	013A- 62	45-524557-1	026 - 44
35-950126	048 - 12	414-180657-3	013B- 53	45-524557-3	026
35-950132	048	414-180657-3	014B- 49	45-524561-3	026 - 54
35-950132	048 - 14	414-180657-3	014A- 58	45-524562	026 - 53
35-950133	048 - 10	414-183761-5	058B- 9	45-524563	026 - 46
35-950133	048 - 11A	414-183761-5	058A- 15B	45-524564	026 - 50
3502-18-24-0511	045 - 13	414-183802-3	058A- 15A	45-524565-3	026
350606	048 - 2B	414-183802-3	058B- 10	45-524565-5	026
35107A	037	414-183955-111	046C- 45	45-524566-3	026 - 45
3536-18	045	414-183955-111	046B- 36	45-524566-5	026
359553S8	066 - 1	414-183955-111	046A- 52	45-524624	032 - 40
36-110011-1	017	414-920022-3	052A	45-524626	026 - 48
36-110011-2	017	414-920022-5	052B	45-526005-3	026 - 58
36-364012	062	414-920022-5	052A	45-526006-3	026 - 42
36-521011-1	030 - 31	4140-00-39	052B- 38	45-526006-5	026 - 41
36-521011-3	030 - 30	416-85	053 - 8	45-526006-7	026
36-524000-29	032	4165-302	016 - 45	45-526007-1	026 - 57
36-524000-31	032	42453-2	062	45-526008	026 - 40
36-530023-17	013B- 40	4313	062 - 61	45-526009-1	026 - 72
36-530023-17	014B- 42	4313	062 - 46	45-526009-610	026
36-530025-13	014B- 12	45-115011-2	018A	45-526011-7	026 - 65
36-530025-13	013B- 21	45-115011-2	018 - 41	45-526011-7	032 - 51
36-530025-14	013B- 22	45-115011-5	018A- 12	45-526015	026 - 55
36-530025-14	014B- 13	45-115011-5	018	45-610005-10	028
36-530025-15	013B- 8	45-115018	060 - 85D	45-610005-100	028 - 25
36-530025-27	013B- 19	45-115028-14	002 - 19	45-610005-102	028 - 26
36-530026-13	014B- 16	45-115028-15	002	45-610005-104	028 - 20
36-530034	058B	45-115028-22	018A	45-610005-105	028
36-530034-601	058B- 72	45-115028-23	018A	45-610005-106	028 - 21
36-530034-7	058B	45-115028-32	002	45-610005-107	028
36-530034-9	058B- 77	45-115028-34	002	45-610005-12	028 - 24
36-810018-1	035 - 5	45-115028-40	002	45-610005-16	028 - 5
36-920000-17	052B	45-115044-602	019 - 35	45-610005-18	028 - 1
36-920000-3	052B	45-115044-603	019	45-610005-28	028 - 7
36-920012-1	058B- 41A	45-115053	002	45-610005-30	028
366-00	052B- 9	45-115053	002	45-610005-54	028 - 22

B E E C H C R A F T
 BONANZA 33 THRU E33
 I L L U S T R A T E D P A R T S C A T A L O G

PART NUMBER	FIGURE & ITEM NO.	PART NUMBER	FIGURE & ITEM NO.	PART NUMBER	FIGURE & ITEM NO.
45-610005-55	028	4601476	015A- 68	50-110010-648	018A
45-610005-6	028 - 11	4840719	015D- 15	50-110010-66	018A
45-610005-8	028	4840719	015B- 95	50-110010-67	018A
45-610005-92	028 - 10	4840719	015C- 28	50-110010-7	018
45-610005-94	028 - 9	49338	008A- 7	50-110010-74	018 - 5
45-610005-96	028 - 8	49338	047A- 52	50-110010-75	018
45-610007-1	028 - 2	49338	051A- 11	50-110010-76	018 - 6
45-610007-2	028	49338	051 - 15	50-110010-77	018
45-610008	028 - 3	49338-2	015	50-110010-78	018 - 4
45-620010-12	026	5	058A- 118	50-110010-79	018
45-620010-14	026	5 CLIP	016 - 27	50-110010-8	018 - 23
45-620010-20	026 - 31	5 CLIP	058B	50-110010-82	002 - 26
45-620010-30	026 - 3	5 ROLLER	016 - 25	50-110010-86	018A
45-620010-32	026 - 33	5 ROLLER	058B- 73	50-110010-87	018A
45-620010-34	026 - 34	5.00X5	039A	50-110010-9	018
45-620010-35	026 - 35	5.00X5	039 - 67	50-110010-92	018
45-620011-10	026 - 4	5.00X5	039A- 64	50-110010-93	018
45-620011-18	026	5.00X5	039A	50-110010-94	018 - 10
45-620011-8	026	5/32	077	50-110010-95	018
45-620020	026 - 39	50-110010-110	018A	50-110025-64	002 - 35
45-620021	026 - 38	50-110010-111	018A	50-110046-8	018A
45-620024	026 - 37	50-110010-12	018 - 18	50-110046-9	018A
45-620025-13	026 - 7	50-110010-125	018A	50-110056	018A
45-630012-6	028 - 18	50-110010-126	018A	50-110056	018 - 38
45-630012-8	028 - 19	50-110010-127	002 - 11	50-110056-1	018A
45-650020	002 - 81	50-110010-127	018A- 1	50-110056-1	018
45-650021	002 - 80	50-110010-128	002 - 12	50-110062	018A- 10
45-650112	002 - 78	50-110010-128	018A	50-110062-1	018A
45-650112	026 - 27	50-110010-129	018	50-110064-24	018 - 28
45-660011	028	50-110010-13	018	50-110064-25	018
45-660011-2	028 - 6	50-110010-131	018A	50-110068	018 - 30
45-660011-4	028	50-110010-135	018 - 14	50-110068-1	018
45-660011-6	028	50-110010-136	018	50-110069	018 - 31
45-660012-1	028 - 16	50-110010-155	018A- 9	50-110069-1	018
45-810067-1	035	50-110010-156	018A	50-110078	018A- 16
45-810067-2	035	50-110010-163	002 - 27	50-110078-1	018A
45-810071	037 - 42	50-110010-163	018A	50-110079	002 - 17
45-810090	037 - 40	50-110010-165	018A	50-110079	018A- 35
45-810144	037	50-110010-18	018 - 12	50-110079-1	002 - 18
45-815003-1	036	50-110010-181	018A- 49	50-110079-1	018A
45-815003-3	036 - 26	50-110010-182	018A	50-110079-4	002
45-815005-1	038 - 6	50-110010-19	018	50-110079-5	002
45-815005-2	038	50-110010-2	018 - 17	50-110080	018A
45-815011-10	035 - 28	50-110010-20	018	50-110080-1	018A- 14
45-815011-4	035 - 31	50-110010-21	018	50-110080-2	018A
45-815013	035 - 32	50-110010-22	018A	50-110081	018A
45-815013	035 - 37	50-110010-23	018A	50-110081	019
45-815091	036 - 11	50-110010-24	018 - 16	50-110086-1	018A- 13
45-815215	035	50-110010-28	018 - 13	50-110086-2	018A
45-815215-2	035 - 11	50-110010-29	018	50-110100-3	019
45-815215-4	035 - 12	50-110010-3	018	50-110100-4	019
45-815230	035 - 13	50-110010-30	018	50-115034	018 - 37
45-815231	035 - 14	50-110010-31	018	50-115034-1	018
45-815232	035 - 27	50-110010-4	018 - 19	50-320010-6	059 - 24
45-824014	040	50-110010-48	018A	50-320072-10	058 - 19
45-825031	039A- 20	50-110010-49	018A	50-320072-10	058 - 17
45-825032	039A- 25	50-110010-5	018	50-320072-10	058 - 25
45-825033	039A- 7	50-110010-50	018A- 30	50-324103-1	058A- 21
45-825078-1	040 - 44	50-110010-50	018 - 9	50-324103-1	058B- 5
45-825080-11	040	50-110010-51	018	50-324103-1	058B- 20
45-910314	050A- 28	50-110010-51	018A	50-324103-1	058A- 5
45-910315-1	050A- 29	50-110010-52	018 - 8	50-324103-1	058A
45-920036-1	052A- 98	50-110010-52	018A- 29	50-324104	058A
45-920036-1	052 - 65	50-110010-53	018	50-324104	058A- 6
45-920036-1	052B- 69	50-110010-53	018A	50-361131	022 - 13
45-921541	052 - 77	50-110010-54	018A- 28	50-364344-3	074 - 30
45-921541	052A- 74	50-110010-54	018 - 7	50-364344-7	074 - 31
45-921541	052B- 77	50-110010-55	018A	50-364344-7	074 - 57
450273	037 - 23	50-110010-55	018	50-364344-9	074
4522	060 - 85C	50-110010-56	018 - 11	50-380013-5	058A- 20
4522	060 - 80	50-110010-57	018	50-380013-5	058B- 19
4532	062 - 55	50-110010-6	018 - 21	50-380013-5	058 - 31
455-28	009 - 97	50-110010-647	018A	50-380048-9	062 - 56

B E E C H C R A F T
B O N A N Z A 3 3 T H R U E 3 3
I L L U S T R A T E D P A R T S C A T A L O G

PART NUMBER	FIGURE & ITEM NO.	PART NUMBER	FIGURE & ITEM NO.	PART NUMBER	FIGURE & ITEM NO.
50-380079-1	044A- 52	50-920008-7	052B- 76	55000L	077 - 33
50-380079-1	044 - 12	50-920008-8	052	55000R	077
50-380079-3	044A	50-920008-8	052B	55011	077 - 31
50-380079-3	044	50-920030-4	052A-100	55011-1	077
50-380094-1	058A- 16	50-920030-4	052 - 67	55023	077 - 40
50-380094-13	058	50-920030-4	052B- 68	55027	077 - 38
50-380094-17	058 -021	50-920040-10	052 - 68	55028	077 - 22
50-380094-9	058B- 13	50-920040-10	052A-101	55035-1	077 - 23
50-384001-33	058B- 6	50-920040-10	052B- 69A	55035-2	077 - 24
50-384001-33	058A- 8A	50-920057	052 - 70	55035-3	077 - 17
50-384040-1	059 -129	50-920057	052A-103	55035-4	077 - 18
50-384042-1	058A- 6A	50-920057	052B- 71	55035-5	077 - 19
50-384046	072 - 33	50-920065	052 - 78	55035-6	077 - 28
50-384073	058A- 22	50-920065-1	052	55035-7	077 - 21
50-384073	058A	50-920077	016	55036	077 - 37
50-384073	058B- 14	50-920077	052A- 71	55036-1	077 - 36
50-384090	074 - 9	50-920077	052B- 12	55037	077 - 32
50-384090	074 - 28	50-920077	053 - 19	5520-11	073 - 64
50-400002-80	006	50-921509-37	052A- 91	5520-11	072 - 73
50-400335-1	009	50-921509-9	052A- 89	5522	072 - 72
50-400336-1	009 - 92	5000-68	045	5522	073 - 63
50-524326-1	033	5000-77	045 - 9	559-0002-088	024 - 20
50-524326-1	033	5002	073 - 48	561	068 - 9
50-524326-2	033	5002	072 - 57	561	068 - 27
50-524326-2	033	5003	072 - 65	561	068 - 6
50-524326-3	033	5003	073 - 56	561	068 - 30
50-524326-3	033	5005	073 - 62	5640556	0529- 78
50-524326-4	033	5005	072 - 71	5641801	052B
50-524326-4	033	502-0048-404	024 - 11	5643645	058A- 4
50-524328-1	033	5027	073 - 47	5643646	058A- 4A
50-524328-1	033	5027	072 - 56	5644346	058A
50-524328-2	033	5028	072 - 58	5644346	058B- 42
50-524328-2	033	5028	073 - 49	5644347	058A
50-524328-3	033	5029	073 - 50	5644347	058B- 43
50-524328-3	033	5029	072 - 59	5654256	058B- 44
50-524328-4	033	5030	072 - 60	5677	037
50-524328-4	033	5030	073 - 51	576 SEALER	010A
50-524348	057	5031	072 - 61	58-530258-3	010
50-524471-1	032 - 11	5031	073 - 52	58690648	0168- 26
50-524497-1	075 - 8	5032-1	073 - 53	59-022-094-0562	032 - 9
50-524587	075 - 7	5032-1	072 - 62	595-0012-401	024 - 17
50-524594	074 - 8	5033	073 - 54	6	072
50-534033-179	015D- 79	5033	072 - 63	6	073
50-534033-179	015C- 55	5034	072 - 64	6 00X6	035
50-534073-1	015A- 80	5034	073 - 55	6 00X6 6P TL	035 - 52
50-534073-1	015C-124	504271	035	6 00X6 6P TT	035
50-534073-1	015B-116	5043-14	073 - 58	6-32X1/4	072 - 84
50-534073-1	015D-130	5043-14	072 - 67	6-32X1/4	073 - 75
50-534288	072 - 92	5056	072 - 68	6C5XD	052A- 31
50-534288	073 - 83	5056	073 - 59	60-524080	074
50-534288	073 -125	51020	057	60-524080-1	074
50-534363 GOLD	072 -104	51020	057	60-524080-3	076
50-534363SILVER	072	51020	074 - 23	60-524080-3	074 - 6
50-534622-11	074 - 51	51020	074	60-524080-4	074
50-534622-17	074	51043	061 - 21	60-530013-11	0138- 18
50-534622-5	074	52-022-094-0437	026 - 59	60-530013-11	0148- 7
50-534622-7	074	52-022-094-0562	026 - 56	60-530013-41	0138- 37
50-534622-9	074	520-0004-402	024 - 18	60-530013-41	0148- 24
50-534733-1	0148	5201K	037 - 26	60-530025-15	0148- 8
50-534733-1	0138	523-0004-054	024 - 33	60-530039-1	0138- 27
50-554105	003 - 26	53R	040 - 34	60-530039-1	0148- 14
50-554105	006 - 81	53R	061 - 27	60-530039-2	0148- 15
50-554106	006 - 82	534787	047 - 9	60-530039-2	0138- 28
50-560012	072 -105	535-521242-13	031 - 51	60-530040-1	0148- 3
50-560012	073 - 94	535-521242-15	031 - 50	60-530040-1	0138- 3
50-560012	073 -126	535-521242-17	031 - 52	60-530042	0138
50-560015	073	535541	047	60-530042	0148
50-560015	073	537379	047A- 12	60-530042-1	0148- 1
50-560015	072	539547	047 - 21	60-530042-1	0138-001
50-571037-3	016	539547	065 - 17	60-530042-13	0138- 2
50-571038	016	55-5012-5	0138	60-530042-13	0148- 2
50-584073	058 -011	55-5012-5	013A	60-530042-15	0138
50-920008-7	052 - 76	550-0001	024 - 15	60-530042-15	0148

B E E C H C R A F T
B O N A N Z A 3 3 T H R U E 3 3
I L L U S T R A T E D P A R T S C A T A L O G

PART NUMBER	FIGURE & ITEM NO.	PART NUMBER	FIGURE & ITEM NO.	PART NUMBER	FIGURE & ITEM NO.
60-530042-9	0148- 4	739-4	047A	95-110015-15	018A- 18
60-530042-9	0138- 4	74-1	068	95-110015-153	018A
60-530043	0148- 29	74-2	068	95-110015-154	018A
60-530043	0138- 29	75-1	068	95-110015-155	018A
60-530044	0138- 35	75-18 LH	068	95-110015-156	018A
60-530044	0148- 28	75-18 RH	068	95-110015-157	018A
60-530045	0148- 27	758-6	077 - 26	95-110015-158	018A
60-530045	0138- 36	758-6	077	95-110015-16	018A
60-530046-1	0138- 32	766-0045-077	024 - 31	95-110015-17	018A
60-530046-1	0148	766-0069-077	024 - 29	95-110015-18	018A
60-530046-2	0138- 34	766-6	051 - 3	95-110015-19	018A- 19
60-530046-2	0148- 25	79-022-094-0375	077 - 4	95-110015-20	018A
60-530047	0138- 38	8-32 X 1/2	070 - 10	95-110015-21	018A
60-530047	0148- 32	8-32 X 1/2	070 - 16	95-110015-22	018A
60-530060-1	0148	8003-9	048	95-110015-23	018A- 20
60-530060-3	0148	800308	073	95-110015-24	018A
60-530060-5	0148- 50	800308	072	95-110015-25	018A- 21
60-530060-7	0148- 51	800311	072	95-110015-26	018A
60-530060-9	0148- 54	800316	073 - 80	95-110015-27	018 - 25
6041H187	062 - 18	800316	072 - 89	95-110015-27	018A
6050C	059	800316	072	95-110015-28	018A
6050C	061	800316	073	95-110015-28	018
6050C	061 - 56	800316	073 -120	95-110015-29	018A- 22
6050C	061 - 54	800317-00	073	95-110015-30	018A
606-0037-026	024	800318-00	073 - 71	95-110015-31	018A
61-2	068 - 1	800318-00	072 - 80	95-110015-31	018 - 27
61-7	068 - 22	800319-00	072 -113	95-110015-32	018A
625487-1	047 - 32	800319-00	073 - 92	95-110015-32	018
625765	047 - 20	800322-00	073 -119	95-110015-35	018A
626062-9	047 - 26	800327-01	073	95-110015-36	018A
627392A	047 - 13	800327-01	073	95-110015-65	018A
629141	047	800327-01	072	95-110015-66	018A
629904-2	047A- 11	83-1	068 - 20	95-110015-67	018A- 6
63-6	068 - 25	83-1	068 - 42	95-110015-68	018A
630947-2A1	047A- 10	834-7B	063 - 36	95-110015-72	018A
631427A1	047 - 19	837-3	047 - 12	95-110015-9	018A
631427A1	047A- 6	837-8	047A	95-110018	002 - 25
631547	047A- 3	837-9	047	95-110018	018A
632399	047A	837-9	063	95-110018	017 - 28
632837	048	838-58	063	95-110041-61	002 - 21
6350A04-0C	073 - 19	840-83	063	95-110041-61	018A
6350A2-0-B	073	8409	074 - 56	95-110041-62	002 -022
6350A2-0-B	072	8409	074 - 34	95-110041-62	018A
6350A250C	073	8409	074 - 59	95-110041-73	002 - 23
6350A5-0-B	072	8409	076	95-110041-73	018A
64-3	068 - 7	8540	073 -107	95-110041-74	002 - 24
6401327	058A	8540	072 -116	95-110041-74	018A
6401348	058B- 46	8561	072 - 66	95-1989	069A- 19
6401406	058B	8561	073 - 57	95-24192	039A
6409513	047 - 38	8570	073 -108	95-24218	071 - 11
6409710	047A- 48	8570	072 -117	95-24218	071 - 11A
6411B	012 - 7	88	030 - 5	95-300001-1	071
6411B	015C-107	8808-1	073 - 73	95-300001-11	071 - 6
6411B	015D-106	8808-1	072 - 82	95-300001-13	071 - 8
65-1	068 - 19	8857K40	061 - 31	95-300001-15	069
65-16	068 - 41	8858K1	054 - 15	95-300001-16	069
66-2	068 - 29	89	016B- 8	95-300001-17	069
66-3	068 - 26	89	016A- 35	95-300001-29	071
67-2	068 - 21	89	016B- 19	95-300001-3	071 - 5
67-5	068 - 43	89	060 - 98	95-300001-31	071
68-7	068 - 40	890275	016	95-300001-31	071 - 20
7 00X6	035	8906K1041	061 - 50	95-300001-31	071 - 27
7 00X6 6P TT	035	9000590	062	95-300001-33	071
70-111224	064 - 8	9023	054 - 17	95-300001-37	069 - 1
701-4	047A- 26	9095	054	95-300001-38	069
701-5	047A- 27	91-11	068	95-300001-39	069 - 2
703-0003	024 - 34	91-2	068	95-300001-41	069 - 3
7155	015C-119	92-2	068	95-300001-43	069 - 5
7155	015B-109	9461	009 - 3	95-300001-45	069 - 10
73-1	068	95-110015-10	018A	95-300001-49	069 - 9
73-4	068	95-110015-11	018A- 17	95-300001-5	035
739-4	044A- 40A	95-110015-13	018A	95-300001-5	069
739-4	044A- 56	95-110015-14	018A	95-300001-51	069 - 12

B E E C H C R A F T
B O N A N Z A 3 3 T H R U E 3 3
I L L U S T R A T E D P A R T S C A T A L O G

PART NUMBER	FIGURE & ITEM NO.	PART NUMBER	FIGURE & ITEM NO.	PART NUMBER	FIGURE & ITEM NO.
95-300001-53	069 - 13	95-420017-19	0138- 52	95-810019-43	033 - 71
95-300001-57	069 - 16	95-420017-5	013A- 59	95-810019-43	044 - 33A
95-300001-59	069 - 19	95-420017-5	013B- 50	95-810019-7	044 - 22
95-300001-6	035	95-430005-29	007	95-810019-9	044
95-300001-6	069	95-430005-33	007 - 12	95-814005-3	044 - 23
95-300001-61	069 - 25	95-430005-35	007	95-814005-9	044A- 44
95-300001-63	069	95-430005-41	007	95-814005-9	044 - 24
95-300001-64	069A- 18	95-430005-45	007 - 13	95-824005-1	039A- 5
95-300001-64	069	95-430005-47	007	95-824005-601	039A
95-300001-65	069	95-430005-69	007	95-824018	040 - 13A
95-300001-67	035	95-430005-73	007	95-824019	040
95-300001-67	071	95-43686	071 - 24	95-8249	071 - 15
95-300001-69	071	95-440006-213	007 - 44	95-910015-255	050 - 31
95-300001-71	071	95-440006-237	007	95-910019-13	047A
95-300001-73	035	95-440006-239	007	95-910019-3	047A- 40
95-300001-73	071	95-440014-43	006 -123	95-910019-9	047A- 39
95-300001-75	069 - 26	95-4719	069A- 11	95-910020	050A- 33
95-300001-77	069 - 14	95-524017-8	031 - 40	95-910020	050 - 36
95-300001-79	071	95-524018-31	033	95-910020	062
95-300001-83	071	95-524018-31	033	95-921014-1	052A- 87
95-300001-9XS	069	95-524018-33	033 - 53	95-921014-1	052B
95-32102	039A	95-524018-33	033 - 50	95-921014-3	052A
95-3218	069A- 13	95-524019	031 - 31	95-921014-3	052B
95-324009-1	058B- 36	95-530000-33	015C- 85	95-921016-1	052A- 84
95-324009-3	058B- 37	95-530002-113	015C- 2	95-921016-1	052B- 89
95-324063	058B- 12	95-530005-61	015D-119	95-921016-3	052A
95-32669	039A	95-530005-63	015D- 72	95-921016-3	052B
95-32671	039A	95-530014-5	015C- 90	95-921018-1	052A- 82
95-32671	039A	95-530014-5	015B- 79	95-921018-3	052A
95-32672	039A	95-534017-31	013 - 19	95-9279	069A- 12
95-32926	039A	95-534017-9	013 - 18	95-9491	069A- 2
95-35451	069A- 4	95-534037	015D	95-9626	069A- 3
95-35452	069A- 10	95-534039-23	014C	95-970000-137	059 -133
95-35454	069A- 9	95-534042-3	016	96-110007-13	018A
95-35522	071 - 26	95-550000-9	046 - 36	96-110007-14	018A
95-35523	071 - 19	95-550000-9	046B- 49	96-110007-3	018A
95-35576	071 - 21	95-550000-9	046C- 71	96-110007-4	018A
95-35577	069A- 16	95-550000-9	046A- 44	96-110007-5	018A
95-35625	069A- 17	95-550001-31	046B- 53	96-110007-6	018A
95-364013-1	060	95-550001-31	046C- 73	96-110007-609	018A
95-364013-3	060	95-550001-33	046C- 68	96-110007-610	018A
95-364027-21	060	95-550001-33	046B- 47	96-110007-7	018A
95-364027-613	060 - 78	95-550001-35	046C- 77	96-110007-8	018A
95-364032-1	060 - 85A	95-554017-10	015B- 83	96-110019-1	019
95-364032-601	060	95-554017-10	015C	96-300001-41	069 - 7
95-369010-3	052A- 80	95-554017-9	015C- 91	96-300001-41	069 - 21
95-369010-4	052A	95-554017-9	015B- 80	96-324029-7	058A- 13
95-380007	016A- 12	95-554041-7	046A- 64	96-324033-3	058A- 15
95-380010	009	95-554041-7	046C- 49	96-324033-7	058A
95-380012-5	052A	95-554041-7	046A- 59	96-324033-9	058A
95-380012-5	052B- 74B	95-554043	016B	96-324033-1	058A
95-380012-7	052A	95-554043-1	016B- 36	96-324131-1	061 - 68
95-380012-7	052B	95-554043-19	016B	96-324137-7	061 - 6C
95-380027-1	052	95-554043-21	016B	96-324141	059 -140
95-380027-2	052	95-554043-23	016B- 43	96-340164	016B
95-41898	039A	95-554043-25	016B- 42	96-364012-5	062 - 60
95-41899	039A	95-554043-5	016B- 41	96-380034-3	044A- 19
95-420011-147	007	95-554043-603	016B	96-380034-3	045
95-420011-5	006	95-5761	069A- 14	96-380034-3	044
95-420011-602	006 -102	95-610011	025	96-380035	052A- 94
95-420015-107	006	95-610011-1	025 - 13	96-380035	052B- 87
95-420015-139	006	95-620010-609	026	96-380035	052B- 75
95-420015-151	006	95-620010-610	026	96-380036-3	052B
95-420015-59	006	95-6867	071 - 13	96-380039	058B- 15
95-420015-59	003	95-6867	069A- 1	96-420001-87	003
95-420015-99	006	95-6926	071 - 16	96-420016-35	014B- 44
95-420016-35	014A- 53	95-6974	071 - 14	96-420016-36	014B
95-420016-36	014A	95-7649	071 - 23	96-420029-1	010A- 1
95-420016-45	046C- 76	95-810002-3	035	96-420029-1	010
95-420016-45	046B- 55	95-810002-4	035	96-420029-3	010
95-420017-19	013B- 51	95-810019-11	044 - 30	96-420029-3	010A
95-420017-19	013A- 61	95-810019-13	044	96-420030-1	010A
95-420017-19	013A- 60	95-810019-17	044	96-420030-3	010A

B E E C H C R A F T
B O N A N Z A 3 3 T H R U E 3 3
I L L U S T R A T E D P A R T S C A T A L O G

PART NUMBER	FIGURE & ITEM NO.	PART NUMBER	FIGURE & ITEM NO.	PART NUMBER	FIGURE & ITEM NO.
96-420033-1	009	96-530013	016 - 46	96-534026	015C-115
96-420033-11	009 - 84	96-530013-11	015C- 88A	96-534051-25	014C- 1
96-420033-13	009 - 87	96-530013-11	016 - 47	96-534051-27	014C- 2
96-420033-15	009 - 83	96-530013-13	015C- 87A	96-534051-45	014C- 8
96-420033-23	009 - 82	96-530013-23	015B- 78	96-534052	015C- 23
96-420033-25	009 - 81	96-530013-23	015C- 89	96-534052	015D- 13
96-420033-27	009 - 80	96-530013-27	015B	96-534058-1	015C
96-420033-29	009 - 79	96-530013-27	015C	96-534058-1	015D
96-420033-3	009	96-530013-29	015B	96-534058-11	015C- 66A
96-420033-5	009 - 88	96-530013-29	015C	96-534058-11	015D- 47
96-430010-11	010 - 43	96-530013-31	015B- 76	96-534058-13	015C- 66B
96-430010-12	010	96-530013-31	015C- 88	96-534058-15	015D
96-430010-15	010 - 45	96-530013-33	015B- 74	96-534058-19	015C
96-430010-16	010	96-530013-33	015C- 86	96-534058-19	015D- 48
96-430010-17	010 - 46	96-530013-35	015B- 75	96-534058-20	015C
96-430010-18	010	96-530013-35	015C- 87	96-534058-20	015D
96-430010-18	010	96-530013-45	015C	96-534058-21	015D
96-430010-21	010 - 44	96-530013-47	015C	96-534058-3	015C
96-430010-21	010 - 47	96-530013-49	015C	96-534058-5	015D- 44
96-430010-22	010	96-530013-57	015C	96-534058-5	015C
96-430010-22	010	96-534011-1	015A	96-534058-7	015C
96-430010-23	010 - 49	96-534011-1	015B	96-534058-7	015D- 45
96-430010-27	010 - 50	96-534011-11	015A- 73	96-534058-9	015C
96-430010-28	010	96-534011-11	015B-104	96-534058-9	015D- 46
96-430010-3	006 -114	96-534011-3	015A- 71	96-534072-17	013B- 41
96-430010-35	010 - 52	96-534011-3	015B-103	96-534072-17	014B- 35
96-430010-4	006	96-534011-9	007	96-534073-1	013B
96-430010-51	010 - 51	96-534013-23	014A- 25	96-534073-10	014B
96-430010-53	010 - 48	96-534013-31	013A- 58	96-534073-10	013B
96-430011	011	96-534013-31	014A- 50	96-534073-13	013B- 7
96-430011-17	011	96-534013-9	013A- 57	96-534073-33	013B- 6
96-430011-19	011	96-534013-9	014A- 49	96-534073-5	013B
96-430011-21	011 - 13	96-534014-23	013A- 35	96-534073-7	013B
96-430011-23	011 - 14	96-534014-3	013A	96-534073-9	014B
96-430011-25	011 - 15	96-534014-3	014A	96-534073-9	013B
96-430011-27	011	96-534014-5	013A	96-534074-13	014B- 11
96-430011-29	011	96-534014-5	014A	96-534074-17	014B
96-524029-1	074 - 10	96-534014-55	013A- 48	96-534074-23	014B- 6
96-524029-3	074	96-534014-55	014A- 38	96-534074-5	014B
96-524033	075 - 18	96-534014-56	013A- 49	96-534074-7	014B
96-530001-220	015D	96-534014-56	014A- 39	96-534074-9	014B
96-530001-221	015B- 14	96-534014-63	013A- 41	96-534075-1	016
96-530001-221	015A- 19	96-534014-63	014A- 31	96-534075-13	016 - 42
96-530001-221	015B- 32	96-534014-69	013A- 44	96-534075-14	016 - 43
96-530001-221	015D- 9	96-534014-69	014A- 34	96-534075-15	016
96-530001-221	015C- 19	96-534014-9	013A- 46	96-534075-16	016
96-530001-221	015C- 60	96-534014-9	014A- 36	96-534075-21	016 - 44
96-530001-57	011 - 23	96-534014-91	014A	96-534075-47	016 - 41
96-530001-57	015C- 34	96-534014-92	014A	96-534075-5	016 - 39
96-530001-67	015C- 43	96-534014-94	014A	96-534075-51	016
96-530001-77	015D- 69	96-534014-95	014A	96-534075-607	016
96-530001-77	015C- 53	96-534015	013A- 2	96-534077-7	014B
96-530002-123	015C- 9	96-534016-1	013A- 1	96-534077-9	014B
96-530002-17	015D	96-534020	015B	96-534078-1	015D
96-530002-219	015D	96-534020	015C	96-534078-7	015D
96-530002-67	015D- 29	96-534020-1 C	015C	96-534078-9	015D
96-530002-69	015D- 28	96-534020-1 C	015B	96-534079-1	015D
96-530002-83 C	015D- 94	96-534020-11	015B-107	96-534079-19	015D
96-530002-83 C	015C- 83	96-534020-11	015C-117	96-534079-21	015D
96-530002-85 C	015B- 46	96-534020-3	015C-116	96-534079-23	015D- 32
96-530002-85 C	015D- 92	96-534020-3	015B-106	96-534079-3	015D
96-530002-85 C	015C-112	96-534020-5	015C	96-534079-5	015D- 30
96-530004-109	015D	96-534020-5	015B	96-534079-7	015D
96-530004-121	015D	96-534020-7	015B-108	96-534079-9	015D- 31
96-530004-149	015D- 76	96-534024-33 C	015C- 12	96-534080-1	015D
96-530004-151	015D- 68	96-534024-34 C	015C- 44	96-534080-11	015D
96-530004-153	011	96-534024-45	015C- 45	96-534080-13	015D-039
96-530004-153	015D- 66	96-534024-65	015C- 12A	96-534080-14	015D- 41
96-530004-153	015D- 67	96-534025-1	015B	96-534080-15	015D- 36
96-530004-181	015C- 54	96-534025-1	015C	96-534080-17	015D
96-530004-199	015C	96-534025-3	015B	96-534080-19	015D- 42
96-530004-199	015D- 80	96-534025-3	015C	96-534080-19	015D- 40
96-530004-97	015D	96-534026	015B-105	96-534080-2	015D

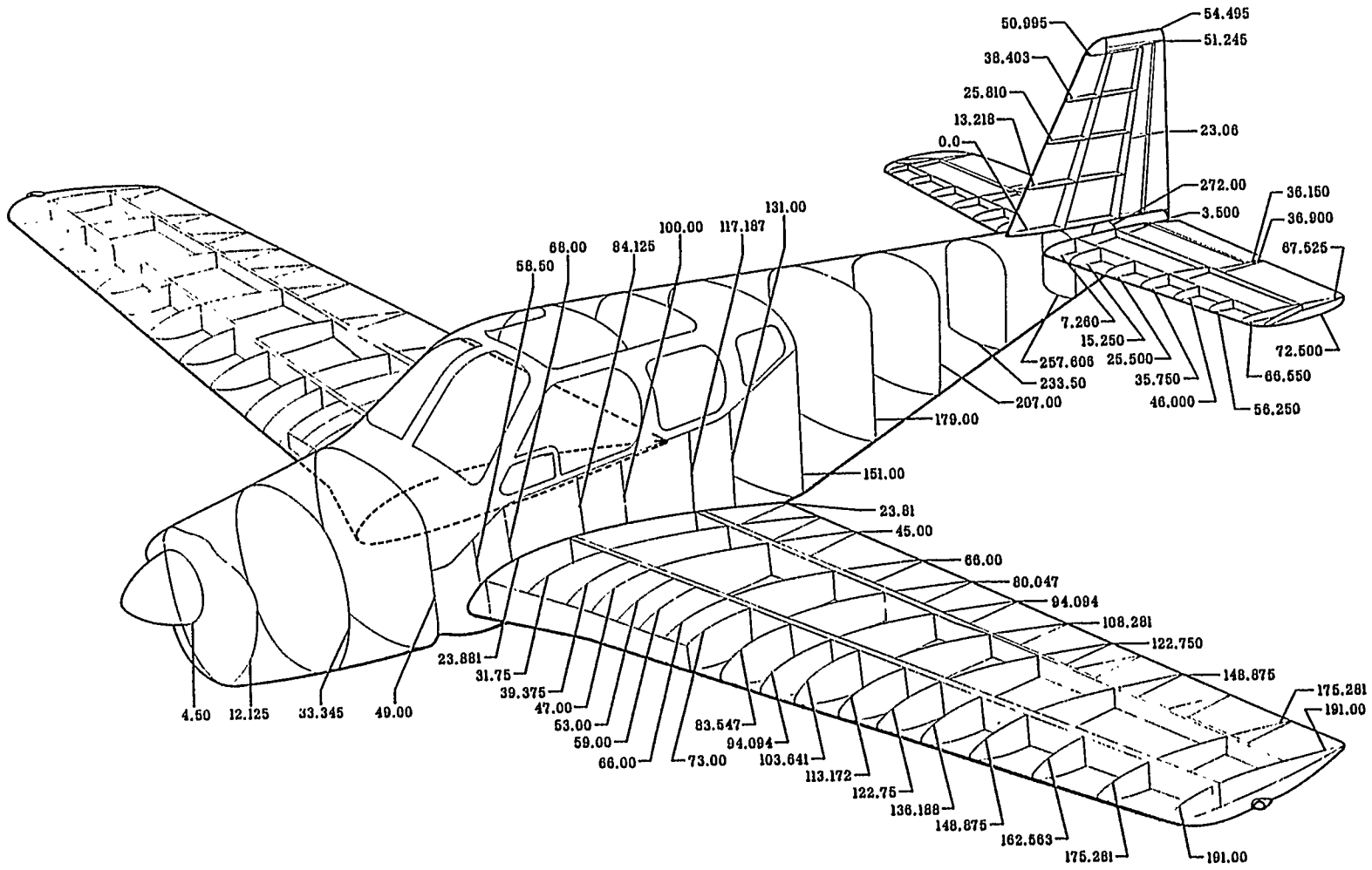
B E E C H C R A F T
 BONANZA 33 THRU E33
 I L L U S T R A T E D P A R T S C A T A L O G

PART NUMBER	FIGURE & ITEM NO.	PART NUMBER	FIGURE & ITEM NO.	PART NUMBER	FIGURE & ITEM NO.
96-534080-21	015D- 37	96-550015-19	016B	96-810023-1	036 - 58
96-534080-23	015D	96-550015-21	016B	96-810023-5	036 - 59
96-534080-24	015D	96-550015-23	016B	96-810023-7	036
96-534080-25	015D	96-550015-3	016B- 55	96-810024	036
96-534080-29	015D	96-550015-9	016B- 54	96-810024-1	036 - 55
96-534080-3	015D	96-554011	016B- 25	96-810024-3	036 - 57
96-534080-33	015D	96-554013-1	016B	96-810024-5	036 - 56
96-534080-35	015D- 34	96-554022	016 - 40	96-810024-7	036
96-534080-39	015D	96-560001-11	072 -107	96-910002-57	047A
96-534080-41	015D- 35	96-560001-3	072 -108	96-910020-151	050A- 22
96-534080-43	015D	96-560001-35	072 - 23	96-910020-253	050A- 24A
96-534080-5	015D	96-560001-37	072 - 43	96-910020-257	050A- 19
96-534080-5	015D	96-560001-39	072 - 24	96-910020-85	050A- 24
96-534080-7	015D	96-560001-45	072 - 42	96-910040-1	059 -154
96-534080-9	015D	96-560001-47	072 -100	96-910041-2	059 -155
96-534080-9	015D	96-560001-59	073 -110	96043	077
96-550010-1	046A- 62	96-560001-73	072 - 95	98-2MS	006
96-550013-107	016B	96-560002-19	072 - 36	98-2MS	006
96-550013-117	016B- 29	96-560002-21	072 - 29	98-32176E	005
96-550013-147	016B	96-560002-23	072 - 31	98FM2-5	006
96-550013-29	016B- 10	96-560002-601	072	98FM2-6	006
96-550013-31	016B- 11	96-560004-13	073 -100	98265-1-070	002
96-550013-33	016B- 7	96-560004-15	072 -114	98293-1-060	006
96-550013-35	016B- 23	96-560004-21	072 -110	98293-1-060	073
96-550013-37	016B- 24	96-560004-23	072 -100A	98293-1-060	073
96-550013-39	016B- 28	96-560004-27	072 - 98	98293-1-060	072
96-550013-43	016B- 12	96-560004-27	073 - 97	99785-2	006
96-550013-45	016B- 14	96-560004-29	073 - 96	99785-2	006
96-550013-47	016B- 13	96-560004-29	072 - 97	99785-2	072
96-550013-49	016B- 27	96-560004-31	073 - 93	99785-2	073
96-550013-51	016B- 6	96-560011-1	073 - 84	99785-2	073
96-550013-53	016B- 4	96-560011-1	072 - 93	99833C098	006
96-550013-607	016B	96-560011-3	072 - 94	99833C098	015A
96-550013-611	016B	96-560021-1	072 - 53	99833C098	015
96-550013-631	016B	96-560021-3	072 - 86	99833C098	015
96-550013-69	016B- 15	96-560021-5	072 - 78	99833C098	015A
96-550013-75	016B- 30	96-560021-5	073 - 69	99833P098	006
96-550013-77	016B- 31	96-560021-601	072	99833P098	002
96-550013-83	016B- 21	96-560022-11	073 -122	99836	002
96-550013-93	016B- 1	96-560022-15	073 -111	99871C098	006
96-550013-97	016B- 20	96-560022-19	073	99871C098	006
96-550015	016B	96-560022-5	073 -112	99871P098	072
96-550015-1	016B	96-560022-601	073	99871P098	073
96-550015-11	016B- 57	96-560022-7	073 -117	99871P098	073

BEECHCRAFT
BONANZA 33 THRU E33
ILLUSTRATED PARTS CATALOG

FIGURE 1
STATION DIAGRAM

FIGURE 1. STATION DIAGRAM



B E E C H C R A F T
B O N A N Z A 3 3 T H R U E 3 3
I L L U S T R A T E D P A R T S C A T A L O G

BEECHCRAFT
BONANZA 33 THRU E33
ILLUSTRATED PARTS CATALOG

FIGURE 2
WING AND HORIZONTAL STABILIZER SKINS

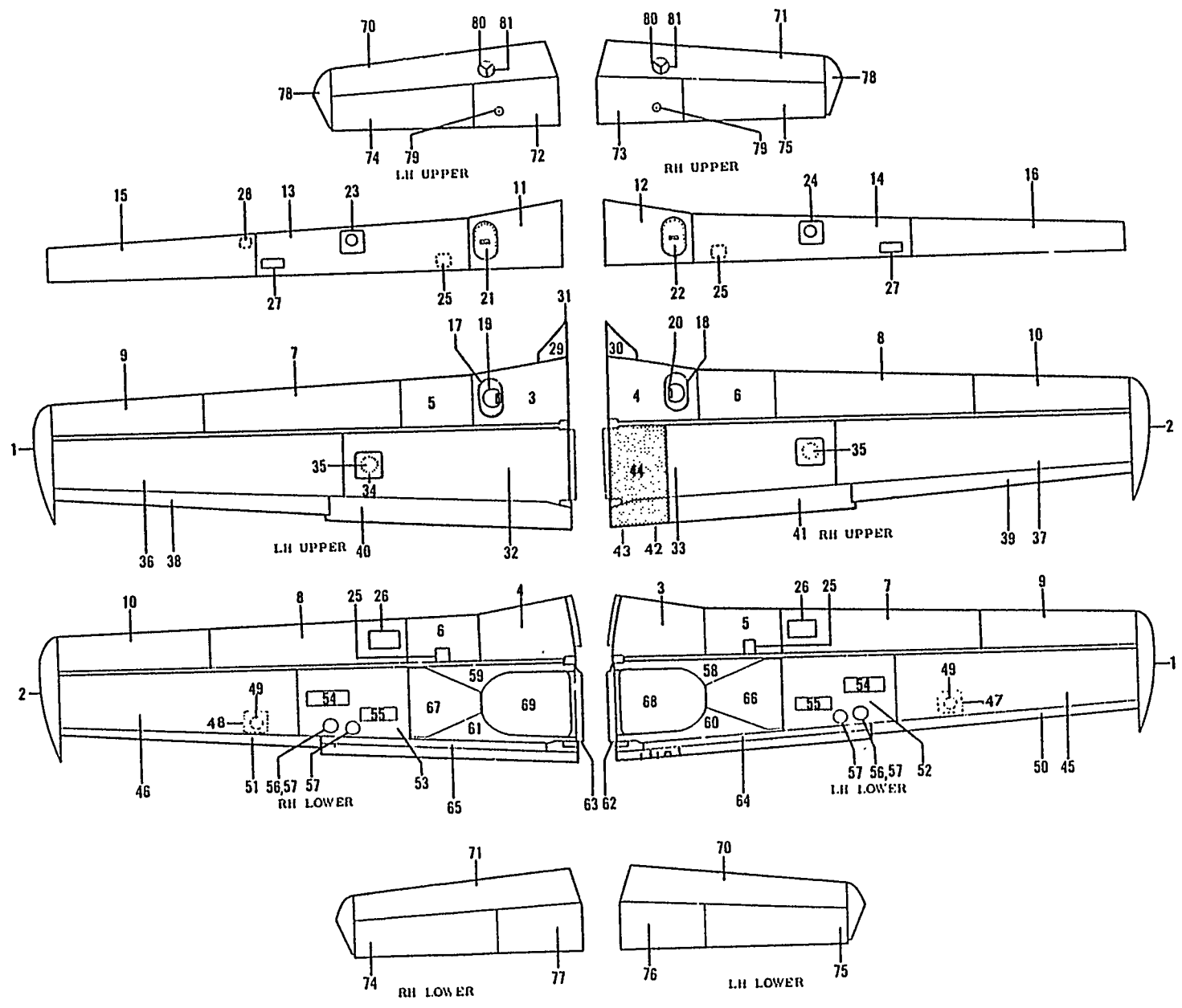


FIGURE 2. WING AND HORIZONTAL STABILIZER SKINS

B E E C H C R A F T
BONANZA 33 THRU E33
I L L U S T R A T E D P A R T S C A T A L O G

FIG. & ITEM NO.	PART NO.	DESCRIPTION	UNITS PER ASSY	USABLE ON CODE
		1 2 3 4 5 6 7		
2 - 1	35-175001	TIP ASSY,WING LH.	1	
- 2	35-175001-1	TIP ASSY,WING RH.	1	
- 3	33-110010-5	SKIN,LEADING EDGE LH STA 23 TO 47	1	1
- 4	33-110010-6	SKIN,LEADING EDGE RH STA 23 TO 47	1	1
- 5	35-115430-3	SKIN,LEADING EDGE LH STA 47 TO 73	1	1
- 6	35-115430-4	SKIN,LEADING EDGE RH STA 47 TO 73	1	1
- 7	33-110010-15	SKIN,LEADING EDGE LH ST 73 TO 136	1	1
- 8	33-110010-16	SKIN,LEADING EDGE RH ST 73 TO 136	1	1
	35-115211-6	SKIN ASSY,LEADING EDGE LH STA 136 TO 191.	1	1
- 9	35-115211-2	. SKIN.	1	1
	35-115211-4	. DOUBLER	1	1
	AN366F632	. NUT PLATE	4	1
- 10	35-115211-3	SKIN,LEADING EDGE RH STA 136 TO 191	1	1
- 11	50-110010-127	SKIN,LEADING EDGE LH STA 23 TO 47	1	2
- 12	50-110010-128	SKIN,LEADING EDGE RH STA 23 TO 47	1	2
- 13	35-115431-99	SKIN,LEADING EDGE LH STA 47 TO 122.	1	2
- 14	35-115431-100	SKIN,LEADING EDGE RH STA 47 TO 122.	1	2
- 15	35-115431-107	SKIN,LEADING EDGE LH STA 122 TO 191	1	2
- 16	35-115431-108	SKIN,LEADING EDGE RH STA 122 TO 191	1	2
- 17	50-110079	DOOR ASSY,FUEL CELL LH.	1	
		/USED WITH 50 GAL. SYSTEM/		
- 18	50-110079-1	DOOR ASSY,FUEL CELL RH.	1	
		/USED WITH 50 GAL. SYSTEM/		
	50-110079-4	. SPOT WELD ASSY,LH	1	
	50-110079-5	. SPOT WELD ASSY,RH	1	
	35-115237	. INSULATOR	1	
	45-115028-40	. HINGE	1	
	45-115028-34	. SPACER.	1	
- 19	45-115028-14	. DOOR,LH	1	
	45-115028-15	. DOOR,RH	1	
	45-115028-32	. HINGE	1	
- 20	105774C-ZA00216	. PIN,HINGE	1	
	98265-1-070	. STUD.	1	
	99836	. PIN	1	
	99833P098	. RECEPTACLE.	1	
- 21	95-110041-61	DOOR ASSY,LH /USED WITH 78 OR 80 GAL. SYSTEM/	1	2
- 22	95-110041-62	DOOR ASSY,RH /USED WITH 78 OR 80 GAL. SYSTEM/	1	2
- 23	95-110041-73	DOOR ASSY,LH /USED WITH 78 OR 80 GAL. SYSTEM/	1	2
- 24	95-110041-74	DOOR ASSY,RH /USED WITH 78 OR 80 GAL. SYSTEM/	1	2
- 25	95-110018	DOOR ASSY,LANDING GEAR ACCESS	2	
- 26	50-110010-82	DOOR,LEADING EDGE ACCESS.	2	1
- 27	50-110010-163	DOOR,LEADING EDGE ACCESS.	2	2
- 28	35-361151	DOUBLER ASSY,PITOT MAST MOUNTING.	1	
- 29	35-115381	FILLET ASSY,LEADING EDGE LH	1	3
- 30	35-115381-1	FILLET ASSY,LEADING EDGE RH	1	3
- 31	35-115382	TIP,FILLET LH	1	3
	35-115382-1	TIP,FILLET RH	1	3
	35-115142-100	SKIN ASSY,WING UPPER LH STA 23 TO 108	1	1
	35-115142-114	SKIN ASSY,WING UPPER LH STA 23 TO 108	1	2
	35-115142-101	SKIN ASSY,WING UPPER RH STA 23 TO 108	1	1
	35-115142-115	SKIN ASSY,WING UPPER RH STA 23 TO 108	1	2
- 32	35-115142-106	. SKIN,WING UPPER LH.	1	1
	35-115142-52	. SKIN,WING UPPER LH.	1	2
- 33	35-115142-59	. SKIN,WING UPPER RH.	1	1
	35-115142-55	. SKIN,WING UPPER RH.	1	2
- 34	35-115142-68	. DOUBLER,LH.	1	1
	35-115142-69	. DOUBLER,RH.	1	1
- 35	50-110025-64	. COVER ASSY.	1	1
	35-115137-20	SKIN ASSY,WING UPPER LH STA 108 TO 191.	1	
	35-115137-21	SKIN ASSY,WING UPPER RH STA 108 TO 191.	1	
- 36	35-115137-22	. SKIN,WING UPPER LH.	1	
- 37	35-115137-23	. SKIN,WING UPPER RH.	1	
- 38	35-115137-18	. SKIN,TRAILING EDGE UPPER OUTBD LH	1	
- 39	35-115137-19	. SKIN,TRAILING EDGE UPPER OUTBD RH	1	

B E E C H C R A F T
B O N A N Z A 3 3 T H R U E 3 3
I L L U S T R A T E D P A R T S C A T A L O G

FIG. & ITEM NO.	PART NO.	1 2 3 4 5 6 7	DESCRIPTION	UNITS PER ASSY	USABLE ON CODE
2	35-115194-28		SKIN ASSY, TRAILING EDGE UPPER INBD LH	1	
- 40	35-115194-26		. SKIN, TRAILING EDGE UPPER INBD LH	1	
	35-115194-6		. GUSSET, LH STA 34	1	
	35-115194-8		. GUSSET, LH STA 94	1	
	35-115194-38		. STIFFENER, LH	1	
	35-115194-37		SKIN ASSY, TRAILING EDGE UPPER INBD RH	1	
- 41	35-115194-35		. SKIN, RH STA 45 TO 108	1	
	35-115194-8		. GUSSET, RH STA 94	1	
	35-115194-40		. STIFFENER, RH	1	
- 42	35-115194-31		. SKIN, RH STA 34 TO 45	1	
- 43	35-115194-33		. SKIN, RH STA 23 TO 34	1	
- 44	35-115301-617		WALKWAY ASSY, RH STA 23 TO 45	1	
	35-115199-28		SKIN ASSY, WING LOWER LH STA 108 TO 191	1	
	35-115199-29		SKIN ASSY, WING LOWER RH STA 108 TO 191	1	
- 45	35-115199-26		. SKIN, WING LOWER LH	1	
- 46	35-115199-27		. SKIN, WING LOWER RH	1	
	35-115199-14		. GUSSET, LH STA 175	1	
	35-115199-15		. GUSSET, RH STA 175	1	
- 47	35-115199-8		. REINFORCEMENT ASSY, LH	1	
- 48	35-115199-9		. REINFORCEMENT ASSY, RH	1	
- 49	35-115199-12		. DOOR, ACCESS	1	
- 50	35-115199-24		. SKIN, TRAILING EDGE LOWER OUTBD LH	1	
- 51	35-115199-25		. SKIN, TRAILING EDGE LOWER OUTBD RH	1	
	35-115200-88		SKIN ASSY, WING LOWER LH STA 23 TO 108	1	1
	35-115200-104		SKIN ASSY, WING LOWER LH STA 23 TO 108	1	2
	35-115200-89		SKIN ASSY, WING LOWER RH STA 23 TO 108	1	1
	35-115200-105		SKIN ASSY, WING LOWER RH STA 23 TO 108	1	2
- 52	35-115200-72		. SKIN, WING LOWER LH STA 66 TO 108	1	1
	35-115200-8		. SKIN, WING LOWER LH STA 66 TO 108	1	4
	35-115200-613		. SKIN ASSY, WING LOWER LH STA 66 TO 108	1	5
	35-115200-106		. SKIN, LH	1	5
	K1000-08		. NUT PLATE	5	5
- 53	35-115200-73		. SKIN, WING LOWER RH STA 66 TO 108	1	1
	35-115200-9		. SKIN, WING LOWER RH STA 66 TO 108	1	4
	35-115200-614		. SKIN ASSY, WING LOWER RH STA 66 TO 108	1	5
	35-115200-107		. SKIN, RH	1	5
	K1000-08		. NUT PLATE	5	5
- 54	35-115200-82		. DOOR, WING LOWER ACCESS	1	1
	35-115200-84		. DOUBLER, ACCESS DOOR LH	1	1
	35-115200-85		. DOUBLER, ACCESS DOOR RH	1	1
- 55	35-115200-74		. DOOR, WING LOWER ACCESS	1	1
- 56	35-115200-42		. DOOR, WING LOWER ACCESS	1	4
	35-115200-14		. REINFORCEMENT, ACCESS DOOR LH	1	4
	35-115200-15		. REINFORCEMENT, ACCESS DOOR RH	1	4
- 57	35-115200-108		. COVER	2	5
- 58	35-115200-4		. SKIN, WING LOWER LH	1	
- 59	35-115200-5		. SKIN, WING LOWER RH	1	
	35-115200-96		. SKIN ASSY, WING LOWER LH	1	6
	35-115200-118		. SKIN ASSY, WING LOWER LH	1	7
- 60	35-115200-94		. SKIN, LH	1	6
	35-115200-116		. SKIN, LH	1	7
	35-115200-92		. GUSSET, LH	1	
	35-115200-30		. STRINGER, LH	1	
	35-115200-97		. SKIN ASSY, WING LOWER RH	1	6
	35-115200-119		. SKIN ASSY, WING LOWER RH	1	7
- 61	35-115200-95		. SKIN, RH	1	6
	35-115200-117		. SKIN, RH	1	7
	35-115200-11		. GUSSET, RH	1	
	35-115200-31		. STRINGER, RH	1	
- 62	35-115200-100		. SKIN ASSY, WING LOWER LH	1	
	35-115200-98		. SKIN, LH	1	
	45-115053		. CLIP ASSY	1	

B E E C H C R A F T
 BONANZA 33 THRU E33
 I L L U S T R A T E D P A R T S C A T A L O G

FIG. & ITEM NO.	PART NO.	DESCRIPTION							UNITS PER ASSY	USABLE ON CODE
		1	2	3	4	5	6	7		
2 - 63	35-115200-101	1	
	35-115200-99	1	
	45-115053	1	
	35-115265-601	1	
- 64	35-115265-6	1	
	35-115265-8	1	
	A6196-821	2	
	35-115265-602	1	
- 65	35-115265-3	1	
	A6196-821	1	
- 66	35-815055-68	1	
- 67	35-815055-69	1	
- 68	35-815055-601	1	
- 69	35-815055-602	1	
- 70	33-620000-43	1	
- 71	33-620000-44	1	
- 72	33-620000-45	1	
- 73	33-620000-46	1	
- 74	33-620000-27	2	
- 75	33-620000-28	2	
- 76	33-620000-47	1	
- 77	33-620000-48	1	
- 78	45-650112	2	
- 79	A6914-1024	2	
- 80	45-650021	2	
- 81	45-650020	2	

C O D E S O F E F F E C T I V I T Y

1	CD-1 THRU CD-387	2	CD-388 THRU CD-1234 CE-1 THRU CE-289
3	CD-1 THRU CD-224, CD-233,CD-234, CD-236,CD-241, CD-246 THRU CD-250	4	CD-388 THRU CD-434
5	CD-435 THRU CD-1234 CE-1 THRU CE-289	6	CD-1 THRU CD-887
7	CD-888 THRU CD-1234 CE-1 THRU CE-289		

BEECHCRAFT
BONANZA 33 THRU E33
ILLUSTRATED PARTS CATALOG

FIGURE 3
FUSELAGE SKINS

BEECHCRAFT
 BONANZA 33 THRU E33
 ILLUSTRATED PARTS CATALOG

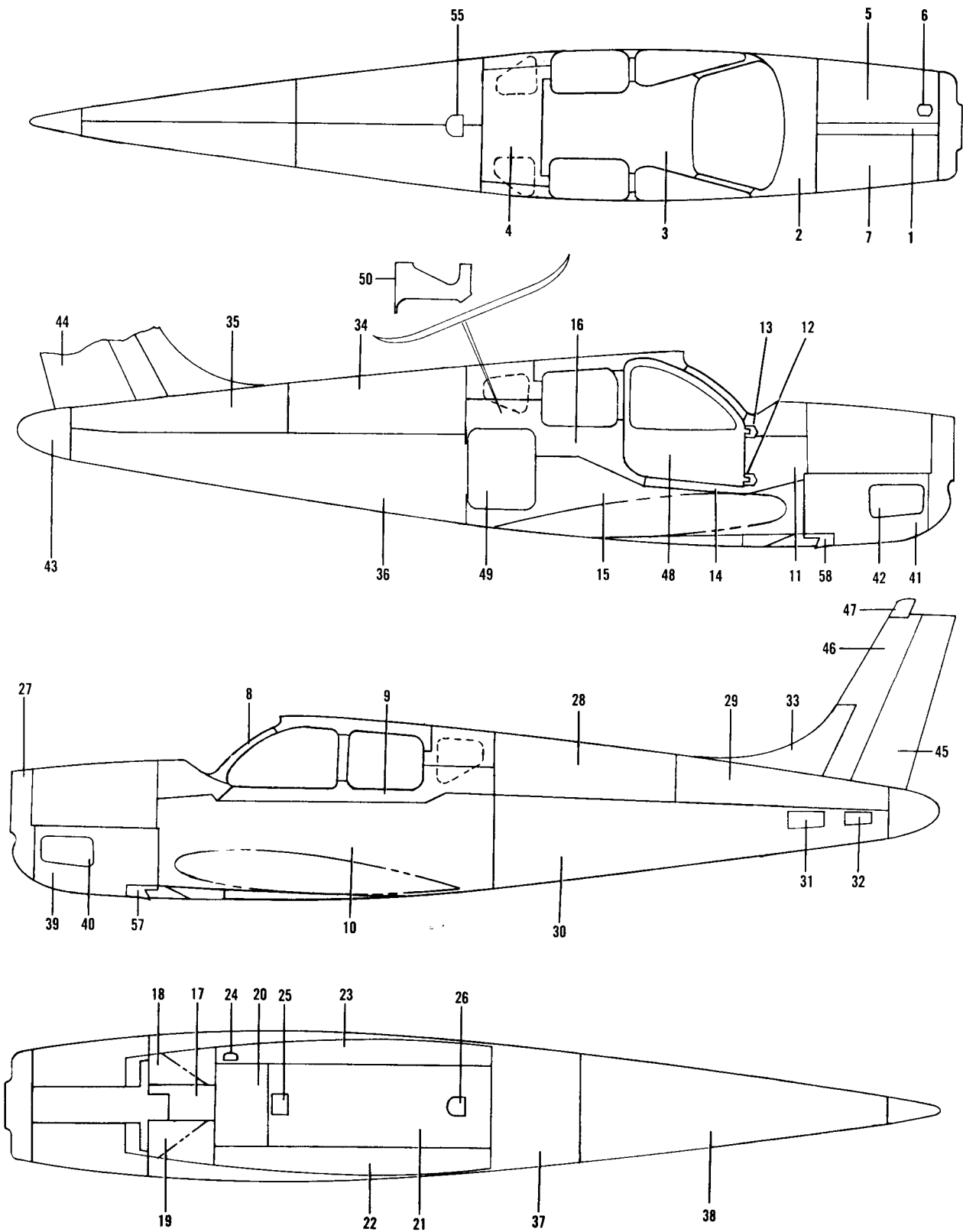
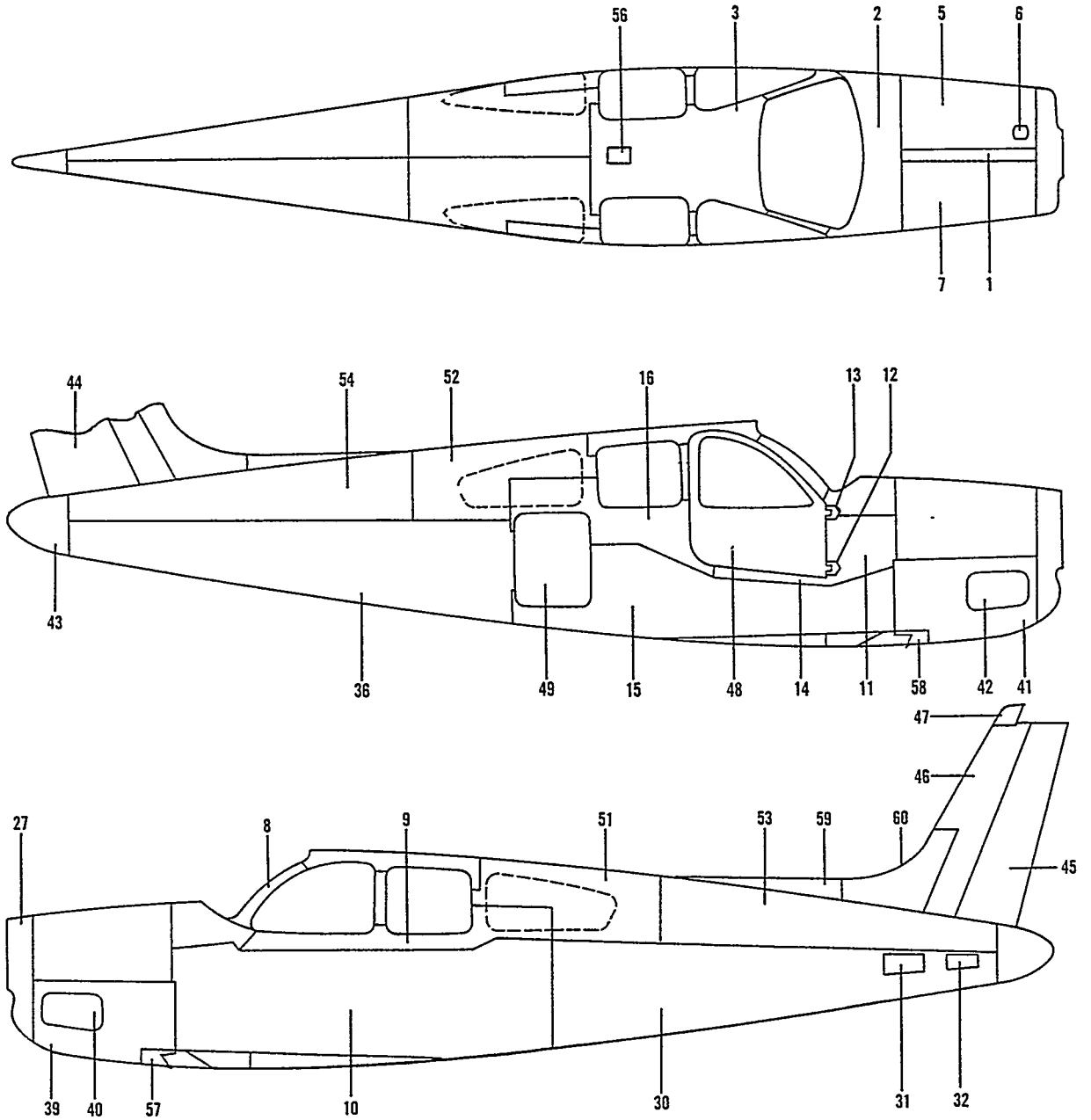


FIGURE 3. FUSELAGE SKINS
 /SHEET 1 OF 2 SHEETS/

BEECHCRAFT
 BONANZA 33 THRU E33
 ILLUSTRATED PARTS CATALOG



B E E C H C R A F T
BONANZA 33 THRU E33
I L L U S T R A T E D P A R T S C A T A L O G

FIG. & ITEM NO.	PART NO.	DESCRIPTION	UNITS PER ASSY	USABLE ON CODE
		1 2 3 4 5 6 7		
3 - 1	35-910104-1	HINGE ASSY,COWL	1	
- 2	35-410452-41 U	SKIN,FWD OF WINDSHIELD.	1	1
	35-410452-47	SKIN,FWD OF WINDSHIELD /SAME AS 35-410452-41.	1	1
		EXCEPT FORMED AND ROUGH TRIMMED ONLY/		
	35-410452-167	SKIN,FWD OF WINDSHIELD.	1	20
	35-410452-179	SKIN,FWD OF WINDSHIELD.	1	21
- 3	33-410032-3	SKIN,FWD CABIN TOP.	1	3
	33-410032-9	SKIN,FWD CABIN TOP.	1	26
	96-420001-87	SKIN,FWD CABIN TOP.	1	25
- 4	35-410452-45	SKIN,AFT CABIN TOP.	1	5
		/TRIM FOR INSTL OF THIRD WINDOW/		
	95-420015-59	SKIN,AFT CABIN TOP.	1	6
		/TRIM FOR INSTL OF THIRD WINDOW/		
- 5	35-910160-654	DOOR ASSY,COWLING LH /WITHOUT OIL FILLER DOOR/.	1	3
	35-910160-616	DOOR ASSY,COWLING LH /WITH OIL FILLER DOOR/	1	
- 6	35-910160-30	DOOR ASSY,COWL OIL FILLER	1	
- 7	35-910160-617	DOOR ASSY,COWLING RH.	1	
- 8	35-410452-73	SKIN,FWD LH	1	1
	35-410452-165	SKIN,FWD LH	1	2
- 9	35-410452-29	SKIN,UPPER CABIN LH	1	
	33-410012-3	SKIN,UPPER CABIN LH /WITH 3RD WINDOW/	1	
- 10	35-410452-39	SKIN,LOWER CABIN LH	1	
- 11	35-410452-7	SKIN,FWD CABIN RH	1	
- 12	35-410452-35	REINFORCEMENT,LOWER	1	
- 13	35-410452-33	REINFORCEMENT,UPPER	1	
- 14	35-410452-3	SKIN,CABIN RH	1	
- 15	33-410032-5	SKIN,CABIN RH	1	8
	35-410452-5	SKIN,CABIN RH	1	7
- 16	35-410452-9	SKIN,CABIN RH	1	
	35-410452-178	SKIN,CABIN RH /WITH 3RD WINDOW/	1	
- 17	35-410452-23	SKIN,CABIN BOTTOM FWD CENTER.	1	
- 18	35-410000-624	SKIN ASSY,CABIN BOTTOM LH /SUPERSEDES	1	
		35-410452-21 & 35-410000 SA24/		
- 19	35-410000-625	SKIN ASSY,CABIN BOTTOM RH /SUPERSEDES	1	
		35-410452-15 & 35-410000 SA25/		
- 20	35-410452-79	SKIN,CABIN BOTTOM CENTER.	1	
- 21	33-410032-1	SKIN,CABIN BOTTOM AFT CENTER.	1	3
	35-410452-77	SKIN,CABIN BOTTOM AFT CENTER.	1	27
	33-410032-17	SKIN,CABIN BOTTOM AFT CENTER.	1	28
- 22	35-410452-17	SKIN,CABIN BOTTOM RH.	1	
- 23	35-410452-25	SKIN,CABIN BOTTOM LH.	1	9
	35-410452-109	SKIN,CABIN BOTTOM LH.	1	10
- 24	35-410145-612	DOOR ASSY,FUEL STRAINER ACCESS.	1	11
		/SUPERSEDES 35-410145 SA2/		
	35-410145-602	DOOR ASSY,FUEL STRAINER ACCESS.	1	12
- 25	35-410259-16	DOOR ASSY,LANDING GEAR ACTUATOR ACCESS.	1	
- 26	50-554105	VENT.	1	4
- 27	35-410446-45	SKIN,NOSE COWL.	1	13
	35-410446-203	SKIN,NOSE COWL.	1	14
- 28	33-410031-23	SKIN,FUSELAGE TAIL TOP LH	1	8
- 29	33-410031-25	SKIN,FUSELAGE TAIL TOP LH	1	
- 30	33-410031-29	SKIN,FUSELAGE TAIL LH SIDE.	1	
- 31	33-410031-41	DOOR,FUSELAGE TAIL ACCESS	1	
- 32	33-410031-117	DOOR,FUSELAGE TAIL ACCESS	1	
- 33	33-600011-1	SKIN,DORSAL FIN FAIRING	1	22
- 34	33-410031-24	SKIN,FUSELAGE TAIL RH TOP	1	8
- 35	33-410031-26	SKIN,FUSELAGE TAIL RH TOP	1	
- 36	33-410031-30	SKIN,FUSELAGE TAIL RH SIDE.	1	
- 37	33-410031-27	SKIN,FUSELAGE TAIL BOTTOM FWD	1	
- 38	33-410031-31	SKIN,FUSELAGE TAIL BOTTOM AFT	1	

B E E C H C R A F T
 BONANZA 33 THRU E33
 I L L U S T R A T E D P A R T S C A T A L O G

FIG. & ITEM NO.	PART NO.	DESCRIPTION	UNITS PER ASSY	USABLE ON CODE
		1 2 3 4 5 6 7		
3 - 39	35-410452-142	SKIN,ENGINE COMPARTMENT LH. /SUPERSEDES 35-410452-37/	1	
- 40	35-410020-14	DOOR ASSY,ENGINE ACCESS LOWER LH.	1	15
	35-410460-5	DOOR ASSY,ENGINE ACCESS LOWER LH.	1	16
- 41	35-410452-143	SKIN,ENGINE COMPARTMENT RH. /SUPERSEDES 35-410452-1/	1	
- 42	35-410020-15	DOOR ASSY,ENGINE ACCESS LOWER RH.	1	15
	35-410460-6	DOOR ASSY,ENGINE ACCESS LOWER RH.	1	16
- 43	33-440000-601	CONE ASSY,FUSELAGE TAIL	1	
- 44	33-640000-24	SKIN,VERTICAL STABILIZER RH	1	
- 45	33-640000-23	SKIN,VERTICAL STABILIZER LH	1	
- 46	33-640000-21	SKIN,VERTICAL STABILIZER.	1	
- 47	33-640000-53	TIP ASSY,VERTICAL STABILIZER.	1	
- 48	33-400300-601	DOOR ASSY,CABIN	1	3
	33-400300-603	DOOR ASSY,CABIN	1	6
	33-400300-605	DOOR ASSY,CABIN /SUPER SOUNDPROOFING/	1	
	33-400300-607	DOOR ASSY,CABIN /STANDARD SOUNDPROOFING/	1	17
- 49	35-410070-652	DOOR ASSY,BAGGAGE /SUPERSEDES 35-410070 SA2/.	1	18
	35-410070-606	DOOR ASSY,BAGGAGE	1	19
	35-410070-93	DOOR ASSY,BAGGAGE	1	23
- 50	35-001029-6	SKIN,CABIN RH /REINFORCEMENT FOR THIRD WINDOW/.	1	8
- 51	33-410032-15	SKIN,AFT CABIN TOP LH /WITHOUT THIRD WINDOW CUTOUT/	1	7
	33-410012-1	SKIN,AFT CABIN TOP LH /WITH THIRD WINDOW CUTOUT/	1	7
- 52	33-410032-16	SKIN,AFT CABIN TOP RH /WITHOUT THIRD WINDOW CUTOUT/	1	7
	33-410012-2	SKIN,AFT CABIN TOP RH /WITH THIRD WINDOW CUTOUT/	1	7
- 53	33-410031-161	SKIN,FUSELAGE TAIL TOP LH	1	27
	33-410031-317	SKIN,FUSELAGE TAIL TOP LH	1	28
- 54	33-410031-162	SKIN,FUSELAGE TAIL TOP RH	1	7
- 55	35-410152	VENT,CABIN.	1	3
- 56	35-550562-607	SCOOP ASSY,FRESH AIR DUCT	1	4
- 57	33-410030-13	GILL,LH /SUPERSEDES 33-410030-7/.	1	
- 58	33-410030-14	GILL,RH /SUPERSEDES 33-410030-8/.	1	
- 59	33-600012-1	SKIN,DORSAL FIN FAIRING FWD	1	24
	33-440011-601	DORSAL FIN ASSY	1	25

B E E C H C R A F T
 BONANZA 33 THRU E33
 I L L U S T R A T E D P A R T S C A T A L O G

FIG. & ITEM NO.	PART NO.	DESCRIPTION							UNITS PER ASSY	USABLE ON CODE
		1	2	3	4	5	6	7		
3 - 60	33-600012-3	SKIN,DORSAL FIN FAIRING AFT							1	24
	33-440011-3	SKIN,DORSAL FIN FAIRING AFT							1	25

CODES OF EFFECTIVITY

- | | |
|--|---|
| 1 CD-1 THRU CD-746 | 2 CD-747 AND AFTER,
CE-1 AND AFTER |
| 3 CD-1 THRU CD-224,
CD-233,CD-234,
CD-236,CD-241,
CD-246 THRU CD-250 | 4 CD-225 THRU CD-232,
CD-235,
CD-237 THRU CD-240,
CD-242 THRU CD-245,
CD-251 AND AFTER,
CE-1 AND AFTER |
| 5 CD-1 THRU CD-224,
CD-233,CD-234,
CD-236,CD-241,
CD-246 THRU CD-250,
CD-388 THRU CD-813 | 6 CD-225 THRU CD-232,
CD-235,
CD-237 THRU CD-240,
CD-242 THRU CD-245,
CD-251 THRU CD-387 |
| 7 CD-814 AND AFTER,
CE-1 AND AFTER | 8 CD-1 THRU CD-813 |
| 9 CD-1 THRU CD-554 | 10 CD-555 AND AFTER,
CE-1 AND AFTER |
| 11 CD-1 THRU CD-493 | 12 CD-494 AND AFTER,
CE-1 AND AFTER |
| 13 CD-1 THRU CD-625 | 14 CD-626 AND AFTER,
CE-1 AND AFTER |
| 15 CD-1 THRU CD-350 | 16 CD-351 AND AFTER,
CE-1 AND AFTER |
| 17 CD-388 AND AFTER,
CE-1 AND AFTER | 18 CD-1 THRU CD-658 |
| 19 CD-659 THRU CD-675 | 20 CD-747 THRU CD-1118,
CE-1 THRU CE-179 |
| 21 CE-1119 AND AFTER,
CE-180 AND AFTER | 22 CD-388 THRU CD-813 |
| 23 CD-676 AND AFTER,
CE-1 AND AFTER | 24 CD-814 THRU CD-1026,
CE-1 THRU CE-25 |
| 25 CD-1027 AND AFTER,
CE-26 AND AFTER | 26 CD-225 THRU CD-232,
CD-235,
CD-237 THRU CD-240,
CD-242 THRU CD-245,
CD-251 THRU CD-1026 |
| 27 CD-251 THRU CD-1199
CE-1 THRU CE-248 | 28 CD-1200 AND AFTER
CE-249 AND AFTER |

BEECHCRAFT
BONANZA 33 THRU E33
ILLUSTRATED PARTS CATALOG

FIGURE 4
EXTERIOR MARKINGS

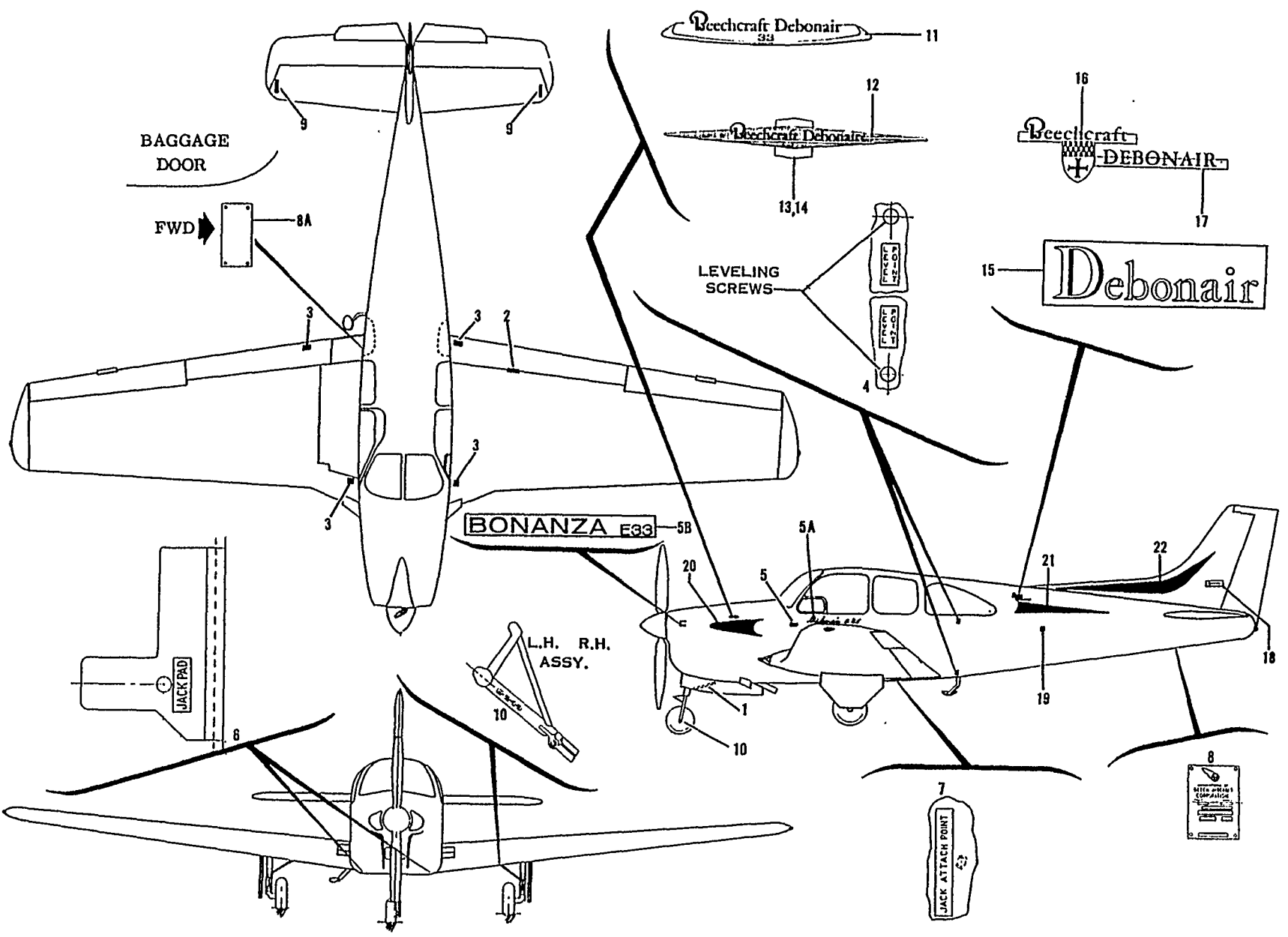


FIG. 4
 PAGE 2

FIGURE 4. EXTERIOR MARKINGS

02/24/84

B E E C H C R A F T
BONANZA 33 THRU E33
I L L U S T R A T E D P A R T S C A T A L O G

FIG. & ITEM NO.	PART NO.	DESCRIPTION	UNITS PER ASSY	USABLE ON CODE
4	33-000010	MARKINGS, EXTERIOR	NP	13
	33-000012	MARKINGS, EXTERIOR	NP	12
	33-000013-1	MARKINGS, EXTERIOR	NP	15
	33-000013-3	MARKINGS, EXTERIOR	NP	14
- 1	35-825192	. PLACARD, FWD NOSE GEAR RETRACT LINK ROD.	1	
- 2	35-000066 B-C	. PLACARD, 10 & 20 DEGREE FLAP INDICATION. /BLACK ON CLEAR/	1	9
	35-000066 W-C	. PLACARD, 10 & 20 DEGREE FLAP INDICATION. /WHITE ON CLEAR/	1	9
- 3	112733-2	. PLACARD, NO STEP /BLACK/	4	
	112733-4	. PLACARD, NO STEP /RED/	4	
- 4	35-410169 B-C	. PLACARD, LEVEL POINT /BLACK ON CLEAR/.	2	
	35-410169 W-C	. PLACARD, LEVEL POINT /WHITE ON CLEAR/.	2	
- 5	35-361016-1	. PLACARD, GROUND HERE /WHITE/	2	6
	35-361016	. PLACARD, GROUND HERE /BLACK/	2	6
- 5A	33-000026-1	. PLACARD, MODEL IDENTIFICATION /WHITE/.	1	12
	33-000026-3	. PLACARD, MODEL IDENTIFICATION /BLACK/.	1	12
- 5B	33-000043-1	. DECAL, BONANZA E33 /GOLD WITH BLACK OUTLINE/.	2	15
	33-000043-3	. DECAL, BONANZA E33 /BLACK WITH GOLD OUTLINE/.	2	15
	33-000042-1	. DECAL, BONANZA E33A /GOLD WITH BLACK OUTLINE/.	2	14
	33-000042-3	. DECAL, BONANZA E33A /BLACK WITH GOLD OUTLINE/.	2	14
- 6	112735 B-C	. PLACARD, JACK PAD /BLACK ON CLEAR/	2	
	112735 W-C	. PLACARD, JACK PAD /WHITE ON CLEAR/	2	
	112735-1	. PLACARD, JACK PAD /YELLOW/	2	
- 7	112736 B-C	. PLACARD, JACK ATTACH POINT /BLACK ON CLEAR/.	1	
	112736 W-C	. PLACARD, JACK ATTACH POINT /WHITE ON CLEAR/.	1	
- 8	111745	. PLACARD, MODEL	1	10
- 8A	130728	. PLACARD, MODEL	1	11
- 9	115081-5	. PLACARD, NO HANDLE /BLACK/ /SUPERSEDES 115081-1/	2	
	115081-7	. PLACARD, NO HANDLE /RED/ /SUPERSEDES 115081-3/	2	
- 10	112734	. PLACARD, HEAT TREATED ASSY /BLACK/	AR	
- 11	33-000020	. PLATE, IDENTIFICATION. /ATTACHING PARTS/	2	1
	A1037-012-1	. NUT	2	
- 12	35-000064-11	. PLATE, MODEL NAME EXTERIOR IDENTIFICATION.	2	4
- 13	35-000064-13	. PLATE, MODEL NUMBER EXTERIOR IDENTIFICATION.	2	2
- 14	35-000064-37	. PLATE, MODEL NUMBER EXTERIOR IDENTIFICATION. /ATTACHING PARTS/	2	5
	AN507UB632R	. SCREW	3	
	AN960-6L	. WASHER	3	
	MS20364-632	. NUT	3	
	A109-014-1	. NUT, SPEED	2	
- 15	130019	. DECAL, DEBONAIR /TRANSFER DECAL/ /CLEAR BACKGROUND/	2	5
	130019-1	. DECAL, DEBONAIR /PRESSURE SENSITIVE DECAL/ /WHITE BACKGROUND/	2	5
- 16	130071	. EMBLEM, BEECHCRAFT EXTERIOR.	2	7
- 17	33-000011	. EMBLEM, DEBONAIR	2	16
	35-000068	. EMBLEM, BONANZA. /ATTACHING PARTS/	2	17
	A109-014-1	. NUT	2	
	AN507-632	. SCREW	8	
	MS20364-632	. NUT	8	
	AN960-6L	. WASHER	8	
- 18	115098-3	. DECAL, BEECHCRAFT /TRANSFER DECAL/ /CLEAR BACKGROUND/ /SUPERSEDES 115098	2	3
	115098-5	. DECAL, BEECHCRAFT /PRESSURE SENSITIVE DECAL/ /WHITE BACKGROUND/	2	3
- 19	35-410286 B-C	. PLACARD, STATIC AIR KEEP CLEAN /BLACK ON CLEAR/	2	
	35-410286 W-C	. PLACARD, STATIC AIR KEEP CLEAN /WHITE ON CLEAR/	2	

B E E C H C R A F T
 BONANZA 33 THRU E33
 I L L U S T R A T E D P A R T S C A T A L O G

FIG. & ITEM NO.	PART NO.	DESCRIPTION							UNITS PER ASSY	USABLE ON CODE
		1	2	3	4	5	6	7		
4	33-000019	. DECAL, EXTERIOR ACCENT TRIM.							1	8
- 20	33-000019-1	. . DECAL, LH COWL /GOLD/.							1	8
	33-000019-2	. . DECAL, RH COWL /GOLD/.							1	8
- 21	33-000019-3	. . DECAL, LH FUSELAGE /GOLD/.							1	8
	33-000019-4	. . DECAL, RH FUSELAGE /GOLD/.							1	8
- 22	33-000019-5	. . DECAL, LH DORSAL FIN & VERTICAL STABILIZER . /GOLD/							1	8
	33-000019-6	. . DECAL, RH DORSAL FIN & VERTICAL STABILIZER . /GOLD/							1	8

NOTE WHEN ORDERING PLACARDS, PLEASE
 SPECIFY COLOR

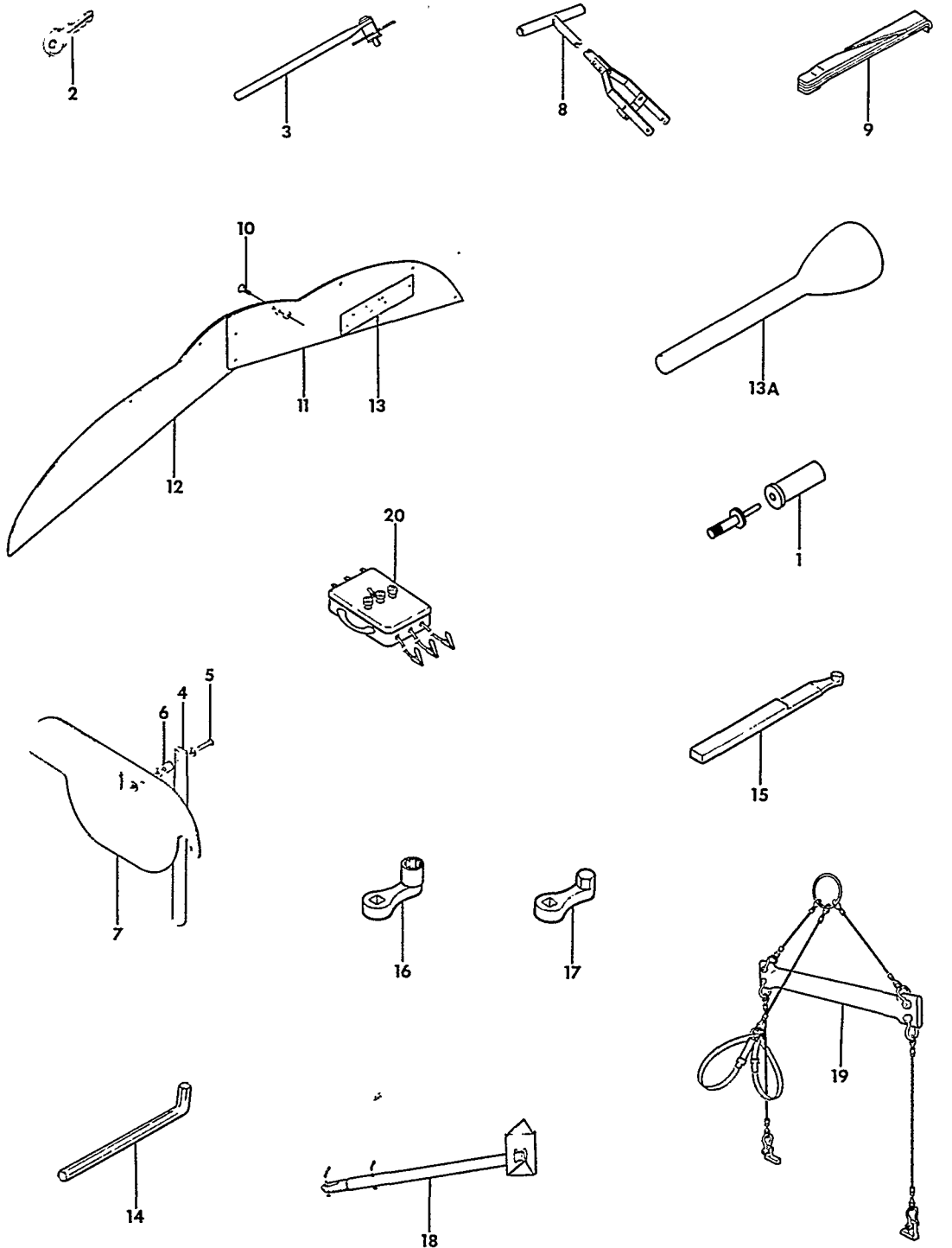
CODES OF EFFECTIVITY

- | | |
|---|--|
| 1 ECD-1 THRU CD-250,
EXCEPT
CD-225 THRU CD-232,
CD-235,
CD-237 THRU CD-240,
CD-242 THRU CD-245 | 2 CD-225 THRU CD-232,
CD-235,
CD-237 THRU CD-240,
CD-242 THRU CD-245,
CD-251 THRU CD-387 |
| 3 CD-225 THRU CD-232,
CD-235,
CD-237 THRU CD-240,
CD-242 THRU CD-245,
CD-251 AND AFTER,
CE-1 AND AFTER | 4 CD-225 THRU CD-232
CD-235,
CD-237 THRU CD-240,
CD-242 THRU CD-245,
CD-251 THRU CD-541
EXCEPT CD-451 |
| 5 CD-388 THRU CD-541
EXCEPT CD-451 | 6 CD-1 THRU CD-529 |
| 7 CD-451, CD-542
AND AFTER,
CE-1 AND AFTER | 8 CD-814 THRU CD-1006 |
| 9 CD-1 THRU CD-1044,
CE-1 THRU CE-77 | 10 CD-1 THRU CD-1103,
CE-1 THRU CE-163 |
| 11 CD-1104 AND AFTER,
CE-164 AND AFTER | 12 CE-1 THRU CE-179 |
| 13 CD-1 THRU CD-1118 | 14 CE-180 AND AFTER |
| 15 CD-1119-AND AFTER | 16 CD-451, CD-542
THRU CD-1118,
CE-1 THRU CE-179 |
| 17 CD-1119 AND AFTER,
CE-180 AND AFTER | |

BEECHCRAFT
BONANZA 33 THRU E33
ILLUSTRATED PARTS CATALOG

FIGURE 5
LOOSE TOOLS AND ACCESSORIES

BEECHCRAFT
BONANZA 33 THRU E33
ILLUSTRATED PARTS CATALOG



33-17-21

-B E E C H C R A F T
 BONANZA 33 THRU E33
 I L L U S T R A T E D P A R T S C A T A L O G

FIG. & ITEM NO.	PART NO.	DESCRIPTION							UNITS PER ASSY	USABLE ON CODE
		1	2	3	4	5	6	7		
5	33-590000	LOOSE TOOLS & ACCESSORIES INSTL,STANDARD.	NP	1	
	33-590001	LOOSE TOOLS & ACCESSORIES INSTL,STANDARD.	NP	2	
	33-590002	LOOSE TOOLS & ACCESSORIES INSTL,STANDARD.	NP	18	
	33-590004	LOOSE TOOLS & ACCESSORIES INSTL,STANDARD.	NP	19	
	33-590003	LOOSE TOOLS & ACCESSORIES INSTL,STANDARD.	NP	16	
	33-590005	LOOSE TOOLS & ACCESSORIES INSTL,STANDARD.	NP	17	
	R 33-590000-15B	. PILOTS OPERATING HANDBOOK AND FAA APPROVED.	1	4	
		AIRPLANE FLIGHT MANUAL								
	R 33-590000-17B	. PILOTS OPEATING HANDBOOK AND FAA APPROVED	1	5	
		AIRPLANE FLIGHT MANUAL								
	R 33-590002-98	. PILOTS OPERATING HANDBOOK AND FAA APPROVED.	1	3	
		AIRPLANE FLIGHT MANUAL								
	R 33-590003-7B	. PILOTS OPERATING HANDBOOK AND FAA APPROVED.	1	9	
		AIRPLANE FLIGHT MANUAL								
		IOC-2	. OPERATORS MANUAL & SERVICE MAINTENANCE.	1	13	
			INSTRUCTIONS,IO-470 ENGINE							
		IO52-2	. OPERATORS MANUAL & SERVICE MAINTENANCE.	1	9	
			INSTRUCTIONS,IO-520-B ENGINE							
	- 1	300-911-930	. KIT,INFLATION VALVE /SUPERSEDES 206-108172/	1	14	
		130066-3	. KEY /SUPERSEDES 35-590070-1/.	2	1	
	- 2	35-590099-1	. KEY	2	6	
		35-590099-25	. KEY RING ASSY	1	6	
	- 3	35-590081	. PIN ASSY,CONTROL COLUMN LOCK.	1	1	
	35-590103	. PIN ASSY,CONTROL COLUMN LOCK.	1	6		
- 4	35-590103-1	. . PIN,CONTROL COLUMN LOCK	1	6		
		/ATTACHING PARTS/								
- 5	MS20392-1-19	. . PIN	1			
- 6	100696D-ZF008	. . SPACER.	1			
	AN960-4	. . WASHER.	3			
	MS24665-130	. . PIN,COTTER /SUPERSEDES AN380-2-1/	1			
		-----*								
- 7	35-590103-3	. . PLATE,CONTROL COLUMN LOCK	1	6		
	R EF5-1	. LOG BOOK,ENGINE	1			
	R AF5-1	. LOG BOOK,AIRCRAFT	1			
	115192	. UNCRATING & ERECTION INSTRUCTIONS	1	1		
		/EXPORT AIRPLANES ONLY/								
	118593	. UNCRATING & ERECTION INSTRUCTIONS	1	6		
		/EXPORT AIRPLANES ONLY/								
	113667	. BEECHCRAFT CERTIFIED SERVICE STATION.	1			
		DIRECTORY								
- 8	35-590002	. TOW HANDLE,/STANDARD/	1	6		
	31	. MAINTENANCE BULLETIN,HARTZELL PROPELLER BLADE	1	10		
	33-590018	. HORSEPOWER CALCULATOR,DAY READING	1	14		
		/SUPERSEDES 33-590015/								
	33-590020	. HORSEPOWER CALCULATOR,DAY READING	1	18		
	33-590024	. HORSEPOWER CALCULATOR,DAY READING	1	19		
	R 35-590115	. HORSEPOWER CALCULATOR,DAY READING	1	16		
	33-590023	. HORSEPOWER CALCULATOR,DAY READING	1	17		

B E E C H C R A F T
B O N A N Z A 3 3 T H R U E 3 3
I L L U S T R A T E D P A R T S C A T A L O G

FIG. & ITEM NO.	PART NO.	DESCRIPTION	UNITS PER ASSY	USABLE ON CODE
		1 2 3 4 5 6 7		
5	35-590077	. BAFFLE ASSY,OIL RADIATOR.	1	7
- 9	35-590077-11	. BAFFLE ASSY,OIL RADIATOR.	1	8
	35-910277-1	. BAFFLE ASSY,NOSE COWL	1	15
	35-910277-3	. BAFFLE ASSY,NOSE COWL	1	9
		/ATTACHING PARTS/		
- 10	AN515-8-7	. SCREW	10	
	AN960-8	. WASHER.	10	
	MS20365-832	. NUT,/SUPERSEDES AN365-832/.	10	
- 11	35-910278	. . BAFFLE,NOSE COWL LH	1	6
- 12	35-910278-1	. . BAFFLE,NOSE COWL RH	1	15
	35-910278-3	. . BAFFLE,NOSE COWL RH	1	9
- 13	35-910279	. . PLACARD,NOSE COWL BAFFLE.	1	6
	35-910296-1	. . PLACARD,NOSE COWL BAFFLE INSTRUCTIONS	1	9
		/INSIDE CABIN/		
- 13A	R903	. BAG,FLIGHT /SUPERSEDES A903/.	1	6
	BE180	. DUCT,ENGINE OIL DRAIN	1	
	R 98-32176E	. CARD,OWNER NOTIFICATION	1	
	33-590011	LOOSE TOOLS & ACCESSORIES INSTL,OPTIONAL.	NP	1
	33-590010	LOOSE TOOLS & ACCESSORIES INSTL,OPTIONAL.	NP	6
	R 33-590011-1C	. SHOP MANUAL,MODEL 33 THRU E33A.	1	
	R 33-590011-3D	. PARTS CATALOG,MODEL 33 THRU E33A.	1	
- 14	R TS1222-5	. WRENCH,WING BOLT/UPPER FWD,UPPER & LWR AFT/	1	
- 15	TS1222-3	. WRENCH,WING BOLT/LWR FWD/	1	11
	R TS1222-5	. WRENCH,WING BOLT/LWR FWD/	1	12
- 16	TS1176-1	. ADAPTER,WING NUT TORQUE WRENCH.	1	
		/UPPER FWD,UPPER & LWR AFT/		
- 17	R TS1171-2	. ADAPTER,WING NUT TORQUE WRENCH/LWR FWD/	1	
- 18	35-590021	. SUPPORT ASSY,TAIL TIE DOWN.	1	
- 19	35-590064-1	. SLING ASSY,AIRPLANE HOISTING.	1	
	35-590027	. COVER,PROPELLER	1	
	R 35-590050-1	. COVER,ENGINE.	1	
- 20	35-590063	. TESTER,LANDING GEAR CIRCUIT	1	
	118610	. INSPECTION FORM,100 HOUR.	1	6
	118613	. INSPECTION FORM,1000 HOUR	1	6

C O D E S O F E F F E C T I V I T Y

1	CD-1 THRU CD-387	2	CD-388 THRU CD-813
3	CD-814 THRU CD-1234	4	CD-1 THRU CD-224, CD-233,CD-234, CD-236,CD-241, CD-246 THRU CD-250
5	CD-225 THRU CD-232, CD-235,CD-237 THRU CD-240,CD-242 THRU CD-245,CD-251 THRU CD-813	6	CD-388 THRU CD-1234 CE-1 THRU CE-289
7	CD-388 THRU CD-594	8	CD-595 THRU CD-1234
9	CE-1 THRU CE-289	10	CD-1 THRU CD-371, CD-386,CD-387
11	CD-1 THRU CD-765	12	CD-766 THRU CD-1234 CE-1 THRU CE-289
13	CD-1 THRU CD-1234	14	CD-1 THRU CD-813
15	CD-388 THRU CD-1234	16	CE-1 THRU CE-179
17	CE-180 THRU CE-289	18	CE-814 THRU CD-1118
19	CD-1119 THRU CD-1234		

B E E C H C R A F T
B O N A N Z A 3 3 T H R U E 3 3
I L L U S T R A T E D P A R T S C A T A L O G

FIGURE 6
FUSELAGE STRUCTURE

BEECHCRAFT
 BONANZA 33 THRU E33
 ILLUSTRATED PARTS CATALOG

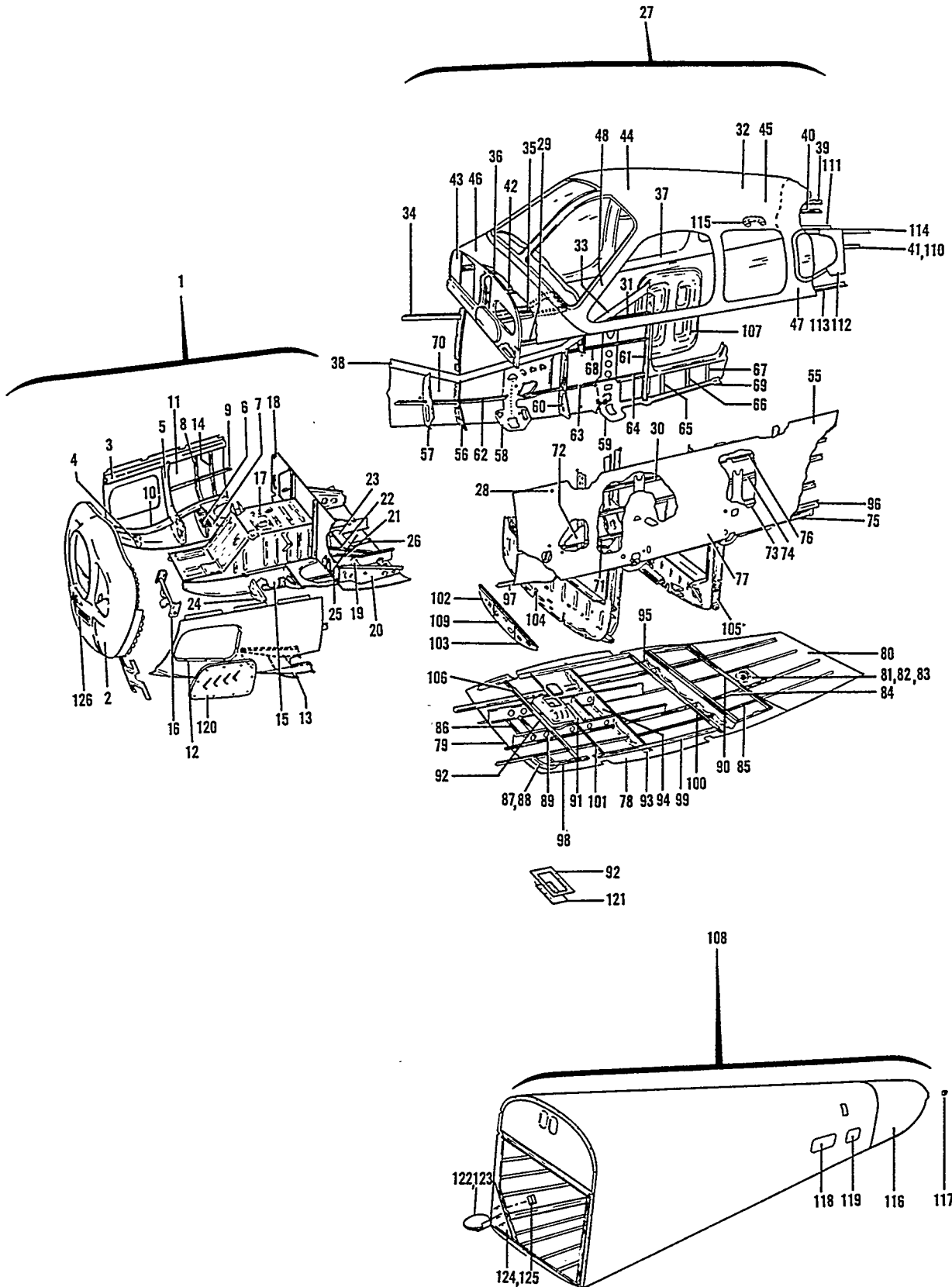


FIGURE 6. FUSELAGE STRUCTURE

B-E-E-C-H-C-R-A-F-T
 BONANZA 33 THRU E33
 ILLUSTRATED PARTS CATALOG

FIG. & ITEM NO.	PART NO.	DESCRIPTION	UNITS PER ASSY	USABLE ON CODE
		1 2 3 4 5 6 7		
6	33-410000-602	FUSELAGE ASSY	1	1
	33-410000-604	FUSELAGE ASSY	1	2
	33-410000-612	FUSELAGE ASSY	NP	39
- 1	33-410000-614-1	. ENGINE COMPARTMENT. /WITH LH & RH BRAKE & RUDDER PEDALS/	1	2
	33-410000-614-2	. ENGINE COMPARTMENT. /WITH LH BRAKE & RUDDER PEDALS/	1	2
	33-410000-616	. ENGINE COMPARTMENT. /WITH LH BRAKE & RUDDER PEDALS/	NP	39
	33-410000-613	. . ENGINE COMPARTMENT. /LESS BRAKE & RUDDER PEDALS/	1	1
	33-410000-615	. . ENGINE COMPARTMENT. /LESS BRAKE & RUDDER PEDALS/	1	2
	33-410000-617	. . ENGINE COMPARTMENT. /LESS BRAKE & RUDDER PEDALS/	1	39
- 2	35-410446-630	. . . NOSE ASSY, COWL & BULKHEAD /SEE FIG.8/ . . .	1	3
	35-410446-634	. . . NOSE ASSY, COWL & BULKHEAD /SEE FIG.8/ . . .	1	4
	35-410446-606	. . . NOSE ASSY, COWL & BULKHEAD /SEE FIG.8/ . . .	1	5
	35-410446-646	. . . NOSE ASSY, COWL & BULKHEAD /SEE FIG.8/ . . .	1	6
	35-410446-650	. . . NOSE ASSY, COWL & BULKHEAD /SEE FIG. 8/. . .	1	39
	33-410000-676	. . . SIDE PANEL, ENGINE COMPARTMENT LH.	1	7
	33-410000-665	. . . SIDE PANEL, ENGINE COMPARTMENT LH.	1	8
	35-410000-670	. . . SIDE PANEL, ENGINE COMPARTMENT LH.	1	39
	33-410000-677	. . . SIDE PANEL, ENGINE COMPARTMENT RH.	1	7
	33-410000-666	. . . SIDE PANEL, ENGINE COMPARTMENT RH.	1	8
	35-410000-671	. . . SIDE PANEL, ENGINE COMPARTMENT RH.	1	39
	35-410000-626	. . . LONGERON ASSY, LH.	1	
	35-410000-627	. . . LONGERON ASSY, RH.	1	
	35-410000-44	. . . LONGERON, LH	1	
- 3	35-410000-45	. . . LONGERON, RH	1	
	AN366F832	. . . NUTPLATE.	1	
	AN366F1032	. . . NUTPLATE /SUPERSEDES AN366F1032/. . .	7	
	35-415352	. . . BULKHEAD, STA 18 LH.	1	
- 4	35-415352-1	. . . BULKHEAD, STA 18 RH.	1	
	35-410444-55	. . . STIFFENER, LH.	1	39
	35-410444-56	. . . STIFFENER, RH.	1	39
	35-415340-2	. . . BULKHEAD, STA 33 LH.	1	
- 5	35-415340-1	. . . BULKHEAD, STA 33 RH.	1	
	35-410444-57	. . . STIFFENER, LH.	1	39
	35-410444-58	. . . STIFFENER, RH.	1	39
	35-415341	. . . BULKHEAD, STA 38 LH.	1	
- 6	35-415341-1	. . . BULKHEAD, STA 38 RH.	1	
	35-415342	. . . BULKHEAD, STA 40.75 LH	1	39
	35-415342-1	. . . BULKHEAD, STA 40.75 RH	1	39
	35-415342-2	. . . BULKHEAD, STA 40.75 LH	1	40
- 7	35-415342-3	. . . BULKHEAD, STA 40.75 RH	1	40
	35-400473-15	. . . STIFFENER, STA 41.172 LH /SUPERSEDES 35-410444-47/	1	40
- 8	35-400473-16	. . . STIFFENER, STA 41.172 RH /SUPERSEDES 35-410444-48/	1	40
	35-410000-46	. . . STRINGER, LH	1	
- 9	35-410000-47	. . . STRINGER, RH	1	
	35-410444-23	. . . ANGLE, LH.	1	
- 10	35-410444-24	. . . ANGLE, RH.	1	
	35-410452-142	. . . SKIN, LH /SUPERSEDES 35-410452-37/ . . .	1	
- 11	35-410452-143	. . . SKIN, RH /SUPERSEDES 35-410452-1/. . .	1	
- 12	35-410020-602	. . . DOUBLER ASSY, LH /SUPERSEDES 35-410020 SA2/	1	7
	35-410460-9	. . . DOUBLER ASSY, LH	1	8
	35-410020-603	. . . DOUBLER ASSY, RH /SUPERSEDES 35-410020 SA3/	1	7
	35-410460-10	. . . DOUBLER ASSY, RH	1	8

B E E C H C R A F T
B O N A N Z A 3 3 T H R U E 3 3
I L L U S T R A T E D P A R T S C A T A L O G

FIG. & ITEM NO.	PART NO.	DESCRIPTION							UNITS PER ASSY	USABLE ON CODE
		1	2	3	4	5	6	7		
6	35-410020-2	1	7
	35-410460-7	1	8
	35-410020-3	1	7
	35-410460-8	1	8
	99871C098	10	7
	99833P098	10	8
	99833C098	10	8
	/ALTERNATE FOR 99833P098/									
- 13	33-410030-13	1	40
	33-410030-14	1	40
	/SUPERSEDES 33-410030-7/ /SUPERSEDES 33-410030-8/									
- 14	35-400473-18	1	11
	35-400473-17	1	11
- 15	35-415343-604	1	40
	35-415343-605	1	40
	35-415343-608	1	39
	35-415343-609	1	39
	35-415343-2	1	
	35-415343-5	1	
	35-415343-8	1	
	35-415343-9	1	
	35-415343-6	1	
	35-415343-7	1	
	35-415343-12	1	
	35-415343-13	1	
	35-415343-14	2	
	35-415343-15	2	
	35-400304-1	1	
	35-415343-16	2	
	35-415343-24	1	
	35-415343-27	1	
	35-415343-28	1	
	35-415343-29	1	
	35-415343-36	1	
	35-415343-32	1	
	35-415343-33	1	
- 16	35-825166-6	1	
	/SEE FIG.42/									
- 17	35-410446-632	1	12
	35-410446-610	1	13
	35-410446-642	1	39
- 18	33-410042-601	1	14
	33-410030-605	1	15
	33-410030-615	1	16
	35-415412-623	1	39
	35-415412-624	1	6
- 19	35-400366-10	1	
	35-400366-1	1	
	35-400366-3	1	
	35-400366-5	1	
	35-400366-6	2	
	35-400366-7	2	
	35-400366-4	1	
	35-400366-8	1	
	33-410031-111	2	
	35-524136	1	
	/RH ONLY/									
- 20	35-400364	1	17
	35-400364-609	1	41
	35-400364-602	1	17
	35-400364-610	1	41

B E E C H C R A F T
 BONANZA 33 THRU E33
 I L L U S T R A T E D P A R T S C A T A L O G

FIG. & ITEM NO.	PART NO.	1	2	3	4	5	6	7	DESCRIPTION	UNITS PER ASSY	USABLE ON CODE
6	35-400364-2	CHANNEL,LH.	1	
	35-400364-3	CHANNEL,RH.	1	
	35-400364-8	SUPPORT ASSY.	1	
	35-400364-4	SUPPORT	1	
	A1170-6	BEARING /SUPERSEDES 35-400364-6/	1	
	A6191-6Z1	NUTPLATE /USED ON 35-400364-602/	3	17
	NAS444-4	NUTPLATE /SUPERSEDES A6191-8Z1/	3	41
- 21	35-400359-10	SUPPORT ASSY,MASTER CYLINDER LH	1	
	33-410030-603	SUPPORT ASSY.	1	
- 22	35-410035	ANGLE,PILOTS FLOOR REINFORCING LH	1	
	35-410035-1	ANGLE,PILOTS FLOOR REINFORCING RH	1	
- 23	35-410017-1	SUPPORT ASSY,STA 59.437 PULLEY.	1	
	35-410017-3	SUPPORT	1	
	35-410067	GUARD	2	
	35-410106	BRACKET	2	
	118540BHP4	PULLEY.	4	
- 24	35-415320	BULKHEAD ASSY,STA 29.25 /LH ONLY/	1	
	35-415320-2	BULKHEAD.	1	
	35-415320-4	CAP	1	
- 25	35-410452-23	SKIN,BOTTOM FWD CENTER.	1	
	35-410000-624	SKIN ASSY,BOTTOM LH /SUPERSEDES 35-410452-21 & 35-410000	1	
	35-410000-625	SKIN ASSY,BOTTOM RH /SUPERSEDES 35-410452-15 & 35-410000	1	
	35-410444-45	GUSSET,STA 40.75.	2	
- 26	35-410444-25	STIFFENER,BOTTOM.	1	18
	35-410446-1	TRACK,NOSE.	1	
	35-825049	SHAFT ASSY,STEERING IDLER ARM	1	
- 27	33-410000-630	CABIN SECTION	1	1
	33-410000-640	CABIN SECTION	1	2
	33-410000-650	CABIN SECTION	1	39
- 28	B111745X	JACK,GROUNDING.	2	19
- 29	35-410444-11	STRINGER,WATER LINE 105.312 LH.	1	
- 30	35-410444-17	STRINGER,WATER LINE 100 LH.	1	
- 31	35-410444-19	STRINGER,WATER LINE 100 RH.	1	
- 32	33-410000-636	CANOPY ASSY	1	1
	33-410000-646	CANOPY ASSY	1	2
	33-410000-656	CANOPY ASSY	1	39
- 33	35-410444-3	LONGERON,REAR RH.	1	20
	95-420015-99	LONGERON,REAR RH.	1	21
- 34	35-410444-7	STRINGER,WATER LINE 100 RH.	1	
	35-410444-7	STRINGER,WATER LINE 97.63 RH.	1	1
- 35	35-410446-15	STRINGER,FRONT LH	1	
	35-410446-16	STRINGER,FRONT RH	1	
- 36	35-344137	REINFORCEMENT,COWL WHIP ANTENNA	1	44
	33-410034-1	LONGERON,LH	1	20
	95-420015-107	LONGERON,LH	1	21
	35-410038-634	SPLICE ASSY,FRONT WINDSHIELD.	1	
	35-410038-62	CHANNEL	1	
- 37	33-410034-602	HAT SECTION ASSY,RH	1	9
	33-410034-604	HAT SECTION ASSY,RH	1	10
	33-410034-3	HAT SECTION	1	9
	33-410034-13	HAT SECTION	1	10
	22A5-02	NUT	2	
	NAS697A3	NUT,ANCHOR /SUPERSEDES MK1000-3/	1	22
- 38	35-410000-650	LONGERON ASSY,RH. /SUPERSEDES 35-410000 SA50/	1	
	35-410000-6	LONGERON.	1	
	35-410176	BRACKET ASSY,CABIN DOOR STOP.	1	
	35-410217-44	CLIP.	1	
	35-410217-46	CLIP.	1	

B E E C H C R A F T
B O N A N Z A 3 3 T H R U E 3 3
I L L U S T R A T E D P A R T S C A T A L O G

FIG. & ITEM NO.	PART NO.	1	2	3	4	5	6	7	DESCRIPTION	UNITS PER ASSY	USABLE ON CODE
6 - 39	35-410444-37	STRINGER,STA 133.87 TO 151.0.	1	23
	33-410030-39	STRINGER,STA 133.87 TO 174.5.	1	21
	35-410461-49	STIFFENER,LH.	1	24
	35-410461-50	STIFFENER,RH.	1	24
	35-410038-602	HAT SECTION ASSY,RH	1	
	35-410038-6	HAT SECTION	1	
	AN366F832	NUTPLATE.	7	
	NAS387-832-8P	SCREW	2	
	NAS697A3	NUT,ANCHOR /SUPERSEDES MK1000-3/.	1	
	35-410038-604	HAT SECTION ASSY,LH	1	
	35-410038-90	HAT SECTION	1	
	50-400002-80	SUPPORT	1	
	AN366F832	NUTPLATE.	7	
	22A5-02	NUT	1	
	NAS387-832-8P	SCREW	2	
	NAS697A3	NUT,ANCHOR /SUPERSEDES MK1000-3/.	1	
- 40	35-410444-31	STRINGER,STA 133.87 TO 151.0 LH	1	20
	35-410452-137	STRINGER,STA 133.87 TO 174.5 LH	1	21
	35-410444-32	STRINGER,STA 133.87 TO 151.0 RH	1	20
	35-410452-138	STRINGER,STA 133.87 TO 174.5 RH	1	21
- 41	35-410001-61	STRINGER,RH	1	20
	33-410030-42	STRINGER,RH STA 133.87 TO 170	1	21
- 42	35-410444-13	STRINGER,LH	1	44
	35-410444-14	STRINGER,RH	1	44
	35-410038-610	LONGERON ASSY	1	
- 43	33-410042-602	FIREWALL ASSY,STA 49.0 UPPER.	1	14
	33-410030-604	FIREWALL ASSY,STA 49.0 UPPER.	1	15
	33-410030-614	FIREWALL ASSY,STA 49.0 UPPER.	1	16
	35-415412-622	FIREWALL ASSY,STA 49.0 UPPER.	1	6
	35-415412-625	FIREWALL ASSY,STA 49.0 UPPER.	1	39
	35-415330-158	DOOR,ACCESS	1	
	35-415330-118	SEAL,DOOR	1	
- 44	33-410032-3	SKIN,FWD CABIN TOP.	1	25
	33-410032-9	SKIN,FWD CABIN TOP.	1	26
	35-410038-654	SECTION ASSY,CABIN DOOR HINGE SUPPORTS.	1	
	35-410211-2	BULKHEAD.	1	
	35-410038-46	CHANNEL	1	
	35-410038-60	REINFORCEMENT	1	
	35-400445-2	CHANNEL	1	
	35-400445-6	REINFORCEMENT	1	
	35-410444-7	STRINGER.	1	
	35-410038-54	DOUBLER	1	
	35-410038-120	DOUBLER	1	
	35-410452-7	SKIN.	1	
	35-410452-35	REINFORCEMENT	1	
	35-410038-58	REINFORCEMENT	2	
	35-410038-122	CHANNEL	1	
	35-410038-44	CHANNEL	1	
- 45	35-410452-45	SKIN,AFT CABIN TOP.	1	23
	95-420015-59	SKIN,AFT CABIN TOP.	1	24
	33-410032-15	SKIN,AFT CABIN TOP LH	1	21
		/WITHOUT THIRD WINDOW CUTOUT/		
	33-410012-1	SKIN,AFT CABIN TOP LH	1	21
		/WITH THIRD WINDOW CUTOUT/		
	33-410032-16	SKIN,AFT CABIN TOP RH	1	21
		/WITHOUT THIRD WINDOW CUTOUT/		
	33-410012-2	SKIN,AFT CABIN TOP RH	1	21
		/WITH THIRD WINDOW CUTOUT/		
- 46	35-410452-41 U	SKIN,FWD OF WINDSHIELD.	1	27
	35-410452-167	SKIN,FWD OF WINDSHIELD.	1	28
	35-410452-3	SKIN,RH /BELOW CABIN DOOR/.	1	
	35-410452-9	SKIN,RH /AFT OF CABIN DOOR/.	1	
- 47	35-410452-29	SKIN,LH	1	

B E E C H C R A F T
B O N A N Z A 3 3 T H R U E 3 3
I L L U S T R A T E D P A R T S C A T A L O G

FIG. & ITEM NO.	PART NO.	1	2	3	4	5	6	7	DESCRIPTION	UNITS PER ASSY	USABLE ON CODE
6 - 48	35-410452-73	SKIN,FWD LH	1	27
	35-410452-165	SKIN,FWD LH	1	28
- 49		DELETED		
- 50		DELETED		
- 51		DELETED		
- 52		DELETED		
- 53		DELETED		
- 54		DELETED		
	33-410000-648	CABIN SECTION,LOWER	1	
- 55	33-410000-632	PANEL,FUSELAGE CABIN LH	1	
	33-410000-633	PANEL	1	
- 56	35-415373-610	BULKHEAD ASSY,STA 68.00 RH.	1	
									/SUPERSEDES 35-415373 SA10/		
	35-415373-608	BULKHEAD ASSY,STA 68.00 LH.	1	
- 57	35-410215-5	BULKHEAD,STA 58.50 RH	1	
	35-410215-14	BULKHEAD ASSY,STA 58.50 LH.	1	
- 58	35-410217-16	GUSSET,FRONT SPAR CARRY THRU RH	1	
	35-410217-18	GUSSET,FRONT SPAR CARRY THRU LH	1	
- 59	35-410158-11	DOUBLER,REAR SPAR CARRY THRU RH	1	
	35-410158-10	DOUBLER,REAR SPAR CARRY THRU RH	1	
- 60	35-410170-4	FRAME,BULKHEAD STA 100 RH	1	
	35-410170-2	FRAME,BULKHEAD STA 100 LH	1	
	35-410225-3	FORMER,FLOOR SUPPORT STA 112.138 RH	1	
	35-410225-2	FORMER,FLOOR SUPPORT STA 112.138 LH	1	
- 61	35-410180-6	FRAME,BULKHEAD STA 131 RH	1	
	35-410180-2	FRAME,BULKHEAD STA 131 LH	1	
- 62	35-410000-31	STRINGER,RH	1	
- 63	35-410000-11	STRINGER,RH	1	
- 64	35-410000-38	STRINGER,RH	1	
- 65	35-410000-110	STIFFENER,RH.	1	
- 66	35-410000-109	STIFFENER,RH.	1	
- 67	35-410000-108	STIFFENER,RH.	1	
- 68	35-410000-15	STRINGER,RH	1	
- 69	35-410000-5	STRINGER,RH	1	
- 70	33-410032-5	SKIN,RH	1	20
	35-410452-5	SKIN,RH	1	21
- 71	35-410000-30	STRINGER,LH	1	
- 72	35-410000-66	DOUBLER,LH /INSIDE OF SKIN/	1	
- 73	35-410000-8	STRINGER,LH	1	
- 74	35-410000-12	STRINGER,LH	1	
- 75	35-410000-2	STRINGER,LH	1	
- 76	35-410000-90	STRINGER,LH	1	
	35-410000-64	DOUBLER,LH.	1	
									/OUTSIDE OF SKIN AT STA 58.50 TO 68		
- 77	35-410452-39	SKIN,LH	1	
	33-410000-634	PANEL,CABIN BOTTOM.	1	
- 78	35-410452-25	SKIN,CABIN BOTTOM LH.	1	29
	35-410452-109	SKIN,CABIN BOTTOM LH.	1	30
	35-410452-17	SKIN,CABIN BOTTOM RH.	1	
- 79	35-410452-79	SKIN,CABIN BOTTOM FWD CENTER.	1	
- 80	33-410032-1	SKIN,CABIN BOTTOM AFT CENTER.	1	25
	33-410032-1	SKIN,CABIN BOTTOM AFT CENTER.	1	48
	35-410452-77	SKIN,CABIN BOTTOM AFT CENTER.	1	47
- 81	50-554105	VENT.	1	47
- 82	50-554106	SCREEN.	1	47
- 83	35-410444-59	DOUBLER	1	47
- 84	35-410000-16	STRINGER,LH	1	
	35-410000-17	STRINGER,RH	1	
- 85	35-410000-18	STRINGER,LH	1	
	35-410000-21	STRINGER,RH	1	45
	35-410030-45	STRINGER,RH	1	46
	95-420015-151	DOUBLER,RH /STA 60 TO STA 68/	1	46

B E E C H C R A F T
B O N A N Z A 3 3 T H R U E 3 3
I L L U S T R A T E D P A R T S C A T A L O G

FIG. & ITEM NO.	PART NO.	1	2	3	4	5	6	7	DESCRIPTION	UNITS PER ASSY	USABLE ON CODE
6 - 86	35-410444-21	STIFFENER	2	31
- 87	35-410145 SA4	DOUBLER ASSY,FUEL STRAINER ACCESS /ORDER 35-410145-604/	NP	32
	35-410145-4	DOUBLER	1	32
	98-2MS	SPRING UNIT	1	32
	35-410145-604	DOUBLER ASSY,FUEL STRAINER ACCESS	1	33
	35-410145-16	DOUBLER	1	33
	99871C098	RECEPTACLE	1	33
- 88	35-410145-612	DOOR ASSY,FUEL STRAINER ACCESS /SUPERSEDES 35-410145 SA2/	1	32
	35-410145-602	DOOR ASSY,FUEL STRAINER ACCESS	1	33
	35-410145-2	DOOR	1	32
	35-410145-14	DOOR	1	33
	35-410145-6	HINGE	2	
	35-410145-12	PAN ASSY	1	
	98FM2-5	STUD	1	32
	98293-1-060	STUD	1	33
	99785-2	PIN	1	
	105774C-ZA00320	PIN,HINGE	1	
- 89	35-410330-602	KEEL ASSY,AFT FUSELAGE LH /SUPERSEDES 35-410330 SA2/	1	
	35-410330-603	KEEL ASSY,AFT FUSELAGE RH /SUPERSEDES 35-410330 SA3/	1	
	35-410330-2	KEEL,LH	1	
	35-410330-5	KEEL,RH	1	
	35-410330-6	ANGLE,LH	1	
	35-410330-7	ANGLE,RH	1	
	35-410330-10	ANGLE,LH	1	
	35-410330-12	ANGLE,RH	1	
- 90	35-410331-602	BULKHEAD ASSY,STA 131.0 LOWER /SUPERSEDES 35-410331 SA2/	1	
- 91	35-410259-624	BRACKET ASSY,LANDING GEAR ACTUATOR SUPPORT /SUPERSEDES 35-410259 S	1	
- 92	35-410259-18	DOUBLER ASSY,LANDING GEAR ACTUATOR SUPPORT	1	
	35-410259-14	DOUBLER	1	
	98-2MS	SPRING	4	
- 93	35-415374-602	CHANNEL ASSY,STA 100 BULKHEAD /SUPERSEDES 35-415374 SA2/	1	
	35-415374-6	CHANNEL	1	
	35-415374-14	ANGLE	1	
- 94	35-415374-604	CHANNEL ASSY,STA 100 BULKHEAD /SUPERSEDES 35-415374 SA4/	1	
	35-415374-10	CHANNEL	1	
	35-415374-12	ANGLE	1	
- 95	35-415374-606	CHANNEL ASSY,STA 100 BULKHEAD /SUPERSEDES 35-415374 SA6/	1	
	35-415374-16	CHANNEL	1	
	35-410170-16	ANGLE	1	
- 96	35-410444-49	STRINGER,LH	1	
	35-410444-50	STRINGER,RH	1	
- 97	35-410000-24	STRINGER,LH	1	
	35-410000-25	STRINGER,RH	1	
- 98	35-410000-26	SUPPORT,LH	1	
	35-410444-54	SUPPORT,RH	1	
- 99	35-410000-36	STRINGER,LH	1	
	35-410000-37	STRINGER,RH	1	
-100	35-410225-4	SUPPORT,STA 112.138 FLOOR	1	
-101	35-410279	ANGLE ASSY,LH	1	
	35-410279-1	ANGLE ASSY,RH	1	
	35-410444-51	ANGLE,LH STA 85 TO 112.	1	
	35-410444-52	ANGLE,RH STA 85 TO 112.	1	
	35-410408	BRACKET ASSY,CROSS CHANNEL SUPPORT STA 93	1	

B E E C H C R A F T
 BONANZA 33 THRU E33
 I L L U S T R A T E D P A R T S C A T A L O G

FIG. & ITEM NO.	PART NO.	1 2 3 4 5 6 7	DESCRIPTION	UNITS PER ASSY	USABLE ON CODE
6 -102	95-420011-602	. . .	BULKHEAD ASSY, LOWER CABIN SECTION STA 68.0	1	17
	35-400473-606	. . .	BULKHEAD ASSY, LOWER CABIN SECTION STA 68.0	1	41
	35-410210-12	ANGLE	1	
	95-420011-5	FRAME	1	17
	95-420015-139	FRAME	1	41
-103	35-415373-602	. . .	BULKHEAD ASSY, LOWER CABIN STA 68.0. /SUPERSEDES 35-415373 SA2/	1	
-104	33-410040-602	. . .	STRUCTURE ASSY, FRONT SPAR CARRY THRU.	1	
	33-410040-604	. . .	APRON ASSY, FRONT SPAR CARRY THRU.	1	1
	33-410040-606	. . .	APRON ASSY, FRONT SPAR CARRY THRU.	1	42
-105	33-410035-601	. . .	STRUCTURE ASSY, REAR SPAR CARRY THRU	1	
-106	35-410419	. . .	ANGLE, FLOOR BOARD ANCHOR.	1	34
	35-534420-93	. . .	ANGLE, FLOOR BOARD ANCHOR.	1	35
-107	35-410070-652	. . .	DOOR ASSY, BAGGAGE /SEE FIG. 11/ /SUPERSEDES 35-410070 SA2/	1	36
	35-410070-606	. . .	DOOR ASSY, BAGGAGE /SEE FIG. 11/	1	37
	35-410070-93	. . .	DOOR ASSY, BAGGAGE /SEE FIG. 11/	1	38
-108	33-410000-660	. . .	TAIL ASSY, FUSELAGE STRUCTURE. /SEE FIG. 7/	1	
-109	35-415373-604	. . .	FRAME ASSY, BULKHEAD STA 68.0. /SUPERSEDES 35-415373 SA4/	1	
	35-415373-10	. . .	FRAME /ORDER 35-415373-604/	NP	
	35-415373-14	. . .	ANGLE	1	
-110	35-410001-60	. . .	STRINGER, LH	1	20
	33-410030-41	. . .	STRINGER, LH STA 133.87 TO 170	1	21
-111	35-410000-114	. . .	CHANNEL, LH STA 133.87 TO 151.	1	20
	35-410452-139	. . .	STRINGER, LH STA 133.87 TO 174.5	1	21
	35-410000-115	. . .	CHANNEL, RH STA 133.87 TO 151.	1	20
	35-410452-140	. . .	STRINGER, RH STA 133.87 TO 174.5	1	21
-112	35-410000-102	. . .	GUSSET, WINDOW	2	20
-113	33-410030-5	. . .	STRINGER, LH	1	
-114	96-430010-3	. . .	ANGLE, LH.	1	21
	96-430010-4	. . .	ANGLE, RH.	1	21
-115	35-410147	. . .	HANDLE, ASSIST	1	20
	35-410147	. . .	HANDLE, ASSIST /USED WITHOUT THIRD WINDOW/	1	21
	35-410147-1	. . .	HANDLE, ASSIST /USED WITH THIRD WINDOW/.	1	21
-116	33-440000-601	. . .	CONE ASSY, TAIL. /ATTACHING PARTS/	1	
	AN530-8R	. . .	SCREW	12	
	33-410000-1	. . .	COVER ASSY.	1	
	NAS444-4	. . .	NUT /SUPERSEDES A6191-6Z3/.	8	
	A6194-8Z1	. . .	NUT	4	
	A6K161	. . .	RIVNUT.	2	
	35-810001-13	. . .	TAPE.	2	
-117	35-380001-603	. . .	LIGHT ASSY. /ATTACHING PARTS/	1	
	AN515-6R10	. . .	SCREW	2	
	35-364010-2	. . .	LAMP/CLEAR/	1	
	AN3111-2	. . .	RING.	1	
	L20	. . .	CABLE	1	
	YZ18-1	. . .	TERMINAL.	1	
-118	33-410031-41	. . .	DOOR, FUSELAGE TAIL ACCESS /ATTACHING PARTS/	1	
	PK76XZ8-6	. . .	SCREW	6	
-119	33-410031-117	. . .	DOOR, FUSELAGE TAIL ACCESS /ATTACHING PARTS/	1	
	PK76XZ8-6	. . .	SCREW	4	

B E E C H C R A F T
 BONANZA 33 THRU E33
 I L L U S T R A T E D P A R T S C A T A L O G

FIG. & ITEM NO.	PART NO.	DESCRIPTION							UNITS PER ASSY	USABLE ON CODE	
		1	2	3	4	5	6	7			
6	-120	35-410020-14	1	7	
		35-410460-5	1	43	
		35-410020-15	1	7	
		35-410460-6	1	43	
		/ATTACHING PARTS/									
		98264-1-090	10	
		98265-1-080	10	43
		99785-2	10	
		99836	10	43
		295846-1	10	
	295250-5	10	43	

-121		35-410259-16	1		
		35-410259-12	1		
		98FM2-6	4		
		99785-2	4		
-122		33-410036-9	1	20	
		/ATTACHING PARTS/									
	AN23-26A /M/	2		
	AN960-10	2		
	MS20365-1032	2		

-123		95-440014-43	1	21	
	/SUPERSEDES 95-440014-39/										
	/ATTACHING PARTS/										
	NAS221	9		
	MS20365-1032	9		

-124		35-410160-38	1	20	
-125		33-410036-5	2	20	
	/ATTACHING PARTS/										
	AN23-26A /M/	7		
	AN23-27A /M/	1		
	AN960-10	8		
	MS20365-1032	8		

B E E C H C R A F T
 BONANZA 33 THRU E33
 I L L U S T R A T E D P A R T S C A T A L O G

FIG. & ITEM NO.	PART NO.	DESCRIPTION	UNITS PER ASSY	USABLE ON CODE
		1 2 3 4 5 6 7		
6 -126	35-410446-79	. GRILL	1	
		/ATTACHING PARTS/		
	NAS387-632	. SCREW	4	

C O D E S O F E F F E C T I V I T Y

1 CD-1 THRU CD-387	2 CD-388 AND AFTER
3 CD-1 THRU CD-300, CD-386,CD-387	4 CD-301 THRU CD-625 EXCEPT CD-386, CD-387
5 CD-626 THRU CD-735	6 CD-736 AND AFTER
7 CD-1 THRU CD-350	8 CD-351 AND AFTER
9 CD-1 THRU CD-1093, CE-1 THRU CE-155	10 CD-1094 AND AFTER, CE-156 AND AFTER
11 CD-789 AND AFTER	12 CD-1 THRU CD-374
13 CD-375 AND AFTER	14 CD-1 THRU CD-385
15 CD-386 AND CD-387	16 CD-388 THRU CD-735
17 CD-1 THRU CD-735	18 CD-281 AND AFTER CE-1 AND AFTER
19 CD-1 THRU CD-529	20 CD-1 THRU CD-813
21 CD-814 AND AFTER, CE-1 AND AFTER	22 CD-650 AND AFTER
23 CD-1 THRU CD-224, CD-233,CD-234, CD-236,CD-241, CD-246 THRU CD-250, CD-388 THRU CD-813	24 CD-225 THRU CD-232, CD-235, CD-237 THRU CD-240, CD-242 THRU CD-245, CD-251 THRU CD-387
25 CD-1 THRU CD-224, CD-233,CD-234, CD-23 TCD-241, CD-246 THRU CD-250	26 CD-225 THRU CD-232, CD-235, CD-237 THRU CD-240, CD-242 THRU CD-245, CD-251 AND AFTER, CE-1 AND AFTER
27 CD-1 THRU CD-746	28 CD-747 AND AFTER, CE-1 AND AFTER
29 CD-1 THRU CD-554	30 CD-555 AND AFTER, CE-1 AND AFTER
31 CD-626 AND AFTER, CE-1 AND AFTER	32 CD-1 THRU CD-393
33 CD-394 AND AFTER, CE-1 AND AFTER	34 CD-1 THRU CD-709
35 CD-710 AND AETER, CE-1 AND AFTER	36 CD-1 THRU CD-658
37 CD-659 THRU CD-675	38 CD-676 AND AFTER, CE-1 AND AFTER
39 CE-1 AND AFTER	40 CD-1 AND AFTER
41 CD-736 AND AFTER, CE-1 AND AFTER	42 CD-388 AND AFTER, CE-1 AND AFTER
43 CD-351 AND AFTER, CE-1 AND AFTER	44 CD-1 THRU CD-1118, CE-1 THRU CE-179
45 CD-1 THRU CD-1050, CE-1 AND AFTER	46 CD-1051 AND AFTER
47 CD-251 THRU CD-1199 CE-1 THRU CE-248	48 CD-1200 AND AFTER CE-249 AND AFTER
49 CD-747 THRU CD-1118 CE-1 THRU CE-179	50 CD-1119 THRU CD-1234 CE-180 THRU CE-289

BEECHCRAFT
BONANZA 33 THRU E33
ILLUSTRATED PARTS CATALOG

FIGURE 7
AFT FUSELAGE STRUCTURE

BEECHCRAFT
 BONANZA 33 THRU E33
 ILLUSTRATED PARTS CATALOG

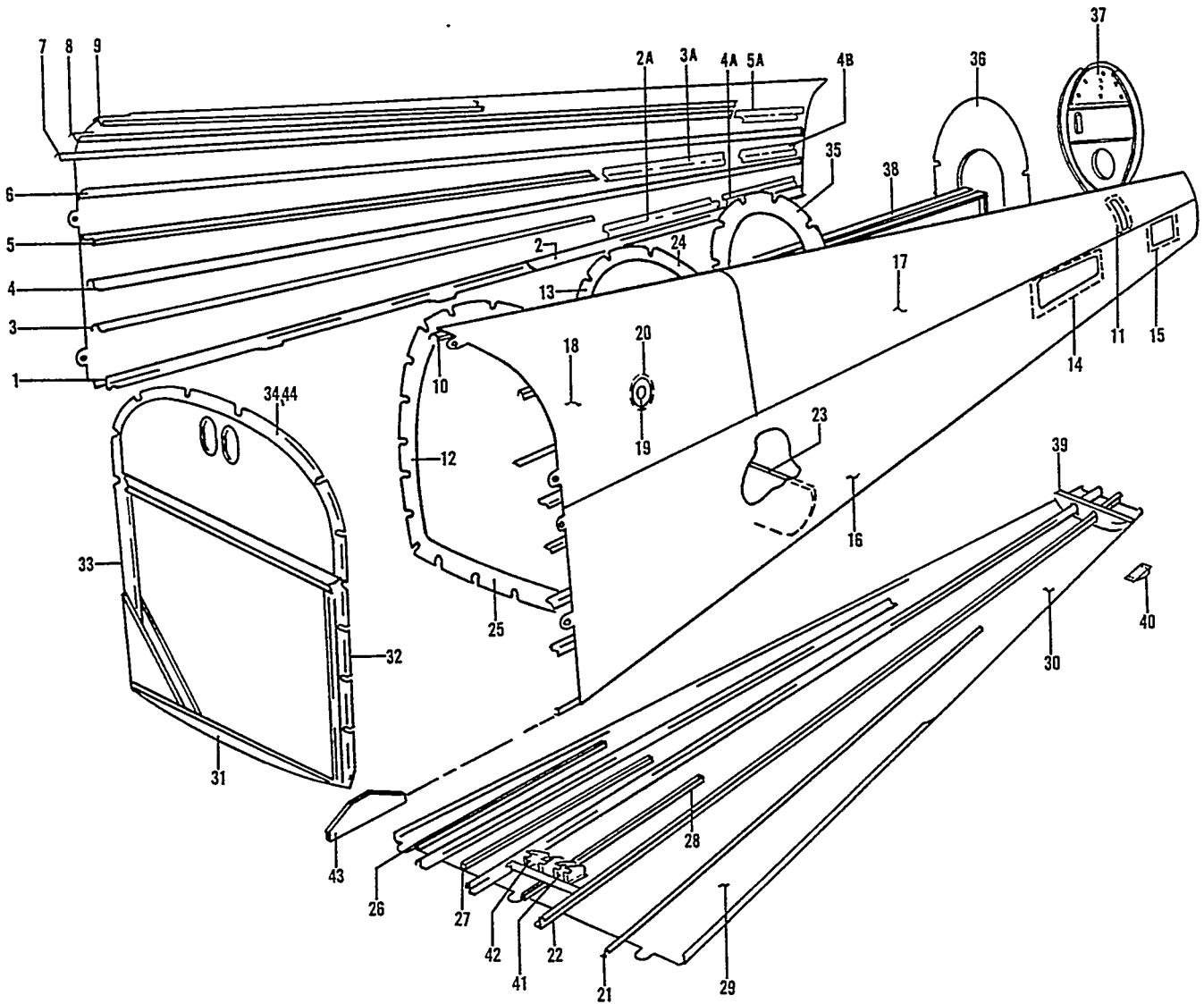


FIGURE 7. AFT FUSELAGE STRUCTURE

B E E C H C R A F T
B O N A N Z A 3 3 T H R U E 3 3
I L L U S T R A T E D P A R T S C A T A L O G

FIG. & ITEM NO.	PART NO.	DESCRIPTION	UNITS PER ASSY	USABLE ON CODE
7	33-41000-660	TAIL ASSY,FUSELAGE STRUCTURE.	1	
		/SEE FIG. 6 FOR NHA/		
	33-41000-662	. PANEL ASSY,FUSELAGE TAIL SIDE LH.	1	
	33-41000-663	. PANEL ASSY,FUSELAGE TAIL SIDE RH.	1	
	33-410031-33	. . STRINGER,FWD LH	1	
- 1	33-410031-163	. . STRINGER,FWD RH /SUPERSEDES 33-410031-34/	1	
	35-410000-48	. . CHANNEL,AFT LH.	1	
	35-410414-1	. . CHANNEL	1	12
- 2	35-410000-49	. . CHANNEL,AFT RH.	1	
	33-410031-169	. . STRINGER,AFT LOWER LH	1	12
	35-410007-20	. . STRINGER,LH	1	
- 2A	33-410031-170	. . STRINGER,AFT LOWER RH	1	12
- 3	35-410010-14	. . STRINGER,RH	1	
- 3A	33-410031-171	. . STRINGER,AFT /RH SIDE ONLY/	1	12
	33-410031-57	. . STRINGER,LH	1	
	33-410031-173	. . STRINGER,AFT LH	1	12
- 4	33-410031-58	. . STRINGER,RH	1	
- 4A	33-410031-174	. . STRINGER,AFT RH	1	12
	35-410007-16	. . STRINGER,LH	1	
- 4B	33-410031-175	. . STRINGER,AFT RH SIDE.	1	12
- 5	35-410010-10	. . STRINGER,RH	1	
	33-410031-177	. . STRINGER,AFT UPPER LH SIDE.	1	12
	33-410031-55	. . STRINGER,LH	1	
- 5A	33-410031-178	. . STRINGER,AFT UPPER RH SIDE.	1	12
- 6	33-410031-56	. . STRINGER,RH	1	
	33-410031-51	. . STRINGER,LH	1	1
	33-410031-157	. . STRINGER,LH /FWD END STARTS AT STA 170.0/	1	2
- 7	33-410031-52	. . STRINGER,RH	1	1
	33-410031-158	. . STRINGER,RH /FWD END STARTS AT STA 170.0/	1	2
	33-410031-99	. . STRINGER,LH	1	1
	33-410031-155	. . STRINGER,LH /FWD END STARTS AT STA 174.5/	1	2
- 8	33-410031-100	. . STRINGER,RH	1	1
	33-410031-156	. . STRINGER,RH /FWD END STARTS AT STA 174.5/	1	2
	35-410008-12	. . STRINGER,LH	1	1
	33-410031-153	. . STRINGER,LH /FWD END STARTS AT STA 174.5/	1	2
- 9	35-410009-6	. . STRINGER,RH	1	1
	33-410031-154	. . STRINGER,RH /FWD END STARTS AT STA 174.5/	1	2
- 10	33-410031-49	. . STRINGER, TOP	1	1
	33-410031-159	. . STRINGER, TOP /FWD END STARTS AT STA 174.5/	1	2
- 11	33-410031-39	. . DOUBLER	2	
	35-410369-4	. . GUSSET	2	
	35-410369-5	. . GUSSET	2	
	35-410369-6	. . GUSSET	2	
	35-410369-7	. . GUSSET	2	
	95-430005-29	. . FRAME,BULKHEAD STA 179 LH	1	10
	95-440006-237	. . FRAME,BULKHEAD STA 179 LH	1	13
- 12	95-430005-33	. . FRAME,BULKHEAD STA 179 RH	1	10
	95-440006-239	. . FRAME,BULKHEAD STA 179 RH	1	13
	95-430005-41	. . FRAME,BULKHEAD STA 207 LH	1	
- 13	95-430005-45	. . FRAME,BULKHEAD STA 207 RH	1	
- 14	33-410031-601	. . DOUBLER ASSY,AFT FUSELAGE ACCESS DOOR	1	11
	33-410031-609	. . DOUBLER ASSY,AFT FUSELAGE ACCESS DOOR	1	12
	33-410031-43	. . DOUBLER	1	11
	33-410031-183	. . DOUBLER	1	12
	A6195-8Z3	. . NUT PLATE	6	
- 15	33-410031-606	. . DOUBLER ASSY,AFT FUSELAGE ACCESS DOOR	1	11
	33-410031-611	. . DOUBLER ASSY,AFT FUSELAGE ACCESS DOOR	1	12
	33-410031-119	. . DOUBLER	1	11
	33-410031-179	. . DOUBLER	1	12
	A6195-8Z3	. . NUTPLATE	4	
- 16	33-410031-29	. . SKIN,LOWER LH	1	
	33-410031-30	. . SKIN,LOWER RH	1	
- 17	33-410031-25	. . SKIN,AFT TOP LH	1	
	33-410031-26	. . SKIN,AFT TOP RH	1	
	33-410031-123	. . BRACKET,UPPER LH STA 257.606.	1	
	33-410031-124	. . BRACKET,UPPER RH STA 257.606.	1	

B E E C H C R A F T
B O N A N Z A 3 3 T H R U E 3 3
I L L U S T R A T E D P A R T S C A T A L O G

FIG. & ITEM NO.	PART NO.	DESCRIPTION						UNITS PER ASSY	USABLE ON CODE
		1	2	3	4	5	6		
7	33-410031-125	•	•	•	•	•	•	1	
	33-410031-126	•	•	•	•	•	•	1	
- 18	33-410031-23	•	•	•	•	•	•	1	1
	33-410031-161	•	•	•	•	•	•	1	14
	33-410031-317	•	•	•	•	•	•	1	15
	33-410031-24	•	•	•	•	•	•	1	1
	33-410031-162	•	•	•	•	•	•	1	2
- 19	35-400212	•	•	•	•	•	•	1	
- 20	35-410365	•	•	•	•	•	•	1	
	33-410000-664	•	•	•	•	•	•	1	
- 21	33-410031-45	•	•	•	•	•	•	1	
	33-410031-46	•	•	•	•	•	•	1	
- 22	33-410031-47	•	•	•	•	•	•	1	
	33-410031-48	•	•	•	•	•	•	1	
- 23	33-410031-313	•	•	•	•	•	•	1	3
	33-410031-133	•	•	•	•	•	•	1	3
	33-410031-134	•	•	•	•	•	•	1	3
	35-410369-2	•	•	•	•	•	•	1	
	35-410369-3	•	•	•	•	•	•	1	
	35-410370	•	•	•	•	•	•	2	
	35-410370-1	•	•	•	•	•	•	2	
	33-410031-135	•	•	•	•	•	•	1	3
	33-410031-137	•	•	•	•	•	•	1	3
	33-410031-141	•	•	•	•	•	•	1	
	33-410031-143	•	•	•	•	•	•	1	
		•	•	•	•	•	•		
	AN515-8R	•	•	•	•	•	•	4	
	AN960-8	•	•	•	•	•	•	5	
	MS20365-832	•	•	•	•	•	•	4	
		•	•	•	•	•	•		
	35-410016	•	•	•	•	•	•	1	
	33-410031-145	•	•	•	•	•	•	1	
	95-430005-69	•	•	•	•	•	•	2	
	33-410031-605	•	•	•	•	•	•	1	4
	33-410031-85	•	•	•	•	•	•	1	4
	33-410031-83	•	•	•	•	•	•	1	4
	33-410031-87	•	•	•	•	•	•	1	4
		•	•	•	•	•	•		
	AN525-8	•	•	•	•	•	•	3	
	AN960-8	•	•	•	•	•	•	3	
	MS20365-832	•	•	•	•	•	•	3	
- 24	33-410031-97	•	•	•	•	•	•	1	
	95-430005-35	•	•	•	•	•	•	2	
	95-430005-47	•	•	•	•	•	•	2	
	33-410031-81	•	•	•	•	•	•	1	
	33-410031-82	•	•	•	•	•	•	1	
- 25	33-410031-103	•	•	•	•	•	•	1	
	33-410031-105	•	•	•	•	•	•	1	
	33-410031-107	•	•	•	•	•	•	1	
	33-410031-113	•	•	•	•	•	•	1	
	33-410031-311	•	•	•	•	•	•	1	
- 26	35-400471-21	•	•	•	•	•	•	2	5
- 27	35-400471-23	•	•	•	•	•	•	2	5
- 28	35-400471-27	•	•	•	•	•	•	1	5
- 29	33-410031-27	•	•	•	•	•	•	1	
- 30	33-410031-31	•	•	•	•	•	•	1	
	33-410037-601	•	•	•	•	•	•	1	6
	33-410037-603	•	•	•	•	•	•	1	7
	33-410046-602	•	•	•	•	•	•	1	2
- 31	35-410447-1	•	•	•	•	•	•	1	1
	35-410461-19	•	•	•	•	•	•	1	2
- 32	35-410447-5	•	•	•	•	•	•	1	1
	35-410461-29	•	•	•	•	•	•	1	2
- 33	35-410447-3	•	•	•	•	•	•	1	8
	33-410037-23	•	•	•	•	•	•	1	9
	35-410461-30	•	•	•	•	•	•	1	2

B E E C H C R A F T
B O N A N Z A 3 3 T H R U E 3 3
I L L U S T R A T E D P A R T S C A T A L O G

FIG. & ITEM NO.	PART NO.	DESCRIPTION	UNITS PER ASSY	USABLE ON CODE
		1 2 3 4 5 6 7		
7 - 34	33-410037-3	• • FRAME,BULKHEAD TOP STA 151.	1	1
	35-410160-28	• • ANGLE,BULKHEAD LH	1	1
	35-410160-30	• • ANGLE,BULKHEAD RH	1	1
	35-410160-32	• • ANGLE,BULKHEAD LH	1	1
	35-410160-40	• • CHANNEL,BULKHEAD.	1	1
	35-410160-8	• • ANGLE,BULKHEAD.	1	1
	35-410398-14	• • HAT SECTION	1	6
	33-410037-17	• • HAT SECTION	1	7
	96-534011-9	• • ANGLE,BULKHEAD.	1	7
	33-410037-11	• • WEB	1	6
	33-410037-5	• • ANGLE	1	1
	33-410037-7	• • ANGLE	1	1
	33-410037-9	• • ANGLE	1	1
	33-410037-13	• • PANEL	1	1
	33-410046-7	• • ANGLE,LH.	1	2
	33-410046-9	• • ANGLE,RH.	1	2
	33-410046-1	• • WEB	1	2
	33-410046-3	• • STIFFENER,WEB	2	2
	33-410046-5	• • ANGLE	1	2
	35-410461-21	• • CHANNEL	1	2
	35-410461-31	• • ANGLE,LH.	1	2
	35-410461-32	• • ANGLE,RH.	1	2
- 35	33-410031-607	• BULKHEAD ASSY,STA 233.50.	1	11
	33-410031-613	• BULKHEAD ASSY,STA 233.50.	1	12
- 36	33-410031-604	• BULKHEAD ASSY,STA 257.606	1	
- 37	33-410031-603	• BULKHEAD ASSY,STA 272	1	
- 38	33-410031-602	• CHANNEL ASSY,FUSELAGE TAIL STA 233.50 TO 257.	1	
	33-410031-63	• BRACKET ASSY,PULLEY STA 272	1	
	33-410031-61	• • BRACKET,PULLEY.	1	
	33-410031-65	• • BRACKET,PULLEY.	1	
	33-410031-19	• DOUBLER	1	
- 39	33-410031-37	• DOUBLER	1	
	33-410031-149	• DOUBLER	1	
	35-410372	• SUPPORT	1	
	95-430005-73	• ANGLE	1	
	95-420011-147	• ANGLE	1	
- 40	35-400213	• LUG,TIE DOWN.	1	
		/ATTACHING PARTS/		
	AN507-1032	• SCREW	4	
	AN960-10L	• WASHER.	4	
	MS20365-1032	• NUT /SUPERSEDES AN365-1032/	4	
		-----*		
- 41	35-410015	• BRACKET,PULLEY LH STA 151	2	
- 42	35-410015-1	• BRACKET,PULLEY RH STA 151	2	
- 43	35-410162-2	• DOUBLER,REINFORCEMENT STA 151	1	
- 44	95-440006-213	BULKHEAD ASSY,UPPER STA 151	1	2

C O D E S O F E F F E C T I V I T Y

1	CD-1 THRU CD-813	2	CD-814 AND AFTER, CE-1 AND AFTER
3	CD-18 AND AFTER, CE-1 AND AFTER	4	CD-1 THRU CD-17
5	CD-612 AND AFTER, CE-1 AND AFTER	6	CD-1 THRU CD-250
7	CD-251 THRU CD-813	8	CD-1 THRU CD-529
9	CD-530 THRU CD-813	10	CD-1 THRU CD-1026, CE-1 THRU CE-25
11	CD-1 THRU CD-1050 AND CE-1	12	CD-1051 AND AFTER, CE-2 AND AFTER
13	CD-1027 AND AFTER, CE-26 AND AFTER	14	CD-814 THRU CD-1199 CE-1 THRU CE-248
15	CE-1200 AND AFTER CE-249 AND AFTER		

B E E C H C R A F T
B O N A N Z A 3 3 T H R U E 3 3
I L L U S T R A T E D P A R T S C A T A L O G

FIGURE 8
ENGINE COMPARTMENT STRUCTURE

BEECHCRAFT
BONANZA 33 THRU E33
ILLUSTRATED PARTS CATALOG

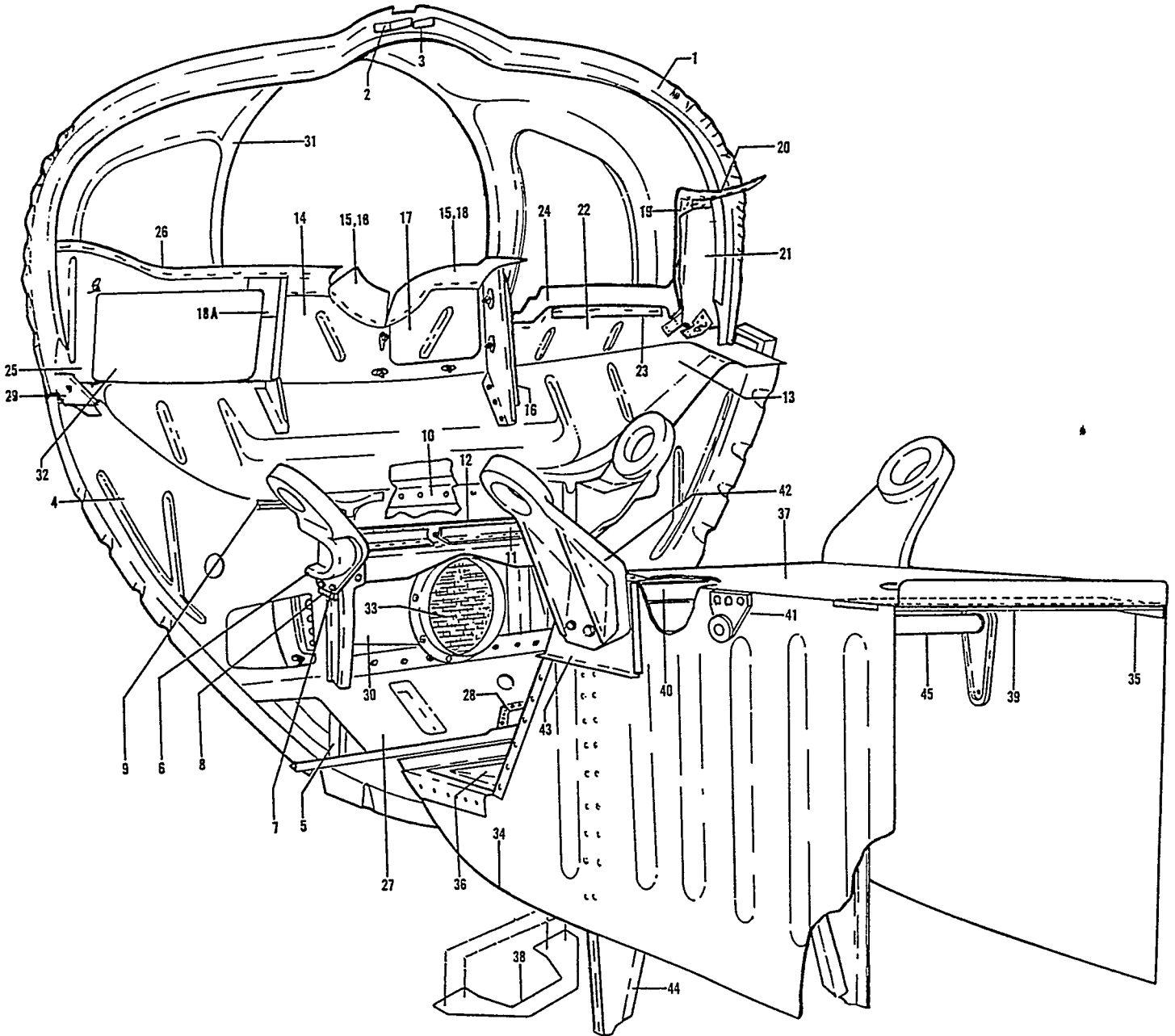


FIGURE 8. ENGINE COMPARTMENT STRUCTURE

B E E C H C R A F T
BONANZA 33 THRU E33
I L L U S T R A T E D P A R T S C A T A L O G

FIG. & ITEM NO.	PART NO.	DESCRIPTION	UNITS PER ASSY	USABLE ON CODE
		1 2 3 4 5 6 7		
8	35-410446-630	NOSE ASSY,COWL & BULKHEAD /SEE FIG. 6 FOR NHA/.	1	1
	35-410446-634	NOSE ASSY,COWL & BULKHEAD /SEE FIG. 6 FOR NHA/.	1	2
	35-410446-606	NOSE ASSY,COWL & BULKHEAD /SEE FIG. 6 FOR NHA/.	1	3
	35-410446-646	NOSE ASSY,COWL & BULKHEAD /SEE FIG. 6 FOR NHA/.	1	4
	35-410446-666	NOSE ASSY,COWL & BULKHEAD /SEE FIG. 6 FOR NHA/.	1	18
	35-410446-660	NOSE ASSY,COWL & BULKHEAD /SEE FIG. 6 FOR NHA/.	1	12
- 1	35-910226-6	. BULKHEAD,COWLING NOSE	1	13
	35-910226-10	. BULKHEAD,COWLING NOSE	1	12
- 2	35-910224	. BRACKET,LH.	1	
- 3	35-910224-1	. BRACKET,RH.	1	
- 4	35-410446-173	. WEB,STA 12.125.	1	5
	35-410446-259	. WEB,STA 12.125.	1	19
	35-410446-299	. WEB,STA 12.125.	1	20
	35-410446-287	. STIFFENER,WEB /LH SIDE ONLY/.	1	9
- 5	35-410446-171	. CHANNEL,STA 12.125 LH	1	
	35-410446-172	. CHANNEL,STA 12.125 RH	1	
- 6	35-910018-3	. FITTING,ENGINE MOUNT LH	1	13
	35-910027-9	. FITTING,FWD ENGINE MOUNT LH	1	12
	35-910018-4	. FITTING,ENGINE MOUNT RH	1	13
	35-910027-11	. FITTING,FWD ENGINE MOUNT RH	1	12
		/ATTACHING PARTS/		
- 7	AN4-7A /M/	. BOLT.	5	
	AN960-416L	. WASHER.	5	
	MS20365-428	. NUT /SUPERSEDES AN365-428/.	5	
		-----*		
- 8	35-410446-181	. SPACER,LH	1	13
	35-410446-182	. SPACER,RH	1	13
- 9	35-410446-175	. GUSSET,STA 12.125 LH.	1	
	35-410446-176	. GUSSET,STA 12.125 RH.	1	
- 10	35-410446-59	. REINFORCEMENT,STA 12.125.	1	13
	35-410446-55	. ANGLE,WATER LINE 12.125 LH.	1	
	35-410446-56	. ANGLE,WATER LINE 12.125 RH.	1	
- 11	35-410446-179	. TEE	1	
	35-410446-177	. ANGLE,STA 12.125 LH	1	
	35-410446-178	. ANGLE,STA 12.125 RH	1	
	35-410446-185	. ANGLE,STA 12.125	2	13
- 12	35-410446-183	. ZEE,STA 12.125.	1	13
- 13	35-410446-67	. PANEL	1	
	35-410446-235	. BAFFLE ASSY,CENTER.	1	12
	35-410446-131	. BAFFLE ASSY,CENTER.	1	13
- 14	35-410446-133	. . BAFFLE,CENTER	1	13
- 15	35-410446-139	. . SEAL,HALF	1	13
- 16	35-410446-157	. . SEAL,CENTER BAFFLE.	1	13
	35-410446-159	. . STRIP,BACK /FOR 35-410446-157 SEAL/	1	13
	A6196-8Z1	. . NUTPLATE.	2	13
	A6195-8Z1	. . NUTPLATE.	4	13
	35-410446-135	. COVER ASSY,CENTER BAFFLE.	1	13
		/ATTACHING PARTS/		
	AN530-8R6	. SCREW	6	
		-----*		
- 17	35-410446-137	. . COVER	1	
- 18	35-410446-139	. . SEAL,HALF	1	
- 18A	35-410446-297	. STIFFENER,BAFFLE CORNER REINFORCEMENT	1	
	35-410446-664	. BAFFLE ASSY	1	12
	35-410446-169	. BAFFLE ASSY,NOSE RH	1	13
- 19	35-410446-151	. . SEAL.	1	13
	35-410446-153	. . STRIP,BACK /FOR 35-410446-151 SEAL/	1	13
- 20	35-410446-191	. . SEAL.	1	13
- 21	35-410446-163	. . BAFFLE.	1	13
- 22	35-410446-161	. . BAFFLE.	1	13
- 23	35-410446-193	. . ANGLE	1	13
- 24	35-410446-243	. . SEAL.	1	13
	35-410446-167	. . STRIP,BACK /FOR 35-410446-243 SEAL/	1	13
	35-410446-620	. . BAFFLE ASSY,NOSE LH	1	13
- 25	35-410446-69	. . BAFFLE.	1	13
	MS20365-832	. . NUT /SUPERSEDES AN365-832/.	4	13

B E E C H C R A F T
B O N A N Z A 3 3 T H R U E 3 3
I L L U S T R A T E D P A R T S C A T A L O G

FIG. & ITEM NO.	PART NO.	DESCRIPTION	UNITS PER ASSY	USABLE ON CODE
		1 2 3 4 5 6 7		
8	35-410446-109	. . CLIP	1	13
- 26	35-410446-121	. . SEAL	1	13
	35-410446-123	. . STRIP,BACK /FOR 35-410446-121 SEAL/	1	13
- 27	35-415349-1	. PLATE,WHEEL WELL CROSS TIE	1	
- 28	35-410446-81	. PAN,WHEEL WELL	1	
- 29	35-410384-12	. STIFFENER,LH	1	
	35-410384-13	. STIFFENER,RH	1	
- 30	35-919025	. INTAKE ASSY,AIR /SEE FIG. 8A/	1	12
	35-410446-199	. INTAKE ASSY,AIR /SUPERSEDES 35-410446-143/	1	13
	35-410446-145	. . BOX,AIR INTAKE	1	13
	35-410446-149	. . FUNNEL ASSY,AIR INTAKE	1	1
	35-410446-197	. . FUNNEL ASSY,AIR INTAKE	1	6
- 31	35-410446-45	. SKIN,NOSE COWL	1	7
	35-410446-203	. SKIN,NOSE COWL	1	8
	35-410446-209	. SKIN,NOSE COWL	1	14
	35-410446-215	. COWL ASSY	1	12
	35-410446-207	. REINFORCEMENT ASSY,NOSE COWL	1	15
	35-410446-281	. REINFORCEMENT ASSY,NOSE COWL	1	16
	35-910293	. DUCT,INDUCTION /SEE FIG. 47/	1	1
	33-910011-1	. VALVE ASSY,INDUCTION /SEE FIG. 47/	1	6
- 32	35-410446-89	DOOR,ACCESS	1	
		/ATTACHING PARTS/		
	AN515-8R6	SCREW	4	
- 33	13917	FILTER ASSY	1	13
	35-910303-1	SEAL,FILTER ASSY /SUPERSEDES 45-919024 GASKET/	1	13
	35-410446-632	COVER ASSY,NOSE WHEEL WELL /SEE FIG. 6 FOR NHA/	1	10
	35-410446-610	COVER ASSY,NOSE WHEEL WELL /SEE FIG. 6 FOR NHA/	1	11
	35-410446-642	COVER ASSY,NOSE WHEEL WELL /SEE FIG. 6 FOR NHA/	1	12
- 34	35-410446-3	. PLATE,WHEEL WELL SIDE LH	1	
	35-410446-5	. PLATE,WHEEL WELL SIDE RH	1	
- 35	35-410446-8	. ANGLE,RH	1	
	35-410446-7	. ANGLE,LH	1	
- 36	45-410354	. COVER	1	10
- 37	35-410446-295	. PLATE ASSY,WHEEL WELL COVER	1	
	A6914-1024-1	. . PLATE,PATCH	1	
	35-410446-293	. . COVER ASSY /SUPERSEDES 35-410446-189/	1	
	35-410446-283	. . . PLATE,WHEEL WELL COVER	1	
	35-410446-285	. . . COVER	1	
- 38	45-410356	. DOUBLER	1	
- 39	35-410446-9	. DOUBLER	1	
	AN743-13	. BRACKET	1	
- 40	35-410446-21	. STIFFENER	1	
	35-410446-119	. GUSSET,RH	1	
- 41	35-410446-117	. GUSSET,LH	1	
		/ATTACHING PARTS/		
	AN515-8R8	. SCREW	2	
	AN960-8	. WASHER	2	
	MS20365-832	. NUT /SUPERSEDES AN365-832/	2	
- 42	35-910019-1	. FITTING,REAR ENGINE MOUNT LH	1	13
	35-910027-3	. FITTING,REAR ENGINE MOUNT LH	1	12
	35-910019-3	. FITTING,REAR ENGINE MOUNT RH	1	13
	35-910027-5	. FITTING,REAR ENGINE MOUNT RH	1	12
		/ATTACHING PARTS/		
	AN4-11A /M/	. BOLT	4	
	AN4-7A /M/	. BOLT	2	
	AN960-416	. WASHER	6	
	AN960-416L	. WASHER	6	
	MS20365-428	. NUT /SUPERSEDES AN365-428/	6	

B E E C H C R A F T
 BONANZA 33 THRU E33
 I L L U S T R A T E D P A R T S C A T A L O G

FIG. & ITEM NO.	PART NO.	1	2	3	4	5	6	7	DESCRIPTION	UNITS PER ASSY	USABLE ON CODE
8 - 43	35-410446-19	DOUBLER,LH.	1	
	35-410446-20	DOUBLER,RH.	1	
- 44	35-410446-17	SHIM.	2	
	35-410446-11	FORMER,LH.	1	
	35-410446-12	FORMER,RH.	1	
	35-410446-15	SUPPORT	2	
	35-410446-13	CAP	1	
	35-825117-6	SHAFT ASSY,NOSE LANDING GEAR DOOR ACTUATOR.	1	12
- 45	35-825117-8	SHAFT ASSY,NOSE LANDING GEAR DOOR ACTUATOR.	1	13	

/SEE FIG. 40/

C O D E S O F E F F E C T I V I T Y

1	CD-1 THRU CD-300, CD-386 AND CD-387	2	CD-301 THRU CD-625 EXCEPT CD-386 AND CD-387
3	CD-626 THRU CD-735	4	CD-736 THRU CD-1199
5	CD-1 THRU CD-735	6	CD-301 AND AFTER EXCEPT CD-386 AND CD-387
7	CD-1 THRU CD-625	8	CD-626 THRU CD-813
9	CD-388 AND AFTER, CE-1 AND AFTER	10	CD-1 THRU CD-374
11	CD-375 AND AFTER	12	CE-1 AND AFTER
13	CD-1 AND AFTER	14	CD-814 AND AFTER
15	CD-626 THRU CD-889	16	CD-890 AND AFTER, CE-1 AND AFTER
17	CD-375 AND AFTER, CE-1 AND AFTER	18	CD-1200 AND AFTER
19	CD-736 THRU CD-1199 CE-1 THRU CE-248	20	CD-1200 AND AFTER CE-249 AND AFTER

B E E C H C R A F T
B O N A N Z A 3 3 T H R U E 3 3
I L L U S T R A T E D P A R T S C A T A L O G

FIGURE 8A
AIR INTAKE
CE-1 AND AFTER

BEECHCRAFT
BONANZA 33 THRU E33
ILLUSTRATED PARTS CATALOG

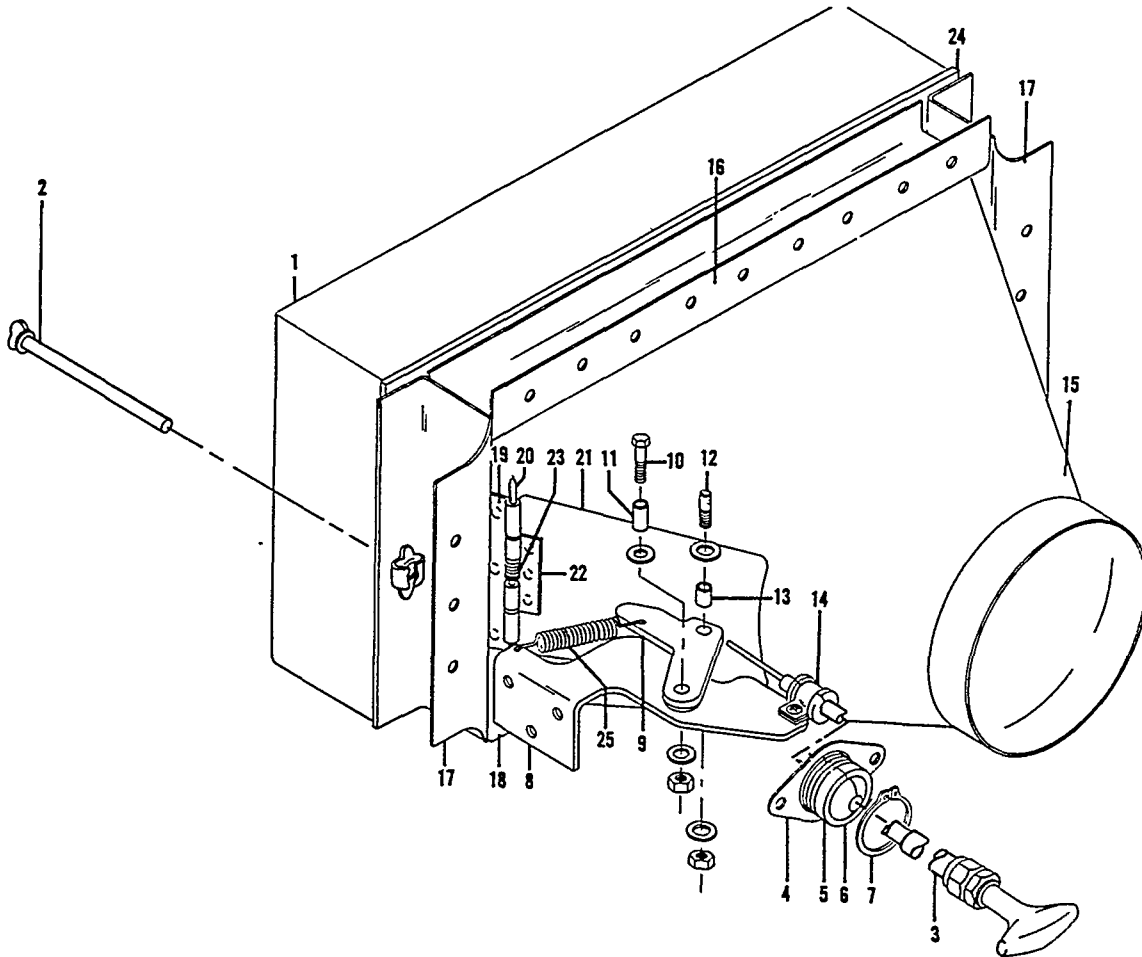


FIGURE 8A. AIR INTAKE

B E E C H C R A F T
B O N A N Z A 3 3 T H R U E 3 3
I L L U S T R A T E D P A R T S C A T A L O G

FIG. & ITEM NO.	PART NO.	DESCRIPTION	1	2	3	4	5	6	7	UNITS PER ASSY	USABLE ON CODE
8A - 1	35-380035-1	FILTER ASSY,AIR /WET TYPE/	1	1
	35-380035-5	FILTER ASSY,AIR /DRY TYPE/	1	1
		/ATTACHING PARTS/									
- 2	W98293-15-2120	STUD.	2	
	99785-2	PIN	2	

	35-919025	INTAKE ASSY,AIR	1	1
- 3	35-380063-1	. CONTROL,ALTERNATE AIR DOOR.	1	1
- 4	112436-6	. RETAINER.	1	1
- 5	112412	. GROMMET,HALF.	2	1
- 6	112413-2	. BALL,HALF	2	1
- 7	49338	. FASTENER.	2	1
- 8	35-919025-21	. BRACKET	1	1
- 9	35-919025-23	. LEVER	1	1
		/ATTACHING PARTS/									
- 10	AN3	. BOLT.	1	
- 11	105739X-ZK0156	. BUSHING	1	
	AN960-10	. WASHER.	3	
	MS20365-1032	. NUT	1	

- 12	35-550520	. STUD,CONTROL ATTACHING.	1	1
- 13	105739X-ZK0156	. BUSHING	1	1
	AN960-10L	. WASHER.	2	1
	MS20365-1032	. NUT	1	1
- 14	TA1718DT3	. CLAMP	2	1
		/ATTACHING PARTS/									
	AN520-10R	. SCREW	1	
	AN960-10	. WASHER.	1	
	MS20365-1032	. NUT	1	

- 15	35-919025-1	. BOX ASSY,AIR.	1	1
- 16	35-919025-3	. FUNNEL ASSY	1	1
- 17	35-919025-7	. CHANNEL,UPPER	1	1
- 18	35-919025-9	. CHANNEL,SIDE.	2	1
- 19	35-919025-11	. CHANNEL,LOWER	1	1
- 19	35-919025-17	. HINGE HALF.	1	1
	35-919025-27	. DOOR ASSY,AIR BOX	1	1
		/ATTACHING PARTS/									
- 20	102361-00300	. PIN,HINGE	1	

- 21	35-919025-13	. SHIM /UNDER HINGE HALF/	1	1
- 22	35-919025-15	. DOOR.	1	1
- 23	35-919025-25	. HINGE HALF,DOOR	1	1
- 24	35-910288-1	. SPRING /SUPERSEDES 35-910288/	1	1
- 25	35-919025-19	. GASKET,AIR FILTER	1	1
- 25	100942L0023-17	. SPRING.	1	1

C O D E S O F E F F E C T I V I T Y

1 CE-1 AND AFTER

B E E C H C R A F T
B O N A N Z A 3 3 T H R U E 3 3
I L L U S T R A T E D P A R T S C A T A L O G

FIGURE 9
CABIN DOOR

BEECHCRAFT
 BONANZA 33 THRU E33
 ILLUSTRATED PARTS CATALOG

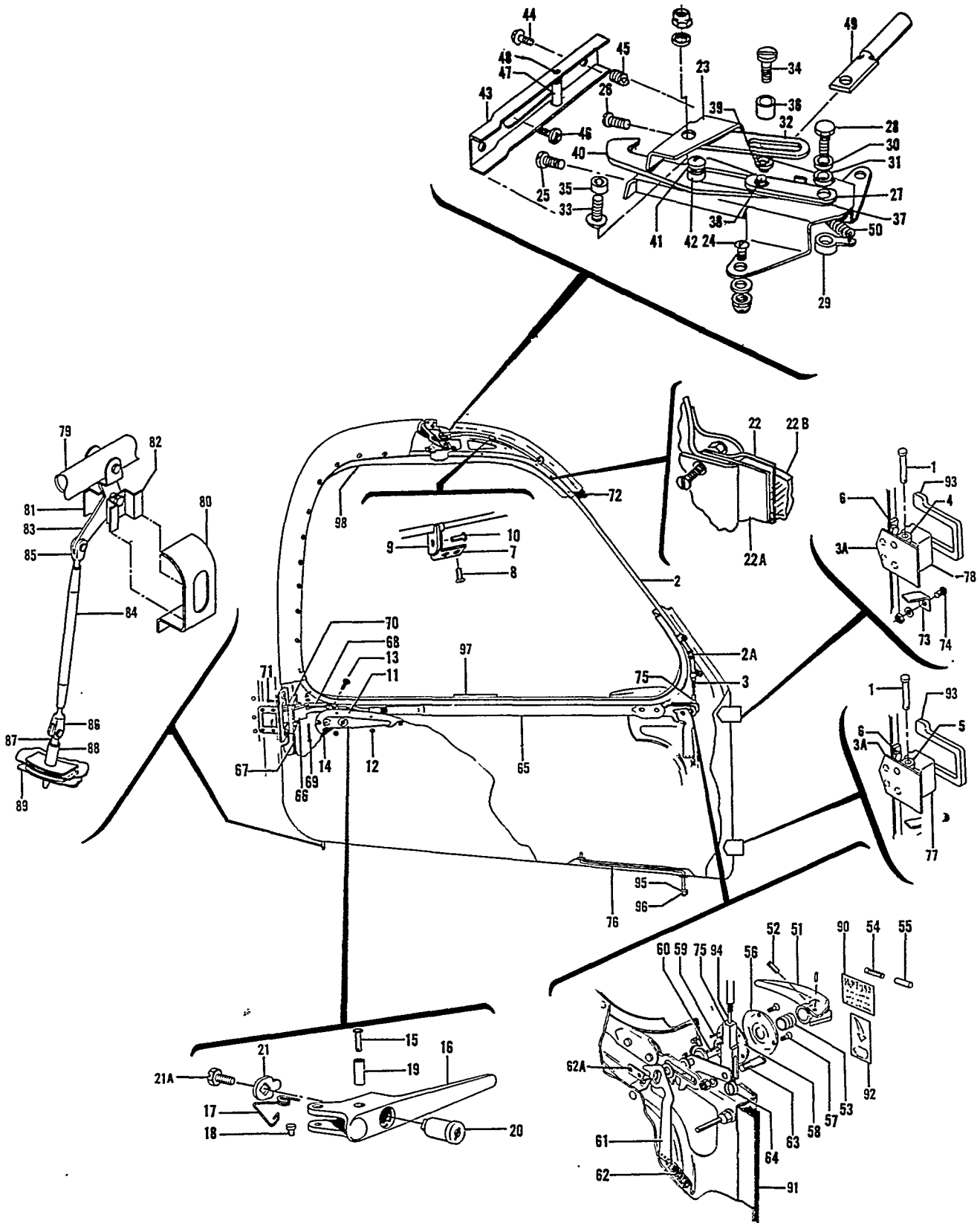


FIGURE 9. CABIN DOOR

B E E C H C R A F T
BONANZA 33 THRU E33
I L L U S T R A T E D P A R T S C A T A L O G

FIG. & ITEM NO.	PART NO.	DESCRIPTION	1 2 3 4 5 6 7							UNITS PER ASSY	USABLE ON CODE	
			1	2	3	4	5	6	7			
9	33-400300	DOOR INSTL,CABIN.								NP	12	
	33-400300-1	DOOR INSTL,CABIN.								NP	13	
	33-400300-3	DOOR INSTL,CABIN.								NP	17	
	33-400300-601	. DOOR ASSY,CABIN								1	1	
	33-400300-603	. DOOR ASSY,CABIN								1	8	
	33-400300-605	. DOOR ASSY,CABIN /SUPER SOUNDPROOFING/								1	11	
	33-400300-615	. DOOR ASSY,CABIN /SUPER SOUNDPROOFING/								1	17	
	33-400300-607	. DOOR ASSY,CABIN /STANDARD SOUNDPROOFING/								1	11	
	33-400300-613	. DOOR ASSY,CABIN /STANDARD SOUNDPROOFING/								1	17	
		/ATTACHING PARTS/										
	- 1	AN393-63	. PIN								2	

		35-400010-60	. . . FRAME ASSY,CABIN DOOR								1	1
		35-400010-64	. . . FRAME ASSY,CABIN DOOR								1	16
	35-400010-67	. . . FRAME ASSY,CABIN DOOR								1	14	
	35-400010-83	. . . FRAME ASSY,CABIN DOOR								1	15	
- 2	HE636	. . . CABLE ASSY,CABIN DOOR								1	10	
	35-400010-42	. . . BRAZE ASSY,CABIN DOOR CABLE								NP	9	
		/ORDER HE636/										
- 2A	35-400010-32 TUBE ASSY,CABIN DOOR.								1	9	
- 3	9461 CABLE ASSY,CABIN DOOR								NP	9	
		/ORDER HE636/										
- 3A	35-400010-30 TAB,DOOR HINGE COVER.								2		
- 4	35-400018-6 HINGE ASSY,CABIN DOOR UPPER								1	12	
	35-400018-8 HINGE ASSY,CABIN DOOR UPPER								1	20	
	35-400018-18 HINGE ASSY,CABIN DOOR UPPER								1	21	
- 5	35-400008-6 HINGE ASSY,CABIN DOOR LOWER								1	12	
	35-400008-8 HINGE ASSY,CABIN DOOR LOWER								1	20	
	35-400008-12 HINGE ASSY,CABIN DOOR LOWER								1	21	
		/ATTACHING PARTS/										
- 6	AN3-5A /M/ BOLT.								2		
	AN960-10 WASHER.								2		
	22A41-02 NUT /SUPERSEDES 22A21-6-02/								2		

- 7	35-400010-36 BRACKET,CABIN DOOR CABLE ASSY								1		
		/ATTACHING PARTS/										
- 8	AN507-632R6 SCREW								2		
	AN960-6 WASHER.								2		
	MS20365-632 NUT /SUPERSEDES AN365-632/								2		

- 9	35-400010-34 SWIVEL,CABIN DOOR CABLE ASSY.								1		
		/ATTACHING PARTS/										
- 10	AN520-10R8 SCREW								1		
	AN960-10 WASHER.								1		
	MS20365-1032 NUT /SUPERSEDES AN365-1032/								1		

- 11	35-400032 SUPPORT ASSY,CABIN DOOR OUTSIDE HANDLE.								1	18	
	35-400032-5 SUPPORT ASSY,CABIN DOOR OUTSIDE HANDLE.								1	19	
		/ATTACHING PARTS/										
- 12	AN507-440R4 SCREW								6		
- 13	AN507-832R8 SCREW								2		

- 14	35-400404 SEAL,SUPPORT.								1	18	
	35-400404-1 SEAL,SUPPORT.								1	19	
	35-400014 HANDLE ASSY,CABIN DOOR OUTSIDE.								1	18	
	35-400014-3 HANDLE ASSY,CABIN DOOR OUTSIDE.								1	19	
		/ATTACHING PARTS/										
- 15	MS20392-2-37 PIN /SUPERSEDES AN393-37/								1		

- 16	35-400013 HANDLE,CABIN DOOR OUTSIDE								1	18	
	35-400013-1 HANDLE,CABIN DOOR OUTSIDE								1	19	
- 17	35-400031 SPRING,CABIN DOOR OUTSIDE								1	18	
	35-400031-1 SPRING,CABIN DOOR OUTSIDE								1	19	
- 18	35-400033 STUD,CABIN DOOR HANDLE OUTSIDE.								2		
- 19	101321-00A0750 BUSHING,SPECIAL BEARING								1		

B E E C H C R A F T
B O N A N Z A 3 3 T H R U E 3 3
I L L U S T R A T E D P A R T S C A T A L O G

FIG. & ITEM NO.	PART NO.	1	2	3	4	5	6	7	DESCRIPTION	UNITS PER ASSY	USABLE ON CODE
9 - 20	F6500AX2	PLUG, LOCK /SUPERSEDES 35-590099-5 & -49/.	1	
- 21	35-400044-1	CAM, CABIN DOOR HANDLE /SUPERSEDES 35-400044/	1	
- 21A	35-420015	SCREW	1	19
	35-400320-32	SASH ASSY, CABIN DOOR.	1	
- 22	35-400320-6	FRAME, CABIN DOOR WINDOW	1	
- 22A	35-400320-8	RETAINER, CABIN DOOR WINDOW	1	
- 22B	35-400320-34	GLASS, CABIN DOOR WINDOW	1	
	35-410456	LATCH INSTL, CABIN DOOR UPPER	NP	
	35-410456-601	LATCH ASSY, CABIN DOOR UPPER	1	
	35-410456-1	BRACKET ASSY, CABIN DOOR UPPER	1	
- 23	35-410456-3	BRACKET, CABIN DOOR UPPER	1	
		/ATTACHING PARTS/		
- 24	AN525-832R6	SCREW	2	
- 25	AN507-832-6	SCREW	1	
- 26	AN507-632	SCREW	1	
	AN960-8L	WASHER	2	
	MS20365-832	NUT /SUPERSEDES AN365-832/	2	
- 27	35-410456-31	LINK, CABIN DOOR UPPER LATCH	1	
		/ATTACHING PARTS/		
- 28	AN3-6A	BOLT	1	
	100951X100YF	WASHER	1	
	AN960-10	WASHER	2	
- 29	35-410456-21	NUT, CABIN DOOR UPPER LATCH LINK	1	
- 30	105739X-ZR0110	BUSHING, BEARING	1	
- 31	105739X-ZR0187	BUSHING, BEARING	1	
- 32	35-410456-11	LINK, CABIN DOOR UPPER LATCH	1	
		/ATTACHING PARTS/		
- 33	AN525-10R7	SCREW	1	
- 34	35-410456-17	STUD, CABIN DOOR UPPER LATCH LINK	1	
	AN960-10L	WASHER	2	
	AN960-10	WASHER	1	
	MS20364-1032	NUT	2	
- 35	105739X-ZR0070	BUSHING, BEARING	1	
- 36	105739X-ZR0220	BUSHING, BEARING	1	
- 37	35-410456-7	LINK, CABIN DOOR UPPER LATCH	1	
		/ATTACHING PARTS/		
- 38	35-410456-17	STUD, CABIN DOOR UPPER LATCH LINK	1	
	AN960-10	WASHER	1	
	MS20364-1032	NUT	1	
- 39	105739X-ZR0168	BUSHING, BEARING	1	
- 40	35-410456-5	LATCH, CABIN DOOR UPPER	1	
		/ATTACHING PARTS/		
- 41	AN525-10R9	SCREW	1	
	AN960-10	WASHER	1	
	MS20364-1032	NUT	1	
- 42	105739X-ZR0102	BUSHING, BEARING	1	

B E E C H C R A F T
B O N A N Z A 3 3 T H R U E 3 3
I L L U S T R A T E D P A R T S C A T A L O G

FIG. & ITEM NO.	PART NO.	1	2	3	4	5	6	7	DESCRIPTION	UNITS PER ASSY	USABLE ON CODE
9 - 43	35-410456-27	CHANNEL,CABIN DOOR UPPER LATCH. /ATTACHING PARTS/	1	
- 44	MS24694S58	SCREW	2	
- 45	100943CR-ZX020F AN960-10	SPRING,COMPRESSION. WASHER.	1 1	

- 46	AN525-10	SCREW	1	
- 47	35-410456-29	BUSHING,CABIN DOOR UPPER LATCH.	1	
- 48	102809-125-029 100801X12-0065	PIN,CABIN DOOR UPPER LATCH. BUSHING	1 1	
- 49	35-410456-13	TERMINAL,CABIN DOOR UPPER LATCH	1	
- 50	100942H0022-22	SPRING,TENSION.	1	
- 51	2104 95-380010	HANDLE ASSY,INSIDE DOOR /ORDER 95-380010/ HANDLE ASSY,INSIDE DOOR	NP 1	4 5

- 52	35-400465 52-012-062-0375	PIN PIN,ROLL	1	

- 53	35-400467-3	BUSHING,INSIDE DOOR HANDLE.	1	4
- 54	35-400434	SPRING,INSIDE DOOR HANDLE	1	
- 55	102809A187-024	PIN	1	
- 56	35-400435	PLATE ASSY,INSIDE DOOR HANDLE /ATTACHING PARTS/	1	4

- 57	AN507-632R10 100951CR020WP 100951CR032WP	SCREW WASHER. WASHER,/ALTERNATE FOR 100951CR020WP/	2 AR AR	

- 58	35-400395	PLATE,INSIDE CABIN DOOR HANDLE MOUNTING /ATTACHING PARTS/	1	
- 59	AN507-632R8	SCREW /SUPERSEDES AN507-632-8/	3	

- 60	35-400464-6 35-400464-8	SHAFT ASSY,CABIN DOOR HANDLE INSIDE SHAFT ASSY,CABIN DOOR HANDLE INSIDE	1 1	4 5
- 61	35-400462	STOP,INSIDE CABIN DOOR HANDLE	1	
- 62	100942L0023-17	SPRING,STOP	1	
- 62A	35-400036	SUPPORT	1	
- 63	35-550520	PIN,CONTROL ATTACHMENT. /ATTACHING PARTS/	2	

- 64	102933S4ZJ0093 AN960-10 MS20365-1032	SPACER. WASHER. NUT /SUPERSEDES AN365-1032/	1 1 1	

- 65	35-400461	TUBE ASSY,CABIN DOOR LATCH.	1	13
- 66	35-400417	BOLT,CABIN DOOR LATCH /ATTACHING PARTS/	1	

- 67	AN393-69	PIN	1	

- 68	35-400041	LINK,CABIN DOOR OUTSIDE HANDLE. /ATTACHING PARTS/	2	

- 69	AN392-13 MS24665-132 AN960-6 5171	PIN PIN,COTTER /SUPERSEDES AN380-2-2/ WASHER. WASHER,SPRING	1 1 1 AR	

- 70	35-400414	GUIDE,CABIN DOOR LATCH BOLT /ATTACHING PARTS/	1	
- 71	AN526-832-8	SCREW	2	

B E E C H C R A F T
 BONANZA 33 THRU E33
 I L L U S T R A T E D P A R T S C A T A L O G

FIG. & ITEM NO.	PART NO.	1	2	3	4	5	6	7	DESCRIPTION	UNITS PER ASSY	USABLE ON CODE
9 - 72	115155X10 FT	SEAL,/SUPERSEDES 35-400320-54/	1	
- 73	35-400320-56	CLIP,UPPER CABIN DOOR LATCH	1	
	35-400380	CLIP,LOWER CABIN DOOR LATCH	1	
		/ATTACHING PARTS/		
- 74	AN515-6-6	SCREW	1	
	AN960-6	WASHER	1	
		NUT /SUPERSEDES AN365-632/		
		*									
- 75	AN665-21R	CLEVIS	1	
- 76	35-400379	ROD ASSY,CABIN DOOR LOWER	1	
- 77	35-410435	SEAL,LOWER DOOR HINGE	1	
- 78	35-410436	SEAL,UPPER DOOR HINGE	1	
	96-420033-1	LATCH POINT INSTL,THIRD	NP	17
- 79	96-420033-29	TUBE ASSY	1	17
		/ATTACHING PARTS/		
	MS20392-2C33	PIN,CLEVIS	1	
	AN960-416L	WASHER	2	
	MS24665-132	PIN,COTTER	1	
		*									
- 80	96-420033-27	BRACKET	1	17
- 81	96-420033-25	BRACKET ASSY	1	17
- 82	96-420033-23	BRACKET	1	17
- 83	96-420033-15	BELLCRANK ASSY	1	17
		/ATTACHING PARTS/		
	AN174-10A	BOLT	1	
		*									
- 84	96-420033-11	TUBE	1	17
- 85	MS21252-3RS	CLEVIS,UPPER	1	17
- 86	MS21252-3LS	CLEVIS,LOWER	1	17
		/ATTACHING PARTS/		
	MS20392-2C11	PIN,CLEVIS	2	
	AN960-10L	WASHER /LOWER CLEVIS ONLY/	1	
		*									
- 87	96-420033-13	PIN,LATCH	1	17
- 88	96-420033-5	GUIDE ASSY,PIN	1	17
		/ATTACHING PARTS/		
	AN507-1032R8	SCREW	2	
	MS20365-1032	NUT	2	
		*									
- 89	96-420033-3	PLATE INSTL,STRIKER	NP	17
	002-430000-73	PLATE,STRIKER	1	17
		/ATTACHING PARTS/		
	AN507-832R8	SCREW	2	
	AN936C8	WASHER,LOCKING	2	
	NAS1330C08K106	NUT	2	
		*									
- 90	50-400335-1	PLACARD,CABIN DOOR LOCKING PROCEDURE	1	3
	35-400472	PLACARD,CABIN DOOR LOCKING PROCEDURE	1	6
	35-400474	PLACARD,CABIN DOOR LOCKING PROCEDURE	1	7
		/ATTACHING PARTS/		
	AN530-4R	SCREW	2	
		*									
- 91	35-400320-50	SEAL,CABIN DOOR FWD EDGE	1	
- 92	50-400336-1	PLACARD,CABIN DOOR HANDLE /LOCKED/	1	3
- 93	35-400405	SEAL,CABIN DOOR HINGE	2	
- 94	105774M-Z804200	PIN	1	
- 95	NW25-6875	WASHER,NYLON	2	

B E E C H C R A F T
 BONANZA 33 THRU E33
 I L L U S T R A T E D P A R T S C A T A L O G

FIG. & ITEM NO.	PART NO.	1 2 3 4 5 6 7	DESCRIPTION	UNITS PER ASSY	USABLE ON CODE
9 - 96	MS20365-428	.	NUT	1	
- 97	455-28	.	HANDLE	1	2
	AN507-832R	.	SCREW	2	

- 98	35-400320-66	.	MOULDING,CABIN DOOR WINDOW.	1	

C O D E S O F E F F E C T I V I T Y

- | | |
|---|---|
| <p>1 CD-1 THRU CD-224,
 CD-223,CD-234,
 CD-236,CD-241,
 CD-246 THRU CD-250</p> <p>3 CD-1 THRU CD-387</p> <p>5 CD-569 AND AFTER,
 CE-1 AND AFTER</p> <p>7 CD-710 AND AFTER,
 CE-1 AND AFTER</p> <p>9 CD-1 THRU CD-877</p> <p>11 CD-388 THRU CD-1170,
 CE-1 THRU CE-217</p> <p>13 CD-1080 THRU CD-1170,
 CE-150 THRU CE-217</p> <p>15 CD-1179 AND AFTER,
 CE-226 AND AFTER</p> <p>17 CD-1171 AND AFTER,
 CE-218 AND AFTER</p> <p>19 CD-1188 AND AFTER
 CE-233 AND AFTER</p> <p>21 CD-1094 AND AFTER
 CE-156 THRU CE-289</p> | <p>2 CD-225 THRU CD-232,
 CD-235,CD-237,
 THRU CD-240,
 CD-242 THRU CD-245,
 CD-251 AND AFTER,
 CE-1 AND AFTER</p> <p>4 CD-1 THRU CD-568</p> <p>6 CD-388 THRU CD-709</p> <p>8 CD-225 THRU CD-387,
 EXCEPT CD-233,
 CD-234,CD-236,
 CD-241,CD-246,
 THRU CD-250</p> <p>10 CD-878 AND AFTER,
 CE-1 AND AFTER</p> <p>12 CD-1 THRU CD-1079,
 CE-1 THRU CE-149</p> <p>14 CD-1080 THRU CD-1179
 CE-150 THRU CE-225</p> <p>16 CD-225 THRU CD-232,
 CD-235,CD-237,
 THRU CD-240,
 CD-242 THRU CD-245,
 CD-251 THRU CD-1079,
 CE-1 THRU CE-149</p> <p>18 CD-1 THRU CD-1187,
 CE-1 THRU CE-232</p> <p>20 CD-1080 THRU CD-1093
 CE-150 THRU CE-156</p> |
|---|---|

BEECHCRAFT
BONANZA 33 THRU E33
ILLUSTRATED PARTS CATALOG

FIGURE 10
WINDSHIELD AND WINDOWS

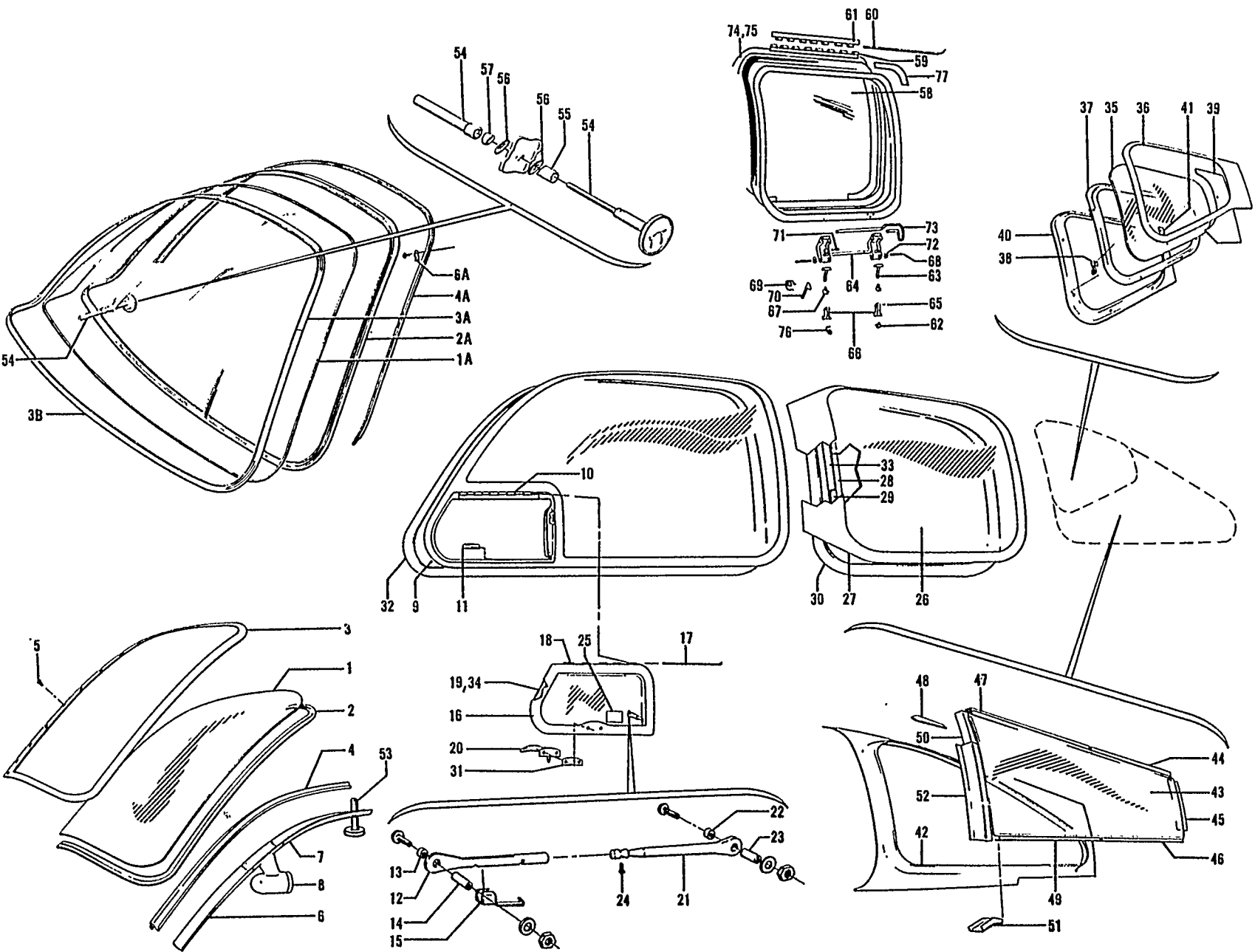


FIGURE 10. WINDSHIELD AND WINDOWS

B E E C H C R A F T
 BONANZA 33 THRU E33
 I L L U S T R A T E D P A R T S C A T A L O G

FIG. & ITEM NO.	PART NO.	DESCRIPTION	UNITS PER ASSY	USABLE ON CODE	
10	33-410010	WINDOW INSTL,CABIN /TINTED SIDE WINDOWS/	NP	8	
	33-410010-17	WINDOW INSTL,CABIN /TINTED SIDE WINDOWS/ /ONE PIECE WINDSHIELD TINTED WITH OAT G	NP	9	
	33-410010-21	WINDOW INSTL,CABIN /TINTED SIDE WINDOWS WITH. ONE PIECE TINTED WINDSHIELD/ /SEE FIG. 10A FOR BREAKDOWN OF WINDSHIE	NP	10	
	33-410010-19	WINDOW INSTL,CABIN /TINTED PANE/. /ONE PIECE WINDSHIELD CLEAR WITH OAT GA	NP	9	
	33-410010-23	WINDOW INSTL,CABIN /TINTED SIDE WINDOWS WITH. ONE PIECE CLEAR WINDSHIELD/ /SEE FIG. 10A FOR BREAKDOWN OF WINDSHIE	NP	10	
	33-530001	SUPER SOUNDPROOFING INSTL	NP	8	
	35-410474-57	. WINDSHIELD ASSY,ONE PIECE TINTED.	1	9	
	96-420029-1	. WINDSHIELD ASSY,ONE PIECE TINTED.	1	10	
	35-410474-59	. WINDSHIELD ASSY,ONE PIECE CLEAR	1	9	
	96-420029-3	. WINDSHIELD ASSY,ONE PIECE CLEAR	1	10	
	35-410291-8	. WINDSHIELD ASSY,LH /5/32 IN. GLASS/	1	8	
	35-410291-11	. WINDSHIELD ASSY,RH /5/32 IN. GLASS/	1	8	
	35-410291-164	. WINDSHIELD ASSY,LH /1/4 IN. GLASS/.	1	8	
	35-410291-165	. WINDSHIELD ASSY,RH /1/4 IN. GLASS/. /ATTACHING PARTS/	1	8	
		AN507-632R7	. SCREW,/LOWER EDGE/.	AR	
		22K1-62	. NUT,/LOWER EDGE/.	AR	
		AN507-632R6	. SCREW,/OUTER EDGE/.	AR	
		MS20365-632	. NUT,/OUTER EDGE/ /SUPERSEDES AN365-632/	AR	

	- 1	35-410291-34	. . GLASS,WINDSHIELD LH /5/32 IN./ /ORDER 35-410291-8/	NP	8
		35-410291-35	. . GLASS,WINDSHIELD RH /5/32 IN./ /ORDER 35-410291-11/	NP	8
		35-410291-166	. . GLASS,WINDSHIELD LH /1/4 IN./ /ORDER 35-410291-164/	NP	8
		35-410291-167	. . GLASS,WINDSHIELD RH /1/4 IN./ /ORDER 35-410291-165/	NP	8
	- 1A	35-410474-61	. . GLASS,ONE PIECE TINTED /ORDER 35-410474-57/	NP	9
		35-410474-63	. . GLASS,ONE PIECE CLEAR /ORDER 35-410474-59/	NP	9
- 2	35-410291-46	. . FRAME,LH.	1	8	
	35-410291-39	. . FRAME,RH.	1	8	
- 2A	35-410474-45	. . FRAME,ONE PIECE WINDSHIELD.	1	9	
- 3	35-410291-40	. . RETAINER,LH	1	8	
	35-410291-43	. . RETAINER,RH	1	8	
- 3A	35-410474-43	. . RETAINER,WINDSHIELD UPPER	1	9	
- 3B	35-410474-47	. . RETAINER,WINDSHIELD LOWER	1	9	
- 4	35-410291-44	. . HAT SECTION,WINDSHIELD JOINT.	1	8	
- 4A	35-410474-49	. . MOULDING,WINDSHIELD LH.	1	9	
	35-410474-50	. . MOULDING,WINDSHIELD RH. /ATTACHING PARTS/	1	9	
- 5	AN507-632R7	. SCREW	15		
	MS20365-632	. NUT /SUPERSEDES AN365-632/.	15		

- 6	35-410291-170	. . MOULDING,CENTER WINDSHIELD JOINT LOWER.	1	8	
	35-410291-46	. . MOULDING,CENTER WINDSHIELD JOINT UPPER.	1	8	
- 6A	35-410315	. . CLIP,MOULDING /ATTACHING PARTS/	14	9	
	PK84XA4-4	. . SCREW	AR		

- 8	C2400L4VT35-50	. . COMPASS ASSY. /ATTACHING PARTS/	1	8	
	AN507-632R9	. . SCREW	2		

- 9	35-410291-628	. . WINDOW ASSY,CABIN FWD LH. /SUPERSEDES 35-410291-132/	1		
- 10	35-410291-88	. . HINGE,STORM WINDOW.	1		
	35-410318	. . STRIKE,STORM WINDOW LATCH	1	2	
- 11	35-410465-1	. . STRIKE,STORM WINDOW LATCH	1	3	

B E E C H C R A F T
B O N A N Z A 3 3 T H R U E 3 3
I L L U S T R A T E D P A R T S C A T A L O G

FIG. & ITEM NO.	PART NO.	1	2	3	4	5	6	7	DESCRIPTION	UNITS PER ASSY	USABLE ON CODE
10 - 12	35-410324	SLEEVE ASSY,STORM WINDOW STOP /ATTACHING PARTS/	1	3
- 13	AN526-832R7	SCREW	1	
- 14	102933S4ZP0159	SPACER	1	
	100801X2-0062	BUSHING	1	
	AN960-8L	WASHER	1	
	22K1-82	NUT	1	
		*									
- 15	35-410324-4	SPRING	1	3
- 16	35-410291-626	WINDOW ASSY,STORM /SUPERSEDES 35-410291-136/ /ATTACHING PARTS/	1	
- 17	105774C-ZA00808	PIN,HINGE /SUPERSEDES 35-410291-118/	1	
		*									
- 18	35-410291-90	HINGE,STORM WINDOW	1	
- 19	130400	SEAL,STORM WINDOW /11 FEET LONG/ /SUPERSEDES 35-410291-112 & 4172355	1	
- 20	35-410321-1	LATCH ASSY,STORM WINDOW /SUPERSEDES 35-410321/	1	
- 21	35-410325	ROD,STORM WINDOW STOP /ATTACHING PARTS/	1	
	AN526-832R7	SCREW	1	
- 22	102933S4ZP0140	SPACER	1	
- 23	100801X2-0097	BUSHING	1	
	AN960-8L	WASHER	1	
	22K1-82	NUT	1	
		*									
- 24	102809A093-011	PIN,STORM WINDOW ROD	1	
- 25	35-410326	PLACARD,STORM WINDOW INSTRUCTION	1	
- 26	33-410010-1	GLASS,CENTER CABIN WINDOW LH	1	
	33-410010-2	GLASS,CENTER CABIN WINDOW RH	1	
- 27	33-410010-3	FRAME,CENTER CABIN WINDOW OUTSIDE LH	1	
	33-410010-4	FRAME,CENTER CABIN WINDOW OUTSIDE RH	1	
- 28	S152X84	EXTRUSION,CENTER CABIN WINDOW	2	
- 29	33-410010-7	SHIM,CENTER CABIN WINDOW	2	
- 30	35-410291-14	FRAME,CENTER CABIN WINDOW INSIDE LH	1	
	35-410291-15	FRAME,CENTER CABIN WINDOW INSIDE RH	1	
- 31	35-410291-142	SHIM,STORM WINDOW LATCH	AR	
- 32	35-410291-175	MOULDING,FWD CABIN WINDOW INSIDE	1	
- 33	35-410291-72	MOULDING,CENTER CABIN WINDOW INSIDE LH	1	
	35-410291-73	MOULDING,CENTER CABIN WINDOW INSIDE RH	1	
- 34	35-410291-189	SEAL,STORM WINDOW	1	
	33-410011	WINDOW INSTL,THIRD	NP	1
	33-410011-7	WINDOW INSTL,THIRD	NP	4
	33-410011-21	WINDOW INSTL,THIRD	NP	5
	33-410012	WINDOW INSTL,THIRD	NP	6
- 35	35-001029-19	GLASS,THIRD WINDOW LH /CLEAR/	1	7
	35-001029-20	GLASS,THIRD WINDOW RH /CLEAR/	1	7
	35-410000-98	GLASS,THIRD WINDOW LH /TINTED/	1	7
	35-410000-99	GLASS,THIRD WINDOW RH /TINTED/	1	7
- 36	35-410000-94	FRAME,OUTSIDE LH	1	7
	35-410000-95	FRAME,OUTSIDE RH	1	7
- 37	35-410000-92	FRAME,INSIDE LH	1	7
	35-410000-93	FRAME,INSIDE RH	1	7
- 38	35-410000-100	CLIP	14	7
- 39	35-410000-102	GUSSET	2	7
- 40	35-410000-96	MOULDING,LH	1	7
	35-410000-97	MOULDING,RH	1	7
		*									
	NAS384-6-10P	SCREW	8	
	NAS391-6P	WASHER	8	
		*									
- 41	35-410000-116	CLIP	2	7
- 42	35-410461-51	MOULDING,LH	1	6
	35-410461-52	MOULDING,RH	1	6

B E E C H C R A F T
 BONANZA 33 THRU E33
 I L L U S T R A T E D P A R T S C A T A L O G

FIG. & ITEM NO.	PART NO.	DESCRIPTION							UNITS PER ASSY	USABLE ON CODE
		1	2	3	4	5	6	7		
10 - 43	96-430010-11	1	6
	96-430010-12	1	6
- 44	96-430010-21	1	6
	96-430010-22	1	6
- 45	96-430010-15	1	6
	96-430010-16	1	6
- 46	96-430010-17	1	6
	96-430010-18	1	6
- 47	96-430010-21	1	6
	96-430010-22	1	6
- 48	96-430010-53	2	6
- 49	96-430010-23	1	6
	96-430010-18	1	6
- 50	96-430010-27	1	6
	96-430010-28	1	6
- 51	96-430010-51	1	6
- 52	96-430010-35	1	6
- 53	35-380019-1	1	8
- 54	35-380019-3	1	9
- 55	35-410474-53	1	9
- 56	35-410291-187	2	9
- 57	35-410291-183	1	9
	33-430011-1	NP	10
	33-430011-3	NP	10
	35-410291-203	NP	10
	35-410291-205	NP	10
- 58	35-410291-146	1	10
	35-410291-147	1	10
- 59	35-410291-18U	1	10
- 60	35-410291-52	1	10
- 61	35-410291-98	1	10
- 62	35-410323	1	10
	35-410291-631	1	10
	35-410291-632	1	10
- 63	35-534057-8	2	10
- 64	35-415312-3	1	10
	35-415312-4	1	10
- 65	35-534063	2	10
- 66	35-534061	2	10
- 67	35-534064	2	10
- 68	35-410317	1	10
- 69	35-415310-1	1	10
	35-415310-2	1	10
- 70	35-415311-1	1	10
- 71	AN392-13	1	10
	MS24665-130	1	10
- 72	NAS51-18N	1	10
	MS24665-132	4	10
	58-530258-3	2	10
- 73	35-410316	1	10
	35-410316-1	1	10
	AN507-832-8	12	10
- 74	35-410291-175	1	10
- 75	35-410291-102	1	10
- 76	35-415309-1	1	10
	35-415309-2	1	10

B E E C H C R A F T
 BONANZA 33 THRU E33
 I L L U S T R A T E D P A R T S C A T A L O G

FIG. & ITEM NO.	PART NO.	DESCRIPTION							UNITS PER ASSY	USABLE ON CODE	
		1	2	3	4	5	6	7			
10 - 77	35-410291-114	.	.	SHIM.	2	10

CODES OF EFFECTIVITY

- | | | | |
|---|--|----|--|
| 1 | CD-1 THRU CD-224,
CD-233,
CD-234,CD-236,
CD-241 AND CD-246
THRU CD-250 | 2 | CD-1 THRU CD-540 |
| 3 | CD-541 AND AFTER,
CE-1 AND AFTER | 4 | CD-225 THRU CD-387
EXCEPT CD-233,
CD-234,CD-236,
CD-241,CD-246
THRU CD-250 |
| 5 | CD-388 THRU CD-813 | 6 | CD-814 AND AFTER,
CE-1 AND AFTER |
| 7 | CD-1 THRU CD-813 | 8 | CD-1 THRU CD-1006 |
| 9 | CD-1007 THRU CD-1118,
CE-1 THRU CE-179 | 10 | CD-1119 AND AFTER,
CE-180 AND AFTER |

BEECHCRAFT
BONANZA 33 THRU E33
ILLUSTRATED PARTS CATALOG

FIGURE 10A
ONE PIECE WINDSHIELD
CD-1119 AND AFTER, CE-180 AND AFTER

BEECHCRAFT
BONANZA 33 THRU E33
ILLUSTRATED PARTS CATALOG

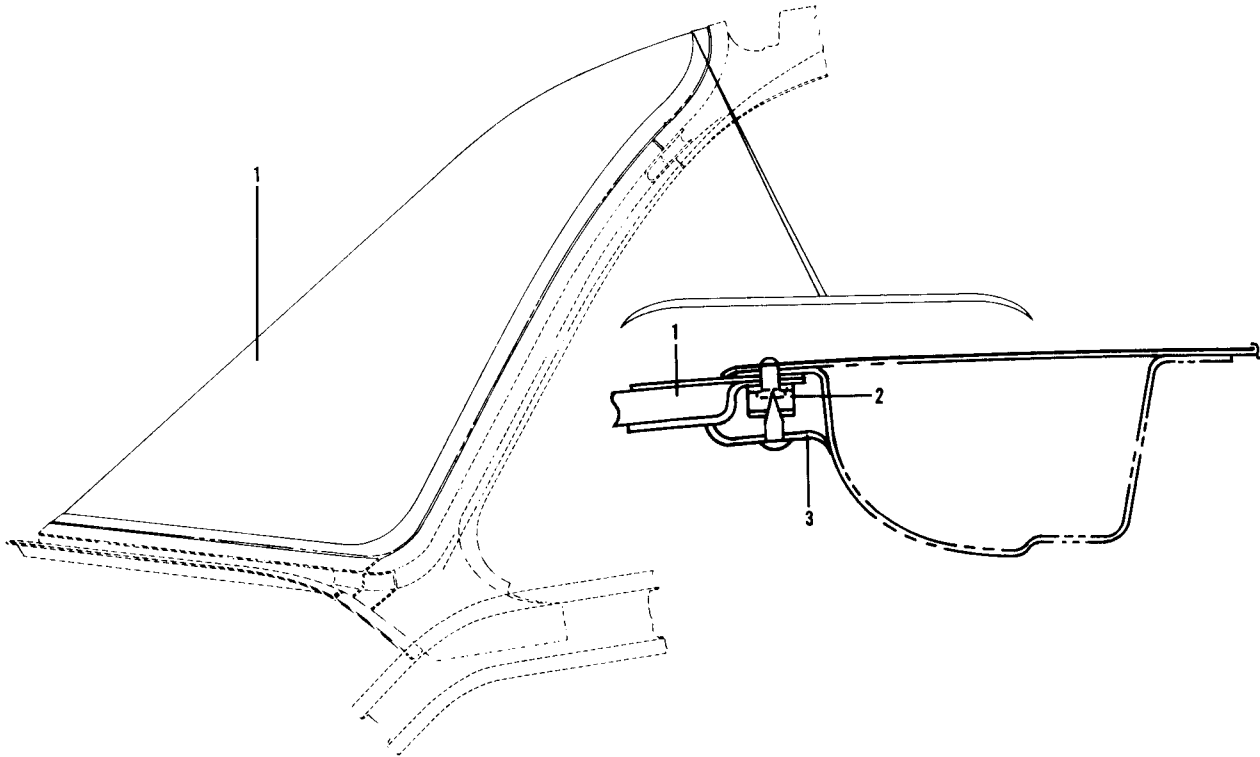


FIGURE 10A. ONE PIECE WINDSHIELD

B E E C H C R A F T
 BONANZA 33 THRU E33
 I L L U S T R A T E D P A R T S C A T A L O G

FIG. & ITEM NO.	PART NO.	DESCRIPTION							UNITS PER ASSY	USABLE ON CODE
		1	2	3	4	5	6	7		
10A	96-420030-1	WINDSHIELD INSTL,ONE PIECE TINTED							NP	1
	96-420030-3	WINDSHIELD INSTL,ONE PIECE CLEAR.							NP	1
- 1	96-420029-1	. WINDSHIELD ASSY /TINTED/							1	1
	96-420029-3	. WINDSHIELD ASSY /CLEAR/							1	1
- 2	35-410315	. CLIP.							15	1
- 3	35-410474-49	. MOULDING,LH							1	1
	35-410474-50	. MOULDING,RH							1	1
	PK84XA4-4	. SCREW							15	
	576 SEALER	. SEALER,PRESSTITE.							AR	1

CODES OF EFFECTIVITY

- 1 CD-1119 AND AFTER,
- CE-180 AND AFTER

B E E C H C R A F T
B O N A N Z A 3 3 T H R U E 3 3
I L L U S T R A T E D P A R T S C A T A L O G

FIGURE 11
BAGGAGE DOOR

BEECHCRAFT
 BONANZA 33 THRU E33
 ILLUSTRATED PARTS CATALOG

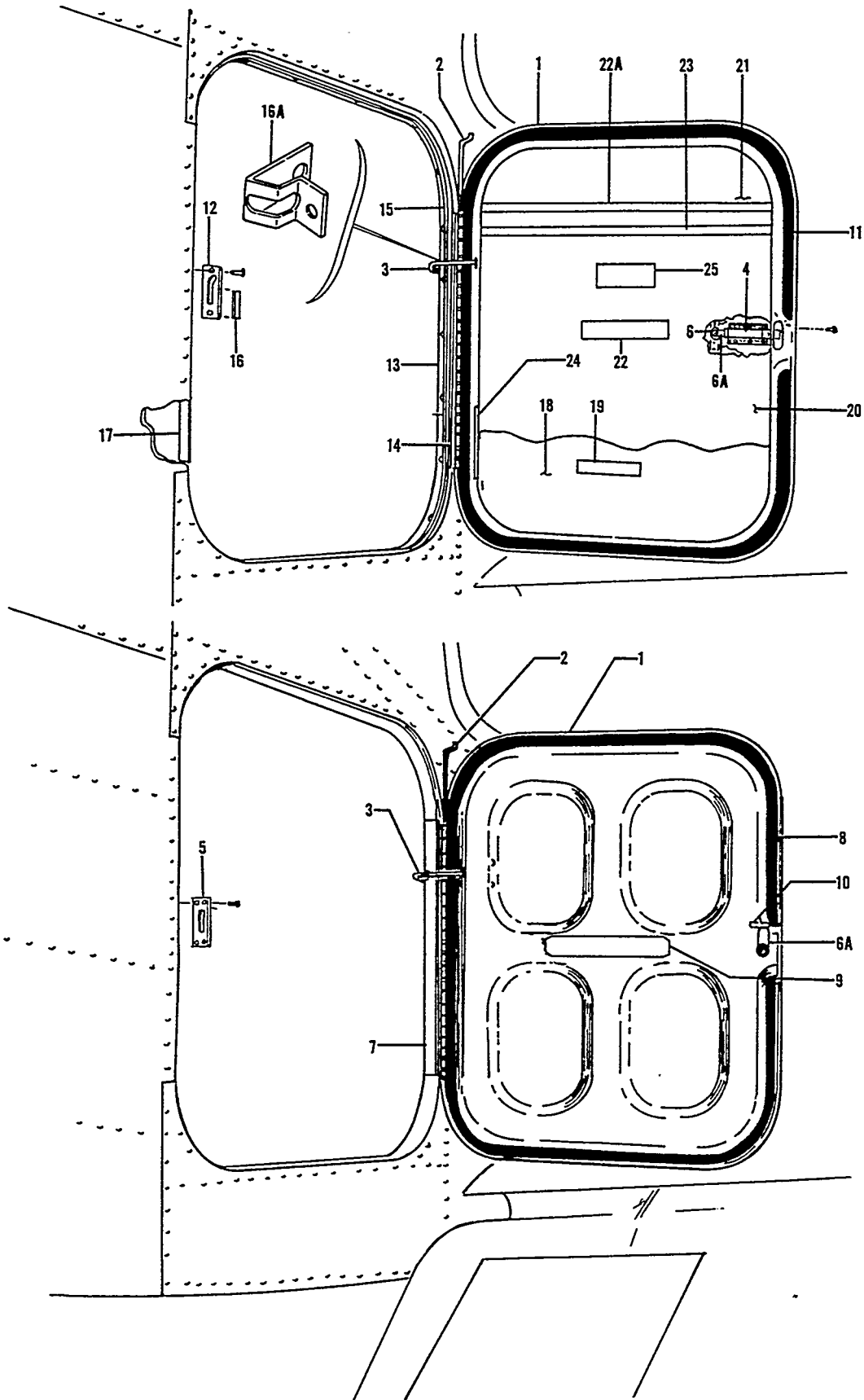


FIGURE 11. BAGGAGE DOOR

B E E C H C R A F T
B O N A N Z A 3 3 T H R U E 3 3
I L L U S T R A T E D P A R T S C A T A L O G

FIG. & ITEM NO.	PART NO.	DESCRIPTION	UNITS							USABLE ON CODE
			1	2	3	4	5	6	7	
11 - 1	35-410070-652	DOOR ASSY,BAGGAGE /SEE FIG. 6 FOR NHA/							1	1
	35-410070-606	DOOR ASSY,BAGGAGE /SEE FIG. 6 FOR NHA/							1	2
	35-410070-93	DOOR ASSY,BAGGAGE /SEE FIG. 6 FOR NHA/ /ATTACHING PARTS/							1	3
- 2	35-410070-79	PIN,DOOR HINGE.							1	
- 3	35-410214	• STOP ASSY,BAGGAGE DOOR.							1	1
	35-410214-5	• STOP ASSY,BAGGAGE DOOR.							1	4
- 4	35-415416	• LATCH ASSY,BAGGAGE DOOR /ATTACHING PARTS/							1	3
	AN507-6-6	• SCREW							6	
- 5	35-410432	CATCH ASSY,BAGGAGE DOOR /ATTACHING PARTS/							1	5
	AN526-1032R7	SCREW							4	
- 6	F6608DX2	LOCK,BAGGAGE DOOR							1	
- 6A	35-590099-35	• CAM							1	
- 7	35-410070-40	SEAL,BAGGAGE DOOR							1	6
	35-410070-67	SEAL,BAGGAGE DOOR							1	7
- 8	S152X84	SEAL,BAGGAGE DOOR /SUPERSEDES 35-410070-48/							1	6
	35-410070-65	SEAL,BAGGAGE DOOR							1	7
- 9	35-410442	PLACARD,BAGGAGE COMPARTMENT LOADING							1	8
- 10	35-410457	PLACARD,BAGGAGE DOOR LOCK INSTRUCTION							1	9
	33-430010	SEAL INSTL,BAGGAGE DOOR							NP	10
	96-430011	SEAL INSTL,BAGGAGE DOOR							NP	2
	96-430011-27	SEAL INSTL,BAGGAGE DOOR							NP	3
- 11	33-430010-1	• SEAL,BAGGAGE DOOR							1	10
	96-430011-17	• SEAL,BAGGAGE DOOR							1	4
- 12	33-430010-5	• BLOCK,STRIKER							1	10
	96-430011-19	• BLOCK,STRIKER							1	2
	96-430011-29	• PLATE,STRIKER /ATTACHING PARTS/							1	3
	AN526-10R	• SCREW							2	
- 13	96-430011-21	• STRIP,PHENOLIC.							1	11
- 14	96-430011-23	• STRIP,BAGGAGE DOOR SEAL /BOTTOM HALF/							1	12
- 15	96-430011-25	• STRIP,BAGGAGE DOOR SEAL /TOP HALF/ /ATTACHING PARTS/							1	12
	PK76XZ6	• SCREW							15	
	PK65A4-6	• SCREW							14	
- 16	1/4X1/4X3	• DOORTITE.							1	10
- 16A	35-410180-14	LATCH,BAGGAGE DOOR STOP							1	
- 17	35-410070-77	FILLER.							1	11
- 18	33-530003-10	PANEL ASSY,BAGGAGE DOOR							1	13
	33-530003-145	PANEL ASSY,BAGGAGE DOOR							1	14
- 19	33-534023	PLACARD,BAGGAGE COMPARTMENT LOADING							1	15
- 20	35-534420-37 C	PANEL ASSY,BAGGAGE DOOR LOWER							1	16
	33-530005-97	PANEL ASSY,BAGGAGE DOOR LOWER							1	18
- 21	33-530004-23	PANEL ASSY,BAGGAGE DOOR UPPER							1	16
	33-530005-69	COVER ASSY,BAGGAGE DOOR UPPER							1	18
	33-530005-71	PANEL,BAGGAGE DOOR UPPER METAL.							1	18
- 22	33-534023	• PLACARD,BAGGAGE COMPARTMENT LOADING							1	19
	33-534036	• PLACARD,BAGGAGE COMPARTMENT LOADING							1	20
- 22A	33-530005-93	TRIM,UPPER.							1	18
- 23	96-530001-57	TRIM.							1	16
	96-530004-153	TRIM,LOWER.							1	18
- 24	35-534406-87	SEAL.							1	16
	35-534033	SEAT INSTL,FIFTH.							NP	17

B E E C H C R A F T
 BONANZA 33 THRU E33
 I L L U S T R A T E D P A R T S C A T A L O G

FIG. & ITEM NO.	PART NO.	1 2 3 4 5 6 7	DESCRIPTION	UNITS PER ASSY	USABLE ON CODE
11 - 25	33-534034	.	PLACARD, FIFTH SEAT INSTRUCTION.	1	17
			/ATTACHING PARTS/		
	AN504-6R	.	SCREW	2	

CODES OF EFFECTIVITY

- | | |
|--|---|
| 1 CD-1 THRU CD-658 | 2 CD-659 THRU CD-675 |
| 3 CD-676 AND AFTER,
CE-1 AND AFTER | 4 CD-659 AND AFTER,
CE-1 AND AFTER |
| 5 CD-1 THRU CD-540 | 6 CD-1 THRU CD-348 |
| 7 CD-349 THRU CD-540 | 8 CD-1 THRU CD-387 |
| 9 CD-1 THRU CD-675 | 10 CD-541 THRU CD-658 |
| 11 CD-541 THRU CD-615 | 12 CD-541 AND AFTER,
CE-1 AND AFTER |
| 13 CD-388 THRU CD-658 | 14 CD-659 THRU CD-813 |
| 15 CD-388 THRU CD-813 | 16 CD-814 THRU CD-1118,
CE-1 THRU CE-179 |
| 17 CD-965 AND AFTER,
CE-1 AND AFTER | 18 CD-1119 AND AFTER,
CE-180 AND AFTER |
| 19 CD-814 AND AFTER | 20 CE-180 AND AFTER |

BEECHCRAFT
BONANZA 33 THRU E33
ILLUSTRATED PARTS CATALOG

FIGURE 12
FLOORBOARDS

BEECHCRAFT
BONANZA 33 THRU E33
ILLUSTRATED PARTS CATALOG

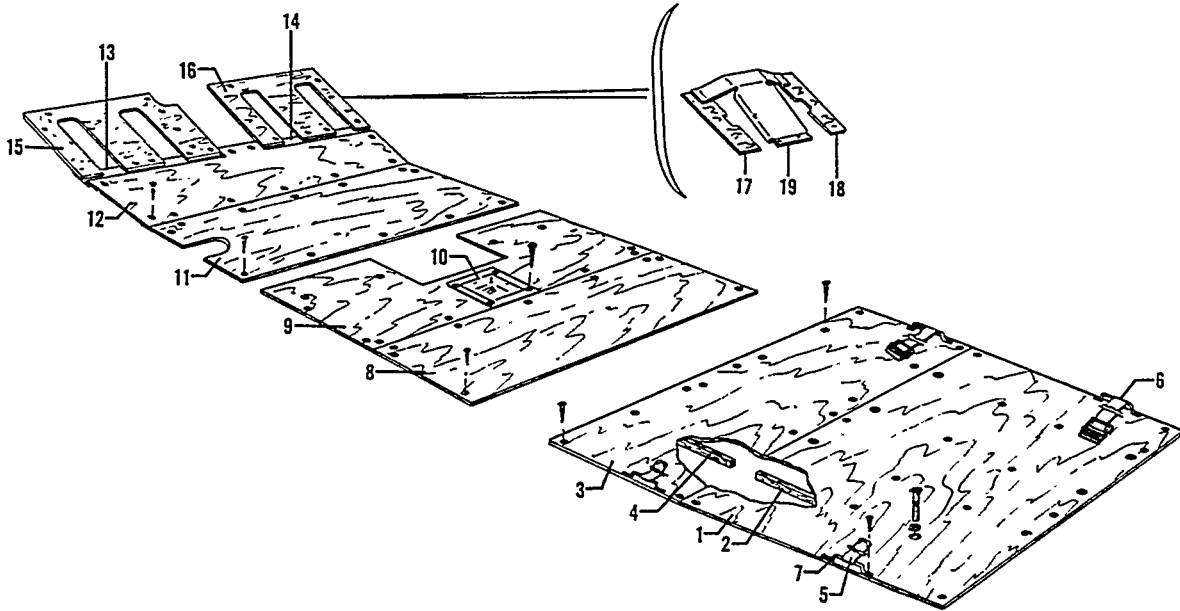


FIGURE 12.FLOORBOARDS

B E E C H C R A F T
 BONANZA 33 THRU E33
 I L L U S T R A T E D P A R T S C A T A L O G

FIG. & ITEM NO.	PART NO.	DESCRIPTION	UNITS PER ASSY	USABLE ON CODE
		1 2 3 4 5 6 7		
12	33-410020	FLOORBOARD INSTL,CABIN.	NP	1
	33-410020-9	FLOORBOARD INSTL,CABIN /WITHOUT RH PEDALS/. . .	NP	2
	35-415380-32	FLOORBOARD INSTL,CABIN /WITH RH PEDALS/ . . .	NP	2
	35-415417-3	FLOORBOARD INSTL,CABIN /WITHOUT RH PEDALS/. . .	NP	3
	35-415417-35	FLOORBOARD INSTL,CABIN /WITH RH PEDALS/ . . .	NP	3
	35-415417-45	FLOORBOARD INSTL,CABIN /WITH RH PEDALS AND BRAKES/ . . .	NP	7
	35-415380-62	. FLOORBOARD ASSY,BAGGAGE COMPARTMENT REAR. . . /ATTACHING PARTS/	1	
	NAS384-6-12P	. SCREW	AR	
	6	. WASHER,COUNTERSINK.	AR	
	A1784-6Z1	. NUT	AR	

- 1	35-415380-14	. . FLOORBOARD.	1	
- 2	35-415380-18	. . STIFFENER /ATTACHING PARTS/	4	
	AN515-6R20	. . SCREW	4	
	105090-040-1G	. . WASHER.	4	
	AN960-6	. . WASHER.	4	
	AN365-632	. . NUT	4	

	AN227-8B	. . STUD. /ATTACHING PARTS/	AR	
	AN550-5R4	. . SCREW	AR	

B E E C H C R A F T
 BONANZA 33 THRU E33
 I L L U S T R A T E D P A R T S C A T A L O G

FIG. & ITEM NO.	PART NO.	1 2 3 4 5 6 7	DESCRIPTION	UNITS PER ASSY	USABLE ON CODE
12	35-415380-64	.	FLOORBOARD ASSY,BAGGAGE COMPARTMENT FWD	1	
			/ATTACHING PARTS/		
	NAS384-6-12P	.	SCREW	AR	
	6	.	WASHER,COUNTERSINK.	AR	
	A1784-6Z1	.	NUT	AR	
		*			
- 3	35-415380-24	.	FLOORBOARD.	1	
- 4	35-415380-28	.	STIFFENER	4	
			/ATTACHING PARTS/		
	AN515-6R20	.	SCREW	2	
	105090-040-1G	.	WASHER.	2	
	AN960-6	.	WASHER.	2	
	AN365-632	.	NUT	2	
		*			
	AN227-8B	.	STUD.	AR	
			/ATTACHING PARTS/		
	AN550-5R4	.	SCREW	AR	
		*			
- 5	111191-06000	.	STRAP ASSY,LH	2	
- 6	111192-02400	.	STRAP ASSY,RH	2	
- 7	6411B	.	LOOP,FOOTMAN.	4	
			/ATTACHING PARTS/		
	AN526-832-10	.	SCREW	2	
	AN366F832	.	NUT PLATE	2	
		*			
	35-415380-60	.	FLOORBOARD ASSY,CABIN CENTER REAR	1	
			/ATTACHING PARTS/		
	NAS384-6-12P	.	SCREW	AR	
	6	.	WASHER,COUNTERSINK.	AR	
	A1784-6Z1	.	NUT	AR	
		*			
- 8	35-415380-12	.	FLOORBOARD.	1	
	AN227-8B	.	STUD.	AR	
			/ATTACHING PARTS/		
	AN550-5R4	.	SCREW	AR	
		*			
	35-415380-58	.	FLOORBOARD ASSY,CABIN CENTER FWD.	1	
			/ATTACHING PARTS/		
	NAS384-6-12P	.	SCREW	AR	
	6	.	WASHER,COUNTERSINK.	AR	
	A1784-6Z1	.	NUT	AR	
		*			
- 9	35-415380-10	.	FLOORBOARD.	1	
	AN227-8B	.	STUD.	AR	
			/ATTACHING PARTS/		
	AN550-5R4	.	SCREW	AR	
		*			
- 10	35-415380-22	.	PAN	1	
			/ATTACHING PARTS/		
	NAS384-6-12P	.	SCREW	4	

B E E C H C R A F T
BONANZA 33 THRU E33
I L L U S T R A T E D P A R T S C A T A L O G

FIG. & ITEM NO.	PART NO.	DESCRIPTION	UNITS PER ASSY	USABLE ON CODE
		1 2 3 4 5 6 7		
12	35-415380-54	• FLOORBOARD ASSY,CABIN FWD	1	
	35-415417-13	• FLOORBOARD ASSY,CABIN FWD	1	
	NAS384-6-12P	• SCREW	AR	
	NAS384-8-32P	• SCREW	2	
	6	• WASHER,COUNTERSINK.	AR	
	A1784-6Z1	• NUT	AR	
	A6191-6Z1	• NUTPLATE.	2	
	A6191-8Z1	• NUTPLATE.	2	

	35-415380-6	• FLOORBOARD.	1	4
- 12	35-415417-15	• FLOORBOARD.	1	3
	35-415380-16	• STRIP,METAL	1	5
	35-415380-88	• STRIP,METAL	1	6
- 13	35-415417-23	• STRIP,METAL	1	3
	35-415380-86	• STRIP,METAL	1	6
- 14	35-415417-25	• STRIP,METAL	1	3
	AN227-88	• STUD.	AR	
		/ATTACHING PARTS/		
	AN550-5R4	• SCREW	AR	

	35-415380-50	• FLOORBOARD ASSY,PILOTS.	1	4
	35-415417-5	• FLOORBOARD ASSY,PILOTS.	1	3
		/ATTACHING PARTS/		
	NAS384-6-12P	• SCREW	AR	
	NAS384-8-36P	• SCREW	6	
	6	• WASHER,COUNTERSINK.	AR	
	A1784-6Z1	• NUT	AR	
	A6191-6Z1	• NUTPLATE.	2	
	A6191-8Z1	• NUTPLATE.	3	

	35-415380-2	• FLOORBOARD.	1	4
- 15	35-415417-7	• FLOORBOARD.	1	3
	AN227-88	• STUD.	AR	
		/ATTACHING PARTS/		
	AN550-5R4	• SCREW	AR	

	33-410020-1	• FLOORBOARD ASSY,COPILOTS /WITH RH PEDALS/	1	1
	33-410020-5	• FLOORBOARD ASSY,COPILOTS /WITHOUT RH PEDALS/	1	1
	35-415380-52	• FLOORBOARD ASSY,COPILOTS /WITH RH PEDALS/	1	2
	35-415380-80	• FLOORBOARD ASSY,COPILOTS /WITHOUT RH PEDALS/	1	2
	35-415417-9	• FLOORBOARD ASSY,COPILOTS /WITH RH PEDALS/	1	3
	35-415417-39	• FLOORBOARD ASSY,COPILOTS /WITH RH PEDALS AND. BRAKES/	1	7
	35-415417-27	• FLOORBOARD ASSY,COPILOTS /WITHOUT RH PEDALS/	1	3
		/ATTACHING PARTS/		
	NAS384-6-12P	• SCREW	AR	
	NAS384-8-36P	• SCREW	3	
	6	• WASHER,COUNTERSINK.	AR	
	A1784-6Z1	• NUT	AR	
	A6191-6Z1	• NUTPLATE.	2	
	A6191-8Z1	• NUTPLATE.	3	

	33-410020-3	• FLOORBOARD,COPILOTS /WITH RH PEDALS/	1	1
	33-410020-7	• FLOORBOARD,COPILOTS /WITHOUT RH PEDALS/	1	1
	35-415380-4	• FLOORBOARD,COPILOTS /WITH RH PEDALS/	1	2
	35-415380-82	• FLOORBOARD,COPILOTS /WITHOUT RH PEDALS/	1	2
- 16	35-415417-11	• FLOORBOARD,COPILOTS /WITH RH PEDALS/	1	3
	35-415417-29	• FLOORBOARD,COPILOTS /WITHOUT RH PEDALS/	1	3
- 17	35-415417-41	• FLOORBOARD,COPILOTS LH /WITH RH PEDALS AND. BRAKES/	1	7
- 18	35-415417-49	• FLOORBOARD,COPILOTS RH /WITH RH PEDALS AND. BRAKES/	1	7
- 19	35-415417-51	• FLOORBOARD,COPILOTS CENTER /WITH RH PEDALS. AND BRAKES/	1	7

B E E C H C R A F T
 BONANZA 33 THRU E33
 I L L U S T R A T E D P A R T S C A T A L O G

FIG. & ITEM NO.	PART NO.	1	2	3	4	5	6	7	DESCRIPTION	UNITS PER ASSY	USABLE ON CODE
12	AN227-8B	STUD.	AR	
									/ATTACHING PARTS/		
	AN550-5R4	SCREW	AR	
		-	-	-	-	-	-	-	*		
			
			

CODES OF EFFECTIVITY

- | | |
|---------------------------------------|----------------------|
| 1 CD-1 THRU CD-385 | 2 CD-386 THRU CD-735 |
| 3 CD-736 AND AFTER,
CE-1 AND AFTER | 4 CD-1 THRU CD-735 |
| 5 CD-1 THRU CD-224 | 6 CD-225 THRU CD-735 |
| 7 CD-906 AND AFTER,
CE-1 AND AFTER | |

B E E C H C R A F T
B O N A N Z A 3 3 T H R U E 3 3
I L L U S T R A T E D P A R T S C A T A L O G

FIGURE 13
FRONT SEAT
CD-1 THRU CD-387

BEECHCRAFT
BONANZA 33 THRU E33
ILLUSTRATED PARTS CATALOG

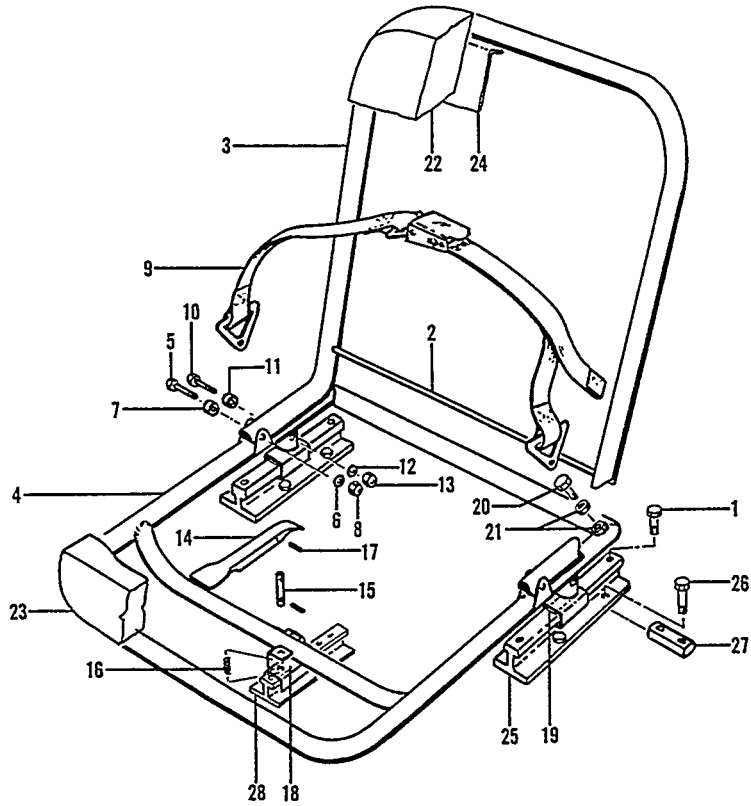


FIGURE 13. FRONT SEAT

B E E C H C R A F T
 BONANZA 33 THRU E33
 I L L U S T R A T E D P A R T S C A T A L O G

FIG. & ITEM NO.	PART NO.	DESCRIPTION	1 2 3 4 5 6 7							UNITS PER ASSY	USABLE ON CODE
13	33-530000-603	SEAT ASSY,UPHOLSTERED FRONT								2	1
	33-530002-603	SEAT ASSY,UPHOLSTERED FRONT								2	2
		/ATTACHING PARTS/									
- 1	AN74A5	BOLT								4	
	AN935-416	WASHER								4	
		-----*									
- 2	33-534010-1	. TUBE,FRONT SEAT BACK.								1	4
- 3	33-534010-3	. TUBE,FRONT SEAT BACK.								1	4
- 4	33-534010-27	. WELD ASSY,FRONT SEAT BOTTOM								1	4
		/ATTACHING PARTS/									
- 5	AN24A	. BOLT								2	
- 6	AN960-10L	. WASHER								2	
- 7	33-534010-43	. BUSHING,SEAT CONNECTING								2	
- 8	AN365-428	. NUT								2	
		-----*									
- 9	FDC2500-37	. BELT,SAFETY /GRAY/.								1	1
	FDC2500-37-2	. BELT,SAFETY /TAN/.								1	2
		/ATTACHING PARTS/									
- 10	AN24A	. BOLT								2	
- 11	33-534010-43	. BUSHING								2	
- 12	AN970-4	. WASHER								4	
- 13	AN365-428	. NUT								2	
		-----*									

B E E C H C R A F T
BONANZA 33 THRU E33
I L L U S T R A T E D P A R T S C A T A L O G

FIG. & ITEM NO.	PART NO.	1	2	3	4	5	6	7	DESCRIPTION	UNITS PER ASSY	USABLE ON CODE
13 - 14	33-534010-23	HANDLE,SEAT ADJUSTMENT.	1	4
- 15	33-534010-33	PIN,RETAINING	1	4
- 16	111504ZM0020-8	SPRING.	1	4
									/ATTACHING PARTS/		
- 17	79-022-094-0650	PIN,ROLL.	2	

- 18	95-534017-9	SLIDE,FRONT SEAT FWD.	1	4
- 19	95-534017-31	SLIDE,FRONT SEAT AFT.	2	4
- 20	NAS428-4-10	BOLT,SEAT BACK ADJUSTMENT	2	3
- 21	AN316-4R	NUT,SEAT BACK ADJUSTMENT.	2	3
	33-530000-67	CUSHION ASSY,BACK	1	1
	33-530002-45	CUSHION ASSY,BACK	1	2
- 22	33-530000-75	CUSHION,BACK.	1	4
	33-530000-65	CUSHION ASSY,BOTTOM	1	1
	33-530002-47	CUSHION ASSY,BOTTOM	1	2
- 23	33-530000-69	CUSHION,BOTTOM.	1	4
- 24	33-534017-3	PANEL ASSY,FRONT SEAT BACK.	1	2
									/ATTACHING PARTS/		
	NAS384-6P	SCREW	7	
	NAS391-6	WASHER.	7	

- 25	33-534010-13	TRACK,FRONT SEAT REAR	2	4
									/ATTACHING PARTS/		
- 26	AN3A	BOLT.	8	
- 27	33-534010-21	FILLER,TRACK ATTACHING.	2	
	AN960-10L	WASHER.	16	
	AN365-1032	NUT	8	

- 28	33-410040-17	TRACK,FRONT SEAT FWD.	1	4
	35-5034-1	KIT,SHOULDER HARNESS.	1	1
	35-5034-5	KIT,SHOULDER HARNESS.	1	2

C O D E S O F E F F E C T I V I T Y

- | | | | |
|---|---|---|--|
| 1 | CD-1 THRU CD-224,
CD-233,CD-234,
CD-236,CD-241,
CD-246 THRU CD-250 | 2 | CD-225 THRU CD-232,
CD-235,
CD-237 THRU CD-240,
CD-242 THRU CD-245,
CD-251 THRU CD-387 |
| 3 | CD-58 THRU CD-387 | 4 | CD-1 THRU CD-387 |

B E E C H C R A F T
B O N A N Z A 3 3 T H R U E 3 3
I L L U S T R A T E D P A R T S C A T A L O G

FIGURE 13A
FRONT SEAT
CD-388 THRU CD-1118, CE-1 THRU CE-179

BEECHCRAFT
 BONANZA 33 THRU E33
 ILLUSTRATED PARTS CATALOG

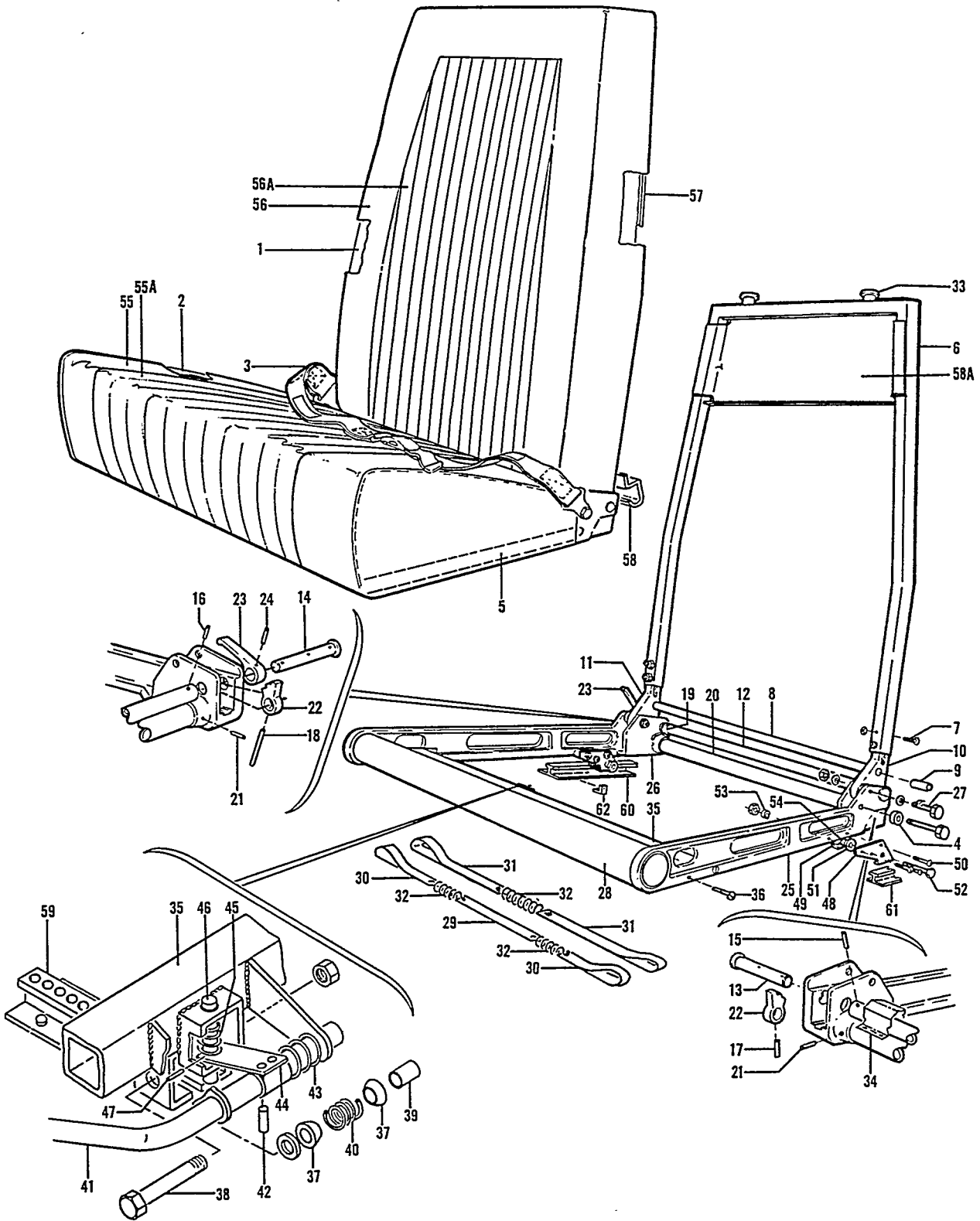


FIGURE 13A. FRONT SEAT

B E E C H C R A F T
B O N A N Z A 3 3 T H R U E 3 3
I L L U S T R A T E D P A R T S C A T A L O G

FIG. & ITEM NO.	PART NO.	DESCRIPTION	UNITS PER ASSY	USABLE ON CODE
		1 2 3 4 5 6 7		
13A	33-530003-603	CHAIR ASSY,UPHOLSTERED PILOTS	1	1
	33-534027-1	CHAIR ASSY,UPHOLSTERED PILOTS	1	2
	33-530003-604	CHAIR ASSY,UPHOLSTERED COPILOTS	1	1
	33-534027-2	CHAIR ASSY,UPHOLSTERED COPILOTS	1	2
- 1	96-534016-1	. CUSHION ASSY,CHAIR BACK	1	1
	33-534027-5	. CUSHION ASSY,CHAIR BACK	1	2
- 2	96-534015	. CUSHION ASSY,CHAIR BOTTOM	1	1
	35-534426-3	. CUSHION,CHAIR BOTTOM.	1	2
- 3	FDC2700-105	. BELT ASSY,SEAT.	1	1
	FDC2700-107	. BELT ASSY,SEAT.	1	2
		/ATTACHING PARTS/		
	AN24-38A/M/	. BOLT.	2	
- 4	100801X6-0813	. SPACER.	2	
	100801X6-0813	. SPACER,INBD PILOT & COPILOT CHAIR	1	
	102933D5ZM0190	. SPACER,OUTBD PILOT & COPILOT CHAIR.	1	
	AN960-416	. WASHER.	2	
	MS20365-428	. NUT	2	
	22K2-048	. CAPNUT.	2	

	FDK2707BUCKLE ASSY KIT	1	5
	FDK2707-1BUCKLE ASSY KIT,DOUBLE ADJUSTING /OPTIONAL/	1	5
- 5	33-534021-3	. STRAP	2	5
	96-534014-3	. FRAME ASSY,PILOTS CHAIR	1	5
	96-534014-5	. FRAME ASSY,COPILOTS CHAIR	1	5
	18-534013-3FRAME ASSY,PILOTS CHAIR STRUCTURE UPPER	1	5
	18-534013-4FRAME ASSY,COPILOTS CHAIR STRUCTURE UPPER	1	5
- 6	18-534013-39BACK ASSY,CHAIR	1	5
	18-534013-13WELD ASSY,CHAIR BACK.	1	5
		/ATTACHING PARTS/		
- 7	AN525-1032RSCREW	4	
	MS20365-1032NUT	4	

- 8	18-534013-15TUBE,CHAIR BACK	1	5
		/ATTACHING PARTS/		
- 9	MS171688PIN,ROLL.	2	

- 10	18-534016-1FORGING,CHAIR BACK LH	1	5
- 11	18-534016-2FORGING,CHAIR BACK RH	1	5
	18-534013-45BOTTOM ASSY,PILOT CHAIR	1	5
	18-534013-46BOTTOM ASSY,COPILOT CHAIR	1	5
- 12	18-534013-19TUBE,CHAIR BOTTOM	1	5
- 13	MS20392-5-81PIN /SUPERSEDES 18-534013-21/	1	5
- 14	MS20392-5-93PIN,PILOTS CHAIR.	1	5
		/SUPERSEDES 18-534013-23/		
	18-534013-24PIN,COPILOTS CHAIR.	1	5
- 15	MS171496PIN,ROLL.	1	5
- 16	MS171499PIN,ROLL.	1	5
- 17	MS171530PIN,ROLL.	1	5
- 18	MS171539PIN,ROLL.	1	5
- 19	18-534022-1SPRING,BACK RELEASE TORSION INBD.	1	5
	18-534022-2SPRING,BACK RELEASE TORSION OUTBD	1	5
	AN960-616WASHER.	1	5
- 20	18-534013-17TUBE,CHAIR BOTTOM	1	5
		/ATTACHING PARTS/		
- 21	MS171534PIN,ROLL.	2	

- 22	18-534013-25CAM,CHAIR BACK RELEASE.	2	5

B E E C H C R A F T
 BONANZA 33 THRU E33
 I L L U S T R A T E D P A R T S C A T A L O G

FIG. & ITEM NO.	PART NO.	1	2	3	4	5	6	7	DESCRIPTION	UNITS PER ASSY	USABLE ON CODE
13A - 23	18-534013-71	HANDLE,CHAIR BACK RELEASE /SUPERSEDES 18-534013-49/ /ATTACHING PARTS/	1	5
- 24	MS171498	PIN,ROLL	1	
- 25	18-534015-1	SIDE,CHAIR BOTTOM LH.	1	5
- 26	18-534015-2	SIDE,CHAIR BOTTOM RH. /ATTACHING PARTS/	1	5
- 27	AN24-34A/M/ AN960-416 AN960-416L 22K2-048	BOLT WASHER WASHER CAPNUT	2 2 2 2	
- 28	18-534013-27	TUBE,CHAIR BOTTOM	1	5
- 29	18-534013-63	STRAP,CUSHION SUPPORT	3	3
- 30	18-534013-65	STRAP,CUSHION SUPPORT	6	3
- 31	18-534013-77	STRAP,CUSHION SUPPORT	4	4
- 32	35-534157 35-534157	SPRING SPRING	6 2	3 4
- 33	130010	FITTING,HEADREST	2	5
- 34	18-534013-67 AN530-6 AN227-8B NAS384-6	COVER,CAM MECHANISM /ATTACHING PARTS/ SCREW STUD SCREW	1 3 3 3	5
- 35	96-534014-23	WELD ASSY,CHAIR FOOT FWD. /ATTACHING PARTS/	1	5
- 36	AN525-10R MS20365-1032	SCREW NUT	4 4	
- 37	118641	ROLLER,CHAIR FWD. /ATTACHING PARTS/	2	5
- 38	AN3A	BOLT	1	
- 39	NAS43003-16	SPACER	1	
- 40	1009432A016J AN960-10 MS20365-1032	SPRING WASHER NUT	1 1 1	
- 41	96-534014-63	HANDLE,CHAIR ADJUSTMENT /ATTACHING PARTS/	1	5
- 42	MS171498	PIN,ROLL	2	
- 43	100943ZJ1080	SPRING,ADJUSTING HANDLE	1	5
- 44	96-534014-69	WELD ASSY,ADJUSTING PIN LIFTER	1	5
- 45	100943ZS023G 100951X063WZ	SPRING,ADJUSTING PIN WASHER	1 2	5 5
- 46	96-534014-9	PIN,SEAT ADJUSTMENT	1	5
- 47	1/16X1/2	PIN,DRIVELOK /TYPE E/	2	5
- 48	96-534014-55	FOOT,CHAIR REAR LH.	2	5
- 49	96-534014-56	FOOT,CHAIR REAR RH. /ATTACHING PARTS/	2	5
- 50	AN525-10R MS20365-1032	SCREW NUT	3 3	
- 51	118641	ROLLER,CHAIR AFT. /ATTACHING PARTS/	4	5
- 52	AN3A/M/	BOLT	1	
- 53	NAS43003-16	SPACER	1	
- 54	1009432A016J AN960-10 MS20365-1032	SPRING WASHER NUT	1 1 1	

B E E C H C R A F T
 BONANZA 33 THRU E33
 I L L U S T R A T E D P A R T S C A T A L O G

FIG. & ITEM NO.	PART NO.	DESCRIPTION	UNITS PER ASSY	USABLE ON CODE
		1 2 3 4 5 6 7		
13A	33-530003-39 C	. COVER ASSY,FRONT SEAT BOTTOM.	1	1
- 55	33-534027-7 C	. COVER ASSY,FRONT SEAT BOTTOM.	1	2
- 55A	33-534027-15 C	. INSERT PANEL.	1	2
	33-530003-37 C	. COVER ASSY,FRONT SEAT BACK.	1	1
- 56	33-534027-3 C	. COVER ASSY,FRONT SEAT BACK.	1	2
- 56A	33-534027-13 C	. INSERT PANEL.	1	2
- 57	96-534013-9	. PANEL ASSY,FRONT SEAT BACK.	1	2
- 58	96-534013-31	. ANGLE,SEAT BACK	1	2
		/ATTACHING PARTS/		
	NAS384-6-10P	. SCREW	3	
	NAS384-6-6P	. SCREW	4	
	NAS391-6	. WASHER.	7	
	NAS395-7-1	. NUT	4	
		-----*		
- 58A	33-534027-11	. COVER,SEAT BACK FRAME	1	5
- 59	95-420017-5	TRACK,FWD SEAT.	1	5
- 60	95-420017-19	TRACK,PILOT & COPILOT AFT INBD SEAT	1	5
		/SUPERSEDES 95-420017-17/		
- 61	95-420017-19	TRACK,PILOT & COPILOT AFT OUTBD SEAT.	1	5
- 62	414-180657-3	STOP,SEAT	4	5
	35-5034-5	KIT,SHOULDER HARNESS.	1	6
	55-5012-5	KIT,SHOULDER HARNESS.	1	7

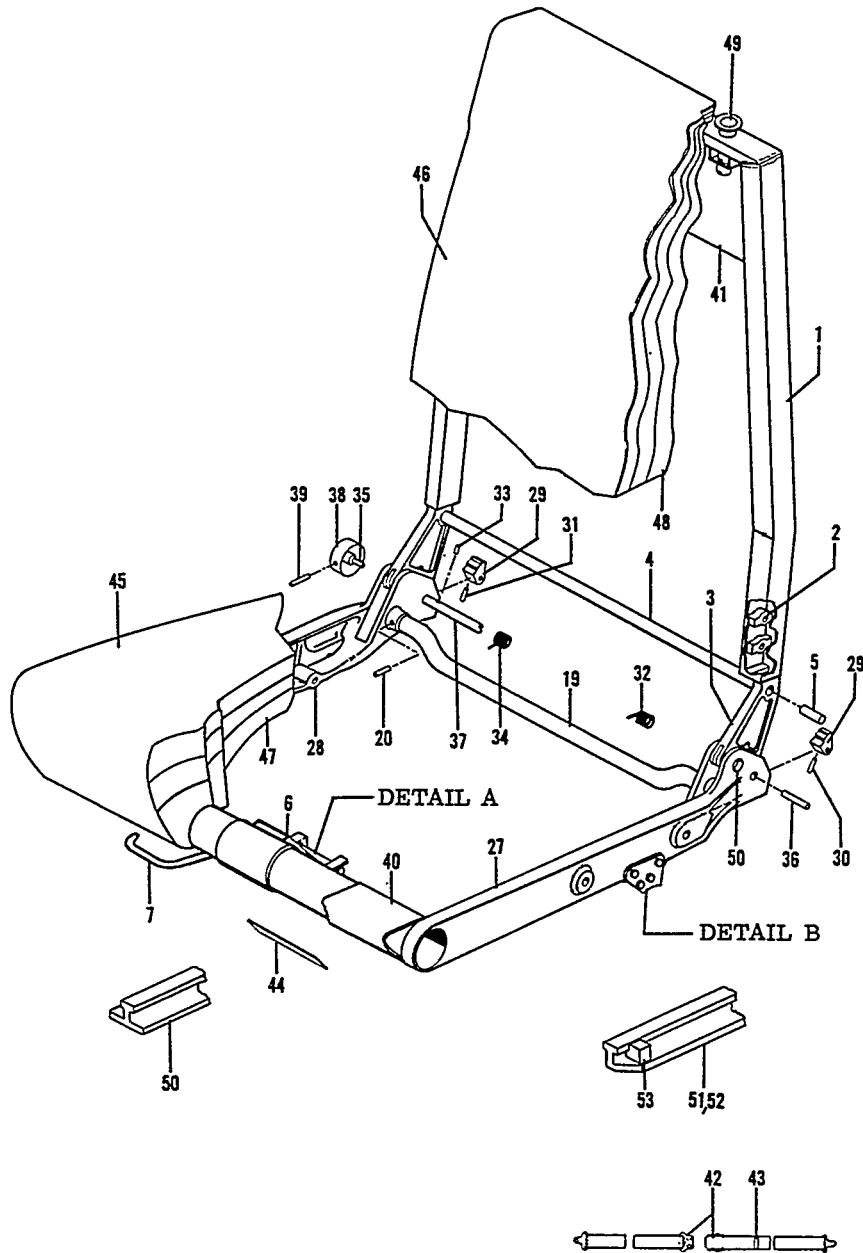
CODES OF EFFECTIVITY

1	CD-388 THRU CD-813	2	CD-814 THRU CD-1118, CE-1 THRU CE-179
3	CD-388 THRU CD-486	4	CD-487 THRU CD-784
5	CD-388 THRU CD-1118 CE-1 THRU CE-179	6	CD-388 THRU CD-1027 CE-1 THRU CE-26
7	CD-1028 THRU CD-1118 CE-27 THRU CE-179		

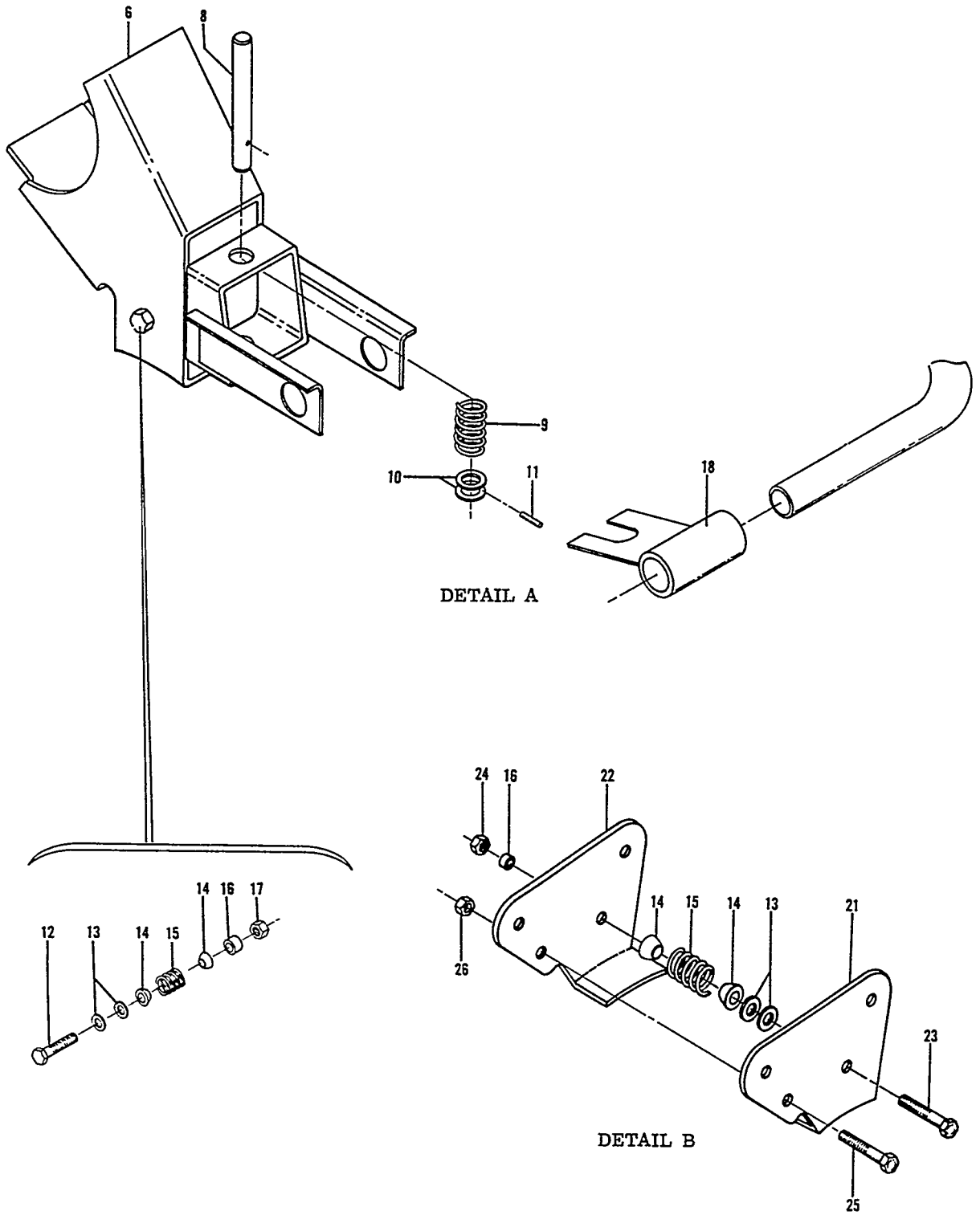
B E E C H C R A F T
B O N A N Z A 3 3 T H R U E 3 3
I L L U S T R A T E D P A R T S C A T A L O G

FIGURE 13B
FRONT SEAT
CD-1119 AND AFTER, CE-180 AND AFTER

BEECHCRAFT
 BONANZA 33 THRU E33
 ILLUSTRATED PARTS CATALOG



BEECHCRAFT
 BONANZA 33 THRU E33
 ILLUSTRATED PARTS CATALOG



B E E C H C R A F T
B O N A N Z A 3 3 T H R U E 3 3
I L L U S T R A T E D P A R T S C A T A L O G

FIG. & ITEM NO.	PART NO.	DESCRIPTION	UNITS PER ASSY	USABLE ON CODE
		1 2 3 4 5 6 7		
138	33-534038-1	SEATING INSTL,PILOT & COPILOT	NP	1
	33-534039-1	. CHAIR ASSY,PILOTS UPHOLSTERED	1	1
	33-534039-3	. CHAIR ASSY,COPILOTS UPHOLSTERED	1	1
	96-534073-1	. . CHAIR FRAME ASSY,PILOTS CAM ADJUSTING	1	1
	96-534073-5	. . CHAIR FRAME ASSY,COPILOTS CAM ADJUSTING	1	1
	60-530042-15	. . . SEAT BACK ASSY,PILOTS CHAIR	1	1
	60-530042	. . . SEAT BACK ASSY,COPILOTS CHAIR	1	1
		/ATTACHING PARTS/		
	NAS221-21	. . . SCREW	2	
	102933D4ZM0190	. . . SPACER	2	
	100951X032WF	. . . WASHER /UNDER SCREW HEAD/	2	
	AN960-10L	. . . WASHER	2	
	22K2-02	. . . CAP NUT	2	
- 1	60-530042-1 WELD ASSY,SEAT BACK	1	1
- 2	60-530042-13 SPACER	1	1
- 3	60-530040-1 ADAPTER	2	1
		/ATTACHING PARTS/		
	AN525-10R14 SCREW	2	
	AN525-10R22 SCREW	2	
	AN960-10 WASHER	2	
	MS20364-1032 NUT	2	
- 4	60-530042-9 TUBE	1	1
		/ATTACHING PARTS/		
- 5	MS171684 ROLL PIN	2	
- 6	96-534073-7 FRAME ASSY,CHAIR BOTTOM	1	1
- 7	96-534073-33 LEG ASSY,WELDED FRONT	1	1
- 8	96-534073-13 HANDLE	1	1
- 9	36-530025-15 PIN	1	1
- 10	100943ZS027G SPRING	1	1
- 11	AN960-416L WASHER	2	1
- 12	1/16 X 1/2 PIN,DRIVELOCK /TYPE E/.	1	1
- 13	AN3-14A/M/ BOLT	3	1
- 14	AN960-10L WASHER	6	1
- 15	118641 ROLLER	6	1
- 16	100943ZA016J SPRING	3	1
- 17	102933D4ZJ0190 SPACER	3	1
- 18	MS20365-1032 NUT	3	1
- 18	60-530013-11 WELD ASSY	1	1
		/ATTACHING PARTS/		
	MS171498 PIN	2	
- 19	36-530025-27 TUBE	1	1
		/ATTACHING PARTS/		
- 20	MS171564 ROLL PIN	2	
- 21	36-530025-13 FOOT	2	1
- 22	36-530025-14 FOOT	2	1
		/ATTACHING PARTS/		
- 23	AN3-14A/M/ BOLT	2	
- 24	AN960-10L WASHER	2	
- 24	MS20365-1032 NUT	2	
- 25	AN3-14A/M/ BOLT	2	1
	102933D4ZJ1000 SPACER	2	1
	AN960-10L WASHER	2	1
- 26	MS20365-1032 NUT	2	1
- 27	60-530039-1 FRAME,LH.	1	1
- 28	60-530039-2 FRAME,RH.	1	1
	96-534073-9 SUPPORT INSTL,PILOTS SEAT BACK.	NP	1
	96-534073-10 SUPPORT INSTL,COPILOTS SEAT BACK.	NP	1
- 29	60-530043 CAM,PILOT & COPILOT CHAIR	2	1
		/ATTACHING PARTS/		
- 30	MS171534 ROLL PIN	1	
- 31	MS171539 ROLL PIN	1	

B E E C H C R A F T
 BONANZA 33 THRU E33
 I L L U S T R A T E D P A R T S C A T A L O G

FIG. & ITEM NO.	PART NO.	1	2	3	4	5	6	7	DESCRIPTION	UNITS PER ASSY	USABLE ON CODE
13B - 32	60-530046-1	SPRING,PILOT LH & COPILOT RH CHAIR.	1	1
- 33	MS171499	ROLL PIN,SPRING RETAINING	2	1
- 34	60-530046-2	SPRING,PILOT RH & COPILOT LH CHAIR.	1	1
- 35	60-530044	PIN,PILOT RH & COPILOT LH CHAIR	1	1
- 36	60-530045	PIN,PILOT LH & COPILOT RH CHAIR	1	1
- 37	60-530013-41	TUBE,PILOT & COPILOT CHAIR.	1	1
- 38	60-530047	KNOB,PILOT RH & COPILOT LH CHAIR.	1	1
									/ATTACHING PARTS/		
- 39	MS171507	ROLL PIN.	1	
									-----*		
- 40	36-530023-17	EXTENSION,CHAIR BOTTOM.	1	1
									/ATTACHING PARTS/		
	AN530-6R5	SCREW	10	
									-----*		
- 41	96-534072-17	PAN,CHAIR BACK.	1	1
									/ATTACHING PARTS/		
	AN530-8R6	SCREW	2	
									-----*		
- 42	130498C19-39	SEAT BELT ASSY.	1	1
	CS4000W/265-4	BUCKLE ASSY	1	1
	50-534733-1	PLACARD,BUCKLE.	1	1
	M2005M2	FITTING,SEAT BELT END	2	1
- 43	D611A	TIP	1	1
- 44	130569	PLATE,SEAT IDENTIFICATION	1	1
									/ATTACHING PARTS/		
	AN530-4R4	SCREW	2	
									-----*		
- 45	33-534039-11	COVER ASSY,CHAIR BOTTOM	1	1
- 46	33-534039-15	COVER ASSY,CHAIR BACK	1	1
									/ATTACHING PARTS/		
	NAS384-6-6P	SCREW	2	
	NAS391-6P	WASHER	2	
									-----*		
- 47	NO NUMBER	CUSHION ASSY,CHAIR BOTTOM	NP	1
- 48	NO NUMBER	CUSHION ASSY,CHAIR BACK	NP	1
- 49	130010	MOULDING.	2	
- 50	95-420017-5	TRACK,CENTER SEAT	2	1
- 51	95-420017-19	TRACK,INBOARD REAR SEAT	2	1
									/SUPERSEDES 95-420017-17/		
- 52	95-420017-19	TRACK,OUTBOARD REAR SEAT.	2	1
- 53	414-180657-3	STOP,TRACK SEAT	16	1
									/ATTACHING PARTS/		
	NAS221-21	SCREW	8	
	MS21042L3	NUT	8	
									-----*		
	55-5012-5	KIT,SHOULDER HARNESS.	1	1

C O D E S O F E F F E C T I V I T Y

- 1 CD-1119 AND AFTER,
 CE-180 AND AFTER

B E E C H C R A F T
B O N A N Z A 3 3 T H R U E 3 3
I L L U S T R A T E D P A R T S C A T A L O G

FIGURE 14
REAR SEAT
CD-1 THRU CD-813

BEECHCRAFT
BONANZA 33 THRU E33
ILLUSTRATED PARTS CATALOG

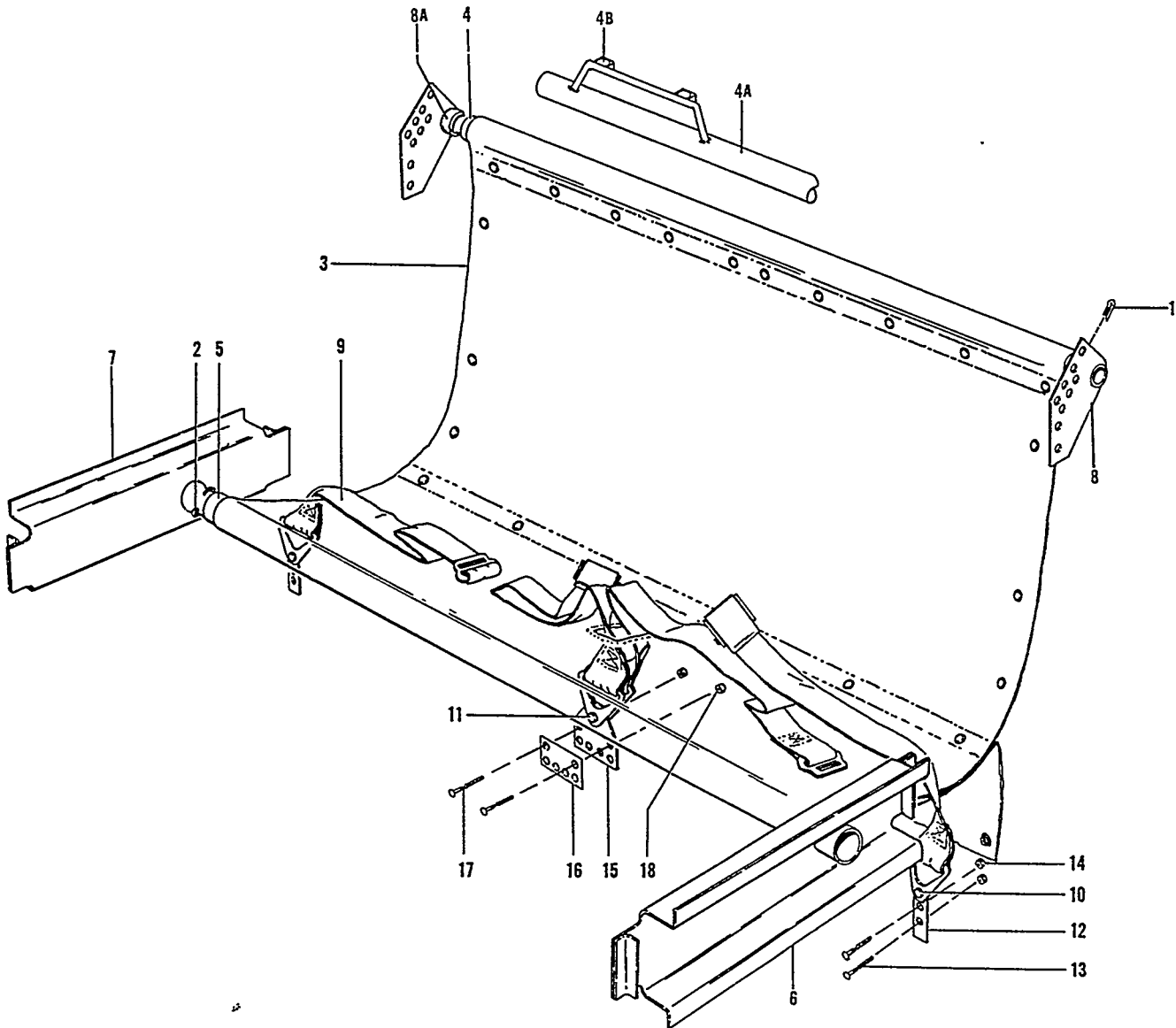


FIGURE 14-REAR SEAT

B E E C H C R A F T
B O N A N Z A 3 3 T H R U E 3 3
I L L U S T R A T E D P A R T S C A T A L O G

FIG. & ITEM NO.	PART NO.	DESCRIPTION	UNITS PER ASSY	USABLE ON CODE
		1 2 3 4 5 6 7		
14	33-534011	SEAT INSTL,REAR	NP	1
	33-534011-57	SEAT INSTL,REAR	NP	2
	33-534011-71	SEAT INSTL,REAR	NP	3
- 1	AN380-6-6	. PIN,COTTER	2	
- 2	AN380-6-10	. PIN,COTTER	2	
- 3	33-534011-39	. SLING,REAR SEAT UPHOLSTERY	1	1
	33-534011-55	. SLING,REAR SEAT UPHOLSTERY	1	4
- 4	33-534011-41	. TUBE,UPPER	1	1
	33-534011-51	. SUPPORT ASSY,UPPER	1	2
- 4A	33-534011-63	. SUPPORT ASSY,UPPER	1	3
- 4B	130010	. FITTING,HEADREST	4	4
- 5	33-534011-43	. TUBE,LOWER	1	
- 6	33-534011-45	. CHANNEL,LOWER TUBE LH SUPPORT	1	
- 7	33-534011-46	. CHANNEL,LOWER TUBE RH SUPPORT	1	
	33-534011-47	. PLATE,UPPER TUBE SUPPORT	2	5
- 8	33-534011-47	. PLATE,UPPER TUBE SUPPORT LH	1	3
- 8A	33-534011-69	. WELD ASSY,UPPER TUBE SUPPORT RH	1	3
- 9	FDK2700-105	. BELT ASSY,SEAT	1	
		/ATTACHING PARTS/		
- 10	AN4-6A /M/	. BOLT	1	
	AN960-416	. WASHER	2	
	NAS43-4-8	. SPACER	1	
	MS20365-428	. NUT	1	
- 11	AN4-6A /M/	. BOLT	1	
	AN960-416	. WASHER	1	
	NAS43-4-18	. SPACER	1	
	MS20365-428	. NUT	1	

	FDK2707	. . BUCKLE ASSY KIT	1	
	FDK2707-1	. . BUCKLE ASSY KIT,DOUBLE ADJUSTING	1	
- 12	33-534011-33	. STRAP,SAFETY BELT ATTACHMENT	2	
		/ATTACHING PARTS/		
- 13	SLSP-T8-9	. BOLT,HUCK	2	
- 14	6LC-C8	. COLLAR	2	

- 15	33-534011-35	. PLATE,SAFETY BELT ATTACHING	1	
- 16	33-534011-37	. SHIM,ATTACHING PLATE	1	
		/ATTACHING PARTS/		
- 17	SLSP-T8-4	. BOLT,HUCK	2	
- 18	6LC-C8	. COLLAR	2	

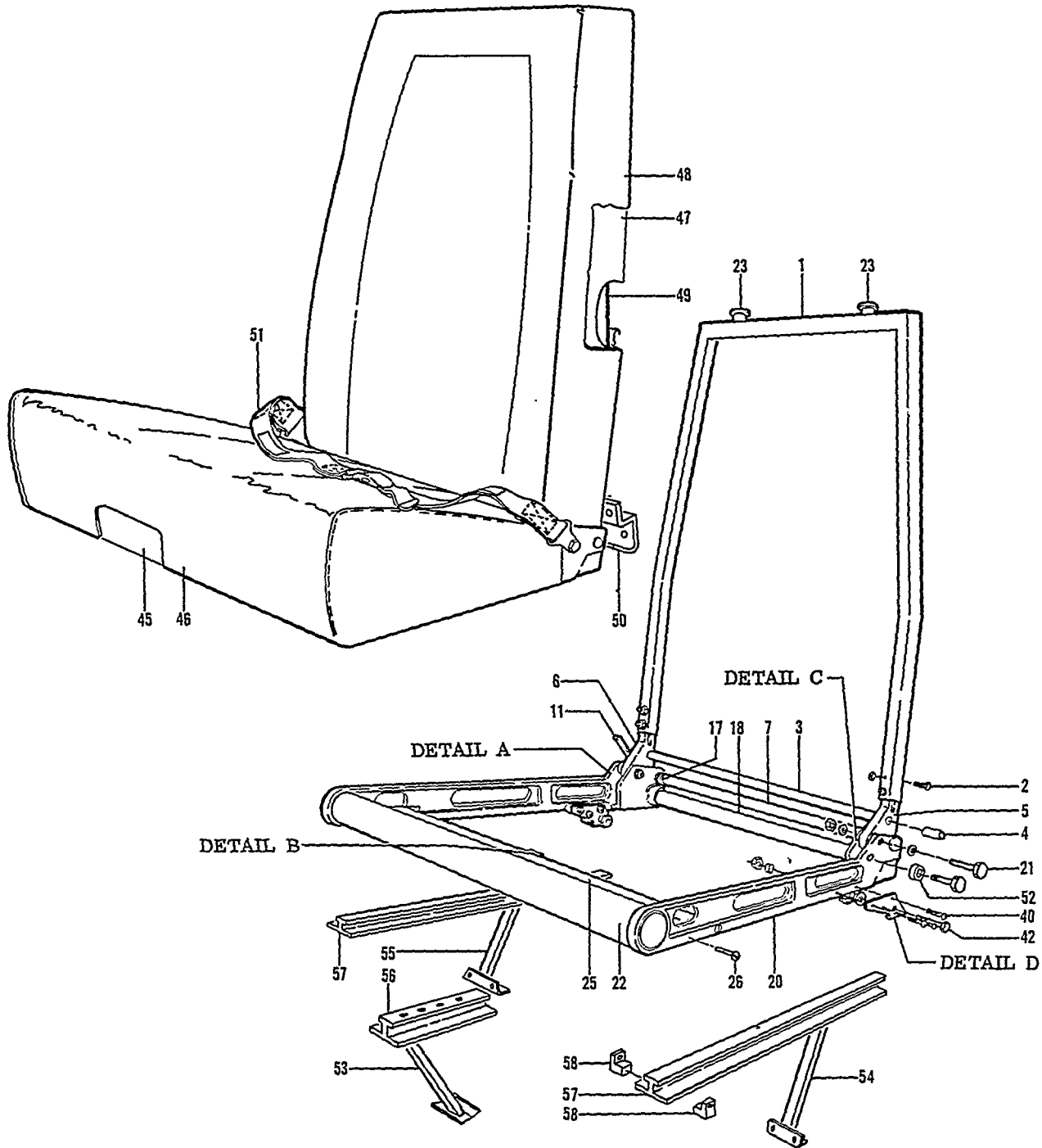
C O D E S O F E F F E C T I V I T Y

- | | |
|----------------------|----------------------|
| 1 CD-1 THRU CD-387 | 2 CD-388 THRU CD-658 |
| 3 CD-659 THRU CD-813 | 4 CD-388 THRU CD-813 |
| 5 CD-1 THRU CD-658 | |

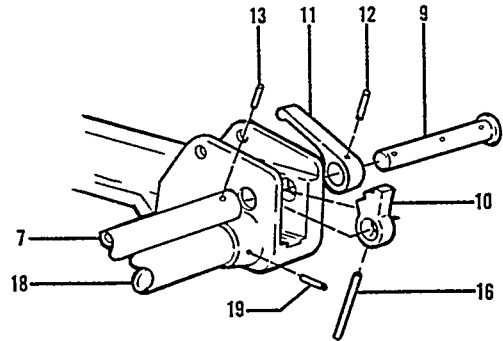
BEECHCRAFT
BONANZA 33 THRU E33
ILLUSTRATED PARTS CATALOG

FIGURE 14A
REAR SEAT
CD-814 THRU CD-1118, CE-1 THRU CE-179

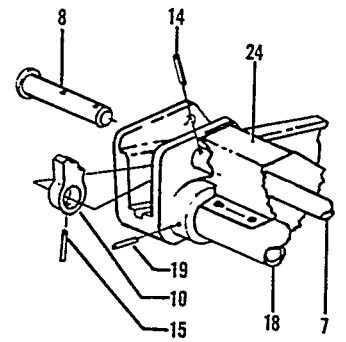
BEECHCRAFT
 BONANZA 33 THRU E33
 ILLUSTRATED PARTS CATALOG



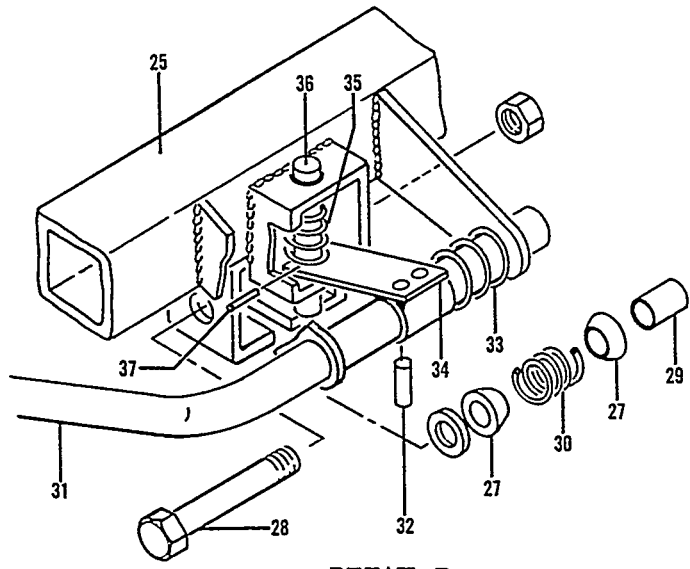
BEECHCRAFT
 BONANZA 33 THRU E33
 ILLUSTRATED PARTS CATALOG



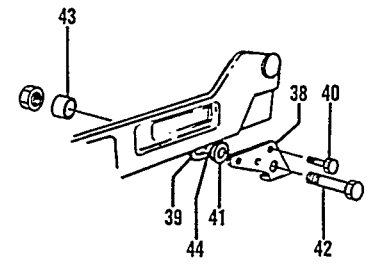
DETAIL A



DETAIL C



DETAIL B



DETAIL D

B E E C H C R A F T
B O N A N Z A 3 3 T H R U E 3 3
I L L U S T R A T E D P A R T S C A T A L O G

FIG. & ITEM NO.	PART NO.	DESCRIPTION	UNITS PER ASSY	USABLE ON CODE
		1 2 3 4 5 6 7		
14A	33-534031-1	SEAT INSTL,PASSENGER AFT.	NP	3
	33-534031-23	SEAT INSTL,PASSENGER AFT.	NP	2
	33-534031-25	SEAT INSTL,PASSENGER AFT /USE WITH 5TH SEAT/.	NP	2
	33-534027-1	. SEAT ASSY,UPHOLSTERED LH.	1	3
	33-534027-9	. SEAT ASSY,UPHOLSTERED LH.	1	2
	33-534027-2	. SEAT ASSY,UPHOLSTERED RH.	1	3
	33-534027-10	. SEAT ASSY,UPHOLSTERED RH.	1	2
	96-534014-3 FRAME ASSY,LH	1	3
	96-534014-91 FRAME ASSY,LH	1	2
	96-534014-5 FRAME ASSY,RH	1	3
	96-534014-92 FRAME ASSY,RH	1	2
	18-534013-3 FRAME ASSY,CHAIR STRUCTURE UPPER LH	1	1
	18-534013-4 FRAME ASSY,CHAIR STRUCTURE UPPER RH	1	1
	18-534013-39 BACK ASSY,CHAIR	1	1
- 1	18-534013-13 WELD ASSY,CHAIR BACK.	1	1
		/ATTACHING PARTS/		
- 2	AN525-1032R SCREW	4	
	MS20365-1032 NUT	4	
- 3	18-534013-15 TUBE,CHAIR BACK	1	1
		/ATTACHING PARTS/		
- 4	MS171688 PIN,ROLL.	2	
- 5	18-534016-1 FORGING,CHAIR BACK LH	1	1
- 6	18-534016-2 FORGING,CHAIR BACK RH	1	1
	18-534013-45 BOTTOM ASSY,CHAIR LH.	1	1
	18-534013-46 BOTTOM ASSY,CHAIR RH.	1	1
- 7	18-534013-19 TUBE,CHAIR BOTTOM	1	1
- 8	MS20392-5-81 PIN,FLATHEAD.	1	1
- 9	MS20392-5-93 PIN,FLATHEAD LH CHAIR	1	1
		/SUPERSEDES 18-534013-21/		
		/SUPERSEDES 18-534013-23/		
- 10	18-534013-24 PIN,FLATHEAD RH CHAIR	1	1
- 11	18-534013-25 CAM,CHAIR BACK RELEASE.	2	1
- 12	18-534013-71 HANDLE,CHAIR BACK RELEASE	1	1
- 13	MS171498 PIN,ROLL.	1	1
- 14	MS171499 PIN,ROLL.	1	1
- 15	MS171496 PIN,ROLL.	1	1
- 16	MS171530 PIN,ROLL.	1	1
- 17	MS171539 PIN,ROLL.	1	1
- 18	18-534022-1 SPRING,BACK RELEASE TORSION INBD.	1	1
	18-534022-2 SPRING,BACK RELEASE TORSION OUTBD	1	1
	AN960-616 WASHER.	1	1
- 19	18-534013-17 TUBE,CHAIR BOTTOM	1	1
		/ATTACHING PARTS/		
- 20	MS171534 PIN,ROLL.	1	
- 21	18-534015-1 SIDE,CHAIR BOTTOM LH.	1	1
	18-534015-2 SIDE,CHAIR BOTTOM RH.	1	1
		/ATTACHING PARTS/		
- 22	AN24-34A/M/ BOLT.	2	
	AN960-416 WASHER.	2	
	AN960-416L WASHER.	2	
	22K2-048 CAP NUT	2	
- 23	18-534013-27 TUBE,CHAIR BOTTOM	1	1
- 24	130010 FITTING,HEADREST.	2	1
- 25	18-534013-67 COVER,CAM MECHANISM	1	1
		/ATTACHING PARTS/		
	AN530-6 SCREW	3	
	AN227-8B STUD.	3	
	NAS384-6 SCREW	3	
- 26	96-534013-23 WELD ASSY,CHAIR FOOT FWD.	1	1
		/ATTACHING PARTS/		
- 27	AN525-10R SCREW	4	
	MS20365-1032 NUT	4	

B E E C H C R A F T
 BONANZA 33 THRU E33
 I L L U S T R A T E D P A R T S C A T A L O G

FIG. & ITEM NO.	PART NO.	DESCRIPTION	UNITS PER ASSY	USABLE ON CODE
		1 2 3 4 5 6 7		
14A - 27	118641	• • • ROLLER,CHAIR FWD.	2	1
		/ATTACHING PARTS/		
- 28	AN3A	• • • BOLT.	1	
- 29	NAS43DD3-16	• • • SPACER.	1	
- 30	100943ZA016J	• • • SPRING.	1	
	AN960-10	• • • WASHER.	1	
	MS20365-1032	• • • NUT	1	
		-----*		
- 31	96-534014-63	• • • HANDLE,CHAIR ADJUSTMENT /FORE & AFT/. . .	1	1
		/ATTACHING PARTS/		
- 32	MS171498	• • • PIN,ROLL.	2	
		-----*		
- 33	100943ZJ108D	• • • SPRING,ADJUSTING HANDLE	1	1
- 34	96-534014-69	• • • WELD ASSY,ADJUSTING PIN LIFTER.	1	1
- 35	100943ZS023G	• • • SPRING,ADJUSTING PIN.	1	1
	AN960-416	• • • WASHER.	1	1
- 36	96-534014-9	• • • PIN,SEAT ADJUSTMENT	1	1
- 37	1/16 X 1/2	• • • PIN,DRIVELOK /TYPE E/	2	1
- 38	96-534014-55	• • • FOOT,CHAIR REAR LH.	2	3
	96-534014-95	• • • FOOT,CHAIR REAR LH.	2	2
- 39	96-534014-56	• • • FOOT,CHAIR REAR RH.	2	3
	96-534014-94	• • • FOOT,CHAIR REAR RH.	2	2
		/ATTACHING PARTS/		
- 40	AN525-10R	• • • SCREW	3	
	MS20365-1032	• • • NUT	3	
		-----*		
- 41	118641	• • • ROLLER,CHAIR AFT.	4	1
		/ATTACHING PARTS/		
- 42	AN3A	• • • BOLT.	1	
- 43	NAS43DD3-16	• • • SPACER.	1	
- 44	100943ZA016J	• • • SPRING.	1	
	AN960-10	• • • WASHER.	1	
	MS20365-1032	• • • NUT	1	
		-----*		
- 45	35-534426-3	• • • CUSHION,CHAIR BOTTOM.	1	1
- 46	33-534027-7 C	• • • COVER ASSY,CHAIR BOTTOM	1	1
- 47	33-534027-5	• • • CUSHION ASSY,CHAIR BACK	1	1
- 48	33-534027-3 C	• • • COVER ASSY,CHAIR BACK	1	1
- 49	96-534013-9	• • • PANEL ASSY,CHAIR BACK	1	1
- 50	96-534013-31	• • • ANGLE,CHAIR BACK.	1	1
		/ATTACHING PARTS/		
	NAS384-6-10P	• • • SCREW	3	
	NAS384-6-6P	• • • SCREW	4	
	NAS391-6	• • • WASHER.	7	
	NAS395-7-1	• • • NUT	4	
		-----*		
- 51	FDC2700-107	• • • BELT ASSY,SEAT.	1	1
		/ATTACHING PARTS/		
- 52	AN24-38A/M/ 102933D5ZM0190 100801X6-0813 22K2-048	• • • BOLT. • • • SPACER,OUTBD LH & RH CHAIR. • • • SPACER,INBD LH & RH CHAIR • • • CAPNUT.	2 1 1 2	
		-----*		
	FDK2707	• • • BUCKLE ASSY KIT	1	1
	FDK2707-1	• • • BUCKLE ASSY KIT,DOUBLE ADJUSTING.	1	1
		/OPTIONAL/		
- 53	95-420016-35 95-420016-36	• SUPPORT ASSY,LH CENTER TRACK. • SUPPORT ASSY,RH CENTER TRACK.	1 1	1 1
- 54	33-534031-11	• SUPPORT ASSY,LH OUTBD SIDE TRACK.	1	1
- 55	33-534031-17 33-534031-12	• SUPPORT ASSY,LH INBD SIDE TRACK • SUPPORT ASSY,LH & RH SIDE TRACK	1 2	1 1
		/ATTACHING PARTS/		
	SLSP-T6-5	• BOLT.	2	
	6LC-C6	• COLLAR.	2	
		-----*		

B E E C H C R A F T
 BONANZA 33 THRU E33
 I L L U S T R A T E D P A R T S C A T A L O G

FIG. & ITEM NO.	PART NO.	DESCRIPTION							UNITS PER ASSY	USABLE ON CODE
		1	2	3	4	5	6	7		
14A - 56	33-534031-9	. TRACK,CENTER.							1	3
	33-534031-21	. TRACK,CENTER /LH ONLY USE WITH 5TH SEAT/.							1	2
- 57	33-534031-7	. TRACK,SIDE.							2	1
		/ATTACHING PARTS/								
	PP200-4	. JO-BOLT							2	
	MS27039-1-10	. SCREW							4	
	AN960PD10L	. WASHER.							4	
	AN960-10	. WASHER.							4	
	MS21042L3	. NUT							4	

- 58	414-180657-3	. STOP.							4	1
		/ATTACHING PARTS/								
	NAS221-1032	. SCREW							1	
	MS21042L3	. NUT							1	

C O D E S O F E F F E C T I V I T Y

- 1 CD-814 THRU CD-1118, 2 CD-953 THRU CD-1118,
 CE-1 THRU CE-179 CE-1 THRU CE-179
 3 CD-814 THRU CD-952

B E E C H C R A F T
B O N A N Z A 3 3 T H R U E 3 3
I L L U S T R A T E D P A R T S C A T A L O G

FIGURE 14B
REAR SEAT
CD-1119 AND AFTER, CE-180 AND AFTER

BEECHCRAFT
 BONANZA 33 THRU E33
 ILLUSTRATED PARTS CATALOG

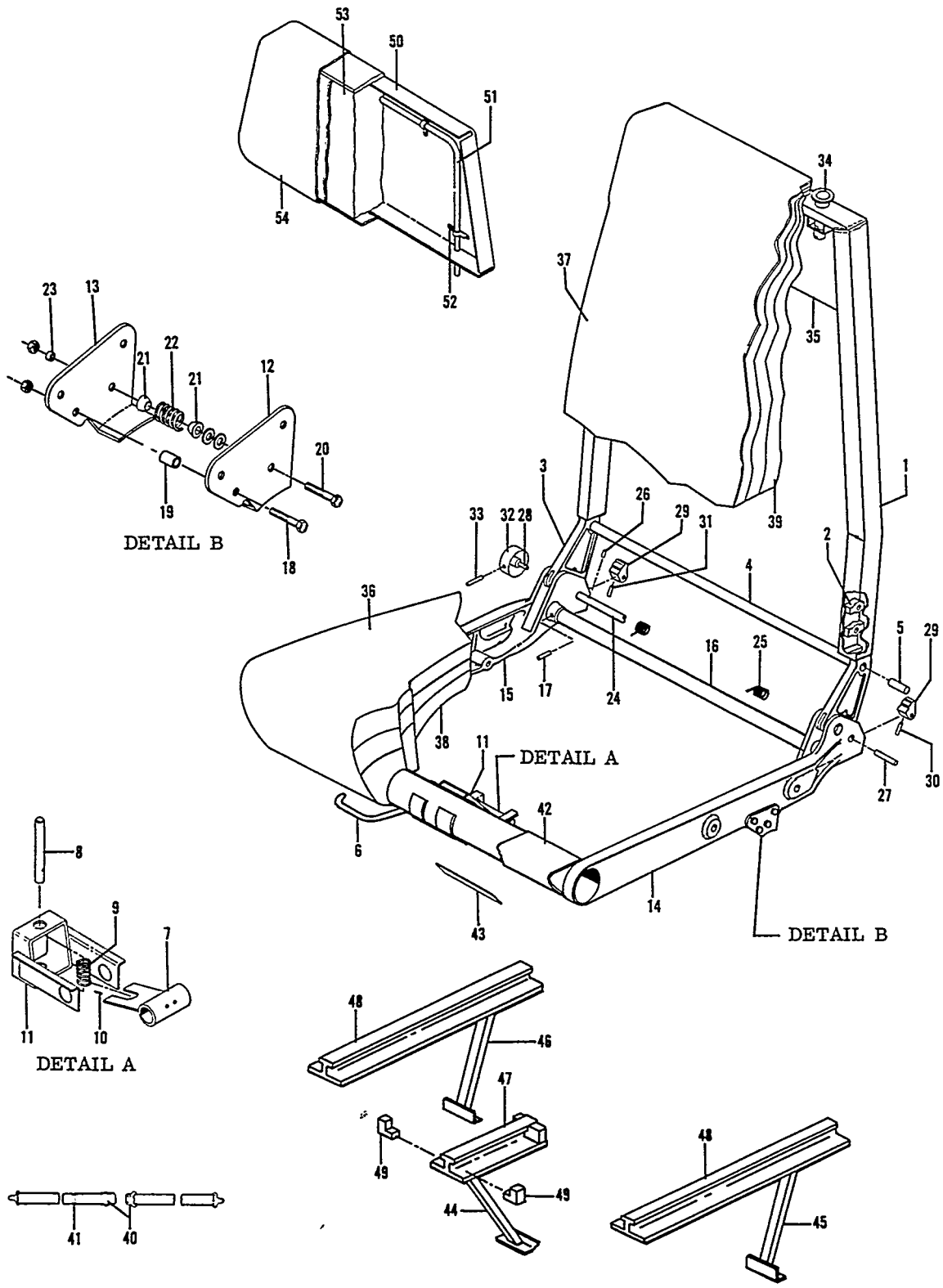


FIGURE 14B-REAR SEAT

B E E C H C R A F T
B O N A N Z A 3 3 T H R U E 3 3
I L L U S T R A T E D P A R T S C A T A L O G

FIG. & ITEM NO.	PART NO.	1	2	3	4	5	6	7	DESCRIPTION	UNITS PER ASSY	USABLE ON CODE
14B	33-534038-1								SEATING INSTL,PASSENGERS /4 PLACE/	NP	1
	33-534038-3								SEATING INSTL,PASSENGERS /5 PLACE/	NP	1
	33-534031-27								SEAT INSTL,PASSENGERS /4 PLACE/	NP	1
	33-534031-29								SEAT INSTL,PASSENGERS /5 PLACE/	NP	1
	33-534039-5								CHAIR ASSY,LH PASSENGERS UPHOLSTERED.	1	1
	33-534039-7								CHAIR ASSY,RH PASSENGERS UPHOLSTERED.	1	1
	96-534074-5								FRAME ASSY,LH CHAIR	1	1
	96-534074-7								FRAME ASSY,RH CHAIR	1	1
	60-530042-15								BACK ASSY,LH CHAIR.	1	1
	60-530042								BACK ASSY,RH CHAIR.	1	1
									/ATTACHING PARTS/		
	NAS221-21								SCREW	2	
	100951X032WF								WASHER /UNDER SCREW HEAD/	2	
	102933D4ZM0190								SPACER.	2	
	AN960-10L								WASHER.	2	
	22K2-02								CAPNUT.	2	
									-----*		
- 1	60-530042-1								WELD ASSY,CHAIR BACK.	1	1
- 2	60-530042-13								SPACER.	1	1
- 3	60-530040-1								ADAPTER	2	1
									/ATTACHING PARTS/		
	AN525-10R14								SCREW	2	
	AN525-10R22								SCREW	2	
	AN960-10								WASHER.	2	
	MS20364-1032								NUT	2	
									-----*		
- 4	60-530042-9								TUBE.	1	1
									/ATTACHING PARTS/		
- 5	MS171684								ROLL PIN.	2	
									-----*		
- 6	96-534074-23								WELD ASSY,LH CHAIR HANDLE	1	1
	96-534074-17								WELD ASSY,RH CHAIR HANDLE	1	1
- 7	60-530013-11								WELD ASSY	1	1
									/ATTACHING PARTS/		
	MS171498								ROLL PIN.	2	
									-----*		
	96-534074-9								FRAME ASSY,CHAIR BOTTOM	1	1
- 8	60-530025-15								PIN,SEAT ADJUSTING.	1	1
- 9	100943ZS027G								SPRING.	1	1
- 10	1/16 X 1/2								PIN,DRIVELOCK /TYPE E/.	1	1
	AN960-416L								WASHER.	2	1
- 11	96-534074-13								WELD ASSY,FRONT LEG	1	1
- 12	36-530025-13								FOOT.	2	1
- 13	36-530025-14								FOOT.	2	
									/ATTACHING PARTS/		
	AN3-14A/M/								BOLT.	2	
	AN960-10L								WASHER.	2	
	MS20365-1032								NUT	2	
									-----*		
- 14	60-530039-1								FRAME,LH SIDE	1	1
- 15	60-530039-2								FRAME,RH SIDE	1	1
- 16	36-530026-13								SUPPORT,CHAIR BOTTOM.	1	1
									/ATTACHING PARTS/		
- 17	MS171534								PIN	2	
									-----*		
- 18	AN3-14A/M/								BOLT.	2	1
- 19	102933D4ZJ1000								SPACER.	2	1
	AN960-10L								WASHER.	2	1
	MS20365-1032								NUT	2	1
- 20	AN3-14A/M/								BOLT.	3	1
- 21	118641								ROLLER.	6	1
- 22	100943ZA016J								SPRING.	3	1
- 23	102933D4ZJ0190								SPACER.	3	1
	AN960-10L								WASHER.	6	1
	MS20365-1032								NUT	3	1

B E E C H C R A F T
B O N A N Z A 3 3 T H R U E 3 3
I L L U S T R A T E D P A R T S C A T A L O G

FIG. & ITEM NO.	PART NO.	1	2	3	4	5	6	7	DESCRIPTION	UNITS PER ASSY	USABLE ON CODE
148	96-534073-9	SUPPORT INSTL,LH CHAIR BACK	NP	1
	96-534073-10	SUPPORT INSTL,RH CHAIR BACK	NP	1
- 24	60-530013-41	TUBE	1	1
	60-530046-1	SPRING,OUTBD LH & RH CHAIR	1	1
- 25	60-530046-2	SPRING,INBD LH & RH CHAIR	1	1
- 26	MS171499	SUPPORT INSTL,RH CHAIR BACK	2	1
- 26		PIN,SPRING RETAINING		1
- 27	60-530045	PIN,OUTBD	1	1
- 28	60-530044	PIN,INBD	1	1
- 29	60-530043	CAM	2	1
- 30	MS171534	PIN	1	1
- 31	MS171539	PIN	1	1
- 32	60-530047	KNOB	1	1
- 33	MS171507	PIN,KNOB ATTACHING	1	1
- 34	130010	MOULDING	2	1
- 35	96-534072-17	PAN,CHAIR BACK	1	1
		/ATTACHING PARTS/		
	AN530-8R6	SCREW	2	
- 36	33-534039-11	COVER ASSY,SEAT BOTTOM	1	1
- 37	33-534039-15	COVER ASSY,SEAT BACK	1	1
		/ATTACHING PARTS/		
	NAS384-6-6P	SCREW	2	
	NAS391-6P	WASHER	2	
- 38	NO NUMBER	CUSHION ASSY,SEAT BOTTOM	NP	1
- 39	NO NUMBER	CUSHION ASSY,SEAT BACK	NP	1
	130498C19-39	SEAT BELT ASSY	1	1
- 40	CS4000W/265-4	BUCKLE ASSY	1	1
	50-534733-1	PLACARD,BUCKLE	1	1
	M2005M2	FITTING,SEAT BELT END	2	1
- 41	D611A	TIP	1	1
- 42	36-530023-17	EXTENSION,CHAIR BOTTOM	1	1
		/ATTACHING PARTS/		
	AN530-6R5	SCREW	10	
- 43	130569	PLATE,SEAT IDENTIFICATION	1	1
		/ATTACHING PARTS/		
	AN530-4R4	SCREW	2	
- 44	96-420016-35	SUPPORT ASSY,LH CENTER TRACK	1	1
	96-420016-36	SUPPORT ASSY,RH CENTER TRACK	1	1
- 45	33-534031-11	SUPPORT ASSY,LH OUTBD SEAT TRACK	1	1
- 46	33-534031-17	SUPPORT ASSY,LH INBD SEAT TRACK	1	1
	33-534031-12	SUPPORT ASSY RH INBD & OUTBD SEAT TRACK	2	1
		/ATTACHING PARTS/		
	SLSP-T6-5	BOLT	2	
	6LC-C6	COLLAR	2	
- 47	33-534031-9	TRACK,RH & LH CENTER SEAT /4 PLACE INSTL/	2	1
	33-534031-9	TRACK,RH CENTER SEAT /5 PLACE INSTL/	1	1
	33-534031-21	TRACK,LH CENTER SEAT /5 PLACE INSTL/	1	1
- 48	33-534031-31	TRACK,LH & RH REAR SIDE	4	1
		/ATTACHING PARTS/		
	AN509-10R8	SCREW	AR	
	AN960-10	WASHER	AR	
	MS21042L3	NUT	AR	
- 49	414-180657-3	STOP,SEAT TRACK	8	1
		/ATTACHING PARTS/		
	NAS221-21	SCREW	1	
	MS21042L3	NUT	1	
- 50	60-530060-1	HEADREST ASSY,PASSENGERS	2	1
	60-530060-3	FRAME ASSY,HEADREST	1	1
	60-530060-5	FRAME	1	1

B E E C H C R A F T
 BONANZA 33 THRU E33
 I L L U S T R A T E D P A R T S C A T A L O G

FIG. & ITEM NO.	PART NO.	DESCRIPTION							UNITS PER ASSY	USABLE ON CODE
		1	2	3	4	5	6	7		
148 - 51	60-530060-7	.	.	SUPPORT	1	1
		/ATTACHING PARTS/								
- 52	750-6	.	.	CLAMP, SUPPORT	4	
	AN515-8R5	.	.	SCREW	8	
	MS20364-832	.	.	NUT	8	

- 53	NO NUMBER	.	.	CUSHION ASSY.	NP	1
- 54	60-530060-9	.	.	COVER ASSY.	1	1
	33-534040-1	.	.	COVER INSTL, SEAT	NP	1
	96-534077-7	.	.	SEAT COVER, BOTTOM /GREEN TENT CLOTH/	AR	1
	96-534077-9	.	.	SEAT COVER, BACK /GREEN TENT CLOTH/	AR	1

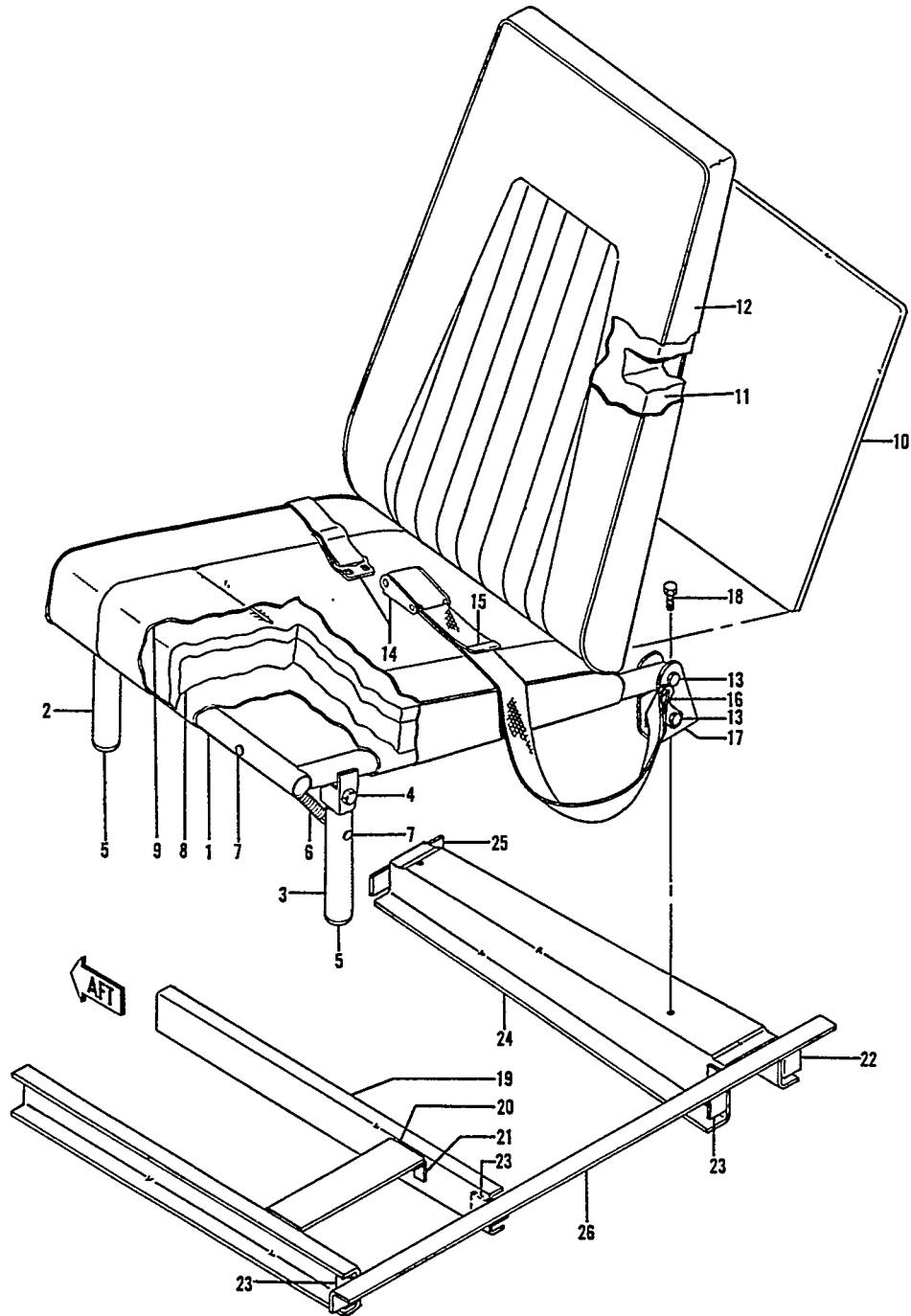
CODES OF EFFECTIVITY

- 1 CD-1119 AND AFTER,
- CE-180 AND AFTER

B E E C H C R A F T
B O N A N Z A 3 3 T H R U E 3 3
I L L U S T R A T E D P A R T S C A T A L O G

FIGURE 14C
FIFTH SEAT
CD-956 AND AFTER, CE-1 AND AFTER

BEECHCRAFT
BONANZA 33 THRU E33
ILLUSTRATED PARTS CATALOG



B E E C H C R A F T
BONANZA 33 THRU E33
I L L U S T R A T E D P A R T S C A T A L O G

FIG. & ITEM NO.	PART NO.	DESCRIPTION	1 2 3 4 5 6 7						UNITS PER ASSY	USABLE ON CODE
			1	2	3	4	5	6		
14C	33-534033-1	SEAT INSTL, SIDE FACING FIFTH.							NP	2
	33-534033-63	SEAT INSTL, SIDE FACING FIFTH.							NP	3
	33-534033-601 C	. SEAT ASSY							1	2
	33-534033-603 C	. SEAT ASSY							1	3
		/ATTACHING PARTS/								
	AN4	. BOLT.							2	
	AN960-10	. WASHER.							2	
	MS20365-1032	. NUT							2	

- 1	96-534051-25	. . WELD ASSY, SEAT BOTTOM							1	1
- 2	96-534051-27	. . LEG, AFT							1	1
- 3	33-534033-29	. . LEG, FWD							1	1
		/ATTACHING PARTS/								
- 4	AN3-14A /M/	. . BOLT.							2	
	AN960-10	. . WASHER.							2	
	MS20365-1032	. . NUT							2	

- 5	HS51248	. . PLUG BUTTON							2	1
- 6	100942L0200-48	. . SPRING, LEG STOWAGE.							2	1
- 7	AN392-35	. . PIN, SPRING ATTACH							2	1
- 8	96-534051-45	. . CUSHION, SEAT BOTTOM							1	1
- 9	33-534027-15 C	. . COVER ASSY, SEAT BOTTOM.							1	2
	33-534033-69	. . COVER ASSY, SEAT BOTTOM.							1	3
- 10	35-534432-7	. . PANEL ASSY, SEAT BACK SUPPORT.							1	1
- 11	33-534033-33	. . CUSHION, SEAT BACK							1	1
- 12	33-534033-35	. . COVER ASSY, SEAT BACK.							1	2
	33-534033-67	. . COVER ASSY, SEAT BACK.							1	3
	AN227-6	. . STUD.							12	1
	AN227-7B	. . STUD.							12	1
	95-534039-23	. . BELT ASSY, SEAT.							1	2
	130498C19-39	. . BELT ASSY, SEAT.							1	3
		/ATTACHING PARTS/								
- 13	AN4-	. . BOLT.							2	
	AN960-416	. . WASHER.							2	
	MS20365-428	. . NUT							2	
	102933D52M0190	. . SPACER.							2	

- 14	FDK2707	. . . BUCKLE ASSY, SEAT BELT							1	2
	CS400W/265-4	. . . BUCKLE ASSY, SEAT BELT							1	3
- 15	D611A	. . . TIP, SEAT BELT							1	1
- 16	115123-4	. . . FITTING, SEAT BELT /SUPERSEDES 113676-4/							2	2
	M2005M2	. . . FITTING, SEAT BELT							2	3
	33-534033-21	. WELD ASSY, AFT SEAT SUPPORT.							1	1
- 17	33-534033-27	. WELD ASSY, FWD SEAT SUPPORT.							1	1
		/ATTACHING PARTS/								
- 18	AN6-	. . BOLT.							2	

- 19	33-534033-7	. CHANNEL, FLOOR SUPPORT LH.							1	1
	33-534033-8	. CHANNEL, FLOOR SUPPORT RH.							1	1
- 20	33-534033-57	. TRACK, FLOOR SUPPORT							1	1
- 21	33-534033-55	. ANGLE, TRACK ATTACH.							4	1
- 22	33-534033-13	. CLIP, CHANNEL.							1	1
- 23	33-534033-15	. CLIP, CHANNEL.							3	1
- 24	33-534033-43	. CHANNEL, HAT SECTION							1	1
- 25	33-534033-39	. CHANNEL, AFT SUPPORT							1	1
- 26	33-534033-45	. ANGLE, BULKHEAD SUPPORT.							1	1

CODES OF EFFECTIVITY

- | | |
|--|--|
| 1 CD-956 AND AFTER,
CE-1 AND AFTER | 2 CD-956 THRU CD-1118,
CE-1 THRU CE-179 |
| 3 CD-1119 AND AFTER,
CE-180 AND AFTER | |

B E E C H C R A F T
B O N A N Z A 3 3 T H R U E 3 3
I L L U S T R A T E D P A R T S C A T A L O G

FIGURE 15
UPHOLSTERY
CD-1 THRU CD-224, CD-233, CD-234,
CD-236, CD-241, CD-246 THRU CD-250

BEECHCRAFT
 BONANZA 33 THRU E33
 ILLUSTRATED PARTS CATALOG

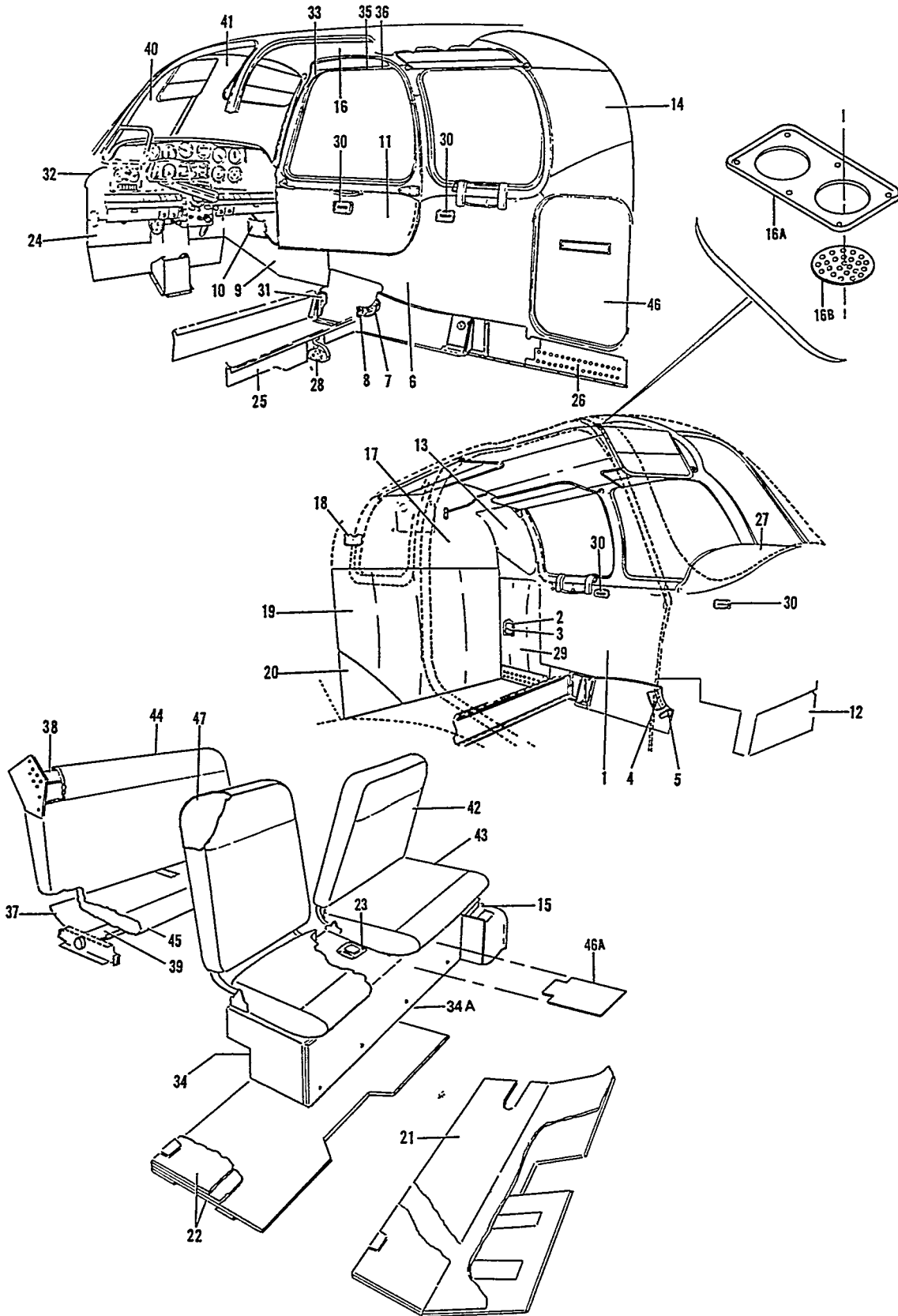


FIGURE 15. UPHOLSTERY

B E E C H C R A F T
B O N A N Z A 3 3 T H R U E 3 3
I L L U S T R A T E D P A R T S C A T A L O G

FIG. & ITEM NO.	PART NO.	DESCRIPTION							UNITS PER ASSY	USABLE ON CODE
		1	2	3	4	5	6	7		
15	33-530000	UPHOLSTERY & SOUNDPROOFING INSTL.							NP	3
	33-530000-113	. PANEL ASSY,SIDE WALL LH							1	2
	33-530000-3	. PANEL ASSY,SIDEWALL LH.							1	1
	33-530000-115	. . PANEL,SIDEWALL LH							1	2
- 1	33-530000-1	. . PANEL,SIDEWALL LH							1	1
- 2	35-534192-14	. . DOOR ASSY,STATIC LINE AIR DRAIN							1	3
		/ATTACHING PARTS/								
	98292-1-090	. . STUD.							1	
	99836	. . PIN							1	

- 3	35-410175	. . PLACARD,STATIC AIR LINE DRAIN							1	3
	99833C098	. . NUT							1	3
- 4	35-534201-2	. . ANGLE ASSY,UPPER LH							1	3
- 5	35-534202-2	. . ANGLE ASSY,LOWER LH							1	3
	33-530000-7	. . PANEL ASSY,SIDEWALL RH AFT.							1	3
- 6	33-530000-5	. . PANEL,SIDEWALL RH AFT							1	3
- 7	35-534201-3	. . ANGLE ASSY,UPPER RH							1	3
- 8	35-534202-3	. . ANGLE ASSY,LOWER RH							1	3
	33-530000-11	. . PANEL ASSY,SIDEWALL RH FWD.							1	3
- 9	33-530000-9	. . PANEL,SIDEWALL RH FWD							1	3
- 10	35-534300-238	. . FRAME,PLACARD							1	3
- 11	33-530000-15	. . DOOR ASSY,LOWER CABIN							1	3
- 12	33-530000-23	. . PLATE ASSY,LH FWD INSPECTION.							1	3
- 13	33-530000-27	. . PANEL ASSY,LH QUARTER							1	3
		/NOT USED WITH 3RD WINDOW/								
	33-410011-1	. . PANEL ASSY,LH QUARTER /USED WITH 3RD WINDOW/.							1	3
- 14	33-530000-31	. . PANEL ASSY,RH QUARTER							1	3
		/NOT USED WITH 3RD WINDOW/								
	33-410011-2	. . PANEL ASSY,RH QUARTER /USED WITH 3RD WINDOW/.							1	3
- 15	35-410451-29	. . PANEL ASSY,FWD COVER.							1	3
	33-530000-117	. . PANEL ASSY,CEILING.							1	2
		/NOT USED WITH 3RD WINDOW/								
- 16	33-530000-35	. . PANEL ASSY,CEILING.							1	1
		/NOT USED WITH 3RD WINDOW/								
- 16A	33-410011-5	. . PANEL ASSY,CEILING /USED WITH 3RD WINDOW/							1	3
	33-530000-97	. . COVER,OVERHEAD SPEAKER.							1	3
		/ATTACHING PARTS/								
	NAS384-6	. . SCREW							6	

- 16B	33-530000-109	. . GRILL,SPEAKER							1	3
	33-530000-39	. . PANEL ASSY,UPPER SECTION.							1	3
- 17	33-530000-37	. . . PANEL,UPPER SECTION							1	3
- 18	35-534300-308	. . HOLDER,CARD							1	3
- 19	33-530000-41	. . PANEL ASSY,REMOVABLE BULKHEAD							1	3
- 20	33-530000-43	. . PANEL ASSY,TRIANGULAR							1	3
- 21	33-530000-47	. . CARPET ASSY,FWD FLOOR							1	3
- 22	33-530000-51	. . CARPET ASSY,AFT FLOOR							1	3
- 23	33-530000-57	. . PAN,FWD SEAT.							1	3
- 24	33-530000-91	. . PANEL ASSY,FIREWALL INSULATION.							1	3
- 25	33-530000-61	. . PANEL ASSY,PARTITION.							1	3
- 26	33-530000-79	. . PANEL ASSY,BAGGAGE RH							1	3
- 27	33-530000-81	. . PANEL ASSY,DECK COVER							1	3
- 28	35-534052	. . COVER,LANDING GEAR CRANK.							1	3
- 29	35-534192-14	. . COVER ASSY,STATIC AIR DRAIN DOOR.							1	3
- 30	35-534242	. . TRAY ASSY,ASH							4	3
- 31	35-534300-112	. . BRACKET							1	3
- 32	35-534305-43	. . LINER,COWL							1	3
- 33	35-534307-67	. . SEAL,DOOR							1	3
	99833C098	. . RECEPTACLE							1	3
	33-534015	. . COVER INSTL							NP	3
- 34	33-534015-1	. . . COVER ASSY,LH FRONT SEAT STRUCTURE.							1	3
	33-534015-2	. . . COVER ASSY,RH FRONT SEAT STRUCTURE.							1	3
- 34A	33-530000-59	. . SKIRT,FRONT SEAT.							1	3
- 35	33-530000-107	. . GIMP,CABIN DOOR							1	3
- 36	PS0-810-1	. . COVER,GIMP.							1	3

B E E C H C R A F T
B O N A N Z A 3 3 T H R U E 3 3
I L L U S T R A T E D P A R T S C A T A L O G

FIG. & ITEM NO.	PART NO.	DESCRIPTION	UNITS PER ASSY	USABLE ON CODE
		1 2 3 4 5 6 7		
15 - 37	33-530000-85	• PAN ASSY,SEAT	1	3
- 38	33-530000-89	• RING,UPPER SEAT	1	3
- 39	33-530000-87	• RING,LOWER SEAT	1	3
- 40	35-410291-164	• WINDSHIELD ASSY,LH	1	3
	35-410291-36	• • FRAME,LH WINDSHIELD	1	3
	35-410291-40	• • RETAINER,LH WINDSHIELD	1	3
- 41	35-410291-165	• WINDSHIELD ASSY,RH	1	3
	35-410291-39	• • FRAME,RH WINDSHIELD	1	3
	35-410291-43	• • RETAINER,RH WINDSHIELD	1	3
	35-534304-147	• • KIT,SOUNDPROOFING	1	3
- 42	33-530000-67	• CUSHION ASSY,FWD SEAT BACK	1	3
	33-530000-75	• • CUSHION,FWD SEAT BACK	1	3
- 43	33-530000-65	• CUSHION ASSY,FWD SEAT BOTTOM	1	3
	33-530000-69	• • CUSHION,FWD SEAT BOTTOM	1	3
- 44	33-530000-73	• CUSHION ASSY,AFT SEAT BACK	1	3
	33-530000-71	• • CUSHION,AFT SEAT BACK	1	3
- 45	33-530000-95	• CUSHION ASSY,AFT SEAT BOTTOM	1	3
	33-530000-93	• • CUSHION,AFT SEAT BOTTOM	1	3
	33-530000-96	• CUSHION ASSY,AFT SEAT BOTTOM /OPTIONAL/	1	3
	AN227-6	• BUTTON	AR	3
	AN227-6B	• BUTTON	AR	3
	AN227-7B	• SOCKET	AR	3
	AN227-8B	• STUD	AR	3
	AN227-9B	• EYELET	AR	3
	AN230GB2	• GROMMET	AR	3
	AN230WB2	• GROMMET	AR	3
	AN931-3-9	• GROMMET	AR	3
	A1037-012-67	• NUT	AR	3
	A872-012-1	• NUT	AR	3
	111171C100	• FASTENER,UPHOLSTERY	AR	3
	AN525-10	• SCREW	AR	3
	49338-2	• FASTENER	AR	3
	AN507-6R	• SCREW	AR	3
	NAS384-6P	• SCREW	AR	3
	NAS222-10	• SCREW	AR	3
	1195	• FASTENER	AR	3
- 46	33-530000-79	• PANEL ASSY,BAGGAGE COMPARTMENT DOOR	1	3
- 46A	33-530000-111	• COVER,FRONT SPAR /BETWEEN FRONT SEATS/	1	3
- 47	33-534016-601	COVER ASSY,SEAT /OPTIONAL/	1	3

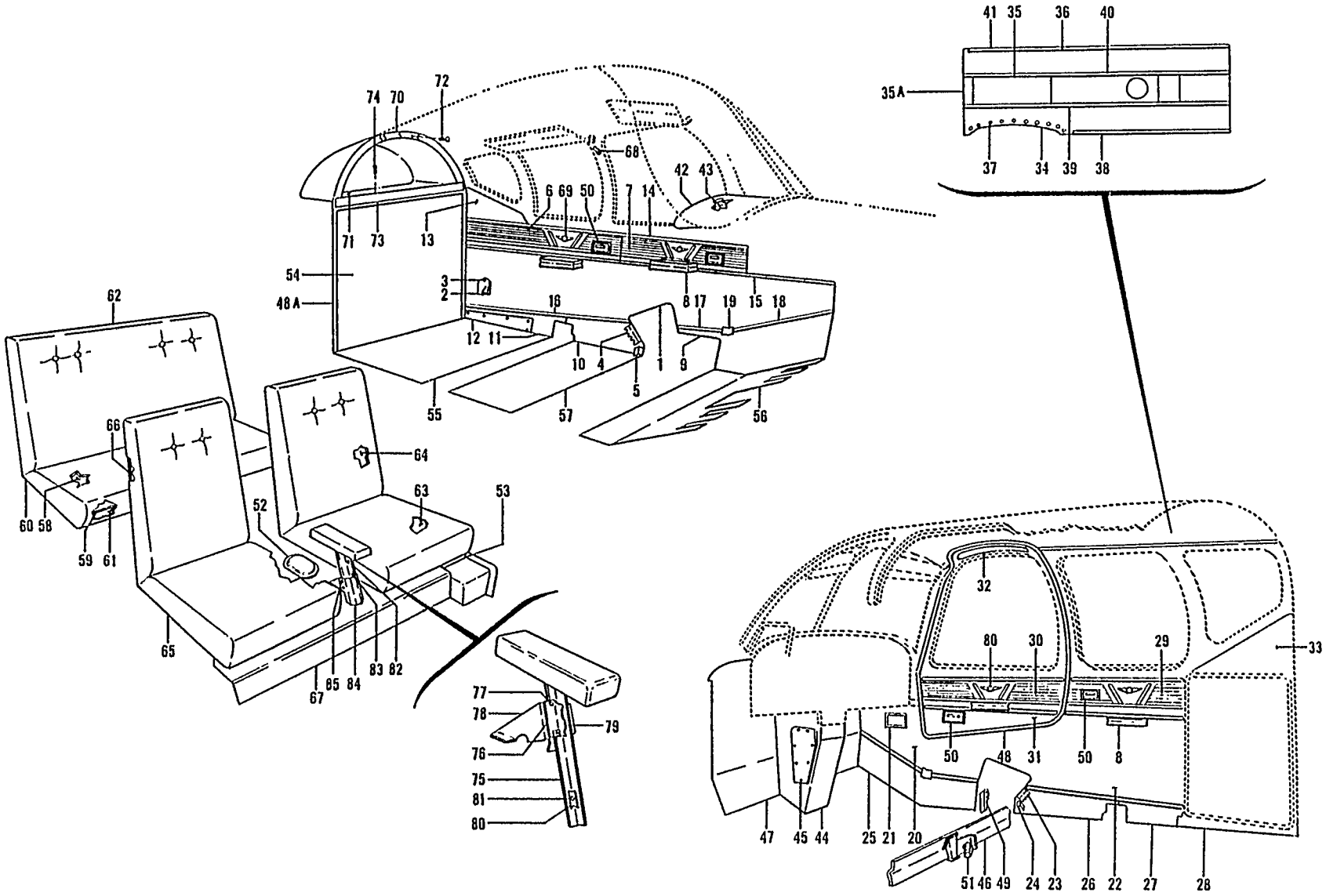
C O D E S O F E F F E C T I V I T Y

- | | |
|--|---|
| <p>1 CD-1 THRU CD-224</p> <p>3 CD-1 THRU CD-250,
EXCEPT
CD-225 THRU CD-232,
CD-235,
CD-237 THRU CD-240,
CD-242 THRU CD-245</p> | <p>2 CD-233,CD-234,CD-236
CD-241
CD-246 THRU CD-250</p> |
|--|---|

B E E C H C R A F T
B O N A N Z A 3 3 T H R U E 3 3
I L L U S T R A T E D P A R T S C A T A L O G

FIGURE 15A
UPHOLSTERY
CD-255 THRU CD-232, CD-235, CD-237 THRU CD-240,
CD-242 THRU CD-245, CD-251 THRU CD-387

FIGURE 15A. UPHOLSTERY



B E E C H C R A F T
B O N A N Z A 3 3 T H R U E 3 3
I L L U S T R A T E D P A R T S C A T A L O G

FIG. & ITEM NO.	PART NO.	1	2	3	4	5	6	7	DESCRIPTION	UNITS PER ASSY	USABLE ON CODE
15A	33-530002								UPHOLSTERY & SOUNDPROOFING INSTL.	NP	1
	33-530002-3								PANEL ASSY,LH SIDE.	1	1
- 1	33-530002-1								PANEL,LH SIDE	1	1
- 2	35-534192-14								DOOR ASSY,STATIC LINE AIR DRAIN	1	1
									/ATTACHING PARTS/		
	98292-1-090								STUD.	1	
	99836								NUT	1	
									-----*		
- 3	35-410175								PLACARD,STATIC AIR LINE DRAIN	1	1
	99833C098								NUT	1	1
- 4	35-534201-2								ANGLE ASSY,UPPER LH	1	1
- 5	35-534202-2								ANGLE ASSY,LOWER LH	1	1
- 6	33-530010-3								PANEL,UPPER LH AFT TRIM	1	1
- 7	33-530010-1								PANEL,UPPER LH FWD TRIM	1	1
- 8	33-530002-77								CUSHION ASSY,ARMREST.	4	1
	33-530002-27								PANEL ASSY,LOWER LH FWD	1	1
- 9	33-530002-25								PANEL,LOWER LH FWD.	1	1
	33-530002-35								PANEL ASSY,LOWER LH CENTER.	1	1
- 10	33-530002-33								PANEL,LOWER LH CENTER	1	1
	33-530002-39								PANEL ASSY,LOWER LH AFT	1	1
- 11	33-530002-37								PANEL,LOWER LH AFT.	1	1
- 12	35-534314-3								DOUBLER	1	1
									/ATTACHING PARTS/		
	NAS384-6P								SCREW	6	
	NAS391-6								WASHER	6	
	A1777-6Z3								NUT	6	
									-----*		
	33-530002-19								PANEL ASSY,LH QUARTER	1	1
									/NOT USED WITH 3RD WINDOW/		
	33-410011-9								PANEL ASSY,LH QUARTER /USED WITH 3RD WINDOW/.	1	1
- 13	33-530002-17								PANEL,LH QUARTER.	1	1
									/NOT USED WITH 3RD WINDOW/		
	33-410011-11								PANEL,LH QUARTER /USED WITH 3RD WINDOW/	1	1
- 14	33-530002-55								TRIM,UPPER LH EDGE.	1	1
- 15	33-530002-57								TRIM,CENTER LH.	1	1
- 16	33-530002-63								TRIM,LOWER LH AFT	1	1
- 17	33-530002-85								TRIM,LOWER LH CENTER.	1	1
- 18	33-530002-59								TRIM,LOWER LH FWD	1	1
- 19	96-530001-221								STRAP,TRIM.	2	1
	33-530002-11								PANEL ASSY,RH FWD	1	1
- 20	33-530002-9								PANEL,RH FWD.	1	1
- 21	35-534300-238								FRAME,PLACARD	1	1
									/ATTACHING PARTS/		
	AN515-6R6								SCREW	2	
	AN507-6-6								SCREW	1	
	AN960-6								WASHER	3	
	MS20365-632								NUT /SUPERSEDES AN365-632/	3	
									-----*		
	33-530002-7								PANEL ASSY,CENTER RH AFT.	1	1
- 22	33-530002-5								PANEL,CENTER RH AFT	1	1
- 23	35-534201-3								ANGLE ASSY,UPPER RH	1	1
- 24	35-534202-3								ANGLE ASSY,LOWER RH	1	1
	33-530002-31								PANEL ASSY,LOWER RH FWD	1	1
- 25	33-530002-29								PANEL,LOWER RH FWD.	1	1
	33-530002-81								PANEL ASSY,LOWER RH CENTER.	1	1
- 26	33-530002-79								PANEL,LOWER RH CENTER	1	1
	33-530002-43								PANEL ASSY,LOWER RH AFT	1	1
- 27	33-530002-41								PANEL,LOWER RH AFT.	1	1
- 28	33-530002-121								DOUBLER	1	1
									/ATTACHING PARTS/		
	NAS384-6P								SCREW	10	
	NAS391-6								WASHER	10	
	A6077-6Z1								NUT	6	
									-----*		

B E E C H C R A F T
 BONANZA 33 THRU E33
 I L L U S T R A T E D P A R T S C A T A L O G

FIG. & ITEM NO.	PART NO.	DESCRIPTION	UNITS PER ASSY	USABLE ON CODE
		1 2 3 4 5 6 7		
15A - 29	33-530010-7	. PANEL,UPPER RH TRIM	1	1
- 30	33-530010-5	. PANEL,CABIN DOOR UPPER TRIM	1	1
	33-530002-15	. PANEL ASSY,CABIN DOOR LOWER	1	1
- 31	33-530002-13	. . PANEL,CABIN DOOR LOWER.	1	1
- 32	33-530002-133	. PANEL ASSY,CABIN DOOR UPPER	1	1
	33-530002-23	. PANEL ASSY,QUARTER RH	1	1
		/NOT USED WITH 3RD WINDOW/		
- 33	33-410011-13	. PANEL ASSY,QUARTER RH /USED WITH 3RD WINDOW/.	1	1
	33-530002-21	. . PANEL,QUARTER RH.	1	1
		/NOT USED WITH 3RD WINDOW/		
	33-410011-15	. . PANEL,QUARTER RH /USED WITH 3RD WINDOW/ . .	1	1
	35-534394-1	. HEADLINER INSTL	NP	1
- 34	35-534394-15	. . PANEL,RH HEADLINER.	1	1
- 35	35-534394-23	. . PANEL,CENTER HEADLINER.	1	1
- 35A	35-534394-11	. . PANEL,CENTER HEADLINER FWD.	1	1
- 36	35-534394-21	. . PANEL,LH HEADLINER.	1	1
- 37	294660-1	. . FASTENER.	AR	1
- 38	35-534394-17	. . STRIP,TRIM.	1	1
- 39	35-534394-13	. . STRIP,TRIM.	1	1
- 40	35-534394-19	. . STRIP,TRIM.	1	1
- 41	35-534394-25	. . STRIP,TRIM.	1	1
- 42	35-530000-81	. COVER ASSY,DECK	1	1
- 43	35-534014-5	. CUSHION,GLARE SHIELD.	1	1
	35-534398-13	. COVER ASSY,WHEEL WELL	1	1
- 44	35-534398-3	. . COVER,WHEEL WELL.	1	1
- 45	35-534398-11	. . PLATE,COVER	1	1
		/ATTACHING PARTS/		
	NAS384-6P	. . SCREW	7	
	NAS391-6	. . WASHER.	7	
	NAS395	. . NUT	7	
		-----*		
- 46	33-530000-61	. PANEL ASSY,PARTITION.	1	1
- 47	35-534305-43	. LINER,COWL.	1	1
- 48	33-530000-107	. SEAL,CABIN DOOR GIMP.	1	1
- 48A	35-534307-67	. SEAL,STA 151 BULKHEAD PANEL	1	1
	99833C098	. NUT	1	1
- 49	35-534300-112	. BRACKET	1	1
- 50	35-534242-602	. TRAY,ASH.	4	1
- 51	35-534052	. COVER,LANDING GEAR HAND CRANK	1	1
- 52	33-530000-57	. PAN,FWD SEAT.	1	1
- 53	33-530000-99	. PARTITION ASSY,FWD FRONT SEAT LH.	1	1
- 54	33-530000-41	. PANEL ASSY,REMOVABLE BULKHEAD	1	1
- 55	33-530000-55	. CARPET,BAGGAGE COMPARTMENT FLOOR.	1	1
- 56	33-530000-47	. CARPET ASSY,FWD FLOOR	1	1
- 57	33-530000-51	. CARPET ASSY,AFT FLOOR	1	1
	33-530002-51	. CUSHION ASSY,REAR SEAT BOTTOM	1	1
- 58	33-530000-93	. . CUSHION,REAR SEAT BOTTOM.	1	1
- 59	33-530002-131	. . CUSHION,REAR SEAT BOTTOM FRONT.	1	1
- 60	33-530002-127	. . TOPPING,REAR SEAT BOTTOM.	1	1
- 61	33-530002-129	. PAN,REAR SEAT BOTTOM.	1	1
- 62	33-530002-49	. CUSHION ASSY,REAR SEAT BACK	1	1
	33-530002-137	. . CUSHION,REAR SEAT BACK TOP.	1	1
	33-530002-123	. . CUSHION,REAR SEAT BACK.	1	1
	33-530002-125	. . CUSHION,REAR SEAT BACK SUPPORT.	1	1
- 63	33-530002-47	. CUSHION ASSY,FRONT SEAT BOTTOM.	2	1
	33-530000-69	. . CUSHION,FRONT SEAT BOTTOM	1	1
- 64	33-530002-45	. CUSHION ASSY,FRONT SEAT BACK.	2	1
	33-530000-75	. . CUSHION,FRONT SEAT BACK	1	1
	33-534015	. COVER INSTL,FRONT SEAT STRUCTURE.	NP	1
- 65	33-534015-1	. . PANEL ASSY,LH FRONT SEAT.	1	1
	33-534015-2	. . PANEL ASSY,RH FRONT SEAT.	1	1
	33-534017	. PANEL INSTL,FRONT SEAT BACK	NP	1
- 66	33-534017-3	. . PANEL ASSY,FRONT SEAT BACK.	1	1
- 67	33-530000-59	. SKIRT,FRONT SEAT.	1	1
- 68	4601476	. HOOK,COAT HANGER.	1	1
		/ATTACHING PARTS/		
	NAS384-8-10P	. . SCREW	2	
		-----*		

B E E C H C R A F T
 BONANZA 33 THRU E33
 I L L U S T R A T E D P A R T S C A T A L O G

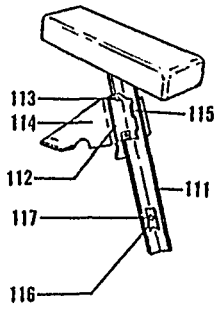
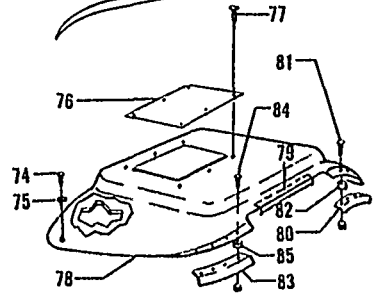
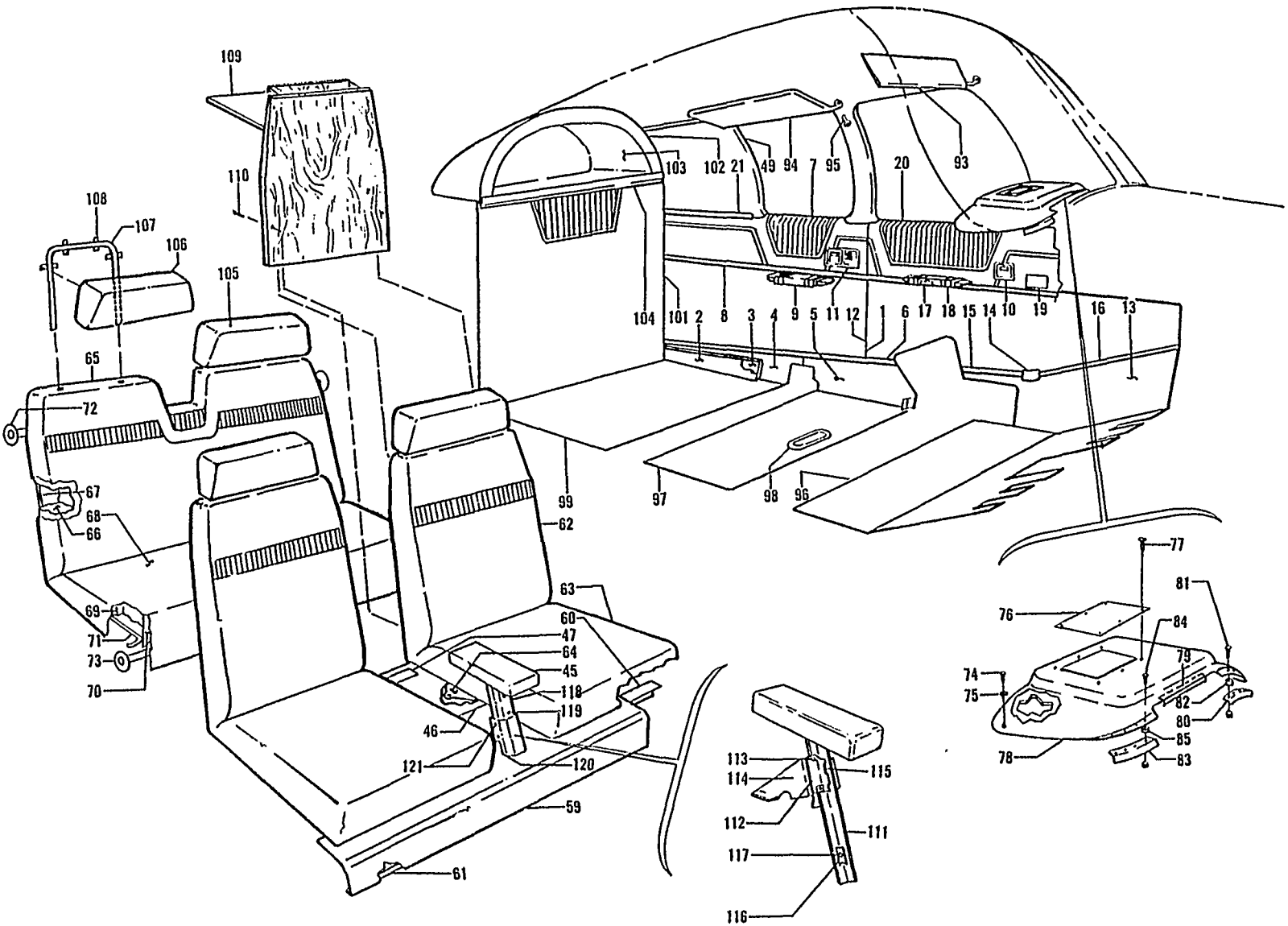
FIG. & ITEM NO.	PART NO.	DESCRIPTION							UNITS PER ASSY	USABLE ON CODE
		1	2	3	4	5	6	7		
15A - 69	35-534382	. INSIGNIA							4	1
		/ATTACHING PARTS/								
	A872-012-1	. SCREW							1	
		-----*								
	33-530002-117	. PANEL ASSY,UPPER AFT.							1	1
- 70	33-530002-119	. . PANEL,UPPER AFT							1	1
	96-534011-1	. SHELF INSTL,HAT							NP	1
- 71	96-534011-3	. . SHELF,HAT							1	1
		/ATTACHING PARTS/								
- 72	NAS384-6	. . SCREW							AR	
		-----*								
- 73	96-534011-11	. . ANGLE,HAT SHELF							1	1
		/ATTACHING PARTS/								
- 74	NAS384-6	. . SCREW							4	
		-----*								
	35-534372-77	ARMREST INSTL,FRONT SEAT.							NP	1
	33-530003-621	. ARMREST ASSY,UPHOLSTERED CENTER							1	1
		/SPECIFY SHIP SERIAL/								
- 75	35-534372-89	. . ARM ASSY,FRONT SEAT							1	1
- 76	35-534372-41	. GUIDE,FRONT SEAT ARMREST.							2	1
		/ATTACHING PARTS/								
- 77	AN3-10A /M/	. BOLT.							2	
	AN3-7A /M/	. BOLT.							2	
	AN960-416L	. WASHER.							2	
		-----*								
- 78	35-534372-91	. BRACKET ASSY,FRONT SEAT ARMREST							1	1
- 79	35-534372-5	. CATCH ASSY,FRONT SEAT ARMREST							1	1
	35-534372-25	. ANGLE,FRONT SEAT ARMREST.							1	1
- 80	50-534073-1	. CAM							1	1
		/ATTACHING PARTS/								
- 81	AN525-832-11	. BOLT.							1	
	105739X-XP0221	. BUSHING							1	
	105739X-XR0150	. BUSHING							1	
	AN960-10L	. WASHER.							2	
	MS20365-832	. NUT /SUPERSEDES AN365-832/.							1	
		-----*								
- 82	35-534372-99	. COVER,ARMREST SLIDE /SUPERSEDES 35-534372-37/ /WITH ADF/							1	1
	35-534372-61	. COVER ASSY,ARMREST SLIDE /WITHOUT ADF/.							1	1
		/ATTACHING PARTS/								
- 83	AN530-8R6	. SCREW							2	
		-----*								
- 84	35-534372-85	. COVER ASSY,ARMREST LOWER /ADF COVER/.							1	1
		/ATTACHING PARTS/								
- 85	AN530-8R6	. SCREW							4	
	PK76XZ6-4	. SCREW							1	
	A1784-6Z3	. NUT							1	
		-----*								

CODES OF EFFECTIVITY

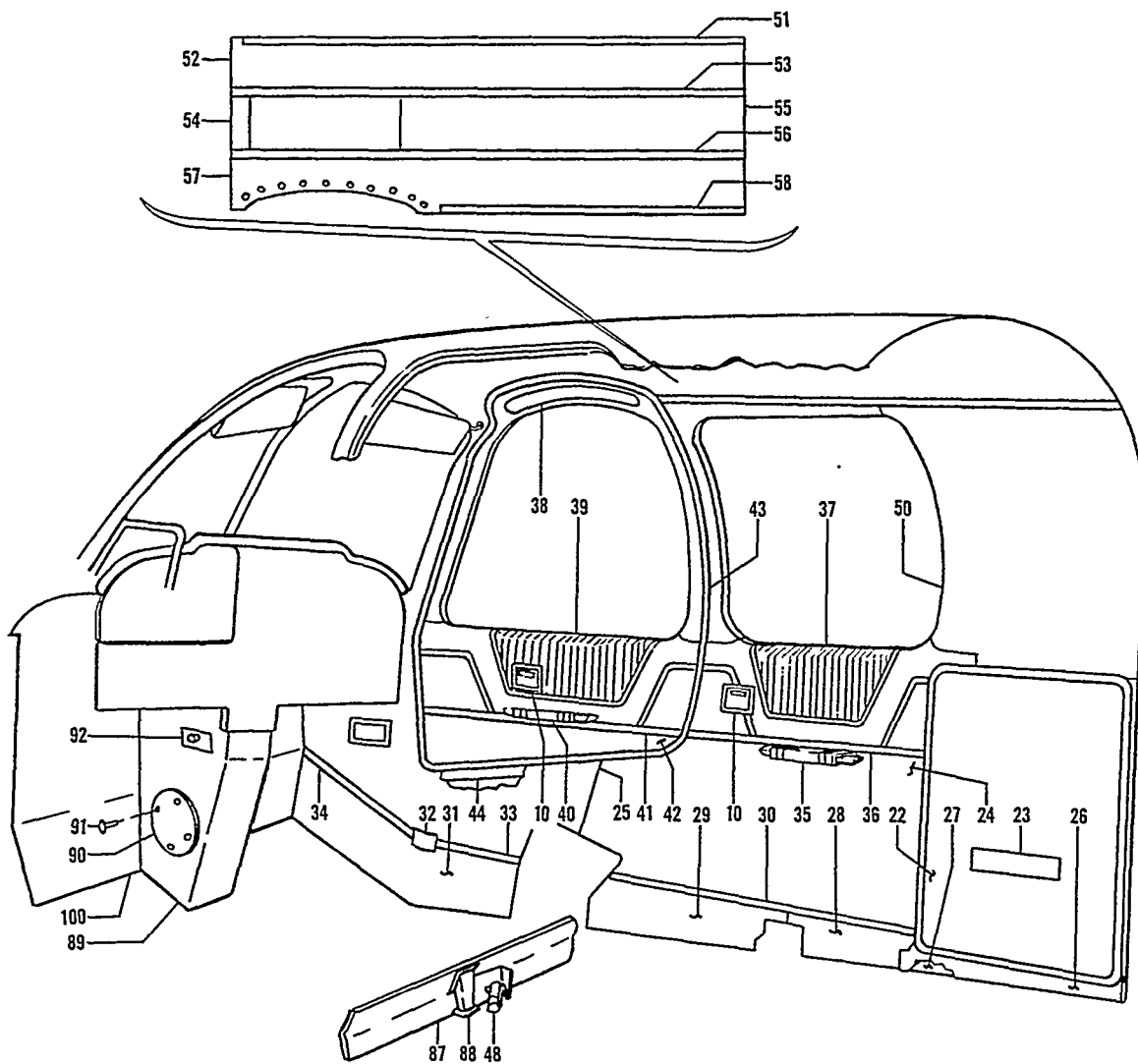
- 1 CD-225 THRU CD-232,
 CD-235,
 CD-237 THRU CD-240,
 CD-242 THRU CD-245,
 CD-251 THRU CD-387

BEECHCRAFT
BONANZA 33 THRU E33
ILLUSTRATED PARTS CATALOG

FIGURE 15B
UPHOLSTERY
CD-388 THRU CD-813



BEECHCRAFT
 BONANZA 33 THRU E33
 ILLUSTRATED PARTS CATALOG



B E E C H C R A F T
BONANZA 33 THRU E33
I L L U S T R A T E D P A R T S C A T A L O G

FIG. & ITEM NO.	PART NO.	DESCRIPTION	1 2 3 4 5 6 7							UNITS PER ASSY	USABLE ON CODE
			1	2	3	4	5	6	7		
15B	33-530003	UPHOLSTERY AND SOUNDPROOFING INSTL,833.								NP	1
- 1	33-530003-15	. PANEL ASSY,LH AFT SIDE.								1	1
- 2	35-534314-3	. DOUBLER,LH.								1	1
		/ATTACHING PARTS/									
	NAS384-6P	. SCREW								6	
	NAS391-6	. WASHER.								6	
	A1777-6Z3	. NUT								6	

- 3	104036-1ZC1900	. PAD,FELT LH								1	1
- 4	33-530002-39	. PANEL ASSY,LOWER AFT LH SIDE.								1	1
- 5	33-530002-35	. PANEL ASSY,LOWER MIDDLE LH SIDE								1	1
- 6	33-530002-63	. TRIM,LOWER AFT LH								1	1
	33-530003-1	. PANEL ASSY,UPPER AFT LH SIDE.								1	1
- 7	33-530014-1	. . PANEL,UPPER AFT LH SIDE								1	1
- 8	33-530003-87	. TRIM,UPPER LH								1	1
- 9	35-534414-1	. ARMREST,SIDE AFT LH								1	1
		/ATTACHING PARTS/									
	AN520-1032	. SCREW								2	
	AN960-10	. WASHER.								2	

- 10	2A20580	. TRAY,ASH /SUPERSEDES 2A18260/								4	1
	35-534411	. LIGHTER INSTL,CIGARETTE								NP	1
		/ATTACHING PARTS/									
	NAS384-8	. SCREW								2	

- 11	35-534411-1	. . ESCUTCHEON,CIGARETTE LIGHTER.								1	1
- 12	33-530003-17	. PANEL ASSY,LH FWD SIDE.								1	1
- 13	33-530002-27	. PANEL ASSY,LOWER FWD LH SIDE.								1	1
- 14	96-530001-221	. STRAP,LH.								1	1
- 15	33-530002-85	. TRIM,LOWER MIDDLE LH.								1	1
- 16	33-530002-59	. TRIM,LOWER FWD LH								1	1
- 17	35-534414-1	. ARMREST,SIDE FWD LH								1	1
		/ATTACHING PARTS/									
	AN520-1032	. SCREW								2	
	AN960-10	. WASHER.								2	

- 18	33-530003-41	. COVER ASSY,SIDE ARMREST								4	1
- 19	33-324029	. PLATE,OPERATIONS LIMITATIONS INSTRUCTIONS								1	1
	33-530003-3	. PANEL ASSY,UPPER FWD LH SIDE.								1	1
- 20	33-530013-1	. . PANEL,UPPER FWD LH SIDE								1	1
- 21	33-530003-81	. TRIM,UPPER AFT LH								1	1
- 22	33-530003-10	. PANEL ASSY,BAGGAGE DOOR								1	1
- 23	33-534023	. PLACARD,BAGGAGE COMPARTMENT LOADING								1	1
		INSTRUCTION									
- 24	33-530003-24	. PANEL ASSY,AFT RH SIDE.								1	1
- 25	33-530003-20	. PANEL ASSY,FWD RH SIDE.								1	1
- 26	33-530002-121	. DOUBLER,AFT RH SIDE								1	1
		/ATTACHING PARTS/									
	NAS384-6P	. SCREW								10	
	NAS391-6	. WASHER.								10	
	A6077-6Z1	. NUT								6	

- 27	104036-1ZC1900	. PAD,FELT RH								1	1
- 28	33-530002-43	. PANEL ASSY,LOWER AFT RH SIDE.								1	1
- 29	33-530002-81	. PANEL ASSY,LOWER MIDDLE RH SIDE								1	1
- 30	33-530003-85	. TRIM,LOWER AFT RH								1	1
- 31	33-530002-31	. PANEL ASSY,LOWER FWD RH SIDE.								1	1
- 32	96-530001-221	. STRAP,RH.								1	1
- 33	33-530002-83	. TRIM,LOWER MIDDLE RH.								1	1
- 34	33-530002-75	. TRIM,LOWER FWD RH								1	1
- 35	35-534414-1	. ARMREST,SIDE AFT RH								1	1
		/ATTACHING PARTS/									
	AN520-1032	. SCREW								2	
	AN960-10	. WASHER.								2	

- 36	33-530002-71	. TRIM,UPPER AFT RH								1	1

B E E C H C R A F T
B O N A N Z A 3 3 T H R U E 3 3
I L L U S T R A T E D P A R T S C A T A L O G

FIG. & ITEM NO.	PART NO.	DESCRIPTION	UNITS PER ASSY	USABLE ON CODE
		1 2 3 4 5 6 7		
15B	33-530003-8	. PANEL ASSY,UPPER RH	1	1
- 37	33-530012-1	. . . PANEL,UPPER RH.	1	1
	33-530002-133	. . . PANEL ASSY,DOOR UPPER	1	1
- 38	35-534304-79	. . . PANEL,DOOR UPPER.	1	1
	33-530003-6	. . . PANEL ASSY,DOOR MIDDLE.	1	1
- 39	33-530011-1	. . . PANEL,DOOR MIDDLE	1	1
- 40	35-534414-3	. . . ARMREST,DOOR.	1	1
- 41	33-530003-83	. . . TRIM,DOOR	1	1
- 42	33-530003-22	. . . PANEL ASSY,DOOR LOWER	1	1
- 43	33-530003-51 C	. . . WINDLACE,DOOR	1	1
- 44	35-534306-31	. . . ANGLE,DOOR.	1	1
- 45	33-530003-621 C	. . . ARMREST ASSY,UPHOLSTERED CENTER /SPECIFY SHIP SERIAL/	1	1
- 46	96-530002-85 C	. . . CARPET ASSY,CENTER.	1	1
- 47	33-324032	. . . PLATE,EMERGENCY LANDING GEAR INSTRUCTIONS /ATTACHING PARTS/	1	1
	NAS384-6P	. . . SCREW	2	
- 48	35-534052	. . . BOOT ASSY,LANDING GEAR EMERGENCY HAND CRANK	1	1
- 49	33-530003-47	. . . PANEL ASSY,ESCUTCHEON LH. /NOT USED WITH 3RD WINDOW/	1	1
	33-410011-9	. . . PANEL ASSY,ESCUTCHEON UPPER LH. /USED WITH 3RD WINDOW/	1	1
	33-410011-19	. . . PANEL ASSY,ESCUTCHEON LOWER LH. /USED WITH 3RD WINDOW/	1	1
- 50	33-530003-48	. . . PANEL ASSY,ESCUTCHEON RH /NOT USED WITH 3RD WINDOW/	1	1
	33-410011-13	. . . PANEL ASSY,ESCUTCHEON UPPER RH. /USED WITH 3RD WINDOW/	1	1
	33-410011-20	. . . PANEL ASSY,ESCUTCHEON LOWER RH. /USED WITH 3RD WINDOW/	1	1
- 51	33-530003-73	. . . TRIM,CEILING OUTBOARD LH.	1	1
- 52	33-530003-25	. . . PANEL ASSY,CEILING LH	1	1
- 53	33-530003-71	. . . TRIM,CEILING INBOARD LH	1	1
- 54	35-534394-11	. . . PANEL ASSY,CEILING CENTER FWD	1	1
- 55	33-530003-27	. . . PANEL ASSY,CEILING CENTER AFT	1	1
- 56	33-530003-69	. . . TRIM,CEILING INBOARD RH	1	1
- 57	33-530003-32	. . . PANEL ASSY,CEILING RH	1	1
- 58	33-530003-67	. . . TRIM,CEILING OUTBOARD RH.	1	1
	33-530003-75	. . . COVER ASSY,PARTITION.	1	2
	35-534421-1 C	. . . COVER ASSY,PARITION	1	3
- 59	33-530003-151 C	. . . POCKET ASSY,LH.	1	3
- 60	33-530003-153 C	. . . POCKET ASSY,RH.	1	3
- 61	35-534420-93	. . . ANGLE,PARTITION /ATTACHING PARTS/	1	1
	AN515-6-12	. . . SCREW	4	
	AN960-6	. . . WASHER.	4	
- 62	33-530003-37 C	. . . COVER ASSY,FRONT SEAT BACK.	2	1
- 63	33-530003-39 C	. . . COVER ASSY,FRONT SEAT BOTTOM.	2	1
	33-534015	. . . COVER INSTL,FRONT SEAT STRUCTURE.	NP	1
	33-534015-1 PANEL ASSY,LH FRONT SEAT STRUCTURE.	1	1
- 64	33-534015-3 PANEL,LH FRONT SEAT STRUCTURE	1	1
	33-534015-2 PANEL ASSY,RH FRONT SEAT STRUCTURE.	1	1
	33-534015-4 PANEL,RH FRONT SEAT STRUCTURE	1	1
- 65	33-530003-33	. . . COVER ASSY,REAR SEAT BACK	1	1
- 66	33-530003-65	. . . CUSHION,REAR SEAT BACK.	1	1
- 67	33-530002-125	. . . SUPPORT,REAR SEAT CUSHION BACK.	1	1
- 68	33-530003-35	. . . COVER ASSY,REAR SEAT BOTTOM	1	1
- 69	33-530000-93	. . . CUSHION,REAR SEAT BOTTOM TOP.	2	1
- 70	33-530002-131	. . . CUSHION,REAR SEAT BOTTOM FWD.	1	1
- 71	33-530003-29	. . . PAN,REAR SEAT BOTTOM.	1	1
- 72	33-530000-89	. . . RING,REAR SEAT BACK UPHOLSTERY.	1	1
- 73	33-530000-87	. . . RING,REAR SEAT BOTTOM UPHOLSTERY.	2	1
	96-530013-29	. . . SHIELD INSTL,GLARE.	NP	1
- 74	96-530013-33	. . . SCREW	3	1
- 75	96-530013-35	. . . WASHER.	3	1

B E E C H C R A F T
B O N A N Z A 3 3 T H R U E 3 3
I L L U S T R A T E D P A R T S C A T A L O G

FIG. & ITEM NO.	PART NO.	DESCRIPTION	UNITS PER ASSY	USABLE ON CODE
		1 2 3 4 5 6 7		
15B - 76	96-530013-31	GRILL, GLARE SHIELD. /ATTACHING PARTS/	1	1
- 77	PK76XZ7 A1778-6Z	SCREW NUT	6 6	
		*		
- 78	96-530013-27	DECK ASSY, GLARE SHIELD.	1	1
- 78	96-530013-23	DECK, GLARE SHIELD	1	1
- 79	95-530014-5	SUPPORT ANGLE	1	1
- 80	95-554017-9	ANGLE, GLARE SHIELD LH /ATTACHING PARTS/	1	1
- 81	AN507-632R	SCREW	4	
- 82	102933P2ZM0156 AN960-6	SPACER WASHER	4 4	
		*		
- 83	95-554017-10	ANGLE, GLARE SHIELD RH /ATTACHING PARTS/	1	1
- 84	AN507-632R	SCREW	4	
- 85	102933P2ZM0156 AN960-6	SPACER WASHER	4 4	
		*		
- 86		DELETED		
	33-530000-61	COVER ASSY, FRONT SEAT REAR PARTITION.	1	4
	33-530003-139	COVER ASSY, FRONT SEAT REAR PARTITION.	1	5
	35-534191-11	COVER ASSY, FRONT SEAT REAR PARTITION.	1	4
	35-534191-15 C	COVER ASSY, FRONT SEAT REAR PARTITION.	1	5
- 87	35-534191-9	COVER, FRONT SEAT REAR PARTITION	1	4
	35-534191-13	COVER, FRONT SEAT REAR PARTITION	1	5
- 88	35-534191-4	COVER, FRONT SEAT REAR PARTITION /CENTER/	1	1
	35-534407-3	COVER ASSY, WHEEL WELL	1	6
	35-534407-11 C	COVER ASSY, WHEEL WELL	1	7
- 89	35-534407-5	COVER, WHEEL WELL	1	6
	35-534407-13	COVER, WHEEL WELL	1	7
- 90	35-534407-9	COVER, ACCESS /ATTACHING PARTS/	2	1
- 91	NAS384-6P NAS391-6 NAS395-6-1	SCREW WASHER NUT	4 4 4	
		*		
- 92	35-534408	PLACARD, GENERATOR CIRCUIT BREAKER IDENTIFICATION	1	1
- 93	33-530003-49 C	SUNVISOR ASSY, FRONT	2	1
- 94	33-530003-77	SUNVISOR ASSY, REAR	2	1
- 95	4840719	HOOK, PILOTS COAT /SUPERSEDES 4601476/ /ATTACHING PARTS/	1	1
	NAS384-8-10P	SCREW	1	
		*		
- 96	33-530003-57	CARPET ASSY, FWD /USED WITHOUT OPTIONAL RH CONTROL PEDAL INSTL/	1	1
	33-530003-59	CARPET ASSY, FWD /USED WITH OPTIONAL RH CONTROL PEDAL INSTL/	1	1
	33-530003-55	CARPET ASSY, MIDDLE	1	1
- 97	33-530000-49	CARPET, MIDDLE	1	1
- 98	35-415380-22	PAN, FLOOR /ATTACHING PARTS/	1	1
	NAS384-6-12P	SCREW	4	
		*		
- 99	33-530003-53 C	CARPET ASSY, BAGGAGE COMPARTMENT	1	1
	33-530003-79	CARPET, BAGGAGE COMPARTMENT	1	1
-100	33-530003-63	PANEL ASSY, FIREWALL	1	1
-101	33-530003-13	PANEL ASSY, BAGGAGE COMPARTMENT	1	1
-102	33-530003-11	TRIM, HAT SHELF	1	1
	96-534011-1	SHELF INSTL, HAT	1	1
-103	96-534011-3	SHELF, HAT	1	1

B E E C H C R A F T
B O N A N Z A 3 3 T H R U E 3 3
I L L U S T R A T E D P A R T S C A T A L O G

FIG. & ITEM NO.	PART NO.	1 2 3 4 5 6 7	DESCRIPTION	UNITS PER ASSY	USABLE ON CODE
158 -104	96-534011-11	ANGLE, HAT SHELF RETAINING	1	1
	NAS384-6	/ATTACHING PARTS/	4	
	96-534020	HEADREST INSTL.		NP	1
	96-534020-1 C	HEADREST ASSY	1	1
-105	96-534026	CUSHION, HEADREST.	1	1
	96-534020-5	PAN ASSY, HEADREST	1	1
-106	96-534020-3	PAN, HEADREST.	1	1
-107	96-534020-11	TUBE.	1	1
-108	96-534020-7	CLIP.	4	1
	35-534422	TABLE INSTL, SEAT BACK		NP	1
-109	7155	TABLE	1	1
		/ATTACHING PARTS/		
-110	NAS384-6-14P	SCREW	4	
	NAS391B6P	WASHER.	4	
	35-534372-77	ARMREST INSTL, FRONT SEAT MIDDLE		NP	1
	33-530003-621 C	ARMREST ASSY, UPHOLSTERED CENTER	1	1
		/SPECIFY SHIP SERIAL/		
-111	35-534372-89	ARM ASSY, FRONT SEAT MIDDLE.	1	1
-112	35-534372-41	GUIDE, FRONT SEAT ARMREST.	1	1
		/ATTACHING PARTS/		
-113	AN3-10A /M/	BOLT.	2	
	AN3-7A /M/	BOLT.	2	
	AN960-416L	WASHER.	2	
-114	35-534372-91	BRACKET ASSY, FRONT SEAT ARMREST	1	1
-115	35-534372-5	CATCH ASSY, FRONT SEAT ARMREST	1	1
	35-534372-25	ANGLE, FRONT SEAT ARMREST.	1	1
-116	50-534073-1	CAM	1	1
		/ATTACHING PARTS/		
-117	AN525-832-11	BOLT.	1	
	105739X-XP0221	BUSHING	1	
	105739X-XR0150	BUSHING	1	
	AN960-10L	WASHER.	2	
	MS20364-832	NUT /SUPERSEDES AN365-832/.	1	
-118	35-534372-99	COVER, ARMREST SLIDE /SUPERSEDES 35-534372-37/	1	1
		/WITH ADF/		
	35-534372-61	COVER ASSY, ARMREST SLIDE /WITHOUT ADF/.	1	1
		/ATTACHING PARTS/		
-119	AN530-8R6	SCREW	2	
-120	35-534372-85	COVER ASSY, ARMREST LOWER ADF.	1	1
		/ATTACHING PARTS/		
-121	AN530-8R6	SCREW	4	
	PK76XZ6-4	SCREW	1	
	A1784-6Z3	NUT	1	
	33-534025-5	COVER INSTL, SEAT.		NP	1
	33-534025-1	SEAT COVER, REAR SEAT.	1	1
	33-534025-3	BACK COVER, REAR SEAT.	1	1
	96-534025-1	SEAT COVER, FRONT SEAT	2	1
	96-534025-3	BACK COVER, FRONT SEAT	2	1

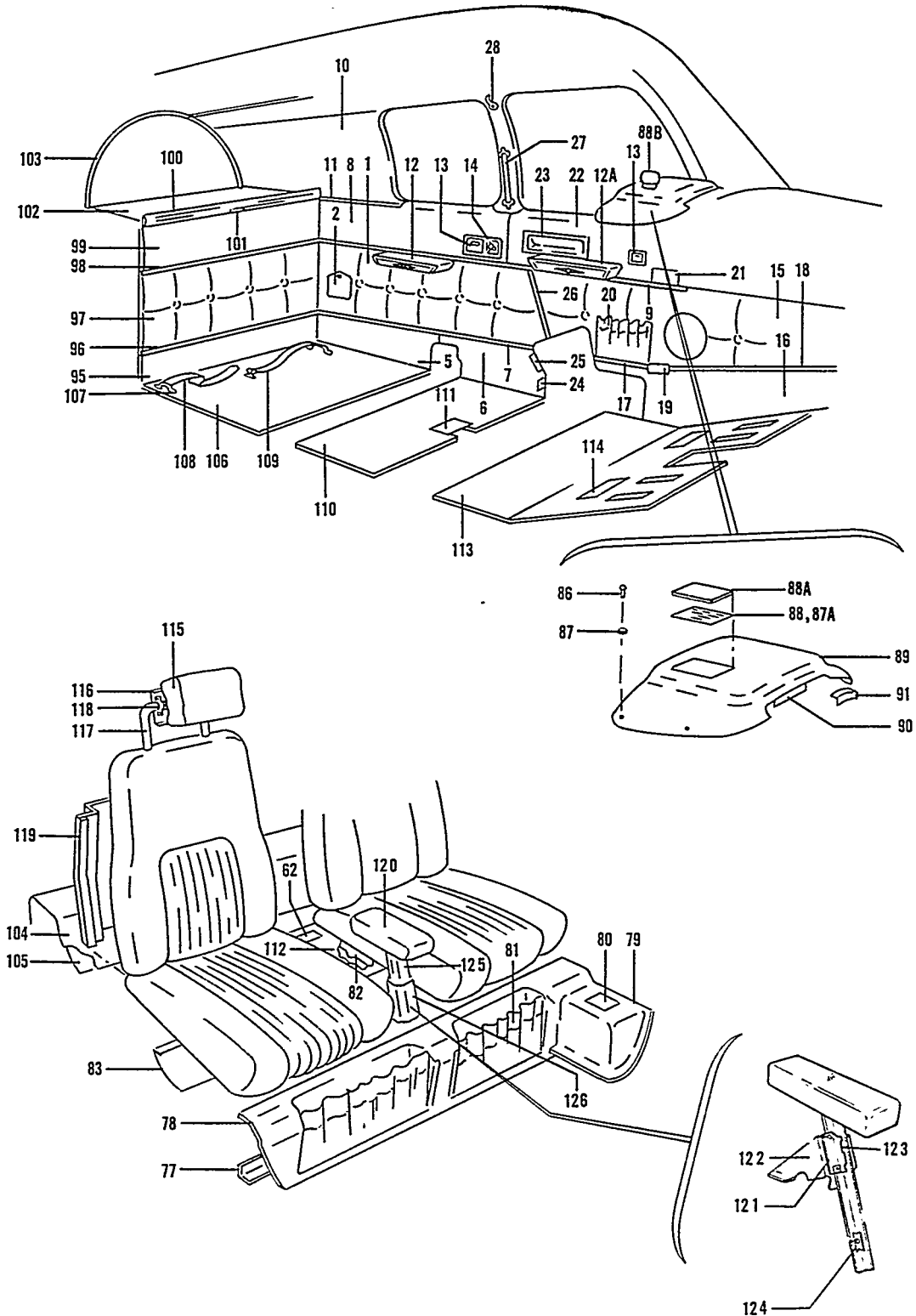
C O D E S O F E F F E C T I V I T Y

1	CD-388 THRU CD-813	2	CD-388 THRU CD-709
3	CD-710 THRU CD-813	4	CD-388 THRU CD-594
5	CD-595 THRU CD-813	6	CD-388 THRU CD-735
7	CD-736 THRU CD-813		

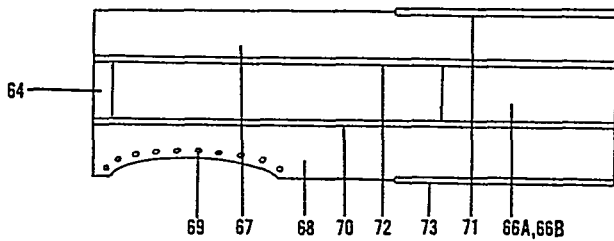
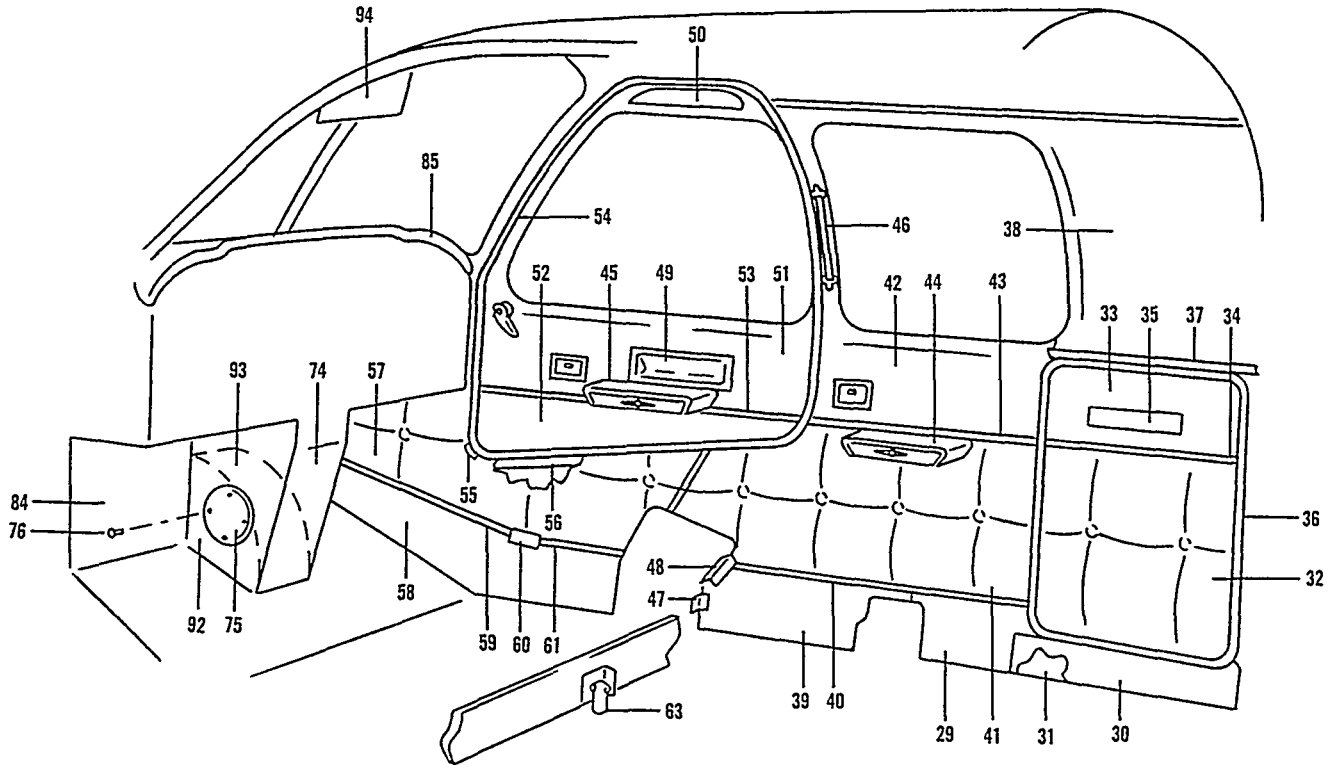
B E E C H C R A F T
B O N A N Z A 3 3 T H R U E 3 3
I L L U S T R A T E D P A R T S C A T A L O G

FIGURE 15C
UPHOLSTERY
CD-814 THRU CD-1118, CE-1 THRU CE-179

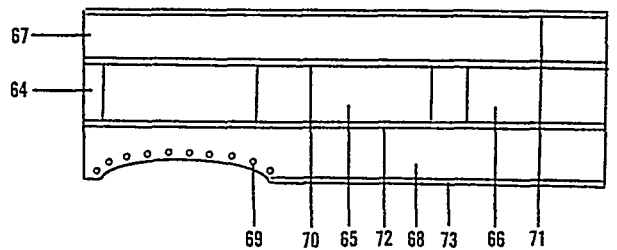
BEECHCRAFT
 BONANZA 33 THRU E33
 ILLUSTRATED PARTS CATALOG



BEECHCRAFT
 BONANZA 33 THRU E33
 ILLUSTRATED PARTS CATALOG



CD-1027 & AFTER, CE-26 AND AFTER



CD-814 THRU CD-1026, CE-1 THRU CE-25

B E E C H C R A F T
B O N A N Z A 3 3 T H R U E 3 3
I L L U S T R A T E D P A R T S C A T A L O G

FIG. & ITEM NO.	PART NO.	DESCRIPTION	UNITS PER ASSY							USABLE ON CODE
			1	2	3	4	5	6	7	
15C	33-530004-1	UPHOLSTERY & SOUNDPROOFING INSTL./WITHOUT 3RD WINDOW/							NP	2
	33-530004-91	UPHOLSTERY & SOUNDPROOFING INSTL./WITHOUT 3RD WINDOW/							NP	3
	33-530004-3	UPHOLSTERY & SOUNDPROOFING INSTL./WITH 3RD WINDOW/							NP	2
	33-530004-93	UPHOLSTERY & SOUNDPROOFING INSTL./WITH 3RD WINDOW/							NP	3
- 1	33-530004-7 C	. PANEL ASSY,LH AFT SIDE.							1	4
	33-530004-83	. PANEL ASSY,LH AFT SIDE.							1	5
- 2	95-530002-113	. DOOR ASSY,STATIC AIR LINE DRAIN							1	4
- 3		. DELETED								
- 4		. DELETED								
- 5	33-530004-69	. PANEL ASSY,LOWER AFT LH SIDE.							1	1
- 6	33-530002-35	. PANEL ASSY,LOWER MIDDLE LH SIDE							1	1
- 7	33-530002-63	. TRIM,LOWER AFT LH							1	1
- 8	33-530004-11	. PANEL ASSY,MIDDLE AFT LH SIDE							1	1
- 9	96-530002-123	. TRIM,MIDDLE LH.							1	1
- 10	33-530004-21	. PANEL ASSY,UPPER AFT LH /NOT USED WITH 3RD WINDOW/							1	1
- 11	35-534406-83	. TRIM,UPPER AFT LH							1	1
	35-534413-49	. ARMREST INSTL,SIDE PANEL.							NP	1
- 12	96-534024-33 C	. . ARMREST ASSY,LH SIDE PASSENGER.							1	1
- 12A	96-534024-65	. . ARMREST ASSY,LH SIDE PILOT.							1	1
		/ATTACHING PARTS/								
	AN520-1032	. . SCREW							2	
	AN960-10	. . WASHER.							2	

- 13	35-534415-1	. ASHTRAY INSTL							NP	1
	2A20580	. . ASHTRAY ASSY /SUPERSEDES 2A18260/							4	1
	35-534411	. LIGHTER INSTL,CIGARETTE							NP	1
- 14	35-534411-1	. . ESCUTCHEON,CIGARETTE LIGHTER.							1	1
		/ATTACHING PARTS/								
	NAS384-8	. . SCREW							2	

- 15	33-530004-45 C	. PANEL ASSY,LH FWD SIDE.							1	1
- 16	35-534420-71	. PANEL ASSY,LH LOWER FWD SIDE.							1	1
	33-530002-27	. PANEL ASSY,LH LOWER FWD SIDE /WITH OXYGEN INSTL/							1	1
- 17	33-530002-85	. TRIM,LOWER MIDDLE LH SIDE							1	1
- 18	33-530002-59	. TRIM,LOWER FWD LH SIDE.							1	1
- 19	96-530001-221	. STRAP,LH.							1	1
- 20	33-530004-17	. POCKET ASSY,LH FWD PANEL.							1	1
- 21	33-324029	. PLATE,OPERATIONS LIMITATIONS INSTRUCTIONS							1	2
	33-324036	. PLATE,OPERATIONS LIMITATIONS INSTRUCTIONS							1	3
	33-324038	. PLATE,OPERATIONS LIMITATIONS INSTRUCTIONS							1	14
	33-324039	. PLATE,OPERATIONS LIMITATIONS INSTRUCTIONS							1	15
- 22	33-530004-15	. PANEL ASSY,LH FWD UPPER SIDE.							1	6
	33-530004-75	. PANEL ASSY,LH FWD UPPER SIDE.							1	7
- 23	96-534052	. PANEL,RECESS LH FWD							1	1
- 24	35-534202-2	. ANGLE,LH LOWER.							1	1
- 25	35-534201-2	. ANGLE,LH UPPER.							1	1
- 26	35-534420-49	. TRIM STRIP,LH SIDE.							1	1
- 27	34CB759	. HANDLE,ASSIST							1	1
		/ATTACHING PARTS/								
	NAS387-1032	. SCREW							2	

- 28	4840719	. HOOK,COAT HANGER /SUPERSEDES 4601476/							1	1
		/ATTACHING PARTS/								
	NAS384-8-10P	. SCREW							1	

- 29	33-530002-43	. PANEL ASSY,RH LOWER AFT							1	1
- 30	33-530002-121	. DOUBLER,AFT LOWER RH SIDE							1	1
		/ATTACHING PARTS/								
	NAS384-6P	. SCREW							6	
	NAS391-6P	. WASHER.							6	
	1777-6Z3	. NUT							6	

B E E C H C R A F T
B O N A N Z A 3 3 T H R U E 3 3
I L L U S T R A T E D P A R T S C A T A L O G

FIG. & ITEM NO.	PART NO.	DESCRIPTION	UNITS PER ASSY	USABLE ON CODE
		1 2 3 4 5 6 7		
15C - 31	104036-1ZC1900	• PAD,FELT RH	1	1
- 32	35-534420-37 C	• PANEL ASSY,BAGGAGE DOOR LOWER	1	1
- 33	33-530004-23	• PANEL ASSY,BAGGAGE DOOR UPPER	1	1
- 34	96-530001-57	• TRIM,BAGGAGE DOOR	1	1
- 35	33-534023	• PLACARD,BAGGAGE COMPARTMENT LOADING	1	1
- 36	35-534307-61	• WINDLACE,BAGGAGE DOOR SEAL	1	1
- 37	33-530004-25	• TRIM,UPPER AFT RH	1	1
- 38	33-530004-22	• PANEL ASSY,UPPER AFT RH /NOT USED WITH 3RD. WINDOW/	1	1
- 39	33-530002-81	• PANEL ASSY,MIDDLE RH LOWER	1	1
- 40	33-530003-85	• TRIM,AFT RH LOWER	1	1
- 41	35-534420-29 C	• PANEL ASSY,MIDDLE RH.	1	1
- 42	33-530004-29	• PANEL ASSY,UPPER MIDDLE RH.	1	1
- 43	96-530001-67	• TRIM,UPPER MIDDLE RH.	1	1
	35-534413-49	• ARMREST INSTL,SIDE PANEL	NP	1
- 44	96-534024-34 C	• ARMREST ASSY,RH AFT SIDE PANEL	1	1
- 45	96-534024-45	• ARMREST ASSY,CABIN DOOR	1	1
		/ATTACHING PARTS/		
	AN520-1032	• SCREW	2	
	AN960-10	• WASHER	2	
		-----*		
- 46	34CB759	• HANDLE,ASSIST	1	1
- 47	35-534202-3	• ANGLE,RH LOWER	1	1
- 48	35-534201-3	• ANGLE,RH UPPER	1	1
- 49	35-534417	• PANEL,RECESS RH FWD /CABIN DOOR/.	1	1
- 50	35-534304-93	• PANEL ASSY,UPPER CABIN DOOR	1	1
- 51	35-534406-41	• PANEL ASSY,MIDDLE CABIN DOOR	1	1
- 52	33-530004-87 C	• PANEL ASSY,LOWER CABIN DOOR	1	1
- 53	96-530001-77	• TRIM,CABIN DOOR	1	1
- 54	96-530004-181	• WINDLACE,CABIN DOOR SEAL /SUPERSEDES. 33-530003-51/	1	12
	96-530004-199	• WINDLACE,CABIN DOOR SEAL	1	13
- 55	50-534033-179	• STRIP,DOOR FWD LOWER CORNER /SUPERSEDES 50-534033-48/	1	1
- 56	35-534306-31	• ANGLE,LOWER DOOR FRAME	1	1
- 57	35-534420-21 C	• PANEL ASSY,UPPER FWD RH SIDE	1	1
- 58	33-530002-31	• PANEL ASSY,LOWER FWD RH SIDE	1	1
- 59	33-530002-75	• TRIM,FWD RH	1	1
- 60	96-530001-221	• STRAP,RH FWD SIDE	1	1
- 61	33-530002-83	• TRIM,RH MIDDLE	1	1
- 62	33-324032	• PLACARD,EMERGENCY LANDING GEAR INSTRUCTIONS /ATTACHING PARTS/	1	1
	NAS384-6P	• SCREW	2	
		-----*		
- 63	35-534052	• BOOT ASSY,LANDING GEAR EMERGENCY HANDCRANK	1	1
	35-534394-85	• PANEL INSTL,HEADLINER	NP	8
	96-534058-1	• PANEL INSTL,HEADLINER /WITHOUT 5TH SEAT FRESH AIR OUTLET/	NP	9
	96-534058-3	• PANEL INSTL,HEADLINER /WITH 5TH SEAT FRESH . . AIR OUTLET/	NP	9
- 64	35-534394-11	• PANEL,FWD CENTER HEADLINER	1	8
	96-534058-5	• PANEL,FWD CENTER HEADLINER	1	9
- 65	35-534394-83	• PANEL,CENTER HEADLINER	1	8
- 66	35-534394-37	• PANEL,AFT CENTER HEADLINER	1	8
- 66A	96-534058-11	• PANEL,AFT CENTER HEADLINER /USE WITHOUT 5TH SEAT FRESH AIR OUTLET/	1	9
- 66B	96-534058-13	• PANEL,AFT CENTER HEADLINER /USE WITH 5TH SEAT FRESH AIR OUTLET/	1	9
- 67	35-534394-53	• PANEL,LH HEADLINER	1	8
	96-534058-7	• PANEL,LH HEADLINER	1	9
- 68	35-534394-47	• PANEL,RH HEADLINER	1	8
	96-534058-9	• PANEL,RH HEADLINER	1	9
		/ATTACHING PARTS/		
- 69	294660-1	• FASTENER	AR	
		-----*		

B E E C H C R A F T
 BONANZA 33 THRU E33
 I L L U S T R A T E D P A R T S C A T A L O G

FIG. & ITEM NO.	PART NO.	1 2 3 4 5 6 7	DESCRIPTION	UNITS PER ASSY	USABLE ON CODE
15C - 70	35-534394-33	. .	STRIP,TRIM INBD LH.	1	8
	96-534058-19	. .	STRIP,TRIM INBD LH.	1	9
- 71	35-534394-39	. .	STRIP,TRIM OUTBD LH	1	1
- 72	35-534394-27	. .	STRIP,TRIM INBD RH.	1	8
	96-534058-20	. .	STRIP,TRIM INBD RH.	1	9
- 73	35-534394-31	. .	STRIP,TRIM OUTBD RH	1	1
	35-534407-11 C	. .	COVER ASSY,WHEEL WELL	1	1
- 74	35-534407-13	. .	COVER,WHEEL WELL.	1	1
- 75	35-534407-9	. .	COVER,ACCESS.	1	1
			/ATTACHING PARTS/		
- 76	NAS384-6P	. .	SCREW	4	
	NAS391-6	. .	WASHER.	4	
	NAS395-6-1	. .	NUT	4	

- 77	35-534420-93	. .	ANGLE,FRONT PARTITION SUPPORT	1	1
	35-534421-1 C	. .	PARTITION COVER ASSY.	1	1
- 78	35-534421-5 C	. .	SPAR COVER.	1	1
- 79	35-534421-7	. .	FUEL SELECTOR COVER	1	1
- 80	35-534421-9	. .	PLACARD ASSY.	1	1
			/ATTACHING PARTS/		
	NAS384-6-8P	. .	SCREW	4	
	A1777-6Z3	. .	NUT /SUPERSEDES A1777-6Z1/.	4	

- 81	33-530003-151	. .	POCKET ASSY,LH FRONT PARTITION.	1	1
	33-530003-153	. .	POCKET ASSY,RH FRONT PARTITION.	1	1
	33-534015-9	. .	COVER INSTL,FRONT SEAT STRUCTURE.	NP	1
- 82	33-534015-7	. .	COVER ASSY,LH	1	1
	33-534015-8	. .	COVER ASSY,RH	1	1
- 83	96-530002-83 C	. .	PARTITION ASSY,FRONT SEAT AFT	1	1
- 84	35-534420-109	. .	COVER ASSY,FIREWALL BULKHEAD /SUPERSEDES.	1	1
			33-530003-63/		
- 85	95-530000-33	. .	COWL WRAPPER.	1	1
	96-530013-29	. .	GLARESHIELD INSTL	NP	10
	96-530013-49	. .	GLARESHIELD INSTL	NP	11
- 86	96-530013-33	. .	SCREW	3	1
- 87	96-530013-35	. .	WASHER.	3	1
- 87A	96-530013-13	. .	GRILL,GLARESHIELD	1	11
- 88	96-530013-31	. .	GRILL,GLARESHIELD	1	10
- 88A	96-530013-11	. .	RETAINER,GRILL.	1	11
			/ATTACHING PARTS/		
	PK76XZ7	. .	SCREW	6	
	A1778-6Z	. .	NUT	6	

- 88B	C2400L4P1	. .	COMPASS,GLARE SHIELD MOUNTED /12 VOLT/.	1	11
	96-530013-27	. .	DECK ASSY,GLARE SHIELD.	1	10
	96-530013-57	. .	DECK ASSY,GLARE SHIELD.	1	11
	96-530013-45	. .	BRACKET,GLARE SHIELD COMPASS MOUNTING	1	11
- 89	96-530013-23	. .	DECK,GLARE SHIELD	1	10
- 90	95-530014-5	. .	ANGLE,SUPPORT	1	10
	96-530013-47	. .	DECK ASSY,GLARE SHIELD.	1	11
	AN515B8-7	. .	SCREW,COMPASS MOUNTING.	3	11
	AN340B8	. .	NUT,COMPASS MOUNTING.	3	11
- 91	95-554017-9	. .	ANGLE,GLARE SHIELD LH	1	1
	95-554017-10	. .	ANGLE,GLARE SHIELD RH	1	1
			/ATTACHING PARTS/		
	AN507-632R	. .	SCREW	4	
	102933P2ZM0156	. .	SPACER	4	
	AN960-6	. .	WASHER.	4	

- 92	35-534300-152	. .	SOUNDPROOFING,/SIDE OF WHEEL WELL COVER/.	2	1
- 93	35-534300-192	. .	SOUNDPROOFING,/FACE OF WHEEL WELL COVER/.	1	1
- 94	33-530003-49 C	. .	VISOR ASSY,FRONT.	2	1
	35-534308-43 C	. .	VISOR ASSY,REAR	2	1

B E E C H C R A F T
B O N A N Z A 3 3 T H R U E 3 3
I L L U S T R A T E D P A R T S C A T A L O G

FIG. & ITEM NO.	PART NO.	DESCRIPTION	UNITS PER ASSY	USABLE ON CODE
		1 2 3 4 5 6 7		
15C - 95	33-530004-73	. PANEL ASSY,LOWER CABIN AFT BULKHEAD /STA. 151.0/	1	1
- 96	35-534406-29	. TRIM STRIP,LOWER CABIN AFT BULKHEAD /STA. 151.0/	1	1
- 97	33-530004-53	. PANEL ASSY,MIDDLE CABIN AFT BULKHEAD. /STA. 151.0/	1	1
- 98	35-534406-27	. TRIM STRIP,MIDDLE CABIN AFT BULKHEAD. /STA. 151.0/	1	1
- 99	35-534406-25	. PANEL ASSY,UPPER CABIN AFT BULKHEAD /STA. 151.0/	1	1
-100	35-534309-145	. TRIM STRIP,UPPER CABIN AFT BULKHEAD /STA. 151.0/	1	1
-101	35-534402	. DECAL,HAT SHELF IDENTIFICATION.	1	1
-102	33-530004-61	. PANEL ASSY,HAT STORAGE SHELF.	1	1
-103	35-534309-147	. WELT,AFT HAT SHELF PANEL SEAL	1	1
-104	33-530004-59	. COVER ASSY,REAR SPAR.	1	1
	33-534032	. COVER INSTL,REAR SPAR.	NP	1
-105	33-534032-3	. COVER,REAR SPAR /ATTACHING PARTS/	1	1
	NAS384-6-6P	. . SCREW	5	
	NAS391-6P	. . WASHER	5	
	AN515-6R8	. . SCREW	5	
		*		
-106	33-530003-53 C	. CARPET ASSY,BAGGAGE COMPARTMENT	1	1
-107	6411B	. FOOTMAN LOOP.	4	1
-108	111191-06000	. STRAP ASSY,BAGGAGE.	2	1
-109	111192-02400	. STRAP ASSY,BAGGAGE /WITH BUCKLE/.	2	1
-110	33-530003-55	. CARPET ASSY,MIDDLE.	1	1
-111	35-415380-22	. PAN,LANDING GEAR HANDCRANK GUARD. /ATTACHING PARTS/	1	1
	NAS384-6-12P	. SCREW	4	
		*		
-112	96-530002-85 C	. CARPET ASSY,BETWEEN FRONT SEATS	1	1
-113	33-530004-63	. CARPET ASSY,FRONT /SINGLE CONTROLS/	1	1
	33-530004-65	. CARPET ASSY,FRONT /DUAL CONTROLS/	1	1
-114	V230	. HEEL PAD,DURUG COLOR 253 PATTERN 20	2	1
	96-534020	HEADREST INSTL.	NP	1
	96-534020-1 C	. HEADREST ASSY	1	1
-115	96-534026	. . CUSHION,HEAD REST	1	1
	96-534020-5	. . PAN ASSY,HEADREST	1	1
-116	96-534020-3	. . PAN,HEAD REST	1	1
-117	96-534020-11	. . TUBE.	1	1
-118	AN750-6	. . CLIP.	4	1
	35-534422	TABLE INSTL,SEAT BACK	NP	1
-119	7155	. TABLE /ATTACHING PARTS/	1	1
	NAS384-6-14P	. SCREW	4	
	NAS391B6P	. WASHER	4	
		*		
	35-534372-77	ARMREST INSTL,FRONT SEAT MIDDLE	NP	1
-120	33-530003-621 C	. ARMREST ASSY,UPHOLSTERED CENTER /SPECIFY SHIP SERIAL/	1	1
	35-534372-89	. . ARM ASSY,FRONT SEAT MIDDLE /UNUPHOLSTERED/.	1	1
-121	35-534372-41	. GUIDE,FRONT SEAT ARMREST. /ATTACHING PARTS/	1	1
	AN3-10A /M/	. BOLT.	2	
	AN3-7A /M/	. BOLT.	2	
	AN960-416L	. WASHER.	2	
		*		
-122	35-534372-91	. BRACKET ASSY,FRONT SEAT ARMREST	1	1
-123	35-534372-5	. CATCH ASSY,FRONT SEAT ARMREST	1	1
	35-534372-25	. ANGLE,FRONT SEAT ARMREST.	1	1

B E E C H C R A F T
B O N A N Z A 3 3 T H R U E 3 3
I L L U S T R A T E D P A R T S C A T A L O G

FIG. & ITEM NO.	PART NO.	1 2 3 4 5 6 7	DESCRIPTION	UNITS PER ASSY	USABLE ON CODE
15C -124	50-534073-1	. CAM		1	1
			/ATTACHING PARTS/		
	AN525-832-11	. BOLT.		1	
	105739X-XPO221	. BUSHING		1	
	105739X-XR0150	. BUSHING		1	
	AN960-10L	. WASHER.		2	
	MS20365-832	. NUT /SUPERSEDES AN365-832/.		1	

-125	35-534372-99	. COVER, ARMREST SLIDE /SUPERSEDES 35-534372-37/ /WITH ADF/		1	1
	35-534372-61	. COVER ASSY, ARMREST SLIDE /WITHOUT ADF/.		1	1
		/ATTACHING PARTS/			
	AN530-8R6	. SCREW		4	

-126	35-534372-85	. COVER ASSY, ARMREST LOWER /ADF COVER/.		1	1
		/ATTACHING PARTS/			
	AN530-8R6	. SCREW		4	
	PK76XZ6-4	. SCREW		1	
	A1784-6Z3	. NUT		1	

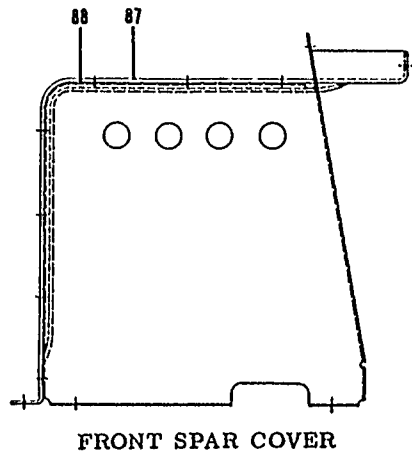
	33-534025-7	COVER INSTL, SEAT.		NP	1
	96-534025-1	. COVER, SEAT.		1	1
	96-534025-3	. COVER, BACK.		1	1

C O D E S O F E F F E C T I V I T Y

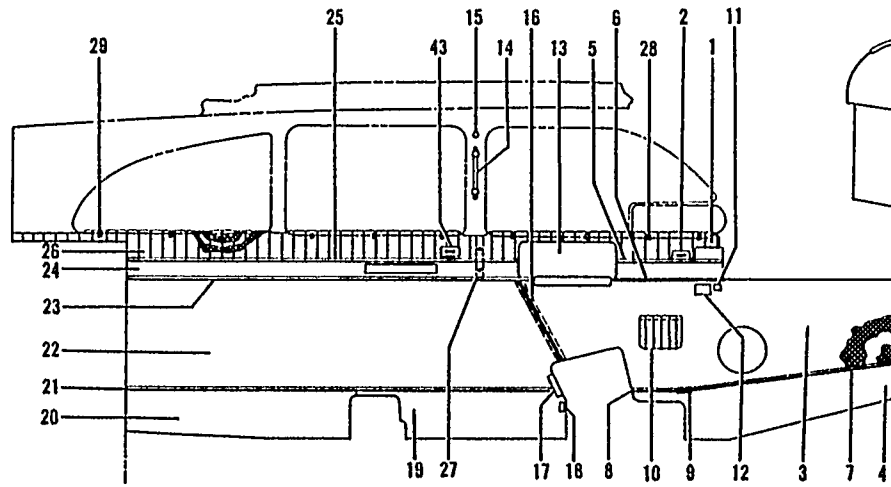
- | | | | |
|----|-----------------------|----|----------------------|
| 1 | CD-814 THRU CD-1118, | 2 | CD-814 THRU CD-1118 |
| | CE-1 THRU CE-179 | | |
| 3 | CE-1 THRU CE-117 | 4 | CD-814 THRU CD-1013 |
| 5 | CD-1014 THRU CD-1118, | 6 | CD-814 THRU CD-924 |
| | CE-1 THRU CE-179 | | |
| 7 | CD-925 THRU CD-1118, | 8 | CD-814 THRU CD-1026, |
| | CE-1 THRU CE-179 | | CE-1 THRU CE-25 |
| 9 | CD-1027 THRU CD-1118, | 10 | CD-814 THRU CD-1006 |
| | CE-26 THRU CE-179 | | |
| 11 | CD-1007 THRU CD-1118, | 12 | CD-814 THRU CD-1093, |
| | CE-1 THRU CE-179 | | CE-1 THRU CE-155 |
| 13 | CD-1094 THRU CD-1118 | 14 | CE-117 THRU CE-148 |
| | CE-156 THRU CE-179 | | |
| 15 | CE-149 AND AFTER | | |

B E E C H C R A F T
B O N A N Z A 3 3 T H R U E 3 3
I L L U S T R A T E D P A R T S C A T A L O G

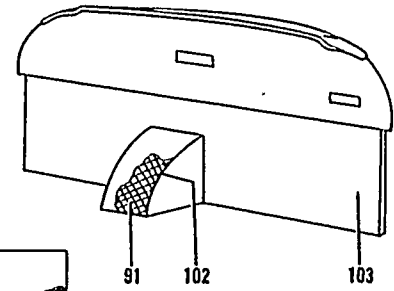
FIGURE 150
UPHOLSTERY
CD-1119 AND AFTER, CE-180 AND AFTER



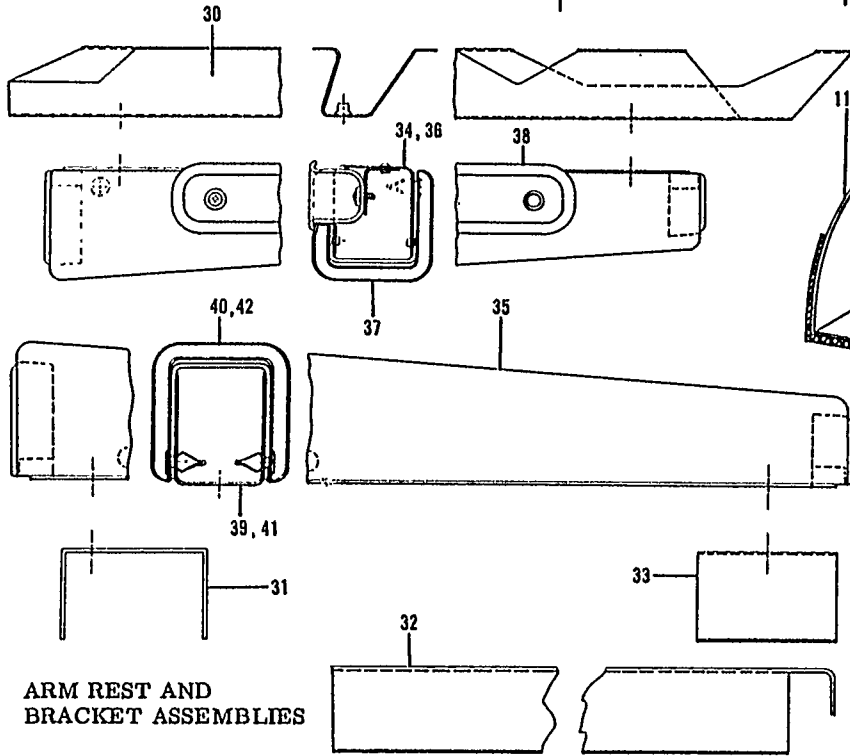
FRONT SPAR COVER



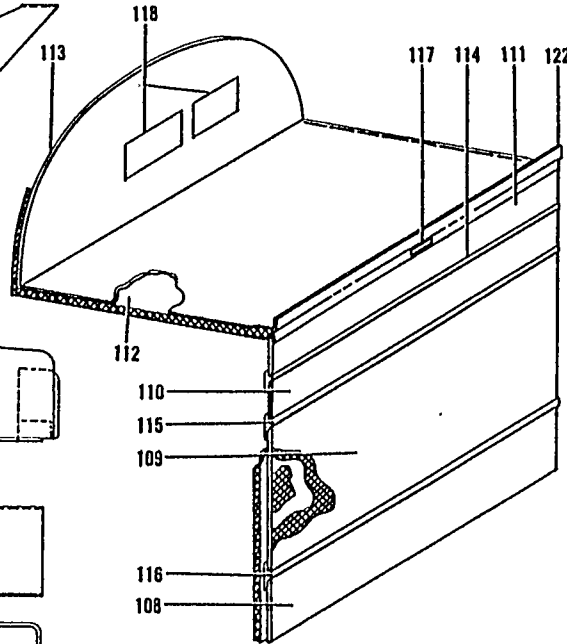
FIREWALL AND INSTRUMENT PANEL DECK LAYOUT



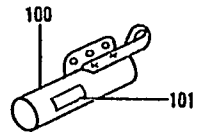
EMERGENCY LANDING CRANK COVER



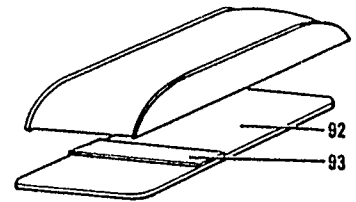
ARM REST AND BRACKET ASSEMBLIES



RETRACTING ARM REST COVER



EMERGENCY LANDING CRANK COVER

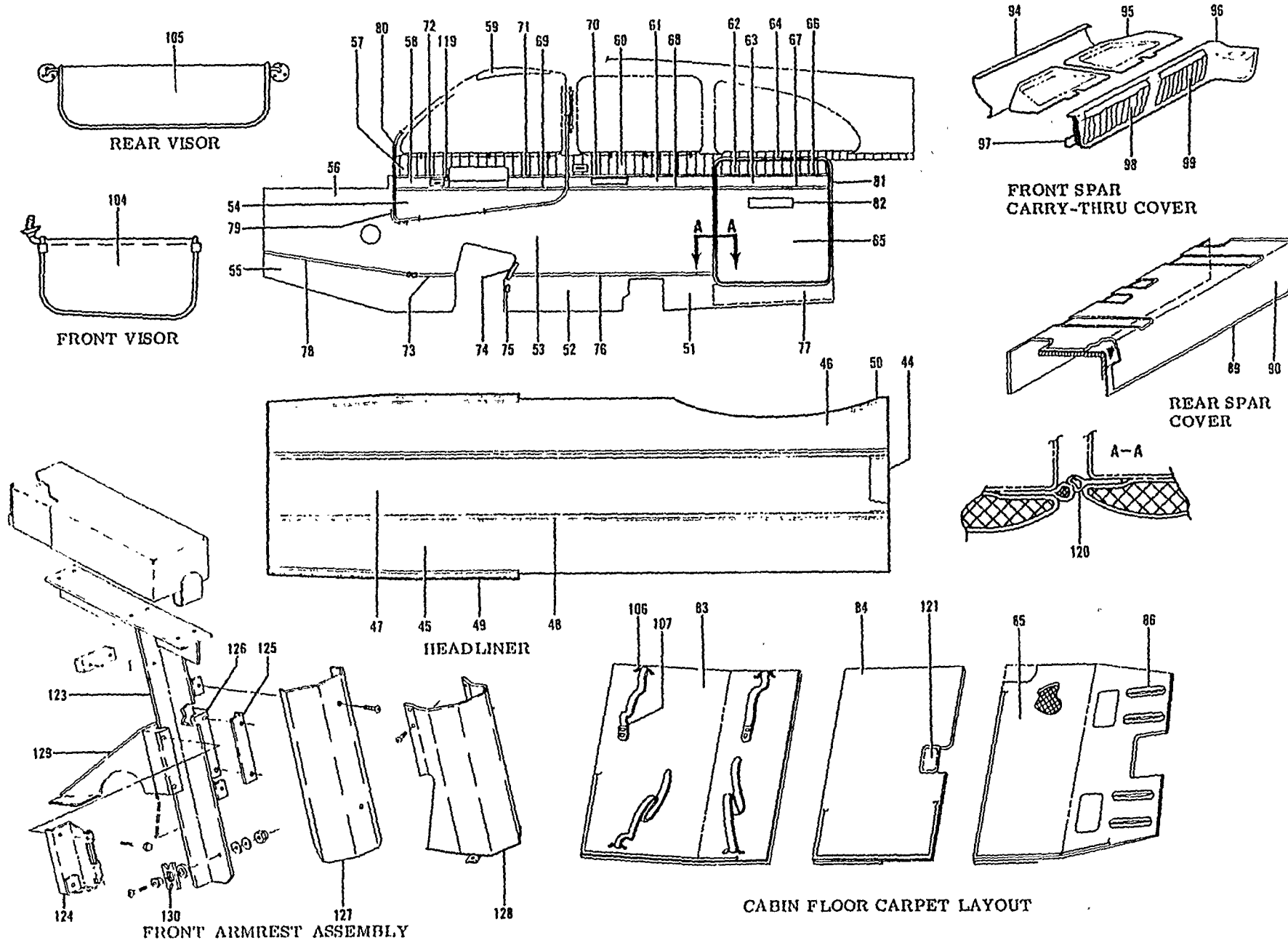


RETRACTING ARM REST COVER

02/24/84

FIGURE 15D. UPHOLSTERY
/ SHEET 2 OF 2 SHEETS /

FIG. 15D
PAGE 2



BEECHCRAFT
BONANZA 33 THRU E33
ILLUSTRATED PARTS CATALOG

B E E C H C R A F T
 BONANZA 33 THRU E33
 I L L U S T R A T E D P A R T S C A T A L O G

FIG. 6 ITEM NO.	PART NO.	DESCRIPTION	UNITS PER ASSY							USABLE ON CODE
			1	2	3	4	5	6	7	
15D	33-530005-1	UPHOLSTERY & SOUNDPROOFING INSTL /E33/							NP	1
	33-530005-3	UPHOLSTERY & SOUNDPROOFING INSTL /E33A/							NP	1
- 1	33-530005-5	. . . PANEL ASSY,LH							1	1
	33-530005-7	. . . COVER ASSY,DIELECTRIC							1	1
	33-530005-9	. . . PANEL							1	1
- 2	33-530005-11	. . . PANEL ASSY,LH							1	1
	33-530005-13	. . . PANEL							1	1
- 3	33-530005-15	. . . PANEL ASSY,LH							1	1
	35-534437-71	. . . PANEL							1	1
- 4	33-530005-19	. . . PANEL ASSY							1	1
	35-534420-69	. . . PANEL							1	1
- 5	33-530005-23	. . . TRIM							1	1
- 6	33-530005-25	. . . TRIM							1	1
- 7	33-530002-59	. . . TRIM							1	1
- 8	33-530002-85	. . . TRIM							1	1
	96-530002-219	. . . CLIP							1	1
- 9	96-530001-221	. . . STRAP							2	1
- 10	33-530004-17	. . . POCKET ASSY							1	1
- 11	33-324037	. . . PLACARD /33-530005-3 INSTL ONLY/							1	1
- 12	33-324029	. . . PLACARD /33-530005-1 INSTL ONLY/							1	2
	33-534043	. . . PLACARD /33-530005-1 INSTL ONLY/							1	3
	33-324039	. . . PLACARD /33-530005-3 INSTL ONLY/							1	2
	33-534044	. . . PLACARD /33-530005-3 INSTL ONLY/							1	3
- 13	96-534052	. . . RECESS PANEL,LH ARMREST							1	1
	35-534417	. . . RECESS PANEL,RH ARMREST							1	1
- 14	34CB759	. . . HANDLE							2	1
		/ATTACHING PARTS/								
	NAS387-1032	. . . SCREW							2	
	NAS697AB	. . . NUTPLATE /SUPERSEDES MK1000-3/							2	
- 15	4840719	. . . HOOK /SUPERSEDES 4601476/							2	1
		/ATTACHING PARTS/								
	NAS384-8-10P	. . . SCREW							1	
- 16	35-534420-49	. . . TRIM							1	1
- 17	35-534201-2	. . . ANGLE,LH							1	1
- 18	35-534202-2	. . . ANGLE,LH							1	1
- 19	33-530005-27	. . . PANEL ASSY,LH							1	1
	96-530004-109	. . . PANEL							1	1
- 20	33-530005-33	. . . PANEL ASSY,LH							1	1
	33-530005-35	. . . PANEL							1	1
- 21	33-530002-63	. . . TRIM							1	1
- 22	33-530005-37	. . . PANEL ASSY,LH							1	1
	33-530005-39	. . . PANEL							1	1
- 23	33-530005-41	. . . TRIM							1	1
- 24	33-530005-43	. . . PANEL ASSY,LH							1	1
	33-530005-45	. . . PANEL							1	1
- 25	33-530005-53	. . . TRIM							1	1
- 26	33-530005-47	. . . PANEL ASSY,LH							1	1
	33-530005-49	. . . COVER ASSY,DIELECTRIC							1	1
	33-530005-51	. . . PANEL							1	1
- 27	33-530003-89	. . . BRACKET							2	1
		/ATTACHING PARTS/								
	NAS384-6P	. . . SCREW							2	
	NAS391-6	. . . WASHER							2	
- 28	96-530002-69	. . . CLIP							13	1
- 29	96-530002-67	. . . CLIP							6	1
	96-534079-1	. . . ARMREST INSTL							NP	1
- 30	96-534079-5	. . . BRACKET ASSY,RH FWD ARMREST							1	1
	96-534079-3	. . . PLATE							1	1
	96-534079-19	. . . BRACKET							1	1
	K1000-38C	. . . NUT,ANCHOR							2	1
- 31	96-534079-9	. . . CHANNEL ASSY,LH & RH AFT ARMREST							2	1
	96-534079-7	. . . CHANNEL							1	1
	K1000-38C	. . . NUT,ANCHOR							1	1

B E E C H C R A F T
 BONANZA 33 THRU E33
 I L L U S T R A T E D P A R T S C A T A L O G

FIG. & ITEM NO.	PART NO.	DESCRIPTION	UNITS PER ASSY	USABLE ON CODE
		1 2 3 4 5 6 7		
15D - 32	96-534079-23	. . . BRACKET ASSY,LH FWD ARMREST	1	1
	96-534079-21	. . . BRACKET	1	1
	K1000-38C	. . . NUT,ANCHOR.	2	1
- 33	33-534024-19	. . . BRACKET ASSY,LH & RH AFT ARMREST.	2	1
	33-534024-21	. . . BRACKET	1	1
	K1000-38C	. . . NUT,ANCHOR.	2	1
	96-534080-43	. . . ARMREST ASSY,LH FWD	1	1
	AN520-10R14	. . . SCREW /SUPERSEDES AN520-10-14/.	2	
	AN960-10	. . . WASHER.	2	

- 34	96-534080-35	. . . SUPPORT ASSY,LH FWD ARMREST	1	1
	96-534080-29	. . . BRACKET,LH FWD ARMREST.	1	1
	96-534080-33	. . . ESCUTCHEON.	1	1
- 35	96-534080-41	. . . COVER ASSY,LH FWD ARMREST	1	1
	96-534080-39	. . . PANEL,LH FWD ARMREST UPHOLSTERED.	1	1
	HS49014	. . . CLIP,LH FWD ARMREST	4	1
	96-534080-25	. . . ARMREST ASSY,RH FWD	1	1
	AN520-10R14	. . . SCREW /SUPERSEDES AN520-10-14/.	2	
	AN960-10	. . . WASHER.	2	

- 36	96-534080-15	. . . SUPPORT ASSY,RH FWD ARMREST	1	1
	96-534080-3	. . . BRACKET,RH FWD ARMREST SUPPORT.	1	1
	96-534080-11	. . . ESCUTCHEON,RH FWD ARMREST	1	1
	96-534080-17	. . . ANGLE	1	1
- 37	96-534080-21	. . . COVER ASSY,RH FWD ARMREST	1	1
	96-534080-7	. . . PANEL,RH FWD ARMREST UPHOLSTERED.	1	1
	HS49014	. . . CLIP,RH FWD ARMREST	4	1
- 38	35-534244-1	. . . CUP,RH FWD ARMREST DOOR PULL.	1	1
		/SUPERSEDES 35-534244/ /ATTACHING PARTS/		
	NAS385-6-8	. . . SCREW	2	
	NAS391-6	. . . WASHER.	2	

	96-534080-23	. . . ARMREST ASSY,LH AFT	1	1
	AN520-10R14	. . . SCREW /SUPERSEDES AN520-10-14/.	2	
	AN960-10	. . . WASHER.	2	

- 39	96-534080-13	. . . SUPPORT ASSY,LH AFT ARMREST	1	1
	96-534080-1	. . . BRACKET,LH AFT ARMREST SUPPORT.	1	1
	96-534080-9	. . . ESCUTCHEON.	1	1
- 40	96-534080-19	. . . COVER ASSY,LH AFT ARMREST	1	1
	96-534080-5	. . . PANEL,LH AFT ARMREST UPHOLSTERED.	1	1
	HS49014	. . . CLIP,LH AFT ARMREST	4	1
	96-534080-24	. . . ARMREST ASSY,RH AFT	1	1
	AN520-10R14	. . . SCREW /SUPERSEDES AN520-10-14/.	2	
	AN960-10	. . . WASHER.	2	

- 41	96-534080-14	. . . SUPPORT ASSY,RH AFT ARMREST	1	1
	96-534080-2	. . . BRACKET,RH AFT ARMREST SUPPORT.	1	1
	96-534080-9	. . . ESCUTCHEON.	1	1
- 42	96-534080-19	. . . COVER ASSY,RH AFT ARMREST	1	1
	96-534080-5	. . . PANEL,RH AFT ARMREST SUPPORT.	1	1
	HS49014	. . . CLIP,RH AFT ARMREST	4	1
	96-534078-1	. . . ASH TRAY INSTL.	NP	1
	96-534078-7	. . . CLIP.	1	1
	96-534078-9	. . . BRACKET	1	1
	35-534415-5	. . . BRACKET	4	1
	35-534415-9	. . . BRACKET	1	1

B E E C H C R A F T
B O N A N Z A 3 3 T H R U E 3 3
I L L U S T R A T E D P A R T S C A T A L O G

FIG. & ITEM NO.	PART NO.	DESCRIPTION							UNITS PER ASSY	USABLE ON CODE
		1	2	3	4	5	6	7		
150 - 43	33-534042-1	4	1
	PK74XZ6-8	2	
	A6500-6Z1	2	
	S23AR-RT-CS	1	1
	33-534042-3	1	1
	PK76XZ6-6	2	
	96-534058-1	NP	1
- 44	96-534058-5	1	1
	96-534058-21	1	1
- 45	96-534058-7	1	1
	35-534394-53	1	1
- 46	96-534058-9	1	1
	35-534394-47	1	1
- 47	96-534058-11	1	1
	96-534058-15	1	1
- 48	96-534058-19	1	1
	96-534058-20	1	1
	AN530-6R	6	
- 49	35-534394-39	1	1
	35-534394-31	1	1
	AN530-6R	3	
- 50	294660-1	AR	1
	NAS548P6	6	1
	100696D-ZF008	4	1
- 51	33-530005-101	1	2
	33-530005-199	1	3
	33-530005-103	1	2
	33-530005-197	1	3
- 52	33-530005-111	1	1
	96-530004-121	1	1
- 53	33-530005-107	1	1
	33-530005-109	1	1
- 54	33-530005-119	1	1
	96-530002-17	1	1
- 55	33-530005-123	1	1
	33-530005-125	1	1
- 56	33-530005-127	1	1
	35-534437-83	1	1
- 57	33-530005-55	1	1
	33-530005-57	1	1
	33-530005-59	1	1
- 58	33-530005-135	1	1
	33-530005-137	1	1
- 59	35-534304-93	1	1
	35-534304-79	1	1
- 60	33-530005-61	1	1
	33-530005-63	1	1
	33-530005-65	1	1
- 61	33-530005-77	1	1
	33-530005-79	1	1
- 62	33-530005-67	1	1
	33-530005-69	1	1
	33-530005-71	1	1
- 63	33-530005-81	1	1
	33-530005-83	1	1

B E E C H C R A F T
B O N A N Z A 3 3 T H R U E 3 3
I L L U S T R A T E D P A R T S C A T A L O G

FIG. & ITEM NO.	PART NO.	DESCRIPTION	UNITS PER ASSY	USABLE ON CODE
		1 2 3 4 5 6 7		
15D - 64	33-530005-171	. PANEL ASSY.	1	1
	33-530005-173	. . COVER ASSY,DIELECTRIC	1	1
	33-530005-175	. . PANEL	1	1
- 65	33-530005-97	. PANEL ASSY.	1	1
	96-530004-97	. . PANEL	1	1
- 66	96-530004-153	. TRIM /SUPERSEDES 33-530005-93/.	1	1
- 67	96-530004-153	. TRIM.	1	1
- 68	96-530004-151	. TRIM.	1	1
- 69	96-530001-77	. TRIM.	1	1
- 70	33-530005-89	. TRIM.	1	1
- 71	33-530005-131	. TRIM.	1	1
- 72	95-530005-63	. TRIM.	1	1
- 73	33-530002-83	. TRIM.	1	1
	96-530001-220	. CLIP.	1	1
- 74	35-534201-3	. ANGLE	1	1
- 75	35-534202-3	. ANGLE	1	1
- 76	96-530004-149	. TRIM.	1	1
- 77	33-530002-121	. DOUBLER	1	2
	104036-1ZC0012	. STRIP,FELT.	1	2
	A1777-6Z3	. NUT	1	2
	NAS384-6P	. SCREW	AR	2
	NAS391-6P	. WASHER.	AR	2
- 78	33-530002-75	. TRIM.	1	1
- 79	50-534033-179	. STRIP	1	1
		/ATTACHING PARTS/		
	PK89XA8-8	. SCREW	8	
		*		
- 80	96-530004-199	. WINDLACE,CABIN DOOR	AR	1
- 81	35-534307-61	. WINDLACE,BAGGAGE DOOR	AR	1
- 82	33-534036	. PLACARD /33-530005-3 INSTL ONLY/.	1	1
	33-534023	. PLACARD /33-530005-1 INSTL ONLY/.	1	1
- 83	33-530003-53 C	. CARPET ASSY,AFT CABIN FLOOR	1	1
- 84	33-530003-55	. CARPET ASSY,CENTER CABIN FLOOR.	1	1
- 85	33-530003-57	. CARPET ASSY,FWD /STANDARD WITHOUT RH PEDALS/.	1	1
	33-530003-59	. CARPET ASSY,FWD /OPTIONAL WITH RH PEDALS/	1	1
- 86	35-534305-55	. . BOOT,GRAY WITH BLUE CARPETING/USE 4 ON STD/	8	1
	35-534305-65	. . BOOT,BROWN WITH BEIGE CARPETING /USE 4 ON	8	1
		STANDARD INSTL/		
	33-530004-63	. CARPET ASSY,FWD CABIN FLOOR /USE WITH OXYGEN.	1	1
		BOTTLE INSTL WITHOUT RH PEDALS/		
	33-530004-65	. CARPET ASSY,FWD CABIN FLOOR /USE WITH OXYGEN.	1	1
		BOTTLE INSTL WITH RH PEDALS/		
		NOTE 33-530004-63 CARPET ASSY IS THE SAME AS 33-530003-57 CARPET ASSY,AND 33-530004-65 IS THE SAME AS 33-530003-59 EXCEPT FOR FOLLOWING PARTS.		
	35-344278-19	. . COVER ASSY.	1	
- 87	35-344278-15	. . . COVER,SPAR.	1	1
- 88	35-344278-11	. . . COVER,LH.	1	1
	35-344278-12	. . . COVER,RH.	1	1
	33-534032	. COVER INSTL,REAR SPAR	NP	1
- 89	33-534032-3	. . COVER	1	1
		/ATTACHING PARTS/		
	AN515-6R8	. . SCREW	5	
	NAS384-6-6P	. . SCREW	5	
	NAS1329A08K160	. . RIVNUT	5	
	NAS391-6P	. . WASHER.	5	
		*		
- 90	33-530004-59	. CARPET ASSY,REAR SPAR COVER	1	1
- 91	35-534407-11 C	. COVER ASSY,WHEEL WELL	1	1
- 92	96-530002-85 C	. CARPET ASSY,RETRACTING ARMREST.	1	1

B E E C H C R A F T
 BONANZA 33 THRU E33
 I L L U S T R A T E D P A R T S C A T A L O G

FIG. & ITEM NO.	PART NO.	DESCRIPTION							UNITS PER ASSY	USABLE ON CODE
		1	2	3	4	5	6	7		
150 - 93	33-324032	1	1
		/ATTACHING PARTS/								
	111703-4-6	2	
		*								
- 94	96-530002-83 C	1	1
	33-534015-9	NP	1
- 95	33-534015-7	1	1
	33-534015-8	1	1
- 96	35-534421-1 C	1	1
- 97	35-534420-93	1	1
- 98	33-530003-153 C	1	1
- 99	33-530003-151 C	1	1
-100	35-534052	1	1
-101	35-534098	1	1
-102	35-534300-192	1	1
-103	35-534420-109	1	1
-104	33-530003-49 C	2	1
	33-530003-137	1	1
	33-530003-135	1	1
	33-530003-107	1	1
	95-534037	1	1
	MS20365-1032	1	1
	35-534079-2	1	1
	35-534079-22	1	1
	BS98577	1	1
	35-534079-4	1	1
-105	35-534308-43 C	2	1
	35-534090-26	1	1
	35-534090-2	1	1
	35-534090-4	2	1
	35-534090-16	1	1
	35-534090-17	1	1
	35-534090-24	2	1
	BS98577	4	1
-106	6411B	4	1
-107	111191-06000	2	1
	111192-02400	2	1
-108	33-530005-145	1	1
	33-530005-147	1	1
-109	33-530005-149	1	1
	33-530005-151	1	1
-110	33-530005-153	1	1
	33-530005-155	1	1
-111	33-530005-163	1	1
	33-530005-165	1	1
-112	33-530004-61	1	2
	33-530005-189	1	3
-113	35-534309-147	1	2
	33-530005-191	1	3
-114	33-530005-161	1	1
-115	35-534406-27	1	1
-116	35-534406-29	1	1
-117	35-534402	1	1
-118	118650	1	1
		/ATTACHING PARTS/								
	AN227-8B	4	
	AN227-9B	4	
		*								

B E E C H C R A F T
B O N A N Z A 3 3 T H R U E 3 3
I L L U S T R A T E D P A R T S C A T A L O G

FIG. & ITEM NO.	PART NO.	DESCRIPTION							UNITS PER ASSY	USABLE ON CODE
		1	2	3	4	5	6	7		
15D -119	95-530005-61	8	1
-120	35-534406-87	1	1
-121	35-415380-22	1	1
-122	35-534309-145	1	1
	35-534372-77	NP	1
-123	33-530003-621 C	1	1
-124	35-534372-5	1	1
-125	35-534372-25	1	1
-126	35-534372-41	2	1
-127	35-534372-99	1	1
-128	35-534372-85	1	1
	35-534372-45	1	1
	35-534372-39	1	1
-129	35-534372-91	1	1
	35-534372-79	1	1
	35-534372-81	1	1
	35-534372-49	1	1
	35-534372-31	1	1
-130	50-534073-1	1	1
	/ATTACHING PARTS/									
	AN525-832-11	1	
	105739X-XP0221	1	
	105739X-XR0150	1	
	AN960-10L	2	
	MS20365-832	1	

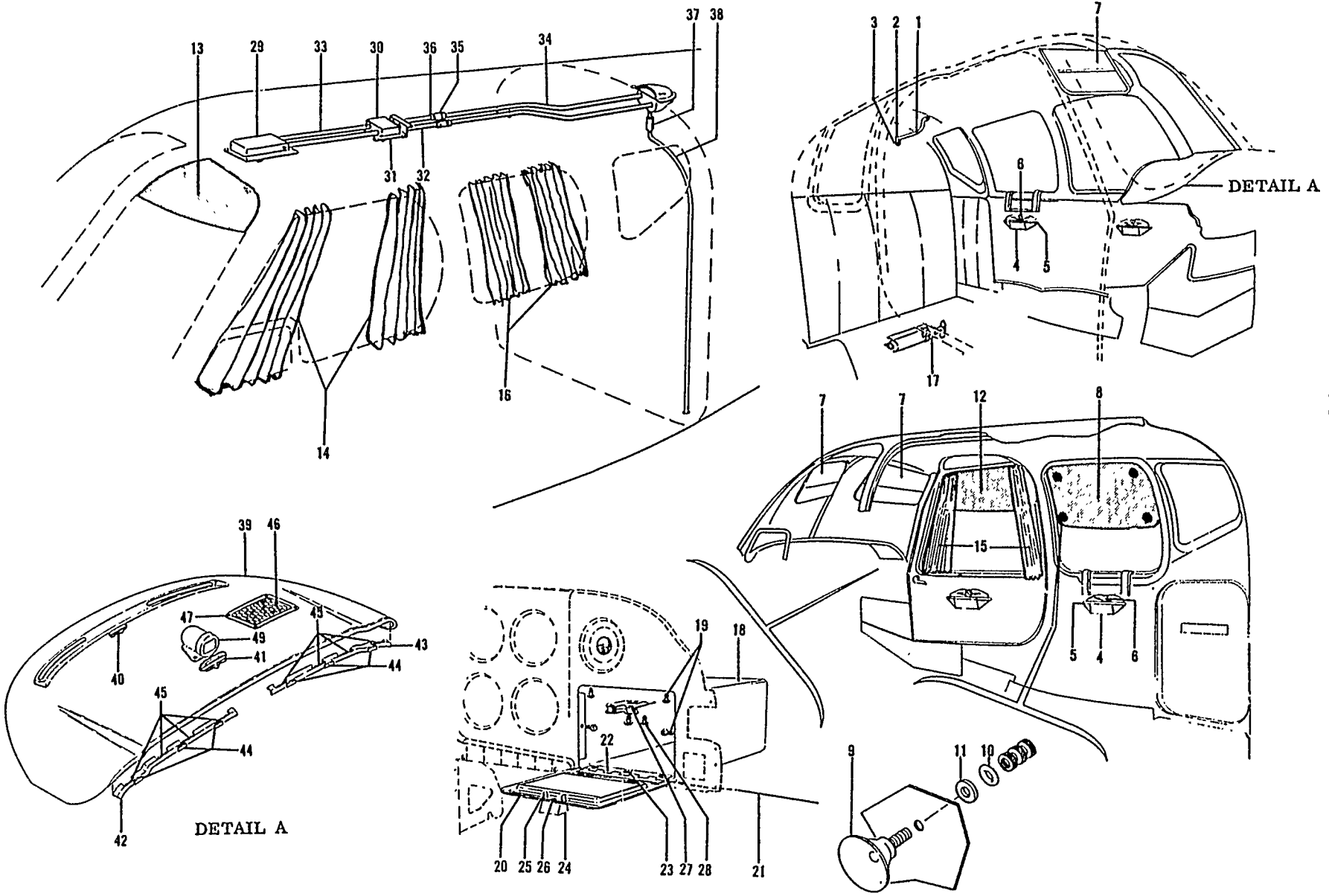
*
C O D E S O F E F F E C T I V I T Y

- | | |
|--|--|
| 1 CD-1119 AND AFTER,
CE-180 AND AFTER | 2 CD-1119 THRU CD-1199
CE-180 THRU CE-248 |
| 3 CD-1200 AND AFTER,
CE-249 AND AFTER | |

BEECHCRAFT
BONANZA 33 THRU E33
ILLUSTRATED PARTS CATALOG

FIGURE 16
MISCELLANEOUS FURNISHINGS AND FRESH AIR SYSTEM
CD-1 THRU CD-224, CD-233, CD-234, CD-236, CD-241

FIGURE 16-MISC FURNISHINGS AND FRESH AIR SYS



B E E C H C R A F T
B O N A N Z A 3 3 T H R U E 3 3
I L L U S T R A T E D P A R T S C A T A L O G

B E E C H C R A F T
 BONANZA 33 THRU E33
 I L L U S T R A T E D P A R T S C A T A L O G

FIG. & ITEM NO.	PART NO.	DESCRIPTION	UNITS PER ASSY	USABLE ON CODE
		1 2 3 4 5 6 7		
16	33-534014	HANGER INSTL,COAT	NP	1
	35-534399	HANGER INSTL,COAT	NP	2
- 1	33-534014-1	. TUBE,COAT HANGER.	1	1
	1440-14	. STRAP,COAT HANGER	1	2
- 2	33-534014-3	. PLATE,COAT HANGER	1	1
	95-534042-3	. COVER,COAT HANGER STRAP END	2	2
		/SUPERSEDES 95-534042-1/ /ATTACHING PARTS/		
- 3	NAS384-6P	. SCREW	2	
	NAS387R8	. SCREW	2	
	NAS391B8P	. WASHER /SUPERSEDES NAS391-8P/	2	
	A6191-6Z3	. NUT	2	
		-----*		
- 4	33-534012	ARMREST INSTL	NP	3
	33-534012-1	. ARMREST,ROYALITE.	4	3
		/ATTACHING PARTS/		
	NAS387-832	. SCREW	2	
	NAS391-8	. WASHER.	2	
	NAS686A08	. NUTPLATE.	2	
		-----*		
- 5	33-534012-5	. CUSHION ASSY,ARMREST.	4	3
		/ATTACHING PARTS/		
	A872-012-1	. NUTPLATE.	4	
		-----*		
- 6	35-534382	. INSIGNIA,BEECHCRAFT ARMREST	4	3
		/SUPERSEDES 33-534012-15/ /ATTACHING PARTS/		
	A872-012-1	. NUTPLATE.	3	
		-----*		
	33-534018	ARMREST INSTL	NP	4
	33-534018-1	. ARMREST ASSY.	4	4
		/ATTACHING PARTS/		
	AN520-1032	. SCREW	2	
	AN960-10	. WASHER.	2	
	K1000-3	. NUTPLATE.	2	
		-----*		
	33-534013	VISOR INSTL,CABIN FRONT	NP	
	33-534013-1	. VISOR ASSY,CABIN FRONT.	2	
		/ATTACHING PARTS/		
	NAS387-832P	. SCREW	3	
		-----*		
- 7	35-534079-24	. . VISOR ASSY,CABIN FRONT.	1	
	35-534085	SUNSHADE INSTL,CABIN WINDOW	NP	5
	35-534085-8	. SUNSHADE ASSY,CABIN AFT WINDOW LH	1	5
	35-534085-9	. SUNSHADE ASSY,CABIN AFT WINDOW RH	1	5
	35-534085-10	. . SUNSHADE,CABIN AFT WINDOW LH.	1	5
- 8	35-534085-11	. . SUNSHADE,CABIN AFT WINDOW RH.	1	5
- 9	CR1720	. . CUP ASSY,SUNSHADE ATTACHMENT.	4	5
- 10	AN6227-5	. . O RING,SUNSHADE ATTACHMENT.	4	5
- 11	AN960-616L	. . WASHER,SUNSHADE ATTACHMENT.	4	5
	35-534085-16	. SUNSHADE,CABIN FWD WINDOW LH.	1	5
- 12	35-534085-18	. SUNSHADE,CABIN FWD WINDOW RH.	1	5
- 13	35-534085-14	SUNSHADE,WINDSHIELD PLEXIGLASS.	2	5
- 14	35-534221-15 C	CURTAIN ASSY,FWD WINDOW	1	5
- 15	35-534222-19 C	CURTAIN ASSY,CABIN DOOR	1	5
- 16	35-534220-27 C	CURTAIN ASSY,AFT WINDOW	2	5
	35-574021	EXTINGUISHER INSTL,HAND FIRE.	NP	
- 17	A2	. EXTINGUISHER,FIRE /WITH BRACKET/.	1	
		/ATTACHING PARTS/		
	AN507-832-10	. SCREW	6	
	AN960-8	. WASHER.	6	
	MS20365-832	. NUT /SUPERSEDES AN365-832/.	6	
		-----*		
	35-574024	EXTINGUISHER,FIRE /WATER TYPE/.	NP	5
	B90275	. EXTINGUISHER,FIRE	1	5

B E E C H C R A F T
B O N A N Z A 3 3 T H R U E 3 3
I L L U S T R A T E D P A R T S C A T A L O G

FIG. & ITEM NO.	PART NO.	DESCRIPTION	UNITS PER ASSY							USABLE ON CODE
			1	2	3	4	5	6	7	
16	13X1565	. BRACKET, FIRE EXTINGUISHER /ATTACHING PARTS/							1	5
	AN507-832-10	. SCREW							4	
	AN960-8	. WASHER							4	
	MS20365-832	. NUT /SUPERSEDES AN365-832/							4	
	50-571037-3	. COVER, FIRE EXTINGUISHER							1	5
	50-571038	. PLACARD, FIRE EXTINGUISHER COVER							1	5
	35-574025	EXTINGUISHER INSTL, FREON FIRE							1	5
	FR2-1/2	. EXTINGUISHER, FREON FIRE /WITH BRACKET/. /ATTACHING PARTS/							1	5
	AN525-10	. SCREW							4	
	AN960-10	. WASHER							4	
	MS20365-1032	. NUT /SUPERSEDES AN365-1032/							4	
- 18	35-324033	BOX ASSY, GLOVE COMPARTMENT /ATTACHING PARTS/							1	6
- 19	AN530-6-4	SCREW							4	
- 20	35-324031	DOOR ASSY, GLOVE COMPARTMENT /ATTACHING PARTS/							1	6
- 21	105774C-ZE00428	PIN, HINGE							1	
- 22	35-324031-8	. HINGE, GLOVE BOX HALF /ATTACHING PARTS/							1	6
- 23	PK76XZ6-6	. SCREW							3	
- 24	35-324204	. KNOB, GLOVE BOX DOOR							1	6
- 25	5 ROLLER	. STRIKER, /HALF OF NUMBER 5 CATCH ASSY/ /ATTACHING PARTS/							1	6
- 26	AN530-6-8	. SCREW							1	
- 27	5 CLIP	. CATCH, /HALF OF NUMBER 5 CATCH ASSY/ /ATTACHING PARTS/							1	6
- 28	AN515-6-6	. SCREW							2	
	33-410043	FRESH AIR INSTL, INDIVIDUAL OUTLET							NP	3
- 29	35-550562-3	DUCT INSTL, FRESH AIR							NP	11
	33-410043-17	. DUCT ASSY, FRESH AIR FWD							1	8
	33-410043-27	. DUCT ASSY, FRESH AIR FWD							1	9
	33-410043-31	. DUCT ASSY, /USED WITHOUT INDIVIDUAL. OUTLET FRESH AIR INSTL/ /ATTACHING PARTS/							1	9
	NAS385-8-6P	. SCREW							4	
	NAS391B8P	. WASHER /SUPERSEDES NAS391-8P/							4	
	B2120	. VALVE, FRESH AIR /ATTACHING PARTS/							2	3
	NAS384-8-6	. SCREW							4	
	A1778-8Z1	. NUT							4	
- 30	33-410043-19	. DUCT ASSY, AFT FRESH AIR /ATTACHING PARTS/							1	3
	NAS384-6	. SCREW							3	
	NAS394-5	. NUT							3	
- 31	B2120	. VALVE, FRESH AIR /ATTACHING PARTS/							2	3
	NAS384-8-6	. SCREW							4	
	A1778-8Z1	. NUT							4	
- 32	33-410043-23	. TUBE, FRESH AIR MIDDLE							2	3
	35-550561-31	. PANEL INSTL, FRESH AIR OVERHEAD /SEE FIG. 16A FOR BREAKDOWN/							NP	11

B E E C H C R A F T
 BONANZA 33 THRU E33
 I L L U S T R A T E D P A R T S C A T A L O G

FIG. & ITEM NO.	PART NO.	DESCRIPTION	UNITS PER ASSY	USABLE ON CODE
16 - 33	35-050085-63	. TUBE, FRESH AIR FWD. /ATTACHING PARTS/	2	3
	AN530-8	. SCREW	1	
	AN960-8	. WASHER.	1	
	35-550562-23	. DUCT ASSY, FRESH AIR	2	11
- 34	33-410043-21	. TUBE, FRESH AIR AFT. /ATTACHING PARTS/	2	3
	AN530-8	. SCREW	1	
- 35	114632-8-8	. HOSE, FRESH AIR.	2	3
- 36	NAS397-18	. CLAMP, FRESH AIR HOSE.	2	3
	35-410152	. VENT, CABIN AIR.	1	3
	33-410033-5	. DUCT, VENT	1	3
	50-920077	. TUBE, DRAIN.	1	3
	35-550562-9	. SCOOP ASSY, CABIN AIR.	1	11
- 37	33-410043-15	. TUBE, OVERBOARD DRAIN RUBBER SPLICE.	1	3
- 38	33-410043-13	. TUBE, OVERBOARD DRAIN.	1	3
	96-534075-1	SHIELD INSTL, GLARE.	NP	10
	96-534075-51	. SHIELD ASSY, GLARE	1	10
	96-534075-607	. DECK ASSY, GLARE SHIELD.	1	10
- 39	96-534075-5	. DECK.	1	10
- 40	96-554022	. DUCT ASSY, DEFROSTER	1	10
- 41	96-534075-47	. ANGLE	1	10
	96-534075-15	. REFLECTOR ASSY, LH	1	10
	96-534075-16	. REFLECTOR ASSY, RH	1	10
- 42	96-534075-13	. REFLECTOR, LH.	1	10
- 43	96-534075-14	. REFLECTOR, RH.	1	10
- 44	96-534075-21	. SPACER.	6	10
- 45	4165-302	. HOLDER, BULB	8	10
- 46	96-530013	. GRILL	1	10
- 47	96-530013-11	. RETAINER, GRILL. /ATTACHING PARTS/	1	10
	PK76X26	. SCREW	4	
	A1778-6Z	. NUT	4	
- 48		. DELETED		
- 49	C2400L4P1	. COMPASS ASSY. /ATTACHING PARTS/	1	10
	AN51588-10	. SCREW	3	

C O D E S O F E F F E C T I V I T Y

- | | | | |
|----|--|----|---|
| 1 | CD-1 THRU CD-813 | 2 | CD-814 AND AFTER,
CE-1 AND AFTER |
| 3 | CD-1 THRU CD-224,
CD-233, CD-234,
CD-236, CD-241 AND
CD-246 THRU CD-250 | 4 | CD-225 THRU CD-232,
CD-235, CD-237 THRU
CD-240, CD-242 THRU
CD-245 AND CD-251
THRU CD-387 |
| 5 | CD-388 AND AFTER,
CE-1 AND AFTER | 6 | CD-1 THRU CD-387 |
| 7 | CD-1 THRU CD-313 | 8 | CD-1 THRU CD-107 |
| 9 | CD-108 THRU CD-224
CD-233, CD-234
CD-236, CD-241
CD-246 THRU CD-250 | 10 | CD-1119 AND AFTER
CE-180 AND AFTER |
| 11 | CD-225 THRU CD-232,
CD-235,
CD-237 THRU CD-240
CD-242 THRU CD-245
CD-251 THRU CD-313 | | |

B E E C H C R A F T
B O N A N Z A 3 3 T H R U E 3 3
I L L U S T R A T E D P A R T S C A T A L O G

FIGURE 16A
OVERHEAD PANEL AND FRESH AIR SYSTEM
CD-225 THRU CD-232,CD-235,CD-237 THRU CD-240
CD-242 THRU CD-1026,CE-1 THRU CE-25

BEECHCRAFT
 BONANZA 33 THRU E33
 ILLUSTRATED PARTS CATALOG

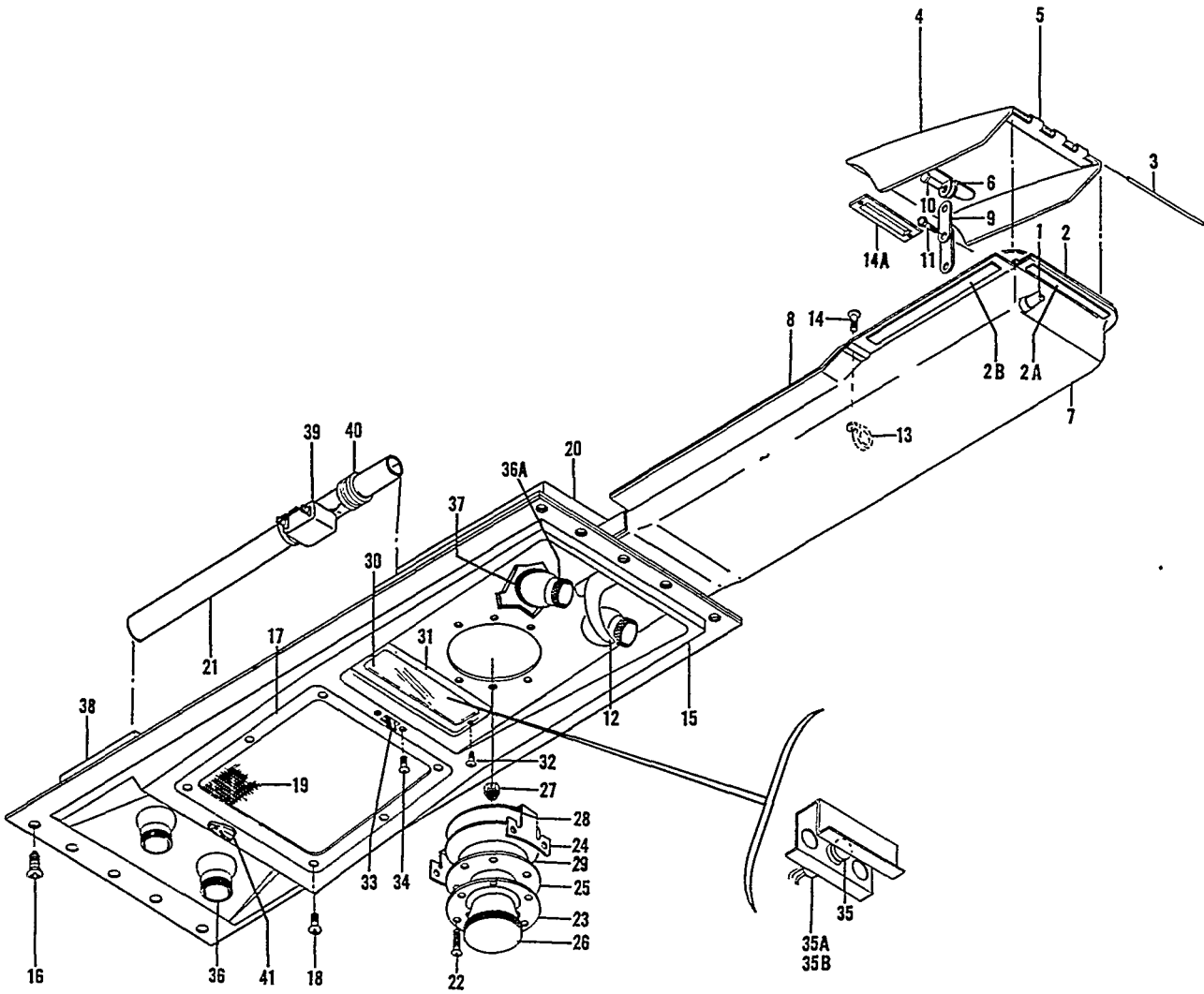


FIGURE 16A-OVERHEAD PANEL AND FRESH AIR SYSTEM

B E E C H C R A F T
BONANZA 33 THRU E33
I L L U S T R A T E D P A R T S C A T A L O G

FIG. & ITEM NO.	PART NO.	DESCRIPTION	UNITS PER ASSY	USABLE ON CODE
		1 2 3 4 5 6 7		
16A	35-550562-3	FRESH AIR DUCT INSTL.	NP	1
	35-550562-89	FRESH AIR DUCT INSTL.	NP	3
- 1	35-550562-21	. TUBE, FRESH AIR.	1	3
- 2	35-550562-41	. HINGE, HALF.	1	3
- 2A	35-550562-95	. STRIP, BACK.	1	3
- 2B	35-550562-93	. STRIP, BACK.	2	
	35-550562-607	. SCOOP ASSY, FRESH AIR.	1	3
	35-550562-9	. SCOOP ASSY, FRESH AIR. /ATTACHING PARTS/	1	1
- 3	AN253-2-375	. PIN, HINGE	1	
		*		
- 4	35-550562-51	. . SCOOP, FRESH AIR	1	3
- 5	35-550562-91	. . HINGE, SCOOP	1	3
- 6	AN743-13	. . BRACKET, AIR SCOOP	2	3
	35-550562-23	. DUCT ASSY, FRESH AIR	1	1
	35-550562-609	. DUCT ASSY, FRESH AIR	1	3
- 7	35-550562-57	. . PAN ASSY, FRESH AIR.	1	3
	35-550562-39	. . . PAN	1	3
	35-550562-43	. . . PLATE	1	3
	AN743-13	. . BRACKET, AIR SCOOP	2	3
- 8	35-550562-61	. . COVER, FRESH AIR DUCT.	1	3
- 9	35-550562-87	. LINK, AIR SCOOP.	2	
		/ATTACHING PARTS/		
- 11	MS24665-132	. PIN, COTTER /SUPERSEDES AN380-2-2/	2	
	35-550562-85	. BOLT.	1	
	AN960-10	. WASHER.	2	
	MS20365-1032	. NUT /SUPERSEDES AN365-1032/	1	
		*		
- 12	95-380007	. CONTROL ASSY, PUSH-PULL.	1	3
- 13	AN742-4	. CLAMP, CONTROL	1	3
		/ATTACHING PARTS/		
- 14	AN515-10R	. SCREW	1	
	1006960-ZV014	. SPACER.	1	
	AN960-10	. WASHER.	1	
	NAS697A3	. NUTPLATE /SUPERSEDES MK1000-1032/	1	
		*		
- 14A	35-550562-97	. STRIP, STALL	1	3
	35-550561-31	. PANEL INSTL, FRESH AIR OVERHEAD.	NP	2
- 15	35-550561-35	. . SHELL, OVERHEAD PANEL.	1	2
		/ATTACHING PARTS/		
- 16	NAS384-6	. . SCREW	10	
	AN960-6	. . WASHER.	10	
		*		
- 17	35-344152	. . FRAME, OVERHEAD SPEAKER.	1	2
		/ATTACHING PARTS/		
- 18	NAS387-6	. . SCREW	8	
	1006960-ZF004	. . SPACER	4	
	AN960-6	. . WASHER.	8	
	MK1000-632	. . NUTPLATE.	8	
		*		
- 19	35-344169	. . GRILL, OVERHEAD SPEAKER.	1	2
- 20	35-550561-33	. . BOX, AFT	1	2
- 21	35-550561-37	. . TUBE, FRESH AIR.	2	2
	35-550055	. . VALVE ASSY, AIR OUTLET	1	2
		/ATTACHING PARTS/		
- 22	NAS384-6-6P	. . SCREW	6	
	A6052-6Z1	. . NUT	6	
		*		
- 23	35-550059	. . . CUP, AIR VALVE	1	2
- 24	35-550061	. . . BRACKET, AIR VALVE	1	2
- 25	35-550060	. . . COLLAR, AIR VALVE.	1	2

B E E C H C R A F T
 BONANZA 33 THRU E33
 I L L U S T R A T E D P A R T S C A T A L O G

FIG. & ITEM NO.	PART NO.	1	2	3	4	5	6	7	DESCRIPTION	UNITS PER ASSY	USABLE ON CODE	
16A - 26	35-550056	KNOB ASSY,AIR VALVE /ATTACHING PARTS/	1	2	
- 27	AN320-4	NUT	1		
	AN960-416L	WASHER	1		
	AN960-416	WASHER	1		
	102808-4D012	WASHER	1		
	MS24665-132	PIN,COTTER /SUPERSEDES AN380-2-2/	1		

	35-550056	KNOB,AIR	1	2	
	35-550058-8	SCREW	1	2	
	AN565A6H4	SCREW,SET	1	2	
- 28	35-550062	DISC ASSY,AIR VALVE	1	2	
	35-550062-2	DISC	1	2	
	35-550075	NUT	1	2	
- 29	35-550063	SEAL,AIR VALVE	1	2	
- 30	35-550561-11	LENS,OVERHEAD LIGHT	1	2	
- 31	35-550561-9	RETAINER,LENS /ATTACHING PARTS/	1	2	
- 32	NAS387-632	SCREW	2		
	AN960-6	WASHER	2		
	MS20365-632	NUT /SUPERSEDES AN365-632/	2		

- 33	SS32-1	SWITCH,OVERHEAD LIGHT /ATTACHING PARTS/	1	2	
- 34	AN515-4	SCREW	2		
	MS20365-440	NUT /SUPERSEDES AN365-440/	2		

- 35	89	BULB,OVERHEAD LIGHT /SUPERSEDES 89-6CP/	5	2	
- 35A	35-550561-53	SOCKET ASSY,OVERHEAD LIGHT	5	2	
- 35B	35-550561-55	WASHER,SOCKET	1	2	
- 36	B2120-501	VALVE,FRESH AIR OUTLET FWD	2	2	
- 36A	B2155-501	VALVE,FRESH AIR OUTLET AFT	2	2	
- 37	35-550561-29	GASKET,AIR OUTLET VALVE	4	2	
- 38	35-550561-5	BOX,FWD	1	2	
	169-380021-7	BUZZER,STALL WARNING /SUPERSEDES 200008 & 169-380021-1/	1	4	
- 39	4099	BUZZER,STALL WARNING /ATTACHING PARTS/	1	5	
- 40	AN742D16	CLAMP,STALL WARNING BUZZER	2		
	AN520-10R	SCREW	2		
	MS20365-1032	NUT	2		

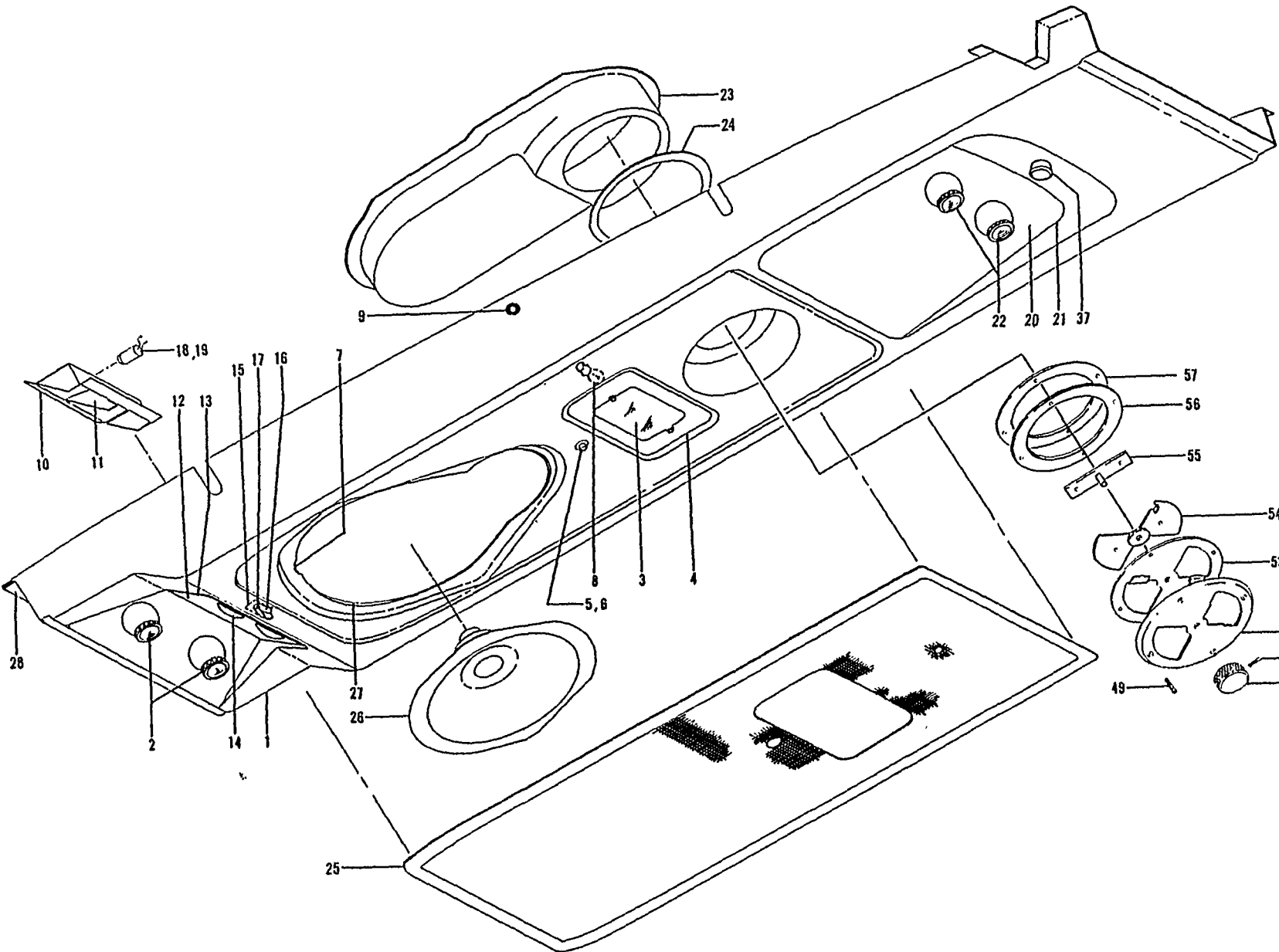
- 41	35-364022	SHUTTER,CABIN LIGHT /ATTACHING PARTS/	1	2	
	AN515-6	SCREW	1		
	I00943YNO12R	SPRING	1		
	MS20365-632	NUT /SUPERSEDES AN365-632/	1		

C O D E S O F E F F E C T I V I T Y

- | | |
|--|---|
| 1 CD-225 THRU CD-313
EXCEPT CD-233,
CD-234,CD-236,
CD-241,CD-246 THRU
CD-250 | 2 CE-1 THRU CE-25,
CD-225 THRU CD-1026
EXCEPT CD-233,
CD-234, CD-236,
CD-241,
CD-246 THRU CD-250 |
| 3 CD-314 THRU CD-1026,
CE-1 THRU CE-25 | 4 CD-388 THRU CD-494 |
| 5 CD-495 THRU CD-709 | |

B E E C H C R A F T
B O N A N Z A 3 3 T H R U E 3 3
I L L U S T R A T E D P A R T S C A T A L O G

FIGURE 16B
OVERHEAD PANEL AND FRESH AIR SYSTEM
CD-1027 AND AFTER, CE-26 AND AFTER



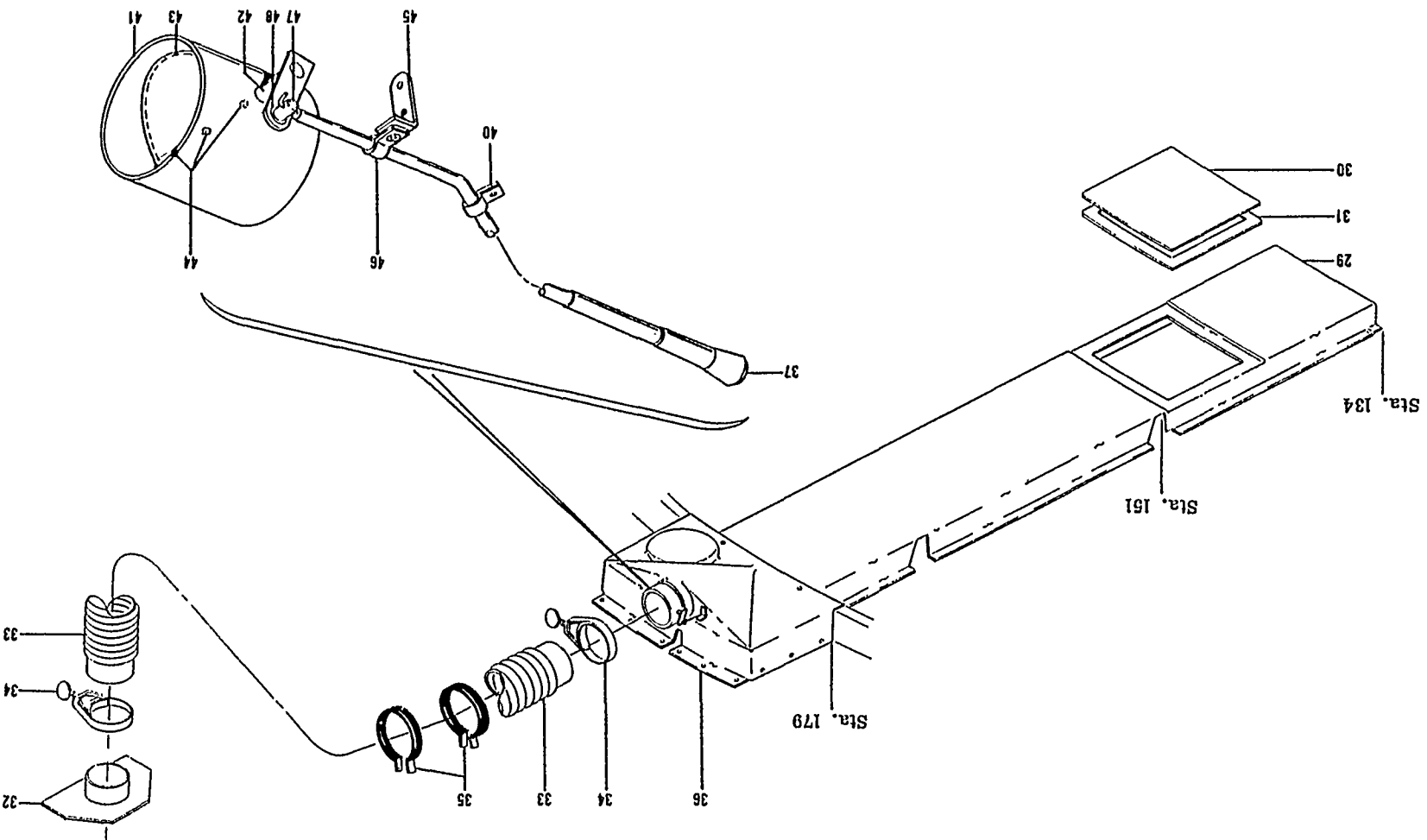


FIGURE 16B. OVERHEAD PANEL AND FRESH AIR SYSTEM
/SHEET 2 OF 2 SHEETS/

02/24/84

B E E C H C R A F T
 BONANZA 33 THRU E33
 I L L U S T R A T E D P A R T S C A T A L O G

FIG. & ITEM NO.	PART NO.	DESCRIPTION							UNITS PER ASSY	USABLE ON CODE
		1	2	3	4	5	6	7		
16B	96-550013-107	PANEL INSTL,OVERHEAD FRESH AIR /4 OUTLETS/ . . .							NP	1
	96-550013-611	. . . PANEL ASSY,OVERHEAD FRESH AIR /4 OUTLETS/ . . .							1	2
- 1	96-550013-631	. . . PANEL ASSY,OVERHEAD FRESH AIR /4 OUTLETS/ . . .							1	3
	96-550013-93	. . . SHELL,FWD OVERHEAD PANEL							1	2
	96-550013-147	. . . SHELL,FWD OVERHEAD PANEL							1	3
		/ATTACHING PARTS/								
	AN531-6R8	. . . SCREW							9	
	NAS395-31-1	. . . NUT							9	
- 2	2373	. . . VALVE,PILOT AND COPILOT AIR							2	1
		/ATTACHING PARTS/								
	NAS384-6-8P	. . . SCREW							4	
	NAS446-2-1	. . . NUT							4	
- 3	B3550-1	. . . LIGHT,DOME							1	1
		/ATTACHING PARTS/								
	NAS387-632-8P	. . . SCREW							4	
- 4	96-550013-53	. . . GASKET,DOME LIGHT							1	1
- 5	L18366-1	. . . SWITCH,DOME LIGHT							1	1
- 6	96-550013-51	. . . GASKET,DOME LIGHT SWITCH							1	1
- 7	96-550013-33	. . . GASKET,SPEAKER							1	1
- 8	89	. . . BULB,DOME LIGHT							1	1
- 9	MS35489-9	. . . GROMMET,DOME LIGHT WIRING							1	1
		/SUPERSEDES AN931-5-9/								
- 10	96-550013-29	. . . REFLECTOR,MAP LIGHT							1	2
- 11	96-550013-31	. . . BAFFLE,MAP LIGHT REFLECTOR							1	2
- 12	96-550013-43	. . . COVER,MAP LIGHT							1	2
		/ATTACHING PARTS/								
	NAS387-632-8P	. . . SCREW							2	
	NAS391-6P	. . . WASHER							2	
	NAS697A06	. . . NUTPLATE							2	
- 13	96-550013-47	. . . GASKET,MAP LIGHT COVER							1	2
- 14	96-550013-45	. . . LENS,RED MAP LIGHT							1	2
- 15	96-550013-69	. . . LENS,COLORLESS MAP LIGHT							1	2
- 16	35-364022	. . . SHUTTER,MAP LIGHT							1	2
		/ATTACHING PARTS/								
	AN515C6R12	. . . SCREW							1	
	MS20365-632	. . . NUT /SUPERSEDES AN365-632/							1	
- 17	100943YN012R	. . . SPRING,SHUTTER COMPRESSION							1	2
	33-360001-607	. . . WIRE ASSY,CABIN LIGHTS							1	2
	33-360001-617	. . . WIRE ASSY,CABIN LIGHTS							1	3
- 18	SC2611	. . . SOCKET,MAP LIGHT /SUPERSEDES 35-550561-53/ . . .							2	2
- 19	89	. . . BULB,MAP LIGHT							2	2
	96-550013-607	. . . PANEL ASSY,THIRD AND FOURTH SEAT FRESH AIR . . .							1	1
- 20	96-550013-97	. . . PAN,THIRD AND FOURTH SEAT FRESH AIR							1	1
		/ATTACHING PARTS/								
	NAS387-632-8P	. . . SCREW							6	
	NAS697A06	. . . NUTPLATE							6	
- 21	96-550013-83	. . . GASKET,THIRD AND FOURTH SEAT FRESH AIR PAN . . .							1	1
- 22	2373	. . . VALVE,THIRD AND FOURTH SEAT AIR							2	1
		/ATTACHING PARTS/								
	NAS384-6-8P	. . . SCREW							4	
	A1181-2-1	. . . NUT /SUPERSEDES NAS446-2-1/							4	
- 23	96-550013-35	. . . PAN,EXHAUST VENT							1	1
		/ATTACHING PARTS/								
	AN515C6R8	. . . SCREW							3	
	NAS697A06	. . . NUTPLATE							3	
- 24	96-550013-37	. . . GASKET,EXHAUST VENT PAN							1	1

B E E C H C R A F T
B O N A N Z A 3 3 T H R U E 3 3
I L L U S T R A T E D P A R T S C A T A L O G

FIG. & ITEM NO.	PART NO.	1 2 3 4 5 6 7	DESCRIPTION	UNITS PER ASSY	USABLE ON CODE
168 - 25	96-554011	.	GRILL, OVERHEAD SPEAKER.	1	1
			/ATTACHING PARTS/		
	NAS387-632-8P	.	SCREW	8	
	MF1000-632	.	NUTPLATE.	8	
			-----*		
	96-340164	.	SPEAKER INSTL, OVERHEAD CABIN RADIO.	NP	1
- 26	58690648	.	SPEAKER, OVERHEAD.	1	1
			/ATTACHING PARTS/		
	AN525-832R8	.	SCREW	4	
	NAS697A08	.	NUTPLATE.	4	
			-----*		
- 27	96-550013-49	.	DOME, OVERHEAD SPEAKER	1	1
- 28	96-550013-39	.	DOUBLER, FWD SHELL	1	1
- 29	96-550013-117	.	SHELL, OVERHEAD PANEL AFT.	1	1
			/ATTACHING PARTS/		
	AN504-6R	.	SCREW, AFT	3	
	AN531-6R8	.	SCREW, FWD	9	
	NAS395-31-1	.	NUT, FWD	9	
			-----*		
- 30	96-550013-75	.	DOOR, OVERHEAD PANEL /WITHOUT AIR OUTLETS/	1	1
			/ATTACHING PARTS/		
	NAS384-6P	.	SCREW	5	
			-----*		
	NAS395-6-1	.	NUT	5	
- 31	96-550013-77	.	GASKET, OVERHEAD PANEL DOOR.	1	1
- 32	33-440011-7	.	WELD ASSY, FRESH AIR SCOOP ADAPTER	1	1
- 33	111716AZ6XX110	.	DUCT, OVERHEAD FRESH AIR	2	1
- 34	AN737RM107	.	CLAMP, OVERHEAD FRESH AIR DUCT	2	1
- 35	MS21919DG48	.	CLAMP, OVERHEAD FRESH AIR DUCT	2	1
			/ATTACHING PARTS/		
	AN520-10R8	.	SCREW	1	
	AN960-10L	.	WASHER.	1	
	MS20365-1032	.	NUT	1	
			-----*		
	95-554043	.	VALVE INSTL, FRESH AIR INLET SHUTOFF	NP	1
- 36	95-554043-1	.	DUCT, OVERHEAD AIR ADAPTER	1	1
			/ATTACHING PARTS/		
	AN515-6-7	.	SCREW	6	
	AN960-8L	.	WASHER.	15	
	A1777-6Z3	.	NUT /SUPERSEDES A1777-6Z1/.	6	
			-----*		
- 37	35-380051-13	.	CONTROL, FRESH AIR INLET SHUTOFF	1	1
- 38		.	DELETED		
- 39		.	DELETED		
- 40	AN742-3	.	CLAMP, FRESH AIR VALVE CONTROL	1	1
			/ATTACHING PARTS/		
	AN515-8R6	.	SCREW	1	
	AN960-8	.	WASHER.	1	
	MS20365-832	.	NUT	1	
			-----*		
- 41	95-554043-603	.	VALVE ASSY, FRESH AIR SHUTOFF.	1	1
- 42	95-554043-5	.	TUBE, FRESH AIR ADAPTER.	1	1
- 43	95-554043-25	.	SHAFT AND ARM ASSY, FRESH AIR SHUTOFF.	1	1
- 43	95-554043-23	.	PLATE ASSY, FRESH AIR SHUTOFF VALVE.	1	1
			/ATTACHING PARTS/		
- 44	AN515-440	.	SCREW	3	
	AN960-4L	.	WASHER.	3	
	MS20365-440	.	NUT	3	
			-----*		
	95-554043-19	.	SEAL, SHUTOFF VALVE.	1	1
	95-554043-21	.	PLATE, SHUTOFF VALVE	1	1
- 45	AN743-13	.	ANGLE, FRESH AIR VALVE	1	1
			/ATTACHING PARTS/		
	AN960-4L	.	WASHER.	2	
			-----*		

B E E C H C R A F T
B O N A N Z A 3 3 T H R U E 3 3
I L L U S T R A T E D P A R T S C A T A L O G

FIG. & ITEM NO.	PART NO.	1	2	3	4	5	6	7	DESCRIPTION	UNITS PER ASSY	USABLE ON CODE
16B - 46	AN742-4	CLAMP, FRESH AIR VALVE	1	1
		/ATTACHING PARTS/		
	AN515-8R6	SCREW	1	
	AN960-8	WASHER	1	
	MS20365-832	NUT	1	
		*									
- 47	35-550520	PIN, FRESH AIR VALVE	1	1
- 48	102933S4ZJ0093	SPACER, FRESH AIR VALVE	1	1
	AN960-10	WASHER	1	1
	MS20365-1032	NUT	1	1
	96-550015	VALVE ASSY, OVERHEAD CABIN EXHAUST	1	1
		/ATTACHING PARTS/		
- 49	NAS387-832P	SCREW	4	
	MK2000-08	NUT/PLATE	4	
		*									
	96-550015-23	KNOB ASSY, EXHAUST VALVE	1	1
	96-554013-1	PLACARD, KNOB	1	1
- 50	96-550015-17	KNOB, EXHAUST VALVE /ORDER 96-550015-23/	NP	1
		/ATTACHING PARTS/		
- 51	AN565D8H8	SCREW, SET	1	
		*									
	96-550015-21	PLATE ASSY, EXHAUST VALVE	1	1
- 52	96-550015-13	PLATE, EXHAUST VALVE	1	1
- 53	35-410455-1	COVER, EXHAUST VALVE	1	1
	96-550015-1	SHUTTER ASSY, EXHAUST VALVE	1	1
- 54	96-550015-9	SHUTTER, EXHAUST VALVE	1	1
- 55	96-550015-3	WELD ASSY, EXHAUST VALVE	1	1
	96-550015-19	RING ASSY, EXHAUST VALVE	1	1
- 56	35-410154-3	SHIM, EXHAUST VALVE RING	1	1
- 57	96-550015-11	RING, EXHAUST VALVE BACKUP	1	1

C O D E S O F E F F E C T I V I T Y

- | | |
|--|---|
| 1 CD-1027 AND AFTER,
CE-26 AND AFTER | 2 CD-1027 THRU CD-1118
CE-26 THRU CE-179 |
| 3 CD-1119 AND AFTER,
CE-180 AND AFTER | |

BEECHCRAFT
BONANZA 33 THRU E33
ILLUSTRATED PARTS CATALOG

FIGURE 17
WING

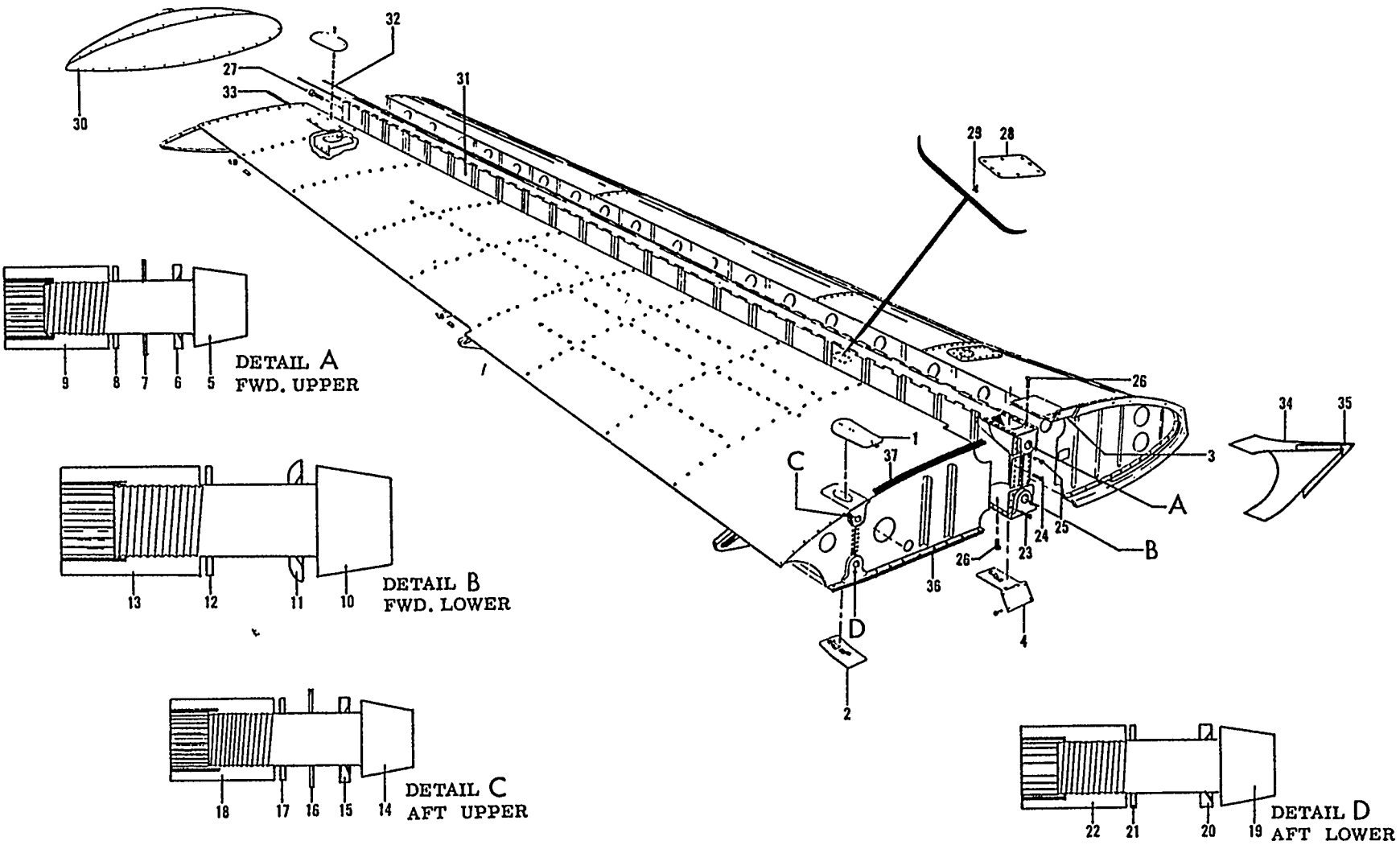


FIGURE 17. HING

B E E C H C R A F T
B O N A N Z A 3 3 T H R U E 3 3
I L L U S T R A T E D P A R T S C A T A L O G

FIG. & ITEM NO.	PART NO.	DESCRIPTION	UNITS PER ASSY	USABLE ON CODE
		1 2 3 4 5 6 7		
17	35-105100	WING INSTL,LH	NP	
	35-105100-1	WING INSTL,RH	NP	
- 1	35-105005-12	. DOOR ASSY,UPPER REAR LH	1	
	35-105005-13	. DOOR ASSY,UPPER REAR RH	1	
- 2	35-105110	. COVER ASSY,LOWER REAR LH.	1	
	35-105110-1	. COVER ASSY,LOWER REAR RH.	1	
	PK79XZ8-7	. SCREW	3	
		-----*		
- 3	35-105005-10	. DOOR ASSY,UPPER FRONT LH.	1	
	35-105005-11	. DOOR ASSY,UPPER FRONT RH.	1	
- 4	35-105005-8	. DOOR ASSY,LOWER FRONT LH.	1	
	35-105005-9	. DOOR ASSY,LOWER FRONT RH.	1	
	PK79XZ8-7	. SCREW	4	
		-----*		
	33-110000-601	WING ASSY,LH /LESS FUEL CELLS,WING TIP,	1	1
		AILERON,FLAP & LANDING GEAR/ /SPECIFY WITH OR WITHOUT AUX. TANKS/		
	33-110000-602	WING ASSY,RH /LESS FUEL CELLS,WING TIP,	1	1
		AILERON,FLAP & LANDING GEAR/ /SPECIFY WITH OR WITHOUT AUX. TANKS/		
	33-110000-661	WING ASSY,LH /LESS FUEL CELLS,WING TIP,	1	2
		AILERON,FLAP & LANDING GEAR/ /SPECIFY WITH OR WITHOUT AUX. TANKS/		
	33-110000-662	WING ASSY,RH /LESS FUEL CELLS,WING TIP,	1	2
		AILERON,FLAP & LANDING GEAR/ /SPECIFY WITH OR WITHOUT AUX. TANKS/		
	35-110009-85	WING ASSY,LH /LESS FUEL CELLS,WING TIP,	1	3
		AILERON,FLAP & LANDING GEAR/ /SPECIFY 25,39 OR 40 GAL. FUEL CELL/ /SUPERSEDES 33-110000-675/		
	35-110009-86	WING ASSY,RH /LESS FUEL CELLS,WING TIP,	1	3
		AILERON,FLAP & LANDING GEAR/ /SPECIFY 25,39 OR 40 GAL. FUEL CELL/ /SUPERSEDES 33-110000-676/ /ATTACHING PARTS/		
- 5	NAS150-33/M/	BOLT,FWD UPPER.	1	
- 6	MS20002C10	WASHER/UNDER BOLT/.	1	
- 7	105090A032-10J	WASHER /BETWEEN WING & CARRY THRU FITTING/.	1	
- 8	NAS143-10	WASHER /SUPERSEDES MS20002-10/.	2	
- 9	12B108	NUT,FWD UPPER/INTERNAL WRENCHING/	1	
- 10	R NAS152-46/M/ R MS20012-28/M/	BOLT,FWD LOWER.	1	5
		BOLT,FWD LOWER.	1	6
- 11	35-105011	WASHER/UNDER BOLT/.	1	
- 12	MS20002-12	WASHER/UNDER NUT/.	2	
- 13	12B126	NUT,FWD LOWER/INTERNAL WRENCHING/	1	
- 14	NAS150-33/M/	BOLT,AFT UPPER.	1	
- 15	R 35-105111-3	WASHER/UNDER BOLT/.	1	
- 16	105090A032-10J	WASHER /BETWEEN WING & CARRY THRU FITTINGS/	1	
- 17	NAS143-10	WASHER/SUPERSEDES MS20002-10/UNDER NUT/	2	
- 18	12B108	NUT,AFT UPPER/INTERNAL WRENCHING/	1	
- 19	NAS150-35/M/	BOLT,AFT LOWER.	1	
- 20	R 35-105111-3	WASHER/UNDER BOLT/.	1	
- 21	NAS143-10	WASHER/SUPERSEDES MS20002-10/UNDER NUT/	2	
- 22	12B108	NUT,AFT LOWER/INTERNAL WRENCHING/	1	
		-----*		
	35-115388-657	. LEADING EDGE & MAIN SPAR,LH /LESS FUEL CELLS/ /SEE FIG. 18A/	1	1
	35-115388-658	. LEADING EDGE & MAIN SPAR,RH /LESS FUEL CELLS/ /SEE FIG. 18A/	1	1
	35-115388-667	. LEADING EDGE & MAIN SPAR,LH /LESS FUEL CELLS/ /SEE FIG. 18A/	1	2
	35-115388-668	. LEADING EDGE & MAIN SPAR,RH /LESS FUEL CELLS/ /SEE FIG. 18A/	1	2
	35-115388-677	. LEADING EDGE & MAIN SPAR,LH /LESS FUEL CELLS/ /SPECIFY 25,39 OR 40 GAL. PROVISIONS/ /SEE FIG. 18A/	1	3

B E E C H C R A F T
 BONANZA 33 THRU E33
 I L L U S T R A T E D P A R T S C A T A L O G

FIG. & ITEM NO.	PART NO.	DESCRIPTION	UNITS PER ASSY	USABLE ON CODE
		1 2 3 4 5 6 7		
17	35-115388-678	• LEADING EDGE & MAIN SPAR,RH /LESS FUEL CELLS/ /SPECIFY 25,39 OR 40 GAL. PROVISIONS/ /SEE FIG. 18A/ /ATTACHING PARTS/	1	3
- 23	NAS220-9	• SCREW	4	
- 24	NAS220-8	• SCREW	12	
- 25	NAS220-10	• SCREW	4	
- 26	AN525-832R12	• SCREW	24	
- 27	AN515-8R8	• SCREW	6	
	AN960-8	• WASHER	44	
	MS20365-832	• NUT /SUPERSEDES AN365-832/.	44	
- 28	95-110018	• . . DOOR,ACCESS /ATTACHING PARTS/	1	
- 29	AN509-8R8	• . . SCREW	4	
	35-115300-610	• BOX SECTION ASSY,LH /LESS SPAR & LEADING. . . EDGE/SPECIFY WITH OR W/O AUX TANKS/ /SEE FIG. 19/	1	4
	35-115300-611	• BOX SECTION ASSY,RH /LESS SPAR & LEADING. . . EDGE/SPECIFY WITH OR W/O AUX TANKS/ /SEE FIG. 19/	1	4
	35-115300-608	• BOX SECTION ASSY,LH /LESS SPAR & LEADING . . . EDGE/ /SEE FIG. 19/	1	3
	35-115300-609	• BOX SECTION ASSY,RH /LESS SPAR & LEADING. . . EDGE/ /SEE FIG. 19/	1	3
- 30	35-175001	• TIP ASSY,LH	1	
	36-110011-1	• TIP INSTL,LH /OPTIONAL/	NP	
	35-175001-1	• TIP ASSY,RH	1	
	36-110011-2	• TIP INSTL,RH /OPTIONAL/	NP	
- 31	35-110061-1	• SPAR ASSY,WING FRONT LH	1	
	35-110061-2	• SPAR ASSY,WING FRONT RH /ATTACHING PARTS/	1	
- 32	35-115388-4	• PIN,WING HINGE UPPER /SUPERSEDES 35-115388-6/	2	
- 33	35-115388-4	• PIN,WING HINGE LOWER.	2	
- 34	35-115381	• FILLET ASSY,LEADING EDGE LH	1	1
	35-115381-1	• FILLET ASSY,LEADING EDGE RH	1	1
- 35	35-115382	• TIP,WING FILLET LH.	1	1
	35-115382-1	• TIP,WING FILLET RH.	1	1
- 36	111722	• EXTRUSION,LH & RH LOWER WING SEAL /34 1/4 INCHES LONG/	2	
- 37	115092	• EXTRUSION,LH & RH UPPER WING SEAL /110 INCHES LONG/	2	

CODES OF EFFECTIVITY

1	CD-1 THRU CD-224, CD-233,CD-234, CD-236,CD-241, CD-246 THRU CD-250	2	CD-225 THRU CD-232, CD-235, CD-237 THRU CD-240, CD-242 THRU CD-245, CD-251 THRU CD-387
3	CD-388 AND AFTER, CE-1 AND AFTER	4	CD-1 THRU CD-387
5	CD-1 THRU CD-765	6	CD-766 AND AFTER CE-1 AND AFTER

B E E C H C R A F T
B O N A N Z A 3 3 T H R U E 3 3
I L L U S T R A T E D P A R T S C A T A L O G

FIGURE 18
WING LEADING EDGE
CD-1 THRU CD-387

BEECHCRAFT
BONANZA 33 THRU E33
ILLUSTRATED PARTS CATALOG

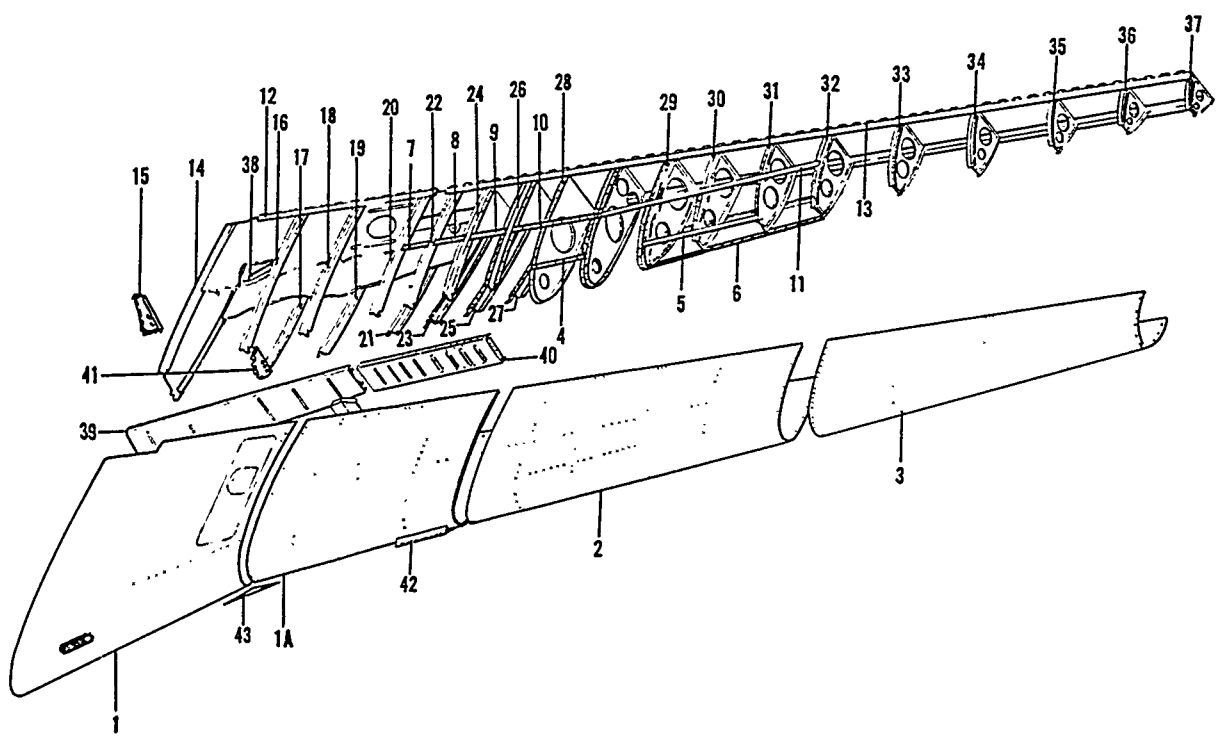


FIGURE 18. WING LEADING EDGE

B E E C H C R A F T
B O N A N Z A 3 3 T H R U E 3 3
I L L U S T R A T E D P A R T S C A T A L O G

FIG. & ITEM NO.	PART NO.	DESCRIPTION							UNITS PER ASSY	USABLE ON CODE
		1	2	3	4	5	6	7		
18	33-110010-1	EDGE ASSY,WING LEADING LH							NP	2
	33-110010-2	EDGE ASSY,WING LEADING RH							NP	2
	33-110010-601	. EDGE ASSY,WING LEADING INBD LH,STA 23.881 TO. STA 73 /LESS FUEL CELLS/							1	2
	33-110010-602	. EDGE ASSY,WING LEADING INBD RH,STA 23.881 TO. STA 73 /LESS FUEL CELLS/							1	2
	33-110010-603	. EDGE ASSY,WING LEADING OUTBD LH,STA 73 TO . . STA 191							1	2
	33-110010-604	. EDGE ASSY,WING LEADING OUTBD RH,STA 73 TO . . STA 191							1	2
	33-110010-621	. . EDGE,WING CENTER SECTION LEADING OUTBD LH,. STA 73 TO STA 136.188							1	2
	33-110010-622	. . EDGE,WING CENTER SECTION LEADING OUTBD RH,. STA 73 TO STA 136.188							1	2
	35-115010-663	. . EDGE,WING LEADING OUTBD LH,STA 136.188 . . TO STA 191 /SUPERSEDES 35-115010 SA							1	2
	35-115010-666	. . EDGE,WING LEADING OUTBD RH,STA 136.188 TO . STA 191 /SUPERSEDES 35-115010 SA56/							1	2
- 1	33-110010-5	. SKIN,LH							1	2
	33-110010-6	. SKIN,RH							1	2
- 1A	35-115430-3	. SKIN,LH							1	2
	35-115430-4	. SKIN,RH							1	2
- 2	33-110010-15	. SKIN,LH							1	2
	33-110010-16	. SKIN,RH							1	2
- 3	35-115211-6	. SKIN ASSY,LH.							1	2
	35-115211-3	. SKIN ASSY,RH.							1	2

B E E C H C R A F T
 BONANZA 33 THRU E33
 I L L U S T R A T E D P A R T S C A T A L O G

FIG. & ITEM NO.	PART NO.	DESCRIPTION	UNITS PER ASSY	USABLE ON CODE
		1 2 3 4 5 6 7		
18 - 4	50-110010-78	. STRINGER,STA 73.00 TO STA 83.547,LH	1	2
	50-110010-79	. STRINGER,STA 73.00 TO STA 85.547,RH	1	2
- 5	50-110010-74	. STRINGER,STA 94.094 TO STA 113.172,UPPER LH	1	2
	50-110010-75	. STRINGER,STA 94.094 TO STA 113.172,UPPER RH	1	2
- 6	50-110010-76	. STRINGER,STA 94.094 TO STA 122.75,LOWER LH	1	2
	50-110010-77	. STRINGER,STA 94.094 TO STA 122.75,LOWER RH	1	2
- 7	50-110010-54	. STRINGER,LH	1	2
	50-110010-55	. STRINGER,RH	1	2
- 8	50-110010-52	. STRINGER,LH	1	2
	50-110010-53	. STRINGER,RH	1	2
- 9	50-110010-50	. STRINGER,LH	1	2
	50-110010-51	. STRINGER,RH	1	2
- 10	50-110010-94	. STRINGER,LH	1	2
	50-110010-95	. STRINGER,RH	1	2
	50-110010-92	. SPLICE,STRINGER LH	1	2
	50-110010-93	. SPLICE,STRINGER RH	1	2
- 11	50-110010-56	. STRINGER,LH	1	2
	50-110010-57	. STRINGER,RH	1	2
- 12	50-110010-18	. HINGE,UPPER INBD LH	1	2
	50-110010-19	. HINGE,UPPER INBD RH	1	2
	50-110010-20	. HINGE,LOWER INBD LH	1	2
	50-110010-21	. HINGE,LOWER INBD RH	1	2
- 13	50-110010-28	. HINGE,UPPER OUTBD LH	1	2
	50-110010-29	. HINGE,UPPER OUTBD RH	1	2
	50-110010-30	. HINGE,LOWER OUTBD LH	1	2
	50-110010-31	. HINGE,LOWER OUTBD RH	1	2
- 14	50-110010-135	. RIB ASSY,WING STA 23.801 LH	1	2
	50-110010-136	. RIB ASSY,WING STA 23.801 RH	1	2
- 15	35-115383	. RIB ASSY,ROOT RIB TO FUSELAGE CLOSURE LH	1	2
	35-115383-7	. RIB ASSY,ROOT RIB TO FUSELAGE CLOSURE RH	1	2
	35-115383-2	. RIB,LH	1	2
	35-115383-5	. RIB,RH	1	2
	1/4X3/8X10.75	. DOORTITE	1	2
- 16	50-110010-24	. FORMER,WING STA 31.75 UPPER LH	1	2
	50-110010-129	. FORMER,WING STA 31.75 UPPER RH	1	2
- 17	50-110010-2	. FORMER,WING STA 31.75 LOWER LH	1	2
	50-110010-3	. FORMER,WING STA 31.75 LOWER RH	1	2
- 18	50-110010-12	. FORMER,WING STA 39.375 UPPER LH	1	2
	50-110010-13	. FORMER,WING STA 39.375 UPPER RH	1	2
- 19	50-110010-4	. FORMER,WING STA 39.375 LOWER LH	1	2
	50-110010-5	. FORMER,WING STA 39.375 LOWER RH	1	2
- 20	33-110010-7	. FORMER,WING STA 47.00 UPPER LH	1	2
	33-110010-8	. FORMER,WING STA 47.00 UPPER RH	1	2
- 21	50-110010-6	. FORMER,WING STA 47.00 LOWER LH	1	2
	50-110010-7	. FORMER,WING STA 47.00 LOWER RH	1	2
- 22	33-110010-9	. FORMER,WING STA 53.00 UPPER LH	1	2
	33-110010-10	. FORMER,WING STA 53.00 UPPER RH	1	2
- 23	50-110010-8	. FORMER,WING STA 53.00 LOWER LH	1	2
	50-110010-9	. FORMER,WING STA 53.00 LOWER RH	1	2
- 24	33-110010-11	. FORMER,WING STA 59.00 UPPER LH	1	2
	33-110010-12	. FORMER,WING STA 59.00 UPPER RH	1	2
- 25	95-110015-27	. FORMER,WING STA 59.00 LOWER LH	1	2
	95-110015-28	. FORMER,WING STA 59.00 LOWER RH	1	2
- 26	33-110010-13	. FORMER,WING STA 66.00 UPPER LH	1	2
	33-110010-14	. FORMER,WING STA 66.00 UPPER RH	1	2
- 27	95-110015-31	. FORMER,WING STA 66.00 LOWER LH	1	2
	95-110015-32	. FORMER,WING STA 66.00 LOWER RH	1	2
- 28	50-110064-24	. RIB ASSY,WING STA 73.00 LH	1	2
	50-110064-25	. RIB ASSY,WING STA 73.00 RH	1	2
- 29	35-115043	. RIB ASSY,WING STA 94.094 LH	1	2
	35-115043-1	. RIB ASSY,WING STA 94.094 RH	1	2
- 30	50-110068	. RIB,WING STA 103.641 LH	1	2
	50-110068-1	. RIB,WING STA 103.641 RH	1	2
- 31	50-110069	. RIB,WING STA 113.172 LH	1	2
	50-110069-1	. RIB,WING STA 113.172 RH	1	2

B E E C H C R A F T
BONANZA 33 THRU E33
I L L U S T R A T E D P A R T S C A T A L O G

FIG. & ITEM NO.	PART NO.	DESCRIPTION							UNITS PER ASSY	USABLE ON CODE
		1	2	3	4	5	6	7		
18 - 32	35-115046	. RIB ASSY,WING STA 122.750 LH.	1	2
	35-115046-1	. RIB ASSY,WING STA 122.750 RH.	1	2
- 33	35-115037	. RIB ASSY,WING STA 136.188 LH.	1	2
	35-115037-1	. RIB ASSY,WING STA 136.188 RH.	1	2
- 34	35-115038	. RIB ASSY,WING STA 148.875 LH.	1	2
	35-115038-1	. RIB ASSY,WING STA 148.875 RH.	1	2
- 35	35-115036	. RIB ASSY,WING STA 162.563 LH.	1	2
	35-115036-1	. RIB ASSY,WING STA 162.563 RH.	1	2
- 36	35-115035	. RIB ASSY,WING STA 175.281 LH.	1	2
	35-115035-1	. RIB ASSY,WING STA 175.281 RH.	1	2
- 37	50-115034	. RIB ASSY,WING STA 191.0 LH.	1	2
	50-115034-1	. RIB ASSY,WING STA 191.0 RH.	1	2
- 38	50-110056	. GUSSET,LH	1	2
	50-110056-1	. GUSSET,RH	1	2
- 39	35-115010-606	. BULKHEAD ASSY,LH /SUPERSEDES 35-115177 AND. 35-115010 SA6/	1	2
	35-115010-607	. BULKHEAD ASSY,RH /SUPERSEDES 35-115177-1 AND. 35-115010 SA7/	1	2
- 40	45-115178-14	. BULKHEAD ASSY,LH.	1	2
	45-115178-15	. BULKHEAD ASSY,RH.	1	2
- 41	45-115011-2	. RIB,WING STA 31.75 LH	1	2
	45-115011-5	. RIB,WING STA 31.75 RH	1	2
- 42	33-110010-34	. STRIP,STALL	2	1
- 43	33-110010-36	. STRIP,STALL	2	1
	35-115388-657	LEADING EDGE & MAIN SPAR,LH /COMPLETE TWO PIECE L.E. LESS 25 GAL. CELL/SEE FIG. 18A FOR BREAKDOWN/	1	3
	35-115388-658	LEADING EDGE & MAIN SPAR,RH /COMPLETE TWO PIECE L.E. LESS 25 GAL. CELL/SEE FIG. 18A FOR BREAKDOWN/	1	3
	35-115388-667	LEADING EDGE & MAIN SPAR,LH /COMPLETE TWO PIECE L.E. LESS 25 GAL. CELL/SEE FIG. 18A FOR BREAKDOWN/	1	1
	35-115388-668	LEADING EDGE & MAIN SPAR,RH /COMPLETE TWO PIECE L.E. LESS 25 GAL. CELL/SEE FIG. 18A FOR BREAKDOWN/	1	1

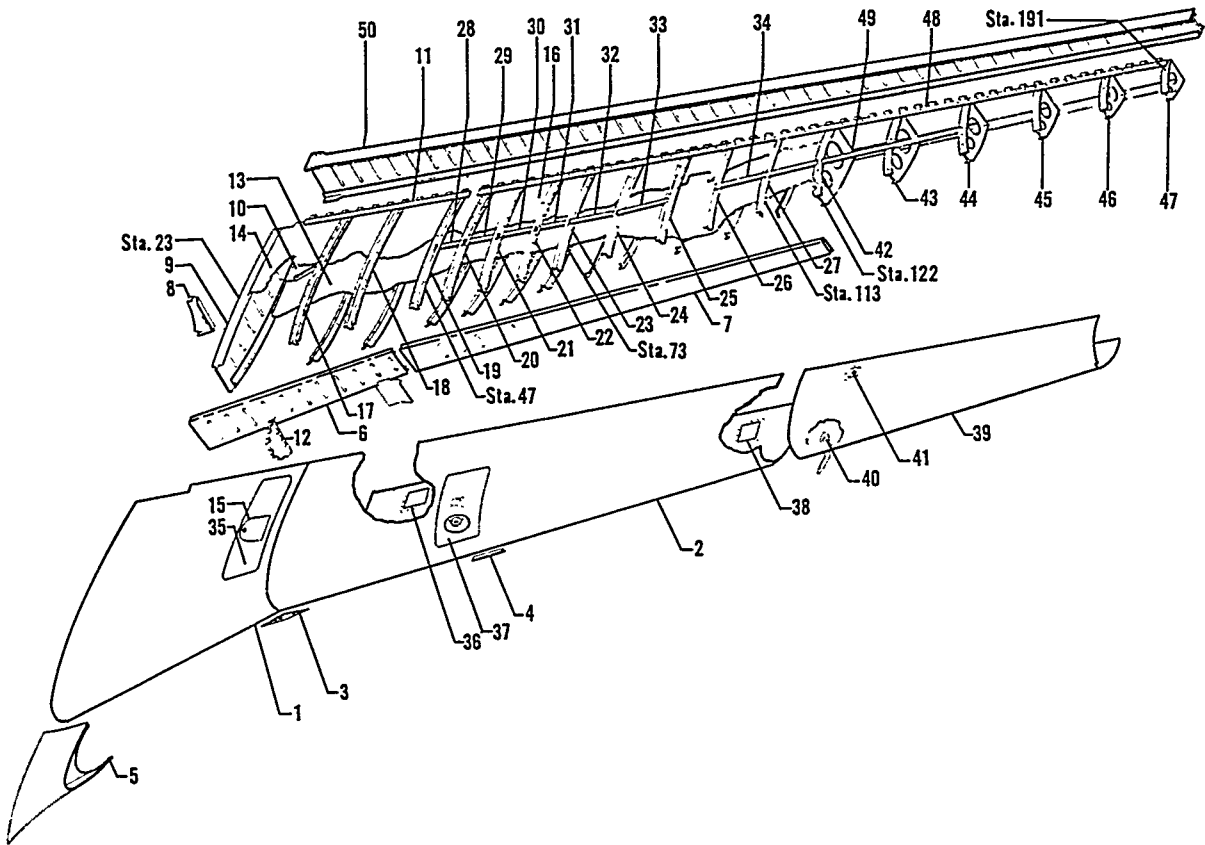
CODES OF EFFECTIVITY

- 1 CD-225 THRU CD-232, 2 CD-1 THRU CD-387
CD-235,
CD-237 THRU CD-240,
CD-242 THRU CD-245,
CD-251 THRU CD-387
- 3 CD-1 THRU CD-224,
CD-233,CD-234,
CD-236,CD-241,
CD-246 THRU CD-250

B E E C H C R A F T
B O N A N Z A 3 3 T H R U E 3 3
I L L U S T R A T E D P A R T S C A T A L O G

FIGURE 18A
WING LEADING EDGE
CD-388 AND AFTER, CE-1 AND AFTER

BEECHCRAFT
BONANZA 33 THRU E33
ILLUSTRATED PARTS CATALOG



B E E C H C R A F T
B O N A N Z A 3 3 T H R U E 3 3
I L L U S T R A T E D P A R T S C A T A L O G

FIG. & ITEM NO.	PART NO.	DESCRIPTION	UNITS PER ASSY							USABLE ON CODE
			1	2	3	4	5	6	7	
18A	35-115388-657	LEADING EDGE & MAIN SPAR,LH /COMPLETE TWO . . . PIECE L.E. LESS 25 GAL. CELL/SEE FIG. 17 FOR NHA/							1	2
	35-115388-658	LEADING EDGE & MAIN SPAR,RH /COMPLETE TWO . . . PIECE L.E. LESS 25 GAL. CELL/SEE FIG. 17 FOR NHA/							1	2
	35-115388-667	LEADING EDGE & MAIN SPAR,LH /COMPLETE TWO . . . PIECE L.E. LESS 25 GAL. CELL/SEE FIG. 17 FOR NHA/							1	3
	35-115388-668	LEADING EDGE & MAIN SPAR,RH /COMPLETE TWO . . . PIECE L.E. LESS 25 GAL. CELL/SEE FIG. 17 FOR NHA/							1	3
	35-115388-677	LEADING EDGE & MAIN SPAR,LH /COMPLETE TWO . . . PIECE L.E. LESS FUEL CELL/SPECIFY 25,39 OR 40 GAL. PROVISIONS/ /SEE FIG. 17 FOR NH							1	4
	35-115388-678	LEADING EDGE & MAIN SPAR,RH /COMPLETE TWO . . . PIECE L.E. LESS FUEL CELL/SPECIFY 25,39 OR 40 GAL. FUEL CELL/ /SEE FIG. 17 FOR NHA/							1	4
	35-115431-651	. LEADING EDGE ASSY,INBD LH /25 GAL./ /STA 23.881 TO 122.750/							1	2
	35-115431-652	. LEADING EDGE ASSY,INBD RH /25 GAL./ /STA 23.881 TO 122.750/							1	2
	35-115431-663	. LEADING EDGE ASSY,INBD LH /25 GAL./ /STA. 23.881 TO 122.750/							1	3
	35-115431-664	. LEADING EDGE ASSY,INBD RH /25 GAL./ /STA. 23.881 TO 122.750/							1	3
	35-115431-681	. LEADING EDGE ASSY,INBD LH /STA 23.881 TO 122. 750/ /SPECIFY 25,39 OR 40 GAL. PROVISIONS/							1	4
	35-115431-682	. LEADING EDGE ASSY,INBD RH /STA 23.881 TO 122. 750/ /SPECIFY 25,39 OR 40 GAL. PROVISIONS/							1	4
	35-115431-684	. LEADING EDGE ASSY,LH /LESS SPAR/. /STA 23 TO 191/							1	4
	35-115431-685	. LEADING EDGE ASSY,RH /LESS SPAR/. /STA 23 TO 191/							1	4
	33-110010-5	. . SKIN,LH /25 GAL./							1	
- 1	50-110010-127	. . SKIN,LH							1	4
	33-110010-6	. . SKIN,RH /25 GAL./							1	
	50-110010-128	. . SKIN,RH							1	4
- 2	35-115431-99	. . SKIN,LH							1	
	35-115431-100	. . SKIN,RH							1	
- 3	33-110010-34	. . STRIP,STALL							1	1
- 4	33-110010-36	. . STRIP,STALL							1	1
- 5	33-115381	. . FILLET ASSY,LH.							1	2
	33-115381-1	. . FILLET ASSY,RH.							1	2
	35-115382	. . TIP ASSY,LH							1	2
	35-115382-1	. . TIP ASSY,RH							1	2
	35-115431-617	. . BULKHEAD ASSY,LH.							1	
	35-115431-618	. . BULKHEAD ASSY,RH.							1	
- 6	95-110015-67	. . SPAR,LH							1	
	95-110015-68	. . SPAR,RH							1	
	95-110015-65	. . SPLICE,LH							1	
	95-110015-66	. . SPLICE,RH							1	
- 7	35-115431-103	. . SPAR,LH							1	
	35-115431-104	. . SPAR,RH							1	
	35-921154-101	. . SUPPORT							3	
	35-115383	. . RIB ASSY,ROOT RIB TO FUSELAGE CLOSURE LH.							1	
	35-115383-7	. . RIB ASSY,ROOT RIB TO FUSELAGE CLOSURE RH.							1	
- 8	35-115383-2	. . RIB,CLOSURE LH.							1	
	35-115383-5	. . RIB,CLOSURE RH.							1	
	1/4X3/8X10.75	. . DOORTITE.							1	
	50-110010-647	. . RIB ASSY,STA 23.881 LH.							1	9
	50-110010-648	. . RIB ASSY,STA 23.881 RH.							1	9
	96-110007-609	. . RIB ASSY,STA 23.881 LH.							1	10
	96-110007-610	. . RIB ASSY,STA 23.881 RH.							1	10
- 9	50-110010-155	. . RIB,LH.							1	9
	96-110007-7	. . RIB,LH.							1	10

B E E C H C R A F T
B O N A N Z A 3 3 T H R U E 3 3
I L L U S T R A T E D P A R T S C A T A L O G

FIG. & ITEM NO.	PART NO.	1	2	3	4	5	6	7	DESCRIPTION	UNITS PER ASSY	USABLE ON CODE
18A	50-110010-156	RIB,RH.	1	9
	96-110007-8	RIB,RH.	1	10
	50-110010-125	ANGLE,LH.	1	
	50-110010-126	ANGLE,RH.	1	
	50-110046-8	ANGLE,LH.	1	
	50-110046-9	ANGLE,RH.	1	
	50-110010-165	STIFFENER	1	
	35-115166-20	STRIP	1	
	A6195-823	NUT,ANCHOR.	1	
	35-115166-14	DOOR.	1	
	35-115166-16	HINGE	2	
	104215-00300	ATTACHING PARTS/ PIN,HINGE	1	
- 10	50-110062	GUSSET,BOTTOM LH.	1	
	50-110062-1	GUSSET,BOTTOM RH.	1	
	50-110056	GUSSET, TOP LH	1	
	50-110056-1	GUSSET, TOP RH	1	
	50-110010-131	REINFORCEMENT,RH.	1	
- 11	35-115431-109	HINGE,UPPER INBD LH	1	
	35-115431-110	HINGE,UPPER INBD RH	1	
	35-115431-111	HINGE,LOWER INBD LH	1	
	35-115431-112	HINGE,LOWER INBD RH	1	
- 12	45-115011-5	RIB,LH.	1	
	45-115028-22	PLATE,LH.	1	
	45-115011-2	RIB,RH.	1	
	45-115028-23	PLATE,RH.	1	
- 13	50-110086-1	LINER,LOWER INBD LH	1	
	50-110086-2	LINER,LOWER INBD RH	1	
	95-110015-35	LINER,LOWER OUTBD LH /25 GAL./	1	
	95-110015-36	LINER,LOWER OUTBD RH /25 GAL./	1	
	35-115431-105	LINER,LOWER OUTBD /39 OR 40 GAL./	1	4
	50-110080	LINER ASSY,UPPER STA 23 TO STA 39 LH.	1	
- 14	50-110080-1	LINER ASSY,UPPER STA 23 TO STA 39 RH.	1	
	50-110080-2	LINER	1	
	50-110081	RETAINER.	4	
- 15	33-110010-607	PAN ASSY,LH /25 GAL./	1	
	33-110010-608	PAN ASSY,RH /25 GAL./	1	
	50-110010-110	LINER ASSY,LH /39 OR 40 GAL./	1	4
	50-110010-111	LINER ASSY,RH /39 OR 40 GAL./	1	4
- 16	50-110078	LINER,STA 47 TO STA 73 UPPER LH /25 GAL./	1	
	50-110078-1	LINER,STA 47 TO STA 73 UPPER RH /25 GAL./	1	
	35-115431-123	LINER,STA 47 TO STA 113 UPPER /39 OR 40 GAL./	1	4
	95-110015-9	FORMER,STA 31.75 LOWER LH	1	
	95-110015-10	FORMER,STA 31.75 LOWER RH	1	
- 17	95-110015-11	FORMER,STA 31.75 UPPER LH	1	
	95-110015-72	FORMER,STA 31.75 UPPER RH	1	
	95-110015-13	FORMER,STA 39.375 LOWER LH	1	
	95-110015-14	FORMER,STA 39.375 LOWER RH	1	
- 18	95-110015-15	FORMER,STA 39.375 UPPER LH	1	
	95-110015-16	FORMER,STA 39.375 UPPER RH	1	
	95-110015-17	FORMER,STA 47 LOWER LH	1	
	95-110015-18	FORMER,STA 47 LOWER RH	1	
- 19	95-110015-19	FORMER,STA 47 UPPER LH	1	
	95-110015-20	FORMER,STA 47 UPPER RH	1	
	50-110010-22	DOUBLER,STA 47 LOWER LH	1	
	50-110010-23	DOUBLER,STA 47 LOWER RH	1	
	50-110010-66	DOUBLER,STA 47 UPPER LH	1	
	50-110010-67	DOUBLER,STA 47 UPPER RH	1	
	95-110015-21	FORMER,STA 53 LOWER LH	1	
	95-110015-22	FORMER,STA 53 LOWER RH	1	
- 20	95-110015-23	FORMER,STA 53 UPPER LH	1	
	95-110015-24	FORMER,STA 53 UPPER RH	1	
- 21	95-110015-25	FORMER,STA 59 UPPER LH	1	
	95-110015-26	FORMER,STA 59 UPPER RH	1	
	95-110015-27	FORMER,STA 59 LOWER LH	1	

B E E C H C R A F T
 BONANZA 33 THRU E33
 I L L U S T R A T E D P A R T S C A T A L O G

FIG. & ITEM NO.	PART NO.	1	2	3	4	5	6	7	DESCRIPTION	UNITS PER ASSY	USABLE ON CODE
18A	95-110015-28	FORMER,STA 59 LOWER RH.	1	
- 22	95-110015-29	FORMER,STA 66 UPPER LH.	1	
	95-110015-30	FORMER,STA 66 UPPER RH.	1	
	95-110015-31	FORMER,STA 66 LOWER LH.	1	
	95-110015-32	FORMER,STA 66 LOWER RH.	1	
- 23	35-115431-627	RIB ASSY,STA 73.019 LH /25 GAL./.	1	
	35-115431-628	RIB ASSY,STA 73.019 RH /25 GAL./.	1	
	35-115431-41	ZEE,STA 73.019 UPPER LH /39 OR 40 GAL./	1	4
	35-115431-42	ZEE,STA 73.019 UPPER RH /39 OR 40 GAL./	1	4
	35-115431-45	ZEE,STA 73.019 LOWER LH /39 OR 40 GAL./	1	4
	35-115431-46	ZEE,STA 73.019 LOWER RH /39 OR 40 GAL./	1	4
- 24	35-115431-39	ZEE,STA 83.797 UPPER LH	1	
	35-115431-40	ZEE,STA 83.797 UPPER RH	1	
	35-115431-117	ZEE,STA 83.797 LOWER LH	1	
	35-115431-118	ZEE,STA 83.797 LOWER RH	1	
- 25	35-115431-611	ZEE ASSY,STA 94 UPPER LH.	1	
	35-115431-612	ZEE ASSY,STA 94 UPPER RH.	1	
	35-115431-23	ZEE,STA 94 LOWER LH	1	
	35-115431-24	ZEE,STA 94 LOWER RH	1	
- 26	35-115431-609	ZEE ASSY,STA 103 UPPER LH	1	
	35-115431-610	ZEE ASSY,STA 103 UPPER RH	1	
	35-115431-29	ZEE,STA 103 LOWER LH.	1	
	35-115431-30	ZEE,STA 103 LOWER RH.	1	
- 27	35-115431-5	RIB ASSY,STA 113 LH	1	
	35-115431-6	RIB ASSY,STA 113 RH	1	
- 28	50-110010-54	STRINGER,LH	1	
	50-110010-55	STRINGER,RH	1	
- 29	50-110010-52	STRINGER,LH	1	
	50-110010-53	STRINGER,RH	1	
- 30	50-110010-50	STRINGER,LH	1	
	50-110010-51	STRINGER,RH	1	
- 31	35-115431-7	STRINGER,STA 66 TO STA 73 LH.	1	
	35-115431-8	STRINGER,STA 66 TO STA 73 RH.	1	
- 32	35-115431-9	STRINGER,STA 73 TO STA 83 LH.	1	
	35-115431-10	STRINGER,STA 73 TO STA 83 RH.	1	
- 33	35-115431-11	STRINGER,STA 83 TO STA 94 LH.	1	
	35-115431-12	STRINGER,STA 83 TO STA 94 RH.	1	
- 34	35-115431-13	STRINGER,STA 103 TO STA 122 LH.	1	9
	96-110007-5	STRINGER,STA 103 TO STA 122 RH.	1	10
	35-115431-14	STRINGER,STA 103 TO STA 122 LH.	1	9
	96-110007-6	STRINGER,STA 103 TO STA 122 RH.	1	10
- 35	50-110079	DOOR ASSY,LH /25 GAL./.	1	
	50-110079-1	DOOR ASSY,RH /25 GAL./.	1	
	50-110010-86	DOUBLER,LH.	1	
	95-110041-61	DOOR ASSY,LH /39 OR 40 GAL./.	1	4
	50-110010-87	DOUBLER,RH.	1	
	95-110041-62	DOOR ASSY,RH /39 OR 40 GAL./.	1	4
- 36	45-115089-33	CHANNEL ASSY.	1	
	95-110018	DOOR ASSY	1	
- 37	35-115431-93	DOOR,LH /25 GAL./	1	
	35-115431-94	DOOR,RH /25 GAL./	1	
	35-115431-613	PAN ASSY,LH /39 OR 40 GAL./	1	4
	35-115431-614	PAN ASSY,RH /39 OR 40 GAL./	1	4
	35-115431-31	ANGLE	1	4
	35-115431-69	PAN,LH.	1	4
	35-115431-70	PAN,RH.	1	4
	1/16X1/2X10	FELT,FIRM GRAY.	1	4
	95-110041-73	DOOR ASSY,LH /39 OR 40 GAL./.	1	4
	95-110041-74	DOOR ASSY,RH /39 OR 40 GAL./.	1	4
	35-115431-615	DOUBLER ASSY,LH	1	
	35-115431-616	DOUBLER ASSY,RH	1	
- 38	35-115431-621	DOUBLER ASSY,LH	1	
	35-115431-622	DOUBLER ASSY,RH	1	
	50-110010-163	DOOR.	1	

B E E C H C R A F T
B O N A N Z A 3 3 T H R U E 3 3
I L L U S T R A T E D P A R T S C A T A L O G

FIG. & ITEM NO.	PART NO.	DESCRIPTION							UNITS PER ASSY	USABLE ON CODE
		1	2	3	4	5	6	7		
18A	35-115431-653	1	5
	35-115431-654	1	5
	35-115431-603	1	4
	35-115431-604	1	4
- 39	35-115431-107	1	
	35-115431-108	1	
- 40	35-361151	1	5
	33-324001-3	1	6
- 41	8111745	1	6
- 42	35-115046-8	1	7
	35-115046-9	1	7
	35-115046	1	8
	35-115046-1	1	8
- 43	35-115037	1	9
	95-110015-157	1	10
	35-115037-1	1	9
	95-110015-158	1	10
- 44	35-115038	1	9
	95-110015-155	1	10
	35-115038-1	1	9
	95-110015-156	1	10
- 45	35-115036	1	9
	95-110015-153	1	10
	35-115036-1	1	9
	95-110015-154	1	10
- 46	35-115035	1	
	35-115035-1	1	
- 47	35-115034	1	
	35-115034-1	1	
- 48	35-115431-113	1	
	35-115431-114	1	
	35-115431-115	1	
	35-115431-116	1	
	50-110010-48	1	
	50-110010-49	1	
- 49	50-110010-181	1	9
	96-110007-3	1	10
	50-110010-182	1	9
	96-110007-4	1	10
	96-110007-13	1	10
	96-110007-14	1	10
- 50	35-110061-1	1	
	35-110061-2	1	
		/ATTACHING PARTS/								
	35-115388-4	1	
	35-115388-4	1	

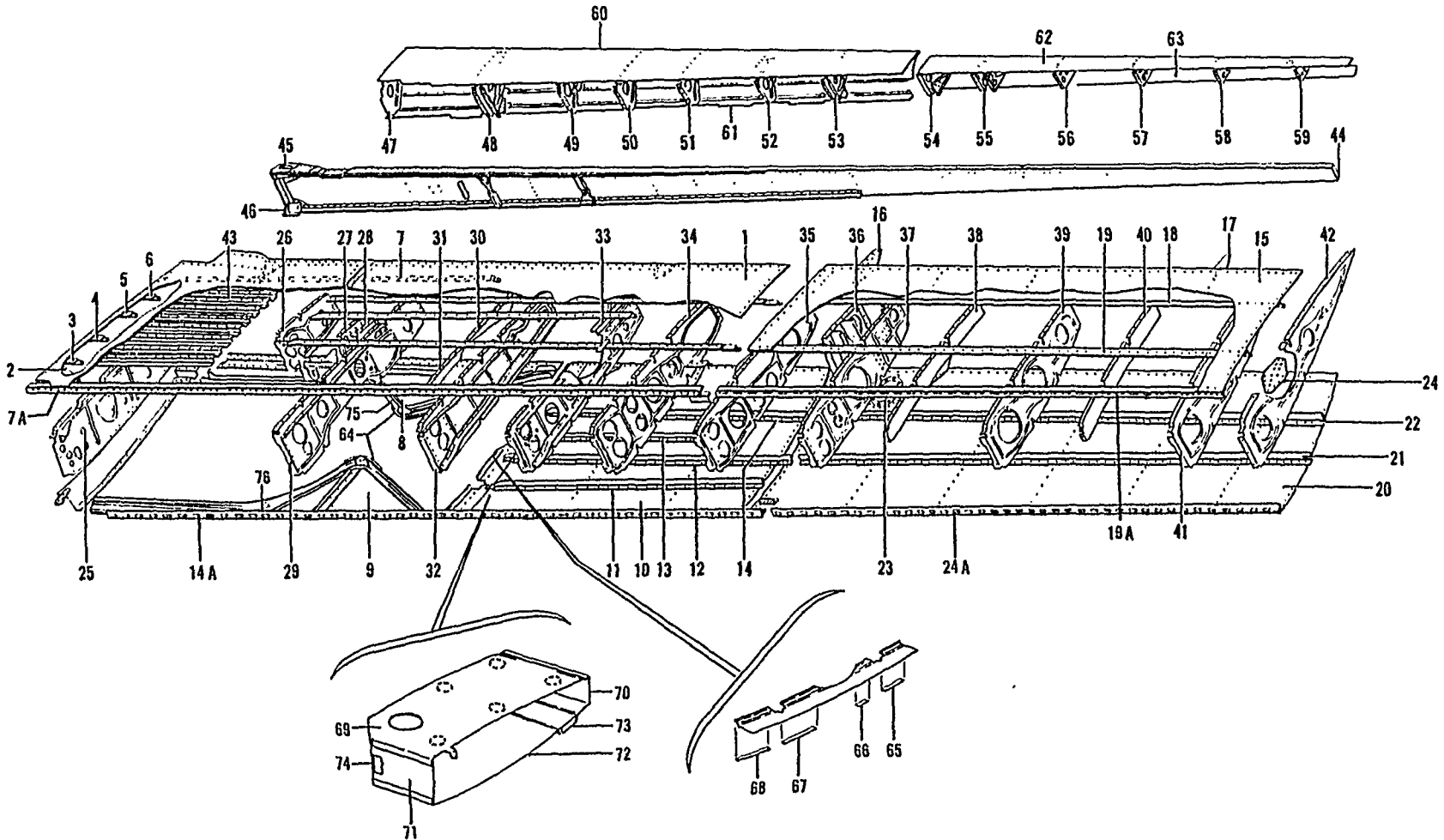
C O D E S O F E F F E C T I V I T Y

- | | | | |
|---|---|----|---|
| 1 | CD-225 THRU CD-232,
CD-235,
CD-237 THRU CD-240,
CD-242 THRU CD-245,
CD-251 AND AFTER,
CE-1 AND AFTER | 2 | CD-1 THRU CD-250
EXCEPT
CD-225 THRU CD-232,
CD-235,
CD-237 THRU CD-240,
CD-242 THRU CD-245 |
| 3 | CD-225 THRU CD-387,
EXCEPT
CD-233,CD-234,
CD-236,CD-241,
CD-246 THRU CD-250 | 4 | CD-388 AND AFTER,
CE-1 AND AFTER |
| 5 | CD-1 THRU CD-387 | 6 | CD-1 THRU CD-529 |
| 7 | CD-1 THRU CD-387,
CD-501 THRU CD-615 | 8 | CD-388 THRU CD-500,
CD-616 AND AFTER,
CE-1 AND AFTER |
| 9 | CD-1 THRU CD-615 | 10 | CD-616 AND AFTER,
CE-1 AND AFTER |

B E E C H C R A F T
B O N A N Z A 3 3 T H R U E 3 3
I L L U S T R A T E D P A R T S C A T A L O G

FIGURE 19
WING BOX SECTION

FIGURE 19-ANING BOX SECTION



B E C H C R A F T
B O N A N Z A 3 3 T H R U E 3 3
I L L U S T R A T E D P A R T S C A T A L O G

B E E C H C R A F T
B O N A N Z A 3 3 T H R U E 3 3
I L L U S T R A T E D P A R T S C A T A L O G

FIG. & ITEM NO.	PART NO.	DESCRIPTION	UNITS							USABLE ON CODE
			1	2	3	4	5	6	7	
19	35-115300-610	BOX SECTION ASSY,LH /LESS SPAR & LEADING EDGE/ /SPECIFY WITH OR WITHOUT AUX TANK PROVISIONS/ /SEE FIG. 17 FOR NHA/							1	1
	35-115300-611	BOX SECTION ASSY,RH /LESS SPAR & LEADING EDGE/ /SPECIFY WITH OR WITHOUT AUX TANK PROVISIONS/ /SEE FIG. 17 FOR NHA/							1	1
	35-115300-608	BOX SECTION ASSY,LH /LESS SPAR & LEADING EDGE/ /SEE FIG. 17 FOR NHA/							1	2
	35-115300-609	BOX SECTION ASSY,RH /LESS SPAR & LEADING EDGE/ /SEE FIG. 17 FOR NHA/							1	2
	35-115142-114	. SKIN ASSY,UPPER INBD LH STA 23 TO 108							1	
	35-115142-115	. SKIN ASSY,UPPER INBD RH STA 23 TO 108							1	
- 1	35-115142-52	. SKIN,LH							1	
	35-115142-55	. SKIN,RH							1	
- 2	35-110062-1	. GUSSET							1	
- 3	35-115142-60	. STRINGER,LH							1	
	35-115142-63	. STRINGER,RH							1	
- 4	35-115142-18	. STRINGER,LH							1	
	35-115142-21	. STRINGER,RH							1	
- 5	35-115142-70	. STRINGER,LH							1	
	35-115142-73	. STRINGER,RH							1	
- 6	35-115142-10	. STRINGER,LH							1	
	35-115142-13	. STRINGER,RH							1	
- 7	35-115142-6	. STRINGER,LH							1	
	35-115142-9	. STRINGER,RH							1	
- 7A	35-115142-110	. HINGE,LH							1	
	35-115142-113	. HINGE,RH							1	
	35-115200-88	. SKIN ASSY,LOWER INBD LH STA 23 TO 108							1	1
	35-115200-104	. SKIN ASSY,LOWER INBD LH STA 23 TO 108							1	2
	35-115200-89	. SKIN ASSY,LOWER INBD RH STA 23 TO 108							1	1
	35-115200-105	. SKIN ASSY,LOWER INBD LH STA 23 TO 108							1	2
- 8	35-115200-4	. SKIN,LH							1	
	35-115200-5	. SKIN,RH							1	
- 9	35-115200-96	. SKIN ASSY,LH							1	6
	35-115200-118	. SKIN ASSY,LH							1	7
	35-115200-97	. SKIN ASSY,RH							1	6
	35-115200-119	. SKIN ASSY,RH							1	7
	35-115200-94	. SKIN,LH							1	6
	35-115200-116	. SKIN,LH							1	7
	35-115200-95	. SKIN,RH							1	6
	35-115200-117	. SKIN,RH							1	7
	35-115200-92	. GUSSET,INBD LH							1	
	35-115200-11	. GUSSET,INBD RH							1	
	35-115200-30	. STRINGER,LH							1	
	35-115200-31	. STRINGER,RH							1	
- 10	35-115200-72	. SKIN,LH							1	1
	35-115200-663	. SKIN ASSY,LH /SUPERSEDES 35-115200-8/							1	
	35-115200-613	. SKIN ASSY,LH							1	4
	35-115200-73	. SKIN,RH							1	1
	35-115200-664	. SKIN ASSY,RH /SUPERSEDES 35-115200-9/							1	3
	35-115200-614	. SKIN ASSY,RH							1	4
- 11	35-115200-38	. STRINGER,LH							1	
	35-115200-39	. STRINGER,RH							1	
- 12	35-115200-36	. STRINGER,LH							1	
	35-115200-37	. STRINGER,RH							1	
- 13	35-115200-70	. STRINGER,LH							1	
	35-115200-71	. STRINGER,RH							1	
- 14	35-115200-76	. STRINGER,LH							1	
	35-115200-77	. STRINGER,RH							1	
- 14A	35-115200-90	. HINGE,LH							1	
	35-115200-91	. HINGE,RH							1	
	35-115137-20	. SKIN ASSY,UPPER OUTBD LH STA 108 TO 191							1	
	35-115137-21	. SKIN ASSY,UPPER OUTBD RH STA 108 TO 191							1	
- 15	35-115137-22	. SKIN,LH							1	
	35-115137-23	. SKIN,RH							1	
- 16	35-115137-8	. GUSSET,INBD LH							1	
	35-115137-9	. GUSSET,INBD RH							1	

B E E C H C R A F T
B O N A N Z A 3 3 T H R U E 3 3
I L L U S T R A T E D P A R T S C A T A L O G

FIG. & ITEM NO.	PART NO.	DESCRIPTION						UNITS PER ASSY	USABLE ON CODE
		1	2	3	4	5	6		
19 - 17	35-115137-6	.	.	GUSSET,OUTBD LH	.	.	.	1	
	35-115137-7	.	.	GUSSET,OUTBD RH	.	.	.	1	
- 18	35-115137-10	.	.	STRINGER,LH	.	.	.	1	
	35-115137-11	.	.	STRINGER,RH	.	.	.	1	
- 19	35-115137-12	.	.	STRINGER,LH	.	.	.	1	
	35-115137-13	.	.	STRINGER,RH	.	.	.	1	
- 19A	35-115137-14	.	.	HINGE,LH	.	.	.	1	
	35-115137-15	.	.	HINGE,RH	.	.	.	1	
	35-115199-32	.	.	SKIN ASSY,LOWER OUTBD LH STA 108 TO 191	.	.	.	1	
	35-115199-33	.	.	SKIN ASSY,LOWER OUTBD RH STA 108 TO 191	.	.	.	1	
- 20	35-115199-30	.	.	SKIN,LH	.	.	.	1	
	35-115199-31	.	.	SKIN,RH	.	.	.	1	
- 21	35-115199-4	.	.	STRINGER,LH	.	.	.	1	
	35-115199-5	.	.	STRINGER,RH	.	.	.	1	
- 22	35-115199-6	.	.	STRINGER,LH	.	.	.	1	
	35-115199-7	.	.	STRINGER,RH	.	.	.	1	
- 23	35-115199-8	.	.	REINFORCEMENT ASSY,LH	.	.	.	1	
	35-115199-9	.	.	REINFORCEMENT ASSY,RH	.	.	.	1	
- 24	35-115199-14	.	.	GUSSET,LH	.	.	.	1	
	35-115199-15	.	.	GUSSET,RH	.	.	.	1	
- 24A	35-115199-16	.	.	HINGE,LH	.	.	.	1	
	35-115199-17	.	.	HINGE,RH	.	.	.	1	
- 25	35-115070-602	.	.	RIB ASSY,STA 23.881 LH	.	.	.	1	
	35-115130-602	.	.	RIB ASSY,STA 23.881 RH	.	.	.	1	
- 26	35-115079-604	.	.	RIB ASSY,STA 34.375 LH /SUPERSEDES	.	.	.	1	
	35-115110-2	.	.	RIB ASSY,STA 34.375 RH	.	.	.	1	
- 27	35-115247	.	.	SUPPORT ASSY,FLAP ACTUATOR LH	.	.	.	1	
	35-115242	.	.	SUPPORT ASSY,FLAP ACTUATOR RH	.	.	.	1	
- 28	35-115246	.	.	SUPPORT ASSY,FLAP ACTUATOR LH	.	.	.	1	
	35-115241	.	.	SUPPORT ASSY,FLAP ACTUATOR RH	.	.	.	1	
- 29	35-115303-652	.	.	RIB ASSY,STA 45.000 LH /SUPERSEDES	.	.	.	1	
	35-115304-602	.	.	RIB ASSY,STA 45.000 RH /SUPERSEDES	.	.	.	1	
- 30	35-115274	.	.	FORMER,STA 59.000 LH	.	.	.	1	
	35-115274-1	.	.	FORMER,STA 59.000 RH	.	.	.	1	
- 31	35-115275-2	.	.	FORMER,STA 59.000 LH /SUPERSEDES 35-115275/	.	.	.	1	
	35-115275-3	.	.	FORMER,STA 59.000 RH /SUPERSEDES 35-115275-1/	.	.	.	1	
- 32	35-115051-606	.	.	RIB ASSY,STA 66.0 LH	.	.	.	1	
	35-115051-607	.	.	RIB ASSY,STA 66.0 RH	.	.	.	1	
- 33	35-115042-603	.	.	RIB ASSY,STA 80.047 LH	.	.	.	1	
	35-115042-604	.	.	RIB ASSY,STA 80.047 RH	.	.	.	1	
- 34	35-115041-602	.	.	RIB ASSY,STA 94.094 LH	.	.	.	1	
	35-115041-603	.	.	RIB ASSY,STA 94.094 RH	.	.	.	1	
- 35	45-115044-602	.	.	RIB ASSY,STA 108.281 LH	.	.	.	1	
	45-115044-603	.	.	RIB ASSY,STA 108.281 RH	.	.	.	1	
- 36	35-115253	.	.	BRACKET ASSY,AILERON CONTROL LH	.	.	.	1	
	35-115253-1	.	.	BRACKET ASSY,AILERON CONTROL RH	.	.	.	1	
- 37	35-115045-602	.	.	RIB ASSY,STA 122.750 LH /SUPERSEDES	.	.	.	1	
	35-115045-603	.	.	RIB ASSY,STA 122.750 RH /SUPERSEDES	.	.	.	1	
- 38	35-115272	.	.	FORMER,STA 136.188 LH UPPER	.	.	.	1	
	35-115272-1	.	.	FORMER,STA 136.188 RH UPPER	.	.	.	1	
	45-115072	.	.	FORMER,STA 136.188 LH LOWER	.	.	.	1	
	45-115072-1	.	.	FORMER,STA 136.188 RH LOWER	.	.	.	1	
- 39	35-115033-612	.	.	RIB ASSY,STA 148.875 LH /SUPERSEDES	.	.	.	1	
	35-115033-613	.	.	RIB ASSY,STA 148.875 RH /SUPERSEDES	.	.	.	1	
- 40	35-115273	.	.	FORMER,STA 162.563 LH UPPER	.	.	.	1	
	35-115273-1	.	.	FORMER,STA 162.563 RH UPPER	.	.	.	1	
	45-115060	.	.	FORMER,STA 162.563 LH LOWER	.	.	.	1	
	45-115060-1	.	.	FORMER,STA 162.563 RH LOWER	.	.	.	1	

B E E C H C R A F T
B O N A N Z A 3 3 T H R U E 3 3
I L L U S T R A T E D P A R T S C A T A L O G

FIG. & ITEM NO.	PART NO.	DESCRIPTION	UNITS							USABLE ON CODE	
			1	2	3	4	5	6	7		PER ASSY
19 - 41	35-115032-602	. RIB ASSY,STA 175.281 LH /SUPERSEDES								1	
		35-115032 SA2/									
	35-115032-603	. RIB ASSY,STA 175.281 RH /SUPERSEDES								1	
		35-115032 SA3/									
- 42	35-115031	. RIB ASSY,STA 191.00 LH.								1	
	35-115031-1	. RIB ASSY,STA 191.00 RH.								1	
- 43	35-115301-617	. WALKWAY ASSY /RH ONLY/.								1	9
	96-110019-1	. WALKWAY ASSY /RH ONLY/.								1	10
	35-115301-630	. REAR SPAR & TRAILING EDGE ASSY,LH								1	
	35-115301-631	. REAR SPAR & TRAILING EDGE ASSY,RH								1	
- 44	35-115050-604	. . SPAR ASSY,REAR LH								1	
	35-115050-605	. . SPAR ASSY,REAR RH								1	
- 45	35-115059-601	. . . FITTING,UPPER SPAR LH								1	
		/SUPERSEDES 35-115059/									
	35-115059-1	. . . FITTING,UPPER SPAR RH								1	
- 46	35-115058	. . . FITTING,LOWER SPAR LH								1	
	35-115058-1	. . . FITTING,LOWER SPAR RH								1	
- 47	35-115096	. . . RIB ASSY,STA 23.881 LH.								1	
	35-115131	. . . RIB ASSY,STA 23.881 RH.								1	
- 48	35-115301-601	. . . BRACKET ASSY,INBD FLAP LH								1	
	35-115301-602	. . . BRACKET ASSY,INBD FLAP RH								1	
- 49	35-115121-10	. . . RIB ASSY,STA 45.000 LH.								1	
	35-115106-602	. . . RIB ASSY,STA 45.000 RH.								1	
- 50	35-115122-6	. . . RIB,STA 55.00 LH.								1	
	35-115122-7	. . . RIB,STA 55.00 RH.								1	
- 51	35-115123-4	. . . RIB,STA 66.0 LH								1	
	35-115123-5	. . . RIB,STA 66.0 RH								1	
- 52	35-115124-4	. . . RIB ASSY,STA 80.047 LH.								1	
	35-115124-5	. . . RIB ASSY,STA 80.047 RH.								1	
- 53	35-115301-603	. . . BRACKET ASSY,OUTBD FLAP LH.								1	
	35-115301-604	. . . BRACKET ASSY,OUTBD FLAP RH.								1	
- 54	35-115078	. . . RIB ASSY,LH								1	
	35-115078-1	. . . RIB ASSY,RH								1	
- 55	35-115160	. . . BRACKET ASSY,AILERON INBD LH.								1	
	35-115160-1	. . . BRACKET ASSY,AILERON INBD RH.								1	
	35-115147 FITTING ASSY,AILERON HINGE INBD								1	
	NAS505-3J BEARING,NEEDLE.								1	
- 56	35-115047	. . . RIB,STA 136.188 LH.								1	
	35-115047-1	. . . RIB,STA 136.188 RH.								1	
- 57	35-115048	. . . RIB,STA 148.875 LH.								1	
	35-115048-1	. . . RIB,STA 148.875 RH.								1	
- 58	35-115049	. . . RIB,STA 162.563 LH.								1	
	35-115049-1	. . . RIB,STA 162.563 RH.								1	
- 59	35-115071	. . . BRACKET ASSY,AILERON OUTBD LH								1	
	35-115071-1	. . . BRACKET ASSY,AILERON OUTBD RH								1	
	35-115071-12 FITTING ASSY,AILERON HINGE OUTBD.								1	
	NAS505-3J BEARING,NEEDLE.								1	
- 60	35-115194	. . . SKIN ASSY,LH.								1	
	35-115194-20	. . . SKIN ASSY,RH.								1	
- 61	35-115265	. . . SKIN,LH								1	
	35-115265-1	. . . SKIN,RH								1	
- 62	35-115137-18	. . . SKIN,UPPER LH								1	
	35-115137-19	. . . SKIN,UPPER RH.								1	
- 63	35-115199-24	. . . SKIN,LOWER LH								1	
	35-115199-25	. . . SKIN,LOWER RH								1	
- 64	35-115301-44	. SEAL,MAIN GEAR DOOR								2	5
- 65	35-115200-20	. SEAL,MAIN GEAR DOOR								1	5
- 66	35-115200-22	. SEAL,MAIN GEAR DOOR								1	5
- 67	35-115200-24	. SEAL,MAIN GEAR DOOR								1	5
- 68	35-115200-26	. SEAL,MAIN GEAR DOOR								1	5
	35-115301-14	. PAD,FLAP BUMPER								4	8
	35-115256	. COVER ASSY,RH FLAP ACTUATOR ACCESS.								1	
	35-115264	. COVER ASSY,LH FLAP LIMIT SWITCH								1	
- 69	35-115301 SA34	. LINER ASSY,UPPER LH								1	1
	35-115301 SA35	. LINER ASSY,UPPER RH								1	1
	35-115301-26	. . . LINER,LH.								1	1
	35-115301-27	. . . LINER,RH.								1	1
	50-110081	. . . RETAINER.								5	1

B E E C H C R A F T
 BONANZA 33 THRU E33
 I L L U S T R A T E D P A R T S C A T A L O G

FIG. & ITEM NO.	PART NO.	DESCRIPTION							UNITS PER ASSY	USABLE ON CODE
		1	2	3	4	5	6	7		
19 - 70	35-115301-28	1	1
	35-115301-29	1	1
- 71	35-115301-30	1	1
	35-115301-31	1	1
- 72	35-115301-32	1	1
	35-115301-33	1	1
- 73	35-115301-34	1	1
	35-115301-35	1	1
	35-115301-36	8	1
- 74	35-115301-37	8	1
	35-115301-38	1	1
- 75	35-115301-39	1	1
	35-115205	1	
- 76	35-115205-1	1	
	35-115203	1	
	35-115203-1	1	
	50-110100-3	1	
	50-110100-4	1	

C O D E S O F E F F E C T I V I T Y

1	CD-1 THRU CD-387	2	CD-388 AND AFTER, CE-1 AND AFTER
3	CD-388 THRU CD-434	4	CD-435 AND AFTER, CE-1 AND AFTER
5	CD-1 THRU CD-735	6	CD-1 THRU CD-887
7	CD-888 AND AFTER, CE-1 AND AFTER	8	CD-1 THRU CD-869
9	CD-1 THRU CD-1205 CE-1 THRU CE-254	10	CD-1206 AND AFTER CE-255 AND AFTER

B E E C H C R A F T
B O N A N Z A 3 3 T H R U E 3 3
I L L U S T R A T E D P A R T S C A T A L O G

FIGURE 20
AILERON

BEECHCRAFT
BONANZA 33 THRU E33
ILLUSTRATED PARTS CATALOG

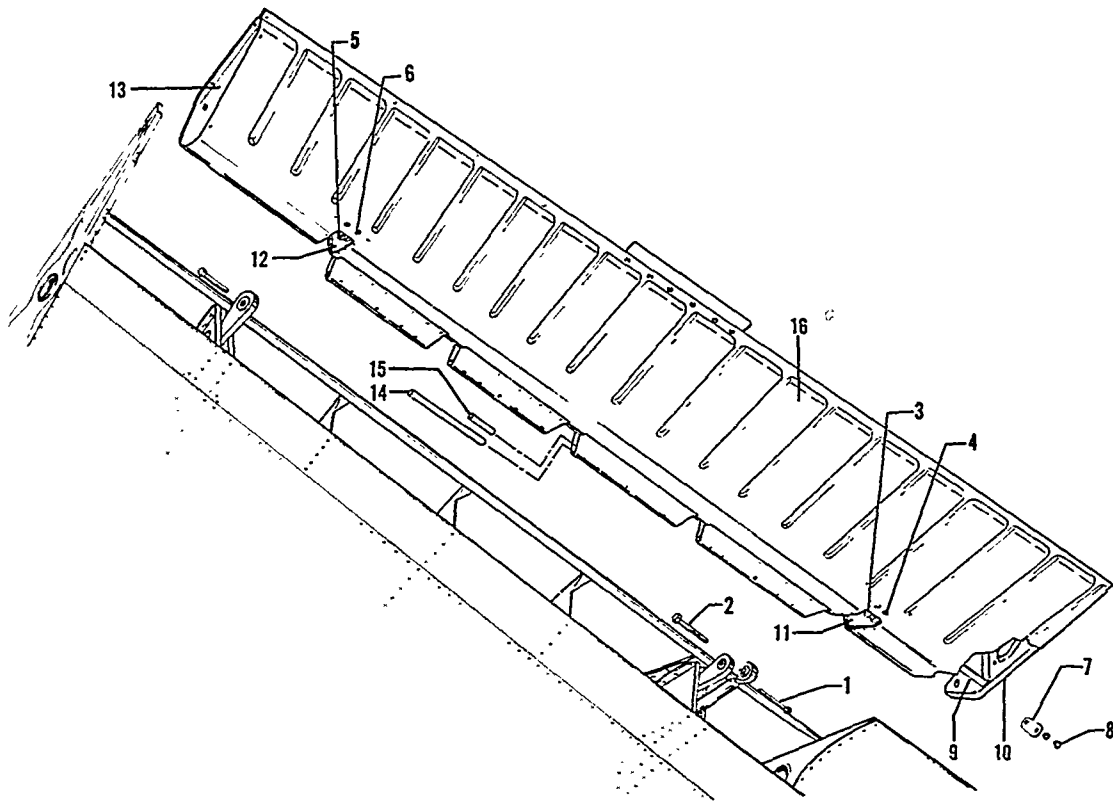


FIGURE 20.AILERON

B E E C H C R A F T
 BONANZA 33 THRU E33
 I L L U S T R A T E D P A R T S C A T A L O G

FIG. & ITEM NO.	PART NO.	DESCRIPTION							UNITS PER ASSY	USABLE ON CODE
		1	2	3	4	5	6	7		
20	33-130000	AILERON ASSY.							2	
		/ATTACHING PARTS/								
- 1	AN3-7A /M/ AN960-10	BOLT.							2	
	MS20365-1032	WASHER.							2	
- 2	AN4-10A /M/ AN960-416	NUT /SUPERSEDES AN365-1032/							2	
	AN365-428	BOLT.							1	
		WASHER.							1	
		NUT							1	

- 3	35-135025-36	. BRACKET ASSY,AILERON HINGE INBD							1	
		/ATTACHING PARTS/								
- 4	NAS221-9 AN960-10L 112105	. SCREW							4	
		. WASHER.							4	
		. WASHER.							4	

- 5	35-135025-32	. BRACKET,AILERON HINGE OUTBD							1	
		/ATTACHING PARTS/								
- 6	NAS221-9 AN960-10L 112105	. SCREW							4	
		. WASHER.							4	
		. WASHER.							4	

- 7	103637	. PLACARD,IDENTIFICATION.							1	
		/ATTACHING PARTS/								
- 8	49384	. FASTENER.							2	

- 9	33-130000-1	. SPAR,AILERON.							1	
- 10	35-135025-8	. RIB,AILERON INBOARD							1	
- 11	45-135031-55	. RIB,AILERON							1	
- 12	45-135031-57	. RIB,AILERON							1	
- 13	35-135025-10	. RIB,AILERON OUTBOARD.							1	
- 14	35-135025-2	. WEIGHT,STATIC OVERBALANCE							4	
- 15	35-135025-40	. WEIGHT,STATIC OVERBALANCE ADDITION.							2	
- 16	33-130000-3	. SKIN,AILERON.							1	

BEECHCRAFT
BONANZA 33 THRU E33
ILLUSTRATED PARTS CATALOG

FIGURE 21
FLAP

BEECHCRAFT
BONANZA 33 THRU E33
ILLUSTRATED PARTS CATALOG

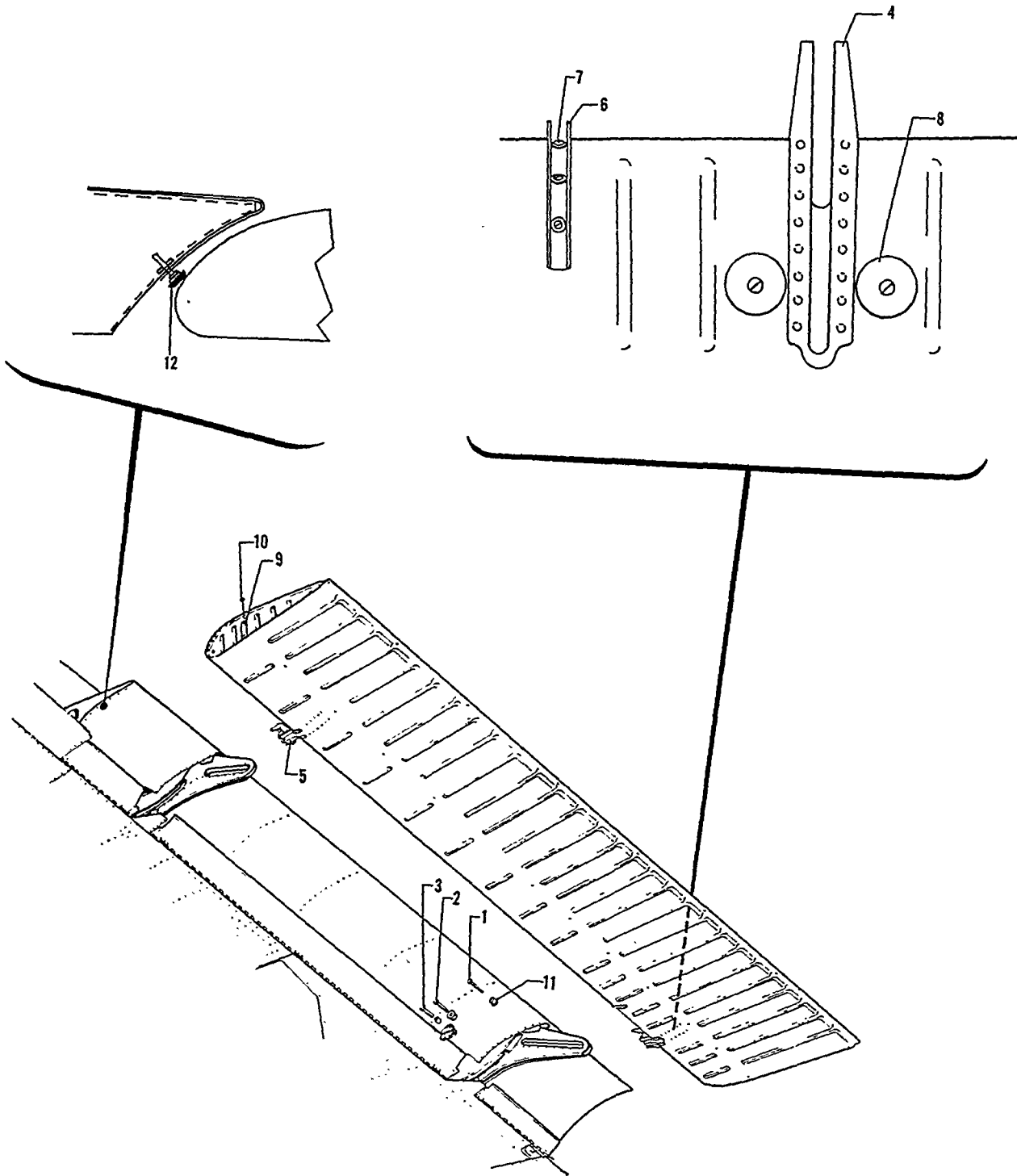


FIG. 21
PAGE 2

FIGURE 21.FLAP

02/24/84

B E E C H C R A F T
BONANZA 33 THRU E33
I L L U S T R A T E D P A R T S C A T A L O G

FIG. & ITEM NO.	PART NO.	1 2 3 4 5 6 7	DESCRIPTION	UNITS PER ASSY	USABLE ON CODE
21	35-165050-605		FLAP ASSY, LH.	1	
	35-165050-78		FLAP ASSY, LH.	NP	
	35-165050-606		FLAP ASSY, RH.	1	
	35-165050-79		FLAP ASSY, RH.	NP	
			/ATTACHING PARTS/		
- 1	AN3-12A		BOLT, AFT SLOT	2	
- 2	AN3-11A /M/ AN960-10		BOLT, FWD SLOT WASHER.	2 4	
	AN365-1032		NUT	4	
- 3	AN4-10A /M/ 100801S5-0500		BOLT, FWD. BUSHING	2 2	
	AN960-416		WASHER.	2	
	AN365-428		NUT	2	

- 4	35-165050-30		. BRACKET, FLAP INBD LH.	1	
	35-165050-31		. BRACKET, FLAP INBD RH.	1	
- 5	35-165050-34		. BRACKET, FLAP OUTBD LH	1	
	35-165050-35		. BRACKET, FLAP OUTBD RH	1	
- 6	35-165050-40		. BRACKET, ACTUATOR /LH ONLY/.	1	
			/ATTACHING PARTS/		
- 7	AN520-10-8 100951S063ZT AN366F1032		. SCREW WASHER. NUTPLATE.	3 3 3	

- 8	A6914-1024-1		. PLATE, PATCH	4	
- 9	103637		. PLACARD, ASSY SERIAL NUMBER.	1	
			/ATTACHING PARTS/		
- 10	49384		. FASTENER	2	

	35-165051-8		. SKIN, LH FLAP.	1	
	35-165051-9		. SKIN, RH FLAP.	1	
- 11	35-165004		ROLLER ASSY	8	
- 12	2194		BUMPER, FLAP RUBBER.	2	
			/ATTACHING PARTS/		
	AN515-8R8		SCREW	1	
	105090CR032-3E		WASHER.	1	
	AN340-832		NUT, SELF LOCKING.	1	
	130006A832		NUTPLATE.	1	

B E E C H C R A F T
B O N A N Z A 3 3 T H R U E 3 3
I L L U S T R A T E D P A R T S C A T A L O G

FIGURE 22
FLAP DRIVE MECHANISM

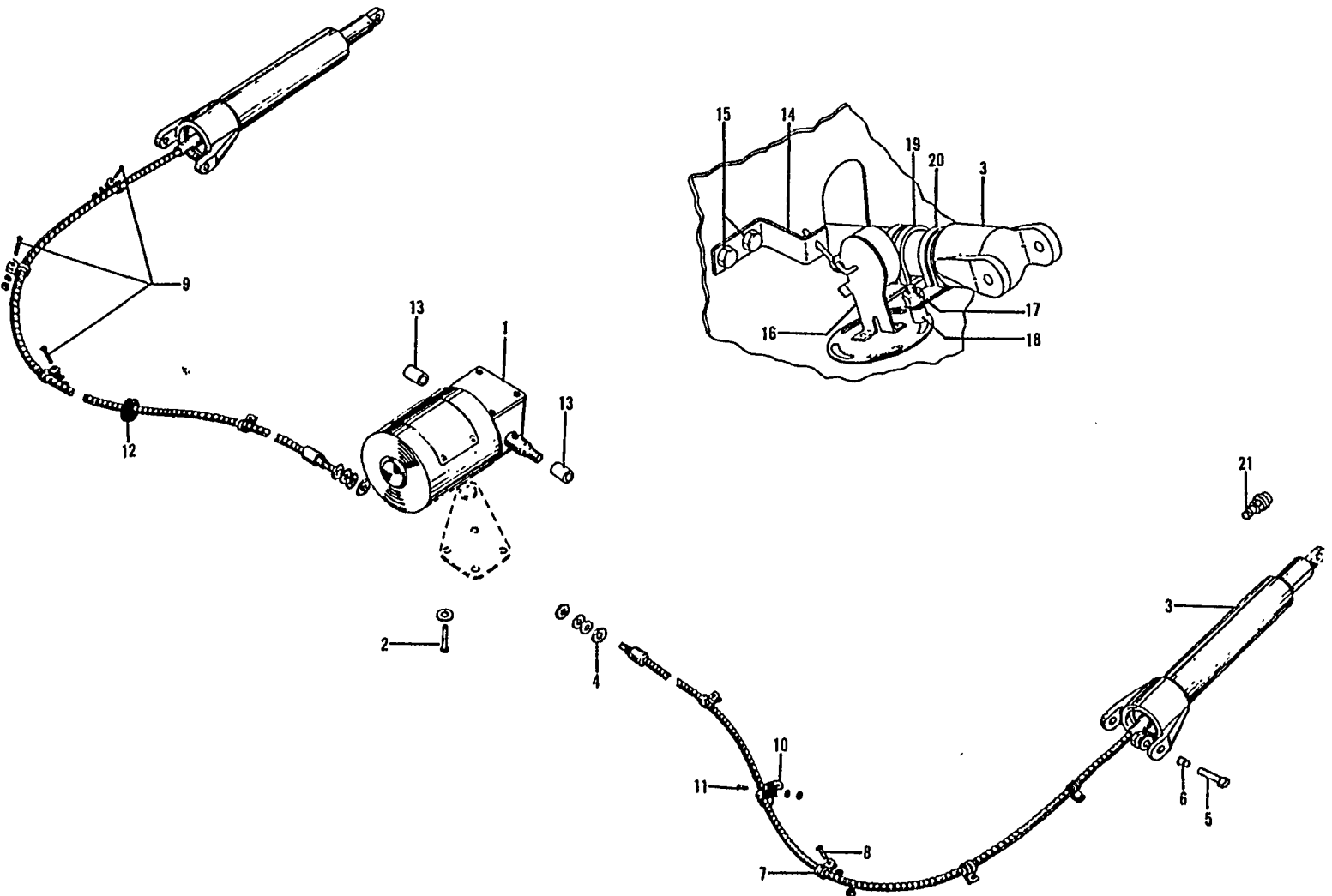


FIGURE 22.FLAP DRIVE MECHANISM

B E E C H C R A F T
B O N A N Z A 3 3 T H R U E 3 3
I L L U S T R A T E D P A R T S C A T A L O G

FIG. & ITEM NO.	PART NO.	DESCRIPTION	UNITS PER ASSY	USABLE ON CODE
22	35-521240	CONTROL INSTL,FLAP	NP	
- 1	35-521225	. MOTOR ASSY,FLAP CONTROL /SEE FIG. 24/	NP	1
		/ORDER 35-364151-55/		
	35-364151-55	. MOTOR ASSY,FLAP /SEE FIG. 24A/	1	2
	35-390109	. MOTOR ASSY,FLAP	1	5
		/ATTACHING PARTS/		
- 2	AN73A3 /M/ AN960-10L	. BOLT	4	
		. WASHER	4	
		-----*		
- 3	45-521212-604 45-521212-605	. ACTUATOR ASSY,FLAP LH /SEE FIG. 23/	1	
		. ACTUATOR ASSY,FLAP RH /SEE FIG. 23/	1	
		/ATTACHING PARTS/		
- 4	AN3066-4 AN960-1016L	. NUT	2	
		. WASHER	2	
- 5	AN4-5A /M/	. BOLT	2	
- 6	105739S-YH0230 AN960-416L MS20364-428	. BUSHING	2	
		. WASHER	2	
		. NUT /SUPERSEDES AN364-428/	2	
		-----*		
- 7	MS21919DG7	. CLAMP /SUPERSEDES AN742D9C/	9	
		/ATTACHING PARTS/		
- 8	AN520-10-10	. SCREW	1	
- 9	AN520-10-8 AN960-10L MS20365-1032	. SCREW	1	
		. WASHER	1	
		. NUT /SUPERSEDES AN365-1032/	1	
		-----*		
- 10	AN743-12	. CLIP /SUPERSEDES AN743-6/	1	
		/ATTACHING PARTS/		
- 11	AN520-8-8 MS20365-832	. SCREW	1	
		. NUT /SUPERSEDES AN365-832/	1	
		-----*		
- 14	35-160025-9 35-810132	. GROMMET	1	
		. SUPPORT ASSY,LANDING GEAR ACTUATOR UPPER.	1	
		/SEE FIG. 37/		
- 13	50-361131 35-160025-1 35-160025-9	. RETAINER ASSY	2	4
		. TRANSMITTER INSTL,FLAP POSITION INDICATOR	NP	3
		. . GUIDE,TRANSMITTER /SUPERSEDES 35-160025-3/	1	3
		/ATTACHING PARTS/		
- 15	AN3-5A/M/ AN960-10 MS20365-1032	. . BOLT	2	
		. . WASHER	2	
		. . NUT	2	
		-----*		
- 16	35-160025-5	. . TRANSMITTER,FLAP POSITION INDICATOR	1	3
		/ATTACHING PARTS/		
- 17	AN3-10A /M/	. . BOLT	2	
- 18	102933D4ZJ0375 AN960-10 MS20365-1032	. . SPACER	2	
		. . WASHER	2	
		. . NUT	2	
		-----*		
- 19	MS21919DG17	. . CLAMP	1	3
- 20	35-160025-7	. . CLAMP	1	3
- 21	2194	. BUMPER,RUBBER /STA 108/	2	
		/ATTACHING PARTS/		
	AN515-8R18	. SCREW	1	
	AN340-8	. NUT	1	
	105090CR032-3E	. WASHER	1	
		-----*		

C O D E S O F E F F E C T I V I T Y

- | | |
|---|---|
| 1 CD-1 THRU CD-57 | 2 CD-58 THRU CD-1199,
CE-1 THRU CE-248 |
| 3 CD-1044 AND AFTER,
CE-77 AND AFTER | 4 CD-1129 AND AFTER,
CE-189 AND AFTER |
| 5 CD-1200 AND AFTER
CE-249 AND AFTER | |

B E E C H C R A F T
B O N A N Z A 3 3 T H R U E 3 3
I L L U S T R A T E D P A R T S C A T A L O G

FIGURE 23
FLAP ACTUATOR AND LIMIT SWITCH

BEECHCRAFT
BONANZA 33 THRU E33
ILLUSTRATED PARTS CATALOG

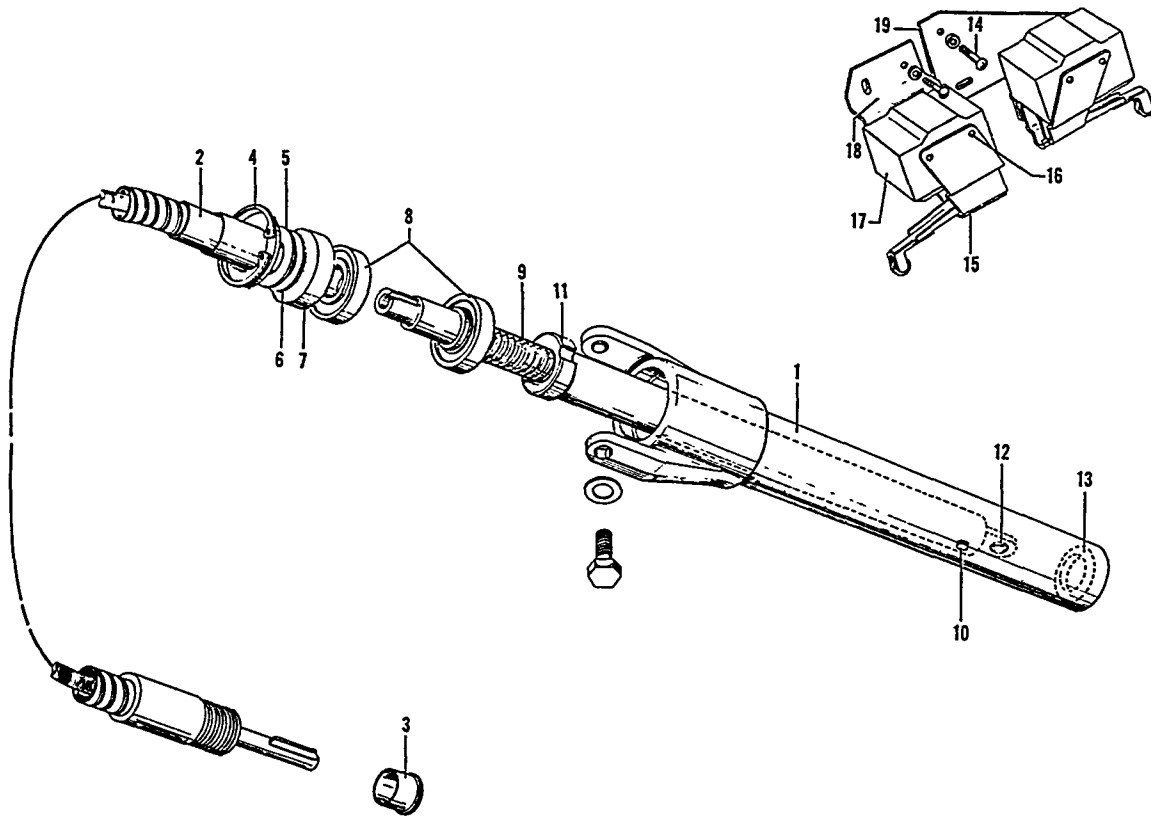


FIGURE 23. FLAP ACTUATOR AND LIMIT SWITCH

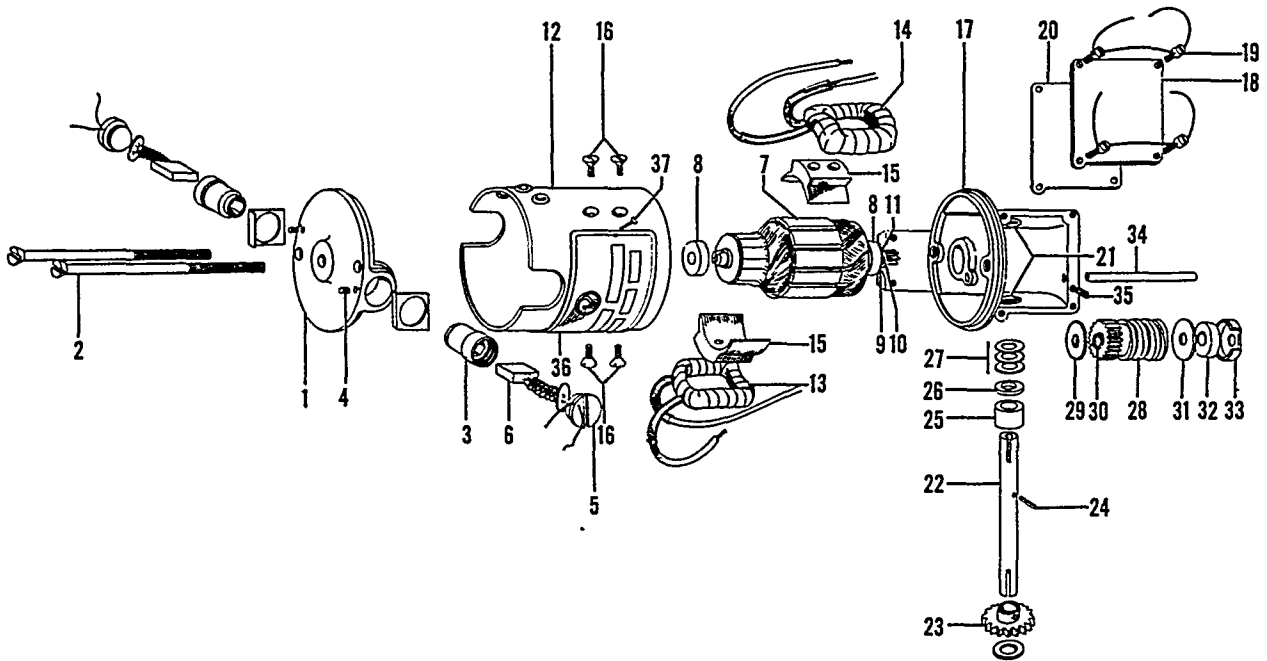
B E E C H C R A F T
B O N A N Z A 3 3 T H R U E 3 3
I L L U S T R A T E D P A R T S C A T A L O G

FIG. & ITEM NO.	PART NO.	DESCRIPTION							UNITS PER ASSY	USABLE ON CODE
		1	2	3	4	5	6	7		
23	45-521212-604	ACTUATOR ASSY,FLAP LH /SEE FIG. 22 FOR NHA/ . . .							1	
	45-521212-605	/SUPERSEDES 45-521212 SA4/ ACTUATOR ASSY,FLAP RH /SEE FIG. 22 FOR NHA/ . . .							1	
- 1	35-521213	. HOUSING,FLAP ACTUATOR							1	
- 2	3XSK8720-63 5/16	. FLEX SHAFT & CASING ASSY,FLAP ACTUATOR.							1	
	SK4501A635/16	. . SHAFT & CASING ASSY,FLAP ACTUATOR							1	
- 3	35-521229	. . COLLAR,FLAP ACTUATOR.							1	
- 4	NAS50-112	. RING,RETAINING.							1	
- 5	35-521230-2	. SPACER,FLAP ACTUATOR.							1	
- 6	35-521230	. SPACER,FLAP ACTUATOR /MAXIMUM OF 7/							AR	
- 7	11116M1	. SEAL /SUPERSEDES 11216/							1	
- 8	R8	. BEARING /SUPERSEDES S5S/.							2	
- 9	45-521216	. SCREW,FLAP ACTUATOR LH.							1	
	45-521216-1	. SCREW,FLAP ACTUATOR RH.							1	
	45-521212-4	. PISTON ASSY,FLAP ACTUATOR LH.							1	
	45-521212-5	. PISTON ASSY,FLAP ACTUATOR RH.							1	
- 10	45-521212-2	. . PIN,FLAP ACTUATOR							1	
- 11	45-521214	. . PISTON,FLAP ACTUATOR LH							1	
	45-521214-1	. . PISTON,FLAP ACTUATOR RH							1	
- 12	35-521215	. . PLUG,FLAP ACTUATOR PISTON							1	
- 13	AN6227B13	. SEAL.							1	
	45-361115	SWITCH INSTL,FLAP LIMIT							NP	
	45-361116	. SWITCH ASSY,FLAP UP LIMIT							1	
	45-361117	. SWITCH ASSY,FLAP DOWN LIMIT							1	
		/ATTACHING PARTS/								
- 14	AN515-8R7	. SCREW							2	
	AN960D8	. WASHER.							2	
- 15	AN3169-1	. . ACTUATOR.							1	
		/ATTACHING PARTS/								
- 16	AN515-6-18	. . SCREW							2	
	AN936A6	. . WASHER.							2	
	AN340-6	. . NUT							2	
- 17	MS25026-1	. . SWITCH,/SUPERSEDES AN3210-1/.							1	
- 18	45-361116-1	. . BRACKET,FLAP UP LIMIT SWITCH.							1	
- 19	45-361117-1	. . PLATE,FLAP DOWN LIMIT SWITCH.							1	

B E E C H C R A F T
B O N A N Z A 3 3 T H R U E 3 3
I L L U S T R A T E D P A R T S C A T A L O G

FIGURE 24
FLAP MOTOR
CD-1 THRU CD-57

BEECHCRAFT
BONANZA 33 THRU E33
ILLUSTRATED PARTS CATALOG



B E E C H C R A F T
 BONANZA 33 THRU E33
 I L L U S T R A T E D P A R T S C A T A L O G

FIG. & ITEM NO.	PART NO.	DESCRIPTION							UNITS PER ASSY	USABLE ON CODE
		1	2	3	4	5	6	7		
24	35-521225	MOTOR ASSY, FLAP /SEE FIG. 22 FOR NHA/ /FOR. . .							NP	1
- 1	35-364151-3	COMPLETE MOTOR ASSY ORDER 35-364151-55/ HOUSING, BRUSH END /SUPERSEDES 589-0068-401/							1	1
- 2	AN505-832-46	/ATTACHING PARTS/ SCREW							2	
- 3	R451-0019-475	* HOLDER ASSY, BRUSH							2	1
- 4	R822-0311-055	/ATTACHING PARTS/ SCREW							2	
- 5	606-0037-026	* INSULATOR, BRUSH HOLDER.							2	1
- 6	35-364151-25	PLUG, BRUSH /SUPERSEDES 456-0010-006/.							2	1
- 7	R457-0627-475	BRUSH ASSY.							2	1
- 8	408-0293-233	ARMATURE.							1	1
- 9	ND77R4	BEARING							2	1
- 10	R768-0004	WASHER.							1	1
- 11	35-364151-43	WASHER, OIL RETAINING /SUPERSEDES 766-0108/.							1	1
- 12	502-0048-404	COLLAR.							1	1
- 13	35-521225-2	CASE, MOTOR.							1	1
- 14	35-521225-14	FIELD ASSY.							1	1
- 15	35-521225-16	FIELD ASSY.							1	1
- 16	35-521225-6	INSULATOR, FIELD COIL.							1	1
- 17	550-0001	POLE, FIELD.							2	1
- 18	AN505-632-5	/ATTACHING PARTS/ SCREW							2	
- 19	595-0012-401	* HOUSING, GEAR.							1	1
- 20	520-0004-402	COVER, GEAR HOUSING.							1	1
- 21	AN500A632-4	/ATTACHING PARTS/ SCREW							4	
- 22	559-0002-088	* GASKET.							1	1
- 23	35-364151-27	BEARING /SUPERSEDES 427-0092-014/							2	1
- 24	35-521227	SHAFT, FLAP ACTUATOR							1	1
- 25	35-521227-4	WHEEL, FLAP ACTUATOR WORM.							1	1
- 26	AAF385-30-6	/ATTACHING PARTS/ PIN, TAPER							1	
- 27	100696S-ZY017	* SPACER.							1	1
- 28	AN960-616L	WASHER.							1	1
- 29	1050908005-6E	WASHER.							4	1
- 30	35-364151-17	WORM & GEAR /SUPERSEDES 784-0038/							1	1
- 31	766-0069-077	WASHER.							1	1
- 32	836	BEARING /SUPERSEDES R428-0008/.							2	1
- 33	766-0045-077	WASHER.							1	1
- 34	R426-0011	BEARING							1	1
- 35	523-0004-054	CUP, BEARING							1	1
- 36	703-0003	SHAFT, FLAP ACTUATOR COUNTER							1	1
- 37	R822-0409-055	/ATTACHING PARTS/ SCREW							1	
- 38	R901-311	* PLACARD, IDENTIFICATION.							1	1
- 39	AN535-2-2	/ATTACHING PARTS/ SCREW							2	

CODES OF EFFECTIVITY

1 CD-1 THRU CD-57

B E E C H C R A F T
B O N A N Z A 3 3 T H R U E 3 3
I L L U S T R A T E D P A R T S C A T A L O G

FIGURE 24A
FLAP MOTOR

BEECHCRAFT
 BONANZA 33 THRU E33
 ILLUSTRATED PARTS CATALOG

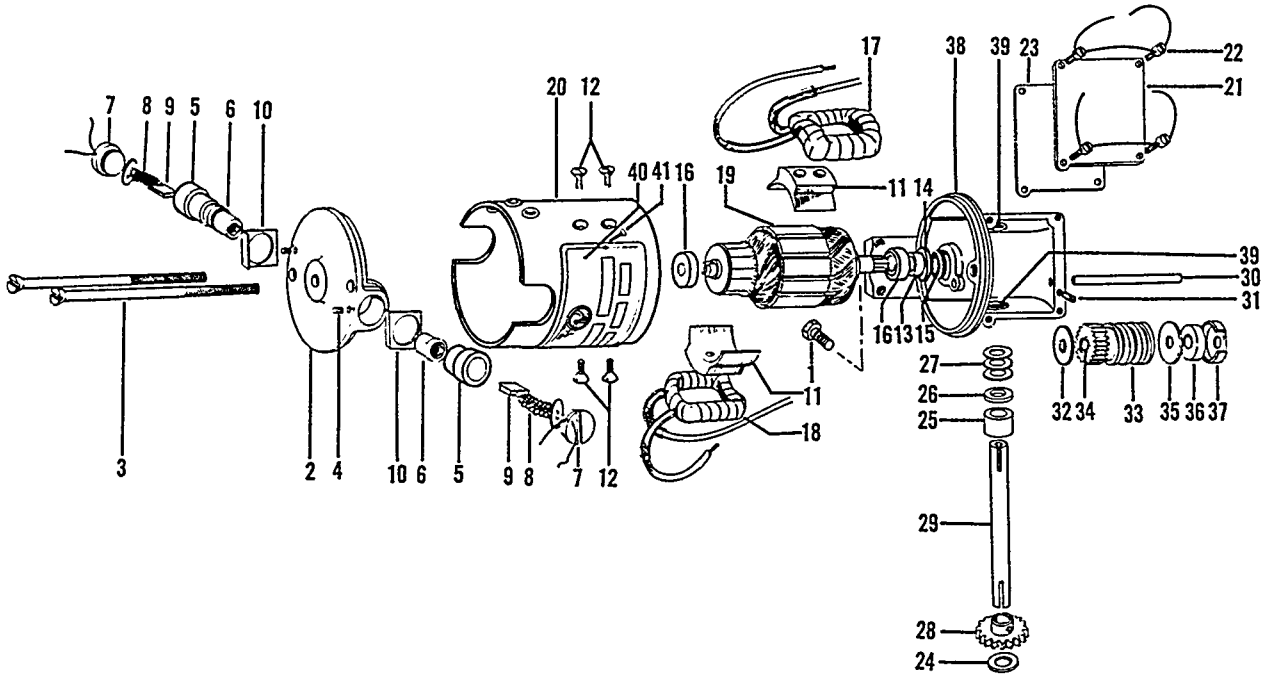


FIGURE 24A.FLAP MOTOR

B E E C H C R A F T
B O N A N Z A 3 3 T H R U E 3 3
I L L U S T R A T E D P A R T S C A T A L O G

FIG. & ITEM NO.	PART NO.	DESCRIPTION	UNITS PER ASSY	USABLE ON CODE
24A	35-364151-55	MOTOR ASSY,FLAP /SEE FIG. 22 FOR NHA/	1	1
		/ATTACHING PARTS/		
- 1	AN73A4	BOLT.	4	
	AN960-10L	WASHER.	4	

- 2	35-364151-3	. HOUSING,BRUSH	1	1
		/ATTACHING PARTS/		
- 3	AN505-832-46	. SCREW	2	
- 4	AN565D632H3	. SCREW,SET	2	

	35-364151-15	. HOLDER ASSY,BRUSH SLEEVE.	2	1
- 5	35-364151-11	. . HOLDER,BRUSH SLEEVE	2	1
- 6	35-364151-13	. . SLEEVE,BRUSH.	2	1
- 7	35-364151-25	. PLUG,BRUSH.	2	1
- 8	R457-0627-475	. SPRING ASSY,BRUSH	2	1
- 9	SK162	. BRUSH ASSY,FLAP MOTOR	2	1
- 10	35-364151-41	. INSULATOR,BRUSH HOLDER.	2	1
- 11	35-364151-21	. POLE ASSY,FIELD	2	1
		/ATTACHING PARTS/		
- 12	AN505-632-5	. SCREW	2	

- 13	35-364151-29	. COLLAR,OIL SEAL	1	1
- 14	35-364151-43	. WASHER,OIL SEAL	1	1
- 15	R768-0004	. WASHER,ARMATURE SHAFT	1	1
- 16	ND77R4	. BEARING,ARMATURE SHAFT	2	1
- 17	R901-327-34	. COIL,FIELD.	1	1
- 18	R901-327-36	. COIL,FIELD.	1	1
- 19	408-0293-233	. ARMATURE,FLAP MOTOR	1	1
- 20	35-364151-1	. HOUSING,FLAP MOTOR.	1	1
- 21	35-364151-35	. COVER,GEAR HOUSING.	1	1
		/ATTACHING PARTS/		
- 22	AN500A632-4	. SCREW	4	

- 23	35-364151-33	. GASKET,GEAR HOUSING COVER	1	1
- 24	35-364151-45	. WASHER,WORM WHEEL THRUST.	1	1
- 25	100696S-YZ017	. SPACER,GEAR SHAFT	1	1
- 26	AN960-616L	. WASHER,GEAR SHAFT	1	1
- 27	1050908005-6E	. WASHER,GEAR SHAFT SHIM.	4	1
	35-364151-51	. GEAR ASSY,FLAP MOTOR.	1	1
- 28	35-364151-9	. . GEAR,WORM WHEEL	1	1
- 29	35-521227	. . SHAFT,FLAP CONTROL MOTOR.	1	1
- 30	35-364151-31	. SHAFT,FLAP MOTOR COUNTER.	1	1
		/ATTACHING PARTS/		
- 31	AN565D632H4	. SCREW,SET	1	

- 32	35-364151-47	. WASHER,WORM	1	1
- 33	35-364151-17	. WORM,GEAR	1	1
- 34	B36	. BEARING,COUNTER SHAFT NEEDLE.	2	1
- 35	35-364151-49	. WASHER,COUNTER SHAFT THRUST	1	1
- 36	ND-R4A	. BEARING,COUNTER SHAFT	1	1
- 37	35-364151-23	. CUP,BEARING	1	1
	35-364151-7	. HOUSING ASSY,FLAP MOTOR GEAR.	1	1
- 38	35-364151-5	. . HOUSING,FLAP MOTOR GEAR	1	1
- 39	35-364151-27	. . BEARING,SLEEVE.	2	1
- 40	R901-311	. PLACARD,FLAP MOTOR IDENTIFICATION	1	1
		/ATTACHING PARTS/		
- 41	AN535-2-2	. SCREW	2	

C O D E S O F E F F E C T I V I T Y

1 CD-58 THROUGH CD-1199
CE-1 THROUGH CE-248

B E E C H C R A F T
B O N A N Z A 3 3 T H R U E 3 3
I L L U S T R A T E D P A R T S C A T A L O G

FIGURE 25
EMPENNAGE

BEECHCRAFT
BONANZA 33 THRU E33
ILLUSTRATED PARTS CATALOG

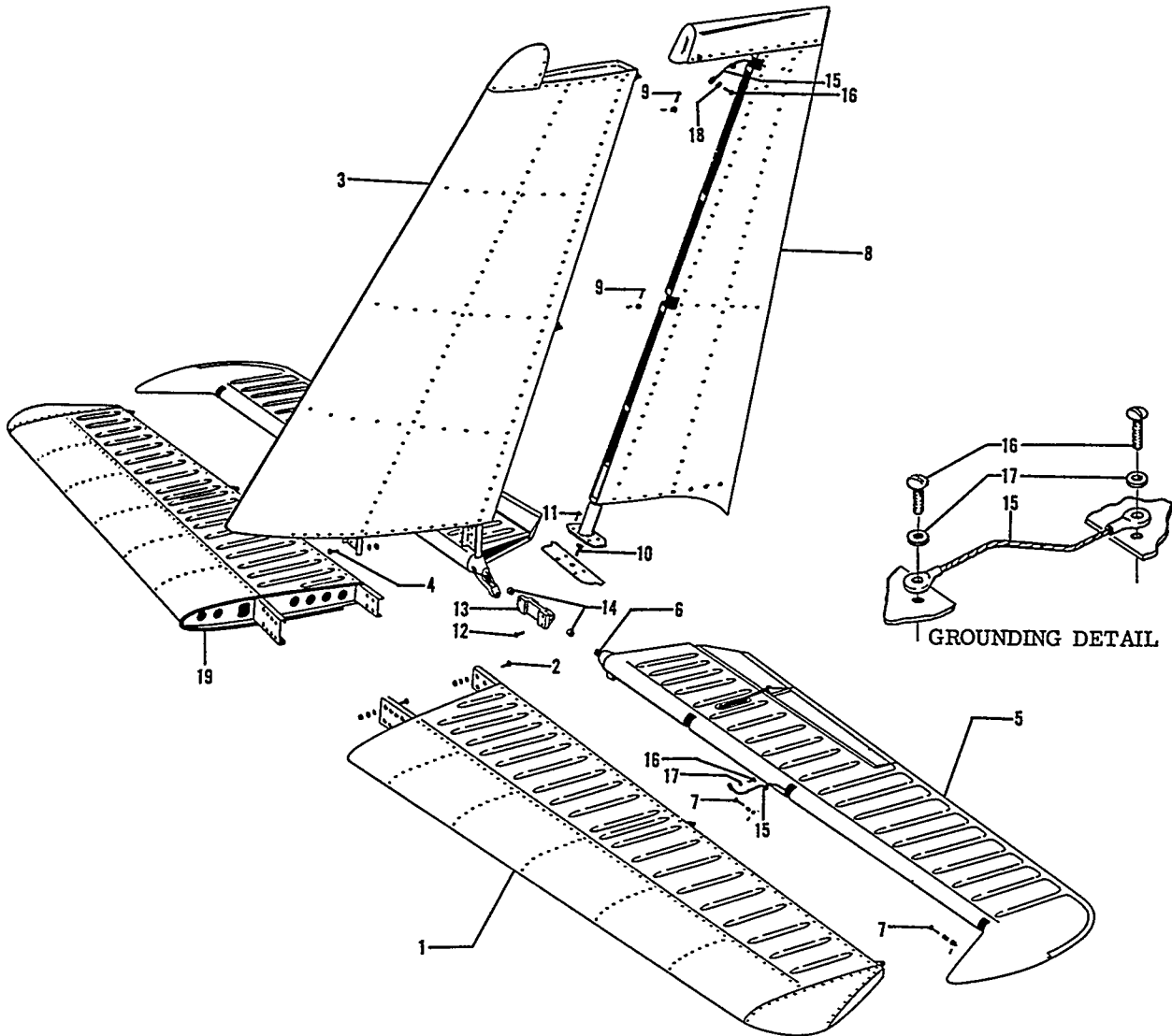


FIGURE 25. EMPENNAGE

B E E C H C R A F T
B O N A N Z A 3 3 T H R U E 3 3
I L L U S T R A T E D P A R T S C A T A L O G

FIG. & ITEM NO.	PART NO.	DESCRIPTION	UNITS							USABLE ON CODE	
			1	2	3	4	5	6	7		
25	33-60000	EMPENNAGE INSTL								NP	
- 1	33-620000-601	. STABILIZER ASSY,HORIZONTAL LH /SEE FIG. 26/ .								1	1
	33-620000-611	. STABILIZER ASSY,HORIZONTAL LH /SEE FIG. 26/ .								1	2
	33-620000-602	. STABILIZER ASSY,HORIZONTAL RH /SEE FIG. 26/ .								1	1
	33-620000-612	. STABILIZER ASSY,HORIZONTAL RH /SEE FIG. 26/ .								1	2
		/ATTACHING PARTS/									
- 2	AN4-6A/M/	. BOLT.								10	
	AN4-7A /M/	. BOLT.								10	
	AN960-416	. WASHER.								10	
	AN960-416L	. WASHER.								10	
	AN365-428	. NUT								10	

- 3	33-640000-601	. STABILIZER ASSY,VERTICAL /SEE FIG. 27/								1	
		/ATTACHING PARTS/									
- 4	AN4-6A/M/	. BOLT.								12	
	AN960-416	. WASHER.								12	
	AN960-416L	. WASHER.								12	
	AN365-428	. NUT								12	

- 5	33-610000-603	. ELEVATOR ASSY,LH /COMPLETE/ /SEE FIG. 28/ . .								1	3
	33-610000-605	. ELEVATOR ASSY,LH /COMPLETE/ /SEE FIG. 28/ . .								1	4
	33-610000-604	. ELEVATOR ASSY,RH /COMPLETE/ /SEE FIG. 28/ . .								1	3
	33-610000-606	. ELEVATOR ASSY,RH /COMPLETE/ /SEE FIG. 28/ . .								1	4
		/ATTACHING PARTS/									
	35-600003	. BUSHING								2	
- 6	AN4-12A /M/	. BOLT.								1	
- 7	AN23-14	. BOLT.								2	
	AN960-416	. WASHER.								1	
	AN960-416L	. WASHER.								2	
	AN960-10	. WASHER.								2	
	AN365-428	. NUT								1	
	AN320-3	. NUT								2	
	AN380-2-2	. PIN,COTTER.								2	

- 8	33-630000-601	. RUDDER ASSY /SEE FIG. 29/								1	
		/ATTACHING PARTS/									
- 9	AN3	. BOLT.								2	
- 10	AN4	. BOLT.								1	
- 11	AN3A	. BOLT.								4	
	AN320-3	. NUT								2	
	AN320-4	. NUT								1	
	AN365-1032	. NUT								4	
	AN380-2-2	. PIN,COTTER.								2	
	AN380-2-3	. PIN,COTTER.								1	

	95-610011	. HINGE ASSY,ELEVATOR CENTER.								1	
		/ATTACHING PARTS/									
- 12	AN4-10A/M/	. BOLT.								4	
	AN4-11A /M/	. BOLT.								4	
	AN960-416	. WASHER.								4	
	AN365-428	. NUT								4	

- 13	95-610011-1	. HINGE,ELEVATOR CENTER								1	
- 14	KS4	. BEARING /SUPERSEDES AN200KS4/								2	
- 15	AN749-1-4	. JUMPER,BONDING.								6	
		/ATTACHING PARTS/									
- 16	AN515-6R8	. SCREW								2	
- 17	105090-032-1D	. WASHER.								2	
- 18	AN960-6	. WASHER.								2	
	AN365-632	. NUT								2	

- 19	111722	. SEAL,STABILIZER TO FUSELAGE /4 1/2 FT REQ FOR EA SIDE/SUPERSEDES 33-600000-1 & -2/								AR	

C O D E S O F E F F E C T I V I T Y

- | | |
|---------------------|--|
| 1 CD-1 THRU CD-1050 | 2 CD-1051 AND AFTER,
CE-1 AND AFTER |
| 3 CD-1 THRU CD-1022 | 4 CD-1023 AND AFTER,
CE-1 AND AFTER |

B E E C H C R A F T
B O N A N Z A 3 3 T H R U E 3 3
I L L U S T R A T E D P A R T S C A T A L O G

FIGURE 26
HORIZONTAL STABILIZER

BEECHCRAFT
 BONANZA 33 THRU E33
 ILLUSTRATED PARTS CATALOG

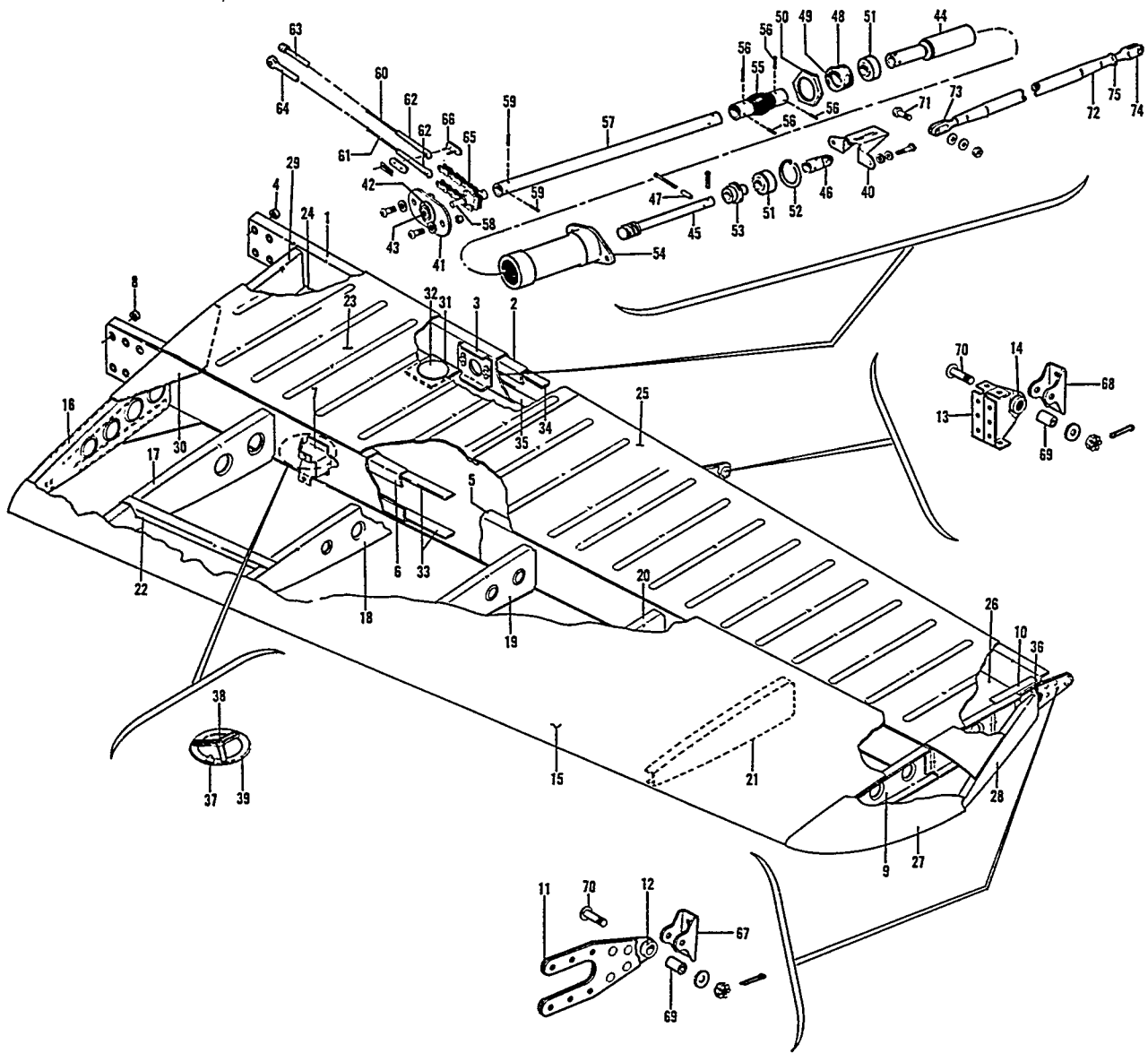


FIGURE 26. HORIZONTAL STABILIZER

B E E C H C R A F T
 BONANZA 33 THRU E33
 I L L U S T R A T E D P A R T S C A T A L O G

FIG. & ITEM NO.	PART NO.	DESCRIPTION	UNITS							USABLE ON CODE
			1	2	3	4	5	6	7	
26	33-620000-601	STABILIZER ASSY,HORIZONTAL LH							1	1
		/SEE FIG. 25 FOR NHA/								
	33-620000-611	STABILIZER ASSY,HORIZONTAL LH							1	2
		/SEE FIG. 25 FOR NHA/								
	33-620000-602	STABILIZER ASSY,HORIZONTAL RH							1	1
		/SEE FIG. 25 FOR NHA/								
	33-620000-612	STABILIZER ASSY,HORIZONTAL RH							1	2
		/SEE FIG. 25 FOR NHA/								
	33-620000-603	. SPAR ASSY,REAR.							1	1
	33-620000-613	. SPAR ASSY,REAR.							1	2
	45-620010-12	. . SPAR,REAR							1	1
- 1	33-620000-55	. . SPAR,REAR							1	2
- 2	33-620000-35	. . DOUBLER,REAR SPAR							1	
- 3	45-620010-30	. . DOUBLER							1	
	AN366F1032	. . NUTPLATE							2	
	45-620011-8	. . BUSHING							4	1
- 4	45-620011-10	. . BUSHING							4	2
	33-620000-605	. SPAR ASSY,FRONT							1	1
	33-620000-615	. SPAR ASSY,FRONT							1	2
	45-620010-14	. . SPAR,FRONT.							1	1
- 5	33-620000-51	. . SPAR,FRONT.							1	2
	33-620000-33	. . DOUBLER,FRONT SPAR.							1	1
- 6	33-620000-53	. . DOUBLER,FRONT SPAR.							1	2
- 7	45-620025-13	. . BRACKET							1	
	AN366F1032	. . NUTPLATE							2	
	45-620011-18	. . BUSHING							8	1
- 8	33-620000-57	. . BUSHING							8	2
	33-620000-607	. RIB ASSY,OUTBD.							1	
- 9	33-620000-15	. . RIB							1	
- 10	33-620000-25	. . EXTENSION							1	
- 11	35-650121-4	. . HINGE ASSY,ELEVATOR OUTBD							1	
	35-650121-2	. . . HINGE HALF.							2	
- 12	B55	. . BEARING							1	
- 13	35-650122-6	. HINGE ASSY,ELEVATOR CENTER.							1	
	35-650122-2	. . HINGE HALF.							2	
- 14	B55	. . BEARING							1	
	33-620000-609	. SKIN ASSY,LEADING EDGE LH							1	
	33-620000-610	. SKIN ASSY,LEADING EDGE RH							1	
- 15	33-620000-43	. . SKIN,LH							1	
	33-620000-44	. . SKIN,RH							1	
- 16	33-620000-3	. . RIB							1	
- 17	33-620000-5	. . RIB							1	
- 18	33-620000-7	. . RIB							1	
- 19	33-620000-9	. . RIB							1	
- 20	33-620000-11	. . RIB							1	
- 21	33-620000-13	. . RIB							1	
- 22	35-650009-30	. . STIFFENER							2	
- 23	33-620000-45	. SKIN,UPPER LH							1	
	33-620000-46	. SKIN,UPPER RH							1	
- 24	33-620000-47	. SKIN,LOWER LH							1	
	33-620000-48	. SKIN,LOWER RH							1	
- 25	33-620000-27	. SKIN,UPPER LH AND LOWER RH.							1	
- 26	33-620000-28	. SKIN,LOWER LH AND UPPER RH.							1	
- 27	45-650112	. FORMER.							1	
- 28	33-620000-19	. RIB							1	
- 29	33-620000-17	. RIB							1	
- 30	33-620000-37	. DOUBLER							2	
- 31	45-620010-20	. DOUBLER							1	
- 32	A6914-1024-1	. PLATE,PATCH							1	
- 33	45-620010-32	. REINFORCEMENT,FRONT SPAR.							2	
- 34	45-620010-34	. REINFORCEMENT,REAR SPAR UPPER							1	
- 35	45-620010-35	. REINFORCEMENT,REAR SPAR LOWER							1	
- 36	33-620000-23	. CLIP.							1	
- 37	45-620024	. STOP.							1	
- 38	45-620021	. CLAMP ASSY,ACCESS HOLE COVER.							1	

B E E C H C R A F T
B O N A N Z A 3 3 T H R U E 3 3
I L L U S T R A T E D P A R T S C A T A L O G

FIG. & ITEM NO.	PART NO.	DESCRIPTION	UNITS PER ASSY	USABLE ON CODE
26 - 39	45-620020	. COVER, ACCESS HOLE	1	
	AN507-832-8	. SCREW	1	
		*		
- 40	45-526008	. BRACKET, ELEVATOR TAB.	1	
- 41	45-526006-5	. PLATE ASSY, ACTUATOR TUBE SUPPORT.	1	
		/ATTACHING PARTS/		
	AN3-3A	. BOLT.	2	
	AN960-10L	. WASHER.	2	
		*		
	45-526006-7	. . . PLATE	1	
- 42	45-526006-3	. . . BUSHING	1	
- 43	KP3A	. . . BEARING /SUPERSEDES AN201KP3A/.	1	
	95-620010-609	. ACTUATOR ASSY, ELEVATOR TAB CONTROL LH	1	
	95-620010-610	. ACTUATOR ASSY, ELEVATOR TAB CONTROL RH	1	
		/ATTACHING PARTS/		
	AN3-6A	. BOLT.	2	
	AN960D10	. WASHER.	2	
		*		
	45-524565-3	. . . ACTUATOR ASSY, ELEVATOR TRIM TAB LH.	1	
	45-524565-5	. . . ACTUATOR ASSY, ELEVATOR TRIM TAB RH.	1	
- 44	45-524557-1	. . . NUT ASSY, TRIM TAB ACTUATOR LH	1	
	45-524557-3	. . . NUT ASSY, TRIM TAB ACTUATOR RH	1	
- 45	45-524566-3	. . . SCREW, TRIM TAB ACTUATOR LH.	1	
	45-524566-5	. . . SCREW, TRIM TAB ACTUATOR RH.	1	
- 46	45-524563	. . . END, TAB ACTUATOR ROD.	1	
- 47	NAS42HT3-28	. . . SPACER.	1	
- 48	45-524626	. . . BUSHING, TRIM TAB ACTUATOR	1	
- 49	AN6227-8	. . . O RING.	1	
- 50	45-524564	. . . NUT, TAB ACTUATOR CHECK.	1	
- 51	KP6A	. . . BEARING /SUPERSEDES AN201KP6A/.	2	
- 52	NAS50-87	. . . RING, SNAP	1	
- 53	45-524562	. . . BUSHING, TRIM TAB ACTUATOR	1	
- 54	45-524561-3	. . . HOUSING, TRIM TAB ACTUATOR	1	
- 55	45-526015	. . . JOINT, TRIM TAB ACTUATOR UNIVERSAL	1	
- 56	52-022-094-0562	. . . PIN, ROLL.	4	
- 57	45-526007-1	. . . TUBE, ELEVATOR TRIM TAB ACTUATOR	1	
- 58	45-526005-3	. . . SPROCKET, ELEVATOR TRIM TAB ACTUATOR	1	
- 59	52-022-094-0437	. . . PIN, ROLL.	2	
	33-524000-11	. CHAIN & CABLE ASSY, ELEVATOR TAB CONTROL LH.	1	
	33-524000-21	. CHAIN & CABLE ASSY, ELEVATOR TAB CONTROL RH.	1	
- 60	33-524000-13	. . . CABLE, LH.	1	
	33-524000-23	. . . CABLE, RH.	1	
- 61	33-524000-15	. . . CABLE, LH.	1	
	33-524000-25	. . . CABLE, RH.	1	
- 62	NAS287-25-2	. . . TERMINAL, CHAIN TO CABLE	2	
- 63	AN669S2LH	. . . TERMINAL, STUD END	1	
- 64	AN668-2	. . . TERMINAL, EYE END.	1	
- 65	45-526011-7	. . . CHAIN	1	
- 66	C4189	. . . LINK, CHAIN.	2	
- 67	35-650121-8	BRACKET, OUTBD ELEVATOR HINGE.	2	
- 68	35-650122-8	BRACKET, CENTER ELEVATOR HINGE	2	
- 69	35-600003	BUSHING, ELEVATOR HINGE.	4	
- 70	AN23-14	BOLT.	4	
	AN960-10	WASHER.	4	
	AN320-3	NUT	4	
	AN380-2-2	PIN, COTTER.	4	
	45-526009-610	TUBE ASSY, ELEVATOR TRIM TAB ACTUATOR.	2	
		/ATTACHING PARTS/		
- 71	AN173C5	BOLT.	1	
	AN960-10	WASHER.	2	
	AN310-3	NUT	1	
	AN380-2-2	PIN, COTTER.	1	
		*		

B E E C H C R A F T
 BONANZA 33 THRU E33
 I L L U S T R A T E D P A R T S C A T A L O G

FIG. & ITEM NO.	PART NO.	DESCRIPTION	1 2 3 4 5 6 7							UNITS PER ASSY	USABLE ON CODE	
26 - 72	45-526009-1	. TUBE									1	
- 73	45-135037	. END,ROD									1	
- 74	45-135038	. END,ROD									1	
- 75	AN315-3R	. NUT,CHECK									1	

NOTE THE 33-620000-611 & -612 RH
 STABILIZER MAY BE USED TO REPLACE
 33-620000-601 LH & -602 RH STABILIZER
 PRIOR TO CD-1051.

CODES OF EFFECTIVITY

- 1 CD-1 THRU CD-1050 2 CD-1051 AND AFTER,
 CE-1 AND AFTER

BEECHCRAFT
BONANZA 33 THRU E33
ILLUSTRATED PARTS CATALOG

FIGURE 27
VERTICAL STABILIZER AND DORSAL FIN

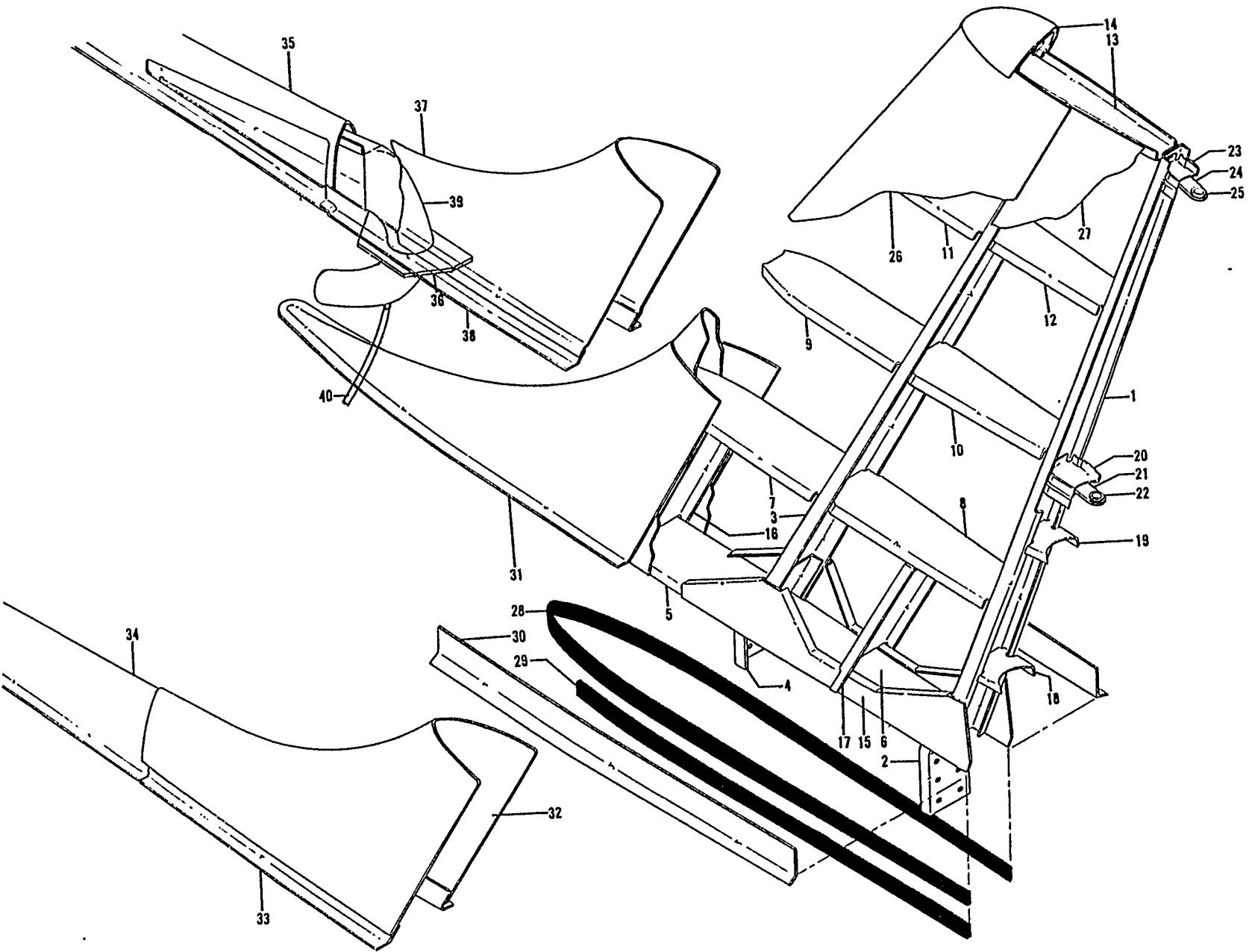


FIG. 27
PAGE 2

FIGURE 27. VERTICAL STABILIZER AND DORSAL FIN

02/24/84

B E E C H C R A F T
 BONANZA 33 THRU E33
 I L L U S T R A T E D P A R T S C A T A L O G

FIG. & ITEM NO.	PART NO.	DESCRIPTION	UNITS PER ASSY	USABLE ON CODE
		1 2 3 4 5 6 7		
27	33-640000-601	STABILIZER ASSY,VERTICAL /SEE FIG. 25 FOR NHA/.	1	
- 1	33-640000-17	. SPAR,REAR	1	
- 2	33-640000-41	. FITTING,REAR SPAR ATTACH.	1	
- 3	33-640000-25	. SPAR,FRONT	1	
- 4	33-640000-39	. FITTING,FRONT SPAR ATTACH	1	
- 5	33-640000-29	. RIB,LOWER FWD	1	
- 6	33-640000-31	. RIB,LOWER AFT	1	
- 7	33-640000-3	. RIB,FWD	1	
- 8	33-640000-15	. RIB,AFT	1	
- 9	33-640000-5	. RIB,FWD	1	
- 10	33-640000-13	. RIB,AFT	1	
- 11	33-640000-7	. RIB,FWD	1	
- 12	33-640000-11	. RIB,AFT	1	
	33-640000-606	. RIB ASSY,UPPER.	1	
- 13	33-640000-9	. RIB	1	
	33-640000-19	. CLIP	1	
	MK1000-832	. NUTPLATE	4	
- 14	33-640000-53	. TIP ASSY.	1	
		/ATTACHING PARTS/		
	AN525-8	. SCREW	6	
	MS20365-832	. NUT	2	
	MK1000-832	. NUTPLATE	4	
		-----*		
	33-640000-51	. BULKHEAD.	1	
	33-640000-49	. TIP	1	
- 15	33-640000-27	. GUSSET,LH	1	
	33-640000-28	. GUSSET,RH	1	
- 16	33-640000-57	. ANGLE,LH.	1	
	33-640000-58	. ANGLE,RH.	1	
- 17	33-640000-63	. ANGLE,LH.	AR	
	33-640000-64	. ANGLE,RH.	AR	
- 18	33-640000-61	. SUPPORT,STA 7.218	1	
- 19	33-640000-59	. SUPPORT,STA 18.218.	1	
	33-640000-603	. HINGE ASSY,LOWER.	1	
- 20	33-640000-33	. BRACKET	2	
	33-640000-35	. ARM ASSY.	1	
- 21	33-640000-37	. ARM	1	
- 22	NAS505-3J	. BEARING	1	
	33-640000-604	. HINGE ASSY,UPPER.	1	
- 23	33-640000-43	. BRACKET	2	
	33-640000-45	. ARM ASSY.	1	
- 24	33-640000-47	. ARM	1	
- 25	NAS505-3J	. BEARING	1	
- 26	33-640000-21	. SKIN,LEADING EDGE	1	
- 27	33-640000-23	. SKIN,LH	1	
	33-640000-24	. SKIN,RH	1	
- 28	33-640000-55	SEAL,VERTICAL STABILIZER.	1	1
- 29	33-640000-65	SEAL,VERTICAL STABILIZER & DORSAL FIN FAIRING	2	2
	33-640010	FILLET INSTL,VERTICAL STABILIZER.	NP	3
- 30	33-640010-1	. FILLET,LH	1	3
	33-640010-2	. FILLET,RH	1	3
		/ATTACHING PARTS/		
	AN525-832R7	. SCREW	8	
	130007A832	. NUTPLATE	8	
		-----*		
	33-600011	FAIRING INSTL,DORSAL FIN.	NP	4

B E E C H C R A F T
BONANZA 33 THRU E33
I L L U S T R A T E D P A R T S C A T A L O G

FIG. & ITEM NO.	PART NO.	1 2 3 4 5 6 7	DESCRIPTION	UNITS PER ASSY	USABLE ON CODE
27 - 31	33-600011-1	.	SKIN,DORSAL FIN FAIRING	1	4
		.	/ATTACHING PARTS/		
	AN515-832	.	SCREW	11	
	NAS1329A08K75	.	RIVNUT	11	
		*			
	33-600012	.	FAIRING INSTL,DORSAL FIN.	NP	5
- 32	33-600012-3	.	SKIN,DORSAL FIN FAIRING AFT	1	5
		.	/ATTACHING PARTS/		
	AN525-8R	.	SCREW	6	
	AN525-832R8	.	SCREW	12	
	AN366F832	.	NUTPLATE	6	
	NAS1329A08K75	.	RIVNUT /ALTERNATE FOR AN366F832/.	6	
	130007A832	.	NUTPLATE	12	
	NAS1329A08K120	.	RIVNUT /ALTERNATE FOR 130007A832/.	12	
		*			
- 33	33-600012-5	.	ANGLE,AFT SKIN LH	1	5
	33-600012-6	.	ANGLE,AFT SKIN RH	1	5
- 34	33-600012-1	.	SKIN,DORSAL FIN FAIRING FWD	1	5
	33-440011	.	FAIRING INSTL,DORSAL FIN.	NP	6
- 35	33-440011-601	.	FAIRING ASSY,DORSAL FIN	1	6
- 36	33-440011-5	.	DOUBLER,DUCT	1	6
- 37	33-440011-3	.	SADDLE,DORSAL FIN	1	6
		.	/ATTACHING PARTS/		
	AN525-8R8	.	SCREW	28	
	PK76XZ8-10	.	SCREW	2	
	AN366F832	.	NUTPLATE	6	
	130007A832	.	NUTPLATE	10	
	NAS1329A08K75	.	RIVNUT /ALTERNATE FOR 130007A832 AND	16	
		.	AN366F832/		
	NAS1329A08K120	.	RIVNUT	12	
		*			
- 38	33-440011-9	.	ANGLE,LH.	1	6
	33-440011-10	.	ANGLE,RH.	1	6
- 39	33-440011-15	.	DUCT ASSY	1	6
- 40	106043S-ZD300	.	TUBE,DUCT DRAIN	1	6
		.	/ATTACHING PARTS/		
	A8	.	CLAMP	1	
	784-6	.	CLAMP ASSY.	1	
	AN520-10R10	.	SCREW	2	
	AN960-10	.	WASHER	2	
	MS20365-1032	.	NUT	2	
		*			

C O D E S O F E F F E C T I V I T Y

- | | |
|---|---|
| 1 CD-1 THRU CD-387 | 2 CD-388 THRU CD-755 |
| 3 CD-756 AND AFTER,
CE-1 AND AFTER | 4 CD-388 THRU CD-813 |
| 5 CD-814 THRU CD-1026,
CE-1 THRU CE-25 | 6 CD-1027 AND AFTER,
CE-26 AND AFTER |

BEECHCRAFT
BONANZA 33 THRU E33
ILLUSTRATED PARTS CATALOG

FIGURE 28
ELEVATOR

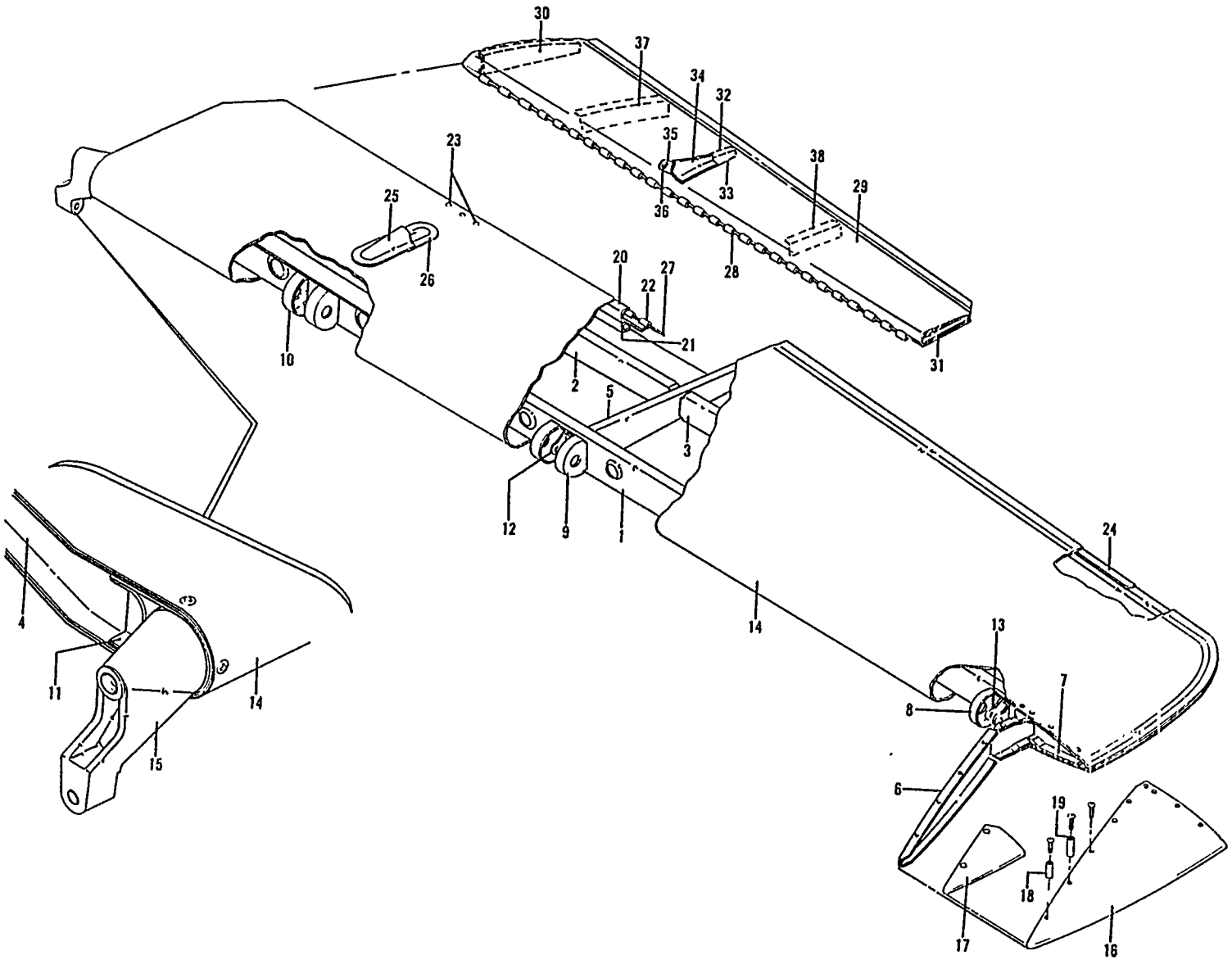


FIGURE 28 • ELEVATOR

B E E C H C R A F T
B O N A N Z A 3 3 T H R U E 3 3
I L L U S T R A T E D P A R T S C A T A L O G

FIG. & ITEM NO.	PART NO.	DESCRIPTION							UNITS PER ASSY	USABLE ON CODE
		1	2	3	4	5	6	7		
28	33-610000-603	ELEVATOR ASSY,LH /COMPLETE/	1	1
		/SEE FIG. 25 FOR NHA/		
	33-610000-605	ELEVATOR ASSY,LH /COMPLETE/	1	2
		/SEE FIG. 25 FOR NHA/		
	33-610000-693	ELEVATOR ASSY,LH /LESS TAB/	1	1
	33-610000-695	ELEVATOR ASSY,LH /LESS TAB/	1	2
	33-610000-604	ELEVATOR ASSY,RH /COMPLETE/	1	1
		/SEE FIG. 25 FOR NHA/		
	33-610000-606	ELEVATOR ASSY,RH /COMPLETE/	1	2
		/SEE FIG. 25 FOR NHA/		
	33-610000-694	ELEVATOR ASSY,RH /LESS TAB/	1	1
	33-610000-696	ELEVATOR ASSY,RH /LESS TAB/	1	2
- 1	45-610005-18	. SPAR.	1	
- 2	45-610007-1	. SPAR,LH	1	
	45-610007-2	. SPAR,RH	1	
- 3	45-610008	. SPAR,REAR	1	
- 4	33-610000-45	. RIB,INBOARD	1	
	33-610000-49	. SHIM,ELEVATOR	1	
- 5	45-610005-16	. RIB,CENTER	1	
	45-660011	. RIB ASSY,ELEVATOR HORN CLOSURE	1	
- 6	45-660011-2	. RIB	1	
	AN366F832	. NUTPLATE	6	
	45-660011-4	. PLATE	1	
	45-660011-6	. PLATE	1	
- 7	45-610005-28	. RIB	1	
- 8	45-610005-96	. RIB,NOSE	1	
	45-610005-10	. DOUBLER	1	
	45-610005-8	. GUSSET	2	
- 9	45-610005-94	. RIB,NOSE	1	
	45-610005-30	. DOUBLER	1	
- 10	45-610005-92	. RIB,NOSE	1	
- 11	45-610005-6	. BRACKET,INBOARD RIB	1	
- 12	35-650122-8	. BRACKET,CENTER ELEVATOR HINGE	1	
		/SUPERSEDES 35-650122-4/		
± 13	35-650121-8	. BRACKET,OUTBD ELEVATOR HINGE	1	
		/SUPERSEDES 35-650121-6/		
		/ATTACHING PARTS/		
	AN502-10-10	. SCREW	4	
	AN960-10L	. WASHER	4	
	NAS680A3	. NUTPLATE /SUPERSEDES AN366F1032/	4	
		-----		
- 14	33-610000-47	. SKIN,ELEVATOR LH.	1	
	33-610000-48	. SKIN,ELEVATOR RH.	1	
- 15	33-610000-39	. FITTING,ELEVATOR TORQUE	1	
		/ATTACHING PARTS/		
	AN23-10A /M/	. BOLT.	4	
	AN960-10	. WASHER.	4	
	MS20365-1032	. NUT /SUPERSEDES AN365-1032/	4	
		-----		
- 16	45-660012-1	. SKIN,ELEVATOR HORN.	1	
		/ATTACHING PARTS/		
	AN507-832R7	. SCREW	14	
	AN960D8	. WASHER.	2	
	112105	. WASHER.	4	
	22A3-82	. NUT	2	
	MS20365-832	. NUT	2	
		-----		
	33-610000-9	. WEIGHT ASSY,ELEVATOR.	1	1
	33-610000-59	. WEIGHT ASSY,ELEVATOR.	1	2
		/ATTACHING PARTS/		
	AN507-832R7	. SCREW	2	
	AN507-832R10	. SCREW	2	
	AN936D8	. WASHER.	4	
		-----		
	33-610000-41	. WEIGHT,ELEVATOR BALANCE	1	1
- 17	33-610000-61	. WEIGHT,ELEVATOR BALANCE	1	2

B E E C H C R A F T
B O N A N Z A 3 3 T H R U E 3 3
I L L U S T R A T E D P A R T S C A T A L O G

FIG. & ITEM NO.	PART NO.	DESCRIPTION							UNITS PER ASSY	USABLE ON CODE	
		1	2	3	4	5	6	7			
28 - 18	45-630012-6	1	
- 19	45-630012-8	1	
- 20	45-610005-104	1	
	45-610005-105	1	
- 21	45-610005-106	1	
	45-610005-107	1	
- 22	45-610005-54	1	
	45-610005-55	1	
		/ATTACHING PARTS/									
- 23	AN526-632R12	3	
	NAS43DD1-25	3	
	AN960A6	3	
	MS20365-632	3	

- 24	45-610005-12	1	
- 25	45-610005-100	1	
- 26	45-610005-102	1	
	33-610010-1	1	
	33-610010-2	1	
		/ATTACHING PARTS/									
- 27	33-610000-55	1	

- 28	33-610010-5	1	
	33-610010-6	1	
- 29	33-610010-7	1	
	33-610010-8	1	
- 30	35-660043-13	1	
	35-660043-14	1	
- 31	35-660043-5	1	
	35-660043-6	1	
- 32	35-660043-9	1	
- 33	35-660043-10	1	
- 34	35-660043-7	1	
	33-610010-9	1	
- 35	33-610010-3	1	
- 36	105740X-ZH0115	1	
- 37	35-660043-19	1	
	35-660043-20	1	
- 38	35-660043-21	1	
	35-660043-22	1	

C O D E S O F E F F E C T I V I T Y

1 CD-1 THRU CD-1022 2 CD-1023 AND AFTER,
CE-1 AND AFTER

B E E C H C R A F T
B O N A N Z A 3 3 T H R U E 3 3
I L L U S T R A T E D P A R T S C A T A L O G

FIGURE 29
RUDDER

BEECHCRAFT
BONANZA 33 THRU E33
ILLUSTRATED PARTS CATALOG

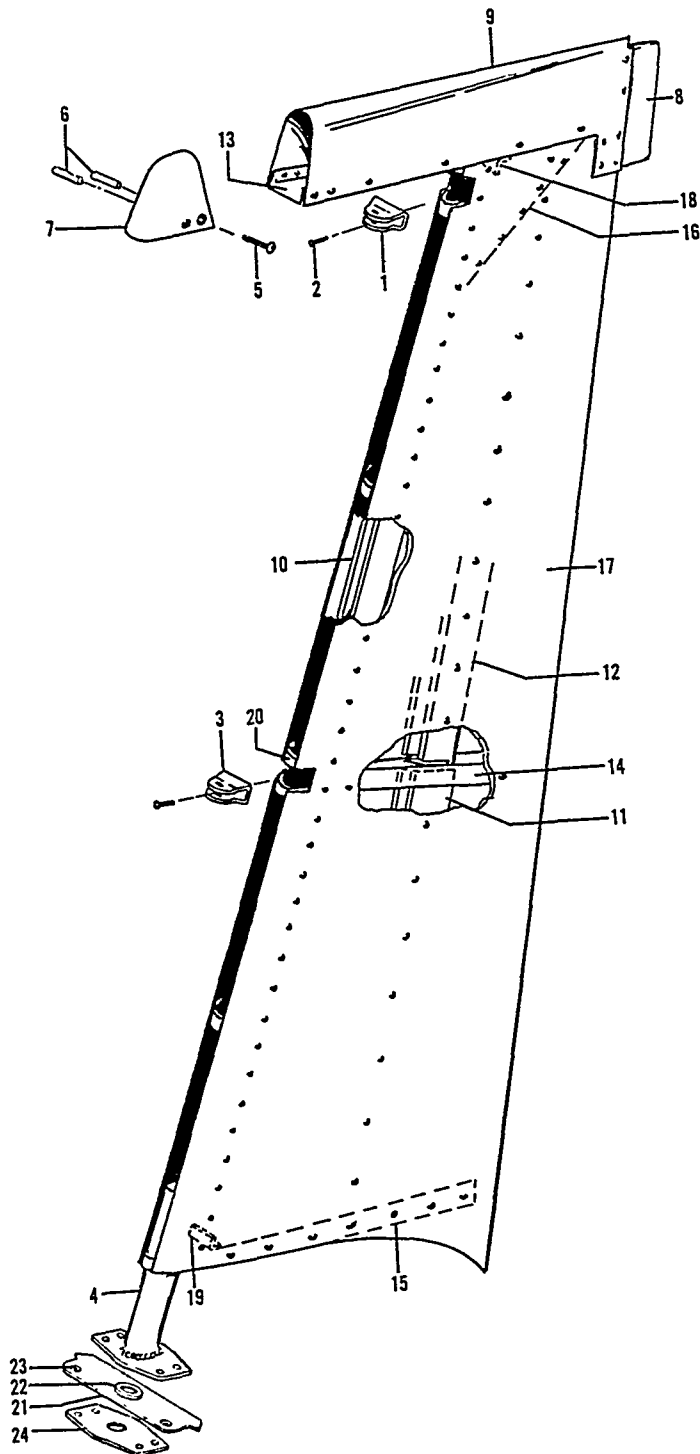


FIGURE 29. RUDDER

B E E C H C R A F T
B O N A N Z A 3 3 T H R U E 3 3
I L L U S T R A T E D P A R T S C A T A L O G

FIG. & ITEM NO.	PART NO.	DESCRIPTION							UNITS PER ASSY	USABLE ON CODE
		1	2	3	4	5	6	7		
29	33-630000-601	RUDDER ASSY /SEE FIG. 25 FOR NHA/							1	
- 1	33-630000-15	• BRACKET,UPPER							1	
		/ATTACHING PARTS/								
- 2	AN502-10	• SCREW							2	
	MK1000-3	• NUTPLATE.							2	

- 3	33-630000-13	• BRACKET,LOWER							1	
		/ATTACHING PARTS/								
	AN502-10	• SCREW							2	
	MK1000-3	• NUTPLATE.							2	

- 4	33-630000-69	• WELD ASSY,RUDDER TORQUE TUBE.							1	
		/SUPERSEDES 33-630000-61/								
	33-630000-35	• WEIGHT ASSY,RUDDER BALANCE.							1	
		/ATTACHING PARTS/								
- 5	AN525-832R7	• SCREW							4	
	AN936B8	• WASHER.							4	

- 6	33-630000-33	• • INSERT.							2	
- 7	33-630000-31	• • WEIGHT.							1	
- 8	33-630000-65	• TAB,RUDDER.							1	
- 9	33-630000-29	• HORN,RUDDER							1	
- 10	33-630000-17	• SPAR,FRONT.							1	
- 11	33-630000-9	• SPAR,REAR LOWER							1	
- 12	33-630000-5	• SPAR,REAR UPPER							1	
- 13	33-630000-27	• RIB,UPPER							1	
- 14	33-630000-7	• RIB,CENTER.							1	
- 15	33-630000-49	• RIB,LOWER							1	
- 16	33-630000-23	• DOUBLER							2	
- 17	33-630000-3	• SKIN.							1	
- 18	33-630000-25	• ANGLE							1	
- 19	33-630000-59	• CLIP.							1	
- 20	33-630000-21	• CLIP /MINIMUM 6,MAXIMUM 10/							AR	
	33-630000-43	• PLATE ASSY.							1	
- 21	33-630000-41	• • PLATE							1	
- 22	KS4	• • BEARING /SUPERSEDES AN200KS4/							1	
- 23	105740X-ZH0310	• • BUSHING							2	
- 24	33-630000-71	• PLATE							1	

B E E C H C R A F T
B O N A N Z A 3 3 T H R U E 3 3
I L L U S T R A T E D P A R T S C A T A L O G

FIGURE 30
AILERON CONTROL CABLES

BEECHCRAFT
 BONANZA 33 THRU E33
 ILLUSTRATED PARTS CATALOG

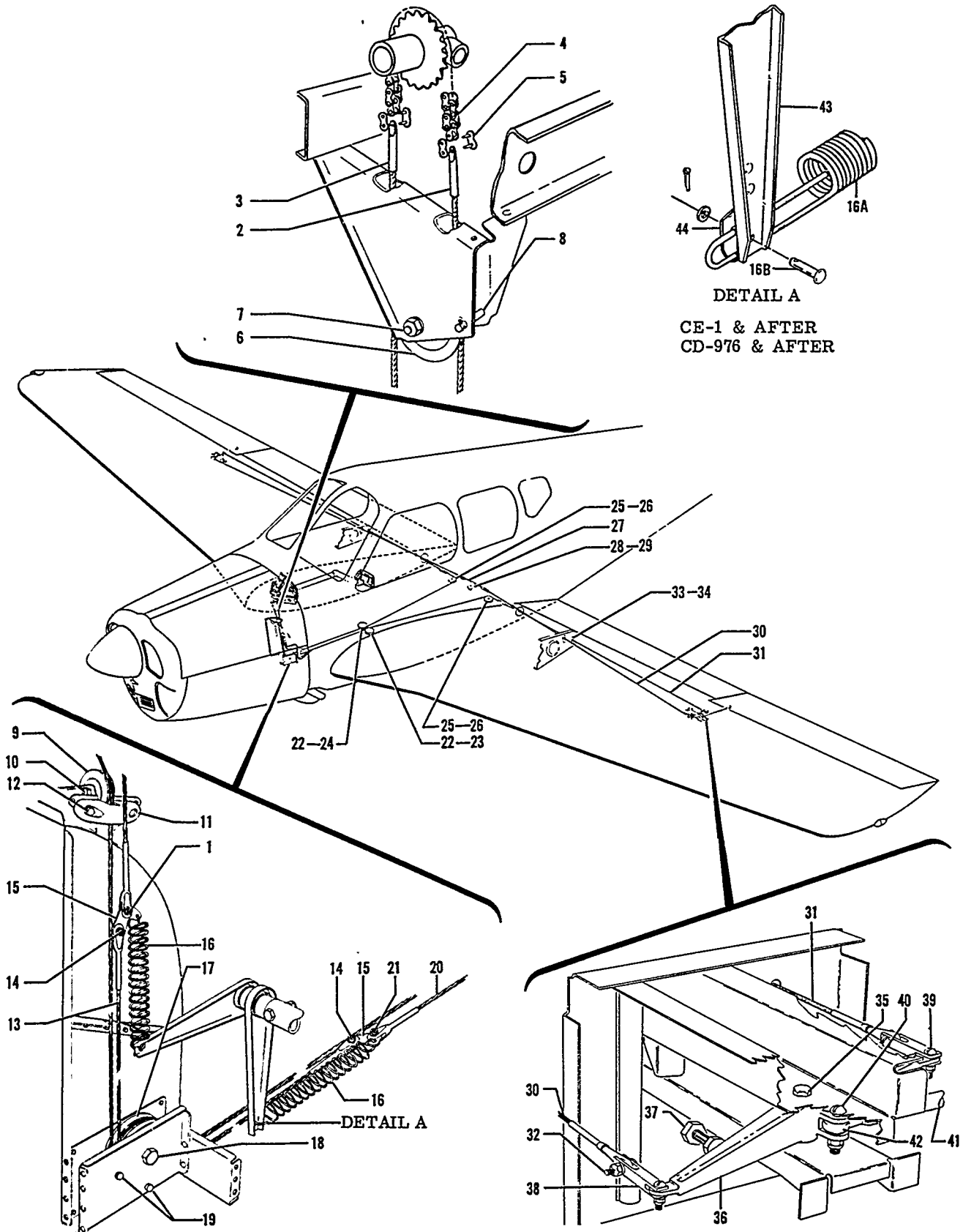


FIGURE 30.AILERON CONTROL CABLES

B E E C H C R A F T
B O N A N Z A 3 3 T H R U E 3 3
I L L U S T R A T E D P A R T S C A T A L O G

FIG. & ITEM NO.	PART NO.	DESCRIPTION	1 2 3 4 5 6 7							UNITS PER ASSY	USABLE ON CODE
			1	2	3	4	5	6	7		
30	33-524000	CONTROL INSTL,FUSELAGE FLIGHT								NP	1
	33-524000-59	CONTROL INSTL,FUSELAGE FLIGHT								NP	2
	33-524001	CONTROL INSTL,FUSELAGE FLIGHT								NP	5
	33-524001-11	CONTROL INSTL,FUSELAGE FLIGHT								NP	6
	35-524314	. CABLE ASSY,FUSELAGE AILERON CONTROL								1	
		/ATTACHING PARTS/									
	- 1	AN23-11 /M/	. BOLT.							1	
		AN960-10	. WASHER.							2	
		AN320-3	. NUT							1	
		MS24665-132	. PIN,COTTER /SUPERSEDES AN380-2-2/							1	
			-----*								
	- 2	35-524314-8	. SWAGE ASSY,FUSELAGE AILERON CONTROL CABLE							1	
	- 3	35-524314-6	. SWAGE ASSY,FUSELAGE AILERON CONTROL CABLE							1	
	- 4	35-524314-10	. CHAIN,ROLLER.							1	
	- 5	88	. LINK,TYPE A CONNECTING.							2	
	- 6	MS24566-3B	. PULLEY.							1	3
		1300008EP3	. PULLEY.							1	4
			/ATTACHING PARTS/								
	- 7	AN4-10A /M/	. BOLT.							1	
		AN960-416	. WASHER.							1	
		MS20364-428	. NUT /SUPERSEDES AN364-428/.							1	
		-----*									
- 8	1300018B2	. BUSHING,PULLEY.							1	4	
	AN392-19	. PIN							1		
	MS24665-132	. PIN,COTTER /SUPERSEDES AN380-2-2/							1		
- 9	MS24566-3B	. PULLEY.							1	3	
	1300008EP3	. PULLEY.							1	4	
		/ATTACHING PARTS/									
- 10	AN4-10A /M/	. BOLT.							1		
	AN960-416	. WASHER.							1		
	MS20364-428	. NUT /SUPERSEDES AN364-428/.							1		
		-----*									
- 11	1300018B2	. BUSHING,PULLEY.							1	4	
	35-524309	. FAIRLEAD,AILERON CABLE GUARD.							1		
		/ATTACHING PARTS/									
- 12	AN22-7A	. BOLT.							2		
	AN960-8	. WASHER.							4		
	MS20364-832	. NUT /SUPERSEDES AN364-832/.							2		
		-----*									
- 13	NAS304-22-0255	. CABLE ASSY,FUSELAGE AILERON CONTROL							1		
		/ATTACHING PARTS/									
- 14	AN23-11 /M/	. BOLT.							2		
	AN960-10	. WASHER.							4		
	AN320-3	. NUT							2		
	MS24665-132	. PIN,COTTER /SUPERSEDES AN380-2-2/							2		
		-----*									
- 15	35-524302	. LINK,AILERON CONTROL CABLE.							2		
- 16	35-524305	. SPRING,AILERON & RUDDER FWD BUNGEE.							2	5	
- 16A	35-524664	. SPRING,AILERON AND RUDDER FWD BUNGEE.							2	6	
		/ATTACHING PARTS/									
- 16B	AN392-13	. PIN,FLAT HEAD							1		
	AN960-4	. WASHER.							1		
	AN380-2	. PIN,COTTER.							1		
		-----*									
- 17	MS24566-4B	. PULLEY.							6		
		/ATTACHING PARTS/									
- 18	AN4-14A	. BOLT.							2		
	AN960-416	. WASHER.							1		
	MS20365-428	. NUT /SUPERSEDES AN365-428/.							1		
		-----*									
- 19	35-400339-2	. BRACKET ASSY,AIL CABLE/STA 49 LWR/.							1		
	AN392-35	. PIN							2		
	MS24665-132	. PIN,COTTER /SUPERSEDES AN380-2-2/							2		
- 20	NAS304-26-0603	. CABLE ASSY.							1		
		/ATTACHING PARTS/									
- 21	AN23-11 /M/	. BOLT.							1		
	AN960-10	. WASHER.							1		
	AN320-3	. NUT							1		
	MS24665-132	. PIN,COTTER /SUPERSEDES AN380-2-2/							1		
		-----*									

B E E C H C R A F T
B O N A N Z A 3 3 T H R U E 3 3
I L L U S T R A T E D P A R T S C A T A L O G

FIG. & ITEM NO.	PART NO.	DESCRIPTION							UNITS PER ASSY	USABLE ON CODE	
		1	2	3	4	5	6	7			
30 - 22	MS24566-4B	•	PULLEY.	•	•	•	•	•	•	2	3
	130000BEP4	•	PULLEY.	•	•	•	•	•	•	2	4
			/ATTACHING PARTS/								
- 23	AN4-10A /M/	•	BOLT.	•	•	•	•	•	•	1	
- 24	105077-10A	•	BOLT.	•	•	•	•	•	•	1	
	AN4-10A /M/	•	BOLT.	•	•	•	•	•	•	1	
	AN960-416	•	WASHER.	•	•	•	•	•	•	1	
	MS20365-428	•	NUT /SUPERSEDES AN365-428/.	•	•	•	•	•	•	1	

	130001BB2	•	BUSHING,PULLEY.	•	•	•	•	•	•	2	4
	AN392-23	•	PIN	•	•	•	•	•	•	1	
	MS24665-132	•	PIN,COTTER /SUPERSEDES AN380-2-2/	•	•	•	•	•	•	1	
- 25	MS24566-4B	•	PULLEY.	•	•	•	•	•	•	2	3
	130000BEP4	•	PULLEY.	•	•	•	•	•	•	2	4
			/ATTACHING PARTS/								
- 26	AN4-10A /M/	•	BOLT.	•	•	•	•	•	•	1	
	AN960-416	•	WASHER.	•	•	•	•	•	•	1	
	MS20365-428	•	NUT /SUPERSEDES AN365-428/.	•	•	•	•	•	•	1	

	130001BB2	•	BUSHING,PULLEY.	•	•	•	•	•	•	2	4
	AN392-23	•	PIN	•	•	•	•	•	•	4	
	MS24665-132	•	PIN,COTTER.	•	•	•	•	•	•	4	
- 27	NAS304-66-0173	•	CABLE ASSY.	•	•	•	•	•	•	1	
- 28	MS24566-4B	•	PULLEY.	•	•	•	•	•	•	1	3
	130000BEP4	•	PULLEY.	•	•	•	•	•	•	1	4
			/ATTACHING PARTS/								
- 29	AN4-10A /M/	•	BOLT.	•	•	•	•	•	•	1	
	AN960-416	•	WASHER.	•	•	•	•	•	•	1	
	MS20365-428	•	NUT /SUPERSEDES AN365-428/.	•	•	•	•	•	•	1	

	130001BB2	•	BUSHING,PULLEY.	•	•	•	•	•	•	1	4
	AN155-32S	•	BARREL,TURNBUCKLE	•	•	•	•	•	•	4	
	35-521180		CONTROL INSTL,WING FLIGHT LH.	•	•	•	•	•	•	NP	
	35-521180-1		CONTROL INSTL,WING FLIGHT RH.	•	•	•	•	•	•	NP	
- 30	36-521011-3	•	CABLE ASSY,AILERON BALANCE FWD /SUPERSEDES.	•	•	•	•	•	•	1	
			35-521188/								
- 31	36-521011-1	•	CABLE ASSY,AILERON CONTROL AFT /SUPERSEDES.	•	•	•	•	•	•	1	
			35-521189/								
			/ATTACHING PARTS/								
- 32	AN24-12	•	BOLT.	•	•	•	•	•	•	1	
	AN960-416L	•	WASHER.	•	•	•	•	•	•	1	
	AN320-4	•	NUT	•	•	•	•	•	•	1	
	MS24665-132	•	PIN,COTTER /SUPERSEDES AN380-2-2/	•	•	•	•	•	•	1	

- 33	35-521181	•	FAIRLEAD,AILERON CABLE WING STA 66.	•	•	•	•	•	•	2	
			/ATTACHING PARTS/								
- 34	AN515-8R10	•	SCREW	•	•	•	•	•	•	1	
	AN960-8	•	WASHER.	•	•	•	•	•	•	1	

	35-521180 SA2	•	BELLCRANK ASSY,AILERON LH	•	•	•	•	•	•	1	
	35-521158-5	•	BELLCRANK ASSY,AILERON LH /SUPERSEDES	•	•	•	•	•	•	1	
			35-521158/								
	35-521180 SA3	•	BELLCRANK ASSY,AILERON RH	•	•	•	•	•	•	1	
	35-521158-6	•	BELLCRANK ASSY,AILERON RH /SUPERSEDES	•	•	•	•	•	•	1	
			35-521158-1/								
			/ATTACHING PARTS/								
- 35	AN4-16A	•	BOLT.	•	•	•	•	•	•	1	
	AN960-416	•	WASHER.	•	•	•	•	•	•	1	
	MS20365-428	•	NUT /SUPERSEDES AN365-428/.	•	•	•	•	•	•	1	

- 36	35-521158-2	•	BELLCRANK,AILERON CONTROL LH.	•	•	•	•	•	•	NP	
			/ORDER 35-521158-5/								
	35-521158-3	•	BELLCRANK,AILERON CONTROL RH.	•	•	•	•	•	•	1	
- 37	S185-111-003	•	BOLT.	•	•	•	•	•	•	1	
	AN316-5R	•	NUT,CHECK	•	•	•	•	•	•	1	
	AR4	•	BEARING	•	•	•	•	•	•	1	
	105740X-XJ0190	•	BUSHING	•	•	•	•	•	•	1	

B E E C H C R A F T
 BONANZA 33 THRU E33
 I L L U S T R A T E D P A R T S C A T A L O G

FIG. & ITEM NO.	PART NO.	DESCRIPTION							UNITS PER ASSY	USABLE ON CODE
		1	2	3	4	5	6	7		
30 - 38	35-521190	2	
		FITTING,AILERON CONTROL CABLE /ATTACHING PARTS/								
- 39	35-521186	1	
	AN960-10L	1	
	AN320-3	1	
	MS24665-132	1	
		PIN,COTTER /SUPERSEDES AN380-2-2/								
	35-521152	1	
		ROD ASSY,AILERON CONTROL. /ATTACHING PARTS/								
- 40	35-521187	2	
	AN960-416L	1	
	AN320-4	1	
	MS24665-132	1	
		PIN,COTTER /SUPERSEDES AN380-2-2/								
- 41	35-521152-4	2	
- 42	HM4U	1	
	HML4	1	
	AN316-4L	1	
	AN316-4R	1	
- 43	35-524297	2	
		ARM ASSY,RUDDER & AILERON SUNGEE SPRING /SEE FIG. 33/								
- 44	35-524297-6	1	
		SUPPORT,SUNGEE SPRING ARM								

C O D E S O F E F F E C T I V I T Y

- | | | | |
|---|--|---|--|
| 1 | CD-1 THRU CD-250,
EXCEPT
CD-225 THRU CD-232,
CD-235,
CD-237 THRU CD-240,
CD-242 THRU CD-245 | 2 | CD-225 THRU CD-232,
CD-235,
CD-237 THRU CD-240,
CD-242 THRU CD-245,
CD-251 THRU CD-387 |
| 3 | CD-1 THRU CD-387 | 4 | CD-388 AND AFTER,
CE-1 AND AFTER |
| 5 | CD-388 AND AFTER
CE-1 THRU CE-27 | 6 | CE-28 AND AFTER |

B E E C H C R A F T
B O N A N Z A 3 3 T H R U E 3 3
I L L U S T R A T E D P A R T S C A T A L O G

FIGURE 31
ELEVATOR CONTROL CABLES

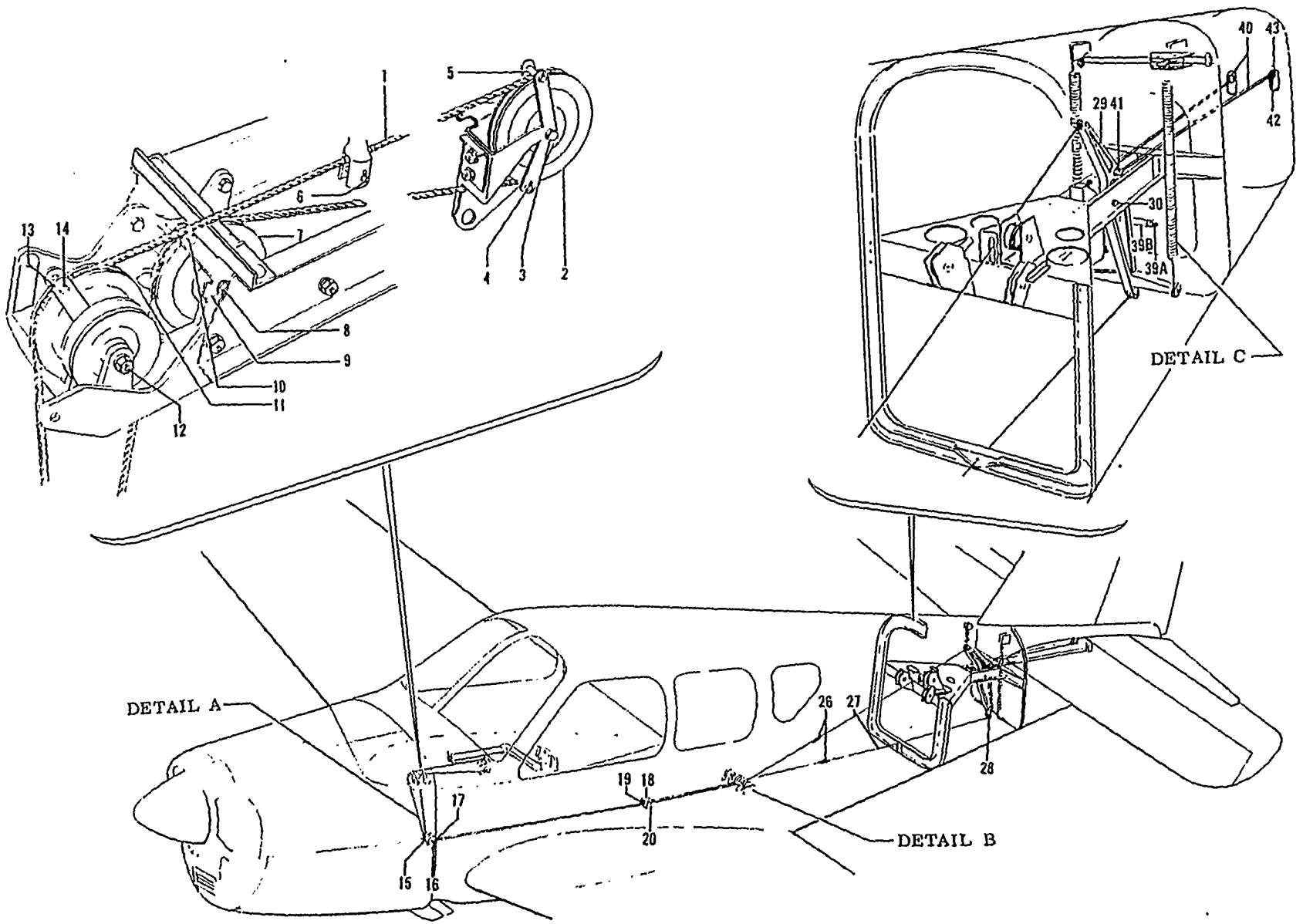
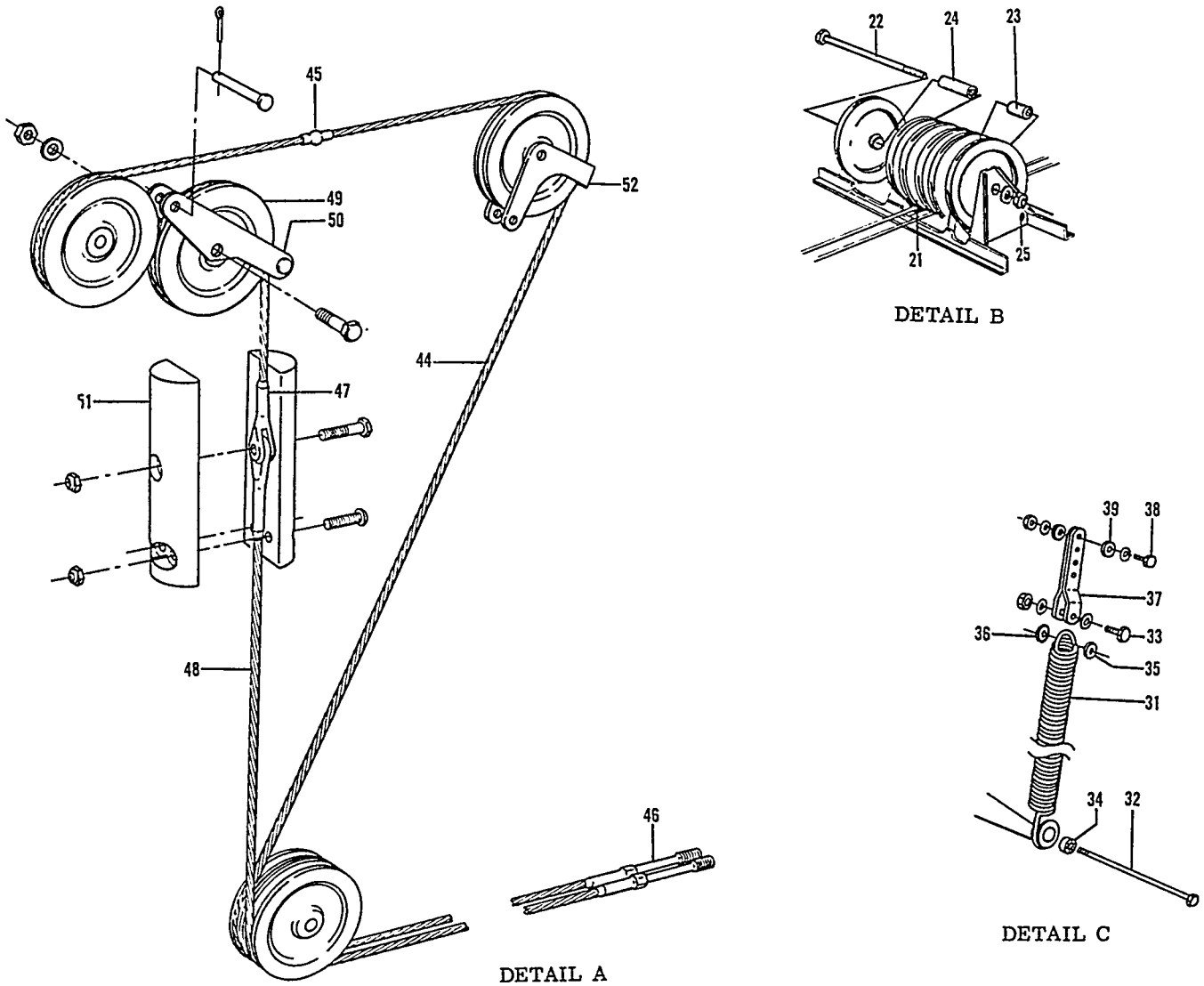


FIG. 31
PAGE 2

FIGURE 31. ELEVATOR CONTROL CABLES
/ SHEET 1 OF 2 SHEETS /

02/24/84

BEECHCRAFT
 BONANZA 33 THRU E33
 ILLUSTRATED PARTS CATALOG



B E E C H C R A F T
B O N A N Z A 3 3 T H R U E 3 3
I L L U S T R A T E D P A R T S C A T A L O G

FIG. & ITEM NO.	PART NO.	DESCRIPTION	UNITS PER ASSY	USABLE ON CODE
		1 2 3 4 5 6 7		
31	33-524000	CONTROL INSTL,FUSELAGE FLIGHT	NP	1
	33-524000-59	CONTROL INSTL,FUSELAGE FLIGHT	NP	2
	33-524001	CONTROL INSTL,FUSELAGE FLIGHT	NP	7
	33-524001-11	CONTROL INSTL,FUSELAGE FLIGHT	NP	8
	35-524041	. COLUMN INSTL,CONTROL /SEE FIG. 56/.	NP	4
- 1	33-524000-17	. CABLE ASSY,ELEVATOR CONTROL FWD	1	1
- 2	118540BHP4	. PULLEY.	1	
		/ATTACHING PARTS/		
- 3	AN4-11A /M/ AN960-416 MS20365-428	. BOLT. WASHER. NUT /SUPERSEDES AN365-428/.	1 1 1	

- 4	AN392-23	. PIN	1	
- 5	AN392-45	. PIN	1	
	MS24665-132	. PIN,COTTER /SUPERSEDES AN380-2-2/	2	
- 6	35-524346	. PIN,CONTROL COLUMN ELEVATOR CABLE LOCK.	1	
	MS24665-132	. PIN,COTTER /SUPERSEDES AN380-2-2/	1	
- 7	18754-1	. PULLEY,ELEVATOR UP /SUPERSEDES B8120/	1	
		/ATTACHING PARTS/		
- 8	AN4-14A AN960-416 MS20365-428	. BOLT. WASHER. NUT /SUPERSEDES AN365-428/.	1 1 1	

- 9	35-524247	. PLATE,ELEVATOR CONTROL PULLEY GUARD	2	1
- 10	AN392-35	. PIN	1	
	MS24665-132	. PIN,COTTER /SUPERSEDES AN380-2-2/	1	
- 11	118540BHP4	. PULLEY.	1	
		/ATTACHING PARTS/		
- 12	AN3-23A 105740X-ZF1094 AN960-10 MS20365-1032	. BOLT. BUSHING WASHER. NUT /SUPERSEDES AN365-1032/	1 1 1 1	

- 13	35-524247	. PLATE,ELEVATOR CONTROL PULLEY GUARD	2	
- 14	AN392-19	. PIN	1	
	MS24665-132	. PIN,COTTER /SUPERSEDES AN380-2-2/	1	
- 15	118540BHP4	. PULLEY.	4	
		/ATTACHING PARTS/		
- 16	AN4-24A AN960-416 MS20365-428	. BOLT. WASHER. NUT /SUPERSEDES AN365-428/.	1 1 1	

- 17	AN392-67 MS24665-132	. PIN PIN,COTTER /SUPERSEDES AN380-2-2/	1 1	
		. PIN,COTTER.		
- 18	118540BHP3 130000BEP3	. PULLEY. PULLEY.	4 4	4 5
		/ATTACHING PARTS/		
- 19	AN4-24A AN960-416 MS20365-428	. BOLT. WASHER. NUT /SUPERSEDES AN365-428/.	1 1 1	

	130001B82	. BUSHING,PULLEY.	4	5
	MS24665-132	. PIN,COTTER /SUPERSEDES AN380-2-2/	1	
- 21	118540BHP4 130000BEP4	. PULLEY. PULLEY.	6 6	4 5
		/ATTACHING PARTS/		
- 22	AN4-54A	. BOLT.	1	
- 23	100801S6-0484 105739S-XU0484	. BUSHING BUSHING	1 1	
- 24	100801S6-1484	. BUSHING	1	

B E E C H C R A F T
B O N A N Z A 3 3 T H R U E 3 3
I L L U S T R A T E D P A R T S C A T A L O G

FIG. & ITEM NO.	PART NO.	DESCRIPTION	1 2 3 4 5 6 7							UNITS PER ASSY	USABLE ON CODE
			1	2	3	4	5	6	7		
31	105739S-XU1484	• BUSHING								1	
	AN960-416	• WASHER								2	
	MS20365-428	• NUT /SUPERSEDES AN365-428/								1	
	130001BB2	• BUSHING								6	
- 25	35-524003	• PIN								1	
	MS24665-132	• PIN,COTTER /SUPERSEDES AN380-2-2/								1	

- 26	AN155-32L	• BARREL,TURNBUCKLE								2	
- 27	NAS304-35-0564	• CABLE ASSY.								2	
		/ATTACHING PARTS/									
- 28	AN23-14	• BOLT.								1	
	AN960-416L	• WASHER								1	
	AN320-3	• NUT								1	
	AN380-2-3	• PIN,COTTER.								1	

- 29	33-524017-3	• BELLCRANK ASSY /SUPERSEDES 33-524017-1/								1	
		/ATTACHING PARTS/									
- 30	AN24-26	• BOLT.								1	
	AN960-10L	• WASHER								2	
	AN310-4	• NUT								1	
	MS24665-132	• PIN,COTTER /SUPERSEDES AN380-2-2/								1	

- 31	105740X-XC0968	• BUSHING								1	
	95-524019	• SPRING,ELEVATOR DOWN TENSION.								2	1
	33-524020	• SPRING,ELEVATOR DOWN TENSION.								2	6
		/ATTACHING PARTS/									
- 32	AN3H7A /M/	• BOLT.								1	
- 33	AN3-10A	• BOLT.								1	
- 34	KP3A	• BEARING,BALL /SUPERSEDES AN201KP3A/								2	
- 35	105739X-ZM0187	• BUSHING,BEARING								1	
- 36	105739X-ZZ0156	• BUSHING,BEARING								1	
	100951X050ZM	• WASHER								4	
	AN960-10	• WASHER								1	
	MS20365-1032	• NUT /SUPERSEDES AN365-1032/								3	

- 37	33-524000-41	• LINK,ELEVATOR DOWN SPRING								2	
		/ATTACHING PARTS/									
- 38	AN3-6A	• BOLT.								1	
- 39	105739X-ZM0250	• BUSHING,BEARING								1	
	AN960-10	• WASHER								1	
	MS20365-1032	• NUT /SUPERSEDES AN365-1032/								1	

- 39A	33-524000-43	• BOLT,ELEVATOR STOP.								1	3
- 39B	33-524001-5	• SPACER,ELEVATOR STOP.								2	3
	AN960-416L	• WASHER								2	3
	MS20365-428	• NUT /SUPERSEDES AN365-428/								2	
	AN320-1B	• PULLEY.								2	
- 40	95-524017-8	• TUBE,ELEVATOR CONTROL PUSH PULL								2	
		/ATTACHING PARTS/									
- 41	AN6-25	• BOLT.								1	
- 42	AN26-23	• BOLT.								1	
	AN960-616	• WASHER								2	
	AN960-616L	• WASHER								2	
	AN320-6	• NUT								2	
	AN380-2-3	• PIN,COTTER.								2	

- 43	131881-6	• END,ROD								2	
	AN960-616	• WASHER								2	
	AN316-6R	• NUT								2	
	33-524000-61	• CABLE ASSY,ELEVATOR DOWN.								1	6
- 44	33-524000-63	• CABLE,ELEVATOR DOWN								1	6
- 45	AN663C4	• BALL END,CABLE DOUBLE SHANK								1	6
- 46	AN669L4	• TERMINAL,CABLE STUD								1	6
- 47	AN667-4	• TERMINAL,CABLE FORK END								1	6

B E E C H C R A F T
B O N A N Z A 3 3 T H R U E 3 3
I L L U S T R A T E D P A R T S C A T A L O G

FIG. & ITEM NO.	PART NO.	1 2 3 4 5 6 7	DESCRIPTION	UNITS PER ASSY	USABLE ON CODE
31 - 48	NAS304-24-1520	.	CABLE ASSY,ELEVATOR UP.	1	6
- 49	18754-6	.	PULLEY,ELEVATOR UP.	1	6
			/ATTACHING PARTS/		
	AN4-14A	.	BOLT.	1	
	AN960-416	.	WASHER.	1	
	MS20365-428	.	NUT /SUPERSEDES AN365-428/.	1	
		*			
- 50	535-521242-15	.	GUARD,ELEVATOR UP PULLEY.	2	6
	AN392-35	.	PIN,ELEVATOR UP PULLEY GUARD.	2	6
			/ATTACHING PARTS/		
	MS24665-132	.	PIN,COTTER /SUPERSEDES AN380-2-2/	1	
		*			
- 51	535-521242-13	.	BOB WEIGHT,ELEVATOR UP CABLE.	2	6
			/ATTACHING PARTS/		
	AN3-17A	.	BOLT.	1	
	AN515-8-28	.	SCREW	2	
	MS20365-1032	.	NUT /SUPERSEDES AN365-1032/	3	
		*			
- 52	535-521242-17	.	GUARD,ELEVATOR DOWN PULLEY.	1	6

C O D E S O F E F F E C T I V I T Y

1	CD-1 THRU CD-250, EXCEPT CD-225 THRU CD-232, CD-235, CD-237 THRU CD-240, CD-242 THRU CD-245	2	CD-225 THRU CD-232, CD-235, CD-237 THRU CD-240, CD-242 THRU CD-245, CD-251 THRU CD-387
3	CD-66 AND AFTER, CE-1 AND AFTER	4	CD-1 THRU CD-387
5	CD-388 AND AFTER, CE-1 AND AFTER	6	CD-225 THRU CD-232, CD-235, CD-237 THRU CD-240, CD-242 THRU CD-245, CD-251 AND AFTER, CE-1 AND AFTER
7	CD-388 AND AFTER CE-1 THRU CE-27	8	CE-28 AND AFTER

B E E C H C R A F T
B O N A N Z A 3 3 T H R U E 3 3
I L L U S T R A T E D P A R T S C A T A L O G

FIGURE 32
ELEVATOR TRIM TAB CONTROL CABLES

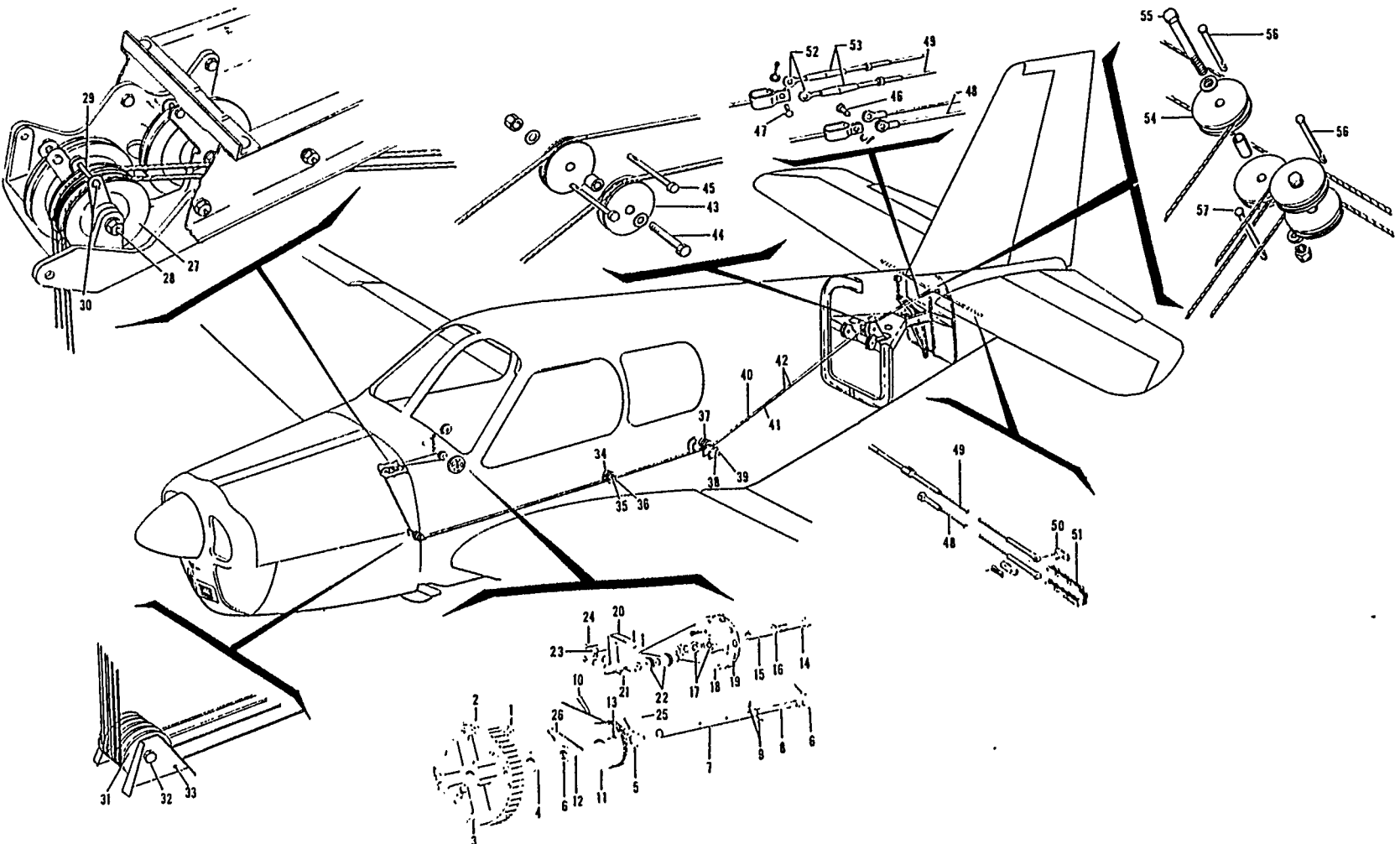


FIGURE 32. ELEVATOR TRIM TAB CONTROL CABLES

B E E C H C R A F T
B O N A N Z A 3 3 T H R U E 3 3
I L L U S T R A T E D P A R T S C A T A L O G

FIG. & ITEM NO.	PART NO.	DESCRIPTION	UNITS							USABLE ON CODE		
			1	2	3	4	5	6	7		PER ASSY	
32	33-524000	CONTROL INSTL,FUSELAGE FLIGHT								NP	1	
	33-524000-59	CONTROL INSTL,FUSELAGE FLIGHT								NP	2	
	33-524001	CONTROL INSTL,FUSELAGE FLIGHT								NP	7	
	33-524001-11	CONTROL INSTL,FUSELAGE FLIGHT								NP	6	
	33-524000-9	. INDICATOR INSTL,ELEVATOR TAB POSITION								NP	1	
	33-524000-53	. INDICATOR INSTL,ELEVATOR TAB POSITION								NP	2	
	35-524647-3	. INDICATOR INSTL,ELEVATOR TAB POSITION								NP	7	
	35-524647-11	. INDICATOR INSTL,ELEVATOR TAB POSITION								NP	6	
	35-524542	. . WHEEL ASSY,ELEVATOR TAB CONTROL								1		
		/ATTACHING PARTS/										
	- 1	AN3-16A /M/	. . BOLT								1	
		AN960-10	. . WASHER								1	
		MS20365-1032	. . NUT								1	
			-----*									
	- 2	35-524542-2	. . . WHEEL,ELEVATOR TAB CONTROL								1	5
		35-524542-8	. . . WHEEL,ELEVATOR TAB CONTROL								1	3
	- 3	35-524555	. . . PLACARD,TAB CONTROL WHEEL DIRECTION								1	
	- 4	35-524543	. . . BUSHING,ELEVATOR TAB CONTROL WHEEL								1	
		35-524531-4	. . TUBE ASSY,ELEVATOR TAB CONTROL								1	
			/ATTACHING PARTS/									
	- 5	AN960-816	. . WASHER								1	
	- 6	AN960-816L	. . WASHER								2	
		AN380-2-3	. . PIN,COTTER								3	
		-----*										
- 7	35-524531-6	. . . TUBE,ELEVATOR TAB CONTROL								1	5	
	35-524647-7	. . . TUBE,ELEVATOR TAB CONTROL								1	3	
- 8	35-524531-8	. . . TUBE,ELEVATOR TAB CONTROL								1	5	
- 9	59-022-094-0562	. . . PIN,ROLL								2	5	
	35-524539	. . DRUM ASSY,ELEVATOR TAB CONTROL								1	1	
	33-524000-49	. . DRUM ASSY,ELEVATOR TAB CONTROL								1	4	
		/ATTACHING PARTS/										
- 10	35-524584	. . PIN,SLOTTED THREADED TAPER								1		
	AN975-3	. . WASHER								1		
	MS20364-1032	. . NUT /SUPERSEDES AN364-1032/								1		
		-----*										
- 11	50-524471-1	. . . DRUM,ELEVATOR TAB MECHANISM								1	5	
		/SUPERSEDES 35-524226/										
	33-524000-49	. . . DRUM,ELEVATOR TAB MECHANISM								1	3	
- 12	35-524538	. . . BUSHING,ELEVATOR TAB CONTROL DRUM								1		
- 13	35-524028	. . . PIN,TAB CONTROL DRUM CABLE								1		
	35-524546-5	. . DRUM ASSY,ELEVATOR TAB INDICATOR								1	1	
	35-524546-7	. . DRUM ASSY,ELEVATOR TAB INDICATOR								1	8	
	35-524546-9	. . DRUM ASSY,ELEVATOR TAB INDICATOR								1	6	
		/ATTACHING PARTS/										
- 14	AN3-12A /M/	. . BOLT								1		
- 15	105739X-ZV0703	. . BUSHING								1		
- 16	AN960-10L	. . WASHER								1		
- 17	AN960-10	. . WASHER								2		
	MS20365-1032	. . NUT /SUPERSEDES AN365-1032/								1		
		-----*										
- 18	35-524547	. . . DRUM,ELEVATOR TAB INDICATOR								1		
- 19	33-524015	. . . PLACARD,ELEVATOR TAB INDICATOR								1	1	
	33-524018	. . . PLACARD,ELEVATOR TAB INDICATOR								1	8	
	33-524021	. . . PLACARD,ELEVATOR TAB INDICATOR								1	6	
	35-524546-2	. . . PIN,ELEVATOR TAB INDICATOR								1		
- 20	35-524554	. . BRACKET,INDICATOR CABLE TENSION PULLEY								1		
		/ATTACHING PARTS/										
- 21	AN526-632-7	. . SCREW								2		
	AN960-6	. . WASHER								4		
	MS20365-632	. . NUT /SUPERSEDES AN365-632/								2		
		-----*										
- 22	35-524553	. . PULLEY,TAB INDICATOR CABLE TENSION IDLER								2		
		/ATTACHING PARTS/										
- 23	AN392-15	. . PIN								1		
	AN960-6	. . WASHER								1		
	MS24665-132	. . PIN,COTTER /SUPERSEDES AN380-2-2/								1		
		-----*										

B E E C H C R A F T
 BONANZA 33 THRU E33
 I L L U S T R A T E D P A R T S C A T A L O G

FIG. & ITEM NO.	PART NO.	DESCRIPTION	UNITS PER ASSY	USABLE ON CODE
		1 2 3 4 5 6 7		
32 - 24	AN392-15	. . . PIN	1	
	MS24665-132	. . . PIN,COTTER /SUPERSEDES AN380-2-2/	1	
- 25	35-524531-2	. . . CABLE,INDICATOR ACTUATING	1	5
	35-524647-9	. . . CABLE,INDICATOR ACTUATING	1	3
	33-524000-47	. . . CABLE ASSY,ELEVATOR TAB CONTROL	1	1
- 26	NAS302-66-3242	. . . CABLE ASSY,ELEVATOR TAB CONTROL	1	2
	33-524001-1	. . . CABLE ASSY,ELEVATOR TAB CONTROL	1	7
	33-524001-7	. . . CABLE ASSY,ELEVATOR TAB CONTROL	1	6
- 27	118540BHP2	. . . PULLEY	6	
		/ATTACHING PARTS/		
- 28	AN3-23A /M/	. . . BOLT	1	
	105740X-ZF1094	. . . BUSHING	1	
	AN960-10	. . . WASHER	1	
	MS20365-1032	. . . NUT /SUPERSEDES AN365-1032/	1	

- 29	35-524248	. . . PLATE,ELEVATOR TAB CONTROL PULLEY GUARD	2	
- 30	AN392-23	. . . PIN	1	
	MS24665-132	. . . PIN,COTTER /SUPERSEDES AN380-2-2/	1	
- 31	118540BHP4	. . . PULLEY	2	
		/ATTACHING PARTS/		
- 32	AN4-24A /M/	. . . BOLT	1	
	AN960-416	. . . WASHER	1	
	MS20365-428	. . . NUT,/SUPERSEDES AN365-428/.	1	

- 33	AN392-67	. . . PIN	1	
	MS24665-132	. . . PIN,COTTER /SUPERSEDES AN380-2-2/	1	
- 34	118540BHP3	. . . PULLEY	2	
		/ATTACHING PARTS/		
- 35	AN4-24A /M/	. . . BOLT	1	
	AN960-416	. . . WASHER	1	
	MS20365-428	. . . NUT,/SUPERSEDES AN365-428/.	1	

- 36	AN392-65	. . . PIN	1	
	MS24665-132	. . . PIN,COTTER /SUPERSEDES AN380-2-2/	1	
- 37	118540BHP4	. . . PULLEY	2	
		/ATTACHING PARTS/		
- 38	AN4-54A /M/	. . . BOLT	1	
	100801S6-1484	. . . BUSHING	1	
	100801S6-0484	. . . BUSHING	1	
	AN960-416	. . . WASHER	1	
	MS20365-428	. . . NUT /SUPERSEDES AN365-428/.	1	

- 39	35-524003	. . . PIN	1	
	MS24665-132	. . . PIN,COTTER /SUPERSEDES AN380-2-2/	1	
- 40	45-524624	. . . STOP	2	
	AN960D516	. . . WASHER	4	
	130909N17	. . . NUT	2	
	MS24665-134	. . . PIN,COTTER	2	
- 41	AN155-8L	. . . BARREL,TURNBUCKLE	2	
- 42	NAS312-37-0790	. . . CABLE ASSY,ELEVATOR TAB CONTROL	2	
- 43	118540BHP3	. . . PULLEY	2	5
	130000BEP3	. . . PULLEY	2	3
		/ATTACHING PARTS/		
- 44	AN4-17A /M/	. . . BOLT	1	
	100696S-ZP010	. . . SPACER	1	
	105739S-XU0310	. . . BUSHING	1	
	AN960-416	. . . WASHER	1	
	MS20365-428	. . . NUT,/SUPERSEDES AN365-428/.	1	

- 45	130001BB2	. . . BUSHING,PULLEY	2	3
	NAS427K24	. . . PIN	2	

B E E C H C R A F T
BONANZA 33 THRU E33
I L L U S T R A T E D P A R T S C A T A L O G

FIG. & ITEM NO.	PART NO.	DESCRIPTION	UNITS PER ASSY	USABLE ON CODE
		1 2 3 4 5 6 7		
32	36-524000-31	. CHAIN & CABLE ASSY,ELEVATOR TAB CONTROL LH. .	1	
		/SUPERSEDES 33-524000-11/		
	36-524000-29	. CHAIN & CABLE ASSY,ELEVATOR TAB CONTROL RH. .	1	
		/SUPERSEDES 33-524000-21/		
		/ATTACHING PARTS/		
- 46	MS20392-2-11	. PIN	1	
- 47	MS20392-2-13	. PIN	1	
	AN960-10L	. WASHER	2	
	MS24665-130	. PIN,COTTER /SUPERSEDES AN380-2-1/	2	
		-----*		
- 48	33-524000-13	. . CABLE,LH.	1	
	33-524000-23	. . CABLE,RH.	1	
- 49	33-524000-15	. . CABLE,LH.	1	
	33-524000-25	. . CABLE,RH.	1	
- 50	C4189	. . LINK	2	
- 51	45-526011-7	. . CHAIN	1	
- 52	AN165-8RS	. EYE,TURNBUCKLE.	2	
- 53	AN155-8S	. BARREL,TURNBUCKLE	2	
- 54	118540BHP1	. PULLEY	4	5
	130000BEP1	. PULLEY.	4	3
		/ATTACHING PARTS/		
- 55	AN3-13A /M/	. BOLT.	2	
	100696S-ZF016	. SPACER.	2	
	105739S-ZT0500	. BUSHING	2	
	AN960-10	. WASHER.	2	
	MS20365-1032	. NUT /SUPERSEDES AN365-1032/	2	
		-----*		
- 56	NAS427K21	. PIN	3	
- 57	MS20392-3C45	. PIN	1	
	AN960-416	. WASHER.	1	
	MS24665-132	. COTTER PIN.	1	

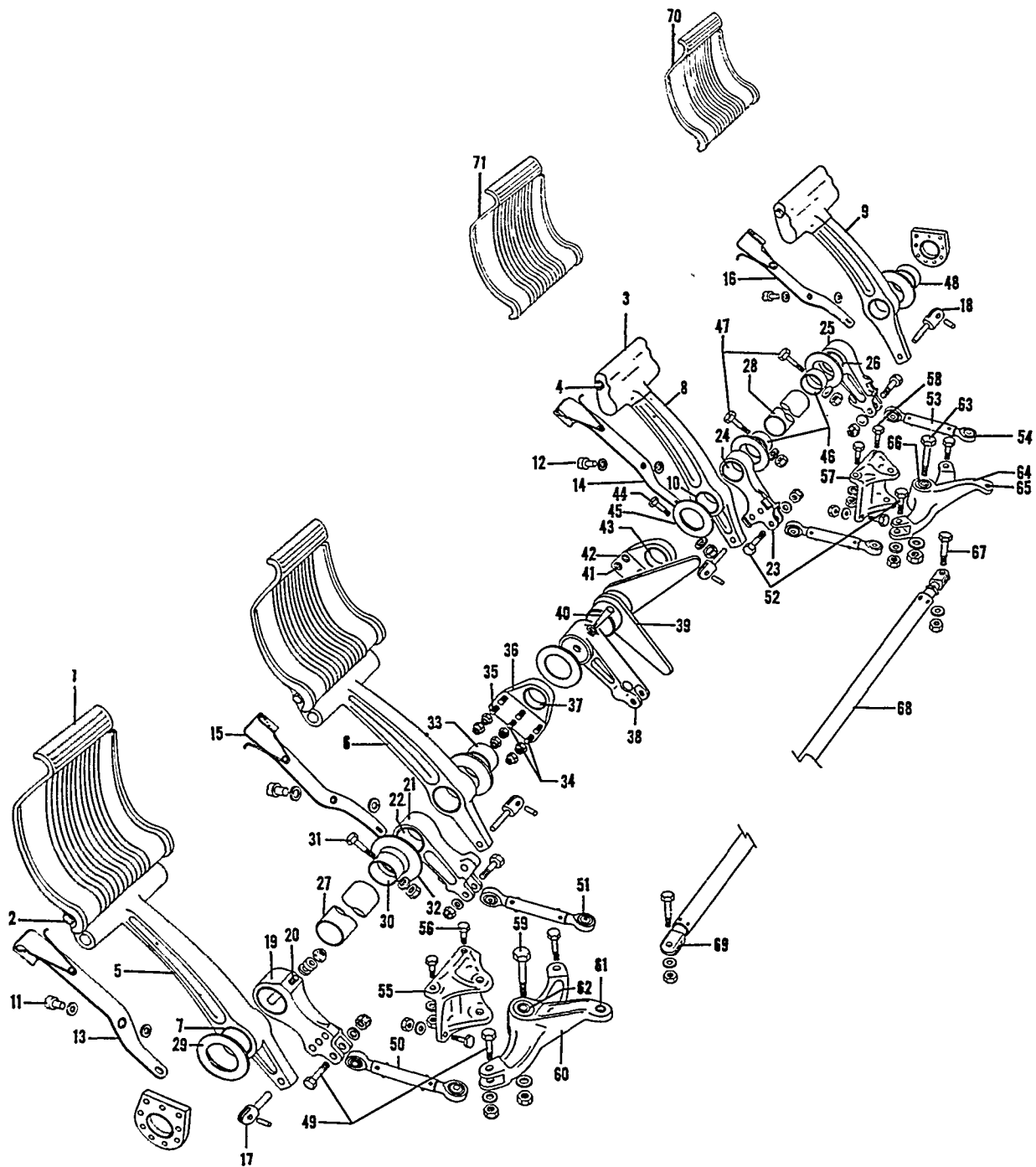
C O D E S O F E F F E C T I V I T Y

1	CD-1 THRU CD-250 EXCEPT CD-225 THRU CD-232, CD-235, CD-237 THRU CD-240, CD-242 THRU CD-245	2	CD-225 THRU CD-232, CD-235, CD-237 THRU CD-240, CD-242 THRU CD-245, CD-251 THRU CD-387
3	CD-388 AND AFTER, CE-1 AND AFTER	4	CD-225 THRU CD-232, CD-235, CD-237 THRU CD-240, CD-242 THRU CD-245, CD-251 AND AFTER, CE-1 AND AFTER
5	CD-1 THRU CD-387	6	CE-28 AND AFTER
7	CD-388 AND AFTER, CE-1 THRU CE-27	8	CD-225 THRU CD-232, CD-235, CD-237 THRU CD-240, CD-242 THRU CD-245, CD-251 AND AFTER, CE-1 THRU CE-27

B E E C H C R A F T
B O N A N Z A 3 3 T H R U E 3 3
I L L U S T R A T E D P A R T S C A T A L O G

FIGURE 33
RUDDER PEDALS

BEECHCRAFT
BONANZA 33 THRU E33
ILLUSTRATED PARTS CATALOG



B E E C H C R A F T
B O N A N Z A 3 3 T H R U E 3 3
I L L U S T R A T E D P A R T S C A T A L O G

FIG. & ITEM NO.	PART NO.	DESCRIPTION							UNITS PER ASSY	USABLE ON CODE
		1	2	3	4	5	6	7		
33	33-524012	SYSTEM INSTL, RUDDER PEDALS /SINGLE/							NP	
	33-524013	/SEE FIG. 34 FOR NHA/								
- 1	35-524011	SYSTEM INSTL, RIGHT RUDDER PEDALS /DUAL/							NP	
		. PEDAL, RUDDER LH							2	
		/ATTACHING PARTS/								
- 2	AN3-10 /M/	. BOLT							2	
	AN960-10	. WASHER							2	
	AN310-3	. NUT							2	
	MS24665-132	. PIN, COTTER /SUPERSEDES AN380-2-2/							2	

- 3	35-524641	. PEDAL, CAP RUDDER RH /DUAL/							2	
		/ATTACHING PARTS/								
- 4	AN3-44A	. BOLT							1	
	22K1-02	. NUT							1	

	35-524060	. ARM ASSY, PILOTS RUDDER PEDAL LH							1	1
	50-524326-1	. ARM ASSY, PILOTS RUDDER PEDAL LH							1	2
	35-524060-1	. ARM ASSY, PILOTS RUDDER PEDAL RH							1	1
	50-524326-2	. ARM ASSY, PILOTS RUDDER PEDAL RH							1	2
- 5	35-524060-2	. . ARM, RUDDER PEDAL LH							1	1
	50-524326-3	. . ARM, RUDDER PEDAL LH							1	2
- 6	35-524060-3	. . ARM, RUDDER PEDAL RH							1	1
	50-524326-4	. . ARM, RUDDER PEDAL RH							1	2
- 7	A1170-2	. . BEARING							2	
	35-524060	. ARM ASSY, COPILOTS RUDDER PEDAL LH							1	1
	50-524326-1	. ARM ASSY, COPILOTS RUDDER PEDAL LH							1	2
	35-524060-1	. ARM ASSY, COPILOTS RUDDER PEDAL RH							1	1
	50-524326-2	. ARM ASSY, COPILOTS RUDDER PEDAL RH							1	2
- 8	35-524060-2	. . ARM, RUDDER PEDAL LH							1	1
	50-524326-3	. . ARM, RUDDER PEDAL LH							1	2
- 9	35-524060-3	. . ARM, RUDDER PEDAL RH							1	1
	50-524326-4	. . ARM, RUDDER PEDAL RH							1	2
- 10	A1170-2	. . BEARING							1	
	35-524170	. LEVER ASSY, PILOTS RUDDER PEDAL ADJUSTING LH							1	1
	50-524328-1	. LEVER ASSY, PILOTS RUDDER PEDAL ADJUSTING LH							1	5
	35-524170	. LEVER ASSY, COPILOTS RUDDER PEDAL ADJUSTING LH							1	1
	50-524328-1	. LEVER ASSY, COPILOTS RUDDER PEDAL ADJUSTING LH							1	5
	35-524170-1	. LEVER ASSY, PILOTS RUDDER PEDAL ADJUSTING RH							1	1
	50-524328-2	. LEVER ASSY, PILOTS RUDDER PEDAL ADJUSTING RH							1	5
		/ATTACHING PARTS/								
- 11	AN502-10-6	. SCREW							1	
	AN960-10L	. WASHER							2	

	35-524170-1	. LEVER ASSY, COPILOTS RUDDER PEDAL ADJUSTING RH							1	1
	50-524328-2	. LEVER ASSY, COPILOTS RUDDER PEDAL ADJUSTING RH							1	5
		/ATTACHING PARTS/								
- 12	AN502-10-6	. SCREW							2	
	AN960-10L	. WASHER							4	
	35-524666-1	. LEVER, PILOTS RUDDER PEDAL ADJUSTING LH							1	
	35-524666-2	. LEVER, PILOTS RUDDER PEDAL ADJUSTING RH							1	
	35-524666-1	. LEVER, COPILOTS RUDDER PEDAL ADJUSTING LH							1	
	35-524666-2	. LEVER, COPILOTS RUDDER PEDAL ADJUSTING RH							1	

- 13	35-524170-2	. . LEVER, PILOTS RUDDER PEDAL ADJUSTING LH							1	1
	50-524328-3	. . LEVER, PILOTS RUDDER PEDAL ADJUSTING LH							1	5
- 14	35-524170-2	. . LEVER, COPILOTS RUDDER PEDAL ADJUSTING LH							1	1
	50-524328-3	. . LEVER, COPILOTS RUDDER PEDAL ADJUSTING LH							1	5
- 15	35-524170-3	. . LEVER, PILOTS RUDDER PEDAL ADJUSTING RH							1	1
	50-524328-4	. . LEVER, PILOTS RUDDER PEDAL ADJUSTING RH							1	5
- 16	35-524170-3	. . LEVER, COPILOTS RUDDER PEDAL ADJUSTING RH							1	1
	50-524328-4	. . LEVER, COPILOTS RUDDER PEDAL ADJUSTING RH							1	5
- 17	35-524171	. . PIN, RUDDER PEDAL ADJUSTING LEVER							1	
- 18	35-524171	. . PIN, RUDDER PEDAL ADJUSTING LEVER /DUAL/							1	

B E E C H C R A F T
BONANZA 33 THRU E33
I L L U S T R A T E D P A R T S C A T A L O G

FIG. & ITEM NO.	PART NO.	DESCRIPTION	UNITS PER ASSY	USABLE ON CODE
		1 2 3 4 5 6 7		
33	102809A125-014	• • PIN	1	
	102809A125-014	• • PIN /DUAL/	1	
	35-524308	• SPRING, RUDDER PEDAL ADJUST LEVER	2	
	35-524308	• SPRING, RUDDER PEDAL ADJUST LEVER /DUAL/	2	
- 19	35-524300	• ARM, PILOTS RUDDER PEDAL LOWER	1	
- 20	AN386-2-12A	• PIN, TAPER	1	
	AN975-3	• WASHER	1	
	AN960-416L	• WASHER	1	
	MS20364-1032	• NUT /SUPERSEDES AN364-1032/	1	
	35-524143-6	• ARM ASSY, PILOTS RUDDER PEDAL LOWER	1	
- 21	35-524143-2	• • ARM, PILOTS RUDDER PEDAL LOWER	1	
- 22	A1170-8	• • BEARING	1	
	35-524367	• ARM ASSY, COPILOTS RUDDER PEDAL LOWER LH	1	
- 23	35-524367-2	• • ARM, COPILOTS RUDDER PEDAL LOWER LH	1	
- 24	A1170-8	• • BEARING	1	
	35-524367-1	• ARM ASSY, COPILOTS RUDDER PEDAL LOWER RH	1	
- 25	35-524367-3	• • ARM, COPILOTS RUDDER PEDAL LOWER RH	1	
- 26	A1170-8	• • BEARING	1	
- 27	35-524301	• TUBE, PILOTS RUDDER PEDALS TORQUE	1	
- 28	35-524018	• TUBE, COPILOTS RUDDER PEDALS TORQUE	1	
- 29	100951S031XW	• WASHER	3	
- 30	105739S-YZ0594	• BUSHING	1	
		/ATTACHING PARTS/		
- 31	AN3-14A /M/	• BOLT	1	
	AN960-10	• WASHER	1	
	MS20365-1032	• NUT /SUPERSEDES AN365-1032/	1	
		-----*		
- 32	100951S031XW	• WASHER	1	
- 33	105739S-YZ0391	• BUSHING	1	
	100951S031XW	• WASHER	1	
	35-524183	• SUPPORT ASSY, RUDDER TORQUE TUBE INBD LH	1	
		/ATTACHING PARTS/		
- 34	35-524275	• SCREW	4	
- 35	35-524275-1	• SCREW	2	
	AN960-10	• WASHER	6	
	MS20365-1032	• NUT /SUPERSEDES AN365-1032/	6	
		-----*		
- 36	35-524183-2	• • SUPPORT, RUDDER TORQUE TUBE INBD LH	1	
- 37	A1170-7	• • BEARING, OILITE	1	
- 38	35-825054	• ARM, NOSE STEERING TORQUE/SEE FIG. 41 FOR NHA/	1	
- 39	35-524297	• ARM ASSY, RUDDER & AILERON BUNGEE SPRING	1	
		/ATTACHING PARTS/		
- 40	AN386-2-12A	• PIN, TAPER	1	
	AN975-3	• WASHER	1	
	MS20364-1032	• NUT /SUPERSEDES AN364-1032/	1	
		-----*		
	35-524183	• SUPPORT ASSY, RUDDER TORQUE TUBE INBD RH	1	
		/DUAL/		
		/ATTACHING PARTS/		
- 41	35-524275	• SCREW	6	
	AN960-10	• WASHER	6	
	MS20365-1032	• NUT /SUPERSEDES AN365-1032/	6	
		-----*		
- 42	35-524183-2	• • SUPPORT, RUDDER TORQUE TUBE INBD RH	1	
- 43	A1170-7	• • BEARING, OILITE	1	
	100951S031XW	• WASHER	1	
	105739S-YZ0641	• BUSHING	1	
		/ATTACHING PARTS/		
- 44	AN3-14A /M/	• BOLT	1	
	AN960-10	• WASHER	1	
	MS20365-1032	• NUT /SUPERSEDES AN365-1032/	1	
		-----*		

B E E C H C R A F T
BONANZA 33 THRU E33
I L L U S T R A T E D P A R T S C A T A L O G

FIG. & ITEM NO.	PART NO.	DESCRIPTION	UNITS PER ASSY	USABLE ON CODE
33 - 45	100951S031XW	• WASHER	2	
- 46	105739S-YZ0641	• BUSHING	2	
		/ATTACHING PARTS/		
- 47	AN3-14A /M/ AN960-10 MS20365-1032	• BOLT • WASHER • NUT /SUPERSEDES AN365-1032/	2 2 2	
- 48	105739S-YZ0532 95-524018-31 35-524650-7	• BUSHING • ROD ASSY, RUDDER PEDAL PUSH. • ROD ASSY, RUDDER PEDAL PUSH.	1 2 2	3 4
		/ATTACHING PARTS/		
- 49	AN3-11 /M/ AN960-10 AN310-3 MS24665-132	• BOLT • WASHER • NUT • PIN, COTTER /SUPERSEDES AN380-2-2/	2 2 2 2	
- 50	95-524018-33	• TUBE, RUDDER PEDAL PUSH ROD.	1	3
- 51	RE3S7 95-524018-31 35-524650-7	• END, ROD • ROD ASSY, RUDDER PEDAL ADJUST LEVER /DUAL/ • ROD ASSY, RUDDER PEDAL ADJUST LEVER /DUAL/	2 2 2	3 4
		/ATTACHING PARTS/		
- 52	AN3-11 /M/ AN960-10 AN310-3 MS24665-132	• BOLT • WASHER • NUT • PIN, COTTER /SUPERSEDES AN380-2-2/	2 2 2 2	
- 53	95-524018-33 35-524650-9	• TUBE, RUDDER PEDAL PUSH ROD. • TUBE, RUDDER PEDAL PUSH ROD.	1 1	3 4
- 54	RE3S7	• END, ROD	1	
- 55	35-524136	• SUPPORT, RUDDER PEDAL BELLCRANK.	1	
		/ATTACHING PARTS/		
- 56	AN3-5A /M/ AN960-10	• BOLT • WASHER	3 3	
- 57	35-524136	• SUPPORT, RUDDER PEDAL BELLCRANK /DUAL/	1	
		/ATTACHING PARTS/		
- 58	AN3-5A /M/ AN960-10 35-524138	• BOLT • WASHER • BELLCRANK ASSY, RUDDER PEDAL RH.	3 3 1	
		/ATTACHING PARTS/		
- 59	AN4-21 /M/ AN960-416 AN310-4 AN380-2-3	• BOLT • WASHER • NUT • PIN, COTTER	1 1 1 1	
- 60	35-524138-2	• BELLCRANK, RUDDER PEDAL RH	1	
- 61	A225	• BEARING	1	
- 62	KP4A 102933D5ZX0749 35-524138	• BEARING /SUPERSEDES AN201K4A & K4A/ • SPACER • BELLCRANK ASSY, RUDDER PEDAL LH /DUAL/	2 1 1	
		/ATTACHING PARTS/		
- 63	AN4-21 /M/ AN960-416 AN310-4 AN380-2-3	• BOLT • WASHER • NUT • PIN, COTTER	1 1 1 1	
- 64	35-524138-2	• BELLCRANK, RUDDER PEDAL LH /DUAL/	1	
- 65	A225	• BEARING /DUAL/	1	
- 66	KP4A 102933D5ZX0749	• BEARING /DUAL/ /SUPERSEDES AN201K4A & K4A/ • SPACER /DUAL/	1 1	

B E E C H C R A F T
 BONANZA 33 THRU E33
 I L L U S T R A T E D P A R T S C A T A L O G

FIG. & ITEM NO.	PART NO.	1 2 3 4 5 6 7	DESCRIPTION,	UNITS PER ASSY	USABLE ON CODE
33	35-524144	.	ROD ASSY, RUDDER PEDAL BELLCRANK PUSH /DUAL/	1	
		.	/ATTACHING PARTS/		
- 67	AN23-14 /M/	.	BOLT.	2	
	AN960-10	.	WASHER.	1	
	AN960-10L	.	WASHER.	1	
	AN320-3	.	NUT	2	
	MS24665-132	.	PIN, COTTER /SUPERSEDES AN380-2-2/	2	
		-----*			
- 68	35-524144-8	.	TUBE, RUDDER PEDAL PUSH ROD /DUAL/	1	
- 69	35-524258	.	FORK, RUDDER PEDAL PUSH ROD /DUAL/	2	
	AN316-6R	.	NUT	1	
- 70	35-524011	.	PEDAL, COPILOT RH RUDDER /DUAL BRAKE ONLY/	1	7
- 71	95-810019-43	.	PEDAL, COPILOT LH RUDDER /DUAL BRAKE ONLY/	1	7
		.	/ATTACHING PARTS/		
	AN3-10 /M/	.	BOLT.	2	
	AN960-10	.	WASHER.	2	
	AN310-3	.	NUT	2	
	MS24665-132	.	PIN, COTTER.	2	
		-----*			

C O D E S O F E F F E C T I V I T Y

- | | | | |
|---|---|---|--------------------------------------|
| 1 | CD-1 THRU CD-735 | 2 | CD-736 AND AFTER,
CE-1 AND AFTER |
| 3 | CD-1 THRU CD-835 | 4 | CD-836 AND AFTER,
CE-1 AND AFTER |
| 5 | CD-736 THRU CD-1043 | 6 | CD-1044 AND AFTER,
CE-1 AND AFTER |
| 7 | CE-1 AND AFTER,
CD-225 AND AFTER
EXCEPT CD-233,
CD-234, CD-236,
CD-241, CD-246 THRU
CD-250 | | |

BEECHCRAFT
BONANZA 33 THRU E33
ILLUSTRATED PARTS CATALOG

FIGURE 34
RUDDER CONTROL CABLES

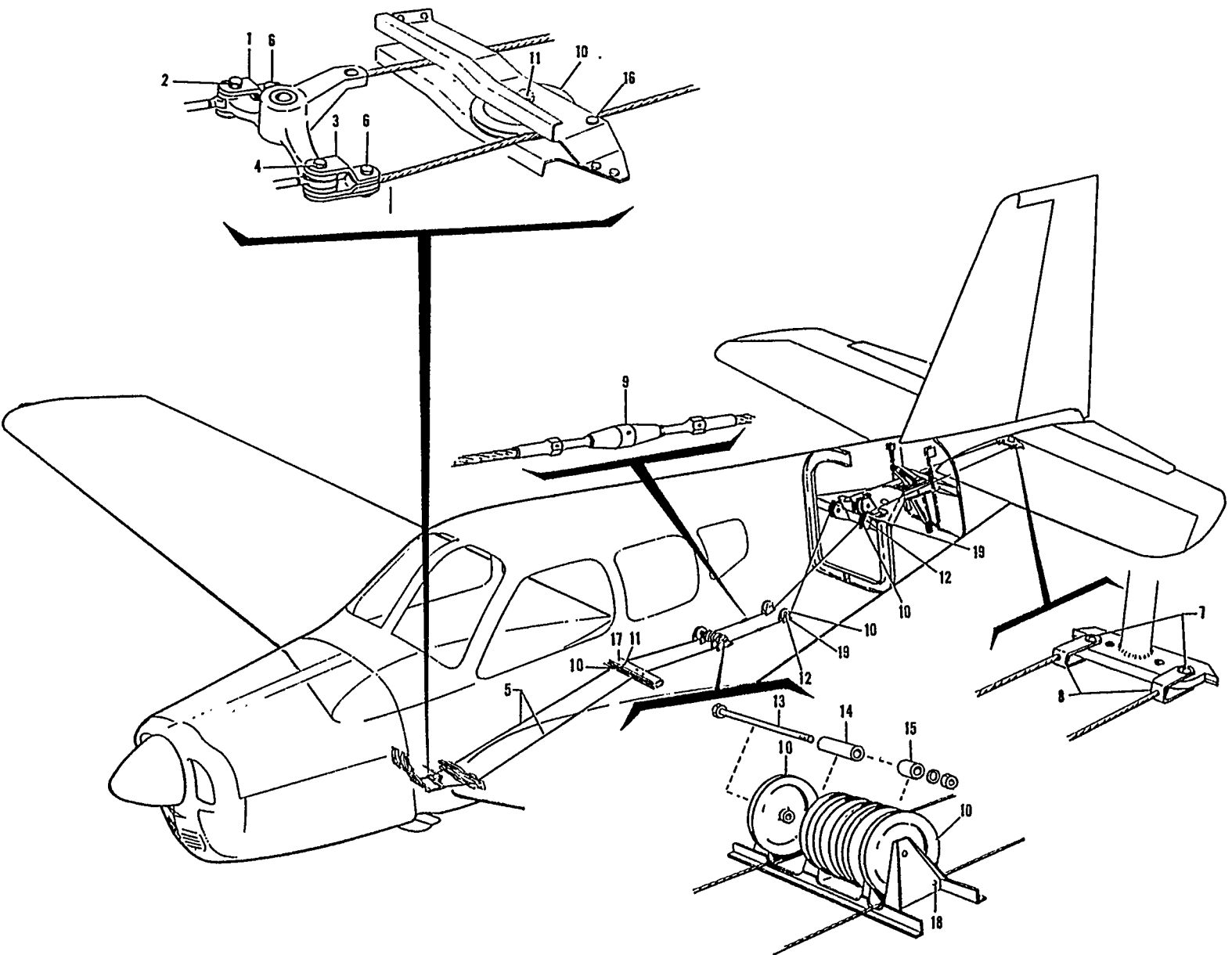


FIGURE 34- RUDDER CONTROL CABLES

B E E C H C R A F T
BONANZA 33 THRU E33
I L L U S T R A T E D P A R T S C A T A L O G

FIG. & ITEM NO.	PART NO.	DESCRIPTION	UNITS PER ASSY	USABLE ON CODE		
					1	2
34	33-524000	CONTROL INSTL,FUSELAGE FLIGHT	NP	1		
	33-524000-59	CONTROL INSTL,FUSELAGE FLIGHT	NP	2		
	33-524001	CONTROL INSTL,FUSELAGE FLIGHT	NP	3		
	33-524001-11	CONTROL INSTL,FUSELAGE FLIGHT	NP	4		
	33-524012	. SYSTEM INSTL,RUDDER PEDALS/SINGLE/.	NP			
		/SEE FIG. 33/				
	- 1	33-524000-1	. LINK,RUDDER CONTROL CABLE	2		
			/ATTACHING PARTS/			
	- 2	33-524000-57	. BOLT,CLEVIS	1		

	- 3	33-524000-33	. LINK,RUDDER CONTROL CABLE	1		
		33-524000-35	. LINK,RUDDER CONTROL CABLE	1		
		33-524000-37	. LINK,RUDDER CONTROL CABLE	1		
			/ATTACHING PARTS/			
	- 4	AN23/M/	. BOLT,CLEVIS	1		

	- 5	NAS304-35-1325	. CABLE ASSY,RUDDER CONTROL FWD	2		
			/ATTACHING PARTS/			
	- 6	AN3-5A	. BOLT	1		
	AN960-10	. WASHER	1			
	AN365-1032	. NUT	1			

	33-524000-31	. CABLE ASSY,RUDDER CONTROL AFT	2			
		/ATTACHING PARTS/				
- 7	AN23-13	. BOLT	1			
	AN960-10L	. WASHER	1			
	AN310-3	. NUT	1			
	AN380-2-2	. PIN,COTTER	1			

- 8	33-524000-27	. . CLEVIS,RUDDER CONTROL AFT CABLE	2			
- 9	AN155-32L	. BARREL	2			
- 10	1185408HP4	. PULLEY,RUDDER CONTROL CABLE	9			
		/ATTACHING PARTS/				
- 11	AN4-10A	. BOLT	1			
- 12	AN4-11A	. BOLT	1			
- 13	AN4-54A	. BOLT	1			
- 14	100801S6-1484	. BUSHING	1			
- 15	100801S6-0484	. BUSHING	1			
	AN960-416	. WASHER	1			
	AN365-428	. NUT	1			

- 16	AN392-19	. PIN,CABLE GUARD	1			
- 17	AN392-23	. PIN,CABLE GUARD	2			
- 18	35-524003	. PIN,CABLE GUARD	1			
- 19	NAS427K11	. PIN,CABLE GUARD	4			
	AN380-2-2	. PIN,COTTER	5			
					
					

CODES OF EFFECTIVITY

- | | | | |
|---|--|---|---|
| 1 | CD-1 THRU CD-224,
CD-233,CD-234,
CD-236,CD-241 AND
CD-246 THRU CD-250 | 2 | CD-225 THRU CD-232,
CD-235,CD-237 THRU
CD-240,CD-242 THRU
CD-245 AND
CD-251 THRU CD-387 |
| 3 | CD-388 AND AFTER
CE-1 THRU CE-27 | 4 | CE-28 AND AFTER |

B E E C H C R A F T
B O N A N Z A 3 3 T H R U E 3 3
I L L U S T R A T E D P A R T S C A T A L O G

FIGURE 35
MAIN LANDING GEAR

BEECHCRAFT
 BONANZA 33 THRU E33
 ILLUSTRATED PARTS CATALOG

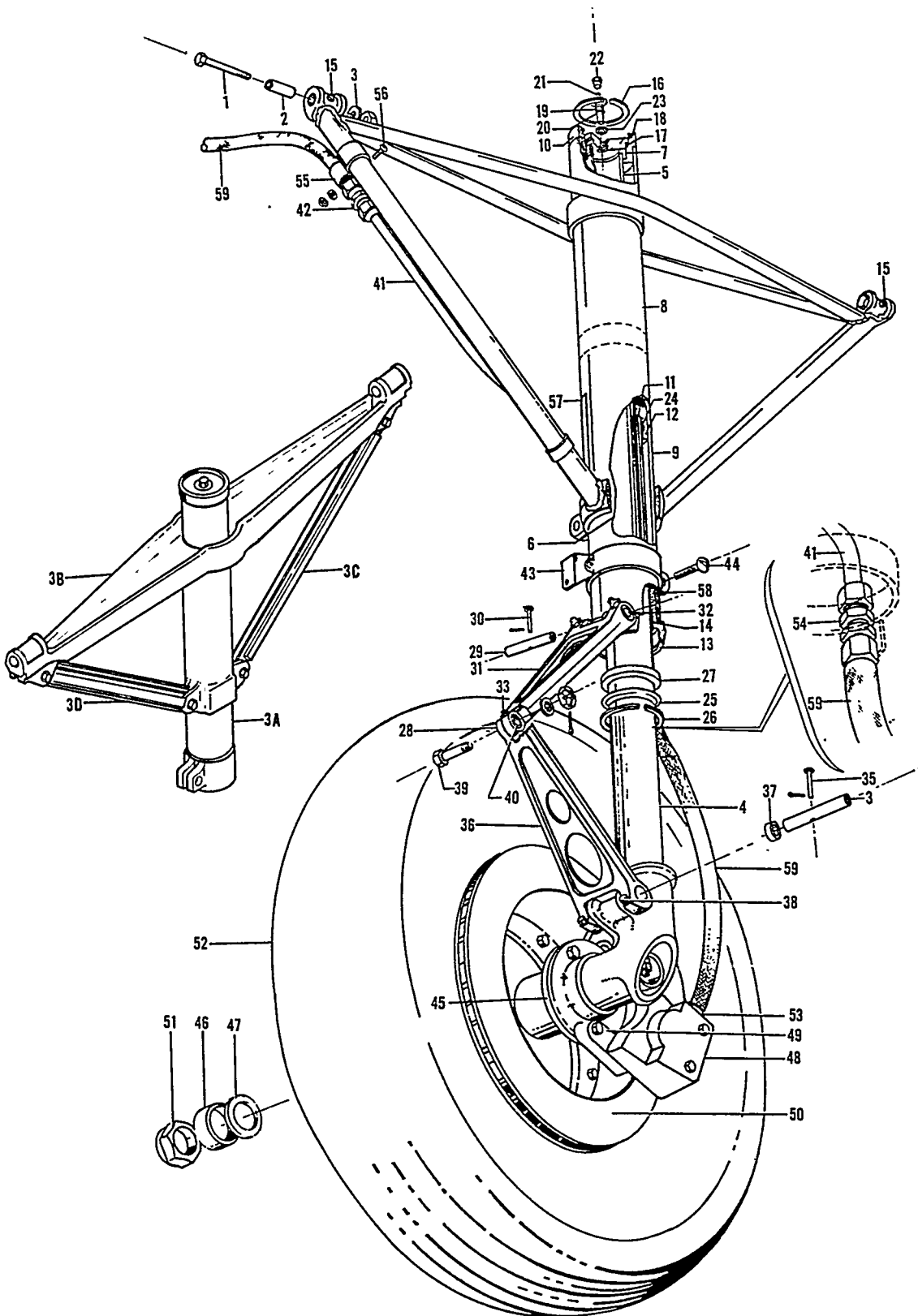


FIGURE 35.MAIN LANDING GEAR

B E E C H C R A F T
B O N A N Z A 3 3 T H R U E 3 3
I L L U S T R A T E D P A R T S C A T A L O G

FIG. & ITEM NO.	PART NO.	DESCRIPTION							UNITS PER ASSY	USABLE ON CODE					
		1	2	3	4	5	6	7							
35	33-810000-1	GEAR	INSTL,	MAIN	LANDING	LH	/STANDARD/	NP	2	
	33-810000-9	GEAR	INSTL,	MAIN	LANDING	LH	/STANDARD/	NP	4	
	35-815254-3	GEAR	INSTL,	MAIN	LANDING	LH	/STANDARD/	NP	21	
	35-815254-15	GEAR	INSTL,	MAIN	LANDING	LH	/STANDARD/	NP	22	
	35-815254-19	GEAR	INSTL,	MAIN	LANDING	LH	/STANDARD/	NP	23	
	35-815254-15	GEAR	INSTL,	MAIN	LANDING	LH	/OPTIONAL/	NP	24	
	35-810026-1	GEAR	INSTL,	MAIN	LANDING	LH	/STANDARD/	NP	25	
	35-810026-17	GEAR	INSTL,	MAIN	LANDING	LH	/STANDARD/	NP	26	
	35-810026-3	GEAR	INSTL,	MAIN	LANDING	LH	/OPTIONAL/	NP	3	
	35-810026-17	GEAR	INSTL,	MAIN	LANDING	LH	/OPTIONAL/	NP	5	
	35-810026-41	GEAR	INSTL,	MAIN	LANDING	LH	/STANDARD/	NP	13	
	35-810026-15	GEAR	INSTL,	MAIN	LANDING	LH	/OPTIONAL/	NP	5	
	33-810000-2	GEAR	INSTL,	MAIN	LANDING	RH	/STANDARD/	NP	2	
	33-810000-10	GEAR	INSTL,	MAIN	LANDING	RH	/STANDARD/	NP	4	
	35-815254-4	GEAR	INSTL,	MAIN	LANDING	RH	/STANDARD/	NP	21	
	35-815254-16	GEAR	INSTL,	MAIN	LANDING	RH	/STANDARD/	NP	22	
	35-815254-20	GEAR	INSTL,	MAIN	LANDING	RH	/STANDARD/	NP	23	
	35-815254-16	GEAR	INSTL,	MAIN	LANDING	RH	/OPTIONAL/	NP	24	
	35-810026-2	GEAR	INSTL,	MAIN	LANDING	RH	/STANDARD/	NP	25	
	35-810026-18	GEAR	INSTL,	MAIN	LANDING	RH	/STANDARD/	NP	26	
	35-810026-4	GEAR	INSTL,	MAIN	LANDING	RH	/OPTIONAL/	NP	3	
	35-810026-18	GEAR	INSTL,	MAIN	LANDING	RH	/OPTIONAL/	NP	5	
	35-810026-42	GEAR	INSTL,	MAIN	LANDING	RH	/STANDARD/	NP	13	
	35-810026-16	GEAR	INSTL,	MAIN	LANDING	RH	/OPTIONAL/	NP	5	
	35-815254-605	. GEAR ASSY,	MAIN	LANDING	LH	1	15	
	35-815254-606	. GEAR ASSY,	MAIN	LANDING	RH	1	15	
	35-815254-613	. GEAR ASSY,	MAIN	LANDING	LH	1	9	
	35-815254-614	. GEAR ASSY,	MAIN	LANDING	RH	1	9	
	35-815254-655	. GEAR ASSY,	MAIN	LANDING	LH	1	10	
		35-815254-656	. GEAR ASSY,	MAIN	LANDING	RH	1	10	
		35-815196-618	. GEAR ASSY,	MAIN	LANDING	LH	1	8	
		35-815196-619	. GEAR ASSY,	MAIN	LANDING	RH	1	8	
		35-810026-601	. GEAR ASSY,	MAIN	LANDING	LH	/STANDARD/	1	16	
		35-810026-602	. GEAR ASSY,	MAIN	LANDING	RH	/STANDARD/	1	16	
		35-810026-603	. GEAR ASSY,	MAIN	LANDING	LH	/OPTIONAL/	1	16	
		35-810026-604	. GEAR ASSY,	MAIN	LANDING	RH	/OPTIONAL/	1	16	
	- 1	NAS148A52	. BOLT,	FWD.	1		
		NAS148A50	. BOLT,	AFT.	1		
	- 2	35-815182	. BUSHING,	MAIN	LANDING	GEAR	2		
	- 3	100951X063XD	. WASHER.	2		
		AN310-8	. NUT	2		
	AN380-3-3	. PIN,	COTTER.	2			
	35-815246-5	. .	CYLINDER	ASSY,	LH	SHOCK	ABSORBER	1	7		
	35-815246-7	. .	CYLINDER	ASSY,	RH	SHOCK	ABSORBER	1	7		
- 3A	35-815246-1	. . .	CYLINDER,	LH	1	7		
	35-815246-3	. . .	CYLINDER,	RH	1	7		
	35-815246-9	. . .	BEARING,	LOWER	1	7		
	35-815246-11	. . .	BEARING,	UPPER	1	7		
	RRN237C	. . .	RING,	LOWER	BEARING	RETAINING.	1	7		
- 3B	35-815251-1	. .	BRACE	ASSY.	1	7		
	NAS334CPA30	. .	BOLT.	2			
	35-815256	. .	CONNECTOR	2			
	MS20365-428	. .	NUT	2			

B E E C H C R A F T
B O N A N Z A 3 3 T H R U E 3 3
I L L U S T R A T E D P A R T S C A T A L O G

FIG. & ITEM NO.	PART NO.	DESCRIPTION	UNITS PER ASSY	USABLE ON CODE
		1 2 3 4 5 6 7		
35 - 3C	35-815252-3	. . COLUMN, TRUSS.	1	7
- 3D	35-815252-1	. . COLUMN, TRUSS.	1	7
		/ATTACHING PARTS/		
	NAS464P7LA16/M/	. . BOLT.	4	
	AN960D716	. . WASHER.	4	
	AN960D716L	. . WASHER.	4	
	MS20364-720	. . NUT	4	
		*		
- 4	35-815260-1	. . ABSORBER ASSY, LOWER SHOCK LH.	1	7
	35-815260-2	. . ABSORBER ASSY, LOWER SHOCK RH.	1	7
	35-815261	. . PISTON ASSY	1	7
	35-815081	. . WASHER.	1	7
	MS20365-524	. . NUT	1	7
	35-815192-43	. . MAIN LANDING GEAR SHOCK ASSY, LH	NP	8
	35-815192-44	. . MAIN LANDING GEAR SHOCK ASSY, RH	NP	8
	35-815192-33	. . ABSORBER ASSY, LOWER SHOCK LH.	1	8
	35-815192-34	. . ABSORBER ASSY, LOWER SHOCK RH.	1	8
	35-815261	. . PISTON ASSY	1	8
	35-815081	. . WASHER.	1	8
	MS20365-524	. . NUT	1	8
	NO NUMBER	. . CONTROL ASSY, MAIN GEAR REBOUND.	NP	8
	35-815249-1	. . CYLINDER ASSY, REBOUND/BRAZED/	1	7
	35-815192-57	. . CYLINDER ASSY, REBOUND/WELDED/	1	8
- 5	36-810018-1	. . TUBE, ORIFICE REBOUND.	1	8
- 6	35-815192-51	. . HEAD, ORIFICE REBOUND.	1	8
- 7	35-815192-21	. . CAP, ORIFICE REBOUND	1	8
- 8	35-815192-3	. . ABSORBER ASSY, MAIN GEAR UPPER SHOCK LH.	1	8
	35-815192-4	. . ABSORBER ASSY, MAIN GEAR UPPER SHOCK RH.	1	8
	35-815192-9	. . BARREL ASSY, MAIN GEAR ABSORBER.	1	8
- 9	35-815192-23	. . TUBE, SHOCK ABSORBER	1	8
- 10	35-815192-13	. . HEAD, MAIN GEAR BARREL END	1	8
	45-815215	. . BEARING ASSY, MAIN GEAR BARREL UPPER	1	8
- 11	45-815215-2	. . TUBE /ORDER 45-815215/.	NP	8
- 12	45-815215-4	. . BUSHING /ORDER 45-815215/	NP	8
- 13	45-815230	. . FITTING, MAIN GEAR BEARING LOWER	1	8
- 14	45-815231	. . BEARING, MAIN GEAR LOWER	1	8
	45-810067-1	. . TRUSS ASSY, MAIN GEAR SHOCK ABSORBER LH.	1	8
	45-810067-2	. . TRUSS ASSY, MAIN GEAR SHOCK ABSORBER RH.	1	8
- 15	MS15002-1	. . FITTING, LUBRICATION	2	8
	35-815086-4	. . BRACKET, UPPER ABSORBER BARREL LH.	1	8
	35-815086-5	. . BRACKET, UPPER ABSORBER BARREL RH.	1	9
- 16	NAS50-262	. . RING, SNAP	1	8
	RRN237C	. . RING, SNAP	1	7
- 17	AN623087	. . GASKET	1	8
	AN623085	. . GASKET	1	7
- 18	35-815088-10	. . BODY ASSY, MAIN GEAR VALVE & FITTING PLUG.	1	8
- 19	35-815088-4	. . BODY, VALVE & FILLER PLUG.	1	9
	118642-7	. . BODY, VALVE	1	7
- 20	35-815088-6	. . TUBE, VALVE & FILLER PLUG.	1	9
- 21	302D	. . CORE /SUPERSEDES AN809-1/	1	
- 22	AN813-1A	. . CAP	1	8
	MS20813-1	. . CAP	1	7
- 23	AN6290-5	. . GASKET /SUPERSEDES AN902-5/	1	8
	MS28778-5	. . GASKET	1	7
- 24	AN6227831	. . RING, O.	1	
- 25	MS28776R2-20	. . SCRAPER	1	8
	504271	. . SCRAPER	1	7
- 26	111200-6	. . RING, SNAP	1	8
- 27	45-815232	. . SCRAPER, COMPOSITION WIPER	1	8
- 28	45-815011-10	. . KNEE ASSY, MAIN GEAR TORQUE UPPER.	1	
		/SUPERSEDES 45-815011-6/		
		/ATTACHING PARTS/		
- 29	45-815237	. . PIN, MAIN GEAR TORQUE KNEE ATTACHING	1	
- 30	AN392-27	. . PIN, CLEVIS.	1	
	MS20392-1-21	. . PIN, CLEVIS.	1	
	MS24665-130	. . PIN, COTTER /SUPERSEDES AN380-2-1/	1	
		*		
- 31	45-815011-4	. . KNEE, TORQUE	1	
- 32	45-815013	. . BUSHING, MAIN GEAR TORQUE.	2	
- 33	1729	. . FITTING, ALEMITE	3	

B E E C H C R A F T
B O N A N Z A 3 3 T H R U E 3 3
I L L U S T R A T E D P A R T S C A T A L O G

FIG. & ITEM NO.	PART NO.	1 2 3 4 5 6 7	DESCRIPTION	UNITS PER ASSY	USABLE ON CODE
35	35-815194-3	. . .	KNEE ASSY,MAIN GEAR TORQUE LOWER. /SUPERSEDES 35-815194/ /ATTACHING PARTS/	1	
- 34	45-815237	. . .	PIN,MAIN GEAR TORQUE ATTACHING.	1	
- 35	AN392-23	. . .	PIN,CLEVIS.	1	
	AN392-27	. . .	PIN,CLEVIS /SUPERSEDES MS20392-1-27/.	1	
	MS24665-130	. . .	PIN,COTTER /SUPERSEDES AN380-2-1/	1	

- 36	35-815194-5	. . .	KNEE,TORQUE /SUPERSEDES 35-815194-1/.	1	
- 37	45-815013	. . .	BUSHING,MAIN GEAR TORQUE KNEE	2	
- 38	MS15002-1	. . .	FITTING	2	
- 39	AN5-13 /M/	. . .	BOLT.	1	
- 40	105739S-YK0431	. . .	BUSHING	1	
	AN960-516	. . .	WASHER.	1	
	AN310-5	. . .	NUT	1	
	AN380-2-3	. . .	PIN,COTTER.	1	
- 41	35-815043	. . .	TUBE ASSY,HYDRAULIC BRAKE TRUSS LH.	1	8
	95-810002-3	. . .	TUBE ASSY,HYDRAULIC BRAKE TRUSS LH.	1	18
	35-815254-25	. . .	TUBE ASSY,HYDRAULIC BRAKE TRUSS LH.	1	19
	35-815044	. . .	TUBE ASSY,HYDRAULIC BRAKE TRUSS RH.	1	8
	95-810002-4	. . .	TUBE ASSY,HYDRAULIC BRAKE TRUSS RH.	1	18
	35-815254-26	. . .	TUBE ASSY,HYDRAULIC BRAKE TRUSS RH.	1	19
- 42	AN815-4D	. . .	UNION	2	8
	AN837-4D	. . .	ELBOW	2	18
	AN818-4D	. . .	NUT	2	19
	AN819-4	. . .	SLEEVE.	2	19
- 43	35-815004	. . .	CLAMP ASSY,LANDING GEAR DOOR ATTACHING LH	1	20
	35-815264-1	. . .	CLAMP ASSY,LANDING GEAR DOOR ATTACHING LH	1	19
	35-815004-6	. . .	CLAMP ASSY,LANDING GEAR DOOR ATTACHING LH	1	1
	35-815004-1	. . .	CLAMP ASSY,LANDING GEAR DOOR ATTACHING RH	1	20
	35-815264-2	. . .	CLAMP ASSY,LANDING GEAR DOOR ATTACHING RH	1	19
	35-815004-7	. . .	CLAMP ASSY,LANDING GEAR DOOR ATTACHING RH	1	1
			/ATTACHING PARTS/		
- 44	AN4-10A /M/	. . .	BOLT.	1	20
	AN4-14 /M/	. . .	BOLT.	1	19
	AN960-416	. . .	WASHER.	1	
	MS20365-428	. . .	NUT /SUPERSEDES AN365-428/.	1	

- 45	33-810000-5	. . .	BUSHING,MAIN LANDING GEAR WHEEL SPACER.	1	2
	33-810000-13	. . .	BUSHING,MAIN LANDING GEAR WHEEL SPACER.	1	4
	35-815254-7	. . .	BUSHING,MAIN LANDING GEAR WHEEL SPACER.	1	7
- 46	33-810000-7	. . .	SPACER,LANDING GEAR INNER WHEEL	1	2
	33-810000-15	. . .	SPACER,LANDING GEAR INNER WHEEL	1	4
	35-815254-9	. . .	SPACER,LANDING GEAR INNER WHEEL	1	7
- 47	100951X100WL	. . .	WASHER.	AR	
	33-810000-3	. . .	WHEEL & BRAKE ASSY,LH	1	2
	33-810000-11	. . .	WHEEL & BRAKE ASSY,LH	1	6
	33-810000-4	. . .	WHEEL & BRAKE ASSY,RH	1	2
	33-810000-12	. . .	WHEEL & BRAKE ASSY,RH	1	6
	35-815254-13	. . .	WHEEL & BRAKE ASSY,LH	1	17
	35-815254-14	. . .	WHEEL & BRAKE ASSY,RH	1	17
	35-810026-5	. . .	WHEEL & BRAKE ASSY,LH & RH /STANDARD/	1	16
	35-810026-39	. . .	WHEEL & BRAKE ASSY,LH & RH /OPTIONAL/	1	16
	35-815254-21	. . .	WHEEL & BRAKE ASSY,LH	1	14
	35-815254-22	. . .	WHEEL & BRAKE ASSY,RH	1	14
- 48	35-200A	. . .	BRAKE ASSY,LANDING GEAR	1	27
			/ONE SPOT BRAKE/ /SEE FIG. 68/		
	35-8002-5	. . .	BRAKE ASSY,LANDING GEAR /SEE FIG. 69A/.	1	16
			/STANDARD/		
	35-8002-25	. . .	BRAKE ASSY,LANDING GEAR /SEE FIG. 69A/.	1	16
			/OPTIONAL/		
	30-24	. . .	BRAKE ASSY,LANDING GEAR	1	6
			/TWO SPOT BRAKE/ /SEE FIG. 68/		

B E E C H C R A F T
 BONANZA 33 THRU E33
 I L L U S T R A T E D P A R T S C A T A L O G

FIG. & ITEM NO.	PART NO.	1	2	3	4	5	6	7	DESCRIPTION	UNITS PER ASSY	USABLE ON CODE
35	95-300001-5	BRAKE ASSY,LH /SEE FIG. 69/	1	10
	95-300001-6	BRAKE ASSY,RH /SEE FIG. 69/	1	10
		/ATTACHING PARTS/		
- 49	AN4-15A /M/	BOLT.	4	
	AN960-416	WASHER.	4	
	MS20365-428	NUT /SUPERSEDES AN365-428/	4	
		-----*		
- 50	27-100D	WHEEL ASSY,MAIN LANDING GEAR.	1	2
		/USED WITH ONE SPOT BRAKE/		
		/SEE FIG. 70/		
	40-37	WHEEL ASSY,MAIN LANDING GEAR.	1	6
		/USED WITH TWO SPOT BRAKE/		
		/SEE FIG. 70/		
	35-8002-3	WHEEL ASSY,MAIN LANDING GEAR.	1	16
		/SEE FIG. 71/		
	95-300001-73	WHEEL ASSY,MAIN LANDING GEAR.	1	14
		/SEE FIG. 71/		
	95-300001-67	WHEEL ASSY,LH AND RH /TUBELESS TIRE/	1	13
		/SUPERSEDES 95-300001-1/		
		/SEE FIG. 71/		
		/ATTACHING PARTS/		
- 51	AN7502-24	NUT	1	
	AN380-4-8	PIN,COTTER.	1	
		-----*		
- 52	6 00X6 6P TL	TIRE,TUBELESS /SIX PLY/	1	
	6 00X6 6P TT	TIRE,TUBE TYPE /SIX PLY/	1	
	6 00X6	TUBE.	1	
	7 00X6 6P TT	TIRE,TUBE TYPE /SIX PLY/ /OPTIONAL/	1	11
	7 00X6	TUBE.	1	12
- 52A	MS28741-4-0125	HOSE ASSY,HYDRAULIC BRAKE /SUPERSEDES	1	2
		MS28741-4-0110/		
	MS28741-4-0133	HOSE ASSY,HYDRAULIC BRAKE	1	4
- 53	AN6290-4	GASKET.	1	2
- 54	AN815-4D	UNION	1	2
	AN960-716	WASHER.	1	2
	AN960-716L	WASHER.	3	4
	AN832-4D	NUT	1	2
	AN924-4D	NUT	1	4
	AN837-4D	ELBOW,UPPER HYDRAULIC BRAKE HOSE.	1	4
	AN822-4D	ELBOW,LOWER HYDRAULIC BRAKE HOSE.	1	4
- 55	35-815038	CLAMP ASSY,HYDRAULIC BRAKE LINE	2	8
	MS21919DG4	CLAMP ASSY,HYDRAULIC BRAKE LINE	1	7
		/ATTACHING PARTS/		
- 56	AN4-7A /M/	BOLT.	2	
	AN520-1032	SCREW	1	
	AN960-416	WASHER.	2	
	AN960D10	WASHER.	1	
	MS20365-428	NUT /SUPERSEDES AN365-428/	2	
	MS20365-1032	NUT	1	
		-----*		
	35-815001-8	SHIM,CLAMP LINE	1	8
- 57	35-810162	PLACARD,SHOCK STRUT FILLING INSTRUCTION LH.	1	8
	35-810170	PLACARD,SHOCK STRUT FILLING INSTRUCTION LH.	1	12
	96-810021	PLACARD,SHOCK STRUT FILLING INSTRUCTION LH.	1	11
	35-810163	PLACARD,SHOCK STRUT FILLING INSTRUCTION RH.	1	8
	35-810171	PLACARD,SHOCK STRUT FILLING INSTRUCTION RH.	1	12
	96-810020	PLACARD,SHOCK STRUT FILLING INSTRUCTION RH.	1	11
- 58	35-815150-2	FELT.	1	8

B E E C H C R A F T
 BONANZA 33 THRU E33
 I L L U S T R A T E D P A R T S C A T A L O G

FIG. & ITEM NO.	PART NO.	1 2 3 4 5 6 7	DESCRIPTION	UNITS PER ASSY	USABLE ON CODE
35 - 59	MS28741-4-0140	. .	HOSE ASSY, LOWER BRAKE	1	20
	MS28741-4-0180	. .	HOSE ASSY, LOWER BRAKE	1	19

C O D E S O F E F F E C T I V I T Y

- | | |
|---|--|
| 1 CD-285 THRU CD-350
3 CD-1119 AND AFTER,
CE-180 AND AFTER

5 CE-1 THRU CE-179

7 CD-635 AND AFTER,
CE-1 AND AFTER
9 CD-814 THRU CD-1115
CE-1 THRU CE-171
11 CD-1035 AND AFTER,
CE-90 AND AFTER
13 CD-1135 THRU CD-1234
CE-192 THRU CE-289
15 CD-635 THRU CD-813

17 CD-635 THRU CD-846

9 CD-1034 AND AFTER,
CE-51 AND AFTER

21 CD-624,
CD-626 THRU CD-631,
CD-633 THRU CD-636,
CD-639
23 CD-814 THRU CD-1118,
CE-1 THRU CE-179
25 CD-1121 THRU CD-1134

27 CD-1 THRU CD-387 | 2 CD-1 THRU CD-224
4 CD-225 THRU CD-623
EXCEPT CD-233,
CD-234, CD-236,
CD-241,
CD-246 THRU CD-250
6 CD-388 THRU CD-639
EXCEPT CD-625,
CD-632, CD-637,
AND CD-638
8 CD-1 THRU CD-634

10 CD-635 THRU CD-1115
CE-1 THRU CE-171
12 CD-635 THRU CD-1034,
CE-1 THRU CE-89
14 CD-847 THRU CD-1115
CE-1 THRU CE-171
16 CD-1116 THRU CD-1234
CE-172 THRU CE-289
18 CD-635 THRU CD-1033,
CE-1 THRU CE-50
20 CD-1 THRU CD-1033
EXCEPT
CD-285 THRU CD-350,
CE-1 THRU CE-50
22 CD-625, CD-632,
CD-637, CD-638,
CD-640 THRU CD-813

24 CD-814 THRU CD-1118

26 CD-1119 AND CD-1120,
CE-180 THRU CE-191 |
|---|--|

B E E C H C R A F T
B O N A N Z A 3 3 T H R U E 3 3
I L L U S T R A T E D P A R T S C A T A L O G

FIGURE 36
MAIN LANDING GEAR RETRACT SYSTEM

BEECHCRAFT
BONANZA 33 THRU E33
ILLUSTRATED PARTS CATALOG

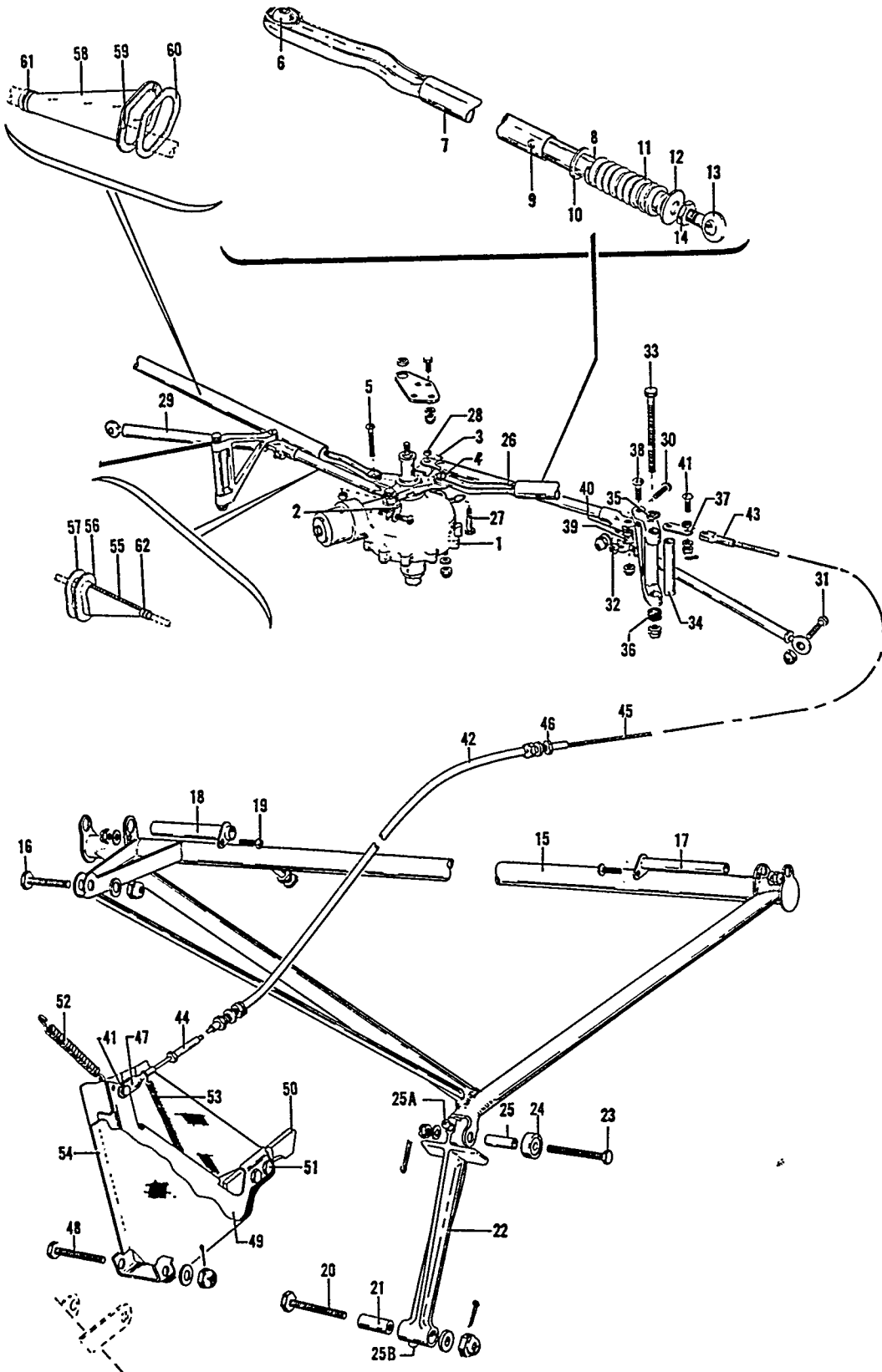


FIGURE 36. MAIN LANDING GEAR RETRACT SYSTEM

B E E C H C R A F T
BONANZA 33 THRU E33
I L L U S T R A T E D P A R T S C A T A L O G

FIG. & ITEM NO.	PART NO.	DESCRIPTION							UNITS PER ASSY	USABLE ON CODE
		1	2	3	4	5	6	7		
36	35-815101-3	RETRACT INSTL,MAIN LANDING GEAR							NP	
- 1	35-810075-7	. ACTUATOR ASSY,LANDING GEAR RETRACT.							1	
		/SUPERSEDES 35-810075-5/ /SEE FIG. 37/								
- 2	35-364127	. SWITCH,LANDING GEAR ACTUATOR.							1	
- 3	35-364130	. ACTUATOR ASSY,LANDING GEAR SWITCH							1	
	35-815125-2	. ROD ASSY,MAIN GEAR RETRACT LH							1	
	35-815125-4	. ROD ASSY,MAIN GEAR RETRACT RH							1	
		/ATTACHING PARTS/								
- 4	AN26-23 /M/	. BOLT.							1	
- 5	AN6-11A /M/	. BOLT.							1	
	AN960-616	. WASHER.							3	
	AN320-6	. NUT							1	
	AN365-624	. NUT							1	
	AN380-3-2	. PIN,COTTER.							1	
		-----*								
- 6	LS6	. . BEARING							1	
- 7	35-815125-602	. . BRAZE ASSY,ROD LH /SUPERSEDES 35-815125-12/							1	
	35-815125-604	. . BRAZE ASSY,ROD RH /SUPERSEDES 35-815125-14/							1	
- 8	35-815131	. . PLUNGER ASSY,LANDING GEAR RETRACT ROD . . .							1	
		/ATTACHING PARTS/								
- 9	AN394-33	. . PIN							1	
	AN960D416L	. . WASHER.							1	
	MS24665-132	. . PIN,COTTER /SUPERSEDES AN380-2-2/							1	
		-----*								
	35-815125-10	. . TUBE,RETRACT ROD.							1	
- 10	100951S063XP	. . WASHER,LH							4	
	100951S063XP	. . WASHER,RH							3	
- 11	45-815091	. . SPRING.							1	
- 12	100951S063YU	. . WASHER.							1	
- 13	HM6	. . END,ROD							1	
- 14	AN316-6R	. . NUT							1	
- 15	35-815155-610	. BRACE ASSY,MAIN LANDING GEAR RETRACT LH . . .							1	
		/SUPERSEDES 35-815155-2 AND 35-815102								
	35-815155-611	. BRACE ASSY,MAIN LANDING GEAR RETRACT RH . . .							1	
		/SUPERSEDES 35-815155-3 AND 35-815102								
		/ATTACHING PARTS/								
- 16	AN6-11A /M/	. BOLT.							1	
	AN960-616	. WASHER.							1	
	AN365-624	. NUT							1	
- 17	35-815120	. PIN ASSY,LANDING GEAR RETRACT BRACE AFT . . .							1	
	100951S016YP	. WASHER.							AR	
	100951S032YP	. WASHER.							AR	
- 18	35-815123-10	. PIN ASSY,LANDING GEAR RETRACT BRACE FWD . . .							1	
	100951S016XF	. WASHER.								
	100951S032XF	. WASHER.							AR	
- 19	AN515-8R8	. SCREW /SUPERSEDES AN515-8-8/.							2	
	AN960-8	. WASHER.							2	
	MS20365-832	. NUT /SUPERSEDES AN365-832/.							2	
- 20	AN5-22 /M/	. BOLT.							1	
	AN960-516	. WASHER.							1	
- 21	35-815124	. BUSHING,RETRACT BRACE LOWER GRIP.							1	
	AN310-5	. NUT							1	
	MS24665-132	. PIN,COTTER /SUPERSEDES AN380-2-2/							1	
		-----*								
	35-815102-20	. . BRACE ASSY,LH /ORDER 35-815155-610/							NP	
	35-815102-21	. . BRACE ASSY,RH /ORDER 35-815155-611/							NP	
- 22	35-815129	. . LEG ASSY,MAIN GEAR RETRACT /ORDER							NP	
		35-815155-610 LH OR 35-815155-611 R								
		/ATTACHING PARTS/								
- 23	NAS464-5-23/M/	. . BOLT.							1	
- 24	NAS505-5J	. . BEARING							1	

B E E C H C R A F T
 BONANZA 33 THRU E33
 I L L U S T R A T E D P A R T S C A T A L O G

FIG. & ITEM NO.	PART NO.	DESCRIPTION	UNITS PER ASSY	USABLE ON CODE
		1 2 3 4 5 6 7		
36 - 25	35-810122-1	. . BUSHING,RETRACT BRACE GRIP /SUPERSEDES. 35-810122/	1	
	AN960-516L	. . WASHER.	1	
	AN320-5/M/	. . NUT	1	
	MS24665-132	. . PIN,COTTER /SUPERSEDES AN380-2-2/	1	

- 25A	1729	. . . FITTING,LUBRICATION	1	
- 25B	AN286-1	. . . FITTING,LUBRICATION/SUPERSEDES MS15001-2/	1	
- 26	45-815003-3	. ROD ASSY,LANDING GEAR DOOR ACTUATOR LH.	1	
	45-815003-1	. ROD ASSY,LANDING GEAR DOOR ACTUATOR RH. /ATTACHING PARTS/	1	
- 27	AN24-16 /M/	. BOLT.	1	
	AN960-416	. WASHER.	2	
- 28	35-815101-2	. BUSHING /SUPERSEDES 100801X5-0135/.	1	
	AN310-4	. NUT	1	
	MS24665-132	. PIN,COTTER /SUPERSEDES AN380-2-2/	1	

- 29	35-815007-4	. LINK ASSY,MAIN GEAR DOOR. /ATTACHING PARTS/	1	
- 30	AN4-12A /M/	. BOLT.	1	
- 31	AN24-14/M/	. BOLT.	1	
	AN960-416	. WASHER.	1	
	MS20365-428	. NUT /SUPERSEDES AN365-428/.	1	
	AN320-4	. NUT	1	
	MS24665-132	. PIN,COTTER /SUPERSEDES AN380-2-2/	1	
- 32	102933S5ZL0125	. SPACER.	2	

	35-815118	. ARM ASSY,MAIN GEAR DOOR IDLER /ATTACHING PARTS/	1	
- 33	AN4-54A /M/	. BOLT.	1	
- 34	100801S5-4781	. BUSHING	1	
	AN960-416	. WASHER.	1	
- 35	100951P062YH	. WASHER.	2	
- 36	108492S416-016	. WASHER.	1	
	MS20365-428	. NUT /SUPERSEDES AN365-428/.	1	

- 37	35-815078	. LINK,MAIN LANDING GEAR UP LOCK CABLE. /ATTACHING PARTS/	1	
- 38	35-815183	. SCREW,LANDING GEAR DOOR IDLER ATTACH.	1	
- 39	105739D-ZT0250	. BUSHING	1	
- 40	105739S-ZE0137	. BUSHING	1	
	AN960-10	. WASHER.	1	
	AN310-3	. NUT	1	
	MS24665-132	. PIN,COTTER /SUPERSEDES AN380-2-2/	1	

	35-815109	. CABLE ASSY,MAIN GEAR UP LOCK. /ATTACHING PARTS/	1	
- 41	AN23-10 /M/	. BOLT.	2	
	AN960-10	. WASHER.	1	
	AN960-10L	. WASHER.	1	
	AN310-3	. NUT	2	
	MS24665-132	. PIN,COTTER /SUPERSEDES AN380-2-2/	2	

- 42	S167-46	. . HOUSING /46 INCHES LONG/.	1	
- 43	AN667-2	. . TERMINAL,CABLE.	1	
- 44	AN666-2	. . TERMINAL,CABLE.	1	
- 45	35-815109-2	. . CABLE,MAIN GEAR UP LOCK	1	
- 46	S123	. BUSHING	2	
	AN960-616	. WASHER.	2	
	AN365-624	. NUT	2	

B E E C H C R A F T
BONANZA 33 THRU E33
I L L U S T R A T E D P A R T S C A T A L O G

FIG. & ITEM NO.	PART NO.	DESCRIPTION	UNITS PER ASSY	USABLE ON CODE
36 - 47	AN665-10R	. TERMINAL.	1	
	35-815077-12	. LOCK ASSY,MAIN LANDING GEAR UP LH /SUPERSEDES 35-815077 & 35-815077-8/	1	
	35-815077-13	. LOCK ASSY,MAIN LANDING GEAR UP RH /SUPERSEDES 35-815077-1 & 35-815077-9 /ATTACHING PARTS/	1	
- 48	AN24-32 /M/	. BOLT.	1	
	AN960-416L	. WASHER.	1	
	AN310-4	. NUT	1	
	MS24665-132	. PIN,COTTER /SUPERSEDES AN380-2-2/	1	
- 49	35-815077-14	. . BRACKET,LANDING GEAR UP LOCK LH /SUPERSEDES 35-815077-2 & 35-815077	1	
	35-815077-15	. . BRACKET,LANDING GEAR UP LOCK RH /SUPERSEDES 35-815077-3 & 35-810577	1	
- 50	35-815077-4	. . BLOCK,LANDING GEAR LH	1	
	35-815077-5	. . BLOCK,LANDING GEAR RH /ATTACHING PARTS/	1	
- 51	AN3-5A /M/	. . BOLT.	2	
	AN960-10	. . WASHER.	2	
	MS20365-1032	. . NUT /SUPERSEDES AN365-1032/	2	
- 52	35-815115	. . SPRING,MAIN LANDING GEAR UP LOCK.	1	
- 53	100942C0020-31	. . SPRING,TENSION.	1	
- 54	35-815156-4	. . BOOT ASSY,LANDING GEAR UP LOCK LH /SUPERSEDES 35-815156/	1	
	35-815156-5	. . BOOT ASSY,LANDING GEAR UP LOCK RH /SUPERSEDES 35-815156-1/	1	
	33-534047	SEAL INSTL,CABIN.	NP	1
	96-810024	. . SEAL ASSY,LANDING GEAR DOOR RETRACT ROD	1	1
	96-810024-7	. . SEAL ASSY	1	1
- 55	96-810024-1	. . . SEAL.	1	1
- 56	96-810024-5	. . . FLANGE.	1	1
- 57	96-810024-3	. . RING.	1	1
	96-810023-7	. . SEAL ASSY,LANDING GEAR RETRACT ROD.	1	1
- 58	96-810023-1	. . SEAL.	1	1
- 59	96-810023-5	. . FLANGE.	1	1
- 60	33-534047-1	. . RING,LANDING GEAR RETRACT ROD SEAL.	1	1
- 61	NAS397-16	. . CLAMP	1	1
	NAS397-18	. . CLAMP /ALTERNATE FOR NAS397-16/	1	1
- 62	NAS397-8	. . CLAMP	1	1
	NAS397-10	. . CLAMP /ALTERANTE FOR NAS397-8/.	1	1

CODES OF EFFECTIVITY

- I CD-1200 AND AFTER
- CE-249 AND AFTER

B E E C H C R A F T
B O N A N Z A 3 3 T H R U E 3 3
I L L U S T R A T E D P A R T S C A T A L O G

FIGURE 37
LANDING GEAR ACTUATOR

BEECHCRAFT
BONANZA 33 THRU E33
ILLUSTRATED PARTS CATALOG

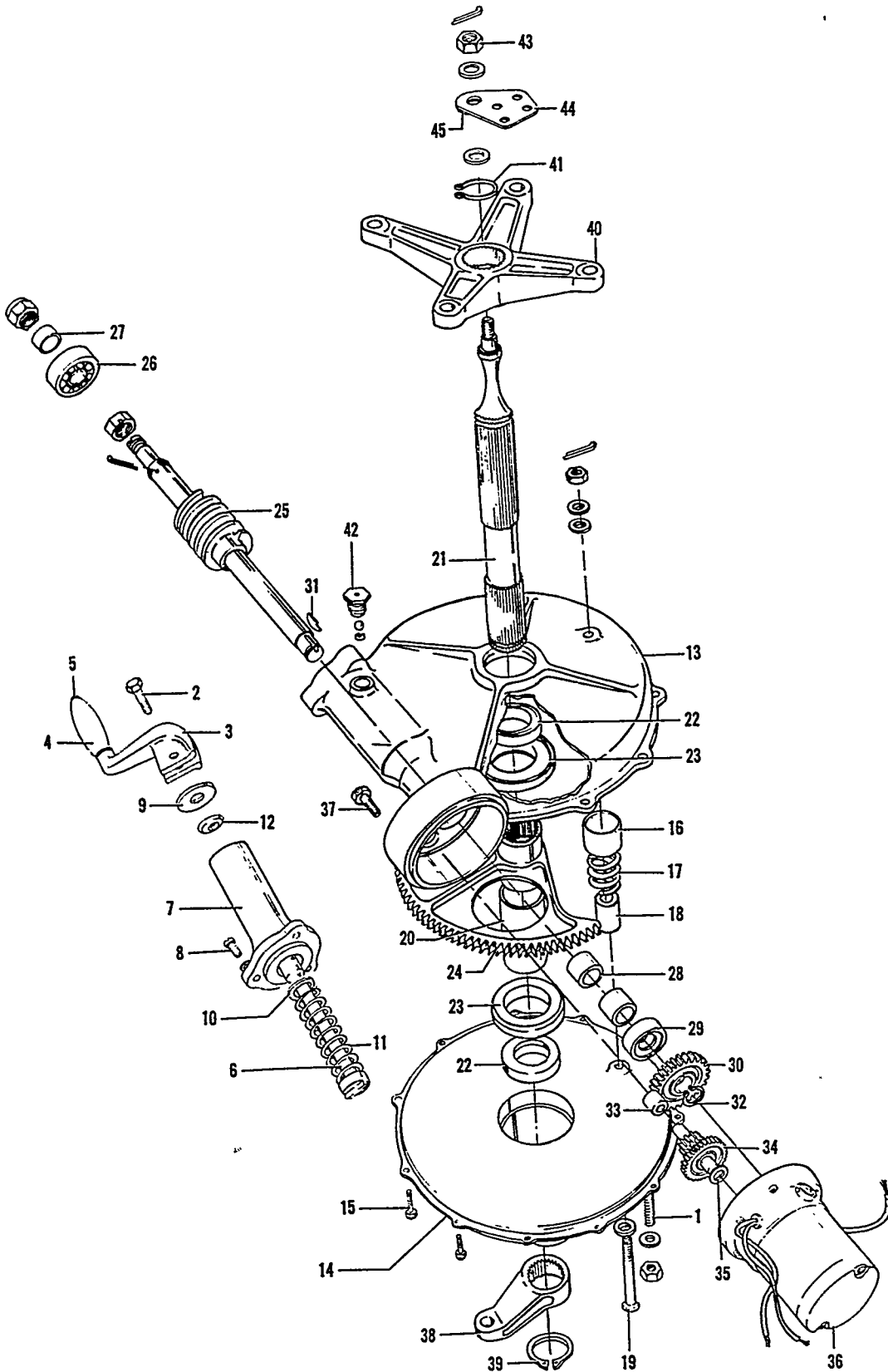


FIGURE 37. LANDING GEAR ACTUATOR

B E E C H C R A F T
 BONANZA 33 THRU E33
 I L L U S T R A T E D P A R T S C A T A L O G

FIG. & ITEM NO.	PART NO.	DESCRIPTION	UNITS PER ASSY	USABLE ON CODE
		1 2 3 4 5 6 7		
37	35-810075-5	ACTUATOR ASSY, LANDING GEAR.	NP	1
		/ORDER 35-810075-7/ /SEE FIG. 36 FOR NHA/		
	35-810075-7	ACTUATOR ASSY, LANDING GEAR.	1	2
		/SEE FIG. 36 FOR NHA/ /ATTACHING PARTS/		
- 1	35-810097	STUD, LANDING GEAR RETRACT	4	
	AN960-416	WASHER.	4	
	AN365-420	NUT	4	

	35-810094	. CRANK ASSY, HAND	1	
		/ATTACHING PARTS/		
- 2	AN23-17A /M/	. BOLT.	1	
	AN960-10	. WASHER.	1	
	MS20365-1032	. NUT /SUPERSEDES AN365-1032/	1	

- 3	35-810094-2	. . CRANK, HAND.	1	
- 4	35-810094-6	. . HANDLE, HAND CRANK	1	
- 5	AN393-77	. . PIN	1	
	AN960-10L	. . WASHER.	1	
- 6	35-810095	. SHAFT, HAND CRANK ENGAGING	1	
- 7	35-810142	. HOUSING, HAND CRANK SHAFT.	1	
		/ATTACHING PARTS/		
- 8	AN500A10-10	. SCREW	3	
	AN960-10	. WASHER.	3	

- 9	35-810134	. WASHER.	2	
	35-810134-1	. WASHER.	AR	
- 10	100951X063YW	. WASHER.	1	
- 11	35-810075-11	. SPRING /SUPERSEDES 100943YC112D/.	1	
- 12	AN6227B9	. RING, O.	1	
- 13	35-810141	. HOUSING, LANDING GEAR ACTUATOR UPPER	1	1
	35-810141-3	. HOUSING, LANDING GEAR ACTUATOR UPPER	1	2
- 14	35-815020	. HOUSING, LANDING GEAR ACTUATOR LOWER	1	
		/ATTACHING PARTS/		
- 15	AN500A10-10	. SCREW	9	
	AN500A10-8	. SCREW	2	
	AN960-10	. WASHER.	11	

- 16	100696X-YD024	. SPACER, GEAR STOP.	1	
- 17	35-810119	. SPRING, GEAR STOP.	1	
- 18	35-810087	. STOP, WORM SECTOR GEAR	1	
		/ATTACHING PARTS/		
- 19	AN5-17 /M/	. BOLT.	1	
	AN960-516	. WASHER.	1	
	AN960D516	. WASHER.	2	
	AN310-5	. NUT	1	
	MS24665-132	. PIN, COTTER /SUPERSEDES AN380-2-2/	1	

- 20	35-810088	. SPACER, LANDING GEAR ACTUATOR.	1	
- 21	35-810083	. SHAFT, ACTUATOR DRIVE.	1	
- 22	KP21B	. BEARING, DRIVE SHAFT /SUPERSEDES K21B/	2	
- 23	450273	. SEAL /SUPERSEDES 15766/	2	
- 24	35-810117	. SECTOR, ACTUATOR WORM /SUPERSEDES 35-815259/	1	
- 25	35-810076	. GEAR, ACTUATOR WORM.	1	
	AN380-3-4	. PIN, COTTER.	1	
	35-810147	. NUT, ACTUATOR WORM GEAR.	1	
- 26	5201K	. BEARING /SUPERSEDES 52015B/	1	
- 27	35-810077	. BUSHING, ACTUATOR WORM GEAR.	2	
	45-810144	. NUT	1	
- 28	B88	. BEARING /SUPERSEDES B88X/	2	
- 29	09916M1	. SEAL /SUPERSEDES 10016/	1	
- 30	35-810140	. GEAR, WORM DRIVE	1	
- 31	35-810091	. KEY, WORM DRIVE GEAR	1	
- 32	NAS51-43	. RING.	1	

B E E C H C R A F T
B O N A N Z A 3 3 T H R U E 3 3
I L L U S T R A T E D P A R T S C A T A L O G

FIG. & ITEM NO.	PART NO.	DESCRIPTION	UNITS PER ASSY	USABLE ON CODE
		1 2 3 4 5 6 7		
37 - 33	M471	. BEARING /SUPERSEDES M471X/	1	
- 34	35-810139	. GEAR, SPUR & PINION.	1	
- 35	105090CR032-4E	. WASHER.	1	
- 36	35-810075-3	. MOTOR ASSY, LANDING GEAR ACTUATOR.	1	
		/ATTACHING PARTS/		
- 37	AN73-15 /M/ AN960-10L	. BOLT. WASHER.	3 3	
		-----*		
	35-380094-3	. . MOTOR, LANDING GEAR ACTUATOR	1	
		/SUPERSEDES IS14400/		
	35107A	. . . SPRING & BRUSH ASSY	2	
	YZ10-1	. . . CONNECTOR	2	
	AN659-5	. . . TERMINAL.	1	
- 38	35-825172-2	. ARM, NOSE GEAR ACTUATOR RETRACT.	1	
- 39	NAS51-131	. RING.	1	
- 40	45-810090	. ARM, ACTUATOR RETRACT.	1	
- 41	NAS51-131	. RING.	1	
- 42	45-810071	. PLUG, WORM GEAR GREASE	1	1
	AN900-9	. GASKET, PLUG	1	1
	5677	. PLUG, WORM GEAR GREASE	1	2
	RTV-108	. SEALING COMPOUND /SUPERSEDES SILASTIC #140/	AR	
	35-810132	SUPPORT ASSY, LANDING GEAR ACTUATOR UPPER.	1	
		/SEE FIG. 22 FOR NHA/ /ATTACHING PARTS/		
	AN960-716	. WASHER.	1	
	AN960-516	. WASHER.	1	
- 43	AN310-5	. NUT	1	
	MS24665-132	. PIN, COTTER /SUPERSEDES AN380-2-2/	1	
		-----*		
- 44	35-810132-2	. SUPPORT, GEAR ACTUATOR UPPER	1	
- 45	35-810133	. BUSHING, ACTUATOR GEAR SUPPORT	1	

C O D E S O F E F F E C T I V I T Y

- | | | | |
|---|---|---|--|
| 1 | CD-1 THRU CD-512
EXCEPT CD-496 AND
CD-497 | 2 | CD-496, CD-497,
CD-513 AND AFTER,
CE-1 AND AFTER |
|---|---|---|--|

BEECHCRAFT
BONANZA 33 THRU E33
ILLUSTRATED PARTS CATALOG

FIGURE 38
MAIN LANDING GEAR DOORS

BEECHCRAFT
BONANZA 33 THRU E33
ILLUSTRATED PARTS CATALOG

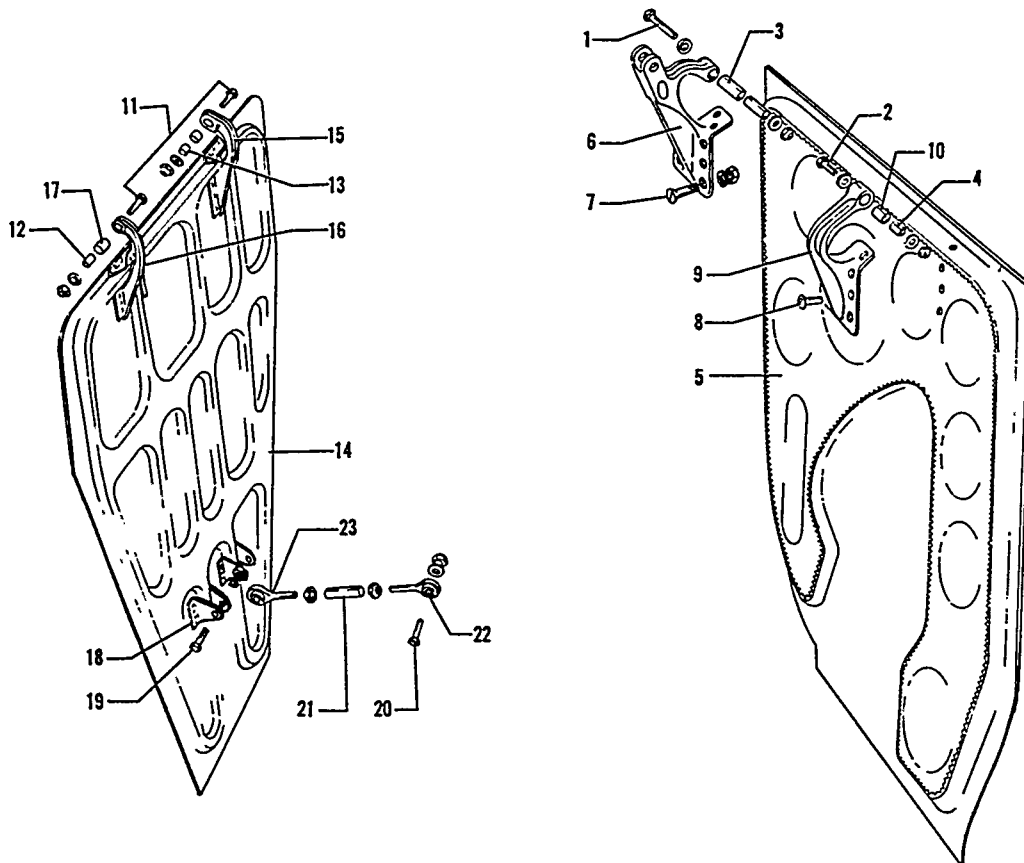


FIGURE 38. MAIN LANDING GEAR DOORS

B E E C H C R A F T
 BONANZA 33 THRU E33
 I L L U S T R A T E D P A R T S C A T A L O G

FIG. & ITEM NO.	PART NO.	1	2	3	4	5	6	7	DESCRIPTION	UNITS PER ASSY	USABLE ON CODE	
38	35-815055								DOOR INSTL,MAIN LANDING GEAR LH	NP		
	35-815055-1								DOOR INSTL,MAIN LANDING GEAR RH	NP		
	35-815055-60								. DOOR ASSY,INBD LH	1		
	35-815055-61								. DOOR ASSY,INBD RH	1		
									/ATTACHING PARTS/			
	- 1	AN3-15A/M/								. BOLT	1	
	- 2	AN3-10A/M/								. BOLT	1	
		AN960-10								. WASHER	2	
		AN960-10L								. WASHER	2	
	- 3	105739X-ZP1050								. BUSHING	1	
	- 4	105739X-ZP0500								. BUSHING	1	
		MS20365-1032								. NUT /SUPERSEDES AN365-1032/	2	
										-----*		
	- 5	35-815055-56								. . DOOR,INBD LH.	1	
	35-815055-57								. . DOOR,INBD RH.	1		
- 6	45-815005-1								. . HINGE ASSY,FWD INBD LH.	1	3	
	35-815266-1								. . HINGE ASSY,FWD INBD LH.	1	4	
	45-815005-2								. . HINGE ASSY,FWD INBD RH.	1	3	
	35-815266-2								. . HINGE ASSY,FWD INBD RH.	1	4	
									/ATTACHING PARTS/			
- 7	AN525-10-24								. . SCREW	3		
	AN525-10-8								. . SCREW	2		
	AN525-10-10								. . SCREW	2		
	AN960-10								. . WASHER	5		
	MS20365-1032								. . NUT /SUPERSEDES AN365-1032/	5		
									-----*			

B E E C H C R A F T
B O N A N Z A 3 3 T H R U E 3 3
I L L U S T R A T E D P A R T S C A T A L O G

FIG. & ITEM NO.	PART NO.	1' 2 3 4 5 6 7	DESCRIPTION	UNITS PER ASSY	USABLE ON CODE
38	35-815016	. . .	HINGE ASSY,AFT INBD LH.	1	
	35-815016-1	. . .	HINGE ASSY,AFT INBD RH.	1	
			/ATTACHING PARTS/		
- 8	AN525-10-10	. . .	SCREW	4	
	AN960-10	. . .	WASHER.	3	
	AN960-10L	. . .	WASHER.	3	
	MS20365-1032	. . .	NUT /SUPERSEDES AN365-1032/	3	
	MS20364-1032	. . .	NUT /SUPERSEDES AN364-1032/	1	

- 9	35-815016-2	. . .	HINGE,LH.	1	
	35-815016-3	. . .	HINGE,RH.	1	
- 10	105740X-ZR0480	. . .	BUSHING	1	
	35-815055-68	. . .	DOOR ASSY,OUTBD LH /SUPERSEDES 35-815055-2/. . .	1	
	35-815055-69	. . .	DOOR ASSY,OUTBD RH /SUPERSEDES 35-815055-3/ . . .	1	
			/ATTACHING PARTS/		
- 11	AN3-10A/M/	. . .	BOLT.	2	
	AN960-10	. . .	WASHER.	2	
- 12	105739X-ZM0500	. . .	BUSHING	1	
- 13	105740X-ZJ0490	. . .	BUSHING	1	
	MS20365-1032	. . .	NUT /SUPERSEDES AN365-1032/	2	

- 14	35-815055-64	. . .	DOOR,OUTBD LH /SUPERSEDES 35-815055-8/. . .	1	
	35-815055-65	. . .	DOOR,OUTBD RH /SUPERSEDES 35-815055-9/. . .	1	
- 15	35-815055-10	. . .	HINGE ASSY,FWD OUTBD LH	1	
	35-815055-11	. . .	HINGE ASSY,FWD OUTBD RH	1	
- 16	35-815055-12	. . .	HINGE ASSY,AFT OUTBD LH	1	
	35-815055-13	. . .	HINGE ASSY,AFT OUTBD RH	1	
- 17	105740X-ZJ0490	. . .	BUSHING	1	
- 18	35-815055-62	. . .	BRACKET,HINGE LH /SUPERSEDES 35-815055-14/. . .	2	
	35-815055-63	. . .	BRACKET,HINGE RH /SUPERSEDES 35-815055-15/. . .	2	
	35-815056	. . .	LINK ASSY,LANDING GEAR DOOR OUTBD	2	2
	35-815056-6	. . .	LINK ASSY,LANDING GEAR DOOR OUTBD	2	1
			/ATTACHING PARTS/		
- 19	AN4-10A /M/	. . .	BOLT.	1	
	AN3-10A/M/	. . .	BOLT.	1	
- 20	AN4-7A /M/	. . .	BOLT.	1	
	AN3-7A /M/	. . .	BOLT.	1	
	AN960-416	. . .	WASHER.	6	
	AN960-10	. . .	WASHER.	AR	
	MS20365-428	. . .	NUT /SUPERSEDES AN365-428/.	2	
	MS20365-1032	. . .	NUT /SUPERSEDES AN365-1032/	2	

- 21	35-815056-2	. . .	TUBE,LANDING GEAR DOOR.	1	2
	35-815056-10	. . .	TUBE,LANDING GEAR DOOR.	1	1
- 22	HM4	. . .	END,ROD	1	2
	ML34-14	. . .	END,ROD	1	1
- 23	35-815056-4	. . .	END,ROD	1	2
	35-815056-8	. . .	END,ROD	1	1
	AN316-4R	. . .	NUT	1	2
	AN316-4L	. . .	NUT	1	1

C O D E S O F E F F E C T I V I T Y

1	CD-285 THRU CD-350	2	CD-1 AND AFTER EXCEPT CD-285 THRU CD-350, CE-1 AND AFTER
3	CD-1 THRU CD-1180, CE-1 THRU CE-225	4	CD-1181 AND AFTER, CE-226 AND AFTER

B E E C H C R A F T
B O N A N Z A 3 3 T H R U E 3 3
I L L U S T R A T E D P A R T S C A T A L O G

FIGURE 39
NOSE LANDING GEAR
CD-1 THRU CD-370

BEECHCRAFT
 BONANZA 33 THRU E33
 ILLUSTRATED PARTS CATALOG

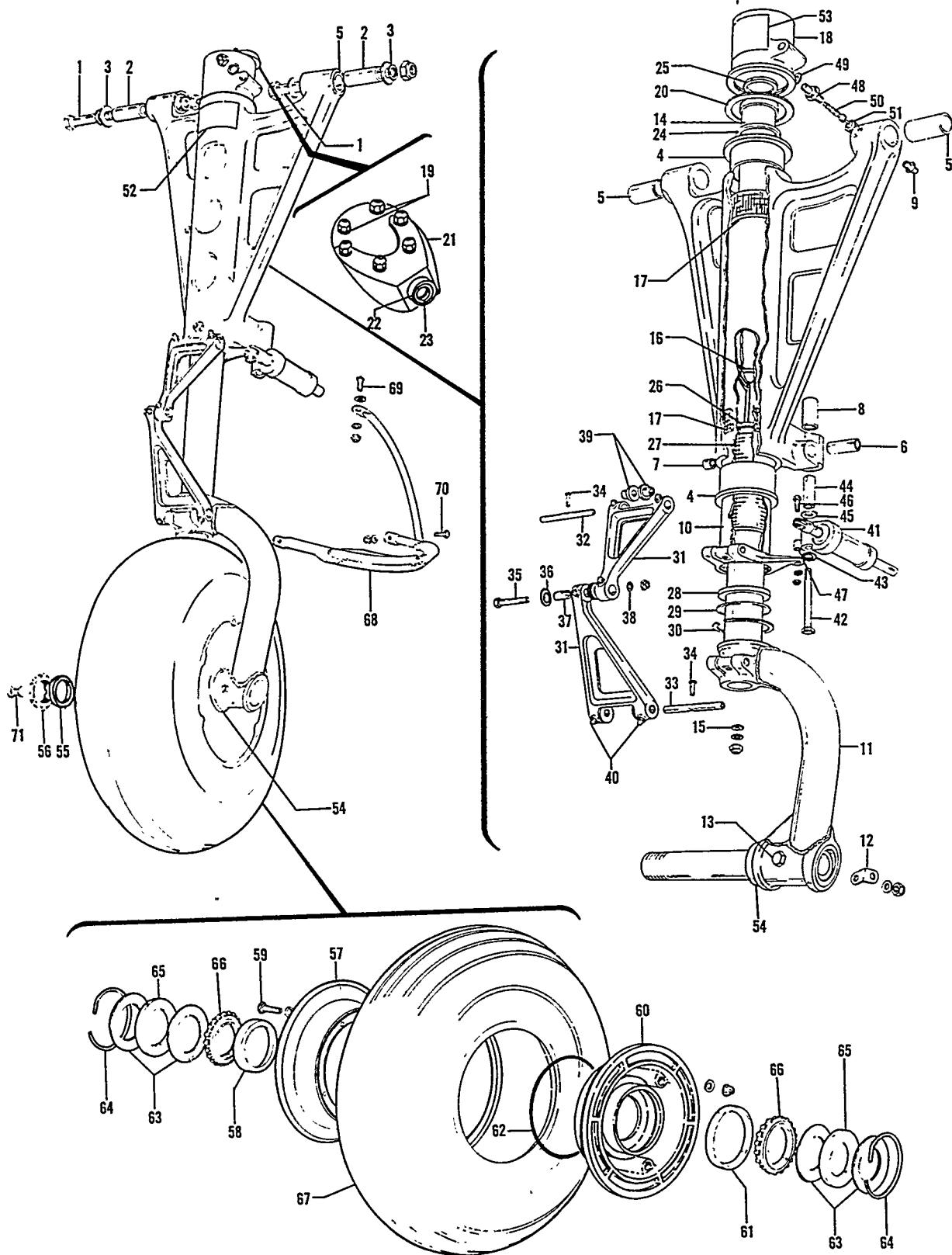


FIGURE 39. NOSE LANDING GEAR

B E E C H C R A F T
B O N A N Z A 3 3 T H R U E 3 3
I L L U S T R A T E D P A R T S C A T A L O G

FIG. & ITEM NO.	PART NO.	DESCRIPTION	UNITS PER ASSY	USABLE ON CODE
39	33-820010	GEAR INSTL,NOSE LANDING	NP	1
	33-820010-601	. GEAR ASSY,NOSE /COMPLETE/	1	1
	35-825001-8	. GEAR ASSY,NOSE	1	1
		/ATTACHING PARTS/		
- 1	AN6-23A /M/	. BOLT	2	
- 2	35-825029	. BUSHING,NOSE GEAR ATTACHING	2	
- 3	100951X032YP	. WASHER	2	
	AN960-616	. WASHER	4	
	AN365-624	. NUT	2	

	35-825100-6	. . . STRUT ASSY,NOSE WHEEL SHOCK	1	1
	35-825110-4	. . . BRACE ASSY,NOSE WHEEL TOP	1	1
- 4	35-820111	. . . BEARING,NOSE WHEEL TOP BRACE	2	1
- 5	35-825112	. . . BEARING,NOSE WHEEL BRACE	2	1
- 6	105740X-ZU1365	. . . BUSHING	1	1
- 7	35-820113	. . . BEARING, TOP BRACE RETRACT LUG	1	1
- 8	105740X-YN1458	. . . BUSHING	1	1
- 9	1728B	. . . FITTING, LUBRICATION /SUPERSEDES 164S/	4	1
- 10	35-825090-10	. . . BARREL ASSY,NOSE WHEEL STRUT	1	1
	35-825090-10--	. . . BARREL ASSY,NOSE WHEEL STRUT	NP	1
		/REWORKED,OVERSIZE/		
	MRBA81581-X0250	. . . SLEEVE /OVERSIZE PIN HOLES/	1	1
	35-825125-602	. . . AXLE & PISTON ASSY,NOSE WHEEL STRUT	1	1
- 11	35-825125	. . . AXLE & PISTON ASSY,NOSE WHEEL STRUT	NP	1
	35-825125--	. . . AXLE & PISTON ASSY,NOSE WHEEL STRUT	NP	1
		/REWORKED,OVERSIZE/		
- 12	MRBA81581-X0250	. . . SLEEVE /OVERSIZE PIN HOLES/	1	
	35-825115	. . . CLIP,NOSE WHEEL SCRAPER	1	1
		/ATTACHING PARTS/		
- 13	AN4-20A	. . . BOLT	1	
	AN960-416	. . . WASHER	1	
	AN365-428	. . . NUT	1	

- 14	35-825102-2	. . . CONTROL ASSY,NOSE WHEEL REBOUND	1	1
		/ATTACHING PARTS/		
- 15	AN6227-5	. . . PACKING	1	
	AN960-416	. . . WASHER	1	
	AN363-428	. . . NUT	1	

	35-825025-4	. . . ORIFICE ASSY,REBOUND CONTROL	1	1
	35-825030	. . . TUBE ASSY,REBOUND CONTROL	1	1
- 16	35-825032	. . . PIN ASSY,REBOUND CONTROL	1	1
- 17	35-825100-4	. . . PAD,BARREL	2	1
- 18	35-825092	. . . CAP,BARREL	1	1
		/ATTACHING PARTS/		
- 19	AN960-10	. . . WASHER	2	
	AN960A10L	. . . WASHER	4	
	AN365-1032	. . . NUT	6	

- 20	35-825101	. . . SHIM,BARREL CAP	1	1
	35-825024	. . . ROLLER ASSY,NOSE WHEEL STRAIGHTENING	1	1
- 21	35-825024-2	. . . BRACKET,ROLLER ASSY	1	1
- 22	NAS505-4J	. . . BEARING,NOSE WHEEL STRAIGHTENING	1	1
		/ATTACHING PARTS/		
- 23	AN24-13	. . . BOLT	1	
	AN960-416	. . . WASHER	1	
	AN310-4	. . . NUT	1	
	AN380-2-2	. . . PIN,COTTER	1	

- 24	AN6227-20	. . . PACKING,ORIFICE	1	1
- 25	AN6227-24	. . . PACKING,BARREL	1	1
- 26	AN6227-27	. . . PACKING,GLAND	1	1
- 27	35-825100-2	. . . PAD,PISTON	1	1
- 28	35-825153	. . . RING,PISTON WIPER	1	1
- 29	111190-2	. . . RING,PISTON SCRAPER	1	1

B E E C H C R A F T
 BONANZA 33 THRU E33
 I L L U S T R A T E D P A R T S C A T A L O G

FIG. & ITEM NO.	PART NO.	1	2	3	4	5	6	7	DESCRIPTION	UNITS PER ASSY	USABLE ON CODE
39 - 30	111200-2	RING,SNAP	1	1
- 31	35-825060	KNEE ASSY,NOSE WHEEL STRUT.	1	1
		/ATTACHING PARTS/									
- 32	35-820027	PIN,TORQUE KNEE UPPER	1	
- 33	35-825106	PIN,TORQUE KNEE LOWER	1	
- 34	AN392-17	PIN,FLAT HEAD	2	
	AN380-2-1	PIN,COTTER.	2	
- 35	AN4-12	BOLT.	1	
- 36	100951S063ZZ	WASHER.	1	
- 37	35-820028	BUSHING,TORQUE KNEE GRIP.	1	
- 38	100951S063YH	WASHER.	1	
	AN310-4	NUT	1	
	AN380-2-2	PIN,COTTER.	1	
		*									
- 39	35-820062	BUSHING,TORQUE KNEE	2	1
- 40	1729	FITTING,LUBRICATION	3	1
- 41	35-825145	DAMPENER ASSY,SHIMMY /SEE FIG. 41/.	1	1
		/ATTACHING PARTS/									
- 42	AN6-31A /M/	BOLT.	1	
- 43	100951X063YN	WASHER.	1	
- 44	105739S-YP1483	BUSHING	1	
- 45	100951X031YM	WASHER.	1	
	AN365-624	NUT	1	
- 46	AN3-6A	BOLT.	1	
	AN960-10	WASHER.	1	
- 47	105739S-ZK0190	BUSHING	1	
	AN960-10L	WASHER.	1	
	AN365-1032	NUT	1	
		*									
- 48	35-825190	BODY,BLEEDER VALVE.	1	1
- 49	AN6290-2	RING,O.	1	1
- 50	302D	CORE,BLEEDER VALVE.	1	1
- 51	AN813-1A	CAP,BLEEDER VALVE	1	1
- 52	35-825064	PLACARD,NOSE GEAR SHOCK STRUT MODEL	1	1
- 53	35-825189	PLACARD,NOSE WHEEL STRUT CAP.	1	1
	33-820010-1	WHEEL ASSY,NOSE /USED WITH TUBELESS TIRE/	1	1
		/ATTACHING PARTS/									
- 54	95-820000-1	WASHER,NOSE WHEEL	1	
- 55	95-820000-3	WASHER,NOSE WHEEL	1	
- 56	AN7502-20	NUT,WHEEL BEARING RETAINING	1	
	AN380-4-7	PIN,COTTER.	1	
		*									
	21-100D	WHEEL ASSY,NOSE	1	1
	161-5	WHEEL ASSY,INNER HALF	1	1
- 57	151-2	WHEEL,INNER HALF.	1	1
- 58	08231	CUP,BEARING	1	1
	162-5	WHEEL ASSY,OUTER HALF	1	1
		/ATTACHING PARTS/									
- 59	AN4-31A	BOLT.	3	
	AN960-416	WASHER.	6	
	AN365-428	NUT	3	
		*									
- 60	152-2	WHEEL,OUTER HALF.	1	1
- 61	08231	CUP,BEARING	1	1
- 62	1866-22	RING,O.	1	1
- 63	153-1	RING,GREASE SEAL.	4	1
- 64	155-2	RING,SNAP	2	1
- 65	154-1	FELT,GREASE SEAL.	2	1
- 66	08125	BEARING,CONE.	2	1

B E E C H C R A F T
 BONANZA 33 THRU E33
 I L L U S T R A T E D P A R T S C A T A L O G

FIG. & ITEM NO.	PART NO.	DESCRIPTION							UNITS PER ASSY	USABLE ON CODE
		1	2	3	4	5	6	7		
39 - 67	5.00X5	.	.	.	TIRE,FOUR PLY SIDE VALVE TUBELESS	.	.	.	1	1
- 68	35-825175	.	.	.	GUARD ASSY,NOSE WHEEL SCRAPER	.	.	.	1	2
		/ATTACHING PARTS/								
- 69	AN525-10-8	.	.	.	SCREW	.	.	.	1	
	AN960-10	.	.	.	WASHER	.	.	.	1	
	AN960-10L	.	.	.	WASHER	.	.	.	1	
	AN365-1032	.	.	.	NUT	.	.	.	1	
- 70	AN4-5A /M/	.	.	.	BOLT	.	.	.	1	
	AN960-416L	.	.	.	WASHER	.	.	.	1	
	AN960-416	.	.	.	WASHER	.	.	.	1	
	AN365-428	.	.	.	NUT	.	.	.	1	
- 71	AN4H3A	.	.	.	BOLT	.	.	.	1	

C O D E S O F E F F E C T I V I T Y

1 CD-1 THRU CD-370 2 CD-1 THRU CD-374

B E E C H C R A F T
B O N A N Z A 3 3 T H R U E 3 3
I L L U S T R A T E D P A R T S C A T A L O G

FIGURE 39A
NOSE LANDING GEAR
CD-371 AND AFTER, CE-1 AND AFTER

BEECHCRAFT
 BONANZA 33 THRU E33
 ILLUSTRATED PARTS CATALOG

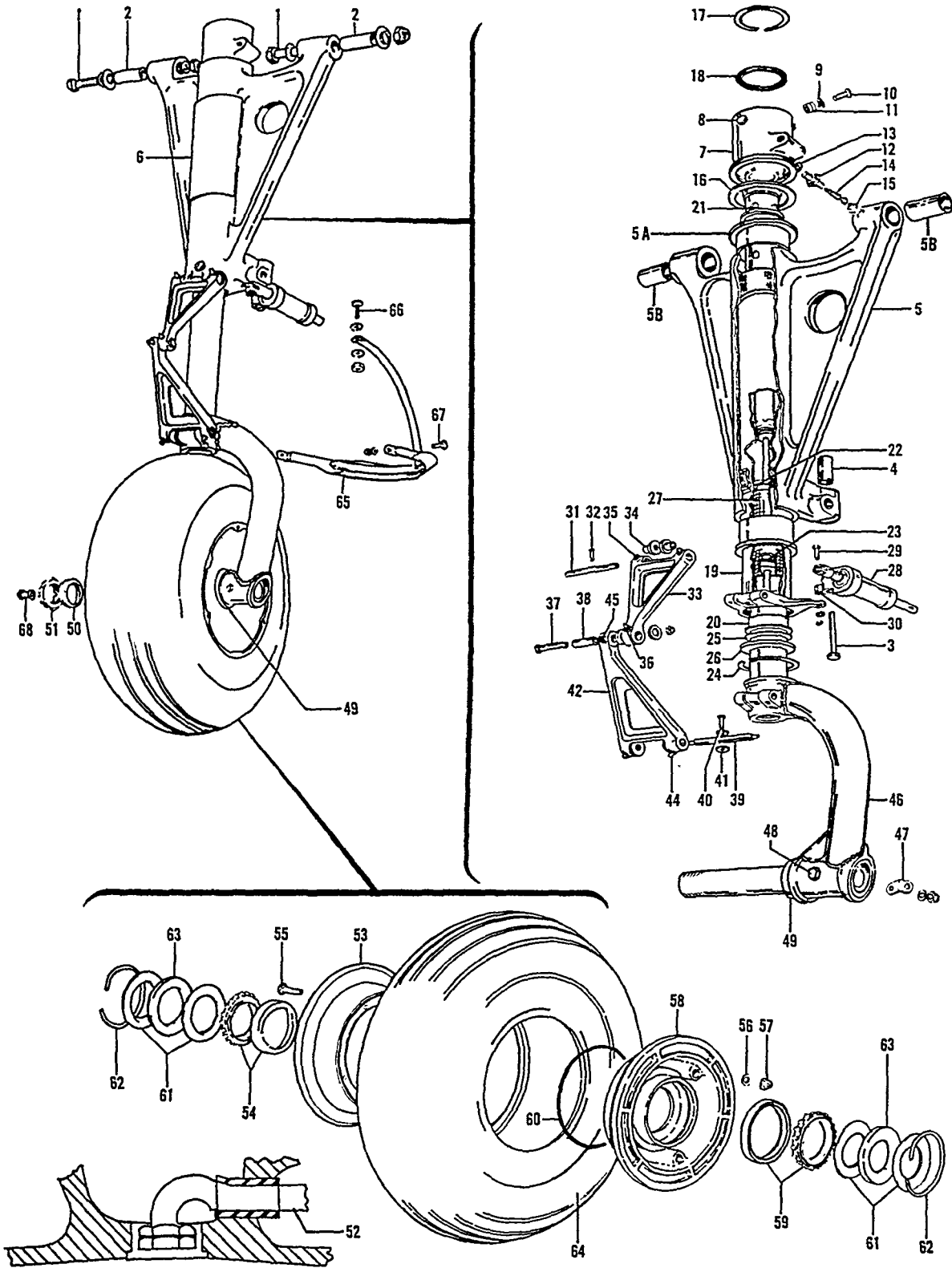


FIGURE 39A. NOSE LANDING GEAR

B E E C H C R A F T
 BONANZA 33 THRU E33
 I L L U S T R A T E D P A R T S C A T A L O G

FIG. & ITEM NO.	PART NO.	DESCRIPTION	UNITS PER ASSY	USABLE ON CODE	
		1 2 3 4 5 6 7			
39A	35-825196-5	GEAR INSTL,NOSE /TUBELESS TIRE/	NP	11	
	35-825196-1	GEAR INSTL,NOSE /TUBELESS TIRE/	NP	2	
	35-825196-11	GEAR INSTL,NOSE /TUBE TYPE TIRE/	NP	12	
		/LESS STEERABLE LANDING LIGHT/			
	35-825196-29	GEAR INSTL,NOSE /TUBE TYPE TIRE/	NP	16	
		/WITH STEERABLE LANDING LIGHT/			
		36-820019-1 REPLACES THE ABOVE INSTALLATION			
		. GEAR ASSY,NOSE LANDING		1	11
		. GEAR ASSY,NOSE LANDING		1	9
		. GEAR ASSY,NOSE LANDING		1	10
		. GEAR ASSY,NOSE LANDING		1	15
		. GEAR ASSY,NOSE LANDING /LESS TIRE & WHEEL/.		1	19
		. GEAR ASSY,NOSE LANDING /LESS TIRE & WHEEL/.		1	20
		. . ABSORBER ASSY,DIRECT ACTION SHOCK		1	1
		. . ABSORBER ASSY,DIRECT ACTION SHOCK		1	16
		/ATTACHING PARTS/			
	- 1	AN6-26A /M/	. . BOLT	2	
	- 2	45-825011	. . BUSHING,NOSE GEAR GRIP	2	
		100951X032YP	. . WASHER	4	
		AN960-616	. . WASHER	2	
		NAS143-6C	. . WASHER /SUPERSEDES MS20002C6/	2	
		MS20365-624	. . NUT /SUPERSEDES AN365-624/	2	

		95-824005-601	. . BRACE ASSY,NOSE LANDING GEAR	1	1
			/ATTACHING PARTS/		
	- 3	AN6-31A /M/	. . BOLT	1	
	- 4	105739S-YP1483	. . BUSHING	1	
	100951X031YM	. . WASHER	1		
	MS20365-624	. . NUT /SUPERSEDES AN365-624/	1		

- 5	95-824005-1	. . BRACE,NOSE LANDING GEAR	1	1	
- 5A	35-820115	. . BEARING,BARREL	1	1	
- 5B	35-820135	. . BEARING,PIVOT	1	1	
- 6	35-825197	. . PLATE,NOSE GEAR SHOCK ABSORBER INSTRUCTIONS	1	1	
- 7	45-825033	. . COLLAR,NOSE GEAR STEERING	1	1	
		/ATTACHING PARTS/			
- 8	45-825034	. . BOLT,NOSE GEAR COLLAR ATTACH.	2		

- 9	NAS505-4J	. . BEARING,NEEDLE	1	1	
- 10	NAS222-16	. . SCREW	1	1	
	AN960-416	. . WASHER	2	1	
	AN960-416L	. . WASHER /ALTERNATE FOR AN960-416/	2	1	
- 11	S1452-048	. . NUT,BARREL	1	1	
- 12	35-820125	. . BODY,NOSE STRUT FILLER VALVE	1	6	
	118642-1	. . BODY,NOSE STRUT FILLER VALVE	1	7	
- 13	AN6227B6	. . RING,NOSE STRUT FILLER VALVE D.	1	6	
	MS28778-5	. . PACKING,NOSE STRUT FILLER VALVE	1	7	
- 14	302D	. . CORE,NOSE STRUT FILLER VALVE	1	1	
- 15	AN813-1B	. . CAP,NOSE STRUT FILLER VALVE	1	1	
- 16	35-820134	. . SHIM,NOSE WHEEL STEERING COLLAR	1	1	
- 17	NAS50-187	. . RING,INTERNAL RETAINER	1	1	
- 18	AN6230B1	. . RING,O	1	1	
	35-825195-21	. . BARREL ASSY,SHOCK ABSORBER	1	6	
	35-825195-31	. . BARREL ASSY,SHOCK ABSORBER	1	7	
- 19	35-825195-27	. . BRAZE ASSY,SHOCK ABSORBER BARREL	1	6	
	35-825195-33	. . BRAZE ASSY,SHOCK ABSORBER BARREL	1	7	
- 20	45-825031	. . BEARING,LOWER PISTON NOSE GEAR	1	1	
	35-825195-15	. . TUBE ASSY,SHOCK ABSORBER ORIFICE	1	1	
- 21	35-825195-13	. . TUBE,SHOCK ABSORBER ORIFICE	1	1	
- 22	AN6230B2	. . RING,O	1	1	
- 23	35-380020-3	. . RING,SHOCK ABSORBER PISTON	1	1	
- 24	111200-6	. . RING,SNAP	1	1	
- 25	45-825032	. . ADAPTER,NOSE GEAR PISTON SCRAPER	1	1	
- 26	AN6231A19	. . SCRAPER,NOSE GEAR PISTON	1	1	
- 27	35-820130-2	. . PAD,SHOCK ABSORBER	1	1	

B E E C H C R A F T
BONANZA 33 THRU E33
I L L U S T R A T E D P A R T S C A T A L O G

FIG. & ITEM NO.	PART NO.	DESCRIPTION						UNITS PER ASSY	USABLE ON CODE
		1	2	3	4	5	6		
39A - 28	35-825145	1	1
		DAMPENER ASSY,NOSE GEAR SHIMMY /SEE FIG.41/ /ATTACHING PARTS/							
- 29	AN3-6A /M/	1	
- 30	105739S-ZK0190	1	
	AN960-10	1	
	AN960-10L	1	
	MS20365-1032	1	
	35-820107	1	1
		KNEE ASSY,NOSE SHOCK ABSORBER UPPER TORQUE. /ATTACHING PARTS/							
- 31	35-820108	1	17
	35-825200	1	16
- 32	AN392-23	1	
	MS24665-130	1	
	35-820107-5	1	1
		KNEE,NOSE SHOCK ABSORBER UPPER TORQUE . . /SUPERSEDES 35-820107-3/							
- 34	35-820123	2	
- 35	MS15002-1	2	1
- 36	1729	1	
- 37	AN4-12 /M/	1	1
- 38	35-820028	1	1
	100951S063ZZ	1	1
	100951S063YH	1	1
	AN310-4	1	1
	MS24665-132	1	1
	35-825193	1	1
		KNEE ASSY,NOSE GEAR LOWER TORQUE /ATTACHING PARTS/							
- 39	35-820132	1	
- 40	AN392-21	1	3
	AN392-25	1	
- 41	AN960-616	2	
	AN380-2-1	1	
- 42	35-825193-1	1	1
- 44	MS15002-1	2	1
- 45	1729	1	1
- 46	35-825195-601	1	3
		STRUT ASSY,SHOCK ABSORBER LOWER /WELDED FORK/							
	35-825195-603	1	4
		STRUT ASSY,SHOCK ABSORBER LOWER /FORGED FORK/							
- 47	35-820133	1	1
		CLIP,NOSE WHEEL SCRAPER ATTACHING /ATTACHING PARTS/							
- 48	AN4-21A /M/	1	3
	AN4-24A /M/	1	
	AN960-416	1	
	MS20365-428	1	
	33-820010-1	1	11
	35-825196-9	1	11
	35-825001-14	1	18
	35-825196-17	1	12
		WHEEL ASSY,NOSE /USED WITH TUBELESS TIRE/ WHEEL ASSY KIT,NOSE /WITH TUBELESS TIRE/. WHEEL ASSY KIT,NOSE /WITH TUBELESS TIRE/. WHEEL ASSY,NOSE /WITH TUBE TYPE TIRE/ /33-8003-1 IS SPARES FOR 35-825196-17/ /ATTACHING PARTS/							
- 49	35-825129	1	
	35-825195-35	1	14
		WASHER,NOSE WHEEL WASHER,NOSE WHEEL /SUPERSEDES 95-820000-1/							
- 50	95-820000-3	1	
- 51	AN7502-20	1	
	AN380-4-7	1	
- 52	35-825001-6	1	12
	21-100D	1	11
	95-32102	NP	2
		WHEEL ASSY,NOSE /FOR COMPLETE WHEEL ASSY,BUY 95-32669/							
	95-32669	1	2
	95-32926	1	12
	161-5	1	11
	95-24192	1	2
		WHEEL ASSY,INNER HALF WHEEL ASSY,INNER HALF /USED WITH 95-32102/							

B E E C H C R A F T
BONANZA 33 THRU E33
I L L U S T R A T E D P A R T S C A T A L O G

FIG. & ITEM NO.	PART NO.	DESCRIPTION							UNITS PER ASSY	USABLE ON CODE
		1	2	3	4	5	6	7		
39A	95-32671	WHEEL ASSY, INNER HALF	1	2	
					/USED WITH 95-32669/					
	95-41899	WHEEL ASSY, INNER HALF	1	12	
- 53	151-2	WHEEL, INNER HALF	1	11	
- 54	08231	CUP, BEARING	1	11	
	LM67048XL	CONE, BEARING TYSEAL	2	13	
	162-5	WHEEL ASSY, OUTER HALF	1	11	
	95-32671	WHEEL ASSY, OUTER HALF	1	2	
					/SUPERSEDES 95-24193/					
					/USED WITH 95-32102/					
	95-32672	WHEEL ASSY, OUTER HALF	1	2	
					/USED WITH 95-32669/					
	95-41898	WHEEL ASSY, OUTER HALF	1	12	
					/ATTACHING PARTS/					
- 55	AN4-31A /M/	BOLT	3	11	
	AN4-14A /M/	BOLT	3	13	
- 56	AN960-416	WASHER	6		
- 57	MS20365-428	NUT /SUPERSEDES AN365-428/	3	11	
	MS20365-428C	NUT /SUPERSEDES 22FH428/	3	13	
					-----*					
- 58	152-2	WHEEL, OUTER HALF	1	11	
- 59	08231	CUP, BEARING	1	11	
	LM67010XL	CUP, BEARING TYSEAL	2	13	
- 60	AN6230B22	RING, O	1	11	
	AN6230B20	RING, O	1	2	
- 61	153-1	RING, GREASE SEAL	4	11	
- 62	21-104	RING, GREASE SEAL LOCK	2	11	
- 63	154-1	FELT, GREASE SEAL	2	11	
- 64	5.00X5	TIRE, FOUR PLY SIDE VALVE TUBELESS	1	14	
	5.00X5	TIRE, FOUR PLY TUBE TYPE	1	12	
	5.00X5	TUBE	1	12	
- 65	35-825175-12	GUARD ASSY, NOSE WHEEL SCRAPER	1	8	
					/SUPERSEDES 35-825175-6/					
					/ATTACHING PARTS/					
- 66	AN4H4A /M/	BOLT	1		
	NAS428H4-7	BOLT	1		
- 67	AN4-5A /M/	BOLT	1		
	MS20365-428	NUT /SUPERSEDES AN365-428/	1		
	AN960-416	WASHER	1		
- 68	AN4H3A /M/	BOLT	1		
					-----*					
	35-825196-25	CABLE, STATIC GROUND	1	8	
					/ATTACHING PARTS/					
	96-820011	BOLT, LH SIDE	1		
	AN4H3A /M/	BOLT, RH SIDE	1		
	AN960-416	WASHER	1		
	MS20364-428	NUT, LH SIDE /SUPERSEDES AN364-428/	1		
					-----*					

C O D E S O F E F F E C T I V I T Y

1	CD-371 AND AFTER, CE-1 AND AFTER	2	CD-639 THRU CD-1118, CE-1 THRU CE-179
3	CD-371 THRU CD-736	4	CD-737 AND AFTER, CE-1 AND AFTER
5	CD-375 THRU CD-736	6	CD-371 THRU CD-500
7	CD-501 AND AFTER, CE-1 AND AFTER	8	CD-375 AND AFTER, CE-1 AND AFTER
9	CD-639 THRU CD-712	10	CD-713 THRU CD-820
11	CD-371 THRU CD-638	12	CD-814 AND AFTER, CE-1 AND AFTER
13	CD-640 AND AFTER, CE-1 AND AFTER	14	CD-371 THRU CD-813
15	CD-821 AND AFTER, CE-1 AND AFTER	16	CD-1119 AND AFTER CE-180 AND AFTER
17	CD-371 THRU CD-1118, CE-1 THRU CE-179	18	CD-639 AND AFTER, CE-1 AND AFTER
19	CD-713 AND AFTER, CE-1 AND AFTER	20	CD-371 THRU CD-712

BEECHCRAFT
BONANZA 33 THRU E33
ILLUSTRATED PARTS CATALOG

FIGURE 40
NOSE LANDING GEAR RETRACT SYSTEM

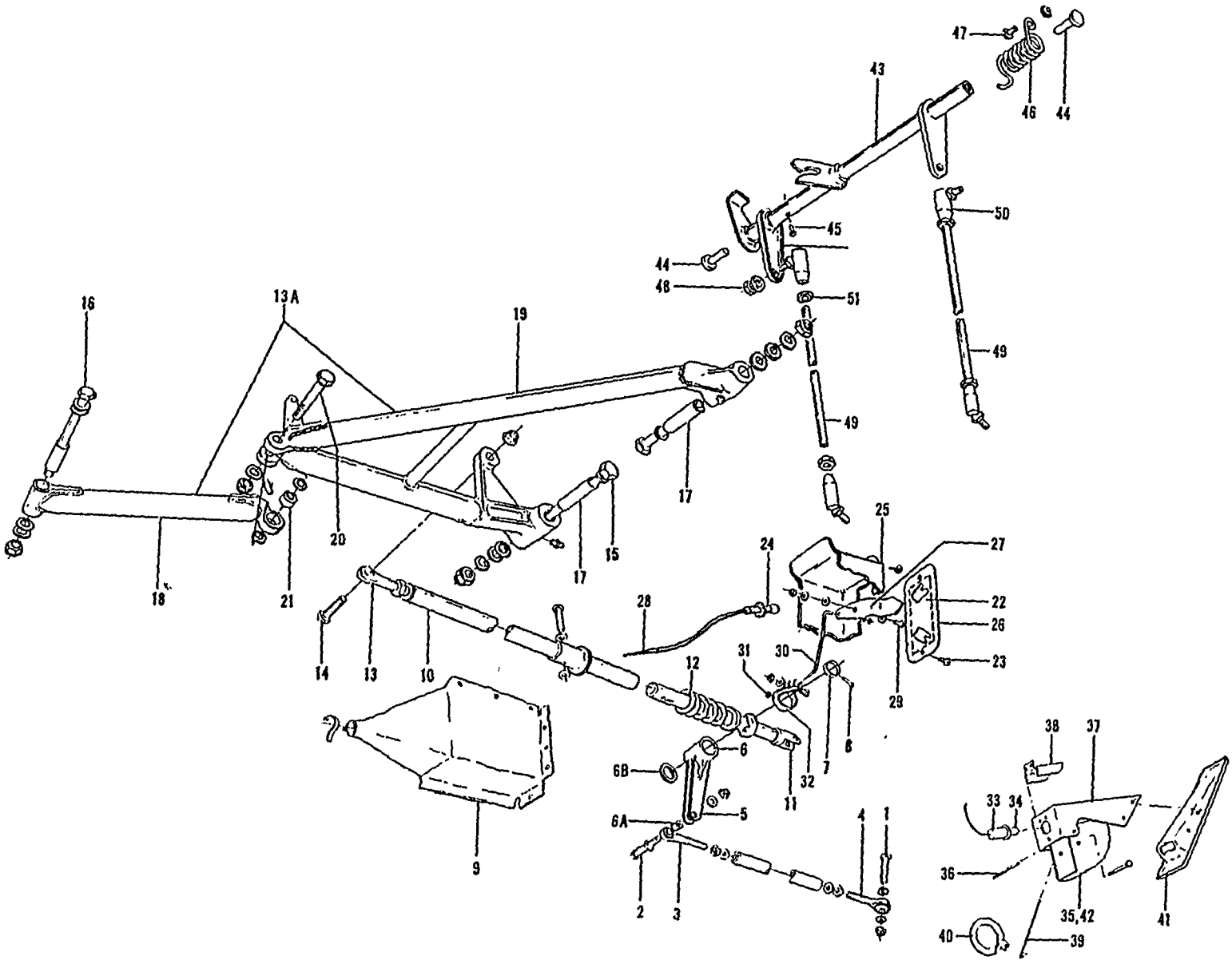


FIGURE 40. NOSE LANDING GEAR RETRACT SYSTEM

B E E C H C R A F T
BONANZA 33 THRU E33
I L L U S T R A T E D P A R T S C A T A L O G

FIG. & ITEM NO.	PART NO.	DESCRIPTION	UNITS PER ASSY	USABLE ON CODE
		1 2 3 4 5 6 7		
40	33-820000	RETRACT INSTL,NOSE LANDING GEAR	NP	6
	33-820000-3	RETRACT INSTL,NOSE LANDING GEAR	NP	5
	33-820000-1	RETRACT INSTL,NOSE LANDING GEAR . . . &	NP	2
	35-825071-5	RETRACT INSTL,NOSE LANDING GEAR	NP	
	35-825185	. ROD ASSY,NOSE GEAR RETRACT AFT.	1	6
	35-825185-14	. ROD ASSY,NOSE GEAR RETRACT AFT.	1	4
		/ATTACHING PARTS/		
- 1	AN26-28 /M/	. BOLT.	1	
	AN960-616	. WASHER.	1	
	AN960-616L	. WASHER.	2	
	AN320-6	. NUT	1	
	MS24665-132	. PIN,COTTER /SUPERSEDES AN380-2-2/	1	
- 2	AN25-22 /M/	. BOLT.	1	
	AN960-516L	. WASHER.	2	
	100951CR016YF	. WASHER.	2	
	AN320-5	. NUT	1	
	MS24665-132	. PIN,COTTER /SUPERSEDES AN380-2-2/	1	
		*		
	35-825185-4	. . BRAZE ASSY.	1	6
	35-825185-12	. . BRAZE ASSY.	1	4
- 3	HM5	. . END,ROD /SUPERSEDES HM5S/	1	6
	HMX5FG	. . END,ROD	1	4
	AN960-516L	. . WASHER.	1	4
	AN960-616L	. . WASHER.	1	6
	AN316-5R	. . NUT	1	4
	AN316-6R	. . NUT	1	6
- 4	HML6	. . END,ROD	1	6
	HMXL6FG	. . END,ROD	1	4
	AN960-616L	. . WASHER.	1	
	AN316-6L	. . NUT	1	
	SS51351	. PLUG,BUTTON	1	
	35-820094	. ARM ASSY,NOSE GEAR RETRACT IDLER.	1	
- 5	35-820094-2	. . ARM,NOSE GEAR RETRACT IDLER	1	
- 6	35-820094-4	. . BUSHING,NOSE GEAR RETRACT IDLER	1	
- 6A	105740X-ZU0164	. . BUSHING	2	
- 6B	100951S031XW	. WASHER.	1	
- 7	35-820095	. COLLAR,NOSE GEAR RETRACT IDLER.	1	
- 8	MS20392-1-37	. PIN,FLATHEAD /SUPERSEDES AN392-37/.	1	
	MS24665-130	. PIN,COTTER /SUPERSEDES AN380-2-1/	1	
- 9	35-825076-1	. BOOT,NOSE GEAR RETRACT ROD.	1	
	35-825087-16	. ROD ASSY,FWD NOSE GEAR RETRACT LINK	1	
- 10	35-825087-14	. . BRAZE ASSY.	1	
- 11	35-825094-4	. . PLUNGER ASSY.	1	
- 12	35-825188	. . SPRING,NOSE GEAR RETRACT COMPRESSION.	1	
	45-824014	. . PIN,SHEAR NOSE RETRACT ROD.	1	
	AN960D10L	. . WASHER.	1	
	MS24665-132	. . PIN,COTTER /SUPERSEDES AN380-2-2/	1	
- 13	HMX5FG	. . END,ROD	1	
	AN316-6R	. . NUT	1	
	AN960-616L	. . WASHER.	1	
	35-825107	. BRACE ASSY,NOSE GEAR RETRACT.	1	6
- 13A	95-824018	. BRACE ASSY,NOSE GEAR RETRACT.	1	4
		/ATTACHING PARTS/		
- 14	35-825108	. BOLT,NOSE GEAR LINK ROD	1	
- 15	AN6-30A /M/	. BOLT.	2	
- 16	AN175-34 /M/	. BOLT.	1	
- 17	35-825123	. BUSHING,NOSE GEAR DRAG LEG ATTACH	2	
	AN960-516	. WASHER.	4	
	AN960-616	. WASHER.	8	

B E E C H C R A F T
B O N A N Z A 3 3 T H R U E 3 3
I L L U S T R A T E D P A R T S C A T A L O G

FIG. & ITEM NO.	PART NO.	1	2	3	4	5	6	7	DESCRIPTION	UNITS PER ASSY	USABLE ON CODE	
40	AN960-616L	WASHER	2		
	AN320-5 /M/	NUT	1		
	AN310-5	NUT	1		
	AN365-624	NUT	2		
	MS24665-132	PIN,COTTER /SUPERSEDES AN380-2-2/	2		

- 18	35-825080-10	LEG ASSY,DRAG /ORDER 35-825107/	NP	6	
	45-825080-11	LEG ASSY,DRAG /ORDER 95-824018/	NP	4	
- 19	35-825072-11	BRACE ASSY,NOSE GEAR V /ORDER 35-825107/	NP	6	
	95-824019	BRACE ASSY,NOSE GEAR V /ORDER 95-824018/	NP	4	
		/ATTACHING PARTS/										
- 20	NAS55A14/M/	BOLT /SUPERSEDES NAS55A14/	1		
- 21	35-810122-1	BUSHING,RETRACT BRACE GRIP	1		
		/SUPERSEDES 35-810122/										
	AN960-516	WASHER	1		
	AN960-716	WASHER	2		
	MS20365-524	NUT /SUPERSEDES AN365-524/	1		

- 22	35-815148-9	PLACARD,LANDING GEAR VISUAL INDICATOR	1	5	
	35-815144	INDICATOR ASSY,LANDING GEAR VISUAL	1	5	
		/ATTACHING PARTS/										
- 23	PK56Z8-12	SCREW	2		

- 24	35-815144-2	BULB	1	5	
- 25	35-815146	BRACKET ASSY,POSITION INDICATOR	1	5	
- 26	35-815147	FACE,LANDING GEAR INDICATOR	1	5	
- 27	35-815145	INDICATOR,LANDING GEAR POSITION	1	5	
- 28	YZ18H1	CONNECTOR	1	5	
- 29	AN515-8-6	SCREW	2	5	
	AN960-8	WASHER	2	5	
	MS20365-832	NUT /SUPERSEDES AN365-832/	1	5	
- 30	35-815133	LINK,LANDING GEAR POSITION INDICATOR	1	5	
		/ATTACHING PARTS/										
- 31	A6595-1	FASTENER	2		
	AN960-3	WASHER	2		

- 32	35-825111	BRACKET,LANDING GEAR POSITION INDICATOR	1	5	
	35-815239	INDICATOR INSTL,NOSE GEAR POSITION	NP	3	
		/ATTACHING PARTS/										
	NAS384-8-6P	SCREW	2		
	NAS395-17	NUT	2		

- 33	2505	SOCKET,NOSE GEAR POSITION INDICATOR	1	3	
- 34	53R	LAMP,NOSE GEAR POSITION INDICATOR	1	3	
- 35	35-815239-7	INDICATOR,NOSE GEAR POSITION	1	3	
		/ATTACHING PARTS/										
- 36	AN3-17 /M/	BOLT	1		
	MS20392-1-57	PIN	1		
	AN960-10L	WASHER	1		
	AN960PD6	WASHER	AR		
	MS20364-1032	NUT	1		
	MS24665-130	PIN,COTTER /SUPERSEDES AN380-2-1/	1		

- 37	35-815239-13	BRACKET,NOSE GEAR POSITION INDICATOR	1	3	
- 38	35-815239-17	SHIELD,NOSE GEAR POSITION INDICATOR	1	3	
- 39	35-815239-9	LINK,NOSE GEAR POSITION INDICATOR	1	3	
	AN960-3	WASHER,NOSE GEAR POSITION INDICATOR LINK	1	3	
- 40	35-815239-5	BRACKET,NOSE GEAR POSITION INDICATOR	1	3	
		/ATTACHING PARTS/										
	AN535-2-4	SCREW	1		

	31890	TERMINAL,GROUND WIRE	2	3	
		/ATTACHING PARTS/										
	AN515-8R	SCREW	1		
	AN960-8	WASHER	1		
	MS20365-832	NUT	1		

B E E C H C R A F T
 BONANZA 33 THRU E33
 I L L U S T R A T E D P A R T S C A T A L O G

FIG. & ITEM NO.	PART NO.	DESCRIPTION	UNITS PER ASSY	USABLE ON CODE
		1 2 3 4 5 6 7		
40 - 41	35-815239-11	. . ESCUTCHEON,NOSE GEAR POSITION INDICATOR . .	1	3
- 42	35-815240	. . DECAL,NOSE GEAR INDICATOR IDENTIFICATION. .	1	3
	33-824010	DOOR INSTL,NOSE LANDING GEAR.	NP	1
	33-824010-3	DOOR INSTL,NOSE LANDING GEAR.	NP	2
- 43	33-824010-1	. SHAFT ASSY,NOSE LANDING GEAR DOOR ACTUATOR. .	1	1
	35-825117-8	. SHAFT ASSY,NOSE LANDING GEAR DOOR ACTUATOR. .	1	2
	35-825117-6	. SHAFT ASSY,NOSE LANDING GEAR DOOR ACTUATOR. .	1	7
- 44	45-825078-1	. END,NOSE LANDING GEAR DOOR ACTUATOR SHAFT . .	2	
		/ATTACHING PARTS/		
- 45	AN515-8R	. SCREW	1	
	MS20365-832	. NUT /SUPERSEDES AN365-832/.	1	
		-----*		
- 46	35-825074-1	. SPRING,DOOR ACTUATOR OPERATING.	1	
		/ATTACHING PARTS/		
- 47	AN515-8R	. SCREW	1	
	MS20365-832	. NUT /SUPERSEDES AN365-832/.	1	
		-----*		
	35-825191-1	. ROD ASSY,DOOR ACTUATOR LH	1	
	35-825191-3	. ROD ASSY,DOOR ACTUATOR RH	1	
		/ATTACHING PARTS/		
- 48	AN960-10	. WASHER	AR	
	MS20364-1032	. NUT /SUPERSEDES AN364-1032/.	2	
		-----*		
- 49	35-825191-5	. . ROD,DOOR ACTUATOR LH.	1	
	35-825191-7	. . ROD,DOOR ACTUATOR RH.	1	
- 50	B40-1	. . JOINT,BALL.	2	
- 51	AN315-3R	. . NUT	2	
	35-410077-28	. DOOR INSTL,NOSE LANDING GEAR LH /SEE FIG. 43/	NP	
	35-410077-29	. DOOR INSTL,NOSE LANDING GEAR RH /SEE FIG. 43/	NP	

CODES OF EFFECTIVITY

- | | | | |
|---|---|---|---|
| 1 | CD-1 THRU CD-370 | 2 | CD-371 AND AFTER |
| 3 | CD-1 THRU CD-224,
CD-233,CD-234,
CD-236,CD-241,
CD-246 THRU CD-250,
CD-375 AND AFTER,
CE-1 AND AFTER | 4 | CD-225 THRU CD-232,
CD-235,
CD-237 THRU CD-240,
CD-242 THRU CD-245,
CD-251 AND AFTER,
CE-1 AND AFTER |
| 5 | CD-225 THRU CD-232,
CD-235,
CD-237 THRU CD-240,
CD-242 THRU CD-245,
CD-251 THRU CD-370 | 6 | CD-1 THRU CD-250
EXCEPT
CD-225 THRU CD-232,
CD-235,
CD-237 THRU CD-240,
CD-242 THRU CD-245 |
| 7 | CE-1 AND AFTER | | |

B E E C H C R A F T
B O N A N Z A 3 3 T H R U E 3 3
I L L U S T R A T E D P A R T S C A T A L O G

FIGURE 41
NOSE GEAR SHIMMY DAMPENER

BEECHCRAFT
BONANZA 33 THRU E33
ILLUSTRATED PARTS CATALOG

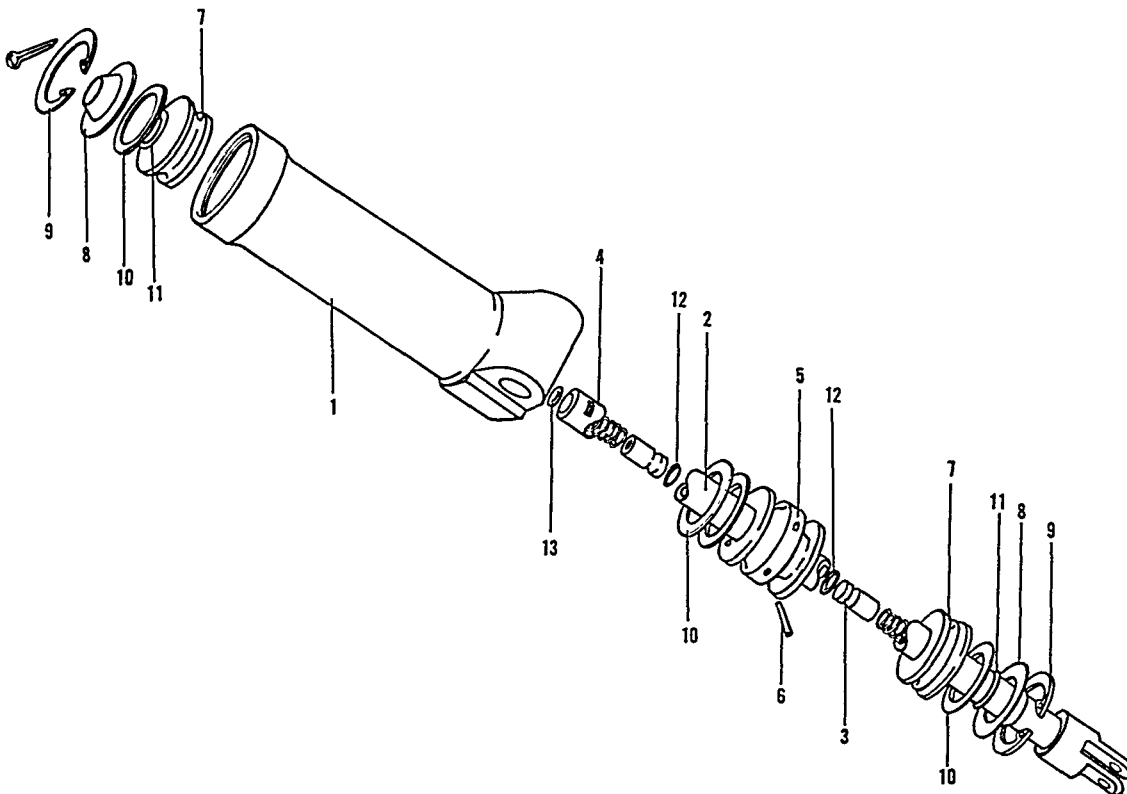


FIGURE 41. NOSE GEAR SHIMMY DAMPENER

B E E C H C R A F T
 BONANZA 33 THRU E33
 I L L U S T R A T E D P A R T S C A T A L O G

FIG. & ITEM NO.	PART NO.	DESCRIPTION							UNITS PER ASSY	USABLE ON CODE
		1	2	3	4	5	6	7		
41	35-825145	DAMPENER ASSY, SHIMMY /SEE FIG. 39&39A FOR NHA/.							1	
- 1	35-825146	. BARREL, SHIMMY DAMPENER.							1	
- 2	35-825148	. ROD, SHIMMY DAMPENER PISTON.							1	
- 3	35-825152	. PISTON, FLOATING							2	
- 4	100943ZE316G	. SPRING, FLOATING PISTON.							2	
- 5	35-825147	. PISTON, SHIMMY DAMPENER.							1	
- 6	102809-093-026	. PIN, PISTON RETAINING.							1	
- 7	35-825151	. END, SHIMMY DAMPENER							2	
- 8	111190-14	. RING, PISTON SCRAPER							2	
- 9	NAS50-93	. RING, INTERNAL RETAINER.							2	
- 10	AN6227-13	. PACKING, O RING HYDRAULIC.							4	
- 11	AN6227-7	. PACKING, O RING HYDRAULIC.							2	
- 12	AN6227-1	. PACKING, O RING HYDRAULIC.							2	
- 13	AN960-3	. WASHER.							1	
	AN380-3-2	. PIN, COTTER.							1	

B E E C H C R A F T
B O N A N Z A 3 3 T H R U E 3 3
I L L U S T R A T E D P A R T S C A T A L O G

FIGURE 42
NOSE WHEEL STEERING MECHANISM

BEECHCRAFT
BONANZA 33 THRU E33
ILLUSTRATED PARTS CATALOG

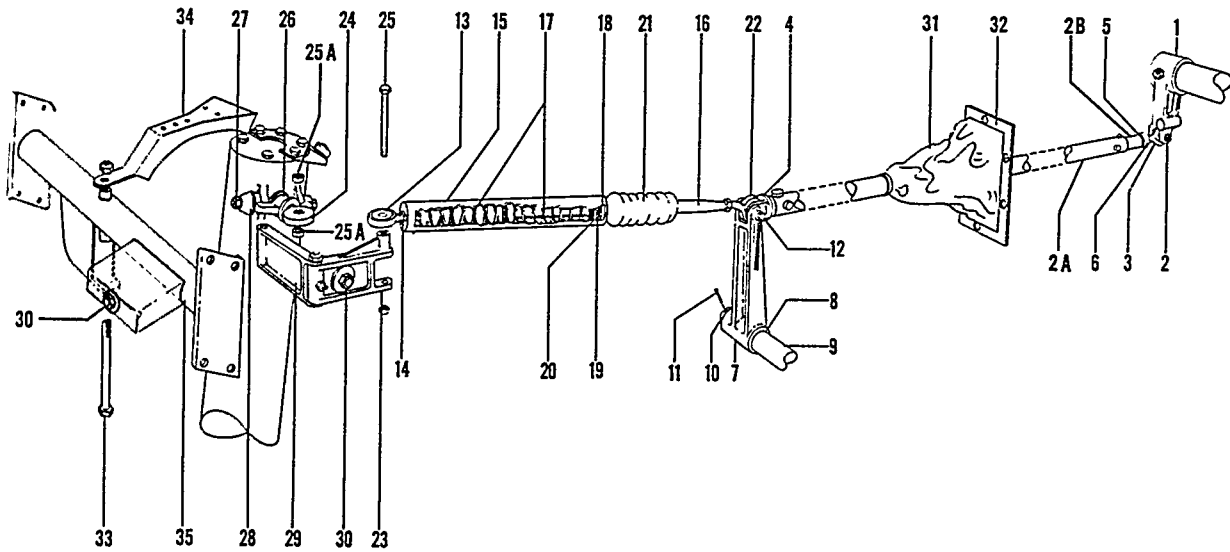


FIGURE 42. NOSE WHEEL STEERING MECHANISM

B E E C H C R A F T
BONANZA 33 THRU E33
I L L U S T R A T E D P A R T S C A T A L O G

FIG. & ITEM NO.	PART NO.	DESCRIPTION	UNITS PER ASSY	USABLE ON CODE
		1 2 3 4 5 6 7		
42	35-825160	STEERING INSTL,NOSE WHEEL	NP	
- 1	35-825054	. ARM,NOSE STEERING TORQUE /SEE FIG. 33/.	1	
	35-825044-4	. ROD ASSY,NOSE GEAR STEERING AFT	1	
		/ATTACHING PARTS/		
- 2	AN4-13A	. BOLT.	1	
	AN960-416	. WASHER.	2	
	AN365-428	. NUT	1	
		*		
- 2A	35-825044-6	. . TUBE.	1	
- 2B	35-825097	. . SLEEVE.	1	
- 3	MD46-15	. . END,ROD	1	
- 4	35-820045	. . END,AFT STEERING ROD.	1	
- 5	AN960-616L	. . WASHER.	1	
- 6	AN316-6R	. . NUT	1	
	35-825052	. ARM ASSY,STEERING ROD IDLER	1	
- 7	35-825052-2	. . ARM,IDLER	1	
- 8	A779	. . BUSHING,OILITE.	1	
- 9	35-825049	. SHAFT,IDLER ARM	1	
- 10	35-825051	. COLLAR,NOSE GEAR STEERING IDLER	1	
- 11	AN392-25	. PIN	1	
	35-825160-602	. LINK ASSY,FLEXIBLE STEERING	1	
		/SUPERSEDES 35-825160 SA2/		
	35-825161	. LINK ASSY,FWD NOSE WHEEL STEERING	1	
		/ATTACHING PARTS/		
- 12	AN24-25	. BOLT.	1	
	105740X-ZL0104	. BUSHING	2	
	AN960-416L	. WASHER.	3	
	AN320-4	. NUT	1	
	AN380-2-2	. PIN,COTTER.	1	
		*		
- 13	HM4	. . END,ROD	1	
- 14	AN316-4R	. . NUT	2	
- 15	35-825165	. . BARREL ASSY,NOSE WHEEL STEERING	1	
- 16	35-825163	. . SHAFT ASSY,NOSE WHEEL STEERING.	1	
- 17	100943YD302C	. . SPRING.	2	
- 18	35-825164	. . BEARING,FLEXIBLE STEERING LINK.	1	
- 19	AN6227-13	. . RING,O.	1	
- 20	NAS50-87	. . RING,RETAINER	1	
- 21	3686	. . BOOT.	1	
- 22	35-825162	. . END,ROD	1	
- 23	35-825173	. LINK ASSY,NOSE WHEEL STEERING	1	
- 24	35-825006	. EYE,NOSE GEAR STEERING.	1	
		/ATTACHING PARTS/		
- 25	AN174-24A	. BOLT /SUPERSEDES NAS54A24/.	1	
- 25A	35-825053	. SPACER.	2	
	AN960-416	. WASHER.	3	
	AN365-428	. NUT	1	
		*		
- 26	35-825007	. YOKE ASSY,NOSE GEAR STEERING.	1	
- 27	35-825005	. BOLT ASSY,STEERING YOKE ATTACHING	1	
- 28	35-825045	. STOP,NOSE WHEEL LEFT.	1	
- 29	35-825035	. LINK ASSY,NOSE GEAR STEERING IDLER CROSS.	1	
- 30	35-825046	. BOLT,NOSE WHEEL STOP.	2	
	AN364-428	. NUT	1	
- 31	35-825171-1	. BOOT,NOSE WHEEL STRAIGHTENER.	1	
- 32	35-825170	. RING,NOSE WHEEL STRAIGHTENER.	1	
- 33	NAS54-34	. BOLT.	1	
	AN960-416	. WASHER.	1	
	AN310-4	. NUT	1	
- 34	35-410466-1	TRACK,NOSE WHEEL STRAIGHTENER	1	
- 35	35-825166-6	CHANNEL ASSY,SUPPORT /SEE FIG. 7 FOR NHA/	1	

B E E C H C R A F T
B O N A N Z A 3 3 T H R U E 3 3
I L L U S T R A T E D P A R T S C A T A L O G

FIGURE 43
NOSE LANDING GEAR DOORS

BEECHCRAFT
BONANZA 33 THRU E33
ILLUSTRATED PARTS CATALOG

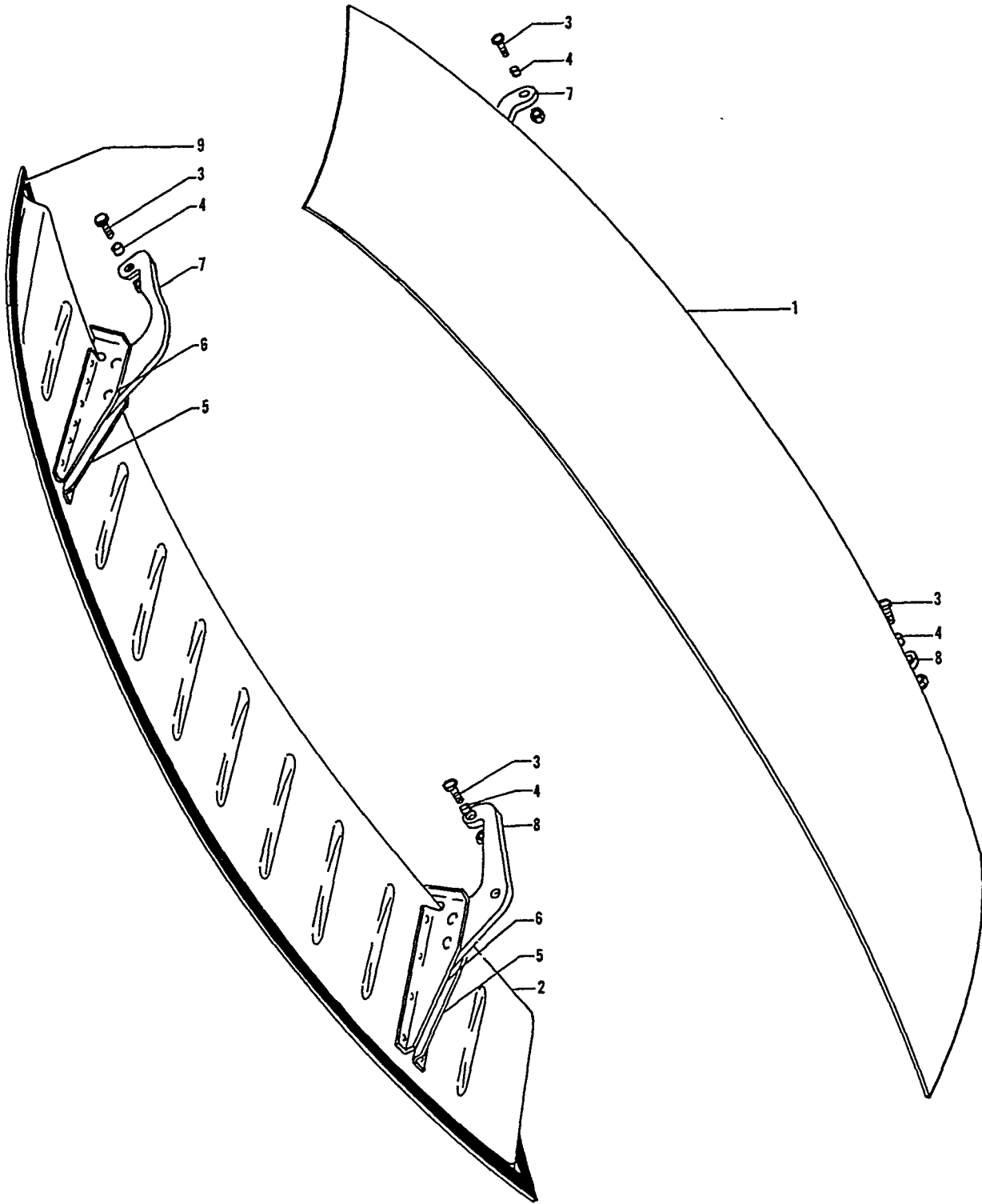


FIGURE 43. NOSE LANDING GEAR DOORS

B E E C H C R A F T
 BONANZA 33 THRU E33
 I L L U S T R A T E D P A R T S C A T A L O G

FIG. & ITEM NO.	PART NO.	DESCRIPTION	1	2	3	4	5	6	7	UNITS PER ASSY	USABLE ON CODE
43	35-410077-28	DOOR INSTL,NOSE LANDING GEAR LH								NP	
		/SEE FIG. 40 FOR NHA/									
	35-410077-29	DOOR INSTL,NOSE LANDING GEAR RH								NP	
		/SEE FIG. 40 FOR NHA/									
- 1	35-410077-30	. DOOR ASSY,NOSE LH								1	
- 2	35-410077-31	. DOOR ASSY,NOSE RH								1	
		/ATTACHING PARTS/									
- 3	AN3-6A	. BOLT.								1	
- 4	105739S-ZG0250	. BUSHING								1	
	AN960-10	. WASHER.								1	
	AN365-1032	. NUT								1	
		-----*									
- 5	35-410077-8	. . SUPPORT,HINGE LH.								2	
- 6	35-410077-9	. . SUPPORT,HINGE RH.								2	
- 7	35-410392	. . HINGE,NOSE WHEEL DOOR FWD								1	
- 8	35-410077-12	. . HINGE,NOSE WHEEL DOOR AFT								1	
- 9	35-410077-34	. . RUB STRIP								1	1

CODES OF EFFECTIVITY

1 CD-1 THRU CD-688

B E E C H C R A F T
B O N A N Z A 3 3 T H R U E 3 3
I L L U S T R A T E D P A R T S C A T A L O G

FIGURE 44
HYDRALIC BRAKE PLUMBING
CD-1 THRU CD-905

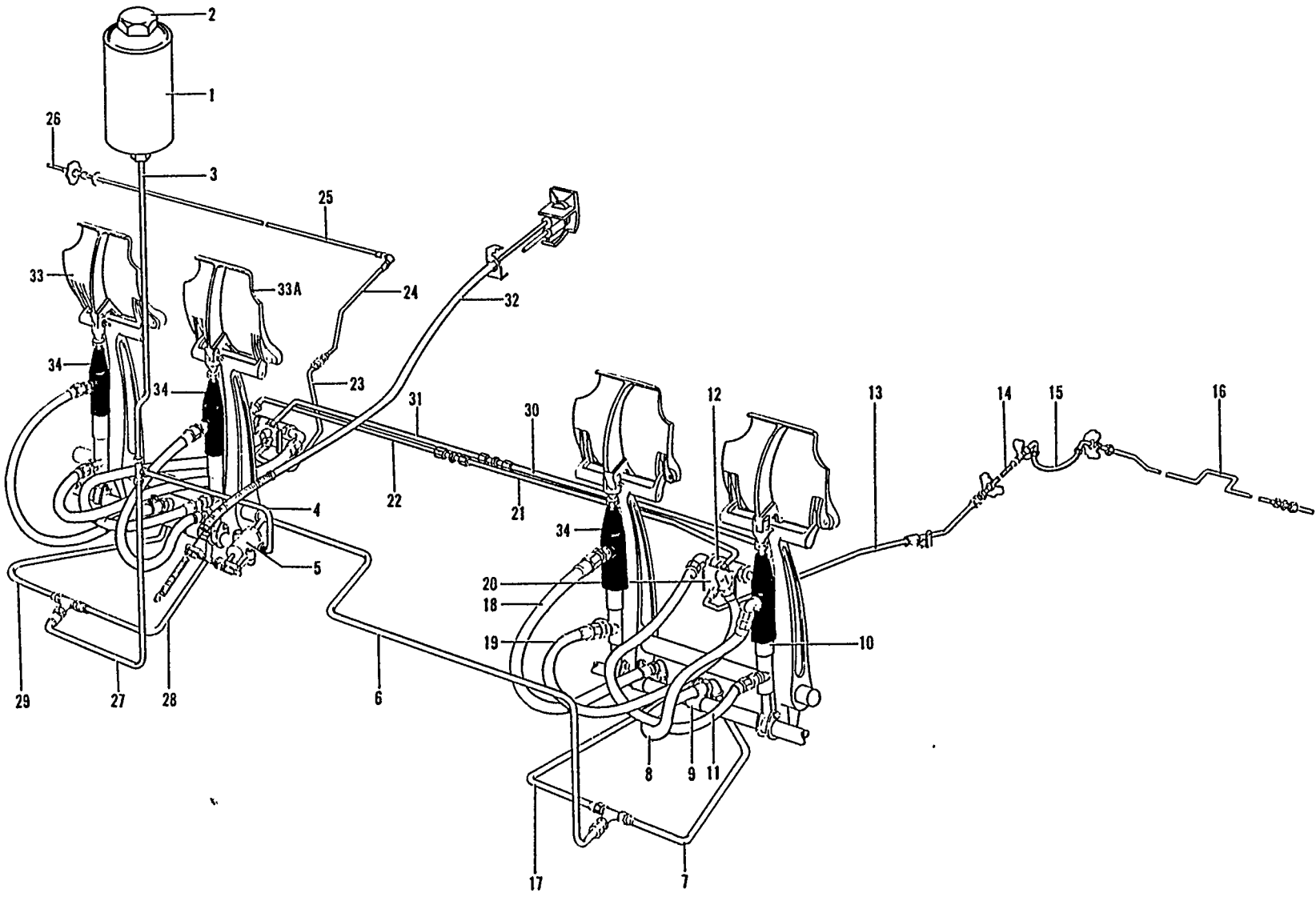


FIGURE 44. HYDRALIC BRAKE PLUMBING

B E C H C R A F T
B O N A N Z A 3 3 T H R U E 3 3
I L L U S T R A T E D P A R T S C A T A L O G

B E E C H C R A F T
B O N A N Z A 3 3 T H R U E 3 3
I L L U S T R A T E D P A R T S C A T A L O G

FIG. & ITEM NO.	PART NO.	DESCRIPTION	UNITS PER ASSY	USABLE ON CODE
		1 2 3 4 5 6 7		
44	33-815000	PLUMBING INSTL,SINGLE HYDRAULIC BRAKE	NP	1
	35-815243	PLUMBING INSTL,SINGLE HYDRAULIC BRAKE	NP	2
	33-815001	PLUMBING INSTL,DUAL HYDRAULIC BRAKES.	NP	4
	35-815244-1	PLUMBING INSTL,DUAL HYDRAULIC BRAKES.	NP	6
	35-815244	PLUMBING INSTL,DUAL HYDRAULIC BRAKES.	NP	3
	35-815180	. RESERVOIR ASSY,HYDRAULIC BRAKE FLUID.	1	1
	35-815180-8	. RESERVOIR ASSY,HYDRAULIC BRAKE FLUID.	1	2
	112136-4	. . CAN	1	1
	- 1 112136-12	. . CAN	1	2
	35-815180-4	. . CAP ASSY,RESERVOIR.	1	1
- 2 35-815180-10	. . CAP ASSY,RESERVOIR. /ORDER 35-815180-8/ 35-815180-2 CAP,RESERVOIR	NP	2	
	35-815180-12 CAP,RESERVOIR	1	2
	AN526-632-40 SCREW	1	7
	AN960-6 WASHER.	1	7
	35-815180-6 SPACER,RESERVOIR CAP.	1	7
	1009510D032VA WASHER.	1	7
	MS20365-632 NUT /SUPERSEDES AN365-632/.	1	7
- 3	35-815244-3	. TUBE ASSY,DUAL BRAKE.	1	5
	35-815243-1	. TUBE ASSY,SINGLE BRAKE.	1	7
	AN823-4D	. ELBOW /SINGLE BRAKE/.	1	7
	AN824-4D	. TEE /DUAL BRAKE/.	1	7
- 4	35-815186	. TUBE ASSY,DUAL BRAKE.	1	5
	AN816-4D	. NIPPLE.	1	7
- 5	35-380065-1	. VALVE ASSY,PARKING BRAKE /SUPERSEDES A53T/. /ATTACHING PARTS/ AN3-13A /M/ AN960-10L MS20365-1032	1	7
		. SCREW	2	
		. WASHER.	2	
		. NUT /SUPERSEDES AN365-1032/.	2	
		*		
	AN822-4D	. ELBOW	1	7
- 6	35-815189	. TUBE ASSY,BRAKE	1	7
	MS21919DG4	. CLAMP	1	7
		/ATTACHING PARTS/ 100696D-ZF020 SPACER	1	
	AN515-8R20	. SCREW	1	
	MS20365-832	. NUT	1	
		*		
	AN834-4D	. TEE	1	7
	AN960-716	. WASHER.	1	7
	AN924-4D	. NUT	1	7
- 7	35-815053	. TUBE ASSY,BRAKE	1	7
	AN821-4D	. ELBOW	1	7
- 8	MS28741-4-0100	. HOSE ASSY	1	7
	106242-10	. TUBING /8 INCHES LONG/.	1	7
- 9	35-815049	. CLAMP ASSY,TUBE SUPPORT	2	7
	AN4-6 /M/ AN960-416	. . BOLT.	4	7
	MS20365-428	. . WASHER.	4	7
	35-815006-4	. . NUT /SUPERSEDES AN365-428/.	4	7
	35-815024-4	. SHIM,HOSE /SINGLE BRAKE/.	1	7
	35-815006-6	. SHIM,HOSE /DUAL BRAKE/.	1	7
	35-815024-6	. SHIM,HOSE /SINGLE BRAKE/.	1	7
	35-815024-6	. SHIM,HOSE /DUAL BRAKE/.	1	7
	AN823-4	. ELBOW	1	7
- 10	VV15-625	. CYLINDER,MASTER /SEE FIG. 45/.	4	1
	96-380034-3	. CYLINDER,MASTER /SEE FIG. 45/. /SUPERSEDES VV15-625-1/ /ATTACHING PARTS/ AN3-10 /M/ AN960-10 AN310-3 MS24665-132	4	2
		. BOLT.	2	
		. WASHER.	2	
		. NUT	2	
		. PIN,COTTER /SUPERSEDES AN380-2-2/.	2	
		*		
	AN823-4	. ELBOW	1	7

B E E C H C R A F T
B O N A N Z A 3 3 T H R U E 3 3
I L L U S T R A T E D P A R T S C A T A L O G

FIG. & ITEM NO.	PART NO.	DESCRIPTION	UNITS							USABLE ON CODE	
			1	2	3	4	5	6	7		PER ASSY
44 - 11	MS28741-4-0107	• HOSE ASSY /SINGLE BRAKE/.								1	7
	AN6271-4-12	• HOSE ASSY /DUAL BRAKE/.								1	7
	106242-10	• TUBING /8 INCHES LONG/.								1	7
	AN837-4D	• ELBOW /SINGLE BRAKE/.								1	7
	AN822-4D	• ELBOW /DUAL BRAKE/.								1	7
- 12	50-380079-1	• VALVE,SHUTTLE /SUPERSEDES A22/.								2	7
	50-380079-3	• VALVE,SHUTTLE /ALTERNATE FOR 50-380079-1/								2	7
- 13	35-815069	• TUBE ASSY,SINGLE BRAKE.								1	7
	35-815027	• TUBE ASSY,DUAL BRAKE.								1	7
	AN815-4D	• UNION								1	7
- 14	35-815095	• TUBE ASSY,BRAKE								1	7
	AN821-4D	• ELBOW								1	1
	AN824-4D	• ELBOW								1	2
- 15	35-815006-8	• TUBE ASSY,BRAKE								1	1
	35-815024-8	• TUBE ASSY,DUAL BRAKE.								1	2
	AN833-4D	• ELBOW								1	7
	AN960-716	• WASHER.								2	7
	AN924-4D	• NUT								2	7
- 16	35-815006-12	• TUBE ASSY,BRAKE								1	1
	35-815024-12	• TUBE ASSY,DUAL BRAKE.								1	2
- 17	35-815054	• TUBE ASSY,BRAKE								1	7
	AN821-4D	• ELBOW								1	7
- 18	MS28741-4-0100	• HOSE ASSY								1	7
	106242-10	• TUBING /8 INCHES LONG/.								1	7
	AN816-4	• UNION								1	7
	AN823-4	• ELBOW								1	7
- 19	MS28741-4-0107	• HOSE ASSY /SINGLE BRAKE/.								1	7
	AN6271-4-10-7/8	• HOSE ASSY /DUAL BRAKE/.								1	7
	106242-10	• TUBING /8 INCHES LONG/.								1	7
	AN837-4D	• ELBOW								1	7
	AN960-716	• WASHER.								1	7
	AN924-4D	• NUT								1	7
- 20	35-815037	• BRACKET,TUBE SUPPORT.								1	7
		/ATTACHING PARTS/									
	AN520-10-8	• SCREW								2	
	AN960-10	• WASHER.								2	
		-----*									
- 21	35-815048	• TUBE ASSY,SINGLE BRAKE.								1	7
	95-810019-9	• TUBE ASSY,DUAL BRAKE.								1	7
	AN815-4D	• UNION								1	7
- 22	95-810019-7	• TUBE ASSY,DUAL BRAKE.								1	7
- 23	95-814005-3	• TUBE ASSY,SINGLE BRAKE.								1	7
	95-810019-17	• TUBE ASSY,DUAL BRAKE.								1	7
	AN832-4D	• UNION								1	7
	AN960-716	• WASHER.								1	7
	AN924-4D	• NUT								1	7
- 24	95-814005-9	• TUBE ASSY,BRAKE								1	7
	AN815-4D	• UNION								1	7
- 25	35-815006-10	• TUBE ASSY,SINGLE BRAKE.								1	7
	35-815024-10	• TUBE ASSY,DUAL BRAKE.								1	7
	AN742-6C	• CLAMP								3	7
		/ATTACHING PARTS/									
	AN520-10-8	• SCREW								1	
	AN960-10	• WASHER.								1	
	MS20365-1032	• NUT /SUPERSEDES AN365-1032/								1	
		-----*									
	AN837-4D	• ELBOW /SINGLE BRAKE/.								1	7
	AN815-4D	• UNION /DUAL BRAKE/.								1	7
- 26	35-815006-13	• TUBE ASSY,SINGLE BRAKE.								1	7
	35-815024-13	• TUBE ASSY,DUAL BRAKE.								1	7
- 27	35-815024-16	• TUBE ASSY,DUAL BRAKE.								1	7
- 28	MS28741-4-0114	• HOSE ASSY,DUAL BRAKE.								1	1
	MS28741-4-0107	• HOSE ASSY,DUAL BRAKE.								1	2
- 29	MS28741-4-0102	• HOSE ASSY,DUAL BRAKE.								1	1
	MS28741-4-0100	• HOSE ASSY,DUAL BRAKE.								1	2

B E E C H C R A F T
B O N A N Z A 3 3 T H R U E 3 3
I L L U S T R A T E D P A R T S C A T A L O G

FIG. & ITEM NO.	PART NO.	DESCRIPTION	UNITS PER ASSY	USABLE ON CODE	
44 - 30	95-810019-11	. TUBE ASSY,DUAL BRAKE.	1	7	
	AN815-4D	. UNION	1	7	
	95-810019-13	. TUBE ASSY,DUAL BRAKE.	1	1	
	35-815244-5	. TUBE ASSY,DUAL BRAKE.	1	2	
	35-815036	. BRACE ASSY,RUDDER PEDAL /SINGLE BRAKE/. /ATTACHING PARTS/	2	1	
	AN3-7 /M/	. BOLT.	2		
	AN3-10 /M/	. BOLT.	2		
	AN960-10	. WASHER.	2		
	AN310-3	. NUT	4		
	MS24665-132	. PIN,COTTER /SUPERSEDES AN380-2-2/	4		
	*				
	- 32	WC122-5B24-2	. CONTROL ASSY,PARKING BRAKE.	1	1
		35-380049-7	. CONTROL ASSY,PARKING BRAKE. /ATTACHING PARTS/	1	2
		AN935-616L	. WASHER.	1	
AN316-6R		. NUT	1		
AN742-3		. CLAMP	1		
AN743-12		. BRACKET	1		
AN520-10R10		. SCREW	2		
AN960-10		. WASHER.	3		
MS20365-1032		. NUT /SUPERSEDES AN365-1032/	2		
AN315-6		. NUT	1		
AN936A616		. WASHER.	1		
*					
		112412	. GROMMET	2	7
		112413-2	. BALL.	2	7
	112436-6	. RETAINER,BALL /ATTACHING PARTS/	1	7	
	AN960-8	. WASHER.	4		
	49338	. FASTENER.	2		
*					
- 33	35-524011	. PEDAL, RUDDER RH /DUAL BRAKE/.	1	5	
- 33A	95-810019-43	. PEDAL, RUDDER LH /DUAL BRAKE/. /ATTACHING PARTS/	1	5	
	AN3-10 /M/	. BOLT.	2		
	AN960-10	. WASHER.	2		
	AN310-3	. NUT	2		
	MS24665-132	. PIN,COTTER /SUPERSEDES AN380-2-2/	2		
*					
- 34	35-815006-24	. COVER, MASTER CYLINDER	AR	7	

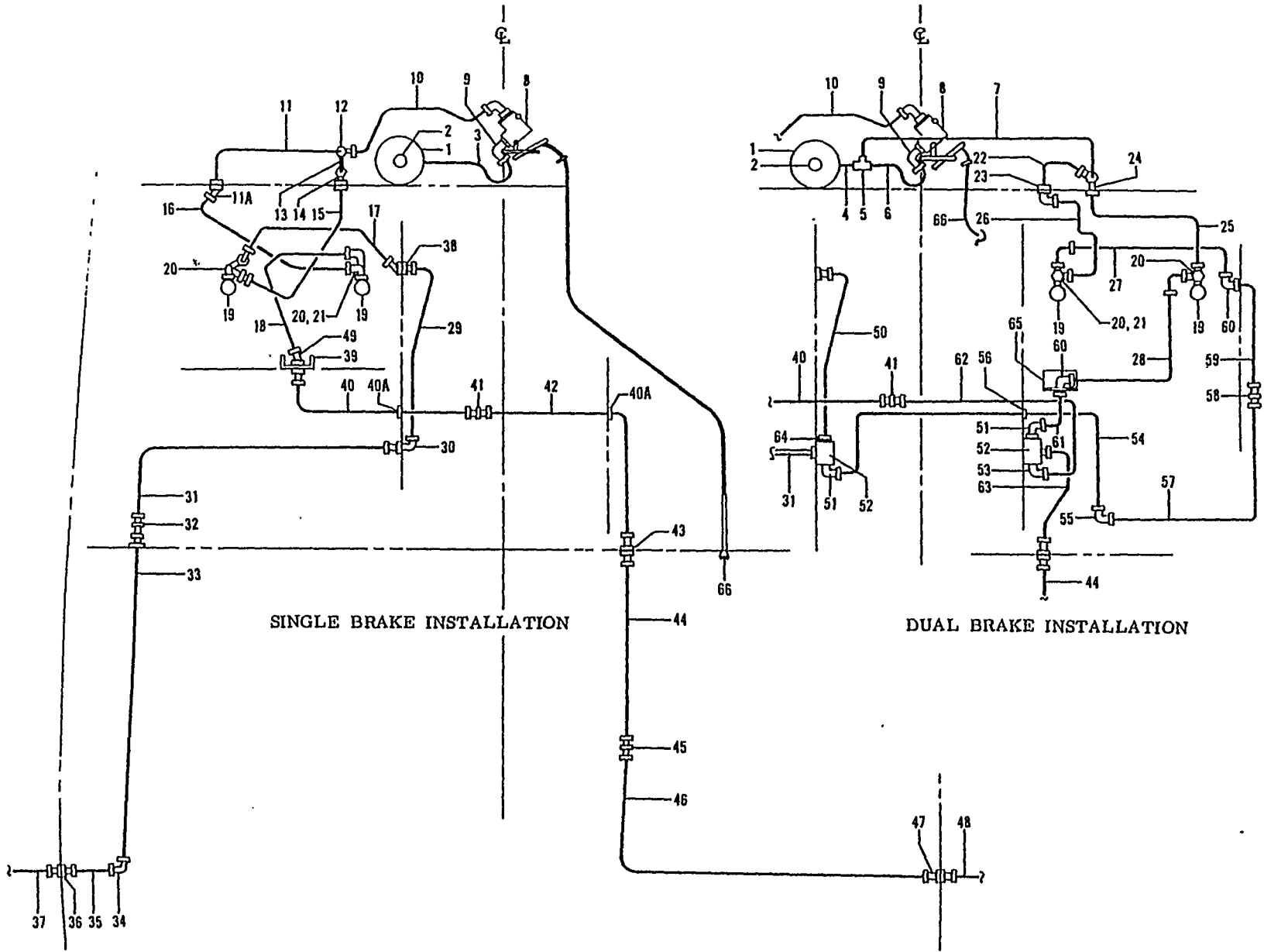
C O D E S O F E F F E C T I V I T Y

1	CD-1 THRU CD-387	2	CD-388 THRU CD-905
3	CD-814 THRU CD-905	4	CD-225 THRU CD-387 EXCEPT CD-233, CD-234,CD-236, CD-241,CD-246 THRU CD-250
5	CD-225 THRU CD-905 EXCEPT CD-233, CD-234,CD-236, CD-241,CD-246 THRU CD-250	6	CD-388 THRU CD-813
7	CD-1 THRU CD-905		

B E E C H C R A F T
B O N A N Z A 3 3 T H R U E 3 3
I L L U S T R A T E D P A R T S C A T A L O G

FIGURE 44A
HYDRALIC BRAKE PLUMBING
CD-906 AND AFTER, CE-1 AND AFTER

FIGURE 44A-HYDRAULIC BRAKE PLUMBING



B E E C H C R A F T
B O N A N Z A 3 3 T H R U E 3 3
I L L U S T R A T E D P A R T S C A T A L O G

B E E C H C R A F T
BONANZA 33 THRU E33
I L L U S T R A T E D P A R T S C A T A L O G

FIG. & ITEM NO.	PART NO.	DESCRIPTION	UNITS PER ASSY	USABLE ON CODE
		1 2 3 4 5 6 7		
44A	35-580000	PLUMBING INSTL,SINGLE HYDRAULIC BRAKES.	NP	1
	35-580000-41	PLUMBING INSTL,SINGLE HYDRAULIC BRAKES.	NP	2
	35-580001	PLUMBING INSTL,DUAL HYDRAULIC BRAKES.	NP	1
	35-580001-41	PLUMBING INSTL,DUAL HYDRAULIC BRAKES.	NP	4
	35-580001-51	PLUMBING INSTL,DUAL HYDRAULIC BRAKES.	NP	5
	35-815180-8	. RESERVOIR ASSY,HYDRAULIC BRAKE FLUID.	1	3
		/ATTACHING PARTS/		
	AN520-10-10	. SCREW	1	
	AN960-10	. WASHER.	1	
	MS20365-1032	. NUT	1	

- 1	112136-12	. . . CAN,HYDRAULIC FLUID	1	3
- 2	35-815180-10	. . . CAP ASSY,RESERVOIR.	NP	3
		/ORDER 35-815180-8/		
	35-815180-12	. . . CAP,RESERVOIR	1	3
	AN526-632-40	. . . SCREW	1	3
	AN960-6	. . . WASHER.	1	3
	35-815180-6	. . . SPACER.	1	3
	100951DD032VA	. . . WASHER.	1	3
	MS20365-632	. . . NUT /SUPERSEDES AN365-632/.	1	3
	35-815243-1	. TUBE ASSY,SINGLE BRAKE.	1	1
- 3	35-580000-47	. TUBE ASSY,SINGLE BRAKE.	1	2
	35-815244-3	. TUBE ASSY,DUAL BRAKES	1	1
- 4	35-580001-49	. TUBE ASSY,DUAL BRAKES	1	4
	35-580001-57	. TUBE ASSY,DUAL BRAKES	1	5
	MS24402D4	. TEE	1	1
- 5	AN824-4D	. TEE	1	2
	35-815186	. TUBE ASSY,DUAL BRAKES	1	1
- 6	35-580001-39	. TUBE ASSY,DUAL BRAKES	1	4
	35-580001-53	. TUBE ASSY,DUAL BRAKES	1	5
	35-580001-7	. TUBE ASSY,DUAL BRAKES	1	1
- 7	35-580001-45	. TUBE ASSY,DUAL BRAKES	1	4
	35-580001-55	. TUBE ASSY,DUAL BRAKES	1	5
- 8	35-380065-1	. VALVE ASSY,PARKING BRAKE.	1	3
		/ATTACHING PARTS/		
	AN3-13A /M/	. SCREW	2	
	AN960-10	. WASHER.	2	
	MS20365-1032	. NUT	2	

- 9	MS20823D4	. ELBOW	1	3
	35-580000-7	. TUBE ASSY	1	1
- 10	35-580000-31	. TUBE ASSY	1	2
	MS21919DG4	. CLAMP,TUBE SUPPORT.	1	3
	100696D-ZF020	. SPACER,CLAMP.	1	3
	AN515-8R20	. SCREW,CLAMP	1	3
	130008A1032BC	. NUTPLATE.	1	3
	35-580000-3	. TUBE ASSY	1	1
- 11	35-580000-27	. TUBE ASSY	1	2
- 11A	AN837-4D	. ELBOW	1	3
	AN960-716L	. WASHER,ELBOW.	1	3
	AN924-4D	. NUT,ELBOW	1	3
- 12	AN824-4D	. TEE	1	2
- 13	35-580000-39	. TUBE ASSY	1	2
	AN804-4D	. TEE	1	1
- 14	AN833-4D	. ELBOW	1	2
	AN960-716L	. WASHER,TEE OR ELBOW	1	3
	AN924-4D	. NUT,TEE OR ELBOW.	1	3
- 15	35-580010-5	. HOSE ASSY,PILOT LH PEDAL.	1	3
- 16	35-580010-7	. HOSE ASSY,PILOT RH PEDAL.	1	3
- 17	35-580010-9	. HOSE ASSY,PILOT LH PEDAL.	1	3
- 18	35-580010-3	. HOSE ASSY,PILOT RH PEDAL.	1	3

B E E C H C R A F T
B O N A N Z A 3 3 T H R U E 3 3
I L L U S T R A T E D P A R T S C A T A L O G

FIG. & ITEM NO.	PART NO.	DESCRIPTION	UNITS PER ASSY	USABLE ON CODE
		1 2 3 4 5 6 7		
44A - 19	96-380034-3	• CYLINDER, MASTER /SEE FIG. 45/ /SUPERSEDES VV15-625-1/ /ATTACHING PARTS/	4	3
	AN3-10/M/ AN960-10 AN310-3 MS24665-132	• BOLT. • WASHER. • NUT • PIN, COTTER.	2 2 2 2	
	35-815006-24	• COVER, MASTER CYLINDER	4	3
- 20	MS20822-4D	• ELBOW, MASTER CYLINDER	6	3
- 21	AN816-4D	• NIPPLE, MASTER CYLINDER. • TUBE ASSY /DUAL BRAKES/	2	3
- 23	AN833-4D	• ELBOW	1	3
	AN960-716L	• WASHER, ELBOW & TEE.	2	3
	AN924-4D	• NUT, ELBOW & TEE	2	3
- 24	AN804-4D	• TEE	1	3
- 25	35-580010-13	• HOSE ASSY, COPILOT RH PEDAL.	1	3
- 26	35-580010-15	• HOSE ASSY, COPILOT LH PEDAL.	1	3
- 27	35-580010-11	• HOSE ASSY, COPILOT LH PEDAL.	1	3
- 28	35-580010-1	• HOSE ASSY, COPILOT RH PEDAL.	1	3
- 29	35-580000-23	• TUBE ASSY /SINGLE INSTL ONLY/	1	3
- 30	AN833-4D	• ELBOW /SINGLE INSTL ONLY/	1	3
	AN960-716L	• WASHER /SINGLE INSTL ONLY/.	1	3
	AN924-4D	• NUT /SINGLE INSTL ONLY/	1	3
- 31	35-580000-11	• TUBE ASSY	1	3
- 32	AN815-4D	• UNION	1	3
- 33	35-815095	• TUBE ASSY	1	3
- 34	AN821-4D	• ELBOW	1	3
- 35	35-815006-8	• TUBE ASSY	1	3
- 36	AN833-4D	• ELBOW	1	3
	AN960-716	• WASHER.	2	3
	AN924-4D	• NUT	2	3
- 37	35-815006-12	• TUBE ASSY	1	3
- 38	AN837-4D	• ELBOW	1	3
	AN960-716L	• WASHER.	1	3
	AN924-4D	• NUT	1	3
- 39	35-580000-25	• BRACKET	1	3
- 40	35-580000-15	• TUBE ASSY	1	3
- 40A	739-4	• CLIP. /ATTACHING PARTS/	2	3
	AN515-8-7	• SCREW	2	
	AN960-8	• WASHER.	2	
	MS20365-832	• NUT	2	
- 41	AN815-4D	• UNION	1	3
- 42	35-580000-19	• TUBE ASSY /SINGLE INSTL ONLY/	1	3
- 43	AN832-4D	• UNION	1	3
	AN960-716	• WASHER.	1	3
	MS24400D4	• NUT	1	3
- 44	95-814005-9	• TUBE ASSY	1	3
- 45	AN815-4D	• UNION	1	3
- 46	35-815006-10	• TUBE ASSY	1	3
- 47	AN837-4D	• ELBOW	1	3
- 48	35-815006-13	• TUBE ASSY	1	3
- 49	AN837-4D	• ELBOW	1	3
	AN960-716L	• WASHER.	1	3
	AN924-4D	• NUT	1	3
- 50	35-580001-3	• TUBE ASSY /DUAL INSTL ONLY/	1	3
- 51	MS20822-4D	• ELBOW	2	3
- 52	50-380079-1	• VALVE, SHUTTLE /SUPERSEDES A22/.	2	3
	50-380079-3	• VALVE, SHUTTLE /ALTERNATE FOR 50-380079-1/	2	3
	AN924-4D	• NUT	2	3
- 53	MS20822-4D	• ELBOW	1	3
- 54	35-580001-19	• TUBE ASSY	1	3

B E E C H C R A F T
 BONANZA 33 THRU E33
 I L L U S T R A T E D P A R T S C A T A L O G

FIG. & ITEM NO.	PART NO.	DESCRIPTION							UNITS PER ASSY	USABLE ON CODE
		1	2	3	4	5	6	7		
44A - 55	AN821-4D	1	3
- 56	739-4	1	3
		/ATTACHING PARTS/								
	AN515-8-7	2	
	AN960-8	2	
	MS20365-832	2	
		*								
- 57	35-580001-35	1	3
- 58	AN815-4D	1	3
- 59	35-580001-27	1	3
- 60	AN833-4D	2	3
	AN960-716L	2	3
	AN924-4D	2	3
- 61	35-580001-23	1	3
- 62	35-580001-15	1	3
- 63	35-580001-31	1	3
- 64	AN816-4D	2	3
- 65	35-580011-1	1	3
	AN530-10-10	2	3
- 66	35-380051-11	1	3

CODES OF EFFECTIVITY

- | | |
|--|--|
| 1 CD-906 THRU CD-1022
AND CE-1 | 2 CD-1023 AND AFTER,
CE-2 AND AFTER |
| 3 CD-906 AND AFTER,
CE-1 AND AFTER | 4 CD-1023 THRU CD-1118
CE-2 THRU CE-179 |
| 5 CD-1119 AND AFTER,
CE-180 AND AFTER | |

BEECHCRAFT
BONANZA 33 THRU E33
ILLUSTRATED PARTS CATALOG

FIGURE 45
BRAKE MASTER CYLINDER

BEECHCRAFT
BONANZA 33 THRU E33
ILLUSTRATED PARTS CATALOG

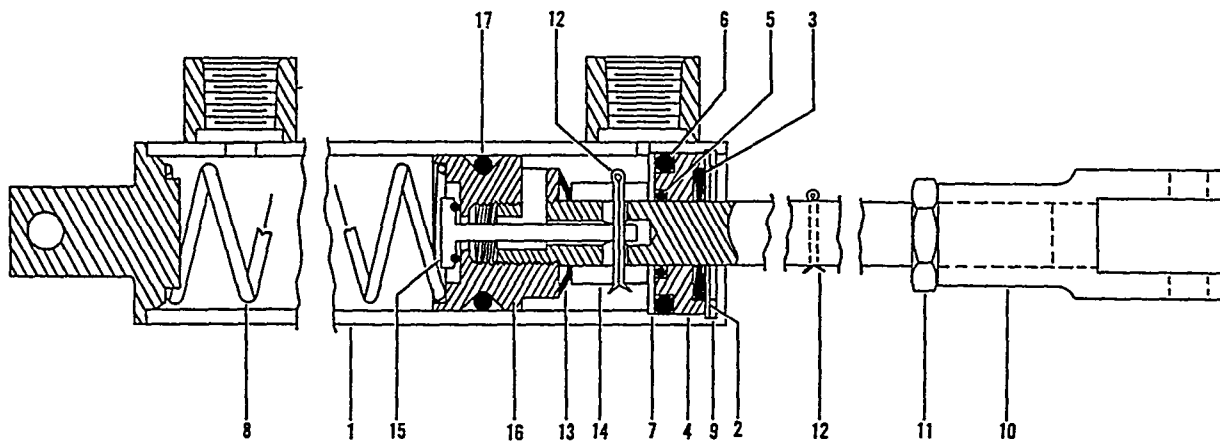


FIGURE 45. BRAKE MASTER CYLINDER

B E E C H C R A F T
 BONANZA 33 THRU E33
 I L L U S T R A T E D P A R T S C A T A L O G

FIG. & ITEM NO.	PART NO.	DESCRIPTION	UNITS PER ASSY	USABLE ON CODE		
					1	2
45	VV15-625	CYLINDER ASSY, BRAKE MASTER.	4	1		
	VV15-625-1	CYLINDER ASSY, BRAKE MASTER.	4	2		
	96-380034-3	CYLINDER ASSY, BRAKE MASTER.	4	3		
	A57G104	. BRAZE ASSY, CYLINDER	1	4		
	- 1 A57G393	. BRAZE ASSY, CYLINDER	1	3		
	A57G107	. WASHER, RETAINING.	1	4		
	- 2 A57G395	. WASHER, RETAINING.	1	3		
	A57G363	. WIPER, EQUI-FLEX ROD /SUPERSEDES 109010/	1	4		
	- 3 A57G401	. WIPER, EQUI-FLEX ROD	1	3		
	A57G118	. BUSHING, PISTON GUIDE.	1	4		
	- 4 A57G399	. BUSHING, PISTON GUIDE.	1	3		
	AN6227B5	. RING, O.	1	4		
	- 5 AN6227B6	. RING, O.	1	3		
	AN6227B10	. RING, O.	1	4		
	- 6 AN6227B11	. RING, O.	1	3		
	A57G107	. WASHER, RETAINING.	1	4		
	- 7 A57G395	. WASHER, RETAINING.	1	3		
- 8 A57G111	. SPRING, RETURN	1	3			
5000-68	. RING, SNAP	1	4			
- 9 5000-77	. RING, SNAP	1	3			
A57G105	. CLEVIS.	1	4			
- 10 A57G400	. CLEVIS.	1	3			
AN316-4R	. NUT, CHECK	1	4			
- 11 AN316-5R	. NUT, CHECK	1	3			
- 12 AN380C2-2	. PIN, COTTER.	2	3			
A57G103	. VALVE ASSY, MASTER CYLINDER.	1	1			
A57G336	. VALVE ASSY, MASTER CYLINDER.	1	2			
A57G394	. VALVE ASSY, MASTER CYLINDER.	1	3			
3536-18	. WASHER, SPRING	1	4			
- 13 3502-18-24-0511	. WASHER, SHAKEPROOF	1	3			
A57G109	. COLLAR, VALVE.	1	4			
- 14 A50H011	. COLLAR, VALVE /SUPERSEDES A57G011/	1	3			
A57G113	. VALVE	1	4			
- 15 A57G032	. VALVE	1	3			
A57G102	. PISTON & ROD.	1	1			
A57G334	. PISTON & ROD.	1	2			
- 16 A57G396	. PISTON & ROD.	1	3			
- 17 AN6227B9	. RING, O.	1	3			

CODES OF EFFECTIVITY

- | | |
|---------------------------------------|----------------------|
| 1 CD-1 THRU CD-387 | 2 CD-388 THRU CD-905 |
| 3 CD-906 AND AFTER,
CE-1 AND AFTER | 4 CD-1 THRU CD-905 |

BEECHCRAFT
BONANZA 33 THRU E33
ILLUSTRATED PARTS CATALOG

FIGURE 46
CABIN HEAT AND VENT
CD-1 THRU CD-387

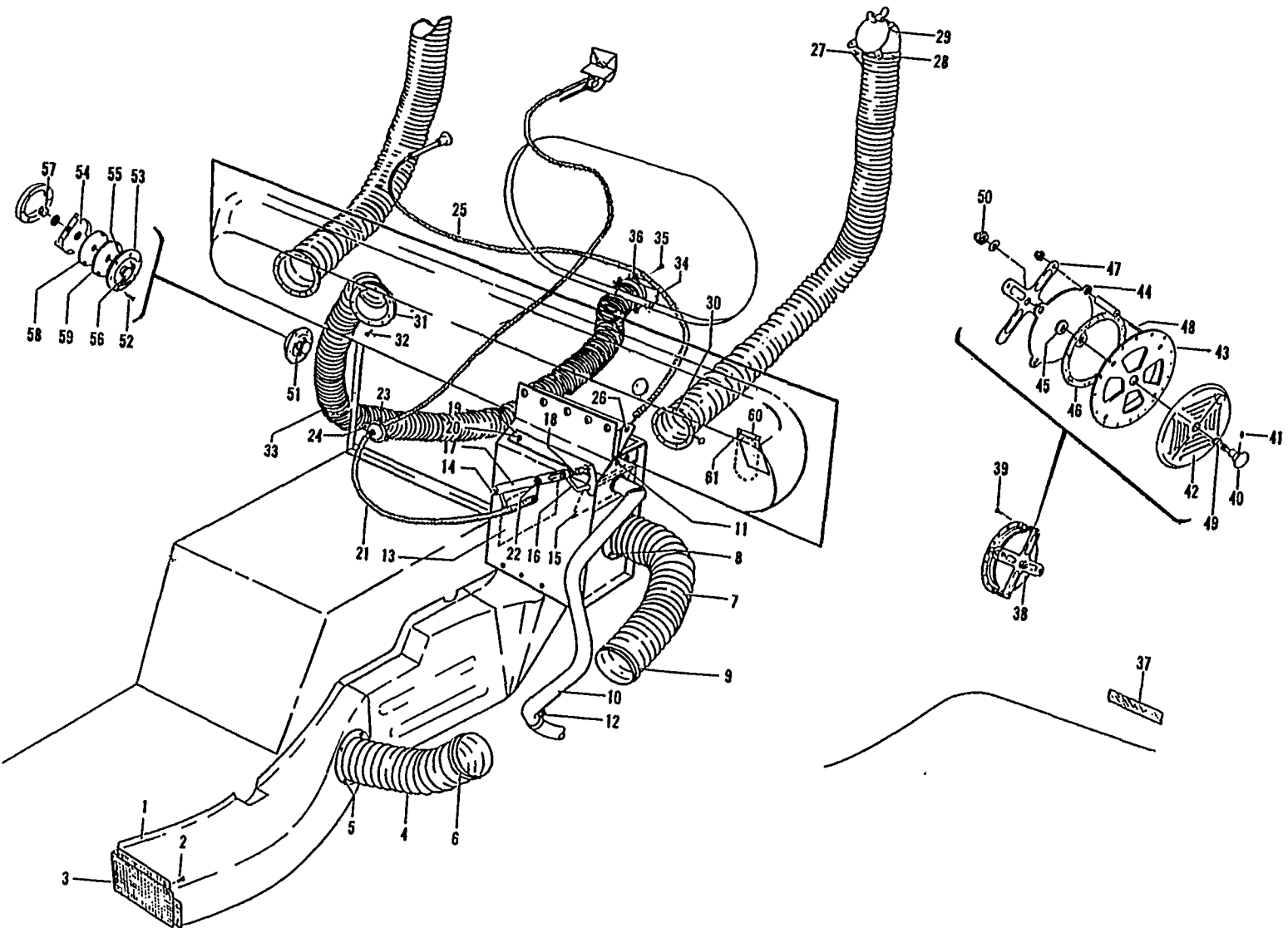


FIGURE 46. CABIN HEAT AND VENT

B E E C H C R A F T
BONANZA 33 THRU E33
I L L U S T R A T E D P A R T S C A T A L O G

FIG. & ITEM NO.	PART NO.	DESCRIPTION	UNITS PER ASSY	USABLE ON CODE
46	33-550000-13	HEAT & VENT INSTL,CABIN	NP	3
	35-550502-32	. DUCT ASSY,COLD AIR INLET. /ATTACHING PARTS/	NP	3
- 2	AN530-6R6	. SCREW	14	
	AN960-6L	. WASHER.	8	
	A1777-6Z3	. NUT	8	

- 3	35-550087	. SCREEN,ENGINE COMPARTMENT DUCT.	1	3
- 4	115167CXZ120333	. DUCT,HEATER INLET /SUPERSEDES 35-550522-2/. /ATTACHING PARTS/	1	3
- 5	AN530-6R6	. SCREW	5	
- 6	1/2 IN.	. TIE,1/2 X 21-1/2 WRAPLOCK	1	

- 7	115167DXZ120684	. DUCT,HEATER OUTLET /SUPERSEDES 35-550521-2/ /ATTACHING PARTS/	1	3
- 8	AN530-6R6	. SCREW	4	
- 9	1/2 IN.	. TIE,1/2 X 21-1/2 WRAPLOCK	1	

- 10	35-554030-1	. DUCT ASSY,HEATER EXHAUST. /ATTACHING PARTS/	1	3
- 11	PK5426-5	. SCREW	2	
- 12	AN742D24	. CLAMP	1	
	100696P-ZL104	. SPACER.	1	
	AN3-15A	. BOLT.	1	
	AN960-10	. WASHER.	1	
	AN365-1032	. NUT	1	

	35-550026-602	. VALVE ASSY,HEAT REGULATING /SPARE ASSY/	1	3
	35-550026	. VALVE ASSY,HEAT REGULATING.	NP	3
- 13	35-550026-26	. DAMPER ASSY,COLD AIR.	1	3
- 14	35-550035	. CRANK,COLD AIR DAMPER	1	3
- 15	35-550026-18	. DAMPER ASSY,HOT AIR	1	3
- 16	35-550034	. CRANK,HOT AIR DAMPER.	1	3
- 17	35-550026-14	. ARM,DAMPER.	1	3
- 18	100942H0022-22	. SPRING.	1	3
- 19	35-550026-44	. COVER ASSY,REGULATING VALVE /ATTACHING PARTS/	1	3
- 20	AN530-8R6	. SCREW	2	

- 21	WC122-5B37-3	. CONTROL ASSY,HEAT REGULATING.	1	1
	WC169-0-B36-4	. CONTROL ASSY,HEAT REGULATING. /ATTACHING PARTS/	1	2
- 22	35-550520	. PIN,CONTROL ATTACHMENT.	1	
	AN936A616	. WASHER.	1	
	AN960-10	. WASHER.	1	
	102933S4ZJ0095	. SPACER.	1	
	AN315-6	. NUT	1	
	AN365-1032	. NUT	1	

	112412	. GROMMET	2	3
	AN960-8	. WASHER.	4	3
	112413-2	. BALL,HALF	2	3
- 23	112436-6	. RETAINER. /ATTACHING PARTS/	1	3
- 24	49338	. FASTENER.	1	

- 25	35-550523	. CONTROL ASSY,HEAT & VENT,CUTOFF DOOR. /ATTACHING PARTS/	1	3
- 26	AN392-7	. PIN	1	
	AN960-6	. WASHER.	2	
	AN380-2-1	. PIN,COTTER.	1	

- 27	35-550501-2	. DUCT,DEFROSTER /LH ONLY/. /ATTACHING PARTS/	1	3
- 28	1/4 INCH	. TIE,1/4 X 16-1/2 WRAPLOCK	2	

B E E C H C R A F T
B O N A N Z A 3 3 T H R U E 3 3
I L L U S T R A T E D P A R T S C A T A L O G

FIG. & ITEM NO.	PART NO.	DESCRIPTION	UNITS PER ASSY	USABLE ON CODE
46 - 29	35-550091	. COLLAR,DEFROSTER DUCT UPPER LH.	1	3
	33-550000-1	. COVER,DEFROSTER DUCT UPPER RH.	1	3
- 30	35-415333	. COLLAR,DEFROSTER DUCT LOWER LH.	1	3
- 31	33-550000-9	. TUBE ASSY,REAR SEAT HEAT. /ATTACHING PARTS/	1	3
- 32	AN530-8R	. SCREW	8	
	NAS395-10-1	. NUT	8	
- 33	111716AX4XX160 105798-7	. DUCT,REAR SEAT HEAT CLAMP,REAR SEAT HEAT DUCT	1 2	3 3
- 34	35-550042	. DEFLECTOR,REAR SEAT HEAT DUCT	1	3
	35-550565-9	. DEFLECTOR /ALTERNATE FOR 35-550042 FOR IMPROVED HEATING/ /ATTACHING PARTS/	1	3
- 35	AN515-8R	. SCREW	4	
	AN960-8	. WASHER.	4	
- 36	95-550000-9	. DIFFUSER ASSY,REAR SEAT HEAT DUCT	1	3
- 37	35-550532	. SCREEN,CABIN COLD AIR DUCT.	2	3
- 38	35-550054	. VALVE ASSY,CABIN PILOTS COLD AIR. /ATTACHING PARTS/	1	3
- 39	NAS384-6-8P	. SCREW	12	
- 40	35-550057	. . KNOB,PILOTS COLD AIR VALVE. /ATTACHING PARTS/	1	3
- 41	AN565D6H4	. . SCREW	1	
- 42	102808-4D012	. . WASHER.	1	3
	35-550082	. . DIFFUSER ASSY,PILOTS COLD AIR VALVE	1	3
	35-550082-2	. . . DIFFUSER.	1	3
	102808-4F516	. . . WASHER.	1	3
	L1148	. . . KNOB.	1	3
	AN530-6-6 AN936B6	. . . SCREW WASHER.	1 1	
- 43	102808-4G012	. . WASHER.	1	3
	35-550084	. . PLATE,PILOTS COLD AIR VALVE	1	3
	35-550078	. . COLLAR,PILOTS COLD AIR VALVE.	1	3
	35-550079	. . DISC ASSY,PILOTS COLD AIR VALVE	1	3
- 44	35-550079-2	. . . DISC,PILOTS COLD AIR VALVE.	1	3
- 45	35-550075	. . . NUT,PILOTS COLD AIR VALVE	1	3
- 46	102808-4E324	. . . WASHER.	1	3
- 47	35-550080	. . SPIDER,PILOTS COLD AIR VALVE. /ATTACHING PARTS/	1	3
- 48	AN507-632-20	. . SCREW	4	
	102933D2ZK0875	. . SPACER.	4	
	AN364-632	. . NUT	4	
- 49	35-550058-10	. . SCREW ASSY,PILOTS COLD AIR VALVE.	1	3
	35-550058-4	. . . SCREW,PILOTS COLD AIR VALVE	1	3
	35-550058-6	. . . COLLAR,PILOTS COLD AIR VALVE SCREW. /ATTACHING PARTS/	1	3
- 50	AN320-4	. . . NUT	1	
	AN960-416L	. . . WASHER.	1	
	AN380-2-2	. . . PIN,COTTER.	1	
- 51	35-550055	. VALVE ASSY,CABIN COLD AIR INLET /ATTACHING PARTS/	1	3
- 52	NAS384-6-16P	. SCREW	6	
	35-550086	. SPACER.	1	

B E E C H C R A F T
 BONANZA 33 THRU E33
 I L L U S T R A T E D P A R T S C A T A L O G

FIG. & ITEM NO.	PART NO.	DESCRIPTION							UNITS PER ASSY	USABLE ON CODE	
		1	2	3	4	5	6	7			
46	- 53	35-550059	1	3	
	- 54	35-550061	1	3	
	- 55	35-550060	1	3	
	- 56	35-550056	1	3	
			/ATTACHING PARTS/								
	- 57	AN320-4	1	
		AN960-416L	1	
		AN380-2-2	1	

		35-550057	1	3
		35-550058-8	1	3
		102808-4D012	1	3
	- 58	35-550062	1	3
		35-550062-2	1	3
		35-550075	1	3
- 59	35-550063	1	3	
	AN960-416	1	3	
- 60	33-550000-17	2	3	
		/ATTACHING PARTS/									
- 61	AN530-6R6	2		
	NAS446-2-1	2		

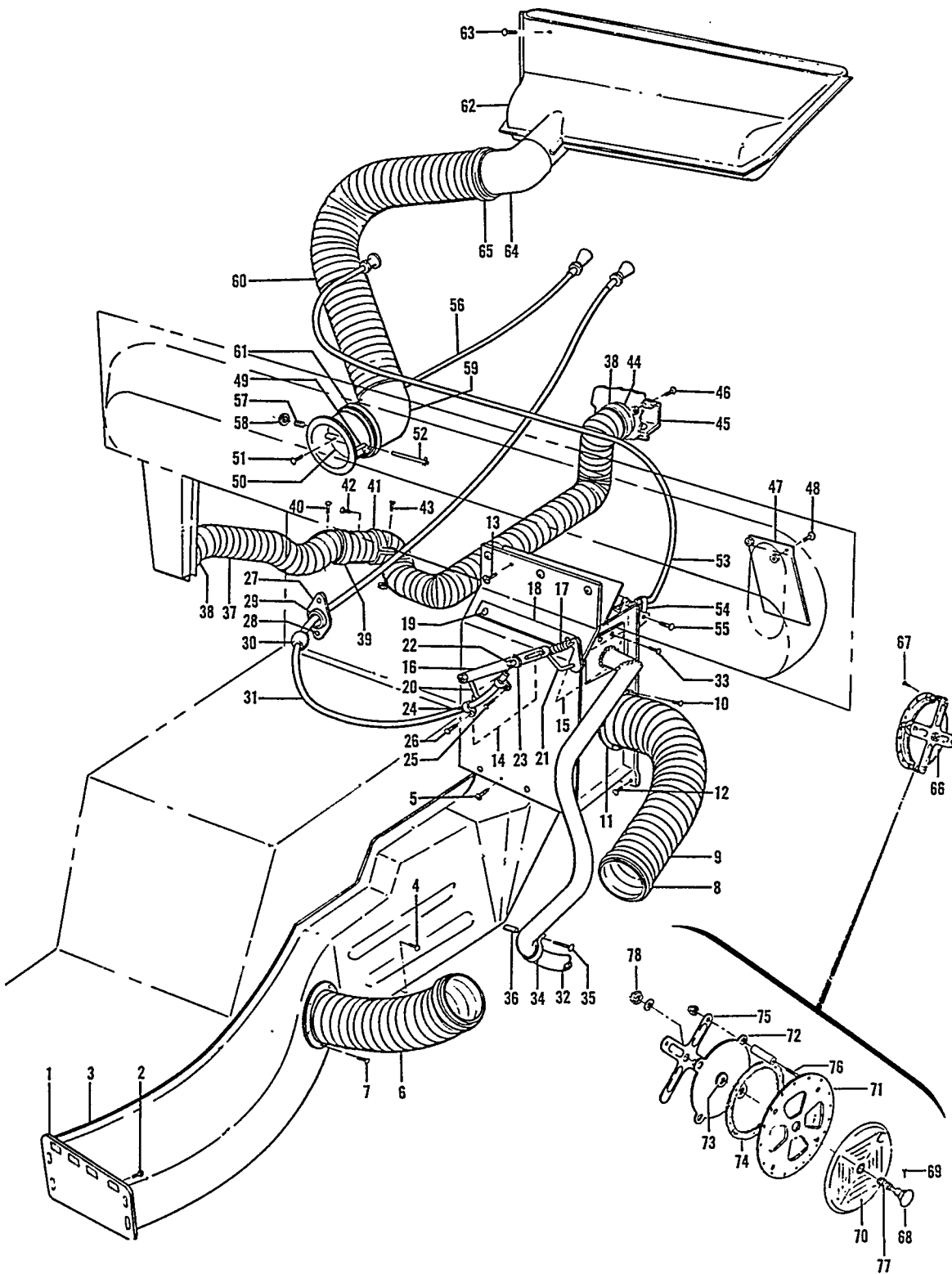
CODES OF EFFECTIVITY

1 CD-1 THRU CD-163 2 CD-164 THRU CD-387
 3 CD-1 THRU CD-387

B E E C H C R A F T
B O N A N Z A 3 3 T H R U E 3 3
I L L U S T R A T E D P A R T S C A T A L O G

FIGURE 46A
CABIN HEAT AND VENT
CD-388 THRU CD-735

BEECHCRAFT
 BONANZA 33 THRU E33
 ILLUSTRATED PARTS CATALOG



B E E C H C R A F T
B O N A N Z A 3 3 T H R U E 3 3
I L L U S T R A T E D P A R T S C A T A L O G

FIG. & ITEM NO.	PART NO.	DESCRIPTION							UNITS PER ASSY	USABLE ON CODE
		1	2	3	4	5	6	7		
46A	35-550565-7	HEAT AND VENT INSTL,CABIN							NP	1
- 1	35-550087	. SCREEN,ENGINE COMPARTMENT HEAT AND VENT DUCT.							1	1
		/ATTACHING PARTS/								
- 2	AN530-6R6	. SCREW							8	
	AN960-6L	. WASHER							8	
	A1777-6Z3	. NUT							8	

- 3	35-550502-32	. DUCT ASSY,HEAT.							1	1
		/ATTACHING PARTS/								
- 4	AN515-6R6	. SCREW							2	
- 5	AN530-6R6	. SCREW							6	
	AN960-6L	. WASHER							2	
	AN365-632	. NUT							2	

- 6	115167CXZ120333	. DUCT,HEATER INLET /SUPERSEDES 35-550522/.							1	1
		/ATTACHING PARTS/								
- 7	AN530-6R6	. SCREW							5	

- 8	1/2 IN.	. TIE,WRAPLOCK /21-1/2 LONG/.							2	1
- 9	111716-6XZ23	. DUCT,HEATER DISCHARGE							1	1
		/SUPERSEDES 35-550521/								
		/ATTACHING PARTS/								
- 10	AN530-6R6	. SCREW							4	

- 11	35-550503-4	. RING,HEATER DISCHARGE DUCT.							1	1
	35-550026	. VALVE ASSY,HEAT REGULATING.							1	1
		/ATTACHING PARTS/								
- 12	AN515-8R6	. SCREW							3	
- 13	AN525-8R	. SCREW							4	

- 14	35-550026-26	. . DAMPER ASSY,COLD AIR VALVE.							1	1
- 15	35-550026-18	. . DAMPER ASSY,HOT AIR VALVE							1	1
- 16	35-550026-14	. . ARM,HEAT REGULATING VALVE							1	1
- 17	100942H0022-22	. . SPRING,HEAT REGULATING VALVE ARM.							1	1
	AN960-10L	. . WASHER							2	1
	AN380-2-1	. . PIN,COTTER.							4	1
- 18	35-550026-44	. . COVER,HEAT REGULATING VALVE							1	1
		/ATTACHING PARTS/								
- 19	AN530-8R6	. . SCREW							2	

- 20	35-550035	. . CRANK,COLD AIR VALVE.							1	1
- 21	35-550034	. . CRANK,HOT AIR VALVE							1	1
- 22	35-550520	. . PIN,HEAT REGULATING VALVE CONTROL ATTACHMENT.							1	1
- 23	102933S4ZJ0095	. . SPACER.							1	1
	AN960-10	. . WASHER							1	1
	AN365-1032	. . NUT							1	1
- 24	AN742-4	. . CLAMP,CONTROL WIRE SUPPORT.							2	1
		/ATTACHING PARTS/								
- 25	AN515-8R6	. . SCREW							1	
- 26	AN525-832R6	. . SCREW							1	
	AN960-8	. . WASHER							1	
	MS20365-832	. . NUT /SUPERSEDES AN365-832/.							1	

- 27	112436-6	. . RETAINER,FIREPROOF GROMMET.							1	1
		/ATTACHING PARTS/								
- 28	49338	. . FASTENER.							2	
	AN960-8	. . WASHER							4	

- 29	112412	. . GROMMET,SELF ALIGNING FIREPROOF							2	1
- 30	112413-2	. . GROMMET,HALF BALL FIREPROOF							2	1
- 31	35-380051-1	. . CONTROL,CABIN HEAT.							1	1
- 32	35-554030-1	. . DUCT ASSY,HEATER EXHAUST.							1	1
		/ATTACHING PARTS/								
- 33	PK5426-5	. . SCREW							2	

B E E C H C R A F T
B O N A N Z A 3 3 T H R U E 3 3
I L L U S T R A T E D P A R T S C A T A L O G

FIG. & ITEM NO.	PART NO.	DESCRIPTION	UNITS PER ASSY	USABLE ON CODE
		1 2 3 4 5 6 7		
46A - 34	AN742D24	. CLAMP, DUCT SUPPORT. /ATTACHING PARTS/	1	1
- 35	AN3-15A	. BOLT.	1	
- 36	100696P-ZL104	. SPACER.	1	
	AN960-10	. WASHER.	1	
	AN365-1032	. NUT	1	

- 37	111716AX4XX135	. DUCT, REAR SEAT AIR.	1	2
	111716AX4XX127	. DUCT, REAR SEAT AIR.	1	3
- 38	105798-7	. CLAMP, REAR SEAT AIR DUCT.	2	1
- 39	AN742D32	. CLAMP, REAR SEAT AIR DUCT. /ATTACHING PARTS/	1	1
- 40	AN520-10R	. SCREW	1	
	AN960-10	. WASHER.	1	

- 41	AN735D32	. CLAMP, REAR SEAT AIR DUCT. /ATTACHING PARTS/	1	1
- 42	AN520-10R	. SCREW	1	
- 43	AN515-8R	. SCREW	1	
	AN960-10	. WASHER.	1	
	AN960-8	. WASHER.	1	
	AN365-1032	. NUT	1	

- 44	95-550000-9	. ADAPTER ASSY, REAR SEAT AIR DEFLECTOR.	1	1
- 45	35-550042	. DEFLECTOR, REAR SEAT AIR	1	2
	35-550565	. DEFLECTOR /ALTERNATE FOR 35-550042 FOR. IMPROVED HEATING/	1	2
	35-550565-9	. DEFLECTOR, REAR SEAT AIR /ATTACHING PARTS/	1	3
- 46	AN515-8R	. SCREW	4	
	AN960-8	. WASHER.	4	

- 47	33-550000-17	. COVER, AIR DEFLECTOR	2	2
	35-550565-11	. COVER, AIR DEFLECTOR /ATTACHING PARTS/	2	3
- 48	AN530-6R6	. SCREW	2	
	NAS446-2-1	. NUT	2	

- 49	35-550566	. VALVE ASSY, DEFROSTER AIR.	1	1
	35-550566-7	. WELD ASSY, DEFROSTER AIR VALVE /ATTACHING PARTS/	1	1
	AN960-516L	. WASHER.	AR	
	AN380-2-3	. PIN, COTTER.	2	

- 50	35-550501-20	. VALVE, DEFROSTER AIR /ATTACHING PARTS/	1	1
- 51	AN515-6R10	. SCREW	2	
	AN960-6	. WASHER.	2	
	AN365-632	. NUT	2	

- 52	414-183955-111	. PIN, DEFROSTER AIR VALVE /ATTACHING PARTS/	1	1
	AN380-2-2	. PIN, COTTER.	2	

- 53	35-380049-1	. CONTROL, FIREWALL SHUTOFF PUSH PULL. /ATTACHING PARTS/	1	1
	AN380-2-2	. PIN, COTTER.	1	

- 54	MS21919-63	. CLAMP, CONTROL WIRE SUPPORT. /ATTACHING PARTS/	1	1
- 55	AN520-10R	. SCREW	1	
	AN960-10L	. WASHER.	1	
	AN365-1032	. NUT	1	

B E E C H C R A F T
 BONANZA 33 THRU E33
 I L L U S T R A T E D P A R T S C A T A L O G

FIG. & ITEM NO.	PART NO.	DESCRIPTION	UNITS PER ASSY	USABLE ON CODE
		1 2 3 4 5 6 7		
46A - 56	35-380049-3	. CONTROL, DEFROSTER PUSH PULL	1	1
- 57	35-550520	. PIN, DEFROSTER CONTROL ATTACHMENT.	1	1
- 58	102933S4ZJ0095	. SPACER.	1	1
	AN960-10L	. WASHER.	1	1
	AN365-1032	. NUT	1	1
	35-550565-3	. HOSE ASSY, DEFROSTER	1	1
- 59	95-554041-7	. . ELBOW ASSY, DEFROSTER.	1	1
- 60	111716AX5XX44	. . DUCT, DEFROSTER AIR.	1	1
- 61	AN737TW82	. CLAMP, HOSE.	1	1
	35-550565-5	. DUCT ASSY, DEFROSTER	1	1
- 62	96-550010-1	. . DUCT ASSY, DEFROSTER	1	1
		/ATTACHING PARTS/		
- 63	AN507-632R	. . SCREW	4	
		-----*		
- 64	95-554041-7	. . ELBOW ASSY, DEFROSTER.	1	1
- 65	105798-9	. CLAMP, HOSE.	1	1
- 66	35-550054	. VALVE ASSY, CABIN PILOTS COLD AIR.	1	1
		/ATTACHING PARTS/		
- 67	NAS384-6-8P	. SCREW	12	
		-----*		
- 68	35-550057	. . KNOB, PILOTS COLD AIR VALVE.	1	1
		/ATTACHING PARTS/		
- 69	AN565D6H4	. . SCREW	1	
		-----*		
	102808-4D012	. . WASHER.	1	1
	35-550082	. . DIFFUSER ASSY, PILOTS COLD AIR VALVE	1	1
- 70	35-550082-2	. . . DIFFUSER.	1	1
	102808-4F516	. . . WASHER.	1	1
	L1148	. . . KNOB.	1	
		/ATTACHING PARTS/		
	AN530-6-6	. . . SCREW	1	
	AN936B6	. . . WASHER.	1	
		-----*		
- 71	102808-4G012	. . WASHER.	1	1
	35-550084	. . PLATE, PILOTS COLD AIR VALVE	1	1
	35-550078	. . COLLAR, PILOTS COLD AIR VALVE.	1	1
	35-550079	. . DISC ASSY, PILOTS COLD AIR VALVE	1	1
- 72	35-550079-2	. . . DISC, PILOTS COLD AIR VALVE.	1	1
- 73	35-550075	. . . NUT, PILOTS COLD AIR VALVE	1	1
- 74	102808-4E324	. . . WASHER.	1	1
- 75	35-550080	. . SPIDER, PILOTS COLD AIR VALVE.	1	1
		/ATTACHING PARTS/		
- 76	AN507-632-20	. . SCREW	4	
	102933D2ZK0875	. . SPACER.	4	
	AN364-632	. . NUT	4	
		-----*		
- 77	35-550058-10	. . SCREW ASSY, PILOTS COLD AIR VALVE.	1	1
	35-550058-4	. . . SCREW, PILOTS COLD AIR VALVE	1	1
	35-550058-6	. . . COLLAR, PILOTS COLD AIR VALVE SCREW.	1	1
		/ATTACHING PARTS/		
- 78	AN320-4	. . . NUT	1	
	AN960-416L	. . . WASHER.	1	
	AN380-2-2	. . . PIN, COTTER.	1	
		-----*		

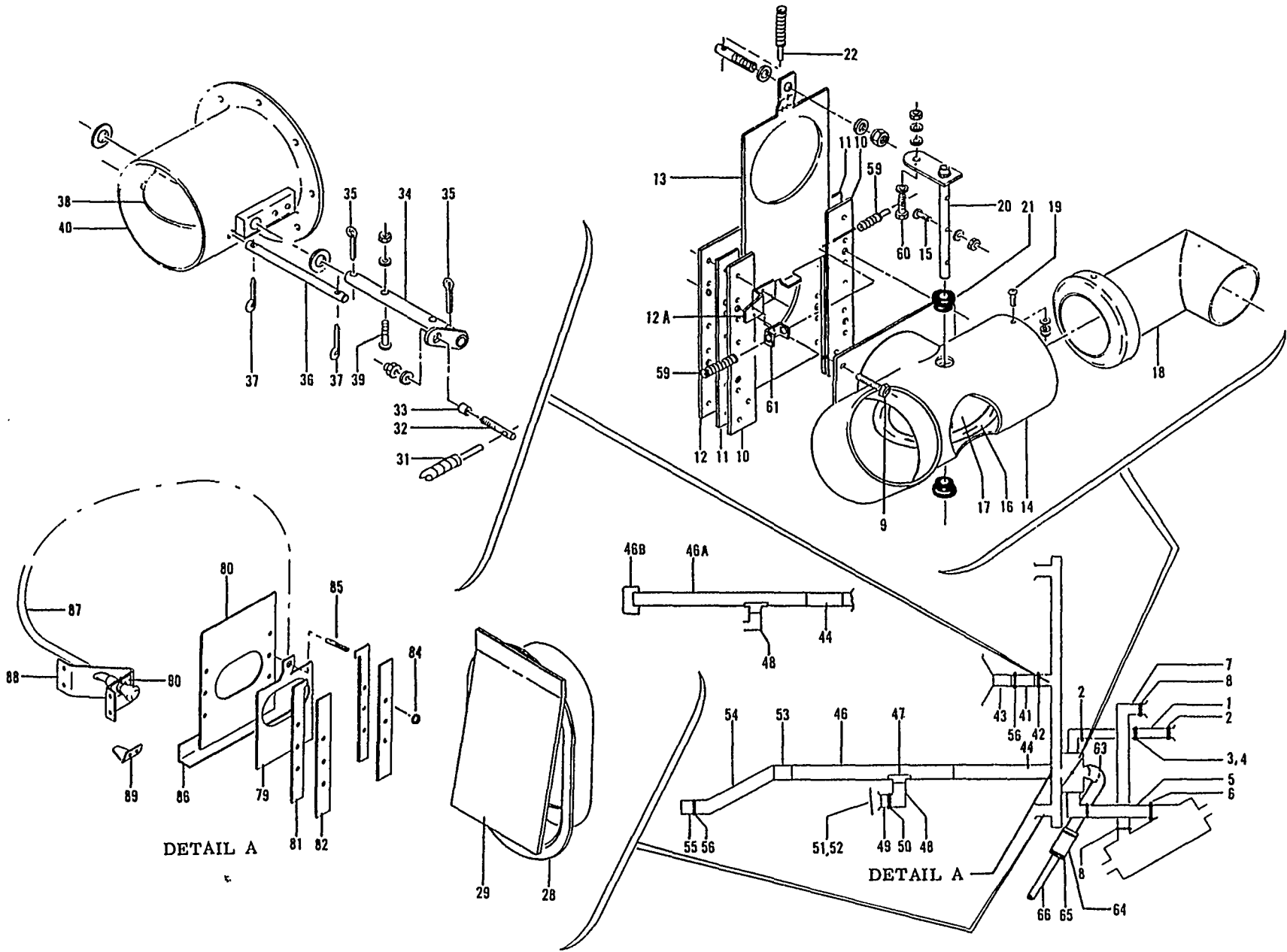
CODES OF EFFECTIVITY

- 1 CD-388 THRU CD-735 2 CD-388 THRU CD-627
 3 CD-628 THRU CD-735

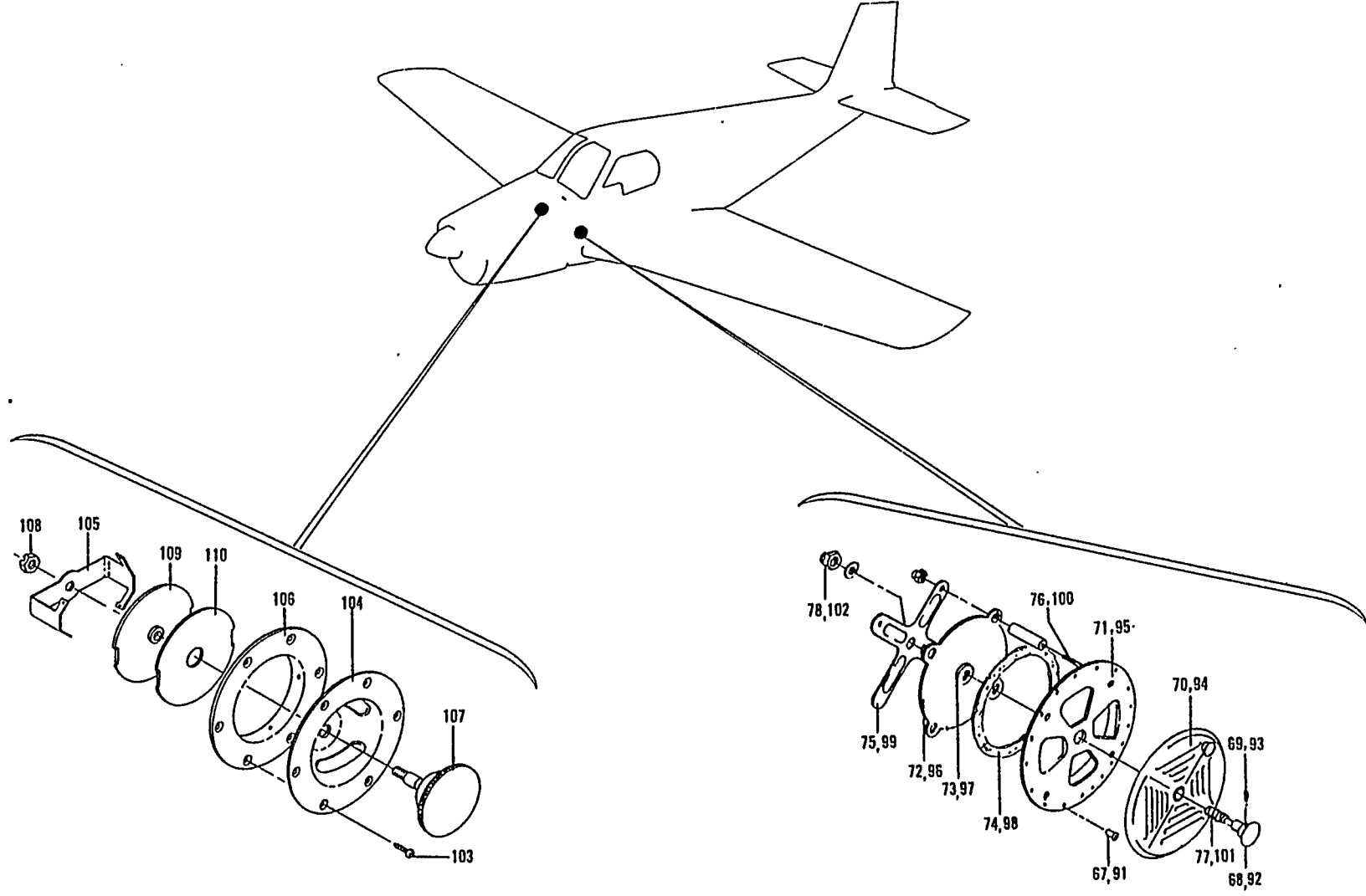
B E E C H C R A F T
B O N A N Z A 3 3 T H R U E 3 3
I L L U S T R A T E D P A R T S C A T A L O G

FIGURE 46B
HEAT AND CABIN VENT
CD-736 AND AFTER, CE-1 AND AFTER

BECHCRAFT
 BONANZA 33 THRU E33
 ILLUSTRATED PARTS CATALOG



BEECHCRAFT
BONANZA 33 THRU E33
ILLUSTRATED PARTS CATALOG



B E E C H C R A F T
BONANZA 33 THRU E33
I L L U S T R A T E D P A R T S C A T A L O G

FIG. & ITEM NO.	PART NO.	DESCRIPTION	UNITS PER ASSY	USABLE ON CODE
		1 2 3 4 5 6 7		
468	35-550115-43	HEAT AND VENT INSTL	NP	8
	35-550115-69	HEAT AND VENT INSTL	NP	7
- 1	1151670XX081343	. DUCT,FRESH AIR TO AIR BOX	1	1
- 2	105798-12	. CLAMP /SUPERSEDES 105798-7/	2	1
- 3	MS21919-32	. CLAMP	1	1
		/ATTACHING PARTS/		
- 4	AN520-10R8	. SCREW	1	
	AN960-10	. WASHER	1	
	MS20365-1032	. NUT	1	

- 5	1151670XX120603	. DUCT,HEATED AIR TO AIR BOX.	1	8
	115167XX120523	. DUCT,HEATED AIR TO AIR BOX.	1	7
- 6	105798-18	. CLAMP /SUPERSEDES 105798-13/	2	1
- 7	1151670XX121123	. DUCT,FRESH AIR TO HEATER.	1	1
- 8	105798-18	. CLAMP/SUPERSEDES 105798-13/	2	1
	35-550115-1	. BOX ASSY,HEAT	1	1
		/ATTACHING PARTS/		
- 9	AN3-4A/M/	. BOLT.	4	
	AN960-10	. WASHER.	4	

- 10	35-550115-3	. . . STRIP	2	1
- 11	35-550115-5	. . . SPACER.	2	1
- 12	35-550115-7	. . . PLATE	1	1
- 12A	35-550115-67	. . . BRACKET	1	3
- 13	35-550115-55	. VALVE,FIREWALL SHUTOFF.	1	1
	35-550115-33	. VALVE ASSY,REGULATOR.	1	1
- 14	35-550115-31	. . . BODY ASSY,REGULATOR VALVE	1	1
	35-550115-41	. . . BUTTERFLY VALVE ASSY.	1	1
		/ATTACHING PARTS/		
- 15	AN515-4R	. . . SCREW	3	
	AN960-4L	. . . WASHER.	3	
	MS20365-440	. . . NUT	3	

- 16	35-550115-39	. . . SEAL,REGULATOR VALVE.	4	1
- 17	35-550115-53	. . . BUTTERFLY,REGULATOR VALVE	1	1
- 18	35-550115-19	. . . ELBOW	1	1
		/ATTACHING PARTS/		
- 19	AN515-8R7	. . . SCREW	3	
	AN960-8	. . . WASHER.	3	
	MS20365-832	. . . NUT	3	

- 20	35-550115-23	. SHAFT ASSY.	1	1
- 21	NAS557-4A	. GROMMET	2	1
- 22	169-380005-11	. CONTROL ASSY,FIREWALL SHUTOFF DOOR.	1	1
		/ATTACHING PARTS/		
	35-550520	. PIN	1	
	102933S4ZJ0095	. SPACER.	1	
	MS20365-1032	. NUT	1	

- 23		. DELETED		
- 24		. DELETED		
- 25		. DELETED		
- 26		. DELETED		
- 27		. DELETED		
- 28	35-550024-2	. FRAME ASSY,SIDE VENT.	2	1
- 29	35-550565-11	. COVER,SIDE VENT	2	1
- 30		. DELETED		
- 31	35-380049-3	. CONTROL ASSY,DEFROSTER.	1	4
	35-380051-7	. CONTROL ASSY,DEFROSTER.	1	5
		/ATTACHING PARTS/		
- 32	35-550520	. PIN	1	
- 33	102933S4ZJ0095	. SPACER.	1	
	MS20365-1032	. NUT	1	

B E E C H C R A F T
 BONANZA 33 THRU E33
 I L L U S T R A T E D P A R T S C A T A L O G

FIG. & ITEM NO.	PART NO.	DESCRIPTION						UNITS PER ASSY	USABLE ON CODE
		1	2	3	4	5	6		
46B	35-550566	1	1
- 34	35-550566-7	1	1
		/ATTACHING PARTS/							
- 35	AN380-2-3	2	
	AN960-516L	2	
		-----*							
- 36	414-183955-111	1	1
		/ATTACHING PARTS/							
- 37	MS24665-132	2	
		-----*							
- 38	35-550501-20	1	1
		/ATTACHING PARTS/							
- 39	AN515-6R10	2	
	AN960-6	2	
			
		-----*							
- 40	35-550566-3	1	1
- 41	35-550565-3	1	1
- 42	AN737TW82	1	1
- 43	35-550565-5	1	1
	35-550567-19	NP	2
	35-550567-33	NP	3
- 44	35-550567-27	1	1
		35-550567-1 AND 35-550567-25/							
- 45			
- 46	35-550567-29	1	3
		/SUPERSEDES 95-550001-29/							
	35-550567-35	2	1
- 46A	35-550567-23	1	2
- 46B	35-550567-21	1	2
- 47	95-550001-33	1	1
- 48	111716AX4XX15	1	1
- 49	95-550000-9	1	1
- 50	105798-12	2	1
- 51	35-550565-9	1	1
		/ATTACHING PARTS/							
- 52	AN515-8R6	4	
	AN960-8	4	
		-----*							
- 53	95-550001-31	1	3
- 54	111716AX5XX34	1	3
- 55	95-420016-45	1	3
- 56	105798-9	1	3
- 57			
- 58			
- 59	35-380051-5	1	1
		/ATTACHING PARTS/							
- 60	169-910021	1	
	AN960-10L	AR	
	AN960-10	AR	
	MS20365-1032	1	
		-----*							
- 61	169-910028-13	1	1
- 62			
- 63	35-550115-57	1	1
- 64	115167DXX3-0363	1	1
- 65	AN737RH38	2	1

B E E C H C R A F T
B O N A N Z A 3 3 T H R U E 3 3
I L L U S T R A T E D P A R T S C A T A L O G

FIG. & ITEM NO.	PART NO.	DESCRIPTION	UNITS PER ASSY	USABLE ON CODE
		1 2 3 4 5 6 7		
46B - 66	35-550115-65	. TUBE,REGULATOR VALVE MOISTURE DRAIN /ATTACHING PARTS/	1	1
	AN742D12	. CLAMP	2	
	AN742D24	. CLAMP	2	
	AN520-10R8	. SCREW	2	
	AN960-10L	. WASHER	2	
	MS20365-1032	. NUT	2	
	35-550054	. VALVE ASSY,CABIN PILOTS COLD AIR. /ATTACHING PARTS/	1	2
- 67	NAS384-6-8P	. SCREW	12	
- 68	35-550057	. . KNOB,PILOTS COLD AIR VALVE. /ATTACHING PARTS/	1	2
- 69	AN565D6H4	. . SCREW	1	
	102808-4D012	. . WASHER.	1	2
	35-550082	. . DIFFUSER ASSY,PILOTS COLD AIR VALVE	1	2
- 70	35-550082-2	. . . DIFFUSER.	1	2
	102808-4F516	. . . WASHER.	1	2
	L1148	. . . KNOB.	1	2
	AN530-6-6	. . . SCREW	1	
	AN93686	. . . WASHER.	1	
- 71	102808-4G012	. . . WASHER.	1	2
	35-550084	. . . PLATE,PILOTS COLD AIR VALVE	1	2
	35-550078	. . . COLLAR,PILOTS COLD AIR VALVE.	1	2
	35-550079	. . . DISC ASSY,PILOTS COLD AIR VALVE	1	2
- 72	35-550079-2 DISC,PILOTS COLD AIR VALVE.	1	2
- 73	35-550075 NUT,PILOTS COLD AIR VALVE	1	2
- 74	102808-4E324 WASHER.	1	2
- 75	35-550080 SPIDER,PILOTS COLD AIR VALVE. /ATTACHING PARTS/	1	2
- 76	AN507-632R20	. . . SCREW	4	
	102933D2ZK0875	. . . SPACER.	4	
	MS20364-632	. . . NUT /SUPERSEDES AN364-632/.	4	
- 77	35-550058-10	. . . SCREW ASSY,PILOTS COLD AIR VALVE.	1	2
	35-550058-4 SCREW,PILOTS COLD AIR VALVE.	1	2
	35-550058-6 COLLAR,PILOTS COLD AIR VALVE SCREW. /ATTACHING PARTS/	1	2
- 78	AN320-4 NUT	1	
	AN960-416L WASHER.	1	
	MS24665-132 PIN,COTTER /SUPERSEDES AN380-2-2/.	1	
	35-420013	. AIR SHUT-OFF INSTL,AFT CABIN.	NP	6
- 79	35-420013-1	. . . DOOR ASSY,AIR SHUT-OFF.	1	6
	35-420013-3 DOOR,AFT CABIN AIR.	1	6
- 80	35-420013-5 PLATE	1	6
- 81	35-420013-7 SPACER.	1	6
- 82	35-420013-9 STRIP	2	6
- 83	 DELETED		
- 84	AN960-3 WASHER,/BETWEEN RIVET AND PLASTIC SHEET/.	6	6
- 85	35-550520 PIN,CONTROL ATTACH.	1	6
	AN960-10 WASHER.	2	6
	102933S4ZJ0040 SPACER.	1	6
	MS20364-1032 NUT /SUPERSEDES AN364-1032/.	1	
- 86	35-420013-15 ANGLE	1	6
- 87	35-380049-3 CONTROL,AIR SHUT-OFF.	1	6
- 88	35-420013-13 BRACKET /ATTACHING PARTS/	1	6
	AN515-8R	. . . SCREW	4	
	AN960-8	. . . WASHER.	4	
	MK1000-832	. . . NUTPLATE.	4	

B E E C H C R A F T
 BONANZA 33 THRU E33
 I L L U S T R A T E D P A R T S C A T A L O G

FIG. & ITEM NO.	PART NO.	1	2	3	4	5	6	7	DESCRIPTION	UNITS PER ASSY	USABLE ON CODE	
468 - 89	35-420013-17	BRACKET	1	6	
	NAS384-6-6P	SCREW	1	6	
	NAS390-6P	WASHER	1	6	
- 90	35-420011	PLACARD, CONTROL IDENTIFICATION.	1	6	
		/ATTACHING PARTS/										
	AN530-4R4	SCREW	2		
		-----*										
	MS21919-3	CLAMP, CONTROL SUPPORT	1	6	
	35-550050	VENTILATION INSTL, CABIN	NP	9	
	35-550054	VALVE ASSY, CABIN PILOTS COLD AIR.	1	9	
		/ATTACHING PARTS/										
- 91	NAS384-6-8P	SCREW	12		
		-----*										
- 92	35-550057	KNOB, PILOTS COLD AIR VALVE.	1	9	
		/ATTACHING PARTS/										
- 93	AN565D6H4	SCREW	1		
		-----*										
	102808-4D012	WASHER	1	9	
	35-550082	DIFFUSER ASSY, PILOTS COLD AIR VALVE	1	9	
- 94	35-550082-2	DIFFUSER	1	9	
	102808-4F516	WASHER	1	9	
	L1148	KNOB	1	9	
		/ATTACHING PARTS/										
	AN530-6-6	SCREW	1		
	AN936B6	WASHER	1		
		-----*										
	102808-4G012	WASHER	1	9	
- 95	35-550084	PLATE, PILOTS COLD AIR VALVE	1	9	
	35-550050-13	SEAL	1	9	
	35-550078	COLLAR, PILOTS COLD AIR VALVE	1	9	
	35-550079	DISC ASSY, PILOTS COLD AIR VALVE	1	9	
- 96	35-550079-2	DISC, PILOTS COLD AIR VALVE	1	9	
- 97	35-550075	NUT, PILOTS COLD AIR VALVE	1	9	
- 98	102808-4E324	WASHER	1	9	
- 99	35-550080	SPIDER, PILOTS COLD AIR VALVE	1	9	
		/ATTACHING PARTS/										
-100	AN507-632R20	SCREW	4		
	102933D2ZK0875	SPACER	4		
	MS20364-632	NUT /SUPERSEDES AN364-632/.	4		
		-----*										
	35-550058-10	SCREW ASSY, PILOTS COLD AIR VALVE.	1	9	
-101	35-550058-4	SCREW, PILOTS COLD AIR VALVE	1	9	
	35-550058-6	COLLAR, PILOTS COLD AIR VALVE SCREW.	1	9	
		/ATTACHING PARTS/										
-102	AN320-4	NUT	1		
	AN960-416L	WASHER	1		
	MS24665-132	PIN, COTTER /SUPERSEDES AN380-2-2/.	1		
		-----*										
	35-550055	VALVE ASSY, COPILOTS COLD AIR.	1	9	
		/ATTACHING PARTS/										
-103	NAS384-6-16P	SCREW	12		
		-----*										
-104	35-550059	CUP, COPILOTS COLD AIR VALVE	1	9	
-105	35-550061	BRACKET, COPILOTS COLD AIR VALVE	1	9	
-106	35-550060	COLLAR, COPILOTS COLD AIR VALVE.	1	9	
	35-550050-15	SEAL	1	9	
-107	35-550056	KNOB ASSY, COPILOTS COLD AIR VALVE	1	9	
		/ATTACHING PARTS/										
-108	AN320-4	NUT	1		
	AN960-416L	WASHER	1		
	MS24665-132	PIN, COTTER /SUPERSEDES AN380-2-2/.	1		
		-----*										
	35-550057	KNOB, COPILOTS COLD AIR VALVE.	1	9	
	35-550058-8	SCREW ASSY, COPILOTS COLD AIR VALVE.	1	9	
	102808-4D012	WASHER	1	9	
	35-550062	DISC ASSY, COPILOTS COLD AIR VALVE	1	9	

B E E C H C R A F T
 BONANZA 33 THRU E33
 I L L U S T R A T E D P A R T S C A T A L O G

FIG. & ITEM NO.	PART NO.	DESCRIPTION							UNITS PER ASSY	USABLE ON CODE
		1	2	3	4	5	6	7		
468 -109	35-550062-2	.	.	.	DISC,COPILOTS COLD AIR VALVE.	.	.	.	1	9
	35-550075	.	.	.	NUT,COPILOTS COLD AIR VALVE	.	.	.	1	9
-110	35-550063	.	.	SEAL,COPILOTS COLD AIR VALVE.	.	.	.	1	9	
	AN960-416	.	.	WASHER.	.	.	.	1	9	

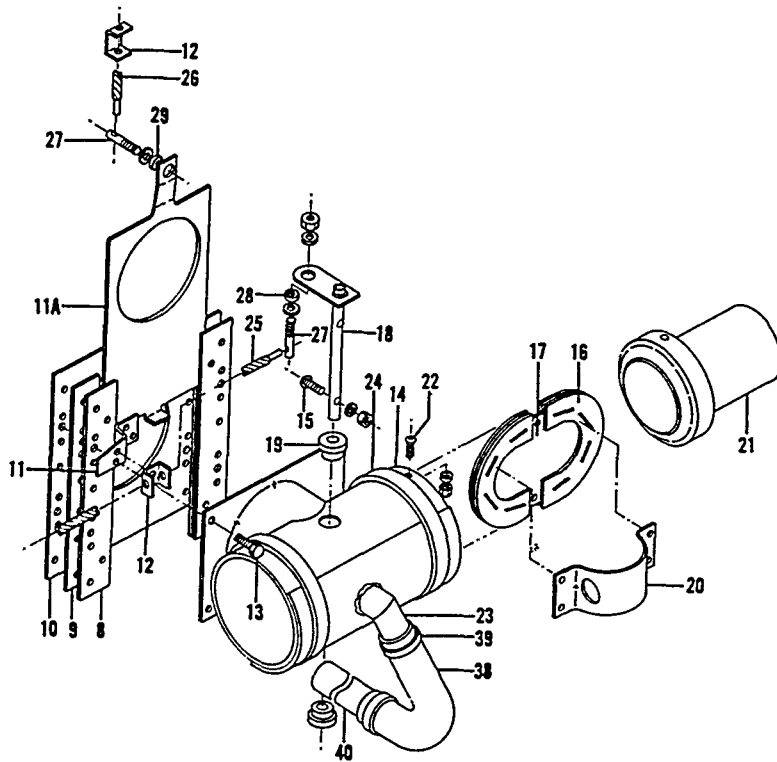
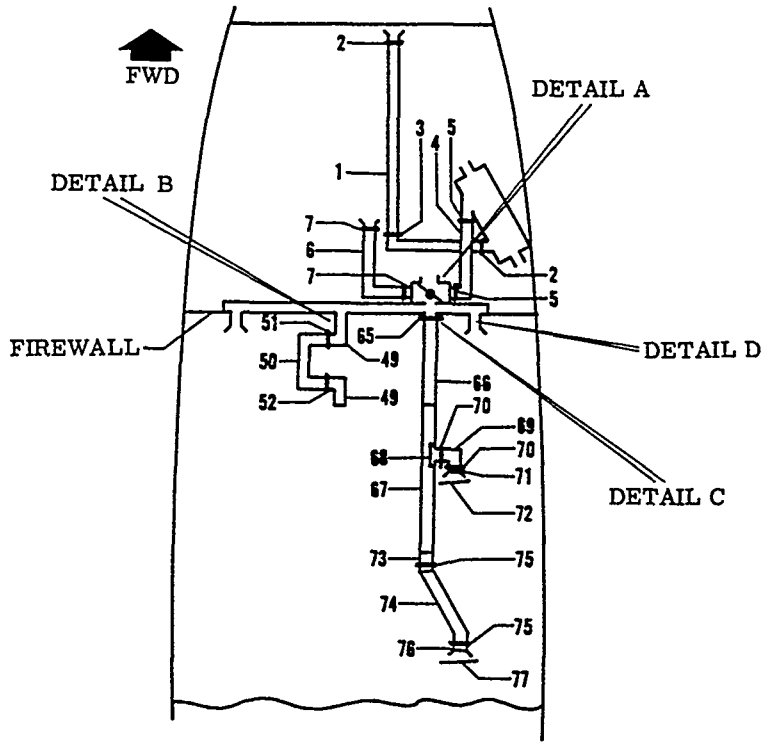
C O D E S O F E F F E C T I V I T Y

- | | | | |
|---|-------------------------------------|---|--|
| 1 | CD-736 THRU CD-1199, | 2 | CD-736 THRU CD-813
CE-1 THRU CE-248 |
| 3 | CD-814 THRU CD-1199, | 4 | CD-736 THRU CD-978
CE-1 THRU CE-248 |
| 5 | CD-979 THRU CD-1199, | 6 | CD-898 THRU CD-1199,
CE-1 THRU CE-248 |
| 7 | CE-1 THRU CE-248 | 8 | CD-736 THRU CD-1199 |
| 9 | CD-814 AND AFTER,
CE-1 AND AFTER | | |

B E E C H C R A F T
B O N A N Z A 3 3 T H R U E 3 3
I L L U S T R A T E D P A R T S C A T A L O G

FIGURE 46C
HEAT AND CABIN VENT
CD-1200 AND AFTER, CE-249 AND AFTER

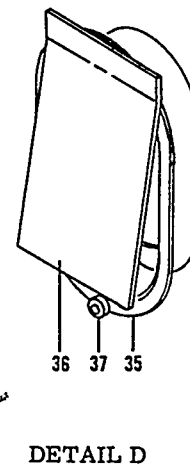
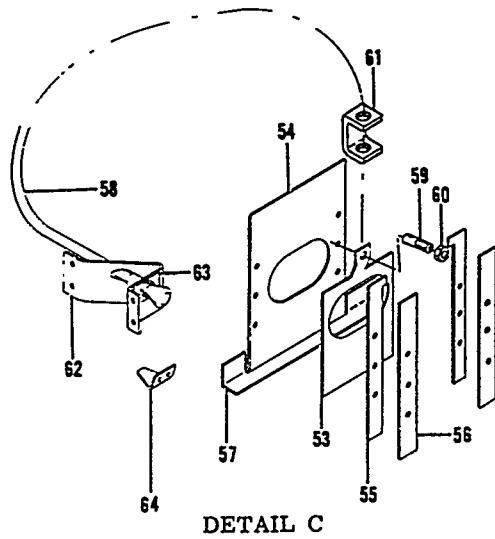
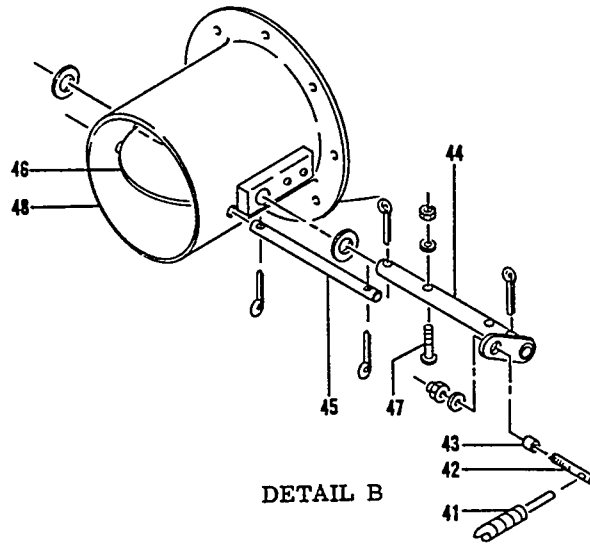
BEECHCRAFT
 BONANZA 33 THRU E33
 ILLUSTRATED PARTS CATALOG



DETAIL A

FIGURE 46C. HEAT AND CABIN VENT
 /SHEET 1 OF 2 SHEETS/

BEECHCRAFT
 BONANZA 33 THRU E33
 ILLUSTRATED PARTS CATALOG



B E E C H C R A F T
B O N A N Z A 3 3 T H R U E 3 3
I L L U S T R A T E D P A R T S C A T A L O G

FIG. & ITEM NO.	PART NO.	DESCRIPTION	UNITS PER ASSY	USABLE ON CODE
46C	35-550115-43	HEAT & VENT INSTL	NP	1
	35-550115-69	HEAT & VENT INSTL	NP	2
- 1	115167DXX121563	. DUCT,HEATER	1	3
- 2	105798-18	. CLAMP /SUPERSEDES 105798-13/.	2	3
- 3	MS21919-48	. CLAMP	1	3
		/ATTACHING PARTS/		
	AN3-4A/M/	. BOLT.	1	
	AN960-10L	. WASHER.	1	
	MS20365-1032	. NUT	1	

- 4	35-550115-99	. DUCT,HEATER TO MIXER VALVE.	1	1
	35-550115-101	. DUCT,HEATER TO MIXER VALVE.	1	2
- 5	105798-18	. CLAMP /SUPERSEDES 105798-13/.	2	3
- 6	115167DXX081483	. DUCT,COLD AIR	1	3
- 7	105798-12	. CLAMP /SUPERSEDES 105798-7/.	2	3
	35-550115-1	. PLATE ASSY,FIREWALL SHUT-OFF VALVE.	1	3
- 8	35-550115-3	. . GUIDE,SHUTOFF VALVE	2	3
- 9	35-550115-5	. . SPACER.	2	3
- 10	35-550115-7	. . PLATE	1	3
- 11	35-550115-67	. . BRACKET	1	3
- 11A	35-550115-55	. . VALVE,FIREWALL SHUT-OFF	1	3
- 12	169-910028-13	. CLIP.	2	3
	35-550115-85	. VALVE ASSY,MIXER.	1	3
		/ATTACHING PARTS/		
- 13	AN3	. BOLT.	4	
	AN960-10	. WASHER.	4	

- 14	35-550115-87	. . BODY ASSY,VALVE	1	3
	35-550115-97	. . BUTTERFLY ASSY.	1	3
		/ATTACHING PARTS/		
- 15	AN515-440	. . SCREW	2	
	AN960-4L	. . WASHER.	2	
	MS20365-440	. . NUT	2	

- 16	35-550115-39	. . . SEAL.	4	3
- 17	35-550115-107	. . . BUTTERFLY	1	3
- 18	35-550115-23	. . SHAFT ASSY,BUTTERFLY VALVE.	1	3
- 19	NAS557-4A	. . GROMMET	2	3
- 20	35-554039	. . VALVE,BLEED AIR SHUTOFF	1	3
- 21	35-550115-89	. . END ASSY.	1	3
		/ATTACHING PARTS/		
- 22	AN515-8	. . SCREW	3	
	AN960-8	. . WASHER.	3	
	MS20365-832	. . NUT	3	

- 23	35-550115-83	. . TUBE ASSY,BLEED AIR	1	3
- 24	AN737TW98	. . CLAMP	2	3
- 25	35-380051-5	. . CONTROL,MIXER VALVE	1	3
- 26	35-380051-11	. . CONTROL,FIREWALL SHUT-OFF VALVE	1	3
		/ATTACHING PARTS/		
- 27	35-550520	. . PIN	1	
- 28	102933S4ZJ0093	. . SPACER.	1	
- 29	102933S4ZJ0040	. . SPACER.	1	
	AN960-10	. . WASHER.	2	
	MS20364-1032	. . NUT	1	

- 30		. DELETED		
- 31		. DELETED		
- 32		. DELETED		
- 33		. DELETED		
- 34		. DELETED		
- 35	35-550024-2	. . FRAME ASSY,PILOT AIR.	2	3
- 36	35-550565-13	. . COVER,AIR OUTLET.	1	3
- 37	100951DD190ZD	. . SPACER,LH AIR OUTLET.	1	3
	1009518091YA	. . SPACER,RH AIR OUTLET.	1	3

B E E C H C R A F T
B O N A N Z A 3 3 T H R U E 3 3
I L L U S T R A T E D P A R T S C A T A L O G

FIG. & ITEM NO.	PART NO.	DESCRIPTION	UNITS PER ASSY	USABLE ON CODE
46C - 38	115167DXX040363	. DUCT,BLEED AIR.	1	3
- 39	AN737RM46	. CLAMP	2	3
- 40	35-550115-75	. TUBE,BLEED AIR.	1	3
- 41	35-380051-7	. CONTROL,DEFROSTER	1	3
		/ATTACHING PARTS/		
- 42	35-550520	. PIN	1	
- 43	102933S4ZJ0095	. SPACER	1	
	AN960-10L	. WASHER	1	
	MS20365-1032	. NUT	1	

	35-550566	. VALVE ASSY,DEFROSTER.	1	3
- 44	35-550566-7	. . SHAFT ASSY,BUTTERFLY.	1	3
		/ATTACHING PARTS/		
	AN380-2-3	. . PIN,COTTER.	2	
	AN960-516L	. . WASHER.	2	

- 45	414-183955-111	. . PIN,STOP.	1	3
		/ATTACHING PARTS/		
	MS24665-132	. . PIN,COTTER /SUPERSEDES AN380-2-2/	2	

- 46	35-550501-20	. . BUTTERFLY	1	3
		/ATTACHING PARTS/		
- 47	AN515-6R10	. . SCREW	2	
	AN960-6	. . WASHER.	2	
	MS20365-1032	. . NUT /SUPERSEDES AN365-1032/	2	

- 48	35-550566-3	. . BODY,VALVE.	1	3
- 49	95-554041-7	. ELBOW,DEFROSTER	2	3
- 50	111716AX5XX44	. DUCT,DEFROSTER.	1	3
- 51	105798-9	. CLAMP	1	3
- 52	AN737TW82	. CLAMP	1	3
	35-420013	. SHUT-OFF INSTL,AFT CABIN AIR.	NP	3
	35-420013-1	. . DOOR ASSY,AIR SHUT-OFF.	1	3
- 53	35-420013-3	. . . DOOR,AIR SHUT-OFF	1	3
- 54	35-420013-5	. . . PLATE	1	3
- 55	35-420013-7	. . . SPACER.	2	3
- 56	35-420013-9	. . . STRIP,DOOR GUIDE.	2	3
- 57	35-420013-15	. . . ANGLE	1	3
- 58	35-380049-3	. . CONTROL,AIR SHUT-OFF.	1	3
		/ATTACHING PARTS/		
- 59	35-550520	. . PIN	1	
- 60	102933S4ZJ0040	. . SPACER.	1	
	AN960-10	. . WASHER.	2	
	MS20364-1032	. . NUT	1	

- 61	169-910028-13	. . CLIP.	1	3
- 62	35-420013-13	. . BRACKET,CONTROL	1	3
		/ATTACHING PARTS/		
	AN515-8R	. . SCREW	4	
	AN960-8	. . WASHER.	4	

- 63	35-420011	. . PLACARD,CONTROL INSTRUCTIONS.	1	3
		/ATTACHING PARTS/		
	AN530-4R4	. . SCREW	2	

- 64	35-420013-17	. . ANGLE,WHEEL WELL COVER.	1	3
		/ATTACHING PARTS/		
	NAS384-6P	. . SCREW	1	
	NAS390-6P	. . WASHER.	1	

- 65	35-550567-31	. DUCT INSTL,FUSELAGE HEAT & VENT	NP	3
	35-550567-35	. . SHIM,SHUT-OFF VALVE	2	3

B E E C H C R A F T
 BONANZA 33 THRU E33
 I L L U S T R A T E D P A R T S C A T A L O G

FIG. & ITEM NO.	PART NO.	1	2	3	4	5	6	7	DESCRIPTION	UNITS PER ASSY	USABLE ON CODE	
46C - 66	35-550567-27	DUCT	1	3	
- 67	35-550567-29	DUCT	1	3	
- 68	95-550001-33	OUTLET, DUCT	1	3	
- 69	111716AX4XX15	DUCT	1	3	
- 70	AN737TW66	CLAMP	2	3	
- 71	95-550000-9	OUTLET ASSY, AIR	1	3	
- 72	35-550565-9	DEFLECTOR	1	3	
		/ATTACHING PARTS/			
	AN960-8	WASHER	2		
	AN515-8R	SCREW	2		

- 73	95-550001-31	ADAPTER	1	3	
- 74	111716AX5XX34	DUCT	1	3	
- 75	AN737TW74-91	CLAMP	2	3	
- 76	95-420016-45	DUCT ASSY, CARRY THRU STRUCTURE	1	3	
- 77	95-550001-35	DEFLECTOR	1	3	
		/ATTACHING PARTS/			
	AN530-6	SCREW	4		

CODES OF EFFECTIVITY

- 1 CD-1200 AND AFTER 2 CE-249 AND AFTER
- 3 CD-1200 AND AFTER,
CE-249 AND AFTER

B E E C H C R A F T
S O N A N Z A 3 3 T H R U E 3 3
I L L U S T R A T E D P A R T S C A T A L O G

FIGURE 47
POWER PLANT
CD-1 AND AFTER

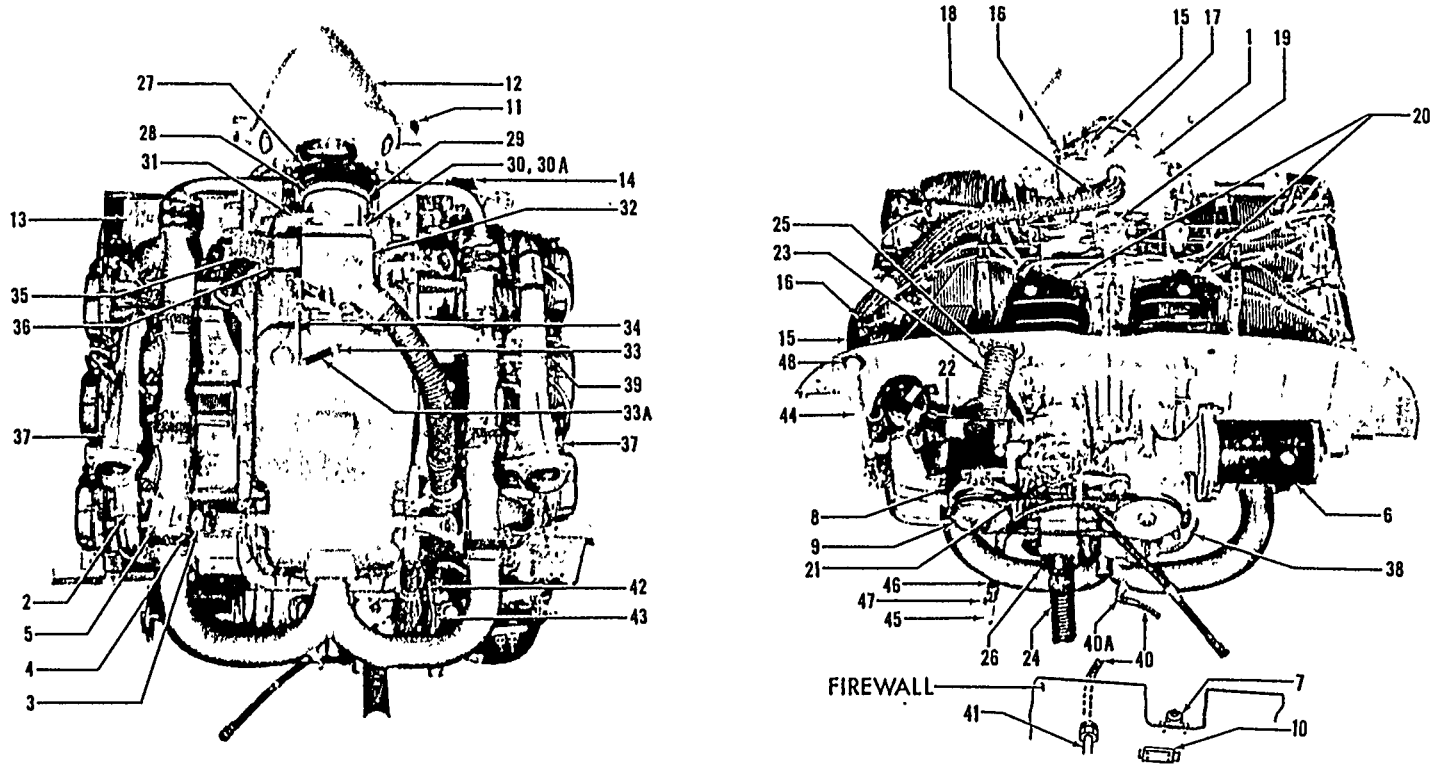
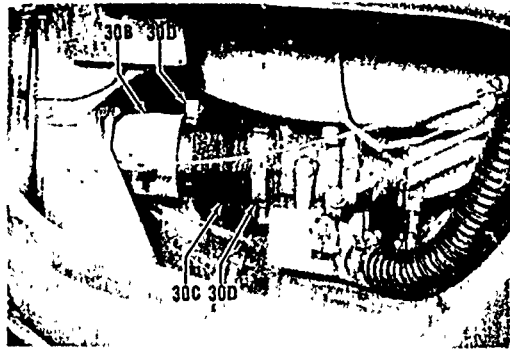


FIGURE 47. POWER PLANT

B E E C H C R A F T
 BONANZA 33 THRU E33
 I L L U S T R A T E D P A R T S C A T A L O G

FIG. & ITEM NO.	PART NO.	DESCRIPTION	UNITS PER ASSY	USABLE ON CODE
		1 2 3 4 5 6 7		
47	33-910000	ENGINE INSTL.	NP	3
	33-910000-5	ENGINE INSTL /WITH 2 BLADED PROP/	NP	4
	33-910000-7	ENGINE INSTL /WITH 3 BLADED PROP/	NP	9
- 1	IO470J	. ENGINE ASSY	1	1
	IO470K	. ENGINE ASSY	1	2
		/ATTACHING PARTS/		
- 2	AN7-35A/M/ AN960-716	. BOLT.	4	
	MS20365-720	. WASHER.	4	
- 3	J7518-2	. NUT /SUPERSEDES AN365-720/.	4	
- 4	79-028-125-1250	. MOUNT,SANDWICH.	4	
		. PIN,ROLL.	4	
		-----*		
- 5	33-910000-13	. SHROUD ASSY /SUPERSEDES 35-910000-13/	3	13
	33-9001	. BLUEPRINT	1	13
- 6	1109684	. STARTER ASSY.	1	13
	1109694	. STARTER ASSY /ALTERNATE FOR 1109684/.	1	13
- 7	1114213	. SWITCH,STARTER SOLENOID	1	13
		/SUPERSEDES 35-910004-21/		
- 8	1101913	. GENERATOR ASSY,35 AMP	1	13
	1101912	. GENERATOR ASSY,50 AMP	1	13
	33-369110	. ALTERNATOR INSTL,60 AMP /SEE FIG. 65/	NP	12
- 9	534787	. SHEAVE,GENERATOR.	1	13
	535541	. WASHER,GENERATOR SHEAVE	1	13
- 10	1119220	. REGULATOR ASSY,35 AMP VOLTAGE	1	13
	1119224C	. REGULATOR ASSY,50 AMP VOLTAGE	1	13
		/ATTACHING PARTS/		
	1006960-ZT016	. SPACER.	3	
	NAS222-23	. SCREW	3	
	AN960-416L	. WASHER.	6	
		-----*		
- 11	BHC92ZF1D1/8447	. PROPELLER ASSY.	1	3
	2A36C23DE/848-0	. PROPELLER ASSY.	1	4
	33-910000-9ECH	. PROPELLER ASSY /REPLACES F12A5/8400-0	1	16
		PROPELLER ASSY/		
	PHC-A3VF4/V843	* 3-4R. PROPELLER ASSY,3 BLADED/OPTIONAL/	1	9
		/SEE FIG. 63/		
- 12	837-3	. SPINNER ASSY,PROPELLER.	1	3
	33-910000-11	. SPINNER ASSY,PROPELLER /USE WITH 2A36C23CD/	1	4
		84B-0 PROP ASSY/		
	837-9	. SPINNER ASSY,PROPELLER /USE WITH 3 BLADE.	1	9
		PROP/		
- 13	627392A	. COOLER,OIL /SUPERSEDES 627392/.	1	13
	33-910000-650	. GOVERNOR KIT,PROPELLER.	1	10
- 14	84-3	. GOVERNOR ASSY,PROPELLER	1	3
		/USE WITH BHC92ZF-1D1/8447 PROPELLER/		
	210335	. GOVERNOR ASSY,PROPELLER	1	3
		/USE WITH BHC92ZF-1D1/8447 PROPELLER/		
		/ALTERNATE FOR 84-3/		
	33-380008	. GOVERNOR ASSY,PROPELLER	1	11
		/SUPERSEDES 210452/		
- 15	106200FR12-11	. HOSE,CRANKCASE BREATHER	2	13
- 16	A20	. CLAMP	4	13
- 17	35-910004-3	. TUBE,CRANK CASE BREATHER.	1	13
- 18	35-910003-31	. LAGGING,CRANK CASE BREATHER TUBE.	1	13
- 19	631427A1	. VALVE ASSY,FUEL MANIFOLD.	1	13
		/SUPERSEDES 626542 & 626542A1/		
- 20	625765	. MAGNETO ASSY.	2	13
	MCD662	. MAGNETO ASSY /ALTERNATE FOR 625765/	2	13
- 21	539547	. BELT,GENERATOR DRIVE /SUPERSEDES 535150/.	1	13
- 22	106242-12	. TUBE,GENERATOR AIR BLAST /2 1/2 IN. LONG/	1	13
	AN737RM34	. CLAMP,GENERATOR AIR BLAST TUBE.	2	13
- 23	115167CXZ060585	. DUCT,FUEL PUMP AIR BLAST.	1	13

B E E C H C R A F T
B O N A N Z A 3 3 T H R U E 3 3
I L L U S T R A T E D P A R T S C A T A L O G

FIG. & ITEM NO.	PART NO.	1	2	3	4	5	6	7	DESCRIPTION	UNITS PER ASSY	USABLE ON CODE
47 - 24	115167CXZ060295	DUCT,FUEL PUMP AIR BLAST OVERBOARD. /ATTACHING PARTS/	1	13
- 25	35-910004-7	WASHER.	1	
	NAS397-28	CLAMP	1	
	AN515-8R7	SCREW	4	
	AN960-8	WASHER.	4	
	MS20365-832	NUT /SUPERSEDES AN365-832/.	4	

- 26	626062-9	PUMP ASSY,FUEL /SUPERSEDES 626062-2/.	1	13
- 27	35-910293	DUCT,INDUCTION AIR. /ATTACHING PARTS/	1	1
	AN515-6R6	SCREW	8	
- 28	105798-18	CLAMP /SUPERSEDES 105798-13/.	1	

- 29	35-910003-95	HOUSING ASSY,INDUCTION AIR. /SUPERSEDES 35-910003-1/ /ATTACHING PARTS/	1	1
- 30	AN74A4 /M/ AN960-416	BOLT. WASHER.	4 4	
- 30A	35-919118	GASKET,HOUSING.	1	

- 30B	33-910011-1	HOUSING ASSY,INDUCTION AIR. /ATTACHING PARTS/	1	2
	AN515-8R	SCREW	4	

- 30C	AD877-1	DUCT,INDUCTION AIR.	1	2
- 30D	105798-18	CLAMP /SUPERSEDES 105798-13/.	2	2
	114693-2-00212	TUBING.	1	13
	AN735D6	CLAMP	2	13
	AN515-8-6	SCREW	2	13
	AN960-8	WASHER.	2	13
	MS20365-832	NUT	2	13
- 31	35-910004-11	TUBE,FUEL MIXTURE DRAIN	1	1
	33-910000-3	TUBE,FUEL MIXTURE DRAIN	1	2
- 32	625487-1	VALVE ASSY,THRITTLE	1	13
- 33	35-924254-1	VALVE ASSY,MANIFOLD DRAIN	1	13
- 33A	114693-2-00212	TUBING.	1	13
	AN735D6	CLAMP	2	13
	AN515-8-6	SCREW	2	13
	AN960-8	WASHER.	2	13
	MS20365-832	NUT	2	13
- 34	35-910005-3	TUBE,MANIFOLD DRAIN	1	2
	35-910003-123	TUBE,MANIFOLD DRAIN	1	1
- 35	115167CXZ080565	DUCT,THRITTLE VALVE AIR BLAST /SUPERSEDES 115167CXZ080465/ /ATTACHING PARTS/	1	13
	35-910004-9	WASHER.	1	
	AN515-8R7	SCREW	4	
	AN960-8	WASHER.	4	
	MS20365-832	NUT /SUPERSEDES AN365-832/.	4	
- 36	NAS397-34	CLAMP	1	

- 37	33-950000	EXHAUST SYSTEM INSTL /SEE FIG. 48/.	NP	7
	33-950000-5	EXHAUST SYSTEM INSTL /SEE FIG. 48/.	NP	8
	33-950001	EXHAUST SYSTEM INSTL /SEE FIG. 48/.	NP	19
- 38	6409513	SHAFT ASSY,TACHOMETER/ALT FOR 1589084/.	1	13
	1589084	SHAFT ASSY,TACHOMETER/ALT FOR 6409513/.	1	13
- 39	1514340	TEMPERATURE UNIT,CYLINDER HEAD. /SUPERSEDES TG1514340/	1	13
	629141	TEMPERATURE UNIT,CYLINDER HEAD. /ALTERNATE FOR 1514340/	1	13
- 40	AN6270-2-12-1/2 MS28741-3-0124	HOSE ASSY,MANIFOLD PRESSURE HOSE ASSY,MANIFOLD PRESSURE	1 1	17 18

B E E C H C R A F T
 BONANZA 33 THRU E33
 I L L U S T R A T E D P A R T S C A T A L O G

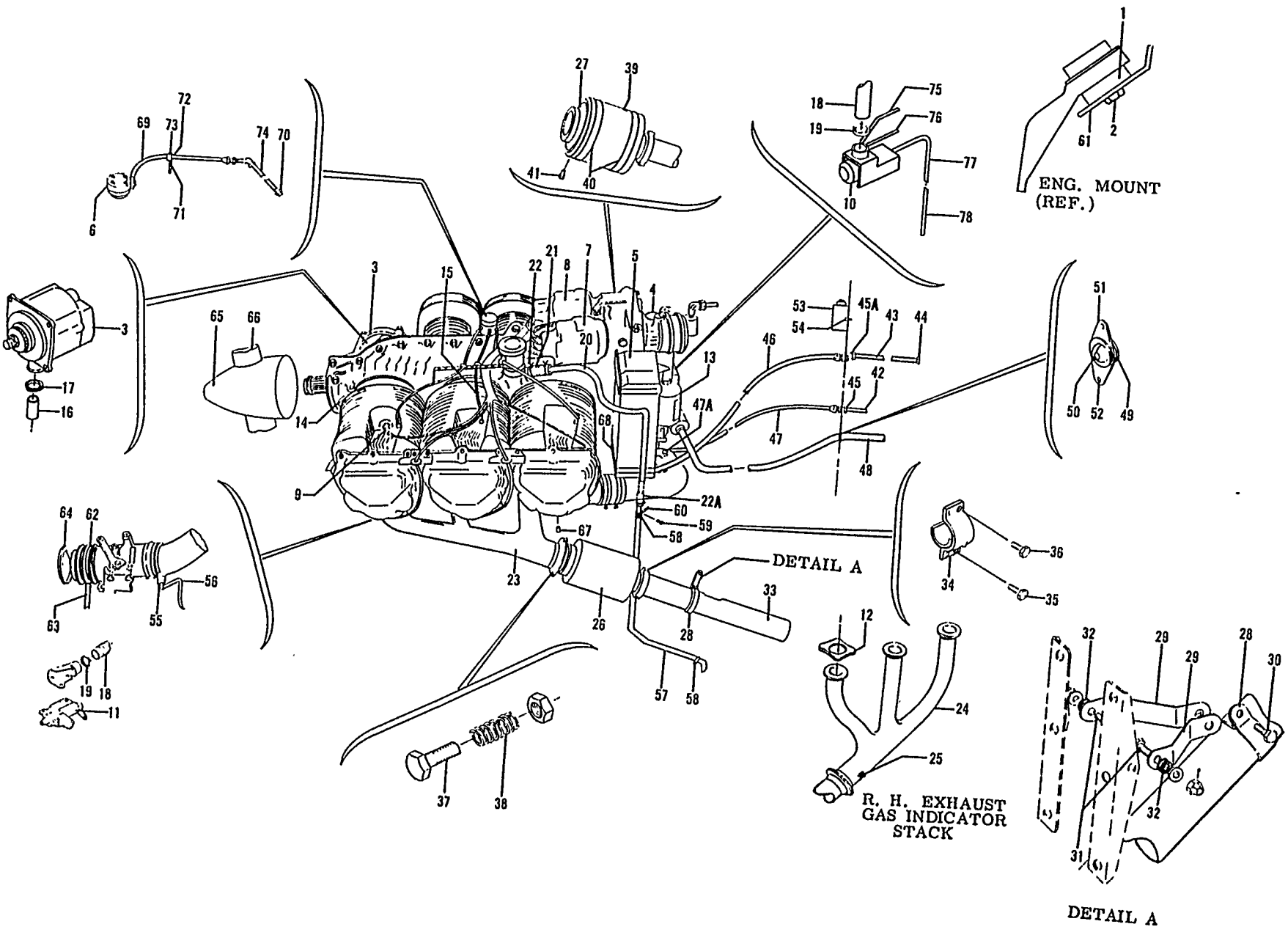
FIG. & ITEM NO.	PART NO.	DESCRIPTION	UNITS PER ASSY	USABLE ON CODE
		1 2 3 4 5 6 7		
47 - 40A	AN822-2B	• ELBOW	1	17
	MS20822-3B	• ELBOW	1	18
	AN832-2D	• UNION	1	17
	AN832-3	• UNION	1	18
	AN960-516	• WASHER	2	17
	AN960-616	• WASHER	2	18
	AN894-3-2D	• BUSHING	1	18
	AN924-2D	• NUT	1	17
	AN924-3	• NUT	1	18
	MS28778-3	• O RING	1	18
- 41	35-910263	• TUBE ASSY,MANIFOLD PRESSURE /HOSE TO GAGE/	1	5
	35-910005-5	• TUBE ASSY,MANIFOLD PRESSURE /HOSE TO GAGE/	1	6
	AN816-2D	• NIPPLE	1	13
- 42	35-910004-5	• TUBE ASSY,OIL PRESSURE	1	13
	AN894-3D	• BUSHING	1	18
	AN815-2D	• NIPPLE	1	17
	AN919-0D	• REDUCER	1	18
	AN832-3	• UNION	1	18
	AN960-616	• WASHER	1	18
- 43	AN6270-2-12-1/2	• HOSE ASSY,OIL PRESSURE	1	17
	MS28741-3-0124	• HOSE ASSY,OIL PRESSURE	1	18
	AN924-3	• NUT	1	18
	MS28778-3	• O RING	1	18
- 44	35-910004-17	• TUBE,BREATHER /USE WITHOUT VACUUM ASSY/	1	13
- 45	35-910007-11	• TUBE,BREATHER /SUPERSEDES 35-910003-15/	1	13
- 46	WAIT14-3-4	• DUCT /SUPERSEDES 106200FR12-14/	1	13
- 47	A12	• CLAMP /SUPERSEDES AN737RM44/	2	13
- 48	AN931-12-17	• GROMMET	1	13
	35-324379-1	VACUUM SYSTEM INSTL /SEE FIG. 59/	NP	14
	35-324426-15	VACUUM SYSTEM INSTL /SEE FIG. 59/	NP	15

C O D E S O F E F F E C T I V I T Y

1	CD-1 THRU CD-300, CD-386,AND CD-387	2	CD-301 AND AFTER EXCEPT CD-386 AND CD-387
3	CD-2 THRU CD-371, CD-386,CD,387	4	CD-1, CD-372 AND AFTER EXCEPT CD-386 AND CD-387
5	CD-1 THRU CD-387	6	CD-388 AND AFTER
7	CD-1 THRU CD-735	8	CD-736 THRU CD-813
9	CD-814 THRU CD-1118	10	CD-1 THRU CD-627
11	CD-628 AND AFTER	12	CD-814 AND AFTER
13	CD-1 AND AFTER	14	CD-1 THRU CD-825
15	CD-826 AND AFTER	16	CD-1 THRU CD-813
17	CD-1 THRU CD-1118	18	CD-1119 AND AFTER
19	CD-814 AND AFTER		

B E E C H C R A F T
B O N A N Z A 3 3 T H R U E 3 3
I L L U S T R A T E D P A R T S C A T A L O G

FIGURE 47A
POWER PLANT AND EXHAUST SYSTEM
CE-1 AND AFTER



ENG. MOUNT
(REF.)

DETAIL A

R. H. EXHAUST
GAS INDICATOR
STACK

DETAIL A

FIGURE 47A. POWER PLANT AND EXHAUST SYSTEM

B E E C H C R A F T
BONANZA 33 THRU E33
I L L U S T R A T E D P A R T S C A T A L O G

FIG. & ITEM NO.	PART NO.	DESCRIPTION	UNITS PER ASSY	USABLE ON CODE
		1 2 3 4 5 6 7		
47A	35-910007	POWER PLANT INSTL,CANTED.	NP	1
	35-910007-7	POWER PLANT INSTL,CANTED.	NP	1
	35-910007-17	POWER PLANT INSTL,CANTED. /HARTZELL 3 BLADE PROP/ /MCCAULEY 3 BLADE PROP/	NP	1
	10-520B	. ENGINE ASSY /ATTACHING PARTS/		1
- 1	J10520-1	. MOUNTING KIT /NOT INTERCHANGEABLE WITH 7351231/	4	
	7351231	. MOUNTING KIT /NOT INTERCHANGEABLE WITH J10520-1/	4	
- 2	AN7-36A/M/ AN960-716 MS20365-720/M/ 79-028-125-1250	. BOLT. WASHER. NUT PIN,ROLL.	4 4 4 4	
- 3	631547	. . ALTERNATOR /70 AMP/ /SUPERSEDES 1100667 AND 1100715/	1	1
	1958197	. . . BRUSH PACKAGE,ALTERNATOR.	1	1
- 4	1108249 1906945	. . STARTER BRUSHER,STARTER	1 4	1 1
- 5	1108249	. . COOLER,OIL /SUPERSEDES 632210 AND 1E1406D/.	1	1
- 6	631427A1	. . VALVE ASSY,FUEL MANIFOLD. /SUPERSEDES 626542 & 626542A1/	1	1
- 7	S6RN1201	. . MAGNETO,LH /10-349220-1/.	1	1
- 8	S6RN1205	. . MAGNETO,RH /10-349260-1/.	1	1
- 9	AC273	. . SPARK PLUG,AC /SUPERSEDES 273/.	12	1
- 10	630947-2A1	. . FUEL PUMP & VAPOR SEPARATOR ASSY.	1	1
- 11	629904-2	. . CONTROL ASSY,FUEL INJECTION	1	1
- 12	537379	. . GASKET,EXHAUST FLANGE	6	1
- 13	OF81A OF11A 632399	. . FILTER,OIL /SUPERSEDES OF9A/ ELEMENT,OIL FILTER. ELEMENT,OIL FILTER.	1 1 1	4 4 5
- 14	35-380088 96-910002-57	. GOVERNOR ASSY,PROPELLER CLIP,MAGNETO WIRE HARNESS /ATTACHING PARTS/	1 1	1 1
	AN4-4A/M/ AN960-416	. BOLT. WASHER.	1 1	
- 15	35-910007-15 739-4	. CLIP,FUEL PRESSURE TUBE CLAMP,FUEL PRESSURE TUBE.	1 1	1 1
	LOT6A10	. DUCT,ALTERNATOR	1	1
- 17	NAS397-24	. CLAMP,ALTERNATOR DUCT	1	1
- 18	115167CXZ060585	. DUCT,FUEL PUMP & FUEL CONTROL UNIT.	2	1
- 19	NAS397-28	. CLAMP,FUEL PUMP & FUEL CONTROL UNIT DUCT.	2	1
- 20	35-910007-13	. TUBE,CRANKCASE BREATHER UPPER	1	1
- 21	106200FR12-14 106200H12-14	. HOSE,CRANKCASE BREATHER UPPER HOSE,CRANKCASE BREATHER UPPER	1 1	1 1
- 22	A20	. CLAMP,CRANKCASE BREATHER HOSE /SUPERSEDES CS20A/	2	1
	A18	. CLAMP,CRANKCASE BREATHER HOSE	2	
- 22A	WAIT3-14-4	. DUCT,CRANKCASE BREATHER LOWER /ATTACHING PARTS/	1	
	AN737-38	. CLAMP	2	
- 23	35-950005-1 35-950005-3	. STACK ASSY,LH EXHAUST STACK ASSY,RH EXHAUST /WITHOUT EXHAUST GAS. INDICATOR BOSS/	1 1	1 1
- 24	35-950005-29	. STACK ASSY,RH EXHAUST /WITH EXHAUST GAS INDICATOR BOSS/	1	1
- 25	106B 35-910007-606 35-910007-607	. . BOSS,EXHAUST GAS INDICATOR. MUFFLER & TAIL PIPE ASSY,LH MUFFLER & TAIL PIPE ASSY,RH	1 1 1	1 1 1
- 26	701-4	. . MUFFLER,LH.	1	1
- 27	701-5	. . MUFFLER,RH /SUPERSEDES 8046-1/.	1	1
- 28	35-910003-41	. . CLAMP	2	1

B E E C H C R A F T
B O N A N Z A 3 3 T H R U E 3 3
I L L U S T R A T E D P A R T S C A T A L O G

FIG. & ITEM NO.	PART NO.	1 2 3 4 5 6 7	DESCRIPTION	UNITS PER ASSY	USABLE ON CODE
47A - 29	35-910003-43	. . .	LINK,LH	2	1
	35-910007-5	. . .	LINK,RH	2	1
			/ATTACHING PARTS/		
- 30	AN3-3/M/	. . .	BOLT	1	
- 31	AN3-5/M/	. . .	BOLT	2	
	AN960-10	. . .	WASHER	3	
	AN310-3	. . .	NUT	3	
	MS24665-132	. . .	PIN,COTTER /SUPERSEDES AN380-2-2/	3	
- 32	MS35489-4	. . .	GROMMET	2	

- 33	35-950005-11	. . .	TUBE,LH EXHAUST	1	1
	35-950005-9	. . .	TUBE,RH EXHAUST	1	1
- 34	35-950004-17	. . .	CLAMP ASSY.	2	1
			/ATTACHING PARTS/		
- 35	AN4-5/M/	. . .	BOLT	2	
- 36	AN4-6/M/	. . .	BOLT	2	
	AN960-416	. . .	WASHER	12	
	MS20363-428	. . .	NUT /SUPERSEDES AN363-428/	4	

- 37	AN3-15/M/	. . .	BOLT,EXHAUST CLAMP	6	1
- 38	186-218	. . .	SPRING,EXHAUST CLAMP BOLT	6	1
	AN960-10	. . .	WASHER	18	1
	AN310-3	. . .	NUT	6	1
	MS24665-132	. . .	PIN,COTTER /SUPERSEDES AN380-2-2/	6	1
	95-910019-13	. . .	SHROUD INSTL,EXHAUST RH	NP	1
- 39	95-910019-9	. . .	SHROUD ASSY,EXHAUST RH.	1	1
- 40	95-910019-3	. . .	CLAMP ASSY,EXHAUST.	2	1
			/ATTACHING PARTS/		
- 41	AN3-10A/M/	. . .	BOLT	1	
	AN960-10L	. . .	WASHER	1	
	MS20364-1032	. . .	NUT /SUPERSEDES AN364-1032/	1	

- 42	35-910005-5	. . .	TUBE ASSY,MANIFOLD PRESSURE	1	1
- 43	35-939140-3	. . .	TUBE ASSY,OIL PRESSURE	1	1
- 44	106-100002	. . .	FITTING,OIL PRESSURE GAGE	1	1
- 45	AN832-3	. . .	UNION,MANIFOLD PRESSURE TUBE	1	7
	AN832-2D	. . .	UNION,MANIFOLD PRESSURE TUBE	1	6
	MS28778-3	. . .	O RING	1	7
- 45A	AN833-2D	. . .	ELBOW,OIL PRESSURE TUBE	1	6
	MS29512-03	. . .	O RING,MANIFOLD PRESSURE TUBE	1	7
	AN960-616	. . .	WASHER	2	7
	AN960-516	. . .	WASHER	2	6
	AN894D3-2	. . .	BUSHING	2	7
	AN924-3	. . .	NUT	2	7
	AN924-2D	. . .	NUT	2	6
- 46	130524-3-0160	. . .	HOSE ASSY,OIL PRESSURE	1	7
	AN6270-2-16	. . .	HOSE ASSY,OIL PRESSURE	1	6
- 47	130524-3-0124	. . .	HOSE ASSY,OIL PRESSURE	1	7
	AN6270-2-12 1/2	. . .	HOSE ASSY,MANIFOLD PRESSURE	1	6
- 47A	MS20822-3B	. . .	ELBOW,MANIFOLD PRESSURE	1	7
- 48	6409710	. . .	SHAFT ASSY,TACHOMETER	1	1
- 49	112412	. . .	GROMMET,TACHOMETER SHAFT	2	1
- 50	112413-4	. . .	BALL HALF,FIRE RESISTANT TACHOMETER SHAFT	2	1
- 51	112436-6	. . .	RETAINER,TACHOMETER SHAFT	1	1
- 52	49338	. . .	FASTENER,RETAINER	2	1
- 53	1114213	. . .	SOLENOID,STARTER	1	1
			/ATTACHING PARTS/		
- 54	AN4-4A/M/	. . .	BOLT	3	
	AN960-416	. . .	WASHER	3	

- 55	35-924254-1	. . .	VALVE ASSY,MANIFOLD DRAIN	1	1
- 56	114693-2-01300	. . .	TUBE,MANIFOLD DRAIN	1	1
			/ATTACHING PARTS/		
	A6	. . .	CLAMP /SUPERSEDES CS6A/	1	

	MS35489-11	. . .	GROMMET,MANIFOLD DRAIN TUBE	1	1

B E E C H C R A F T
 BONANZA 33 THRU E33
 I L L U S T R A T E D P A R T S C A T A L O G

FIG. & ITEM NO.	PART NO.	DESCRIPTION	UNITS PER ASSY	USABLE ON CODE
		1 2 3 4 5 6 7		
47A - 57	35-910007-11	. TUBE, CRANKCASE BREATHER LOWER /ATTACHING PARTS/	1	1
- 58	MS21919DG12	. CLAMP	3	
- 59	AN3-25A/M/ AN515-8R6	. BOLT SCREW	2 1	
- 60	100696D-ZG204 AN960-8 MS20365-832	. SPACER WASHER NUT	1 2 2	
- 61	33-910000-13	. SHROUD, REAR ENGINE MOUNT. /SUPERSEDES 35-910003-85/	2	1
- 62	AD877	. DUCT, INDUCTION AIR.	1	1
- 63	35-910007-9 MS35489-6	. TUBE, INDUCTION DRAIN. GROMMET, INDUCTION DRAIN TUBE.	1 1	1 1
- 64	105798-1-8	. CLAMP, INDUCTION AIR DUCT. /SUPERSEDES 105-798-13/	2	1
- 65	35-910028-7 B3243 35-910028-21	. SPINNER /2 BLADE PROPELLER/ SUPPORT, SPINNER DOME, POLISHED SPINNER	1 1 1	1 1 1
	D3393 837-8 35-910028-9 35-910028-23 BULKHEAD AND FILLET ASSY. SPINNER /3 BLADE PROPELLER/ SPINNER /3 BLADE PROPELLER/ DOME, POLISHED SPINNER	1 1 1 1	1 1 1 1
	D3586 B3243 B3410-16 BULKHEAD AND FILLET ASSY. SUPPORT, SPINNER SHIM, SPINNER SUPPORT.	1 1 AR	1 1 1
- 66	2A36C23P/848-D	. PROPELLER ASSY /SEE BEECH SERVICE MANUAL NO. 660115 FOR BREAKDOWN/ /2 BLADE PROPEL /SUPERSEDES 2A36023CP1848-D & 2A36C23CP/848-D/	1	1
	3A32C76T/82NB2	. PROPELLER ASSY /3 BLADE/ /SEE BEECH SERVICE MANUAL NO. 660115 FOR BREAKDOWN/	1	1
	PHC-A3VF4/V843 *	3-4R* PROPELLER ASSY/SEE FIG.63 FOR BKDWN/. . . /3 BLADE PROPELLER/	1	1
- 67	1514340	BULB, CYLINDER HEAD TEMPERATURE. /SUPERSEDES TG1514340/	1	1
- 68	1512926	BULB, OIL TEMPERATURE.	1	1
- 69	130524-4-0160	HOSE ASSY, FUEL PRESSURE	1	1
- 70	AN837-4D AN960-716 AN924-4D	ELBOW, FUEL PRESSURE HOSE. WASHER NUT	1 1 1	1 1 1
- 71	NAS43DD3-44	SPACER.	1	1
- 72	MS21919DG11	CLAMP /REPLACES MS21919DG9/ /ATTACHING PARTS/	1	1
- 73	AN520-10R22 AN960-10L MS20365-1032	SCREW WASHER. NUT	1 1 1	
- 74	130524-4-0130	HOSE ASSY, FUEL PRESSURE /REPLACES MS28741-4-0126/	1	1
- 75	130524-4-0170	HOSE ASSY, VAPOR RETURN. /REPLACES MS27441-4-0166/	1	1
- 76	35-921155-606 35-921155-608	HOSE ASSY, FUEL SUPPLY HOSE ASSY, FUEL SUPPLY	1 1	2 3

B E E C H C R A F T
 BONANZA 33 THRU E33
 I L L U S T R A T E D P A R T S C A T A L O G

FIG. & ITEM NO.	PART NO.	DESCRIPTION							UNITS PER ASSY	USABLE ON CODE
		1	2	3	4	5	6	7		
47A - 77	106200FR4-80	T							1	1
	130524-6-0185	H							1	
	A10	C							2	1
- 78	35-921155-119	T							1	1

CODES OF EFFECTIVITY

1	CE-1 AND AFTER	2	CE-1 THRU CE-201
3	CE-202 THRU CE-238	4	CE-1 THRU CE-19, CE-21 THRU CE-25, CE-27,CE-29,CE-31, CE-33 THRU CE-38, CE-41
5	CE-20,CE-26,CE-28, CE-30,CE-32,CE-39, CE-40, CE-42 AND AFTER	6	CE-1 THRU CE-179
7	CE-180 AND AFTER	8	CE-239 AND AFTER

B E E C H C R A F T
B O N A N Z A 3 3 T H R U E 3 3
I L L U S T R A T E D P A R T S C A T A L O G

FIGURE 48
EXHAUST SYSTEM
CD-1 AND AFTER

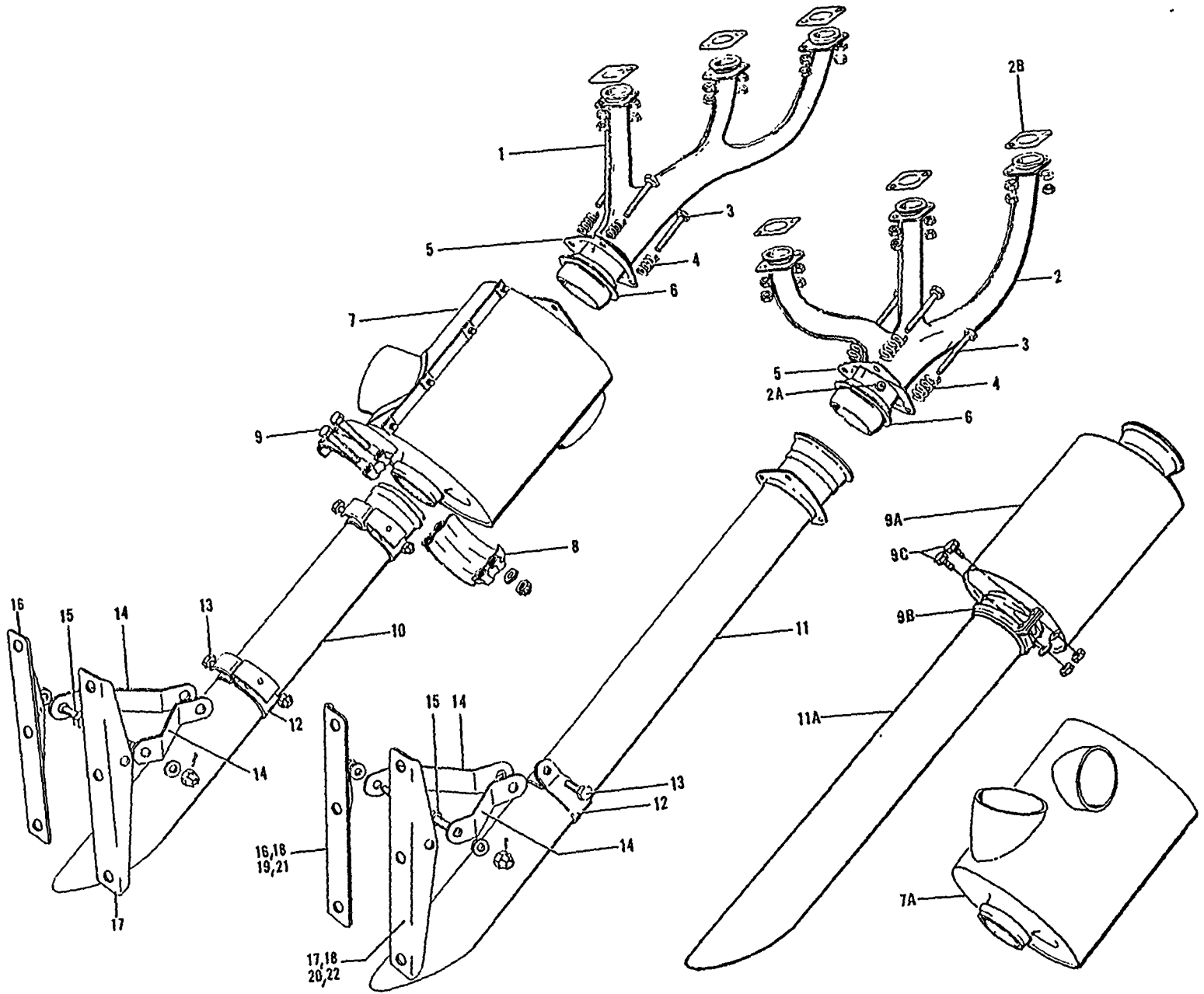


FIGURE 48. EXHAUST SYSTEM

02/24/84

B E E C H C R A F T
B O N A N Z A 3 3 T H R U E 3 3
I L L U S T R A T E D P A R T S C A T A L O G

FIG. & ITEM NO.	PART NO.	DESCRIPTION	UNITS PER ASSY	USABLE ON CODE
		1 2 3 4 5 6 7		
48	33-950000	SYSTEM INSTL,EXHAUST /SEE FIG. 47 FOR NHA/ . . .	NP	3
	33-950000-5	SYSTEM INSTL,EXHAUST /SEE FIG. 47 FOR NHA/ . . .	NP	4
	33-950001	SYSTEM INSTL,EXHAUST /SEE FIG. 47 FOR NHA/ . . .	NP	5
- 1	35-950118	. STACK ASSY,LH EXHAUST	1	8
- 2	35-950116	. STACK ASSY,RH EXHAUST /WITHOUT ALCOR/	1	8
	33-950001-5	. STACK ASSY,RH EXHAUST /WITH ALCOR/.	1	7
- 2A	MCI106-53	. BOSS.	1	7
- 2B	350606	. GASKET,EXHAUST FLANGE	6	8
	632837	. GASKET,EXHAUST FLANGE /ALTERNATE FOR 350606/. /ATTACHING PARTS/	6	8
- 3	AN3-12 /M/ AN960-10	. BOLT. WASHER.	6 6	
- 4	100943CR-ZX020F AN310-3 MS24665-172	. SPRING. NUT PIN,COTTER.	6 6 6	
		*		
- 5	186-216	. FLANGE,BOLT	2	8
- 6	186-6	. COLLAR,EXHAUST TUBE	2	8
- 7	186D	. HEATER /LH ONLY/.	1	3
- 7A	186E	. HEATER /RH ONLY/.	1	4
	8003-9	. HEATER /RH ONLY/ /SUPERSEDES 8003/.	1	5
- 8	186-8A	. CLAMP,EXHAUST /ATTACHING PARTS/	1	8
- 9	AN3-4 /M/ AN960-10 AN310-3 MS24665-132	. BOLT. WASHER. NUT PIN,COTTER.	4 4 4 4	
		*		
- 9A	189	. MUFFLER /RH OR LH/. /OPTIONAL WITH SUPER SOUNDPROOFING/	1	2
- 9B	186-8A	. CLAMP,MUFFLER /RH OR LH/. /OPTIONAL WITH SUPER SOUNDPROOFING/ /ATTACHING PARTS/	2	2
- 9C	AN3-4 /M/ AN960-10 AN310-3 MS24665-132	. BOLT. WASHER. NUT PIN /SUPERSEDES AN380-2-2/.	4 4 4 4	
		*		
- 10	35-950133	. PIPE,LH EXHAUST	1	2
	33-950000-1	. TUBE ASSY,LH EXHAUST.	1	6
- 11	33-950000-1	. TUBE ASSY,RH EXHAUST.	1	1
- 11A	35-950133	. PIPE,RH EXHAUST /OPTIONAL WITH SUPER SOUNDPROOFING/	1	2
	33-950011	. PIPE,RH EXHAUST	1	5
- 12	35-950126	. CLAMP,EXHAUST /ATTACHING PARTS/	2	8
- 13	AN3-3 /M/ AN960-10 AN310-3 MS24665-132	. BOLT. WASHER. NUT PIN,COTTER /SUPERSEDES AN380-2-2/	1 1 1 1	
		*		
- 14	35-950132 35-950132 33-950010	. LINK,EXHAUST PIPE LINK,LH EXHAUST SUPPORT LINK,RH EXHAUST SUPPORT /ATTACHING PARTS/	4 2 2	3 6 6
- 15	AN3-5/M/ AN960-10L AN310-3 MS24665-132 MS35489-4	. BOLT. WASHER. NUT PIN,COTTER /SUPERSEDES AN380-2-2/ GROMMET	1 3 1 1 4	
		*		

B E E C H C R A F T
 BONANZA 33 THRU E33
 I L L U S T R A T E D P A R T S C A T A L O G

FIG. & ITEM NO.	PART NO.	DESCRIPTION							UNITS PER ASSY	USABLE ON CODE
		1	2	3	4	5	6	7		
48 - 16	35-415330-72	ANGLE,LH & RH	2	9
- 17	35-415330-73	ANGLE,LH & RH	2	9
	35-415330-72	ANGLE,LH & RH	1	10
	35-415330-73	ANGLE,LH & RH	1	10
- 18	35-415412-31	ANGLE,RH.	2	11
- 19	35-415412-53	ANGLE,RH.	1	12
- 20	35-415412-54	ANGLE,RH.	1	12
- 21	35-415412-89	ANGLE,RH.	1	6
- 22	35-415412-90	ANGLE,RH.	1	6

CODES OF EFFECTIVITY

- | | |
|---|--|
| 1 CD-1 THRU CD-224,
CD-233,CD-234,
CD-236,CD-241,
CD-246 THRU CD-250 | 2 CD-225 AND AFTER
EXCEPT
CD-233,CD-234,
CD-236,CD-241,
CD-246 THRU CD-250 |
| 3 CD-1 THRU CD-735
5 CD-814 AND AFTER
7 CD-958 AND AFTER
9 CD-1 THRU CD-387
11 CD-388 THRU CD-627 | 4 CD-736 THRU CD-813
6 CD-736 AND AFTER
8 CD-1 AND AFTER
10 CD-388 AND AFTER
12 CD-628 THRU CD-735 |

B E E C H C R A F T
B O N A N Z A 3 3 T H R U E 3 3
I L L U S T R A T E D P A R T S C A T A L O G

FIGURE 49
ENGINE COWLING

BEECHCRAFT
BONANZA 33 THRU E33
ILLUSTRATED PARTS CATALOG

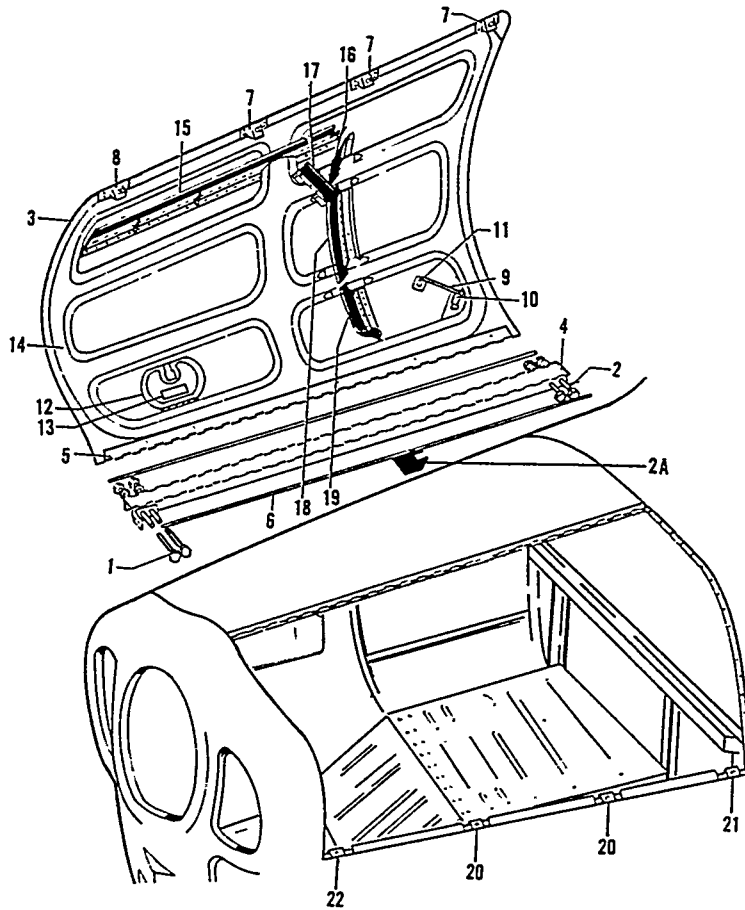


FIGURE 49. ENGINE COWLING

B E E C H C R A F T
B O N A N Z A 3 3 T H R U E 3 3
I L L U S T R A T E D P A R T S C A T A L O G

FIG. & ITEM NO.	PART NO.	DESCRIPTION	UNITS	USABLE	
			PER ASSY	ON CODE	
49	35-910101	COWLING INSTL,ENGINE /WITH OIL FILLER DOOR/ . . .	NP	1	
	35-910101-1	COWLING INSTL,ENGINE /WITHOUT OIL FILLER DOOR/.	NP	1	
	35-910101-5	COWLING INSTL,ENGINE /WITH OIL FILLER DOOR/ . . .	NP	2	
	35-910160-88	. COWLING ASSY,/WITH OIL FILLER DOOR/	1	1	
	35-910160-110	. COWLING ASSY,/WITHOUT OIL FILLER DOOR/	1	1	
	35-910160-132	. COWLING ASSY /WITH OIL FILLER DOOR/ /ATTACHING PARTS/	1	2	
	- 1	AN3-22A	. BOLT	2	
	- 2	AN3-17A	. BOLT	2	
		102933D5ZJ1375	. SPACER	2	
		102933D5ZJ1265	. SPACER	1	
		AN960-10	. WASHER	4	
	AN365-1032	. NUT	4		

- 2A	35-910160-150	. . SEAL /SUPERSEDES 35-910150-22/	1	1	
- 3	35-910160-616	. . COWLING DOOR ASSY,LH /WITH OIL FILLER DOOR/	1	1	
	35-910160-654	. . COWL DOOR ASSY,LH /WITHOUT OIL FILLER DOOR/	1	1	
	35-910160-626	. . COWL DOOR ASSY,LH /WITH OIL FILLER DOOR/ . . .	1	2	
	35-910160-617	. . COWL DOOR ASSY,RH	1	1	
	35-910160-627	. . COWL DOOR ASSY,RH	1	2	
	35-910104-1	. . HINGE ASSY,COWLING	1		
- 4	35-910102-1	. . . HINGE,CENTER	1		
- 5	35-910103	. . . HINGE HALF,LH	1		
	35-910103-1	. . . HINGE HALF,RH	1		
	/ATTACHING PARTS/				
- 6	105774C-ZB03703 PIN	2		

- 7	35-910107	. . . BRACKET ASSY,COWL FASTENER	7		
- 8	35-910107-8	. . . BRACKET ASSY,COWL FASTENER	1		
	35-910107-2	. . . BRACKET	7		
	35-910107-10	. . . BRACKET	1		
	A5-30	. . . FASTENER	8		
	GA5-312	. . . GROMMET	8		

B E E C H C R A F T
B O N A N Z A 3 3 T H R U E 3 3
I L L U S T R A T E D P A R T S C A T A L O G

FIG. & ITEM NO.	PART NO.	1	2	3	4	5	6	7	DESCRIPTION	UNITS PER ASSY	USABLE ON CODE
49 - 9	35-910108	ROD,COWLING SUPPORT	2	
- 10	35-910109-1	BRACKET,COWLING SUPPORT UPPER	2	
	NAS557-4A	GROMMET	4	
	AN380-2-2	PIN,COTTER.	2	
- 11	185678	CLIP.	2	
	35-910160-8	HINGE HALF,OIL FILLER DOOR.	1	
	35-910160-30	DOOR ASSY,OIL FILLER.	1	
	105774C-2E00212	/ATTACHING PARTS/ PIN,OIL FILLER DOOR HINGE	1	
- 12	35-910160-50	DOOR,OIL FILLER	1	
	35-910160-32	REINFORCEMENT	1	
	35-910160-10	HINGE HALF.	1	
	H5000-032-040	LATCH ASSY.	1	
- 13	35-939181	PLACARD,OIL WEIGHT INSTRUCTION.	1	
	35-910160-136	BRACKET,BAFFLE SUPPORT.	1	3
	35-910160-142	BRACKET,BAFFLE SUPPORT.	1	2
	35-910160-618	SKIN & FRAME ASSY,LH /WITH. OIL FILLER DOOR/	1	1
	35-910160-656	SKIN & FRAME ASSY,LH /WITHOUT OIL FILLER DOOR/	1	1
	35-910160-628	SKIN & FRAME ASSY,LH /WITH. OIL FILLER DOOR/	1	2
	35-910160-619	SKIN & FRAME ASSY,RH.	1	1
	35-910160-629	SKIN & FRAME ASSY,RH.	1	2
	35-910160-26	SKIN,COWLING DOOR LH.	1	1
	35-910160-134	SKIN,COWLING DOOR LH.	1	2
	35-910160-27	SKIN,COWLING DOOR RH.	1	
- 14	35-910160-66	FRAME,COWLING DOOR LH	1	
	35-910160-67	FRAME,COWLING DOOR RH	1	
- 15	35-910160-106	SEAL,COWL DOOR LH	1	1
	35-910160-108	SEAL,COWL DOOR RH	1	1
- 16	35-910160-36	SEAL,COWL DOOR LH	1	1
- 17	35-910160-86	SEAL,COWL DOOR LH	1	1
	35-910160-82	SEAL,COWL DOOR RH	1	1
- 18	35-910160-76	SEAL,COWL DOOR LH	1	1
	35-910160-80	SEAL,COWL DOOR RH	1	1
- 19	35-910160-74	SEAL,COWL DOOR LH	1	1
	35-910160-78	SEAL,COWL DOOR RH	1	1
	35-910160-140	SEAL,COWL DOOR LH	1	2
	35-910160-146	SEAL,COWL DOOR RH	1	2
	35-910160-20	STIFFENER	3	
	35-910160-90	STIFFENER	2	1
	35-910160-148	STIFFENER	2	2
- 20	35-910238-6	BRACKET ASSY,COWL FASTENER.	4	
- 21	35-910238-8	BRACKET ASSY,COWL FASTENER LH AFT	1	
	35-910238-9	BRACKET ASSY,COWL FASTENER RH AFT	1	
- 22	35-910244	BRACKET ASSY,COWL FASTENER FWD.	2	
	AN526-1032-8	/ATTACHING PARTS/ SCREW	2	
	100951DD032WY	WASHER.	AR	
	AN960-IOL	WASHER.	2	
	S5-200	*-----* SPRING.	1	

C O D E S O F E F F E C T I V I T Y

- 1 CD-1 AND AFTER 2 CE-1 AND AFTER
3 CD-562 AND AFTER

BEECHCRAFT
BONANZA 33 THRU E33
ILLUSTRATED PARTS CATALOG

FIGURE 50
ENGINE BAFFLES
CD-1 AND AFTER

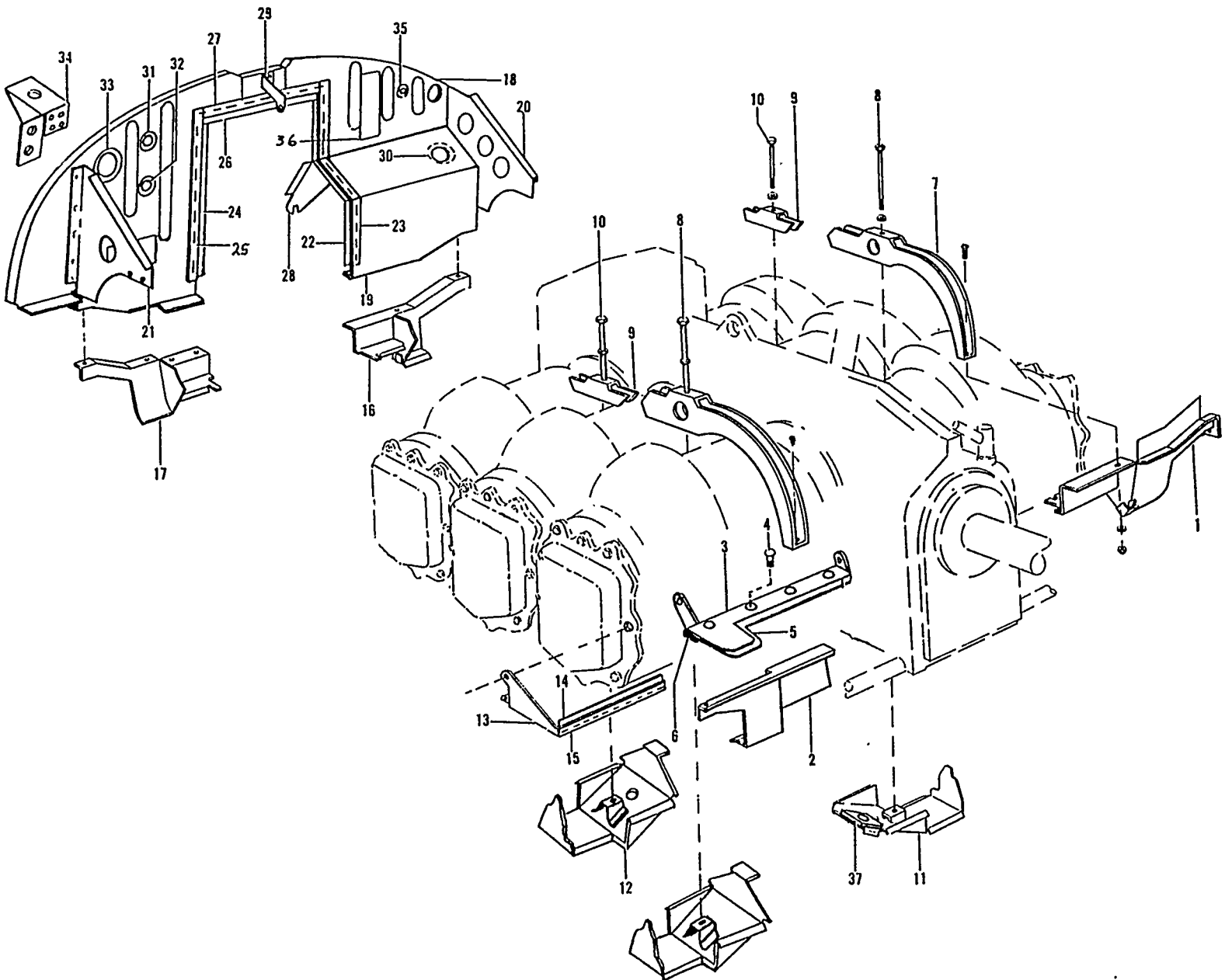


FIGURE 50. ENGINE BAFFLES

B E E C H C R A F T
B O N A N Z A 3 3 T H R U E 3 3
I L L U S T R A T E D P A R T S C A T A L O G

FIG. & ITEM NO.	PART NO.	DESCRIPTION	UNITS PER ASSY	USABLE ON CODE
		1 2 3 4 5 6 7		
50	33-910010	BAFFLE INSTL,ENGINE	NP	
- 1	33-910010-601	. BAFFLE ASSY,FWD LH.	1	
	33-910010-7	. BAFFLE AND CAP STRIP ASSY,FWD RH.	1	
- 2	33-910010-5	. . BAFFLE ASSY,FWD RH.	1	
- 3	33-910010-87	. . STRIP ASSY,CAP.	1	
		/ATTACHING PARTS/		
- 4	AN515-8R6	. . SCREW	4	

- 5	33-910010-99	. . . SEAL,CAP STRIP.	1	
- 6	35-910066-199	. . . RETAINER,SEAL	1	
- 7	35-910215	. SUPPORT,LH.	1	
	35-910294	. SUPPORT,RH.	1	
		/ATTACHING PARTS/		
- 8	AN3-47A	. BOLT.	1	
	AN960-10	. WASHER.	1	
	AN515-8R7	. SCREW	1	

- 9	35-910216	. SUPPORT	2	
		/ATTACHING PARTS/		
- 10	AN3-37A	. BOLT.	1	

- 11	33-910010-75	. BAFFLE ASSY,INTERCYLINDER FWD LH.	1	
	33-910010-77	. BAFFLE ASSY,INTERCYLINDER FWD RH.	1	
- 12	33-910010-73	. BAFFLE ASSY,INTERCYLINDER AFT	2	
- 13	33-910010-15	. BAFFLE ASSY,OIL COOLER LOWER.	1	
- 14	33-910010-13	. . SEAL.	1	
- 15	33-910010-11	. . RETAINER,SEAL	1	
- 16	33-910010-41	. BAFFLE ASSY,LOWER AFT LH.	1	
- 17	33-910010-47	. BAFFLE ASSY,LOWER AFT RH.	1	
	33-910010-23	. BAFFLE ASSY,REAR.	1	1
	33-910010-83	. BAFFLE ASSY,REAR.	1	2
	33-910010-93	. BAFFLE ASSY,REAR.	1	3
	33-910010-602	. BAFFLE ASSY,REAR.	1	4
- 18	33-910010-19	. . BAFFLE,REAR	1	1
	33-910010-81	. . BAFFLE,REAR	1	2
	33-910010-91	. . BAFFLE,REAR	1	3
	33-910010-113	. . BAFFLE,REAR	1	4
- 19	33-910010-21	. . BAFFLE,LOWER LH	1	
- 20	33-910010-25	. . SUPPORT,LH.	1	
- 21	33-910010-17	. . SUPPORT,RH.	1	
- 22	33-910010-105	. . SEAL,LH	1	
- 23	35-910066-177	. . RETAINER,SEAL	1	
- 24	33-910010-103	. . SEAL,RH	1	
- 25	35-910066-175	. . RETAINER,SEAL	1	
- 26	33-910010-101	. . SEAL,CENTER	1	
- 27	35-910066-173	. . RETAINER,SEAL	1	
- 28	35-910066-159	. . SUPPORT,LH.	1	5
	33-910010-97	. . SUPPORT,RH.	1	6
- 29	35-910066-13	. . SUPPORT,CENTER.	1	
- 30	35-910066-205	. . TUBE ASSY,GENERATOR BLAST	1	
- 31	95-910015-255	. . TUBE ASSY,BLAST	1	2
- 32	MS35489-23	. . GROMMET	1	6
- 33	35-910067-71	. . FLANGE,HEATER DUCT.	1	3
	35-410446-253	. . FLANGE,COLD AIR DUCT.	1	4
- 34	33-329010-19	. . ANGLE,AIR PRESSURE REGULATOR SUPPORT.	1	7
- 35	AN865-1	. . FLANGE,FUEL FLOWMETER VENT.	1	8
- 36	95-910020	. . PLACARD,MAGNETO INSTRUCTIONS.	2	
- 37	33-910010-109	. . SEAL,DIPSTICK	1	

C O D E S O F E F F E C T I V I T Y

1	CD-1 THRU CD-385	2	CD-386 THRU CD-735
3	CD-736 THRU CD-1199	4	CD-1200 AND AFTER
5	CD-1 THRU CD-735	6	CD-736 AND AFTER
7	CD-1119 AND AFTER	8	CD-814 AND AFTER

B E E C H C R A F T
B O N A N Z A 3 3 T H R U E 3 3
I L L U S T R A T E D P A R T S C A T A L O G

FIGURE 50A
ENGINE BAFFLES
CE-1 AND AFTER

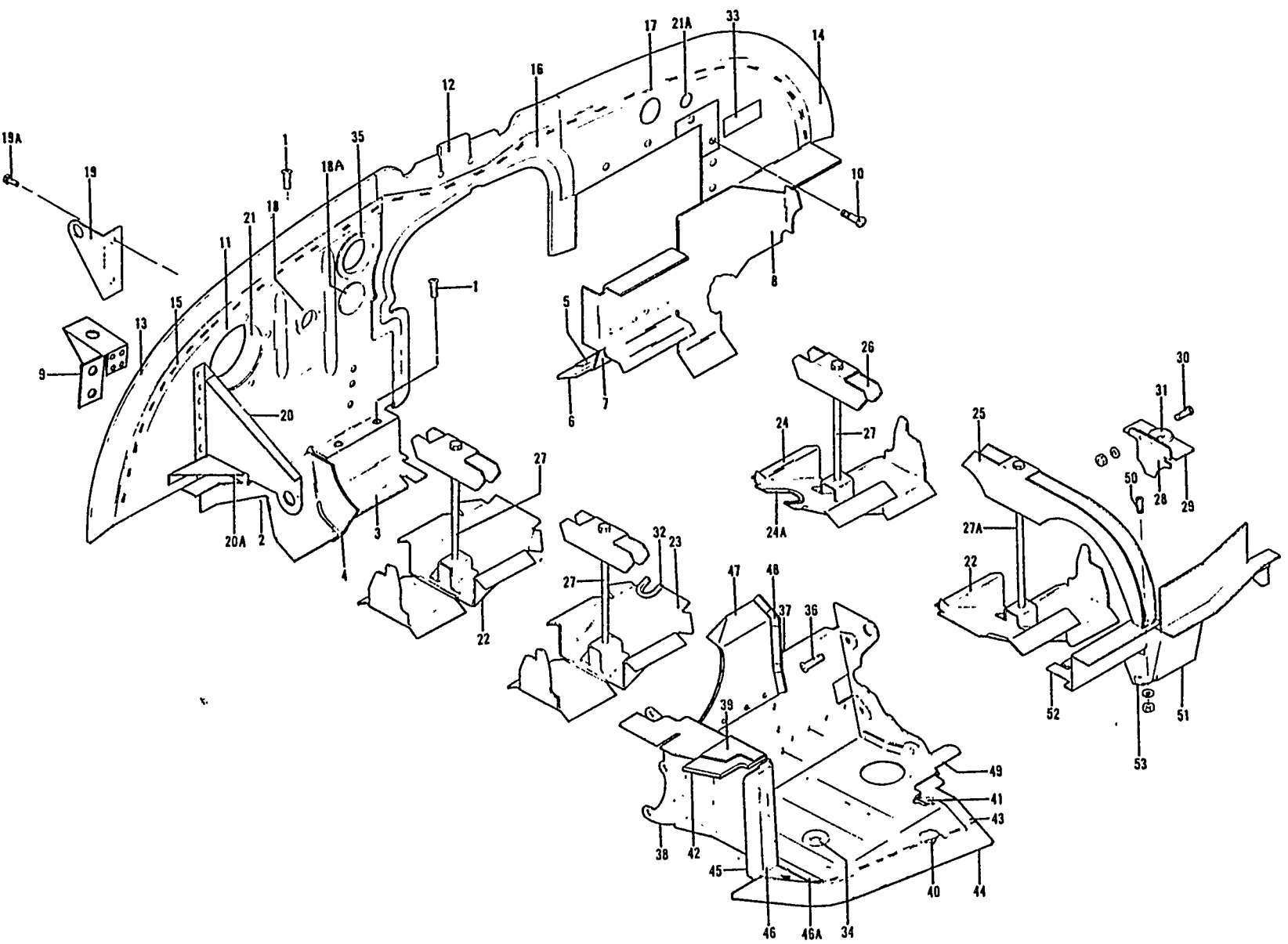


FIGURE 50A-ENGINE BAFPLES

B E E C H C R A F T
B O N A N Z A 3 3 T H R U E 3 3
I L L U S T R A T E D P A R T S C A T A L O G

FIG. & ITEM NO.	PART NO.	1 2 3 4 5 6 7	DESCRIPTION	UNITS PER ASSY	USABLE ON CODE
50A	35-910067		BAFFLE INSTL,ENGINE	NP	1
	35-910067-43		. BAFFLE ASSY,REAR RH	1	1
			/ATTACHING PARTS/		
- 1	AN515-6R5		. SCREW	4	
	AN960-6		. WASHER	4	
	MS20365-632		. NUT	4	
			-----*		
- 2	35-910066-43		. . BAFFLE	1	1
- 3	35-910066-49		. . BAFFLE	1	1
- 4	35-910066-165		. . CLIP	1	1
	35-910067-51		. BAFFLE ASSY,REAR LH	1	1
- 5	35-910067-53		. . STRIP	1	1
- 6	35-910067-55		. . SEAL	1	1
- 7	35-910067-57		. . BAFFLE	1	1
- 8	35-910067-79		. . BAFFLE	1	1
- 9	33-329010-19		. . ANGLE,AIR PRESSURE REGULATOR SUPPQRT.	1	4
	35-910067-1		. BAFFLE ASSY,REAR.	1	2
	35-910067-601		. BAFFLE ASSY,REAR.	1	3
			/ATTACHING PARTS/		
- 10	AN3-3A/M/		. SCREW	9	
	AN960-10		. WASHER	9	
	MS20365-1032		. NUT	9	
			-----*		
- 11	35-910067-3		. . BAFFLE	1	2
	35-910067-129		. . BAFFLE	1	3
- 12	35-910067-25		. . SEAL	1	1
- 13	35-910067-27		. . SEAL	2	1
- 14	35-910067-29		. . SEAL	1	1
- 15	35-910067-31		. . STRIP	1	1
- 16	35-910067-33		. . RETAINER	1	1
- 17	35-910067-35		. . STRIP	1	1
- 18	MS35489-23		. . GROMMET	1	1
- 18A	SS51058		. . PLUG	1	1
	AN865-1		. . FLANGE	1	4
- 19	96-910020-257		. . CLIP /SUPERSEDES 35-910067-63/.	1	1
			/ATTACHING PARTS/		
- 19A	AN3-3A/M/		. . BOLT	2	
	AN960-10		. . WASHER	2	
	MS20365-1032		. . NUT	2	
			-----*		
- 20	35-910066-239		. . SUPPORT	1	1
- 20A	35-910067-113		. . ANGLE	1	1
- 21	35-910067-71		. . WELD ASSY	1	2
	35-410446-253		. . WELD ASSY	1	3
- 21A	SS48155		. PLUG /USE WITH VACUUM DRIVEN INSTRUMENTS/	1	
- 22	96-910020-151		. BAFFLE ASSY,INTER CYLINDER.	2	1
- 23	35-910067-47		. BAFFLE ASSY,INTER CYLINDER.	1	1
- 24	96-910020-85		. BAFFLE ASSY,INTER CYLINDER.	1	1
- 24A	96-910020-253		. . GROMMET	1	1
- 25	35-910215		. SUPPORT,BAFFLE.	1	1
- 26	35-910216		. SUPPORT,BAFFLE.	3	1
			/ATTACHING PARTS/		
- 27	AN3-63A		. BOLT	1	
- 27A	AN3-73A		. BOLT	1	
	AN960-10		. WASHER	1	
			-----*		
- 28	45-910314		. PLATE	4	1
- 29	45-910315-1		. CLIP	4	1
			/ATTACHING PARTS/		
- 30	AN515-8R8		. SCREW	2	
	AN960-8		. WASHER	2	
	MS20365-832		. NUT	2	
			-----*		

B E E C H C R A F T
B O N A N Z A 3 3 T H R U E 3 3
I L L U S T R A T E D P A R T S C A T A L O G

FIG. & ITEM NO.	PART NO.	DESCRIPTION							UNITS PER ASSY	USABLE ON CODE
		1	2	3	4	5	6	7		
50A - 31	AN931-5S13	. GROMMET							4	1
- 32	35-910067-117	. GROMMET /SUPERSEDES 294929A2/							1	1
- 33	95-910020	. PLACARD							2	1
- 34	MS35489-14S	. GROMMET							1	1
- 35	MS35489-27	. GROMMET							1	1
	35-910067-85	. BAFFLE ASSY, FWD RH.							1	1
		/ATTACHING PARTS/								
- 36	AN520-10R6	. SCREW							3	
	AN960-10	. WASHER							3	
		*								
- 37	35-910067-103	. . BAFFLE							1	1
- 38	35-910067-7	. . SUPPORT							1	1
- 39	35-910067-13	. . RETAINER							1	1
- 40	35-910067-15	. . RETAINER							1	1
- 41	35-910067-17	. . RETAINER							1	1
- 42	35-910067-19	. . SEAL							1	1
- 43	35-910067-21	. . SEAL							1	1
- 44	35-910067-23	. . SEAL							1	1
- 45	35-910067-59	. . SEAL							1	1
- 46	35-910067-61	. . RETAINER							1	1
	35-910067-87	. . BAFFLE ASSY							1	1
		/ATTACHING PARTS/								
	AN515-6R5	. . SCREW							3	
	AN960-6	. . WASHER							3	
	130006A632BC	. . PLATE, NUT							3	
		*								
- 46A	35-910067-115	. . . ANGLE							1	1
- 47	35-910067-81	. . . BAFFLE							1	1
- 48	35-910067-83	. . . STIFFENER							1	1
- 49	35-910068	. . . SUPPORT							1	1
	35-910073-1	. . BAFFLE ASSY, FWD LH.							1	1
		/ATTACHING PARTS/								
- 50	AN515-6R14	. . SCREW							1	
	AN960-6	. . WASHER							1	
	MS20365-632	. . NUT							1	
		*								
- 51	35-910073-3	. . BAFFLE							1	1
- 52	35-910073-5	. . BAFFLE							1	1
- 53	35-910066-165	. . CLIP							1	1

C O D E S O F E F F E C T I V I T Y

1 CE-1 AND AFTER	2 CE-1 THRU CE-248
3 CE-249 AND AFTER	4 CE-180 AND AFTER

BEECHCRAFT
BONANZA 33 THRU E33
ILLUSTRATED PARTS CATALOG

FIGURE 51
ENGINE CONTROLS
CD-1 AND AFTER

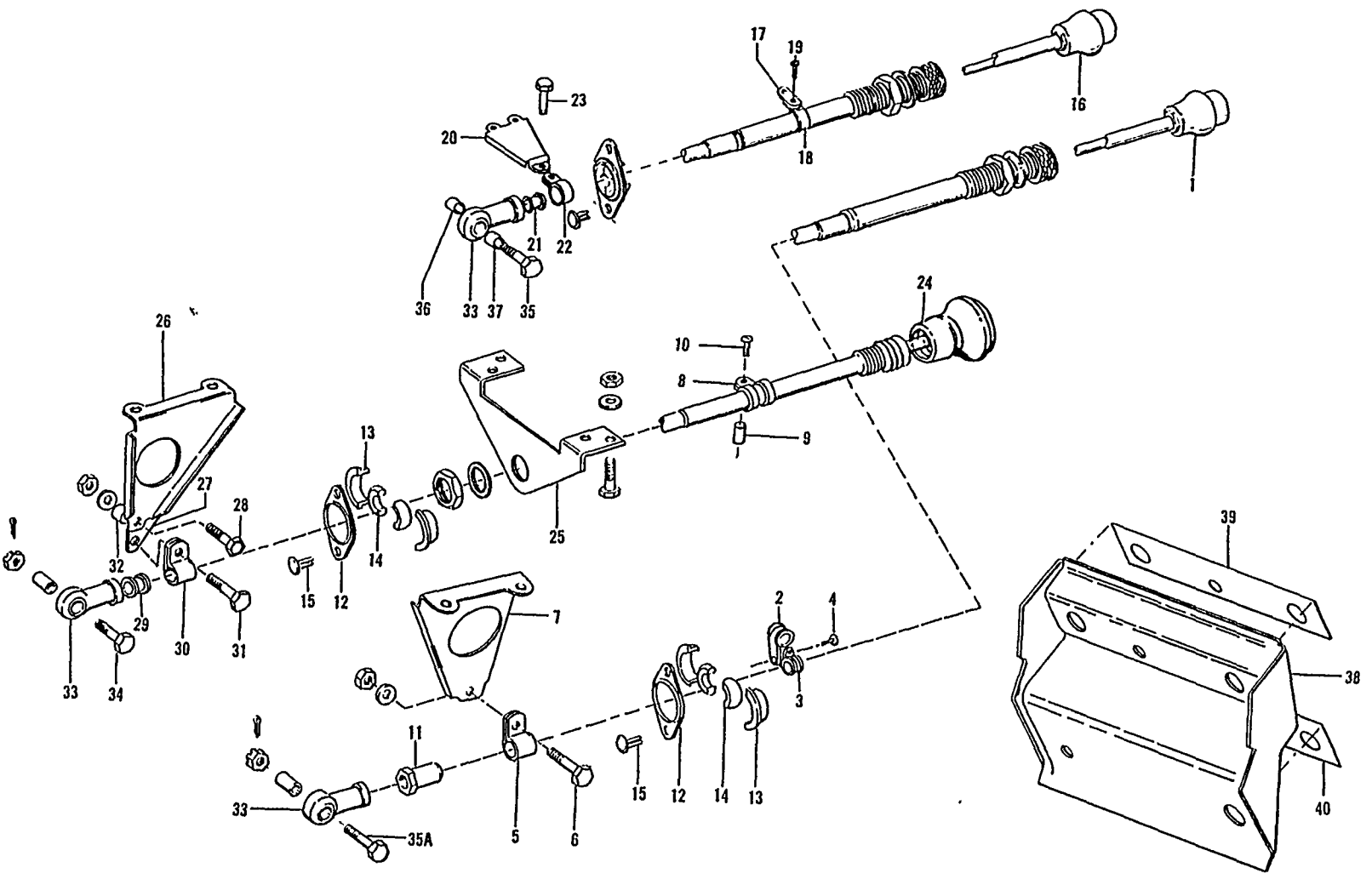


FIGURE 51. ENGINE CONTROLS

B E E C H C R A F T
B O N A N Z A 3 3 T H R U E 3 3
I L L U S T R A T E D P A R T S C A T A L O G

FIG. & ITEM NO.	PART NO.	DESCRIPTION	UNITS							USABLE ON CODE	
			1	2	3	4	5	6	7		PER ASSY
51	33-940000	CONTROL INSTL,ENGINE.								NP	11
	33-940001	CONTROL INSTL,ENGINE.								NP	8
- 1	345-001-5	. CONTROL ASSY,THROTTLE								1	1
	35-944049	. KNOB,THROTTLE CONTROL								1	1
	345-001-43	. CONTROL ASSY,THROTTLE								1	7
	33-380004-1	. CONTROL ASSY,THROTTLE								1	22
	35-944046-5	. CONTROL ASSY,THROTTLE								1	21
- 2	MS21919DG36	. CLAMP,THROTTLE CONTROL.								1	23
- 3	766-6	. CLIP,THROTTLE CONTROL SUPPORT /ATTACHING PARTS/								1	23
- 4	AN515-8R	. SCREW								2	
	AN960-8	. WASHER								2	
	MS20365-832	. NUT								2	
	33-940000-9	. BUSHING,THROTTLE CONTROL.								1	12
	33-940001-1	. BUSHING,THROTTLE CONTROL.								1	13
- 5	PP561DS4	. CLAMP THROTTLE CONTROL. /ATTACHING PARTS/								1	23
- 6	AN3	. BOLT.								1	
	AN960-10L	. WASHER.								1	
	MS20365-1032	. NUT								1	
- 7	35-944052-5	. BRACKET,THROTTLE CONTROL ARM.								1	23
- 8	MS21919DG6	. CLAMP MIXTURE CONTROL /ATTACHING PARTS/								1	23
- 9	100696D-ZF116	. SPACER.								1	
- 10	AN515-8R	. SCREW								1	
- 11	35-369123	. ACTUATOR,THROTTLE CONTROL ARM /SUPERSEDES 33-369106/								1	23
- 12	112436-6	. RETAINER.								3	23
- 13	112412	. GROMMET								6	23
- 14	112413-4	. BALL.								6	20
	112413-4	. BALL.								2	21
	112413-8	. BALL.								4	21
- 15	49338	. FASTENER.								6	23
	AN960-8	. WASHER.								12	23
- 16	345-001-6	. CONTROL ASSY,PROPELLER.								1	11
	33-380004-3	. CONTROL ASSY,PROPELLER.								1	9
	33-380004-5	. CONTROL ASSY,PROPELLER.								1	10
	35-944048-3	. CONTROL ASSY,PROPELLER. USE 33-940001-9 SPARES FOR ABOVE CONTROLS								1	21
- 17	35-944047-1	. CLIP,PROPELLER CONTROL ARM.								1	23
- 18	MS21919DG6	. CLAMP /ATTACHING PARTS/								1	23
- 19	AN515-8	. SCREW								1	
	AN960-8	. WASHER.								1	
	MS20365-832	. NUT								1	
- 20	33-940000-7	. BRACKET,PROPELLER CONTROL ARM								1	3
	33-940001-3	. BRACKET,PROPELLER CONTROL ARM /SUPERSEDES 33-940010/								1	4
- 21	33-940000-9	. BUSHING,PROPELLER CONTROL FIBRE								1	14
	404-189064	. BUSHING,PROPELLER CONTROL								1	15
	33-940001-1	. BUSHING,PROPELLER CONTROL								1	13
- 22	PP561DS4	. CLAMP /ATTACHING PARTS/								1	23
- 23	AN3-6A	. BOLT.								1	
	AN960-10	. WASHER.								1	
	MS20365-1032	. NUT								1	
- 24	WC154-5	. CONTROL ASSY,MIXTURE.								1	1
	WC154-5-50	. CONTROL ASSY,MIXTURE. SEE KIT 33-9003-3 FOR SPARES								1	7
	33-380005-1	. CONTROL ASSY,MIXTURE. /SEE KIT 33-9003-1 FOR SPARES/								1	8

B E E C H C R A F T
B O N A N Z A 3 3 T H R U E 3 3
I L L U S T R A T E D . P A R T S C A T A L O G

FIG. & ITEM NO.	PART NO.	DESCRIPTION	UNITS PER ASSY	USABLE ON CODE	
		1 2 3 4 5 6 7			
51 - 25	35-944055-3	. BRACKET, MIXTURE CONTROL	1	5	
	33-940000-13	. BRACKET, MIXTURE CONTROL /ATTACHING PARTS/	1	6	
	AN507-10R	. SCREW	2		
	AN960-10L	. WASHER	2		
	AN364-10	. NUT	2		
	*				
		33-940000-15	. SUPPORT, BRACKET	1	6
		1050900220-9F	. SPACER	1	6
	- 26	35-944052-5	. BRACKET, MIXTURE CONTROL ARM	1	23
	- 27	33-940000-11	. CLIP, MIXTURE CONTROL /ATTACHING PARTS/	1	23
- 28	AN3	. BOLT	1		
	AN960-10	. WASHER	1		
	MS20365-1032	. NUT	1		
*					
- 29	33-940000-9	. BUSHING, MIXTURE CONTROL FIBRE	1	23	
- 30	PP561DS4	. CLAMP /ATTACHING PARTS/	1	23	
- 31	AN3	. BOLT	1		
- 32	404-189064	. BUSHING, MIXTURE CONTROL	1		
	AN960-10L	. WASHER	1		
	MS20365-1032	. NUT	1		
	*				
- 33	F34-14M	. END, ROD /SUPERSEDES REB3N AND HF3/. /ATTACHING PARTS/	3	23	
- 34	AN3-6	. BOLT	3		
- 35	AN3-7	. BOLT	1		
- 35A	AN3-10	. BOLT	1		
	AN960-10L	. WASHER /PROP CONTROL/	1		
	AN935-416	. WASHER, LOCK /THROTTLE & MIXTURE CONTROL/.	2		
	AN310-3	. NUT	3		
	AN380-2-2	. PIN, COTTER	3		
*					
- 36	102933S4ZJ0187	. BUSHING, PROPELLER CONTROL	1	3	
- 37	102933S4ZJ0062	. BUSHING, PROPELLER CONTROL	1	3	
- 38	35-944057-1	. ESCUTCHEON, ENGINE CONTROLS	1	16	
	35-944066	. ESCUTCHEON, ENGINE CONTROLS	1	17	
	35-944060	. PLACARD, THROTTLE CONTROL IDENTIFICATION	1	16	
	35-944062	. PLACARD, AUXILIARY FUEL PUMP	1	16	
	35-944059	. PLACARD, PROPELLER CONTROL	1	16	
- 39	35-944065	. PLATE, ENGINE CONTROL UPPER	1	17	
	35-944058	. PLACARD, MIXTURE CONTROL	1	18	
	35-944061	. PLACARD, AUXILIARY FUEL PUMP OPERATIONS	1	18	
	35-944068	. PLATE, ENGINE CONTROL LOWER	1	19	

B E E C H C R A F T
 BONANZA 33 THRU E33
 I L L U S T R A T E D P A R T S C A T A L O G

FIG. & ITEM NO.	PART NO.	1 2 3 4 5 6 7	DESCRIPTION	UNITS PER ASSY	USABLE ON CODE
51 - 40	35-944064-3	.	PLACARD,ENGINE CONTROL LOWER.	1	17

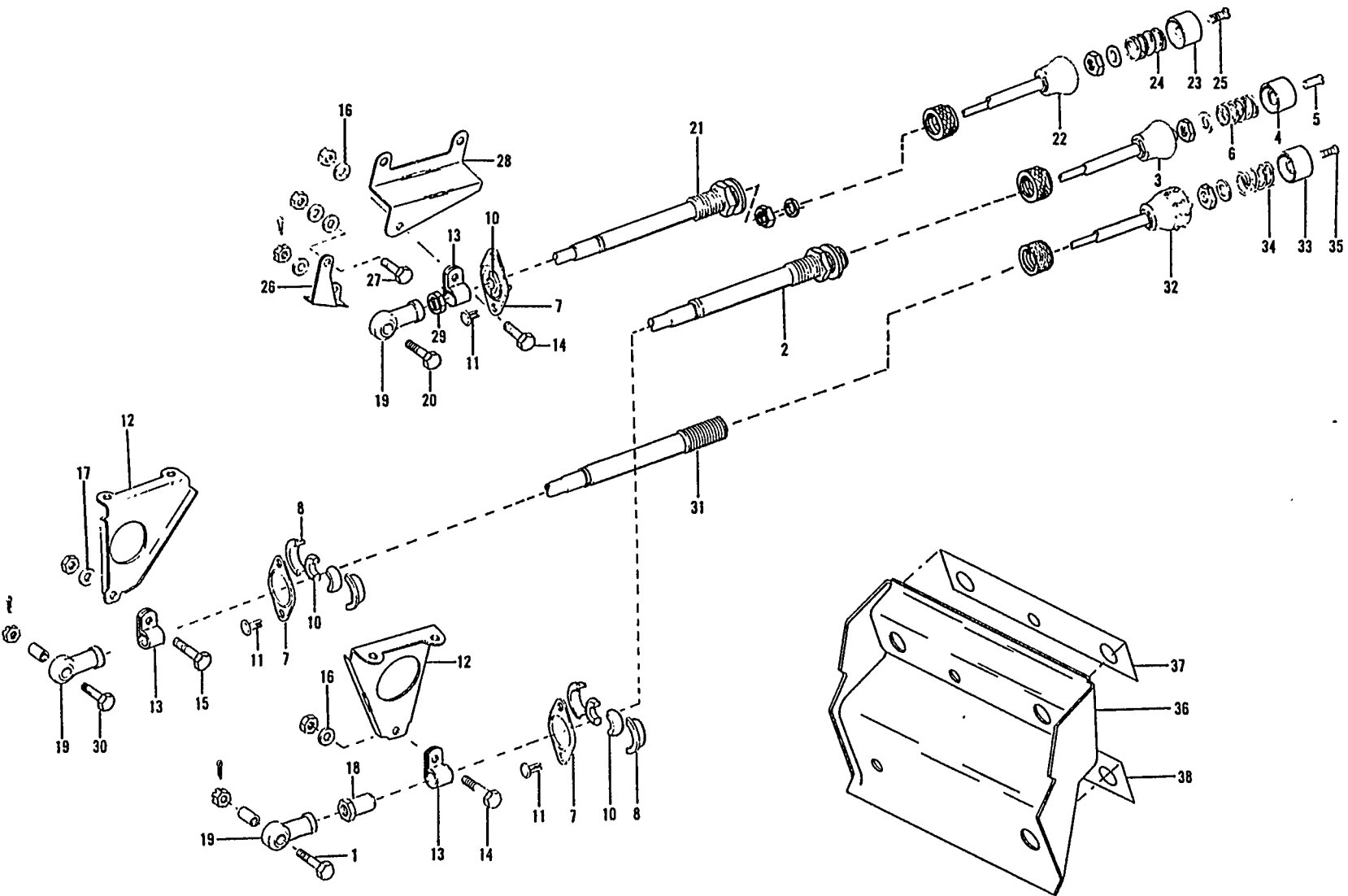
C O D E S O F E F F E C T I V I T Y

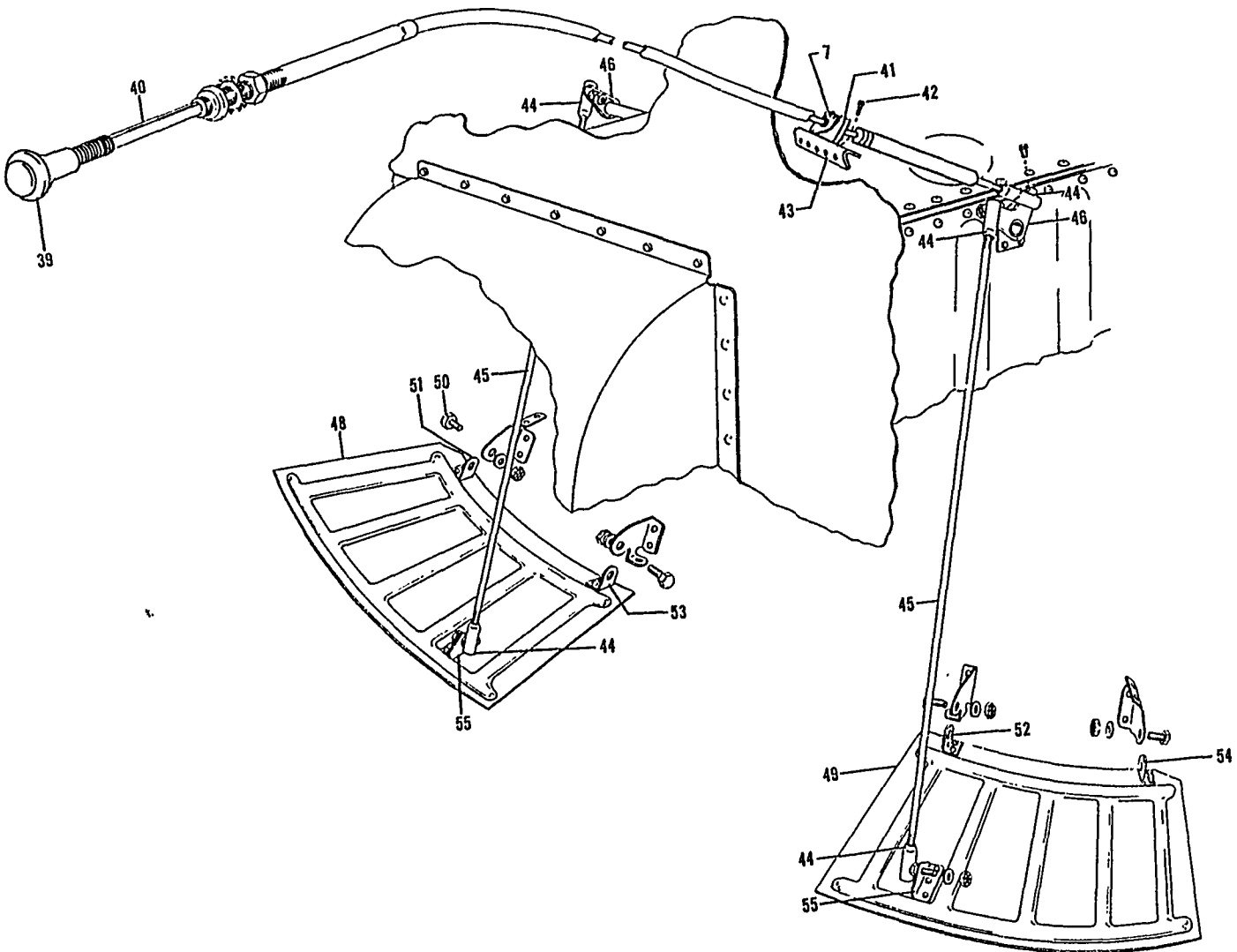
1 CD-1 THRU CD-300, CD-386 AND CD-387 3 CD-1 THRU CD-371, CD-386 AND CD-387 5 CD-1 THRU CD-250 EXCEPT CD-225 THRU CD-232, CD-235, CD-237 THRU CD-240, CD-242 THRU CD-245 7 CD-301 THRU CD-385 9 CD-388 THRU CD-653 EXCEPT CD-451,CD-646 AND CD-650 11 CD-1 THRU CD-387 13 CD-388 THRU CD-963 EXCEPT CD-391, CD-395, CD-399 THRU CD-497 15 CD-372 THRU CD-388 EXCEPT CD-386 AND CD-387 17 CD-710 AND AFTER 19 CD-674 THRU CD-709 21 CD-964 AND AFTER 23 CD-1 AND AFTER	2 DELETED 4 CD-372 AND AFTER EXCEPT CD-386 AND CD-387 6 CD-225 THRU CD-232, CD-235, CD-237 THRU CD-240, CD-242 THRU CD-245, CD-251 THRU CD-387 8 CD-388 AND AFTER 10 CD-451,CD-646, CD-650,CD-654 THRU CD-963 12 CD-1 THRU CD-387, CD-391,CD-395, CD-399 THRU CD-497 14 CD-1 THRU CD-371, CD-386,CD-387, CD-391, CD-395,CD-399 THRU CD-497 16 CD-388 THRU CD-709 18 CD-388 THRU CD-673 20 CD-1 THRU CD-963 22 CD-388 THRU CD-963
--	--

BEECHCRAFT
BONANZA 33 THRU E33
ILLUSTRATED PARTS CATALOG

FIGURE 51A
ENGINE CONTROLS AND COWL FLAP CONTROL
CE-1 AND AFTER

B E E C H C R A F T
B O N A N Z A 3 3 T H R U E 3 3
I L L U S T R A T E D P A R T S C A T A L O G





02/24/84

FIGURE 51A-ENGINE CONTROLS AND COWL FLAP CONT
/SHEET 2 OF 2 SHEETS/

B E E C H C R A F T
B O N A N Z A 3 3 T H R U E 3 3
I L L U S T R A T E D P A R T S C A T A L O G

FIG. & ITEM NO.	PART NO.	DESCRIPTION	UNITS PER ASSY	USABLE ON CODE
		1 2 3 4 5 6 7		
51A	35-944056	CONTROL INSTL,ENGINE.	NP	1
	35-944046-5	. CONTROL ASSY,THROTTLE	1	1
		/ATTACHING PARTS/		
- 1	AN3-10	. BOLT.	1	
	AN310-3	. NUT	1	
	AN380-2-2	. PIN,COTTER.	1	
		-----*		
- 2	3V710-1177-2	. CONTROL ASSY.	1	1
- 3	35-944042-1	. KNOB,THROTTLE CONTROL	1	1
		/ATTACHING PARTS/		
	AN936A616	. WASHER.	1	
	AN924-3D	. NUT	1	
		-----*		
- 4	35-944035-1	. BUTTON.	1	1
		/ATTACHING PARTS/		
- 5	NAS387-832-8P	. SCREW	1	
- 6	PP4405	. SPRING.	1	
	AN936A616	. WASHER.	1	
	AN924-3D	. NUT	1	
		-----*		
- 7	112436-6	. RETAINER.	4	1
- 8	112412	. GROMMET	8	1
- 9	112413-4	. BALL.	2	1
- 10	112413-8	. BALL.	6	1
- 11	49338	. FASTENER.	8	1
	AN960-8	. WASHER.	15	1
	MS21919DG6	. CLAMP	1	1
		/ATTACHING PARTS/		
	AN515-8R26	. SCREW	1	
	100696D-ZF100	. SPACER.	1	
		-----*		
- 12	35-944052-5	. BRACKET,THROTTLE CONTROL ARM.	2	1
- 13	PP561DS4	. CLAMP	3	1
		/ATTACHING PARTS/		
- 14	AN3-6A	. BOLT.	2	
- 15	AN3-7A /M/	. BOLT.	1	
- 16	AN960-10L	. WASHER.	2	
- 17	AN960C10L	. WASHER.	1	
	MS20365-1032	. NUT	3	
		-----*		
- 18	35-369123	. ACTUATOR.	1	1
- 19	F34-14M	. ROD,END	3	1
	35-944048-3	. CONTROL ASSY,PROP	1	1
		/ATTACHING PARTS/		
- 20	AN3-7	. BOLT.	1	
	AN960-10L	. WASHER.	1	
	AN310-3	. NUT	1	
		-----*		
- 21	3V710-1177-5	. CONTROL ASSY,PROP	1	1
- 22	35-944049-5	. KNOB.	1	1
		/ATTACHING PARTS/		
	AN936-A616	. WASHER.	1	
	AN924-3D	. NUT	1	
		-----*		
- 23	35-944035-1	. BUTTON.	1	1
		/ATTACHING PARTS/		
- 24	PP4405	. SPRING	1	
- 25	NAS387-832-8P	. SCREW	1	
		-----*		
	35-944047-1	. CLIP.	1	1
	MS21919DG6	. CLAMP	1	1
		/ATTACHING PARTS/		
	AN515-8-8	. SCREW	1	
	AN960-8	. WASHER.	1	
	MS20365-832	. NUT	1	
		-----*		

B E E C H C R A F T
B O N A N Z A 3 3 T H R U E 3 3
I L L U S T R A T E D P A R T S C A T A L O G

FIG. & ITEM NO.	PART NO.	DESCRIPTION							UNITS PER ASSY	USABLE ON CODE
		1	2	3	4	5	6	7		
51A - 26	35-944051-1	1	1
		/ATTACHING PARTS/								
- 27	AN3-6A	1	
	AN960-10L	1	
	AN936A10	2	
	MS20365-1032	1	
		-----*								
- 28	35-944052-9	1	1
- 29	AN316-4R	1	1
	AN935-416	1	1
	35-94054-3	1	1
		/ATTACHING PARTS/								
- 30	AN3-10	1	
	AN310-3	1	
	AN380-2-2	1	
		-----*								
- 31	3V710-1177-4	1	1
- 32	35-944049-3	1	1
		/ATTACHING PARTS/								
	AN936A616	1	
	AN924-3D	1	
		-----*								
- 33	35-944035-1	1	1
		/ATTACHING PARTS/								
- 34	PP4405	1	
- 35	NAS387-832-8P	1	
		-----*								
- 36	35-944066	1	1
- 37	35-944065	1	1
- 38	35-944064-1	1	1
		/ATTACHING PARTS/								
	NAS384-6	1	
		-----*								
- 39	35-380050-1	1	1
- 40	35-524655	1	1
- 41	35-944018	1	1
- 42	35-944037	1	1
		/ATTACHING PARTS/								
- 42	AN515-832-20	2	
	AN960-8	6	
	MS20365-832	2	
		-----*								
- 43	35-944001-4	1	1
- 44	B40-1	5	1
		/ATTACHING PARTS/								
	AN960-10	1	
	MS20365-1032	1	
	AN345-10	1	
		-----*								
- 45	35-944012	2	1
- 46	35-944025	1	1
		/ATTACHING PARTS/								
	AN3-7A /M/	1	
	AN960-10	1	
	MS20365-1032	1	
		-----*								
- 47	35-944011-8	1	1
- 48	35-910053-12	1	1
- 49	35-910053-1	1	1
		/ATTACHING PARTS/								
- 50	AN3-4	2	
	AN960-10	2	
	AN310-3	2	
	AN380-2-2	2	
		-----*								

B E E C H C R A F T
B O N A N Z A 3 3 T H R U E 3 3
I L L U S T R A T E D P A R T S C A T A L O G

FIGURE 52
FUEL SYSTEM
CD-1 THRU CD-387

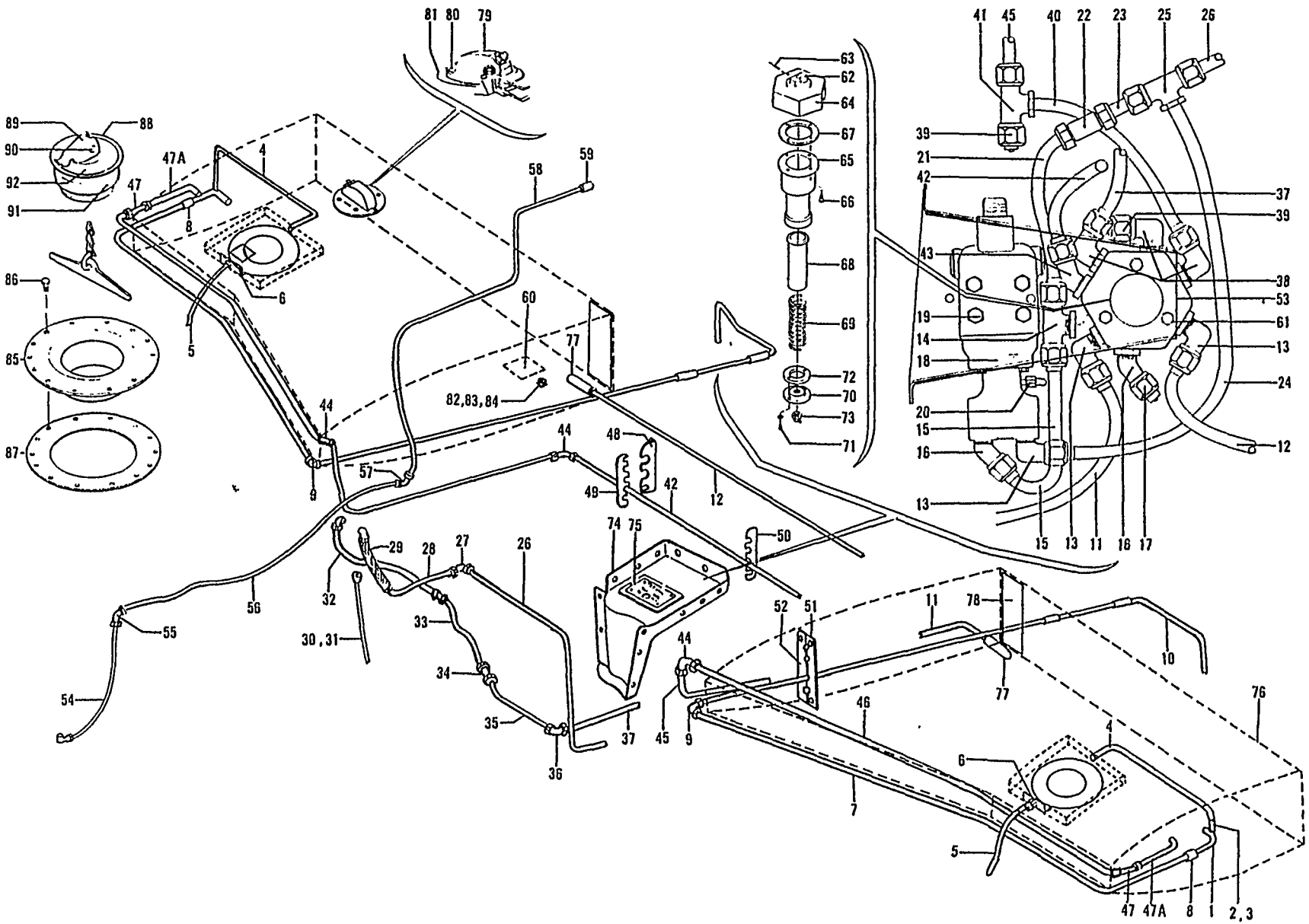


FIGURE 52. FUEL SYSTEM

B E E C H C R A F T
B O N A N Z A 3 3 T H R U E 3 3
I L L U S T R A T E D P A R T S C A T A L O G

FIG. & ITEM NO.	PART NO.	DESCRIPTION	UNITS PER ASSY	USABLE ON CODE
		1 2 3 4 5 6 7		
52	33-920000-15	SYSTEM INSTL,FUEL	NP	1
- 1	35-924059	. WELD ASSY,LH FUEL VENT.	1	1
	35-924060	. WELD ASSY,RH FUEL VENT.	1	1
- 2	106043ZK022	. HOSE	2	1
		/ATTACHING PARTS/		
- 3	AN735D5	. CLAMP	2	
	AN515-8R6	. SCREW	2	
	AN960-8L	. WASHER	2	
	MS20365-832	. NUT	2	

- 4	33-920000-1	. TUBE,LH FILLER VENT	1	1
	33-920000-2	. TUBE,RH FILLER VENT	1	1
- 5	35-921105	. TUBE,SCUPPER DRAIN.	2	1
- 6	106200H4-9	. HOSE	2	1
- 7	35-921154-69	. TUBE ASSY,LH VENT	1	1
	35-921154-75	. TUBE ASSY,RH VENT	1	1
- 8	106200H4-15	. HOSE	2	1
- 9	AN821-8D	. ELBOW	2	1
- 10	35-921154-53	. TUBE ASSY,OVERBOARD VENT LH	1	1
	35-921154-54	. TUBE ASSY,OVERBOARD VENT RH	1	1
- 11	35-921154-31	. TUBE ASSY,LH TANK TO SELECTOR VALVE	1	1
- 12	35-921154-35	. TUBE ASSY,RH TANK TO SELECTOR VALVE	1	1
- 13	AN833-6D	. ELBOW	1	1
- 14	AN834-6D	. TEE	1	1
	MS29512-6	. GASKET	4	1
	AN924-6D	. NUT	4	1
- 15	35-921154-107	. TUBE ASSY,FUEL STRAINER TO PUMP INLET	1	1
- 16	AN837-6D	. ELBOW	2	1
	MS29512-6	. GASKET	2	1
	AN924-6D	. NUT	2	1
- 17	AN820-6D	. CAP	1	1
- 18	35-921154-608	. PUMP,FUEL BOOST /INCLUDES FITTINGS/	1	1
		/ATTACHING PARTS/		
- 19	AN74A3 /M/ AN936B416	. BOLT WASHER,LOCK	4 4	

- 20	35-921154-49	. TUBE ASSY,BOOST PUMP DRAIN.	1	1
- 21	35-921154-17	. TUBE ASSY,STRAINER TO CHECK VALVE	1	1
- 22	367-00	. VALVE,CHECK	1	1
- 23	35-921154-27	. TUBE ASSY,CHECK VALVE TO TEE.	1	1
- 24	35-921154-19	. TUBE ASSY,PUMP OUTLET TO TEE.	1	1
- 25	AN824-6D	. TEE	1	1
- 26	35-921154-43	. TUBE ASSY,TEE TO FIREWALL FUEL SUPPLY	1	1
- 27	AN833-6D	. ELBOW	1	1
	AN960-916	. WASHER	1	1
	AN924-6D	. NUT	1	1
- 28	35-921154-606	. HOSE ASSY,FUEL /INCLUDES LAGGING/ /SUPERSEDES MS28741-6-0140/	1	1
- 29	35-921154-55	. LAGGING,FUEL HOSE	1	1
- 30	AN816-2	. NIPPLE	1	1
- 31	35-921154-103	. TUBE ASSY,PUMP DRAIN.	1	1
- 32	MS28741-4-0102	. HOSE ASSY,RETURN FROM PUMP.	1	1
- 33	33-920000-11	. TUBE ASSY,HOSE TO CHECK VALVE RETURN.	1	1
- 34	1111-595272	. VALVE ASSY,CHECK.	1	1
- 35	33-920000-13	. TUBE ASSY,CHECK VALVE TO FIREWALL RETURN.	1	1
- 36	AN833-4D	. ELBOW	1	1
	AN960-716	. WASHER	1	1
	AN924-4D	. NUT	1	1
- 37	35-921154-21	. TUBE ASSY,FIREWALL TO SELECTOR VALVE RETURN	1	1
- 38	AN833-4D	. ELBOW	3	1
	MS29512-4	. GASKET	3	1
	AN924-4D	. NUT	3	1
- 39	AN820-4D	. CAP	2	1
- 40	35-921154-63	. TUBE ASSY,SELECTOR VALVE TO TEE LH RETURN	1	1
- 41	AN824-4D	. TEE	1	1
- 42	35-921154-37	. TUBE ASSY,RETURN FROM SELECTOR VALVE RH	1	1
- 43	AN837-4D	. ELBOW	1	1

B E E C H C R A F T
 BONANZA 33 THRU E33
 I L L U S T R A T E D P A R T S C A T A L O G

FIG. & ITEM NO.	PART NO.	DESCRIPTION	UNITS PER ASSY	USABLE ON CODE
		1 2 3 4 5 6 7		
52 - 44	AN821-4D	• ELBOW	3	1
- 45	35-921154-23	• TUBE ASSY, RETURN TO FUSELAGE SKIN LH.	1	1
	35-921154-41	• TUBE ASSY, RETURN TO FUSELAGE SKIN RH.	1	1
- 46	35-921154-71	• TUBE ASSY, FUSELAGE TO TANK LH	1	1
	35-921154-73	• TUBE ASSY, FUSELAGE TO TANK RH	1	1
- 47	106200H4-15	• HOSE	2	1
- 47A	35-921154-95	• ELBOW, RETURN TO TANK.	2	1
- 48	35-921154-15	• BRACKET, TUBE SUPPORT AFT RH	1	1
- 49	35-921154-13	• BRACKET, TUBE SUPPORT FWD RH	1	1
		/ATTACHING PARTS/		
	NAS395-21-1	• NUT	2	
	AN530-10R7	• SCREW	2	

- 50	35-921154-11	• BRACKET, TUBE SUPPORT LH	1	1
- 51	35-921154-45	• BLOCK, TUBE SUPPORT OUTBD HALF	1	1
- 52	35-921154-47	• BLOCK, TUBE SUPPORT INBD HALF	1	1
		/-45 & -47 MUST BE ORDERED TOGETHER/		
- 53	35-921154-3	• BRACKET, BOOST PUMP & SELECTOR VALVE	1	1
- 54	AN6270-2-13 1/2	• HOSE, PRESSURE INDICATOR	1	1
- 55	AN837-2D	• ELBOW	1	1
	AN960-516	• WASHER	1	1
	AN924-2D	• NUT	1	1
- 56	35-921154-59	• TUBE ASSY, THRU WHEEL WELL FUEL PRESSURE	1	1
- 57	AN833-2D	• ELBOW	1	1
	AN960-516	• WASHER	1	1
	AN924-2D	• NUT	1	1
- 58	35-921154-109	• TUBE ASSY, WHEEL WELL TO PRESSURE GAGE	1	1
- 59	AN4022-1	• RESTRICTOR, PRESSURE GAGE.	1	1
- 60	35-924148	• PLACARD, SUMP DRAIN.	2	1
	35-921154-602	• VALVE ASSY, SELECTOR /INCLUDES FITTINGS/	1	1
		/ATTACHING PARTS/		
- 61	AN936B416	• WASHER	3	
	AN74-3	• BOLT.	3	

- 62	35-924255-1	• HANDLE ASSY	1	1
		/ATTACHING PARTS/		
- 63	A905	• PIN /THRU HANDLE/	1	
	AN380-1-1	• PIN, COTTER.	1	
	79-022-094-0375	• PIN, ROLL /THRU VALVE SHAFT/	1	

- 64	HE825-1	• VALVE, SELECTOR.	1	1
- 65	45-920036-1	• HOUSING, FUEL SELECTOR VALVE	1	1
		/ATTACHING PARTS/		
	AN935B10	• WASHER, LOCK	4	
- 66	AN500A10-8	• SCREW	4	

- 67	50-920030-4	• GASKET, HOUSING.	1	1
- 68	50-920040-10	• STRAINER ASSY, FUEL.	1	1
- 69	111504ZT0324-3	• SPRING, STRAINER	1	1
- 70	50-920057	• PLATE, STRAINER BOTTOM	1	1
		/ATTACHING PARTS/		
	AN960-10L	• WASHER.	2	
- 71	AN500A10-12	• SCREW	2	

- 72	35-921181	• GASKET, STRAINER BOTTOM.	1	1
- 73	CCA4850	• VALVE, STRAINER DRAIN.	1	1
	35-924256-23	• COVER ASSY, SELECTOR VALVE	1	1
- 74	35-924256-3	• COVER, SELECTOR VALVE.	1	1
- 75	35-924262	• DECAL /YELLOW/.	1	1
	35-924262-1	• DECAL /WHITE/	1	1
	33-921000-1	CELL INSTL, 25 GALLON FUEL LH.	NP	1
	33-921000-2	CELL INSTL, 25 GALLON FUEL RH.	NP	1
		SEE KIT 35-9009-3 S		
- 76	50-920008-7	• CELL, 25 GAL FUEL LH /ALT FOR 95-380027-1/	1	1
	95-380027-1	• CELL, 25 GAL FUEL LH /ALT FOR 50-920008-7/	1	1
	50-920008-8	• CELL, 25 GAL FUEL RH /ALT FOR 95-380027-2/	1	1
	95-380027-2	• CELL, 25 GAL FUEL RH /ALT FOR 50-920008-8/	1	1

B E E C H C R A F T
B O N A N Z A 3 3 T H R U E 3 3
I L L U S T R A T E D P A R T S C A T A L O G

FIG. & ITEM NO.	PART NO.	DESCRIPTION	UNITS PER ASSY							USABLE ON CODE
			1	2	3	4	5	6	7	
52 - 77	45-921541	. STRAINER, FUEL							2	1
- 78	50-920065	. STIFFENER, LH FUEL CELL.							1	1
	50-920065-1	. STIFFENER, RH FUEL CELL.							1	1
- 79	33-921000-3	. TRANSMITTER, FUEL LEVEL. /ATTACHING PARTS/							2	1
- 80	AN502-6	. SCREW							4	
	AN502-8	. SCREW							1	

- 81	35-921503	. GASKET, TRANSMITTER.							2	1
- 82	CCA3400	. VALVE, DRAIN /ATTACHING PARTS/							2	1
- 83	35-921532	. WASHER.							1	
- 84	35-921533	. CLAMP							1	

- 85	35-921522	. ADAPTER, FUEL CAP. /ATTACHING PARTS/							2	1
- 86	AN74-4	. BOLT.							12	

- 87	35-921502	. GASKET, ADAPTER.							2	1
- 88	35-921526-32	. CAP ASSY, FUEL							2	1
- 89	35-921525	. CAM, FUEL CAP. /ATTACHING PARTS/							1	1
- 90	AN393-17	. PIN							1	
	AN380-2-1	. PIN, COTTER.							1	

- 91	35-921526-30	. SEAL, FUEL CAP							1	1
- 92	33-921010	. PLACARD, FUEL CAP.							1	1

C O D E S O F E F F E C T I V I T Y

1 CD-1 THRU CD-387

B E E C H C R A F T
B O N A N Z A 3 3 T H R U E 3 3
I L L U S T R A T E D P A R T S C A T A L O G

FIGURE 52A
FUEL SYSTEM
CD-388 AND AFTER

BEECHCRAFT
 BONANZA 33 THRU E33
 ILLUSTRATED PARTS CATALOG

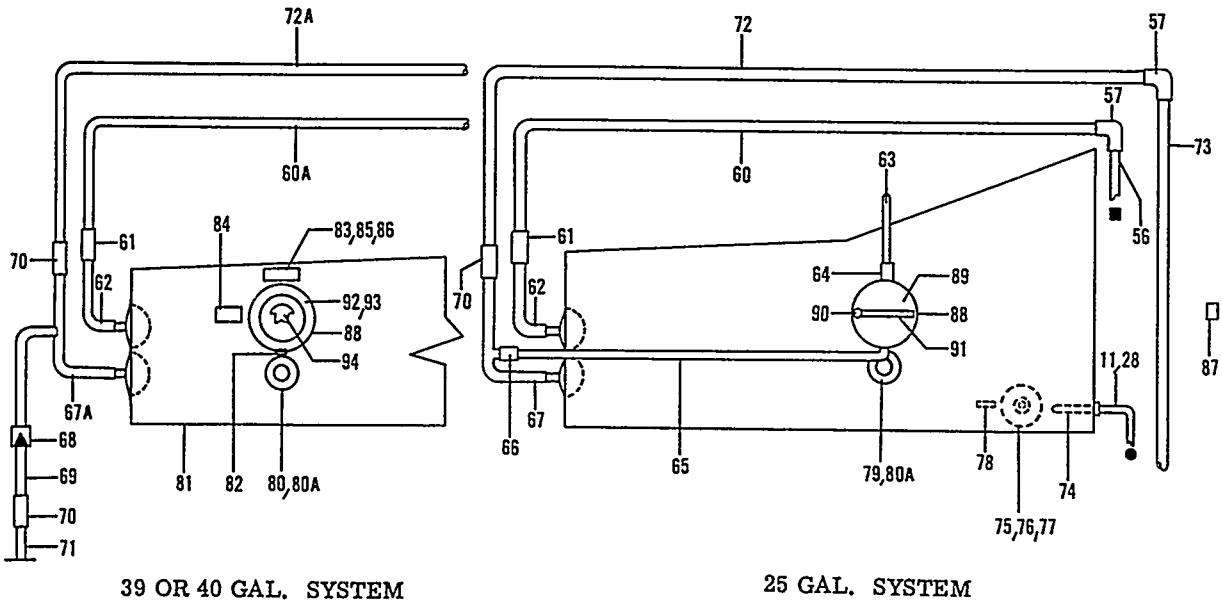
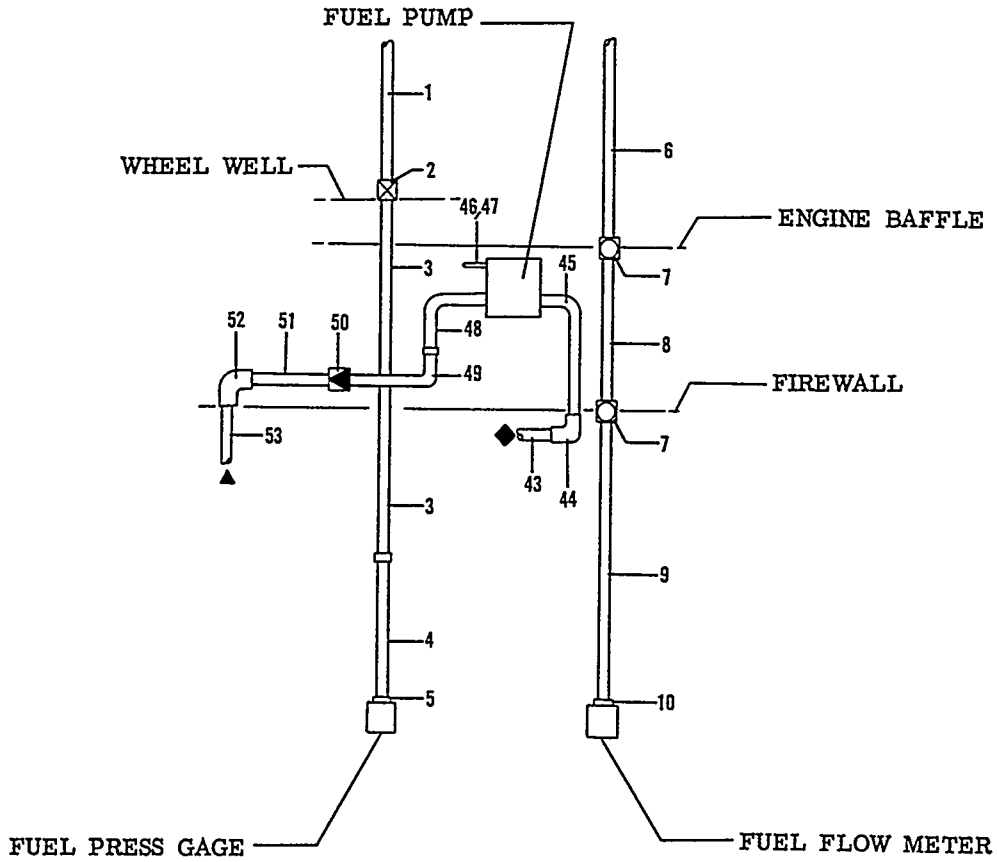


FIGURE 52A.FUEL SYSTEM
 /SHEET 1 OF 2 SHEETS/

B E E C H C R A F T
BONANZA 33 THRU E33
I L L U S T R A T E D P A R T S C A T A L O G

FIG. & ITEM NO.	PART NO.	DESCRIPTION	UNITS PER ASSY	USABLE ON CODE
		1 2 3 4 5 6 7		
52A	33-920000-21	SYSTEM INSTL,STD 25 GALLON CELLS	NP	1
	35-921155	SYSTEM INSTL,OPT 39 GAL CELLS	NP	2
	35-921155-107	SYSTEM INSTL,OPT 40 GAL CELLS	NP	3
- 1	AN6270-2-13 1/2	• HOSE ASSY,FUEL PRESSURE TO WHEEL WELL	1	2
- 2	AN837-2D	• ELBOW	1	2
	AN960-516	• WASHER	2	2
	AN924-2D	• NUT	1	2
- 3	35-921154-59	• TUBE ASSY,FUEL PRESSURE IN WHEEL WELL	1	2
	AN833-2D	• ELBOW	1	2
	AN960-516	• WASHER	2	2
	AN924-2D	• NUT	1	2
- 4	35-921155-83	• TUBE ASSY,FUEL PRESSURE TO GAGE	1	12
	AN6270-3-17 1/2	• HOSE ASSY,FUEL PRESSURE GAGE TO FIREWALL	1	13
- 5	AN816-3D	• NIPPLE,FUEL PRESSURE GAGE & REAR BAFFLE	2	13
	22-627	• RESTRICTOR	1	12
	AN832-3	• UNION,FIREWALL	1	13
	AN924-3	• NUT	1	13
	AN960-616	• WASHER	1	13
- 6	MS28741-3-0130	• HOSE ASSY,FIREWALL TO REAR ENGINE BAFFLE	1	13
	AN6270-2-13 1/2	• HOSE ASSY,DISTRIBUTOR VALVE TO BAFFLE	1	12
	MS28741-4-0160	• HOSE ASSY,DISTRIBUTOR VALVE TO BAFFLE	1	13
- 7	AN832-2D	• UNION	2	12
	AN832-4D	• UNION	2	13
	AN960-516	• WASHER	4	12
	AN960-716	• WASHER	4	13
	AN924-2D	• NUT	2	12
	AN924-4D	• NUT	2	13
- 8	AN6270-2-16	• HOSE ASSY,FUEL PRESSURE BAFFLE TO FIRE WALL	1	12
	MS28741-4-0120	• HOSE ASSY,FUEL PRESSURE BAFFLE TO FIRE WALL	1	13
- 9	35-921155-121	• TUBE ASSY,FUEL PRESSURE TO FLOW METER	1	12
	AN6270-4-18	• HOSE ASSY,FUEL PRESSURE TO FLOW METER	1	13
- 10	AN816-4D	• UNION	1	3
- 11	35-921155-73	• TUBE ASSY,LH CELL TO SELECTOR VALVE	1	4
- 12	AN833-6D	• ELBOW	1	4
- 13	35-921152-71	• TUBE ASSY,RH FUEL CELL TO SELECTOR VALVE	1	1
- 14	AN815-6D	• UNION	1	1
	MS29512-06	• GASKET /SUPERSEDES MS29512-61/	1	1
	AN9368416	• TEE	4	4
	MS29512-06	• GASKET /SUPERSEDES MS29512-6/	1	4
	AN924-6D	• NUT	1	4
- 16	35-921155-65	• TUBE ASSY,STRAINER TO PUMP INLET	1	4
- 17	AN837-6D	• ELBOW	1	4
	MS29512-06	• GASKET /SUPERSEDES MS29512-6/	1	4
	AN924-6D	• NUT	1	4
- 18	35-921154-608	• PUMP,BOOST	1	4
		/ATTACHING PARTS/		
- 19	AN74-5	• BOLT	4	
	AN960-416	• WASHER	4	
- 20	35-921154-49	• TUBE ASSY,PUMP DRAIN	1	4
- 21	AN823-4	• ELBOW	1	4
- 22	35-921154-3	• BRACKET ASSY,BOOST PUMP AND SELECTOR VALVE	1	4
- 23	AN833-6D	• ELBOW	1	4
- 24	35-921154-19	• TUBE ASSY,PUMP TO TEE	1	4
- 25	35-921155-67	• TUBE ASSY,STRAINER TO CHECK VALVE	1	4
- 26	367-00	• VALVE,CHECK	1	4
- 27	35-921154-27	• TUBE ASSY,CHECK VALVE TO TEE	1	4
- 28	35-921155-105	• TUBE ASSY LH FUEL CELL TO SELECTOR VALVE	1	5
- 29	AN833-6D	• ELBOW	3	5
	MS29512-06	• GASKET /SUPERSEDES MS29512-6/	3	5
	AN924-6D	• NUT	3	5
- 30	35-921155-91	• TUBE ASSY,STRAINER TO PUMP INLET	1	5
- 31	6C5XD	• ELBOW	1	5
	MS29512-06	• GASKET /SUPERSEDES MS29512-6/	1	5
- 32	35-921155-3	• BRACKET ASSY,BOOST PUMP & SELECTOR VALVE	1	5

B E E C H C R A F T
BONANZA 33 THRU E33
I L L U S T R A T E D P A R T S C A T A L O G

FIG. & ITEM NO.	PART NO.	DESCRIPTION	UNITS PER ASSY	USABLE ON CODE
		1 2 3 4 5 6 7		
52A - 33	35-921255	CLAMP ASSY,BOOST PUMP /ATTACHING PARTS/	1	5
- 34	AN4-4A/M/ AN936B416	BOLT WASHER	4 4	

	AN960-10	WASHER	1	5
	MS20365-1032	NUT	1	5
- 36	35-921154-612	PUMP ASSY,BOOST /INCLUDES FITTINGS/	1	5
- 37	2140-53	ELBOW,PUMP DRAIN	1	5
- 38	35-921155-95	TUBE,PUMP DRAIN	1	5
- 39	106200H4-12	HOSE	1	5
- 40	35-921155-93	TUBE ASSY,PUMP OUTLET	1	5
- 41	AN832-6D	UNION	1	5
- 42	AN824-6D	TEE	1	4
- 43	35-921154-43	TUBE ASSY,FUEL TO FIRE WALL	1	1
- 44	AN833-6 AN960-916 AN924-9	ELBOW WASHER NUT	1 1 1	1 1 1
- 45	35-921154-606	HOSE ASSY,FIREWALL TO PUMP /INCLUDES LAGGING/	1	1
- 46	AN816-2B	NIPPLE	1	1
- 47	35-921154-103	TUBE ASSY,PUMP DRAIN	1	1
- 48	MS28741-4-0102	HOSE ASSY,RETURN FROM PUMP	1	1
- 49	33-920000-11	TUBE ASSY,RETURN TO CHECK VALVE	1	1
- 50	366-00	VALVE,CHECK /SUPERSEDES 1111-595272/	1	1
- 51	33-920000-13	TUBE ASSY,CHECK VALVE TO FIREWALL RETURN	1	1
- 52	AN833-4 AN960-716 AN924-4	ELBOW WASHER NUT	1 1 1	1 1 1
- 53	35-921155-63	TUBE ASSY,FIREWALL TO SELECTOR VALVE	1	1
- 54	AN833-4D MS29512-4 AN924-4D	ELBOW GASKET NUT	3 3 3	1 1 1
- 55	35-921155-75	TUBE ASSY,RETURN FROM SELECTOR VALVE LH	1	1
- 55A	AN815-4D	UNION	1	1
- 56	35-921154-23	TUBE ASSY,RETURN TO FUSELAGE SKIN LH	1	1
- 57	AN821-4D	ELBOW	5	1
- 58	35-921155-69	TUBE ASSY,RETURN FROM SELECTOR VALVE RH	1	1
- 59	35-921154-41	TUBE ASSY,RETURN TO FUSELAGE SKIN RH	1	1
- 60	35-921154-71 35-921155-49	TUBE ASSY,RETURN TO TANK LH /25 GAL. CELLS/ TUBE ASSY,RETURN TO TANK LH /39 OR 40 GAL. CELLS/	1 1	1 1
	35-921154-73	TUBE ASSY,RETURN TO TANK RH /25 GAL. CELLS/	1	1
	35-921155-53	TUBE ASSY,RETURN TO TANK RH /39 OR 40 GAL. CELLS/	1	1
- 61	106200H4-15	HOSE	2	1
- 62	35-921154-95	ELBOW,RETURN TO TANK	2	1
- 63	35-921105	TUBE,SCUPPER DRAIN /25 GAL. CELLS ONLY/	2	1
- 64	106200H4-9	HOSE /25 GAL. CELLS ONLY/	2	1
- 65	33-920000-1 33-920000-2	TUBE,FILLER VENT LH /25 GAL. CELLS/ TUBE,FILLER VENT RH /25 GAL. CELLS/	1 1	1 1
- 66	1060432K022	HOSE /25 GAL. CELLS/	2	1
- 67	35-924059	WELD ASSY,LH VENT /25 GAL. CELLS/	1	1
- 67A	35-921155-99 35-924060	WELD ASSY,LH VENT /39 OR 40 GAL. CELLS/ WELD ASSY,RH VENT /25 GAL. CELLS/	1 1	1 1
- 68	35-921155-100 366-00	WELD ASSY,RH VENT /39 OR 40 GAL. CELLS/ VALVE,CHECK /39 OR 40 GAL. CELLS/ /SUPERSEDES 1111-595272/	1 2	1 1
- 69	35-921155-101	TUBE,VALVE TO FLANGE /39 OR 40 GAL. CELLS/	2	1
- 70	106200H4-15	HOSE	4	1
- 71	50-920077	FLANGE,VENT /39 OR 40 GAL. CELLS/	2	1
- 72	35-921154-69	TUBE ASSY,LH WELD ASSY TO FUSELAGE SKIN VENT. /25 GAL. CELLS/	1	1
	35-921155-51	TUBE ASSY,LH WELD ASSY TO FUSELAGE SKIN VENT. /39 OR 40 GAL. CELLS/	1	1
	35-921154-75	TUBE ASSY,RH WELD ASSY TO FUSELAGE SKIN VENT. /25 GAL. CELLS/	1	1

B E E C H C R A F T
BONANZA 33 THRU E33
I L L U S T R A T E D P A R T S C A T A L O G

FIG. & ITEM NO.	PART NO.	DESCRIPTION	UNITS PER ASSY	USABLE QN CODE
		1 2 3 4 5 6 7		
52A	35-921155-55	. TUBE ASSY,RH WELD ASSY TO FUSELAGE SKIN VENT. /39 OR 40 GAL. CELLS/	1	1
- 73	35-921154-53	. TUBE ASSY,LH OVERBOARD VENT	1	10
	35-921155-127	. TUBE ASSY,LH OVERBOARD VENT	1	11
	AN737RH26	. CLAMP	2	11
	414-920022-5	. SCOOP	1	11
	35-921154-54	. TUBE ASSY,RH OVERBOARD VENT	1	10
	35-921155-128	. TUBE ASSY,RH OVERBOARD VENT	1	11
	106200H6-27	. HOSE	1	11
	414-920022-3	. SCOOP	1	11
- 74	45-921541	. STRAINER,FUEL	2	1
- 75	CCA3400	. VALVE,DRAIN /ATTACHING PARTS/	2	1
- 76	35-921532	. WASHER	1	
- 77	35-921533	. CLAMP	1	
- 78	35-921548	. PLACARD,SUMP DRAIN.	2	1
- 79	35-380023	. TRANSMITTER,INBD FUEL LEVEL	2	6
	95-380012-5	. TRANSMITTER,INBD FUEL LEVEL	2	7
- 80	95-369010-3	. TRANSMITTER,OUTBD LH FUEL LEVEL	1	6
	95-369010-4	. TRANSMITTER,OUTBD RH FUEL LEVEL	1	6
	95-380012-7	. TRANSMITTER,OUTBOARD FUEL LEVEL	2	7
		/ATTACHING PARTS/		
	AN520-10-8	. SCREW	2	
	AN520-10-6	. SCREW	8	
- 80A	FCA25750	. GASKET,TRANSMITTER /SUPERSEDES 35-921503/	2	1
- 81	35-921242-5	. CELL ASSY,LH /39 OR 40 US GAL./ /SUPERSEDES 35-921242-7/	1	1
	35-921242-6	. CELL ASSY,RH /39 OR 40 US GAL./ /SUPERSEDES 35-921242-8/	1	1
- 82	95-921018-1	. PLACARD,WHITE FUEL /39 US GAL./	2	9
	95-921018-3	. PLACARD,BLACK FUEL /39 US GAL./	2	9
- 83	33-921011-1	. PLACARD,WHITE FUEL /USE 80/87 OCTANE FUEL/.	2	9
	33-921011-3	. PLACARD,BLACK FUEL /USE 80/87 OCTANE FUEL/.	2	9
- 84	95-921016-1	. PLACARD,WHITE /FUEL FILLER NOZZLE CAUTION/.	2	9
	95-921016-3	. PLACARD,BLACK /FUEL FILLER NOZZLE CAUTION/.	2	9
- 85	33-921012-1	. PLACARD,WHITE /39 US GAL,USE 80/87 OCTANE FUEL FILLER NOZZLE CAUTION/	2	8
	33-921012-3	. PLACARD,BLACK /39 US GAL.,USE 80/87 OCTANE, FUEL FILLER NOZZLE CAUTION/	2	8
- 86	33-921012-5	. PLACARD,WHITE /40 US GAL.,USE 80/87 OCTANE, FUEL FILLER NOZZLE CAUTION/	2	3
	33-921012-7	. PLACARD,BLACK /40 US GAL.,USE 80/87 OCTANE, FUEL FILLER NOZZLE CAUTION/	2	3
- 87	95-921014-1	. PLACARD,WHITE FUEL STRAINER ACCESS DOOR	1	1
	95-921014-3	. PLACARD,BLACK FUEL STRAINER ACCESS DOOR	1	1
- 88	FCB25722	. GASKET,FILLER HOLE OR COVER PLATE /SUPERSEDES 35-921502/	2	1
- 89	50-921509-9	. PLATE,FILLER HOLE COVER /ATTACHING PARTS/	2	1
- 90	AN74-3/M/ AN936A416	. BOLT WASHER	24 24	
- 91	50-921509-37	. CLIP ASSY,DOOR SUPPORT.	2	1
- 92	35-921249	. ADAPTER ASSY,FUEL FILLER. /SUPERSEDES 37826/ /ATTACHING PARTS/	2	1
- 93	AN509-10R9	. SCREW	24	
- 94	96-380035	. CAP ASSY,FUEL FILLER. /SUPERSEDES 37810-1/	2	1

B E E C H C R A F T
 BONANZA 33 THRU E33
 I L L U S T R A T E D P A R T S C A T A L O G

FIG. & ITEM NO.	PART NO.	DESCRIPTION	UNITS PER ASSY							USABLE ON CODE
			1	2	3	4	5	6	7	
52A - 95	35-921155-603	. VALVE ASSY,FUEL SELECTOR /WITH PIPE FITTINGS/ /ATTACHING PARTS/							1	1
- 96	AN74-3/M/ AN936B416	. BOLT.							2	
		. WASHER.							2	
		-----*								
- 97	HE833	. . VALVE,SELECTOR.							1	1
- 98	45-920036-1	. . HOUSING,STRAINER.							1	1
		/ATTACHING PARTS/								
- 99	AN500A10-8 AN935-10	. . SCREW							4	
		. . WASHER.							4	
		-----*								
-100	50-920030-4	. . GASKET,STRAINER HOUSING							1	1
-101	50-920040-10	. . STRAINER.							1	1
-102	1115042T0324-3	. . SPRING,FUEL STRAINER.							1	1
-103	50-920057	. . PLATE,STRAINER BOTTOM							1	1
		/ATTACHING PARTS/								
-104	AN500A10-12 AN960-10L	. . SCREW							2	
		. . WASHER.							2	
		-----*								
-105	35-921181	. . GASKET,STRAINER BOTTOM.							1	1
-106	CCA4850	. . VALVE,DRAIN							1	1
-107	35-924255-1	. . HANDLE ASSY,SELECTOR VALVE.							1	1
		/ATTACHING PARTS/								
-108	A905	. . PIN							1	
	AN380-1-1	. . PIN,COTTER.							1	
		-----*								

NOTE THE FUEL LEVEL TRANSMITTERS,FUEL CAPS.
 AND CAP ADAPTERS,AND FUEL CELLS LISTED
 ARE FOR THE 39 AND 40 GALLON FUEL CELLS
 ONLY. SEE FIG.52 FOR CORRESPONDING PARTS
 TO BE USED WITH THE 25 GALLON FUEL CELLS.

CODES OF EFFECTIVITY

1 CD-388 AND AFTER	2 CD-388 THRU CD-813
3 CD-814 AND AFTER	4 CD-388 THRU CD-639
5 CD-640 AND AFTER	6 CD-388 THRU CD-625
7 CD-626 AND AFTER	8 CD-388 THRU CD-513
9 CD-514 THRU CD-814	10 CD-388 THRU CD-887
11 CD-888 AND AFTER	12 CD-814 THRU CD-1118
13 CD-1119 AND AFTER	

B E E C H C R A F T
B O N A N Z A 3 3 T H R U E 3 3
I L L U S T R A T E D P A R T S C A T A L O G

FIGURE 52B
FUEL SYSTEM
CE-1 AND AFTER

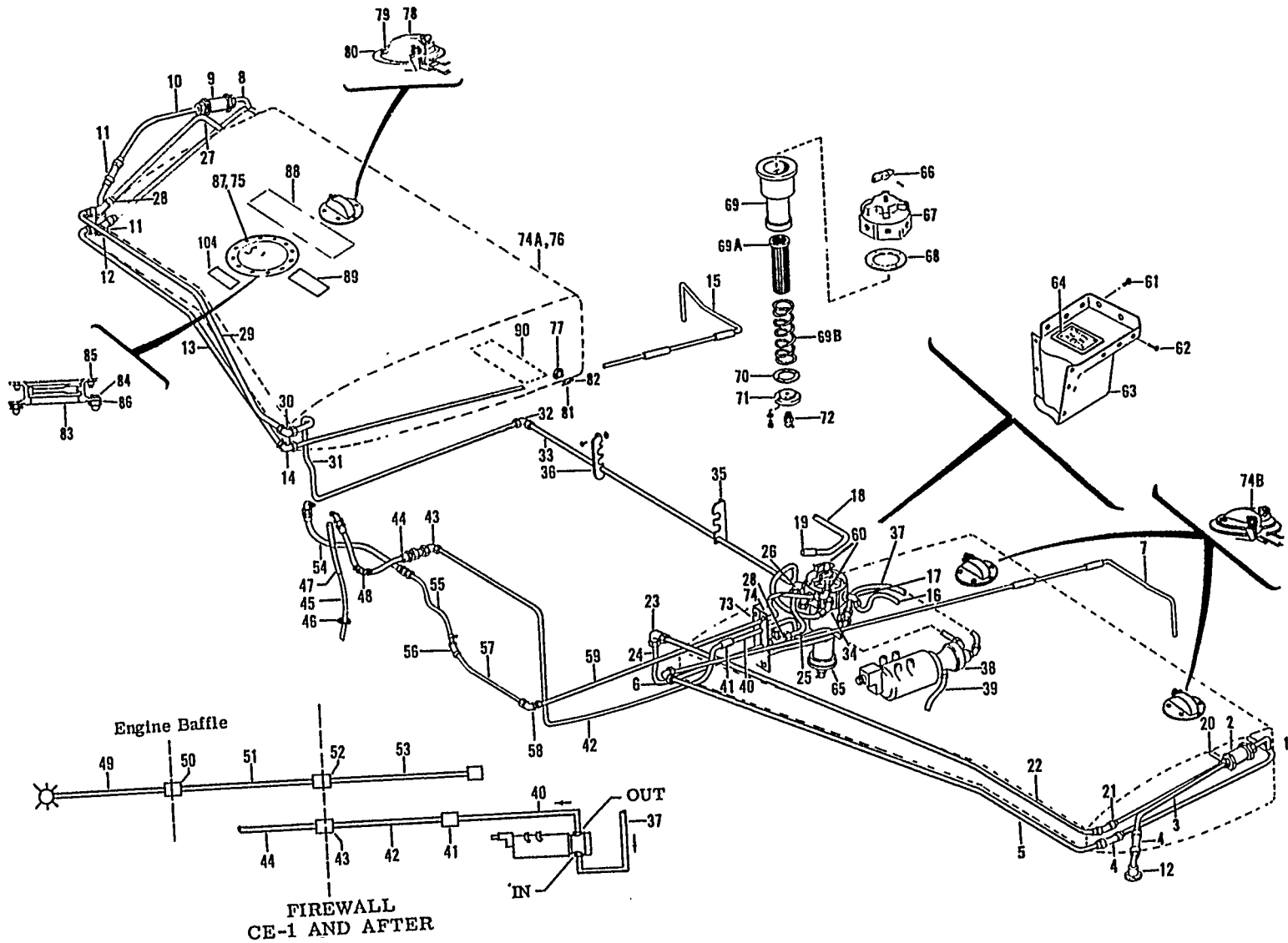


FIGURE 52B. FUEL SYSTEM

B E E C H C R A F T
B O N A N Z A 3 3 T H R U E 3 3
I L L U S T R A T E D P A R T S C A T A L O G

FIG. & ITEM NO.	PART NO.	DESCRIPTION	UNITS							USABLE ON CODE	
			1	2	3	4	5	6	7		PER ASSY
52B	35-921155-109	SYSTEM INSTL,FUEL /80 GAL/								NP	1
	35-921155-117	SYSTEM INSTL,FUEL /50 GAL/								NP	1
- 1	35-921155-99	• WELD ASSY,VENT LH								1	1
- 2	366-00	• VALVE,CHECK /SUPERSEDES 1111-595272/								1	1
	MS21919DG17	• CLAMP,CHECK VALVE								1	1
		/ATTACHING PARTS/									
	AN515-10R12	• SCREW								1	
	AN960-10	• WASHER								1	
		-----*									
- 3	35-921155-101	• TUBE ASSY,VENT.								1	1
- 4	106200H4-15	• HOSE								2	1
- 5	35-921155-51	• TUBE ASSY,VENT LH /USED ON 80 GAL SYSTEM/								1	1
	35-921154-69	• TUBE ASSY,VENT LH /USED ON 50 GAL SYSTEM/								1	1
- 6	AN821-4D	• ELBOW								1	1
- 7	35-921155-127	• TUBE ASSY,LH VENT								1	1
	AN737RM26	• CLAMP								4	1
	414-920022-5	• SCOOP								1	1
- 8	35-921155-100	• WELD ASSY,VENT RH								1	1
- 9	366-00	• VALVE,CHECK /SUPERSEDES 366-00/								1	1
		/SUPERSEDES 1111-595272/									
- 10	35-921155-101	• TUBE ASSY,VENT.								1	1
- 11	106200H4-15	• HOSE								2	1
- 12	50-920077	• FLANGE ASSY,VENT.								2	1
- 13	35-921155-55	• TUBE ASSY,VENT RH /USED ON 80 GAL SYSTEM/								1	1
	35-921154-75	• TUBE ASSY,VENT RH /USED ON 50 GAL SYSTEM/								1	1
- 14	AN821-4D	• ELBOW								1	1
- 15	35-921155-128	• TUBE ASSY,VENT RH								1	1
- 16	35-921155-105	• TUBE ASSY								1	1
- 17	AN833-6D	• ELBOW								1	1
	MS29512-06	• GASKET /SUPERSEDES MS29512-6/								1	1
- 18	35-921155-71	• TUBE ASSY,FUEL RH								1	1
- 19	AN815-6D	• UNION								1	1
	MS29512-06	• GASKET /SUPERSEDES MS29512-6/								1	1
	AN924-6D	• NUT								1	1
- 20	35-921154-95	• TUBE,RETURN LH.								1	1
	106200H4-12	• HOSE								1	1
- 21	106200H4-15	• HOSE								1	1
- 22	35-921155-49	• TUBE ASSY,RETURN LH /USE ON 80 GAL SYSTEM/								1	1
	35-921154-71	• TUBE ASSY,RETURN LH /USE ON 50 GAL SYSTEM/								1	1
- 23	AN821-4D	• ELBOW								1	1
- 24	35-921154-23	• TUBE ASSY,RETURN LH								1	1
	AN815-4D	• UNION								1	1
- 25	35-921155-75	• TUBE ASSY,RETURN LH								1	1
- 26	AN833-4D	• ELBOW								1	1
	MS29512-4	• GASKET								1	1
	AN924-4D	• NUT								1	1
- 27	35-921154-95	• TUBE,RETURN RH.								1	1
- 28	106200H4-15	• HOSE								1	1
- 29	35-921155-53	• TUBE ASSY,RETURN RH /USED ON 80 GAL SYSTEM/								1	1
	35-921154-73	• TUBE ASSY,RETURN RH /USED ON 50 GAL SYSTEM/								1	1
- 30	AN821-4D	• ELBOW								1	1
- 31	35-921154-41	• TUBE ASSY,RETURN RH								1	1
- 32	AN821-4D	• ELBOW								1	1
- 33	35-921155-69	• TUBE ASSY,RETURN RH								1	1
- 34	AN833-4D	• ELBOW								1	1
	MS29512-4	• GASKET								1	1
	AN924-4D	• NUT								1	1
- 35	35-921154-11	• BRACKET,TUBE SUPPORT.								1	1
		/ATTACHING PARTS/									
	AN515-8R10	• SCREW								2	
	AN960-8	• WASHER								2	
		-----*									

B E E C H C R A F T
BONANZA 33 THRU E33
I L L U S T R A T E D P A R T S C A T A L O G

FIG. & ITEM NO.	PART NO.	DESCRIPTION	UNITS PER ASSY	USABLE ON CODE
		1 2 3 4 5 6 7		
52B - 36	35-921154-13	. BRACKET, TUBE SUPPORT.	1	1
		/ATTACHING PARTS/		
	AN530-10R7	. SCREW	2	
	NAS395-21-1	. NUT	2	

- 37	35-921155-91	. TUBE ASSY, FUEL.	1	1
- 38	4140-00-39	. PUMP, FUEL BOOST	1	1
		/ATTACHING PARTS/		
	AN4-4A/M/	. BOLT.	4	
	AN936B416	. WASHER.	4	

- 39	35-921155-95	. TUBE ASSY, BOOST PUMP DRAIN.	1	1
- 40	35-921155-93	. TUBE ASSY, FUEL.	1	1
- 41	AN815-6D	. UNION	1	1
- 42	35-921154-43	. TUBE ASSY, FUEL.	1	1
- 43	AN833-6	. ELBOW	1	1
	AN960-916	. WASHER.	1	1
	AN924-6	. NUT	1	1
- 44	MS28741-6-0162	. HOSE ASSY, FUEL.	1	1
	AN816-6	. NIPPLE.	1	3
- 45	35-921155-119	. TUBE ASSY, FUEL PUMP DRAIN	1	1
- 46	MS35489-7	. GROMMET	1	1
- 47	106200FR4-80	. HOSE.	1	1
- 48	35-921155-115	. LAGGING	1	1
- 49	MS28741-4-0160	. HOSE ASSY, FUEL PRESSURE	1	2
	130524-4-0160	. HOSE ASSY, FUEL PRESSURE	1	3
	MS21919DG11	. CLAMP /USED ON 130524-4-0160/	1	3
- 50	AN837-4D	. ELBOW, BAFFLE.	1	1
	AN960-716	. WASHER.	1	1
	AN924-4	. NUT	1	1
- 51	MS28741-4-0126	. HOSE ASSY, FUEL PRESSURE	1	2
	130524-4-0130	. HOSE ASSY, FUEL PRESSURE	1	3
- 52	AN837-4D	. ELBOW, FIREWALL.	1	1
	AN960-716	. WASHER.	1	1
	AN924-4	. NUT	1	1
- 53	35-921155-111	. TUBE ASSY, FUEL PRESSURE	1	1
- 54	MS28741-4-0166	. HOSE ASSY, RETURN.	1	2
	130524-4-0170	. HOSE ASSY, RETURN.	1	3
- 55	33-920000-11	. TUBE ASSY, RETURN.	1	2
	36-920000-17	. TUBE ASSY, RETURN.	1	3
- 56	366-00	. VALVE, RETURN TUBE CHECK	1	1
		/SUPERSEDES 1111-595272/		
- 57	33-920000-13	. TUBE ASSY, RETURN.	1	2
	36-920000-3	. TUBE ASSY, RETURN.	1	3
- 58	AN833-4	. ELBOW	1	1
	AN960-716	. WASHER.	1	1
	AN924-4D	. NUT	1	1
- 59	35-921155-63	. TUBE ASSY, RETURN.	1	1
- 60	AN833-4D	. ELBOW	1	1
	MS29512-4	. GASKET.	1	1
	AN924-4D	. NUT	1	1
	35-534421-3	. PARTITION ASSY, /USE ON 80 GAL SYSTEM/	1	1
	35-534421-1	. PARTITION ASSY, /USE ON 50 GAL SYSTEM/	1	1
		/ATTACHING PARTS/		
- 61	NAS384-6-12P	. SCREW	2	
- 62	NAS384-6-8P	. SCREW	8	
	NAS391-6	. WASHER.	10	

- 63	35-534421-7	. . COVER, FUEL SELECTOR VALVE	1	1
	35-534421-5	. . COVER, SPAR.	1	1
	35-534421-11	. . PLACARD ASSY, FUEL SELECTOR VALVE COVER.	1	1
		/USE ON 80 GAL SYSTEM/		
	35-534421-9	. . PLACARD ASSY, FUEL SELECTOR VALVE COVER.	1	1
		/USE ON 50 GAL SYSTEM/		
- 64	35-924256-5	. . . PLATE, FUEL SELECTOR VALVE COVER	1	1
	33-924001	. . . PLACARD, FUEL SELECTOR /USE ON 80 GAL SYS/	1	1

B E E C H C R A F T
B O N A N Z A 3 3 T H R U E 3 3
I L L U S T R A T E D . P A R T S C A T A L O G

FIG. & ITEM NO.	PART NO.	1 2 3 4 5 6 7	DESCRIPTION	UNITS PER ASSY	USABLE ON CODE
52B	35-924276	. . .	PLACARD, FUEL SELECTOR /USE ON 50 GAL SYS/	1	1
- 65	35-921155-603	. . .	VALVE ASSY, FUEL SELECTOR /WITH FITTINGS/	1	1
	AN74-3	. . .	/ATTACHING PARTS/		
	AN936B416	. . .	BOLT	3	
		. . .	WASHER	3	
- 66	35-924255	. . .	HANDLE ASSY	1	1
		. . .	/ATTACHING PARTS/		
	A905	. . .	PIN, CLEVIS	1	
	AN380-1-1	. . .	PIN, COTTER	1	
			/SEE KIT 36-5006-1 FOR STOP/		
- 67	HE833	. . .	VALVE, FUEL SELECTOR	1	1
	35-921155-3	. . .	BRACKET ASSY	1	1
- 68	50-920030-4	. . .	GASKET, FUEL STRAINER	1	1
- 69	45-920036-1	. . .	HOUSING, FUEL STRAINER	1	1
		. . .	/ATTACHING PARTS/		
	AN500A10-8-4	. . .	SCREW	4	
	AN935B10	. . .	WASHER	4	
- 69A	50-920040-10	. . .	STRAINER ASSY	1	1
- 69B	111504ZT0324-3	. . .	SPRING	1	1
- 70	35-921181	. . .	GASKET, FUEL STRAINER	1	1
- 71	50-920057	. . .	PLATE, FUEL STRAINER	1	1
		. . .	/ATTACHING PARTS/		
	AN500A10-12	. . .	SCREW	2	
	AN960-10L	. . .	WASHER	2	
- 72	CCA4850	. . .	VALVE, DRAIN	1	1
	95-921014-1	. . .	PLACARD, FUEL SELECTOR VALVE DRAIN /WHITE/	1	1
	95-921014-3	. . .	PLACARD, FUEL SELECTOR VALVE DRAIN /BLACK/	1	1
- 73	35-921154-45	. . .	BLOCK, TUBE SUPPORT	1	1
- 74	35-921154-47	. . .	BLOCK, TUBE SUPPORT	1	1
		. . .	/ATTACHING PARTS/		
	AN515-8R8	. . .	SCREW	4	
	AN960-8	. . .	WASHER	12	
	MS20364-832	. . .	NUT /SUPERSEDES AN364-832/	4	
			/ATTACHING PARTS/		
	MS29512-6	. . .	GASKET	1	1
	AN924-6D	. . .	NUT	1	1
- 74A	35-921242-5	. . .	CELL, FUEL LH /40 GAL CAPACITY/	1	1
	35-921242-6	. . .	CELL, FUEL RH /40 GAL CAPACITY/	1	1
- 74B	95-380012-5	. . .	TRANSMITTER, FUEL QUANTITY INBD LH & RH	2	1
		. . .	/USE ON 80 GAL. SYSTEM/		
	95-380012-7	. . .	TRANSMITTER, FUEL QUANTITY OUTBD LH & RH	2	1
		. . .	/USE ON 80 GAL SYSTEM/		
- 75	96-380035	. . .	CAP ASSY, FUEL CELL /SUPERSEDES FC3570-5/	2	1
	96-380036-3	. . .	ADAPTER ASSY, FUEL CELL /SUPERSEDES FC3570-5/	2	1
	35-921249	. . .	ADAPTER ASSY, FUEL SIGHT GAGE	2	1
	35-921500-1	. . .	CELL INSTL, WING FUEL LH	NP	1
	35-921500-2	. . .	CELL INSTL, WING FUEL RH	NP	1
- 76	50-920008-7	. . .	CELL ASSY, WING FUEL LH /25 GAL CAPACITY/	1	1
	50-920008-8	. . .	CELL ASSY, WING FUEL RH /25 GAL CAPACITY/	1	1
- 77	45-921541	. . .	STRAINER ASSY, WING FUEL	1	1
- 78	5640556	. . .	TRANSMITTER, LH	1	1
	5641801	. . .	TRANSMITTER, RH	1	1
		. . .	/ATTACHING PARTS/		
- 79	AN502-10-6	. . .	SCREW	4	
	AN502-10-8	. . .	SCREW	1	
- 80	35-921503	. . .	GASKET, TRANSMITTER	1	1
- 81	CCA3400	. . .	VALVE, DRAIN	1	1
		. . .	/ATTACHING PARTS/		
	35-921532	. . .	WASHER, FUEL CELL DRAIN	1	
- 82	35-921533	. . .	CLAMP, FUEL CELL DRAIN	1	

B E E C H C R A F T
 BONANZA 33 THRU E33
 I L L U S T R A T E D P A R T S C A T A L O G

FIG. & ITEM NO.	PART NO.	DESCRIPTION							UNITS PER ASSY	USABLE ON CODE
		1	2	3	4	5	6	7		
528 - 83	96-380036	• ADAPTER ASSY,FUEL FILLER /SUPERSEDES 37826/ .							1	
- 84	AN74-3	• BOLT.							12	
- 85	AN509-10R9	• SCREW							12	
	AN960-416L	• WASHER.							12	
		*								
- 86	35-921502	• GASKET.							1	1
- 87	96-380035	• CAP ASSY,FUEL FILLER /SUPERSEDES FC3570-5/ . .							1	1
- 88	35-921252-5	• PLACARD,100/130 GRADE FUEL 40 GAL /WHITE/ . . .							2	1
	35-921252-7	• PLACARD,100/130 GRADE FUEL 40 GAL /BLACK/ . . .							2	1
- 89	95-921016-1	• PLACARD,CAUTION DO NOT INSERT /WHITE/							2	1
	95-921016-3	• PLACARD,CAUTION DO NOT INSERT /BLACK/							2	1
- 90	35-924148	• PLACARD,FUEL CELL SUMP DRAIN.							2	1

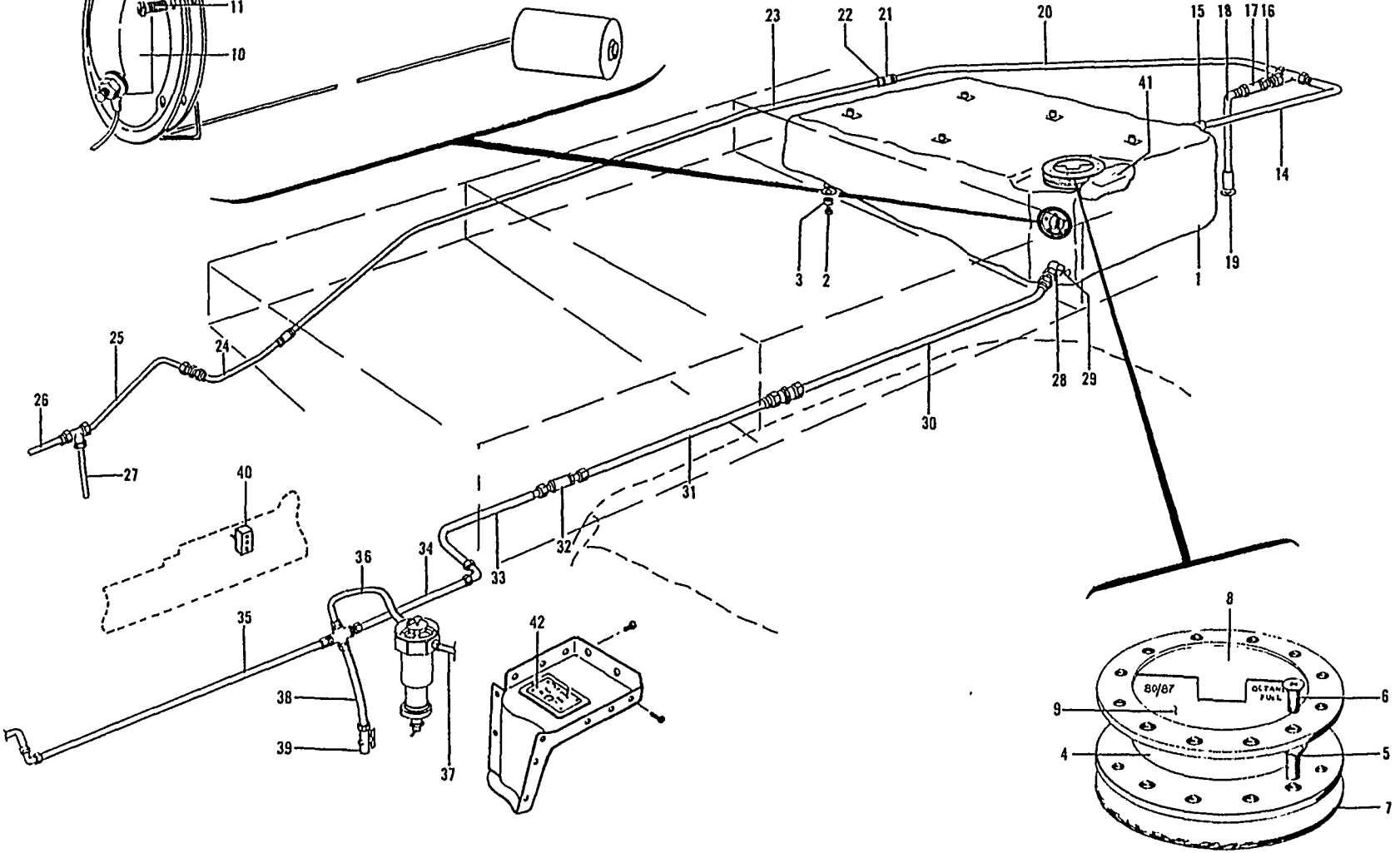
CODES OF EFFECTIVITY

- | | |
|--------------------|--------------------|
| 1 CE-1 AND AFTER | 2 CE-1 THRU CE-179 |
| 3 CE-180 AND AFTER | |

BEECHCRAFT
BONANZA 33 THRU E33
ILLUSTRATED PARTS CATALOG

FIGURE 53
WING AUXILIARY FUEL SYSTEM
CD-1 THRU CD-387

FIGURE 53-WING AUXILIARY FUEL SYSTEM



BEECHCRAFT
BONANZA 33 THRU E33
ILLUSTRATED PARTS CATALOG

B E E C H C R A F T
B O N A N Z A 3 3 T H R U E 3 3
I L L U S T R A T E D P A R T S C A T A L O G

FIG. & ITEM NO.	PART NO.	DESCRIPTION	UNITS PER ASSY	USABLE ON CODE
		1 2 3 4 5 6 7		
53 - 1	33-921001	CELL INSTL,AUXILIARY FUEL	NP	1
	35-921222-5	. CELL ASSY,LH.	1	1
	35-921222-6	. CELL ASSY,RH.	1	1
- 2	CCA3400	. VALVE,DRAIN	2	1
		/ATTACHING PARTS/		
- 3	35-921533	. CLAMP	1	
	35-921532	. WASHER.	1	

- 4	35-921228-17	. ADAPTER ASSY,FUEL FILLER CAP.	2	1
		/ATTACHING PARTS/		
- 5	AN74-3	. BOLT.	12	
	AN960-416L	. WASHER.	12	
- 6	AN509-10R9	. SCREW	12	

- 7	35-921502	. GASKET,ADAPTER ASSY	2	1
- 8	416-85	. CAP ASSY /SUPERSEDES 416-85-10/	2	1
- 9	35-921226-1	. PLACARD,FUEL CAP /WHITE/.	2	1
	35-921226-3	. PLACARD,FUEL CAP /BLACK/.	2	1
- 10	1518770	. TRANSMITTER,LH.	1	1
	1518771	. TRANSMITTER,RH.	1	1
		/ATTACHING PARTS/		
- 11	AN502-10-6	. SCREW	4	
- 12	AN502-10-8	. SCREW	1	

- 13	35-921503	. GASKET.	2	1
- 14	35-921228-47	. TUBE ASSY,VENT LH	1	1
	35-921228-48	. TUBE ASSY,VENT RH	1	1
		/ATTACHING PARTS/		
- 15	AN737-22	. CLAMP	1	

	106242-4-00300	. TUBING.	2	1
	AN824-4D	. TEE	2	1
- 16	35-921228-45	. TUBE ASSY,VENT.	2	1
- 17	1111-595272	. VALVE,CHECK /SUPERSEDES 366-00/	2	1
- 18	35-921221-41	. TUBE ASSY,VENT.	2	1
- 19	50-920077	. FLANGE ASSY,FUEL VENT	2	1
- 20	35-921228-43	. TUBE ASSY,VENT LH	1	1
	35-921228-44	. TUBE ASSY,VENT RH	1	1
- 21	106200H4-13	. HOSE.	6	1
		/ATTACHING PARTS/		
- 22	AN737-22	. CLAMP	2	

- 23	35-921228-39	. TUBE,VENT LH.	1	1
	35-921228-40	. TUBE,VENT RH.	1	1
- 24	35-921228-37	. TUBE ASSY,VENT LH	1	1
	35-921228-38	. TUBE ASSY,VENT RH	1	1
	AN815-4D	. UNION	2	1
- 25	35-921228-35	. TUBE ASSY,VENT.	1	1
- 26	35-921228-33	. TUBE ASSY,VENT.	1	1
	AN824-4D	. TEE	1	1
- 27	35-921228-49	. TUBE ASSY,VENT.	1	1
- 28	35-921228-31	. STRAINER ASSY,FUEL LH	1	1
	35-921228-32	. STRAINER ASSY,FUEL RH	1	1
		/ATTACHING PARTS/		
- 29	35-921533	. CLAMP,FUEL STRAINER	1	

- 30	35-921228-13	. TUBE,FUEL LH.	1	1
	35-921228-14	. TUBE,FUEL RH.	1	1
- 31	35-921228-11	. TUBE,FUEL LH.	1	1
	35-921228-12	. TUBE,FUEL RH.	1	1
- 32	367-00	. CHECK,VALVE /SUPERSEDES 1111-595273/.	2	1
- 33	35-921228-9	. TUBE,FUEL LH.	1	1
	35-921228-10	. TUBE,FUEL RH.	1	1
	AN821-6D	. ELBOW	2	1
- 34	35-921228-1	. TUBE,FUEL LH.	1	1
- 35	35-921228-5	. TUBE,FUEL RH.	1	1

B E E C H C R A F T
 BONANZA 33 THRU E33
 I L L U S T R A T E D P A R T S C A T A L O G

FIG. & ITEM NO.	PART NO.	DESCRIPTION							UNITS PER ASSY	USABLE ON CODE
		1	2	3	4	5	6	7		
53 - 36	35-921228-53	•	TUBE	ASSY,	FUEL	.	.	.	1	1
- 37	35-921228-57	•	TUBE	ASSY,	FUEL	.	.	.	1	1
- 38	35-921228-7	•	TUBE	ASSY,	FUEL	.	.	.	1	1
	AN816-6D	•	NIPPLE	1	1
	AN910-2	•	COUPLING	1	1
	AN912-1D	•	REDUCER	1	1
	AN823-4D	•	ELBOW	1	1
- 39	K9000S1A	•	VALVE,	DRAIN	1	1
	35-921230-1	•	PLACARD,	FUEL	STRAINER	/WHITE/	.	.	1	1
	35-921230-3	•	PLACARD,	FUEL	STRAINER	/BLACK/	.	.	1	1
	35-361156-1	•	PLACARD,	FUSELAGE	TO	LH	WING	WIRE	1	1
	35-361157-1	•	PLACARD,	FUSELAGE	TO	RH	WING	WIRE	1	1
	33-324017	•	PLACARD,	LEFT	SUBPANEL	/SEE	FIG.	54	1	1
- 40	AN3021-3	•	SWITCH,	AUXILIARY	FUEL	INDICATOR	.	.	1	1
			/SEE	FIG.	54	FOR	NHA/			
- 41	35-921229-1	•	PLACARD,	FUEL	SERVICE	/WHITE/	.	.	2	1
	35-921229-3	•	PLACARD,	FUEL	SERVICE	/BLACK/	.	.	2	1
- 42	35-924263-1	•	PLACARD,	FUEL	SELECTOR	VALVE	INSTRUCTIONS.	.	1	1
			/WHITE/							

CODES OF EFFECTIVITY

1 CD-1 THRU CD-387

B E E C H C R A F T
B O N A N Z A 3 3 T H R U E 3 3
I L L U S T R A T E D P A R T S C A T A L O G

FIGURE 54
FIXED INSTRUMENT PANEL
CD-1 THRU CD-387

BEECHCRAFT
 BONANZA 33 THRU E33
 ILLUSTRATED PARTS CATALOG

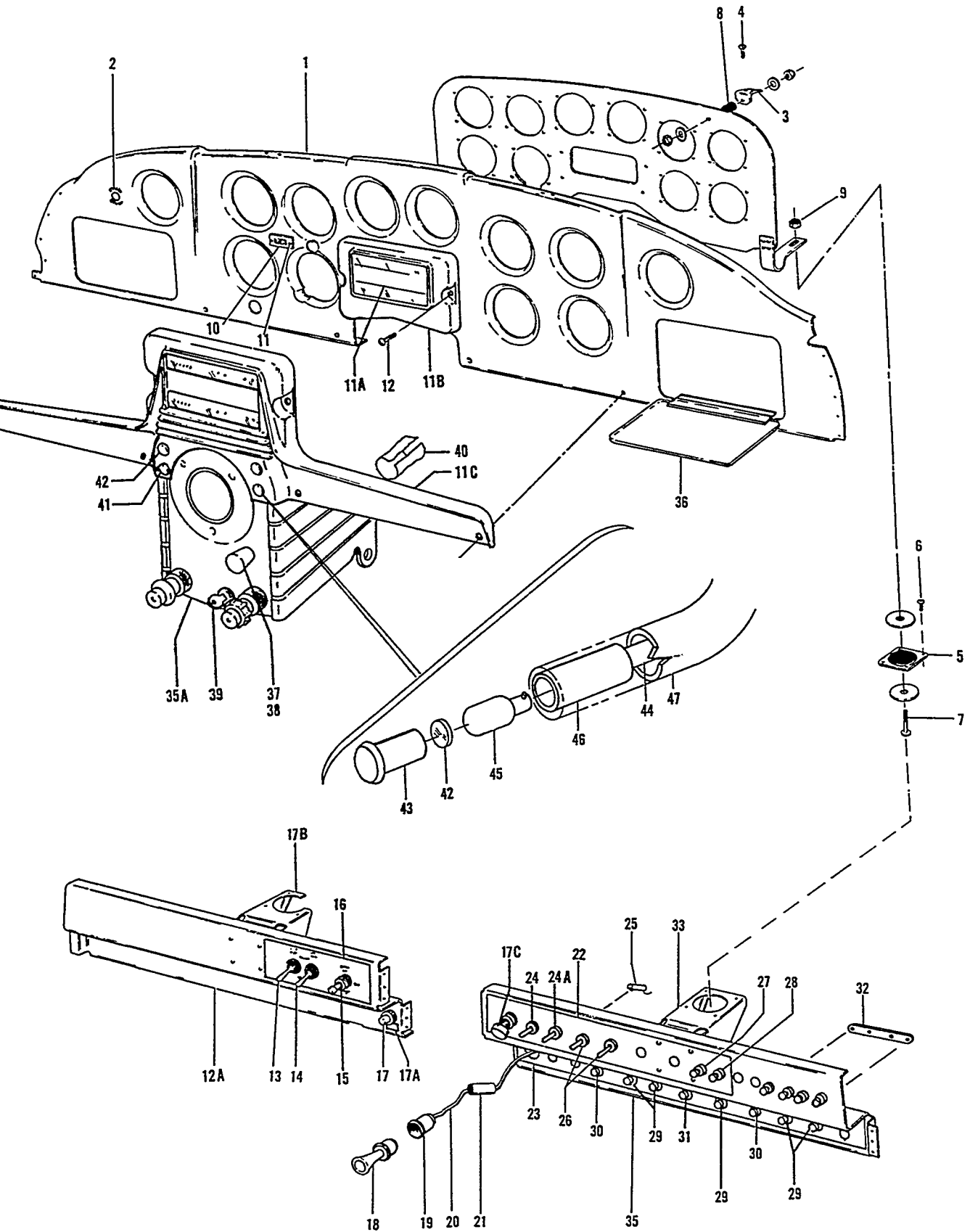


FIGURE 54. FIXED INSTRUMENT PANEL

B E E C H C R A F T
 BONANZA 33 THRU E33
 I L L U S T R A T E D P A R T S C A T A L O G

FIG. & ITEM NO.	PART NO.	DESCRIPTION	UNITS							USABLE ON CODE
			1	2	3	4	5	6	7	
54	33-324000	PANEL INSTL, INSTRUMENT /WITH CYLINDER							NP	1
	33-324000-11	HEAD TEMP & AUX FUEL GAGES/							NP	1
	33-324000-23	PANEL INSTL, INSTRUMENT /WITHOUT CYLINDER.							NP	1
	33-324000-25	HEAD TEMP & WITH AUX FUEL GAGE/							NP	1
	33-324000-41	PANEL INSTL, INSTRUMENT /WITH CYLINDER							NP	2
	33-324000-43	HEAD TEMP & AUX FUEL GAGES/							NP	2
	33-324000-45	PANEL INSTL, INSTRUMENT /WITHOUT CYLINDER.							NP	2
	33-324000-51	HEAD TEMP & WITH AUX FUEL GAGE/							NP	2
	33-324000-35	PANEL INSTL, INSTRUMENT /WITH CYLINDER							NP	2
	33-324000-1	HEAD TEMP & WITHOUT AUX FUEL GAGE/							1	2
- 1	33-324000-3	. PANEL ASSY, MAIN							1	1
	33-324000-39	. PANEL, MAIN.							1	1
- 2	35-324115-10							1	2
- 3	35-324158							1	3
								2	3
- 4	AN515-8R7	. SCREW							2	
	AN960-8L	. WASHER.							2	
- 5	150PL14							1	3
	150PL8							1	3
- 6	AN515-8R7	. INSULATOR, VIBRATION LH.							4	
	AN960-8	. INSULATOR, VIBRATION RH.							8	
	MS20365-832	. SCREW							4	
- 7	AN501-416-32							2	3
	J2049-2D							4	3
	AN960-416L							4	3
	AN970-4							4	3
	AN365-428							2	3
- 8	A321	. NUT							2	3
- 9	MS20364-832	. MOUNT							2	3
	AN960-8							2	
- 10	35-344073-14	. NUT /SUPERSEDES AN365-832/.							1	3
								2	
- 11	AN530-2R4	. WASHER.							1	3
								2	
								1	3
- 11A	35-9014-5 S							1	3
	35-380141-23							1	3
	35-380141-5							1	3
	35-380141-7							1	3
	35-380141-9							1	3
	35-380141-25							1	3
	35-380141-27							1	3
	35-380141-29							1	3
- 11B	33-324000-5							1	1
	33-324000-9							1	1
	33-324014							1	1
	33-324000-7							1	1
	33-324000-9							1	1
	33-324014-1							1	1
	33-324000-19							1	1
	33-324000-9							1	1

B E E C H C R A F T
B O N A N Z A 3 3 T H R U E 3 3
I L L U S T R A T E D P A R T S C A T A L O G

FIG. & ITEM NO.	PART NO.	DESCRIPTION	UNITS PER ASSY	USABLE ON CODE
		1 2 3 4 5 6 7		
54	33-324014-3	. . . PLACARD,ENGINE GAGE CLUSTER WINDOW.	1	1
	33-324000-21	. . . ESCUTCHEON ASSY /WITH CYLINDER HEAD TEMP & WITHOUT AUX FUEL GAGE/	1	1
	33-324000-9	. . . FRAME	1	1
- 11C	33-324014-5	. . . PLACARD,ENGINE GAGE CLUSTER WINDOW.	1	1
	33-324000-33	. . . ESCUTCHEON ASSY /WITH CYLINDER HEAD TEMP & AUX FUEL GAGES/	1	2
	33-324000-37	. . . ESCUTCHEON.	1	2
	33-324014-7	. . . PLACARD,ENGINE GAGE CLUSTER WINDOW.	1	2
	33-324000-31	. . . ESCUTCHEON ASSY /WITHOUT CYLINDER HEAD. TEMP & WITH AUX FUEL GAGE/	1	2
	33-324000-37	. . . ESCUTCHEON.	1	2
	33-324014-9	. . . PLACARD,ENGINE GAGE CLUSTER WINDOW.	1	2
	33-324000-47	. . . ESCUTCHEON ASSY /WITHOUT CYLINDER HEAD. TEMP & AUX FUEL GAGES/	1	2
	33-324000-37	. . . ESCUTCHEON.	1	2
	33-324014-13	. . . PLACARD,ENGINE GAGE CLUSTER WINDOW.	1	2
	33-324000-53	. . . ESCUTCHEON ASSY /WITH CYLINDER HEAD TEMP & WITHOUT AUX FUEL GAGE/	1	2
	33-324000-37	. . . ESCUTCHEON.	1	2
	33-324014-11	. . . PLACARD,ENGINE GAGE CLUSTER WINDOW. /ATTACHING PARTS/	1	2
- 12	NAS384-8-12P	. . . SCREW	2	
	NAS384-8	. . . SCREW	4	
	NAS391-8	. . . WASHER,COUNTERSINK.	2	
	AN960-8	. . . WASHER.	AR	
		-----*		
	33-324011-1	. . . PANEL ASSY,LEFT SUB	1	3
- 12A	33-324011-3	. . . CHANNEL,PANEL SUPPORT LH.	1	3
- 13	AN3021-3	. . . SWITCH,MAIN FUEL INDICATOR.	1	3
- 14	AN3021-3	. . . SWITCH,AUXILIARY FUEL INDICATOR	1	3
- 15	8858K1	. . . SWITCH,FLAP	1	3
- 16	33-324017	. . . PLACARD,SUB PANEL LH.	1	3
- 17	9023	. . . SWITCH,STARTER.	1	3
	9095	. . . SWITCH,STARTER /ALTERNATE FOR 9023/	1	3
- 17A	35-324109-10	. . . PLACARD,STARTER	1	3
- 17B	33-324011-19	. . . BRACKET,SHOCK MOUNT	1	3
	33-324011-2	. . . PANEL ASSY,RIGHT SUB.	1	3
	33-324011-9	. . . SWITCH ASSY,LANDING GEAR.	1	3
- 17C	33-324021-1	. . . KNOB ASSY,LANDING GEAR SWITCH	1	3
- 18	LPA27630	. . . ELEMENT & KNOB,CIGARETTE LIGHTER.	1	3
- 19	LU27054	. . . SHELL,CLAMPING.	1	3
	LBA27492	. . . BASE,SWITCH	1	3
- 20	LWA2919	. . . CORD.	1	3
- 21	LFA2850	. . . FUSE.	1	3
- 22	33-324019	. . . PLACARD,SUB PANEL UPPER RH.	1	3
	33-324016	. . . PLACARD,SUB PANEL LOWER RH.	1	4
- 23	33-324024	. . . PLACARD,SUB PANEL LOWER RH.	1	5
- 24	AN3021-2	. . . SWITCH,LANDING LIGHT.	1	3
- 24A	AN3021-2	. . . SWITCH,NAVIGATION LIGHT	1	4
	AN3021-3	. . . SWITCH,NAVIGATION LIGHT	1	5
- 25	1010	. . . RESISTOR /50 OHM 10 WATT/	1	5
	AN3433-2-2	. . . BAR,BUS	2	3
- 26	AN3027-2	. . . SWITCH,BATTERY & GENERATOR.	2	3
- 27	MS25005-20	. . . BREAKER,CIRCUIT /SUPERSEDES D6752-1-20/	1	3
- 28	D6752-1-50	. . . BREAKER,CIRCUIT	1	3
- 29	CM5	. . . BREAKER,CIRCUIT	5	3
- 30	CM10	. . . BREAKER,CIRCUIT	2	3
- 31	CM20	. . . BREAKER,CIRCUIT	1	3
- 32	33-324011-17	. . . BAR,BUS	1	3
- 33	33-324011-19	. . . BRACKET,SHOCK MOUNT	1	3
- 34		. . . DELETED		

B E E C H C R A F T
 BONANZA 33 THRU E33
 I L L U S T R A T E D P A R T S C A T A L O G

FIG. & ITEM NO.	PART NO.	DESCRIPTION							UNITS PER ASSY	USABLE ON CODE
		1	2	3	4	5	6	7		
54 - 35	33-324011-21	1	3
	156-10	AR	2
	BS48140	AR	3
	SS51051	AR	3
	SS48152	AR	3
	SS48172	AR	3
- 35A	35-324025-30	1	3
- 36	33-324000-13	1	3
- 37	0145-351	1	3
- 38	35-324087	1	3
- 39	35-364050-604	1	3
	VB6532	1	3
	FC6600CX2	1	3
	1232-4	1	3
- 40	35-364202-1	1	3
- 41	35-364084-4	2	3
- 42	35-364084-2	2	3
- 43	35-364078	4	3
- 44	217-H	4	3
- 45	AN3121-1813	4	3
- 46	35-364202-3	4	3
- 47	106242-9-00400	4	3

C O D E S O F E F F E C T I V I T Y

- | | |
|---|--|
| 1 CD-1 THRU CD-224
CD-233,CD-234
CD-236,CD-241,
CD-246,THRU CD-250 | 2 CD-225 THRU CD-232
CD-235
CD-237 THRU CD-240
CD-242 THRU CD-245
CD-251 THRU CD-387 |
| 3 CD-1 THRU CD-387 | 4 CD-1 THRU CD-250,
CD-386 AND CD-387 |
| 5 CD-251 THRU CD-385 | |

B E E C H C R A F T
B O N A N Z A 3 3 T H R U E 3 3
I L L U S T R A T E D P A R T S C A T A L O G

FIGURE 55
CENTER INSTRUMENT PANEL

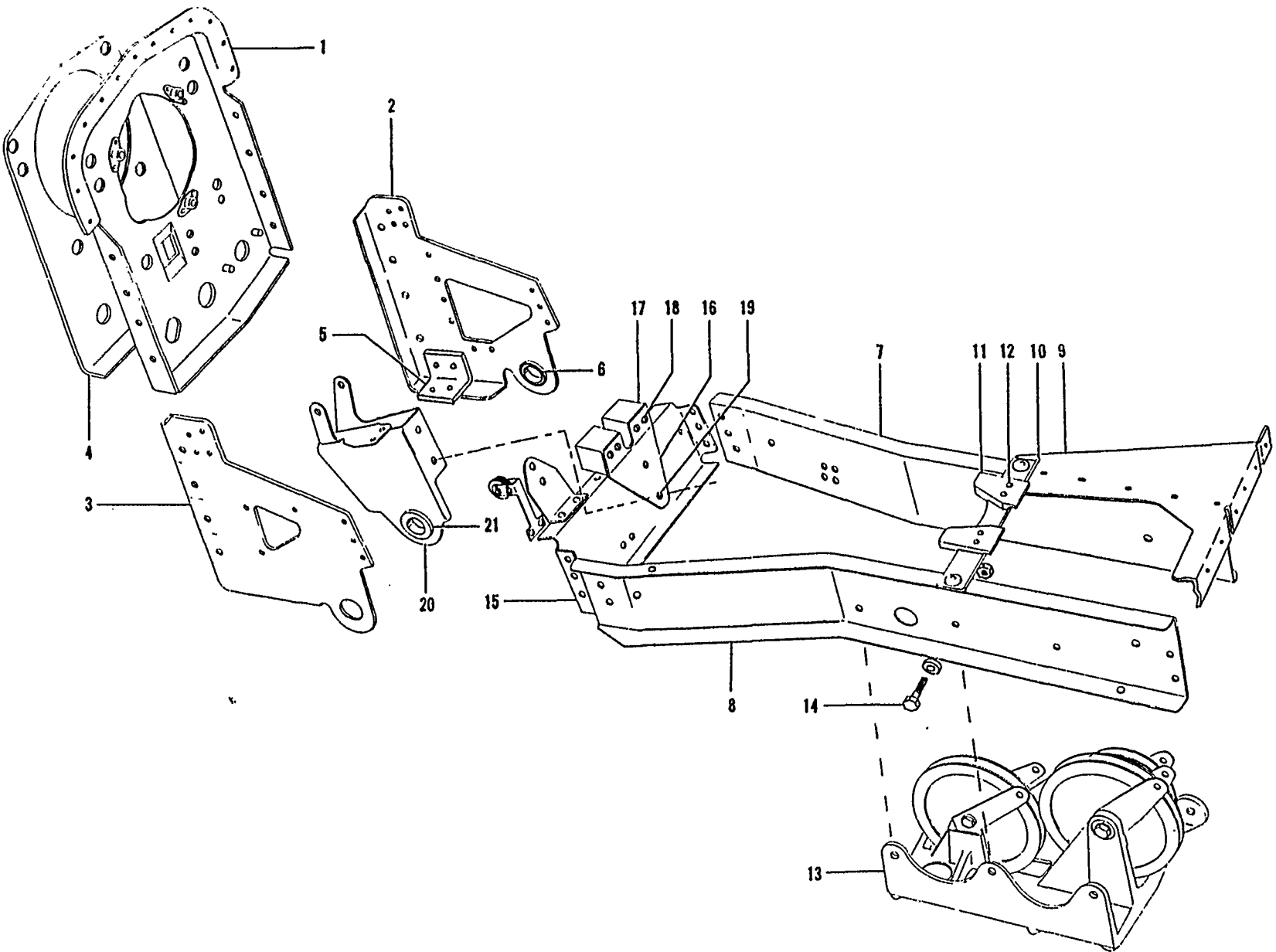


FIGURE 55-CENTER INSTRUMENT PANEL

B E E C H C R A F T
B O N A N Z A 3 3 T H R U E 3 3
I L L U S T R A T E D P A R T S C A T A L O G

FIG. & ITEM NO.	PART NO.	DESCRIPTION	UNITS PER ASSY	USABLE ON CODE
55	35-324025-30	PANEL ASSY,CENTER INSTRUMENT. /SEE FIG. 54 FOR NHA/		1
- 1	35-324025-18	. PAN,CENTER INSTRUMENT PANEL	1	1
- 2	35-324025-20	. PANEL,CENTER INSTRUMENT LH.	1	1
- 3	35-324025-22	. PANEL,CENTER INSTRUMENT RH.	1	1
- 4	33-324013	. PLACARD,CENTER PANEL.	1	1
- 5	35-324025-24	. BRACKET,CENTER INSTRUMENT PANEL LH.	1	1
	35-324025-25	. BRACKET,CENTER INSTRUMENT PANEL RH.	1	1
- 6	F631	. BEARING,OILITE.	2	1
	35-410018-1	BRACKET INSTL,UPPER FWD PULLEY.	NP	2
- 7	35-324069	. CHANNEL,INSTRUMENT PANEL DRAG LH.	1	2
- 8	35-324070	. CHANNEL,INSTRUMENT PANEL DRAG RH.	1	2
- 9	35-410265	. STIFFENER,DRAG CHANNEL.	1	2
- 10	35-524234	. STOP,CONTROL COLUMN FWD	1	2
	35-524347-1	. GUIDE,CONTROL COLUMN FWD,RH	1	2
- 11	35-524347-2	. GUIDE,CONTROL COLUMN FWD,LH	1	2
		/ATTACHING PARTS/		
- 12	AN515-8-12	. SCREW	3	
	AN526-832-10	. SCREW	1	
	AN960-8	. WASHER.	7	
	MS20365-832	. NUT /SUPERSEDES AN365-832/.	3	
	AN364-832	. NUT	1	
- 13	35-524126	. BRACKET,ELEVATOR CABLE PULLEY UPPER	1	2
		/ATTACHING PARTS/		
- 14	AN3-4A	. BOLT.	6	
	AN960-10L	. WASHER.	6	
	AN365-1032	. NUT	6	
- 15	35-324021	. SUPPORT ASSY,ELEVATOR BUSS PULLEY	1	2
- 16	35-524344-2	. PLATE,CONTROL COLUMN STOP	1	2
- 17	35-410018-3	. BLOCK,CONTROL COLUMN STOP	2	2
		/ATTACHING PARTS/		
- 18	AN515-8	. SCREW	2	
	AN960-8	. WASHER.	2	
	MS20365-832	. NUT /SUPERSEDES AN365-832/.	2	
	35-324073	. BRACKET ASSY,ELEVATOR TAB PULLEY.	1	2
		/ATTACHING PARTS/		
- 19	AN3-4A	. BOLT.	2	
	AN960-10L	. WASHER.	2	
	AN365-1032	. NUT	2	
- 20	35-324073-2	. BRACKET,ELEVATOR TAB PULLEY	1	2
- 21	F723-6	. BEARING,OILITE.	1	2

C O D E S O F E F F E C T I V I T Y

1 CD-1 THRU CD-387 2 CD-1 AND AFTER,
CE-1 AND AFTER

B E E C H C R A F T
B O N A N Z A 3 3 T H R U E 3 3
I L L U S T R A T E D P A R T S C A T A L O G

FIGURE 56
CONTROL COLUMN

BEECHCRAFT
BONANZA 33 THRU E33
ILLUSTRATED PARTS CATALOG

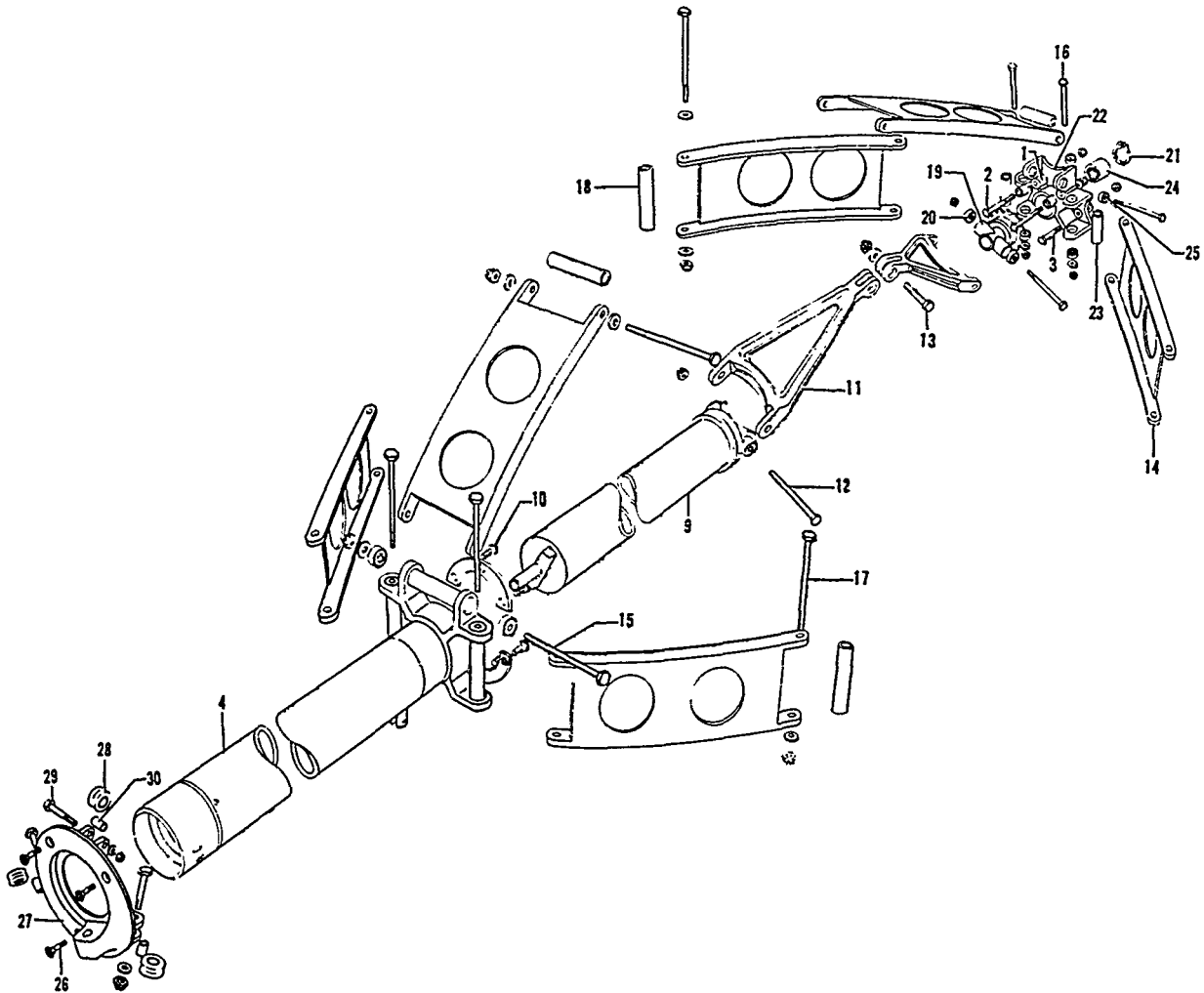


FIGURE 56. CONTROL COLUMN

B E E C H C R A F T
B O N A N Z A 3 3 T H R U E 3 3
I L L U S T R A T E D P A R T S C A T A L O G

FIG. & ITEM NO.	PART NO.	DESCRIPTION							UNITS PER ASSY	USABLE ON CODE
		1	2	3	4	5	6	7		
56	35-524041	COLUMN INSTL,CONTROL.							NP	1
	35-324386-5	STRUCTURE INSTL,INSTRUMENT PANEL.							NP	2
	35-324386-45	STRUCTURE INSTL,INSTRUMENT PANEL.							NP	3
		AND CONTROL COLUMN								
- 1	35-524007	. GUARD,AILERON CONTROL ROLLER CHAIN.							2	
	35-524040	. COLUMN ASSY,CONTROL							1	1
	35-524040-4	. COLUMN ASSY,CONTROL							1	4
	35-524040-6	. COLUMN ASSY,CONTROL							1	5
		/ATTACHING PARTS/								
- 2	AN3-5A /M/	. BOLT.							2	
- 3	AN3-16A	. BOLT.							2	
	AN960-10	. WASHER.							4	
	AN365-1032	. NUT							4	

- 4	35-524202-602	. . TUBE ASSY,CONTROL COLUMN.							1	1
		/SUPERSEDES 35-524202 SA2/								
	35-524202-610	. . TUBE ASSY,CONTROL COLUMN.							1	4
	35-524202-614	. . TUBE ASSY,CONTROL COLUMN.							1	5
- 5		. . DELETED								
- 6		. . DELETED								
- 7		. . DELETED								
- 8		. . DELETED								
- 9	35-524227	. . TUBE ASSY,CONTROL COLUMN INNER.							1	
		/ATTACHING PARTS/								
- 10	AN503-8-6	. . SCREW							6	
	35-524038	. . WASHER.							2	

- 11	35-524047	. . KNEE,TORQUE							2	
		/ATTACHING PARTS/								
- 12	AN3-26	. . BOLT.							2	
- 13	AN4-10 /M/	. . BOLT.							1	
	AN960-416	. . WASHER.							1	
	AN310-3	. . NUT							2	
	AN310-4	. . NUT							1	
	AN380-2-2	. . PIN,COTTER.							1	
	AN380-2-3	. . PIN,COTTER.							2	

- 14	35-524240	. . LINK,CONTROL COLUMN							6	
		/ATTACHING PARTS/								
- 15	35-524269	. . BOLT.							3	
- 16	NAS53-32	. . BOLT.							3	
- 17	NAS54-33	. . BOLT.							3	
- 18	102933D5ZM2452	. . SPACER.							3	
	AN960-10	. . WASHER.							6	
	AN960-416	. . WASHER.							3	
	AN960-416L	. . WASHER.							6	
	AN310-3	. . NUT							6	
	AN310-4	. . NUT							3	
	AN380-2-2	. . PIN,COTTER.							9	

- 19	35-524274	. . SPROCKET ASSY,CONTROL COLUMN ROLLER CHAIN							1	
- 20	35-524274-4	. . BRAZE ASSY,CONTROL COLUMN							1	
- 21	K3L	. . BEARING,BALL /SUPERSEDES AN200K3L/.							2	
	NAS51-87	. . RING,RETAINER							1	
	35-524230	. . HANGER ASSY,CONTROL COLUMN.							1	
- 22	35-524231	. . FITTING,CONTROL COLUMN.							1	
- 23	35-524230-2	. . BUSHING,CONTROL COLUMN.							3	
- 24	B148	. . BEARING							2	
- 25	K3L	. . BEARING,BALL /SUPERSEDES AN200K3L/.							6	
	35-524125	. HANGER ASSY,CONTROL COLUMN.							1	1

B E E C H C R A F T
 BONANZA 33 THRU E33
 I L L U S T R A T E D P A R T S C A T A L O G

FIG. & ITEM NO.	PART NO.	DESCRIPTION							UNITS PER ASSY	USABLE ON CODE
		1	2	3	4	5	6	7		
56	35-524125-4	1	6
		/ATTACHING PARTS/								
- 26	AN507-832-10	3	
		-----*								
	NAS387-832-12	3	
- 27	35-524125-2	1	
- 28	35-524197	3	1
	35-524197-4	3	6
		/ATTACHING PARTS/								
- 29	AN3-12A	3	
- 30	35-524264	3	
	AN960-10L	6	
	AN365-1032	3	
		-----*								

C O D E S O F E F F E C T I V I T Y

- | | | | |
|---|--|---|---|
| 1 | CD-1 THRU CD-387 | 2 | CD-388 AND AFTER |
| 3 | CE-1 AND AFTER | 4 | CD-388 THRU CD-802
EXCEPT CD-745 AND
CD-789 |
| 5 | CD-745, CD-789,
CD-803 AND AFTER,
CE-1 AND AFTER | 6 | CD-388 AND AFTER,
CE-1 AND AFTER |

B E E C H C R A F T
B O N A N Z A 3 3 T H R U E 3 3
I L L U S T R A T E D P A R T S C A T A L O G

FIGURE 57
SINGLE AND DUAL CONTROL ARM
CD-1 THRU CD-1061, CE-1 THRU CE-117

BEECHCRAFT
BONANZA 33 THRU E33
ILLUSTRATED PARTS CATALOG

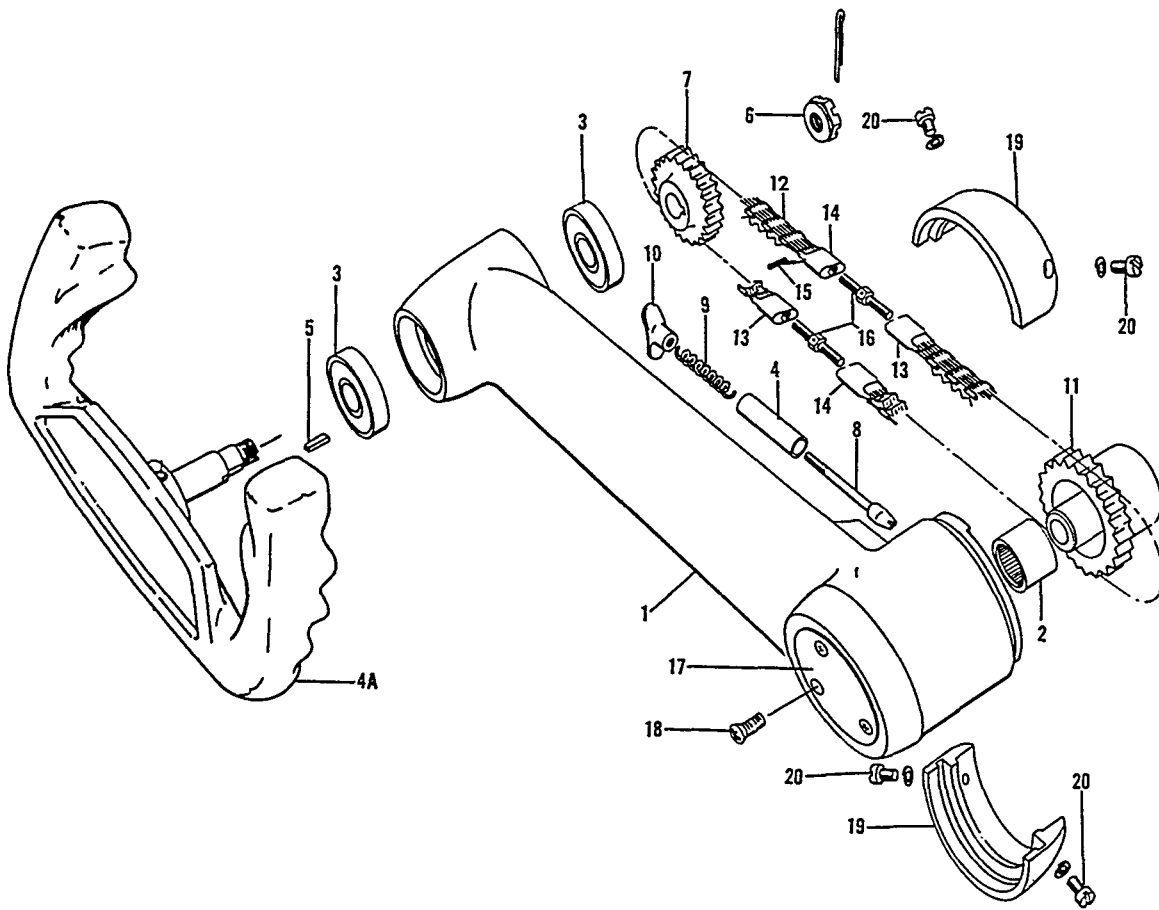


FIGURE 57. SINGLE AND DUAL CONTROL ARM

B E E C H C R A F T
BONANZA 33 THRU E33
I L L U S T R A T E D P A R T S C A T A L O G

FIG. & ITEM NO.	PART NO.	DESCRIPTION	UNITS PER ASSY	USABLE ON CODE
		1 2 3 4 5 6 7		
57	35-524585-19	CONTROL ARM ASSY,THROWOVER /WITH RAMS HORN WHEEL/ /SUPERSEDES ALL FORMER LISTINGS FOR SPARES/	1	1
	35-524656-5	CONTROL ARM ASSY,DUAL /WITH RAMS HORN WHEEL/. /SUPERSEDES ALL FORMER LISTS FOR SPARES/ /FOR LATER SERIALS SEE FIG.74/	1	1
- 1	35-524585-651	. ARM ASSY,CONTROL THROWOVER. /WITH RAMS HORN WHEEL/.	1	1
	35-524656-651	. ARM ASSY,CONTROL COLUMN DUAL. /WITH RAMS HORN WHEEL/	1	1
- 2	B78X	. . BEARING	1	1
- 3	KP10A /AN201/	. . BEARING,THROWOVER /SUPERSEDES AN201K10A/. & K10A/	2	1
	KP10A /AN201/	. . BEARING,DUAL /SUPERSEDES AN201K10A & K10A/.	4	1
- 4	35-524241	. . BUSHING	1	1
- 4A	35-663-1A M	. . KIT,CONTROL WHEEL /THROWOVER AND LH DUAL/. /WITH EMBLEM & PLUG BUTTON/ /SUPERSEDES 35-380060-25/	1	1
	35-380060-27	. . WHEEL ASSY,CONTROL COLUMN RH DUAL /WITH EMBLEM & PLUG BUTTON/ /ATTACHING PARTS/	1	1
- 5	AN280H404	. . KEY,POSITIONING	1	
- 6	AN320-7	. . NUT	1	
	AN380-3-4	. . PIN,COTTER.	1	
	35-380060-21	. . . WHEEL ASSY,THROWOVER OR LH DUAL	1	1
	35-380060-23	. . . WHEEL ASSY,RH DUAL.	1	1
	50-524348	. . . PLATE,CONTROL WHEEL INSIGNIA.	1	1
	207-400301-00- * 0617.	. . . BUTTON,PLUG	2	1
- 7	35-524048	. . SPROCKET,CONTROL WHEEL.	1	1
- 8	35-524095	. . PIN,POSITION LOCK	1	1
- 9	1009432G108G	. . SPRING.	1	1
- 10	35-524096	. . KNOB,POSITION	1	1
- 11	35-524051-1	. . SPROCKET,THROWOVER ENGAGING	1	1
	35-524262-1	. . SPROCKET,DUAL ENGAGING.	1	1
- 12	35-524139	. . CHAIN ASSY,THROWOVER CONTROL WHEEL.	2	1
	35-524139	. . CHAIN ASSY,DUAL CONTROL WHEEL	4	1
	35-524139-1	. . CHAIN	1	1
- 13	35-524140-2	. . FITTING,END /LH THREAD/	1	1
- 14	35-524140-4	. . FITTING,END /RH THREAD/	1	1
- 15	102809-072-018	. . PIN,END FITTING	2	1
- 16	35-524141	. . CONNECTOR,THROWOVER FITTING	2	1
	35-524141	. . CONNECTOR,DUAL FITTING.	4	1
- 17	35-524585-21	. . PLATE,COVER /USE WITHOUT AILERON TRIMMER/ /ATTACHING PARTS/	1	1
- 18	NAS387-832-5P	. . SCREW	3	
	35-524587-2	. . COVER ASSY,CHAIN ACCESS /SINGLE OR LH DUAL/	1	1
	35-524587-4	. . COVER	1	1
	A3278-1-1	. . CLIP,PENLITE RETAINING.	1	1
	35-524587	. . COVER,CHAIN ACCESS /RH DUAL/.	1	1
	51020	. . BUTTON,THROWOVER PLUG	1	1
	51020	. . BUTTON,DUAL PLUG.	2	1
- 19	35-524238-4	RETAINER ASSY,CONTROL ARM	1	1
	35-524238-12	RETAINER ASSY,CONTROL ARM /ATTACHING PARTS/	1	1
- 20	AN501-10-5	SCREW,RETAINER.	4	
	AN935-10L	WASHER.	4	
	35-380072-1	CONTROL,AILERON TRIM. /ATTACHING PARTS/	1	1
	AN507-832R12	SCREW	3	

CODES OF EFFECTIVITY

1 CD-1 THRU CD-1061,
CE-1 THRU CE-117

B E E C H C R A F T
B O N A N Z A 3 3 T H R U E 3 3
I L L U S T R A T E D P A R T S C A T A L O G

FIGURE 58
FLOATING INSTRUMENT PANEL
CD-1 THRU CD-387

BEECHCRAFT
 BONANZA 33 THRU E33
 ILLUSTRATED PARTS CATALOG

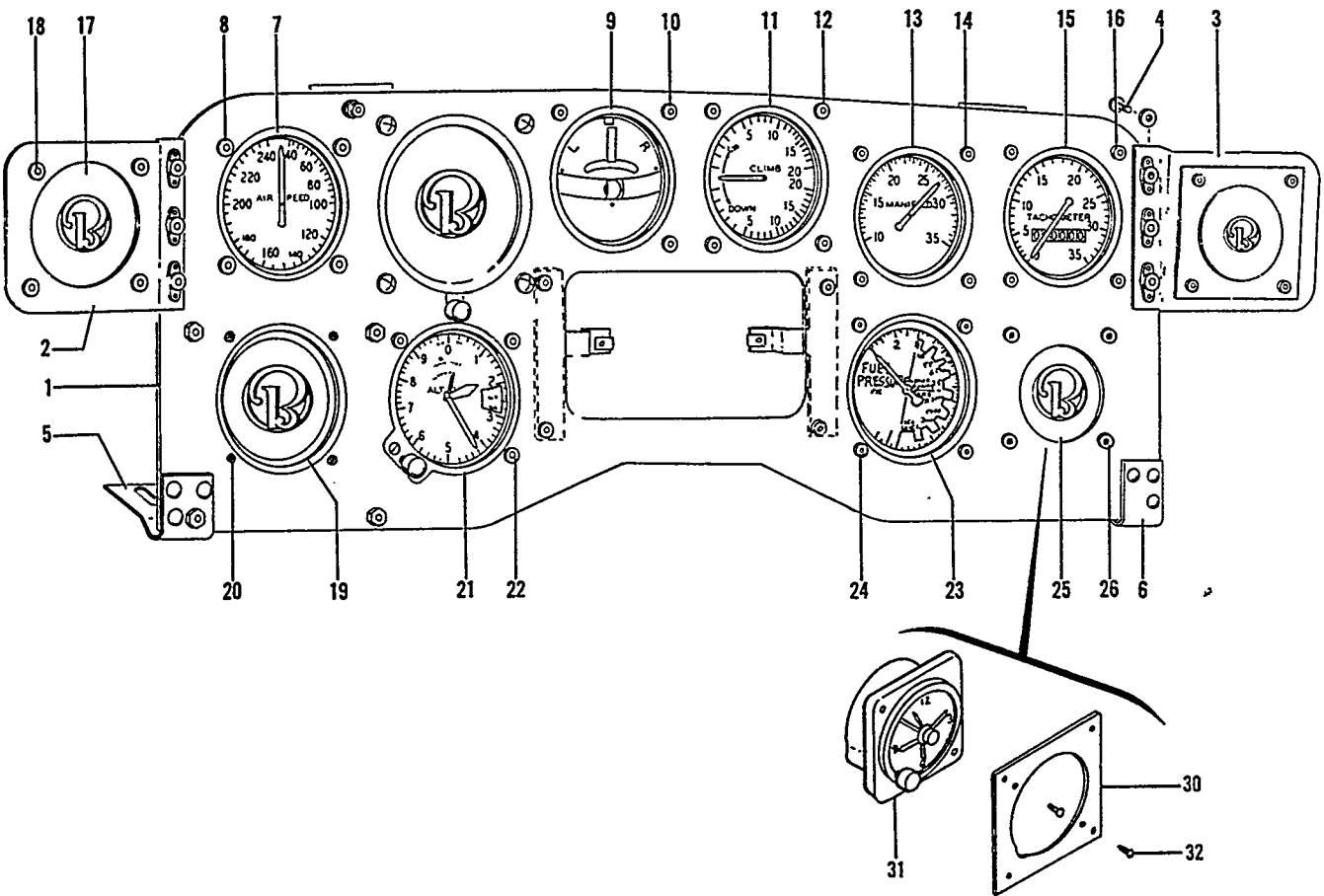
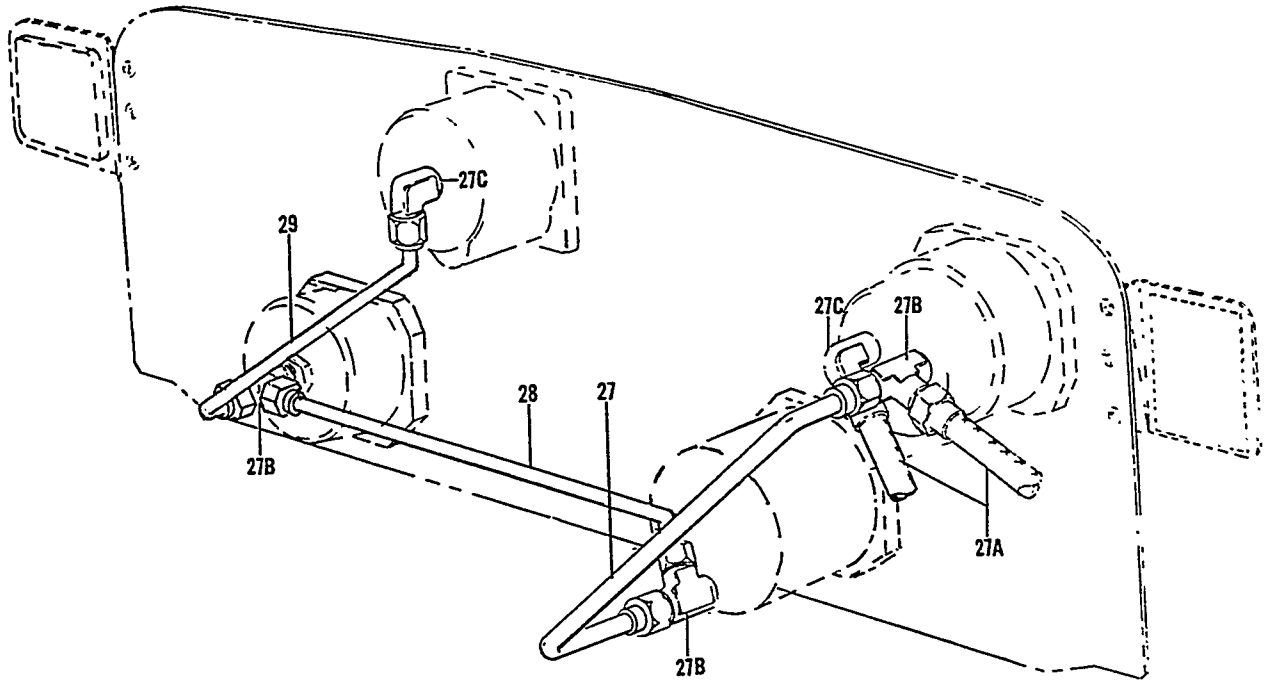


FIGURE 58. FLOATING INSTRUMENT PANEL

B E E C H C R A F T
B O N A N Z A 3 3 T H R U E 3 3
I L L U S T R A T E D P A R T S C A T A L O G

FIG. & ITEM NO.	PART NO.	DESCRIPTION	UNITS PER ASSY							USABLE ON CODE
			1	2	3	4	5	6	7	
58	33-324010-1	PANEL ASSY,FLOATING INSTRUMENT. /USED WITH 33-324001 LINES INSTL,FIG. 5							NP	3
- 1	35-324166-8	. . . PANEL ASSY,SHOCK MOUNTED.							1	3
- 2	35-324281-8	. . . BRACKET ASSY,INSTRUMENT LH.							1	3
- 3	35-324281-9	. . . BRACKET ASSY,INSTRUMENT RH. /ATTACHING PARTS/							1	3
- 4	AN515-8-6 AN936B8	. . . SCREW WASHER.							3 3	
- 5	35-324166-14	. . . BRACKET,PANEL MOUNTING LOWER LH							1	3
- 6	35-324166-15	. . . BRACKET,PANEL MOUNTING LOWER RH							1	3
- 7	22-696-013 35-380036-1	. . . INDICATOR,AIRSPEED. INDICATOR,AIRSPEED. /ATTACHING PARTS/							1 1	1 2
- 8	AN515B6R14 AN936B6B	. . . SCREW WASHER.							4 4	
	35-324324-3	. . . COVER ASSY,INSTRUMENT /ATTACHING PARTS/							1	3
	AN515B6R4 AN960D6	. . . SCREW WASHER.							4 4	
- 9	35-380045	. . . INDICATOR,TURN & BANK /SUPERSEDES 23-324-01/. /ATTACHING PARTS/							1	3
- 10	AN515B6R10 AN936B6B	. . . SCREW WASHER.							3 3	
- 11	50-584073	. . . INDICATOR,RATE OF CLIMB /SUPERSEDES 22-998-03/ /ATTACHING PARTS/							1	3
- 12	AN515B6R14 AN936B6B	. . . SCREW WASHER.							3 3	
- 13	22-262-07 35-380040	. . . INDICATOR,MANIFOLD PRESSURE INDICATOR,MANIFOLD PRESSURE /ATTACHING PARTS/							1 1	1 2
- 14	AN515B6R10 AN936B6B	. . . SCREW WASHER.							4 4	
- 15	35-324365-3	. . . TACHOMETER,ENGINE /ATTACHING PARTS/							1	3
- 16	AN515B6R4 AN936B6B	. . . SCREW WASHER.							4 4	
- 17	50-320072-10	. . . COVER ASSY,INSTRUMENT /ATTACHING PARTS/							1	3
- 18	AN515B6R6 MS20365B632	. . . SCREW NUT							4 4	
- 19	50-320072-10	. . . COVER ASSY,INSTRUMENT /ATTACHING PARTS/							1	3
- 20	AN515B6R4	. . . SCREW							4	
- 21	50-380094-17 50-380094-13	. . . ALTIMETER ALTIMETER/IN FT AND MILIBARS/. /ATTACHING PARTS/							1 1	3 3
- 22	AN515B6R12 AN936B6B	. . . SCREW WASHER.							3 3	
- 23	33-380002	. . . INDICATOR,FUEL PRESSURE /ATTACHING PARTS/							1	3
- 24	AN515B6R10 AN936B6B	. . . SCREW WASHER.							4 4	

B E E C H C R A F T
 BONANZA 33 THRU E33
 I L L U S T R A T E D P A R T S C A T A L O G

FIG. & ITEM NO.	PART NO.	DESCRIPTION	UNITS PER ASSY	USABLE ON CODE
		1 2 3 4 5 6 7		
58 - 25	50-320072-10	. COVER ASSY. /ATTACHING PARTS/	1	3
- 26	AN51586R4	. SCREW *-----	4	
- 27	33-324010-3	. TUBE ASSY, AIRSPEED TO ALTIMETER /SEE FIG. 59/	1	3
- 27A	33-324010-27	. HOSE ASSY, STATIC PRESSURE /SEE FIG. 59/ . . .	2	3
- 27B	AN826-4D	. TEE /SEE FIG. 59 FOR NHA/	3	3
- 27C	AN822-4D	. ELBOW /SEE FIG. 59 FOR NHA/	2	2
- 28	33-324010-7	. TUBE ASSY, ALTIMETER TO FUEL PRESSURE. /SEE FIG. 59/	1	3
- 29	33-324010-11	. TUBE ASSY, FUEL PRESSURE TO RATE OF CLIMB. . . /SEE FIG. 59/	1	3
- 30	35-324075	. ADAPTER, CLOCK	1	3
- 31	50-380013-5	. CLOCK, EIGHT DAY /SUPERSEDES 35-380004-5/. . . /ATTACHING PARTS/	1	3
- 32	AN51586-8	. SCREW *-----	2	

C O D E S O F E F F E C T I V I T Y

- | | |
|---|---|
| 1 CD-1 THRU CD-284
CD-286 AND CD-287 | 2 CD-285 THRU CD-387
EXCEPT CD-286
AND CD-287 |
| 3 CD-1 THRU CD-387 | |

B E E C H C R A F T
B O N A N Z A 3 3 T H R U E 3 3
I L L U S T R A T E D P A R T S C A T A L O G

FIGURE 58A
FLOATING INSTRUMENT PANEL
CD-388 THRU CD-1118, CE-1 THRU CE-179

BEECHCRAFT
 BONANZA 33 THRU E33
 ILLUSTRATED PARTS CATALOG

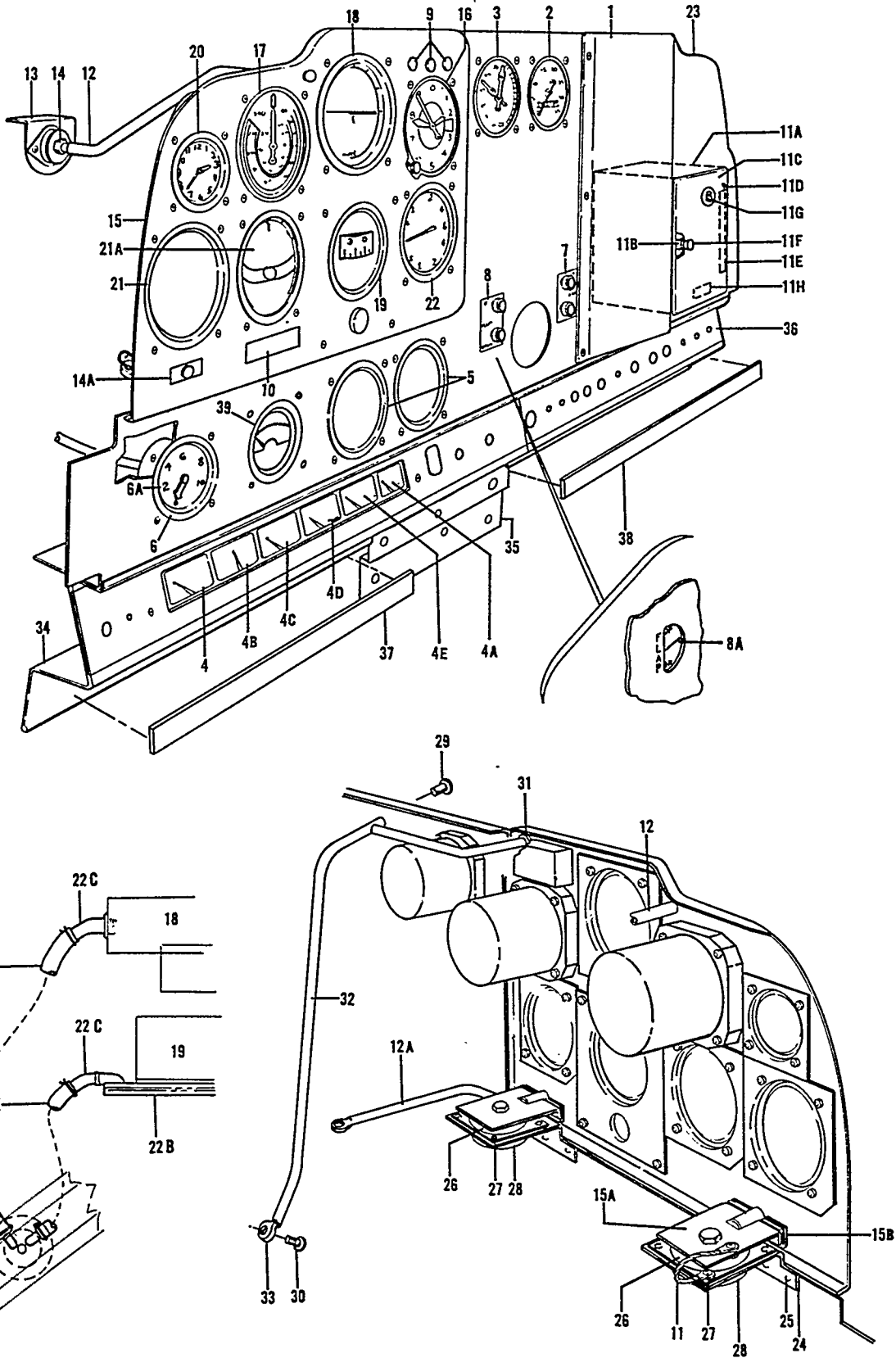


FIGURE 58A. FLOATING INSTRUMENT PANEL

B E E C H C R A F T
 BONANZA 33 THRU E33
 I L L U S T R A T E D P A R T S C A T A L O G

FIG. & ITEM NO.	PART NO.	DESCRIPTION	1 2 3 4 5 6 7							UNITS PER ASSY	USABLE ON CODE
			1	2	3	4	5	6	7		
58A	35-324392-37	INSTRUMENT INSTL /WITHOUT GYROS AND SUCTION GAGE/								NP	17
- 1	35-324392-93	INSTRUMENT INSTL /WITH GYROS AND SUCTION GAGE/								NP	11
	35-344234	• PANEL,BLANK RADIO MOUNTING /ATTACHING PARTS/								1	1
- 2	NAS387-832P	• SCREW								6	
	NAS390-6P	• WASHER								6	
- 2	35-324365-3	• TACHOMETER AND HOUR COUNTER								1	17
	35-324365-11	• TACHOMETER AND HOUR COUNTER /ATTACHING PARTS/								1	11
- 3	AN50786R	• SCREW								4	
	AN93686B	• WASHER								4	
- 3	33-380006-3	• INDICATOR,FUEL PRESSURE AND MANIFOLD PRESSURE /SUPERSEDES 33-380006/								1	8
	33-380006-5	• INDICATOR,FUEL PRESSURE AND MANIFOLD PRESSURE								1	9
- 3	35-380054-3	• INDICATOR,FUEL PRESSURE AND MANIFOLD PRESSURE /ATTACHING PARTS/								1	11
	AN50786R	• SCREW								4	
- 3	AN93686B	• WASHER								4	
	35-324401-3	• CLUSTER ASSY,ENGINE INSTRUMENT /WITHOUT CYLINDER HEAD TEMPERATURE GA								1	2
- 3	35-324401-1	• CLUSTER ASSY,ENGINE INSTRUMENT /WITH CYLINDER HEAD TEMPERATURE GAGE/								1	2
	35-324401-11	• CLUSTER ASSY,ENGINE INSTRUMENT /WITH CYLINDER HEAD TEMPERATURE GAGE/								1	3
- 3	35-324401-7	• CLUSTER ASSY,ENGINE INSTRUMENT /WITHOUT CYLINDER HEAD TEMPERATURE GAGE/								1	3
	35-324401-13	• CLUSTER ASSY,ENGINE INSTRUMENT /WITHOUT CYLINDER HEAD TEMPERATURE GAGE/								1	11
- 4	NAS387-6	• SCREW								2	
	NAS390-6P	• NUT								2	
- 4	5643645	• FUEL GAGE,LH.								1	2
	5644346	• FUEL GAGE,LH.								1	16
- 4A	5643646	• FUEL GAGE,RH.							1	2	
- 4B	5644347	• FUEL GAGE,RH.								1	16
	1509413	• OIL PRESSURE GAGE								1	1
- 4C	1514244	• CYLINDER HEAD TEMPERATURE GAGE							1	2	
- 4D	1514243	• OIL TEMPERATURE GAGE								1	2
	6401327	• GAGE GROUP,CYLINDER HEAD & OIL TEMPERATURE								1	16
- 4E	1514244	• CYLINDER HEAD TEMPERATURE GAGE								1	16
	1514243	• OIL TEMPERATURE GAGE								1	16
- 4E	1502093	• AMMETER							1	1	
- 5	50-324103-1	• BEZEL,INSTRUMENT 3.125 INCH DIAMETER /ATTACHING PARTS/								2	1
	AN50786R	• SCREW								4	
- 6	MS203658632	• NUT								4	
	50-324104	• BEZEL,INSTRUMENT 2.250 INCH DIAMETER SUCTION GAGE								1	1
- 6A	50-384042-1	• SUCTION GAGE /ATTACHING PARTS/								1	1
	AN50786R	• SCREW								4	
- 7	AN93686B	• WASHER								4	
	MS203658632	• NUT								4	
- 7	35-324397	• PLACARD,LANDING GEAR POSITION LIGHT IDENTIFICATION								1	6
	35-324410	• PLACARD,LANDING GEAR POSITION LIGHT IDENTIFICATION								1	7
- 8	35-324396	• PLACARD,FLAP POSITION LIGHTS IDENTIFICATION								1	6
	35-324409	• PLACARD,FLAP POSITION LIGHTS IDENTIFICATION								1	2

B E E C H C R A F T
B O N A N Z A 3 3 T H R U E 3 3
I L L U S T R A T E D P A R T S C A T A L O G

FIG. & ITEM NO.	PART NO.	DESCRIPTION	UNITS PER ASSY	USABLE ON CODE
		1 2 3 4 5 6 7		
58A - 8A	50-384001-33	. INDICATOR,FLAP POSITION /ATTACHING PARTS/	1	20
	AN507B632R	. SCREW	4	
	AN936868	. WASHER	4	
	AN363B632	. NUT	4	

- 9	SS48152	. BUTTON,PLUG	3	1
- 10	169-324013	. PLACARD,RADIO CALL	1	1
	35-324073-16	. PLACARD,RADIO CALL /ATTACHING PARTS/	1	1
	AN530-2R	. SCREW	2	

- 11	MS25083-18C6	. JUMPER ASSY,BONDING AND CURRENT RETURN. /ATTACHING PARTS/	1	1
	AN4	. BOLT	2	
	MS20365-428	. NUT /SUPERSEDES AN365-428/.	2	

- 11A	35-534410-7	. BOX ASSY,GLOVE /ATTACHING PARTS/	1	1
	NAS384-6P	. SCREW	8	
	NAS391B6P	. WASHER	8	

- 11B	5	. LATCH ASSY,STRIKER AND ROLLERS. /ATTACHING PARTS/	1	1
	AN530-6R4	. SCREW	2	

- 11C	35-534410-601	. DOOR ASSY,GLOVE BOX /SUPERSEDES 35-534410-1/. /ATTACHING PARTS/	1	1
- 11D	105774C-ZE00328	. PIN,HINGE	1	

- 11E	35-534410-5	. HINGE,GLOVE BOX HALF. /ATTACHING PARTS/	1	1
	AN530-6R4	. SCREW	3	

- 11F	35-380055	. KNOB,GLOVE BOX DOOR /ATTACHING PARTS/	1	1
	AN530-8R8	. SCREW	1	
	NAS391B18P	. WASHER	1	

- 11G	130030-1	. MEDALLION,BEECHCRAFT.	1	1
- 11H	35-324408	. PLACARD,EMERGENCY DESCENT	1	1
- 12	35-324392-29	. ROD,SHOCK MOUNT /ATTACHING PARTS/	1	1
	NAS387-1032	. SCREW	1	
	AN801302	. WASHER	2	
	AN316-4R	. NUT	4	

- 12A	35-324386-35	. TUBE,SUPPORT. /ATTACHING PARTS/	1	1
	AN525-10R	. SCREW	1	
	AN960-10	. WASHER	2	
	MS20365-1032	. NUT	2	

- 13	96-324029-7	. BRACKET,SHOCK MOUNT /ATTACHING PARTS/	1	1
	AN525-10R	. SCREW	2	
	NAS680A3	. NUTPLATE /SUPERSEDES AN366F1032/.	2	

- 14	150PDL12	. MOUNT,RUBBER SHOCK. /ATTACHING PARTS/	1	1
	AN515-8R	. SCREW	2	
	MS20365-832	. NUT /SUPERSEDES AN365-832/.	2	

- 14A	35-324418	. PLACARD,OVERVOLTAGE WARNING	1	1
	35-324392-41	. PANEL ASSY,STANDARD FLOATING	1	1
	35-324392-101	. PANEL ASSY,STANDARD FLOATING	1	1
	35-324392-103	. PANEL ASSY,STANDARD FLOATING	1	1

B E E C H C R A F T
B O N A N Z A 3 3 T H R U E 3 3
I L L U S T R A T E D P A R T S C A T A L O G

FIG. & ITEM NO.	PART NO.	DESCRIPTION	UNITS PER ASSY	USABLE ON CODE
		1 2 3 4 5 6 7		
58A - 15	96-324033	. . PANEL ASSY,FLOATING	1	1
	96-324033-9	. . PANEL ASSY,FLOATING	1	1
	96-324033-3	. . PANEL,BLANK FLOATING.	1	1
	96-324033-7	. . PANEL,BLANK FLOATING.	1	1
- 15A	414-183802-3	. . BRACKET,FLOATING PANEL SUPPORT.	2	1
- 15B	414-183761-5	. . HINGE,FLOATING PANEL SUPPORT BRACKET HINGE.	2	1
	102361-00128	. . PIN,HINGE	2	1
- 16	50-380094-1	. . ALTIMETER /SUPERSEDES 35-380037-1/.	1	1
		/ATTACHING PARTS/		
	AN507B632R12	. . SCREW	3	
	AN936B6B	. . WASHER.	3	
		*		
- 17	35-380036-1	. . INDICATOR,AIRSPEED.	1	12
		/SUPERSEDES 35-380036-3 & -5/		
	35-380036-9	. . INDICATOR,AIRSPEED.	1	13
	35-380036-7	. . INDICATOR,AIRSPEED.	1	11
		/ATTACHING PARTS/		
	AN507B6R	. . SCREW	4	
	A8944-632-24A	. . NUT	4	
		*		
- 18	35-380043-1	. . GYRO,HORIZON.	1	1
		/ATTACHING PARTS/		
	AN507B10R12	. . SCREW	4	
	MS20365B1032	. . NUT	4	
	MS20913-2D	. . PLUG.	1	
		*		
	35-324399	. . BEZEL,GYRO HORIZON.	1	1
		/ATTACHING PARTS/		
	AN507B6R	. . SCREW	4	
	MS20365B632	. . NUT	4	
		*		
- 19	35-380039-1	. . GYRO,DIRECTIONAL.	1	1
		/ATTACHING PARTS/		
	AN507B10R10	. . SCREW	4	
	MS20365B1032	. . NUT	4	
	MS20913-2D	. . PLUG.	2	
		*		
	35-324398	. . BEZEL,DIRECTIONAL GYRO.	1	1
		/ATTACHING PARTS/		
	AN507B6R	. . SCREW	4	
	MS20365B632	. . NUT	4	
		*		
- 20	50-380013-5	. . CLOCK	1	1
		/ATTACHING PARTS/		
	AN507B6R	. . SCREW	2	
		*		
	50-324104	. . BEZEL,INSTRUMENT 2.250 INCH DIAMETER.	1	1
		/ATTACHING PARTS/		
	AN507B6R	. . SCREW	2	
	MS20365B632	. . NUT	2	
		*		
- 21	50-324103-1	. . BEZEL,INSTRUMENT 3.125 INCH DIAMETER.	1	1
		/ATTACHING PARTS/		
	AN507B6R	. . SCREW	4	
	MS20365B632	. . NUT	4	
		*		
- 21A	35-380045-1	. . INDICATOR,TURN & BANK	1	14
	1679	. . INDICATOR,TURN COORDINATOR.	1	15
		/ATTACHING PARTS/		
	AN507B6R	. . SCREW	4	
	A8944-632-24A	. . NUT	4	
		*		
- 22	50-384073	. . INDICATOR,VERTICAL SPEED /0 TO 6000 FT/	1	21
	50-384073	. . INDICATOR,VERTICAL SPEED /0 TO 4000 FT/	1	22
		/ATTACHING PARTS/		
	AN507B6R14	. . SCREW	3	
	A8944-632-24A	. . NUT	3	
		*		

B E E C H C R A F T
B O N A N Z A 3 3 T H R U E 3 3
I L L U S T R A T E D P A R T S C A T A L O G

FIG. & ITEM NO.	PART NO.	1 2 3 4 5 6 7	DESCRIPTION	UNITS PER ASSY	USABLE ON CODE
58A	50-324103-1	. . .	BEZEL, VERTICAL SPEED INDICATOR. /ATTACHING PARTS/	1	1
	AN507B6R	. . .	SCREW	4	
	MS20365B632	. . .	NUT	4	
			*		
- 22A	EBG03-0003	. . .	FILTER, INSTRUMENT AIR /ATTACHING PARTS/	1	18
	NAS1329A3K80	. . .	RIVNUT.	1	
			*		
- 22B	23-75-1	. . .	ADAPTER, DIRECTIONAL GYRO.	1	18
- 22C	AN844-6D	. . .	ELBOW	2	18
- 22D	35-324392-105	. . .	TUBE /FILTER TO HORIZON GYRO/	1	18
- 22E	35-324392-107	. . .	TUBE /FILTER TO DIRECTIONAL GYRO/	1	18
	A8	. . .	CLAMP, TUBE.	4	18
	35-324386-3	. . .	STRUCTURE INSTL, INSTRUMENT PANEL.	NP	17
	35-324386-45	. . .	STRUCTURE INSTL, INSTRUMENT PANEL.	NP	11
	35-324387	. . .	PANEL ASSY, INSTRUMENT MAIN.	NP	28
	35-324387-15	. . .	PANEL ASSY, INSTRUMENT MAIN.	NP	19
- 23	35-324387-13	. . .	PANEL ASSY, BLANK MAIN INSTRUMENT.	1	1
	35-324387-11	. . .	PANEL	1	1
- 24	35-324387-3	. . .	SUPPORT, FLOATING PANEL MOUNT. /ATTACHING PARTS/	2	1
- 25	AN509C10R	. . .	SCREW	3	
	NAS680A3	. . .	NUTPLATE /SUPERSEDES AN366F1032/.	3	
			*		
- 26	150PL14	. . .	MOUNT, SHOCK /ATTACHING PARTS/	2	1
- 27	AN520-832	. . .	SCREW	4	
	MS20365-832	. . .	NUT /SUPERSEDES AN365-832/.	4	
			*		
- 28	AN8013D2	. . .	WASHER, SHOCK MOUNT.	2	1
	35-324386-31	. . .	TUBE ASSY, INSTRUMENT PANEL SUPPORT.	1	6
	35-324386-39	. . .	TUBE ASSY, INSTRUMENT PANEL SUPPORT.	1	7
			/ATTACHING PARTS/		
- 29	NK509-10-12	. . .	SCREW	1	
- 30	AN525-10R	. . .	SCREW	1	
	AN366-1032	. . .	NUT	1	
- 31	2192	. . .	BUMPER, TUBE SUPPORT	1	
	NAS387-6R	. . .	SCREW	1	
	AN960-6	. . .	WASHER.	1	
			*		
- 32	35-324386-33	. . .	TUBE, INSTRUMENT PANEL SUPPORT	1	6
- 33	107463-4	. . .	TURNBUCKLE, SUPPORT TUBE	1	1
	35-324388-3	. . .	SUBPANEL ASSY	1	17
	35-324388-27	. . .	SUBPANEL ASSY	1	11
- 34	35-324388-5	. . .	SUBPANEL.	1	24
	35-324388-21	. . .	SUBPANEL.	1	25
	35-324388-7	. . .	CONTROL FACE, SUBPANEL	1	6
- 35	35-324388-11	. . .	CONTROL FACE, SUBPANEL	1	4
	35-324388-23	. . .	CONTROL FACE, SUBPANEL	1	5
	33-324028	. . .	PLACARD, UPPER SUBPANEL.	1	2
	33-324031	. . .	PLATE, UPPER SUBPANEL.	1	10
- 36	33-324034-9	. . .	PLATE ASSY, UPPER SUBPANEL /MATCHED SET/	1	27
	33-324035-9	. . .	PLATE ASSY, UPPER SUBPANEL /MATCHED SET/	1	11
	35-324394	. . .	PLACARD, LOWER SUBPANEL LH	1	6
- 37	35-324420	. . .	PLATE, LOWER SUBPANEL LH CIRCUIT BREAKER	1	7
	35-324393	. . .	PLACARD, LOWER SUBPANEL RH CIRCUIT BREAKER	1	6
- 38	35-324419	. . .	PLATE, LOWER SUBPANEL RH CIRCUIT BREAKER	1	26
	35-324439	. . .	PLATE, LOWER SUBPANEL RH CIRCUIT BREAKER	1	25
	35-324388-19	. . .	WINDOW, INSTRUMENT CLUSTER	1	1

B E E C H C R A F T
 BONANZA 33 THRU E33
 I L L U S T R A T E D P A R T S C A T A L O G

FIG. & ITEM NO.	PART NO.	DESCRIPTION							UNITS PER ASSY	USABLE ON CODE
		1	2	3	4	5	6	7		
58A	35-329006	INDICATOR INSTL,ALCOR MIXTURE CONTROL							NP	19
- 39	135	. INDICATOR,EXHAUST GAS TEMPERATURE							1	19
	MODEL 106B	. PROBE,EXHAUST GAS TEMPERATURE							1	19

CODES OF EFFECTIVITY

- | | |
|--------------------------|-------------------------|
| 1 CD-388 THRU CD-1118, | 2 CD-388 THRU CD-625 |
| CE-1 THRU CE-179 | |
| 3 CD-626 THRU CD-1118 | 4 CD-388 THRU CD-999 |
| 5 CD-1000 THRU CD-1118, | 6 CD-388 THRU CD-709 |
| CE-1 THRU CE-179 | |
| 7 CD-710 THRU CD-1118, | 8 CD-388 THRU CD-886 |
| CE-1 THRU CE-179 | |
| 9 CD-887 THRU CD-1118 | 10 CD-626 THRU CD-709 |
| 11 CE-1 THRU CE-179 | 12 CD-388 THRU CD-814 |
| 13 CD-814 THRU CD-1118 | 14 CD-388 THRU CD-1027 |
| 15 CD-1028 THRU CD-1118, | 16 CD-626 THRU CD-1118, |
| CE-1 THRU CE-179 | CE-1 THRU CE-179 |
| 17 CD-388 THRU CD-1118 | 18 CD-1034 THRU CD-1118 |
| | CE-56 THRU CE-179 |
| 19 CD-958 THRU CD-1118, | 20 CD-1044 THRU CD-1118 |
| CE-1 THRU CE-179 | CE-77 THRU CE-179 |
| 21 CD-388 THRU CD-956 | 22 CD-957 THRU CD-1118 |
| | CE-1 THRU CE-179 |
| 23 CD-710 THRU CD-1043, | 24 CD-388 THRU CD-975 |
| CE-1 THRU CE-76 | |
| 25 CD-976 THRU CD-1118, | 26 CD-710 THRU CD-975 |
| CE-1 THRU CE-179 | |
| 27 CD-710 THRU CD-1118 | 28 CD-388 THRU CD-1043, |
| | CE-1 THRU CE-76 |

B E E C H C R A F T
B O N A N Z A 3 3 T H R U E 3 3
I L L U S T R A T E D P A R T S C A T A L O G

FIGURE 58B
FLOATING INSTRUMENT PANEL
CD-1119 AND AFTER, CE-180 AND AFTER

BEECHCRAFT
BONANZA 33 THRU E33
ILLUSTRATED PARTS CATALOG

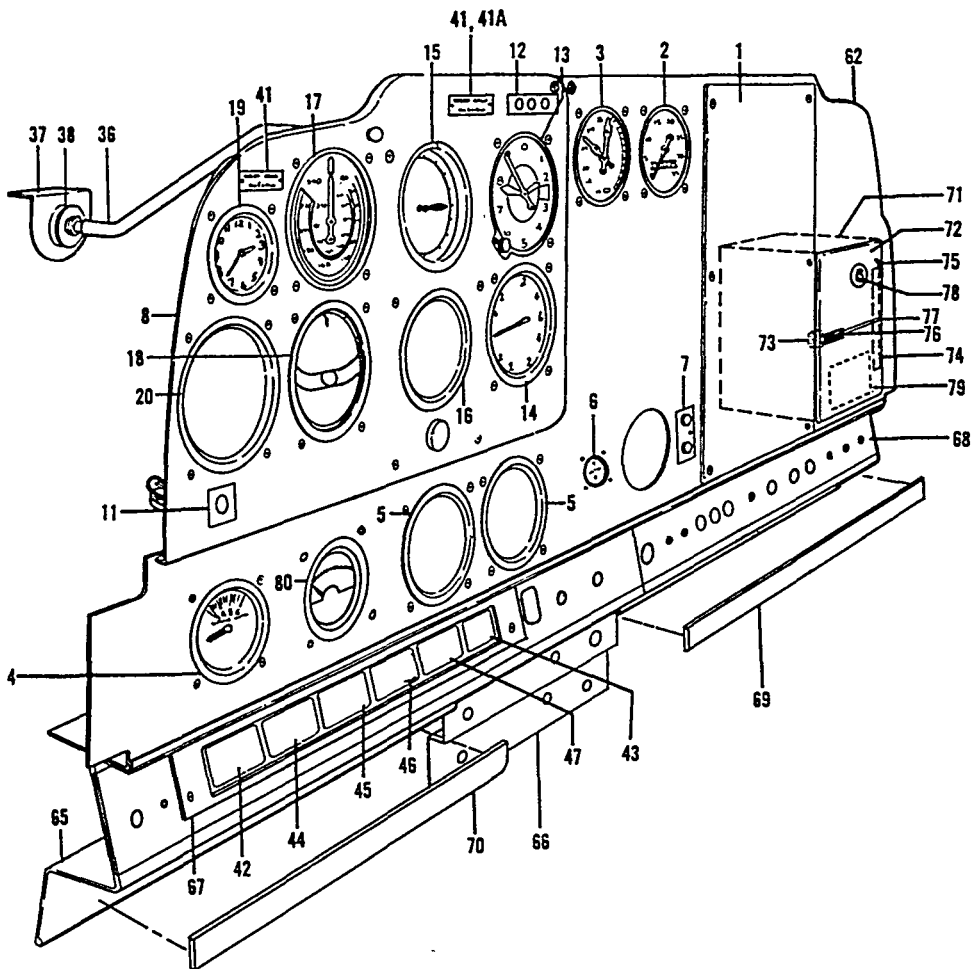
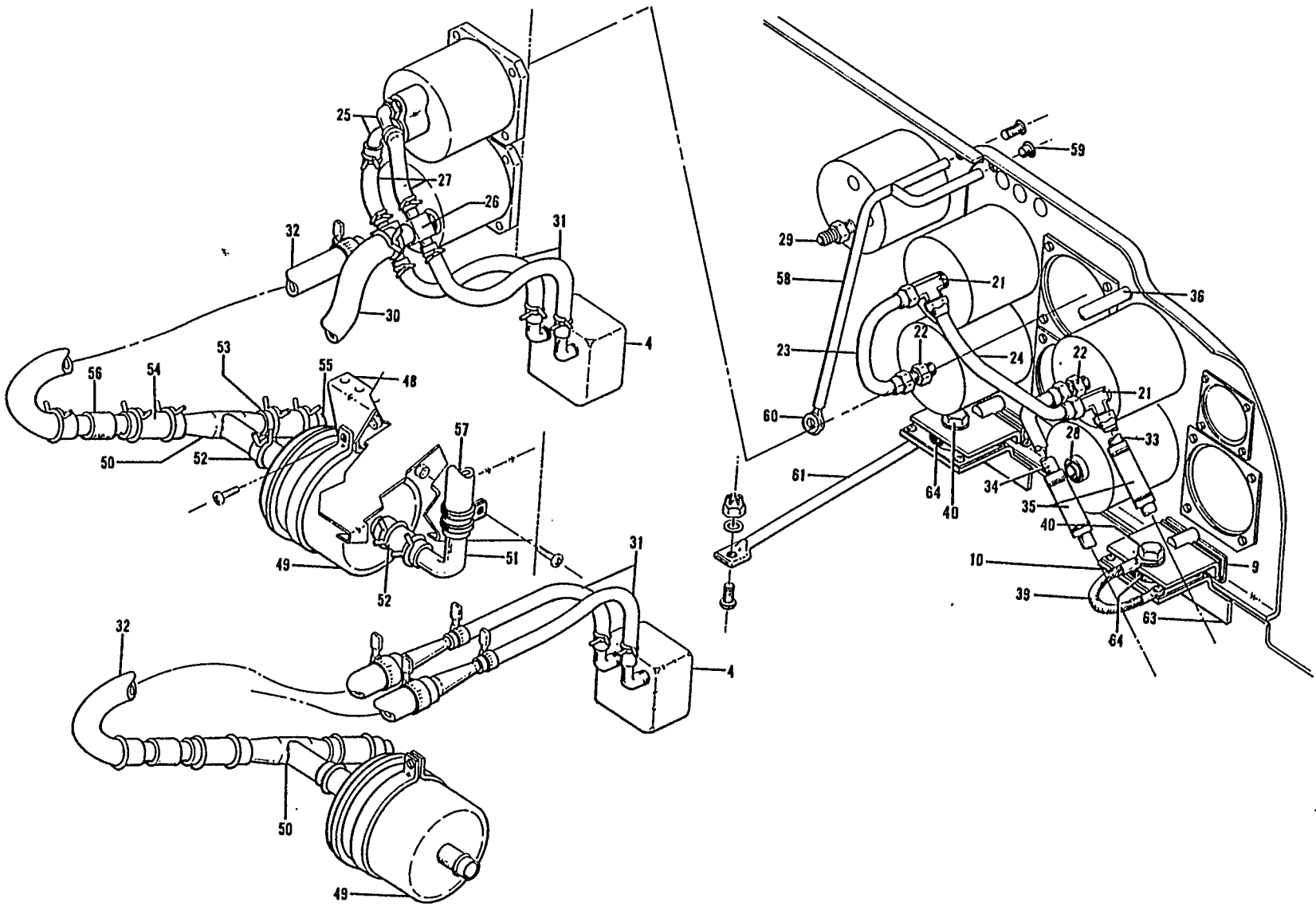


FIGURE 58B.FLOATING INSTRUMENT PANEL
/SHEET 1 OF 2 SHEETS/

B E E C H C R A F T
B O M B A N Z A 3 3 T H R U E 3 3
I L L U S T R A T E D P A R T S C A T A L O G



02/24/84

FIGURE 588. FLOATING INSTRUMENT PANEL
/SHEET 2 OF 2 SHEETS/

B E E C H C R A F T
 BONANZA 33 THRU E33
 I L L U S T R A T E D P A R T S C A T A L O G

FIG. & ITEM NO.	PART NO.	DESCRIPTION	UNITS PER ASSY	USABLE ON CODE
		1 2 3 4 5 6 7		
58B	35-324441-7	INSTRUMENT INSTL /WITH GYROS,PRESSURE GAGE, VERTICAL SPEED INDICATOR AND CLOCK/	NP	1
	35-324441-1	INSTRUMENT INSTL /WITH GYROS,PRESSURE GAGE, VERTICAL SPEED INDICATOR AND CLOCK/	NP	2
- 1	35-344234	. . . PANEL,RADIO COVER /BLANK/ /ATTACHING PARTS/	1	3
	NAS387-832P	. . . SCREW	6	
	NAS390-6P	. . . WASHER	6	
		*		
	35-324365-3	. . . TACHOMETER	1	1
- 2	35-324365-11	. . . TACHOMETER	1	2
	33-380006-5	. . . INDICATOR,MANIFOLD AND FUEL PRESSURE.	1	1
- 3	35-380054-3	. . . INDICATOR,MANIFOLD AND FUEL PRESSURE.	1	2
- 4	115-384018	. . . INDICATOR,INSTRUMENT AIR PRESSURE	1	3
- 5	50-324103-1	. . . BEZEL /ATTACHING PARTS/	2	3
	AN5078632R	. . . SCREW	4	
	AN3658632A	. . . NUT	4	
		*		
- 6	50-384001-33	. . . INDICATOR,FLAP POSITION /ATTACHING PARTS/	1	3
	AN5078632R	. . . SCREW	4	
	AN93686B	. . . WASHER	4	
	AN3638632	. . . NUT	4	
		*		
- 7	35-324410	. . . PLACARD,LANDING GEAR POSITION	1	3
	35-324441-29	. . . PANEL ASSY,FLOATING INSTRUMENT.	1	1
	35-324441-25	. . . PANEL ASSY,FLOATING INSTRUMENT.	1	2
	35-324442-3	. . . PANEL ASSY,FLOATING	1	1
	35-324442-5	. . . PANEL ASSY,FLOATING	1	2
	35-324442-1	. . . PANEL,FLOATING	1	1
- 8	35-324442-7	. . . PANEL,FLOATING	1	2
- 9	414-183761-5	. . . HINGE,HALF.	2	3
- 10	414-183802-3	. . . BRACKET ASSY,FLOATING PANEL /ATTACHING PARTS/	2	3
	NAS387-1032	. . . SCREW	1	
	102361-00128	. . . PIN,HINGE	1	
		*		
- 11	35-324447-1	. . . PLACARD,ALTERNATOR OUT.	1	2
- 12	95-324063	. . . PLACARD,MARKER BEACON LIGHTS.	1	8
- 13	50-380094-9	. . . ALTIMETER	1	3
- 14	50-384073	. . . INDICATOR,VERTICAL SPEED.	1	3
- 15	96-380039	. . . GYRO,HORIZON.	1	3
- 16	18-380021-3	. . . GYRO,DIRECTIONAL.	1	3
	35-380036-9	. . . INDICATOR,AIRSPPEED.	1	4
	35-380036-15	. . . INDICATOR,AIRSPPEED.	1	5
- 17	35-380036-7	. . . INDICATOR,AIRSPPEED.	1	6
	35-380036-13	. . . INDICATOR,AIRSPPEED.	1	7
- 18	1679	. . . TURN COORDINATOR.	1	3
- 19	50-380013-5	. . . CLOCK	1	3
- 20	50-324103-1	. . . BEZEL,INSTRUMENT.	1	3
	AN5078632R	. . . SCREW,INSTRUMENT & BEZEL ATTACHING.	AR	3
	AN3658632A	. . . NUT,BEZEL ATTACHING	AR	3
- 21	271P1/4-1/8	. . . TEE,ALTIMETER AND AIRSPPEED.	2	3
- 22	268P1/4-1/8	. . . CONNECTOR,AIRSPPEED AND VERTICAL SPEED	2	3
- 23	35-324441-49	. . . TUBE /VERTICAL SPEED TO ALTIMETER/.	1	3
- 24	35-324441-47	. . . TUBE /ALTIMETER TO AIRSPPEED/.	1	3
- 25	1K9-4-6	. . . ELBOW,HORIZON GYRO.	2	3
- 26	1K17-1	. . . FITTING,DIRECTIONAL GYRO.	2	3

B E E C H C R A F T
 BONANZA 33 THRU E33
 I L L U S T R A T E D P A R T S C A T A L O G

FIG. & ITEM NO.	PART NO.	1 2 3 4 5 6 7	DESCRIPTION	UNITS PER ASSY	USABLE ON CODE
58B - 27	114693-4-	. .	TUBING /HORIZON GYRO TO DIRECTIONAL GYRO/ . /SPECIFY LENGTH/	2	3
	106200H6-	. .	HOSE /ALTERNATE FOR 114693-4-/ /SPECIFY LENGTH/ /ATTACHING PARTS/	2	3
	A8	. .	CLAMP	2	
- 28	MS3106AB10SL3S	. .	PLUG,TURN COORDINATOR /SUPERSEDES MS3106A10SL3S/	1	3
- 29	AN816-2D	. .	NIPPLE,FUEL AND MANIFOLD PRESSURE	1	3
- 30	114693-6-	. .	TUBE,GYRO VENT /SPECIFY LENGTH/ /ATTACHING PARTS/	1	3
	A10	. .	CLAMP	1	
	AN931-12-17	. .	GROMMET,GYRO VENT TUBE. /SUPERSEDES MS35489-20/	1	3
- 31	114693-2-	. .	TUBE /DIRECTIONAL GYRO TO PRESSURE INDICATOR/ /SPECIFY LENGTH/ /ATTACHING PARTS/	2	3
	A6	. .	CLAMP	2	
- 32	106200H8-23	. .	HOSE /GYRO TO FILTER/ /ATTACHING PARTS/	1	3
	WHD26	. .	CLAMP /SUPERSEDES AN737TW26/.	2	
- 33	35-324441-43	. .	TUBE,AIRSPEED	1	3
- 34	35-324441-45	. .	TUBE,AIRSPEED	1	3
- 35	35-324441-41	. .	TUBE /AIRSPEED TO PITOT SYSTEM/	2	3
- 36	95-324009-1	. .	ROD,SHOCK MOUNT TIE /ATTACHING PARTS/	1	3
	NAS387-1032	. .	SCREW	1	
	AN8013D2	. .	WASHER.	2	
	AN316-4R	. .	NUT	4	
- 37	95-324009-3	. .	BRACKET,SHOCK MOUNT /ATTACHING PARTS/	1	3
	MS27039-1-05	. .	SCREW	2	
	MS20365-1032	. .	NUTPLATE /SUPERSEDES AN366-1032/.	2	
- 38	150PDL12	. .	MOUNT,SHOCK /ATTACHING PARTS/	1	3
	AN515-8	. .	SCREW	2	
	AN960-8	. .	WASHER.	2	
	MS20365-832	. .	NUT	2	
- 39	MS25083-1BC6	. .	JUMPER ASSY,BONDING	1	3
- 40	AN4-11A/M/	. .	BOLT,FLOATING PANEL ATTACH.	2	3
	MS20365-428	. .	NUT,FLOATING PANEL ATTACH	2	
- 41	35-344073-16	. .	PLACARD,RADIO CALL. /ATTACHING PARTS/	1	3
	AN530-2R4	. .	SCREW	2	
- 41A	36-920012-1	. .	DECAL,FUEL TANK SELECTION INSTRUCTION	1	9
	35-324401-11	. .	CLUSTER ASSY,ENGINE INSTRUMENT.	1	1
	35-324401-13	. .	CLUSTER ASSY,ENGINE INSTRUMENT. /ATTACHING PARTS/	1	2
	NAS387-632	. .	SCREW	2	
	NAS391-6P	. .	WASHER.	2	
	D165-100-2	. .	FILTER,BULB	3	3
	1891	. .	BULB,INSTRUMENT CLUSTER	3	3
- 42	5644346	. .	FUEL GAGE,LH.	1	3
- 43	5644347	. .	FUEL GAGE,RH.	1	3
- 44	5654256	. .	OIL PRESSURE GAGE	1	3
	6401406	. .	GAGE GROUP,CYLINDER HEAD & OIL TEMPERATURE.	1	3

B E E C H C R A F T
B O N A N Z A 3 3 T H R U E 3 3
I L L U S T R A T E D P A R T S C A T A L O G

FIG. & ITEM NO.	PART NO.	1 2 3 4 5 6 7	DESCRIPTION	UNITS PER ASSY	USABLE ON CODE
58B - 45	1514244	. . .	CYLINDER HEAD TEMPERATURE GAGE.	1	3
- 46	6401348	. . .	OIL TEMPERATURE GAGE.	1	3
- 47	1502093	. . .	AMMETER	1	3
- 48	35-324443-1	. . .	FILTER INSTL,AIR PRESSURE SYSTEM.	NP	3
	35-324443-2	. . .	CLIP,FILTER MOUNTING.	1	3
			/ATTACHING PARTS/		
	AN515-8R6	. . .	SCREW	3	
	MS20364-832	. . .	NUT	3	
- 49	EBD03-0012	. . .	FILTER,AIR PRESSURE SYSTEM.	1	3
			/ATTACHING PARTS/		
	AN735D52	. . .	CLAMP	1	
	AN520-10R6	. . .	SCREW	1	
	MS20365-1032	. . .	NUT	1	
- 50	35-324443-6	. . .	TEE ASSY,FILTER	1	3
- 51	35-324443-3	. . .	ELBOW,FILTER.	1	3
- 52	106200H10-7	. . .	HOSE,FILTER	2	3
			/ATTACHING PARTS/		
	A14	. . .	CLAMP	2	
- 53	106200H8-7	. . .	HOSE,FILTER	1	3
			/ATTACHING PARTS/		
	A14	. . .	CLAMP	2	
- 54	106200H4-7	. . .	HOSE,FILTER	1	3
			/ATTACHING PARTS/		
	A4	. . .	CLAMP	2	
- 55	35-324443-7	. . .	PLUG /WHEN AUTOPILOT IS USED DELETE 1 EACH. 106200H4-7 HOSE,A4 CLAMP & -7 PLUG/	1	3
- 56	1K39-8-8	. . .	ORIFICE,PRESSURE SYSTEM	1	3
- 57	106200H10-72	. . .	HOSE /FILTER TO REGULATOR/.	1	3
			/ATTACHING PARTS/		
	AN742D15P	. . .	CLAMP	1	
	AN520-10R6	. . .	SCREW	1	
	MS20364-1032	. . .	NUT	1	
- 58	35-324386-3	. . .	STRUCTURE INSTL,INSTRUMENT PANEL.	NP	1
	35-324386-45	. . .	STRUCTURE INSTL,INSTRUMENT PANEL.	NP	2
	35-324386-49	. . .	TUBE ASSY,INSTRUMENT PANEL SUPPORT.	1	10
	35-324386-57	. . .	TUBE ASSY,INSTRUMENT PANEL SUPPORT.	1	11
			/ATTACHING PARTS/		
	M39CR1032R8	. . .	SCREW,PANEL /SUPERSEDES NK509-10-12/.	1	
	AN525-10R	. . .	SCREW,TURNBUCKLE.	1	
	AN366-10R	. . .	NUTPLATE.	1	
- 59	2192	. . .	BUMPER,FLOATING PANEL	1	3
	NAS387-6R	. . .	SCREW,BUMPER.	1	3
	AN960-6	. . .	WASHER,BUMPER	1	3
- 60	107463-4	. . .	TURNBUCKLE,SUPPORT TUBE	1	3
- 61	35-324386-35	. . .	TUBE,SUPPORT.	1	3
			/ATTACHING PARTS/		
	AN525-10R	. . .	SCREW	1	
	AN960-10	. . .	WASHER.	1	
	MS20365-1032	. . .	NUT	1	
- 62	35-324387-19	. . .	PANEL ASSY,MAIN INSTRUMENT.	1 ²	3
	35-324387-21	. . .	PANEL,MAIN INSTRUMENT	1	3
	35-324387-13	. . .	PANEL,MAIN INSTRUMENT /BLANK/	1	3
- 63	35-324387-3	. . .	SUPPORT,SHOCK MOUNT	2	3
			/ATTACHING PARTS/		
	AN509C10R	. . .	SCREW	3	
	NAS680A3	. . .	NUTPLATE /SUPERSEDES AN366DF1032/	3	

B E E C H C R A F T
B O N A N Z A 3 3 T H R U E 3 3
I L L U S T R A T E D P A R T S C A T A L O G

FIG. & ITEM NO.	PART NO.	1	2	3	4	5	6	7	DESCRIPTION	UNITS PER ASSY	USABLE ON CODE	
588 - 64	150PL14	MOUNT, SHOCK /ATTACHING PARTS/	2	3	
	AN520-832	SCREW	4		
	MS20365-832	NUT /SUPERSEDES AN365-832/.	4		

	35-324388-27	SUBPANEL ASSY, INSTRUMENT.	1	3	
- 65	35-324388-21	EXTRUSION, SUBPANEL.	1	3	
- 66	35-324388-25	CONTROL FACE, SUBPANEL	1	3	
- 67	35-324388-19	WINDOW, INSTRUMENT CLUSTER	1	3	
- 68	33-324035-9	PLACARD, UPPER CONTROL PANEL /MATCHED SET/ /ATTACHING PARTS/	1	3	
	NAS384-6	SCREW	6		
	NAS391-6P	WASHER.	6		

- 69	35-324446	PLACARD, LOWER RH SUBPANEL CIRCUIT BREAKER	1	12	
	35-324446-3	PLACARD, LOWER RH SUBPANEL CIRCUIT BREAKER	1	13	
- 70	35-324420	PLACARD, LOWER LH SUBPANEL CIRCUIT BREAKER	1	3	
	36-530034	COMPARTMENT INSTL, GLOVE	NP	3	
- 71	35-534410-7	BOX ASSY, GLOVE. /ATTACHING PARTS/	1	3	
	AN530-6R6	SCREW	8		
	A1181-2-1	NUT /SUPERSEDES NAS446-2-1/	8		

- 72	36-530034-601	DOOR ASSY, GLOVE BOX	1	3	
	36-530034-7	DOOR, GLOVE BOX.	1	3	
	35-534410-13	HINGE, GLOVE BOX DOOR.	1	3	
	5 CLIP	CLIP, STRIKER.	1	3	
- 73	5 ROLLER	ROLLER, CATCH. /ATTACHING PARTS/	1	3	
	AN530-6R6	SCREW	2		

- 74	35-534410-5	HINGE, GLOVE BOX HALF.	1	3	
- 75	105774C-ZE00328	PIN, DOOR HINGE.	1	3	
- 76	33-534042-5	HANDLE, GLOVE BOX DOOR /ATTACHING PARTS/	1	3	
	AN515-6R4	SCREW	2		
	AN936B8	WASHER.	2		
	MS35333-37	WASHER /BETWEEN SCREW HEAD AND STRIKER/	1		
	MS35335-30	WASHER /BETWEEN STRIKER AND DOOR/	1		

- 77	36-530034-9	TRIM ASSY, GLOVE BOX DOOR. /ATTACHING PARTS/	1	3	
	AN340-3	NUT	2		
	AN936B3	WASHER.	2		

- 78	130030-3	MEDALLION, GLOVE BOX DOOR. /SUPERSEDES 130030-1/	1	3	
- 79	35-324408	PLACARD, FLIGHT PROCEDURE.	1	3	
	35-329006	INDICATOR INSTL, ALCOR MIXTURE CONTROL	NP	3	
- 80	135	INDICATOR, EXHAUST GAS TEMPERATURE	1	3	
	MODEL 106B	PROBE, EXHAUST GAS TEMPERATURE	1	3	

C O D E S O F E F F E C T I V I T Y

- | | |
|---|---|
| 1 CD-1119 AND AFTER | 2 CE-180 AND AFTER |
| 3 CD-1119 AND AFTER,
CE-180 AND AFTER | 4 CD-1119 THRU CD-1199 |
| 5 CD-1200 AND AFTER | 6 CE-180 THRU CE-248 |
| 7 CE-249 AND AFTER | 8 CD-1119 THRU CD-1183
CE-180 THRU CE-230 |
| 9 CE-227 AND AFTER,
CD-1181 AND AFTER | 10 CD-1119 THRU CD-1231
CE-180 THRU CE-259 |
| 11 CD-1232 AND AFTER,
CE-260 AND AFTER | 12 CD-1119 THRU CD-1189
CE-180 THRU CE-233 |
| 13 CD-1190 AND AFTER,
CE-234 AND AFTER | |

B E E C H C R A F T
B O N A N Z A 3 3 T H R U E 3 3
I L L U S T R A T E D P A R T S C A T A L O G

FIGURE 59
INSTRUMENT PLUMBING

B E C H C R A F T
B O N A N Z A 3 3 T H R U E 3 3
I L L U S T R A T E D P A R T S C A T A L O G

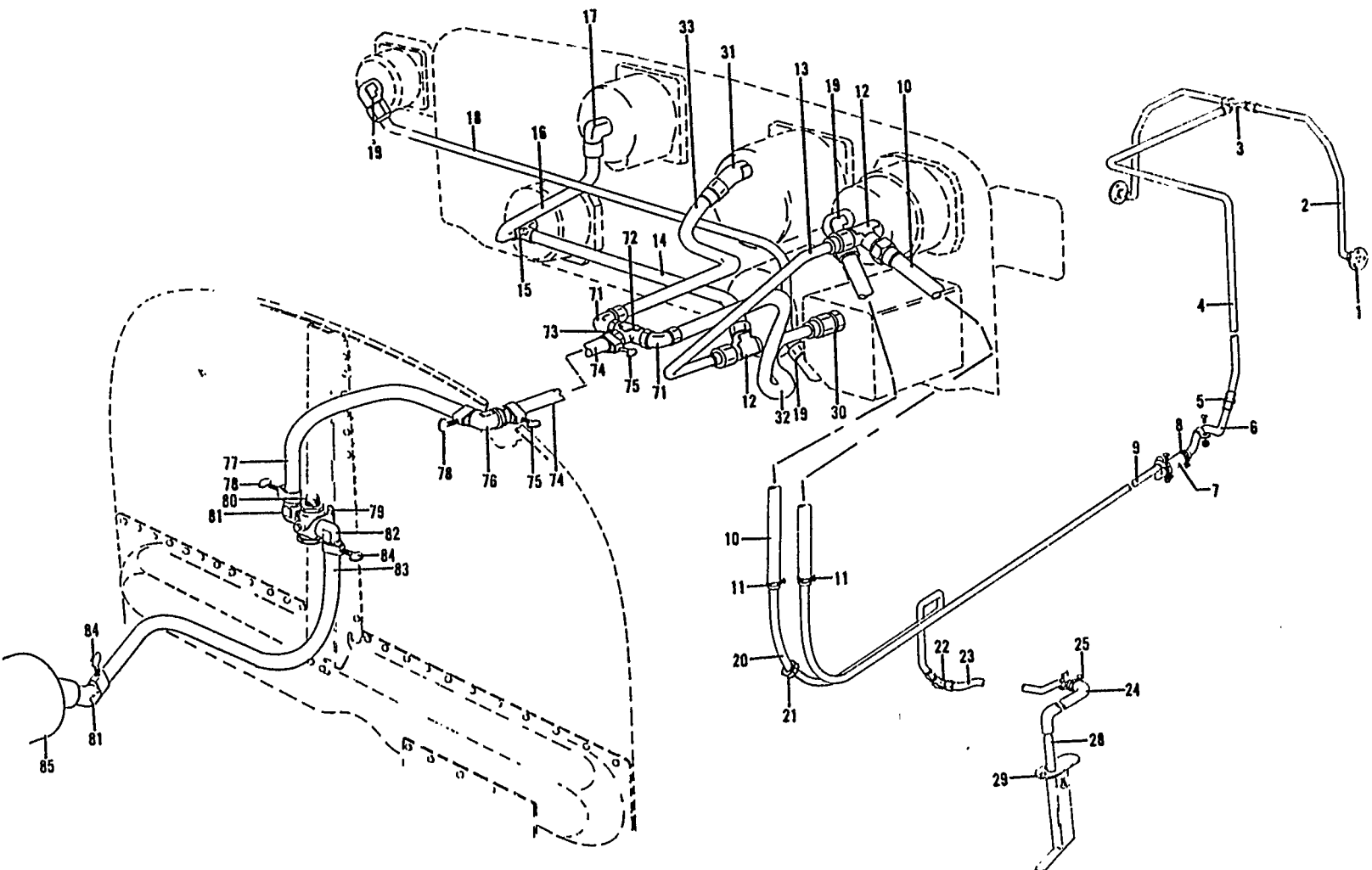
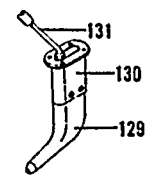
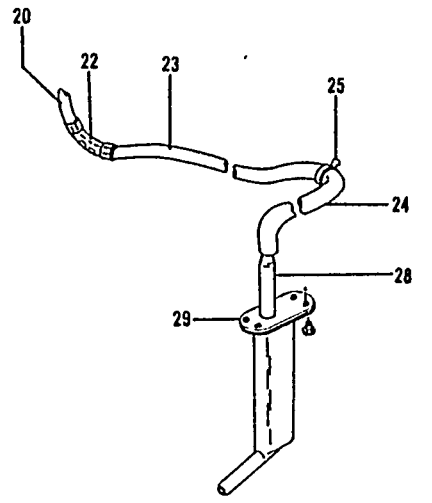
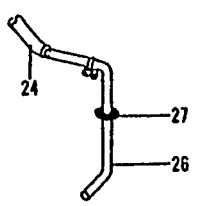
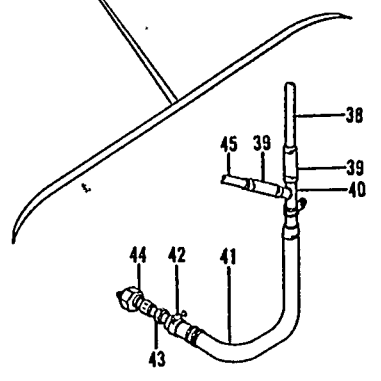
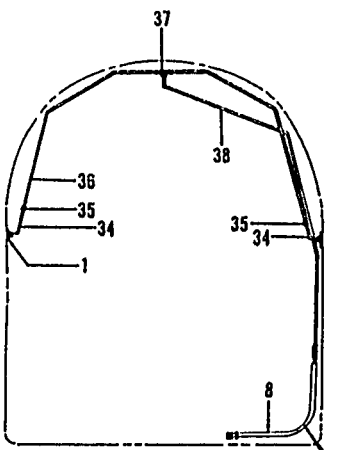
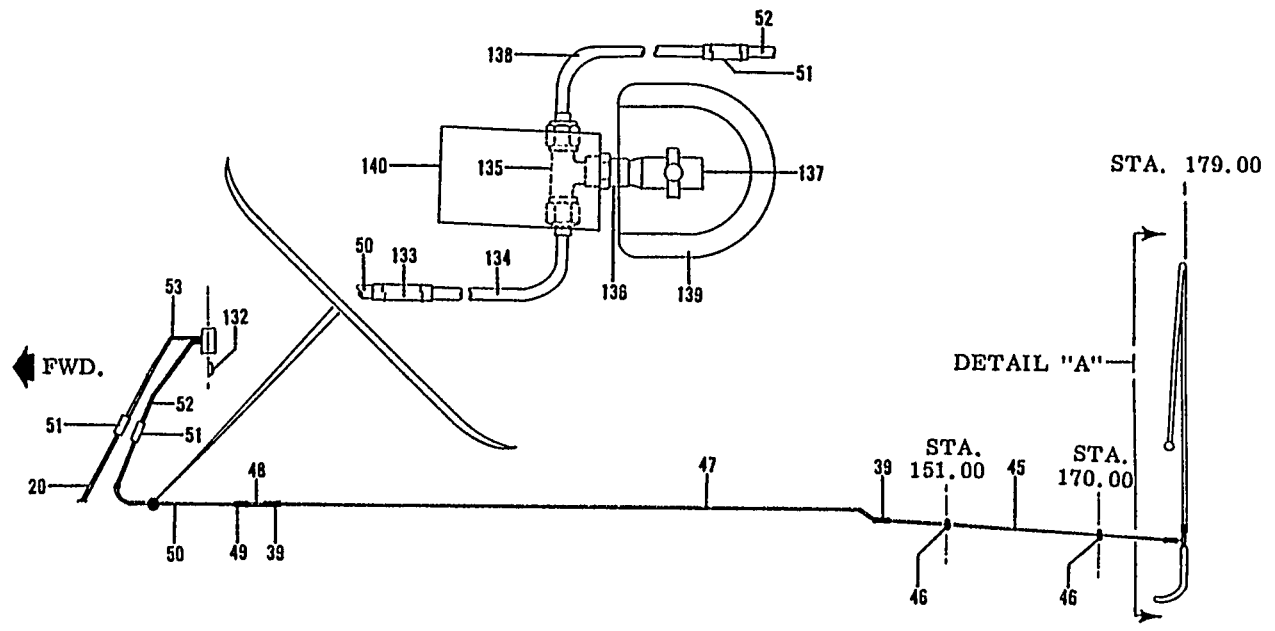
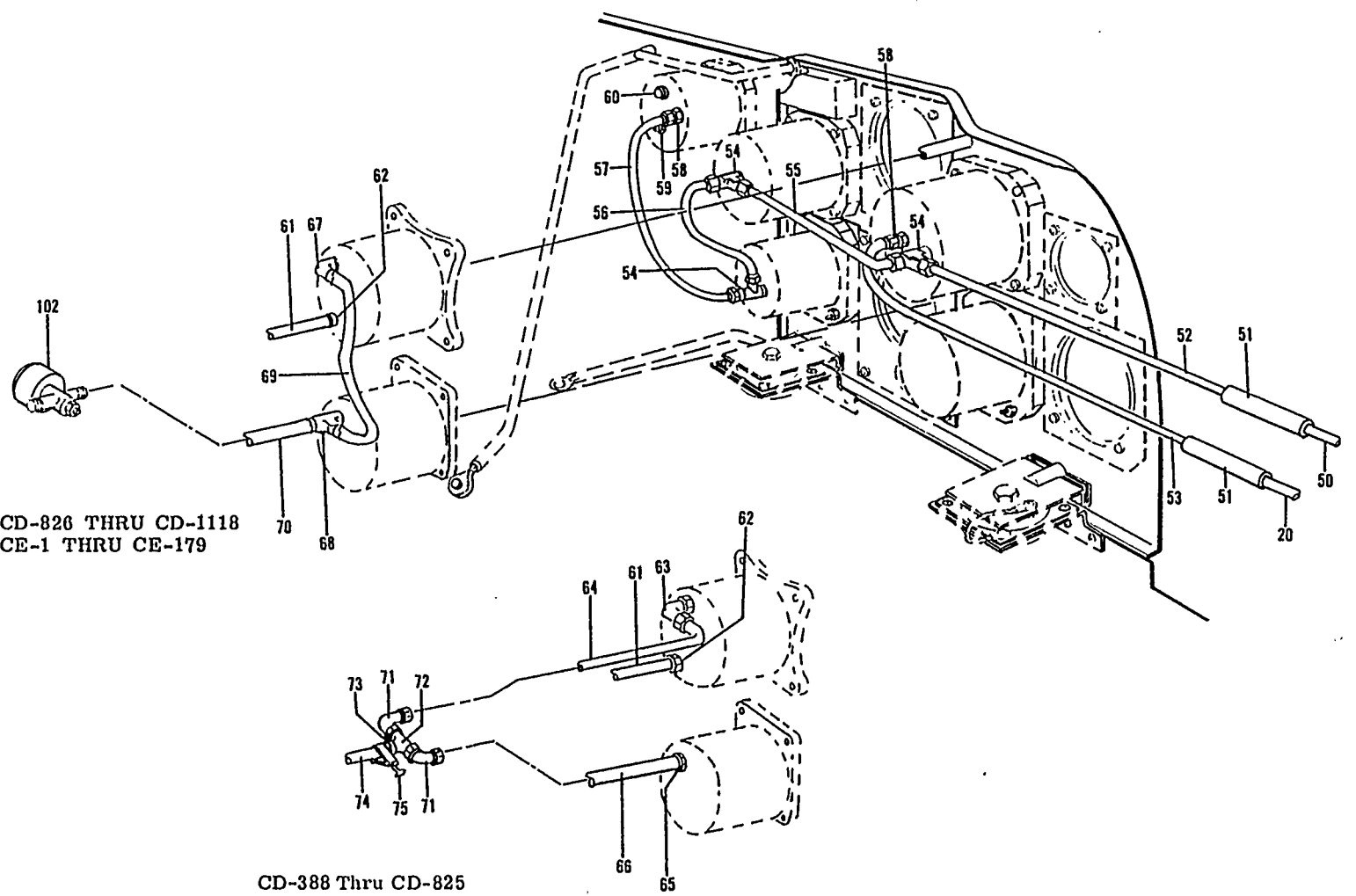


FIGURE 59. INSTRUMENT PLUMBING
/SHEET 1 OF 5 SHEETS/

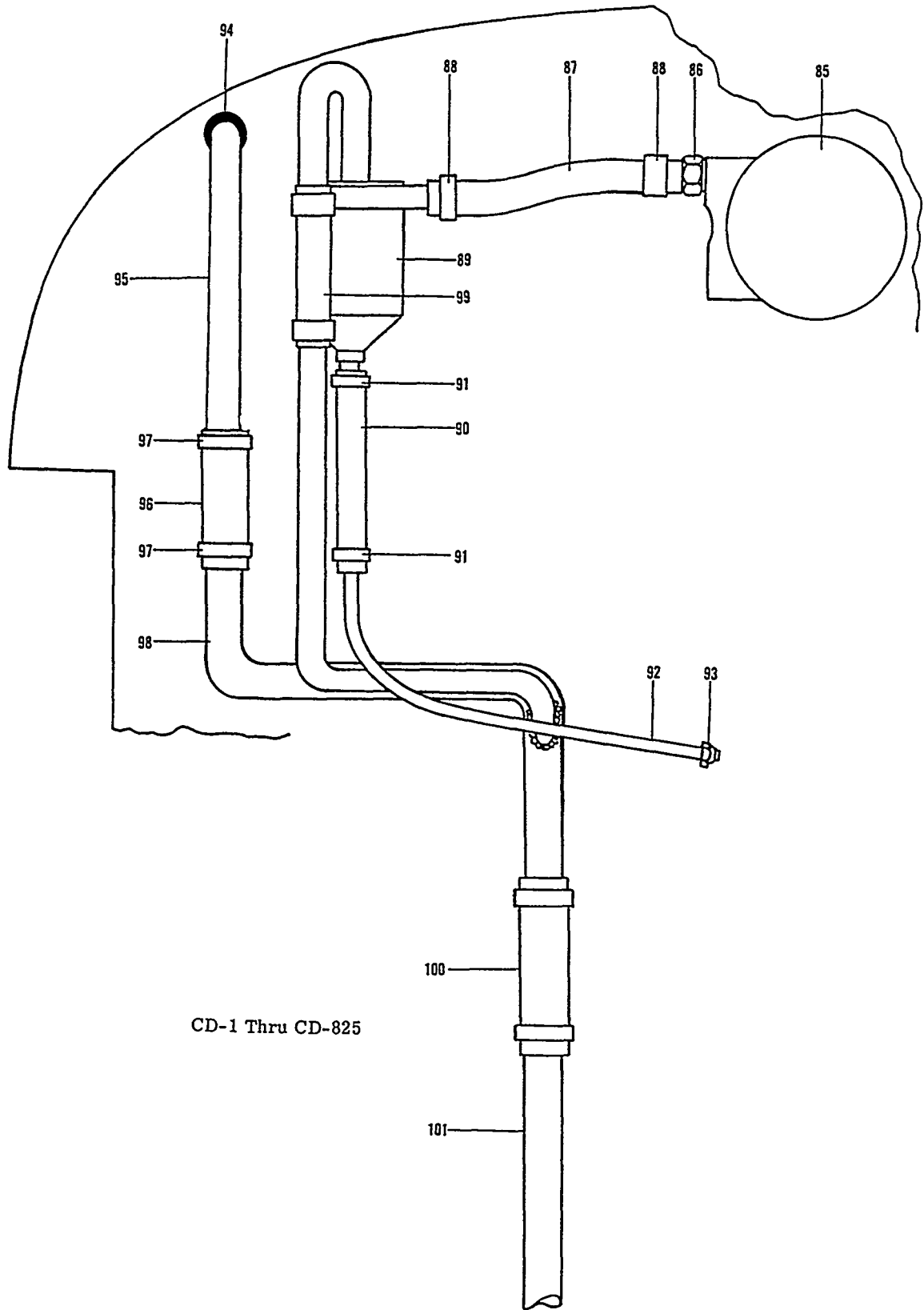




CD-820 THRU CD-1118
CE-1 THRU CE-179

CD-388 Thru CD-825

BEECHCRAFT
BONANZA 33 THRU E33
ILLUSTRATED PARTS CATALOG



BEECHCRAFT
 BONANZA 33 THRU E33
 ILLUSTRATED PARTS CATALOG

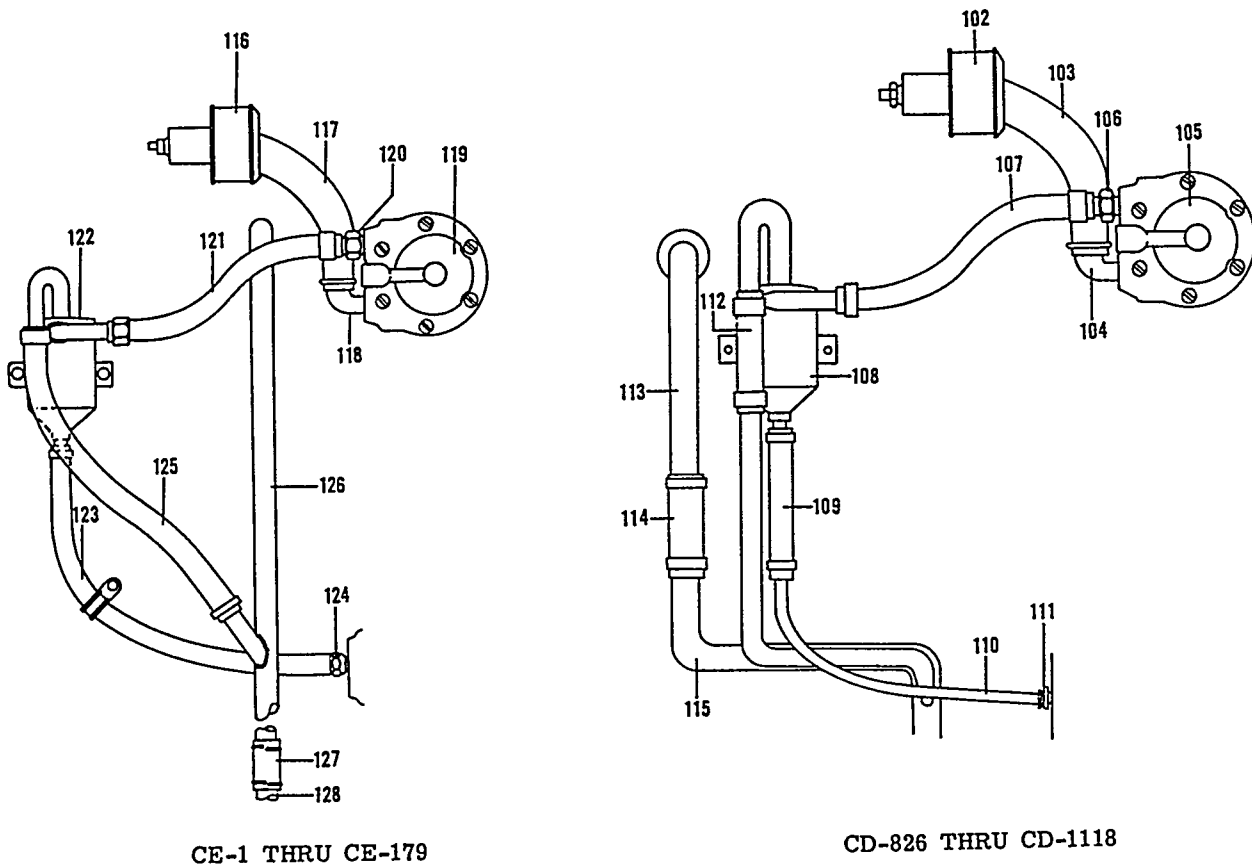
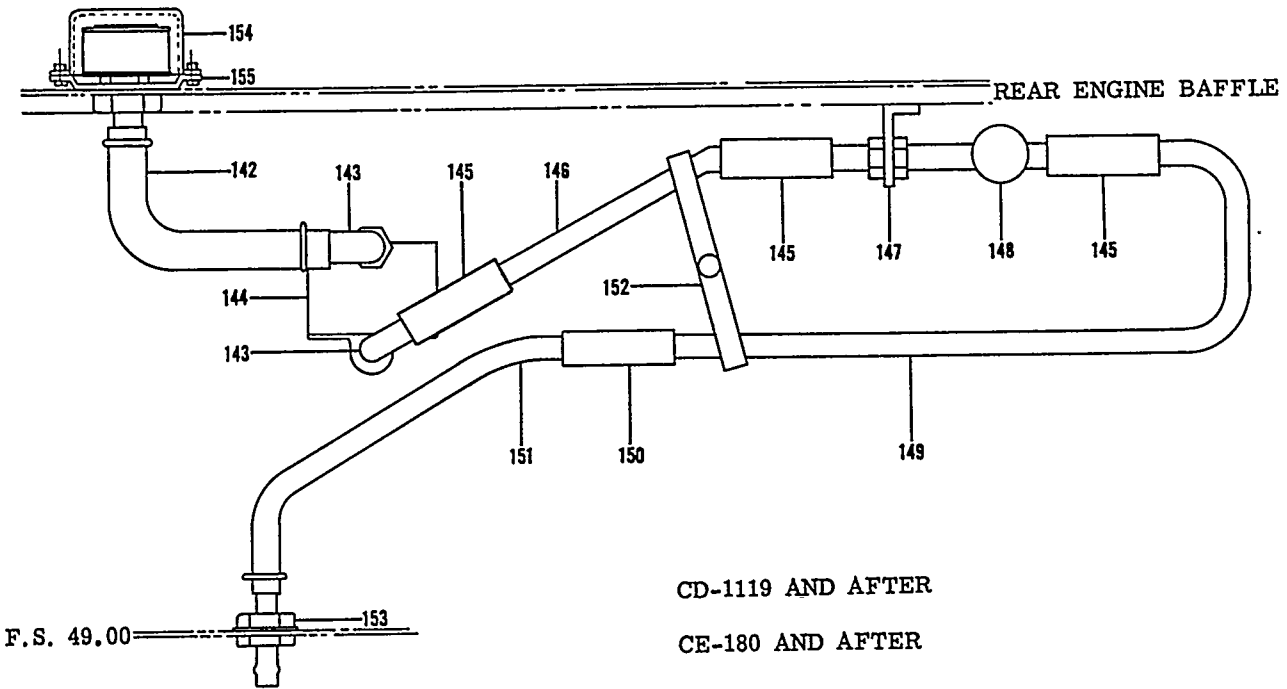


FIGURE 59. INSTRUMENT PLUMBING
 /SHEET 5 OF 5 SHEETS/

B E E C H C R A F T
B O N A N Z A 3 3 T H R U E 3 3
I L L U S T R A T E D P A R T S C A T A L O G

FIG. & ITEM NO.	PART NO.	DESCRIPTION	UNITS PER ASSY						USABLE ON CODE	
			1	2	3	4	5	6		7
59	33-324001	LINES INSTL,PITOT & INSTRUMENT.							NP	1
	35-324002-41	LINES INSTL,PITOT & INSTRUMENT.							NP	2
	35-324002-81	LINES INSTL,PITOT & INSTRUMENT.							NP	3
	33-324010	PANEL ASSY,FLOATING INSTRUMENT /WITH GYROS/							NP	1
	35-324392-21	INSTRUMENT INSTL /WITH GYROS/							NP	4
	35-324392-1	INSTRUMENT INSTL /WITH GYROS/							NP	5
- 1	35-400212	. FITTING,STATIC PRESSURE							2	
- 2	35-324092	. TUBE ASSY,STATIC PRESSURE LH.							1	6
	35-324091	. TUBE ASSY,STATIC PRESSURE RH.							1	6
- 3	AN824-4D	. TEE							1	6
- 4	35-324093	. TUBE ASSY,STATIC PRESSURE							1	7
	35-324002-77	. TUBE ASSY,STATIC PRESSURE							1	8
- 5	AN815-4D	. UNION							1	6
- 6	35-324098	. TUBE ASSY,STATIC PRESSURE							1	6
- 7	35-324002-7	. HOSE,STATIC PRESSURE.							1	6
- 8	AN737RM22	. CLAMP,HOSE.							2	6
- 9	35-324100	. TUBE ASSY,STATIC PRESSURE							1	6
- 10	33-324010-27	. HOSE ASSY,PITOT & STATIC PRESSURE							2	1
- 11	AN737RM22	. CLAMP,HOSE.							2	1
- 12	AN826-4D	. TEE							2	1
- 13	33-324010-3	. TUBE ASSY,AIRSPPEED TO ALTIMETER							1	1
- 14	33-324010-7	. TUBE ASSY,ALTIMETER TO FUEL PRESSURE.							1	1
- 15	AN826-4D	. TEE							1	1
- 16	33-324010-11	. TUBE ASSY,FUEL PRESSURE TO RATE OF CLIMB.							1	1
- 17	AN822-4D	. ELBOW							1	1
- 18	35-324345	. TUBE ASSY,SUCTION GAGE.							1	1
- 19	AN823-4D	. ELBOW							3	1
- 20	35-324002-9	. TUBE ASSY,PITOT PRESSURE.							1	
- 21	MS35489-6	. GROMMET /SUPERSEDES AN931-4-7/.							1	
- 22	AN821-4D	. ELBOW,PITOT PRESSURE.							1	
	35-324002-25	. TUBE ASSY,PITOT PRESSURE.							1	1
- 23	35-324002-37	. TUBE ASSY,PITOT PRESSURE.							1	9
- 24	50-320010-6	. HOSE,PITOT.							1	
- 25	AN737RM22	. CLAMP,HOSE.							1	
- 26	33-324001-1	. TUBE,PITOT.							1	1
		/ATTACHING PARTS/								
	AN743-12	. BRACKET,CLAMP SUPPORT							1	
	MS21919-5	. CLAMP,PITOT TUBE.							1	
	AN515-10R8	. SCREW							2	
	AN960-10	. WASHER.							2	
	AN365-1032	. NUT							2	
		*								
- 27	MS35489-11	. GROMMET /SUPERSEDES AN931-6-10/							1	1
- 28	35-321117-12	. TUBE ASSY,PITOT							1	9
		/ATTACHING PARTS/								
	AN515-8R8	. SCREW							4	10
	AN509-8R8	. SCREW							4	11
		*								
- 29	35-361151	. DOUBLER ASSY,PITOT MAST MOUNTING /USED. WITH HEATED PITOT INSTL/							1	1
- 30	AN816-6D	. NIPPLE,DIRECTIONAL GYRO							1	1
- 31	AN823-6D	. ELBOW,HORIZON GYRO.							1	1
- 32	AN6270-6-6 7/8	. HOSE ASSY,DIRECTIONAL GYRO VACUUM							1	1
- 33	AN6270-6-7 5/8	. HOSE ASSY,HORIZON GYRO VACUUM							1	1
- 34	35-324002-125	. TUBE ASSY,STATIC PRESSURE							2	3
- 35	AN919-6D	. REDUCER							2	3
- 36	35-324002-95	. TUBE ASSY,STATIC PRESSURE							2	3
- 37	AN824-6D	. TEE							1	3
- 38	35-324002-99	. TUBE ASSY,STATIC PRESSURE							1	3
- 39	35-324002-91	. TUBE,STATIC PRESSURE CONNECTOR.							4	3
- 40	35-324002-87	. WELD ASSY,STATIC PRESSURE TEE							1	3
- 41	35-324002-89	. TUBE,STATIC PRESSURE DRAIN.							1	3
- 42	AN737RM24	. CLAMP,DRAIN TUBE.							1	3
- 43	AN807-6D	. ADAPTER,STATIC DRAIN.							1	3
- 44	AN929-6	. CAP ASSY,STATIC DRAIN							1	3
- 45	35-324002-103	. TUBE,STATIC PRESSURE.							1	3

B E E C H C R A F T
B O N A N Z A 3 3 T H R U E 3 3
I L L U S T R A T E D P A R T S C A T A L O G

FIG. & ITEM NO.	PART NO.	DESCRIPTION	UNITS							USABLE ON CODE
			1	2	3	4	5	6	7	
59 - 46	MS35490-11	. GROMMET,STATIC PRESSURE TUBE.							2	3
- 47	35-324002-105	. TUBE,STATIC PRESSURE.							1	3
- 48	35-324002-83	. TUBE,STATIC PRESSURE ADAPTER.							1	3
- 49	35-324002-93	. TUBE,STATIC PRESSURE CONNECTOR.							1	3
- 50	35-324002-107	. TUBE,STATIC PRESSURE.							1	3
- 51	35-324392-47	. TUBE,STATIC & PITOT CONNECTOR							2	9
- 52	35-324392-43	. TUBE,STATIC PRESSURE.							1	9
- 53	35-324392-45	. TUBE,PITOT PRESSURE							1	9
- 54	271P1/4-1/8	. TEE							3	9
- 55	35-324392-15	. TUBE,AIRSPEED TO ALTIMETER.							1	9
- 56	35-324392-17	. TUBE,ALTIMETER TO VERTICAL SPEED.							1	9
- 57	35-324392-19	. TUBE,VERTICAL SPEED TO FUEL FLOW & MANIFOLD PRESSURE							1	9
- 58	268P1/4-1/8	. CONNECTOR							2	9
- 59	AN816-2D	. NIPPLE.							1	9
- 60	22-627	. RESTRICTOR.							1	9
- 61	35-324392-13	. TUBE,HORIZON GYRO TO SUCTION GAGE							1	9
- 62	269P1/4-1/4	. ELBOW,HORIZON GYRO.							1	9
- 63	AN823-6D	. ELBOW,HORIZON GYRO.							1	12
- 64	AN6270-6-18	. HOSE ASSY,HORIZON GYRO TO VACUUM SYSTEM							1	12
- 65	AN816-6D	. NIPPLE,DIRECTIONAL GYRO							1	12
- 66	AN6270-6-20 1/2	. HOSE ASSY,DIRECTIONAL GYRO TO VACUUM SYSTEM							1	12
- 67	1K9-4-6	. ELBOW,HORIZON GYRO.							1	13
- 68	1K17-2	. TEE,DIRECTIONAL GYRO.							1	13
- 69	35-324392-83	. HOSE,HORIZON GYRO TO DIRECTIONAL GYRO							1	13
	CS10A	. CLAMP,HOSE.							2	13
- 70	106200H8-60	. TUBE,DIRECTIONAL GYRO TO SUCTION RELIEF VALVE							1	13
	WHD26	. CLAMP,TUBE.							2	13
	35-SYSTEM INSTL	VACUUM SYSTEM INSTL							NP	14
	35-324002-27	. VACUUM LINES INSTL.							NP	14
- 71	AN822-6D	. ELBOW							2	14
	AN912-2D	. BUSHING							2	14
- 72	AN917-3D	. TEE							1	14
- 73	AN840-8D	. ADAPTER,VACUUM HOSE							1	14
- 74	35-324280-12	. HOSE,VACUUM							1	14
- 75	AN737-30	. CLAMP,HOSE.							2	14
- 76	AN848-8D	. ELBOW,BULKHEAD.							1	14
	AN960-1216L	. WASHER.							1	14
	AN936A1216	. WASHER.							1	14
	AN924-8D	. NUT							1	14
- 77	35-324280-38	. HOSE,VACUUM							1	14
- 78	AN737RM26	. CLAMP,HOSE.							2	14
- 79	35-415406	. BRACKET ASSY,SUCTION RELIEF VALVE							2	14
		/ATTACHING PARTS/								
	AN520-6R8	. SCREW							2	
	AN960-6	. WASHER.							2	
	MS20365-632	. NUT							2	
		-----*								
- 80	32-436	. VALVE,SUCTION RELIEF.							1	14
- 81	AN842-8D	. ELBOW,RELIEF VALVE & VACUUM PUMP.							2	14
- 82	AN844-8D	. ELBOW,RELIEF VALVE.							1	14
- 83	106200FR8-44	. HOSE,RELIEF VALVE TO VACUUM PUMP.							1	14
- 84	AN737RM34	. CLAMP,HOSE.							2	14
	35-910004-23	. VACUUM ASSY							1	14
- 85	G455PM	. PUMP,VACCUM /SUPERSEDES A513DB,3P194F,G450. AND G455/							1	14
	32-456-900	. COUPLING,NYLON.							1	14
- 86	AN840-8	. NIPPLE,VACUUM PUMP.							1	14
- 87	106200FR8-25	. HOSE,VACUUM PUMP TO OIL SEPARATOR							1	14
- 88	AN737RM34	. CLAMP,HOSE.							2	14
- 89	HE641	. SEPARATOR,OIL /SUPERSEDES G4000B/							1	14
		/ATTACHING PARTS/								
	AN520-10-8	. SCREW							2	
	AN960-10	. WASHER.							2	
	MS20365-1032	. NUT /SUPERSEDES AN365-1032/							2	
		-----*								

B E E C H C R A F T
B O N A N Z A 3 3 T H R U E 3 3
I L L U S T R A T E D P A R T S C A T A L O G

FIG. & ITEM NO.	PART NO.	DESCRIPTION							UNITS PER ASSY	USABLE ON CODE	
		1	2	3	4	5	6	7			
59 - 90	106200FR4-16	•	•	•	•	•	•	•	•	1	14
- 91	AN737RM22	•	•	•	•	•	•	•	•	2	14
- 92	35-910003-125	•	•	•	•	•	•	•	•	1	14
- 93	AN816-4B	•	•	•	•	•	•	•	•	1	14
- 94	AN931-12-17	•	•	•	•	•	•	•	•	1	14
- 95	35-910004-27	•	•	•	•	•	•	•	•	1	14
- 96	106200FR12-12	•	•	•	•	•	•	•	•	1	14
- 97	AN737RM44	•	•	•	•	•	•	•	•	2	14
- 98	35-910003-71	•	•	•	•	•	•	•	•	1	14
- 99	106200FR8-20	•	•	•	•	•	•	•	•	1	14
	AN737RM34	•	•	•	•	•	•	•	•	2	14
	33-910000	•	•	•	•	•	•	•	•	NP	18
-100	WAIT3-14-4	•	•	•	•	•	•	•	•	1	18
	A12	•	•	•	•	•	•	•	•	2	18
-101	35-910007-11	•	•	•	•	•	•	•	•	1	18
	35-324426-15	•	•	•	•	•	•	•	•	NP	15
-102	133A3	•	•	•	•	•	•	•	•	1	15
	3005A1	•	•	•	•	•	•	•	•	1	15
	35-324426-27	•	•	•	•	•	•	•	•	1	15
-103	35-324426-29	•	•	•	•	•	•	•	•	1	15
	A14	•	•	•	•	•	•	•	•	2	15
-104	1K1-6-10	•	•	•	•	•	•	•	•	1	15
-105	G455PM	•	•	•	•	•	•	•	•	1	15
	32-456-900	•	•	•	•	•	•	•	•	1	15
-106	AN840-8	•	•	•	•	•	•	•	•	1	15
-107	106200FR8-25	•	•	•	•	•	•	•	•	1	15
	A12	•	•	•	•	•	•	•	•	2	15
-108	HE641	•	•	•	•	•	•	•	•	1	15
	AN520-10-8	•	•	•	•	•	•	•	•	2	16
	AN520-10-10	•	•	•	•	•	•	•	•	2	17
	AN960-10	•	•	•	•	•	•	•	•	4	15
	MS20365-1032	•	•	•	•	•	•	•	•	2	15
-109	106200FR4-16	•	•	•	•	•	•	•	•	1	15
	A8	•	•	•	•	•	•	•	•	2	15
-110	35-910003-125	•	•	•	•	•	•	•	•	1	15
-111	AN816-4B	•	•	•	•	•	•	•	•	1	15
-112	106200FR8-20	•	•	•	•	•	•	•	•	1	15
	A12	•	•	•	•	•	•	•	•	2	15
-113	35-910004-27	•	•	•	•	•	•	•	•	1	15
-114	106200FR12-12	•	•	•	•	•	•	•	•	1	15
	A20	•	•	•	•	•	•	•	•	2	15
-115	35-910003-71	•	•	•	•	•	•	•	•	1	15
	35-324426	•	•	•	•	•	•	•	•	NP	5
-116	133A3	•	•	•	•	•	•	•	•	1	5
	3005A1	•	•	•	•	•	•	•	•	1	5
	35-324426-27	•	•	•	•	•	•	•	•	1	5
-117	35-324426-29	•	•	•	•	•	•	•	•	1	5
	A14	•	•	•	•	•	•	•	•	2	5
-118	1K1-6-10	•	•	•	•	•	•	•	•	1	5
-119	G455PM	•	•	•	•	•	•	•	•	1	5
	32-456-900	•	•	•	•	•	•	•	•	1	5
-120	AN840-8	•	•	•	•	•	•	•	•	1	5
-121	35-324426-9	•	•	•	•	•	•	•	•	1	5
	A12	•	•	•	•	•	•	•	•	2	5
-122	HE641	•	•	•	•	•	•	•	•	1	5
	AN3-10A/M/	•	•	•	•	•	•	•	•	2	
	NAS43DD3-24	•	•	•	•	•	•	•	•	2	
	100951X040XL	•	•	•	•	•	•	•	•	2	
	AN960-10	•	•	•	•	•	•	•	•	2	

B E E C H C R A F T
B O N A N Z A 3 3 T H R U E 3 3
I L L U S T R A T E D P A R T S C A T A L O G

FIG. & ITEM NO.	PART NO.	DESCRIPTION	1 2 3 4 5 6 7							UNITS PER ASSY	USABLE ON CODE
			1	2	3	4	5	6	7		
59	MS20365-1032	. NUT /SUPERSEDES AN365-1032/	2	
		*									
-123	35-324426-11	. HOSE,OIL RETURN	1	5
	A8	. CLAMP,HOSE	2	5
-124	AN840-4	. NIPPLE,OIL RETURN	1	5
-125	35-324426-7	. HOSE,SEPARATOR AIR VENT	1	5
	A12	. CLAMP,HOSE	2	5
-126	35-324426-25	. TUBE ASSY,BREATHER	1	5
	35-910007	ENGINE INSTL,I0-520 CANTED.	NP	20
-127	WAIT3-14-4	. DUCT	1	20
	A12	. CLAMP	2	20
-128	35-910007-11	. TUBE,BREATHER	1	20
	33-361010	HEAD INSTL,HEATED PITOT	NP	1
	35-361159	HEAD INSTL,HEATED PITOT	NP	9
-129	50-384040-1	. TUBE ASSY,HEATED PITOT	1	
		/ATTACHING PARTS/									
	AN507-640R4	. SCREW	4	
		*									
-130	35-361108-8	. MAST ASSY,HEATED PITOT	1	
		/ATTACHING PARTS/									
	AN509-8R8	. SCREW	4	
		*									
-131	35-361109	. TUBE ASSY,HEATED PITOT	1	
	D7270-5-10	. CIRCUIT BREAKER	1	1
-132	113-210-102	. CIRCUIT BREAKER /SUPERSEDES CB3110A& CB2110C/	1	9
	6050C	. NUT,SWITCH RING	1	9
	35-324428	AIR SOURCE INSTL,EMERGENCY STATIC	NP	25
	35-324428-21	AIR SOURCE INSTL,EMERGENCY STATIC	NP	24
-133	95-970000-137	. SPLICE,STATIC TUBE	1	19
-134	35-324428-17	. TUBE ASSY	1	19
-135	MS20825-4D	. TEE /SUPERSEDES AN825-4D/	1	19
-136		. DELETED		
-137	35-324428-11	. VALVE ASSY	1	19
-138	35-324428-15	. TUBE ASSY	1	27
	35-324428-25	. TUBE ASSY	1	28
-139	35-324428-3	. COVER	1	27
	35-324428-23	. COVER	1	28
-140	96-324141	. INSTRUCTION PLATE,EMERGENCY STATIC AIR SOURCE	1	19
		/SUPERSEDES 35-324429/									
		/ATTACHING PARTS/									
	AN504-6R8	. SCREW	4	
		*									
	35-324428-13	. SUPPLEMENT,FLIGHT MANUAL	1	25
	35-329012-5	PRESSURE SYSTEM INSTL,AIR	NP	21
	33-329010	PRESSURE SYSTEM INSTL,AIR	NP	22
-141	1J1-1	. FILTER,AIR	1	23
	AN960-1416	. WASHER	1	23
-142	35-329012-3	. HOSE	1	21
	33-329010-3	. HOSE	1	22
		/ATTACHING PARTS/									
	A14	. CLAMP	2	
		*									
-143	1K1-6-10	. ELBOW,PRESSURE PUMP	2	23
-144	200CW	. PUMP,AIR PRESSURE	1	23
-145	35-329012-11	. HOSE	3	21
	33-329010-11	. HOSE	3	22
		/ATTACHING PARTS/									
	A14	. CLAMP	2	
		*									
-146	35-329012-9	. TUBE	1	21
	33-329010-7	. TUBE	1	22
-147	33-329010-19	. ANGLE,REGULATOR SUPPORT /SUPERSEDES	1	23
		33-329010-5/									
-148	1H30-9	. REGULATOR,AIR PRESSURE	1	23

B E E C H C R A F T
B O N A N Z A 3 3 T H R U E 3 3
I L L U S T R A T E D P A R T S C A T A L O G

FIG. & ITEM NO.	PART NO.	1	2	3	4	5	6	7	DESCRIPTION	UNITS PER ASSY	USABLE ON CODE
59	108492S1416-116	WASHER.	1	23
-149	35-329012-15	TUBE ASSY	1	21
	33-329010-13	TUBE ASSY	1	22
-150	35-329012-17	HOSE.	1	21
	33-329010-15	HOSE.	1	22
-151	35-329012-19	TUBE ASSY	1	21
	33-329010-17	TUBE ASSY	1	22
-152	MS21919DG11	CLAMP	2	23
	AN520-10R10	SCREW	2	23
	AN960-10	WASHER.	2	23
	MS20365-1032	NUT	2	23
-153	AN807-10	ADAPTER	2	23
	108492S1416-116	WASHER.	2	23
	AN924-10	NUT	2	23
-154	96-910040-1	COVER,AIR FILTER.	1	26
		/ATTACHING PARTS/		
	AN3	BOLT.	2	
	AN960-10	WASHER.	2	
	MS20365-1032	NUT	2	
		*		
-155	96-910041-2	BRACKET,AIR FILTER COVER.	1	26

NOTE SEE FIG. 64 FOR STATIC PRESSURE PLUMBING
REQUIRED FOR LANDING GEAR SAFETY SYSTEM

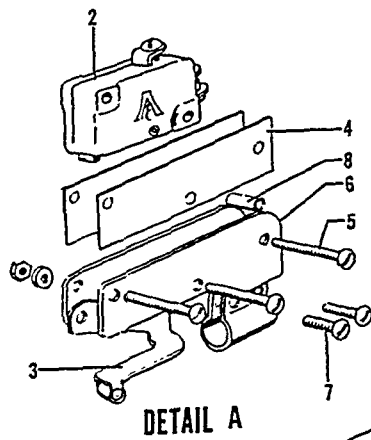
C O D E S O F E F F E C T I V I T Y

1 CD-1 THRU CD-387	2 CD-388 THRU CD-1013
3 CD-1014 AND AFTER, CE-1 AND AFTER	4 CD-388 THRU CD-1118
5 CE-1 THRU CE-179	6 CD-1 THRU CD-1013
7 CD-1 THRU CD-813	8 CD-814 THRU CD-1013
9 CD-388 THRU CD-1118, CE-1 THRU CE-179	10 CD-388 THRU CD-615
11 CD-616 AND AFTER, CE-1 AND AFTER	12 CD-388 THRU CD-825
13 CD-826 THRU CD-1118, CE-1 THRU CE-179	14 CD-1 THRU CD-825
15 CD-826 THRU CD-1118	16 CD-826 THRU CD-878
17 CD-879 THRU CD-1118	18 CD-1 AND AFTER
19 CD-899 AND AFTER, CE-1 AND AFTER	20 CE-1 AND AFTER
21 CE-180 AND AFTER	22 CD-1119 AND AFTER
23 CD-1119 AND AFTER, CE-180 AND AFTER	24 CE-149 AND AFTER
25 CD-899 AND AFTER, CE-1 THRU CE-148	26 CD-1174 AND AFTER
27 CD-899 THRU CD-1198 CE-1 THRU CE-236	28 CD-1199 AND AFTER CE-237 AND AFTER

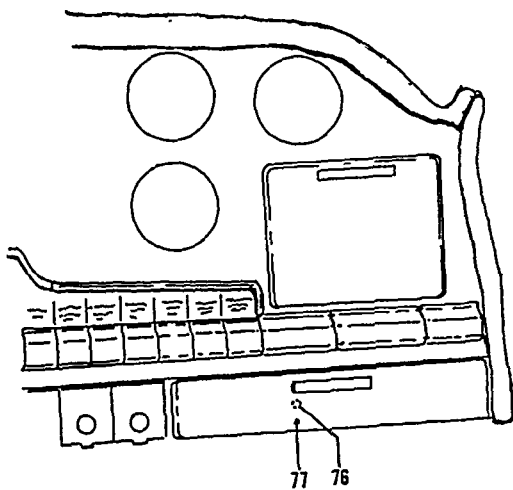
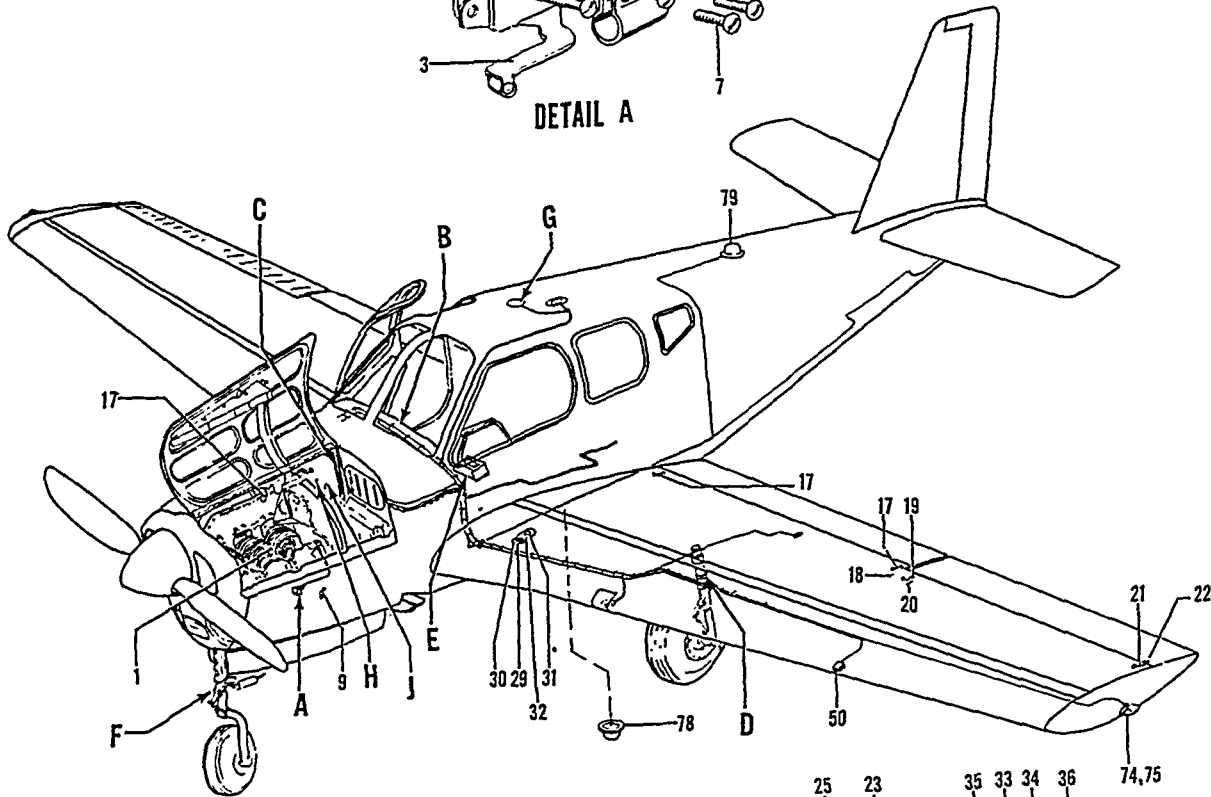
B E E C H C R A F T
B O N A N Z A 3 3 T H R U E 3 3
I L L U S T R A T E D P A R T S C A T A L O G

FIGURE 60
ELECTRICAL EQUIPMENT

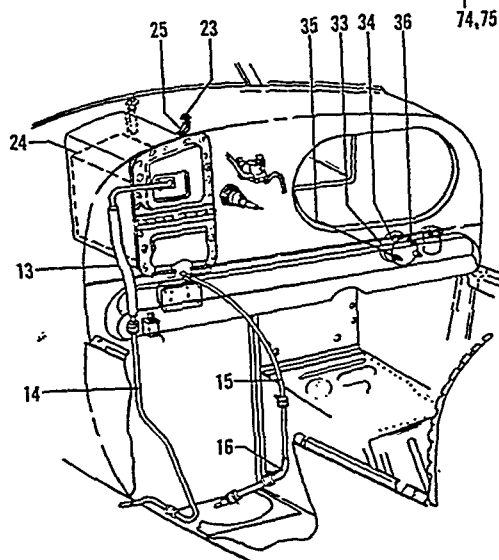
BEECHCRAFT
 BONANZA 33 THRU E33
 ILLUSTRATED PARTS CATALOG



DETAIL A



DETAIL B

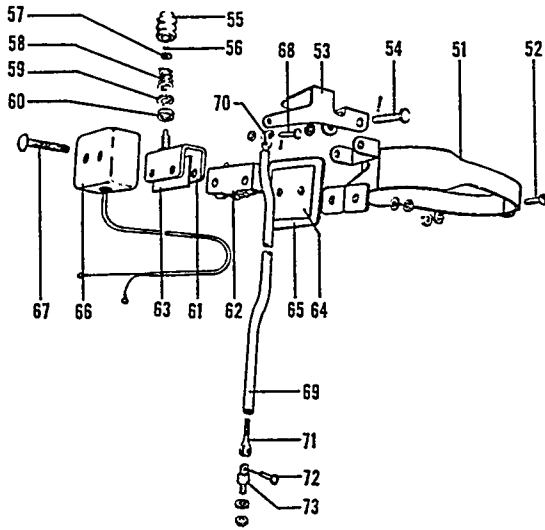


DETAIL A

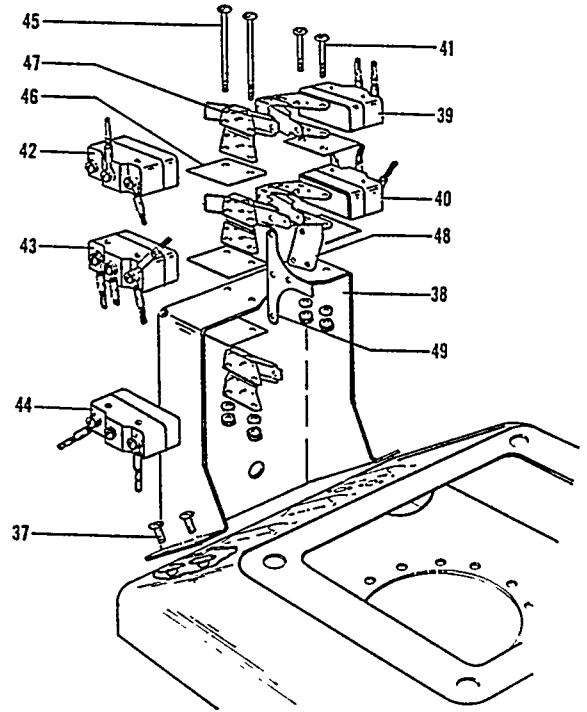
FIGURE 60. ELECTRICAL EQUIPMENT
 /SHEET 1 OF 2 SHEETS/

02/24/84

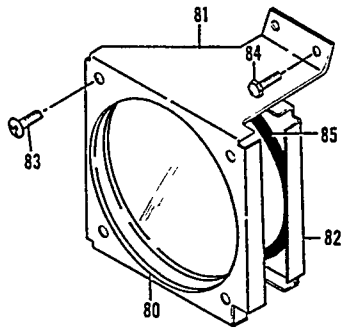
BEECHCRAFT
 BONANZA 33 THRU E33
 ILLUSTRATED PARTS CATALOG



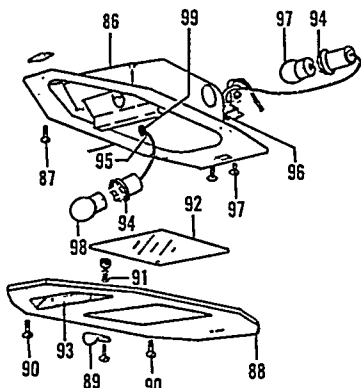
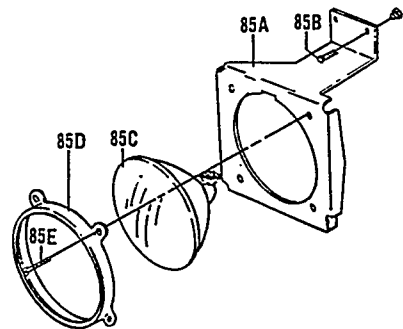
DETAIL D



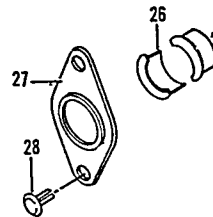
DETAIL E



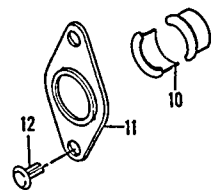
DETAIL F



DETAIL G



DETAIL H



DETAIL J

B E E C H C R A F T
B O N A N Z A 3 3 T H R U E 3 3
I L L U S T R A T E D P A R T S C A T A L O G

FIG. & ITEM NO.	PART NO.	DESCRIPTION	UNITS							USABLE ON CODE
			1	2	3	4	5	6	7	
60	33-360010	ELECTRICAL INSTL,MODEL 33,A33							NP	1
	33-364015	ELECTRICAL INSTL,MODEL B33,C33.							NP	6
	33-364017	ELECTRICAL INSTL,MODEL C33A							NP	7
- 1	AN900-10	. GASKET,OIL TEMPERATURE.							1	
	1512926	. UNIT,OIL TEMPERATURE.							1	
		/ATTACHING PARTS/								
	AN960C10	. WASHER.							1	
	AN363-1032	. NUT							1	
- 2	V3-1	. SWITCH,THROTTLE WARNING							1	
- 3	JV5	. ACTUATOR,THROTTLE WARNING							1	
- 4	35-369131	. INSULATOR,THROTTLE WARNING SWITCH							2	
		/ATTACHING PARTS/								
- 5	AN515-4	. SCREW							3	
	AN960-4	. WASHER.							3	
	MS20365-440	. NUT							3	
- 6	35-369124-1	. BRACKET,THROTTLE WARNING SWITCH							1	
		/ATTACHING PARTS/								
- 7	AN515-4	. SCREW							2	
	MS20365-440	. NUT							2	
- 8	102933D1ZA0410	. SPACER.							1	
- 9	4F7H	. JUMPER,BONDING.							1	
		/ATTACHING PARTS/								
	AN960-616	. WASHER.							1	
	AN960-416	. WASHER.							1	
- 10	AN960-8	. WASHER.							4	
- 11	112149-11	. GROMMET							2	
- 11	112436-4	. RETAINER.							1	
		/ATTACHING PARTS/								
- 12	49338	. FASTENER.							2	
- 13	35-369002-3	. TUBE,BATTERY VENT							1	
- 14	35-369150	. TUBE,BATTERY VENT							1	
- 15	35-369002-5	. TUBE,BATTERY DRAIN GUIDE.							1	
- 16	35-369151	. TUBE,BATTERY DRAIN GUIDE.							1	
- 16	35-369002-17	. TUBE,BATTERY DRAIN.							1	7
- 17	CP6P	. JUMPER,BONDING.							4	
		/ATTACHING PARTS/								
- 18	AN526-632	. SCREW							2	
	AN960-6	. WASHER.							4	
	MS20365-632	. NUT							2	
- 19	AQ8Q	. JUMPER,BONDING INBD							2	
		/ATTACHING PARTS/								
- 20	AN526-632	. SCREW							2	
	AN960-6	. WASHER.							4	
	MS20365-632	. NUT							2	
- 21	AQ6Q	. JUMPER,BONDING OUTBD.							2	
		/ATTACHING PARTS/								
- 22	AN526-632	. SCREW							2	
	AN960-6	. WASHER.							4	
	MS20365-632	. NUT							2	
- 23	4G14G	. JUMPER,BONDING.							1	
- 24	118649	. BATTERY							1	
	35-415410-70	. BOX ASSY,BATTERY.							1	9
	35-415410-71	. BOX ASSY,BATTERY/SEE FIG.62 FOR LATER SERIALS							1	10
- 25	106242-10-01208	. TUBE.							1	3
- 26	112149-12	. GROMMET							2	
	AN960-4	. WASHER.							2	
- 27	112436-4	. RETAINER.							1	
		/ATTACHING PARTS/								
- 28	49384	. FASTENER.							2	

B E E C H C R A F T
B O N A N Z A 3 3 T H R U E 3 3
I L L U S T R A T E D P A R T S C A T A L O G

FIG. & ITEM NO.	PART NO.	DESCRIPTION	UNITS PER ASSY	USABLE ON CODE
		1 2 3 4 5 6 7		
60 - 29	AQ6Q	. JUMPER, BONDING. /ATTACHING PARTS/	2	
- 30	AN526-8 AN960-8 MS20365-832	. SCREW WASHER NUT	1 1 1	
- 31	AQ4S	. JUMPER, BONDING. /ATTACHING PARTS/	2	
- 32	NAS70B 209-438 AN936A10 AN345B10	. SCREW, BRASS WASHER WASHER NUT	1 1 1 1	
- 33	169-380021-7	. HORN ASSY, LANDING GEAR WARNING. /SUPERSEDES 169-380021-1/	1	
- 34	R102	. FLASHER UNIT, WARNING HORN /ATTACHING PARTS/	1	
- 35	AN526-832	. SCREW	3	
- 36	100696P-ZL028	. SPACER	3	
	35-364129-601	. SWITCH ASSY, LANDING GEAR LIMIT. /ATTACHING PARTS/	1	
- 37	AN515-8 AN960-8	. SCREW WASHER	4 4	
- 38	35-364126	. . BRACKET	1	
- 39	MS25026-1	. . SWITCH, LANDING GEAR UP DYNAMIC BRAKE.	1	
- 40	MS25026-1	. . SWITCH, LANDING GEAR UP LIMIT. /ATTACHING PARTS/	1	
- 41	AN515-6-32	. . SCREW	2	
- 42	MS25026-1	. . SWITCH, LANDING GEAR DOWN DYNAMIC BRAKE.	1	
- 43	MS25026-1	. . SWITCH, LANDING GEAR DOWN LIMIT.	1	
- 44	MS25026-1	. . SWITCH, LANDING GEAR WARNING HORN. /ATTACHING PARTS/	1	
- 45	AN515-6-40	. . SCREW	2	
- 46	35-364238	. . INSULATOR, LANDING GEAR LIMIT SWITCH	5	
- 47	35-364247	. . ACTUATOR, LANDING GEAR LIMIT SWITCH.	1	
- 48	35-364137	. . PLATE, SWITCH ACTUATOR	1	
- 49	35-364136 35-361025	. . TAB, SWITCH ACTUATOR UNIT INSTL, STALL WARNING.	1 NP	
- 50	151	. UNIT, STALL WARNING WING DETECTOR. /ATTACHING PARTS/	1	
	AN507-632-8	. SCREW	4	
	35-361144	SWITCH INSTL, LANDING GEAR SAFETY.	NP	
	35-361131-601	. SWITCH ASSY, LANDING GEAR SAFETY /SUPERSEDES 35-361131/	1	
- 51	35-361133	. . BRACKET ASSY, LANDING GEAR SAFETY SWITCH /ATTACHING PARTS/	1	
- 52	AN3-5A /M/ AN960D10 AN365-1032	. . BOLT. WASHER. NUT	1 1 1	
- 53	35-361132	. . ARM, LANDING GEAR SAFETY SWITCH. /ATTACHING PARTS/	1	
- 54	AN393-29 AN960D10 AN380-2-1	. . PIN WASHER. PIN, COTTER.	1 1 1	
- 55	35-361148-1	. . BOOT, LANDING GEAR SAFETY SWITCH	1	
- 56	NAS51-31	. . RING, SNAP	1	
- 57	1009510D032YF	. . WASHER.	1	
- 58	35-361150	. . SPRING, PLUNGER ASSIST	1	
- 59	AN960A816L	. . WASHER.	2	
- 60	35-361153	. . WASHER.	1	

B E E C H C R A F T
 BONANZA 33 THRU E33
 I L L U S T R A T E D P A R T S C A T A L O G

FIG. & ITEM NO.	PART NO.	DESCRIPTION	UNITS PER ASSY	USABLE ON CODE
		1 2 3 4 5 6 7		
60 - 61	MC2711	. . . ACTUATOR, LANDING GEAR SAFETY SWITCH	1	
- 62	BZ3YT	. . . SWITCH, LANDING GEAR SAFETY.	1	
- 63	35-364238	. . . INSULATOR, LANDING GEAR SAFETY SWITCH.	1	
- 64	35-361134	. . . COVER, LANDING GEAR SAFETY SWITCH BOX.	1	
- 65	35-361136	. . . GASKET, LANDING GEAR SAFETY SWITCH BOX	1	
- 66	35-361135	. . . BOX, LANDING GEAR SAFETY SWITCH.	1	
		/ATTACHING PARTS/		
- 67	AN526-632-22	. . . SCREW	2	
	AN960D6	. . . WASHER.	4	
	AN365-632	. . . NUT	2	
		-----*		
	35-361145	. . . LINK ASSY, LANDING GEAR SAFETY SWITCH.	1	
		/ATTACHING PARTS/		
- 68	AN393-13	. . . PIN	1	
	AN960D10	. . . WASHER.	2	
	AN380-2-1	. . . PIN, COTTER.	1	
		-----*		
- 69	35-361145-2	. . . LINK, LANDING GEAR SAFETY SWITCH	1	
- 70	35-361145-4	. . . FORK, LANDING GEAR SAFETY SWITCH LINK.	1	
- 71	AN161-16RS	. . . FORK, LANDING GEAR SAFETY SWITCH LINK.	1	
		/ATTACHING PARTS/		
- 72	AN393-13	. . . PIN	1	
	AN960D10	. . . WASHER.	2	
	AN380-2-1	. . . PIN, COTTER.	1	
		-----*		
- 73	AN42-4	. . . BOLT, EYE.	1	
	AN960-10L	. . . WASHER.	2	
	AN310-3	. . . NUT	1	
	MS24665-132	. . . PIN, COTTER /SUPERSEDES AN380-2-2/	1	
	35-361701	LIGHT INSTL, WING POSITION LH.	NP	
	35-361701-1	LIGHT INSTL, WING POSITION RH.	NP	
- 74	35-361702-2	. . . LAMP ASSY, WING POSITION LH.	1	
	35-361702-4	. . . LAMP ASSY, WING POSITION RH.	1	
		/ATTACHING PARTS/		
	AN526-632-8	. . . SCREW	3	
		-----*		
	AN3033-1	. . . LAMP ASSY, LH /RED/.	1	7
	AN3033-12	. . . LAMP ASSY, RH /GREEN/ /SUPERSEDES AN3033-3/.	1	7
- 75	35-361703	. . . INDICATOR, LH NAV LIGHT.	1	8
	35-361703-1	. . . INDICATOR, RH NAV LIGHT.	1	8
	35-170004-11	. . . INDICATOR, LH NAV LIGHT.	1	7
	35-170004-12	. . . INDICATOR, RH NAV LIGHT.	1	7
	35-364161-1	LIGHT INSTL, ROTATING BEACON UPPER	NP	
	35-364161-3	LIGHT INSTL, ROTATING BEACON UPPER	NP	
	35-364161-5	LIGHT INSTL, ROTATING BEACON DUAL.	NP	
	35-364161-7	LIGHT INSTL, ROTATING BEACON DUAL.	NP	
- 76	CB3115A	. . . BREAKER, UPPER ROTATING BEACON CIRCUIT	1	
		/ATTACHING PARTS/		
- 77	AN515-6R8	. . . SCREW	2	
	AN960-6	. . . WASHER.	2	
		-----*		
- 78	95-364027-613	. . . LIGHT ASSY, LOWER ROTATING BEACON /DUAL BULB/.	1	1
	35-364161-11	. . . LIGHT ASSY, LOWER ROTATING BEACON.	1	2
- 79	35-364123-601	. . . LIGHT ASSY, UPPER ROTATING BEACON /DUAL BULB/.	1	1
	33-380001-1	. . . LIGHT ASSY, UPPER ROTATING BEACON.	1	2
		/ATTACHING PARTS/		
	AN515-6R7	. . . SCREW	5	
		-----*		
	95-364013-1	. . . DOUBLER, UPPER ROTATING BEACON	1	
	95-364013-3	. . . SHIM, UPPER ROTATING BEACON.	1	
	95-364027-21	. . . DOUBLER, LOWER ROTATING BEACON	1	
	33-364013	LIGHT INSTL, LANDING	NP	3
- 80	4522	. . . BULB.	1	
- 81	33-364013-1	. . . BRACKET, LANDING LIGHT	1	3
	33-364013-5	. . . BRACKET ASSY, LANDING LIGHT.	1	3

B E E C H C R A F T
B O N A N Z A 3 3 T H R U E 3 3
I L L U S T R A T E D P A R T S C A T A L O G

FIG. & ITEM NO.	PART NO.	1	2	3	4	5	6	7	DESCRIPTION	UNITS PER ASSY	USABLE ON CODE
60 - 82	33-364013-3	BRACKET, LANDING LIGHT /ATTACHING PARTS/	1	3
- 83	AN515-8R	SCREW	2	
	MS20365-832	NUT	2	
- 84	AN3A	BOLT	3	
	MS20365-1032	NUT	3	

- 85	112416-01316	EXTRUSION, LANDING LIGHT	1	3
	95-364032-601	LIGHT ASSY, NOSE GEAR LANDING	1	4
- 85A	95-364032-1	BRACKET ASSY, LANDING LIGHT /ATTACHING PARTS/	1	4
	MS20365-1032	NUT	3	

- 85C	4522	BULB, NOSE GEAR MOUNTED LANDING LIGHT	1	4
- 85D	45-115018	CLAMP, LANDING LIGHT BULB /ATTACHING PARTS/	1	4
- 85E	AN515-8R	SCREW	4	
	MS20365-832	NUT	4	

	35-364071	LIGHT INSTL, CABIN	NP	5
	35-364040	LIGHT ASSY, CABIN	1	5
- 86	35-364040-12	BODY ASSY, CABIN LIGHT /ATTACHING PARTS/	1	5
- 87	PK79XZ-6-8	SCREW	4	

- 88	35-364040-10	COVER ASSY, CABIN LIGHT	1	5
- 89	35-364022	SHUTTER, CABIN LIGHT /ATTACHING PARTS/	1	5
- 90	AN515C6-10	SCREW	1	
	AN365D632	NUT	1	
- 91	100943YN012R	SPRING	1	

- 92	35-364040-8	LENS, CABIN LIGHT	1	5
- 93	35-364073	LENS, MAP LIGHT	1	5
- 94	SC2611	SOCKET, CABIN LIGHT	2	5
- 95	YZ14H1	CONNECTOR	1	5
- 96	SS-32-1	SWITCH, SLIDE /SUPERSEDES SS1/ /ATTACHING PARTS/	1	5
- 97	AN507-440-5	SCREW	2	
	MS20365-440	NUT /SUPERSEDES AN365-440/	2	

- 98	89	BULB /SUPERSEDES 89-6CP/	1	5
- 99	MS35489-4	GROMMET /SUPERSEDES AN931-3-5/	1	6

C O D E S O F E F F E C T I V I T Y

1	CD-1 THRU CD-387	2	CD-388 AND AFTER, CE-1 AND AFTER
3	CD-1 THRU CD-370	4	CD-371 AND AFTER, CE-1 AND AFTER
5	CD-1 THRU CD-224, CD-233, CD-234, CD-236, CD-241, CD-246 THRU CD-250	6	CD-388 AND AFTER
7	CE-1 AND AFTER	8	CD-1 AND AFTER
9	CD-1 THRU CD-140	10	CD-141 THRU CD-387

B E E C H C R A F T
B O N A N Z A 3 3 T H R U E 3 3
I L L U S T R A T E D P A R T S C A T A L O G

FIGURE 61
INSTRUMENT PANEL ELECTRICAL EQUIPMENT
CD-388 AND AFTER, CE-1 AND AFTER

B E E C H C R A F T
B O N A N Z A 3 3 T H R U E 3 3
I L L U S T R A T E D P A R T S C A T A L O G

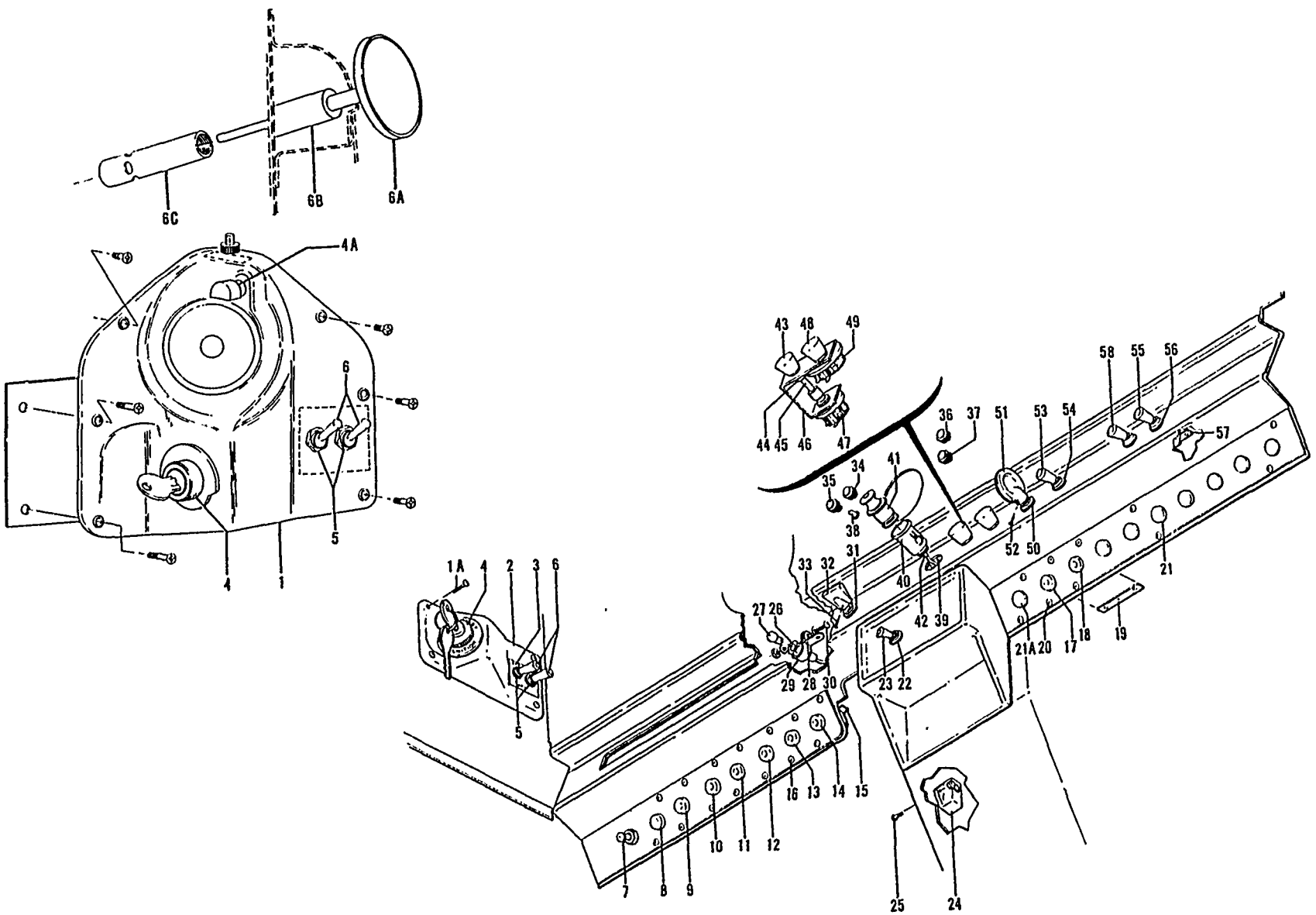


FIGURE 61. INSTRUMENT PANEL ELECTRICAL EQUIPMENT

B E E C H C R A F T
BONANZA 33 THRU E33
I L L U S T R A T E D P A R T S C A T A L O G

FIG. & ITEM NO.	PART NO.	DESCRIPTION	UNITS PER ASSY	USABLE ON CODE
		1 2 3 4 5 6 7		
61	33-364015	EQUIPMENT INSTL, INSTRUMENT PANEL ELECTRICAL . . .	NP	7
	33-364017	EQUIPMENT INSTL, INSTRUMENT PANEL ELECTRICAL . . .	NP	6
	35-364154	. ESCUTCHEON ASSY, IGNITION PANEL	1	4
	35-364163	. ESCUTCHEON ASSY, IGNITION PANEL	1	5
- 1	33-534041	. ESCUTCHEON ASSY, IGNITION PANEL	1	9
		/ATTACHING PARTS/		
- 1A	NAS387-832P	. SCREW	4	10
	NAS387-832-14P	. SCREW	2	
	NAS387-832-18P	. SCREW	2	
	NAS387-832-20P	. SCREW	2	
	NAS391B8P	. WASHER	6	
		-----*		
- 2	35-364154-1	. . ESCUTCHEON, IGNITION PANEL	1	4
	35-364163-1	. . ESCUTCHEON, IGNITION PANEL	1	5
- 3	35-364158	. . PLACARD, BATTERY AND GENERATOR SWITCH.	1	4
		IDENTIFICATION		
	35-364157	. . PLACARD, IGNITION SWITCH /5 POSITION/.	1	4
	33-364016	. PLACARD, BATTERY AND GENERATOR SWITCH.	1	2
	35-364162	. PLACARD, BATTERY AND ALTERNATOR SWITCH	1	6
- 4	10-357200-1	. SWITCH AND LOCK ASSY, IGNITION	1	1
	10-377007	. . LOCK, SWITCH	1	1
	10-126676	. DIAL, IGNITION SWITCH /5 POSITION/	1	3
- 4A	A89708-1-330	. LIGHT, POST	1	9
	30-15	. SWITCH, POST LIGHT	1	9
	30C1023	. NUT	1	9
- 5	35-380053-7	. BREAKER, BATTERY AND GENERATOR ARM SWITCH.	2	5
		AND CIRCUIT		
- 6	35-380052	. KNOB, CIRCUIT BREAKER.	2	1
	35-324444	. INDICATOR INSTL, OUTSIDE AIR TEMPERATURE	NP	9
- 6A	35-380019-5	. . INDICATOR, OUTSIDE AIR TEMPERATURE	1	9
- 6B	96-324131-1	. . SUPPORT ASSY, TEMPERATURE INDICATOR.	1	9
- 6C	96-324137-7	. . SHIELD, SUN.	1	9
- 7	CB2320	. BREAKER, LANDING GEAR POWER CIRCUIT.	1	1
- 8	CM15	. BREAKER, FLAP POWER CIRCUIT /SUPERSEDES CM10/.	1	1
- 9	CM5	. BREAKER, FLAP AND LANDING GEAR INDICATOR	1	1
		CIRCUIT		
- 10	CM5	. BREAKER, TURN AND BANK CIRCUIT	1	1
- 11	CM10	. BREAKER, AUXILIARY FUEL PUMP, FUEL QUANTITY	1	1
		AND CYLINDER HEAD TEMPERATURE CIRCUIT		
- 12	CM5	. BREAKER, STALL WARNING CIRCUIT	1	1
- 13	CM5	. BREAKER, LANDING GEAR WARNING CIRCUIT.	1	1
- 14	CM10	. BREAKER, IGNITION BOOSTER CIRCUIT.	1	1
- 15	114931-1-13	. STRIP, TERMINAL.	1	1
- 16	AN507-632	. SCREW	14	1
	MS20365-632	. NUT	14	1
- 17	CM10	. BREAKER, OIL TEMPERATURE AND CABIN	1	1
		LIGHTS CIRCUIT		
- 18	CM10	. BREAKER, CIGAR LIGHTER CIRCUIT	1	1
- 19	114931-1-3	. STRIP, TERMINAL.	1	1
- 20	NAS387-6	. SCREW	10	1
	NAS390-6P	. WASHER	10	1
	MS20365-632	. NUT	10	1
- 21	51043	. BUTTON, PLUG	8	1
- 21A	CM10	. BREAKER, ALTERNATOR FIELD CIRCUIT.	1	6
- 22	35-380053-7	. BREAKER, AUXILIARY FUEL PUMP ARM SWITCH.	1	1
		AND CIRCUIT		
- 23	35-380052	. KNOB, CIRCUIT BREAKER.	1	1
- 24	CLM70	. BREAKER, GENERATOR CIRCUIT	1	1
	CDLM80	. BREAKER, ALTERNATOR CIRCUIT.	1	6
		/ATTACHING PARTS/		
- 25	AN520-10R	. SCREW	1	
	MS20365-1032	. NUT	1	
		-----*		
- 26	PL1	. SOCKET, TRIM TAB INDICATOR	1	1
- 27	53R	. LAMP, TRIM TAB INDICATOR	1	1

B E E C H C R A F T
B O N A N Z A 3 3 T H R U E 3 3
I L L U S T R A T E D P A R T S C A T A L O G

FIG. & ITEM NO.	PART NO.	DESCRIPTION	UNITS PER ASSY	USABLE ON CODE
		1 2 3 4 5 6 7		
61 - 28	AN743-13	. BRACKET,SUPPORT CLAMP	1	1
- 29	AN742-11	. CLAMP,SUPPORT	1	1
		/ATTACHING PARTS/		
- 30	AN515-8R	. SCREW	1	
	AN936A8	. WASHER,LOCK	1	
	AN960-8L	. WASHER.	1	
	MS20365-832	. NUT	1	

- 31	8857K40	. SWITCH,FLAP	1	1
- 32	118664	. LEVER,FLAP SWITCH	1	1
		/ATTACHING PARTS/		
- 33	AN565D6H2	. SCREW,SET	1	

- 34	VM911M3A	. LIGHT,FLAP UP INDICATOR	1	8
- 35	VM911M4A	. LIGHT,FLAP DOWN INDICATOR	1	8
- 36	VM911M2A	. LIGHT,LANDING GEAR UP INDICATOR	1	1
- 37	VM911M3A	. LIGHT,LANDING GEAR DOWN INDICATOR	1	1
- 38	330	. BULB,FLAP AND LANDING GEAR INDICATOR.	4	1
- 39	LU27054	. SHELL,CIGAR LIGHTER CLAMPING.	1	1
- 40	LBA27492	. BASE ASSY,CIGAR LIGHTER SWITCH.	1	1
- 41	35-364160-3	. HEATING ELEMENT,LIGHTER ASSY.	1	1
- 42	MWA29455	. CORD ASSY,CIGAR LIGHTER	1	1
		/SUPERSEDES LWA2919/		
- 43	35-380055-1	. KNOB,RADIO AND POST LIGHTS.	1	1
- 44	119	. BEARING,PANEL	1	1
	102933D7ZR0200	. SPACER.	1	1
- 45	2356	. EXTENDER,RADIO AND POST LIGHTS SHAFT.	1	1
- 46	35-364155	. BRACKET,RHEOSTAT.	1	1
- 47	R25-1ORS30	. RHEOSTAT,RADIO AND POST LIGHTS.	1	1
- 48	35-380055-1	. KNOB,INSTRUMENT FLOOD LIGHT	1	1
		/ATTACHING PARTS/		
	AN565D8-3	. SET SCREW	2	

- 49	R25-1ORS30	. RHEOSTAT,INSTRUMENT FLOOD LIGHT	1	7
	0145-351	. RHEOSTAT,INSTRUMENT FLOOD LIGHT	1	6
- 50	8906K1041	. SWITCH,LANDING GEAR	1	1
- 51	118665	. LEVER,LANDING GEAR SWITCH	1	1
		/ATTACHING PARTS/		
- 52	AN565D6H2	. SCREW,SET	1	

- 53	113-220-102	. BREAKER,NOSE GEAR LANDING LIGHT CIRCUIT	1	1
- 54	6050C	. NUT,RING.	1	1
- 55	113-205-102	. BREAKER,NAVIGATION LIGHTS CIRCUIT	1	1
- 56	6050C	. NUT,RING.	1	1
- 57	114931-7-6	. STRIP,TERMINAL.	1	1
- 58	CB3115A	. BREAKER,ROTATING BEACON CIRCUIT	1	1
	100951X031XB	. WASHER.	1	1
	6050C	. NUT,RING.	1	1
		FOR FUSELAGE ELECTRICAL EQUIPMENT INSTL SEE FIGURE 62.		

C O D E S O F E F F E C T I V I T Y

- | | | | |
|---|--|----|---|
| 1 | CD-388 AND AFTER,
CE-1 AND AFTER | 2 | CD-710 AND AFTER |
| 3 | CD-710 AND AFTER,
CE-1 AND AFTER | 4 | CD-388 THRU CD-709 |
| 5 | CD-710 THRU CD-1118,
CE-1 THRU CE-179 | 6 | CE-1 AND AFTER |
| 7 | CD-388 AND AFTER | 8 | CD-388 THRU CD-1043,
CE-1 AND AFTER |
| 9 | CD-1119 AND AFTER,
CE-180 AND AFTER | 10 | CD-388 THRU CD-1118
CE-1 THRU CE-179 |

B E E C H C R A F T
B O N A N Z A 3 3 T H R U E 3 3
I L L U S T R A T E D P A R T S C A T A L O G

FIGURE 62
FUSELAGE ELECTRICAL EQUIPMENT
CD-388 AND AFTER, CE-1 AND AFTER

BEECHCRAFT
 BONANZA 33 THRU E33
 ILLUSTRATED PARTS CATALOG

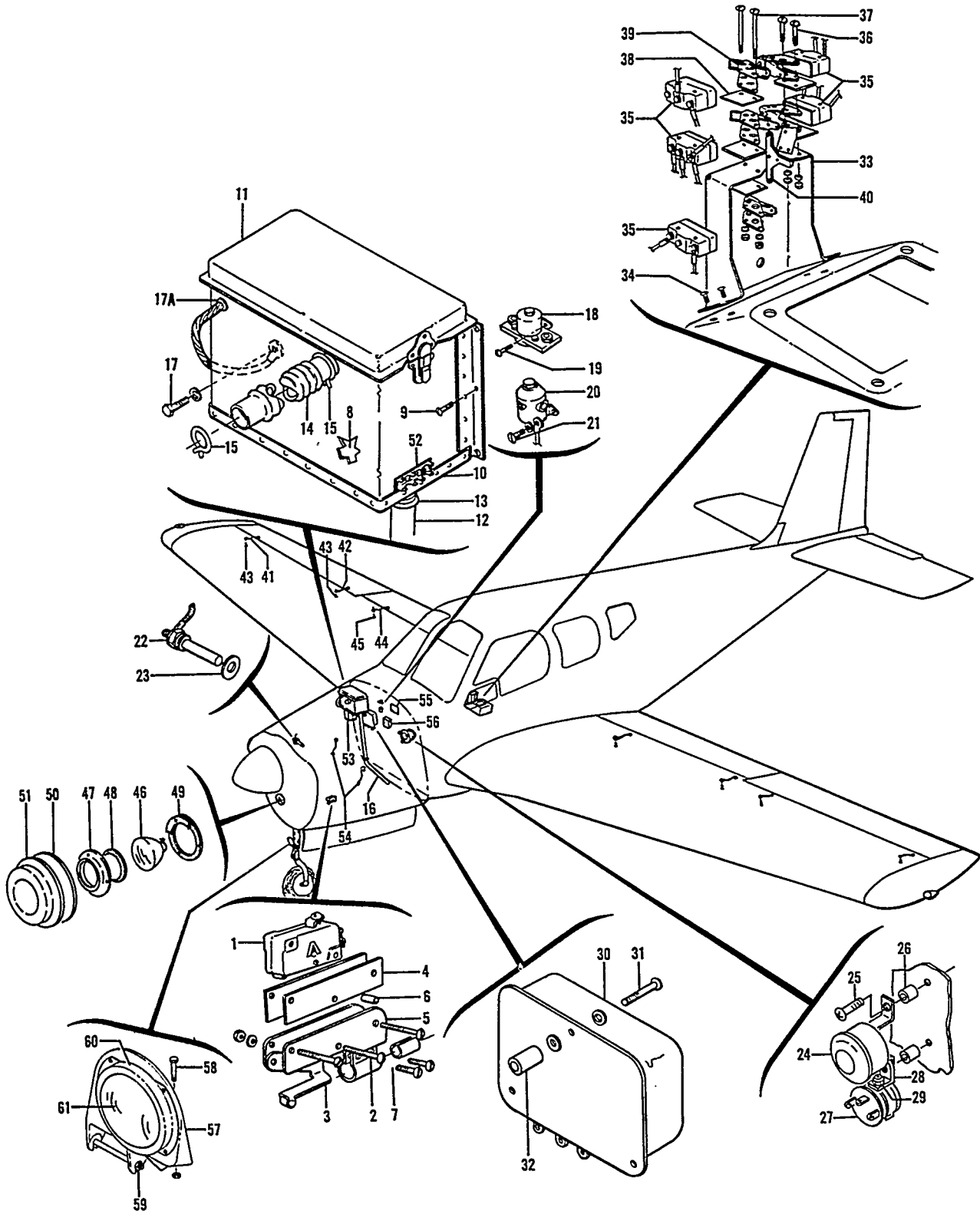


FIGURE 62. FUSELAGE ELECTRICAL EQUIPMENT

B E E C H C R A F T
BONANZA 33 THRU E33
I L L U S T R A T E D P A R T S C A T A L O G

FIG. & ITEM NO.	PART NO.	DESCRIPTION	UNITS PER ASSY	USABLE ON CODE
		1 2 3 4 5 6 7		
62	33-364015	EQUIPMENT INSTL,FUSELAGE ELECTRICAL	NP	2
	33-364017	EQUIPMENT INSTL,FUSELAGE ELECTRICAL	NP	3
- 1	V3-1	. SWITCH,THROTTLE WARNING	1	1
		/ATTACHING PARTS/		
- 2	AN515-4	. SCREW	5	
	AN960-4	. WASHER	6	
	MS20365-440	. NUT	5	
		-----*		
- 3	JV5	. ACTUATOR,THROTTLE WARNING SWITCH.	1	1
- 4	35-369131	. INSULATOR,THROTTLE WARNING SWITCH	2	1
- 5	35-369124-3	. BRACKET,THROTTLE WARNING SWITCH	1	1
		/SUPERSEDES 35-369124/		
- 6	102933D1ZA0410	. SPACER.	1	1
- 7	35-360010-3	. BUSHING	1	4
- 8	118649	. BATTERY,BEECHCRAFT 12 VOLT.	1	1
	35-410462-31	. BOX ASSY,BATTERY.	1	1
		/ATTACHING PARTS/		
- 9	AN515-8R	. SCREW	6	
		-----*		
- 10	35-410462-3	. . BOX ASSY,BATTERY.	1	1
- 11	35-410462-33	. . COVER ASSY,BATTERY BOX.	1	1
- 12	35-410462-25	. . TUBING,BATTERY BOX DRAIN.	1	1
- 13	CS20A	. . CLAMP,BATTERY BOX DRAIN TUBING.	1	1
- 14	111716AX2XZ14	. . DUCT,BATTERY BOX VENT	1	1
- 15	CS17A	. . CLAMP,BATTERY BOX VENT DUCT	2	1
	95-910020	. . PLACARD,BATTERY BOX	1	1
- 16	35-369002-17	. TUBE,BATTERY BOX DRAIN.	1	1
- 17	105982-5A11-010	. BOLT,BATTERY GROUND CABLE	1	1
- 17A	G51H-A	. GROMMET,BATTERY CASE.	2	1
	100951DD080YK	. WASHER.	2	1
	AN960-516	. WASHER.	2	1
	AN316-5R	. NUT	1	1
	MS20365-524	. NUT /SUPERSEDES AN365-524/.	1	1
- 18	6041H187	. RELAY,BATTERY MASTER.	1	1
		/ATTACHING PARTS/		
- 19	AN520-416R10	. SCREW	2	
		-----*		
- 20	1114213	. RELAY,STARTER	1	1
		/ATTACHING PARTS/		
- 21	AN4	. BOLT.	2	
	AN960D416	. WASHER.	3	
		-----*		
- 22	1512926	. BULB,OIL TEMPERATURE.	1	1
	AN363-1032	. NUT	1	1
	AN960C10	. WASHER.	1	1
- 23	AN900-10	. GASKET,OIL TEMPERATURE BULB	1	1
- 24	169-380021-7	. HORN ASSY,STALL WARNING /SUPERSEDES	1	1
		169-380021-5/		
		/ATTACHING PARTS/		
- 25	AN520-10R10	. SCREW	2	
- 26	100696S-ZV012	. SPACER.	2	
		-----*		
- 27	R102	. FLASHER,STALL WARNING HORN.	1	1
- 28	AN743P12	. CLAMP,STALL WARNING HORN FLASHER.	1	1
		/ATTACHING PARTS/		
- 29	AN515-6R8	. SCREW	1	
	AN960-6	. WASHER.	1	
	MS20365-632	. NUT	1	
		-----*		
- 30	138-1	. RELAY,ALTERNATOR OVERVOLTAGE.	1	5
	1119220	. REGULATOR,VOLTAGE /35 AMP GENERATOR/.	1	1

B E E C H C R A F T
B O N A N Z A 3 3 T H R U E 3 3
I L L U S T R A T E D P A R T S C A T A L O G

FIG. & ITEM NO.	PART NO.	DESCRIPTION	UNITS PER 'ASSY	USABLE ON CODE
		1 2 3 4 5 6 7		
62	1119224C 9000590	. REGULATOR,VOLTAGE /50 AMP GENERATOR/ REGULATOR,VOLTAGE /ALTERNATOR/ /ATTACHING PARTS/	1 1	1 5
- 31	NAS222-23	. SCREW	3	
- 32	100696D-ZT016 AN960-416L	. SPACER WASHER	3 6	
	35-369145	. BRACKET ASSY,VOLTAGE REGULATOR MOUNTING /ATTACHING PARTS/	1	7
	AN520-10R8	. SCREW	2	
	35-380093-1	. REGULATOR,VOLTAGE /ALTERNATOR/ /SUPERSEDES 35-380093/ /ATTACHING PARTS/	1	6
	AN520-416R24 100696D-ZF016	. SCREW SPACER	3 3	
	35-369017-1 2985054	. PLATE,VOLTAGE REGULATOR INSULATING PLUG,REGULATOR CONNECTOR	1 1	7 14
	MS3106-18-4S S550	. CONNECTOR,VOLTAGE REGULATOR SUPPRESSOR,TRANSIENT VOLTAGE	1 1	6 7
	AN743-13	. BRACKET,SUPPRESSOR	1	7
	35-369017-1	. PLATE,VOLTAGE REGULATOR INSULATING	1	1
	35-364129-3	. SWITCH ASSY,LANDING GEAR LIMIT	1	1
- 33	35-364126	. BRACKET,LANDING GEAR LIMIT SWITCH /ATTACHING PARTS/	1	1
- 34	AN515-8R8 AN960-8	. SCREW WASHER	4 4	
- 35	MS25026-1	. SWITCH,LANDING GEAR LIMIT /ATTACHING PARTS/	5	1
- 36	AN515-6-32	. SCREW	2	
- 37	AN515-6-40	. SCREW	2	
- 38	35-364238	. INSULATOR,LANDING GEAR LIMIT SWITCH	5	1
- 39	35-364247	. ACTUATOR,LANDING GEAR LIMIT SWITCH	5	1
- 40	35-364136	. TAB,LANDING GEAR LIMIT SWITCH	1	1
- 41	AQ6Q	. JUMPER,BONDING OUTBD	2	1
- 42	AQ8Q	. JUMPER,BONDING INBD /ATTACHING PARTS/	2	1
- 43	MS20526-632 AN960-6 MS20365-632	. SCREW WASHER NUT	2 4 2	
- 44	CP6P	. WIRE,FLAP BOND /ATTACHING PARTS/	4	1
- 45	AN526-632 AN960-6 MS20365-632	. SCREW WASHER NUT	2 4 2	
- 46	4313 45-364164	. LAMP,NOSE COWL LANDING LIGHT RETAINER ASSY,NOSE COWL LANDING LIGHT	1 1	8 8
- 47	45-364164-1	. RETAINER,NOSE COWL LANDING LIGHT	1	8
- 48	45-364164-3	. SEAL,NOSE COWL LANDING LIGHT RETAINER	1	8
- 49	45-364165-7 45-364182	. SEAL ASSY,NOSE COWL LANDING LIGHT BRACKET ASSY,NOSE COWL LANDING LIGHT	1 1	8 9
- 50	45-364182-1	. BRACKET,FWD /NOSE COWL LANDING LIGHT/	1	9
- 51	45-364182-3 35-410446-277	. BRACKET,AFT /NOSE COWL LANDING LIGHT/ COVER ASSY,NOSE COWL LANDING LIGHT	1 1	9 10
	35-410446-279	. COVER,NOSE COWL LANDING LIGHT	1	10
	45-364182-3	. BRACKET,NOSE COWL LANDING LIGHT	1	10
- 52	MS25123-3-2	. BOARD,BATTERY BOX TERMINAL	1	1

B E E C H C R A F T
B O N A N Z A 3 3 T H R U E 3 3
I L L U S T R A T E D P A R T S C A T A L O G

FIG. & ITEM NO.	PART NO.	DESCRIPTION							UNITS PER ASSY	USABLE ON CODE
		1	2	3	4	5	6	7		
62	MS25226-6-2	1	1
	TA15M3	1	1
- 53	10-176487-122	1	3
	42453-2	2	3
- 54	4G7H	2	1
		/ATTACHING PARTS/								
	AN960-616	2	
	100951X063WS	2	

- 55	4532	1	11
	AGC3	3	11
- 56	50-380048-9	1	11
	36-364012	1	11
	35-364258	NP	14
- 57	35-364259-1	1	14
		/ATTACHING PARTS/								
- 58	AN3-10/M/	1	
	AN960-10	AR	
	MS20364-1032	1	
- 59	MS20365-428	2	

- 60	96-364012-5	1	14
		/ATTACHING PARTS/								
	AN515-8R6	4	
	MS20364-832	4	

- 61	4313	1	14

C O D E S O F E F F E C T I V I T Y

1	CD-388 AND AFTER, CE-1 AND AFTER	2	CD-388 AND AFTER
3	CE-1 AND AFTER	4	CD-388 THRU CD-964, CE-1 THRU CE-24
5	CE-1 THRU CE-87	6	CE-88 AND AFTER
7	CE-39 AND AFTER	8	CD-626 AND AFTER, CE-1 AND AFTER
9	CD-626 AND AFTER	10	CD-890 AND AFTER, CE-1 AND AFTER
11	CE-160 AND AFTER	12	CE-88 THRU CE-159
13	CE-39 THRU CE-87	14	CD-1119 AND AFTER, CE-180 AND AFTER

SEEHCRAFT
BONANZA 33 THRU E33
ILLUSTRATED PARTS CATALOG

FIGURE 63
3 BLADED PROPELLER
CD-814 AND AFTER, CE-1 AND AFTER

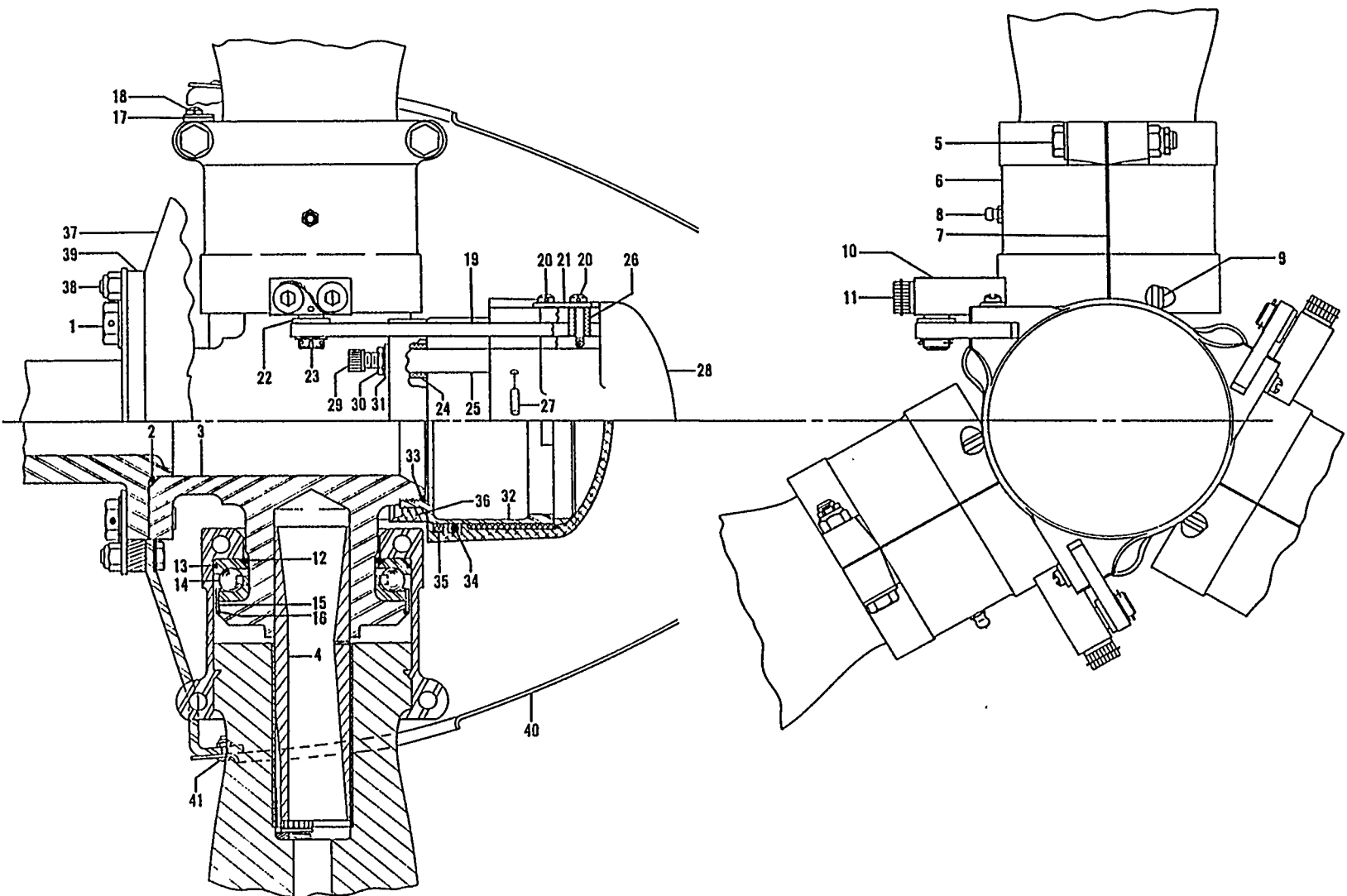


FIGURE 63.3 BLADED PROPELLER

B E E C H C R A F T
 BONANZA 33 THRU E33
 I L L U S T R A T E D P A R T S C A T A L O G

FIG. & ITEM NO.	PART NO.	DESCRIPTION							UNITS PER ASSY	USABLE ON CODE
		1	2	3	4	5	6	7		
63	PHC-A3VF4/V843 *	3-4R	PROPELLER ASSY,3 BLADE	1	1
			/ATTACHING PARTS/							
- 1	AN8H10A		BOLT.	6	
	AN960-816		WASHER.	6	
- 2	PRP909-6		O RING.	1	

	840-83		. SPIDER UNIT,PROPELLER HUB	1	1
- 3	C1477-1		. HUB,SPIDER.	1	1
- 4	A1496		. TUBE,PILOT.	3	1
	838-58		. CLAMP ASSY,PROPELLER BLADE.	3	1
			/ATTACHING PARTS/							
- 5	A2017		. BOLT,CLAMP.	2	
	AN960-616		. WASHER.	2	
	AN365-624		. NUT	2	

- 6	C3-1E		. CLAMP,PROPELLER BLADE	2	1
- 7	A47-1		. GASKET,BLADE CLAMP.	2	1
- 8	MS15001-1		. FITTING,ZERK GREASE	1	1
- 9	A282		. SCREW,CLAMP SOCKET.	1	1
	AN380-3-2		. PIN,COTTER.	1	1
- 10	B1480		. COUNTER WEIGHT UNIT	1	1
- 11	A2036-22		. SCREW,SOCKET HEAD CAP	1	1
- 12	PRP909-6		. O RING.	1	1
- 13	A2027		. RING,WIRE	1	1
			/ATTACHING PARTS/							
- 14	A971		. BEARING	1	
- 15	A972		. RING,GUIDE.	1	
- 16	A974		. RING,WIRE RETENTION	1	
	A311		. SPACER,BALL /OPTIONAL/.	1	
- 17	A48		. WEIGHT,BALANCE.	AR	
- 18	AN501A10-6		. SCREW	1	

- 19	A861-3L		. LINK ARMS	1	1
- 20	AN501A10-6		. SCREW	1	
- 21	A1464		. LINK PIN UNIT	1	
- 22	A944		. BUSHING,LINK ARM.	1	
	AN380-3-3		. PIN,COTTER.	1	
- 23	C1881-1		. PISTON UNIT	1	1
- 24	A862-2		. BUSHING,PLASTIC	3	1
- 25	A817-4		. ROD,GUIDE	3	1
- 26	A946		. BUSHING,BRONZE.	3	1
- 27	A114G		. PIN,ROD STAKING	3	1
- 28	C1881-1DETI		. PISTON.	1	1
- 29	A2037		. SCREW,SOCKET HEAD CAP	3	1
- 30	AN316-5R		. NUT,LOCK.	3	1
- 31	A1444		. WASHER.	3	1
- 32	1882		. CYLINDER.	1	1
- 33	PRP909-13		. O RING,CYLINDER	1	1
- 34	PRP902-50		. O RING,PISTON	1	1
- 35	B1843		. SEAL,DUST	1	1
- 36	834-7B		. GUIDE,COLLAR UNIT	1	1
	837-9		. SPINNER ASSY,PROPELLER.	1	1
- 37	C1399		. BULKHEAD,SPINNER.	1	1
			/ATTACHING PARTS/							
- 38	AN5-10A		. BOLT.	6	
	AN960-516L		. WASHER.	6	
- 39	B1345		. RING	1	
	H10-5		. NUT	6	

B E E C H C R A F T
 BONANZA 33 THRU E33
 I L L U S T R A T E D P A R T S C A T A L O G

FIG. & ITEM NO.	PART NO.	DESCRIPTION							UNITS PER ASSY	USABLE ON CODE
		1	2	3	4	5	6	7		
63 - 40	C226-2	.	.	DOME, SPINNER SHELL.	1	1
				/ATTACHING PARTS/						
- 41	AN526C1032R8	.	.	SCREW	12	

CODES OF EFFECTIVITY

- I CD-814 AND AFTER,
- CE-1 AND AFTER

B E E C H C R A F T
B O N A N Z A 3 3 T H R U E 3 3
I L L U S T R A T E D P A R T S C A T A L O G

FIGURE 64
LANDING GEAR SAFETY SYSTEM
CO-895 AND AFTER, CE-1 AND AFTER

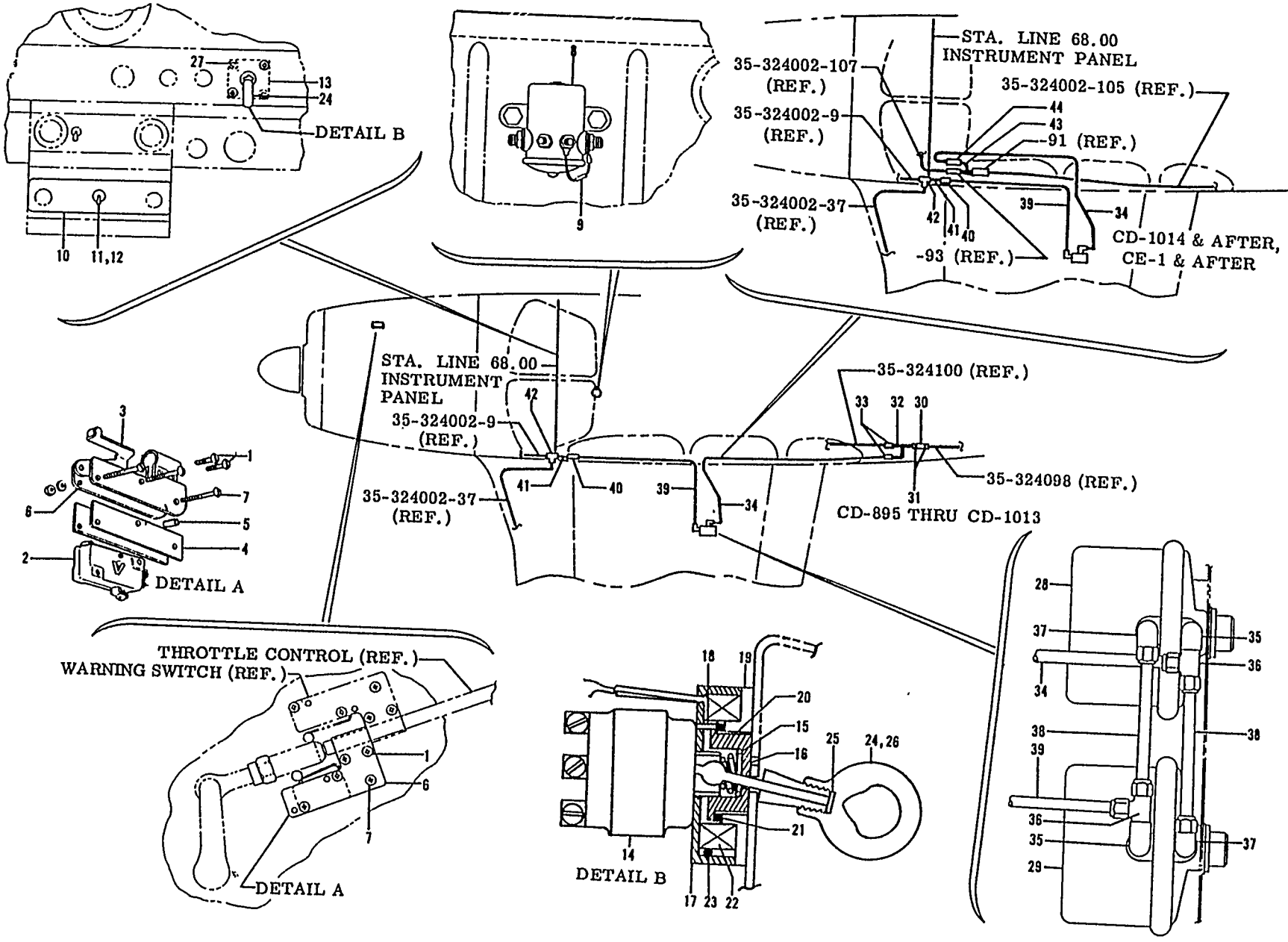


FIGURE 64-LANDING GEAR SAFETY SYSTEM

B E E C H C R A F T
BONANZA 33 THRU E33
I L L U S T R A T E D P A R T S C A T A L O G

FIG. & ITEM NO.	PART NO.	DESCRIPTION	UNITS PER ASSY	USABLE ON CODE
		1 2 3 4 5 6 7		
64	35-364170-3	EQUIPMENT INSTL, LANDING GEAR SAFETY SYSTEM. . .	NP	1
	35-364170-1	EQUIPMENT INSTL, LANDING GEAR SAFETY SYSTEM. . .	NP	2
	35-364170-9	EQUIPMENT INSTL, LANDING GEAR SAFETY SYSTEM. . .	NP	8
	35-364153-606	. SWITCH ASSY, LANDING GEAR SAFETY	1	7
		/ATTACHING PARTS/		
- 1	AN515-4R6	. SCREW	2	
	AN960-4	. WASHER.	2	
	MS20365-440	. NUT	2	
		-----*		
- 2	V3-1	. . SWITCH, LANDING GEAR SAFETY.	1	7
- 3	JV5	. . ACTUATOR, SWITCH	1	7
- 4	35-369131	. . INSULATOR, SWITCH.	2	7
- 5	10293301ZA0410	. . SPACER.	1	7
- 6	35-369124-3	. . BRACKET /SUPERSEDES 35-369124/.	1	7
- 7	AN515-4R12	. . SCREW	3	7
	AN960-4	. . WASHER.	6	7
	MS20365-440	. . NUT	3	7
- 8	70-111224	. RELAY	1	7
		/ATTACHING PARTS/		
	AN3-10/M/	. BOLT.	2	
	AN960-10	. WASHER.	4	
	MS20365-1032	. NUT	2	
		-----*		
	35-361028-603	. HARNESS ASSY, LANDING GEAR SAFETY SYSTEM . . .	1	7
		WIRING		
- 9	1N4004	. . RECTIFIER /SUPERSEDES 3029/	1	7
	35-944071-3	. PLATE, ENGINE CONTROL LOWER IDENTIFICATION . .	1	3
- 10	35-944072-3	. PLATE, ENGINE CONTROL LOWER IDENTIFICATION . .	1	4
	35-944072-1	. PLATE, ENGINE CONTROL LOWER IDENTIFICATION . .	1	2
- 11	35-380053-11	. SWITCH, LANDING GEAR SAFETY SYSTEM	1	7
- 12	35-380052	. KNOB, SWITCH	1	7
- 13	35-364171-1	. SWITCH ASSY, LANDING GEAR SAFETY	1	7
		/ATTACHING PARTS/		
	AN507-632R8	. SCREW	2	
		-----*		
- 14	35-364171-7	. . SWITCH.	1	7
- 15	35-364171-3	. . SPRING.	1	7
- 16	35-364171-9	. . LATCH, SOLENOID.	1	7
	35-364171-11	. . HOUSING ASSY.	1	7
- 17	35-364171-21	. . HOUSING	1	7
- 18	35-364171-19	. . PIN	1	7
	35-364171-13	. . CAP ASSY.	1	7
- 19	35-364171-17	. . CAP	1	7
- 20	35-364171-15	. . BEARING, SLEEVE.	1	7
- 21	105090D050-12G	. . WASHER.	1	7
- 22	35-380079-1	. . COIL ASSY, LANDING GEAR SAFETY SWITCH. . .	1	7
- 23	AN6227B27	. . RING, O.	1	7
- 24	35-380087	. . LEVER, LANDING GEAR SWITCH	1	7
- 25	AN960-4	. . WASHER.	AR	7
- 26	AN565D8H2	. . SCREW, SET	1	7
- 27	AN507-632R5	. . SCREW	2	7
- 28	35-380092-7	. SWITCH, PRESSURE	1	7
		/SUPERSEDES 1820-5FR24-190549-00/		
- 29	35-380092-11	. SWITCH, PRESSURE	1	7
		/SUPERSEDES 1820-10FR24-190550-00/		
	AN960-1416	. WASHER /USE AS SHIMS FOR SWITCHES/.	AR	7
	35-364170-5	. FLIGHT MANUAL SUPPLEMENT, FAA APPROVED . . .	1	1
	35-324002-47	. LINES INSTL, PITOT AND INSTRUMENT.	NP	5
	35-324002-123	. LINES INSTL, PITOT AND INSTRUMENT.	NP	6
- 30	35-324002-75	. . HOSE.	1	5
- 31	AN737RM22	. . CLAMP	2	5
- 32	35-324002-57	. . TUBE ASSY	1	5
- 33	35-324392-47	. . SPLICE, TUBE	2	5

B E E C H C R A F T
 BONANZA 33 THRU E33
 I L L U S T R A T E D P A R T S C A T A L O G

FIG. & ITEM NO.	PART NO.	DESCRIPTION							UNITS PER ASSY	USABLE ON CODE
		1	2	3	4	5	6	7		
64 - 34	35-324002-71	TUBE,STATIC LINE TO PRESSURE SWITCH	.	.	.	1	7
- 35	AN914-1D	ELBOW	.	.	.	2	7
- 36	271P1/4-1/8	TEE	.	.	.	2	7
- 37	269P1/4-1/8	ELBOW	.	.	.	2	7
- 38	35-324002-73	TUBE,PRESSURE SWITCH CONNECTING	.	.	.	2	7
- 39	35-324002-49	TUBE,PRESSURE SWITCH TO PITOT LINE.	.	.	.	1	7
- 40	35-324392-47	SPLICE,TUBE	.	.	.	1	7
- 41	35-324002-53	TUBE ASSY	.	.	.	1	7
- 42	AN824-4D	TEE	.	.	.	1	7
- 43	35-324002-85	WELD ASSY	.	.	.	1	6
- 44	35-324002-93	SPLICE.	.	.	.	1	6

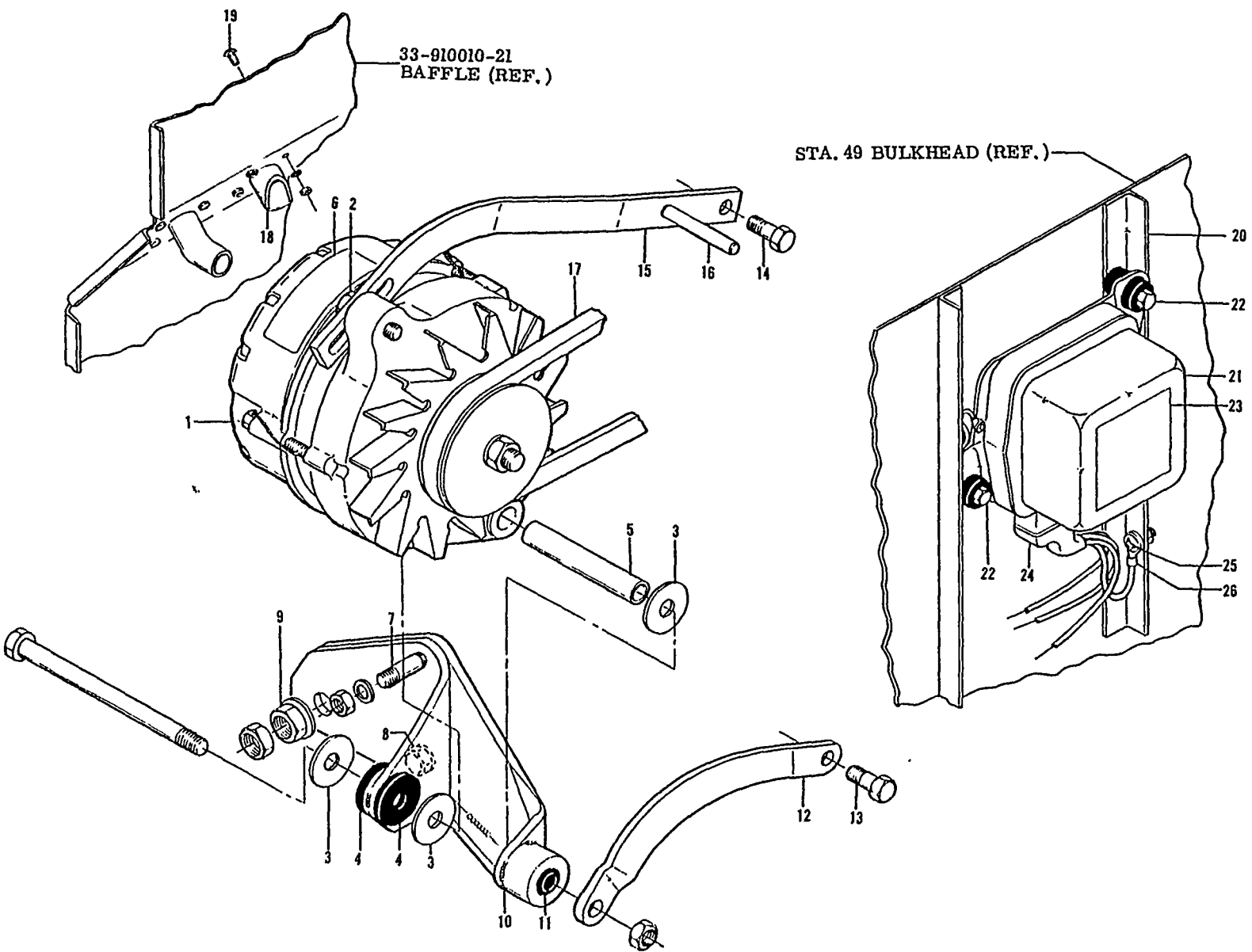
NOTE SEE FIGURE 59 FOR THE BALANCE OF THE
 PITOT & INSTRUMENT LINES

CODES OF EFFECTIVITY

- | | |
|---------------------------------------|--|
| 1 TCD-895 AND AFTER | 2 CE-1 THRU CE-148 |
| 3 CD-895 THRU CD-999 | 4 CD-1000 AND AFTER |
| 5 CD-895 THRU CD-1013 | 6 CD-1014 AND AFTER,
CE-1 AND AFTER |
| 7 CD-895 AND AFTER,
CE-1 AND AFTER | 8 CE-149 AND AFTER |

BEECHCRAFT
BONANZA 33 THRU E33
ILLUSTRATED PARTS CATALOG

FIGURE 65
60 AMP ALTERNATOR EQUIPMENT
CO-814 AND AFTER



B E E C H C R A F T
BONANZA 33 THRU E33
I L L U S T R A T E D P A R T S C A T A L O G

FIG. & ITEM NO.	PART NO.	DESCRIPTION	UNITS							USABLE ON CODE
			1	2	3	4	5	6	7	
65		ALTERNATOR INSTL, 60 AMP							NP	1
- 1	33-369110 33-380009	. ALTERNATOR ASSY /SEE FIG. 66/ /ATTACHING PARTS/							1	1
- 2	33-910013	. BOLT							1	
	AN960-616	. WASHER							1	
	AN5H54A	. BOLT							1	
- 3	100951X063YK	. WASHER							3	
- 4	J9534-20	. MOUNT							2	
- 5	102933S6ZP3000	. SPACER /SUPERSEDES 100696X-ZT300/							1	
	AN960-516	. WASHER							1	
	MS20365-524	. NUT							1	
		-----*								
- 6	33-369108	. PLACARD, ALTERNATOR IDENTIFICATION							1	1
	33-910012-49	. BRACKET ASSY, ALTERNATOR SUPPORT							1	1
		/ATTACHING PARTS/								
- 7	402151H	. STUD /REPLACES EXISTING STUD P/N 402042/							1	
	AN936A516	. WASHER, LOCK							1	
	2439	. NUT							1	
- 8	535728	. BOLT /REPLACES EXISTING BOLT P/N 535709/							1	
	AN936A516	. WASHER, LOCK							1	
- 9	538969	. NUT, FLANGED /EXISTING THRU BOLT NUT/							1	
	356-820	. PALNUT /EXISTING THRU BOLT NUT/							1	
		-----*								
- 10	33-910012-47	. WELD ASSY							1	1
- 11	J2005-2	. MOUNT							1	1
- 12	35-369018-17	. BRACE, LOWER ALTERNATOR							1	1
		/ATTACHING PARTS/								
- 13	NO NUMBER	. BOLT /EXISTING ENGINE BOLT/								
		-----*								
	35-369018-15	. ARM ASSY, ALTERNATOR BELT ADJUSTING							1	1
		/ATTACHING PARTS/								
- 14	628730	. BOLT /REPLACES EXISTING ENGINE BOLT							1	1
		P/N AN75A15/								
		-----*								
- 15	35-369018-11	. ARM							1	1
- 16	35-369018-13	. PIN							1	1
- 17	539547	. BELT, ALTERNATOR DRIVE /FURNISHED WITH ENGINE/							1	1
- 18	35-369018-23	. WELD ASSY, ALTERNATOR BLAST TUBE							1	1
		/ATTACHING PARTS/								
- 19	AN515-8R8	. SCREW							4	
	AN960-8	. WASHER							4	
	MS20365-832	. NUT							4	
		-----*								
- 20	35-364168-1	. ANGLE, REGULATOR SUPPORT							1	1
- 22	AN4-6A /M/	. VOLTAGE REGULATOR, 14 VOLT NEG GROUND							2	1
		/ATTACHING PARTS/								
	MK1000-4	. NUT, ANCHOR							2	
		-----*								
- 23	33-369109	. PLACARD, VOLTAGE REGULATOR IDENTIFICATION							1	1
- 24	33-369111	. PLUG & HARNESS ASSY /SUPERSEDES 33-380011/							1	1
- 25	AN520-10R8	. SCREW, GROUND WIRE							1	1
		-----*								
- 26	AN365-1032C	. NUT							1	1
	MS25036-8	. TERMINAL							1	1
	33-360001-602	HARNESS ASSY, ALTERNATOR WIRING							1	1

CODES OF EFFECTIVITY

1 CD-814 AND AFTER

B E E C H C R A F T
B O N A N Z A 3 3 T H R U E 3 3
I L L U S T R A T E D P A R T S C A T A L O G

FIGURE 66
60 AMP ALTERNATOR
CD-814 AND AFTER

BEECHCRAFT
BONANZA 33 THRU E33
ILLUSTRATED PARTS CATALOG

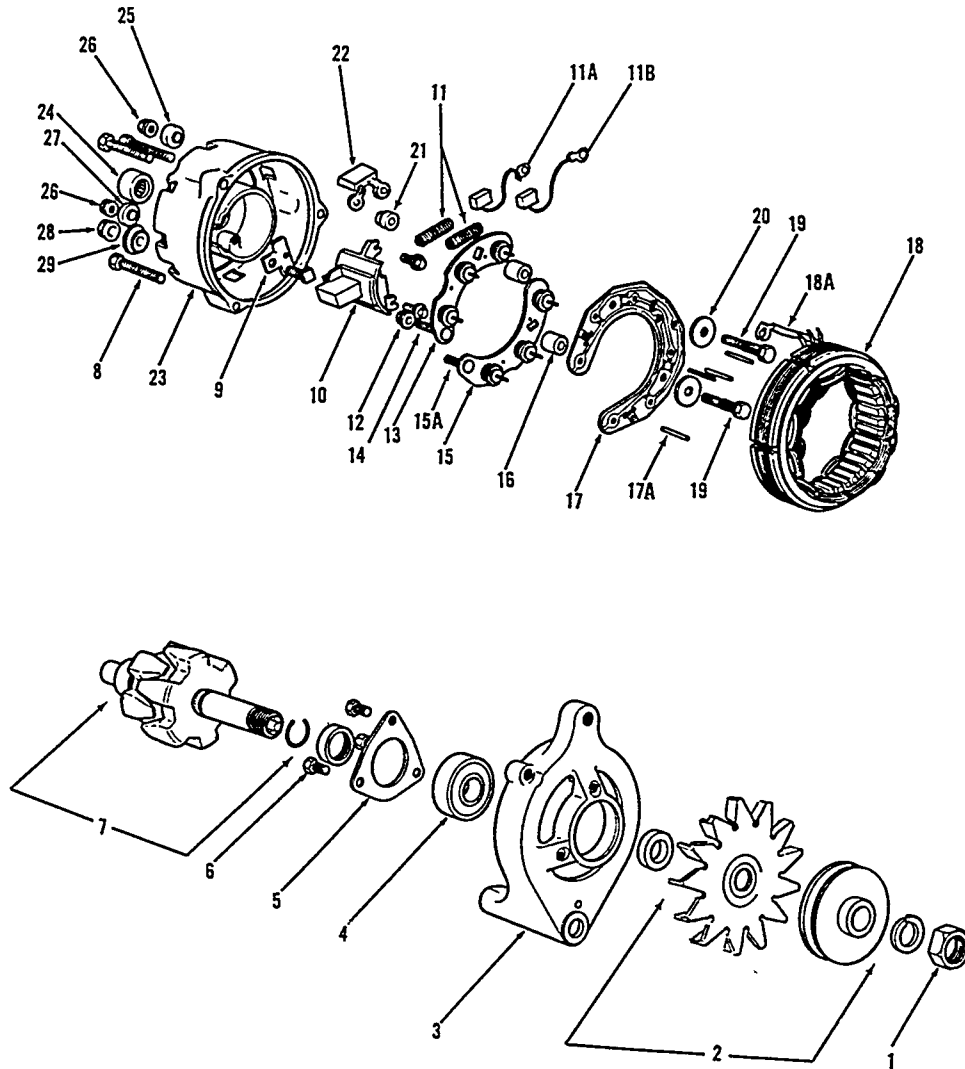


FIGURE 66.60 AMP ALTERNATOR

B E E C H C R A F T
 BONANZA 33 THRU E33
 I L L U S T R A T E D P A R T S C A T A L O G

FIG. & ITEM NO.	PART NO.	DESCRIPTION	UNITS							USABLE ON CODE
			1	2	3	4	5	6	7	
66	33-380009	ALTERNATOR ASSEMBLY, 60 AMP. /SEE FIG. 65 FOR NHA/							1	1
- 1	359553S8	. PULLEY NUT-5/8-18							1	1
- 2	C6FF10344A	. PULLEY ASSEMBLY							1	1
	C6FF10A352A	. PULLEY							1	1
	C4FF10380A	. FAN							1	1
	C5AF10355A	. HOUSING ASSEMBLY, FRONT.							1	1
- 3	C5AF10A351A	. HOUSING							1	1
- 4	C3NF10094A	. BEARING							1	1
	C5AF10A303A	. BEARING /ALTERNATE FOR C3NF10094A/.							1	1
- 5	C5AF10A355A	. RETAINER, FRONT BEARING.							1	1
- 6	379201S100	. SCREW, RETAINER.							3	1
- 7	C6FF10335A	. ROTOR ASSEMBLY.							1	1
	C5AF10327A	. COIL ASSEMBLY							1	1
	C6FF10330A	. ROTOR SHAFT							1	1
	C3XF10328A1	. RING ASSEMBLY							1	1
	C3XF10370A	. RING, ROTOR STOP							1	1
	C5AF10A360A	. STOP, ROTOR.							1	1
	C3TF10379B	. MAGNETIC POLE							2	1
	C5AF10B302A	. WATERSHIELD							1	1
- 8	378466S7	. BOLT-#10-24X2.12.							3	1
- 9	C5AF10329C	. INSULATOR, TERMINAL.							1	1
- 10	C5AF10320A	. BRUSH HOLDER ASSEMBLY							1	1
	377282S8B	. BRUSH HOLDER SCREW.							2	1
	C5AF10351A	. BRUSH HOLDER.							1	1
- 11	C5AF10349A	. SPRING, BRUSH.							2	1
	C6FF10B341A	. BRUSH KIT, ALTERNATOR.							1	1
- 11A	C6FF10A367A	. TERMINAL AND BRUSH /NEGATIVE/							1	1
- 11B	C6FF10A367B	. TERMINAL AND BRUSH /POSITIVE/							1	1
- 12	C6AF10A383A	. INSULATOR, DIODE PLATE /BATTERY/							1	1
	C5TF10304B	. RECTIFIER ASSEMBLY.							1	1
- 13	C5AF10B338A	. PLATE AND DIODE KIT /POSITIVE/.							1	1
	C5AF10373A	. PLATE AND DIODE ASSEMBLY.							1	1
	C5AF10A377A	. PLATE							1	1
	C5SF10374A1	. DIODE							3	1
- 14	378463S8B	. SCREW							1	1
	C5AF10B306B	. RING, SOLDER							3	1
	379920S100	. WASHER, FLAT 3/64.							3	1
- 15	C5AF10B339A	. PLATE AND DIODE KIT /NEGATIVE/.							1	1
	C5AF10377A	. PLATE AND DIODE ASSEMBLY.							1	1
	C5AF10A378A	. PLATE							1	1
	C5SF10378A1	. DIODE							3	1
- 15A	380056S8B	. SCREW							1	1
	C5AF10B306B	. RING, SOLDER							3	1
	379920S100	. WASHER, FLAT 3/64.							3	1
- 16	C5AF10A383C	. INSULATOR, DIODE PLATE							2	1
- 17	C5AF10B301C	. BOARD, PRINTED CIRCUIT							1	1
	C5AF10B308C	. BOARD							1	1
	C5AF10392A	. TERMINAL.							3	1
- 17A	379608S	. ROLL PIN.							4	1
- 18	C6FF10A366B	. STATOR AND COIL ASSEMBLY.							1	1
- 18A	C5AF14443A	. TERMINAL, SNAP-ON.							1	1
- 19	378462S8B	. SCREW							2	1
- 20	378658S	. WASHER.							2	1
- 21	C5AF10A383B	. INSULATOR							1	1
- 22	C6AF18827A1	. RADIO CONDENSER ASSEMBLY.							1	1
- 23	C6FF10334A	. HOUSING ASSEMBLY, REAR							1	1
- 24	C5AF10A304A	. BEARING, REAR.							1	1
- 25	C5AF10329B	. INSULATOR							1	1
- 26	379618S8	. NUT AND WASHER.							3	1
- 27	C5AF10329A	. INSULATOR							1	1
- 28	379616S8	. NUT AND WASHER.							1	1
- 29	C5AF10329D	. INSULATOR							1	1

CODES OF EFFECTIVITY

1 CD-814 AND AFTER

B E E C H C R A F T
B O N A N Z A 3 3 T H R U E 3 3
I L L U S T R A T E D P A R T S C A T A L O G

FIGURE 67
SUBPANEL AND INSTRUMENT LIGHT
CD-388 AND AFTER, CE-1 AND AFTER

BEECHCRAFT
 BONANZA 33 THRU E33
 ILLUSTRATED PARTS CATALOG

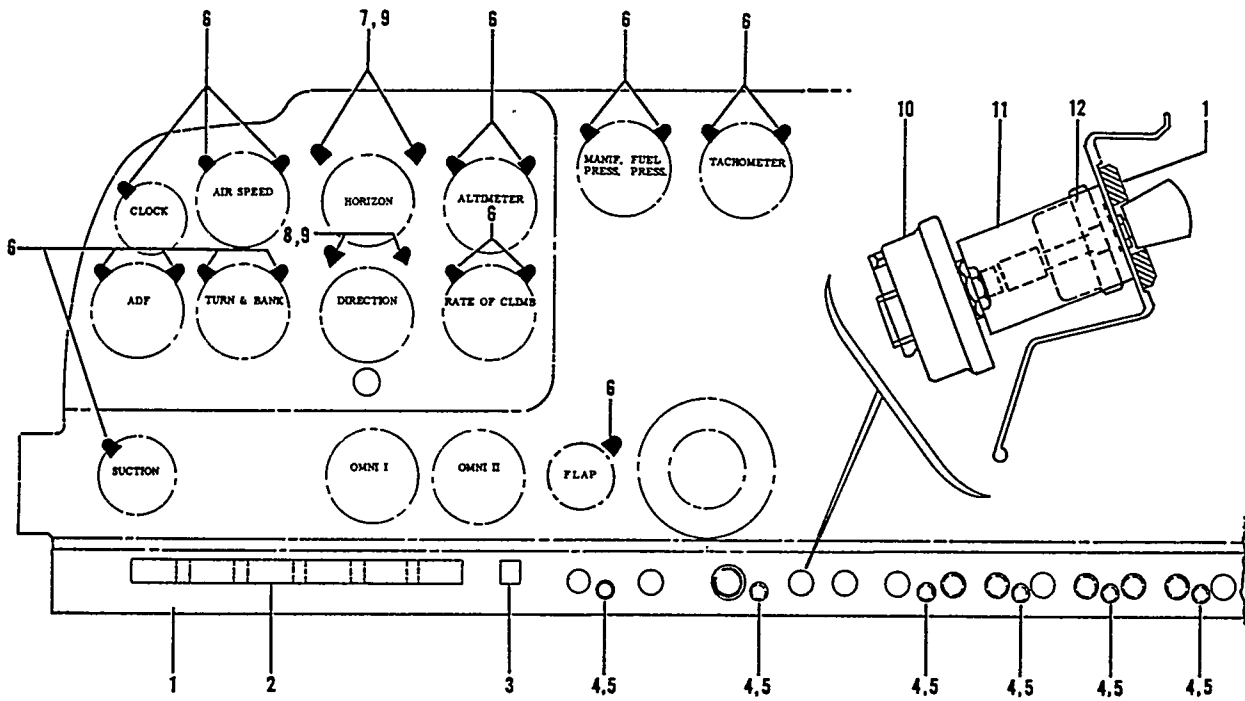


FIGURE 67. SUBPANEL AND INSTRUMENT LIGHT

B E E C H C R A F T
 BONANZA 33 THRU E33
 I L L U S T R A T E D P A R T S C A T A L O G

FIG. & ITEM NO.	PART NO.	DESCRIPTION							UNITS PER ASSY	USABLE ON CODE
		1	2	3	4	5	6	7		
67	35-324405-3	EDGELITE SUBPANEL & INSTRUMENT LIGHT INSTL.	.	.					NP	1
	35-324405-9	EDGELITE SUBPANEL & INSTRUMENT LIGHT INSTL.	.	.					NP	2
	35-324405-11	EDGELITE SUBPANEL & INSTRUMENT LIGHT INSTL.	.	.					NP	3
	35-324404-3	. PLACARD ASSY,CONTROL PANEL UPPER EDGELITE	.	.					1	4
	35-324404-13	. PLACARD ASSY,CONTROL PANEL UPPER EDGELITE	.	.					1	3
	35-324404-7	. PLACARD	.	.					1	4
	- 1	35-324404-15	. PLACARD	.	.				1	3
	- 2	35-324404-9	. WINDOW,INSTRUMENT CLUSTER	.	.				1	5
	- 3	35-324404-11	. WINDOW,ELEVATOR TAB	.	.				1	5
		MS25010-4A	. LIGHT,EDGELITE PANEL /LESS BULB/.	.	.				7	1
	- 4	A7165-4	. LIGHT,EDGELITE PANEL /LESS BULB/.	.	.				7	6
	- 5	330	. BULB,LIGHT.	.	.				7	5
	35-324390	. LIGHT INSTL,INSTRUMENT.	.	.				NP	7	
	35-324390-3	. LIGHT INSTL,INSTRUMENT.	.	.				NP	8	
	A8970-2-330	. LIGHT,BOLT.	.	.				16		
	A8970B2-330	. LIGHT,BOLT.	.	.				16	9	
- 6	A8970B2-330	. LIGHT,BOLT.	.	.				17	8	
- 7	A8975-2-330	. LIGHT,HORIZON GYRO BOLT	.	.				2	1	
- 8	A8970-1-330	. LIGHT,DIRECTIONAL GYRO BOLT	.	.				2	1	
- 9	A8970B1-330	. LIGHT,HORIZON & DIRECTIONAL GYRO BOLT	.	.				4	6	
	330	. BULB,BOLT LIGHT	.	.				AR	5	
- 10	XR4561	. RHEOSTAT,RADIO AND BOLT LIGHTS.	.	.				1	5	
- 11	35-364155	BRACKET,RHEOSTAT /SEE FIG. 61/.	.	.				1	5	
- 12	R25-10RS30	RHEOSTAT /SEE FIG. 61/.	.	.				1	5	

C O D E S O F E F F E C T I V I T Y

1	CD-388 THRU CD-813	2	CD-814 AND AFTER
3	CE-1 AND AFTER	4	CD-388 AND AFTER
5	CD-388 AND AFTER,	6	CD-814 AND AFTER,
	CE-1 AND AFTER		CE-1 AND AFTER
7	CD-388 THRU CD-1043,	8	CD-1044 AND AFTER,
	CE-1 THRU CE-76		CE-77 AND AFTER
9	CE-814 THRU CD-1043,		
	CE-1 THRU CE-76		

B E E C H C R A F T
B O N A N Z A 3 3 T H R U E 3 3
I L L U S T R A T E D P A R T S C A T A L O G

FIGURE 68
BRAKE
CD-1 THRU CD-624, CD-626 THRU CD-631
CD-633 THRU CD-636, CD-639

BEECHCRAFT
 BONANZA 33 THRU E33
 ILLUSTRATED PARTS CATALOG

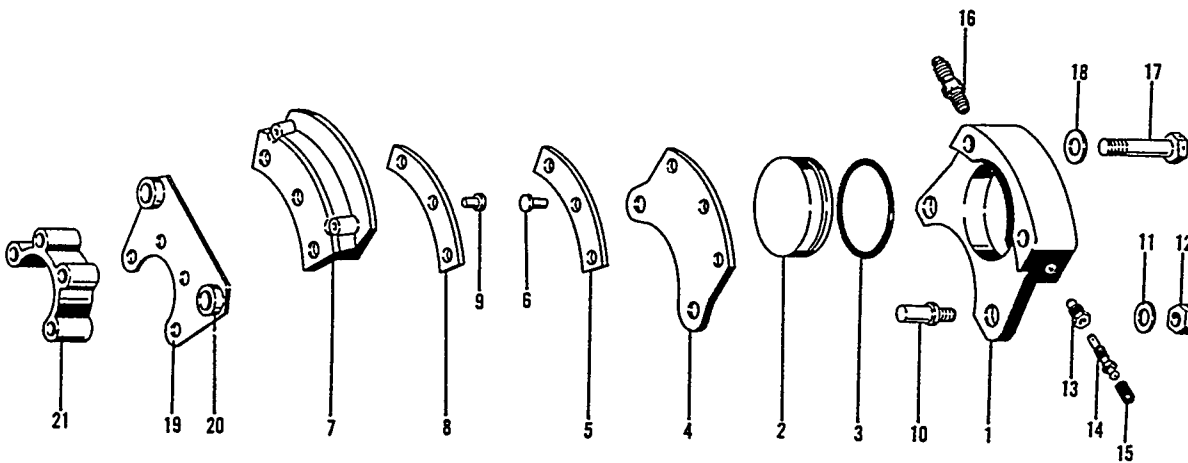
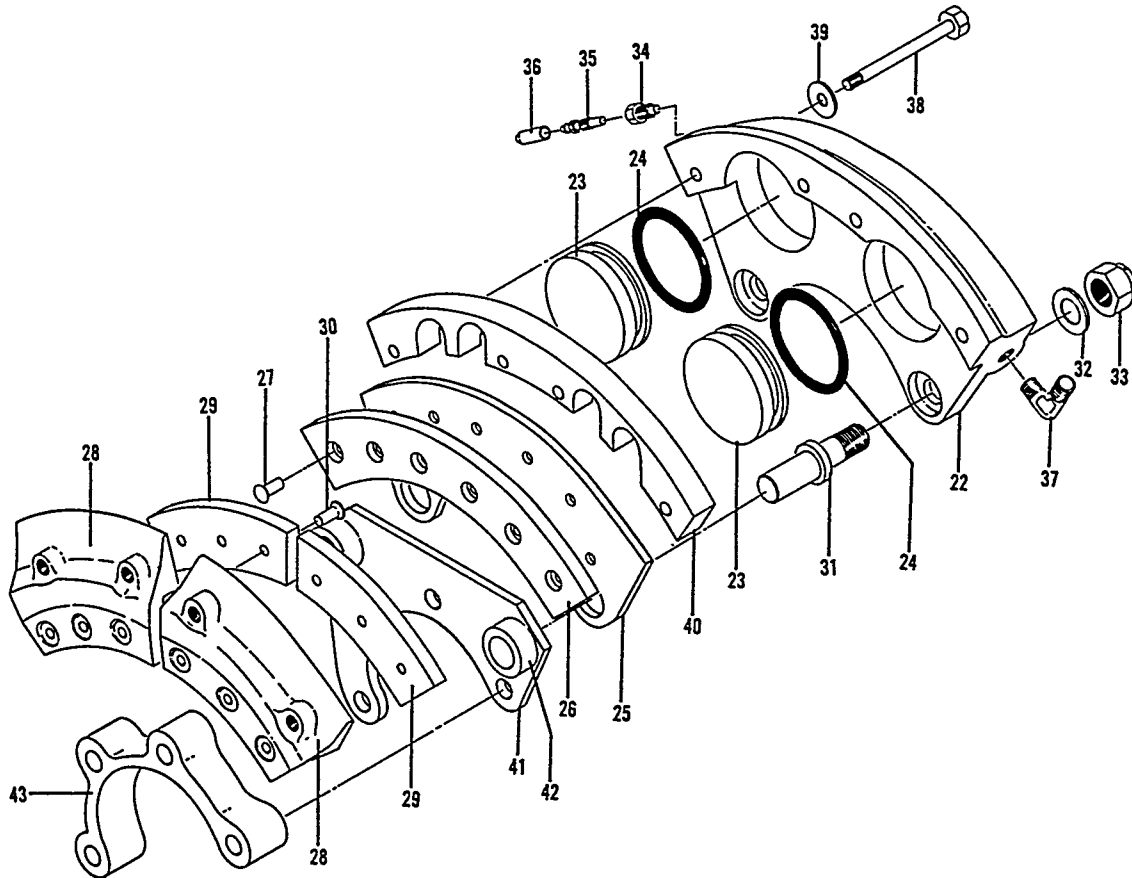


FIGURE 68. BRAKE

B E E C H C R A F T
B O N A N Z A 3 3 T H R U E 3 3
I L L U S T R A T E D P A R T S C A T A L O G

FIG. & ITEM NO.	PART NO.	DESCRIPTION							UNITS PER ASSY	USABLE ON CODE
		1	2	3	4	5	6	7		
68	35-200A	BRAKE ASSY /SEE FIG. 35 FOR NHA/							2	1
	91-2	. CYLINDER ASSY							1	1
- 1	61-2	. CYLINDER.							1	1
- 2	35-202	. PISTON.							1	1
- 3	AN6227-29	. O RING.							1	1
	73-1	. PRESSURE PLATE ASSY							1	1
- 4	35-203	. PLATE,PRESSURE.							1	1
- 5	35-204	. LINING.							1	1
- 6	561	. RIVET							3	1
	74-1	. BACK PLATE ASSY							1	1
- 7	64-3	. PLATE,BACK.							1	1
- 8	35-204	. LINING.							1	1
- 9	561	. RIVET							3	1
- 10	3013	. BOLT,ANCHOR							2	1
- 11	AN960-616L	. WASHER.							2	1
- 12	AN364-624	. NUT							2	1
- 13	37-206	. SEAT,BLEEDER.							1	1
- 14	FC6446	. SCREW,BLEEDER							1	1
- 15	183-1	. CAP,BLEEDER							1	1
- 16	AN816-4D	. FITTING,TUBE.							1	1
- 17	AN5H14A	. BOLT.							2	1
- 18	AN960-516L	. WASHER.							2	1
	75-1	. TORQUE PLATE ASSY							1	1
- 19	65-1	. PLATE,TORQUE.							1	1
- 20	83-1	. BOSS,TORQUE PLATE							2	1
- 21	67-2	. SHIM,TORQUE PLATE							1	1
	30-24	BRAKE ASSY /SEE FIG. 35 FOR NHA/							2	2
	91-11	. CYLINDER ASSY							1	2
- 22	61-7	. CYLINDER.							1	2
	92-2	. PISTON ASSY							2	2
- 23	3002	. PISTON.							1	2
- 24	AN6227-23	. O RING.							1	2
	73-4	. PRESSURE PLATE ASSY							1	2
- 25	63-6	. PLATE,PRESSURE.							1	2
- 26	66-3	. LINING.							1	2
- 27	561	. RIVET							6	2
	74-2	. BACK PLATE ASSY							2	2
- 28	3012	. PLATE,BACK.							1	2
- 29	66-2	. LINING.							1	2
- 30	561	. RIVET							3	2
- 31	3013	. BOLT,ANCHOR							2	2
- 32	AN960-616L	. WASHER.							2	2
- 33	AN364-624	. NUT							2	2
- 34	37-206	. SEAT,BLEEDER.							1	2
- 35	FC6446	. SCREW,BLEEDER							1	2
- 36	183-1	. CAP,BLEEDER							1	2
- 37	AN822-4D	. FITTING,TUBE.							1	2
- 38	AN4H16A	. BOLT.							4	2
- 39	AN960-416L	. WASHER.							4	2
- 40	68-7	. SHIM.							1	2
	75-18 LH	. TORQUE PLATE ASSY							1	2
	75-18 RH	. TORQUE PLATE ASSY							1	2
- 41	65-16	. PLATE,TORQUE.							1	2
- 42	83-1	. BOSS,TORQUE PLATE							2	2
- 43	67-5	. SPACER,TORQUE PLATE							1	2

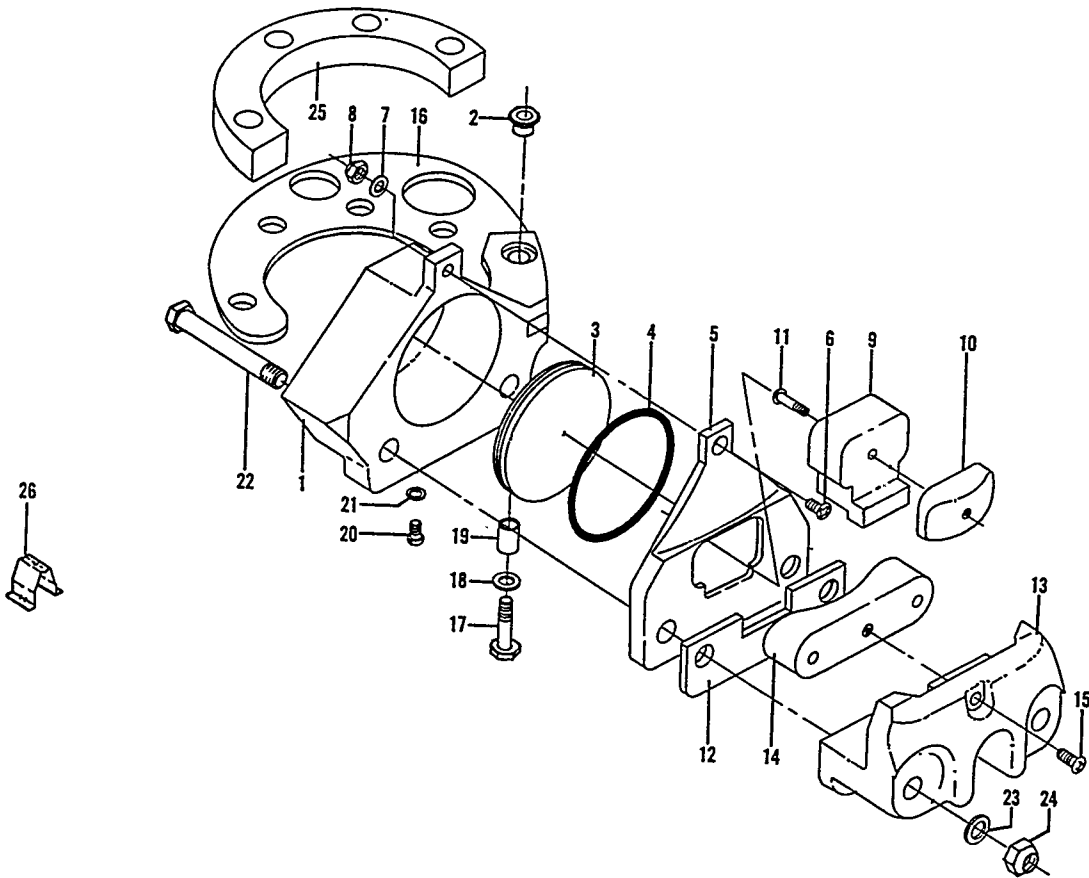
C O D E S O F E F F E C T I V I T Y

1 CD-1 THRU CD-387 2 CD-388 THRU CD-639
EXCEPT CD-625,
CD-632,CD-637
AND CD-638

B E E C H C R A F T
B O N A N Z A 3 3 T H R U E 3 3
I L L U S T R A T E D P A R T S C A T A L O G

FIGURE 69
BRAKE
CD-625,CD-632,CD-637 THRU CD-638
CD-640 THRU CD-1115,CE-1 THRU CE-171

BEECHCRAFT
BONANZA 33 THRU E33
ILLUSTRATED PARTS CATALOG



B E E C H C R A F T
BONANZA 33 THRU E33
I L L U S T R A T E D P A R T S C A T A L O G

FIG. & ITEM NO.	PART NO.	DESCRIPTION							UNITS PER ASSY	USABLE ON CODE
		1	2	3	4	5	6	7		
69	95-300001-5	BRAKE ASSEMBLY,RING DISC LH							1	1
		/SEE FIG. 35 FOR NHA/								
	95-300001-6	BRAKE ASSEMBLY,RING DISC RH							1	1
		/SEE FIG. 35 FOR NHA/								
	95-300001-15	. HOUSING SUBASSEMBLY,LH.							1	1
	95-300001-16	. HOUSING ASSEMBLY,RH							1	1
- 1	95-300001-37	. . HOUSING,LH /ORDER 95-300001-15/							NP	1
	95-300001-38	. . HOUSING,RH /ORDER 95-300001-16/							NP	1
- 2	95-300001-39	. . BUSHING,THREADED.							1	1
- 3	95-300001-41	. PISTON.							1	1
- 4	AN6227B27	. SEAL,PISTON O RING.							1	1
- 5	95-300001-43	. GUIDE,LINING.							1	1
- 6	10-32NF2X3/4	. SCREW,SOCKET 82 DEGREE FLAT HEAD.							1	1
- 7	96-300001-41	. WASHER.							1	1
- 8	MS21045-3	. NUT,GUIDE SCREW /SUPERSEDES AN363-1032/							1	1
	95-300001-9XS	. LINING SUBASSEMBLY,PISTON							NP	1
- 9	95-300001-49	. . CARRIER,LINING.							1	1
- 10	95-300001-45	. . LINING,MOLDED							1	1
- 11	#10X1/2	. . SCREW,ROUND HEAD SELF TAPPING							1	1
- 12	95-300001-51	. SPACER,BACK PLATE							1	1
	95-300001-17	. BACK PLATE SUBASSEMBLY,ANVIL.							1	1
- 13	95-300001-53	. . BACK PLATE,ANVIL.							1	1
- 14	95-300001-77	. . LINING /SUPERSEDES 95-300001-7/							1	1
- 15	10-32NF2X5/16	. . SCREW,ROUND HEAD BRASS.							1	1
- 16	95-300001-57	. TORQUE ARM,HOUSING.							1	1
- 17	AN5H5A/M/	. BOLT,HINGE.							1	1
- 18	AN960-516L	. WASHER.							1	1
- 19	95-300001-59	. SLEEVE,HINGE BOLT							1	1
- 20	AN502-10-4	. SCREW,BLEEDER							1	1
- 21	96-300001-41	. WASHER.							1	1
- 22	AN6H26A/M/	. BOLT.							2	1
- 23	AN960-616	. WASHER.							4	1
- 24	AN363-624	. NUT							2	1
- 25	95-300001-61	. SPACER,TORQUE ARM							1	1
	95-300001-63	. DATA PLATE,LH							1	1
	95-300001-64	. DATA PLATE,RH							1	1
	95-300001-65	. DATA PLATE,SERIAL							1	1
- 26	95-300001-75	. CLIP,STEEL DUST COVER							1	1

CODES OF EFFECTIVITY

- 1 CD-635 THRU CD-1115
- CE-1 THRU CE-171

B E E C H C R A F T
B O N A N Z A 3 3 T H R U E 3 3
I L L U S T R A T E D P A R T S C A T A L O G

FIGURE 69A
BRAKE
CD-1116 AND AFTER, CE-172 AND AFTER

BEECHCRAFT
BONANZA 33 THRU E33
ILLUSTRATED PARTS CATALOG

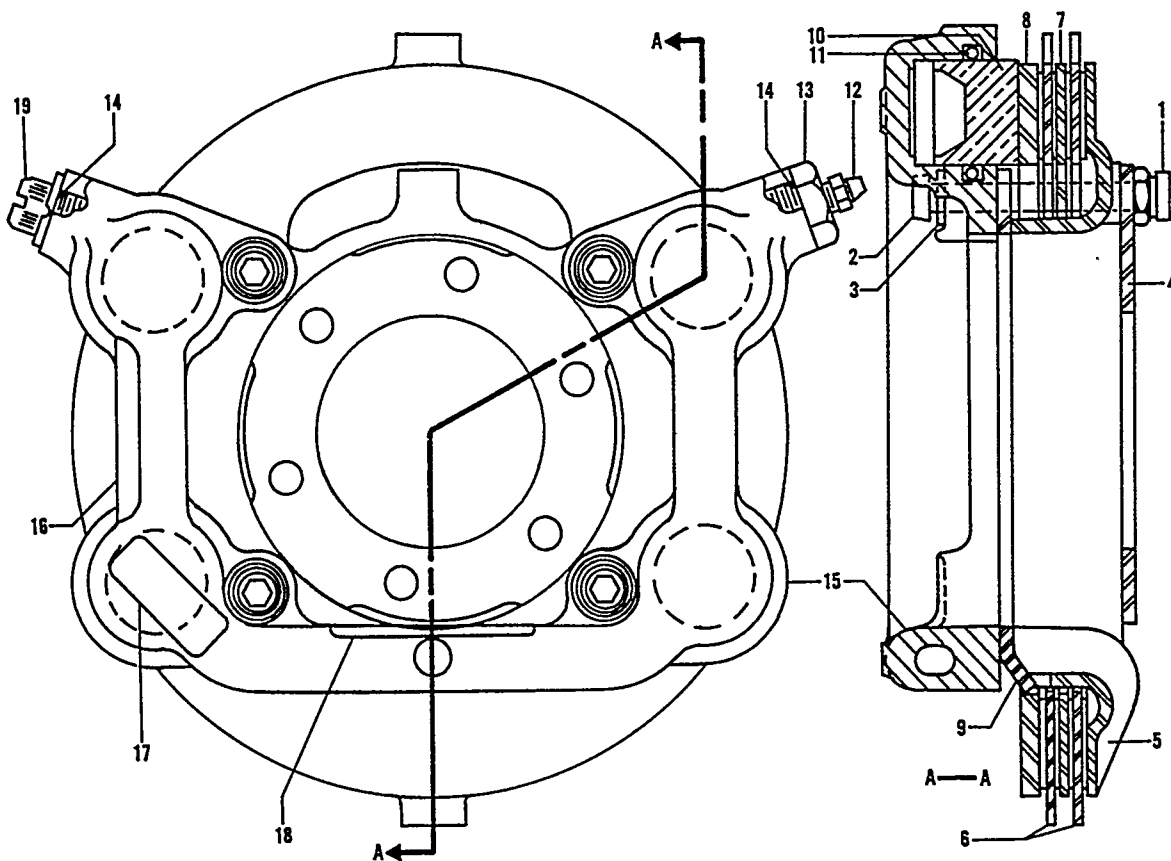


FIGURE 69A.BRAKE

B E E C H C R A F T
 BONANZA 33 THRU E33
 I L L U S T R A T E D P A R T S C A T A L O G

FIG. & ITEM NO.	PART NO.	DESCRIPTION							UNITS PER ASSY	USABLE ON CODE
		1	2	3	4	5	6	7		
69A	35-8002-5	BRAKE ASSY /STANDARD/	2	1
	35-8002-25	BRAKE ASSY /OPTIONAL/	2	1
- 1	95-6867	. NUT,SELF LOCKING.	4	1
- 2	95-9491	. BOLT,INTERNAL WRENCHING	4	1
- 3	95-9626	. WASHER.	4	1
- 4	95-35451	. FLANGE,TORQUE	1	1
- 5	35-8002-13	. PLATE,BACK.	1	1
- 6	35-8002-15	. DISC,ROTATING /USED ON 35-8002-5/	2	1
	35-8002-21	. DISC,ROTATING /USED ON 35-8002-25/	2	1
- 7	35-8002-17	. DISC,STATIONARY /USED ON 35-8002-5/	1	1
	35-8002-23	. DISK,STATIONARY /USED ON 35-8002-25/	1	1
- 8	35-8002-19	. PLATE,PRESSURE.	1	1
- 9	95-35454	. PLATE,TORQUE.	1	1
- 10	95-35452	. PISTON.	4	1
- 11	95-4719	. PACKING,O RING.	4	1
- 12	95-9279	. VALVE,BLEEDER	1	1
- 13	95-3218	. ADAPTER,BLEEDER VALVE	1	1
- 14	95-5761	. PACKING,O RING.	2	1
- 15	35-8002-11	. HOUSING,BRAKE	1	1
- 16	95-35577	. DATA PLATE,BEECHCRAFT	1	1
- 17	95-35625	. DATA PLATE,TORQUE	1	1
- 18	95-300001-64	. DATA PLATE,SERIAL /SUPERSEDES 95-25556/	1	1
- 19	95-1989	. PLUG,STORAGE AND SHIPPING	1	1

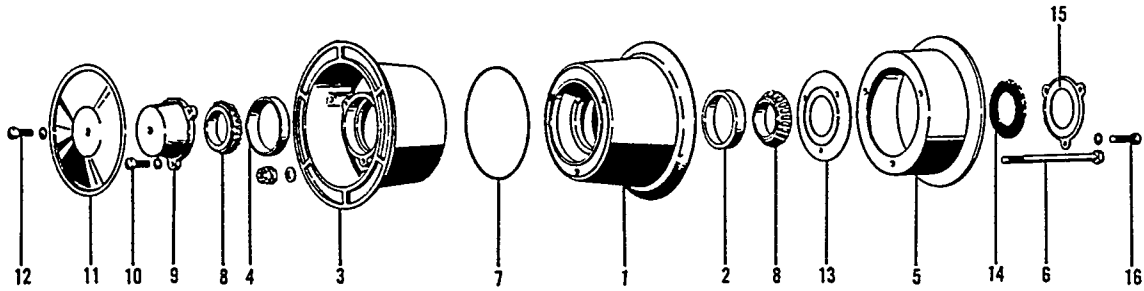
CODES OF EFFECTIVITY

- 1 CD-1116 AND AFTER
- CE-172 AND AFTER

B E E C H C R A F T
B O N A N Z A 3 3 T H R U E 3 3
I L L U S T R A T E D P A R T S C A T A L O G

FIGURE 70
MAIN GEAR WHEEL
CD-1 THRU CD-634

BEECHCRAFT
BONANZA 33 THRU E33
ILLUSTRATED PARTS CATALOG



B E E C H C R A F T
 BONANZA 33 THRU E33
 I L L U S T R A T E D P A R T S C A T A L O G

FIG. & ITEM NO.	PART NO.	DESCRIPTION	UNITS PER ASSY	USABLE ON CODE
70	27-100D	WHEEL ASSY,MAIN LANDING GEAR 6.00 X 6	2	1
	40-37	WHEEL ASSY,MAIN LANDING GEAR 6.00 X 6 TYPE III. /SEE FIG. 35 FOR NHA/	2	2
	161-4	. WHEEL HALF ASSY,INNER	1	3
- 1	151-1	. . WHEEL HALF,INNER.	1	3
- 2	13836	. . CUP,BEARING	1	3
	162-4	. WHEEL HALF ASSY,OUTER	1	3
- 3	152-1	. . WHEEL HALF,OUTER.	1	3
- 4	13836	. . CUP,BEARING	1	3
	164-1	. DISC ASSY,BRAKE	1	1
- 5	164-7	. DISC ASSY,BRAKE	1	2
- 6	AN4-40A	. BOLT.	3	3
	AN960-416	. WASHER.	AR	3
	AN365-428	. NUT	3	3
- 7	1866-30	. O RING.	1	3
- 8	13889	. CONE,BEARING.	2	3
- 9	158-1	. CAP,HUB	1	3
- 10	8-32 X 1/2	. SCREW,FLATHEAD CAP.	3	3
	1208	. LOCK WASHER	3	3
- 11	157-1	. SHIELD,DUST	1	3
- 12	10-24 X 1/2	. SCREW,FLATHEAD CAP.	1	3
	AN936810	. LOCK WASHER /SUPERSEDES 1210/	1	3
- 13	156-1	. PLATE,GREASE SEAL	1	3
- 14	39092	. SEAL,FELT GREASE.	1	3
- 15	B39094	. RING,GREASE SEAL.	1	3
- 16	8-32 X 1/2	. SCREW,FLATHEAD CAP.	3	3
	1208	. LOCK WASHER	3	3

CODES OF EFFECTIVITY

- 1 CD-1 THRU CD-387 2 CD-388 THRU CD-634
 3 CD-1 THRU CD-634

B E E C H C R A F T
B O N A N Z A 3 3 T H R U E 3 3
I L L U S T R A T E D P A R T S C A T A L O G

FIGURE 71
MAIN GEAR WHEEL
CD-635 AND AFTER, CE-1 AND AFTER

BEECHCRAFT
 BONANZA 33 THRU E33
 ILLUSTRATED PARTS CATALOG

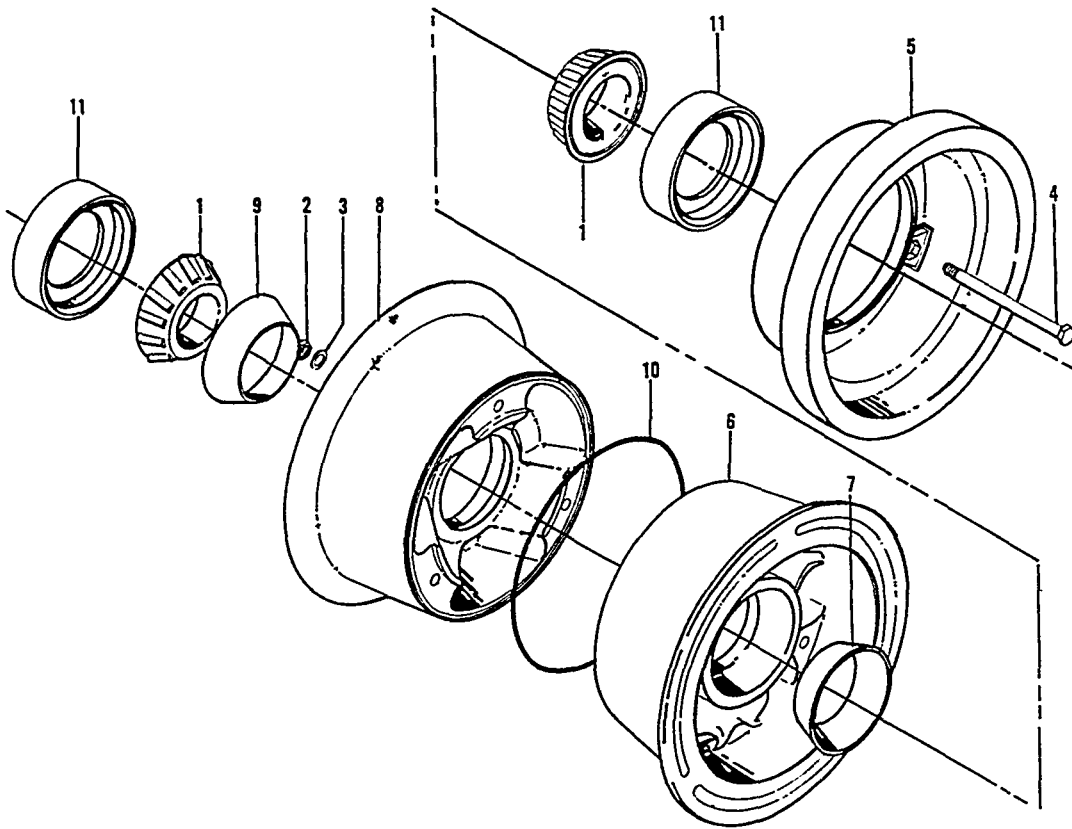
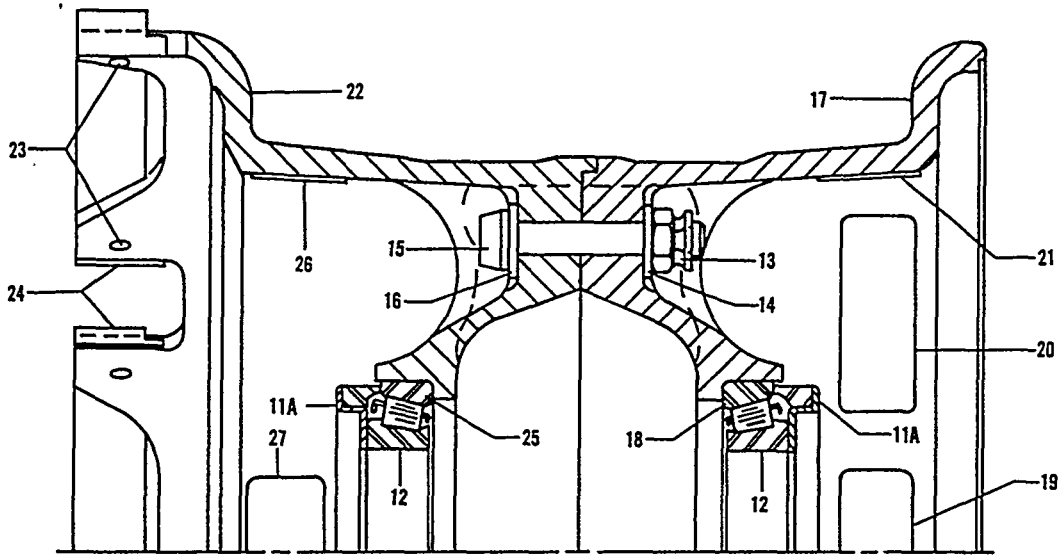


FIGURE 71. MAIN GEAR WHEEL

B E E C H C R A F T
 BONANZA 33 THRU E33
 I L L U S T R A T E D P A R T S C A T A L O G

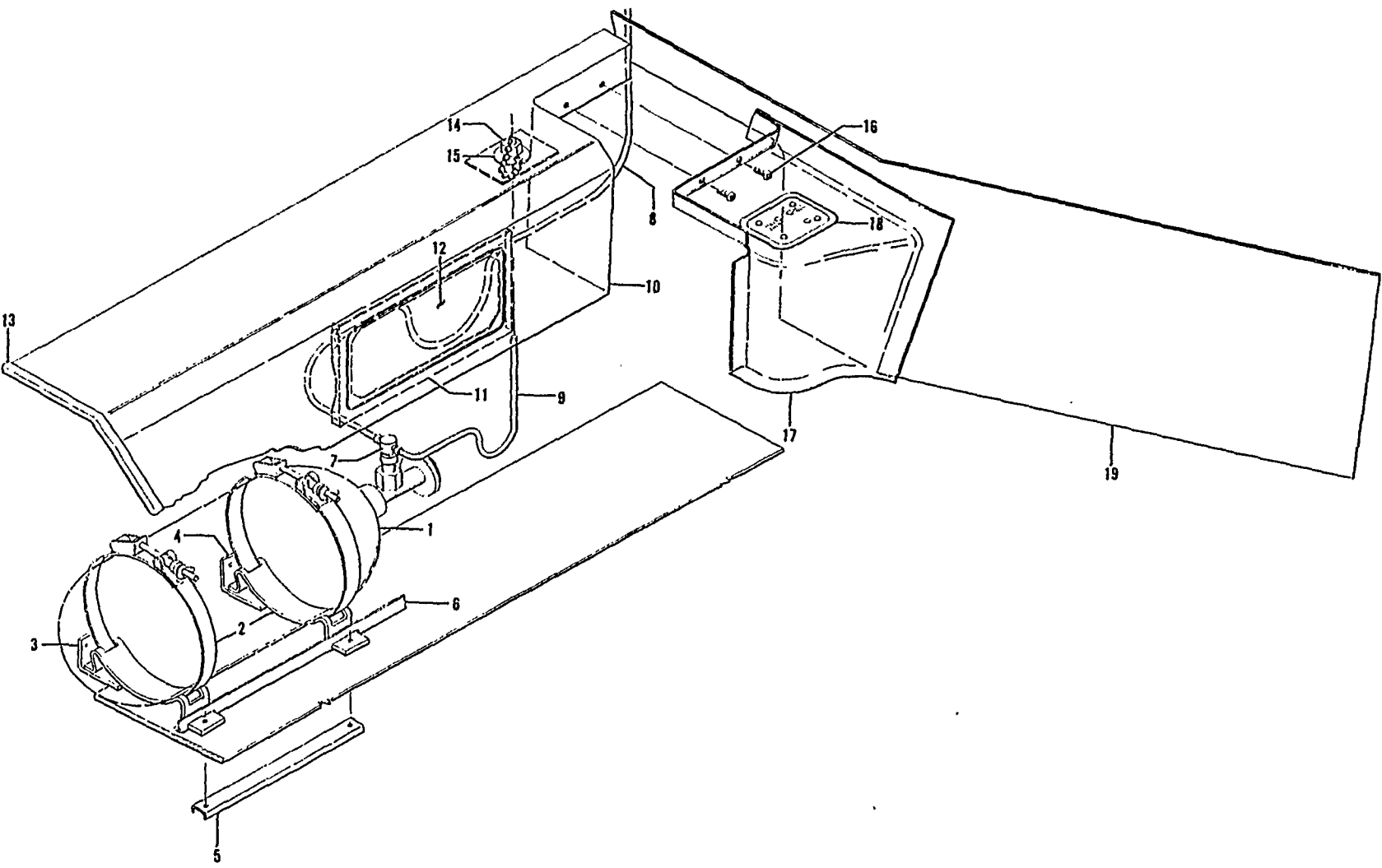
FIG. & ITEM NO.	PART' NO.	DESCRIPTION	UNITS PER ASSY	USABLE ON CODE
71	95-300001-1	MAIN WHEEL ASSY,TUBELESS SIDEWALL INFLATED. /SAND CAST WHEEL/ /ORDER 95-300001-67/	NP	1
	95-300001-67	MAIN WHEEL ASSY,TUBELESS SIDEWALL INFLATED. /DIE CAST WHEEL/	2	4
	95-300001-73	MAIN WHEEL ASSY,TUBE TYPE	2	2
- 1	13685XL	. . CONE,BEARING /USED WITH 95-300001-1/.	2	1
	13839	. . CONE,BEARING /USED WITH 95-300001-67 & -73/	2	4
- 2	AN363-524	. . NUT	3	4
- 3	AN960-516	. . WASHER /USED WITH 95-300001-1/.	3	1
	MS20002-5	. . WASHER /USED WITH 95-300001-67 & -73/	3	4
- 4	GYS5-49	. . BOLT.	3	4
- 5	95-300001-3	. . RING SUBASSY,DISC	1	4
- 6	95-300001-11	. . WHEEL SUBASSY,INBD HALF /ORDER 95-300001-69/. /USED WITH 95-300001-1/	NP	1
	95-300001-69	. . WHEEL SUBASSY,INBD HALF /USED WITH 95-300001-67 & -73/	1	4
- 7	13621XL	. . BEARING,CUP /USED WITH 95-300001-1/	1	1
	13830	. . BEARING,CUP /USED WITH 95-300001-67 & -73/.	1	4
- 8	95-300001-13	. . WHEEL SUBASSY,OUTBD HALF. /USED WITH 95-300001-1/	1	1
	95-300001-71	. . WHEEL SUBASSY,OUTBD HALF. /USED WITH 95-300001-67/	1	1
	95-300001-79	. . WHEEL SUBASSY,OUTBD HALF. /USED WITH 95-300001-73/	1	2
- 9	13621XL	. . BEARING,CUP /USED WITH 95-300001-1/	1	1
	13830	. . BEARING,CUP /USED WITH 95-300001-67 & -73/.	1	4
- 10	AN6230830	. . SEAL,WHEEL O RING /USED WITH 95-300001-1/	1	1
- 11	95-24218	. . SEAL,BEARING /USED WITH 95-300001-67. & -73/	2	4
	95-300001-29	. . DATA PLATE,OUTBD WHEEL.	1	4
	95-300001-31	. . DATA PLATE,WARNING.	1	4
	95-300001-33	. . DATA PLATE,BEECHCRAFT	1	1
	95-300001-83	. . DATA PLATE,BEECHCRAFT	1	2
	35-8002-3	WHEEL ASSY,7.00 X 6 TUBE TYPE	2	3
- 11A	95-24218	. . SEAL,BEARING.	2	3
- 12	13889	. . CONE,BEARING /SUPERSEDES 95-0476/	2	3
- 13	95-6867	. . NUT	4	3
- 14	95-6974	. . WASHER.	4	3
- 15	95-8249	. . BOLT,WHEEL.	4	3
- 16	95-6926	. . WASHER,COUNTERSUNK.	4	3
- 17	35-8002-9	. . WHEEL SUBASSY,OUTBD HALF.	1	3
- 18	13830	. . CUP,BEARING /SUPERSEDES 95-0477/.	1	3
- 19	95-35523	. . DATA PLATE,OUTBD WHEEL HALF	1	3
- 20	95-300001-31	. . DATA PLATE,WARNING /SUPERSEDES 95-25546/.	1	3
- 21	95-35576	. . DATA PLATE,BEECHCRAFT	1	3
- 22	35-8002-7	. . WHEEL SUBASSY,INBD HALF	1	3
- 23	95-7649	. . RIVET	12	3
- 24	95-43686	. . LINER,KEYWAY.	6	3
- 25	13830	. . CUP,BEARING /SUPERSEDES 95-0477/.	1	3
- 26	95-35522	. . DATA PLATE,INBD WHEEL HALF.	1	3
- 27	95-300001-31	. . DATA PLATE,WARNING /SUPERSEDES 95-25546/.	1	3

C O D E S O F E F F E C T I V I T Y

- | | |
|--|--|
| 1 CD-635 THRU CD-846 | 2 CD-847 THRU CD-1125,
CE-1 THRU CE-202 |
| 3 CD-1126 AND AFTER,
CE-203 AND AFTER | 4 CD-635 THRU CD-1125,
CE-1 THRU CE-202 |

B E E C H C R A F T
B O N A N Z A 3 3 T H R U E 3 3
I L L U S T R A T E D P A R T S C A T A L O G

FIGURE 72
OXYGEN SYSTEM
CD-814 THRU CD-1051, CE-1 THRU CE-90



BEECHCRAFT
 BONANZA 33 THRU E33
 ILLUSTRATED PARTS CATALOG

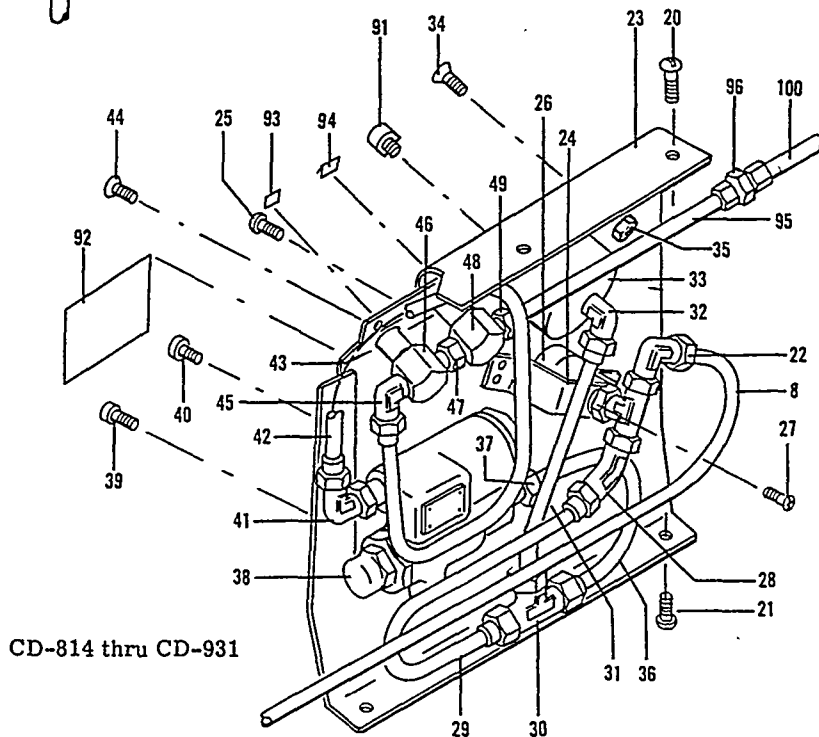
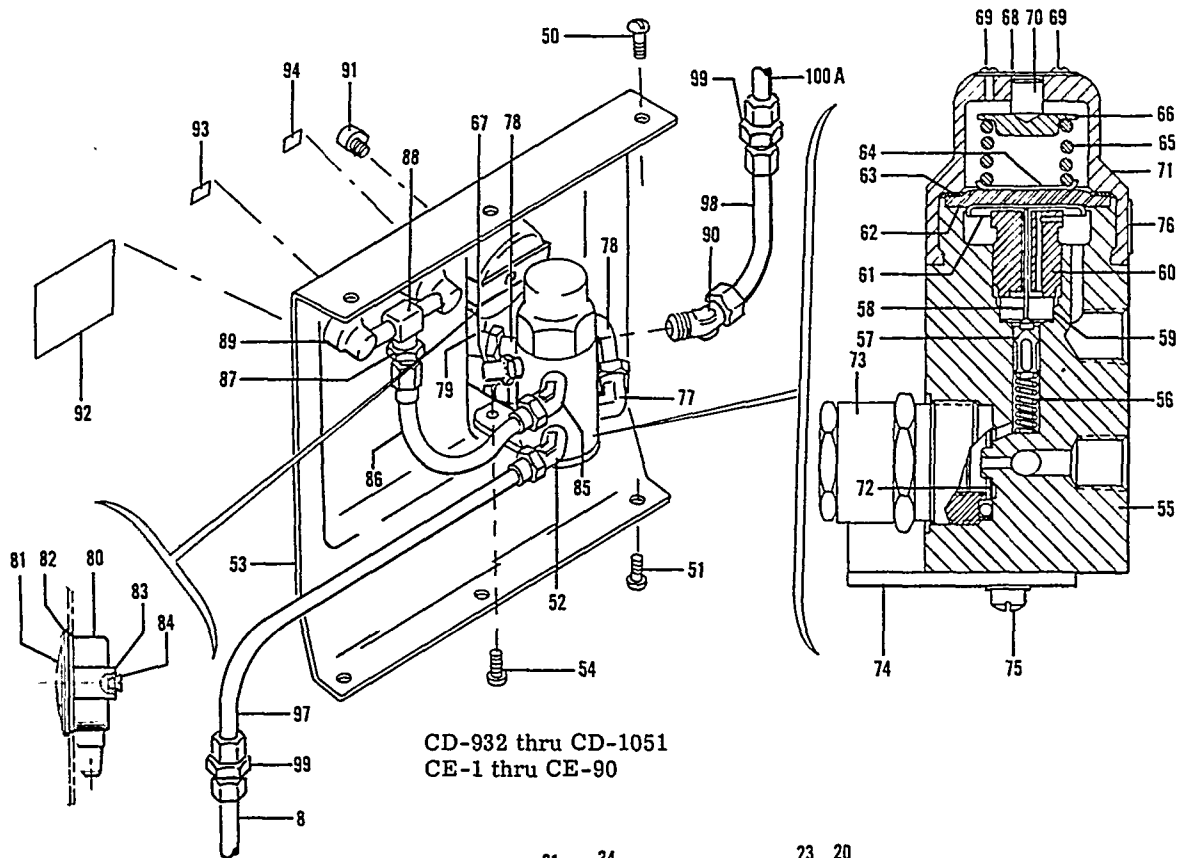


FIGURE 72. OXYGEN SYSTEM
 /SHEET 2 OF 3 SHEETS/

BEECHCRAFT
 BONANZA 33 THRU E33
 ILLUSTRATED PARTS CATALOG

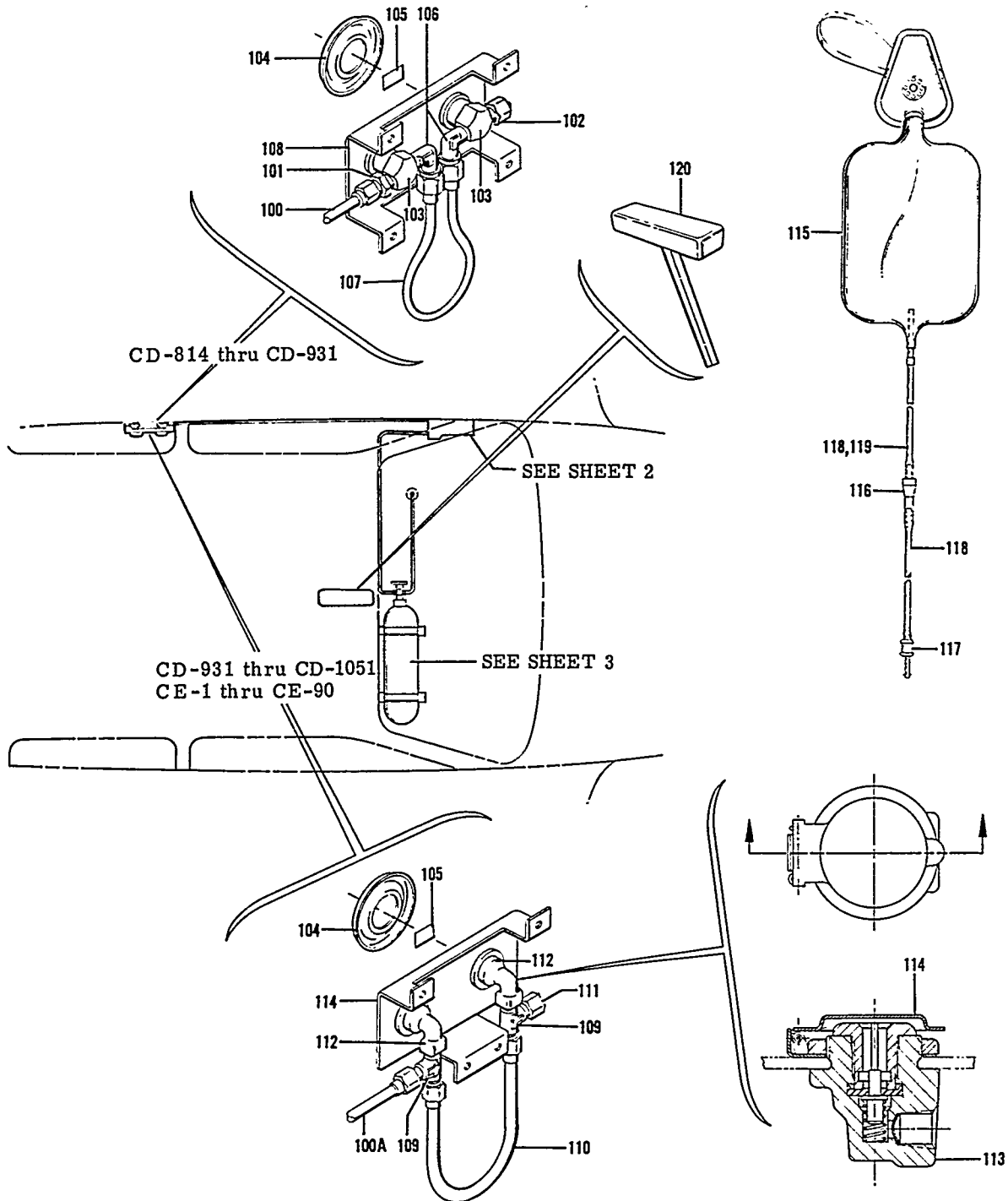


FIGURE 72. OXYGEN SYSTEM
 /SHEET 3 OF 3 SHEETS/

B E E C H C R A F T
BONANZA 33 THRU E33
I L L U S T R A T E D P A R T S C A T A L O G

FIG. & ITEM NO.	PART NO.	DESCRIPTION	UNITS PER ASSY	USABLE ON CODE
		1 2 3 4 5 6 7		
72	35-560000-1	OXYGEN SYSTEM INSTL, 4 OUTLETS /38 CU FT/	NP	1
	35-560000-7	OXYGEN SYSTEM INSTL, 4 OUTLETS /48 CU FT/	NP	1
	35-560010-1	. OXYGEN BOTTLE INSTL /38 CU FT/	NP	1
	35-560010-17	. OXYGEN BOTTLE INSTL /48 CU FT/	NP	1
- 1	ZC268-38-7	. . BOTTLE, OXYGEN /38 CU FT/	1	1
	6350A2-0-B	. . BOTTLE, OXYGEN /38 CU FT/ /ALTERNATE FOR . .	1	1
	18-300004-1	. . BOTTLE, OXYGEN /48 CU FT/	1	1
	6350A5-0-B	. . BOTTLE, OXYGEN /48 CU FT/ /ALTERNATE FOR . .	1	1
- 2	35-560010-9	. . BRACKET, BOTTLE MOUNTING	2	1
	AN3	. . BOLT	2	
	AN960-10	. . WASHER	2	
	NAS680A3	. . NUTPLATE /SUPERSEDES AN366F1032/	2	
- 3	35-560010-13	. . ANGLE, BRACKET SUPPORT	1	1
- 4	35-560010-15	. . ANGLE, BRACKET SUPPORT	1	1
	AN525-832	. . SCREW	2	
	AN960-8	. . WASHER	2	
	MS20365-832	. . NUT	2	
	AN3	. . BOLT	2	
	AN960-10	. . WASHER	2	
	K2000-3	. . NUTPLATE /SUPERSEDES NAS682A3/	2	
- 5	35-560010-11	. . SUPPORT	1	1
- 6	35-560010-19	. . ANGLE	1	1
- 7	18-300009-21	. . TEE	1	1
- 8	35-560010-3	. . TUBE ASSY /38 CU FT INSTL/	1	2
	35-560010-35	. . TUBE ASSY /38 CU FT INSTL/	1	3
	35-560010-21	. . TUBE ASSY /48 CU FT INSTL/	1	2
	35-560010-37	. . TUBE ASSY /48 CU FT INSTL/	1	3
- 9	35-560010-5	. . TUBE ASSY /38 CU FT INSTL/	1	1
	35-560010-23	. . TUBE ASSY /48 CU FT INSTL/	1	1
- 10	35-560010-601	. . PARTITION ASSY, FWD FRONT SEAT UPHOLSTERED . .	1	1
	AN530-6	. . SCREW	8	
- 11	35-410451-39	. . DOUBLER ASSY	1	1
	35-410451-43	. . DOUBLER	1	1
	99871P098	. . RECEPTACLE	4	1
- 12	35-410451-35	. . DOOR ASSY	1	1
	35-410451-41	. . DOOR	1	1
	98293-1-060	. . STUD	4	1
	99785-2	. . PIN	4	1
- 13	112416	. . EXTRUSION /15-1/2 INCHES LONG/	1	1
- 14	18-300009-11	. . FILLER VALVE & CAP ASSY	1	1
	35-560010-33	. . PLACARD ASSY, OXYGEN RECHARGE	1	1
	50-560015	. . PLACARD, OXYGEN RECHARGE	1	1
	100951DD020NA	. . WASHER	1	1
	35-560010-603	. . COVER ASSY, FUEL SELECTOR VALVE	1	1
- 16	AN530-6	. . SCREW	12	
- 17	35-924256-3	. . COVER, FUEL SELECTOR VALVE	1	1
- 18	35-534421-11	. . PLACARD ASSY, FUEL SELECTOR	1	1
	NAS384-6-8P	. . SCREW	4	
	A1777-6Z3	. . NUTPLATE /SUPERSEDES A1777-6Z1/	4	

B E E C H C R A F T
B O N A N Z A 3 3 T H R U E 3 3
I L L U S T R A T E D P A R T S C A T A L O G

FIG. & ITEM NO.	PART NO.	DESCRIPTION	UNITS PER ASSY	USABLE ON CODE
		1 2 3 4 5 6 7		
72 - 19	33-530002-27	. PANEL ASSY, LOWER FWD LH SIDE.	1	1
	96-560002-601	. CONSOLE ASSY, OXYGEN	1	2
		/ATTACHING PARTS/		
- 20	AN530-6R8	. SCREW	3	
	A1793-6Z3	. NUT, TYPE E.	3	
- 21	PK84XA6-6	. SCREW	3	

- 22	AN790-3	. ELBOW	1	2
- 23	96-560001-35	. ESCUTCHEON.	1	2
- 24	96-560001-39	. BRACKET, VALVE MOUNTING.	1	2
		/ATTACHING PARTS/		
- 25	AN507-632R5	. SCREW	4	
	AN960-6L	. WASHER.	4	
	MS20365-632	. NUT	4	

- 26	AN6012-1A	. VALVE, OXYGEN REGULATOR.	1	2
		/ATTACHING PARTS/		
- 27	PK74XZ8-4	. SCREW /USE WITH KEROTEST VALVE/	3	
	AN515-8R7	. SCREW /USE WITH SUPERIOR VALVE/	2	
	AN936A8	. WASHER.	AR	

- 28	AN791-3	. ELBOW	1	2
- 29	96-560002-21	. TUBE ASSY	1	2
- 30	AN795-3	. TEE	1	2
- 31	96-560002-23	. TUBE ASSY	1	2
- 32	AN790-3	. ELBOW	1	2
- 33	50-384046	. INDICATOR, OXYGEN CYLINDER PRESSURE.	1	2
		/ATTACHING PARTS/		
- 34	AN507-632R10	. SCREW	3	
- 35	NAS487-20	. NUT	3	

- 36	96-560002-19	. TUBE ASSY	1	2
- 37	AN780-3	. NIPPLE.	1	2
- 38	18-300009-23	. REGULATOR	1	2
		/ATTACHING PARTS/		
- 39	AN509-416R8	. SCREW	1	
- 40	AN509-416R6	. SCREW	2	
	AN960-416	. WASHER.	6	

- 41	MS20822-5D	. ELBOW	1	2
- 42	96-560001-45	. TUBE ASSY	1	2
- 43	96-560001-37	. SUPPORT, OULET	1	2
		/ATTACHING PARTS/		
- 44	AN507-632R5	. SCREW	4	
	AN960-6L	. WASHER.	4	
	MS20365-632	. NUT	4	

- 45	MS20822-5D	. ELBOW	1	2
- 46	18-300009-29	. OUTLET, PILOT OXYGEN	1	2
- 47	AN911-1D	. NIPPLE.	1	2
- 48	18-300009-31	. OUTLET, COPILOT OXYGEN	1	2
- 49	AN823-5D	. ELBOW	1	2
	96-560021-601	. CONSOLE ASSY, OXYGEN	1	3
		/ATTACHING PARTS/		
- 50	AN530-6R8	. SCREW	3	
	A1793-6Z3	. NUT TYPE E.	3	
- 51	PK84XA6-6	. SCREW	3	

- 52	AN791-3	. ELBOW	1	3
- 53	96-560021-1	. ESCUTCHEON.	1	3
	800308	. REGULATOR ASSY.	1	3
		/ATTACHING PARTS/		
- 54	AN507-632R	. SCREW	3	

B E E C H C R A F T
B O N A N Z A 3 3 T H R U E 3 3
I L L U S T R A T E D P A R T S C A T A L O G

FIG. & ITEM NO.	PART NO.	DESCRIPTION	UNITS PER ASSY	USABLE ON CODE
		1 2 3 4 5 6 7		
72	AN960-6L	• • WASHER	3	
	MS20365-632	• • NUT	3	

- 55	10000586	• • • BODY REGULATOR	1	3
- 56	5027	• • • SPRING, THRUST	1	3
- 57	5002	• • • GUIDE, THRUST PIN	1	3
- 58	5028	• • • PIN, THRUST	1	3
- 59	5029	• • • SEAT, THRUST PIN	1	3
- 60	5030	• • • HOLDER, SEAT	1	3
- 61	5031	• • • PLATE, THRUST	1	3
- 62	5032-1	• • • DIAPHRAGM	1	3
- 63	5033	• • • RING, SLIP	1	3
- 64	5034	• • • PLATE, DIAPHRAGM	1	3
- 65	5003	• • • SPRING, ADJUSTING	1	3
- 66	8561	• • • GUIDE, SPRING	1	3
- 67	5043-14	• • • VALVE ASSY, RELIEF	1	3
- 68	5056	• • • PLATE, NAME	1	3
		/ATTACHING PARTS/		
- 69	AN520-2-3	• • • SCREW	2	

- 70	1/4X20X3/8	• • • SCREW, ADJUSTING	1	3
- 71	5005	• • • CASE, SPRING	1	3
- 72	5522	• • • FILTER	1	3
- 73	5520-11	• • • VALVE ASSY, ON-OFF	1	3
- 74	10000596	• • • BRACKET, REGULATOR MOUNTING	1	3
		/ATTACHING PARTS/		
- 75	AN500-8-7	• • • SCREW	2	
	AN936A8	• • • WASHER	2	

- 76	2824	• • • PLATE, NAME	1	3
- 77	200-2-2	• • • ELBOW	1	3
- 78	96-560021-5	• • • TUBE ASSY	1	3
- 79	200-8-2	• • • ELBOW	1	3
	800327-01	• • • GAGE KIT, OXYGEN	1	3
- 80	800318-00	• • • GAGE, OXYGEN PRESSURE	1	3
- 81	13753	• • • LENS	1	3
- 82	8808-1	• • • BEZEL	1	3
- 83	25378-3	• • • BRACKET	1	3
- 84	6-32X1/4	• • • SCREW	1	3
	6	• • • WASHER, LOCK	1	3
- 85	AN823-4D	• • • ELBOW /SUPERSEDES MS28023-4D/	1	
- 86	96-560021-3	• • • TUBE ASSY	1	3
- 87	AN816-4D	• • • NIPPLE	1	3
- 88	PF3001-2	• • • TEE	1	3
- 89	800316	• • • OUTLET ASSY, OXYGEN	2	3
- 90	MS20823-5D	• • • ELBOW	1	3
- 91	A8970-1-330	• • • LIGHT, POST	1	1
	330	• • • BULB	1	1
- 92	50-534288	• • • PLACARD, OXYGEN OUTLET VALVE INSTRUCTION	1	1
- 93	96-560011-1	• • • PLACARD, PILOT OXYGEN OUTLET VALVE	1	1
- 94	96-560011-3	• • • PLACARD, COPILOT OXYGEN OUTLET VALVE	1	1
- 95	96-560001-73	• • • TUBE ASSY	1	2
- 96	AN815-5D	• • • UNION	1	2
- 97	96-560004-29	• • • TUBE ASSY	1	3
- 98	96-560004-27	• • • TUBE ASSY	1	3
- 99	AN815-5D	• • • UNION	2	3
-100	96-560001-47	• • • TUBE ASSY	1	2
-100A	96-560004-23	• • • TUBE ASSY	1	3
	MS35489-10	• • • GROMMET	6	3
-101	AN816-5D	• • • NIPPLE	1	2
-102	AN913-1D	• • • PLUG	1	2
-103	18-300009-31	• • • OUTLET ASSY, OXYGEN	2	2
-104	50-534363 GOLD	• • • ESCUTCHEON	2	1
	50-534363 SILVER	• • • ESCUTCHEON	2	1
-105	50-560012	• • • PLACARD, OXYGEN OUTLET	2	1

B E E C H C R A F T
 BONANZA 33 THRU E33
 I L L U S T R A T E D P A R T S C A T A L O G

FIG. & ITEM NO.	PART NO.	1	2	3	4	5	6	7	DESCRIPTION	UNITS PER ASSY	USABLE ON CODE
72 -106	AN822-5D	ELBOW	2	2
-107	96-560001-11	TUBE ASSY	1	2
-108	96-560001-3	BRACKET,OXYGEN OUTLET	1	2
-109	MS20826-5D	TEE	2	3
-110	96-560004-21	TUBE ASSY	1	3
-111	AN929-5	CAP ASSY.	1	3
	800316	OUTLET ASSY,OXYGEN.	2	3
-112	23599	OUTLET ASSY,OXYGEN.	1	3
-113	800319-00	COVER ASSY,OUTLET DUST.	1	3
-114	96-560004-15	BRACKET,OXYGEN OUTLET	1	3
	18-300009-27	MASK ASSY,OXYGEN.	4	2
	800311	MASK ASSY,OXYGEN LH	2	3
	35-560000-19	MASK ASSY,OXYGEN RH	2	3
	18-300001-5	MASK /SUPERSEDES 7/	1	2
-115	15320	MASK.	1	3
-116	8540	FLOW INDICATOR ASSY /SUPERSEDES ZV852/.	1	1
	ZF454	CONNECTOR,PLUG-IN	1	2
-117	8570	CONNECTOR PLUG-IN	1	3
	18-300001-1	TUBE /SUPERSEDES OT536/	1	2
-118	3/16IDX1/16WALL	TUBING.	AR	3
-119	35-560000-21	TUBE,RH /MASK TO FLOW INDICATOR/.	1	3
-120	35-560000-15	ARMREST ASSY,FRONT SEAT /USED WITH.	1	1
									35-560000-7 INSTL/		

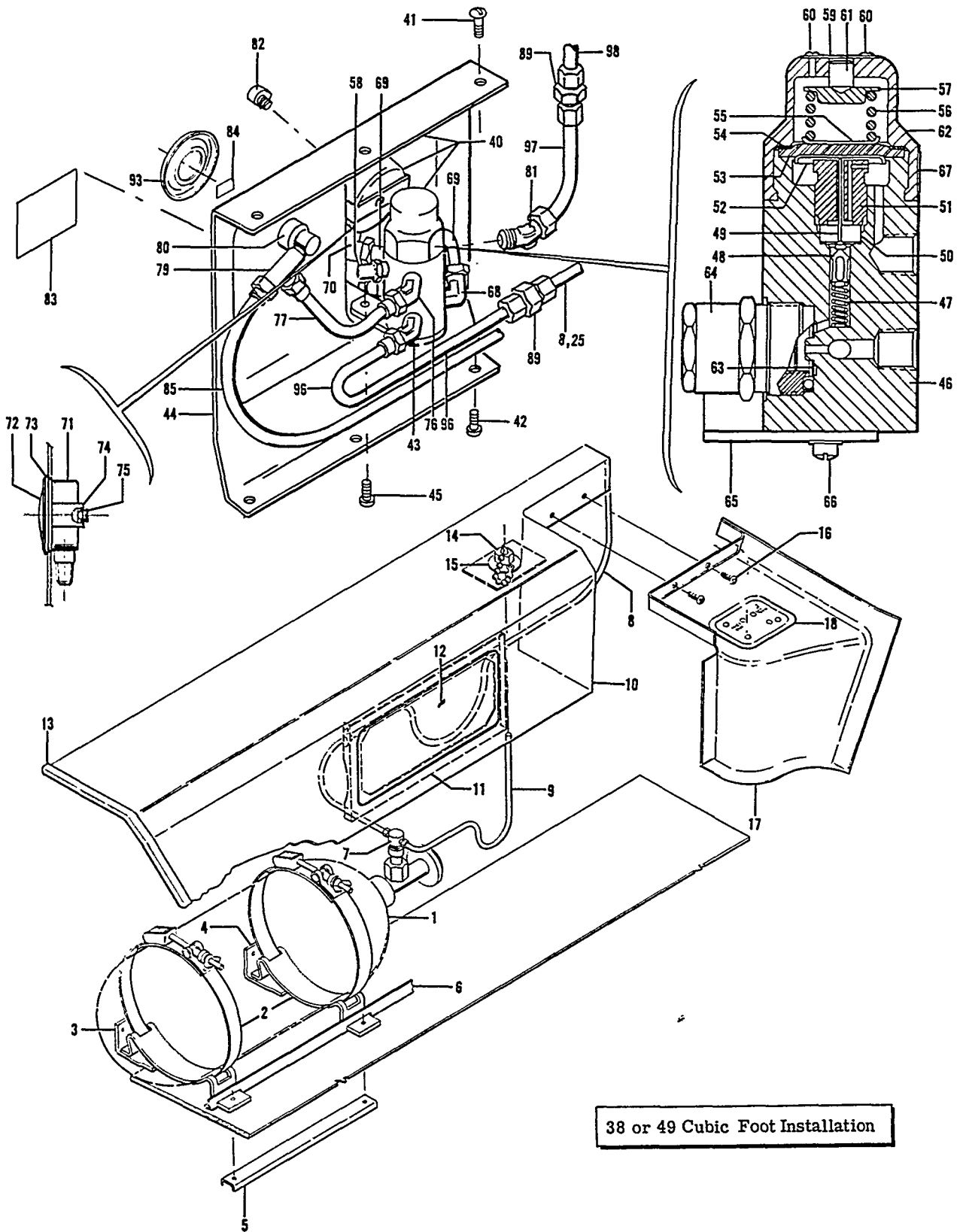
C O D E S O F E F F E C T I V I T Y

- 1 CD-814 THRU CD-1051, 2 CD-814 THRU CD-931
CE-1 THRU CE-90
- 3 CD-932 THRU CD-1051,
CE-1 THRU CE-90

B E E C H C R A F T
B O N A N Z A 3 3 T H R U E 3 3
I L L U S T R A T E D P A R T S C A T A L O G

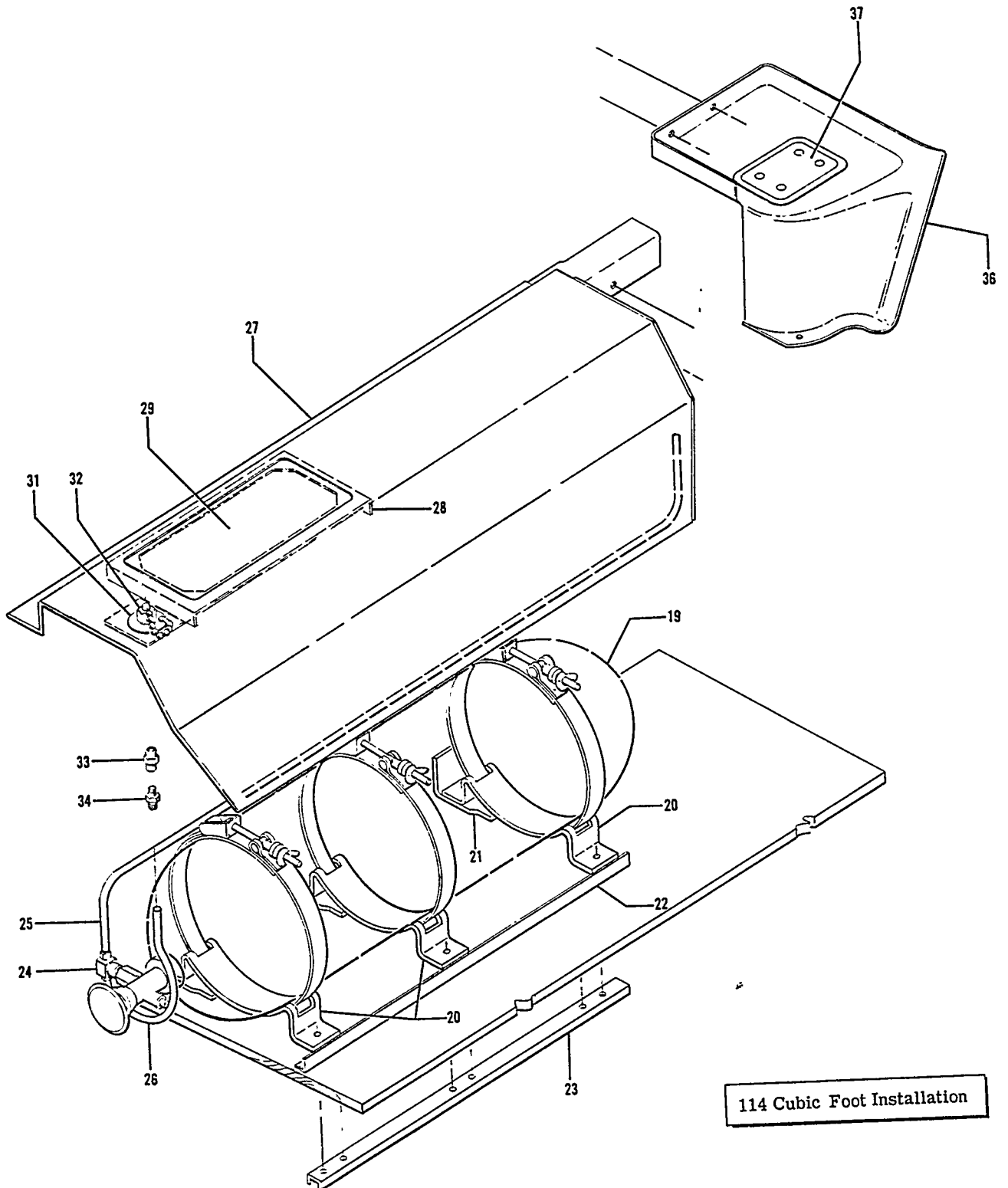
FIGURE 73
OXYGEN SYSTEM
CD-1052 AND AFTER, CE-91 AND AFTER

BEECHCRAFT
 BONANZA 33 THRU E33
 ILLUSTRATED PARTS CATALOG

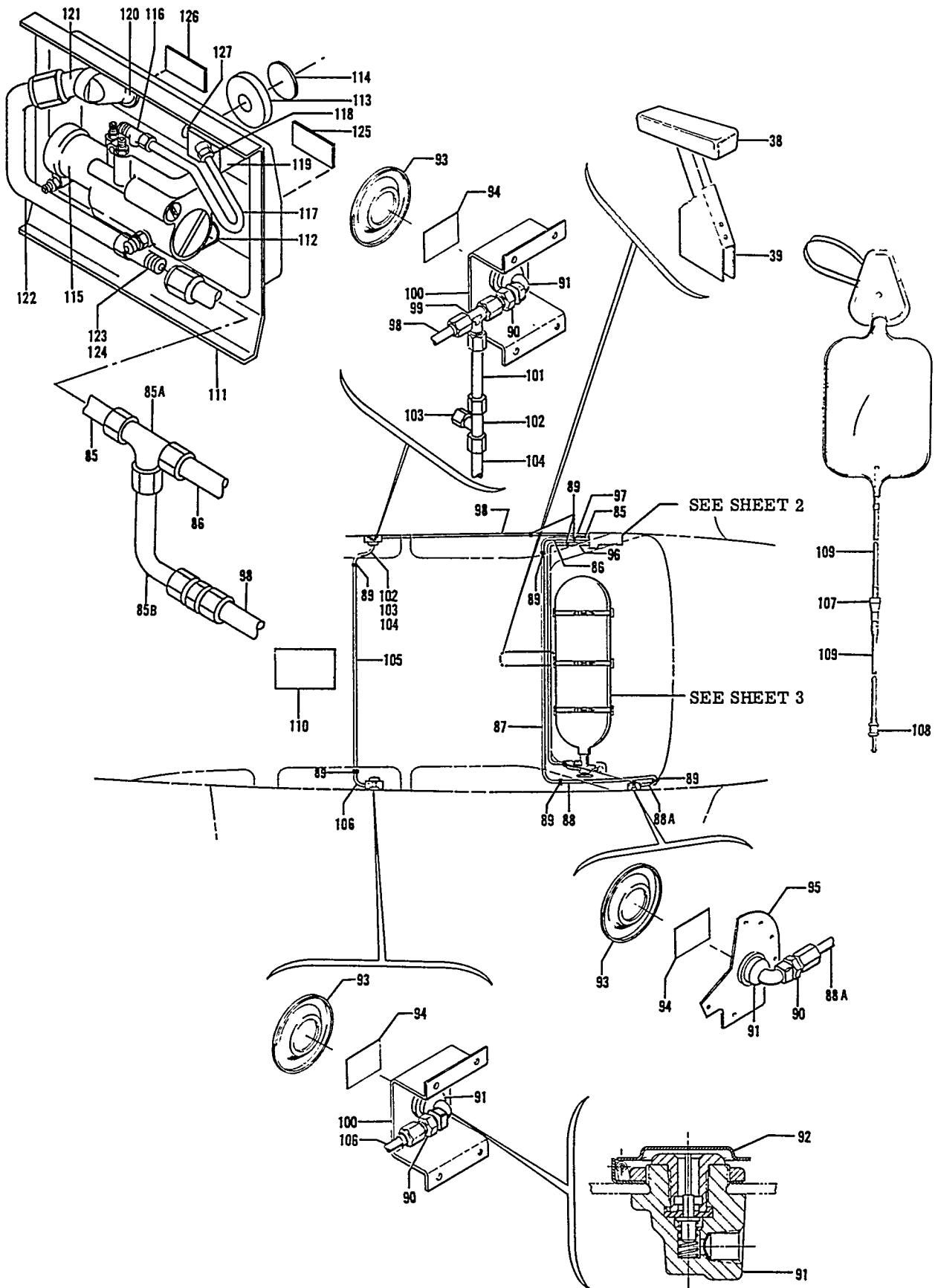


38 or 49 Cubic Foot Installation

BEECHCRAFT
BONANZA 33 THRU E33
ILLUSTRATED PARTS CATALOG



BEECHCRAFT
BONANZA 33 THRU E33
ILLUSTRATED PARTS CATALOG



B E E C H C R A F T
B O N A N Z A 3 3 T H R U E 3 3
I L L U S T R A T E D P A R T S C A T A L O G

FIG. & ITEM NO.	PART NO.	DESCRIPTION	UNITS PER ASSY	USABLE ON CODE
73	35-560010-1	OXYGEN BOTTLE INSTL /38 CU FT/	NP	1
	35-560010-39	OXYGEN BOTTLE INSTL /49 CU FT/	NP	1
- 1	AC268-38-7	. BOTTLE,OXYGEN /38 CU FT/	1	1
		/SUPERSEDES 18-300004-3/		
	6350A2-0-8	. BOTTLE,OXYGEN /38 CU FT/ /ALTERNATE FOR . . .	1	1
		18-300004-3/		
	6350A250C	. BOTTLE,OXYGEN /49 CU FT/	1	1
- 2	35-560010-9	. BRACKET,BOTTLE MOUNTING	2	1
		/ATTACHING PARTS/		
	AN3	. BOLT.	2	
	AN960-10	. WASHER.	2	
	NAS68A3	. NUTPLATE /SUPERSEDES AN366F1032/	2	
		-----*		
- 3	35-560010-13	. ANGLE,BRACKET SUPPORT	1	1
- 4	35-560010-15	. ANGLE,BRACKET SUPPORT	1	1
		/ATTACHING PARTS/		
	AN525-832	. SCREW	2	
	AN960-8	. WASHER.	2	
	MS20365-832	. NUT	2	
	AN3	. BOLT.	2	
	AN960-10	. WASHER.	2	
	K2000-3	. NUTPLATE /SUPERSEDES NAS682A3/	2	
		-----*		
- 5	35-560010-11	. SUPPORT	1	1
- 6	35-560010-19	. ANGLE	1	1
- 7	18-300009-21	. TEE	1	1
- 8	35-560010-35	. TUBE ASSY /38 CU FT INSTL/	1	1
	35-560010-37	. TUBE ASSY /49 CU FT INSTL/	1	1
- 9	35-560010-5	. TUBE ASSY /38 CU FT INSTL/	1	1
- 8	35-560010-23	. TUBE ASSY /49 CU FT INSTL/	1	1
- 10	35-560010-601	. PARTITION ASSY,FWD FRONT SEAT UPHOLSTERED . .	1	1
		/SPECIFY AIRPLANE SERIAL/		
		/ATTACHING PARTS/		
	AN530-6	. SCREW	8	
		-----*		
- 11	35-410451-39	. . DOUBLER ASSY.	1	1
	35-410451-43	. . DOUBLER	1	1
	99871P098	. . RECEPTACLE	4	1
- 12	35-410451-35	. . DOOR ASSY	1	1
	35-410451-41	. . DOOR	1	1
	98293-1-060	. . STUD.	4	1
	99785-2	. . PIN	4	1
- 13	112416	. . EXTRUSION /15 1/2 INCHES LONG/	1	1
- 14	18-300009-11	. FILLER VALVE & CAP ASSY	1	1
		/SUPERSEDES 18-300003/		
- 15	35-560010-33	. PLACARD ASSY,OXYGEN RECHARGE	1	1
	50-560015	. . PLACARD,OXYGEN RECHARGE	1	1
	100951DD020WH	. . WASHER.	1	1
	35-560010-603	. COVER ASSY,FUEL SELECTOR VALVE.	1	1
		/ATTACHING PARTS/		
- 16	AN530-6	. SCREW	12	
		-----*		
- 17	35-924256-3	. . COVER,FUEL SELECTOR VALVE	1	1
- 18	35-534421-11	. . PLACARD ASSY,FUEL SELECTOR.	1	1
		/ATTACHING PARTS/		
	NAS384-6-8P	. . SCREW	4	
	A1777-6Z3	. . NUTPLATE /SUPERSEDES A1777-6Z1/	4	
		-----*		
- 19	35-560011-1	OXYGEN BOTTLE INSTL /114 CU FT/	NP	1
	6350A04-0C	. BOTTLE,OXYGEN	1	1
- 20	35-560011-37	. BRACKET,BOTTLE MOUNTING	3	1
		/ATTACHING PARTS/		
	AN3	. BOLT.	2	
	AN960-10	. WASHER.	2	
	K2000-3	. NUTPLATE/SUPERSEDES NAS682A3/	2	
		-----*		

B E E C H C R A F T
B O N A N Z A 3 3 T H R U E 3 3
I L L U S T R A T E D P A R T S C A T A L O G

FIG. & ITEM NO.	PART NO.	DESCRIPTION	UNITS PER ASSY	USABLE ON CODE
		1 2 3 4 5 6 7		
73 - 21	35-560011-39	• ANGLE, BRACKET SUPPORT /ATTACHING PARTS/	3	1
	AN3	• BOLT	1	
	AN960-10	• WASHER	1	
	K2000-3	• NUTPLATE /SUPERSEDES NAS682H3/	1	
	AN525-8R	• SCREW	2	
	AN960-8	• WASHER	2	
	MS20365-832	• NUT	2	
- 22	35-410241	• ANGLE ASSY.	1	1
	35-410421-2	• ANGLE	1	1
	NAS395-6-1	• NUT, U TYPE.	4	1
- 23	35-560011-45	• SUPPORT /ATTACHING PARTS/	1	1
	AN515-8R	• SCREW	3	
	AN960-8	• WASHER	3	
	AN366F832	• NUTPLATE	3	
- 24	18-300009-21	• TEE	1	1
- 25	35-560011-41	• TUBE ASSY	1	1
- 26	35-560011-43	• TUBE ASSY	1	1
- 27	35-560011-601 C	• PARTITION ASSY, FWD FRONT SEAT UPHOLSTERED /SPECIFY AIRPLANE SERIAL/ /ATTACHING PARTS/	1	1
	AN530-6	• SCREW	8	
- 28	35-410451-39	• DOUBLER ASSY.	1	1
	35-410451-43	• DOUBLER	1	1
	99871P098	• RECEPTACLE	4	1
- 29	35-410451-35	• DOOR ASSY	1	1
	35-410451-41	• DOOR	1	1
	98293-1-060	• STUD	4	1
	99785-2	• PIN	4	1
- 30		• DELETED		
- 31	35-560010-33	• PLACARD ASSY, OXYGEN RECHARGE	1	1
	50-560015	• PLACARD, OXYGEN RECHARGE	1	1
	10095100020WH	• WASHER	1	1
- 32	26875-48	• FILLER VALVE & CAP ASSY /ATTACHING PARTS/	1	1
	AN520-10	• SCREW	3	
	AN960-10	• WASHER	3	
	MS20365-1032	• NUT	3	
- 33	AN910-1	• COUPLING, FILLER VALVE	1	1
- 34	AN780-3	• NIPPLE, FILLER VALVE	1	1
- 35		• DELETED		
	35-560011-603	• COVER ASSY, FUEL SELECTOR VALVE /ATTACHING PARTS/	1	1
	AN530-6R8	• SCREW	12	
- 36	35-560011-13	• COVER, FUEL SELECTOR VALVE	1	1
- 37	35-534421-11	• PLACARD, FUEL SELECTOR /ATTACHING PARTS/	1	1
	NAS384-6-8P	• SCREW	4	
	A1777-6Z3	• NUTPLATE /SUPERSEDES A1777-6Z1/	4	
- 38	35-560011-23	• ARMREST ASSY.	1	1
- 39	35-560011-27	• COVER ASSY, ARMREST	1	1
	35-560001-1	• OXYGEN OUTLET INSTL, LH & RH /4 OUTLETS/	NP	2
	35-560001-9	• OXYGEN OUTLET INSTL, LH & RH /4 OUTLETS/	NP	3
- 40	35-560001-601	• CONSOLE ASSY, OXYGEN /ATTACHING PARTS/	1	2
- 41	AN530-6R8	• SCREW	3	
	A1793-6Z3	• NUT, TYPE E	3	
- 42	PK84XA6-6	• SCREW	3	

B E E C H C R A F T
 BONANZA 33 THRU E33
 I L L U S T R A T E D P A R T S C A T A L O G

FIG. & ITEM NO.	PART NO.	DESCRIPTION							UNITS PER ASSY	USABLE ON CODE
		1	2	3	4	5	6	7		
73 - 43	AN791-3	1	2
- 44	35-560001-41 800308	1	2
		1	2
		/ATTACHING PARTS/								
- 45	AN507-632R	3	
	AN960-6L	3	
	MS20365-632	3	

- 46	10000586	1	2
- 47	5027	1	2
- 48	5002	1	2
- 49	5028	1	2
- 50	5029	1	2
- 51	5030	1	2
- 52	5031	1	2
- 53	5032-1	1	2
- 54	5033	1	2
- 55	5034	1	2
- 56	5003	1	2
- 57	8561	1	2
- 58	5043-14	1	2
- 59	5056	1	2
		/ATTACHING PARTS/								
- 60	AN520-2-3	2	

- 61	1/4X20X3/8	1	2
- 62	5005	1	2
- 63	5522	1	2
- 64	5520-11	1	2
- 65	10000596	1	2
		/ATTACHING PARTS/								
- 66	AN500-8-7	2	
	AN936A8	2	

- 67	2824	1	2
- 68	200-2-2	1	2
- 69	96-560021-5	1	2
- 70	200-8-2	1	2
	800327-01	1	2
- 71	800318-00	1	2
- 72	13753	1	2
- 73	8808-1	1	2
- 74	25378-3	1	2
- 75	6-32X1/4	1	2
	6	1	2
		/ATTACHING PARTS/								
- 76	MS20832-4D	1	2
- 77	35-560001-55	1	2
- 78		1	2
- 79	MS20826-5D	1	2
- 80	800316	1	2
- 81	MS20823-5D	1	2
- 82	A8970-1-330	1	2
	330	1	2
- 83	50-534288	1	2
- 84	96-560011-1	1	2
- 85	35-560001-53	1	2
	35-560001-75	1	3
- 85A	AN824-5D	1	3
- 85B	35-560001-59	1	3
	AN821-5D	1	2
- 86	35-560001-35	1	1
- 87	35-560001-37	1	2
	35-560001-77	1	3
- 88	35-560001-21	1	1

B E E C H C R A F T
BONANZA 33 THRU E33
I L L U S T R A T E D P A R T S C A T A L O G

FIG. & ITEM NO.	PART NO.	DESCRIPTION	1 2 3 4 5 6 7							UNITS PER ASSY	USABLE ON CODE	
			1	2	3	4	5	6	7			
73	- 88A	35-560001-49	. TUBE ASSY								1	1
	- 89	AN815-5D	. UNION								6	1
	- 90	AN816-5D	. NIPPLE								1	1
		800316	. OUTLET ASSY,OXYGEN.								3	1
	- 91	23599	. . OUTLET ASSY,OXYGEN.								1	1
	- 92	800319-00	. . COVER ASSY,OUTLET DUST.								1	1
	- 93	96-560004-31	. ESCUTCHEON.								3	1
	- 94	50-560012	. PLACARD								3	1
	- 95	35-560001-39	. SUPPORT								1	1
	- 96	96-560004-29	. TUBE ASSY								1	1
	- 97	96-560004-27	. TUBE ASSY								1	1
	- 98	35-560001-19	. TUBE ASSY								1	1
	- 99	MS20826-5D	. TEE								1	1
	-100	96-560004-13	. BRACKET,OUTLET.								2	1
	-101	35-560001-27	. TUBE ASSY								1	1
	-102	AN824-5D	. TEE								1	
	-103	AN929-5D	. CAP								1	
	-104	35-560001-47	. TUBE ASSY								1	
	-105	35-560001-25	. TUBE ASSY								1	1
		35-560001-51	. CLAMP								1	1
	-106	35-560001-23	. TUBE ASSY								1	1
		28317-11	. MASK ASSY,OXYGEN /PASSENGER/.								3	1
		28316-11	. MASK ASSY,OXYGEN /PILOTS WITH MIKE/.								1	1
		800317-00	. . MASK /SUPERSEDES 800380-00/.								1	1
	-107	8540	. . FLOW INDICATOR ASSY								1	1
	-108	8570	. . CONNECTOR,PLUG-IN								1	1
	-109	3/16IDX1/16HALL	. . TUBING.								AR	1
	-110	96-560001-59	. BOX,OXYGEN MASK STORAGE								1	1
		AN227-7B	. SOCKET,BOX ATTACHING.								2	1
		AN227-6B	. BUTTON,BOX ATTACHING.								2	
		96-560022-601	. CONSOLE ASSY,OXYGEN /ATTACHING PARTS/								1	3
		AN530-6R8	. SCREW								3	
		A1793-6Z3	. NUT,TYPE E.								3	
		PK84XA6	. SCREW								3	

	-111	96-560022-15	. . ESCUTCHEON.								1	3
	-112	96-560022-5	. . BRACKET,REGULATOR MOUNTING. /ATTACHING PARTS/								1	3
		AN520-10R5	. . SCREW								2	
		AN960-10L	. . WASHER.								2	
		MS20365-1032	. . NUT								2	

	-113	24567-1	. . KNOB,REGULATOR. /ATTACHING PARTS/								1	3
		AN345C10	. . NUT								1	
		BOW95-516	. . WASHER,SPRING								1	
		AN936B10	. . WASHER.								1	

	-114	22427-1	. . PLATE,IDENTIFICATION /ON & OFF/. /ATTACHING PARTS/								1	3
		AN515-5-4	. . SCREW								1	
		AN936A6	. . WASHER.								1	
		AN960-4	. . WASHER.								1	

	-115	24555-7	. . REGULATOR ASSY,OXYGEN /ATTACHING PARTS/								1	3
		AN520-10R28	. . SCREW								2	
		AN960-10L	. . WASHER.								4	
		MS20365-1032	. . NUT								2	

	-116	300-3TTM	. . TEE								1	3
	-117	96-560022-7	. . TUBE /USE WITH 800322-00 GAGE/.								1	3
		96-560022-19	. . TUBE /USE WITH 800327-01 GAGE/.								1	3
	-118	300-8-2	. . ELBOW								1	3
	-119	800322-00	. . GAGE ASSY,OXYGEN.								1	3
		800327-01	. . GAGE ASSY,OXYGEN /ALTERNATE FOR 800322-00/.								1	3

B E E C H C R A F T
 BONANZA 33 THRU E33
 I L L U S T R A T E D P A R T S C A T A L O G

FIG. & ITEM NO.	PART NO.	DESCRIPTION							UNITS PER ASSY	USABLE ON CODE	
		1	2	3	4	5	6	7			
73	-120	800316	.	.	OUTLET ASSY, OXYGEN.	1	3
	-121	MS20823-5D	.	.	ELBOW	1	3
	-122	96-560022-11	.	.	TUBE ASSY	1	3
	-123	MS20825-5D	.	.	TEE	1	3
	-124	AN914-5D	.	.	ELBOW	1	3
	-125	50-534288	.	.	PLACARD, CONSOLE /OXYGEN CAUTION/	1	3
	-126	50-560012	.	.	PLACARD, PILOT OXYGEN.	1	3
	-127	A8970B1-330	.	.	LIGHT, OXYGEN GAGE	1	3
		327	.	.	BULB, GAGE LIGHT	1	3

CODES OF EFFECTIVITY

- | | | | |
|---|--|---|---|
| 1 | CD-1052 AND AFTER,
CE-91 AND AFTER | 2 | CD-1052 THRU CD-1073
CE-91 THRU CE-143 |
| 3 | CD-1074 AND AFTER,
CE-144 AND AFTER | | |

B E E C H C R A F T
B O N A N Z A 3 3 T H R U E 3 3
I L L U S T R A T E D P A R T S C A T A L O G

FIGURE 74
CONTROL COLUMN AND MAP LIGHT
CD-1062 AND AFTER, CE-118 AND AFTER

BEECHCRAFT
 BONANZA 33 THRU E33
 ILLUSTRATED PARTS CATALOG

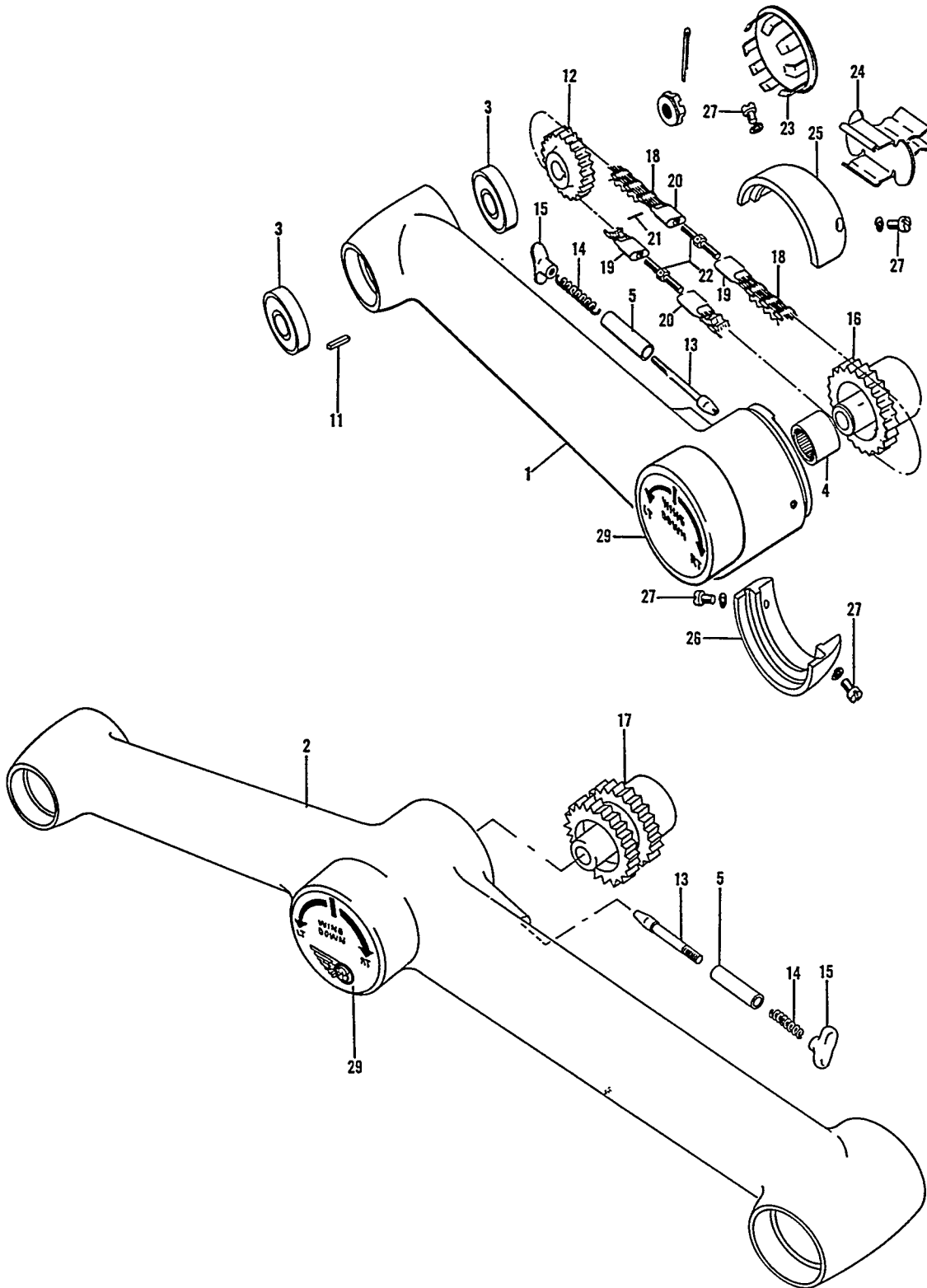
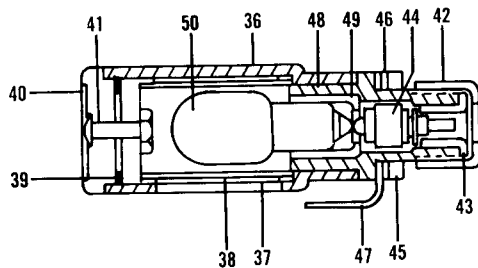
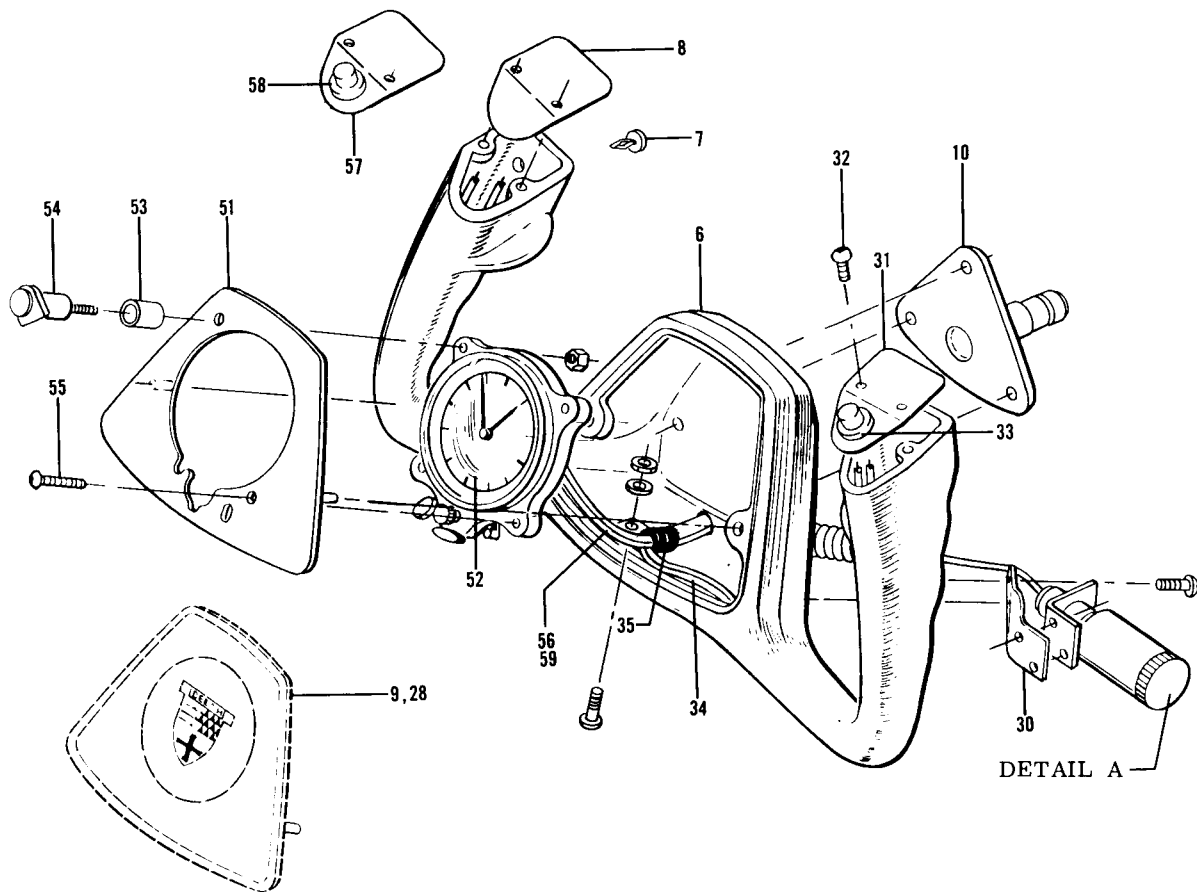


FIGURE 74-CONTROL COLUMN AND MAP LIGHT
 /SHEET 1 OF 2 SHEETS/

BEECHCRAFT
 BONANZA 33 THRU E33
 ILLUSTRATED PARTS CATALOG



DETAIL A



DETAIL A

B E E C H C R A F T
B O N A N Z A 3 3 T H R U E 3 3
I L L U S T R A T E D P A R T S C A T A L O G

FIG. & ITEM NO.	PART NO.	1 2 3 4 5 6 7	DESCRIPTION	UNITS PER ASSY	USABLE ON CODE
74	35-524585-25		ARM INSTL,SINGLE CONTROL COLUMN	NP	1
	35-524656-9		ARM INSTL,DUAL CONTROL COLUMN	NP	1
	35-524585-620		. . . ARM ASSY,SINGLE CONTROL COLUMN	1	1
	35-524656-620		. . . ARM ASSY,DUAL CONTROL COLUMN	1	1
	35-524087-8		. . . ARM ASSY,SINGLE CONTROL COLUMN	1	1
	35-524261-10		. . . ARM ASSY,DUAL CONTROL COLUMN	1	1
- 1	35-524087-6		. . . ARM,SINGLE CONTROL COLUMN	1	1
- 2	35-524261-8		. . . ARM,DUAL CONTROL COLUMN	1	1
- 3	KP10A /AN201/		. . . BEARING,SINGLE CONTROL ARM /SUPERSEDES . .	2	1
			AN201K10A & K10A/		
	KP10A /AN201/		. . . BEARING,DUAL CONTROL ARM /SUPERSEDES . .	4	1
			AN201K10A & K10A/		
- 4	B78X		. . . BEARING	1	1
- 5	35-524241		. . . BUSHING	1	1
	60-524080		. . . WHEEL ASSY PILOTS CONTROL	1	1
	60-524080-1		. . . WHEEL ASSY,COPILOTS CONTROL /DUAL ONLY/ . .	1	1
			/ATTACHING PARTS/		
	AN23-8A/M/		. . . BOLT	3	
	AN960-10		. . . WASHER	3	
	MS20365-1032		. . . NUT	3	
			-----*		
			GRIP OF COPILOTS WHEEL/		
- 6	60-524080-3		. . . WHEEL,PILOTS CONTROL	1	1
	60-524080-4		. . . WHEEL,COPILOTS CONTROL /DUAL ONLY/	1	1
- 7	254-160801-00- * 0101		. . . CLIP,CANOE/LH GRIP OF PILOTS WHEEL	1	1
			& RH GRIP OF COPILOTS WHEEL/		
- 8	50-524594		. . . PLATE,CONTROL WHEEL COVER	2	1
			/ATTACHING PARTS/		
	NAS387-440-4P		. . . SCREW	2	
			-----*		
- 9	50-384090		. . . EMBLEM,CONTROL WHEEL /RH DUAL/	1	1
			/ATTACHING PARTS/		
	PB094070COG		. . . CLIP,TUBULAR	2	
			-----*		
- 10	96-524029-1		. . . ADAPTER ASSY,LH CONTROL WHEEL	1	1
			/SINGLE OR DUAL/		
	96-524029-3		. . . ADAPTER ASSY,RH CONTROL WHEEL /DUAL ONLY/ . .	1	1
			/ATTACHING PARTS/		
- 11	AN280H404		. . . KEY	1	
	AN320-7		. . . NUT	1	
	AN380-3-4		. . . PIN,COTTER	1	
			-----*		
- 12	35-524048		. . . SPROCKET,SINGLE CONTROL WHEEL	1	1
	35-524048		. . . SPROCKET,DUAL CONTROL WHEEL	2	1
- 13	35-524095		. . . PIN,POSITION LOCK	1	1
- 14	1009432G108G		. . . SPRING,POSITION LOCK	1	1
- 15	35-524096		. . . KNOB,POSITION LOCK	1	1
- 16	35-524051-1		. . . SPROCKET,SINGLE CONTROL ARM ENGAGING	1	1
- 17	35-524262-1		. . . SPROCKET,DUAL CONTROL ARM ENGAGING	1	1
	35-524139		. . . CHAIN ASSY,SINGLE CONTROL WHEEL	2	1
	35-524139		. . . CHAIN ASSY,DUAL CONTROL WHEEL	4	1
- 18	35-524139-1		. . . CHAIN	1	1
- 19	35-524140-2		. . . FITTING,END /LH THREAD/	1	1
- 20	35-524140-4		. . . FITTING,END /RH THREAD/	1	1
- 21	102809-072-018		. . . PIN,END FITTING	2	1
- 22	35-524141		. . . CONNECTOR,SINGLE CONTROL ARM CHAIN ASSY	2	1
	35-524141		. . . CONNECTOR,DUAL CONTROL ARM CHAIN ASSY	4	1
- 23	51020		. . . BUTTON,PLUG /SINGLE CONTROL ARM/	1	1
	51020		. . . BUTTON,PLUG /DUAL CONTROL ARM/	2	1
- 24	35-524587-2		. . . COVER ASSY,CONTROL ARM CHAIN ACCESS	1	1
	35-524587-4		. . . COVER	1	1
	A3278-1-1		. . . CLIP,PENLITE RETAINING	1	1
	35-524587		. . . COVER,CONTROL ARM CHAIN ACCESS /RH DUAL/ . .	1	1

B E E C H C R A F T
B O N A N Z A 3 3 T H R U E 3 3
I L L U S T R A T E D P A R T S C A T A L O G

FIG. & ITEM NO.	PART NO.	DESCRIPTION	UNITS PER ASSY	USABLE ON CODE
		1 2 3 4 5 6 7		
74 - 25	35-524238-4	. RETAINER, CONTROL ARM UPPER	1	1
- 26	35-524238-12	. RETAINER ASSY, CONTROL ARM LOWER	1	1
		/ATTACHING PARTS/		
- 27	AN501-10-5	. SCREW	4	
	AN935-10L	. WASHER	4	

- 28	50-384090	. EMBLEM, CONTROL WHEEL /LH SINGLE & DUAL/	1	1
		/ATTACHING PARTS/		
	PB094070C0G	. CLIP, TUBULAR	2	

- 29	35-380072-1	CONTROL ASSY, AILERON TRIM	1	1
		/ATTACHING PARTS/		
	AN507-832R12	SCREW	3	

	50-364344-9	LIGHT INSTL, CONTROL WHEEL MAP	NP	1
- 30	50-364344-3	. CLIP, MAP LIGHT MOUNTING	1	1
		/ATTACHING PARTS/		
	AN515-6R8	. SCREW	2	
	AN960-6	. WASHER	AR	
	MS20364-632	. NUT	2	

- 31	50-364344-7	. PLATE, SWITCH MOUNTING	1	1
		/ATTACHING PARTS/		
- 32	NAS387-440-4P	. SCREW	2	

- 33	L18366-5	. SWITCH ASSY, MAP LIGHT	1	1
- 34	8409	. CORD, COILED	1	1
		/ATTACHING PARTS/		
- 35	MS21919DG2	. CLAMP /1 IN WHEEL, 2 ON ARM, 1 ON INSTR PANEL/.	4	
	AN520-10R8	. SCREW	1	
	AN960-10	. WASHER	1	
	MS20364-1032	. NUT	1	
	PK86XA6-6	. SCREW	2	

	20-0041-1-1816	. LIGHT ASSY /WITH BULB/.	1	1
	20-0041	. LIGHT ASSY /LESS BULB/.	1	1
	20-0041-3	. HOOD ASSY	1	1
- 36	A8928-1	. . . SHELL, OUTER	1	1
- 37	A8931-1	. . . SHELL, INNER	1	1
- 38	A8926-3	. . . FILTER	1	1
- 39	16-0072-1	. . . RING, RETAINING	1	1
- 40	A8932-1	. . . KNOB	1	1
- 41	MS35223-29	. . . SCREW	1	1
	MS35333-37	. . . WASHER, LOCK	1	1
	AN340-6	. . . NUT	1	1
- 42	A1265	. . . NUT	1	1
- 43	A4490-2	. . . TERMINAL ASSY	1	1
- 44	B2014-6	. . . CONTACT ASSY	1	1
- 45	A4197	. . . NUT	1	1
- 46	A5397A	. . . CLIP	1	1
- 47	A4194-1	. . . BRACKET, MOUNTING	1	1
- 48	A4196-4	. . . HOUSING	1	1
- 49	A2016	. . . LAMP HOLDER	1	1
- 50	1816	. BULB, MAP LIGHT	1	1
	MS35489-35	. GROMMET /INSTALL IN PANEL FOR COILED CORD/.	1	1
	50-534622-5	CLOCK INSTL, CONTROL WHEEL /8 DAY/	NP	1
	50-534622-7	CLOCK INSTL, CONTROL WHEEL /CHRONOGRAPH/	NP	1
	50-534622-9	. PLATE, CLOCK MOUNTING /8 DAY/.	1	1
- 51	50-534622-11	. PLATE, CLOCK MOUNTING /CHRONOGRAPH/.	1	1
		/ATTACHING PARTS/		
	PB094070C0G	. CLIP, TUBULAR	2	

B E E C H C R A F T
B O N A N Z A 3 3 T H R U E 3 3
I L L U S T R A T E D P A R T S C A T A L O G

FIG. & ITEM NO.	PART NO.	DESCRIPTION							UNITS PER ASSY	USABLE ON CODE
		1	2	3	4	5	6	7		
74	50-534622-17	. CLOCK ASSY, 8 DAY.							1	1
- 52	TYPE XII	. CLOCK ASSY, CHRONOGRAPH.							1	1
		/SUPERSEDES 50-534622-13/ /ATTACHING PARTS/								
- 53	50-534622-15	. SPACER.							1	
- 54	A6795B	. POST LIGHT ASSY /LESS BULB/							1	
- 55	AN515-6R8	. SCREW							1	
	AN960-6	. WASHER.							AR	
	MS20364-632	. NUT							1	

	330	. BULB, POST LIGHT							1	1
- 56	8409	. CORD, COILED							1	1
		/ATTACHING PARTS/								
	MS21919DG2	. CLAMP /1 IN WHEEL, 2 ON ARM, 1 IN INSTR PANEL/.							4	
	AN520-10R8	. SCREW							1	
	AN960-10	. WASHER.							1	
	MS20364-1032	. NUT							1	
	AN530-8-6	. SCREW							2	

	MS35489-35	. GROMMET /INSTALL IN PANEL FOR COILED CORD/.							1	1
	35-344247-15	RADIO INSTL /MIC SWITCH LOCATION/							NP	1
- 57	50-364344-7	. PLATE, MIC SWITCH MOUNTING							1	1
		/ATTACHING PARTS/								
	NAS387-440-4P	. SCREW							2	

- 58	C41006Y2-1	. SWITCH ASSY, MIC							1	1
- 59	8409	. CORD, COILED							1	1
	4-4050-00-91	. CORD, COILED /REPLACES 8409 COILED CORD WITH							1	1
		INSTL OF MAP LIGHT, CLOCK & MIC SWITCH								

C O D E S O F E F F E C T I V I T Y

- 1 CD-1062 AND AFTER,
- CE-118 AND AFTER

B E E C H C R A F T
B O N A N Z A 3 3 T H R U E 3 3
I L L U S T R A T E D P A R T S C A T A L O G

FIGURE 75
ELECTRIC ELEVATOR TRIM TAB CONTROL
CD-1202 AND AFTER, CE-239 AND AFTER

BEECHCRAFT
 BONANZA 33 THRU E33
 ILLUSTRATED PARTS CATALOG

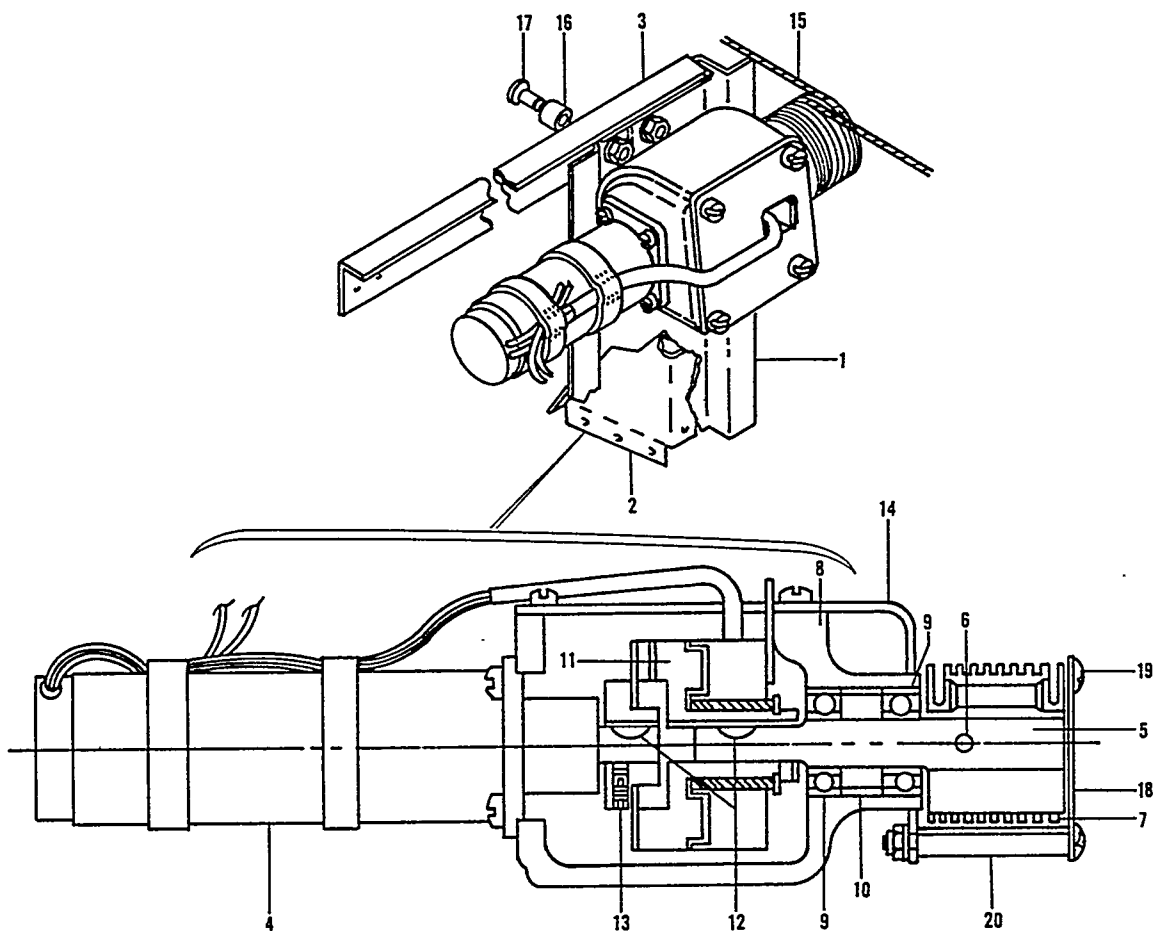
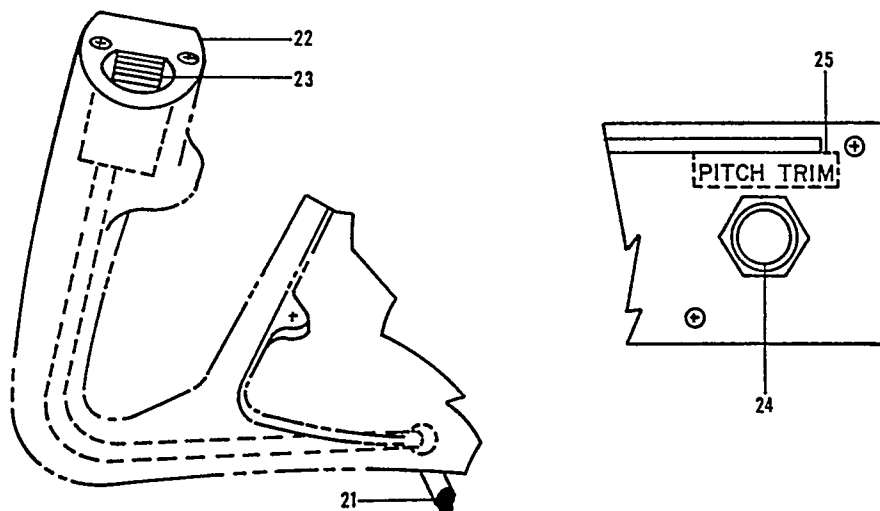


FIGURE 75-ELECTRIC ELEVATOR TRIM TAB CONTROL

B E E C H C R A F T
B O N A N Z A 3 3 T H R U E 3 3
I L L U S T R A T E D P A R T S C A T A L O G

FIG. & ITEM NO.	PART NO.	DESCRIPTION	UNITS PER ASSY	USABLE ON CODE
		1 2 3 4 5 6 7		
75	33-524022	TRIM CONTROL INSTL,ELEVATOR ELECTRIC.	NP	1
- 1	33-524022-1	. SUPPORT	1	1
- 2	33-524022-3	. BRACKET	1	1
- 3	33-524022-19	. ANGLE	1	1
	33-524023-3	. ACTUATOR,ELEVATOR TRIM ELECTRIC	1	1
		/ATTACHING PARTS/		
	AN3-7A/M/	. BOLT	3	
	AN960-10	. WASHER	3	
	MS21042-3	. NUT	3	
		-----*		
- 4	319A208-4	. . MOTOR ASSY.	1	1
		/ATTACHING PARTS/		
	AN500A8-6	. . SCREW	4	
		-----*		
- 5	33-524025	. . SHAFT	1	1
- 6	NAS561PF4-15	. . PIN	1	1
- 7	50-524587	. . DRUM	1	1
- 8	50-524497-1	. . BODY,ACTUATOR	1	1
- 9	MS20201KP6A	. . BEARING	2	1
- 10	33-524023-11	. . SPACER	1	1
- 11	39SBEC17CC5-5- * 12V	. . CLUTCH	1	1
- 12	206	. . KEY,WOODRUFF	2	1
- 13	AN565A6H4	. . SCREW,SET	1	1
- 14	33-524024	. . COVER,ACTUATOR	1	1
		/ATTACHING PARTS/		
	AN500A8-6	. . SCREW	4	
		-----*		
- 15	33-524022-15	. CABLE ASSY.	1	1
- 16	0363	. RESISTOR	1	1
		/ATTACHING PARTS/		
- 17	AN520-10R40	. SCREW	1	
	AN960-10	. WASHER	3	
	MS21042-3	. NUT	1	
		-----*		
- 18	96-524033	. . PLATE,CABLE GUARD	1	1
		/ATTACHING PARTS/		
- 19	AN515-6R25	. . SCREW,CABLE GUARD	4	
	AN960-6L	. . WASHER	4	
- 20	100696P-ZB114	. . SPACER	4	
	MS21042-06	. . NUT	4	
		-----*		
- 21	35-524669-7	. CORD,COILED	1	1
- 22	35-524669-5	. PLATE,LH GRIP PILOT CONTROL WHEEL	1	1
		/ATTACHING PARTS/		
	NAS387-440-4P	. SCREW	2	
		-----*		
- 23	26006	. SWITCH,ELECTRIC TRIM CONTROL	1	1
- 24	105-210-101	. BREAKER,CIRCUIT	1	1
- 25	33-364018	. PLACARD,PITCH TRIM	1	1

C O D E S O F E F F E C T I V I T Y

1 CD-1202 AND AFTER
CE-239 AND AFTER

B E E C H C R A F T
B O N A N Z A 3 3 T H R U E 3 3
I L L U S T R A T E D P A R T S C A T A L O G

FIGURE 76
STABILITY AUGMENTATION SYSTEM
CD-976 THRU CD-1118, CE-1 THRU CE-179

BEECHCRAFT
 BONANZA 33 THRU E33
 ILLUSTRATED PARTS CATALOG

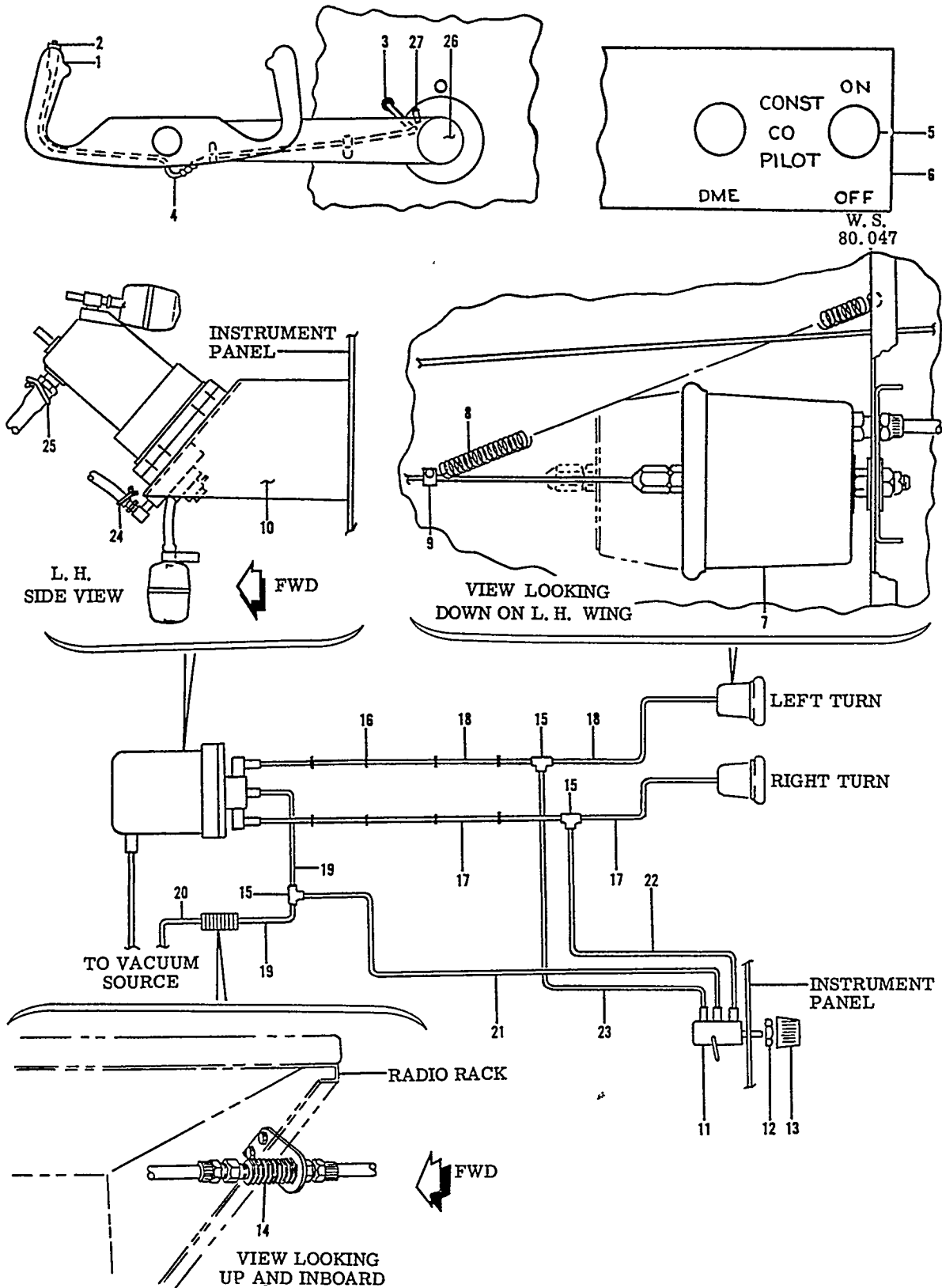


FIGURE 76. STABILITY AUGMENTATION SYSTEM

B E E C H C R A F T
B O N A N Z A 3 3 T H R U E 3 3
I L L U S T R A T E D P A R T S C A T A L O G

FIG. & ITEM NO.	PART NO.	DESCRIPTION	UNITS PER ASSY	USABLE ON CODE
		1 2 3 4 5 6 7		
76	33-500003-1	STABILITY AUGMENTATION SYSTEM INSTL /BSA2/ . . .	NP	3
- 1	35-663-1AM	. WHEEL ASSY, CONTROL	1	4
		/SUPERSEDES 35-380060-25/		
	35-380060-31	. WHEEL ASSY, CONTROL	1	2
	60-524080-3	. WHEEL ASSY, CONTROL	1	1
- 2	C4100Y2	. SWITCH	1	4
	30-15	. SWITCH	1	2
- 3	AN931A4-7	. GROMMET	1	4
	MS35489-1	. GROMMET	1	2
- 4	4001-23	. KOIL KORD	1	4
	8409	. KOIL KORD	1	2
		/ATTACHING PARTS/		
	AN742-6	. CLAMP /USE WITH 4001-23 KOIL-KORD/	2	
	MS21919DG2	. CLAMP /USE WITH 8409 KOIL-KORD/	2	
	AN530-8R4	. SCREW	2	

- 5	MS35058-23	. SWITCH, SUBPANEL	1	3
- 6	35-324434	. PLACARD, SUBPANEL /CONST CO-PILOT/	1	3
- 7	1755	. AILERON SERVO ASSY.	2	3
- 8	11869	. SPRING	1	3
- 9	11868	. CLAMP	1	3
		/ATTACHING PARTS/		
	AN526-6R6	. SCREW	2	
	AN960A6	. WASHER /SUPERSEDES AN960D6/	2	
	MS20365-632	. NUT /SUPERSEDES AN365-632/	2	

- 10	11900-29	. GYRO ASSY, REMOTE	1	3
		/ATTACHING PARTS/		
	AN507-832R8	. SCREW	4	

- 11	2985-6	. ROLL TRIM VALVE ASSY.	1	3
- 12	11814	. NUT, ROLL TRIM VALVE MOUNTING.	1	3
- 13	1076-13	. KNOB, ROLL TRIM VALVE.	1	3
- 14	4085	. SOLENOID VALVE ASSY	1	3
		/ATTACHING PARTS/		
	AN526-8R8	. SCREW	2	
	AN960D8	. WASHER	2	
	MS20365-832	. NUT /SUPERSEDES AN365-832/	2	

- 15	11873-7	. TEE	3	3
- 16	S15500-6	. GROMMET /SUPERSEDES 500-6/	16	3
- 17	11870-240R	. TUBING, RED POLY-FLO /3/8 IN O.D./	1	3
- 18	11870-240G	. TUBING, GREEN POLY-FLO /3/8 IN O.D./	1	3
- 19	11870-36GR	. TUBING, GRAY POLY-FLO /3/8 IN O.D./	1	3
- 20	11870-84BL	. TUBING, BLACK POLY-FLO /3/8 IN O.D./	1	3
- 21	11321-36GR	. TUBING, GREY /3/16 IN O.D./	1	3
- 22	11321-36R	. TUBING, RED /3/16 IN O.D./	1	3
- 23	11321-36G	. TUBING, GREEN /3/16 IN O.D./	1	3
- 24	A6	. CLAMP	15	3
- 25	11385	. CLAMP, TUBING.	8	3
- 26	35-524667	. PLACARD /SINGLE ARM/	1	5
	35-524667-3	. PLACARD /DUAL ARM/	1	5
		/ATTACHING PARTS/		
	NAS387-832-8	. SCREW	3	

- 27	MS21919DG2	. CLAMP	1	3
	35-380072-1	. AILERON TRIMMER /SEE FIG. 74/	1	6

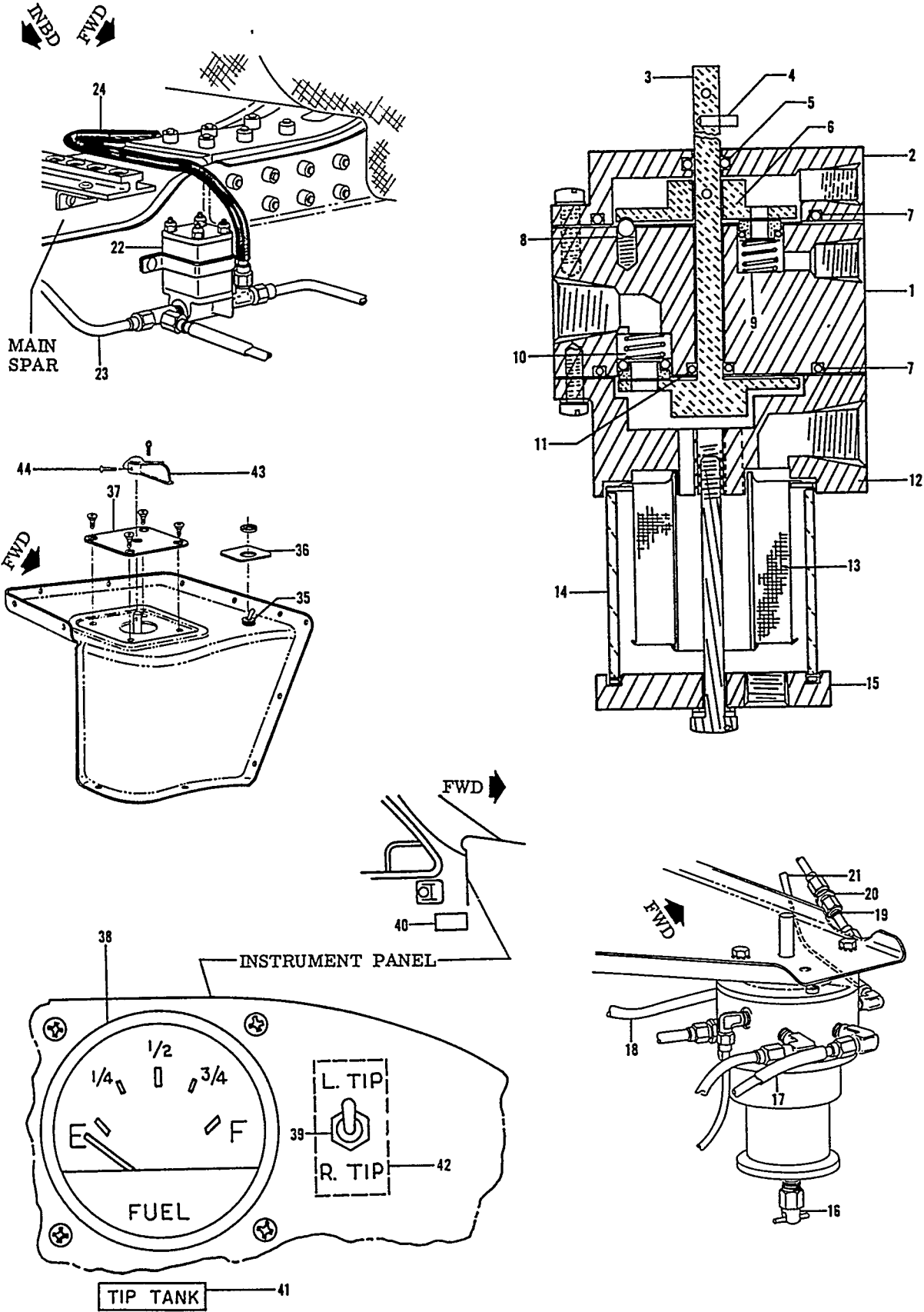
C O D E S O F E F F E C T I V I T Y

1	CD-1062 THRU CD-1118, 2	CD-1029 THRU CD-1061
	CE-118 THRU CE-179	CE-39 THRU CE-117
3	CD-976 THRU CD-1118, 4	CD-976 THRU CD-1028,
	CE-1 THRU CE-179	CE-1 THRU CE-38
5	CD-976 THRU CD-1031	6 CD-1032 THRU CD-1118
		CE-1 THRU CE-179

B E E C H C R A F T
B O N A N Z A 3 3 T H R U E 3 3
I L L U S T R A T E D P A R T S C A T A L O G

FIGURE 77
WING TIP FUEL TANKS
CE-1 AND AFTER

BEECHCRAFT
 BONANZA 33 THRU E33
 ILLUSTRATED PARTS CATALOG



BEECHCRAFT
 BONANZA 33 THRU E33
 ILLUSTRATED PARTS CATALOG

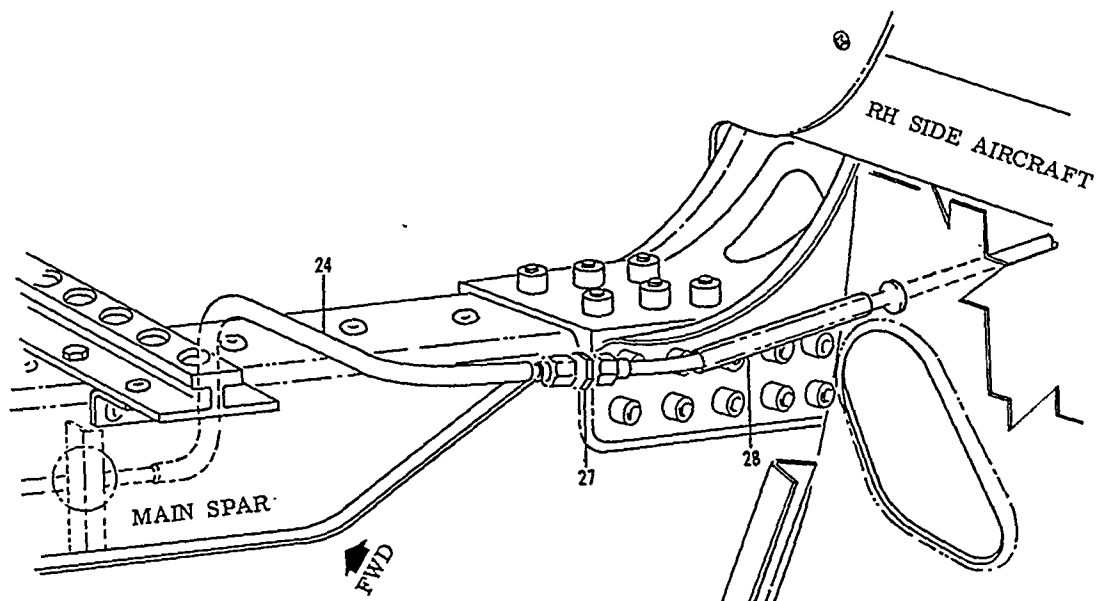
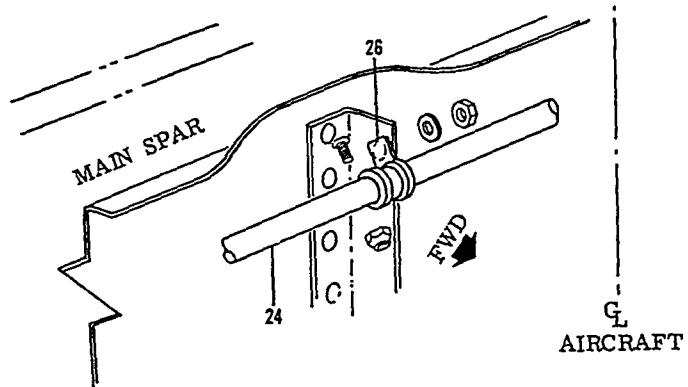
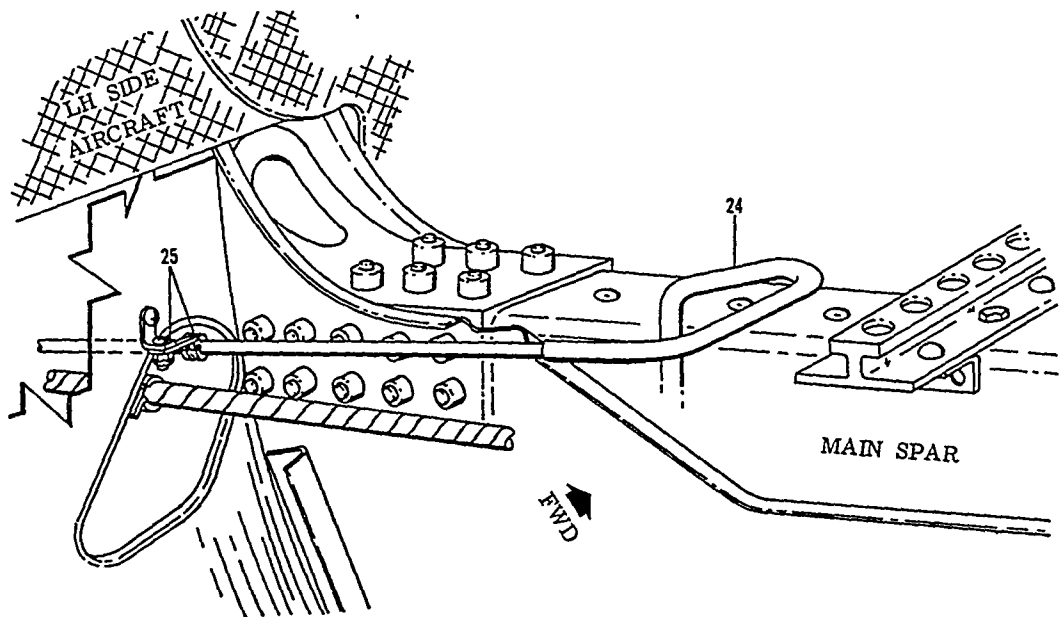


FIGURE 77. WING TIP FUEL TANKS
 /SHEET 2 OF 3 SHEETS/

BEECHCRAFT
BONANZA 33 THRU E33
ILLUSTRATED PARTS CATALOG

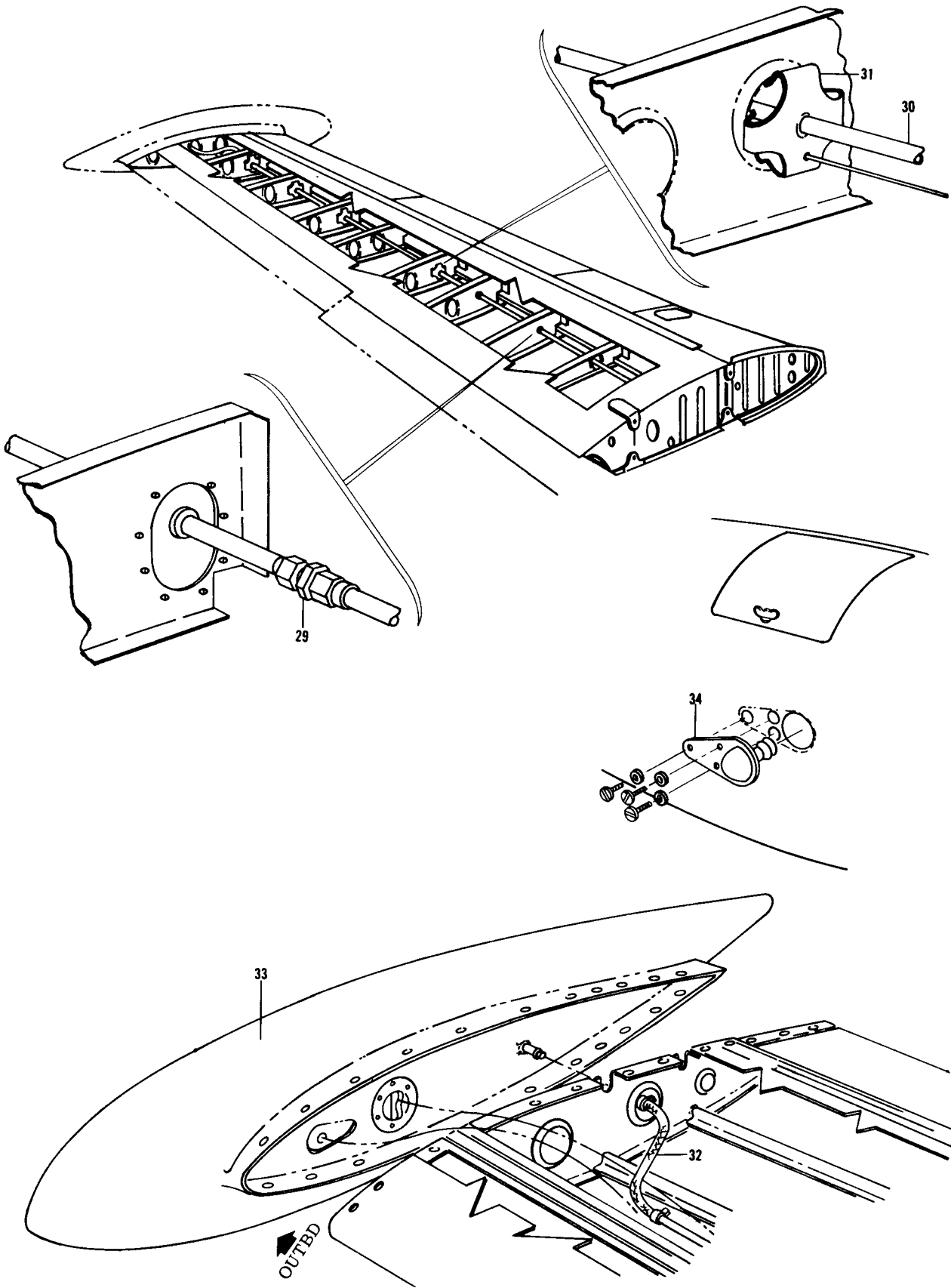


FIGURE 77. WING TIP FUEL TANKS
/SHEET 3 OF 3 SHEETS/

B E E C H C R A F T
B O N A N Z A 3 3 T H R U E 3 3
I L L U S T R A T E D P A R T S C A T A L O G

FIG. & ITEM NO.	PART NO.	DESCRIPTION						UNITS PER ASSY	USABLE ON CODE
		1	2	3	4	5	6		
77	35-921257-3	TANK INSTL, WING TIP FUEL						NP	1
	35-668-5	. TANK KIT, WING TIP						1	1
	HE763	. . VALVE ASSY, FUEL SELECTOR AND STRAINER						1	1
		/ATTACHING PARTS/							
	AN74-3 /M/	. . BOLT						2	
	AN9368416	. . WASHER						2	
		-----*							
- 1	HE1569 BODY						1	1
- 2	HE1570 COVER						1	1
		/ATTACHING PARTS/							
	AN501-10-8 SCREW						3	
	AN935-10L LOCKWASHER						3	
		-----*							
- 3	HE1571 ROTOR, MAIN						1	1
- 4	79-022-094-0375 PIN, ROLL							1
- 5	MS29513-10 O RING						1	1
- 6	HE1572 ROTOR, TOP						1	1
		/ATTACHING PARTS/							
	MS171500 PIN, ROLL /SUPERSEDES 79-022-094-0750/						1	
		-----*							
- 7	MS29513-136 O RING						2	1
- 8	HE189 SPRING						1	1
	5/32 BALL, STEEL						1	1
	HE1331 SEAL						1	1
	MS29513-11 O RING						1	1
	HE1332 WASHER						1	1
- 9	HE191 SPRING						1	1
	HE1573 SEAL						1	1
	MS29513-12 O RING						1	1
	HE193 WASHER						1	1
- 10	HE191 SPRING						1	1
- 11	MS29513-10 O RING						1	1
- 12	HE1574 BODY, STRAINER						1	1
	HE1526-2 GASKET, STRAINER CYLINDER /UPPER/.						1	1
- 13	HE1568-1 ELEMENT, STRAINER						1	1
- 14	HE1528-8 CYLINDER, STRAINER						1	1
	HE1526-1 GASKET, STRAINER CYLINDER /LOWER/.						1	1
- 15	HE1575 PLATE, SUMP						1	1
		/ATTACHING PARTS/							
	AN3H23A BOLT						1	
	AN960-10L WASHER						1	
	600-001-10 SEAL						1	
		-----*							
- 16	CCA4850 VALVE, FUEL STRAINER DRAIN						1	1
- 17	55035-3 TUBE ASSY, FUEL /FUEL SELECTOR TO SOLENOID/.						1	1
- 18	55035-4 TUBE ASSY, FUEL /FUEL SELECTOR TO SOLENOID/.						1	1
- 19	55035-5 TUBE ASSY, FUEL /FUEL RETURN FROM ENGINE/.						1	1
- 20	AN815-4D UNION						1	1
- 21	55035-7 TUBE ASSY, FUEL /TO LEFT MAIN RETURN LINE/.						1	1
- 22	55028 VALVE ASSY, SOLENOID						1	1
		/ATTACHING PARTS/							
	AN5158R8 SCREW /SUPERSEDES AN526-8328R8/.						2	
	AN93688 WASHER						2	
		-----*							
- 23	55035-1 TUBE ASSY, FUEL /SOLENOID TO RH TIP TANK/.						1	1
- 24	55035-2 TUBE ASSY, FUEL /SOLENOID TO LH TIP						1	1
		TANK FUEL LINE/							
- 25	AN742-6C CLAMP, FUEL LINE						1	1
		/ATTACHING PARTS/							
	AN5158R8 SCREW /SUPERSEDES AN526-8328R8/.						1	
	AN960D8 WASHER						1	
	MS20365-832 NUT /SUPERSEDES AN365-832/.						1	
		-----*							

B E E C H C R A F T
B O N A N Z A 3 3 T H R U E 3 3
I L L U S T R A T E D P A R T S C A T A L O G

FIG. & ITEM NO.	PART NO.	DESCRIPTION	UNITS PER ASSY	USABLE ON CODE
		1 2 3 4 5 6 7		
77 - 26	758-6	CLAMP, FUEL LINE /ATTACHING PARTS/	1	1
	AN515-8R8	SCREW /SUPERSEDES AN526-832R8/.	2	
	AN960D8	WASHER.	2	
	MS20365-832	NUT /SUPERSEDES AN365-832/.	2	

- 27	AN815-6D	UNION	1	1
	AN818-6D	NUT, UNION	1	1
	AN819-6D	SLEEVE, FUEL LINE.	1	1
- 28	55035-6	TUBE ASSY, RH FUEL	1	1
	SB500-6	GROMMET /SUPERSEDES 500-6/.	1	1
- 29	AN815-6D	UNION, LH & RH	2	1
	AN818-6D	NUT, UNION	AR	1
	AN819-6D	SLEEVE, FUEL LINE.	AR	1
- 30	4024-3	TUBE ASSY, FUEL /LH & RH/.	2	1
	758-6	CLAMP, FUEL LINE /ATTACHING PARTS/	2	1
	AN515-8R8	SCREW /SUPERSEDES AN526-832R8/.	2	
	AN960D8	WASHER.	2	
	MS20365-832	NUT /SUPERSEDES AN365-832/.	2	

- 31	55011	SPIDER, FUEL LINE GUIDE /SMALL/.	4	1
	55011-1	SPIDER, FUEL LINE GUIDE /LARGE/.	4	1
	SB500-6	GROMMET, LH & RH /SUPERSEDES 500-6/.	2	1
- 32	55037	HOSE, FUEL /LH & RH TIP TANK TO TUBE ASSY/	2	1
- 33	55000L	TANK ASSY, LH TIP.	1	1
	55000R	TANK ASSY, RH TIP.	1	1
		/ATTACHING PARTS/		
	AN525-832R7	SCREW	26	

- 34	30-0009-5	LIGHT ASSY, LH POSITION /RED/.	1	1
	30-0009-6	LIGHT ASSY, RH POSITION /GREEN/.	1	1
- 35	MS35058-23	SWITCH, FUEL SELECTOR PANEL. /SUPERSEDES AN3021-3/	1	1
- 36	55036-1	PLACARD, FUEL SELECTOR SWITCH.	1	1
- 37	55036	PLACARD, FUEL SELECTOR VALVE INSTRUCTIONS. /USE WITH WING TIP TANKS/	1	1
- 38	55027	GAUGE, TIP TANK FUEL QUANTITY.	1	1
- 39	MS35058-21	SWITCH, FUEL QUANTITY GAUGE. /SUPERSEDES AN3021-1/	1	1
- 40	55023	PLACARD /SUPERSEDES 55039	1	1
- 41	35-921258-7	PLACARD, GAGE.	1	1
- 42	35-921258-5	PLACARD, SWITCH.	1	1
	96043	FLIGHT MANUAL SUPPLEMENT.	1	1
	35-924255-1	HANDLE ASSY, FUEL SELECTOR /ATTACHING PARTS/	1	1
- 44	A905	PIN, CLEVIS.	1	
	AN380-1-1	PIN, COTTER.	1	

C O D E S O F E F F E C T I V I T Y

1 CE-1 AND AFTER

SUPPLEMENT

SUPPLEMENT TO
BEECHCRAFT MODEL 33 PARTS CATALOG
FOR
BEECHCRAFT ACROBATIC BONANZAS
MODEL E33C (CJ-1 THROUGH CJ-25)

PUBLISHED BY
PARTS AND SERVICE OPERATIONS
BEECH AIRCRAFT CORPORATION
WICHITA, KANSAS 67201
U. S. A.

ACROBATIC MODEL 33 PARTS CATALOG SUPPLEMENT

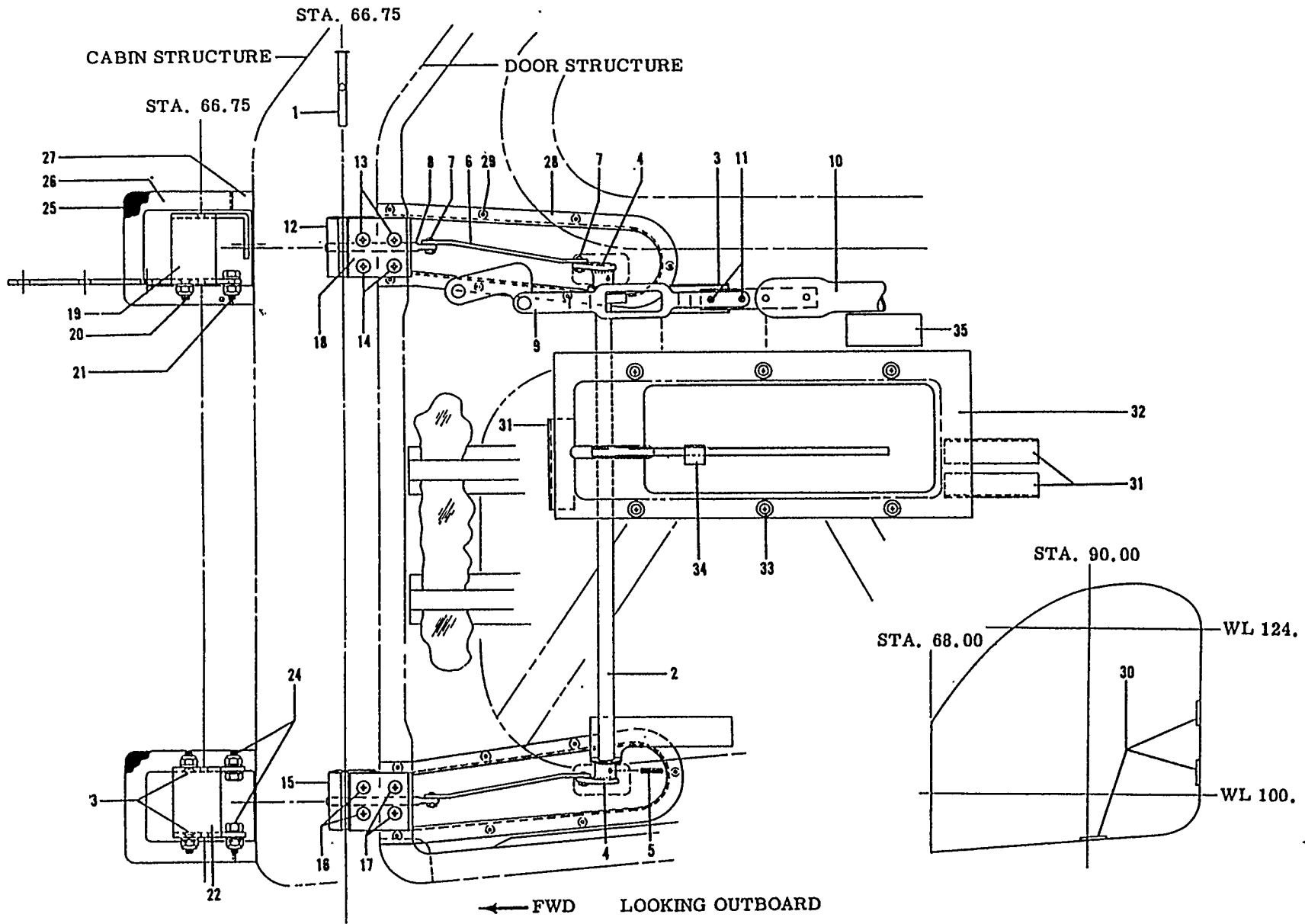
INTRODUCTION

THIS SUPPLEMENT TO PARTS CATALOG 33-590011-3D IS ISSUED TO PROVIDE COVERAGE FOR MODEL E33C AIRCRAFT. ACROBATIC BONANZAS INCLUDE ALL PARTS APPLICABLE TO CURRENT MODEL E33A AIRCRAFT EXCEPT FOR ADDITIONS AND DELETIONS INDICATED IN THIS SUPPLEMENT. THIS SUPPLEMENT MUST BE USED IN CONJUNCTION WITH PARTS CATALOG 33-590011-3D.

ACROBATIC MODEL 33 PARTS CATALOG SUPPLEMENT

FIG. & INDEX NO.	PART NO.	1	2	3	4	5	6	7	DESCRIPTION	UNITS PER ASSY	USABLE ON CODE
CHANGE FIGURE 4 AS FOLLOWS											
4 - 5B	33-000048-1	.							DECAL, BONANZA E33B/GOLD WITH BLACK OUTLINE/	2	
	33-000048-3	.							DECAL, BONANZA E33B/BLACK WITH GOLD OUTLINE/	2	
	33-000049-1	.							DECAL, BONANZA E33C/GOLD WITH BLACK OUTLINE/	2	
	33-000049-3	.							DECAL, BONANZA E33C/BLACK WITH GOLD OUTLINE/	2	
	33-000050-1	.							DECAL, AEROBATIC/GOLD WITH BLACK OUTLINE/	2	
	33-000050-3	.							DECAL, AEROBATIC/BLACK WITH GOLD OUTLINE/	2	

USE CURRENT SERIAL EFFECTIVITY CODES FOR
REMAINDER OF PARTS



Changes To Figures 9. Cabin Door

ACROBATIC MODEL 33 PARTS CATALOG SUPPLEMENT

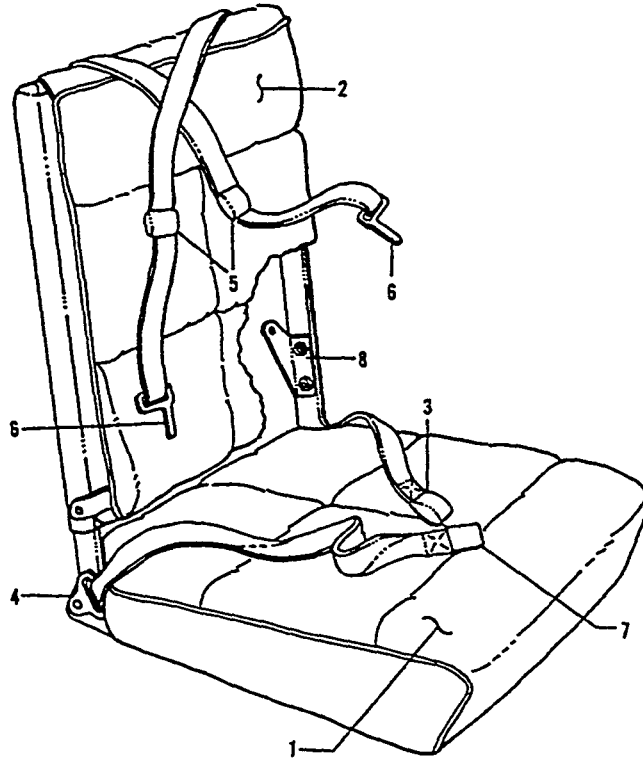
FIG. & INDEX NO.	PART NO.	DESCRIPTION	UNITS PER ASSY	USABLE ON CODE
CHANGE FIGURE 9 AS FOLLOWS				
DELETE THE FOLLOWING PARTS				
9	33-400300-605	. DOOR ASSY, CABIN/SUPER SOUNDPROOFING/ .	1	
	33-400300-607	. DOOR ASSY, CABIN/STANDARD.	1	
		. SOUNDPROOFING/		
- 1	AN393-63	. PIN	2	
	35-400010-64	. . . FRAME ASSY, DOOR	1	
- 3A	35-400010-30	. . . TAB, DOOR HINGE COVER	2	
- 4	35-400018-6	. . . HINGE ASSY, CABIN DOOR UPPER	1	
- 5	35-400008-6	. . . HINGE ASSY, CABIN DOOR LOWER	1	
- 6	AN3-5/M/	. . . BOLT.	2	
	AN960-10	. . . WASHER	2	
	22A21-6-02	. . . NUT	2	
- 65	35-400461	. . . TUBE ASSY, CABIN DOOR LATCH	1	
- 73	35-400320-56	. . . CLIP, UPPER HINGE	1	
	35-400380	. . . CLIP, LOWER HINGE	1	
- 76	35-400379	. . . ROD ASSY, CABIN DOOR STOP	1	
- 82	35-400405	. SEAL, CABIN DOOR HINGE	2	
ADD THE FOLLOWING PARTS				
	33-400300-617	DOOR ASSY, CABIN/WITH QUICK RELEASE/.	1	
		/ATTACHING PARTS/		
- 1	33-420020-1	PIN, HINGE	2	
		-----*		
	35-400010-95	. FRAME ASSY, DOOR	1	
- 2	33-420012-1	. LEVER ASSY, RELEASE	1	
- 3	33-420017-1	. BRACKET, UPPER	1	
	33-420016-1	. BRACKET, LOWER	1	
- 4	33-420013-1	. ACTUATOR, RETAINER PIN	2	
		/ATTACHING PARTS/		
- 5	NAS561P3-9	. PIN, ROLL	1	
		-----*		
- 6	33-420018-1	. LINK, RETAINER PIN	2	
		/ATTACHING PARTS/		
- 7	AN22-8	. BOLT	2	
	AN320-2	. NUT	2	
	MS24665-132	. PIN, COTTER	2	
		-----*		
- 8	33-420019-1	. PIN, RETAINER	2	
- 9	33-420015-1	. LINK, RELEASE LEVER	1	
- 10	33-420014-1	. TUBE ASSY, LATCH	1	
		/ATTACHING PARTS/		
- 11	AN525-8R6	. SCREW	2	
	MS20365-832	. NUT	2	
		-----*		
- 12	33-420022-1	HINGE, UPPER	1	
		/ATTACHING PARTS/		
- 13	AN525-8R18	SCREW	2	
- 14	AN525-8R16	SCREW	2	
	AN960-8	WASHER	2	
	MS20364-832	NUT	4	
		-----*		
- 15	33-420022-3	HINGE, LOWER	1	
		/ATTACHING PARTS/		
- 16	AN525-8R20	SCREW	2	
- 17	AN525-8R18	SCREW	2	
	AN960-8	WASHER.	2	
	MS20364-832	NUT	4	
		-----*		

ACROBATIC MODEL 33 PARTS CATALOG SUPPLEMENT

FIG. & INDEX NO.	PART NO.	DESCRIPTION	UNITS PER ASSY	USABLE ON CODE
		1 2 3 4 5 6 7		
9 - 18	33-420023-1	ANGLE, UPPER HINGE	1	
	33-420023-3	ANGLE, LOWER HINGE	1	
- 19	35-590044-2	ADAPTER, UPPER HINGE /ATTACHING PARTS/	1	
- 20	MS24694S60	SCREW	1	
- 21	AN3-5A	BOLT	1	
	AN960-10	WASHER	2	
	MS20365-1032	NUT	2	
	-----*			
- 22	35-590044-4	ADAPTER, LOWER HINGE /ATTACHING PARTS/	1	
- 23	MS24694S60	SCREW	2	
- 24	AN3-5A	BOLT	2	
	AN960-10	WASHER	4	
	MS20365-1032	NUT	4	
	-----*			
- 25	35-420021-5	SEAL, HINGE	2	
- 26	33-420021-3	RETAINER, SEAL	2	
- 27	33-420021-1	RETAINER, SEAL	2	
- 28	33-420025	FAIRING, UPPER HINGE	1	
	33-420026	FAIRING, LOWER HINGE /ATTACHING PARTS/	1	
- 29	AN504-6R5	SCREW	7	
	-----*			
- 30	33-420011-1	GUIDE, CABIN DOOR	3	
- 31	33-534045-3	CHANNEL, ESCHUTCHEON SUPPORT	3	
- 32	33-534046-1	ESCHUTCHEON, RELEASE LEVER /ATTACHING PARTS/	1	
- 33	NAS387-632-12P	SCREW	6	
	NAS391B6P	WASHER	6	
	NAS395-6-1	NUT	6	
	-----*			
- 34	33-534045-11	CATCH ASSY, RELEASE LEVER	1	
- 35	33-534052	PLACARD, EMERGENCY EXIT /ATTACHING PARTS/	1	
	NAS384-6	SCREW	2	
	-----*			

USE CURRENT SERIAL EFFECTIVITY CODES FOR
REMAINDER OF PARTS

ACROBATIC MODEL 33 PARTS CATALOG SUPPLEMENT

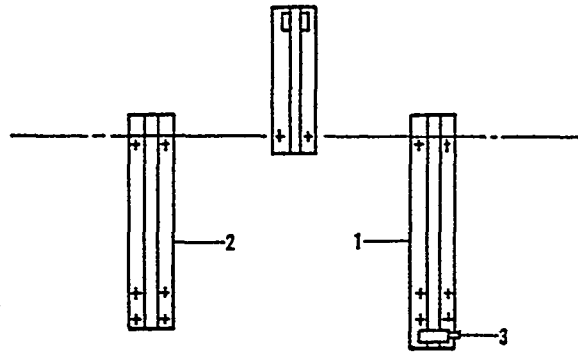


Changes To Figure 13B. Front Seat

FIG. & INDEX NO.	PART NO.	1	2	3	4	5	6	7	DESCRIPTION	UNITS PER ASSY	USABLE ON CODE
CHANGE FIGURE 13B AS FOLLOWS											
13B -	33-534048-1								SEATING INSTL, PILOT & PASSENGER/4 PLACE/ . . .	NP	
	33-534050-1								. SEAT ASSY, PILOT	1	
	33-534050-3								. SEAT ASSY, COPILOT	1	
- 1	33-534050-601								. . . UPHOLSTERY ASSY, PILOT AND COPILOT SEAT	2	
- 2	33-534050-9								. . . PAD ASSY, PILOT AND COPILOT SEAT . . .	2	
	33-534815								. . . HARNESS ASSY, PILOT AND COPILOT SEAT . . .	2	
- 3	CS5000B								. . . BUCKLE, HARNESS	2	
- 4	CS1125								. . . FITTING, BELT END	4	
	CS1050								. . . FITTING, HARNESS END.	4	
- 5	CS1800								. . . ADJUSTER, ROLLER	4	
	D611A								. . . TIP, BELT	2	
- 6	CS647								. . . LINK, HARNESS	4	
- 7	CS649								. . . LINK, BELT	2	
- 8	33-534050-11								. . . FITTING, LH	2	
	33-534050-12								. . . FITTING, RH	2	
									/ATTACHING PARTS/		
	AN525-10 R9								. . . SCREW	2	
	AN960-10L								. . . WASHER	2	
	MS20365-1032								. . . NUT	2	

-----*

ACROBATIC MODEL 33 PARTS CATALOG SUPPLEMENT



Change To Figure 14B. Rear Seat

FIG. & INDEX NO.	PART NO.	1	2	3	4	5	6	7	DESCRIPTION	UNITS PER ASSY	USABLE ON CODE
CHANGE FIGURE 14B AS FOLLOWS											
14B -	33-534048-1								SEATING INSTL, PILOT & PASSENGER/4 PLACE/	NP	
	33-534031-33								. SEAT INSTL, PASSENGER	NP	
- 1	33-534031-35								. . TRACK, RH REAR SIDE	2	
- 2	33-534031-31								. . TRACK, LH REAR SIDE	2	
									/ATTACHING PARTS/		
	AN509-10R8								. . SCREW/AFT/	4	
	AN960-10								. . WASHER	4	
	MS21042L3								. . NUT	4	
	MS27039-1-09								. . SCREW/FWD/	2	
									-----*		
- 3	33-534051								. . STOP, SEAT	2	
									/ATTACHING PARTS/		
	LA3S-R1-030								. . PIN, SEAT STOP	1	
									-----*		

ACROBATIC MODEL 33 PARTS CATALOG SUPPLEMENT

FIG. & INDEX NO.	PART NO.	1	2	3	4	5	6	7	DESCRIPTION	UNITS PER ASSY	USABLE ON CODE
CHANGE FIGURE 15D AS FOLLOWS											
DELETE THE FOLLOWING PARTS											
15D -	96-534078-9	BRACKET	1	
- 43	33-534042	ASHTRAY ASSY /LOCATED ON CABIN DOOR/ .	1	
CHANGE PART NUMBERS AS FOLLOWS											
15D - 12	33-534055	PLACARD, LIMITATIONS/E33B/	1	
	33-534053	PLACARD, LIMITATIONS/E33C/	1	
- 57	33-534045-17	PANEL ASSY	1	
	33-534045-19	PANEL	1	
- 58	33-534045-9	PANEL ASSY	1	
	33-534045-21	PANEL	1	
- 71	33-534045-5	TRIM	1	
- 72	33-534045-7	TRIM	1	
USE CURRENT SERIAL EFFECTIVITY CODES FOR REMAINDER OF PARTS											
CHANGE FIGURE 17 AS FOLLOWS											
17 - 30	35-170005-19	TIP ASSY, WING LH	1	
	35-170005-20	TIP ASSY, WING RH	1	
	AN525-8R7	SCREW	29	
		----	*	----							
	35-115280	RIB, CLOSURE LH	1	
	35-115280-1	RIB, CLOSURE RH	1	
USE CURRENT SERIAL EFFECTIVITY CODES FOR REMAINDER OF PARTS											
CHANGE FIGURE 20 AS FOLLOWS											
20 -	33-130000-25	AILERON ASSY	2	
- 9	33-130000-29	SPAR, AILERON	1	
- 16	33-130000-27	SKIN	1	
CHANGE FIGURE 25 AS FOLLOWS											
25 - 1	33-620001-601	STABILIZER ASSY, HORIZONTAL LH	1	
	33-620001-602	STABILIZER ASSY, HORIZONTAL RH	1	
- 3	33-640000-613	STABILIZER ASSY, VERTICAL	1	
- 8	33-630000-603	RUDDER ASSY	1	
USE CURRENT SERIAL EFFECTIVITY CODES FOR REMAINDER OF PARTS											

ACROBATIC MODEL 33 PARTS CATALOG SUPPLEMENT

FIG. & INDEX NO.	PART NO.	DESCRIPTION							UNITS PER ASSY	USABLE ON CODE	
		1	2	3	4	5	6	7			
CHANGE FIGURE 26 AS FOLLOWS											
26 -	33-620001-601	STABILIZER ASSY, HORIZONTAL LH	1	
	33-620001-602	STABILIZER ASSY, HORIZONTAL RH	1	
	33-620001-613	. SPAR ASSY, REAR	1	
	33-620001-615	. SPAR ASSY, FRONT	1	
- 5	95-620010-39	. . SPAR, FRONT	1	
- 6	95-620010-41	. . DOUBLER, FRONT SPAR	1	
- 8	45-620011-12	. . BUSHING	8	
	33-620001-609	. SKIN ASSY, LEADING EDGE LH	1	
	33-620001-610	. SKIN ASSY, LEADING EDGE RH	1	
- 15	33-620001-7	. . SKIN, LH	1	
	33-620001-8	. . SKIN, RH	1	
- 23	33-620001-3	. SKIN, UPPER LH	1	
	33-620001-4	. SKIN, UPPER RH	1	
- 24	33-620001-5	. SKIN, LOWER LH	1	
	33-620001-6	. SKIN, LOWER RH	1	
- 25	33-620001-9	. SKIN, UPPER LH AND LOWER RH	1	
- 26	33-620001-10	. SKIN, LOWER LH AND UPPER RH	1	
- 35	95-620010-45	. REINFORCEMENT, REAR SPAR LOWER	1	

USE CURRENT SERIAL EFFECTIVITY CODE
FOR REMAINDER OF PARTS

CHANGE FIGURE 27 AS FOLLOWS

27 -	33-640000-613	STABILIZER ASSY, VERTICAL	1	
- 2	33-640000-77	. FITTING, REAR SPAR ATTACH	1	
- 4	33-640000-75	. FITTING, FRONT SPAR ATTACH	1	
- 6	33-640000-73	. RIB, LOWER AFT	1	
- 26	33-640000-71	. SKIN, LEADING EDGE	1	

USE CURRENT SERIAL EFFECTIVITY CODE FOR
REMAINDER OF PARTS

CHANGE FIGURE 29 AS FOLLOWS

29 -	33-630000-603	RUDDER ASSY	1	
------	---------------	-------------	---	---	---	---	---	---	---	---	--

CHANGE FIGURE 34 AS FOLLOWS

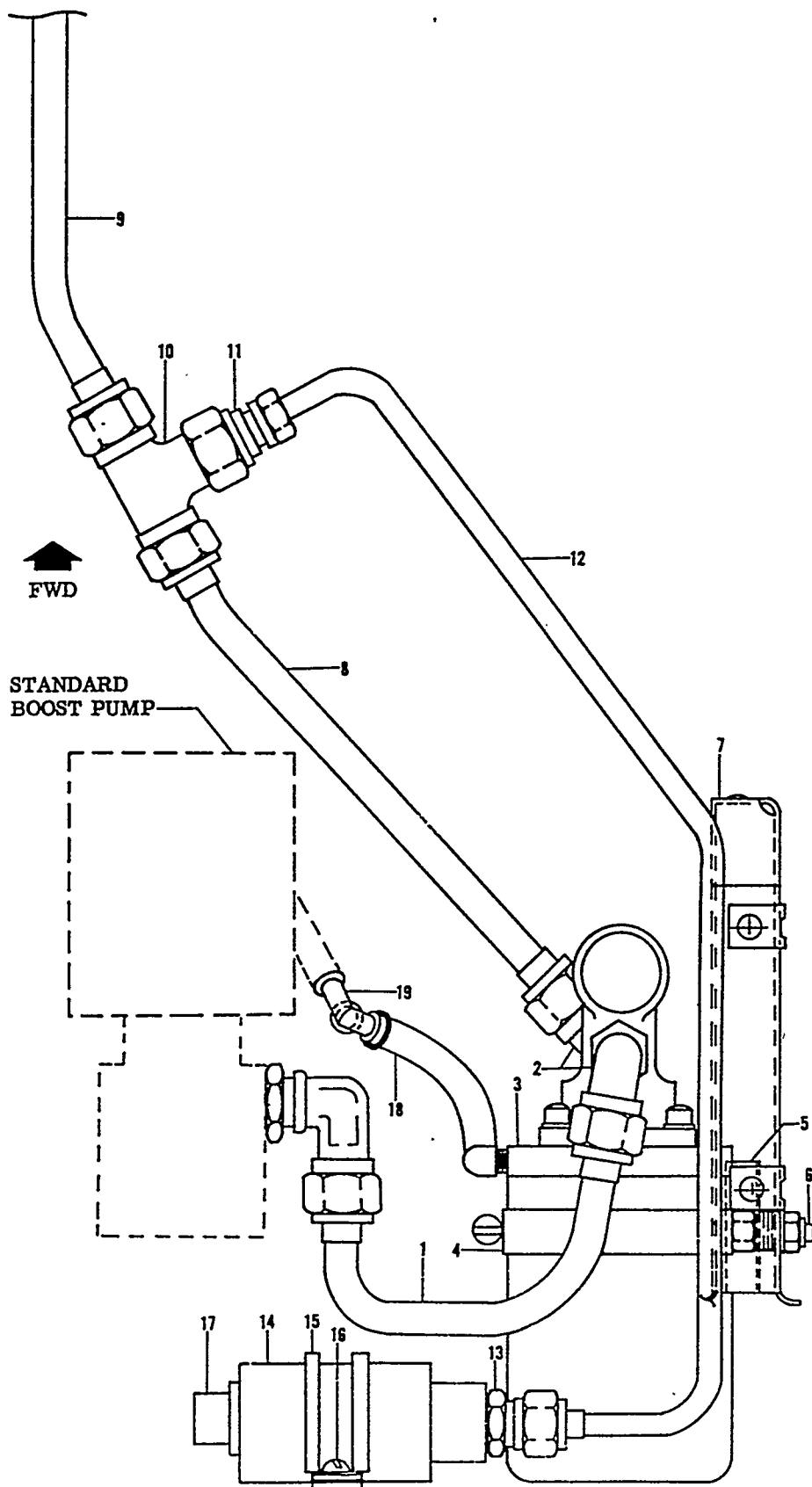
34 - 5	NAS305-35-1325	. CABLE ASSY, RUDDER CABLES FWD	2	
		/ATTACHING PARTS/									
- 6	AN3-5A	. BOLT	1	
	AN960-10	. WASHER	1	
	MS20365-1032	. NUT	1	
	33-524027	. BUSHING	1	
		-----*									
	33-524000-67	. CABLE ASSY, RUDDER CONTROL AFT	2	

USE CURRENT SERIAL EFFECTIVITY CODES FOR
REMAINDER OF PARTS

ACROBATIC MODEL 33 PARTS CATALOG SUPPLEMENT

FIG. & INDEX NO.	PART NO.	DESCRIPTION							UNITS PER ASSY	USABLE ON CODE
		1	2	3	4	5	6	7		
CHANGE FIGURE 51 AS FOLLOWS										
51-39	33-940011	PLATE, ENGINE CONTROL AND BOOST PUMP SWITCH IDENTIFICATION							1	
USE CURRENT SERIAL EFFECTIVITY CODES FOR REMAINDER OF PARTS										
CHANGE FIGURE 51A AS FOLLOWS										
51A - 37	33-940011	PLATE, ENGINE CONTROL AND BOOST PUMP SWITCH IDENTIFICATION							1	
USE CURRENT SERIAL EFFECTIVITY CODES FOR REMAINDER OF PARTS										

ACROBATIC MODEL 33 PARTS CATALOG SUPPLEMENT



Changes To Figures 52A and 52H. Fuel System

ACROBATIC MODEL 33 PARTS CATALOG SUPPLEMENT

FIG. & INDEX NO.	PART NO.	DESCRIPTION	UNITS PER ASSY	USABLE ON CODE
		1 2 3 4 5 6 7		
CHANGE FIGURE 52A AND 52B AS FOLLOWS				
DELETE INDEX 40 FROM FIGURE 52A AND 52B				
ADD THE FOLLOWING PARTS TO FIGURE 52A AND 52B				
- 1	35-921155-141	TUBE ASSY	1	
- 2	AN833-6	ELBOW	2	
	AN924-6	NUT	2	
	MS29512-6	O-RING	2	
- 3	4140-00-191	PUMP, BOOST	1	
- 4	AN737TW91	CLAMP	1	
- 5	A15060	BRACKET	1	
		/ATTACHING PARTS/		
- 6	AN4-6A	BOLT	2	
	AN960-416L	WASHER	2	
	AN960-416	WASHER	AR	
	MS20365-428	NUT	2	
		-----*		
- 7	286S35-090-3	BRACKET ASSY	1	
- 8	35-921155-139	TUBE ASSY	1	
- 9	35-921155-145	TUBE ASSY	1	
- 10	AN824-6D	TEE	1	
	AN818-6D	NUT	1	
- 11	6-4 TROTX	REDUCER	1	
- 12	35-921155-143	TUBE ASSY	1	
- 13	AN815-4D	UNION	1	
	MS29512-04	O-RING	1	
- 14	60-389012-7	SWITCH ASSY, PRESSURE	1	
		/ATTACHING PARTS/		
- 15	MS21919	CLAMP	1	
- 16	AN520-10R	SCREW	1	
	AN960-10	WASHER	1	
	NAS680X3	NUT PLATE	1	
		-----*		
- 17	MS3106A/B10SL3S	CONNECTOR, ELECTRICAL	1	
- 18	106200H4-13	HOSE, PUMP DRAIN	1	
- 19	33-924016-5	TUBE ASSY, PUMP DRAIN	1	

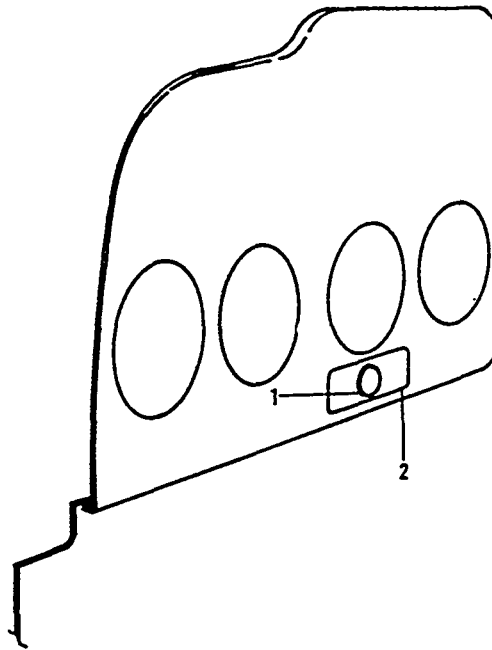
USE CURRENT SERIAL EFFECTIVITY CODES FOR
REMAINDER OF PARTS

ACROBATIC MODEL 33 PARTS CATALOG SUPPLEMENT

FIG. & INDEX NO.	PART NO.	DESCRIPTION							UNITS PER ASSY	USABLE ON. CODE	
		1	2	3	4	5	6	7			
CHANGE FIGURE 58B AS FOLLOWS											
58B -	33-324040-1	.	.	.	PANEL, FLOATING/E33B/	1	
- 8	33-324040-5	.	.	.	PANEL, FLOATING/E33C/	1	
- 19	3419-5A	.	.	ACCELEROMETER	1	
	AN507B632	.	.	/ATTACHING PARTS/			
	MS20365B632A	.	.	SCREW	3	
		.	.	WASHER	3	
		-----*									

USE CURRENT SERIAL EFFECTIVITY CODES FOR
REMAINDER OF PARTS

ACROBATIC MODEL 33 PARTS CATALOG SUPPLEMENT



Changes To Figure 61. Instrument Panel Electrical Equipment

FIG. & INDEX NO.	PART NO.								DESCRIPTION	UNITS PER ASSY	USABLE ON CODE
		1	2	3	4	5	6	7			
CHANGE FIGURE 61 AS FOLLOWS											
61 - 22	35-380053-651	.							SWITCH, BOOST PUMPS	1	
ADD THE FOLLOWING PARTS											
- 1	VM911M3A								LIGHT ASSY, FUEL PRESSURE INDICATOR . . .	1	
	330								. BULB, INDICATOR LIGHT	1	
- 2	33-364021								PLACARD, FUEL PRESSURE INDICATOR LIGHT .	1	
USE CURRENT SERIAL EFFECTIVITY CODES FOR REMAINDER OF PARTS											