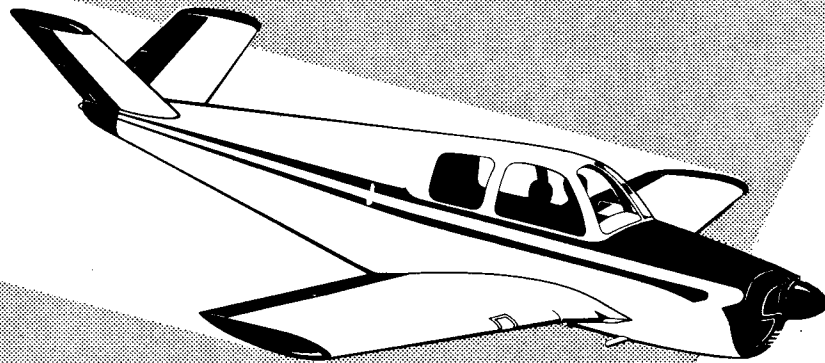


Beechcraft

BONANZA



PARTS CATALOG

Courtesy of Bomar Flying Service
www.bomar.biz

Model 35 through G35

MODEL 35 THRU G35 PARTS CATALOG

Listed below are the pages required for this publication, with effectivity current through the revision and/or reissue code shown on the lower right hand corner of this page, and on the title page. Each page is followed by an entry that denotes whether the page is still as originally issued or is a part of some later revision or reissue.

LIST OF EFFECTIVE PAGES

Always destroy superseded pages when you insert revised pages.

*Title & A . . . B1 . . . November 16, 1962	*2-74 B1 Blank
*i B1 November 16, 1962	*2-74A thru 2-74B . . . B1 . . . November 16, 1962
ii B Original	*2-75 B1 . . . November 16, 1962
*iii B1 November 16, 1962	2-76 thru 2-78 . . . B Original
iv B Blank	*2-79 B1 November 16, 1962
v thru x B Original	2-80 thru 2-85 . . . B Original
*xi B1 November 16, 1962	*2-86 B1 November 16, 1962
xii thru xiv . . . B Original	2-87 thru 2-90 . . . B Original
*xv B1 November 16, 1962	*2-91 B1 November 16, 1962
xvi B Original	2-92 thru 2-93 . . . B Original
1-1 B Original	*2-94 thru 2-95 . . . B1 November 16, 1962
*1-2 B1 November 16, 1962	2-96 thru 2-101 . . B Original
1-3 B Original	*2-102 B1 November 16, 1962
*1-4 thru 1-5 . . . B1 November 16, 1962	2-103 thru 2-115 . . B Original
1-6 B1 Blank	*2-116 B1 November 16, 1962
2-1 thru 2-3 . . . B Original	2-117 B Original
*2-4 thru 2-6 . . . B1 November 16, 1962	*2-118 thru 2-119 . . B1 November 16, 1962
2-7 B Original	2-120 thru 2-129 . . B Original
*2-8 thru 2-10 . . B1 November 16, 1962	*2-130 thru 2-133 . . B1 November 16, 1962
*2-10A B1 November 16, 1962	2-134 thru 2-141 . . B Original
*2-10B B1 Blank	*2-142 thru 2-143 . . B1 November 16, 1962
*2-11 B1 November 16, 1962	2-144 thru 2-173 . . B Original
2-12 B Original	*2-174 thru 2-176 . . B1 November 16, 1962
*2-13 thru 2-14 . . B1 November 16, 1962	2-177 B Original
2-15 B Original	*2-178 B1 November 16, 1962
*2-16 thru 2-17 . . B1 November 16, 1962	2-179 B Original
2-18 B Original	*2-180 thru 2-181 . . B1 November 16, 1962
*2-19 thru 2-24 . . B1 November 16, 1962	2-182 thru 2-187 . . B Original
2-25 thru 2-27 . . B Original	*2-188 B1 November 16, 1962
*2-28 B1 November 16, 1962	2-189 thru 2-194 . . B Original
2-29 thru 2-30 . . B Original	*2-195 thru 2-196 . . B1 November 16, 1962
*2-31 B1 November 16, 1962	2-197 thru 2-204 . . B Original
2-32 B Original	*2-205 B1 November 16, 1962
*2-33 B1 November 16, 1962	2-206 thru 2-209 . . B Original
2-34 B Original	*2-210 B1 November 16, 1962
*2-35 B1 November 16, 1962	2-211 thru 2-251 . . B Original
2-36 thru 2-53 . . B Original	*2-252 B1 November 16, 1962
*2-54 thru 2-56 . . B1 November 16, 1962	2-253 thru 2-254 . . B Original
2-57 B Original	*2-255 B1 November 16, 1962
*2-58 B1 November 16, 1962	*2-256 B1 Blank
2-59 thru 2-70 . . B Original	*2-257 thru 2-260 . . B1 Deleted
*2-71 B1 November 16, 1962	*3-1 thru 3-45 . . . B1 November 16, 1962
2-72 thru 2-73 . . B Original	

NOTE: The asterisk denotes pages in current revision.

B1

Basic publications are assigned a part number which appears on the title page with the date of the issue. Subsequent revisions are identified by the addition of a revision code after the part number. A₁ after a part number denotes the first revision to the basic publication, A₂ the second, etc. Occasionally, it is necessary to completely reissue and reprint a publication for the purpose of obsoleting a previous issue and outstanding revisions thereto. As these replacement reissues are made, the code will also change to the next successive letter of the alphabet at each issue. For example, B for the first reissue, C for the second reissue, etc.

When ordering a handbook, give the basic number, and the reissue code when applicable, if a complete up-to-date publication is desired. Should only revision pages be required, give the basic number and revision code for the particular set of revision pages you desire.

MODEL 35 THRU G35 PARTS CATALOG

Listed below are the pages required for this publication, with effectivity current through the revision and/or reissue code shown on the lower right hand corner of this page, and on the title page. Each page is followed by an entry that denotes whether the page is still as originally issued or is a part of some later revision or reissue.

LIST OF EFFECTIVE PAGES

Always destroy superseded pages when you insert revised pages.

Title and A	B	Original
i thru iii	B	Original
iv	B	Blank
v thru xvi	B	Original
1-1 thru 1-6	B	Original
2-1 thru 2-259	B	Original
3-1 thru 3-44	B	Original

NOTE: The asterisk denotes pages in current revision.

B

Basic publications are assigned a part number which appears on the title page with the date of the issue. Subsequent revisions are identified by the addition of a revision code after the part number. A₁ after a part number denotes the first revision to the basic publication, A₂ the second, etc. Occasionally, it is necessary to completely reissue and reprint a publication for the purpose of obsoleting a previous issue and outstanding revisions thereto. As these replacement reissues are made, the code will also change to the next successive letter of the alphabet at each issue. For example, B for the first reissue, C for the second reissue, etc.

When ordering a handbook, give the basic number, and the reissue code when applicable, if a complete up-to-date publication is desired. Should only revision pages be required, give the basic number and revision code for the particular set of revision pages you desire.

MODEL 35 THRU G35 PARTS CATALOG

TABLE OF CONTENTS

Figure No.	Title	Page No.
	Table of Contents	i
	Alphabetical Table of Contents	iii
 SECTION I - INTRODUCTION		
	How to Utilize This Catalog	1- 1
	General Information	1- 2
	Usable on Code Listings	1- 5
 SECTION 2 - GROUP ASSEMBLY PARTS LIST		
1	General Arrangement	2- 1
2	Station Diagram	2- 2
3	Fuselage Figure Breakdown	2- 3
4	Fuselage Structure Assembly (Spares)	2- 4
5	Fuselage Nose Section	2- 6
6	Fuselage Cabin Section	2- 8
7	Fuselage Rear Section	2- 11
8	Wing Assembly	2- 13
9	Wing Leading and Trailing Edges	2- 16
10	Wing Main Section	2- 20
11	Flap, Flap Track and Flap Gap Doors	2- 25
12	Empennage Group (D1 thru D2680)	2- 27
13	Empennage Group (D2681 thru D4865)	2- 30
14	Flap Control Mechanism (D1 thru D837)	2- 32
15	Flap Control Mechanism (D838 thru D4865)	2- 33
16	Flap Actuator and Limit Switch (D1 thru D837)	2- 34
17	Flap Actuator and Limit Switch (D838 thru D4865)	2- 35
18	Flap Motor Assembly (D1 thru D837)	2- 36
19	Flap Motor Assembly (D838 thru D4865)	2- 37
20	Aileron Control System (D1 thru D1500)	2- 39
21	Aileron Control Quadrant Assembly (D1 thru D1500)	2- 41
22	Aileron Control Sprocket and Bellcrank Assembly (D1 thru D1500)	2- 42
23	Aileron Bungee Mechanism	2- 43
24	Aileron Control System	2- 44
25	Aileron Assembly	2- 46
26	Rudder Control System	2- 47
27	Aft Rudder Control System	2- 49
28	Forward Rudder Control System	2- 50
29	Rudder Pedal Assembly	2- 51
30	Elevator Control System	2- 53
31	Forward Elevator Control System	2- 55
32	Elevator Differential Assembly	2- 56
33	Elevator Trim Tab System	2- 57
34	Forward Trim Tab Mechanism	2- 59
35	Trim Tab Actuating Mechanism	2- 60
36	Trim Tab Bungee Mechanism	2- 61
37	Aft Trim Tab Control	2- 62
38	Differential System	2- 63
39	Control Column Assembly	2- 65
40	Single Control Arm	2- 67
41	Dual Control Arm Assembly	2- 68
42	Landing Gear Retract Mechanism	2- 70
43	Landing Gear Shock Absorber Assembly (D1 thru D2680)	2- 72
44	Landing Gear Shock Absorber Assembly (D2681 thru D4098)	2- 74
45	Landing Gear Shock Absorber Assembly (D4099 thru D4865)	2- 76
46	Main Landing Gear Door and Retract Mechanism	2- 78

MODEL 35 THRU G35 PARTS CATALOG

TABLE OF CONTENTS (Continued)

Figure No.	Title	Page No.
47	Main Wheel, Tire, Tube and Brake Assembly (Goodyear)	2- 81
48	Main Wheel, Tire, Tube and Brake Assembly (Firestone)	2- 82
49	Nose Gear Assembly.	2- 83
50	Nose Wheel Strut Assembly	2- 85
51	Nose Wheel Steering and Nose Wheel Straightening Mechanism	2- 87
52	Nose Wheel and Tire Assembly (Goodyear)	2- 89
53	Nose Wheel and Tire Assembly (Firestone)	2- 90
54	Shimmy Dampener	2- 91
55	Nose Wheel Doors and Retract Mechanism	2- 92
56	Nose Gear Retract Assembly	2- 94
57	Landing Gear Switch Assembly (D1 thru D1500)	2- 97
58	Landing Gear Switch Assembly (D1501 thru D2800)	2- 99
59	Landing Gear Limit Switch Assembly (D2801 thru D4865)	2-100
60	Landing Gear Retract Actuator Assembly	2-101
61	Landing Gear Retract Motor Assembly	2-104
62	Strut Brake Piping	2-105
63	Brake Assembly (Goodyear)	2-107
64	Parking Brake Valve and Control	2-108
65	Single Hydraulic Brake System	2-109
66	Dual Hydraulic Brake System	2-111
67	Brake Master Cylinder Assembly (Goodyear Brakes)	2-113
68	Brake Master Cylinder Assembly (Firestone Brakes)	2-114
69	Main Landing Gear Up Lock	2-115
70	Landing Gear Safety Switch	2-116
71	Engine Cowl and Spinner	2-117
72	Power Plant Installation	2-120
73	Engine Baffles (D1 thru D1116)	2-123
74	Engine Baffles (D1117 thru D4865)	2-125
75	Rear Cowl Baffles (D1 thru D1116)	2-126
76	Cowl Flap and Control Assembly	2-128
77	Exhaust System	2-130
78	Fuel System	2-132
79	Wing Auxiliary Fuel Cells	2-134
80	Fuel Unit Assembly (D1 thru D2900)	2-136
81	Fuel Unit Assembly (D2901 thru D4865)	2-138
82	Carburetor Induction System (D1 thru D1116)	2-140
83	Carburetor Induction System (D1117 thru D2605 and D2632 thru D2680)	2-142
84	Carburetor Induction System (D2606 thru D2631 and D2681 thru D4865)	2-143
85	Auxiliary Fuel Tank (20 Gallon)	2-144
86	Oil System (D1 thru D150)	2-145
87	Oil System (D151 thru D1116)	2-147
88	Oil System (D1117 thru D4865)	2-149
89	Vacuum System (D1 thru D1116)	2-152
90	Vacuum System (D1117 thru D4865)	2-153
91	Starter Motor Assembly (D1 thru D1949)	2-154
92	Starter Motor Assembly (D1950 thru D4863)	2-156
93	Generator Assembly	2-157
94	R200 Propeller Assembly	2-159
95	B200 Propeller Assembly	2-162
96	215 Series Propeller Assembly	2-165
97	Propeller Pitch Control Assembly	2-168
98	Propeller Pitch Motor Assembly	2-169
99	Throttle Control and Landing Gear Warning Switch	2-171
100	Windshield and Fwd Window	2-173
101	Center and Aft Windows	2-175
102	Cabin Door	2-177
103	Seat Assemblies	2-180
104	Cabin and Baggage Compartment Floor Boards (D1 thru D1500)	2-182

MODEL 35 THRU G35 PARTS CATALOG

TABLE OF CONTENTS (Continued)

Figure No.	Title	Page No.
105	Cabin and Baggage Compartment Floor Boards (D1500 thru D4865)	2-184
106	Cabin Furnishings (Sheet 1 of 2 Sheets)	2-186
106	Cabin Furnishings (Sheet 2 of 2 Sheets)	2-187
107	Cabin Furnishings (D2201 thru D4865)	2-190
108	Cabin Furnishings (D2681 thru D4865) (Sheet 1 of 2 Sheets)	2-192
108	Cabin Furnishings (D2681 thru D4865) (Sheet 2 of 2 Sheets)	2-193
109	Cabin Furnishings (D4392 thru D4865)	2-195
110	Fixed Instrument Panel Assembly	2-197
111	Gyro Fixed Instrument Panel Assembly (D2861 thru D4865)	2-200
112	Standard Instrument Panel Assembly (D1 thru D4391)	2-203
113	Standard Instrument Panel Assembly (D4392 thru D4865)	2-206
114	Gyro Instrument Panel Assembly (D2681 thru D4865)	2-208
115	Left and Right Subpanel Assembly	2-211
116	Center Instrument Panel Assembly	2-213
117	Instrument Plumbing System	2-215
118	Gyro Instrument Plumbing System (D2681 thru D4865)	2-217
119	Static Pressure and Pitot Plumbing (D2681 thru D4865)	2-219
120	Flare Assembly	2-221
121	Heat and Vent System	2-222
122	Vent System (D2681 thru D4865)	2-224
123	Assist Step Retract Assembly	2-225
124	Radio and Antenna System	2-227
125	Fixed Antenna (D1961 thru D2118 and D2127 thru D2148)	2-229
126	Radio and Antenna System (D2119 thru D2126 and D2149 thru D2484)	2-230
127	Radio and Antenna System (D2485 thru D4865)	2-232
128	Electrical Installation (Sheet 1 of 2 Sheets)	2-234
128	Electrical Installation (Sheet 2 of 2 Sheets)	2-235
129	Cabin Dome Light Assembly (D1 thru D2680)	2-238
130	Dome Light and Radio Speaker (D2681 thru D4865)	2-239
131	Battery Box Assembly (D1 thru D1116)	2-241
132	Battery Box Assembly (D1117 thru D1910)	2-242
133	Battery Box Assembly (D1911 thru D4865)	2-244
134	Loose Tools and Equipment	2-246
135	Service Publication	2-248
136	Exterior Markings	2-250
137	Interior Placards	2-254
	SECTION 3 - NUMERICAL INDEX	3- 1



MODEL 35 THRU G35 PARTS CATALOG

ALPHABETICAL TABLE OF CONTENTS

PART NAME	PAGE	PART NAME	PAGE
A		A	
Absorber		Chain, Control	68
Landing Gear Shock	71, 75, 77	Retainer, Control	69
Access Cover		Armature	104
Flap Actuator	34, 35	Armrest	191
Access Door		Angle	191
Fuel Cell	14	Bracket	191
Actuator	34, 35, 97, 100	Arm	
Access Cover, Flap	34, 35	Aileron Bungee	43, 45
Brace	102	Carburetor Valve	142, 143
Flap	32, 33	Control	64
Handcrank	102	Dual Control	68
Limit Switch, Flap	32	Engine Control	121
Piston	35	Gear Retract Idler	95
Retract	102	Rudder Pedal	52
Rod, Door	93	Ash Tray	194
Shaft	93	Side Panels	189
Support, Flap	22	Slide	212
Adapter	156	Assist Step	226
Radiator	146	Automatic Circuit Breaker Panel	237
Speaker	228	Auxiliary	
Adjusting Lever		Fuel Cell	133
Pedal	52	Fuel Cell, Wing	135
Aileron	46	Fuel Switch	253
Bellcrank	45	Gas Tank	144
Bungee Arm	43, 45	B	
Cable	40, 41	Back	
Cable, Center	43	Cover, Seat	181
Control	67, 69	Cushion, Seat	181
Control Cable	42, 45	Front Seat	180
Control Chain	42, 45	Seat	181
Control Rod	42, 45	Slide, Seat	181
Hinge Bracket	19	Structure, Seat	180, 181
Air Duct		Backing	
Cabin	223	Case, Instrument	198, 201
Air Filter		Baffle	125
Carburetor	141, 142, 143	Carburetor	141
Air Valve		Cowl	127
Carburetor	142, 143	Rear Cowling	121
Main & Alternate	141	Baffles	
Airspeed		Engine	124
Static Pressure Hose	220	Baggage	
Anchor		Compartment Cover	188, 191
Shaft	228	Compartment Floorboard	182
Angle	9	Compartment Panel, Left	188, 194
Armrest	191	Compartment Partition	188
Floorboard	9	Compartment Plate, Right	194
Antenna		Door	10
Cable, Range	231	Balance	
Cone	228	Ring	163
Loop	228	Weight	46
Mast	228	Weight, Counter	166
Mast Insert, Range	233	Barrel	88
Mast, Range	233	Battery	
Trailing	228		
Wire	228		
Arm	108		

MODEL 35 THRU G35 PARTS CATALOG

ALPHABETICAL TABLE OF CONTENTS (Continued)

PART NAME	PAGE	PART NAME	PAGE
B		B	
Battery (Continued)		Handle, Parking	108
Box	241, 243, 245	Master Cylinder	112, 113, 114
Beacon		Tube	110
Clip, Marker	231	Valve, Parking	108
Bearing		Wire, Parking	108
Pinion Shaft.	161	Braze	
Pitch Control	160	Cylinder	113, 114
Belt		Breaker	
Harness, Seat Safety.	181	Compartment Door, Map & Circuit	212
Seat Safety	181	Panel, Automatic Circuit	237
Blade	163, 166	Panel, Circuit	201
Blade & Weight	163	Breather	
Propeller	161	Tube, Crankcase	150
Block		Brush	37, 156, 163, 170
Support	226	Holder	37
Body		Plate	158
Dome Light	238	Spring	104
Filler Valve	73, 75, 77	Bulkhead	
Window	174	Lower Firewall	7
Bolt		Lower Station 179.	11
Lower Drag Leg	95	Lower Station 207	11
Boot.	115	Lower Station 233.5	11
Rudder Pedal	183, 185, 188	Station 151	11
Switch	116	Station 151 Mating	5
Bottom		Station 246.3	11
Cushion, Seat	180	Station 256.9	5, 11
Panel, Cabin	5	Station 272	5, 11
Panel, Tail.	5	Bungee	
Seat	180, 181	Arm, Aileron	43, 45
Box		Cable.	61
Battery	241, 243, 245	Bushing	
Glove Compartment	198, 201	Clutch	155
Map Compartment	212		
Brace		C	
Actuator	102	Cabin	
Cover.	144	Air Duct.	223
Main Gear	71	Bottom Panel	5
Nose Gear	95	Dome Light	194, 238
Nose Wheel.	86	Door	178
Bracket	153, 163, 189, 210, 231	Door Gimp	188, 194
Aileron Hinge	19	Door Handle	191
Armrest.	191	Door Handle Inside Shaft	178
Cowl Fastener	118	Door Outside Handle Support	178
Flap Track	18	Rug	185
Motor Support	166	Cable	228, 229
Pulley.	49	Aileron	40, 41
Pulley Support.	62	Aileron Control	42, 45
Speaker	228	Bungee	42, 61
Suction Relief Valve	218	Center Aileron	43
Three Unit	221	Drum, Tab	59
Brake	82	Elevator Control	54, 55, 56
Clamp, Strut	106	Lower.	40
Control, Parking	110	Phone & Speaker	228
Fluid Reservoir	112	Range Antenna	231
Goodyear.	81		

MODEL 35 THRU G35 PARTS CATALOG

ALPHABETICAL TABLE OF CONTENTS (Continued)

PART NAME	PAGE	PART NAME	PAGE
C			
Cable (Continued)		Engine Instrument	198, 201
Rudder	48	Clutch	
Rudder Control	49, 50	Bushings	155
Tab	62	Coat	
Tab Control.	58, 59	Hanger	191, 196
Up Lock	115	Coil	
Cam		Field	155
Shaft	168	Load	228, 229
Canopy		Column	
Fuselage.	5	Control	66
Canted Nose Station 23.881 Rib.	18	Control, Wheel &	67
Cap	144, 150	Hanger, Control	66
Mechanism Housing	60	Lock, Control	247
Oil Tank	148	Sprocket, Control	66
Carburetor	133	Compartment	
Air Filter	141, 142, 143	Box, Glove	198, 201
Air Valve	142, 143	Box, Map	212
Baffle.	141	Compartment Panel, Left Baggage	188, 194
Heat Control	141	Cover, Baggage	188, 191
Heat Handle.	141	Door, Glove	198, 201
Valve Arm	142, 143	Door, Map & Circuit Breaker.	212
Carpet		Door Roller Catch, Glove	198
Scuff Plate	188	Engine	205
Case		Floorboard, Baggage	182
Instrument Backing	198, 201	Partition, Baggage	188
Catch		Plate, Right Baggage	194
Glove Compartment Door Roller	198	Roller Catch, Glove	201
Glove Compartment Roller.	201	Compass	205
Upper.	179	Complete Wheel.	81, 84
Window Handle.	176	Control Bearing, Pitch	160
Cell		Cone	11
Access Door, Fuel	14	Antenna	228
Auxiliary Fuel.	133	Tail	28
Door, Fuel	133	Constant Speed	
Wing Auxiliary Fuel	135	Hub, Propeller	166
Wing Fuel	133	Propeller	166
Center		Switch	167
Aileron Cable	43	Continental Engine	121
Floorboard	185	Control	
Hinge, Elevator	31	Aileron	67, 69
Instrument Panel	214	Arm	64
Chain	67	Arm Chain	68
Aileron Control	42, 45	Arm, Dual	68
Control Arm	68	Arm, Engine	121
Channel	7	Arm, Retainer.	69
Support	88	Cable, Aileron	42, 45
Cigarette Lighter	237	Cable, Elevator	54, 55, 56
Circuit Breaker		Cable, Rudder	49, 50
Panel	201	Carburetor Heat	141
Panel, Automatic.	237	Chain, Aileron	42, 45
Clamp	131, 172	Column	66
Position Indicator	95	Column Hanger.	66
Strut Brake	106	Column Lock	247
Clip		Column Sprocket	66
Marker Beacon	231	Cowl Flap	129
Cluster		Damper, Fire	223

MODEL 35 THRU G35 PARTS CATALOG

ALPHABETICAL TABLE OF CONTENTS (Continued)

PART NAME	PAGE	PART NAME	PAGE
C		C	
Control (Continued)		Instrument Spare	204, 207, 210
Gear, Pitch.	160	Spare Instrument	201
Handle	129, 223	Cylinder	
Handle, Push Pull	212	Brake Master	112, 113, 114
Knob, Throttle.	172	Braze	113, 114
Lever, Mixture	141	Outlet Hose, Master	112
Parking Brake	110	Valve, Master	113, 114
Quadrant	41	D	
Relay, Propeller	236	Damper	
Rod	64	Fire Control	223
Rod, Aileron	42, 45	Delco Remy	
Shock	45, 47	Starter	121
Strut	86	Differential Mechanism	64
Support	64	Directional Gyro Tube	
Throttle	172	Suction Gage To	218
Valve	223	Disc	
Valve, Heat	223	Floating	82
Wheel.	67	Dome Light	
Wheel & Column	67	Body	238
Wheel, Tab.	59	Cabin	194, 238
Cooler		Cover.	238
Tank, Oil	150	Door	
Counter Balance		Actuator Body	93
Weight	166	Baggage	10
Cover	7, 144, 241	Cabin	178
Baggage Compartment	188, 191	Flap Gap	25
Brace.	144	Fuel Cell	133
Door, Radio	188, 191	Fuel Cell Access	14
Dome Light	238	Gimp, Cabin	188, 194
Flap Actuator Access	34, 35	Glove Compartment	198, 201
Instrument Spare Cutout	204, 207, 210	Handle, Cabin	191
Pitot Tube	220	Handle Inside Shaft, Cabin	178
Pulley	228	Hinge	79
Seat Back	181	Latch, Oil Filler	118
Spare Instrument Cutout	201	Map & Circuit Breaker Compartment	212
Windshield Cowl	194	Nose Wheel.	93
Cowl		Radio Cover	191
Baffle.	127	Roller Catch, Glove Compartment	198
Cover, Windshield	194	Static Line Inspection	194
Fastener Bracket	118	Down	
Flap	129	Strap, Tie	185
Flap Control	129	Support, Tail Tie	247
Nose	6	Drag Leg	
Pan, Nose	6	Bolt, Lower	95
Cowling		Nose Gear	95
Baffle, Rear	121	Drum	
Engine	118	Mechanism	60
Hinge	118	Tab Cable	59
Nose	118	Dual	
Crankcase		Control Arm	58
Breather Tube	150	Duct.	141, 142, 143
Cup	191	Cabin Air	223
Cushion			
Seat Back	181		
Seat Bottom	180		
Cutout Cover			

MODEL 35 THRU G35 PARTS CATALOG

ALPHABETICAL TABLE OF CONTENTS (Continued)

PART NAME	PAGE	PART NAME	PAGE
E		F	
Edge		Track Bracket	18
Skin, Leading	17	Track Roller	25
Skin, Trailing	19	Flare	221
Station 55.5 Rib, Trailing	19	Flexible Steering Link.	88
Electric		Floating Disc.	82
Hub, Propeller Manual	166	Floorboard	
Elevator	28, 31	Angle	9
Bellcrank	56	Baggage Compartment	182
Center Hinge	31	Center	185
Control Cable	54, 55, 56	Rudder	184
Hinge	28	Fluid	
Tab	28	Reservoir, Brake.	112
Emergency		Former	
Hand Pump Handle	139	Lower Station 31.75	17
Engine		Front	
Baffles	124	Seat Back	180
Compartment	5	Truss, Fuselage	5
Control Arm	121	Fuel	
Continental	121	Cell Access Door	14
Cowling	118	Cell, Auxiliary.	133
Instrument	210	Cell Door	133
Priming System	121	Cell, Wing	133
Exhaust		Cell, Wing Auxiliary.	135
Stack	121, 131	Line Tube	135
F		Strainer	135, 139
Fastener		Switch, Auxiliary.	253
Bracket, Cowl.	118	Unit	133, 137, 139
Field	36, 37, 104	Unit Handle Support	139
Coil	155	Valve	139
Filler		Fuselage	
Door Latch, Oil	118	Canopy	5
Valve Body	73, 75, 77	Fitting Static Pressure Tube	220
Fillet	14	Front Truss	5
Filter		Truss.	9, 10
Carburetor, Air	141, 142, 143	G	
Fire		Gage	
Control Damper	223	To Directional Gyro Tube, Suction	218
Firewall		Gap	
Bulkhead, Lower	7	Door, Flap	25
Upholstery	188, 194, 196	Gas Tank	
Fitting	150	Auxiliary	144
Manifold	216	Gear	156, 231
Static Pressure Tube, Fuselage	220	& Clutch	155
Flap.	25	Brace, Main	71
Actuator	32, 33	Brace, Nose	95
Actuator Access Cover	34	Drag Leg, Nose	95
Actuator Limit Switch	32	Landing	77
Control, Cowl	129	Limit Switch, Landing	99
Cowl	129	Motor, Landing	102
Gap Door	25	Nose	84
Limit Switch	33, 35	Pitch Control	160
Motor.	33, 36, 37	Shock Absorber, Landing	71, 75, 77
Switch Lock.	212	Up Lock, Main.	115

MODEL 35 THRU G35 PARTS CATALOG

ALPHABETICAL TABLE OF CONTENTS (Continued)

PART NAME	PAGE	PART NAME	PAGE
G		H	
Gear (Continued)		Heater	223
Up Lock, Stop	115	Hinge	
Visual Indicator, Landing	189	Bracket, Aileron	19
Generator	158	Cowling	118
Gimp	189	Door	79
Cabin Door	188, 194	Elevator	28
Gland		Elevator Center	31
Mounting Ring	82	Lower	178
Glare Pad	196	Holder	
Glove Compartment		Brush	37
Box	198, 201	Hose	
Door	198, 201	Airspeed Static Pressure	220
Door Roller Catch	198, 201	Manifold Pressure	121
Goodyear Brake	81	Master Cylinder Outlet	112
Grill		Pump To Valve	218
Speaker	233	Housing	
Ground		Cap, Mechanism	60
Static	84	Mechanism	60
Gyro		Hub	163
Instrument Panel	209	Propeller	160
Instrument Panel Vacuum Lines	218	Propeller, Constant Speed	166
Tube, Suction Gage To Directional	218	Propeller Manual Electric	166
H		Hydraulic	
Hand Pump		Seal	82
Handle, Emergency	139	I	
Handcrank		Idler Arm	
Actuator	192	Gear Retract	95
Handle	137	Ignition	
Cabin Door	191	Switch	237
Carburetor Heat	141	Indicator	
Catch, Window	176	Clamp, Position	95
Control	129, 223	Landing Gear Visual	189
Emergency Hand Pump	139	Insert	
Inside Shaft, Cabin Door	178	Range Antenna Mast	233
Outer	178	Inside Shaft	
Parking Brake	108	Cabin Door Handle	178
Push Pull Control	212	Inspection Door	
Support, Cabin Door Outside	178	Static Line	194
Support, Fuel Unit	139	Instrument	
Tow	247	Backing Case	198, 201
Window	176	Cluster, Engine	198, 201
Hanger		Cutout Cover, Spare	201
Coat	191, 196	Engine	210
Control Column	66	Panel, Standard	204
Harness	232	Spare Cutout Cover	204, 207, 210
Main Radio	231	K	
Seat Safety Belt	181	Keel	6
Heat		Knee	
Control, Carburetor	141	Strut	86
Control Valve	223		
Handle, Carburetor	141		
Heated Pitot	254		

MODEL 35 THRU G35 PARTS CATALOG

ALPHABETICAL TABLE OF CONTENTS (Continued)

PART NAME	PAGE	PART NAME	PAGE
K		L	
Knee (Continued)		Gyro Instrument Panel Vacuum	218
Torque	73	Link	79
Upper Torque	75, 77	Flexible Steering	88
Knob	137, 231	Gear Retract	95
Throttle Control	172	Safety Switch	116
		Window	176
L		Load	
Lamp		Coil	228, 229
Red Wing Tip	14	Lock	
Landing Gear	77	Cable, Up	115
Limit Switch	99	Control Column	247
Motor	102	Flap Switch	212
Shock Absorber	71, 75, 77	Main Gear Up	115
Visual Indicator	189	Stop Gear Up	115
Landing		Window	176
Light Pane	14, 236	Loop	231
Latch		Antenna	228
Oil Filler Door	118	Lower	
Rod, Storm Window	174	Cable	40
Storm Window	174	Drag Leg Bolt	95
Lead & Clip	104	Firewall Bulkhead	7
Leading Edge	14, 17	Hinge	178
Skin	17	Lift Leg	71
Stabilizer	28, 31	Station 179 Bulkhead	11
Left		Station 207 Bulkhead	11
Baggage Compartment Panel	188, 194	Station 233.5 Bulkhead	11
Subpanel	212	Station 31.75 Former	17
Wing	14	Lug, Tie Down	24
Leg		M	
Bolt, Lower Drag	95	Main	
Lower Lift	71	Gear Brace	71
Nose Gear Drag	95	Gear Up Lock	115
Lever		Instrument Panel	198, 201
Mixture Control	141	Radio Harness	231
Pedal Adjusting	52	Section	14, 21
Lift		Manifold	
Leg, Lower	71	Fitting	216
Light		Pressure Hose	121
Body, Dome	238	Pressure Tube	121
Cabin Dome	194, 238	Manual	
Cover Dome	238	Electric Hub, Propeller	166
Pane, Landing	14, 236	Map	
Lighter		& Circuit Breaker Compartment Door	212
Cigarette	237	Compartment Box	212
Limit Switch		Marker	
Flap	33, 35	Beacon Clip	231
Flap Actuator	32	Mast	229, 231
Landing Gear	99	Antenna	228
Propeller	161	Insert, Range Antenna	233
Up	97	Range Antenna	228
Line		Master Cylinder	
Inspection Door, Static	194	Brake	112, 113, 114
Tube, Fuel	135	Outlet Hose	112
Lines		Valve	113, 114

MODEL 35 THRU G35 PARTS CATALOG

ALPHABETICAL TABLE OF CONTENTS (Continued)

PART NAME	PAGE	PART NAME	PAGE
M		P	
Mat	185	Pad	
Mating		Glare	196
Bulkhead, Station 151	5	Panel	
Mechanism		Automatic Circuit Breaker.	237
Differential	64	Cabin Bottom	5
Drum	60	Center Instrument	214
Housing	60	Circuit Breaker	201
Housing Cap	60	Gyro Instrument	209
Trim Tab	60	Instrument	207
Mixture		Left Baggage Compartment	188, 194
Control Lever	141	Main Instrument	198, 201
Motor	163, 166	Side Upholstery	196
Flap	33, 36, 37	Standard Instrument	204
Landing Gear	102	Tail Bottom.	5
Starter	102	Upper Mounting Support, Instrument	205
Support Bracket	166	Vacuum Lines, Gyro Instrument.	218
Mount		Panels	
Stop	205, 207, 209	Ash Tray, Side	189
Mounting		Pane	
Ring Gland	82	Landing Light	14, 236
Support	207, 209	Pan	
Support, Instrument Panel Upper.	205	Nose Cowl	6
N		Parking Brake	
Nose		Control	110
Cowl	5, 6	Handle	108
Cowl Pan	6	Valve	108
Gear	84	Wire	188
Gear Brace	95	Partition	
Gear Drag Leg.	95	Baggage Compartment	188
Station 23. 881 Rib, Canted.	18	Seat	196
Station 59 Rib	18	Pedal	
Wheel Brace	86	Adjusting Lever	52
Wheel Door	93	Arm, Rudder	52
Wheel Straightner Roller	88	Boot, Rudder	183, 185, 188
Wheel Strut	86	Rod, Rudder	52
O		Rudder	48, 52
Oil		Support, Rudder	52
Cooler Tank	150	Phone & Speaker Cable	228
Filler Door Latch	118	Pilots Side Support	7
Tank	148	Pinion Shaft Bearing	161
Tank Cap	148	Piston	161
Outer Handle	178	Actuator	35
Outlet		Pitch Control	
Hose, Master Cylinder	112	Bearing	160
Tube, Reservoir	112	Gear	160
Outside Handle		Pitot	
Support, Cabin Door	178	Heated	254
		Tube Cover	220
		Plate	
		Brush.	158
		Carpet Scuff	188
		Right Baggage Compartment	194
		Scuff	188

MODEL 35 THRU G35 PARTS CATALOG

ALPHABETICAL TABLE OF CONTENTS (Continued)

PART NAME	PAGE	PART NAME	PAGE
P		R	
Plunger		Outlet Tube	112
Retract Rod	71	Retainer	
Position Indicator		Control Arm	69
Lamp	95	Retaining Rod	
Pressure Hose		Socket	179
Airspeed Static	220	Retract	
Hose, Manifold	121	Actuator	102
Tube	146	Idler Arm, Gear	95
Tube, Fuselage Fitting Static	220	Link, Gear	95
Tube, Manifold	121	Rod	71, 79, 95
Priming System		Rod Spring	71
Engine	121	Rib	
Propeller	160, 163	Canted Nose Station 23.881	18
Constant Speed	166	Nose Station 59	18
Constant Speed Hub	166	Station 191	22
Control Relay	236	Trailing Edge Station 55.5	19
Hub	160	Right Subpanel	166
Limit Switch	161	Ring	166
Manual Electric Hub	166	Balance	163
Spinner	118	Gland, Mounting	82
Pulley	228	Rod	88
Bracket	49	Aileron Control	42, 45
Cover	228	Control	64
Support Bracket	62	Door Actuator	93
Pump		Plunger Retract	71
Handle, Emergency Hand	218	Retract	71, 79, 95
To Valve Hose	218	Rudder Pedal	52
Vacuum	121	Socket Retaining	179
Push Pull Control Handle	212	Storm Window Latch	174
Q		Roller	66
Quadrant Control	41	Catch, Glove Compartment	201
R		Catch, Glove Compartment Door	198
Radiator		Flap Track	25
Adapter	146	Nose Wheel Straightner	88
Radio	231, 232	Rudder	
Cover Door	188, 191	Cable	48
Harness, Main	231	Control Cable	49, 50
Range Antenna		Floorboard	184
Cable	231	Pedal	48, 52
Mast	231, 233	Pedal Arm	52
Mast Insert	233	Pedal Boot	183, 185, 188
Rear		Pedal Rod	52
Cowling Baffle	121	Pedal Support	52
Sun Visor	194	Rug	
Red Wing Tip Lamp	14	Cabin	185
Relay		S	
Propeller Control	236	Safety	
Relief Valve		Belt Harness, Seat	181
Bracket, Suction	218	Belt, Seat	181
Reservoir		Switch Link	116
Brake Fluid	112	Sash	178
		Scuff Plate	188
		Carpet	188
		Scupper	150

MODEL 35 THRU G35 PARTS CATALOG

ALPHABETICAL TABLE OF CONTENTS (Continued)

PART NAME	PAGE	PART NAME	PAGE
S		S	
Seal		Propeller, Constant	166
Hydraulic	82	Switch, Constant	167
Windlace, Storm	196	Spider	160
Seat	181	Spinner	
Back	181	Propeller	118
Back Cover	181	Spring	168
Back Cushion	181	Brush	104
Back, Front	180	Sprocket	
Back Slide	181	Control Column	66
Back Structure.	180, 181	Station 108.281 to 191 Skin, Upper	21
Bottom	180, 181	Station 151 Bulkhead	11
Bottom Cushion	180	Station 151 Mating Bulkhead	5
Partition	196	Station 179 Bulkhead, Lower	11
Safety Belt	181	Station 191 Rib.	22
Safety Belt Harness	181	Station 207 Bulkhead, Lower	11
Upholstered.	181	Station 233.5 Bulkhead, Lower	11
Section		Station 246.3 Bulkhead	11
Main	14, 21	Station 256.9 Bulkhead	5, 11
Shaft	88	Station 272 Bulkhead	5, 11
Actuator	93	Station 31.75 Former, Lower.	17
Anchor	228	Station 55.5 Rib, Trailing Edge	19
Bearing Pinion.	161	Station 59 Rib, Nose	18
Cabin Door Handle Inside	178	Stabilizer	28, 31
Cam	168	Leading Edge	28, 31
Shock		Stack	
Absorber, Landing Gear	71, 75, 77	Exhaust	121, 131
Control	75, 77	Stall Warning Switch	236
Shuttle Valve	112	Standard Instrument Panel	204
Side		Starter	156
Panels Ash Tray	189	Delco Remy	
Support, Pilots	7	Motor	155
Upholstery Panel	196	Static	
Skin	5, 31	Ground	84
Leading Edge	17	Line Inspection Door.	194
Top	7	Pressure Hose, Airspeed	220
Trailing Edge	19	Pressure Tube, Fuselage Fitting	220
Upper Station 108.281 to 191	21	Stationary Sleeve	160
Skirt	127	Steering Link	
Sleeve		Flexible	88
Stationary	160	Step	
Slide		Assist	226
Ash Tray	212	Stiffener	10
Seat Back	181	Stop	
Socket		Gear Up Lock	115
Retaining Rod	179	Mount	205, 207, 209
Spar & Trailing Edge	15	Storm	
Spare		Seal Windlace	196
Cutout Cover, Instrument	207, 210	Window Latch	174
Instrument Cutout Cover	201	Window Latch Rod	174
Speaker.	228, 231, 232, 240	Straightner	
Adapter	228	Roller, Nose Wheel	88
Bracket	228	Strainer	144
Cable, Phone &	228	Fuel	135, 139
Grill	233	Strap	150
Speed		Tie Down	185
Hub, Propeller Constant	166	Structure	

MODEL 35 THRU G35 PARTS CATALOG

ALPHABETICAL TABLE OF CONTENTS (Continued)

PART NAME	PAGE	PART NAME	PAGE
S		T	
Structure (Continued)		Tail	
Seat Back	180, 181	Bottom Panel	5
Strut	84	Cone	28
Brake Clamp	106	Tie Down Support	247
Control	86	Tank	
Knee	86	Auxiliary Gas	144
Nose Wheel	86	Cap, Oil	148
Stud & Lead Terminal	158	Oil	148
Subpanel		Oil Cooler	150
Left	212	Terminal Stud & Lead	158
Right	212	Three Unit Bracket	221
Suction		Throttle Control	172
Gage to Direction Gyro Tube	218	Knob	172
Relief Valve Bracket	218	Tie Down	
Sun Visor	188, 196	Lug	
Rear	194	Strap	185
Support	6, 7, 18, 150, 152, 153	Support, Tail	247
Block	226	Tip	23
Bracket, Motor	166	Lamp, Red Wing	14
Bracket, Pulley	62	Wing	14
Cabin Door Outside Handle	178	Top	
Channel	88	Skin	7
Control	64	Torque	
Flap Actuator	22	Knee	73
Fuel Unit Handle	139	Knee, Upper	75, 77
Instrument Panel Upper Mounting	205	Tow Handle	247
Mounting	207, 209	Track	
Pilots Side	7	Bracket, Flap	18
Rudder Pedal	52	Roller, Flap	25
Tail Tie Down	247	Trailing	
Switch	100, 172	Antenna	228
Auxiliary Fuel	253	Edge Skin	19
Boot	116	Edge Station 55.5 Rib	19
Constant Speed	167	Edge, Spar &	15
Flap Actuator Limit	32	Tray	
Flap Limit	33, 35	Ash	194
Ignition	237	Side Panels Ash	189
Landing Gear Limit	99	Slide, Ash	212
Link Safety	116	Trim Tab	
Lock Flap	212	Mechanism	60
Propeller Limit	161	Trough	151
Stall Warning	236	Truss	
Up Limit	97	Fuselage	9, 10
System		Fuselage Front	5
Engine Priming	121	Tube	
T		Brake	110
Tab	31	Cover, Pitot	220
Bellcrank	60	Crankcase Breather	150
Cable	62	Fuel Line	135
Cable Drum	59	Fuselage Fitting Static Pressure	220
Control Cable	58, 59	Manifold Pressure	121
Control Wheel	59	Pressure	146
Elevator	60	Reservoir Outlet	112
Mechanism, Trim	60	Suction Gage To Direction Gyro	218
U		Unit	

MODEL 35 THRU G35 PARTS CATALOG

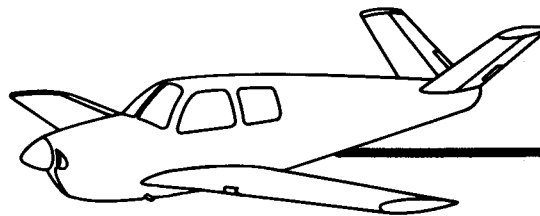
ALPHABETICAL TABLE OF CONTENTS (Continued)

PART NAME	PAGE	PART NAME	PAGE
U		V	
Unit (Continued)		Sun	196
Bracket, Three	221	Visual Indicator, Landing Gear	188
Fuel	133, 137, 139		
Handle Support, Fuel	139	W	
Valve, Fuel.	139		
Up		Walkway	22
Limit Switch	97	Warning Switch	
Lock Cable	115	Stall	236
Lock Stop, Gear	115	Weight	
Lock, Main Gear	115	Balance	46
Upholstery		Counter Balance	166
Firewall	194	Wheel	82
Seat	181	& Column Control.	67
Panel, Side	196	& Tire	89
Upper		Brace, Nose	93
Catch	179	Complete.	67, 81, 84
Mounting Support, Instrument Panel	205	Tab Control	59
Station 108.281 to 191 Skin	21	Windlace, Storm Seal	196
Torque Knee	75, 77	Window	
		Body	174
V		Handle	176
Vacuum		Handle Catch	176
Lines, Gyro Instrument Panel	218	Latch Rod, Storm	174
Pump	121	Latch, Storm	
Valve	150	Link	176
Arm, Carburetor	142, 143	Lock	176
Body, Filler	73, 75, 77	Windshield	174
Bracket, Suction Relief	218	Cowl Cover	194
Carburetor Air	142, 143	Wing	
Control	223	Auxiliary Fuel Cell	135
Fuel Unit	139	Fuel Cell	133
Heat Control	223	Left	14
Main & Alternate Air	141	Wire	
Master Cylinder	113, 114	Antenna	228
Parking Brake	108	Parking Brake	108
Shuttle	112		
Vane	236	Y	
Visor		Yoke88, 236
Rear Sun	194		

Beechcraft

MODEL 35

INTRODUCTION



**S
E
C
T
I
O
N**

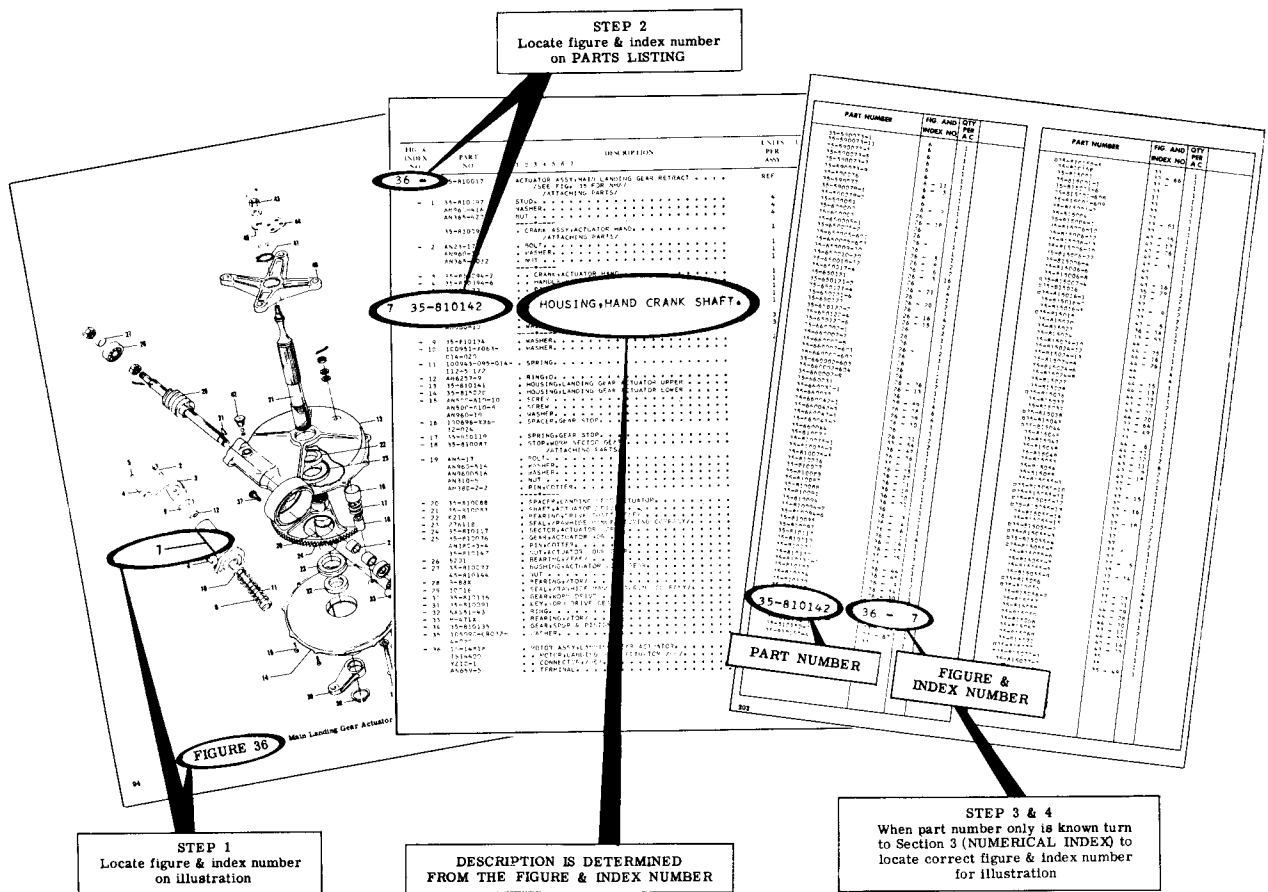
1



INTRODUCTION

This Illustrated Parts Catalog contains listings, illustrations and index of repairable parts for the BEECHCRAFT Models 35 through G35 Bonanza Aircraft.

HOW TO UTILIZE THIS CATALOG



WHEN THE DESCRIPTION IS KNOWN:

Consult either the Table of Contents or the Alphabetical Table of Contents for the applicable page number of the section or description most likely to contain the desired part.

Refer to the page in Section 2 - Group Assembly Parts List and locate the part in the illustration (Step 1). The corresponding figure & index number will list the part number, description, & etc. of the desired part (Step 2).

WHEN THE PART NUMBER IS KNOWN:

Refer to Section 3 - Numerical Index and locate the desired part number which will be in Alpha-Numerical sequence and note the figure and index number (Steps 3 & 4).

Upon consulting the figure & index number of Section 2 - Group Assembly Part List, the illustration, descriptions & etc. will be noted for the desired part (Steps 1 & 2).

DETAILED EXPLANATION.

The different sections of this catalog are explained in detail in subsequent paragraphs.

TABLE OF CONTENTS.

This table contains a listing of all sections, subsections, illustrations with corresponding figure numbers and the applicable page numbers of each in the order they are presented in this catalog.

ALPHABETICAL TABLE OF CONTENTS.

This table contains a listing of assembly & item descriptions arranged in alphabetical order and referenced by page number to their location in Section 2 - Group Assembly Parts List. All items under each group heading are applicable to the heading.

SECTION 2 GROUP ASSEMBLY PARTS LIST.

The Group Assembly Parts List consists of the complete aircraft broken down into assemblies, subassemblies, and detail parts.

FIGURE AND INDEX NUMBER COLUMN.

The excerpt shown below contains the information necessary to show the relationship between the index number and the illustrated part:

17 - 6	35-410160-38	SUPPORT ASSIST STEP	Quantity per Assembly
Index No.	Part Number	Description	
Figure No.			

In this example the part is listed and illustrated in Figure 17 as Index 6.

PART NUMBER COLUMN.

Spare Assembly numbers listed as -600 or SA numbers are to facilitate the installation of particular assemblies by the addition or deletion of parts as the situation requires. These spare assemblies are to be procured whenever they apply; rather than the Engineering Assembly number.

The items not listed in the catalog are parts which lose their identity by being joined to other component parts of the airplane or parts which would be impracticable to stock other than as a complete assembly.

DESCRIPTION COLUMN AND ASSEMBLY ORDER.

The excerpt shown below portrays the indenture system utilized to indicate assembly sequence. By this method

an installation or assembly, listed in column one, will be broken down with component details listed in column two. If a detail is in turn an assembly its component details will appear in column three.

In order to increase the usefulness and coverage of this catalog, part numbers having no particular sequence have been added to the listings in the first column and are keyed to the illustrations. These numbers will not be in accordance with the example below.

FIG. & INDEX NO.	PART NO.	DESCRIPTION	UNITS PER ASSY	USABLE ON CODE
11	35-410070	DOOR INSTL BAGGAGE /SEE FIG. 7/	REF	
- 1	35-410070-604	DOOR ASSY BAGGAGE /SPARE ASSY/SEE ADDENDUM/	1	
- 1	35-410070-2	DOOR ASSY BAGGAGE /ATTACHING PARTS/	NP	
- 2	35-410070-14	PIN BAGGAGE DOOR HINGE	1	
- 3	35-410432	CATCH ASSY BAGGAGE DOOR	1	

SYMBOLS AND ABBREVIATIONS.

The following is a list of Standard Abbreviations which are used throughout this publication.

AR	As Required
ASSY	Assembly
FIG.	Figure
FWD	Forward
INBD	Inboard
INSTL	Installation
LH	Left Hand
NHA	Next Higher Assembly
NP	Non Procurable
OUTBD	Outboard
STA	Station
REF	Reference
RH	Right Hand

SIMILAR PARTS & ASSEMBLIES:

33	045-815203-2	ABSORBER ASSY MAIN GEAR UPPER SHOCK LH	Left hand
	045-815203-3	ABSORBER ASSY MAIN GEAR UPPER SHOCK RH	Right hand
	045-815213-4	BARREL ASSY MAIN GEAR ABSORBER	Component part common to both

If two or more assemblies are made up of a large majority of identical parts or the assemblies are left and right hand, the assemblies are listed together with their detail parts listed as common for both assemblies. When a part is used ONLY on one side of an installation or airplane, and a highly similar part (often with the same description) appears in the identical place on the other side of the installation or airplane, the designation LH (left hand) or RH (right hand) will appear in the parts list. A dash number suffix to the part number is employed to make this distinction. The preceding excerpt shows this occurrence. In the majority of instances involving similar parts or assemblies, odd series dash numbers indicate LH (left hand) parts and even series dash numbers indicate RH (right hand) parts.

Courtesy of Bomar Flying Service
www.bomar.biz

MODEL 35 THRU G35 PARTS CATALOG

UNITS PER ASSEMBLY COLUMN.

This column indicates the number of detail parts required per assembly. When NP (NON-PROCURABLE) appears in this column the listing is for reference only and not for procurement. When the same assembly, detail or attaching part is used on one or more systems within the airplane and is subsequently listed and/or illustrated on one or more pages, an accumulative total is shown in Section 3, Numerical Index, to indicate the total number of times an identical part or assembly is used per airplane.

USABLE ON CODE.

Since this Catalog provides coverage for several Models of the Bonanza Aircraft, this column will contain a code letter to indicate the model usability of each part. Parts which are usable on all models without restriction are assigned no letter code. A table of Model Usable on Codes showing the employment of this code procedure is on page 1-5.

In some cases airplanes will have a different and/or additional parts than those required by other airplanes of the same model. When this occurs, it will be indicated in the Usable on Code column by the applicable model code letter followed by a number. This code is in turn keyed to the Master Usable on Code list shown on page 1-5.

SECTION 3 - NUMERICAL INDEX.

This section of the catalog is a complete numerical Index, presented in tabular form, to specifically list each detail part and/or assembly in numerical sequence for ready reference to Section 2, Group Assembly Parts List. Part number arrangement begins in the extreme left hand position and continues from left to right, one position at a time. The order of precedence in part number numerical arrangement is as follows:

Space (blank column)
Diagonal (/)
Dash (-)
Letters A thru Z
Numerals 0 thru 9

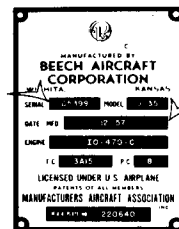
As an added convenience two blank columns are provided on each page of the Numerical Index. These columns may be used to write-in applicable changes, dates, quantities on hand, or any information considered to be useful to the user of this catalog.

IMPORTANT! WHEN ORDERING PARTS.

When ordering parts, always use the COMPLETE manufacturer's parts number listed in the Part Number column. When ordering vendor's parts, always include the vendor's name which is coded numerically and shown in parenthesis after the part title.

Delays in filling spare parts orders often occur as a

result of incomplete information being furnished with the original order; i. e., model designation, serial number and date of manufacture not stated on the order. The original order should always contain the information indicated by check marks on the placard shown, as well as the correct part number and description, or any pertinent information which might further define the parts required.



Located on bottom exterior section of the fuselage even with the leading edge of the stabilizer.

Address all orders to: Service Parts Sales Department
Beech Aircraft Corporation
Wichita 1, Kansas

This parts catalog has but one function: to facilitate ordering replacement parts for the BEECHCRAFT Model 35 thru G35 Bonanza.

The illustrations in the catalog are keyed directly to the parts lists with which they are associated to aid the user in locating the part he required. In rendering these drawings, many details which were not essential for parts list identification purposes were omitted, for the sake of clarity. Likewise, in some instances detail sections of complex illustrations have been rotated in plane or their relative sizes changed, to show them more favorable on the printed page. No attempt has been made to show exactly the routing of control cables, plumbing, or wire harnesses, since such details would be difficult and costly to render on a single printed page and would serve no useful purpose in a parts catalog.

For the reasons given in the preceding paragraph, catalog illustrations are unsuitable, and were not intended, for use as guides to reassembly, routing or connections on plumbing, cables or wiring. Since many small details, such as attaching parts, have been omitted from the illustrations, the parts lists, rather than the illustrations, should be used to determine items, and quantities of each, required for a complete assembly.

The illustrations in the catalog should be used as aids in the identification of assemblies carried in their respective lists, and for no other purpose.

This catalog is not usable as a maintenance reference.

MODEL 35 THRU G35 PARTS CATALOG

USABLE ON CODE LISTINGS

MODEL USABLE ON CODE

PART NO.	DESCRIPTION	UNITS PER ASSY							USABLE ON CODE		
		1	2	3	4	5	6	7			
35-660040-2	TAB ASSY, ELEVATOR								1	A1	35
35-534041-276	COVER ASSY COMP.								1	A2	A35
35-534050-8	WHEEL, FLIGHT CONTROL								1	A	35 & A35
35-534161	BACK ASSY, FRONT SEAT								1	B	B35
35-324275	PLACARD, INSTRUMENT								1	C	C35
35-324329	INDICATOR, AIRSPEED								1	D	D35
35-000051	CHART, ENGINE HORSEPOWER								1	E	E35
35-324338-3	GYRO, HORIZON								1	F	F35
35-534014	PAD ASSY, GLARE								1	G	G35
35-820082	BUSHING, STRUT KNEE								1		ALL MODELS

CODE MODEL SERIAL EFFECTIVITY

A1	35	D1 thru D1500
A2	A35	D1501 thru D2200
A	35 & A35	D1 thru D2200
B	B35	D2201 thru D2680
C	C35	D2681 thru D3400 except D3293
D	D35	D3401 thru D3698 & D3293
E	E35	D3699 thru D3998
F	F35	D3999 thru D4391 except D4376
G	G35	D4392 thru D4865 & D4376

MASTER USABLE ON CODE

CODE	SERIAL EFFECTIVITY	CODE	SERIAL EFFECTIVITY (Continued)
A	D1 thru D2200	A31	D2149 thru D2200
A1	D1 thru D1500	A32	D2119 thru D2126 & D2141 thru D2200
A2	D1501 thru D2200	A33	D1117 thru D2140
A3	D1 thru D1115	A34	D2141 thru D2200
A4	D1116 thru D2200	A35	D1 thru D582
A5	D1 thru D519, D604, D606 & D610 thru D837	A36	D583 thru D2200
A6	D520 thru D609 except D604 & D606	A37	D1 thru D200
A7	D1 thru D837	A38	D201 thru D1501
A8	D838 thru D2200	A39	D201 thru D326
A9	D1 thru D14	A40	D327 thru D1500
A10	D15 thru D2200	A41	D1 thru D1185
A11	D1501 thru D2118 & D2127 thru D2148	A42	D1 thru D2165
A12	D1116 thru D1949	A43	D1 thru D159
A13	D1950 thru D2200	A44	D160 thru D1116
A14	D1 thru D150	A45	D1 thru D550
A15	D151 thru D1115	A46	D551 thru D2200
A16	D1 thru D1884	A47	D1373 thru D2200
A17	D1885 thru D2200	A48	D2119 thru D2126 & D2149 thru D2200
A18	D101 thru D2200	A49	D200 thru D1015
A19	D1 thru D100	A50	D1016 thru D2200
A20	D1 thru D1454	A51	D1 thru D1081
A21	D1455 thru D2200	A52	D1082 thru D1500
A22	D1905 thru D2200	A53	D1961 thru D2119 & D2126 thru D2148
A23	D1117 thru D2200	A54	D1117 thru D1910
A24	D1117 thru D1885	A55	D1911 thru D2200
A25	D1117 thru D1500	A56	D1821 thru D2200
A26	D2148 thru D2200	A57	D1 thru D1280
A27	D1117 thru D2147	A58	D1 thru D1960
A28	D1117 thru D1669	A59	D1280 thru D2148
A29	D1670 thru D1820	A60	D1 thru D510
A30	D101 thru D1116	A61	D1817, D1875 thru D2118 & D2127 thru D2148

MODEL 35 THRU G35 PARTS CATALOG

USABLE ON CODE LISTINGS

CODE	SERIAL EFFECTIVITY (Continued)	CODE	SERIAL EFFECTIVITY (Continued)
A62	D1225 thru D2200	D4	D3615 thru D3698 & D3293
A63	D1821 thru D2140	D5	D3401 thru D3617 & D3293
A64	D1 thru D150	D6	D3651 thru D3698 & D3293
A65	D151 thru D2200	D7	D3401 thru D3650
A66	D1 thru D483	D8	D3401 thru D3675
A67	D484 thru D2200	D9	D3676 thru D3698
B	D2201 thru 2680	D10	D3401 thru D3774
B1	D2606 thru 2631	D11	D3500 thru D3698
B2	D2201 thru D2506	D12	D3401 thru D3620
B3	D2340 thru D2680	E	D3699 thru D3998
B4	D2230 thru D2680	E1	D3699 thru D3963
B5	D2201 thru D2390	E2	D3964 thru D3998
B6	D2391 thru D2680	E3	D3699 thru D3701
B7	D2601 thru D2680	E4	D3702 thru D3998
B8	D2201 thru D2484	E5	D3699 thru D3725
B9	D2485 thru D2680	E6	D3726 thru D3998
B10	D2426 thru D2680	E7	D3744 thru D3998
B11	D2201 thru D2240	E8	D3856 thru D3998
B12	D2241 thru D2680	E9	D3941 thru D3998
C	D2681 thru D3400 except D3293	E10	D3776 thru D3998
C1	D2681 thru D2900	E11	D3699 thru D3764
C2	D2901 thru D3400 except D3293	E12	D3765 thru D3998
C3	D2681 thru D2901	F	D3999 thru D4391 except D4376
C4	D3351 thru D3400	F1	D3999 thru D4101 except D4376
C5	D2681 thru D3000	F2	D3999 thru D4000 except D4376
C6	D3001 thru D3400	F3	D4001 thru D4391 except D4376
C7	D3101 thru D3400	F4	D3999 thru D4050 except D4376
C8	D2917 thru D3400	F5	D4051 thru D4391 except D4376
C9	D2801 thru D3400	F6	D4099 thru D4391 except D4376
C10	D2681 thru D3014	F7	D4101 thru D4391 except D4376
C11	D3015 thru D3400	F8	D3999 thru D4378
C12	D3226 thru D3400	F9	D4379 thru D4391
C13	D2681 thru D3225	F10	D4051 thru D4375
C14	D2681 thru D3350	F11	D4376 thru D4391
C15	D3351 thru D3400	F12	D3999 thru D4251
C16	D2681 thru D3117	F13	D4252 thru D4391
C17	D3118 thru D3400	F14	D4051 thru D4244
C18	D3251 thru D3400	F15	D4338 thru D4391
C19	D2727 & D3068 thru D3400	F16	D4245 thru D4337
C20	D2681 thru D3164	F17	D4348 thru D4376
C21	D3165 thru D3400	F18	D4245 thru D4391
C22	D2681 thru D3189	F19	D4051 thru D4100
C23	D3190 thru D3400	F20	D4101 thru D4391
C24	D2681 thru D2700	F21	D4338 thru D4347
C25	D2701 thru D3400	F22	D3999 thru D4098
C26	D2681 thru D2900, D2975 & D2976	G	D4392 thru D4865 & D4376
C27	D2681 thru D3232	G1	D4392 thru D4500
C28	D2681 thru D2916	G2	D4501 thru D4865
D	D3401 thru D3698 & D3293	G3	D4392 thru D4847
D1	D3401 thru D3542 & D3293	G4	D4392 thru D4525
D2	D3543 thru D3698 & D3293	G5	D4526 thru D4865
D3	D3401 thru D3614 & D3293	G6	D4392 thru D4436
		G7	D4437 thru D4865

MODEL 35 THRU G35 PARTS CATALOG

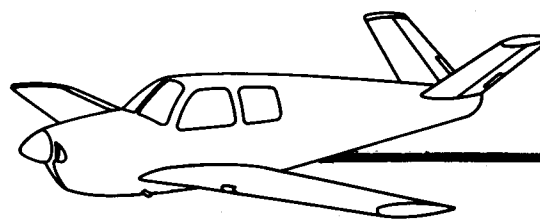
USABLE ON CODE LISTINGS

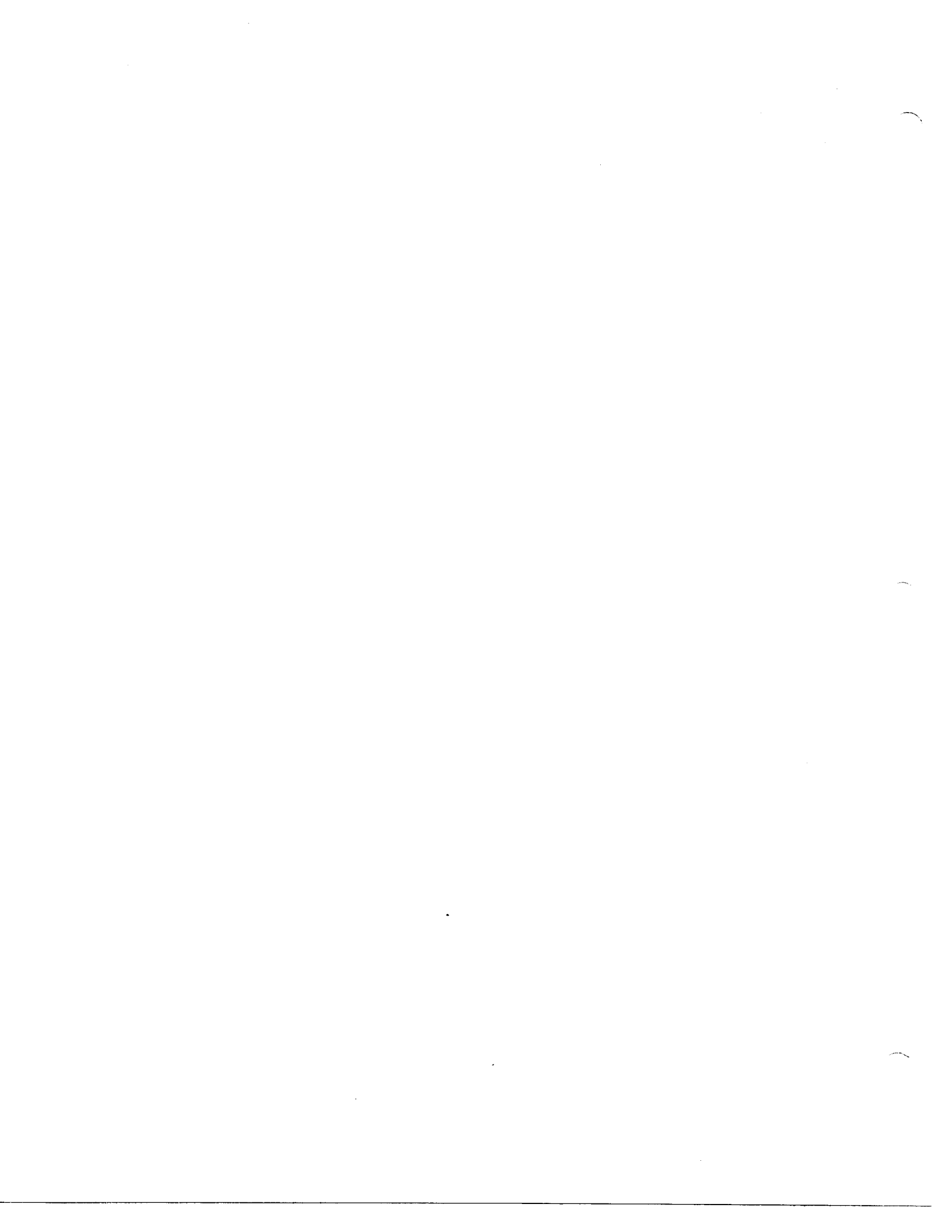
CODE	SERIAL EFFECTIVITY (Continued)	CODE	SERIAL EFFECTIVITY (Continued)
A62	D1225 thru D2200	D4	D3615 thru D3698 & D3293
A63	D1821 thru D2140	D5	D3401 thru D3617 & D3293
		D6	D3651 thru D3698 & D3293
		D7	D3401 thru D3650
B	D2201 thru D2680	D8	D3401 thru D3675
B1	D2606 thru D2631	D9	D3676 thru D3698
B2	D2201 thru D2506	D10	D3401 thru D3774
B3	D2340 thru D2680	D11	D3500 thru D3698
B4	D2230 thru D2680	D12	D3401 thru D3620
B5	D2201 thru D2390		
B6	D2391 thru D2680	E	D3699 thru D3998
B7	D2601 thru D2680	E1	D3699 thru D3963
B8	D2201 thru D2484	E2	D3964 thru D3998
B9	D2485 thru D2680	E3	D3699 thru D3701
B10	D2426 thru D2680	E4	D3702 thru D3998
B11	D2201 thru D2240	E5	D3699 thru D3725
B12	D2241 thru D2680	E6	D3726 thru D3998
		E7	D3744 thru D3998
		E8	D3856 thru D3998
C	D2681 thru D3400 except D3293	E9	D3941 thru D3998
C1	D2681 thru D2900	E10	D3776 thru D3998
C2	D2901 thru D3400 except D3293		
C3	D2681 thru D2901	F	D3999 thru D4391 except D4376
C4	D3351 thru D3400	F1	D3999 thru D4101 except D4376
C5	D2681 thru D3000	F2	D3999 thru D4000 except D4376
C6	D3001 thru D3400	F3	D4001 thru D4391 except D4376
C7	D3101 thru D3400	F4	D3999 thru D4050 except D4376
C8	D2917 thru D3400	F5	D4051 thru D4391 except D4376
C9	D2801 thru D3400	F6	D4099 thru D4391 except D4376
C10	D2681 thru D3014	F7	D4101 thru D4391 except D4376
C11	D3015 thru D3400	F8	D3999 thru D4378
C12	D3226 thru D3400	F9	D4379 thru D4391
C13	D2681 thru D3225	F10	D4051 thru D4375
C14	D2681 thru D3350	F11	D4376 thru D4391
C15	D3351 thru D3400	F12	D3999 thru D4251
C16	D2681 thru D3117	F13	D4252 thru D4391
C17	D3118 thru D3400	F14	D4051 thru D4244
C18	D3251 thru D3400	F15	D4338 thru D4391
C19	D2727 & D3068 thru D3400	F16	D4245 thru D4337
C20	D2681 thru D3164	F17	D4348 thru D4376
C21	D3165 thru D3400	F18	D4245 thru D4391
C22	D2681 thru D3189	F19	D4051 thru D4100
C23	D3190 thru D3400	F20	D4101 thru D4391
C24	D2681 thru D2700	F21	D4338 thru D4347
C25	D2701 thru D3400		
C26	D2681 thru D2900, D2975 & D2976		
C27	D2681 thru D3232		
D	D3401 thru D3698 & D3293	G	D4392 thru D4865 & D4376
D1	D3401 thru D3542 & D3293	G1	D4392 thru D4500
D2	D3543 thru D3698 & D3293	G2	D4501 thru D4865
D3	D3401 thru D3614 & D3293	G3	D4392 thru D4847

Beechcraft

MODEL 35

GROUP ASSEMBLY PARTS LIST





MODEL 35 THRU G35 PARTS CATALOG

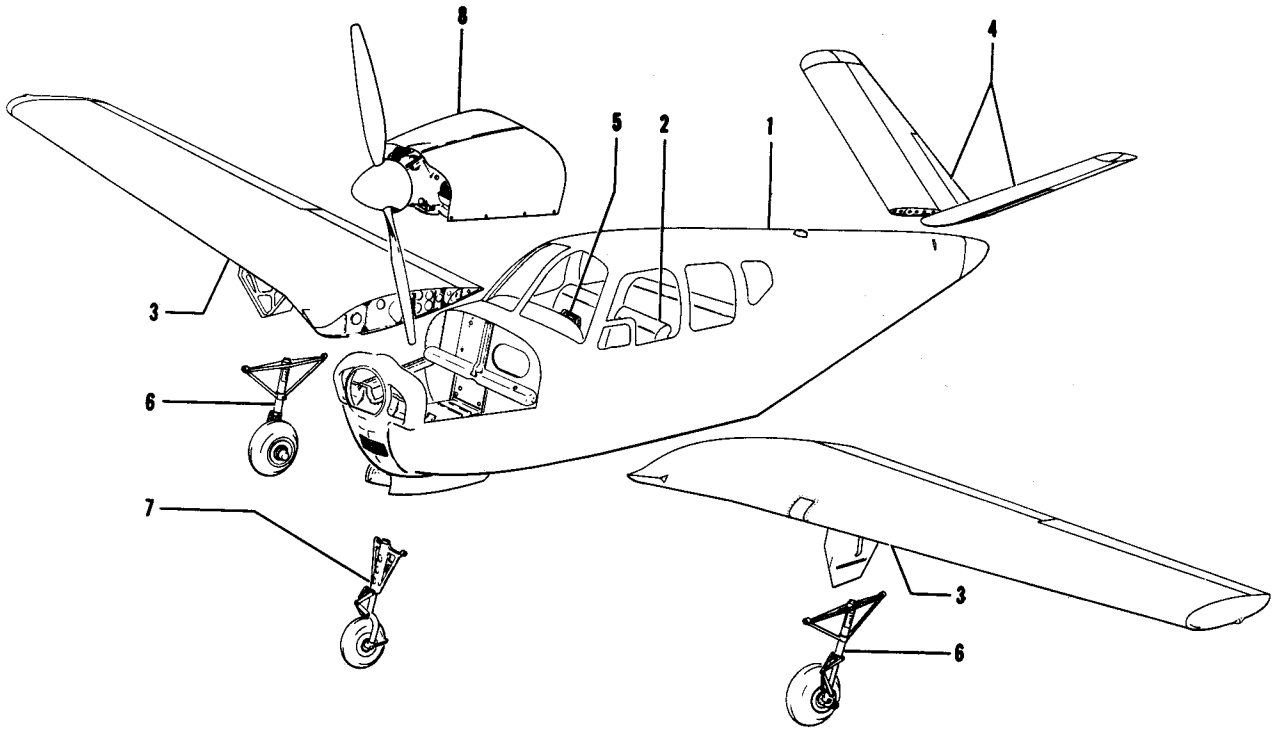


Figure 1. General Arrangement of Complete Aircraft

Index No.		Figure No.	Page No.
1.	Fuselage Structure	4	2-4
2.	Cabin Furnishing	105	2-186
3.	Wing	8	2-13
4.	Empennage Group.	12	2-27
5.	Flight Controls	14	2-32
6.	Main Landing Gear	43	2-72
7.	Nose Landing Gear	49	2-83
8.	Power Plant	72	2-120

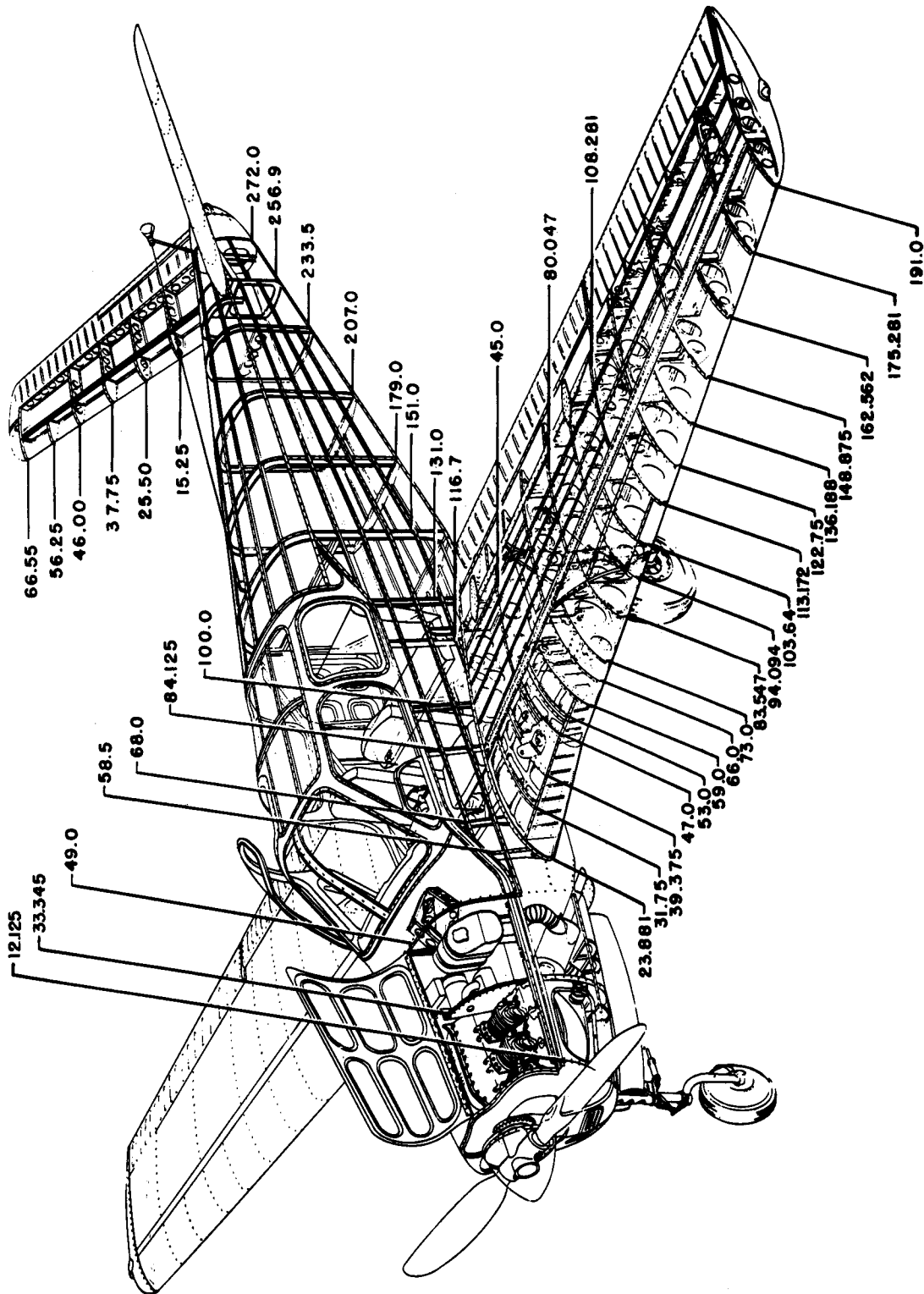


Figure 2. Station Diagram

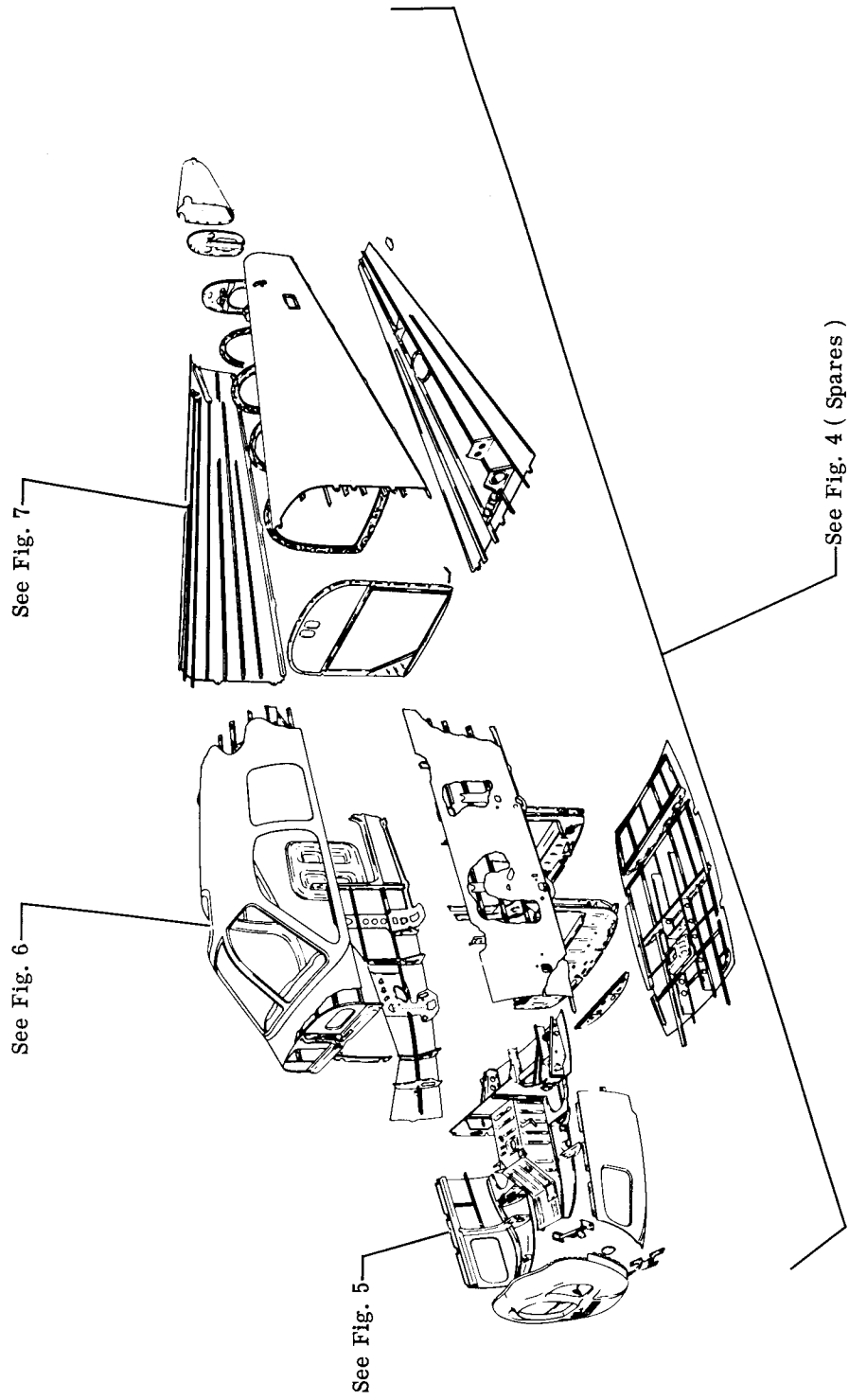


Figure 3. Fuselage Figure Breakdown

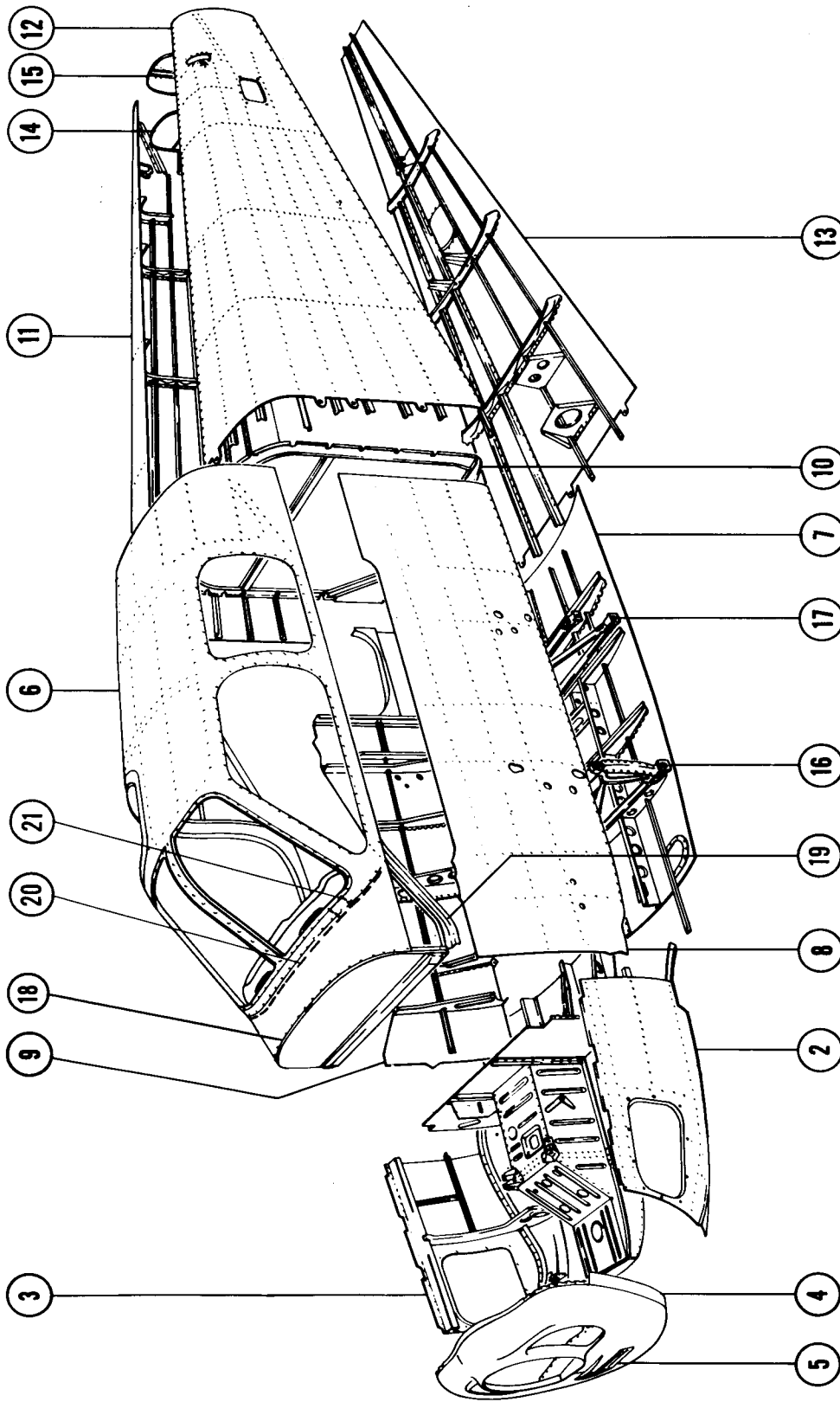


Figure 4. Fuselage Structure Assembly (Spares)

MODEL 35 THRU G35 PARTS CATALOG

FIG. & INDEX NO.	PART NO.	DESCRIPTION							UNITS PER ASSY	USABLE ON CODE
		1	2	3	4	5	6	7		
4 - 1		DELETED								
	35-410000-716	COMPARTMENT ASSY,ENGINE							1	
- 2	35-410000-616	. PANEL,ENGINE COMPARTMENT LH							1	
- 3	35-410000-617	. PANEL,ENGINE COMPARTMENT RH							1	
	35-410020-4	DOOR,ENGINE ACCESS LH							1	
	35-410020-5	DOOR,ENGINE ACCESS RH							1	
	98-2-MSP	. SPRING,FASTENER							10	
	98-2-CP	. PIN							10	
	98-2-9	. STUD.							10	
	48143	. PLUG,1 INCH							1	
	51026	. PLUG,3/4 INCH							1	
- 4	35-410001-610	COWL ASSY,NOSE.							1	A1
	35-410000 SA222	COWL ASSY,NOSE.							1	A2BCDEFG
- 5	35-410446-79	. GRILL,NOSE COWL							1	
- 6	35-410000-636	CANOPY ASSY,FUSELAGE.							1	A1
	35-410000-636	CANOPY ASSY,FUSELAGE.							1	A2BCDE
	35-410000-120	CANOPY ASSY,FUSELAGE.							1	FG
- 7	35-410001-634	PANEL ASSY,CABIN BOTTOM							1	A1
	35-410000-634	PANEL ASSY,CABIN BOTTOM							1	A2BCDE
- 8	35-410001-632	PANEL ASSY,CABIN LH							1	A1
	35-410000-632	PANEL ASSY,CABIN LH							1	A2BCDE
- 9	35-410001-633	PANEL ASSY,CABIN RH							1	A1
	35-410000-633	PANEL,CABIN RH.							1	A2BCDE
- 10	35-410160-614	BULKHEAD ASSY,STA 151 MATING.							1	
- 11	35-410001-663	PANEL ASSY,REAR RH.							1	A1
	35-410000-663	PANEL ASSY,REAR RH.							1	A2BCDE
- 12	35-410001-662	PANEL ASSY,REAR LH.							1	A1
	35-410000-662	PANEL ASSY,REAR RH.							1	A2BCDE
- 13	35-410001-664	PANEL ASSY,TAIL BOTTOM.							1	A1
	35-410000 SA64	PANEL ASSY,TAIL BOTTOM.							1	A2BCDE
- 14	35-410120-602	BULKHEAD ASSY,STA 256.9							1	
- 15	35-410110-602	BULKHEAD ASSY,STA 272							1	
- 16	35-410030	TRUSS ASSY,FUSELAGE FRONT							1	A1
	35-410217-602	STRUCTURE,FRONT SPAR CARRY THRU							1	A2BCDE
- 17	35-410040	TRUSS ASSY,FUSELAGE REAR.							1	A1
	35-410158-602	STRUCTURE,REAR SPAR CARRY THRU.							1	A2BCDE
	35-400213	FITTING,TAIL TIE DOWN							1	
- 18	35-410006-10	SKIN ASSY							1	AB
	35-410006-14	SKIN ASSY							1	
- 19	35-410038-68	LONGERON,LH							1	
	35-410000-6	LONGERON,RH							1	
- 20	35-410038-62	HAT SECTION							1	
- 21	35-410038-64	SPLICE,LH							1	
	35-410038-65	SPLICE,RH							1	

MODEL 35 THRU G35 PARTS CATALOG

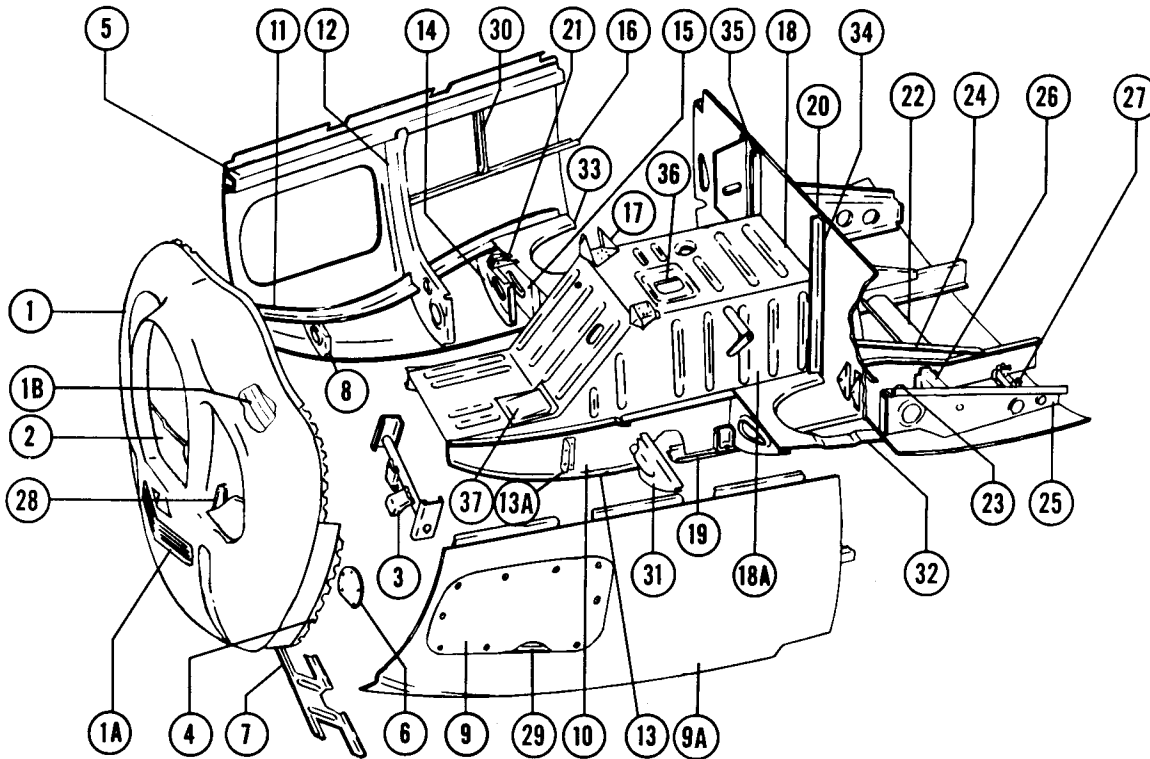


Figure 5. Fuselage Nose Section

FIG. & INDEX NO.	PART NO.	DESCRIPTION							UNITS PER ASSY	USABLE ON CODE
		1	2	3	4	5	6	7		
5 - 1	35-410446-45	NOSE ASSY, COWL /SHELL ONLY/	1	
- 1A	35-410446-79	GRILL	1	
- 1B	35-910226-2	CHANNEL, NOSE COWL	1	
- 2	35-415348	PAN ASSY, NOSE COWL	1	A3A33
	35-410384	PAN ASSY, NOSE COWL	1	A34BCDEFG
- 3	35-825008	SUPPORT ASSY	1	
- 4	35-415346	BULKHEAD ASSY	1	A3A33
	35-410385	BULKHEAD ASSY	1	A34B
	45-410385	BULKHEAD ASSY	1	CDEFG
- 5	35-410000-44	LONGERON, LH	1	
	35-410000-45	LONGERON, RH	1	
- 6	35-410390	COVER	1	A34BCDEF
- 7	35-415349	PLATE	1	
- 8	35-415352	BULKHEAD ASSY, LH	1	
	35-415352-1	BULKHEAD ASSY, RH	1	
- 9	35-410020-4	DOOR ASSY, LH	1	
	35-410020-5	DOOR ASSY, RH	1	
- 9A	35-410452-142	SKIN, LH /CUT ACCESS DOOR AT INSTL/	1	
	35-410452-143	SKIN, RH /CUT ACCESS DOOR AT INSTL/	1	
- 10	35-415343-602	KEEL ASSY, LH	1	
	35-415343-603	KEEL ASSY, RH	1	
- 11	35-410001-26	ANGLE, LH	1	
	35-410001-27	ANGLE, RH	1	
- 12	35-415340	BULKHEAD, LH	1	
	35-415340-1	BULKHEAD, RH	1	
- 13	35-415343-6	ANGLE, LH	1	A2BCDEFG
	35-415343-7	ANGLE, RH	1	A2BCDEFG
- 13A	35-415343-14	ANGLE, LH	2	
	35-415343-15	ANGLE, RH	2	

MODEL 35 THRU G35 PARTS CATALOG

FIG. & INDEX NO.	PART NO.	DESCRIPTION	UNITS PER ASSY	USABLE ON CODE
		1 2 3 4 5 6 7		
5 - 14	35-415341	BULKHEAD,LH	1	
	35-415341-1	BULKHEAD,RH	1	
- 15	35-415342	BULKHEAD,LH	1	
	35-415342-1	BULKHEAD,RH	1	
- 16	35-410001-24	STRINGER,LH	1	A1
	35-410001-25	STRINGER,RH	1	A1
	35-410000-24	STRINGER,LH	1	A2BCDEFG
	35-410000-25	STRINGER,RH	1	A2BCDEFG
- 17	35-415377	MOUNT,REAR ENGINE	2	
	35-415364	MOUNT,FWD ENGINE LH	1	
	35-415364-1	MOUNT,FWD ENGINE RH	1	
	35-415350 SA2	COVER ASSY.	1	A3
	35-415350-602	COVER ASSY.	1	A23BCDEFG
	35-415350-6	. ANGLE,LH.	1	
	35-415350-7	. ANGLE,RH.	1	
	35-415350-8	. FORMER,LH.	1	
	35-415350-9	. FORMER,RH.	1	
- 18	35-415350 SA102	. SKIN ASSY, TOP	1	
	35-415350-2	. SKIN, TOP.	1	
- 18A	35-415350-4	. SKIN,LH	1	
	35-415350-28	. SKIN,RH	1	
- 19	35-415343-24	STIFFENER,LH.	1	
	35-415343-27	STIFFENER,RH.	1	
- 20	35-415330 SA2	BULKHEAD ASSY, LOWER FIREWALL.	1	
- 21	35-410123	BRACKET	1	ABCDE5
	35-410123-1	BRACKET	1	ABCDE5
- 22	35-410107	SUPPORT	1	
	35-410067	GUARD	2	
	35-410106	BRACKET	2	
- 23	35-400359-10	SUPPORT ASSY, PILOTS SIDE.	1	
	35-400359-12	SUPPORT ASSY, COPILOTS SIDE.	1	
- 24	35-410035	ANGLE,LH.	1	
	35-410035-1	ANGLE,RH.	1	
- 25	35-400364	CHANNEL ASSY,LH	1	
	35-400364-1	CHANNEL ASSY,RH	1	
- 26	35-400366	CHANNEL ASSY,LH	1	
	35-400366-1	CHANNEL ASSY,RH	1	
- 27	35-410164	STOP INSTL,RUDDER PEDAL	1	
- 28	35-910275	SUPPORT ASSY.	1	
- 29	35-410020 SA2	DOUBLER,LH.	1	
	35-410020 SA3	DOUBLER,RH.	1	
- 30	35-410001-122	STIFFENER,LH.	1	
	35-410001-123	STIFFENER,RH.	1	
- 31	35-415320	BULKHEAD.	1	
- 32	35-400314	REINFORCEMENT,LH.	1	
- 33	35-400314-1	REINFORCEMENT,RH.	1	
- 34	35-415330-36	ANGLE	1	
- 35	35-415330-37	ANGLE	1	
- 36	35-415350-14	PLATE	1	
- 37	35-415350-36	PLATE	1	

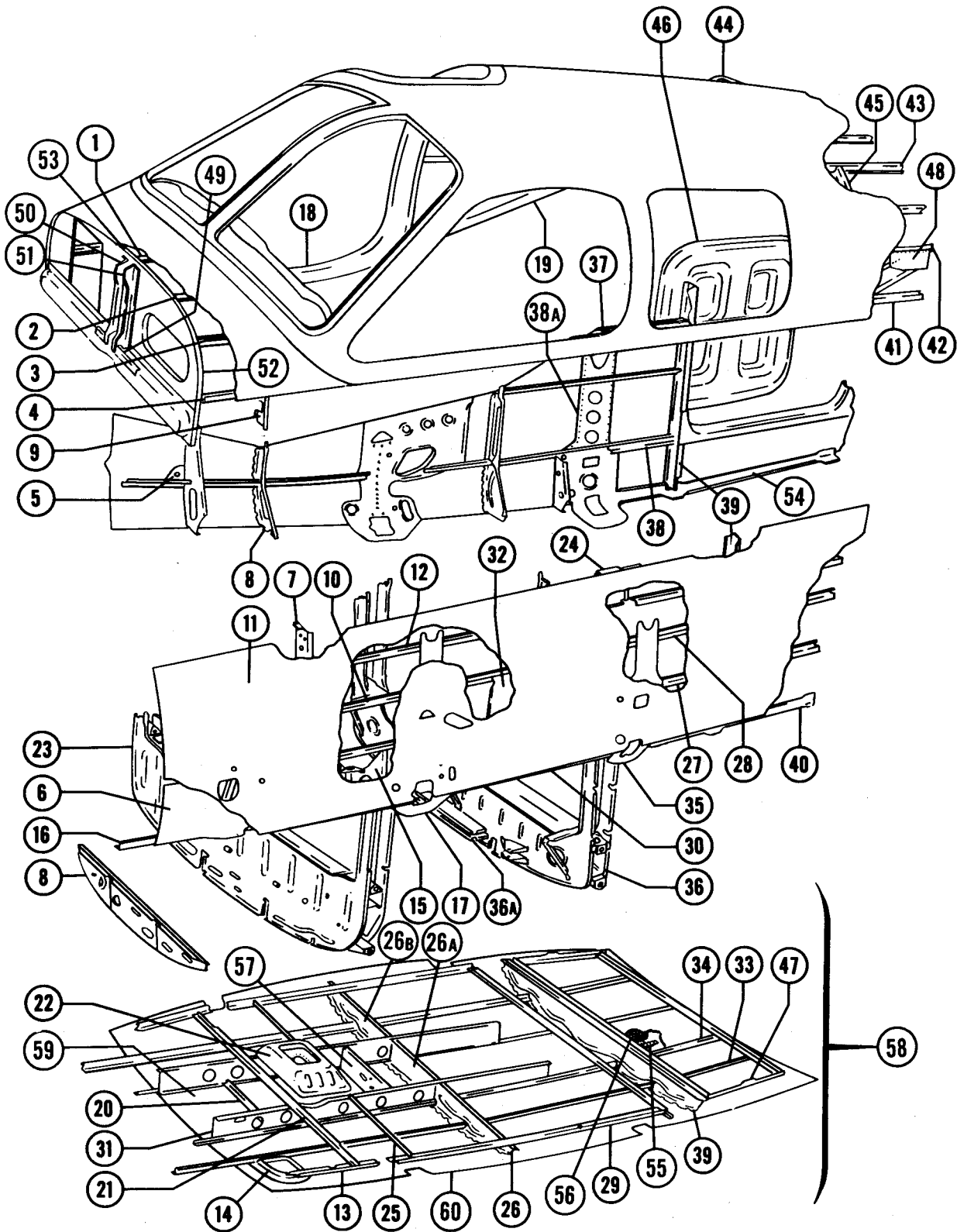


Figure 6. Fuselage Cabin Section

MODEL 35 THRU G35 PARTS CATALOG

FIG. & INDEX NO.	PART NO.	DESCRIPTION							UNITS PER ASSY	USABLE ON CODE	
		1	2	3	4	5	6	7			
6	35-410000 SA30	SECTION,CABIN	1	
	35-410000 SA38	SECTION,CABIN /LESS CANOPY/	1	
- 1	35-410001-14	STRINGER,LH	1	
	35-410001-15	STRINGER,RH	1	
- 2	35-410001-16	STRINGER,LH	1	
	35-410001-17	STRINGER,RH	1	
- 3	35-410001-112	STRINGER,LH	1	
- 4	35-410001-18	STRINGER,LH	1	
	35-410001-22	STRINGER,RH	1	
- 5	35-410001-134	DOUBLER,RH.	1	
- 6	35-410001-136	DOUBLER,LH.	1	
- 7	35-410215-8	BULKHEAD ASSY,LH.	1	
	35-410215-11	BULKHEAD ASSY,RH.	1	
- 8	35-415373	BULKHEAD ASSY	1	A2BCDEFG
	35-410210	BULKHEAD ASSY	1	A1
- 9	35-410211	BULKHEAD ASSY,RH.	1	
- 10	35-410001-40	STRINGER,LH	1	A1
	35-410001-42	STRINGER,RH	1	A1
- 11	35-410001-66	STRINGER,LH	1	A1
	35-410001-68	STRINGER,RH	1	A1
	35-410000-30	STRINGER,LH	1	A2BCDEFG
	35-410000-31	STRINGER,RH	1	A2BCDEFG
- 12	35-410001-20	STRINGER,LH	1	A1
	35-410000-40	STRINGER,LH	1	A2BCDEFG
- 13	35-410000-26	SUPPORT,LH.	1	A2BCDEFG
	35-410000-29	SUPPORT,RH.	1	A2BCDEFG
	35-410001-78	ANGLE	1	A1
- 14	35-410145 SA2	DOOR.	1	
- 15	35-410146	BRACKET	1	
- 16	35-410001-2	STRINGER,LH	1	A1
	35-410001-3	STRINGER,RH	1	A1
	35-410000-24	STRINGER,LH	1	A2BCDEFG
	35-410000-25	STRINGER,RH	1	A2BCDEFG
- 17	35-410111-2	DOUBLER,LH.	1	A1
	35-410112-2	DOUBLER,RH.	1	A1
	35-410217-18	GUSSET,LH	1	A2BCDEFG
	35-410217-16	GUSSET,RH	1	A2BCDEFG
- 18	35-410001-98	LONGERON.	1	A1
- 19	35-410001-96	LONGERON.	1	A1
	35-410000-6	LONGERON.	1	A2BCDEFG
- 20	35-410001-138	STIFFENER	1	
- 21	35-410272	ANGLE ASSY.	1	
- 22	35-410063	SUPPORT,LANDING GEAR ACTUATOR	1	A1
	35-410259	SUPPORT,LANDING GEAR ACTUATOR	1	A2BCDEFG
- 23	35-410217	STRUCTURE,FRONT SPAR CARRY THRU	1	A2BCDEFG
	35-410200	BULKHEAD ASSY	1	A1
	35-410030	TRUSS ASSY,FUSELAGE FRONT	1	A1
- 24	35-410109	SUPPORT	2	
- 25	35-410279	ANGLE ASSY,FLOORBOARD LH.	1	A2BCDEFG
	35-410279-1	ANGLE ASSY,FLOORBOARD RH.	1	A2BCDEFG
- 26	35-410170 SA2	BULKHEAD ASSY,LH.	1	A1
	35-415374 SA2	BULKHEAD ASSY,LH.	1	A2BCDEFG
- 26A	35-410170 SA4	BULKHEAD ASSY,CENTER.	1	A1
	35-415374 SA4	BULKHEAD ASSY,CENTER.	1	A2BCDEFG
- 26B	35-410170 SA6	BULKHEAD ASSY,RH.	1	A1
	35-415374 SA6	BULKHEAD ASSY,RH.	1	A2BCDEFG
- 27	35-410000-8	STRINGER,LH	1	A2BCDEFG
	35-410000-11	STRINGER,RH	1	A2BCDEFG
	35-410001-110	STRINGER,RH	1	A1
- 28	35-410000-12	STRINGER,LH	1	A2BCDEFG
	35-410000-15	STRINGER,RH	1	A2BCDEFG
	35-410001-6	STRINGER,LH	1	A1
	35-410001-8	STRINGER,RH	1	A1
- 29	35-410000-22	ANGLE,LH.	1	A2BCDEFG
	35-410000-23	ANGLE,RH.	1	A2BCDEFG
	35-410001-76	ANGLE,LH.	1	A1

MODEL 35 THRU G35 PARTS CATALOG

FIG. & INDEX NO.	PART NO.	DESCRIPTION							UNITS PER ASSY	USABLE ON CODE
		1	2	3	4	5	6	7		
6	35-410001-77	ANGLE,RH.	1	A1
- 30	35-410000-36	STRINGER,LH	1	A2BCDEFG
	35-410000-37	STRINGER,RH	1	A2BCDEFG
	35-410001-4	STRINGER,LH	1	A1
	35-410001-5	STRINGER,RH	1	A1
- 31	35-410330	KEEL,FUSELAGE AFT LH.	1	A2BCDEFG
	35-410330-1	KEEL,FUSELAGE AFT RH.	1	A2BCDEFG
	35-415334-2	KEEL,FUSELAGE AFT LH.	1	A1
	35-415334-7	KEEL,FUSELAGE AFT RH.	1	A1
- 32	35-410230	SUPPORT	1	A1
- 33	35-410000-18	STRINGER,LH	1	A2BCDEFG
	35-410000-21	STRINGER,RH	1	A2BCDEFG
	35-410001-82	STRINGER,LH	1	A1
	35-410001-83	STRINGER,RH	1	A1
- 34	35-410000-16	STRINGER,LH	1	A2BCDEFG
	35-410000-17	STRINGER,RH	1	A2BCDEFG
	35-410001-86	STRINGER,LH	1	A1
	35-410001-87	STRINGER,RH	1	A1
- 35	35-410005	DOUBLER,LH.	1	A1
	35-410158-10	DOUBLER,LH.	1	A2
	35-410005-1	DOUBLER,RH.	1	A1
	35-410158-11	DOUBLER,RH.	1	A2
- 36	35-410158	STRUCTURE,REAR SPAR CARRY THRU.	1	A2BCDEFG
	35-410003	BULKHEAD ASSY	1	A1
	35-410040	TRUSS ASSY,FUSELAGE REAR.	1	A1
- 36A	35-410125	BRACKET	1	A1
	35-410258	FITTING,AFT JACK POINT.	1	
- 37	35-410001-50	STRINGER	1	
- 38	35-410001-110	STRINGER	1	A1
	35-410150-10	DOUBLER,LH.	1	A2
- 38A	35-410150-11	DOUBLER,RH.	1	A2
- 39	35-410331 SA2	BULKHEAD ASSY	1	A2BCDEFG
	35-410180	BULKHEAD ASSY	1	A1
- 40	35-410001-28	CHANNEL,LH.	1	A1
	35-410001-126	CHANNEL,RH.	1	A1
	35-410000-2	CHANNEL,LH.	1	A2BCDEFG
	35-410000-5	CHANNEL,RH.	1	A2BCDEFG
- 41	35-410001-56	STRINGER,LH	1	
- 42	35-410001-60	STRINGER,LH	1	ABCDE
	35-410001-61	STRINGER,RH	1	ABCDE
	35-410000-106	STRINGER,LH	1	FG
	35-410000-107	STRINGER,RH	1	FG
- 43	35-410001-64	STRINGER,LH	1	ABCDE
	35-410001-65	STRINGER,RH	1	ABCDE
	35-410000-104	STRINGER,LH	1	FG
	35-410000-105	STRINGER,RH	1	FG
- 44	35-410147	HANDLE	1	
- 45	35-410148	FORMER	1	ABCDE
- 46	35-410070-602	DOOR ASSY,BAGGAGE	1	
	F6605-DX2	LOCKSET,/YA/.	1	
- 47	35-410000-32	ANGLE,LH.	1	A2BCDEFG
	35-410000-35	ANGLE,RH.	1	A2BCDEFG
	35-410001-80	ANGLE,LH.	1	A1
	35-410001-81	ANGLE,RH.	1	A1
- 48	35-410029	GUSSET	2	ABCDE
	35-410000-102	GUSSET	2	FG
	35-410000-114	CHANNEL,LH.	1	FG
	35-410000-115	CHANNEL,RH.	1	FG
- 49	35-415330-130	ANGLE	1	
- 50	35-415330-132	STIFFENER,RH.	1	
- 51	35-415330-135	STIFFENER,LH.	1	
	35-415330-136	CHANNEL	1	
	35-415381	STIFFENER ASSY.	1	
- 52	35-415330-10	ANGLE,LH.	1	
- 53	35-415330-11	ANGLE,RH.	1	
- 54	35-410000-5	CHANNEL,RH.	1	
- 55	50-554105	PLATE	1	

MODEL 35 THRU G35 PARTS CATALOG

FIG. & INDEX NO.	PART NO.	DESCRIPTION	UNITS PER ASSY	USABLE ON CODE
		1 2 3 4 5 6 7		
6 - 56	35-410000-68	REINFORCEMENT	1	
- 57	35-410063-8	CHANNEL	1	
- 58	35-410001 SA34	PANEL ASSY,CABIN BOTTOM SECTION	1	A1
	35-410000 SA34	PANEL ASSY,CABIN BOTTOM SECTION	1	A2
- 59	35-413003-6	SKIN,CENTER	1	A,B,C-14
	35-413003-16	SKIN,CENTER	1	C-15,
- 60	35-413003-10	SKIN,LH	1	D,E,F,G
	35-413003-18	SKIN,LH	1	A,B,C-14
	35-413003-8	SKIN,RH	1	C-15,
				D,E,F,G



MODEL 35 THRU G35 PARTS CATALOG

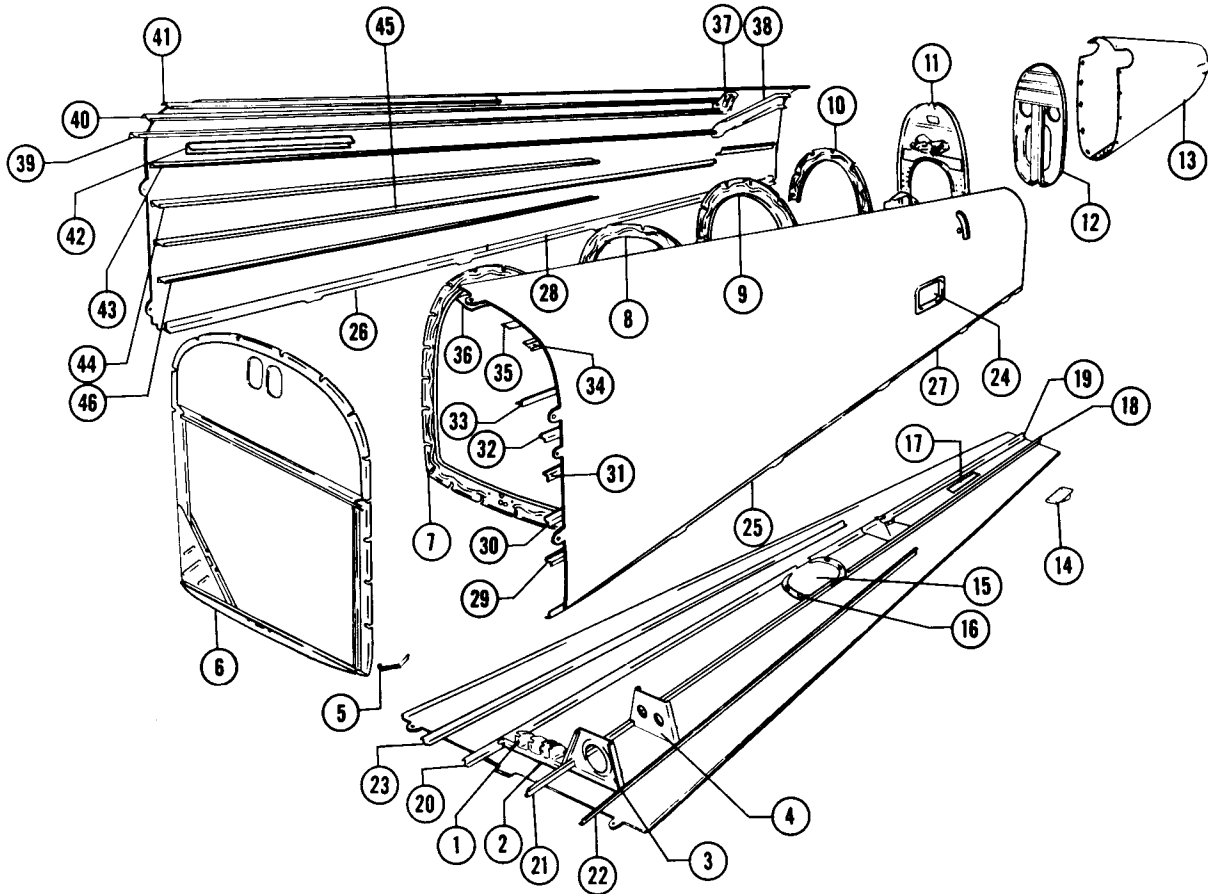


Figure 7. Fuselage Rear Section

FIG. & INDEX NO.	PART NO.								DESCRIPTION	UNITS PER ASSY	USABLE ON CODE
		1	2	3	4	5	6	7			
7	35-410000 SA60									1	
- 1	35-410015									2	
	35-410015-1									2	
- 2	35-410016									1	
- 3	35-410104									1	
- 4	35-410103									1	
- 5	35-410372									1	A2BCDEFG
- 6	35-410160									1	
- 7	35-410150-4									1	
	35-410150-2									1	
	35-410150-6									1	
- 8	35-410140-4									1	
	35-410140-2									1	
	35-410140-6									1	
- 9	35-410130-4									1	
	35-410130-2									1	
	35-410130-6									1	
- 10	35-410165									1	
- 11	35-410379 SA2									1	C,D,E,F,G
	35-410120 SA2									1	A,B
- 12	35-410378 SA2									1	C,D,E,F,G
	35-410110 SA2									1	A,B
- 13	35-380001									1	
- 14	35-400213									1	
	35-410023									1	

MODEL 35 THRU G35 PARTS CATALOG

FIG. & INDEX NO.	PART NO.	DESCRIPTION							UNITS PER ASSY	USABLE ON CODE
		1	2	3	4	5	6	7		
7	35-410011-4	DOUBLER,AFT	TIE	DOWN.	1	
- 15	35-410011-8	DOOR.	1	AB
	35-410410-10	DOOR.	1	CDEFG
- 16	35-410011-20	DOUBLER	1	
- 17	35-410012	DOOR.	1	AB
	35-410405	DOOR.	1	CDEFG
- 18	35-410011-10	STRINGER,LH	1	
- 19	35-410011-11	STRINGER,RH	1	
- 20	35-410011-12	STRINGER,RH	1	
- 21	35-410011-13	STRINGER,LH	1	
- 22	35-410011-14	STRINGER,LH	1	
- 23	35-410011-15	STRINGER,RH	1	
- 24	35-410007-6	DOOR.	1	
- 25	35-410001-30	CHANNEL,LH.	1	
- 26	35-410001-128	CHANNEL,RH.	1	
- 27	35-410001-132	CHANNEL,LH.	1	
- 28	35-410001-133	CHANNEL,RH.	1	
- 29	35-410007-20	STRINGER,LH	1	
- 30	35-410007-18	STRINGER,LH	1	
- 31	35-410007-16	STRINGER,LH	1	
- 32	35-410007-14	STRINGER,LH	1	
- 33	35-410008-16	STRINGER,LH	1	
- 34	35-410008-14	STRINGER,LH	1	
- 35	35-410008-12	STRINGER,LH	1	
- 36	35-410008-10	STRINGER,LH	1	
- 37	35-410008-4	BRACKET,LH.	1	
	35-410008-5	BRACKET,RH.	1	
- 38	35-410066	CHANNEL,LH.	1	
	35-410066-1	CHANNEL,RH.	1	
- 39	35-410009-10	STRINGER.	1	
- 40	35-410009-8	STRINGER.	1	
- 41	35-410009-6	STRINGER.	1	
- 42	35-410009-20	STRINGER.	1	
	35-410008-24	STRINGER,LH	1	
- 43	35-410010-8	STRINGER,RH	1	
- 44	35-410010-10	STRINGER.	1	
- 45	35-410010-12	STRINGER.	1	
- 46	35-410010-14	STRINGER.	1	

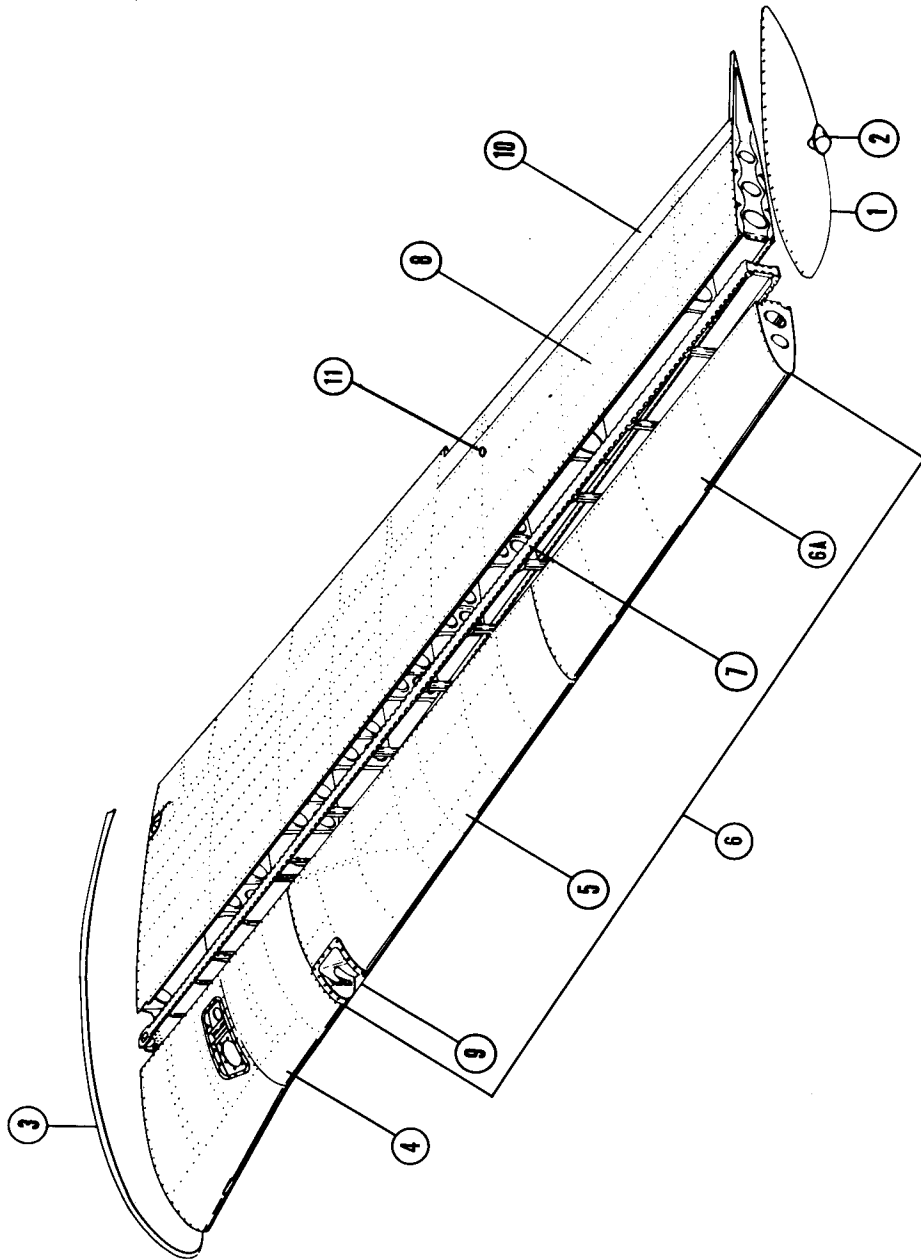


Figure 8. Wing Assembly

MODEL 35 THRU G35 PARTS CATALOG

FIG. & INDEX NO.	PART NO.	DESCRIPTION							UNITS PER ASSY	USABLE ON CODE	
		1	2	3	4	5	6	7			
8	35-115001-602	WING ASSY,LEFT.	1	A1	
	35-115300-620	WING ASSY,LEFT.	1	A2B	
	35-115300 SA120	WING ASSY,LEFT.	1	C22	
	35-115300 SA320	WING ASSY,LEFT.	1	C23D1	
	35-115388 SA101	WING ASSY,LEFT.	1	D2E	
	35-115388 SA103	WING ASSY,LEFT.	1	FG	
	35-115001-603	WING ASSY,RIGHT.	1	A1	
	35-115300 SA231	WING ASSY,RIGHT.	1	A2B	
	35-115300 SA130	WING ASSY,RIGHT.	1	C22	
	35-115300 SA331	WING ASSY,RIGHT.	1	C23D1	
	35-115388 SA102	WING ASSY,RIGHT.	1	D2E	
	35-115388 SA104	WING ASSY,RIGHT.	1	FG	
	- 1	35-175001 SA2	. TIP ASSY,LH WING /WITH POSITION LIGHT/.	1	
		35-175001 SA3	. TIP ASSY,RH WING /WITH POSITION LIGHT/.	1	
- 2	35-175001	. . TIP ASSY,LH WING /LESS POSITION LIGHT/.	1		
	35-175001-1	. . TIP ASSY,RH WING /LESS POSITION LIGHT/.	1		
	AN526-832R7	. . . SCREW,WING TIP ATTACHING.	20		
	AN526-832R8	. . . SCREW,WING TIP ATTACHING.	7		
	35-361702-2	. . LAMP ASSY,RED WING TIP.	1		
	35-361702-4	. . LAMP ASSY,GREEN WING TIP.	1		
	AN3122-1512	. . . BULB,WING TIP LAMP.	1		
	AN3042-1	. . . LENS,RED WING TIP LIGHT.	1		
	AN3042-2	. . . LENS,GREEN WING TIP LIGHT.	1		
	35-361703	. . . INDICATOR,WING TIP LIGHT.	1		
- 3	35-361701-1	. . . INDICATOR,WING TIP LIGHT.	1		
	35-115001-8	. EXTRUSION,SEAL UPPER RUBBER.	2		
	35-115382	. TIP,LH.	1	CDEFG	
	35-115382-1	. TIP,RH.	1	CDEFG	
	35-115381	. FILLET ASSY,LH.	1	CDEFG	
	35-115381-1	. FILLET ASSY,RH.	1	CDEFG	
	35-115010 SA20	. EDGE ASSY,LH LEADING.	1	AB	
	35-115010 SA31	. EDGE ASSY,RH LEADING.	1	ABC22	
	35-115010 SA224	. EDGE ASSY,LH LEADING.	1	C22	
	35-115010 SA324	. EDGE ASSY,LH LEADING.	1	C23D1	
	35-115010 SA341	. EDGE ASSY,RH LEADING.	1	C23D1	
	35-115010 SA151	. EDGE ASSY,LH LEADING.	1	D2E	
	35-115010 SA152	. EDGE ASSY,RH LEADING.	1	D2E	
	35-115010 SA344	. EDGE ASSY,LH LEADING.	1	FG	
35-115010 SA345	. EDGE ASSY,RH LEADING.	1	FG		
- 4	35-115010 SA110	. . EDGE ASSY,LH INBD LEADING.	1	ABC22	
	35-115010 SA111	. . EDGE ASSY,RH INBD LEADING.	1	ABC22	
	35-115010 SA10	. . EDGE ASSY,LH INBD LEADING.	1	C23D1	
	35-115010 SA11	. . EDGE ASSY,RH INBD LEADING.	1	C23D1	
	35-115010 SA176	. . EDGE ASSY,LH INBD LEADING.	1	D2E	
	35-115010 SA177	. . EDGE ASSY,RH INBD LEADING.	1	D2E	
	35-115010 SA26	. . EDGE ASSY,LH INBD LEADING.	1	FG	
	35-115010 SA27	. . EDGE ASSY,RH INBD LEADING.	1	FG	
- 5	35-115010 SA52	. . EDGE ASSY,LH CENTER LEADING /STA 66-136/.	1		
	35-115010 SA55	. . EDGE ASSY,RH CENTER LEADING /STA 66-136/.	1		
- 6	35-115010 SA112	. . EDGE ASSY,LH OUTBD LEADING /STA 66-191/.	1	AB	
	35-115010 SA12	. . EDGE ASSY,LH OUTBD LEADING /STA 66-191/.	1	CDEFG	
- 6A	35-115010 SA13	. . EDGE ASSY,RH OUTBD LEADING /STA 66-191/.	1		
	35-115010 SA53	. . EDGE ASSY,LH OUTBD LEADING /STA 136-191/.	1		
- 7	35-115010 SA54	. . EDGE ASSY,RH OUTBD LEADING /STA 136-191/.	1		
	35-115020	. SPAR ASSY,LH FRONT.	1	A1	
- 8	35-115020-1	. SPAR ASSY,RH FRONT.	1	A1	
	35-115001-604	. SECTION ASSY,LH MAIN.	1	A1	
- 9	35-115001-605	. SECTION ASSY,RH MAIN.	1	A1	
	35-115388-4	. WIRE,SPAR ATTACHING HINGE.	2		
	35-115028-20	. DOOR ASSY,LH FUEL CELL ACCESS.	1		
	35-115028-21	. DOOR ASSY,RH FUEL CELL ACCESS.	1		
	35-115028-14	. . DOOR,LH FILLER NECK ACCESS.	1		
	35-115028-15	. . DOOR,RH FILLER NECK ACCESS.	1		
	35-115136-2	. PANE ASSY,LH LANDING LIGHT.	1		
	35-115136-3	. PANE ASSY,RH LANDING LIGHT.	1		

MODEL 35 THRU G35 PARTS CATALOG

FIG. & INDEX NO.	PART NO.	DESCRIPTION							UNITS PER ASSY	USABLE ON CODE
		1	2	3	4	5	6	7		
8 - 10	35-115030 SA50	. EDGE ASSY,REAR SPAR & TRAILING.	1	AB
	35-115301 SA50	. EDGE ASSY,REAR SPAR & TRAILING.	1	CDE3
	35-115301-630	. EDGE ASSY,REAR SPAR & TRAILING.	1	E4FG
	35-115030 SA51	. EDGE ASSY,REAR SPAR & TRAILING.	1	AB
	35-115301 SA51	. EDGE ASSY,REAR SPAR & TRAILING.	1	CDE3
	35-115301-631	. EDGE ASSY,REAR SPAR & TRAILING.	1	E4FG
	35-115265	. SKIN,TRAILING EDGE.	1	
	35-115265-1	. SKIN,TRAILING EDGE.	1	
	NAS150-29	BOLT,WING ATTACHING	4	A1
	UWN1018	NUT	4	A1
	NAS143-10C	WASHER,WING MOUNTING.	4	A1
	NAS143-10	WASHER,WING MOUNTING.	4	A1
	105090A032-10-120	WASHER,WING MOUNTING.	1	A1
	NAS150-33	BOLT,WING ATTACHING UPPER	2	A2BCD
	NAS143-10	WASHER.	6	A2BCD
	105090A032-10-120	WASHER.	2	A2BCD
	NAS143-10C	WASHER.	1	A2BCD
	12B-108	NUT	3	A2BCD
	NAS152-43	BOLT,WING ATTACHING LOWER FRONT	1	A2BCD
	35-105011	WASHER.	2	A2BCD
	12B-126	NUT	1	A2BCD
	NAS150-35	BOLT,WING ATTACHING LOWER REAR.	1	A2BCD
	35-105111	WASHER.	2	A2BCD
	NAS143-10	WASHER.	2	A2BCD
	35-105111	WASHER.	1	A2BCD
	12B-108	NUT	1	A2BCD
	35-105005-14	COVER,LOWER REAR ATTACHING BOLT LH.	1	A1
	35-105110	COVER,LOWER REAR ATTACHING BOLT LH.	1	A2BCD
	35-105005-15	COVER,LOWER REAR ATTACHING BOLT RH.	1	A1
	35-105110-1	COVER,LOWER REAR ATTACHING BOLT RH.	1	A2BCD
	35-105005-12	COVER,UPPER REAR ATTACHING BOLT LH.	1	
	35-105005-13	COVER,UPPER REAR ATTACHING BOLT RH.	1	
	35-105005-10	COVER,UPPER FRONT ATTACHING BOLT LH	1	
35-105005-11	COVER,UPPER FRONT ATTACHING BOLT RH	1		
35-105005-8	COVER,LOWER FRONT ATTACHING BOLT LH	1		
35-105005-9	COVER,LOWER FRONT ATTACHING BOLT RH	1		
35-115210-30	STRIP,STALL	1		
119-50727	PLUG,METAL.	1		

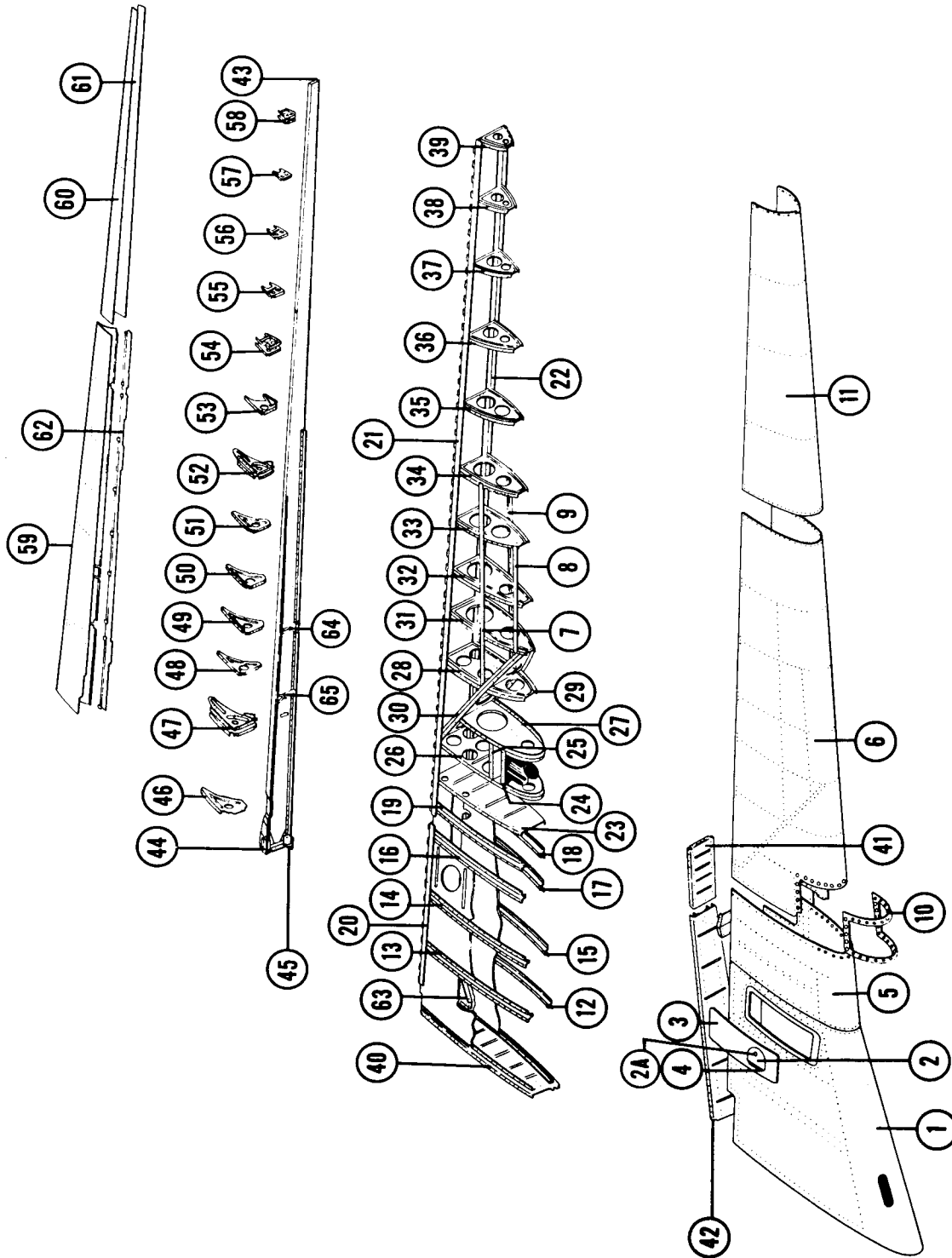


Figure 9. Wing Leading and Trailing Edge

MODEL 35 THRU G35 PARTS CATALOG

FIG. & INDEX NO.	PART NO.	DESCRIPTION	UNITS PER ASSY	USABLE ON CODE
		1 2 3 4 5 6 7		
9	35-115010 SA20	EDGE ASSY,LH LEADING	NP	AB
	35-115010 SA31	EDGE ASSY,RH LEADING	NP	ABC22
	35-115010 SA224	EDGE ASSY,LH LEADING	NP	C22
	35-115010 SA324	EDGE ASSY,LH LEADING	NP	C23D1
	35-115010 SA341	EDGE ASSY,RH LEADING	NP	C23D1
	35-115010 SA151	EDGE ASSY,LH LEADING	1	D2E
	35-115010 SA152	EDGE ASSY,RH LEADING	1	D2E
	35-115010 SA344	EDGE ASSY,LH LEADING	1	FG
	35-115010 SA345	EDGE ASSY,RH LEADING	1	FG
	35-115010 SA110	. EDGE ASSY,LH INBD LEADING	1	ABC22
	35-115010 SA111	. EDGE ASSY,RH INBD LEADING	1	ABC22
	35-115010 SA10	. EDGE ASSY,LH INBD LEADING	1	C23D1
	35-115010 SA11	. EDGE ASSY,RH INBD LEADING	1	C23D1
	35-115010 SA176	. EDGE ASSY,LH INBD LEADING	1	D2E
	35-115010 SA177	. EDGE ASSY,RH INBD LEADING	1	D2E
	35-115010 SA26	. EDGE ASSY,LH INBD LEADING	1	FG
	35-115010 SA27	. EDGE ASSY,RH INBD LEADING	1	FG
	35-115010 SA52	. EDGE ASSY,LH CENTER LEADING	1	
	35-115010-655	. EDGE ASSY,RH CENTER LEADING	1	
	35-115010 SA112	. EDGE ASSY,LH OUTBD LEADING	1	AB
	35-115010 SA12	. EDGE ASSY,LH OUTBD LEADING	1	CDEFG
	35-115010 SA13	. EDGE ASSY,RH OUTBD LEADING	1	
- 1	35-115028-2	. SKIN ASSY,INBD LEADING EDGE LH	1	ABCDEF12
	35-115028-3	. SKIN ASSY,INBD LEADING EDGE RH	1	ABCDEF12
	35-115028-56	. SKIN ASSY,INBD LEADING EDGE LH	1	F13G
	35-115028-57	. SKIN ASSY,INBD LEADING EDGE RH	1	F13G
- 2	35-115028-14	. . DOOR,LH	1	
	35-115028-15	. . DOOR,RH	1	
		/ATTACHING PARTS/		
	99834-1-070	. . STUD.	1	
	99833-P098	. . RECEPTACLE.	1	
	99836	. . PIN	1	
		-----*		
- 3	35-115028-20	. . DOOR,LH	1	
	35-115028-21	. . DOOR,RH	1	
- 4	35-115028-32	. . HINGE	1	
- 5	35-115210-46	. . SKIN ASSY,INBD LEADING EDGE LH STA 47 TO 66	1	
	35-115210-47	. . SKIN ASSY,INBD LEADING EDGE RH STA 47 TO 66	1	
- 6	35-115210-48	. . SKIN ASSY,CENTER LEADING EDGE LH STA 66 TO	1	
		136.88		
	35-115210-49	. . SKIN ASSY,CENTER LEADING EDGE RH STA 66 TO	1	
		136.88		
- 7	35-115210-6	. . . STRINGER,LH	1	
	35-115210-7	. . . STRINGER,RH	1	
- 8	35-115210-8	. . . STRINGER,LH	1	
	35-115210-9	. . . STRINGER,RH	1	
- 9	35-115210-36	. . . STRINGER,LH	1	
	35-115210-37	. . . STRINGER,RH	1	
- 10	35-115210-10	. . FRAME,LH	1	
	35-115210-11	. . FRAME,RH	1	
	AN507-8R9	. . SCREW	32	
- 11	35-115211-12	. SKIN ASSY,OUTBD LEADING EDGE LH	1	AB
	35-115211-13	. SKIN ASSY,OUTBD LEADING EDGE RH	1	AB
	35-115211-2	. SKIN ASSY,OUTBD LEADING EDGE LH	1	CDEFG
	35-115211-3	. SKIN ASSY,OUTBD LEADING EDGE RH	1	CDEFG
- 12	35-115010-2	. FORMER,LOWER LH STA 31.75	1	
	35-115010-3	. FORMER,LOWER RH STA 31.75	1	
- 13	35-115010-24	. FORMER,UPPER LH	1	ABCDEF12
	35-115010-62	. FORMER,UPPER LH	1	F13G
	35-115010-27	. FORMER,UPPER RH STA 31.75	1	
- 14	35-115010-12	. FORMER,UPPER LH STA 39.375	1	
	35-115010-13	. FORMER,UPPER RH STA 39.375	1	
- 15	35-115010-4	. FORMER,LOWER LH STA 39.375	1	
	35-115010-5	. FORMER,LOWER RH STA 39.375	1	
- 16	35-115010-14	. FORMER,UPPER LH STA 47	1	
	35-115010-15	. FORMER,UPPER RH STA 47	1	
- 17	35-115010-6	. FORMER,LOWER LH STA 47	1	
	35-115010-7	. FORMER,LOWER RH STA 47	1	

MODEL 35 THRU G35 PARTS CATALOG

FIG. & INDEX NO.	PART NO.	DESCRIPTION							UNITS PER ASSY	USABLE ON CODE	
		1	2	3	4	5	6	7			
9 - 18	35-115010-8	•	•	•	•	•	•	•	•	1	
	35-115010-9	•	•	•	•	•	•	•	•	1	
- 19	35-115010-16	•	•	•	•	•	•	•	•	1	
	35-115010-17	•	•	•	•	•	•	•	•	1	
- 20	35-115010-18	•	•	•	•	•	•	•	•	1	
	35-115010-19	•	•	•	•	•	•	•	•	1	
	35-115010-20	•	•	•	•	•	•	•	•	1	
	35-115010-21	•	•	•	•	•	•	•	•	1	
- 21	35-115010-28	•	•	•	•	•	•	•	•	1	
	35-115010-29	•	•	•	•	•	•	•	•	1	
- 22	35-115010-30	•	•	•	•	•	•	•	•	1	
	35-115010-31	•	•	•	•	•	•	•	•	1	
- 23	35-115168	•	•	•	•	•	•	•	•	1	
	35-115168-1	•	•	•	•	•	•	•	•	1	
- 24	35-115017	•	•	•	•	•	•	•	•	1	
	35-115017-1	•	•	•	•	•	•	•	•	1	
- 25	35-115209	•	•	•	•	•	•	•	•	1	
	35-115209-1	•	•	•	•	•	•	•	•	1	
- 26	35-115143	•	•	•	•	•	•	•	•	1	
	35-115143-1	•	•	•	•	•	•	•	•	1	
- 27	35-115016	•	•	•	•	•	•	•	•	1	
	35-115016-1	•	•	•	•	•	•	•	•	1	
- 28	35-115196	•	•	•	•	•	•	•	•	1	
	35-115196-1	•	•	•	•	•	•	•	•	1	
- 29	35-115195	•	•	•	•	•	•	•	•	1	
	35-115195-1	•	•	•	•	•	•	•	•	1	
- 30	35-115009	•	•	•	•	•	•	•	•	1	
	35-115009-1	•	•	•	•	•	•	•	•	1	
- 31	35-115043	•	•	•	•	•	•	•	•	1	
	35-115043-1	•	•	•	•	•	•	•	•	1	
- 32	35-115197	•	•	•	•	•	•	•	•	1	
	35-115197-1	•	•	•	•	•	•	•	•	1	
- 33	35-115198	•	•	•	•	•	•	•	•	1	
	35-115198-1	•	•	•	•	•	•	•	•	1	
- 34	35-115046	•	•	•	•	•	•	•	•	1	
	35-115046-1	•	•	•	•	•	•	•	•	1	
- 35	35-115037	•	•	•	•	•	•	•	•	1	
	35-115037-1	•	•	•	•	•	•	•	•	1	
- 36	35-115038	•	•	•	•	•	•	•	•	1	
	35-115038-1	•	•	•	•	•	•	•	•	1	
- 37	35-115036	•	•	•	•	•	•	•	•	1	
	35-115036-1	•	•	•	•	•	•	•	•	1	
- 38	35-115035	•	•	•	•	•	•	•	•	1	
	35-115035-1	•	•	•	•	•	•	•	•	1	
- 39	35-115034	•	•	•	•	•	•	•	•	1	
	35-115034-1	•	•	•	•	•	•	•	•	1	
- 40	35-115166	•	•	•	•	•	•	•	•	1	
	35-115166-1	•	•	•	•	•	•	•	•	1	
- 41	35-115178	•	•	•	•	•	•	•	•	1	
	35-115178-1	•	•	•	•	•	•	•	•	1	
- 42	35-115177-2	•	•	•	•	•	•	•	•	1	
	35-115177-3	•	•	•	•	•	•	•	•	1	
- 43	35-115050-604	•	•	•	•	•	•	•	•	1	
	35-115050-605	•	•	•	•	•	•	•	•	1	
- 44	35-115059	•	•	•	•	•	•	•	•	1	
	35-115059-1	•	•	•	•	•	•	•	•	1	
- 45	35-115058	•	•	•	•	•	•	•	•	1	
	35-115058-1	•	•	•	•	•	•	•	•	1	
- 46	35-115096	•	•	•	•	•	•	•	•	1	
	35-115131	•	•	•	•	•	•	•	•	1	
- 47	35-115065	•	•	•	•	•	•	•	•	1	
	35-115065-1	•	•	•	•	•	•	•	•	1	
- 48	35-115121	•	•	•	•	•	•	•	•	1	
	35-115106	•	•	•	•	•	•	•	•	1	

MODEL 35 THRU G35 PARTS CATALOG

FIG. & INDEX NO.	PART NO.	DESCRIPTION							UNITS PER ASSY	USABLE ON CODE
		1	2	3	4	5	6	7		
9 - 49	35-115122-6	.	RIB ASSY,TRAILING	EDGE LH STA 55.5.	1	
	35-115122-7	.	RIB ASSY,TRAILING	EDGE RH STA 55.5.	1	
- 50	35-115123	.	RIB ASSY,TRAILING	EDGE LH STA 66.	1	
	35-115123-1	.	RIB ASSY,TRAILING	EDGE RH STA 66.	1	
- 51	35-115124	.	RIB ASSY,TRAILING	EDGE LH STA 80.047.	1	
	35-115124-1	.	RIB ASSY,TRAILING	EDGE RH STA 80.047.	1	
- 52	35-115052	.	BRACKET ASSY,OUTBD	FLAP TRACK LH.	1	
	35-115052-601	.	BRACKET ASSY,OUTBD	FLAP TRACK LH.	1	
	35-115052-1	.	BRACKET ASSY,OUTBD	FLAP TRACK RH.	1	
	35-115052-602	.	BRACKET ASSY,OUTBD	FLAP TRACK RH.	1	
- 53	35-115078	.	RIB ASSY,LH	1	
	35-115078-1	.	RIB ASSY,RH	1	
- 54	35-115160	.	BRACKET ASSY,INBD	AILERON HINGE LH.	1	
	35-115160-1	.	BRACKET ASSY,INBD	AILERON HINGE RH.	1	
- 55	35-115047	.	RIB ASSY,TRAILING	EDGE LH STA 136.188	1	
	35-115047-1	.	RIB ASSY,TRAILING	EDGE RH STA 136.188	1	
- 56	35-115048	.	RIB ASSY,TRAILING	EDGE LH STA 148.875	1	
	35-115048-1	.	RIB ASSY,TRAILING	EDGE RH STA 148.875	1	
- 57	35-115049	.	RIB ASSY,TRAILING	EDGE LH STA 162.563	1	
	35-115049-1	.	RIB ASSY,TRAILING	EDGE RH STA 162.563	1	
- 58	35-115071	.	BRACKET ASSY,OUTBD	AILERON HINGE LH	1	
	35-115071-1	.	BRACKET ASSY,OUTBD	AILERON HINGE RH	1	
- 59	35-115194	.	SKIN ASSY,TRAILING	EDGE LH.	1	
	35-115194-1	.	SKIN ASSY,TRAILING	EDGE RH.	1	
- 60	35-115137-16	.	SKIN ASSY,TRAILING	EDGE UPPER LH.	1	A,B,C,D,E11
	35-115137-20	.	SKIN ASSY,TRAILING	EDGE UPPER LH.	1	E12,F,G
	35-115137-17	.	SKIN ASSY,TRAILING	EDGE UPPER RH.	1	A,B,C,D,E11
	35-115137-21	.	SKIN ASSY,TRAILING	EDGE UPPER RH.	1	E12,F,G
- 61	35-115199	.	SKIN ASSY,TRAILING	EDGE LOWER LH.	1	A,B,C,D,E11
	35-115199-22	.	SKIN ASSY,TRAILING	EDGE LOWER LH.	1	E12,F,G
	35-115199-1	.	SKIN ASSY,TRAILING	EDGE LOWER RH.	1	A,B,C,D,E11
	35-115199-23	.	SKIN ASSY,TRAILING	EDGE LOWER RH.	1	E12,F,G
- 62	35-115265	.	SKIN ASSY,TRAILING	EDGE LOWER LH.	1	
	35-115265-1	.	SKIN ASSY,TRAILING	EDGE LOWER RH.	1	
- 63	35-115028-42	.	GUSSET,LH	1	
	35-115028-43	.	GUSSET,RH	1	
	35-115383	.	RIB ASSY,LH	1	C23DEFG
	35-115383-1	.	RIB ASSY,RH	1	C23DEFG
	45-115011	.	RIB,LH	1	C23DEFG
	45-115011-1	.	RIB,RH	1	C23DEFG
	45-115011-2	.	RIB,LH	1	FG
- 64	35-115063	.	FITTING ASSY,LH	OUTBD LANDING GEAR.	1	A,B
	45-115063	.	FITTING ASSY,LH	OUTBD LANDING GEAR.	1	C,D,E,F,G
	35-115063-1	.	FITTING ASSY,RH	OUTBD LANDING GEAR.	1	A,B
	45-115063-1	.	FITTING ASSY,RH	OUTBD LANDING GEAR.	1	C,D,E,F,G
- 65	35-115061	.	FITTING ASSY,LH	INBD LANDING GEAR.	1	
	35-115061-1	.	FITTING ASSY,RH	INBD LANDING GEAR.	1	

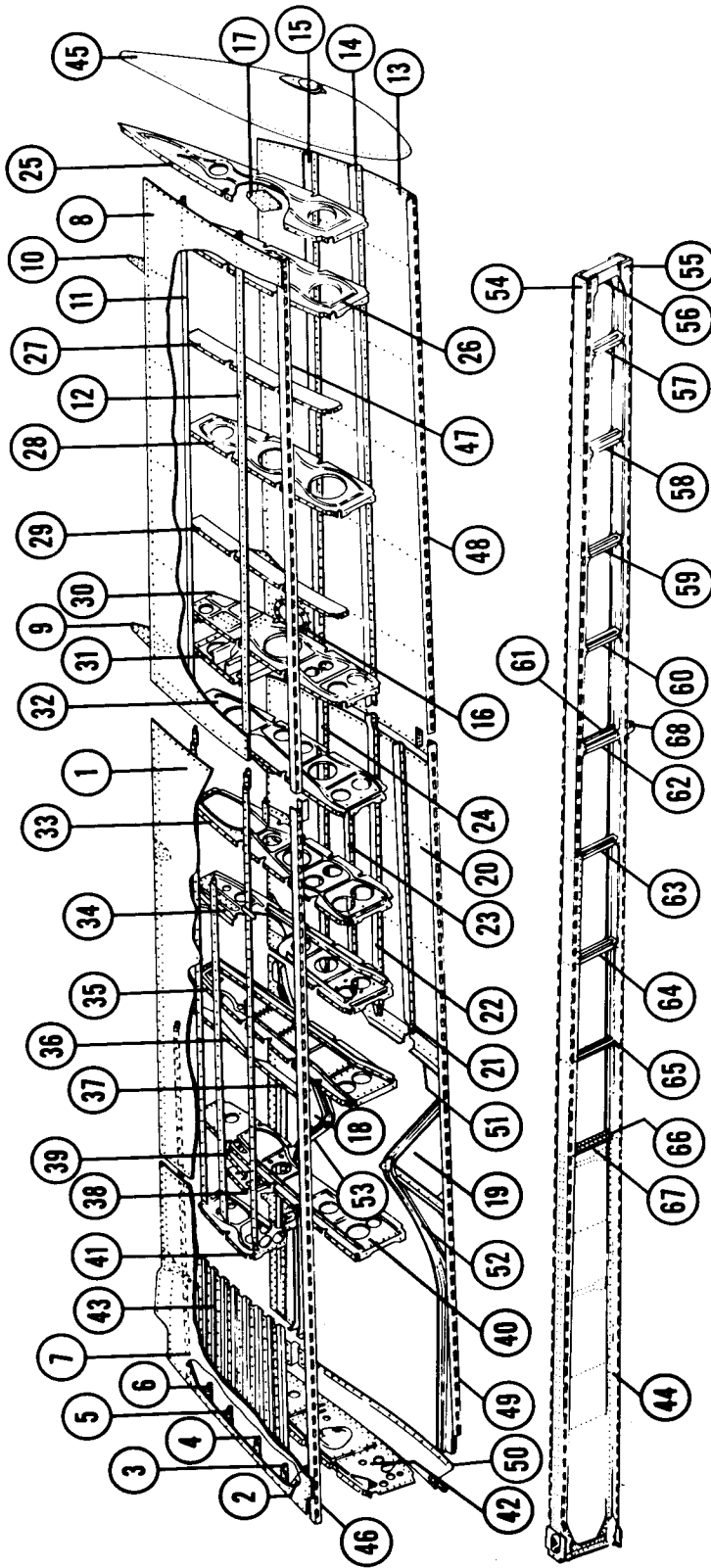


Figure 10. Wing Main Section

MODEL 35 THRU G35 PARTS CATALOG

FIG. & INDEX NO.	PART NO.	DESCRIPTION	UNITS PER ASSY	USABLE ON CODE
		1 2 3 4 5 6 7		
10	35-115001-604	SECTION ASSY,LH MAIN.	1	A1
	35-115001-605	SECTION ASSY,RH MAIN.	1	A1
	35-115300 SA260	SECTION ASSY,LH MAIN.	1	A2B
	35-115300 SA271	SECTION ASSY,RH MAIN.	1	A2B
	35-115301	SECTION ASSY,LH MAIN. /AUXILIARY FUEL SYSTEM OPT. REF FIG. 79/	1	FG
	35-115300 SA160	SECTION ASSY,MAIN LH.	1	CDE
	35-115300 SA171	SECTION ASSY,MAIN RH.	1	CDE
	35-115300 SA360	SECTION ASSY,MAIN LH.	1	FG
	35-115301-1	SECTION ASSY,MAIN RH. /AUXILIARY FUEL SYSTEM OPT. REF FIG. 79/	1	FG
	35-115300 SA371	SECTION ASSY,MAIN	1	FG
- 1	35-115142 SA110	. SKIN ASSY,UPPER LH.	1	
	35-115142 SA111	. SKIN ASSY,UPPER RH.	1	
- 2	35-115142-44	. . GUSSET,LH	1	
- 3	35-115142-22	. . STRINGER,LH	1	
	35-115142-25	. . STRINGER,RH	1	
- 4	35-115142-18	. . STRINGER,LH	1	
	35-115142-21	. . STRINGER,RH	1	
- 5	35-115142-14	. . STRINGER,LH	1	
	35-115142-17	. . STRINGER,RH	1	
- 6	35-115142-10	. . STRINGER,LH	1	
	35-115142-13	. . STRINGER,RH	1	
- 7	35-115142-6	. . STRINGER,LH	1	
	35-115142-9	. . STRINGER,RH	1	
	35-115137-2	. . SKIN ASSY,UPPER LH STA 108.281 TO 191	1	
	35-115137-3	. . SKIN ASSY,UPPER RH STA 108.281 TO 191	1	
	35-115137-4	. . SKIN ASSY,UPPER TRAILING EDGE LH. STA 108.281 TO 191	1	
	35-115137-5	. . SKIN ASSY,UPPER TRAILING EDGE RH. STA 108.281 TO 191	1	
- 8	35-115137 SA110	. . SKIN ASSY,UPPER LH STA 108.281 TO 191	1	
	35-115137 SA111	. . SKIN ASSY,UPPER RH STA 108.281 TO 191	1	
- 9	35-115137-8	. . . GUSSET,LH	1	
	35-115137-9	. . . GUSSET,RH	1	
- 10	35-115137-6	. . . GUSSET,LH	1	
	35-115137-7	. . . GUSSET,RH	1	
- 11	35-115137-10	. . . STRINGER,LH	1	
	35-115137-11	. . . STRINGER,RH	1	
- 12	35-115137-12	. . . STRINGER,LH	1	
	35-115137-13	. . . STRINGER,RH	1	
	35-115199	. SKIN ASSY,LOWER LH STA 108.281 TO 191	1	
	35-115199-1	. SKIN ASSY,LOWER RH STA 108.281 TO 191	1	
- 13	35-115199 SA10	. . SKIN ASSY,LH.	1	
	35-115199 SA11	. . SKIN ASSY,RH.	1	
- 14	35-115199-4	. . STRINGER,LH	1	
	35-115199-5	. . STRINGER,RH	1	
- 15	35-115199-6	. . STRINGER,LH	1	
	35-115199-7	. . STRINGER,RH	1	
- 16	35-115199 SA80	. . REINFORCEMENT,LH DOOR	1	
	35-115199 SA90	. . REINFORCEMENT,RH DOOR	1	
- 17	35-115199-14	. . GUSSET,LH	1	
	35-115199-15	. . GUSSET,RH	1	
- 18	35-115200-50	. . SKIN ASSY,LOWER LH.	1	
	35-115200-51	. . SKIN ASSY,LOWER RH.	1	
- 19	35-115200-52	. . SKIN ASSY,LOWER LH.	1	
	35-115200-53	. . SKIN ASSY,LOWER RH.	1	
- 20	35-115200-8	. . SKIN ASSY,LOWER LH.	1	
	35-115200-9	. . SKIN ASSY,LOWER RH.	1	
- 21	35-115200-38	. . STRINGER,LH	1	
	35-115200-39	. . STRINGER,RH	1	
- 22	35-115200-36	. . STRINGER,LH	1	
	35-115200-37	. . STRINGER,RH	1	
- 23	35-115200-34	. . STRINGER,LH	1	

MODEL 35 THRU G35 PARTS CATALOG

FIG. & INDEX NO.	PART NO.	DESCRIPTION							UNITS PER ASSY	USABLE ON CODE	
		1	2	3	4	5	6	7			
10	35-115200-35	. .	STRINGER,RH	1	
- 24	35-115200-32	. .	STRINGER,LH	1	
	35-115200-33	. .	STRINGER,RH	1	
- 25	35-115031	. .	RIB ASSY,LH STA 191	1	
	35-115031-1	. .	RIB ASSY,RH STA 191	1	
- 26	35-115032 SA2	. .	RIB ASSY,LH STA 175.281	1	
	35-115032 SA3	. .	RIB ASSY,RH STA 175.281	1	
- 27	35-115273	. .	FORMER,UPPER LH STA 162.563	1	
	35-115273-1	. .	FORMER,UPPER RH STA 162.563	1	
	45-115072	. .	FORMER,LOWER LH	1	
	45-115072-1	. .	FORMER,LOWER RH	1	
- 28	35-115033 SA2	. .	RIB ASSY,LH STA 148.875	1	
	35-115033 SA3	. .	RIB ASSY,RH STA 148.875	1	
- 29	35-115272	. .	FORMER,UPPER LH STA 136.188	1	
	35-115272-1	. .	FORMER,UPPER RH STA 136.188	1	
	45-115060	. .	FORMER,LOWER LH	1	
	45-115060-1	. .	FORMER,LOWER RH	1	
- 30	35-115045 SA2	. .	RIB ASSY,LH STA 122.750	1	
	35-115045 SA3	. .	RIB ASSY,RH STA 122.750	1	
- 31	35-115253	. .	BRACKET,AILERON CONTROL LH	1	A2BCDEFG
	35-115253-1	. .	BRACKET,AILERON CONTROL RH	1	A2BCDEFG
	35-115202	. .	BRACKET,AILERON CONTROL LH	1	A1
	35-115202-1	. .	BRACKET,AILERON CONTROL RH	1	A1
- 32	35-115044	. .	RIB ASSY,LH STA 108.281	1	
	45-115044 SA2	. .	RIB ASSY,LH STA 108.281	1	CDEFG
	35-115044-1	. .	RIB ASSY,RH STA 108.281	1	
	45-115044 SA3	. .	RIB ASSY,RH STA 108.281	1	CDEFG
- 33	35-115041	. .	RIB ASSY,LH STA 94.094	1	
	35-115041-1	. .	RIB ASSY,RH STA 94.094	1	
- 34	35-115302	. .	RIB ASSY,LH STA 80.047	1	A2BCDEFG
	35-115302-1	. .	RIB ASSY,RH STA 80.047	1	A2BCDEFG
	35-115042	. .	RIB ASSY,LH STA 80.047	1	A1
	35-115042-1	. .	RIB ASSY,RH STA 80.047	1	A1
- 35	35-115305	. .	RIB ASSY,LH STA 66	1	A2BCDEFG
	35-115305-1	. .	RIB ASSY,RH STA 66	1	A2BCDEFG
	35-115051	. .	RIB ASSY,LH STA 66	1	A1
	35-115051-1	. .	RIB ASSY,RH STA 66	1	A1
- 36	35-115274	. .	FORMER,LH	1	
	35-115274-1	. .	FORMER,RH	1	
- 37	35-115275	. .	FORMER,LH	1	
	35-115275-1	. .	FORMER,RH	1	
- 38	35-115247	. .	SUPPORT ASSY,INBOARD FLAP ACTUATOR LH	1	A8
	35-115246	. .	SUPPORT ASSY,OUTBD FLAP ACTUATOR RH	1	A8BCDEFG
- 39	35-115242	. .	SUPPORT ASSY,INBD FLAP ACTUATOR LH	1	A8BCDEFG
	35-115241	. .	SUPPORT ASSY,OUTBD FLAP ACTUATOR RH	1	A8BCDEFG
	35-115193	. .	SUPPORT ASSY,INBD FLAP ACTUATOR RH	1	A7
- 40	35-115303	. .	RIB ASSY,LH STA 45	1	A2BCDEFG
	35-115304 SA2	. .	RIB ASSY,RH STA 45	1	A2BCDEFG
	35-115100	. .	RIB ASSY,LH STA 45	1	A1
	35-115109	. .	RIB ASSY,RH STA 45	1	A1
- 41	35-115079	. .	RIB ASSY,LH STA 34.375	1	
	35-115110	. .	RIB ASSY,RH STA 34.375	1	
- 42	35-115070 SA2	. .	RIB ASSY,LH STA 23.881	1	
	35-115130 SA3	. .	RIB ASSY,RH	1	
- 43	35-115201	. .	WALKWAY ASSY,RH	1	
	35-115278	. .	WALKWAY ASSY,RH	1	
	35-115111	. .	BULKHEAD,WALKWAY	1	
- 44	35-115020	. .	SPAR ASSY,LH FRONT	1	A1
	35-115020-1	. .	SPAR ASSY,RH FRONT	1	A1
	35-115022	. .	FITTING,FRONT SPAR UPPER LH	1	
	35-115022-1	. .	FITTING,FRONT SPAR UPPER RH	1	
	35-115021	. .	FITTING,FRONT SPAR LOWER LH	1	
	35-115021-1	. .	FITTING,FRONT SPAR LOWER RH	1	

MODEL 35 THRU G35 PARTS CATALOG

FIG. & INDEX NO.	PART NO.	DESCRIPTION							UNITS PER ASSY	USABLE ON CODE
		1	2	3	4	5	6	7		
10	35-115020-88	SPAR ASSY,FRONT	LH.	1	A2BCDEF12
	35-115020-89	SPAR ASSY,FRONT	RH.	1	A2BCDEF12
	35-115020-120	SPAR ASSY,FRONT	LH.	1	F13G
	35-115020-121	SPAR ASSY,FRONT	RH.	1	F13G
- 45	35-175004-17	. TIP ASSY,LH.	1	
	35-175004-18	. TIP ASSY,RH.	1	
- 46	35-115142-30	. HINGE,LH.	1	
	35-115142-33	. HINGE,RH.	1	
- 47	35-115137-14	. HINGE,LH.	1	
	35-115137-15	. HINGE,RH.	1	
- 48	35-115199-16	. HINGE,LH.	1	
	35-115199-17	. HINGE,RH.	1	
- 49	35-115200-40	. HINGE,LH.	1	
	35-115200-41	. HINGE,RH.	1	
	35-115388-4	. HINGE,PIN	8	
- 50	35-115200-6	. STRIP,LH GAP.	1	
	35-115200-7	. STRIP,RH GAP.	1	
- 51	35-115200-18	. DOUBLER,LH.	1	
	35-115200-19	. DOUBLER,RH.	1	
- 52	35-115203	. CHANNEL,LH.	1	
	35-115203-1	. CHANNEL,RH.	1	
- 53	35-115205	. CHANNEL,LH.	1	
	35-115205-1	. CHANNEL,RH.	1	
- 54	35-115020-2	. CAP,UPPER LH.	1	A1
	35-115020-3	. CAP,UPPER RH.	1	A1
	35-115020-114	. CAP,UPPER LH.	1	A2BCDEF12
	35-115020-115	. CAP,UPPER RH.	1	A2BCDEF12
	35-115020-122	. CAP,UPPER LH.	1	F13G
	35-115020-123	. CAP,UPPER RH.	1	F13G
- 55	35-115020-4	. CAP,LOWER LH.	1	A1
	35-115020-5	. CAP,LOWER RH.	1	A1
	35-115020-116	. CAP,LOWER LH.	1	A2BCDEF12
	35-115020-117	. CAP,LOWER RH.	1	A2BCDEF12
	35-115020-124	. CAP,LOWER LH.	1	F13G
	35-115020-125	. CAP,LOWER RH.	1	F13G
- 56	35-115020-8	. STIFFENER,LH.	1	
	35-115020-9	. STIFFENER,RH.	1	
- 57	35-115020-10	. STIFFENER,LH.	1	
	35-115020-11	. STIFFENER,RH.	1	
- 58	35-115020-12	. STIFFENER,LH.	1	
	35-115020-13	. STIFFENER,RH.	1	
- 59	35-115020-14	. STIFFENER,LH.	1	
	35-115020-15	. STIFFENER,RH.	1	
- 60	35-115020-16	. STIFFENER,LH.	1	
	35-115020-17	. STIFFENER,RH.	1	
- 61	35-115020-76	. STIFFENER,LH.	1	
	35-115020-77	. STIFFENER,RH.	1	
- 62	35-115020-78	. STIFFENER,LH.	1	
	35-115020-79	. STIFFENER,RH.	1	
- 63	35-115020-20	. STIFFENER,LH.	1	A1
	35-115020-21	. STIFFENER,RH.	1	A1
	35-115020-110	. STIFFENER,LH.	1	A2BCDEFG
	35-115020-111	. STIFFENER,RH.	1	A2BCDEFG7
- 64	35-115020-22	. STIFFENER,LH.	1	A1
	35-115020-23	. STIFFENER,RH.	1	A1
	35-115020-106	. STIFFENER,LH.	1	A2BCDEFG
	35-115020-107	. STIFFENER,RH.	1	A2BCDEFG
- 65	35-115020-24	. STIFFENER,LH.	1	A1
	35-115020-25	. STIFFENER,RH.	1	A1
	35-115020-100	. STIFFENER,LH.	1	A2BCDEFG
	35-115020-101	. STIFFENER,RH.	1	A2BCDEFG
- 66	35-115020-58	. STIFFENER,LH.	1	A1
	35-115020-59	. STIFFENER,RH.	1	A1

MODEL 35 THRU G35 PARTS CATALOG

FIG. & INDEX NO.	PART NO.	DESCRIPTION							UNITS PER ASSY	USABLE ON CODE
		1	2	3	4	5	6	7		
10	35-115020-90	1	A2BCDEFG A2BCDEFG
	35-115020-91	1	
- 67	35-115020-62	1	
	35-115020-63	1	
- 68	35-115232	2	
	35-115070-8	1	
	35-115070-10	1	
	35-115070-16	1	
	35-115070-18	1	
	35-115070-9	1	
	35-115070-11	1	
	35-115130-22	1	
	35-115130-24	1	

MODEL 35 THRU G35 PARTS CATALOG

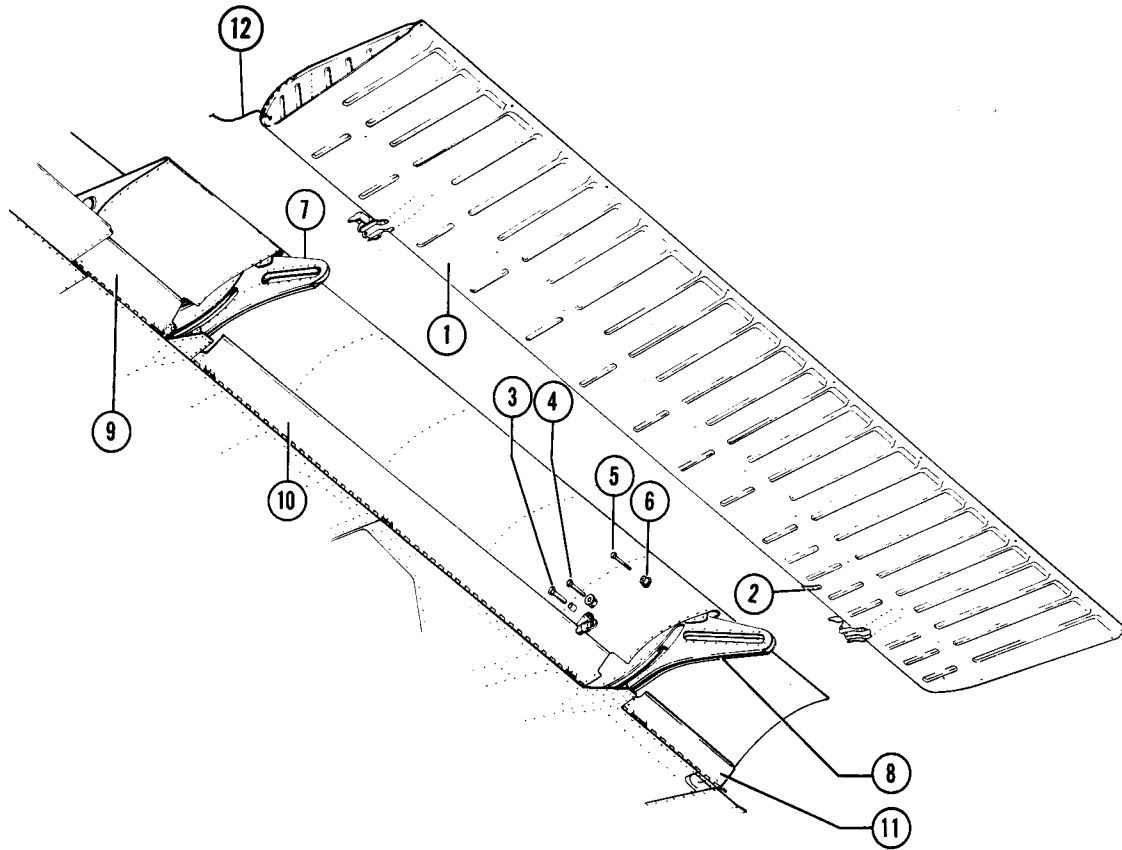


Figure 11. Flap, Flap Track and Flap Gap Doors

FIG. & INDEX NO.	PART NO.	1	2	3	4	5	6	7	DESCRIPTION	UNITS PER ASSY	USABLE ON CODE
11	35-165050-605	FLAP ASSY,LH.	1	ABCD
- 1	35-165050-607	FLAP ASSY,LH.	1	EFG
	35-165050-606	FLAP ASSY,RH.	1	
- 2	AN520-10-8	SCREW,ACTUATOR BRACKET ATTACHING.	3	
	100951-5-007-02	WASHER.	3	
	A6914-1024-1	PLATE,ACCESS /TIN/.	4	
- 3	AN4-12A	BOLT,LH FLAP ACTUATOR	1	
	AN4-10A	BOLT,RH FLAP ACTUATOR	1	
	100801S5-0437	BUSHING	1	
	100801S5-0062	BUSHING,/LH SIDE ONLY/.	2	
	105090-091-4-016	WASHER,/LH SIDE ONLY/.	2	
	AN960-416L	WASHER,LH	1	
	AN960-416	WASHER,RH	1	
	AN365-428	NUT	1	
- 4	AN3-21A	BOLT,AFT FLAP ATTACHING	2	
- 5	AN3-11A	BOLT,FWD FLAP ATTACHING	2	
	AN960-10	WASHER.	4	
	AN365-1032	NUT	4	
- 6	35-165004	ROLLER ASSY,FLAP TRACK.	4	
- 7	35-115052	TRACK,OUTBD FLAP LH	1	
	35-115052-1	TRACK,OUTBD FLAP RH	1	
- 8	35-115301-601	TRACK,INBD FLAP LH.	1	

MODEL 35 THRU G35 PARTS CATALOG

FIG. & INDEX NO.	PART NO.	DESCRIPTION							UNITS PER ASSY	USABLE ON CODE
		1	2	3	4	5	6	7		
11	35-115301-602	TRACK,INBD FLAP RH.	1	ABCDE1 E2FG
	45-115066-2	TRACK,INBD FLAP RH.	1	
- 9	35-115030-14	STOP,RUBBER	2	A3
	35-115240-6	DOOR ASSY,FLAP GAP LH OUTBD	1	
- 10	35-115240-7	DOOR ASSY,FLAP GAP RH OUTBD	1	A3
	35-115240-4	DOOR ASSY,FLAP GAP LH CENTER.	1	A3
- 11	35-115240-5	DOOR ASSY,FLAP GAP RH CENTER.	1	A3
	35-115240-2	DOOR ASSY,FLAP GAP LH INBD.	1	A3
	35-115240-3	DOOR ASSY,FLAP GAP RH INBD.	1	A3
	35-115265	SKIN,TRAILING EDGE LH WING /REPLACES 35-115240/	1	A4BCDEFG
- 12	35-115265-1	SKIN,TRAILING EDGE RH WING /REPLACES 35-115240/	1	A4BCDEFG
	104215-01130	PIN,INBD GAP DOOR HINGE	1	A3
	105774C063-07516	PIN,OUTBD GAP DOOR HINGE.	1	A3
	45-361118	BRACKET,LH FLAP LIMIT SWITCH.	1	E2FG
	AN749-1-6	JUMPER,BONDING.	1	

MODEL 35 THRU G35 PARTS CATALOG

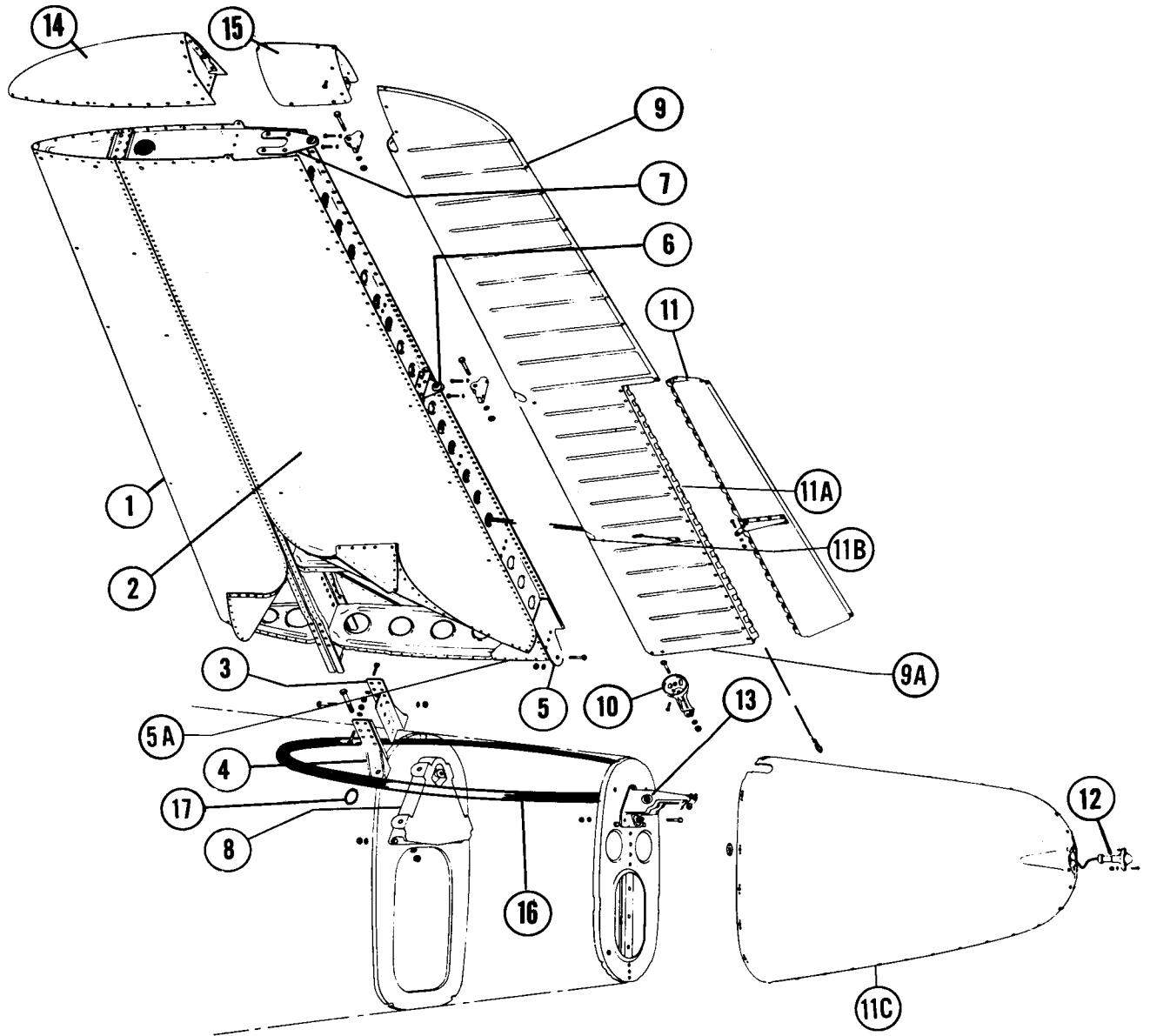


Figure 12. Empennage Group (D1 Thru D2680)

MODEL 35 THRU G35 PARTS CATALOG

FIG. & INDEX NO.	PART NO.	DESCRIPTION	UNITS PER ASSY	USABLE ON CODE
		1 2 3 4 5 6 7		
12	35-650001-602	STABILIZER ASSY,LH.	1	A2B
	35-650001-603	STABILIZER ASSY,RH.	1	A2B
- 1	35-650001-604	. EDGE ASSY,LH STABILIZER LEADING	1	A2B
	35-650001-605	. EDGE ASSY,RH STABILIZER LEADING	1	A2B
- 2	35-650001-606	. SECTION,LH STABILIZER MAIN.	1	A2B
	35-650001-607	. SECTION,RH STABILIZER MAIN.	1	A2B
	AN7-15A	. BOLT,STABILIZER ATTACHING FWD	2	A2B
	AN960-716	. WASHER.	2	A2B
	AN365-720	. NUT	2	A2B
	AN4-4A	. BOLT,STABILIZER ATTACHING AFT	1	A2B
	AN960-416	. WASHER.	1	A2B
	AN365-428	. NUT	1	A2B
- 3	35-650021	. FITTING,MAIN SPAR UPPER	1	A2B
- 4	35-650021-1	. FITTING,MAIN SPAR LOWER	1	A2B
	AN4-7A	. BOLT,FITTING ATTACHING.	8	A2B
	AN960-416	. WASHER.	8	A2B
	AN365-428	. NUT	8	A2B
- 5	35-650120	. HINGE,STABILIZER REAR SPAR.	2	A2B
- 5A	35-650100-4	. DOUBLER,LH STABILIZER REAR.	1	
	35-650100-5	. DOUBLER,RH STABILIZER REAR.	1	
	35-650113-8	. DOOR,LH STABILIZER INSPECTION	1	A2B
	35-650113-9	. DOOR,RH STABILIZER INSPECTION	1	A2B
	PK59Z-6-6	. SCREW,/PK/.	7	A2B
- 6	35-650120	. HINGE,ELEVATOR CENTER	1	A2B
	35-650120-6	. BRACKET	1	A2B
	35-600003	. BUSHING,CENTER HINGE.	1	A2B
	B-55	. BEARING,/TOR/	1	A2B
- 7	35-650121	. HINGE ASSY,OUTBD ELEVATOR	1	
	35-650121-6	. BRACKET	1	
	35-600003	. BUSHING,OUTBD HINGE	1	
	B-55	. BEARING,/TOR/	1	
- 8	35-405130	SUPPORT,STABILIZER.	1	A2B
	35-660040-607	ELEVATOR ASSY,LH /SPARE ASSY.	1	
		WITH TORQUE FITTING & LESS TAB/		
	35-660040-608	ELEVATOR ASSY,RH /SPARE ASSY.	1	
		WITH TORQUE FITTING & LESS TAB/		
- 9	35-660040	ELEVATOR ASSY	NP	
	AN4-12A	BOLT,ELEVATOR INBD ATTACHING.	1	
	AN960-416L	WASHER.	2	
	AN365-428	NUT	1	
	AN4-14A	BOLT,ELEVATOR CENTER ATTACHING.	1	
	AN960-416	WASHER.	1	
	AN365-428	NUT	1	
	AN4-14A	BOLT,ELEVATOR OUTBD ATTACHING	1	
	AN960-416	WASHER.	1	
	AN365-428	NUT	1	
- 9A	35-660040-26	. RIB,ELEVATOR.	1	
- 10	35-660031	. FITTING,LH ELEVATOR TORQUE.	1	
	35-660031-1	. FITTING,RH ELEVATOR TORQUE.	1	
	AN1032-10	. SCREW,FITTING ATTACHING	3	
- 11	35-660040-2	. TAB ASSY,ELEVATOR	1	A1
	35-660040-52	. TAB ASSY,LH ELEVATOR.	1	A2B
	35-660040-53	. TAB ASSY,RH ELEVATOR.	1	A2B
- 11A	35-660040-14	. HINGE,ELEVATOR TAB.	2	
	35-660040-32	. PIN,ELEVATOR TAB HINGE.	1	A2B
	NAS302-27-0590	CABLE,ELEVATOR TAB.	2	
- 11B	35-660033	FAIRLEAD,ELEVATOR TAB CABLE	1	
- 11C	35-380001	CONE ASSY,TAIL.	1	
	PK76XZ-8-6	SCREW,TAIL CONE ATTACHING /PK/.	AR	
	35-410422 SA2	CONE ASSY,TAIL /USED WITH ADF/.	1	
	35-410423	. BRACKET,/USED WITH ADF/	1	
	35-410424	. BRACKET,/USED WITH ADF/	1	
	35-410425	. DOUBLER,/USED WITH ADF/	1	

MODEL 35 THRU G35 PARTS CATALOG

FIG. & INDEX NO.	PART NO.	DESCRIPTION							UNITS PER ASSY	USABLE ON CODE	
		1	2	3	4	5	6	7			
12 - 12	35-364010	1		
	93	1		
	A2103-1	1		
	49158	2		
	AN6191-8Z3	9		
	AN6191-8Z1	4		
	- 13	35-600002	1	
		AN4-13A	2	
		AN4-6A	1	
		AN960-416	3	
AN365-428		3		
AN200KS4		2		
AN200K5		1		
35-534123		4		
- 14	AN316-4R	2		
	35-650112	1	A2B	
- 15	35-660040-48	1		
	35-660040-40	1		
- 16	35-650001-6	1	A2B	
- 17	M33705	1	A2B	
	35-660040	1		
	35-660040-1	1		

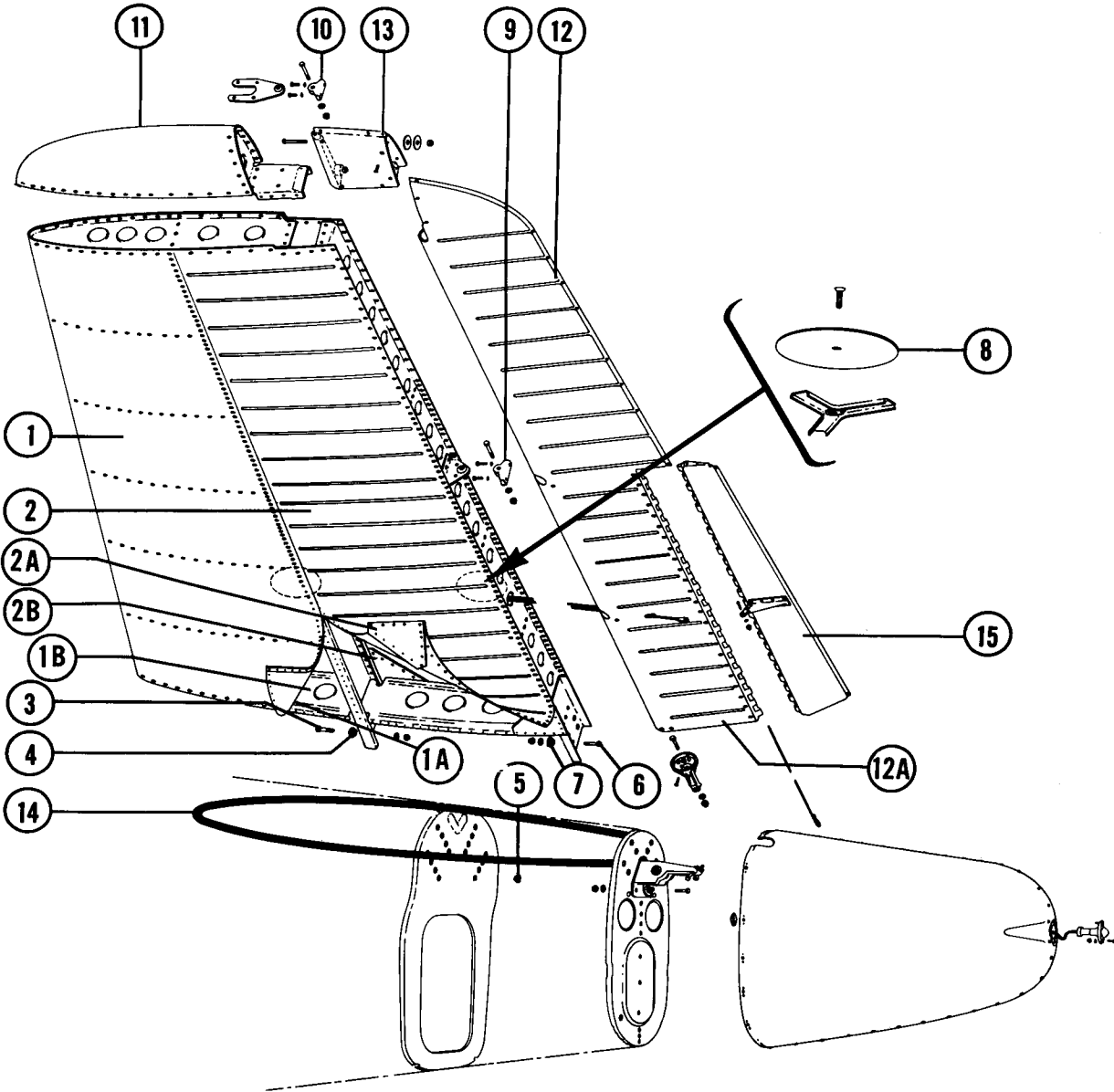


Figure 13. Empennage Group (D2681 thru D4865)

MODEL 35 THRU G35 PARTS CATALOG

FIG. & INDEX NO.	PART NO.	DESCRIPTION	UNITS PER ASSY							USABLE ON CODE	
			1	2	3	4	5	6	7		
13	35-650009-602	STABILIZER ASSY,LH.								1	CDEFG
	35-650009-603	STABILIZER ASSY,RH.								1	CDEFG
- 1	35-650009-604	. EDGE ASSY,LH STABILIZER LEADING								1	CDEFG
	35-650009-605	. EDGE ASSY,RH STABILIZER LEADING								1	CDEFG
- 1A	35-650009-2	. SKIN,LH LEADING EDGE.								1	
	35-650009-3	. SKIN,RH LEADING EDGE.								1	
- 1B	35-650133	. RIB								1	
- 2	35-650009-606	. SECTION,LH STABILIZER MAIN.								1	CDEFG
	35-650009-607	. SECTION,RH STABILIZER MAIN.								1	CDEFG
- 2A	35-650009-34	. SKIN,LH STABILIZER UPPER.								1	
	35-650009-5	. SKIN,RH STABILIZER UPPER.								1	
	35-650009-6	. SKIN,LH STABILIZER LOWER.								1	
	35-650009-37	. SKIN,RH STABILIZER LOWER.								1	
- 2B	35-650010-8	. RIB								1	
- 3	AN5-6A	. BOLT,STABILIZER FRONT ATTACHING								8	CDEFG
	AN960-516	. WASHER.								16	CDEFG
	AN365-524	. NUT								8	CDEFG
- 4	35-650017-4	. BUSHING								8	CDEFG
- 5	35-650017-2	. BUSHING								8	CDEFG
- 6	AN4-5A	. BOLT,STABILIZER REAR ATTACHING.								4	CDEFG
	AN960-416	. WASHER.								8	CDEFG
	AN365-428	. NUT								4	CDEFG
- 7	45-620011-8	. BUSHING								8	CDEFG
- 8	35-650010-22	. COVER								1	
	35-650010-20	. CLIP.								1	
	AN507-832-8	. SCREW								1	
	22A3-82	. NUT,/EN/.								1	
- 9	35-650122	. HINGE ASSY,ELEVATOR CENTER.								1	CDEFG
- 10	35-650121	. HINGE ASSY,ELEVATOR OUTBD								1	
- 11	35-650009-58	. TIP,STABILIZER.								1	CDEFG
- 12	35-660040-607	ELEVATOR ASSY,LH.								1	
	35-660040-608	ELEVATOR ASSY,RH.								1	
- 12A	35-660040-26	. RIB,ELEVATOR.								1	
- 13	35-660040-48	. SKIN ASSY,COUNTER BALANCE								1	
	35-660040-40	. WEIGHT,COUNTER BALANCE.								1	
- 14	35-650009-20	. EXTRUSION,RUBBER /MAKE FR 111722/								1	CDEFG
- 15	35-660040-52	. TAB ASSY,LH								1	CDEFG
	35-660040-53	. TAB ASSY,RH								1	CDEFG
	35-660040	JIG,LH ELEVATOR TRAVEL.								1	
	35-660040-1	JIG,RH ELEVATOR TRAVEL.								1	

MODEL 35 THRU G35 PARTS CATALOG

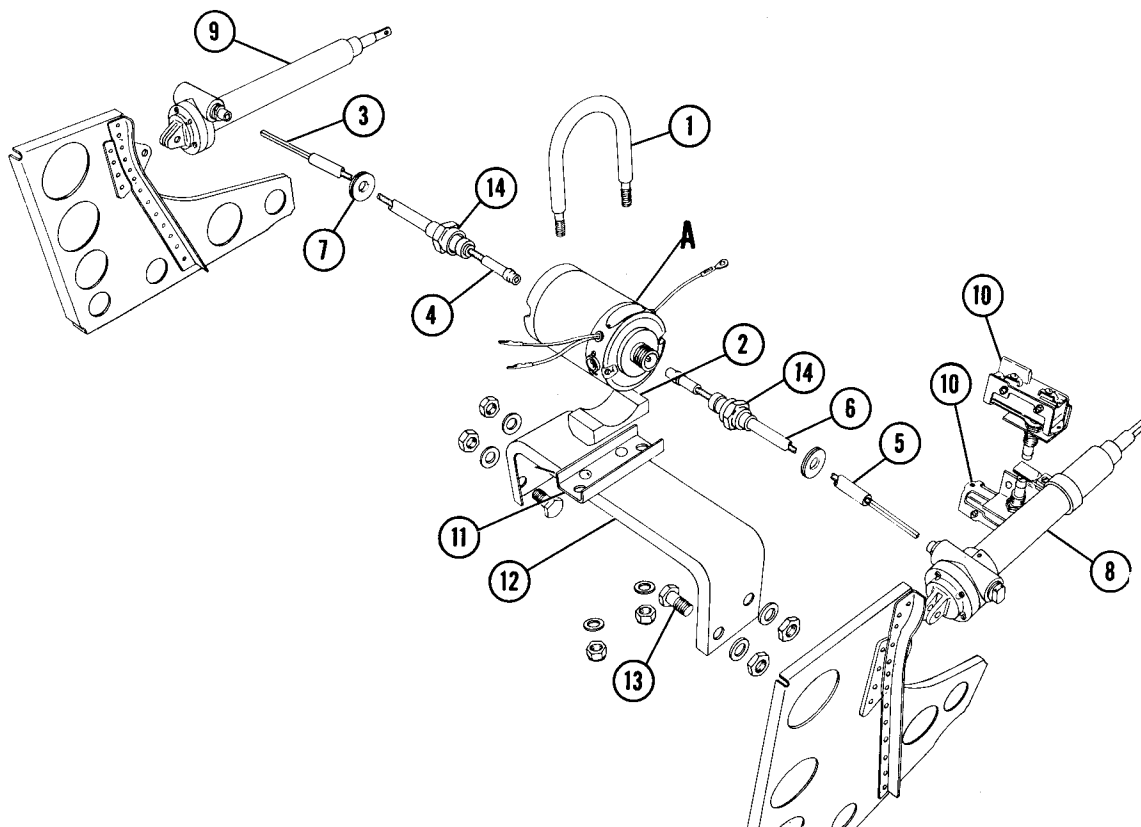


Figure 14. Flap Control Mechanism (D1 thru D837)

FIG. & INDEX NO.	PART NO.	DESCRIPTION	1	2	3	4	5	6	7	UNITS PER ASSY	USABLE ON CODE
14 - A	35-521160-2	MOTOR,FLAP MECHANISM /SEE FIG. 18/	1	A5
	35-521183	MOTOR,FLAP MECHANISM /SEE FIG. 18/	1	A6
- 1	35-521176	BOLT,MOTOR ATTACHING.	1	A7
	AN960-10	WASHER.	2	A7
	AN365-1032	NUT	2	A7
- 2	35-521177	BLOCK,MOTOR MOUNTING.	1	A7
- 3	35-521173-4	SHAFT,RH FLEXIBLE	1	A7
- 4	35-521174-8	HOUSING,RH SHAFT	1	A7
- 5	35-521173-8	SHAFT,LH FLEXIBLE	1	A7
- 6	35-521174-6	HOUSING,LH SHAFT.	1	A7
- 7	AN931-4-7	GROMMET,FLAP SHAFT.	2	A7
- 8	35-524210	ACTUATOR ASSY,LH FLAP /SEE FIG. 16/	1	A7
- 9	35-524210-1	ACTUATOR ASSY,RH FLAP /SEE FIG. 16/	1	A7
- 10	35-361119	SWITCH ASSY,FLAP ACTUATOR LIMIT /SEE FIG. 16/	2	A7
- 11	35-410124-2	BRACKET,MOTOR MOUNTING.	1	A7
- 12	35-410124-4	BRACKET,MOTOR SUPPORT	1	A7
- 13	AN3-4A	BOLT,SUPPORT ATTACHING.	4	A7
- 14	D177756	NUT,SHAFT ATTACHING	1	

MODEL 35 THRU G35 PARTS CATALOG

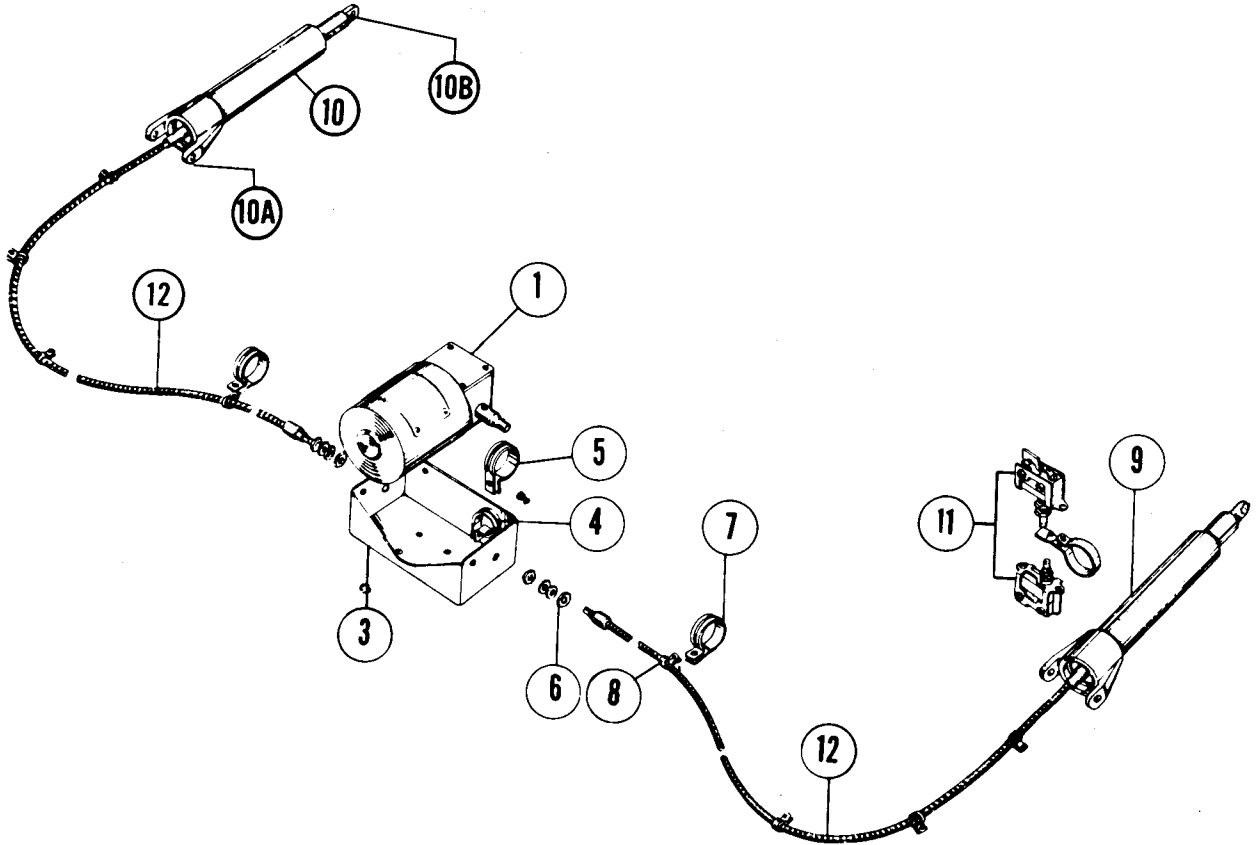


Figure 15. Flap Control Mechanism (D-838 thru D-4865)

FIG. & INDEX NO.	PART NO.	DESCRIPTION							UNITS PER ASSY	USABLE ON CODE
		1	2	3	4	5	6	7		
15 - 1	35-521225	MOTOR ASSY,FLAP /SEE FIG. 19/	1	A8BCDEFG
- 3	35-521222	SUPPORT,FLAP MOTOR.	1	A8BCDEFG
- 4	AN742D16C	CLAMP	2	A8BCDEFG
- 5	AN742D28C	CLAMP	2	A8BCDEFG
- 6	AN3066-4	NUT,CABLE ATTACHING	4	A8BCDEFG
- 7	AN742D26	CLAMP	2	A8BCDEFG
- 8	AN742D9C	CLAMP	8	A8BCDEFG
- 9	35-521212	ACTUATOR ASSY,LH FLAP /SEE FIG. 17/	1	A8
- 10	35-521212-1	ACTUATOR ASSY,RH FLAP /SEE FIG. 17/	1	A8
	45-521212	ACTUATOR ASSY,LH FLAP /SEE FIG. 17/	1	BCDEFG
	45-521212-1	ACTUATOR ASSY,RH FLAP /SEE FIG. 17/	1	BCDEFG
- 10A	105739S-YH0230	BUSHING,ACTUATOR ATTACHING.	2	
- 10B	100801S5-0437	BUSHING,ACTUATOR ATTACHING.	1	
- 11	35-361119	SWITCH ASSY,FLAP LIMIT /SEE FIG. 17/	2	DE3
	45-361115	SWITCH ASSY,FLAP LIMIT /SEE FIG. 17/	2	E4
- 12	45-521212-10	SHAFT & CABLE ASSY,FLAP	2	A8BCDEFG

MODEL 35 THRU G35 PARTS CATALOG

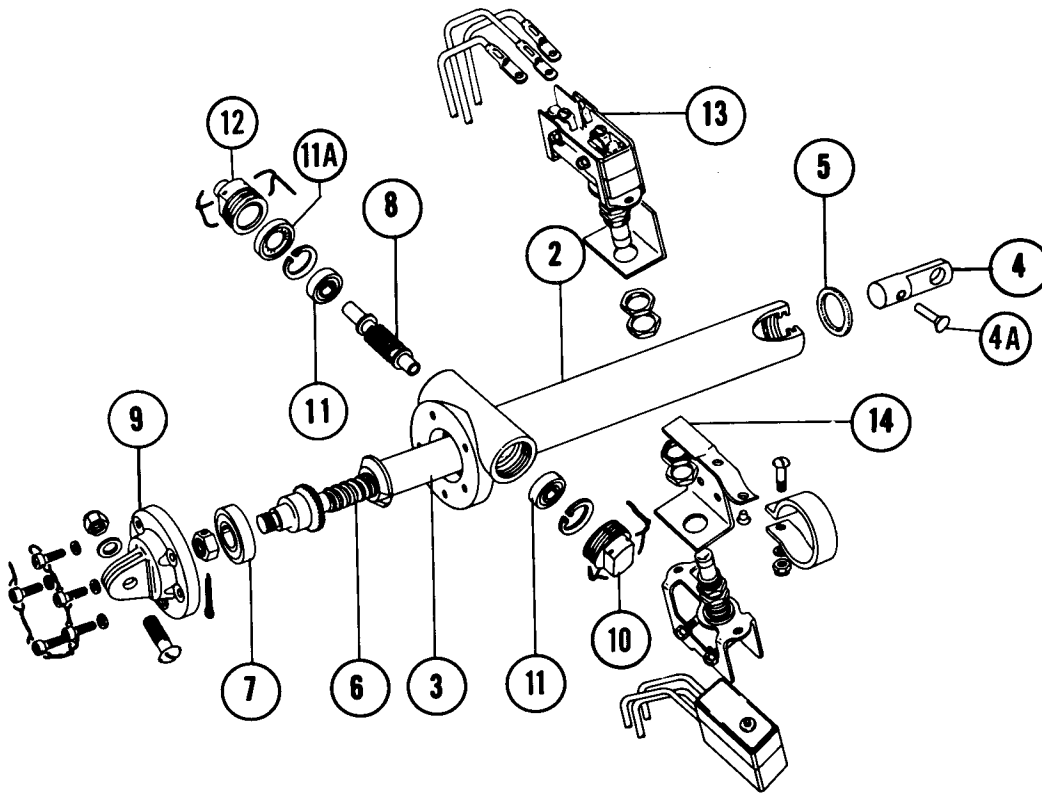


Figure 16. Flap Actuator And Limit Switch (D1 thru D837)

FIG. & INDEX NO.	PART NO.	DESCRIPTION	1	2	3	4	5	6	7	UNITS PER ASSY	USABLE ON CODE
16	35-524210	ACTUATOR ASSY,LH /SEE FIG. 14 FOR NHA/	1	A7
	35-524210-1	ACTUATOR ASSY,RH /SEE FIG. 14 FOR NHA/	1	A7
- 2	35-524216	• HOUSING,ACTUATOR.	1	A7
- 3	35-524214	• PISTON,ACTUATOR	1	A7
- 4	35-524215	• PLUG,ACTUATOR PISTON.	1	A7
- 4A	AN426AD6-14	• RIVET,PLUG ATTACHING.	1	A7
- 5	AN6227-13	• RING,PISTON SEAL.	1	A7
- 6	35-524212	• SCREW,ACTUATOR.	1	A7
	AN360-7	• NUT,SCREW RETAINING	1	A7
- 7	S-5-5	• BEARING,/MRC/	1	A7
- 8	35-524211	• WORM,ACTUATOR	1	A7
- 9	35-524213	• COVER,ACTUATOR.	1	A7
- 10	35-524218	• PLUG,ACTUATOR HOUSING	1	A7
- 11	XA-134	• BEARING,ACTUATOR WORM	2	A7
	NAS50-62	• RING,BEARING RETAINING	2	A7
- 11A	07580	• SEAL,WORM BEARING /CHI/	1	A7
- 12	35-524217	• HOLDER,WORM GEAR.	1	A7
	35-361119-602	SWITCH ASSY,FLAP ACTUATOR LIMIT	2	A7
		/SEE FIG. 14 FOR NHA/		
- 13	AN3210-1	• SWITCH,LIMIT.	2	A7
	BZR31	• SWITCH,LIMIT /MCS/ /ALTERNATE FOR AN3210-1/	2	A7
	MC-2711	• ACTUATOR,LIMIT SWITCH /MCS/	2	A7
- 14	35-521221	TAB,LIMIT SWITCH ACTUATOR	1	A7
	AN742D20	CLAMP,ACTUATOR TAB	1	A7
	35-115256	COVER ASSY,RH FLAP ACTUATOR ACCESS.	1	A7
	35-115264	COVER ASSY,LH FLAP LIMIT SWITCH	1	A7

MODEL 35 THRU G35 PARTS CATALOG

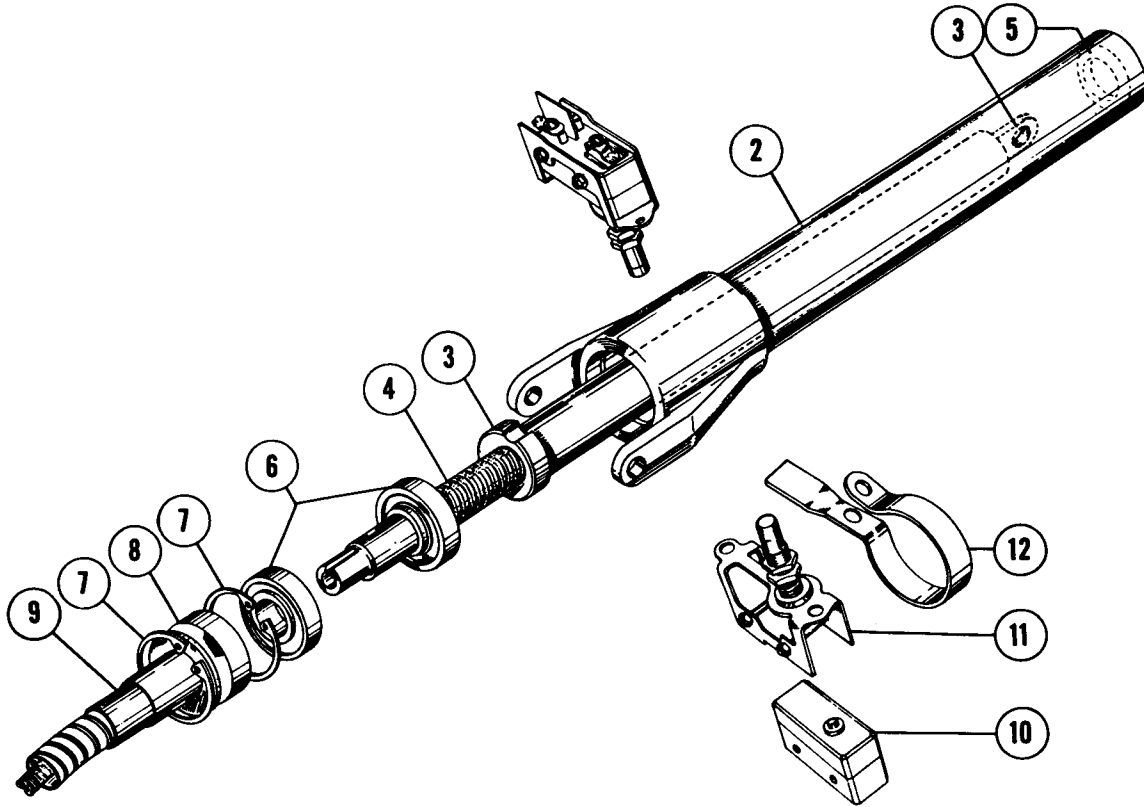


Figure 17. Flap Actuator And Limit Switch

FIG. & INDEX NO.	PART NO.	DESCRIPTION	UNITS PER ASSY	USABLE ON CODE
17 - 1	35-521212	ACTUATOR ASSY,LH FLAP /SEE FIG. 15 FOR NHA/ . . .	1	A8BCDEFG
	35-521212-1	ACTUATOR ASSY,RH FLAP /SEE FIG. 15 FOR NHA/ . . .	1	A8BCDEFG
	45-521212	ACTUATOR ASSY,LH FLAP /SEE FIG. 15 FOR NHA/ . . .	1	BCDEFG
	45-521212-1	ACTUATOR ASSY,RH FLAP /SEE FIG. 15 FOR NHA/ . . .	1	BCDEFG
- 2	35-521213	. HOUSING,ACTUATOR.	1	A8BCDEFG
- 3	35-521212-4	. PISTON ASSY,LH ACTUATOR	1	A8BCDEFG
	35-521212-5	. PISTON ASSY,RH ACTUATOR	1	A8BCDEFG
	45-521212-4	. PISTON ASSY,LH ACTUATOR	1	BCDEFG
	45-521212-5	. PISTON ASSY,RH ACTUATOR	1	BCDEFG
- 4	35-521216	. SCREW,LH ACTUATOR	1	A8BCDEFG
	35-521216-1	. SCREW,RH ACTUATOR	1	A8BCDEFG
	45-521216	. SCREW,LH ACTUATOR	1	BCDEFG
	45-521216-1	. SCREW,RH ACTUATOR	1	BCDEFG
- 5	AN6227-13	. SEAL.	1	A8BCDEFG
- 6	S-5-S	. BEARING	2	A8BCDEFG
- 7	NAS50-112	. RING,BEARING RETAINING.	2	A8BCDEFG
- 8	11116-M1	. SEAL/SUPERCEDES 11216/ /TWO ADDITIONAL.	1	A8BCDEFG
		35-521230 SPACERS REQUIRED WHEN 11216 IS REPLACED BY 11116-M1/		
	35-521230	. SPACER.	2	
- 9	5192Y	. SHAFT & HOUSING,FLAP.	1	A8BCDEFG
	35-361119-602	SWITCH ASSY,FLAP LIMIT /SEE FIG. 15 FOR NHA/.	2	A8BCDE3
- 10	AN3210-1	. SWITCH,LIMIT.	2	A8BCDE3
	BZR31	. SWITCH,LIMIT /MCS/ /ALTERNATE FOR AN3210-1/	2	A8BCDE3
- 11	MC-2711	. ACTUATOR,LIMIT SWITCH /MCS/	2	A8BCDE3
	45-361115	SWITCH ASSY,FLAP LIMIT /SEE FIG. 15 FOR NHA/.	1	E4
	45-361116	. SWITCH,UP LIMIT	1	E4
	45-361117	. SWITCH,DOWN LIMIT	1	E4
	AN3169-1	. ACTUATOR,LIMIT SWITCH	1	E4
- 12	35-361146	TAB,LIMIT SWITCH ACTUATOR	1	A8BCDE3
	35-115256	COVER ASSY,RH FLAP ACTUATOR ACCESS.	1	A8BCDEFG
	35-115256	COVER ASSY,LH FLAP ACTUATOR ACCESS.	1	A8BCDEFG

MODEL 35 THRU G35 PARTS CATALOG

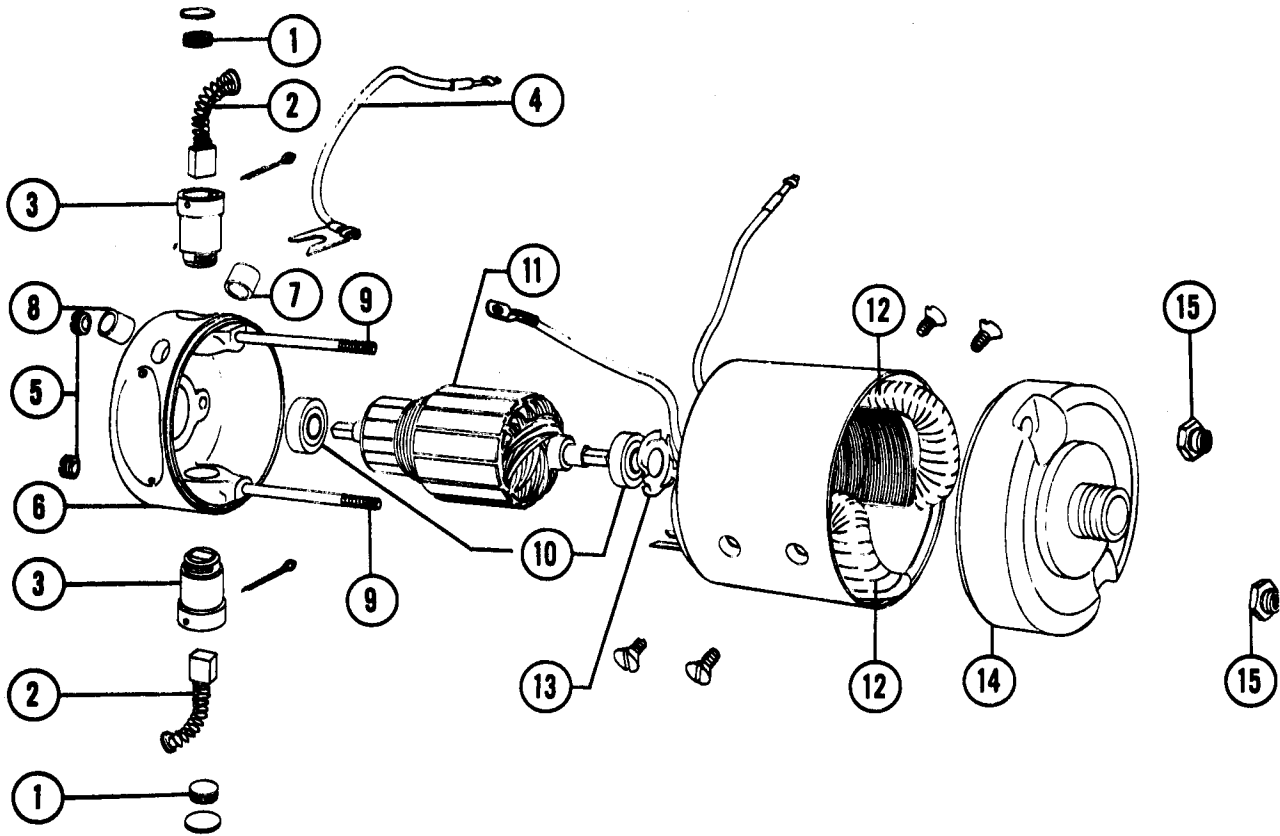


Figure 18. Flap Motor Assembly (D1 thru D837)

FIG. & INDEX NO.	PART NO.	DESCRIPTION	UNITS PER ASSY	USABLE ON CODE
18	35-521160-2	MOTOR ASSY,FLAP /SEE FIG. 14 FOR NHA/	1	A5
- 1	5705	. SCREW,BRUSH HOLDER /BD/	2	A5
- 2	35107A	. BRUSH & SPRING ASSY,/BD/	2	A5
- 3	33107A	. HÖLDER ASSY,BRUSH /BD/	2	A5
- 4	39109A	. LEAD & CLIP ASSY,/BD/	1	A5
- 5	7978	. SCREW,BRUSH HOLDER SEAT /BD/	2	A5
- 6	22196A	. BRACKET,COMMUTATOR /BD/	1	A5
- 7	0-3896	. BUSHING,CORD INSULATOR /BD/	1	A5
- 8	0-3883	. BUSHING,CORD INSULATOR /BD/	1	A5
- 9	10-7888	. STUD,MOTOR ASSEMBLING /BD/	2	A5
- 10	20-7641	. BEARING,SHAFT ROLLER /BD/	2	A5
- 11	32495-A	. ARMATURE ASSY,/BD/	1	A5
- 12	27395-A	. FIELD ASSY,/BD/	1	A5
- 13	0-3518	. SPRING,BEARING LOAD /BD/	1	A5
- 14	22197	. BRACKET,BEARING SUPPORT END /BD/	1	A5
- 15	7458	. NUT,MOTOR ASSEMBLING /BD/	2	A5
	35-521183	MOTOR ASSY,FLAP /SEE FIG. 14 FOR NHA/	1	A6
	35-521184	. SHAFT	1	A6
	35-521185	. GASKET	2	A6

MODEL 35 THRU G35 PARTS CATALOG

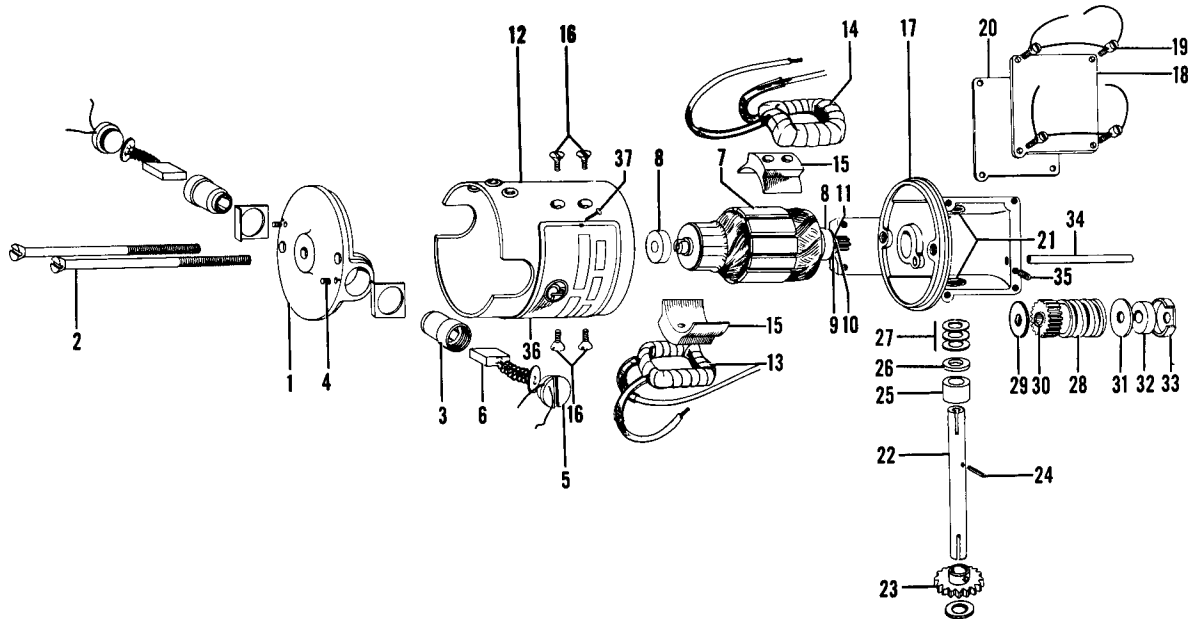


Figure 19. Flap Motor Assembly (D838 thru D4865)

FIG. & INDEX NO.	PART NO.	DESCRIPTION	1	2	3	4	5	6	7	UNITS PER ASSY	USABLE ON CODE
19	35-521225	MOTOR ASSY,FLAP /SEE FIG. 15 FOR NHA/	1	A8BCDEFG
- 1	589-0068-401	. HOUSING,BRUSH END /DU/	1	A8BCDEFG
- 2	AN505-832-46	. SCREW,HOUSING ATTACHING	2	A8BCDEFG
- 3	R-451-0019-475	. HOLDER ASSY,BRUSH /DU/	2	A8BCDEFG
- 4	R-822-0311-055	. SCREW,HOLDER ATTACHING /DU/	2	A8BCDEFG
	606-0037-026	. INSULATOR,BRUSH HOLDER /DU/	2	A8BCDEFG
	449-0003	. CLIP,BRUSH HOLDER /DU/	1	A8BCDEFG
	449-0006	. CLIP,BRUSH HOLDER /DU/	2	A8BCDEFG
- 5	456-0010-006	. PLUG,BRUSH /DU/	1	A8BCDEFG
- 6	R-457-0627-475	. BRUSH ASSY,/DU/	2	A8BCDEFG
- 7	408-0293-233	. ARMATURE,/DU/	1	A8BCDEFG
- 8	ND77-R4	. BEARING,/ND/	2	A8BCDEFG
- 9	R-768-0004	. WASHER,/DU/	1	A8BCDEFG
- 10	766-0108	. WASHER,OIL RETAINING /DU/	1	A8BCDEFG
- 11	502-0048-404	. COLLAR,/DU/	1	A8BCDEFG
- 12	35-521225-2	. CASE,MOTOR	1	A8BCDEFG
- 13	35-521225-14	. FIELD ASSY.	1	A8BCDEFG
- 14	35-521225-16	. FIELD ASSY.	1	A8BCDEFG
- 15	550-0001	. POLE,FIELD /DU/	2	A8BCDEFG
- 16	AN505-632-5	. SCREW,POLE ATTACHING.	2	A8BCDEFG
- 17	595-0012-401	. HOUSING,GEAR /DU/	1	A8BCDEFG
- 18	520-0004-402	. COVER,GEAR HOUSING /DU/	1	A8BCDEFG
- 19	AN500A632-4	. SCREW,COVER ATTACHING	4	A8BCDEFG
- 20	559-0002-088	. GASKET,/DU/	1	A8BCDEFG
- 21	427-0092-014	. BEARING,/DU/	2	A8BCDEFG

MODEL 35 THRU G35 PARTS CATALOG

FIG. & INDEX NO.	PART NO.	DESCRIPTION							UNITS PER ASSY	USABLE ON CODE
		1	2	3	4	5	6	7		
19 - 22	35-521227	•	•	•	•	•	•	•	1	A8BCDEFG
- 23	35-521227-4	•	•	•	•	•	•	•	1	A8BCDEFG
- 24	AAF385-30-6	•	•	•	•	•	•	•	1	A8BCDEFG
- 25	100696S18-13-017	•	•	•	•	•	•	•	1	A8BCDEFG
- 26	AN960-616L	•	•	•	•	•	•	•	1	A8BCDEFG
- 27	105090B005-6-020	•	•	•	•	•	•	•	4	A8BCDEFG
- 28	784-0038	•	•	•	•	•	•	•	1	A8BCDEFG
- 29	766-0069-077	•	•	•	•	•	•	•	1	A8BCDEFG
- 30	R-428-0008	•	•	•	•	•	•	•	2	A8BCDEFG
- 31	766-0045-077	•	•	•	•	•	•	•	1	A8BCDEFG
- 32	R-426-0011	•	•	•	•	•	•	•	1	A8BCDEFG
- 33	523-0004-054	•	•	•	•	•	•	•	1	A8BCDEFG
- 34	703-0003	•	•	•	•	•	•	•	1	A8BCDEFG
- 35	R-822-0409-055	•	•	•	•	•	•	•	1	A8BCDEFG
- 36	R901-311	•	•	•	•	•	•	•	1	A8BCDEFG
- 37	AN535-2-2	•	•	•	•	•	•	•	2	A8BCDEFG

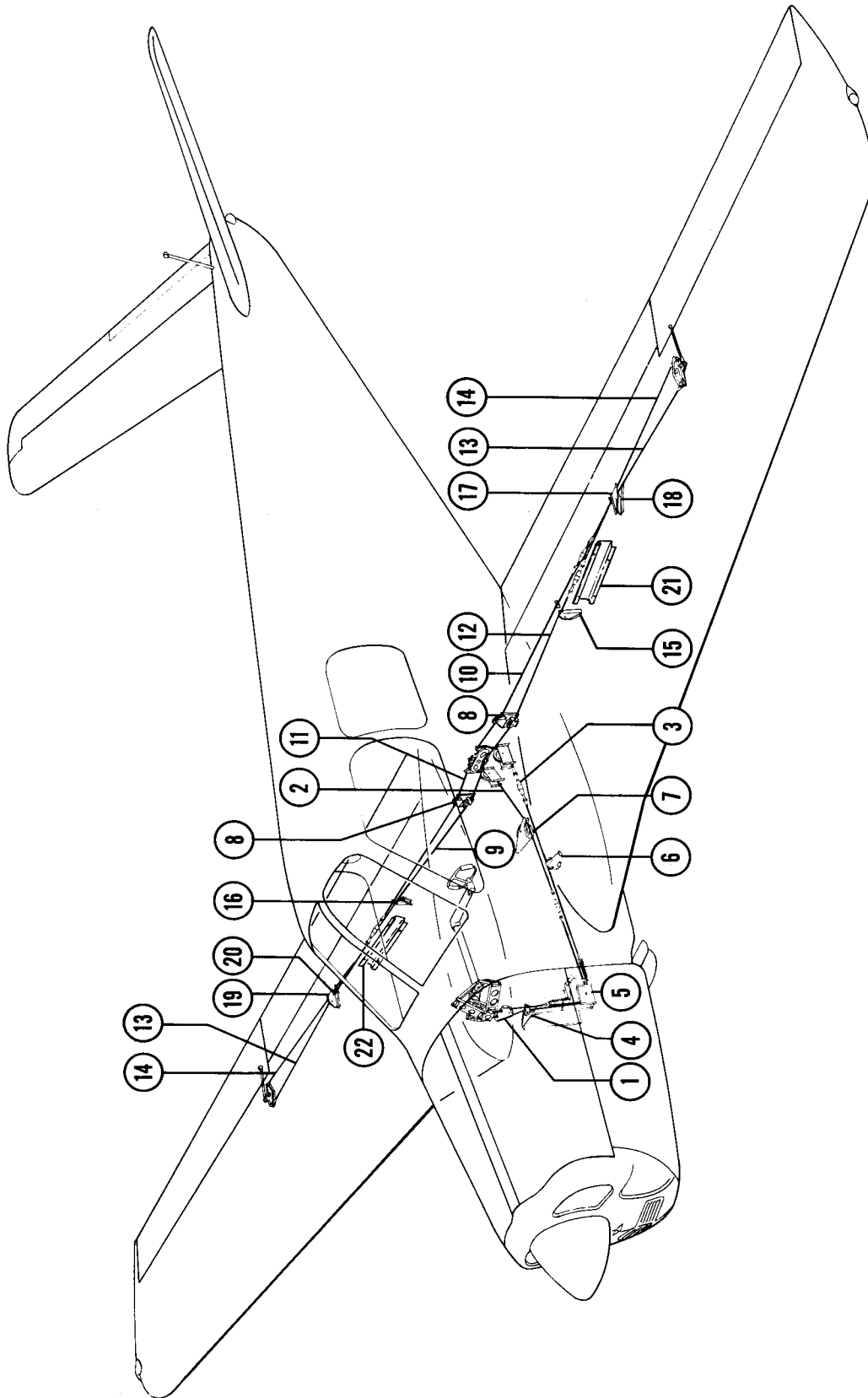


Figure 20. Aileron Control System (D1 thru D1500)

MODEL 35 THRU G35 PARTS CATALOG

FIG. & INDEX NO.	PART NO.	DESCRIPTION							UNITS PER ASSY	USABLE ON CODE
		1	2	3	4	5	6	7		
20 - 1	35-524174	CABLE ASSY,FWD AILERON /SEE FIG. 22/.	1	A1
- 2	NAS314-15-0472	CABLE ASSY,AFT RH AILERON	1	A1
- 3	NAS314-15-0152	CABLE ASSY,AFT LH AILERON	1	A1
	AN210-3A	PULLEY,AILERON.	2	A1
- 4	35-415332	BRACKET,FWD PULLEY.	1	A1
	AN210-4A	PULLEY,AILERON.	2	A1
- 5	35-400339-2	BRACKET,FWD PULLEY.	1	A1
	AN392-35	PIN,CABLE GUARD	2	A1
	AN210-3A	PULLEY,AILERON.	1	A1
- 6	35-410201	BRACKET,CENTER PULLEY	1	A1
	AN155-32L	BARREL,TURNBUCKLE	2	A1
	AN210-4A	PULLEY,AILERON.	1	A1
- 7	35-410309	BRACKET,CENTER PULLEY	1	A1
	AN210-4A	PULLEY,REAR FLOOR AILERON	2	A1
	AN210-3A	PULLEY,REAR TRUSS AILERON	4	A1
- 8	35-410024-10	BRACKET,PULLEY.	2	A1
- 9	NAS305-24-0514	CABLE ASSY,RH LOWER INBD /RH THREAD/.	1	A1
- 10	NAS305-25-0546	CABLE ASSY,RH UPPER INBD /LH THREAD/.	1	A1
- 11	NAS305-35-0546	CABLE ASSY,LH UPPER INBD /LH THREAD/.	1	A1
- 12	NAS305-34-0514	CABLE ASSY,LH LOWER INBD /RH THREAD/.	1	A1
- 13	NAS305-35-0672	CABLE ASSY,LOWER OUTBD /LH THREAD/.	1	A1
- 14	NAS305-34-0640	CABLE ASSY,UPPER OUTBD /RH THREAD/.	1	A1
	AN210-3A	PULLEY,AILERON.	2	A1
- 15	35-115100-6	BRACKET,LH INBD PULLEY.	1	A1
- 16	35-115100-7	BRACKET,RH INBD PULLEY.	1	A1
- 17	35-115042-6	BRACKET,LH UPPER OUTBD PULLEY	1	A1
- 18	35-115042-8	BRACKET,LH LOWER OUTBD PULLEY	1	A1
- 19	35-115042-7	BRACKET,RH UPPER OUTBD PULLEY	1	A1
- 20	35-115042-9	BRACKET,RH LOWER OUTBD PULLEY	1	A1
	AN155-32L	BARREL,TURNBUCKLE	2	A1
	35-521156	FAIRLEAD,INBD	1	A1
	35-521157	FAIRLEAD,OUTBD.	1	A1
- 21	35-115261	COVER,LH AILERON CABLES	1	A1
- 22	35-115261-1	COVER,RH AILERON CABLES	1	A1

MODEL 35 THRU G35 PARTS CATALOG

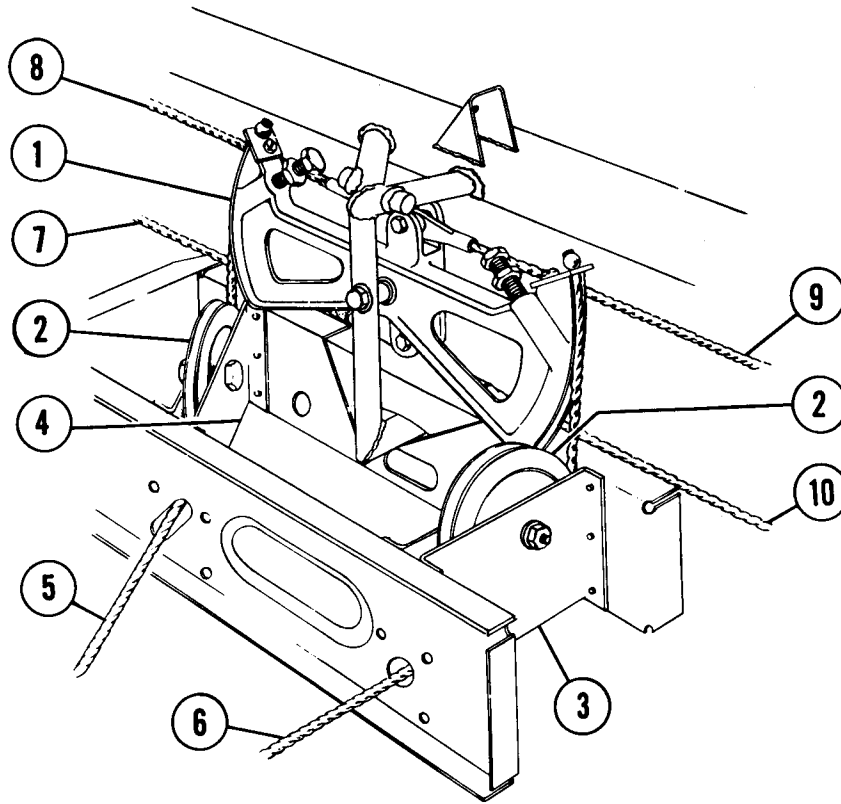


Figure 21. Aileron Control Quadrant Assembly

FIG. & INDEX NO.	PART NO.	DESCRIPTION							UNITS PER ASSY	USABLE ON CODE
		1	2	3	4	5	6	7		
21	35-524187	QUADRANT ASSY, CONTROL	1	A1
	AN4-43	BOLT, QUADRANT ATTACHING	1	A1
	AN960-416	WASHER	3	A1
	AN320-4	NUT	1	A1
	- 1	35-524187-2	QUADRANT, AILERON CONTROL	1	A1
		PN-4A	BEARING, CONTROL QUADRANT /TOR/	2	A1
		35-524188	BOLT, QUADRANT STOP	2	A1
		AN316-5R	NUT, STOP ADJUSTMENT	2	A1
		35-524189	PLATE, CABLE LOCKING	2	A1
		AN503-8-6	SCREW, PLATE ATTACHING	2	A1
	- 2	AN210-4A	PULLEY, AILERON	2	A1
		AN4-10A	BOLT, PULLEY ATTACHING	2	A1
		AN960-416	WASHER	1	A1
		AN365-428	NUT	2	A1
	- 3	35-410125-2	BRACKET, PULLEY	1	A1
	- 4	35-410125-4	BRACKET, PULLEY	1	A1
		AN392-19	PIN, CABLE GUARD	4	A1
		35-410126	SUPPORT, PULLEY BRACKET FWD	1	A1
		35-410003	SUPPORT, PULLEY BRACKET AFT	1	A1
	- 5	NAS314-15-0472	CABLE ASSY, RH AFT AILERON	1	A1
	- 6	NAS314-15-0152	CABLE ASSY, LH AFT AILERON	1	A1
- 7	NAS305-24-0514	CABLE ASSY, RH LOWER INBD	1	A1	
- 8	NAS305-25-0546	CABLE ASSY, RH UPPER INBD	1	A1	
- 9	NAS305-35-0546	CABLE ASSY, LH UPPER INBD	1	A1	
- 10	NAS305-34-0514	CABLE ASSY, LH LOWER INBD	1	A1	
	AN4-11	BOLT, CABLE ATTACHING	2	A1	
	AN960-416	WASHER	2	A1	
	AN320-4	NUT	2	A1	

MODEL 35 THRU G35 PARTS CATALOG

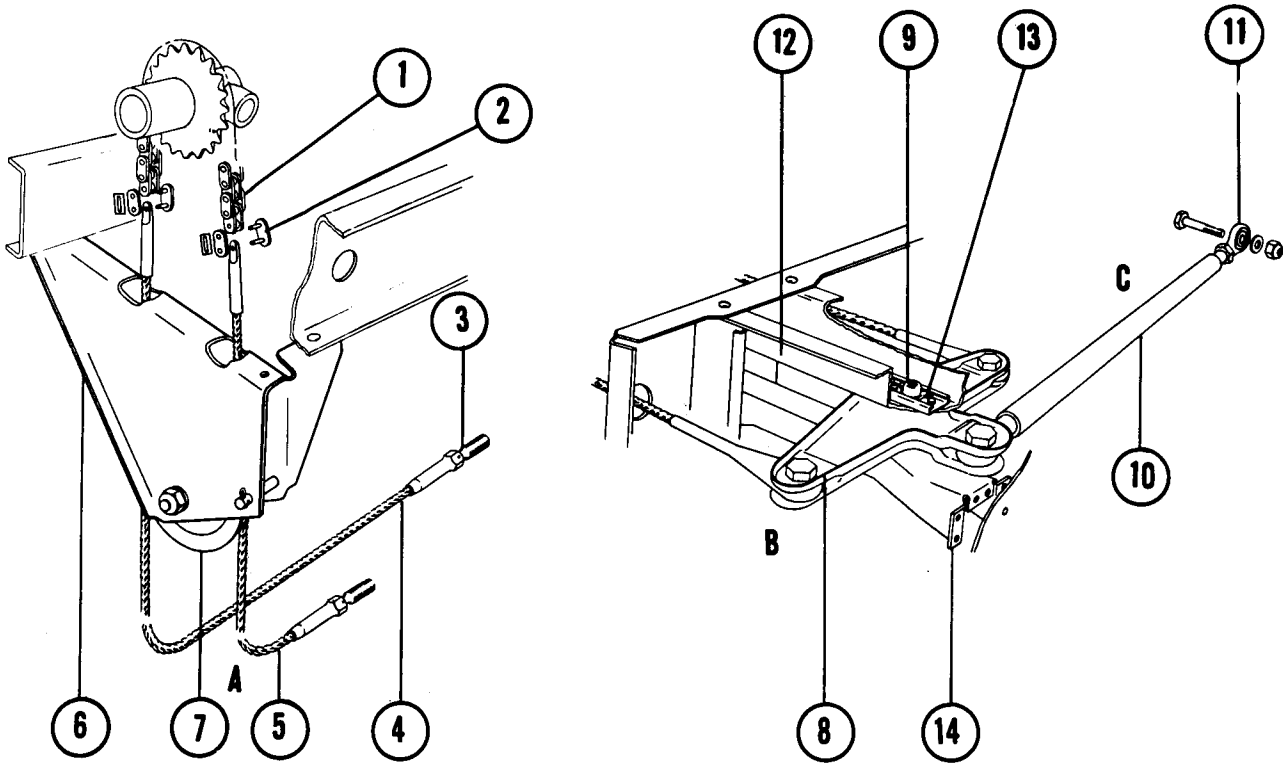


Figure 22. Aileron Control Sprocket And Bellcrank Assembly

FIG. & INDEX NO.	PART NO.	DESCRIPTION	1 2 3 4 5 6 7							UNITS PER ASSY	USABLE ON CODE
			1	2	3	4	5	6	7		
22 - A	35-524174	CABLE ASSY,AILERON CONTROL/SEE FIG. 20 FOR NHA/								1	A1
- 1	X-1188	• CHAIN ASSY,AILERON CONTROL /DI/								1	A1
- 2	88	• LINK,CHAIN CONNECTING /TYPE A/ /DI/								2	A1
- 3	35-524175	• FITTING,CABLE								2	A1
	AN667-4	• TERMINAL,CABLE								2	A1
- 4	35-524174-2	• CABLE,RH FWD.								1	A1
- 5	35-524174-4	• CABLE,LH FWD.								1	A1
- 6	35-410019	BRACKET,PULLEY.								1	A1
- 7	AN210-3A	PULLEY,AILERON.								1	A1
- B	35-521153	BELLCRANK ASSY,AILERON CONTROL.								2	A1
	AN4-15A	BOLT,BELLCRANK ATTACHING.								1	A1
	AN960-416	WASHER.								1	A1
	AN365-428	NUT								1	A1
- 8	35-521153-2	• BELLCRANK,AILERON								1	A1
- 9	PN-4-A	• BEARING,BELLCRANK /TOR/								1	A1
- C	35-521152	ROD ASSY,AILERON CONTROL.								2	A1
	AN4-10A	BOLT,CONTROL ROD ATTACHING.								1	A1
	AN960-416	WASHER.								1	A1
	AN365-428	NUT								1	A1
- 10	35-521152-4	• ROD,AILERON CONTROL								1	A1
- 11	HM-4	• END,CONTROL ROD /HEC/								1	A1
	HML-4	• END,CONTROL ROD /HEC/								1	A1
	AN316-4R	• NUT,ROD END STOP.								1	A1
	AN316-4L	• NUT,ROD END STOP.								1	A1
- 12	35-115202-6	BRACKET,LH UPPER BELLCRANK SUPPORT.								1	A1
	35-115202-7	BRACKET,RH UPPER BELLCRANK SUPPORT.								1	A1
- 13	22A-21-2-048	• NUT,BELLCRANK RETAINING /EN/.								1	A1
- 14	35-115202-8	BRACKET,LOWER BELLCRANK SUPPORT								1	A1

MODEL 35 THRU G35 PARTS CATALOG

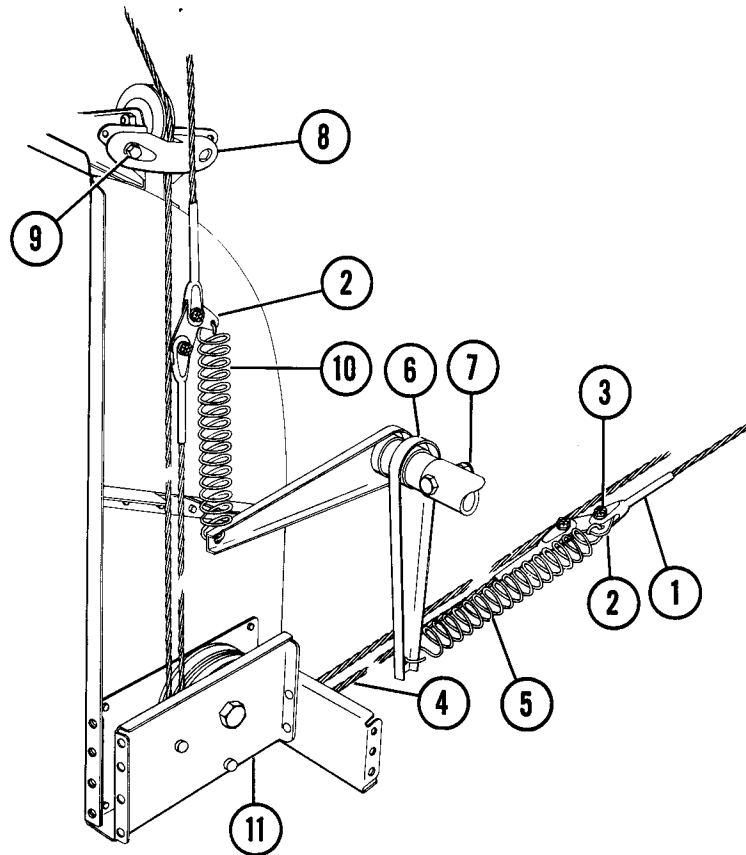


Figure 23. Aileron Bungee Mechanism

FIG. & INDEX NO.	PART NO.	DESCRIPTION								UNITS PER ASSY	USABLE ON CODE	
			1	2	3	4	5	6	7			
23 - 1	NAS304-24-0397	CABLE ASSY,LH CENTER AILERON.	1	A1
- 2	35-524302	LINK,CABLE ATTACHING.	2	A1
- 3	AN23-11	BOLT,CABLE ATTACHING.	4	A1
	AN960-10	WASHER.	8	A1
	AN320-3	NUT	4	A1
- 4	NAS304-22-0256	CABLE ASSY,LH FWD AILERON	1	A1
- 5	35-524305	SPRING,AILERON BUNGEE	1	A1
- 6	35-524297	ARM ASSY,AILERON BUNGEE	1	A1
- 7	AN23-22A	BOLT,ARM ATTACHING.	1	A1
	AN960-10	WASHE	1	A1
	AN365-1032	NUT	1	A1
- 8	35-524309	FAIRLEAD,CABLE GUIDE.	1	A1
- 9	AN515-8-8	SCREW,FAIRLEAD ATTACHING.	2	A1
	AN960-8	WASHER.	4	A1
	AN365-832	NUT	2	A1
- 10	35-524305	SPRING,AILERON BUNGEE	1	A1
- 11	35-400339-2	BRACKET,PULLEY.	1	A1

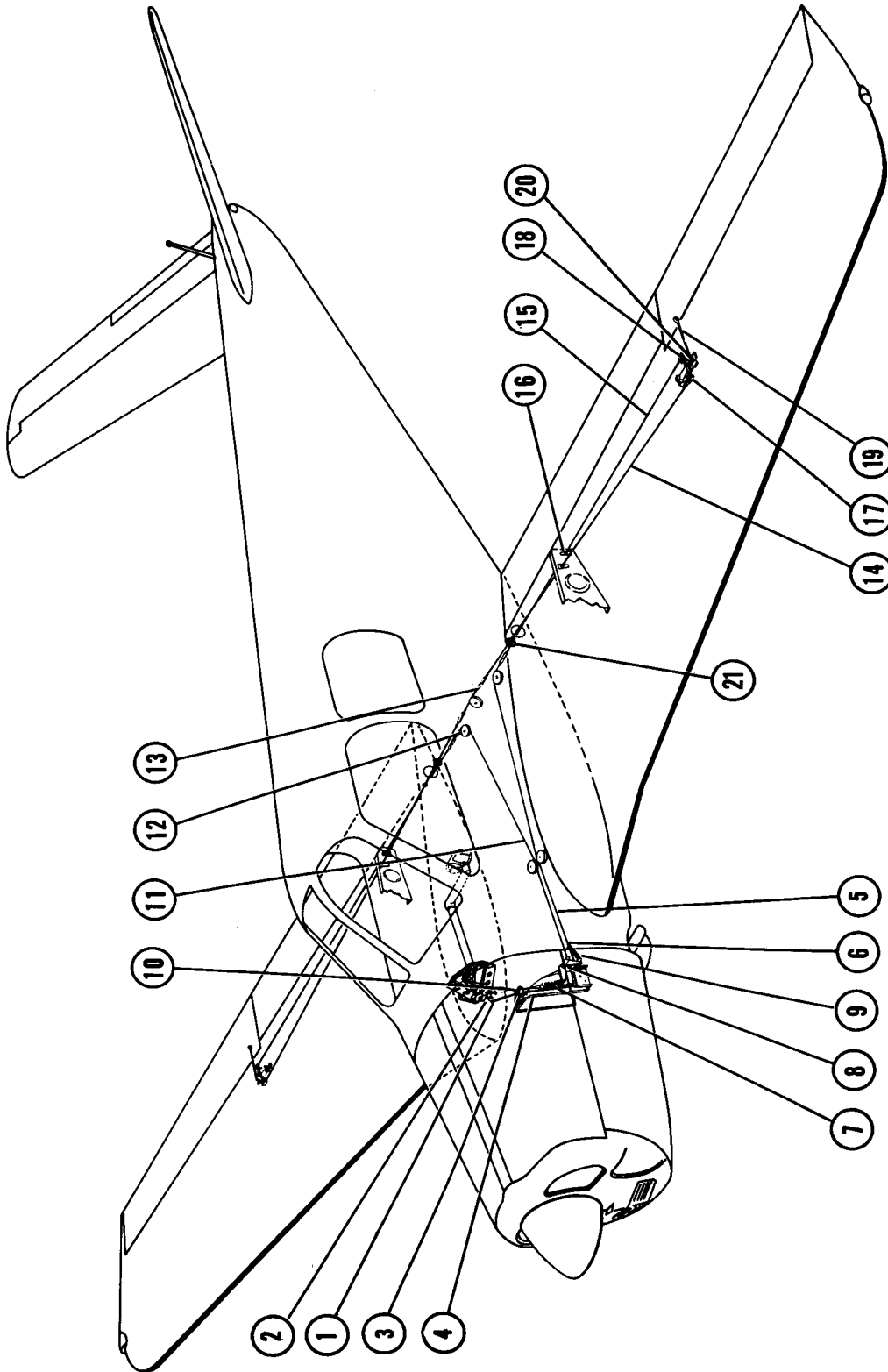


Figure 24. Aileron Control System

MODEL 35 THRU G35 PARTS CATALOG

FIG. & INDEX NO.	PART NO.	DESCRIPTION	1 2 3 4 5 6 7							UNITS PER ASSY	USABLE ON CODE	
			1	2	3	4	5	6	7			
24	- 1	35-524314	CABLE ASSY,FWD AILERON CONTROL	1	A2BCDEFG
		35-524314-6	. CABLE ASSY,RH FWD AILERON	1	A2BCDEFG
		35-524314-8	. CABLE ASSY,LH FWD AILERON	1	A2BCDEFG
	- 2	X-1188	. CHAIN ASSY,AILERON CONTROL /DI/ /27 LINKS - 17 INCHES/	1	A2BCDEFG
		88	. LINK,CHAIN CONNECTING /TYPE A/ /DI/	2	A2BCDEFG
	- 3	35-524309	FAIRLEAD,CABLE GUARD	1	A2BCDEFG
	- 4	NAS304-22-0256	CABLE ASSY,LH FWD AILERON	1	A2BCDEFG
	- 5	NAS304-26-0603	CABLE ASSY,LH CENTER AILERON	1	A2BCDEFG
	- 6	35-524302	LINK,CABLE ATTACHING	2	A2BCDEFG
		AN23-11	BOLT,LINK ATTACHING	4	A2BCDEFG
		AN960-10	WASHER	4	A2BCDEFG
		AN320-3	NUT	4	A2BCDEFG
	- 7	35-524305	SPRING,AILERON BUNGEE	1	A2BCDEFG
	- 8	35-524297	ARM ASSY,AILERON BUNGEE	1	A2BCDEFG
		AN386-2-12A	PIN,ARM ATTACHING TAPER	1	A2BCDEFG
		AN975-3	WASHER	1	A2BCDEFG
		AN364-1032	NUT	1	A2BCDEFG
	- 9	35-524305	SPRING,AILERON BUNGEE	1	A2BCDEFG
	- 10	AN210-3A	PULLEY,AILERON CABLE	2	A2BCDEFG
	- 11	NAS304-24-610	CABLE ASSY,RH CENTER AILERON	1	A2BCDEFG
	- 12	AN210-4A	PULLEY,AILERON CABLE	6	A2BCDEFG
- 13	NAS304-66-0170	CABLE ASSY,CENTER AILERON BALANCE	1	A2BCDEFG	
	AN155-32L	BARREL,TURNBUCKLE	4	A2BCDEFG	
- 14	35-521188	CABLE ASSY,OUTBD AILERON BALANCE	1	A2BCDEFG	
- 15	35-521189	CABLE ASSY,OUTBD AILERON CONTROL	1	A2BCDEFG	
	AN24-12	BOLT,CABLE ATTACHING	4	A2BCDEFG	
	AN960-416L	WASHER	4	A2BCDEFG	
	AN320-4	NUT	4	A2BCDEFG	
- 16	35-521181	FAIRLEAD,CABLE	2	A2BCDEFG	
- 17	35-521190	FITTING,OUTBD CABLE	2	A2BCDEFG	
	35-521186	BOLT,FITTING ATTACHING	2	A2BCDEFG	
	AN960-10L	WASHER	2	A2BCDEFG	
	AN320-3	NUT	2	A2BCDEFG	
- 18	35-521158	BELLCRANK ASSY,LH AILERON	1	A2BCDEFG	
	35-521158-1	BELLCRANK ASSY,RH AILERON	1	A2BCDEFG	
	AN4-16A	BOLT,BELLCRANK ATTACHING	1	A2BCDEFG	
	AN960-416	WASHER	1	A2BCDEFG	
	AN365-428	NUT	1	A2BCDEFG	
	35-521158-2	. BELLCRANK,LH	1	A2BCDEFG	
	35-521158-3	. BELLCRANK,RH	1	A2BCDEFG	
	AR-4	. BEARING,BELLCRANK /TOR/	1	A2BCDEFG	
	S185-111-003	. BOLT,STOP	1	A2BCDEFG	
	AN316-5R	. NUT,CHECK	1	A2BCDEFG	
- 19	35-521152	ROD ASSY,AILERON CONTROL	1	A2BCDEFG	
- 20	35-521187	BOLT,ROD ATTACHING	1	A2BCDEFG	
	35-521152-4	. ROD,AILERON CONTROL	1	A2BCDEFG	
	HM-4	END,CONTROL ROD /HEC/	1	A2BCDEFG	
	HML-4	END,CONTROL ROD /HEC/	1	A2BCDEFG	
	AN316-4R	NUT,ROD END STOP	1	A2BCDEFG	
	AN316-4L	NUT,ROD END STOP	1	A2BCDEFG	
- 21	35-410391	FAIRLEAD,CABLE	1	A2BCDEFG	

MODEL 35 THRU G35 PARTS CATALOG

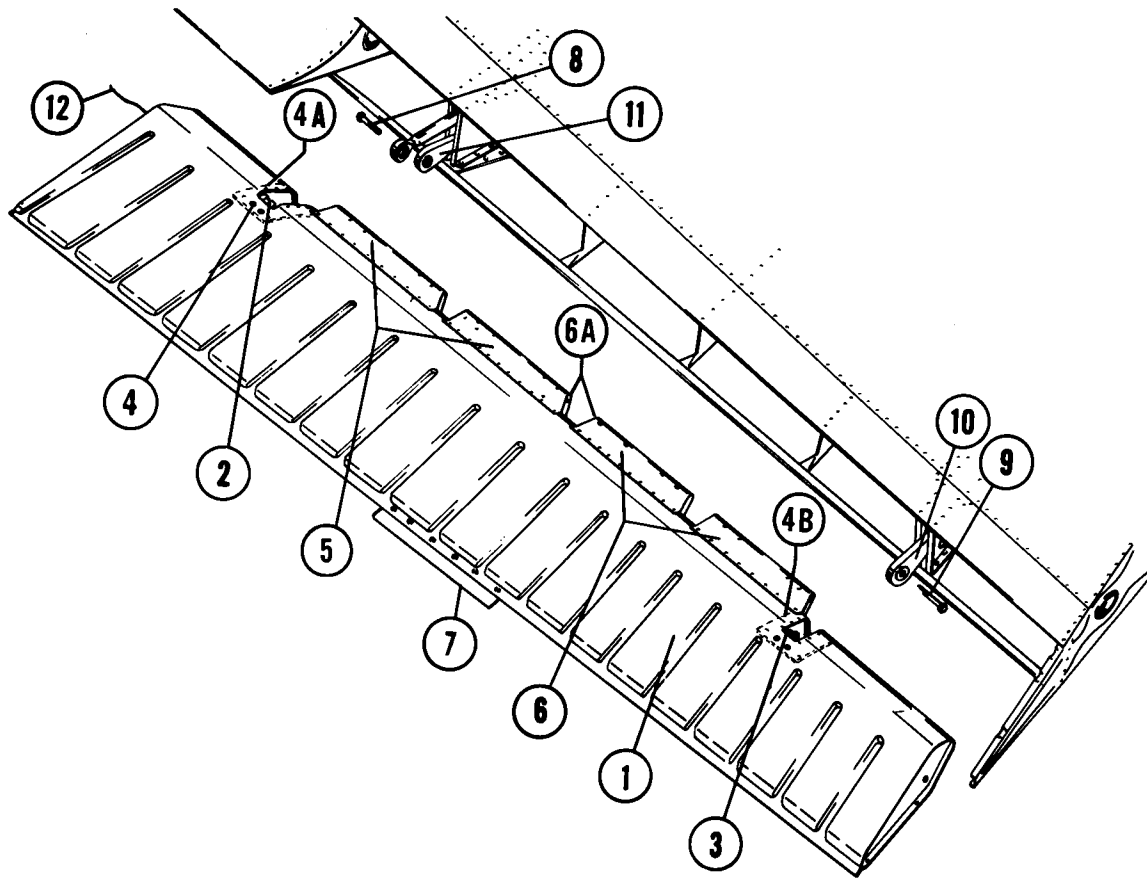


Figure 25. Aileron Assembly

FIG. & INDEX NO.	PART NO.	DESCRIPTION	1	2	3	4	5	6	7	UNITS PER ASSY	USABLE ON CODE
25 - 1	35-135025	AILERON ASSY.	2	
- 2	35-135025-36	. BRACKET,INBD ATTACHING.	1	
- 3	35-135025-32	. BRACKET,OUTBD ATTACHING.	1	
- 4	NAS221-9	. SCREW,BRACKET ATTACHING.	8	
	AN960-10L	. WASHER.	8	
	112105	. WASHER.	8	
- 4A	35-135025-102	. DOUBLER,INBD.	1	
- 4B	35-135025-100	. DOUBLER,OUTBD.	1	
- 5	35-135025-602	. WEIGHT ASSY,BALANCE /CONSISTS OF BRACKETS & WEIGHTS/	2	
- 6	35-135025-604	. WEIGHT ASSY,BALANCE /CONSISTS OF BRACKETS & WEIGHTS/	2	
- 6A	35-135025-2	. WEIGHT,BALANCE.	4	
- 7	35-135025-20	. TAB,AILERON.	1	
- 8	AN4-10A	BOLT,AILERON CONTROL ATTACHING.	1	
	AN960-416	WASHER.	1	
	AN365-428	NUT.	1	
- 9	AN3-7A	BOLT,AILERON ATTACHING.	2	
	AN960-10	WASHER.	2	
	AN365-1032	NUT.	2	
- 10	35-115071-12	HINGE,OUTBD.	1	
- 11	35-115147	HINGE,INBD.	1	
- 12	AN749-1-6	JUMPER,BONDING.	1	

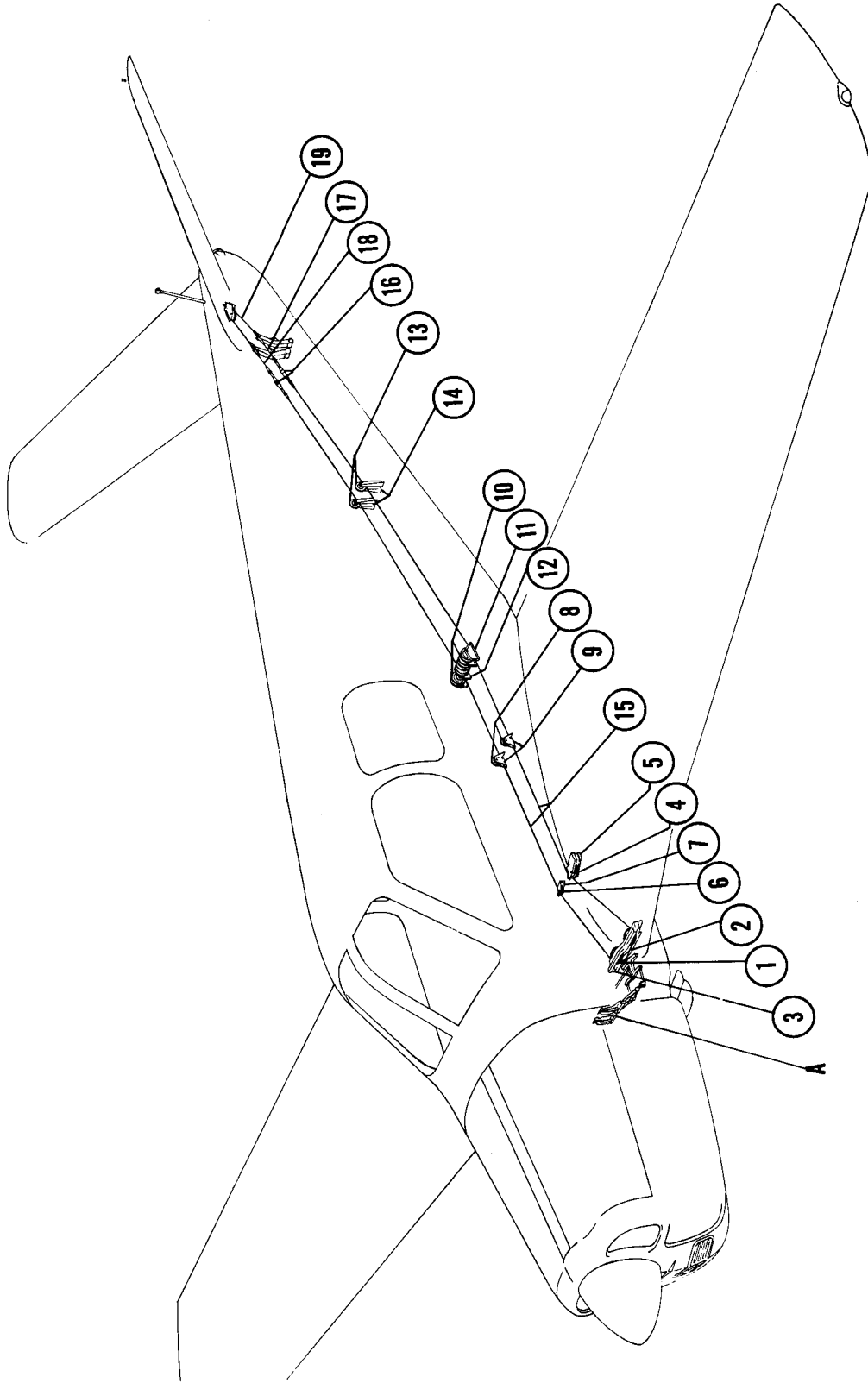


Figure 26. Rudder Control System

MODEL 35 THRU G35 PARTS CATALOG

FIG. & INDEX NO.	PART NO.	DESCRIPTION	UNITS PER ASSY	USABLE ON CODE
		1 2 3 4 5 6 7		
26 - A	35-524061	PEDAL INSTL,RUDDER /SEE FIG. 29/	1	
- 1	AN210-4A	PULLEY,RUDDER CONTROL	2	
	AN4-10A	BOLT,PULLEY ATTACHING	1	
	AN960-416	WASHER.	1	
	AN365-428	NUT	1	
- 2	35-410210-18	BRACKET,PULLEY LOWER SUPPORT.	1	
- 3	35-410210-20	BRACKET,PULLEY UPPER SUPPORT.	1	
	AN392-19	PIN,CABLE GUARD	1	
- 4	AN210-4A	PULLEY,RUDDER CONTROL	1	A1
	AN4-10A	BOLT,PULLEY ATTACHING	1	A1
	AN960-416	WASHER.	1	A1
	AN365-428	NUT	1	A1
- 5	35-410311	BRACKET,PULLEY.	1	A1
	AN392-19	PIN,CABLE GUARD	2	A1
- 6	AN210-3A	PULLEY,RUDDER CONTROL	1	A1
	AN4-10A	BOLT,PULLEY ATTACHING	1	A1
	AN960-416	WASHER.	1	
	AN365-428	NUT	1	A1
- 7	35-410310	BRACKET,PULLEY.	1	A1
	AN392-19	PIN,CABLE GUARD	2	
- 8	AN210-3A	PULLEY,RUDDER CONTROL	2	A1
	AN210-4A	PULLEY,RUDDER CONTROL	2	A2BCDEFG
	AN4-10A	BOLT,PULLEY ATTACHING	2	
	AN960-416	WASHER.	2	
	AN365-428	NUT	2	
- 9	35-410307-6	BRACKET,PULLEY.	2	A1
	35-410158-16	BRACKET,PULLEY.	1	A2BCDEFG
	AN392-19	PIN,CABLE GUARD	2	
- 10	AN210-4A	PULLEY,RUDDER CONTROL	2	
	AN4-54A	BOLT,PULLEY ATTACHING	1	
	AN960-416	WASHER.	2	
	AN365-428	NUT	1	
	100801S6-1484	SPACER.	1	
	100801S6-0484	SPACER.	1	
- 11	35-410015	BRACKET,PULLEY.	1	
- 12	35-410015-1	BRACKET,PULLEY.	1	
	35-524003	PIN,CABLE GUARD	1	
- 13	AN210-3A	PULLEY,RUDDER CONTROL	2	
	AN4-10A	BOLT,PULLEY ATTACHING	2	
	AN960-416	WASHER.	2	
	AN365-428	NUT	2	
- 14	35-410141	BRACKET,PULLEY.	2	
- 15	NAS314-14-1875	CABLE ASSY,FWD RUDDER	2	A1
	NAS314-14-1871	CABLE ASSY,FWD RUDDER	2	A2BCDEFG
	35-524006	PLATE,CABLE ATTACHING	2	
	AN502-10-8	SCREW,PLATE ATTACHING	2	
- 16	AN155-32L	BARREL,TURNBUCKLE	2	
- 17	NAS304-25-0106	CABLE ASSY,LH AFT RUDDER.	1	
- 18	NAS304-25-0100	CABLE ASSY,RH AFT RUDDER.	1	
	AN23-18	BOLT,CABLE ATTACHING.	1	
	AN960-10L	WASHER.	1	
	AN320-3	NUT	1	
	35-524109	LINK,CABLE ATTACHING.	1	
- 19	NAS304-33-0255	CABLE ASSY,AFT RUDDER CONTROL	1	

MODEL 35 THRU G35 PARTS CATALOG

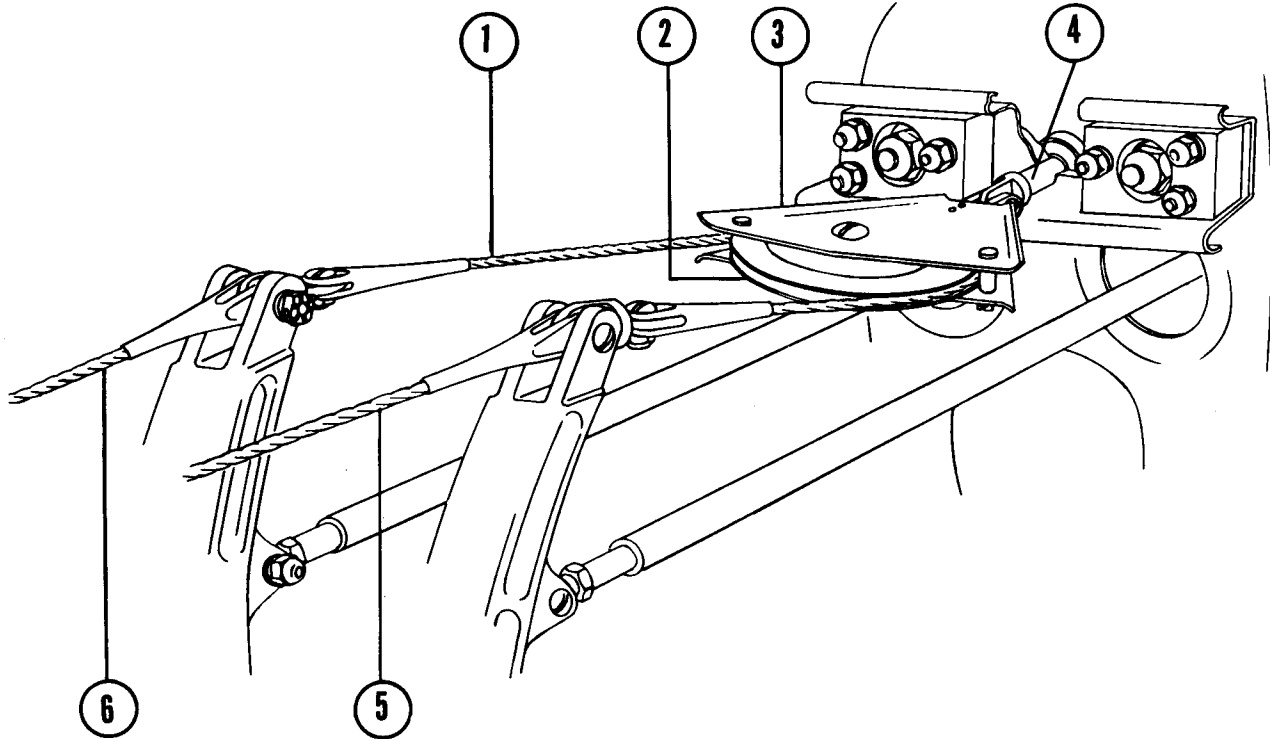


Figure 27. Aft Rudder Control System

FIG. & INDEX NO.	PART NO.	DESCRIPTION								UNITS PER ASSY	USABLE ON CODE	
			1	2	3	4	5	6	7			
27 - 1	NAS304-33-0255	CABLE ASSY,AFT RUDDER CONTROL	1	
	35-524109	LINK ASSY,CABLE ATTACHING	2	
	AN23-14A	BOLT,CABLE ATTACHING.	1	
	AN960-10L	WASHER.	1	
	AN365-1032	NUT	1	
- 2	AN210-5A	PULLEY,RUDDER CONTROL	1	
	AN26-17	BOLT,PULLEY ATTACHING	1	
	AN960-616	WASHER.	1	
	AN320-6	NUT	1	
- 3	35-524245	BRACKET ASSY,PULLEY	1	
	AN24-13	BOLT,BRACKET ATTACHING.	1	
	AN960-416	WASHER.	1	
	AN320-4	NUT	1	
	AN392-25	PIN,CABLE GUARD	2	
- 4	35-524263	BOLT ASSY,SWIVEL.	1	
	AN310-5	NUT,BOLT ATTACHING.	1	
	AN960-516	WASHER.	1	
	35-524263-2	. BOLT,SWIVEL	1	
	NO NUMBER	. BEARING,SWIVEL BOLT /AXD/ /.2505 I.D. X .3135 O.D. X .190 LONG/	1	
- 5	NAS304-25-0106	CABLE ASSY,LH RUDDER.	1	
- 6	NAS304-25-0100	CABLE ASSY,RH RUDDER.	1	
	AN23-18	BOLT,CABLE ATTACHING.	1	
	AN960-10L	WASHER.	1	
	AN320-3	NUT	1	

MODEL 35 THRU G35 PARTS CATALOG

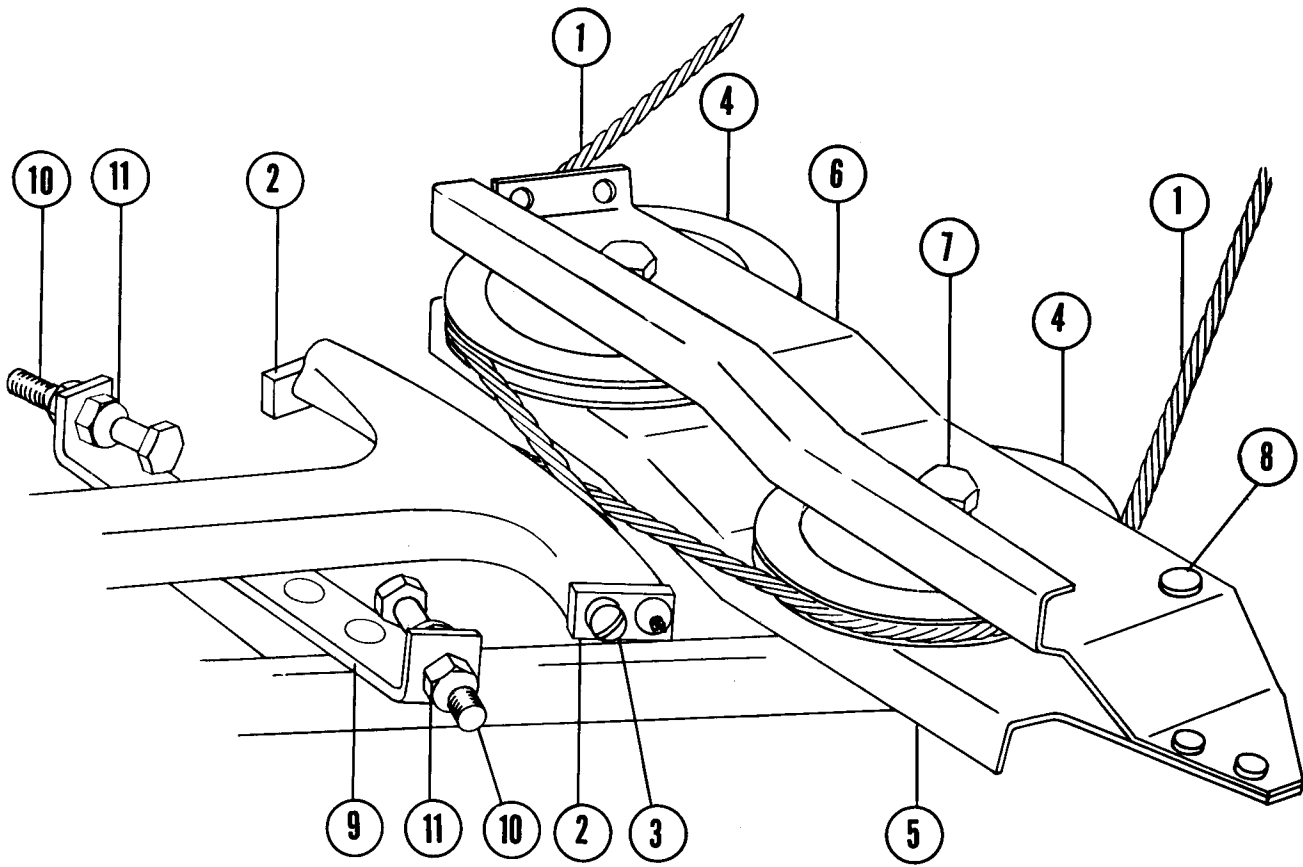


Figure 28. Forward Rudder Control System

FIG. & INDEX NO.	PART NO.	DESCRIPTION								UNITS PER ASSY	USABLE ON CODE	
			1	2	3	4	5	6	7			
28 - 1	NAS314-14-1875	CABLE ASSY, FWD RUDDER CONTROL	2	
- 2	35-524006	PLATE, CABLE ANCHOR	2	
- 3	AN502-10-8	SCREW, PLATE ATTACHING	2	
- 4	AN210-4A	PULLEY, RUDDER CONTROL	2	
- 5	35-410210-18	BRACKET, PULLEY LOWER SUPPORT	1	
- 6	35-410210-20	BRACKET, PULLEY UPPER SUPPORT	1	
- 7	AN4-10A	BOLT, PULLEY ATTACHING	2	
	AN960-416	WASHER	2	
	AN365-428	NUT	2	
- 8	AN392-19	PIN, CABLE GUARD	1	
- 9	35-410164-2	STOP, RUDDER PEDAL	1	
- 10	35-524185	BOLT, STOP	2	
- 11	AN364-428	NUT, STOP ADJUSTING	4	

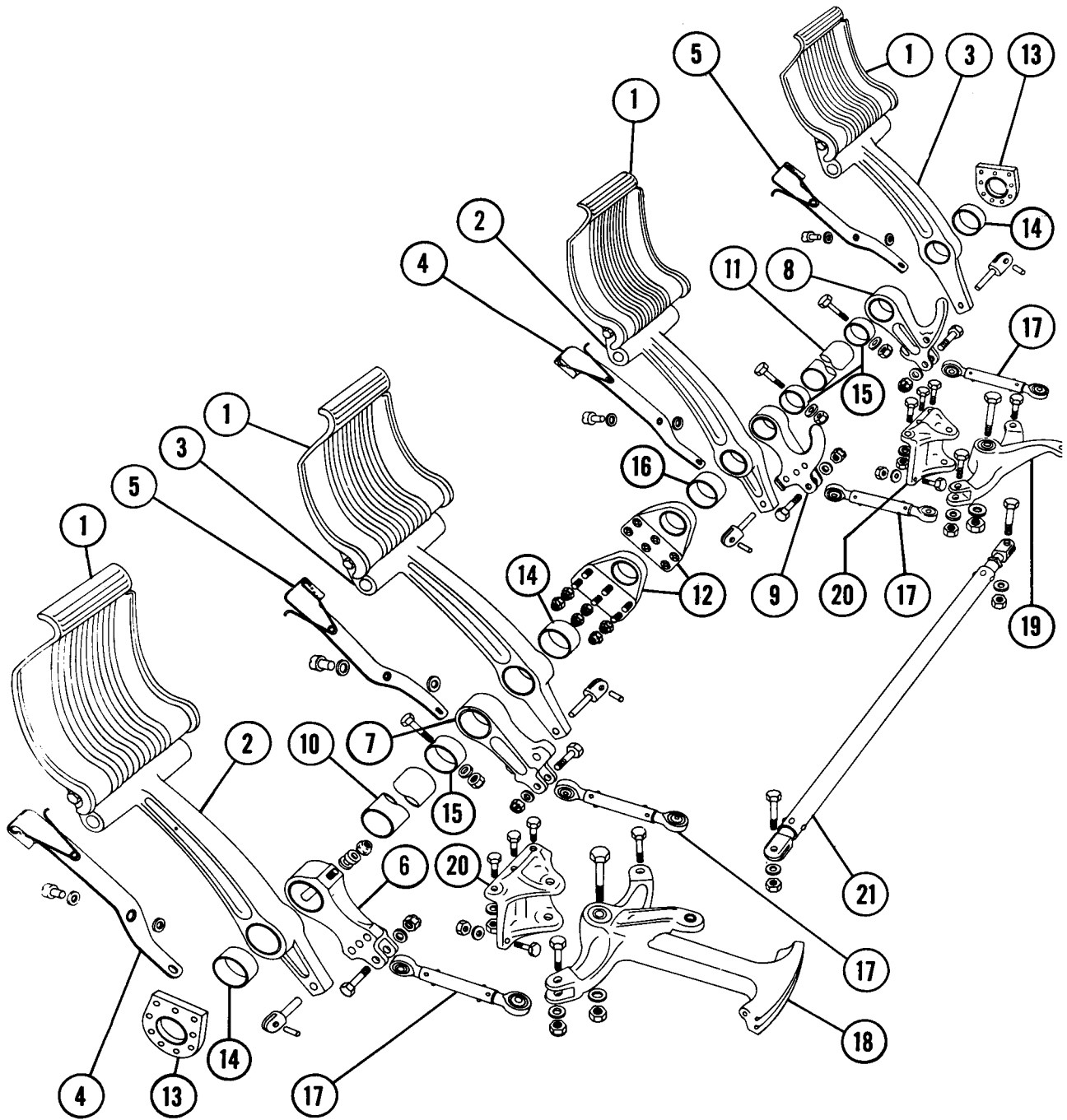


Figure 29. Rudder Pedal Assembly

MODEL 35 THRU G35 PARTS CATALOG

FIG. & INDEX NO.	PART NO.	DESCRIPTION	UNITS PER ASSY	USABLE ON CODE
		1 2 3 4 5 6 7		
29	35-524061	PEDAL INSTL,RUDDER /SEE FIG. 26 FOR NHA/	REF	
- 1	35-524011	• PEDAL,RUDDER	4	
- 2	35-524060	• ARM ASSY,LH RUDDER PEDAL	2	
- 3	35-524060-1	• ARM ASSY,RH RUDDER PEDAL	2	
	A1170-2	• BUSHING,PEDAL ARM /CC/	2	
- 4	35-524170	• LEVER ASSY,LH PEDAL ADJUSTING	1	
- 5	35-524170-1	• LEVER ASSY,RH PEDAL ADJUSTING	1	
	105739X0190-	• BUSHING,ADJUSTING LEVER	2	
	0250-0135			
	35-524308	• SPRING,ADJUSTING LEVER	2	
	35-524171	• PIN,LEVER STOP	2	
	102809A125-014	• PIN,STOP ATTACHING	2	
- 6	35-524143-6	• ARM ASSY,PILOTS PEDAL LOWER	1	
	AN386-2-12A	• PIN,ARM ATTACHING TAPER	1	
	AN975-3	• WASHER	1	
	AN364-1032	• NUT	1	
	NO NUMBER	• BEARING,LOWER ARM	1	
		/1.002 I.D. X 1.128 O.D. X .885 LONG/		
- 7	35-524300	• ARM ASSY,PILOTS PEDAL LOWER	1	
	NO NUMBER	• BEARING,LOWER ARM	1	
		/1.002 I.D. X 1.128 O.D. X .885 LONG/		
- 8	35-524367	• ARM ASSY,COPILOTS PEDAL LOWER	1	
- 9	35-524367-1	• ARM ASSY,COPILOTS PEDAL LOWER	1	
	35-524368	• ARM ASSY,COPILOTS PEDAL LOWER	1	
		/USE WITH DUAL BRAKES/		
	A1170-4	• BEARING,LOWER ARM /CC/	1	
- 10	35-524301	• TUBE,PILOTS PEDAL TORQUE	1	
- 11	35-524018	• TUBE,COPILOTS PEDAL TORQUE	1	
- 12	35-524183	• SUPPORT ASSY,RUDDER PEDAL INBD	1	
	35-524275	• SCREW,SUPPORT ATTACHING	6	
	A1170-7	• BEARING,INBD SUPPORT /CC/	1	
- 13	35-400364-8	• SUPPORT ASSY,RUDDER PEDAL OUTBD	1	
	35-400364-6	• BEARING,OUTBD SUPPORT	1	
- 14	105739S1000-	• SPACER	3	
	1125-0563			
- 15	105739S1000-	• BUSHING	3	
	1125-0625			
- 16	105739S1000-	• SPACER	1	
	1125-0703			
- 17	35-524066	• ROD ASSY,RUDDER PEDAL	2	
- 18	35-524137	• BELLCRANK ASSY,LH RUDDER PEDAL	1	
- 19	35-524138	• BELLCRANK ASSY,RH RUDDER PEDAL	1	
	AN301K4A	• BEARING,BELLCRANK	2	
	A225	• BEARING,BELLCRANK /CC/	1	
	102933-05-0625-	• SPACER,BELLCRANK BEARING	1	
	0749			
- 20	35-524136	• SUPPORT,BELLCRANK	1	
- 21	35-524144	• ROD ASSY,BELLCRANK PUSH	1	
	35-524258	• FORK,PUSH ROD ATTACHING	1	

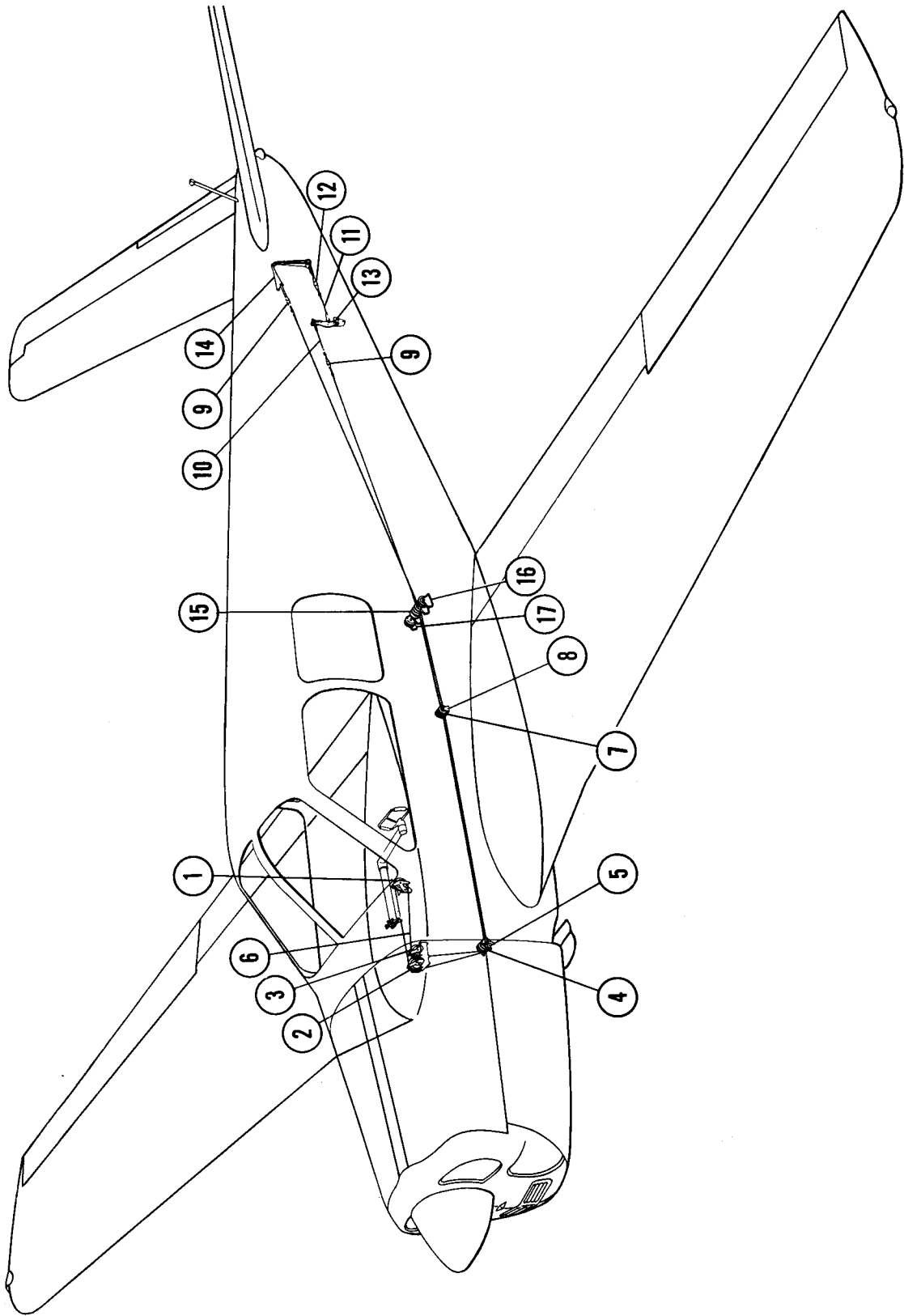


Figure 30. Elevator Control System

MODEL 35 THRU G35 PARTS CATALOG

FIG. & INDEX NO.	PART NO.	DESCRIPTION							UNITS PER ASSY	USABLE ON CODE
		1	2	3	4	5	6	7		
30 - 1	AN210-4A	PULLEY,ELEVATOR CONTROL	1	
- 2	AN210-4A	PULLEY,ELEVATOR CONTROL	1	
	35-524247	PLATE,PULLEY GUARD.	2	
	105740X-ZF1094	BUSHING,CONTROL PULLEY.	1	
- 3	BB120	PULLEY,ELEVATOR CONTROL /FIN/	1	
	35-524248	PLATE,PULLEY GUARD.	1	
- 4	AN210-4A	PULLEY,ELEVATOR CONTROL	2	
- 5	35-410017	BRACKET,PULLEY SUPPORT.	1	
- 6	35-524004	CABLE ASSY,FWD ELEVATOR CONTROL	1	A,B
	35-524385	CABLE ASSY,FWD ELEVATOR CONTROL	1	C,D,E,F,G
- 7	AN210-3A	PULLEY,ELEVATOR CONTROL	2	
- 8	35-410307-4	BRACKET,PULLEY SUPPORT.	1	A1
	35-410158-18	BRACKET,PULLEY SUPPORT.	1	A2BCDEFG
- 9	AN155-32L	BARREL,TURNBUCKLE	2	
- 10	NAS304-25-0082	CABLE ASSY,AFT ELEVATOR CONTROL	1	
- 11	NAS304-36-0197	CABLE ASSY,AFT ELEVATOR CONTROL	1	
- 12	AN155-32S	BARREL,TURNBUCKLE	1	
	AN161-22LS	FORK,CABLE ATTACHING.	1	
	35-524109	LINK,CABLE ATTACHING.	1	
	NO NUMBER	. BEARING,LINK ATTACHING.	1	
- 13	35-524249	BELLCRANK ASSY,ELEVATOR /SEE FIG. 32/	1	
	35-524266	BOLT,BELLCRANK ATTACHING.	1	
	102933-40ZK0139	SPACER,BELLCRANK ATTACHING.	2	
	AN200K3L	. BEARING,BELLCRANK	2	
	102933-24ZK0479	. SPACER,BELLCRANK BEARING.	1	
- 14	35-524296	LINK,SPRING & CABLE ATTACHING	1	
- 15	AN210-4A	PULLEY,ELEVATOR CONTROL	2	
- 16	35-410015	BRACKET,LH PULLEY SUPPORT	1	
- 17	35-410015-1	BRACKET,RH PULLEY SUPPORT	1	

MODEL 35 THRU G35 PARTS CATALOG

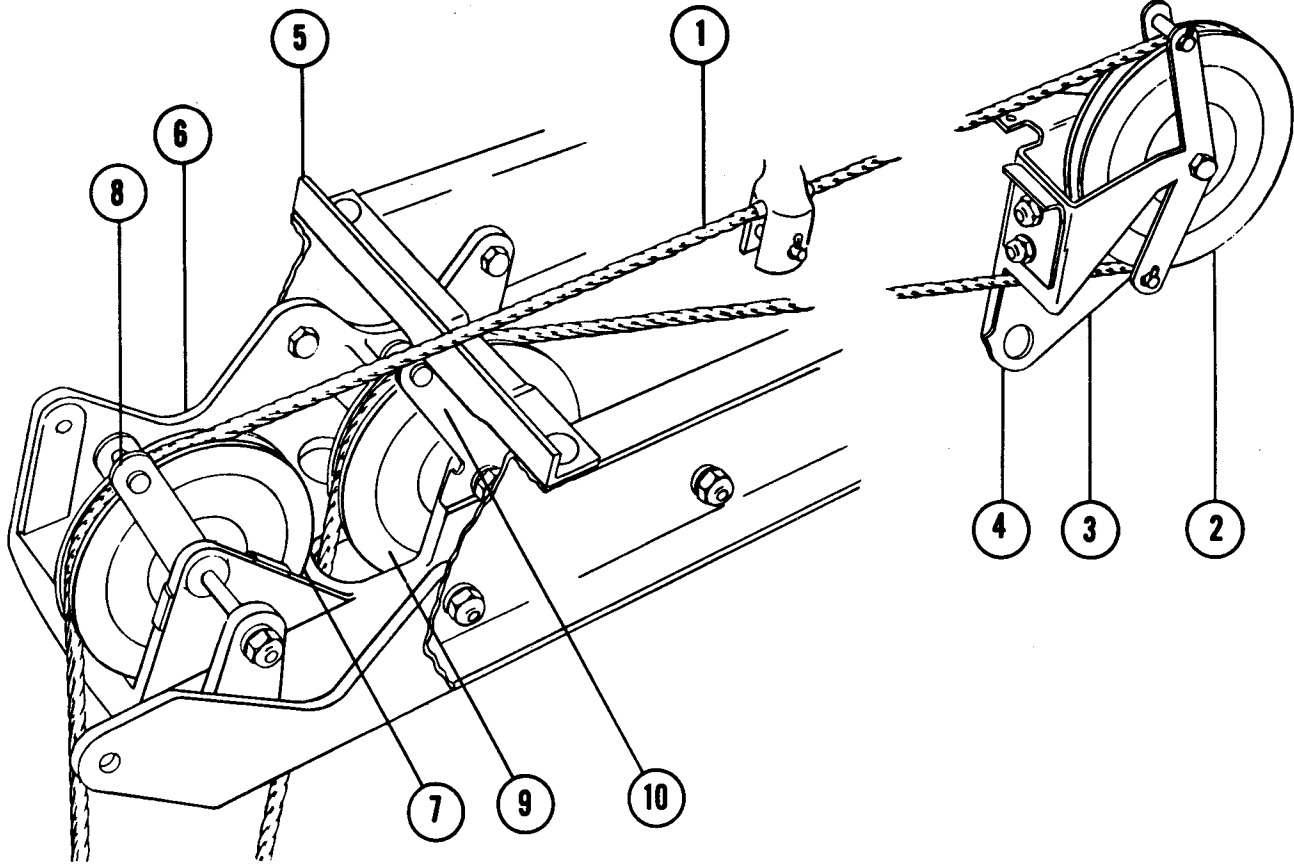


Figure 31. Forward Elevator Control System

FIG. & INDEX NO.	PART NO.	DESCRIPTION	UNITS PER ASSY							USABLE ON CODE	
			1	2	3	4	5	6	7		
31 - 1	35-524004	CABLE ASSY, FWD ELEVATOR CONTROL	1	A, B
	35-524385	CABLE ASSY, FWD ELEVATOR CONTROL	1	C, D, E, F, G
- 2	AN210-4A	PULLEY, ELEVATOR CONTROL	1	
- 3	35-324073	BRACKET, PULLEY SUPPORT	1	
- 4	F-723-6	. BEARING, OILITE /AXD/	1	
- 5	35-524234	STOP, CONTROL COLUMN	1	
- 6	35-524126	BRACKET, PULLEY SUPPORT	1	
- 7	AN210-4A	PULLEY, ELEVATOR CONTROL	1	
- 8	35-524247	PLATE, CABLE GUARD	2	
- 9	BB120	PULLEY, ELEVATOR CONTROL /FIN/	1	
- 10	35-524248	PLATE, CABLE GUARD	2	

MODEL 35 THRU G35 PARTS CATALOG

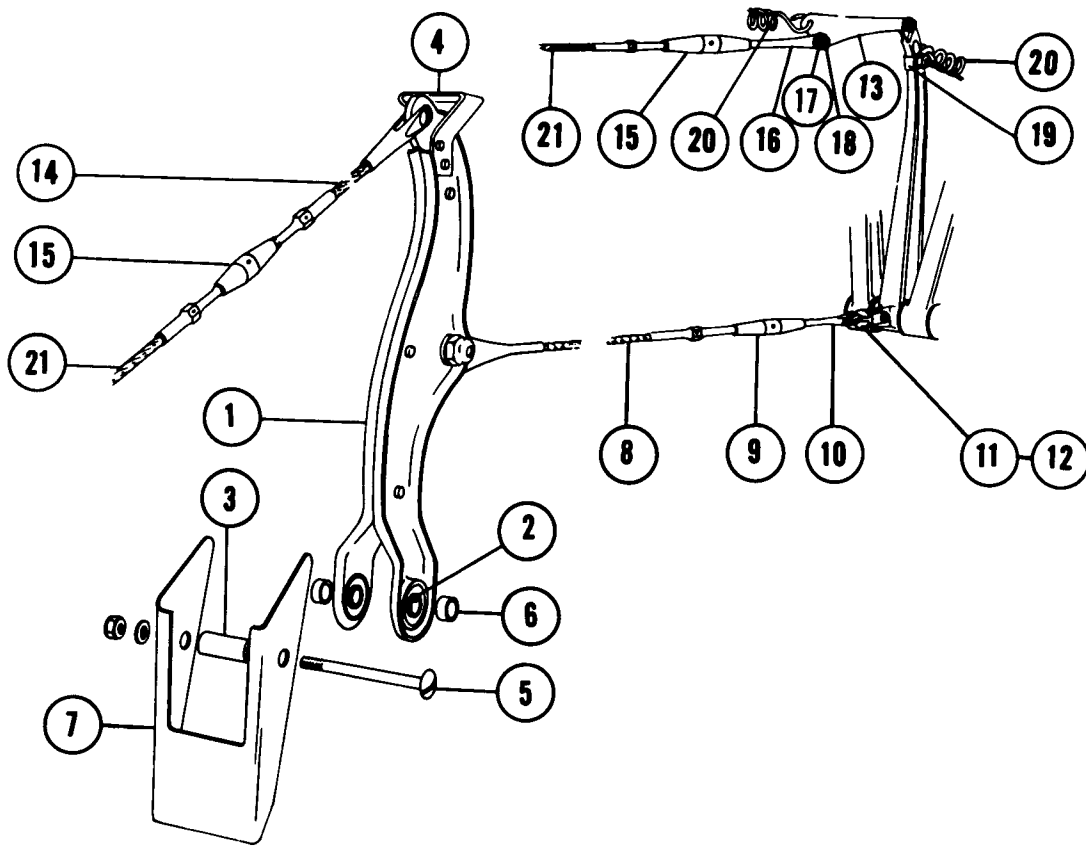


Figure 32. Elevator Differential Assembly

FIG. & INDEX NO.	PART NO.								DESCRIPTION	UNITS PER ASSY	USABLE ON CODE
		1	2	3	4	5	6	7			
32 - 1	35-524249								BELLCRANK ASSY,ELEVATOR /SEE FIG. 30 FOR NHA/	1	
- 2	AN200K3L								• BEARING,BELLCRANK	2	
- 3	10293354ZK0479								• SPACER,BELLCRANK BEARING	1	
- 4	35-524247								• GUARD,CABLE	1	
- 5	35-524266								BOLT,BELLCRANK ATTACHING	1	
- 6	102933-40ZK0139								SPACER,BELLCRANK ATTACHING	2	
- 7	35-524002-4								BRACKET,BELLCRANK SUPPORT	1	
- 8	NAS304-36-0197								CABLE ASSY,ELEVATOR CONTROL	1	
- 9	AN155-32S								BARREL,TURNBUCKLE	1	
- 10	AN161-22LS								FORK,CABLE ATTACHING	1	
- 11	35-524109								LINK,CABLE ATTACHING	1	
- 12	NO NUMBER								• BEARING,LINK ATTACHING	1	
- 13	35-524296								LINK,SPRING & CABLE ATTACHING	1	
- 14	NAS304-25-0082								CABLE ASSY,ELEVATOR CONTROL	1	
- 15	AN155-32L								BARREL,TURNBUCKLE	2	
- 16	AN161-22LL								FORK,CABLE ATTACHING	1	
- 17	AN960-10								WASHER,CABLE ATTACHING	1	
- 18	AN3-7								BOLT,CABLE ATTACHING	1	
- 19	35-524292								CLIP,SPRING ATTACHING	1	
- 20	35-524291								SPRING,ELEVATOR BUNGEE	2	
- 21	35-524004								CABLE,ELEVATOR CONTROL	1	A,B
	35-524385								CABLE,ELEVATOR CONTROL	1	C,D,E,F,G

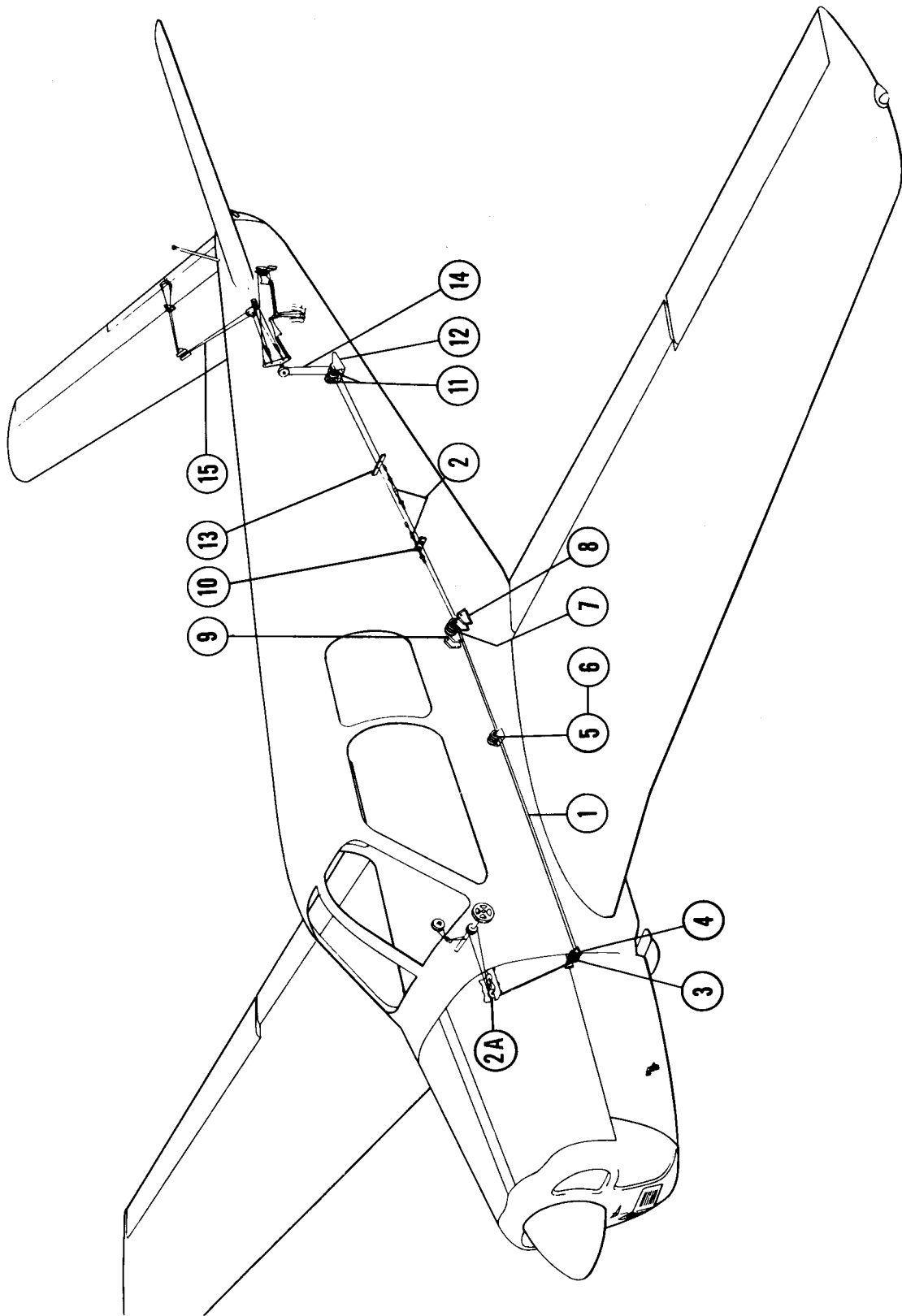


Figure 33. Elevator Trim Tab System

MODEL 35 THRU G35 PARTS CATALOG

FIG. & INDEX NO.	PART NO.	DESCRIPTION	UNITS PER ASSY	USABLE ON CODE		
					1	2
33 - 1	NAS302-66-3636	CABLE ASSY,FWD TAB CONTROL	1	A9 A10BCDEFG		
	NAS302-66-3500	CABLE ASSY,FWD TAB CONTROL	1			
- 2	AN155-8L	BARREL,TURNBUCKLE	2			
- 2A	AN210-2A	PULLEY,TAB CONTROL	2			
	35-524126	BRACKET,PULLEY SUPPORT	1			
	35-524247	PLATE,PULLEY GUARD	2			
- 3	AN210-4A	PULLEY,TAB CONTROL	2			
- 4	35-400339	BRACKET,PULLEY SUPPORT	1			
- 5	AN210-3A	PULLEY,TAB CONTROL	2			
- 6	35-410307-4	BRACKET,PULLEY SUPPORT	1	A1 A2BCDEFG		
	35-410158-18	BRACKET,PULLEY SUPPORT	1			
	100801S6-1484	BUSHING,TAB PULLEY	1			
	100801S6-0484	BUSHING,TAB PULLEY	1			
	35-524003	PIN,CABLE GUARD	1			
- 7	AN210-4A	PULLEY,TAB CONTROL	2			
- 8	35-410015	BRACKET,LH PULLEY SUPPORT	1			
- 9	35-410015-1	BRACKET,RH PULLEY SUPPORT	1			
	100801S6-1484	BUSHING,TAB PULLEY	1			
	100801S6-0484	BUSHING,TAB PULLEY	1			
	35-524003	PIN,CABLE GUARD	1			
- 10	35-410151	FAIRLEAD,CABLE GUIDE	1			
- 11	AN210-2A	PULLEY,TAB CONTROL	2			
	100801X4-0250	BUSHING,TAB PULLEY	2			
- 12	35-524002	BRACKET,PULLEY SUPPORT	1			
- 13	35-410142	FAIRLEAD,CABLE GUIDE	1			
- 14	35-524030	CABLE ASSY,TAB DRUM	1			
	AN669S2LH	FITTING,CABLE END	2			
	35-524288	SCREW,CABLE STOP	2			
	35-524287	NUT	2			
- 15	NAS302-27-0590	CABLE ASSY,TAB ACTUATING /SEE FIG. 37/.	4			

MODEL 35 THRU G35 PARTS CATALOG

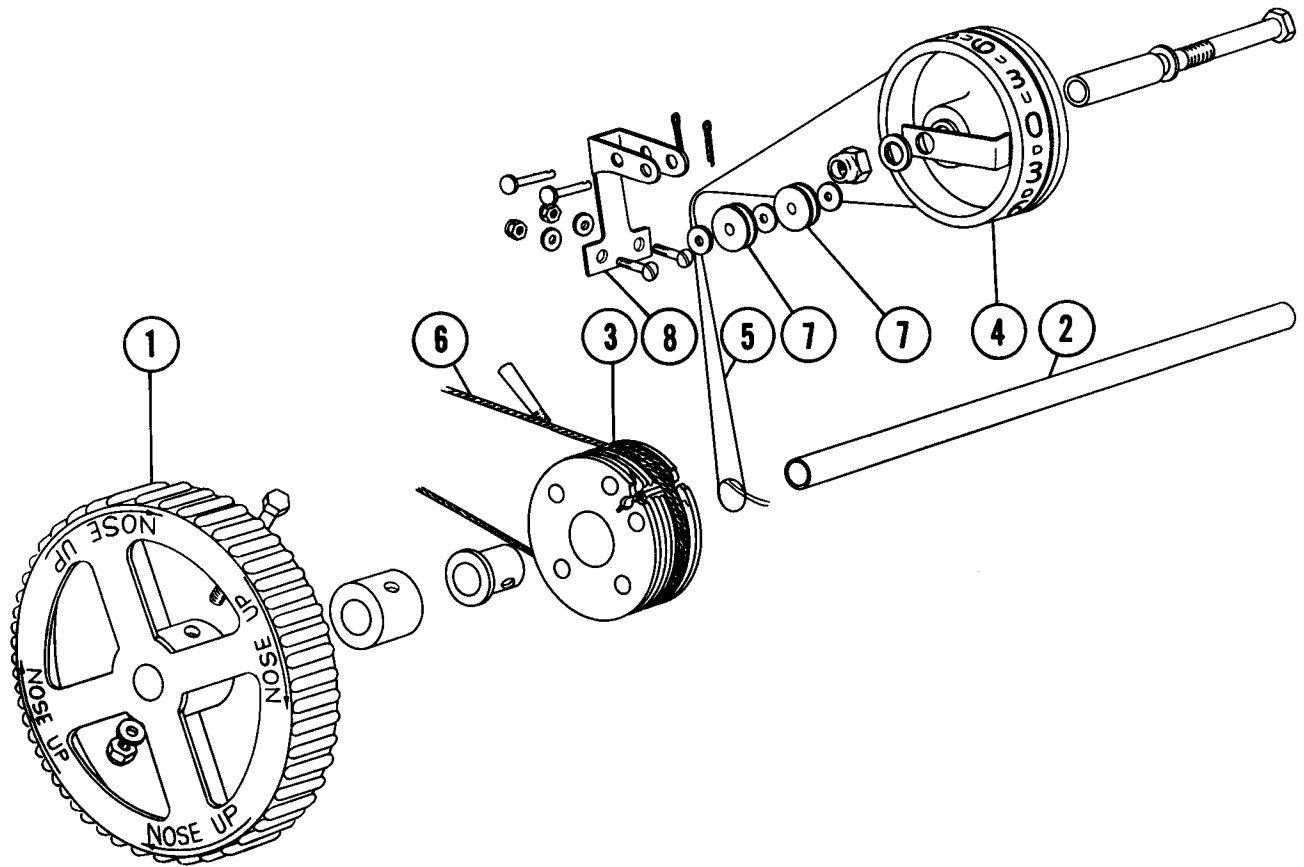


Figure 34. Forward Trim Tab Mechanism

FIG. & INDEX NO.	PART NO.	DESCRIPTION	1	2	3	4	5	6	7	UNITS PER ASSY	USABLE ON CODE
34 - 1	35-524542	WHEEL ASSY,TAB CONTROL	1	
	35-524555	. PLACARD,CONTROL WHEEL	1	
	35-524543	. BUSHING,CONTROL WHEEL	1	
- 2	35-524532	TUBE,TAB CONTROL TORQUE	1	
- 3	35-524539	DRUM ASSY,TAB CABLE	1	
	AN386-1-8A	PIN,DRUM ATTACHING.	1	
	35-524226	. DRUM,TAB CABLE.	1	
- 4	35-524538	. BUSHING,CABLE DRUM.	1	
	35-524546	DRUM ASSY,TAB INDICATOR	1	
	35-524547	. DRUM,INDICATOR.	1	
- 5	35-524550	. PLACARD,INDICATOR	1	
	105739X0193-0248X0828	. BUSHING,INDICATOR DRUM.	1	
	35-524531-2	CABLE,INDICATOR ACTUATING	1	
- 6	NAS302-66-3636	CABLE ASSY,TAB CONTROL	1		
- 7	35-524028	PIN,CABLE ATTACHING	1	
	35-524553	PULLEY,INDICATOR CABLE GUIDE.	2	
- 8	AN392-15	PIN,PULLEY ATTACHING.	1	
	AN392-15	PIN,CABLE GUARD	1	
- 8	35-524554	BRACKET,PULLEY SUPPORT.	1	

MODEL 35 THRU G35 PARTS CATALOG

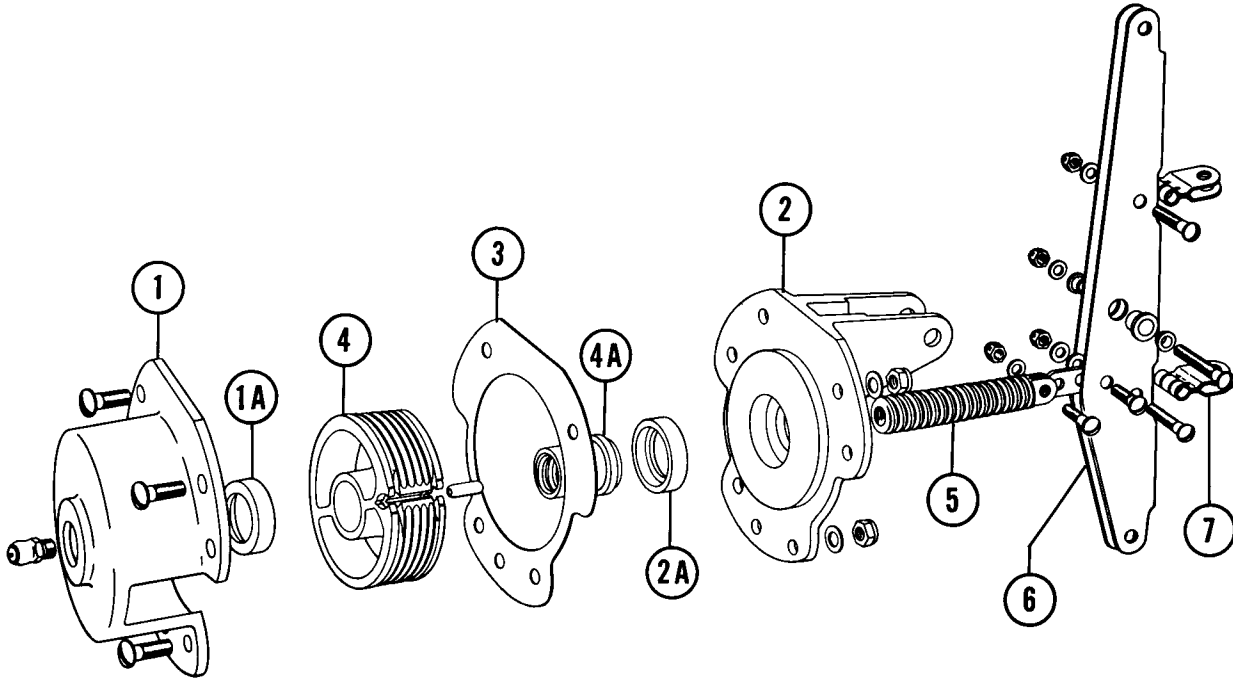


Figure 35. Trim Tab Actuating Mechanism

FIG. & INDEX NO.	PART NO.	DESCRIPTION	UNITS PER ASSY	USABLE ON CODE
		1 2 3 4 5 6 7		
35	35-524280	MECHANISM ASSY,TRIM TAB	1	
- 1	35-524281	. HOUSING ASSY,MECHANIS	1	
	35-524281-2	. . HOUSING,MECHANISM	1	AB
	35-524375	. . HOUSING,MECHANISM	1	CDEFG
- 1A	35-524283	. . BUSHING,MECHANISM HOUSING	1	AB
	35-524372	. . BUSHING,MECHANISM HOUSING	1	CDEFG
	35-524371	. . NUT,BUSHING LOCK	1	CDEFG
- 2	35-524282	. CAP ASSY,MECHANISM HOUSING.	1	
		/SPECIFY OLD TYPE SERIALS A & B/		
	35-524282-2	. . CAP,MECHANISM HOUSING	1	
		/SPECIFY OLD TYPE SERIALS A & B/		
- 2A	35-524283	. . BUSHING,HOUSING CAP	1	AB
	35-524373	. . BUSHING,HOUSING CAP	1	CDEFG
- 3	35-524284	. SHIM,MECHANISM HOUSING.	1	AB
- 4	35-524239	. DRUM ASSY,MECHAINSM	1	AB
	35-524226	. DRUM ASSY,MECHANISM	1	CDEFG
- 4A	35-524286	. BUSHING,DRUM THREADED	1	
	35-524028	. PIN,CABLE LOCK	1	
- 5	35-524285	. SCREW,MECHANISM JACK.	1	AB
	50-524136	. SCREW,MECHANISM JACK.	1	CDEFG
	NAS2-101A	. FITTING,GREASE	1	
- 6	35-524195	. BELLCRANK ASSY,TAB.	1	AB
	35-524370	. BELLCRANK ASSY,TAB.	1	CDEFG
	35-524389	. . BELLCRANK,TAB	1	AB
	35-524369	. . BELLCRANK,TAB	1	CDEFG
	35-524196	. . BUSHING,BELLCRANK	1	
	F-310	. . BUSHING,BELLCRANK /CC/.	2	
	35-524199	. LINK,JACK SCREW ATTACHING	1	AB
	50-524137	. LINK,JACK SCREW ATTACHING	1	CDEFG
- 7	35-524242	. CLIP,TAB CABLE ATTACHING.	2	

MODEL 35 THRU G35 PARTS CATALOG

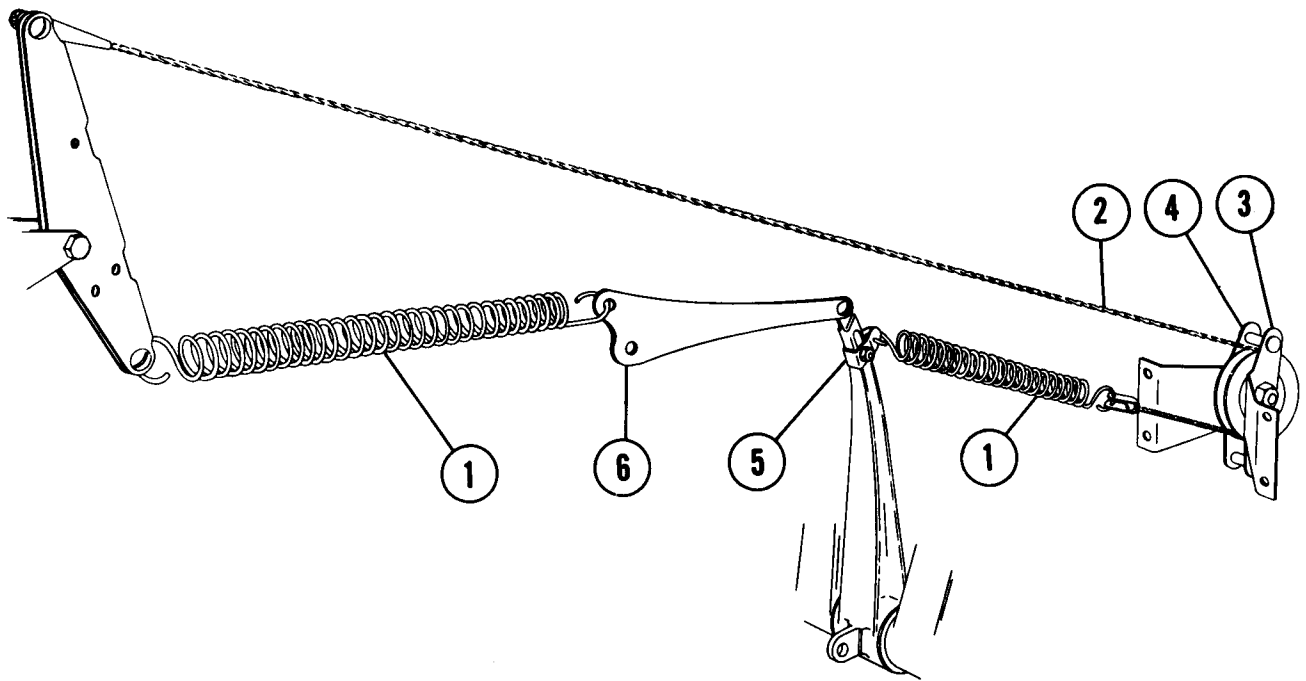


Figure 36. Trim Tab Bungee Mechanism

FIG. & INDEX NO.	PART NO.								UNITS PER ASSY	USABLE ON CODE	
		1	2	3	4	5	6	7			
36 - 1	35-524291	SPRING,TAB BUNGEE	2	AB
	35-524380	SPRING,TAB BUNGEE	1	CDEFG
	35-524381	SPRING,TAB BUNGEE	1	CDEFG
- 2	35-524294	CABLE ASSY,BUNGEE	1	AB
	35-524383	CABLE ASSY,BUNGEE	1	CDEFG
	AN210-3A	PULLEY,BUNGEE CONTROL	1	AB
	35-524376	PULLEY,BUNGEE CONTROL	1	CDEFG
- 3	35-410110-18	BRACKET,PULLEY SUPPORT	1	
- 4	35-410110-20	BRACKET,PULLEY SUPPORT	1	
- 5	35-524292	CLIP,SPRING ATTACHING	1	AB
	35-524384	CLIP,SPRING ATTACHING	2	CDEFG
- 6	35-524296	LINK,SPRING ATTACHING	1	AB
	100942-072-328-	LINK,SPRING ATTACHING	1	CDEFG

50

MODEL 35 THRU G35 PARTS CATALOG

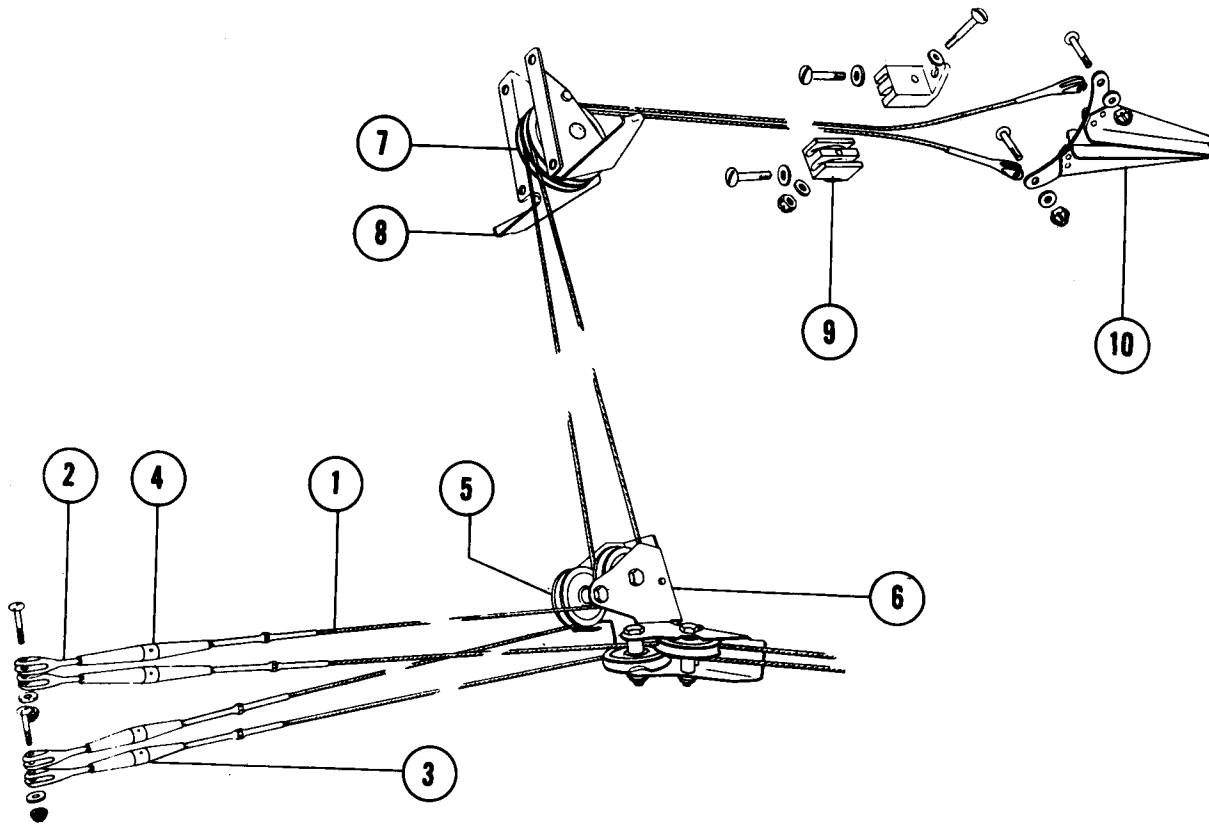


Figure 37. Aft Trim Tab Control

FIG. & INDEX NO.	PART NO.	DESCRIPTION								UNITS PER ASSY	USABLE ON CODE	
			1	2	3	4	5	6	7			
37 - 1	NAS302-27-0590	CABLE ASSY,TAB /SEE FIG. 33 FOR NHA/	4	
- 2	AN161-8RS	FORK,CABLE ATTACHING.	4	
- 3	AN155-8S	BARREL,TURNBUCKLE	2	
- 4	AN155-8L	BARREL,TURNBUCKLE	2	
- 5	AN210-38	PULLEY,TAB CONTROL.	4	
	100801D6-0188	BUSHING,TAB PULLEY.	2	
	100801D6-0813	BUSHING,TAB PULLEY.	2	
	100801D6-0875	BUSHING,TAB PULLEY.	2	
	100801D6-0125	BUSHING,TAB PULLEY.	2	
- 6	35-410159	BRACKET ASSY,PULLEY SUPPORT	1	
	35-410159-2	. BRACKET,LH PULLEY SUPPORT	1	
	35-410159-3	. BRACKET,RH PULLEY SUPPORT	1	
	AN392-51	PIN,CABLE GUARD	2	
- 7	AN210-2A	PULLEY,TAB CONTROL.	2	
- 8	35-650050-10	BRACKET ASSY,PULLEY SUPPORT	1	
- 9	35-660033	FAIRLEAD,TAB CABLE.	2	
- 10	35-660040-8	ARM,TAB ACTUATING	1	

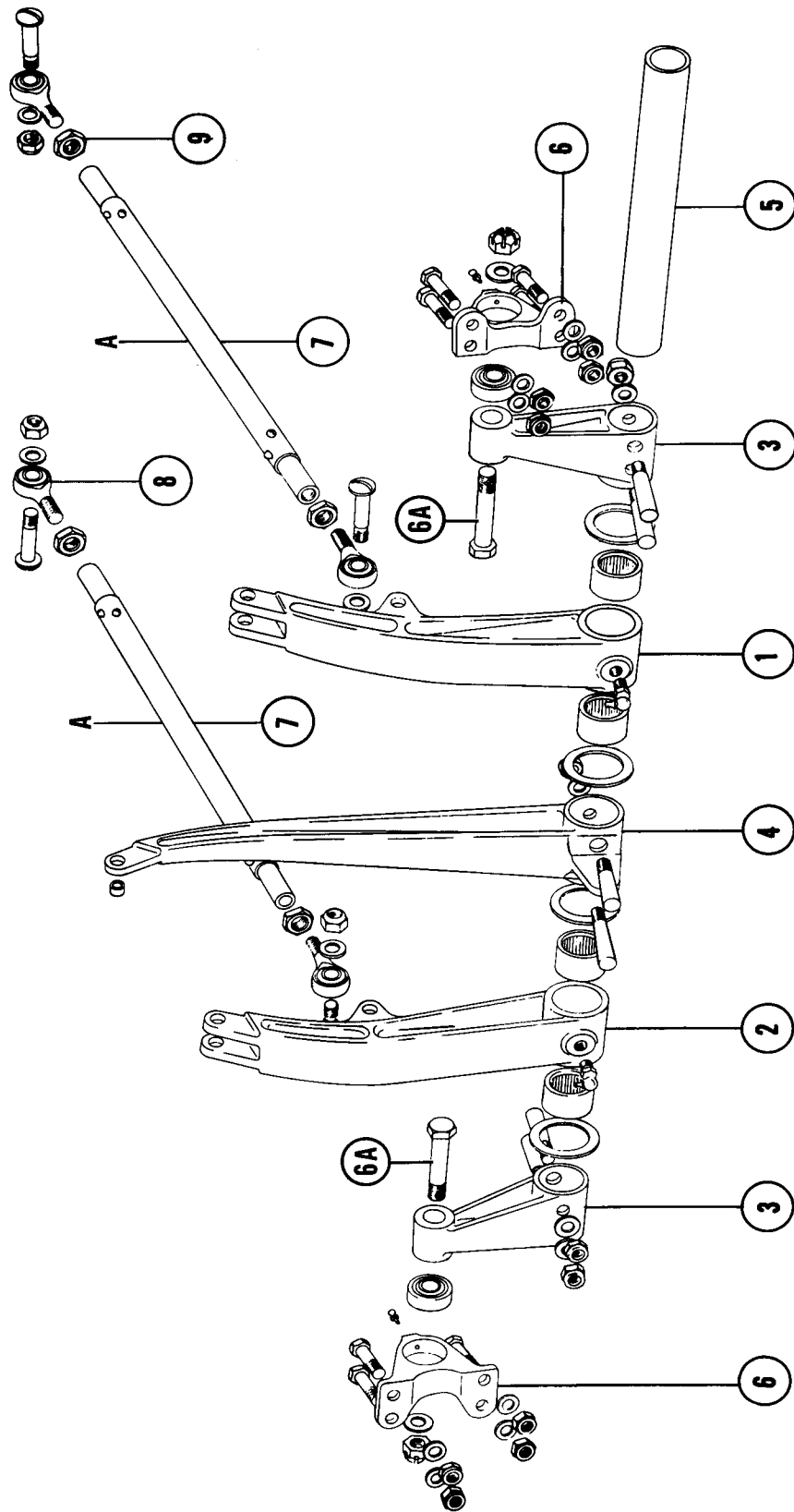


Figure 38. Differential System

MODEL 35 THRU G35 PARTS CATALOG

FIG. & INDEX NO.	PART NO.	DESCRIPTION	UNITS PER ASSY	USABLE ON CODE
		1 2 3 4 5 6 7		
38	35-524100	MECHANISM ASSY,DIFFERENTIAL	1	
- 1	35-524102	. ARM ASSY,LH CONTROL	1	
- 2	35-524102-1	. ARM ASSY,RH CONTROL	1	
	NO NUMBER	. . BUSHING,CONTROL ARM	1	
	B-128	. . BEARING,CONTROL ARM /TOR/	1	
	NAS2-301	. . FITTING,GREASE	1	
	100951B032-024-108	. . WASHER,CONTROL ARM	4	
- 3	35-524105	. YOKE,DIFFERENTIAL CONTROL	2	
	AN386-1-9A	. PIN,YOKE ATTACHING	2	
	AN975-3	. WASHER	2	
	AN364-1032	. NUT	2	
- 4	35-524103	. ARM,DIFFERENTIAL ELEVATOR	1	
	AN386-1-9A	. PIN,ARM ATTACHING	2	
	AN975-3	. WASHER	2	
	AN364-1032	. NUT	2	
	NO NUMBER	. BUSHING,ELEVATOR ARM	2	
		.252 O.D. X .1885 I.D. X .190 LONG/		
- 5	35-524111	. SHAFT,DIFFERENTIAL CROSS	1	
- 6	35-524108	SUPPORT ASSY,CONTROL	2	
	AN3-5A	BOLT,SUPPORT ATTACHING	4	
	AN960-10	WASHER	4	
	AN365-1032	NUT	4	
	KS6A	. BEARING,CONTROL SUPPORT /FAF/	1	
	1736	. FITTING,GREASE /SW/	1	
- 6A	NAS56-17	BOLT	2	
	AN960-616L	WASHER	2	
	100951X063-012-108	WASHER	2	
	AN310-6	NUT	2	
- A	35-524106	ROD ASSY,CONTROL	2	
	AN24-18A	BOLT,ROD ATTACHING	1	
	AN960-416	WASHER	1	
	AN364-428	NUT	1	
	AN24-20A	BOLT,ROD ATTACHING	1	
	AN960-416	WASHER	1	
	AN364-428	NUT	1	
- 7	35-524106-2	. ROD,CONTROL	1	
- 8	MD46-15	. END,CONTROL ROD /HEC/	2	
- 9	AN316-6R	. NUT,LOCK	2	

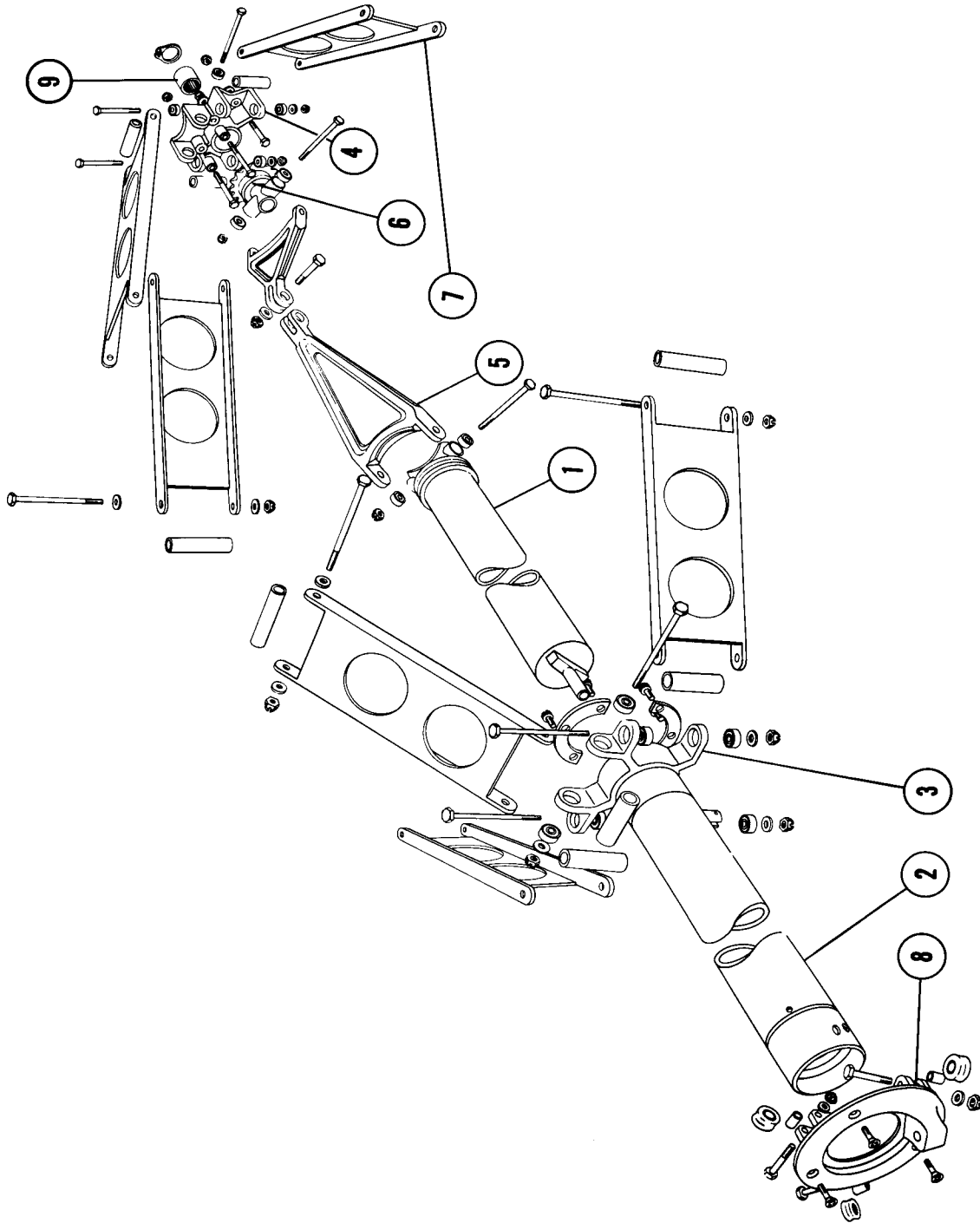


Figure 39. Control Column Assembly

MODEL 35 THRU G35 PARTS CATALOG

FIG. & INDEX NO.	PART NO.	DESCRIPTION	UNITS PER ASSY	USABLE ON CODE
		1 2 3 4 5 6 7		
39	35-524041-602	COLUMN ASSY,CONTROL	1	
- 1	35-524227	. COLUMN,INNER CONTROL	1	
- 2	35-524202	. COLUMN,OUTER CONTROL	1	
- 3	35-524278	. . FITTING,TORQUE KNEE	1	
	105739A0562- 0624-2162	. . BUSHING,TORQUE KNEE	3	
	AN200K3L	. . BUSHING,TORQUE KNEE	6	
	35-524230	. HANGER ASSY,CONTROL COLUMN	1	
- 4	35-524231	. . FITTING,HANGER	1	
	B-1416	. . BEARING,CONTROL COLUMN HANGER	1	
	AN200K3L	. . BEARING,CONTROL COLUMN HANGER	6	
	105739A0562- 0624-2162	. . BUSHING,CONTROL COLUMN HANGER	3	
- 5	35-524047	. KNEE,CONTROL COLUMN TORQUE	2	
	AN4-10	. BOLT,TORQUE KNEE HINGE	1	
	AN310-4	. NUT,TORQUE KNEE HINGE	1	
	AN960-416	. WASHER,TORQUE KNEE HINGE	1	
	AN3-26	. BOLT,TORQUE KNEE ATTACHING	2	
	AN310-3	. NUT,TORQUE KNEE ATTACHING	2	
- 6	35-524274	. SPROCKET ASSY,CONTROL COLUMN	1	
	AN200K3L	. . BEARING,CONTROL COLUMN SPROCKET	2	
- 7	35-524240	. RETAINER,SPROCKET	1	
	NAS51-87	. LINK,CONTROL COLUMN	6	
	NAS54-33	. BOLT,LINK HINGE	3	
	AN310-4	. NUT,LINK HINGE	3	
	AN960-416	. WASHER,LINK HINGE	4	
	AN960-416L	. WASHER,LINK HINGE	6	
	35-524269	. BOLT,AFT LINK ATTACHING	3	
	AN310-3	. NUT,AFT LINK ATTACHING	3	
	AN960-10	. WASHER,AFT LINK ATTACHING	3	
	NAS53-32	. BOLT,FWD LINK ATTACHING	3	
	AN310-3	. NUT,FWD LINK ATTACHING	3	
	AN960-10	. WASHER,FWD LINK ATTACHING	3	
	35-524038	. WASHER,CONTROL COLUMN	2	
	AN503-8-10	. SCREW,WASHER ATTACHING	6	
	35-524007	. GUARD,ATTACHING BOLT	2	
	AN3-16A	. BOLT,GUARD ATTACHING	2	
	AN365-1032	. NUT,GUARD ATTACHING	2	
	AN960-10	. WASHER,GUARD ATTACHING	2	
	AN3-5A	. BOLT,GUARD ATTACHING	2	
	AN365-1032	. NUT,GUARD ATTACHING	2	
	AN960-10	. WASHER,GUARD ATTACHING	2	
- 8	35-524125	HANGER ASSY	1	
	AN507-832-10	SCREW,HANGER ATTACHING	3	
	35-524197	. ROLLER ASSY	3	
	35-524264	. BUSHING,ROLLER	3	
	AN3-12A	. BOLT,ROLLER ATTACHING	3	
	AN365-1032	. NUT,ROLLER ATTACHING	3	
	AN960-10L	. WASHER,ROLLER ATTACHING	3	
	35-524038	WASHER	1	
	NAS51-87	RING,SNAP	1	
- 9	B-148	BUSHING	1	

MODEL 35 THRU G35 PARTS CATALOG

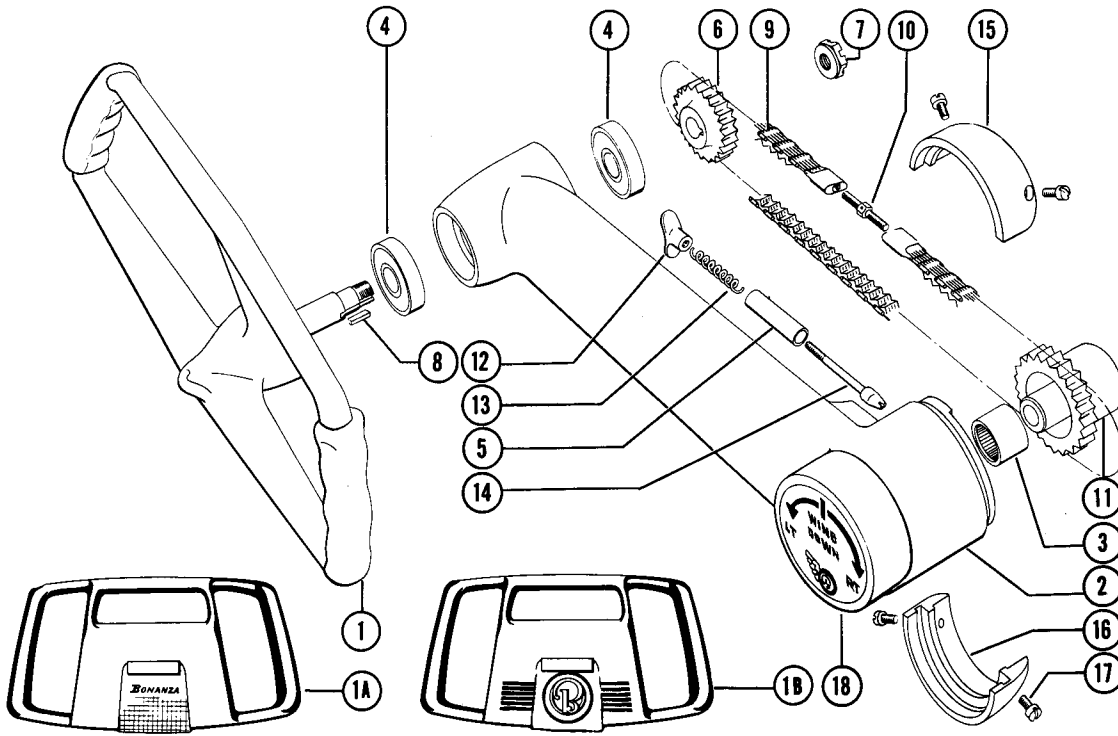


Figure 40. Single Control Arm

FIG. & INDEX NO.	PART NO.								DESCRIPTION	UNITS PER ASSY	USABLE ON CODE
		1	2	3	4	5	6	7			
40	35-524585 SA8								CONTROL ASSY,WHEEL & COLUMN COMPLETE.	1	
	35-524585 SA40								/INCL. FIG. 39/	1	ABCDE
	35-524585 SA50								ARM,CONTROL	1	FG
- 1	35-524050-6								• WHEEL ASSY,CONTROL	1	A
- 1A	35-524591-10								• WHEEL ASSY,CONTROL	1	BC5C6
- 1B	35-524591-28								• WHEEL ASSY,CONTROL	1	DEFG
- 2	35-524087								• THROWOVER,CONTROL COLUMN.	1	ABCDE
	35-524087-8								• THROWOVER,CONTROL COLUMN.	1	FG
	35-524587								• COVER,CHAIN & SPROCKET.	1	ABCDE
	35-524587-2								• COVER,CHAIN & SPROCKET.	1	FG
	51020								• PLUG,SPROCKET COVER	1	
- 3	B-78X								• BEARING,CONTROL COLUMN.	1	
- 4	AN201K10A								• BEARING,CONTROL WHEEL	2	
- 5	35-524241								• BUSHING,POSITION LOCK	1	
- 6	35-524048								• SPROCKET,CONTROL WHEEL.	1	
- 7	AN320-7								• NUT,SPROCKET RETAINING.	1	
- 8	35-524576								• KEY,SPROCKET RETAINING.	1	
- 9	35-524139								• CHAIN ASSY.	2	
- 10	35-524141								• CONNECTOR,CHAIN	1	
- 11	35-524051								• SPROCKET,CONTROL ARM ENGAGING	1	ABCD
	35-524051-1								• SPROCKET,CONTROL ARM ENGAGING	1	EFG
- 12	35-524096								• KNOB,POSITION LOCK.	1	
- 13	100943-035-005-108-8								• SPRING,POSITION LOCK.	1	
- 14	35-524095								• PIN,POSITION LOCK	1	
- 15	35-524238-4								• RETAINER,CONTROL ARM.	1	
- 16	35-524238-6								• RETAINER,CONTROL ARM.	1	A35
	35-524238-12								• RETAINER,CONTROL ARM.	1	A36BCDEFG
- 17	AN501-10-5								• SCREW,CONTROL ARM RETAINER.	4	
- 18	ATC-35-106								• CONTROL ASSY,AILERON.	4	FG

MODEL 35 THRU G35 PARTS CATALOG

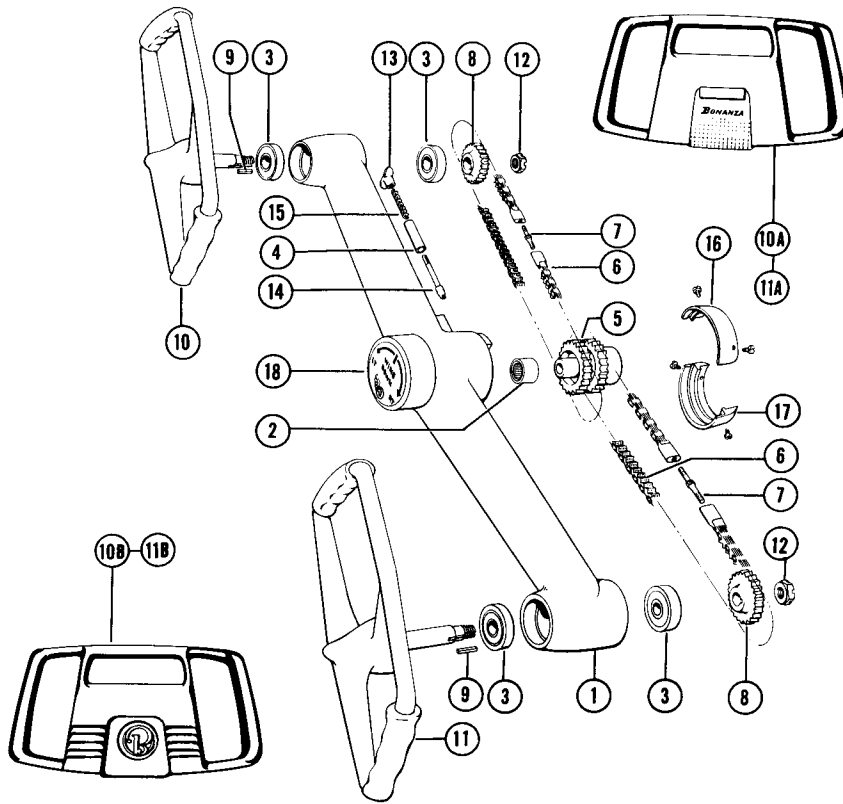


Figure 41. Dual Control Arm Assembly

FIG. & INDEX NO.	PART NO.								UNITS PER ASSY	USABLE ON CODE	
		1	2	3	4	5	6	7			
41	35-524575 SA6	ARM ASSY,DUAL CONTROL	1	
	35-524575 SA8	ARM ASSY,DUAL CONTROL	1	FG
	35-524261	ARM ASSY,DUAL CONTROL	1	
- 1	35-524261-2	ARM,DUAL CONTROL	1	
	35-524261-10	ARM,DUAL CONTROL	1	FG
- 2	B-78X	BEARING,CONTROL ARM CENTER	1	
- 3	AN201K10A	BEARING,CONTROL WHEEL	4	
- 4	35-524241	BUSHING,CONTROL ARM LOCK	1	
- 5	35-524262	SPROCKET,CONTROL ARM ENGAGING	1	ABCD
	35-524262-1	SPROCKET,CONTROL ARM ENGAGING	1	EFG
- 6	35-524139	CHAIN ASSY,CONTROL ARM	4	
- 7	35-524141	FITTING,CHAIN CONNECTOR	4	
- 8	35-524048	SPROCKET,CONTROL WHEEL	2	
- 9	35-524576	KEY,SPROCKET RETAINER	2	
- 10	35-524050-6	WHEEL,FLIGHT CONTROL	1	A
- 10A	35-524591-10	WHEEL,FLIGHT CONTROL	1	BC5C6
- 10B	35-524591-28	WHEEL,FLIGHT CONTROL	1	DEFG
- 11	35-524050-8	WHEEL,FLIGHT CONTROL	1	A
- 11A	35-524591-12	WHEEL,FLIGHT CONTROL	1	BC5C6
- 11B	35-524591-30	WHEEL,FLIGHT CONTROL	1	DEFG
- 12	AN320-7	NUT,WHEEL RETAINER	2	
- 13	35-524096	KNOB,CONTROL ARM LOCK	1	
- 14	35-524095	PIN,LOCK PISTON RETAINER	1	
- 15	100943-035-005-108-8	SPRING,POSITION LOCK	1	

MODEL 35 THRU G35 PARTS CATALOG

FIG. & INDEX NO.	PART NO.	DESCRIPTION							UNITS PER ASSY	USABLE ON CODE
		1	2	3	4	5	6	7		
41 - 16	AN501-10-5	4	
	51020	2	
	35-524587	2	
	35-524587-2	2	FG
- 16	35-524238-4	1	
- 17	35-524238-6	1	A35
	35-524238-12	1	A36BCDEFG
- 18	ATC-35-106	1	EFG
	212	1	
	35-524587-2	1	

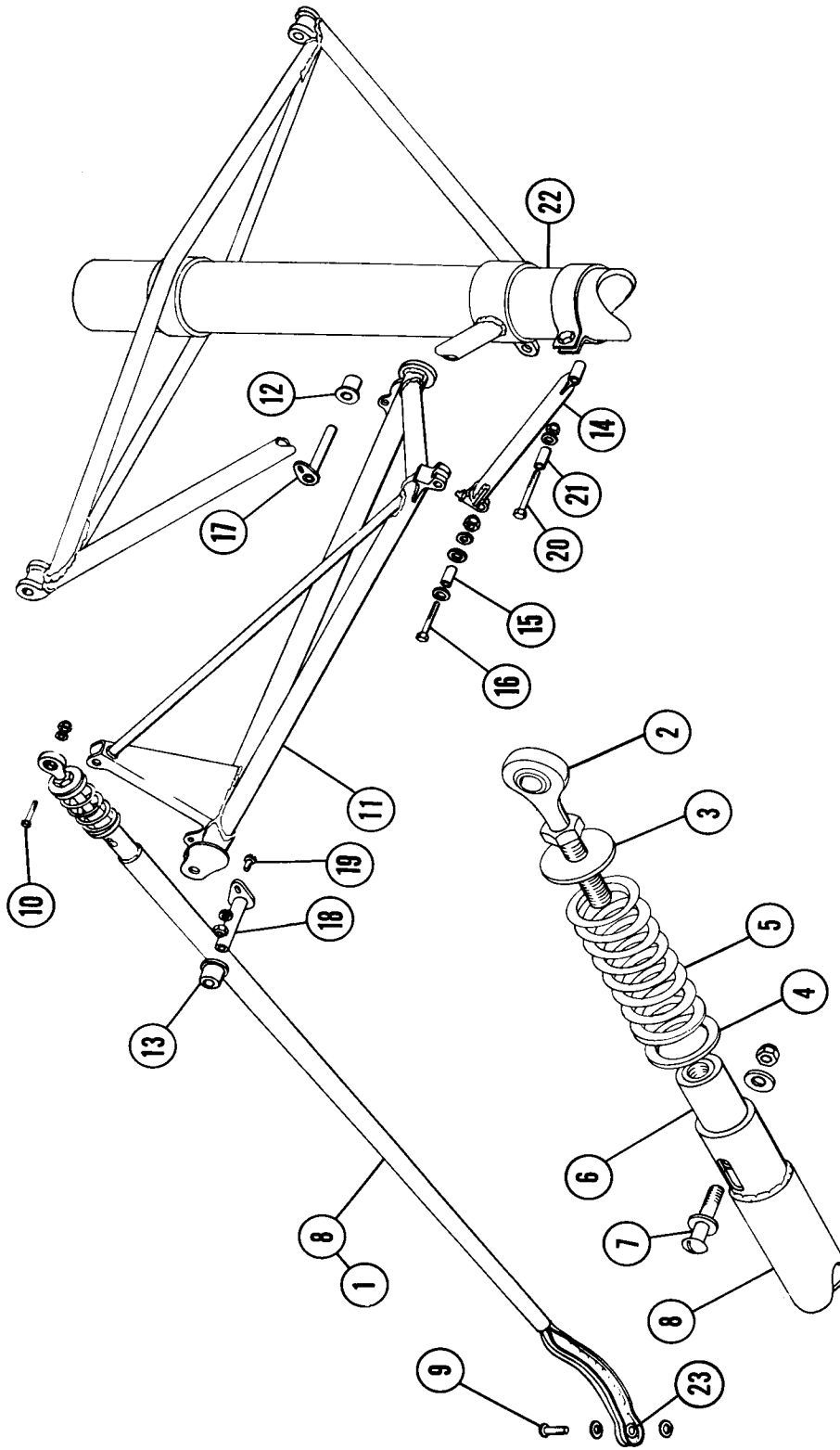


Figure 42. Landing Gear Retract Mechanism

MODEL 35 THRU G35 PARTS CATALOG

FIG. & INDEX NO.	PART NO.	DESCRIPTION	UNITS PER ASSY	USABLE ON CODE
42 - 1	35-815125-2	ROD ASSY,LH RETRACT	1	
	35-815125-4	ROD ASSY,RH RETRACT	1	
- 2	HM-6	. END,ROD RETRACT	1	
	AN316-6R	. NUT,ROD END LOCK.	1	
- 3	100951S063YU	. WASHER,SPRING RETAINING	1	
- 4	100951S063ZP	. WASHER,SPRING RETAINING	AR	
- 5	45-815091	. SPRING,RETRACT ROD SHOCK.	1	
- 6	35-815131	. PLUNGER ASSY,RETRACT ROD.	1	
- 7	AN394-33	. PIN,SHOCK SPRING ADJUSTING.	1	
	AN960D416L	. WASHER,SHOCK SPRING ADJUSTING	1	
	AN380-2-2	. PIN,SHOCK SPRING ADJUSTING.	1	
- 8	35-815125-12	. SECTION,LH GEAR RETRACT ROD	1	
	35-815125-14	. SECTION,RH GEAR RETRACT ROD	1	
	LS-6	. BEARING	1	
- 9	AN26-22	BOLT,ACTUATOR ROD ATTACHING	1	AB
	AN26-23	BOLT,ACTUATOR ROD ATTACHING	1	CDEFG
	AN960-616	WASHER.	1	AB
	AN960-616	WASHER.	2	CDEFG
	AN960-616L	WASHER.	1	AB
	AN310-6	NUT	1	
- 10	AN6-11A	BOLT,ACTUATOR ROD ATTACHING	1	
	AN960-616	WASHER,ACTUATOR ROD ATTACHING	1	
	AN365-624	NUT,ACTUATOR ROD ATTACHING.	1	
	35-815155 SA2	BRACE ASSY,MAIN GEAR LH	1	
	35-815155 SA3	BRACE ASSY,MAIN GEAR RH	1	
- 11	35-815102	. BRACE ASSY,LH MAIN GEAR	NP	
		/SOLD WITH INDEX 14 IN MATCHED SETS/		
	35-815102-1	. BRACE ASSY,RH MAIN GEAR	NP	
		/SOLD WITH INDEX 14 IN MATCHED SETS/		
- 12	35-115062	. BUSHING,RETRACT LEG	1	
- 13	35-115184	. BUSHING,RETRACT LEG	1	
- 14	35-815129	. LEG ASSY,LOWER LIFT	NP	
		/SOLD WITH INDEX 11 IN MATCHED SETS/		
	1646	. . FITTING,ALEMITE	2	
	AT-5	. ROLLER,UPLOCK	2	
- 15	35-810122	. BUSHING,LIFT LEG.	1	
- 16	NAS55-17	. BOLT,LIFT LEG HINGE	1	
	AN960-516	. WASHER,LIFT LEG HINGE	1	
	AN960-716	. WASHER,LIFT LEG HINGE	2	
	AN310-5	. NUT,LIFT LEG HINGE.	1	
- 17	35-815120	PIN,REAR LANDING GEAR HINGE	1	
- 18	35-815123	PIN,FRONT LANDING GEAR HINGE.	1	
- 19	AN515-8-8	SCREW,HINGE PIN LOCK.	2	
	AN960-8	WASHER,HINGE PIN LOCK	2	
	AN365-832	NUT,HINGE PIN LOCK.	2	
- 20	AN5-22	BOLT,LIFT LEG HINGE	1	
	AN960-516	WASHER,LIFT LEG HINGE	1	
	AN310-5	NUT,LIFT LEG HINGE.	1	
- 21	35-815124	BUSHING,LIFT LEG.	1	
- 22	35-815080-602	ABSORBER ASSY,LH LANDING GEAR SHOCK	1	AB
	35-815080-603	ABSORBER ASSY,RH LANDING GEAR SHOCK	1	
- 23	LS-6	BEARING	1	

MODEL 35 THRU G35 PARTS CATALOG

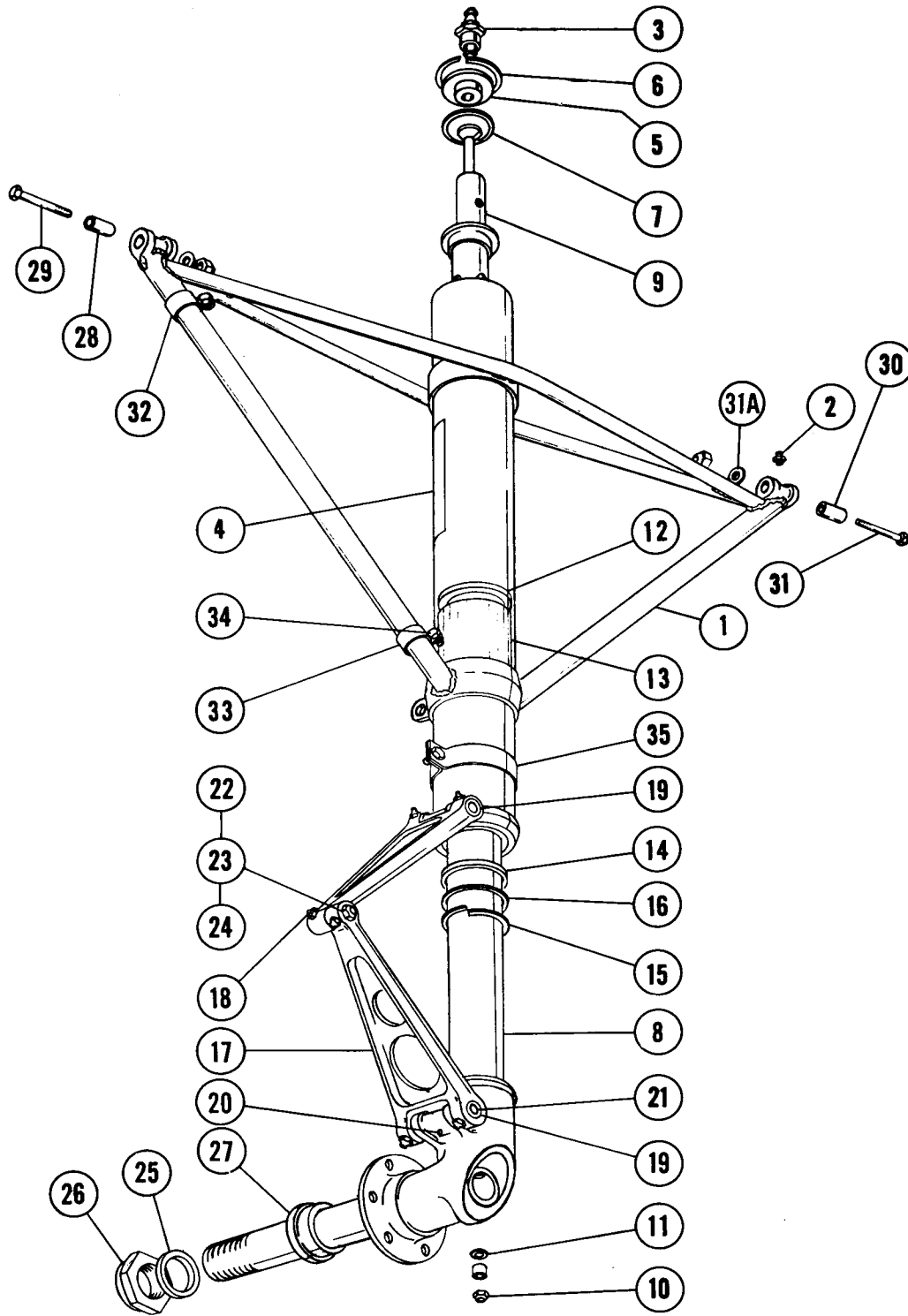


Figure 43. Landing Gear Shock Absorber Assembly (D1 thru D2680)

MODEL 35 THRU G35 PARTS CATALOG

FIG. & INDEX NO.	PART NO.	DESCRIPTION	1 2 3 4 5 6 7							UNITS PER ASSY	USABLE ON CODE
			1	2	3	4	5	6	7		
43	35-815080-602	ABSORBER ASSY, LANDING GEAR SHOCK LH	1	AB
	35-815080-603	ABSORBER ASSY, LANDING GEAR SHOCK RH	1	AB
- 1	35-815110	. ABSORBER ASSY, UPPER SHOCK LH	1	AB
	35-815110-1	. ABSORBER ASSY, UPPER SHOCK RH	1	AB
- 2	1645	. FITTING, ALEMITE	2	AB
- 3	35-815083	. BODY ASSY, FILLER VALVE	1	AB
	AN809-1	. CORE, FILLER VALVE	1	AB
	AN901-5A	. GASKET, FILLER VALVE	1	AB
	AN813-1A	. CAP, FILLER VALVE	1	AB
- 4	35-815084	. PLACARD, SHOCK STRUT	1	AB
- 5	35-815082	. PLUG, UPPER SHOCK ABSORBER	1	AB
- 6	NAS50-187	. RING, ABSORBER RETAINER	1	AB
- 7	AN6230-1	. GASKET, ABSORBER ASSY	1	AB
- 8	35-815021	. ABSORBER ASSY, LOWER SHOCK LH	1	AB
	35-815021-1	. ABSORBER ASSY, LOWER SHOCK RH	1	AB
- 9	35-815060	. CONTROL ASSY, SHOCK	1	AB
- 10	AN365-524	. NUT, EXTENSION STOP PIN RETAINER	1	AB
	35-815081	. WASHER, EXTENSION STOP PIN	1	AB
- 11	AN6227-6	. PACKING, EXTENSION STOP PIN	1	AB
- 12	AN6227-30	. PACKING, INNER CYLINDER	1	AB
- 13	35-815080-2	. FELT, PISTON LUBRICATING	1	AB
- 14	111506-6	. RING, PISTON WIPER	1	AB
- 15	C.O. 93463-2	. RING, LOWER CYLINDER SANP	1	AB
- 16	111190-6	. RING, PISTON SCRAPER	1	AB
- 17	35-815174-600	. KNEE ASSY, TORQUE	2	AB
	35-815174	. KNEE, UPPER	1	AB
	35-815175	. KNEE, UPPER	1	AB
- 18	1645	. FITTING, ALEMITE	3	AB
- 19	35-815013	. BUSHING, TORQUE KNEE	2	AB
- 20	AN392-19	. PIN, HINGE PIN LOCK	2	AB
- 21	35-815014	. PIN, UPPER & LOWER HINGE	2	AB
- 22	AN5-13	. BOLT, CENTER HINGE	1	AB
- 23	100951S063-010-024	. WASHER, CENTER HINGE	2	AB
	AN310-5	. NUT, CENTER HINGE	1	AB
- 24	105739S0312-0436-0946	. BUSHING, CENTER HINGE	1	AB
	AN960-716	. WASHER, CENTER HINGE	1	AB
- 25	35-810072	SPACER, WHEEL MOUNTING	1	AB
- 26	AN7502-24	NUT, WHEEL RETAINER	1	AB
- 27	35-815023	BUSHING, WHEEL MOUNTING	1	AB
- 28	105740X0500-0622-1329	BUSHING, FWD SHOCK ABSORBER	1	AB
- 29	NAS58-31	BOLT, FWD MAIN GEAR HINGE	1	AB
	100951X063-016-024	WASHER, HINGE BOLT	1	AB
	AN310-8	NUT, HINGE BOLT	1	AB
- 30	105740X0375-0497-1329	BUSHING, AFT SHOCK ABSORBER	1	AB
- 31	NAS56-27	BOLT, AFT MAIN GEAR HINGE	1	AB
- 31A	AN960-616	WASHER, AFT MAIN GEAR HINGE	1	AB
	AN310-6	NUT, AFT MAIN GEAR HINGE	1	AB
- 32	35-815038	CLAMP, HOSE	1	AB
	AN4-7A	BOLT, CLAMP ATTACHING	2	AB
	AN960-416	WASHER, CLAMP MOUNTING	2	AB
	AN365-428	NUT, CLAMP RETAINER	2	AB
- 33	AN742-6C	CLAMP, HOSE RETAINER	1	AB
- 34	AN742-16	CLAMP, HOSE RETAINER	1	AB
	AN3-4A	BOLT, CLAMP ATTACHING	1	AB
- 35	35-815004	CLAMP, HOSE RETAINER	1	AB
	35-815004-1	CLAMP, HOSE RETAINER	1	AB
	35-815004-4	BRACKET, DOOR LINK ATTACHING	1	AB
	35-815004-5	BRACKET, DOOR LINK ATTACHING	1	AB

MODEL 35 THRU G35 PARTS CATALOG

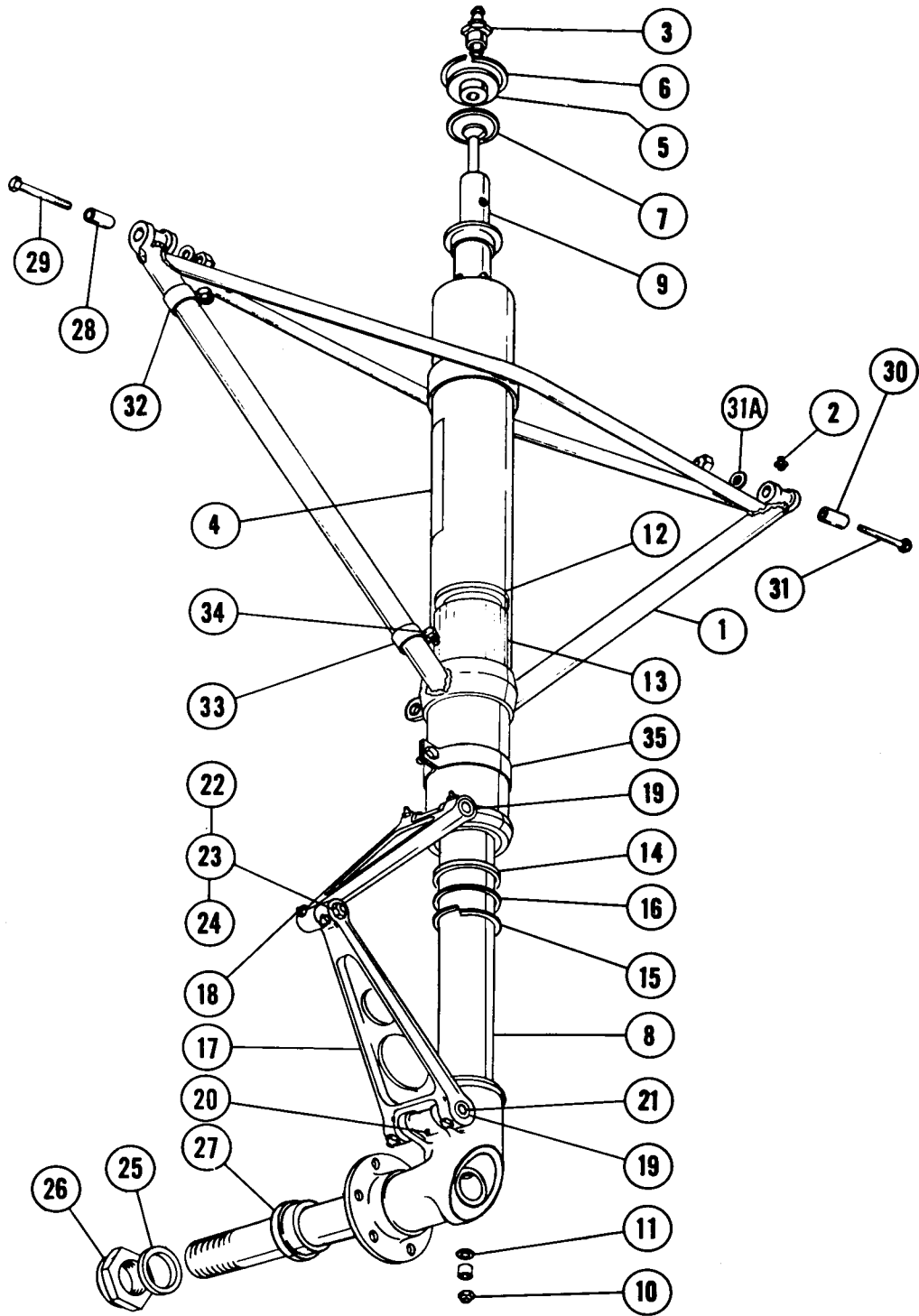


Figure 44. Landing Gear Shock Absorber Assembly (D2681 thru D4098)

MODEL 35 THRU G35 PARTS CATALOG

FIG. & INDEX NO.	PART NO.	DESCRIPTION	UNITS PER ASSY	USABLE ON CODE
		1 2 3 4 5 6 7		
44	45-815201-602	ABSORBER ASSY, LANDING GEAR SHOCK LH	1	C, D, E, F22
	45-815201-603	ABSORBER ASSY, LANDING GEAR SHOCK RH	1	C, D, E, F22
	35-810150	ABSORBER ASSY, LANDING GEAR SHOCK LH	1	C, D, E, F22
	35-810150-1	ABSORBER ASSY, LANDING GEAR SHOCK RH	1	C, D, E, F22
	45-815203	. ABSORBER ASSY, UPPER SHOCK LH /USE 45-815203-2 FOR REPLACEMENT/	NP	C, D, E, F22
- 1	45-815203-2	. ABSORBER ASSY, UPPER SHOCK LH /WHEN. 45-815203-2 & -3 ARE USED FOR REPLACEMENT OF 45-815203 & -1, 45-815226 AND 111190-16 MUST BE REPLACED BY 45-815232 AND AN6231A20.	1	F6, G
	45-815203-1	. ABSORBER ASSY, UPPER SHOCK RH /USE 45-815203-3 FOR REPLACEMENT/	NP	C, D, E, F22
	45-815203-3	. ABSORBER ASSY, UPPER SHOCK RH /WHEN. 45-815203-2 & -3 ARE USED FOR REPLACEMENT OF 45-815203 & -1, 45-815226 AND 111190-16 MUST BE REPLACED BY 45-815232 AND AN6231A20.	1	F6, G
- 2	1645	. . FITTING, ALEMITE	2	
- 3	35-815088-10	. BODY ASSY, FILLER VALVE	1	C, D, E, F22
	AN809-1	. CORE, FILLER VALVE	1	C, D, E, F22
	AN902-5	. GASKET, FILLER VALVE	1	C, D, E, F22
	AN813-1A	. CAP, FILLER VALVE	1	C, D, E, F22
- 4	112406	. PLACARD, SHOCK STRUT	1	C, D, E, F22
- 5	45-815224	. PLUG, UPPER SHOCK ABSORBER	1	C, D, E, F22
- 6	NAS50-200	. RING, ABSORBER RETAINER	1	C, D, E, F22
- 7	AN6230-2	. GASKET, ABSORBER ASSY	1	C, D, E, F22
- 8	45-815202	. ABSORBER ASSY, LOWER SHOCK LH	1	C, D, E, F22
	45-815202-1	. ABSORBER ASSY, LOWER SHOCK RH	1	C, D, E, F22
- 9	45-815217-4	. CONTROL ASSY, SHOCK	1	F6, G
	35-810154	. CONTROL ASSY, SHOCK	1	C, D, E, F22
- 10	AN365-524	. NUT, EXTENSION STOP PIN RETAINING	1	
	35-815081	. WASHER, EXTENSION STOP PIN	1	
- 11	AN6227-6	. PACKING, EXTENSION STOP PIN	1	
- 12	AN6227-31	. PACKING, INNER CYLINDER	1	C, D, E, F22
- 13	35-810150-2	. FELT, PISTON LUBRICATING	1	C, D, E, F22
- 14	45-815226	. RING, PISTON WIPER	1	C, D, E, F22
	45-815232	. ADAPTER, PISTON	1	F6, G
- 15	111200-6	. RING, LOWER CYLINDER SNAP	1	C, D, E, F22
- 16	111190-16	. RING, PISTON SCRAPER	1	C, D, E, F22
	AN6231A20	. RING, PISTON SCRAPER	1	F6, G
- 17	45-815011-6	. KNEE ASSY, UPPER TORQUE	1	C, D, E, F22
	45-815015-6	. KNEE ASSY, LOWER TORQUE	1	C, D, E, F22
- 18	1645	. . FITTING, ALEMITE	5	
- 19	45-815013	. . BUSHING, TORQUE KNEE	4	C, D, E, F22
- 20	AN392-27	. PIN, HINGE PIN LOCK	2	C, D, E, F22
- 21	45-815014	. PIN, UPPER & LOWER HINGE	2	C, D, E, F22
- 22	AN5-13	. BOLT, CENTER HINGE HINGE	1	C, D, E, F22
- 23	AN960-516	. WASHER, CENTER HINGE	1	C, D, E, F22
	AN310-5	. NUT, CENTER HINGE	1	
- 24	105739S-YK0431	. BUSHING, CENTER HINGE	1	C, D, E, F22
- 25	35-810072	. SPACER, WHEEL MOUNTING	1	
- 26	AN7502-24	. NUT, WHEEL RETAINER	1	
- 27	35-815023	. BUSHING, WHEEL MOUNTING	1	
- 28	105740X-YM1329	. BUSHING, FWD SHOCK ABSORBER	1	C, D, E, F22
	35-815182	. BUSHING, FWD SHOCK ABSORBER	1	C, D, E, F22
- 29	NAS58-31	. BOLT, FWD MAIN GEAR HINGE	1	
	100951X063XD	. WASHER, HINGE BOLT	1	
	AN310-8	. NUT, HINGE BOLT	1	
- 30	105740X-YB1329	. BUSHING, AFT SHOCK ABSORBER	1	C, D, E, F22
	35-815182	. BUSHING, AFT SHOCK ABSORBER	1	C8, D, E, F22
- 31	NAS56-27	. BOLT, AFT MAIN GEAR HINGE	1	
- 31A	AN960-616	. WASHER, AFT MAIN GEAR HINGE	1	

MODEL 35 THRU G35 PARTS CATALOG

FIG. & INDEX NO.	PART NO.	1	2	3	4	5	6	7	DESCRIPTION	UNITS PER ASSY	USABLE ON CODE
44	AN310-6	NUT,AFT MAIN GEAR HINGE	1	
- 32	35-815038	CLAMP,HOSE	1	
	AN4-7A	BOLT,CLAMP ATTACHING	2	
	AN960-416	WASHER,CLAMP MOUNTING	2	
	AN365-428	NUT,CLAMP RETAINER	2	
- 33	AN742-6C	CLAMP,HOSE RETAINER	1	
- 34	AN742-16	CLAMP,HOSE RETAINER	1	
	AN3-4A	BOLT,CLAMP ATTACHING	1	
- 35	35-815004	CLAMP,HOSE RETAINER	1	
	35-815004-1	CLAMP,HOSE RETAINER	1	
	35-815004-4	BRACKET,DOOR LINK ATTACHING	1	
	35-815004-5	BRACKET,DOOR LINK ATTACHING	1	

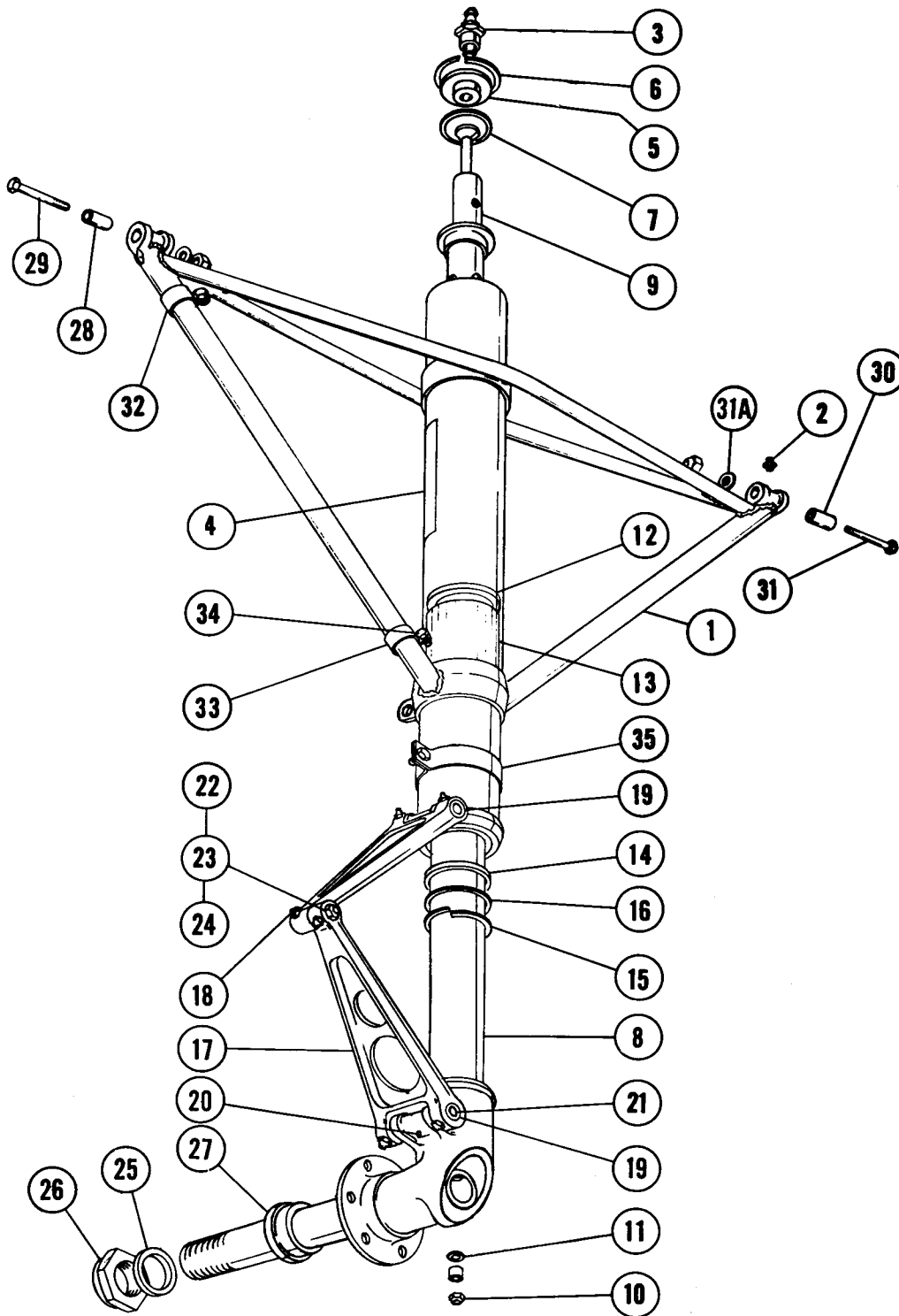


Figure 45. Landing Gear Shock Absorber Assembly (D4099 thru D4865)

MODEL 35 THRU G35 PARTS CATALOG

FIG. & INDEX NO.	PART NO.	DESCRIPTION							UNITS PER ASSY	USABLE ON CODE
		1	2	3	4	5	6	7		
45	35-815001-10	GEAR ASSY, LANDING LH.	1	F6G
	35-815001-11	GEAR ASSY, LANDING RH.	1	F6G
	35-810150-4	ABSORBER ASSY, LANDING GEAR SHOCK LH.	1	F6G
	35-810150-5	ABSORBER ASSY, LANDING GEAR SHOCK RH.	1	F6G
- 1	45-815203-2	. ABSORBER ASSY, UPPER SHOCK LH.	1	F6G
	45-815203-3	. ABSORBER ASSY, UPPER SHOCK RH.	1	F6G
- 2	1633	. . FITTING, ALEMITE	2	
- 3	35-815088-10	. BODY ASSY, FILLER VALVE.	1	
	AN809-1	. CORE, FILLER VALVE	1	
	AN902-5	. GASKET, FILLER VALVE	1	
	AN813-1A	. CAP, FILLER VALVE.	1	
- 4	112406	. PLACARD, SHOCK STRUT	1	
	35-810158	. PLACARD, SHOCK STRUT	1	
	35-810159	. PLACARD, SHOCK STRUT	1	
- 5	45-815224	. PLUG, UPPER SHOCK ABSORBER	1	
- 6	NAS50-200	. RING, ABSORBER RETAINER.	1	
- 7	AN6230-2	. GASKET, ABSORBER ASSY.	1	
- 8	45-815202	. ABSORBER ASSY, LOWER SHOCK LH.	1	
	45-815202-1	. ABSORBER ASSY, LOWER SHOCK RH.	1	
- 9	45-815217-4	. CONTROL ASSY, SHOCK.	1	F6G
- 10	AN365-524	. NUT, EXTENSION STOP PIN RETAINER	1	
	35-815081	. WASHER, EXTENSION STOP PIN	1	
- 11	AN6227-6	. PACKING, EXTENSION STOP PIN.	1	
- 12	AN6227-31	. PACKING, INNER CYLINDER.	1	
- 13	35-810150-2	. FELT, PISTON LUBRICATING	1	
- 14	45-815232	. RING, PISTON ADAPTER	1	F6G
- 15	111200-6	. RING, LOWER CYLINDER SNAP.	1	
- 16	AN6231A20	. RING, PISTON SCRAPER	1	F6G
- 17	45-815011-6	. KNEE ASSY, UPPER TORQUE.	1	
	45-815015-6	. KNEE ASSY, LOWER TORQUE /MATCHED PAIR/	1	CDEFG
- 18	1645	. . FITTING, ALEMITE	3	
- 19	45-815013	. . BUSHING, TORQUE KNEE	4	
- 20	AN392-27	. PIN, HINGE PIN LOCK.	1	
	AN392-23	. PIN, HINGE PIN LOCK.	1	
- 21	45-815014	. PIN, UPPER & LOWER HINGE	2	
- 22	AN5-13	. BOLT, CENTER HINGE	1	
- 23	AN960-516	. WASHER, CENTER HINGE	2	
- 24	105739S0312-0436-0431	. BUSHING, CENTER HINGE.	1	
- 25	35-810072	SPACER, WHEEL MOUNTING	1	
- 26	AN7502-24	NUT, WHEEL RETAINER.	1	
- 27	35-815023	BUSHING, WHEEL MOUNTING.	1	
- 28	35-815182	BUSHING, FWD SHOCK ABSORBER.	1	
- 29	NAS58-31	BOLT, FWD MAIN GEAR HINGE.	1	
	100951X063-016-024	WASHER, HINGE BOLT	1	
	AN310-8	NUT, HINGE BOLT.	1	
- 30	35-815182-1	BUSHING, AFT SHOCK ABSORBER.	1	AB
	35-815182	BUSHING, AFT SHOCK ABSORBER.	1	CDEFG
- 31	NAS58-30	BOLT, AFT MAIN GEAR HINGE.	1	CDEFG
- 31A	100951X063-016-024	WASHER, AFT MAIN GEAR HINGE.	1	CDEFG
	AN310-8	NUT, AFT MAIN GEAR HINGE	1	CDEFG
- 32	35-815038	CLAMP, HOSE.	1	
- 33	AN742-6C	CLAMP, HOSE RETAINER	1	
- 34	AN742-16	CLAMP, HOSE RETAINER	1	
- 35	35-815004	CLAMP, HOSE RETAINER	1	
	35-815004-1	CLAMP, HOSE RETAINER	1	
	35-815004-4	BRACKET, DOOR LINK ATTACHING	1	
	35-815004-5	BRACKET, DOOR LINK ATTACHING	1	

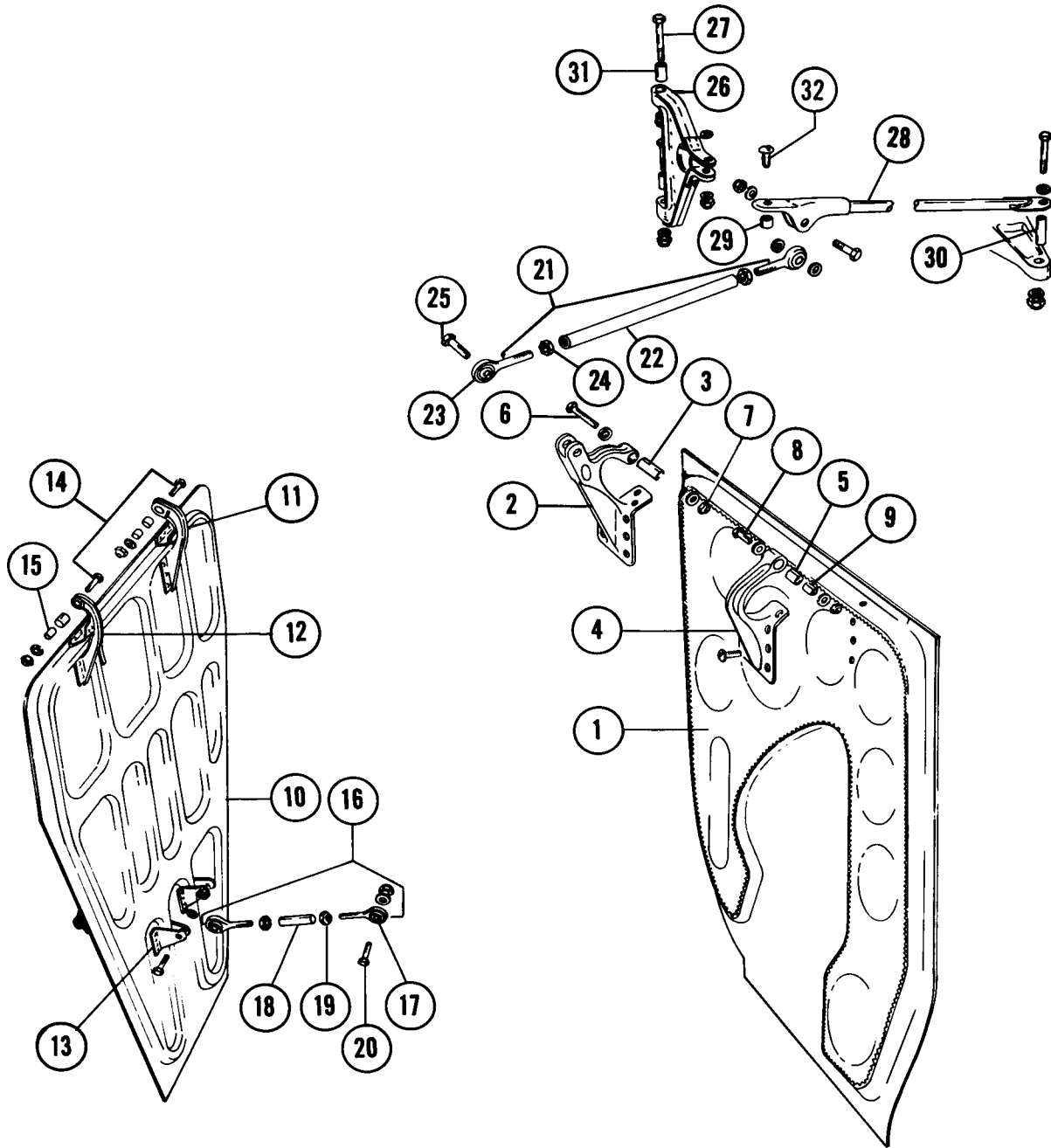


Figure 46. Main Landing Gear Door and Retract Mechanism

MODEL 35 THRU G35 PARTS CATALOG

FIG. & INDEX NO.	PART NO.	DESCRIPTION	UNITS PER ASSY	USABLE ON CODE
		1 2 3 4 5 6 7		
46	35-815055-4	DOOR ASSY,LH INBD /WITH HINGES/	1	
	35-815055-5	DOOR ASSY,RH INBD /WITH HINGES/	1	
- 1	35-815055-6	. DOOR ASSY,LH INBD /LESS HINGES/	1	
	35-815055-7	. DOOR ASSY,RH INBD /LESS HINGES/	1	
- 2	35-815075	. HINGE,FWD DOOR.	1	ABCDE5
	45-815005-1	. HINGE,FWD DOOR.	1	E6FG
	35-815075-1	. HINGE,FWD	1	ABCDE5
	45-815005-2	. HINGE,FWD	1	E6FG
- 3	105739X-ZM1050	BUSHING,FWD INBD DOOR HINGE	1	A35
	105739X-ZP1050	BUSHING,FWD INBD DOOR HINGE	1	A36BCDEFG
	AN525-10-10	. SCREW,HINGE ATTACHING	7	
	AN365-1032	. NUT,HINGE RETAINER.	3	
	AN960-10	. WASHER,HINGE MOUNTING	3	
- 4	35-815016	. HINGE ASSY,AFT INBD DOOR.	1	
	35-815016-1	. HINGE ASSY,AFT INBD DOOR.	1	
- 5	105740X-ZR0480	. BUSHING,AFT INBD DOOR HINGE	1	
	AN525-10-10	. SCREW,HINGE ATTACHING	4	
	AN365-1032	. NUT,HINGE RETAINER.	3	
	AN364-1032	. NUT,HINGE RETAINER.	1	
	AN960-10	. WASHER,HINGE MOUNTING	3	
	AN960-10L	. WASHER,HINGE MOUNTING	1	
- 6	AN3-15A	BOLT,FWD INBD DOOR HINGE.	1	
	AN960-10	WASHER,FWD INBD DOOR HINGE.	2	
	AN960-10L	WASHER,FWD INBD DOOR HINGE.	2	
- 7	AN365-1032	NUT	2	
- 8	AN3-10A	BOLT,AFT INBD DOOR HINGE.	1	
- 9	105739X-ZP0500	BUSHING,AFT INBD DOOR HINGE	1	
- 10	35-815055-68	DOOR ASSY,OUTBD LH.	1	
	35-815055-69	DOOR ASSY,OUTBD RH.	1	
- 11	35-815055-10	. HINGE,FWD OUTBD DOOR.	1	
	35-815055-11	. HINGE,FWD OUTBD	1	
- 12	35-815055-12	. HINGE,AFT OUTBD DOOR.	1	
	35-815055-13	. HINGE,AFT OUTBD DOOR.	1	
	105740X-ZJ0490	. BUSHING,DOOR HINGE.	2	
- 13	35-815055-15	. BRACKET,LINK ATTACHING.	2	
	35-815055-14	. BRACKET,LINK ATTACHING.	2	
- 14	AN3-10A	BOLT,OUTBD DOOR HINGE	2	
- 15	105739ZM0500	BUSHING,OUTBD DOOR HINGE.	2	
- 16	35-815056	LINK,OUTBD DOOR ATTACHING	2	
- 17	HM-4	. END,ATTACHING LINK ROD.	4	
- 18	35-815056-2	. TUBE,ATTACHING LINK	2	
- 19	AN316-4R	. NUT,ROD END LOCK.	4	
- 20	AN4-7A	BOLT,LINK ATTACHING	4	
- 21	35-815007-4	LINK ASSY,OUTBD	1	
- 22	35-815007-2	. TUBE,OUTBD LINK	1	
- 23	HM-4	. END,OUTBD LINK ROD.	2	
- 24	AN316-4R	. NUT,ROD END LOCK.	2	
- 25	AN4-12A	BOLT,LINK ASSY ATTACHING.	1	
	AN4-54A	BOLT.	1	
- 26	35-815116	IDLER,LANDING GEAR DOOR ACTUATOR.	1	A1
	35-815118	IDLER,LANDING GEAR DOOR ACTUATOR.	1	A2BCDEFG
- 27	AN4-55	BOLT.	2	
- 28	45-815003-3	ROD ASSY,INBD RETRACT	1	
	45-815003-1	ROD ASSY,INBD RETRACT	1	
- 29	10293305ZR0375	SPACER,INBD RETRACT ROD	1	
- 30	35-815101-2	BUSHING,INBD RETRACT ROD.	1	

MODEL 35 THRU G35 PARTS CATALOG

FIG. & INDEX NO.	PART NO.	DESCRIPTION							UNITS PER ASSY	USABLE ON CODE										
		1	2	3	4	5	6	7												
46 - 31	35-815117	SPACER	2	
	100801S5-4781	BUSHING	2	
- 32	35-815183	SCREW	1	
	105739D0190-	BUSHING	1	
	0375-0250																			
	105739S0190-	BUSHING	1	
	0341-0137																			

MODEL 35 THRU G35 PARTS CATALOG

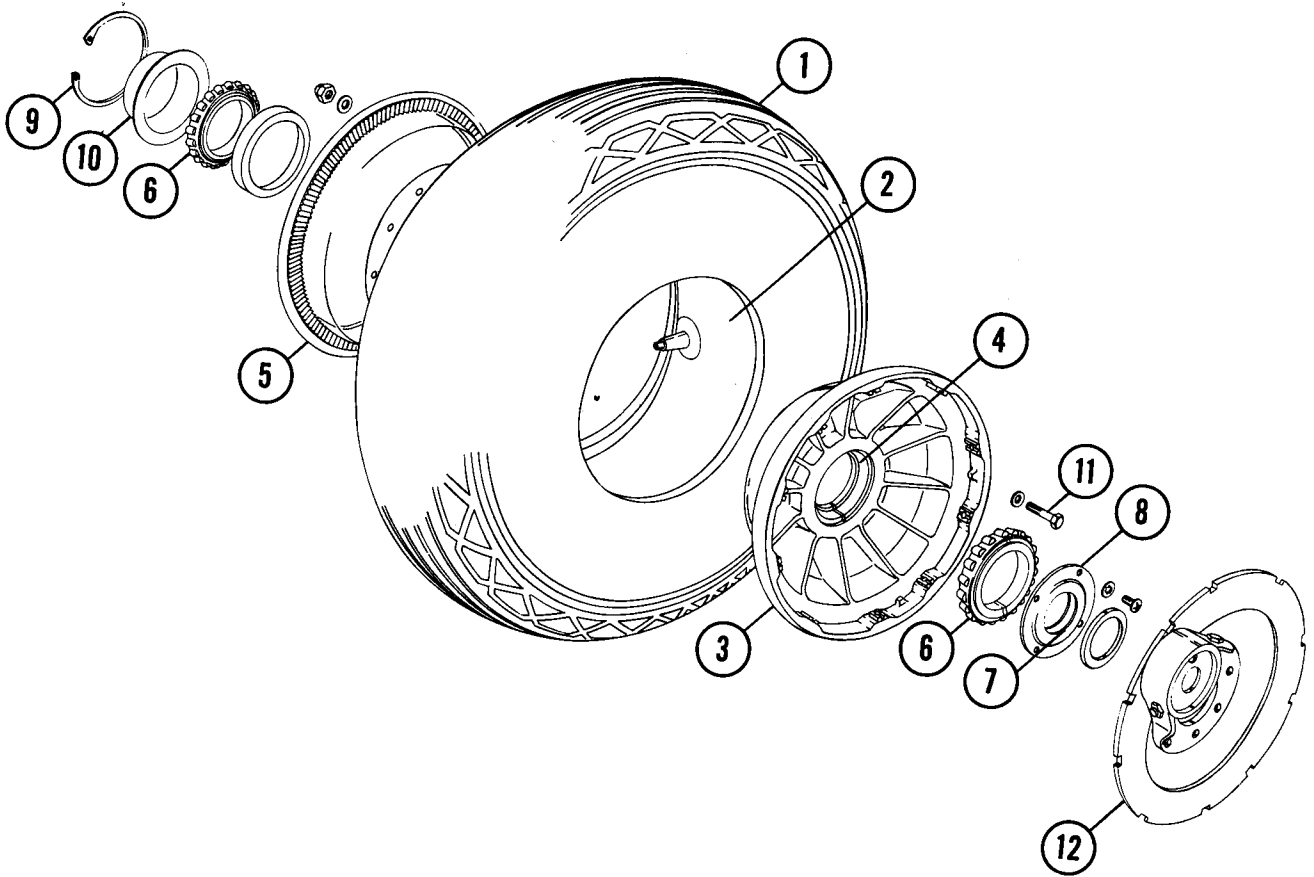


Figure 47. Main Wheel, Tire, Tube And Brake Assembly

FIG. & INDEX NO.	PART NO.								UNITS PER ASSY	USABLE ON CODE	
		1	2	3	4	5	6	7			
47	35-815001-700	WHEEL ASSY,LH COMPLETE	1	
	35-815001-701	WHEEL ASSY,RH COMPLETE	1	
- 1	650X8	. TIRE,MAIN GEAR 4 PLY	1	
- 2	650X8	. TUBE,MAIN GEAR	1	
	95-30949	. WHEEL ASSY,COMPLETE /LESS BRAKE,TIRE & TUBE/	1	
- 3	95-3293	. . WHEEL,HALF /BRAKE SIDE/	1	
	9520113	. . KEY,DISC DRIVE	10	
	9520656	. . SCREW,SPECIAL	10	
- 4	95-0477	. . CUP,INBD BEARING	1	
- 5	95-3292	. . WHEEL,HALF /OPPOSITE BRAKE/	1	
	95-0477	. . CUP,OUTBD BEARING	1	
- 6	95-0476	. . CONE,WHEEL BEARING	2	
- 7	95-3298	. . SEAL,INBD BEARING FELT	1	
- 8	95-3305	. . RETAINER,INBD BEARING	1	
- 9	95-3294	. . RING,HUB CAP RETAINER	1	
- 10	95-3295	. . CAP,MAIN WHEEL HUB	1	
- 11	9520205	. . BOLT,WHEEL ASSY	8	
- 12	95-2968	. BRAKE ASSY,GOODYEAR	1	

MODEL 35 THRU G35 PARTS CATALOG

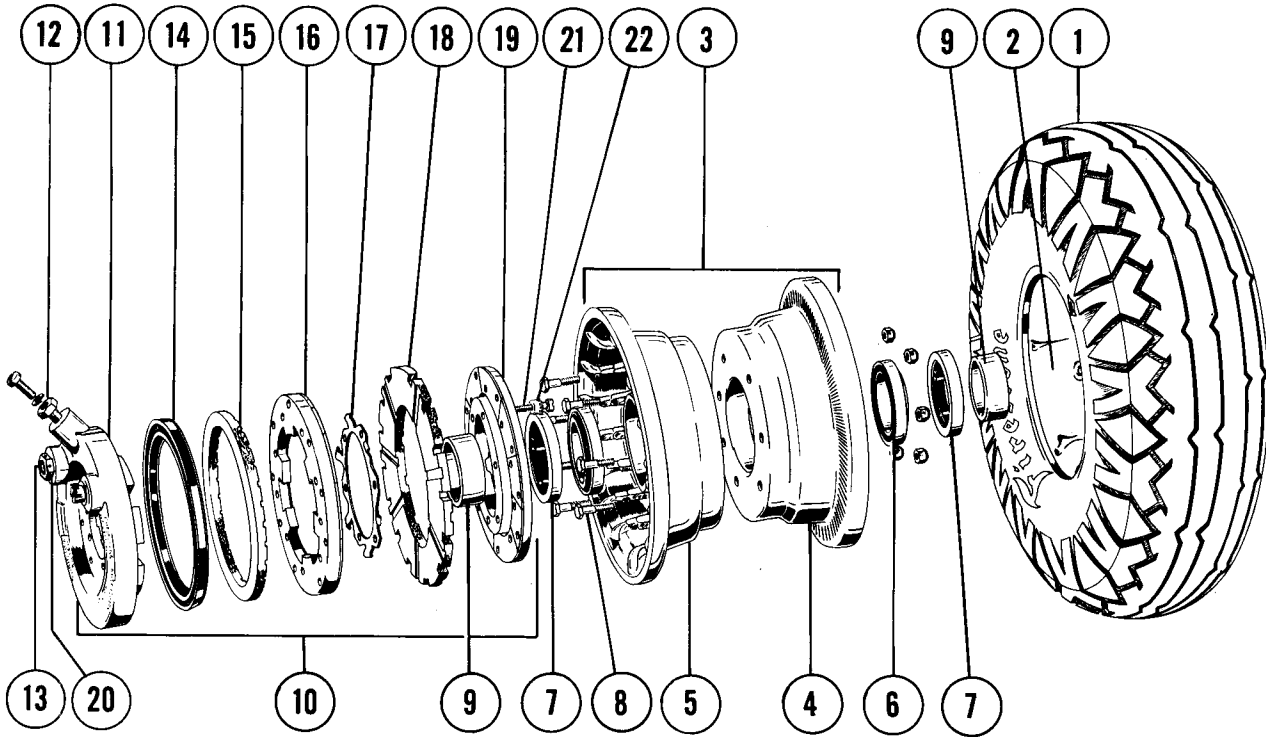


Figure 48. Main Wheel, Tire, Tube And Brake Assembly

FIG. & INDEX NO.	PART NO.								UNITS PER ASSY	USABLE ON CODE	
		1	2	3	4	5	6	7			
48 - 1	650X8	TIRE,4 PLY MAIN GEAR.	1	
- 2	650X8	TUBE,MAIN GEAR.	1	
- 3	DFA233	WHEEL ASSY.	1	
- 4	DFA273	• WHEEL,INBD HALF	1	
	19268	• • CUP,BEARING /TIMKEN/	1	
- 5	DFA272	• WHEEL,OUTBD HALF.	1	
	19268	• • CUP,BEARING /TIMKEN/	1	
- 6	19150	• CONE,BEARING /TIMKEN/	2	
- 7	988	• SEAL,GREASE	2	
- 8	AFA434	• BOLT,WHEEL ASSY	7	
- 9	AFA424	• SPACER.	2	
- 10	CFA299	• BRAKE ASSY.	1	
- 11	CFA298	• GLAND ASSY,MOUNTING RING.	1	
- 12	BFA530	• VALVE,BLEEDER	1	
- 13	AFA542	• PLUG.	1	
- 14	BFA520	• SEAL ASSY,HYDRAULIC	1	
	AN6230-36	• SEAL.	1	
	AN6230-38	• SEAL.	1	
- 15	BFA233	• RING,PUSHER	1	
- 16	BFA281	• DISC ASSY,FLOATING.	1	
- 17	AFA358	• SPRING,RETRACTION	1	
- 18	BFA236	• DISC,BRAKE LINING	1	
- 19	CFA514	• DISC ASSY,STATIONARY.	1	
- 20	AN901-4A	• GASKET	1	
- 21	AN503-416-18	• SCREW	6	
- 22	AFA564	• WASHER,LOCK	6	

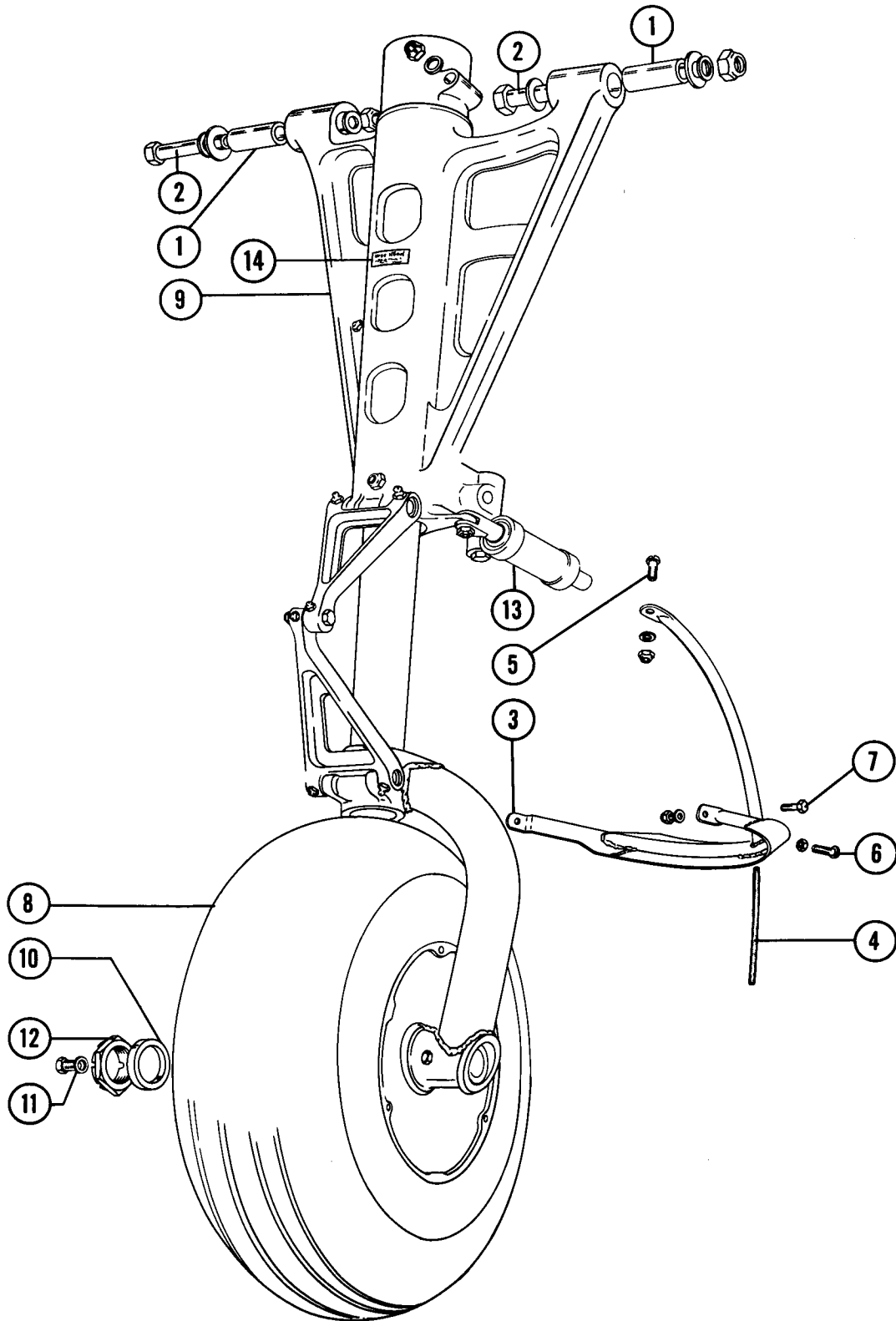


Figure 49. Nose Gear Assembly

MODEL 35 THRU G35 PARTS CATALOG

FIG. & INDEX NO.	PART NO.	DESCRIPTION							UNITS PER ASSY	USABLE ON CODE
		1	2	3	4	5	6	7		
49	35-825001-2	GEAR ASSY,NOSE	1	ABCDEFG1 G2
	35-825001-8	GEAR ASSY,NOSE W/WHEEL	1	
- 1	35-825029	. BUSHING,NOSE GEAR ATTACHING	2	
- 2	AN6-23	. BOLT,NOSE GEAR ATTACHING	2	
	AN960-616	. WASHER,NOSE GEAR ATTACHING	4	
	100951-032-012-100	. WASHER,NOSE GEAR ATTACHING	2	
	AN365-624	. NUT,NOSE GEAR ATTACHING	2	
- 3	35-825175	. SCRAPER,NOSE WHEEL	1	
- 4	35-825023	. GROUND ASSY,STATIC	1	ABCD5
- 5	AN525-10-6	. SCREW,SCRAPER ATTACHING	1	
	AN960-10	. WASHER,SCRAPER ATTACHING	1	
	AN364-1032	. NUT,SCRAPER ATTACHING	1	
- 6	AN520-10-10	. SCREW,STATIC HOUSING LOCKING	1	ABCD5
	AN356-1032	. NUT,STATIC HOUSING LOCKING	1	ABCD5
- 7	AN4-4A	. BOLT,SCRAPER ATTACHING	1	
	AN960-416	. WASHER,SCRAPER ATTACHING	1	
	AN365-428	. NUT,SCRAPER ATTACHING	1	
- 8	500X5	. WHEEL ASSY,COMPLETE /SEE FIG. 52/	1	
- 9	35-825100	. STRUT ASSY,/SEE FIG. 50/	1	
- 10	35-825129	. WASHER,WHEEL	1	
- 11	AN7502-20	. NUT,WHEEL	1	
- 12	AN74-3	. BOLT,NOSE SCRAPER ATTACHING	1	
	AN960-416	. WASHER,NOSE SCRAPER ATTACHING	1	
- 13	35-825145	DAMPER,NOSE WHEEL SHIMMY /SEE FIG. 54/	1	
- 14	35-825064	PLACARD	1	

MODEL 35 THRU G35 PARTS CATALOG

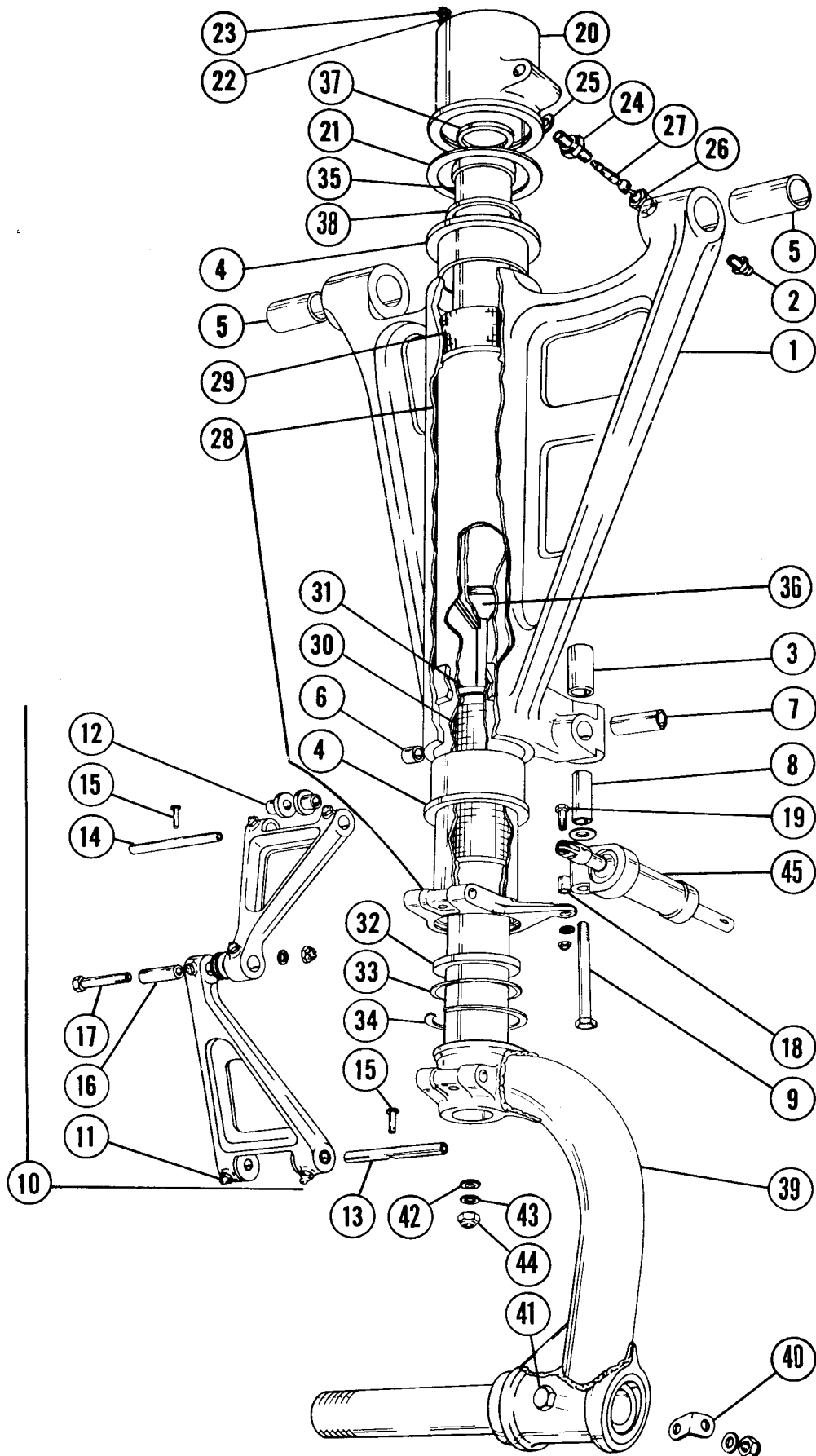


Figure 50. Nose Wheel Strut Assembly

MODEL 35 THRU G35 PARTS CATALOG

FIG. & INDEX NO.	PART NO.	DESCRIPTION							UNITS PER ASSY	USABLE ON CODE
		1	2	3	4	5	6	7		
50	35-825100	STRUT ASSY,NOSE WHEEL	1	ABCDEF G1 G2
	35-825100-6	STRUT ASSY,NOSE WHEEL	1	
- 1	35-825110	. BRACE ASSY,NOSE WHEEL	1	
- 2	1645	. . FITTING,ALEMITE	4	
- 3	105740X-YN1458	. . BUSHING	1	
- 4	35-820111	. . BEARING	2	
- 5	35-825112	. . BEARING	2	
- 6	35-820113	. . BEARING	1	
- 7	105740X-ZU1365	. . BUSHING	1	
- 8	105739S-YP1483	. BUSHING,DAMPER ATTACHING	1	
- 9	AN6-31	. BOLT,DAMPER ATTACHING	1	
	100951X063YN	. WASHER,DAMPER ATTACHING	1	
	100951X031YM	. WASHER,DAMPER ATTACHING	1	
	AN365-624	. NUT,DAMPER ATTACHING	1	
- 10	35-825060	. KNEE ASSY,STRUT	2	
- 11	1645	. . FITTING,ALEMITE	6	
- 12	35-820062	. . BUSHING,STRUT KNEE	4	
- 13	35-825106	. PIN,LOWER KNEE HINGE	1	
- 14	35-820027	. PIN,UPPER KNEE HINGE	1	
- 15	AN392-17	. PIN,LOCKING	2	
- 16	35-820028	. BUSHING,KNEE HINGE	1	
- 17	AN4-12	. BOLT,KNEE HINGE	1	
	100951S063ZZ	. WASHER,KNEE HINGE	1	
	100951S063YH	. WASHER,KNEE HINGE	1	
	AN310-4	. NUT,KNEE HINGE	1	
- 18	105739S-ZK0190	. BUSHING,DAMPER ROD END ATTACHING	1	
- 19	AN3-6A	. BOLT,DAMPER ROD END ATTACHING	1	
	AN960-10	. WASHER,DAMPER ROD END ATTACHING	2	
- 20	35-825092	. CAP,NOSE WHEEL STRUT	1	
- 21	35-825101	. SHIM,STRUT CAP	1	
- 22	AN960-10	. WASHER,STRUT CAP	6	
- 23	AN365-1032	. NUT,STRUT CAP	6	
- 24	110238	. BODY,BLEEDER VALVE	1	
- 25	110237-4A	. GASKET,BLEEDER VALVE	1	
- 26	AN813-1A	. CAP,BLEEDER VALVE	1	
- 27	302D	. CORE,BLEEDER VALVE	1	
- 28	35-825090	. BARREL ASSY,STRUT	1	
- 29	35-825100-4	. PAD,OIL	2	
- 30	35-825100-2	. PAD,OIL	1	
- 31	AN6227-27	. PACKING	1	
- 32	35-825153	. RING	1	
- 33	111190-2	. RING	1	
- 34	111200-2	. RING	1	
- 35	35-825102	. CONTROL ASSY,STRUT	1	
- 36	35-825032	. CONTROL,PIN ASSY REBOUND	1	
- 37	AN6227-24	. PACKING	1	
- 38	AN6227-20	. PACKING	1	
- 39	35-825125-602	. AXLE & PISTON ASSY	1	
- 40	35-825115	. CLIP,SCRAPER GUARD ATTACHING	1	
- 41	AN4-21A	. BOLT,SCRAPER GUARD ATTACHING	1	
- 42	AN6227-5	. PACKING,PIN	1	
- 43	AN960-416	. WASHER,PIN	1	
- 44	AN363-428	. NUT,PIN RETAINING	1	
- 45	35-825145	. DAMPER,NOSE WHEEL SHIMMY /SEE FIG. 54/	1	

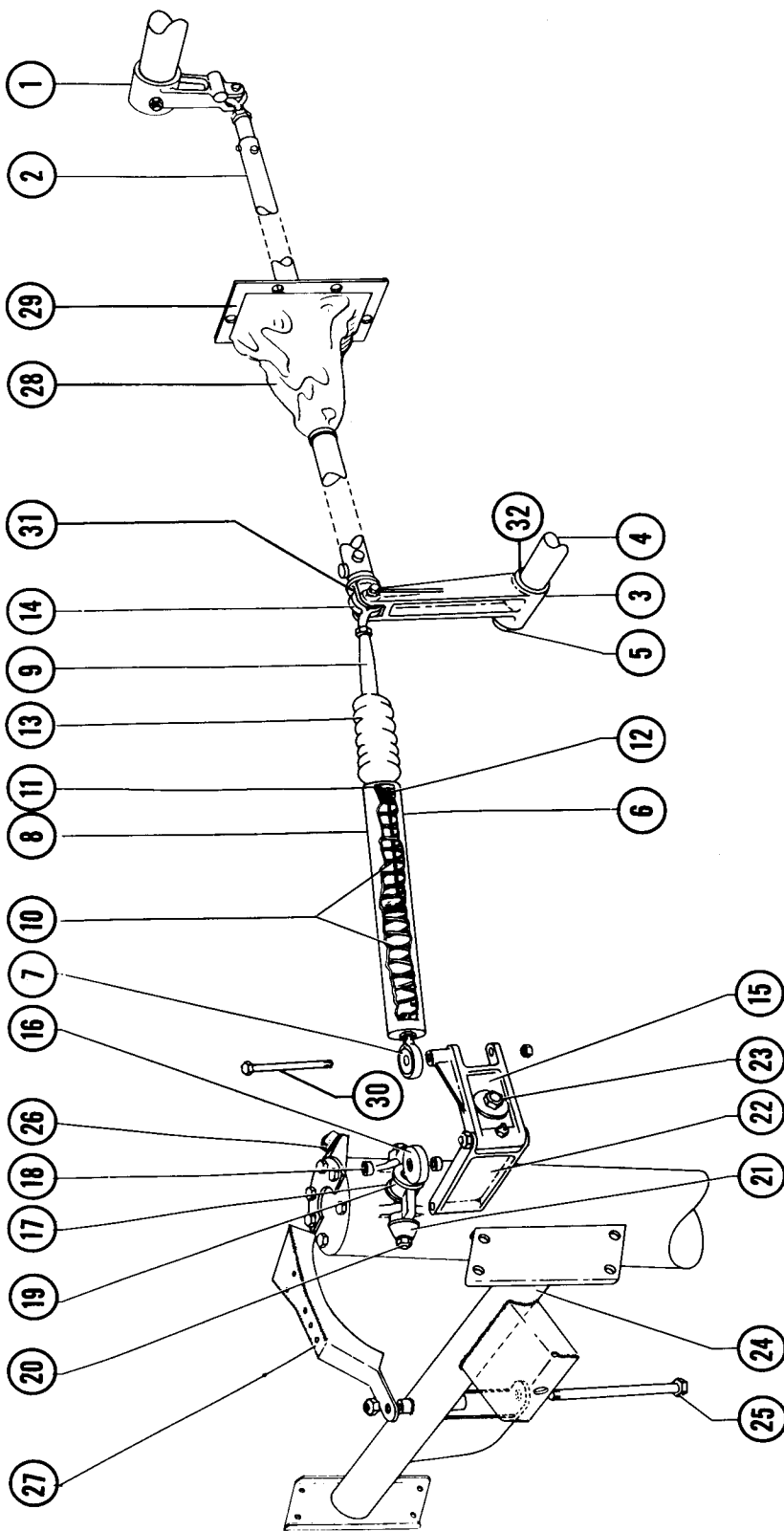


Figure 51. Nose Wheel Steering and Nose Wheel Straightening Mechanism

MODEL 35 THRU G35 PARTS CATALOG

FIG. & INDEX NO.	PART NO.	DESCRIPTION							UNITS PER ASSY	USABLE ON CODE
		1	2	3	4	5	6	7		
51	35-825160	MECHANISM INSTL,STEERING.							REF	
- 1	35-825054	• ARM,STEERING.							1	A2BCDEFG
- 2	35-825044-4	• ROD ASSY.							1	A2BCDEFG
	MD46-15	• • END,ROD							1	A2BCDEFG
	35-820045	• • END,ROD							1	A2BCDEFG
	AN960-616L	• • WASHER.							1	A2BCDEFG
	AN316-6R	• NUT							1	A2BCDEFG
	AN4-13A	• BOLT.							1	A2BCDEFG
	AN960-416	• WASHER.							1	A2BCDEFG
	AN365-428	• NUT							1	A2BCDEFG
- 3	35-825052	• ARM,IDLER							1	A2BCDEFG
	A-779	• • BUSHING,OILITE.							1	A2BCDEFG
- 4	35-825049	• SHAFT,IDLER ARM							1	A2BCDEFG
- 5	35-825051	• COLLAR.							1	A2BCDEFG
	AN392-25	• PIN							1	A2BCDEFG
- 6	35-825161	• LINK ASSY,FLEXIBLE STEERING							1	A2BCDEFG
- 7	HM-4	• • ROD,HEIM END.							1	A2BCDEFG
	AN316-4R	• • NUT							2	
- 8	35-825165	• • BARREL ASSY							1	
- 9	35-825163	• • SHAFT ASSY.							1	
- 10	100943-130-016-	• • SPRING.							2	
	302-4-3/4									
- 11	35-825164	• • BEARING							1	
- 12	AN6227-13	• • RING,O.							1	
	NAS50-87	• • RING,RETAINER							1	
- 13	G-840-15	• • BOOT.							1	
- 14	35-825162	• • END,ROD							1	
	AN24-25	• BOLT.							1	
	AN960-416L	• WASHER.							1	
	AN320-4	• NUT							1	
- 15	35-825037	• LINK ASSY,SIDE.							1	A1
	35-825173	• LINK ASSY,SIDE.							1	A2BCDEFG
- 16	35-825012	• STRAIGHTENER,EYE NOSE GEAR.							1	A1
	35-825012-4	• • FITTING,ALEMITE							1	
	35-825006	• STEERING,EYE NOSE GEAR.							1	A2BCDEFG
	NAS54-21A	• BOLT.							1	
	AN960-416L	• WASHER.							1	
	AN365-428	• NUT							1	
- 17	35-825011	• CHANNEL,NOSE GEAR STRAIGHTENING.							1	A1
- 18	35-825053	• SPACER.							2	A1
- 19	35-825007	• YOKE ASSY							1	
	NAS76A7-020	• BUSHING,OILITE.							1	
- 20	35-825005	• BOLT.							1	A2BCDEFG
- 21	35-825045	• STOP.							1	
- 22	35-825035	• LINK ASSY							1	
	1646	• • FITTING,ALEMITE							1	
- 23	35-825046	• BOLT.							1	
- 24	35-825008	• CHANNEL ASSY,SUPPORT.							1	A1
	35-825166	• CHANNEL ASSY,SUPPORT.							1	A2BCDEFG
- 25	NAS54-34	• BOLT.							1	
	AN960-416	• WASHER.							1	
	AN310-4	• NUT							1	
- 26	35-825024	• ROLLER ASSY,NOSE WHEEL STRAIGHTENER							1	A2BCDEFG
	35-825054-2	• • BRACKET							1	
	AT-4	• • ROLLER.							1	
- 27	35-410338	• TRACK,NOSE WHEEL STRAIGHTENER							1	A2BCDEFG
- 28	35-825171	• BOOT.							1	
- 29	35-825170	• RING.							1	
- 30	NAS54A24	• BOLT.							1	
- 31	105740X-ZL0L04	• BUSHING							2	
- 32	1009515032-020-	• WASHER.							2	
	100									

MODEL 35 THRU G35 PARTS CATALOG

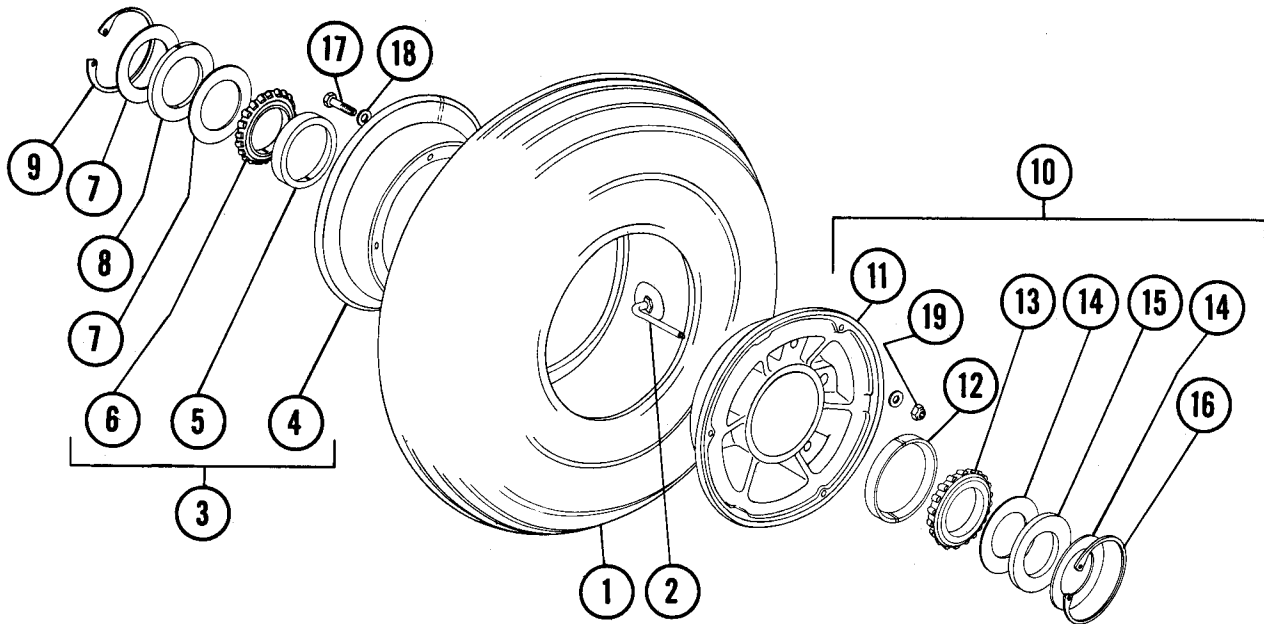


Figure 52. Nose Wheel And Tire Assembly

FIG. & INDEX NO.	PART NO.	DESCRIPTION	UNITS PER ASSY	USABLE ON CODE
52	35-825001-800	WHEEL & TIRE ASSY,/WITH TIRE & TUBE/.	1	
- 1	500X5	. TIRE,NOSE WHEEL /GY/.	1	
- 2	500X5	. TUBE,NOSE WHEEL /GY/.	1	
	9520653	. WHEEL ASSY,NOSE /GY/ /LESS TIRE & TUBE/	1	
- 3	9510093	. . WHEEL ASSY,LEFT HALF /GY/	1	
- 4	9540031	. . . WHEEL,LEFT HALF /GY/.	1	
- 5	950472	. . . CUP,WHEEL BEARING /GY/.	1	
- 6	950471	. . . CONE,WHEEL BEARING /GY/	1	
- 7	9510236	. . . RING,WHEEL CLOSURE /GY/	2	
- 8	954547	. . . FELT,WHEEL CLOSURE /GY/	1	
- 9	954543	. . . RING,WHEEL LOCK /GY/.	1	
- 10	9510036	. . WHEEL ASSY,RIGHT HALF /GY/.	1	
- 11	9530085	. . . WHEEL,RIGHT HALF /GY/	1	
- 12	950472	. . . CUP,WHEEL BEARING /GY/.	1	
- 13	950471	. . . CONE,WHEEL BEARING /GY/	1	
- 14	9510236	. . . RING,WHEEL CLOSURE /GY/	2	
- 15	954547	. . . FELT,WHEEL CLOSURE /GY/	1	
- 16	954543	. . . RING,WHEEL LOCK /GY/.	1	
- 17	9520193	. . BOLT,WHEEL ASSY /GY/.	3	
- 18	954545	. . WASHER,WHEEL ASSY /GY/.	6	
- 19	954474	. . NUT,WHEEL ASSY /GY/	3	

MODEL 35 THRU G35 PARTS CATALOG

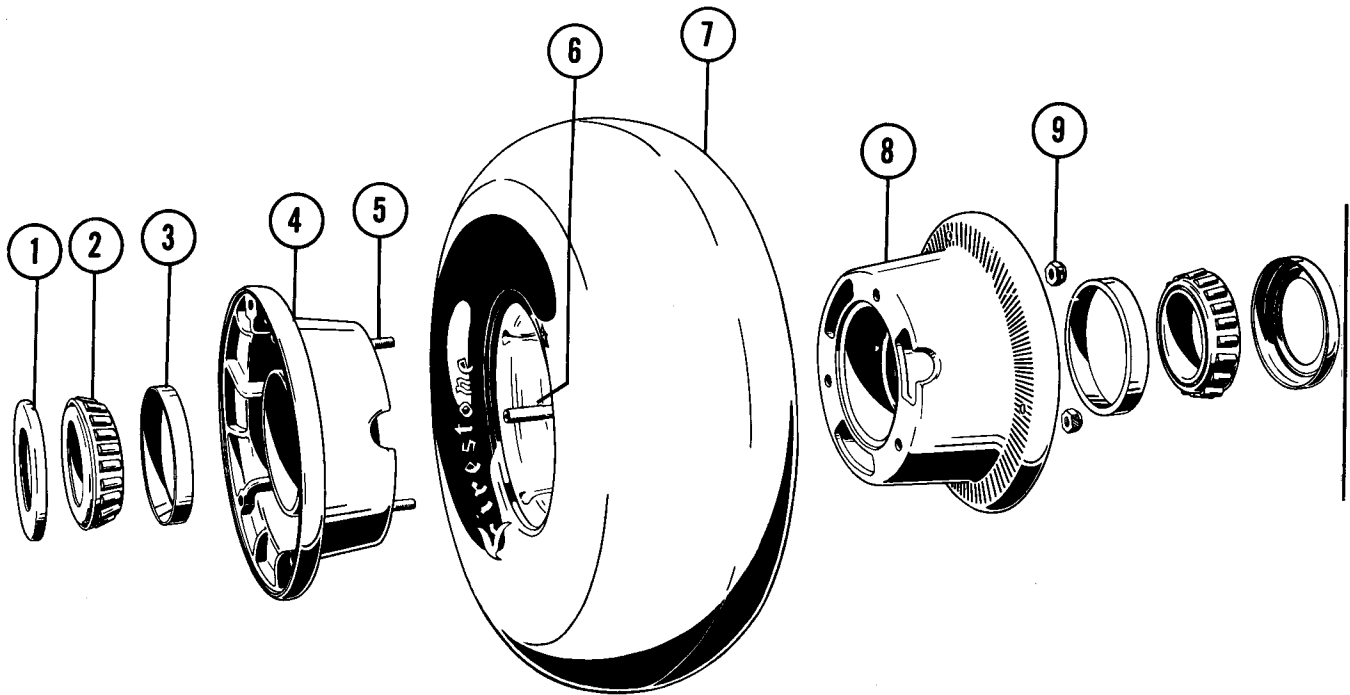


Figure 53. Nose Wheel And Tire Assembly

FIG. & INDEX NO.	PART NO.	DESCRIPTION	1	2	3	4	5	6	7	UNITS PER ASSY	USABLE ON CODE
53 - 1	AFA396	RETAINER ASSY	2	
- 2	08125	CONE, BEARING	2	
- 3	08231	CUP, BEARING	2	
- 4	CFA544	WHEEL, HALF	1	
- 5	H0211	BOLT	3	
- 6	500X5	TUBE	1	
- 7	500X5	TIRE, 4 PLY	1	
- 8	CFA543	WHEEL, HALF	1	
- 9	AN365-428	NUT	3	

MODEL 35 THRU G35 PARTS CATALOG

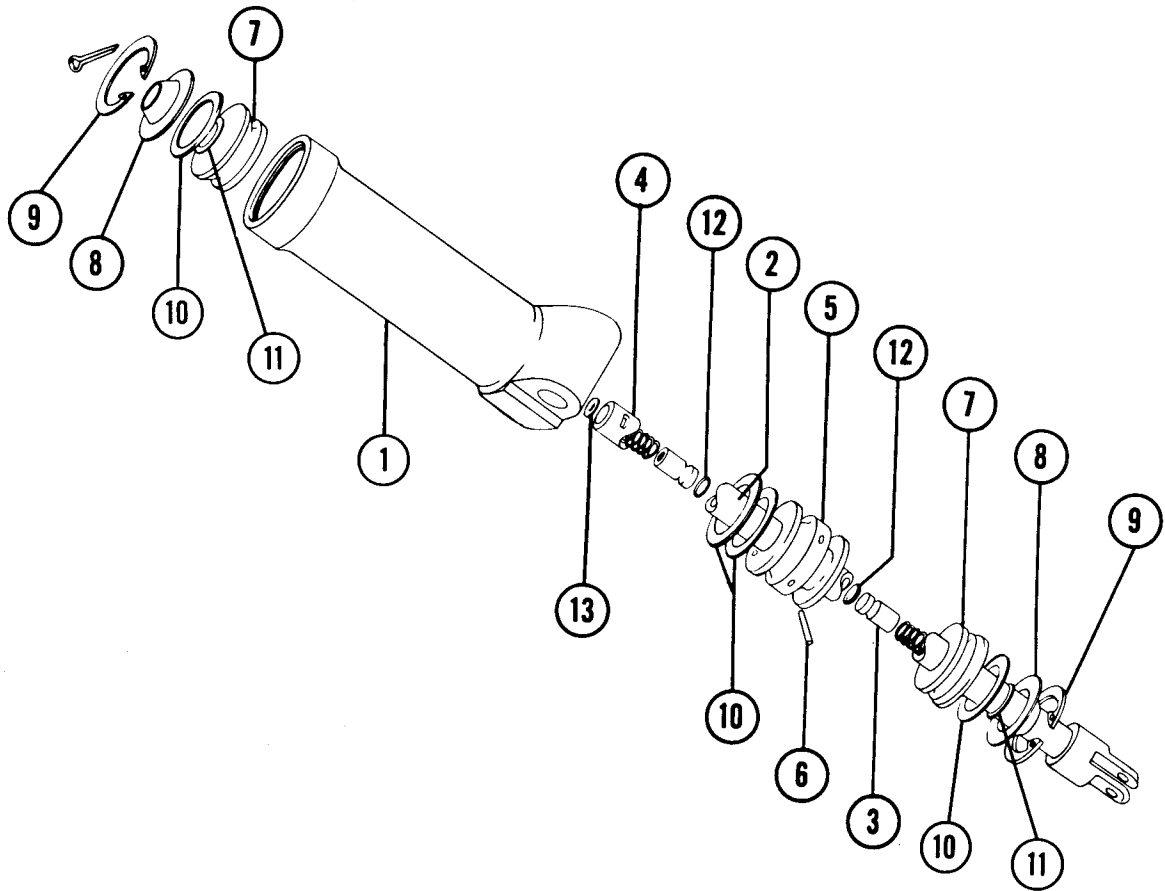


Figure 54. Shimmy Dampener

FIG. & INDEX NO.	PART NO.	DESCRIPTION							UNITS PER ASSY	USABLE ON CODE
		1	2	3	4	5	6	7		
54	35-825145	DAMPENER,SHIMMY /SEE FIG. 50 FOR NHA/	1	
- 1	35-825146	. BARREL	1	
- 2	35-825148	. ROD,PISTON	1	
- 3	35-825152	. PISTON,FLOATING	2	
- 4	100943ZE316G	. SPRING,FLOATING PISTON	2	
- 5	35-825147	. PISTON	1	
- 6	102809-093-026	. PIN,PISTON RETAINING	1	
- 7	35-825151	. END,BARREL	2	
- 8	111190-14	. RING,BARREL END	2	
- 9	NAS50-93	. RING,BARREL END RETAINING	2	
- 10	AN6227-13	. PACKING,BARREL	4	
- 11	AN6227-7	. PACKING,BARREL	2	
- 12	AN6227-1	. PACKING,FLOATING PISTON	2	
- 13	AN960-3	. WASHER,ROD END	1	

MODEL 35 THRU G35 PARTS CATALOG

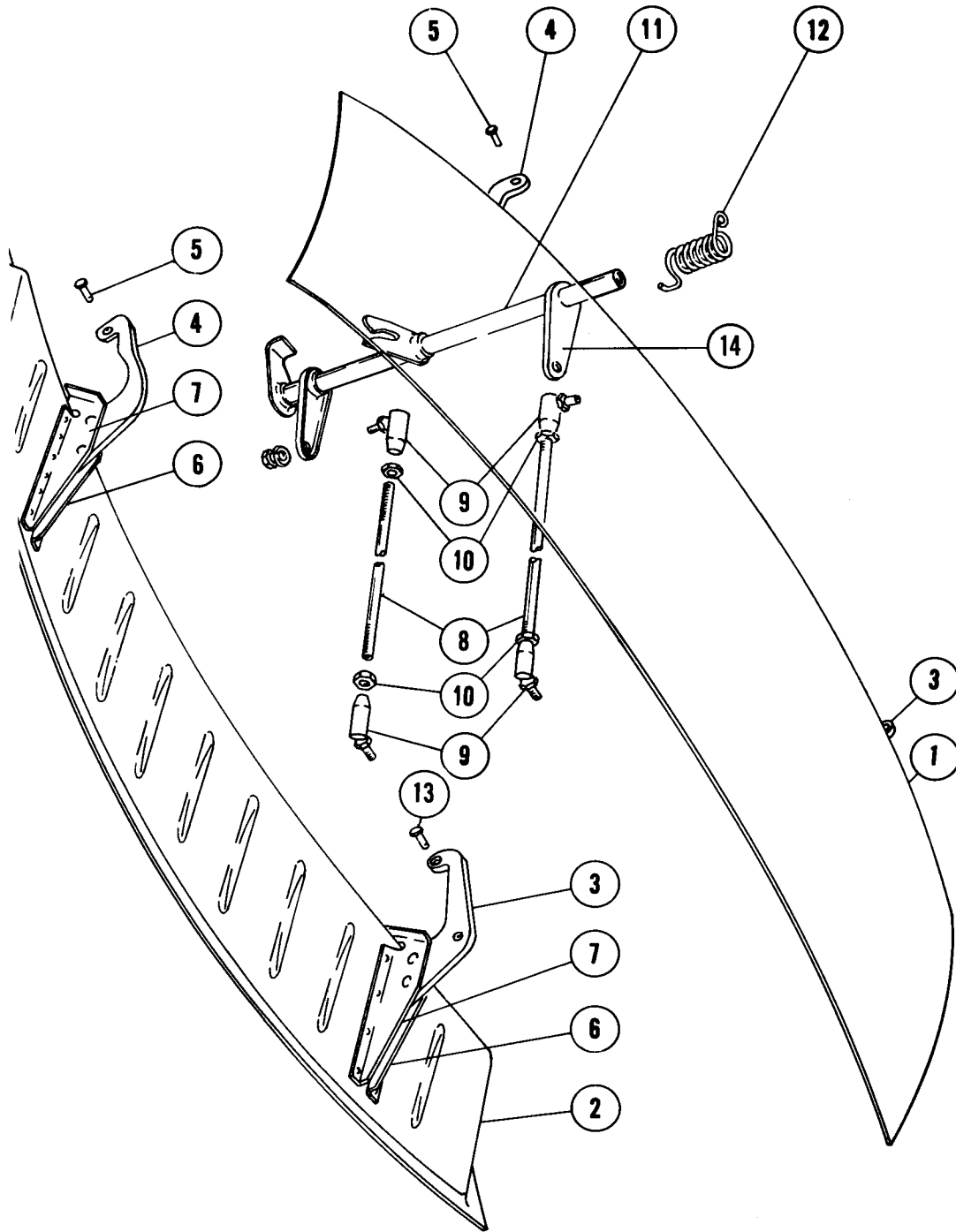


Figure 55. Nose Wheel Doors and Retract Mechanism

MODEL 35 THRU G35 PARTS CATALOG

FIG. & INDEX NO.	PART NO.	DESCRIPTION	1	2	3	4	5	6	7	UNITS PER ASSY	USABLE ON CODE
55 - 1	35-410077-2	DOOR ASSY,LH NOSE WHEEL /WITH HINGES/	1	
- 2	35-410077-3	DOOR ASSY,RH NOSE WHEEL /WITH HINGES/	1	
- 3	35-410077-12	. HINGE,DOOR REAR	1	
- 4	35-410392	. HINGE,DOOR FWD.	1	
- 5	AN3-6A	BOLT,HINGE.	1	
	105739S0188-0248-0250	BUSHING,DOOR HINGE.	1	
- 6	35-410077-8	BRACKET,HINGE ATTACHING	1	
- 7	35-410077-9	BRACKET,HINGE ATTACHING	1	
- 8	35-825121-4	ROD ASSY,DOOR ACTUATOR.	1	
- 9	316	. JOINT,ACTUATOR ROD BALL	2	
- 10	AN315-3R	. NUT,ROD ADJUSTING	2	
- 11	35-825117-4	SHAFT ASSY,ACTUATOR	1	
	AN364-1032	NUT,ROD ATTACHING	2	
	AN960-10	WASHER,ROD MOUNTING	2	
- 12	35-825074-1	SPRING,DOOR ACTUATOR.	1	
- 13	AN3-6A	BOLT,HINGE.	1	
	105735S0188-0248-0250	BUSHING,DOOR HINGE.	1	
	AN960-10	WASHER.	1	
	AN365-1032	NUT	1	
- 14	35-825119	ARM	2	

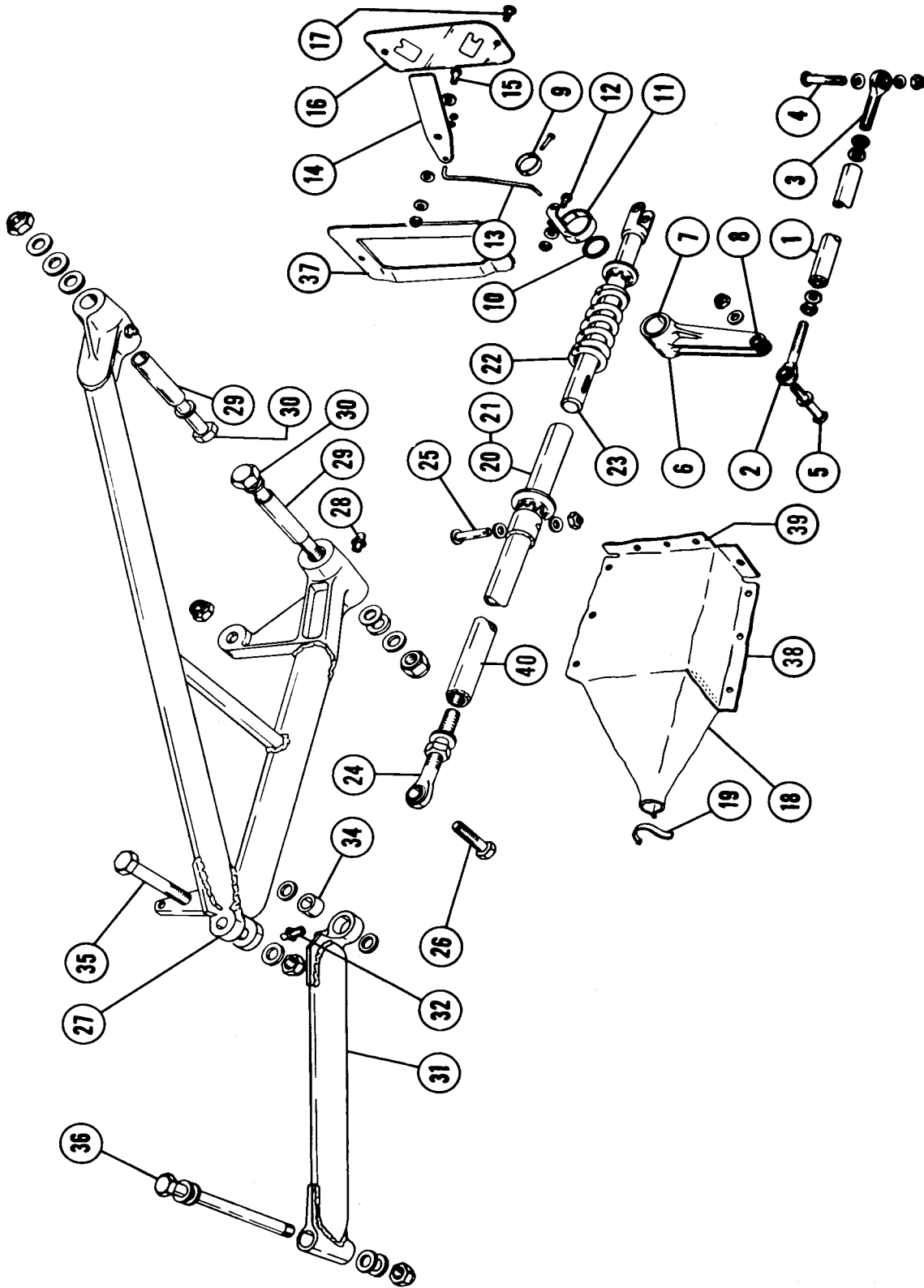


Figure 56. Nose Gear Retract Assembly

MODEL 35 THRU G35 PARTS CATALOG

FIG. & INDEX NO.	PART NO.	DESCRIPTION	UNITS PER ASSY	USABLE ON CODE
		1 2 3 4 5 6 7		
56	35-825096	LINK ASSY,GEAR RETRACT.	1	A1A2BC1
	35-825185	LINK ASSY,GEAR RETRACT.	1	C2DEFG
- 1	35-825096-4	. ROD,GEAR RETRACT LINK	1	A1A2BC1
	35-825185-4	. ROD,GEAR RETRACT LINK	1	C2DEFG
- 2	HM-5S	. END,HEIM ROD.	1	
	AN316-5R	. NUT,ROD END LOCK.	1	
	AN960-516L	. WASHER,ROD END.	1	
- 3	HML-6	. END,HEIM ROD.	1	
	AN316-6L	. NUT,ROD END LOCK.	1	
	AN960-616L	. WASHER,ROD END.	1	
- 4	AN26-28	BOLT,AFT ATTACHING.	1	
	AN320-6	NUT,ATTACHING.	1	
	AN960-616L	WASHER,ATTACHING.	1	
	AN960-616	WASHER,ATTACHING.	1	
- 5	AN25-22	BOLT,LINK TO IDLER ARM ATTACHING.	1	
	AN310-5	NUT,LINK TO IDLER ARM RETAINER.	1	
	AN960-516L	WASHER,LINK MOUNTING.	2	
- 6	35-820094	ARM ASSY,GEAR RETRACT IDLER	1	
- 7	35-820094-4	. BUSHING,IDLER ARM	1	
- 8	105740X-ZU0164	. BUSHING,IDLER ARM	2	
- 9	35-820095	COLLAR,IDLER ARM.	1	
	AN392-37	PIN,COLLAR RETAINING.	1	
- 10	100951S031XW	WASHER,IDLER ARM.	2	
- 11	35-825111	CLAMP ASSY,POSITION INDICATOR	1	
- 12	AN520-10-8	. SCREW,POSITION INDICATOR CLAMP.	1	
- 13	35-815133	LINK,POSITION INDICATOR	1	
	A6595-1	FASTENER,INDICATOR LINK	2	
- 14	35-815144	INDICATOR,GEAR POSITION	1	A14
	35-815144-2	BULB,RED.	1	
- 15	AN515-8-10	SCREW,GEAR POSITION INDICATOR	1	
	100951X064ZL	WASHER,GEAR POSITION INDICATOR.	2	
- 16	35-815148	PLACARD,GEAR POSITION INDICATOR	1	
	35-815148-5	PLACARD,GEAR POSITION INDICATOR	1	DEFG
- 17	PK56Z-8-8	SCREW,GEAR POSITION INDICATOR	8	
	49338	STUD.	6	
- 18	35-825076	BOOT,RETRACT ROD.	1	
	35-825077	STRIP,BOOT REINFORCING.	1	
	35-825078	STRIP,BOOT REINFORCING.	1	
	35-825081	STRIP,BOOT REINFORCING.	2	
- 19	NO NUMBER	LOCK,BOOT WRAP.	1	
- 20	35-825087-8	ROD ASSY,RETRACT.	1	
- 21	35-825087-6	. ROD,RETRACT	1	
- 22	35-825188	. SPRING,RETRACT ROD.	1	
- 23	35-825094	. PLUNGER ASSY,RETRACT ROD /LESS SPRING/	1	
- 24	HM-5S	. END,HEIM ROD.	1	
	35-825089	. FLANGE.	1	
- 25	AN393-25	. PIN	1	
- 26	35-825108	BOLT,FWD ATTACHING.	1	
	35-825107	BRACE ASSY,NOSE GEAR.	1	
- 27	35-825072	. V-BRACE ASSY,NOSE GEAR.	NP	
- 28	35-825072-10	. FITTING,ALEMITE	1	
- 29	35-825123	. BUSHING	2	
- 30	AN6-30A	. BOLT.	2	
- 31	35-825080	. LEG ASSY,NOSE GEAR DRAG	NP	
- 32	1645	. FITTING,ALEMITE	1	
- 33		. DELETED		
- 34	35-810122	. BUSHING,UPPER DRAG LEG.	1	
- 35	AN5-14A	. BOLT.	1	
- 36	35-825084	BOLT ASSY,LOWER DRAG LEG.	1	
	1736	. FITTING,ALEMITE	1	
	35-825075	BLOCK ASSY,NOSE GEAR BUMPER	1	
	35-825075-2	. BUMPER,SYNTHETIC RUBBER	1	

MODEL 35 THRU G35 PARTS CATALOG

FIG. & INDEX NO.	PART NO.	DESCRIPTION							UNITS PER ASSY	USABLE ON CODE	
		1	2	3	4	5	6	7			
56 - 37	35-815147	PLATE, INDICATOR	BACKING	1	
- 38	35-825081	STRIP	2	
- 39	35-825078	STRIP, FRONT	1	
	49338	FASTENER	1	
- 40	35-825087 SA2	ROD	1	
	100951DD064-	SHIM	1	
	020-102										

MODEL 35 THRU G35 PARTS CATALOG

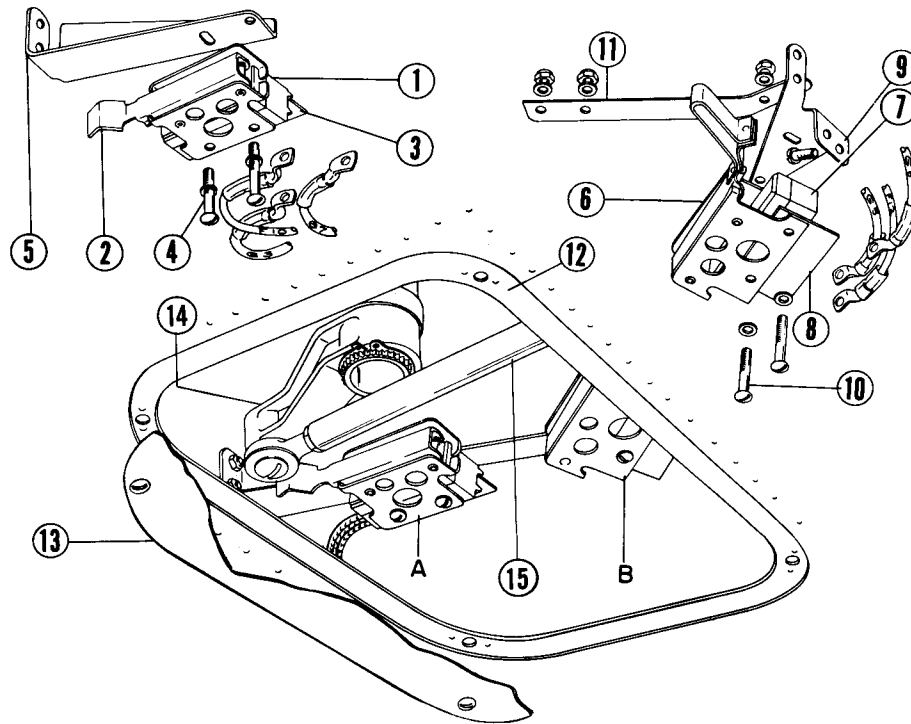


Figure 57. Landing Gear Switch Assembly (D1 thru D1500)

FIG. & INDEX NO.	PART NO.	DESCRIPTION	INDEX							UNITS PER ASSY	USABLE ON CODE
			1	2	3	4	5	6	7		
57 - A	35-364231	SWITCH ASSY,UP LIMIT.	1	A37A1
- 1	BZ-R31	• SWITCH,MICRO.	1	A1
- 2	35-364240	• ACTUATOR ASSY	1	A1
- 3	35-364238	• INSULATOR	1	A1
- 4	AN515-6-18	• SCREW	2	A1
- 5	35-364233	• BRACKET	1	A1
- A	35-364242	SWITCH ASSY,UP LIMIT.	1	A38A1
- 1	BZ-3YT	• SWITCH,MICRO.	1	A1
- 2	9-10831	• ACTUATOR ASSY	1	A1
- 3	35-364238	• INSULATOR	1	A1
- 4	AN515-6-18	• SCREW	2	A1
- 5	35-364233	• BRACKET	1	A1
- B	35-364232	SWITCH ASSY,DOWN LIMIT.	1	A37A1
- 6	35-364236	• ACTUATOR ASSY	1	A1
- 7	BZ-R31	• SWITCH,MICRO.	1	A1
- 8	35-364238	• INSULATOR	1	A1
- 9	35-364234	• BRACKET	1	A1
- 10	AN515-6-18	• SCREW	2	A1
- B	35-364243	SWITCH ASSY,DOWN LIMIT.	1	A38A1
- 6	35-364241	• ACTUATOR ASSY	1	A1
- 7	BZ-3YT	• SWITCH,MICRO.	1	A1
- 8	35-364238	• INSULATOR	2	A1
- 9	35-364234	• BRACKET	1	A1
- 10	AN515-6-18	• SCREW	2	A1

MODEL 35 THRU G35 PARTS CATALOG

FIG. & INDEX NO.	PART NO.	DESCRIPTION							UNITS PER ASSY	USABLE ON CODE
		1	2	3	4	5	6	7		
57 - 11	35-364239	REINFORCEMENT,LIMIT	SWITCH.	1	A1
- 12	35-410259-18	DOUBLER	1	A2BCDEFGA1
- 13	35-410259-16	DOOR.	1	A2BCDEFGA1
	35-410063-18	DOUBLER	1	A1
	35-410063-16	DOOR.	1	A1
	35-410259-32	GROMMET,DRAIN	2	A1
- 14	35-825172-2	ARM	1	A1
- 15	35-825096	ROD	1	A1
	35-825082	WASHER.	1	
	35-364230-602	SWITCH ASSY,LANDING	GEAR LIMIT.	1	A37
	35-364230-604	SWITCH ASSY,LANDING	GEAR LIMIT.	1	A39
	35-364230-606	SWITCH ASSY,LANDING	GEAR LIMIT.	1	A40

MODEL 35 THRU G35 PARTS CATALOG

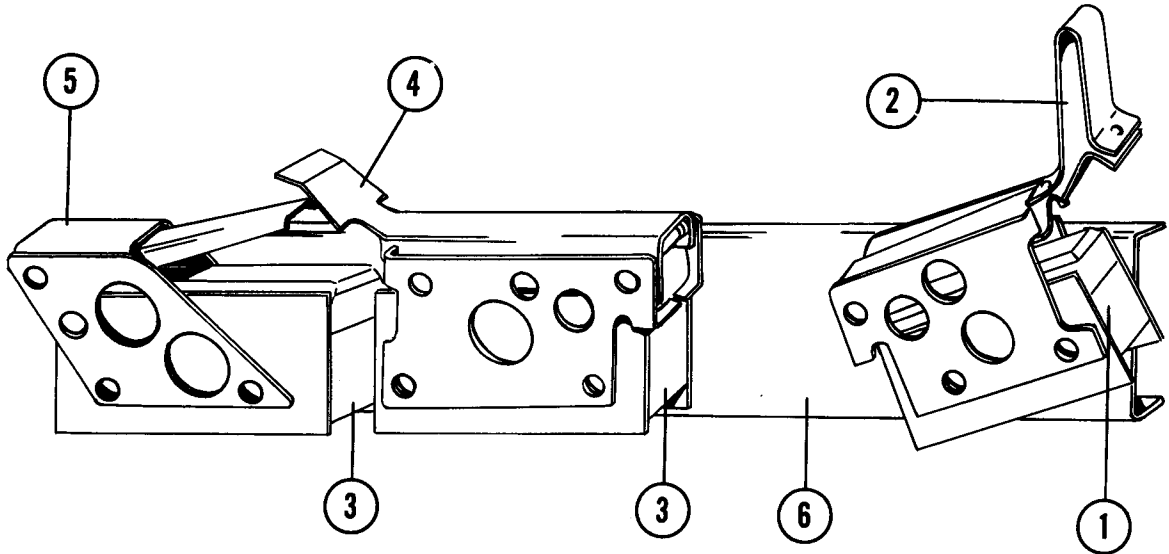


Figure 58. Landing Gear Switch Assembly

FIG. & INDEX NO.	PART NO.								UNITS PER ASSY	USABLE ON CODE					
		1	2	3	4	5	6	7							
58 -	1	BZ-3YT	SWITCH,MICRO.	1	A2BCDEFG
-	2	35-364241	ACTUATOR.	1	
-		35-364238	INSULATOR	1	
-	3	AN3210-1	SWITCH,MICRO.	2	
-	4	9-10831	ACTUATOR,MICRO SWITCH	1	
-	5	35-364247	ACTUATOR.	1	
-	6	35-364109	BRACKET,LIMIT SWITCH.	1	
		35-364101-606	SWITCH ASSY,LANDING GEAR LIMIT.	1	A2BCDEFG

MODEL 35 THRU G35 PARTS CATALOG

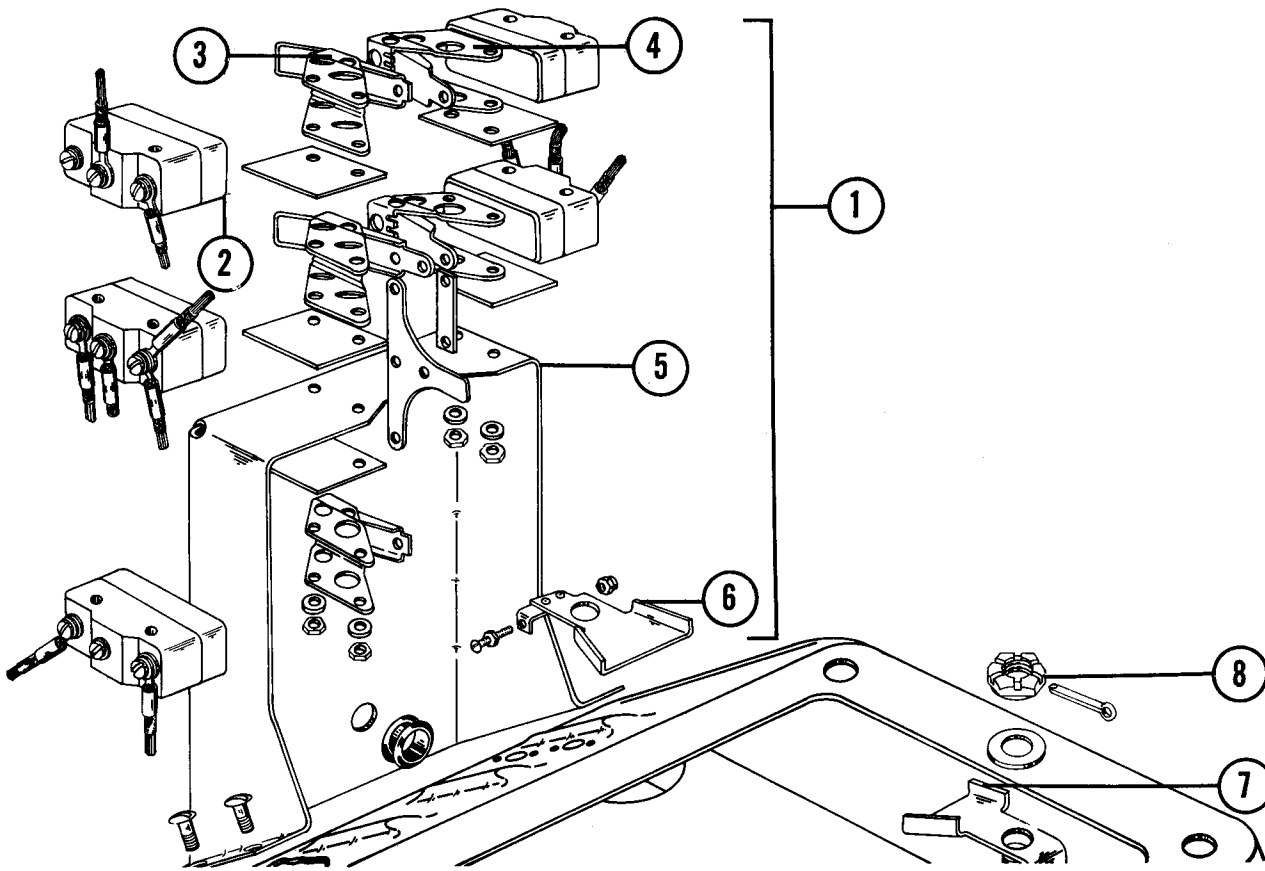


Figure 59. Landing Gear Limit Switch Assembly

FIG. & INDEX NO.	PART NO.	DESCRIPTION	UNITS PER ASSY	USABLE ON CODE
59 - 1	35-364129	SWITCH ASSY	1	C9DEFG
- 2	AN3210-1	. SWITCH.	4	C9DEFG
- 3	35-364133	. ACTUATOR.	2	C9DEFG
- 4	AD5721	. ACTUATOR.	3	C9DEFG
- 5	35-364126	. BRACKET, SWITCH.	1	C9DEFG
- 6	35-364130	ACTUATOR ASSY	1	C9DEFG
- 7	35-364127	ACTUATOR.	1	C9DEFG
- 8	AN26-23	BOLT.	2	C9DEFG
	AN320-6	NUT	2	C9DEFG
	AN380-3-2	PIN, COTTER.	2	C9DEFG
	AN960-616	WASHER.	4	C9DEFG

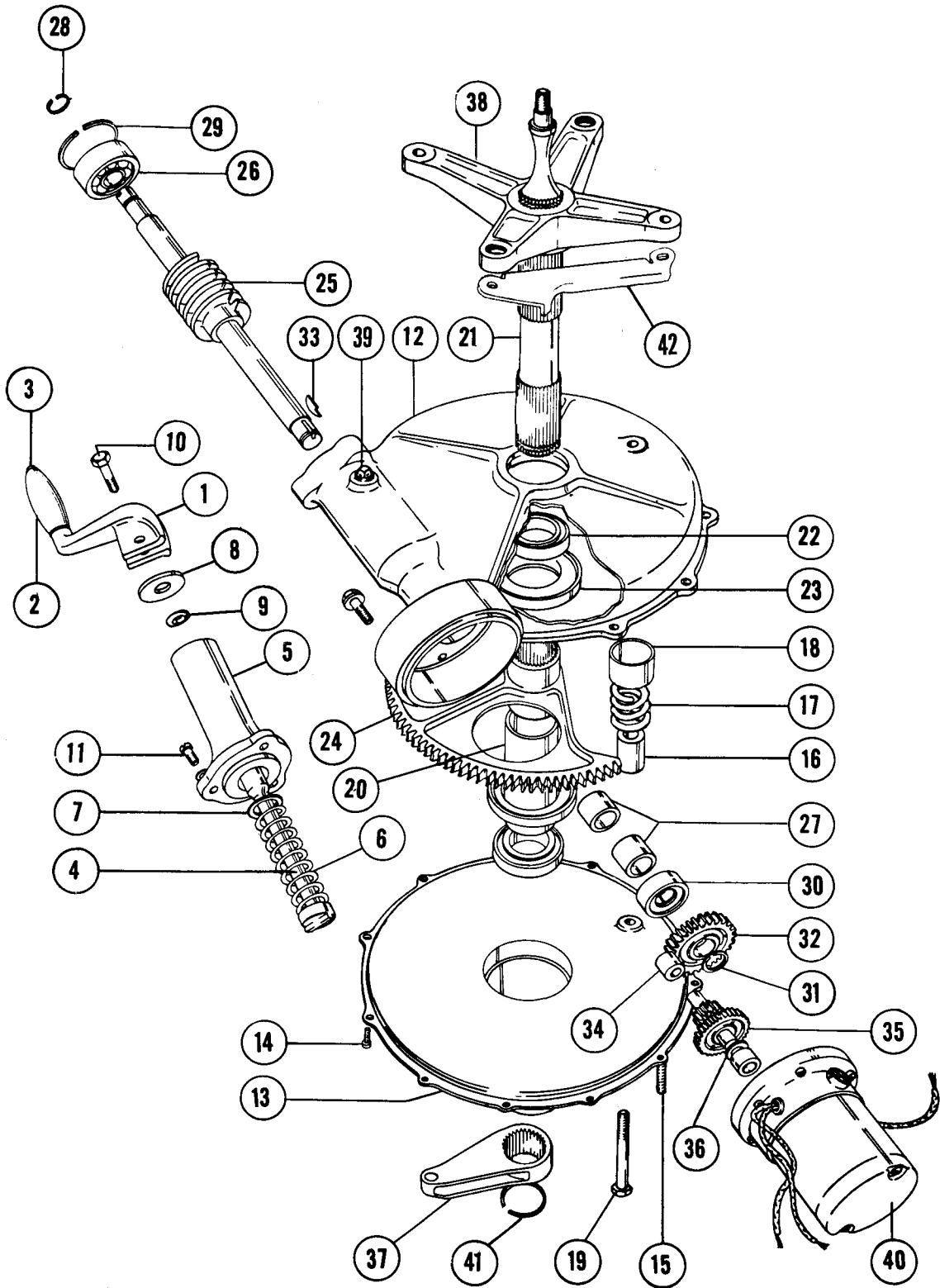


Figure 60. Landing Gear Retract Actuator Assembly

MODEL 35 THRU G35 PARTS CATALOG

FIG. & INDEX NO.	PART NO.	DESCRIPTION	UNITS PER ASSY	USABLE ON CODE
		1 2 3 4 5 6 7		
60	35-810080-602	ACTUATOR ASSY,RETRACT	1	
	35-810094	. HANDCRANK ASSY,ACTUATOR	1	
- 1	35-810094-2	. . CRANK,/LESS HANDLE/	1	
- 2	35-810094-6	. . HANDLE,ACTUATOR CRANK	1	
- 3	35-810094-8	. . PIN,HANDLE RETAINER	1	
	AN960-10L	. . WASHER,HANDLE MOUNTING.	1	
- 4	35-810095	. SHAFT,HANDCRANK ENGAGING.	1	
- 5	35-810096	. HOUSING,RETRACT ACTUATOR.	1	ABC13
	35-810142	. HOUSING	1	C12DEFG
- 6	100943YC112D	. SPRING,HANDCRANK SHAFT.	1	
- 7	100951X063YW	. WASHER,SHAFT SPRING	1	
- 8	100951CR016YX	. WASHER,HANDLE HOUSING	1	
- 9	AN6227-9	. PACKING,HANDCRANK SHAFT	1	
- 10	AN23-17A	. BOLT,HANDCRANK SHAFT.	1	
	AN960-10	. WASHER,HANDCRANK SHAFT.	1	
	AN365-1032	. NUT,HANDCRANK SHAFT	1	
- 11	AN500A10-10	. SCREW,HANDLE TO HOUSING MOUNTING.	3	
	AN960-10	. WASHER,HANDLE TO HOUSING MOUNTING	3	
- 12	35-810084	. HOUSING,LANDING GEAR ACTUATOR	1	ABC13
	35-810141	. HOUSING	1	C12DEFG
- 13	35-815020	. HOUSING,LANDING GEAR ACTUATOR	1	
- 14	AN500A10-10	. SCREW,ACTUATOR HOUSING.	11	
- 15	35-810097	. STUD,ACTUATOR MOUNTING.	4	
- 16	35-810087	. STOP,WORM SECTOR GEAR	1	
- 17	35-810119	. SPRING.	1	
- 18	100696X-YD024	. SPACER,GEAR STOP.	1	
- 19	AN5-17	. BOLT,WORM STOP.	1	
	AN960-516	. WASHER,WORM GEAR STOP	1	
	AN310-5	. NUT,WORM GEAR STOP.	1	
- 20	35-810088	. SPACER,LANDING GEAR ACTUATOR.	1	
- 21	35-810083	. SHAFT,ACTUATOR DRIVE.	1	
- 22	K21B	. BEARING,DRIVE SHAFT	2	
- 23	276118	. SEAL,DRIVE SHAFT.	2	
- 24	35-810117	. SECTOR,ACTUATOR WORM.	1	
- 25	35-810093	. GEAR,ACTUATOR WORM.	1	ABC13
	35-810145	. GEAR,WORM	1	C12DEFG4
	35-810075	. GEAR,WORM	1	G5
- 26	5201	. BEARING,WORM GEAR	1	
- 27	B88X	. BEARING,WORM GEAR	2	
- 28	35-810116	. RING,BEARING SEAL	1	
- 29	NAS50-125	. RING,BEARING SEAL	1	
- 30	10016	. RING,BEARING SEAL	1	
- 31	NAS51-43	. RING,WORM GEAR SEAL	1	
- 32	35-810130	. GEAR,WORM DRIVE	1	A2
	35-810136	. GEAR,WORM DRIVE	1	BC10
	35-810140	. GEAR,WORM DRIVE	1	C11DEFG
		/USE WITH 35-810139 ON CODE ABC10/		
- 33	35-810091	. KEY,WORM DRIVE GEAR	1	
- 34	M471X	. BEARING,WORM GEAR END	1	
- 35	35-810131	. GEAR,SPUR & PINION.	1	A2
	35-810135	. GEAR,SPUR & PINION.	1	BC10
	35-810139	. GEAR,SPUR & PINION.	1	C11DEFG
		/USE WITH 35-810140 ON CODE ACB10/		
- 36	105090CR032-4J	. WASHER,SPUR & PINION GEAR	1	
- 37	35-825172-2	. ARM,RETRACT ACTUATOR.	1	
- 38	45-810090	. ARM,RETRACT ACTUATOR /TO REPLACE 444276-2	1	
		ORDER 45-810190 I109-444276-2/		
- 39	35-810080-6	. PLUG,WORM GEAR GREASE	1	
- 40	IS139081	. MOTOR ASSY,LANDING GEAR /SEE FIG. 61/	1	
- 41	NAS51-131	. RING,RETRACT ARMS LOCK.	2	
	AN73-15	. BOLT,MOTOR ATTACHING.	3	
	35-815111	BRACE ASSY,ACTUATOR	1	

MODEL 35 THRU G35 PARTS CATALOG

FIG. & INDEX NO.	PART NO.	DESCRIPTION							UNITS PER ASSY	USABLE ON CODE	
		1	2	3	4	5	6	7			
60 - 42	35-361012	ACTUATOR,WARNING HORN	1	
	AN960-716	WASHER,BRACE MOUNTING	1	
	AN960-516	WASHER,BRACE MOUNTING	1	
	AN310-5	NUT,BRACE TO ACTUATOR	1	
	AN4-5A	BOLT,BRACE TO TRUSS	2	
	35-534052	BOOT,HANDCRANK	1	

MODEL 35 THRU G35 PARTS CATALOG

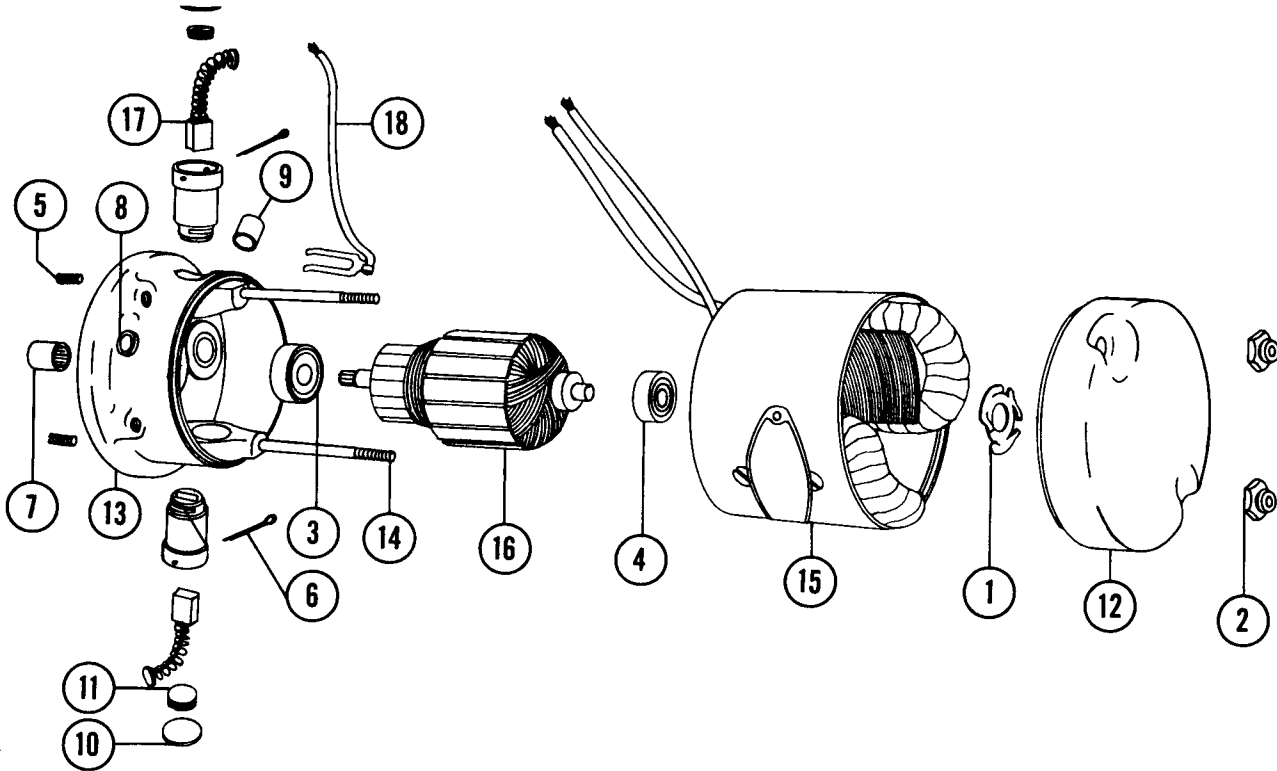


Figure 61. Landing Gear Retract Motor Assembly

FIG. & INDEX NO.	PART NO.	DESCRIPTION							UNITS PER ASSY	USABLE ON CODE
		1	2	3	4	5	6	7		
61	IS13981	MOTOR, LANDING GEAR RETRACT /BD/	1	
		/SEE FIG. 60 FOR NHA/		
- 1	0-3518	• SPRING, MOTOR LOAD /BD/	1	
- 2	7458	• NUT, MOTOR STUD /BD/	2	
- 3	20-7610	• BEARING, BALL /BD/	1	
- 4	20-7639	• BEARING, BALL /BD/	1	
- 5	7978	• SCREW, BRUSH HOLDER SEAT /BD/	2	
- 6	8282	• PIN, BRUSH HOLDER COTTER /BD/	2	
- 7	20-7642	• BEARING, NEEDLE /BD/	1	
- 8	0-3883	• BUSHING, CORD /BD/	1	
- 9	0-3896	• BUSHING, CORD /BD/	1	
- 10	10-4431	• DISC, FIBRE /BD/	2	
- 11	5705	• SCREW, BRUSH HOLDER /BD/	2	
- 12	0-6864	• BRACKET, END /BD/	1	
- 13	0-6865	• BRACKET, COMMUTATOR END /BD/	1	
- 14	10-7888	• STUD, MOTOR /BD/	2	
- 15	27395-A	• FIELD ASSY, /BD/	1	
- 16	32493-A	• ARMATURE ASSY, /BD/	2	
- 17	35107-A	• SPRING ASSY, BRUSH /BD/	2	
- 18	39109-A	• LEAD & CLIP ASSY, /BD/	1	

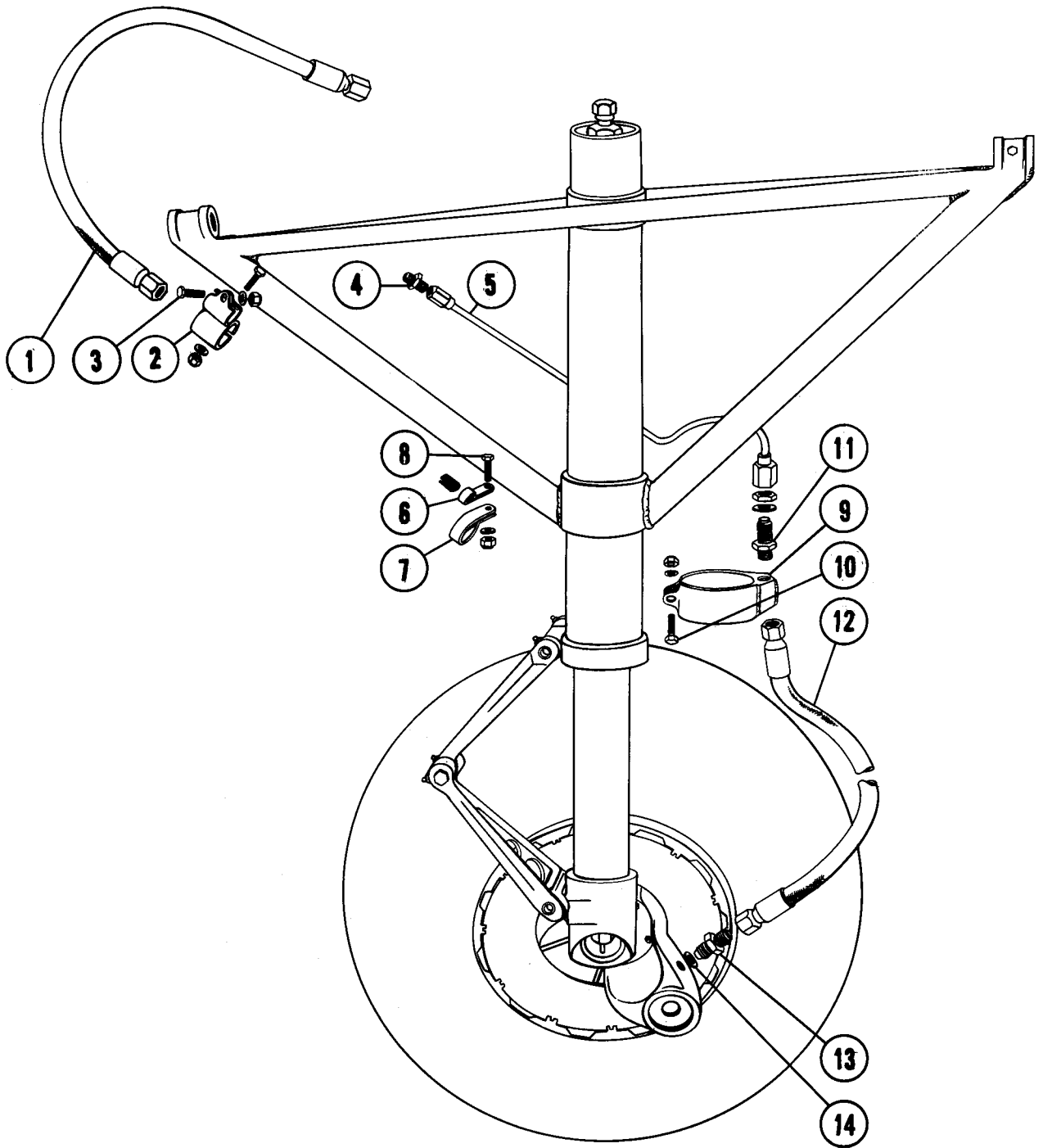


Figure 62. Strut Brake Piping

MODEL 35 THRU G35 PARTS CATALOG

FIG. & INDEX NO.	PART NO.	DESCRIPTION							UNITS PER ASSY	USABLE ON CODE	
		1	2	3	4	5	6	7			
62 - 1	AN6271-4-15-3/4	HOSE ASSY,STRUT BRAKE	1	
- 2	35-815038	CLAMP,BRAKE HOSE.	1	
- 3	AN4-7A	BOLT,CLAMP ATTACHING.	2	
	AN960-416	WASHER,CLAMP MOUNTING	2	
	AN365-428	NUT,CLAMP RETAINER.	2	
- 4	AN815-4D	UNION,BRACE TUBE.	1	
- 5	35-815043	TUBE ASSY,LH.	1	
	35-815044	TUBE ASSY,RH.	1	
- 6	AN742-6C	CLAMP,STRUT BRAKE LINE.	1	
- 7	AN742-16	CLAMP,STRUT BRAKE LINE.	1	
- 8	AN3-4A	BOLT,CLAMP ATTACHING.	1	
	AN960-10	WASHER,ATTACHING BOLT	1	
	AN365-1032	NUT,ATTACHING BOLT.	1	
- 9	35-815004	CLAMP ASSY,LH STRUT BRAKE	1	
	35-815004-1	CLAMP ASSY,RH STRUT BRAKE	1	
- 10	AN4-7A	BOLT,ATTACHING.	1	
	AN960-416	WASHER,ATTACHING.	1	
	AN365-428	NUT,ATTACHING	1	
- 11	AN832-4D	UNION,BRAKE TUBE.	1	
	AN960-716	WASHER,RETAINING.	1	
	AN924-4	NUT,RETAINING	1	
- 12	AN6271-4-15-3/4	HOSE ASSY,STRUT BRAKE LINE.	1	
- 13	AN815-4D	UNION,STRUT BRAKE LINE HOSE	1	
- 14	AN902-4	GASKET,STRUT BRAKE LINE HOSE.	1	

MODEL 35 THRU G35 PARTS CATALOG

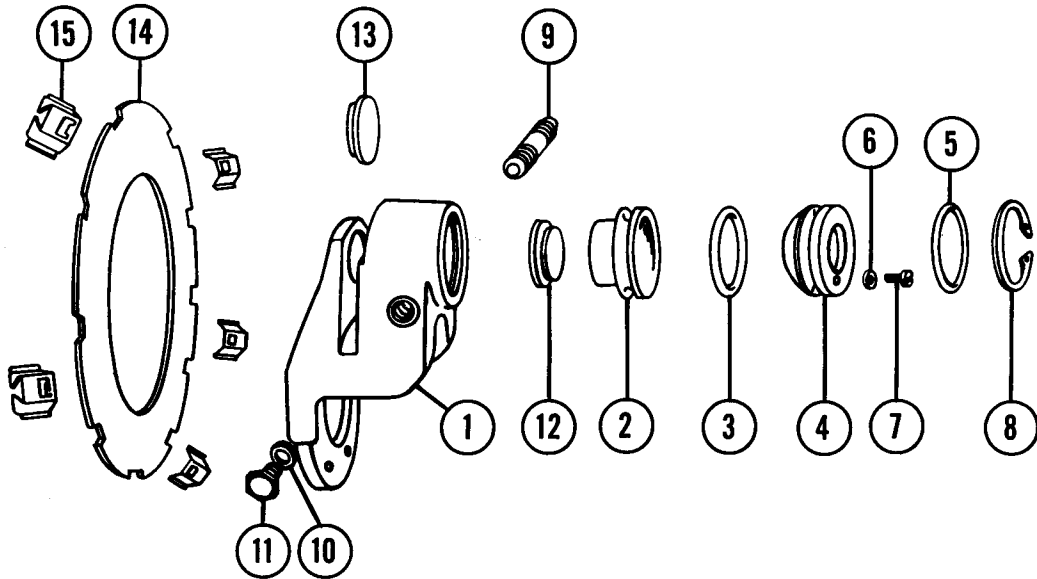


Figure 63. Brake Assembly

FIG. & INDEX NO.	PART NO.	DESCRIPTION	UNITS PER ASSY	USABLE ON CODE
63	95-2968	1 2 3 4 5 6 7 BRAKE ASSY, COMPLETE	1	
- 1	95-2969	. CYLINDER, BRAKE	1	
- 2	95-3262	. PISTON	1	
- 3	AN6227-29	. SEAL, PISTON	1	
- 4	95-3263	. CYLINDER, HEAD	1	
- 5	AN6230-2	. SEAL, CYLINDER HEAD	1	
- 6	95-4486	. WASHER, ALUMINUM	1	
- 7	95-4659	. SCREW, BLEEDER	1	
- 8	NAS50-200	. RING, LOCK	1	
- 9	AN815-4D	. PLUG, INLET	1	
- 10	95-3218	ADAPTER	1	
	AN902-4	GASKET	1	
- 11	AN6204-2	FITTING, BLEEDER	1	
	AN502-10-4	SCREW	1	
- 12	95-10713	. LINING, BRAKE PISTON SIDE	1	
- 13	95-10714	. LINING, STATIONARY BRAKE	1	
- 14	95-30411	. DISC	1	
- 15	95-20404	. CLIP, DISC	5	

MODEL 35 THRU G35 PARTS CATALOG

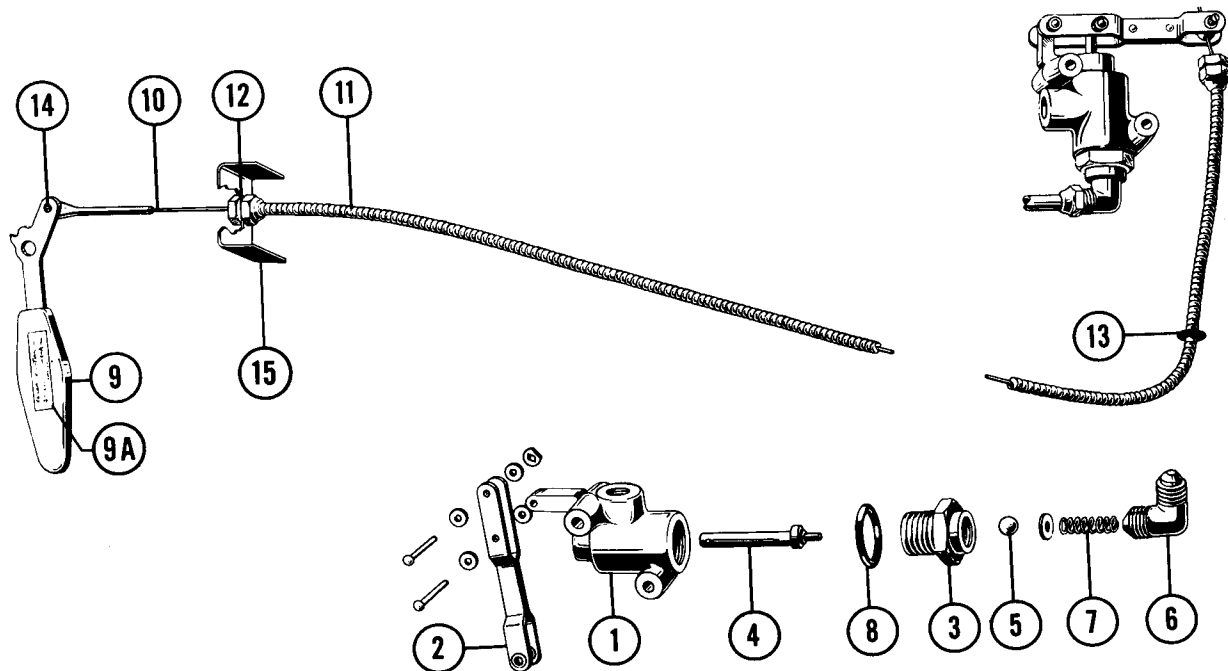


Figure 64. Parking Brake Valve And Control

FIG. & INDEX NO.	PART NO.	DESCRIPTION	UNITS PER ASSY							USABLE ON CODE	
			1	2	3	4	5	6	7		
64	35-815018	VALVE ASSY,PARKING BRAKE.								1	
		/SEE FIG. 65 OR 66 FOR NHA/									
	A53	VALVE								1	
- 1	35-815018-2	HOUSING,PARKING BRAKE VALVE								1	
- 2	4208	ARM ASSY.								1	
- 3	35-815018-4	SEAT,PARKING BRAKE VALVE.								1	
- 4	35-815018-6	PLUNGER,PARKING BRAKE VALVE								1	
- 5	35-815018-8	BALL,PARKING BRAKE VALVE.								1	
	4200-A1-1	SPACER,PARKING BRAKE VALVE.								1	
	AN960-4L	WASHER.								1	
- 6	AN822-4D	ELBOW,PARKING BRAKE VALVE								1	
- 7	111504-012-016-0020-10	SPRING,PARKING BRAKE VALVE.								1	
- 8	4207	WASHER,PARKING BRAKE VALVE.								1	
- 9	35-324037	HANDLE ASSY,PARKING BRAKE								1	
- 9A	35-324356	PLACARD,PARKING BRAKE								1	
- 10	35-815034	WIRE ASSY,PARKING BRAKE								1	
- 11	S-167-21	HOUSING,PARKING BRAKE WIRE.								1	
- 12	S-123	BUSHING,PARKING BRAKE HOUSING								1	
- 13	AN931-4-7	GROMMET,PARKING BRAKE HOUSING								1	
- 14	AN23-10A	BOLT,PARKING BRAKE WIRE ATTACHING								1	
	AN960-10	WASHER,PARKING BRAKE WIRE ATTACHING								1	
	AN365-1032	NUT,PARKING BRAKE WIRE ATTACHING.								1	
- 15	35-324072	BRACKET								1	F36

MODEL 35 THRU G35 PARTS CATALOG

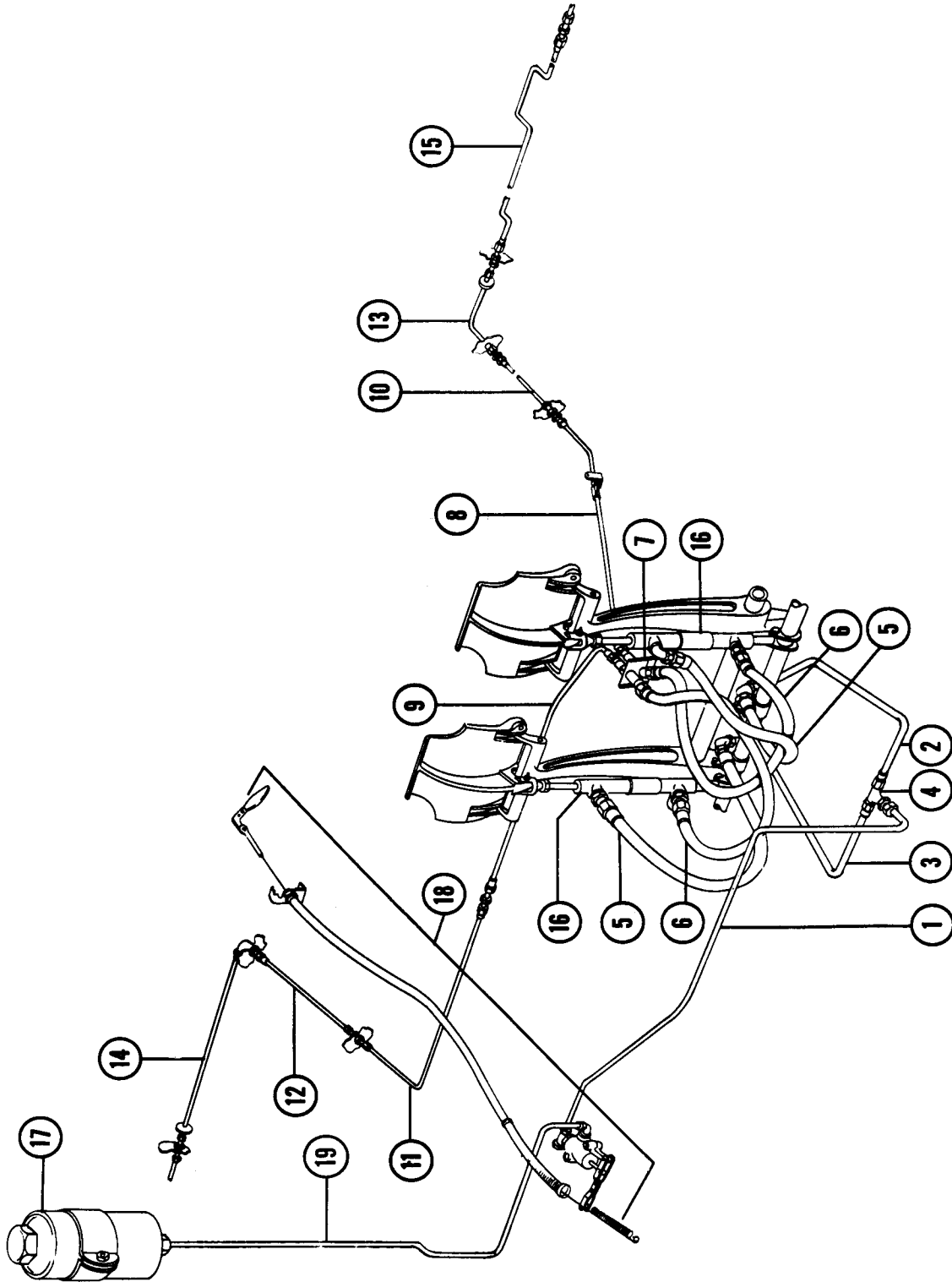


Figure 65. Hydraulic Brake System (Single)

MODEL 35 THRU G35 PARTS CATALOG

FIG. & INDEX NO.	PART NO.	DESCRIPTION							UNITS PER ASSY	USABLE ON CODE	
		1	2	3	4	5	6	7			
65 - 1	35-815045	TUBE ASSY,LH BRAKE	1	ABCDEF G	
	35-815189	TUBE ASSY,LH BRAKE	1		
- 2	35-815053	TUBE ASSY,LH BRAKE	1		
- 3	35-815054	TUBE ASSY,RH BRAKE	1		
- 4	AN834-4D	TEE,BRAKE TUBE	1		
	AN960-716	WASHER,TEE RETAINING	1		
	AN924-4D	NUT,TEE RETAINING	1		
	35-815049	CLAMP,BRAKE TUBE	1		
	AN4-6	BOLT,ATTACHING	2		
	AN365-428	NUT,ATTACHING	2		
	35-815006-4	SHIM,BRAKE TUBE CLAMP	1		
	35-815006-6	SHIM,BRAKE TUBE CLAMP	1		
	AN821-4D	ELBOW,INLET TUBE	1		
	AN816-4D	UNION,RH INLET HOSE	1		
	AN823-4D	UNION,LH INLET HOSE	3		
	- 5	AN6271-4-0100	HOSE,MASTER CYLINDER INLET	1	
	- 6	AN6271-4-0107	HOSE,MASTER CYLINDER OUTLET	1	
		AN837-4D	ELBOW,OUTLET TUBE	1	
- 7	AN960-716	WASHER,ELBOW RETAINING	1		
	35-815037	BRACKET,BRAKE TUBE	1		
- 8	35-815069	TUBE ASSY,LH BRAKE	1		
	AN515-8-7	SCREW,LH ATTACHING	1		
	AN365-832	NUT,LH ATTACHING	1		
	AN743-6	BRACKET,BRAKE TUBE	1		
	AN742-6C	CLAMP,BRAKE TUBE	1		
	AN520-10-8	SCREW,ATTACHING	1		
	AN365-1032	NUT,RETAINING	1		
	- 9	35-815048	TUBE ASSY,BRAKE	1	
		739-4	CLIP,BRAKE TUBE	2	
		AN515-8-8	SCREW,ATTACHING	4	
- 10	AN815-4D	UNION,TUBE	1		
	35-815068-601	TUBE ASSY,BRAKE	1	A1	
	35-815095	TUBE ASSY,BRAKE	1	A2BC	
	35-815006-8	TUBE ASSY,BRAKE	1	FG	
	AN815-4D	UNION,BRAKE TUBE	2	A1	
- 11	AN821-4D	ELBOW	1	A2BC	
	AN833-4D	ELBOW	1	FG	
- 12	35-815071	TUBE ASSY,BRAKE	1		
	AN832-4D	UNION,BRAKE TUBE	1		
- 13	35-815072	TUBE ASSY,BRAKE	1	A1	
	35-815092	TUBE ASSY,BRAKE	1	A2BC	
	35-815006-10	TUBE ASSY,BRAKE	1	F3G	
- 14	35-815026	TUBE ASSY,BRAKE	1	A1	
	AN832-4D	UNION	1	A1	
	AN515-8-7	SCREW,ATTACHING	1		
	AN742-6C	CLAMP,BRAKE TUBE	1		
	AN743-6	BRACKET,BRAKE TUBE	1		
	AN520-10-8	SCREW,ATTACHING	1		
- 15	35-815029	TUBE ASSY,BRAKE	1	A1	
	35-815094	TUBE ASSY,BRAKE	1	A2BC	
	AN833-4D	ELBOW,BRAKE TUBE	1	A1	
	AN815-4D	UNION	1	A2BC	
- 16	AN837-4D	ELBOW	1	F3G	
	35-815025	TUBE ASSY,FRONT SPAR BRAKE	1	A1	
	35-815096	TUBE ASSY,FRONT SPAR BRAKE	1	A2BC	
	35-815006-12	TUBE ASSY,FRONT SPAR BRAKE	1	F3G	
	35-815006-13	TUBE ASSY,FRONT SPAR BRAKE	1	F3G	
- 17	AN837-4D	ELBOW,FRONT SPAR BRAKE TUBE	1		
- 18	V1-15-625	CYLINDER,BRAKE MASTER /SEE FIG. 67 OR 68/	2		
- 19	35-815180	RESERVOIR,BRAKE	1		
- 20	35-815018	VALVE & CONTROL,PARKING BRAKE /SEE FIG. /	1		
- 21	35-815172	TUBE ASSY,BRAKE FLUID RESERVOIR	1	ABC14	
	35-815185	TUBE ASSY,BRAKE FLUID RESERVOIR	1	C15DEF1	
	35-815190	TUBE ASSY,BRAKE FLUID RESERVOIR	1	F7G	
	AN822-4D	ELBOW,BRAKE FLUID RESERVOIR TUBE	1	ABC14	
	AN816-4D	NIPPLE,BRAKE FLUID RESERVOIR	1	C15DEFG	
	AN823-4D	ELBOW,PARKING BRAKE VALVE	1		
	3A1398	CONTROL ASSY,PARKING BRAKE	1	F7G	

/SHAKESPEARE PRODUCTS CO./

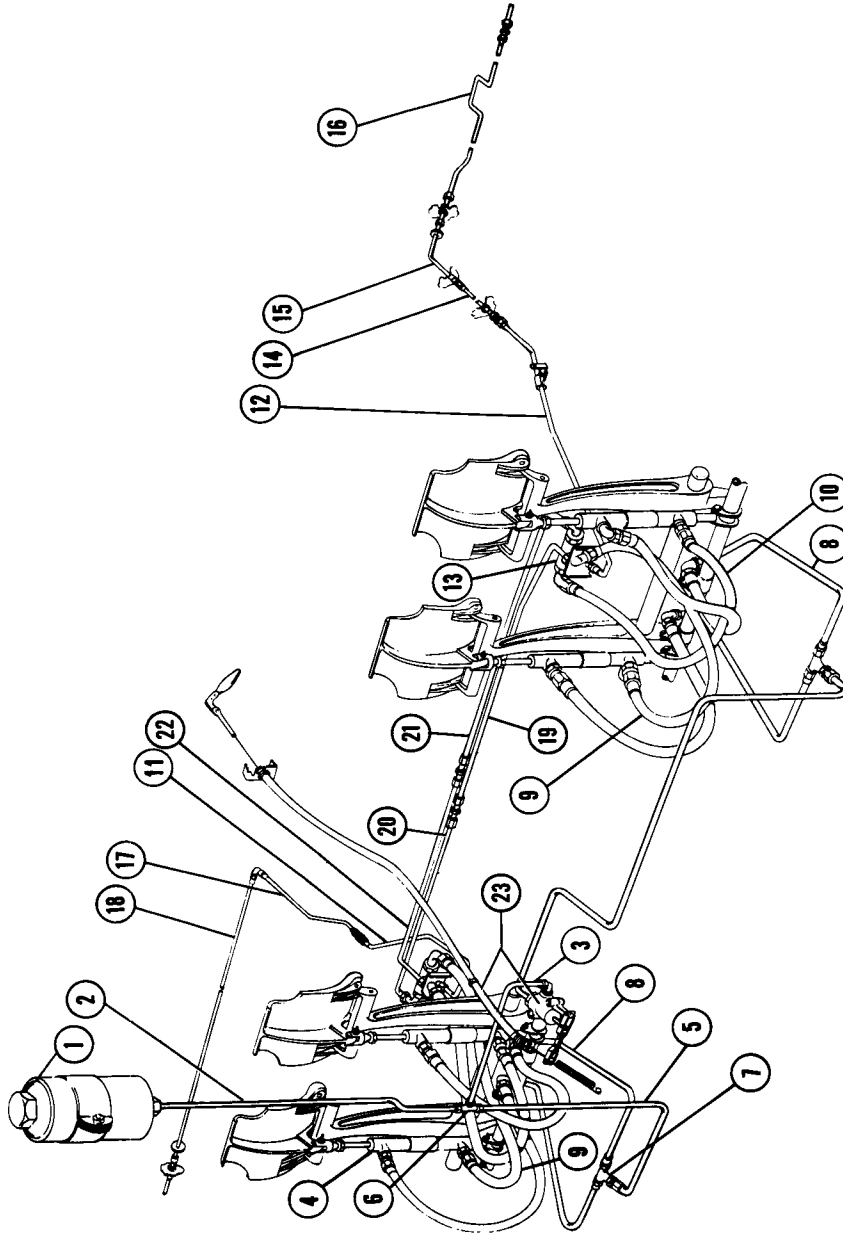


Figure 66. Dual Hydraulic Brake System

MODEL 35 THRU G35 PARTS CATALOG

FIG. & INDEX NO.	PART NO.	DESCRIPTION	UNITS							USABLE ON CODE	
			1	2	3	4	5	6	7		
66 - 1	35-815180	RESERVOIR ASSY,BRAKE FLUID.								1	
- 2	35-815073	TUBE ASSY,RESERVOIR OUTLET.								1	AB5
	35-815176	TUBE ASSY,RESERVOIR OUTLET.								1	B6CDEFG
	AN822-4D	ELBOW,PARKING VALVE INLET								1	
- 3	35-815074	TUBE ASSY,PARKING VALVE INLET								1	A3A12
	35-815159	TUBE ASSY,PARKING VALVE INLET								1	A13B5
	35-815177	TUBE ASSY,PARKING VALVE INLET								1	B6C14
	35-815186	TUBE ASSY,PARKING VALVE INLET								1	C15DEFG
- 4	V1-15-625	CYLINDER ASSY,BRAKE MASTER /SEE FIG. 67 OR 68/. /USE ON GROODYEAR BRAKES/								1	
- 5	35-815046	TUBE ASSY,MASTER CYLINDER INLET								1	A3A12
	35-815160	TUBE ASSY,MASTER CYLINDER INLET								1	A13B5
	35-815178	TUBE ASSY,MASTER CYLINDER INLET								1	B6DEFG
- 6	AN824-4D	TEE,RESERVOIR OUTLET.								1	
- 7	AN834-4D	TEE,MASTER CYLINDER INLET								1	
	35-815058	TUBE ASSY,MASTER CYLINDER INLET								1	
	35-815054	TUBE ASSY,MASTER CYLINDER INLET								1	
	AN6271-4-10	HOSE ASSY,MASTER CYLINDER OUTLET.								2	
	106242-10-00800	TUBE,INLET HOSE INSULATING.								2	
	AN823-4D	ELBOW,MASTER CYLINDER INLET								3	
- 8	35-815057	TUBE ASSY,MASTER CYLINDER INLET								1	
	35-815053	TUBE ASSY,MASTER CYLINDER INLET								1	
	AN816-4D	UNION,INLET HOSE.								1	
- 9	AN6271-4-10-7/8	HOSE ASSY,MASTER CYLINDER OUTLET.								1	
	106242-10-00800	TUBE,OUTLET HOSE INSULATING								2	
	AN837-4D	ELBOW,OUTLET HOSE								1	
- 10	AN6271-4-12	HOSE ASSY,MASTER CYLINDER OUTLET.								1	
- 11	35-815028	TUBE ASSY,RIGHT BRAKE OUTLET.								1	
- 12	35-815027	TUBE ASSY,LEFT BRAKE OUTLET								1	
- 13	A22	VALVE ASSY,SHUTTLE /HOOF PRODUCTS COMPANY/.								1	
	AN743-6	BRACKET,OUTLET TUBE ATTACHING								1	
	AN742-6C	CLAMP,OUTLET TUBE ATTACHING								1	
	AN815-4D	UNION,LEFT BRAKE OUTLET TUBE.								1	
- 14	35-815068-601	TUBE ASSY,LEFT BRAKE OUTLET								1	A1
	35-815095	TUBE ASSY,LEFT BRAKE OUTLET								1	A2BCDEFG
	AN815-4D	UNION,LEFT BRAKE OUTLET TUBE.								1	A1
	AN821-4D	UNION,LEFT BRAKE OUTLET TUBE.								1	A2BCDE
	35-815024-8	UNION,LEFT BRAKE OUTLET TUBE.								1	FG
- 15	35-815026	TUBE ASSY,LEFT BRAKE OUTLET								1	A1
	AN743-6	BRACKET,OUTLET TUBE ATTACHING								1	
	AN742-6C	CLAMP,OUTLET TUBE ATTACHING								1	
	AN931-11-16	GROMMET,OUTLET TUBE								1	
	AN832-4D	UNION,OUTBD OUTLET TUBE								1	
- 16	35-815025	TUBE ASSY,OUTBD OUTLET.								1	A1
	35-815096	TUBE ASSY,OUTBD OUTLET.								1	A2BCDE
	35-815024-12	TUBE ASSY,OUTBD OUTLET.								1	FG
	AN743-6	BRACKET,OUTLET TUBE ATTACHING								1	
	AN742-6C	CLAMP,OUTLET TUBE ATTACHING								1	
	AN837-4D	ELBOW,OUTLET TUBE								1	
	AN832-4D	UNION,RIGHT BRAKE OUTLET TUBE								1	
- 17	35-815072	TUBE ASSY,RIGHT BRAKE OUTLET.								1	A1
	35-815092	TUBE ASSY,RIGHT BRAKE OUTLET.								1	A2BCDEFG
	AN833-4D	ELBOW,RIGHT BRAKE OUTLET TUBE								1	A1
	AN815-4D	UNION,RIGHT BRAKE OUTLET TUBE								1	A2BCDEFG
- 18	35-815029	TUBE ASSY,RIGHT BRAKE OUTLET.								1	A1
	35-815094	TUBE ASSY,RIGHT BRAKE OUTLET.								1	A2BCDE
	35-815024-10	TUBE ASSY,RIGHT BRAKE OUTLET.								1	FG
	35-815024-13	TUBE ASSY,RIGHT BRAKE OUTLET.								1	FG
	AN815-4D	UNION,RIGHT BRAKE OUTLET TUBE								1	A2BCDEFG
- 19	35-815048	TUBE ASSY,SHUTTLE VALVE INLET								1	
	AN815-4D	UNION,SHUTTLE VALVE INLET TUBE.								2	
- 20	35-815067	TUBE ASSY,SHUTTLE VALVE INLET								1	
- 21	35-815059	TUBE ASSY,SHUTTLE VALVE INLET								1	
- 22	35-815047	TUBE ASSY,SHUTTLE VALVE INLET								1	
- 23	35-815018	VALVE & CONTROL ASSY,PARKING BRAKE VALVE.								1	
		/SEE FIG. 64/									
	35-500	KIT,DUAL BRAKE /MAKE FR SINGLE BRAKE/								1	

MODEL 35 THRU G35 PARTS CATALOG

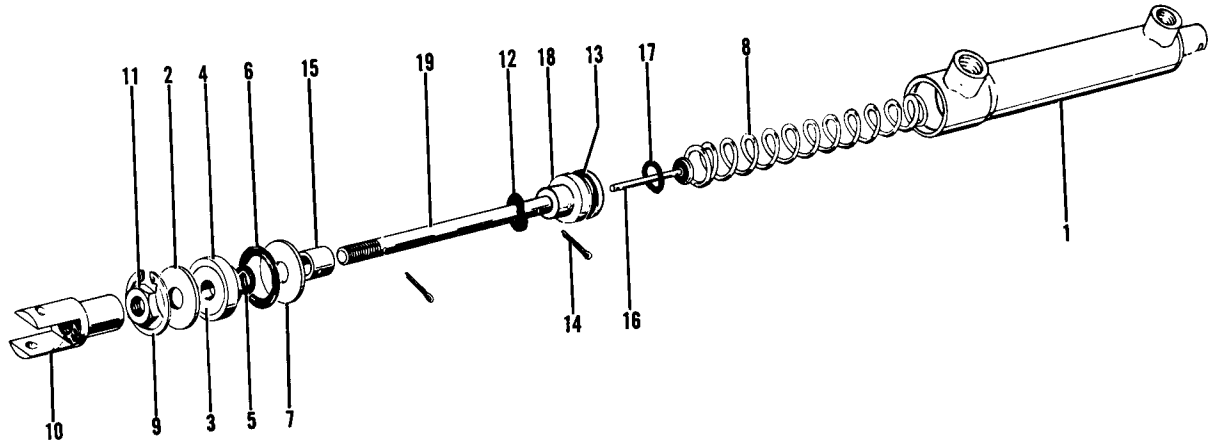


Figure 67. Brake Master Cylinder Assembly (Goodyear Brakes)

FIG. & INDEX NO.	PART NO.	DESCRIPTION	UNITS PER ASSY	USABLE ON CODE
67	V1-15-.625	CYLINDER ASSY, BRAKE MASTER /HMX/ /SEE FIG. 65 . OR 66 FOR NHA/ /USE WITH GOODYEAR BRAKES/	1	
- 1	47G-041	• BRAZE ASSY, CYLINDER /HMX/	1	
- 2	57G-107	• WASHER, RETAINING /HMX/	1	
- 3	109010	• WIPER, EQUI-FLEX ROD	1	
- 4	47G-050	• BUSHING, PISTON GUIDE /HMX/	1	
- 5	AN6227-5	• RING, O.	1	
- 6	AN6227-10	• RING, O.	1	
- 7	47G-049	• WASHER, /HMX/	1	
- 8	47G-051	• SPRING, RETURN /HMX/	1	
- 9	5000-68	• RING, SNAP /WKI/	1	
- 10	47G-031	• CLEVIS, /HMX/	1	
- 11	AN316-4	• NUT, TRIM CHECK	1	
	AN380C2-2	• PIN, COTTER	1	
	57G-103	• VALVE ASSY, MASTER CYLINDER /HMX/	1	
- 12	3559-14-03	• SPRING, VALVE /SH/	1	
- 13	AN6227-9	• RING, O.	1	
- 14	AN380C2-2	• PIN, COTTER	1	
- 15	47G-033	• COLLAR, VALVE /HMX/	1	
- 16	47G-045	• VALVE, /HMX/	1	
- 17	AN6227-3	• RING, O.	1	
- 18	57G-116	• HEAD, PISTON /HMX/	1	
- 19	47G-044-1	• ROD, PISTON /HMX/	1	

MODEL 35 THRU G35 PARTS CATALOG

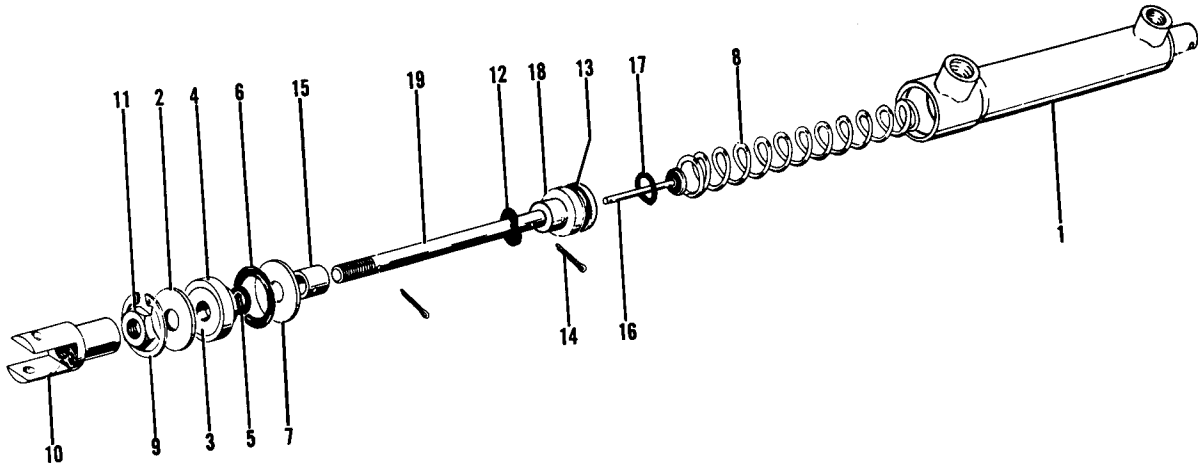


Figure 68. Brake Master Cylinder Assembly (Firestone Brakes)

FIG. & INDEX NO.	PART NO.	DESCRIPTION							UNITS PER ASSY	USABLE ON CODE
		1	2	3	4	5	6	7		
68	V1-15-.875	CYLINDER ASSY, BRAKE MASTER /HMX/	USED WITH	.	.				1	
- 1	47G-026	BRAZE ASSY, CYLINDER /HMX/	1	
- 2	57G-107	WASHER, RETAINING /HMX/	1	
- 3	109010	WIPER, EQUI-FLEX ROD	1	
- 4	47G-029	BUSHING, PISTON GUIDE /HMX/	1	
- 5	AN6227-6	RING, O.	1	
- 6	AN6227-13	RING, O.	1	
- 7	47G-028	WASHER, /HMX/	1	
- 8	47G-030	SPRING, RETURN /HMX/	1	
- 9	5000-90	RING, SNAP /WKI/	1	
- 10	50H-04	CLEVIS, /HMX/	1	
- 11	AN316-5	NUT, TRIM CHECK	1	
	AN380C2-2	PIN, COTTER	1	
	57G-103	VALVE ASSY, MASTER CYLINDER /HMX/	1	
- 12	3536-18	SPRING, VALVE /SH/	1	
- 13	AN6227-9	RING, O.	1	
- 14	AN380C2-2	PIN, COTTER	1	
- 15	50H-011	COLLAR, VALVE /HMX/	1	
- 16	47G-032	VALVE, /HMX/	1	
- 17	AN6227-6	RING, O.	1	
- 18	57G-116	HEAD, PISTON /HMX/	1	
- 19	47G-032	ROD, PISTON /HMX/	1	

MODEL 35 THRU G35 PARTS CATALOG

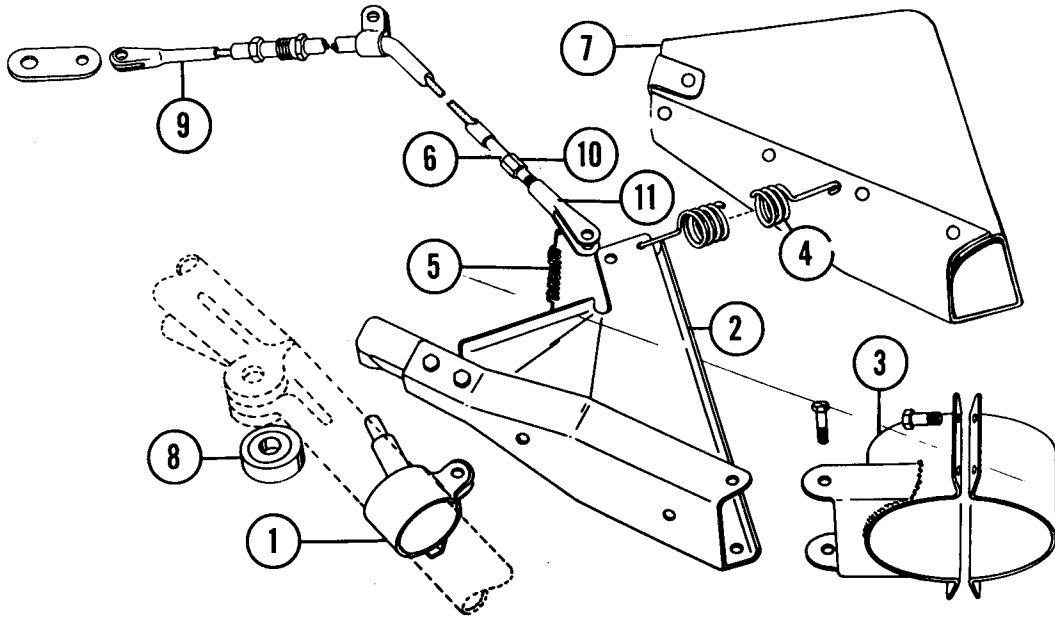


Figure 69. Main Landing Gear Up Lock

FIG. & INDEX NO.	PART NO.	DESCRIPTION	1 2 3 4 5 6 7							UNITS PER ASSY	USABLE ON CODE	
			1	2	3	4	5	6	7			
69 - 1	35-815079	STOP ASSY,GEAR UP LOCK.	1	
- 2	35-815077	LOCK ASSY,LH MAIN GEAR UP	1	
	35-815077-1	LOCK ASSY,RH MAIN GEAR UP	1	
	35-815077-2	. BRACKET,LH MAIN GEAR UP LOCK.	1	
	35-815077-3	. BRACKET,RH MAIN GEAR UP LOCK.	1	
	35-815077-4	. BLOCK,ADJUSTING	1	
- 3	35-815086	BRACKET,LH UP LOCK ATTACHING.	1	A41
	35-815086-1	BRACKET,RH UP LOCK ATTACHING.	1	A41
	AN24-32	BOLT,UP LOCK HINGE.	1	
	AN960-416L	WASHER,UP LOCK HINGE.	2	
	AN310-4	NUT,UP LOCK HINGE	1	
- 4	35-815115	SPRING,UP LOCK TENSION.	1	
- 5	100942-020-008-020-31	SPRING,UP LOCK TENSION.	1	
- 6	35-815109	CABLE ASSY,UP LOCK.	1	
	S-123	. BUSHING,UP LOCK CABLE	1	
	791-2-4	CLIP,CABLE ATTACHING.	1	
	742-4	CLAMP,RH CABLE ATTACHING.	3	
	35-815078	LINK,CABLE INBD ATTACHING	2	
- 7	35-815156	BOOT ASSY,LH.	1	
	35-815156-1	BOOT ASSY,RH.	1	
- 8	AT-5	ROLLER,UP LOCK.	1	
- 9	AN667-2	TERMINAL.	1	
- 10	AN666-2	TERMINAL,RH	1	
- 11	AN665-10R	TERMINAL.	1	

MODEL 35 THRU G35 PARTS CATALOG

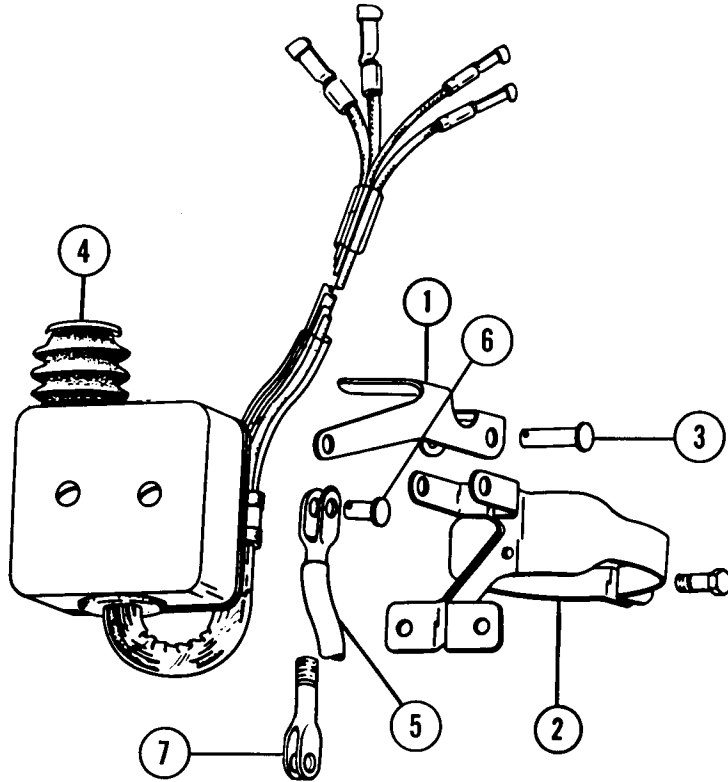


Figure 70. Landing Gear Safety Switch

FIG. & INDEX NO.	PART NO.	DESCRIPTION	UNITS PER ASSY	USABLE ON CODE
		1 2 3 4 5 6 7		
70	35-361131	SWITCH, LANDING GEAR SAFETY.	1	A37
	35-361147	SWITCH, LANDING GEAR SAFETY.	1	A38A2BCDEFG
- 1	35-361132	. ARM, SAFETY SWITCH	1	
- 2	35-361133	. BRACKET, SWITCH ATTACHING.	1	
	35-361134	. COVER, SAFETY SWITCH	1	
	35-361135	. BOX, SAFETY SWITCH	1	
	35-361136	. GASKET, SWITCH COVER	1	
	35-361163	. WASHER, SAFETY SWITCH.	1	
	35-364238	. INSULATOR, SWITCH.	1	
	MC2711	. ACTUATOR, SWITCH	1	
	BZ3YT	. SWITCH, MICRO.	1	
	AN742-8C	. CLAMP, CABLE ATTACHING	1	
	AN526-632-22	. SCREW, CABLE ATTACHING	2	
	AN365-632	. NUT, CLAMP ATTACHING	2	
	AN960D6	. WASHER, CLAMP ATTACHING.	4	
- 3	AN393-29	. PIN, ACTUATING ARM HINGE	1	
	AN931-6-10	. GROMMET, SWITCH BOX.	1	
- 4	35-361148	. BOOT ASSY, SWITCH /INCLUDED IN KIT NO. 35-543/	1	
	35-361150	. SPRING, /INCLUDED IN KIT NO. 35-543/	1	
	NAS51-31	. RETAINER, /INCLUDED IN KIT NO. 35-543/	1	
	106242-7-03600	. INSULATION, WIRE	1	
	G10	. CABLE, SAFETY SWITCH	1	
- 5	35-361145	LINK ASSY, SAFETY SWITCH	1	
		/ATTACHING PARTS/		
- 6	AN392-13	PIN	2	
	AN960D10	WASHER.	2	
	AN380-2-1	PIN, COTTER.	2	
		-----*		
- 7	AN161-16RS	FORK, LINK ATTACHING	1	
		/ATTACHING PARTS/		
	AN42-4	EYE BOLT.	1	
	AN310-3	NUT	1	
	AN380-2-2	PIN, COTTER.	1	
		-----*		
	108492A10-014	WASHER, LINK ATTACHING	2	

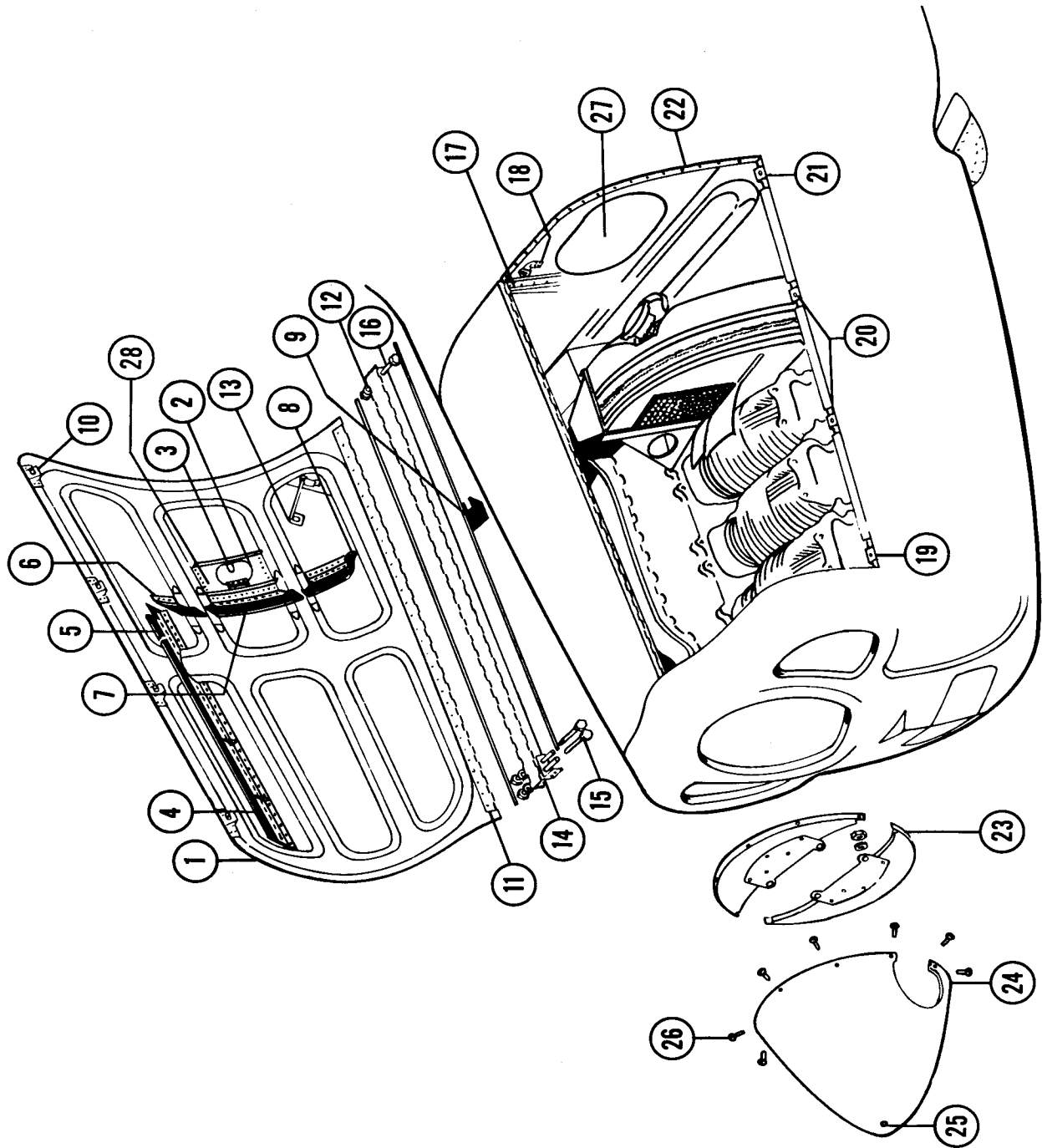


Figure 71. Engine Cowl and Spinner

MODEL 35 THRU G35 PARTS CATALOG

FIG. & INDEX NO.	PART NO.	DESCRIPTION							UNITS PER ASSY	USABLE ON CODE
		1	2	3	4	5	6	7		
71	35-910100	COWLING ASSY,ENGINE	1	A3
	35-910150	COWLING ASSY,ENGINE	1	A4
	35-910160	COWLING ASSY,ENGINE	1	BCDEFG
- 1	35-910100-602	. COWLING ASSY,LEFT HALF	1	A3
	35-910150-602	. COWLING ASSY,LEFT HALF	1	A4
	35-910160-602	. COWLING ASSY,LEFT HALF	1	BCDEFG
- 2	35-910160-16	. . DOOR,OIL FILLER ACCESS.	1	BCDEFG
- 3	H4600-032-040	. . LATCH ASSY,OIL FILLER DOOR	1	BCDEFG
	105774C-ZE0212	. . PIN,OIL FILLER DOOR HINGE	1	BCDEFG
	35-910160-8	. . HINGE	1	BCDEFG
	35-910100-603	. COWLING ASSY,RIGHT HALF	1	A3
	35-910150-603	. COWLING ASSY,RIGHT HALF	1	A4
	35-910160-603	. COWLING ASSY,RIGHT HALF	1	BCDEFG
- 4	35-910150-26	. . SEAL,BAFFLE	1	A4BCDEFG
	35-910150-24	. . SEAL,BAFFLE	1	A4BCDEFG
- 5	35-910150-28	. . SEAL,BAFFLE	1	A4BCDEFG
- 6	35-910150-16	. . SEAL,BAFFLE LH.	1	A4BCDEFG
	35-910150-6	. . FLANGE.	1	A4BCDEFG
	35-910150-17	. . SEAL,BAFFLE RH.	1	A4BCDEFG
	35-910150-7	. . FLANGE.	1	A4BCDEFG
- 7	35-910150-18	. . SEAL,BAFFLE LH.	1	A4BCDEFG
	35-910150-8	. . FLANGE.	1	A4BCDEFG
	35-910150-19	. . SEAL,BAFFLE	1	A4BCDEFG
	35-910150-9	. . FLANGE.	1	A4BCDEFG
- 8	35-910150-20	. . SEAL,BAFFLE	1	A4BCDEFG
	35-910150-10	. . FLANGE.	1	A4BCDEFG
	35-910150-14	. . FLANGE.	1	A4BCDEFG
	35-910150-21	. . SEAL,BAFFLE	1	A4BCDEFG
	35-910150-11	. . FLANGE.	1	A4BCDEFG
	35-910150-14	. . FLANGE.	1	A4BCDEFG
- 9	35-910150-22	. . SEAL,CENTER BAFFLE.	1	A4BCDEFG
- 10	35-910107	. . BRACKET ASSY,COWL FASTENER.	4	A1A2
	H4600-032-040	. . LATCH ASSY,COWL FASTENER.	4	BCDEFG
	35-910104	. HINGE ASSY,COWLING.	1	
- 11	35-910103	. . HINGE,LEFT HALF COWLING	1	
- 12	35-910102	. . HINGE,CENTER COWLING.	1	
	35-910103-1	. . HINGE,RIGHT HALF COWLING.	1	
	105774C-ZB0370	. . PIN,COWLING ATTACHING HINGE	1	
- 13	35-910108	. . ROD,COWLING SUPPORT	1	
	35-910109	. . BRACKET,COWLING SUPPORT ROD	1	
	185678	. . CLIP,COWLING SUPPORT ROD.	1	
- 14	35-910224	BRACKET,COWLING FWD ATTACHING	1	
- 15	AN3-22A	BOLT,COWLING FWD BRACKET.	2	
	AN960-10	WASHER.	2	
	102933D5ZJ1375	SPACER,COWLING FWD BRACKET.	2	
	AN365-1032	NUT	2	
- 16	AN3-17A	BOLT,REAR COWLING ATTACHING	1	
	AN960-10	WASHER.	1	
	AN365-1032	NUT	1	
- 17	35-415330-46	CHANNEL	1	A3
	35-415330-136	CHANNEL	1	A4BCDEFG
- 18	35-415369	BRACKET,COWLING SUPPORT	1	
	35-415369-1	BRACKET,COWLING SUPPORT	1	
- 19	35-910244	BRACKET ASSY,FWD COWLING FASTENER	1	
- 20	35-910238-6	BRACKET ASSY,CENTER COWLING FASTENER.	2	
- 21	35-910238-8	BRACKET ASSY,AFT COWLING FASTENER	2	
	35-910238-9	BRACKET ASSY,AFT COWLING FASTENER	1	
- 22	NO NUMBER	SEAL,KOROSEAL COWLING	1	

MODEL 35 THRU G35 PARTS CATALOG

FIG. & INDEX NO.	PART NO.	DESCRIPTION	UNITS PER ASSY	USABLE ON CODE
		1 2 3 4 5 6 7		
71 - 23	35-960010-12	. BULKHEAD,SPINNER ATTACHING. /USED WITH R200 PROPELLER/	2	
	35-960026-12	. BULKHEAD,SPINNER ATTACHING. /USED WITH B200 PROPELLER/	2	
- 24	35-960026-14	. SPINNER,PROPELLER	1	
	35-960010-14	. SPINNER,PROPELLER/ALTERNATE FOR 35-960026-14/	1	
- 25	48179	. PLUG,SPINNER.	1	A42
- 26	AN526-832R8	. SCREW,PROPELLER SPINNER ATTACHING	10	
	AN502-416-8	. SCREW,SPINNER BULKHEAD ATTACHING. /USED WITH B200 PROPELLER/	4	
	AN960-416	. WASHER,SPINNER BULKHEAD ATTACHING /USED WITH B200 PROPELLER/	4	
- 27	35-415330 SA24	DOOR,ACCESS	1	
- 28	35-910160-14	DOUBLER	1	
	35-415330-10	ANGLE	1	
	35-415330-11	ANGLE	1	

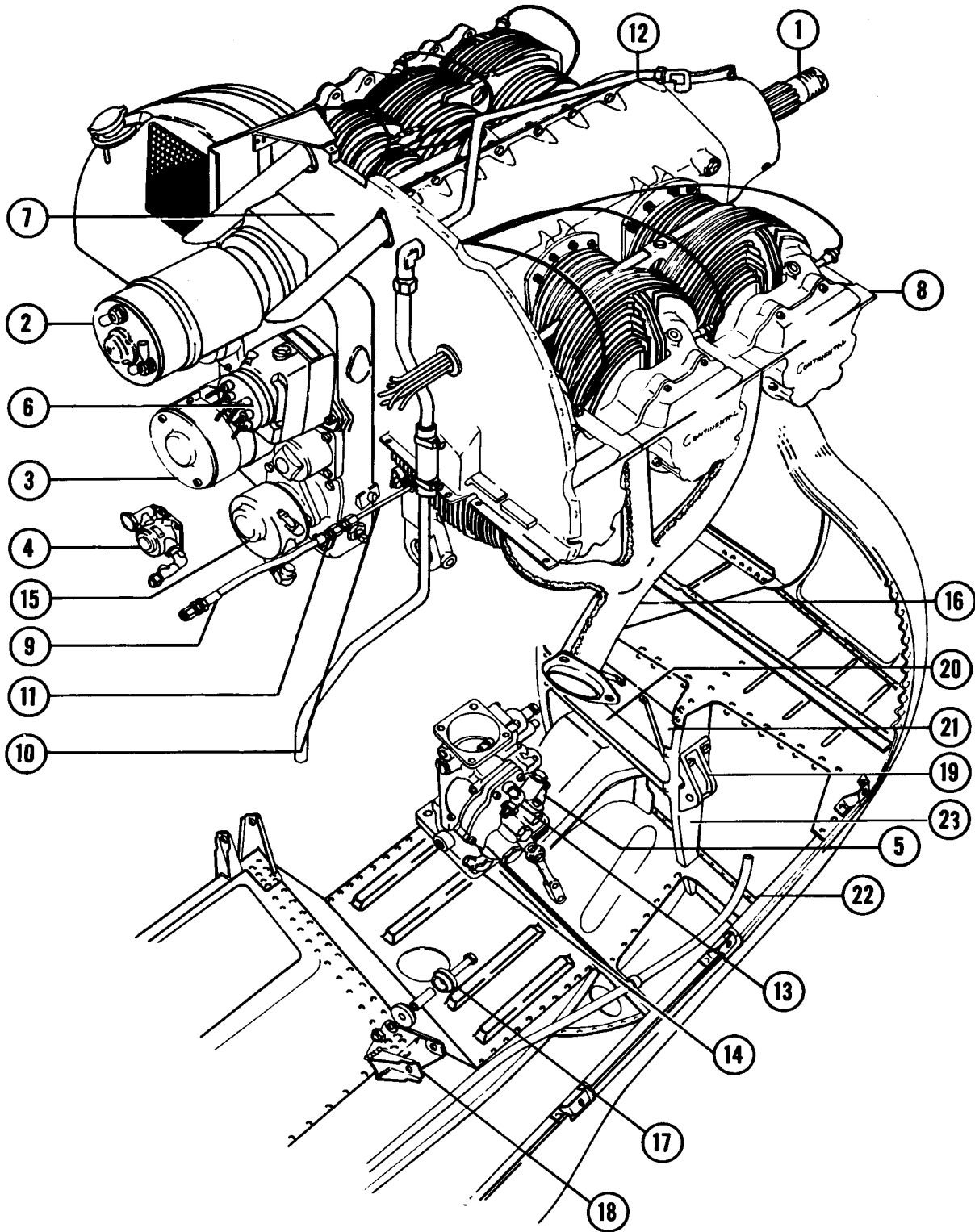


Figure 72. Power Plant Installation

MODEL 35 THRU G35 PARTS CATALOG

FIG. & INDEX NO.	PART NO.	DESCRIPTION	UNITS	USABLE ON CODE	
			PER ASSY		
		1 2 3 4 5 6 7			
72 - 1	E185-1	ENGINE ASSY,CONTINENTAL	1	A3A12	
	E185-8	ENGINE ASSY,CONTINENTAL	1	A13B	
	E185-11	ENGINE ASSY,CONTINENTAL	1	CDEF	
	E225-8	ENGINE ASSY,CONTINENTAL	1	G	
		/OPTIONAL EQUIPMENT ON CODE E & F/			
	35-910002	. SYSTEM ASSY,ENGINE PRIMING.	1		
		/REQUIRED WITH E225-8 ENGINE/			
	- 2	1109660	. STARTER ASSY,DELCO REMY /SEE FIG. 91/	1	A3A12
		35-369005	. STARTER ASSY,E80 /SEE FIG. 92/	1	A13BCDEFG
		36E14-1-C	. STARTER ASSY,ECLIPSE.	1	
	- 3	1101879	. GENERATOR,DELCO REMY /25 AMP/ /SEE FIG. 93/	1	A1A2B
		1101887	. GENERATOR,DELCO REMY /35 AMP/ /SEE FIG. 93/	1	CDEFG
		539538-A1	. GENERATOR,DELCO REMY /50 AMP/ /SEE FIG. 93/	1	
		/OPTIONAL WITH E225-8 ENGINE/			
	- 4	RD7790	. PUMP,ROMEC FUEL	1	
		TF-1900	. PUMP,THOMPSON FUEL.	1	E9FG
		RD7420C	. PUMP,ROMEC FUEL	1	
	/USED WITH 35-929020 BOOSTER PUMP/				
- 5	380208-3	. CARBURETOR,BENDIX PS5C.	1	A1A2B	
	380208-5	. CARBURETOR,BENDIX PS5C.	1	C16	
	391330-3	. CARBURETOR,BENDIX PS5C.	1	C17DEF	
	391583-1	. CARBURETOR,BENDIX PS5C.	1	G	
- 6	LA-6	. MAGNETO,EISEMANN.	2		
	S6LN-21	. MAGNETO,BENDIX.	2		
- 7	35-910232	BAFFLE ASSY,REAR COWLING.	1	A14	
	35-910246	BAFFLE ASSY,REAR COWLING.	1	A15	
	35-910262	BAFFLE ASSY,REAR COWLING /SEE FIG. 74/	1	A23BCDEFG	
- 8	35-910201-604	BAFFLE ASSY,ENGINE.	1	A3	
	35-910261-604	BAFFLE ASSY,ENGINE.	1	A23BCDEFG	
- 9	AN6270-4-28	HOSE ASSY,MANIFOLD PRESSURE	1	A3	
	35-910263	TUBE ASSY,MANIFOLD PRESSURE	1	A23BCDEFG	
- 10	AN6270-4-9	HOSE ASSY,MANIFOLD PRESSURE	1	A3	
	35-910265	TUBE ASSY,MANIFOLD PRESSURE	1	A23BCDEFG	
- 11	AN832-40-4D	UNION,HOSE CONNECTING	1	A3	
	AN832-20-2D	UNION,TUBE CONNECTING	1	A23BCDEFG	
	35-910240	TUBE ASSY,MANIFOLD PRESSURE	1	A43	
	35-910259	TUBE ASSY,MANIFOLD PRESSURE	1	A44	
	35-910264	TUBE ASSY,MANIFOLD PRESSURE	1	A23BCDEFG	
	35-910287	BRACKET,MANIFOLD PRESSURE CLAMP	1		
	AN742-6C	CLAMP,TUBE ATTACHING.	1	A3	
	AN742-4C	CLAMP,TUBE ATTACHING.	1	A23BCDEFG	
- 12	35-910239	FITTING,MANIFOLD PRESSURE	1	A3	
	AN822-2B	ELBOW,MANIFOLD PRESSURE FITTING	1	A23BCDEFG	
	AN5540-3	THERMOCOUPLE,14 MM. CYLINDER HEAD	1	A45	
	AN5540-2	THERMOCOUPLE,18 MM. CYLINDER HEAD	1	A46BCDEFG	
	35-939048	TUBE,UPPER CRANKCASE BREATHER /SEE FIG. 86/	1		
	35-939166	TUBE,UPPER CRANKCASE BREATHER /SEE FIG. 88/	1		
	AN914-1	ELBOW,CARBURETOR TO FUEL LINE	1		
- 13	AN816-4D	NIPPLE,CARBURETOR TO FUEL LINE.	1		
	AN822-6B	ELBOW,CARBURETOR TO FUEL PUMP	1		
- 14	35-944013	ARM ASSY,ENGINE CONTROL	1		
	A-513-DA	PUMP ASSY,VACUUM.	1		
- 15	AN842-8	ELBOW,VACUUM PUMP OUTLET.	1		
	AN842-4	ELBOW,VACUUM LINE TO ENGINE	1		
	AN912-3	REDUCER,VACUUM LINE TO ENGINE	1		
	35-950118	STACK ASSY,EXHAUST /SEE FIG. 77/.	1	A14	
- 16	35-950116	STACK ASSY,EXHAUST /SEE FIG. 77/.	1	A17BCDEFG	
	J2245-1	BUSHING,ENGINE MOUNT.	8	A1A2B	
- 17	J3049-17	BUSHING,ENGINE MOUNT.	8	CDEFG	
	AN7-40A	BOLT,FRONT ENGINE MOUNT	2	A1A2B	
	AN7-42A	BOLT,FRONT ENGINE MOUNT	2	CDEFG	
	AN7-26A	BOLT,REAR ENGINE MOUNT.	1	A3A33	
	AN7-27A	BOLT,REAR ENGINE MOUNT.	1	A3A33	
	AN7-30A	BOLT,REAR ENGINE MOUNT.	1	A34BCDEFG	
	AN7-31A	BOLT,REAR ENGINE MOUNT.	1	A34BCDEFG	

MODEL 35 THRU G35 PARTS CATALOG

FIG. & INDEX NO.	PART NO.	DESCRIPTION							UNITS PER ASSY	USABLE ON CODE
		1	2	3	4	5	6	7		
72	105739X0453- 0562-1625	SPACER,ENGINE MOUNT							4	A1A2B
	105739X0446- 0563-1869	SPACER,ENGINE MOUNT							4	CDEFG
	102933S8-1250- 0349	SPACER,ENGINE MOUNT /REAR MOUNT ONLY/							2	A1A2
	100951X0109- 015-220	SPACER,ENGINE MOUNT /FRONT MOUNT ONLY/.							2	CDEFG
	105090CR106-7- 220	WASHER,/REAR MOUNT ONLY/.							2	CDEFG
	AN960-716	WASHER,ENGINE MOUNT							4	
	AN365-720	NUT,ENGINE MOUNT RETAINER							4	
- 18	35-415377	BRACKET,REAR ENGINE MOUNT							2	A34BCDEFG
	105739-0453- 0562-1625	SPACER,/USE WITH 35-415377/							2	A19A30A33
	102933-58-1250- 0349	SPACER,/USE WITH 35-415377/							2	A19A30A33
	35-415364	BRACKET,FRONT ENGINE MOUNT							1	
- 19	35-415364-1	BRACKET,FRONT ENGINE MOUNT							1	
- 20	35-415346-6	CHANNEL,UPPER & LOWER HORIZONTAL							2	A19A30A33
	35-410385-6	CHANNEL,HORIZONTAL							1	A34BCDEFG
	35-410385-10	GUSSET,HORIZONTAL							1	A34BCDEFG
- 21	35-410385-11	GUSSET,HORIZONTAL							1	A34BCDEFG
	35-415346-2	WEB,NOSE COWLING LOWER							1	A19A30A33
- 22	35-410382-10	WEB,NOSE COWLING LOWER							1	A34BCDEFG
	859563	ADAPTER,OIL TEMPERATURE							1	
	1512926	BULB,OIL TEMPERATURE ELECTRIC							1	G
	35-415346-12	SUPPORT,LH.							1	A19A30A33
	45-410385-8	SUPPORT,LH.							1	A34BCDEFG
- 23	35-415346-13	SUPPORT,RH.							1	A19A30A33
	45-410385-9	SUPPORT,RH.							1	A34BCDEFG
	HW4V	STRAP,GROUND.							1	

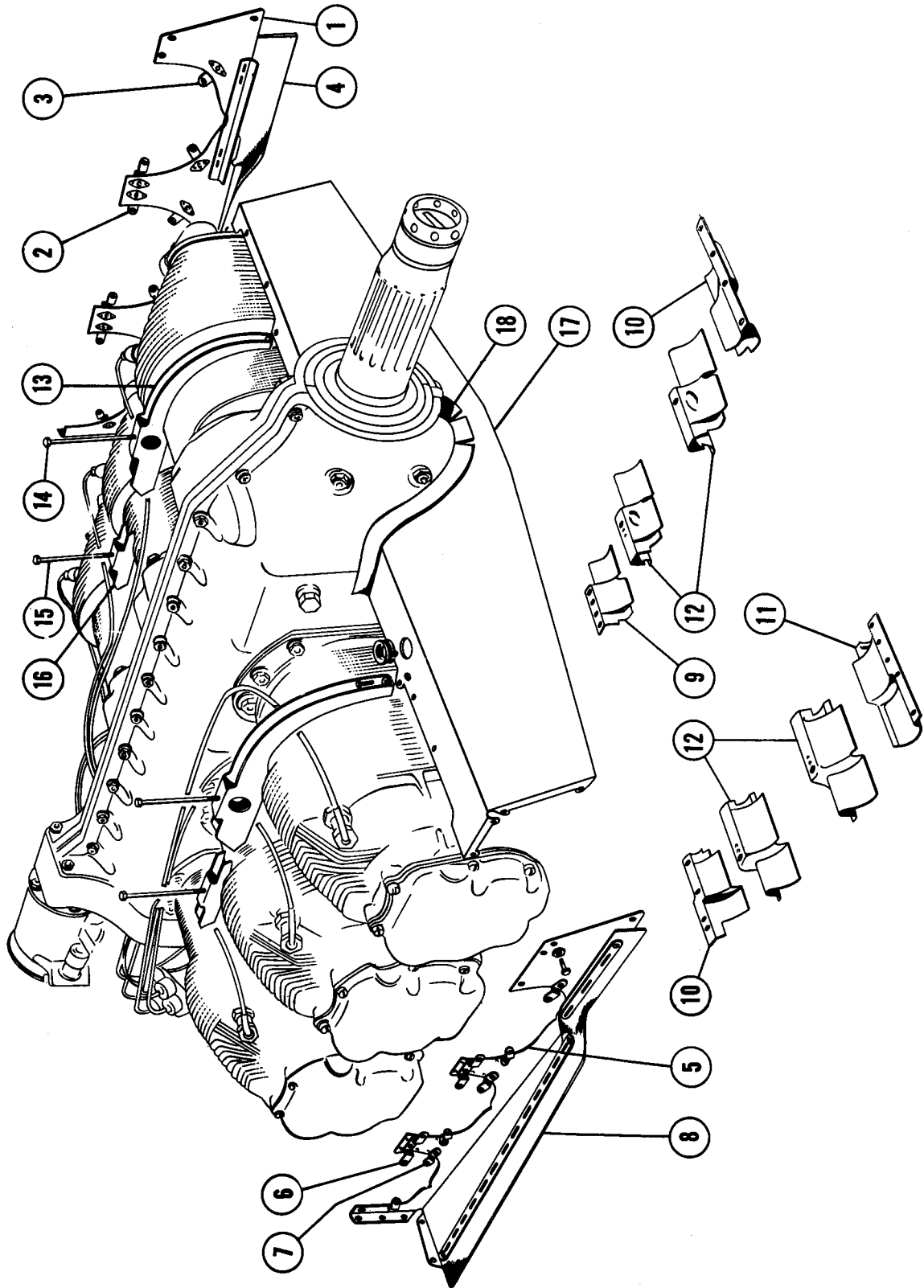


Figure 73. Engine Baffles (D1 thru D1116)

MODEL 35 THRU G35 PARTS CATALOG

FIG. & INDEX NO.	PART NO.	DESCRIPTION	UNITS PER ASSY	USABLE ON CODE
		1 2 3 4 5 6 7		
73	35-910201-604	BAFFLES ASSY,ENGINE	1	A3
- 1	35-910230	. BAFFLE ASSY,CYLINDER HEAD	1	A3
- 2	35-910217	. . CLIP,BAFFLE ATTACHING	2	A3
- 3	35-910218	. . CLIP,BAFFLE ATTACHING	6	A3
	W1S632	. . PLATE,CLIP RETAINING NUT.	10	A3
	AN515-6-5	. . SCREW,CLIP ATTACHING.	10	A3
- 4	35-910230-4	. . SEAL,CYLINDER BAFFLE RUBBER	1	A3
	35-910230-6	. . STRIP,RUBBER SEAL BACKING	1	A3
- 5	35-910231	. BAFFLE ASSY,CYLINDER HEAD	1	A3
- 6	35-910217	. . CLIP,BAFFLE ATTACHING	2	A3
- 7	35-910218	. . CLIP,BAFFLE ATTACHING	6	A3
	W1S632	. . PLATE,CLIP RETAINING NUT.	10	A3
	AN515-6-5	. . SCREW,CLIP ATTACHING.	10	A3
- 8	35-910231-4	. . SEAL,CYLINDER BAFFLE RUBBER	1	A3
	35-910231-6	. . STRIP,RUBBER SEAL BACKING	1	A3
- 9	35-910234-12	. BAFFLE,REAR CYLINDER HALF	1	A3
- 10	35-910234-10	. BAFFLE,CYLINDER HALF.	1	A3
- 11	35-910234-4	. BAFFLE,FRONT CYLINDER HALF.	1	A3
- 12	35-910234-6	. BAFFLE,INNER CYLINDER	2	A3
	W12S1032	. NUT,BAFFLE ATTACHING.	2	A3
- 13	35-910215	. SUPPORT,INNER CYLINDER BAFFLE	1	A3
- 14	AN3-46A	. BOLT,SUPPORT & BAFFLE RETAINING	1	A3
- 15	35-910216	. SUPPORT,INNER CYLINDER BAFFLE	1	A3
- 16	AN3-36A	. BOLT,SUPPORT & BAFFLE RETAINING	1	A3
- 17	35-910233	. BAFFLE ASSY,NOSE SECTION.	1	A3
- 18	35-910233-4	. . SEAL,RUBBER	1	A3
	AN515-6-5	. SCREW,BAFFLE ATTACHING.	1	A3
	AN365-632	. NUT,BAFFLE RETAINING.	1	A3
	AN515-6-4	. SCREW,BAFFLE ATTACHING.	6	A3
	AN515-6-4	. SCREW,BAFFLE ATTACHING.	7	A3
	AN365-632	. NUT,BAFFLE RETAINING.	13	A3
	AN931-10-14	. GROMMET,BREATHER LINE	1	A3

MODEL 35 THRU G35 PARTS CATALOG

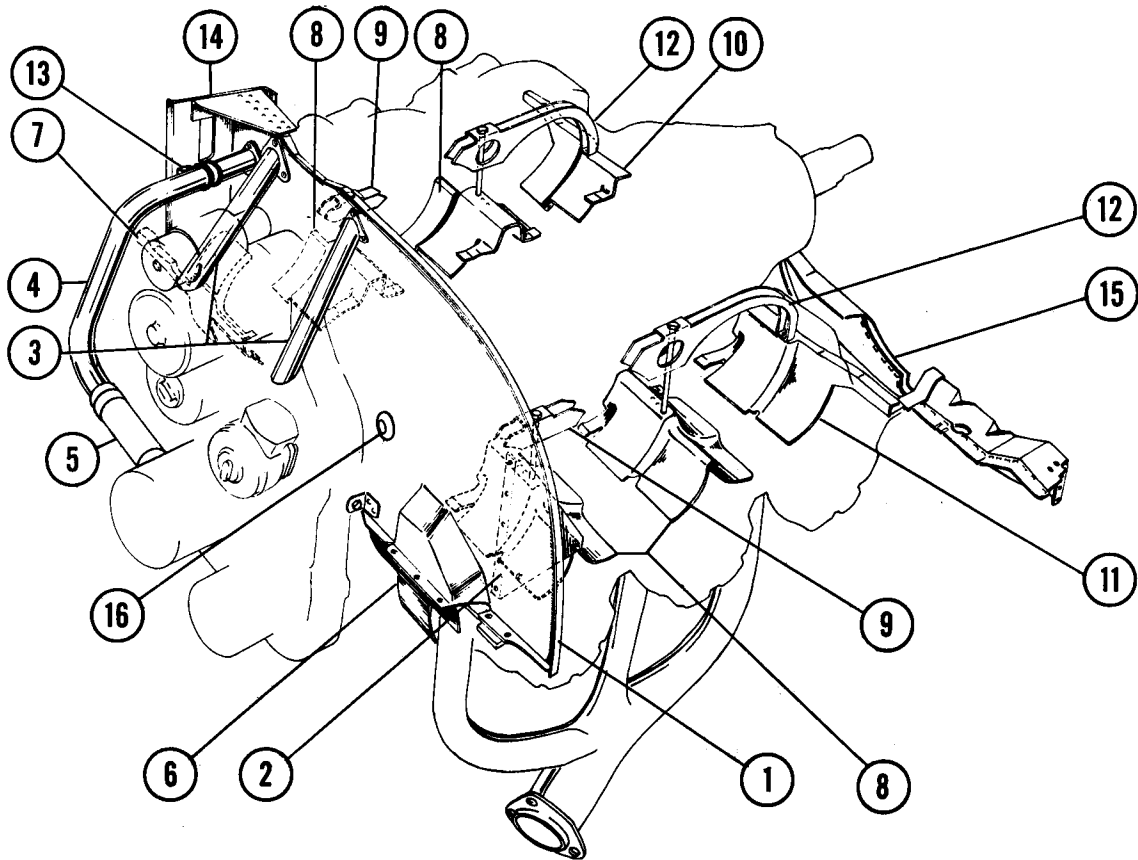


Figure 74. Engine Baffles

FIG. & INDEX NO.	PART NO.	DESCRIPTION	INDEX							UNITS PER ASSY	USABLE ON CODE
			1	2	3	4	5	6	7		
74 - 1	35-910262	BAFFLE ASSY,REAR /SEE FIG. 72 FOR NHA/	1	A4BCDEFG
- 2	35-910258	. BRACKET,RH REAR SUPPORT	1	A4BCDEFG
- 3	35-910257	. TUBE,MAGENTO BLAST.	2	A4BCDEFG
- 4	35-910256	. TUBE,GENERATOR BLAST.	1	A12
- 4	35-910280	. TUBE,GENERATOR BLAST.	1	A13BCDEFG
- 5	106242-12-00600	TUBING,BLAST TUBE	1	A12
- 5	106242-12-00400	TUBING,BLAST TUBE	1	A13BCDEFG
- 5	AN748-34	CLAMP,TUBING.	2	A4BCDEFG
- 6	35-910234-10	BAFFLE,RH REAR CYLINDER	1	A4BCDEFG
- 7	35-910268	BAFFLE,LH REAR CYLINDER	1	A4BCDEFG
- 8	35-910234-6	BAFFLE,CENTER CYLINDER.	4	A4BCDEFG
- 9	35-910216	SUPPORT,BAFFLE.	2	A4BCDEFG
- 9	AN3-36A	BOLT,SUPPORT ATTACHING.	2	A4BCDEFG
- 10	35-910266-6	BAFFLE ASSY,LH FRONT CYLINDER	1	A4BCDEFG
- 11	35-910267-6	BAFFLE ASSY,RH FRONT CYLINDER	1	A4BCDEFG
- 12	35-910215	SUPPORT,BAFFLE.	2	A4BCDEFG
- 12	AN3-47A	BOLT,SUPPORT ATTACHING.	2	A4BCDEFG
- 13	35-939145-30	BRACKET,BLAST TUBE SUPPORT.	1	A13BCDEFG
- 13	AN742-16C	CLAMP,TUBE SUPPORT.	1	A13BCDEFG
- 14	35-939145	SUPPORT,REAR BAFFLE	1	A4BCDEFG
- 15	35-910233	BAFFLE ASSY,FRONT	1	A3
- 15	35-910274	BAFFLE ASSY,FRONT	1	A4BCDEFG
- 16	AN931-14S20	GROMMET	2	A4BCDEFG

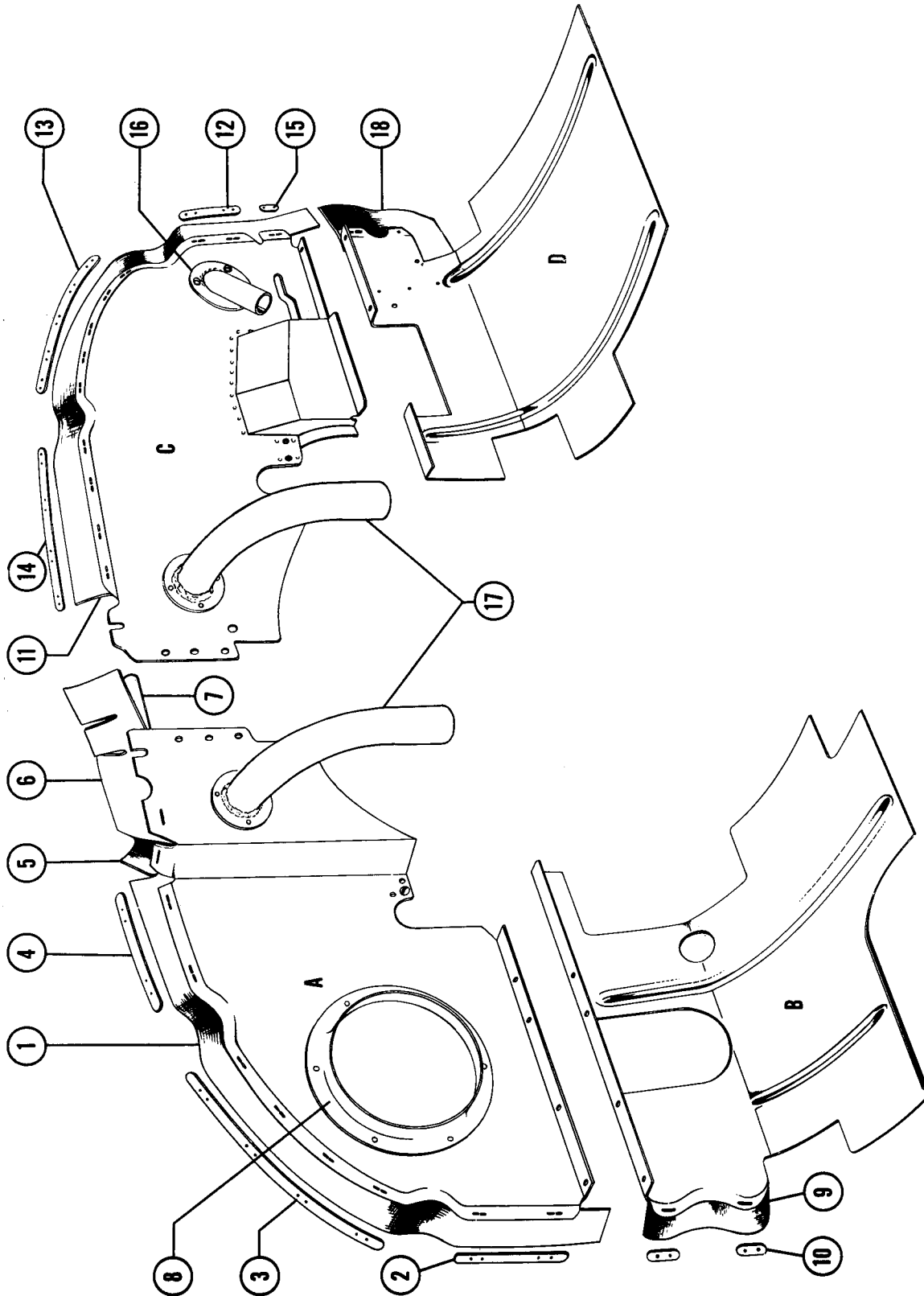


Figure 75. Rear Cowl Baffles (D1 thru D1116)

MODEL 35 THRU G35 PARTS CATALOG

FIG. & INDEX NO.	PART NO.	DESCRIPTION	UNITS PER ASSY	USABLE ON CODE
		1 2 3 4 5 6 7		
75	35-910232	BAFFLE ASSY,REAR COWL /USE UNTIL KIT 35-540 HAS BEEN INSTALLED/	1	A14
	35-910246	BAFFLE ASSY,REAR COWL /USE AFTER KIT 35-540 HAS BEEN INSTALLED/	1	A3
- A	35-910232-4	. SECTION,UPPER LH BAFFLE	1	A14
	35-910246-4	. SECTION,UPPER LH BAFFLE	1	A15
- 1	35-910232-14	. SEAL,RUBBER	1	A3
- 2	35-910232-18	. STRIP,BACKING	1	A3
- 3	35-910232-20	. STRIP,BACKING	1	A3
- 4	35-910232-22	. STRIP,BACKING	1	A3
- 5	35-910232-24	. SEAL,RUBBER	1	A3
	35-910232-26	. STRIP,BACKING	1	A3
- 6	35-910232-16	. SEAL,RUBBER	1	A3
- 7	50-910232-28	. STRIP,BACKING	1	A3
- 8	50-910253	. COLLAR,AIR DUCT	1	A15
	AN931-12-20	. GROMMET,BAFFLE SECTION.	2	A3
- B	35-910232-8	. SKIRT ASSY,LOWER LH	1	A14
- 9	35-910232-40	. SEAL,RUBBER	1	A3
- 10	35-910232-44	. STRIP,BACKING	2	A3
- C	35-910232-6	. SECTION,UPPER RH BAFFLE	1	A14
	35-910246-6	. SECTION,UPPER RH BAFFLE	1	A15
- 11	35-910232-34	. SEAL,RUBBER	1	A3
- 12	35-910232-42	. STRIP,BACKING	1	A3
- 13	35-910232-21	. STRIP,BACKING	1	A3
- 14	35-910232-30	. STRIP,BACKING	1	A3
- 15	35-910232-44	. STRIP,BACKING	1	A3
- 16	35-910252	. ADAPTER,BATTERY BLAST AIR	1	A3
	35-910248	. TUBE,MAGNETO BLAST.	2	A14
- 17	35-910242	. TUBE,LH MAGNETO BLAST	1	A15
	35-910243	. TUBE,RH MAGNETO BLAST	1	A15
	AN526-832-6	. SCREW,BLAST TUBE ATTACHING.	8	A3
	AN960-8	. WASHER.	8	A3
	AN365-832	. NUT	8	A3
- D	35-910232-10	. SKIRT ASSY,LOWER RH	1	A14
- 18	35-910232-48	. SEAL,RUBBER	1	A3
	35-910232-44	. STRIP,BACKING	2	A3

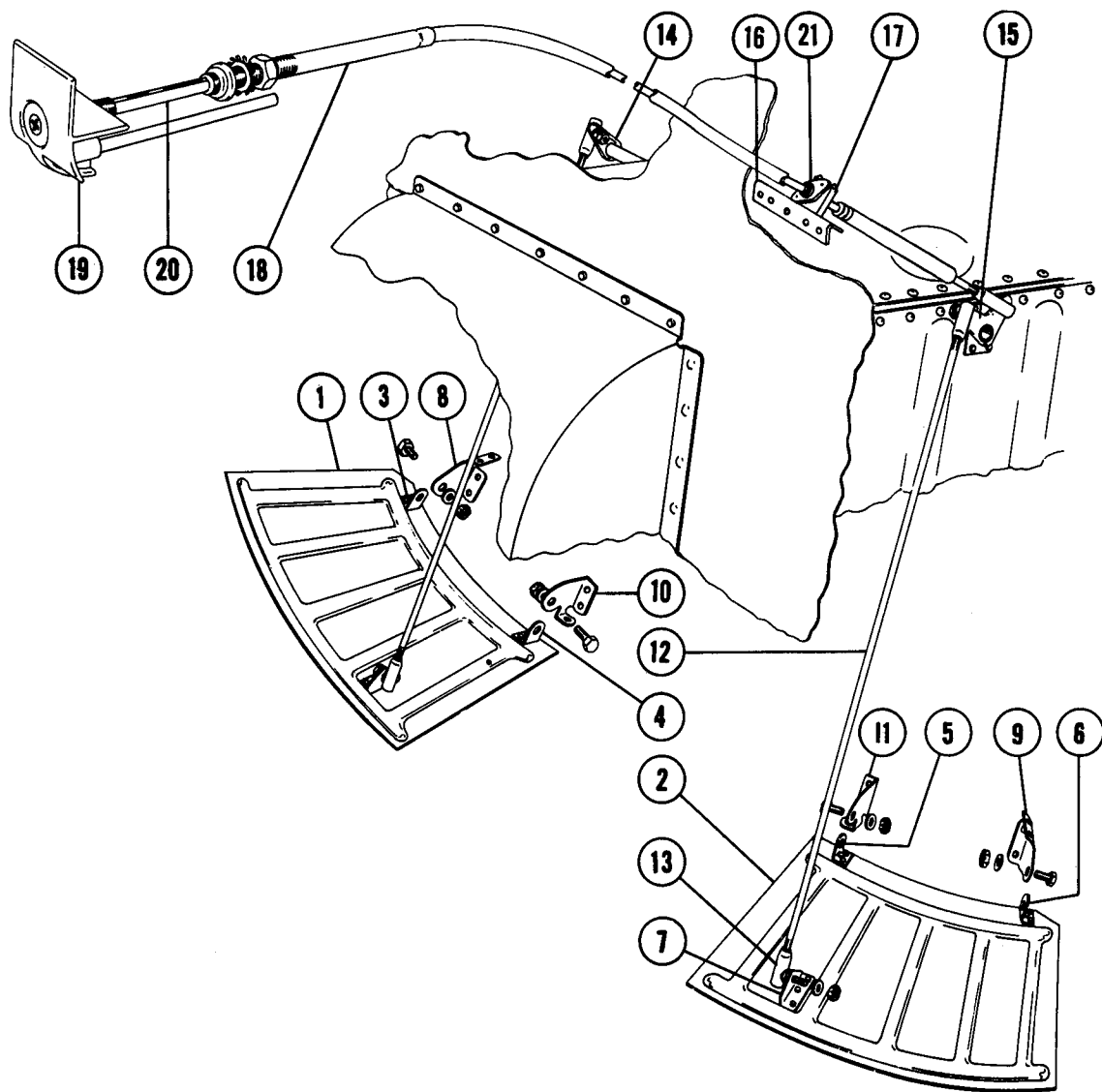


Figure 76. Cowl Flap and Control Assembly

MODEL 35 THRU G35 PARTS CATALOG

FIG. & INDEX NO.	PART NO.	DESCRIPTION	UNITS PER ASSY	USABLE ON CODE
		1 2 3 4 5 6 7		
76 - 1	35-910053	FLAP ASSY,LH COWL	1	
- 2	35-910053-1	FLAP ASSY,RH COWL	1	
	AN3-4	BOLT,FLAP ATTACHING	2	
	AN960-10	WASHER.	2	
	AN310-3	NUT	2	
- 3	35-910056	. HINGE,LH OUTBD FLAP	1	
- 4	35-910056-1	. HINGE,LH INBD FLAP.	1	
- 5	35-910057	. HINGE,RH INBD FLAP.	1	
- 6	35-910053	. HINGE,RH OUTBD FLAP	1	
- 7	35-910058	. BRACKET,FLAP CONTROL.	1	
- 8	35-415342-6	HINGE,LH OUTBD FLAP	1	
- 9	35-415342-7	HINGE,RH OUTBD FLAP	1	
- 10	35-415342-4	HINGE,LH INBD FLAP.	1	
- 11	35-415342-5	HINGE,RH INBD FLAP.	1	
- 12	35-944012	LINK,FLAP CONTROL	1	
- 13	316	JOINT,LINK ATTACHING BALL	2	
	AN960-10	WASHER.	2	
	AN365-1032	NUT,LOCK.	2	
	AN345-10	NUT	2	
- 14	35-944011	SHAFT,FLAP CONTROL ARM.	1	
- 15	35-944025	ARM,FLAP CONTROL.	1	
	AN3-7A	BOLT,ARM ATTACHING.	1	
	AN960-10	WASHER.	1	
	AN365-1032	NUT	1	
	316	JOINT,CONTROL ATTACHING BALL.	1	
	AN743-6	BRACKET,CONTROL ASSY.	1	A9
	AN515-8-5	SCREW,BRACKET ATTACHING	1	
	AN960-8	WASHER.	1	
	AN365-832	NUT	1	
- 16	35-415330-122	BRACKET,CONTROL ASSY.	1	A1 BCDEFG
- 17	35-944037	BLOCK,CLAMP	1	
	AN515-832-20	SCREW,BLOCK ATTACHING	1	
	AN960-8	WASHER.	1	
	AN365-832	NUT	1	
- 18	35-944017	CONTROL ASSY,COWL FLAP.	1	
- 19	35-944009	. HANDLE ASSY,CONTROL	1	
- 20	35-944018	. CONTROL SUB ASSY.	1	
	NAS51-87	RETAINER.	1	A16
- 21	112436-6	RETAINER.	1	A17BCDEFG
	49338	FASTENER,/UC/	2	
	112412	GROMMET	2	
	112413-4	BALL.	2	

MODEL 35 THRU G35 PARTS CATALOG

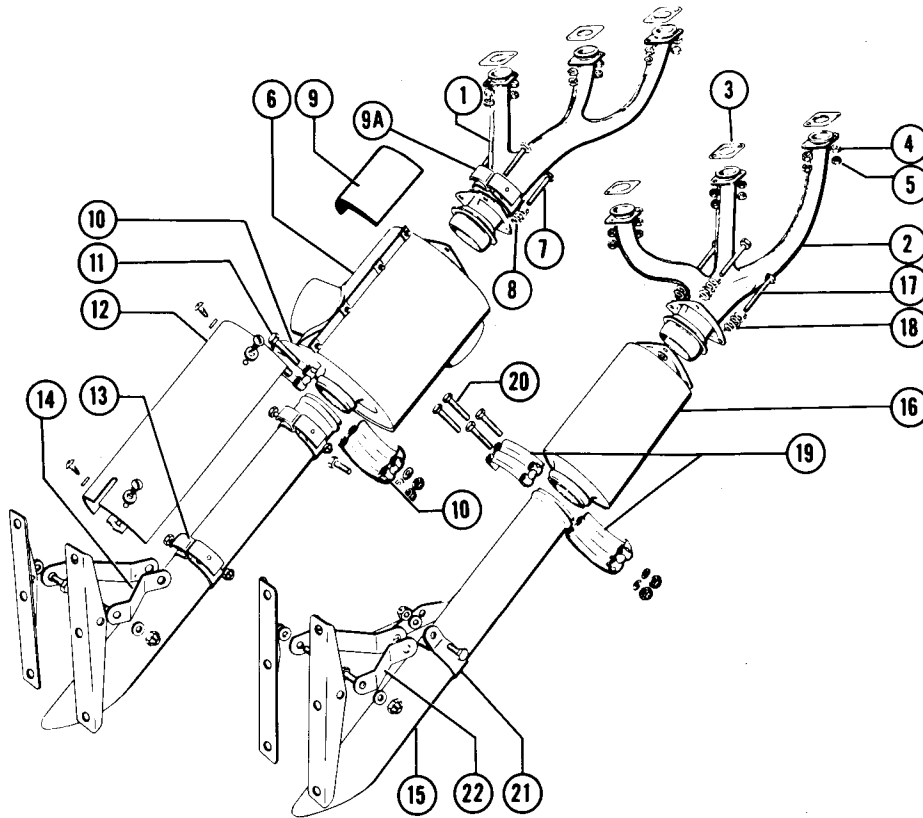


Figure 77. Exhaust System

FIG. & INDEX NO.	PART NO.	DESCRIPTION	UNITS PER ASSY							USABLE ON CODE		
			1	2	3	4	5	6	7			
77	35-950115-650	EXHAUST INSTL								1		
- 1	35-950118	. STACK ASSY,LH EXHAUST /SEE FIG. 72 FOR NHA/ /INCLUDES FLANGE,PLATE & COLLAR/									1	
- 2	35-950116	. STACK ASSY,RH EXHAUST /SEE FIG. 72 FOR NHA/ /INCLUDES FLANGE,PLATE & COLLAR/									1	
- 3	21493	. GASKET,EXHAUST FLANGE									3	
- 4	AN360-5	. NUT,STACK ATTACHING									6	
- 5	AN365-524	. NUT,LOCK.									6	
- 6	186C	. HEATER,EXHAUST /LH SIDE/ /HLW/.									1	
- 7	AN3-12	. BOLT,HEATER ATTACHING									3	
	AN960-10	. WASHER.									3	
	AN310-3	. NUT									3	
	AN380-2-2	. PIN,COTTER.									3	
- 8	100943CR-ZX020F	. SPRING.									3	
	35-950129	. SHROUD.									1	ABCDEF6
- 9	35-950129-1	. SHROUD.									1	G7
	AN526-632-6	. SCREW									2	
	AN960-6	. WASHER.									2	
	AN372-632	. NUT									2	
- 9A	35-950127	. SUPPORT /ATTACHING PARTS/									1	G7
	AN3-3A	. BOLT.									1	
	AN960-10	. WASHER.									1	
	AN372-1032	. NUT									1	
- 10	186-8A	. CLAMP ASSY,/HLW/ /WHEN 186-10A IS REPLACED BY 186-8A,ADD TWO 35-950132 LINKS/									1	
- 11	AN3-4	. BOLT.									4	
	AN310-3	. NUT									4	
	AN960-10	. WASHER.									4	

MODEL 35 THRU G35 PARTS CATALOG

FIG. & INDEX NO.	PART NO.	DESCRIPTION	UNITS PER ASSY	USABLE ON CODE
		1 2 3 4 5 6 7		
77	AN380-2-2	• PIN,COTTER	4	
- 12	35-850128	• SHROUD	1	
	A1785-6Z-1	• NUT,/TIN/	4	
	AN530-6-6	• SCREW	4	
	AN960-6	• WASHER	4	
- 13	35-950127	• CLAMP	2	
- 14	35-950132	• LINK	2	
	AN3-3	• BOLT	2	
	AN310-3	• NUT	4	
	AN960-10	• WASHER	2	
	AN380-2-2	• PIN,COTTER	4	
	AN3-5	• BOLT	2	
	AN931-3-5	• GROMMET	2	
	AN960-10L	• WASHER	6	
- 14A	35-415330-72	• ANGLE	2	
- 14B	35-415330-73	• ANGLE	2	
- 15	35-950123	• PIPE,TAIL	1	
- 16	189	• MUFFLER,/HLW/	1	
- 17	AN3-12	• BOLT	3	
	AN960-10	• WASHER	3	
	AN310-3	• NUT	3	
	AN380-2-2	• PIN,COTTER	3	
- 18	100943CR-ZX020F	• SPRING	3	
- 19	186-8A	• CLAMP ASSY,/SUPERSEDES 186-10A/	1	
- 20	AN3-4	• BOLT	4	
	AN310-3	• NUT	4	
	AN960-10	• WASHER	4	
	AN380-2-2	• PIN,COTTER	4	
- 21	35-950126	• CLAMP	1	
- 22	35-950132	• LINK	2	E6FG
	AN3-3	• BOLT	1	
	AN310-3	• NUT	3	
	AN960-10	• WASHER	1	
	AN380-2-2	• PIN,COTTER	3	
	AN3-5	• BOLT	2	
	AN931-3-5	• GROMMET	2	
	AN960-10L	• WASHER	6	

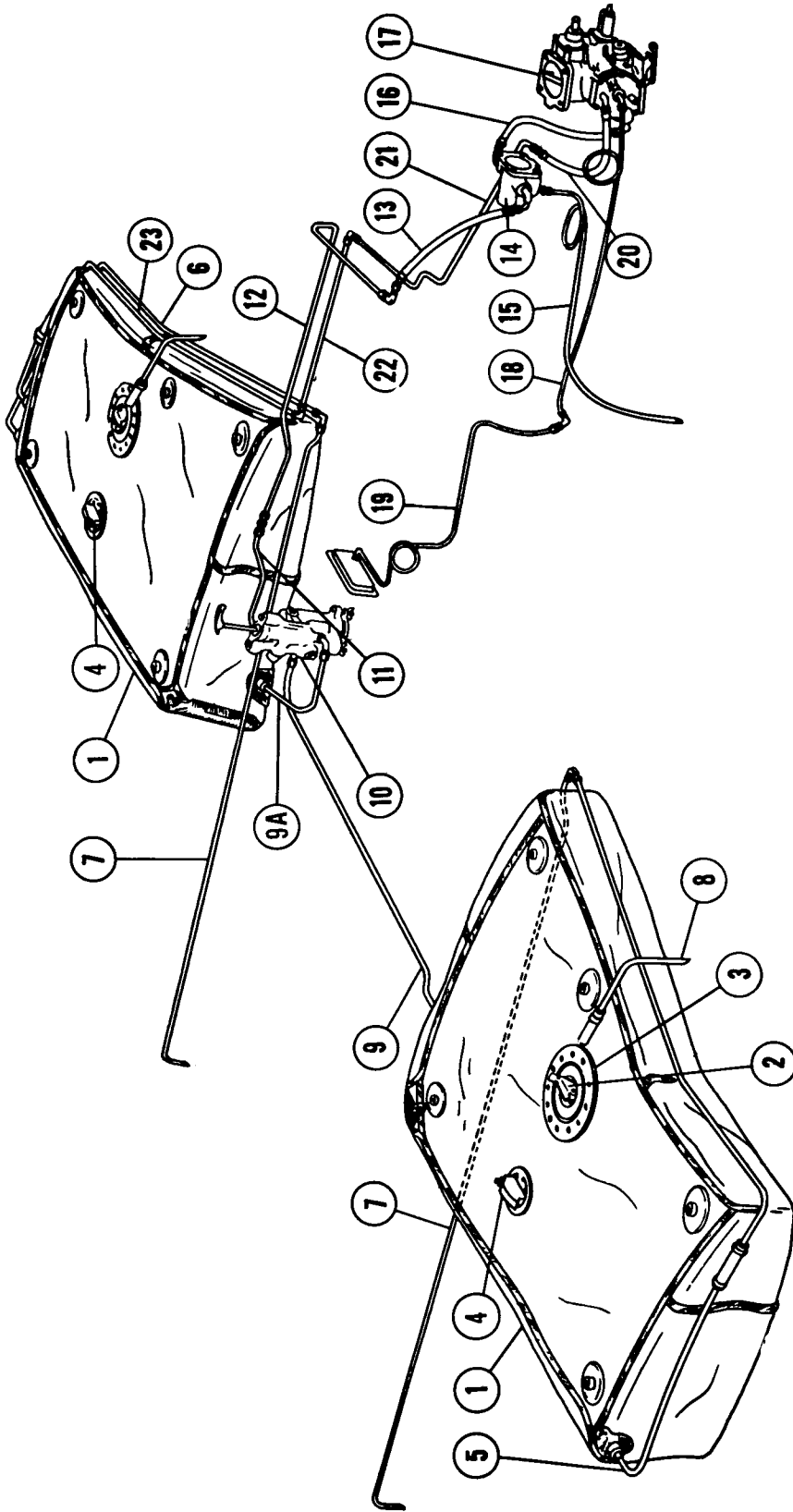


Figure 78. Fuel System

MODEL 35 THRU G35 PARTS CATALOG

FIG. & INDEX NO.	PART NO.	DESCRIPTION	UNITS PER ASSY	USABLE ON CODE
		1 2 3 4 5 6 7		
78	35-921540	CELL ASSY,WING FUEL	1	ABCD1
	35-921540-1	CELL ASSY,WING FUEL	1	ABCD1
- 1	FCD-15375	CELL ASSY,FUEL /USR/ /LESS FITTINGS/.	1	ABCD1
	FCD-15376	CELL ASSY,FUEL /USR/ /LESS FITTINGS/.	1	ABCD1
	35-921218-1	CELL ASSY,WING FUEL	1	D2EFG
	35-921218-2	CELL ASSY,WING FUEL	1	D2EFG
- 2	35-921526-2	PLUG,FUEL CELL FILLER NECK.	2	ABCDEF1
- 3	35-921522	NECK,FILLER	1	ABCDEF1
	35-921502	GASKET,FILLER NECK.	1	
- 4	1517127	TRANSMITTER,FUEL CELL /ACS/	1	
	35-921503	GASKET,TRANSMITTER.	1	
- 5	35-924060	TUBE,TANK OVERFLOW UPPER.	1	A8BCDEFG
	CO81318-6	TUBE,TANK OVERFLOW UPPER.	1	A7
	35-924059	TUBE,TANK OVERFLOW UPPER.	1	A8BCDEFG
	CO81318-4	TUBE,TANK OVERFLOW UPPER.	1	A7
- 6	35-921517-1	TUBE,TANK OVERFLOW LOWER.	1	
	35-924056	TUBE,TANK OVERFLOW LOWER.	1	A18BCDEFG
- 7	35-924054	TUBE,TANK OVERFLOW WING INBD.	1	A18BCDEFG
	35-924509	TUBE,TANK OVERFLOW WING INBD.	1	A19
	35-921509-1	TUBE,TANK OVERFLOW WING INBD.	1	
- 8	35-921105	TUBE,TANK OVERFLOW PAN.	2	
- 9	35-924118	TUBE,TANK TO FUEL UNIT.	1	ABC1
	MS28741-6-062	TUBE,TANK TO FUEL UNIT.	1	C2DEFG
- 9A	35-924120	TUBE,TANK TO FUEL UNIT.	1	ABC1
	35-924142	TUBE,TANK TO FUEL UNIT.	1	C2DEFG
- 10	35-921171	UNIT ASSY,FUEL /SEE FIG. 80/.	NP	A20
	35-924065	UNIT ASSY,FUEL /SEE FIG. 80/ /SUPERSEDES 35- 921171 WITH ADDITION OF 35-924133 PLACARD/	1	A21BC3
	35-924230	UNIT ASSY,FUEL /SEE FIG. 81/.	1	C2DEF2
	35-924230-1	UNIT ASSY,FUEL /SEE FIG. 81/.	1	F3G
- 11	35-924052	TUBE,FUEL UNIT TO PUMP.	1	A18BCDEFG
	35-924100-1	TUBE,FUEL UNIT TO PUMP.	1	F3G
- 12	35-924053	TUBE,FWD FUEL UNIT TO PUMP.	1	A18BCDEFG
	35-924157	TUBE,FWD FUEL UNIT TO PUMP.	1	C4DEFG
- 13	AN6270-6-8	HOSE,FUEL UNIT TO PUMP.	1	ABCD3
	MS28741-6-076	HOSE,FUEL UNIT TO PUMP.	1	D4EFG
- 14	RD7750-1	PUMP,FUEL /ROMEC/	1	D4EFG
	TF-100-1	PUMP,FUEL /THOMPSON/.	1	A22BCDEFG
- 15	35-924129	LINE,FUEL PUMP DRAIN.	1	
- 16	35-924058	TUBE,FUEL PUMP TO CARBURETOR.	1	
- 17	PS5C	CARBURETOR ASSY,/BENDIX/.	1	
- 18	35-924126	TUBE,FUEL PRESSURE INDICATOR FWD.	1	
- 19	35-924127	TUBE,FUEL PRESSURE INDICATOR AFT.	1	
- 20	AN6270-4-11	HOSE,CARBURETOR VENT RETURN FWD	1	ABCD3
	MS28741-4-110	HOSE,CARBURETOR VENT RETURN FWD	1	D4EFG
- 21	35-924147	TUBE,CARBURETOR VENT RETURN FWD	1	
- 22	35-924055	TUBE,CARBURETOR VENT RETURN AFT	1	A18BCDEFG
- 23	35-924051	TUBE,CARBURETOR VENT RETURN WING.	1	A18BCDEFG
	35-924121	TUBE,FUEL UNIT TO PUMP.	1	A19
	35-924116	TUBE,FWD FUEL UNIT TO PUMP.	1	A19
	35-924146	TUBE,CARBURETOR VENT RETURN	1	A19
	CCA-3400	VALVE,FUEL DRAIN /CTAD/	1	
	AAF-934-1	RING,O.	1	
	35-115028-20	DOOR ASSY,FUEL CELL	1	
	35-115028-14	CAP,FUEL CELL DOOR.	1	
	35-115028-21	DOOR ASSY,FUEL CELL	1	
	35-115028-15	CAP,FUEL CELL DOOR.	1	
	AN507-8R9	SCREW	12	
	35-921221	CELL INSTL,AUXILIARY FUEL /OPTIONAL/. /SEE FIG. 79/	1	FG
	35-921226	DECAL,ACCESS DOOR	1	

MODEL 35 THRU G35 PARTS CATALOG

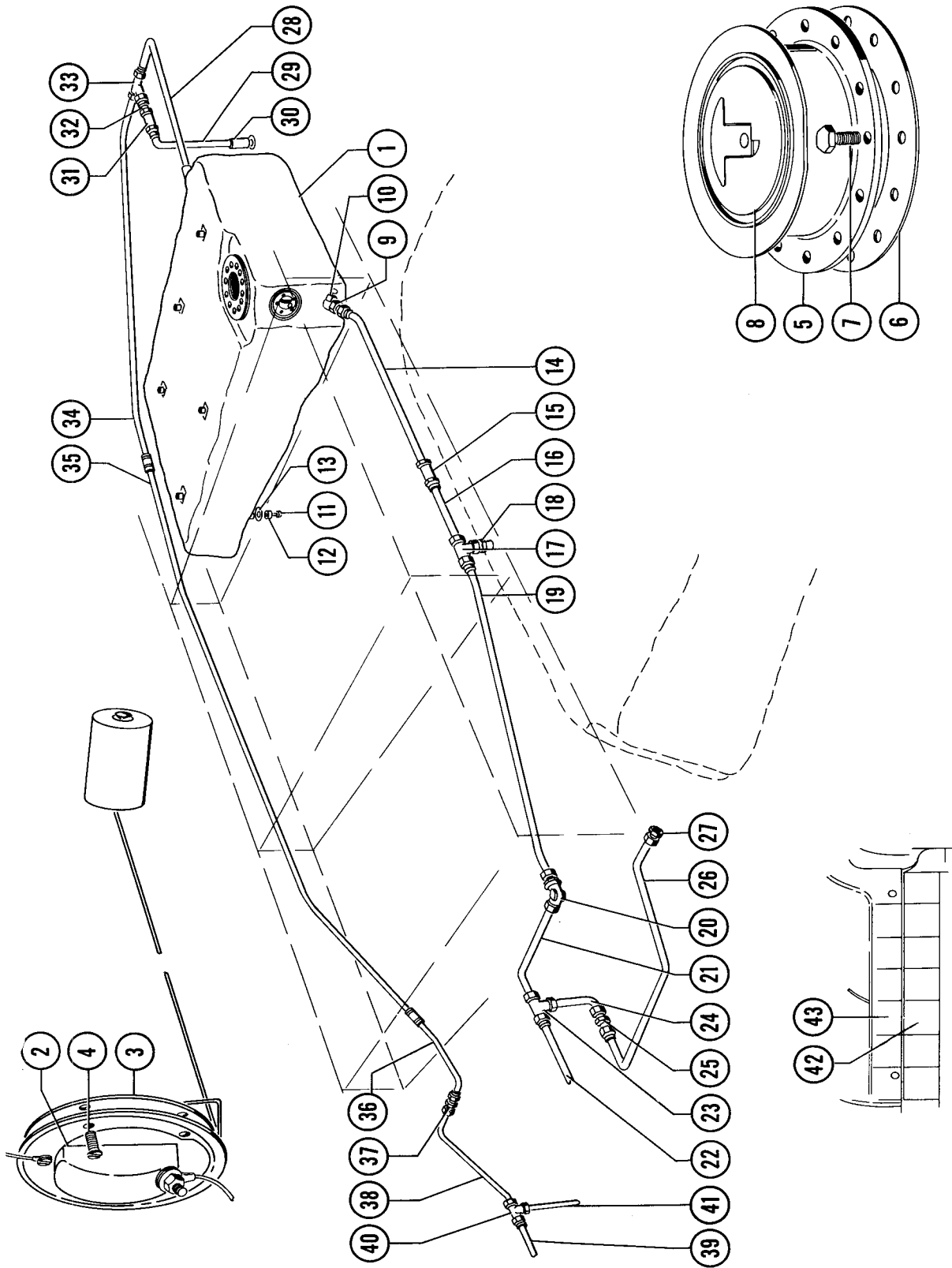


Figure 79. Wing Auxiliary Fuel Cells

MODEL 35 THRU G35 PARTS CATALOG

FIG. & INDEX NO.	PART NO.	DESCRIPTION							UNITS PER ASSY	USABLE ON CODE
		1	2	3	4	5	6	7		
79	35-921221	CELL INSTL,WING AUXILIARY FUEL /OPTIONAL/	1	FG
- 1	35-921222-1	. CELL ASSY,WING AUXILIARY FUEL	1	FG
	35-921222-2	. CELL ASSY,WING AUXILIARY FUEL	1	FG
- 2	35-921221-51	. TRANSMITTER,AUXILIARY FUEL CELL	1	FG
	35-921221-52	. TRANSMITTER,AUXILIARY FUEL CELL	1	FG
- 3	35-921503	. GASKET,TRANSMITTER.	1	FG
- 4	AN506-10-6	. SCREW,TRANSMITTER ATTACHING	4	FG
	AN506-10-8	. SCREW,TRANSMITTER ATTACHING	1	FG
- 5	35-921221-3	. ADAPTER ASSY,FUEL CELL FILLER	1	FG
- 6	35-921502	. GASKET,FUEL CELL FILLER ADAPTER	1	
- 7	AN74-3	. BOLT,ADAPTER ATTACHING.	12	FG
- 8	416-25-10	. CAP,AUXILIARY FUEL CELL	1	FG
	416-85	. CAP,AUXILIARY FUEL CELL BLANK	1	FG
		/ALTERNATE FOR 416-25-10/								
	35-921226	. PLACARD,FUEL CELL	1	FG
- 9	35-921221-63	. STRAINER ASSY,FUEL.	1	FG
	35-921221-64	. STRAINER ASSY,FUEL.	1	FG
- 10	AN737-30	. CLAMP	1	FG
- 11	CCA-3400	. VALVE,DRAIN /CTAD/.	1	
- 12	35-921532	. WASHER.	1	FG
- 13	35-921533	. CLAMP	1	FG
- 14	35-921221-65	. TUBE ASSY,FUEL LINE	1	FG
	35-921221-66	. TUBE ASSY,FUEL LINE	1	FG
- 15	111-517702	. VALVE,FUEL LINE CHECK	1	FG
- 16	35-921221-67	. TUBE ASSY,FUEL LINE	1	FG
	35-921221-68	. TUBE ASSY,FUEL LINE	1	FG
- 17	AN970-2D	. TEE	1	FG
	AN912-1D	. REDUCER	1	FG
	AN816-6D	. NIPPLE.	1	FG
- 18	CCA-4850	. VALVE,/CTAD/.	1	FG
- 19	35-921221-69	. TUBE ASSY,FUEL LINE	1	FG
	35-921221-70	. TUBE ASSY,FUEL LINE	1	FG
- 20	AN833-6D	. ELBOW	1	FG
- 21	35-921221-37	. TUBE ASSY,FUEL LINE	1	FG
- 22	35-921221-39	. TUBE ASSY,FUEL LINE	1	FG
- 23	AN824-6D	. TEE	1	FG
- 24	35-921221-49	. TUBE ASSY,SELECTOR VALVE.	1	FG
- 25	AN815-6D	. UNION	1	FG
- 26	35-924222	. TUBE ASSY,SELECTOR VALVE.	1	FG
- 27	AN815-6	. UNION	1	FG
	AN902-6	. GASKET.	1	FG
- 28	35-921221-59	. TUBE ASSY,VENT LINE	1	FG
	35-921221-60	. TUBE ASSY,VENT LINE	1	FG
- 29	35-921221-21	. TUBE ASSY,VENT LINE	1	FG
- 30	106200-4-9	. HOSE,CONNECTING	3	FG
- 31	111-517700	. VALVE,CHECK	1	FG
- 32	35-921221-19	. TUBE ASSY,VENT LINE	1	FG
- 33	AN824-4D	. TEE	1	FG
- 34	35-921221-23	. TUBE ASSY,VENT LINE	1	FG
	35-921221-24	. TUBE ASSY,VENT LINE	1	FG
- 35	35-921221-25	. TUBE ASSY,VENT LINE	1	FG
	35-921221-26	. TUBE ASSY,VENT LINE	1	FG
- 36	35-921221-27	. TUBE ASSY,VENT LINE	1	FG
	35-921221-28	. TUBE ASSY,VENT LINE	1	FG
- 37	AN815-4D	. UNION	1	FG
- 38	35-921221-43	. TUBE ASSY,VENT LINE	1	FG
- 39	35-921221-45	. TUBE ASSY,VENT LINE	1	FG
- 40	AN824-4D	. TEE	1	FG
- 41	35-921221-47	. TUBE ASSY,VENT LINE	1	FG
- 42	AN3023-3	. SWITCH,AUXILIARY FUEL GAGE SELECTOR	1	FG
- 43	35-324341	. PLACARD,SELECTOR SWITCH	1	F4
	35-324341-1	. PLACARD,SELECTOR SWITCH	1	F5G

MODEL 35 THRU G35 PARTS CATALOG

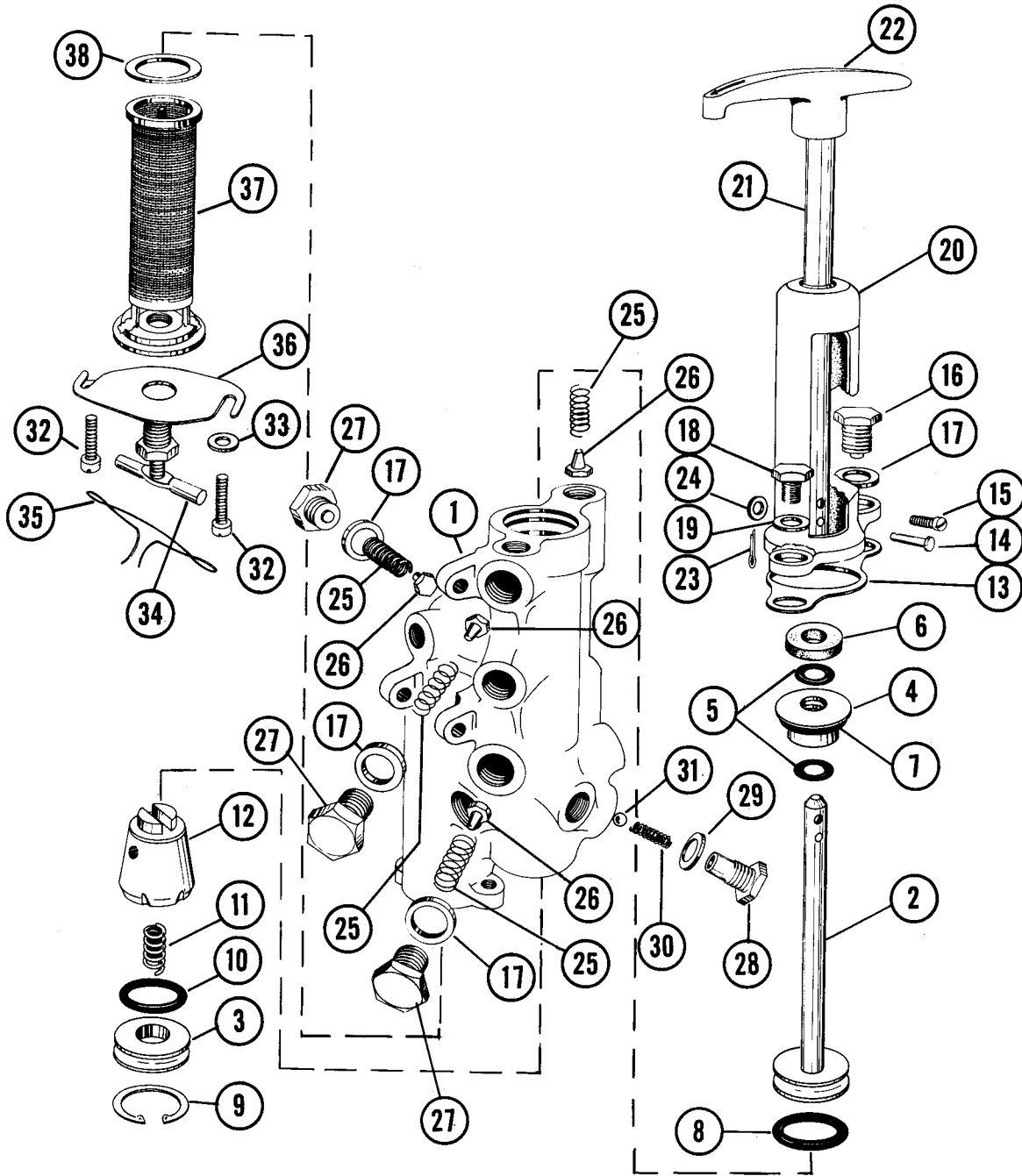


Figure 80. Fuel Unit Assembly (D1 thru D2900)

MODEL 35 THRU G35 PARTS CATALOG

FIG. & INDEX NO.	PART NO.	DESCRIPTION	UNITS PER ASSY	USABLE ON CODE
		1 2 3 4 5 6 7		
80	35-921171	UNIT ASSY,FUEL /SEE FIG. 78 FOR NHA/ /ORDER 35-924065 & ADD 35-924133 PLACARD/	NP	A20
- 1	35-924065	UNIT ASSY,FUEL /SEE FIG. 78 FOR NHA/	1	A21BC3
	35-924069	. HOUSING	1	A21BC3
	35-921198	. HOUSING	1	A20
- 2	35-924067	. PISTON ASSY	1	A21BC3
	35-921174	. PISTON ASSY	1	A20
- 3	35-921172	. PLATE	1	
- 4	35-924070-600	. PLATE,/INCLUDES 2 EACH 2-2045-2-8 PACKINGS/	1	
- 5	2-2045-2-8	. PACKING,/PA/	2	
- 6	102808-10-026-012	. WASHER.	1	
- 7	2-2045-2-19	. PACKING,/PA/	1	
- 8	2-2045-2-15	. PACKING,/PA/	1	A21BC3
	35-921184	. RING.	1	A20
- 9	NAS50-112	. RING.	1	
- 10	2-2045-2-17	. PACKING,/PA/	1	
- 11	35-921168	. SPRING.	1	
- 12	35-924068	. VALVE	1	A21BC3
	35-921175	. VALVE	1	A20
- 13	35-921166	. GASKET.	1	A21BC3
- 14	AN392-15	. PIN	1	A21BC3
- 15	AN500A6-4	. SCREW	1	A21BC3
	AN515-6-4	. SCREW	2	A20
	AN936A6	. WASHER.	2	A20
- 16	35-921167	. PLUG.	1	A21BC3
- 17	AN902-6	. GASKET.	6	A21BC3
- 18	35-921163	. PLUG.	1	A21BC3
- 19	AN902-4	. GASKET.	1	A21BC3
- 20	35-921159	. SUPPORT,FUEL UNIT HANDLE.	1	A21BC3
	35-921192	. HANDLE ASSY	1	
- 21	35-921193	. HANDLE.	1	
- 22	35-921201	. KNOB ASSY	1	
	102809H003-027	. PIN	1	
- 23	AN380-2-1	. KEY	1	A21BC3
- 24	AN960-4	. WASHER.	1	A21BC3
- 25	111504-010-016-0018-11	. SPRING.	4	
- 26	35-921177	. VALVE	5	
- 27	35-921176	. PLUG.	4	A21BC3
- 28	35-921185	. PLUG.	1	A21BC3
	35-921176	. PLUG.	5	A20
- 29	105090L067-6-020	. WASHER.	1	A21BC3
- 30	111504-035-007-0018-15	. SPRING.	1	
- 31	NO NUMBER	. BEARING,BALL 3/16 O.D. /GRADE I/.	1	
- 32	AN500A10-12	. SCREW	2	
- 33	AN960-10L	. WASHER.	2	
- 34	AN771-1	. COCK,DRAIN.	1	
- 35	AAF995-32-4	. WIRE,SAFETY	1	
- 36	35-921197	. PLATE	1	
- 37	35-921178	. STRAINER ASSY,FUEL.	1	
- 38	35-921181	. GASKET.	1	
	35-924100-602	. COVER	1	

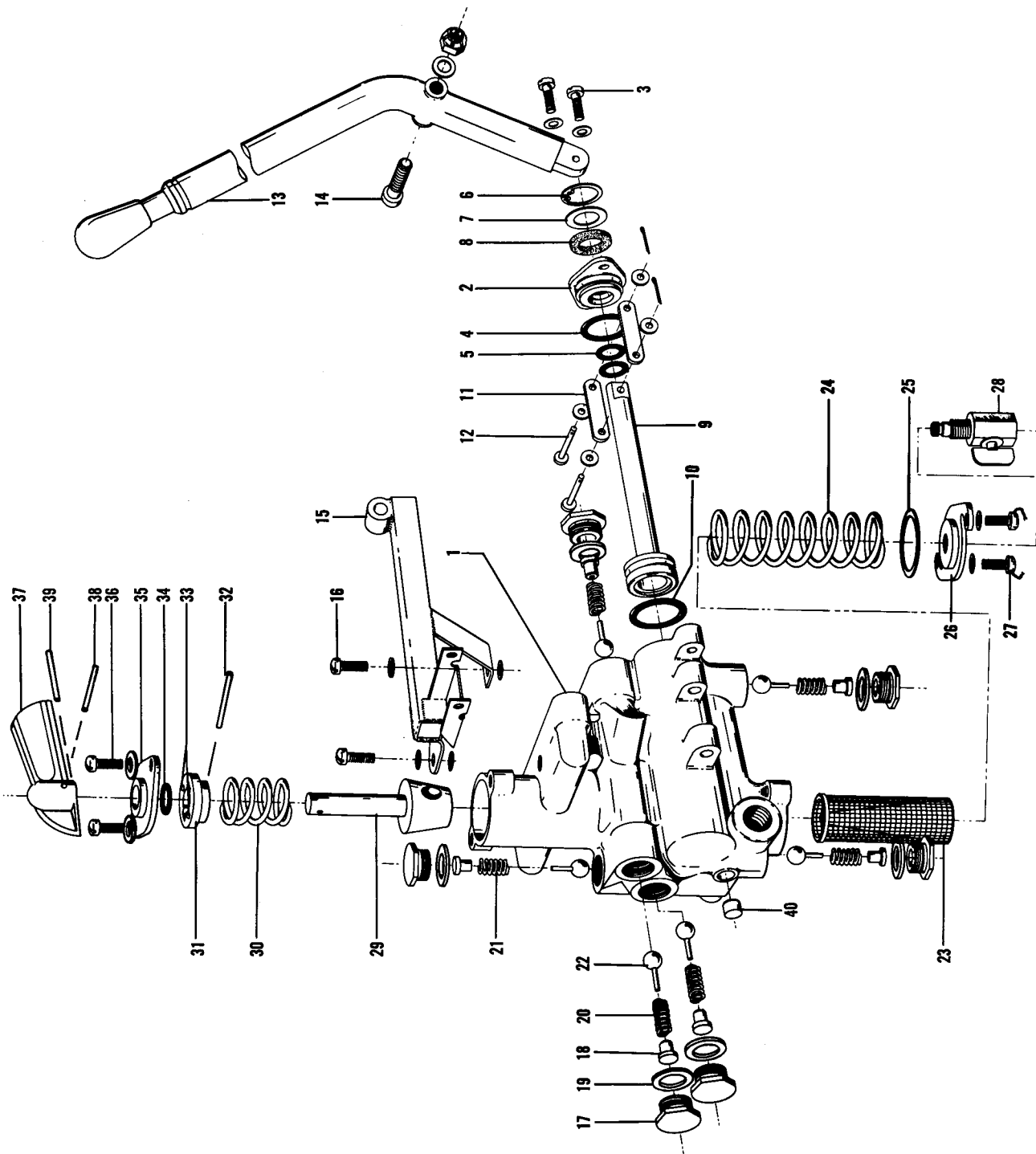


Figure 81. Fuel Unit Assembly (D2901 thru D4865)

MODEL 35 THRU G35 PARTS CATALOG

FIG. & INDEX NO.	PART NO.	DESCRIPTION							UNITS PER ASSY	USABLE ON CODE
		1	2	3	4	5	6	7		
81	35-924230	UNIT ASSY,FUEL /SEE FIG. 78 FOR NHA/	1	C2DEF2
	35-924230-1	UNIT ASSY,FUEL /SEE FIG. 78 FOR NHA/	1	F3G
- 1	35-924074	. HOUSING,FUEL UNIT	1	C2DEF2
	35-924249	. HOUSING,FUEL UNIT	1	F3G
- 2	35-924232-1	. HEAD,FUEL PUMP CYLINDER	1	C2DEF2
- 3	AN500-10-10	. SCREW	2	C2DEF2
	AN936A10	. WASHER	2	C2DEF2
- 4	2-2045-2-15	. PACKING,/PA/	1	C2DEF2
- 5	2-2045-2-8	. PACKING,/PA/	2	C2DEF2
- 6	NAS50-77	. RING,SNAP	1	C2DEF2
- 7	AN960-716L	. WASHER	1	C2DEF2
- 8	102808-4-024-012	. WASHER	1	C2DEF2
- 9	35-924236	. PISTON,EMERGENCY HAND PUMP	1	C2DEF2
- 10	2-2045-2-15	. PACKING,/PA/	1	C2DEF2
- 11	35-924234	. LINK,PISTON ROD	2	C2DEF2
- 12	AN392-11	. PIN	2	C2DEF2
	AN960-6L	. WASHER	4	C2DEF2
	AN380-2-1	. PIN,COTTER	2	C2DEF2
- 13	35-924245	. HANDLE ASSY,EMERGENCY HAND PUMP	1	C2DEF2
- 14	AN4-20	. BOLT	1	C2DEF2
	AN960-416	. WASHER	1	C2DEF2
	AN310-4	. NUT	1	C2DEF2
	AN380-2-2	. PIN,COTTER	1	C2DEF2
- 15	35-924239	. SUPPORT ASSY,FUEL UNIT HANDLE	1	C2DEF2
- 16	AN500-10-10	. SCREW	2	C2DEF2
	AN936A10	. WASHER	2	C2DEF2
	AN960-10	. WASHER	2	C2DEF2
- 17	35-924096	. PLUG,CHECK VALVE RETAINER	6	C2DEF2
- 18	35-924097	. GUIDE,CHECK VALVE	6	C2DEF2
- 19	AN6290-6	. GASKET	6	C2DEF2
- 20	111504-010-016-0020-22	. SPRING	5	C2DEF2
- 21	111504-024-014-0020-14	. SPRING	1	C2DEF2
- 22	35-924237	. VALVE ASSY,FUEL UNIT	6	C2DEF2
- 23	45-924091	. STRAINER ASSY,FUEL	1	C2DEF2
- 24	111504-063-058-0324-3	. SPRING	1	C2DEF2
- 25	35-921181	. GASKET,FUEL STRAINER PLATE	1	C2DEF2
- 26	50-920057	. PLATE,FUEL STRAINER LOCK & SEAL	1	C2DEF2
- 27	AN500A10-10	. SCREW	2	C2DEF2
	AN960-10L	. WASHER	2	C2DEF2
- 28	180B	. VALVE,/AADC/	1	C2DEF2
	K9000S-1A	. VALVE,/KOE/ /ALTERNATE FOR /AADC/ 180B/	1	C2DEF2
- 29	35-924235-3	. VALVE ASSY,FUEL SELECTOR /SPARE ASSY/	1	C2DEF2
- 30	35-924235	. VALVE ASSY,FUEL SELECTOR	1	C2DEF2
- 31	111504-070-052-0100-3-1/2	. SPRING	1	C2DEF2
- 32	35-924229	. RETAINER,DETENT BALL	1	C2DEF2
- 33	52-022-094-0625	. PIN,ROLL /EN/	1	C2DEF2
- 34	NO NUMBER	. BEARING,BALL /3/16 O.D. GRADE 1/	2	C2DEF2
- 35	2-2045-2-7	. PACKING,/PA/	1	C2DEF2
- 36	35-924231	. CAP,FUEL SELECTOR	1	C2DEF2
- 37	AN500-10-10	. SCREW	2	C2DEF2
	AN936A10	. WASHER	2	C2DEF2
	35-924251-1	. HANDLE,FUEL UNIT /SPARE ASSY/	1	C2DEF2
- 38	35-924251	. HANDLE,FUEL UNIT	1	C2DEF2
	MS20392-1-23	. PIN,/SPARE ASSY/	1	C2DEF2
	AN381-2-1	. PIN,COTTER /SPARE ASSY/	1	C2DEF2
- 39	52-022-094-0625	. PIN,ROLL /EN/	1	C2DEF2
- 40	52-022-094-0437	. PIN,ROLL /EN/	1	C2DEF2
- 40	AN932-2	. PLUG	1	C2DEF2

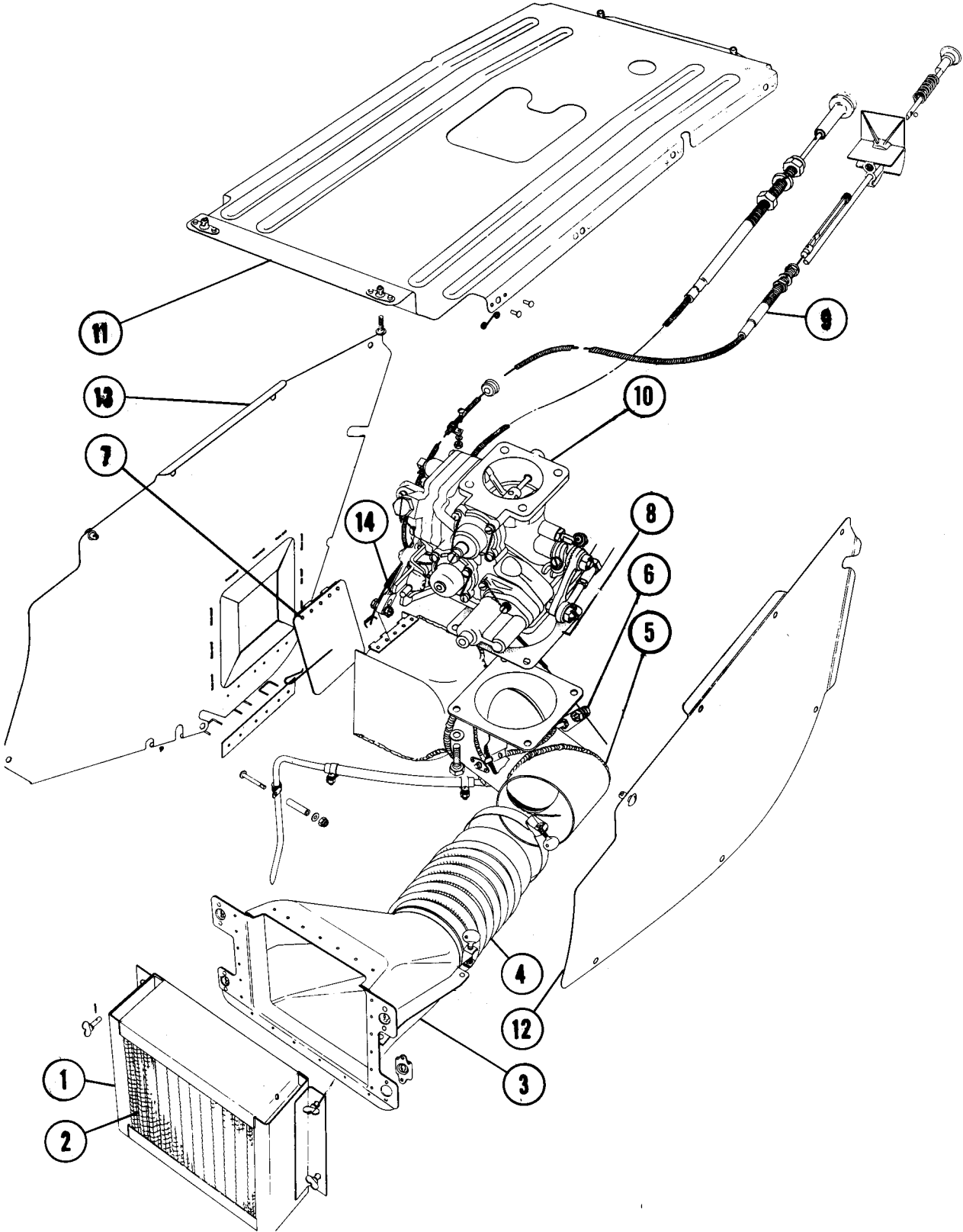


Figure 82. Carburetor Induction System (D1 thru D1116)

MODEL 35 THRU G35 PARTS CATALOG

FIG. & INDEX NO.	PART NO.	DESCRIPTION	UNITS PER ASSY	USABLE ON CODE
		1 2 3 4 5 6 7		
82 - 1	35-921210	FILTER ASSY,CARBURETOR AIR	1	
- 2	56-1377	. FILTER ASSY,AIR	1	
- 2A	W99899-2-130	. STUD,FILTER ATTACHING /UC/	4	
	35-919024	GASKET	1	
- 2B	99871-C,098	FASTENER,/UC/	4	
	99785-2	PIN,/UC/	4	
- 3	35-919106	DUCT ASSY,FWD	1	
- 4	111716XX6-4	DUCT,FLEXIBLE	1	
	105798-11	CLAMP	2	
- 5	35-919123	VALVE ASSY,MAIN & ALTERNATE AIR	1	
	35-919107	. VALVE ASSY,CARBURETOR AIR	1	
- 6	35-919109	. VALVE ASSY,CARBURETOR AIR	1	
	35-919108	. VALVE,CARBURETOR AIR	1	
	35-919124	. VALVE ASSY,ALTERNATE AIR	1	
- 7	35-919124-12	. DOOR,CARBURETOR HEAT INTAKE	1	
	35-919125	. SPRING,ALTERNATE AIR VALVE	1	
	35-919124-8	. HINGE	1	
	35-919124-10	. HINGE	1	
	106043-08-06-050	HOSE,CARBURETOR AIR VALVE DRAIN	1	
	35-919126	TUBE,CARBURETOR AIR VALVE DRAIN	1	
- 8	35-919118	GASKET,VALVE TO CARBURETOR	1	
	AN74A4	BOLT,VALVE TO CARBURETOR ATTACHING	4	
- 9	35-944007-4	CONTROL ASSY,CARBURETOR HEAT	1	
	35-944020-4	. CONTROL ASSY,/LESS HANDLE/	1	
	35-944009	. HANDLE ASSY,CARBURETOR HEAT	1	
	35-944009-2	. HANDLE,CARBURETOR HEAT	1	
	35-944004	. GUIDE,HANDLE	1	
	112149-2	GROMMET	1	
	112136-2	RETAINER	1	
	49338	FASTENER,/UC/	2	
- 10	380208-3	CARBURETOR,/BX/	1	AB
	35-910227-12	BAFFLE ASSY,CARBURETOR	1	
- 11	35-910227-2	. BAFFLE,CARBURETOR TOP	1	
- 12	35-910227-4	. BAFFLE,CARBURETOR	1	
	AW-20	FASTENER,DZUS	3	
- 13	35-910227-7-650	. BAFFLE,CARBURETOR	1	
	35-910227-10	. SEAL,HOT AIR DOOR RUBBER	1	
	35-910227-8	. DOUBLER,RUBBER SEAL	1	
	AW-25	. FASTENER,DZUS	2	
	GA-3175	. GROMMET,/DZ/	5	
- 14	35-944022	CONTROL,MIXTURE	1	
	112149-2	GROMMET	4	
	112436-2	RETAINER	2	
	49338	FASTENER,/UC/	4	
	383952	LEVER ASSY,MIXTURE CONTROL	1	A4BCDEFG

MODEL 35 THRU G35 PARTS CATALOG

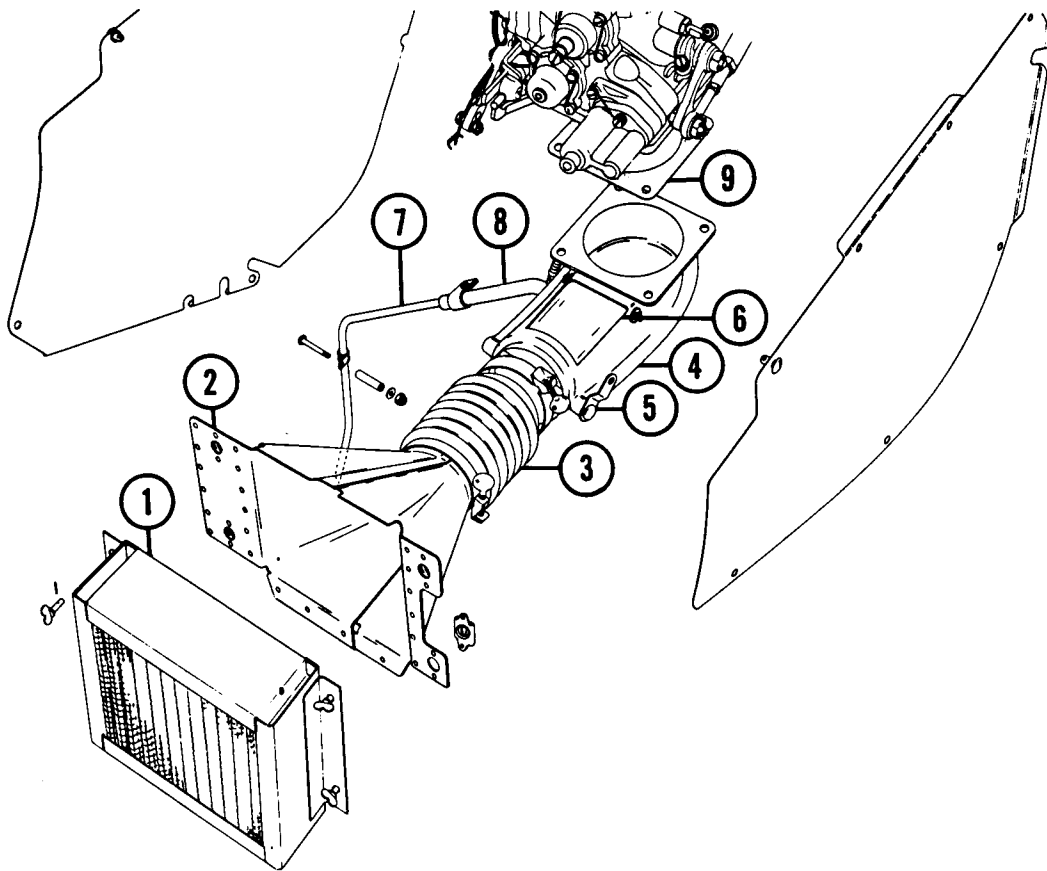


Figure 83. Carburetor Induction System

FIG. & INDEX NO.	PART NO.	DESCRIPTION	UNITS PER ASSY							USABLE ON CODE			
			1	2	3	4	5	6	7				
83 - 1	35-921210	FILTER ASSY, CARBURETOR AIR.	1	A23BCDEFG	
	56-1377	. FILTER.	1	A23BCDEFG	
	W99899-2-130	. STUD, FILTER ATTACHING /UC/.	4	A23BCDEFG	
	99785-2	. PIN, /UC/.	4	A23BCDEFG	
	35-919024	GASKET.	1	A23BCDEFG	
	- 2	35-919135	DUCT ASSY.	1	A23BCDEFG
	- 2A	99871-C-098	FASTENER.	4	A23BCDEFG
	- 3	111716XX6-4	DUCT, FLEXIBLE	1	A23BCDEFG
		105798-11	CLAMP	2	A23BCDEFG
		35-919118	GASKET.	1	A23BCDEFG
	- 4	35-919141	VALVE ASSY, CARBURETOR AIR	1	A23BCDEFG
		35-919133	. SPRING, CARBURETOR VALVE	1	A23BCDEFG
		35-919136	. PIN	1	A23BCDEFG
	- 5	35-919137	. ARM ASSY, CARBURETOR VALVE	1	A23BCDEFG
- 6	35-919138-1	. DOOR ASSY, CARBURETOR VALVE ALTERNATE AIR.	1	A23BCDEFG	
	35-919139	. VALVE, CARBURETOR AIR.	1	A23BCDEFG	
- 7	35-919143	TUBE, CARBURETOR AIR VALVE DRAIN	1	A23BCDEFG	
- 8	106043ZB026	HOSE, CARBURETOR AIR VALVE DRAIN	1	A23BCDEFG	
	AN735D6	CLAMP	2	A23BCDEFG	
	AN515-8-6	SCREW	2	A23BCDEFG	
	AN365-832	NUT	2	A23BCDEFG	
	AN960-8L	WASHER	2	A23BCDEFG	
- 9	391330-2	CARBURETOR.	1	A23BCDEFG	
	35-919140-4	BUSHING	2	A23BCDEFG	

MODEL 35 THRU G35 PARTS CATALOG

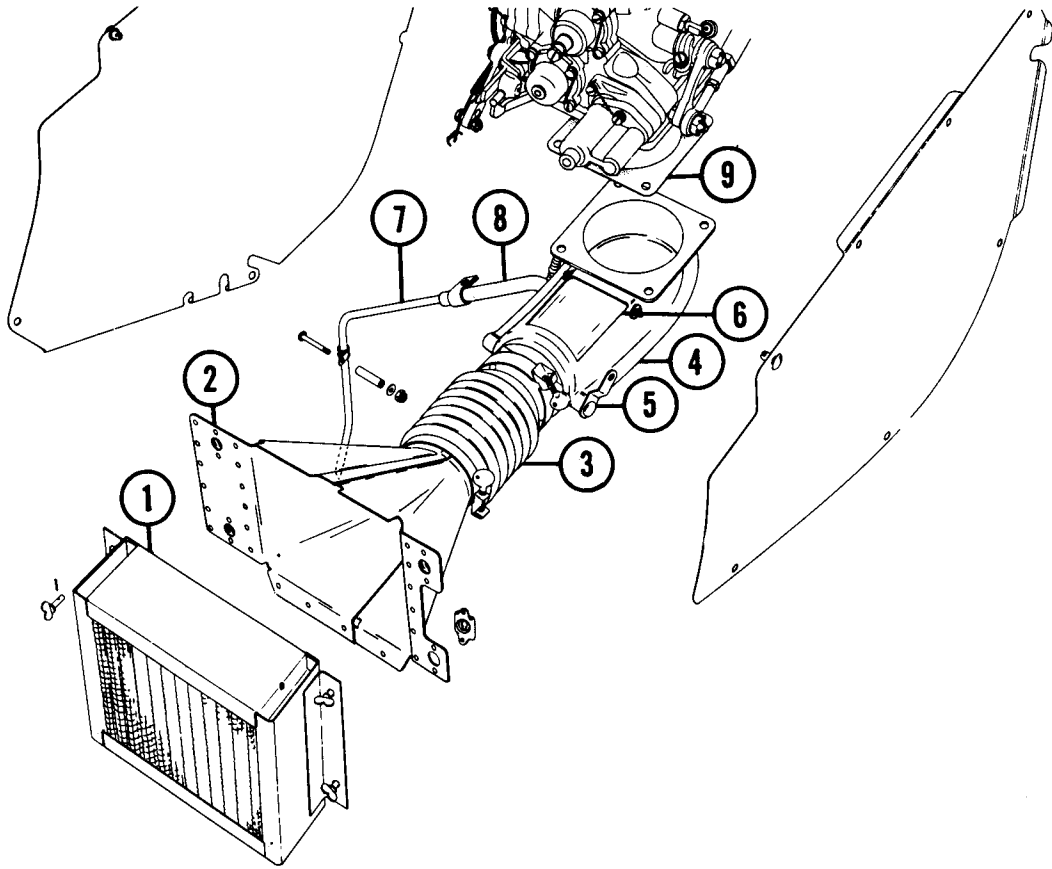


Figure 84. Carburetor Induction System

FIG. & INDEX NO.	PART NO.	DESCRIPTION	1	2	3	4	5	6	7	UNITS PER ASSY	USABLE ON CODE
84 - 1	13917	FILTER ASSY, CARBURETOR AIR	1	B1CDEFG
	R81A	. FILTER	1	B1CDEFG
	W98293-2-170	. STUD, FILTER ATTACHING	4	B1CDEFG
	99785-2	. PIN	4	B1CDEFG
	45-919024	GASKET	1	B1CDEFG
- 2	45-919010	DUCT ASSY	1	B1CDEFG
- 2A	99871-C-098	FASTENER	4	B1CDEFG
- 3	111716XX6-4	DUCT, FLEXIBLE	1	B1CDEFG
	105798-11	CLAMP	2	B1CDEFG
- 4	35-919149-2	VALVE ASSY, CARBURETOR AIR	1	B1CDEFG
	35-919133	. SPRING, CARBURETOR VALVE	1	B1CDEFG
	35-919136	. PIN	1	B1CDEFG
- 5	35-919146	. ARM ASSY, CARBURETOR VALVE	1	B1CDEFG
- 6	35-919138-1	. DOOR ASSY, CARBURETOR VALVE ALTERNATE AIR	1	B1CDEFG
	35-919139	. VALVE, CARBURETOR AIR	1	B1CDEFG
	35-919118	GASKET	1	B1CDEFG
- 7	35-919143	TUBE, CARBURETOR AIR VALVE DRAIN	1	B1CDEFG
	AN526-832-12	SCREW	1	B1CDEFG
	AN960-8	WASHER	1	B1CDEFG
	AN365-832	NUT	1	B1CDEFG
	AN742-6C	CLAMP	1	B1CDEFG
	100696P-ZF022	SPACER	1	B1CDEFG
- 8	106043ZB026	HOSE	1	B1CDEFG
	AN735D6	CLAMP	2	B1CDEFG
	AN515-8-6	SCREW	2	B1CDEFG
	AN960-8	WASHER	2	B1CDEFG
	AN365-832	NUT	2	B1CDEFG
- 9	391330-2	CARBURETOR	1	B1CDEFG

MODEL 35 THRU G35 PARTS CATALOG

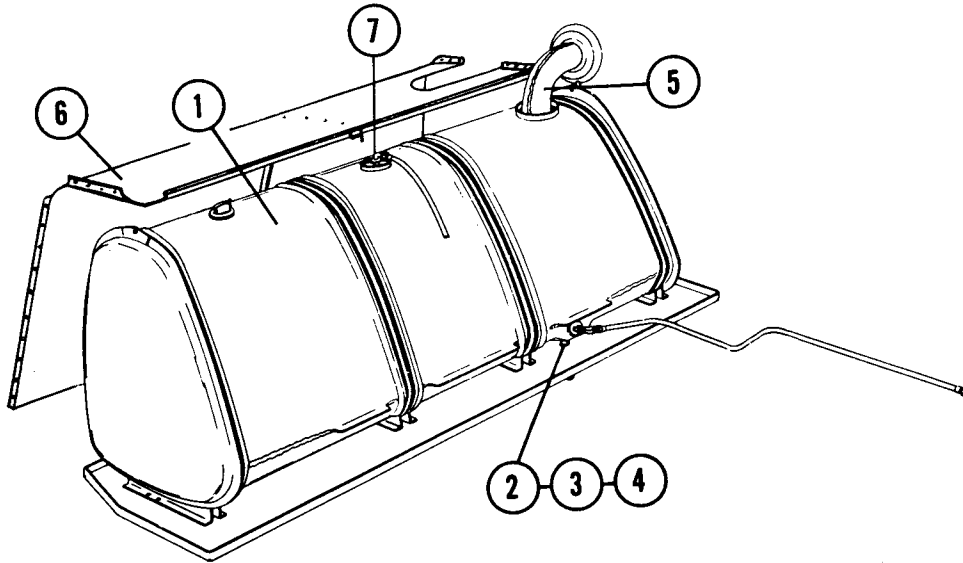


Figure 85. Auxiliary Fuel Tank

FIG. & INDEX NO.	PART NO.	DESCRIPTION	UNITS PER ASSY	USABLE ON CODE
		1 2 3 4 5 6 7		
85	35-511	KIT,AUXILIARY GAS TANK	1	A1
	35-511A	KIT,AUXILIARY GAS TANK	1	A2BCD
	35-924224	KIT,AUXILIARY GAS TANK	1	EFG
- 1	35-924161 SA4	TANK ASSY,AUXILIARY GAS	1	EFG
	35-921526-2	CAP ASSY.	1	
- 2	35-924171	STRAINER ASSY	1	A1
	35-924172	STRAINER ASSY	1	A2BCDEFG
- 3	AN901-6A	GASKET,STRAINER	2	
	35-924173	NIPPLE,DRAIN	1	
- 4	CPP100-2	VALVE,DRAIN	1	
	35-924175	GASKET,TANK PAN	1	
- 5	35-924161-14	NECK.	1	
- 6	35-924184	COVER ASSY.	1	ABCD
	35-924223	COVER ASSY.	1	EFG
	35-924183	COVER,BRACE ASSY.	1	
	35-924162	SUPPORT,AUXILIARY FUEL TANK	1	
- 7	35-924182	TRANSMITTER	1	

MODEL 35 THRU G35 PARTS CATALOG

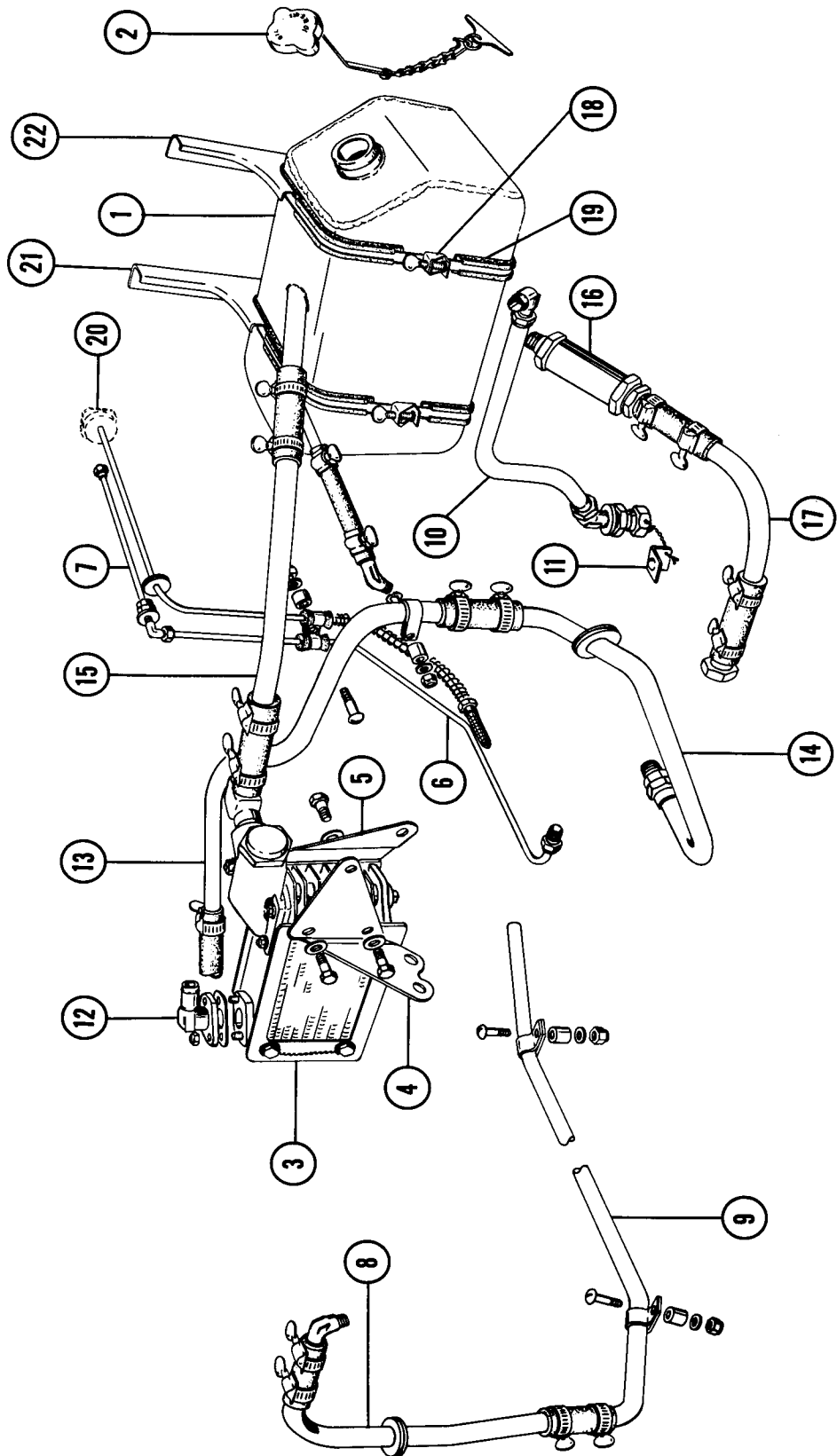


Figure 86. Oil System (D1 thru D150)

MODEL 35 THRU G35 PARTS CATALOG

FIG. & INDEX NO.	PART NO.	DESCRIPTION	UNITS PER ASSY							USABLE ON CODE
			1	2	3	4	5	6	7	
86 - 1	35-939110	TANK,OIL.							1	A14
- 2	35-939111	CAP,OIL TANK.							1	A14
	35-939111-6	. CAP & STICK							1	A14
	109615-4-060	. CHAIN,CAP							1	A14
	39A4240	. HOOK,CHAIN.							1	A14
	S-177	. BAR,CAP RETAINING							1	A14
- 3	8513295	RADIATOR,COOLING.							1	A14
	AN75-4	BOLT,RADIATOR ATTACHING							2	A14
	AN960-516L	WASHER,RADIATOR ATTACHING							2	A14
- 4	35-939042	BRACKET,RADIATOR SUPPORT.							1	A14
	AN75-4	BOLT,SUPPORT BRACKET ATTACHING.							2	A14
	AN960-516L	WASHER,SUPPORT BRACKET ATTACHING.							2	A14
- 5	35-939043	BRACKET,AFT RADIATOR SUPPORT.							1	A14
	AN75-4	BOLT,SUPPORT BRACKET ATTACHING.							2	A14
- 6	35-939047	TUBE ASSY,PRESSURE.							1	A14
	AN742-3	CLAMP,TEMPERATURE TUBE.							1	A14
	AN742-2	CLAMP,PRESSURE TUBE							1	A14
	AN526-832-16	SCREW,ATTACHING							1	A14
	100696D12-06-016	SPACER,CLAMP.							1	A14
	AN931-4-12	GROMMET,TEMPERATURE TUBE.							1	A14
	AN833-2D	ELBOW,PRESSURE TUBE							1	A14
	AN960-616	WASHER,PRESSURE TUBE.							1	A14
- 7	35-939052	TUBE,CABIN SECTION PRESSURE							1	A14
- 8	35-939048	TUBE,UPPER CRANKCASE BREATHER							1	A14
		/SEE FIG. 72 FOR NHA/								
	AN931-10-14	GROMMET,BREATHER TUBE							1	A14
	AN842-10	ELBOW,BREATHER TUBE							1	A14
	106200H10-15	HOSE,BREATHER TUBE.							2	A14
	AN748-34	CLAMP,BREATHER TUBE HOSE.							4	A14
- 9	35-939049	TUBE,LOWER CRANKCASE BREATHER							1	A14
	AN742-10	CLAMP,LOWER CRANKCASE							2	A14
	100696-012-06-016	SPACER,LOWER CRANKCASE CLAMP.							2	A14
	AN526-832-16	SCREW,LOWER CRANKCASE CLAMP							2	A14
	AN816-2B	NIPPLE,LOWER OIL PRESSURE TUBE.							1	A14
	106200H6-24	HOSE,CRANKCASE VENT							1	A14
- 10	35-939076	TUBE,DRAIN.							1	A14
- 11	35-939075	CAP,DRAIN TUBE.							1	A14
	AN822-8	ELBOW,DRAIN							1	A14
	AN837-8D	ELBOW,DRAIN							1	A14
	AN743-6	BRACKET,DRAIN							1	A14
- 12	35-959050	ADAPTER ASSY,RADIATOR							1	A14
	35-939059	GASKET,RADIATOR ADAPTER							1	A14
- 13	35-939054	TUBE,UPPER SCAVENGER OIL.							1	A14
	106200H12-15	HOSE,SCAVENGER TUBE							2	A14
	AN748-38	CLAMP,SCAVENGER TUBE HOSE							4	A14
	AN742-12	CLAMP,SCAVENGER TUBE.							1	A14
	100696-012-06-028	SPACER,SCAVENGER TUBE CLAMP							1	A14
	AN526-832-22	SCREW,SCAVENGER TUBE CLAMP.							1	A14
- 14	35-939053	TUBE,LOWER SCAVENGER.							1	A14
	AN816-12B	NIPPLE,LOWER SCAVENGER TUBE							1	A14
	AN931-12-20	GROMMET,LOWER SCAVENGER TUBE.							1	A14
- 15	35-939055	TUBE,RETURN							1	A14
	AN842-12	ELBOW,RETURN TUBE							1	A14
	106200H12-15	HOSE,RETURN TUBE.							2	A14
	AN748-38	CLAMP,RETURN TUBE							4	A14
- 16	35-939082	VALVE,CHECK							1	AB2
	AN840-10D	ADAPTER,CHECK VALVE							1	A14
- 17	35-939056	TUBE.							1	A14
	106200H10-15	HOSE.							2	A14
	AN748-34	CLAMP,HOSE.							4	A14
- 18	105798-31	CLAMP							2	A14
- 19	35-939036	CUSHION,TANK STRAP.							2	A14
- 20	1512139	INDICATOR,TEMPERATURE							1	A14
- 21	35-415330-74	SUPPORT							1	A14
- 22	35-415330-76	SUPPORT							1	A14

MODEL 35 THRU G35 PARTS CATALOG

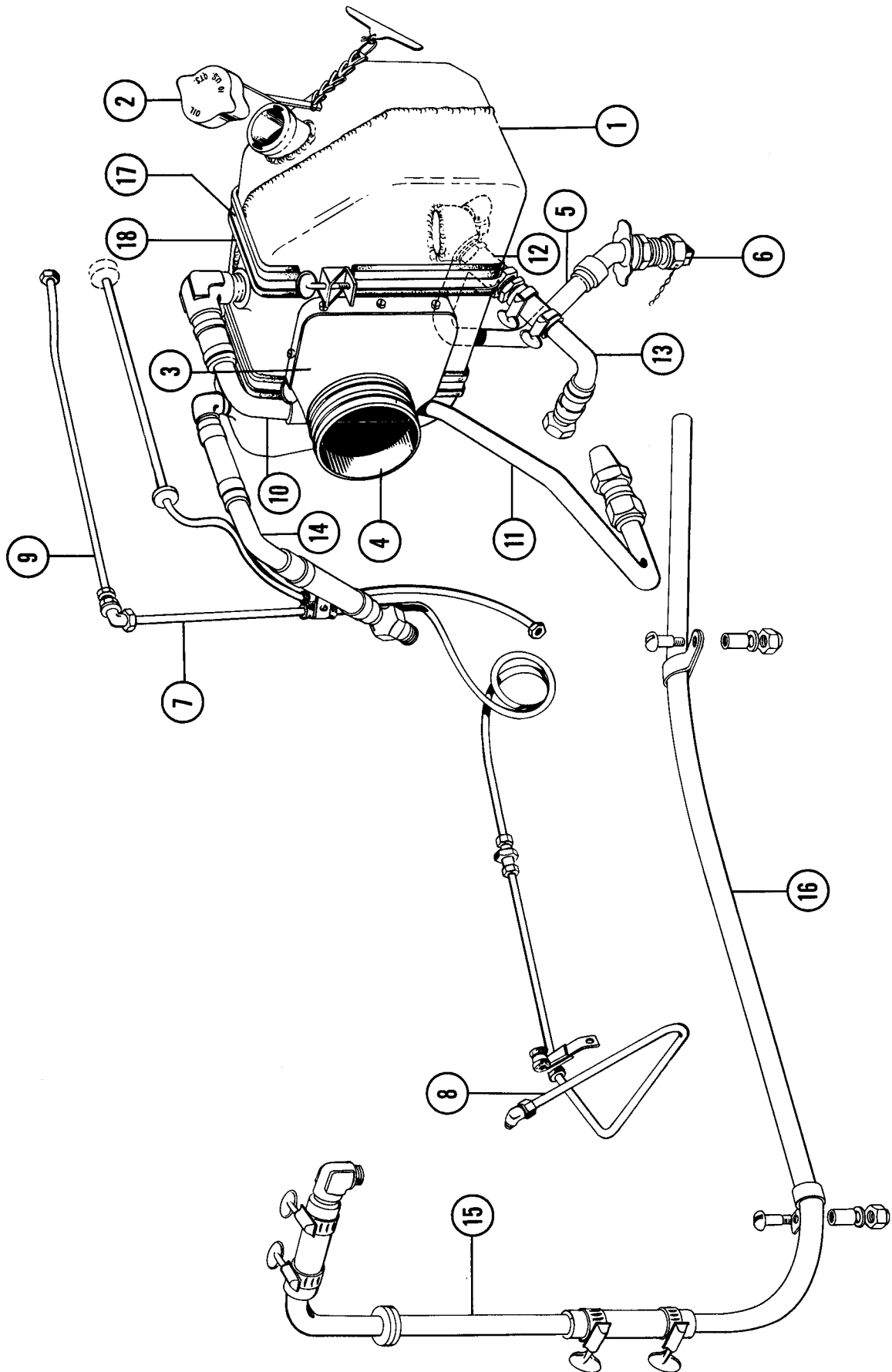


Figure 87. Oil System (D151 thru D1116)

MODEL 35 THRU G35 PARTS CATALOG

FIG. & INDEX NO.	PART NO.	DESCRIPTION	1 2 3 4 5 6 7							UNITS PER ASSY	USABLE ON CODE	
			1	2	3	4	5	6	7			
87 -	1	35-939013	TANK ASSY,OIL	1	A15
-	2	35-939077	CAP ASSY,OIL TANK	1	A15
		35-939077-4	. STICK,CAP MEASURING	1	A15
		109615-4-030	. CHAIN,CAP	1	A15
		39A4240	. HOOK,CAP CHAIN.	1	A15
		S177	. BAR,CAP CHAIN RETAINING	1	A15
-	3	35-939060	DUCT,AFT OIL COOLER	1	A15
		AN515-8-8	SCREW,DUCT ATTACHING.	10	A15
-	4	35-939079	DUCT,FWD OIL COOLER	1	A15
-	5	35-939073	TUBE,TANK DRAIN	1	A15
		AN822-8	ELBOW,TANK DRAIN.	1	A15
		AN837-8D	ELBOW,DRAIN TUBE.	1	A15
-	6	AN929-8	CAP,DRAIN LINE.	1	A15
-	7	35-939047	TUBE,FWD OIL PRESSURE	1	A15
-	8	35-939080	TUBE,AFT OIL PRESSURE	1	A15
		AN816-2B	NIPPLE,PRESSURE TUBE.	1	A15
		AN815-2D	UNION,PRESSURE TUBE	1	A15
-	9	35-939052	TUBE,PRESSURE	1	A15
		AN833-2D	ELBOW,PRESSURE TUBE	1	A15
-	10	35-939072	TUBE,SCAVENGER UPPER.	1	A15
		AN842-10	ELBOW,SCAVENGER TUBE.	1	A15
		106200H10-15	HOSE,SCAVENGER LINE	1	A15
-	11	35-939071	TUBE,LOWER OIL SCAVENGER.	1	A15
		AN816-10-12B	NIPPLE,SCAVENGER TUBE	1	A15
-	12	35-939082	VALVE,TANK CHECK.	1	A15
		AN840-10D	ADAPTER,CHECK VALVE	1	A15
-	13	35-939074	TUBE,INLET.	1	A15
		106200H10-15	HOSE,INLET.	2	A15
-	14	35-939081	TUBE,TANK VENT.	1	A15
		106200H6-15	TUBE,TANK VENT.	1	A15
		AN842-6	ELBOW	1	A15
		AN840-6	ADAPTER	1	A15
-	15	35-939048	TUBE,CRANKCASE BREATHER UPPER	1	A15
		AN842-10	ELBOW,CRANKCASE BREATHER TUBE	1	A15
		106200H10-15	HOSE,CRANKCASE BREATHER	2	A15
-	16	35-939049	TUBE,LOWER CRANKCASE BREATHER	1	A15
-	17	105798-31	STRAP,TANK.	2	A15
-	18	35-939036	CUSHION,TANK STRAP.	2	A15

MODEL 35 THRU G35 PARTS CATALOG

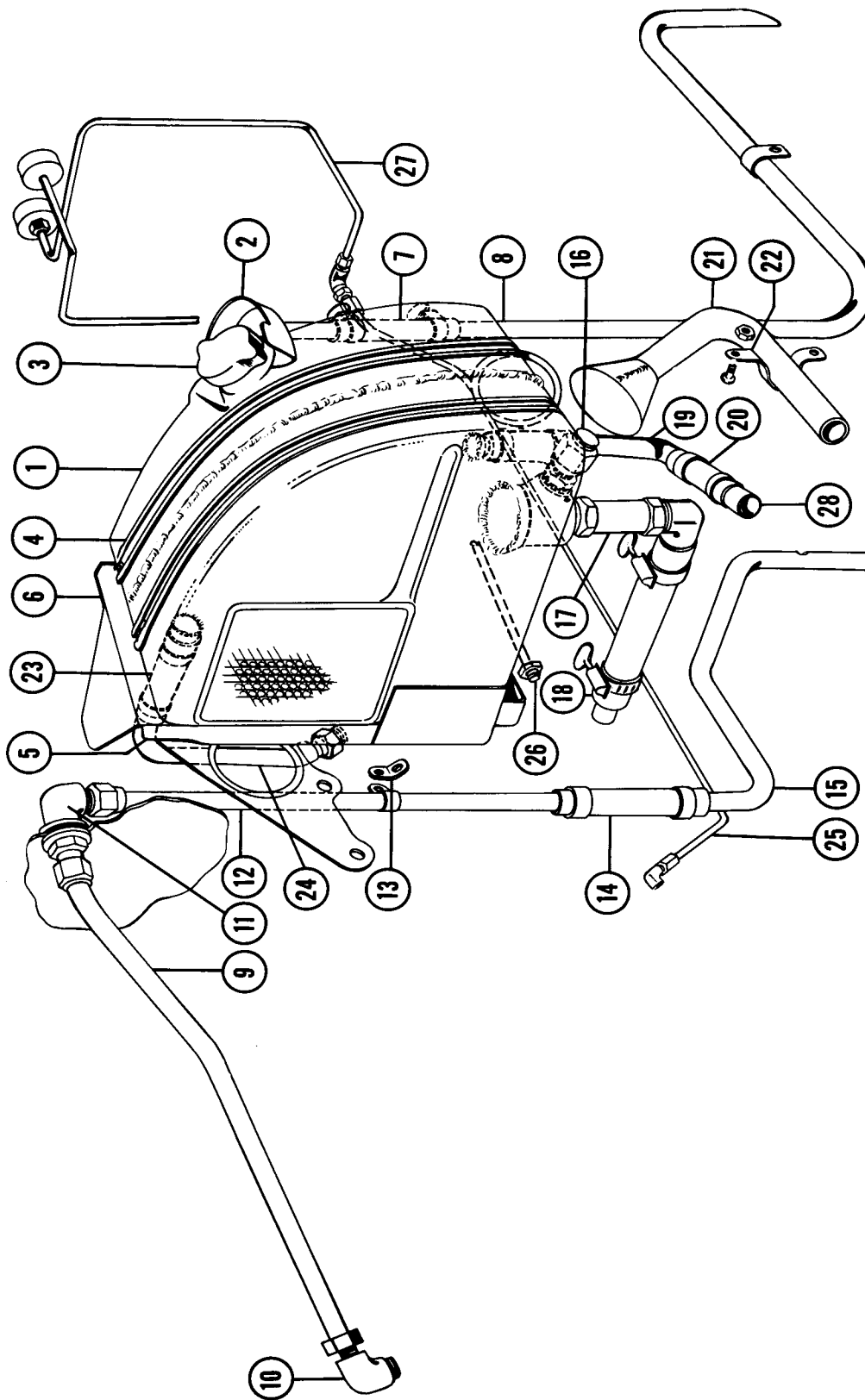


Figure 88. Oil System (D1117 thru D4665)

MODEL 35 THRU G35 PARTS CATALOG

FIG. & INDEX NO.	PART NO.	DESCRIPTION							UNITS PER ASSY	USABLE ON CODE
		1	2	3	4	5	6	7		
88	35-939172	TANK ASSY,OIL COOLER.	1	BCDEFG
- 1	35-939164	. TANK ASSY	1	A23
- 2	35-939173	. SCUPPER ASSY.	1	A23BCDEFG
- 3	35-939146	CAP ASSY.	1	A23BCDEFG
	35-939116	CAP ASSY.	1	B3CDEFG
- 4	35-939113	STRAP ASSY.	2	A23BCDEFG
- 5	35-939171	SUPPORT ASSY.	1	A23BCDEFG
- 6	35-939145	SUPPORT ASSY.	1	A23BCDEFG
- 7	106043-12-06-10	TUBE.	1	BCDEFG
	AN737-22	CLAMP	2	A23BCDEFG
- 8	35-939174	TUBE,OIL TANK SCUPPER DRAIN	1	BCDEFG
	AN526-832-8	SCREW	3	A23BCDEFG
	AN960-8	WASHER.	3	A23BCDEFG
	AN742D8C	CLAMP	3	A23BCDEFG
- 9	35-939166	TUBE ASSY,CRANKCASE BREATHER.	1	A17BCDEFG
		/SEE FIG. 72 FOR NHA/								
- 10	AN822-10B	ELBOW	1	A23BCDEFG
- 11	AN833-10D	ELBOW	1	A23BCDEFG
	AN960DI416	WASHER.	2	A23BCDEFG
	AN924-10D	NUT	1	A23BCDEFG
- 12	35-939168	TUBE ASSY,CRANKCASE BREATHER.	1	A17BCDEFG
	AN742-12C	CLAMP	1	A23BCDEFG
	AN515-8-8	SCREW	1	A23BCDEFG
	AN960-8	WASHER.	1	A23BCDEFG
	AN365-832	NUT	1	A23BCDEFG
- 13	35-910245	BRACKET,/USED WITH E-185 ENGINE/.	1	A23BCDEFG
	35-910287	BRACKET,/USED WITH E-225-8 ENGINE/.	1	A23BCDEFG
- 14	106200FR10-24	HOSE.	1	A23BCDEFG
	AN737-34	CLAMP	2	A23BCDEFG
- 15	35-939165	TUBE ASSY,CRANKCASE BREATHER.	1	A17BCDEFG
	AN742-12C	CLAMP	1	A23BCDEFG
	100696D12-06-016	SPACER.	1	A23BCDEFG
	AN526-832-16	SCREW	1	A23BCDEFG
	AN960-8	WASHER.	1	A23BCDEFG
	AN365-832	NUT	1	A23BCDEFG
	35-939048	TUBE,UPPER CRANKCASE BREATHER	1	A24
	35-939049	TUBE,LOWER CRANKCASE BREATHER	1	A24
- 16	35-939169	FITTING ASSY.	1	A23BCDEFG
	AN929-8	CAP	1	A23BCDEFG
- 17	35-939082	VALVE ASSY.	1	AB2
- 18	106200FR10-30	HOSE.	2	A23BCDEFG
	AN737-38	CLAMP	2	A23BCDEFG
	AN842-10D	ELBOW	1	A23BCDEFG
- 19	35-939151	TUBE,OIL SCAVENGER.	1	A23BCDEFG
- 20	106200FR10-15	HOSE.	2	A23BCDEFG
	AN737-34	CLAMP	4	A23BCDEFG
	AN816-10-12B	NIPPLE.	1	A23BCDEFG
- 21	35-939157	TUBE ASSY,OIL DRAIN	1	A23BCDEFG
- 22	35-939161	CLAMP	1	A23BCDEFG
	AN3-3A	BOLT.	2	A23BCDEFG
	AN960-10	WASHER.	2	A23BCDEFG
	AN365-1032	NUT	2	A23BCDEFG
- 23	106200FR8-12	HOSE.	1	A23BCDEFG
	AN737-30	CLAMP	2	A23BCDEFG
	AN822-8	ELBOW,/USED WITH ENGINES HAVING 3/8 PIPE THREAD BOSS ON ACCESSORY CASE/	1	A23BCDEFG
	35-939159	TUBE ASSY,OIL TANK VENT /USED WITH ENGINES.	1	A23BCDEFG
		HAVING 3/8 PIPE THREAD BOSS ON ACCESSORY CASE/								
- 24	35-939162	TUBE ASSY,OIL TANK VENT /USED WITH 35-939164 ON ENGINES HAVING 1/4 PIPE THREAD BOSS ON ACCESSORY CASE/	1	A23BCDEFG
	AN822-6	ELBOW,/USED WITH 35-939164 ON ENGINES HAVING.	1	A23BCDEFG
		1/4 PIPE THREAD BOSS ON ACCESSORY CASE/								

MODEL 35 THRU G35 PARTS CATALOG

FIG. & INDEX NO.	PART NO.	DESCRIPTION							UNITS PER ASSY	USABLE ON CODE
		1	2	3	4	5	6	7		
88 - 25	35-939148	TUBE ASSY,ENGINE SECTION OIL PRESSURE	1	A23BCDEFG
	AN822-2B	ELBOW	1	A23BCDEFG
- 26	859563	ADAPTER,OIL TEMPERATURE BULB	1	A23BCDEFG
	AN900-10	GASKET	1	A23BCDEFG
- 27	35-939150	TUBE ASSY,CABIN SECTION OIL PRESSURE	1	A23BCDEFG
	35-590077-1	BAFFLE,WINTER	1	A23BCDEFG
	35-590074-1	TROUGH ASSY	1	A23BCDEFG
- 28	35-939142	TUBE,SCAVENGER	1	A23BCDEFG

MODEL 35 THRU G35 PARTS CATALOG

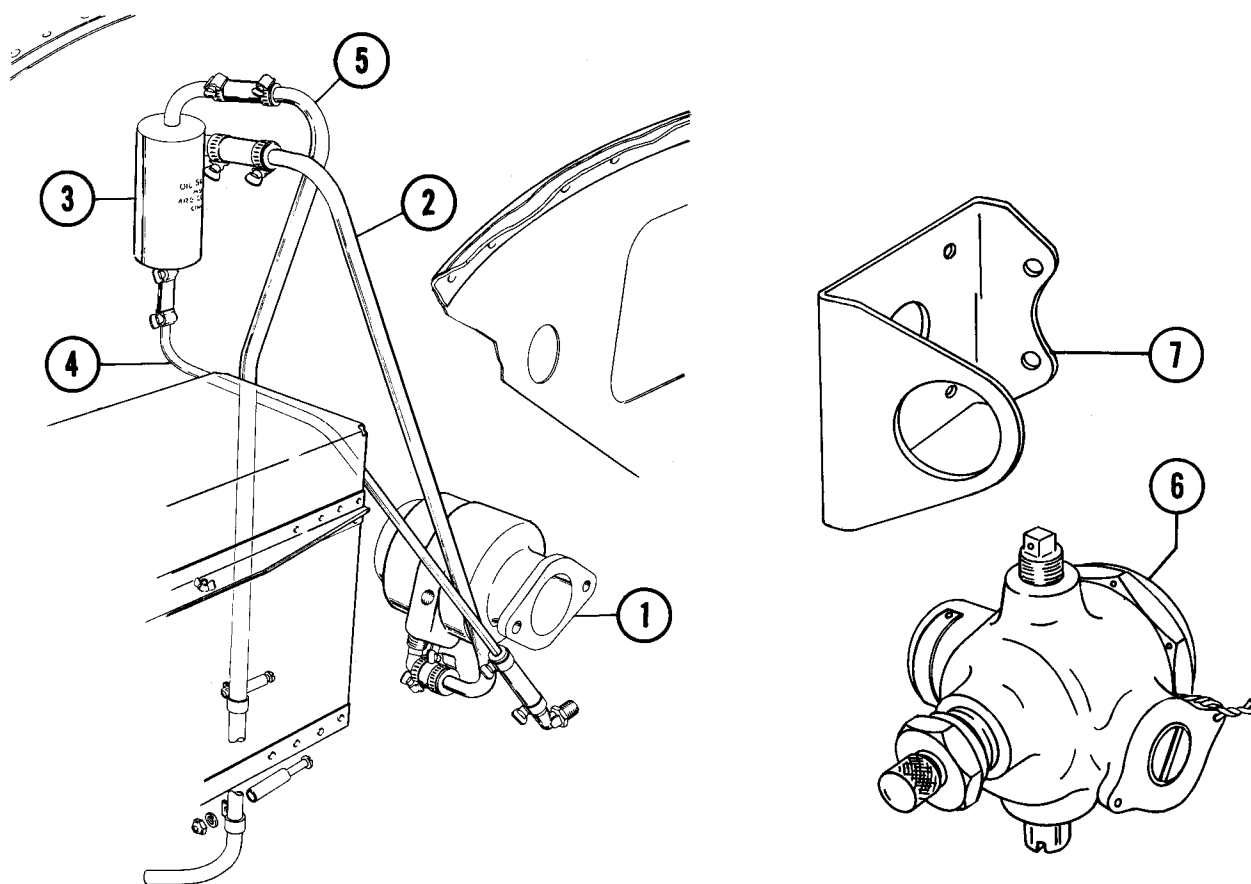


Figure 89. Vacuum System

FIG. & INDEX NO.	PART NO.	DESCRIPTION	UNITS PER ASSY	USABLE ON CODE
		1 2 3 4 5 6 7		
89 - 1	3P-194F	PUMP,VACUUM /OPTIONAL/	1	A3
	A513-DB	PUMP,VACUUM /OPTIONAL/	1	A3
	AN842-8	ELBOW,SEPARATOR TUBE.	1	A3
	106200H8-15	HOSE,SEPARATOR TUBE LOWER	1	A3
	AN748-30	CLAMP,LOWER HOSE.	2	A3
- 2	35-910121	TUBE,SEPARATOR.	1	A3
	106200H8-14	HOSE,UPPER.	1	A3
	AN748-30	CLAMP,UPPER HOSE.	2	A3
- 3	35-939179	SEPARATOR,OIL	1	A3
	AN526-1032-8	SCREW,OIL SEPARATOR ATTACHING	2	A3
	AN365-1032	NUT,OIL SEPARATOR ATTACHING	2	A3
- 4	35-910122	TUBE,ENGINE	1	A3
	106200H4-10	HOSE,UPPER ENGINE TUBE.	1	A3
	AN748-22	CLAMP,ENGINE TUBE HOSE.	1	A3
	106200H4-15	CLAMP,LOWER ENGINE TUBE	1	A3
	AN748-22	CLAMP,ENGINE TUBE HOSE.	2	A3
	AN912-3	REDUCER,ENGINE TUBE	1	A3
	AN842-4	ELBOW,ENGINE TUBE	1	A3
- 5	35-910123	TUBE,SEPARATOR VENT	1	A3
	106200H8-10	HOSE,SEPARATOR VENT TUBE.	1	A3
	AN748-30	CLAMP,VENT TUBE HOSE.	2	A3
	AN742-10C	CLAMP,VENT TUBE ATTACHING	2	A3
	100696E10-06-100	SPACER,VENT TUBE CLAMP.	2	A3
- 6	A692A	VALVE,SUCTION RELIEF /OPTIONAL/	1	A3
	B9520	VALVE,SUCTION RELIEF /OPTIONAL/	1	A3
	200A	VALVE,SUCTION RELIEF.	1	A3
		/ALTERNATE FOR A692A & B9520/		
- 7	35-324114	SUPPORT ASSY.	1	A3
	35-324197	SUPPORT ASSY,/USE WITH 200A/.	1	A3

MODEL 35 THRU G35 PARTS CATALOG

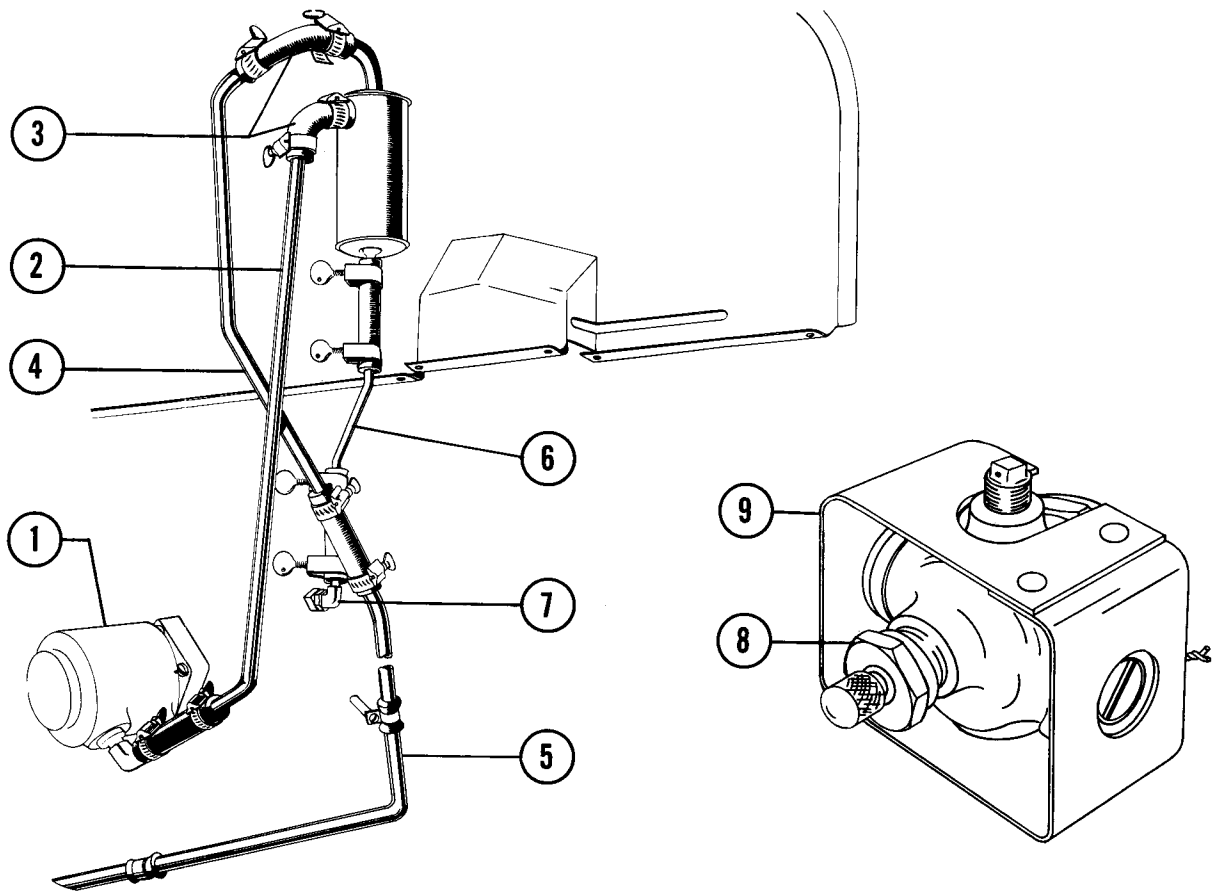


Figure 90. Vacuum System

FIG. & INDEX NO.	PART NO.	1	2	3	4	5	6	7	DESCRIPTION	UNITS PER ASSY	USABLE ON CODE
90 - 1	3P-194F								PUMP,VACUUM	1	A23BCDEFG
	G450								PUMP,VACUUM /ALTERANTE FOR 3P-194F/	1	
	AN842-8								ELBOW,SEPARATOR LINE.	1	
	106200H8-15								HOSE.	2	
- 2	35-910132								TUBE,OIL SEPARATOR.	1	A25
	35-910136								TUBE,OIL SEPARATOR.	1	A2BCDEFG
- 3	35-910124								ELBOW	2	A25
	106200H8-15								HOSE.	2	A2BCDEFG
- 4	35-910133								TUBE,UPPER SEPARATOR DISCHARGE.	1	A25
	35-910135								TUBE,UPPER SEPARATOR DISCHARGE.	1	A2BCDEFG
- 5	35-910134								TUBE,LOWER SEPARATOR DISCHARGE.	1	
- 6	35-910131								TUBE,SEPARATOR DRAIN.	1	
	106200H4-10								HOSE.	1	A23BC5
	106200H4-15								HOSE.	1	A23BC5
	35-324159-4								HOSE.	1	C6DEFG
	35-324159-6								HOSE.	1	C6DEFG
- 7	AN842-4								ELBOW	1	
	AN912-3								REDUCER	1	
	9390								SEPARATOR,OIL	1	A1
	B-9195								SEPARATOR,OIL	1	A2BCDEFG
	AN40451								PUMP,GASKET VACUUM.	1	
	213								SEAL,GARLOCK.	1	
- 8	200A								VALVE,SUCTION RELIEF.	1	A26BC5
	A692A								/ALTERNATE FOR A692A & B9520/	1	A27
	B9520								VALVE,SUCTION RELIEF /OPTIONAL/	1	A27
	3V-195								VALVE,SUCTION RELIEF.	1	C6DEFG
- 9	35-324197								SUPPORT ASSY,/USE WITH 200A/.	1	A26BC5
	35-324114								SUPPORT ASSY.	1	A27
	35-415395								BRACKET ASSY.	1	C6DEFG

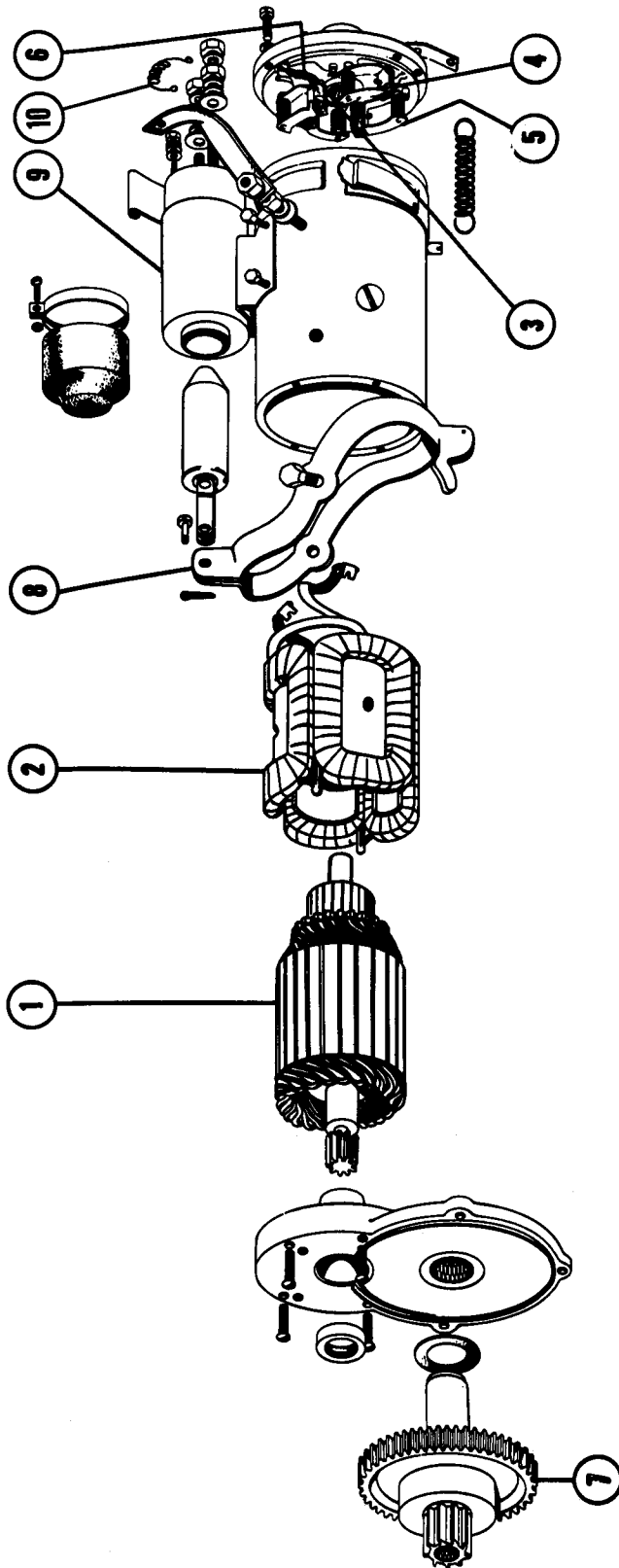


Figure 91. Starter Motor Assembly (D1 thru D1949)

MODEL 35 THRU G35 PARTS CATALOG

FIG. & INDEX NO.	PART NO.	DESCRIPTION							UNITS PER ASSY	USABLE ON CODE
		1	2	3	4	5	6	7		
91	1109660	MOTOR ASSY,STARTER /SEE FIG. 72 FOR NHA/	1	A3A12
	1881870	. SHOE,ARMATURE POLE /UMS/	4	A3A12
- 1	1908521	. ARMATURE,MOTOR /UMS/	1	A3A12
	1885037	. SCREW,POLE SHOE /UMS/	4	A3A12
	1908647	. STUD,FIELD TERMINAL /UMS/	1	A3A12
	1881867	. WASHER,FIELD TERMINAL STUD /UMS/	1	A3A12
	1881866	. WASHER,FIELD TERMINAL STUD BUSHING /UMS/	2	A3A12
	134566	. NUT,FIELD TERMINAL STUD /UMS/	1	A3A12
	103320	. WASHER,FIELD TERMINAL STUD LOCK /UMS/	1	A3A12
	1908648	. CONTACT,STATIONARY SWITCH /UMS/	1	A3A12
- 2	1887427	. COIL ASSY,FIELD /UMS/	1	A3A12
	1887428	. COIL ASSY,FIELD /UMS/	1	A3A12
	1908649	. INSULATOR,STATIONARY CONTACT SWITCH /UMS/	1	A3A12
	1887439	. FRAME,COMMUTATOR END WITH PINS /UMS/	1	A3A12
	817313	. PIN,BRUSH HOLDER HINGE /UMS/	2	A3A12
	1881841	. PIN,BRUSH HOLDER STOP /UMS/	2	A3A12
	812016	. PIN & INSULATOR,BRUSH HOLDER HINGE /UMS/	2	A3A12
	812015	. INSULATOR,BRUSH HOLDER STOP PIN /UMS/	2	A3A12
- 3	1839345	. BUSHING,COMMUTATOR END /UMS/	1	A3A12
	1902292	. PLUG,COMMUTATOR END EXPANSION /UMS/	1	A3A12
- 4	1885-58	. BRUSH,ARMATURE	4	A3A12
- 5	810226	. HOLDER,ARMATURE BRUSH /UMS/	4	A3A12
	1881835	. SPRING,ARMATURE BRUSH	4	A3A12
	115903	. SCREW,BRUSH ATTACHING /UMS/	4	A3A12
	106495	. WASHER,BRUSH ATTACHING SCREW LOCK /UMS/	4	A3A12
- 6	1881839	. LEAD,BRUSH GROUND /UMS/	2	A3A12
	1904234	. SCREW,BRUSH GROUND LEAD	2	A3A12
	106496	. WASHER,BRUSH GROUND LEAD SCREW LOCK /UMS/	2	A3A12
	1838568	. WASHER,COMMUTATOR END SPACE /UMS/	1	A3A12
	1885038	. SCREW,C. E. FRAME ATTACHING /UMS/	2	A3A12
	120217	. WASHER,C. E. FRAME ATTACHING SCREW LOCK /UMS/	2	A3A12
	1881843	. BAND,COVER /UMS/	1	A3A12
	1908539	. FRAME,DRIVE END /UMS/	1	A3A12
	1887433	. BUSHING,D. E. FOR ARMATURE SHAFT /UMS/	1	A3A12
	1908540	. BUSHING,C. E. FOR CLUTCH ASSY /UMS/	1	A3A12
	1867150	. SEAL,DRIVE END OIL /UMS/	1	A3A12
	132128	. SCREW,D. E. FOR FRAME ATTACHING /UMS/	4	A3A12
	1885035	. WASHER,D.E. FRAME ATTACHING SCREW COPPER/UMS/	4	A3A12
- 7	1885537	. GEAR & CLUTCH ASSY.	1	A3A12
	1908541	. WASHER,DRIVE END LEATHER /UMS/	1	A3A12
	1908541	. WASHER,DRIVE END LEATHER /UMS/	1	A3A12
- 8	1908524	. LEVER,SHIFT /UMS/	1	A3A12
	1908525	. STUD,SHIFT LEVER ATTACHING /UMS/	1	A3A12
	1905877	. SCREW,SHIFT LEVER BOLT /UMS/	1	A3A12
	120375	. NUT,SHIFT LEVER BOLT /UMS/	1	A3A12
- 9	1118133	. SWITCH,STARTING	1	A3A12
	134566	. NUT,SWITCH TERMINAL /UMS/	1	A3A12
	110730	. WASHER,SWITCH TERMINAL NUT LOCK /UMS/	1	A3A12
	132892	. SCREW,STARTING SWITCH ATTACHING /UMS/	2	A3A12
	106497	. WASHER,STARTING SWITCH ATTACHING SCREW LOCK /UMS/	2	A3A12
- 10	1885541	. RESISTOR.	1	A3A12

MODEL 35 THRU G35 PARTS CATALOG

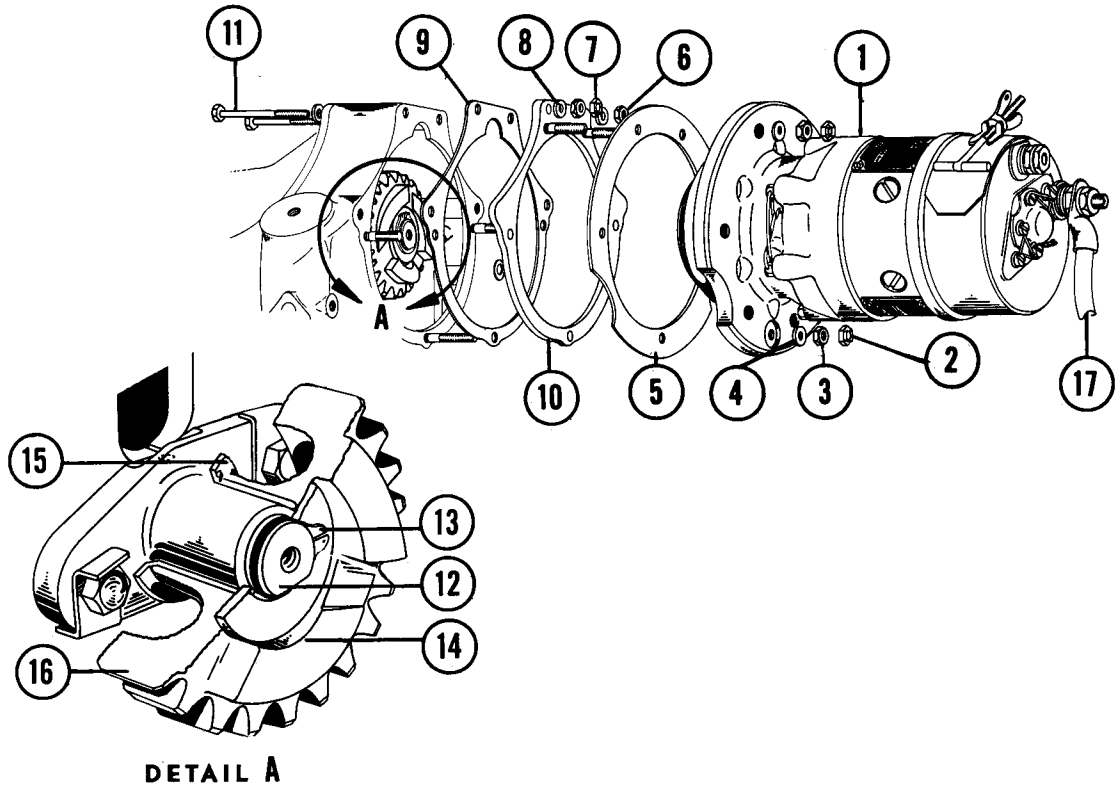


Figure 92. Starter Assembly

FIG. & INDEX NO.	PART NO.	DESCRIPTION	UNITS PER ASSY	USABLE ON CODE
92	35-369005	STARTER ASSY,/SEE FIG. 72 FOR NHA/	1	A13BCDEFG
- 2	2560	PALNUT,/ECP/	5	A13BCDEFG
- 3	2439	NUT,/ECP/	5	A13BCDEFG
- 4	2473	WASHER,/ECP/	5	A13BCDEFG
- 5	530340	GASKET,/ECP/	1	A13BCDEFG
- 6	2439	NUT,/ECP/	2	A13BCDEFG
- 7	2560	PALNUT,/ECP/	2	A13BCDEFG
- 8	2473	WASHER,/ECP/	4	A13BCDEFG
- 9	530341	GASKET,/ECP/	1	A13BCDEFG
- 10	531007	ADAPTER ASSY,/ECP/	1	A13BCDEFG
- 11	530347	SCREW,/ECP/	2	A13BCDEFG
- 12	530343	PIVOT ASSY,/ECP/	1	A13BCDEFG
- 13	530345	RING,LOCK /ECP/	1	A13BCDEFG
- 14	530339	WASHER,/ECP/	1	A13BCDEFG
- 15	530337	BUSHING,/ECP/	1	A13BCDEFG
- 16	530338	GEAR ASSY,/ECP/	1	A13BCDEFG
- 17	P-71	WIRE,/ECP/	1	A13BCDEFG
	839317	BRUSH ASSY,/ECP/	4	A13BCDEFG

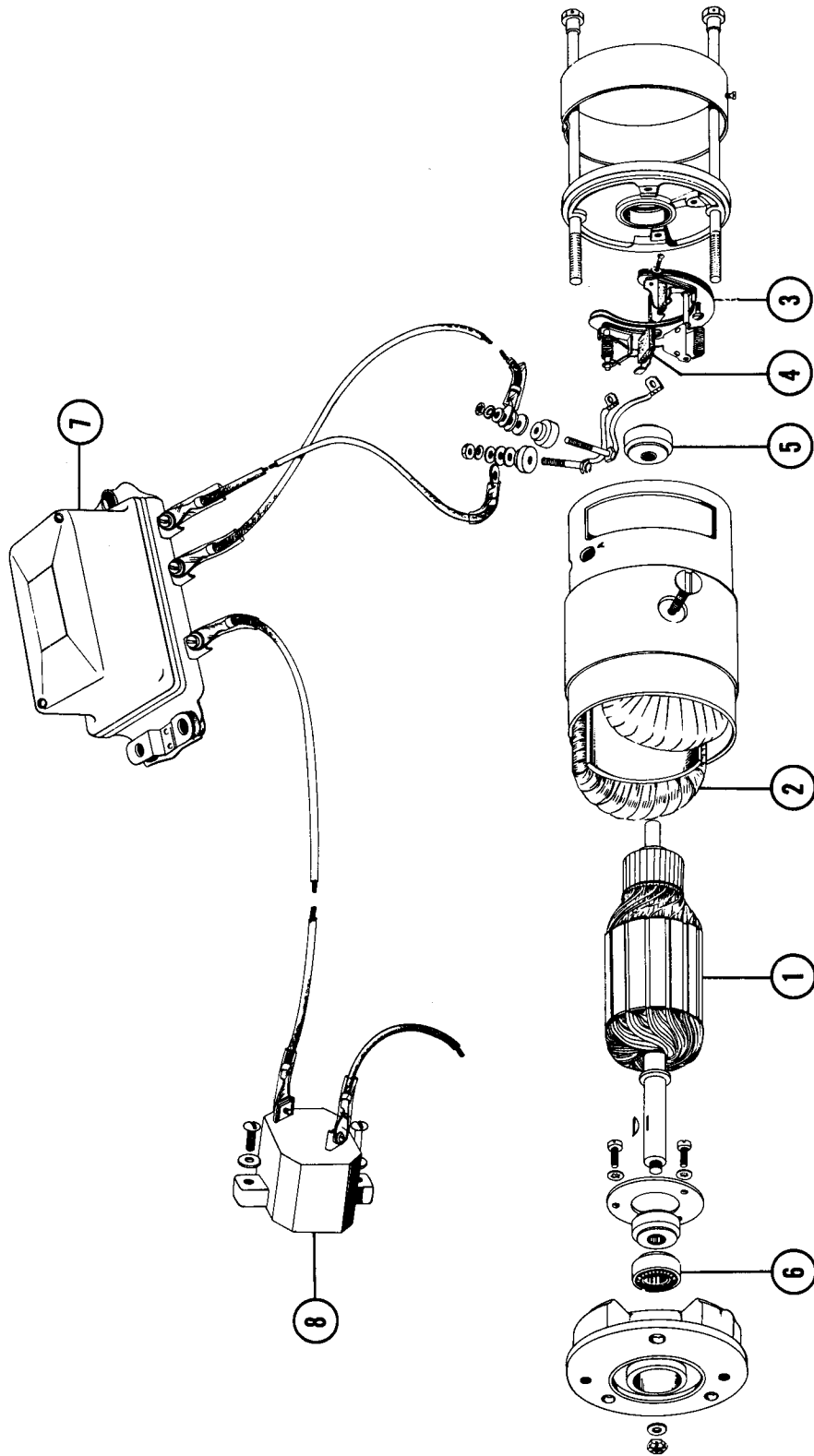


Figure 98. Generator Assembly

MODEL 35 THRU G35 PARTS CATALOG

FIG. & INDEX NO.	PART NO.	DESCRIPTION							UNITS PER ASSY	USABLE ON CODE
		1	2	3	4	5	6	7		
93	1101879	GENERATOR ASSY, /SEE FIG. 72 FOR NHA/	1	
- 1	1909171	. ARMATURE, GENERATOR /UMS/	1	
	1906004	. SHOE, ARMATURE POLE /UMS/	2	
	1843646	. SCREW, POLE SHOE /UMS/	2	
	1858754	. STUD & LEAD ASSY, TERMINAL /UMS/	1	
	200182	. CLIP, TERMINAL BRUSH /UMS/	1	
	1858753	. WASHER, TERMINAL STUD /UMS/	2	
	1881409	. WASHER, TERMINAL STUD PLAIN /UMS/	2	
	802757	. WASHER, TERMINAL STUD LOCK /UMS/	4	
	121743	. NUT, TERMINAL STUD /UMS/	4	
- 2	1905077	. COIL, FIELD /UMS/ /RH TO BRUSH/	1	
	200182	. CLIP, TERMINAL /UMS/	1	
	1905078	. COIL, FIELD /UMS/ /LH TO STUD/	1	
	1858749	. STUD, FIELD COIL TERMINAL /UMS/	1	
	1886682	. FRAME, COMMUTATOR END /UMS/	1	
	1886684	. PIN, COMMUTATOR END DOWEL /UMS/	1	
- 3	1908550	. PLATE ASSY, BRUSH /UMS/	1	
	1904851	. SCREW, BRUSH PLATE ATTACHING /UMS/	3	
	106496	. WASHER, BRUSH PLATE ATTACHING SCREW LOCK /UMS/	3	
- 4	1866148	. BRUSH, /UMS/	2	
	1903871	. SPRING, BRUSH	2	
	1805759	. ARM, BRUSH /UMS/	2	
	1857412	. WASHER, BRUSH ARM SPACE /UMS/	2	
	1902147	. SCREW, BRUSH LEAD ATTACHING /UMS/	2	
	802730	. WASHER, BRUSH LEAD ATTACHING SCREW LOCK /UMS/	2	
- 5	954162	. BEARING, COMMUTATOR END BALL /UMS/	1	
	1908554	. BAND, GENERATOR COVER /UMS/	1	
	1905720	. SCREW, COVER BAND /UMS/	1	
	1903473	. NUT, COVER BAND /UMS/	1	
	1908553	. FRAME, DRIVE END /UMS/	1	
	1886684	. PIN, DRIVE END DOWEL /UMS/	1	
- 6	954143	. BEARING, DRIVE END BALL /UMS/	1	
	1886962	. PLATE, D. E. BALL BEARING RETAINER /UMS/	1	
	5017850	. SCREW, ATTACHING /UMS/	3	
	802731	. WASHER, ATTACHING LOCK /UMS/	3	
	809945	. WASHER, DRIVE END SPACE /UMS/	1	
	124542	. KEY, DRIVE END WOODRUFF /UMS/	1	
	1909173	. BOLT, /UMS/	2	
	120638	. WASHER, BOLT LOCK /UMS/	2	
- 7	6221-25	CONTROL, GENERATOR	1	
- 8	CA-35	BREAKER, GENERATOR CIRCUIT	1	
	1101887	GENERATOR, 35 AMP /SEE FIG. 72 FOR NHA/	1	
	1101888	GENERATOR, 50 AMP /SEE FIG. 72 FOR NHA/	1	

MODEL 35 THRU G35 PARTS CATALOG

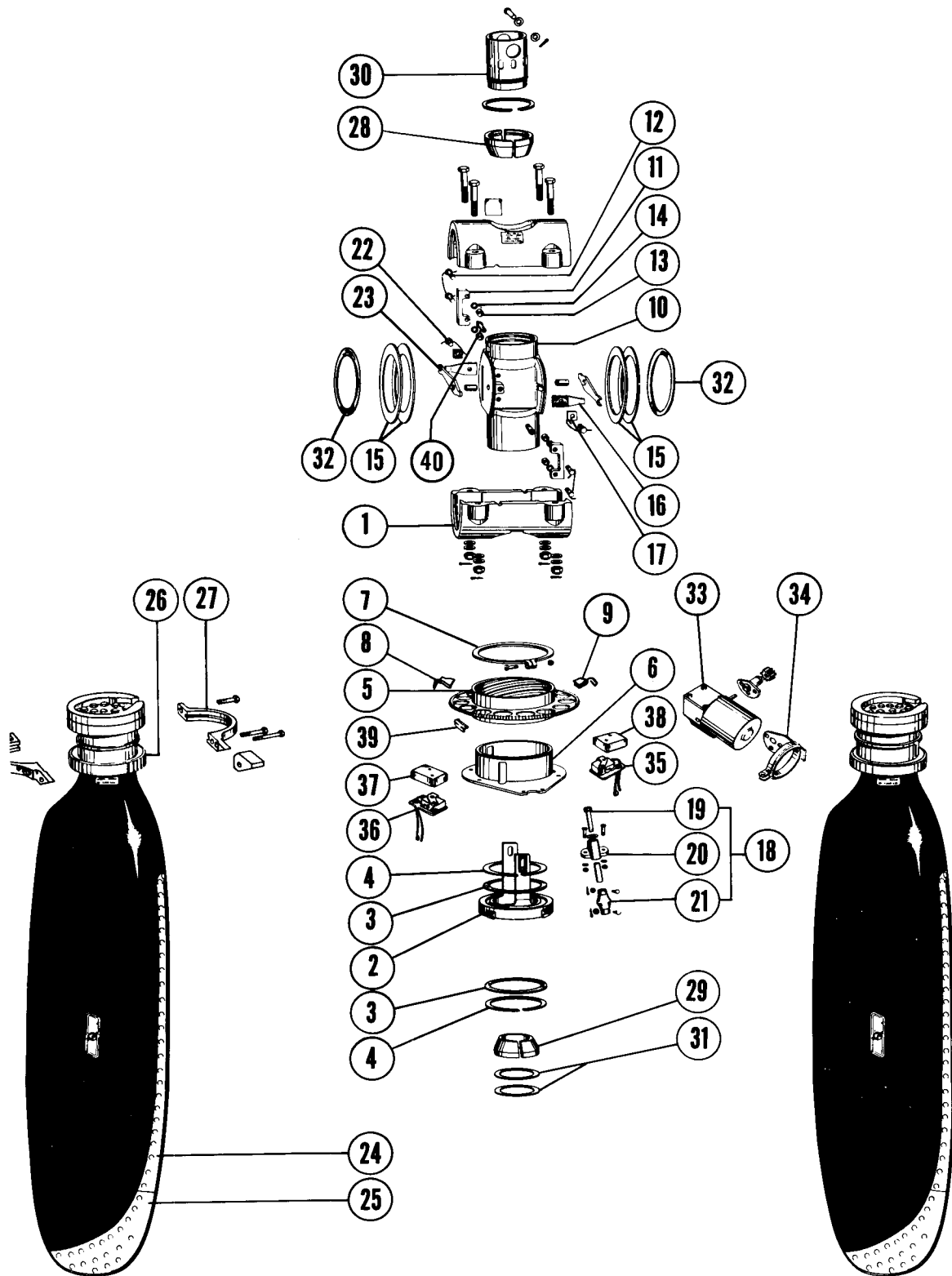


Figure 94. R200 Propeller Assembly

MODEL 35 THRU G35 PARTS CATALOG

FIG. & INDEX NO.	PART NO.	DESCRIPTION	UNITS PER ASSY	USABLE ON CODE
		1 2 3 4 5 6 7		
94	R203-107	PROPELLER ASSY.	1	A3
	R203-116	PROPELLER ASSY.	1	A28
	R203-119	PROPELLER ASSY, /PLASTIC COVERED/.	1	A29
	R203-122	PROPELLER ASSY.	1	A63
	R203-100	. HUB ASSY, PROPELLER /USED ON R203-107/	1	A3
	R203-115	. HUB ASSY, PROPELLER /USED ON R203-116/	1	A28A29
	R203-120	. HUB ASSY, PROPELLER /USED ON R203-122/	1	A63
- 1	R203-342	. . HOUSING, PROPELLER HUB /MATCHED SET/	1	
- 2	R200-200	. . BEARING ASSY, PITCH CONTROL.	1	
- 3	R200-306	. . . SEAL, BEARING.	2	
- 4	R200-307	. . . RING, SEAL RETAINER.	2	
- 5	R202-200	. . GEAR ASSY, PITCH CONTROL /USED ON R203-107/.	1	A3
	R203-213	. . GEAR ASSY, PITCH CONTROL /USED ON R203-116/.	1	A28A29
	R203-356	. . GEAR, PITCH CONTROL /USED ON R203-122/	1	A63
	R200-327	. . HUB, PITCH CONTROL GEAR /USED ON R203-122/	1	A63
- 6	R202-201	. . SLEEVE ASSY, STATIONARY.	1	A3
	R203-350	. . SLEEVE ASSY, STATIONARY.	1	
- 7	R200-308	. . RING, GEAR RETAINER.	1	
	AN520-10-16	. . SCREW, GEAR RETAINER RING.	1	
- 8	B200-383	. . STOP, SPRING /USE IN MATCHED PAIRS/.	2	
	B200-384	. . STOP, SPRING /USE IN MATCHED PAIRS/.	2	
	B200-372	. . CLIP.	2	
- 9	B200-330	. . BRACKET, SPRING STOP	2	
	AN3-3A	. . BOLT.	2	
	AN3-4A	. . BOLT.	4	
	AN3-5A	. . BOLT.	4	
	AN365-1032	. . NUT	6	
	R203-200	. . SPIDER ASSY	1	
- 10	R203-302	. . . SPIDER.	1	
- 11	R203-314	. . . GUIDE, ACTUATOR BEARING.	2	
- 12	AN4H7	. . . BOLT, GUIDE ATTACHING.	4	
- 13	I01321-2-0250-0332	. . . BUSHING, SPIDER ASSY	4	
- 14	I050908005-4-016	. . . WASHER, ADJUSTING.	AR	
- 15	R200-319-4	. . SHIM, BLADE RETAINER SPACER /.010/	AR	
	R200-319-6	. . SHIM, BLADE RETAINER SPACER /.011/	AR	
	R200-319-8	. . SHIM, BLADE RETAINER SPACER /.012/	AR	
	R200-319-10	. . SHIM, BLADE RETAINER SPACER /.013/	AR	
	R200-319-12	. . SHIM, BLADE RETAINER SPACER /.014/	AR	
	R200-319-14	. . SHIM, BLADE RETAINER SPACER /.015/	AR	
	R200-319-16	. . SHIM, BLADE RETAINER SPACER /.016/	AR	
	R200-319-18	. . SHIM, BLADE RETAINER SPACER /.017/	AR	
	R200-319-20	. . SHIM, BLADE RETAINER SPACER /.018/	AR	
	R200-319-22	. . SHIM, BLADE RETAINER SPACER /.019/	AR	
	R200-319-24	. . SHIM, BLADE RETAINER SPACER /.020/	AR	
	R200-319-26	. . SHIM, BLADE RETAINER SPACER /.021/	AR	
	R200-319-28	. . SHIM, BLADE RETAINER SPACER /.022/	AR	
	R200-319-30	. . SHIM, BLADE RETAINER SPACER /.023/	AR	
	R200-319-32	. . SHIM, BLADE RETAINER SPACER /.024/	AR	
	R200-319-34	. . SHIM, BLADE RETAINER SPACER /.025/	AR	
- 16	R200-321	. . ARM, INTERMEDIATE PITCH CONTROL	2	
- 17	R200-320	. . WASHER, CONTROL ARM ADJUSTING.	2	
- 18	R203-202	. . GEAR ASSY, PITCH CONTROL PINION.	1	A3
		/USED ON R203-107/		
- 19	R200-301	. . . GEAR, PINION /USED ON R203-107/.	1	A3
- 20	R202-300	. . . BEARING ASSY, /USED ON R203-107/	1	A3
- 21	R200-325	. . . UNIVERSAL, PITCH CONTROL SHAFT	1	A3
		/USED ON R203-107/		
- 22	R203-352	. . BOLT, PITCH ADJUSTING.	2	
	AN7-27 TO 32	. . BOLT, MAIN HUB	4	
- 23	R203-303-2	. . ARM, PITCH CONTROL	2	
	R203-363-2	. . ARM, PITCH CONTROL	2	
		/USED WITH R203-218-88A BLADES/		
	R203-362	. . BUSHING, /USED WITH R203-218-88A BLADES/	2	

MODEL 35 THRU G35 PARTS CATALOG

FIG. & INDEX NO.	PART NO.	1	2	3	4	5	6	7	DESCRIPTION	UNITS PER ASSY	USABLE ON CODE
94	R201-217-88	BLADE ASSY,PROPELLER	NP	
	R203-218-88	BLADE ASSY,PROPELLER /PLASTIC/.	2	
	R203-218-88A	BLADE ASSY,PROPELLER /PLASTIC/.	2	
		/REPLACES R201-217-88/		
- 24	R201-359	STRIP,LEADING EDGE	2	
- 25	R201-355	TIPPING,PROPELLER BLADE	2	
- 26	R201-208	RING,BALANCE	2	
- 27	R203-332	ARM,COUNTERWEIGHT	2	
	R203-331	COUNTERWEIGHT	2	
	AN6-13A	BOLT,ATTACHING	2	
	AN6-21A	BOLT,ATTACHING	2	
	AN5-23A	BOLT,ATTACHING	2	
- 28	R203-325	CONE,FRONT	1	
- 29	B200-358	CONE,REAR	1	
- 30	R203-337	NUT,PROPELLER RETAINER	1	
	AN5009-20	RING,SNAP	1	
	R203-209	BRACKET,PROPELLER MOUNTING	1	A9
	R203-353	BRACKET,PROPELLER MOUNTING	1	A28A29A30
	R203-339	SCREW,MOUNTING BRACKET ATTACHING	4	
	AN936A516	WASHER,MOUNTING BRACKET ATTACHING	4	
	AN24-13A	BOLT,PROPELLER ATTACHING	6	
	B200-338	GROMMET,PROPELLER ATTACHING	6	
- 31	R203-327	SPACER,REAR CONE /1/4 INCH/	1	
	R203-312-2	SPACER,REAR CONE /1/32 INCH/.	AR	
	R203-312-4	SPACER,REAR CONE /1/16 INCH/.	AR	
- 32	AN6227-47	SEAL	2	
- 33	R900-101	MOTOR,PROPELLER PITCH CHANGE	1	A19
	R900-107	MOTOR,PROPELLER PITCH CHANGE	1	A30
	R900-109	MOTOR,PROPELLER PITCH CHANGE	1	A28A29
	SK162	BRUSH,/OHIO CARBON CO./	2	
	B200-340	PINION	1	A28A29
	R203-212	BEARING ASSY,PINION SHAFT	1	A28A29
- 34	R203-214	BRACKET,PROPELLER PITCH CHANGE MOTOR	1	A28A29
- 35	R901-402 SA1	SWITCH ASSY,RH PROPELLER LIMIT	1	A28A29
		/USED ON R203-116/		
	V3-1	SWITCH,MICRO /USED ON R203-116/	1	A28A29
	R203-334-1	PLATE,RH /USED ON R203-116/	1	A28A29
- 36	R901-402 SA2	SWITCH ASSY,LH PROPELLER LIMIT	1	A28A29
		/USED ON R103-116/		
	V3-1	SWITCH,MICRO /USED ON R203-116/	1	A28A29
	R203-334	PLATE,LH /USED ON R203-116/	1	A28A29
- 37	R203-333	COVER,LH PROPELLER LIMIT SWITCH	1	A28A29
		/USED ON R203-116/		
- 38	R203-333-1	COVER,RH PROPELLER LIMIT SWITCH	1	A28A29
		/USED ON R203-116/		
- 39	R203-357	CAM,PROPELLER LIMIT SWITCH /USED ON R203-116/	1	A28A29
- 40	1669	FITTING,GREASE	2	

MODEL 35 THRU G35 PARTS CATALOG

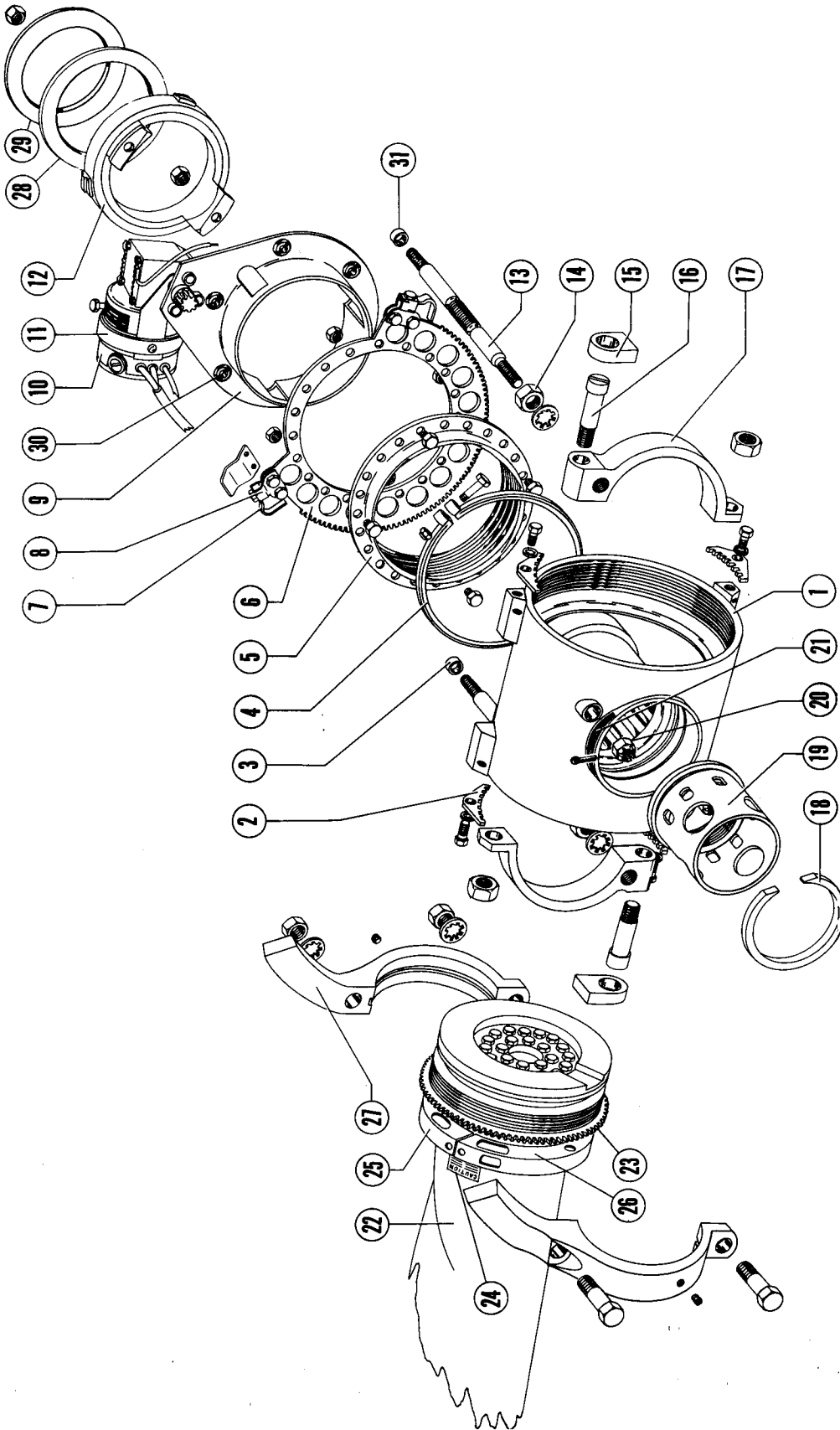


Figure 95. E200 Propeller Assembly

MODEL 35 THRU G35 PARTS CATALOG

FIG. & INDEX NO.	PART NO.	DESCRIPTION	UNITS PER ASSY	USABLE ON CODE
		1 2 3 4 5 6 7		
95	B200-110	PROPELLER ASSY.	1	A32
	B200-121	PROPELLER ASSY.	1	B4CDEFG
		/USE WITH FLIGHT RESEARCH GOVERNOR/		
	B200-100	. HUB ASSY.	1	
- 1	B200-200	. . . BODY,HUB	1	
- 2	B203-303	. . . LOCK	4	
	AN4-4A	. . . BOLT	4	
	AN936A416	. . . WASHER	4	
- 3	207-308	. . . SLEEVE	2	
- 4	R200-308	. . . RING	1	
	AN520-10-16	. . . SCREW	1	
	AN365-1032	. . . NUT	1	
- 5	B200-327	. . . HUB,RING GEAR	1	
- 6	B200-334	. . . GEAR,RING	1	A31BCDEFG
	AN3-4A	. . . BOLT	4	
	AN365-1032	. . . NUT	4	
	B200-428	. . . GEAR,RING	1	B4CDEFG
		/USE WITH FLIGHT RESEARCH GOVERNOR/		
- 7	B200-383	. . . STOP,OUTER SPRING	2	
	B200-384	. . . STOP,INNER SPRING	2	
- 8	B200-330	. . . BRACKET	2	
	AN3-3A	. . . BOLT	2	
	AN3-4A	. . . BOLT	4	
	AN365-1032	. . . NUT	6	
- 9	B200-401	. . . SLEEVE	1	BCDEFG
- 10	215-210	. . . MOTOR ASSY,/REPLACES B900-102 MOTOR/	1	
	SK-162	. . . BRUSH ASSY,/OHIO CARBON CO./	2	
	NO NUMBER	. . . SCREW	3	
	AN936A416	. . . WASHER	3	
- 11	R203-214	. . . BRACKET ASSY.	1	
	AN520-10-6	. . . SCREW	1	
	AN365-1032	. . . NUT	1	
	AN960-10L	. . . WASHER	1	
- 12	B200-202	. . . BEARING ASSY.	1	
	207-309	. . . NUT	2	
- 13	B200-373	. . . BOLT	2	
- 14	B200-363	. . . NUT	2	
- 15	B200-308	. . . BUSHING	2	
- 16	B200-306	. . . BOLT	2	
	AN960-516	. . . WASHER	2	
	AN365-524	. . . NUT	2	
- 17	205-302	. . . YOKE	2	
- 18	AN5009-10	. . . RING,SNAP	1	
- 19	B200-354	. . . NUT	1	
	B200-416	. . . NUT,/USE WITH FLIGHT RESEARCH GOVERNOR/	1	B4CDEFG
- 20	AN310-5	. . . NUT	2	
	AN380-2-2	. . . PIN,COTTER	2	
- 21	B200-343	. . . PLACARD	1	A31BCDEFG
	B200-429	. . . PLACARD,/USE WITH FLIGHT RESEARCH GOVERNOR/	1	B4CDEFG
	AN535-0-2	. . . SCREW	2	
	B200-245	. . . BLADE & WEIGHT ASSY	2	
- 22	B200-244-88	. . . BLADE ASSY.	2	
	B200-322-6	. . . RACE	2	
	B200-322-8	. . . RACE	2	
- 23	B200-313	. . . NUT	2	
- 24	B200-339	. . . PLACARD	2	
- 25	R201-208	. . . RING ASSY,BALANCE	2	
- 26	R203-328	. . . WEIGHT	2	
- 27	B200-347	. . . COUNTERWEIGHT	1	
	B200-347-1	. . . COUNTERWEIGHT	1	
	AN6-21A	. . . BOLT	2	
	AN6-13A	. . . BOLT	2	
	AN960-616	. . . WASHER	4	
	AN365-624	. . . NUT	4	
	NO NUMBER	. . . SCREW,SET	4	

MODEL 35 THRU G35 PARTS CATALOG

FIG. & INDEX NO.	PART NO.	DESCRIPTION	UNITS PER ASSY	USABLE ON CODE
		1 2 3 4 5 6 7		
95 - 28	R203-327	. SPACER.	1	
- 29	R203-312-2	. SPACER.	AR	
	R203-312-4	. SPACER.	AR	
- 30	B200-338	. GROMMET	6	A26
	B200-377	. GROMMET	6	BCDEFG
	B200-355	. PLATE, PROPELLER MOUNTING.	1	
	AN24-15A	. BOLT.	6	A26
	B200-430	. BOLT.	6	BCDEFG
	AN365-428	. NUT	6	
	AN960-416	. WASHER.	6	
	AN960-416L	. WASHER.	6	A26
	105090CR063-4-024	. WASHER.	6	BCDEFG
	105090CR016-4-020	. WASHER.	6	A26
	105090CR031-4-024	. WASHER.	6	BCDEFG
	100801X6-0375	. BUSHING	6	BCDEFG
	R203-339	. SCREW, PROPELLER MOUNTING.	4	
	B200-358	. CONE.	1	
- 31	207-308	SLEEVE.	1	

MODEL 35 THRU G35 PARTS CATALOG

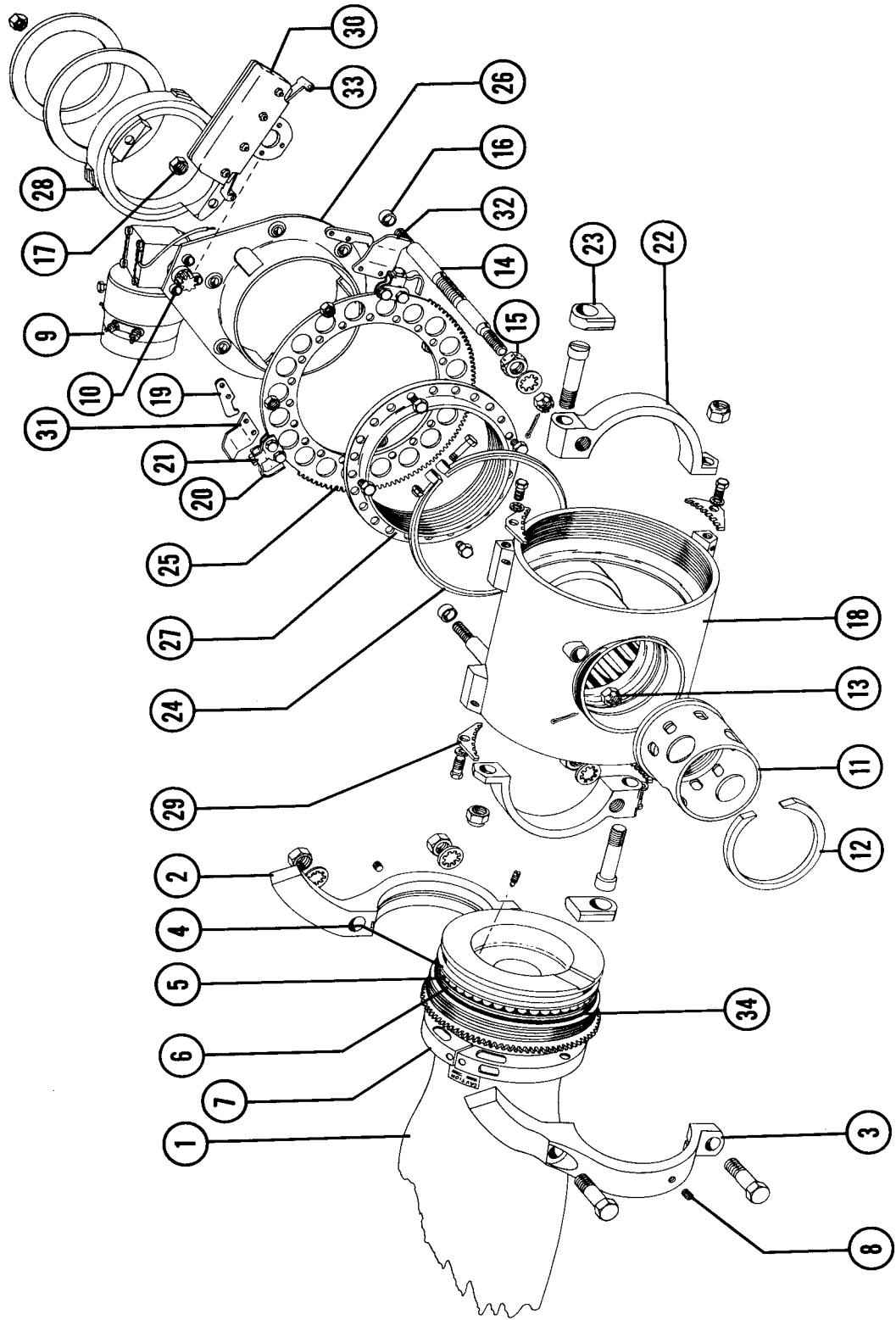


Figure 96. 215 Series Propeller Assembly

MODEL 35 THRU G35 PARTS CATALOG

FIG. & INDEX NO.	PART NO.	DESCRIPTION	UNITS PER ASSY	USABLE ON CODE
		1 2 3 4 5 6 7		
96	35-960023-601	PROPELLER ASSY,CONSTANT SPEED	1	FG
		/USED WITH E225-8 ENGINE/		
	35-960023-3	PROPELLER ASSY,MANUAL ELECTRIC.	1	FG
		/USED WITH E225-8 ENGINE/		
	35-960023-5	PROPELLER ASSY,MANUAL ELECTRIC.	1	F
		/USED WITH E185-11 ENGINE/		
	215-108	PROPELLER ASSY,CONSTANT SPEED	1	FG
		/USED WITH E225-8 ENGINE/		
	215-116	PROPELLER ASSY,MANUAL ELECTRIC.	1	FG
		/USED WITH 35-910175 GOVERNOR/		
	215-117	PROPELLER ASSY,MANUAL ELECTRIC.	1	FG
		/USED WITHOUT GOVERNOR/		
- 1	215-207-88	. BLADE ASSY.	2	
	215-207-88-14	. BLADE ASSY.	2	E7
	215-213-84	. BLADE ASSY.	2	FG
	B200-347-3	. . WEIGHT ASSY,COUNTER BALANCE	1	
- 2	B200-347	. . . WEIGHT,/USE IN MATCHED PAIRS/	NP	
- 3	B200-347-1	. . . WEIGHT,/USE IN MATCHED PAIRS/	NP	
- 4	215-319-2	. . RACE.	1	
- 5	NO NUMBER	. . BEARING,BALL /GRADE 1/ /STSB/	31	
- 6	215-319-4	. . RACE.	1	
	PRP6227-47	. . SEAL.	1	
	B200-313	. . NUT,RETAINING	1	
- 7	R201-208	. . RING ASSY	1	
	R203-328	. . WEIGHT.	1	
- 8	NO NUMBER	. . SCREW,HEX SOCKET SET.	2	
	215-322	. . WEIGHT.	8	
	215-109	. HUB ASSY,PROPELLER MANUAL ELECTRIC.	1	
- 9	215-210	. . MOTOR ASSY.	1	
	31-408	. . BRUSH,COMMUTATOR.	2	
	R203-214	. . BRACKET ASSY,MOTOR SUPPORT.	1	
- 10	215-363-2	. . SCREW,INTERNAL HEXAGONAL HEAD	3	
- 11	B200-416	. . NUT	1	
- 12	AN5009-10	. . RING,SNAP	1	
- 13	AN310-5	. . NUT	2	
- 14	B200-373	. . BOLT.	2	
- 15	B200-363	. . NUT	2	
- 16	207-308	. . SLEEVE.	2	
- 17	207-309	. . NUT	2	
- 18	215-208	. . HUB	1	
- 19	B200-372	. . CLIP.	2	
- 20	B200-383	. . STOP,SPRING /USE IN MATCHED PAIRS/	1	
	B200-384	. . STOP,SPRING /USE IN MATCHED PAIRS/	1	
- 21	B200-330	. . BRACKET	2	
	AN3-3A	. . BOLT.	2	
	AN3-6A	. . BOLT.	4	
- 22	AN365-1032	. . NUT	6	
	205-302	. . YOKE.	2	
	215-318	. . BOLT.	2	
	AN365-524	. . NUT	2	
- 23	215-317	. . BUSHING	2	
- 24	R200-308	. . RING.	1	
	AN520-10-18	. . SCREW	1	
	AN365-1032	. . NUT	1	
- 25	B200-334	. . GEAR.	1	
	AN3-4A	. . BOLT.	4	
	AN365-1032	. . NUT	4	
- 26	B200-401	. . SLEEVE.	1	
- 27	B200-327	. . GEAR,HUB.	1	
- 28	B200-202	. . BEARING ASSY.	1	
- 29	B200-303	. . LOCK.	2	
	AN4-4A	. . BOLT.	2	
	215-324	. . PLACARD,ALUMINUM BLADE.	1	
	215-361	. . PLACARD,HUB IDENTIFICATION.	1	

MODEL 35 THRU G35 PARTS CATALOG

FIG. & INDEX NO.	PART NO.	1	2	3	4	5	6	7	DESCRIPTION	UNITS PER ASSY	USABLE ON CODE	
96	AN535-0-2	.	.	SCREW	6		
	215-107	.	.	HUB ASSY, PROPELLER CONSTANT SPEED	1	FG	
				/USE WITH E225-8 ENGINE/ /SAME AS 215-109 & ADD LISTED PARTS/								
- 30	B200-257	.	.	SWITCH ASSY, CONSTANT SPEED	1		
- 31	B200-422	.	.	CAM	1		
	B200-422-1	.	.	CAM	1		
- 32	111514	.	.	SPRING	2		
- 33	AN123902	.	.	SEAL, OIL	2		
	AN6230B20	.	.	RING, O /ALTERNATE FOR AN123902/	2		

MODEL 35 THRU G35 PARTS CATALOG

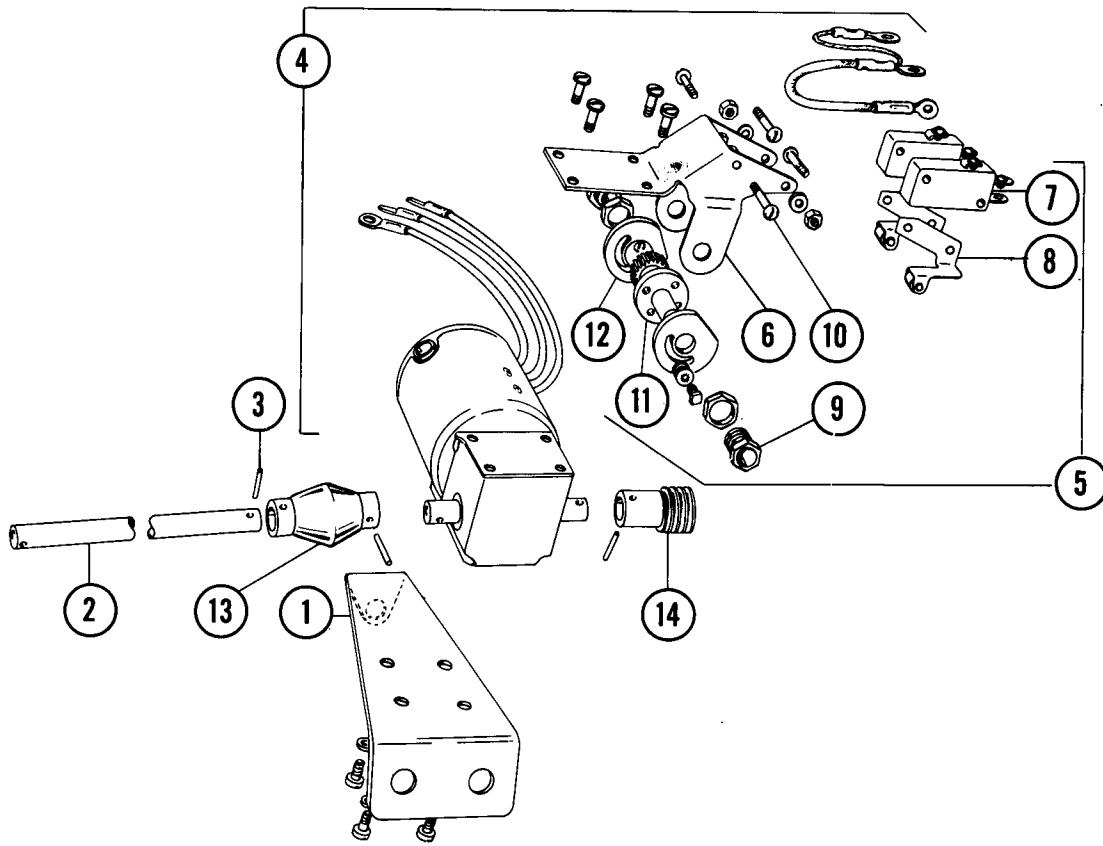


Figure 97. Propellor Pitch Control Assembly

FIG. & INDEX NO.	PART NO.	DESCRIPTION							UNITS PER ASSY	USABLE ON CODE
		1	2	3	4	5	6	7		
97 - 1	35-960005	BRACKET, MOTOR MOUNTING.	1	A3
- 2	35-960008	SHAFT, PITCH CONTROL.	1	
- 3	AN392-21	PIN, UNIVERSAL CONNECTING.	2	
	AN960-4	WASHER, UNIVERSAL CONNECTING.	2	
- 4	R900-101	MOTOR, PROPELLER PITCH CHANGE.	1	A19
	R900-107	MOTOR, PROPELLER PITCH CHANGE.	1	A30
	R900-109	MOTOR, PROPELLER PITCH CHANGE.	1	A33
	R900-102	MOTOR, PROPELLER PITCH CHANGE.	1	A34BCDEFG
- 5	R901-205	MECHANISM, LIMIT SWITCH.	1	A14
- 6	R900-377	BRACKET, LIMIT SWITCH.	1	
- 7	V-1	SWITCH, LIMIT.	2	
- 8	JV-5	SPRING ASSY.	2	
- 9	UB-241	BEARING, CAM SHAFT.	2	
- 10	AN515-4-10	SCREW, SWITCH RETAINER.	4	
	AN960-4	WASHER, SWITCH MOUNTING.	4	
	AN340-4	NUT, SWITCH RETAINER.	4	
- 11	R901-221	SHAFT ASSY, CAM.	1	
	AN936A616	WASHER, CAM SHAFT.	2	
- 12	R900-328	CAM, SWITCH ACTUATING.	1	
	AN500-6-4	SCREW, CAM GUIDE.	1	
	R900-332	WASHER, CAM GUIDE.	1	
	AN936A6	WASHER, CAM GUIDE.	1	
- 13	R900-329	UNIVERSAL, PITCH CONTROL.	1	
- 14	R900-325	GEAR, CAM ACTUATING.	1	

MODEL 35 THRU G35 PARTS CATALOG

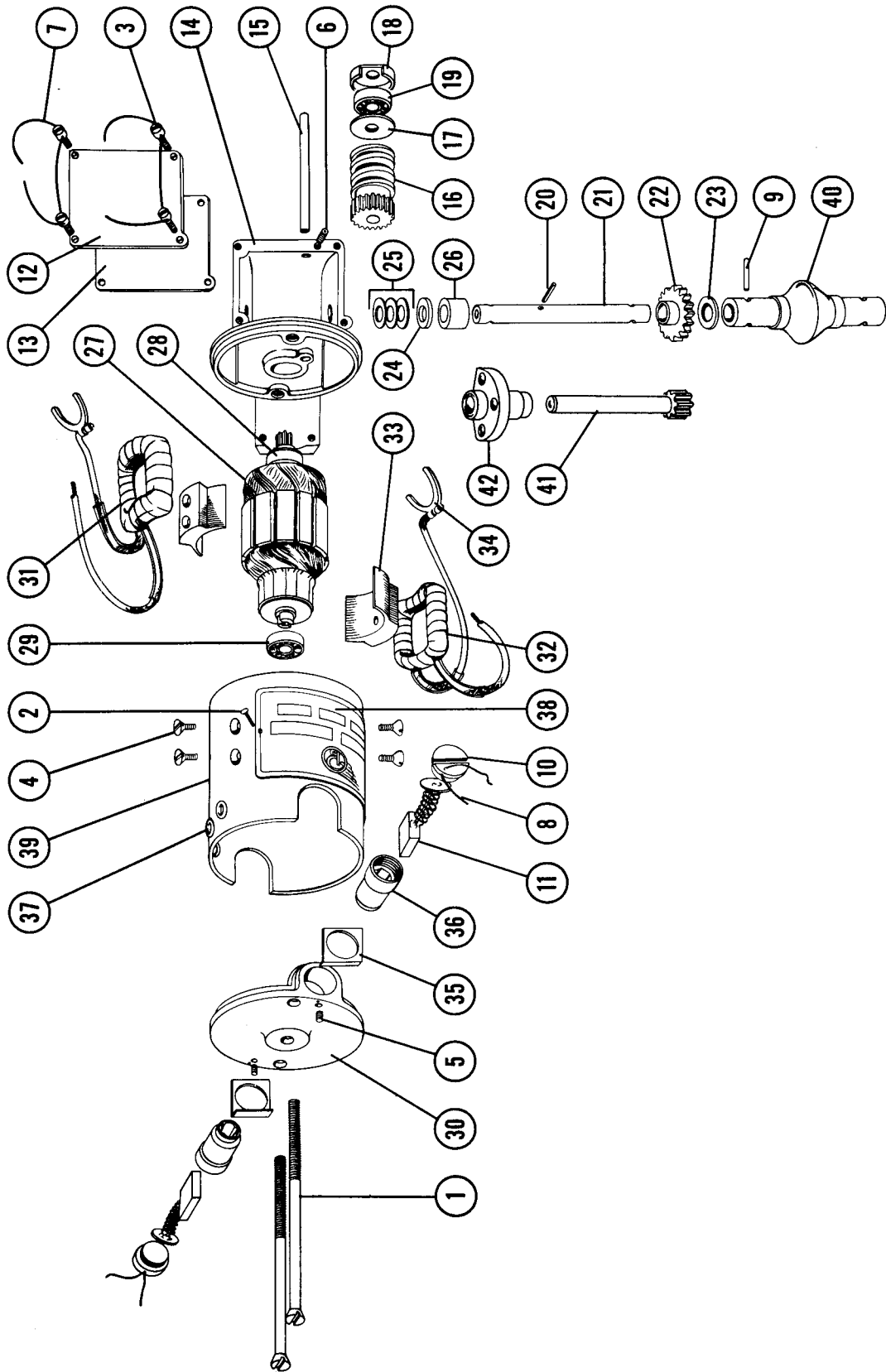


Figure 98. Propeller Pitch Motor Assembly

MODEL 35 THRU G35 PARTS CATALOG

FIG. & INDEX NO.	PART NO.	DESCRIPTION	UNITS PER ASSY	USABLE ON CODE
		1 2 3 4 5 6 7		
98	R900-101	MOTOR,PROPELLER PITCH CONTROL	1	A19
	R900-107	MOTOR,PROPELLER PITCH CONTROL	1	A30
	R900-109	MOTOR,PROPELLER PITCH CONTROL	1	A33
	R900-102	MOTOR,PROPELLER PITCH CONTROL	1	A34BCDEFG
- 1	R901-217-20	. SCREW	2	
- 2	AN535-2-2	. SCREW,DRIVE	2	
- 3	AN500A6-6	. SCREW	4	
- 4	AN505-6-5	. SCREW	4	
- 5	NO NUMBER	. SCREW,CAP	2	
- 6	NO NUMBER	. SCREW,CAP	1	
- 7	AAF995-32-6	. WIRE,LOCK	2	
- 8	AAF995-32-3	. WIRE,LOCK	2	
- 9	102809-125-022	. PIN	1	A3
- 10	456-0010-006	. CAP	2	
- 11	31-408	. BRUSH ASSY,/OHIO CARBON CO./	2	
- 12	R901-217-14	. COVER	1	
- 13	R901-217-16	. GASKET	1	
- 14	R901-217-12	. BOX,GEAR	1	
- 15	R901-217-26	. SHAFT	1	
- 16	R901-217-34	. GEAR,WORM	1	
	B900-300	. GEAR,WORM /USED ON B900-102 ONLY/	1	
- 17	R901-217-36	. WASHER,/NOT USED ON B900-102/	1	
- 18	R901-217-30	. HOLDER,BEARING /NOT USED ON B900-102/	1	
- 19	ND-R-4A	. BEARING	1	
	MRC4666	. BEARING,/USED ON B900-102 ONLY/	1	
- 20	AN385-30-6	. PIN,TAPER	1	
- 21	R901-217-6	. SHAFT	1	A3
- 22	R901-217-4	. GEAR	1	
	B900-301	. GEAR,/USED ON B900-102 ONLY/	1	
- 23	R901-217-42	. WASHER	1	
	AN960-616	. WASHER,/USED ON B900-102 ONLY/	1	
- 24	AN960-616L	. WASHER,/NOT USED ON B900-102/	1	
- 25	105090B005-6-020	. WASHER,/NOT USED ON B900-102/	AR	
- 26	100696S18-13-017	. SPACER	1	
	102933S7-0562-0531	. SPACER,/USED ON B900-102 ONLY/	1	
- 27	R901-217-10	. ROTOR	1	
- 28	R901-217-22	. WASHER,RUBBER	1	
- 29	ND-R4	. BEARING	2	
- 30	R901-217-8	. SHIELD,END	1	
- 31	215-325-2	. COIL	1	
- 32	215-325-4	. COIL	1	
- 33	R901-217-18	. SHOE,POLE	2	
- 34	R901-217-24	. LUG	2	
- 35	R901-217-28	. INSULATOR	2	
- 36	35-364151-15	. RIGGING,BRUSH	2	
- 37	AN240-3	. EYELET	3	
- 38	R901-311	. PLACARD	1	
- 39	R901-217-2	. HOUSING	1	
- 40	R900-329	. UNIVERSAL,/USED ON R900-101 & -107/	1	A3
- 41	B200-340	. GEAR,PINION /USED ON R900-109 & -102/	1	A23BCDEFG
- 42	R203-212	. BEARING ASSY,/USED ON R900-109 & -102/	1	

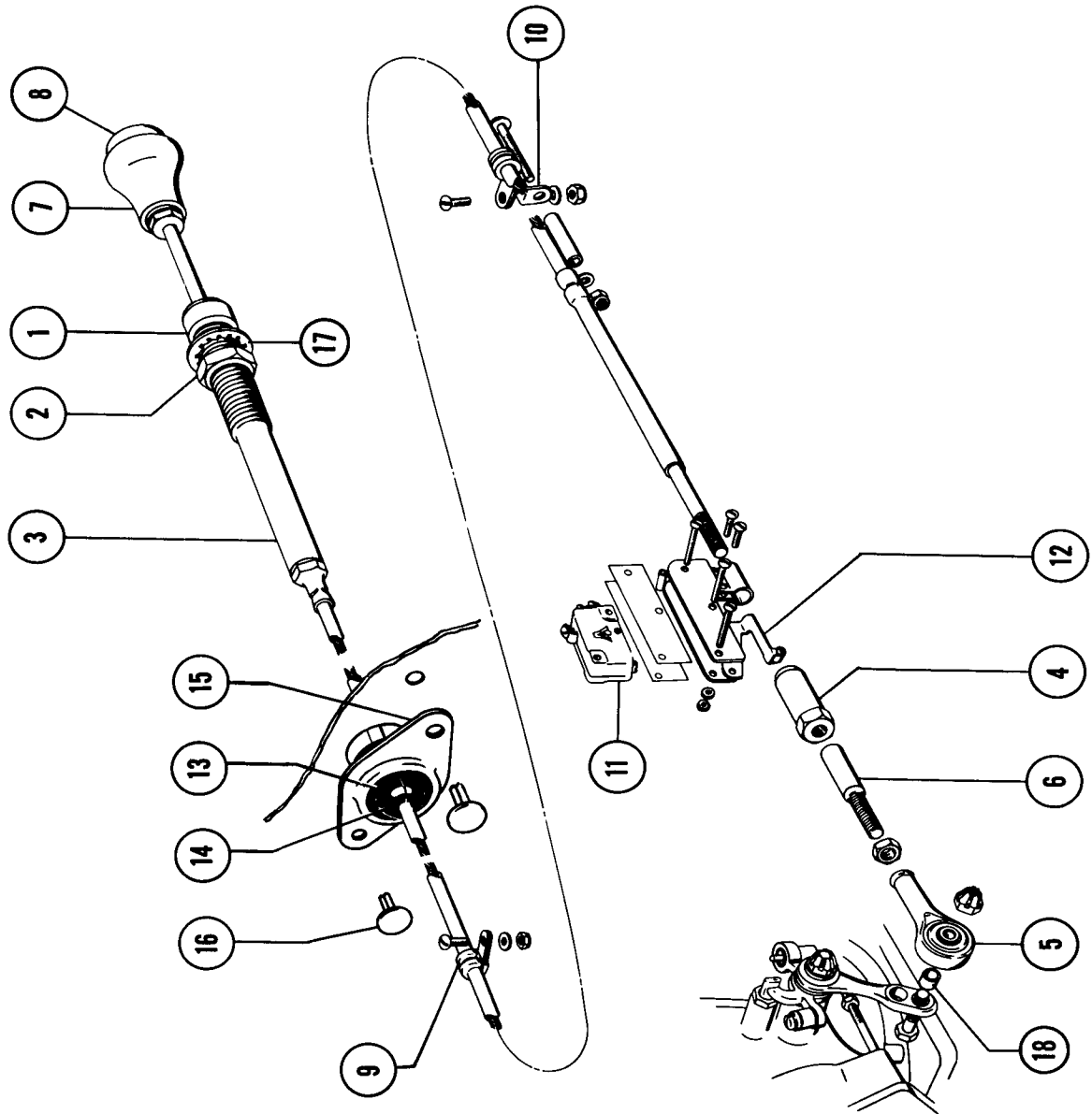


Figure 99. Throttle Control and Landing Gear Warning Switch

MODEL 35 THRU G35 PARTS CATALOG

FIG. & INDEX NO.	PART NO.	DESCRIPTION	UNITS PER ASSY	USABLE ON CODE
		1 2 3 4 5 6 7		
99	35-911944-600	CONTROL ASSY, THROTTLE	1	
- 1	35-944016	. NUT, THROTTLE LOCK	1	
- 2	AN924-8D	. NUT, THROTTLE CONTROL LOCK	1	
- 3	35-944046	. CONTROL ASSY, THROTTLE /INCLUDES KNOB ASSY/.	1	
	3V-700-ACSN-125-52-1/8	. CONTROL ASSY, THROTTLE	1	C7DEFG
- 4	35-369123	. ACTUATOR, THROTTLE CONTROL	1	
- 5	REB3N	. BEARING, THROTTLE CONTROL ROD END.	1	
- 6	35-944023	. EXTENSION, THROTTLE CONTROL.	1	
- 7	35-944036	. KNOB ASSY, THROTTLE CONTROL.	1	
	35-944042	. KNOB ASSY, THROTTLE CONTROL.	1	C7DEFG
	35-944043	. SPRING, THROTTLE CONTROL KNOB.	1	C7DEFG
- 8	35-944035	. BUTTON, THROTTLE CONTROL	1	
- 9	AN742D6C	CLAMP, THROTTLE CONTROL.	1	
	AN515-8-8	SCREW, CLAMP ATTACHING	1	
	AN960-8	WASHER, CLAMP ATTACHING.	1	
	AN365-832	NUT, CLAMP ATTACHING	1	
- 10	739-5	CLIP, THROTTLE CONTROL	1	
	739-7	CLIP, THROTTLE CONTROL	1	C7DEFG
	AN515-8-8	SCREW, CLIP ATTACHING.	2	
	AN960-8	WASHER, CLIP ATTACHING	2	
	AN365-832	NUT, CLIP ATTACHING.	2	
	105739S0200-0247-0250	BUSHING, THROTTLE CONTROL ATTACHING.	1	
	AN3-10	BOLT, THROTTLE CONTROL ATTACHING	1	
	AN310-3	NUT, THROTTLE CONTROL ATTACHING.	1	
	35-369001-602	SWITCH ASSY	1	
- 11	V3-1	. SWITCH, LANDING GEAR WARNING	1	
- 12	JV-5	. ACTUATOR, WARNING SWITCH	1	
	AN515-4-12	SCREW, WARNING SWITCH ATTACHING.	2	
	AN365-440	NUT, WARNING SWITCH ATTACHING.	2	
	AN960-4	WASHER, WARNING SWITCH ATTACHING	4	
	35-369131	INSULATOR, WARNING SWITCH.	2	
	35-369124	BRACKET, WARNING SWITCH.	1	
	AN515-4-6	SCREW, BRACKET ATTACHING	2	
	AN365-440	NUT, BRACKET ATTACHING	2	
	102933D1-0188-0410	SPACER, BRACKET.	1	
	AN515-4-12	SCREW, BRACKET SPACER ATTACHING.	1	
	AN365-440	NUT, BRACKET SPACER ATTACHING.	1	
	AN960-4	WASHER, BRACKET SPACER ATTACHING	2	
	35-415350	COVER, THROTTLE CONTROL.	1	
	100696P16-07-112	SPACER, BRACKET ATTACHING.	1	
	AN515-10-24	SCREW, BRACKET ATTACHING	1	
	AN960-10	WASHER, BRACKET ATTACHING.	1	
	AN365-1032	NUT, BRACKET ATTACHING	1	
- 13	112412	GROMMET, FIREWALL.	2	
- 14	112413-8	GROMMET, HALF BALL FIREWALL.	2	
- 15	NAS51-87	RETAINER.	1	A16
	112436-6	RETAINER.	1	A17BCDEFG
- 16	49338	FASTENER.	2	
	35-944029	CLAMP ASSY.	1	E8FG
- 17	1232-00	WASHER.	1	
- 18	105730S0200-0247-025	BUSHING	1	

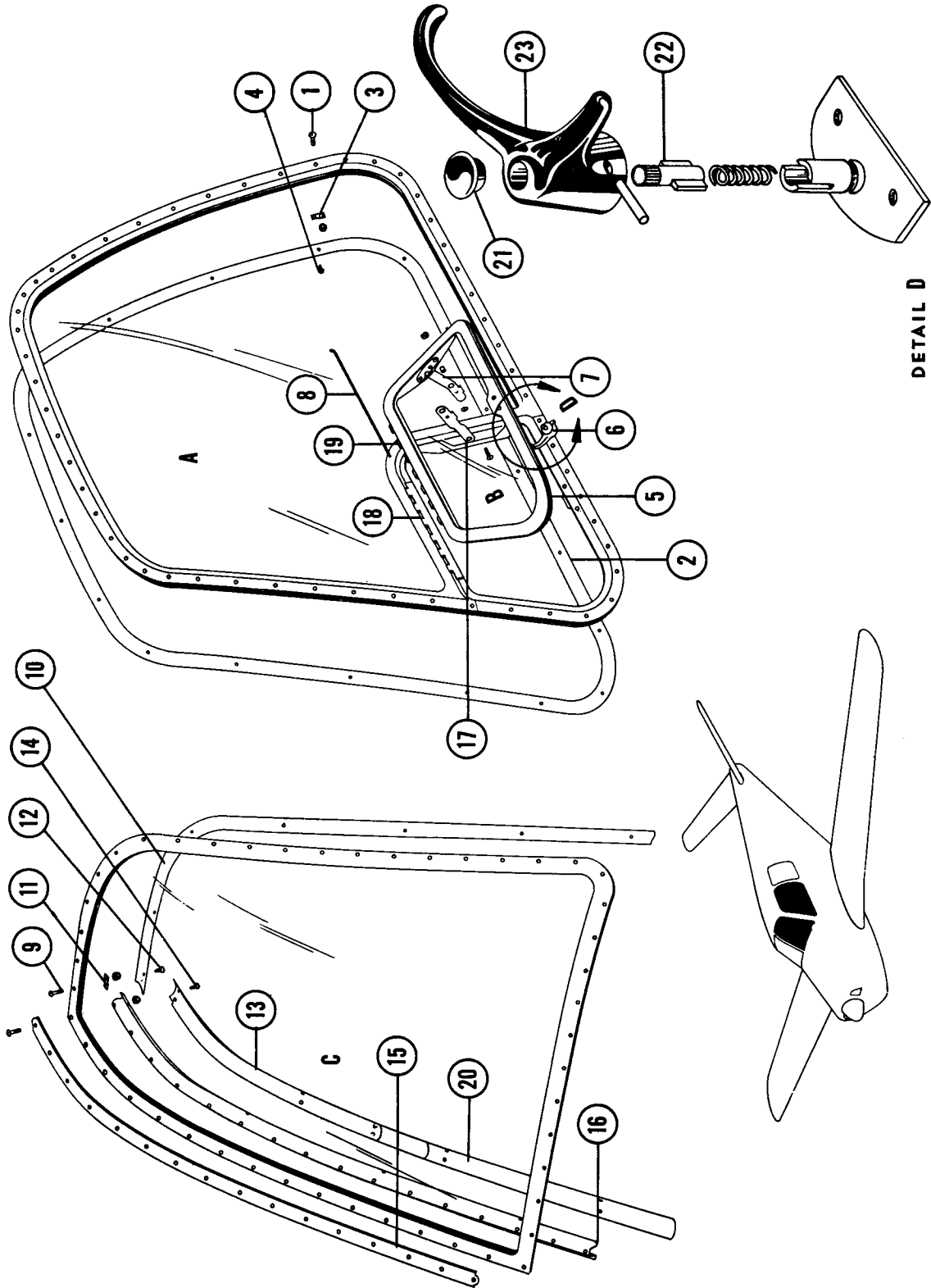


Figure 100. Windshield and Forward Window

MODEL 35 THRU G35 PARTS CATALOG

FIG. & INDEX NO.	PART NO.	DESCRIPTION							UNITS PER ASSY	USABLE ON CODE
		1	2	3	4	5	6	7		
100 - A	35-410291 SA14	WINDOW ASSY,FWD BODY /LESS LATCH ASSY/	1	ABCD EFG
	35-410291-628	WINDOW ASSY,FWD BODY /TINTED/ /INCLUDES LATCH ASSY/	1	
	35-410291-716	ROD ASSY,STORM WINDOW LATCH	1	EFG
- 1	AN507-632R6	SCREW,WINDOW ATTACHING	56	
	AN365-632	NUT,WINDOW ATTACHING	56	
- 2	35-410291-76	MOULDING,INNER WINDOW	1	
- 3	35-400315	CLIP,MOULDING ATTACHING	19	
- 4	PK84XA-4-4	SCREW,MOULDING ATTACHING	19	
- 8	35-410291 SA20	WINDOW ASSY,STORM	1	
	35-410291-626	WINDOW ASSY,STORM /TINTED/	1	EFG
- 5	111740-04124	. SEAL,STORM WINDOW	1	
- 6	35-410321	. LATCH ASSY,STORM WINDOW	1	
- 7	35-410325	ROD,STORM WINDOW STOP	1	
	102809A093-011	PIN,STORM WINDOW STOP	1	
	100801X2-0062	BUSHING,STORM WINDOW STOP HINGE	1	
	102933S4ZP0140	SPACER,STORM WINDOW STOP	1	
	227M82	NUT,STORM WINDOW STOP	1	
	35-410291-112	SEAL,STORM WINDOW	1	
- 8	35-410291-118	PIN,STORM WINDOW HINGE	1	
- C	35-410291-8	WINDSHIELD ASSY,LH /0.156 THICK/	1	
	35-410291-11	WINDSHIELD ASSY,RH /0.156 THICK/	1	
- 9	AN507-632R6	SCREW,WINDSHIELD ATTACHING	33	
	AN365-632	NUT,WINDSHIELD ATTACHING	33	
- 10	35-410291-80	MOULDING,INNER	1	
	35-410291-81	MOULDING,INNER	1	
- 11	35-410315	CLIP,MOULDING	8	
- 12	PK78XZ-4-4	SCREW,MOULDING ATTACHING	8	
- 13	35-410291-46	MOULDING,UPPER CENTER	1	
- 14	PK84XA-4-4	SCREW,ATTACHING	8	
- 15	35-410291-48	COVER,WINDSHIELD JOINT	1	
	AN507-632R7	SCREW,WINDSHIELD COVER	16	
	AN365-632	NUT,WINDSHIELD COVER	16	
- 16	35-410291-44	SECTION,INNER HAT	1	
	102933S4ZP	SLEEVE,STORM WINDOW STOP	1	
	102933S4ZP0159	SPACER,STORM WINDOW STOP	1	
	100801X2-0125	BUSHING,STORM WINDOW STOP SLEEVE	1	
	227M82	NUT,STORM WINDOW STOP HINGE	1	
- 18	35-410291-88	HINGE	1	
- 19	35-410291-90	HINGE	1	
- 20	35-410291-108	MOULDING,LOWER CENTER	1	
- D	35-410321	. LATCH ASSY,STORM WINDOW	1	
	35-410322	. . PLATE	1	
- 21	792417	. . BUTTON	1	
- 22	792416	. . KEY	1	
	763705	. . SPRING	1	
	767693	. . SHAFT	1	
	142952	. . PIN	1	
- 23	767688	. . HANDLE	1	
	35-410291-164	WINDSHIELD,LH /0.250 THICK/	1	
	35-410291-165	WINDSHIELD,RH /0.250 THICK/	1	

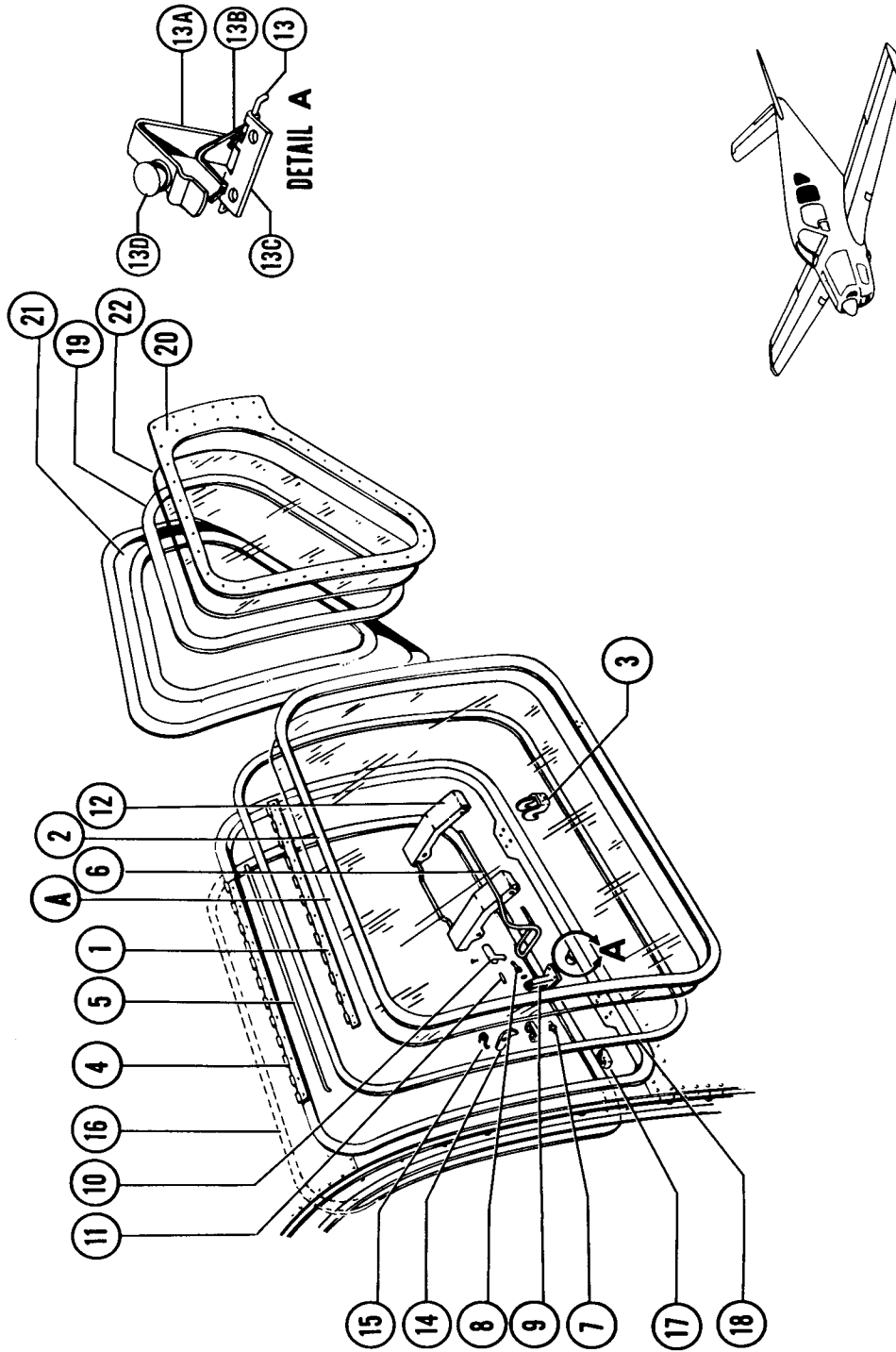


Figure 101. Center and Aft Windows

MODEL 35 THRU G35 PARTS CATALOG

FIG. & INDEX NO.	PART NO.	DESCRIPTION							UNITS PER ASSY	USABLE ON CODE
		1	2	3	4	5	6	7		
101	35-410291 SA100	WINDOW ASSY,REAR.	1	ABCD
	35-410291-128	WINDOW ASSY,REAR.	1	E
	35-410291-146	WINDOW ASSY,REAR.	1	FG
	35-410291 SA101	WINDOW ASSY,REAR.	1	ABCD
	35-410291-129	WINDOW ASSY,REAR.	1	E
	35-410291-147	WINDOW ASSY,REAR.	1	FG
- A	35-410291-12	. PLEXIGLAS,REAR WINDOW /CLEAR/	1	ABCD
	35-410291-130	. PLEXIGLAS,REAR WINDOW /TINTED/	1	EFG
- 1	35-410291-18	. HINGE,REAR WINDOW HALF.	1	
- 2	35-410291-144	. FRAME,REAR WINDOW	1	FG
	35-410291-145	. FRAME,REAR WINDOW	1	FG
- 3	35-400298	. SUPPORT,REAR WINDOW HANDLE.	1	
- 4	35-410291-98	HINGE,REAR WINDOW HALF.	1	
- 5	35-410291-52	PIN,REAR WINDOW HINGE	1	
- 6	35-410316	PIN,REAR WINDOW EMERGENCY PULL.	1	
	35-410316	PIN,REAR WINDOW EMERGENCY PULL.	1	
- 7	35-410317	PIN,REAR WINDOW EMERGENCY LINK.	2	
	NAS51-18N	RING.	4	
- 8	35-534064	LINK,REAR WINDOW HANDLE	2	
- 9	35-534061	SUPPORT,REAR WINDOW HANDLE.	2	
- 10	35-534057	LINK ASSY,REAR WINDOW	2	
- 11	35-534063	PIN,REAR WINDOW LINK ASSY	2	
	AN380-2-2	PIN,REAR WINDOW LINK COTTER	4	
- 12	35-415312-1	HANDLE ASSY,REAR WINDOW	1	
	35-415312-2	HANDLE ASSY,REAR WINDOW	1	
	35-410386 SA12	LOCK ASSY,REAR WINDOW	1	A17BC
- 13	35-410386-2	. PIN	1	
- 13A	35-410387	. STRAP	1	
- 13B	35-410388	. SPRING	1	
- 13C	35-410389	. HINGE	1	
- 13D	L-1148	KNOB.	1	
		/ATTACHING PARTS/								
	AN526-632-5	SCREW	1	
		-----*								
- 14	35-415311	LATCH,REAR WINDOW HANDLE.	1	DEFG
- 15	35-415310-1	SPRING,REAR WINDOW HANDLE LATCH	1	DEFG
	35-415310-2	SPRING,REAR WINDOW HANDLE LATCH	1	DEFG
	35-415309-1	CATCH ASSY,REAR WINDOW HANDLE	1	DEFG
	35-415309-2	CATCH ASSY,REAR WINDOW HANDLE	1	DEFG
- 16	35-410291-72	MOULDING,REAR WINDOW INSIDE	1	
	35-410291-73	MOULDING,REAR WINDOW INSIDE	1	
- 17	35-410323	CLIP,REAR WINDOW RETAINER	2	
- 18	S152	EXTRUSION,REAR WINDOW RUBBER.	1	
- 19	35-410000-92	FRAME,BAGGAGE WINDOW.	1	FG
	35-410000-93	FRAME,BAGGAGE WINDOW.	1	FG
- 20	35-410000-94	FRAME,BAGGAGE WINDOW OUTSIDE.	1	FG
	35-410000-95	FRAME,BAGGAGE WINDOW OUTSIDE.	1	FG
- 21	35-410000-96	MOULDING,BAGGAGE WINDOW	1	FG
	35-410000-97	MOULDING,BAGGAGE WINDOW	1	FG
	NAS384-6	SCREW	9	
- 22	35-410000-98	PANE,BAGGAGE WINDOW /TINTED/.	1	
	35-410000-99	PANE,BAGGAGE WINDOW /TINTED/.	1	
	35-410000-100	CLIP,BAGGAGE WINDOW	9	

MODEL 35 THRU G35 PARTS CATALOG

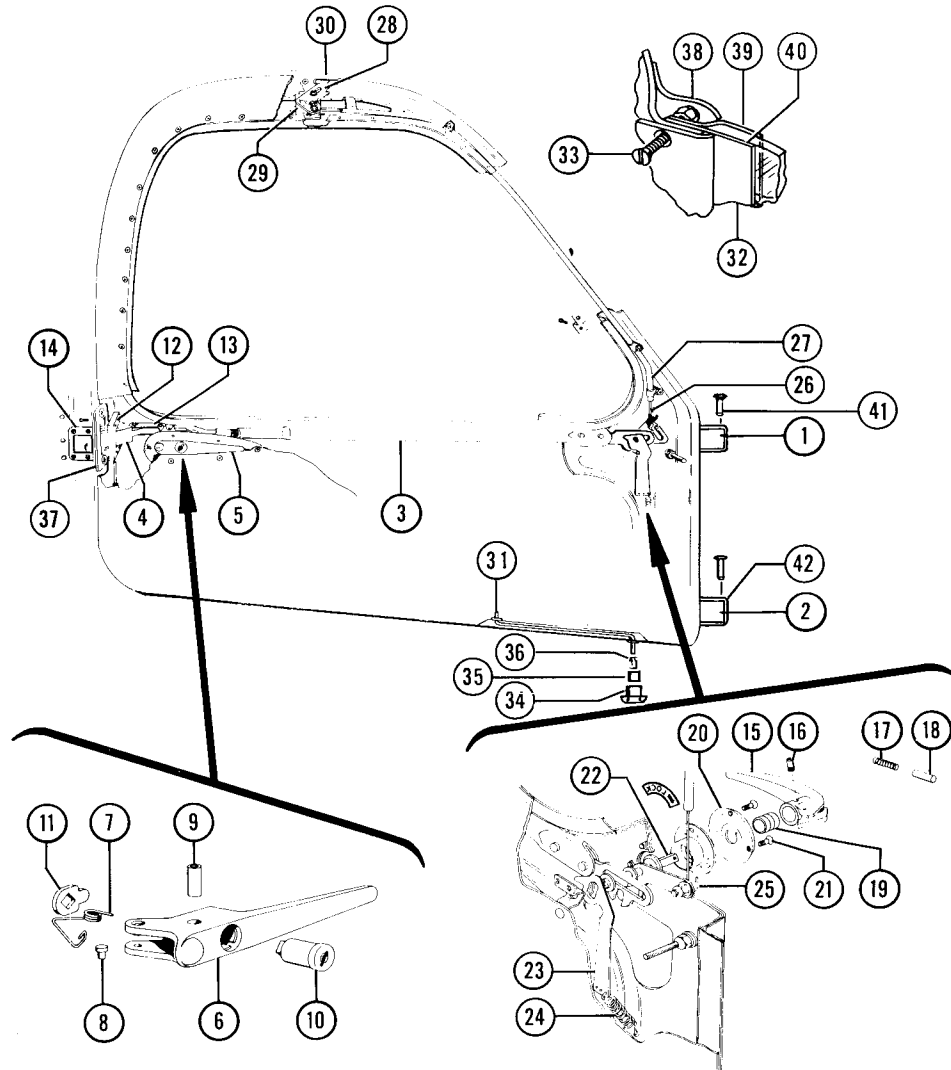


Figure 102. Cabin Door

MODEL 35 THRU G35 PARTS CATALOG

FIG. & INDEX NO.	PART NO.	DESCRIPTION							UNITS PER ASSY	USABLE ON CODE
		1	2	3	4	5	6	7		
102	35-400425 SA6	DOOR ASSY,CABIN /CLEAR WINDOW/	1	A14
	35-400010-606	DOOR ASSY,CABIN /CLEAR WINDOW/	1	A15A4BC13
	35-400010-614	DOOR ASSY,CABIN /CLEAR WINDOW/	1	C12D
	35-400010-616	DOOR ASSY,CABIN /TINTED WINDOW/	1	D
	35-400010-620	DOOR ASSY,CABIN /ARMREST/	1	G
	35-400425	. FRAME,CABIN DOOR.	1	A14
	35-400010	. FRAME,CABIN DOOR.	1	A15A4BCDEFG
- 1	35-400008	. . HINGE ASSY,LOWER.	1	A64
	35-400011	. . HINGE ASSY,LOWER.	1	A65BCDEFG
- 2	35-400018	. . HINGE ASSY,UPPER.	1	A64
	35-400012	. . HINGE ASSY,UPPER.	1	A65BCDEFG
- 3	35-400415	. LATCH,CONNECTING LINK CABIN DOOR.	1	A15A4B
	35-400461	. LATCH,CONNECTING LINK CABIN DOOR.	1	CDEFG
- 4	35-400417	. BOLT,CABIN DOOR LATCH	1	
- 5	35-400014	. HANDLE ASSY,OUTER	1	
- 6	35-400013	. . HANDLE,CABIN DOOR OUTER	1	
- 7	35-400031	. . SPRING,CABIN DOOR OUTER	1	
- 8	35-400033	. . STUD,CABIN DOOR HANDLE OUTER.	1	
- 9	101321-00A075	. . BUSHING,SPECIAL BEARING	1	
- 10	35-590070-3	. . PLUG,LOCK	1	
- 11	35-400044	. . CAM,CABIN DOOR HANDLE	1	
	35-400032	. SUPPORT ASSY,CABIN DOOR OUTSIDE HANDLE.	1	
- 12	35-400414	. GUIDE,CABIN DOOR LATCH BOLT	1	
	AN526-832-8	. SCREW,ATTACHING	2	
	AN393-69	. PIN	1	
- 13	35-400038	. LINK,CABIN DOOR OUTSIDE HANDLE.	1	A15A4B
	35-400041	. LINK,CABIN DOOR OUTSIDE HANDLE.	1	CDEFG
- 14	35-400322	. PLATE,STRIKER	1	
	35-400426	. HANDLE,CABIN DOOR LOCKING INSIDE.	1	A15A4B
- 15	35-400436	. HANDLE ASSY,INSIDE DOOR	1	CDEFG
	35-400439	. . HANDLE,CABIN DOOR LOCKING	1	
- 16	35-400432	. . SCREW,INSIDE HANDLE ATTACHING	1	CD7
	35-400465	. . SCREW,INSIDE HANDLE ATTACHING	1	D6EFG
- 17	35-400434	. . SPRING,INSIDE DOOR HANDLE	1	
- 18	102809A125-024	. . PIN	1	
- 19	35-400431	. . BUSHING,INSIDE DOOR HANDLE.	1	A15A4BCD7
	35-400467	. . BUSHING,INSIDE DOOR HANDLE.	1	D6EF8
	35-400467-3	. . BUSHING,INSIDE DOOR HANDLE.	1	F9G
	35-400437	. . LATCH,INSIDE DOOR HANDLE.	1	
	35-400378	. PLATE,INSIDE DOOR HANDLE ESCUTCHEON	1	A15A4B
- 20	35-400435	. PLATE,INSIDE DOOR HANDLE ESCUTCHEON	1	CDEFG
- 21	AN507-632R10	. SCREW,ATTACHING	2	
	35-400420	. SHAFT ASSY,CABIN DOOR HANDLE INSIDE	1	A15A4B
- 22	35-400464	. SHAFT ASSY,CABIN DOOR HANDLE INSIDE	1	CD7
	35-400464-2	. SHAFT ASSY,CABIN DOOR HANDLE INSIDE	1	D6EF8
	35-400464-4	. SHAFT ASSY,CABIN DOOR HANDLE INSIDE	1	F9G
	35-400418	. STOP,INSIDE CABIN DOOR HANDLE	1	A15A4B
- 23	35-400462	. STOP,INSIDE CABIN DOOR HANDLE	1	CDEFG
- 24	100942L023-17	. SPRING,STOP	1	
- 25	35-550520	. PIN,CONTROL ATTACHMENT.	2	
	102933S4ZJ0093	. SPACER.	1	
- 26	105774M-ZB04200	. WIRE,UPPER CATCH.	1	
- 27	35-400010-42	. HOUSING,UPPER CATCH WIRE.	1	
- 28	35-400387	. LATCH,CABIN DOOR UPPER.	1	A15A4BC13
	35-415396	. LATCH,CABIN DOOR UPPER.	1	C12DEFG
- 29	35-400386	. BRACKET,CABIN DOOR UPPER LATCH.	1	
- 30	35-400035	. LATCH,STRIKER PLATE UPPER CABIN DOOR.	1	
	35-400320-26	. STRIP,RUBBER DOOR SEAL.	1	
	35-400380	. RETAINER,DOOR HINGE PIN	2	
- 31	35-400379	. ROD,CABIN DOOR RETAINING.	1	A15A4BCDEFG
- 32	35-400320-10	. SASH ASSY,/CLEAR LUCITE/.	1	A1A2BCDE3
	35-400320-32	. SASH ASSY,/TINTED PLEXIGLAS/ /OPTIONAL/	1	D
	35-400320-32	. SASH ASSY,/TINTED PLEXIGLAS/ /STANDARD/	1	EFG

MODEL 35 THRU G35 PARTS CATALOG

FIG. & INDEX NO.	PART NO.	DESCRIPTION							UNITS PER ASSY	USABLE ON CODE
		1	2	3	4	5	6	7		
102 - 33	AN507-632R6	46	
	AN365-632	46	
- 34	35-410176	1	
- 35	35-410177	1	
- 36	35-410287	1	
	35-400029	1	
- 37	35-400322-2	1	
- 38	35-400320-20	1	
- 39	35-400320-6	1	
- 40	35-400320-8	1	
	35-410431	1	
- 41	AN393-63	2	
	35-400380	2	
- 42	35-400405	1	

MODEL 35 THRU G35 PARTS CATALOG

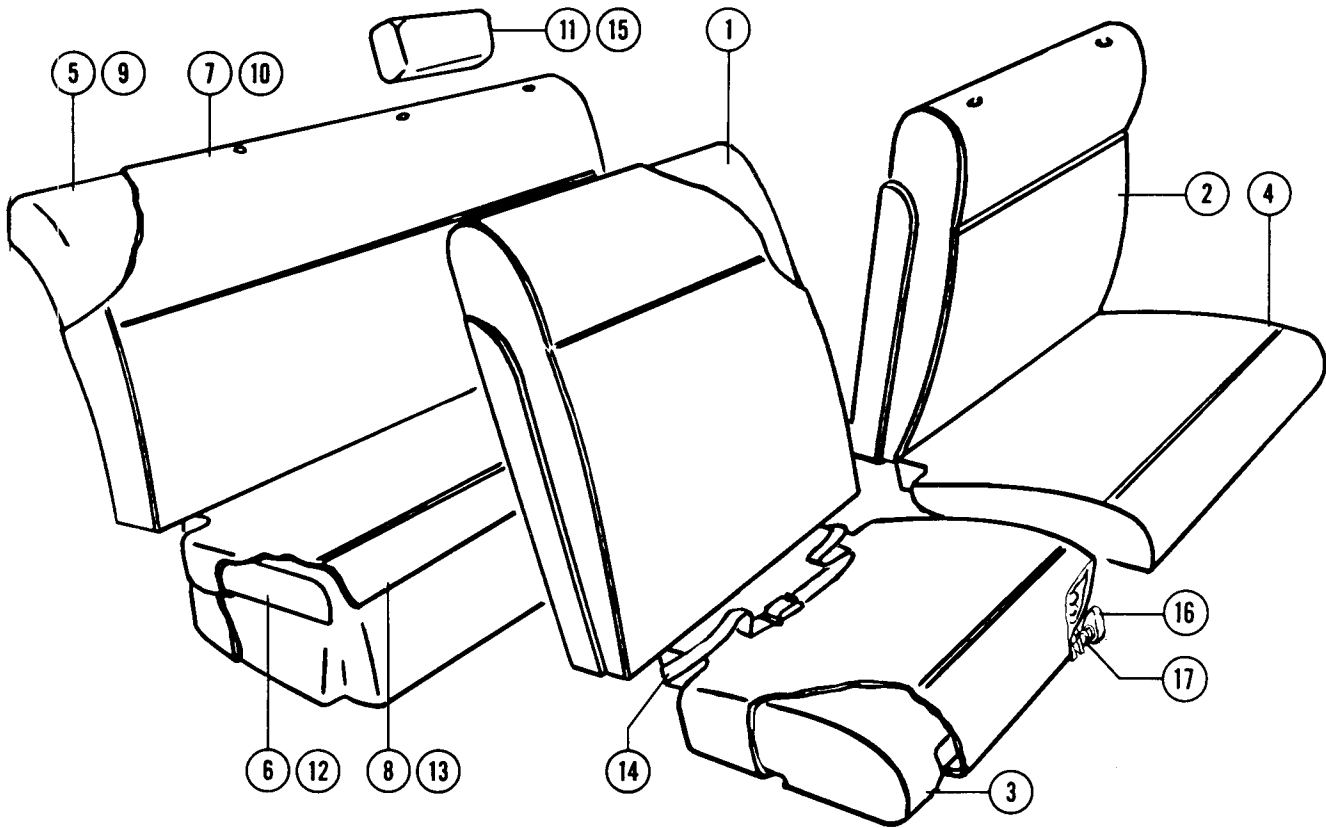


Figure 103. Seat Assemblies

FIG. & INDEX NO.	PART NO.	DESCRIPTION							UNITS PER ASSY	USABLE ON CODE	
		1	2	3	4	5	6	7			
103	35-534158	BACK ASSY,FRONT SEAT.	2	A	
	35-534161	BACK ASSY,QUILTED FRONT SEAT.	2	B	
	35-534262	BACK ASSY,FRONT SEAT.	2	C	
	35-534321	BACK ASSY,FRONT SEAT.	2	D	
	35-534321-2	BACK ASSY,FRONT SEAT.	2	EF	
	35-534321	BACK ASSY,FRONT SEAT /ALTERED/.	2	G	
	- 1	35-534204	. CUSHION,FRONT SEAT BACK	1	A
		35-NF6017	. CUSHION,FRONT SEAT BACK	1	DEFG
		35-534157	. SPRING,FRONT SEAT BACK	18	
	- 2	35-534158-14	. COVER,FRONT SEAT BACK	1	A
		35-534161-2	. COVER,QUILTED FRONT SEAT BACK	1	B
		35-534262-2	. COVER,FRONT SEAT BACK	1	C
		35-534321-14	. COVER,FRONT SEAT BACK	1	DEF
35-534166		. STRUCTURE ASSY,FRONT SEAT BACK.	1	ABC	
35-534222		. STRUCTURE ASSY,FRONT SEAT BACK.	1	D	
35-534361-32		. STRUCTURE ASSY,FRONT SEAT BACK.	1	EFG	
35-534151		BOTTOM ASSY,FRONT SEAT.	1	A1	
35-534181		BOTTOM ASSY,FRONT SEAT.	1	A2	
35-534162		BOTTOM ASSY,QUILTED FRONT SEAT.	1	B	
- 3	35-534261	BOTTOM ASSY,FRONT SEAT.	1	C	
	35-534324-2	BOTTOM ASSY,FRONT SEAT.	1	DEF	
	35-534324	BOTTOM ASSY,FRONT SEAT /ALTERED/.	1	G	
	35-534205	. CUSHION ASSY,FRONT SEAT BOTTOM.	1	ABC	
	35-NF6011	. CUSHION ASSY,FRONT SEAT BOTTOM.	1	DEFG	
	35-534157	. SPRING,FRONT SEAT BOTTOM.	30		

MODEL 35 THRU G35 PARTS CATALOG

FIG. & INDEX NO.	PART NO.	DESCRIPTION	UNITS PER ASSY							USABLE ON CODE			
			1	2	3	4	5	6	7				
103 -	4	35-534151-14	•	•	•	•	•	•	•	•	1	A1	
		35-534181-14	•	•	•	•	•	•	•	•	•	1	A2
		35-534162-2	•	•	•	•	•	•	•	•	•	1	B
		35-534261-2	•	•	•	•	•	•	•	•	•	1	C
		35-534324-14	•	•	•	•	•	•	•	•	•	1	DEF
		35-534167	•	•	•	•	•	•	•	•	•	1	ABCDEF
		35-534361-2	•	•	•	•	•	•	•	•	•	1	G
		35-534304-603	UPHOLSTERED ASSY,FRONT SEAT /BOTTOM & BACK/	•	•	•	•	•	•	•	•	1	G
		35-534152	SEAT ASSY,REAR	•	•	•	•	•	•	•	•	1	A1
	-	5	35-534155	•	•	•	•	•	•	•	•	1	A1
	-	6	35-534156	•	•	•	•	•	•	•	•	1	A1
		35-534157	•	•	•	•	•	•	•	•	•	60	A1
	-	7	35-534152-24	•	•	•	•	•	•	•	•	1	A1
	-	8	35-534152-48	•	•	•	•	•	•	•	•	1	A1
		35-534168	•	•	•	•	•	•	•	•	•	1	A1
		35-534186	BACK ASSY,REAR SEAT	•	•	•	•	•	•	•	•	1	A2
		35-534163	BACK ASSY,QUILTED REAR SEAT	•	•	•	•	•	•	•	•	1	B
	35-534255	BACK ASSY,REAR SEAT	•	•	•	•	•	•	•	•	1	C	
	35-534325	BACK ASSY,REAR SEAT	•	•	•	•	•	•	•	•	1	D	
-	9	35-534206	•	•	•	•	•	•	•	•	1	A2B	
	35-534257	•	•	•	•	•	•	•	•	•	1	CD	
	35-534275	•	•	•	•	•	•	•	•	•	1	CD	
	35-534157	•	•	•	•	•	•	•	•	•	30	A2BCD	
-	10	35-534186-10	•	•	•	•	•	•	•	•	1	A2	
	35-534163-20	•	•	•	•	•	•	•	•	•	1	B	
	35-534255-28	•	•	•	•	•	•	•	•	•	1	C	
	35-534325-10	•	•	•	•	•	•	•	•	•	1	D	
	35-534325-28	•	•	•	•	•	•	•	•	•	1	D	
	35-534187	•	•	•	•	•	•	•	•	•	1	A2B	
	35-534256	•	•	•	•	•	•	•	•	•	1	CD	
	35-534257	•	•	•	•	•	•	•	•	•	1	EF	
	35-534355-636	•	•	•	•	•	•	•	•	•	2	EF	
	35-534304-605	•	•	•	•	•	•	•	•	•	1	G	
-	11	35-534304-642	•	•	•	•	•	•	•	•	1	G	
	35-534304-643	•	•	•	•	•	•	•	•	•	1	G	
	35-534256-28	•	•	•	•	•	•	•	•	•	1	F	
	35-534360-11	•	•	•	•	•	•	•	•	•	1	G	
	35-534157	•	•	•	•	•	•	•	•	•	28	F	
	35-534194	•	•	•	•	•	•	•	•	•	1	A2	
	35-534164	•	•	•	•	•	•	•	•	•	1	B	
	35-534208	•	•	•	•	•	•	•	•	•	1	C	
	35-534326	•	•	•	•	•	•	•	•	•	1	D	
-	12	35-534206	•	•	•	•	•	•	•	•	1	A2B	
	35-534207	•	•	•	•	•	•	•	•	•	1	CD	
	35-534157	•	•	•	•	•	•	•	•	•	32	A2BCD	
-	13	35-534194-10	•	•	•	•	•	•	•	•	1	A2	
	35-534164-18	•	•	•	•	•	•	•	•	•	1	B	
	35-534208-2	•	•	•	•	•	•	•	•	•	1	BC	
	35-534326-10	•	•	•	•	•	•	•	•	•	1	D	
	35-534195	•	•	•	•	•	•	•	•	•	1	A2BC	
	35-534209	•	•	•	•	•	•	•	•	•	1	D	
	35-534207	•	•	•	•	•	•	•	•	•	1	EF	
	35-534304-604	•	•	•	•	•	•	•	•	•	1	G	
	35-534355-1	•	•	•	•	•	•	•	•	•	1	EF	
	35-534360-1	•	•	•	•	•	•	•	•	•	1	G	
	35-534157	•	•	•	•	•	•	•	•	•	16	EFG	
-	14	35-534267	•	•	•	•	•	•	•	•	2	AB	
	35-534265	•	•	•	•	•	•	•	•	•	1	AB	
	35-534266	•	•	•	•	•	•	•	•	•	1	AB	
	35-534269-13	•	•	•	•	•	•	•	•	•	2		
	35-534269-15	•	•	•	•	•	•	•	•	•	2		
	35-534344	•	•	•	•	•	•	•	•	•	1	F	
-	15	35-534356	•	•	•	•	•	•	•	•	1	F	
	35-534247	•	•	•	•	•	•	•	•	•	1	D	
	35-534247-1	•	•	•	•	•	•	•	•	•	1	D	
	50-534070	•	•	•	•	•	•	•	•	•	2	FG	
-	16	35-534327-603	•	•	•	•	•	•	•	•	1	A66	
	35-534327-604	•	•	•	•	•	•	•	•	•	1	A66	
-	17	35-534348-1	•	•	•	•	•	•	•	•	1	A66	
	35-534348-2	•	•	•	•	•	•	•	•	•	1	A66	
	35-534370-1	•	•	•	•	•	•	•	•	•	1	A67BCDEFG	
	35-534370-2	•	•	•	•	•	•	•	•	•	1	A67BCDEFG	

PLEASE SPECIFY SHIP SERIAL WHEN ORDERING REPLACEMENT PARTS.

MODEL 35 THRU G35 PARTS CATALOG

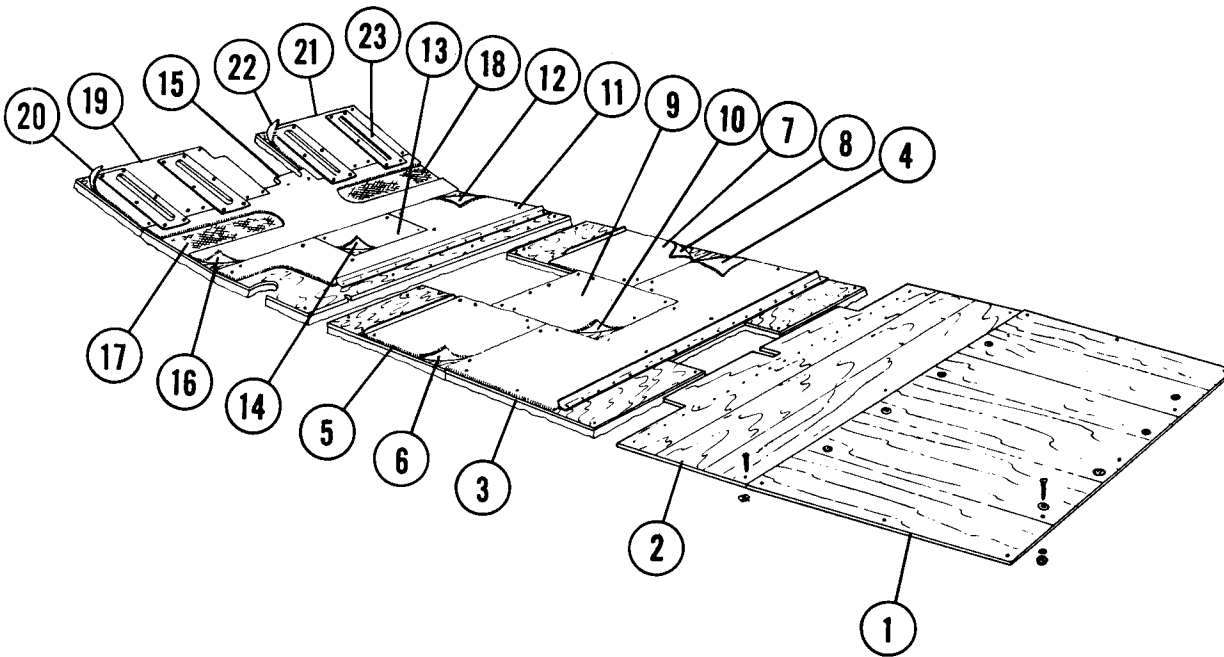


Figure 104. Cabin And Baggage Compartment Floorboards

FIG. & INDEX NO.	PART NO.	DESCRIPTION	INDEX							UNITS PER ASSY	USABLE ON CODE
			1	2	3	4	5	6	7		
104 - 1	35-410501-42	FLOORBOARD ASSY,BAGGAGE COMPARTMENT	1	A1
- 2	35-410501-40	FLOORBOARD ASSY,REAR CABIN.	1	A1
- 3	35-410501-638	FLOORBOARD ASSY,CABIN *	1	A1
- 4	35-534041-122	. SECTION,CABIN FLOOR CARPET.	1	A1
- 5	35-410501-636	FLOORBOARD ASSY,CABIN *	1	A1
- 6	35-534041-80	. SECTION,CABIN FLOOR CARPET.	1	A1
- 7	35-410501-650	FLOORBOARD ASSY,CABIN *	1	A1
- 8	35-534041-82	. SECTION,CABIN FLOOR CARPET.	1	A1
- 9	35-410501-646	FLOORBOARD ASSY,CENTER *	1	A1
- 10	35-534041-124	. SECTION,CENTER CARPET	1	A1
- 11	35-410501-634	FLOORBOARD ASSY,CABIN *	1	A1
- 12	35-534041-92	. SECTION,CABIN FLOOR CARPET.	1	A1
- 13	35-410501-654	FLOORBOARD ASSY,CENTER *	1	A1
- 14	35-534041-192	SECTION,CENTER FLOORBOARD CARPET.	1	A1
- 15	35-410501-632	FLOORBOARD ASSY,CABIN *	1	A1
- 16	35-534041-94	. SECTION,CABIN FLOOR CARPET.	1	A1
- 17	35-534300-154	. PAD,CABIN FLOOR HEEL LH	1	A1
- 18	35-534300-155	. PAD,CABIN FLOOR HEEL RH	1	A1
	PK78XZ-6-12	. SCREW,FLOORBOARD ATTACHING.	9	A1
	6SCK	. WASHER.	9	A1
- 19	35-410501-602	FLOORBOARD ASSY,CABIN *	1	A1
- 20	35-534041-98	. SECTION,CABIN FLOOR CARPET.	1	A1
- 21	35-410501-604	FLOORBOARD ASSY,CABIN	1	A1

MODEL 35 THRU G35 PARTS CATALOG

FIG. & INDEX NO.	PART NO.	DESCRIPTION							UNITS PER ASSY	USABLE ON CODE
		1	2	3	4	5	6	7		
104 - 22	35-534041-96	1	A1
- 23	35-534053	2	A1
	111191-06000	2	A8BCDEFG
	111192-02400	2	A8BCDEFG
	506-1NP	4	A8BCDEFG

*THIS ASSEMBLY IS COMPLETE WITH CARPET, SOUND
PROOFING, REINFORCEMENTS, ATTACHING SCREW & NUTS.
PLEASE SPECIFY SHIP SERIAL & COLOR OF MATERIAL
WHEN ORDERING PARTS.

MODEL 35 THRU G35 PARTS CATALOG

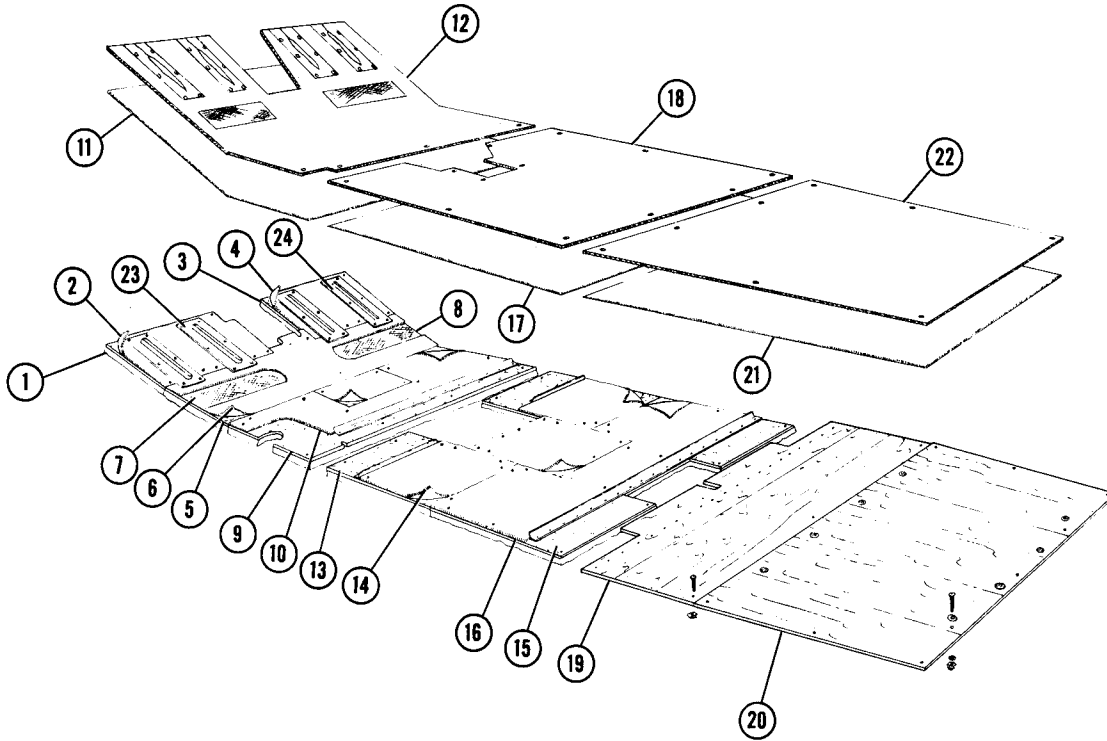


Figure 105. Cabin And Baggage Compartment Floorboards

FIG. & INDEX NO.	PART NO.	DESCRIPTION	UNITS PER ASSY	USABLE ON CODE
		1 2 3 4 5 6 7		
105 - 1	35-415380-608	FLOORBOARD ASSY, RUDDER	1	A2BCDEF
	35-534304-633	FLOORBOARD ASSY, RUDDER /STANDARD SOUNDPROOFING/	1	G
	35-415380-645	FLOORBOARD ASSY, RUDDER /SUPER SOUNDPROOFING/ . .	1	G
- 2	35-534041-96	. CARPET	1	A2B
	35-534300-176	. CARPET	1	CDEF
	35-534041-168	. MAT, SOUNDPROOFING	1	A2B
	35-534300-194	. MAT, SOUNDPROOFING	1	CDEF
- 3	35-415380-610	FLOORBOARD ASSY, RUDDER	1	A2BCDEF
	35-534304-634	FLOORBOARD ASSY, RUDDER /STANDARD SOUNDPROOFING/	1	G
	35-534304-646	FLOORBOARD ASSY, RUDDER /SUPER SOUNDPROOFING/ . .	1	G
- 4	35-534041-98	. CARPET	1	A2B
	35-534300-178	. CARPET	1	CDEF
	35-534041-170	. MAT, SOUNDPROOFING	1	A2BCDEF
- 5	35-415380-602	FLOORBOARD ASSY, HEEL	1	A2BCDEF
	35-534304-635	FLOORBOARD ASSY, HEEL /STANDARD SOUNDPROOFING/ .	1	G
	35-534304-647	FLOORBOARD ASSY, HEEL /SUPER SOUNDPROOFING/ . . .	1	G
- 6	35-534041-94	. CARPET	1	A2B
	35-534300-180	. CARPET	1	CDEF
	35-534341-166	. MAT, SOUNDPROOFING	1	A2B
	35-534300-196	. MAT, SOUNDPROOFING	1	CDEF
- 7	35-534300-154	. PAD, HEEL LH	1	A1A2BCDEF
- 8	35-534300-155	. PAD, HEEL RH	1	A1A2BCDEF
- 9	35-415380-604	FLOORBOARD ASSY, FWD	1	A2BCDEF
	35-534304-636	FLOORBOARD ASSY, FWD /STANDARD SOUNDPROOFING/ . .	1	G
	35-534304-648	FLOORBOARD ASSY, FWD /SUPER SOUNDPROOFING/ . . .	1	G

MODEL 35 THRU G35 PARTS CATALOG

FIG. & INDEX NO.	PART NO.	DESCRIPTION							UNITS PER ASSY	USABLE ON CODE
		1	2	3	4	5	6	7		
105 - 10	35-534200-42	•	•	•	•	•	•	•	1	A2B
	35-534300-182	•	•	•	•	•	•	•	1	CDEF
	35-534200-48	•	•	•	•	•	•	•	1	A2B
	35-534300-198	•	•	•	•	•	•	•	1	CDEF
- 11	35-534304-624	•	•	•	•	•	•	•	1	G
	35-534304-625	•	•	•	•	•	•	•	1	G
- 12	35-534304-630	•	•	•	•	•	•	•	1	G
- 13	35-415380-620	•	•	•	•	•	•	•	1	A2BCDEF
	35-534304-637	•	•	•	•	•	•	•	1	G
	35-534304-649	•	•	•	•	•	•	•	1	G
- 14	35-534200-40	•	•	•	•	•	•	•	1	A2B
	35-534300-184	•	•	•	•	•	•	•	1	CDEF
	35-534200-50	•	•	•	•	•	•	•	1	A2B
	35-534300-204	•	•	•	•	•	•	•	1	CDEF
	35-415380-22	•	•	•	•	•	•	•	1	
- 15	35-415380-616	•	•	•	•	•	•	•	1	A2BCDEF
	35-534304-638	•	•	•	•	•	•	•	1	G
	35-534304-650	•	•	•	•	•	•	•	1	G
- 16	35-534200-36	•	•	•	•	•	•	•	1	A2B
	35-534300-190	•	•	•	•	•	•	•	1	CDEFG
	35-534200-52	•	•	•	•	•	•	•	1	A2B
	35-534300-208	•	•	•	•	•	•	•	1	CDEFG
- 17	35-534304-626	•	•	•	•	•	•	•	1	G
	35-534304-627	•	•	•	•	•	•	•	1	G
- 18	35-534304-631	•	•	•	•	•	•	•	1	G
- 19	35-415380-20	•	•	•	•	•	•	•	1	A2BCDEF
	35-534304-639	•	•	•	•	•	•	•	1	G
	35-534304-651	•	•	•	•	•	•	•	1	G
	35-534304-628	•	•	•	•	•	•	•	1	G
- 20	35-415380-30	•	•	•	•	•	•	•	1	A2BCDEF
	35-534304-640	•	•	•	•	•	•	•	1	G
	35-534304-652	•	•	•	•	•	•	•	1	G
- 21	35-534304-629	•	•	•	•	•	•	•	1	G
- 22	35-534304-632	•	•	•	•	•	•	•	1	G
- 23	35-534051	•	•	•	•	•	•	•	2	
- 24	35-534053	•	•	•	•	•	•	•	2	
	111191-06000	•	•	•	•	•	•	•	2	
	111192-02400	•	•	•	•	•	•	•	2	
	6411B N.P.	•	•	•	•	•	•	•	4	

PLEASE SPECIFY SHIP SERIAL & COLOR OF MATERIAL
WHEN ORDERING PARTS.

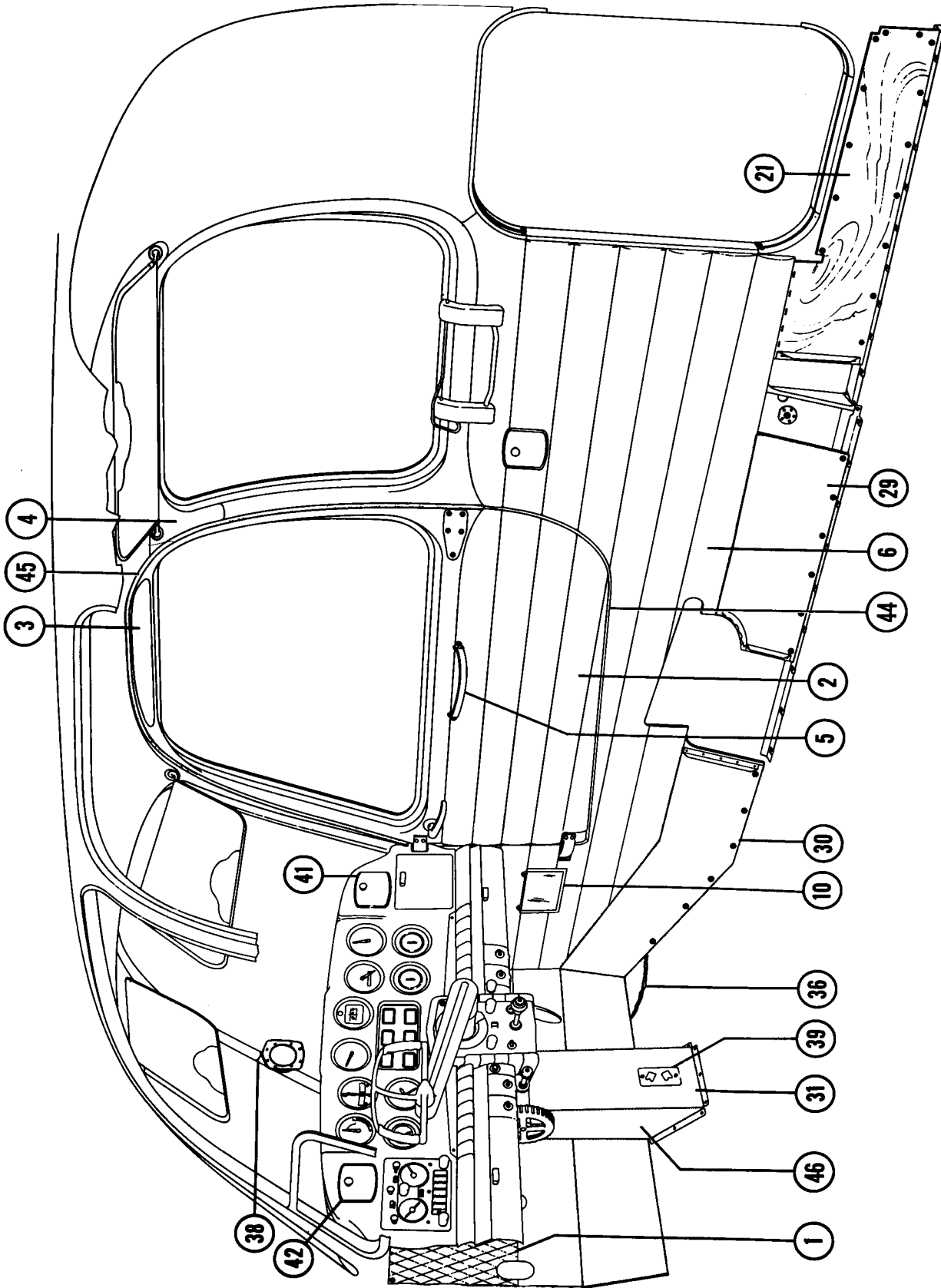


Figure 106. Cabin Furnishings (Sheet 1 of 2 Sheets)

MODEL 35 THRU G35 PARTS CATALOG

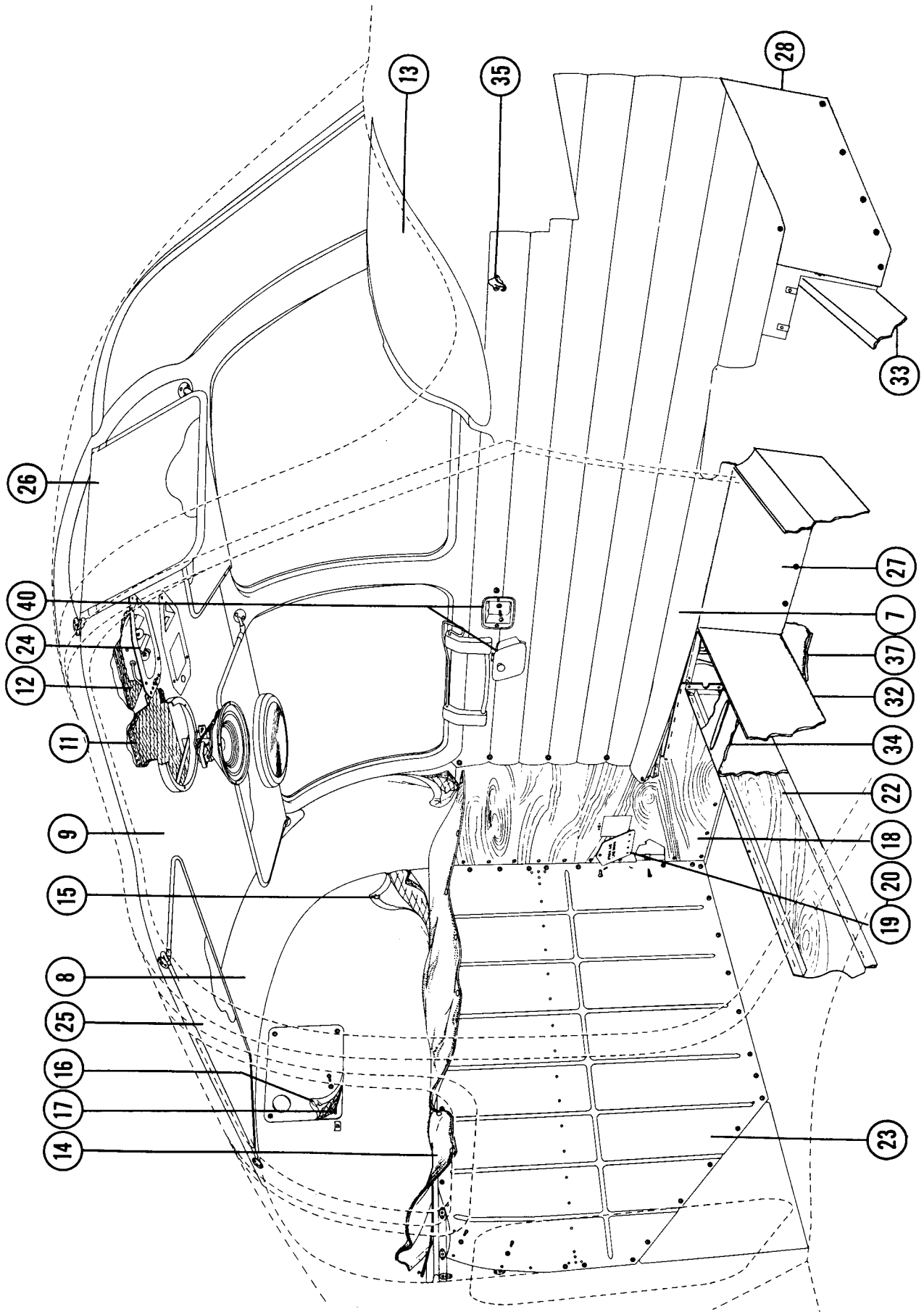


Figure 106. Cabin Furnishings (Sheet 2 of 2 Sheets)

MODEL 35 THRU G35 PARTS CATALOG

FIG. & INDEX NO.	PART NO.	DESCRIPTION	UNITS PER ASSY							USABLE ON CODE	
			1	2	3	4	5	6	7		
106 - 1	35-534041-100	UPHOLSTERY ASSY, FIREWALL.								1	A19A30
	35-534200-700	UPHOLSTERY ASSY, FIREWALL.								1	A23
- 2	35-534200-656	PANEL, CABIN DOOR LOWER UPHOLSTERY								1	A
	35-534340-254	PANEL, CABIN DOOR LOWER UPHOLSTERY								1	C6D
	35-534303-609	PANEL, CABIN DOOR LOWER UPHOLSTERY								1	EFG
- 3	35-534200-666	PANEL, CABIN DOOR UPPER UPHOLSTERY								1	
	35-534303-605	PANEL, CABIN DOOR UPPER UPHOLSTERY								1	EFG
- 4	35-534041-116	GIMP ASSY, CABIN DOOR.								1	
- 5	35-534043	STRAP, CABIN DOOR PULL								1	
	SK73-1032-6	SCREW								2	
	35-534053	BOOT ASSY, RUDDER PEDAL.								2	
- 6	35-534041-46	PANEL, RIGHT CABIN UPHOLSTERY.								1	A1
	35-534200-646	PANEL, RIGHT CABIN UPHOLSTERY.								1	A2
	35-534340-258	PANEL, RIGHT CABIN UPHOLSTERY.								1	C6DEFG
- 7	35-534041-36	PANEL, LEFT CABIN UPHOLSTERY								1	A1
	35-534200-636	PANEL, LEFT CABIN UPHOLSTERY								1	A2
	35-534340-268	PANEL, LEFT CABIN UPHOLSTERY								1	C6DEFG
- 8	35-534041-10	HEADLINING, REAR CABIN								1	A1
	35-534200-62	HEADLINING, REAR CABIN								1	A2BCDEFG
- 9	35-534041-2	HEADLINING, FWD CABIN.								1	A1
	35-534200-604	HEADLINING, FWD CABIN.								1	A2BCDEFG
	A2733-032	CLIP, UPHOLSTERY								AR	
	AN455AD4-6	RIVET								AR	
- 10	S60-1	FRAME, DATA CARRYING								1	
	S60-2	GLASS								1	
- 11	35-534041-74	SOUNDPROOFING, RADIO SPEAKER								1	
- 12	35-534041-132	SOUNDPROOFING, CABIN DOME LIGHT.								1	
- 13	35-534300-166	PANEL, WINDSHIELD COWL UPHOLSTERY.								1	A
- 14	35-534041-26	COVER ASSY, BAGGAGE COMPARTMENT.								1	A1
	35-534041-276	COVER ASSY, BAGGAGE COMPARTMENT.								1	A2
- 15	35-534041-126	PANEL, REAR CABIN BULKHEAD UPHOLSTERY.								1	
- 16	35-534041-34	PANEL, RADIO COVER UPHOLSTERY.								1	
- 17	35-410160-611	DOOR ASSY, RADIO COVER STA 151								1	A
	35-410160-48	SPRING.								1	
- 18	35-534192-8	PANEL ASSY, LEFT BAGGAGE COMPARTMENT								1	A1
	35-534192-8	PANEL ASSY, LEFT BAGGAGE COMPARTMENT								1	A2
- 19	35-410094-10	. DOOR, STATIC LINE INSPECTION								1	
	99835-1-090	. STUD, DOOR FASTENER.								1	
- 20	35-410175	. PLACARD, STATIC AIR DRAIN.								1	
- 21	35-410095	PANEL ASSY, RIGHT BAGGAGE COMPARTMENT.								1	
- 22	35-410093	PARTITION ASSY, BAGGAGE COMPARTMENT.								1	A1
- 23	35-410160-10	PLATE, BAGGAGE COMPARTMENT REAR WEB.								1	
- 24	35-364071-602	LIGHT, CABIN DOME.								1	
	35-364040-8	. LENS, DOME LIGHT								1	
- 25	35-534090	VISOR ASSY, REAR SUN								1	
	35-534012	VISOR ASSY, REAR SUN								1	B7CDEFG
- 26	35-534079	VISOR ASSY, FWD SUN.								1	
- 27	35-510091-600	PLATE ASSY, REAR SCUFF								1	
	35-534041-78	. CARPET ASSY, SCUFF PLATE								1	
- 28	35-534041-232	PLATE ASSY, FWD SCUFF.								1	A1
	35-534200-84	PLATE ASSY, FWD SCUFF.								1	A2BCDEFG
	35-534340-276	PANEL ASSY, FWD CABIN SIDE								1	C6DEFG
- 29	35-410091-6-1	PLATE ASSY, REAR SCUFF								1	
	35-410041-79	. CARPET ASSY, SCUFF PLATE								1	
- 30	35-410114-601	PLATE ASSY, FWD SCUFF.								1	
	35-534041-90	. CARPET ASSY, SCUFF PLATE								1	
- 31	35-574009-600	COVER ASSY, CONTROL CABLE.								1	
- 32	35-410092	PARTITION, CABIN								1	A1
	35-410240 SA2	PARTITION, CABIN /USED WITH ADF/								1	
- 33	35-410089	PARTITION, CABIN								1	A1
	35-534191-602	PARTITION, CABIN								1	A2BCDEFG
- 34	35-534067	COVER, REAR SPAR								1	A2BCDEFG
- 35	93	HOOK, MICROPHONE								1	
	AN515-6R8	SCREW								2	
- 36	35-534041-102	CARPET.								1	

MODEL 35 THRU G35 PARTS CATALOG

FIG. & INDEX NO.	PART NO.	DESCRIPTION	UNITS PER ASSY	USABLE ON CODE
		1 2 3 4 5 6 7		
106 - 37	35-534041-106	CARPET	1	
- 38	35-324128	BRACKET,COMPASS	1	A38A2BCDEFG
	35-324174	ADAPTER,DIRECTION INDICATOR MOUNTING.	1	
- 39	35-815144	INDICATOR ASSY,LANDING GEAR VISUAL.	1	
	35-815145	. INDICATOR	1	
	35-815146	. BRACKET ASSY.	1	
	35-815147	. FACE.	1	
- 40	35-534200-602	TRAY ASSY,SIDE PANELS ASH	1	
	410109	. SUPPORT	1	
	L-1148	. FRAME	1	
- 41	35-534200-602	TRAY ASSY,INSTRUMENT PANEL ASH.	1	A1A2
	L-1148	. FRAME	1	
- 42	35-324020-602	TRAY ASSY,INSTRUMENT PANEL ASH.	1	A1A2
- 43	35-324230	. PLACARD	1	
	L-1148	. FRAME	1	
	50-534033-48	STRIP,WINDLACE HOLD DOWN.	1	
- 44	35-534305-69	WINDLACE.	1	
- 45	35-534300-126	GIMP ASSY	1	
- 46	35-534300-244	UPHOLSTERY.	1	C

PLEASE SPECIFY MATERIAL,COLOR & SHIP SERIAL
NUMBER WHEN ORDERING UPHOLSTERY PANELS &
CARPETS.

MODEL 35 THRU G35 PARTS CATALOG

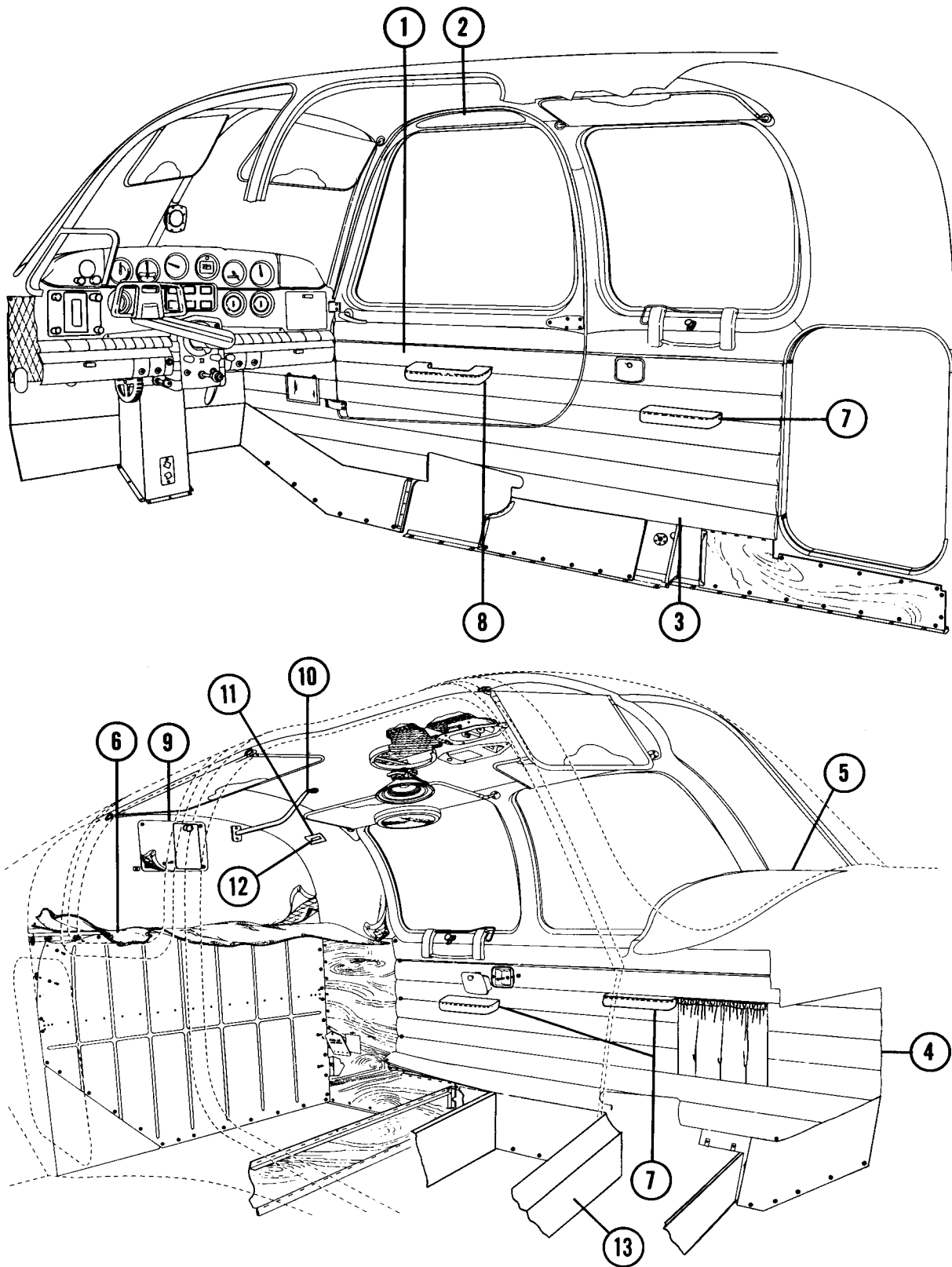


Figure 107. Cabin Furnishings (D2201 thru D4865)

MODEL 35 THRU G35 PARTS CATALOG

FIG. & INDEX NO.	PART NO.	DESCRIPTION							UNITS PER ASSY	USABLE ON CODE
		1	2	3	4	5	6	7		
107 - 1	35-534200 SA56	PANEL,CABIN DOOR LOWER UPHOLSTERY	1	B
- 2	35-534200-666	PANEL,CABIN DOOR UPPER UPHOLSTERY	1	B
- 3	35-534200-845	PANEL,RIGHT CABIN UPHOLSTERY	1	B
- 4	35-534200-842	PANEL,LEFT CABIN UPHOLSTERY	1	B
- 5	35-534041-288	PANEL,WINDSHIELD COWL UPHOLSTERY	1	B
- 6	35-534041-278	COVER ASSY,BAGGAGE COMPARTMENT	1	B
- 7	35-534233	ARMREST ASSY	1	BCDEFG
	35-534234	ANGLE ASSY,ARMREST	2	BCDEFG
	35-534235	BRACKET ASSY,FRONT ARMREST LH	1	
- 8	35-534232	HANDLE ASSY,CABIN DOOR	1	BCDEFG
	35-534231	BRACKET,CABIN DOOR HANDLE	1	BCDEFG
- 9	35-410160-612	DOOR ASSY,RADIO COVER STA 151	1	B
	35-410160-48	SPRING	1	
- 10	35-534065	HANGAR ASSY,COAT	1	A47BCDEFG
- 11	35-410341	CUP ASSY	1	
- 12	35-410342	HANDLE	1	
	35-410343	PIN	1	
- 13	35-410420 SA2	PARTITION	1	
	113647F22-6404	STRIP,CHROME MOULDING LH	1	
	113647F9-02516	STRIP,CHROME MOULDING RH	1	
	113647F3-0600	STRIP,CHROME MOULDING LH	1	
	113647F13-03614	STRIP,DOOR CHROME	1	
	113647F3-00628	STRIP,ARMREST CHROME	1	

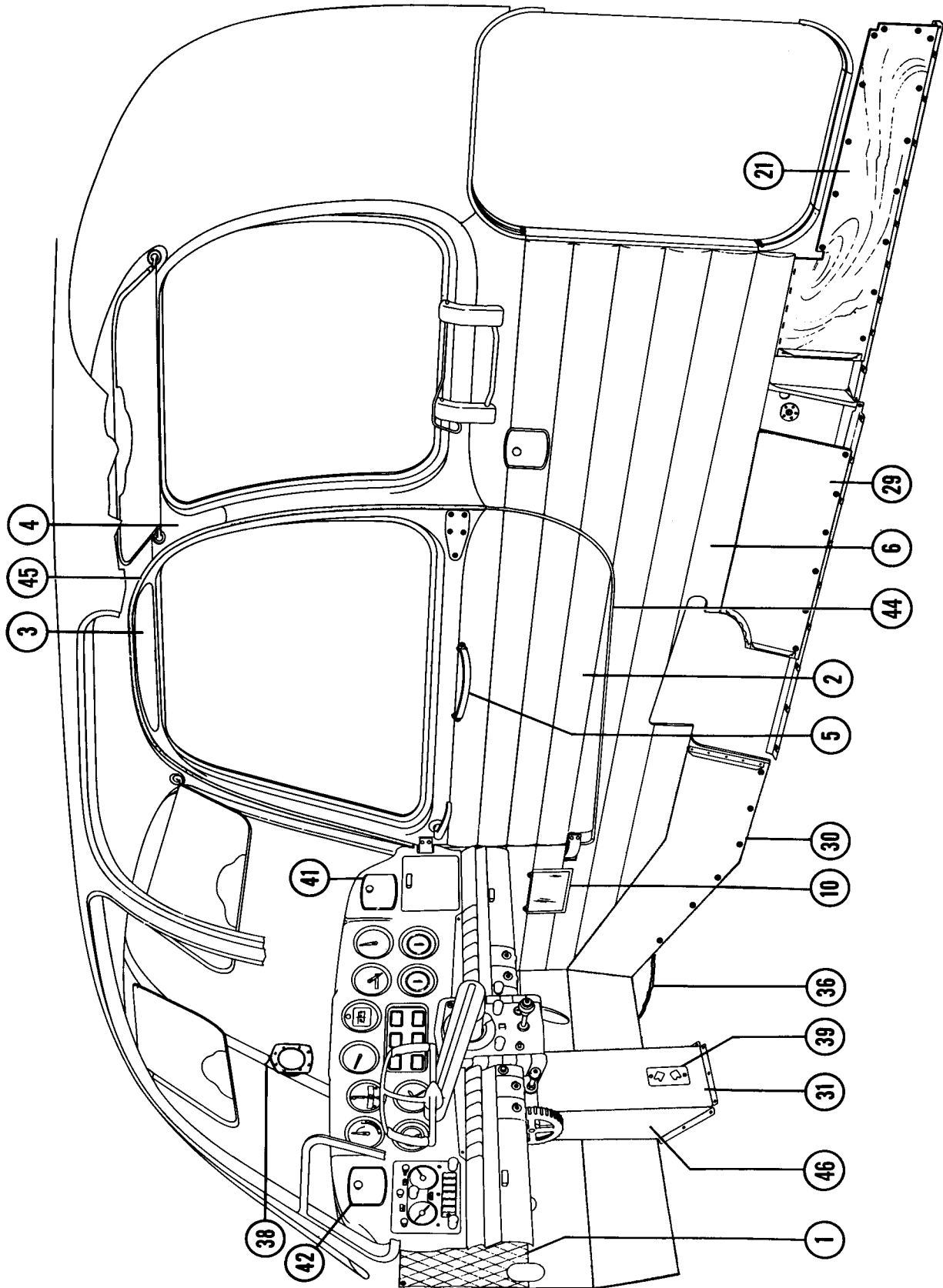


Figure 108. Cabin Furnishings (D2681 thru D4865) (Sheet 1 of 2 Sheets)

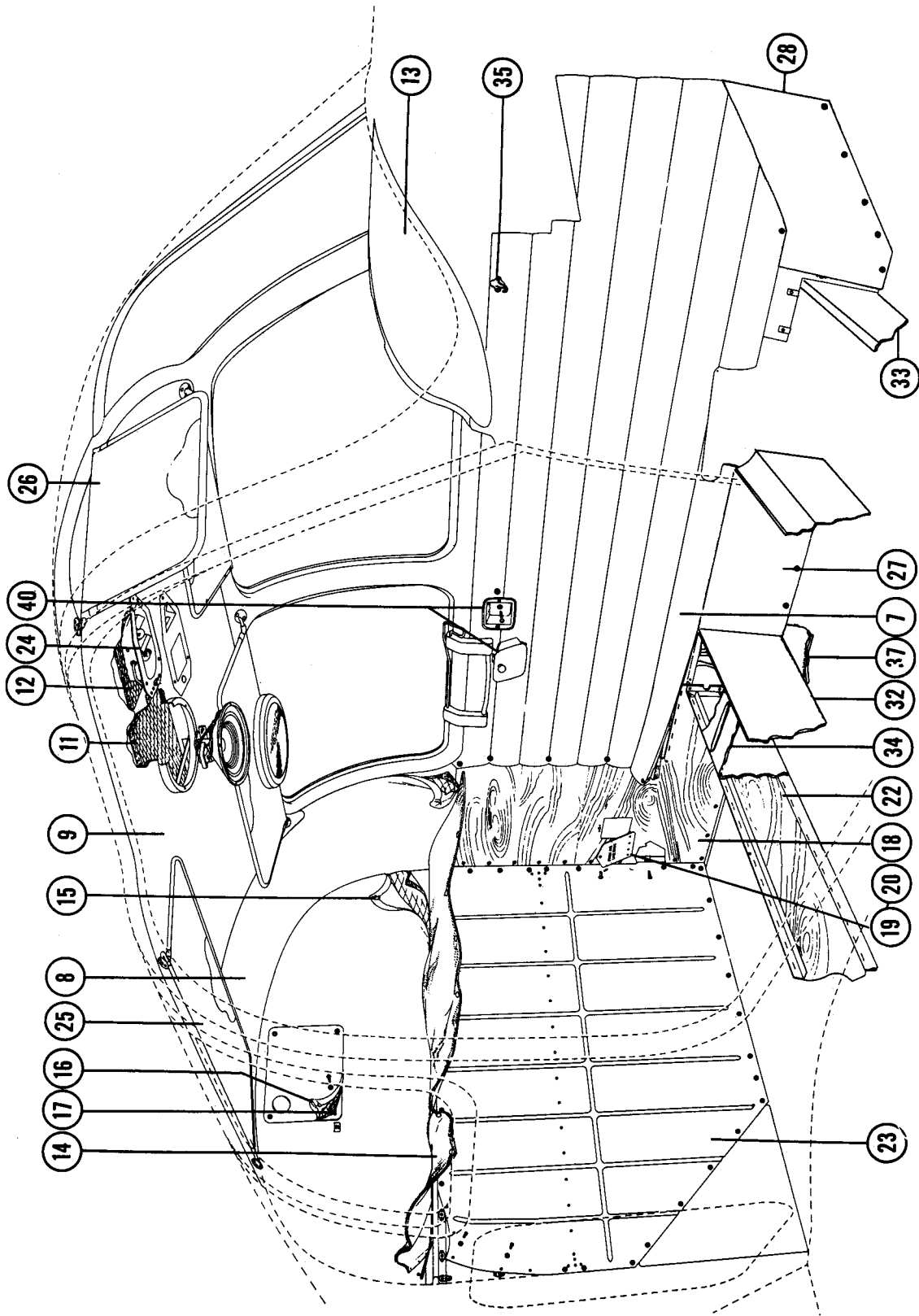


Figure 108. Cabin Furnishings (D2681 thru D4865) (Sheet 2 of 2 Sheets)

MODEL 35 THRU G35 PARTS CATALOG

FIG. & INDEX NO.	PART NO.	DESCRIPTION	UNITS							USABLE ON CODE
			1	2	3	4	5	6	7	
108 - 1	35-534300-132	UPHOLSTERY ASSY, FIREWALL.							1	CDEFG
- 2	35-534300-114	PANEL, CABIN DOOR LOWER UPHOLSTERY							1	C5
	35-534300-254	PANEL, CABIN DOOR LOWER UPHOLSTERY							1	C6DEFG
- 3	35-534300-54	PANEL, CABIN DOOR UPPER UPHOLSTERY							1	CDEFG
- 4	35-534300-126	GIMP ASSY, CABIN DOOR.							1	CDEFG
- 6	35-534300-94	PANEL, RIGHT CABIN UPHOLSTERY.							1	CDEFG
	35-534300-611	PANEL, RIGHT CABIN UPHOLSTERY.							1	EFG
- 7	35-534300-62	PANEL, LEFT CABIN UPHOLSTERY							1	CDEFG
	35-534300-613	PANEL, LEFT CABIN UPHOLSTERY							1	EFG
- 8	35-534300-24	HEADLINING, REAR CABIN							1	CDEFG
- 9	35-534300-2	HEADLINING, FWD CABIN.							1	CDEFG
- 10	35-534300-238	FRAME, DATA CARRYING							1	EFG
- 11	35-534300-216	SOUNDPROOFING, RADIO SPEAKER							1	CDEFG
- 12	35-534300-10	SOUNDPROOFING, CABIN TOP							1	CDEFG
- 13	35-534300-166	COVER ASSY, WINDSHIELD COWL.							1	CDEFG
- 14	35-534300-156	COVER ASSY, BAGGAGE COMPARTMENT.							1	CDEFG
- 15	35-534300-34	PANEL, REAR CABIN BULKHEAD UPHOLSTERY.							1	CDEFG
- 16	35-534300-42	COVER, RADIO							1	CDEFG
- 17	35-534300-44	DOOR.							1	A1A2BCD
- 18	35-534192	PANEL ASSY, LEFT BAGGAGE COMPARTMENT							1	CDEFG
- 19	35-534192-14	. DOOR ASSY, STATIC LINE INSPECTION.							1	CDEFG
	35-534192-10	. . DOOR.							1	CDEFG
	99833-P-.098	. . NUT							1	CDEFG
	98292-1-090	. . STUD.							1	CDEFG
	99836	. . PIN							1	CDEFG
- 20	35-410175	. . PLACARD							1	CDEFG
- 21	35-534193	PLATE ASSY, RIGHT BAGGAGE COMPARTMENT.							1	CDEFG
- 22	35-410160-10	PLATE, BAGGAGE COMPARTMENT REAR WEB.							1	CDEFG
- 24	35-344140	LIGHT ASSY, CABIN DOME							1	CDEFG
	35-344146	. LENS, DOME LIGHT							1	CDEFG
	896CP	. BULB, DOME LIGHT							3	CDEFG
	CS2611	. SOCKET.							3	CDEFG
	35-344147	. LENS.							1	CDEFG
	SS-1	. SWITCH, SLIDE.							1	CDEFG
	35-344141	. ESCUTCHEON.							1	CDEFG
- 25	35-534090	VISOR ASSY, REAR SUN							2	CDEFG
- 26	35-534079	VISOR ASSY, FWD SUN.							2	CDEFG
- 27	35-534300-72	PLATE ASSY, LEFT REAR SCUFF.							1	C5
	35-534300-272	PLATE ASSY, LEFT REAR SCUFF.							1	C6DEFG
- 28	35-534300-84	PLATE ASSY, LEFT FRONT SCUFF							1	C5
	35-534300-276	PLATE ASSY, LEFT FRONT SCUFF							1	C6DEFG
	35-534300-70	PLATE ASSY, LEFT CENTER SCUFF.							1	C5
	35-534300-274	PLATE ASSY, LEFT CENTER SCUFF.							1	C6DEFG
- 29	35-534300-106	PLATE ASSY, RIGHT REAR SCUFF							1	C5
	35-534300-266	PLATE ASSY, RIGHT REAR SCUFF							1	C6DEFG
- 30	35-534300-102	PLATE ASSY, RIGHT FRONT SCUFF.							1	C5
	35-534300-262	PLATE ASSY, RIGHT FRONT SCUFF.							1	C6DEFG
	35-534300-104	PLATE ASSY, RIGHT CENTER SCUFF							1	C5
	35-534300-264	PLATE ASSY, RIGHT CENTER SCUFF							1	C6DEFG
- 31	35-574009-600	COVER ASSY, CONTROL CABLE.							1	CDEFG
- 32	35-534067	PARTITION, CABIN							1	CDEFG
- 33	35-410274	PARTITION, FWD CABIN							1	CDEFG
	35-534191	PARTITION, REAR CABIN.							1	CDEFG
- 34	35-534067	COVER, REAR SPAR /SAME AS 32/.							1	CDEFG
- 35	1730	HOOK, MICROPHONE							1	CDEFG
- 36	35-534041-102	CARPET.							1	CDEFG
- 37	35-534041-106	CARPET.							1	CDEFG
- 38	35-324128	BRACKET, COMPASS							1	CDEFG
- 39	35-815144	INDICATOR, LANDING GEAR VISUAL							1	CDEFG
		/SEE PAGE FOR ADDITIONAL PARTS/								
- 40	L-1448	TRAY ASSY, ASH. /GDR/							2	CDEFG
	285651	TRAY ASSY, ASH							2	EFG
- 41	35-324231	TRAY ASSY, ASH							2	CDEFG
	35-534016	HEADREST INSTL.							1	EFG
	35-534342	. HEADREST.							1	FG
	35-534337	. SUPPORT, HEADREST.							2	CEDFG
	35-534338	. NUT, HEADREST.							2	CEDFG
	AN936A1016	. WASHER.							2	CEDFG

MODEL 35 THRU G35 PARTS CATALOG

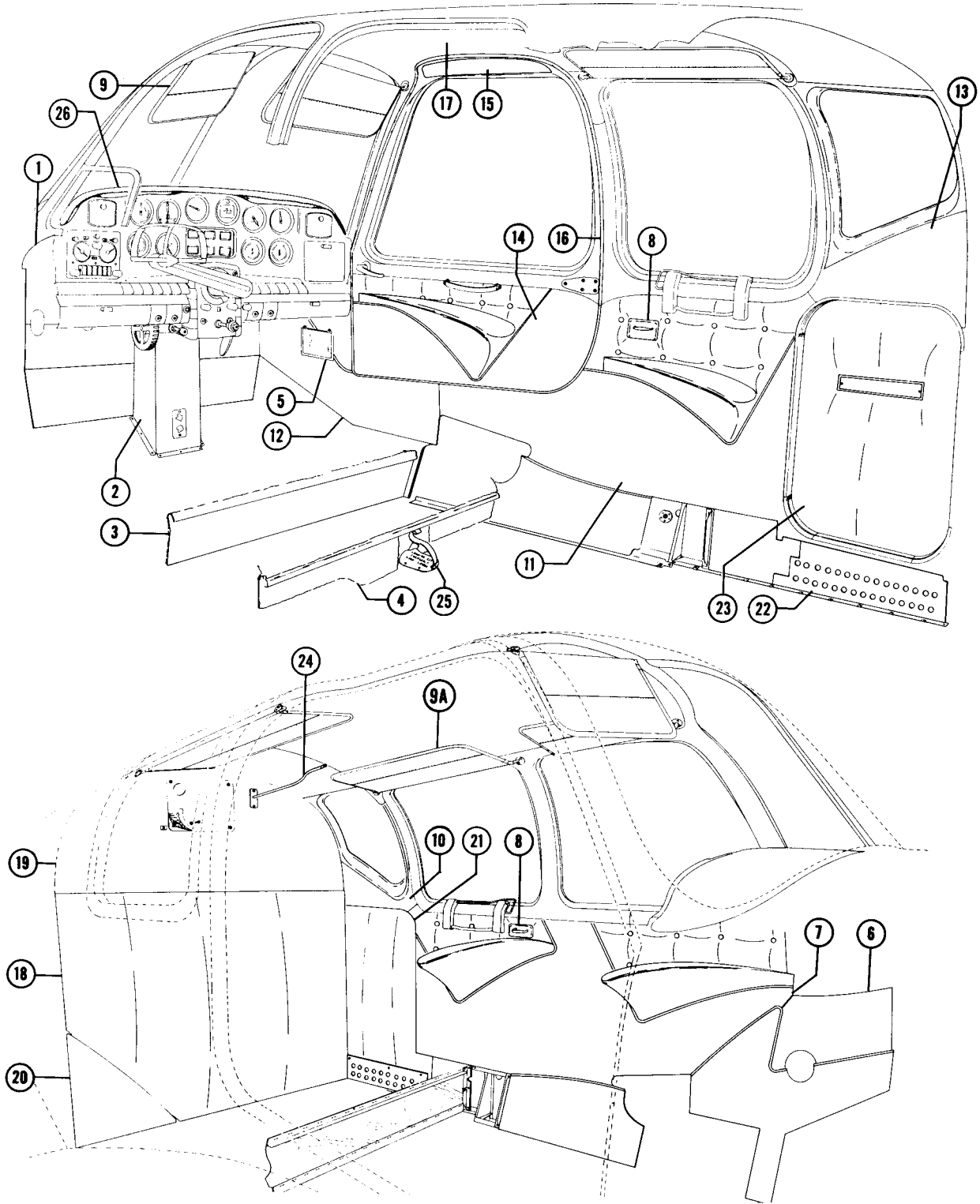


Figure 109. Cabin Furnishings (D4392 thru D4865)

MODEL 35 THRU G35 PARTS CATALOG

FIG. & INDEX NO.	PART NO.	DESCRIPTION							UNITS PER ASSY	USABLE ON CODE
		1	2	3	4	5	6	7		
109 -	1	35-534304-131	UPHOLSTERY ASSY,FIREWALL.	1	G
-	2	35-534304-81	UPHOLSTERY ASSY,PEDESTAL.	1	G
-	3	35-410420-606	PARTITION ASSY,FRONT SEAT FWD	1	G
-	4	35-534304-622	PARTITION,FRONT SEAT REAR	1	G
-	5	35-534300-238	HOLDER,DATA	1	G
-	6	35-534304-21	PANEL ASSY,FWD SIDE UPHOLSTERY LH	1	G
-	7	35-534304-614	PANEL ASSY,SIDE UPHOLSTERY LH	1	G
-	8	35-534242	RECEIVER,ASH.	2	G
-	9	35-534304-139	VISOR ASSY,FRONT SUN.	2	G
-	9A	9A-141	VISOR ASSY,REAR SUN	2	G
-	10	35-534304-113	PANEL ASSY,REAR HEADLINER UPHOLSTERY LH	1	G
-	11	35-534304-618	PANEL ASSY,REAR SIDE UPHOLSTERY RH.	1	G
-	12	35-534304-621	PANEL ASSY,FWD SIDE UPHOLSTERY RH.	1	G
-	13	35-534304-53	PANEL ASSY,HEADLINER UPHOLSTERY RH.	1	G
-	14	35-534304-85	PANEL ASSY,CABIN DOOR LOWER UPHOLSTERY.	1	G
-	15	35-534304-93	PANEL ASSY,CABIN DOOR UPPER UPHOLSTERY.	1	G
-	16	35-534304-121	WINDLACE ASSY,STORM SEAL.	1	G
-	17	35-534304-11	PANEL,HEADLINER CENTER UPHOLSTERY	1	G
-	18	35-534304-654	PANEL,REAR LOWER BAGGAGE COMPARTMENT UPHOLSTERY	1	G
-	19	35-534304-57	PANEL,REAR UPPER BAGGAGE COMPARTMENT UPHOLSTERY	1	G
-	20	35-534304-606	PANEL ASSY,COMPARTMENT TRIANGULAR UPHOLSTERY.	1	G
-	21	35-534304-103	PANEL ASSY,BAGGAGE COMPARTMENT UPHOLSTERY LH.	1	G
-	22	35-534304-101	PANEL ASSY,BAGGAGE COMPARTMENT UPHOLSTERY RH.	1	G
-	23	35-534304-97	PANEL ASSY,BAGGAGE COMPARTMENT DOOR UPHOLSTERY.	1	G
-	24	35-534065-6	HANGAR ASSY,COAT.	1	G
-	25	35-534052	BOOT,EMERGENCY HANDCRANK.	1	G
-	26	35-534014	PAD ASSY,GLARE.	1	G

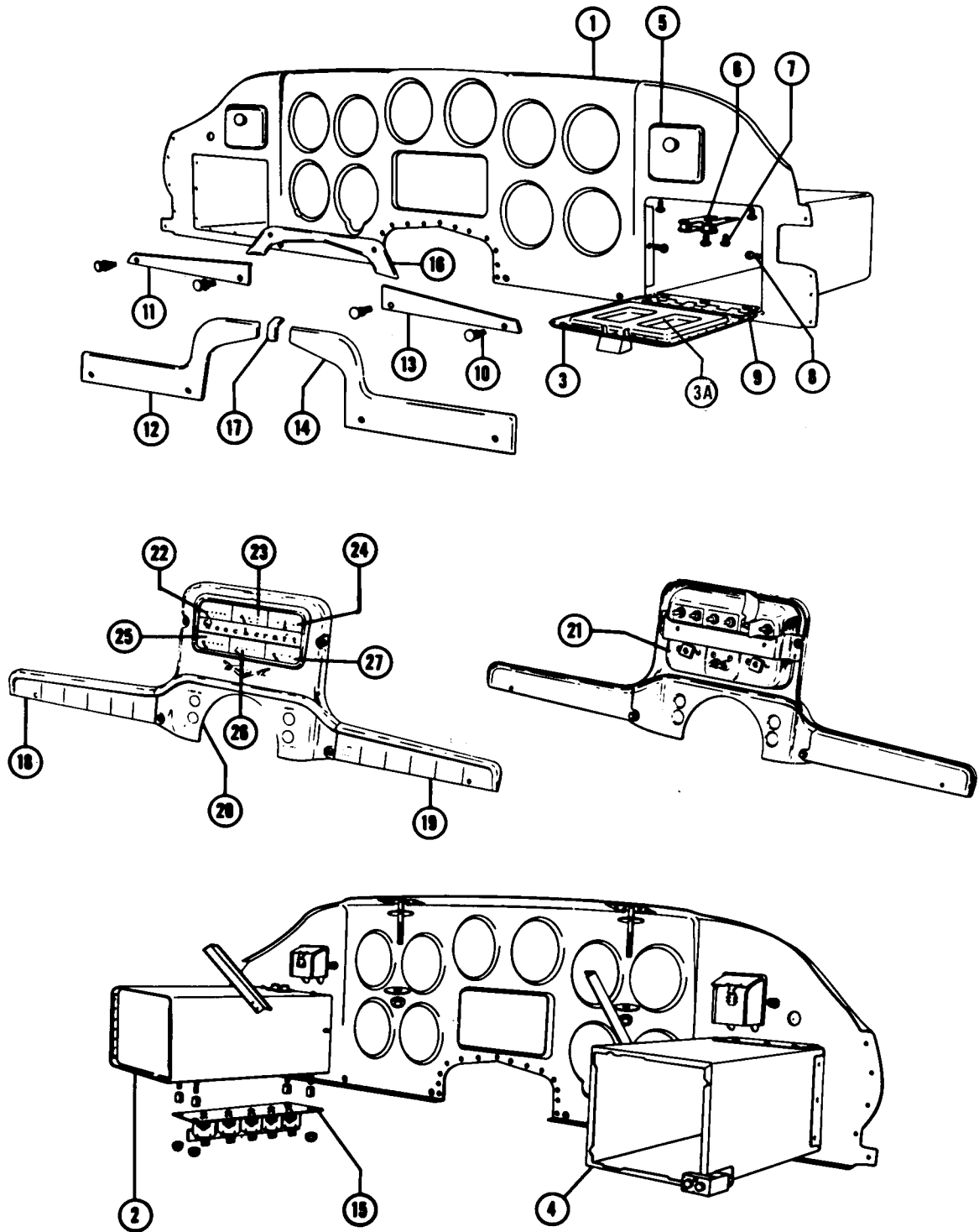


Figure 110. Fixed Instrument Panel Assembly

MODEL 35 THRU G35 PARTS CATALOG

FIG. & INDEX NO.	PART NO.	DESCRIPTION	UNITS PER ASSY	USABLE ON CODE
		1 2 3 4 5 6 7		
110 - 1	35-324020	PANEL ASSY,MAIN INSTRUMENT.	1	A8
	35-324020-10	PANEL ASSY,MAIN INSTRUMENT.	1	B7CDEF
	35-324020-14	PANEL ASSY,MAIN INSTRUMENT.	1	G
- 2	35-324033	BOX ASSY,GLOVE COMPARTMENT.	1	
- 3	35-324031	. DOOR ASSY,GLOVE COMPARTMENT	1	
	35-324032	. . KNOB,GLOVE COMPARTMENT DOOR	1	A
	35-324204	. . KNOB,GLOVE COMPARTMENT DOOR	1	BCDEFG
- 3A	35-324361	. PLACARD,FLIGHT PROCEDURE.	1	
- 1	IX54631	. HOUSING,RADIO	1	A1A11
	35-344100-18	. HOUSING,RADIO	1	A31BCDEFG
- 5	L1148	. TRAY,INSTRUMENT PANEL ASH	2	A1A11
- 6	5	. CATCH ASSY,GLOVE COMPARTMENT DOOR ROLLER.	1	
	5	. CATCH ASSY,STRIKER ROLLER	1	
- 7	AN530-6-6	. SCREW,ATTACHING	3	
- 8	AN530-6-4	. SCREW,ATTACHING	3	
- 9	105744X090-00428	. PIN,GLOVE COMPARTMENT HINGE	1	
- 10	A2733-032	. CLIP,PLACARD ATTACHING.	4	
- 11	35-324024	PLACARD,INSTRUMENT PANEL.	1	A1A11
	35-324194	PLACARD,INSTRUMENT PANEL.	1	A48
- 12	35-324198	PLACARD,INSTRUMENT PANEL.	1	B8
	35-324268	PLACARD,INSTRUMENT PANEL.	1	B9
	35-324274	PLACARD,INSTRUMENT PANEL.	1	C
	35-324274-2	PLACARD,INSTRUMENT PANEL.	1	D
	35-324274-4	PLACARD,INSTRUMENT PANEL.	1	E
	35-324358-1	PLACARD,INSTRUMENT PANEL.	1	F4
	35-324358	PLACARD,INSTRUMENT PANEL.	1	F5
- 13	35-324023	PLACARD,INSTRUMENT PANEL.	1	A
- 14	35-324202	PLACARD,INSTRUMENT PANEL.	1	B
	35-324275	PLACARD,INSTRUMENT PANEL.	1	C
	35-324275-2	PLACARD,INSTRUMENT PANEL.	1	D
	35-324275-4	PLACARD,INSTRUMENT PANEL.	1	EF4
	35-324275-6	PLACARD,INSTRUMENT PANEL.	1	F10
	35-324362	PLACARD,INSTRUMENT PANEL.	1	F11
- 15	35-324062	PANEL,CIRCUIT BREAKER	1	
	CA-5	BREAKER,CIRCUIT	5	
- 16	35-324126	PLACARD,INSTRUMENT PANEL.	1	A
	35-324007	STUD,PANEL PLACARD ATTACHING.	6	A
- 17	35-324261	CLIP,PANEL PLACARD ATTACHING.	1	BCDEFG
	1584281	KIT,ENGINE INSTRUMENT CLUSTER	1	G
- 18	1584236	. PLACARD,INSTRUMENT PANEL.	1	G
- 19	1584237	. PLACARD,INSTRUMENT PANEL.	1	G
	1584239	. CLUSTER ASSY,ENGINE INSTRUMENT.	1	G
	AN530-8R8	. SCREW,ATTACHING /NOT USED IN THE 1584281 KIT/	2	
	NAS384-8-10	. SCREW,ATTACHING /NOT USED IN THE 1584281 KIT/	6	
	35-324400-4	. SPACER,INSTRUMENT CLUSTER ATTACHING /NOT USED IN THE 1584281 KIT/	2	G
- 20	1584238	. . COVER,INSTRUMENT CLUSTER.	1	G
- 21	1584258	. . CASE ASSY,INSTRUMENT BACKING.	1	G
- 22	1517126	. . GAGE,FUEL QUANTITY INDICATOR /GREEN/.	1	A1
	1517642	. . GAGE,FUEL QUANTITY INDICATOR /BEIGE/.	1	A2BC
	35-324302	. . GAGE,FUEL QUANTITY INDICATOR /SMOKE/.	1	DE
	1518333	. . GAGE,FUEL QUANTITY INDICATOR /BLACK/.	1	ABCDEFG
	1518516	. . GAGE,FUEL QUANTITY INDICATOR /BLACK/.	1	G
- 23	1512139	. . GAGE,OIL TEMPERATURE /GREEN/.	1	A1
	1512573	. . GAGE,OIL TEMPERATURE /BEIGE/.	1	A2BC
	35-324314	. . GAGE,OIL TEMPERATURE /SMOKE/.	1	DE
	1513018	. . GAGE,OIL TEMPERATURE /BLACK/.	1	F
	1513176	. . GAGE,OIL TEMPERATURE /BLACK/.	1	G
- 24	1500895	. . GAGE,AMMETER /GREEN/.	1	A1
	1501411	. . GAGE,AMMETER /BEIGE/.	1	A2BC
	35-324303	. . GAGE,AMMETER /SMOKE/.	1	DE
	1501695	. . GAGE,AMMETER /BLACK/.	1	ABCDEFG
	1501751	. . GAGE,AMMETER /BLACK/.	1	G

MODEL 35 THRU G35 PARTS CATALOG

FIG. & INDEX NO.	PART NO.	DESCRIPTION							UNITS PER ASSY	USABLE ON CODE		
		1	2	3	4	5	6	7				
110 - 25	1502360	•	•							1	A1	
	1507868	•	•							1	A2BC	
	35-324311	•	•							1	DE	
	1508299	•	•							1	ABCDEF	
	1508439	•	•							1	G	
- 26	ASP-147	•	•							1	A1	
	ASP-148B	•	•							1	A2BC	
	ASP-300	•	•							1	DE	
	ASP-373	•	•							1	F	
	1513187	•	•							1	G	
- 27	1507361	•	•							1	A1	
	1507761	•	•							1	A2BC	
	35-324312	•	•							1	DE	
	1508300	•	•							1	ABCDEF	
	1508440	•	•							1	G	
	35-324020-4	STRIP,CHROME TRIM LH.	•	•	•	•	•	•	•	•	1	B10
	35-324020-5	STRIP,CHROME TRIM RH.	•	•	•	•	•	•	•	•	1	B10
	35-324020-8	STRIP,CHROME TRIM LH.	•	•	•	•	•	•	•	•	1	CDEFG
	35-324020-9	STRIP,CHROME TRIM RH.	•	•	•	•	•	•	•	•	1	CDEFG

MODEL 35 THRU G35 PARTS CATALOG

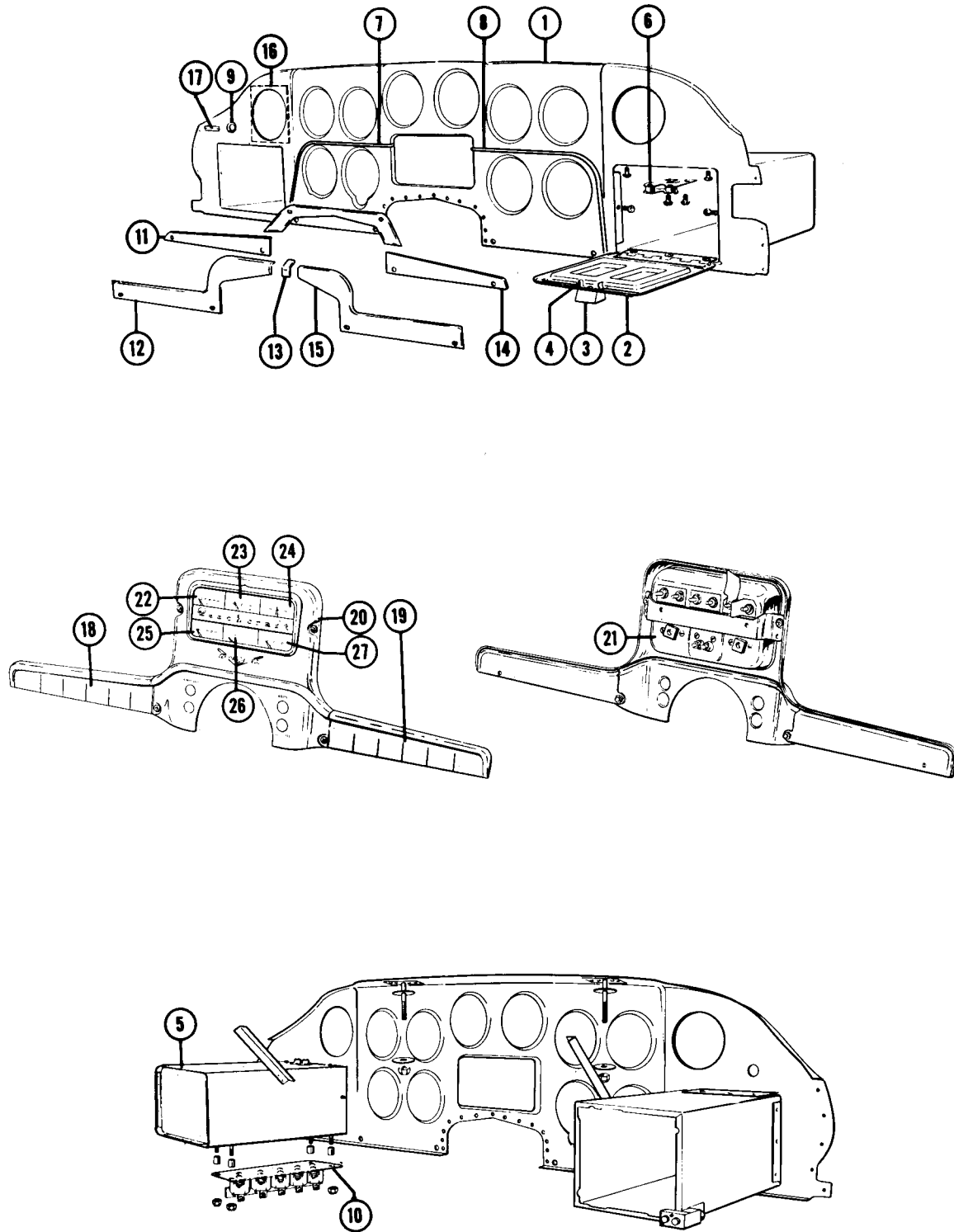


Figure 111. Gyro Fixed Instrument Panel Assembly (D2861 thru D4865)

MODEL 35 THRU G35 PARTS CATALOG

FIG. & INDEX NO.	PART NO.	DESCRIPTION	1	2	3	4	5	6	7	UNITS PER ASSY	USABLE ON CODE
111 - 1	35-324020-10	PANEL ASSY,MAIN INSTRUMENT.	1	
	35-324020-14	PANEL ASSY,MAIN INSTRUMENT.	1	CDEF
- 2	35-324031	• DOOR ASSY,GLOVE COMPARTMENT	1	G
- 3	35-324204	• • KNOB,GLOVE COMPARTMENT DOOR	1	
- 4	5	• • STRIKER,ROLLER CATCH ASSY	1	
	AN530-6-8	• • SCREW,ATTACHING	1	
- 5	35-324033	• BOX ASSY,GLOVE COMPARTMENT.	1	
	AN530-6-4	• SCREW,ATTACHING	1	
	AN530-6-6	• SCREW,ATTACHING	4	
- 6	5	• CATCH ASSY,GLOVE COMPARTMENT ROLLER	3	
	AN515-6-6	• SCREW,ATTACHING	1	
- 7	35-324020-8	• MOULDING,INSTRUMENT PANEL LH.	2	
- 8	35-324020-9	• MOULDING,INSTRUMENT PANEL RH.	1	C
- 9	35-324115-4	• PLACARD,STALL WARNING	1	C
	35-324115-6	• PLACARD,STALL WARNING	1	C
	35-324115-8	• PLACARD,STALL WARNING	1	DEF4
- 10	35-364062	• PANEL ASSY,CIRCUIT BREAKER.	1	F1 F11G
	CA-5	• • BREAKER,CIRCUIT	1	
- 11	35-324274	PLACARD,INSTRUMENT PANEL LH	5	
	35-324274-2	PLACARD,INSTRUMENT PANEL LH	1	C
- 12	35-324274-4	PLACARD,INSTRUMENT PANEL LH	1	D
	35-324358-1	PLACARD,INSTRUMENT PANEL LH	1	E
	35-324358	PLACARD,INSTRUMENT PANEL LH	1	F4
- 13	35-324261	CLIP,PLACARD ATTACHING.	1	F1 F11G
	AN365-632	SCREW,ATTACHING	1	
- 14	35-324275	PLACARD,INSTRUMENT PANEL RH	1	C
	35-324275-2	PLACARD,INSTRUMENT PANEL RH	1	D
- 12	35-324275-4	PLACARD,INSTRUMENT PANEL RH	1	EF4
	35-324275-6	PLACARD,INSTRUMENT PANEL RH	1	F10
	35-324362	PLACARD,INSTRUMENT PANEL RH	1	F11G
- 16	35-324413	COVER ASSY,SPARE INSTRUMENT CUTOUT.	1	DE
	50-320072-8	COVER ASSY,SPARE INSTRUMENT CUTOUT.	1	FG
- 17	35-344073-6	PLACARD,RADIO CALL.	1	EF4
	35-344073-8	PLACARD,RADIO CALL.	1	EF4
	1584281	KIT,ENGINE INSTRUMENT CLUSTER	1	F1 F11G
- 18	1584236	• PLACARD,INSTRUMENT PANEL LH	1	G
- 16	1584237	• PLACARD,INSTRUMENT PANEL RH	1	G
	1584239	• CLUSTER ASSY,ENGINE INSTRUMENT.	1	G
	AN530-8R8	• SCREW,ATTACHING /NOT USED IN THE 1584281 KIT/	2	
	NAS384-8-10	• SCREW,ATTACHING /NOT USED IN THE 1584281 KIT/	6	
	35-324400-4	• SPACER,INSTRUMENT CLUSTER ATTACHING	2	G
		/NOT USED IN THE 1584281 KIT/		
- 20	1584238	• • COVER,INSTRUMENT CLUSTER.	1	G
- 21	1584258	• • CASE ASSY,INSTRUMENT BACKING.	1	G
- 22	1517126	• • GAGE,FUEL QUANTITY INDICATOR /GREEN/.	1	A1
	1517642	• • GAGE,FUEL QUANTITY INDICATOR /BEIGE/.	1	A2BC
	35-324302	• • GAGE,FUEL QUANTITY INDICATOR /SMOKE/.	1	DE
	1518333	• • GAGE,FUEL QUANTITY INDICATOR /BLACK/.	1	ABCDEF
	1518516	• • GAGE,FUEL QUANTITY INDICATOR /BLACK/.	1	G
- 23	1512139	• • GAGE,OIL TEMPERATURE /GREEN/.	1	A1
	1512573	• • GAGE,OIL TEMPERATURE /BEIGE/.	1	A2BC
	35-324314	• • GAGE,OIL TEMPERATURE /SMOKE/.	1	DE
	1513018	• • GAGE,OIL TEMPERATURE /BLACK/.	1	F
	1513176	• • GAGE,OIL TEMPERATURE /BLACK/.	1	G
- 24	1500895	• • GAGE,AMMETER /GREEN/.	1	A1
	1501411	• • GAGE,AMMETER /BEIGE/.	1	A2BC
	35-324303	• • GAGE,AMMETER /SMOKE/.	1	DE
	1501695	• • GAGE,AMMETER /BLACK/.	1	ABCDEF
	1501751	• • GAGE,AMMETER /BLACK/.	1	G

MODEL 35 THRU G35 PARTS CATALOG

FIG. & INDEX NO.	PART NO.	DESCRIPTION							UNITS PER ASSY	USABLE ON CODE
		1	2	3	4	5	6	7		
111 - 25	1507360	.	.	GAGE,FUEL PRESSURE /GREEN/	1	A1
	1507868	.	.	GAGE,FUEL PRESSURE /BEIGE/	1	A2BC
	35-324311	.	.	GAGE,FUEL PRESSURE /SMOKE/	1	DE
	1508299	.	.	GAGE,FUEL PRESSURE /BLACK/	1	ABCDEF
- 26	1508439	.	.	GAGE,FUEL PRESSURE /BLACK/	1	G
	ASP-147	.	.	GAGE,CYLINDER HEAD TEMPERATURE /GREEN/	1	A1
	ASP-148B	.	.	GAGE,CYLINDER HEAD TEMPERATURE /BEIGE/	1	A2BC
	ASP-300	.	.	GAGE,CYLINDER HEAD TEMPERATURE /SMOKE/	1	DE
	ASP-373	.	.	GAGE,CYLINDER HEAD TEMPERATURE /BLACK/	1	F
- 27	1513187	.	.	GAGE,CYLINDER HEAD TEMPERATURE /BLACK/	1	G
	1507361	.	.	GAGE,OIL PRESSURE /GREEN/	1	A1
	1507761	.	.	GAGE,OIL PRESSURE /BEIGE/	1	A2BC
	35-324312	.	.	GAGE,OIL PRESSURE /SMOKE/	1	DE
	1508300	.	.	GAGE,OIL PRESSURE /BLACK/	1	ABCDEF
	1508440	.	.	GAGE,OIL PRESSURE /BLACK/	1	G

MODEL 35 THRU G35 PARTS CATALOG

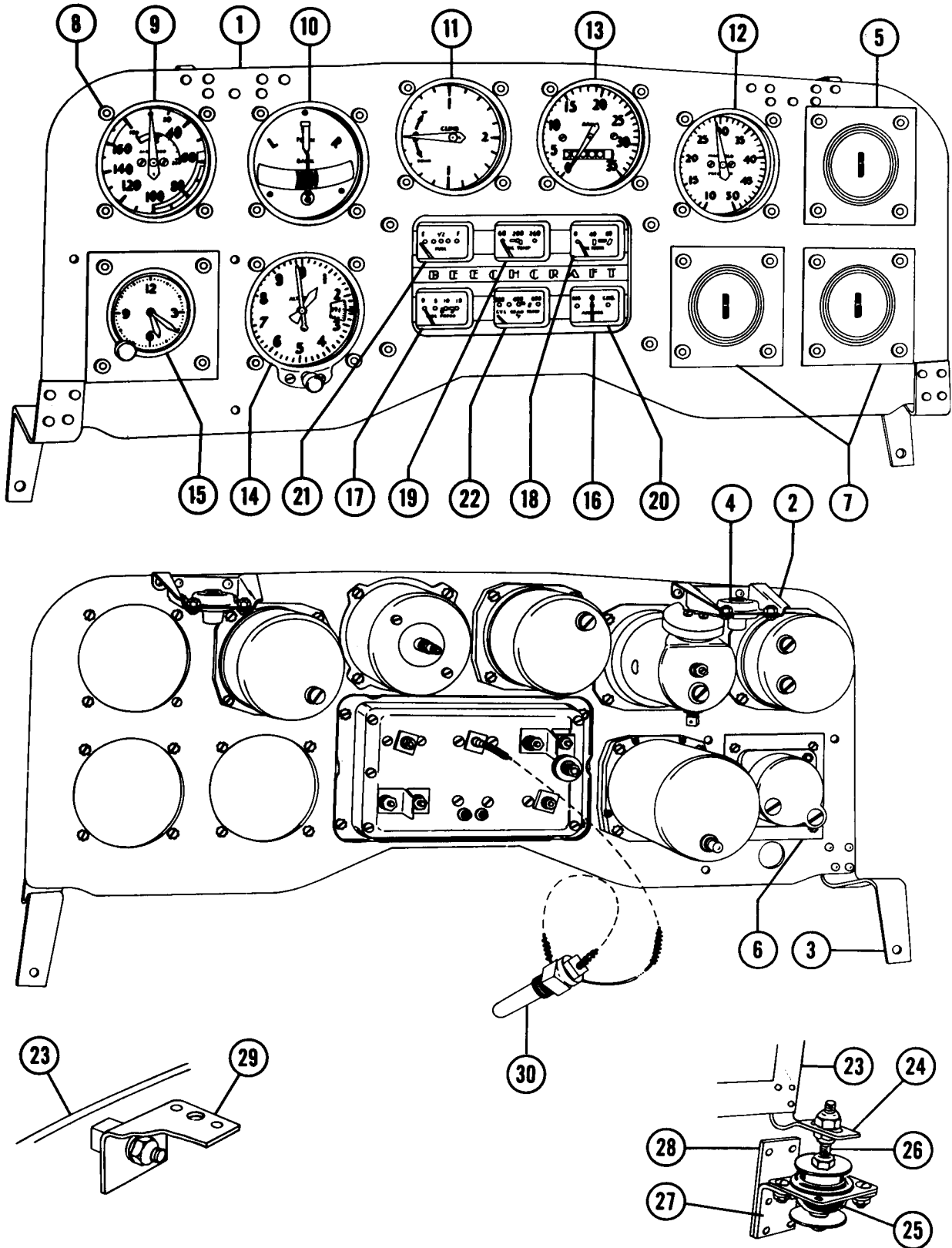


Figure 112. Standard Instrument Panel Assembly (D1 thru D4391)

MODEL 35 THRU G35 PARTS CATALOG

FIG. & INDEX NO.	PART NO.	DESCRIPTION	UNITS PER ASSY	USABLE ON CODE
		1 2 3 4 5 6 7		
112	35-324090-608	PANEL ASSY,STANDARD INSTRUMENT.	1	
- 1	35-324010-608	. . . PANEL ASSY,INSTRUMENT	1	A1
- 2	35-324010-4	. . . BRACKET,LORD MOUNT.	2	A1
- 3	35-324010-6	. . . BRACKET,PANEL LOWER MOUNTING.	1	A1
	35-324010-7	. . . BRACKET,PANEL LOWER MOUNTING.	1	A1
- 4	156PL-6	. . . BUSHING,LORD MOUNT.	2	
	156PL-9	. . . BUSHING,LORD MOUNT /USED WITH GYRO/	2	
	AN515-8-6	. . . SCREW,LORD MOUNT BUSHING.	8	
	AN960-8	. . . WASHER,LORD MOUNT BUSHING	8	
	AN365-832	. . . NUT,LORD MOUNT BUSHING.	8	
	35-324166-2	. . . PANEL,INSTRUMENT.	1	A1
	35-324166	. . . PANEL,INSTRUMENT /SEE INDEX 23/	REF	A2BCDEFG
- 5	35-324076	. . . COVER ASSY,INSTRUMENT SPARE CUTOUT.	1	
	AN515B6-4	. . . SCREW,INSTRUMENT CUTOUT COVER	4	
	AN936B6	. . . WASHER,INSTRUMENT CUTOUT COVER.	4	
- 6	35-324075	. . . PLATE,CLOCK ADAPTER	1	
- 7	35-324074	. . . COVER,INSTRUMENT CUTOUT	2	
	AN515B6-4	. . . SCREW,INSTRUMENT CUTOUT COVER	12	
	AN936B6	. . . WASHER,INSTRUMENT CUTOUT COVER.	12	
- 8	35-324086	. . . INSERT,INSTRUMENT ATTACHING	44	
- 9	988-9-0196	. . . INDICATOR,AIRSPEED.	1	AB
	35-324297	. . . INDICATOR,AIRSPEED.	1	C
	35-324229	. . . INDICATOR,AIRSPEED.	1	D
	35-324229-1	. . . INDICATOR,AIRSPEED.	1	EFG
	AN515B6-10	. . . SCREW,AIRSPEED INDICATOR MOUNTING	4	
	AN936B6	. . . WASHER,AIRSPEED INDICATOR MOUNTING.	4	
- 10	S27200A-18	. . . INDICATOR,TURN & BANK	1	A2B
	17A01-1D1-1-A1	. . . INDICATOR,TURN & BANK	1	A1
	35-324304	. . . INDICATOR,TURN & BANK	1	C
	AN515B6-12	. . . SCREW,TURN & BANK INDICATOR MOUNTING.	4	
- 11	1223-9-01	. . . INDICATOR,RATE OF CLIMB	1	AB
	35-324300	. . . INDICATOR,RATE OF CLIMB	1	CDEFG
	AN515B6-10	. . . SCREW,RATE OF CLIMB INDICATOR MOUNTING.	4	
	AN936B6	. . . WASHER,RATE OF CLIMB INDICATOR MOUNTING	4	
- 12	990-9-040	. . . GAGE,MANIFOLD PRESSURE.	1	AB
	35-324305	. . . GAGE,MANIFOLD PRESSURE.	1	CDEFG
	AN515B6-10	. . . SCREW,MANIFOLD PRESSURE GAGE MOUNTING	4	
- 13	1536867	. . . TACHOMETER,ENGINE	1	A
	1548013	. . . TACHOMETER,ENGINE	1	B
	35-324306	. . . TACHOMETER,ENGINE	1	C
	35-324336	. . . TACHOMETER,ENGINE	1	DE
	35-324336-1	. . . TACHOMETER,ENGINE	1	F
	1568860	. . . SHAFT,TACHOMETER.	1	
- 14	987-9-050	. . . ALTIMETER	1	AB
	35-324298	. . . ALTIMETER	1	C
- 15	1792B	. . . CLOCK	1	AB
	35-324301	. . . CLOCK	1	CDEFG
	664127	. . . GYRO,ALTITUDE	1	AB
	35-324308	. . . GYRO,ALTITUDE	1	CDEFG
	664125	. . . GYRO,DIRECTIONAL.	1	AB
	35-324307-2	. . . GYRO,DIRECTIONAL.	1	C
	AN5771-5A	. . . GAGE,SUCTION.	1	AB
	35-324299	. . . GAGE,SUCTION.	1	CDEFG
- 16	35-324400-14	. . . PANEL ASSY,SIX UNIT ENGINE INSTRUMENT	1	
		/ORDER BY SHIP SERIAL/		
	35-324161	. . . PANEL ASSY,COVER GLASS.	1	
	35-324221	. . . PLACARD,BEECHCRAFT.	1	A
	35-324251	. . . PLATE,BEECHCRAFT PLACARD.	1	BCDEFG
- 17	1507360	. . . GAGE,FUEL PRESSURE /GREEN/.	1	A1
	1507868	. . . GAGE,FUEL PRESSURE /BEIGE/.	1	A2BC
	35-324311	. . . GAGE,FUEL PRESSURE /SMOKE/.	1	DE
	1508299	. . . GAGE,FUEL PRESSURE /BLACK/.	1	ABCDEF
	1508439	. . . GAGE,FUEL PRESSURE /BLACK/.	1	G

MODEL 35 THRU G35 PARTS CATALOG

FIG. & INDEX NO.	PART NO.	DESCRIPTION	UNITS PER ASSY	USABLE ON CODE
		1 2 3 4 5 6 7		
112 - 18	1507361	. . GAGE,OIL PRESSURE /GREEN/	1	A1
	1507761	. . GAGE,OIL PRESSURE /BEIGE/	1	A2BC
	35-324312	. . GAGE,OIL PRESSURE /SMOKE/	1	DE
	1508300	. . GAGE,OIL PRESSURE /BLACK/	1	ABCDEF
	1508440	. . GAGE,OIL PRESSURE /BLACK/	1	G
- 19	1512139	. . GAGE,OIL TEMPERATURE /GREEN/	1	A1
	1512573	. . GAGE,OIL TEMPERATURE /BEIGE/	1	A2BC
	35-324314	. . GAGE,OIL TEMPERATURE /SMOKE/	1	DE
	1513018	. . GAGE,OIL TEMPERATURE /BLACK/	1	F
	1513176	. . GAGE,OIL TEMPERATURE /BLACK/	1	G
	AN900-10	. . . GASKET,OIL TEMPERATURE	1	
	B817410-1	. . . SEAL	1	
- 20	1500895	. . GAGE,AMMETER /GREEN/	1	A1
	1501411	. . GAGE,AMMETER /BEIGE/	1	A2BC
	35-324303	. . GAGE,AMMETER /SMOKE/	1	DE
	1501695	. . GAGE,AMMETER /BLACK/	1	ABCDEF
	1501751	. . GAGE,AMMETER /BLACK/	1	G
- 21	1517126	. . GAGE,FUEL QUANTITY INDICATOR /GREEN/	1	A1
	1517642	. . GAGE,FUEL QUANTITY INDICATOR /BEIGE/	1	A2BC
	35-324302	. . GAGE,FUEL QUANTITY INDICATOR /SMOKE/	1	DE
	1518333	. . GAGE,FUEL QUANTITY INDICATOR /BLACK/	1	ABCDEF
	1518516	. . GAGE,FUEL QUANTITY INDICATOR /BLACK/	1	G
- 22	ASP-147	. . GAGE,CYLINDER HEAD TEMPERATURE /GREEN/	1	A1
	ASP-148B	. . GAGE,CYLINDER HEAD TEMPERATURE /BEIGE/	1	A2BC
	ASP-300	. . GAGE,CYLINDER HEAD TEMPERATURE /SMOKE/	1	DE
	ASP-373	. . GAGE,CYLINDER HEAD TEMPERATURE /BLACK/	1	F
	1513187	. . GAGE,CYLINDER HEAD TEMPERATURE /BLACK/	1	G
	35-369125	WIRE,THERMOCOUPLE	1	
	C-2400-LP	COMPASS,MAGNETIC	1	A37
	35-324135	COMPASS,MAGNETIC	1	A49
	35-324143-602	COMPASS,MAGNETIC	1	A50
	35-324128	BRACKET,MAGNETIC COMPASS MOUNTING	1	A50
- 23	35-324166	PANEL,INSTRUMENT	1	A2BCDEFG
- 24	35-324166-4	. BRACKET,PANEL LOWER LEFT MOUNTING LH.	1	A2BCDEFG
	35-324166-5	. BRACKET,PANEL LOWER LEFT MOUNTING RH.	1	A2BCDEFG
- 25	156PL-6	BUSHING,LORD MOUNT	2	
	35-324183	STOP ASSY,MOUNT	2	
	AN8013D2	WASHER	2	
- 26	AN501-416-40	BOLT	2	
	AN365-428	NUT	6	
- 27	35-324211	BRACKET,MOUNT SUPPORT LH.	1	A2BCDEFG
	35-324211-1	BRACKET,MOUNT SUPPORT RH.	1	A2BCDEFG
- 28	35-324227	DOUBLER,MOUNT BRACKET	2	A2BCDEFG
- 29	35-324158	SUPPORT ASSY,INSTRUMENT PANEL UPPER MOUNTING	2	
	A321	MOUNTING,INSTRUMENT PANEL UPPER	2	A2BCDEFG
	AN960-8	WASHER	4	
	AN365-832	NUT	4	
	35-410291-624	COMPASS	1	
	35-324355	TACHOMETER,ENGINE HOUR COUNTER	1	E4F
	50-320116-2	THERMOMETER,FREE AIR TEMPERATURE	1	DE
	50-320116-6	THERMOMETER,FREE AIR TEMPERATURE	1	FG
	35-324326	COMPASS ASSY	1	C18
	35-324328	COMPASS ASSY	1	DEFG
- 30	35-369125-3	THERMOCOUPLE,BAYONET TYPE	1	
	35-399125	THERMOCOUPLE,WASHER TYPE	1	

MODEL 35 THRU G35 PARTS CATALOG

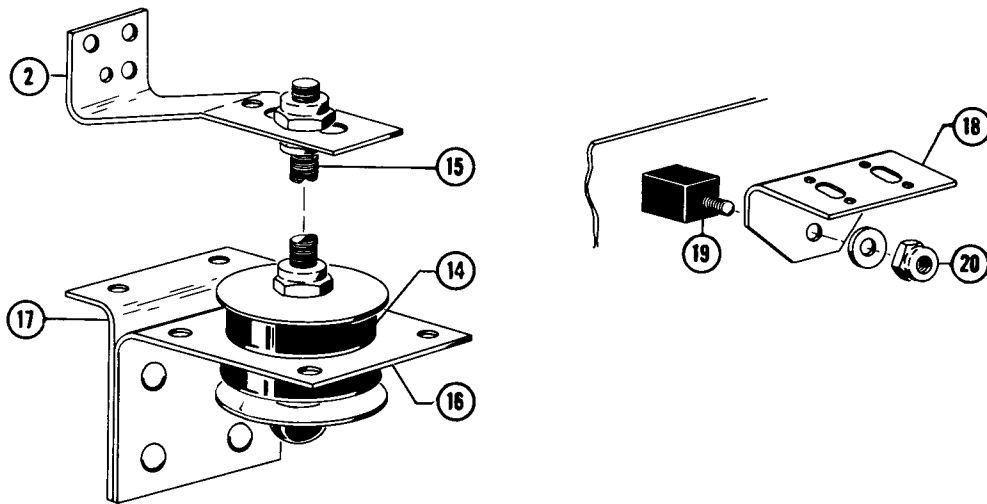
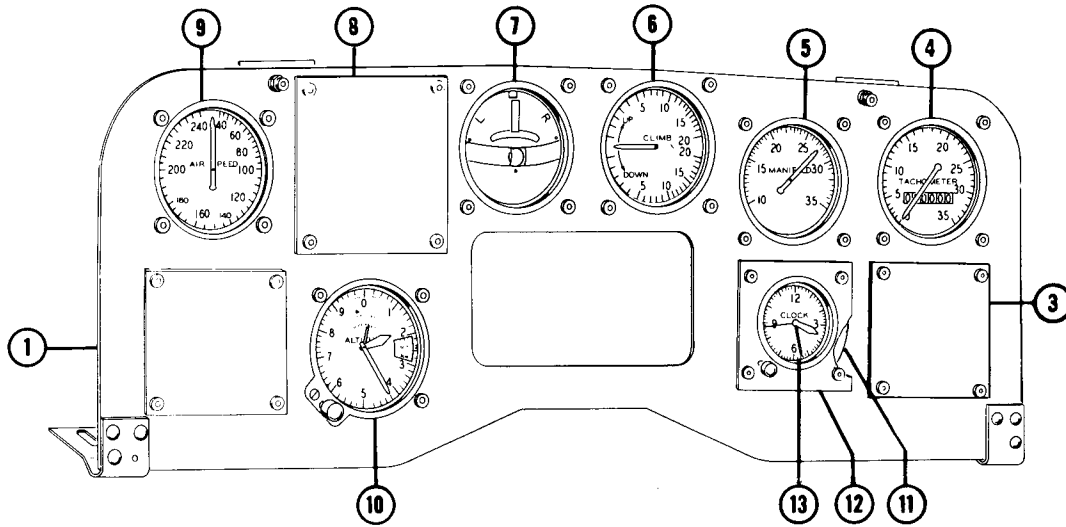


Figure 113. Standard Instrument Panel Assembly (D4391 thru D4865)

MODEL 35 THRU G35 PARTS CATALOG

FIG. & INDEX NO.	PART NO.	DESCRIPTION							UNITS PER ASSY	USABLE ON CODE	
		1	2	3	4	5	6	7			
113	35-324260-3	PANEL ASSY, INSTRUMENT	1	G
- 1	35-324166-8	. PANEL ASSY, INSTRUMENT BLANK	1	G
- 2	35-324166-4	. . BRACKET, LOWER MOUNTING LH	1	A2BCDEFG
	35-324166-5	. . BRACKET, LOWER MOUNTING RH	1	A2BCDEFG
- 3	50-320072-8	. COVER ASSY, INSTRUMENT SPARE CUTOUT	2	EFG
	AN515B6-4	. SCREW, ATTACHING	4	
- 4	35-324355-3	. TACHOMETER, ENGINE	1	G
	AN515B6-4	. SCREW, ATTACHING	4	
- 5	35-324335-1	. GAGE, MANIFOLD PRESSURE	1	FG
	AN515B6-10	. SCREW, ATTACHING	4	
- 6	35-380002	. INDICATOR, RATE OF CLIMB	1	G
	AN515B6-14	. SCREW, ATTACHING	3	
- 7	35-380003	. INDICATOR, TURN & BANK	1	FG
	AN515B6-10	. SCREW, ATTACHING	3	
- 8	35-324324-3	. COVER ASSY, INSTRUMENT	1	FG
	AN515B6-4	. SCREW, ATTACHING	4	
- 9	35-324248-5	. INDICATOR, AIRSPEED	1	G
	AN515B6-12	. SCREW, ATTACHING	4	
- 10	35-324346-1	. ALTIMETER, SENSITIVE	1	FG
	AN515B6-12	. SCREW, ATTACHING	4	
- 11	35-324075	. ADAPTER, CLOCK	1	
- 12	35-324074	. COVER, CLOCK ADAPTER	1	
	AN515B6-4	. SCREW, ATTACHING	4	
- 13	A-11MB	. CLOCK	1	G
	AN515B6-8	. SCREW, ATTACHING	4	
- 14	156PL-6	BUSHING, LORD MOUNT	2	
	35-324183	STOP ASSY, MOUNT	2	
	AN8013D2	WASHER	2	
- 15	AN501-416-40	BOLT	2	
	AN365-428	NUT	6	
- 16	35-324211	BRACKET, MOUNT SUPPORT LH	1	A2BCDEFG
	35-324211-1	BRACKET, MOUNT SUPPORT RH	1	A2BCDEFG
- 17	35-324227	DOUBLER, MOUNT BRACKET	2	A2BCDEFG
- 18	35-324158	SUPPORT ASSY, MOUNTING	2	
- 19	A321	MOUNT, RUBBER	2	
- 20	AN365-832	NUT, ATTACHING	4	
	AN960-8	WASHER, ATTACHING	4	

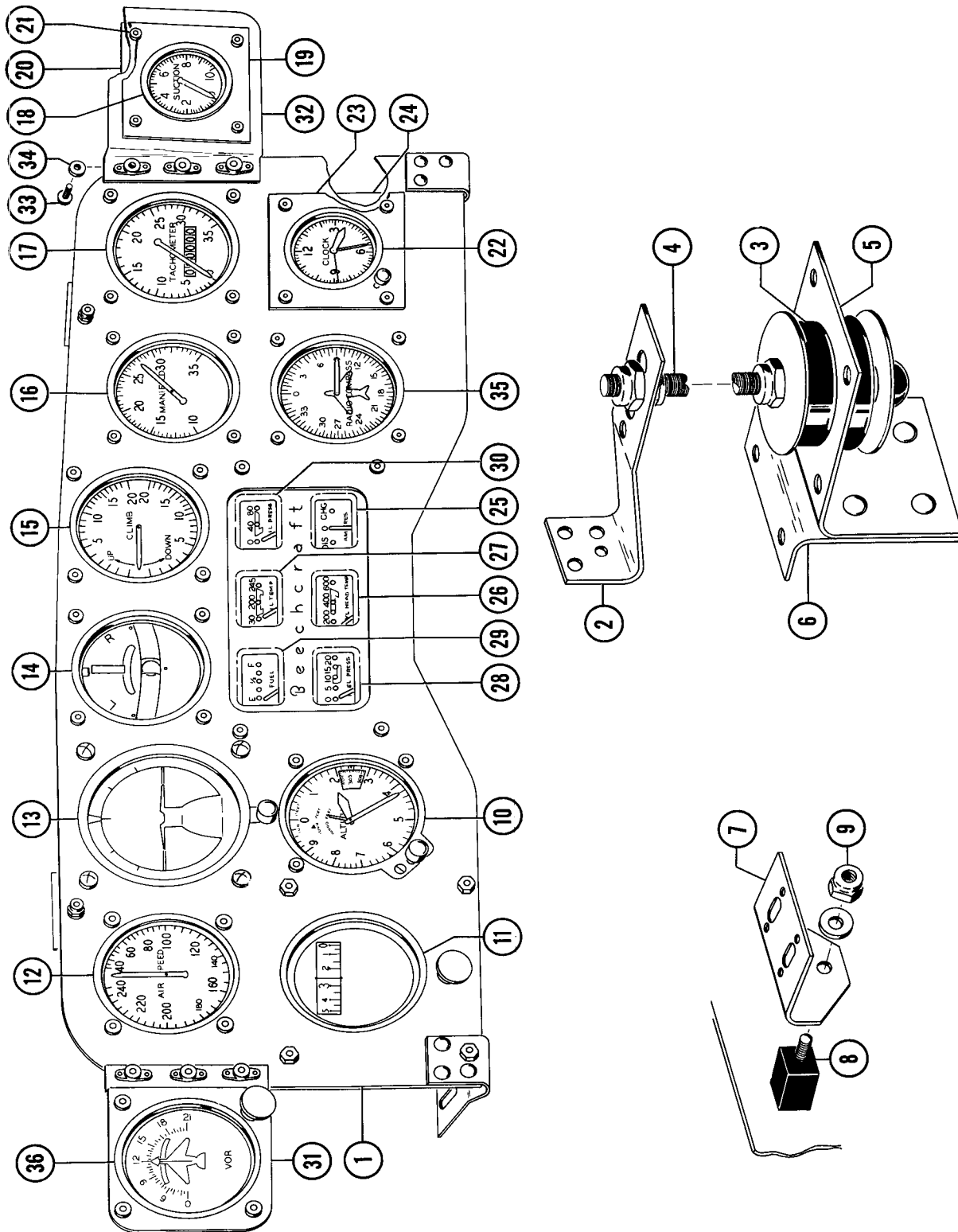


Figure 114. Gyro Instrument Panel Assembly (D2681 thru D4865)

MODEL 35 THRU G35 PARTS CATALOG

FIG. & INDEX NO.	PART NO.	DESCRIPTION							UNITS PER ASSY	USABLE ON CODE
		1	2	3	4	5	6	7		
114	35-324248-601	PANEL ASSY, GYRO INSTRUMENT.	1	CDEF
- 1	35-324240	. PANEL ASSY, GYRO INSTRUMENT SHOCK MOUNTED.	1	DEF
	35-324166-8	. PANEL ASSY, GYRO INSTRUMENT SHOCK MOUNTED.	1	G
- 2	35-324166-4	. BRACKET, LOWER LEFT MOUNTING.	1	A2BCDEFG
	35-324166-5	. BRACKET, LOWER RIGHT MOUNTING.	1	A2BCDEFG
- 3	156PL-6	. BUSHING, LORD MOUNT.	2	
	35-324183	. STOP ASSY, MOUNT.	2	
	AN8013D2	. WASHER.	2	
- 4	AN501-416-40	. BOLT.	2	
	AN365-428	. NUT.	6	
- 5	35-324211	. BRACKET, MOUNT SUPPORT.	1	A2BCDEFG
	35-324211-1	. BRACKET, MOUNT SUPPORT.	1	A2BCDEFG
- 6	35-324227	. DOUBLER, MOUNT BRACKET.	2	A2BCDEFG
- 7	35-324158	. SUPPORT ASSY, MOUNTING.	2	
- 8	A321	. MOUNT, RUBBER.	2	
- 9	AN365-832	. NUT, ATTACHING.	4	
	AN960-8	. WASHER, ATTACHING.	4	
- 10	35-324298	. ALTIMETER, SENSITIVE.	1	ABC
	35-324330	. ALTIMETER, SENSITIVE.	1	D8
	35-324346	. ALTIMETER, SENSITIVE.	1	D9E
	35-324346-1	. ALTIMETER, SENSITIVE.	1	FG
	AN515B6-12	. SCREW, ATTACHING.	4	
	AN936B6	. WASHER, ATTACHING.	4	
- 11	35-324307-4	. GYRO, DIRECTIONAL.	1	ABC
	35-324337	. GYRO, DIRECTIONAL.	1	DE
	35-324351	. GYRO, DIRECTIONAL.	1	DE
	35-324351-3	. GYRO, DIRECTIONAL.	1	F
	649742-1PFN	. GYRO, DIRECTIONAL.	1	G
	AN515B8-10	. SCREW, ATTACHING.	4	
- 12	35-324297	. INDICATOR, AIRSPEED.	1	ABC
	35-324329	. INDICATOR, AIRSPEED.	1	D
	35-324329-1	. INDICATOR, AIRSPEED.	1	E
	35-324329-5	. INDICATOR, AIRSPEED.	1	F
	35-324248-5	. INDICATOR, AIRSPEED.	1	G
	AN515B6-12	. SCREW, ATTACHING.	4	
	AN936B6	. WASHER, ATTACHING.	4	
- 13	35-324309	. GYRO, HORIZON.	1	ABC
	35-324338	. GYRO, HORIZON.	1	DE
	35-324338-3	. GYRO, HORIZON.	1	F
	656768-1FLNC	. GYRO, HORIZON.	1	G
	AN515R6-12	. SCREW, ATTACHING.	4	
- 14	35-324304	. INDICATOR, TURN & BANK.	1	C
	35-324334	. INDICATOR, TURN & BANK.	1	DE
	35-380003	. INDICATOR, TURN & BANK.	1	FG
	AN515B6-10	. SCREW, ATTACHING.	4	
- 15	35-324300	. INDICATOR, RATE OF CLIMB.	1	C12
	35-324332	. INDICATOR, RATE OF CLIMB.	1	DE
	35-324347	. INDICATOR, RATE OF CLIMB.	1	DE
	35-324378	. INDICATOR, RATE OF CLIMB.	1	DE
	35-324348-1	. INDICATOR, RATE OF CLIMB.	1	F
	35-380002	. INDICATOR, RATE OF CLIMB.	1	G
	AN515B6-14	. SCREW, ATTACHING.	4	
	AN936B6	. WASHER, ATTACHING.	4	
- 16	35-324305	. INDICATOR, MANIFOLD PRESSURE.	1	ABC
	35-324335	. INDICATOR, MANIFOLD PRESSURE.	1	DE
	35-324335-1	. INDICATOR, MANIFOLD PRESSURE.	1	FG
	AN515R6-10	. SCREW, ATTACHING.	4	
	AN936B6	. WASHER, ATTACHING.	4	
- 17	35-324306	. TACHOMETER, ENGINE.	1	ABC
	35-324336	. TACHOMETER, ENGINE.	1	DE
	35-324336-1	. TACHOMETER, ENGINE.	1	F
	35-324355-3	. TACHOMETER, ENGINE.	1	G
	AN515B6-4	. SCREW, ATTACHING.	4	
	AN936B6	. WASHER, ATTACHING.	4	

MODEL 35 THRU G35 PARTS CATALOG

FIG. & INDEX NO.	PART NO.	DESCRIPTION							UNITS PER ASSY	USABLE ON CODE
		1	2	3	4	5	6	7		
114 - 18	35-324299	1	ABC
	50-320106-2	1	DE
	50-320106	1	FG
	AN515B6-12	4	
- 19	35-324149	1	
- 20	35-324148	1	
- 21	35-324086	4	
	AN515B6-4	4	
- 22	35-324301	1	ABC
	35-324333	1	DE
	35-324333-1	1	F
	35-380004-1	1	G
	AN515B6-8	4	
- 23	35-324074	1	
- 24	35-324075	1	
	AN515B6-4	4	
	AN936B6	4	
	35-324160	1	C
	35-324317	1	DEF
- 25	35-324303	1	DE
	35-324303-1	1	F
	1501695	1	F
- 26	35-324313	1	DE
	35-324313-1	1	F
	A-SP-373	1	F
- 27	35-324314	1	DE
	35-324314-1	1	F
	1513018	1	F
- 28	35-324311	1	DE
	35-324311-1	1	F
	1508299	1	F
- 29	35-324302	1	DE
	35-324302-1	1	F
	1518333	1	F
- 30	35-324312	1	DE
	35-324312-1	1	F
	1508300	1	F
- 31	35-324281	1	
- 32	35-324281-1	1	
- 33	AN515-8-6	3	
- 34	AN936B8	3	
	35-324413	2	
	AN515-6R6	4	
	AN360-632	4	
	AN960-6	4	
- 35	I-81	1	
- 36	97930-04	1	

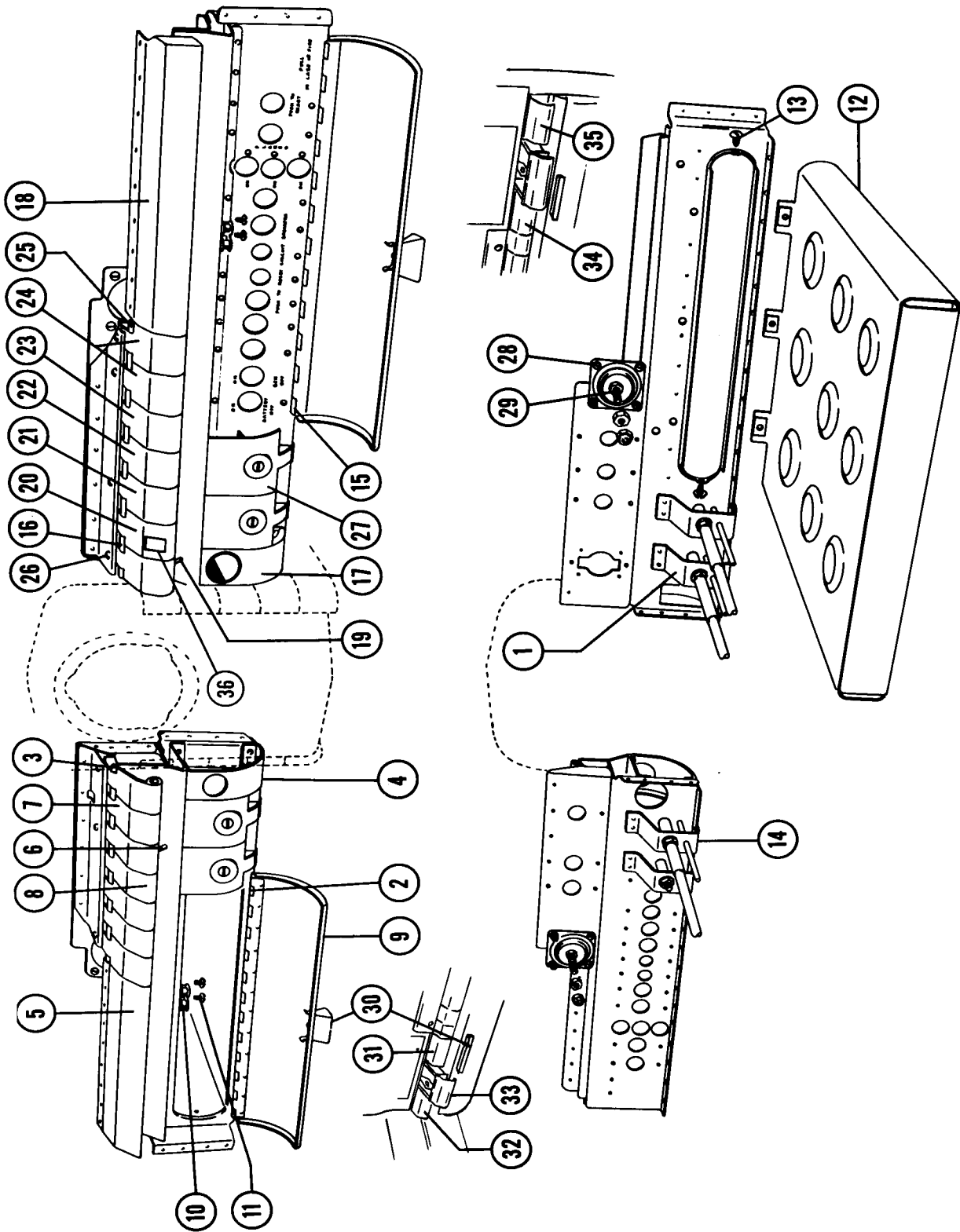


Figure 115. Left and Right Subpanel Assembly

MODEL 35 THRU G35 PARTS CATALOG

FIG. & INDEX NO.	PART NO.	DESCRIPTION							UNITS PER ASSY	USABLE ON CODE	
		1	2	3	4	5	6	7			
115 -	A	35-324050-601	SUBPANEL ASSY,LEFT.	1	
-	1	35-324050-8	. BRACKET,LEFT SUBPANEL	2	
-	2	35-324050-10	. HINGE,LEFT SUBPANEL	1	
-	3	35-324050-12	. HINGE,LEFT SUBPANEL	1	
-	4	35-324054	. FILLER,LEFT SUBPANEL.	1	
-	5	35-324051	COVER,LEFT SUBPANEL	1	A1
		35-324057	COVER,LEFT SUBPANEL	1	A11
		35-324078	LEVER,SUBPANEL BLANK.	1	
-	6	35-324082	LOCK ASSY,FLAP SWITCH	1	
		35-324082-2	. BOLT.	1	
		100943-016-007-014-11	. SPRING.	1	
		AN960-4	. WASHER.	1	
-	7	35-324081	LEVER,FLAP SWITCH	1	
-	8	35-324078	LEVER,FUEL SELECTOR SWITCH.	1	
		35-324078	LEVER,SUBPANEL RADIO.	1	
		35-324078	LEVER,NAVIGATION LIGHT SWITCH	1	
		35-324078	LEVER,SUBPANEL BLANK.	1	
-	9	35-324058	DOOR ASSY,MAP & CIRCUIT BREAKER COMPARTMENT	1	
-	10	5	ROLLER,MAP & CIRCUIT BREAKER COMPARTMENT DOOR.	1	
		5	CATCH,MAP & CIRCUIT BREAKER COMPARTMENT DOOR.	1	
			STRIKER		
-	11	AN515-6-6	SCREW,ROLLER ASSY ATTACHING	2	
-	12	35-324003	BOX ASSY,MAP COMPARTMENT.	1	
-	13	AN530-6-6	SCREW,MAP COMPARTMENT ATTACHING	5	
		B	35-324040-601	SUBPANEL ASSY,RIGHT	1	
-	14	35-324040-8	. BRACKET,RIGHT SUBPANEL.	2	
-	15	35-324010-10	. HINGE,SUBPANEL.	1	
-	16	35-324040-12	. HINGE,SUBPANEL.	1	
-	17	35-324040-3	. FILLER,SUBPANEL	1	
-	18	35-324084	COVER,SUBPANEL.	1	
-	19	35-324077	LEVER,LANDING LIGHT SWITCH LOCK	1	
-	20	35-324078	LEVER,LANDING GEAR SWITCH	1	
-	21	35-324078	LEVER,SUBPANEL BLANK.	1	
-	22	35-324124-2	LEVER,LANDING LIGHT SWITCH.	1	
-	23	35-324124-4	LEVER,LANDING LIGHT SWITCH.	1	
-	24	35-324078	LEVER,SUBPANEL BLANK.	2	
-	25	102361-00908	PIN,LEVER HINGE	1	
-	26	AN515-6-6	SCREW,BLANK LEVER ATTACHING	4	
		AN365-632	NUT,BLANK LEVER ATTACHING	4	
-	27	35-944009	HANDLE ASSY,PUSH PULL CONTROL	2	
		AN8008-7	MOUNT,FLOATING PANEL SHOCK.	1	
-	28	AN505-8-6	SCREW,SHOCK MOUNT ATTACHING	4	
		AN960-8	WASHER,SHOCK MOUNT.	4	
		AN365-832	NUT,SHOCK MOUNT RETAINER.	4	
-	29	AN502-416-32	SCREW,FLOATING PANEL ATTACHING.	1	
		AN365-428	NUT,PANEL RETAINER.	3	
-	30	35-324032	KNOB,MAP & CIRCUIT BREAKER COMPARTMENT DOOR	1	A
		35-324204	KNOB,MAP & CIRCUIT BREAKER COMPARTMENT DOOR	1	BCDEFG
-	31	35-324196-4	COVER,LEFT SUBPANEL	1	A48BCDEFG
-	32	35-324195	COVER,LEFT SUBPANEL	1	A48BCDEFG
-	33	35-324231	TRAY,ASH.	1	A48BCDEFG
		35-324235	SLIDE ASSY,ASH TRAY	1	A48BCDEFG
-	34	35-324196-3	COVER,RIGHT SUBPANEL.	1	A48BCDEFG
-	35	35-324196-2	COVER,RIGHT SUBPANEL.	1	A48BCDEFG
-	36	35-324412-3	ICON.	1	

MODEL 35 THRU G35 PARTS CATALOG

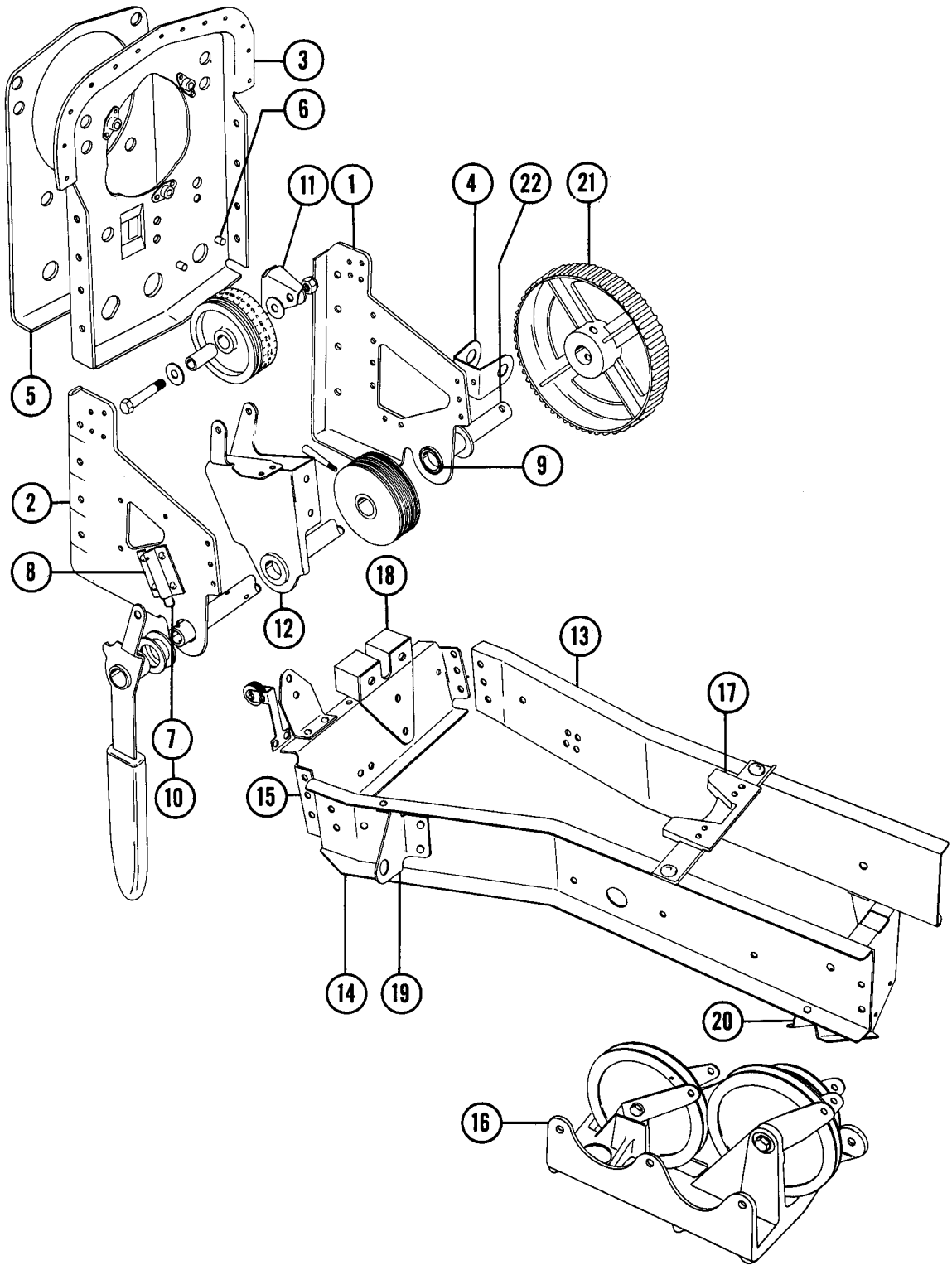


Figure 116. Center Instrument Panel Assembly

MODEL 35 THRU G35 PARTS CATALOG

FIG. & INDEX NO.	PART NO.	DESCRIPTION							UNITS PER ASSY	USABLE ON CODE
		1	2	3	4	5	6	7		
116	35-324025	PANEL ASSY,CENTER INSTRUMENT							1	
- 1	35-324025-2	. SUPPORT,LEFT CENTER PANEL							1	
- 2	35-324025-5	. SUPPORT,RIGHT CENTER PANEL							1	
- 3	35-324025-6	. PANEL,CENTER INSTRUMENT /LESS PLACARD/.							1	
- 4	35-324072	. SUPPORT,CARBURETOR MIXTURE CONTROL							1	
- 5	35-324026-2	. PLACARD,CENTER INSTRUMENT PANEL							1	A1
	35-324026-6	. PLACARD,CENTER INSTRUMENT PANEL							1	A2B
	35-324026-4	. PLACARD,CENTER INSTRUMENT PANEL							1	C
	35-324026-8	. PLACARD,CENTER INSTRUMENT PANEL							1	D
	35-324026-10	. PLACARD,CENTER INSTRUMENT PANEL							1	EF4
	35-324026-12	. PLACARD,CENTER INSTRUMENT PANEL							1	F5
	35-324363	. PLACARD,CENTER INSTRUMENT PANEL							1	G
- 6	35-324029	. STUD,CENTER INSTRUMENT							2	
- 7	35-324034	. PIN,CENTER INSTRUMENT							1	
- 8	35-324035	. RETAINER,CENTER INSTRUMENT							1	
- 9	F-631	. BEARING,CENTER INSTRUMENT OILITE							1	
	336F832	. NUT,CENTER INSTRUMENT ANCHOR							2	
- 10	100943-035-005-020-12	. SPRING,CENTER INSTRUMENT							1	
- 11	35-324113	. BRACKET,TAB DIAL INDICATOR							1	
- 12	35-324073	BRACKET,UPPER FWD PULLEY							1	
- 13	35-324069	CHANNEL,FWD PULLEY BRACKET							1	
- 14	35-324070	CHANNEL,FWD PULLEY BRACKET							1	
- 15	35-324021	SUPPORT,FWD PULLEY BRACKET							1	
- 16	35-524126-2	BRACKET,UPPER FWD PULLEY							1	
- 17	35-524234	STOP,PULLEY BRACKET							1	
- 18	35-524233	STOP,PULLEY BRACKET							1	
- 19	35-410119	BRACKET,PARKING BRAKE ATTACHING							1	
- 20	35-410019	BRACKET,AILERON PULLEY							1	
	AN3-4A	BOLT,STOP ATTACHING							2	
	AN960-10L	WASHER,STOP ATTACHING							2	
	AN365-1032	NUT,STOP ATTACHING							2	
	AN3-4A	BOLT,BRACKET ATTACHING							6	
	AN960-10L	WASHER,BRACKET ATTACHING							6	
	AN365-1032	NUT,BRACKET ATTACHING							6	
- 21	35-524542	WHEEL,ELEVATOR TAB CONTROL							1	
	AN3-16A	BOLT,CONTROL WHEEL ATTACHING							1	
	AN960-10	WASHER,CONTROL WHEEL ATTACHING							1	
	AN365-1032	NUT,CONTROL WHEEL ATTACHING							1	
- 22	35-524532	TUBE,CONTROL WHEEL							1	
	AN960-816L	WASHER,CONTROL WHEEL TUBE							1	
	AN960-1016	WASHER,CONTROL WHEEL TUBE							1	
	AN960-1016L	WASHER,CONTROL WHEEL TUBE							1	

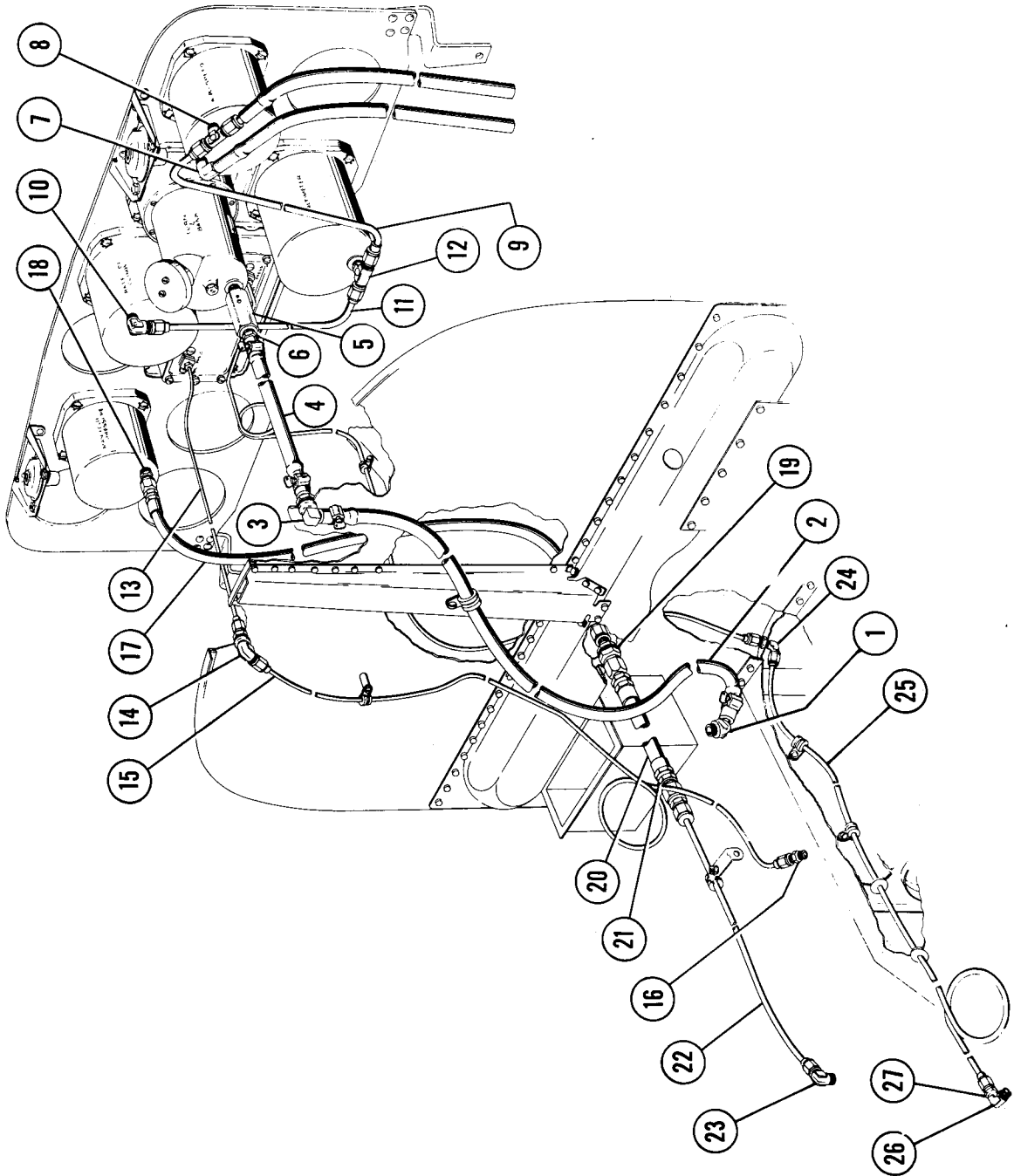


Figure 117. Instrument Plumbing System

MODEL 35 THRU G35 PARTS CATALOG

FIG. & INDEX NO.	PART NO.	DESCRIPTION	UNITS							USABLE ON CODE		
			1	2	3	4	5	6	7			
117 -	1	AN842-4D	ELBOW,VACUUM PUMP								1	
		AN912-3	BUSHING,VACUUM PUMP ELBOW								1	
-	2	AN833-4-120	HOSE,VACUUM PUMP TO FIREWALL								1	
		AN748-22	CLAMP,PUMP TO FIREWALL HOSE								2	
		AN742-8	CLAMP,PUMP TO FIREWALL HOSE								1	
		AN515-8-6	SCREW,FIREWALL HOSE CLAMP								1	
		AN365-832	NUT,FIREWALL HOSE CLAMP								1	
-	3	AN848-4D	ELBOW,FIREWALL HOSE CONNECT								1	
		AN960D716	WASHER,FIREWALL HOSE CONNECT								1	
		AN316-7R	NUT,FIREWALL HOSE CONNECT								1	
-	4	AN883-4-48	TUBE,FIREWALL TO THROTTLING VALVE								1	
		AN748-22	CLAMP,THROTTLING VALVE TUBE								2	
-	5	1521-1-A	VALVE,TURN & BANK THROTTLING								1	A51
		35-324144	VALVE,TURN & BANK THROTTLING								1	A52
-	6	AN840-4D	ADAPTER,THROTTLING VALVE								1	
-	7	AN842-4D	ELBOW,AIRSPEED INDICATOR								1	
-	8	AN825-4D	TEE,AIRSPEED INDICATOR								1	
-	9	35-324094	TUBE,AIRSPEED TO ALTIMETER								1	
-	10	AN822-4D	ELBOW,RATE OF CLIMB INDICATOR								1	
-	11	35-324095	TUBE,RATE OF CLIMB TO ALTIMETER								1	
-	12	AN825-4D	TEE,ALTIMETER CONNECT								1	
-	13	35-939052	LINE,TO INSTRUMENT OIL PRESSURE								1	
-	14	AN833-2D	ELBOW,FIREWALL OIL LINE								1	
		AN960-516	WASHER,OIL LINE								1	
		AN924-2D	NUT,ELBOW RETAINING								1	
-	15	35-939047	LINE,TO ENGINE OIL PRESSURE								1	
		AN742-2	CLAMP,LINE ATTACHING								1	
		100696D1-06-016	SPACER,CLAMP MOUNTING								1	
		AN526-832-16	SCREW,CLAMP ATTACHING								1	
		AN960-8	WASHER,CLAMP MOUNTING								1	
		AN365-832	NUT,CLAMP RETAINER								1	
-	16	AN816-2B	NIPPLE,TO ENGINE OIL LINE								1	
-	17	AN6270-4-28	TUBE,MANIFOLD PRESSURE								1	
-	18	AN816-4B	NIPPLE,MANIFOLD PRESSURE								1	
-	19	AN832-4D	UNION,FIREWALL PRESSURE LINE								1	
		AN960A716	WASHER,FIREWALL PRESSURE LINE								1	
		AN924-4	NUT,FIREWALL PRESSURE LINE								1	
-	20	AN6270-4-9	HOSE,MANIFOLD PRESSURE FWD								1	
-	21	AN815-4D	UNION,FWD HOSE CONNECTING								1	
-	22	35-910240	TUBE,TO ENGINE MANIFOLD								1	
-	23	7-846-2	FITTING ASSY,MANIFOLD								1	
		35-910245	BRACKET,LINE MOUNTING								1	
		AN742-6C	CLAMP,LINE ATTACHING								1	
		AN526-832-8	SCREW,CLAMP ATTACHING								1	
		AN960-8	WASHER,CLAMP MOUNTING								1	
		AN365-832	NUT,CLAMP RETAINER								1	
		35-924127	LINE,TO INSTRUMENT FUEL								1	
		AN742-4C	CLAMP,LINE SUPPORT								1	
		AN526-832-8	SCREW,CLAMP ATTACHING								1	
		AN365-832	NUT,CLAMP RETAINER								1	
		AN960-8	WASHER,CLAMP MOUNTING								1	
-	24	AN833-2D	ELBOW,FUEL PRESSURE LINE								1	
		AN924-2D	NUT,PRESSURE LINE RETAINER								1	
		AN960-516	WASHER,PRESSURE LINE RETAINER								1	
-	25	35-924126	LINE,FWD FUEL PRESSURE								1	
		AN742-4C	CLAMP,LINE SUPPORT								2	
		AN526-832-8	SCREW,CLAMP ATTACHING								2	
		AN960-8	WASHER,CLAMP MOUNTING								2	
		AN365-832	NUT,CLAMP RETAINER								2	
		AN931-2-9	GROMMET,FUEL PRESSURE LINE								2	
-	26	AN914-1	ELBOW,PRESSURE LINE TO ENGINE								1	
-	27	AN816-2D	NIPPLE,PRESSURE LINE TO ENGINE								1	

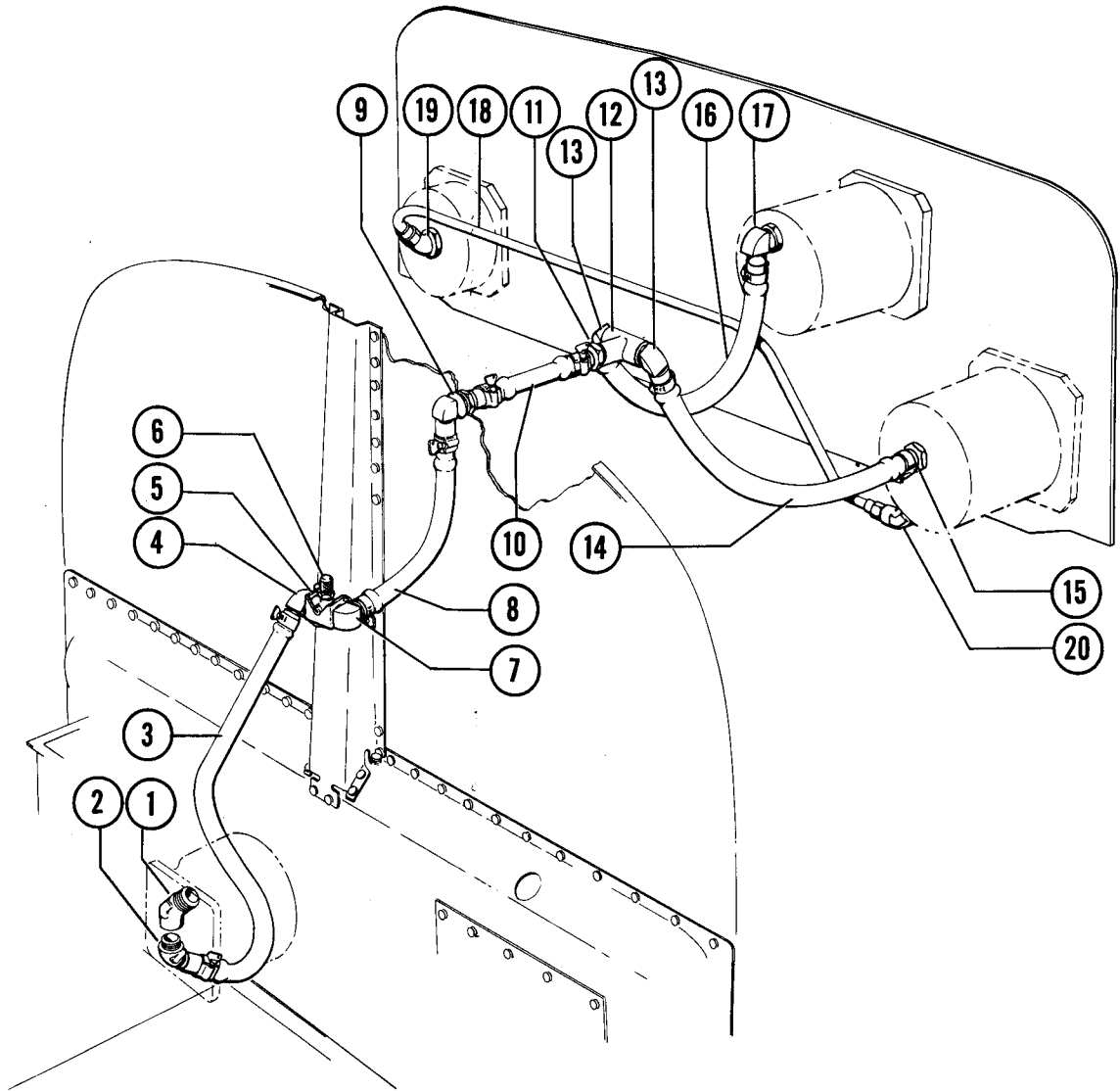


Figure 118. Gyro Instrument Plumbing System (D2681 thru D4865)

MODEL 35 THRU G35 PARTS CATALOG

FIG. & INDEX NO.	PART NO.	DESCRIPTION							UNITS PER ASSY	USABLE ON CODE
		1	2	3	4	5	6	7		
118	35-324280	LINES INSTL,GYRO INSTRUMENT PANEL VACUUM.							1	CDEFG
- 1	AN915-3	. ELBOW,VACUUM PUMP							1	
- 2	AN842-8D	. ELBOW,VACUUM PUMP							1	
- 3	35-324280-10	. HOSE ASSY,PUMP TO VALVE							1	
	AN737-30	. CLAMP,ATTACHING							2	
- 4	AN842-8D	. ELBOW,SUCTION RELIEF VALVE.							1	
- 5	35-415395	. BRACKET ASSY,SUCTION RELIEF VALVE							1	
- 6	3V-195	. VALVE,SUCTION RELIEF.							1	
	AN913-1D	. PLUG,SUCTION RELIEF VALVE							1	
- 7	AN842-8D	. ELBOW,SUCTION RELIEF VALVE.							1	
- 8	35-324280-14	. HOSE ASSY,VALVE TO BULKHEAD							1	
	AN737-30	. CLAMP,ATTACHING							2	
- 9	AN848-8D	. ELBOW,BULKHEAD.							1	
	AN960-1216L	. WASHER.							1	
	AN936A1216	. WASHER.							1	
	AN924-8D	. NUT							1	
- 10	35-324280-12	. HOSE ASSY,BULKHEAD ELBOW TO TEE							1	
	AN737-30	. CLAMP,ATTACHING							2	
- 11	AN840-8D	. ADAPTER							1	
- 12	AN917-3D	. TEE							1	
	AN912-2D	. BUSHING							1	
- 13	AN842-6	. ELBOW							2	
- 14	35-324280-6	. HOSE ASSY,TEE TO DIRECTIONAL GYRO							1	
	AN737-26	. CLAMP,ATTACHING							2	
- 15	AN840-6	. ADAPTER,DIRECTIONAL GYRO CONNECTING							1	
- 16	35-324280-8	. HOSE ASSY,TEE TO GYRO HORIZON							1	
	AN737-26	. CLAMP,ATTACHING							2	
- 17	AN844-6	. ELBOW,GYRO HORIZON CONNECTING							1	
- 18	35-324170	. TUBE ASSY,SUCTION GAGE TO DIRECTIONAL GYRO.							1	
- 19	AN822-4D	. ELBOW,SUCTION GAGE CONNECTING							1	
- 20	AN822-4-4D	. ELBOW,DIRECTIONAL GYRO CONNECTING							1	

MODEL 35 THRU G35 PARTS CATALOG

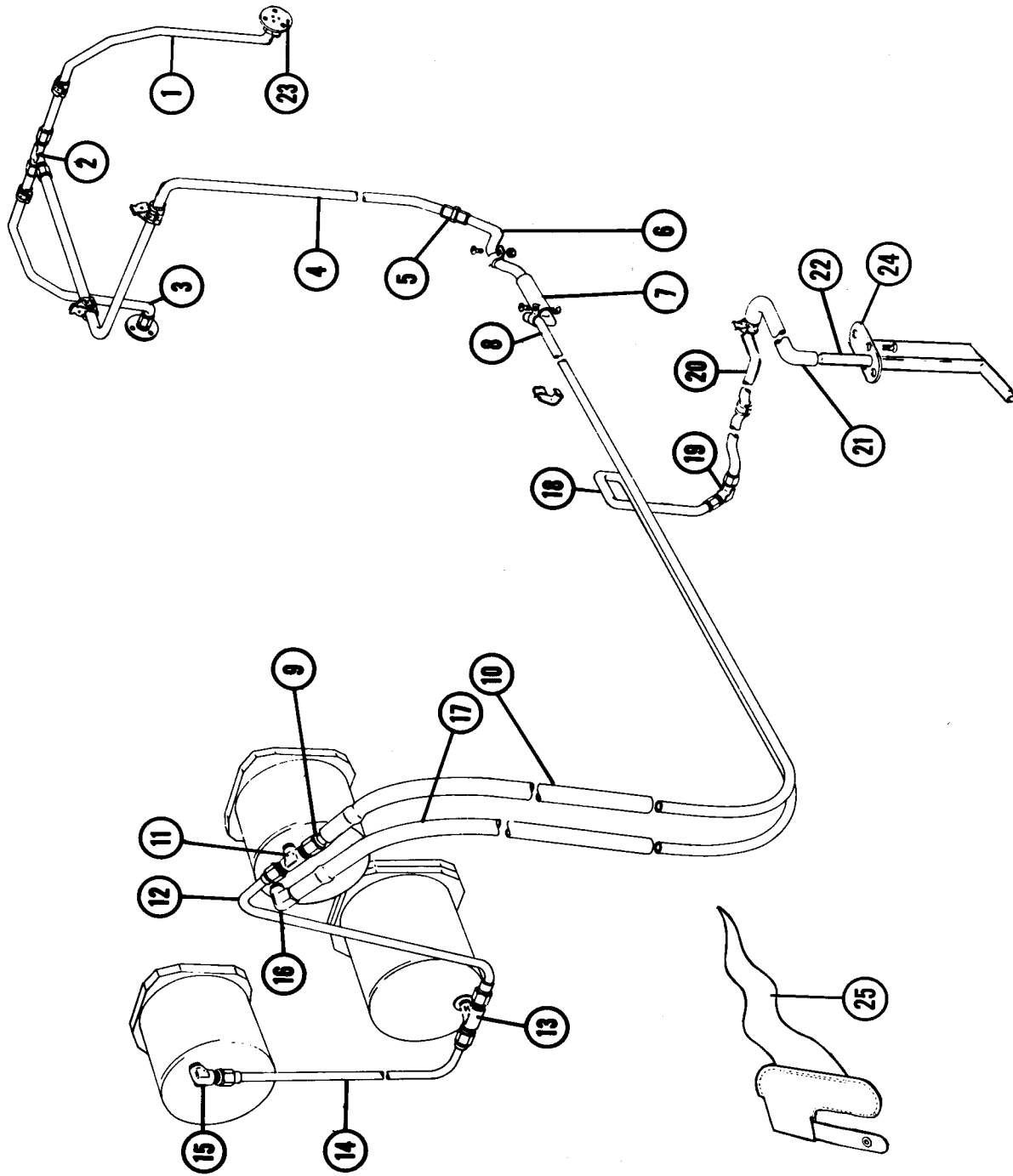


Figure 119. Static Pressure and Pitot Plumbing (D2681 thru D4865)

MODEL 35 THRU G35 PARTS CATALOG

FIG. & INDEX NO.	PART NO.	DESCRIPTION	UNITS PER ASSY							USABLE ON CODE
			1	2	3	4	5	6	7	
119	35-324323	LINE INSTL,PITOT & INSTRUMENT							1	CDEFG
- 1	35-324092	. TUBE ASSY,FUSELAGE FITTING STATIC PRESSURE. . .							1	
- 2	AN824-4D	. TEE,FUSELAGE STATIC PRESSURE LINE							1	
- 3	35-324091	. TUBE ASSY,FUSELAGE FITTING STATIC PRESSURE. . .							1	
- 4	35-324093	. TUBE ASSY,STATIC PRESSURE TEE TO UNION.							1	
- 5	AN815-4D	. UNION,FUSELAGE STATIC PRESSURE LINE							1	
- 6	35-324098	. TUBE ASSY,UNION TO STATIC PRESSURE DRAIN.							1	
- 7	35-324323-7	. HOSE,FUSELAGE STATIC PRESSURE							1	
- 8	35-324100	. TUBE,STATIC PRESSURE DRAIN TO RUBBER TUBING							1	
- 9	35-324099	. TUBE ASSY,AIRSPED STATIC PRESSURE.							1	CDE
- 10	35-324323-1	. HOSE ASSY,AIRSPED STATIC PRESSURE.							1	
- 11	AN826-4D	. TEE,STATIC PRESSURE							1	
- 12	35-324178	. TUBE ASSY,ALTIMETER TO AIRSPEED STATIC.							1	CD8
	35-324350	. TUBE ASSY,ALTIMETER TO AIRSPEED STATIC.							1	D9EFG
- 13	AN826-4D	. TEE,ALTIMETER STATIC PRESSURE							1	
- 14	35-324180	. TUBE ASSY,ALTIMETER TO VERTICAL SPEED							1	CD8
	35-324349	. TUBE ASSY,ALTIMETER TO VERTICAL SPEED							1	D9EFG
- 15	AN822-4D	. ELBOW,VERTICAL SPEED STATIC PRESSURE.							1	
- 16	AN840-4D	. ADAPTER,PITOT LINE.							1	CDE
	AN823-4D	. ELBOW,PITOT LINE.							1	FG
- 17	35-324323-1	. HOSE ASSY,AIRSPED TO PITOT LINE.							1	FG
- 18	35-324096	. TUBE ASSY,PITOT PRESSURE.							1	CDE
	35-324323-9	. TUBE ASSY,PITOT PRESSURE.							1	FG
- 19	AN833-4D	. ELBOW,PITOT PRESSURE LINE							1	CDE
	AN821-4D	. ELBOW,PITOT PRESSURE LINE							1	FG
- 20	35-324097	. TUBE ASSY,PITOT PRESSURE.							1	CDE
	35-324323-11	. TUBE ASSY,PITOT PRESSURE.							1	FG
- 21	35-324323-5	. HOSE ASSY,PITOT PRESSURE.							1	CDE
	35-324323-17	. HOSE ASSY,PITOT PRESSURE.							1	FG
- 22	35-321117	. TUBE ASSY,PITOT							1	
- 23	35-400212	FITTING,FUSELAGE STATIC PRESSURE.							2	
- 24	35-361108-8	BASE.							1	
- 25	45-590060	COVER ASSY,PITOT TUBE /USED WITH UNHEATED TUBE/							1	

MODEL 35 THRU G35 PARTS CATALOG

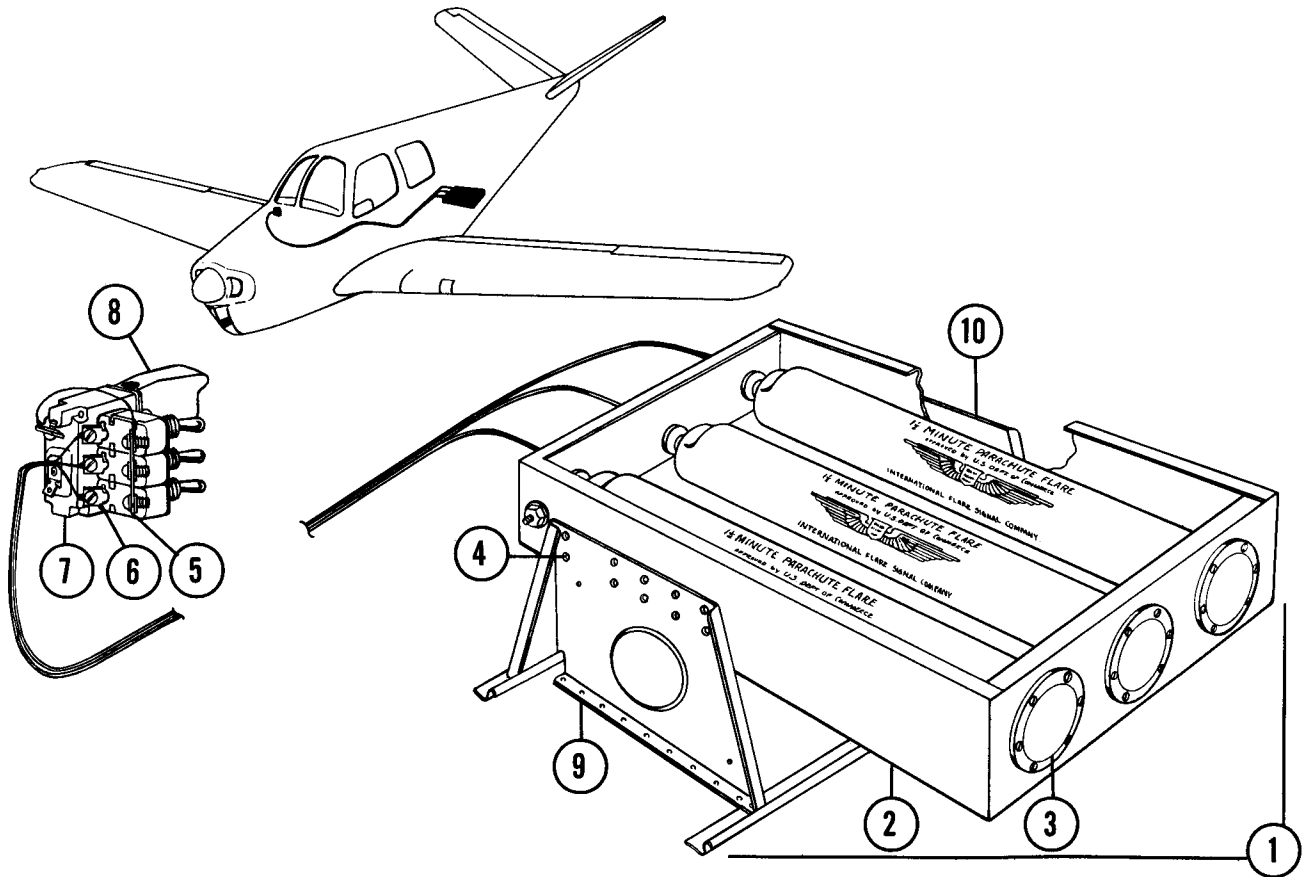


Figure 120. Flare Assembly

FIG. & INDEX NO.	PART NO.	DESCRIPTION	UNITS PER ASSY	USABLE ON CODE
		1 2 3 4 5 6 7		
120	35-502	KIT, COMPLETE FLARE INSTL.	1	
- 1	35-264001-600	FLARE ASSY.	1	
- 2	1-1/2-PF-11	. BRACKET ASSY, THREE UNIT	1	
- 3	1-1/2-PF-1	. FLARE, SIGNAL	3	
- 4	AN515-4-6	. SCREW, BRACKET ATTACHING	18	
	AN365-440	. NUT, BRACKET ATTACHING	18	
- 5	35-364027	. BAR, BUS	1	
- 6	8801K-7	. SWITCH, FLARE SELECTOR	3	
- 7	8750K-11	. BREAKER, CIRCUIT	1	
- 8	AN3028-3	. GUARD, SWITCH	1	
	35-364034-2	. PLACARD, FLARE	1	AB
	35-364034-4	. PLACARD, FLARE	1	CDEFG
	AN5156R8	. SCREW, ATTACHING	2	
	AN960-6	. WASHER	2	
- 9	35-410104	BRACKET, FWD FLARE SUPPORT	1	
- 10	35-410103	BRACKET, AFT FLARE SUPPORT	1	

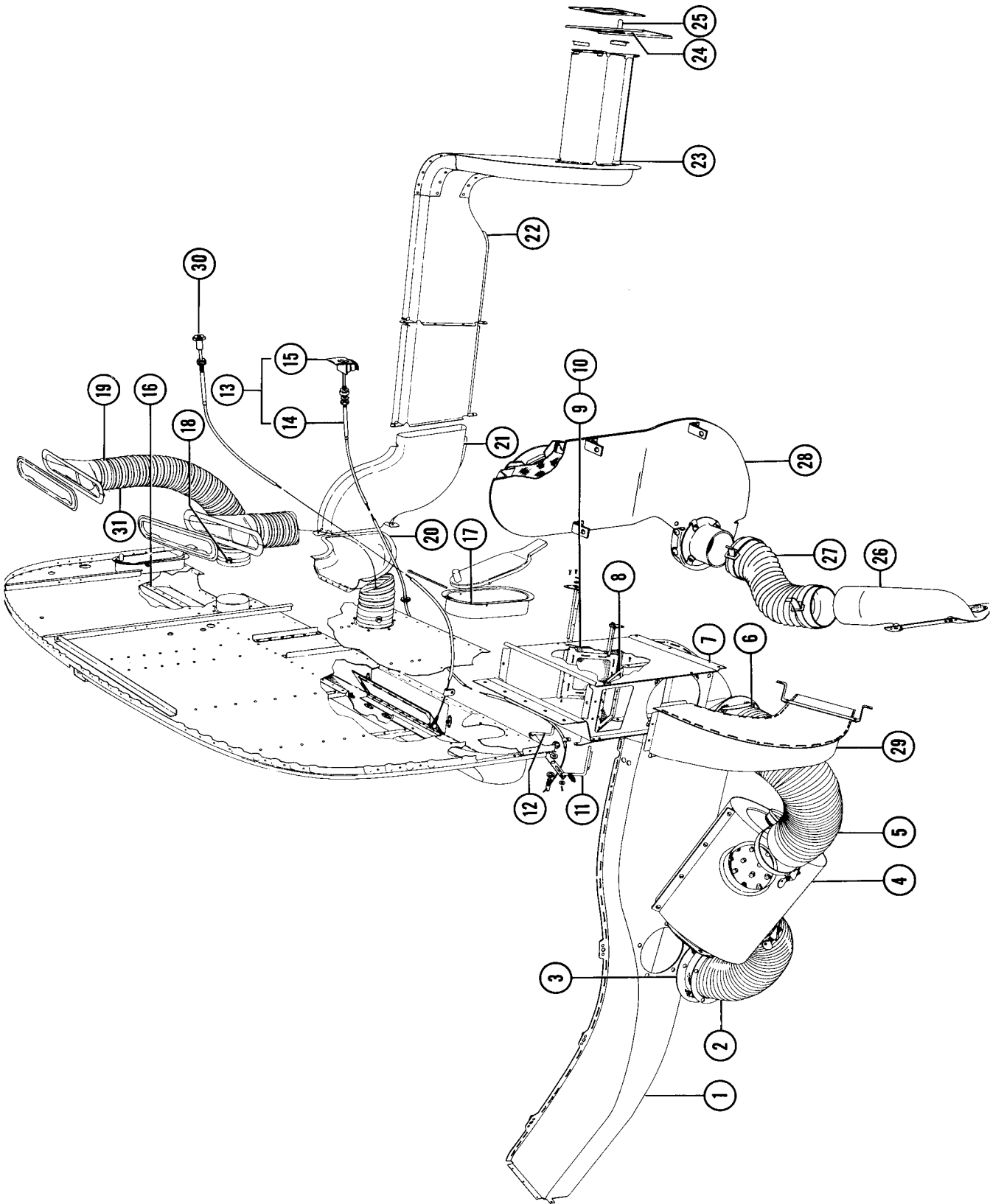


Figure 121. Heat and Vent System

MODEL 35 THRU G35 PARTS CATALOG

FIG. & INDEX NO.	PART NO.	DESCRIPTION	1 2 3 4 5 6 7							UNITS PER ASSY	USABLE ON CODE	
121 - 1	35-550502-601	DUCT ASSY,COLD AIR INLET.	1	
- 2	111716X26-12	DUCT,INLET HEATER	1	
- 3	35-550503-2	RING,HEATER DUCT RETAINING.	1	
	35-550558	EXHAUST,HEATER.	1	C2DEFG
- 4	186	HEATER ASSY	1	
	186C	HEATER ASSY	1	C19
- 5	111716X26-23	DUCT,HEATER OUTLET.	1	
- 6	35-550503-4	RING,DUCT RETAINING	1	
- 7	35-550026	VALVE ASSY,HEAT CONTROL	1	
- 8	35-550026-18	. DAMPER ASSY,CONTROL VALVE	1	
	35-550026-20	. . DAMPER,CONTROL VALVE.	1	
	35-550026-24	. . SEAL,CONTROL DAMPER	1	
	35-550026-30	. . KEY,CONTROL DAMPER.	1	
- 9	35-550026-26	. DAMPER ASSY,FIRE CONTROL	1	
- 10	35-550026-28	. . DAMPER,FIRE CONTROL	1	
	35-550026-32	. . SEAL,CONTROL DAMPER	1	
	35-550026-30	. . KEY,CONTROL DAMPER.	1	
	35-550026-14	. ARM,CRANK CONNECTING.	1	
- 11	35-550034	. ARM,DAMPER CONTROL CRANK.	1	
- 12	35-550035	. ARM,FIRE CONTROL DAMPER CRANK	1	
	100942-031-008-022-22	. SPRING,DAMPER RETURN.	1	
- 13	35-944007-2	CONTROL ASSY,VALVE.	1	
- 14	35-944020-2	. CONTROL ASSY,/LESS HANDLE/.	1	
- 15	35-944009	. HANDLE ASSY,CONTROL	1	
	10293354-0312-0095	SPACER,CONTROL ATTACHING.	1	
	35-550520	PIN,CONTROL ATTACHING	1	
- 16	35-415330-28	DUCT,FIREWALL TRANSFER.	1	
- 17	35-550022-600	VALVE,OUTLET.	1	
	35-550023	. DOOR,OUTLET VALVE	1	
	35-550024	. FRAME,OUTLET VALVE.	1	
- 18	35-415333	COLLAR,DEFROSTER DUCT ATTACHING	1	
- 19	35-550501-2	DUCT,DEFROSTER.	1	
	35-405312	FLANGE,DEFROSTER OUTLET	1	
	35-405312-1	FLANGE,DEFROSTER OUTLET	1	
	35-405317	ADAPTER,DEFROSTER OUTLET.	1	
	35-405317-1	ADAPTER,DEFROSTER OUTLET.	1	
- 20	35-415330-38	DUCT,FIREWALL TRANSFER AIR.	1	
- 21	35-550518-28	DUCT,FWD CABIN AIR.	1	
- 22	35-550518-30	DUCT ASSY,CABIN AIR	1	
	35-550040-620	DUCT ASSY,CABIN AIR	1	A1
- 23	35-550518-32	DUCT ASSY,REAR CABIN AIR.	1	A2BCDEFG
	35-550040-618	DUCT ASSY,REAR CABIN AIR.	1	A1
	35-550518-22	COVER,AIR DUCT OUTLET	1	A2BCDEFG
- 24	35-550518-26	COVER,AIR DUCT OUTLET SLIDE	1	
- 25	35-550514	HANDLE,OUTLET SLIDE VALVE	1	
	104036-1-008-0110	SEAL,SLIDE VALVE FELT	1	
	35-410152	CAP,CABIN VENT.	1	
	35-410153	DUCT,CABIN EXHAUST VENT	1	
	18-3946	SCREEN,EXHAUST VENT	1	
	35-410154	VALVE,EXHAUST VENT.	1	
	35-410156	. SHUTTER,EXHAUST VENT.	1	
	35-410155	. PLATE,EXHAUST VALVE	1	
	PK78XZ-8-10	SCREW,VALVE ATTACHING CHROMEPLATED.	4	
- 26	35-115260	DUCT ASSY,COLD AIR WING	1	
- 27	1117286E6-16	DUCT,FLEXIBLE WING.	1	
- 28	35-550526	DUCT ASSY,COLD AIR FUSELAGE	1	
- 29	35-550525	DUCT,HEATER EXHAUST	1	
- 30	35-550523	CONTROL,HEAT & VENT CUTOFF.	1	
	112149-2	GROMMET,FIREWALL.	1	
	112136-2	GROMMET,FIREWALL.	1	
	49338	FASTENER.	1	
- 31	111728-6E6-50	DUCT.	1	

MODEL 33 THRU G35 PARTS CATALOG

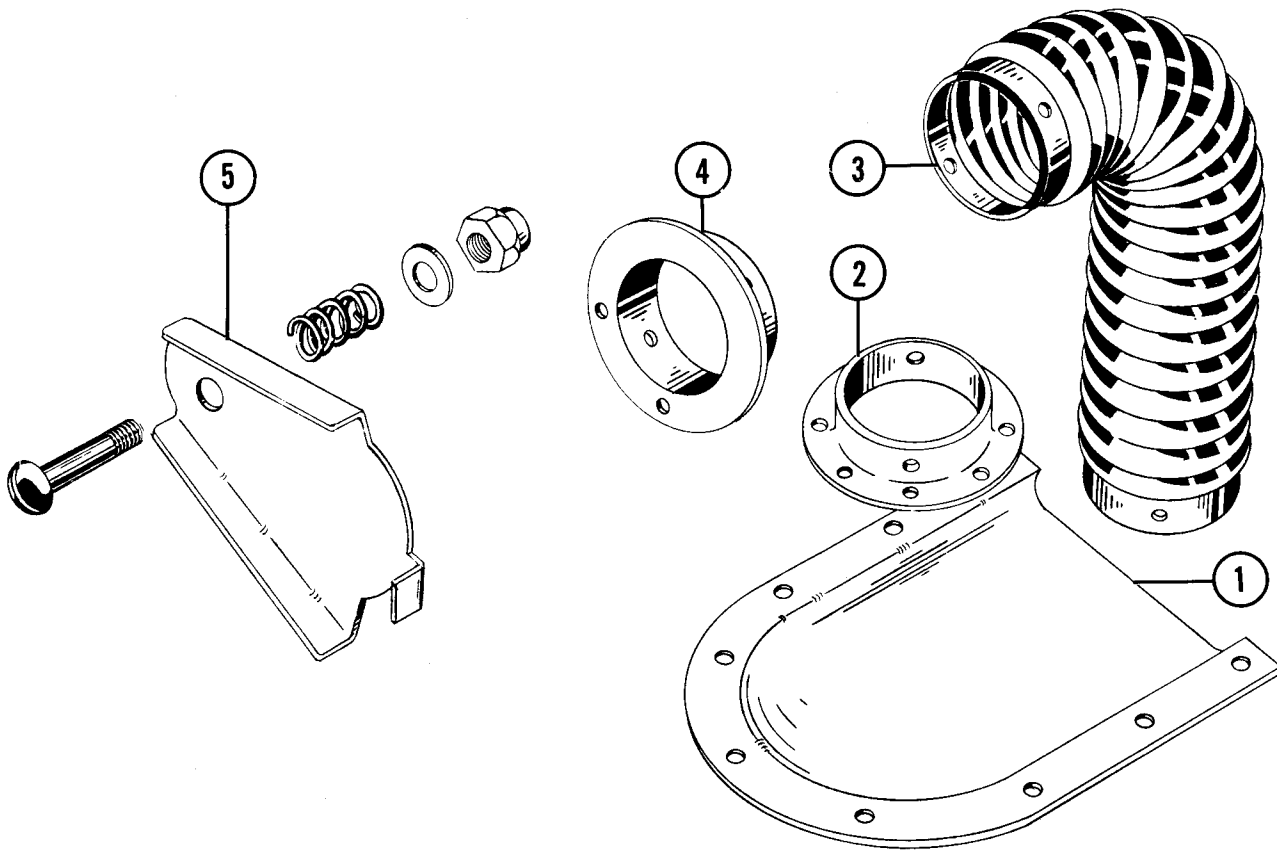


Figure 122. Vent System

FIG. & INDEX NO.	-	PART NO.	DESCRIPTION								UNITS PER ASSY	USABLE ON CODE				
				1	2	3	4	5	6	7						
122	-	1	35-410152	VENT.	1	CDEFG
	-	2	35-415333	COLLAR.	1	CDEFG
	-	3	35-550541-2	DUCT.	1	CDEFG
	-	4	35-550554	COLLAR.	1	CDEFG
	-	5	35-534067-5	DOOR.	1	CDEFG

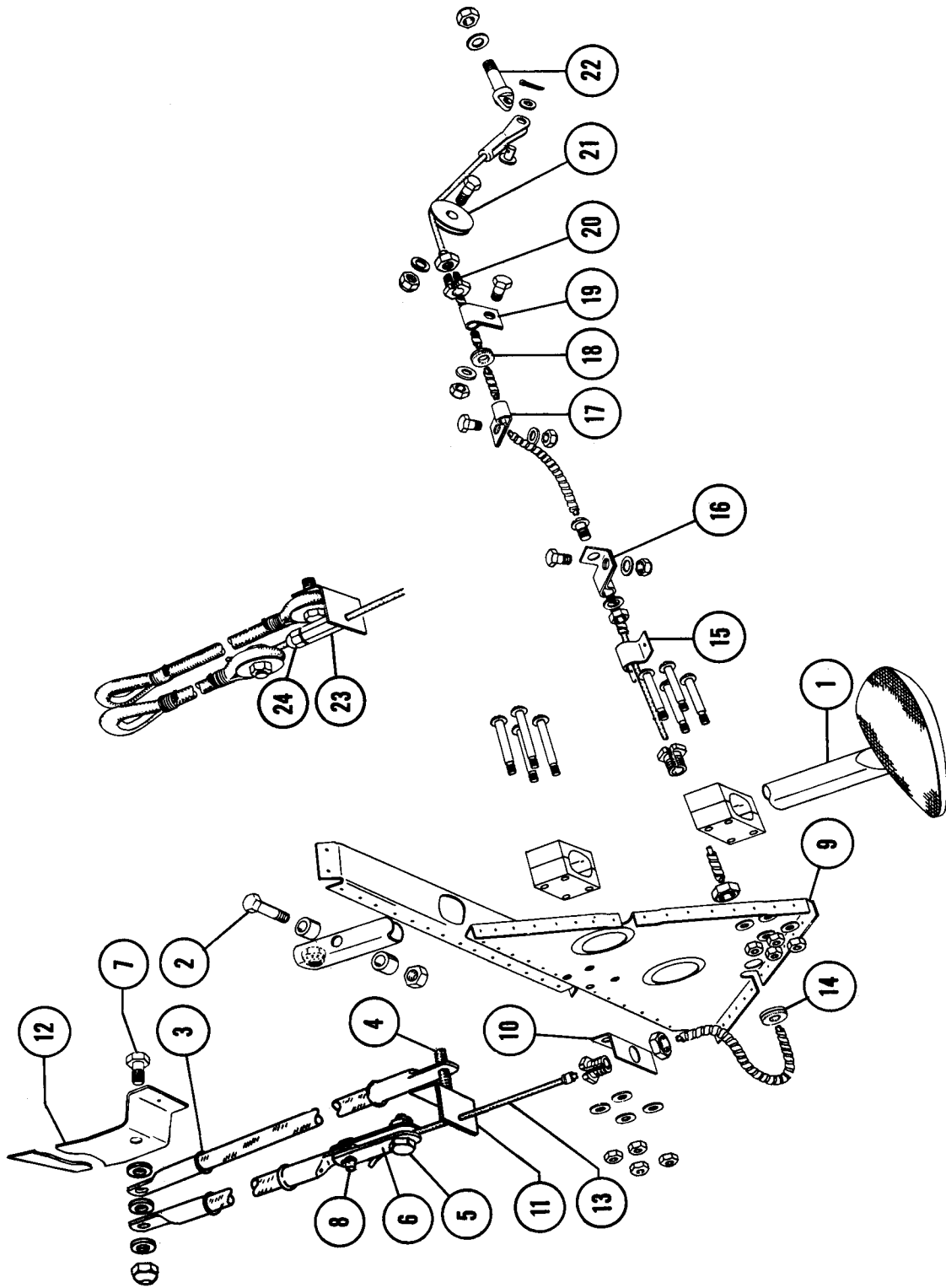


Figure 123. Assist Step Retract Assembly

MODEL 35 THRU G35 PARTS CATALOG

FIG. & INDEX NO.	PART NO.	DESCRIPTION							UNITS PER ASSY	USABLE ON CODE	
		1	2	3	4	5	6	7			
123 - 1	35-410241-12	STEP ASSY,ASSIST.	1	
- 2	AN3-27A	BOLT.	1	
	AN365-1032	NUT	1	
	102933D4-0500-0375	BUSHING	2	
- 3	35-410243	CORD,ASSIST STEP RETRACT.	2	
- 4	AN3-5A	BOLT.	1	B12CDEFG
	AN960-10	WASHER.	1	B12CDEFG
	AN365-1032	NUT	1	B12CDEFG
	AN23-14A	BOLT.	1	AB11
	AN365-1032	NUT	1	AB11
	AN960-10	WASHER.	1	AB11
	108492A10-102	WASHER.	1	AB11
	100696D09-07-012	SPACER.	1	AB11
- 5	35-410248	BOLT.	1	
	AN960-416	WASHER.	1	B12CDEFG
	AN960-416	WASHER.	3	AB11
	AN365-428	NUT	1	
	100696D16-09-012	BUSHING	1	AB11
	100951DD032-008-102	WASHER.	2	AB11
- 6	35-410247	STRAP	2	B12CDEFG
- 7	AN3-5A	BOLT.	1	B12CDEFG
	AN3-11A	BOLT.	1	AB11
	AN960-10	WASHER.	1	B12CDEFG
	AN960-102	WASHER.	2	
	100696D10-07-020	SPACER.	1	AB11
	100951DD032-006-102	WASHER.	1	AB11
	AN365-1032	NUT	1	
- 8	AN393-7	PIN	1	
	AN380-2-2	PIN	1	B12CDEFG
- 9	35-410160-38	SUPPORT,ASSIST STEP	1	
	35-410242	BLOCK ASSY,SUPPORT.	2	
- 10	35-410245	ANGLE,CABLE TO CORD ATTACHING	1	
- 11	35-410271	ANGLE,CABLE TO CORD ATTACHING	1	
- 12	35-410160-42	BRACKET,RETRACT CORD ATTACHING.	1	
- 13	35-410244	CABLE,ASSIST STEP /INCLUDES CABLE & HOUSING/.	1	
	S167-130	HOUSING,CABLE	1	
- 14	AN931-4-7	GROMMET,ASSIST STEP CABLE /STA 151/.	1	
	S123	BUSHING,ASSIST STEP CABLE	1	
- 15	35-410246	CLIP,ASSIST STEP CABLE /STA 140/.	1	
- 16	AN755-4	CLAMP,ASSIST STEP CABLE /STA 84,125/.	1	
- 17	AN742-4	CLAMP,ASSIST STEP CABLE /STA 63/.	1	
- 18	112149-2	GROMMET	1	
	112436-2	RETAINER.	1	
	49338	FASTENER.	2	
- 19	AN742-4	CLAMP,ASSIST STEP CABLE /STA 41/.	1	
- 20	S123	BUSHING,ASSIST STEP CABLE	1	
- 21	AN210-1A	PULLEY,ASSIST STEP CABLE.	1	
	35-410251	BRACKET,PULLEY.	1	
- 22	AN42-6A	BOLT,NOSE WHEEL CABLE CLAMP	1	
	AN393-7	PIN,NOSE WHEEL CABLE.	1	
	AN960-10L	WASHER,NOSE WHEEL CABLE	1	
	AN380-1-2	PIN,NOSE WHEEL CABLE.	2	
	35-410273	LINK,STEP TO NOSE WHEEL CABLE SHEAR	2	C4DEFG
	35-410434	CABLE,STEP RETRACT.	1	
- 23	35-524287	NUT	1	A3C28A29
- 24	35-524288	SCREW	1	A3C28A29
	100696S08-04-108	SPACER.	1	A56B11

MODEL 35 THRU G35 PARTS CATALOG

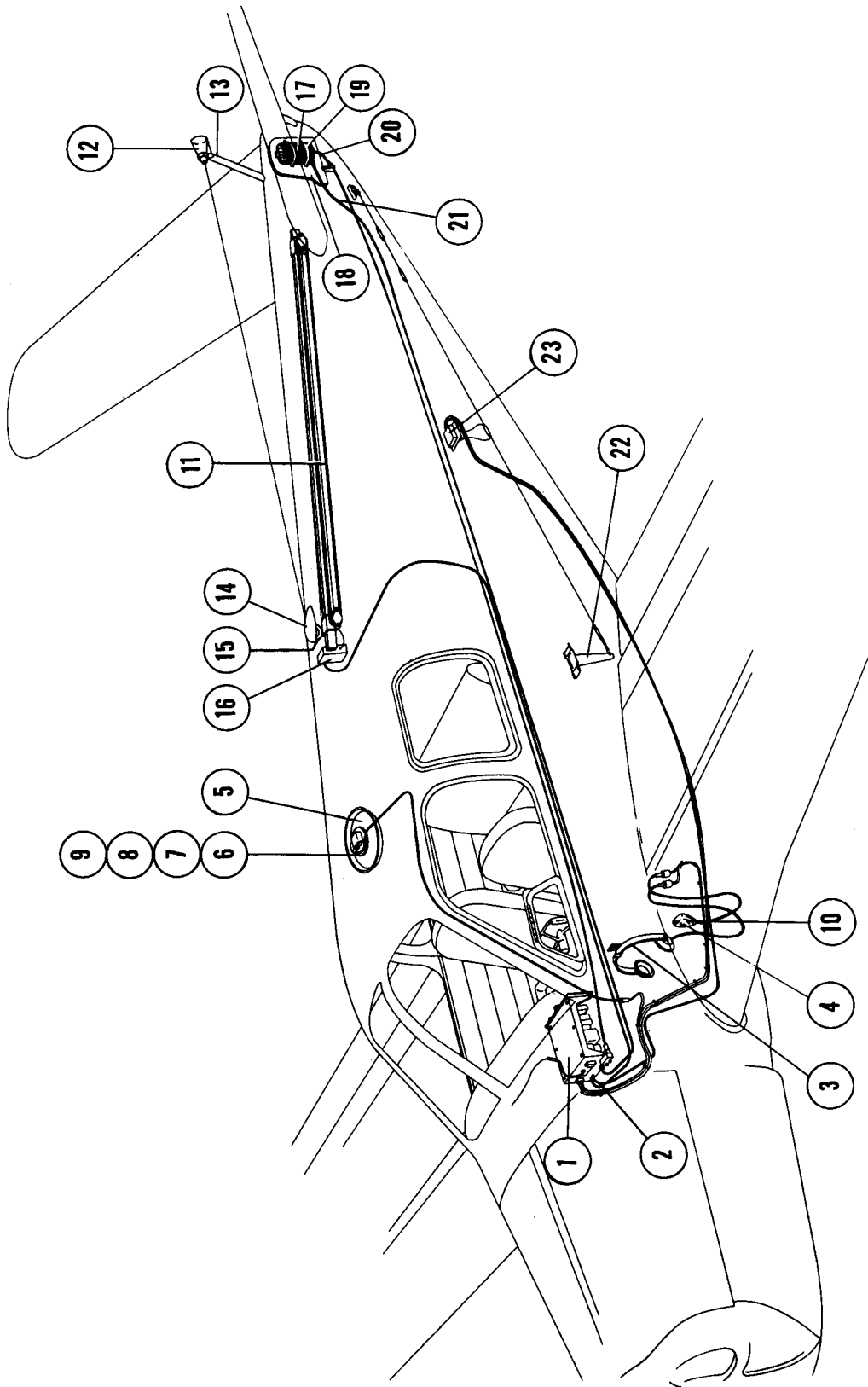


Figure 124. Radio and Antenna System

MODEL 35 THRU G35 PARTS CATALOG

FIG. & INDEX NO.	PART NO.	DESCRIPTION							UNITS PER ASSY	USABLE ON CODE
		1	2	3	4	5	6	7		
124 - 1	1X54980	RECEIVER,RADIO TRANSMITTER.	1	A1A11
- 2	1X54746	CABLE ASSY,PHONE & SPEAKER.	1	A1A11
- 3	3775-BB-BTA	HEADPHONE	1	A1A11
- 4	95-344441	MICROPHONE,ELECTRO-VOICE.	1	A1A11
- 5	70E171X42A-1	SPEAKER ASSY.	1	A57
	S10340	SPEAKER,6 INCH.	1	A59
	35-344028	ADAPTER,SPEAKER /USE WITH S10340/	1	A57
- 6	35-344035	BRACKET ASSY,SPEAKER.	2	A1A11
- 7	35-344036	ADAPTER ASSY,SPEAKER.	1	A1A11
- 8	35-344026	ESCUTCHEON,SPEAKER.	1	A1A11
- 9	35-344027	GRILL,SPEAKER	1	A1A11
- 10	35-344018	SUPPORT,MICROPHONE.	1	A1A11
- 11	1X54794	ANTENNA ASSY,TRAILING	1	A58
		/FOR D1961 THRU D2148 ANT REFER TO FIG. /								
	30K482199	. WIRE,7 STRANDS OF .035 ANTENNA.	1	A1A11
- 12	35-344043	CONE ASSY,ANTENNA	1	A1A11
	35-344064	INSULATOR,TRAILING ANTENNA.	1	A1A11
- 13	35-344008	MAST ASSY,ANTENNA	1	A1A11
	AN931-10-14	GROMMET,ANTENNA MAST.	1	A1A11
	35-344005	SUPPORT,REAR ANTENNA.	1	A1A11
	35-344005-1	SUPPORT,REAR ANTENNA.	1	A1A11
- 14	35-344039	COVER ASSY,PULLEY	1	A1A11
- 15	35-344023	SUPPORT,PULLEY.	1	A1A11
	35-344004	PULLEY ASSY,/USE WITH NEW ANTENNA/.	1	A1A11
		/PRIOR TO D1501/								
	100696D8-06-007	. SPACER,PULLEY	1	A1A11
	100696D8-06-010	SPACER,PULLEY	1	A1A11
- 16	51C51996	COIL ASSY,LOAD.	1	A1A11
	1X54910	CABLE ASSY.	1	A1A11
- 17	1X54853	ANTENNA ASSY,LOOP	1	A1A11
- 18	35-344037	. FRAME,LOOP.	1	A1A11
- 19	35-344038	. SHIELD,LOOP	1	A1A11
	1X55280	ANCHOR ASSY,SHAFT	1	A1A11
	AN960A716	. WASHER,ANCHOR	1	A1A11
- 20	47K54671	SHAFT,LOOP FLEXIBLE	1	A1A11
- 21	1X54915	COAXIAL,LOOP.	1	A1A11
	AN931-9-13	GROMMET,CABLE	2	A1A11
	AN931-4-7	GROMMET,CABLE	1	A1A11
- 22	35-344012	MAST ASSY,FWD	1	A1A11
	35-344010-606	WIRE ASSY,ANTENNA	1	A1A11
	35-344010-2	WIRE,ATTACHING.	2	A1A11
	AN100C3	THIMBLE,WIRE ATTACHING.	2	A1A11
- 23	1X54566	RECEIVER,MARKER	1	A1A11
	AN931-7-11	GROMMET,ANTENNA CABLE	2	A1A11
	1X54940	ANTENNA ASSY,MARKER	2	A1A11
	1X54930	CABLE,MARKER ANTENNA.	2	A1A11
	AN931-7-11-16	GROMMET,ANTENNA CABLE	2	A1A11

MODEL 35 THRU G35 PARTS CATALOG

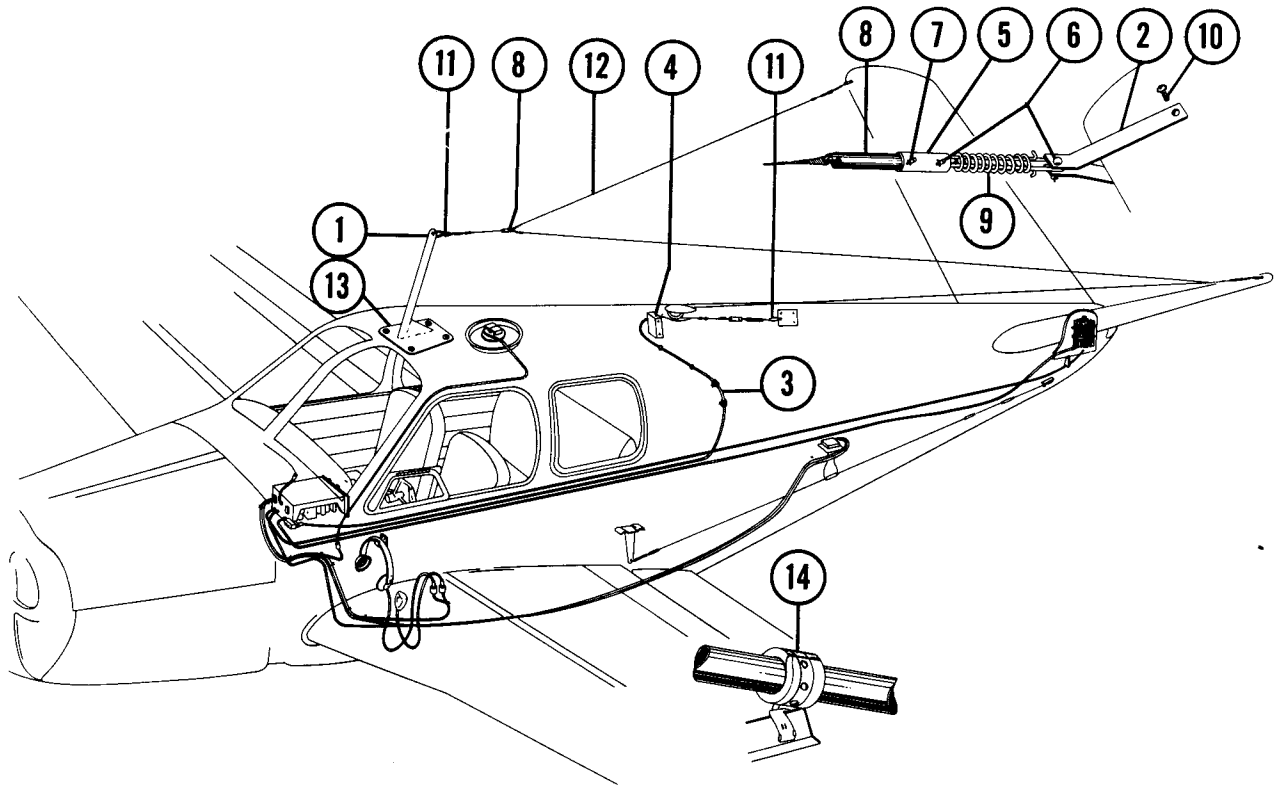


Figure 125. Fixed Antenna

FIG. & INDEX NO.	PART NO.	DESCRIPTION	1	2	3	4	5	6	7	UNITS PER ASSY	USABLE ON CODE
125 - 1	35-344077	MAST ASSY	1	A53
- 2	35-344078	STRAP	4	A53
- 3	1X54910	CABLE ASSY.	1	A53
- 4	51C51996	COIL ASSY, LOAD.	1	A53
- 5	AN530-8-6	SCREW	3	A53
- 6	37A4821	SHACKLE	2	A53
- 7	AN392-7	PIN	4	A53
- 8	AN380-2-1	PIN	4	A53
- 9	AN392-2-1	PIN	2	A53
- 10	AN380-2-1	PIN	2	A53
- 11	IN-88	INSULATOR	2	A53
- 12	S147	SPRING.	2	A53
- 13	AN515-8-8	SCREW	4	A53
- 14	AN100C3	THIMBLE	2	A53
- 15	35-344075-2	WIRE, ANTENNA.	1	A53
- 16	AN507-632R6	SCREW	4	A53
- 17	AN365-632	NUT	4	A53
- 18	49245	BAND, HARNESS.	4	A53
- 19	49296	CLIP.	4	A53

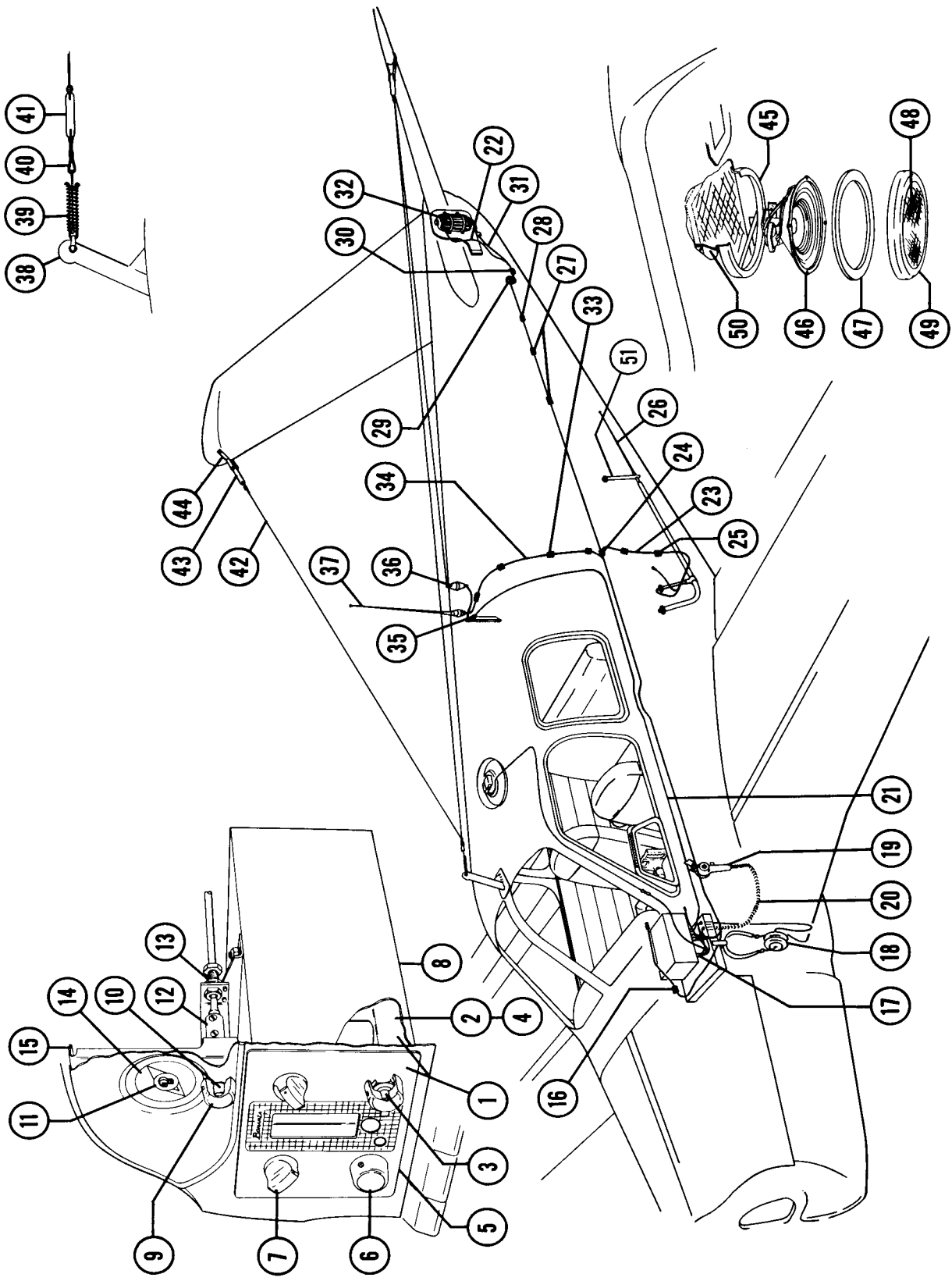


Figure 126. Radio and Antenna System (D2119 thru D2126 and D2149 thru D2484)

MODEL 35 THRU G35 PARTS CATALOG

FIG. & INDEX NO.	PART NO.	DESCRIPTION							UNITS PER ASSY	USABLE ON CODE	
		1	2	3	4	5	6	7			
126 - 1	35-344131	RADIO ASSY.	1	A31BCDEFG
- 2	MI-19655-AX	. RADIO	1	A31BCDEFG
- 3	35-344131-2	. SHAFT	1	A31BCDEFG
- 4	35-344131-4	. CHASSIS	1	A31BCDEFG
- 5	35-344136	. PANEL	1	A31BCDEFG
- 6	35-344120-8	. KNOB	2	A31BCDEFG
- 7	35-344119	. KNOB	2	A31BCDEFG
- 8	35-344100-18	HOUSING	1	A31BCDEFG
- 9	35-344120-10	KNOB ASSY	1	A31BCDEFG
- 10	35-344105	PINION	1	A31BCDEFG
- 11	35-344102	GEAR ASSY	1	A31BCDEFG
- 12	15	COUPLER	1	A31BCDEFG
- 13	ALB-5055	NUT, LOCK	1	A31BCDEFG
- 14	35-344104	PLACARD	1	A31BCDEFG
	AN526-632-6	SCREW	4	A31BCDEFG
	AN960-6	WASHER	4	A31BCDEFG
	AN365-632	NUT	4	A31BCDEFG
- 15	35-344101	BRACKET ASSY.	1	A31BCDEFG
- 16	29244	BAND	1	A31BCDEFG
	49296	CLIP	1	A31BCDEFG
- 17	35-344111	HARNESS ASSY, MAIN RADIO	1	A31BCDEFG
- 18	35-344190-4	HEADPHONE	1	A31BCDEFG
- 19	95-344441	MICROPHONE	1	A31BCDEFG
- 20	4001-23	. CORD, RETRACTABLE	1	A31BCDEFG
	93	. HOOK	1	A31BCDEFG
- 21	35-344115	CABLE ASSY, RANGE ANTENNA	1	A31BCDEFG
- 22	35-344113	CABLE ASSY, LOOP	1	A31BCDEFG
- 23	35-344112	CLIP ASSY, MARKER BEACON	1	A31BCDEFG
- 24	49246	BAND	1	A31BCDEFG
	49296	CLIP	1	A31BCDEFG
- 25	49244	BAND	2	A31BCDEFG
	49296	CLIP	2	A31BCDEFG
- 26	35-344159-600	ANTENNA, MARKER BEACON	1	A31BCDEFG
- 27	29246	BAND	2	A31BCDEFG
	49296	CLIP	2	A31BCDEFG
- 28	49246	BAND	1	A31BCDEFG
	49196	CLIP	1	A31BCDEFG
- 29	AN931-9-13	GROMMET	1	A31BCDEFG
- 30	49160	BAND	1	A31BCDEFG
- 31	35-344114	CABLE ASSY, LOOP DRIVE	1	A31BCDEFG
- 32	35-344109	LOOP ASSY	1	A31BCDEFG
- 33	49245	BAND	4	A31BCDEFG
	49296	CLIP	4	A31BCDEFG
- 34	35-344118	CABLE ASSY, TRANSMITTER	1	A31BCDEFG
- 35	8610	CONNECTOR	1	A31BCDEFG
- 36	IN-79	INSULATOR	1	A31BCDEFG
- 37	MI-5908-X	WHIP	1	A31BCDEFG
- 38	35-344127	MAST ASSY	1	A31BCDEFG
	AN115-8	SHACKLE	1	A31BCDEFG
	NAS220-10	SCREW	1	A31BCDEFG
	AN365-832	NUT	1	A31BCDEFG
- 39	S147	SPRING	1	A31BCDEFG
- 40	AN100C3	THIMBLE	1	A31BCDEFG
- 41	IN-88	INSULATOR	1	A31BCDEFG
- 42	35-344100-14	ANTENNA	1	A31BCDEFG
- 43	IN-88	INSULATOR	1	A31BCDEFG
	AN392-19	PIN	1	A31BCDEFG
	AN380-2-1	PIN, COTTER	1	A31BCDEFG
- 44	35-344078	STRAP	2	A31BCDEFG
	AN515-8-8	SCREW	2	A31BCDEFG
- 45	35-344036	ADAPTER	1	A31BCDEFG
- 46	35-344124	SPEAKER ASSY	1	A31BCDEFG
- 47	35-344028	ADAPTER	1	A31BCDEFG
- 48	35-344027	GRILL	1	A31BCDEFG
- 49	35-344026	ESCUTCHEON	1	A31BCDEFG
- 50	35-344035	BRACKET	2	A31BCDEFG
- 51	35-344160-2	SUPPORT	1	A31BCDEFG

MODEL 35 THRU G35 PARTS CATALOG

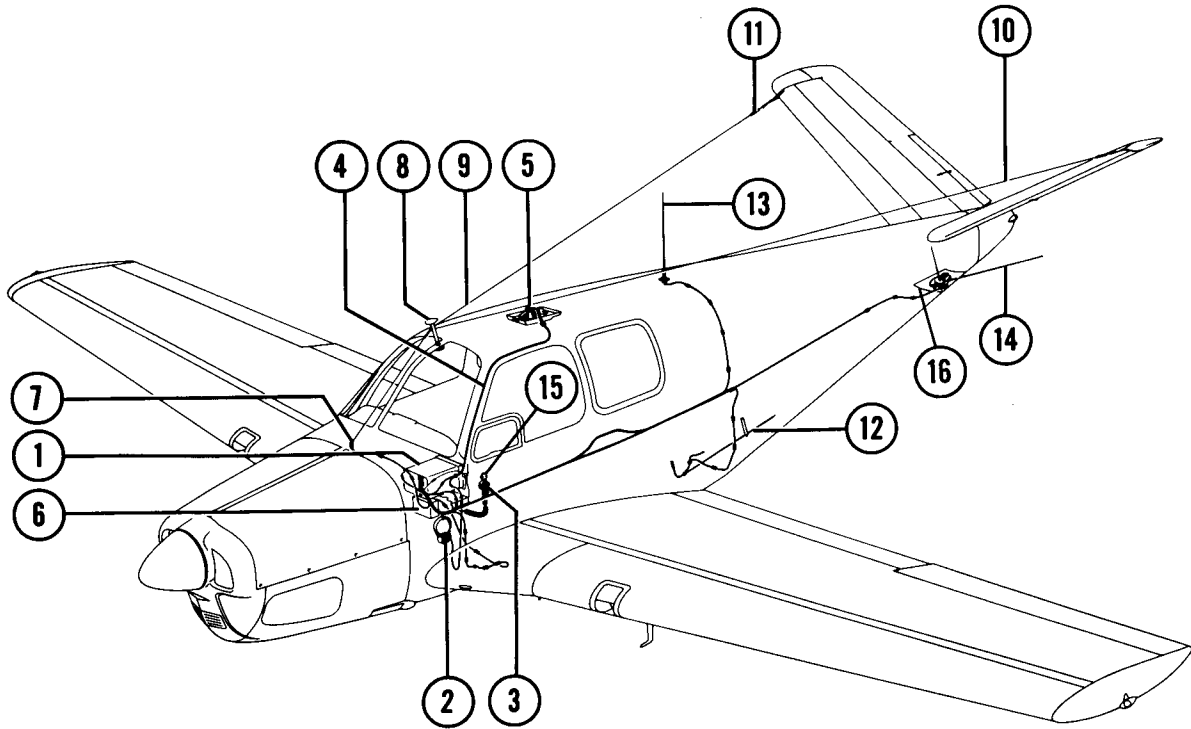


Figure 127. Radio And Antenna System

FIG. & INDEX NO.	PART NO.	DESCRIPTION							UNITS PER ASSY	USABLE ON CODE	
		1	2	3	4	5	6	7			
127	35-344150	RADIO INSTL	1	B9C20
	35-344190	RADIO INSTL	1	C21
- 1	LTRA-5	. RADIO	1	B9C20
	LTRA-6	. RADIO	1	C21
	35-344193	. RADIO ASSY.	1	DEFG
	35-344193-1	. RADIO	1	
	35-344194	. PLACARD,RADIO TRANSMITTER	1	
	35-344190-20	. RHEOSTAT,RADIO LIGHT DIMMER	1	E10FG
	35-324087	. KNOB,RADIO LIGHT.	1	E10FG
	35-344207	. PLACARD,RADIO LIGHT	1	E10FG
- 2	3775-BB-BTA	. HEADPHONE	1	
	35-344190-4	. HEADPHONE	1	C21
- 3	35-344150-2	. MICROPHONE	1	
	35-344190-2	. MICROPHONE	1	C21
	4001-23	. CORD,/1 FOOT LONG/ /KOIL/	1	
- 4	35-364125	. HARNESS ASSY.	1	
- 5	35-344158	. SPEAKER ASSY.	1	
	A-3005	. TRANSFORMER,/MERRIT TRANSFORMER CO./	1	
	A-8101	. TRANSFORMER,/STANCOR CO./ /ALTERNATE FOR. /MERRIT TRANSFORMER CO./ A-3005/	1	
	S10340	. SPEAKER,/OPE/	1	
- 6	LD5	. DYNAMOTOR	1	
	35-344178	. COVER,DYNAMOTOR	1	
- 7	IN-79	. INSULATOR	1	
	SL500097	. INSULATOR	1	C21

MODEL 35 THRU G35 PARTS CATALOG

FIG. & INDEX NO.	PART NO.	DESCRIPTION							UNITS PER ASSY	USABLE ON CODE	
		1	2	3	4	5	6	7			
127 - 8	35-344127	•	•	•	•	•	•	•	•	1	B9
	35-344164	•	•	•	•	•	•	•	•	1	CDEFG
	35-344162	•	•	•	•	•	•	•	•	1	
	35-344163	•	•	•	•	•	•	•	•	1	
- 9	35-344150-16	•	•	•	•	•	•	•	•	1	
	35-344190-16	•	•	•	•	•	•	•	•	1	C21DEFG
- 10	35-344150-18	•	•	•	•	•	•	•	•	1	
	35-344190-18	•	•	•	•	•	•	•	•	1	C21DEFG
- 11	IN-88	•	•	•	•	•	•	•	•	1	
	SL720243	•	•	•	•	•	•	•	•	1	
	AN100C3	•	•	•	•	•	•	•	•	2	C21DEFG
	S147	•	•	•	•	•	•	•	•	1	
	35-344078	•	•	•	•	•	•	•	•	2	
- 12	35-344159-8	•	•	•	•	•	•	•	•	4	
	35-344160-2	•	•	•	•	•	•	•	•	1	
- 13	63851-24R	•	•	•	•	•	•	•	•	1	
	63851-22R	•	•	•	•	•	•	•	•	1	C21DEFG
	35-344155	•	•	•	•	•	•	•	•	1	
- 14	62950-02	•	•	•	•	•	•	•	•	1	
	35-344148	•	•	•	•	•	•	•	•	1	B9CD10
	35-344169	•	•	•	•	•	•	•	•	1	B9EFG
	35-344141	•	•	•	•	•	•	•	•	1	
	35-344152	•	•	•	•	•	•	•	•	1	
- 15	95-344441	•	•	•	•	•	•	•	•	1	
- 16	35-344150	•	•	•	•	•	•	•	•	1	

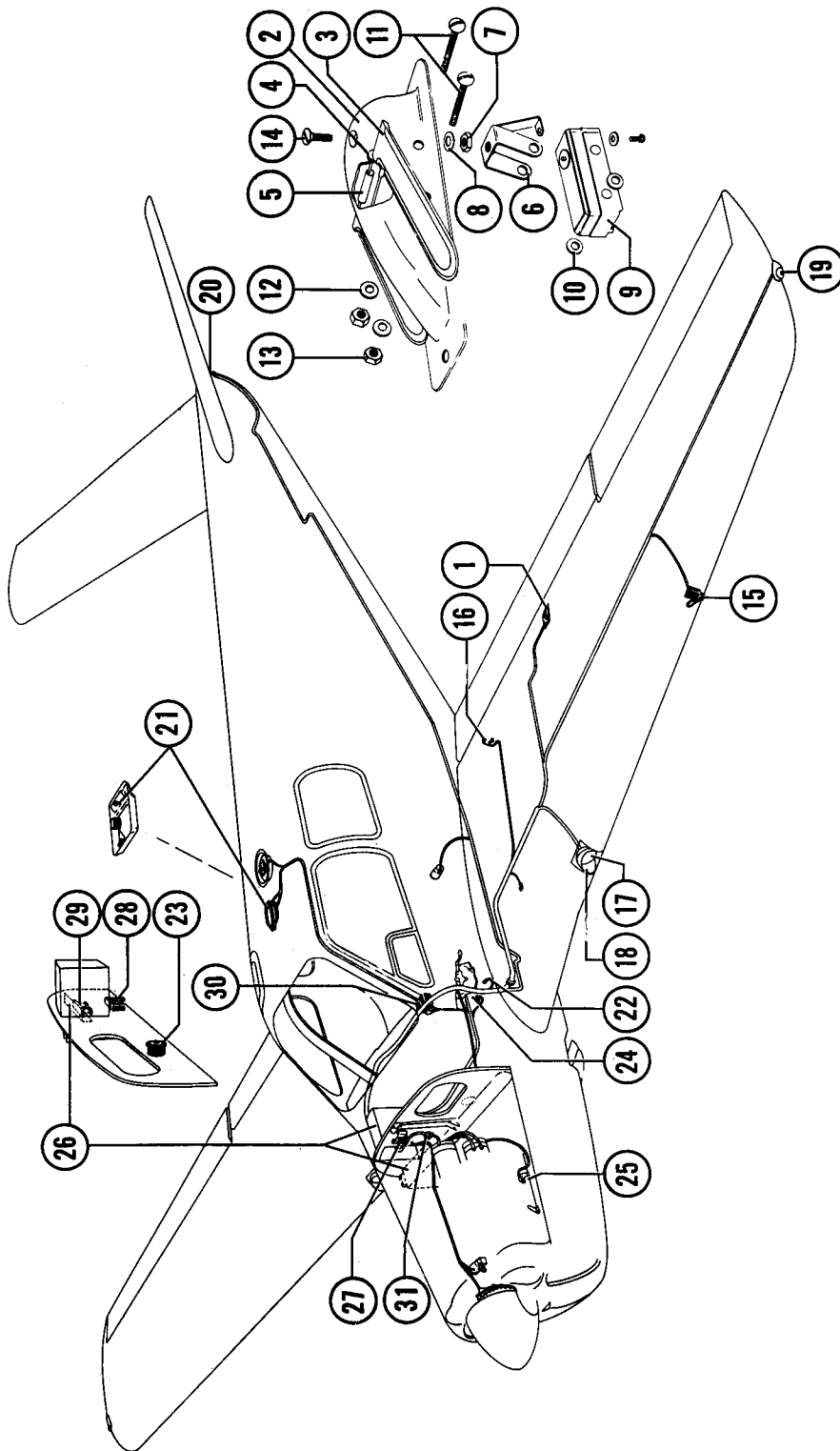


Figure 128. Electrical Installation (Sheet 1 of 2 Sheets)

MODEL 35 THRU G35 PARTS CATALOG

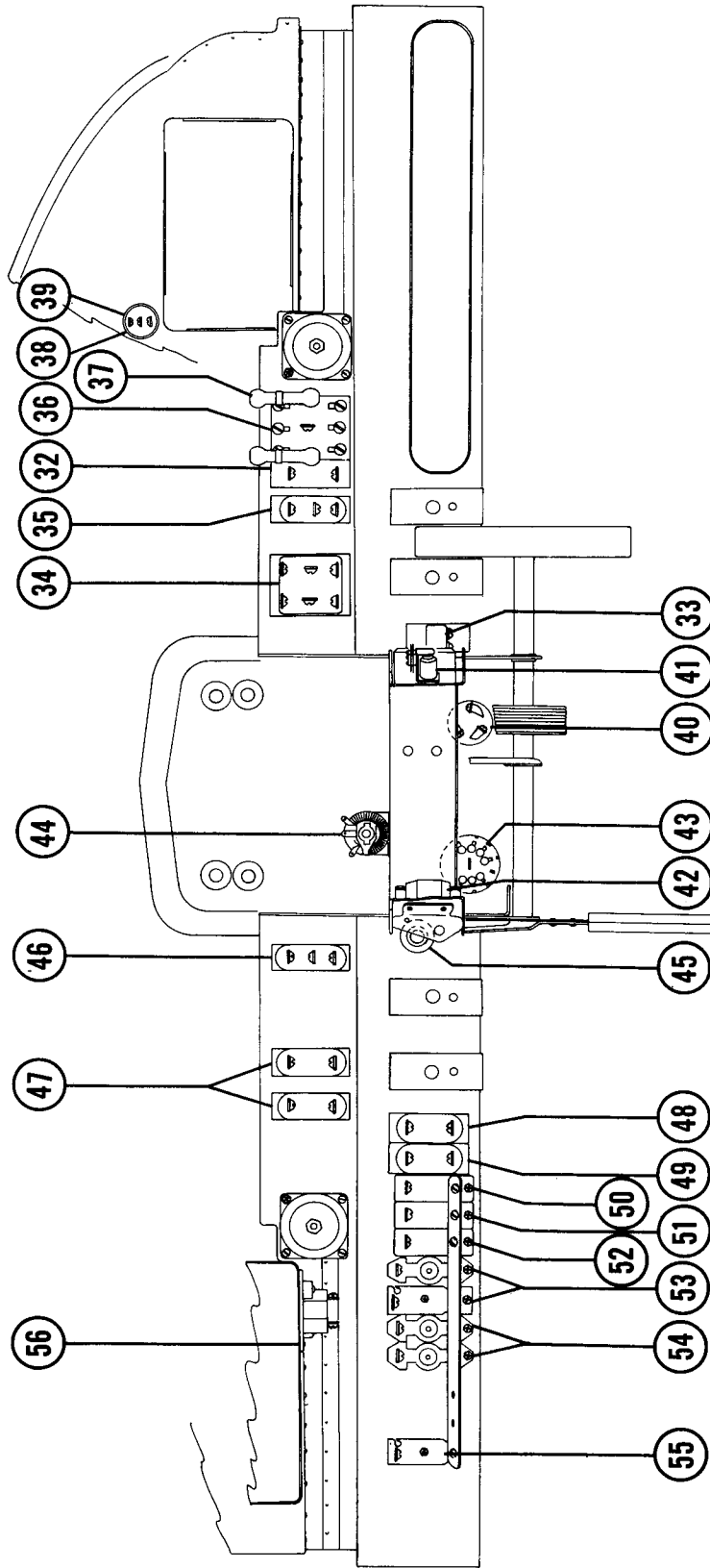


Figure 128. Electrical Installation (Sheet 2 of 2 Sheets)

MODEL 35 THRU G35 PARTS CATALOG

FIG. & INDEX NO.	PART NO.	DESCRIPTION	UNITS PER ASSY	USABLE ON CODE
		1 2 3 4 5 6 7		
128 - 1	35-361006-602	SWITCH ASSY,STALL WARNING	1	AB
- 2	35-361008	. HOUSING	1	AB
- 3	35-361007	. VANE ASSY	2	AB
- 4	35-361014	. BEARING	2	AB
- 5	35-361009	. CAM	1	AB
- 6	35-361011	. YOKE ASSY	1	AB
- 7	AN340-6	. NUT	1	AB
- 8	100951CLO32-004-012	. WASHER.	1	AB
- 9	YZ-R35	. SWITCH,MICRO.	1	AB
- 10	AN960A6	. WASHER.	2	AB
- 11	AN526-632R16	. SCREW	2	AB
- 12	AN960A6L	. WASHER.	2	AB
- 13	22TM-62	. NUT	2	AB
- 14	AN507-632-7	. SCREW	1	AB
- 15	151	UNIT,WING DETECTOR /STALL WARNING/.	1	CDEFG
- 16	35-361119-602	SWITCH ASSY,FLAP ACTUATOR LIMIT	2	D1D2
	45-361115-601	SWITCH ASSY,FLAP ACTUATOR LIMIT	2	D11EFG
- 17	4522	LIGHT,SEALED BEAM LANDING	1	
- 18	35-115238	DEFLECTOR,LANDING LIGHT	1	
	35-115238-1	DEFLECTOR,LANDING LIGHT	1	
	35-115136-2	PANE ASSY,LANDING LIGHT	1	
	35-115136-3	PANE ASSY,LANDING LIGHT	1	
- 19	35-361702-2	LIGHT,WING TIP CLEARANCE.	1	
	35-361702-4	LIGHT,WING TIP CLEARANCE.	1	
	FL1-101	UNIT,FLASHER.	2	
- 20	35-364010	LIGHT,TAIL.	1	
- 21	35-364071-602	LIGHT,CABIN DOME.	1	AB
	35-344140	LIGHT,CABIN DOME.	1	CDEFG
	35-344146	LENS,CABIN DOME LIGHT	1	CDEFG
	896CP	. BULB,CABIN DOME	3	CDEFG
	SC-2611	. SOCKET.	3	CDEFG
	35-344147	. LENS,INSTRUMENT LIGHT	1	CDEFG
	SS-1	. SWITCH,SLIDE.	1	CDEFG
	35-344141	. ESCUTCHEON.	1	CDEFG
- 22	35-364069	LIGHT ASSY,FUEL UNIT.	1	
	1-02-000	HORN,STALL WARNING.	1	CDEFG
- 23	318	HORN,LANDING GEAR WARNING	1	
	35-364134	HORN,LANDING GEAR WARNING	1	CDEFG
	143S4S	FLASHER,12 VOLT TUNG-SOL.	1	
- 24	AN3210-1	SWITCH,LANDING GEAR WARNING HORN.	1	
	35-410267	BRACKET,LANDING GEAR WARNING HORN SWITCH.	1	A1
	35-410217-34	BRACKET,LANDING GEAR WARNING HORN SWITCH.	1	A2B
	35-364126	BRACKET,LANDING GEAR WARNING HORN SWITCH.	1	CDEFG
- 25	V3-1	SWITCH,THROTTLE WARNING HORN.	1	
- 26	AW12-25	BATTERY,12 VOLT	1	A3A54
	R33	BATTERY,12 VOLT /READING BATTERY/ /ALTERNATE FOR AW12-25/	1	A3A55BCDEFG
	HT14T	JUMPER,BONDING.	1	
- 27	6041H105	RELAY,MASTER.	1	
- 28	6221-25	REGULATOR,VOLTAGE	1	AB8
	118891	REGULATOR,VOLTAGE	1	B9CDEFG
	50131	CONDENSER,VOLTAGE REGULATOR	1	AB8
	CA-35	BREAKER,GENERATOR CIRCUIT	1	
- 29	35-369129-702	RELAY ASSY,PROPELLER CONTROL.	1	A43A44
	35-369139-706	RELAY ASSY,PROPELLER CONTROL.	1	A28A29
- 30	35-364076	RELAY,LANDING GEAR DYNAMIC BRAKE.	1	A1
- 31	1464	RELAY,STARTER	1	AB
	1453	RELAY,STARTER	1	CDEFG
- 32	AN3022-2	SWITCH,RADIO.	1	A43A44A27
- 33	9023	SWITCH,STARTER.	1	A9CDEFG
- 34	35-364059	SWITCH,FLAP POSITION.	1	
- 35	8906K513	SWITCH,FUEL INDICATOR	1	AB
	AN3022-3	SWITCH,FUEL INDICATOR	1	CDEFG

MODEL 35 THRU G35 PARTS CATALOG

FIG. & INDEX NO.	PART NO.	DESCRIPTION	1 2 3 4 5 6 7							UNITS PER ASSY	USABLE ON CODE
			1	2	3	4	5	6	7		
128 - 36	AN3226-3	SWITCH,NAVIGATION LIGHT								1	
- 37	1006	RESISTOR,NAVIGATION LIGHT SWITCH.								1	
- 38	TYPE 130	INDICATOR,RED STALL WARNING								1	
- 39	AN3121-1813	BULB,STALL WARNING LANDING GEAR FLAP INDICATOR.								5	
	35-364084-4	LANDING GEAR,FLAP POSITION LIGHT INDICATOR. . .								2	
		LIGHT RED									
	35-364084-2	LANDING GEAR,FLAP POSITION LIGHT INDICATOR. . .								2	
		GREEN									
	35-364002-8	HOOD.								4	A60
	35-364078-14	INSERT.								4	A60
	CO 82339-2	SOCKET.								4	A60
	1012	RESISTOR,100 OHM.								4	A60
- 40	8712K2	SWITCH,PROPELLER PITCH CHANGE								1	
	8905K514	SWITCH,/USE WITH ELECTRIC GOVERNOR/								1	
- 41	4QA2A	RELAY,STALL WARNING LIGHT								1	AB
- 42	CA-5	BREAKER,LANDING GEAR WARNING CIRCUIT.								1	
- 43	V86532	SWITCH ASSY,IGNITION.								1	
- 44	0147	RHEOSTAT,INSTRUMENT LAMP.								1	AB
	0145	RHEOSTAT,INSTRUMENT LAMP.								1	CDEFG
	35-364072	ADAPTER,INSTRUMENT LAMP RHEOSTAT SHAFT.								1	
	TX-11	SHAFT,FLEXIBLE.								1	
	255	BEARING,PANEL								1	
	35-324087	KNOB,INSTRUMENT LAMP RHEOSTAT								1	
- 45	35-364060	LIGHTER ASSY,CIGARETTE.								1	
	35-324060-602	LIGHTER & KNOB,CIGARETTE.								1	
	810-2	ELEMENT								1	
- 46	AN3022-3	SWITCH,LANDING GEAR POSITION.								1	AB
	8905K818	SWITCH,LANDING GEAR POSITION.								1	CDEFG
- 47	AN3022-2	SWITCH,LANDING LIGHT.								2	
- 48	AN3022-7	SWITCH,BATTERY EMERGENCY.								1	
- 49	AN3027-2	SWITCH,GENERATOR EMERGENCY.								1	
- 50	D6751-1-20	BREAKER,LANDING GEAR CIRCUIT.								1	
- 51	D6751-1-10	BREAKER,PROPELLER SWITCH CIRCUIT.								1	
- 52	D6751-1-10	BREAKER,RADIO CIRCUIT								1	
- 53	PSM-20	BREAKER,FLAP & INSTRUMENT LIGHT CIRCUIT								2	
- 54	PSM-20	BREAKER,LANDING LIGHT CIRCUIT								2	
- 55	PSM-5	BREAKER,NAVIGATION LIGHT CIRCUIT.								1	
- 56	35-364062	PANEL ASSY,AUTOMATIC CIRCUIT BREAKER.								1	
	CA-5	BREAKER,AUTOMATIC CIRCUIT								5	

MODEL 35 THRU G35 PARTS CATALOG

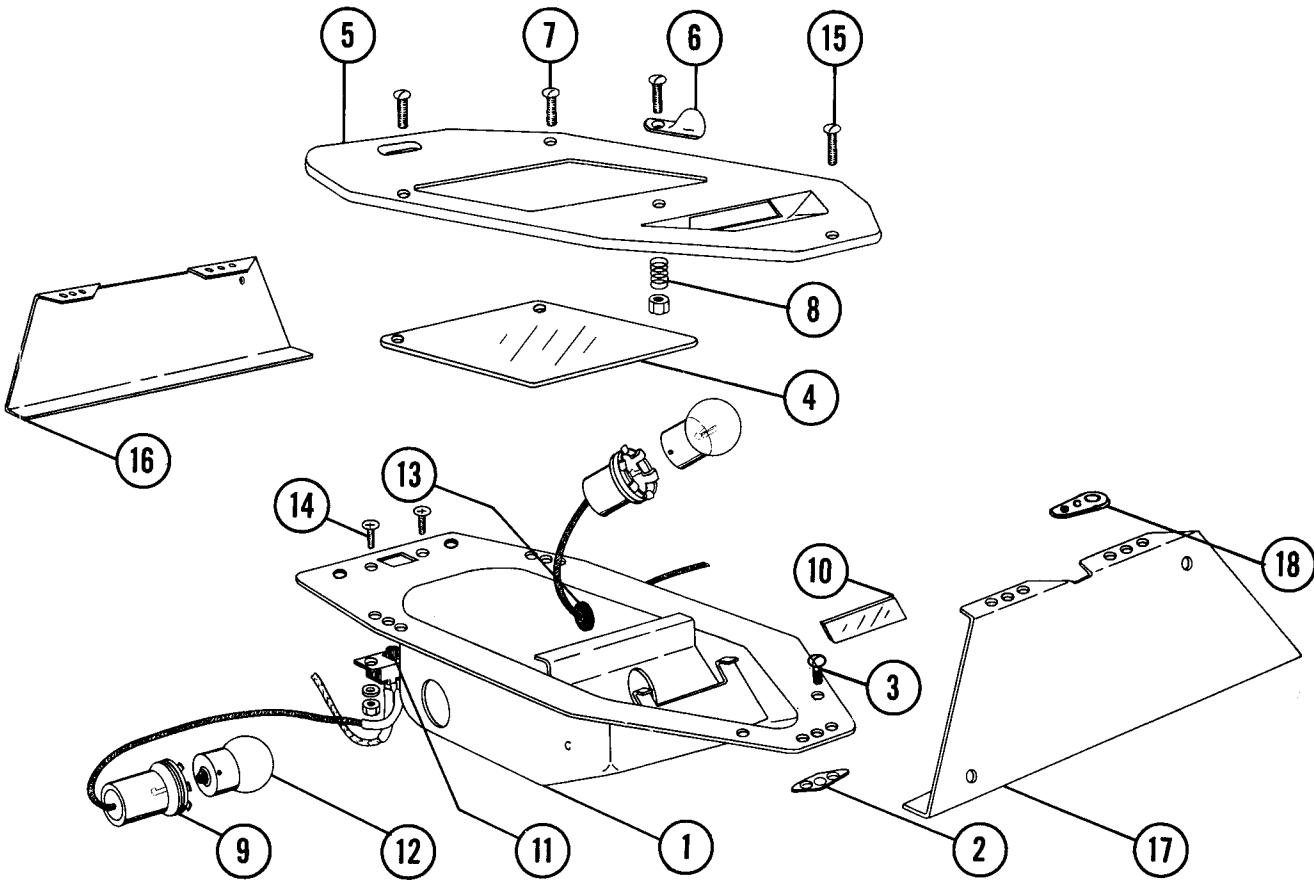


Figure 129. Cabin Dome Light Assembly

FIG. & INDEX NO.	PART NO.	DESCRIPTION							UNITS PER ASSY	USABLE ON CODE
		1	2	3	4	5	6	7		
129	35-364071-602	LIGHT ASSY,CABIN DOME	1	AB
	35-364040	. LIGHT ASSY,CABIN DOME	1	AB
- 1	35-364040-12	. . BODY ASSY,DOME LIGHT.	1	AB
- 2	A6162-6Z-1	. . . NUT,COVER ATTACHING	3	AB
- 3	PK79X2-6-8	. . . SCREW,DOME BODY ATTACHING	4	AB
- 4	35-364040-8	. . . LENS,DOME LIGHT	1	AB
- 5	35-364040-10	. . . COVER ASSY,DOME LIGHT	1	AB
- 6	35-364022	. . . SHUTTER,COVER ASSY.	1	AB
- 7	AN515C6-10	. . . SCREW,SHUTTER ATTACHING	1	AB
	AN365D632	. . . NUT,SHUTTER RETAINER.	1	AB
- 8	100943-016-006-012-16	. . . SPRING,SHUTTER TENSION.	1	AB
- 9	SC2611	. . . SOCKET,DOME LIGHT	2	AB
- 10	35-364073	. . . LENS,INSTRUMENT LIGHT	1	AB
- 11	SS-1	. . . SWITCH,DOME LIGHT	1	AB
- 12	89	. . . BULB,DOME LIGHT	2	AB
- 13	AN931-3-5	. . . GROMMET,LIGHT LEAD WIRE	1	AB
- 14	AN507-440-5	. . . SCREW,SWITCH ATTACHING.	2	AB
	AN365-440	. . . NUT,SWITCH RETAINER	2	AB
- 15	NAS384-6-10	. . . SCREW,COVER RETAINER.	3	AB
- 16	35-405303	BRACKET,DOME LIGHT MOUNTING	1	AB
- 17	35-405304	BRACKET,DOME LIGHT MOUNTING	1	AB
- 18	A6163-6Z-3	. . . NUT,DOME LIGHT BODY ATTACHING	4	AB

MODEL 35 THRU G35 PARTS CATALOG

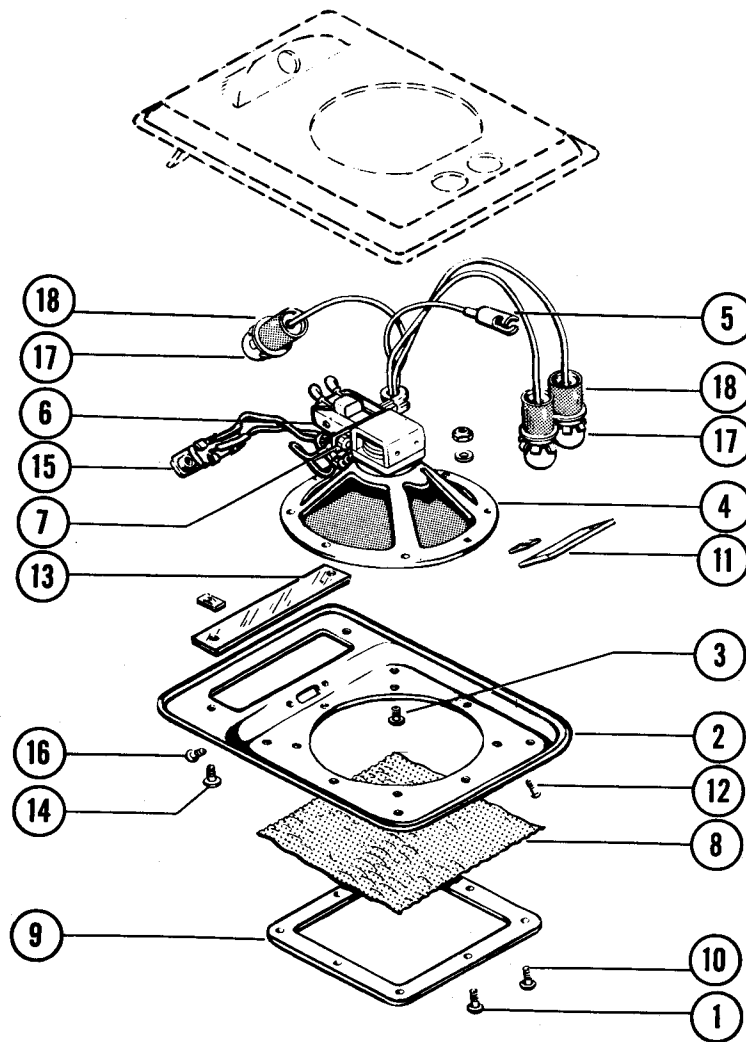


Figure 130. Dome Light and Radio Speaker (D2681 thru D4865)

MODEL 35 THRU G35 PARTS CATALOG

FIG. & INDEX NO.	PART NO.	DESCRIPTION							UNITS PER ASSY	USABLE ON CODE	
		1	2	3	4	5	6	7			
130	35-344140-602	LIGHT & RADIO SPEAKER ASSY, DOME	1	CDEFG
- 1	NAS387-632-10P	• SCREW, ATTACHING	4	
- 2	35-344141	• FRAME, DOME COVER	1	
	35-344158	• SPEAKER ASSY	1	
- 3	AN507-632R7	• SCREW, ATTACHING	4	
- 4	S10340	• SPEAKER, /OPERADIO MANUFACTURING COMPANY/	1	
- 5	402	• DISCONNECT	1	
- 6	A8101	• TRANSFORMER, /STANCOR/	1	
- 7	AN515-6R6	• SCREW, ATTACHING	2	
	AN365-632	• NUT, ATTACHING	2	
- 8	35-344167	• GRILL, RADIO	1	
- 9	35-344152	• FRAME, RADIO GRILL	1	
- 10	NAS387-632-10P	• SCREW, ATTACHING	4	
- 11	35-344147	• LENS, INSTRUMENT LIGHT /RED/	1	
- 12	AN530-4R6	• SCREW, ATTACHING	2	
	NAS446-1	• NUT, ATTACHING	2	
- 13	35-344146	• LENS, DOME LIGHT /WHITE/	1	
- 14	AN530-4R6	• SCREW, ATTACHING	2	
	NAS446-1	• NUT, ATTACHING	2	
- 15	SS-1	• SWITCH, DOME LIGHT /STL/	1	
- 16	NAS387-440-8P	• SCREW, ATTACHING	2	
	AN365-440	• NUT, ATTACHING	2	
	102933D1-0200-0250	• SPACER, ATTACHING	2	
- 17	89	• BULB, LIGHT 6 CABIN DOME /TSL/	3	
- 18	SC2611	• SOCKET, /COH/	3	

MODEL 35 THRU G35 PARTS CATALOG

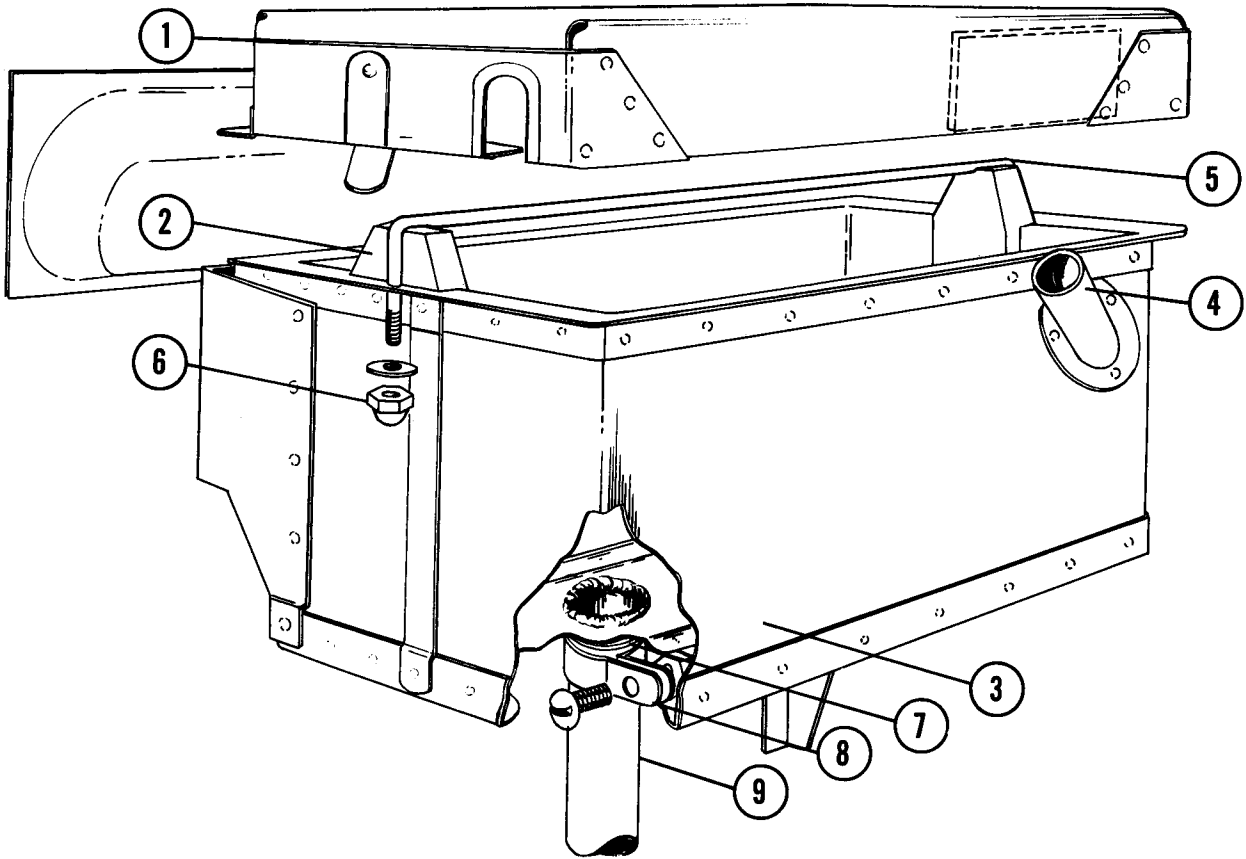


Figure 131. Battery Box Assembly (D1 thru D1116)

FIG. & INDEX NO.	PART NO.								UNITS PER ASSY	USABLE ON CODE	
		1	2	3	4	5	6	7			
131	35-415367-600	BOX ASSY, BATTERY.	1	
- 1	35-415367-12	. COVER ASSY.	1	
- 2	35-415370	. BLOCK	2	
	35-415376	. BLOCK	2	
- 3	35-415367-22	. BOX ASSY.	1	
- 4	35-910252	. ADAPTER	1	
- 5	35-415359	. ROD	1	
- 6	AN365-1032	. NUT	2	
	108492S10-014	. WASHER	2	
- 7	35-415367-26	. TUBE	1	
- 8	AN742-12	. CLAMP	1	
	AN526-1032-6	. SCREW	1	
	AN365-1032	. NUT	1	
- 9	35-415367-24	. TUBE	1	

MODEL 35 THRU G35 PARTS CATALOG

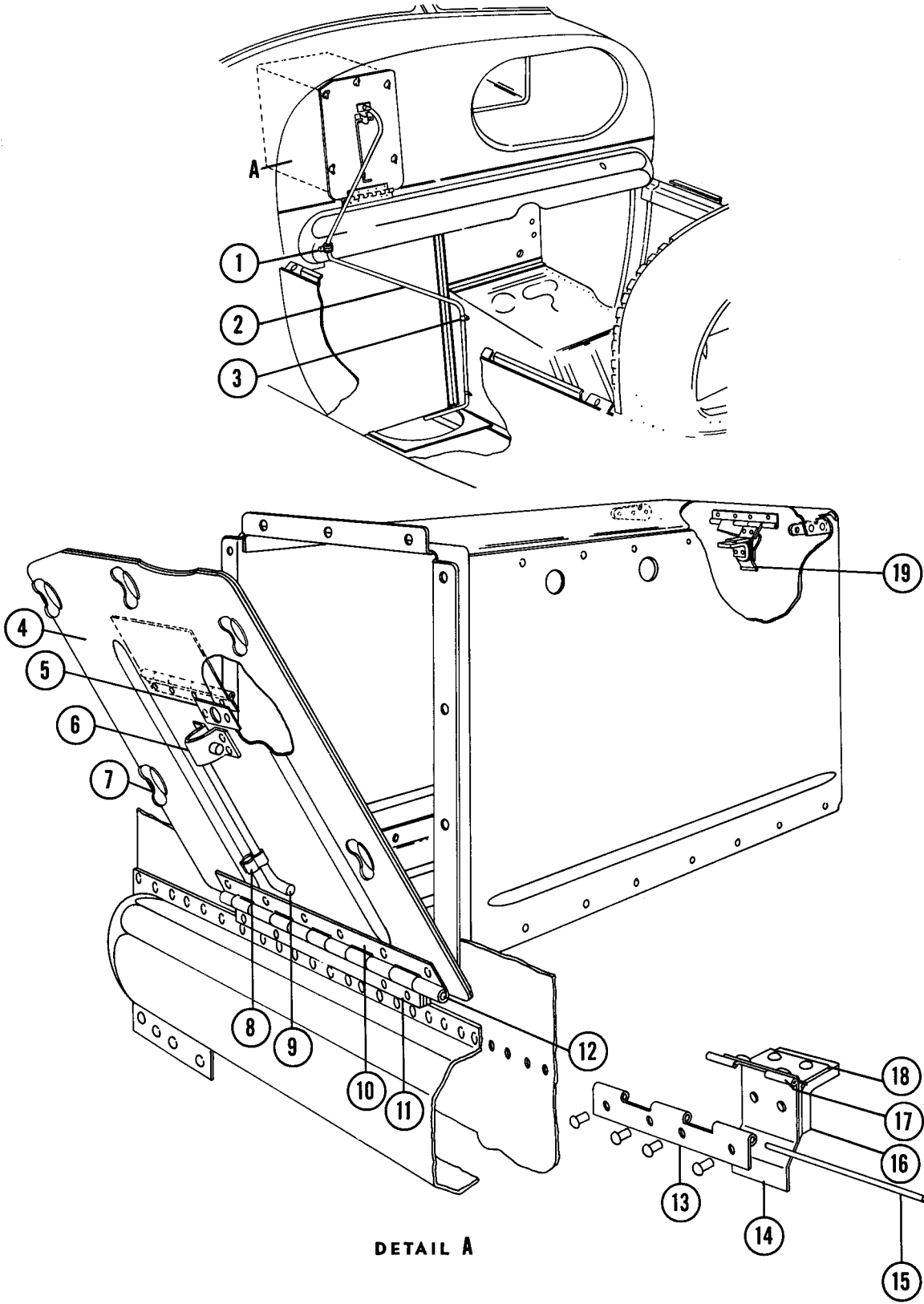


Figure 132. Battery Box Assembly (D1117 thru D1910)

MODEL 35 THRU G35 PARTS CATALOG

FIG. & INDEX NO.	PART NO.	DESCRIPTION	UNITS PER ASSY	USABLE ON CODE
		1 2 3 4 5 6 7		
132	35-415400	BOX ASSY,BATTERY.	1	A54
- 1	AN3125-2	. CLAMP	1	A54
- 2	35-369001-4	. TUBE	1	A54
- 3	AN742D6	. CLAMP	2	A54
- 4	35-415400-4	. DOOR.	1	A54
- 5	35-415403	. GUIDE	1	A54
- 6	35-910109	. BRACKET	1	A54
- 7	W99899-2-.130	. STUD.	5	A54
	99785-2	. PIN	5	A54
- 8	185678	. CLIP.	1	A54
- 9	35-910108	. SUPPORT	1	A54
- 10	35-415400-6	. HINGE	1	A54
- 11	35-415400-8	. HINGE	1	A54
- 12	AN253-2-669	. PIN	1	A54
- 33	35-415400-12	. HINGE	2	A54
- 14	35-415400-14	. HOLDDOWN.	2	A54
- 15	AN253-2-250	. PIN	2	A54
- 16	35-415400-18	. CUSHION	2	A54
- 17	35-415400-10	. HINGE	2	A54
- 18	35-415400-16	. ANGLE	2	A54
- 19	35-415401	. SPRING.	1	A54

MODEL 35 THRU G35 PARTS CATALOG

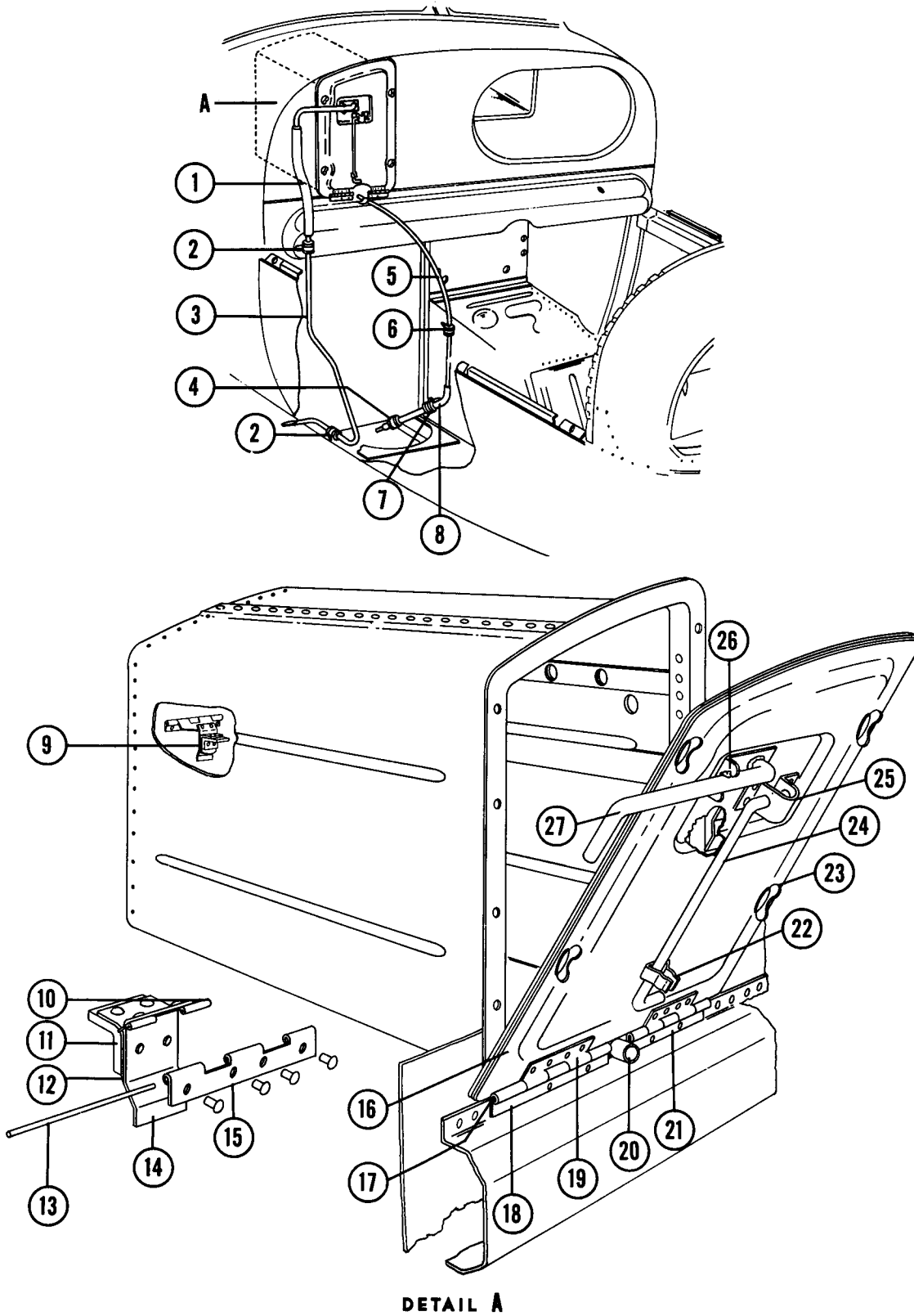


Figure 133. Battery Box Assembly (D1911 thru D4865)

MODEL 35 THRU G35 PARTS CATALOG

FIG. & INDEX NO.	PART NO.	DESCRIPTION	UNITS PER ASSY	USABLE ON CODE
		1 2 3 4 5 6 7		
133 - 1	35-369001-10	TUBE	1	A55
- 2	AN742-10C	CLAMP	2	A55
- 3	35-369150	TUBE	1	A55
- 4	AN742D10	CLAMP	1	A55
- 5	35-369001-12	TUBE	1	A55
- 6	AN742-8	CLAMP	1	A55
- 7	AN742D10	CLAMP	1	A55
- 8	35-369151	TUBE	1	A55
	35-415410	BOX ASSY, BATTERY	1	A55
- 9	35-415401	. SPRING	1	A55
- 10	35-415410-28	. HINGE	2	A55
- 11	35-415410-32	. CUSHION	2	A55
- 12	35-415410-42	. ANGLE	2	A55
- 13	AN253-2-250	. PIN	2	A55
- 14	35-415410-34	. HOLDDOWN	2	A55
- 15	35-415410-26	. HINGE	2	A55
- 16	35-415410-16	. DOOR	1	A55
- 17	105774C090- 00218	. PIN	2	A55
- 18	35-415510-12	. HINGE	1	A55
- 19	35-415410-24	. HINGE	2	A55
- 20	35-415410-4	. TUBE	1	A55
- 21	35-415410-14	. HINGE	1	A55
- 22	185678	. CLIP	1	A55
- 23	W99839-1-.120 99799	. STUD	4	A55
		. PIN	4	A55
- 24	35-910108	. ROD	1	A55
- 25	35-415410-44	. BRACKET	1	A55
- 26	35-415410-20	. BRACKET	1	A55
- 27	35-415410-22	. TUBE	1	A55
	P-86	CABLE, BATTERY	1	A55

MODEL 35 THRU G35 PARTS CATALOG

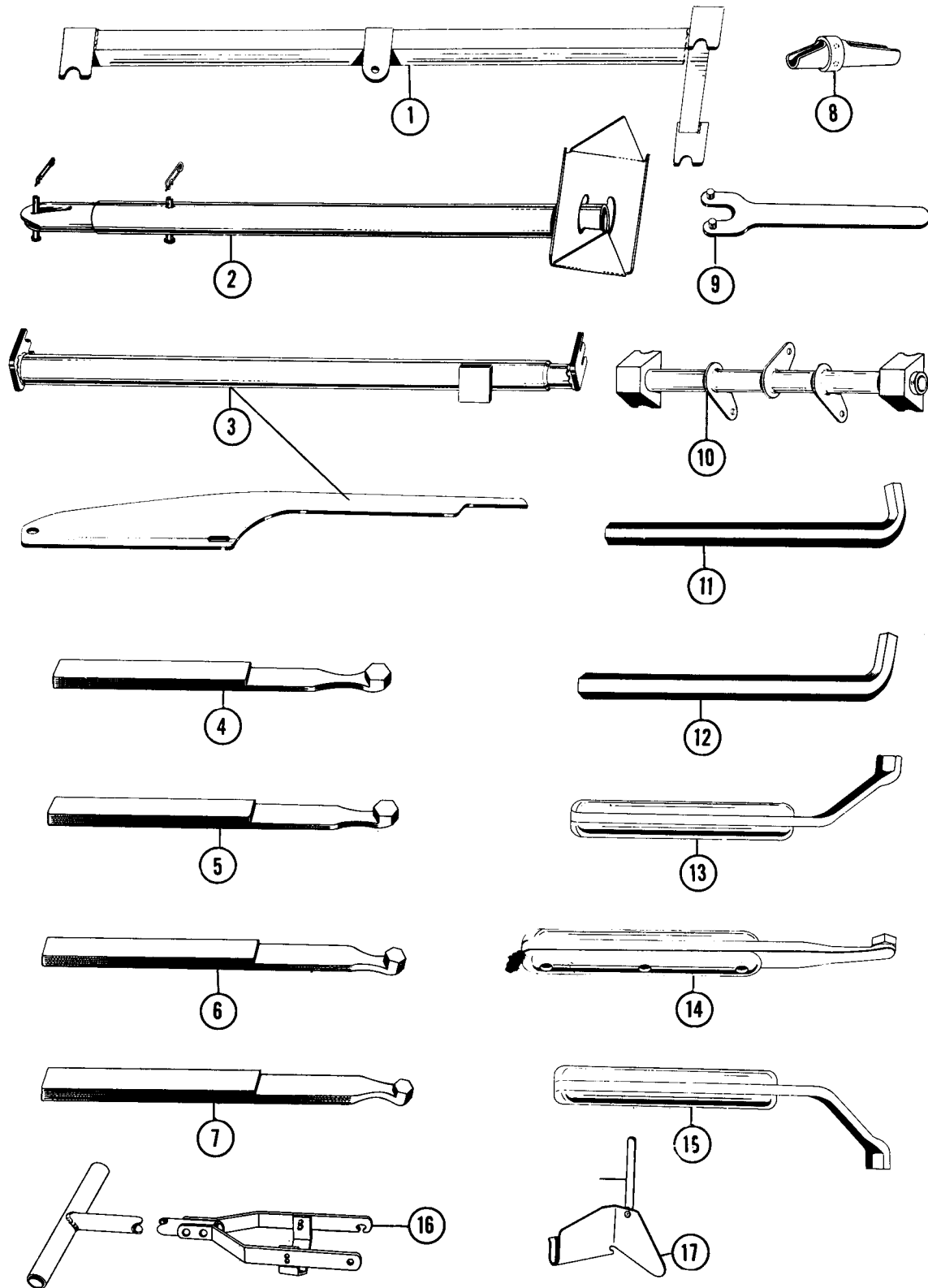


Figure 134. Loose Tools and Equipment

MODEL 35 THRU G35 PARTS CATALOG

FIG. & INDEX NO.	PART NO.	DESCRIPTION							UNITS PER ASSY	USABLE ON CODE
		1	2	3	4	5	6	7		
134 - 1	TS902-810	FIXTURE,NOSE GEAR CHECKING.	1	
- 2	35-590021	SUPPORT ASSY,TAIL TIE DOWN.	1	
- 3	TS903-810	FIXTURE,MAIN GEAR CHECKING.	1	
- 4	TS1222-1	WRENCH,WING BOLT /REF KIT 35-537/	1	A2BCDEFG
- 5	TS1222-2	WRENCH,WING BOLT /REF KIT 35-537/	1	A2BCDEFG
- 6	TS1222-3	WRENCH,WING BOLT /REF KIT 35-537/	1	A2BCDEFG
- 7	TS1222-4	WRENCH,WING BOLT /REF KIT 35-537/	1	A2BCDEFG
- 8	35-590006	ADAPTER,MAIN WHEEL JACK	1	
- 9	35-590009	WRENCH,THROTTLE NUT	1	
- 10	35-590007	SHAFT,DIFFERENTIAL MECHANISM NEUTRALIZER.	1	
- 11	TS1222-5	WRENCH,WING BOLT.	1	A1
- 12	TS1195	WRENCH,WING BOLT.	1	A1
- 13	TS1187-11	WRENCH,WING BOLT.	1	A1
- 14	TS1187-1	WRENCH,WING BOLT.	1	A1
- 15	TS1187-6	WRENCH,WING BOLT.	1	A1
- 16	35-590002	HANDLE ASSY,TOW	1	
	35-590017	BAR,HEAVY TOW	1	
- 17	35-524190	LOCK ASSY,CONTROL COLUMN.	1	
	35-590023	CALCULATOR,HORSEPOWER	1	
	AF-5	BOOK,AIRCRAFT LOG	1	
	EF-5	BOOK,ENGINE LOG	1	
	932-3	SLING,FUSELAGE HOISTING	1	
	B200-100-922	WRENCH,SPANNER /USE WITH B200 PROPELLER/.	1	
	TK1016	MANDREL,PITCH CONTROL MOUNTING.	1	
	932	JACK,LIFTING.	1	
	932-413	EYEBOLT,JACK ATTACH POINT	1	
	810-3	JIG,ELEVATOR TRAVEL CHECK	1	
	917-3	JIG,AILERON CHECK	1	
	917-6	JIG,FLAP CHECK.	1	

MODEL 35 THRU G35 PARTS CATALOG



Figure 135. Service Publications

FIG. & INDEX NO.	PART NO.	DESCRIPTION	1 2 3 4 5 6 7							UNITS PER ASSY	USABLE ON CODE		
			1	2	3	4	5	6	7				
135 -	1	35-590057-3	MANUAL, MAINTENANCE.	1		
		35-590049-7	HANDBOOK, 35 BONANZA	1		
		35-590049-71	HANDBOOK, A35 BONANZA.	1		
		35-590051-7	HANDBOOK, B35 BONANZA.	1		
		35-590057-7	HANDBOOK, C35 BONANZA.	1		
	-	2	35-590061-3	HANDBOOK, D35 BONANZA.	1	
	-	3	35-590069-3	HANDBOOK, E35 BONANZA.	1	
		35-590071-3	HANDBOOK, F35 BONANZA.	1	
		35-590072-3	HANDBOOK, G35 BONANZA.	1	
	-	4	35-590028	CATALOG, PARTS	1	
	-	5	113668	BOOKLET, FACTS EVERY AIRCRAFT OWNER SHOULD KNOW.	1	
	-	6	35-590049-8	DIRECTIVES, BEECHCRAFT SUMMARY OF CAA. AIRWORTHINESS	1	A2
	-	7	35-590049-4	SUMMARY, A35 SERVICE BULLETIN.	1	
		35-590049-5	SUMMARY, A35 SERVICE LETTER.	1	
		35-590051-4	SUMMARY, B35 SERVICE BULLETIN.	1	
		35-590051-5	SUMMARY, B35 SERVICE LETTER.	1	
		35-590057-4	SUMMARY, C35 SERVICE BULLETIN.	1	
		35-590057-5	SUMMARY, C35 SERVICE LETTER.	1	
		35-590061-4	SUMMARY, D35 SERVICE BULLETIN.	1	
		35-590061-5	SUMMARY, D35 SERVICE LETTER.	1	
	35-590069-4	SUMMARY, E35 SERVICE BULLETIN.	1		
	35-590069-5	SUMMARY, E35 SERVICE LETTER.	1		
	35-590071-4	SUMMARY, F35 SERVICE BULLETIN.	1		
	35-590071-5	SUMMARY, F35 SERVICE LETTER.	1		
	35-590072-4	SUMMARY, G35 SERVICE BULLETIN.	1		
	35-590072-5	SUMMARY, G35 SERVICE LETTER.	1		
-	8	35-590049-16	MANUAL, 35 CAA APPROVED FLIGHT	1		

MODEL 35 THRU G35 PARTS CATALOG

FIG. & INDEX NO.	PART NO.	DESCRIPTION							UNITS PER ASSY	USABLE ON CODE	
		1	2	3	4	5	6	7			
135 - 9	35-590049-30	MANUAL,A35	CAA	APPROVED	FLIGHT.	1	
	35-590051-14	MANUAL,B35	CAA	APPROVED	FLIGHT.	1	
	35-590057-11	MANUAL,C35	CAA	APPROVED	FLIGHT.	1	
	35-590061-1	MANUAL,D35	CAA	APPROVED	FLIGHT.	1	
	35-590069-12	MANUAL,E35	CAA	APPROVED	FLIGHT.	1	
	35-590071-12	MANUAL,F35	CAA	APPROVED	FLIGHT.	1	
	35-590072-1	MANUAL,G35	CAA	APPROVED	FLIGHT.	1	
- 10	35-590049-95	CHART,35 & A35	HORSEPOWER	SETTING	1	
	35-590049-95	CHART,B35	HORSEPOWER	SETTING.	1	
	35-590057-95	CHART,C35	HORSEPOWER	SETTING.	1	
	35-590061-6	CHART,E185-11	ENGINE	HORSEPOWER	SETTING	1	
	35-590069-8	CHART,E225-8	ENGINE	HORSEPOWER	SETTING.	1	
- 11	35-590049-94	CHART,35 & A35	PERFORMANCE	REFERENCE.	1	
	35-590051-94	CHART,B35	PERFORMANCE	REFERENCE	1	
	35-590057-94	CHART,C35	PERFORMANCE	REFERENCE	1	
	35-590061-2	CHART,D35	PERFORMANCE	REFERENCE	1	
	35-590069-22	CHART,E35	PERFORMANCE	REFERENCE	1	
	35-590071-2	CHART,F35	PERFORMANCE	REFERENCE	1	
	35-590072-2	CHART,G35	PERFORMANCE	REFERENCE	1	
- 12	35-590049-97	LIST,PILOTS	ABBREVIATED	CHECK	1	
	35-590072-6	LIST,G35	PILOTS	ABBREVIATED	CHECK	1	
- 13	113669	BOOKLET,G	1	
- 14	113670	BOOKLET,KINETIKOS	1	
- 15	113666	SUGGESTIONS,SAFETY /SET/.	1	
- 18	B-E60	MANUAL,CONTINENTAL	ENGINE	1	
- 19	113671	BOOKLET,LAWS OF JUDGE	NATURE.	1	
- 20	113667	DIRECTORY,BEECHCRAFT	CERTIFIED	SERVICE	STATION.	1	
	113672	LETTER,HERTZ	DRIVE-UR-SELF	COURTESY	CARD.	1	
		APPLICATION									

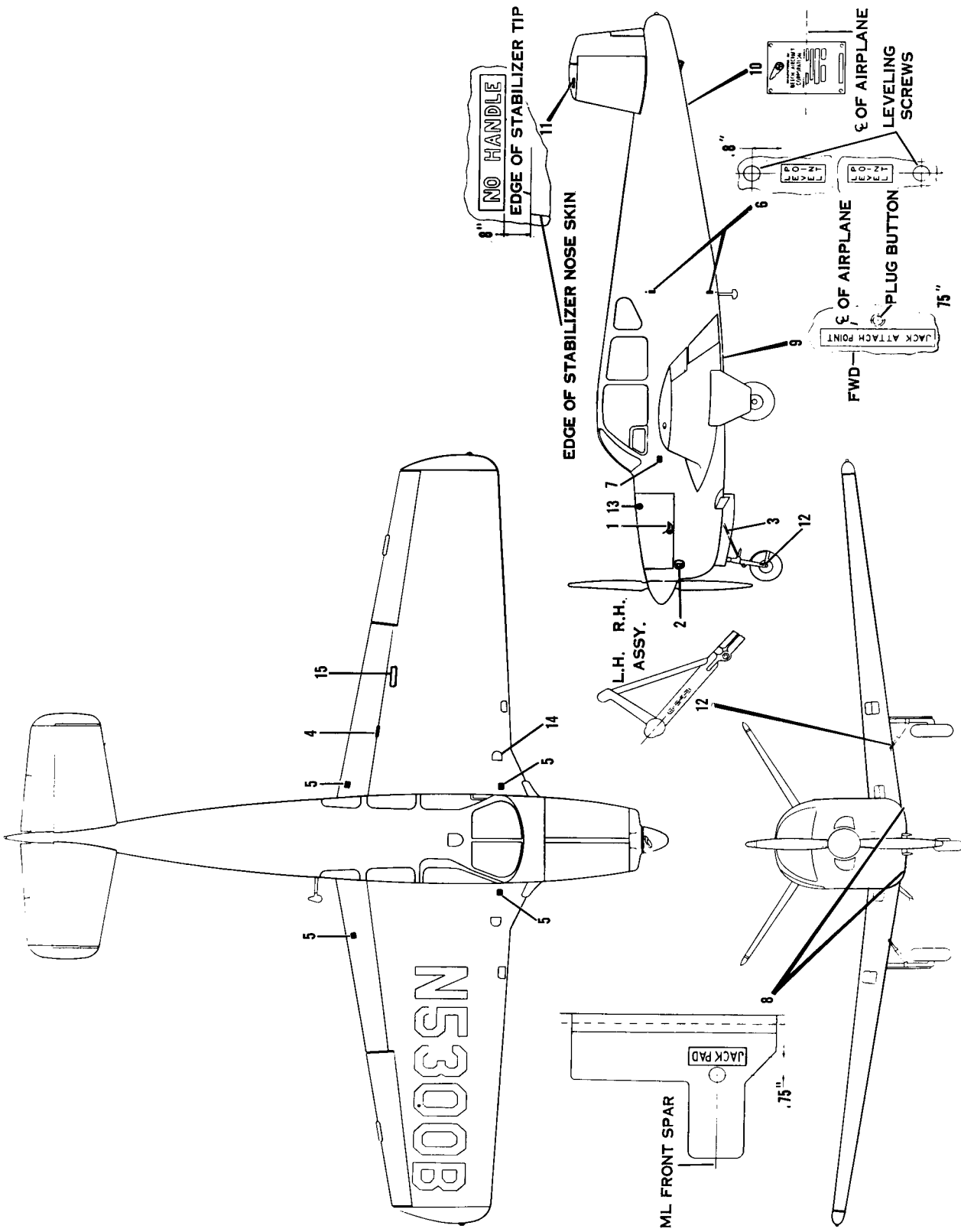


Figure 136. Exterior Marking

MODEL 35 THRU G35 PARTS CATALOG

FIG. & INDEX NO.	PART NO.	DESCRIPTION							UNITS PER ASSY	USABLE ON CODE	
		1	2	3	4	5	6	7			
136	35-000020	HANDBOOK,G35 BONANZA.	NP	AB
	35-000019	MARKINGS,EXTERIOR	NP	C
	35-000029	MARKINGS,EXTERIOR	NP	D
	BS479	SPECIFICATION,FINISH.	NP	E
	BS492	SPECIFICATION,FINISH.	NP	F
	35-000054	MARKINGS,EXTERIOR	NP	G
	- 1	35-000025	. EMBLEM.	2	AB
		35-000027	. EMBLEM.	2	CDE
		35-000051	. MARK,ENGINE HORSEPOWER.	2	E
		35-000028	. EMBLEM.	2	F
		35-000053	. EMBLEM.	2	G
	- 2	35-000019-1	. INSIGNIA,BEECHCRAFT B	2	F
	- 3	35-825192	. PLACARD,NOSE GEAR RETRACT ROD	1	G
	- 4	35-000026	. PLACARD,20 DEGREE FLAP INDICATION	1	ABCDEF
		35-160019	. PLACARD,20 DEGREE FLAP INDICATION	1	G
- 5	112733-2	. PLACARD,NO STEP /BLACK/	4		
	112733-4	. PLACARD,NO STEP/RED//ALTERNATE FOR 112733-2/	4		
- 6	35-410169	. PLACARD,LEVEL POINT	2	CDEFG	
- 7	35-361016	. PLACARD,GROUND HERE	2	ABCDEF	
	35-361016-1	. PLACARD,GROUND HERE	2	G	
- 8	112735	. PLACARD,JACK PAD.	2		
- 9	112736	. PLACARD,JACK ATTACH POINT	1		
- 10	111745	. PLACARD,MODEL	1	CDEFG	
- 11	115081-1	. PLACARD,NO HANDLE /BLACK/	2	DEFG	
	115081-3	. PLACARD,NO HANDLE /RED/ /ALTERNATE FOR 115081-1/	2	DEFG	
- 12	112734	. PLACARD,HEAT TREATED ASSY	6	ABCDFG	
- 13	112738	. PLACARD,OIL	1	ABCDE	
- 14	112732	. PLACARD,FUEL.	2	ABCDEF	
- 15	35-361015	. PLACARD,DO NOT HANDLE	1	AB	

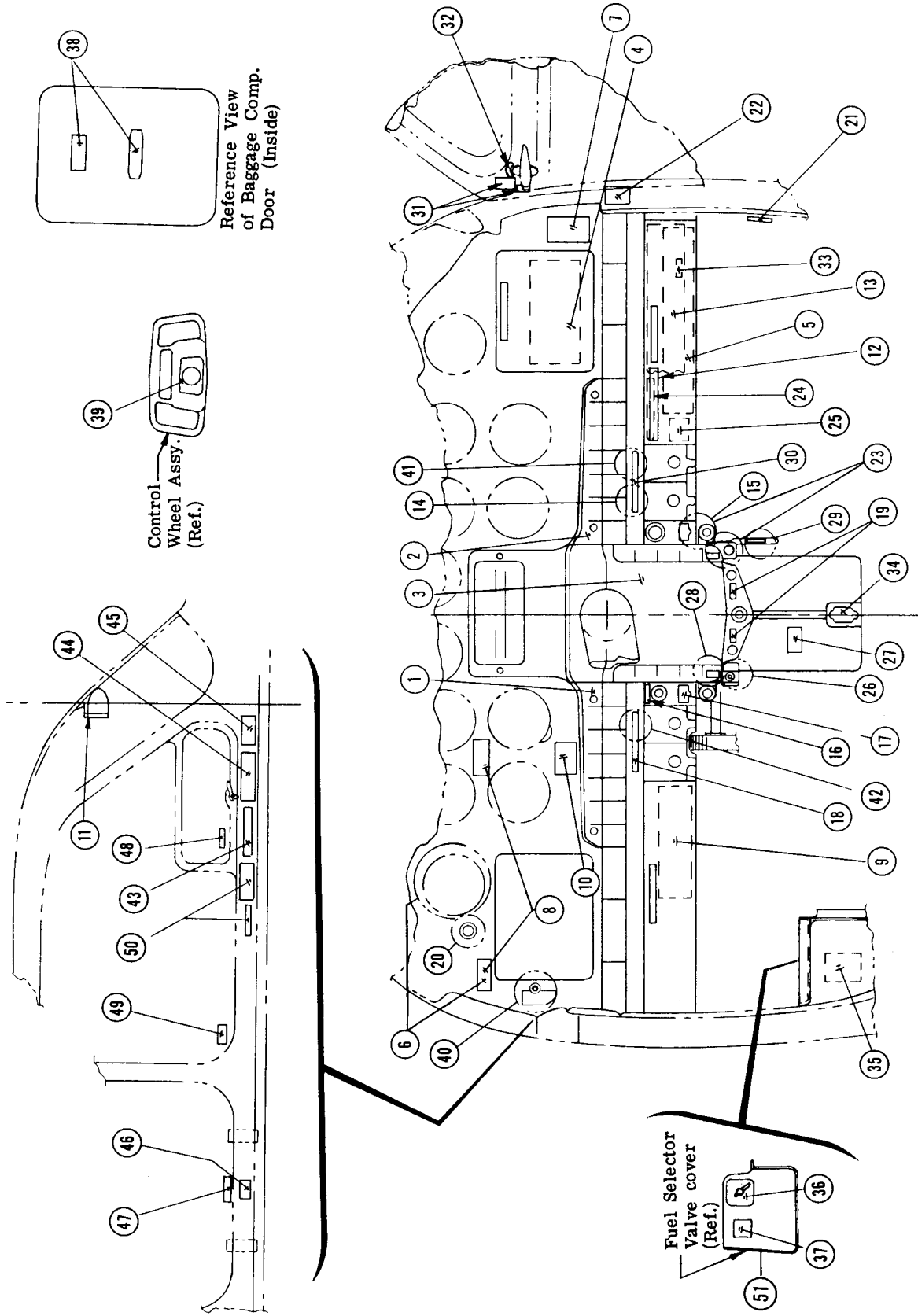


Figure 137. Interior Placards

MODEL 35 THRU G35 PARTS CATALOG

FIG. & INDEX NO.	PART NO.	DESCRIPTION	UNITS PER ASSY	USABLE ON CODE
137 - 1	35-324024	SWITCH,LH PANEL	1	A1A11
	35-324184	SWITCH,AUXILIARY BOOST PUMP /OPTIONAL/ /ALTERNATE LOCATION FOR CODE A1 REF INDEX 40/	1	A61
	35-324194	SWITCH,LH PANEL	1	A48
	35-324205	SWITCH,AUXILIARY BOOST PUMP /OPTIONAL/	1	A48
	35-324198	SWITCH,LH PANEL	1	B8
	35-324199	SWITCH,AUXILIARY BOOST PUMP /OPTIONAL/	1	B8
	35-324268	SWITCH,LH PANEL	1	B9
	35-324269	SWITCH,AUXILIARY BOOST PUMP /OPTIONAL/	1	B9
	35-324274	SWITCH,LH PANEL	1	C
	35-324278	SWITCH,AUXILIARY BOOST PUMP /OPTIONAL/	1	C
	35-324274-2	SWITCH,LH PANEL	1	D
	35-324278-2	SWITCH,AUXILIARY BOOST PUMP /OPTIONAL/	1	D
	35-324274-4	SWITCH,LH PANEL	1	E
	35-324278-4	SWITCH,AUXILIARY BOOST PUMP /OPTIONAL/	1	E
	35-324358-1	SWITCH,LH PANEL OR /OPTIONAL/ AUXILIARY FUEL . . INSTL /OPTIONAL/ /ALTERNATE LOCATION OF FUEL INSTL SWITCH PRIOR TO CODE E REF INDEX 36/	1	F4
	35-324358	SWITCH,LH PANEL /ACS/ OR /OPTIONAL/ AUXILIARY . INSTL	1	F5
	1584236	SWITCH,LH PANEL OR /OPTIONAL/ AUXILIARY FUEL . . FUEL INSTL	1	G
- 2	35-324023	SWITCH,RH PANEL	1	A
	35-324137	SWITCH,AUXILIARY FUEL INSTL /OPTIONAL/	1	A1
	35-324182	SWITCH,AUXILIARY FUEL INSTL /OPTIONAL/	1	A2
	35-324202	SWITCH,RH PANEL	1	B
	35-324203	SWITCH,AUXILIARY FUEL INSTL /OPTIONAL/	1	B
	35-324275	SWITCH,RH PANEL	1	C
	35-324279	SWITCH,AUXILIARY FUEL INSTL /OPTIONAL/	1	C
	35-324275-2	SWITCH,RH PANEL	1	D
	35-324279-2	SWITCH,AUXILIARY FUEL INSTL /OPTIONAL/	1	D
	35-324275-4	SWITCH,RH PANEL	1	EF4
	35-324279-4	SWITCH,AUXILIARY FUEL INSTL /OPTIONAL/	1	EF4
	35-324275-6	SWITCH,RH PANEL	1	F5
	35-324279-6	SWITCH,AUXILIARY FUEL INSTL /OPTIONAL/	1	F5
	1584237	SWITCH,RH PANEL /ACS/ /AUXILIARY FUEL INSTL . . /OPTIONAL/ SAME/	1	G
- 3	35-324026-2	PANEL,CENTER CONTROL	1	A1
	35-324026-6	PANEL,CENTER CONTROL	1	A2B
	35-324026-4	PANEL,CENTER CONTROL	1	C
	35-324026-8	PANEL,CENTER CONTROL	1	D
	35-324026-10	PANEL,CENTER CONTROL	1	EF4
	35-324026-12	PANEL,CENTER CONTROL	1	F5
	35-324363	PANEL,CENTER CONTROL	1	G
- 4	35-324117-6	INSTRUCTIONS,FLIGHT & EMERGENCY /ALTERNATE LOCATION PRIOR TO D35 REF INDEX 9/	1	EF4
	35-324117-8	INSTRUCTIONS,FLIGHT & EMERGENCY	1	F14F15G3
	35-324361	INSTRUCTIONS,FLIGHT & EMERGENCY /ALTER LOCATIONS WITH RADIOS REF INDEX 50/	1	F16F17G
- 5	35-324122	COVER,CIRCUIT BREAKER COMPARTMENT	1	A
	35-324122-2	COVER,CIRCUIT BREAKER COMPARTMENT	1	B
	35-324286	COVER,CIRCUIT BREAKER COMPARTMENT	1	C24
	35-324288	COVER,CIRCUIT BREAKER COMPARTMENT	1	C25DE
	35-324288-2	COVER,CIRCUIT BREAKER COMPARTMENT	1	F4
	35-324288-4	COVER,CIRCUIT BREAKER COMPARTMENT	1	F5
	35-324288-6	COVER,CIRCUIT BREAKER COMPARTMENT	1	G
	35-324288-8	COVER,CIRCUIT BREAKER COMPARTMENT /USE WITH 50 AMP GENERATOR/	1	G
- 6	35-324123	LIMITATIONS,FLIGHT /ON ASH TRAY/.	1	A1
	35-324230-2	LIMITATIONS,FLIGHT /ON ASH TRAY OR ALTERNATE . . LOCATION REF INDEX 45/	1	A2
- 7	35-400456	INSTRUCTIONS,DOOR /DOOR SILL OR PANEL/.	1	

MODEL 35 THRU G35 PARTS CATALOG

FIG. & INDEX NO.	PART NO.	DESCRIPTION	UNITS PER ASSY							USABLE ON CODE
			1	2	3	4	5	6	7	
137 - 8	35-344073-2	CALL,RADIO.							1	B
	35-344073-4	CALL,RADIO.							1	CD
	35-344073-6	CALL,RADIO.							1	EF4
	35-344073-8	CALL,RADIO.							1	F5G
- 9	35-324117-2	INSTRUCTIONS,FLIGHT							1	AB
	35-324117-4	INSTRUCTIONS,FLIGHT							1	C
	35-324117-6	INSTRUCTIONS,FLIGHT /ALTER LOCATION FOR OPTIONAL RADIO REF INDEX 4/							1	D
- 10	35-534353	INSTRUCTIONS,SELECTOR VALVE							1	ABC26
- 11	35-324360	CORRECTION,COMPASS /FOR 35-324328 INSTL/.							1	
- 12	35-324118-2	COVER,IDENTIFICATION.							1	AB
	35-324118-4	COVER,IDENTIFICATION.							1	C
- 13	35-324006-2	PANEL,CIRCUIT BREAKER							1	AB
	35-324006-4	PANEL,CIRCUIT BREAKER							1	C
	35-324006-6	PANEL,CIRCUIT BREAKER							1	DEF4
	35-324006-8	PANEL,CIRCUIT BREAKER							1	F5G
- 14	35-324101-2	SPARE,CABIN HEAT OR							1	AB
	35-324101-4	SPARE,CABIN HEAT OR							1	CD
	35-324101-6	SPARE,CABIN HEAT OR							1	EF4
	35-324101-8	SPARE,CABIN HEAT OR							1	F5G
- 15	35-324256	HANDLE,PARKING BRAKE. /ALTERNATE LOCATION REF INDEX 29/							1	FG
- 16	35-324109-2	STARTER							1	AB
	35-324109-4	STARTER							1	C
	35-324109-6	STARTER							1	DEF4
	35-324109-8	STARTER							1	F5G
- 17	35-324103-2	MIXTURE,FUEL.							1	AB
	35-324103-4	MIXTURE,FUEL.							1	CD
	35-324103-6	MIXTURE,FUEL.							1	EF4
	35-324103-8	MIXTURE,FUEL.							1	F5G
- 18	35-324102-2	HEAT,COWL FLAP & CARBURETOR							1	AB
	35-324102-4	HEAT,COWL FLAP & CARBURETOR							1	CD
	35-324102-6	HEAT,COWL FLAP & CARBURETOR							1	EF4
	35-324102-8	HEAT,COWL FLAP & CARBURETOR							1	F5G
- 19	35-550099	VENT,INDIVIDUAL HEAT /NOT USED PRIOR TO J35/.							1	
- 20	35-324115-2	WARNING,STALL							1	AB
	35-324115-4	WARNING,STALL							1	C
	35-324115-6	WARNING,STALL							1	DEF4
	35-324115-8	WARNING,STALL							1	F5G
- 21	35-410355-1	RELEASE,EMERGENCY DOOR.							1	A
	35-410355-3	RELEASE,EMERGENCY DOOR.							1	BC
	35-410355-5	RELEASE,EMERGENCY DOOR.							1	D
	35-410355-7	RELEASE,EMERGENCY DOOR.							1	EF4
- 22	35-400456	INSTRUCTIONS,DOOR CLOSURE							1	ABCD12
- 23	35-364186-2	PITOT INSTL,HEATED /OPTIONAL/.							1	A2B
	35-364186-4	PITOT INSTL,HEATED /OPTIONAL/.							1	C
	35-364186-6	PITOT INSTL,HEATED /OPTIONAL/.							1	DEF4
	35-364186-8	PITOT INSTL,HEATED /OPTIONAL/.							1	F19
	35-361158	PITOT INSTL,HEATED /OPTIONAL/.							1	F20G
- 24	35-361100-6	TUBE,PITOT /OPTIONAL/.							1	G
- 24	35-324192-2	BREAKER,HEATED PITOT CIRCUIT.							1	A2B
	35-324192-4	BREAKER,HEATED PITOT CIRCUIT.							1	C
	35-324192-6	BREAKER,HEATED PITOT CIRCUIT.							1	D
	35-324192-8	BREAKER,HEATED PITOT CIRCUIT.							1	EF4
	35-324192-10	BREAKER,HEATED PITOT CIRCUIT.							1	F5G
- 25	35-324185	BREAKER,BOOST PUMP CIRCUIT.							1	
- 26	35-921225-1	SWITCH,FUEL BOOST PUMP.							1	F4
	35-921225-3	SWITCH,FUEL BOOST PUMP. /ALTERNATE LOCATIONS REF INDEXES 1 & 40/							1	F5G
- 27	35-910296	BAFFLE,WINTER FRONT /NOT USED PRIOR TO J35/.							1	
- 28	35-924213	PRIMER,ENGINE /MAY BE OMITTED/. /ALTERNATE LOCATION REF INDEX 26/							1	A62BCDEFG
- 29	35-324119	HANDLE,PARKING BRAKE. /ALTERNATE LOCATION REF INDEX 15/							1	ABCDEF1

MODEL 35 THRU G35 PARTS CATALOG

FIG. & INDEX NO.	PART NO.	DESCRIPTION	UNITS PER ASSY	USABLE ON CODE
137 - 30	35-324368	HEAT,PARKING BRAKE & CABIN. /NOT USED PRIOR TO H35/	1	
- 31	50-400335	LATCH,CABIN DOOR.	1	EFG
	50-400336	LATCH,CABIN DOOR. /ALTERNATE LOCATION REF INDEX 32/	1	EFG
- 32	35-400388	LATCH,CABIN DOOR.	1	A
	35-400428	LATCH,CABIN DOOR. /ALTERNATE LOCATION REF INDEX 31/	1	BCD
- 33	35-324239-4	BREAKER,PRIMER CIRCUIT.	1	BCDEFG
- 34	35-815148-1	INDICATOR,LANDING GEAR POSITION	1	A
	35-815148-3	INDICATOR,LANDING GEAR POSITION	1	BC
	35-815148-5	INDICATOR,LANDING GEAR POSITION	1	D
	35-815148-7	INDICATOR,LANDING GEAR POSITION	1	EF
	35-815148-9	INDICATOR,LANDING GEAR POSITION	1	G
- 35	111745	MODEL & SERIAL.	1	AB
- 36	35-924123-2	SELECTOR,VALVE /WITHOUT AUXILIARY FUEL/	1	AB
	35-924138-2	SELECTOR,VALVE /WITHOUT AUXILIARY FUEL/ /USED WITH 35-924230 UNIT/	1	B
	35-924123-4	SELECTOR,VALVE /WITHOUT AUXILIARY FUEL/	1	
	35-924138-4	SELECTOR,VALVE /WITHOUT AUXILIARY FUEL/ /USED WITH 35-924230 UNIT/	1	C2
	35-924138-6	SELECTOR,VALVE /WITHOUT AUXILIARY FUEL/	1	DEF4
	35-924138-8	SELECTOR,VALVE /WITHOUT AUXILIARY FUEL/	1	F5G
	35-924176-2	SELECTOR,VALVE /USED WITH AUXILIARY FUEL/	1	AB
	35-924139-2	SELECTOR,VALVE /USED WITH AUXILIARY FUEL/ /USED WITH 35-924230 UNIT/	1	B
	35-924176-4	SELECTOR,VALVE /USED WITH AUXILIARY FUEL/	1	
	35-924139-4	SELECTOR,VALVE /USED WITH AUXILIARY FUEL/ /USED WITH 35-924230 UNIT/	1	C2
	35-924139-6	SELECTOR,VALVE /USED WITH AUXILIARY FUEL/	1	DEF4
	35-924139-8	SELECTOR,VALVE /USED WITH AUXILIARY FUEL/	1	F5G
- 37	35-924133-2	SELECTOR,FUEL TANK.	1	A21B
	35-924133-4	SELECTOR,FUEL TANK.	1	C26
- 38	35-410149	EQUIPMENT,BAGGAGE DOOR STANDARD	1	A1
	35-924185	FUEL,BAGGAGE DOOR AUXILIARY /OPTIONAL/.	1	A1
	35-410373	EQUIPMENT,BAGGAGE DOOR STANDARD	1	A2BCDE
	35-410442	EQUIPMENT,BAGGAGE DOOR STANDARD	1	F
	35-534315	EQUIPMENT,BAGGAGE DOOR STANDARD	1	G
- 39	35-524607	WHEEL,CONTROL	1	ABCDE
	35-524630	WHEEL,CONTROL	1	FG
- 40	35-369148	SWITCH,BOOST PUMP /ALTERNATE LOCATIONS REF INDEXES 1 & 26/	1	A1
- 41	35-324188-2	VENT,AIR CONDITIONED.	1	AB
	35-324188-4	VENT,AIR CONDITIONED.	1	C
	35-324188-6	VENT,AIR CONDITIONED.	1	D
	35-324188-8	VENT,AIR CONDITIONED.	1	EF4
	35-324188-10	VENT,AIR CONDITIONED.	1	F5G
- 42	35-324102	SPARE,/SEE INDEX 18/.	1	
- 43	35-324340	INSTRUCTIONS,EMERGENCY.	1	FG
- 44	35-410395-2	INSTRUCTIONS,SELECTOR VALVE	1	B
	35-410395-4	INSTRUCTIONS,SELECTOR VALVE	1	C
- 45	35-324230-6	LIMITATIONS,FLIGHT. /ALTERNATE LOCATION REF INDEX 6/	1	A2B
	35-324230-4	LIMITATIONS,FLIGHT.	1	C
	35-324230-6	LIMITATIONS,FLIGHT.	1	DEF4
	35-324230-8	LIMITATIONS,FLIGHT.	1	F5G
- 46	35-534352	INSTRUCTIONS,WINDOW	1	DEFG
- 47	35-410329	INSTRUCTIONS,WINDOW	1	
- 48	35-410326	INSTRUCTIONS,WINDOW	1	
- 49	35-000061	PAINT,NEW /90 DAY/.	1	
- 50	35-324117-6	INSTRUCTIONS,FLIGHT & EMERGENCY /STANDARD LOCATION REF INDEX 4/	1	EF4
	35-324117-8	INSTRUCTIONS,FLIGHT & EMERGENCY /ALTER LOCATION WITH OPTIONAL RADIO REF INDEX 4/	1	F14F21
	35-324361	INSTRUCTIONS,FLIGHT & EMERGENCY /ALTER LOCATION WITH OPTIONAL RADIO REF INDEX 4/	1	F16F17G
- 51	35-924100-602	COVER ASSY,FUEL UNIT.	1	



MODEL 35 THRU G35 PARTS CATALOG

KIT NO.	NAME	PUBLICATION & DATE	PICT NUMBER	MODEL REFERENCE												
				35	35	35	35	35	35	35	35	35	35	35	35	
				R	A	B	C	D	E	F	G	H	I	J	K	L
35-546	MODIFICATION OF GENERAL CIRCUIT	S.B. #35-10, 6-28-48		X	X	X	X	X	X	X	X	X	X	X	X	X
35-546C	ELECTRIC AUXILIARY FUEL PUMP	I.I. 7-15-56		X	X	X	X	X	X	X	X	X	X	X	X	X
35-546D	ELECTRIC AUXILIARY FUEL PUMP	I.I. May, 57		X	X	X	X	X	X	X	X	X	X	X	X	X
35-549	EXTERNAL POWER SOURCE (COLD WEATHER STARTING)	I.I. Sept. 56		X	X	X	X	X	X	X	X	X	X	X	X	X
35-549A	EXTERNAL POWER SOURCE	I.I. 8-21-50, S.I. 35-43, A35-21, B35-8		X	X	X	X	X	X	X	X	X	X	X	X	X
35-550	CRANKCASE BREATHER LINE	S.L. #10		X	X	X	X	X	X	X	X	X	X	X	X	X
35-551A	STARTER MODIFICATION - DEO	S.L. #10		X	X	X	X	X	X	X	X	X	X	X	X	X
35-552	AIR CONDITIONER INSTALLATION	S.B. Mar. 52		X	X	X	X	X	X	X	X	X	X	X	X	X
35-552A	AIR CONDITIONER INSTALLATION (SPECIFIC COLOR)	S.B. Mar. 52		X	X	X	X	X	X	X	X	X	X	X	X	X
35-552A	DIENAMIC BRAKE (ELECTRIBATE RELAY & LIMIT SWITCH)	I.I. 11-10-48		X	X	X	X	X	X	X	X	X	X	X	X	X
35-554A	AMBULANCE EQUIPMENT (MODIFY REAR TRUSS & CABIN DOOR)			X	X	X	X	X	X	X	X	X	X	X	X	X
35-556	ELECTRICALLY HEATED PILOT TUBE	I.I. Sept. 51		X	X	X	X	X	X	X	X	X	X	X	X	X
35-556B	ELECTRICALLY HEATED PILOT TUBE	I.I. Mar. 56		X	X	X	X	X	X	X	X	X	X	X	X	X
35-556C	ELECTRICALLY HEATED PILOT TUBE	I.I. Mar. 56		X	X	X	X	X	X	X	X	X	X	X	X	X
35-558	NOSE CONE BAFFLE	I.I. Dec. 48		X	X	X	X	X	X	X	X	X	X	X	X	X
35-559	DEO STARTER MODIFICATION (NEW PARTS)	I.I. 4-12-49		X	X	X	X	X	X	X	X	X	X	X	X	X
35-560	WINDOW CURTAINS (COLOR)	I.I. June 53		X	X	X	X	X	X	X	X	X	X	X	X	X
35-569	DEO PROPELLER BLADE FIBERGLASS ADAPTER	I.I. Nov. 51		X	X	X	X	X	X	X	X	X	X	X	X	X
35-569	180° CABIN DOOR HINGES	I.B. Sept. 51		X	X	X	X	X	X	X	X	X	X	X	X	X
35-569	POSITION LIGHT FLASHER	I.I. June, 52		X	X	X	X	X	X	X	X	X	X	X	X	X
35-566	NOSE DOOR HINGE MODIFICATION	I.I. Aug. 50, S.B. 3-15, A35-6, 11-6-49		X	X	X	X	X	X	X	X	X	X	X	X	X
35-567	ARM RESTS (INDIVIDUAL)	I.I. July 50		X	X	X	X	X	X	X	X	X	X	X	X	X
35-569	FLAP ACTUATOR SUPPORTS	S.L. 35-42, A35-20, B35-7		X	X	X	X	X	X	X	X	X	X	X	X	X
35-570	WIP ANTERNA	S.L. #A35-32, B35-10, June 50		X	X	X	X	X	X	X	X	X	X	X	X	X
35-571	DEO PROPELLER BEARING RACER	I.I.		X	X	X	X	X	X	X	X	X	X	X	X	X
35-572	LANDING GEAR DOWN LIMIT SWITCH	S.L. #A35-25, B35-11, 11-16-50		X	X	X	X	X	X	X	X	X	X	X	X	X
35-573	COUNTERWEIGHT (DEO PROP. WITH ELECTRIC CONSTANT SPEED CONT.)	S.B. Prop Bulletin #3		X	X	X	X	X	X	X	X	X	X	X	X	X
35-574	MAIN WHEEL BRAKE FAIRING			X	X	X	X	X	X	X	X	X	X	X	X	X
35-575	SAFE FLIGHT STALL WARNING UNIT			X	X	X	X	X	X	X	X	X	X	X	X	X
35-576	NEW STYLE FUEL UNIT			X	X	X	X	X	X	X	X	X	X	X	X	X
35-577	TOW BAR STUMBLE	I.I. 4-15-51		X	X	X	X	X	X	X	X	X	X	X	X	X
35-580	SHOULDER HARNESS	I.B. Apr. 55		X	X	X	X	X	X	X	X	X	X	X	X	X
35-581	SHOULDER HARNESS	I.I.		X	X	X	X	X	X	X	X	X	X	X	X	X
35-582	FUEL UNIT (ADDITION OF SPACER IN FUEL UNITS)			X	X	X	X	X	X	X	X	X	X	X	X	X
35-583	HEATER EXHAUST DUCT (REDUCE CABIN HEAT)	S.B. #35-22, 10-1-52		X	X	X	X	X	X	X	X	X	X	X	X	X
35-584	CABIN DOOR LATCH AND SAFETY HANDLE	I.I. 7-25-51		X	X	X	X	X	X	X	X	X	X	X	X	X
35-585A	BAFFLE SEALS	S.B. 4-15-54		X	X	X	X	X	X	X	X	X	X	X	X	X
35-585B	BAFFLE SEALS			X	X	X	X	X	X	X	X	X	X	X	X	X
35-586	LANDING GEAR ACTUATOR MODIFICATION	S.B. 7-15-52		X	X	X	X	X	X	X	X	X	X	X	X	X
35-588	WING RIBBER PIN TUBING			X	X	X	X	X	X	X	X	X	X	X	X	X
35-591	ASSIST STEP MODIFICATION			X	X	X	X	X	X	X	X	X	X	X	X	X
35-592	LANDING GEAR SAFETY SWITCH MODIFICATION	S.B. #35-32, A35-15, B35-6, C35-6, Dec. 52		X	X	X	X	X	X	X	X	X	X	X	X	X
35-592A	CONTINENTAL STARTER FIREWALL MODIFICATION	S.B. #35-21, A35-14, B35-7, C35-5, June 53		X	X	X	X	X	X	X	X	X	X	X	X	X
35-592B	CONTINENTAL STARTER FIREWALL MODIFICATION	S.B. Jan. 53		X	X	X	X	X	X	X	X	X	X	X	X	X
35-594	LIMIT SWITCH TEST FEATURE	S.B. Jan. 53		X	X	X	X	X	X	X	X	X	X	X	X	X
35-595	CABIN DOOR HANDLE MODIFICATION	I.B. Apr. 54, S.L. C35-14, D35-10, 1-1-54		X	X	X	X	X	X	X	X	X	X	X	X	X
35-596	CABIN HEAT AND VENT MODIFICATION	I.B. #B35-15, #C35-12, Dec. 53		X	X	X	X	X	X	X	X	X	X	X	X	X

Figure 138. Kit Listings (Sheet 2 of 4 Sheets)

MODEL 35 THRU G35 PARTS CATALOG

KIT NUMBER	NAME	PUBLICATION & DATE	PRINT NUMBER	MODEL REFERENCE											
				35	35	35	35	35	35	35	35	35	35		
				A	B	C	D	E	F	G	H	I	J	K	L
35-638	CURTAINS ONLY (TAN 2091T)	I.I. June 53		X	X	X	X	X	X	X	X	X	X	X	X
35-639	CURTAINS ONLY (BLUE 4831-3BL)	I.I. June 53		X	X	X	X	X	X	X	X	X	X	X	X
35-640	CURTAINS ONLY (TAN 4831-3T)	I.I. June 53		X	X	X	X	X	X	X	X	X	X	X	X
35-641	CURTAINS ONLY (GRAY 4831-3GL)	I.I. June 53		X	X	X	X	X	X	X	X	X	X	X	X
35-642	CURTAINS ONLY (GREEN 4831-3 GRN)	I.I. June 53		X	X	X	X	X	X	X	X	X	X	X	X
35-644	H AND J 35 46 CYLINDER BAFFLE EXTENSION	I.I. 30 May 58	35-001028												
35-645	LOWER ROTATING BEACON	S.L. 35-66, Aug. 59	35-001031												
35-646	THIRD WINDOW INSTALLATION	I.I. Sept. 58	35-001029	X	X	X	X	X	X	X	X	X	X	X	X
35-647	REPAIR KIT OF IDENTIFICATION HARNESS CHAIRING	S.L. 1958, 1953, Dec. 58													
35-648	MODEL 135 FUEL INJECTION	S.L. 1957-10, Feb. 59	35-001032												
35-650	ELEVATOR TAB PULLEY BRACKET	S.L. 1957-2	35-001033												
35-653	CABIN DOOR LATCH INSTALLATION UPPER	S.L. 1957, 1955-19, 1956-16, 1957-10	35-001077												
35-655	POSITION LIGHT FLASHER														
35-656	SAFETY PIN-LANDING AXLE & PISTON		35-001096												
35-657	ALTERNATE AIR MANUAL CONTROL	(cancelled)	35-001099												
35-658	(CANCELLED)														
35-659-1	HEATED VENTS - MAIN FUEL CELL		35-001043	X	X	X	X	X	X	X	X	X	X	X	X
35-659-2	HEATED VENTS - AUXILIARY FUEL CELL		35-001043	X	X	X	X	X	X	X	X	X	X	X	X
35-660	M-35 WING TIP INSTALLATION		35-001045	X	X	X	X	X	X	X	X	X	X	X	X

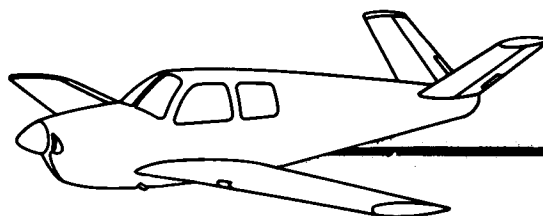
Figure 138. Kit Listings (Sheet 4 of 4 Sheets)



Beechcraft

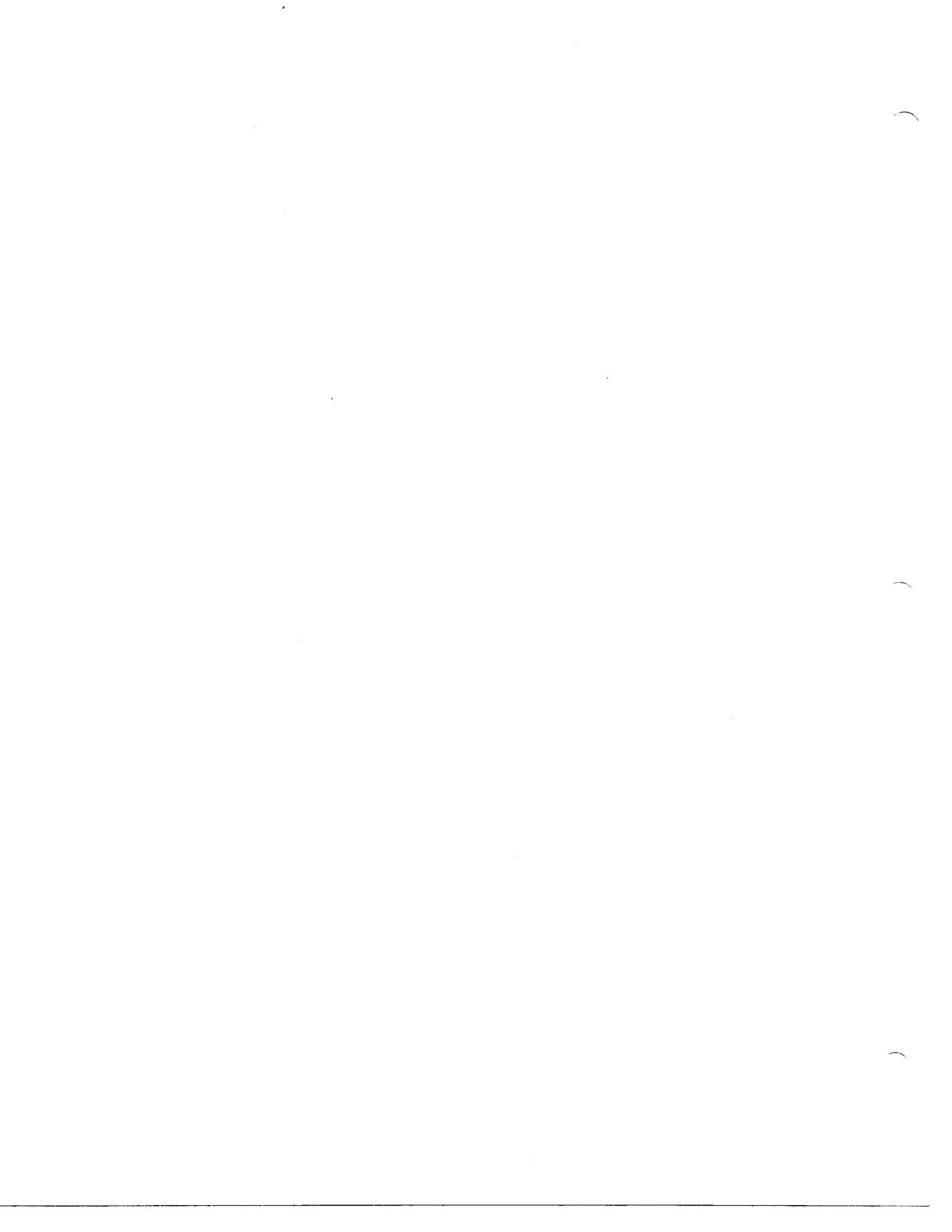
MODEL 35

NUMERICAL INDEX



**S
E
C
T
I
O
N**

3



MODEL 35 THRU G35 PARTS CATALOG

PART NUMBER	FIGURE AND INDEX NO.	QTY. PER ARTICLE
A-SP-373	114	1
A-11MB	113 - 13	1
A-3005	127	1
A-513-DA	72 - 15	1
A-779	51	1
A-8101	127	1
AAF-934-1	78	2
AAF385-30-6	19 - 24	1
AAF995-32-3	98 - 8	2
AAF995-32-4	80 - 35	1
AAF995-32-6	98 - 7	2
AD5721	59 - 4	3
AF-5	134	1
AFA358	48 - 17	2
AFA396	53 - 1	2
AFA424	48 - 9	4
AFA434	48 - 8	14
AFA542	48 - 13	2
AFA564	48 - 22	12
ALB-5055	126 - 13	1
AN100C3	124	6
AN100C3	125 - 11	2
AN100C3	126 - 40	1
AN100C3	127	1
AN1032-10	12	6
AN115-8	126	1
AN123902	96 - 33	2
AN155-32L	20	2
AN155-32L	20	4
AN155-32L	24	4
AN155-32L	26 - 16	2
AN155-32L	30 - 9	2
AN155-32L	32 - 15	REF
AN155-32S	30 - 12	1
AN155-32S	32 - 9	REF
AN155-8L	33 - 2	4
AN155-8L	37 - 4	2
AN155-8S	37 - 3	2
AN161-16RS	70 - 7	1
AN161-22LL	32 - 16	1
AN161-22LS	30	1
AN161-22LS	32 - 10	REF
AN161-8RS	37 - 2	4
AN200K54	12	2
AN200K3L	30	16
AN200K3L	32 - 2	REF
AN200K3L	39	6
AN200K3L	39	6
AN200K3L	39	2
AN200K5	12	1
AN201K10A	40 - 4	6
AN201K10A	41 - 3	4
AN210-1A	123 - 21	1
AN210-2A	33 - 2A	8
AN210-2A	33 - 11	2
AN210-2A	37 - 7	4
AN210-3A	20	2
AN210-3A	20	1
AN210-3A	20	4
AN210-3A	20	4
AN210-3A	22 - 7	1
AN210-3A	24 - 10	2
AN210-3A	26 - 6	1
AN210-3A	26 - 8	2
AN210-3A	26 - 13	2
AN210-3A	30 - 7	2
AN210-3A	33 - 5	2
AN210-3A	36	1
AN210-38	37 - 5	4
AN210-4A	20	2

PART NUMBER	FIGURE AND INDEX NO.	QTY. PER ARTICLE
AN210-4A	20	1
AN210-4A	20	2
AN210-4A	21 - 2	2
AN210-4A	24 - 12	6
AN210-4A	26 - 1	2
AN210-4A	26 - 4	1
AN210-4A	26	2
AN210-4A	26 - 10	2
AN210-4A	28 - 4	REF
AN210-4A	30 - 1	1
AN210-4A	30 - 2	1
AN210-4A	30 - 4	2
AN210-4A	30 - 15	2
AN210-4A	31 - 2	REF
AN210-4A	31 - 7	REF
AN210-4A	33 - 3	2
AN210-4A	33 - 7	2
AN210-5A	27 - 2	1
AN23-10A	64 - 14	1
AN23-11	23 - 3	8
AN23-11	24	4
AN23-14A	27	3
AN23-14A	123	1
AN23-17A	60 - 10	1
AN23-18	26	2
AN23-18	27	REF
AN23-22A	23 - 7	1
AN24-12	24	8
AN24-13	27	1
AN24-13A	94	6
AN24-15A	95	6
AN24-18A	38	2
AN24-20A	38	2
AN24-25	51	1
AN24-32	69	2
AN240-3	98 - 37	3
AN25-22	56 - 5	1
AN253-2-250	132 - 15	4
AN253-2-250	133 - 13	2
AN253-2-669	132 - 12	1
AN26-17	27	1
AN26-22	42 - 9	2
AN26-23	42	4
AN26-23	59 - 8	2
AN26-28	56 - 4	1
AN3-10	99	1
AN3-10A	46 - 8	6
AN3-10A	46 - 14	4
AN3-11A	11 - 5	5
AN3-11A	123	1
AN3-12	77 - 7	6
AN3-12	77 - 17	3
AN3-12A	39	3
AN3-15A	46 - 6	2
AN3-16A	39	3
AN3-16A	116	1
AN3-17A	71 - 16	1
AN3-21A	11 - 4	4
AN3-22A	71 - 15	2
AN3-26	39	2
AN3-27A	123 - 2	1
AN3-3	77	3
AN3-3	77	1
AN3-3A	77	1
AN3-3A	88	8
AN3-3A	94	2
AN3-3A	95	2
AN3-3A	96	2
AN3-36A	73 - 16	4
AN3-36A	74	2

MODEL 35 THRU G35 PARTS CATALOG

PART NUMBER	FIGURE AND INDEX NO.	QTY. PER ARTICLE
AN3-4	76	12
AN3-4	77 - 11	4
AN3-4	77 - 20	4
AN3-4A	14 - 13	4
AN3-4A	43	2
AN3-4A	44	2
AN3-4A	62 - 8	2
AN3-4A	94	4
AN3-4A	95	4
AN3-4A	95	4
AN3-4A	96	4
AN3-4A	116	2
AN3-4A	116	6
AN3-46A	73 - 14	2
AN3-47A	74	2
AN3-5	77	4
AN3-5	77	2
AN3-5A	39	2
AN3-5A	94	4
AN3-5A	123 - 4	1
AN3-5A	123 - 7	1
AN3-5A	38	16
AN3-6A	50 - 19	9
AN3-6A	55 - 5	2
AN3-6A	55 - 13	2
AN3-6A	96	4
AN3-7	32 - 18	1
AN3-7A	25 - 9	5
AN3-7A	76	1
AN301K4A	29	4
AN3022-2	128 - 32	3
AN3022-2	128 - 47	2
AN3022-3	128	2
AN3022-3	128 - 46	1
AN3022-7	128 - 48	1
AN3023-3	79 - 42	1
AN3027-2	128 - 49	1
AN3028-3	120 - 8	1
AN3042-1	8	1
AN3042-2	8	1
AN3066-4	15 - 6	4
AN310-3	39	2
AN310-3	39	3
AN310-3	39	3
AN310-3	70	1
AN310-3	76	4
AN310-3	77	3
AN310-3	77	4
AN310-3	77	4
AN310-3	77	3
AN310-3	77	4
AN310-3	77	3
AN310-3	77	3
AN310-3	99	1
AN310-4	39	9
AN310-4	39	3
AN310-4	50	1
AN310-4	51	1
AN310-4	69	2
AN310-4	81	1
AN310-5	27	1
AN310-5	42	2
AN310-5	42	2
AN310-5	43	2
AN310-5	44	2
AN310-5	56	1
AN310-5	60	1
AN310-5	60	1
AN310-5	95 - 20	2
AN310-5	96 - 13	2
AN310-6	38	8

PART NUMBER	FIGURE AND INDEX NO.	QTY. PER ARTICLE
AN310-6	42	2
AN310-6	43	2
AN310-6	44	2
AN310-8	43	8
AN310-8	44	2
AN310-8	45	2
AN310-8	45	2
AN3121-1813	128 - 39	5
AN3122-1512	8	2
AN3125-2	132 - 1	1
AN315-3R	55 - 10	4
AN316-4	67 - 11	1
AN316-4L	22	4
AN316-4L	24	2
AN316-4R	12	2
AN316-4R	22	2
AN316-4R	24	2
AN316-4R	46 - 19	8
AN316-4R	46 - 24	4
AN316-4R	51	2
AN316-5	68 - 11	1
AN316-5R	21	5
AN316-5R	24	2
AN316-5R	56	1
AN316-6L	56	1
AN316-6R	38 - 9	7
AN316-6R	42	2
AN316-6R	51	1
AN316-7R	117	1
AN3169-1	17	2
AN320-3	23	4
AN320-3	24	4
AN320-3	24	4
AN320-3	26	2
AN320-3	27	REF
AN320-4	21	1
AN320-4	21	2
AN320-4	24	8
AN320-4	27	1
AN320-4	51	1
AN320-6	27	4
AN320-6	56	1
AN320-6	59	2
AN320-7	40 - 7	3
AN320-7	41 - 12	2
AN3210-1	16 - 13	2
AN3210-1	17 - 10	4
AN3210-1	58 - 3	2
AN3210-1	59 - 2	4
AN3210-1	128 - 24	1
AN3226-3	128 - 36	1
AN340-4	97	4
AN340-6	128 - 7	1
AN345-10	76	4
AN356-1032	49	1
AN360-5	77 - 4	12
AN360-632	114	4
AN360-7	16	2
AN363-428	50 - 44	1
AN364-1032	24	1
AN364-1032	29	1
AN364-1032	38	4
AN364-1032	38	2
AN364-1032	46	2
AN364-1032	49	1
AN364-1032	55	4
AN364-428	28 - 11	8
AN364-428	38	2
AN364-428	38	2
AN365-1032	11	119

MODEL 35 THRU G35 PARTS CATALOG

PART NUMBER	FIGURE AND INDEX NO.	QTY. PER ARTICLE
AN365-1032	14	2
AN365-1032	23	1
AN365-1032	25	4
AN365-1032	27	2
AN365-1032	38	8
AN365-1032	39	2
AN365-1032	39	2
AN365-1032	39	3
AN365-1032	46	6
AN365-1032	46	6
AN365-1032	46 - 7	4
AN365-1032	50 - 23	6
AN365-1032	55	2
AN365-1032	60	1
AN365-1032	62	2
AN365-1032	64	1
AN365-1032	65	1
AN365-1032	71	2
AN365-1032	71	1
AN365-1032	76	4
AN365-1032	76	1
AN365-1032	88	2
AN365-1032	89	2
AN365-1032	94	6
AN365-1032	95	1
AN365-1032	95	4
AN365-1032	95	6
AN365-1032	95	1
AN365-1032	96	6
AN365-1032	96	1
AN365-1032	96	4
AN365-1032	99	1
AN365-1032	123	1
AN365-1032	123	1
AN365-1032	123	1
AN365-1032	123	1
AN365-1032	131 - 6	2
AN365-1032	131	1
AN365-1032	116	2
AN365-1032	116	6
AN365-1032	116	1
AN365-428	11	1
AN365-428	12	2
AN365-428	12	16
AN365-428	12	2
AN365-428	12	2
AN365-428	12	2
AN365-428	12	3
AN365-428	13	8
AN365-428	21	2
AN365-428	22	2
AN365-428	22	2
AN365-428	24	2
AN365-428	25	2
AN365-428	26	2
AN365-428	26	1
AN365-428	26	1
AN365-428	26	2
AN365-428	26	2
AN365-428	26	2
AN365-428	26	2
AN365-428	26	2
AN365-428	26	2
AN365-428	28	REF
AN365-428	43	4
AN365-428	44	4
AN365-428	49	1
AN365-428	51	1
AN365-428	51	1
AN365-428	53 - 9	3
AN365-428	62	4
AN365-428	62	2
AN365-428	65	4

PART NUMBER	FIGURE AND INDEX NO.	QTY. PER ARTICLE
AN365-428	95	6
AN365-428	123	1
AN365-428	112	6
AN365-428	113	6
AN365-428	114	6
AN365-428	115	6
AN365-440	99	2
AN365-440	99	2
AN365-440	99	1
AN365-440	120	18
AN365-440	129	2
AN365-440	130	2
AN365-524	13	8
AN365-524	43 - 10	2
AN365-524	44 - 10	2
AN365-524	45 - 10	2
AN365-524	77 - 5	12
AN365-524	95	2
AN365-524	96	2
AN365-624	42	9
AN365-624	49	2
AN365-624	50	1
AN365-624	95	4
AN365-632	70	2
AN365-632	73	2
AN365-632	73	13
AN365-632	100	56
AN365-632	100	66
AN365-632	100	16
AN365-632	102	46
AN365-632	125	4
AN365-632	126	4
AN365-632	130	2
AN365-632	111	1
AN365-632	115	7
AN365-720	12	8
AN365-720	72	4
AN365-832	23	2
AN365-832	42	4
AN365-832	65	1
AN365-832	75	8
AN365-832	76	1
AN365-832	76	1
AN365-832	83	2
AN365-832	84	1
AN365-832	84	2
AN365-832	88	1
AN365-832	88	1
AN365-832	99	1
AN365-832	99	2
AN365-832	126	1
AN365-832	112	8
AN365-832	112	4
AN365-832	113 - 20	4
AN365-832	114 - 9	4
AN365-832	115	8
AN365-832	117	1
AN365-832	117	1
AN365-832	117	1
AN365-832	117	1
AN365-832	117	2
AN365D632	129	1
AN372-1032	77	1
AN372-632	77	2
AN380-1-2	123	2
AN380-2-1	70	2
AN380-2-1	80 - 23	1
AN380-2-1	81	2
AN380-2-1	125	4
AN380-2-1	125	2

MODEL 35 THRU G35 PARTS CATALOG

PART NUMBER	FIGURE AND INDEX NO.	QTY. PER ARTICLE
AN380-2-1	126	2
AN380-2-2	42	1
AN380-2-2	70	1
AN380-2-2	77	3
AN380-2-2	77	4
AN380-2-2	77	4
AN380-2-2	77	3
AN380-2-2	77	4
AN380-2-2	77	3
AN380-2-2	81	1
AN380-2-2	95	2
AN380-2-2	101	8
AN380-2-2	123	1
AN380-3-2	59	2
AN380C2-2	67	4
AN380C2-2	67 - 14	1
AN380C2-2	68	1
AN380C2-2	68 - 14	1
AN381-2-1	81	1
AN385-30-6	98 - 20	1
AN386-1-8A	34	1
AN386-1-9A	38	6
AN386-1-9A	38	2
AN386-2-12A	24	1
AN386-2-12A	29	1
AN392-11	81 - 12	2
AN392-13	70 - 6	2
AN392-15	34	3
AN392-15	34	1
AN392-15	80 - 14	1
AN392-17	50 - 15	2
AN392-19	21	4
AN392-19	26	2
AN392-19	26	2
AN392-19	26	2
AN392-19	26	2
AN392-19	28 - 8	REF
AN392-19	43 - 20	4
AN392-19	126	2
AN392-2-1	125 - 7	2
AN392-21	97 - 3	2
AN392-23	45	2
AN392-25	27	3
AN392-25	51	1
AN392-27	44 - 20	6
AN392-27	45 - 20	2
AN392-35	20	2
AN392-37	56	1
AN392-51	37	4
AN392-7	125 - 6	4
AN393-25	56 - 25	1
AN393-29	70 - 3	1
AN393-63	102 - 41	2
AN393-69	102	1
AN393-7	123 - 8	7
AN393-7	123	1
AN394-33	42 - 7	2
AN4-10	39	1
AN4-10A	11	1
AN4-10A	21	2
AN4-10A	22	2
AN4-10A	25 - 8	2
AN4-10A	26	2
AN4-10A	26	1
AN4-10A	26	1
AN4-10A	26	2
AN4-10A	26	2
AN4-10A	28 - 7	REF
AN4-11	21	2
AN4-12	50 - 17	1

PART NUMBER	FIGURE AND INDEX NO.	QTY. PER ARTICLE
AN4-12A	11 - 3	5
AN4-12A	12	2
AN4-12A	46 - 25	2
AN4-13A	12	3
AN4-13A	51	1
AN4-14A	12	4
AN4-14A	12	2
AN4-15A	22	2
AN4-16A	24	2
AN4-20	81 - 14	1
AN4-21A	50 - 41	1
AN4-4A	12	9
AN4-4A	49 - 7	1
AN4-4A	95	4
AN4-4A	96	2
AN4-43	21	1
AN4-5A	13 - 6	4
AN4-5A	60	2
AN4-54A	26	4
AN4-54A	46	2
AN4-55	46 - 27	4
AN4-6	65	4
AN4-6A	12	1
AN4-7A	12	8
AN4-7A	43	4
AN4-7A	44	4
AN4-7A	46 - 20	8
AN4-7A	62 - 3	4
AN4-7A	62 - 10	2
AN4H7	94 - 12	4
AN40451	90	1
AN42-4	70	1
AN42-6A	123 - 22	1
AN426AD6-14	16 - 4A	2
AN455AD4-6	106	AR
AN5-13	43 - 22	6
AN5-13	44 - 22	2
AN5-13	45 - 22	2
AN5-14A	56 - 35	1
AN5-17	60 - 19	1
AN5-22	42 - 20	2
AN5-23A	94	2
AN5-6A	13 - 3	16
AN500-10-10	81 - 3	6
AN500-10-10	81 - 16	2
AN500-10-10	81 - 36	2
AN500-6-4	97	1
AN500A10-10	60 - 11	3
AN500A10-10	60 - 14	11
AN500A10-10	81 - 27	2
AN500A10-12	80 - 32	2
AN500A6-4	80 - 15	1
AN500A6-6	98 - 3	4
AN500A632-4	19 - 19	4
AN5009-10	95 - 18	2
AN5009-10	96 - 12	1
AN5009-20	94	1
AN501-10-5	40 - 17	8
AN501-10-5	41 - 16	4
AN501-416-40	112 - 26	6
AN501-416-40	113 - 15	2
AN501-416-40	114 - 4	2
AN502-10-4	63	2
AN502-10-8	26	4
AN502-10-8	28 - 3	2
AN502-416-32	115 - 29	2
AN502-416-8	71	4
AN503-416-18	48 - 21	12
AN503-8-10	39	6
AN503-8-6	21	2

MODEL 35 THRU G35 PARTS CATALOG

PART NUMBER	FIGURE AND INDEX NO.	QTY. PER ARTICLE
AN505-6-5	98 - 4	4
AN505-632-5	19 - 16	2
AN505-8-6	115 - 28	8
AN505-832-46	19 - 2	2
AN506-10-6	79 - 4	8
AN506-10-8	79	2
AN507-440-5	129 - 14	2
AN507-632-7	128 - 14	1
AN507-632R10	102 - 21	2
AN507-632R6	100 - 1	56
AN507-632R6	100 - 9	66
AN507-632R6	102 - 33	46
AN507-632R6	125 - 13	4
AN507-632R7	100	16
AN507-632R7	130 - 3	4
AN507-8R9	9	32
AN507-8R9	78	12
AN507-832-10	39	3
AN507-832-8	13	2
AN515-10-24	99	1
AN515-4-10	97 - 10	4
AN515-4-12	99	3
AN515-4-12	99	1
AN515-4-6	99	2
AN515-4-6	120 - 4	18
AN515-6-18	57 - 4	8
AN515-6-18	57 - 4	2
AN515-6-18	57 - 10	2
AN515-6-18	57 - 10	2
AN515-6-4	73	6
AN515-6-4	73	7
AN515-6-4	80	2
AN515-6-5	73	10
AN515-6-5	73	10
AN515-6-5	73	2
AN515-6-6	111	2
AN515-6-6	115 - 11	4
AN515-6-6	115 - 26	7
AN515-6R6	130 - 7	2
AN515-6R6	114	6
AN515-6R8	106	2
AN515-8-10	56 - 15	1
AN515-8-5	76	1
AN515-8-6	83	2
AN515-8-6	84	2
AN515-8-6	112	8
AN515-8-6	114 - 33	3
AN515-8-6	117	1
AN515-8-7	65	2
AN515-8-7	65	1
AN515-8-8	23 - 9	2
AN515-8-8	42 - 19	4
AN515-8-8	65	4
AN515-8-8	87	10
AN515-8-8	88	1
AN515-8-8	99	1
AN515-8-8	99	2
AN515-8-8	125 - 10	4
AN515-8-8	126	4
AN515-832-20	76	1
AN515B6-10	112	4
AN515B6-10	112	4
AN515B6-10	112	4
AN515B6-10	113	4
AN515B6-10	113	3
AN515B6-10	114	4
AN515B6-10	114	4
AN515B6-10	114	4
AN515B6-12	112	4
AN515B6-12	113	4
AN515B6-12	113	4

PART NUMBER	FIGURE AND INDEX NO.	QTY. PER ARTICLE
AN515B6-12	114	4
AN515B6-12	114	4
AN515B6-12	114	4
AN515B6-14	113	3
AN515B6-14	114	4
AN515B6-4	112	4
AN515B6-4	112	12
AN515B6-4	113	4
AN515B6-4	113	4
AN515B6-4	113	4
AN515B6-4	113	4
AN515B6-4	114	4
AN515B6-4	114	4
AN515B6-4	114	4
AN515B6-4	114	4
AN515B6-8	113	8
AN515B6-8	114	4
AN515B8-10	114	4
AN515C6-10	129 - 7	1
AN515R6-12	114	4
AN5156R8	120	2
AN520-10-10	49 - 6	1
AN520-10-16	94	2
AN520-10-16	95	1
AN520-10-18	96	1
AN520-10-6	95	1
AN520-10-8	11 - 2	9
AN520-10-8	56 - 12	1
AN520-10-8	65	1
AN520-10-8	65	1
AN525-10-10	46	7
AN525-10-10	46	8
AN525-10-6	49 - 5	1
AN526-1032-6	131	1
AN526-1032-8	89	2
AN526-632-22	70	2
AN526-632-5	101	1
AN526-632-6	77	6
AN526-632-6	126	4
AN526-632R16	128 - 11	2
AN526-832-12	84	1
AN526-832-16	86	5
AN526-832-16	86	2
AN526-832-16	88	1
AN526-832-16	117	1
AN526-832-22	86	1
AN526-832-6	75	8
AN526-832-8	88	9
AN526-832-8	102	2
AN526-832-8	117	1
AN526-832-8	117	2
AN526-832R7	8	20
AN526-832R8	8	7
AN526-832R8	71 - 26	10
AN530-4R6	130 - 12	4
AN530-4R6	130 - 14	2
AN530-6-4	110 - 8	7
AN530-6-4	111	4
AN530-6-6	77	4
AN530-6-6	110 - 7	3
AN530-6-6	111	3
AN530-6-6	115 - 13	5
AN530-6-8	111	1
AN530-8-6	125	3
AN530-8R8	110	4
AN530-8R8	111	2
AN535-0-2	95	8
AN535-0-2	96 -	6
AN535-2-2	19 - 37	2
AN535-2-2	98 - 2	2

MODEL 35 THRU G35 PARTS CATALOG

PART NUMBER	FIGURE AND INDEX NO.	QTY. PER ARTICLE
AN5540-2	72	1
AN5540-3	72	1
AN5771-5A	112	1
AN6-11A	42 - 10	2
AN6-13A	94	4
AN6-13A	95	2
AN6-21A	94	4
AN6-21A	95	2
AN6-23	49 - 2	2
AN6-30A	56 - 30	2
AN6-31	50 - 9	1
AN6191-8Z1	12	4
AN6191-8Z3	12	9
AN6204-2	63 - 11	2
AN6227-1	54 - 12	2
AN6227-10	67 - 6	1
AN6227-13	16 - 5	1
AN6227-13	17 - 5	2
AN6227-13	51 - 12	1
AN6227-13	54 - 10	4
AN6227-13	68 - 6	1
AN6227-20	50 - 38	1
AN6227-24	50 - 37	1
AN6227-27	50 - 31	1
AN6227-29	63 - 3	2
AN6227-3	67 - 17	1
AN6227-30	43 - 12	2
AN6227-31	44 - 12	4
AN6227-31	45 - 12	2
AN6227-47	94 - 32	2
AN6227-5	50 - 42	2
AN6227-5	67 - 5	1
AN6227-6	43 - 11	8
AN6227-6	44 - 11	2
AN6227-6	45 - 11	2
AN6227-6	68 - 5	1
AN6227-6	68 - 17	1
AN6227-7	54 - 11	2
AN6227-9	60 - 9	3
AN6227-9	67 - 13	1
AN6227-9	68 - 13	1
AN6230-1	43 - 7	2
AN6230-2	44 - 7	6
AN6230-2	45 - 7	2
AN6230-2	63 - 5	2
AN6230-36	48	2
AN6230-38	48	2
AN6230B20	96	2
AN6231A20	44	2
AN6231A20	45 - 16	2
AN6270-4-11	78 - 20	1
AN6270-4-28	72 - 9	2
AN6270-4-28	117 - 17	1
AN6270-4-9	72 - 10	2
AN6270-4-9	117 - 20	1
AN6270-6-8	78 - 13	1
AN6271-4-0100	65 - 5	2
AN6271-4-0107	65 - 6	2
AN6271-4-10	66	4
AN6271-4-10-7/8	66 - 9	2
AN6271-4-12	66 - 10	2
AN6271-4-15-3/4	62 - 1	4
AN6271-4-15-3/4	62 - 12	2
AN6290-6	81 - 19	6
AN665-10R	69 - 11	2
AN666-2	69 - 10	2
AN667-2	69 - 9	2
AN667-4	22	2
AN669S2LH	33	2
AN7-15A	12	4

PART NUMBER	FIGURE AND INDEX NO.	QTY. PER ARTICLE
AN7-26A	72	1
AN7-27 TO 32	94	4
AN7-27A	72	1
AN7-30A	72	1
AN7-31A	72	1
AN7-40A	72	2
AN7-42A	72	2
AN73-15	60	3
AN735D6	83	4
AN735D6	84	2
AN737-22	88	2
AN737-26	118	4
AN737-26	118	2
AN737-30	79 - 10	1
AN737-30	88	2
AN737-30	118	2
AN737-30	118	2
AN737-30	118	2
AN737-34	88	6
AN737-34	88	4
AN737-38	88	2
AN74-3	49 - 12	1
AN74-3	79 - 7	24
AN74A4	82	4
AN742-10	86	2
AN742-10C	89	4
AN742-10C	133 - 2	2
AN742-12	86	2
AN742-12	131 - 8	1
AN742-12C	88	2
AN742-12C	88	1
AN742-16	43 - 34	8
AN742-16	44 - 34	2
AN742-16	45 - 34	2
AN742-16	62 - 7	2
AN742-16C	74	1
AN742-2	86	2
AN742-2	117	1
AN742-3	86	1
AN742-4	123 - 17	2
AN742-4	123 - 19	1
AN742-4C	72	4
AN742-4C	117	1
AN742-4C	117	2
AN742-6C	43 - 33	1
AN742-6C	44 - 33	2
AN742-6C	45 - 33	2
AN742-6C	62 - 6	2
AN742-6C	65	1
AN742-6C	65	1
AN742-6C	66	1
AN742-6C	66	1
AN742-6C	66	2
AN742-6C	72	1
AN742-6C	84	1
AN742-6C	117	1
AN742-8	133 - 6	1
AN742-8	117	2
AN742-8C	70	1
AN742D10	133 - 4	2
AN742D10	133 - 7	1
AN742D16C	15 - 4	2
AN742D20	16	2
AN742D26	15 - 7	2
AN742D28C	15 - 5	2
AN742D6	132 - 3	2
AN742D6C	99 - 9	1
AN742D8C	88	3
AN742D9C	15 - 8	8
AN743-6	65	8

MODEL 35 THRU G35 PARTS CATALOG

	PART NUMBER	FIGURE AND INDEX NO.	QTY. PER ARTICLE
	AN743-6	65	1
	AN743-6	66	1
	AN743-6	66	1
	AN743-6	66	2
	AN743-6	76	1
	AN743-6	86	1
	AN748-22	89	7
	AN748-22	89	2
	AN748-22	117	2
	AN748-22	117	2
	AN748-30	89	6
	AN748-30	89	2
	AN748-30	89	2
	AN748-34	74	2
	AN748-34	86	4
	AN748-34	86	4
	AN748-38	86	8
	AN748-38	86	4
	AN749-1-6	11 - 12	2
	AN749-1-6	25 - 12	REF
	AN75-4	86	6
	AN75-4	86	2
	AN75-4	86	2
	AN7502-20	49 - 11	1
	AN7502-24	43 - 26	6
	AN7502-24	44 - 26	2
	AN7502-24	45 - 26	2
	AN755-4	123 - 16	1
	AN771-1	80 - 34	1
	AN8008-7	115	2
	AN8013D2	112	6
	AN8013D2	113	2
	AN8013D2	114	2
	AN809-1	43	6
	AN809-1	44	2
	AN809-1	45	2
	AN813-1A	43	7
	AN813-1A	44	2
	AN813-1A	45	2
	AN813-1A	50 - 26	1
	AN815-2D	87	1
	AN815-4D	62 - 4	1
	AN815-4D	62 - 13	2
	AN815-4D	63 - 9	2
	AN815-4D	65	2
	AN815-4D	65	2
	AN815-4D	65	1
	AN815-4D	66	1
	AN815-4D	66	1
	AN815-4D	66	1
	AN815-4D	66	1
	AN815-4D	66	1
	AN815-4D	66	1
	AN815-4D	66	2
	AN815-4D	79 - 37	2
	AN815-4D	119 - 5	1
	AN815-4D	117 - 21	1
	AN815-6	79 - 27	1
	AN815-6D	79 - 25	1
	AN816-10-12B	87	2
	AN816-10-12B	88	1
	AN816-12B	86	1
	AN816-2B	86	3
	AN816-2B	87	1
	AN816-2B	117 - 16	1
	AN816-2D	117 - 27	1
	AN816-4B	117 - 18	1
	AN816-4D	65	5
	AN816-4D	65	1
	AN816-4D	66	2
	AN816-4D	72	1
	AN816-6D	79	1

	PART NUMBER	FIGURE AND INDEX NO.	QTY. PER ARTICLE
	AN821-4D	65	5
	AN821-4D	65	1
	AN821-4D	66	1
	AN821-4D	119	1
	AN822-10B	88 - 10	1
	AN822-2B	72	1
	AN822-2B	88	1
	AN822-4-4D	118 - 20	1
	AN822-4D	64 - 6	6
	AN822-4D	65	1
	AN822-4D	66	1
	AN822-4D	119 - 15	1
	AN822-4D	117 - 10	1
	AN822-4D	118 - 19	1
	AN822-6	88	1
	AN822-6B	72 - 14	1
	AN822-8	86	3
	AN822-8	87	1
	AN822-8	88	1
	AN823-4D	65	3
	AN823-4D	65	1
	AN823-4D	66	6
	AN823-4D	119	1
	AN824-4D	66 - 6	5
	AN824-4D	79 - 33	2
	AN824-4D	79 - 40	1
	AN824-4D	119 - 2	1
	AN824-6D	79 - 23	1
	AN825-4D	117 - 8	2
	AN825-4D	117 - 12	1
	AN826-4D	119 - 11	2
	AN826-4D	119 - 13	1
	AN832-20-2D	72	1
	AN832-4D	62 - 11	8
	AN832-4D	65	1
	AN832-4D	65	1
	AN832-4D	66	2
	AN832-4D	66	1
	AN832-4D	117 - 19	1
	AN832-40-4D	72 - 11	1
	AN833-10D	88 - 11	1
	AN833-2D	86	1
	AN833-2D	87	1
	AN833-2D	117 - 14	1
	AN833-2D	117 - 24	1
	AN833-4-120	117 - 2	1
	AN833-4D	65	4
	AN833-4D	65	1
	AN833-4D	66	1
	AN833-4D	119 - 19	1
	AN833-6D	79 - 20	2
	AN834-4D	65 - 4	3
	AN834-4D	66 - 7	2
	AN837-4D	65	8
	AN837-4D	65	1
	AN837-4D	65	1
	AN837-4D	66	2
	AN837-4D	66	2
	AN837-8D	86	2
	AN837-8D	87	1
	AN840-10D	86	2
	AN840-10D	87	1
	AN840-4D	119 - 16	1
	AN840-4D	117 - 6	2
	AN840-6	87	2
	AN840-6	118 - 15	1
	AN840-8D	118 - 11	1
	AN842-10	86	3
	AN842-10	87	1
	AN842-10	87	1

MODEL 35 THRU G35 PARTS CATALOG

PART NUMBER	FIGURE AND INDEX NO.	QTY. PER ARTICLE
AN842-10D	88	1
AN842-12	86	1
AN842-4	72	3
AN842-4	89	1
AN842-4	90 - 7	1
AN842-4D	117 - 1	2
AN842-4D	117 - 7	1
AN842-6	87	3
AN842-6	118 - 13	2
AN842-8	72	3
AN842-8	89	1
AN842-8	90	1
AN842-8D	118 - 2	3
AN842-8D	118 - 4	1
AN842-8D	118 - 7	1
AN844-6	118 - 17	1
AN848-4D	117 - 3	1
AN848-8D	118 - 9	1
AN883-4-48	117 - 4	1
AN900-10	88	2
AN900-10	112	1
AN901-4A	48 - 20	2
AN901-5A	43	2
AN901-6A	85 - 3	2
AN902-4	62 - 14	5
AN902-4	63	2
AN902-4	80 - 19	1
AN902-5	44	4
AN902-5	45	2
AN902-6	79	7
AN902-6	80 - 17	6
AN912-1D	79	2
AN912-2D	118	1
AN912-3	72	4
AN912-3	89	1
AN912-3	90	1
AN912-3	117	1
AN913-1D	118	1
AN914-1	72 - 13	2
AN914-1	117 - 26	1
AN915-3	118 - 1	1
AN917-3D	118 - 12	1
AN924-10D	88	1
AN924-2D	117	2
AN924-2D	117	1
AN924-4	62	3
AN924-4	117	1
AN924-4D	65	1
AN924-8D	99 - 2	2
AN924-8D	118	1
AN929-8	87 - 6	2
AN929-8	88	1
AN931-10-14	73	3
AN931-10-14	86	1
AN931-10-14	124	1
AN931-11-16	66	2
AN931-12-20	75	3
AN931-12-20	86	1
AN931-14S20	74 - 16	2
AN931-2-9	117	2
AN931-3-5	77	5
AN931-3-5	77	2
AN931-3-5	129 - 13	1
AN931-4-12	86	1
AN931-4-7	14 - 7	5
AN931-4-7	64 - 13	1
AN931-4-7	123 - 14	1
AN931-4-7	124	1
AN931-6-10	70	1
AN931-7-11	124	2

PART NUMBER	FIGURE AND INDEX NO.	QTY. PER ARTICLE
AN931-7-11-16	124	2
AN931-9-13	124	3
AN931-9-13	126 - 29	1
AN932-2	81 - 40	1
AN936A10	81	6
AN936A10	81	2
AN936A10	81	2
AN936A1016	108	2
AN936A1216	118	1
AN936A416	95	7
AN936A416	95	3
AN936A516	94	4
AN936A6	80	3
AN936A6	97	1
AN936A616	97	2
AN936B6	112	4
AN936B6	112	12
AN936B6	112	4
AN936B6	112	4
AN936B6	112	4
AN936B6	114	4
AN936B6	114	4
AN936B6	114	4
AN936B6	114	4
AN936B6	114	4
AN936B8	114 - 34	3
AN960-10	11	4
AN960-10	14	2
AN960-10	23	8
AN960-10	23	1
AN960-10	24	4
AN960-10	25	4
AN960-10	32 - 17	1
AN960-10	38	8
AN960-10	39	3
AN960-10	39	3
AN960-10	39	2
AN960-10	39	2
AN960-10	46	6
AN960-10	46	6
AN960-10	46	4
AN960-10	49	1
AN960-10	50	2
AN960-10	50 - 22	6
AN960-10	55	4
AN960-10	55	2
AN960-10	60	1
AN960-10	60	3
AN960-10	62	2
AN960-10	64	1
AN960-10	71	2
AN960-10	71	1
AN960-10	76	4
AN960-10	76	4
AN960-10	76	1
AN960-10	77	3
AN960-10	77	1
AN960-10	77	4
AN960-10	77	2
AN960-10	77	3
AN960-10	77	4
AN960-10	77	1
AN960-10	77	1
AN960-10	81	2
AN960-10	88	2
AN960-10	99	1
AN960-10	123	1
AN960-10	123	1
AN960-10	123	1
AN960-10	116	1
AN960-10L	24	2

MODEL 35 THRU G35 PARTS CATALOG

PART NUMBER	FIGURE AND INDEX NO.	QTY. PER ARTICLE
AN960-10L	25	16
AN960-10L	26	2
AN960-10L	27	2
AN960-10L	27	REF
AN960-10L	39	3
AN960-10L	46	2
AN960-10L	46	4
AN960-10L	60	1
AN960-10L	77	6
AN960-10L	77	6
AN960-10L	80 - 33	2
AN960-10L	81	2
AN960-10L	95	1
AN960-10L	123	1
AN960-10L	116	2
AN960-10L	116	6
AN960-1016	116	1
AN960-1016L	116	1
AN960-102	123	2
AN960-1216L	118	1
AN960-3	54 - 13	1
AN960-4	80 - 24	1
AN960-4	97	2
AN960-4	97	4
AN960-4	99	4
AN960-4	99	2
AN960-4	115	1
AN960-4L	64	1
AN960-416	11	1
AN960-416	12	2
AN960-416	12	8
AN960-416	12	2
AN960-416	12	2
AN960-416	12	3
AN960-416	13	16
AN960-416	21	3
AN960-416	21	1
AN960-416	21	2
AN960-416	22	2
AN960-416	22	2
AN960-416	24	2
AN960-416	25	2
AN960-416	26	2
AN960-416	26	1
AN960-416	26	1
AN960-416	26	2
AN960-416	26	4
AN960-416	26	2
AN960-416	27	1
AN960-416	28	REF
AN960-416	38	2
AN960-416	38	2
AN960-416	39	1
AN960-416	39	4
AN960-416	43	4
AN960-416	44	4
AN960-416	49	1
AN960-416	49	1
AN960-416	50 - 43	1
AN960-416	51	1
AN960-416	51	1
AN960-416	62	4
AN960-416	62	2
AN960-416	71	4
AN960-416	81	1
AN960-416	95	6
AN960-416	123	1
AN960-416	123	3
AN960-416L	11	1
AN960-416L	12	4

PART NUMBER	FIGURE AND INDEX NO.	QTY. PER ARTICLE
AN960-416L	24	8
AN960-416L	39	6
AN960-416L	51	1
AN960-416L	51	1
AN960-416L	69	4
AN960-416L	95	6
AN960-516	13	16
AN960-516	27	1
AN960-516	42	2
AN960-516	42	2
AN960-516	44 - 23	2
AN960-516	45 - 23	4
AN960-516	60	1
AN960-516	60	1
AN960-516	95	2
AN960-516	117	1
AN960-516	117	1
AN960-516L	56	7
AN960-516L	56	2
AN960-516L	86	2
AN960-516L	86	2
AN960-6	77	2
AN960-6	77	4
AN960-6	120	2
AN960-6	126	4
AN960-6	114	4
AN960-6L	81	4
AN960-616	27	1
AN960-616	42	2
AN960-616	42	4
AN960-616	42	2
AN960-616	43 - 31A	2
AN960-616	44 - 31A	2
AN960-616	49	4
AN960-616	56	1
AN960-616	59	4
AN960-616	86	1
AN960-616	95	4
AN960-616	98	1
AN960-616L	19 - 26	9
AN960-616L	38	2
AN960-616L	42	2
AN960-616L	51	1
AN960-616L	56	1
AN960-616L	56	1
AN960-616L	98 - 24	1
AN960-716	12	2
AN960-716	42	4
AN960-716	43	2
AN960-716	60	1
AN960-716	62	2
AN960-716	65	1
AN960-716	65	2
AN960-716	72	4
AN960-716L	81 - 7	1
AN960-8	23	4
AN960-8	42	4
AN960-8	75	8
AN960-8	76	1
AN960-8	76	1
AN960-8	84	1
AN960-8	84	2
AN960-8	88	3
AN960-8	88	1
AN960-8	88	1
AN960-8	99	1
AN960-8	99	2
AN960-8	112	8
AN960-8	112	4
AN960-8	113	4

MODEL 35 THRU G35 PARTS CATALOG

PART NUMBER	FIGURE AND INDEX NO.	QTY. PER ARTICLE
AN960-8	114	4
AN960-8	115	8
AN960-8	117	1
AN960-8	117	1
AN960-8	117	1
AN960-8	117	2
AN960-8L	83	2
AN960-816L	116	1
AN960A6	128 - 10	2
AN960A6L	128 - 12	2
AN960A716	124	1
AN960A716	117	2
AN960D10	70	2
AN960D1416	88	2
AN960D416L	42	2
AN960D6	70	4
AN960D716	117	1
AN970-2D	79 - 17	2
AN975-3	24	8
AN975-3	29	1
AN975-3	38	4
AN975-3	38	2
AR-4	24	2
ASP-147	110 - 26	1
ASP-147	111 - 26	1
ASP-147	112 - 22	1
ASP-300	110	1
ASP-148B	110	1
ASP-148B	111	1
ASP-148B	112	1
ASP-300	111	1
ASP-300	112	1
ASP-373	110	1
ASP-373	111	1
ASP-373	112	1
AT-4	51	1
AT-5	42	4
AT-5	69 - 8	2
ATC-35-106	40 - 18	4
ATC-35-106	41 - 18	1
AW-20	82	3
AW-25	82	2
AW12-25	128 - 26	1
A1170-2	29	4
A1170-4	29	2
A1170-7	29	2
A1785-6Z-1	77	4
A2103-1	12	1
A22	66 - 13	2
A225	29	2
A2733-032	106	AR
A2733-032	110 - 10	4
A321	112	2
A321	113 - 19	2
A321	114 - 8	2
A513-DB	89	1
A53	64	1
A6162-6Z-1	129 - 2	3
A6163-6Z-3	129 - 18	4
A6595-1	56	2
A6914-1024-1	11	8
A692A	89 - 6	1
A692A	90	1
A8101	130 - 6	1
B-E60	135 - 18	1
B-128	38	2
B-1416	39	1
B-148	39 - 9	1
B-55	12	1
B-55	12	1

PART NUMBER	FIGURE AND INDEX NO.	QTY. PER ARTICLE
B-78X	40 - 3	1
B-78X	41 - 2	1
B-9195	90	1
BB120	30 - 3	1
BB120	31 - 9	REF
BFA233	48 - 15	2
BFA236	48 - 18	2
BFA281	48 - 16	2
BFA520	48 - 14	2
BFA530	48 - 12	2
BS479	136	1
BS492	136	1
BZ-R31	57 - 1	1
BZ-R31	57 - 7	1
BZ-3YT	57 - 1	1
BZ-3YT	57 - 7	1
BZ-3YT	58 - 1	1
BZR31	16	4
BZR31	17	4
BZ3YT	70	1
B200-100	95	1
B200-100-922	134	1
B200-110	95 -	1
B200-121	95	1
B200-200	95 - 1	1
B200-202	95 - 12	1
B200-202	96 - 28	1
B200-244-88	95 - 22	2
B200-245	95	2
B200-257	96 - 30	1
B200-303	96 - 29	2
B200-306	95 - 16	2
B200-308	95 - 15	2
B200-313	95 - 23	2
B200-313	96	1
B200-322-6	95	2
B200-322-8	95	2
B200-327	95 - 5	1
B200-327	96 - 27	1
B200-330	94 - 9	2
B200-330	95 - 8	2
B200-330	96 - 21	2
B200-334	95 - 6	1
B200-334	96 - 25	1
B200-338	94	6
B200-338	95 - 30	6
B200-339	95 - 24	2
B200-340	94	1
B200-340	98 - 41	1
B200-343	95 - 21	1
B200-347	95 - 27	1
B200-347	96 - 2	1
B200-347-1	95	1
B200-347-1	96 - 3	1
B200-347-3	96	1
B200-354	95 - 19	1
B200-355	95	1
B200-358	94 - 29	1
B200-358	95	1
B200-363	95 - 14	2
B200-363	96 - 15	2
B200-372	94	2
B200-372	96 - 19	2
B200-373	95 - 13	2
B200-373	96 - 14	2
B200-377	95	6
B200-383	94 - 8	2
B200-383	95 - 7	2
B200-383	96 - 20	1
B200-384	94	2

MODEL 35 THRU G35 PARTS CATALOG

PART NUMBER	FIGURE AND INDEX NO.	QTY. PER ARTICLE
B200-384	95	2
B200-384	96	1
B200-401	95 - 9	1
B200-401	96 - 26	1
B200-416	95	1
B200-416	96 - 11	1
B200-422	96 - 31	1
B200-422-1	96	1
B200-428	95	1
B200-429	95	1
B200-430	95	6
B203-303	95 - 2	4
B817410-1	112	1
B88X	60 - 27	2
B900-300	98	1
B900-301	98	1
B9520	89	1
B9520	90	1
C-2400-LP	112	1
C.O. 93463-2	43 - 15	2
CA-35	93 - 8	1
CA-35	128	1
CA-5	128 - 42	1
CA-5	128	5
CA-5	110	5
CA-5	111	5
CCA-3400	78	2
CCA-3400	79 - 11	2
CCA-4850	79 - 18	2
CFA298	48 - 11	2
CFA299	48 - 10	2
CFA514	48 - 19	2
CFA543	53 - 8	1
CFA544	53 - 4	1
CO 82339-2	128	4
CO81318-4	78	1
CO81318-6	78	1
CPP100-2	85 - 4	1
CS2611	108	3
DFA233	48 - 3	2
DFA272	48 - 5	2
DFA273	48 - 4	2
D177756	14 - 14	1
D6751-1-10	128 - 51	1
D6751-1-10	128 - 52	1
D6751-1-20	128 - 50	1
EF-5	134	1
E185-1	72 - 1	1
E185-11	72	1
E185-8	72	1
E225-8	72	1
F-310	35	2
F-631	116 - 9	1
F-723-6	31 - 4	1
FCD-15375	78 - 1	1
FCD-15376	78	1
FL1-101	128	2
F6605-DX2	6	1
G-840-15	51 - 13	1
GA-3175	82	5
G10	70	1
G450	90	1
HM-4	22 - 11	2
HM-4	24	2
HM-4	46 - 17	8
HM-4	46 - 23	4
HM-4	51 - 7	1
HM-5S	56 - 2	1
HM-5S	56 - 24	1
HM-6	42 - 2	2

PART NUMBER	FIGURE AND INDEX NO.	QTY. PER ARTICLE
HML-4	22	2
HML-4	24	2
HML-6	56 - 3	1
HT14T	128	1
HW4V	72	1
H0211	53 - 5	3
H4600-032-040	71 - 3	1
H4600-032-040	71	8
I-81	114 - 35	1
IN-79	126 - 36	1
IN-79	127 - 7	1
IN-88	125 - 8	2
IN-88	126 - 41	1
IN-88	126 - 43	2
IN-88	127 - 11	1
IS139081	60 - 40	1
IS13981	61 -	REF
IX54631	110 - 1	1
JV-5	97 - 8	2
JV-5	99 - 12	1
J2245-1	72 - 17	8
J3049-17	72	8
KS6A	38	2
K21B	60 - 22	2
K9000S-1A	81	1
L-1148	101 - 13D	1
L-1148	106	2
L-1148	106	1
L-1148	106	1
L-1148	106	1
L-1448	108 - 40	2
LA-6	72 - 6	2
LD5	127 - 6	1
LS-6	42	2
LS-6	42 - 23	1
LTRA-5	227 - 1	1
LTRA-6	127	1
L1148	110 - 5	2
MC-2711	16	4
MC-2711	17 - 11	4
MC2711	70	1
MD46-15	38 - 8	4
MD46-15	51	1
MI-19655-AX	126 - 2	1
MI-5908-X	126 - 37	1
MRC4666	98	1
MS20392-1-23	81	1
MS28741-4-110	78	1
MS28741-6-062	78	1
MS28741-6-076	78	1
M33705	12 - 17	2
M471X	60 - 34	1
NAS143-10	8	4
NAS143-10	8	6
NAS143-10	8	4
NAS143-10C	8	4
NAS143-10C	8	2
NAS150-29	8	8
NAS150-33	8	4
NAS150-35	8	2
NAS152-43	8	2
NAS2-101A	35	1
NAS2-301	38	2
NAS220-10	126	1
NAS221-9	25 - 4	16
NAS302-27-0590	12	2
NAS302-27-0590	33 - 15	4
NAS302-27-0590	37 - 1	4
NAS302-66-3500	33	1
NAS302-66-3636	33 - 1	1
NAS302-66-3636	34 - 6	REF

MODEL 35 THRU G35 PARTS CATALOG

PART NUMBER	FIGURE AND INDEX NO.	QTY. PER ARTICLE
NAS304-22-0256	23 - 4	2
NAS304-22-0256	24 - 4	1
NAS304-24-0397	23 - 1	1
NAS304-24-610	24 - 11	1
NAS304-25-0082	30 - 10	1
NAS304-25-0082	32 - 14	REF
NAS304-25-0100	26 - 18	1
NAS304-25-0100	27 - 6	REF
NAS304-25-0106	26 - 17	1
NAS304-25-0106	27 - 5	REF
NAS304-26-0603	24 - 5	1
NAS304-33-0255	26 - 19	1
NAS304-33-0255	27 - 1	REF
NAS304-36-0197	30 - 11	1
NAS304-36-0197	32 - 8	REF
NAS304-66-0170	24 - 13	1
NAS305-24-0514	20 - 9	1
NAS305-24-0514	21 - 7	REF
NAS305-25-0546	20 - 10	1
NAS305-25-0546	21 - 8	REF
NAS305-34-0514	20 - 12	1
NAS305-34-0514	21 - 10	REF
NAS305-34-0640	20 - 14	2
NAS305-35-0546	20 - 11	1
NAS305-35-0546	21 - 9	REF
NAS305-35-0672	20 - 13	2
NAS314-14-1871	26	2
NAS314-14-1875	26 - 15	2
NAS314-14-1875	28 - 1	REF
NAS314-15-0152	20 - 3	1
NAS314-15-0152	21 - 6	REF
NAS314-15-0472	20 - 2	1
NAS314-15-0472	21 - 5	REF
NAS384-6	101	18
NAS384-6-10	129 - 15	3
NAS384-8-10	110	12
NAS384-8-10	111	6
NAS387-440-8P	130 - 16	2
NAS387-632-10P	130 - 1	8
NAS387-632-10P	130 - 10	4
NAS446-1	130	4
NAS446-1	130	2
NAS50-112	17 - 7	5
NAS50-112	80 - 9	1
NAS50-125	60 - 29	1
NAS50-187	43 - 6	2
NAS50-200	44 - 6	6
NAS50-200	45 - 6	2
NAS50-200	63 - 8	2
NAS50-62	16	4
NAS50-77	81 - 6	1
NAS50-87	51	1
NAS50-93	54 - 9	2
NAS51-131	60 - 41	2
NAS51-18N	101	8
NAS51-31	70	1
NAS51-43	60 - 31	1
NAS51-87	39	4
NAS51-87	39	1
NAS51-87	76	1
NAS51-87	99 - 15	1
NAS53-32	39	3
NAS54-21A	51	1
NAS54-33	39	3
NAS54-34	51 - 25	1
NAS54A24	51 - 30	1
NAS55-17	42 - 16	2
NAS56-17	38 - 6A	2
NAS56-27	43 - 31	4
NAS56-27	44 - 31	2

PART NUMBER	FIGURE AND INDEX NO.	QTY. PER ARTICLE
NAS58-30	45 - 31	2
NAS58-31	43 - 29	2
NAS58-31	44 - 29	2
NAS58-31	45 - 29	2
NAS76A7-020	51	1
ND-R-4A	98 - 19	1
ND-R4	98 - 29	2
ND77-R4	19 - 8	2
NO NUMBER	27	1
NO NUMBER	29	1
NO NUMBER	29	1
NO NUMBER	30	1
NO NUMBER	32 - 12	REF
NO NUMBER	38	2
NO NUMBER	38	2
NO NUMBER	56 - 19	1
NO NUMBER	71 - 22	1
NO NUMBER	80 - 31	1
NO NUMBER	81 - 33	2
NO NUMBER	95	3
NO NUMBER	95	4
NO NUMBER	96 - 5	31
NO NUMBER	96 - 8	2
NO NUMBER	98 - 5	2
NO NUMBER	98 - 6	1
P-71	92 - 17	1
P-86	133	1
PK56Z-8-8	56 - 17	8
PK59Z-6-6	12	14
PK76XZ-8-6	12	AR
PK78XZ-4-4	100 - 12	16
PK78XZ-6-12	104	9
PK78XZ-8-10	121	4
PK79XZ-6-8	129 - 3	4
PK84XA-4-4	100 - 4	19
PK84XA-4-4	100 - 14	8
PN-4-A	22 - 9	2
PN-4A	21	2
PRP6227-47	96	1
PSM-20	128 - 53	2
PSM-20	128 - 54	2
PSM-5	128 - 55	1
PS5C	78 - 17	1
R-426-0011	19 - 32	1
R-428-0008	19 - 30	2
R-451-0019-475	19 - 3	2
R-457-0627-475	19 - 6	2
R-768-0004	19 - 9	1
R-822-0311-055	19 - 4	2
R-822-0409-055	19 - 35	1
RD7420C	72	1
RD7750-1	78 - 14	1
RD7790	72 - 4	1
REB3N	99 - 5	1
R200-200	94 - 2	1
R200-301	94 - 19	1
R200-306	94 - 3	2
R200-307	94 - 4	2
R200-308	94 - 7	1
R200-308	95 - 4	1
R200-308	96 - 24	1
R200-319-10	94	AR
R200-319-12	94	AR
R200-319-14	94	AR
R200-319-16	94	AR
R200-319-18	94	AR
R200-319-20	94	AR
R200-319-22	94	AR
R200-319-24	94	AR
R200-319-26	94	AR

MODEL 35 THRU G35 PARTS CATALOG

PART NUMBER	FIGURE AND INDEX NO.	QTY. PER ARTICLE
R200-319-28	94	AR
R200-319-30	94	AR
R200-319-32	94	AR
R200-319-34	94	AR
R200-319-4	94 - 15	AR
R200-319-6	94	AR
R200-319-8	94	AR
R200-320	94 - 17	2
R200-321	94 - 16	2
R200-325	94 - 21	1
R200-327	94	1
R201-208	94 - 26	2
R201-208	95 - 25	2
R201-208	96 - 7	1
R201-217-88	94 -	2
R201-355	94 - 25	2
R201-359	94 - 24	2
R202-200	94 - 5	1
R202-201	94 - 6	1
R202-300	94 - 20	1
R203-100	94	1
R203-107	94 -	1
R203-115	94	1
R203-116	94	1
R203-119	94	1
R203-120	94	1
R203-122	94	1
R203-200	94	1
R203-202	94 - 18	1
R203-209	94	1
R203-212	94	1
R203-212	98 - 42	1
R203-213	94	1
R203-214	94 - 34	1
R203-214	95 - 11	1
R203-214	96	1
R203-218-88	94	2
R203-218-88A	94	2
R203-302	94 - 10	1
R203-303-2	94 - 23	2
R203-312-2	94	AR
R203-312-2	95 - 29	AR
R203-312-4	94	AR
R203-312-4	95	AR
R203-314	94 - 11	2
R203-325	94 - 28	1
R203-327	94 - 31	1
R203-327	95 - 28	1
R203-328	95 - 26	2
R203-328	96	1
R203-331	94	2
R203-332	94 - 27	2
R203-333	94 - 37	1
R203-333-1	94 - 38	1
R203-334	94	1
R203-334-1	94	1
R203-337	94 - 30	1
R203-339	94	4
R203-339	95	4
R203-342	94 - 1	1
R203-350	94	1
R203-352	94 - 22	2
R203-353	94	1
R203-356	94	1
R203-357	94 - 39	1
R203-362	94	2
R203-363-2	94	2
R33	128	1
R81A	84	1
R900-101	94 - 33	1

PART NUMBER	FIGURE AND INDEX NO.	QTY. PER ARTICLE
R900-101	97 - 4	1
R900-101	98 -	1
R900-102	97	1
R900-102	98	1
R900-107	94	1
R900-107	97	1
R900-107	98	1
R900-109	94	1
R900-109	97	1
R900-109	98	1
R900-325	97 - 14	1
R900-328	97 - 12	1
R900-329	97 - 13	1
R900-329	98 - 40	1
R900-332	97	1
R900-377	97 - 6	1
R901-205	97 - 5	1
R901-217-10	98 - 27	1
R901-217-12	98 - 14	1
R901-217-14	98 - 12	1
R901-217-16	98 - 13	1
R901-217-18	98 - 33	2
R901-217-2	98 - 39	1
R901-217-20	98 - 1	2
R901-217-22	98 - 28	1
R901-217-24	98 - 34	2
R901-217-26	98 - 15	1
R901-217-28	98 - 35	2
R901-217-30	98 - 18	1
R901-217-34	98 - 16	1
R901-217-36	98 - 17	1
R901-217-4	98 - 22	1
R901-217-42	98 - 23	1
R901-217-6	98 - 21	1
R901-217-8	98 - 30	1
R901-221	97 - 11	1
R901-311	19 - 36	1
R901-311	98 - 38	1
R901-402 SA1	94 - 35	1
R901-402 SA2	94 - 36	1
S-123	64 - 12	1
S-123	69	2
S-167-21	64 - 11	1
S-177	86	1
S-5-5	16 - 7	2
S-5-5	17 - 6	4
SC-2611	128	3
SC2611	129 - 9	2
SC2611	130 - 18	3
SK-162	95	2
SK162	94	2
SK73-1032-6	106	2
SL500097	127	1
SL720243	127	2
SS-1	128	1
SS-1	129 - 11	1
SS-1	130 - 15	1
SS-1	108	1
S10340	124	1
S10340	127	1
S10340	130 - 4	1
S123	123	1
S123	123 - 20	1
S147	125 - 9	2
S147	126 - 39	1
S147	127	2
S152	101 - 18	2
S167-130	123	1
S177	87	1
S185-111-003	24	2

MODEL 35 THRU G35 PARTS CATALOG

PART NUMBER	FIGURE AND INDEX NO.	QTY. PER ARTICLE
S27200A-18	112 - 10	1
S6LN-21	72	2
S60-1	106 - 10	1
S60-2	106	1
TF-100-1	78	1
TF-1900	72	1
TK1016	134	1
TS1187-1	134 - 14	1
TS1187-11	134 - 13	1
TS1187-6	134 - 15	1
TS1195	134 - 12	1
TS1222-1	134 - 4	1
TS1222-2	134 - 5	1
TS1222-3	134 - 6	1
TS1222-4	134 - 7	1
TS1222-5	134 - 11	1
TS902-810	134 - 1	1
TS903-810	134 - 3	1
TX-11	128	1
TYPE 130	128 - 38	1
UB-241	97 - 9	2
UWN1018	8	8
V-1	97 - 7	2
V1-15-.625	67 -	1
V1-15-.875	68 -	1
V1-15-625	65 - 16	2
V1-15-625	66 - 4	1
V3-1	94	1
V3-1	94	1
V3-1	99 - 11	1
V3-1	128 - 25	1
V86532	128 - 43	1
W1S632	73	10
W1S632	73	10
W12S1032	73	4
W98293-2-170	84	4
W99839-1-.120	133 - 23	4
W99899-2-.130	132 - 7	5
W99899-2-130	82 - 2A	4
W99899-2-130	83	4
X-1188	22 - 1	1
X-1188	24 - 2	1
XA-134	16 - 11	4
YZ-R35	128 - 9	1
0-3518	18 - 13	1
0-3518	61 - 1	1
0-3883	18 - 8	1
0-3883	61 - 8	1
0-3896	18 - 7	1
0-3896	61 - 9	1
0-6864	61 - 12	1
0-6865	61 - 13	1
0145	128	1
0147	128 - 44	1
07580	16 - 11A	2
08125	53 - 2	2
08231	53 - 3	2
1-02-000	128	1
1-1/2-PF-1	120 - 3	3
1-1/2-PF-11	120 - 2	1
1X54566	124 - 23	1
1X54746	124 - 2	1
1X54794	124 - 11	1
1X54853	124 - 17	1
1X54910	124	1
1X54910	125 - 3	1
1X54915	124 - 21	1
1X54930	124	2
1X54940	124	2
1X54980	124 - 1	1

PART NUMBER	FIGURE AND INDEX NO.	QTY. PER ARTICLE
1X55280	124	1
10-4431	61 - 10	2
10-7888	18 - 9	2
10-7888	61 - 14	2
10016	60 - 30	1
1006	128 - 37	1
100696D-ZC007	124	1
100696D-ZC010	124	1
100696D-ZD012	123	1
100696D-ZF016	117	1
100696D-ZG020	123	1
100696D-ZL016	86	1
100696D-ZL016	88	1
100696D-ZX012	123	1
100696E-ZF100	89	2
100696P-ZF022	84	1
100696P-ZV112	99	1
100696S-ZA108	123	1
100696S-ZY017	19 - 25	1
100696S-ZY017	98 - 26	1
100696X-YD024	60 - 18	1
100696ZL016	86	2
100696ZL028	86	1
100801D6-0125	37	2
100801D6-0188	37	2
100801D6-0813	37	2
100801D6-0875	37	2
100801S5-0062	11	2
100801S5-0437	11	2
100801S5-0437	15 - 10B	2
100801S5-4781	46	2
100801S6-0484	26	1
100801S6-0484	33	1
100801S6-0484	33	1
100801S6-1484	26	1
100801S6-1484	33	1
100801S6-1484	33	1
100801X2-0062	100	1
100801X2-0125	100	1
100801X4-0250	33	2
100801X6-0375	95	6
100942C020-31	69 - 5	2
100942H022-22	121	1
100942L023-17	102 - 24	1
100943CR-ZX020F	77 - 8	3
100943CR-ZX020F	77 - 18	3
100943YC112D	60 - 6	1
100943YD302C	51 - 10	2
100943YN012R	129 - 8	1
100943ZA014K	115	1
100943ZE316G	54 - 4	2
100943ZG020L	116 - 10	1
100943ZG108G	40 - 13	1
100943ZG108G	41 - 15	1
100951-005ZW	11	6
100951-032YP	49	2
100951B032XP	38	4
100951CL032ZA	128 - 8	1
100951CR016YX	60 - 8	1
100951DD032	123	2
100951DD032	123	1
100951DD064XM	56	1
100951S031XW	56 - 10	2
100951S032XL	51 - 32	2
100951S063YH	43 - 23	4
100951S063YH	50	1
100951S063YU	42 - 3	2
100951S063ZP	42 - 4	AR
100951S063ZZ	50	1
100951X031YM	50	1

MODEL 35 THRU G35 PARTS CATALOG

PART NUMBER	FIGURE AND INDEX NO.	QTY. PER ARTI-CLE
100951X063XD	43	2
100951X063XD	44	2
100951X063XD	45	2
100951X063XD	45 - 31A	2
100951X063YN	50	1
100951X063YU	38	2
100951X063YW	60 - 7	1
100951X064ZL	56	2
100951X109XA	72	2
1012	128	4
101321-00A075	102 - 9	1
101321-2C0332	94 - 13	4
102361-00908	115 - 25	2
102808-10A012	80 - 6	1
102808-4B012	81 - 8	1
102809-093-026	54 - 6	1
102809-125-022	98 - 9	1
102809A093-011	100	1
102809A125-014	29	4
102809A125-024	102 - 18	1
102809H003-027	80	1
102933-05ZX0749	29	2
102933-24ZK0479	30	1
102933-40ZK0139	30	2
102933-40ZK0139	32 - 6	REF
102933-58ZW0349	72	2
102933D1YC0250	130	2
102933D1ZA0410	99	1
102933D4ZR0375	123	2
102933D5ZJ1375	71	2
102933D5ZR0375	46 - 29	2
102933S4ZJ0093	102	1
102933S4ZJ0095	121	1
102933S4ZK0479	32 - 3	REF
102933S4ZP	100	1
102933S4ZP0140	100	1
102933S4ZP0159	100	1
102933S7ZS0531	98	1
102933S8ZW0349	72	2
103320	91	1
104036-1ZA0110	121	1
104215-01130	11	2
105090-091-4D	11	2
105090A032-10J	8	2
105090A032-10J	8	4
105090B005-4D	94 - 14	AR
105090B005-6J	19 - 27	4
105090B005-6J	98 - 25	AR
105090CR016-4J	95	6
105090CR031-4F	95	6
105090CR032-4J	60 - 36	1
105090CR063-4F	95	6
105090CR106-7L	72	2
105090L067-6E	80 - 29	1
105739A-YX2162	39	3
105739A-YX2162	39	3
105739D-ZT0250	46	1
105739S-XE0250	46	1
105739S-XJ0250	99 - 18	1
105739S-XJ0250	99	1
105739S-YH0230	15 - 10A	4
105739S-YK0431	44 - 24	2
105739S-YK0431	45 - 24	2
105739S-YK0946	43 - 24	2
105739S-YP1483	50 - 8	1
105739S-YZ0563	29 - 14	3
105739S-YZ0625	29 - 15	3
105739S-YZ0703	29 - 16	1
105739S-ZG0250	55	2
105739S-ZG0250	55	2

PART NUMBER	FIGURE AND INDEX NO.	QTY. PER ARTI-CLE
105739S-ZK0190	50 - 18	1
105739X-YU1869	72	4
105739X-YV1625	72 -	4
105739X-ZM1050	46 - 3	2
105739X-ZN0135	29	4
105739X-ZP0500	46 - 9	2
105739X-ZP1050	46	2
105739X-ZV0828	34	1
105739YV1625	72	2
105739ZM0500	46 - 15	4
105740X-YB1329	43 - 30	2
105740X-YB1329	44 - 30	2
105740X-YM1329	43 - 28	2
105740X-YM1329	44 - 28	2
105740X-YN1458	50 - 3	1
105740X-ZF1094	30	1
105740X-ZJ0490	46	4
105740X-ZL0L04	51 - 31	2
105740X-ZR0480	46 - 5	2
105740X-ZU0164	56 - 8	2
105740X-ZU1365	50 - 7	1
105774C-ZA07516	11	2
105774C-ZB0370	71	2
105774C-ZE00218	133 - 17	2
105774C-ZE0212	71	1
105774M-ZB04200	102 - 26	1
105774X-ZE00428	110 - 9	1
105798-11	82	2
105798-11	83	2
105798-11	84	2
105798-31	86 - 18	2
105798-31	87 - 17	2
106043-12-06-10	88 - 7	1
106043ZB026	83 - 8	1
106043ZB026	84 - 8	1
106043ZB050	82	1
106200-4-9	79 - 30	6
106200FR10-15	88 - 20	2
106200FR10-24	88 - 14	1
106200FR10-30	88 - 18	2
106200FR8-12	88 - 23	1
106200H10-15	86	2
106200H10-15	86	2
106200H10-15	87	1
106200H10-15	87	2
106200H10-15	87	2
106200H12-15	86	2
106200H12-15	86	2
106200H4-10	89	1
106200H4-10	90	1
106200H4-15	89	1
106200H4-15	90	1
106200H6-15	87	1
106200H6-24	86	1
106200H8-10	89	1
106200H8-14	89	1
106200H8-15	89	1
106200H8-15	90	2
106200H8-15	90	2
106242-10-00800	66	4
106242-10-00800	66	4
106242-12-00400	74 - 5	1
106242-12-00600	74	1
106242-7-03600	70	1
106495	91	4
106496	91	2
106496	93	3
106497	91	2
108492A10-014	70	2
108492A10-102	123	1

MODEL 35 THRU G35 PARTS CATALOG

PART NUMBER	FIGURE AND INDEX NO.	QTY. PER ARTICLE
108492S10-014	131	2
109010	67 - 3	1
109010	68 - 3	1
109615-4-030	87	1
109615-4-060	86	1
1101879	72 - 3	1
1101879	93 -	REF
1101887	72	1
1101887	93	REF
1101888	93	1
110237-4A	50 - 25	1
110238	50 - 24	1
110730	91	1
1109660	72 - 2	1
1109660	91 -	REF
111-517700	79 - 31	2
111-517702	79 - 15	2
11116-M1	17 - 8	2
111190-14	54 - 8	2
111190-16	44 - 16	2
111190-2	50 - 33	1
111190-6	43 - 16	2
111191-06000	104	2
111191-06000	105	2
111192-02400	104	2
111192-02400	105	2
111200-2	50 - 34	1
111200-6	44 - 15	2
111200-6	45 - 15	2
111504YZ100-3.5	81 - 30	1
111504ZA0018-11	80 - 25	4
111504ZA0020-22	81 - 20	5
111504ZB0020-10	64 - 7	1
111504ZF0020-14	81 - 21	1
111504ZH0018-15	80 - 30	1
111504ZT0324-3	81 - 24	1
111506-6	43 - 14	2
111514	96 - 32	2
111716XX6-4	82 - 4	1
111716XX6-4	83 - 3	1
111716XX6-4	84 - 3	1
111716XZ6-12	121 - 2	1
111716XZ6-23	121 - 5	1
111728-6E6-50	121 - 31	1
1117286E6-16	121 - 27	1
111740-04124	100 - 5	1
111745	136 - 10	1
111745	137 - 35	1
1118133	91 - 9	1
112105	25	16
112136-2	82	1
112136-2	121	1
112149-2	82	1
112149-2	82	4
112149-2	121	1
112149-2	123 - 18	1
112406	44 - 4	2
112406	45 - 4	2
112412	76	2
112412	99 - 13	2
112413-4	76	2
112413-8	99 - 14	2
112436-2	82	2
112436-2	123	1
112436-6	76 - 21	1
112436-6	99	1
112732	136 - 14	2
112733-2	136 - 5	4
112733-4	136	4
112734	136 - 12	6

PART NUMBER	FIGURE AND INDEX NO.	QTY. PER ARTICLE
112735	136 - 8	2
112736	136 - 9	1
112738	136 - 13	1
113647F13-03614	107	1
113647F22-6404	107	1
113647F3-00628	107	1
113647F3-0600	107	1
113647F9-02516	107	1
113666	135 - 15	1
113667	135 - 20	1
113668	135 - 5	1
113669	135 - 13	1
113670	135 - 14	1
113671	135 - 19	1
113672	135	1
115081-1	136 - 11	2
115081-3	136	2
115903	91	4
116		
118891	128	1
119-50727	8	2
128-108	8	6
128-108	8	2
128-126	8	2
120217	91	2
120375	91	1
120638	93	2
121743	93	4
1223-9-01	112 - 11	1
1232-00	99 - 17	1
124542	93	1
125-52-1/8		
132128	91	4
132892	91	2
134566	91	1
134566	91	1
13917	84 - 1	1
142952	100	1
143545	128	1
1453	128	1
1464	128 - 31	1
15	126 - 12	1
1500895	110 - 24	1
1500895	111 - 24	1
1500895	112 - 20	1
1501411	110	1
1501411	111	1
1501411	112	1
1501695	110	1
1501695	111	1
1501695	112	1
1501695	114	1
1501751	110	1
1501751	111	1
1501751	112	1
1502360	110 - 25	1
1507360	111 - 25	1
1507360	112 - 17	1
1507361	110 - 27	1
1507361	111 - 27	1
1507361	112 - 18	1
1507761	110	1
1507761	111	1
1507761	112	1
1507868	110	1
1507868	111	1
1507868	112	1
1508299	110	1
1508299	111	1
1508299	112	1

MODEL 35 THRU G35 PARTS CATALOG

PART NUMBER	FIGURE AND INDEX NO.	QTY. PER ARTICLE
1508299	114	1
1508300	110	1
1508300	111	1
1508300	112	1
1508300	114	1
1508439	110	1
1508439	111	1
1508439	112	1
1508440	110	1
1508440	111	1
1508440	112	1
151	128 - 15	1
1512139	86 - 20	1
1512139	110 - 23	1
1512139	111 - 23	1
1512139	112 - 19	1
1512573	110	1
1512573	111	1
1512573	112	1
1512926	72	1
1513018	110	1
1513018	111	1
1513018	112	1
1513018	114	1
1513176	110	1
1513176	111	1
1513176	112	1
1513187	110	1
1513187	111	1
1513187	112	1
1517126	110 - 22	1
1517126	111 - 22	1
1517126	112 - 21	1
1517127	78 - 4	2
1517642	110	1
1517642	111	1
1517642	112	1
1518333	110	1
1518333	111	1
1518333	112	1
1518333	114	1
1518516	110	1
1518516	111	1
1518516	112	1
1521-1-A	117 - 5	1
1536867	112 - 13	1
1548013	112	1
156PL-6	112 - 4	2
156PL-6	112 - 25	2
156PL-6	113 - 14	2
156PL-6	114 - 3	2
156PL-9	112	2
1568860	112	1
1584236	137	1
1584236	110 - 18	1
1584236	111 - 18	1
1584237	137	1
1584237	110 - 19	1
1584237	111 - 16	1
1584238	110 - 20	1
1584238	111 - 20	1
1584239	110	1
1584239	111	1
1584258	110 - 21	1
1584258	111 - 21	1
1584281	110	1
1584281	111	1
1633	45 - 2	4
1645	43 - 2	4
1645	43 - 18	3

PART NUMBER	FIGURE AND INDEX NO.	QTY. PER ARTICLE
1645	44 - 2	4
1645	44 - 18	10
1645	45 - 18	3
1645	50 - 2	4
1645	50 - 11	6
1645	56 - 32	1
1646	42	4
1646	51	1
1669	94 - 40	2
17A01-1D1-1-A1	112	1
1730	108 - 35	1
1736	38	2
1736	56	1
1792B	112 - 15	1
18-3946	121	1
180B	81 - 28	1
1805759	93	2
1838568	91	1
1839345	91 - 3	1
1843646	93	2
185678	71	2
185678	132 - 8	1
185678	133 - 22	1
1857412	93	2
1858749	93	1
1858753	93	2
1858754	93	1
186	121 - 4	1
186-8A	77 - 10	1
186-8A	77 - 19	1
186C	77 - 6	1
186C	121	1
1866148	93 - 4	2
1867150	91	1
1881409	93	2
1881835	91	4
1881839	91 - 6	2
1881841	91	2
1881843	91	1
1881866	91	2
1881867	91	1
1881870	91	4
1885-58	91 - 4	4
1885035	91	4
1885037	91	4
1885038	91	2
1885537	91 - 7	1
1885541	91 - 10	1
1886682	93	1
1886684	93	1
1886684	93	1
1886962	93	1
1887427	91 - 2	1
1887428	91	1
1887433	91	1
1887439	91	1
189	77 - 16	1
1902147	93	2
1902292	91	1
1903473	93	1
1903871	93	2
1904234	91	2
1904851	93	3
1905077	93 - 2	1
1905078	93	1
1905720	93	1
1905877	91	1
1906004	93	2
1908521	91 - 1	1
1908524	91 - 8	1

MODEL 35 THRU G35 PARTS CATALOG

PART NUMBER	FIGURE AND INDEX NO.	QTY. PER ARTICLE
1908525	91	1
1908539	91	1
1908540	91	1
1908541	91	1
1908541	91	1
1908550	93 - 3	1
1908553	93	1
1908554	93	1
1908647	91	1
1908648	91	1
1908649	91	1
1909171	93 - 1	1
1909173	93	2
19150	48 - 6	4
19268	48	2
19268	48	2
2-2045-2-15	80 - 8	1
2-2045-2-15	81 - 4	1
2-2045-2-15	81 - 10	1
2-2045-2-17	80 - 10	1
2-2045-2-19	80 - 7	1
2-2045-2-7	81 - 34	1
2-2045-2-8	80 - 5	2
2-2045-2-8	81 - 5	2
20-7610	61 - 3	1
20-7639	61 - 4	1
20-7641	18 - 10	2
20-7642	61 - 7	1
200A	89	1
200A	90 - 8	1
200182	93	1
200182	93	1
205-302	95 - 17	2
205-302	96 - 22	2
207-308	95 - 3	2
207-308	95 - 31	1
207-308	96 - 16	2
207-309	95	2
207-309	96 - 17	2
212	41	1
213	90	1
21493	77 - 3	6
215-107	96	1
215-108	96	1
215-109	96	1
215-116	96	1
215-117	96	1
215-207-88	96 - 1	2
215-207-88-14	96	2
215-208	96 - 18	1
215-210	95 - 10	1
215-210	96 - 9	1
215-213-84	96	2
215-317	96 - 23	2
215-318	96	2
215-319-2	96 - 4	1
215-319-4	96 - 6	1
215-322	96	8
215-324	96	1
215-325-2	98 - 31	1
215-325-4	98 - 32	1
215-361	96	1
215-363-2	96 - 10	3
22A-21-2-048	22 - 13	2
22A3-82	13	2
22TM-62	128 - 13	2
22196A	18 - 6	1
22197	18 - 14	1
227M82	100	1
227M82	100	1

PART NUMBER	FIGURE AND INDEX NO.	QTY. PER ARTICLE
2439	92 - 3	5
2439	92 - 6	2
2473	92 - 4	5
2473	92 - 8	4
255	128	1
2560	92 - 2	5
2560	92 - 7	2
27395-A	18 - 12	1
27395-A	61 - 15	1
276118	60 - 23	2
285651	108	2
29244	126 - 16	1
29246	126 - 27	2
3A1398	65	1
3P-194F	89 - 1	1
3P-194F	90 - 1	1
3V-195	90	1
3V-195	118 - 6	1
3V-700-ACSN-	99	1
125-52-1/8		
30K482199	124	1
302D	50 - 27	1
31-408	96	2
31-408	98 - 11	2
316	55 - 9	4
316	76 - 13	4
316	76	1
318	128 - 23	1
32493-A	61 - 16	2
32495-A	18 - 11	1
33107A	18 - 3	2
336F832	116	2
35-NF6011	103	1
35-NF6017	103	1
35-000019	136	1
35-000019-1	136 - 2	2
35-000020	136 -	1
35-000025	136 - 1	2
35-000026	136 - 4	1
35-000027	136	2
35-000028	136	2
35-000029	136	1
35-000051	136	2
35-000053	136	2
35-000054	136	1
35-000061	137 - 49	1
35-105005-10	8	1
35-105005-11	8	1
35-105005-12	8	1
35-105005-13	8	1
35-105005-14	8	1
35-105005-15	8	1
35-105005-8	8	1
35-105005-9	8	1
35-105011	8	4
35-105110	8	1
35-105110-1	8	1
35-105111	8	2
35-105111	8	4
35-115001-602	8 -	1
35-115001-603	8	1
35-115001-604	8 - 8	1
35-115001-604	10 -	1
35-115001-605	8	1
35-115001-605	10	1
35-115001-8	8 - 3	2
35-115009	9 - 30	1
35-115009-1	9	1
35-115010 SA10	8	1
35-115010 SA10	9	REF

MODEL 35 THRU G35 PARTS CATALOG

PART NUMBER	FIGURE AND INDEX NO.	QTY. PER ARTICLE
35-115010 SA11	8	1
35-115010 SA11	9	REF
35-115010 SA110	8 - 4	1
35-115010 SA110	9	REF
35-115010 SA111	8	1
35-115010 SA111	9	REF
35-115010 SA112	8 - 6	1
35-115010 SA112	9	REF
35-115010 SA12	8	1
35-115010 SA12	9	REF
35-115010 SA13	8	1
35-115010 SA13	9	REF
35-115010 SA151	8	1
35-115010 SA151	9	REF
35-115010 SA152	8	1
35-115010 SA152	9	REF
35-115010 SA176	8	1
35-115010 SA176	9	REF
35-115010 SA177	8	1
35-115010 SA177	9	REF
35-115010 SA20	8	1
35-115010 SA20	9	REF
35-115010 SA224	8	1
35-115010 SA224	9	REF
35-115010 SA26	8	1
35-115010 SA26	9	REF
35-115010 SA27	8	1
35-115010 SA27	9	REF
35-115010 SA31	8	1
35-115010 SA31	9	REF
35-115010 SA324	8	1
35-115010 SA324	9	REF
35-115010 SA341	8	1
35-115010 SA341	9	REF
35-115010 SA344	8	1
35-115010 SA344	9	REF
35-115010 SA345	8	1
35-115010 SA345	9	REF
35-115010 SA52	8 - 5	1
35-115010 SA52	9	REF
35-115010 SA53	8 - 6A	1
35-115010 SA54	8	1
35-115010 SA55	8	1
35-115010-12	9 - 14	1
35-115010-13	9	1
35-115010-14	9 - 16	1
35-115010-15	9	1
35-115010-16	9 - 19	1
35-115010-17	9	1
35-115010-18	9 - 20	1
35-115010-19	9	1
35-115010-2	9 - 12	1
35-115010-20	9	1
35-115010-21	9	1
35-115010-24	9 - 13	1
35-115010-27	9	1
35-115010-28	9 - 21	1
35-115010-29	9	1
35-115010-3	9	1
35-115010-30	9 - 22	1
35-115010-31	9	1
35-115010-4	9 - 15	1
35-115010-5	9	1
35-115010-6	9 - 17	1
35-115010-62	9	1
35-115010-655	9	REF
35-115010-7	9	1
35-115010-8	9 - 18	1
35-115010-9	9	1
35-115016	9 - 27	1

PART NUMBER	FIGURE AND INDEX NO.	QTY. PER ARTICLE
35-115016-1	9	1
35-115017	9 - 24	1
35-115017-1	9	1
35-115020	8 - 7	1
35-115020	10 - 44	1
35-115020-1	8	1
35-115020-1	10	1
35-115020-10	10 - 57	1
35-115020-100	10	1
35-115020-101	10	1
35-115020-106	10	1
35-115020-107	10	1
35-115020-11	10	1
35-115020-110	10	1
35-115020-111	10	1
35-115020-114	10	1
35-115020-115	10	1
35-115020-116	10	1
35-115020-117	10	1
35-115020-12	10 - 58	1
35-115020-120	10	1
35-115020-121	10	1
35-115020-122	10	1
35-115020-123	10	1
35-115020-124	10	1
35-115020-125	10	1
35-115020-13	10	1
35-115020-14	10 - 59	1
35-115020-15	10	1
35-115020-16	10 - 60	1
35-115020-17	10	1
35-115020-2	10 - 54	1
35-115020-20	10 - 63	1
35-115020-21	10	1
35-115020-22	10 - 64	1
35-115020-23	10	1
35-115020-24	10 - 65	1
35-115020-25	10	1
35-115020-3	10	1
35-115020-4	10 - 55	1
35-115020-5	10	1
35-115020-58	10 - 66	1
35-115020-59	10	1
35-115020-62	10 - 67	1
35-115020-63	10	1
35-115020-76	10 - 61	1
35-115020-77	10	1
35-115020-78	10 - 62	1
35-115020-79	10	1
35-115020-8	10 - 56	1
35-115020-88	10 -	1
35-115020-89	10	1
35-115020-9	10	1
35-115020-90	10 -	1
35-115020-91	10	1
35-115021	10	1
35-115021-1	10	1
35-115022	10	1
35-115022-1	10	1
35-115028-14	8	1
35-115028-14	9 - 2	1
35-115028-14	78	1
35-115028-15	8	1
35-115028-15	9	1
35-115028-15	78	1
35-115028-2	9 - 1	1
35-115028-20	8	1
35-115028-20	9 - 3	1
35-115028-20	78	1
35-115028-21	8	1

MODEL 35 THRU G35 PARTS CATALOG

PART NUMBER	FIGURE AND INDEX NO.	QTY. PER ARTICLE
35-115028-21	9	1
35-115028-21	78	1
35-115028-3	9	1
35-115028-32	9 - 4	1
35-115028-42	9 - 63	1
35-115028-43	9	1
35-115028-56	9	1
35-115028-57	9	1
35-115030 SA50	8 - 10	1
35-115030 SA51	8	1
35-115030-14	11	4
35-115031	10 - 25	1
35-115031-1	10	1
35-115032 SA2	10 - 26	1
35-115032 SA3	10	1
35-115033 SA2	10 - 28	1
35-115033 SA3	10	1
35-115034	9 - 39	1
35-115034-1	9	1
35-115035	9 - 38	1
35-115035-1	9	1
35-115036	9 - 37	1
35-115036-1	9	1
35-115037	9 - 35	1
35-115037-1	9	1
35-115038	9 - 36	1
35-115038-1	9	1
35-115041	10 - 33	1
35-115041-1	10	1
35-115042	10	1
35-115042-1	10	1
35-115042-6	20 - 17	1
35-115042-7	20 - 19	1
35-115042-8	20 - 18	1
35-115042-9	20 - 20	1
35-115043	9 - 31	1
35-115043-1	9	1
35-115044	10 - 32	1
35-115044-1	10	1
35-115045 SA2	10 - 30	1
35-115045 SA3	10	1
35-115046	9 - 34	1
35-115046-1	9	1
35-115047	9 - 55	1
35-115047-1	9	1
35-115048	9 - 56	1
35-115048-1	9	1
35-115049	9 - 57	1
35-115049-1	9	1
35-115050-604	9 - 43	1
35-115050-605	9	1
35-115051	10	1
35-115051-1	10	1
35-115052	9 - 52	1
35-115052	11 - 7	1
35-115052-1	9	1
35-115052-1	11	1
35-115052-601	9	1
35-115052-602	9	1
35-115058	9 - 45	1
35-115058-1	9	1
35-115059	9 - 44	1
35-115059-1	9	1
35-115061	9 - 65	1
35-115061-1	9	1
35-115062	42 - 12	2
35-115063	9 - 64	1
35-115063-1	9	1
35-115065	9 - 47	1
35-115065-1	9	1

PART NUMBER	FIGURE AND INDEX NO.	QTY. PER ARTICLE
35-115070 SA2	10 - 42	1
35-115070-10	10	1
35-115070-11	10	1
35-115070-16	10	1
35-115070-18	10	1
35-115070-8	10	1
35-115070-9	10	1
35-115071	9 - 58	1
35-115071-1	9	1
35-115071-12	25 - 10	2
35-115078	9 - 53	1
35-115078-1	9	1
35-115079	10 - 41	1
35-115096	9 - 46	1
35-115100	10	1
35-115100-6	20 - 15	1
35-115100-7	20 - 16	1
35-115106	9	1
35-115109	10	1
35-115110	10	1
35-115111	10	1
35-115121	9 - 48	1
35-115122-6	9 - 49	1
35-115122-7	9	1
35-115123	9 - 50	1
35-115123-1	9	1
35-115124	9 - 51	1
35-115124-1	9	1
35-115130 SA3	10	1
35-115130-22	10	1
35-115130-24	10	1
35-115131	9	1
35-115136-2	8 - 9	1
35-115136-2	128	1
35-115136-3	8	1
35-115136-3	128	1
35-115137 SA110	10 - 8	1
35-115137 SA111	10	1
35-115137-10	10 - 11	1
35-115137-11	10	1
35-115137-12	10 - 12	1
35-115137-13	10	1
35-115137-14	10 - 47	1
35-115137-15	10	1
35-115137-16	9 - 60	1
35-115137-17	9	1
35-115137-2	10	1
35-115137-20	9	1
35-115137-21	9	1
35-115137-3	10	1
35-115137-4	10	1
35-115137-5	10	1
35-115137-6	10 - 10	1
35-115137-7	10	1
35-115137-8	10 - 9	1
35-115137-9	10	1
35-115142 SA110	10 - 1	1
35-115142 SA111	10	1
35-115142-10	10 - 6	1
35-115142-13	10	1
35-115142-14	10 - 5	1
35-115142-17	10	1
35-115142-18	10 - 4	1
35-115142-21	10	1
35-115142-22	10 - 3	1
35-115142-25	10	1
35-115142-30	10 - 46	1
35-115142-33	10	1
35-115142-44	10 - 2	1
35-115142-6	10 - 7	1

MODEL 35 THRU G35 PARTS CATALOG

PART NUMBER	FIGURE AND INDEX NO.	QTY. PER ARTICLE
35-115142-9	10	1
35-115143	9 - 26	1
35-115143-1	9	1
35-115147	25 - 11	2
35-115160	9 - 54	1
35-115160-1	9	1
35-115166	9 - 40	1
35-115166-1	9	1
35-115168	9 - 23	1
35-115168-1	9	1
35-115177-2	9 - 42	1
35-115177-3	9	1
35-115178	9 - 41	1
35-115178-1	9	1
35-115184	42 - 13	2
35-115193	10	1
35-115194	9 - 59	1
35-115194-1	9	1
35-115195	9 - 29	1
35-115195-1	9	1
35-115196	9 - 28	1
35-115196-1	9	1
35-115197	9 - 32	1
35-115197-1	9	1
35-115198	9 - 33	1
35-115198-1	9	1
35-115199	9 - 61	1
35-115199	10	1
35-115199 SA10	10 - 13	1
35-115199 SA11	10	1
35-115199 SA80	10 - 16	1
35-115199 SA90	10	1
35-115199-1	9	1
35-115199-1	10	1
35-115199-14	10 - 17	1
35-115199-15	10	1
35-115199-16	10 - 48	1
35-115199-17	10	1
35-115199-22	9	1
35-115199-23	9	1
35-115199-4	10 - 14	1
35-115199-5	10	1
35-115199-6	10 - 15	1
35-115199-7	10	1
35-115200-18	10 - 51	1
35-115200-19	10	1
35-115200-32	10 - 24	1
35-115200-33	10	1
35-115200-34	10 - 23	1
35-115200-35	10 -	1
35-115200-36	10 - 22	1
35-115200-37	10	1
35-115200-38	10 - 21	1
35-115200-39	10	1
35-115200-40	10 - 49	1
35-115200-41	10	1
35-115200-50	10 - 18	1
35-115200-51	10	1
35-115200-52	10 - 19	1
35-115200-53	10	1
35-115200-6	10 - 50	1
35-115200-7	10	1
35-115200-8	10 - 20	1
35-115200-9	10	1
35-115201	10 - 43	1
35-115202	10	1
35-115202-1	10	1
35-115202-6	22 - 12	1
35-115202-7	22	1
35-115202-8	22 - 14	2

PART NUMBER	FIGURE AND INDEX NO.	QTY. PER ARTICLE
35-115203	10 - 52	1
35-115203-1	10	1
35-115205	10 - 53	1
35-115205-1	10	1
35-115209	9 - 25	1
35-115209-1	9	1
35-115210-10	9 - 10	1
35-115210-11	9	1
35-115210-30	8	2
35-115210-36	9 - 9	1
35-115210-37	9	1
35-115210-46	9 - 5	1
35-115210-47	9	1
35-115210-48	9 - 6	1
35-115210-49	9	1
35-115210-6	9 - 7	1
35-115210-7	9	1
35-115210-8	9 - 8	1
35-115210-9	9	1
35-115211-12	9 - 11	1
35-115211-13	9	1
35-115211-2	9	1
35-115211-3	9	1
35-115232	10 - 68	2
35-115238	128 - 18	1
35-115238-1	128	1
35-115240-2	11 - 11	1
35-115240-3	11	1
35-115240-4	11 - 10	1
35-115240-5	11	1
35-115240-6	11 - 9	1
35-115240-7	11	1
35-115241	10	1
35-115242	10 - 39	1
35-115246	10	1
35-115247	10 - 38	1
35-115253	10 - 31	1
35-115253-1	10	1
35-115256	16	1
35-115256	17	1
35-115256	17	1
35-115260	121 - 26	1
35-115261	20 - 21	1
35-115261-1	20 - 22	1
35-115264	16	1
35-115265	8	1
35-115265	9 - 62	1
35-115265	11	1
35-115265-1	8	1
35-115265-1	9	1
35-115265-1	11	1
35-115272	10 - 29	1
35-115272-1	10	1
35-115273	10 - 27	1
35-115273-1	10	1
35-115274	10 - 36	1
35-115274-1	10	1
35-115275	10 - 37	1
35-115275-1	10	1
35-115278	10	1
35-115300 SA120	8	1
35-115300 SA130	8	1
35-115300 SA160	10	1
35-115300 SA171	10	1
35-115300 SA231	8	1
35-115300 SA260	10	1
35-115300 SA271	10	1
35-115300 SA320	8	1
35-115300 SA331	8	1
35-115300 SA360	10	1

MODEL 35 THRU G35 PARTS CATALOG

PART NUMBER	FIGURE AND INDEX NO.	QTY. PER ARTICLE
35-115300 SA371	10	1
35-115300-620	8	1
35-115301	10	1
35-115301 SA50	8	1
35-115301 SA51	8	1
35-115301-1	10	1
35-115301-601	11 - 8	1
35-115301-602	11 -	1
35-115301-630	8	1
35-115301-631	8	1
35-115302	10 - 34	1
35-115302-1	10	1
35-115303	10 - 40	1
35-115304 SA2	10	1
35-115305	10 - 35	1
35-115305-1	10	1
35-115381	8	1
35-115381-1	8	1
35-115382	8	1
35-115382-1	8	1
35-115383	9	1
35-115383-1	9	1
35-115388 SA101	8	1
35-115388 SA102	8	1
35-115388 SA103	8	1
35-115388 SA104	8	1
35-115388-4	8	4
35-115388-4	10	8
35-135025	25 - 1	2
35-135025-100	25 - 4B	2
35-135025-102	25 - 4A	2
35-135025-2	25 - 6A	8
35-135025-20	25 - 7	1
35-135025-32	25 - 3	2
35-135025-36	25 - 2	2
35-135025-602	25 - 5	4
35-135025-604	25 - 6	4
35-160019	136	1
35-165004	11 - 6	8
35-165050-605	11 -	1
35-165050-606	11 -	1
35-165050-607	11 - 1	1
35-175001	8	1
35-175001 SA2	8 - 1	1
35-175001 SA3	8	1
35-175001-1	8	1
35-175004-17	10 - 45	1
35-175004-18	10	1
35-264001-600	120 - 1	1
35-321117	119 - 22	1
35-324003	115 - 12	1
35-324006-2	137 - 13	1
35-324006-4	137	1
35-324006-6	137	1
35-324006-8	137	1
35-324007	110	6
35-324010-10	115 - 15	1
35-324010-4	112 - 2	2
35-324010-6	112 - 3	1
35-324010-608	112 - 1	1
35-324010-7	112	1
35-324020	110 - 1	1
35-324020-10	110	1
35-324020-10	111 - 1	1
35-324020-14	110	1
35-324020-14	111	1
35-324020-4	110	1
35-324020-5	110	1
35-324020-602	106 - 42	1
35-324020-8	110	1

PART NUMBER	FIGURE AND INDEX NO.	QTY. PER ARTICLE
35-324020-8	111 - 7	1
35-324020-9	110	1
35-324020-9	111 - 8	1
35-324021	116 - 15	1
35-324023	137 - 2	1
35-324023	110 - 13	1
35-324024	137 - 1	1
35-324024	110 - 11	1
35-324025	116 -	1
35-324025-2	116 - 1	1
35-324025-5	116 - 2	1
35-324025-6	116 - 3	1
35-324026-10	116	1
35-324026-10	137	1
35-324026-12	116	1
35-324026-12	137	1
35-324026-2	116 - 5	1
35-324026-2	137 - 3	1
35-324026-4	116	1
35-324026-4	137	1
35-324026-6	116	1
35-324026-6	137	1
35-324026-8	116	1
35-324026-8	137	1
35-324029	116 - 6	2
35-324031	110 - 3	1
35-324031	111 - 2	1
35-324032	110	1
35-324032	115 - 30	2
35-324033	110 - 2	1
35-324033	111 - 5	1
35-324034	116 - 7	1
35-324035	116 - 8	1
35-324037	64 - 9	1
35-324040-12	115 - 16	1
35-324040-3	115 - 17	1
35-324040-601	115 - 8	1
35-324040-8	115 - 14	2
35-324050-10	115 - 2	1
35-324050-12	115 - 3	1
35-324050-601	115 - A	1
35-324050-8	115 - 1	2
35-324051	115 - 5	1
35-324054	115 - 4	1
35-324057	115	1
35-324058	115 - 9	2
35-324060-602	128	1
35-324062	110 - 15	1
35-324069	116 - 13	1
35-324070	116 - 14	1
35-324072	64 - 15	1
35-324072	116 - 4	1
35-324073	31 - 3	1
35-324073	116 - 12	1
35-324074	112 - 7	2
35-324074	113 - 12	1
35-324074	114 - 23	1
35-324075	112 - 6	1
35-324075	113 - 11	1
35-324075	114 - 24	1
35-324076	112 - 5	1
35-324077	115 - 19	1
35-324078	115	1
35-324078	115 - 8	1
35-324078	115	1
35-324078	115	1
35-324078	115	1
35-324078	115 - 20	1
35-324078	115 - 21	1
35-324078	115 - 24	2

MODEL 35 THRU G35 PARTS CATALOG

	PART NUMBER	FIGURE AND INDEX NO.	QTY. PER ARTICLE	
	35-324081	115 - 7	1	
	35-324082	115 - 6	1	
	35-324082-2	115	1	
	35-324084	115 - 18	1	
	35-324086	112 - 8	44	
	35-324086	114 - 21	4	
	35-324087	127	1	
	35-324087	128	1	
	35-324090-608	112 -	1	
	35-324091	119 - 3	1	
	35-324092	119 - 1	1	
	35-324093	119 - 4	1	
	35-324094	117 - 9	1	
	35-324095	117 - 11	1	
	35-324096	119 - 18	1	
	35-324097	119 - 20	1	
	35-324098	119 - 6	1	
	35-324099	119 - 9	1	
	35-324100	119 - 8	1	
	35-324101-2	137 - 14	1	
	35-324101-4	137	1	
	35-324101-6	137	1	
	35-324101-8	137	1	
	35-324102	137 - 42	1	
	35-324102-2	137 - 18	1	
	35-324102-4	137	1	
	35-324102-6	137	1	
	35-324102-8	137	1	
	35-324103-2	137 - 17	1	
	35-324103-4	137	1	
	35-324103-6	137	1	
	35-324103-8	137	1	
	35-324109-2	137 - 16	1	
	35-324109-4	137	1	
	35-324109-6	137	1	
	35-324109-8	137	1	
	35-324113	116 - 11	1	
	35-324114	89 - 7	1	
	35-324114	90	1	
	35-324115-2	137 - 20	1	
	35-324115-4	111 - 9	1	
	35-324115-4	137	1	
	35-324115-6	111	1	
	35-324115-6	137	1	
	35-324115-8	111	1	
	35-324115-8	137	1	
	35-324117-2	137 - 9	1	
	35-324117-4	137	1	
	35-324117-6	137 - 4	1	
	35-324117-6	137	1	
	35-324117-6	137 - 50	1	
	35-324117-8	137	1	
	35-324117-8	137	1	
	35-324118-2	137 - 12	1	
	35-324118-4	137	1	
	35-324119	137 - 29	1	
	35-324122	137 - 5	1	
	35-324122-2	137	1	
	35-324123	137 - 6	1	
	35-324124-2	115 - 22	1	
	35-324124-4	115 - 23	1	
	35-324126	110 - 16	1	
	35-324128	106 - 38	1	
	35-324128	108 - 38	1	
	35-324128	112	1	
	35-324135	112	1	
	35-324137	137	1	
	35-324143-602	112	1	
	35-324144	117	1	
	35-324148	114 - 20	1	

	PART NUMBER	FIGURE AND INDEX NO.	QTY. PER ARTICLE	
	35-324149	114 - 19	1	
	35-324158	112 - 29	2	
	35-324158	113 - 18	2	
	35-324158	114 - 7	2	
	35-324159-4	90	1	
	35-324159-6	90	1	
	35-324160	114	1	
	35-324161	112	1	
	35-324166	112	REF	
	35-324166	112 - 23	1	
	35-324166-2	112	1	
	35-324166-4	112 - 24	1	
	35-324166-4	113 - 2	1	
	35-324166-4	114 - 2	1	
	35-324166-5	112	1	
	35-324166-5	113	1	
	35-324166-5	114	1	
	35-324166-8	113 - 1	1	
	35-324166-8	114	1	
	35-324170	118 - 18	1	
	35-324174	106	1	
	35-324178	119 - 12	1	
	35-324180	119 - 14	1	
	35-324182	137	1	
	35-324183	112	2	
	35-324183	113	2	
	35-324183	114	2	
	35-324184	137	1	
	35-324185	137 - 25	1	
	35-324188-10	137	1	
	35-324188-2	137 - 41	1	
	35-324188-4	137	1	
	35-324188-6	137	1	
	35-324188-8	137	1	
	35-324192-10	137	1	
	35-324192-2	137 - 24	1	
	35-324192-4	137	1	
	35-324192-6	137	1	
	35-324192-8	137	1	
	35-324194	137	1	
	35-324194	110	1	
	35-324195	115 - 32	1	
	35-324196-2	115 - 35	1	
	35-324196-3	115 - 34	1	
	35-324196-4	115 - 31	1	
	35-324197	89	1	
	35-324197	90 - 9	1	
	35-324198	137	1	
	35-324198	110 - 12	1	
	35-324199	137	1	
	35-324202	137	1	
	35-324202	110 - 14	1	
	35-324203	137	1	
	35-324204	110	1	
	35-324204	111 - 3	1	
	35-324204	115	2	
	35-324205	137	1	
	35-324211	112 - 27	1	
	35-324211	113 - 16	1	
	35-324211	114 - 5	1	
	35-324211-1	112	1	
	35-324211-1	113	1	
	35-324211-1	114	1	
	35-324221	112	1	
	35-324227	112 - 28	2	
	35-324227	113 - 17	2	
	35-324227	114 - 6	2	
	35-324229	112	1	
	35-324229-1	112	1	
	35-324230	106 - 43	1	

MODEL 35 THRU G35 PARTS CATALOG

PART NUMBER	FIGURE AND INDEX NO.	QTY. PER ARTICLE
35-324230-2	137	1
35-324230-4	137	1
35-324230-6	137 - 45	1
35-324230-6	137	1
35-324230-8	137	1
35-324231	108 - 41	2
35-324231	115 - 33	2
35-324235	115	2
35-324239-4	137 - 33	1
35-324240	114 - 1	1
35-324248-5	113 - 9	1
35-324248-5	114	1
35-324248-601	114 -	1
35-324251	112	1
35-324256	137 - 15	1
35-324260-3	113 -	1
35-324261	110 - 17	1
35-324261	111 - 13	1
35-324268	137	1
35-324268	110	1
35-324269	137	1
35-324274	137	1
35-324274	110	1
35-324274	111 - 11	1
35-324274-2	110	1
35-324274-2	111	1
35-324274-2	137	1
35-324274-4	110	1
35-324274-4	111 - 12	1
35-324274-4	137	1
35-324275	137	1
35-324275	110	1
35-324275	111 - 14	1
35-324275-2	110	1
35-324275-2	111	1
35-324275-2	137	1
35-324275-4	110	1
35-324275-4	111 - 12	1
35-324275-4	137	1
35-324275-6	110	1
35-324275-6	111	1
35-324275-6	137	1
35-324278	137	1
35-324278-2	137	1
35-324278-4	137	1
35-324279	137	1
35-324279-2	137	1
35-324279-4	137	1
35-324279-6	137	1
35-324280	118 -	1
35-324280-10	118 - 3	1
35-324280-12	118 - 10	1
35-324280-14	118 - 8	1
35-324280-6	118 - 14	1
35-324280-8	118 - 16	1
35-324281	114 - 31	1
35-324281-1	114 - 32	1
35-324286	137	1
35-324288	137	1
35-324288-2	137	1
35-324288-4	137	1
35-324288-6	137	1
35-324288-8	137	1
35-324297	112	1
35-324297	114 - 12	1
35-324298	112	1
35-324298	114 - 10	1
35-324299	112	1
35-324299	114 - 18	1
35-324300	112	1

PART NUMBER	FIGURE AND INDEX NO.	QTY. PER ARTICLE
35-324300	114 - 15	1
35-324301	112	1
35-324301	114 - 22	1
35-324302	110	1
35-324302	111	1
35-324302	112	1
35-324302	114 - 29	1
35-324302-1	114	1
35-324303	110	1
35-324303	111	1
35-324303	112	1
35-324303	114 - 25	1
35-324303-1	114	1
35-324304	112	1
35-324304	114 - 14	1
35-324305	112	1
35-324305	114 - 16	1
35-324306	112	1
35-324306	114 - 17	1
35-324307-2	112	1
35-324307-4	114 - 11	1
35-324308	112	1
35-324309	114 - 13	1
35-324311	110	1
35-324311	111	1
35-324311	112	1
35-324311	114 - 28	1
35-324311-1	114	1
35-324312	110	1
35-324312	111	1
35-324312	112	1
35-324312	114 - 30	1
35-324312-1	114	1
35-324313	114 - 26	1
35-324313-1	114	1
35-324314	110	1
35-324314	111	1
35-324314	112	1
35-324314	114 - 27	1
35-324314-1	114	1
35-324317	114	1
35-324323	119 -	1
35-324323-1	119 - 10	1
35-324323-1	119 - 17	1
35-324323-11	119	1
35-324323-17	119	1
35-324323-5	119 - 21	1
35-324323-7	119 - 7	1
35-324323-9	119	1
35-324324-3	113 - 8	1
35-324326	112	1
35-324328	112	1
35-324329	114	1
35-324329-1	114	1
35-324329-5	114	1
35-324330	114	1
35-324332	114	1
35-324333	114	1
35-324333-1	114	1
35-324334	114	1
35-324335	114	1
35-324335-1	113 - 5	1
35-324335-1	114	1
35-324336	112	1
35-324336	114	1
35-324336-1	112	1
35-324336-1	114	1
35-324337	114	1
35-324338	114	1
35-324338-3	114	1

MODEL 35 THRU G35 PARTS CATALOG

PART NUMBER	FIGURE AND INDEX NO.	QTY. PER ARTICLE
35-324340	137 - 43	1
35-324341	79 - 43	1
35-324341-1	79	1
35-324346	114	1
35-324346-1	113 - 10	1
35-324346-1	114	1
35-324347	114	1
35-324348-1	114	1
35-324349	119	1
35-324350	119	1
35-324351	114	1
35-324351-3	114	1
35-324355	112	1
35-324355-3	113 - 4	1
35-324355-3	114	1
35-324356	64 - 9A	1
35-324358	137	1
35-324358	110	1
35-324358	111	1
35-324358-1	111	1
35-324358-1	137	1
35-324360	137 - 11	1
35-324361	137	1
35-324361	137	1
35-324361	110 - 3A	1
35-324362	110	1
35-324362	111	1
35-324363	137	1
35-324363	116	1
35-324368	137 - 30	1
35-324378	114	1
35-324400-14	112 - 16	1
35-324400-4	110	2
35-324400-4	111	2
35-324412-3	115 - 36	1
35-324413	111 - 16	1
35-324413	114	2
35-344004	124	1
35-344005	124	1
35-344005-1	124	1
35-344008	124 - 13	1
35-344010-2	124	2
35-344010-606	124	1
35-344012	124 - 22	1
35-344018	124 - 10	1
35-344023	124 - 15	1
35-344026	124 - 8	1
35-344026	126 - 49	1
35-344027	124 - 9	1
35-344027	126 - 48	1
35-344028	124	1
35-344028	126 - 47	1
35-344035	124 - 6	2
35-344035	126 - 50	2
35-344036	124 - 7	1
35-344036	126 - 45	1
35-344037	124 - 18	1
35-344038	124 - 19	1
35-344039	124 - 14	1
35-344043	124 - 12	1
35-344064	124	1
35-344073-2	137 - 8	1
35-344073-4	137	1
35-344073-6	111 - 17	1
35-344073-6	137	1
35-344073-8	111	1
35-344073-8	137	1
35-344075-2	125 - 12	1
35-344077	125 - 1	1

PART NUMBER	FIGURE AND INDEX NO.	QTY. PER ARTICLE
35-344078	125 - 2	4
35-344078	126 - 44	4
35-344078	127	4
35-344100-14	126 - 42	1
35-344100-18	110	1
35-344100-18	126 - 8	1
35-344101	126 - 15	1
35-344102	126 - 11	1
35-344104	126 - 14	1
35-344105	126 - 10	1
35-344109	126 - 32	1
35-344111	126 - 17	1
35-344112	126 - 23	1
35-344113	126 - 22	1
35-344114	126 - 31	1
35-344115	126 - 21	1
35-344118	126 - 34	1
35-344119	126 - 7	2
35-344120-10	126 - 9	1
35-344120-8	126 - 6	2
35-344124	126 - 46	1
35-344127	126 - 38	1
35-344127	127 - 8	1
35-344131	126 - 1	1
35-344131-2	126 - 3	1
35-344131-4	126 - 4	1
35-344136	126 - 5	1
35-344140	128	1
35-344140	108 - 24	1
35-344140-602	130 -	1
35-344141	127	1
35-344141	128	1
35-344141	130 - 2	1
35-344141	108	1
35-344146	128	1
35-344146	130 - 13	1
35-344146	108	1
35-344147	128	1
35-344147	130 - 11	1
35-344147	108	1
35-344148	127	1
35-344150	127 -	1
35-344150	127 - 16	1
35-344150-16	127 - 9	1
35-344150-18	127 - 10	1
35-344150-2	127 - 3	1
35-344152	127	1
35-344152	130 - 9	1
35-344155	127	1
35-344158	127 - 5	1
35-344158	130	1
35-344159-600	126 - 26	1
35-344159-8	127 - 12	1
35-344160-2	126 - 51	1
35-344160-2	127	1
35-344162	127	1
35-344163	127	1
35-344164	127	1
35-344167	130 - 8	1
35-344169	127	1
35-344178	127	1
35-344190	127	1
35-344190-16	127	1
35-344190-18	127	1
35-344190-2	127	1
35-344190-20	127	1
35-344190-4	126 - 18	1
35-344190-4	127	1
35-344193	127	1
35-344193-1	127	1

MODEL 35 THRU G35 PARTS CATALOG

PART NUMBER	FIGURE AND INDEX NO.	QTY. PER ARTICLE	
35-344194	127	1	
35-344207	127	1	
35-361006-602	128 - 1	1	
35-361007	128 - 3	2	
35-361008	128 - 2	1	
35-361009	128 - 5	1	
35-361011	128 - 6	1	
35-361012	60 - 42	1	
35-361014	128 - 4	2	
35-361015	136 - 15	1	
35-361016	136 - 7	2	
35-361016-1	136	2	
35-361100-6	137	1	
35-361108-8	119 - 24	1	
35-361119	14 - 10	2	
35-361119	15 - 11	2	
35-361119-602	16	REF	
35-361119-602	17	4	
35-361119-602	128 - 16	2	
35-361131	70 -	1	
35-361132	70 - 1	1	
35-361133	70 - 2	1	
35-361134	70	1	
35-361135	70	1	
35-361136	70	1	
35-361145	70 - 5	1	
35-361146	17 - 12	2	
35-361147	70	1	
35-361148	70 - 4	1	
35-361150	70	1	
35-361158	137	1	
35-361163	70	1	
35-361701-1	8	1	
35-361702-2	8 - 2	1	
35-361702-2	128 - 19	1	
35-361702-4	8	1	
35-361702-4	128	1	
35-361703	8	1	
35-364002-8	128	4	
35-364010	12 - 12	1	
35-364010	128 - 20	1	
35-364022	129 - 6	1	
35-364027	120 - 5	1	
35-364034-2	120	1	
35-364034-4	120	1	
35-364040	129	1	
35-364040-10	129 - 5	1	
35-364040-12	129 - 1	1	
35-364040-8	106	1	
35-364040-8	129 - 4	1	
35-364059	128 - 34	1	
35-364060	128 - 45	1	
35-364062	128 - 56	1	
35-364062	111 - 10	1	
35-364069	128 - 22	1	
35-364071-602	106 - 24	1	
35-364071-602	128 - 21	1	
35-364071-602	129 -	1	
35-364072	128	1	
35-364073	129 - 10	1	
35-364076	128 - 30	1	
35-364078-14	128	4	
35-364084-2	128	2	
35-364084-4	128	2	
35-364101-606	59	1	
35-364109	58 - 6	1	
35-364125	127 - 4	1	
35-364126	59 - 5	1	
35-364126	128	1	
35-364127	59 - 7	1	

PART NUMBER	FIGURE AND INDEX NO.	QTY. PER ARTICLE	
35-364129	59 - 1	1	
35-364130	59 - 6	1	
35-364133	59 - 3	2	
35-364134	128	1	
35-364151-15	98 - 36	2	
35-364186-2	137 - 23	1	
35-364186-4	137	1	
35-364186-6	137	1	
35-364186-8	137	1	
35-364230-602	57	1	
35-364230-604	57	1	
35-364230-606	57	1	
35-364231	57 - A	1	
35-364232	57 - B	1	
35-364233	57 - 5	1	
35-364233	57 - 5	1	
35-364234	57 - 9	1	
35-364234	57 - 9	1	
35-364236	57 - 6	1	
35-364238	57 - 3	1	
35-364238	57 - 3	1	
35-364238	57 - 8	1	
35-364238	57 - 8	2	
35-364238	58	1	
35-364238	70	1	
35-364239	57 - 11	1	
35-364240	57 - 2	1	
35-364241	57 - 6	1	
35-364241	58 - 2	1	
35-364242	57 - A	1	
35-364243	57 - B	1	
35-364247	58 - 5	1	
35-369001-10	133 - 1	1	
35-369001-12	133 - 5	1	
35-369001-4	132 - 2	1	
35-369001-602	99	1	
35-369005	72	1	
35-369005	92 -	REF	
35-369123	99 - 4	1	
35-369124	99	1	
35-369125	112	1	
35-369125-3	112 - 30	1	
35-369129-702	128 - 29	1	
35-369131	99	2	
35-369139-706	128	1	
35-369148	137 - 40	1	
35-369150	133 - 3	1	
35-369151	133 - 8	1	
35-380001	7 - 13	1	
35-380001	12 - 11C	1	
35-380002	113 - 6	1	
35-380002	114	1	
35-380003	113 - 7	1	
35-380003	114	1	
35-380004-1	114	1	
35-399125	112	1	
35-400008	102 - 1	1	
35-400010	102	1	
35-400010-42	102 - 27	1	
35-400010-606	102	1	
35-400010-614	102	1	
35-400010-616	102	1	
35-400010-620	102	1	
35-400011	102	1	
35-400012	102	1	
35-400013	102 - 6	1	
35-400014	102 - 5	1	
35-400018	102 - 2	1	
35-400029	102	1	
35-400031	102 - 7	1	

MODEL 35 THRU G35 PARTS CATALOG

PART NUMBER	FIGURE AND INDEX NO.	QTY. PER ARTICLE
35-400032	102	1
35-400033	102 - 8	1
35-400035	102 - 30	1
35-400038	102 - 13	1
35-400041	102	1
35-400044	102 - 11	1
35-400212	119 - 23	2
35-400213	4	1
35-400213	7 - 14	1
35-400298	101 - 3	2
35-400314	5 - 32	1
35-400314-1	5 - 33	1
35-400315	100 - 3	19
35-400320-10	102 - 32	1
35-400320-20	102 - 38	1
35-400320-26	102	1
35-400320-32	102	1
35-400320-32	102	REF
35-400320-6	102 - 39	1
35-400320-8	102 - 40	1
35-400322	102 - 14	1
35-400322-2	102 - 37	1
35-400339	33 - 4	1
35-400339-2	20 - 5	1
35-400339-2	23 - 11	1
35-400359-10	5 - 23	1
35-400359-12	5	1
35-400364	5 - 25	1
35-400364-1	5	1
35-400364-6	29	2
35-400364-8	29 - 13	2
35-400366	5 - 26	1
35-400366-1	5	1
35-400378	102	1
35-400379	102 - 31	1
35-400380	102	2
35-400380	102	2
35-400386	102 - 29	1
35-400387	102 - 28	1
35-400388	137 - 32	1
35-400405	102 - 42	1
35-400414	102 - 12	1
35-400415	102 - 3	1
35-400417	102 - 4	1
35-400418	102	1
35-400420	102	1
35-400425	102	1
35-400425 SA6	102	1
35-400426	102	1
35-400428	137	1
35-400431	102 - 19	1
35-400432	102 - 16	1
35-400434	102 - 17	1
35-400435	102 - 20	1
35-400436	102 - 15	1
35-400437	102	1
35-400439	102	1
35-400456	137 - 7	1
35-400456	137 - 22	1
35-400461	102	1
35-400462	102 - 23	1
35-400464	102 - 22	1
35-400464-2	102	1
35-400464-4	102	1
35-400465	102	1
35-400467	102	1
35-400467-3	102	1
35-405130	12 - 8	1
35-405303	129 - 16	1
35-405304	129 - 17	1

PART NUMBER	FIGURE AND INDEX NO.	QTY. PER ARTICLE
35-405312	121	1
35-405312-1	121	1
35-405317	121	1
35-405317-1	121	1
35-410000 SA222	4	1
35-410000 SA30	6	1
35-410000 SA34	6	1
35-410000 SA38	6	1
35-410000 SA60	7	1
35-410000 SA64	4	1
35-410000-100	101	18
35-410000-102	6	2
35-410000-104	6	1
35-410000-105	6	1
35-410000-106	6	1
35-410000-107	6	1
35-410000-11	6	1
35-410000-114	6	1
35-410000-115	6	1
35-410000-12	6 - 28	1
35-410000-120	4	1
35-410000-15	6	1
35-410000-16	6 - 34	1
35-410000-17	6	1
35-410000-18	6 - 33	1
35-410000-2	6	1
35-410000-21	6	1
35-410000-22	6 - 29	1
35-410000-23	6	1
35-410000-24	5	1
35-410000-24	6	1
35-410000-25	5	1
35-410000-25	6	1
35-410000-26	6 - 13	1
35-410000-29	6	1
35-410000-30	6	1
35-410000-31	6	1
35-410000-32	6 - 47	1
35-410000-35	6	1
35-410000-36	6 - 30	1
35-410000-37	6	1
35-410000-40	6	1
35-410000-44	5 - 5	1
35-410000-45	5	1
35-410000-5	6	1
35-410000-5	6 - 54	1
35-410000-6	4	1
35-410000-6	6	1
35-410000-616	4 - 2	1
35-410000-617	4 - 3	1
35-410000-632	4	1
35-410000-633	4	1
35-410000-634	4	1
35-410000-636	4	1
35-410000-662	4	1
35-410000-663	4	1
35-410000-68	6 - 56	1
35-410000-716	4	1
35-410000-8	6 - 27	1
35-410000-92	101 - 19	1
35-410000-93	101	1
35-410000-94	101 - 20	1
35-410000-95	101	1
35-410000-96	101 - 21	1
35-410000-97	101	1
35-410000-98	101 - 22	1
35-410000-99	101	1
35-410001 SA34	6 - 58	1
35-410001-110	6	1
35-410001-110	6 - 38	1

MODEL 35 THRU G35 PARTS CATALOG

PART NUMBER	FIGURE AND INDEX NO.	QTY. PER ARTICLE
35-410001-112	6 - 3	1
35-410001-122	5 - 30	1
35-410001-123	5	1
35-410001-126	6	1
35-410001-128	7 - 26	1
35-410001-132	7 - 27	1
35-410001-133	7 - 28	1
35-410001-134	6 - 5	1
35-410001-136	6 - 6	1
35-410001-138	6 - 20	1
35-410001-14	6 - 1	1
35-410001-15	6	1
35-410001-16	6 - 2	1
35-410001-17	6	1
35-410001-18	6 - 4	1
35-410001-2	6 - 16	1
35-410001-20	6 - 12	1
35-410001-22	6	1
35-410001-24	5 - 16	1
35-410001-25	5	1
35-410001-26	5 - 11	1
35-410001-27	5	1
35-410001-28	6 - 40	1
35-410001-3	6	1
35-410001-30	7 - 25	1
35-410001-4	6	1
35-410001-40	6 - 10	1
35-410001-42	6	1
35-410001-5	6	1
35-410001-50	6 - 37	1
35-410001-56	6 - 41	1
35-410001-6	6	1
35-410001-60	6 - 42	1
35-410001-61	6	1
35-410001-610	4 - 4	1
35-410001-632	4 - 8	1
35-410001-633	4 - 9	1
35-410001-634	4 - 7	1
35-410001-636	4 - 6	1
35-410001-64	6 - 43	1
35-410001-65	6	1
35-410001-66	6 - 11	1
35-410001-662	4 - 12	1
35-410001-663	4 - 11	1
35-410001-664	4 - 13	1
35-410001-68	6	1
35-410001-76	6	1
35-410001-77	6 -	1
35-410001-78	6	1
35-410001-8	6	1
35-410001-80	6	1
35-410001-81	6	1
35-410001-82	6	1
35-410001-83	6	1
35-410001-86	6	1
35-410001-87	6	1
35-410001-96	6 - 19	1
35-410001-98	6 - 18	1
35-410003	6	1
35-410003	21	1
35-410005	6 - 35	1
35-410005-1	6	1
35-410006-10	4 - 18	1
35-410006-14	4	1
35-410007-14	7 - 32	1
35-410007-16	7 - 31	1
35-410007-18	7 - 30	1
35-410007-20	7 - 29	1
35-410007-6	7 - 24	1
35-410008-10	7 - 36	1

PART NUMBER	FIGURE AND INDEX NO.	QTY. PER ARTICLE
35-410008-12	7 - 35	1
35-410008-14	7 - 34	1
35-410008-16	7 - 33	1
35-410008-24	7	1
35-410008-4	7 - 37	1
35-410008-5	7	1
35-410009-10	7 - 39	1
35-410009-20	7 - 42	1
35-410009-6	7 - 41	1
35-410009-8	7 - 40	1
35-410010-10	7 - 44	1
35-410010-12	7 - 45	1
35-410010-14	7 - 46	1
35-410010-8	7 - 43	1
35-410011-10	7 - 18	1
35-410011-11	7 - 19	1
35-410011-12	7 - 20	1
35-410011-13	7 - 21	1
35-410011-14	7 - 22	1
35-410011-15	7 - 23	1
35-410011-20	7 - 16	1
35-410011-4	7 -	1
35-410011-8	7 - 15	1
35-410012	7 - 17	1
35-410015	7 - 1	2
35-410015	26 - 11	1
35-410015	30 - 16	1
35-410015	33 - 8	1
35-410015-1	7	2
35-410015-1	26 - 12	1
35-410015-1	30 - 17	1
35-410015-1	33 - 9	1
35-410016	7 - 2	1
35-410017	30 - 5	1
35-410019	22 - 6	1
35-410019	116 - 20	1
35-410020 SA2	5 - 29	1
35-410020 SA3	5	1
35-410020-4	4	1
35-410020-4	5 - 9	1
35-410020-5	4	1
35-410020-5	5	1
35-410023	7	1
35-410024-10	20 - 8	2
35-410029	6 - 48	2
35-410030	4 - 16	1
35-410030	6	1
35-410035	5 - 24	1
35-410035-1	5	1
35-410038-62	4 - 20	1
35-410038-64	4 - 21	1
35-410038-65	4	1
35-410038-68	4 - 19	1
35-410040	4 - 17	1
35-410040	6	1
35-410041-79	106	1
35-410063	6 - 22	1
35-410063-16	57	1
35-410063-18	57	1
35-410063-8	6 - 57	1
35-410066	7 - 38	1
35-410066-1	7	1
35-410067	5	2
35-410070-602	6 - 46	1
35-410077-12	55 - 3	2
35-410077-2	55 - 1	1
35-410077-3	55 - 2	1
35-410077-8	55 - 6	2
35-410077-9	55 - 7	2
35-410089	106 - 33	1

MODEL 35 THRU G35 PARTS CATALOG

PART NUMBER	FIGURE AND INDEX NO.	QTY. PER ARTICLE
35-410091-6-1	106 - 29	1
35-410092	106 - 32	1
35-410093	106 - 22	1
35-410094-10	106 - 19	1
35-410095	106 - 21	1
35-410103	7 - 4	1
35-410103	120 - 10	1
35-410104	7 - 3	1
35-410104	120 - 9	1
35-410106	5	2
35-410107	5 - 22	1
35-410109	6 - 24	2
35-410110 SA2	7	1
35-410110-18	36 - 3	1
35-410110-20	36 - 4	1
35-410110-602	4 - 15	1
35-410111-2	6 - 17	1
35-410112-2	6	1
35-410114-601	106 - 30	1
35-410119	116 - 19	1
35-410120 SA2	7	1
35-410120-602	4 - 14	1
35-410123	5 - 21	1
35-410123-1	5	1
35-410124-2	14 - 11	1
35-410124-4	14 - 12	1
35-410125	6 - 36A	1
35-410125-2	21 - 3	1
35-410125-4	21 - 4	1
35-410126	21	1
35-410130-2	7	1
35-410130-4	7 - 9	1
35-410130-6	7	1
35-410140-2	7	1
35-410140-4	7 - 8	1
35-410140-6	7	1
35-410141	26 - 14	2
35-410142	33 - 13	1
35-410145 SA2	6 - 14	1
35-410146	6 - 15	1
35-410147	6 - 44	1
35-410148	6 - 45	1
35-410149	137 - 38	1
35-410150-10	6	1
35-410150-11	6 - 38A	1
35-410150-2	7	1
35-410150-4	7 - 7	1
35-410150-6	7	1
35-410151	33 - 10	1
35-410152	121	1
35-410152	122 - 1	1
35-410153	121	1
35-410154	121	1
35-410155	121	1
35-410156	121	1
35-410158	6 - 36	1
35-410158-10	6	1
35-410158-11	6	1
35-410158-16	26	1
35-410158-18	30	1
35-410158-18	33	REF
35-410158-602	4	1
35-410159	37 - 6	1
35-410159-2	37	1
35-410159-3	37	1
35-410160	7 - 6	1
35-410160-10	106 - 23	1
35-410160-10	108 - 22	1
35-410160-38	123 - 9	1
35-410160-42	123 - 12	1

PART NUMBER	FIGURE AND INDEX NO.	QTY. PER ARTICLE
35-410160-48	106	1
35-410160-48	107	1
35-410160-611	106 - 17	1
35-410160-612	107 - 9	1
35-410160-614	4 - 10	1
35-410164	5 - 27	1
35-410164-2	28 - 9	1
35-410165	7 - 10	1
35-410169	136 - 6	2
35-410170 SA2	6 - 26	1
35-410170 SA4	6 - 26A	1
35-410170 SA6	6 - 26B	1
35-410175	106 - 20	1
35-410175	108 - 20	1
35-410176	102 - 34	1
35-410177	102 - 35	1
35-410180	6	1
35-410200	6	1
35-410201	20 - 6	1
35-410210	6	1
35-410210-18	26 - 2	1
35-410210-18	28 - 5	REF
35-410210-20	26 - 3	1
35-410210-20	28 - 6	REF
35-410211	6 - 9	1
35-410215-11	6	1
35-410215-8	6 - 7	1
35-410217	6 - 23	1
35-410217-16	6	1
35-410217-18	6	1
35-410217-34	128	1
35-410217-602	4	1
35-410230	6 - 32	1
35-410240 SA2	106	1
35-410241-12	123 - 1	1
35-410242	123	2
35-410243	123 - 3	2
35-410244	123 - 13	1
35-410245	123 - 10	1
35-410246	123 - 15	1
35-410247	123 - 6	2
35-410248	123 - 5	1
35-410251	123	1
35-410258	6	1
35-410259	6	1
35-410259-16	57 - 13	1
35-410259-18	57 - 12	1
35-410259-32	57	2
35-410267	128	1
35-410271	123 - 11	1
35-410272	6 - 21	1
35-410273	123	2
35-410274	108 - 33	1
35-410279	6 - 25	1
35-410279-1	6	1
35-410287	102 - 36	1
35-410291 SA100	101 -	1
35-410291 SA101	101	1
35-410291 SA14	100 - A	1
35-410291 SA20	100 - B	1
35-410291-108	100 - 20	1
35-410291-11	100	1
35-410291-112	100	1
35-410291-118	100 - 8	1
35-410291-12	101 - A	1
35-410291-128	101	1
35-410291-129	101	1
35-410291-130	101	1
35-410291-144	101 - 2	1
35-410291-145	101	1

MODEL 35 THRU G35 PARTS CATALOG

PART NUMBER	FIGURE AND INDEX NO.	QTY. PER ARTICLE
35-410291-146	101	1
35-410291-147	101	1
35-410291-164	100	1
35-410291-165	100	1
35-410291-18	101 - 1	2
35-410291-44	100 - 16	1
35-410291-46	100 - 13	1
35-410291-48	100 - 15	1
35-410291-52	101 - 5	2
35-410291-624	112	1
35-410291-626	100	1
35-410291-628	100	1
35-410291-716	100	1
35-410291-72	101 - 16	1
35-410291-73	101	1
35-410291-76	100 - 2	1
35-410291-8	100 - C	1
35-410291-80	100 - 10	1
35-410291-81	100	1
35-410291-88	100 - 18	1
35-410291-90	100 - 19	1
35-410291-98	101 - 4	2
35-410307-4	30 - 8	1
35-410307-4	33 - 6	REF
35-410307-6	26 - 9	2
35-410309	20 - 7	1
35-410310	26 - 7	1
35-410311	26 - 5	1
35-410315	100 - 11	16
35-410316	101 - 6	1
35-410316	101	1
35-410317	101 - 7	4
35-410321	100 - 6	1
35-410321	100 - D	1
35-410322	100	1
35-410323	101 - 17	4
35-410325	100 - 7	1
35-410326	137 - 48	1
35-410329	137 - 47	1
35-410330	6 - 31	1
35-410330-1	6	1
35-410331 SA2	6 - 39	1
35-410338	51 - 27	1
35-410341	107 - 11	1
35-410342	107 - 12	1
35-410343	107	1
35-410355-1	137 - 21	1
35-410355-3	137	1
35-410355-5	137	1
35-410355-7	137	1
35-410372	7 - 5	1
35-410373	137	1
35-410378 SA2	7 - 12	1
35-410379 SA2	7 - 11	1
35-410382-10	72 - 22	1
35-410384	5	1
35-410385	5	1
35-410385-10	72	1
35-410385-11	72 - 21	1
35-410385-6	72	1
35-410386 SA12	101	2
35-410386-2	101 - 13	1
35-410387	101 - 13A	1
35-410388	101 - 13B	1
35-410389	101 - 13C	1
35-410390	5 - 6	1
35-410391	24 - 21	2
35-410392	55 - 4	2
35-410395-2	137 - 44	1
35-410395-4	137	1

PART NUMBER	FIGURE AND INDEX NO.	QTY. PER ARTICLE
35-410405	7	1
35-410410-10	7	1
35-410420 SA2	107 - 13	1
35-410420-606	109 - 3	1
35-410422 SA2	12	1
35-410423	12	1
35-410424	12	1
35-410425	12	1
35-410431	102	1
35-410434	123	1
35-410442	137	1
35-410446-45	5 - 1	1
35-410446-79	4 - 5	1
35-410446-79	5 - 1A	1
35-410452-142	5 - 9A	1
35-410452-143	5	1
35-410501-40	104 - 2	1
35-410501-42	104 - 1	1
35-410501-602	104 - 19	1
35-410501-604	104 - 21	1
35-410501-632	104 - 15	1
35-410501-634	104 - 11	1
35-410501-636	104 - 5	1
35-410501-638	104 - 3	1
35-410501-646	104 - 9	1
35-410501-650	104 - 7	1
35-410501-654	104 - 13	1
35-413003-10	6 - 60	1
35-413003-16	6	1
35-413003-18	6	1
35-413003-6	6 - 59	1
35-413003-8	6	1
35-415309-1	101	1
35-415309-2	101	1
35-415310-1	101 - 15	1
35-415310-2	101	1
35-415311	101 - 14	2
35-415312-1	101 - 12	1
35-415312-2	101	1
35-415320	5 - 31	1
35-415330 SA2	5 - 20	1
35-415330 SA24	71 - 27	1
35-415330-10	6 - 52	1
35-415330-10	71	1
35-415330-11	6 - 53	1
35-415330-11	71	1
35-415330-122	76 - 16	1
35-415330-130	6 - 49	1
35-415330-132	6 - 50	1
35-415330-135	6 - 51	1
35-415330-136	6	1
35-415330-136	71	1
35-415330-28	121 - 16	1
35-415330-36	5 - 34	1
35-415330-37	5 - 35	1
35-415330-38	121 - 20	1
35-415330-46	71 - 17	1
35-415330-72	77 - 14A	2
35-415330-73	77 - 14B	2
35-415330-74	86 - 21	1
35-415330-76	86 - 22	1
35-415332	20 - 4	1
35-415333	121 - 18	2
35-415333	122 - 2	1
35-415334-2	6	1
35-415334-7	6	1
35-415340	5 - 12	1
35-415340-1	5	1
35-415341	5 - 14	1
35-415341-1	5	1

MODEL 35 THRU G35 PARTS CATALOG

PART NUMBER	FIGURE AND INDEX NO.	QTY. PER ARTICLE
35-415342	5 - 15	1
35-415342-1	5	1
35-415342-4	76 - 10	1
35-415342-5	76 - 11	1
35-415342-6	76 - 8	1
35-415342-7	76 - 9	1
35-415343-14	5 - 13A	2
35-415343-15	5	2
35-415343-24	5 - 19	1
35-415343-27	5	1
35-415343-6	5 - 13	1
35-415343-602	5 - 10	1
35-415343-603	5	1
35-415343-7	5	1
35-415346	5 - 4	1
35-415346-12	72	1
35-415346-13	72 - 23	1
35-415346-2	72	1
35-415346-6	72 - 20	2
35-415348	5 - 2	1
35-415349	5 - 7	1
35-415350	99	1
35-415350 SA102	5 - 18	1
35-415350 SA2	5	1
35-415350-14	5 - 36	1
35-415350-2	5	1
35-415350-28	5	1
35-415350-36	5 - 37	1
35-415350-4	5 - 18A	1
35-415350-6	5	1
35-415350-602	5	1
35-415350-7	5	1
35-415350-8	5	1
35-415350-9	5	1
35-415352	5 - 8	1
35-415352-1	5	1
35-415359	131 - 5	1
35-415364	5	1
35-415364	72	1
35-415364-1	5	1
35-415364-1	72 - 19	1
35-415367-12	131 - 1	1
35-415367-22	131 - 3	1
35-415367-24	131 - 9	1
35-415367-26	131 - 7	1
35-415367-600	131 -	1
35-415369	71 - 18	1
35-415369-1	71	1
35-415370	131 - 2	2
35-415373	6 - 8	1
35-415374 SA2	6	1
35-415374 SA4	6	1
35-415374 SA6	6	1
35-415376	131	2
35-415377	5 - 17	2
35-415377	72 - 18	2
35-415380-20	105 - 19	1
35-415380-22	105	1
35-415380-30	105 - 20	1
35-415380-602	105 - 5	1
35-415380-604	105 - 9	1
35-415380-608	105 - 1	1
35-415380-610	105 - 3	1
35-415380-616	105 - 15	1
35-415380-620	105 - 13	1
35-415380-645	105	1
35-415381	6	1
35-415395	90	1
35-415395	118 - 5	1
35-415396	102	1

PART NUMBER	FIGURE AND INDEX NO.	QTY. PER ARTICLE
35-415400	132 -	1
35-415400-10	132 - 17	2
35-415400-12	132 - 33	2
35-415400-14	132 - 14	2
35-415400-16	132 - 18	2
35-415400-18	132 - 16	2
35-415400-4	132 - 4	1
35-415400-6	132 - 10	1
35-415400-8	132 - 11	1
35-415401	132 - 19	1
35-415401	133 - 9	1
35-415403	132 - 5	1
35-415410	133	1
35-415410-14	133 - 21	1
35-415410-16	133 - 16	1
35-415410-20	133 - 26	1
35-415410-22	133 - 27	1
35-415410-24	133 - 19	2
35-415410-26	133 - 15	2
35-415410-28	133 - 10	2
35-415410-32	133 - 11	2
35-415410-34	133 - 14	2
35-415410-4	133 - 20	1
35-415410-42	133 - 12	2
35-415410-44	133 - 25	1
35-415510-12	133 - 18	1
35-500	66	1
35-502	120 -	1
35-510091-600	106 - 27	1
35-511	85 -	1
35-511A	85	1
35-521152	22 - C	2
35-521152	24 - 19	2
35-521152-4	22 - 10	2
35-521152-4	24	2
35-521153	22 - B	2
35-521153-2	22 - 8	2
35-521156	20	2
35-521157	20	2
35-521158	24 - 18	1
35-521158-1	24	1
35-521158-2	24	1
35-521158-3	24	1
35-521160-2	14 - A	1
35-521160-2	18 -	REF
35-521173-4	14 - 3	1
35-521173-8	14 - 5	1
35-521174-6	14 - 6	1
35-521174-8	14 - 4	1
35-521176	14 - 1	1
35-521177	14 - 2	1
35-521181	24 - 16	4
35-521183	14	1
35-521183	18	REF
35-521184	18	1
35-521185	18	2
35-521186	24	4
35-521187	24 - 20	2
35-521188	24 - 14	2
35-521189	24 - 15	2
35-521190	24 - 17	4
35-521212	15 - 9	1
35-521212	17 - 1	REF
35-521212-1	15 - 10	1
35-521212-1	17	REF
35-521212-4	17 - 3	1
35-521212-5	17	1
35-521213	17 - 2	2
35-521216	17 - 4	1
35-521216-1	17	1

MODEL 35 THRU G35 PARTS CATALOG

PART NUMBER	FIGURE AND INDEX NO.	QTY. PER ARTICLE
35-521221	16 - 14	2
35-521222	15 - 3	1
35-521225	15 - 1	1
35-521225	19 -	REF
35-521225-14	19 - 13	1
35-521225-16	19 - 14	1
35-521225-2	19 - 12	1
35-521227	19 - 22	1
35-521227-4	19 - 23	1
35-521230	17	2
35-524002	33 - 12	1
35-524002-4	32 - 7	1
35-524003	26	1
35-524003	33	1
35-524003	33	1
35-524004	30 - 6	1
35-524004	31 - 1	REF
35-524004	32 - 21	REF
35-524006	26	2
35-524006	28 - 2	2
35-524007	39	2
35-524011	29 - 1	4
35-524018	29 - 11	1
35-524028	34	1
35-524028	35	1
35-524030	33 - 14	1
35-524038	39	2
35-524038	39	1
35-524041-602	39 -	1
35-524047	39 - 5	2
35-524048	40 - 6	1
35-524048	41 - 8	2
35-524050-6	40 - 1	1
35-524050-6	41 - 10	1
35-524050-8	41 - 11	1
35-524051	40 - 11	1
35-524051-1	40	1
35-524060	29 - 2	2
35-524060-1	29 - 3	2
35-524061	26 - A	1
35-524061	29 -	REF
35-524066	29 - 17	4
35-524087	40 - 2	1
35-524087-8	40	1
35-524095	40 - 14	1
35-524095	41 - 14	1
35-524096	40 - 12	1
35-524096	41 - 13	1
35-524100	38 -	1
35-524102	38 - 1	1
35-524102-1	38 - 2	1
35-524103	38 - 4	1
35-524105	38 - 3	2
35-524106	38 - A	2
35-524106-2	38 - 7	2
35-524108	38 - 6	2
35-524109	26	2
35-524109	27	2
35-524109	30	1
35-524109	32 - 11	REF
35-524111	38 - 5	1
35-524125	39 - 8	1
35-524126	31 - 6	1
35-524126	33	1
35-524126-2	116 - 16	1
35-524136	29 - 20	2
35-524137	29 - 18	1
35-524138	29 - 19	1
35-524139	40 - 9	2
35-524139	41 - 6	4

PART NUMBER	FIGURE AND INDEX NO.	QTY. PER ARTICLE
35-524141	40 - 10	1
35-524141	41 - 7	4
35-524143-6	29 - 6	1
35-524144	29 - 21	1
35-524170	29 - 4	2
35-524170-1	29 - 5	2
35-524171	29	4
35-524174	20 - 1	1
35-524174	22 - A	REF
35-524174-2	22 - 4	1
35-524174-4	22 - 5	1
35-524175	22 - 3	2
35-524183	29 - 12	2
35-524185	28 - 10	2
35-524187	21 -	1
35-524187-2	21 - 1	1
35-524188	21	2
35-524189	21	2
35-524190	134 - 17	1
35-524195	35 - 6	1
35-524196	35	1
35-524197	39	3
35-524199	35	1
35-524202	39 - 2	1
35-524210	14 - 8	1
35-524210	16 -	REF
35-524210-1	14 - 9	1
35-524210-1	16	REF
35-524211	16 - 8	2
35-524212	16 - 6	2
35-524213	16 - 9	2
35-524214	16 - 3	2
35-524215	16 - 4	2
35-524216	16 - 2	2
35-524217	16 - 12	2
35-524218	16 - 10	2
35-524226	34	1
35-524226	35	1
35-524227	39 - 1	1
35-524230	39	1
35-524231	39 - 4	1
35-524233	116 - 18	1
35-524234	31 - 5	1
35-524234	116 - 17	1
35-524238-12	40	1
35-524238-12	41	1
35-524238-4	40 - 15	1
35-524238-4	41 - 16	1
35-524238-6	40 - 16	1
35-524238-6	41 - 17	1
35-524239	35 - 4	1
35-524240	39 - 7	6
35-524241	40 - 5	1
35-524241	41 - 4	1
35-524242	35 - 7	2
35-524245	27 - 3	1
35-524247	30	2
35-524247	31 - 8	REF
35-524247	32 - 4	1
35-524247	33	2
35-524248	30	1
35-524248	31 - 10	REF
35-524249	30 - 13	1
35-524249	32 - 1	REF
35-524258	29	1
35-524261	41	1
35-524261-10	41	1
35-524261-2	41 - 1	1
35-524262	41 - 5	1
35-524262-1	41	1

MODEL 35 THRU G35 PARTS CATALOG

PART NUMBER	FIGURE AND INDEX NO.	QTY. PER ARTICLE
35-524263	27 - 4	1
35-524263-2	27	1
35-524264	39	3
35-524266	30	1
35-524266	32 - 5	REF
35-524269	39	3
35-524274	39 - 6	1
35-524275	29	12
35-524278	39 - 3	1
35-524280	35 -	1
35-524281	35 - 1	1
35-524281-2	35	1
35-524282	35 - 2	1
35-524282-2	35	1
35-524283	35 - 1A	1
35-524283	35 - 2A	1
35-524284	35 - 3	1
35-524285	35 - 5	1
35-524286	35 - 4A	1
35-524287	33	2
35-524287	123 - 23	1
35-524288	33	2
35-524288	123 - 24	1
35-524291	32 - 20	2
35-524291	36 - 1	2
35-524292	32 - 19	1
35-524292	36 - 5	1
35-524294	36 - 2	1
35-524296	30 - 14	1
35-524296	32 - 13	REF
35-524296	36 - 6	1
35-524297	23 - 6	1
35-524297	24 - 8	1
35-524300	29 - 7	1
35-524301	29 - 10	1
35-524302	23 - 2	2
35-524302	24 - 6	2
35-524305	23 - 5	1
35-524305	23 - 10	1
35-524305	24 - 7	1
35-524305	24 - 9	1
35-524308	29	4
35-524309	23 - 8	1
35-524309	24 - 3	1
35-524314	24 -	1
35-524314-6	24 - 1	1
35-524314-8	24	1
35-524367	29 - 8	1
35-524367-1	29 - 9	1
35-524368	29	1
35-524369	35	1
35-524370	35	1
35-524371	35	1
35-524372	35	1
35-524373	35	1
35-524375	35	1
35-524376	36	1
35-524380	36	1
35-524381	36	1
35-524383	36	1
35-524384	36	2
35-524385	30	1
35-524385	31	REF
35-524385	32	REF
35-524389	35	1
35-524531-2	34 - 5	1
35-524532	34 - 2	1
35-524532	116 - 22	1
35-524538	34	1
35-524539	34 - 3	1

PART NUMBER	FIGURE AND INDEX NO.	QTY. PER ARTICLE
35-524542	34 - 1	1
35-524542	116 - 21	1
35-524543	34	1
35-524546	34 - 4	1
35-524547	34	1
35-524550	34	1
35-524553	34 - 7	2
35-524554	34 - 8	1
35-524555	34	1
35-524575 SA6	41 -	1
35-524575 SA8	41	1
35-524576	40 - 8	1
35-524576	41 - 9	2
35-524585 SA40	40	1
35-524585 SA50	40	1
35-524585 SA8	40 -	1
35-524587	40	1
35-524587	41	2
35-524587-2	40	1
35-524587-2	41	2
35-524587-2	41	1
35-524591-10	40 - 1A	1
35-524591-10	41 - 10A	1
35-524591-12	41 - 11A	1
35-524591-28	40 - 1B	1
35-524591-28	41 - 10B	1
35-524591-30	41 - 11B	1
35-524607	137 - 39	1
35-524630	137	1
35-534012	106	2
35-534014	109 - 26	1
35-534016	108	1
35-534041-10	106 - 8	1
35-534041-100	106 - 1	1
35-534041-102	106 - 36	1
35-534041-102	108 - 36	1
35-534041-106	106 - 37	1
35-534041-106	108 - 37	1
35-534041-116	106 - 4	1
35-534041-122	104 - 4	1
35-534041-124	104 - 10	1
35-534041-126	106 - 15	1
35-534041-132	106 - 12	1
35-534041-168	105	1
35-534041-170	105	1
35-534041-192	104 - 14	1
35-534041-2	106 - 9	1
35-534041-232	106 - 28	1
35-534041-26	106 - 14	1
35-534041-276	106	1
35-534041-278	107 - 6	1
35-534041-288	107 - 5	1
35-534041-34	106 - 16	1
35-534041-36	106 - 7	1
35-534041-46	106 - 6	1
35-534041-74	106 - 11	1
35-534041-78	106	1
35-534041-80	104 - 6	1
35-534041-82	104 - 8	1
35-534041-90	106	1
35-534041-92	104 - 12	1
35-534041-94	104 - 16	1
35-534041-94	105 - 6	1
35-534041-96	104 - 22	1
35-534041-96	105 - 2	1
35-534041-98	104 - 20	1
35-534041-98	105 - 4	1
35-534043	106 - 5	1
35-534051	105 - 23	2
35-534052	60	1

MODEL 35 THRU G35 PARTS CATALOG

PART NUMBER	FIGURE AND INDEX NO.	QTY. PER ARTICLE
35-534052	109 - 25	1
35-534053	104 - 23	4
35-534053	105 - 24	2
35-534053	106	2
35-534057	101 - 10	4
35-534061	101 - 9	4
35-534063	101 - 11	4
35-534064	101 - 8	4
35-534065	107 - 10	1
35-534065-6	109 - 24	1
35-534067	106 - 34	1
35-534067	108 - 32	1
35-534067	108 - 34	1
35-534067-5	122 - 5	1
35-534079	106 - 26	2
35-534079	108 - 26	2
35-534090	106 - 25	2
35-534090	108 - 25	2
35-534123	12	4
35-534151	103	1
35-534151-14	103 - 4	1
35-534152	103	1
35-534152-24	103 - 7	1
35-534152-48	103 - 8	1
35-534155	103 - 5	1
35-534156	103 - 6	1
35-534157	103	18
35-534157	103	30
35-534157	103	60
35-534157	103	30
35-534157	103	28
35-534157	103	32
35-534157	103	16
35-534158	103	2
35-534158-14	103 - 2	1
35-534161	103	2
35-534161-2	103	1
35-534162	103	1
35-534162-2	103	1
35-534163	103	1
35-534163-20	103	1
35-534164	103	1
35-534164-18	103	1
35-534166	103	1
35-534167	103	1
35-534168	103	1
35-534181	103	1
35-534181-14	103	1
35-534186	103	1
35-534186-10	103 - 10	1
35-534187	103	1
35-534191	108	1
35-534191-602	106	1
35-534192	108 - 18	1
35-534192-10	108	1
35-534192-14	108 - 19	1
35-534192-8	106 - 18	1
35-534192-8	106 -	1
35-534193	108 - 21	1
35-534194	103	1
35-534194-10	103 - 13	1
35-534195	103	1
35-534200 SA56	107 - 1	1
35-534200-36	105 - 16	1
35-534200-40	105 - 14	1
35-534200-42	105 - 10	1
35-534200-48	105	1
35-534200-50	105	1
35-534200-52	105	1
35-534200-602	106 - 40	2

PART NUMBER	FIGURE AND INDEX NO.	QTY. PER ARTICLE
35-534200-602	106 - 41	1
35-534200-604	106	1
35-534200-62	106	1
35-534200-636	106	1
35-534200-646	106	1
35-534200-656	106 - 2	1
35-534200-666	106 - 3	1
35-534200-666	107 - 2	1
35-534200-700	106	1
35-534200-84	106	1
35-534200-842	107 - 4	1
35-534200-845	107 - 3	1
35-534204	103 - 1	1
35-534205	103 - 3	1
35-534206	103 - 9	1
35-534206	103 - 12	1
35-534207	103	1
35-534207	103	1
35-534208	103	1
35-534208-2	103	1
35-534209	103	1
35-534231	107	1
35-534232	107 - 8	1
35-534233	107 - 7	3
35-534234	107	5
35-534235	107	1
35-534242	109 - 8	2
35-534247	103	1
35-534247-1	103	1
35-534255	103	1
35-534255-28	103	1
35-534256	103	1
35-534256-28	103	1
35-534257	103	1
35-534261	103	1
35-534261-2	103	1
35-534262	103	2
35-534262-2	103	1
35-534265	103	1
35-534266	103	1
35-534267	103 - 14	2
35-534269-13	103	2
35-534269-15	103	2
35-534275	103	1
35-534300-10	108 - 12	1
35-534300-102	108 - 30	1
35-534300-104	108	1
35-534300-106	108 - 29	1
35-534300-114	108 - 2	1
35-534300-126	106 - 45	1
35-534300-126	108 - 4	1
35-534300-132	108 - 1	1
35-534300-154	104 - 17	1
35-534300-154	105 - 7	1
35-534300-155	104 - 18	1
35-534300-155	105 - 8	1
35-534300-156	108 - 14	1
35-534300-166	106 - 13	1
35-534300-166	108 - 13	1
35-534300-176	105	1
35-534300-178	105	1
35-534300-180	105	1
35-534300-182	105	1
35-534300-184	105	1
35-534300-190	105	1
35-534300-194	105	1
35-534300-196	105	1
35-534300-198	105	1
35-534300-2	108 - 9	1

MODEL 35 THRU G35 PARTS CATALOG

PART NUMBER	FIGURE AND INDEX NO.	QTY. PER ARTICLE
35-534300-204	105	1
35-534300-208	105	1
35-534300-216	108 - 11	1
35-534300-238	108 - 10	1
35-534300-238	109 - 5	1
35-534300-24	108 - 8	1
35-534300-244	106 - 46	1
35-534300-254	108	1
35-534300-262	108	1
35-534300-264	108	1
35-534300-266	108	1
35-534300-272	108	1
35-534300-274	108	1
35-534300-276	108	1
35-534300-34	108 - 15	1
35-534300-42	108 - 16	1
35-534300-44	108 - 17	1
35-534300-54	108 - 3	1
35-534300-611	108	1
35-534300-613	108	1
35-534300-62	108 - 7	1
35-534300-70	108	1
35-534300-72	108 - 27	1
35-534300-84	108 - 28	1
35-534300-94	108 - 6	1
35-534303-605	106	1
35-534303-609	106	1
35-534304-101	109 - 22	1
35-534304-103	109 - 21	1
35-534304-11	109 - 17	1
35-534304-113	109 - 10	1
35-534304-121	109 - 16	1
35-534304-131	109 - 1	1
35-534304-139	109 - 9	2
35-534304-21	109 - 6	1
35-534304-53	109 - 13	1
35-534304-57	109 - 19	1
35-534304-603	103	1
35-534304-604	103	1
35-534304-605	103	1
35-534304-606	109 - 20	1
35-534304-614	109 - 7	1
35-534304-618	109 - 11	1
35-534304-621	109 - 12	1
35-534304-622	109 - 4	1
35-534304-624	105 - 11	1
35-534304-625	105	1
35-534304-626	105 - 17	1
35-534304-627	105	1
35-534304-628	105	1
35-534304-629	105 - 21	1
35-534304-630	105 - 12	1
35-534304-631	105 - 18	1
35-534304-632	105 - 22	1
35-534304-633	105	1
35-534304-634	105	1
35-534304-635	105	1
35-534304-636	105	1
35-534304-637	105	1
35-534304-638	105	1
35-534304-639	105	1
35-534304-640	105	1
35-534304-642	103 - 11	1
35-534304-643	103	1
35-534304-646	105	1
35-534304-647	105	1
35-534304-648	105	1
35-534304-649	105	1
35-534304-650	105	1
35-534304-651	105	1

PART NUMBER	FIGURE AND INDEX NO.	QTY. PER ARTICLE
35-534304-652	105	1
35-534304-654	109 - 18	1
35-534304-81	109 - 2	1
35-534304-85	109 - 14	1
35-534304-93	109 - 15	1
35-534304-97	109 - 23	1
35-534305-69	106 - 44	1
35-534315	137	1
35-534321	103	2
35-534321	103	2
35-534321-14	103	1
35-534321-2	103	2
35-534322	103	1
35-534324	103	1
35-534324-14	103	1
35-534324-2	103	1
35-534325	103	1
35-534325-10	103	1
35-534325-28	103	1
35-534326	103	1
35-534326-10	103	1
35-534327-603	103 - 16	1
35-534327-604	103	1
35-534337	108	2
35-534338	108	2
35-534340-254	106	1
35-534340-258	106	1
35-534340-268	106	1
35-534340-276	106	1
35-534341-166	105	1
35-534342	108	1
35-534344	103	1
35-534348-1	103 - 17	1
35-534348-2	103	1
35-534352	137 - 46	1
35-534353	137 - 10	1
35-534355-1	103	1
35-534355-636	103	2
35-534356	103 - 15	1
35-534360-1	103	1
35-534360-11	103	1
35-534361-2	103	1
35-534361-32	103	1
35-534370-1	103	1
35-534370-2	103	1
35-550022-600	121 - 17	2
35-550023	121	2
35-550024	121	2
35-550026	121 - 7	1
35-550026-14	121	1
35-550026-18	121 - 8	1
35-550026-20	121	1
35-550026-24	121	1
35-550026-26	121 - 9	1
35-550026-28	121 - 10	1
35-550026-30	121	1
35-550026-30	121	1
35-550026-32	121	1
35-550034	121 - 11	1
35-550035	121 - 12	1
35-550040-618	121	1
35-550040-620	121	1
35-550099	137 - 19	1
35-550501-2	121 - 19	1
35-550502-601	121 - 1	1
35-550503-2	121 - 3	1
35-550503-4	121 - 6	1
35-550514	121 - 25	1
35-550518-22	121	1
35-550518-26	121 - 24	1

MODEL 35 THRU G35 PARTS CATALOG

PART NUMBER	FIGURE AND INDEX NO.	QTY. PER ARTI- CLE
35-550518-28	121 - 21	1
35-550518-30	121 - 22	1
35-550518-32	121 - 23	1
35-550520	102 - 25	2
35-550520	121	1
35-550523	121 - 30	1
35-550525	121 - 29	1
35-550526	121 - 28	1
35-550541-2	122 - 3	1
35-550554	122 - 4	1
35-550558	121	1
35-574009-600	106 - 31	1
35-574009-600	108 - 31	1
35-590002	134 - 16	1
35-590006	134 - 8	1
35-590007	134 - 10	1
35-590009	134 - 9	1
35-590017	134	1
35-590021	134 - 2	1
35-590023	134	1
35-590028	135 - 4	1
35-590049-16	135 - 8	1
35-590049-30	135 - 9	1
35-590049-4	135 - 7	1
35-590049-5	135	1
35-590049-7	135	1
35-590049-71	135	1
35-590049-8	135 - 6	1
35-590049-94	135 - 11	1
35-590049-95	135 - 10	1
35-590049-95	135	1
35-590049-97	135 - 12	1
35-590051-14	135	1
35-590051-4	135	1
35-590051-5	135	1
35-590051-7	135	1
35-590051-94	135	1
35-590057-11	135	1
35-590057-3	135 - 1	1
35-590057-4	135	1
35-590057-5	135	1
35-590057-7	135	1
35-590057-94	135	1
35-590057-95	135	1
35-590061-1	135	1
35-590061-2	135	1
35-590061-3	135 - 2	1
35-590061-4	135	1
35-590061-5	135	1
35-590061-6	135	1
35-590069-12	135	1
35-590069-22	135	1
35-590069-3	135 - 3	1
35-590069-4	135	1
35-590069-5	135	1
35-590069-8	135	1
35-590070-3	102 - 10	1
35-590071-12	135	1
35-590071-2	135	1
35-590071-3	135	1
35-590071-4	135	1
35-590071-5	135	1
35-590072-1	135	1
35-590072-2	135	1
35-590072-3	135	1
35-590072-4	135	1
35-590072-5	135	1
35-590072-6	135	1
35-590074-1	88	1
35-590077-1	88	1

PART NUMBER	FIGURE AND INDEX NO.	QTY. PER ARTI- CLE
35-600002	12 - 13	1
35-600003	12	2
35-600003	12	2
35-650001-6	12 - 16	2
35-650001-602	12 -	1
35-650001-603	12	1
35-650001-604	12 - 1	1
35-650001-605	12	1
35-650001-606	12 - 2	1
35-650001-607	12	1
35-650009-2	13 - 1A	1
35-650009-20	13 - 14	2
35-650009-3	13	1
35-650009-34	13 - 2A	1
35-650009-37	13	1
35-650009-5	13	1
35-650009-58	13 - 11	2
35-650009-6	13	1
35-650009-602	13 -	1
35-650009-603	13	1
35-650009-604	13 - 1	1
35-650009-605	13	1
35-650009-606	13 - 2	1
35-650009-607	13	1
35-650010-20	13	2
35-650010-22	13 - 8	2
35-650010-8	13 - 2B	2
35-650017-2	13 - 5	16
35-650017-4	13 - 4	16
35-650021	12 - 3	2
35-650021-1	12 - 4	2
35-650050-10	37 - 8	2
35-650100-4	12 - 5A	1
35-650100-5	12	1
35-650112	12 - 14	2
35-650113-8	12	1
35-650113-9	12	1
35-650120	12 - 5	4
35-650120	12 - 6	2
35-650120-6	12	2
35-650121	12 - 7	2
35-650121	13 - 10	2
35-650121-6	12	2
35-650122	13 - 9	2
35-650133	13 - 1B	2
35-660031	12 - 10	1
35-660031-1	12	1
35-660033	12 - 11B	2
35-660033	37 - 9	4
35-660040	12 - 9	NP
35-660040	12	1
35-660040	13	1
35-660040-1	12	1
35-660040-1	13	1
35-660040-14	12 - 11A	4
35-660040-2	12 - 11	2
35-660040-26	12 - 9A	2
35-660040-26	13 - 12A	2
35-660040-32	12	2
35-660040-40	12	2
35-660040-40	13	2
35-660040-48	12 - 15	2
35-660040-48	13 - 13	2
35-660040-52	12	1
35-660040-52	13 - 15	1
35-660040-53	12	1
35-660040-53	13	1
35-660040-607	12	1
35-660040-607	13 - 12	1
35-660040-608	12	1

MODEL 35 THRU G35 PARTS CATALOG

PART NUMBER	FIGURE AND INDEX NO.	QTY. PER ARTICLE
35-660040-608	13	1
35-660040-8	37 - 10	2
35-810072	43 - 25	2
35-810072	44 - 25	2
35-810072	45 - 25	2
35-810075	60	1
35-810080-6	60 - 39	1
35-810080-602	60 -	1
35-810083	60 - 21	1
35-810084	60 - 12	1
35-810087	60 - 16	1
35-810088	60 - 20	1
35-810091	60 - 33	1
35-810093	60 - 25	1
35-810094	60	1
35-810094-2	60 - 1	1
35-810094-6	60 - 2	1
35-810094-8	60 - 3	1
35-810095	60 - 4	1
35-810096	60 - 5	1
35-810097	60 - 15	4
35-810116	60 - 28	1
35-810117	60 - 24	1
35-810119	60 - 17	1
35-810122	42 - 15	2
35-810122	56 - 34	1
35-810130	60 - 32	1
35-810131	60 - 35	1
35-810135	60	1
35-810136	60	1
35-810139	60	1
35-810140	60	1
35-810141	60	1
35-810142	60	1
35-810145	60	1
35-810150	44	1
35-810150-1	44	1
35-810150-2	44 - 13	2
35-810150-2	45 - 13	2
35-810150-4	45	1
35-810150-5	45	1
35-810154	44	2
35-810158	45	1
35-810159	45	1
35-815001-10	45 -	1
35-815001-11	45	1
35-815001-700	47 -	1
35-815001-701	47	1
35-815004	43 - 35	1
35-815004	44 - 35	1
35-815004	45 - 35	1
35-815004	62 - 9	1
35-815004-1	43	1
35-815004-1	44	1
35-815004-1	45	1
35-815004-1	62	1
35-815004-4	43	1
35-815004-4	44	1
35-815004-4	45	1
35-815004-5	43	1
35-815004-5	44	1
35-815004-5	45	1
35-815006-10	65	1
35-815006-12	65	1
35-815006-13	65	1
35-815006-4	65	2
35-815006-6	65	2
35-815006-8	65	1
35-815007-2	46 - 22	2
35-815007-4	46 - 21	2

PART NUMBER	FIGURE AND INDEX NO.	QTY. PER ARTICLE
35-815013	43 - 19	2
35-815014	43 - 21	4
35-815016	46 - 4	1
35-815016-1	46	1
35-815018	64 -	1
35-815018	65 - 15	1
35-815018	66 - 23	1
35-815018-2	64 - 1	1
35-815018-4	64 - 3	1
35-815018-6	64 - 4	1
35-815018-8	64 - 5	1
35-815020	60 - 13	1
35-815021	43 - 8	1
35-815021-1	43	1
35-815023	43 - 27	2
35-815023	44 - 27	2
35-815023	45 - 27	2
35-815024-10	66	1
35-815024-12	66	2
35-815024-13	66	1
35-815024-8	66	1
35-815025	65 - 15	1
35-815025	66 - 16	2
35-815026	65 - 13	1
35-815026	66 - 15	1
35-815027	66 - 12	1
35-815028	66 - 11	1
35-815029	65 - 14	1
35-815029	66 - 18	1
35-815034	64 - 10	1
35-815037	65 - 7	1
35-815038	43 - 32	2
35-815038	44 - 32	2
35-815038	45 - 32	2
35-815038	62 - 2	2
35-815043	62 - 5	1
35-815044	62	1
35-815045	65 - 1	1
35-815046	66 - 5	1
35-815047	66 - 22	1
35-815048	65 - 9	1
35-815048	66 - 19	1
35-815049	65	2
35-815053	65 - 2	1
35-815053	66	1
35-815054	65 - 3	1
35-815054	66	1
35-815055-10	46 - 11	1
35-815055-11	46	1
35-815055-12	46 - 12	1
35-815055-13	46	1
35-815055-14	46	4
35-815055-15	46 - 13	4
35-815055-4	46 -	1
35-815055-5	46	1
35-815055-6	46 - 1	1
35-815055-68	46 - 10	1
35-815055-69	46	1
35-815055-7	46	1
35-815056	46 - 16	4
35-815056-2	46 - 18	4
35-815057	66 - 8	1
35-815058	66	1
35-815059	66 - 21	1
35-815060	43 - 9	2
35-815067	66 - 20	1
35-815068-601	65 - 10	1
35-815068-601	66 - 14	1
35-815069	65 - 8	1
35-815071	65 - 11	1

MODEL 35 THRU G35 PARTS CATALOG

PART NUMBER	FIGURE AND INDEX NO.	QTY. PER ARTICLE
35-815072	65 - 12	1
35-815072	66 - 17	1
35-815073	66 - 2	1
35-815074	66 - 3	1
35-815075	46 - 2	1
35-815075-1	46	1
35-815077	69 - 2	1
35-815077-1	69	1
35-815077-2	69	1
35-815077-3	69	1
35-815077-4	69	2
35-815078	69	2
35-815079	69 - 1	2
35-815080-2	43 - 13	2
35-815080-602	42 - 22	1
35-815080-602	43 -	1
35-815080-603	42	1
35-815080-603	43	1
35-815081	43	2
35-815081	44	2
35-815081	45	2
35-815082	43 - 5	2
35-815083	43 - 3	2
35-815084	43 - 4	2
35-815086	69 - 3	1
35-815086-1	69	1
35-815088-10	44 - 3	2
35-815088-10	45 - 3	2
35-815092	65	1
35-815092	66	1
35-815094	65	1
35-815094	66	1
35-815095	65	1
35-815095	66	1
35-815096	65	1
35-815096	66	2
35-815101-2	46 - 30	2
35-815102	42 - 11	1
35-815102-1	42	1
35-815109	69 - 6	2
35-815110	43 - 1	1
35-815110-1	43	1
35-815111	60	1
35-815115	69 - 4	2
35-815116	46 - 26	2
35-815117	46 - 31	2
35-815118	46	2
35-815120	42 - 17	2
35-815123	42 - 18	2
35-815124	42 - 21	2
35-815125-12	42 - 8	1
35-815125-14	42	1
35-815125-2	42 - 1	1
35-815125-4	42	1
35-815129	42 - 14	2
35-815131	42 - 6	2
35-815133	56 - 13	1
35-815144	56 - 14	1
35-815144	106 - 39	1
35-815144	108 - 39	1
35-815144-2	56	1
35-815145	106	1
35-815146	106	1
35-815147	56 - 37	1
35-815147	106	1
35-815148	56 - 16	1
35-815148-1	137 - 34	1
35-815148-3	137	1
35-815148-5	56	1
35-815148-5	137	1

PART NUMBER	FIGURE AND INDEX NO.	QTY. PER ARTICLE
35-815148-7	137	1
35-815148-9	137	1
35-815155 SA2	42	1
35-815155 SA3	42	1
35-815156	69 - 7	1
35-815156-1	69	1
35-815159	66	1
35-815160	66	1
35-815172	65 - 19	1
35-815174	43	2
35-815174-600	43 - 17	4
35-815175	43	2
35-815176	66	1
35-815177	66	1
35-815178	66	1
35-815180	65 - 17	1
35-815180	66 - 1	1
35-815182	44	2
35-815182	44	2
35-815182	45 - 28	2
35-815182	45	2
35-815182-1	45 - 30	2
35-815183	46 - 32	1
35-815185	65	1
35-815186	66	1
35-815189	65	1
35-815190	65	1
35-820027	50 - 14	1
35-820028	50 - 16	1
35-820045	51	1
35-820062	50 - 12	4
35-820094	56 - 6	1
35-820094-4	56 - 7	1
35-820095	56 - 9	1
35-820111	50 - 4	2
35-820113	50 - 6	1
35-825001-2	49 -	1
35-825001-8	49	1
35-825001-800	52 -	1
35-825005	51 - 20	1
35-825006	51	1
35-825007	51 - 19	1
35-825008	5 - 3	1
35-825008	51 - 24	1
35-825011	51 - 17	1
35-825012	51 - 16	1
35-825012-4	51	1
35-825023	49 - 4	1
35-825024	51 - 26	1
35-825029	49 - 1	2
35-825032	50 - 36	1
35-825035	51 - 22	1
35-825037	51 - 15	1
35-825044-4	51 - 2	1
35-825045	51 - 21	1
35-825046	51 - 23	1
35-825049	51 - 4	1
35-825051	51 - 5	1
35-825052	51 - 3	1
35-825053	51 - 18	2
35-825054	51 - 1	1
35-825054-2	51	1
35-825060	50 - 10	2
35-825064	49 - 14	1
35-825072	56 - 27	1
35-825072-10	56 - 28	1
35-825074-1	55 - 12	1
35-825075	56	1
35-825075-2	56	1
35-825076	56 - 18	1

MODEL 35 THRU G35 PARTS CATALOG

PART NUMBER	FIGURE AND INDEX NO.	QTY. PER ARTI-CLE
35-825077	56	1
35-825078	56	1
35-825078	56 - 39	1
35-825080	56 - 31	1
35-825081	56	2
35-825081	56 - 38	2
35-825082	57	1
35-825084	56 - 36	1
35-825087 SA2	56 - 40	1
35-825087-6	56 - 21	1
35-825087-8	56 - 20	1
35-825089	56	1
35-825090	50 - 28	1
35-825092	50 - 20	1
35-825094	56 - 23	1
35-825096	56 -	1
35-825096	57 - 15	1
35-825096-4	56 - 1	1
35-825100	49 - 9	1
35-825100	50 -	1
35-825100-2	50 - 30	1
35-825100-4	50 - 29	2
35-825100-6	50	1
35-825101	50 - 21	1
35-825102	50 - 35	1
35-825106	50 - 13	1
35-825107	56	1
35-825108	56 - 26	1
35-825110	50 - 1	1
35-825111	56 - 11	1
35-825112	50 - 5	2
35-825115	50 - 40	1
35-825117-4	55 - 11	1
35-825119	55 - 14	2
35-825121-4	55 - 8	2
35-825123	56 - 29	2
35-825125-602	50 - 39	1
35-825129	49 - 10	1
35-825145	49 - 13	1
35-825145	50 - 45	1
35-825145	54 -	1
35-825146	54 - 1	1
35-825147	54 - 5	1
35-825148	54 - 2	1
35-825151	54 - 7	2
35-825152	54 - 3	2
35-825153	50 - 32	1
35-825160	51 -	REF
35-825161	51 - 6	1
35-825162	51 - 14	1
35-825163	51 - 9	1
35-825164	51 - 11	1
35-825165	51 - 8	1
35-825166	51	1
35-825170	51 - 29	1
35-825171	51 - 28	1
35-825172-2	57 - 14	1
35-825172-2	60 - 37	1
35-825173	51	1
35-825175	49 - 3	1
35-825185	56	1
35-825185-4	56	1
35-825188	56 - 22	1
35-825192	136 - 3	1
35-850128	77 - 12	1
35-910002	72	1
35-910053	76 - 1	1
35-910053	76 - 6	1
35-910053-1	76 - 2	1
35-910056	76 - 3	1

PART NUMBER	FIGURE AND INDEX NO.	QTY. PER ARTI-CLE
35-910056-1	76 - 4	1
35-910057	76 - 5	1
35-910058	76 - 7	2
35-910100	71 -	1
35-910100-602	71 - 1	1
35-910100-603	71	1
35-910102	71 - 12	1
35-910103	71 - 11	1
35-910103-1	71	1
35-910104	71	1
35-910107	71 - 10	8
35-910108	71 - 13	2
35-910108	132 - 9	1
35-910108	133 - 24	1
35-910109	71	2
35-910109	132 - 6	1
35-910121	89 - 2	1
35-910122	89 - 4	1
35-910123	89 - 5	1
35-910124	90 - 3	2
35-910131	90 - 6	1
35-910132	90 - 2	1
35-910133	90 - 4	1
35-910134	90 - 5	1
35-910135	90	1
35-910136	90	1
35-910150	71	1
35-910150-10	71	1
35-910150-11	71	1
35-910150-14	71	1
35-910150-14	71	1
35-910150-16	71 - 6	1
35-910150-17	71	1
35-910150-18	71 - 7	1
35-910150-19	71	1
35-910150-20	71 - 8	1
35-910150-21	71	1
35-910150-22	71 - 9	1
35-910150-24	71	1
35-910150-26	71 - 4	1
35-910150-28	71 - 5	1
35-910150-6	71	1
35-910150-602	71	1
35-910150-603	71	1
35-910150-7	71	1
35-910150-8	71	1
35-910150-9	71	1
35-910160	71	1
35-910160-14	71 - 28	1
35-910160-16	71 - 2	1
35-910160-602	71	1
35-910160-603	71	1
35-910160-8	71	1
35-910201-604	72 - 8	1
35-910201-604	73 -	1
35-910215	73 - 13	2
35-910215	74 - 12	2
35-910216	73 - 15	2
35-910216	74 - 9	2
35-910217	73 - 2	2
35-910217	73 - 6	2
35-910218	73 - 3	6
35-910218	73 - 7	6
35-910224	71 - 14	1
35-910226-2	5 - 1B	1
35-910227-10	82	1
35-910227-12	82	1
35-910227-2	82 - 11	1
35-910227-4	82 - 12	1
35-910227-7-650	82 - 13	1

MODEL 35 THRU G35 PARTS CATALOG

PART NUMBER	FIGURE AND INDEX NO.	QTY. PER ARTICLE
35-910227-8	82	1
35-910230	73 - 1	1
35-910230-4	73 - 4	1
35-910230-6	73	1
35-910231	73 - 5	1
35-910231-4	73 - 8	1
35-910231-6	73	1
35-910232	72 - 7	1
35-910232	75 -	1
35-910232-10	75 - D	1
35-910232-14	75 - 1	1
35-910232-16	75 - 6	1
35-910232-18	75 - 2	1
35-910232-20	75 - 3	1
35-910232-21	75 - 13	1
35-910232-22	75 - 4	1
35-910232-24	75 - 5	1
35-910232-26	75	1
35-910232-30	75 - 14	1
35-910232-34	75 - 11	1
35-910232-4	75 - A	1
35-910232-40	75 - 9	1
35-910232-42	75 - 12	1
35-910232-44	75 - 10	2
35-910232-44	75 - 15	1
35-910232-44	75	2
35-910232-48	75 - 18	1
35-910232-6	75 - C	1
35-910232-8	75 - B	1
35-910233	73 - 17	1
35-910233	74 - 15	1
35-910233-4	73 - 18	1
35-910234-10	73 - 10	2
35-910234-10	74 - 6	1
35-910234-12	73 - 9	1
35-910234-4	73 - 11	1
35-910234-6	73 - 12	4
35-910234-6	74 - 8	4
35-910238-6	71 - 20	4
35-910238-8	71 - 21	2
35-910238-9	71	2
35-910239	72	1
35-910240	72	1
35-910240	117 - 22	1
35-910242	75 - 17	1
35-910243	75	1
35-910244	71 - 19	2
35-910245	88 - 13	1
35-910245	117	1
35-910246	72	1
35-910246	75	1
35-910246-4	75	1
35-910246-6	75	1
35-910248	75	2
35-910252	75 - 16	1
35-910252	131 - 4	1
35-910256	74	1
35-910257	74 - 3	2
35-910258	74 - 2	1
35-910259	72	1
35-910261-604	72	1
35-910262	72	1
35-910262	74 - 1	REF
35-910263	72	1
35-910264	72	1
35-910265	72	1
35-910266-6	74 - 10	1
35-910267-6	74 - 11	1
35-910268	74 - 7	1
35-910274	74	1

PART NUMBER	FIGURE AND INDEX NO.	QTY. PER ARTICLE
35-910275	5 - 28	1
35-910280	74 - 4	1
35-910287	72	1
35-910287	88	1
35-910296	137 - 27	1
35-911944-600	99 -	1
35-919024	82	1
35-919024	83	1
35-919106	82 - 3	1
35-919107	82	1
35-919108	82	1
35-919109	82 - 6	1
35-919118	82 - 8	1
35-919118	83	1
35-919118	84	1
35-919123	82 - 5	1
35-919124	82	1
35-919124-10	82	1
35-919124-12	82 - 7	1
35-919124-8	82	1
35-919125	82	1
35-919126	82	1
35-919133	83	1
35-919133	84	1
35-919135	83 - 2	1
35-919136	83	1
35-919136	84	1
35-919137	83 - 5	1
35-919138-1	83 - 6	1
35-919138-1	84 - 6	1
35-919139	83	1
35-919139	84	1
35-919140-4	83	2
35-919141	83 - 4	1
35-919143	83 - 7	1
35-919143	84 - 7	1
35-919146	84 - 5	1
35-919149-2	84 - 4	1
35-921105	78 - 8	2
35-921159	80 - 20	1
35-921163	80 - 18	1
35-921166	80 - 13	1
35-921167	80 - 16	1
35-921168	80 - 11	1
35-921171	78 - 10	1
35-921171	80 -	1
35-921172	80 - 3	1
35-921174	80	1
35-921175	80	1
35-921176	80 - 27	4
35-921176	80	5
35-921177	80 - 26	5
35-921178	80 - 37	1
35-921181	80 - 38	1
35-921181	81 - 25	1
35-921184	80	1
35-921185	80 - 28	1
35-921192	80	1
35-921193	80 - 21	1
35-921197	80 - 36	1
35-921198	80	1
35-921201	80 - 22	1
35-921210	82 - 1	1
35-921210	83 - 1	1
35-921218-1	78	1
35-921218-2	78	1
35-921221	78	1
35-921221	79 -	REF
35-921221-19	79 - 32	2
35-921221-21	79 - 29	2

MODEL 35 THRU G35 PARTS CATALOG

PART NUMBER	FIGURE AND INDEX NO.	QTY. PER ARTI-CLE
35-921221-23	79 - 34	1
35-921221-24	79	1
35-921221-25	79 - 35	1
35-921221-26	79	1
35-921221-27	79 - 36	1
35-921221-28	79	1
35-921221-3	79 - 5	2
35-921221-37	79 - 21	1
35-921221-39	79 - 22	1
35-921221-43	79 - 38	1
35-921221-45	79 - 39	1
35-921221-47	79 - 41	1
35-921221-49	79 - 24	1
35-921221-51	79 - 2	1
35-921221-52	79	1
35-921221-59	79 - 28	1
35-921221-60	79	1
35-921221-63	79 - 9	1
35-921221-64	79	1
35-921221-65	79 - 14	1
35-921221-66	79	1
35-921221-67	79 - 16	1
35-921221-68	79	1
35-921221-69	79 - 19	1
35-921221-70	79	1
35-921222-1	79 - 1	1
35-921222-2	79	1
35-921225-1	137 - 26	1
35-921225-3	137	1
35-921226	78	1
35-921226	79	2
35-921502	78	2
35-921502	79 - 6	2
35-921503	78	2
35-921503	79 - 3	2
35-921509-1	78	1
35-921517-1	78 - 6	1
35-921522	78 - 3	2
35-921526-2	78 - 2	2
35-921526-2	85	1
35-921532	79 - 12	2
35-921533	79 - 13	2
35-921540	78 -	1
35-921540-1	78	1
35-924051	78 - 23	1
35-924052	78 - 11	1
35-924053	78 - 12	1
35-924054	78 - 7	1
35-924055	78 - 22	1
35-924056	78	1
35-924058	78 - 16	1
35-924059	78	1
35-924060	78 - 5	1
35-924065	78	1
35-924065	80	1
35-924067	80 - 2	1
35-924068	80 - 12	1
35-924069	80 - 1	1
35-924070-600	80 - 4	1
35-924074	81 - 1	1
35-924096	81 - 17	6
35-924097	81 - 18	6
35-924100-1	78	1
35-924100-602	80	1
35-924100-602	137 - 51	1
35-924116	78	1
35-924118	78 - 9	1
35-924120	78 - 9A	1
35-924121	78	1
35-924123-2	137 - 36	1

PART NUMBER	FIGURE AND INDEX NO.	QTY. PER ARTI-CLE
35-924123-4	137	1
35-924126	78 - 18	1
35-924126	117 - 25	1
35-924127	78 - 19	1
35-924127	117	1
35-924129	78 - 15	1
35-924133-2	137 - 37	1
35-924133-4	137	1
35-924138-2	137	1
35-924138-4	137	1
35-924138-6	137	1
35-924138-8	137	1
35-924139-2	137	1
35-924139-4	137	1
35-924139-6	137	1
35-924139-8	137	1
35-924142	78	1
35-924146	78	1
35-924147	78 - 21	1
35-924157	78	1
35-924161 SA4	85 - 1	1
35-924161-14	85 - 5	1
35-924162	85	1
35-924171	85 - 2	1
35-924172	85	1
35-924173	85	1
35-924175	85	1
35-924176-2	137 -	1
35-924176-4	137	1
35-924182	85 - 7	1
35-924183	85	1
35-924184	85 - 6	1
35-924185	137	1
35-924213	137 - 28	1
35-924222	79 - 26	1
35-924223	85	1
35-924224	85	1
35-924229	81 - 31	1
35-924230	78	1
35-924230	81 -	1
35-924230-1	78	1
35-924230-1	81	1
35-924231	81 - 35	1
35-924232-1	81 - 2	1
35-924234	81 - 11	2
35-924235	81 - 29	1
35-924235-3	81	1
35-924236	81 - 9	1
35-924237	81 - 22	6
35-924239	81 - 15	1
35-924245	81 - 13	1
35-924249	81	1
35-924251	81 - 37	1
35-924251-1	81	1
35-924509	78	1
35-939013	87 - 1	1
35-939036	86 - 19	2
35-939036	87 - 18	2
35-939042	86 - 4	1
35-939043	86 - 5	1
35-939047	86 - 6	1
35-939047	87 - 7	1
35-939047	117 - 15	1
35-939048	72 - 12	1
35-939048	86 - 8	REF
35-939048	87 - 15	1
35-939048	88	1
35-939049	86 - 9	1
35-939049	87 - 16	1
35-939049	88	1

MODEL 35 THRU G35 PARTS CATALOG

PART NUMBER	FIGURE AND INDEX NO.	QTY. PER ARTICLE
35-939052	86 - 7	1
35-939052	87 - 9	1
35-939052	117 - 13	1
35-939053	86 - 14	1
35-939054	86 - 13	1
35-939055	86 - 15	1
35-939056	86 - 17	1
35-939059	86	1
35-939060	87 - 3	1
35-939071	87 - 11	1
35-939072	87 - 10	1
35-939073	87 - 5	1
35-939074	87 - 13	1
35-939075	86 - 11	1
35-939076	86 - 10	1
35-939077	87 - 2	1
35-939077-4	87	1
35-939079	87 - 4	1
35-939080	87 - 8	1
35-939081	87 - 14	1
35-939082	86 - 16	1
35-939082	87 - 12	1
35-939082	88 - 17	1
35-939110	86 - 1	1
35-939111	86 - 2	1
35-939111-6	86	1
35-939113	88 - 4	2
35-939116	88	1
35-939142	88 - 28	1
35-939145	74 - 14	1
35-939145	88 - 6	1
35-939145-30	74 - 13	1
35-939146	88 - 3	1
35-939148	88 - 25	1
35-939150	88 - 27	1
35-939151	88 - 19	1
35-939157	88 - 21	1
35-939159	88	1
35-939161	88 - 22	1
35-939162	88 - 24	1
35-939164	88 - 1	1
35-939165	88 - 15	1
35-939166	72	1
35-939166	88 - 9	REF
35-939168	88 - 12	1
35-939169	88 - 16	1
35-939171	88 - 5	1
35-939172	88 -	1
35-939173	88 - 2	1
35-939174	88 - 8	1
35-939179	89 - 3	1
35-944004	82	1
35-944007-2	121 - 13	1
35-944007-4	82 - 9	1
35-944009	76 - 19	1
35-944009	82	1
35-944009	121 - 15	1
35-944009	115 - 27	4
35-944009-2	82	1
35-944011	76 - 14	1
35-944012	76 - 12	2
35-944013	72	1
35-944016	99 - 1	1
35-944017	76 - 18	1
35-944018	76 - 20	1
35-944020-2	121 - 14	1
35-944020-4	82	1
35-944022	82 - 14	1
35-944023	99 - 6	1
35-944025	76 - 15	1

PART NUMBER	FIGURE AND INDEX NO.	QTY. PER ARTICLE
35-944029	99	1
35-944035	99 - 8	1
35-944036	99 - 7	1
35-944037	76 - 17	1
35-944042	99	1
35-944043	99	1
35-944046	99 - 3	1
35-950115-650	77 -	1
35-950116	72 - 16	1
35-950116	77 - 2	REF
35-950118	72	1
35-950118	77 - 1	REF
35-950123	77 - 15	2
35-950126	77 - 21	1
35-950127	77 - 9A	1
35-950127	77 - 13	2
35-950129	77	1
35-950129-1	77 - 9	1
35-950132	77 - 14	2
35-950132	77 - 22	2
35-959050	86 - 12	1
35-960005	97 - 1	1
35-960008	97 - 2	1
35-960010-12	71 - 23	2
35-960010-14	71	1
35-960023-3	96	1
35-960023-5	96	1
35-960023-601	96 -	1
35-960026-12	71	2
35-960026-14	71 - 24	1
35107-A	61 - 17	2
35107A	18 - 2	2
3536-18	68 - 12	1
3559-14-03	67 - 12	1
36E14-1-C	72	1
37A4821	125 - 5	2
3775-BB-BTA	124 - 3	1
3775-BB-BTA	127 - 2	1
380208-3	72 - 5	1
380208-3	82 - 10	1
380208-5	72	1
383952	82	1
39A4240	86	1
39A4240	87	1
39109-A	61 - 18	1
39109A	18 - 4	1
391330-2	83 - 9	1
391330-2	84 - 9	1
391330-3	72	1
391583-1	72	1
4QA2A	128 - 41	1
4001-23	126 - 20	1
4001-23	127	1
402	130 - 5	1
408-0293-233	19 - 7	1
410109	106	2
416-25-10	79 - 8	2
416-85	79	2
4200-A1-1	64	1
4207	64 - 8	1
4208	64 - 2	1
427-0092-014	19 - 21	2
449-0003	19	2
449-0006	19	1
45-115011	9	1
45-115011-1	9	1
45-115011-2	9	1
45-115044 SA2	10	1
45-115044 SA3	10	1
45-115060	10	1

MODEL 35 THRU G35 PARTS CATALOG

	PART NUMBER	FIGURE AND INDEX NO.	QTY. PER ARTICLE
	45-115060-1	10	1
	45-115063	9	1
	45-115063-1	9	1
	45-115066-2	11	1
	45-115072	10	1
	45-115072-1	10	1
	45-361115	15	2
	45-361115	17	REF
	45-361115-601	128	2
	45-361116	17	1
	45-361117	17	1
	45-361118	11	1
	45-410385	5	1
	45-410385-8	72	1
	45-410385-9	72	1
	45-521212	15	1
	45-521212	17	REF
	45-521212-1	15	1
	45-521212-1	17	REF
	45-521212-10	15 - 12	2
	45-521212-4	17	1
	45-521212-5	17	1
	45-521216	17	1
	45-521216-1	17	1
	45-590060	119 - 25	1
	45-620011-8	13 - 7	16
	45-810090	60 - 38	1
	45-815003-1	46	1
	45-815003-3	46 - 28	1
	45-815005-1	46	1
	45-815005-2	46	1
	45-815011-6	44 - 17	2
	45-815011-6	45 - 17	2
	45-815013	44 - 19	8
	45-815013	45 - 19	8
	45-815014	44 - 21	4
	45-815014	45 - 21	4
	45-815015-6	44	2
	45-815015-6	45	2
	45-815091	42 - 5	2
	45-815201-602	44 -	1
	45-815201-603	44 -	1
	45-815202	44 - 8	1
	45-815202	45 - 8	1
	45-815202-1	44	1
	45-815202-1	45	1
	45-815203	44	1
	45-815203-1	44	1
	45-815203-2	44 - 1	1
	45-815203-2	45 - 1	1
	45-815203-3	44	1
	45-815203-3	45	1
	45-815217-4	44 - 9	2
	45-815217-4	45 - 9	2
	45-815224	44 - 5	2
	45-815224	45 - 5	2
	45-815226	44 - 14	2
	45-815232	44	2
	45-815232	45 - 14	2
	45-919010	84 - 2	1
	45-919024	84	1
	45-924091	81 - 23	1
	4522	128 - 17	2
	456-0010-006	19 - 5	2
	456-0010-006	98 - 10	2
	47G-026	68 - 1	1
	47G-028	68 - 7	1
	47G-029	68 - 4	1
	47G-030	68 - 8	1
	47G-031	67 - 10	1

	PART NUMBER	FIGURE AND INDEX NO.	QTY. PER ARTICLE
	47G-032	68 - 16	1
	47G-032	68 - 19	1
	47G-033	67 - 15	1
	47G-041	67 - 1	1
	47G-044-1	67 - 19	1
	47G-045	67 - 16	1
	47G-049	67 - 7	1
	47G-050	67 - 4	1
	47G-051	67 - 8	1
	47K54671	124 - 20	1
	48143	4	1
	48179	71 - 25	1
	49158	12	2
	49160	126 - 30	1
	49196	126	1
	49244	126 - 25	2
	49245	125 - 14	4
	49245	126 - 33	4
	49246	126 - 24	1
	49246	126 - 28	1
	49296	125	4
	49296	126	1
	49296	126	1
	49296	126	2
	49296	126	2
	49296	126	4
	49338	56	6
	49338	56	1
	49338	76	2
	49338	82	2
	49338	82	4
	49338	99 - 16	2
	49338	121	1
	49338	123	2
	5	110 - 6	1
	5	110	1
	5	111 - 4	1
	5	111 - 6	1
	5	115 - 10	2
	5	115	2
	50-320072-8	111	1
	50-320072-8	113 - 3	2
	50-320106	114	1
	50-320106-2	114	1
	50-320116-2	112	1
	50-320116-6	112	1
	50-400335	137 - 31	1
	50-400336	137	1
	50-524136	35	1
	50-524137	35	1
	50-534033-48	106	1
	50-534070	103	2
	50-554105	6 - 55	1
	50-910232-28	75 - 7	1
	50-910253	75 - 8	1
	50-920057	81 - 26	1
	50H-011	68 - 15	1
	50H-04	68 - 10	1
	500X5	49 - 8	1
	500X5	52 - 1	1
	500X5	52 - 2	1
	500X5	53 - 6	1
	500X5	53 - 7	1
	5000-68	67 - 9	1
	5000-90	68 - 9	1
	50131	128	1
	5017850	93	3
	502-0048-404	19 - 11	1
	506-1NP	104	4
	51C51996	124 - 16	1

MODEL 35 THRU G35 PARTS CATALOG

PART NUMBER	FIGURE AND INDEX NO.	QTY. PER ARTICLE
51C51996	125 - 4	1
51020	40	1
51020	41	2
51026	4	1
5192Y	17 - 9	2
52-022-094-0437	81 - 39	1
52-022-094-0625	81 - 32	1
52-022-094-0625	81 - 38	1
520-0004-402	19 - 18	1
5201	60 - 26	1
523-0004-054	19 - 33	1
530337	92 - 15	1
530338	92 - 16	1
530339	92 - 14	1
530340	92 - 5	1
530341	92 - 9	1
530343	92 - 12	1
530345	92 - 13	1
530347	92 - 11	2
531007	92 - 10	1
539538-A1	72	1
550-0001	19 - 15	2
559-0002-088	19 - 20	1
56-1377	82 - 2	1
56-1377	83	1
57G-103	67	1
57G-103	68	1
57G-107	67 - 2	1
57G-107	68 - 2	1
57G-116	67 - 18	1
57G-116	68 - 18	1
5705	18 - 1	2
5705	61 - 11	2
589-0068-401	19 - 1	1
595-0012-401	19 - 17	1
6SCK	104	9
6041H105	128 - 27	1
606-0037-026	19	2
6221-25	93 - 7	1
6221-25	128 - 28	1
62950-02	127 - 14	1
63851-22R	127	1
63851-24R	127 - 13	1
6411B N.P.	105	4
649742-1PFN	114	1
650X8	47 - 1	2
650X8	47 - 2	2
650X8	48 - 1	2
650X8	48 - 2	2
656768-1FLNC	114	1
664125	112	1
664127	112	1
7-846-2	117 - 23	1
70E171X42A-1	124 - 5	1
703-0003	19 - 34	1
739-4	65	2
739-5	99 - 10	1
739-7	99	1
742-4	69	3
7458	18 - 15	2
7458	61 - 2	2
763705	100	1
766-0045-077	19 - 31	1
766-0069-077	19 - 29	1
766-0108	19 - 10	1
767688	100 - 23	1
767693	100	1
784-0038	19 - 28	1
791-2-4	69	3
792416	100 - 22	1

PART NUMBER	FIGURE AND INDEX NO.	QTY. PER ARTICLE
792417	100 - 21	1
7978	18 - 5	2
7978	61 - 5	2
802730	93	2
802731	93	3
802757	93	4
809945	93	1
810-2	128	1
810-3	134	2
810226	91 - 5	4
812015	91	2
812016	91	2
817313	91	2
8282	61 - 6	2
839317	92	4
8513295	86 - 3	1
859563	72	1
859563	88 - 26	1
8610	126 - 35	1
8712K2	128 - 40	1
8750K-11	120 - 7	1
88	22 - 2	2
88	24	2
8801K-7	120 - 6	3
89	129 - 12	2
89	130 - 17	3
8905K514	128	1
8905K818	128	1
8906K513	128 - 35	1
896CP	128	3
896CP	108	3
9-10831	57 - 2	1
9-10831	58 - 4	1
9A-141	109 - 9A	2
9023	128 - 33	1
917-3	134	1
917-6	134	1
93	12	1
93	126	1
93	106 - 35	1
932	134	1
932-3	134	1
932-413	134	1
9390	90	1
95-0476	47 - 6	4
95-0477	47 - 4	2
95-0477	47	2
95-10713	63 - 12	2
95-10714	63 - 13	2
95-20404	63 - 15	10
95-2968	47 - 12	2
95-2968	63 -	2
95-2969	63 - 1	2
95-30411	63 - 14	2
95-30949	47	2
95-3218	63 - 10	2
95-3262	63 - 2	2
95-3263	63 - 4	2
95-3292	47 - 5	2
95-3293	47 - 3	2
95-3294	47 - 9	2
95-3295	47 - 10	2
95-3298	47 - 7	2
95-3305	47 - 8	2
95-344441	124 - 4	1
95-344441	126 - 19	1
95-344441	127 - 15	1
95-4486	63 - 6	2
95-4659	63 - 7	2
950471	52 - 6	1

MODEL 35 THRU G35 PARTS CATALOG

PART NUMBER	FIGURE AND INDEX NO.	QTY. PER ARTICLE
950471	52 - 13	1
950472	52 - 5	1
950472	52 - 12	1
9510036	52 - 10	1
9510093	52 - 3	1
9510236	52 - 7	2
9510236	52 - 14	2
9520113	47	20
9520193	52 - 17	3
9520205	47 - 11	16
9520653	52	1
9520656	47	20
9530085	52 - 11	1
9540031	52 - 4	1
954143	93 - 6	1
954162	93 - 5	1
954474	52 - 19	3
954543	52 - 9	1
954543	52 - 16	1
954545	52 - 18	6
954547	52 - 8	1
954547	52 - 15	1
97930-04	114 - 36	1

PART NUMBER	FIGURE AND INDEX NO.	QTY. PER ARTICLE
98-2-CP	4	20
98-2-MSP	4	20
98-2-9	4	20
98292-1-090	108	1
987-9-050	112 - 14	1
988	48 - 7	4
988-9-0196	112 - 9	1
990-9-040	112 - 12	1
99785-2	82	4
99785-2	83	4
99785-2	84	4
99785-2	132	5
99799	133	4
99833-P-.098	108	1
99833-P098	9	1
99834-1-070	9	1
99835-1-090	106	1
99836	9	1
99836	108	1
99871-C-098	83 - 2A	4
99871-C.098	82 - 2B	4
99871-C-098	84 - 2A	4

