

# Beechcraft®

## BONANZA®

# ILLUSTRATED PARTS CATALOG

**F33 (CD-1235 THRU CD-1254)  
G33 (CD-1255 THRU CD-1304)  
F33A (CE-290 AND AFTER)  
F33C (CJ-26 AND AFTER)**

**Courtesy of Bomar Flying Service**  
**[www.bomar.biz](http://www.bomar.biz)**

### NOTICE

Refer to the applicable Wiring Diagram Manual for wiring diagrams and associated electrical components parts breakdown.

COPYRIGHT © BEECH 1996

Published By  
Commercial Publications  
**BEECH AIRCRAFT CORPORATION**  
Wichita, Kansas 67201  
U.S.A.



**Beechcraft**  
**BONANZA 33**  
**ILLUSTRATED PARTS CATALOG**

**LIST OF EFFECTIVE REVISIONS**

Always destroy superseded pages when you insert revised pages

PART NUMBER	DATE	FIGURES AFFECTED
33-590010-7	January, 1971	Original Issue
33-590010-7B	August, 1971	Reissued
33-590010-7C	December, 1972	Reissued
33-590010-7D	May, 1978	Reissued
33-590010-7E	December, 1980	Reissued
33-590010-7F	April 11, 1986	Reissued
33-590010-7F1	March 2, 1990	16, 104A, 104B, 159A, 324, 354B, 355, 355A, 411 & 427.
33-590010-7F2	March 15, 1996	15, 16, 36, 37, 91A, 97,99A, 101, 101,101A,104B, 107, 110, 110A, 111A, 111B, 132, 133, 134, 135, 151, 151A, 154A, 156, 159A, 194, 194A, 194B, 202, 204, 208, 212, 219A, 219B, 221A, 222, 241A, 241B, 242, 244A, 251B, 281, 281A, 285, 285A, 289, 311A, 313A, 313C, 313D, 313E, 313F, 313G, 314F, 314G, 317B, 324, 341A, 354B, 358A, 361A, 361B, 361C, 362A, 364, 391, 391A, 392, 392B, 411, 415, 425, 426, 427, 490B, 490C & 490D.
33-590010-7F3	March 15, 1996	15, 17, 36, 91A, 104, 104A, 104B, 151, 152, 152A, 153, 153A, 153B, 154, 154A, 156, 159A, 161, 202, 241A, 281, 281A, 311, 311A, 311B, 313G, 324, 391, 391A, 392, 392B, 411, 415, 417, 417A, 425, & 426.

**F3**

Basic publications are assigned a part number which appears on the title page with the date of the issue. Subsequent revisions are identified by the addition of a revision code after the part number. A1 after a part number denotes the first revision to the basic publication, A2 the second, etc. Occasionally, it is necessary to completely reissue and reprint a publication for the purpose of obsoleting a previous issue and all outstanding revisions thereto. As these replacement reissues are made, the code will also change to the next successive letter of the alphabet at each issue. For example, B for the first reissue, C for the second reissue, etc.

When ordering a handbook, give the basic number, and the reissue code when applicable, if a complete up-to-date publication is desired. Should only revision pages be required, give the basic number and revision code for the particular set of revision pages you desire.

**Beechcraft**  
**BONANZA 33**  
**ILLUSTRATED PARTS CATALOG**

**LIST OF EFFECTIVE PAGES**

Always destroy superseded pages when you insert revised pages

Title Page .....	March 15, 1996
Logo Page .....	
A Page thru H Page .....	March 15, 1996
Introduction	
Pages 1 thru 7 .....	March 15, 1996
Pages 8 thru 20 .....	March 15, 1996
Pages 21 thru 25 .....	March 15, 1996
Alpha-Numeric Index	
Pages 1 thru 69 .....	March 15, 1996

LIST OF PAGES  
FOR  
BONANZA 33

FIGURE NO.	PAGE NO.	DATE	FIGURE NO.	PAGE NO.	DATE	FIGURE NO.	PAGE NO.	DATE
012	1	4/11/86	035A	3	4/11/86	098	4	4/11/86
012	2	4/11/86	035A	4	4/11/86	098	5	4/11/86
012	3	4/11/86	035A	5	4/11/86	099	1	4/11/86
012	4	4/11/86	036	1	4/11/86	099	2	4/11/86
012	5	4/11/86	036	2	4/11/86	099	3	4/11/86
013	1	4/11/86	036	3	4/11/86	099	4	4/11/86
013	2	4/11/86	036	4	4/11/86	099	5	4/11/86
013	3	4/11/86	036	5	12/20/94	099	6	4/11/86
013	4	4/11/86	036	6	4/11/86	099	7	4/11/86
013	5	4/11/86	036	7	12/20/94	099A	1	4/11/86
015	1	4/11/86	036	8	3/15/96	099A	2	4/11/86
015	2	3/15/96	036	9	3/15/96	099A	3	12/20/94
015	3	4/11/86	037	1	12/20/94	099A	4	4/11/86
015	4	4/11/86	037	2	12/20/94	099A	5	12/20/94
015	5	3/15/96	037	3	12/20/94	099A	6	4/11/86
015	6	12/20/94	037	4	12/20/94	099A	7	12/20/94
016	1	4/11/86	037	5	12/20/94	101	1	12/20/94
016	2	12/20/94	039	1	4/11/86	101	2	4/11/86
016	3	12/20/94	039	2	4/11/86	101	3	4/11/86
016	4	12/20/94	039	3	4/11/86	101	4	4/11/86
016	5	12/20/94	039A	1	4/11/86	101	5	12/20/94
016	6	12/20/94	039A	2	4/11/86	101A	1	12/20/94
016	7	12/20/94	039A	3	4/11/86	101A	2	4/11/86
017	1	4/11/86	039B	1	4/11/86	101A	3	4/11/86
017	2	4/11/86	039B	2	4/11/86	101A	4	4/11/86
017	3	3/15/96	039B	3	4/11/86	101A	5	12/20/94
017	4	4/11/86	040	1	4/11/86	102	1	4/11/86
017	5	3/15/96	040	2	4/11/86	102	2	4/11/86
017	6	4/11/86	040	3	4/11/86	102	3	4/11/86
017	7	3/15/96	041	1	4/11/86	102A	1	4/11/86
017	8	3/15/96	041	2	4/11/86	102A	2	4/11/86
031	1	4/11/86	041	3	4/11/86	102A	3	4/11/86
031	2	4/11/86	091	1	4/11/86	102B	1	4/11/86
031	3	4/11/86	091	2	4/11/86	102B	2	4/11/86
031	4	4/11/86	091	3	4/11/86	102B	3	4/11/86
031	5	4/11/86	091	4	4/11/86	102C	1	4/11/86
031	6	4/11/86	091	5	4/11/86	102C	2	4/11/86
031	7	4/11/86	091	6	4/11/86	102C	3	4/11/86
033	1	4/11/86	091	7	4/11/86	102D	1	4/11/86
033	2	4/11/86	091	8	4/11/86	102D	2	4/11/86
033	3	4/11/86	091	9	4/11/86	102D	3	4/11/86
033	4	4/11/86	091	10	4/11/86	103	1	4/11/86
033	5	4/11/86	091	11	4/11/86	103	2	4/11/86
033	6	4/11/86	091A	1	4/11/86	103	3	4/11/86
033	7	4/11/86	091A	2	4/11/86	103	4	4/11/86
033A	1	4/11/86	091A	3	12/20/94	103	5	4/11/86
033A	2	4/11/86	091A	4	4/11/86	103	6	4/11/86
033A	3	4/11/86	091A	5	12/20/94	103	7	4/11/86
033A	4	4/11/86	091A	6	4/11/86	103	8	4/11/86
033A	5	4/11/86	091A	7	3/15/96	103	9	4/11/86
033A	6	4/11/86	091A	8	4/11/86	103	10	4/11/86
033A	7	4/11/86	091A	9	3/15/96	103	11	4/11/86
033A	8	4/11/86	091A	10	4/11/86	103A	1	4/11/86
033A	9	4/11/86	091A	11	12/20/94	103A	2	4/11/86
034	1	4/11/86	091A	12	4/11/86	103A	3	4/11/86
034	2	4/11/86	091A	13	12/20/94	103A	4	4/11/86
034	3	4/11/86	091A	14	4/11/86	103A	5	4/11/86
034A	1	4/11/86	091A	15	3/15/96	103A	6	4/11/86
034A	2	4/11/86	097	1	4/11/86	103A	7	4/11/86
034A	3	4/11/86	097	2	4/11/86	103A	8	4/11/86
034A	4	4/11/86	097	3	12/20/94	103A	9	4/11/86
034A	5	4/11/86	097	4	4/11/86	103A	10	4/11/86
035	1	4/11/86	097	5	4/11/86	103A	11	4/11/86
035	2	4/11/86	097	6	4/11/86	103B	1	4/11/86
035	3	4/11/86	097	7	4/11/86	103B	2	4/11/86
035	4	4/11/86	097	8	4/11/86	103B	3	4/11/86
035	5	4/11/86	097	9	12/20/94	103B	4	4/11/86
035	6	4/11/86	097	10	12/20/94	103B	5	4/11/86
035	7	4/11/86	098	1	4/11/86	103B	6	4/11/86
035A	1	4/11/86	098	2	4/11/86	103B	7	4/11/86
035A	2	4/11/86	098	3	4/11/86	103B	8	4/11/86

LIST OF PAGES  
FOR  
BONANZA 33

FIGURE NO.	PAGE NO.	DATE	FIGURE NO.	PAGE NO.	DATE	FIGURE NO.	PAGE NO.	DATE
103B	9	4/11/86	111A	2	12/20/94	152A	5	3/15/96
103B	10	4/11/86	111A	3	12/20/94	152A	6	4/11/86
103B	11	4/11/86	111A	4	12/20/94	152A	7	3/15/96
104	1	4/11/86	111A	5	12/20/94	152A	8	4/11/86
104	2	4/11/86	111B	1	4/11/86	152A	9	3/15/96
104	3	3/15/96	111B	2	12/20/94	152A	10	4/11/86
104	4	4/11/86	111B	3	12/20/94	152A	11	3/15/96
104	5	4/11/86	111B	4	12/20/94	153	1	4/11/86
104	6	4/11/86	111B	5	12/20/94	153	2	4/11/86
104	7	4/11/86	112	1	4/11/86	153	3	3/15/96
104	8	4/11/86	112	2	4/11/86	153	4	4/11/86
104	9	4/11/86	112	3	4/11/86	153	5	3/15/96
104A	1	4/11/86	131	1	4/11/86	153A	1	4/11/86
104A	2	4/11/86	131	2	4/11/86	153A	2	4/11/86
104A	3	3/15/96	131	3	12/20/94	153A	3	3/15/96
104A	4	4/11/86	131	4	4/11/86	153A	4	4/11/86
104A	5	4/11/86	131	5	12/20/94	153A	5	3/15/96
104A	6	4/11/86	131	6	4/11/86	153B	1	4/11/86
104A	7	3/02/90	131	7	12/20/94	153B	2	4/11/86
104A	8	4/11/86	132	1	4/11/86	153B	3	3/15/96
104A	9	4/11/86	132	2	4/11/86	154	1	3/15/96
104A	10	4/11/86	132	3	12/20/94	154	2	4/11/86
104A	11	3/02/90	132	4	4/11/86	154	3	4/11/86
104A	12	3/02/90	132	5	12/20/94	154	4	4/11/86
104B	1	4/11/86	132	6	4/11/86	154	5	4/11/86
104B	2	3/15/96	132	7	12/20/94	154	6	4/11/86
104B	3	3/15/96	133	1	4/11/86	154	7	4/11/86
104B	4	3/15/96	133	2	4/11/86	154A	1	4/11/86
104B	5	3/15/96	133	3	12/20/94	154A	2	4/11/86
104B	6	4/11/86	133	4	4/11/86	154A	3	12/20/94
104B	7	3/15/96	133	5	12/20/94	154A	4	4/11/86
104B	8	12/20/94	134	1	4/11/86	154A	5	4/11/86
104B	9	3/15/96	134	2	4/11/86	154A	6	4/11/86
106	1	4/11/86	134	3	12/20/94	154A	7	12/20/94
106	2	4/11/86	134	4	4/11/86	154A	8	4/11/86
106	3	4/11/86	134	5	12/20/94	154A	9	3/15/96
107	1	4/11/86	135	1	4/11/86	155	1	4/11/86
107	2	4/11/86	135	2	4/11/86	155	2	4/11/86
107	3	4/11/86	135	3	12/20/94	155	3	4/11/86
107	4	4/11/86	135	4	12/20/94	155	4	4/11/86
107	5	12/20/94	151	1	4/11/86	155	5	4/11/86
109	1	4/11/86	151	2	4/11/86	156	1	4/11/86
109	2	4/11/86	151	3	3/15/96	156	2	4/11/86
109	3	4/11/86	151	4	4/11/86	156	3	4/11/86
109A	1	4/11/86	151	5	3/15/96	156	4	4/11/86
109A	2	4/11/86	151	6	4/11/86	156	5	4/11/86
109A	3	4/11/86	151	7	3/15/96	156	6	12/20/94
110	1	4/11/86	151A	1	4/11/86	156	7	3/15/96
110	2	4/11/86	151A	2	4/11/86	156	8	12/20/94
110	3	12/20/94	151A	3	12/20/94	156	9	3/15/96
110	4	4/11/86	151A	4	4/11/86	159	1	4/11/86
110	5	12/20/94	151A	5	12/20/94	159	2	4/11/86
110	6	4/11/86	151A	6	4/11/86	159	3	4/11/86
110	7	4/11/86	151A	7	12/20/94	159	4	4/11/86
110	8	4/11/86	152	1	4/11/86	159	5	4/11/86
110	9	12/20/94	152	2	3/15/96	159A	1	4/11/86
110A	1	4/11/86	152	3	3/15/96	159A	2	4/11/86
110A	2	4/11/86	152	4	3/15/96	159A	3	3/15/96
110A	3	12/20/94	152	5	3/15/96	159A	4	4/11/86
110A	4	12/20/94	152	6	3/15/96	159A	5	3/15/96
110A	5	12/20/94	152	7	3/15/96	159A	6	4/11/86
111	1	4/11/86	152	8	4/11/86	159A	7	12/20/94
111	2	4/11/86	152	9	3/15/96	159A	8	3/02/90
111	3	4/11/86	152	10	4/11/86	161	1	4/11/86
111	4	4/11/86	152	11	3/15/96	161	2	4/11/86
111	5	4/11/86	152	12	4/11/86	161	3	3/15/96
111	6	4/11/86	152	13	3/15/96	161	4	4/11/86
111	7	4/11/86	152A	1	4/11/86	161	5	3/15/96
111	8	4/11/86	152A	2	4/11/86	164	1	4/11/86
111	9	4/11/86	152A	3	3/15/96	164	2	4/11/86
111A	1	4/11/86	152A	4	4/11/86	164	3	4/11/86

LIST OF PAGES  
FOR  
BONANZA 33

FIGURE NO.	PAGE NO.	DATE	FIGURE NO.	PAGE NO.	DATE	FIGURE NO.	PAGE NO.	DATE
182	1	4/11/86	207A	3	4/11/86	219B	3	12/20/94
182	2	4/11/86	208	1	4/11/86	219B	4	12/20/94
182	3	4/11/86	208	2	4/11/86	219B	5	12/20/94
182	4	4/11/86	208	3	12/20/94	219B	6	12/20/94
182	5	4/11/86	208	4	12/20/94	219B	7	12/20/94
182A	1	4/11/86	209	1	4/11/86	220	1	4/11/86
182A	2	4/11/86	209	2	4/11/86	220	2	4/11/86
182A	3	4/11/86	209	3	4/11/86	220	3	4/11/86
182B	1	4/11/86	210	1	4/11/86	221	1	4/11/86
182B	2	4/11/86	210	2	4/11/86	221	2	4/11/86
182B	3	4/11/86	210	3	4/11/86	221	3	4/11/86
182B	4	4/11/86	210	4	4/11/86	221A	1	12/20/94
182B	5	4/11/86	210	5	4/11/86	221A	2	4/11/86
182B	6	4/11/86	211	1	4/11/86	221A	3	12/20/94
182B	7	4/11/86	211	2	4/11/86	222	1	4/11/86
194	1	12/20/94	211	3	4/11/86	222	2	4/11/86
194	2	4/11/86	211	4	4/11/86	222	3	12/20/94
194	3	12/20/94	211	5	4/11/86	223	1	4/11/86
194	4	4/11/86	211	6	4/11/86	223	2	4/11/86
194	5	12/20/94	211	7	4/11/86	223	3	4/11/86
194A	1	12/20/94	212	1	4/11/86	223	4	4/11/86
194A	2	4/11/86	212	2	4/11/86	223	5	4/11/86
194A	3	12/20/94	212	3	12/20/94	241	1	4/11/86
194A	4	4/11/86	212	4	4/11/86	241	2	4/11/86
194A	5	12/20/94	212	5	12/20/94	241	3	4/11/86
194A	6	4/11/86	212	6	4/11/86	241	4	4/11/86
194A	7	12/20/94	212	7	12/20/94	241	5	4/11/86
194B	1	12/20/94	213	1	4/11/86	241A	1	4/11/86
194B	2	12/20/94	213	2	4/11/86	241A	2	4/11/86
194B	3	12/20/94	213	3	4/11/86	241A	3	3/15/96
194B	4	12/20/94	213	4	4/11/86	241A	4	4/11/86
194B	5	12/20/94	213	5	4/11/86	241A	5	3/15/96
202	1	4/11/86	213	6	4/11/86	241A	6	4/11/86
202	2	4/11/86	213	7	4/11/86	241A	7	12/20/94
202	3	12/20/94	214	1	4/11/86	241A	8	4/11/86
202	4	4/11/86	214	2	4/11/86	241A	9	3/15/96
202	5	12/20/94	214	3	4/11/86	241A	10	12/20/94
202	6	3/15/96	214A	1	4/11/86	241B	1	4/11/86
202	7	3/15/96	214A	2	4/11/86	241B	2	4/11/86
202	8	4/11/86	214A	3	4/11/86	241B	3	12/20/94
202	9	12/20/94	214B	1	4/11/86	241B	4	4/11/86
202	10	3/15/96	214B	2	4/11/86	241B	5	12/20/94
202	11	3/15/96	214B	3	4/11/86	241B	6	4/11/86
203	1	4/11/86	218	1	4/11/86	241B	7	12/20/94
203	2	4/11/86	218	2	4/11/86	242	1	4/11/86
203	3	4/11/86	218	3	4/11/86	242	2	12/20/94
203A	1	4/11/86	218A	1	4/11/86	242	3	12/20/94
203A	2	4/11/86	218A	2	4/11/86	244	1	4/11/86
203A	3	4/11/86	218A	3	4/11/86	244	2	4/11/86
204	1	4/11/86	219	1	4/11/86	244	3	4/11/86
204	2	4/11/86	219	2	4/11/86	244A	1	4/11/86
204	3	12/20/94	219	3	4/11/86	244A	2	4/11/86
204	4	4/11/86	219	4	4/11/86	244A	3	12/20/94
204	5	12/20/94	219	5	4/11/86	244A	4	4/11/86
206	1	4/11/86	219	6	4/11/86	244A	5	12/20/94
206	2	4/11/86	219	7	4/11/86	244A	6	4/11/86
206	3	4/11/86	219	8	4/11/86	244A	7	12/20/94
206	4	4/11/86	219	9	4/11/86	244B	1	4/11/86
206	5	4/11/86	219A	1	4/11/86	244B	2	4/11/86
206	6	4/11/86	219A	2	4/11/86	244B	3	4/11/86
206	7	4/11/86	219A	3	12/20/94	244B	4	4/11/86
206A	1	4/11/86	219A	4	4/11/86	244B	5	4/11/86
206A	2	4/11/86	219A	5	12/20/94	245	1	4/11/86
206A	3	4/11/86	219A	6	4/11/86	245	2	4/11/86
206A	4	4/11/86	219A	7	12/20/94	245	3	4/11/86
206A	5	4/11/86	219A	8	4/11/86	245	4	4/11/86
207	1	4/11/86	219A	9	4/11/86	245	5	4/11/86
207	2	4/11/86	219A	10	4/11/86	245A	1	4/11/86
207	3	4/11/86	219A	11	12/20/94	245A	2	4/11/86
207A	1	4/11/86	219B	1	12/20/94	245A	3	4/11/86
207A	2	4/11/86	219B	2	12/20/94	245A	4	4/11/86

LIST OF PAGES  
FOR  
BONANZA 33

FIGURE NO.	PAGE NO.	DATE	FIGURE NO.	PAGE NO.	DATE	FIGURE NO.	PAGE NO.	DATE
245A	5	4/11/86	285A	3	12/20/94	312B	4	4/11/86
248	1	4/11/86	286	1	4/11/86	312B	5	4/11/86
248	2	4/11/86	286	2	4/11/86	312B	6	4/11/86
248	3	4/11/86	286	3	4/11/86	312B	7	4/11/86
248	4	4/11/86	287	1	4/11/86	312C	1	4/11/86
248	5	4/11/86	287	2	4/11/86	312C	2	4/11/86
248	6	4/11/86	287	3	4/11/86	312C	3	4/11/86
248	7	4/11/86	287A	1	4/11/86	312C	4	4/11/86
249	1	4/11/86	287A	2	4/11/86	312C	5	4/11/86
249	2	4/11/86	287A	3	4/11/86	312C	6	4/11/86
249	3	4/11/86	289	1	12/20/94	312C	7	4/11/86
249	4	4/11/86	289	2	12/20/94	313	1	4/11/86
249	5	4/11/86	289	3	12/20/94	313	2	4/11/86
250	1	4/11/86	296	1	4/11/86	313	3	4/11/86
250	2	4/11/86	296	2	4/11/86	313	4	4/11/86
250	3	4/11/86	296	3	4/11/86	313	5	4/11/86
250A	1	4/11/86	296	4	4/11/86	313	6	4/11/86
250A	2	4/11/86	296	5	4/11/86	313	7	4/11/86
250A	3	4/11/86	296	6	4/11/86	313A	1	4/11/86
251	1	4/11/86	296	7	4/11/86	313A	2	4/11/86
251	2	4/11/86	311	1	3/15/96	313A	3	4/11/86
251	3	4/11/86	311	2	4/11/86	313A	4	4/11/86
251A	1	4/11/86	311	3	3/15/96	313A	5	4/11/86
251A	2	4/11/86	311	4	4/11/86	313A	6	4/11/86
251A	3	4/11/86	311	5	4/11/86	313A	7	12/20/94
251A	4	4/11/86	311	6	4/11/86	313A	8	12/20/94
251A	5	4/11/86	311	7	4/11/86	313B	1	4/11/86
251B	1	12/20/94	311	8	4/11/86	313B	2	4/11/86
251B	2	12/20/94	311	9	4/11/86	313B	3	4/11/86
251B	3	12/20/94	311	10	4/11/86	313B	4	4/11/86
251B	4	12/20/94	311	11	3/15/96	313B	5	4/11/86
251B	5	12/20/94	311A	1	4/11/86	313B	6	4/11/86
258	1	4/11/86	311A	2	4/11/86	313B	7	4/11/86
258	2	4/11/86	311A	3	12/20/94	313C	1	4/11/86
258	3	4/11/86	311A	4	12/20/94	313C	2	4/11/86
258	4	4/11/86	311A	5	12/20/94	313C	3	4/11/86
258	5	4/11/86	311A	6	4/11/86	313C	4	4/11/86
281	1	4/11/86	311A	7	3/15/96	313C	5	12/20/94
281	2	4/11/86	311A	8	3/15/96	313C	6	4/11/86
281	3	3/15/96	311B	1	4/11/86	313C	7	4/11/86
281	4	4/11/86	311B	2	4/11/86	313D	1	4/11/86
281	5	3/15/96	311B	3	4/11/86	313D	2	4/11/86
281	6	4/11/86	311B	4	4/11/86	313D	3	12/20/94
281	7	3/15/96	311B	5	3/15/96	313D	4	4/11/86
281A	1	4/11/86	311E	1	4/11/86	313D	5	4/11/86
281A	2	4/11/86	311E	2	4/11/86	313D	6	4/11/86
281A	3	12/20/94	311E	3	4/11/86	313D	7	4/11/86
281A	4	3/15/96	311E	4	4/11/86	313E	1	4/11/86
281A	5	3/15/96	311E	5	4/11/86	313E	2	4/11/86
281A	6	3/15/96	311F	1	4/11/86	313E	3	12/20/94
281A	7	3/15/96	311F	2	4/11/86	313E	4	4/11/86
281A	8	3/15/96	311F	3	4/11/86	313E	5	4/11/86
281A	9	3/15/96	311F	4	4/11/86	313E	6	4/11/86
281A	10	3/15/96	311F	5	4/11/86	313E	7	4/11/86
281A	11	3/15/96	312	1	4/11/86	313F	1	4/11/86
281A	12	3/15/96	312	2	4/11/86	313F	2	4/11/86
281A	13	3/15/96	312	3	4/11/86	313F	3	12/20/94
281A	14	3/15/96	312	4	4/11/86	313F	4	4/11/86
282	1	4/11/86	312	5	4/11/86	313F	5	12/20/94
282	2	4/11/86	312	6	4/11/86	313F	6	4/11/86
282	3	4/11/86	312	7	4/11/86	313F	7	12/20/94
282A	1	4/11/86	312	8	4/11/86	313G	1	4/11/86
282A	2	4/11/86	312	9	4/11/86	313G	2	4/11/86
282A	3	4/11/86	312A	1	4/11/86	313G	3	12/20/94
282A	4	4/11/86	312A	2	4/11/86	313G	4	4/11/86
282A	5	4/11/86	312A	3	4/11/86	313G	5	12/20/94
285	1	4/11/86	312A	4	4/11/86	313G	6	4/11/86
285	2	4/11/86	312A	5	4/11/86	313G	7	12/20/94
285	3	12/20/94	312B	1	4/11/86	313G	8	3/15/96
285A	1	4/11/86	312B	2	4/11/86	313G	9	3/15/96
285A	2	4/11/86	312B	3	4/11/86	314	1	4/11/86

LIST OF PAGES  
FOR  
BONANZA 33

FIGURE NO.	PAGE NO.	DATE	FIGURE NO.	PAGE NO.	DATE	FIGURE NO.	PAGE NO.	DATE
314	2	4/11/86	320	1	4/11/86	354B	8	3/02/90
314	3	4/11/86	320	2	4/11/86	354B	9	12/20/94
314	4	4/11/86	320	3	4/11/86	354B	10	12/20/94
314	5	4/11/86	324	1	4/11/86	354B	11	12/20/94
314	6	4/11/86	324	2	4/11/86	354B	12	12/20/94
314	7	4/11/86	324	3	4/11/86	354B	13	12/20/94
314A	1	4/11/86	324	4	4/11/86	354B	14	12/20/94
314A	2	4/11/86	324	5	3/02/90	355	1	4/11/86
314A	3	4/11/86	324	6	3/02/90	355	2	4/11/86
314A	4	4/11/86	324	7	12/20/94	355	3	3/02/90
314A	5	4/11/86	324	8	4/11/86	355	4	4/11/86
314A	6	4/11/86	324	9	3/15/96	355	5	4/11/86
314A	7	4/11/86	327	1	4/11/86	355	6	4/11/86
314B	1	4/11/86	327	2	4/11/86	355	7	3/02/90
314B	2	4/11/86	327	3	4/11/86	355A	1	3/02/90
314B	3	4/11/86	327	4	4/11/86	355A	2	3/02/90
314B	4	4/11/86	327	5	4/11/86	355A	3	3/02/90
314B	5	4/11/86	327	6	4/11/86	356	1	4/11/86
314C	1	4/11/86	327	7	4/11/86	356	2	4/11/86
314C	2	4/11/86	327	8	4/11/86	356	3	4/11/86
314C	3	4/11/86	327	9	4/11/86	356A	1	4/11/86
314C	4	4/11/86	327A	1	4/11/86	356A	2	4/11/86
314C	5	4/11/86	327A	2	4/11/86	356A	3	4/11/86
314C	6	4/11/86	327A	3	4/11/86	356B	1	4/11/86
314C	7	4/11/86	341	1	4/11/86	356B	2	4/11/86
314D	1	4/11/86	341	2	4/11/86	356B	3	4/11/86
314D	2	4/11/86	341	3	4/11/86	357	1	4/11/86
314D	3	4/11/86	341	4	4/11/86	357	2	4/11/86
314D	4	4/11/86	341	5	4/11/86	357	3	4/11/86
314D	5	4/11/86	341	6	4/11/86	357A	1	4/11/86
314D	6	4/11/86	341	7	4/11/86	357A	2	4/11/86
314D	7	4/11/86	341	8	4/11/86	357A	3	4/11/86
314E	1	4/11/86	341	9	4/11/86	358	1	4/11/86
314E	2	4/11/86	341	10	4/11/86	358	2	4/11/86
314E	3	4/11/86	341	11	4/11/86	358	3	4/11/86
314E	4	4/11/86	341A	1	4/11/86	358	4	4/11/86
314E	5	4/11/86	341A	2	12/20/94	358	5	4/11/86
314E	6	4/11/86	341A	3	12/20/94	358A	1	12/20/94
314E	7	4/11/86	341A	4	12/20/94	358A	2	4/11/86
314F	1	4/11/86	341A	5	12/20/94	358A	3	12/20/94
314F	2	12/20/94	354	1	4/11/86	359	1	4/11/86
314F	3	4/11/86	354	2	4/11/86	359	2	4/11/86
314F	4	12/20/94	354	3	4/11/86	359	3	4/11/86
314F	5	4/11/86	354	4	4/11/86	359A	1	4/11/86
314F	6	4/11/86	354	5	4/11/86	359A	2	4/11/86
314F	7	12/20/94	354	6	4/11/86	359A	3	4/11/86
314F	8	4/11/86	354	7	4/11/86	359A	4	4/11/86
314F	9	12/20/94	354	8	4/11/86	359A	5	4/11/86
314G	1	4/11/86	354	9	4/11/86	359B	1	4/11/86
314G	2	4/11/86	354	10	4/11/86	359B	2	4/11/86
314G	3	4/11/86	354	11	4/11/86	359B	3	4/11/86
314G	4	4/11/86	354	12	4/11/86	359C	1	4/11/86
314G	5	12/20/94	354	13	4/11/86	359C	2	4/11/86
314G	6	4/11/86	354	14	4/11/86	359C	3	4/11/86
314G	7	12/20/94	354	15	4/11/86	359D	1	4/11/86
315	1	4/11/86	354A	1	4/11/86	359D	2	4/11/86
315	2	4/11/86	354A	2	4/11/86	359D	3	4/11/86
315	3	4/11/86	354A	3	4/11/86	359E	1	4/11/86
317	1	4/11/86	354A	4	4/11/86	359E	2	4/11/86
317	2	4/11/86	354A	5	4/11/86	359E	3	4/11/86
317	3	4/11/86	354A	6	4/11/86	359F	1	4/11/86
317	4	4/11/86	354A	7	4/11/86	359F	2	4/11/86
317	5	4/11/86	354A	8	4/11/86	359F	3	4/11/86
317A	1	4/11/86	354A	9	4/11/86	359G	1	4/11/86
317A	2	4/11/86	354B	1	4/11/86	359G	2	4/11/86
317A	3	4/11/86	354B	2	3/02/90	359G	3	4/11/86
317A	4	4/11/86	354B	3	12/20/94	360	1	4/11/86
317A	5	4/11/86	354B	4	3/02/90	360	2	4/11/86
317B	1	4/11/86	354B	5	12/20/94	360	3	4/11/86
317B	2	4/11/86	354B	6	3/02/90	361	1	4/11/86
317B	3	12/20/94	354B	7	3/02/90	361	2	4/11/86

LIST OF PAGES  
FOR  
BONANZA 33

FIGURE NO.	PAGE NO.	DATE	FIGURE NO.	PAGE NO.	DATE	FIGURE NO.	PAGE NO.	DATE
361	3	4/11/86	392	6	4/11/86	417	1	4/11/86
361	4	4/11/86	392	7	4/11/86	417	2	4/11/86
361	5	4/11/86	392A	1	4/11/86	417	3	3/15/96
361A	1	12/20/94	392A	2	4/11/86	417	4	4/11/86
361A	2	4/11/86	392A	3	4/11/86	417	5	3/15/96
361A	3	4/11/86	392B	1	4/11/86	417	6	4/11/86
361A	4	4/11/86	392B	2	4/11/86	417	7	4/11/86
361A	5	4/11/86	392B	3	3/15/96	417	8	4/11/86
361A	6	4/11/86	392B	4	4/11/86	417	9	4/11/86
361A	7	12/20/94	392B	5	3/15/96	417	10	4/11/86
361B	1	12/20/94	392B	6	4/11/86	417	11	3/15/96
361B	2	12/20/94	392B	7	3/15/96	417	12	4/11/86
361B	3	12/20/94	392B	8	4/11/86	417	13	3/15/96
361C	1	12/20/94	392B	9	3/15/96	417	14	4/11/86
361C	2	12/20/94	393	1	4/11/86	417	15	3/15/96
361C	3	12/20/94	393	2	4/11/86	417A	1	3/15/96
361C	4	12/20/94	393	3	4/11/86	417A	2	4/11/86
361C	5	12/20/94	393	4	4/11/86	417A	3	4/11/86
362	1	4/11/86	393	5	4/11/86	417A	4	4/11/86
362	2	4/11/86	394	1	4/11/86	417A	5	3/15/96
362	3	4/11/86	394	2	4/11/86	417B	1	4/11/86
362	4	4/11/86	394	3	4/11/86	417B	2	4/11/86
362	5	4/11/86	394	4	4/11/86	417B	3	4/11/86
362A	1	4/11/86	394	5	4/11/86	425	1	4/11/86
362A	2	4/11/86	394A	1	4/11/86	425	2	4/11/86
362A	3	12/20/94	394A	2	4/11/86	425	3	3/15/96
362A	4	4/11/86	394A	3	4/11/86	426	1	4/11/86
362A	5	12/20/94	394A	4	4/11/86	426	2	4/11/86
363	1	4/11/86	394A	5	4/11/86	426	3	3/15/96
363	2	4/11/86	395	1	4/11/86	426	4	4/11/86
363	3	4/11/86	395	2	4/11/86	426	5	3/15/96
364	1	4/11/86	395	3	4/11/86	427	1	4/11/86
364	2	4/11/86	395	4	4/11/86	427	2	4/11/86
364	3	12/20/94	395	5	4/11/86	427	3	12/20/94
364	4	12/20/94	395	6	4/11/86	490	1	4/11/86
391	1	4/11/86	395	7	4/11/86	490	2	4/11/86
391	2	4/11/86	411	1	4/11/86	490	3	4/11/86
391	3	3/15/96	411	2	12/20/94	490A	1	4/11/86
391	4	4/11/86	411	3	3/15/96	490A	2	4/11/86
391	5	3/15/96	411	4	12/20/94	490A	3	4/11/86
391A	1	4/11/86	411	5	3/15/96	490B	1	12/20/94
391A	2	4/11/86	411	6	12/20/94	490B	2	4/11/86
391A	3	3/15/96	411	7	12/20/94	490B	3	12/20/94
391A	4	4/11/86	411	8	12/20/94	490C	1	12/20/94
391A	5	3/15/96	411	9	12/20/94	490C	2	12/20/94
392	1	4/11/86	411	10	12/20/94	490C	3	12/20/94
392	2	4/11/86	411	11	3/15/96	490D	1	12/20/94
392	3	4/11/86	415	1	4/11/86	490D	2	12/20/94
392	4	4/11/86	415	2	4/11/86	490D	3	12/20/94
392	5	3/15/96	415	3	3/15/96			



**Beechcraft**  
**BONANZA 33**  
**ILLUSTRATED PARTS CATALOG**

## **INTRODUCTION**

The purpose of this catalog is to provide a method for identifying and ordering spare parts for your BEECHCRAFT Bonanza F33, G33, F33A and F33C Airplanes. See the following paragraphs for detailed information. To order replacement parts for electrical components refer to the applicable BEECHCRAFT Wiring Diagram Manual or Shop Manual.

## **RECORD OF REVISIONS**

A Record of Revisions Page is provided following the Logo Page. When a revision is inserted, the revision number, the date the revision is inserted into the manual, and the initials of the person(s) inserting the revision should be recorded on this page.

## **LIST OF EFFECTIVE REVISIONS AND PAGES**

The List of Effective Revisions and Pages following the Record of Revisions Page in the manual lists the revisions currently effective for the manual and a list of all effective pages with date. The list of pages is in numerical order by figure number.

## **FIGURE NUMBERING SYSTEM**

This BEECHCRAFT Parts Catalog uses the figure number system. Some figure numbers are omitted because certain figure numbers do not apply to this parts catalog. Other numbers are reserved for future additions.

This catalog contains figure numbers followed by the letter "A", "B", etc. This indicates that the particular assembly or installation has been changed and that the original figure number is effective only on certain airplane serials and the figure numbers containing alphabetical characters are effective for different airplane serials.

## **FUNCTIONAL GROUP INDEX GUIDE**

The Functional Group Index Guide is a listing of figures applicable to this catalog. This index located in and is part of the Introduction.

## **ALPHABETICAL INDEX**

The Alphabetical Index is a listing of component items or systems in alphabetical order and referenced by figure number to their location in the Illustrated Parts List. This index is located in and is part of the Introduction.

## **ALPHA-NUMERIC INDEX**

This section of the catalog is a complete alpha-numerical listing in tabular form of each part number listed, except those identified as attaching parts. Parts common to more than one figure or assembly will be listed once for each time the part appears in order to reflect the different figures. This index follows the Introduction.

## **ILLUSTRATED PARTS LIST**

The Illustrated Parts List consists of installations broken down into assemblies, sub-assemblies, detail parts, and attaching parts. A separation symbol (---★---) follows the listing of attaching parts to distinguish them from the assembly breakdown.

If two assemblies are made up of a majority of identical parts, or the assemblies are opposite, i.e., left and right hand, the assemblies are listed together with their detail parts listed as common for both assemblies. In this case only the left or right hand part, but not both, is indexed and illustrated, with the difference between left and right hand parts noted in the description column. The Units Per Assembly column indicates the number of detail parts required per assembly, NP indicates "Non Procurable" and AR indicates "As Required". The notation "(See Figure)" indicates that this assembly and its detail parts are illustrated and broken down in another figure.

When a number is shown in the Usable On Code Column, refer to the Codes of Effectivity at the end of the listing of parts for that particular figure to determine airplane serial effectivity. Each figure has its own distinct coding, i.e., the code number denoting airplane serial effectivity for one figure may not be the same for another figure.

## **SUPERSEDED PART NUMBERS**

Superseded Part Numbers will appear in the Alpha-Numeric Index with the letter "S" just to the left of the number. They should also appear in the description field of the parts list, for example "...BOLT/supersedes AN3-7". In this instance, AN3-7 would be the superseded number.

## **REVISED LINES**

Revised Lines in the parts list are indicated by the letter "R" appearing just to the left of the part number column. The letter "R" indicates that the line has either been revised or added.

# Beechcraft BONANZA 33 ILLUSTRATED PARTS CATALOG

## HOW TO USE THIS CATALOG

**INDENTURE COLUMN**

### BEECHCRAFT ILLUSTRATED PARTS CATALOG

FIG. & INDEX NO.	PART NO.	1 2 3 4 5 6 7	DESCRIPTION	UNITS PER ASSY	USABLE ON CODE
247	99-960000 50-960085-651		PROPELLER INSTL, REVERSING . . . . .	NP	
	HG-B3TN3/T1017 * 3E8		PROPELLER ASSY, ELECTRIC DEICER /WITH SPINNER/ /SUPERSEDES 50-960085-1/ PROPELLER ASSY, ELECTRIC DEICER/D3000/ /WITHOUT SPINNER/ /ATTACHING PARTS/	2  1	
- 1	A2047		BOLT . . . . .	8	
- 2	PRP909-8		O RING, CRANKSHAFT SEAL . . . . .	1	
- 3	A2048		WASHER . . . . .	8	
	840-60		HUB SPIDER ASSY . . . . .	1	
- 4	A1891		PILOT TUBE . . . . .	3	
- 5	C1478		HUB SPIDER . . . . .	1	
- 6	T10173E8		BLADE /WITH DEICER BOOTS/ . . . . .	3	
- 7	A1854		WIRE, BEARING RETAINING . . . . .	3	
- 8	A1852		GUIDE RING . . . . .	3	
- 9	A1889		SPACER, BALL . . . . .	3	
- 10	A1851T		BEARING, SPLIT . . . . .	3	
- 11	A1877		RING, BEARING RETAINING . . . . .	3	
- 12	PRP909-10		O RING, BLADE . . . . .	AR	
	PRP909-9		O RING, BLADE . . . . .	AR	
	PRP909-8		O RING, BLADE . . . . .	AR	
NOTE USE PRP909-8, PRP909-9 OR PRP909-10 AS REQUIRED FOR PROPER FIT					
- 13	A1305		WEIGHT, BALANCE . . . . .	AR	
- 42	C3021 C3021DET#1 A862-1 A946		PISTON UNIT . . . . . PISTON . . . . . BUSHING, PLASTIC . . . . . BUSHING, BRONZE . . . . .	1 1 1 6	

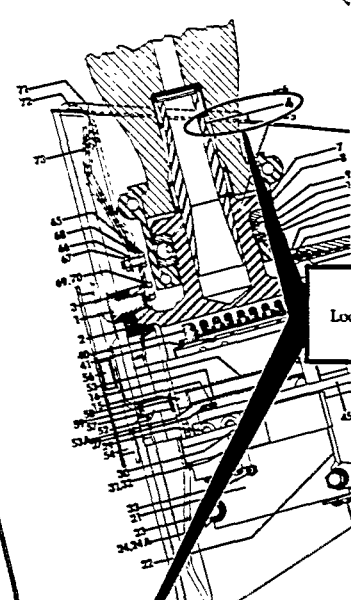
08/15/75

FIG. 247  
PAGE 3

The example above shows the indenture system used to indicate parts in any given assembly. By this indenture system, parts shown in column 2 are component parts of the immediately preceding assembly, column 1; parts shown in column 3 are component parts of the immediately preceding assembly in column 2, etc., through column 7. For example, the HG-B3TN3/T10173E8 propeller assembly includes all parts listed starting after index 3. Note that items 1 and 3 (attaching parts) are not part of the propeller assembly. If part number 840-60 PROPELLER HUB SPIDER UNIT were ordered, it would include item 4 and item 5. There may be times a part number consists of more than 16 characters; in that case, an asterisk (\*) will appear at the end of the part number column and the remainder of the number will be in the description field. See above example.

# Beechcraft BONANZA 33 ILLUSTRATED PARTS CATALOG

## HOW TO LOCATE A PART WHEN THE DESCRIPTION IS KNOWN



BEECHCRAFT  
ILLUSTRATED PARTS CATALOG

FIG. & INDEX NO.	PART NO.	1 2 3 4 5 6 7	DESCRIPTION	UNITS PER ASSY	USABLE ON CODE
247	99-960000		PROPELLER INSTL, REVERSING	1	MP
	50-960085-451		PROPELLER ASSY, ELECTRIC DEICER /WITH SPINNER/	2	
	NG-83783/T1017	368	PROPELLER ASSY, ELECTRIC DEICER/D3000/ /WITHOUT SPINNER/ /ATTACHING PARTS/	1	
	1 A2047		BOLT	8	
	2 PRP909-8		O RING, CRANKSHAFT SEAL	1	
	3 12548			8	
	4 840-60		HUB SPIDER ASSY	1	
	A1891		PILOT TUBE	3	
	6 1101758			3	
	8 A1856		WIRE, BEARING RETAINING	3	
	9 A1852		GUIDE RING	3	
	10 A1899		SPRINGER	3	
	11 A1851T		BEARING, SPLIT	3	
	12 A1877		BEARING RETAINING	3	
	13 PRP909-10		ING, BLADE	AR	
	14 PRP909-9		ING, BLADE	AR	
	15 PRP909-8		ING, BLADE	AR	
	16 A1305		WEIGHT, BALANCE	AR	
	17 AMS01A10-6		SCREEN, FILLISTER HEAD	6	
	18 A944		SLEEVE, LINKSCREW	3	
	19 AK300-3-3		PIN, SLEEVE COTTER	3	
	20 A890-8		SLUG, COUNTERWEIGHT	3	
	21 A3039		SLUG, COUNTERWEIGHT	3	
	22 AM44144/7/		BOLT, HEX HEAD	6	
	23 A8940-416		WASHER	6	
	24 838-45		CLAMP ASSY	1	
	25 C1301-1		CLAMP	3	
	26 A1306		GASKET, CLAMP	2	
	27 A1372		SOCKET, CLAMP	2	
	28 A1373		NUT, CLAMP	2	
	29 3 LUBRICAP		LUBRICAP	3	
	30 A282		SCREEN, CLAMP SOCKET HEAD	2	
	31 AK300-3-2		PIN, COTTER	2	
	32 A304		LINKSCREW	1	
	33 A285		PIN, LINKSCREW STAKING	1	
	34 A2036-22		SCREEN, COUNTERWEIGHT SOCKET HEAD CAP	2	
	35 A285		PIN, SOCKET HEAD CAP SCREEN STAKING	2	
	36 B3007		COUNTERWEIGHT	1	
	37 A65		PIN, COUNTERWEIGHT STAKING	1	
	38 R515001-1		FITTING, LUBRICATOR	1	
	39 834-12		COLLAR ASSY, GUIDE	1	
	40 B3020		COLLAR, GUIDE	1	
	41 A3023		BUSHING, PLASTIC	3	
	42 A2038-14		SCREEN, SOCKET HEAD CAP	1	
	43 A114C		PIN, STAKING	1	
	44 831-19		SPRING ASSY, FEATHERING	1	
	45 B848A		TUBE, PILOT	1	
	46 A1827-1		RETAINER, SPRING CUP	1	
	47 A3042		TUBE, SPACER	1	
			SPRING, INNER	1	
			SPRING, OUTER	1	
			RETAINER, SPRING	1	
			RETAINER, SPLIT	1	
			PISTON ASSY	1	
			PISTON UNIT	1	
			PISTON	1	
			BUSHING, PLASTIC	1	
			BUSHING, BRONZE	6	

**STEP 2**  
Locate figure & item number  
on PARTS LISTING.

**DESCRIPTION**  
9-8, PRP909-9 OR PRP909-10  
AS REQUIRED FOR PROPER FIT

**STEP 1**  
Locate figure & item number  
on ILLUSTRATION.

FIG. 247  
PAGE 2

FIG. 247  
PAGE 3

08/15/75

08/15/75

FIGURE 247, PROPELLER, REVERSING

Consult the Alphabetical Index, for the figure in which the part is listed. Immediately preceding the listing of parts is an illustration for each figure; locate the necessary part in the illustration (see step 1 in the example shown above). The index number adjacent to the illustrated part will appear in the listing of parts in the column entitled "Figure and Index Number" (see step 2 above). Immediately to the right of the index number will be found the required part number.

# Beechcraft BONANZA 33 ILLUSTRATED PARTS CATALOG

## HOW TO LOCATE A PART WHEN THE PART NUMBER IS KNOWN

BEECHCRAFT ILLUSTRATED PARTS CATALOG					
PART NUMBER	FIGURE & ITEM NO.	PART NUMBER	FIGURE & ITEM NO.	PART NUMBER	FIGURE & ITEM NO.
33-630000-35	135	33-640000-89	134	33-910017-601	244B
33-630000-41	135 - 21	33-640000-9	134 - 13	33-910017-7	244B
33-630000-43	135	33-640000-95	134	33-910017-9	244B- 3
33-630000-49	135 - 15	33-640000-97	134	33-910266-2	244
33-630000-5	135 - 12	33-640010	134	33-920000-1	281 - 54
33-630000-59	135 - 19	33-640010-1	134 - 28	33-920000-2	281
33-630000-601	135	33-640010-2	134	33-920000-21	281
33-630000-601	131 - 008	33-8003-1	206	33-920000-21	282
33-630000-603	131	33-820000-3	212	33-921000-3	281
33-630000-603	135	33-9001	241	33-921000-4	281
33-630000-605	135	33-910000	357	33-921010	287 - 27
33-630000-605	131	33-910000-11	241B- 41	33-921015-1	281A
33-630000-65	135 - 8	33-910000-11	241 - 12	33-921015-1	281A
33-630000-69	135 - 4	33-910000-11	248	33-921016-1	281A
33-630000-7	135 - 14	33-910000-13	241 - 5	33-921016-1	281A
33-630000-71	135 - 24	33-910000-15	241B- 25	33-921017-5	281A
33-630000-83	135	33-910000-15	241A-025	33-921017-7	281A
33-630000-83	131	33-910000-3	241 - 30	33-924013	341
33-630000-85	135	33-910000-5	248	33-924013	312B
33-630000-87	362A	33-910000-5	358	33-924013	312C
33-630000-9	135 - 11	33-910000-5	241	33-924016-5	281A- 62
33-640000-11	134 - 12	33-910002	357	33-924016-5	281A
33-640000-13	134 - 10	33-910002-1	248	33-924017	286
33-640000-15	134 - 8	33-910002-1	241B	33-940000-11	159 - 24
33-640000-17	134 - 7	33-910010-101	241B- 15	33-940001	159
33-640000-19	134	33-910010-101	244-28	33-940011	016
33-640000-21	013 - 40	33-910010-103	244	33-940011	395
33-640000-21	134 - 26	33-910010-103	244 - 22	33-940011	159A
33-640000-23	013 - 39	33-910010-105	244 - 35	33-950000-602	245
33-640000-23	134 - 27	33-910010-109	244 - 15	33-950001-1	241 - 37
33-640000-24	013 - 38	33-910010-113	244 - 18	33-950001-3	241
33-640000-24	134	33-910010-113	244 - 14	33-950001-3	245
33-640000-25	134	33-910010-17	244 - 17	33-950001-3	245 - 2
33-640000-27	134	33-910010-21	244 - 10	33-950001-3	245 - 22
33-640000-28	134	33-910010-25	244	330	411
33-640000-29	134 - 5	33-910010-21	244	330	391
33-640000-3	134 - 7	33-910010-25	244	330	354
33-640000-31	134 - 6	33-910010-37	244	330865	354
33-640000-33	134 - 20	33-910010-41	244	330865	033A
33-640000-35	134	33-910010-47	244	330865	033A
33-640000-37	134 - 21	33-910010-5	244	30995F4-0060	282A-029
33-640000-39	134 - 4	33-910010-601	244	33095F4-0060	411 - 036
33-640000-41	134 - 2	33-910010-602	244	33793-11	219A- 54
33-640000-43	134 - 23	33-910010-17	244 - 5	3419-5A	219A- 56
33-640000-45	134	33-910010-21	241 - 27	3419-5A	219A- 55
33-640000-47	134 - 24	33-910010-25	091 - 43	34300-9	219A- 11
33-640000-49	134	33-910010-37	258	35-000129	219A- 10
33-640000-5	134 - 9	33-910010-41	258 - 32	35-000131-3	214 - 21
33-640000-51	134	33-910010-47	359A - 4	35-000131-5	314G
33-640000-53	013 - 41	33-910010-5	359A	35-000131-7	317B
33-640000-53	134 - 14	33-910010-99	359A - 4	35-036040-23	313G
33-640000-57	134 - 16	33-910011-1	244B - 35	35-036040-25	314F
33-640000-58	134	33-910011-1	244B - 41	35-105005-10	313F
33-640000-59	134 - 19	33-910011-1	244B - 33	35-105005-11	361A-047
33-640000-601	134	33-910011-3	244B - 42	35-105005-12	391
33-640000-601	131 - 003	33-910012-47	244B - 45	35-105005-13	391A- 6
33-640000-603	134	33-910012-49	244B - 43	35-105100	361A-045
33-640000-604	134	33-910016-11	244B - 44	35-105100-1	015
33-640000-606	134	33-910016-13	244B - 42	35-105100-1	016
33-640000-61	134 - 18	33-910016-15	244B - 43	35-105100-1	016
33-640000-613	134	33-910016-21	244B - 44	35-036040-23	091A
33-640000-613	131	33-910016-23	244B - 19	35-036040-25	091A
33-640000-615	131	33-910016-25	244B - 32	35-036040-8	091A
33-640000-615	134	33-910016-27	244B - 43	35-105005-10	031 - 3
33-640000-63	134 - 17	33-910016-3	244B - 19	35-105005-11	031
33-640000-64	134	33-910016-5	244B - 32	35-105005-12	031 - 1
33-640000-7	134 - 11	33-910016-601	244B	35-105005-13	031
33-640000-71	134	33-910016-7	244B - 30	35-105100	031
33-640000-73	134	33-910016-9	244B - 31	35-105100-1	031 - 2
33-640000-75	134	33-910017-1	244B	35-105110	
33-640000-77	134	33-910017-11	244B		
33-640000-87	134	33-910017-3	244B		
33-640000-88	134	33-910017-5	244B		

33-910010-101

244-28

PART NUMBER

FIGURE & ITEM NUMBER

WHEN the part number is known turn to the ALPHA-NUMERIC INDEX to locate the correct figure & item number in the illustration.

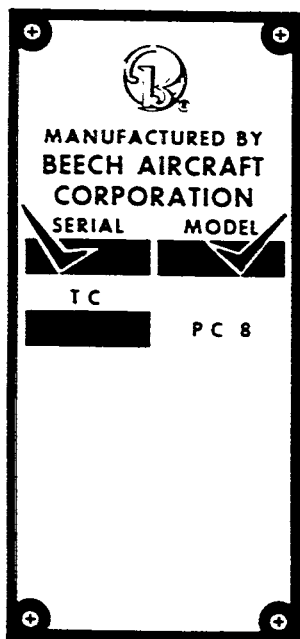
If the part number is known and the illustrated parts list must be consulted for model applicability or description, refer to the Alpha-Numeric Index, for the figure and item number of the required part. Refer to the example shown above.

**Beechcraft**  
**BONANZA 33**  
**ILLUSTRATED PARTS CATALOG**

**IMPORTANT WHEN ORDERING PARTS**

Always use the COMPLETE manufacturer's part number listed in the Part Number column. Be sure the "Airplane Serial Number" accompanies all spare parts orders.

Delays in filling spare parts orders often occur as a result of incomplete information being furnished with the original order, i.e., lack of model designation and airplane serial number. The original order should always contain the information indicated by check marks on the placard shown below, in addition to the correct part number and description or any pertinent information which might further define the part(s) required.



The airplane model and serial placard shown above is located on the fuselage exterior below the baggage

door for airplanes CD-1235 thru CD-1304, CE-290 thru CE-1200 and CJ-26 thru CJ-179 and on the fuselage exterior below the right hand horizontal stabilizer for airplanes CE-1201 and after and CJ-180 and after.

**NOTICE**

Beech Aircraft Corporation expressly reserves the right to supersede, cancel and/or declare obsolete any part, part numbers, kits or publications that may be referenced in this manual without prior notice.

**WARNING**

*This parts catalog has but one function; to facilitate ordering replacement parts for the BEECHCRAFT Bonanza F33, G33, F33A and F33C.*

*Illustrations in this catalog are to be used only as aids in identifying parts and should not be used as a maintenance reference for reassembly.*

**MICROFICHE/AEROFICHE**

The General Aviation Manufacturers Association has developed a specification for microfiche and registered the name Aerofiche for use by all GAMA Members. This manual is available on Aerofiche or on paper, and either form of this manual may be obtained from BEECHCRAFT Aero or Aviation Centers and International Distributors or Dealers.

**NOTE**

It shall be the responsibility of the owner/operator to ensure that the latest revision of publications referenced in this handbook are utilized during operation, servicing, and maintenance of the airplane.

**NOTE**

Service Publications Reissues or Revisions are not automatically provided to the holder of this manual. For information on how to obtain reissues or revisions applicable to this manual refer to the latest revision of BEECHCRAFT Service Bulletin No. 2001.

**Beechcraft**  
**BONANZA 33**  
**ILLUSTRATED PARTS CATALOG**

**WARNING**

*Use only genuine BEECHCRAFT or BEECHCRAFT approved parts obtained from BEECHCRAFT approved sources, in connection with the maintenance and repair of Beech airplanes. Genuine BEECHCRAFT parts are produced and inspected under rigorous procedures to insure airworthiness and suitability for use in Beech airplane applications. Parts purchased from sources other than BEECHCRAFT, even though outwardly identical in appearance may not have had the required tests and inspections performed, may be different in fabrication techniques and materials, and may be dangerous when installed in an airplane.*

*Salvaged airplane parts, reworked parts obtained from non-*

*BEECHCRAFT approved sources, or parts, components, or structural assemblies, the service history of which is unknown or cannot be authenticated, may have been subjected to unacceptable stresses or temperatures or have other hidden damage, not discernible through routine visual or usual nondestructive testing techniques. This may render the part, component or structural assembly, even though originally manufactured by BEECHCRAFT, unsuitable and unsafe for airplane use.*

*BEECHCRAFT expressly disclaims any responsibility for malfunctions, failures, damage or injury caused by use of non-BEECHCRAFT approved parts.*

**Beechcraft**  
**BONANZA 33**  
**ILLUSTRATED PARTS CATALOG**

**NOTES**

B E E C H C R A F T  
 BONANZA 33  
 I L L U S T R A T E D P A R T S C A T A L O G

FUNCTIONAL GROUPS  
 =====

10 GENERAL	280 FUEL SYSTEM
30 WING	310 CABIN FURNISHINGS
60 CENTER SECTION	340 OXYGEN SYSTEM
90 FUSELAGE	350 ELECTRICAL
130 EMPENNAGE	390 INSTRUMENTS
150 FLIGHT CONTROLS	410 CONDITIONED AIR
180 AUTOPILOT	450 PRESSURIZATION
190 VACUUM OR PRESSURE SYSTEMS	470 ALCOHOL ANTI-ICER SYSTEMS
200 LANDING GEAR	480 FIRE EXTINGUISHER & FIRE
230 HYDRAULIC POWER	DETECTION SYSTEMS
240 POWER PLANT	490 AVIONICS

FUNCTIONAL GROUP INDEX GUIDE  
 =====

FUNCT. GROUP	SUB GROUP NUMBER	TITLE
10		GENERAL -----
	012	WING SKINS. . . . .
	013	FUSELAGE SKINS. . . . .
	015	EXTERIOR MARKINGS . . . . .
	016	INTERIOR PLACARDS . . . . .
	017	LOOSE TOOLS AND ACCESSORIES . . . . .
30		WING ----
	031	WINGS . . . . .
	033	WING INBOARD LEADING EDGE . . . . . CD-1235 THRU CD-1303,CE-290 THRU CE-476, CJ-26 THRU CJ-44
	033A	WING INBOARD LEADING EDGE . . . . . CD-1304 ONLY,CE-477 AND AFTER, CJ-45 AND AFTER
	034	WING OUTBOARD LEADING EDGE. . . . . CD-1235 THRU CD-1303,CE-290 THRU CE-476, CJ-26 THRU CJ-44
	034A	WING OUTBOARD LEADING EDGE. . . . . CD-1304 ONLY,CE-477 AND AFTER, CJ-45 AND AFTER
	035	WING FRONT SPAR . . . . . CD-1235 THRU CD-1304,CE-290 THRU CE-476, CJ-26 THRU CJ-44
	035A	WING FRONT SPAR . . . . . CE-477 AND AFTER,CJ-45 AND AFTER
	036	WING BOX SECTION. . . . .
	037	WING REAR SPAR AND TRAILING EDGE. . . . . CE-290 AND AFTER CJ-26 AND AFTER
	039	WING TIP. . . . .



B E E C H C R A F T  
 BONANZA 33  
 I L L U S T R A T E D P A R T S C A T A L O G

FUNCTIONAL GROUP INDEX GUIDE  
 =====

FUNCT. GROUP	SUB GROUP NUMBER	TITLE
30		WING (CONT) ----
	039	WING TIP (CONT) CD-1235 THRU CD-1304,CE-290 THRU CE-435 CJ-26 THRU CJ-51
	039A	WING TIP. . . . . CE-436 AND AFTER
	039B	WING TIP. . . . . CJ-52 AND AFTER
	040	FLAPS . . . . .
	041	AILERON AND TAB . . . . .
90		FUSELAGE -----
	091	NOSE STRUCTURE. . . . . CD-1235 THRU CD-1304 CE-290 THRU CE-435 EXCEPT CE-418 CJ-26 THRU CJ-39
	091A	NOSE STRUCTURE. . . . . CE-418,CE-436 AND AFTER;CJ-40 AND AFTER
	097	CANOPY STRUCTURE. . . . .
	098	CABIN SIDES STRUCTURE . . . . .
	099	CABIN BOTTOM STRUCTURE. . . . . CD-1235 THRU CD-1304 CE-290 THRU CE-768,CJ-26 THRU CJ-145
	099A	CABIN BOTTOM STRUCTURE. . . . . CE-769 AND AFTER,CJ-146 AND AFTER
	101	FRONT SPAR CARRY THRU . . . . . CD-1235 THRU CD-1304 CE-290 THRU CE-400 CJ-26 THRU CJ-30
	101A	FRONT SPAR CARRY THRU . . . . . CE-401 AND AFTER CJ-31 AND AFTER
	102	REAR SPAR CARRY THRU. . . . . CD-1235 THRU CD-1304,CE-290 THRU CE-315, CJ-26 THRU CJ-30
	102A	REAR SPAR CARRY THRU. . . . . CE-316 THRU CE-400
	102B	REAR SPAR CARRY THRU. . . . . CJ-31 THRU CJ-102
	102C	REAR SPAR CARRY THRU. . . . . CE-401 THRU CE-610
	102D	REAR SPAR CARRY THRU. . . . . CE-611 AND AFTER CJ-103 AND AFTER
	103	AFT FUSELAGE STRUCTURE. . . . .

B E E C H C R A F T  
 BONANZA 33  
 I L L U S T R A T E D P A R T S C A T A L O G

FUNCTIONAL GROUP INDEX GUIDE  
 =====

FUNCT. GROUP	SUB GROUP NUMBER	TITLE
90		FUSELAGE (CONT) -----
	103	AFT FUSELAGE STRUCTURE (CONT) CD-1235 THRU CD-1304 CE-290 THRU CE-510 CJ-26 THRU CJ-51
	103A	AFT FUSELAGE STRUCTURE. . . . . CE-511 AND AFTER
	103B	AFT FUSELAGE STRUCTURE. . . . . CJ-52 AND AFTER
	104	CABIN DOOR. . . . . CD-1235 THRU CD-1304,CE-290 THRU CE-315
	104A	CABIN DOOR. . . . . CE-316 THRU CE-464,CJ-26 AND AFTER
	104B	CABIN DOOR. . . . . CE-465 AND AFTER
	106	SMALL BAGGAGE DOOR. . . . .
	107	LARGE BAGGAGE DOOR/OPTIONAL/. . . . . CE-316 AND AFTER
	109	TAIL CONE . . . . . CD-1235 THRU CD-1304,CE-290 THRU CE-986 CJ-26 THRU CJ-155
	109A	TAIL CONE . . . . . CE-987 AND AFTER,CJ-156 AND AFTER
	110	WINDSHIELD AND WINDOWS. . . . .
	110A	OPENABLE WINDOW LATCH . . . . . CE-919,CE-923,CE-925,CE-927,CE-929 AND AFTER CJ-156 AND AFTER
	111	FIREWALL. . . . . CD-1235 THRU CD-1304,CE-290 THRU CE-678 CJ-26 THRU CJ-128
	111A	UPPER FIREWALL. . . . . CE-679 AND AFTER CJ-129 AND AFTER
	111B	LOWER FIREWALL. . . . . CE-418,CE-436 AND AFTER CJ-40 AND AFTER
	112	ASSIST STEP . . . . .
130		EMPENNAGE -----
	131	EMPENNAGE . . . . .
	132	HORIZONTAL STABILIZER . . . . .
	133	ELEVATOR AND TAB. . . . .
	134	VERTICAL STABILIZER AND DORSAL FIN. . . . .

B E E C H C R A F T  
 BONANZA 33  
 I L L U S T R A T E D P A R T S C A T A L O G

FUNCTIONAL GROUP INDEX GUIDE

=====

FUNCT. GROUP	SUB GROUP NUMBER	TITLE
130		EMPENNAGE (CONT) -----
	135	RUDDER AND TAB. . . . .
150		FLIGHT CONTROLS -----
	151	AILERON CONTROLS. . . . . CD-1235 THRU CD-1304 CE-290 THRU CE-510 CJ-26 AND AFTER
	151A	AILERON CONTROLS. . . . . CE-511 AND AFTER
	152	ELEVATOR AND ELEVATOR TAB CONTROLS. . . . . CD-1235 THRU CD-1304 CE-290 THRU CE-510 CJ-26 AND AFTER
	152A	ELEVATOR AND ELEVATOR TAB CONTROLS. . . . . CE-511 AND AFTER
	153	RUDDER CONTROLS . . . . . CD-1235 THRU CD-1304 CE-290 THRU CE-315 CJ-26 AND AFTER
	153A	RUDDER CONTROLS . . . . . CE-316 THRU CE-510
	153B	RUDDER CONTROLS . . . . . CE-511 AND AFTER
	154	RUDDER PEDALS AND LINKAGE . . . . . CD-1235 THRU CD-1304 CE-290 THRU CE-417 CE-419 THRU CE-435 CJ-26 THRU CJ-39
	154A	RUDDER PEDALS AND LINKAGE . . . . . CE-418,CE-436 AND AFTER CJ-40 AND AFTER
	155	CONTROL COLUMN AND LINKAGE. . . . .
	156	CONTROL WHEEL . . . . .
	159	ENGINE CONTROLS . . . . . CD-1235 THRU CD-1254
	159A	ENGINE CONTROLS . . . . . CD-1255 THRU CD-1304 CE-290 AND AFTER CJ-26 AND AFTER
	161	FLAP CONTROL MECHANISM. . . . .
	164	ELEVATOR TAB ACTUATOR . . . . .
180		AUTOPILOT -----
	182	BRITAIN AUTOPILOT. . . . .

B E E C H C R A F T  
 BONANZA 33  
 I L L U S T R A T E D P A R T S C A T A L O G

FUNCTIONAL GROUP INDEX GUIDE  
 =====

FUNCT. GROUP	SUB GROUP NUMBER	TITLE
180		AUTOPILOT (CONT) -----
	182	BRITTAIN AUTOPILOT (CONT) CD-1237 ONLY
	182A	STABILITY AUGMENTATION SYSTEM . . . . .
	182B	BRITTAIN AUTOPILOT. . . . . CD-1235 THRU CD-1304,EXCEPT CD-1237 CE-290 AND AFTER,CJ-26 AND AFTER
190		VACUUM OR PRESSURE SYSTEMS -----
	194	INSTRUMENT PRESSURE SYSTEM. . . . . CD-1235 THRU CD-1304 CE-290 THRU CE-1439,CE-1441 THRU CE-1456 CJ-26 THRU CJ-179
	194A	INSTRUMENT PRESSURE SYSTEM/STANDBY/ . . . . . CE-1056 AND AFTER CJ-156 AND AFTER
	194B	INSTRUMENT PRESSURE SYSTEM. . . . . CE-1440,CE-1457 AND AFTER CJ-180 AND AFTER
200		LANDING GEAR -----
	202	MAIN LANDING GEAR . . . . .
	203	MAIN GEAR WHEEL . . . . . CD-1235 THRU CD-1271,CE-290 THRU CE-300, CJ-26 THRU CJ-30
	203A	MAIN GEAR WHEEL . . . . . CD-1272 THRU CD-1304,CE-301 AND AFTER, CJ-31 AND AFTER
	204	MAIN GEAR DOORS . . . . .
	206	NOSE LANDING GEAR . . . . . CD-1235 THRU CD-1304 CE-290 THRU CE-979 CJ-26 THRU CJ-155
	206A	NOSE LANDING GEAR . . . . . CE-980 AND AFTER;CJ-156 AND AFTER
	207	NOSE GEAR WHEEL . . . . . CD-1235 THRU CD-1257,CE-290 THRU CE-300, CJ-26 THRU CJ-30
	207A	NOSE GEAR WHEEL . . . . . CD-1258 THRU CD-1304,CE-301 AND AFTER, CJ-31 AND AFTER
	208	NOSE GEAR DOORS . . . . .
	209	NOSE GEAR SHIMMY DAMPER . . . . .
	210	NOSE GEAR STEERING. . . . .

B E E C H C R A F T  
B O N A N Z A 3 3  
I L L U S T R A T E D P A R T S C A T A L O G

F U N C T I O N A L G R O U P I N D E X G U I D E  
=====

Courtesy of Bomar Flying Service  
[www.bomar.biz](http://www.bomar.biz)

FUNCT. GROUP	SUB GROUP NUMBER	TITLE
200		LANDING GEAR (CONT) -----
	211	MAIN LANDING GEAR RETRACT SYSTEM. . . . .
	212	NOSE GEAR RETRACT SYSTEM. . . . .
	213	LANDING GEAR RETRACT GEARBOX. . . . .
	214	LANDING GEAR RETRACT MOTOR. . . . . CD-1235 THRU CD-1304 CE-290 THRU CE-606,CJ-26 THRU CJ-104
	214A	LANDING GEAR RETRACT MOTOR/14 VOLT/ . . . . . CE-607 THRU CE-771,EXCEPT CE-748 CJ-105 THRU CJ-148
	214B	LANDING GEAR RETRACT MOTOR/28 VOLT/ . . . . . CE-748,CE-772 AND AFTER CJ-149 AND AFTER
	218	BRAKES. . . . . CD-1235 THRU CD-1271,CE-290 THRU CE-300, CJ-26 THRU CJ-30
	218A	BRAKES. . . . . CD-1272 THRU CD-1304,CE-301 AND AFTER, CJ-31 AND AFTER
	219	BRAKE PLUMBING. . . . . CD-1235 THRU CD-1243,CE-290 THRU CE-301 AND CJ-26 ONLY
	219A	BRAKE PLUMBING. . . . . CD-1244 THRU CD-1304,CE-302 AND AFTER, CJ-27 AND AFTER
	219B	BRAKE PLUMBING/DUAL BRAKES/ . . . . . CE-839 AND AFTER CJ-150 AND AFTER
	220	BRAKE MASTER CYLINDER . . . . .
	221	BRAKE SHUTTLE VALVE . . . . . CD-1235 THRU CD-1304,CE-290 THRU CE-761 CJ-26 THRU CJ-138
	221A	BRAKE SHUTTLE VALVE . . . . . CE-762 THRU CE-838,CJ-139 THRU CJ-149
	222	PARKING BRAKE VALVE . . . . .
	223	LANDING GEAR SAFETY SYSTEM. . . . .
240		POWER PLANT -----
	241	POWER PLANT . . . . . CD-1235 THRU CD-1254
	241A	POWER PLANT . . . . . CE-290 AND AFTER,CJ-26 AND AFTER
	241B	POWER PLANT . . . . .

B E E C H C R A F T  
B O N A N Z A 3 3  
I L L U S T R A T E D P A R T S C A T A L O G

F U N C T I O N A L G R O U P I N D E X G U I D E  
=====

FUNCT. GROUP	SUB GROUP NUMBER	TITLE
240		POWER PLANT (CONT) -----
	241B	POWER PLANT (CONT) CD-1255 THRU CD-1304
	242	COWLING . . . . .
	244	BAFFLES . . . . . CD-1235 THRU CD-1254
	244A	BAFFLES . . . . . CE-290 AND AFTER,CJ-26 AND AFTER
	244B	BAFFLES . . . . . CD-1255 THRU CD-1304
	245	EXHAUST SYSTEM. . . . . CD-1235 THRU CD-1254
	245A	EXHAUST SYSTEM. . . . . CD-1255 THRU CD-1304,CE-290 AND AFTER CJ-26 AND AFTER
	248	TWO BLADED PROPELLER. . . . .
	249	THREE BLADED PROPELLER. . . . . CE-290 AND AFTER
	250	TWO BLADE ELECTRIC PROPELLER DEICE/14 VOLT/ . . . . . CE-290 THRU CE-771,EXCEPT CE-748 CJ-26 THRU CJ-148
	250A	TWO BLADE ELECTRIC PROPELLER DEICE/28 VOLT/ . . . . . CE-748,CE-772 AND AFTER,CJ-149 AND AFTER
	251	THREE BLADE ELECTRIC PROPELLER DEICE/14 VOLT/ . . . . . CE-290 THRU CE-771, EXCEPT CE-748
	251A	THREE BLADE ELECTRIC PROPELLER DEICE/28 VOLT/ . . . . . CE-748,CE-772 AND AFTER
	251B	ELECTRIC PROPELLER DEICE/3 BLADE/ . . . . . OPTIONAL CE-1024 AND AFTER
	258	INDUCTION SYSTEM. . . . .
280		FUEL SYSTEM -----
	281	FUEL SYSTEM . . . . . CD-1235 THRU CD-1254
	281A	FUEL SYSTEM . . . . . CD-1255 THRU CD-1304,CE-290 AND AFTER CJ-26 AND AFTER
	282	ENGINE SECTION FUEL SYSTEM. . . . . CD-1235 THRU CD-1254
	282A	ENGINE SECTION FUEL SYSTEM. . . . . CD-1255 THRU CD-1304,CE-290 AND AFTER CJ-26 AND AFTER
	285	FUEL BOOST PUMP . . . . .

B E E C H C R A F T  
 BONANZA 33  
 I L L U S T R A T E D P A R T S C A T A L O G

FUNCTIONAL GROUP INDEX GUIDE  
 =====

FUNCT. GROUP	SUB GROUP NUMBER	TITLE
280		FUEL SYSTEM (CONT) -----
	285	FUEL BOOST PUMP (CONT) CD-1235 THRU CD-1254
	285A	FUEL BOOST PUMP . . . . . CD-1255 THRU CD-1304, CE-290 THRU CE-771 EXCEPT CE-748 CJ-26 THRU CJ-149
	286	FUEL SELECTOR VALVE COVER . . . . .
	287	FUEL CAP AND ADAPTER. . . . . CD-1235 THRU CD-1304 CE-290 THRU CE-1055 CJ-26 THRU CJ-155
	287A	FUEL CAP AND ADAPTER. . . . . CE-1056 AND AFTER,CJ-156 AND AFTER
	289	FUEL SELECTOR VALVE AND STOP ASSEMBLY . . . . .
	296	WING TIP TANKS. . . . . CE-290 AND AFTER
310		CABIN FURNISHINGS -----
	311	CABIN UPHOLSTERY. . . . . CE-465 THRU CE-918,CE-920 THRU CE-922 CE-924,CE-926,CE-928 CJ-52 THRU CJ-155
	311A	CABIN UPHOLSTERY. . . . . CE-919,CE-923,CE-925,CE-927,CE-929 AND AFTER CJ-156 AND AFTER
	311B	CABIN HEADLINER . . . . . CD-1256 THRU CD-1304 CE-919,CE-923,CE-925,CE-927,CE-929 AND AFTER CJ-31 THRU CJ-51,CJ-156 AND AFTER
	311E	CABIN UPHOLSTERY. . . . . CJ-26 THRU CJ-30
	311F	CABIN UPHOLSTERY. . . . . CJ-31 THRU CJ-51
	312	CARPETS AND FLOORBOARDS . . . . . CD-1235 THRU CD-1304 CE-290 THRU CE-464 CJ-26 THRU CJ-51
	312A	CARPETS AND FLOORBOARDS . . . . . CE-465 THRU CE-768 CJ-52 THRU CJ-145
	312B	CARPETS AND FLOORBOARDS . . . . . CE-769 AND AFTER
	312C	CARPETS AND FLOORBOARDS . . . . . CJ-146 AND AFTER
	313	PILOT AND COPILOT SEATS . . . . .

B E E C H C R A F T  
 BONANZA 33  
 I L L U S T R A T E D P A R T S C A T A L O G

FUNCTIONAL GROUP INDEX GUIDE  
 =====

FUNCT. GROUP	SUB GROUP NUMBER	TITLE
310		CABIN FURNISHINGS (CONT) -----
	313	PILOT AND COPILOT SEATS (CONT) CD-1235 THRU CD-1255,CE-290 THRU CE-349
	313A	PILOT AND COPILOT SEATS . . . . . CD-1256 THRU CD-1304 CE-350 THRU CE-610
	313B	PILOT AND COPILOT SEATS . . . . . CJ-26 THRU CJ-51
	313C	PILOT AND COPILOT SEATS . . . . . CJ-52 THRU CJ-128
	313D	PILOT AND COPILOT SEATS . . . . . CE-611 THRU CE-677
	313E	PILOT AND COPILOT SEATS . . . . . CE-678 THRU CE-928 EXCEPT CE-919,CE-923,CE-925,CE-927 CJ-129 THRU CJ-148
	313F	PILOT AND COPILOT SEATS . . . . . CJ-149 AND AFTER
	313G	PILOT AND COPILOT SEATS . . . . . CE-919,CE-923,CE-925,CE-927 CE-929 AND AFTER
	314	PASSENGER SEATS . . . . . CD-1235 THRU CD-1255,CE-290 THRU CE-349, CJ-26 THRU CJ-30
	314A	PASSENGER SEATS . . . . . CE-350 THRU CE-610
	314B	PASSENGER SEATS . . . . . CD-1256 THRU CD-1304 CJ-31 THRU CJ-51
	314C	PASSENGER SEATS . . . . . CE-611 THRU CE-633 CJ-52 THRU CJ-128
	314D	PASSENGER SEATS/CAM ADJUSTABLE/ . . . . . CE-634 THRU CE-928,EXCEPT CE-919, CE-923,CE-925,CE-927 CJ-129 THRU CJ-155
	314E	PASSENGER SEATS/ROTON ADJUSTABLE/ . . . . . CE-634 THRU CE-928,EXCEPT CE-919,CE-923 CE-925,CE-927,CJ-129 THRU CJ-155
	314F	PASSENGER SEATS/CAM ADJUSTABLE/ . . . . . CE-919,CE-923,CE-925,CE-927, CE-929 AND AFTER CJ-156 AND AFTER
	314G	PASSENGER SEATS/ROTON ADJUSTABLE/ . . . . . CE-919,CE-923,CE-925,CE-927,CE-929 AND AFTER CJ-156 AND AFTER
	315	WINDOW SUNSHADES. . . . .



B E E C H C R A F T  
 BONANZA 33  
 I L L U S T R A T E D P A R T S C A T A L O G

FUNCTIONAL GROUP INDEX GUIDE  
 =====

FUNCT. GROUP	SUB GROUP NUMBER	TITLE
310		CABIN FURNISHINGS (CONT) -----
	315	WINDOW SUNSHADES (CONT) CD-1235 THRU CD-1304 CE-290 THRU CE-315
	317	SPECIAL SEATS . . . . . CD-1235 THRU CD-1304 CE-290 THRU CE-315
	317A	SPECIAL SEATS . . . . . CE-316 THRU CE-928, EXCEPT CE-919 CE-923, CE-925, CE-927
	317B	SPECIAL SEATS . . . . . CE-919, CE-923, CE-925, CE-927, CE-929 AND AFTER
	320	SEAT BACK TABLE . . . . . CD-1235 THRU CD-1304 CE-290 THRU CE-633
	324	MISCELLANEOUS CABIN FURNISHINGS . . . . .
	327	ARMREST . . . . . CD-1235 THRU CD-1304 CE-290 THRU CE-928 EXCEPT CE-919, CE-923, CE-925 AND CE-927 CJ-26 THRU CJ-155
	327A	ARMRESTS. . . . . CE-919, CE-923, CE-925, CE-927, CE-929 AND AFTER CJ-156 AND AFTER
340		OXYGEN SYSTEM -----
	341	OXYGEN SYSTEM . . . . . CD-1235 THRU CD-1304, CE-290 THRU CE-928 EXCEPT CE-919, CE-923, CE-925 AND CE-927 CJ-26 THRU CJ-155
	341A	OXYGEN SYSTEM . . . . . CE-919, CE-923, CE-925, CE-927, CE-929 AND AFTER CJ-156 AND AFTER
350		ELECTRICAL -----
	354	FUSELAGE ELECTRICAL . . . . . CD-1235 THRU CD-1304 CE-290 THRU CE-771, EXCEPT CE-748
	354A	FUSELAGE ELECTRICAL . . . . . CJ-26 THRU CJ-148
	354B	FUSELAGE ELECTRICAL . . . . . CE-748, CE-772 AND AFTER CJ-149 AND AFTER
	355	WING SECTION ELECTRICAL . . . . .
	355A	FLAP LIMIT SWITCHES . . . . .

B E E C H C R A F T  
 BONANZA 33  
 I L L U S T R A T E D P A R T S C A T A L O G

FUNCTIONAL GROUP INDEX GUIDE  
 =====

FUNCT. GROUP	SUB GROUP NUMBER	TITLE
350		ELECTRICAL (CONT) -----
	355A	FLAP LIMIT SWITCHES (CONT) CE-816 AND AFTER CJ-150 AND AFTER
	356	BATTERY INSTALLATION/14 VOLT/ . . . . . CD-1235 THRU CD-1304 CE-290 THRU CE-580,CJ-26 THRU CJ-85
	356A	BATTERY INSTALLATION/14 VOLT/ . . . . . CE-581 THRU CE-771 EXCEPT CE-748 CJ-86 THRU CJ-148
	356B	BATTERY INSTALLATION/24 VOLT/ . . . . . CE-748,CE-772 AND AFTER CJ-149 AND AFTER
	357	STARTER/14 VOLT/. . . . . CD-1235 THRU CD-1304, CE-290 THRU CE-771 EXCEPT CE-748 CJ-26 THRU CJ-148
	357A	STARTER/28 VOLT/. . . . . CE-748,CE-772 AND AFTER CJ-149 AND AFTER
	358	GENERATOR . . . . . CD-1235 THRU CD-1254
	358A	STANDBY GENERATOR . . . . . CE-374 AND AFTER CJ-31 AND AFTER
	359	ALTERNATOR/70 AMP/14 VOLT/. . . . . CE-290 THRU CE-771 EXCEPT CE-748 CJ-26 THRU CJ-148
	359A	ALTERNATOR/60 AMP/14 VOLT/. . . . . CD-1235 THRU CD-1304
	359B	ALTERNATOR/100 AMP/28 VOLT/ . . . . . CE-748,CE-772 THRU CE-861 CJ-149 ONLY -
	359C	ALTERNATOR/50 AMP/28 VOLT/. . . . . CE-748,CE-772 THRU CE-928 CJ-149 THRU CJ-155
	359D	ALTERNATOR/100 AMP/28 VOLT/ . . . . . CE-862 THRU CE-1025 CJ-150 THRU CJ-155
	359E	ALTERNATOR/60 AMP/28 VOLT/. . . . . CE-929 THRU CE-1025
	359F	ALTERNATOR/100 AMP/28 VOLT/ . . . . . CE-1026 AND AFTER,CJ-156 AND AFTER
	359G	ALTERNATOR/60 AMP/28 VOLT/. . . . . CE-1026 AND AFTER,CJ-156 AND AFTER
	360	TAXI AND LANDING LIGHT. . . . .
	361	ROTATING BEACON/14 VOLT SYSTEM/ . . . . .

B E E C H C R A F T  
 BONANZA 33  
 I L L U S T R A T E D P A R T S C A T A L O G

FUNCTIONAL GROUP INDEX GUIDE  
 =====

FUNCT. GROUP	SUB GROUP NUMBER	TITLE
350		ELECTRICAL (CONT) -----
	361	ROTATING BEACON/14 VOLT SYSTEM/ (CONT) CD-1235 THRU CD-1304 CE-290 THRU CE-771, EXCEPT CE-748 CJ-26 THRU CJ-148
	361A	ROTATING BEACON/28 VOLT/. . . . . CE-748, CE-772 THRU CE-1349, CE-1351 CJ-149 THRU CJ-179
	361B	UPPER BEACON. . . . . CE-1350, CE-1352 AND AFTER CJ-180 AND AFTER
	361C	LOWER BEACON. . . . . CE-1350, CE-1352 AND AFTER CJ-180 AND AFTER
	362	STROBE LIGHT. . . . . CD-1235 THRU CD-1261, CE-290 THRU CE-370
	362A	STROBE LIGHT. . . . . CD-1262 THRU CD-1304, CE-371 AND AFTER CJ-26 AND AFTER
	363	STATIC DISCHARGE WICK . . . . .
	364	ELECTRIC TRIM . . . . .
390		INSTRUMENTS -----
	391	FLOATING INSTRUMENT PANEL . . . . . CD-1235 THRU CD-1304, CE-290 THRU CE-408 CJ-26 THRU CJ-51
	391A	FLOATING INSTRUMENT PANEL . . . . . CE-409 AND AFTER CJ-52 AND AFTER
	392	INSTRUMENT PANEL. . . . . CD-1235 THRU CD-1304, CE-290 THRU CE-349, CJ-26 THRU CJ-51
	392A	INSTRUMENT PANEL. . . . . CE-350 THRU CE-408
	392B	INSTRUMENT PANEL. . . . . CE-409 AND AFTER, CJ-52 AND AFTER
	393	INSTRUMENT PANEL PLUMBING . . . . .
	394	PITOT AND STATIC SYSTEM . . . . . CD-1235 THRU CD-1304, CE-290 THRU CE-315, CJ-26 AND AFTER
	394A	PITOT AND STATIC SYSTEM . . . . . CE-316 AND AFTER
	395	SUBPANEL. . . . .

B E E C H C R A F T  
 BONANZA 33  
 I L L U S T R A T E D P A R T S C A T A L O G

FUNCTIONAL GROUP INDEX GUIDE

=====

FUNCT. GROUP	SUB GROUP NUMBER	TITLE
410		CONDITIONED AIR -----
	411	AIR CONDITIONING. . . . . CE-602 AND AFTER
	415	FRESH AIR BLOWER. . . . . CE-941 AND AFTER CJ-156 AND AFTER
	417	AIR DUCTS . . . . .
	417A	AIR DUCTS . . . . . CD-1256 THRU CD-1304 CE-350 THRU CE-918,CE-920 THRU CE-922 CE-924,CE-926,CE-928 CJ-31 THRU CJ-155
	417B	FRESH AIR DUCTS . . . . . CE-919,CE-923,CE-925,CE-927,CE-929 AND AFTER CJ-156 AND AFTER
	425	AIR CONDITIONING COMPRESSOR . . . . . CE-602 AND AFTER
	426	AIR CONDITIONING CONDENSER. . . . . CE-602 AND AFTER
	427	AIR CONDITIONING EVAPORATOR . . . . . CE-602 AND AFTER
490		AVIONICS -----
	490	EMERGENCY LOCATOR TRANSMITTER . . . . . CD-1271 THRU CD-1304,CE-290 THRU CE-828 CJ-26 THRU CJ-149
	490A	EMERGENCY LOCATOR TRANSMITTER . . . . . CE-829 THRU CE-1032,CJ-150 THRU CJ-155
	490B	EMERGENCY LOCATOR TRANSMITTER . . . . . CE-1033 THRU CE-1466,CJ-156 THRU CJ-179
	490C	EMERGENCY LOCATOR TRANSMITTER . . . . . CE-1467 THRU CE-1646
	490D	EMERGENCY LOCATOR TRANSMITTER . . . . . CE-1647 AND AFTER, CJ-180 AND AFTER

# **ALPHABETICAL INDEX**

BEECHCRAFT  
 BONANZA 33  
 ILLUSTRATED PARTS CATALOG

ALPHABETICAL INDEX

COMPONENT ITEM OR SYSTEM NAME	FIGURE NO.	COMPONENT ITEM OR SYSTEM NAME	FIGURE NO.
<b>A</b>		<b>B</b>	
ACCELEROMETER	391	BRAKES	218
ACCESS COVER,WING BOLT	311	BRITTAIN AUTOPILOT	182
ACTUATOR,ELEVATOR TAB	132	<b>C</b>	
ACTUATOR,ELEVATOR TAB	164	CABIN BOTTOM STRUCTURE	99
ACTUATOR,FLAP	161	CABIN DOOR	104
AFT FUSELAGE STRUCTURE	103	CABIN DOOR HANDLE,INSIDE	104
AILERON AND TAB	41	CABIN DOOR HANDLE,OUTSIDE	104
AILERON CONTROLS	151	CABIN DOOR LATCH	104
AILERON TAB	41	CABIN DOOR WINDOW	104
AIR CONDITIONING	411	CABIN SIDE STRUCTURE	98
AIR CONDITIONING COMPRESSOR	425	CABIN STRUCTURE,UPPER	97
AIR CONDITIONING CONDENSER	426	CABIN UPHOLSTERY	311
AIR CONDITIONING EVAPORATOR	427	CABIN WINDOWS	110
AIR DUCTS	417	CABLE,BATTERY	356
AIR FILTER	194	CANOPY STRUCTURE	97
AIR INDUCTION BOX	258	CAP AND ADAPTER,FUEL	287
AIR PRESSURE REGULATOR	194	CARPETS AND FLOORBOARDS	312
AIR SPEED INDICATOR	391	CARRY THRU,FRONT SPAR	101
AIR SPEED INDICATOR,VERTICAL	391	CARRY THRU,REAR SPAR	102
AIR TEMP INDICATOR	354	CIGARETTE LIGHTER	324
ALTERNATOR	359	CIRCUIT BREAKER PANEL	395
ALTIMETER	391	CLOCK	391
AMMETER	392	CLOCK,CONTROL WHEEL	156
ANTENNA,EMERGENCY LOCATOR	490	COAT HANGER	324
ARMREST	327	COAT HOOK	311
ARMREST,SIDE PANEL	311	COILED CORD	156
ASH TRAY	311	COLUMN,CONTROL	155
ASH TRAY	324	COMPASS ASSY	324
ASSIST HANDLE	97	COMPRESSOR,AIR CONDITIONING	425
ASSIST HANDLE	311	CONDENSER,AIR CONDITIONING	426
ASSIST STEP	112	CONE, TAIL	109
AUTOPILOT	182	CONSOLE,OVERHEAD	417A
<b>B</b>		CONTROL COLUMN	155
BAFFLES,ENGINE	244	CONTROL COLUMN LOCK	17
BAFFLES,NOSE	91	CONTROL MECHANISM,FLAP	161
BAGGAGE DOOR LATCH	106	CONTROL WHEEL	156
BAGGAGE DOOR/OPTIONAL/	107	CONTROL WHEEL CLOCK	156
BAGGAGE DOOR,SMALL	106	CONTROL,MIXTURE	159
BAGGAGE TIE DOWN ASSY	312	CONTROL,PARKING BRAKE	219A
BAGGAGE WEB	324	CONTROL,PROPELLER	159
BALANCE WEIGHT,AILERON	41	CONTROL,THROTTLE	159
BATTERY BOX	356	CONTROLS,AILERON AND TAB	151
BATTERY CABLE	356	CONTROLS,ELEVATOR AND TAB	152
BEACON,ROTATING	361	CONTROLS,ENGINE	159
BELLCRANK,ELEVATOR	152	CONTROLS,RUDDER	153
BELLCRANK,RUDDER	154A	COOLER,OIL	241
BELT,GENERATOR DRIVE	241	COORDINATOR,TURN	391
BELT,SEAT	313	COVER,CENTER CONSOLE	411
BLEED AIR DUCT	417	COVER,ENGINE	17
BLOWER,FRESH AIR	415	COVER,FRONT SPAR	312
BONANZA EMBLEM	15	COVER,PROPELLER	17
BOOST PUMP,FUEL	281	COVER,REAR SPAR	312
BOTTLE,OXYGEN	341	COVER,WING BOLT ACCESS	311
BOX SECTION,WING	36	COVER,WING BOLT ACCESS	312A
BOX,BATTERY	356	COWL DOOR	242
BOX,INDUCTION AIR	258	COWL DOOR LATCH	91
BRAKE FLUID RESERVOIR	219	COWL FLAPS	159A
BRAKE MASTER CYLINDER	220	COWLING,ENGINE	242
BRAKE PEDAL	219A	<b>D</b>	
BRAKE PLUMBING	219	DAMPER,NOSE GEAR SHIMMY	209
BRAKE SHUTTLE VALVE	221		
BRAKE VALVE,PARKING	222		

BEECHCRAFT  
BONANZA 33  
ILLUSTRATED PARTS CATALOG

ALPHABETICAL INDEX

COMPONENT ITEM OR SYSTEM NAME	FIGURE NO.	COMPONENT ITEM OR SYSTEM NAME	FIGURE NO.
<b>D</b>		<b>F</b>	
DEFROSTER DUCT	417	FLAPS,COWL	159A
DEHYDRATOR,AIR CONDITIONING	411	FLAPS,WING	40
DEICE,THREE BLADE ELEC PROP	251	FLOATING INSTRUMENT PANEL	391
DEICE,TWO BLADE ELEC PROP	250	FLOORBOARDS AND CARPETS	312
DIRECTIONAL GYRO	391	FRAME,CABIN DOOR	104
DOOR HANDLE,INSIDE CABIN	104	FRAME,SEAT	313
DOOR HANDLE,OUTSIDE CABIN	104	FRESH AIR BLOWER	415
DOOR,BAGGAGE/OPTIONAL/	107	FRONT SPAR CARRY THRU	101
DOOR,CABIN	104	FRONT SPAR,WING	35
DOOR,COWL	242	FUEL BOOST PUMP	285
DOOR,ELT ACCESS	490	FUEL CAP AND ADAPTER	287
DOOR,EXTERNAL POWER RECEPTACLE	91A	FUEL CELL	281
DOOR,FUEL STRAINER ACCESS	99	FUEL PRESSURE INDICATOR	392
DOOR,SMALL BAGGAGE	106	FUEL QUANTITY INDICATOR	392
DOORS,MAIN GEAR	204	FUEL SELECTOR VALVE	289
DOORS,NOSE GEAR	208	FUEL SELECTOR VALVE COVER	286
DORSAL FIN	134	FUEL SELECTOR VALVE STOP	289
DRAIN,MANIFOLD VALVE	241	FUEL STRAINER	281
DUCT DEFROSTER	417	FUEL STRAINER ACCESS DOOR	99
DUCT,COLD AIR	417	FUEL SYSTEM	281
DUCTS,AIR	417	FUEL SYSTEM,ENGINE SECTION	282
<b>E</b>		FUEL TRANSMITTER	281
ELECTRIC TRIM	364	FUSELAGE ELECTRICAL	354
ELECTRICAL,FUSELAGE	354	FUSELAGE SKINS	13
ELECTRICAL,WING SECTION	355	FUSELAGE STRUCTURE,AFT	103
ELEVATOR & ELEVATOR TAB CONTROL	152	FUSELAGE STRUCTURE,LOWER	99
ELEVATOR AND TAB	133	FUSELAGE STRUCTURE,UPPER	97
ELEVATOR BELLCRANK	152	<b>G</b>	
ELEVATOR TAB ACTUATOR	132	GAGE,PRESSURE	392
ELEVATOR TAB ACTUATOR	164	GEAR DOORS,MAIN	204
ELEVATOR TAB INDICATOR	152	GEAR DOORS,NOSE	208
ELT ACCESS DOOR	490	GEAR RETRACT,MAIN LANDING	211
EMBLEM,BONANZA	15	GEAR RETRACT,NOSE LANDING	212
EMERGENCY LOCATOR TRANSMITTER	490	GEAR,MAIN LANDING	202
EMPENNAGE	131	GEAR,NOSE LANDING	206
ENGINE BAFFLES	244	GEARBOX,RETRACT	213
ENGINE CONTROLS	159	GENERATOR	358
ENGINE COVER	17	GENERATOR DRIVE BELT	241
ENGINE COWLING	242	GENERATOR DRIVE BELT	358
ENGINE EXHAUST STACK	245	GENERATOR,STANDBY	358A
ENGINE SECTION FUEL SYSTEM	282	GLARESHIELD	324
EVAPORATOR,AIR CONDITIONING	427	GLOVE COMPARTMENT	392
EXHAUST GAS TEMP INDICATOR	245	GOVERNOR,PROPELLER	241
EXHAUST SYSTEM	245	GYRO,DIRECTIONAL	391
EXHAUST,ENGINE	245	GYRO,HORIZON	391
EXTERIOR MARKINGS	15	<b>H</b>	
EXTINGUISHER,FIRE	324	HANDLE,ASSIST	97
<b>F</b>		HANDLE,ASSIST	311
FILTER,AIR	194	HANDLE,COWL DOOR LATCH	91
FIN,DORSAL	134	HANGER,COAT	324
FIRE EXTINGUISHER	324	HARNES, MAGNETO	241
FIREWALL	111	HAT SHELF	311
FIREWALL ASSY,LOWER	111B	HEADLINER,CABIN	311B
FIREWALL ASSY,UPPER	111A	HEADREST ASSY	324
FLAP ACTUATOR	161	HEAT AND VENT DUCTS	417
FLAP CONTROL MECHANISM	161	HEATED PITOT HEAD	394
FLAP LIMIT SWITCH	161	HEATED PITOT MAST	355
FLAP MOTOR	161	HOISTING SLING,AIRPLANE	17
FLAP POSITION INDICATOR	392	HOOK,COAT	311
FLAP POSITION TRANSMITTER	161	HORIZON GYRO	391

BEECHCRAFT  
 BONANZA 33  
 ILLUSTRATED PARTS CATALOG

ALPHABETICAL INDEX

COMPONENT ITEM OR SYSTEM NAME	FIGURE NO.	COMPONENT ITEM OR SYSTEM NAME	FIGURE NO.
<b>H</b>		<b>M</b>	
HORIZONTAL STABILIZER	132	MANUALS, OPERATING	17
HORN, LANDING GEAR WRNING	354	MAP LIGHT	156
HUB, PROPELLER	248	MARKINGS EXTERIOR	15
<b>I</b>		MARKINGS, INTERIOR	16
IDLER ARM, NOSE GEAR	210	MASK, OXYGEN	341
INBOARD LEADING EDGE, WING	33	MASTER CYLINDER, BRAKE	220
INDICATOR ELEVATOR TAB	152	MISC CABIN FURNISHINGS	324
INDICATOR, AIR SPEED	391	MIXTURE CONTROL	159
INDICATOR, EXHAUST GAS TEMP	245	MOTOR, FLAP	161
INDICATOR, FLAP POSITION	392	MOTOR, LANDING GEAR RETRACT	214
INDICATOR, FUEL QUANTITY	392	MUFFLER AND TAILPIPE	245
INDICATOR, MANF & FUEL PRESS	392	<b>N</b>	
INDICATOR, NOSE GEAR POSITION	212	NOSE BAFFLES	91
INDICATOR, OAT	392	NOSE BUG	91
INDUCTION SYSTEM	258	NOSE GEAR DOORS	208
INSTRUMENT PANEL	392	NOSE GEAR POSITION INDICATOR	212
INSTRUMENT PANEL PLUMBING	393	NOSE GEAR RETRACT SYSTEM	212
INSTRUMENT PANEL, FLOATING	391	NOSE GEAR SHIMMY DAMPER	209
INSTRUMENT PRESSURE SYSTEM	194	NOSE GEAR SHOCK ABSORBER	206
INTERIOR PLACARDS	16	NOSE GEAR STEERING	210
<b>K</b>		NOSE GEAR TIRE	207
KEEL ASSEMBLY	91	NOSE GEAR WHEEL	207
<b>L</b>		NOSE LANDING GEAR	206
LANDING GEAR RETRACT GEARBOX	213	NOSE STRUCTURE	91
LANDING GEAR RETRACT MOTOR	214	<b>O</b>	
LANDING GEAR RETRACT, MAIN	211	OAT INDICATOR	392
LANDING GEAR RETRACT, NOSE	212	OIL COOLER	241
LANDING GEAR SAFETY SWITCH	202	OUTBOARD LEADING EDGE, WING	34
LANDING GEAR SAFETY SWITCH	223	OVERHEAD CONSOLE	417A
LANDING GEAR, MAIN	202	OXYGEN BOTTLE	341
LANDING GEAR, NOSE	206	OXYGEN MASK	341
LANDING LIGHT	360	OXYGEN OUTLETS	341
LARGE BAGGAGE DOOR/OPTIONAL	107	OXYGEN SYSTEM	341
LATCH, BAGGAGE DOOR	106	<b>P</b>	
LATCH, CABIN DOOR	104	PANEL, CIRCUIT BREAKER	395
LATCH, COWL DOOR	91	PANEL, FLOATING INSTRUMENT	391
LATCH, OPENABLE WINDOW	110	PANEL, INSTRUMENT	392
LIGHT, LANDING	360	PANEL, OVERHEAD FRESH AIR	417
LIGHT, MAP	156	PARKING BRAKE CONTROL	219A
LIGHT, STROBE	362	PARKING BRAKE VALVE	222
LIGHT, TAIL CONE	109	PASSENGER SEATS	314
LIGHT, TAXI	360	PEDAL, BRAKE	219A
LIGHT, WING TIP	39	PEDALS AND LINKAGE, RUDDER	154
LIGHTER, CIGARETTE	324	PEDALS, RUDDER	154A
LOCATOR TRANSMITTER, EMERGENCY	490	PILOT AND COPILOT SEATS	313
LOCK, CONTROL COLUMN	17	PITOT AND STATIC SYSTEM	394
LOOSE TOOL & ACCESSORIES	17	PITOT COVER	17
LOWER FIREWALL	111B	PITOT HEAD, HEATED	394
<b>M</b>		PITOT TUBE	394
MAGNETO HARNESS	241	PITOT TUBE COVER	17
MAIN GEAR DOORS	204	PLACARD, BATTERY BOX	356
MAIN GEAR TIRE	202	PLACARD, FRESH AIR BLOWER	415
MAIN GEAR WHEEL	203	PLACARD, OXYGEN RECHARGE	341
MAIN LANDING GEAR	202	PLACARDS, INTERIOR	16
MAIN LANDING GEAR RETRACT	211	PLUMBING, BRAKE	219
MANIFOLD DRAIN VALVE	241	PLUMBING, INSTRUMENT PANEL	393
		PLUMBING, PITOT AND STATIC	394
		POSITION INDICATOR, FLAP	392



BEECHCRAFT  
 BONANZA 33  
 ILLUSTRATED PARTS CATALOG

ALPHABETICAL INDEX

COMPONENT ITEM OR SYSTEM NAME	FIGURE NO.	COMPONENT ITEM OR SYSTEM NAME	FIGURE NO.
<b>P</b>		<b>S</b>	
POWER PLANT	241	STANDBY GENERATOR	358A
PRESSURE GAGE	392	STARTER	357
PRESSURE SYSTEM, INSTRUMENT	194	STARTER SOLENOID SWITCH	241
PROPELLER CONTROL	159	STATIC DISCHARGE WICK	363
PROPELLER COVER	17	STEERING, NOSE GEAR	210
PROPELLER DEICE, THREE BLADE	251	STEP, ASSIST	112
PROPELLER DEICE, TWO BLADE	250	STOP, FUEL SELECTOR VALVE	289
PROPELLER GOVERNOR	241	STORM WINDOW	110
PROPELLER HUB	248	STRAINER, FUEL	281
PROPELLER SPINNER	248	STROBE LIGHT	362
PROPELLER, TWO BLADED	248	STRUCTURE, AFT FUSELAGE	103
PUMP, FUEL BOOST	285	STRUCTURE, CABIN BOTTOM	99
<b>R</b>		STRUCTURE, CABIN SIDE	98
REAR SPAR CARRY THRU	102	STRUCTURE, LOWER FUSELAGE	99
REAR SPAR, WING	37	STRUCTURE, NOSE	91
REGULATOR, AIR PRESSURE	194	STRUCTURE, UPPER CABIN	97
REGULATOR, VOLTAGE	241	SUBPANEL	395
RESERVOIR, BRAKE FLUID	219	SUNSHADE, WINDOW	315
RETRACT GEARBOX	213	SUNVISOR	324
RETRACT MOTOR, LANDING GEAR	214	SWITCH, LANDING GEAR SAFETY	202
RETRACT, MAIN LANDING GEAR	211	SWITCH, LANDING GEAR SAFETY	223
RETRACT, NOSE LANDING GEAR	212	SYSTEM, INSTRUMENT PRESSURE	194
ROTATING BEACON	361	<b>T</b>	
RUDDER AND TAB	135	TAB, AILERON	41
RUDDER BELLCRANK	154A	TAB, ELEVATOR	133
RUDDER CONTROLS	153	TAB, RUDDER	135
RUDDER PEDALS	154A	TACHOMETER	392
RUDDER PEDALS AND LINKAGE	154	TAIL CONE	109
<b>S</b>		TAIL CONE LIGHT	109
SAFETY SYSTEM, LANDING GEAR	223	TANKS, WING TIP	296
SEAT BELT	313	TAXI AND LANDING LIGHT	360
SEAT COVER, PASSENGER	314	TAXI LIGHT	360
SEAT TRACK, PASSENGER	314	THREE BLADE ELEC PROP DEICE	251
SEAT TRACK, PILOT & COPILOT	313	THREE BLADED PROPELLER	249
SEAT, PASSENGER	314	THROTTLE CONTROL	159
SEATS, PILOT AND COPILOT	313	TIE DOWN ASSY, BAGGAGE	312
SEATS, SPECIAL	317	TIE DOWN LUG, AFT	103A
SELECTOR VALVE COVER, FUEL	286	TIP TANKS, WING	296
SELECTOR VALVE, FUEL	289	TIP, WING	39
SHIMMY DAMPER, NOSE GEAR	209	TIRE, MAIN GEAR	202
SHOCK ABSORBER, NOSE GEAR	206	TIRE, NOSE GEAR	207
SHUTTLE VALVE, BRAKE	221	TRACK, PASSENGER SEAT	314
SKINS, FUSELAGE	13	TRACK, PILOT & COPILOT SEAT	313
SKINS, WING	12	TRAILING EDGE, WING	37
SKINS, WING TIP	39	TRANSMITTER, EMERGENCY LOCATOR	490
SLING, AIRPLANE HOISTING	17	TRANSMITTER, FLAP POSITION	161
SPAR CAP, WING	35	TRANSMITTER, FUEL	281
SPAR CARRY THRU, FRONT	101	TRAY, ASH	324
SPAR CARRY THRU, REAR	102	TRIM, ELECTRIC	364
SPAR COVER, FRONT	312	TUBE COVER, PITOT	17
SPAR COVER, REAR	312	TUBE, PITOT	394
SPAR, WING FRONT	35	TURN COORDINATOR	391
SPAR, WING REAR	37	TWO BLADE ELEC PROP DEICE	250
SPECIAL SEATS	317	TWO BLADED PROPELLER	248
SPINNER, PROPELLER	248	<b>U</b>	
STABILITY AUGMENTATION SYSTEM	182A	UPHOLSTERY, CABIN	311
STABILIZER, HORIZONTAL	132	UPPER CABIN STRUCTURE	97
STABILIZER, VERTICAL	134	UPPER FIREWALL	111A
STALL WARNING DETECTOR	355		
STANDBY GENERATOR	354		

BEECHCRAFT  
 BONANZA 33  
 ILLUSTRATED PARTS CATALOG

ALPHABETICAL INDEX

COMPONENT ITEM OR SYSTEM NAME	FIGURE NO.	COMPONENT ITEM OR SYSTEM NAME	FIGURE NO.
<b>V</b>			
VALVE, BRAKE SHUTTLE	221		
VALVE, FUEL SELECTOR	289		
VALVE, MANIFOLD DRAIN	241		
VALVE, PARKING BRAKE	222		
VERTICAL AIR SPEED INDICATOR	391		
VERTICAL STABILIZER	134		
VOLTAGE REGULATOR	241		
<b>W</b>			
WALKWAY, WING	12		
WHEEL, CONTROL	156		
WHEEL, MAIN GEAR	203		
WHEEL, NOSE GEAR	207		
WICKS, STATIC	363		
WINDLACE	311		
WINDOW LATCH, OPENABLE	110		
WINDOW MOLDINGS	311		
WINDOW SUNSHADES	315		
WINDOW, CABIN DOOR	104		
WINDOW, STORM	110		
WINDOWS, CABIN	110		
WINDSHIELD AND WINDOWS	110		
WING ASSEMBLY	31		
WING ATTACH BOLT	31		
WING BOLT ACCESS COVER	311		
WING BOLT ACCESS COVER	312A		
WING BOLT WRENCH	17		
WING BOX SECTION	36		
WING FLAPS	40		
WING FRONT SPAR	35		
WING INSTALLATION	31		
WING LEADING EDGE/INSD/	33		
WING LEADING EDGE/OUTED/	34		
WING REAR SPAR & TRAILING EDGE	37		
WING SECTION ELECTRICAL	355		
WING SKINS	12		
WING SPAR CAP	35		
WING TIP	39		
WING TIP LIGHT	39		
WING TIP TANKS	296		
WING TRAILING EDGE	37		
WINGS	31		
WRENCH, WING BOLT	17		

**ALPHA-  
NUMERIC  
INDEX**

**(ALPHA)**

B E E C H C R A F T  
B O N A N Z A 3 3  
I L L U S T R A T E D P A R T S C A T A L O G

PART NUMBER	FIGURE & ITEM NO.	PART NUMBER	FIGURE & ITEM NO.
#5 ROLLER	392 - 12	AN227-8B	312
#5 STRIKER	392 - 16	AN227-8B	312
#75 LOCTITE	213	AN227-9	102A
A-SA405	221 - 7	AN227-9B	317
A-SA406	221 - 8	AN23-14	132 -067
A-SA407	221 - 10	AN24-15A	206A
A-SA408	221 - 6	AN286-1	211 - 25B
AC273	241B	AN3-10A/M/	091 - 95
AC273	241A- 9	AN3-14A	313F-016
ADD3721R	355A-007	AN3-14A	313E-009
ADNEL6-317	212 -004	AN3-14A	313E-015
ADNE5-323	212 -003	AN3-14A	313C-025
ADNE5-323	212 -013	AN3-14A	314G-016
AD877-1	241 - 28	AN3-14A	314G-012
AF5-1	017	AN3-14A	314F-016
AGC10	411 -056	AN3-14A	314A-015
AGC10	411	AN3-14A	314C-025
AGC3	354	AN3-14A	314B-020
AGC3	354	AN3-14A	314F-012
AGC5	354	AN3-14A/M/	314 - 17
AGC5	411 -055	AN3-14A/M/	313B- 21
AGC5	354B	AN3-14A/M/	313A- 21
AGC5	354B-054	AN3-14A/M/	313B- 9
AGC5	194A	AN3-14A/M/	313 - 9
AGC8	354	AN3-14A/M/	313 - 21
ALA19S	359 - 8	AN3-14A/M/	313A- 9
ALA20GS	359 - 12	AN3-14A/M/	313D-007
ALA20GS	359C-013	AN3-14A/M/	313D-017
ALB20AS1	359B-020	AN3-14A/M/	314 - 15
ALE1012NS	359 - 9	AN3H7A	103A
ALE1013AS	359C-003	AN3042-1	039B
ALE1042AAS1	359 - 1	AN3042-1	039 - 5
ALE1054A	359C-006	AN3042-1	039A- 14
ALE1054R	359 - 4	AN3042-1	039 - 13
ALE1142AAS1	359C-002	AN3042-2	039
ALE2008AA	359C-009	AN3042-2	039A
ALE2008AB	359 - 10	AN3042-2	039
ALP1034	359 - 14	AN3042-2	039B
ALT9422	359C	AN3122-1512	039B
ALU1043	359C-014	AN3122-1512	039 - 14
ALU1043	359 - 16	AN315-3R	103B
ALU1045AS	359 - 7	AN315-3R	103
ALU1045BS	359C-004	AN315-3R	212 - 39
ALU213SS1	359C-010	AN315-3R	208 - 18
ALU23	359C-015	AN315-4	091A
ALV1002AS	359B-004	AN315-4	091A- 90
ALV1003	359B-017	AN315-4	091 - 89
ALV1004	359B-012	AN315-5R	358 - 41
ALV1004A	359B-011	AN316-4R	091A
ALV1012S	359B-009	AN316-4R	103
ALV1015	359B-008	AN316-4R	103A
ALV1038S	359B-003	AN316-4R	204
ALV2006A	359B-015	AN316-4R	210 - 15
ALV20084	359B-014	AN316-4R	151A
ALV21	359B-018	AN316-4R	151
ALX2038AS	359 - 13	AN316-4R	103B
ALX9424	359	AN316-4R	159A- 29
AMA19S	359B-010	AN316-4R	154A
AN155-32L	153 - 9	AN316-5	220 - 20
AN174-34/M/	210 - 36	AN316-5	220 - 2
AN227-6	317	AN316-6R	210 - 7
AN227-6B	341	AN316-6R	211 - 14
AN227-7B	341	AN316-6R	212
AN227-7B	317	AN316-6R	212
AN227-8	102A	AN316-6R	154A-026
AN227-8B	317	AN316-6R	154
AN227-8B	312	AN316-6R	152A
AN227-8B	312	AN316-6R	152
AN227-8B	312	AN316-7L	212
AN227-8B	312	AN3169-1	161 - 31
AN227-8B	312	AN3169-1	355A-006
AN227-8B	312	AN3169-1	355A-005

B E E C H C R A F T  
B O N A N Z A 3 3  
I L L U S T R A T E D P A R T S C A T A L O G

PART NUMBER	FIGURE & ITEM NO.	PART NUMBER	FIGURE & ITEM NO.
AN3186-2	202	AN550-5R4	312 - 5
AN3186-2	202 -074	AN550-5R4	312 - 10
AN340B6	250	AN550-5R4	312
AN340B6	251	AN550-5R4	312
AN345-10	219A	AN550-5R4	312 - 14
AN345B10	355 - 14	AN550-5R4	312
AN360-416	206A-064	AN5546-1	354 - 20
AN365-428	206A-065	AN5546-1	354A-026
AN365F1032	111	AN565A6H4	364 - 13
AN366-832	102A	AN565B6H2	361A-014
AN366F1032	361A	AN565B6H2	361 - 16
AN366F1032	361C	AN565D4H2	361 - 15
AN366F428	099	AN565D4H2	361A-013
AN380-2-2	210 -012	AN565D6H2	354B
AN380-2C2	220 - 11	AN565D6H4	361C-001
AN380-3-2	209	AN565D6H4	361A-042
AN380-3-4	213	AN565D8-3	324 -024
AN381-3-8	287 - 21	AN565D8H2	223 - 25
AN386-2-12A	154 - 15	AN565D8H2	354B
AN392-15	152 - 71	AN6-10A/M/	394
AN392-15	152A- 58	AN6-10A/M/	394A- 18
AN392-19	153 -018	AN6-31A	206A-026
AN392-23	153 -019	AN6227-1	209 - 12
AN392-25	210	AN6227-13	209 - 10
AN392-67	152 - 80	AN6227-13	210 - 20
AN393-25	212 -012B	AN6227-23	206
AN393-77	213 - 5	AN6227-31	202 -045
AN4-21A/M/	206 -032	AN6227-5	315
AN4-24A	206A-063	AN6227-7	209 - 11
AN4076-1	354A	AN6227-8	164 - 6
AN4076-1	354B	AN6227B11	220 - 8
AN4076-1	354	AN6227B13	161 - 15
AN42B4	202 -068	AN6227B27	223 - 22
AN5-13/M/	202 - 37	AN6227B27	218A- 3
AN5-16A	358 - 38	AN6227B3	221 - 9
AN500A10-32	359E-027	AN6227B5	222 -020
AN500A10-32	359G-035	AN6227B6	220 - 7
AN500D8-12	285 - 28	AN6227B7	222 -019
AN500D8-12	285A- 28	AN6227B9	220 - 9
AN501-10-9	285A- 6	AN6227B9	213 - 12
AN501-10-9	285 - 6	AN6230-1	206A-011
AN505-4-48	214A-001	AN6230-2	206A-021
AN507-632R5	223 - 26	AN6230B1	206 - 15
AN509-18	102A	AN6230B2	206 - 18
AN515-4-4	361A-017	AN6230B5	202 - 44
AN515-4-4	361 - 19	AN6231A19	206 - 22
AN515-4R12	354B-002	AN6270-3-17 1/2	281 - 5
AN515-4R12	223 - 7	AN6270-3D0170	282A-024
AN515-4R8	354B	AN6270-4-18	281 - 2
AN515-440	103B	AN6270-4-22 1/2	281A-043
AN515-8-6	241	AN6290-4	222 -018
AN515-8-6	241	AN665-10R	211 - 47
AN515-8R20	219	AN665-21R	104 - 74
AN515-8R6	103A	AN665-21R	104A- 74
AN515-8R6	103B	AN665-21R	104B-028
AN515-8R8	417A	AN666-2	211 - 44
AN515C4-4	285A- 32	AN667-2	211 - 43
AN515C4-4	285 - 32	AN669L4	152 - 46
AN520-10R10	194	AN735D6	241
AN525-10	104 - 49	AN735D6	241
AN525-10	104A- 48	AN737-30	281A
AN525-10R10	110 -055	AN737RM107	417 -125
AN525-10R6	212	AN737RM22	223 - 30
AN525-1032	102A	AN737RM24	394 - 17
AN526-632-40	219 - 3	AN737RM26	281 - 62
AN526-632-40	219A	AN737RM26	281A
AN530-10-10	219	AN737RM26	281A
AN530-8	312 - 33	AN737RM34	241
AN530-8-12	311	AN737RM46	417 - 37
AN530-8R6	091 -103	AN737TW107	103A
AN550-5R4	312	AN737TW107	103B
AN550-5R4	312	AN737TW22	393 - 21

B E E C H C R A F T  
B O N A N Z A 3 3  
I L L U S T R A T E D P A R T S C A T A L O G

PART NUMBER	FIGURE & ITEM NO.	PART NUMBER	FIGURE & ITEM NO.
AN737TW26	393	AN815-4D	281 - 30
AN737TW30	411 - 028	AN815-4D	219A- 62
AN737TW30	241 - 47	AN815-4D	219A- 71
AN737TW30	241B	AN815-4D	219B-023
AN737TW30	182B	AN815-4D	219B-031
AN737TW30	182B	AN815-4D	219 - 72
AN737TW66	417 - 2	AN815-4D	219 - 37
AN737TW66	417 - 65	AN815-4D	219 - 50
AN737TW74-91	417 - 70	AN815-4D	219 - 54
AN737TW82	417 - 50	AN815-4D	296 - 20
AN737TW98	417 - 27	AN815-5D	341 - 44
AN737TW98	417 - 5	AN815-5D	341A-022
AN742-11	354 - 57	AN815-6D	411
AN742-3	219A- 26	AN815-6D	411 -069
AN742-3	219	AN815-6D	296 - 27
AN742-3	417 -137	AN815-6D	296 - 29
AN742-3	417	AN815-6D	281 - 23
AN742-4	417 -133	AN815-6D	281A-019
AN742-4	103B	AN815-6D	281A-039
AN742-4	103A	AN815-8D	411 -068
AN742-6C	219 - 56	AN815-8D	411 -012
AN742-6C	219	AN816-2B	282 - 15
AN742-6C	219	AN816-2B	241B
AN742-6C	219A- 46	AN816-2D	241B
AN742-6C	219B-057	AN816-2D	241
AN742-6C	296 - 25	AN816-3D	282 - 24
AN742D12	354 - 31	AN816-3D	282A- 23
AN743-12	354 - 99	AN816-3D	281 - 6
AN743-12	394 - 23	AN816-4	241A-066
AN743-12	194	AN816-4D	241A-053
AN743-12	161 - 21	AN816-4D	219A- 74
AN743-12	219B	AN816-4D	219 - 64
AN743-12	219 - 61	AN816-4D	219 - 10
AN743-12	194B-038	AN816-4D	219 - 25
AN743-13	241B	AN816-4D	219A- 17
AN743-13	182B	AN816-4D	281 - 3
AN743-13	394A- 21	AN816-5D	341 - 45
AN743-13	356	AN816-5D	341A
AN743-13	354B	AN818-4D	394
AN743-13	354A	AN818-4D	394
AN743-13	417 -132	AN818-6D	296
AN743-13	103A	AN818-6D	296
AN743-13	103B	AN818-6D	281A-067
AN743-13	101	AN818-8D	411
AN743-13	091	AN819-4Z	394
AN743-6	219 - 39	AN819-4Z	394
AN743-6	219 - 35	AN819-6D	296
AN743D12	359A	AN819-6D	296
AN743P12	354 - 37	AN821-4D	281A-031
AN743P12	219 - 60	AN821-4D	281A-029
AN749-1-4	131 -015	AN821-4D	281A-023
AN75A15	358 - 48	AN821-4D	281A-014
AN75A6	358 - 43	AN821-4D	281A-006
AN750-6	354 - 79	AN821-4D	281 - 27
AN780-3	341 - 33	AN821-4D	219A- 45
AN8013D2	392	AN821-4D	219A- 40
AN802-9	202 -040	AN821-4D	219 - 69
AN804-4	219B-005	AN821-4D	219 - 40
AN804D4	219 - 28	AN821-4D	219A- 64
AN804D4	219A- 51	AN821-4D	219B-025
AN807-10	194A-013	AN821-4D	219B-052
AN807-10	194 - 13	AN821-4D	394 - 4
AN807-6D	394 - 18	AN821-4D	394A- 4
AN809-1	206A-016	AN821-5D	341A-029
AN809-1	206	AN821-5D	341
AN813-1B	206	AN821-6D	411 -045
AN814-4D	221A-011	AN821-8D	411 -041
AN815-10D	411 -013	AN822-4D	219 - 11
AN815-4	202	AN823-4D	218A- 14
AN815-4	282A- 6	AN824-4D	219 - 13
AN815-4	282 - 2	AN824-4D	219A- 3
AN815-4D	281A	AN824-4D	219A- 5

B E E C H C R A F T  
B O N A N Z A 3 3  
I L L U S T R A T E D P A R T S C A T A L O G

- PART NUMBER	FIGURE & ITEM NO.	PART NUMBER	FIGURE & ITEM NO.
AN824-4D	223 - 41	AN837-4D	219B-034
AN824-5D	341 - 57	AN837-4D	219B-021
AN824-5D	341 - 38	AN837-4D	219A- 7
AN824-5D	341A-027	AN837-4D	219A- 19
AN824-6D	281A-066	AN837-4D	219A- 20
AN824-8D	411	AN837-4D	219A- 57
AN824D6	394 - 24	AN837-4D	219A- 59
AN824D6	394A- 22	AN837-4D	219A- 48
AN8246D	411	AN837-4D	219 - 15
AN8248D	411 -032	AN837-4D	219 - 17
AN832-3	281 - 4	AN837-4D	219 - 45
AN832-3	282A- 25	AN837-4D	219 - 47
AN832-3	282 - 26	AN837-4D	219 - 57
AN832-3	241	AN865-1	241A-067
AN832-3	241	AN865-1	244 - 33
AN832-3	241A-027	AN865-1	244A-020
AN832-3	241B- 30	AN865-1	244B- 38
AN832-3	111	AN894-3-2D	241
AN832-3	111A-018	AN894-3D	241
AN832-4	111A-017	AN894D3-2	241A
AN832-4	111	AN894D3-2	241B
AN832-4	241A-069	AN894D3-2	241B
AN832-4	282A	AN894D3-2	111
AN832-4	282 - 23	AN894D3-2	111A
AN832-4	282A- 22	AN900-10	241B
AN832-4D	282 - 21	AN900-10	241A
AN832-4D	281 - 1	AN910-1	341 - 32
AN832-4D	219B-037	AN911-1	241A-057
AN832-4D	219A- 24	AN912-2D	411 -024
AN832-4D	219 - 52	AN912-3	241B
AN832-5D	341A-031	AN914-1D	223 - 34
AN832-6D	281 - 9	AN914-1D	341A-014
AN833-3	111	AN914-1D	341A-035
AN833-3	111A-016	AN914-5D	341 - 80
AN833-4	111	AN916-4D	219B-017
AN833-4	111B	AN917-1	241A-058
AN833-4	281A-044	AN919-0D	241
AN833-4	282 - 10	AN919-14D	411
AN833-4	282A- 14	AN919-15D	411
AN833-4	219B-004	AN919-15D	411
AN833-4D	219B-054	AN919-6D	411 -034
AN833-4D	221A-008	AN919-6D	394 - 28
AN833-4D	219 - 42	AN924-10	194
AN833-4D	219 - 27	AN924-10D	411
AN833-4D	219 - 34	AN924-3	111A
AN833-4D	219A- 42	AN924-3	111
AN833-4D	219A- 53	AN924-3	111A
AN833-4D	219 - 74	AN924-3	241
AN833-4D	219A- 9	AN924-3	241
AN833-4D	281A-046	AN924-3	241A
AN833-4D	281A-033	AN924-3	241B
AN833-4D	281A-026	AN924-3	241B
AN833-4D	281 - 25	AN924-3	281
AN833-6	281 - 11	AN924-3	282
AN833-6	281 - 7	AN924-3	282A
AN833-6	281A	AN924-4	111
AN833-6	281A-041	AN924-4	111A
AN833-6	282A- 1	AN924-4	111
AN833-6	282 - 11	AN924-4	282A
AN833-6D	285 - 51	AN924-4	282A
AN833-6D	281A-069	AN924-4	282A
AN833-6D	281A-017	AN924-4	282
AN833-6D	285A- 51	AN924-4	282
AN837-10	411 -008	AN924-4	281
AN837-3	111A-015	AN924-4	281A
AN837-3	111	AN924-4D	219A
AN837-3	241A	AN924-4D	221A-010
AN837-3	241B- 24	AN924-4D	219B
AN837-4	282A	AN924-4D	219
AN837-4	282A- 20	AN924-4D	219
AN837-4D	281A-042	AN924-4D	219
AN837-4D	219B-058	AN924-4D	219

B E E C H C R A F T  
B O N A N Z A 3 3  
I L L U S T R A T E D P A R T S C A T A L O G

PART NUMBER	FIGURE & ITEM NO.	PART NUMBER	FIGURE & ITEM NO.
AN924-4D	219	AN936A8	285A- 29
AN924-4D	219	AN936A8	285A- 36
AN924-4D	219	AN960-10	354B
AN924-4D	219	AN960-10	417
AN924-4D	219A	AN960-10	359G-034
AN924-4D	219A	AN960-10	359D-007
AN924-4D	219A	AN960-10	359E-026
AN924-4D	219A	AN960-10	359E-007
AN924-4D	219A	AN960-10	359F-007
AN924-4D	219A	AN960-10	359G-006
AN924-4D	219A	AN960-10	359A
AN924-4D	219A	AN960-10	103B
AN924-4D	219A	AN960-10	103A
AN924-4D	219	AN960-10	103B
AN924-4D	281A	AN960-10	194
AN924-4D	281A	AN960-10	194
AN924-4D	281A	AN960-10	132
AN924-4D	281A	AN960-10	314G
AN924-4D	281	AN960-10	202
AN924-4D	282	AN960-10	202
AN924-4D	202 - 51	AN960-10	194A
AN924-5D	341A	AN960-10	219B
AN924-6	282	AN960-10L	219A
AN924-6	282A	AN960-10L	213
AN924-6	281A	AN960-10L	202 - 69
AN924-6	281A	AN960-10L	258
AN924-6D	281A	AN960-10L	258
AN924-6D	281A	AN960-10L	313F
AN924-6D	281	AN960-10L	313F
AN924-6D	285A	AN960-10L	314
AN924-8	411	AN960-10L	313E-010
AN924-8D	159A-006B	AN960-10L	313E
AN924-8D	221A-006	AN960-10L	313D
AN924-9	281	AN960-10L	313D-008
AN929-4	219B-012	AN960-10L	313C-026
AN929-5	341	AN960-10L	313B
AN929-5	341	AN960-10L	313A
AN929-5D	341 - 58	AN960-10L	313B- 10
AN929-6	394	AN960-10L	313
AN931-12-17	241 -048	AN960-10L	313A- 10
AN931-12-17	241B	AN960-10L	313 - 10
AN931-3-5	285 - 30	AN960-10L	314
AN931-3-5	285A- 30	AN960-10L	314
AN931-4-12	281A	AN960-10L	314A-019
AN931-4-7	281A-037D	AN960-10L	314C-026
AN931-4-7	109	AN960-10L	314B-021
AN931-4-7	417B	AN960-10L	314F
AN931-5-12	341	AN960-10L	314G
AN931-5S13	244A-045	AN960-10L	314F
AN931-7-11	219A- 39	AN960-10L	314G
AN931-9-13	098	AN960-10L	354B
AN932D1	285A- 4	AN960-10L	354B
AN932D1	285 - 4	AN960-10L	354B
AN935-1CL	285A- 41	AN960-1216	411
AN935-1CL	285A- 7	AN960-1416	411
AN935-10	359A	AN960-1416	194
AN935-10L	355	AN960-1416	223
AN935-10L	354B	AN960-1416L	194B-022
AN935-10L	285 - 41	AN960-1416L	194
AN935-10L	285 - 7	AN960-1416L	154A- 11
AN935-4	361	AN960-3	212
AN935-4	361A	AN960-3	209 - 13
AN935-416	354	AN960-4	223
AN935-416	159A	AN960-4	132
AN935-8L	214A-002	AN960-4L	354B
AN936A10	355	AN960-4L	354B
AN936A6	250	AN960-4L	354B
AN936A6	251	AN960-4L	103B
AN936A716B	394A	AN960-416	359F-035
AN936A716B	394	AN960-416	354B
AN936A8	285 - 36	AN960-416	417
AN936A8	285 - 29	AN960-416	152



B E E C H C R A F T  
B O N A N Z A 3 3  
I L L U S T R A T E D P A R T S C A T A L O G

PART NUMBER	FIGURE & ITEM NO.	PART NUMBER	FIGURE & ITEM NO.
AN960-416	152A	AN960-716	111A
AN960-416	210	AN960-716	111
AN960-416	202	AN960-716L	219A
AN960-416	206	AN960-716L	219
AN960-416L	206A	AN960-716L	219
AN960-416L	218A	AN960-716L	219
AN960-416L	314G	AN960-716L	219
AN960-416L	314D	AN960-716L	219
AN960-416L	314E	AN960-716L	219
AN960-416L	314F	AN960-716L	219A
AN960-416L	314B-030	AN960-716L	219A
AN960-416L	314C-021	AN960-716L	219A
AN960-416L	314A-008	AN960-716L	219
AN960-416L	313 - 7	AN960-716L	219A
AN960-416L	313A- 7	AN960-716L	219A
AN960-416L	313B- 7	AN960-716L	219A
AN960-416L	313C-022	AN960-716L	219A
AN960-416L	313D-005	AN960-716L	212
AN960-416L	313E-006	AN960-8	103A
AN960-416L	313F	AN960-8	103B
AN960-416L	314	AN960-8	417A
AN960-416L	313G-005	AN960-8	219
AN960-416L	289	AN960-8	241
AN960-416L	154	AN960-8	241
AN960-416L	103B	AN960-8	25B
AN960-416L	182A	AN960-8	194A
AN960-416L	152	AN960-8	159
AN960-416L	103A	AN960-8	159A
AN960-416L	103	AN960-8	159A
AN960-516	354A-018	AN960-8L	214A-003
AN960-516	111	AN960-8L	426
AN960-516	202	AN960-8L	426
AN960-6	355A	AN960-816	341A
AN960-6	355A	AN960-816	282A
AN960-6	361A	AN960-816L	202 -082
AN960-6	219	AN960-916	282A
AN960-6	219A	AN960-916	282
AN960-6L	426	AN960-916	281
AN960-616	211	AN960-916	281A
AN960-616	241B	AN960B416	313G
AN960-616	241B	AN960C416	354
AN960-616	241	AN960C6	251A-023
AN960-616	241A	AN960D10	212
AN960-616	241	AN960D10L	212
AN960-616	206A-052	AN960D416	212
AN960-616	282A	AN960D516	152
AN960-616	282	AN960D516L	152A
AN960-616	281	AN960D6	202
AN960-616	111A	AN960D716	202
AN960-616	111A	AN960PD06L	411
AN960-616	111	AN960PD10L	212
AN960-616	152	AN960PD1716L	194A
AN960-616	152A	AN975-3	154
AN960-616L	315	AQ6Q	355 -001
AN960-616L	212	AQ8Q	355 - 2
AN960-616L	210 - 6	ARHTSECR	212
AN960-616L	212	AR4	151A
AN960-616L	354	AR4	151
AN960-716	219A	ASCT509T6-11	035 - 7
AN960-716	219A	ASCT509T6-12	035 - 8
AN960-716	219	ASCT509T6-13	035 - 9
AN960-716	219	ASCT509T6-14	035 - 10
AN960-716	219B	ASCT509T6-14	035 - 19
AN960-716	281	ASCT509T6-15	035 - 20
AN960-716	281A	ASCT509T6-15	035 - 11
AN960-716	281A	ASCT509T6-16	035 - 12
AN960-716	282A	ASCT509T6-16	035 - 21
AN960-716	282	ASCT509T6-17	035 - 22
AN960-716	282	ASCT509T6-17	035 - 13
AN960-716	282	ASCT509T6-18	035 - 23
AN960-716	282A	ASCT509T6-19	035 - 24
AN960-716	111	ASCT509T6-20	035 - 25

BEECHCRAFT  
BONANZA 33  
ILLUSTRATED PARTS CATALOG

PART NUMBER	FIGURE & ITEM NO.	PART NUMBER	FIGURE & ITEM NO.
ATC3	362 - 22	A18	241B
AT4220A4	156	A18	241A
AT4220A6	156	A1811	039A- 15
AT422002	391A	A1815AG7512	039A
AVU45	411 -031	A1815AG7512	039B
AVU45	411 -025	A1815AR7512	039B
A086A	220 - 27	A1815AR7512	039A
A091A	220 - 19	A1815A1	039A- 10
A10	393 - 16	A1815A2	039A
A10	393	A1825	039B
A10	393	A1825	039A- 17
A101-22	221 - 3	A1825	039 - 16
A102-15	221 - 1	A1882	248 - 18
A104-188	222 - 9	A1883	248 - 17
A104A	220 - 24	A1934	248
A106-7.5	245A- 18	A1935	248 - 43
A106-7.5	245 - 31	A1936	248 - 42
A107A	220 - 35	A1937	248 - 45
A110	220	A1937	249 - 41
A1111	039 - 15	A20	241A-021
A113A	220 - 32	A20	241 - 16
A114-176	222 - 7	A2108	248 - 37
A115-62	222 - 8	A2108 SPACER	249 - 32
A117-133	222 - 10	A2126-2	248 - 47
A1170-2	154 - 10	A2126-4	248
A1170-2	154 - 7	A2126-6	248
A1170-7	154 - 38	A2185	248 - 48
A1170-7	154 - 32	A2230	249 - 45
A1170-8	154 - 21	A225	154A-038
A1170-8	154 - 19	A225	154 - 59
A1170-8	154 - 17	A225	154 - 55
A12	393	A2295	241B
A12	393	A2295-1P	241A
A12	394A- 25	A2295P	241A
A12	394	A2295P	248
A1257A	039B	A23092-1	110A
A1257A	039A- 16	A23092-5	110A
A1259A	222 - 29	A2351	249 - 30
A1280-2	039B-007	A2351	248 - 35
A1280-3	039B	A2356	248 - 28
A132-179	222 - 11	A2356	249 - 23
A137A2	220 - 21	A2423	248 - 4
A138A	220 - 28	A3047	248 - 49
A1384A	222 - 27	A3047	249 - 44
A14	393	A3047-30	249
A150-126	222 - 6	A3047-30	248
A1561-4	248	A3047-45	248
A1561-6	248	A3047-45	249
A1580	249 - 11	A3110	249 - 15
A1580	248 - 19	A3124	249 - 33
A1633-12	248 - 34	A3124	248 - 39
A1633-12	249 - 29	A3125	248 - 38
A1633-13	248 - 15	A3125	249 - 34
A1633-30	249 - 17	A3217	248 - 27
A1633-9	249 - 37	A323A	220 - 34
A1633-9	249 - 42	A3289	248 - 7
A1633-9	248 - 41	A3289	249 - 8
A1633-9	248 - 46	A3324	248 -057
A1634-4	248 - 21	A3324	251A
A1634-5	249 - 14	A3324	249 - 55
A1636	249	A3530	249 - 4
A1636-17	248 - 50	A3543	249 - 10
A1636-6	248 - 12	A3556	249 - 35
A1636-7	248 - 36	A4	182B
A1636-7	249 - 31	A4	182
A164-454	222 - 3	A4S	241B
A164-668	222 - 4	A4149	039
A164-669	222 - 1	A4490-3	039
A1742	248 - 16	A46F3	417A
A1783	039	A497A	220 - 31
A1784-6Z1	102A	A505	220 - 17
A1784-6Z1	099	A57G011	220 - 14

B E E C H C R A F T  
B O N A N Z A 3 3  
I L L U S T R A T E D P A R T S C A T A L O G

PART NUMBER	FIGURE & ITEM NO.	PART NUMBER	FIGURE & ITEM NO.
A57G113	220 - 13	A8970B330	392B
A57G393	220 - 18	A903	017
A57G394	220 - 10	BC56984	040 - 11
A57G395	220 - 4	BE180	017 - 13
A57G396	220 - 16	BE709-4-23-6	356A-009
A57G399	220 - 6	BE709-4-30-6	356B-013
A57G400	220 - 1	BHC-L2YF1BFF84 *	241B
A57G401	220 - 5	BHCC2YF1BF/F8468	241A
A6	393	BJ107	241A
A6C3	354A	BP60	490
A6C5	354A	BP60-11	490A
A606	220 - 12	BP60-11	490
A6177	039A- 12	BR60-08	490
A6191-6Z1	097	BR60-08	490A-002
A6195-6Z1	111	BS315	017
A6195-8Z3	033	BX4075	359C-016
A6196-8Z1	012	BZ3AT	355A-003
A6196-8Z1	012	BZ3AT	202 -075
A6745B	354A-036	BZ3AT	202
A6745B	354B-017	BZ3YT	202
A6745B	354 - 44	BZ7RWT822	426 -030
A6795B	354B-016	B1	363
A6795B	354A-033	B100-06	161
A6795B	156 -044	B1412	154A
A6795B327	286	B1412	154A
A6795B330	286 -005	B1416	154A
A6914-1024-1	132 -032	B146	091A
A6914-1024-1	091A	B148	154A
A6914-1024-1	091	B148	154A
A6914-1024-1	040 - 8	B148	155 - 20
A7079B12	361 - 17	B148	212 -006
A7079B24	361A-015	B1965	248 - 33
A7079B24	361C-007	B20-15S	250A
A7079B24	361A-052	B2345	249 - 36
A742D12	359A- 19A	B2345	248 - 40
A7512-12	039A- 18	B2417	248 - 8
A7613	361 - 14	B2420-4	248 - 13
A7613-1	361A-019	B2420-6	248
A7614	361A-012	B2421-10	248
A7615	361A-011	B2421-12	248
A7615	361 - 13	B2421-14	248
A7631	361A-004	B2421-16	248
A7631	361 - 6	B2421-18	248
A7632	361 - 7	B2421-20	248
A7632	361A-005	B2421-8	248 - 14
A7634	361A-007	B2422-1	248 - 11
A7635A	361A-006	B2800	248
A7635A	361 - 8	B3	363
A779	210 - 9	B3099	249 - 43
A7942	361A-002	B3216	248 - 26
A7942	361 - 4	B3243	248 -058
A8	394A- 17	B3243	249 - 50
A8	394	B3243	251A
A8	393	B3410-16	251A
A8	393 - 8	B3410-16	248 -059
A8107-1	361A-003	B3410-32	248
A8107-1	361 - 5	B3476-10	249
A850-8	222	B3476-12	249
A850-8	219B-047	B3476-14	249
A850-8	219A-037	B3476-16	249
A865A1	222 - 32	B3476-18	249
A867A	222 - 30	B3476-20	249
A872-012-1	212 - 31B	B3476-22	249
A872-012-1	354B	B3476-25	249
A889B	222 - 31	B3476-8	249 - 19
A8970B1-330	341 - 83	B3478	249 - 20
A8970B1-330	341A-018	B3491	249 - 9
A8970B2-327	391A	B3503	249 - 6
A8970B2-330	391A	B3510-16	249 - 51
A8970B2-330	392	B3510-32	251A
A8970B2-330	156	B3510-32	249
A8970B327	392B	B3526	249 - 28

B E E C H C R A F T  
B O N A N Z A 3 3  
I L L U S T R A T E D P A R T S C A T A L O G

PART NUMBER	FIGURE & ITEM NO.	PART NUMBER	FIGURE & ITEM NO.
E3529	249 - 39	C2400L4P1B	324 -051
E3531	249	C2463	248 - 24
E3550-1	417 - 94	C2464	248 - 20
E3551	249 - 22	C281XDX12VDC	354
E3557	249 - 38	C281XDX12VDC	354
E40-1	091A- 84	C2835	248
E40245-53	251B-005	C2987	249
E40251	251B-006	C2987-1	249 - 13
E45018	251B	C2987-2	249 - 16
E5254	251A	C3NF10094A	359A- 30
E5254	249	C3TF10379B	359A
E55	132 - 14	C3XF10328A1	359A
E55	132 - 12	C3XF10370A	359A
E709-6-72-6	241A	C3111	249 - 12
E7605A	361A-008	C3493	249 - 18
E7605A	361 - 10	C3532-4	248
E7620A	361 - 11	C37656-41	287 - 18
E7620A	361A-009	C4FF10380A	359A- 28
E7640-1	361A-021	C40257	251B-003
E7640-1	361 - 23	C40298	251B-002
E78	156 - 4	C4189	152A- 80
E88	213 - 28	C4189	152 - 97
CA3106E12S3S	354B	C4189	132 -063
CB2320	354A-054	C5AF10A303A	359A
CB2320	354 - 68	C5AF10A304A	359A- 55
CB2330	354B	C5AF10A351A	359A- 29
CB31115A	361 - 34	C5AF10A355A	359A- 31
CB7740-126	281A	C5AF10A360A	359A
CB7740-126	281A	C5AF10A377A	359A
CB7740-126	281 - 69	C5AF10A378A	359A
CB7740-127	281	C5AF10A383B	359A- 52
CCA1269	296	C5AF10A383C	359A- 45
CCA1296	111A	C5AF10B301C	359A- 46
CCA1319	281	C5AF10B302A	359A
CCA1319	281A	C5AF10B306B	359A
CCA1319	281A	C5AF10B306B	359A
CCA3400	281A-077	C5AF10B308C	359A
CCA3400	281 - 65	C5AF10B338A	359A- 41
CCA4850	296 - 16	C5AF10B339A	359A- 43
CCA4850	289 -008	C5AF10320A	359A- 36
CDLM60	354	C5AF10327A	359A
CDLM80	354 - 59	C5AF10329A	359A- 58
CM10	394A- 35	C5AF10329B	359A- 56
CM10	394 - 39	C5AF10329C	359A- 35
CP6P	355 - 3	C5AF10329D	359A- 60
CR1720	315 -001	C5AF10349A	359A- 37
CS1050	313B	C5AF10351A	359A
CS1800	313B- 47	C5AF10355A	359A
CS4000W/265-4	313A- 51	C5AF10373A	359A
CS4000W/265-4	313 - 51	C5AF10377A	359A
CS4000W/265-4	317 - 14	C5AF10392A	359A
CS4000W/265-4	314 - 43	C5AF14443A	359A- 49
CS5000B3B	313B- 52	C5SF10374A1	359A
CS6A	241B	C5SF10378A1	359A
CS647	313B- 48	C5TF10304B	359A
CS649	313B- 53	C6AF10A383A	359A- 40
CT2A2	156	C6AF18827A1	359A- 53
C100102	212 - 38	C6FF10A352A	359A- 27
C100102	208 -017	C6FF10A366B	359A- 48
C145-200	161	C6FF10A367A	359A- 38
C145-250	161	C6FF10A367B	359A- 39
C1587	248	C6FF10B341A	359A
C1587-1	248 - 22	C6FF10330A	359A
C1587-2	248 - 23	C6FF10334A	359A- 54
C160-40-1	161	C6FF10335A	359A- 33
C1904	248 - 29	C6FF10344A	359A
C1904	249 - 24	C6189	156
C1939	248 - 44	DD1W	363
C2294	248	DD1W	363
C2400LP4-1B	392A- 32	DD1W	363
C2400LP4-1B	392	DD1W	363
C2400L4P1A-B	324	DOAZ6229024K	311 -046

BEECHCRAFT  
BONANZA 33  
ILLUSTRATED PARTS CATALOG

PART NUMBER	FIGURE & ITEM NO.	PART NUMBER	FIGURE & ITEM NO.
DY1498	107	F0728-006	214A-010
DY1499	107 - 4	FR2 1/2	324 -004
D160-00-1	161	FSH	354B-056
D160-00-3	161	FSH	354A
D165-100-2	324	F0728-006	214B-010
D165-100-2	212 - 23A	F6	354
D165-100-2	354	F6500AX2	104A- 20
D165-100-2	354	F6500AX2	104 - 20
D2116	248	F6608EX2	107 - 8
D2820	248	GJT47	359B-001
D2859/84B-0	248 - 6	GJ20DS	357 - 12
D3291	248	GR32	359 - 18
D3395	248	GR32	359C-011
D3496	249 - 40	GR32	359B-007
D3581	249	GS4	182B
D3582/82NB2	249 - 7	GS4	182B
D3586	251A	GS4	182B
D3586	249 - 52	GS4	182A
D366	110 - 14	GS4	182
D366	110 - 9	GS5	212
D4023 X 3/8	110 - 8	G51H	182
D4023X1/2	110 - 13	HE1331	296
D40238	251B-004	HE1332	296
D5257	251A	HE1373	222 - 23
D5257	249	HE1526-1	296
D5258	249	HE1526-2	296
D5258	251A	HE1528-8	296 - 14
D5259	249	HE1568-1	296 - 13
D54353-1	417A	HE1569	296 - 1
D611A	317 - 15	HE1570	296 - 2
D611A	314 - 44	HE1571	296 - 3
D611A	313B- 55	HE1572	296 - 6
D611A	313A- 52	HE1573	296
D611A	313 - 52	HE1574	296 - 12
D65238-1	356A	HE1575	296 - 15
D7080A1-12	361	HE1793	222 - 12
D7080A1-24	361A	HE189	296 - 8
D7080A5-24	361A	HE1900-4	222 - 24
D7080A6-12	361	HE1902	222 - 13
D9-14-1	194	HE1903	222 - 14
D9961-12	361C-005	HE1905-1	222 - 15
D9961-12	361A-041	HE1906	222 - 16
EBD03-0012	393 -022	HE191	296 - 9
EC750	356A	HE191	296 - 10
EC801	110	HE193	296
EF5-1	017	HE636	104B- 2
ELT10-158	490	HE636	104A- 2
ELT10-214-2	490A-005	HE636	104 - 2
ELT10-214-2	490	HE7002-3	222
ELT10-218	490 - 2	SHE7002-3	219B-047
ELT110-4-002	490D-012	SHE7002-3	219A-037
ELT110-4-002	490C-012	HE763	296
EM917-5	194A-033	HE833	289 -001
EQ6544	425	HIS832BC	244B
EQ6566	425	HIS832BC100X200	035
EQ6576	425	HL18PB6-6	202 -015
E3510	249 - 46	HL200	222 - 2
E71	359A	HL214	221 - 4
FCB25722	281A	HL338	222 -005
FCB25722	281 - 43	HL5	221 - 2
FCB25722	287	HL70-6	202
FCB25722	287A-016	HL837	221 - 5
FCR57175-1	281A-055	HM4U	210 - 14
FCR57175-1	281A	HM4U	204 - 22
FCR57175-1	281A	HM6	152A- 31
FCR57176-2	281A	HS15248	317B-006
FCR57176-2	281A	HS15248	317A-010
FCR57176-2	281A	HSS1248	317 - 5
FLLA	354B-055	H2109-3	091A-101
FLLB	354A-012	H2109-3	091 - 90
FOSZ6129024D	311A	H2109-3	091A- 60
FOSZ6129024D	311A	H2109-4	091 - 91

B E E C H C R A F T  
B O N A N Z A 3 3  
I L L U S T R A T E D P A R T S C A T A L O G

PART NUMBER	FIGURE & ITEM NO.	PART NUMBER	FIGURE & ITEM NO.
H2109-4	091A	LU27054	354
H2109-4	091A	LU27054	354A
H2622-1-090	392B	LWA2919	354
H2829-1	110A-001	LWA29455	354A
H910-1	091 - 94	LWA29455	354B
H910-3	091A- 93	LWA29455	324 -029
IN752A	392B-028	L1148 KNOB	417
IO470K	241 - 1	L18366-1	417 - 96
IO470N	241B	L18366-3	417A- 14
IO520EB	241A	L18366-3	417A- 4
IO520EB	241A	L18366-3	311B-004
IO520EB	241A	L18366-3	156
IO520EB	241A	L18366-5	156 - 35
IO520EB	241A	L46-18	361 - 38
IS14818F	214 - 19	MAM BA-1	015
JD13-1011-04	411	MAM BA-2	015
JD13-1011-05	411	MA751T600	354
JD13-1019-04-04	411	MB801-28	156
JD13-1019-05-05	411	MCH2147	357 - 1
JES	354B-004A	MCI106-150	245A
JV5	354B-004	MCI106-199	245A
JV5	354A-005	MCI106-200	245A
JV5	354 - 5	MCL092S	357 - 4
JV5	411 -003	MCL1005P	357 - 3
JV5	223 - 3	MCL1136S	357 - 6
J2005-2	359A- 5	MCL2136A	357A-006
J20125-03	417A	MCL6501	241 - 6
J20125-03	417A	MCO E01265-3	281A
J20125-03	311B	MCO E01265-5	281A
J20154	311B-011	MC2711	202
J6984-121	392B	MC2711	202
J6984-121	392	MC91-21	313F-033
KM713-16-064	490D-017	MDL1002	357 - 5
KM713-16-064	490C-016	MDL1005FS	357A-003
KM713-16-064	490B-009	MDL2012ES	357A-002
KM713-16-064	490A-008	MD1064ES	357A-008
KM713-16-064	490 - 8	MD46-15	210 - 4
KM713-16-064	103B	MES98S	359B-021
KM713-16-064	103A	MEX2092AS	357A
KNL428	154A	MEX2092S	357A-004
KP3A	132 -044	MF11064	357 - 8
KP4A	154 - 60	MHD2012S	357 - 2
KP4A	154 - 56	MHJ2147	357A-001
KP6A	164 - 8	MK1000-4	111
K1000-08	012	MK1000-832	134
K1000-08	012	MK2000-832	102A
K1000-3	327	MLA60-50	354B
K1000-3	327	ML1002	357A-005
K1000-3	327	ML18A	357 - 7
K1000-3	327	ML18A	357A-007
K1000-6	395	MODEL A106B	245A- 17
K21B	213 - 22	MODEL A106B	245 - 30
LA3S-R1 030	314G	MOD000102-1	490C
LA3S-R1 030	313D-050	MOD000102-3	490C-015
LA3S-R1.030	313B	MPC11	017
LA3SR1 030	313G-071	MST105D	182A- 21
LA3SR1 030	313E-053	MST105F	490A
LA3SR103	099A	MST205N	490C-005
LBA27492	354	MST205N	490D-005
LBA27492	354A	MST205N	182 - 43
LC-C6	035	MST205T	490A-004
LC-C6	035	MST205T	391A
LHA30882	354	MS15001-3	035 - 67
LMS01T-TL	490D-007	MS15001-3	035A- 25
LMS01T-TL	490C-007	MS15002-1	212
LM67048XL	207 - 4	MS15002-1	206A-047
LOT6A10	241A-015	MS15002-1	206A-039
LP4-21A/M/	218A- 15	MS15002-1	206A-062
LP507-10-32	361C-004	MS15002-1	206
LP507-10-32	361A-050	MS15002-1	202 - 36
LS6	211 - 6	MS16624-1031	202 -081
LU27054	324 -028	MS16624-1043	213

B E E C H C R A F T  
B O N A N Z A 3 3  
I L L U S T R A T E D P A R T S C A T A L O G

- PART NUMBER	FIGURE & ITEM NO.	PART NUMBER	FIGURE & ITEM NO.
MS16625-1112	161 - 6	MS20365-1032	313A
MS171496	314G-039	MS20365-1032	313B- 14
MS171496	313G-039	MS20365-1032	313B
MS171498	314 - 32	MS20365-1032	314G
MS171498	313E-004	MS20365-1032	314G
MS171498	313A- 41	MS20365-1032	103B
MS171498	313 - 41	MS20365-1032	194
MS171499	313 - 30	MS20365-1032	202
MS171499	313A- 30	MS20365-1032	417
MS171499	313B- 30	MS20365-1032	103B
MS171499	327	MS20365-1032	103A
MS171499	314A-024	MS20365-428	103
MS171499	314B-004	MS20365-428	218A
MS171499	314C-004	MS20365-428	206
MS171499	313C-006	MS20365-428	104 - 94
MS171499	313D-029	MS20365-428	152
MS171499	313F	MS20365-440	132
MS171499	313F	MS20365-440	223
MS171499	314 - 23	MS20365-440	103B
MS171499	313G-030	MS20365-440	354B
MS171504	313F	MS20365-440	354B
MS171504	313F	MS20365-524	354A
MS171507	314 - 30	MS20365-524	354A
MS171508	313G-026	MS20365-524	356
MS171532	313D	MS20365-524	202 - 10
MS171532	314A-029	MS20365-624	206A-027
MS171532	313C-004	MS20365-624	211
MS171534	313 - 26	MS20365-632	202
MS171534	314 - 27	MS20365-632	219
MS171536	313B- 26	MS20365-632	219A
MS171536	313A- 26	MS20365-632	361A
MS171539	313A- 27	MS20365-832	241
MS171539	313B- 27	MS20365-832	241
MS171539	313 - 27	MS20365-832	103B
MS171539	314C-003	MS20365-832	103A
MS171539	314B-003	MS20365-832	091
MS171539	314A- 27	MS20365D632	411
MS171539	313D-026	MS20392-1-37	212 - 8
MS171539	313C-005	MS20392-1C13	313F
MS171539	314 - 28	MS20392-1C15	110 - 52
MS171557	313F	MS20392-1C19	151 - 8
MS171557	314D-023	MS20392-1C19	151A- 8
MS171557	314E-023	MS20392-1C19	152 - 12
MS171557	314F-024	MS20392-1C19	152A- 11
MS171557	314G-024	MS20392-1C19	153A-013
MS171652	313G-027	MS20392-1C21	152A- 4
MS171652	313E-033	MS20392-1C21	103A
MS171652	313C	MS20392-1C23	099A
MS17821-1-9	362A- 3	MS20392-1C23	102D
MS17821-1-9	490A	MS20392-1C23	152 - 77
MS17826-5	152	MS20392-1C23	151A
MS18034-1	490A	MS20392-1C23	151A
MS18034-1	490	MS20392-1C23	151A
MS18034-1	362A	MS20392-1C23	151
MS20201KP3A	103B	MS20392-1C23	151
MS20201KP3A	103A	MS20392-1C23	151
MS20201KP4A	154A-039	MS20392-1C23	153A-017
MS20201KP6A	364 - 9	MS20392-1C23	152A- 64
MS20341-416C	354 - 13A	MS20392-1C23	206A-034
MS20364-1032	154	MS20392-1C25	206A-049
MS20364-1032	194	MS20392-1C35	151 - 19
MS20364-428	210	MS20392-1C35	151A- 20
MS20364-524	152A	MS20392-1C35	152 - 8
MS20365-1032	314F	MS20392-1C35	152
MS20365-1032	314F	MS20392-1C35	152A- 7
MS20365-1032	314	MS20392-1C35	152A-037
MS20365-1032	314	MS20392-1C35	317 - 7
MS20365-1032	313D-012	MS20392-1C35	317A- 8
MS20365-1032	313D	MS20392-1C35	317B
MS20365-1032	313	MS20392-1C65	152 - 83
MS20365-1032	313 - 14	MS20392-1C65	152
MS20365-1032	313A- 14	MS20392-1C67	152 - 15

B E E C H C R A F T .  
B O N A N Z A 3 3  
I L L U S T R A T E D P A R T S C A T A L O G

PART NUMBER	FIGURE & ITEM NO.	PART NUMBER	FIGURE & ITEM NO.
MS20392-1C67	152A- 14	MS21055L3	097
MS20392-1C67	152A	MS21059L08	251B
MS20392-2C25	212	MS21059L3	354B
MS20392-2C29	202 -084	MS21060L08	490C
MS20392-2C29	202	MS21069L06K	426
MS20392-2C45	110A-012	MS21069L06K	361A
MS20392-3C21	104B-081	MS21069L06K	361A
MS20392-3C45	152A-087	MS21069L08K	426
MS20392-3C45	152 -104	MS21069L08K	426
MS20663C4	152A- 33	MS21069L08K	426
MS20663C4	152 -045	MS21069L08K	426 -032
MS20667-4	152 -047	MS21069L3	103B
MS20667-4	152A- 35	MS21069L3	317B
MS20813-1	202 -041	MS21069L3K	426
MS20813-1	206A-015	MS21069L3K	426
MS20819-6D	394A	MS21071L08	490C
MS20822-3	241A-059	MS21071L08	490D
MS20822-3	282A	MS21071L08K	426
MS20822-3B	241B- 28	MS21073L06	109A
MS20822-3B	241 - 40	MS21073L3K	426
MS20822-3B	111A	MS21075L08	354B
MS20822-3B	241A-031	MS21075L3	354B
MS20822-3B	241A-064	MS21083N3	152A
MS20822-4	219B-039	MS21104D5	341A
MS20822-4D	219B-016	MS21150-1	154A-034
MS20822-4D	219 - 24	MS21150-1	154 - 45
MS20822-4D	219A- 16	MS21150-1	154 - 48
MS20822-4D	219A- 33	MS21150-1	154A-031
MS20822-4D	219A- 75	MS21251B2L	152 - 88
MS20822-4D	219A- 68	MS21251B2S	152 -100
MS20822-4D	219 - 67	MS21251B2S	152A- 21
MS20822-4D	219 - 65	MS21251B2S	152A- 83
MS20822-5D	341A-034	MS21251B3S	104B-070
MS20823-4	241A-063	MS21251B5L	152A- 73
MS20823-4D	219B-018	MS21251B5L	153A- 10
MS20823-4D	219B-041	MS21251B5L	153B- 9
MS20823-4D	219A- 32	MS21251B5L	152 -024
MS20823-5D	341A-012	MS21251B5S	151A
MS20823-5D	341 - 76	MS21251B5S	151
MS20825-5D	341A-013	MS21252-2LS	104B-038
MS20825-5D	341 - 79	MS21252-2LS	104A- 88
MS20826-5D	341 - 54	MS21252-3LS	104 - 85
MS21042L06	354B	MS21252-3LS	104B-072
MS21042L06	355A	MS21252-3RS	104B-071
MS21042L06	355A	MS21252-3RS	104B-037
MS21042L06	411	MS21252-3RS	104 - 84
MS21042L3	354B-037B	MS21252-3RS	104A- 87
MS21044N4	103B	MS21252-3RS	202 -071
MS21044N4	103A	MS21254-2RS	152A- 82
MS21045L3	354B-036K	MS21254-2RS	152 - 99
MS21047-06	361C	MS21256-1	152
MS21047-06	361A	MS21256-1	151A
MS21047-06	361A	MS21256-1	151
MS21047-08	327A	MS21256-1	152A
MS21047L06K	411	MS21256-1	104B-078
MS21047L06	490D	MS21256-2	152A
MS21047L06	490B	MS21256-2	153A
MS21047L06	033A	MS21256-2	153B
MS21047L06	033A	MS21256-2	152
MS21047L08	097	MS21256-2	152
MS21047L08	490B	MS21256-2	152A
MS21047L08	490C	MS21260L4RH	152A- 34
MS21047L08	194A	MS21260L4RH	152
MS21047L08	133	MS21266-1N	111B
MS21047L3	415	MS21266-1N	194
MS21047L3K	194A	MS21266-1N	194B-043
MS21047L3K	194A	MS21266-1N	354B-049
MS21047L3K	194A	MS21266-1N	354
MS21048L08	035A- 49	MS21266-1N	103A
MS21051-08	097	MS21266-2N	103A
MS21051-3	035A	MS21266-2N	354A
MS21051L06	392B	MS21266N3	099A-033



B E E C H C R A F T  
B O N A N Z A 3 3  
I L L U S T R A T E D P A R T S C A T A L O G

PART NUMBER	FIGURE & ITEM NO.	PART NUMBER	FIGURE & ITEM NO.
MS21919-48	417 - 3	MS24566-3B	152A-067
MS21919-48	417 - 8	MS24566-3B	152A-074
MS21919DG10	194A-022	MS24566-3B	152A-070
MS21919DG10	194A-020	MS24566-3B	153A-018
MS21919DG11	194 - 12	MS24566-3B	153 - 014
MS21919DG11	282A- 26	MS24566-3B	153B-014
MS21919DG12	241 -051	MS24566-3B	152
MS21919DG12	241 -050	MS24566-3B	152 -081
MS21919DG12	241 -049	MS24566-3B	152 -090
MS21919DG12	194 - 13C	MS24566-3B	152A-017
MS21919DG14	354B-048	MS24566-3B	152A-015
MS21919DG14	354A-022	MS24566-3B	152 -019
MS21919DG17	161 - 28	MS24566-3B	152 -016
MS21919DG17	281A	MS24566-3B	151 -006
MS21919DG17	354B-023	MS24566-3B	151 -009
MS21919DG17	354A	MS24566-4B	151 -017
MS21919DG20	194 - 13B	MS24566-4B	151 -028
MS21919DG20	354B-036N	MS24566-4B	151 -022
MS21919DG3	417B-008	MS24566-4B	151 -025
MS21919DG3	354 -121	MS24566-4B	152 -013
MS21919DG3	258 - 14	MS24566-4B	152 -009
MS21919DG36	159 - 2	MS24566-4B	152 -001
MS21919DG4	281A	MS24566-4B	152
MS21919DG4	219	MS24566-4B	152A-001
MS21919DG4	354B-051	MS24566-4B	152A-012
MS21919DG48	417 -126	MS24566-4B	152A-008
MS21919DG50	194A-026	MS24566-4B	152 -084
MS21919DG6	394 - 21	MS24566-4B	152 -078
MS21919DG6	394 - 22	MS24566-4B	153B-012
MS21919DG6	394 - 26	MS24566-4B	153B-010
MS21919DG6	394A- 20	MS24566-4B	153 -012
MS21919DG6	159 - 18	MS24566-4B	153 -010
MS21919DG6	159 - 8	MS24566-4B	152A-092
MS21919DG7	161 - 18	MS24566-4B	153A
MS21919DG8	354B-047	MS24566-4B	153A-011
MS21919DG8	354A-021	MS24566-4B	153A-015
MS21919G7	354B-052	MS24566-4B	152A-065
MS21919WDG10	194B-029	MS24587-6	411
MS21919WDG12	194B-040	MS24665-130	110
MS21919WDG12	219B-007	MS24665-130	212
MS21919WDG12	219A	MS24665-130	202
MS21919WDG12	241B-021	MS24665-132	099A
MS21919WDG12	241B-020	MS24665-132	102D
MS21919WDG12	241B-016	MS24665-132	103A
MS21919WDG12	241B-022	MS24665-132	206A-050
MS21919WDG14	241A-071	MS24665-132	206A
MS21919WDG20	194B-036	MS24665-132	206A-045
MS21919WDG20	194B-041	MS24665-132	212
MS21919WDG3	219A	MS24665-132	152A
MS21919WDG3	219B-006	MS24665-132	152A
MS21919WDG36	241B-017	MS24665-132	152A
MS21919WDG4	241A-048	MS24665-132	152A
MS21919WDG4	219B-008	MS24665-132	153A
MS21919WDG4	219B	MS24665-132	153A
MS21919WDG4	219A	MS24665-132	153A
MS21919WDG4	202	MS24665-132	152A
MS21919WDG4	241B-039	MS24665-132	153
MS21919WDG6	241A	MS24665-132	151
MS21919WDG6	241B-010	MS24665-132	151
MS21919WDG6	241B-034	MS24665-132	151
MS21919WDG6	159A	MS24665-132	151
MS21919WDG6	159A	MS24665-132	151A
MS21919WDG6	411 -066	MS24665-132	151A
MS24396D4	202 -052	MS24665-132	151
MS24400D4	219	MS24665-132	132
MS24402D4	219 - 6	MS24665-132	152
MS24482-1	354B-012	MS24665-132	152
MS24510-30	411 -060	MS24665-132	152
MS24566-1B	152A-084	MS24665-132	152
MS24566-1B	152	MS24665-132	152
MS24566-2B	152 -074	MS24665-132	152A
MS24566-2B	152A-061	MS24665-132	152A

B E E C H C R A F T  
B O N A N Z A 3 3  
I L L U S T R A T E D P A R T S C A T A L O G

PART NUMBER	FIGURE & ITEM NO.	PART NUMBER	FIGURE & ITEM NO.
MS24665-132	152	MS27640-3A	155 - 16
MS24665-132	152A	MS27640-3A	155 - 21
MS24665-132	152A	MS27640-4	131 -014
MS24665-132	152A	MS27641-10	156 - 3
MS24665-132	152A	MS27641-4	103B
MS24665-132	152	MS27641-4	152
MS24665-132	152	MS27641-4	152A
MS24665-132	151A	MS27641-4	103A
MS24665-132	151A	MS27641-6	132 -050
MS24665-132	151A	MS27641-6	132
MS24665-132	152	MS27645-4	135 - 22
MS24665-132	152	MS27645-6A	395
MS24665-132	152	MS28034-1	354B-013
MS24665-132	287	MS28034-1	354 - 19
MS24665-132	289	MS28034-1	354A-025
MS24665-134	152	MS28034-1	241B- 12
MS24665-134	152	MS28740-10	411
MS24665-134	110A-013	MS28740-10	411
MS24665-134	202	MS28740-10	411
MS24665-151	287A-012	MS28741-3-0124	241 - 43
MS24665-153	219A	MS28741-3-0124	241B- 29
MS24665-170	313F	MS28741-3-0140	282A
MS24665-302	359E-004	MS28741-3-0140	241 - 39
MS24665-302	359D-004	MS28741-3-0260	241B- 23
MS24693-49	327A-001	MS28741-4-0090	219B-014
MS24693BB28	411 -051	MS28741-4-0102	282 - 1
MS24693S27	411 -054	MS28741-4-0107	219B-013
MS24693S32	251A-018	MS28741-4-0107	219A- 13
MS24693S52	417A	MS28741-4-0107	219A- 12
MS24694S5	034A- 7	MS28741-4-0107	219A- 58
MS24694S5	031 -029	MS28741-4-0120	282 - 22
MS25006-1	354A-072	MS28741-4-0125	202 - 50
MS25008-1	355A-004	MS28741-4-0130	282 - 25
MS25008-1	202	MS28741-4-0160	282 - 20
MS25026-1	202	MS28741-4-0160	202
MS25026-1	161 - 33	MS28741-4-0170	202 -054
MS25026-1	355A-002	MS28741-4-0180	241A-054
MS25026-1	355A-001	MS28741-4-0254	241A-065
MS25026-1	354B-070	MS28741-6-0140	282 - 13
MS25026-1	354 - 87	MS28774-328	202 -048
MS25036-149	212	MS28774-328	202
MS25036-8	359A- 20	MS28775-011	411
MS25068-23	354 -108	MS28775-015	221A-003
MS25068-31	354 -107	MS28775-138	202 -016
MS25082-8	394A- 34	MS28776R2-19	206A-054
MS25082-8	394 - 38	MS28778-3	241
MS25083-2AA3	354 - 24	MS28778-3	241
MS25123-3-2	354A	MS28778-3	241A-028
MS25123-3-2	354 - 13	MS28778-3	241B
MS25123-3-2	356 - 10	MS28778-3	241B
MS25125B1	354A	MS28778-3	111
MS25125B1	354 - 62	MS28778-3	111A
MS25125E3	354B-040	MS28778-4	221A-009
MS25171-1S	354	MS28778-4	202
MS25171-1S	194A-032	MS28778-5	202 - 42
MS25171-3S	354	MS28778-5	206A-014
MS25178-14	358A-018	MS28778-5	206
MS25226-2-5	354 - 25	MS29512-03	241A
MS25226-6-2	354 - 12	MS29512-03	111A
MS25226-6-2	354A	MS29512-03	111
MS25226-6-2	356	MS29512-06	281A
MS25226-8-2	354	MS29512-06	281A
MS25231-313	324	MS29512-06	281
MS25237-327	354B	MS29512-06	281
MS25237-327	354B	MS29512-4	281
MS25237-327	354B	MS29512-4	281A
MS27039-0808	194A-031	MS29512-4	281A
MS27212-1-10	354 - 23	MS29512-4	281A
MS27212-1-6	354 - 22	MS29512-6	281A
MS27212-5-2	354 - 34	MS29512-6	281A
MS27406-1	411 -059	MS29512-6	281
MS27407-1	411	MS29512-6	285A

B E E C H C R A F T  
B O N A N Z A 3 3  
I L L U S T R A T E D P A R T S C A T A L O G

PART NUMBER	FIGURE & ITEM NO.	PART NUMBER	FIGURE & ITEM NO.
MS29513-010	287A-010	MS35489-11	241A
MS29513-10	296 - 5	MS35489-11	241B
MS29513-10	287 - 5	MS35489-118	356B-012
MS29513-10	296 - 11	MS35489-13	219B-050
MS29513-11	296	MS35489-14	411 -063
MS29513-12	296	MS35489-14S	244A-047
MS29513-136	296 - 7	MS35489-15	411
MS29513-338	287 - 6	MS35489-17	354B
MS29513-338	287A-009	MS35489-17	281A
MS29523-1	287A	MS35489-2	354B
MS3057-12A	251	MS35489-20	393 - 17
MS3057-12A	250	MS35489-21	035A
MS3057-6A	250	MS35489-23	417
MS3057-6A	250	MS35489-23	244 - 30
MS3057-6A	251	MS35489-23	244A-018
MS3102A/B10SL3P	251 - 12	MS35489-27	244A-048
MS3102A/B10SL3P	250 - 8	MS35489-33	103B
MS3102R20-15P	251A	MS35489-35	156
MS3102R20-15S	251A	MS35489-4	035 - 39
MS3106-12S3S	354A	MS35489-42	251B-008
MS3106A	250A	MS35489-6	241B
MS3106A/B10SL3S	251	MS35489-6	219B-051
MS3106A/B10SL3S	250	MS35489-6	241A
MS3106A/B10SL3S	393 - 14	MS35489-6	035 - 30
MS3106A/B12S3S	354	MS35489-6	035A- 8
MS3106A/B18-4S	354	MS35489-6	394A- 6
MS3106A/B20-15S	250	MS35489-6	394 - 6
MS3106A/B20-15S	251	MS35489-6S	362 - 37
MS3106A184S	354A-015	MS35489-62	214B-018
MS3106A20-15S	251B	MS35489-62	214A-018
MS3106R14S7S	354	MS35489-78	356A-013
MS3367-1-9	354B-037A	MS35489-9	417 -100
MS3367-4	354B-036J	MS35490-11	394A- 27
MS3367-4	417B-006	MS35490-11	394 - 31
MS35058-21	296 - 39	MS35490-5	417A
MS35058-23	296 - 35	MS35490-6	103A
MS35206-228	361A	MS35490-9	103A
MS35206-229	392B	MS35490-9	103B
MS35206-229	426 -034	MS35649-205T	359A
MS35206-230	354B-002A	MS35649-225ST	359A
MS35206-233	411	MS35649-262	251A-025
MS35206-237	354A-073	MS35649-265	251A
MS35206-237	355A-009	MS35649-265	250A
MS35206-238	355A-010	MS35650-302	219B
MS35206-244	426	MS35650-302	355
MS35206-244	426 -035	MS35756-8	359G-009
MS35206-324	354B	MS35756-8	359F-010
MS35206-328	355A-014	MS9021-110	287 - 16
MS35206-329	202 -073	MS9048-068	132 -059
MS35207-261	354B-009	MS9048-070	132 -056
MS35207-263	219B	MS9048-108	327A-013
MS35223-28	361A-054	MS9134-01	194B
MS35223-28	361C-008	MS9134-01	358A
MS35223-28	361A-022	MS91586-2	354B-058
MS35223-28	361A-016	MS91586-2	354 - 11
MS35223-28	361 - 18	MS91586-3	354
MS35265-57	358A-015	MS91586-3	354A-010
MS35333-106	359E-035	MS91586-6	359D
MS35333-106	359G-028	MZ19S	357A-009
MS35333-37	250A	MZ19S	357 - 9
MS35333-37	251A-024	M1779	241A- 8
MS35333-37	251A	M2005M2	317 - 16
MS35335-39	354B	M2005M2	313B- 54
MS35338-135	354B	M3081	241A
MS35338-138	354B	M4006	241A-060
MS35338-43	194A	M4006-7	411 -021
MS35338-45	354A	M471	214B-020
MS35489-1	182A	M471	214A-020
MS35489-1	426	M471	213 - 33
MS35489-1	354A	NAS1025N08K	244B
MS35489-1	354B	NAS1033N06	327 - 19
MS35489-11	097	NAS1080-06	035A- 18

B E E C H C R A F T  
B O N A N Z A 3 3  
I L L U S T R A T E D P A R T S C A T A L O G

PART NUMBER	FIGURE & ITEM NO.	PART NUMBER	FIGURE & ITEM NO.
NAS1080-06	035A- 13	NAS384-8-20	311
NAS1080C06	101A	NAS384-8-20	311A
NAS1080C06	102D	NAS384-8-20P	314G
NAS1080C06	102B	NAS384-8-6P	212
NAS1080C06	102C	NAS3846-8P	311A
NAS1080C8	102C	NAS387-440-4P	156
NAS1080C8	102B	NAS391-8P	314G
NAS1080C8	102D	NAS391B6P	311A
NAS1080C8	101A	NAS395-17	212
NAS1201B10	287A	NAS395-6-1	341
NAS1203-2	314G	NAS397-16	211 - 61
NAS1426-10	101A	NAS397-18	241B
NAS1426-4	102B	NAS397-24	241A-016
NAS1426-4	102C	NAS397-28	241A-018
NAS1426-4	102D	NAS397-28	241B
NAS1426-8	101A	NAS397-28	241B
NAS1426-9	101A	NAS397-8	211 - 62
NAS1428-13	101A	NAS42HT3-28	164 - 4
NAS1428-14	101A	NAS427K11	153 - 21
NAS1428-5	102B	NAS427K11	153A-014
NAS1428-5	102D	NAS427K11	103A
NAS1428-5	102C	NAS427K11	103A
NAS1428-7	102C	NAS427K12	152 - 3
NAS1428-7	102D	NAS427K12	152A- 3
NAS1428-7	102B	NAS427K21	152 -103
NAS1428-7	101A	NAS427K21	152A-086
NAS1428-8	102B	NAS427K21	103A
NAS1428-8	102D	NAS427K22	152
NAS1428-8	102C	NAS427K24	152 - 92
NAS1428-9	101A	NAS427K40	111A-035
NAS1455C8-16	107 - 31	NAS428-3-11	103B
NAS1486-11	035A- 19	NAS428-3-11	103
NAS1486-12	035A	NAS428-3-14	103B
NAS1486-13	035A	NAS428-4-14	091A
NAS1486-14	035A	NAS428-4-14	154A
NAS1486-14	035A- 14	NAS428H4-14	103B-104
NAS1486-15	035A	NAS428H4-14	103A-106
NAS1486-15	035A	NAS428H4-14	103 - 84
NAS1486-16	035A	NAS428H5-11	354A-016
NAS1486-16	035A	NAS43DD0-32	354B
NAS1486-17	035A	NAS43DD1-20	151
NAS1486-17	035A	NAS43DD3-12	313F
NAS1486-18	035A	NAS43DD3-28	194A
NAS1486-19	035A	NAS43DD3-48	314G
NAS1486-20	035A	NAS43HT3-3	110A-020
NAS221-21	314	NAS43HT4-32	103B
NAS304-22-0255	151 - 13	NAS43HT4-32	152
NAS304-22-0255	151A- 13	NAS43HT4-32	152A
NAS304-26-0603	151A- 21	NAS43HT4-32	103A
NAS304-26-0603	151 - 20	NAS444-1	312
NAS304-34-1520	152 - 48	NAS444-4	312
NAS304-34-1520	152A- 36	NAS444-4	312
NAS304-35-0564	152A- 22	NAS444-4	312
NAS304-35-0564	152 - 25	NAS444-4	312
NAS304-35-0564	103B-097	NAS444-5	103
NAS304-35-0564	103	NAS444-5	103
NAS304-35-1321	153A- 5	NAS446-2-1	417A
NAS304-35-1325	153 - 5	NAS451-26	244A
NAS304-66-0173	151 - 27	NAS50-187	206 - 14
NAS304-66-0173	151A- 28	NAS50-187	206A-010
NAS305-37-0647	151A	NAS50-87	210 - 21
NAS305-37-0647	151	NAS50-87	164 - 9
NAS305-37-0667	151	NAS50-87	132 -051
NAS305-37-0667	151A	NAS50-93	209 - 9
NAS312-37-0204	152A	NAS505-3J	134 - 25
NAS312-37-0284	152A	NAS505-3J	134 - 22
NAS312-37-0520	152A	NAS505-3J	037
NAS312-37-0534	152 - 89	NAS505-3J	037
NAS312-37-0790	152	NAS505-3J	036
NAS334CPA30	202 - 17	NAS505-3J	036
NAS384-6-12	314D	NAS505-4J	206 - 8
NAS384-6-8P	417A	NAS505NJ	206A-009

BEECHCRAFT  
BONANZA 33  
ILLUSTRATED PARTS CATALOG

PART NUMBER	FIGURE & ITEM NO.	PART NUMBER	FIGURE & ITEM NO.
NAS509-4	242	RA4402	103
NAS51-131	213 - 41	RA4403	103
NAS51-131	213 - 39	RC07GF302J	392B-029
NAS51-18N	110A	RC07GF4471J	392B-030
NAS51-18N	110 - 53	RC42GF101K	354 -116
NAS51-43	213 - 32	RC42GF151K	354
NAS557-4A	417 - 22	RC42GF151K	354 - 27
NAS557-6A	241A	RHB32N	241A
NAS561PF4-15	364 - 6	RHB37E	241B
NAS623-3-5-2	314G	RNF100-3/4	359A
NAS670-87	155 - 17	RRN237C	202 - 43
NAS680A06	362	RTV108	213
NAS680A08K	244B	RTV108	110
NAS680A3	132	RV4LAYS151A	354 -120
NAS680A3	132	R102	354 - 38
NAS696A06	361A	R102	354A-060
NAS696A3	102A	R102	354B-036M
NAS696A4	104B	R102	354B-027
NAS696A4	104A	R134B	213
NAS697A06	392A- 22	R4316	362 - 21
NAS697A08K	426	R5021	159A-048
NAS697A08K	426	SB500-6	296
NAS697A08K	426	SB500-6	296
NAS697A3	103	SCMS-P	490A
NAS697A3	104B	SCMS-P	490
NAS697A3	219A	SCMS-P	362A
NAS76A7-020	210 -029A	SLSP-T6-4	102
NAS77A3-12	426	SLSP-T6-5	102
NAS77A6-35	327	SLSP-T6-7	101
NO NUMBER	182B	SLSP-T8-10	101
NO NUMBER	182A- 2	SLSP-T8-12	101
NO NUMBER	182 - 2	SLSP-T8-13	101
NO. 5 ROLLER	392B- 10	SLSP-T8-5	102A
NO.136	392B	SLSP-T8-5	102
NW25-6875	104 - 93	SLSP-T8-6	101
NO.5 STRIKER	392B- 14	SLSP-T8-7	101
NS000-68MD	220 - 22	SLSP-T8-7	102
OP-HP1	017	SLSP-T8-7	102A
PHCC3YF1RF/F84*	241A	SLSP-T8-8	102A
PK84X4-6-8	324	SLSP-T8-8	102
PL1	354	SLSP-T8-8	101
PL2	354 - 77	SLSP-T8-9	101
PP561DS4	159A- 13	SLSN	110A-015
PP561DS4	159 - 5	SP6	285A- 5
PP561DS4	159 - 27	SP6	285 - 5
PP561DS4	159 - 20	SP832H8B	135 - 6
PS12-11	354B-046	SP832H8B	133 - 19
PT32-6500-1004	104B- 20	SR0332	362
P0-750	214 - 25	SR0336	362 - 16
P1A2	356 - 18	SR0337	362 - 17
P10-5304	241A	SSC2S-S10M	490D-002
P10-5304	258	SSC2S-S10M	490C-002
P13-0374	258	SS48143	091A-103
P2A2N	356 - 19	SS48155	244A-033
P25-349A450	411 -071	SS48172	111 - 38
P5	417A- 5	SS51034	324 -012
P90-2006	357 - 13	SS51043	354B-042
P90-2006	357A-013	SS51043	354A-053
P90-2014	359 - 3	SS51043	354 - 70
P90-2043	359 - 2	SS51058	244A-019
P90-818	359 - 11	SS51276	111
P90-842	357A-010	SS51338	324 -046
P90-842	357 - 10	SS51351	212
RAMH-S6	354B	STHB832-24	133 -018
RAMH-S6	354A	S123	211 - 46
RA4100	099	S1452-048	206A
RA4300	099	S1452-048	206 - 10
RA4300	098	S167-46	211 - 42
RA4301	098	S40555	490A
RA4302	098	S40555	362A
RA4303	099	S55	161 - 10
RA4401	103	S88	241

B E E C H C R A F T  
B O N A N Z A 3 3  
I L L U S T R A T E D P A R T S C A T A L O G

PART NUMBER	FIGURE & ITEM NO.	PART NUMBER	FIGURE & ITEM NO.
TA08311D00116HA5	251B-007	XA944J	359 - 5
TA15M3-2	354	XA944JS	359C-007
TA15M3-2	354	XP51162-12	324 -045
TA15M3-2	356	XR6577	354 - 54
TA1718DT3	25B - 41	XR6577	354A
TM2S6	417B	XR6903	354A
TM2S6	354B-036V	XR6903	354 - 56
TM2S6	354B-036D	XS48175	039A- 21
TM2S6	102D	XX10362-12K1105	317B
TM2S6	102C	X17717	354 - 61
TM2S6	102B	X30024	017
TM2S6	101A- 2	X30041	017
TNR/D11720S	411	X4086	359B-016
TR70-13	490A-001	X4087	359B-006
TR70-13	490	X4087	359C-012
TR70-17	490 - 1	X4087	359 - 17
TS1171-2	017	X5133-21	220 - 33
TS1171-2	017	X5133-21	220 - 26
TS1176-1	017 -016	ZH691-8	341
TS1176-1	017	ZH691-8	341A-033
TS1176-10	017 -017	ZV850	341 - 14
TS1222-3	017 -015	0-2497	214 - 18
TS1222-5	017	0-3518	214 - 2
TS1222-5	017 - 14	0-3883	214 - 11
TY23M	417B-005	0-3896	214 - 12
TS712	417A	0-5157	214 - 27
U5	282	0-5159	214 - 24
U5	241A	0-6864	214 - 15
VV15-625-2	220	0-6865	214 - 16
VWXKSPB	354	000-100100-1	031 - 4
VW1KP	354B	000-100100-2	031
VW1KSPB	354A	000-100100-7	031
VW1KSPB	354A-045	000-110010-1	031
VW1KSPB	354A-044	000-110010-1	034A-016
VW1KSPB	354 - 55	000-110010-1	035A
VW1KSPB	354	000-110010-11	035A- 36
V3-1	354 - 1	000-110010-13	035A
V3-1	354A-001	000-110010-14	035A
V3-1	411 -004	000-110010-15	035A- 39
V3-1	354B-001	000-110010-17	035A- 40
V3-1	223 - 2	000-110010-19	035A- 41
WAIT3-14-4	241B- 18	000-110010-2	035A
WAIT3-14-4	241A-022	000-110010-2	034A
WAIT3-14-4	241 - 46	000-110010-2	031
WL98293-1-060	099	000-110010-21	035A- 42
WRML24CCW	361A	000-110010-23	035A- 44
WRML24CW	361A	000-110010-25	035A- 45
WRM10	361A-037	000-110010-27	035A- 46
WRM10	361 - 25	000-110010-29	035A- 47
WRM15	361 - 26	000-110010-3	035A
WRM15	361A-036	000-110010-35	035A- 1
WRM1939	361A-035	000-110010-36	035A
WRM20	361 - 28	000-110010-37	035A- 2
WRM20L	361A-034	000-110010-39	035A- 6
WRM25	361A-031	000-110010-4	035A
WRM25	361 - 29	000-110010-40	035A
WRM30	361 - 30	000-110010-41	035A- 7
WRM30	361A-033	000-110010-43	035A- 31
WRM35	361A-030	000-110010-45	035A- 38
WRM35	361 - 31	000-110010-49	035A- 29
WRM39	361 - 32	000-110010-5	035A- 34
WRM40	361A-032	000-110010-51	035A- 32
WRM44	361 - 27	000-110010-53	035A- 37
WRM50	361 - 33	000-110010-69	035A
WRM65	361	000-110010-69	034A
WRM65	361A-029	000-110010-7	035A- 33
XA1024	357A-011	000-110010-71	035A
XA1024	357 - 11	000-110010-73	035A
XA1026	359 - 20	000-110010-75	035A
XA744AB	359B-005	000-110010-77	035A
XA744AZ	359 - 19	000-110010-79	035A- 43
XA943F	359 - 6	000-110010-9	035A- 35

**ALPHA-  
NUMERIC  
INDEX**

**(NUMERIC)**

B E E C H C R A F T  
B O N A N Z A 3 3  
I L L U S T R A T E D P A R T S C A T A L O G

PART NUMBER	FIGURE & ITEM NO.	PART NUMBER	FIGURE & ITEM NO.
TA08311D00116HAS	251B-007	XA944J	359 - 5
TA15M3-2	354	XA944JS	359C-007
TA15M3-2	354	XP51162-12	324 -045
TA15M3-2	356	XR6577	354 - 54
TA1718DT3	258 - 41	XR6577	354A
TM2S6	417B	XR6903	354A
TM2S6	354B-036V	XR6903	354 - 56
TM2S6	354B-036D	XS48175	039A- 21
TM2S6	102D	XX10362-12K1105	317B
TM2S6	102C	X17717	354 - 61
TM2S6	102B	X30024	017
TM2S6	101A- 2	X30041	017
TNR/D11720S	411	X4086	359B-016
TR70-13	490A-001	X4087	359B-006
TR70-13	490	X4087	359C-012
TR70-17	490 - 1	X4087	359 - 17
TS1171-2	017	X5133-21	220 - 33
TS1171-2	017	X5133-21	220 - 26
TS1176-1	017 -016	ZH691-8	341
TS1176-1	017	ZH691-8	341A-033
TS1176-10	017 -017	ZV850	341 - 14
TS1222-3	017 -015	0-2497	214 - 18
TS1222-5	017	0-3518	214 - 2
TS1222-5	017 - 14	0-3883	214 - 11
TY23M	417B-005	0-3896	214 - 12
T5712	417A	0-5157	214 - 27
U5	282	0-5159	214 - 24
U5	241A	0-6864	214 - 15
VV15-625-2	220	0-6865	214 - 16
VWXKSPB	354	000-100100-1	031 - 4
VWLKP	354B	000-100100-2	031
VWLKSPB	354A	000-100100-7	031
VWLKSPB	354A-045	000-110010-1	031
VWLKSPB	354A-044	000-110010-1	034A-016
VWLKSPB	354 - 55	000-110010-1	035A
VWLKSPB	354	000-110010-11	035A- 36
V3-1	354 - 1	000-110010-13	035A
V3-1	354A-001	000-110010-14	035A
V3-1	411 -004	000-110010-15	035A- 39
V3-1	354B-001	000-110010-17	035A- 40
V3-1	223 - 2	000-110010-19	035A- 41
WAIT3-14-4	241B- 18	000-110010-2	035A
WAIT3-14-4	241A-022	000-110010-2	034A
WAIT3-14-4	241 - 46	000-110010-2	031
WL98293-1-060	099	000-110010-21	035A- 42
WRML24CCW	361A	000-110010-23	035A- 44
WRML24CW	361A	000-110010-25	035A- 45
WRM10	361A-037	000-110010-27	035A- 46
WRM10	361 - 25	000-110010-29	035A- 47
WRM15	361 - 26	000-110010-3	035A
WRM15	361A-036	000-110010-35	035A- 1
WRM1939	361A-035	000-110010-36	035A
WRM20	361 - 28	000-110010-37	035A- 2
WRM20L	361A-034	000-110010-39	035A- 6
WRM25	361A-031	000-110010-4	035A
WRM25	361 - 29	000-110010-40	035A
WRM30	361 - 30	000-110010-41	035A- 7
WRM30	361A-033	000-110010-43	035A- 31
WRM35	361A-030	000-110010-45	035A- 38
WRM35	361 - 31	000-110010-49	035A- 29
WRM39	361 - 32	000-110010-5	035A- 34
WRM40	361A-032	000-110010-51	035A- 32
WRM44	361 - 27	000-110010-53	035A- 37
WRM50	361 - 33	000-110010-69	035A
WRM65	361	000-110010-69	034A
WRM65	361A-029	000-110010-7	035A- 33
XA1024	357A-011	000-110010-71	035A
XA1024	357 - 11	000-110010-73	035A
XA1024	359 - 20	000-110010-75	035A
XA744AB	359B-005	000-110010-77	035A
XA744AZ	359 - 19	000-110010-79	035A- 43
XA943F	359 - 6	000-110010-9	035A- 35



B E E C H C R A F T  
B O N A N Z A 3 3  
I L L U S T R A T E D P A R T S C A T A L O G

PART NUMBER	FIGURE & ITEM NO.	PART NUMBER	FIGURE & ITEM NO.
000-110013-1	035A	000-110105-607	033A
000-110013-10	035A	000-110105-608	033A
000-110013-11	035A- 11	000-110105-609	033A
000-110013-12	035A	000-110105-610	033A
000-110013-13	035A- 17	000-110105-625	033A
000-110013-14	035A	000-110105-626	033A
000-110013-15	035A- 16	000-110105-69	033A- 29
000-110013-16	035A	000-110105-75	033A- 43
000-110013-2	035A	000-110105-75	012
000-110013-3	035A	000-110105-75	036
000-110013-4	035A	000-110105-77	036
000-110013-7	035A- 10	000-110105-77	012
000-110013-9	035A- 12	000-110105-77	033A- 45
000-110014-1	035A	000-110105-83	033A- 35
000-110014-2	035A	000-110106-1	033A- 5
000-110014-5	035A- 3	000-110106-2	033A
000-110014-6	035A	000-110107-1	033A
000-110014-7	035A- 4	000-110107-10	033A
000-110014-9	035A- 5	000-110107-11	033A
000-110015-10	034A	000-110107-13	033A- 27
000-110015-11	034A	000-110107-14	033A
000-110015-5	034A- 1	000-110107-2	033A
000-110015-613	034A	000-110107-3	033A- 56
000-110015-614	034A	000-110107-4	033A
000-110015-7	034A- 2	000-110107-5	033A- 28
000-110015-8	034A	000-110107-7	033A- 57
000-110015-9	034A- 3	000-110107-8	033A
000-110016-3	033A- 62	000-110107-9	033A- 58
000-110016-4	033A	000-110108-1	033A- 3
000-110017-3	034A- 10	000-110109-1	033A- 4
000-110017-4	034A	000-110109-3	033A
000-110018-3	034A- 11	000-110111-1	033A- 6
000-110018-4	034A	000-110111-2	033A
000-110019-1	034A- 12	000-110112-1	033A- 30
000-110019-2	034A	000-110112-2	033A
000-110020-3	034A- 8	000-110114-1	033A- 10
000-110020-4	034A	000-110114-10	281A
000-110022-1	035A	000-110114-2	033A
000-110022-3	035A- 26	000-110114-3	033A
000-110023-1	035A	000-110114-4	033A
000-110023-3	035A- 28	000-110114-5	033A
000-110024-1	035A- 22	000-110114-7	033A- 2
000-110024-3	035A- 23	000-110114-8	033A
000-110025-1	034A	000-110114-9	281A
000-110025-3	034A- 5	000-110115-1	033A- 23
000-110026-1	034A- 6	000-110115-21	033A- 55
000-110027-1	034A- 4	000-110115-22	033A
000-110028-1	035A- 48	000-110116-1	033A- 8
000-110028-2	035A	000-110116-2	033A
000-110029-39	034A- 9	000-110117-1	033A
000-110083-3	034A- 14	000-110117-1	033A
000-110083-5	033A- 26	000-110117-2	033A
000-110083-7	033A- 42	000-110117-2	033A
000-110087-1	035A- 9	000-110117-3	033A
000-110087-2	035A	000-110117-3	033A
000-110088-1	035A- 15	000-110118-1	033A- 1
000-110088-2	035A	000-110118-3	033A
000-110095-1	035A- 20	000-110132-1	033A- 16
000-110095-3	035A- 21	000-110132-10	033A
000-110096-1	034A- 13	000-110132-13	033A- 59
000-110096-2	034A	000-110132-14	033A
000-110096-3	034A	000-110132-2	033A
000-110096-4	034A	000-110132-9	033A- 20
000-110105-27	033A	000-110135-1	033A- 9
000-110105-28	033A	000-110135-10	033A
000-110105-49	033A- 4A	000-110135-11	033A- 12
000-110105-50	033A	000-110135-12	033A
000-110105-51	033A- 11	000-110135-13	033A- 33
000-110105-52	033A	000-110135-14	033A
000-110105-53	033A- 38	000-110135-15	033A- 13
000-110105-55	033A- 19	000-110135-16	033A
000-110105-56	033A	000-110135-17	033A- 34

B E E C H C R A F T  
B O N A N Z A 3 3  
I L L U S T R A T E D P A R T S C A T A L O G

PART NUMBER	FIGURE & ITEM NO.	PART NUMBER	FIGURE & ITEM NO.
000-110135-18	033A	000-110169-2	033A
000-110135-19	033A- 14	000-110170-1	033A- 54
000-110135-20	033A	000-110170-2	033A
000-110135-21	033A- 36	000-110171-1	033A- 49
000-110135-22	033A	000-110171-2	033A
000-110135-23	033A- 15	000-110175-1	033A- 53
000-110135-24	033A	000-110179-1	031
000-110135-25	033A- 37	000-170000-37	039B
000-110135-26	033A	000-170000-38	039B
000-110135-3	033A	000-170001-1	039A
000-110135-5	033A- 31	000-170001-1	031
000-110135-6	033A	000-170001-1	355
000-110135-7	033A- 7	000-170001-13	039A- 6
000-110135-8	033A	000-170001-14	039A
000-110135-9	033A- 32	000-170001-15	039A- 8
000-110136-3	033A- 21	000-170001-19	039A
000-110136-4	033A	000-170001-2	039A
000-110137-1	033A- 46	000-170001-2	031
000-110137-2	033A	000-170001-2	355
000-110140-1	033A- 52	000-170001-20	039A
000-110147-1	033A- 40	000-170001-29	039A- 2
000-110147-2	033A	000-170001-30	039A
000-110148-1	033A- 22	000-170001-31	039A- 4
000-110148-2	033A	000-170001-32	039A
000-110149-1	033A- 41	000-170001-33	039A- 5
000-110149-2	033A	000-170001-34	039A
000-110151-1	033A- 25	000-170001-35	039A
000-110151-2	033A	000-170001-36	039A
000-110152-1	033A- 18	000-170001-37	039A
000-110152-2	033A	000-170001-38	039A
000-110153-1	033A- 39	000-170001-41	039A- 9
000-110153-2	033A	000-170001-41	012
000-110154-1	033A- 17	000-170001-42	012
000-110154-2	033A	000-170001-42	039A
000-110155-1	033A- 24	000-170001-43	039A- 3
000-110155-2	033A	000-170001-44	039A
000-110155-3	033A	000-170001-45	039A
000-110155-4	033A	000-170001-46	039A
000-110155-5	033A	000-170001-47	039A
000-110161-605	033A	000-170001-47	031
000-110161-605	031	000-170001-48	031
000-110161-605	034A	000-170001-48	039A
000-110161-606	034A	000-170001-49	039A
000-110161-606	031	000-170001-49	031
000-110161-606	033A	000-170001-55	031
000-110161-607	033A	000-170001-55	039A
000-110161-607	031	000-170021-1	039A- 20
000-110161-607	034A	000-170031-1	039A- 22
000-110161-608	034A	000-170031-2	039A
000-110161-608	031	000-361010-1	355 - 27
000-110161-608	033A	000-361011-1	355 - 26
000-110161-609	033A	000-361011-1	035A- 30
000-110161-609	031	000-361011-2	035A
000-110161-609	034A	000-361011-2	355
000-110161-610	034A	000-361012-1	355 - 15
000-110161-610	031	000-361012-1	035A
000-110161-610	033A	000-361012-2	035A
000-110161-7	033A- 60	000-361012-2	355
000-110165-1	033A	000-920012-5	033A
000-110165-10	033A	000-920012-7	033A- 61
000-110165-11	033A- 51	000-920012-7	281A
000-110165-13	033A	000-920012-9	033A
000-110165-15	033A	002-043004-1	101A
000-110165-17	033A	002-043004-1	099A
000-110165-2	033A	002-360000-1	354
000-110165-3	033A	002-361000-1	355
000-110165-5	033A	002-361000-2	355
000-110165-7	033A	002-361013-15	202 -072
000-110165-9	033A- 50	002-361013-16	202
000-110168-1	033A- 47	002-361013-19	202
000-110168-2	033A	002-361013-23	202 -077
000-110169-1	033A- 48	002-361013-25	202 -078

B E E C H C R A F T  
B O N A N Z A 3 3  
I L L U S T R A T E D P A R T S C A T A L O G

PART NUMBER	FIGURE & ITEM NO.	PART NUMBER	FIGURE & ITEM NO.
002-361013-27	202 -079	002-410000-147	360
002-361013-29	202	002-410000-149	091A- 18
002-361013-31	202	002-410000-15	091A
002-361013-32	202	002-410000-151	091A- 19
002-361013-33	202	002-410000-153	091A- 33
002-361013-33	354B-066	002-410000-155	091A
002-361013-33	355A-015	002-410000-165	091A
002-361013-45	202	002-410000-165	360
002-361013-47	202	002-410000-17	091A- 44
002-361013-5	202	002-410000-18	091A
002-361013-53	411	002-410000-19	091A
002-361013-55	202	002-410000-21	091A-102
002-361013-55	202	002-410000-21	091 -104
002-361016-7	354B-057	002-410000-23	091A- 82
002-364000-11	354A	002-410000-231	091A
002-364000-3	354A	002-410000-25	091A
002-364000-9	354A-011	002-410000-27	091A- 42
002-364013-1	354A	002-410000-29	091A
002-364013-11	354B-067	002-410000-3	091A
002-364013-11	354A-069	002-410000-31	091A- 24
002-364013-13	354A-070	002-410000-32	091A
002-364013-13	354B-068	002-410000-33	091A
002-364013-17	354B-069	002-410000-35	091A
002-364013-17	354A-071	002-410000-37	091A
002-364013-29	354B	002-410000-39	091A
002-364013-33	354A-068	002-410000-41	091A- 25
002-364013-35	354B	002-410000-43	091A
002-364013-5	354B	002-410000-45	091A
002-364013-5	354A	002-410000-47	091A
002-364013-7	354A-066	002-410000-51	091A- 35
002-364013-7	354B-064	002-410000-53	091A- 27
002-364013-9	354B-065	002-410000-55	091A- 26
002-364013-9	354A-067	002-410000-57	091A
002-364037-1	354A	002-410000-59	091A- 29
002-364037-15	354B	002-410000-61	091A
002-364037-3	354B	002-410000-63	091A- 28
002-364037-7	354B-025	002-410000-67	091A- 86
002-364037-7	354A-058	002-410000-67	360
002-364037-9	354A-059	002-410000-67	354A-032
002-364037-9	354B-026	002-410000-67	354 - 21
002-364038-1	354A	002-410000-69	360 -006
002-364038-3	392B	002-410000-71	360 -008
002-364040-1	354A	002-410000-73	091A
002-364040-1	354	002-410000-75	091A- 30
002-364168-1	111 - 45	002-410000-77	091A
002-369014-3	354	002-410000-79	091A
002-369014-3	354A-030	002-410000-87	091A
002-381003-1	151 - 42	002-410000-87	258 -008
002-381003-1	151A-043	002-410001-107	208 - 8
002-381003-3	151A	002-410001-109	208 - 7
002-381003-3	151	002-410001-143	208
002-400000-57	110	002-410001-99	111A-012
002-400000-61	110 - 63	002-410010-3	091A- 11
002-400000-62	110	002-410011-1	091A- 40
002-410000-111	091A- 14	002-410012-1	091A- 38
002-410000-113	091A- 12	002-410012-11	091A
002-410000-114	091A	002-410012-3	091A
002-410000-115	091A- 13	002-410012-5	091A
002-410000-121	091A	002-410013-1	091A- 21
002-410000-123	091A	002-410013-2	091A
002-410000-127	360	002-410014-1	091A
002-410000-129	360 -015	002-410014-3	091A- 20
002-410000-13	091A	002-410015-1	091A
002-410000-131	360 -014	002-410016-1	091A- 31
002-410000-133	360 -012	002-410016-3	091A
002-410000-135	360 -013	002-410016-4	091A
002-410000-137	091A- 32	002-410017-11	091A- 80
002-410000-138	091A	002-410017-11	152A-090
002-410000-139	091A- 41	002-410017-12	152A
002-410000-141	091A- 36	002-410017-12	091A
002-410000-143	360 -016	002-410017-15	091A
002-410000-145	360 -017	002-410017-15	152A-091

B E E C H C R A F T  
B O N A N Z A 3 3  
I L L U S T R A T E D P A R T S C A T A L O G

PART NUMBER	FIGURE & ITEM NO.	PART NUMBER	FIGURE & ITEM NO.
002-410017-15	152A-066	002-410025-16	159A
002-410017-5	152A	002-410025-17	159A
002-410017-5	152	002-410025-18	159A
002-410017-5	091A	002-410025-2	091A
002-410017-7	091A- 79	002-410025-7	159A-059
002-410017-7	152A-088	002-410025-9	159A-057
002-410017-9	152A-089	002-410026-1	091A
002-410017-9	091A- 78	002-410026-10	091A
002-410019-1	091A	002-410026-13	091A
002-410019-10	091A	002-410026-15	091A- 65
002-410019-11	091A- 4	002-410026-17	091A
002-410019-13	091A- 8	002-410026-19	091A
002-410019-19	091A	002-410026-20	091A- 66
002-410019-2	091A	002-410026-21	091A
002-410019-20	091A	002-410026-22	091A- 52
002-410019-21	091A- 9	002-410026-23	091A
002-410019-22	091A	002-410026-29	091A-051
002-410019-23	091A- 3	002-410026-3	091A
002-410019-25	091A- 10	002-410026-4	091A
002-410019-25	219A	002-410026-5	091A
002-410019-27	091A	002-410026-6	091A- 53
002-410019-28	091A	002-410026-7	091A
002-410019-3	091A	002-410026-8	091A
002-410019-35	091A	002-410026-9	091A
002-410019-36	091A	002-410027-1	091A
002-410019-37	091A	002-410027-10	091A- 54
002-410019-38	091A	002-410027-11	091A
002-410019-4	091A	002-410027-12	091A- 55
002-410019-5	091A-005	002-410027-13	091A
002-410019-6	091A	002-410027-14	091A- 56
002-410019-7	091A- 6	002-410027-15	091A- 59
002-410019-8	091A	002-410027-15	091 - 86
002-410019-9	091A- 2	002-410027-155	091A
002-410020-1	091A	002-410027-156	091A
002-410020-11	091A	002-410027-19	091A- 62
002-410020-12	091A	002-410027-2	091A
002-410020-13	091A	002-410027-20	091A
002-410020-14	091A	002-410027-21	091A
002-410020-2	091A	002-410027-23	091A- 63
002-410020-3	091A-073	002-410027-27	091A- 68
002-410020-4	091A	002-410027-31	091A- 61
002-410020-5	091A	002-410027-31	091 -102
002-410020-6	091A	002-410027-33	091A- 67
002-410020-7	091A- 74	002-410027-34	091A
002-410022-1	091A- 45	002-410027-37	091A
002-410022-2	091A	002-410027-38	091A
002-410022-3	091A	002-410027-41	091A
002-410022-5	091A	002-410027-42	091A
002-410022-7	091A	002-410027-44	091A
002-410023-1	091A	002-410027-49	091A
002-410023-2	091A	002-410027-5	091A
002-410023-3	091A- 64	002-410027-51	091A
002-410023-4	091A	002-410027-53	091A
002-410023-5	091A	002-410027-54	091A
002-410023-6	091A	002-410027-55	091A
002-410024-1	091A	002-410027-56	091A- 58
002-410024-2	091A	002-410027-6	091A
002-410024-3	091A- 50	002-410027-7	091A
002-410024-4	091A	002-410027-8	091A- 57
002-410024-5	091A- 49	002-410027-9	091A
002-410024-6	091A	002-410028-1	091A- 39
002-410024-7	091A	002-410028-2	091A
002-410024-7	091A	002-410029-1	091A
002-410025-1	091A-083	002-410029-3	091A- 15
002-410025-10	159A-056	002-410029-5	091A- 16
002-410025-11	159A-055	002-410029-6	091A- 17
002-410025-12	159A-058	002-410030-1	091A-072
002-410025-13	159A-052	002-410030-1	111B
002-410025-13	091A	002-410030-101	111B-015
002-410025-14	091A	002-410030-101	245A
002-410025-14	159A-053	002-410030-103	111B-016
002-410025-15	159A	002-410030-11	111B-007

B E E C H C R A F T  
B O N A N Z A 3 3  
I L L U S T R A T E D P A R T S C A T A L O G

PART NUMBER	FIGURE & ITEM NO.	PART NUMBER	FIGURE & ITEM NO.
002-410030-113	111B	002-410034-5	154A-025
002-410030-13	111B-037	002-410035-3	151 -011
002-410030-131	111B	002-410035-3	151A- 11
002-410030-15	111B-004	002-410038-3	212 - 32
002-410030-17	111B-035	002-410038-3	208
002-410030-181	111B	002-410038-3	091A- 46
002-410030-181	091A	002-410039-3	154A
002-410030-185	111B	002-410039-7	154A-037
002-410030-19	111B-003	002-410041-1	153A-001
002-410030-193	111B	002-410041-1	153B-001
002-410030-20	111B-032	002-410041-3	153A-002
002-410030-21	111B-012	002-410041-3	153B-002
002-410030-23	111B-033	002-410041-5	153B
002-410030-25	111B-039	002-410041-7	153B
002-410030-27	111B-042	002-410041-9	153B
002-410030-29	111B-005	002-410043-1	154
002-410030-29	245A	002-410043-1	154A
002-410030-30	245A	002-410043-1	154A
002-410030-30	111B-006	002-410043-1	219A
002-410030-31	111B-043	002-410043-3	154A
002-410030-33	111B-038	002-410043-3	154
002-410030-35	111B-036	002-410043-5	154 - 47
002-410030-37	111B-040	002-410043-5	154A
002-410030-41	111B-008	002-410043-5	154A-032
002-410030-42	111B-041	002-410043-7	154A-035
002-410030-43	111B-001	002-410043-7	154
002-410030-45	111B-034	002-410053-1	091A- 47
002-410030-5	111B-010	002-410053-15	091A- 85
002-410030-51	111B-002	002-410053-15	159A-049
002-410030-61	111B	002-410053-3	159A-050
002-410030-65	111B-028	002-410053-3	091A
002-410030-65	111B-018	002-410056-1	091A
002-410030-67	111B-030	002-410056-1	154A
002-410030-69	111B-024	002-410056-2	154A
002-410030-7	111B-017	002-410056-2	091A
002-410030-71	111B-025	002-410056-3	091A- 70
002-410030-73	111B-026	002-410056-3	154A-044
002-410030-75	111B-031	002-410056-4	154A
002-410030-77	111B-029	002-410056-4	091A
002-410030-79	111B-023	002-410056-5	091A- 69
002-410030-81	111B	002-410056-5	154A-045
002-410030-83	111B-027	002-410056-6	154A
002-410030-85	111B	002-410056-6	091A
002-410030-87	111B-021	002-410057-1	091A- 7
002-410030-89	111B-020	002-420053-1	159A-051
002-410030-9	111B-011	002-430000-117	110 - 61
002-410030-91	111B-014	002-430000-117	097
002-410030-93	111B-022	002-430000-118	097
002-410030-95	111B-019	002-430000-118	110
002-410030-97	111B	002-430000-119	110 - 64
002-410030-99	111B-013	002-430000-119	097 -066
002-410030-99	245A	002-430000-120	097
002-410031-1	154A	002-430000-120	110
002-410031-1	091A	002-430000-121	110 - 62
002-410031-3	091A- 75	002-430000-122	110
002-410031-3	154A-049	002-430000-123	110 - 68
002-410031-4	154A-050	002-430000-124	110
002-410031-4	091A	002-430000-125	110 - 70
002-410031-5	091A-076	002-430000-127	110 - 67
002-410031-5	103A-105	002-430000-209	097
002-410031-5	154A-048	002-430000-21	097
002-410031-5	103B-103	002-430000-229	097
002-410031-7	154A	002-430000-23	097
002-410031-7	091A	002-430000-23	110
002-410031-9	091A	002-430000-231	097
002-410031-9	154A	002-430000-237	097
002-410032-1	091A- 37	002-430000-73	104A- 91
002-410033-1	091A- 81	002-430000-73	104 - 88
002-410033-1	219B-020	002-430000-89	097 -076
002-410033-1	219A- 15	002-430008-123	097
002-410034-1	154A	002-430008-125	097
002-410034-3	154A-027	002-430008-127	097

B E E C H C R A F T  
B O N A N Z A 3 3  
I L L U S T R A T E D P A R T S C A T A L O G

PART NUMBER	FIGURE & ITEM NO.	PART NUMBER	FIGURE & ITEM NO.
002-430008-13	097	002-430009-139	099A-042
002-430008-13	110	002-430009-17	099A
002-430008-131	097 - 45	002-430009-181	099A
002-430008-135	110	002-430009-183	099A
002-430008-135	317A- 21	002-430009-201	099A-051
002-430008-136	317A	002-430009-202	099A-052
002-430008-136	110	002-430009-59	101
002-430008-139	110 - 40	002-430009-63	099A-043
002-430008-145	097	002-430009-65	099A-044
002-430008-147	097 -048	002-430009-66	099A-045
002-430008-149	097	002-430009-77	099A-048
002-430008-150	097	002-430009-97	099A-053
002-430008-151	097	002-430009-99	099A-046
002-430008-151	110 - 72	002-430010-11	099A-013
002-430008-155	110	002-430010-13	099A
002-430008-157	110 - 69	002-430010-15	099A-014
002-430008-158	110	002-430010-17	099A-015
002-430008-158	097	002-430010-19	099A
002-430008-163	097 - 15	002-430010-21	099A-010
002-430008-165	097	002-430010-23	099A-011
002-430008-165	097 -068	002-430010-29	098
002-430008-169	110 - 42	002-430010-5	098
002-430008-171	110 - 41	002-430010-7	099A
002-430008-173	110 - 56	002-430010-9	099A-012
002-430008-173	097	002-430012-9	103A-071
002-430008-175	097	002-430013-1	101A
002-430008-175	110 - 58	002-430013-19	101A- 5
002-430008-177	097 -055	002-430013-27	101A- 6
002-430008-179	097 - 16	002-430013-29	101A- 11
002-430008-181	097 - 17	002-430013-31	099A
002-430008-183	110	002-430013-31	099A
002-430008-187	097 -062	002-430013-31	101A
002-430008-188	097	002-430013-31	314G
002-430008-197	097	002-430013-31	314F-049
002-430008-215	356B	002-430013-31	314E
002-430008-215	356A	002-430013-31	314D
002-430008-215	111A	002-430013-31	314B
002-430008-217	111A	002-430013-31	314C
002-430008-217	356A-019	002-430013-31	313E-051
002-430008-219	356A-020	002-430013-31	314A
002-430008-219	356B	002-430013-31	313C
002-430008-219	111A	002-430013-31	313B- 58
002-430008-220	111A	002-430013-31	313A-057
002-430008-220	356B	002-430013-31	313D-048
002-430008-220	356A	002-430013-33	313G-069
002-430008-283	356B	002-430013-35	101A- 7
002-430008-283	111A	002-430013-37	101A
002-430008-285	110	002-430013-43	101A
002-430008-286	110	002-430013-51	101A
002-430008-287	110	002-430013-9	101A
002-430008-301	110	002-430014-13	099A
002-430008-301	097	002-430015-3	101A- 9
002-430008-311	097 -065	002-430015-5	101A- 8
002-430008-311	110	002-430016-1	101A- 15
002-430008-313	097 -064	002-430016-5	101A- 14
002-430008-39	097 - 46	002-430017-1	101A- 12
002-430008-40	097	002-430017-2	101A- 13
002-430008-407	110	002-430018-1	101A- 10
002-430008-43	097	002-430018-3	101A- 4
002-430008-45	097	002-430018-7	101A
002-430008-47	097	002-430018-9	101A
002-430008-51	097	002-430020-11	099A-003
002-430008-83	013	002-430020-13	099A
002-430008-89	110 - 73	002-430020-15	099A-001
002-430009-1	099A	002-430020-17	099A
002-430009-101	099A-049	002-430020-23	099A-023
002-430009-102	099A-050	002-430020-27	101A- 1
002-430009-103	099A-047	002-430020-29	099A-002
002-430009-11	099A	002-430021-13	314F-048
002-430009-131	101A- 21	002-430021-13	314G
002-430009-133	101A- 23	002-430021-17	314B
002-430009-137	099A-041	002-430021-17	314B

B E E C H C R A F T  
B O N A N Z A 3 3  
I L L U S T R A T E D P A R T S C A T A L O G

PART NUMBER	FIGURE & ITEM NO.	PART NUMBER	FIGURE & ITEM NO.
002-430021-19	313G-067	002-430028-13	102B- 7
002-430021-19	313D-047	002-430028-13	102D-009
002-430021-19	313E-050	002-430028-5	102D-007
002-430021-19	313C	002-430028-5	102B- 5
002-430021-19	101A- 18	002-430028-5	102C- 5
002-430021-25	101A	002-430028-9	102C- 9
002-430021-25	099A	002-430028-9	102B- 9
002-430021-25	313G-068	002-430028-9	102D-011
002-430021-39	314A	002-430030-1	102B
002-430021-39	312	002-430030-1	102C
002-430021-41	314B	002-430030-21	102C
002-430021-5	314A	002-430030-21	102B
002-430021-57	314C	002-430030-21	102D-004
002-430021-57	314E	002-430030-23	102D-003
002-430021-57	099A	002-430030-23	102B
002-430021-57	099A	002-430030-23	102C
002-430021-59	099A	002-430030-5	102C- 3
002-430021-59	314D	002-430030-5	102B- 3
002-430021-59	314E	002-430031-1	102B- 6
002-430021-59	314C	002-430031-1	102C- 6
002-430021-9	314F-046	002-430031-1	102D-008
002-430021-9	314G	002-430031-2	102D
002-430022-1	102C- 21	002-430031-2	102C
002-430022-19	102C- 23	002-430031-2	102B
002-430022-19	102B- 23	002-430032-1	102B- 13
002-430022-2	102C- 22	002-430032-1	102C- 13
002-430022-39	102B- 21	002-430032-1	102D-015
002-430022-40	102B- 22	002-430032-1	152A
002-430022-47	102D-023	002-430032-3	102D-013
002-430022-48	102D-024	002-430032-3	102C- 11
002-430022-49	102D-025	002-430032-3	102B- 11
002-430022-50	102D	002-430032-5	102B- 10
002-430023-3	101A- 17	002-430032-5	102C- 10
002-430023-5	101A	002-430032-5	102D-012
002-430024-1	101A- 3	002-430032-5	153 -023
002-430025-3	101A- 16	002-430032-5	153B-017
002-430025-9	102B- 2	002-430032-5	153A-024
002-430025-9	102C- 2	002-430034-1	102C- 17
002-430025-9	102D-002	002-430034-1	102D-019
002-430026-1	102C	002-430034-1	102B- 17
002-430026-13	102B	002-430034-3	102B- 19
002-430026-21	102C- 15	002-430034-3	102D-021
002-430026-21	102D-017	002-430034-3	102C- 19
002-430026-22	102D	002-430034-5	102C- 16
002-430026-22	102C	002-430034-5	102D-018
002-430026-25	102D-005	002-430034-5	102B- 16
002-430026-25	102B-004	002-430034-7	102B- 18
002-430026-25	102C-004	002-430034-7	102C- 18
002-430026-26	102C	002-430034-7	102D-020
002-430026-26	102B	002-430035-5	097
002-430026-26	102D-006	002-430036-1	312B
002-430026-27	102D-014	002-430036-113	312B-010
002-430026-27	102B- 12	002-430036-113	312C-009
002-430026-27	102C- 12	002-430036-117	312B-008
002-430026-29	102C- 14	002-430036-119	312B-009
002-430026-29	102B- 14	002-430036-119	312C-008
002-430026-29	102D-016	002-430036-13	312C-006
002-430026-30	102D	002-430036-13	312B-006
002-430026-30	102B	002-430036-139	312A-010
002-430026-30	102C	002-430036-139	312B-013
002-430026-35	102B- 20	002-430036-141	312B
002-430026-35	102C- 20	002-430036-143	312B-014
002-430026-37	102C	002-430036-153	312C-002
002-430026-53	102B	002-430036-153	312B-002
002-430026-53	102C	002-430036-165	312B-007
002-430026-53	102D-022	002-430036-167	312B
002-430026-55	102B	002-430036-23	312B-004
002-430026-57	102D	002-430036-23	312A-004
002-430028-1	102D-001	002-430036-23	312C-004
002-430028-1	102B- 1	002-430036-25	312C-005
002-430028-1	102C- 1	002-430036-25	312A-005
002-430028-13	102C- 7	002-430036-25	312B-005

B E E C H C R A F T  
B O N A N Z A 3 3  
I L L U S T R A T E D P A R T S C A T A L O G

PART NUMBER	FIGURE & ITEM NO.	PART NUMBER	FIGURE & ITEM NO.
002-430036-35	312C	002-430038-88	099A
002-430036-37	312B	002-430038-91	099A-029
002-430036-39	312B	002-430039-27	099A-055
002-430036-39	312C	002-430040-25	099A-056
002-430036-45	312C	002-430041-13	314D
002-430036-5	312C-001	002-430041-9	314G
002-430036-5	312B-001	002-430041-9	314F
002-430036-55	312 - 23	002-430042-1	099A
002-430036-57	312B-012	002-430042-11	099 - 38
002-430036-57	312C-011	002-430042-3	099 - 39
002-430036-63	312C-007	002-430042-3	099A-018
002-430036-67	312B-018	002-430042-5	099A-017
002-430036-67	312	002-430042-5	099
002-430036-67	312A-011	002-430042-5	013 - 23
002-430036-69	312 - 36	002-430042-7	099A-016
002-430036-69	312B-016	002-430042-9	099 - 37
002-430036-73	312B-015	002-430043-10	098
002-430036-73	312 - 32	002-430043-11	101A
002-430036-73	312A-012	002-430043-13	101A
002-430036-75	312A-014	002-430043-9	098
002-430036-75	312 - 34	002-430044-17	099A-037
002-430036-75	312B-017	002-430044-19	099A
002-430036-81	312C-010	002-430044-21	099A
002-430036-81	312B-011	002-430044-23	099A-038
002-430036-83	312C-012	002-430044-29	099A
002-430036-89	312C	002-430044-31	099A
002-430036-89	312A	002-430044-33	098
002-430036-9	312B-003	002-430044-35	098
002-430036-9	312C-003	002-430044-7	099A-039
002-430037-10	099A	002-430044-75	099A
002-430037-11	099A-005	002-430044-9	099A-040
002-430037-12	099A	002-430046-21	098
002-430037-13	099A-008	002-430046-3	098
002-430037-15	099A-007	002-430046-57	099A
002-430037-17	099A	002-430048-1	107 - 36
002-430037-18	099A	002-430048-11	107
002-430037-19	099A-009	002-430048-3	107
002-430037-2	099A	002-430048-9	107
002-430037-20	099A	002-430049-1	111A
002-430037-25	099A-006	002-430049-1	097
002-430037-27	099A	002-430049-11	111A-010
002-430038-1	099A	002-430049-13	111A-011
002-430038-103	099A-030	002-430049-15	111A-009
002-430038-107	099A	002-430049-16	111A
002-430038-111	099A-031	002-430049-17	111A-007
002-430038-113	099A	002-430049-19	111A-006
002-430038-115	099A	002-430049-25	111A-020
002-430038-13	099A-019	002-430049-27	111A-019
002-430038-15	099A-020	002-430049-29	111A-023
002-430038-17	099A-034	002-430049-3	111A
002-430038-19	099A-035	002-430049-31	111A-021
002-430038-21	099A-036	002-430049-33	111A-022
002-430038-3	099A	002-430049-35	111A-013
002-430038-35	099A-027	002-430049-39	111A-027
002-430038-36	099A	002-430049-40	111A-028
002-430038-37	099A-028	002-430049-41	111A-032
002-430038-38	099A	002-430049-43	111A-033
002-430038-39	099A-026	002-430049-45	111A-034
002-430038-40	099A	002-430049-53	111A-024
002-430038-41	099A-025	002-430049-55	111A-030
002-430038-42	099A	002-430049-57	111A-029
002-430038-47	099A-024	002-430049-61	111A
002-430038-57	099A	002-430049-62	111A
002-430038-59	099A	002-430049-63	111A-008
002-430038-61	099A	002-430049-64	111A
002-430038-63	099A	002-430049-65	111A-031
002-430038-69	099A-032	002-430049-67	111A-025
002-430038-83	099A-021	002-430049-69	111A-026
002-430038-84	099A-022	002-430049-71	111A-002
002-430038-85	099A	002-430049-9	111A
002-430038-86	099A	002-430051-21	110 -001
002-430038-87	099A	002-430051-21	097



B E E C H C R A F T  
B O N A N Z A 3 3  
I L L U S T R A T E D P A R T S C A T A L O G

PART NUMBER	FIGURE & ITEM NO.	PART NUMBER	FIGURE & ITEM NO.
002-430051-25	097	002-430060-3	097
002-430051-25	110	002-430060-31	097
002-430051-27	110	002-430060-35	097
002-430051-3	110	002-430060-9	097 - 43
002-430052-1	110	002-430061-11	097
002-430052-11	110 - 11	002-430061-15	097 - 44
002-430052-13	110 - 12	002-430061-27	097
002-430052-15	110 -004	002-430061-31	097
002-430052-17	110 -005	002-430061-9	097
002-430052-19	110 - 10	002-430063-1	097
002-430052-21	110	002-430065-1	097
002-430052-25	110	002-430065-1	110
002-430052-27	110	002-430066-1	097 - 4
002-430052-3	110	002-430067-1	097 - 5
002-430052-7	110 - 15	002-430068-1	097 - 1
002-430052-9	110 - 16	002-430068-2	097 - 2
002-430053-1	110 -032	002-430074-1	097 - 35
002-430053-10	110	002-430074-11	097 - 18
002-430053-13	110 -036	002-430074-3	097 - 20
002-430053-15	110 -037	002-430074-7	097 - 19
002-430053-19	110	002-430076-1	112
002-430053-2	110	002-430076-17	112
002-430053-20	110	002-430076-21	112
002-430053-37	110	002-430076-23	112 - 1
002-430053-38	110	002-430077-1	107
002-430053-5	110 - 34	002-430077-11	107
002-430053-6	110	002-430077-13	107
002-430053-7	110 - 35	002-430079-1	111A
002-430053-8	110	002-430079-1	097
002-430053-9	110 - 33	002-430079-13	111A-004
002-430055-1	110	002-430079-17	111A-005
002-430055-19	110 - 47	002-430079-21	111A
002-430055-19	110A-007	002-430079-25	111A
002-430055-2	110	002-430079-3	111A-001
002-430055-21	110 - 48	002-430079-33	111A
002-430055-21	110A-006	002-430079-35	111A
002-430055-25	110 - 50	002-430079-37	111A
002-430055-26	110	002-430079-5	111A
002-430055-29	110	002-430079-9	111A-003
002-430055-3	110 - 45	002-440000-119	490A-006
002-430055-4	110	002-440000-129	490A
002-430055-5	110 - 44	002-440000-129	490D-019
002-430056-1	097	002-440000-129	490B
002-430056-11	097 - 24	002-440000-133	490B-008
002-430056-13	097 -032	002-440000-19	103A
002-430056-15	097 - 26	002-440000-23	103A-099
002-430056-17	097 -027	002-440000-23	103B-084
002-430056-19	097 - 22	002-440000-25	103A
002-430056-21	097 - 25	002-440000-27	103A
002-430056-23	097 -029	002-440000-29	103A-094
002-430056-25	097	002-440000-3	103A
002-430056-27	097 - 23	002-440000-31	103A
002-430056-29	097 -028	002-440000-31	103B-083
002-430056-31	097	002-440000-33	103B
002-430056-33	097	002-440000-33	103B-071
002-430056-35	097	002-440000-33	103A
002-430056-45	097	002-440000-33	490
002-430056-53	097	002-440000-35	103A-093
002-430056-59	097	002-440000-35	103B-087
002-430056-7	097	002-440000-43	103A-084
002-430056-9	097 -030	002-440000-47	103A-074
002-430057-1	097	002-440000-47	103B-072
002-430057-11	097 - 34	002-440000-49	103A
002-430057-19	097	002-440000-51	103A
002-430057-21	097	002-440000-53	103A-100
002-430057-5	097	002-440000-53	103B-088
002-430058-1	097	002-440000-63	103B-082
002-430059-1	097	002-440000-63	103A-092
002-430059-25	097	002-440000-64	103A
002-430059-29	097	002-440000-64	103B
002-430060-21	097	002-440000-77	103A
002-430060-25	097	002-440000-79	103B

B E E C H C R A F T  
B O N A N Z A 3 3  
I L L U S T R A T E D P A R T S C A T A L O G

PART NUMBER	FIGURE & ITEM NO.	PART NUMBER	FIGURE & ITEM NO.
002-440000-81	103B-074	002-440011-23	103B
002-440000-83	103B-078	002-440011-23	103A
002-440000-85	103B-079	002-440011-25	103
002-440000-87	103B-080	002-440011-25	103B-017
002-440000-89	103B-081	002-440011-25	103A-016
002-440000-91	103B-077	002-440011-29	103B-008
002-440000-93	103A	002-440011-29	103A-008
002-440000-93	103B	002-440011-3	103A
002-440000-95	103B	002-440011-33	103A-009
002-440000-95	103A	002-440011-33	103B-009
002-440000-95	490A-007	002-440011-35	103B-021
002-440000-95	490	002-440011-35	103A-021
002-440000-99	417B-010	002-440011-37	103B-023
002-440000-99	103A-091	002-440011-39	103A-022
002-440000-99	103B-076	002-440011-41	103A
002-440010-1	103A	002-440011-41	103B
002-440010-11	103A-035	002-440011-41	103A
002-440010-11	152A	002-440011-41	103B
002-440010-13	152A	002-440011-43	103B-025
002-440010-13	103A-036	002-440011-43	103A-024
002-440010-15	103A-037	002-440011-45	103A-023
002-440010-15	152A	002-440011-45	103B-024
002-440010-17	152A	002-440011-51	103B-003
002-440010-17	103A-038	002-440011-51	103A-003
002-440010-19	103A-045	002-440011-55	103A
002-440010-19	153B	002-440011-55	103B
002-440010-21	153B-019	002-440011-56	103A
002-440010-21	103A-044	002-440011-56	103B
002-440010-23	103A	002-440011-57	103B
002-440010-25	103A-031	002-440011-57	103A
002-440010-27	103A	002-440011-58	103A
002-440010-29	103A	002-440011-58	103B
002-440010-33	103A-043	002-440011-67	103B-007
002-440010-35	103A-025	002-440011-9	103B-004
002-440010-35	103B-026	002-440011-9	103A-004
002-440010-36	103B-027	002-440012-103	103B
002-440010-36	103A-026	002-440012-11	103B-047
002-440010-37	103A-028	002-440012-11	103A-052
002-440010-38	103A-029	002-440012-11	490
002-440010-39	103A-034	002-440012-111	103A-056
002-440010-47	103A	002-440012-111	103B-049
002-440010-79	103A-027	002-440012-117	103B-055
002-440010-79	103B-028	002-440012-117	103A-061
002-440010-83	103B	002-440012-13	103A-057
002-440010-85	103B-029	002-440012-13	103B-051
002-440010-86	103B-030	002-440012-15	103B-063
002-440010-87	103B-037	002-440012-15	103A-068
002-440010-89	103A-080	002-440012-17	103A
002-440010-89	153B-018	002-440012-17	103B
002-440010-90	153B	002-440012-19	103B-053
002-440010-90	103A-081	002-440012-19	103A-060
002-440011-11	103B-006	002-440012-21	103A-058
002-440011-11	103A-006	002-440012-21	103B-050
002-440011-129	103B	002-440012-25	103B-048
002-440011-13	103A-007	002-440012-25	103A-054
002-440011-131	103B-014	002-440012-27	103A-053
002-440011-131	103B-052	002-440012-27	103B-046
002-440011-133	103A	002-440012-29	103B-045
002-440011-133	103A-051	002-440012-29	103A-050
002-440011-141	103A-015	002-440012-3	103A
002-440011-143	103B-016	002-440012-31	103B-061
002-440011-143	103B-015	002-440012-33	103A-066
002-440011-143	103A-014	002-440012-35	103A-067
002-440011-15	103B-010	002-440012-35	103B-062
002-440011-15	103A-010	002-440012-9	103B-054
002-440011-17	103A-013	002-440012-9	103A-059
002-440011-17	103B-013	002-440012-9	103A-012
002-440011-19	103B-011	002-440012-9	103B-012
002-440011-19	103A-011	002-440013-1	103A-063
002-440011-21	103	002-440013-1	103B-059
002-440011-21	103B	002-440013-3	103A-019
002-440011-21	103A	002-440013-3	103B-019

B E E C H C R A F T  
B O N A N Z A 3 3  
I L L U S T R A T E D P A R T S C A T A L O G

PART NUMBER	FIGURE & ITEM NO.	PART NUMBER	FIGURE & ITEM NO.
002-440013-5	103A-030	002-440024-59	103B
002-440014-1	103A-062	002-440024-61	103B
002-440014-1	103B-058	002-440024-63	103B
002-440014-2	103A-020	002-440025-1	103A
002-440014-2	103B-020	002-440025-11	103A-107
002-440014-3	103A-101	002-440025-13	103A-110
002-440014-3	103B-085	002-440025-13	152A
002-440015-1	103B	002-440025-15	103A-111
002-440015-1	103B	002-440025-17	103A-112
002-440015-1	103A	002-440025-17	153A-027
002-440015-1	103A	002-440025-17	153B-020
002-440015-2	103A	002-440025-19	103A
002-440015-2	103A	002-440025-20	103A
002-440015-2	103B	002-440025-5	103A-102
002-440015-2	103B	002-440025-6	103A-103
002-440015-3	103B	002-440025-7	103A-104
002-440015-3	103A	002-440025-7	103B-102
002-440015-4	103A	002-440025-9	103B
002-440015-4	103B	002-440025-9	103A
002-440016-1	103B-005	002-440026-1	103A-033
002-440016-1	103A-005	002-440026-16	103A-065
002-440016-1	103A-055	002-440026-17	103A-082
002-440016-1	103B	002-440026-18	103A-083
002-440017-1	103B-043	002-440026-29	103A-017
002-440017-1	103A-048	002-440026-3	103A
002-440017-3	103A-001	002-440026-4	103A
002-440017-3	103B-001	002-440026-9	103A
002-440017-5	103B-002	002-440027-1	103A
002-440017-5	103A-002	002-440027-15	103A
002-440017-5	103A-049	002-440027-17	103A
002-440017-5	103B-044	002-440027-21	103A-070
002-440018-5	103A-032	002-440027-23	103A
002-440019-1	103A-018	002-440027-23	103B
002-440019-1	103B-018	002-440027-25	103A-073
002-440019-3	103A-064	002-440027-3	103A
002-440019-3	103B-060	002-440027-7	103A-072
002-440022-1	103A	002-440029-1	103A-075
002-440022-11	103A	002-440029-2	103A-076
002-440022-13	103A	002-440029-3	103A-077
002-440022-15	103A	002-440029-4	103A-078
002-440022-17	103A	002-440029-5	103A-079
002-440022-33	103A	002-440029-6	103A
002-440022-9	103A	002-440030-10	103A
002-440023-17	103A-095	002-440030-10	103B
002-440023-17	103B-086	002-440030-13	103B-094
002-440023-43	103B	002-440030-13	103A-086
002-440023-43	103A	002-440030-15	103A-088
002-440023-43	152A	002-440030-15	103B-093
002-440023-45	103A	002-440030-3	103B-095
002-440023-45	103B	002-440030-3	103A-087
002-440023-59	103B	002-440030-5	103A
002-440023-59	103A	002-440030-5	103B
002-440023-61	103A	002-440030-9	103B
002-440023-61	103B	002-440030-9	103A
002-440023-7	103B	002-440033-21	109
002-440023-7	103A	002-440033-23	109 -003
002-440024-29	103A-096	002-440033-23	109
002-440024-29	103B-089	002-440033-29	109
002-440024-31	103B	002-440033-3	109
002-440024-31	103A	002-440033-45	109
002-440024-33	103A	002-440033-7	109
002-440024-33	103B	002-440034-1	103B-022
002-440024-43	103B-090	002-440034-3	103B-057
002-440024-43	103A-097	002-440036-5	103B
002-440024-45	103A	002-440036-5	103A
002-440024-45	103B	002-440036-7	103A
002-440024-47	103B	002-440036-7	103B
002-440024-47	103A	002-440036-9	103B
002-440024-49	103A	002-440036-9	103A
002-440024-49	103B	002-440037-1	103A-098
002-440024-5	103B	002-440037-1	103B-096
002-440024-5	103A	002-440039-21	109A-001

B E E C H C R A F T  
B O N A N Z A 3 3  
I L L U S T R A T E D P A R T S C A T A L O G

PART NUMBER	FIGURE & ITEM NO.	PART NUMBER	FIGURE & ITEM NO.
002-440039-25	109A-002	002-524024-37	103B-098
002-440039-29	109A	002-524027-1	152A- 26
002-440039-3	109A	002-524028-23	152A
002-440039-33	109A	002-524028-3	152A- 60
002-440039-37	109A	002-550011-1	103A
002-440039-37	362A	002-550011-1	103B
002-440039-9	109A	002-580010-3	219A
S002-521010-1	132	002-580012-3	219A
002-524000-21	153B- 4	002-580012-3	219B-035
002-524000-23	153B	002-580013-3	219A
002-524000-25	153B- 7	002-580014-3	219A
002-524000-9	153B	002-820010-1	154A- 18
002-524000-9	152A	002-820011-1	154A- 20
002-524000-9	151A	002-820011-1	212
002-524010-11	154A- 16	002-820011-3	212 - 5
002-524010-13	154A- 14	002-820011-3	154A
002-524010-15	154A- 23	002-820013-1	212
002-524010-19	154A	002-820014-11	212
002-524010-19	219A	002-820015-1	212
002-524010-3	154A	002-820016-27	212 -021B
002-524010-3	153B	002-820016-29	212 -021C
002-524010-3	153	002-820016-31	212 -019A
002-524010-3	153A	002-820016-39	212 -021D
S002-524010-3	132	002-820016-41	212
002-524010-5	153A	002-820016-9	212 -021E
002-524010-5	153B	002-820017-1	212 -018A
002-524010-5	154A	002-820018-3	212
002-524010-9	154A- 10	002-910010-1	242
002-524011-1	154A- 1	002-910010-1	091A
002-524012-1	154A- 15	002-910010-11	091A-098
002-524012-11	154A	002-910010-13	091A-097
002-524012-13	154A	002-910010-15	091A- 92
002-524012-15	154A	002-910010-15	242 - 8
002-524012-17	154A	002-910010-5	242 - 7
002-524012-3	154A- 12	002-910010-5	091A- 89
002-524012-5	154A	002-910010-7	091A- 88
002-524012-7	154A- 21	002-910010-7	091A- 91
002-524012-9	154A	002-910010-7	242 - 6
002-524016-1	154A- 22	002-910010-7	242 -005
002-524016-3	154A- 13	002-910010-9	091A- 96
002-524017-5	154A- 17	002-910011-1	091A- 34
002-524018-1	154A- 19	002-910011-1	258
002-524018-1	151A- 44	002-910011-11	258 -018
002-524018-1	151	002-910011-13	258
002-524018-15	151	002-910011-15	258 -021
002-524018-15	151A	002-910011-17	258 -019
002-524018-15	154A	002-910011-19	258
002-524018-7	151A- 45	002-910011-19	258
002-524018-7	151	002-910011-21	258 - 9
002-524019-1	154A- 6	002-910011-23	258 -022
002-524019-2	154A- 7	002-910011-25	258
002-524020-13	154A-004	002-910011-27	258 -015
002-524020-14	154A-005	002-910011-29	258
002-524020-15	154A	002-910011-3	258
002-524020-16	154A	002-910011-31	258
002-524021-1	154A- 9	002-910011-7	258 -016
002-524022-3	154A- 8	002-910011-9	258 -017
002-524023-1	154A- 2	01-0790079-01	362A
002-524024-13	103B-099	01-0790079-03	362A
002-524024-13	103A-109	01-0790079-04	362A
002-524024-15	103A	01-0790081-01	361B
002-524024-15	103B	01-0790081-02	361C
002-524024-21	103A	0101-665-01	313F
002-524024-23	103A	0101-665-03	313F-028
002-524024-23	152A	0144S00055	241A
002-524024-25	152A-025	02-0370360-01	361B-002
002-524024-25	103A-108	02-0370360-02	361C-018
002-524024-33	103B	02-0370361-00	361B-005
002-524024-35	103B	02-0370361-00	361C-021
002-524024-35	152 - 27	0250-010	017
002-524024-35	103 - 86	03393	248 -054
002-524024-37	152	0363	364 - 16

B E E C H C R A F T  
B O N A N Z A 3 3  
I L L U S T R A T E D P A R T S C A T A L O G

PART NUMBER	FIGURE & ITEM NO.	PART NUMBER	FIGURE & ITEM NO.
0366	364	1N2484	354 - 26
03716-0300	490B	1N2484	354 - 75
03716-0300	490A	1N2484	354
04476-0001	490A	1N2484	354 - 29
065-02701	218A	1N3212	354 -114
08125	207A- 6	1N4004	223 - 9
08231	207A- 5	1N4005	223
089-005-501	182B- 27	1N4005	156
09916M1	213 - 29	1N4005	354
1 5KE51CA	354B	1N4005	354B
1 5KE51CA	354B	1N4005	354A
1 5KE51CA	354A	1N5400	223
1-329-13A	182	1N914	490D
1-332-53	182B	1N914	490C
1-480270-0	354	1SE1-6	354B-001A
1-480318-0	361A-025	10-102	391A
1-480319-0	361A-039	10-349350-1	241A
1-480319-0	361A-024	10-349350-1	241B
1-480340-0	354 - 48	10-382584	241B
1-480350-0	354A	10-382584	241A
1-480350-0	361A	10-4431	214 - 13
1-480350-0	039B	10-7822	214 - 9
1/16 X 1/2	314 - 7	10-7868	214 - 17
1/16 X 1/2	313C-021	10A167	287A-013
1/16 X 1/2	313B- 8	10DU12	202 - 20
1/16 X 1/2	313A- 8	10D695	358A-004
1/16 X 1/2	313 - 8	10F36	161
1/16 X 1/2	314A-007	100-1-2B	427
1/16 X 1/2	314C-020	100-340240-25	490D-018
1/16X1/2 TYPE E	314E-010	100-340240-27	490B
1/16X1/2 TYPE E	313G-006	100-4V25	311A
1/16X1/2 TYPE E	313E-008	100-4V25	311A
1/16X1/2 TYPE E	313D-006	1000	362 - 29
1/16X1/28 TYPE E	314D-014	100696A-ZC008	194B-004
1/16X1/28 TYPE E	314G-010	100696D-ZF020	219
1/16X1/28 TYPE E	314F-010	100696DZ6-016	341A-025
1/16X1/28TYPE E	314D-010	100696D10-06-016	354B
1/2 X 1/16	314B-029	100696X-YD024	213 - 16
1/20D X 3/8ID	182B- 19	100801-4A0190	314E-016
1/4 ID X 3/8 OD	182B- 25	100801-4A0190	314G-015
1/4 OD	182 - 26	100801-4A0190	314F-015
1/40D X 3/16ID	182B- 3	100801-4A0190	313E-013
1/40D X 3/16ID	182B- 2	100942C0020-31	211 - 53
1/40D X 3/16ID	182B- 15	100942H0022-22	104B- 50
1/4X3/8 X 10 3/4	033	100942H0022-22	104 - 53
1/8 ID X 3/16 OD	182B- 35	100942H0022-32	104A- 52
1CM25	355 - 18	100942J0100-17	258 - 48
1E1110-1	251A	100942L0023-17	104A- 59
1E1136	251 - 15	100942L0023-17	104B-027
1E1136	250 - 11	100942L0023-17	104 - 61
1E1140	250 - 16	100942L0200-48	317 - 6
1E1324	251 - 17	100942L023-17	258 - 25
1J2-1	194B-005	100942L0316-84	317A-009
1J2-1	194A-003	100942L0316-84	317B-004
1J2-1	194 - 1	100943CRZD028L	110 - 22
1J4-7	194 - 17	100943YD302C	210 - 18
1J4-7	194A-023	100943ZA016J	314F-014
1J4-7	194A-014	100943ZA016J	314G-014
1J4-7	194B-023	100943ZA016J	314E-015
1K1-6-10	194B-015	100943ZA016J	314D-015
1K1-6-10	194 - 3	100943ZA016J	314A-017
1K1-6-10	194A-036	100943ZA016J	314 - 19
1K17-1	393	100943ZA016J	314B-026
1K31-4-8-4	393 -002	100943ZA016J	314C-030
1K39-8-8	393 -031	100943ZA016J	313F
1K9-4-6	393	100943ZA016J	313E-012
1K9-4-8	393 -001	100943ZA016J	313D-010
1K9-6-10	194A-035	100943ZA016J	313B- 12
1N1199A	411	100943ZA016J	313A- 12
1N1354	354 -115	100943ZA016J	313C-028
1N202A	411	100943ZA016J	313 - 12
1N2484	354 -117	100943ZE316G	209 - 4

B E E C H C R A F T  
B O N A N Z A 3 3  
I L L U S T R A T E D P A R T S C A T A L O G

PART NUMBER	FIGURE & ITEM NO.	PART NUMBER	FIGURE & ITEM NO.
100943ZG108G	156 - 14	101-344082-21	490C-011
100943ZS027G	313 - 6	101-344082-21	490D-011
100943ZS027G	313C-023	101-380002-9	411 -065
100943ZS027G	313A- 6	101-384082-3	156 -048
100943ZS027G	313B- 6	101-384082-7	156 - 38
100943ZS027G	313D-004	101-384118-1	156
100943ZS027G	313E-007	101-388004-11	221A
100943ZS027G	313F-006	101-388004-11	219A
100943ZS027G	313G-004	101-388004-11	219
100943ZS027G	314C-022	101-389017-11	251B
100943ZS027G	314B-031	101-50342	222 -028
100943ZS027G	314A-006	101-50353	222 -026
100943ZS027G	314 - 6	101-530284-3	314G-038
100943ZS027G	314D-009	101-530284-5	313E
100943ZS027G	314E-009	101-530284-5	313F-003
100943ZS027G	314F-009	101-530284-5	313G-038
100943ZS027G	314G-009	101-530294-15	313G-055
100951E091YA	417	101-530294-15	313F-034
100951DD020WH	341	101-530294-15	313E-047
100951DD020WH	341	101-530294-15	313C
100951DD032VA	219	101-530294-15	313D-044
100951DD032VA	219A	101-530294-15	314F-036
100951DD064VC	221A-007	101-530294-15	314G-044
100951DD080TK	354A	101-530294-15	314C
100951DD080YK	354A-020	101-530294-15	314E-038
100951DD080YK	354A	101-530294-15	314D-035
100951DD080YK	356	101-530294-19	313D
100951DD091ZD	417 - 35	101-530294-19	313E
100951DD091ZD	111	101-530294-19	313G
100951DD190ZD	111	101-530303-3	314D-032
100951NY025ZZ	417A	101-530303-3	314G-041
100951S031XW	212 - 6B	101-530303-3	314F-033
100951S031XW	154 - 40	101-530303-7	314E-035
100951S031XW	154 - 24	101-530305-7	314E
100951S031XW	154 - 27	101-530305-7	314D
100951S031XW	154	101-530604-1	314F-037
100951S031XW	154	101-530604-1	314G-045
100951S063XP	211	101-530604-1	313G-047
100951S063XP	211 - 10	101-530604-45	313F-032
100951S063YH	206A-042	101-530604-49	313F
100951S063YU	211 - 12	101-530604-5	313G-048
100951S063ZZ	206A-041	101-530604-5	314G-046
100951X031YM	206A-028	101-530604-5	317B-016
100951X032WF	314	101-530604-5	317A-016
100951X050ZM	103B	101-530604-5	314F-038
100951X050ZM	103A	101-530604-9	317A-015
100951X062WS	354	101-530604-9	317B
100951X063YW	213 - 10	101-531347-1	015
10095100032YF	202 -080	101321-00A0750	104 - 19
101-3039-1	490	101321-00A0750	104A- 19
101-340009-351	490	101321-00A0750	104B- 17
101-340830-13	490	102-320073-1	156
101-340830-13	490A	102-360020-17	362A-010
101-340830-17	490A-003	102-360020-2	362A-011
101-341101-71	490A	102-364031-9	361A
101-341101-71	015	102-364031-9	361C
101-341782-29	015	102-384016-5	426 -009
101-341782-29	490B-006	102-384040-5	354B-037C
101-341782-531	490B	102-389006-3	411 -047
101-341782-531	015	102-389006-3	425
101-342008-9	490C-001	102-389006-9	425
101-342008-9	490B-002	102-389006-9	411
101-342277-21	490C-006	102-389034-1	282A-030
101-342277-21	490D-006	102-430240-1	097 - 8
101-342277-23	490D-008	102-430456-1	103A
101-342277-23	490C-008	102-430456-2	103A
101-342659-127	490C-019	102-430457-1	103A
101-342659-127	490D-020	102-430457-2	103A
101-342659-127	015	102-530044-3	016 -046
101-344082-13	490D-001	102-530045-3	016 -045
101-344082-19	490D	102-530068-1	314E
101-344082-19	490C	102-530068-1	314D

B E E C H C R A F T  
B O N A N Z A 3 3  
I L L U S T R A T E D P A R T S C A T A L O G

P A R T N U M B E R	F I G U R E & I T E M N O .	P A R T N U M B E R	F I G U R E & I T E M N O .
102-530068-13	314F	102-530082-2	314D
102-530068-13	314G	102-530084-1	314E
102-530068-15	313F-022	102-530087-1	313G
102-530068-3	314G-001	102-530087-1	313E
102-530068-3	314F-001	102-530087-15	313E
102-530068-3	314E-001	102-530087-15	313G
102-530068-3	314D-001	102-530087-17	313G
102-530069-1	314D-039	102-530087-17	313E
102-530069-1	314E-042	102-530087-19	313F-015
102-530069-3	314F-040	102-530087-19	313G-008
102-530069-3	314G-048	102-530087-20	313G-009
102-530071-1	314E	102-530087-20	313F
102-530071-1	314D	102-530087-29	313G
102-530071-11	314F-017	102-530087-3	313G
102-530071-11	314G-017	102-530087-3	313E
102-530071-12	314G	102-530087-31	313G
102-530071-12	314F	102-530087-33	313F
102-530071-13	314G	102-530087-33	313G
102-530071-13	314F	102-530087-35	313G
102-530071-7	314F-005	102-530087-35	313F
102-530071-7	314E-005	102-530087-35	313E
102-530071-7	314D-005	102-530087-35	314F-011
102-530071-7	314G-005	102-530087-35	314G-011
102-530071-9	314G	102-530087-7	313E
102-530071-9	314F	102-530087-9	313E-001
102-530072-1	314F	102-530087-9	313F-004
102-530072-1	314D	102-530087-9	313G-001
102-530072-15	314D-018	102-530088-1	314E-006
102-530072-15	314E-018	102-530088-1	314D-006
102-530072-15	314F-019	102-530088-1	314C-019
102-530072-15	314G-019	102-530094-1	314D
102-530072-19	313G-042A	102-530094-3	314D
102-530072-2	314F	102-530094-5	314E
102-530072-2	314D	102-530094-7	314E
102-530072-25	314E-019	102-530094-9	314E-037
102-530072-25	314D-019	102-530094-9	314D-034
102-530072-31	314G	102-530095-1	313D
102-530072-32	314G	102-530095-17	313D-043
102-530072-5	314E	102-530095-17	313E-045
102-530072-6	314E	102-530095-19	313E-046
102-530074-1	314E-031	102-530095-19	313D-042
102-530074-5	314G-032	102-530095-19	313C-039
102-530074-5	313E-038	102-530095-19	313F-030
102-530074-5	313G-045	102-530095-19	314D-033
102-530074-5	313F-012	102-530095-19	314C
102-530075-1	314G-027	102-530095-19	314E-036
102-530075-1	314E-026	102-530095-25	317A
102-530075-7	313F	102-530095-27	317A
102-530076-1	313F-019	102-530095-29	314C
102-530076-1	314D-026	102-530095-29	313D
102-530076-1	314F-027	102-530095-29	313E
102-530077-23	314F	102-530095-3	313D
102-530077-23	314G	102-530095-31	313C
102-530077-23	314D	102-530095-31	313D
102-530077-23	314E	102-530095-31	313E
102-530080-1	314E-027	102-530095-31	313G-049
102-530080-3	313F-013	102-530095-31	314C
102-530080-3	313G-043	102-530095-31	314D
102-530080-3	313E-039	102-530095-31	314E
102-530081-1	314G-025	102-530095-31	314G
102-530081-1	314G-028	102-530095-31	314F
102-530081-3	314F-025	102-530095-33	313G-050
102-530081-3	314E-024	102-530095-37	317B-013
102-530081-3	314D-024	102-530095-39	313D
102-530081-3	313F	102-530095-41	313D
102-530082-1	314D-002	102-530095-43	313D
102-530082-1	314E-002	102-530095-5	313D
102-530082-15	314F-002	102-530095-51	313E
102-530082-15	314G-002	102-530095-53	313E
102-530082-16	314G	102-530095-55	313E
102-530082-16	314F	102-530095-61.5	317A
102-530082-2	314E	102-530095-65	313D

B E E C H C R A F T  
B O N A N Z A 3 3  
I L L U S T R A T E D P A R T S C A T A L O G

PART NUMBER	FIGURE & ITEM NO.	PART NUMBER	FIGURE & ITEM NO.
102-530095-67	313D	102933D4ZJ1000	314B-023
102-530096-1	313D-041	102933D4ZJ1000	314C-028
102-530096-1	313E-043	102933D4ZJ1000	314G
102-530096-1	313G-052	102933D4ZJ1000	314F
102-530096-1	314C	102933D4ZM0190	314
102-530097-1	313G-042	102933D5ZM1080	152A
102-530097-1	313E-040	102933D5ZM1080	152
102-530099-1	314D	102933D5ZM1080	152A
102-530099-1	313E	102933D5ZX0749	154A-040
102-530099-11	313E	102933D5ZX0749	154
102-530099-11	314E	102933D5ZX0749	154
102-530099-5	314E	102933S1ZC0060	355
102-530099-5	313E	102933S4ZJ0093	417 -135
102-530099-9	313E	102933S4ZJ0093	103A
102-530099-9	314D	102933S4ZJ0093	103B
102-530106-1	314D	102933S5ZR0484	103A-041
102-530106-1	314D-044	102933S5ZR0968	103A-042
102-530106-1	314F	103637	102A
102-530106-1	314G	103637	102
102-530106-1	016 -047	103637	041 - 7
102-530109-1	314G-020	103637	101 - 17
102-530109-1	314F-020	103637	040 - 9
102-530111-1	314G-031	105-0303-001	490B-003
102-530111-1	313E-037	105090CR032-4E	213 - 35
102-530111-1	313F	105090D050-12G	223 - 20
102-530111-3	313F-008	105739S-YK0431	202 - 38
102-530111-5	313G-041	105739S-YP1483	206A-025
102-530111-5	314G	105739S-YZ0391	154 - 28
102-530113-1	311	105739S-YZ0532	154 - 43
102-530113-3	311 -006	105739S-YZ0594	154 - 25
102-530113-3	311A-002	105739S-YZ0641	154
102-550044-1	324 -036	105739X-ZK0156	258 - 13
102-555000-5	411	105739X-ZK0156	258 - 47
102-560022-1	016	105739X-ZN0135	154 - 41
102-580011-1	111A	105739X-ZR0065	104A- 37
102-810016-5	211	105739X-ZR0070	104 - 38
102-910060-1	282A	105739X-ZR0102	104 - 45
102361-00128	258 - 35	105739X-ZR0102	104A- 44
102807-250-120	110A	105739X-ZR0110	104A- 32
102808-4D012	417	105739X-ZR0110	104 - 33
102808-4D012	417	105739X-ZR0168	104 - 42
102808-4E324	417 - 78	105739X-ZR0168	104A- 41
102808-4F516	417	105739X-ZR0187	104A- 33
102808-4G012	417	105739X-ZR0187	104 - 34
102809-072-018	156 - 21	105739X-ZR0220	104 - 39
102809-093-026	209 - 6	105739X-ZR0260	104A- 38
102809-125-029	104B- 67	105740X-XC0968	152A
102809-125-029	104A- 50	105740X-XC0968	103B
102809-125-029	104 - 51	105740X-XC0968	152
102809A125-014	154	105740X-XC0968	103A
102809A187-024	104 - 56	105740X-XJ0190	151
102933DZM1080	152 -018	105740X-XJ0190	151A
102933D1ZA0410	223 - 5	105740X-YD0490	206A-061
102933D1ZA0410	354B-003A	105740X-ZH0115	133 - 36
102933D1ZA0410	354B-003	105740X-ZH0310	135 - 23
102933D4ZJ0190	314D-016	105740X-ZJ0490	204 - 17
102933D4ZJ0190	314C-027	105740X-ZR0480	204 - 10
102933D4ZJ0190	314A-018	105740X-ZU0164	212 - 6A
102933D4ZJ0190	314B-024	105740X-ZU0164	154A
102933D4ZJ0190	314 - 20	105740XYD1365	206A-057
102933D4ZJ0190	313 - 13	105740XYD1458	206A-058
102933D4ZJ0190	313B- 13	105774C-ZA00216	012 - 12
102933D4ZJ0190	313C-029	105774C-ZE00328	392A- 9
102933D4ZJ0190	313A- 13	105774M-ZB04200	104 - 92
102933D4ZJ0190	313D-011	105798-1-8	241A-049
102933D4ZJ1000	313D-018	105798-12	417 - 7
102933D4ZJ1000	313E-016	105798-13	241B- 36
102933D4ZJ1000	313A- 22	105798-18	241 - 29
102933D4ZJ1000	313C-030	105798-9	417 - 49
102933D4ZJ1000	313B- 22	105982-5A11-010	356 - 17
102933D4ZJ1000	313 - 22	105982-5A11-010	354A
102933D4ZJ1000	314 - 16	105982-5A11-010	354A



B E E C H C R A F T  
B O N A N Z A 33  
I L L U S T R A T E D P A R T S C A T A L O G

PART NUMBER	FIGURE & ITEM NO.	PART NUMBER	FIGURE & ITEM NO.
106-100002	241A-026	106-530063-11	327A-012
106-320012-3	156	106-530063-11	327A
106-384001-1	314G	106-530063-13	327A
106-384001-1	313G-035	106-530063-15	327A-002
106-384001-1	313F-009	106-530063-17	327A-006
106-384001-1	313E-034	106-530063-19	327A
106-384001-2	314G-036	106-530063-21	327A-007
106-384001-5	314G-035	106-530063-23	327A-014
106-384001-6	314G	106-530063-25	327A
106-384001-6	313E	106-530063-27	327A-015
106-384001-6	313F	106-530063-3	327A
106-384001-6	313G-036	106-530063-3	314G-053
106-530013-13	327A-003	106-530063-3	314F-045
106-530018-1	341A	106-530063-31	327A
106-530018-5	341A	106-530063-33	327A-005
106-530019-1	341A-037	106-530063-5	327A
106-530021-1	341A	106-530063-7	327A
106-530023-1	016 -043	106-530063-83	327A
106-530028-1	314G-049	106-530063-9	327A
106-530028-1	314F-041	106-530063-9	327A
106-530028-1	314D-040	106-530064-1	314G-051
106-530028-1	314E-043	106-530064-1	314F-043
106-530028-2	314E	106-530064-3	313G-058
106-530028-2	314D	106-530064-5	314F
106-530028-2	314F	106-530064-5	314G
106-530028-2	314G	106-530064-7	313G
106-530030-3	311A-011	106-530064-9	313G
106-530032-1	311B	106-530064-9	314G
106-530032-1	324	106-530064-9	314F
106-530032-3	324	106-530065-171	311A
106-530035-7	110A-002	106-530065-19	311A-018
106-530035-9	110A	106-530065-31	311A
106-530040-1	110A-028	106-530065-32	311A
106-530041-1	311B	106-530065-33	311A-019
106-530041-3	311B	106-530065-34	311A-036
106-530042-1	311B	106-530065-35	311A
106-530042-3	311B-005	106-530065-36	311A
106-530043-1	311B-001	106-530065-37	311A
106-530046-5	417B-007	106-530065-38	311A
106-530050-1	311A-035A	106-530065-57	311A-020
106-530050-1	110A-026	106-530065-61	311A-021
106-530053-1	110A-027	106-530065-65	311A-022
106-530053-1	016 -049	106-530065-67	311A-017
106-530055-19	311B	106-530065-71	311A-037
106-530055-27	311B	106-530065-73	311A-038
106-530055-29	311B	106-530065-75	311A-039
106-530055-39	311B	106-530065-81	311A-035
106-530055-43	311B	106-530066-1	311B-012
106-530055-7	311B	106-530069-19	311B
106-530055-7	324	106-530069-7	311B-014
106-530055-9	311B	106-530069-9	311B
106-530056-11	317B-009	106-530070-1	341A
106-530056-3	317B	106-530072-1	311B-010
106-530056-9	317B-011	106-530075-3	311B-013
106-530058-1	314F	106-530078-1	311A
106-530058-3	314F	106-530078-19	311A
106-530058-5	314G	106-530078-25	311A
106-530058-7	314G	106-530078-3	311A-008
106-530058-9	314F-035	106-530078-4	311A-033A
106-530058-9	314G-043	106-530079	311A
106-530059-1	314F	106-530079-3	311A-009
106-530059-3	314G	106-530080-1	311A
106-530060-1	313G	106-530080-29	311A
106-530060-3	313G	106-530080-4	311A
106-530060-5	313G	106-530082-1	311A
106-530060-7	313G-054	106-530082-13	311A-013
106-530060-9	313G-053	106-530082-14	311A-033
106-530060-9	313F	106-530082-2	311A
106-530060-9	314F-034	106-530083-5	311A
106-530060-9	314G-042	106-530083-6	311A
106-530063-1	327A	106-530084-1	311A
106-530063-1	313G-059	106-530084-15	311A-016

B E E C H C R A F T  
B O N A N Z A 3 3  
I L L U S T R A T E D P A R T S C A T A L O G

PART NUMBER	FIGURE & ITEM NO.	PART NUMBER	FIGURE & ITEM NO.
106-530085-7	311A	106043ZK022	281 - 55
106-530086-1	311A	106200FR12-11	241 - 15
106-530086-21	311A	106200G12-11	241B- 13
106-530086-23	311A	106200G4-12	394A- 10
106-530086-3	311A-034	106200G4-12	394 - 10
106-530086-41	311A	106200G4-32	282A
106-530086-43	311A	106200G6-12	394 - 9
106-530086-49	311A	106200G6-12	394A- 9
106-530086-9	311A	106200G6-20	394A- 24
106-530087-1	311A	106200H-6	393
106-530087-5	311A	106200H10-10	194B-009
106-530088-1	311A	106200H10-10	194A-008
106-530088-13	311A-007	106200H10-26	194B-012
106-530088-27	311A	106200H10-34	194A-037
106-530090-1	311A-005	106200H10-35	194
106-530090-3	311A	106200H10-41	194 - 2
106-530090-5	311A	106200H10-41	194B-007
106-530090-7	311A	106200H10-7	393 -027
106-530092-3	311A-043	106200H10-72	393 -033
106-530092-5	311A	106200H12-14	241A-020
106-530093-1	311A-033B	106200H4-12	281A-037B
106-530096-1	110A	106200H4-12	281A
106-530096-3	110A-014	106200H4-12	281 - 14
106-530096-5	110A-016	106200H4-15	281 - 36
106-530097-5	110A-010	106200H4-15	281 - 51
106-530097-7	110A-011	106200H4-15	281A-021
106-530097-9	110A	106200H4-15	281A-011
106-530097-9	110A	106200H4-15	281A-004
106-530103-1	110 -038	106200H4-15	281A-027
106-530103-1	110A-030	106200H4-36	281A-065
106-530103-2	110A-031	106200H4-9	281 - 40
106-530103-2	110	106200H6-20	394
106-530107-1	110A-032	106200H6-27	281 - 63
106-530108-11	110A	106200H6-7	393 -028
106-530108-13	110A	106200H8	393 - 18
106-530108-15	110A	106200H8-7	393 -030
106-530108-5	110A	106200H8-92	393 -032
106-530108-5	110	106242-12	241 - 22
106-530108-7	110A	106242-5-01550	107 - 33
106-530108-9	110A	106242-7-03600	202
106-530109-1	110A-008	106470-7	242 -015
106-530109-3	110A	108424-2	362 - 11
106-530110-1	311B-007	108424-2	362 - 35
106-530111-3	110A-009	108424-2	394 - 20
106-530118-1	110A-029	108424-2	103B
106-530118-1	016 -050	108424-2	097
106-530122-1	313G	108424-4	103B
106-530124-1	110A	108492S1416-116	194
106-530124-2	110A	11-014	220 - 25
106-530124-7	110A	11-350336-000	361B-007
106-530124-8	110A	11-350336-000	361C-023
106-530125-1	110A	1101912	358
106-530130-1	110A-018	1101912	241
106-530130-15	110A-023	1101913	241 - 8
106-530130-7	110A-022	1101913	358
106-530130-9	110A-025	11116M1	161 - 9
106-530131-1	110A-021	111190-14	209 - 8
106-530132-1	110A	111191-06000	312
106-530132-1	016 -048	111192-02400	312
106-530154-1	017	111200-6	206A-055
106-530154-3	017 -021	111200-6	206 - 20
106-530154-5	017 -022	11131	182A
106-530154-7	017	111504XB0028-6	289
106-530181-1	314G	111504ZT0324-3	289
106-530181-1	313G	111716AX2XZ14	356 - 14
106-530181-1	313F	111716AX4XX15	417 - 64
106-530181-1	314F	111716AX5XX34	417 - 69
106-570000-1	324	111716AX5XX44	417 - 48
106B	245 - 3	111716AY6XX33	415 -005
106043S-ZD300	134 - 34	111716AY6XX54	415 -004
106043S-ZD300	103B	111716AZ6XX102	103A-089
106043S-ZD300	103A	111716AZ6XX102	103B-092

B E E C H C R A F T  
B O N A N Z A 3 3  
I L L U S T R A T E D P A R T S C A T A L O G

PART NUMBER	FIGURE & ITEM NO.	PART NUMBER	FIGURE & ITEM NO.
111716AZ6X110	417 -124	114931-1-5	354 -104
111716A26X110	417B-013	114931-1-6	354 - 51
111722	031 -034	114931-1-7	354 -102
111722	131 -018	114931-1-8	354 - 73
111728A48	417	115-384018	392A- 16
111728J16	417	115-384018	392 - 20
11177	182 - 19	115-384018-1	392
1119220	241 - 10	115-384018-1	392B- 19
1119224C	241	115005-1	362A
11198-1	182B	115005-1	219A- 28
11198-2	182B	115005-2	362A
112136-12	219A- 1	115005-2	395 - 10
112136-12	219 - 1	115005-3	099A
112149-12	354 - 39	115005-4	244A
112149-9	354A-023	115005-4	281A
112406	202 -088	115081-1	015 - 8
112412	258 - 38	115081-3	015
112412	258 - 5	115092	031 -035
112412	241A-033	115098-5	015 -011
112412	241B- 9	115155 X 10 FT	104 - 71
112412	219 - 62	115155X10FT	104A- 68
112412	159A- 44	115167CXZ060285	241 - 24
112412	159 - 13	115167CXZ060345	241B- 26
112412	159A- 8	115167CXZ060585	241B- 35
112413-2	219	115167CXZ060585	241 - 23
112413-2	258 - 6	115167CXZ060585	241A-017
112413-2	258 - 39	115167CXZ080565	241 - 35
112413-4	241B	115167DXX04-0303	417
112413-4	241A-034	115167DXX04-0363	417 - 36
112413-4	159 - 14	115167DXX081343	417 - 6
112413-4	159A- 45	115167DXX120846	417 -140
112413-8	159A- 10	115167DXX120846	103B
112413-8	159	115167DXX121203	417
112416	341 - 13	115167DXX121323	417 - 1
112436-4	354A-024	115184	317
112436-4	354 - 40	115184-1	313B
112436-6	159A- 7	115184-1	313B
112436-6	159 - 12	11674-2	182 - 24
112436-6	159A- 43	1168-1	182B- 10
112436-6	241A-035	1168-2	182B- 11
112436-6	241B	11738-1	182 - 36
112436-6	258 - 37	11782-1	182 - 21
112436-6	258 - 4	11782-3	182B- 18
112436-6	219	S118540BHP1	152A-084
11244-4	182 - 39	S118540BHP1	152
112733-2	015 - 2	S118540BHP2	152A-061
112733-4	015	S118540BHP2	152 -074
112734	015 - 9	S118540BHP3	152 -081
112735 B-C	015 - 5	S118540BHP3	152 -019
112735 W-C	015	S118540BHP3	152 -016
112735-1	015	S118540BHP3	151 -009
112736 B-C	015 - 6	S118540BHP3	151 -006
112736 W-C	015	118540BHP3	151A- 9
113-205-102	362 - 1	118540BHP3	151A- 6
113-205-102	362	S118540BHP3	152A-070
11300-13P	182	S118540BHP3	152A-067
113667	017	S118540BHP3	152A-074
11385	182	S118540BHP3	152 -090
11391	182 - 33	S118540BHP3	152
11391	182B- 33	S118540BHP3	152A-017
114632-24-14	103A	S118540BHP3	152A-015
114693-2	393 - 19	S118540BHP3	153B-014
114693-2-00212	241 - 33	S118540BHP3	153A-018
114693-2-00212	241	S118540BHP3	153 -014
114693-2-01300	241B- 33	118540BHP3	103A
114693-2-01300	241A-040	118540BHP3	103A-039
114693-4-00408	393 - 7	118540BHP4	103A-046
114693-6	393 - 15	118540BHP4	103A
114693-9-00500	393	118540BHP4	091A
114931-1-2	354 - 74	S118540BHP4	153 -012
114931-1-2	354 -103	S118540BHP4	153A-011
114931-1-3	354	S118540BHP4	153A

B E E C H C R A F T  
B O N A N Z A 3 3  
I L L U S T R A T E D P A R T S C A T A L O G

PART NUMBER	FIGURE & ITEM NO.	PART NUMBER	FIGURE & ITEM NO.
S118540BHP4	153B-012	12613-1	361C-006
S118540BHP4	153B-010	12613-1	361A-049
S118540BHP4	152A-012	1265	017
S118540BHP4	152A-008	1296-00-1	281A
S118540BHP4	152A-001	1296-00-1NV	281A
S118540BHP4	152 -084	1297-00-1	281A
S118540BHP4	153 -010	1297-00-1NV	281A
S118540BHP4	152A-092	130-005-500	182B- 28
S118540BHP4	152A-065	130-006-502	182B
S118540BHP4	151 -028	130-032-332	417B-004
S118540BHP4	151 -025	130-032-332	417A-020
S118540BHP4	151 -022	130000BEP1	152 -101
S118540BHP4	151 -017	130001BB2	152
S118540BHP4	152 -013	130006A1032	395
S118540BHP4	152 -009	130006A632DBC	362
S118540BHP4	152 -001	130006A832DBC	362
118540BHP4	151A- 29	130007A832BC	362
118540BHP4	151A- 26	130008A1032BC	219
118540BHP4	151A- 23	130010	314B-036
118540BHP4	151A- 18	130010	313C
S118540BHP4	152 -078	130010	314 - 36
S118540BHP4	152	130010	313 - 47
S118540BHP4	153A-015	130010	314A-037
118593	017	130010-1	314A
11864-2	182B- 21	130010-1	313C
11864-4	182 - 29	130010-1	314B
118641	313B- 11	130010-3	313B- 39
118641	313A- 11	130010-3	313A- 47
118641	313 - 11	130030	392 - 18
118641	314G-013	130030-3	016 - 10
118641	314F-013	130292A10	411 -037
118641	314E-014	130292A14	194
118641	314C-029	130292A14	194
118641	314B-025	130292A14	194
118641	314A-016	130292A16	194B-008
118641	314 - 18	130292A4	219A
118641	313F	130292A4	219B-009
118641	313E-011	130292A6	241A
118641	313D-009	130292A6	411
118641	313C-027	130498C19-32	314
118642-1	206 - 11	130498C19-32	313D
118642-1	206A-013	130498C19-32	314A-042
118642-7	202 - 39	130498C19-32	314B-041
118650	324 -033	130498C19-32	314C-041
118650	317A	130498C19-32	317A
118664	354	130498C19-32 C	313A
118664	354A-047	130498C19-32 C	313
118664-5	354B	130498C29-33	317
118665	354A-051	130524-3-0124	241A-030
118665	354	130524-3-0160	241A-029
118665	223 -023	130524-3-0190	241A-061
118665-5	354B	130524-3-0250	241A
11873	182 - 8	130524-4-0130	282A-021
11873-11	182B- 13	130524-4-0154	241A-068
11873-11	182A- 15	130524-4-0160	241A-070
11873-2	182B- 36	130524-4-0160	282A- 19
11873-30	182B- 20	130524-4-0170	282A
1194	182 - 22	130524-4-0170	282A- 5
1194-1	182 - 23	130524-6-0180	282A
12000-2	182 - 25	130524-6-0185	282A- 2
120638	358 - 20	130569	314G
121P60501RV1	359A- 19	130569	314F
121P60501R5V1	359B	130569	314D
121P60501R5V1	354B-007	130569	314E
121P60501R5V1	354A-027	130569	313 - 53
121P60501R5V1	354 - 30	130569	314 - 46
12163Y-63.61	161	130569	313G-056
121743	358 - 22	130569	313A- 53
121841	358 - 18	130569	313B- 43
1232-00	159A-006A	130569	313D-045
124545	358 - 36	130569	313E-048
1257Y-63.61	161	130569	016 - 14

B E E C H C R A F T  
B O N A N Z A 3 3  
I L L U S T R A T E D P A R T S C A T A L O G

- PART NUMBER	FIGURE & ITEM NO.	PART NUMBER	FIGURE & ITEM NO.
130608-00100	361 - 37	131152-9-00-07	194
130728	015 - 7	131270-3	194A-040
130906TC-EB073	313E	131270-3	111A-014
130906TC-EB073	313G-040	131270-3	354B-036U
130906TC-EB073	313F-014	131270-3	354B-036C
130906TC-EB073	314G-037	131270-3	101A
130906TC-EC065	314E-033	131301-12500	107
130906TC-EC065	314C	131301-12500	107
130906TC-EC065	314A	131345	313G
130906TC-EC065	313D	131345	314E-046
130907C-AC182	417A-021	131345	314F-044
130907TC-DAB84	417A-026	131345	314G-052
130909B12	219B-044	131345	314D-043
130909B12	219A	131354-1	314D-041
130909B12	103B	131354-1	314C-036
130909B15	194	131354-1	314G-050
130909B15	426 -031	131354-1	314E
130909B170	206A-040	131354-1	314F-042
130909E20	212	131354-1	313G-057
130909E23	202 -087	131354-1	313D
130909E31	103B	131354-1	313E
130909E36	313G-044	131354-1	313C
130909E40	212	131354-3	313C
130909E44	202 -057	131354-3	313E
130909E62	358 - 39	131354-3	313D
130909E83	206 - 9	131354-3	313G
130909N13	151A	131354-3	314E-044
130909N13	151	131354-3	314F
130909N14	354A-019	131354-3	314G
130909N15	132	131354-3	314D
130909N24	354A-017	131354-3	314C
130909N29	258	131553-6M	152
130909N29	258	131553F6-6M	211 - 13
130909N29	219B	131765-1F	159A- 19
130909N29	212	131765-1F	159 - 30
130909N29	194A	131823H12A0022	194B-033
130909N29	314G	131823H12A0030	194A
130909N29	314B-022	131823H12A0030	194A
130909N29	314C	131823H12A0030	194A
130909N29	313F	131823H12A0030	194A-010
130909N29	314A-020	131881-6	152 -043
130909N29	313C	131881-6	152A
130909N29	313E	132688	358 - 24
130909N29	313E-014	13731-3	361C-002
130909N32	152	13731-3	361A-043
130909N32	202 -019	13737	361A-044
130909N32	202	13737	361C-003
130909N32	212	13830	203 - 8
130909N33	101A	13830	203 - 15
130909N49	355	13836	203A- 2
130909N6	202 - 70	13836	203A- 4
130909N7	206A-044	13889	203A- 7
130909N7	210	13889	203 - 2
130909N7	287A-011	13917	258 - 26
130909N7	287 - 8	13981A	214 - 20
130909N8	202	14-0050503-31	361C
130936N6U0200	282	14-0050503-31	361B
130936N6U0200	282A- 15	1425-1M	362 - 13
130936P12A0020	194A-012	1440-14	324 - 1
130936P12A0030	194A-019	145-18	218A- 17
130936P12A0030	194A-015	1495	156
131002-3	154A-047	15-423	281A
131002-3	091A-077	15-423	281 - 47
131002-9	151 - 37	15-48A	241B
131002-9	151A- 38	15-48A	241A
131052-1	161	15-48A	241
131061-2	282A	15D1062	358A-010
131061-2	281A	150PL14	392B- 5
131067-6	417	150PL14	392A- 5
131152-7-00-02	411 -036	150PL14	392 - 4
131152-9-00-03	194	150PL14	251B
131152-9-00-07	194	151	355 - 4

B E E C H C R A F T  
B O N A N Z A 3 3  
I L L U S T R A T E D P A R T S C A T A L O G

PART NUMBER	FIGURE & ITEM NO.	PART NUMBER	FIGURE & ITEM NO.
151-07401	207A	185678	242 -013
151-10	355	185678	111A
151-26	203A- 1	185678	111 - 70
1512	039 - 4	1857412	358 - 27
1514340	241 - 38	1858751	358 - 14
152-07301	207A	186-216	245
152-24	203A- 3	186-8A	245 - 21
1523215-2	427	186-8A	245 - 19
1524	039B-008	186-8A	245 - 9
1524	039A	1861591	358 - 32
153-1	207A- 7	1864	354B-014
153-9	203A- 8	1870	417
154-02900	207A	18754-6	152A- 5
154-03200	207A	18754-6	152 - 49
154-1	207A- 8	18754-6	152 - 6
154-16	203A- 9	1880781	358 - 16
154-8	203A- 10	1881409	358 - 30
155-00200	207A	1886496	358 - 25
155-2	207A- 9	1886684	358 - 33
15853-1	039A- 11	1886684	358 - 34
15853-2	039A- 19	189	245 - 7
161-07701	207A	19-130074-009	361B-006
163-07201	207A	19-130074-009	361C-022
166-01200	207A	19-250094-000	361C-017
166-01400	207A	19-250094-000	361B-001
166-14	203A- 12	19D1108	358A-012
166-15	218A- 18	19D1450	358A-002
166-24	203A- 13	1902746	358 - 29
167B1	361 - 20	1904377	358 - 17
16781	361A-018	1904661	358 - 19
1683	109	1906984	358 - 8
169-380005-11	417 - 29	1908680	358 - 15
169-380021-11	354B-021	1908829	358 - 9
169-380021-11	354B-036R	190899	358 - 7
169-380021-5	354 - 35	1910131	358 - 37
169-380021-7	354 - 33	1910359	358
169-380021-7	354A-062	1913960	358 - 26
169-380021-9	354B-036Q	1914186	358 - 13
169-380021-9	354B-029	1914491	358
169-380032-4	107 - 36A	1914618	358 - 31
169-380032-6	107	1919-3	391 - 17
169-380096-5	415 -001	1925031	358 - 2
169-554021-15	415	1925032	358
169-554021-5	415 -002	1925832	358 - 4
169-910017-33	241B- 22A	1927844	358 - 12
169-910028-13	111 - 32	1939823	358 - 1
169-910028-13	111 - 20	1943590	358 - 3
169-910028-13	417 - 59	1953794	358 - 21
169-910028-13	417 - 15	1954	102B- 15
171499	313E-028	1954	102
1717	354B-036L	1954	312 - 42
1728	427	2-008	220 - 29
1729	211 - 25A	2-010	222 -034
1729	206A-048	2-011	220 - 23
1729	206A-038	2-10	324
1729	206	2-111	220 - 30
1729	202 - 31	2-329444-2	490D
1771-1/2	356B-008	2A12175	392A- 11
1771-1/2	356A-008	2A12715	392B- 13
1771-1/2	356 - 6	2A20580	312C-040
18-300009-21	341 - 24	2A20580	311F-009
18-300009-21	341 - 7	2A36C23CP/84B-0	250 -001
1804	364	2A36C23CP/84B-0	248
180966	091A- 87	2A36C23CP/84B-0	241B- 40
1813	354	2A36C23CP/84B0	241A-051
1816	354 - 47	2A36C23DF/84B0	241 - 11
1816	354A-034	2A36C23DF/84B0	248
1816	417	2A36C23DF/84B0	250
1816	156 - 40	2E1260	251 - 10
183-1	218A- 13	2E1260	251A-010
18366	354 - 46	2E1260	250A-010
1850759	358 - 10	2E1260	250 - 15

B E E C H C R A F T  
B O N A N Z A 3 3  
I L L U S T R A T E D P A R T S C A T A L O G

PART NUMBER	FIGURE & ITEM NO.	PART NUMBER	FIGURE & ITEM NO.
2E1290	251 - 4	2140-15	285 - 27
2E1290	251A-004	2140-15	285A- 27
2E1291	251A-005	2140-16-1	285A- 17
2E1291	251 - 5	2140-16-1	285 - 17
2H30-35	194B-021	2140-17	285 - 24
2H30-35	194A	2140-17	285A- 24
2H30-9	194A-007	2140-18	285A- 14
2H30-9	194 - 8	2140-18	285 - 14
2N1296	354 -112	2140-21	285 - 18
2N3055	354	2140-21	285A- 18
2N3055	354 - 83	2140-25-39	285A- 3
2N4036	392B-027	2140-25-7	285 - 3
2TS1	354 -113	2140-28	285 - 31
2TS1	354	2140-28	285A- 31
2TS1	354 - 82	2140-29	285 - 45
20-3841	214 - 26	2140-29	285A- 45
20-7609	214 - 5	2140-36	285 - 12
20-7642	214 - 10	2140-36	285A- 12
200242	358 - 35	2140-38	285 - 11
200362	358	2140-38-3	285A- 11
201200	324 -026	2140-39-1	285A- 20
202563	393	2140-39-1	285 - 20
20364-2	182B- 1	2140-50-1	285 - 44
20443	182B	2140-50-1	285A- 44
20464-6	182B	2140-51	285A- 34
20464-836	182B- 24	2140-51	285 - 34
20488-12	182B	2140-56	285 - 8
20488-314	182B- 34	2140-56	285A- 8
20490	182B- 37	2140-57	285A-010
20492	182B- 38	2140-57	285 -010
20501	182B- 31	2140-61	285 - 43
20571-5	182B	2140-61	285A- 43
206	364 - 12	2140-62	285A- 39
206138-1	354B	2140-62	285 - 47
206138-1	354B	2140-62	285 - 39
206151-2	354B	2140-62	285A- 47
206151-2	354B	2140-65	285 - 35
206352	354B	2140-65	285A- 35
206480	324 -027	2140-66	285A-015
20668	182B	2140-66	285 -015
20677-1	182B- 39	2140-68	285 - 33
207890	354B	2140-68	285A- 33
207946	354B	2140-71	285A- 40
209217	241B	2140-71	285 - 40
2094-2	182B- 22	2140-73	285A- 1
21-5-125-0250	222	2140-73	285 - 1
21D678	358A-005	2140-87	285A- 9
21D823-1	358A	2140-87	285 - 9
21D965	358A-011	2140-90	285 - 38
210-8A	245 - 29	2140-90	285A- 38
210-8A	245A- 16	2140-97	285A- 2
210-8AL	245A	2140-97	285 - 2
210-8AL	245	2161-23	285 - 46
210-8AL/24	245A	2161-23	285A- 46
21067-12	361 - 21	217-00100	207A
212CW	194B-014	217-1	207A- 4
212CW	194	2172-41	285 - 25
212CW	194A-025	2172-41	285A- 25
214-03200	207A	2172-55	285A- 13
214-03300	207A	2172-55	285 - 13
214-2A	392A- 27A	218P60501R5T1	359B
214-2AB5A	392A	2194	040 - 12
2140-06-1	285A- 23	2194	161
2140-06-1	285 - 23	22A1-82	097
2140-07	285 - 19	22A17-62	101
2140-07	285A- 19	22A17-82	097
2140-08-1	285A- 22	22A5-048	099
2140-08-1	285 - 22	22K2-02	314
2140-09	285 - 21	22427-1	341A-007
2140-09	285A- 21	22427-1	341 - 69
2140-12	285A- 16	22661	358 - 46
2140-12	285 - 16	23599-01	341 - 75

B E E C H C R A F T  
B O N A N Z A 3 3  
I L L U S T R A T E D P A R T S C A T A L O G

PART NUMBER	FIGURE & ITEM NO.	PART NUMBER	FIGURE & ITEM NO.
23599-01	341 - 46	271P 1/4 X 1/8	223 - 35
23599-11	341A-004	271P 1/4 X 1/8	393 - 11
23599-11	341A-019	271P 1/4 X 1/8	393 - 3
2373	417 - 93	272P 5/16	182 - 5
2373	417 -113	279P3/8 X 1/4	182B- 16
2373	417 -103	28KS3	282A
242CW	194 - 4	28420-093-10	222 - 33
245B08X06	194	2908P	182A- 1
24555-7	341 - 70	2909P	182 - 1
24555-7	341A-005	294929A	356A
24567-1	341A-006	294929A	356 - 16
24567-1	341 - 68	295250-5	091A
2472	359D-033	3/16 ID	182A- 5
2473	358 - 40	3/16 ID	182 - 7
248	391	3/16 ID X 1/4 OD	182 - 3
2505	212 - 22	3/16 ID X 1/4 OD	182B- 32
2506	311B-003	3/16 ID X 1/4 OD	182B- 30
2506	417A- 3	3/16 OD	182 - 31
2515	417A- 8	3/16 OD	182 - 30
2515	417A-016	3/16 OD	182 - 17
2515	311B-008	3/16 OD	182 - 16
254160801000101	156 - 7	3/16 OD	182 - 15
256P 3/8 X 1/4	182 - 9	3/16 X 1/2	110 - 46
256P 3/8 X 1/4	182B- 4	3/16ID X 1/4OD	182A- 6
256P3/8 X 1/4	182A- 8	3/16ID X 1/4OD	182A- 3
2560	358 - 42	3/16ID X 1/4OD	182A- 7
2565-1	417A- 15	3/16ID X 5/16OD	182A- 14
2565-1	311B-009	3/16ID X 5/16OD	182 - 6
259P3/8	182B	3/4OD X 1/2ID	182B- 23
26006	364 - 23	3/8 OD	182A- 10
261C1399	490B	3/8 OD	182A- 9
261D1389-001	490B-001	3/8 OD	182 - 14
26119	156 - 36	3/8 OD	182 - 13
264-84-48	362 - 15	3/8 OD	182 - 12
264P X 1/2	394A	3/8 OD	182 - 11
264P X 1/2	394	3/8 OD	182 - 10
264P 3/8	182B- 7	3/8OD X 1/4ID	182B- 26
264P1/4	182 - 27	3/8OD X 1/4ID	182B- 17
264P3/8	182 - 18	3/8OD X 1/4ID	182B- 12
266P1/4	182 - 4	3/8OD X 1/4ID	182B- 6
268P 1/4 X 1/8	393 - 9	3/8OD X 1/4ID	182B- 5
268P 1/4 X 1/8	393 - 4	3A17680	324 -021
26875-48	341A-039	3A17680	311F-045
26875-48	341 - 31	3A17680	311 -018
26875-48	341	3A17680	311 -010
269P 1/4 X 1/8	223 - 36	3A17680	311 -008
27-2-3002-1	214B-008	3A32C76S/82NB2	241A
27-2-3002-1	214A-008	3A32C76S/82NB2	249
27-2-3006	214B-005	3A32C76S82NB2	251 - 1
27-2-3006	214A-005	3E1150-3	250 - 12
27-4-1004	214B-019	3E1150-3	251 - 16
27-4-1004	214A-019	3E1219-6	250 - 18
27-4-1005	214A-017	3E1219-7	251 - 19
27-4-1005	214B-017	3E1271-2	251A-008
27-4-1006	214A-011	3E1271-2	250A-008
27-4-1006	214B-011	3E1271-2	251 - 8
27-4-2000	214A-016	3E1271-2	250 - 13
27-4-2000	214B-016	3E1443-1	250 - 9
27-4-3001	214A-007	3E1443-1	251 - 13
27-4-3001	214B-007	3E1443-2	251 - 14
27-4-3002	214A-006	3E1443-2	250 - 10
27-4-4003-2	214B-021	3E1461	250 - 7
27-4-4003-2	214A-021	3E1461	251 - 11
27-4-5001	214A-012	3E1461	250A-011
27-4-5001	214B-012	3E1461	251A-011
27-4-5002	214A-015	3E1470	250 - 4
27-4-5003	214A-013	3E1470	250A-004
27-4-5003	214B-013	3E1964-3	251A-026
27-4-6003-2	214A-009	3E1964-3	250A-013
27-4-6003-2	214B-009	3E2011-2	251A-022
27-8-3002	214B-006	3E2011-3	251A-020
27-8-5002	214B-015	3E2062-2	251A



BEECHCRAFT  
BONANZA 33  
ILLUSTRATED PARTS CATALOG

- PART NUMBER	FIGURE & ITEM NO.	PART NUMBER	FIGURE & ITEM NO.
3E2062-2	250A-012	33-000050-1	015
3XSK9320-63 5/16	161	33-000050-3	015
3X5K8720A63 5/16	161 - 4	33-000051-1	015
30-0009-5	296 - 34	33-000051-3	015
30-0009-6	296	33-000051-7	015
30-0291-3	362 - 5	33-000051-9	015
30-0291A	362	33-000052-1	015 - 4
30-0291B3	362	33-000052-3	015
30-0291C	362	33-000052-5	015 - 10
30-0467-5	362A- 5	33-000052-7	015
30-0531-1	362A	33-000053-1	015
30-0538-1	362A- 4	33-000053-3	015
30-0538-2	362A	33-000053-5	015
30-0815-1	362A	33-000053-7	015
30-0815-1	109	33-000055-1	015
30-0815-3	109 - 2A	33-000055-3	015
30-0815-3	362A-014	33-000055-5	015
30-0815-5	362A	33-000055-7	015
30-1	156 -047	33-000056	015
30-1331-3	362A	33-000057	015
30-15	391 - 16	33-000058	015
30-15	391A-014	33-000060-1	015
30-15	354	33-000061-11	016
30-15	182A- 18	33-000061-3	016
30-7623	214 - 4	33-000061-5	016
30C1023	391	33-000061-9	016
30C1023	391A-015	33-000062-1	015
300-3TTF	341A-042	33-000062-3	015
300-3TTF	341	33-000062-5	015
300-3TTM	341 - 71	33-000063-1	016
300-3TTM	341A-016	33-000063-3	016
300-7-2	341A	33-000064-1	015
300-8-2	341A-003	33-000064-3	015
300-8-2	341 - 73	33-000066-1	015
3003	107	33-000066-3	015
3023	203A- 11	33-000067-1	015
303	354A	33-110000	031
303	354B-015	33-110000	031
303	354A	33-110000-609	031
31-0265-3	362	33-110000-609	033
31-1188-1	362A- 7	33-110000-609	034
31-3908L	362A	33-110000-610	033
3130	311A	33-110000-610	031
3130	311A	33-110000-610	034
3130	311A	33-110000-611	031
3130	311A	33-110000-611	033
3130	311A-010	33-110000-611	034
3140-22-1	285A- 48	33-110000-612	033
3140-22-1	285 - 48	33-110000-612	031
3140-30	285A- 37	33-110000-612	034
3140-30	285 - 37	33-110000-615	031
3140-37-12	285A- 42	33-110000-615	033
3140-37-12	285 - 42	33-110000-615	034
31890	039B	33-110000-616	033
31890	039A	33-110000-616	031
319A208-4	364 - 4	33-110000-616	034
319A209-1	364	33-110010-34	033 - 3
319A209-4	364	33-110010-36	033 - 4
3190-1	182 - 37	33-110010-607	033 - 15
3191	182A- 11	33-110010-608	033
3191	182B- 8	33-110011-10	034A
3191	182 - 35	33-110011-3	034A-015
3195	182B- 14	33-110011-4	034A
3195	182A- 16	33-110011-5	034A
3195	182 - 34	33-110011-6	034A
32D973	358A-001	33-110011-7	034A
320555	212	33-110011-8	034A
32446	039B	33-110011-9	034A
327	411	33-110017-1	033A
327	391A	33-130000	041
327	194A	33-130000-1	041 - 9
327	341	33-130000-11	041

B E E C H C R A F T  
B O N A Z Z A 3 3  
I L L U S T R A T E D P A R T S C A T A L O G

PART NUMBER	FIGURE & ITEM NO.	PART NUMBER	FIGURE & ITEM NO.
33-130000-21	041	33-360015	354
33-130000-25	041	33-364018	016 - 30
33-130000-27	041	33-364020-1	362
33-130000-29	041	33-364020-3	362 - 9
33-130000-3	041 - 16	33-364020-3	362 - 33
33-130000-44	041	33-364020-5	362 - 34
33-130000-46	041	33-364020-5	362 - 10
33-130000-5	041	33-364020-7	362
33-130000-7	041 - 023	33-369108	359A- 25
33-130000-9	041 - 17	33-369109	359A- 17
33-324002-3	392A	33-369110	359A
33-324002-5	395	33-369110	241
33-324002-601	391	33-369110-23	244B- 37
33-324002-603	391	33-369111	359A- 18
33-324003-17	395	33-369113	359A
33-324003-21	395	33-369113	241B
33-324003-21	392	33-369117-1	354B-006A
33-324003-3	392	33-369117-3	354B-006B
33-324003-9	392	33-369124-1	354A-006
33-324003-9	395	33-369124-1	354 - 6
33-324004-7	395	33-380003-1	361
33-324005-7	395	33-380003-3	361
33-324005-7	392	33-380005-1	159 - 22
33-324032	016 - 1	33-380006-5	392
33-324032	312 - 52	33-380008-1	241B- 11
33-324043	016 - 2	33-380008-1	241 - 14
33-324044-3	392A	33-380009-1	359A
33-324046-3	392	33-380010	359A- 15
33-324048-1	392	33-380010	241
33-324050-1	392	33-380016-1	392
33-324050-11	392	33-380016-5	392 - 25
33-324051-1	392	33-380017-3	392
33-324051-1	391A	33-380018-1	392 - 28
33-324053-601	391	33-380018-3	392
33-324054-11	391	33-400300-3	104
33-324054-13	391A	33-400300-613	013 - 42
33-324054-13	392B	33-400300-615	013
33-324054-15	392B	33-400300-629	013
33-324054-15	391A	33-400300-629	104A
33-324054-17	391A	33-400300-7	104A
33-324054-17	392B	33-410000-679	091
33-324054-19	392B	33-410000-680	091
33-324054-19	391A	33-410010-1	110 - 26
33-324054-21	392B	33-410010-2	110
33-324054-23	392B	33-410010-3	110 - 27
33-324054-3	391	33-410010-4	110
33-324054-5	391	33-410010-4	013 - 52
33-324054-9	391	33-410012-5	110
33-324055-1	391A	33-410017-1	103B-031
33-324060-1	194A-042	33-410030-13	013 - 48
33-324060-1	194A	33-410030-13	091 - 73
33-324061-1	194A	33-410030-14	091
33-324062-1	194A-044	33-410030-14	013 - 49
33-329010	194	33-410030-44	098 - 23
33-329010-11	194	33-410030-45	099 - 27
33-329010-11	194	33-410030-51S	099
33-329010-13	194	33-410030-51S	098
33-329010-15	194	33-410030-51S	097
33-329010-17	194	33-410031-103	103B-033
33-329010-19	244 - 32	33-410031-103	103 - 35
33-329010-19	244A-025	33-410031-105	103 - 36
33-329010-21	194	33-410031-105	103B-041
33-329010-25	194	33-410031-107	103B
33-329010-3	194	33-410031-107	103 - 34
33-329010-7	194	33-410031-113	103 - 33
33-360001-602	359A	33-410031-113	103B
33-360011-628	356	33-410031-117	013 - 29
33-360011-628	111	33-410031-117	103B
33-360011-640	356	33-410031-123	103
33-360013	354	33-410031-124	103
33-360014	354	33-410031-125	103
33-360014-1	354A	33-410031-126	103

B E E C H C R A F T  
B O N A N Z A 3 3  
I L L U S T R A T E D P A R T S C A T A L O G

PART NUMBER	FIGURE & ITEM NO.	PART NUMBER	FIGURE & ITEM NO.
33-410031-133	103B	33-410031-29	013 - 27
33-410031-133	103 - 44	33-410031-30	013 - 30
33-410031-134	103	33-410031-30	103
33-410031-134	103B	33-410031-301	103
33-410031-135	103B-039	33-410031-303	103
33-410031-135	103 - 41	33-410031-305	103
33-410031-135	153A	33-410031-307	103
33-410031-135	153A-026	33-410031-309	103
33-410031-135	153 - 025	33-410031-31	103 - 46
33-410031-137	153	33-410031-31	013 - 32
33-410031-137	103	33-410031-311	103
33-410031-137	103B-040	33-410031-311	103B-042
33-410031-141	103B-035	33-410031-317	103 - 22
33-410031-143	103B-036	33-410031-317	013 - 46
33-410031-143	103 - 38	33-410031-319	013
33-410031-143	103 - 37	33-410031-319	103
33-410031-145	103	33-410031-323	103
33-410031-145	103B	33-410031-327	103
33-410031-149	103 - 93	33-410031-329	013
33-410031-153	103 - 9	33-410031-329	103
33-410031-154	103	33-410031-33	103 - 2
33-410031-155	103 - 8	33-410031-330	013
33-410031-156	103	33-410031-330	103
33-410031-157	103 - 7	33-410031-331	103
33-410031-158	103	33-410031-333	103
33-410031-159	103 - 10	33-410031-335	103
33-410031-162	013 - 47	33-410031-336	103
33-410031-162	103	33-410031-341	103
33-410031-163	103	33-410031-342	103
33-410031-167	103	33-410031-39	103 - 20
33-410031-169	103 - 3A	33-410031-41	013 - 28
33-410031-170	103	33-410031-41	103B
33-410031-171	103	33-410031-45	103 - 24
33-410031-173	103 - 3B	33-410031-46	103
33-410031-174	103	33-410031-47	103 - 25
33-410031-175	103	33-410031-48	103
33-410031-177	103 - 7A	33-410031-55	103 - 6
33-410031-178	103	33-410031-56	103
33-410031-179	103	33-410031-57	103 - 4
33-410031-183	103	33-410031-58	103
33-410031-185	103	33-410031-609	103 - 18
33-410031-187	103	33-410031-611	103 - 19
33-410031-19	103 - 91	33-410031-69	013
33-410031-213	103	33-410031-81	103 - 42
33-410031-214	103	33-410031-81	103B
33-410031-215	103	33-410031-82	103B
33-410031-217	103	33-410031-82	103
33-410031-243	103	33-410032-17	013 - 22
33-410031-249S	103	33-410032-17	099 - 36
33-410031-25	013 - 53	33-410035-13	102 - 7
33-410031-25	103 - 23	33-410035-17	102 - 5
33-410031-251	103	33-410035-601	102
33-410031-252	103	33-410035-601	099
33-410031-253	103	33-410035-7	102 - 16
33-410031-254	103	33-410035-8	102
33-410031-255	103	33-410040-1	101 - 23
33-410031-256	103	33-410040-1	313
33-410031-258	103	33-410040-1	313A
33-410031-259	103	33-410040-1	313B
33-410031-26	013 - 54	33-410040-2	313B
33-410031-26	103	33-410040-2	313A
33-410031-261	103	33-410040-2	313
33-410031-263	103	33-410040-2	101 - 24
33-410031-265	103	33-410040-23	101 - 7
33-410031-27	013 - 31	33-410040-25	101 - 8
33-410031-27	103 - 45	33-410040-27	101A- 22
33-410031-271	013	33-410040-27	101 - 27
33-410031-273	103	33-410040-5	101 - 25
33-410031-275	103	33-410040-6	101 - 6
33-410031-275	103B-091	33-410040-602	101
33-410031-281	103	33-410040-606	101
33-410031-29	103 - 21	33-410040-7	101 - 5

B E E C H C R A F T  
B O N A N Z A 3 3  
I L L U S T R A T E D P A R T S C A T A L O G

PART NUMBER	FIGURE & ITEM NO.	PART NUMBER	FIGURE & ITEM NO.
33-410040-9	101A- 20	33-440011-601	013
33-410046-1	103 - 51	33-440011-9	134 - 32
33-410046-17	097 -061	33-440012-1	103 - 95
33-410046-3	103 - 52	33-440012-3	103 - 96
33-410046-5	103 - 53	33-440012-601	103
33-410046-5	103B-067	33-440013	103 - 97
33-410046-602	103	33-440014-1	103 - 98
33-410046-7	103 - 48	33-440014-3	103
33-410046-7	103B-068	33-440014-5	103
33-410046-9	103B	33-440014-7	103
33-410046-9	103	33-440015	103 - 90
33-410047-15	097	33-440015	152
33-410047-15	098	33-440015-1	103
33-410047-5	098	33-440015-3	103
33-410047-5	097	33-440015-5	103
33-410047-5	099	33-440016-11	103
33-410047-7	099	33-440016-13	103 - 89
33-410047-7	097	33-440016-15	103 - 88
33-410047-7	098	33-440016-5	103 - 87
33-410047-9	098	33-440016-601	103
33-410047-9	099	33-440016-602	103
33-410047-9	097	33-440016-7	103
33-410048-1	091A	33-440016-9	103
33-410048-2	091A	33-440017-1	103 - 43
33-410049-1	091A	33-440018	103
33-410049-2	091A	33-440018	103B
33-410050-1	091A	33-440019	103B-038
33-410050-2	091A	33-440019	103
33-410051-1	091A	33-440020	103
33-410051-2	091A	33-440021-1	103 - 74
33-410051-3	091A	33-440021-2	103
33-410051-4	091A	33-440023	103 - 76
33-420000-1	099	33-440023	103B-106
33-420000-1	097	33-440024	103 - 71
33-420000-1	098	33-440025	103 - 72
33-420000-3	098	33-440026	103 - 75
33-420000-3	097	33-440027	103 - 73
33-420000-3	099	33-440028-1	103 -013
33-420000-7	098	33-440028-3	103
33-420000-9	098	33-440028-5	103 - 39
33-420011-1	104A-121	33-440028-5	103B-032
33-420011-9	104A	33-440030-1	103B-034
33-420012-9	104A- 93	33-440030-1	103
33-420013-7	104A- 95	33-440030-3	103
33-420014-1	104A-101	33-440031-3	103B
33-420015-1	104A-100	33-440031-601	103
33-420016-1	104A	33-440032	103 - 79
33-420017-1	104A- 94	33-440032	103B-105
33-420018-1	104A- 97	33-440033-1	103 - 80
33-420019-1	104A- 99	33-440033-2	103
33-420020-1	104A- 92	33-440034	103 - 83
33-420021-1	104A-118	33-440036	103 - 78
33-420021-3	104A-117	33-440036	103B-108
33-420022-1	104A-103	33-440036	153 -026
33-420022-3	104A-106	33-440037-1	103B
33-420023-1	104A-109	33-440037-1	103
33-420023-3	104A	33-440037-2	103
33-420025	104A-119	33-440037-2	103B
33-420026	104A	33-440038	103B-107
33-440000	109	33-440038	152
33-440000-1	109	33-440038	103 - 81
33-440000-601	109 - 1	33-440040	103 - 77
33-440000-601	013 - 37	33-500009-11	182
33-440011	103	33-500009-17	182B
33-440011	134	33-500009-21	182B
33-440011-10	134	33-500009-23	182B
33-440011-15	134 - 33	33-500009-7	182 - 41
33-440011-27	134 - 31	33-500010-1	182A
33-440011-27	013 - 50	33-500010-3	182A
33-440011-5	490	33-500025	182A- 20
33-440011-5	134 - 30	33-5005-1	313
33-440011-601	134 - 29	33-5005-1	313A

B E E C H C R A F T  
B O N A N Z A 3 3  
I L L U S T R A T E D P A R T S C A T A L O G

PART NUMBER	FIGURE & ITEM NO.	PART NUMBER	FIGURE & ITEM NO.
33-5005-1	313B	33-524027	153
33-5005-1	313C	33-524028	152
33-5005-1	313D	33-524029	152
33-5005-1	313E	33-524029	152A
33-5005-1	313F	33-524029-1	152A- 32
33-5005-1	313G	33-524029-1	152
33-524000-1	153 - 1	33-524031-1	132
33-524000-13	152A- 78	33-524031-3	132
33-524000-13	152 - 95	33-524033-1	152
33-524000-15	152A- 79	33-524054-21	391A
33-524000-15	152 - 96	33-524054-23	391A
33-524000-23	152	33-524075-1	311
33-524000-23	152A	33-530001-3	110
33-524000-25	152A	33-530003-107	324 -010
33-524000-25	152	33-530003-53	312 - 38
33-524000-27	153 - 8	33-530003-55	312 - 39
33-524000-27	153B- 8	33-530003-57	312 - 40
33-524000-27	153A- 9	33-530003-59	312
33-524000-31	153A- 7	33-530003-89	311E-013
33-524000-31	153	33-530005-213	311E-002
33-524000-33	153 - 3	33-530007-1	312
33-524000-35	153	33-530007-107	311E-011
33-524000-37	153	33-530007-109	311E-003
33-524000-41	152A- 27	33-530007-117	311E-005
33-524000-41	152 - 35	33-530007-119	311E-001
33-524000-41	103B	33-530007-121	311E-007
33-524000-41	103A	33-530007-123	311E-021
33-524000-43	103	33-530007-127	311E-023
33-524000-43	152 - 38	33-530007-129	311E-022
33-524000-49	152 - 59	33-530007-133	311E-018
33-524000-49	152A- 46	33-530007-137	311E-017
33-524000-61	152	33-530007-139	311E
33-524000-63	152 - 44	33-530007-17	312
33-524000-67	153	33-530007-183	311E-028
33-524001	153	33-530007-19	312
33-524001	151	33-530007-21	311E-050
33-524001	152	33-530007-231	311E-006
33-524001-11	152	33-530007-29	311E-044
33-524001-11	151	33-530007-305	311E-038
33-524001-11	153	33-530007-307	311E
33-524001-15	153	33-530007-315	311E-016
33-524001-15	152	33-530007-319	311E-053
33-524001-15	151	33-530007-323	311E-047
33-524001-5	152 - 39	33-530007-325	311E
33-524001-5	103	33-530007-329	311E-052
33-524001-7	152 -073	33-530007-33	311E-045
33-524002	152	33-530007-337	311E-034
33-524002	151	33-530007-39	311E-043
33-524002	153A	33-530007-43	311E-030
33-524012	153A	33-530007-45	311E-025
33-524012	154	33-530007-49	311E-027
33-524012	153	33-530007-51	311E-026
33-524013	153A	33-530007-57	311E-054
33-524013	154	33-530007-65	311E-031
33-524018	152 - 66	33-530007-7	311E
33-524020	152 - 29	33-530007-71	311E-032
33-524021	152	33-530007-75	311E-033
33-524021	152A- 53	33-530007-9	312
33-524022	364	33-530007-91	311E-039
33-524022-1	364 - 1	33-530007-93	311E
33-524022-15	364 - 15	33-530007-99	311E-010
33-524022-19	364 - 3	33-53000735	311E-040
33-524022-3	364 - 2	33-530009-11	311F-054
33-524023-11	364 - 10	33-530009-15	311A
33-524023-21	364	33-530009-15	311
33-524023-31	364	33-530009-17	311
33-524023-33	364	33-530009-25	311A-001
33-524023-61	364	33-530009-29	311A
33-524023-65	364	33-530009-29	311
33-524024	364 -014	33-530009-29	311F-021
33-524024-7	364	33-530009-3	311F-026
33-524025	364 - 5	33-530009-3	311A-023

B E E C H C R A F T  
B O N A N Z A 3 3  
I L L U S T R A T E D P A R T S C A T A L O G

PART NUMBER	FIGURE & ITEM NO.	PART NUMBER	FIGURE & ITEM NO.
33-530009-3	311 -014	33-534033-13	317 - 22
33-530009-31	311	33-534033-15	317 - 23
33-530009-31	311F-020	33-534033-21	317
33-530009-37	311A	33-534033-27	317 - 17
33-530009-41	311F-038	33-534033-29	317 - 3
33-530009-59	311F	33-534033-33	317 - 11
33-530009-63	311F-011	33-534033-39	317 - 25
33-530009-7	311F-052	33-534033-43	317 - 24
33-530009-7	311	33-534033-45	317 - 26
33-530015-1	311	33-534033-55	317 - 21
33-530015-3	311	33-534033-57	317 - 20
33-530016-1	311	33-534033-605	317
33-530019-1	016	33-534033-607	317
33-530020-1	016	33-534033-7	317 - 19
33-530021-1	016	33-534033-75	317 - 12
33-530022-1	313F	33-534033-77	317 - 9
33-530022-3	313F	33-534033-8	317
33-530023-1	313F	33-534033-85	317
33-530023-11	313F	33-534033-87	317
33-530023-13	313F-023	33-534036	016
33-530023-15	313F	33-534038-11	314
33-530023-3	313F	33-534038-11	313
33-530023-5	313F	33-534038-5	313
33-530023-7	313F	33-534038-5	314
33-530023-9	313F	33-534038-7	314
33-530024-1	313F	33-534038-7	313
33-530024-3	313F	33-534038-9	313
33-530024-5	313F	33-534038-9	314
33-530024-7	313F-031	33-534043	016 - 4
33-530025-1	313F	33-534046-3	311E-035
33-530025-3	313F-027	33-534046-67	311E-036
33-530029-1	313F	33-534047	211
33-530032-7	313F-024	33-534047-1	211 - 60
33-530032-9	313F-026	33-534048-1	311A-044
33-530035-1	313F-018	33-534048-3	311A
33-530035-2	313F	33-534048-3	313B
33-530038-1	016	33-534048-5	313B
33-530039-1	016	33-534048-5	314
33-530040-1	313F	33-534051	314D
33-530040-3	313F	33-534051	314E
33-530041-1	313F	33-534051	313B
33-530041-3	313F	33-534051-3	313C
33-530041-5	313F	33-534051-3	314A
33-530041-7	313F	33-534052	104A-122
33-530044-1	311A	33-534052	016
33-530044-3	311A	33-534054-1	417
33-530044-9	311A	33-534054-3	417
33-530045-1	313G	33-534054-5	417 -144
33-530045-2	313G	33-534054-7	417 -145
33-530047-1	311A	33-534056-19	313B
33-530047-1	016 -041	33-534056-21	313B
33-534009-21	311A-014	33-534056-23	313B
33-534010-21	313B	33-534056-25	313B
33-534015-7	312 - 46	33-534056-29	313B- 38
33-534015-8	312	33-534056-33	313B- 40
33-534015-9	312	33-534056-37	-313B- 37
33-534023	016 - 3	33-534056-41	313B- 44
33-534031-11	102 - 21	33-534056-45	313B- 49
33-534031-11	314 - 48	33-534056-45	313C-043
33-534031-12	314	33-534056-46	313C
33-534031-12	102 - 22	33-534056-46	313B
33-534031-17	102 - 23	33-534057-1	016 - 4A
33-534031-17	314 - 49	33-534058	016 - 1A
33-534031-19	314	33-534060-1	311E-024
33-534031-21	314	33-534060-2	311E-048
33-534031-21	314B	33-534060-3	311E
33-534031-31	314 - 51	33-534060-3	110
33-534031-37	314	33-534060-5	110
33-534031-39	314	33-534060-5	311E
33-534031-9	314 - 50	33-534065	016
33-534032	312	33-534066	016
33-534032-3	312 - 43	33-534067	016

B E E C H C R A F T  
B O N A N Z A 3 3  
I L L U S T R A T E D P A R T S C A T A L O G

PART NUMBER	FIGURE & ITEM NO.	PART NUMBER	FIGURE & ITEM NO.
33-534068-1	313A	33-534305-39	312
33-534068-11	313A	33-580009-25	311 -001
33-534068-3	313A	33-580011	219
33-534068-5	313A	33-580011	219B
33-534068-7	313A	33-580011	219A
33-534068-9	313A	33-580011-1	219B
33-534069-1	312	33-580012	219
33-534069-1	311F-037	33-580012	219A
33-534069-3	312	33-590002-9	017
33-534069-5	312	33-590006-11	017
33-534069-7	312	33-590006-13	017
33-534069-9	312	33-590006-17	017
33-534070-1	313B	33-590006-5	017
33-534071-1	313B	33-590008	017
33-534071-13	313B	33-590008-3	017
33-534071-15	313B	33-590009	017
33-534071-3	313B	33-590009-13	017
33-534071-31	313B	33-590009-15	017
33-534071-5	313B	33-590010	017
33-534071-9	313B	33-590010-5	017
33-534073-1	313B	33-590010-7E	017
33-534073-3	313B	33-590011-1C	017
33-534074-1	313C	33-590023	017
33-534074-11	313C	33-590024	017
33-534074-13	313C	33-590025	017
33-534074-14	313C	33-590027	017
33-534074-15	313C	33-590027-3	017
33-534074-21	313C	33-590028	017
33-534074-23	313C	33-600000	131
33-534074-23	313E	33-600000-5	131
33-534074-3	313C	33-610000-101	133
33-534074-33	313C	33-610000-103	133 -017
33-534074-35	313C	33-610000-105	133
33-534074-37	313C	33-610000-106	133 -019B
33-534074-5	313C	33-610000-107	133
33-534074-7	313C	33-610000-109	133 -019A
33-534074-9	313C	33-610000-113	133
33-534075-1	312A	33-610000-115	133
33-534075-19	312A	33-610000-39	133 - 15
33-534075-19	312C	33-610000-45	133 - 4
33-534075-21	312C-020	33-610000-47	133 - 14
33-534075-23	312C-038	33-610000-48	133
33-534075-23	312A	33-610000-49	133
33-534075-25	312C-013	33-610000-605	133
33-534075-25	312A	33-610000-605	131 -005
33-534075-27	312C	33-610000-606	131
33-534075-27	311	33-610000-606	133
33-534075-3	312A	33-610000-609	133
33-534075-5	312A	33-610000-609	131
33-534075-9	312A	33-610000-610	131
33-534075-9	312C-019	33-610000-610	133
33-534076-3	312A	33-610000-611	133
33-534077-1	312A	33-610000-611	131
33-534079-1	311	33-610000-612	131
33-534079-3	311	33-610000-612	133
33-534081-1	313C	33-610000-617	133
33-534081-11	313C	33-610000-618	133
33-534081-11	313E	33-610000-75	133
33-534081-15	313E	33-610000-76	133
33-534081-15	313C	33-610000-77	133 -026A
33-534081-17	313E	33-610000-79	133
33-534081-19	313E	33-610000-81	133
33-534081-21	313E	33-610010-1	133
33-534081-3	313C	33-610010-11	133
33-534081-5	313C	33-610010-13	133 - 35
33-534081-7	313C-038	33-610010-15	133
33-534081-7	313E	33-610010-16	133
33-534081-9	313E	33-610010-17	133
33-534081-9	313C	33-610010-18	133
33-534083-1	311A	33-610010-19	133
33-534085-1	311A	33-610010-2	133
33-534085-3	311A	33-610010-20	133

B E E C H C R A F T  
B O N A N Z A 3 3  
I L L U S T R A T E D P A R T S C A T A L O G

- PART NUMBER	FIGURE & ITEM NO.	PART NUMBER	FIGURE & ITEM NO.
33-610010-5	133 - 28	33-620001-601	131
33-610010-6	133	33-620001-602	132
33-610010-7	133 - 29	33-620001-602	131
33-610010-8	133	33-620001-609	132
33-610012-1	131	33-620001-610	132
33-610012-3	131	33-620001-613	132
33-620000-11	132 - 20	33-620001-615	132
S33-620000-111	132	33-620001-617	131
S33-620000-113	132	33-620001-617	132
33-620000-123	132	33-620001-618	132
33-620000-125	132	33-620001-618	131
33-620000-127	132	33-620001-7	132
33-620000-129	132	33-620001-8	132
33-620000-13	132 - 21	33-620001-9	132
33-620000-15	132 - 9	33-630000-101	135
33-620000-17	132 - 29	33-630000-103	135
33-620000-19	132 - 28	33-630000-109	135
33-620000-23	132 -036	33-630000-111	135
33-620000-25	132 - 10	33-630000-115	135
33-620000-27	132 - 25	33-630000-115	131
33-620000-28	132 - 26	33-630000-117	135
33-620000-3	132 - 16	33-630000-13	135 -003
33-620000-35	132 - 2	33-630000-137	135
33-620000-37	132 - 30	33-630000-137	131
33-620000-43	132 - 15	33-630000-139	131
33-620000-44	132	33-630000-139	135
33-620000-45	132 - 23	33-630000-143	135
33-620000-46	132	33-630000-147	135
33-620000-47	132 - 24	33-630000-15	135 -001
33-620000-48	132	33-630000-153	135
33-620000-5	132 - 17	33-630000-155	135
33-620000-51	132 - 5	33-630000-157	135
33-620000-53	132 - 6	33-630000-161	135
33-620000-55	132 -001	33-630000-163	135
33-620000-57	132 - 8	33-630000-17	135 - 10
33-620000-59	132	33-630000-21	135 - 20
33-620000-607	132	33-630000-23	135
33-620000-609	132	33-630000-23	135 -016
33-620000-610	132	33-630000-25	135 -018
33-620000-611	132	33-630000-27	135 - 13
33-620000-611	131 -001	33-630000-29	135 - 9
33-620000-612	132	33-630000-3	135 - 17
33-620000-612	131	33-630000-31	135 - 7
33-620000-613	132	33-630000-35	135
33-620000-615	132	33-630000-41	135 - 21
33-620000-617	132	33-630000-43	135
33-620000-617	131	33-630000-49	135 - 15
33-620000-618	132	33-630000-5	135 - 12
33-620000-618	131	33-630000-59	135 - 19
33-620000-619	132	33-630000-601	131 -008
33-620000-620	132	33-630000-601	135
S33-620000-63	132	33-630000-603	131
S33-620000-65	132	33-630000-603	135
S33-620000-67	132	33-630000-605	135
S33-620000-69	132	33-630000-605	131
33-620000-7	132 - 18	33-630000-65	135 - 8
S33-620000-75	132	33-630000-69	135 - 4
S33-620000-77	132	33-630000-7	135 -014
S33-620000-79	132	33-630000-71	135 - 24
S33-620000-81	132	33-630000-83	135
33-620000-83	132	33-630000-83	131
S33-620000-85	132	33-630000-85	135
S33-620000-87	132	33-630000-87	362A
33-620000-9	132 - 19	33-630000-9	135 - 11
S33-620000-91	132	33-640000-101	134 -002
S33-620000-93	132	33-640000-11	134 - 12
33-620001-10	132	33-640000-13	134 - 10
33-620001-3	132	33-640000-15	134 - 8
33-620001-4	132	33-640000-17	134 - 1
33-620001-5	132	33-640000-19	134
33-620001-6	132	33-640000-21	134 - 26
33-620001-601	132	33-640000-21	013 - 40



B E E C H C R A F T  
B O N A N Z A 3 3  
I L L U S T R A T E D P A R T S C A T A L O G

- PART NUMBER	FIGURE & ITEM NO.	PART NUMBER	FIGURE & ITEM NO.
33-640000-23	013 - 39	33-910010-105	244 - 22
33-640000-23	134 - 27	33-910010-109	244 - 35
33-640000-24	134	33-910010-111	244 - 15
33-640000-24	013 - 38	33-910010-113	244 - 18
33-640000-25	134 - 3	33-910010-13	244 - 14
33-640000-27	134 - 15	33-910010-15	244 - 13
33-640000-28	134	33-910010-17	244 - 21
33-640000-29	134 - 5	33-910010-21	244 - 19
33-640000-3	134 - 7	33-910010-25	244 - 20
33-640000-31	134 - 6	33-910010-37	244
33-640000-33	134 - 20	33-910010-41	244 - 16
33-640000-35	134	33-910010-47	244 - 17
33-640000-37	134 - 21	33-910010-5	244 - 2
33-640000-39	134 - 4	33-910010-601	244 - 1
33-640000-43	134 - 23	33-910010-602	244
33-640000-45	134	33-910010-7	244
33-640000-47	134 - 24	33-910010-73	244 - 12
33-640000-49	134	33-910010-75	244 - 11
33-640000-5	134 - 9	33-910010-77	244
33-640000-51	134	33-910010-85	244
33-640000-53	134 - 14	33-910010-87	244 - 3
33-640000-53	013 - 41	33-910010-97	244
33-640000-57	134 - 16	33-910010-99	244 - 5
33-640000-58	134	33-910011-1	241 - 27
33-640000-59	134 - 19	33-910011-1	258
33-640000-601	134	33-910011-1	091 - 43
33-640000-601	131 - 003	33-910011-3	258 - 32
33-640000-603	134	33-910012-47	359A- 4
33-640000-604	134	33-910012-49	359A
33-640000-606	134	33-910016-11	244B- 35
33-640000-61	134 - 18	33-910016-13	244B- 41
33-640000-613	134	33-910016-15	244B- 33
33-640000-613	131	33-910016-21	244B- 42
33-640000-615	131	33-910016-23	244B- 45
33-640000-615	134	33-910016-25	244B- 43
33-640000-63	134 - 17	33-910016-27	244B- 44
33-640000-64	134	33-910016-3	244B- 19
33-640000-7	134 - 11	33-910016-5	244B- 32
33-640000-71	134	33-910016-601	244B
33-640000-73	134	33-910016-7	244B- 30
33-640000-75	134	33-910016-9	244B- 31
33-640000-87	134	33-910017-1	244B
33-640000-88	134	33-910017-11	244B
33-640000-89	134	33-910017-3	244B
33-640000-9	134 - 13	33-910017-5	244B
33-640000-95	134	33-910017-601	244B
33-640000-97	134	33-910017-7	244B
33-640000-99	134 - 002	33-910017-9	244B- 3
33-640010	134	33-910266-2	244
33-640010-1	134 - 28	33-920000-1	281 - 54
33-640010-2	134	33-920000-2	281
33-8003-1	206	33-920000-21	281
33-820000-3	212	33-920000-21	282
33-9001	241	33-921000-3	281
33-910000	357	33-921000-4	281
33-910000-11	241 - 12	33-921010	287 - 27
33-910000-11	241B- 41	33-921015-1	281A
33-910000-11	248	33-921015-1	281A
33-910000-13	241 - 5	33-921016-1	281A
33-910000-15	241B- 25	33-921016-1	281A
33-910000-15	241A-025	33-921017-5	281A
33-910000-3	241 - 30	33-921017-7	281A
33-910000-5	241	33-924013	341
33-910000-5	248	33-924013	312B
33-910000-5	358	33-924013	312C
33-910002	357	33-924016-5	281A-064
33-910002-1	248	33-924016-5	281A
33-910002-1	241B	33-924017	286
33-910002-5	241B- 15	33-940000-11	159 - 24
33-910010	244	33-940001	159
33-910010-101	244 - 26	33-940011	159A
33-910010-103	244 - 24	33-940011	395

B E E C H C R A F T  
B O N A N Z A 3 3  
I L L U S T R A T E D P A R T S C A T A L O G

PART NUMBER	FIGURE & ITEM NO.	PART NUMBER	FIGURE & ITEM NO.
33-940011	016	35-110061-14	035
33-950000-602	245	35-110061-15	035 - 26
33-950001-1	245	35-110061-16	035
33-950001-1	241 - 37	35-110061-17	035 - 47
33-950001-3	241	35-110061-19	035 - 48
33-950001-3	245	35-110061-2	035
33-950001-7	245 - 2	35-110061-2	034
33-950010	245 - 22	35-110061-2	031
330	411	35-110061-21	035 - 29
330	391	35-110061-22	035
330	354	35-110061-23	035 - 17
330	354A	35-110061-24	035
330	354	35-110061-25	035 - 4
330865	033A	35-110061-26	035
330865	033A	35-110061-27	035 - 37
330995F4-0060	282A-029	35-110061-29	035 - 49
330996-6-0186	411	35-110061-3	035 - 43
330996-6-0202	411 -033	35-110061-30	035
330997-0-0124	219A- 54	35-110061-31	035 - 50
330997-4-0130	219A- 56	35-110061-32	035
330997-4-0130	219B-015	35-110061-33	035 - 51
330997-4-0150	219A- 55	35-110061-35	035 - 52
330997-4-130	219A- 11	35-110061-37	035 - 53
330997-4-140	219A- 10	35-110061-39	035 - 27
33107A	214 - 21	35-110061-41	035 - 38
331744A1N1-10-42	314G	35-110061-42	035
331774A1N1-10-40	313G	35-110061-43	035 - 54
331774A1N1-10-42	314F	35-110061-44	035
331774A1N1-14-40	317B	35-110061-45	035 - 31
331774B1L1-25-25	313F	35-110061-47	035 - 32
332101A1N1-10-40	313G	35-110061-49	035 - 33
332101A1N1-10-42	314F	35-110061-5	035 - 44
332101A1N1-10-42	314G	35-110061-51	035 - 34
332101A1N1-14-40	317B	35-110061-53	035 - 35
332101B1L1-25-25	313F	35-110061-55	035 - 36
33793-11	361C-014	35-110061-57	035 - 55
33793-11	361A-047	35-110061-59	035 - 56
34-0226010-91	361C-020	35-110061-60	035
34-0226010-91	361B-004	35-110061-601	035
3419-5A	391A- 6	35-110061-602	035
3419-5A	391	35-110061-603	035
34300-9	361C-009	35-110061-604	035
34300-9	361A-045	35-110061-605	035
35-000129	015	35-110061-606	035
35-000131-3	016	35-110061-607	035
35-000131-5	016	35-110061-608	035
35-000131-7	016	35-110061-609	035
35-036040-23	091A	35-110061-61	035 - 40
35-036040-25	091A	35-110061-610	035
35-036040-8	091A	35-110061-611	035
35-105005-10	031 - 3	35-110061-612	035
35-105005-11	031	35-110061-63	035
35-105005-12	031 - 1	35-110061-65	035 - 63
35-105005-13	031	35-110061-67	035
35-105100	031	35-110061-69	035 - 65
35-105100-1	031	35-110061-7	035 - 16
35-105110	031 - 2	35-110061-71	035 - 57
35-105110-1	031	35-110061-72	035
35-108424-4	036 - 7E	35-110061-73	035 - 41
35-110009-601	033	35-110061-75	035 - 58
35-110009-602	033	35-110061-76	035
35-110009-603	034	35-110061-77	035 - 18
35-110009-604	034	35-110061-78	035
35-110009-613	033	35-110061-79	035 - 6
35-110009-614	033	35-110061-8	035
35-110061-1	031 -031	35-110061-80	035
35-110061-1	035	35-110061-81	035 - 28A
35-110061-1	034 - 9	35-110061-9	035 - 3
35-110061-10	035	35-110062-1	036 - 2
35-110061-11	035 - 45	35-110063-1	035 - 14
35-110061-12	035	35-110063-2	035
35-110061-13	035 - 46	35-110064-1	035 - 1

B E E C H C R A F T  
B O N A N Z A 3 3  
I L L U S T R A T E D P A R T S C A T A L O G

PART NUMBER	FIGURE & ITEM NO.	PART NUMBER	FIGURE & ITEM NO.
35-110064-2	035	35-115051-607	036
35-115020-74	035 - 28	35-115051-63	036
35-115020-8	035 - 42	35-115051-7	204
35-115020-9	035	35-115051-8	204 - 31
35-115031	036 - 42	35-115051-9	204
35-115031-1	036	35-115058	037 - 3
35-115031-20	036	35-115058	036 - 46
35-115032-602	036 - 41	35-115058-1	036
35-115032-603	036	35-115058-1	037
35-115033-612	036 - 39	35-115059-601	037 - 2
35-115033-613	036	35-115059-601	036 - 45
35-115034	034 - 7	35-115059-602	036
35-115034-1	034	35-115059-602	037
35-115035	034 - 6	35-115061	037 - 21
35-115035-1	034	35-115061-1	037
35-115041	036 - 34	35-115070-10	204 - 25
35-115041-1	036	35-115070-11	204
35-115042-603	036 - 33	35-115070-16	204 - 26
35-115042-604	036	35-115070-18	204 - 27
35-115045-602	036 - 37	35-115070-602	036 - 25
35-115045-603	036	35-115070-604	036
35-115046	034 - 2	35-115070-8	204 - 24
35-115046-1	034	35-115070-9	204
35-115047	036 - 56	35-115071	037 - 16
35-115047	037 - 13	35-115071	036 - 59
35-115047-1	037	35-115071-1	036
35-115047-1	036	35-115071-1	037
35-115048	036 - 57	35-115071-12	037
35-115048	037 - 14	35-115071-12	036
35-115048-1	037	35-115078-10	036 -054
35-115048-1	036	35-115078-10	037 -011
35-115049	036 - 58	35-115078-11	037
35-115049	037 - 15	35-115078-11	036
35-115049-1	037	35-115079-604	036 - 26
35-115049-1	036	35-115096	036 - 47
35-115050-10	037 -027	35-115096	037 - 4
35-115050-102	037 -031	35-115106-602	037
35-115050-103	037	35-115106-602	036
35-115050-11	037	35-115110-8	036
35-115050-12	037 -024	35-115121-10	036 - 49
35-115050-14	037 -023	35-115121-10	037 - 6
35-115050-15	037	35-115122-6	037 - 7
35-115050-24	037 -029	35-115122-6	036 - 50
35-115050-34	037 -040	35-115122-7	036
35-115050-57	037	35-115122-7	037
35-115050-59	037	35-115123-4	037 - 8
35-115050-604	037 - 1	35-115123-4	036 - 51
35-115050-604	036 - 44	35-115123-5	036
35-115050-605	036	35-115123-5	037
35-115050-605	037	35-115124-4	037 - 9
35-115050-61	037	35-115124-4	036 - 52
35-115050-72	037 -032	35-115124-5	036
35-115050-74	037 -033	35-115124-5	037
35-115050-76	037 -034	35-115130-22	204
35-115050-8	037 -025	35-115130-24	204
35-115050-80	037 -035	35-115130-604	036
35-115050-82	037 -036	35-115130-606	036
35-115050-84	037 -037	35-115131-6	037
35-115050-86	037 -038	35-115131-6	036
35-115050-88	037 -039	35-115137-10	036 - 18
35-115050-92	037 -026	35-115137-11	036
35-115050-93	037	35-115137-12	036 - 19
35-115050-94	037 -028	35-115137-13	036
35-115050-95	037	35-115137-14	036 - 19A
35-115050-98	037 -030	35-115137-15	036
35-115050-99	037	35-115137-18	036 -062
35-115051-10	204 - 30	35-115137-18	037 - 19
35-115051-11	204	35-115137-18	012 - 22
35-115051-4	204 - 28	35-115137-19	012 - 23
35-115051-5	204	35-115137-19	037
35-115051-6	204 - 29	35-115137-19	036
35-115051-606	036 - 32	35-115137-20	036

B E E C H C R A F T  
B O N A N Z A 3 3  
I L L U S T R A T E D P A R T S C A T A L O G

PART NUMBER	FIGURE & ITEM NO.	PART NUMBER	FIGURE & ITEM NO.
35-115137-20	012	35-115199-15	012
35-115137-21	012	35-115199-16	036 - 24A
35-115137-21	036	35-115199-17	036
35-115137-22	036 - 15	35-115199-24	036 -063
35-115137-22	012 - 20	35-115199-24	037 - 20
35-115137-23	012 - 21	35-115199-24	012 - 34
35-115137-23	036	35-115199-25	012 - 35
35-115137-6	036 - 17	35-115199-25	037
35-115137-7	036	35-115199-25	036
35-115137-8	036 - 16	35-115199-26	036 - 20
35-115137-9	036	35-115199-26	012 - 29
35-115142-10	036 - 6	35-115199-27	012 - 30
35-115142-110	036 - 7A	35-115199-27	036
35-115142-113	036	35-115199-28	036
35-115142-114	036	35-115199-28	012
35-115142-114	012	35-115199-29	012
35-115142-115	012	35-115199-29	036
35-115142-115	036	35-115199-35	036
35-115142-118S	036	35-115199-35	012
35-115142-122	036 - 6A	35-115199-37	012
35-115142-124	036 - 7E	35-115199-37	036
35-115142-13	036	35-115199-4	036 - 21
35-115142-130	036 - 7C	35-115199-5	036
35-115142-132	036 - 1A	35-115199-6	036 - 22
35-115142-138	036	35-115199-7	036
35-115142-18	036 - 4	35-115199-8	036 - 23
35-115142-21	036	35-115199-8	012 - 31
35-115142-52	036 - 1	35-115199-9	012 - 32
35-115142-52	012 -019A	35-115199-9	036
35-115142-55	012 -019E	35-115200-100	012 - 43
35-115142-55	036	35-115200-101	012 - 44
35-115142-6	036 - 7	35-115200-104	012
35-115142-60	036 - 3	35-115200-104	036
35-115142-63	036	35-115200-105	036
35-115142-70	036 - 5	35-115200-105	012
35-115142-73	036	35-115200-106	012 - 36
35-115142-9	036	35-115200-106	036 - 8
35-115147	036	35-115200-107	036
35-115147	037	35-115200-107	012 - 37
35-115160	037 - 12	35-115200-108	012 - 38
35-115160	036 - 55	35-115200-11	012
35-115160-1	036	35-115200-11	036
35-115160-1	037	35-115200-116	036
35-115166-14	033	35-115200-116	012 - 41
35-115166-16	033	35-115200-117	012 - 42
35-115166-20	033	35-115200-117	036
35-115184	035A- 24	35-115200-118	036 - 9
35-115184	035 - 66	35-115200-118	012
35-115194-26	037 -017	35-115200-119	012
35-115194-26	036 -060	35-115200-119	036
35-115194-26	012 - 24	35-115200-30	036
35-115194-28	012	35-115200-30	012
35-115194-31	012 - 26	35-115200-31	012
35-115194-33	012 - 27	35-115200-31	036
35-115194-35	012 - 25	35-115200-36	036 - 12
35-115194-35	036	35-115200-37	036
35-115194-35	037	35-115200-38	036 - 11
35-115194-37	012	35-115200-39	036
35-115194-38	012	35-115200-4	012 - 39
35-115194-40	012	35-115200-5	012 - 40
35-115194-42	012	35-115200-613	012
35-115194-44	012	35-115200-613	036
35-115194-44	037	35-115200-614	036
35-115194-44	036	35-115200-614	012
35-115194-6	012	35-115200-663	036 - 10
35-115194-7	012	35-115200-664	036
35-115194-8	012	35-115200-70	036 - 13
35-115194-8	012	35-115200-71	036
35-115199-12	012 - 33	35-115200-76	036 - 14
35-115199-14	012	35-115200-77	036
35-115199-14	036 - 24	35-115200-90	036 - 14A
35-115199-15	036	35-115200-91	036

B E E C H C R A F T  
B O N A N Z A 3 3  
I L L U S T R A T E D P A R T S C A T A L O G

PART NUMBER	FIGURE & ITEM NO.	PART NUMBER	FIGURE & ITEM NO.
35-115200-92	036	35-115303-652	036 - 29
35-115200-92	012	35-115304-602	036
35-115200-98	012	35-115383	033
35-115200-99	012	35-115383-2	033 - 8
35-115203	036 -066	35-115383-5	033
35-115203-1	036	35-115383-7	033
35-115205	036 -065	35-115388-4	034A
35-115205-1	036	35-115388-6	034A
35-115215	035A- 27	35-115431-10	033
35-115215	035 - 64	35-115431-100	033
35-115232	035 - 5	35-115431-100	012 - 6
35-115237	012	35-115431-103	033 - 7
35-115241-12	036	35-115431-104	033
35-115242-10	036	35-115431-105	033
35-115246	036 - 28	35-115431-107	034 - 1
35-115247	036 - 27	35-115431-107	012 - 7
35-115253	036 - 36	35-115431-108	012 - 8
35-115253-1	036	35-115431-108	034
35-115256	036	35-115431-109	033 - 11
35-115264	036 -064	35-115431-11	033 - 33
35-115265	036 -061	35-115431-110	033
35-115265	037 - 18	35-115431-111	033
35-115265-1	037	35-115431-112	033
35-115265-1	036	35-115431-113	034 - 8
35-115265-3	012 - 46	35-115431-114	034
35-115265-6	012 - 45	35-115431-115	034
35-115265-601	012	35-115431-116	034
35-115265-602	012	35-115431-117	033
35-115265-8	012	35-115431-118	033
35-115272	036 - 38	35-115431-12	033
35-115272-1	036	35-115431-123	033
35-115273	036 - 40	35-115431-173	031 -028
35-115273-1	036	35-115431-23	033
35-115274	036 - 30	35-115431-24	033
35-115274-1	036	35-115431-29	033
35-115275-2	036 - 31	35-115431-30	033
35-115275-3	036	35-115431-39	033 - 24
35-115276	110	35-115431-40	033
35-115276-1	110	35-115431-41	033
35-115280	039 - 17	35-115431-42	033
35-115280	039A	35-115431-45	033
35-115280-1	039	35-115431-46	033
35-115301-201	036	35-115431-5	033 - 27
35-115301-201	031	35-115431-6	033
35-115301-44	036	35-115431-609	033 - 26
35-115301-50	036	35-115431-610	033
35-115301-50	031	35-115431-611	033 - 25
35-115301-51	031	35-115431-612	033
35-115301-51	036	35-115431-613	033
35-115301-601	037 - 5	35-115431-614	033
35-115301-601	036 - 48	35-115431-615	033
35-115301-602	036	35-115431-616	033
35-115301-602	037	35-115431-617	033
35-115301-603	037 - 10	35-115431-618	033
35-115301-603	036 - 53	35-115431-621	033 - 38
35-115301-604	036	35-115431-622	033
35-115301-604	037	35-115431-627	033 - 23
35-115301-617	012 - 28	35-115431-628	033
35-115301-630	037	35-115431-7	033 - 31
35-115301-630	036	35-115431-8	033
35-115301-631	036	35-115431-85	033 - 5
35-115301-631	037	35-115431-86	033
35-115301-641	037	35-115431-87	033
35-115301-641	036	35-115431-88	033
35-115301-642	036	35-115431-9	033 - 32
35-115301-642	037	35-115431-93	033 - 37
35-115301-80	036	35-115431-94	033
35-115301-80	031	35-115431-99	033 - 2
35-115301-97	037	35-115431-99	012 - 5
35-115301-97	037	35-135025-10	041 - 13
35-115301-98	036	35-135025-2	041 - 14
35-115301-98	031	35-135025-32	041 - 5

B E E C H C R A F T  
B O N A N Z A 3 3  
I L L U S T R A T E D P A R T S C A T A L O G

PART NUMBER	FIGURE & ITEM NO.	PART NUMBER	FIGURE & ITEM NO.
35-135025-36	041 - 3	35-321117-12	394 - 1
35-135025-40	041 - 15	35-324002-103	394A- 13
35-135025-8	041 - 10	35-324002-103	394 - 13
35-160000-49	040	35-324002-105	394 - 12
35-160025-1	161	35-324002-105	394A- 12
35-160025-5	161 - 25	35-324002-107	394A- 7
35-160025-7	161 - 29	35-324002-107	394 - 7
35-160025-9	161	35-324002-123	223
35-160025-9	161 - 23	35-324002-125	394 - 29
35-165050-214	040	35-324002-125	394A
35-165050-30	040	35-324002-129	394 - 25
35-165050-31	040 -004	35-324002-133	394 - 19
35-165050-34	040 - 5	35-324002-137	394
35-165050-35	040	35-324002-15	394
35-165050-40	040 - 6	35-324002-151	394A- 23
35-165050-605	040	35-324002-155	394
35-165050-606	040	35-324002-155	394A
35-165051-8	040	35-324002-159	394A
35-165051-9	040	35-324002-161	394A
35-170002-5	039B-004	35-324002-163	394
35-170002-5	039 - 9	35-324002-165	394
35-170005-10	039	35-324002-167	223 - 42
35-170005-10	039B	35-324002-37	394A- 3
35-170005-13	039 - 7	35-324002-37	394 - 3
35-170005-14	039	35-324002-39	394
35-170005-15	039	35-324002-49	223 - 38
35-170005-19	039B	35-324002-53	223 - 40
35-170005-19	039	35-324002-57	223 - 31
35-170005-19	031	35-324002-7	394A
35-170005-20	031	35-324002-71	223 - 33
35-170005-20	039	35-324002-73	223 - 37
35-170005-20	039B	35-324002-75	223 - 29
35-170005-21	039 - 6	35-324002-81	394A
35-170005-22	039	35-324002-83	394A- 8
35-170005-3	039B-001	35-324002-83	394 - 8
35-170005-4	039B	35-324002-87	394 - 11
35-170005-5	039B-005	35-324002-87	394A- 11
35-170005-5	039 - 11	35-324002-89	394A- 14
35-170005-57	039B	35-324002-89	394 - 14
35-170005-57	031	35-324002-9	394A- 5
35-170005-58	031	35-324002-9	394 - 5
35-170005-58	039B	35-324002-93	223 - 43
35-170005-6	039B	35-324002-99	394A- 19
35-170005-6	039	35-324033-4	392B
35-170005-7	039	35-324033-4	392A
35-170005-7	039B-002	35-324070-5	391A
35-170005-8	039B	35-324192-12	394 - 40
35-170005-8	039	35-324192-12	394A- 36
35-170005-9	039 - 12	35-324365-11	392
35-170005-9	039B-006	35-324365-11	392B-024
35-170006-1	039B-003	35-324365-3	392 -026
35-170006-1	039	35-324365-31	392B
35-170006-2	039	35-324365-33	392B
35-170006-2	039B	35-324365-35	392
35-175001	039	35-324365-35	392B
35-175001	031 -030	35-324365-39	392
35-175001	012 - 1	35-324365-41	392
35-175001-1	012 - 2	35-324365-47	392
35-175001-1	031	35-324365-47	392B
35-175001-1	039	35-324365-5	392
35-175001-2	039 -001A	35-324365-67	392B
35-175001-3	039	35-324386-107	395 - 15
35-175001-4	039 -001B	35-324386-109	395
35-175001-5	039	35-324386-23	395 - 16
35-2002-57	016 - 39	35-324386-35	395 - 17
35-2002-57	391 - 16A	35-324386-39	395
35-2002-59	281A	35-324386-624	392
35-2002-67	281 - 48	35-324386-626	392
35-2002-73	281	35-324386-636	392
35-2002-75	281	35-324386-67	155
35-2002-81	281	35-324386-67S	392
35-321117-12	394A- 1	35-324386-67S	392A

B E E C H C R A F T  
B O N A N Z A 3 3  
I L L U S T R A T E D P A R T S C A T A L O G

PART NUMBER	FIGURE & ITEM NO.	PART NUMBER	FIGURE & ITEM NO.
35-324386-67S	392B	35-324451-79	391A
35-324386-67S	395	35-324454-3	392A
35-324386-69	392 - 5	35-324455-1	392A- 19
35-324386-71	392 - 6	35-324455-3	392A
35-324386-71	392B- 17	35-324456-11	392A- 1
35-324386-71	395 - 3	35-324456-13	392A
35-324386-73	395 - 7	35-324456-5	392A- 4
35-324386-75	392	35-324456-5	392 - 1
35-324386-75	155	35-324456-7	392
35-324386-77	395	35-324458-1	392 - 7
35-324386-78	395	35-324458-3	392B- 18
35-324386-79	395 - 5	35-324458-5	392B
35-324386-80	395 -006	35-324465-1	395 - 1
35-324386-81	395	35-324465-17	395
35-324386-83	395 - 9	35-324465-21	395
35-324386-85	395 - 4	35-324465-23	395
35-324386-91	395 - 2	35-324465-29	395
35-324386-91	392B- 16	35-324465-3	395
35-324386-99	152A	35-324465-3	155
35-324387-5	392B- 3	35-324465-45	395
35-324387-5	392 - 3	35-324465-5	395
35-324387-5	392A- 3	35-324465-5	155
35-324392-47	223 - 32	35-324465-7	395
35-324392-47	223 - 39	35-324467	395
35-324408	392A- 10	35-324469-1	016 - 28
35-324408	016 - 11	35-324470	016 - 31
35-324408-3	324	35-324470	391 - 20
35-324410	016 - 12	35-324471-1	393
35-324432-601	392	35-324471-1	395
35-324432-601	392B	35-324471-11	393 - 6
35-324432-601	392A	35-324471-13	393 - 10
35-324432-601	354	35-324471-15	393 - 12
35-324436	016 - 34	35-324471-17	393 - 13
35-324436	250A-015	35-324471-19	393 - 20
35-324436	251 - 18	35-324471-23	393
35-324436	251A-028	35-324471-25	393
35-324436	250 - 17	35-324471-27	393
35-324443-1	393	35-324471-29	393
35-324443-11	393	35-324471-31	393
35-324443-13	393 -029	35-324471-41	393
35-324443-3	393 -026	35-324471-45	393 - 5
35-324443-5	393	35-324471-5	393
35-324443-9	393 -025	35-324471-5	395
35-324444	324	35-324474-1	392A
35-324447-1	391 - 21	35-324474-3	392A- 20
35-324449-15	392	35-324474-5	392A- 21
35-324449-15	395	35-324475	392A
35-324449-601	391	35-324479-1	392
35-324451-127	391A	35-324479-1	245A
35-324451-135	391A	35-324479-3	392
35-324451-145	194A	35-324481-1	392 - 2
35-324451-147	391A	35-324481-13	392
35-324451-149	391A	35-324481-17	392
35-324451-149	194A	35-324481-7	392B- 4
35-324451-151	194A	35-324481-7	251B
35-324451-27	391	35-324483-1	391A-017
35-324451-31	391	35-324483-1	391 - 19
35-324451-39	391 - 4	35-324486-1	391A
35-324451-41	391	35-324487	251A
35-324451-49	391	35-324487	250A
35-324451-49	391	35-324490-1	194A
35-324451-51	391	35-324490-3	194A
35-324451-51	391	35-324490-5	194A
35-324451-57	391A	35-324490-7	194A
35-324451-57	391	35-329006	245A
35-324451-613	391	35-329006-1	245
35-324451-615	391	35-329006-3	245
35-324451-617	391	35-329006-3	245A
35-324451-623	391	35-329012-11	194A-002
35-324451-627	391	35-329012-11	194A-034
35-324451-629	391	35-329012-11	194 - 19
35-324451-75	391A- 4	35-329012-11	194

B E E C H C R A F T  
B O N A N Z A 3 3  
I L L U S T R A T E D P A R T S C A T A L O G

PART NUMBER	FIGURE & ITEM NO.	PART NUMBER	FIGURE & ITEM NO.
35-329012-11	194 - 5	35-364127	211 - 2
35-329012-15	194 - 9	35-364129-613	354
35-329012-17	194 - 10	35-364129-615	354
35-329012-19	194 - 11	35-364130	211 - 3
35-329012-21	194 - 16	35-364136	354 - 92
35-329012-21	194A-005	35-364137	354 - 93
35-329012-23	194 - 18	35-364153-606	223
35-329012-25	194 - 7	35-364153-9	354 - 76
35-329012-25	244B- 27	35-364160	354 - 64
35-329012-27	194	35-364160	354A-048
35-329012-27	194	35-364160	324
35-329012-27	393	35-364160-1	324 -025
35-329012-29	194	35-364160-1	354
35-329012-39	194 - 13A	35-364160-3	354
35-329012-39	194B-035	35-364160-3	354A
35-329012-41	194	35-364160-3	324
35-329012-5	194	35-364160-5	354B-018
35-329012-7	194	35-364161-1	361
35-329012-9	194 - 6	35-364161-17	361
35-329017-1	194	35-364161-3	361
35-329017-11	194	35-364161-5	361
35-329017-5	194	35-364161-7	361
35-329017-7	194	35-364168-1	359A- 14
35-329017-9	194	35-364170-11	223
35-344073-16	392B	35-364170-13	223
35-344073-16	391 - 11	35-364170-17	223
35-344129	103	35-364171-1	223 - 12
35-344234	392B- 20	35-364171-11	223
35-344234	392 - 22	35-364171-13	223
35-344267-17	354	35-364171-15	223 - 19
35-344347	417	35-364171-17	223 - 18
35-344347-1	417	35-364171-19	223 - 17
35-354479-7	245A	35-364171-21	223 - 16
35-360000-651	356	35-364171-23	223 - 24
35-360011-1	354	35-364171-25	223
35-360011-7	354A	35-364171-27	223
35-360012	355	35-364171-3	223 - 14
35-360014	355 - 22	35-364171-7	223 - 13
35-360014-1	355	35-364171-9	223 - 15
35-360014-3	355	35-364173-1	362
35-360017	355 - 19	35-364173-3	362 - 12
35-360018	355 - 20	35-364174-1	362 - 2
35-360021	355	35-364174-1	362
35-360022	355 - 24	35-364175-3	362
35-361025-1	355	35-364176-1	362
35-361028-603	223	35-364176-3	362 - 8
35-361102	355	35-364214	091A
35-361102-1	355	35-364214	091
35-361108-8	355 - 8	35-364238	354 - 90
35-361108-8	394 - 34	35-364247	354 - 91
35-361108-8	394A- 30	35-364258	354A-031
35-361109	394A- 32	35-364258	354 - 21A
35-361109	394 - 36	35-364258	360
35-361109	355 - 11	35-364258-3	360
35-361131	355	35-364258-3	354B-011
35-361131	202	35-364259-1	360 - 1
35-361132-1	202 -083	35-364268-1	362
35-361133	202 -085	35-364268-3	362 - 36
35-361134	202	35-364269-1	362
35-361145	202 -066	35-364269-3	362 - 32
35-361148-1	202 -086	35-369002-17	356
35-361151	012 - 19	35-369017-5	354 - 16
35-361159	355	35-369018-11	359A- 9
35-361159	394	35-369018-13	359A- 10
35-361159	394A	35-369018-15	359A
35-361702-2	355 - 5	35-369018-17	359A- 6
35-361702-2	039 - 2	35-369018-23	359A- 12
35-361702-4	039	35-369123-3	159 - 11
35-361702-4	355	35-369123-3	159A- 18
35-364010-2	109	35-369123-5	159A
35-364061	324 -023	35-369124-1	354B-006
35-364126-2	354 - 85	35-369124-3	223 - 6



B E E C H C R A F T  
B O N A N Z A 3 3  
I L L U S T R A T E D P A R T S C A T A L O G

PART NUMBER	FIGURE & ITEM NO.	PART NUMBER	FIGURE & ITEM NO.
35-369124-5	354B	35-380132-39	194A-043
35-369131	354B-005	35-380132-41	354B-033
35-369131	354A-004	35-380132-43	354B
35-369131	354 - 4	35-380132-43	362A- 1
35-369131	223 - 4	35-380132-43	361C
35-369145	354 - 14	35-380132-43	361B
35-380001-603	109 - 2	35-380132-43	361A
35-380019-5	324	35-380132-47	354A-043
35-380019-5	354	35-380132-47	354A-042
35-380019-5	392	35-380132-47	354 - 58
35-380019-5	392A- 31	35-380132-47	354 - 53
35-380020-1	202 - 46	35-380132-51	354 - 52
35-380020-3	206 - 19	35-380132-51	354A-041
35-380020-3	206A-024	35-380132-7	251B-015
35-380035-1	258 - 1	35-380132-7	251B-012
35-380035-5	258	35-380132-9	251A-027
35-380035-7	258	35-380132-9	250A-014
35-380036-13	391	35-380133-1	395
35-380036-13	391A- 7	35-380133-13	395 -020
35-380036-15	391 - 8	35-380133-19	395
35-380050-1	159A	35-380133-19	016 - 20
35-380051-13	417 -136	35-380133-21	016
35-380051-23	417 - 39	35-380133-21	395 -019
35-380051-25	417 - 28	35-380133-25	395
35-380051-27	417 - 56	35-380133-25	016 - 21
35-380053-11	223 - 10	35-380133-3	395
35-380053-21	354 - 50	35-380133-53	395
35-380053-21	354 - 63	35-380133-55	395
35-380053-21	354A-040	35-380133-55	016
35-380053-21	354B-031	35-380133-61	415
35-380053-21	354B	35-380133-63	395
35-380053-27	354B	35-380133-65	395
35-380053-275	354A	35-380133-65	016
35-380053-656	223	35-380133-71	016
35-380054-3	392B-023	35-380133-71	395
35-380054-3	392	35-380133-71	415 -007A
35-380055-1	324 -022	35-380135-1	281 -038
35-380063-1	258 - 3	35-380135-1	281A-051
35-380063-1	258 - 36	35-380135-10	281A
35-380063-11	219A- 25	35-380135-11	281A
35-380063-13	219A	35-380135-12	281A
35-380063-13	219B-042	35-380135-2	281A
35-380063-7	219 - 59	35-380135-2	281
35-380065-1	222	35-380135-3	281
35-380065-1	219 - 9	35-380135-3	281A
35-380072-1	156 - 29	35-380135-4	281A
35-380079-1	223 - 21	35-380135-4	281
35-380079-7	223	35-380135-9	281A
35-380088-1	241A- 14	35-380136-3	355 - 13
35-380093-3	354A-014	35-380136-5	355
35-380093-3	354 - 15	35-380136-7	281A
35-380094	214	35-380138-3	392A- 17
35-380094	213 - 36	35-400008-12	104B- 5
35-380094-3	213	35-400008-12	104A- 5
35-380094-3	214A	35-400008-12	104 - 5
35-380109	161 - 16	35-400010-105	104B
35-380111-3	392A- 27	35-400010-109	104B
35-380112-5	392A- 25	35-400010-30	104 - 3
35-380113-5	392A- 26	35-400010-34	104 - 9
35-380114-3	392A- 30	35-400010-34	104A- 9
35-380115-5	392A- 29	35-400010-36	104A- 7
35-380116-3	392A- 28	35-400010-36	104 - 7
35-380117-1	392	35-400010-632	104A
35-380117-3	392	35-400010-632	013
35-380121-1	392A- 24	35-400010-66	104B
35-380126-3	395 -018	35-400010-67	104A
35-380126-3	016 - 19	35-400010-79	104A- 3
35-380127-7	392A- 18	35-400010-79	104B- 3
35-380132-13	354B-032	35-400010-81	104B
35-380132-3	394A- 33	35-400010-81	104A
35-380132-3	394 - 37	35-400010-83	104
35-380132-33	415 -006A	35-400010-95	104A

B E E C H C R A F T  
B O N A N Z A 3 3  
I L L U S T R A T E D P A R T S C A T A L O G

PART NUMBER	FIGURE & ITEM NO.	PART NUMBER	FIGURE & ITEM NO.
35-400013-1	104A- 16	35-400404-1	104 - 14
35-400013-1	104 - 16	35-400405	104 - 91
35-400013-1	104B- 14	35-400414	104A- 66
35-400014-3	104B	35-400414	104 - 69
35-400014-3	104A	35-400414	104B- 31
35-400014-619	104	35-400417	104A- 62
35-400018-12	104 - 4	35-400417-1	104 - 65
35-400018-18	104A- 4	35-400417-1	104A- 79
35-400018-18	104B- 4	35-400417-1	104B- 30
35-400029	104B- 12	35-400434	104 - 55
35-400029	104A- 80	35-400462	104 - 60
35-400031-1	104B- 15	35-400462	104A- 58
35-400031-1	104A- 17	35-400462	104B-026
35-400031-1	104 - 17	35-400462-3	104B
S35-400032-5	104 -011	35-400464-10	104B
S35-400032-5	104A-011	35-400464-8	104B-025
S35-400032-5	104B-007	35-400464-8	104A- 57
35-400032-9	104B-007	35-400464-8	104 - 59
35-400032-9	104A-011	35-400471-13	099 - 19
35-400032-9	104 -011	35-400471-15	099 - 20
35-400033	104 - 18	35-400471-17	099 - 21
35-400033	104A- 18	35-400471-19	099
35-400033	104B- 16	35-400471-21	103 - 26
35-400036	104B- 11	35-400471-21	103B-111
35-400036	104 - 62	35-400471-23	103B-110
35-400041	104 - 67	35-400471-23	103 - 27
35-400041	104A- 64	35-400471-25	099 - 22
35-400041-3	104B-032	35-400471-25	099
35-400044-1	104B- 19	35-400471-27	103 - 28
35-400044-1	104A- 21	35-400471-27	103B-109
35-400044-1	104 - 21	35-400471-29	099 - 23
35-400212	103 - 17	35-400472	104A
35-400212	394 - 30	35-400473-15	091
35-400212	394A- 26	35-400473-16	091 - 66
35-400213	103 - 94	35-400473-17	091
35-400300-613	104	35-400473-18	091 - 67
35-400300-615	104	35-400473-21	103 - 57
35-400304-1	091 - 80	35-400473-21	103
35-400320-32	104	35-400473-23	103
35-400320-32	104A- 23	35-400473-3	091A
35-400320-32	104B- 21	35-400473-4	091A
35-400320-34	104A	35-400473-606	099
35-400320-34	104 - 25	35-400474	016 - 7
35-400320-4	104A	35-400474	104 - 89
35-400320-50	104 - 90	35-410000-108	098 -028
35-400320-50	104A- 69	35-410000-109	098 -027
35-400320-52	104A- 73	35-410000-110	098 -026
35-400320-54	104B- 68	35-410000-12	098
35-400320-56	104A- 70	35-410000-123	099 - 20A
35-400320-56	104 - 72	35-410000-125	098 - 17
35-400320-6	104 - 23	35-410000-15	098 - 20
35-400320-6	104A	35-410000-16	099 - 18
35-400320-66	104 - 96	35-410000-17	099
35-400320-66	104A	35-410000-18	099 - 29
35-400320-68	104A- 72	35-410000-2	098 - 22
35-400320-69	104A	35-410000-24	099 - 47
35-400320-79	104A	35-410000-25	099 - 48
35-400320-8	104A	35-410000-25	098 -036
35-400320-8	104 - 24	35-410000-30	098 - 6
35-400320-89	104B-095	35-410000-31	098 - 7
35-400339-2	111 - 8	35-410000-38	098 - 18
35-400339-12	219 - 23	35-410000-46	091
35-400379	104B-092	35-410000-47	091 - 68
35-400379	104 - 75	35-410000-624	013 - 17
35-400379	104A- 75	35-410000-625	013 - 18
35-400380	104	35-410000-64	098
35-400395	104 - 57	35-410000-65	098 -031
35-400395	104A- 55	35-410000-66	098 - 2
35-400395	104B-023	35-410000-681	091
35-400395-3	104B	35-410000-682	091
35-400404-1	104B- 10	35-410000-8	098 - 16
35-400404-1	104A- 14	35-410000-90	098 - 19

B E E C H C R A F T  
B O N A N Z A 3 3  
I L L U S T R A T E D P A R T S C A T A L O G

PART NUMBER	FIGURE & ITEM NO.	PART NUMBER	FIGURE & ITEM NO.
35-410007-16	103 - 5	35-410158-14	102A- 19
35-410007-20	103 - 3	35-410158-14	102 - 18
35-410010-10	103	35-410158-16	102 - 13
35-410010-14	103	35-410158-16	102A- 15
35-410015	103 - 59	35-410158-16	153
35-410015	103B-070	35-410158-18	152
35-410015	153 - 024	35-410158-18	102A- 16
35-410015	153A-025	35-410158-18	102 - 14
35-410015	152	35-410158-2	102A- 11
35-410015-1	152	35-410158-20	102A- 13
35-410015-1	153A	35-410158-20	102 - 12
35-410015-1	153	35-410158-24	102 - 11
35-410015-1	103B	35-410158-24	102A- 14
35-410015-1	103	35-410158-28	102A- 3
35-410023	103 - 92	35-410158-28	102 - 4
35-410024	098 - 035	35-410158-29	102
35-410038-10	097 - 38	35-410158-29	102A
35-410038-12	097 - 39	35-410158-36	102A- 1
35-410038-126	097 - 40	35-410158-36	102 - 3
35-410038-154	097 - 41	35-410158-37	102
35-410038-155	097 - 42	35-410158-37	102A- 2
35-410038-179	097 - 9	35-410158-38	102A- 4
35-410038-183	097	35-410158-39	102A
35-410038-189	097 - 3	35-410158-4	102 - 6
35-410038-199	097	35-410158-4	102A- 10
35-410038-211	097	35-410158-5	102 - 1
35-410038-213	097	35-410158-50	102A
35-410038-22	097 - 36	35-410158-6	102A- 21
35-410038-24	097 - 37	35-410158-6	102 - 2
35-410038-32	097 - 21	35-410158-601	102A
35-410038-34	097 - 7	35-410160-32	103
35-410038-4	097 - 6	35-410160-32	107 - 37
35-410038-6	097 - 014	35-410167	102A- 5
35-410038-68	097 - 010	35-410167	102 - 9
35-410038-70	097 - 12	35-410168	102 - 10
35-410038-72	097 - 11	35-410168	102B- 8
35-410038-8	097 - 13	35-410168	102A- 22
35-410038-90	097 - 33	35-410168	102D-010
35-410040-602	099	35-410168	102C- 8
35-410046-19	097	35-410169 B-C	015 - 3
35-410052-181	097	35-410169 W-C	015
35-410070-10	106	35-410170-16	099 - 10
35-410070-12	106	35-410170-2	098 - 14
35-410070-18	098 - 029	35-410170-4	098 - 15
35-410070-20	098	35-410180-14	106 - 9
35-410070-22	098	35-410180-14	107 - 41
35-410070-24	098	35-410180-2	098 - 24
35-410070-81	106	35-410180-6	098 - 25
35-410070-93	106	35-410210-12	099 - 55
35-410070-93	013 - 43	35-410210-24	098 - 5
35-410070-97	106	35-410210-25	098 - 8
35-410075	107 - 38	35-410210-4	098 - 9
35-410077-28	208	35-410214-5	107 - 3
35-410077-29	208	35-410214-5	106 - 2
35-410077-30	208	35-410215-12	098
35-410077-31	208	35-410215-14	098
35-410077-36	208 - 003	35-410215-16	098
35-410077-37	208 - 004	35-410215-5	098 - 1
35-410077-40	208	35-410217-28	101 - 28
35-410077-44	208	35-410217-36	101
35-410077-45	208	35-410217-37	101 - 013
35-410077-8	208 - 5	35-410217-38	101
35-410077-9	208 - 6	35-410217-39	101 - 014
35-410130-22	103	35-410217-40	101 - 18
35-410145-16	099 - 15	35-410217-44	101A- 25
35-410145-604	099	35-410217-46	101A- 24
35-410158-10	098 - 12	35-410217-48	101
35-410158-10	102A- 24	35-410217-49	101 - 019
35-410158-11	102A	35-410217-8	101 - 29
35-410158-11	098 - 13	35-410225-2	098
35-410158-12	102 - 17	35-410225-3	098
35-410158-12	102A- 17	35-410225-4	099 - 61

B E E C H C R A F T  
B O N A N Z A 3 3  
I L L U S T R A T E D P A R T S C A T A L O G

PART NUMBER	FIGURE & ITEM NO.	PART NUMBER	FIGURE & ITEM NO.
35-410241	341 - 22	35-410421-2	341
35-410256	101 - 2	35-410435	104 - 76
35-410257-2	101 - 3	35-410435	104A- 76
35-410257-3	101 - 4	35-410435-3	104B-097
35-410258	102 - 8	35-410436	104A- 77
35-410258	102A- 18	35-410436	104 - 77
35-410259-14	099 - 3	35-410436-3	104B
35-410259-16	013 - 24	35-410444-21	099 - 17
35-410259-18	099	35-410444-23	091
35-410259-22	099 - 1	35-410444-24	091 - 69
35-410259-30	099 - 31	35-410444-49	099 - 41
35-410259-602	101 - 1	35-410444-49	099A
35-410259-624	099	35-410444-50	099A
35-410259-8	099 - 30	35-410444-50	099 - 42
35-410260	101 - 12	35-410444-51	099 - 49
35-410265-1	395 - 12	35-410444-52	099 - 50
35-410278	099 - 2	35-410444-55	091
35-410279	099 - 51	35-410444-56	091 - 61
35-410279-1	099 - 52	35-410444-57	091
35-410279-2	099	35-410444-58	091 - 62
35-410279-3	099	35-410445-15	101 - 16
35-410286 B-C	015 - 12	35-410445-19	101 - 15
35-410286 W-C	015	35-410445-7	101 - 11
35-410291-175	110 - 29	35-410445-9	101 - 9
35-410291-207	110	35-410446-109	091
35-410291-209	110	35-410446-117	091 - 53
35-410291-223	110	35-410446-119	091
35-410291-225	110	35-410446-121	091 - 37
35-410291-227	110 - 28	35-410446-123	091
35-410291-631	110	35-410446-13	091
35-410291-632	110	35-410446-131	091
35-410291-641	110	35-410446-133	091 - 19
35-410291-642	110	35-410446-135	091
35-410291-72	110	35-410446-137	091 - 22
35-410291-73	110	35-410446-139	091 - 23
35-410315	110 - 31	35-410446-139	091 - 20
35-410315	110 - 2	35-410446-145	091
35-410316	110 - 54	35-410446-145	258 - 29
35-410317	110 - 49	35-410446-15	091
35-410317-1	110A-017	35-410446-151	091 - 24
35-410326	016 - 22	35-410446-151	091 - 35
35-410329 B-C	016	35-410446-153	091
35-410329 B-C	110	35-410446-153	091
35-410329 W-C	110 - 59	35-410446-157	091 - 21
35-410329 W-C	016 - 24	35-410446-159	091
35-410330-10	099 - 7	35-410446-161	091 - 27
35-410330-12	099 - 8	35-410446-163	091 - 26
35-410330-2	099 - 6	35-410446-167	091
35-410330-5	099	35-410446-167	091
35-410330-6	099 - 5	35-410446-169	091
35-410330-602	099	35-410446-17	091
35-410330-603	099	35-410446-171	091 - 10
35-410330-7	099	35-410446-172	091
35-410330-8	099 - 28	35-410446-175	091 - 14
35-410330-9	099	35-410446-176	091
35-410331-10	099 - 25	35-410446-177	091
35-410331-4	099 - 24	35-410446-178	091
35-410331-602	099	35-410446-179	091 - 16
35-410332	099 - 26	35-410446-181	091 - 13
35-410338	210 - 37	35-410446-182	091
35-410365	103	35-410446-183	091
35-410369-2	103 - 40	35-410446-185	091
35-410369-3	103	35-410446-19	091 - 55
35-410370	103 - 31	35-410446-191	091 - 25
35-410370-1	103	35-410446-193	091 - 32
35-410372	103	35-410446-193	091 - 28
35-410384-12	091 - 41	35-410446-197	091
35-410384-13	091	35-410446-197	258 - 28
35-410408	099 - 53	35-410446-199	258
35-410408-2	099	35-410446-199	091 - 42
35-410408-4	099	35-410446-20	091
35-410414-1	103 - 14	35-410446-215	013 - 26

B E E C H C R A F T  
B O N A N Z A 3 3  
I L L U S T R A T E D P A R T S C A T A L O G

PART NUMBER	FIGURE & ITEM NO.	PART NUMBER	FIGURE & ITEM NO.
35-410446-215	091	35-410451-39	341 - 28
35-410446-217	091 - 1	35-410451-39	341 - 11
35-410446-221	091 - 3	35-410451-41	341
35-410446-222	091	35-410451-41	341
35-410446-223	091 - 2	35-410451-43	341
35-410446-229	091 - 18	35-410451-43	341
35-410446-229	091A	35-410452-109	013 - 20
35-410446-235	091	35-410452-109	099A
35-410446-237	091	35-410452-109	099A
35-410446-239	091 - 15	35-410452-109	099 - 34
35-410446-239	091A	35-410452-115	099
35-410446-241	091 - 17	35-410452-115	013
35-410446-243	091 - 29	35-410452-119	013
35-410446-247	091	35-410452-119	099
35-410446-249	091	35-410452-139	097 - 063
35-410446-251	091	35-410452-140	097
35-410446-253	244B- 20	35-410452-142	013 - 33
35-410446-253	244 - 31	35-410452-142	091
35-410446-263	091	35-410452-143	091
35-410446-265	091	35-410452-143	013 - 35
35-410446-267	091	35-410452-17	013 - 21
35-410446-285	091	35-410452-17	099 - 35
35-410446-287	091	35-410452-17	099A
35-410446-288	091	35-410452-175	013 - 44
35-410446-290	091	35-410452-179	013 - 2
35-410446-291	091	35-410452-183	013
35-410446-293	091 - 49	35-410452-183	099
35-410446-295	091 - 48	35-410452-189	098 - 032
35-410446-297	091 - 38	35-410452-189	013 - 9
35-410446-299	091	35-410452-190	013 - 14
35-410446-3	091 - 46	35-410452-190	098
35-410446-301	091 - 9	35-410452-190	098 - 21
35-410446-301	091A	35-410452-191	013
35-410446-303	091	35-410452-191	091
35-410446-305	091 - 56	35-410452-193	091 - 70
35-410446-306	091	35-410452-193	013
35-410446-307	091	35-410452-213	098
35-410446-315	091	35-410452-214	098
35-410446-317	091	35-410452-23	013 - 16
35-410446-319	091	35-410452-3	013 - 13
35-410446-321	091	35-410452-33	013 - 12
35-410446-323	091	35-410452-35	013 - 11
35-410446-329	091	35-410452-7	013 - 10
35-410446-333	091	35-410452-75	013 - 51
35-410446-335	091	35-410452-79	013 - 19
35-410446-337	091 - 31	35-410452-79	099 - 33
35-410446-339	091 - 33	35-410455-1	417 - 119
35-410446-341	091	35-410456	104B
35-410446-343	091 - 34	35-410456	104A
35-410446-345	091 - 30	35-410456	104
35-410446-347	091	35-410456-1	104
35-410446-349	091	35-410456-1	104A
35-410446-5	091	35-410456-1	104B- 44
35-410446-55	091	35-410456-11	104B- 52
35-410446-56	091	35-410456-11	104A- 34
35-410446-59	091	35-410456-11	104 - 35
35-410446-620	091	35-410456-13	104 - 52
35-410446-644	091	35-410456-13	104A- 51
35-410446-660	091	35-410456-27	104B- 65
35-410446-666	091	35-410456-27	104A- 47
35-410446-672	091	35-410456-27	104 - 48
35-410446-674	091	35-410456-29	104 - 50
35-410446-676	091	35-410456-29	104A- 49
35-410446-678	091	35-410456-29	104B- 66
35-410446-69	091 - 36	35-410456-3	104A- 25
35-410446-7	091	35-410456-3	104 - 26
35-410446-8	091 - 47	35-410456-31	104 - 30
35-410446-81	091 - 40	35-410456-31	104A- 29
35-410446-89	091 - 44	35-410456-33	104A
35-410446-9	091 - 51	35-410456-33	104
35-410451-35	341 - 12	35-410456-33	104B
35-410451-35	341 - 29	35-410456-35	104B

B E E C H C R A F T  
B O N A N Z A 3 3  
I L L U S T R A T E D P A R T S C A T A L O G

PART NUMBER	FIGURE & ITEM NO.	PART NUMBER	FIGURE & ITEM NO.
35-410456-41	104B	35-415330-166	111 - 2
35-410456-43	104B	35-415330-168	111 - 3
35-410456-5	104B- 59	35-415330-170	111 - 23
35-410456-5	104 - 43	35-415330-172	111 - 7
35-410456-5	104A- 42	35-415330-36	111 - 40
35-410456-601	104A	35-415330-37	111
35-410456-601	104	35-415330-40	111 - 10
35-410456-7	104 - 40	35-415330-42	111 - 9
35-410456-7	104A- 39	35-415330-44	111
35-410456-7	104B- 51	35-415330-45	111 - 5
35-410459	091	35-415330-64	111 - 50
35-410460-10	091	35-415330-65	111
35-410460-5	091 - 72	35-415330-66	111 - 39
35-410460-5	013 - 34	35-415330-72	111 - 41
35-410460-6	013 - 36	35-415330-72	245A- 22
35-410460-6	091	35-415330-72	245 - 25
35-410460-7	091	35-415330-73	245 - 26
35-410460-9	091 - 71	35-415330-73	245A- 21
35-410461-19	103 - 47	35-415330-73	111
35-410461-19	103B-064	35-415330-82	111 - 72
35-410461-21	103B-066	35-415332-2	111 - 12
35-410461-21	103 - 50	35-415332-4	111 - 13
35-410461-29	103 - 49	35-415332-6	111 - 11
35-410461-29	103B-065	35-415340-1	091 - 63
35-410461-30	103B	35-415340-2	091
35-410461-30	103	35-415341	091
35-410461-53	099	35-415341-1	091 - 64
35-410462-1	354A	35-415342-2	091
35-410462-1	354 - 7	35-415342-3	091 - 65
35-410462-1	356	35-415342-4	091
35-410462-13	356 - 4	35-415342-5	091
35-410462-15	356A	35-415342-6	091
35-410462-17	356 - 5	35-415342-7	091
35-410462-19	356 - 8	35-415343-12	091 - 75
35-410462-21	356 - 9	35-415343-13	091
35-410462-23	356	35-415343-14	091 - 77
35-410462-23	356A-003	35-415343-15	091
35-410462-25	356A-011	35-415343-16	091 - 81
35-410462-25	356B-015	35-415343-18	091 - 85
35-410462-25	356 - 12	35-415343-2	091A-001
35-410462-3	356	35-415343-2	091 - 74
35-410462-5	356	35-415343-21	091
35-410462-601	356	35-415343-22	091 - 84
35-410462-603	356	35-415343-23	091
35-410462-7	356 - 3	35-415343-24	091 - 83
35-410462-8	356	35-415343-27	091
35-410467	091	35-415343-28	091
35-410467-1	091 - 4	35-415343-29	091
35-410467-3	091 - 5	35-415343-32	091 - 82
35-410467-5	091	35-415343-33	091
35-410467-6	091	35-415343-34	091
35-410469-31	103 - 60	35-415343-35	091
35-410469-32	103	35-415343-36	091 - 76
35-410474-49	110 - 3	35-415343-43	091
35-410474-50	110	35-415343-44	091
35-410479-1	111 - 47	35-415343-45	091
35-410479-2	111	35-415343-46	091
35-410480	091	35-415343-5	091A
35-410480-1	091	35-415343-5	091
35-410481	091 - 52	35-415343-6	091 - 78
35-410482-1	091 - 58	35-415343-7	091
35-410482-2	091	35-415343-8	091 - 79
35-410482-3	091 - 59	35-415343-9	091
35-410482-4	091	35-415349-1	091 - 39
35-415309-1	110 - 57	35-415352	091
35-415309-2	110	35-415352-1	091 - 60
35-415311-1	110 - 51	35-415369-2	111 - 71
35-415330-102	111 - 51	35-415369-3	111
35-415330-118	111 - 75	35-415373-10	099A-054
35-415330-12	111 - 6	35-415373-14	099A
35-415330-130	111 - 74	35-415373-16	099 - 58
35-415330-158	111 - 76	35-415373-18	099 - 59

B E E C H C R A F T  
B O N A N Z A 3 3  
I L L U S T R A T E D P A R T S C A T A L O G

PART NUMBER	FIGURE & ITEM NO.	PART NUMBER	FIGURE & ITEM NO.
35-415373-20	099 - 60	35-415412-89	245A- 19
35-415373-20	153 -022	35-415412-89	245 - 27
35-415373-20	153A-023	35-415412-90	245 - 28
35-415373-20	153B-016	35-415412-90	245A- 20
35-415373-22	098 - 3	35-415412-90	111
35-415373-24	098 - 4	35-415412-91	111 - 29
35-415373-6	099 - 57	35-415412-93	111 - 22
35-415373-602	099	35-415412-95	111 - 14
35-415373-608	098	35-415412-97	111 - 15
35-415373-610	098	35-415416	106 - 3
35-415374-10	099 - 11	35-415417-1	312
35-415374-12	099 - 12	35-415417-101	312A-001
35-415374-14	099 - 14	35-415417-105	312A-002
35-415374-16	099 - 9	35-415417-11	312
35-415374-6	099 - 13	35-415417-111	312A-007
35-415374-602	099	35-415417-13	312
35-415374-604	099	35-415417-133	411
35-415374-606	099	35-415417-15	312 - 6
35-415380-10	312	35-415417-17	312 - 2
35-415380-12	312	35-415417-17	312 - 13
35-415380-14	312	35-415417-19	312 - 7
35-415380-18	312 - 30	35-415417-21	312 - 3
35-415380-24	312	35-415417-23	312 - 8
35-415380-28	312 - 27	35-415417-25	312 - 9
35-415380-58	312 - 22	35-415417-27	312
35-415380-60	312 - 25	35-415417-29	312 - 11
35-415380-60	312A-009	35-415417-3	312
35-415380-62	312 - 29	35-415417-31	312 - 4
35-415380-64	312 - 26	35-415417-33	312 - 12
35-415407-13	111	35-415417-35	312
35-415407-3	111 - 68	35-415417-37	312
35-415407-5	111 - 67	35-415417-39	312A
35-415407-6	111	35-415417-39	312
35-415407-7	111 - 69	35-415417-41	312 - 15
35-415412-109	111	35-415417-45	312
35-415412-111	111 - 54	35-415417-49	312 - 16
35-415412-111	111	35-415417-5	312
35-415412-113	111	35-415417-51	312 - 17
35-415412-115	111	35-415417-53	312 - 19
35-415412-117	111	35-415417-63	312 - 21
35-415412-119	111 - 28	35-415417-65	312
35-415412-125	111	35-415417-67	312A
35-415412-129	111 - 25	35-415417-69	312A
35-415412-129	111 - 65	35-415417-7	312 - 1
35-415412-13	111 - 55	35-415417-71	312A
35-415412-133	111	35-415417-75	312A-008
35-415412-137	111	35-415417-83	312A-006
35-415412-141	111	35-415417-89	312A
35-415412-27	111 - 66	35-415417-9	312A-003
35-415412-29	111 - 26	35-415417-9	312
35-415412-37	111 - 52	35-415417-91	312A
35-415412-39	111 - 53	35-415417-93	312A
35-415412-41	111	35-415417-97	312A
35-415412-55	111	35-420011	016 - 8
35-415412-627	111	35-420013-15	417 - 55
35-415412-629	111	35-420013-15	111 - 21
35-415412-631	111	35-420013-19	417
35-415412-631	097	35-420013-21	417 - 51
35-415412-632	097	35-420013-21	111 - 16
35-415412-632	111	35-420013-23	417
35-415412-635	111	35-420013-5	417 - 52
35-415412-635	097	35-420013-5	111 - 17
35-415412-637	111	35-420013-7	111 - 18
35-415412-638	111	35-420013-7	417 - 53
35-415412-638	097	35-420013-9	417 - 54
35-415412-69	111 - 1	35-420013-9	111 - 19
35-415412-71	111 - 46	35-420015	104A- 22
35-415412-73	111 - 4	35-420015	104 - 22
35-415412-81	111	35-420016	098 - 10
35-415412-85	111 - 27	35-420017	098 - 11
35-415412-87	111 - 73	35-420021-5	104A-116
35-415412-89	111 - 30	35-420022	101 - 10

B E E C H C R A F T  
B O N A N Z A 3 3  
I L L U S T R A T E D P A R T S C A T A L O G

PART NUMBER	FIGURE & ITEM NO.	PART NUMBER	FIGURE & ITEM NO.
35-420024-7	104B-093	35-524126	152
35-420024-9	104B-094	35-524126	395 - 11
35-420035-1	099 - 44	35-524136	154 - 51
35-420035-3	099 - 45	35-524136	154 - 49
35-420037-1	013 - 25	35-524136-3	154A-041
35-430014-1	097	35-524136-3	091A-071
35-430014-2	097	35-524138	154
35-430014-3	313G	35-524138	154
35-440011-1	103 - 11	35-524138-2	154 - 54
35-440011-2	103	35-524138-2	154 - 58
35-440018-1	103 - 12	35-524139	156
35-440018-2	103	35-524139	156
35-5010-3	363 - 1	35-524139-1	156 - 18
35-5050-1	104B	35-524140-2	156 - 19
35-521152-12	151	35-524140-4	156 - 20
35-521152-12	151A	35-524141	156
35-521152-4	151 - 41	35-524141	156 - 22
35-521152-4	151A- 42	35-524143-2	154 - 16
35-521158-5	151A	35-524143-6	154
35-521158-5	151	35-524144	154
35-521158-6	151	35-524144-8	154 - 62
35-521158-6	151A	35-524171	154 - 12
35-521158-7	151A-037	35-524183	154
35-521158-7	151 - 36	35-524183	154
35-521158-8	151	35-524183-2	154 - 31
35-521158-8	151A	35-524183-2	154 - 37
35-521180	151A	35-524197-4	155 - 024
35-521180	151	35-524197-4	182B
35-521180-1	151	35-524202-18	155 - 4
35-521180-1	151A	35-524202-22	155
35-521181	151A- 34	35-524202-24	155
35-521181	151 - 33	35-524202-26	155
35-521190	151 - 38	35-524227	155 - 5
35-521190	151A- 39	35-524227-10	155
35-521213	161 - 3	35-524227-16	155
35-521213-3	161	35-524227-18	155
35-521215	161 - 14	35-524230	155
35-521229	161 - 5	35-524230-2	155 - 19
35-521230	161 - 8	35-524231	155 - 18
35-521230-2	161 - 7	35-524234	395 - 13
35-521230-4	161	35-524238-12	156 - 26
35-521240	161	35-524238-4	156 - 25
35-524003	153A-022	35-524240	155 - 10
35-524003	153 - 20	35-524241	156 - 5
35-524003	152 - 86	35-524247	152 - 11
35-524003	152 - 023	35-524247	152A- 10
35-524007	155 - 1	35-524248	152 - 76
35-524011	154 - 64	35-524248	152A- 63
35-524011	154 - 1	35-524258	154 - 63
35-524011	219	35-524261-35	156
35-524011	219A- 78	35-524261-37	156 - 002
35-524018	154 - 23	35-524262-1	156 - 17
35-524040-10	155	35-524274	155
35-524040-6	155	35-524274-4	155 - 15
35-524047	155 - 7	35-524287	152
35-524048	156	35-524288	152
35-524048	156 - 12	35-524297	151 - 043
35-524051-1	156 - 16	35-524297-4	154 - 34
35-524087-22	156	35-524297-6	151 - 44
35-524087-24	156	35-524299	154
35-524087-6	156 - 1	35-524300	154 - 14
35-524087-8	156	35-524301	154 - 22
35-524095-1	156 - 013	35-524302	151A- 15
35-524096-1	156 - 015	35-524302	151 - 15
35-524125-10	155	35-524308	154 - 13
35-524125-12	155	35-524314	151
35-524125-4	155	35-524314	151A
35-524125-4	392A- 13A	35-524314-10	151A-004
35-524125-6	155 - 023	35-524314-10	151 - 004
35-524125-6	182B	35-524314-14	151
35-524125-8	182B	35-524314-14	151A
35-524126	152A	35-524314-22	151A



B E E C H C R A F T  
B O N A N Z A 3 3  
I L L U S T R A T E D P A R T S C A T A L O G

PART NUMBER	FIGURE & ITEM NO.	PART NUMBER	FIGURE & ITEM NO.
35-524314-22	151	35-534085-16	315 -003
35-524314-6	151 - 3	35-534085-18	315
35-524314-6	151A- 3	35-534085-8	315
35-524314-8	151A- 2	35-534085-9	315
35-524314-8	151 - 2	35-534201	311E-042
35-524346	152 - 5	35-534201	311E-020
35-524347-1	395 - 14	35-534202	311E-019
35-524347-2	395	35-534202-1	311E-041
35-524367	154	35-534300-192	312C-039
35-524367-1	154	35-534300-192	312B-044
35-524367-2	154 - 18	35-534305-55	312C-014
35-524367-3	154 - 20	35-534305-55	312B-020
35-524386-99	152	35-534305-55	411 -075
35-524542-10	152	35-534352-3	016 - 26
35-524542-6	152 - 54	35-534352-3	110 -060
35-524542-6	152A- 41	35-534399	311E-049
35-524542-8	152A	35-534399	311
35-524542-8	152	35-534399	324
35-524543	152 -055	35-534402	311 -034
35-524543	152A-042	35-534402	016 - 5
35-524546-2	152	35-534406-85	311E
35-524546-2	152A	35-534407-11	312
35-524546-7	152	35-534407-21	312
35-524546-9	152	35-534410-13	392A- 7
35-524546-9	152A	35-534410-13	392
35-524547	152A- 52	35-534410-13	392B
35-524547	152 - 65	35-534410-5	392 - 14
35-524553	152 - 69	35-534410-7	392 - 10
35-524553	152A- 56	35-534412	311E-014
35-524554	152A- 54	35-534420-109	312
35-524554	152 - 67	35-534420-93	312 - 48
35-524554	395 - 8	35-534420-95	312
35-524555	152 -056	35-534421-1	312 - 47
35-524555	152A-043	35-534421-23	312
35-524585-27	156	35-534421-23	286
35-524585-620	156	35-534421-23	281A
35-524585-622	156	35-534421-25	281A
35-524587	156 - 24	35-534421-25	286
35-524641	154 - 3	35-534421-27	312C-017
35-524647-10	152A	35-534421-27	341
35-524647-11	152A	35-534421-29	341 - 35
35-524647-11	152	35-534421-29	312C
35-524647-3	152	35-534421-7	286 -001
35-524647-7	152 - 57	35-534421-7	281A-049
35-524647-7	152A- 44	35-534432-5	317A
35-524647-9	152 - 72	35-534432-5	317B-007
35-524647-9	152A- 59	35-534432-7	317 - 10
35-524655	159A- 39	35-534432-7	317A-014
35-524656-15	156	35-534444	016
35-524656-620	156	35-534448-1	311E-015
35-524656-624	156	35-534448-11	327 - 16
35-524656-626	156	35-534448-13	327
35-524664	151 - 16A	35-534448-5	327
35-524664	151A- 16	35-534448-7	327 - 15
35-524666-1	154 - 11	35-534448-9	327
35-524666-2	154	35-534449-1	313
35-524669-5	364 - 22	35-534449-19	314
35-530003-151	312 - 50	35-534449-21	314
35-530003-153	312 - 49	35-534449-23	314
35-530007-23	311E-046	35-534449-25	314
35-530009-25	311F-004	35-534449-27	314
35-534009-1	327	35-534449-29	314
35-534009-21	311 -003	35-534449-3	313
35-534009-21	311 -026	35-534449-37	313 - 54
35-534009-31	311	35-534449-39	313 - 48
35-534052	312 - 45	35-534449-39	314 - 42
35-534071-14	313B	35-534449-43	314
35-534085	324	35-534449-43	313
35-534085	315	35-534449-44	313
35-534085-10	315 -002	35-534449-44	314
35-534085-11	315	35-534449-47	314 - 38
35-534085-14	315 -004	35-534449-47	313 - 46

B E E C H C R A F T  
B O N A N Z A 3 3  
I L L U S T R A T E D P A R T S C A T A L O G

PART NUMBER	FIGURE & ITEM NO.	PART NUMBER	FIGURE & ITEM NO.
35-534449-49	313 - 50	35-534464-29	312B-037
35-534449-5	313	35-534464-29	312A-031
35-534449-51	313 - 45	35-534464-31	312A-037
35-534449-51	314 - 40	35-534464-31	312B-043
35-534449-63	314 - 37	35-534464-35	312B-019
35-534449-7	313	35-534464-35	312A-015
35-534449-9	313	35-534464-37	312A-034
35-534450-1	327 - 26	35-534464-5	312A
35-534450-3	327	35-534464-5	311
35-534450-5	327	35-534464-7	311
35-534451-1	327 - 25	35-534464-7	312B
35-534451-3	327	35-534464-9	312A
35-534452-1	324	35-534465-13	312B-029
35-534452-1	314	35-534465-23	312A
35-534452-1	313	35-534465-27	312C-025
35-534452-1	313B	35-534465-29	312A
35-534452-3	324	35-534465-33	312A
35-534452-5	324 - 018	35-534465-67	312B
35-534452-7	324 - 017	35-534465-69	312B
35-534452-9	324 - 020	35-534465-71	312B-028
35-534453-1	314B	35-534465-73	312C
35-534453-1	314	35-534465-75	312C
35-534453-1	313A	35-534465-77	312C-022
35-534453-3	313A- 44	35-534465-9	312A-023
35-534453-3	313B- 36	35-534465-95	312B
35-534453-3	313 - 44	35-534466-1	311
35-534453-3	314B	35-534466-3	311 - 017
35-534453-3	314 - 39	35-534467-1	317A
35-534453-35	313B	35-534467-1	317B-010
35-534453-36	313B	35-534467-3	317A
35-534453-4	313A	35-534467-3	317B-008
35-534453-4	313B	35-534470-1	411
35-534453-4	313	35-534470-11	411 - 077
35-534453-4	314B	35-534470-13	411 - 083
35-534453-4	314	35-534470-15	411 - 086
35-534456-1	311F-025	35-534470-15	411
35-534456-2	311F-053	35-534470-17	411 - 085
35-534456-3	311F	35-534470-17	411
35-534458-1	311F-044	35-534470-19	411
35-534458-17	311F-043	35-534470-19	411 - 082
35-534458-25	311F-055	35-534470-21	411 - 078
35-534458-81	311F-024	35-534470-21	411
35-534458-83	311F-023	35-534470-23	411
35-534459-1	311F-040	35-534470-25	411
35-534459-1	311F-018	35-534470-27	411
35-534459-3	311F	35-534470-29	411
35-534459-5	311F	35-534470-3	411 - 076
35-534459-5	311F	35-534470-31	411
35-534461-1	311F-017	35-534470-33	411
35-534461-1	327 - 27	35-534470-35	411
35-534461-2	327	35-534470-37	411
35-534461-2	311F-046	35-534470-37	411
35-534461-3	327	35-534470-39	411
35-534461-4	327	35-534470-5	411
35-534461-5	327	35-534470-5	411
35-534461-6	327	35-534470-9	411
35-534462-1	311F-014	35-534472-1	411
35-534462-2	311F-047	35-534472-3	411 - 089
35-534463-11	311A-041	35-534472-5	411
35-534463-11	311	35-534472-7	411
35-534463-13	311	35-534472-9	411
35-534463-15	311 - 032	35-534474-1	312B-036
35-534463-17	311	35-534474-1	312A
35-534463-19	311 - 031	35-534474-1	312C
35-534463-3	311	35-534476-1	317B
35-534463-9	311	35-534477-1	317B-014
35-534463-9	311A-042	35-534477-3	317B
35-534464-13	312A	35-534477-5	317B
35-534464-17	312B-042	35-534477-7	317B
35-534464-17	312C-035	35-534478-5	317B-015
35-534464-25	312A	35-550024-2	111 - 48
35-534464-29	312C-030	35-550024-2	417 - 33

B E E C H C R A F T  
B O N A N Z A 3 3  
I L L U S T R A T E D P A R T S C A T A L O G

PART NUMBER	FIGURE & ITEM NO.	PART NUMBER	FIGURE & ITEM NO.
35-550050	417	35-550566-7	417 - 42
35-550050-13	417	35-550566-9	417
35-550050-15	417	35-550566-9	111
35-550054	417	35-550567-27	417 - 61
35-550055	417	35-550567-29	417 - 62
35-550056	417 - 87	35-550567-33	417
35-550057	417	35-550567-35	417 - 60
35-550057	417 - 72	35-550567-35	111 - 24
35-550058-10	417	35-550567-61	417
35-550058-4	417 - 81	35-550567-69	417
35-550058-6	417	35-554035-1	417
35-550058-8	417	35-554035-1	103A
35-550059	417 - 84	35-554035-27	103B
35-550060	417 - 86	35-554035-27	417
35-550061	417 - 85	35-554035-29	417 -142
35-550062	417	35-554035-31	417
35-550062-2	417 - 89	35-554035-33	417 -141
35-550063	417 - 90	35-554035-33	103B
35-550075	417	35-554035-33	103A
35-550075	417 - 77	35-554035-35	103A
35-550078	417	35-554035-35	103B
35-550079	417	35-554035-35	417 -139
35-550079-2	417 - 76	35-554035-37	417 -138
35-550080	417 - 79	35-554035-37	103B-073
35-550082	417	35-554035-37	103A-085
35-550082-2	417 - 74	35-554035-39	417
35-550084	417 - 75	35-554035-5	311 -033
35-550115	417	35-554039	417 - 23
35-550115-1	417	35-560001-125	341
35-550115-1	111	35-560001-127	341
35-550115-101	417	35-560001-129	341
35-550115-107	417 - 20	35-560001-139	341
35-550115-111	417 - 38	35-560001-19	341 - 53
35-550115-129	417	35-560001-21	341 - 42
35-550115-143	417	35-560001-21	341A-023
35-550115-149	417	35-560001-23	341 - 61
35-550115-153	417 - 4	35-560001-25	341 - 60
35-550115-23	417 - 21	35-560001-27	341 - 56
35-550115-3	417 - 10	35-560001-29	341 - 61A
35-550115-3	111 - 36	35-560001-35	341 - 40
35-550115-37	417 - 9	35-560001-35	341A-026
35-550115-39	417 - 19	35-560001-39	341A
35-550115-43	417	35-560001-39	341 - 50
35-550115-5	417 - 11	35-560001-47	341 - 59
35-550115-5	111 - 34	35-560001-49	341 - 43
35-550115-55	111 - 35	35-560001-49	341A-021
35-550115-55	417 - 14	35-560001-51	341
35-550115-67	417 - 13	35-560001-59	341 - 39
35-550115-67	111 - 31	35-560001-77	341 - 41
35-550115-69	417	35-560001-77	341A-024
35-550115-7	417 - 12	35-560010	312A
35-550115-7	111 - 33	35-560010-11	341 - 5
35-550115-83	417 - 26	35-560010-13	341 - 3
35-550115-85	417	35-560010-15	341 - 4
35-550115-87	417 - 17	35-560010-19	341 - 6
35-550115-89	417 - 24	35-560010-23	341 - 9
35-550115-97	417	35-560010-33	341 - 15
35-550115-99	417	35-560010-33	341 - 30
35-550501-18	111 - 60	35-560010-33	016 - 27
35-550501-20	111 - 58	35-560010-37	341 - 8
35-550501-20	417 - 44	35-560010-39	341
35-550520	417 -134	35-560010-39	286
35-550520	104A- 60	35-560010-39	341A
35-550520	104 - 63	35-560010-41	286
35-550520	258 - 12	35-560010-41	312C
35-550520	258 - 46	35-560010-41	281A
35-550565-13	111 - 49	35-560010-45	286
35-550565-13	417 - 34	35-560010-45	341
35-550565-9	417 - 67	35-560010-51	341
35-550566-3	417 - 46	35-560010-51	341A
35-550566-3	111 - 56	35-560010-53	341A
35-550566-7	111 - 61	35-560010-53	341

B E E C H C R A F T  
B O N A N Z A 3 3  
I L L U S T R A T E D P A R T S C A T A L O G

- PART NUMBER	FIGURE & ITEM NO.	PART NUMBER	FIGURE & ITEM NO.
35-560010-603	341	35-580002-27	219A
35-560010-607	341 - 10	35-580002-27	219B
35-560010-609	341	35-580002-29	219B
35-560010-61	341A	35-580002-29	219A
35-560010-611	341	35-580002-3	219A
35-560010-63	341A	35-580002-31	219A
35-560010-73	341A-041	35-580002-33	219A
35-560010-75	341A-044	35-580002-35	219A
35-560010-77	341A-045	35-580002-37	219A
35-560010-79	341A	35-580002-39	219A
35-560010-9	341A	35-580002-41	219A
35-560010-9	341 - 2	35-580002-49	219B
35-560011-1	341	35-580002-51	219B-049
35-560011-13	341 - 34	35-580002-53	219B-048
35-560011-23	341 - 36	35-580002-55	219B-040
35-560011-27	341 - 37	35-580002-57	219B-038
35-560011-37	341 - 20	35-580010-1	219 - 32
35-560011-39	341 - 21	35-580010-11	219 - 31
35-560011-41	341 - 25	35-580010-13	219 - 29
35-560011-43	341 - 26	35-580010-15	219 - 30
35-560011-45	341 - 23	35-580010-3	219 - 21
35-560011-601 C	341 - 27	35-580010-5	219 - 18
35-560011-603	341	35-580010-7	219 - 19
35-574025-1	324	35-580010-9	219 - 20
35-580000-11	219 - 36	35-580011-1	219B-028
35-580000-15	219A- 73	35-580011-1	219 - 78
35-580000-15	219 - 48	35-580011-1	219A- 60
35-580000-19	219 - 51	35-580012-3	219A- 18
35-580000-23	219 - 33	35-580012-3	219 - 44
35-580000-25	219 - 46	35-580013	219A- 38
35-580000-25	219A- 21	35-580014	219A- 44
35-580000-27	219A- 6	35-580017-1	219A
35-580000-27	219 - 14	35-580017-3	219A
35-580000-31	219 - 12	35-580017-9	099A
35-580000-39	219 - 16	35-590021	017 - 18
35-580000-39	219A- 8	35-590027	017
35-580000-41	219	35-590044-2	104A-110
35-580000-51	219 - 4	35-590044-4	104A-113
35-580000-69	219B-010	35-590050-1	017
35-580000-69	219A- 4C	35-590060	017 - 1
35-580000-71	219	35-590063	017 - 20
35-580000-73	219A- 4D	35-590064-1	017 - 19
35-580000-73	219B-011	35-590070-61	104B- 18
35-580001-11	219B-003	35-590077-11	017 - 8
35-580001-11	219A- 52	35-590099-29	106 - 4
35-580001-11	219 - 26	35-590099-3	354 - 49
35-580001-13	219B-026	35-590099-3	354A-039
35-580001-15	219A- 70	35-590099-33	354B-030
35-580001-15	219 - 76	35-590102-78	017
35-580001-17	219B-027	35-590102-9C	017
35-580001-19	219 - 68	35-590103	017 - 2
35-580001-23	219 - 75	35-590103-3	017 - 6
35-580001-27	219 - 73	35-590103-5	017 - 3
35-580001-27	219A- 61	35-590110-13	017
35-580001-27	219B-022	35-590110-9	017
35-580001-3	219 - 63	35-590118-13	017
35-580001-31	219 - 77	35-590118-17	017
35-580001-35	219 - 71	35-590118-19	017
35-580001-51	219	35-590118-25	017
35-580001-53	219 - 7	35-590120-1	017
35-580001-55	219 - 8	35-590128-1	017
35-580001-65	219 - 5	35-600003	132 -066
35-580001-65	219A- 4B	35-650007-13	132
35-580001-71	219A- 65	35-650009-30	132 - 22
35-580001-75	219A- 63	35-650121-2	132
35-580001-75	219B-024	35-650121-4	132 - 11
35-580002-1	219A	35-650121-8	132 -064
35-580002-19	219A	35-650121-8	133 - 13
35-580002-21	219A	35-650122-2	132
35-580002-23	219A	35-650122-6	132 - 13
35-580002-23	219B	35-650122-8	133 - 12
35-580002-25	219A	35-650122-8	132 -065

B E E C H C R A F T  
B O N A N Z A 3 3  
I L L U S T R A T E D P A R T S C A T A L O G

- PART NUMBER	FIGURE & ITEM NO.	PART NUMBER	FIGURE & ITEM NO.
35-660043-10	133 - 33	35-815006-12	219 - 43
35-660043-13	133 - 30	35-815006-13	219B-056
35-660043-14	133	35-815006-13	219A- 49
35-660043-19	133 - 37	35-815006-13	219 - 58
35-660043-20	133	35-815006-24	219
35-660043-21	133 - 38	35-815006-8	219 - 41
35-660043-22	133	35-815007-4	211 - 29
35-660043-25	133 - 34	35-815016-2	204 - 9
35-660043-5	133 - 31	35-815016-3	204
35-660043-6	133	35-815016-4	204
35-660043-9	133 - 32	35-815016-5	204
35-668-5	296	35-815020-3	213 - 14
35-689-47	182A	35-815055	204
35-8002-11	218 - 15	35-815055-1	204
35-8002-13	218 - 5	35-815055-114	204 - 15
35-8002-19	218 - 8	35-815055-115	204
35-8002-21	218 - 6	35-815055-116	204 - 16
35-8002-23	218 - 7	35-815055-158	204
35-8002-25	218	35-815055-159	204
35-8002-25	202 - 58	35-815055-164	204 - 5
35-8002-3	203	35-815055-165	204
35-8002-3	202	35-815055-208	204
35-8002-7	203 - 12	35-815055-209	204
35-8002-9	203 - 7	35-815055-212	204 - 14
35-8009-1	111B-009	35-815055-213	204
35-810026-27	202	35-815055-214	204
35-810026-31	202	35-815055-214	012 - 47
35-810026-39	202	35-815055-215	012 - 48
35-810026-601	202	35-815055-215	204
35-810026-602	202	35-815055-601	012 - 49
35-810026-611	202	35-815055-602	012 - 50
35-810026-612	202	35-815055-62	204 - 18
35-810026-613	202	35-815055-63	204
35-810026-614	202	35-815056	204
35-810026-653	202	35-815056-16	204
35-810026-654	202	35-815056-18	204
35-810026-9	202 - 60	35-815056-2	204 - 21
35-810075-11	213 - 11	35-815056-4	204 - 23
35-810075-13	213	35-815077-12	211
35-810075-13	211 - 1	35-815077-13	211
35-810076-3	213 - 25	35-815077-14	211 - 49
35-810077-3	213 - 27	35-815077-15	211
35-810083	213 - 21	35-815077-4	211 - 50
35-810087	213 - 18	35-815077-5	211
35-810088	213 - 20	35-815078	211 - 37
35-810091	213 - 31	35-815081	202 - 9
35-810094-10	213	35-815095	219 - 38
35-810094-12	213 - 3	35-815101-15	211
35-810094-6	213 - 4	35-815101-3	211
35-810095	213 - 6	35-815102-20	211
35-810117-5	213 - 24	35-815102-21	211
35-810119	213 - 17	35-815109	211
35-810132	213	35-815109-2	211 - 45
35-810132	161	35-815115	211 - 52
35-810132-2	213 - 044	35-815118	211
35-810133	213 - 045	35-815118	101 - 20
35-810134	213 - 9	35-815125-10	211
35-810134-1	213	35-815125-41	211
35-810135	213	35-815125-43	211
35-810139	213 - 34	35-815125-602	211 - 7
35-810140	213 - 30	35-815125-604	211
35-810141-11	213	35-815129	211 - 22
35-810141-9	213 - 13	35-815131	211 - 8
35-810142-2	213 - 7	35-815153-3	015
35-810147	213	35-815155-610	211 - 15
35-810169	206	35-815155-611	211
35-815004	202 - 55	35-815156-4	211 - 54
35-815004-1	202	35-815156-5	211
35-815006-10	219A- 47	35-815180-10	219
35-815006-10	219 - 55	35-815180-10	219A- 2
35-815006-12	219A- 43	35-815180-12	219A
35-815006-12	219B-055	35-815180-12	219 - 2

B E E C H C R A F T  
B O N A N Z A 3 3  
I L L U S T R A T E D P A R T S C A T A L O G

PART NUMBER	FIGURE & ITEM NO.	PART NUMBER	FIGURE & ITEM NO.
35-815180-6	219	35-825097	210 - 3
35-815180-6	219A	35-825117-6	091
35-815180-8	219A	35-825117-8	091 - 57
35-815180-8	219B-001	35-825117-8	208 - 10
35-815180-8	219	35-825128-5	206
35-815194-5	202 - 34	35-825128-7	206
35-815239	212	35-825145	206 - 23
35-815239-11	212 - 28	35-825145	209
35-815239-13	212 - 26	35-825145-2	206A
35-815239-17	212 - 27	35-825146	209 - 1
35-815239-5	212 - 30	35-825147	209 - 5
35-815239-629	212	35-825148	209 - 2
35-815239-7	212 - 24	35-825151	209 - 7
35-815239-9	212 - 31	35-825152	209 - 3
35-815240	212 - 29	35-825160	210
35-815240	016 - 32	35-825160-602	210
35-815246-13	202 - 14	35-825161	210
35-815246-5	202 - 011	35-825162	210 - 23
35-815246-7	202	35-825163	210 - 17
35-815246-9	202 - 12	35-825164	210 - 19
35-815247-9	202 - 47	35-825165	210 - 16
35-815249-5	202 - 49	35-825166-12	210
35-815251-3	202 - 21	35-825166-651	210 - 38
35-815252-1	202 - 22	35-825170	210 - 35
35-815252-3	202 - 23	35-825170	111 - 42
35-815256	202 - 18	35-825171-1	111 - 44
35-815260-7	202 - 008	35-825171-1	210 - 34
35-815260-8	202	35-825172-13	213 - 38
35-815264-1	202 - 56	35-825173	210 - 24
35-815264-2	202	35-825175-12	206 - 037
35-815266-1	204 - 6	35-825188	212 - 12
35-815266-2	204	35-825191-17	208 - 016
35-815275-1	219B	35-825191-19	208
35-820028	206A-043	35-825191-19	212
35-820045	210 - 5	35-825191-5	212 - 36
35-820095	212 - 7	35-825191-7	212 - 37
35-820107	206A	35-825193	206A
35-820107	206	35-825193	206
35-820107-1	206 - 29	35-825193-1	206 - 30
35-820107-3	206A-036	35-825193-1	206A-046
35-820115	206A-059	35-825195	206
35-820123	206A-037	35-825195-3	206 - 31
35-820123	206	35-825195-31	206A-012
35-820130-2	206A-022	35-825195-31	206 - 17
35-820130-2	206	35-825195-35	206
35-820133	206 - 033	35-825195-51	206 - 16
35-820134	206A-019	35-825195-55	206
35-820134	206 - 13	35-825195-57	206
35-820135	206A-060	35-825195-61	206
35-825005	210 - 30	35-825195-7	206
35-825007	210 - 29	35-825195-73	206
35-825035	210 - 32	35-825195-75	206 - 031A
35-825044-4	210	35-825195-79	206A
35-825044-6	210 - 002	35-825195-9	206
35-825045	210 - 31	35-825196-11	206
35-825046	210 - 33	35-825196-17	206
35-825049	210 - 10	35-825196-17	207
35-825051	210 - 11	35-825196-25	206 - 038
35-825052	210	35-825196-31	206
35-825052-2	210 - 8	35-825196-33	206
35-825054-5	210 - 39	35-825196-33	207A
35-825054-5	154 - 33	35-825196-37	207A
35-825071-5	212	35-825196-37	206
35-825074-1	212 - 33	35-825196-616	206
35-825074-1	208 - 13	35-825196-622	206
35-825074-1	091A- 48	35-825196-624	206
35-825076-5	212 - 009	35-825196-626	206
35-825078-3	212	35-825196-628	206
35-825087-14	212 - 10	35-825196-698	206
35-825087-16	212	35-825197	206 - 12
35-825089	212 - 12A	35-825200	206A-035
35-825094-4	212 - 11	35-9012-1	281A

BEECHCRAFT  
BONANZA 33  
ILLUSTRATED PARTS CATALOG

PART NUMBER	FIGURE & ITEM NO.	PART NUMBER	FIGURE & ITEM NO.
35-9012-2	281A	35-910053-6	159A
35-9016-1	245A	35-910053-7	159A
35-9016-3	245A	35-910053-8	159A
35-9016-5	245A	35-910053-9	159A
35-910003-31	241 - 18	35-910056	159A
35-910003-41	241B- 44	35-910056-1	159A
35-910003-41	245A- 11	35-910057	159A
35-910003-43	245A- 12	35-910057-1	159A
35-910003-43	241B- 43	35-910058	159A
35-910003-7	258 - 33	35-910066-111	244B- 17
35-910003-85	241A-045	35-910066-113	244B- 11
35-910003-85	241	35-910066-13	244 - 28
35-910004-17	241 - 44	35-910066-135	244B
35-910004-3	241 - 17	35-910066-153	244B- 46
35-910004-3	241B- 14	35-910066-155	244B- 48
35-910004-5	241 - 42	35-910066-157	244B
35-910004-7	241B- 27	35-910066-159	244B- 36
35-910005-3	241 - 34	35-910066-165	244B- 50
35-910005-5	241 - 41	35-910066-165	244A-067
35-910005-5	241B- 31	35-910066-165	244B
35-910005-5	241A-024	35-910066-165	244B
35-910007	241A	35-910066-165	244A- 4
35-910007	248	35-910066-169	244B- 28
35-910007	249	35-910066-171	244B- 34
35-910007	357	35-910066-173	244 - 27
35-910007-11	241 - 45	35-910066-175	244 - 25
35-910007-11	241A-041	35-910066-175	244B- 29
35-910007-11	241B- 19	35-910066-177	244 - 23
35-910007-13	241A-019	35-910066-181	244B- 52
35-910007-17	241A	35-910066-183	244B- 4
35-910007-19	241A	35-910066-185	244B
35-910007-21	241A	35-910066-187	244B- 6
35-910007-23	241A	35-910066-193	244B- 5
35-910007-25	241A	35-910066-199	244 - 6
35-910007-27	241A	35-910066-205	244 - 29
35-910007-29	241A	35-910066-207	244B
35-910007-31	241A	35-910066-209	244B- 1
35-910007-5	241B	35-910066-211	244B
35-910007-5	245A- 13	35-910066-213	244B
35-910007-55	245A	35-910066-239	244B- 21
35-910007-614	245A	35-910066-239	244A-023
35-910007-615	245A	35-910066-243	244
35-910007-9	241B- 38	35-910066-33	244B
35-910007-9	241A-047	35-910066-43	244B- 47
35-910018-3	091 - 11	35-910066-43	244A- 2
35-910018-4	091	35-910066-49	244A- 3
35-910019-1	091 - 54	35-910066-49	244B- 49
35-910019-3	091	35-910066-91	244B- 51
35-910027-11	091A- 22	35-910067	244A
35-910027-3	091A	35-910067-109	244B- 40
35-910027-3	091	35-910067-109	244A-028
35-910027-5	091	35-910067-111	244A-029
35-910027-5	091A- 43	35-910067-111	244B- 24
35-910027-6011	091A	35-910067-113	244B- 25
35-910027-6011	091	35-910067-113	244A-024
35-910027-9	091	35-910067-115	244A-062
35-910027-9	091A	35-910067-117	244A-046
35-910028-21	248 -051	35-910067-129	244A- 10
35-910028-23	249 - 47	35-910067-13	244A-052
35-910028-23	251A	35-910067-131	244A-050
35-910028-7	248	35-910067-135	417 -143
35-910028-7	250 - 2	35-910067-143	244A
35-910028-7	241A-050	35-910067-145	244B- 26
35-910028-9	241A	35-910067-15	244A-053
35-910028-9	249	35-910067-151	244B- 8
35-910028-9	251 - 2	35-910067-153	244A-021
35-910053-1	159A	35-910067-155	244A
35-910053-12	159A	35-910067-157	244A
35-910053-2	159A	35-910067-159	244A-027
35-910053-3	159A	35-910067-161	244A
35-910053-4	159A	35-910067-163	244A
35-910053-5	159A	35-910067-167	244A

B E E C H C R A F T  
B O N A N Z A 3 3  
I L L U S T R A T E D P A R T S C A T A L O G

- PART NUMBER	FIGURE & ITEM NO.	PART NUMBER	FIGURE & ITEM NO.
35-910067-17	244A-054	35-910103	242 - 9
35-910067-173	244A	35-910103-1	242
35-910067-175	244A	35-910104-1	013 - 1
35-910067-177	244A	35-910108	242 -012
35-910067-179	244A-031	35-910109-1	242 -011
35-910067-181	244A-030	35-910160-30	013 - 5
35-910067-183	244A-011	35-910160-616	013 - 4
35-910067-185	244A	35-910160-617	013 - 6
35-910067-187	244A	35-910215	244 - 7
35-910067-187	244A	35-910215	244B- 10
35-910067-189	244A-032	35-910215	244A-038
35-910067-19	244A-055	35-910216	244B- 16
35-910067-193	244A	35-910216	244 - 9
35-910067-195	244A	35-910216-3	244A-039
35-910067-197	244A	35-910224	091 - 7
35-910067-199	244A	35-910224-1	091 - 8
35-910067-201	244A	35-910226-10	091
35-910067-203	244A	35-910226-6	091 - 6
35-910067-21	244A-056	35-910266-12	244
35-910067-225	244A	35-910277-1	017
35-910067-23	244A-057	35-910277-11	017
35-910067-25	244A-012	35-910277-3	017
35-910067-255	244A	35-910277-5	017
35-910067-257	244A	35-910277-7	017
35-910067-261	244A	35-910278	017 - 10
35-910067-263	244A	35-910278-1	017 -012
35-910067-265	244A	35-910278-3	017
35-910067-27	244A-013	35-910278-5	017
35-910067-27	244B- 22	35-910278-7	017
35-910067-273	244A	35-910279	017 -011
35-910067-281	244A	35-910288	258 - 34
35-910067-29	244A-014	35-910288-1	258 - 23
35-910067-29	244B- 39	35-910294	244
35-910067-305	244A	35-910294	244B- 7
35-910067-31	244A-015	35-910296-1	312B-027
35-910067-31	244B- 23	35-910296-1	017
35-910067-33	244A-016	35-910296-1	016 - 23
35-910067-35	244A-017	35-910303-1	258 - 27
35-910067-43	244A	35-910312	242
35-910067-47	244A-035	35-910312	091
35-910067-47	244B- 12	35-910313	091 - 96
35-910067-51	244A	35-910313-1	091A- 95
35-910067-53	244A- 5	35-910314-1	091 - 87
35-910067-55	244A- 6	35-910315-1	091 - 88
35-910067-57	244A-007	35-910316-1	091 - 92
35-910067-59	244A-058	35-910317-1	091 - 97
35-910067-603	244A	35-910317-3	091
35-910067-605	244A	35-910317-5	091 - 98
35-910067-606	244A	35-910319	091 - 93
35-910067-607	244A	35-910321-35	242 -010
35-910067-61	244A-059	35-910321-36	242
35-910067-611	244A	35-910321-603	242
35-910067-612	244A	35-910321-607	242
35-910067-617	244A	35-910321-608	242
35-910067-625	244A	35-910321-625	242
35-910067-629	244A	35-910321-626	242
35-910067-633	244A	35-910321-629	242
35-910067-7	244A-051	35-910322-1	242 -014
35-910067-77	244A-026	35-910323-5	015 - 13
35-910067-79	244A-008	35-910323-7	015
35-910067-81	244A-060	35-910325	241A
35-910067-83	244A-061	35-910326	241A-055
35-910067-87	244A	35-910328	249
35-910068	244A-063	35-910328	248
35-910073-1	244A	35-910328	357
35-910073-1	244B	35-910328-1	241A
35-910073-3	244B- 9	35-910328-11	111A
35-910073-3	244A-065	35-910328-3	241A
35-910073-5	244A-066	35-910328-31	241A
35-910073-5	244B	35-910328-33	245A
35-910101-9	242	35-910328-35	241A
35-910102-1	242 - 3	35-910328-5	241A



BEECHCRAFT  
BONANZA 33  
ILLUSTRATED PARTS CATALOG

PART NUMBER	FIGURE & ITEM NO.	PART NUMBER	FIGURE & ITEM NO.
35-910329-1	244A	35-921155-161	281A
35-910329-13	244A	35-921155-173	282A
35-910329-7	244A	35-921155-193	282A
35-919025	258	35-921155-193	281A
35-919025	091	35-921155-195	281A
35-919025-13	258	35-921155-195	282A
35-919025-19	258 - 24	35-921155-3	281 - 16
35-919025-27	258	35-921155-49	281A-022
35-921105	281 - 39	35-921155-49	281 - 35
35-921154-101	281A	35-921155-51	281 - 59
35-921154-101	033	35-921155-51	281A-005
35-921154-103	282 - 16	35-921155-53	281A-028
35-921154-11	281A-034	35-921155-53	281
35-921154-11	101	35-921155-55	281
35-921154-15	101	35-921155-55	281A-013
35-921154-23	281A-024	35-921155-603	286
35-921154-23	281 - 31	35-921155-610	285A
35-921154-41	281A-030	35-921155-63	281A-045
35-921154-41	281 - 28	35-921155-63	281 - 24
35-921154-43	281 - 8	35-921155-69	281 - 26
35-921154-45	281A-053	35-921155-69	281A-032
35-921154-47	281A-054	35-921155-71	281A-018
35-921154-55	282 - 12	35-921155-71	281 - 22
35-921154-612	285	35-921155-75	281A-025
35-921154-612	281 - 12	35-921155-75	281 - 29
35-921154-69	281A	35-921155-91	281A-035
35-921154-69	281 - 58	35-921155-91	281 - 20
35-921154-71	281 - 34	35-921155-93	281 - 10
35-921154-71	281A	35-921155-93	281A-038
35-921154-73	281A	35-921155-95	281A-037C
35-921154-73	281	35-921155-95	281 - 15
35-921154-75	281	35-921155-99	281 - 57
35-921154-75	281A	35-921155-99	281A-001
35-921154-95	281A-020	35-921181	289 - 005
35-921154-95	281 - 37	35-921242-10	281A
35-921155	289	35-921242-11	281A
35-921155-100	281	35-921242-6	281A
35-921155-100	281A-008	35-921242-7	281A
35-921155-101	281A-010	35-921242-8	281A
35-921155-101	281A-003	35-921242-9	281A
35-921155-101	281 - 52	35-921255	281A-037
35-921155-105	281A-016	35-921255	281 - 17
35-921155-105	281 - 21	35-921257-3	296
35-921155-107	281	35-921258-5	296 - 42
35-921155-107	282	35-921258-7	296 - 41
35-921155-109	282A	35-921263-1	282A
35-921155-109	281A	35-921263-3	282A-031
35-921155-117	281A	35-921500-1	281A
35-921155-117	282A	35-921500-1	355
35-921155-119	282A- 16	35-921500-2	355
35-921155-119	282 - 17	35-921500-2	281A
35-921155-127	281A-007	35-921500-3	281A
35-921155-127	281 - 60	35-921500-3	355
35-921155-128	281	35-921500-4	355
35-921155-128	281A-015	35-921500-4	281A
35-921155-129	281A-040	35-921502	281A
35-921155-131	282A- 3	35-921502	287 - 30
35-921155-133	282A	35-921503	281A-076
35-921155-135	282A	35-921522	287 - 28
35-921155-135	281A	35-921525	287 - 24
35-921155-139	281A-059	35-921526-30	287 - 26
35-921155-141	281A-060	35-921526-32	287 - 23
35-921155-143	281A-061	35-921526-32	281
35-921155-145	281A-062	35-921548	281 - 67
35-921155-147	281A	35-924059	281 - 56
35-921155-148	281A	35-924060	281
35-921155-149	281	35-924148	281A-071
35-921155-151	281A	35-924148	015 - 018
35-921155-153	281A	35-924255-1	296 - 43
35-921155-159	281A	35-924255-1	289 - 010
35-921155-159	282A	35-924256-3	286
35-921155-161	282A	35-924256-3	312A

B E E C H C R A F T  
B O N A N Z A 3 3  
I L L U S T R A T E D P A R T S C A T A L O G

PART NUMBER	FIGURE & ITEM NO.	PART NUMBER	FIGURE & ITEM NO.
35-924256-3	312C-016	35-950005-33	241A
35-924256-3	281A	35-950005-35	241A
35-924291-1	281A-037A	35-950005-35	245A
35-924291-1	285 - 49	35-950005-37	245A
35-924291-1	281 - 13	35-950005-39	245A
35-924291-1	285A- 49	35-950005-43	245A
35-939181	242	35-950005-57	245A
35-944001-4	159A- 47	35-950005-59	245A
35-944011-8	159A	35-950005-61	245A
35-944011-8	091	35-950005-63	245A
35-944012	159A	35-950005-9	245A- 10
35-944018	159A- 40	35-950011	245 - 18
35-944025	159A	35-950115-602	245
35-944035-1	159A- 4	35-950116	245
35-944035-1	159A-033	35-950118	245 - 1
35-944035-1	159A-023	35-950126	245 - 11
35-944035-3	159A	35-950132	245 - 12
35-944035-5	159A	35-950133	245 - 8
35-944035-7	159A	35-960076	250
35-944037	159A- 41	35-960076-601	250
35-944042-1	159A- 3	35-960076-602	250
35-944042-3	159A	35-960076-603	250
35-944046-5	159A	35-960077	251
35-944046-5	159 - 1	35-960077-601	251
35-944046-7	159A	35-960077-602	251
35-944047-1	159 - 17	35-960077-603	251
35-944047-1	159A	35-960080-1	250A
35-944048-3	159A	35-960080-13	250A-001
35-944048-3	159 - 16	35-960080-15	251A-001
35-944048-7	159A	35-960080-17	251A
35-944049-3	159A-032	35-960080-19	251A
35-944049-5	159A-022	35-960080-21	251A
35-944049-7	159A	35-960080-23	251A
35-944049-9	159A	35-960080-25	251A
35-944051-1	159A- 26	35-960080-27	251A
35-944052-5	159A- 12	35-960080-3	251A
35-944052-5	159 - 23	35-960080-5	250A
35-944052-5	159 - 7	35-960080-7	251A
35-944052-9	159A- 28	35-960081-1	251A
35-944054-3	159A	35-960081-1	251B
35-944054-7	159A	35-960081-1	250A
35-944056	159A	35D579	358A-013
35-944056	395	3502-18-24-0511	220 - 15
35-944056-3	159A	350606	245 - 4
35-944064-1	159A- 38	35107A	214 - 22
35-944064-1	395 -022	359553S8	359A- 26
35-944064-1	016 - 17	36-000032-1	015
35-944064-3	016	36-000032-3	015
35-944064-3	159	36-000036-1	015
35-944065	159 - 35	36-036040-29	091
35-944065	159A- 37	36-036040-37	091
35-944065	016 - 18	36-110011-1	039
35-944065	395 -021	36-110011-2	039
35-944069	258	36-110017-1	031
35-944069-1	258 - 42	36-110017-1	034A
35-944069-3	258 - 43	36-110017-11	034A
35-944069-5	258 - 49	36-110017-13	034A
35-944075	159A- 36	36-110017-19	034A
35-944075	159 - 34	36-110017-21	034A
35-950000-1	245	36-110017-23	034A
35-950004-17	245A- 8	36-110017-25	034A
35-950005-1	245A- 1	36-110017-27	034A
35-950005-11	245A- 9	36-110017-29	034A
35-950005-13	245A	36-110017-37	034A
35-950005-13	241A-023	36-110017-39	034A
35-950005-13	241B- 42	36-110017-41	034A
35-950005-15	241B	36-110017-43	034A
35-950005-15	241A	36-110017-45	034A
35-950005-15	245A	36-110017-5	034A
35-950005-29	245A	36-110017-53	034A
35-950005-3	245A-002	36-110017-57	034A
35-950005-33	245A	36-110017-61	034A

B E E C H C R A F T  
B O N A N Z A 3 3  
I L L U S T R A T E D P A R T S C A T A L O G

- PART NUMBER	FIGURE & ITEM NO.	PART NUMBER	FIGURE & ITEM NO.
36-110017-63	033A	36-324095-25	194B
36-110017-69	034A	36-324095-3	194B-018
36-110017-7	034A	36-324095-5	194B-027
36-3002-1	392B	36-324095-7	194B-028
36-3002-1	392A	36-324095-9	194B-019
36-3002-3	392A	36-324096-19	194A-018
36-3002-3	392B	36-324096-21	194A
36-3006-1	241A	36-340081-1	490
36-3008-1	241B- 45	36-340081-11	490 - 3
36-3008-1	241 - 7	36-340081-15	490
36-3008-1	241A-037	36-340081-27	490
36-3008-1	111 - 62	36-340081-7	490 - 7
36-3008-1	354A-013	36-340081-9	490 - 6
36-324003-1	392B	36-340082-5	490
36-324003-11	392B	36-340082-7	490
36-324003-3	392B	36-340083-13	490 - 4
36-324003-3	395	36-340083-13	015
36-324003-9	395	36-340083-15	015 -016
36-324003-9	392B	36-340083-15	490A-010
36-324018	194	36-340083-17	490A
36-324020-1	392B	36-340083-17	490 - 5
36-324020-1	391A	36-340083-17	015
36-324020-11	391A	36-340083-19	015 -014
36-324020-11	392B	36-340083-19	490
36-324020-13	392B	36-340083-19	490A-011
36-324020-13	391A	36-340083-21	490A
36-324020-19	391A	36-340083-21	490
36-324020-21	391A	36-340083-21	015
36-324020-21	392B	36-340083-23	015 -015
36-324020-27	392B	36-340083-23	490
36-324020-27	391A	36-340180-1	490
36-324020-29	391A	36-340314-1	490A
36-324020-29	392B	36-340324-5	490A-009
36-324020-3	392B	36-340324-5	015
36-324020-3	391A	36-340324-7	015
36-324020-31	391A	36-340324-7	490A
36-324020-33	391A	36-340373-1	490A
36-324022-1	392B	36-340373-11	490A
36-324022-3	392B- 1	36-340373-11	490B-005
36-324022-45	392B	36-340373-13	490A
36-324022-5	392B	36-340373-15	490B
36-324022-7	392B	36-340373-17	490B
36-324023-1	392B	36-340463-1	490D
36-324023-11	392B	36-340464-1	490C
36-324023-3	392B	36-340464-1	490D
36-324023-3	395	36-360011-23	361
36-324023-9	395	36-360014	354 - 9
36-324023-9	392B	36-360016-1	362A
36-324024-1	245A	36-360016-13	109
36-324024-19	392B	36-360016-19	362A
36-324024-3	245A	36-360016-29	362A
36-324025-1	391 - 16B	36-360016-29	109
36-324025-1	016 - 38	36-360016-33	109
36-324031-1	016 - 37	36-360016-35	109
36-324050-25	251B-014	36-360016-35	362A
36-324072-1	395	36-360016-39	362A
36-324086-13	194B-006	36-360016-39	109
36-324087-15	194A-028	36-360016-41	362A
36-324087-19	194A-029	36-360016-5	362A
36-324087-3	194A-027	36-360016-51	362A
36-324087-33	194B-011	36-360016-53	362A
36-324088-17	194A-001	36-360016-59	362A
36-324088-19	194A-009	36-360016-7	362A-013
36-324088-21	194A-021	36-360016-7	109
36-324088-23	194A-016	36-360016-9	362A-012
36-324088-5	194A-006	36-360019-1	363
36-324088-7	194A-024	36-360024-1	363
36-324088-9	194A-038	36-360024-11	363
36-324091-1	194A-017	36-360024-17	363
36-324095-1	194B	36-360024-21	363
36-324095-11	194B-016	36-360024-7	363 -005
36-324095-23	194B	36-360024-9	363

B E E C H C R A F T  
B O N A N Z A 3 3  
I L L U S T R A T E D P A R T S C A T A L O G

PART NUMBER	FIGURE & ITEM NO.	PART NUMBER	FIGURE & ITEM NO.
36-361000-1	355	36-364040-1	194A
36-361000-3	355	36-364040-1	251B
36-364001-1	354B	36-369010-1	354
36-364001-11	109A-003	36-369010-13	354 -110
36-364001-11	109	36-369010-17	354 -105
36-364001-11	109	36-369010-21	354
36-364001-13	354B-061	36-369010-23	354 -111
36-364001-17	354B-050	36-369010-27	354
36-364001-19	354B-062	36-369010-3	354
36-364001-3	354B	36-369010-31	354 -118
36-364001-637	109	36-369010-5	354
36-364001-637	109A	36-369010-5	354
36-364001-7	111A	36-369010-7	354
36-364001-7	354B	36-369013-1	354 - 96
36-364001-9	354B	36-369013-3	354 - 98
36-364013	354 - 18	36-369014-1	354 -109
36-364022-1	360	36-369014-3	354
36-364022-1	015	36-369015-1	354A-007
36-364025-1	356B	36-369015-1	356A
36-364025-10	356B	36-369015-1	354
36-364025-11	356B-009	36-369015-11	356A
36-364025-13	356B-003	36-369015-13	356A
36-364025-15	356B-004	36-369015-15	356A-002
36-364025-17	356B-010	36-369015-17	356A-015
36-364025-21	356B-011	36-369015-18	356A
36-364025-23	356B	36-369015-21	356A-017
36-364025-23	354B	36-369015-23	356A
36-364025-3	356B-006	36-369015-25	356A-005
36-364025-5	356B	36-369015-27	356A-006
36-364025-53	356B	36-369015-28	356A
36-364025-7	356B-002	36-369015-33	356A
36-364025-9	356B-007	36-369015-35	356A-014
36-364026-1	356B-005	36-369015-37	356A-016
36-364028-1	354B	36-369015-39	356A
36-364028-11	411 -057	36-369015-41	356A-007
36-364028-37	354B	36-369019-1	356B
36-364028-5	354B	36-369019-1	354B
36-364028-51	194A-041	36-380000-1	354A-064
36-364028-7	354B	36-380000-1	354 - 60
36-364028-9	354B	36-380000-3	354B-063
36-364029	091A	36-380001	320 - 1
36-364030-11	361A	36-380006-1	392B
36-364030-15	361A	36-380006-1	392
36-364030-21	361A-027	36-380007-1	392
36-364030-21	103B	36-380007-11	392B
36-364030-21	103A	36-380007-15	392
36-364030-23	361A-028	36-380007-25	392
36-364030-23	361C-024	36-380007-27	392
36-364030-25	361B-008	36-380007-29	392
36-364030-25	361A-026	36-380007-3	392
36-364030-27	361A	36-380007-3	392B
36-364030-29	361A	36-380007-5	392
36-364030-31	361A-023	36-380010-1	426
36-364030-35	361A	36-380011-3	391
36-364030-37	361A	36-380013-1	358A
36-364030-39	361A	36-380013-1	354 - 94
36-364030-41	361A	36-380013-1	241A
36-364030-43	361A	36-380015-15	391A
36-364030-45	361A	36-380018-3	392A- 23
36-364030-5	361A	36-380019-1	395
36-364030-55	361C	36-380019-15	395
36-364030-57	361B	36-380019-23	395
36-364030-59	361C	36-380019-25	395
36-364030-7	361A	36-380019-33	395
36-364036-11	361A	36-380019-35	395
36-364036-15	361A	36-380019-5	395
36-364036-15	361A	36-380019-9	395
36-364036-19	361A	36-380020-11	392B-037
36-364036-19	361A-038	36-380020-13	392B
36-364036-3	361A	36-380020-15	392B-033
36-364036-7	361A	36-380020-17	392B-035
36-364036-7	361A	36-380020-5	392B-034

B E E C H C R A F T  
B O N A N Z A 3 3  
I L L U S T R A T E D P A R T S C A T A L O G

PART NUMBER	FIGURE & ITEM NO.	PART NUMBER	FIGURE & ITEM NO.
36-380020-9	392B-036	36-410010-2	245A
36-380021-11	392B	36-410010-2	111
36-380021-13	392B	36-410011-1	111
36-380021-15	392B	36-410011-1	245A
36-380021-17	392B	36-410012-1	245A
36-380021-5	392B	36-410012-1	111
36-380021-9	392B	36-410014-5	111
36-380025-1	354	36-410015-3	104B- 45
36-380025-1	356 - 1	36-420010-1	104B
36-380025-1	354A	36-420010-11	104B
36-380025-1	356A-018	36-420010-15	104B
36-380026-1	281 -032	36-420010-23	104B-096
36-380026-1	281A-052	36-420010-25	104B- 69
36-380027-1	427	36-420010-27	104B
36-380027-15	427 -002	36-420010-29	104B
36-380027-17	427	36-420010-31	104B
36-380027-19	427	36-420010-33	104B
36-380027-21	427	36-420010-35	104B
36-380027-23	427	36-420010-47	104B
36-380027-25	427 -003	36-420010-49	104B
36-380027-27	427	36-420015-1	104B
36-380027-29	427	36-420015-1	104A
36-380027-3	427 -001	36-420015-1	016 -014A
36-380027-31	427	36-430041-7	104B
36-380027-37	427	36-430041-9	104B
36-380027-39	427	36-430044-1	104B
36-380030-1	104B	36-430044-5	104B
36-380033-5	391A	36-430045-17	104B
36-380033-9	391A	36-430046-1	104B
36-380044-1	392B	36-430048-5	104B
36-380044-11	392B	36-430048-9	104B
36-380044-3	392B	36-430057-1	016 -051
36-380044-5	392B	36-430057-1	099A
36-380044-7	392B	36-430058-1	104B
36-380044-9	392B	36-430058-5	104B
36-380046-3	391A	36-440011-601	103
36-380046-5	391A	36-440012-1	103
36-380048-1	358A	36-440012-1	103B-100
36-380048-1	241A	36-440012-2	103B-101
36-380056-1	358A	36-440012-2	103
36-380056-1	354B	36-440013	103
36-380056-3	354B	36-440014	103
36-380056-5	354B	36-440015-1	103
36-380057	395	36-440015-2	103
36-380057	016	36-440016	103
36-380059-1	356B	36-440017	103
36-380061-1	159A- 2	36-440018	103
36-380061-3	159A-021	36-500003-61	182B
36-380061-5	159A-031	36-500003-63	182B
36-380067-1	391A	36-500004-5	182B
36-380068-1	391A	36-500004-51	364 - 21
36-380070-3	392B	36-500005-41	393
36-380071-3	392B	36-500005-43	393
36-380074-1	395	36-500005-45	393
36-380074-3	395	36-500005-47	393
36-380083-15	490	36-500005-49	393
36-380091-1	411	36-500016-61	393
36-380095-1	287A	36-500016-63	393
36-380095-1	281A	36-5006-1	289
36-380096-1	354B	36-5009-3	194A
36-380098-1	241B-037	36-5013-1	281A
36-380098-1	241A-046	36-5013-1 S	287
36-380099-1	104A	36-521011-1	151 - 31
36-380099-1	104B	36-521011-1	151A- 32
36-380099-3	104B	36-521011-3	151A- 31
36-400011-107	312A	36-521011-3	151 - 30
36-400032-15	104B	36-524000-29	132
36-400032-31	104B	36-524000-29	152A
36-400033-1	104B	36-524000-29	152
36-4007-1	104B	36-524000-31	152A
36-410010-1	111	36-524000-31	152
36-410010-1	245A	36-524000-31	132

B E E C H C R A F T  
B O N A N Z A 3 3  
I L L U S T R A T E D P A R T S C A T A L O G

PART NUMBER	FIGURE & ITEM NO.	PART NUMBER	FIGURE & ITEM NO.
36-524000-45	132	36-530025-27	314F-004
36-524000-47	132	36-530025-27	314G-004
36-524000-55	132 -060	36-530025-27	314E-004
36-524000-57	132 -061	36-530025-27	314D-004
36-524000-63	132	36-530025-27	314C-033
36-524000-65	132	36-530025-27	313G-019
36-524000-67	132	36-530025-27	313E-020
36-524000-69	132	36-530025-27	313F-002
36-524013	364	36-530025-27	313C-034
36-524013-1	364	36-530025-27	313D-019
36-524013-3	364	36-530025-27	313B- 16
36-524013-5	364	36-530025-27	313A- 16
36-524013-7	364	36-530026-10	314C-032
36-524016	153A	36-530026-10	314D
36-524017	153A	36-530026-10	314E
36-524021-3	156	36-530026-13	314 - 13
36-524021-601	156	36-530026-13	314B-034
36-524021-603	156	36-530026-35	314D-011
36-524021-605	156	36-530026-49	314D-008
36-524021-607	156	36-530026-49	314C-023
36-524021-6607	156	36-530026-49	314E-008
36-524022-1	156	36-530026-49	314F-008
36-524071-1	152A	36-530026-49	313E-005
36-524071-1	152	36-530026-49	313F-007
36-524071-11	152	36-530026-49	313G-003
36-524071-11	152A	36-530026-49	314G-008
36-524071-15	152A	36-530026-53	314G-006
36-524071-15	152	36-530026-53	313G-007
36-524071-9	152	36-530026-53	313E-003
36-524071-9	152A	36-530026-53	313A- 15
36-524072-1	395	36-530026-53	313B- 15
36-524072-3	395	36-530026-53	314F-006
36-530001-85	097	36-530026-53	314A
36-530001-85	311	36-530026-57	314C-024
36-530001-85	311F-029	36-530026-57	314E-011
36-530004-55	311F-022	36-530026-9	314E-012
36-530004-55	311F-060	36-530026-9	314C-031
36-530004-57	311F-036	36-530026-9	314D-012
36-530004-57	311F-013	36-530031-1	392
36-530004-57	311	36-530031-3	392
36-530004-83	312	36-530034	392
36-530004-83	312A-030	36-530034-5	392 - 15
36-530004-83	312C-029	36-530034-601	392 - 8
36-530023-17	314 - 45	36-530034-7	392
36-530023-17	313B- 41	36-530034-9	392 - 17
36-530023-17	313A- 49	36-530045-25	324
36-530023-17	313 - 49	36-530045-27	324
36-530025-13	313A- 18	36-530045-29	324 -016
36-530025-13	313C-031	36-530051-29	341A
36-530025-13	313B- 18	36-530064-1	097
36-530025-13	313D-014	36-530064-1	324
36-530025-13	313E-017	36-530064-1	311
36-530025-13	314 - 9	36-530064-1	311F-001
36-530025-13	314B-027	36-530064-11	324 -041
36-530025-13	313 - 18	36-530064-119	324
36-530025-14	314B-028	36-530064-121	324
36-530025-14	314 - 10	36-530064-123	324 -040B
36-530025-14	313E-018	36-530064-131	324
36-530025-14	313C-032	36-530064-133	324
36-530025-14	313D-015	36-530064-19	324 -042
36-530025-14	313B- 19	36-530064-23	324 -040
36-530025-14	313A- 19	36-530064-29	324 -044
36-530025-14	313 - 19	36-530064-3	324
36-530025-15	313A- 5	36-530064-3	311A
36-530025-15	313C-024	36-530064-3	311
36-530025-15	313B- 5	36-530064-3	097
36-530025-15	313D-003	36-530064-33	324
36-530025-15	314 - 5	36-530064-43	324 -037
36-530025-15	314B-032	36-530064-47	324 -038
36-530025-15	314A-005	36-530064-51	324 -039
36-530025-15	313 - 5	36-530064-57	324
36-530025-27	313 - 16	36-530064-61	324

B E E C H C R A F T  
B O N A N Z A 3 3  
I L L U S T R A T E D P A R T S C A T A L O G

PART NUMBER	FIGURE & ITEM NO.	PART NUMBER	FIGURE & ITEM NO.
36-530064-613	324	36-530099-7	312B-023
36-530064-627	324	36-530099-7	312A-019
36-530064-629	324	36-530099-7	286
36-530064-631	324	36-530099-7	016
36-530064-65	324	36-530099-9	016
36-530064-65	324	36-530099-9	286
36-530064-67	324	36-530099-9	312A
36-530064-75	324 -047	36-530099-9	312B
36-530064-75	324 -049	36-530102-1	016 - 35
36-530064-75	097 -070	36-530102-5	312B
36-530068-13	327 - 20	36-530102-5	312A-018
36-530068-19	327 - 17	36-530102-5	286
36-530068-20	327 - 18	36-530106-1	411
36-530068-21	327	36-530106-11	411
36-530068-22	327	36-530106-17	411 -073
36-530068-23	327 - 22	36-530106-19	411
36-530068-25	327	36-530106-5	411
36-530068-27	327	36-530106-7	411 -074
36-530068-28	327	36-530106-9	411
36-530068-29	327	36-530107-5	411 -050
36-530068-29	311E	36-530108-1	311
36-530068-30	311E	36-530110-5	015
36-530068-30	327	36-530110-7	015
36-530075-1	320	36-530111-1	317A
36-530076-1	327 - 21	36-530111-2	317A
36-530085-1	327	36-530130-1	251A
36-530085-1	311E	36-530130-1	251B-013
36-530085-2	311E	36-530134-1	016
36-530085-2	327	36-530135-1	016 -006B
36-530085-3	327	36-530136-3	016 -006A
36-530085-4	327	36-530142-11	411
36-530085-5	327	36-530142-11	411
36-530085-6	327	36-530142-9	411
36-530085-7	327	36-530142-9	411
36-530085-8	327	36-530145-1	411
36-530086-1	327 - 23	36-530145-3	411
36-530086-3	327 - 24	36-530151	016
36-530088-1	324	36-530151	286
36-530088-1	311F-006	36-530166-3	016 -040
36-530088-1	354	36-534421-27	286 -002
36-530088-3	324	36-534421-29	286
36-530089-1	324 -035	36-550032-3	417B-011
36-530090-1	392B	36-550050-1	417B-009
36-530090-3	392B	36-550051-1	417B-012
36-530090-5	392B-032	36-550054-11	415
36-530091-1	311F-012	36-550054-15	415
36-530091-1	311F-034	36-550054-7	415
36-530092-1	311F-033	36-550056-1	415 -003
36-530098-13	312A-022	36-550056-17	415
36-530098-17	411	36-550056-3	415
36-530098-19	411 -087	36-550056-5	415
36-530098-21	411	36-555000-109	411 -042
36-530098-23	312B	36-555000-11	411 -039
36-530098-25	312B	36-555000-111	411
36-530098-3	312A-020	36-555000-113	411 -046
36-530098-31	312B-026	36-555000-115	411 -026
36-530098-5	312B-024	36-555000-117	411 -027
36-530098-5	411	36-555000-119	411
36-530098-7	411 -088	36-555000-121	411
36-530098-7	312B-025	36-555000-13	411 -040
36-530098-7	312C-021	36-555000-143	411
36-530098-7	312A-021	36-555000-147	411
36-530099-1	312B	36-555000-151	411
36-530099-21	312B	36-555000-153	411 -049
36-530099-3	312B	36-555000-157	411 -048
36-530099-3	312A	36-555000-161	411
36-530099-3	286	36-555000-163	411
36-530099-3	281A	36-555000-179	411 -043
36-530099-5	281A	36-555000-181	411
36-530099-5	286	36-555000-183	411
36-530099-5	312A-017	36-555000-185	411
36-530099-5	312B-022	36-555000-189	411

B E E C H C R A F T  
B O N A N Z A 3 3  
I L L U S T R A T E D P A R T S C A T A L O G

- PART NUMBER	FIGURE & ITEM NO.	PART NUMBER	FIGURE & ITEM NO.
36-555000-19	411 -044	36-555010-8	426
36-555000-201	411	36-555010-81	426
36-555000-203	411	36-555010-83	426
36-555000-205	411	36-555010-89	426 -026
36-555000-207	411	36-555010-9	426
36-555000-21	411 -038	36-555010-93	426 -004
36-555000-25	411 -029	36-555010-95	426 -021
36-555000-3	411	36-555010-96	426
36-555000-31	411 -022	36-555010-97	426
36-555000-33	411 -014	36-555012-1	425
36-555000-37	411 -009	36-555012-1	411
36-555000-5	411 -010	36-555012-7	411
36-555000-53	411 -015	36-555012-7	425
36-555000-63	411 -035	36-555013-1	427
36-555000-65	411	36-555013-1	411 -061
36-555000-67	411 -062	36-555022-1	411
36-555000-75	411 -011	36-555022-3	411 -019
36-555000-81	411 -064	36-555022-5	411
36-555000-87	411 -005	36-555023-1	411 -058
36-555000-91	411	36-555023-13	415 -007
36-555000-95	411 -001	36-555023-9	411
36-555000-97	411	36-555026-1	411 -070
36-555002-15	411	36-555027-5	411 -020
36-555003-1	411	36-555029-1	425 -001
36-555010-1	411 -072	36-555029-3	425
36-555010-1	426	36-555030-1	411 -007
36-555010-10	426	36-555033-1	411
36-555010-101	426	36-555048-3	425
36-555010-102	426	36-555052-1	411
36-555010-103	426	36-555053-11	411
36-555010-109	426	36-555053-9	411
36-555010-11	426 -015	36-560000-11	341A
36-555010-111	426	36-560000-9	341A
36-555010-113	426	36-560004-59	341
36-555010-13	426 -028	36-560013-7	341A-040
36-555010-14	426	36-580000-101	219A- 50
36-555010-15	426 -027	36-580000-103	219A- 30
36-555010-15	361A	36-580000-119	219A- 4A
36-555010-17	426	36-580000-131	219B
36-555010-19	426	36-580000-133	219B
36-555010-21	426 -005	36-580000-145	219A
36-555010-23	426	36-580000-147	219A
36-555010-24	426	36-580000-149	219A
36-555010-25	426 -022	36-580000-15	219A- 41
36-555010-27	426	36-580000-15	219B-053
36-555010-29	426	36-580000-153	219B-036
36-555010-3	426 -033	36-580000-153	219A
36-555010-31	426 -010	36-580000-155	219A- 72
36-555010-33	426	36-580000-41	219A- 29
36-555010-33	426 -011	36-580000-57	219A- 76
36-555010-35	426 -012	36-580000-61	219A- 66
36-555010-41	426 -008	36-580000-67	219A- 67
36-555010-43	426	36-580000-7	219A- 23
36-555010-49	426 -013	36-580000-81	219A- 34
36-555010-5	426 -025	36-580000-83	219A- 31
36-555010-51	426	36-580000-91	219A- 36
36-555010-53	426 -014	36-580000-91	219B-046
36-555010-55	426	36-580000-93	219B-045
36-555010-57	426 -002	36-580000-93	219A- 35
36-555010-59	426	36-580000-97	219A- 4
36-555010-61	426	36-580001-11	219B-029
36-555010-63	426 -016	36-580001-15	219B-030
36-555010-65	426 -017	36-580001-21	219B-002
36-555010-67	426 -024	36-580001-3	219B
36-555010-69	426 -023	36-580001-5	219B
36-555010-7	426 -029	36-580001-7	219B-032
36-555010-71	426	36-580001-9	219B-033
36-555010-73	426 -018	36-580011	219B-043
36-555010-75	426 -019	36-580011	219A
36-555010-77	426 -006	36-580012	219A
36-555010-78	426	36-590001-9	017
36-555010-79	426 -020	36-590002-19	017



B E E C H C R A F T  
B O N A N Z A 3 3  
I L L U S T R A T E D P A R T S C A T A L O G

PART NUMBER	FIGURE & ITEM NO.	PART NUMBER	FIGURE & ITEM NO.
36-590002-29	017	36-920000-3	282 - 9
36-590013-1	017	36-920000-3	282A- 13
36-590015-1	017 - 7	36-920001-27	111A
36-8001-11	218A	36-920001-33	282A- 7
36-8001-13	218A	36-920012	016 - 29
36-8001-15	218A	36-920013-3	287 - 22
36-8001-19	218A	36-920013-3	287A-015
36-8001-21	218A	36-920014-1	281A
36-8001-21	203A- 5	36-920014-1	281A
36-8001-23	218A- 8	36-920014-1	281A
36-8001-23	218A- 5	36-920014-1	281A-056
36-8001-25	203A	36-920019	341
36-8001-25	202	36-920019	016 -016
36-8001-27	203A	36-920019-1	286
36-8001-27	218A	36-920019-1	312B
36-8001-29	218A	36-920019-1	312C
36-8001-29	202	36-920019-3	312A
36-8001-3	202	36-920019-3	286
36-8001-3	203A	36-920019-5	286
36-8001-31	218A	36-920020	341
36-8001-35	218A	36-920020	016
36-8001-41	218A	36-920020-1	312C
36-8001-41	202	36-920020-1	312B
36-8001-43	218A	36-920020-1	286
36-8001-43	218A	36-920020-3	312A
36-8001-45	218A	36-920020-3	286
36-8001-47	218A	36-920020-5	286
36-8001-5	203A	36-920021-1	341
36-8001-7	203A	36-920021-1	312A
36-8001-9	202	36-920021-1	312C-018
36-8001-9	218A	36-920021-1	286 -004
36-8002-1	207A	36-920022-1	281A
36-8002-3	207A- 1	36-920036-5	281A
36-8002-5	207A- 2	36-920036-5	015
36-810015-1	202	36-920036-7	015
36-810015-5	202	36-920036-7	281A
36-810015-5	411	36-920050-3	289
36-810016-1	202	36-920052-1	281A
36-810016-3	202	36-920052-3	281A
36-810017-1	202	36-920052-3	289 -012
36-810020-1	223	36-920053-5	281A
36-810021-1	223	36-920053-5	015
36-810021-1	392B	36-920053-7	015
36-810021-15	223 -044	36-920053-7	281A
36-810021-3	223	36-920054-5	281A-070
36-810022-1	223 -045	36-920054-5	015 -017
36-820011-17	212	36-920054-7	015
36-820011-9	212 -002A	36-920054-7	281A
36-820012	015 - 1	36-920058-1	289
36-820018-1	212	36-960001-3	241A
36-820018-19	212	36-960003-3	241A
36-820019-1	206A	36-960004-1	241A
36-820019-601	206A	36-960004-1	248
36-820019-7	206A	36-960004-3	248
36-820019-7	206	36-960012-1	251B
36-820019-7	207A	36-960012-11	251B
36-820020-1	206A	36-960012-17	251B
36-820021-1	206A-020	36-960012-19	251B-001
36-820021-11	206A	36-960012-3	251B
36-820021-5	206A	36-960012-9	251B-011
36-820021-9	206A	361-000	417A-019
36-820022	206A-023	361-000-11	417B-003
36-820023-1	212	36112	361A-046
36-820024-1	212	36112	361C-010
36-820025-1	212	366-00	281 - 53
36-820026-1	111B	3686	210 - 22
36-910002-21	241A	37-206	218A- 11
36-910002-23	241A	37009-5-00800	341A
36-910013-1	241A-032	37117	287 - 15
36-910014-1	241B- 8	37617-339	287 - 14
36-910042-13	245A	37685-2	287 - 11
36-920000-17	282 - 3	37691	287 - 13

B E E C H C R A F T  
B O N A N Z A 3 3  
I L L U S T R A T E D P A R T S C A T A L O G

PART NUMBER	FIGURE & ITEM NO.	PART NUMBER	FIGURE & ITEM NO.
37693	287 - 12	414-183955-111	417 - 43
377282S8B	359A	414-183955-111	111 - 57
378462S8B	359A- 50	414-920022-3	281
378463S8B	359A- 42	414-920022-3	281A
378466S7	359A- 34	414-920022-5	281A
378658S	359A- 51	414-920022-5	281 - 61
379201S100	359A- 32	4140-00-191	281A-063
379608S	359A- 47	4140-00-191NV	281A
379616S8	359A- 59	4140-00-39	285A
379618S8	359A- 57	4140-00-39	281A-036
379920S100	359A	4140-00-39NV	281A
38-0230109-00	361C-019	4140-00-39NV	285A
38-0230109-00	361B-003	4140-00-7	285
380056S8B	359A- 44	4140-00-7NV	285
38038	287 - 17	4140-14	285A- 26
3810P502	392B-031	4140-14	285 - 26
38104	287 - 20	416-13	287A-014
39D507G050GL4	359D	416-326-1	287
39D550	358A-003	416-9-1	287A-008
39SEEC17CC5-5-*	364 -011	4169-143	324
3900	182B	418-180657-3	313 - 57
3901	182B- 40	421ABE02-001	324 -040A
3901	182 - 40	42599-2	354B
3902	182 - 20	431-11	287 - 2
3903	182 - 38	431-13	287 - 3
3903-1	182B- 42	431-13	287A-005
3905-25	182B- 41	431-14	287 - 1
3907	182 - 32	431-140	287A-007
3907	182B- 29	431-15	287 - 9
39109A	214 - 23	431-15	287A-003
4C6X-S	282A	431-16	287 - 4
4D2583	358A-007	431-16-2	287A-004
4D2584	358A-014	431-18	287A-006
4E1214-3	250 - 3	431-18	287 - 7
4E1214-3	251 - 3	431-9	287
4E1635	250 - 6	4313	360 - 5
4E1645	250 - 5	4313	360
4E1645	250A-005	435-205-104	364 - 24
4E1645	251 - 6	435-205-104	354B-041
4E1645	251A-006	435-205-104	354A-052
4E1681	251 - 7	435-205-104	354 - 69
4E2058	251A	435-205-104	223
4E2200-2	251A-003	435-210-104	354A-055
4E2200-2	250A-003	435-210-104	354 - 71
4E2218-3	251A-019	435-210-104	354A-056
4E2218-4	251A-021	435-210-104	354B-044
4E2267	251A-007	435-210-104	411
4E2324	250A-006	435-215-104	411
4G7H	354 - 42	435-215-104	354B-043
4G7H	091A	435-215-104	354 - 72
40-0100-3C	361C	442CW	194
40-0100-3C	361A	45-115011-2	033
40-77D	207A	45-115011-5	033 - 12
40-77E	207A	45-115028-14	012 - 11
40D1793	358A-016	45-115028-15	012
40D2127-1	358A-019	45-115028-22	033
40D2127-2	358A-020	45-115028-23	033
401-335-004	182B	45-115028-32	012
4024-3	296 - 30	45-115028-34	012
4086	182A- 13	45-115028-40	012
41-0190	361 - 22	45-115044	036 - 35
41-0190-1	361A-020	45-115044-1	036
41-0190-3	361A	45-115053	012
41-0190-3	361	45-115053	012
41-0832-9	361A-048	45-115060	036
41-0832-9	361C-012	45-115060-1	036
41038	425 -025	45-115063	037 - 22
41039	425 -024	45-115063-1	037
414-180657-3	101 - 31	45-115072	036
414-180657-3	314 - 52	45-115072-1	036
414-183761-5	391 - 5	45-115089-33	033 - 36
414-183802-3	391 - 22	45-135031-55	041 - 12

B E E C H C R A F T  
B O N A N Z A 3 3  
I L L U S T R A T E D P A R T S C A T A L O G

PART NUMBER	FIGURE & ITEM NO.	PART NUMBER	FIGURE & ITEM NO.
45-135031-57	041 - 11	45-526011-7	152 - 98
45-361093-3	355 - 17	45-526011-7	152A- 81
45-361115	355	45-526015	164 - 12
45-361115	161	45-526015	132 -055
45-361116	161	45-610005-10	133
45-361116	355 - 7	45-610005-100	133 - 25
45-361116-1	161 - 34	45-610005-102	133 - 26
45-361117	161	45-610005-104	133 - 20
45-361117	355 - 6	45-610005-105	133
45-361117-1	161 - 35	45-610005-106	133 - 21
45-364238	202 -076	45-610005-107	133
45-410356	091 - 50	45-610005-114	133
45-521212-2	161 - 12	45-610005-12	133 - 24
45-521212-4	161	45-610005-137	133
45-521212-5	161	45-610005-16	133 - 5
45-521212-604	161	45-610005-18	133 - 1
45-521212-607	161	45-610005-28	133 -007
45-521214	161 - 13	45-610005-30	133
45-521214-1	161	45-610005-54	133 - 22
45-521216	161 - 11	45-610005-55	133
45-521216-1	161	45-610005-6	133 - 11
45-524042-11	131 -013	45-610005-8	133
45-524042-9	131	45-610005-92	133 - 10
45-524557-1	132 -045	45-610005-94	133 - 9
45-524557-1	164 - 1	45-610005-96	133 - 8
45-524557-3	164	45-610007-1	133 - 2
45-524557-3	132	45-610007-2	133
45-524561-19	132 -053	45-610008	133 - 3
45-524561-23	132	45-620010-20	132 - 31
45-524561-3	164 - 11	45-620010-30	132 - 3
45-524562	164 - 10	45-620010-32	132 -033
45-524562	132 -052	45-620010-34	132 -034
45-524563	132 -047	45-620010-35	132 -035
45-524563	164 - 3	45-620011-10	132 - 4
45-524564	164 - 7	45-620011-10	103
45-524564	132 -049	45-620011-16	103
S45-524565-11	132	45-620011-6	103
45-524565-11	164	45-620020	132 - 39
45-524565-13	164	45-620020	312
S45-524565-13	132	45-620021	132 - 38
S45-524565-19	132	45-620024	132 - 37
S45-524565-21	132	45-620024	312
S45-524565-23	132	45-620025-13	132 - 7
S45-524565-25	132	45-650112	132 - 27
S45-524565-27	132	45-660011-2	133 -006
S45-524565-29	132	45-660011-20	133
S45-524565-3	132	45-660011-22	133
S45-524565-31	132	45-660011-4	133
S45-524565-33	132	45-660011-6	133
S45-524565-39	132	45-660012-1	133 - 16
S45-524565-41	132	45-810090	213 - 40
45-524565-43	132	45-810090-3	213
45-524565-45	132	45-810144	213
45-524565-47	132	45-815003-1	211
45-524565-49	132	45-815003-3	211 - 26
S45-524565-5	132	45-815011-8	202 - 29
45-524566-3	164 - 2	45-815013	202 - 30
45-524566-5	164	45-815013	202 - 35
45-524566-9	132 -046	45-815091-3	211 - 11
45-524569	132 -048	45-820096-17	206A-056
45-524624	152 - 87	45-820096-603	206A
45-524624	152A- 72	45-825032	206 - 21
45-524626	164 - 5	45-825032	206A-053
45-526005-3	164 - 15	45-825033	206A-018
45-526005-3	132 -058	45-825033	206 - 6
45-526006-3	132 -043	45-825034	206A-017
45-526006-5	132 -042	45-825078-1	208 - 11
45-526006-7	132	45-825080-13	212 -018
45-526007-1	132 -057	45-910231-21	091
45-526007-1	164 - 14	45-910314	244A-042
45-526008	132 - 40	45-910314	244B- 14
45-526011-7	132 -062	45-910315	244B- 15

B E E C H C R A F T  
B O N A N Z A 3 3  
I L L U S T R A T E D P A R T S C A T A L O G

PART NUMBER	FIGURE & ITEM NO.	PART NUMBER	FIGURE & ITEM NO.
45-910315-1	244A-043	50-110003-80	035 - 59
45-920036-1	289 -002	50-110003-81	035
45-921541	281A-073	50-110003-84	035 - 60
45-921541	281 - 64	50-110003-90	035 - 62
450273	213 - 23	50-110010-106	033
452-0130	490D	50-110010-110	033
452-0130	490C	50-110010-110	033
4522	411 -052	50-110010-111	033
4522	354 - 17	50-110010-111	033
4522	354 - 97	50-110010-125	033
4522	354A	50-110010-126	033
4522	194A	50-110010-127	033 - 1
4532	354A	50-110010-127	012 - 3
4532	354A-009	50-110010-128	012 - 4
4532	354B-053	50-110010-128	033
4532	354 - 10	50-110010-131	033
4532	354 - 95	50-110010-163	012 - 18
4532	411 -053	50-110010-165	033
455-28	104A- 78	50-110010-22	033
455-28	104 - 95	50-110010-23	033
4587	364	50-110010-48	034
4596	360 -011	50-110010-49	034
4596	360	50-110010-50	033 - 30
4701	362 - 18	50-110010-51	033
472677	313G-062	50-110010-52	033 - 29
4765	364	50-110010-53	033
49158	101	50-110010-54	033 - 28
49159	101 - 22	50-110010-55	033
49160	101	50-110010-66	033
49165	182A- 4	50-110010-67	033
49176	111	50-110010-86	033
49184	394A- 16	50-110010-87	033
49184	362A	50-110046-8	033
49196	394	50-110046-9	033
49196	394A	50-110056	033
49245	394A- 15	50-110056-1	033
49245	394A	50-110062	033 - 10
49245	361 - 36	50-110062-1	033
49245	394 - 15	50-110078	033 - 16
49245	103B	50-110078-1	033
49246	394	50-110079	012 - 9
49246	394	50-110079-1	012 - 10
49246	394A	50-110079-4	012
49249	361	50-110079-5	012
49266	394 - 16	50-110080	033
49266	394	50-110080-1	033 - 14
49266	394A	50-110080-2	033
49296	490A	50-110081	033
49296	362A	50-110086-1	033 - 13
49296	111	50-110086-2	033
49296	103B	50-130000-57	041 - 22
49338	219	50-130002-59	041 - 21
49338	212	50-130002-61	041 - 20
49338	258 - 40	50-130019	041 - 19
49338	258 - 7	50-130020	041 - 18
49338	241A-036	50-320010-6	394A- 2
49338	159A- 46	50-320010-6	394 - 2
49338	159A- 11	50-320010-6	355 - 12
49338	159 - 15	50-324103-1	391 - 12
49338	354A	50-324103-1	392A- 14
5	392A- 12	50-324103-1	392 - 24
5 00 X 5	207	50-324103-1	392B- 22
5 00 X 5	207A	50-324103-1	391A- 10
5 00 X 5 4P	207A	50-324104	391A
5 00 X 5 4P TT	207A	50-324104	392 - 21
5 00 X 5 4P TT	207	50-324104	391 - 7
5/16 OD	182 - 28	50-324473-35	194A-011
5/32	296	50-361131	161 - 24
50-110003-22	035 - 15	50-364041-9	392B
50-110003-22	035 - 2	50-364308-127	354
50-110003-76	035 - 61	50-364308-127	354
50-110003-77	035	50-364308-223	354

B E E C H C R A F T  
B O N A N Z A 3 3  
I L L U S T R A T E D P A R T S C A T A L O G

- PART NUMBER	FIGURE & ITEM NO.	PART NUMBER	FIGURE & ITEM NO.
50-364308-223	354 - 81	50-534733-1	314
50-364308-61	354 -100	50-534733-1	313A
50-364308-67	354	50-534733-1	313
50-364308-67	354 - 80	50-534815-1	313B- 50
50-380013-5	391A-005	50-534815-10	313B- 46
50-380013-5	391 - 006	50-534815-10	313E
50-380048-1	354 -119	50-534815-10	313C-042
50-380048-1	223	50-534815-5	313B- 51
50-380048-3	223	50-534815-9	313B- 45
50-380048-3	354 - 84	50-534815-9	313C-041
50-380048-3	354 - 28	50-534815-9	313E
50-380079	219A- 69	50-534846-11	156 - 28
S50-380079-1	219 - 66	50-534846-11	156 - 9
50-380079-1	221	50-534846-21	156 -042
50-380079-3	221	50-534846-29	156
S50-380079-3	219	50-534846-5	156
50-380094-1	391A	50-560012	016 - 25
50-380094-3	391A	50-560015	341
50-380117-1	490C-017	50-560015	341
50-380125	364	50-571038	016 - 33
50-380125-3	364	50-820130-8	210 - 26
50-380170-11	282A- 12	50-920008-8	281A
50-380170-11	282 - 8	50-920030-4	289 -004
50-380170-11	281A-009	50-920040-10	289 -009
50-380170-11	281A-002	50-920057	289 -006
50-384001-33	392 - 23	50-920064	281A
50-384001-33	392B- 21	50-920077	281A-012
50-384001-33	392A- 15	50-920077	281 - 50
50-384001-35	392B	50-92008-7	281A
50-384040	355	50-921509-37	281 - 44
50-384040	394A	50-921509-9	281 - 41
50-384040	394	5000-77	220 - 3
50-384040-1	394 - 32	500794-5	313G-066
50-384040-1	394A- 28	5017850	358 - 23
50-384040-1	355 - 9	503268	313G
50-384073	391 - 15	5033	289
50-384073	391A-013	5033-2	289
50-384202-3	391A-008	504271	202 - 13
50-384202-3	391 - 9	5100-37	222 - 21
50-384203-3	391	5100-37MD	222 - 25
50-384203-3	391A	5101A2C1D2L3D1	391
50-384204	391A-012	5101A2C1D2L3N1	391
50-384204	391 - 14	51020	156 - 23
50-384205	391	51020	156
50-384210-1	156	51043	111
50-384211-1	156 -043	5146	182B- .9
50-524326-1	154	5146-1	182B
50-524326-1	154	5146-2	182B
50-524326-2	154	52-022-094-0437	164 - 16
50-524326-3	154 - 5	52-022-094-0562	164 - 13
50-524326-3	154 - 8	52-022-094-0625	104A
50-524326-4	154 - 9	520014	359G-030
50-524326-4	154 - 6	520014	359F-022
50-524497-1	364 - 8	520014	359E-029
50-524587	364 - 7	520014	359D-024
50-524594	156 - 8	5201KD	213 - 26
50-524733-1	016 -015	5201SBKF	213
50-534033-179	311A	52133	425 -028
50-534033-179	311	52506	425 -023
50-534075-20	315	52507	425 -027
50-534288	341A-008	52508	425 -026
50-534288	341 - 81	52509	425 -022
50-534527-5	327A-009	52510	425 -021
50-534527-5	327 - 13	52511	425 -019
50-534536	327A-010	52512	425 -020
50-534536	327 - 14	52519	425 -018
50-534547-29	327 - 6	52544	425 -014
50-534547-30	327	52547	425 -017
50-534622-15	156 -045	52548	425 -016
50-534622-5	156	52552	425 -015
50-534733-1	317	52554	425 -007
		52560	425 -012

B E E C H C R A F T  
B O N A N Z A 3 3  
I L L U S T R A T E D P A R T S C A T A L O G

PART NUMBER	FIGURE & ITEM NO.	PART NUMBER	FIGURE & ITEM NO.
52563	425 -009	58-360028-35	109 -004
52564	425 -010	58-360032-3	363 -006
52567	425 -008	58-360032-7	363
52568	425 -011	58-360032-8	363
52569	425 -013	58-361011	354A
53	354 - 78	58-361011	354 - 32
53	212 - 23	58-361011-3	354B-010
531-032	287A-002	58-361013-1	355
531-033	287A-001	58-364041-1	392B
531-046	287A	58-364041-9	354B-045
534787	241 - 9	58-364041-9	354A-065
535-521242-13	152A- 39	58-364055-1	354B-036E
535-521242-13	152 - 51	58-364055-7	354B
535-521242-15	152 - 50	58-364055-9	354B-036W
535-521242-15	152	58-364056-1	354B
535-521242-15	152A- 38	58-364056-13	354B
535-521242-15	152A	58-364056-15	354B
535541	241	58-364056-21	354B-036T
536213	358 - 54	58-364056-25	354B-036Y
537379	241A- 12	58-364056-27	354B
537539	358 - 44	58-364056-29	354B
539547	359A- 11	58-364056-35	354B
539547	358 - 55	58-364056-5	354B-036G
539547	241 - 21	58-364056-9	354B-036B
55-0050H	362 - 4	58-364060-1	354B-036H
55-0069-1	361C-013	58-364060-1	354B-037
55-0069-1	361A-053	58-380009-1	355
55-3029-1	391	58-380013-1	391
55-3029-1	391A	58-380013-1	391A
55-3029-3	391	58-380014-1	391A
55-3029-3	391A	58-380014-1	391
55-5012-1	313	58-380015-1	391A
55-5012-1	313A	58-380015-1	391
55-5012-3	313	58-380015-1	156
55-5012-3	313A	58-380015-3	156
55000L	296 - 33	58-380017-1	392A
55000R	296	58-380017-1	392
55011	296 - 31	58-380017-3	392
55011-1	296	58-380017-3	392B
55023	296 - 40	58-380018-1	391
55027	296 - 38	58-380018-1	391A
55028	296 - 22	58-380019-1	391A
55035-1	296 - 23	58-380019-1	391
55035-2	296 - 24	58-380019-13	391
55035-3	296 - 17	58-380019-3	391
55035-4	296 - 18	58-380020-1	391
55035-5	296 - 19	58-380020-1	182B
55035-6	296 - 28	58-380022-11	391A
55035-7	296 - 21	58-380022-11	392B
55036	296 - 37	58-380022-13	251B
55036-1	296 - 36	58-380022-9	182B
55037	296 - 32	58-380022-9	392B
5555-25	361A-010	58-380022-9	391A
5555-25	361 - 12	58-380022-9	391
557-003	287A-017	58-380022-9	392
557-003	281A	58-380022-9	392A
561	218A- 9	58-380038-13	391A
561	218A- 6	58-380041-1	391 - 10
5640556	281A	58-380041-3	391
5641801	281A-074	58-380050-11	392 - 27
5677	213 - 42	58-380050-11	392B-025
5705	214 - 14	58-380050-7	392
57666-0001	490A	58-380051-11	392
57674-0001	490A	58-380051-11	392B
57682-0101	490A	58-380051-7	392
58-100026-5	015	58-380069-1	391A- 9
58-100026-7	015	58-380069-3	391A
58-324036-1	156	58-380071-1	317A
58-324036-3	156	58-380071-1	314G-047
58-324041	392B	58-380071-1	314D-038
58-324041	392	58-380071-1	314E-041
58-324042	392B-026	58-380071-1	314F-039

B E E C H C R A F T  
B O N A N Z A 3 3  
I L L U S T R A T E D P A R T S C A T A L O G

PART NUMBER	FIGURE & ITEM NO.	PART NUMBER	FIGURE & ITEM NO.
58-380071-15	313D	58-530026-1	313B
58-380071-15	313E	58-530026-1	313A
58-380071-15	313G-060	58-530026-1	313
58-380071-17	317B-017	58-530026-3	417A
58-380077-1	391A	58-530026-39	313A
58-380077-3	391A	58-530026-39	313B
58-380077-5	391A	58-530026-39	314A
58-380085-1	391A-011	58-530026-39	313E
58-380085-3	391A	58-530026-39	313D
58-380090-1	214B	58-530026-39	313C
58-380090-1	213	58-530026-39	314C
58-380108-1	415	58-530026-49	314C-002
58-380108-3	415	58-530026-49	313C-002
58-380108-5	415	58-530026-49	313D-023
58-380108-5	415	58-530026-49	313E-024
58-380117-1	490D-015	58-530026-49	313G-023
58-380117-1	490B-007	58-530026-49	314A-001
58-420021-3	097	58-530026-49	313B
58-420039	013 - 7	58-530026-49	313A
58-420057-3	110	58-530026-5	313A- 1
58-420060-1	104B- 33	58-530026-5	313 - 1
58-420061-1	104B-035	58-530026-5	313B- 1
58-420062-1	110 - 17	58-530026-5	314 - 1
58-420063-1	110 - 24	58-530026-5	314B-001
58-420064-1	110 -019	58-530026-59	313G
58-420064-3	110	58-530040-3	314
58-420065-3	110 -018	58-530040-3	313
58-420065-5	110	58-530041-15	317
58-430014-23	099A	58-530041-17	317
58-430014-24	099A	58-530041-23	314
58-430014-4	313G	58-530041-23	313B
58-430014-7	313G-061	58-530041-23	313A
58-430014-8	313G	58-530041-23	313
58-5005-1	313A	58-530041-25	313
58-5005-3	313A	58-530041-25	313A
58-5009-1	314	58-530041-25	313B
58-5009-1	314A	58-530041-25	314
58-5009-1	314B	58-530041-27	313
58-5009-1	314C	58-530041-28	313
58-5009-5	314	58-530042-3	311E-012
58-5009-7	314	58-530042-4	311E-037
58-524013-11	151	58-530044-1	324
58-524013-11	151A	58-530044-3	324 -015
58-524026	103 - 82	58-530044-5	324
58-524027	364	58-530044-7	324
58-524034-1	156	58-530045-1	314C
58-524035-1	156	58-530045-1	314A
58-524035-1	156	58-530045-1	314B
58-524036-1	156	58-530045-1	313C
58-524036-3	156	58-530045-1	313D
58-524037-5	156	58-530045-1	313 - 33
58-524037-603	156	58-530045-1	313A- 33
58-524037-605	156	58-530045-1	313B- 33
58-524039-1	156	58-530045-13	314D-030
58-524039-1	156	58-530045-13	314D
58-524039-3	156	58-530045-13	314F-031
58-524039-5	156	58-530045-14	314F
58-524039-5	156	58-530045-2	314C-005
58-524039-7	156	58-530045-2	313D-032
58-524040-1	156	58-530045-2	313C-003
58-524046-1	156	58-530045-2	314B-005
58-524046-3	156	58-530045-2	314A-028
58-530003-57	311F-028	58-530045-2	313B
58-530014-7	313G-060A	58-530045-2	313A
58-530016-3	417A-025	58-530045-2	313
58-530023-1	324	58-530045-3	313 - 34
58-530023-11	324 -006	58-530045-3	313A- 34
58-530023-3	324	58-530045-3	313B- 34
58-530023-5	324 -007	58-530045-3	313G-033
58-530023-9	324 -011	58-530045-3	313F-021
58-530026-1	314	58-530045-5	313F
58-530026-1	314B	58-530045-5	313E

B E E C H C R A F T  
B O N A N Z A 3 3  
I L L U S T R A T E D P A R T S C A T A L O G

PART NUMBER	FIGURE & ITEM NO.	PART NUMBER	FIGURE & ITEM NO.
58-530045-5	313G	58-530101-5	417A
58-530045-6	313G	58-530103-3	417A
58-530045-6	313E-032	58-530104-1	417A- 13
58-530045-6	313F	58-530105-1	417A- 10
58-530045-7	313F	58-530106-11	311B
58-530045-7	314D	58-530106-5	311B-002
58-530045-7	314F	58-530106-7	311B
58-530045-7	314E	58-530106-7	417A- 2
58-530045-7	314G	58-530106-9	311B
58-530045-8	314G-023	58-530108-1	313A
58-530045-8	314E-022	58-530108-15	314A
58-530045-8	314F-023	58-530108-17	314A
58-530045-8	314D-022	58-530108-23	314B
58-530045-9	313F-029	58-530108-25	314B
58-530046	313A- 35	58-530108-29	314A
58-530046	313 - 35	58-530108-3	313A
58-530046-1	313F	58-530108-31	314A
58-530046-1	313G-034	58-530108-37	314B
58-530046-1	313F	58-530108-41	314B
58-530046-1	313B- 35	58-530108-43	314B-038
58-530046-4	314G	58-530108-43	314A-038
58-530055-1	311 - 021	58-530108-43	313A- 54
58-530055-5	311	58-530108-45	313A- 46
58-530072-1	313B	58-530108-45	314A-039
58-530072-1	314 - 41	58-530108-45	314B-037
58-530072-1	313	58-530108-47	314B
58-530072-3	313	58-530108-47	314A
58-530072-3	314	58-530108-47	313A
58-530075	324	58-530108-48	313A
58-530075-1	327A	58-530108-48	314A
58-530075-3	327A-008	58-530108-48	314B
58-530075-3	017	58-530108-49	314B
58-530075-5	017	58-530108-49	314A
58-530075-5	327A	58-530108-49	313A
58-530076-11	324	58-530108-51	313A- 45
58-530076-13	324	58-530108-51	314A
58-530076-7	324	58-530108-51	314B
58-530080-1	314B-039	58-530108-59	313A
58-530080-1	314A-041	58-530108-61	314B
58-530080-1	313A- 48	58-530108-65	314B
58-530081-29	313E	58-530108-7	313A
58-530081-53	313E	58-530108-9	313A
58-530082-1	313B- 42	58-530109-1	417A- 11
58-530082-1	313A- 50	58-530110-3	417A- 9
58-530082-3	314A-040	58-530110-3	311B-006
58-530082-3	314B-040	58-530115-1	311F
58-530083-1	311F-031	58-530118-1	313A
58-530083-5	311F	58-530118-7	313A
58-530085-1	311F-030	58-530120-1	313A
58-530085-3	311F	58-530120-1	314B
58-530086-1	311F-002	58-530120-1	314A
58-530086-3	311F	58-530120-1	313B
58-530086-5	311F	58-530120-1	313E
58-530086-5	311	58-530120-1	324
58-530088-5	311F	58-530120-1	314C
58-530095-1	417A-017	58-530120-11	324
58-530095-1	417B-001	58-530120-13	324
58-530096-1	417A	58-530120-15	324
58-530096-1	311B	58-530120-29	314G
58-530096-5	417A	58-530120-29	314F
58-530096-7	417A	58-530120-29	313G
58-530097-1	417A	58-530120-3	313D
58-530097-1	311B-015	58-530120-33	314E-045
58-530097-11	417A	58-530120-33	314D-042
58-530097-9	417A	58-530120-5	324
58-530098-1	417A- 1	58-530121-13	311B
58-530098-11	417A	58-530121-15	311B
58-530098-5	417A	58-530121-19	311B
58-530100-1	417A-018	58-530121-7	311B
58-530100-1	417B-002	58-530121-7	324
58-530101-1	417A- 12	58-530125-1	392
58-530101-49	311	58-530125-1	392A



B E E C H C R A F T  
B O N A N Z A 3 3  
I L L U S T R A T E D P A R T S C A T A L O G

PART NUMBER	FIGURE & ITEM NO.	PART NUMBER	FIGURE & ITEM NO.
58-530125-1	392B	58-530160-1	312B-034
58-530125-11	392A	58-530160-1	312A
58-530125-11	392B	58-530160-1	312C-027
58-530125-13	392B- 9	58-530160-3	312C
58-530125-13	392A- 13	58-530160-3	312B
58-530125-15	392A- 8	58-530160-3	312A-027
58-530125-15	392B- 12	58-530160-5	312A-028
58-530125-5	392A	58-530160-5	312B
58-530125-5	392B	58-530160-5	312C
58-530125-9	392B- 7	58-530161-11	311 -007
58-530125-9	392A- 6	58-530161-13	311
58-530126-1	417A	58-530161-29	311 -020
58-530128-1	324	58-530161-3	311
58-530128-1	311B	58-530161-39	311
58-530128-11	311B-018	58-530161-43	311
58-530128-3	311B	58-530161-45	311
58-530128-3	324	58-530161-45	311
58-530128-5	311B-016	58-530161-47	311
58-530128-7	311B	58-530161-53	311
58-530128-9	311B-017	58-530163-1	311
58-530129-1	311B-019	58-530163-3	311
58-530129-1	324	58-530164-1	311 -019
58-530130-1	324	58-530165-7	311A
58-530130-1	311B	58-530166-1	311
58-530131-1	311B	58-530166-13	311 -037
58-530131-1	324	58-530166-15	311 -038
58-530132-73	311F-039	58-530166-23	311
58-530132-89	311F-008	58-530166-27	311
58-530132-91	311F-007	58-530166-29	311 -036
58-530133-1	311F-035	58-530166-3	311
58-530133-11	311F	58-530166-5	311 -035
58-530133-3	311F	58-530169-11	311
58-530133-5	311F	58-530169-15	311
58-530133-7	311F	58-530169-25	311
58-530134-1	311F-032	58-530169-27	311 -045
58-530134-11	311F-041	58-530169-9	311
58-530134-11	311 -048	58-530170-3	311
58-530134-11	311	58-530170-5	311 -044
58-530134-11	311 -039	58-530171-1	311
58-530134-11	311 -042	58-530171-3	311
58-530134-11	324 -031	58-530171-5	311 -043
58-530144-1	097	58-530173-7	324
58-530144-3	097	58-530176-7	312C-041
58-530145-1	311	58-530179-1	311
58-530145-1	311F-051	58-530179-11	311
58-530145-2	311F-019	58-530179-13	311
58-530145-2	311	58-530179-13	311
58-530145-3	311 -013	58-530179-15	311
58-530145-3	311A-012	58-530179-3	311
58-530145-3	311F	58-530179-5	311
58-530145-3	311F	58-530179-7	311
58-530146-1	311F-003	58-530179-9	311
58-530146-3	311F	58-530180-1	311 -009
58-530147-1	311F-005	58-530180-1	327
58-530147-1	311A-004	58-530180-2	327
58-530147-1	311 -005	58-530180-3	311 -022
58-530147-3	311A	58-530182-1	313A
58-530147-3	311 -016	58-530182-11	313D
58-530147-3	311F-027	58-530182-13	313D
58-530150-1	311B	58-530182-13	314D
58-530152-7	312B-039	58-530182-15	314E
58-530152-7	312C-032	58-530182-15	313D
58-530157-1	312C-024	58-530182-5	313D
58-530157-1	312B-030	58-530182-7	313A
58-530157-1	411 -079	58-530183-5	314F
58-530158-1	411 -080	58-530183-5	314G
58-530158-1	312B-031	58-530184-1	313A
58-530158-1	312A-024	58-530184-13	314A
58-530158-1	312C-023	58-530184-15	314A
58-530158-3	411	58-530184-17	314C
58-530159-3	312A-025	58-530184-19	314C
58-530159-3	312B-032	58-530184-23	314A

B E E C H C R A F T  
B O N A N Z A 3 3  
I L L U S T R A T E D P A R T S C A T A L O G

PART NUMBER	FIGURE & ITEM NO.	PART NUMBER	FIGURE & ITEM NO.
58-530184-25	314A	58-530216-23	317B
58-530184-27	314C	58-530218-1	317B
58-530184-29	314C	58-530218-27	317B
58-530184-37	314C-038	58-530218-29	317B
58-530184-37	314A	58-530218-33	317B-018
58-530184-37	313A	58-530219-21	313C-044
58-530184-39	313A	58-530219-29	313D-039
58-530184-39	314A	58-530219-29	313E-041
58-530184-39	314C-037	58-530219-29	314D-036
58-530184-5	313A	58-530219-29	314E-039
58-530184-51	313A	58-530219-53	313C-045
58-530184-51	314C	58-530219-57	314E-040
58-530184-51	314A	58-530219-57	314D-037
58-530184-52	314A	58-530219-61	314E
58-530184-52	314C	58-530219-61	314D
58-530184-52	313A	58-530219-61	313E-042
58-530184-53	313A	58-530219-7	313D-038
58-530184-53	314C	58-530220-1	392B- 15
58-530184-53	314A	58-530220-1	392 - 19
58-530184-55	314A	58-530221-1	311
58-530184-55	313A	58-530221-5	311
58-530184-59	313A	58-530222-11	311
58-530184-61	314C	58-530222-17	311A
58-530184-63	314C	58-530222-19	311A
58-530184-7	313A	58-530222-21	311A
58-530185-1	313A	58-530222-23	311A
58-530185-1	314C-040	58-530222-25	311A
58-530185-1	314D-031	58-530222-27	311A
58-530185-1	314F-032	58-530222-3	311
58-530185-1	314E-034	58-530222-5	311
58-530185-1	314G-040	58-530223-1	311
58-530185-1	314A	58-530223-5	311
58-530185-1	313C-040	58-530224-1	313D
58-530185-1	313D-040	58-530224-1	313E
58-530185-1	313G-051	58-530224-1	313G
58-530185-1	313F	58-530224-10	317A
58-530185-1	313E-044	58-530224-9	317A
58-530186-1	314A	58-530226-1	313G
58-530186-1	314C-039	58-530226-1	313E
58-530186-1	313A	58-530226-1	313D
58-530190-1	314C	58-530227-1	015
58-530190-13	314C	58-530227-3	015
58-530190-17	314C-034	58-530229-1	097
58-530190-3	314C	58-530231-1	101A
58-530190-5	314C	58-530231-1	099A
58-530190-7	314C	58-530231-1	313D-049
58-530191-1	312C-026	58-530231-1	313E-052
58-530191-1	312B-033	58-530231-1	314F-047
58-530191-1	312A-026	58-530231-1	314C
58-530191-1	411 -081	58-530231-1	314G
58-530191-1	016	58-530231-1	313G-070
58-530192-1	016 - 36	58-530231-1	313A
58-530194-1	016	58-530232-1	097
58-530195-1	311 -040	58-530233-1	097
58-530199-1	392B	58-530233-7	097
58-530200-1	392B	58-530242-1	314C
58-530200-13	392B	58-530242-13	314C
58-530200-3	392B	58-530242-3	314C
58-530201-15	392B	58-530242-5	314C
58-530201-21	392B	58-530242-7	314C
58-530201-25	392B	58-530253-7	392B
58-530201-5	392B	58-530254-1	392B
58-530201-7	392B	58-534184-45	317A
58-530203-1	016	58-534184-47	317A
58-530207-3	311	58-534184-55	314C
58-530207-3	324	58-534184-601	317A
58-530207-9	324	58-550011-33	417A
58-530207-9	311	58-550011-7	417A
58-530208-1	324	58-550011-9	417A-027
58-530209-1	324	58-550012-10	417A-024
58-530214	311	58-550012-9	417A-023
58-530214-5	311	58-550013-1	417A-022

B E E C H C R A F T  
B O N A N Z A 3 3  
I L L U S T R A T E D P A R T S C A T A L O G

PART NUMBER	FIGURE & ITEM NO.	PART NUMBER	FIGURE & ITEM NO.
58-550014-3	417A-028	60-530013-11	314A-004
58-550028-11	417B	60-530013-11	313 - 15
58-550028-9	417B	60-530013-41	313 - 32
58-560000-113	341A-028	60-530013-41	313A- 32
58-560000-113	341	60-530013-41	313F-017
58-560000-123	341	60-530013-41	313E-030
58-560000-27	341	60-530013-41	313B- 32
58-560000-79	341	60-530013-41	313C-011
58-560000-81	341	60-530013-41	313D-031
58-560000-83	341	60-530013-41	314A- 21
58-560000-89	341	60-530013-41	313G-032
58-560000-91	341	60-530013-41	314 - 21
58-560001-133	341	60-530013-41	314B-010
58-560003-41	341A-030	60-530013-41	314C-010
58-560003-45	341A-032	60-530013-41	314D-027
58-560013-1	016 -044	60-530013-41	314F-028
58-8001-1S	223	60-530013-93	313D-013
58-810023-1	213	60-530013-93	313C-020
58-910021-1	194B-001	60-530039-1	314
58-910021-1	194A-004	60-530039-2	314
58-910021-1	194 - 14	60-530039-23	314D-003
58-920034-21	281A	60-530039-23	314G-003
58-920034-21	015	60-530039-23	314E-003
58-920034-23	015	60-530039-23	314F-003
58-920034-23	281A	60-530039-23	313E-022
58-920034-25	281A	60-530039-23	313G-021
58-920034-25	015 -020	60-530039-24	313G-022
58-920034-27	015	60-530039-24	313E-023
58-920034-27	281A	60-530039-24	314F
58-920050-5	281A	60-530039-24	314E
58-920050-5	015	60-530039-24	314G
58-920050-7	015	60-530039-24	314D
58-920050-7	281A	60-530039-29	313F-001
58-920051-5	241B- 32	60-530039-3	313C-036
58-920051-5	241A-039	60-530039-3	313D-021
58-920051-5	241 - 32	60-530039-3	313B- 23
6 00 X 6	202	60-530039-3	313A- 23
6 00 X 6 6P TT	202 - 65	60-530039-3	313 - 23
6-0TX-S	411 -030	60-530039-3	314C-035
6-32 X 3/4	251A-009	60-530039-3	314B-035
6-32 X 3/4	251 - 9	60-530039-3	314 - 11
6-32 X 3/4	250A-009	60-530039-3	314A-013
6-32 X 5/16	361C-011	60-530039-30	313F
6-32 X 5/16	361A-051	60-530039-4	313B- 24
6-32 X 7/8	250 - 14	60-530039-4	313D-022
6-4TRTX-S	281A-068	60-530039-4	313C-037
6C5X-D	285 - 50	60-530039-4	313 - 24
6C5X-D	285A- 50	60-530039-4	313A- 24
6C5XS	281 - 19	60-530039-4	314A-014
6F2	161	60-530039-4	314 - 12
6J20DS	357A-012	60-530039-4	314B
6LC-C6	102	60-530039-4	314C
6LC-C6	101	60-530040-1	314C-001
6LC-C8	101	60-530040-1	314B-002
6LC-C8	102A	60-530040-1	314 - 2
6LC-C8	102A	60-530040-1	314A- 2
6LC-C8	102	60-530040-1	313A- 2
60-0863-1	362 - 3	60-530040-1	313 - 2
60-1750-1	362A-009	60-530040-1	313D-024
60-1750-3	362A	60-530040-1	313B- 2
60-324147-5	251B-016	60-530040-3	313C-001
60-369025-2	354B	60-530040-5	313E-025
60-389012-7	281A	60-530040-5	313G-024
60-389012-9	281A	60-530041-1	313A- 42
60-389017-3	354B-019	60-530041-1	313D-036
60-524080-10	156	60-530041-1	313C-016
60-524080-13	156 -006	60-530041-1	313 - 42
60-524080-14	156	60-530041-1	314 - 35
60-524080-3	182A- 17	60-530041-1	314A-036
60-524080-9	156	60-530041-1	314B-017
60-530013-11	314B-019	60-530041-1	314C-017
60-530013-11	314 - 4	60-530043	314 - 26

B E E C H C R A F T  
B O N A N Z A 3 3  
I L L U S T R A T E D P A R T S C A T A L O G

- PART NUMBER	FIGURE & ITEM NO.	PART NUMBER	FIGURE & ITEM NO.
60-530043	313 - 25	60-530052-3	313C-012
60-530043-3	313A- 25	60-530052-3	314E-030
60-530043-3	313B- 25	60-530052-3	314B-011
60-530043-5	313C-007	60-530052-3	314C-011
60-530043-5	313D-025	60-530052-3	314 - 31
60-530043-5	314A- 26	60-530052-3	314A-030
60-530043-5	314C-007	60-530054-1	314A- 34
60-530043-5	314B-007	60-530054-1	314 - 34
60-530043-7	314F-026	60-530054-1	314C-015
60-530043-7	314D-025	60-530054-1	314B-015
60-530043-7	313E-026	60-530054-1	313C-017
60-530043-7	313G-025	60-530054-1	313D-037
60-530043-7	313F-020	60-530054-1	313A- 43
60-530044	314 - 25	60-530054-1	313 - 43
60-530045	314 - 24	60-530124-9	324 -013
60-530045	314A-025	60-530139-1	327
60-530045	314B-006	60-530139-1	313
60-530045	314C-006	60-530139-1	313B
60-530045	313D-030	60-530139-10	327
60-530045	313C-008	60-530139-11	327
60-530045	313B- 31	60-530139-117	327
60-530045	313A- 31	60-530139-117	313B
60-530045	313 - 31	60-530139-117	313A
60-530046-1	313 - 28	60-530139-117	313D
60-530046-1	313A- 28	60-530139-117	313E
60-530046-1	313B- 28	60-530139-117	313
60-530046-1	313C-009	60-530139-119	314E
60-530046-1	313D-027	60-530139-119	314D
60-530046-1	313G-028	60-530139-119	327
60-530046-1	313E-029	60-530139-119	314A
60-530046-1	313F	60-530139-119	314C
60-530046-1	314C-008	60-530139-121	327
60-530046-1	314B-008	60-530139-123	327
60-530046-1	314A-022	60-530139-125	327
60-530046-1	314	60-530139-127	327
60-530046-1	314D-028	60-530139-129	327
60-530046-1	314F-029	60-530139-13	327 - 1
60-530046-2	314F	60-530139-131	327
60-530046-2	314D	60-530139-14	327
60-530046-2	314 - 22	60-530139-15	327 - 2
60-530046-2	314A-023	60-530139-17	327 - 7
60-530046-2	314B-009	60-530139-19	327 - 8
60-530046-2	314C-009	60-530139-2	327
60-530046-2	313E	60-530139-2	313
60-530046-2	313G-029	60-530139-2	313B
60-530046-2	313F	60-530139-21	327 - 9
60-530046-2	313D-028	60-530139-25	327
60-530046-2	313C-010	60-530139-27	327 - 3
60-530046-2	313B- 29	60-530139-29	327 - 4
60-530046-2	313A- 29	60-530139-3	327
60-530046-2	313 - 29	60-530139-31	327 - 5
60-530046-3	314D-020	60-530139-33	327
60-530046-3	314E-020	60-530139-35	327A-004
60-530046-3	314F-021	60-530139-35	327 - 12
60-530046-3	314G-021	60-530139-37	327 - 10
60-530046-4	314F	60-530139-4	327
60-530046-4	314E	60-530139-5	327
60-530046-4	314D	60-530139-6	327
60-530046-4	313F-025	60-530139-7	327
60-530047	314 - 29	60-530139-8	327
60-530051-1	314A-032	60-530139-9	327
60-530051-1	314 - 33	60-530161-1	314G-022
60-530051-1	314C-013	60-530161-1	314F-022
60-530051-1	314B-013	60-530161-1	314F-030
60-530051-1	314E-032	60-530161-1	314D-029
60-530051-1	313D-033	60-530161-1	314E-021
60-530051-1	313C-013	60-530161-1	313G-031
60-530051-3	313A- 36	60-530161-1	314D-021
60-530051-3	313 - 36	60-530161-1	313E-031
60-530052-3	313 - 39	60-530161-1	313F
60-530052-3	313A- 39	60-810081-1	015
60-530052-3	313D-035	60-810106-1	213

B E E C H C R A F T  
B O N A N Z A 3 3  
I L L U S T R A T E D P A R T S C A T A L O G

- PART NUMBER	FIGURE & ITEM NO.	PART NUMBER	FIGURE & ITEM NO.
60-810107-1	213	64-15A	218A- 7
60-820029-1	206A-051	64017	393
600-009-930	391 - 13	640778	425 -003
6000	364	640778	425
6011	364	640789	359B
6041H187	354 - 8	640789	241A
6041H187	354A-008	640801	425 -005
6041H187129	111 - 64	6409513	241 - 37A
6041H189	354B-060	6411BNP	312
6041H190	354B-059	641617	359E-014
6041H53A	354 -101	641668	359C
60617-1	361A	641668	241A
60618-1	361A	641670	241A- 3
60618-1	361A	641670	359
60618-1	039B	642055	359E
61-24	218A- 1	642055	241A
6100-9STPA	223	642056	359D
61009-1	354	642056A2	359D
61010-1	354	642056A2	241A
62-15	218A- 2	642362	359D
62065	394A	642413	359D-005
62065	394	642413	359E-005
6210	241A	642415	359F-034
625487-1	241 - 31	642424	359F-032
625765	241A-007	642424	359D-027
626062-9	241 - 26	642436	359D-011
627068	358 - 52	642436	359F-015
627276	358 - 47	642438	359D-032
627279	358 - 49	642438	359E-025
627281	358 - 50	642438	359F-040
627282	358 - 51	642438	359G-041
627377	358 - 11	642439	359F-031
627392	241B- 5	642439	359D-035
627392A	241 - 13	642439-2	359E-011
627673	358 - 45	642439-2	359D-015
627690	358 - 53	642439-3	359D-010
629141	241	642439-3	359E-008
629436	241A	642439-3	359F-014
629436	359D	642439-3	359G-031
629904-2A2	241A- 11	642441	359G-029
63-11	218A- 4	642441	359F-024
630691	359D	642441	359E-016
630691	359G-043	642441	359D-026
630691	359F-042	642442-1	359F-005
6310	241A	642442-1	359G
631427A1	241A- 6	642443	359F-033
631427A1	241B- 7	642443	359G-038
631427A1	241 - 19	642443	359E-021
632837	245	642443	359D-028
633311	241B	642444	359D-025
633311	241A	642444	359F-023
633311	241	642448	359D-029
633342-10	359E-002	642448	359E-022
633342-10	359D-002	642448	359G-036
634433	241B- 3	642448	359F-036
634592	241A- 4	642448-1	359F-037
634592	357	642448-1	359G-037
634746	241B- 6	642448-1	359E-023
6350A25-0C	341 - 1	642448-1	359D-030
6350A25-0C	341A-038	642450	359D-034
6350A27-0C	341A	642450	359F-039
6350A34-0C	341 - 19	642451	359F-038
635996	241A- 5	642451	359G-040
636141	241A	642451	359E-024
636141	241B- 4	642451	359D-031
636141	241 - 20	642452	359F-021
636603	241B	642452	359E-015
636603	241A	642452	359D-023
637847	241A	642452	359G-039
637847	357A	642454	359D-014
638154-16A2	241A- 10	642454	359F-018
638156-3A1	241B- 2	642455	359F-017

B E E C H C R A F T  
B O N A N Z A 3 3  
I L L U S T R A T E D P A R T S C A T A L O G

- PART NUMBER	FIGURE & ITEM NO.	PART NUMBER	FIGURE & ITEM NO.
642455	359G-019	643703	359D-008
642456	359F-019	643704	359F-011
642456	359D-016	643704	359D-036
642457-1	359D-006	646096	425
642457-1	359F-008	646293	425
642457-1	359E-006	646296	425
642457-1	359G-007	646391	425
642462	359F-020	646490	359G
642462	359D-022	646490	241A
642589	359D-001	646491	241A
642589	359F-001	646491	359F
642589	359E-001	646492A1	359G-002
642589	359G-001	646493	359G-003
642614	359F-016	646493	359F-003
642614	359D-013	646494	359F-006
642615-1	359D-012	646494	359G-005
642615-1	359F-030	646495	359F
642616	359F-028	646495A1	359F-002
642616	359D-019	646496	359G-004
642617	359D-020	646497	359F-004
642617	359F-025	646655	359F-041
642617	359G-024	646655	359G-042
642617-1	359F-026	646845	241A
642617-1	359D-021	65-0001-014	362
642617-2	359E-013	65-001022-11	250 - 19
642617-2	359G-023	65-27	218A- 16
642620-1	359F-027	66103-2	354B
642620-1	359D-017	66103-2	354B
642620-2	359D-018	67-270	250A
642620-2	359F-029	67-275	251A
642652	359F-013	67-335	251A
642759	425 -004	68KS3	245A- 15
642867A2	359E-003	69-4	218A- 10
642908	241A- 13	6926	218 - 3
642958	359G-033	7 00 X 6	202
642962	359G-010	7 00 X 6 6P TT	202
642962	359G-013	7/32 DIA	222 - 17
642962	359E-036	7A3723	358A-009
642968	359E-030	7A3724	358A-008
642968	359G-012	70-111224	223 - 8
642969	359E	70-111224-5	354A-037
642970	359E-017	70-18	490A
642971	359E-018	701-20	245A
642971	359G-017	701-21	245A
642972	359G-014	701-4	245A- 6
642972	359E-019	701-5	245A- 7
642973-1	359E-020	701148-7-2	362A
642973-1	359G-015	701557-8	362A
642973-2	359G-016	701557-8	109A-004
642973-2	359E	701571	362A
642975	359E-028	7107	490B-004
642975	359G-025	7270-5-10	415 -006
642976	359G-020	7271-8-15	411
642976	359E-032	7271-8-15	354B
642978	359E-031	7271-8-30	354B
642978	359G-032	7277-2-10	354B
642979	359G-026	7277-2-5	354B
642979	359E-033	7277-2-5	364
642984	359E-009	7277-2-5	223
642984	359G-022	739-4	219B
642985	359G-021	739-4	219A- 27
642985	359E-010	739-4	219 - 70
642986	359E-012	739-4	219 - 49
642986	359G-018	7469	214 - 3
643018	359G-027	755-2-6	281A
643018	359E-034	758-6	296
643700A1	359D-003	758-6	296 - 26
643702	359D-009	76400-200Y	411
643702	359F-012	776-6	159 - 3
643702	359G-011	78RS8	362 - 25
643703	359G-008	79-022-094-0375	296 - 4
643703	359F-009	79-022-094-0375	222 - 22

B E E C H C R A F T  
B O N A N Z A 3 3  
I L L U S T R A T E D P A R T S C A T A L O G

PART NUMBER	FIGURE & ITEM NO.	PART NUMBER	FIGURE & ITEM NO.
79-032-156-0562	107 - 6	90-380007-7	250A
7978	214 - 6	90-380007-9	251B-009
8-0TX-S	411 -023	90-380007-9	251A-002
8-32 X 1/4	214B-004	90-380008-1	250A
8-32 X 1/4	214A-004	90-380008-1	251B
8-4CTX-S	411	90-380010-3	223 - 27
8-6TRTX-D	411	90-380010-5	223 - 28
8X4075	359 - 15	90-380020-1	161
8X4075	359B-019	90-380020-5	161
8003-9	245 - 15	90-384019-1	411 -016
800316	341	90-384019-3	411
800322-00	341	90-818	359C-008
800327-01	341A	90-818	359B-013
800327-01	341	92056	221A-001
801144-01	341	92112	221A-005
801144-02	341	95-110014-309	037
801144-02	341A	95-110014-310	037
801145-00	341	95-110014-313	037
801145-01	341	95-110014-314	037
801145-01	341A	95-110015-10	033
8047	214 - 1	95-110015-11	033 - 17
8058	214 - 7	95-110015-13	033
809945	358 - 28	95-110015-14	033
81-35963D	017	95-110015-15	033 - 18
81A16758	099A	95-110015-153	034 - 5
81A16758	099	95-110015-154	034
82B001-21	363	95-110015-155	034 - 4
82B001-31	363	95-110015-156	034
82B002-01	363	95-110015-157	034 - 3
82NB2	249 - 21	95-110015-158	034
8282	214 - 8	95-110015-16	033
84B-0	248 - 25	95-110015-17	033
8409	182A- 19	95-110015-18	033
8409	156	95-110015-19	033 - 19
852-35769	017	95-110015-20	033
855	354	95-110015-21	033
855SI-GSSTD	354 - 66	95-110015-22	033
855SI-GSSTD	354 -106	95-110015-23	033 - 20
855SI-R2STD	354 - 65	95-110015-24	033
855291SI-A4DS-P6	194A	95-110015-25	033 - 21
855291SI-G5	354A-050	95-110015-26	033
855291SI-G5	354B-039	95-110015-27	033
855291SI-R2	354B-038	95-110015-28	033
855291SI-R2	354A-049	95-110015-29	033 - 22
855291SI-R2DS-P6	391A-016	95-110015-30	033
855291SI-R2DS-P6	194A	95-110015-31	033
855291SI-R2DS-P6	391 -018	95-110015-32	033
855291SI-R2DSP6	411 -006	95-110015-35	033
8580	341A-043	95-110015-36	033
8580	341	95-110015-65	033
8791-500	362 - 27	95-110015-66	033
88	151A- 5	95-110015-67	033 - 6
88	151 - 5	95-110015-68	033
8802-12	341A-036	95-110015-72	033
8857K40	354	95-110015-9	033
8858K40	354B-036	95-110018	012 - 17
8858K40	354A	95-110018	033
8858K82	354B	95-110041-61	012 - 13
89	417 - 99	95-110041-61	033
89	354A-035	95-110041-62	033
8906K1041	354 - 67	95-110041-62	012 - 14
8906K1041	354A	95-110041-69	033 - 35
9A1506	358A-006	95-110041-70	033
90-2014	359C-005	95-110041-73	033
90-2043	359C-001	95-110041-73	012 - 15
90-2046	359B-002	95-110041-74	012 - 16
90-3085-1	250	95-110041-74	033
90-3085-1	251	95-1989	218 - 19
90-380007-11	251A	95-24218	203 - 1
90-380007-11	251B-010	95-300001-31	203 - 17
90-380007-11	251B	95-300001-31	203 - 10
90-380007-5	250A-002	95-300001-64	218 - 18

B E E C H C R A F T  
B O N A N Z A 3 3  
I L L U S T R A T E D P A R T S C A T A L O G

PART NUMBER	FIGURE & ITEM NO.	PART NUMBER	FIGURE & ITEM NO.
95-3218	218 - 13	95-420016-19	102A- 7
95-324035-13	392A- 2	95-420016-20	102A
95-324035-13	392B- 2	95-420016-20	102
95-324063	016 - 13	95-420016-21	102A- 8
95-35451	218 - 4	95-420016-22	102A
95-35452	218 - 10	95-420016-25	102A- 6
95-35454	218 - 9	95-420016-26	102A- 9
95-35522	203 - 16	95-420016-35	102A- 12
95-35523	203 - 9	95-420016-35	102 - 19
95-35576	203 - 11	95-420016-36	102 - 20
95-35577	218 - 16	95-420016-36	102A
95-35625	218 - 17	95-420016-39	102A- 25
95-361015	202	95-420016-45	102A- 23
95-364013-1	361 - 1	95-420016-9	102A
95-364013-13	103 - 1	95-420017-19	101A- 26
95-364013-13	103A-069	95-420017-19	101 - 30
95-364013-13	103B-056	95-420017-19	313 - 56
95-364013-13	107	95-420017-19	313E-049
95-364027-19	362 - 31	95-420017-19	313D-046
95-364027-21	362	95-420017-19	313A- 56
95-364027-21	361	95-420017-19	313C
95-364027-21	099 - 32	95-420017-19	313B- 57
95-364027-31	361 - 2	95-420017-5	313B- 56
95-380010	104B-022	95-420017-5	313A- 55
95-380010	104A- 53	95-420017-5	313 - 55
95-380010	104 - 54	95-420017-5	101 - 26
95-380027-1	281A	95-430005-23	103
95-380027-2	281A	95-430005-24	103
95-380027-3	281A	95-430005-41	103
95-380027-4	281A	95-430005-45	103
95-380027-5	281A	95-430005-69	103 - 32
95-380027-6	281A	95-430005-69	103B
95-420011-147	103B-069	95-430005-75	103 -015
95-420011-147	103 - 66	95-430005-77	103 -016
95-420011-95	099	95-430005-79	103
95-420011-95	098	95-43686	203 - 14
95-420015-101	013 - 8	95-440006-105	103 - 65
95-420015-123	097	95-440006-125	103
95-420015-139	099 - 56	95-440006-126	103
95-420015-145	314	95-440006-135	103
95-420015-147	312	95-440006-161	097 -069
95-420015-149	312	95-440006-167	103
95-420015-151	099	95-440006-169	103 -054
95-420015-161	097 -053	95-440006-203	103 - 67
95-420015-163	097 -054	95-440006-204	103
95-420015-165	097	95-440006-205	097
95-420015-167	097	95-440006-206	097
95-420015-17	312	95-440006-209	097 -059
95-420015-17	312A	95-440006-211	097
95-420015-178	013 - 15	95-440006-221	097 -060
95-420015-21	098	95-440006-223	097
95-420015-25	099	95-440006-227	103
95-420015-27	099	95-440006-229	103 - 69
95-420015-29	099	95-440006-231	103 - 70
95-420015-31	099 - 17B	95-440006-241	103
95-420015-32	099	95-440006-243	103
95-420015-33	099	95-440006-25	103 - 61
95-420015-45	099	95-440006-26	103
95-420015-47	099	95-440006-27	312A
95-420015-48	099	95-440006-29	103 - 62
95-420015-49	099	95-440006-3	103 - 68
95-420015-50	099	95-440006-30	103
95-420015-51	099 - 17A	95-440006-33	312A-013
95-420015-52	099	95-440006-35	103 - 63
95-420015-601	099	95-440006-37	103 - 64
95-420015-69	099	95-440006-38	103
95-420015-69	098	95-440006-4	103
95-420015-77	099	95-440006-41	103
95-420015-93	110	95-440006-43	103 - 55
95-420015-94	110	95-440006-47	103 - 58
95-420016-10	102A- 20	95-440006-48	103
95-420016-19	102 - 15	95-440006-49	103 - 56



B E E C H C R A F T  
B O N A N Z A 3 3  
I L L U S T R A T E D P A R T S C A T A L O G

PART NUMBER	FIGURE & ITEM NO.	PART NUMBER	FIGURE & ITEM NO.
95-440006-5	103 - 30	95-824018-3	212
95-440006-50	103	95-824019-1	212 -021F
95-440006-603	103	95-824019-3	212 -019
95-440006-616	103	95-8249	203 - 5
95-440006-69	103	95-910019-13	245A
95-440006-7	103	95-910019-27	245A- 14
95-440006-89	103 - 29	95-910020	244 - 34
95-440006-91	103	95-910020	242
95-440014-47	112	95-910020	356
95-440014-49	112	95-921014-1	015 -019
95-440014-59	112	95-921014-1	281 - 49
95-4719	218 - 11	95-921014-1	281A
95-524000-19	152	95-921014-3	281A
95-524000-19	152A- 69	95-921014-3	281
95-524000-19	152A	95-921014-3	015
95-524000-19	152	95-921016-1	015
95-524017-8	152A- 29	95-921016-1	281A
95-524017-8	152 - 40	95-921016-3	281A
95-524018-31	219A	95-921016-3	015
95-524023-5	152	95-9279	218A- 12
95-524023-5	152A	95-9279	218 - 12
95-530002-53	312	95-9491	218 - 2
95-530002-93	312 - 41	9505-04	354B
95-530002-95	312	9505-04	354B
95-534020	312	95094	221A-002
95-534026	016	95103	221A-004
95-534042	311	9532926	207
95-534042-3	324 - 2	954143	358 - 6
95-550000-9	417 - 66	954162	358 - 5
95-550001-31	417 - 68	9541898	207 - 2
95-550001-33	417 - 63	9541899	207 - 1
95-550001-57	417	96-110007-13	034
95-550001-59	417	96-110007-14	034
95-554041-7	417 - 47	96-110007-3	034
95-554043	417	96-110007-4	034
95-554043-1	417 -127	96-110007-5	033 - 34
95-554043-1	103A-090	96-110007-6	033
95-554043-1	103B-075	96-110007-609	033 - 9
95-554043-19	103B	96-110007-610	033
95-554043-19	103A	96-110007-7	033
95-554043-19	417	96-110007-8	033
95-554043-21	417	96-110019-1	036 - 43
95-554043-21	103A	96-324075	391
95-554043-21	103B	96-324075	194A
95-554043-23	417 -130	96-324141-1	016 -042
95-554043-25	417 -129	96-340045-29	156
95-554043-25	103B	96-340045-39	156
95-554043-25	103A	96-340045-41	156
95-554043-5	103A	96-340045-53	156 -046
95-554043-5	103B	96-340071-35	417
95-554043-5	417 -128	96-340071-37	417
95-554043-603	417	96-361011	355A
95-5761	218 - 14	96-361011	355
95-620010-39	132	96-361011-11	355A-012
95-620010-41	132	96-361011-13	355A-011
95-620010-45	132	96-361011-25	355
95-620010-609	164	96-361011-25	355A
95-620010-610	164	96-361011-7	355A-008
95-6867	218 - 1	96-361011-9	355A
95-6867	203 - 3	96-364012-5	360 - 4
95-6926	203 - 6	96-364013-1	324 -030
95-6974	203 - 4	96-364013-3	324
95-7649	203 - 13	96-364061-1	354 - 45
95-810002-37	202 - 53	96-364078-1	361A-040
95-810002-38	202	96-364078-1	361C-015
95-810017-23	213	96-364078-3	361A
95-810017-23	211	96-364078-9	361C
95-810019-43	219A- 77	96-364078-9	361A
95-810019-43	219	96-364085-1	354A
95-810019-43	154 - 65	96-364085-1	354
95-814005-9	219 - 53	96-364085-11	354
95-824005-601	206	96-364085-11	354B-035

B E E C H C R A F T  
B O N A N Z A 3 3  
I L L U S T R A T E D P A R T S C A T A L O G

PART NUMBER	FIGURE & ITEM NO.	PART NUMBER	FIGURE & ITEM NO.
96-364085-11	354A-046	96-384050-9	354A
96-364085-3	354A	96-384058-5	392
96-364085-3	354	96-384058-7	392
96-364085-9	354	96-384058-9	392
96-364085-9	354A	96-389002-1	241A
96-364085-9	354B-034	96-410032-33	111 - 77
96-364087	016	96-420000-47	098 -030
96-364087-3	362A- 2	96-420000-49	098
96-364090-1	156	96-420000-57	099 - 40
96-364090-11	156 - 32	96-420000-58	099 - 43
96-364090-15	156	96-420001-101	097 -049
96-364090-2	156	96-420001-57	097
96-364090-21	156 -033	96-420001-83	097 -051
96-364090-25	156	96-420001-85	097 - 47
96-364090-3	156 - 30	96-420001-87	013 - 3
96-364090-4	156	96-420001-90	013 - 45
96-364090-5	156 - 31	96-420001-91	097
96-364090-6	156	96-420001-95	097 -052
96-364090-9	156 - 37	96-420001-97	097
96-380016	392 - 29	96-420001-99	097 -067
96-380016-5	392	96-420016-101	107 - 22
96-380016-7	392	96-420016-103	107 - 29
96-380021-21	426 -003	96-420016-104	107 - 30
96-380021-27	426	96-420016-11	107 - 11
96-380021-33	426	96-420016-113	107 -040
96-380022-5	214B	96-420016-115	107 - 39
96-380034-25	219 - 22	96-420016-121	107 - 20
96-380034-25	219A-014	96-420016-13	107 - 18
96-380034-25	220	96-420016-135	107
96-380034-25	219B	96-420016-15	107 - 12
96-380034-25	220	96-420016-15	098 -034
96-380034-29	219A	96-420016-159	107 - 5
96-380034-3	220	96-420016-161	107 - 7
96-380034-3	219B-019	96-420016-167	107 - 23
96-380034-3	220	96-420016-17	107 - 17
96-380035	281A-058	96-420016-177	107 - 19
96-380035-1	281A	96-420016-201S	107
96-380035-1	281	96-420016-203	107
96-380035-1	287	96-420016-203	013
96-380035-3	287	96-420016-21	107 - 25
96-380036-3	281A	96-420016-217	107
96-380041-1	281A-057	96-420016-25	107 - 27
96-380041-1	281	96-420016-251	107
96-380041-1	355	96-420016-27	107 - 10
96-380042-1	355	96-420016-29	107 - 15
96-380042-1	281 - 45	96-420016-3	107 -019A
96-380042-1	281A	96-420016-3	098
96-380042-3	281A	96-420016-35	314 - 47
96-380042-3	281	96-420016-36	314
96-380042-3	355	96-420016-5	107 - 14
96-380046-1	281A-072	96-420016-5	098
96-380046-1	281 -068	96-420016-55	107 - 13
96-380046-10	281A	96-420016-55	107
96-380046-11	281A	96-420016-57	107 -034
96-380046-12	281A	96-420016-59	107 -035
96-380046-2	281A	96-420016-71	107 - 24
96-380046-2	281	96-420016-73	107 - 26
96-380046-7	281A	96-420016-9	107 - 21
96-380046-8	281A	96-420016-9	098 -033
96-380046-9	281A	96-420016-95	107 - 9
96-384020-3	241A-052	96-420016-97	107 - 2
96-384020-3	392A	96-420016-99	107 - 28
96-384021-3	392A	96-420030-1	110
96-384021-3	241A-056	96-420030-3	110
96-384022-1	241A-062	96-420033-1	104
96-384022-1	392A	96-420033-1	104A
96-384050-5	354	96-420033-11	104 - 83
96-384050-5	354B	96-420033-11	104A- 86
96-384050-5	354A	96-420033-11	104B-036
96-384050-7	223 - 11	96-420033-13	104B-039
96-384050-9	354	96-420033-13	104A- 89
96-384050-9	354B-036A	96-420033-13	104 - 86

B E E C H C R A F T  
B O N A N Z A 3 3  
I L L U S T R A T E D P A R T S C A T A L O G

PART NUMBER	FIGURE & ITEM NO.	PART NUMBER	FIGURE & ITEM NO.
96-420033-15	104 - 82	96-530007-99	311F-056
96-420033-15	104A- 85	96-530007-99	106
96-420033-23	104A- 84	96-530008-21	311 -024
96-420033-23	104 - 81	96-530008-25	311F-059
96-420033-25	104 - 80	96-530008-25	311A-027
96-420033-25	104A- 83	96-530008-25	311 -029
96-420033-27	104A- 82	96-530008-33	311
96-420033-27	104 - 79	96-530008-33	311A
96-420033-29	104 - 78	96-530008-37	311
96-420033-29	104A- 81	96-530008-51	311 -002
96-420033-3	104	96-530008-55	311 -015
96-420033-3	104A	96-530008-55	311A-025
96-420033-35	104B	96-530008-55	311F-050
96-420033-37	104B-034	96-530008-57	311F-058
96-420033-39	104B	96-530008-57	311A-028
96-420033-45	104B	96-530008-57	311 -028
96-420033-47	104B-083	96-530008-59	311A-031
96-420033-5	104B-040	96-530008-61	311A
96-420033-5	104 - 87	96-530008-61	311
96-420033-5	104A- 90	96-530008-67	311 -030
96-420033-57	104B-079	96-530008-69	311
96-420033-69	104B-085	96-530008-9	311F-057
96-420138-1	107	96-530017-119	311 -023
96-420140-1	107	96-530017-125	311
96-420144-1	104B-080	96-530017-137	311
96-430010-37	110 - 65	96-530017-137	311A-024
96-430010-38	110	96-530017-141	311A
96-430010-5	097	96-530017-141	311
96-430010-73	110 - 66	96-530017-145	311
96-430010-75	097	96-530017-145	311A-006
96-430010-83	110	96-530017-163	311F
96-430010-85	110 -071	96-530017-163	311F
96-430010-93	110	96-530017-29	311 -025
96-430010-94	110	96-530017-39	311 -027
96-430011-19	106	96-530017-49	311
96-430011-21	106	96-530017-59	311
96-430011-23	106 - 7	96-530017-73	311A-030A
96-430011-25	106 - 8	96-530017-73	311
96-430011-27	106	96-530017-81	311
96-430011-29	106 - 6	96-530017-81	327
96-430011-31	106 - 5	96-530017-83	311
96-440000-151	103 - 85	96-530017-85	311 -004
96-440012-1	103	96-530017-97	311
96-440012-1	394A	96-530019-119	311A-015
96-440012-1	394	96-530019-149	311A-003
96-440025-5	311A	96-530019-155	311A
96-500040-1	182 - 42	96-530019-157	311A-040
96-520013-1	132 -041	96-530019-37	311A
96-524029-31	156 - 10	96-530019-39	311A
96-524029-33	156	96-530019-41	311A
96-524031-41	364	96-530019-43	311A
96-524032	132 -054	96-530019-45	311A
96-524033	364 - 18	96-530019-47	311A
96-530001-220	311E-029	96-530019-53	311A-032
96-530001-221	311E-004	96-530019-59	311A-026
96-530002-67	311E	96-530019-65	311A-030
96-530002-69	311F-010	96-530019-83	311A
96-530002-69	311E	96-534039-3	317A- 17
96-530002-69	311F-042	96-534039-41	317B
96-530002-83	312 - 44	96-534042-3	317A- 22
96-530002-85	312 - 51	96-534042-3	016 - 6
96-530006-79	312	96-534051-117	317A
96-530006-79	312A-029	96-534051-119	317A
96-530006-79	312C-028	96-534051-123	317A-013
96-530006-79	312B-035	96-534051-125	317A-011
96-530007-191	311A	96-534051-129	317A-012
96-530007-191	311	96-534051-129	317 - 8
96-530007-217	312	96-534051-131	317B
96-530007-219	312	96-534051-133	317B-012
96-530007-259	312	96-534051-137	317A
96-530007-99	311	96-534051-139	317A
96-530007-99	311A-029	96-534051-141	317A

B E E C H C R A F T  
B O N A N Z A 3 3  
I L L U S T R A T E D P A R T S C A T A L O G

PART NUMBER	FIGURE & ITEM NO.	PART NUMBER	FIGURE & ITEM NO.
96-534051-143	317A	96-534073-9	314
96-534051-145	317A	96-534073-9	314C
96-534051-25	317 - 1	96-534074-1	314A
96-534051-25	317A	96-534074-1	314
96-534051-25	317B	96-534074-11	314
96-534051-27	317 - 2	96-534074-11	314A
96-534051-616	317A	96-534074-13	314 - 8
96-534051-617	317A	96-534074-13	314B-033
96-534051-618	317A	96-534074-15	314A-009
96-534051-81	317B-001	96-534074-17	314B
96-534051-81	317A- 19	96-534074-17	314
96-534051-82	317A	96-534074-19	314
96-534051-82	317B	96-534074-19	314A
96-534051-83	317A- 6	96-534074-21	314
96-534051-83	317B-005	96-534074-21	314A-010
96-534071-3	313	96-534074-23	314B-018
96-534071-3	314	96-534074-23	314A
96-534073-1	313	96-534074-23	314A- 3
96-534073-1	313A	96-534074-23	314 - 3
96-534073-1	313B	96-534074-23	314F-007
96-534073-10	313A	96-534074-23	314E-007
96-534073-10	313B	96-534074-23	314D-007
96-534073-10	313	96-534074-23	314C-018
96-534073-10	313D	96-534074-23	314G-007
96-534073-10	314	96-534074-3	314
96-534073-10	314B	96-534074-3	314A
96-534073-10	314A	96-534074-43	314A
96-534073-10	314C	96-534074-43	314
96-534073-15	314	96-534074-45	314
96-534073-3	313A	96-534074-45	314A
96-534073-3	313	96-534074-47	314B
96-534073-31	313 - 40	96-534074-49	314B
96-534073-31	313A- 40	96-534074-5	314B
96-534073-33	313 - 3	96-534074-5	314
96-534073-5	313	96-534074-7	314
96-534073-5	313A	96-534074-7	314B
96-534073-5	313B	96-534074-9	314
96-534073-51	313B- 4	96-534074-9	314B
96-534073-51	313A- 4	96-534078-27	311E-051
96-534073-51	313 - 4	96-534093-1	311E-008
96-534073-51	313G-002	96-534093-1	324
96-534073-51	313F	96-534093-1	354 - 43
96-534073-51	313E-002	96-534103	311E-009
96-534073-51	313D-002	96-534125-5	312
96-534073-51	313C-018	96-534125-7	312
96-534073-53	313F-005	96-534125-9	312
96-534073-57	313C-033	96-534126-1	312A-036
96-534073-57	313D-001	96-534126-3	312A-035
96-534073-57	313A- 3	96-534126-5	312A
96-534073-57	313B- 3	96-534126-5	312C-037
96-534073-67	313B	96-534126-7	312A
96-534073-67	313A	96-534126-7	312C-036
96-534073-67	313D	96-534128-9	312A
96-534073-67	313C	96-534129-1	312A
96-534073-7	313C	96-534131-1	311
96-534073-7	313D	96-534131-10	311
96-534073-7	313	96-534131-11	311
96-534073-7	313B	96-534131-12	311
96-534073-7	313A	96-534131-13	311
96-534073-71	313B	96-534131-14	311
96-534073-71	313A	96-534131-2	311
96-534073-71	313C	96-534131-3	311
96-534073-71	313D	96-534131-4	311
96-534073-73	313C	96-534131-5	311 -041
96-534073-73	313D	96-534131-6	311 -047
96-534073-73	313A	96-534131-9	311
96-534073-9	313A	96-534133-1	311 -011
96-534073-9	313B	96-534133-1	327
96-534073-9	313	96-534133-2	327
96-534073-9	313D	96-534133-2	311
96-534073-9	314A	96-534133-3	327 - 28
96-534073-9	314B	96-534133-4	327

B E E C H C R A F T  
B O N A N Z A 3 3  
I L L U S T R A T E D P A R T S C A T A L O G

PART NUMBER	FIGURE & ITEM NO.	PART NUMBER	FIGURE & ITEM NO.
96-534137-1	314A	96-550015-9	417 -120
96-534137-11	314A	96-554011	417 -105
96-534137-13	314A	96-554013	016 - 9
96-534137-3	314A	96-554013-1	417 -117
96-534137-5	314A	96-560001-59	341 - 65
96-534137-7	314A	96-560004-13	341 - 55
96-534137-9	314A	96-560004-15	341
96-534139-3	312A-016	96-560004-21	341
96-534139-3	312C-015	96-560004-29	341 - 51
96-534139-3	312B-021	96-560004-31	341A-020
96-534140-1	327	96-560022-11	341A-011
96-534140-2	327	96-560022-11	341 - 78
96-534141-11	312B	96-560022-13	341 - 77
96-534141-13	312C	96-560022-13	341A-015
96-534141-15	312C-031	96-560022-15	341
96-534141-15	312B-038	96-560022-17	341A-017
96-534141-5	312A-032	96-560022-19	341
96-534141-9	312B-040	96-560022-19	341A
96-534141-9	312C-033	96-560022-23	341A-001
96-534142-1	312C-034	96-560022-23	341 - 66
96-534142-1	312A-033	96-560022-3	341A
96-534142-9	312B-041	96-560022-5	341A-009
96-534150-7	016	96-560022-5	341 - 67
96-550013-105	417	96-560022-601	341
96-550013-107	417	96-560022-7	341 - 72
96-550013-107	097	96-560022-7	341A-010
96-550013-109	417	96-810020	202 -089
96-550013-111	417	96-810021	202
96-550013-117	417 -108	96-810023-1	211 - 58
96-550013-125	417	96-810023-5	211 - 59
96-550013-127	417	96-810023-7	211
96-550013-129	417	96-810024	211
96-550013-145	417	96-810024-1	211 - 55
96-550013-147	417 - 91	96-810024-3	211 - 57
96-550013-33	417 - 98	96-810024-5	211 - 56
96-550013-35	417 -104	96-810024-7	211
96-550013-35	097 -071	96-910001-45	241B
96-550013-37	417 - 92	96-910002-101	241A
96-550013-39	417 -107	96-910020-151	244A-034
96-550013-49	417 -106	96-910020-253	244A-037
96-550013-51	417 - 97	96-910020-85	244A-036
96-550013-53	417 - 95	96-910020-95	244A
96-550013-57	097 -072	96-910025-3	244B- 2
96-550013-58	097	96-910025-5	244B
96-550013-59	097 -073	96-910025-7	244B
96-550013-60	097	96-910041-2	194 - 15
96-550013-607	417	96-980012	111 - 37
96-550013-61	097 -074	96043	296
96-550013-610	417	98-21MS	099 - 4
96-550013-62	097	98-32176	017
96-550013-63	097 -075	98-32227C	017
96-550013-75	417	98-36488	017
96-550013-77	417 -110	98-37515	017
96-550013-83	417 -102	98-38441	017
96-550013-85	417 -109	98265-1-070	012
96-550013-91	417 -112	98265-1-100	091A
96-550013-95	417	98293-1-060	341
96-550013-97	417 -101	98293-1-060	341
96-550013-99	417 -111	99-384042	341A-002
96-550015	417	99-384042	341 - 74
96-550015-1	417	99-530073-15	327 - 11
96-550015-11	417 -123	99785-2	341
96-550015-13	417 -118	99785-2	341
96-550015-15	417 -122	99785-2	099
96-550015-17	417 -116	99833P098	091
96-550015-19	417	99833P098	012
96-550015-21	417A- 6	99836	091A
96-550015-21	417	99836	012
96-550015-23	417	99871C098	099A-004
96-550015-23	417	99871C098	099
96-550015-29	417A- 7	99871C098	099 - 16
96-550015-3	417 -121	99871C098	258 - 30

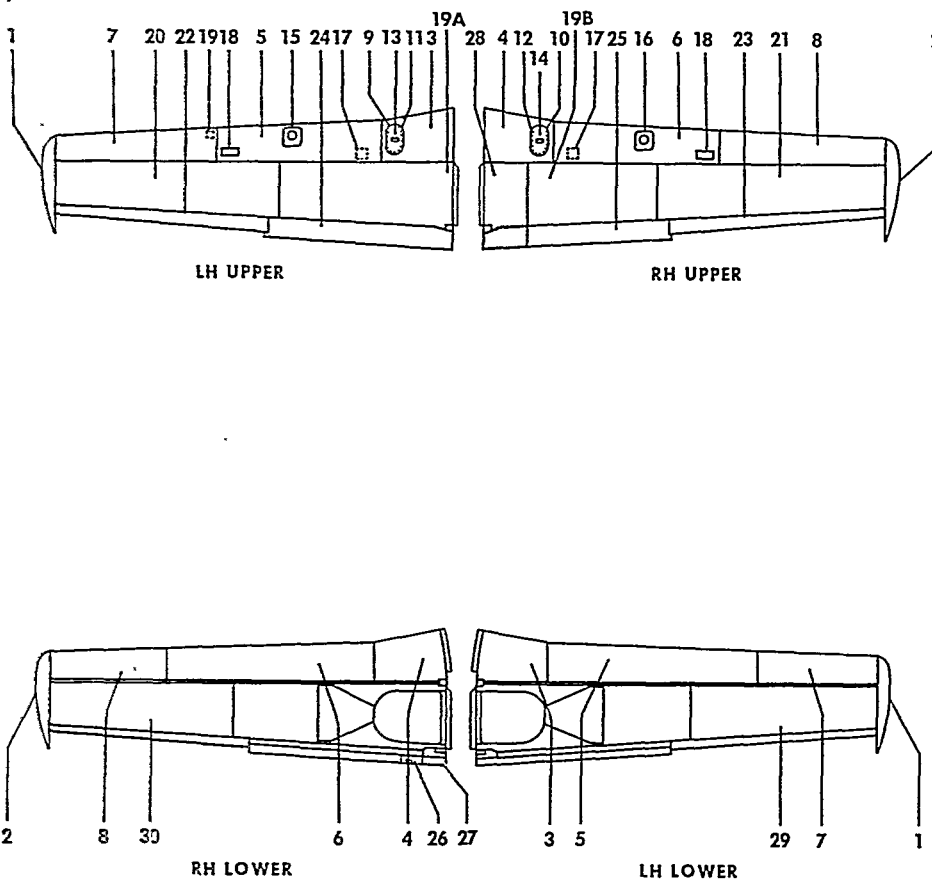
BEECHCRAFT  
BONANZA 33  
ILLUSTRATED PARTS CATALOG

-----		-----	
PART NUMBER	FIGURE & ITEM NO.	PART NUMBER	FIGURE & ITEM NO.
-----		-----	
99871P098	341	99967C098	324

BEECHCRAFT  
BONANZA 33  
ILLUSTRATED PARTS CATALOG

FIGURE 12  
WING SKINS

BEECHCRAFT  
 BONANZA 33  
 ILLUSTRATED PARTS CATALOG



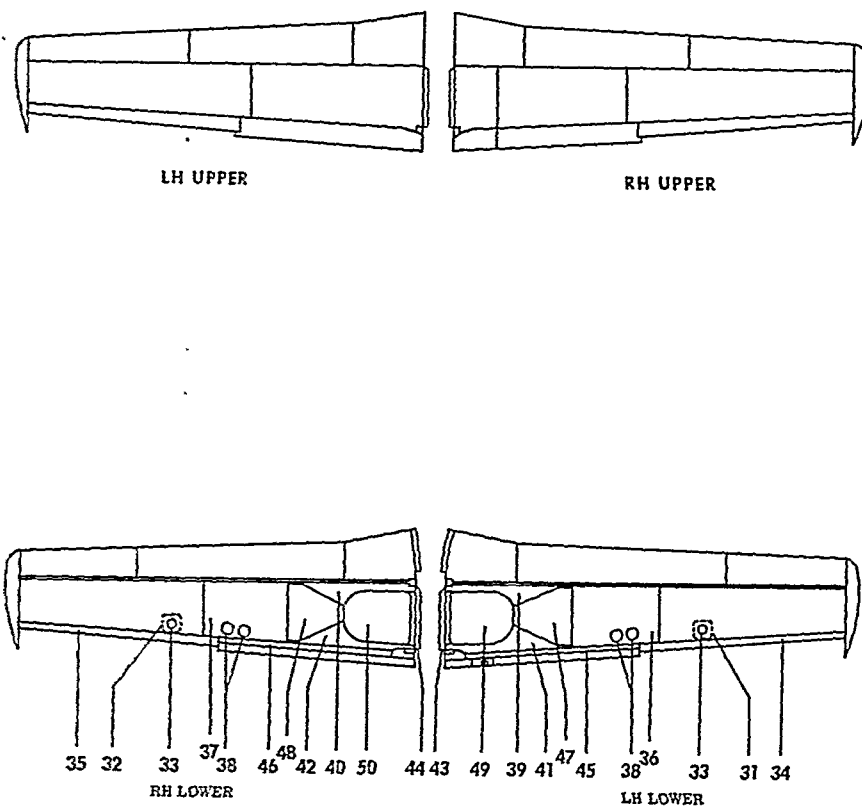
33-12-1



B E E C H C R A F T  
B O N A N Z A 3 3  
I L L U S T R A T E D P A R T S C A T A L O G

FIG. & ITEM NO.	PART NO.	DESCRIPTION	UNITS PER ASSY	USABLE ON CODE
		1 2 3 4 5 6 7		
12 - 1	35-175001	TIP ASSY,WING LH. . . . .	1	1
- 2	35-175001-1	TIP ASSY,WING RH. . . . .	1	1
	000-170001-41	SKIN,LH WING TIP. . . . .	1	2
	000-170001-42	SKIN,RH WING TIP. . . . .	1	2
- 3	50-110010-127	SKIN,LEADING EDGE LH /STA 23 TO 47/ . . . . .	1	
- 4	50-110010-128	SKIN,LEADING EDGE RH /STA 23 TO 47/ . . . . .	1	
- 5	35-115431-99	SKIN,LEADING EDGE LH /STA 47 TO 122/. . . . .	1	
- 6	35-115431-100	SKIN,LEADING EDGE RH /STA 47 TO 122/. . . . .	1	
- 7	35-115431-107	SKIN,LEADING EDGE LH /STA 122 TO 191/ . . . . .	1	
- 8	35-115431-108	SKIN,LEADING EDGE RH /STA 122 TO 191/ . . . . .	1	
- 9	50-110079	DOOR ASSY,FUEL CELL LH. . . . .	1	
		/USED WITH 50 GAL. SYSTEM/		
- 10	50-110079-1	DOOR ASSY,FUEL CELL RH. . . . .	1	
		/USED WITH 50 GAL. SYSTEM/		
	50-110079-4	• SPOTWELD ASSY,LH. . . . .	1	
	50-110079-5	• SPOTWELD ASSY,RH. . . . .	1	
	35-115237	• INSULATOR . . . . .	1	
	45-115028-40	• HINGE . . . . .	1	
	45-115028-34	• SPACER. . . . .	1	
- 11	45-115028-14	• DOOR,LH . . . . .	1	
	45-115028-15	• DOOR,RH . . . . .	1	
	45-115028-32	• HINGE . . . . .	1	
- 12	105774C-ZA00216	• PIN,HINGE . . . . .	1	
	98265-1-070	• STUD. . . . .	1	
	99836	• PIN . . . . .	1	
	99833P098	• RECEPTACLE. . . . .	1	
- 13	95-110041-61	DOOR ASSY,LH /USED WITH 80 GAL. SYSTEM/ . . . . .	1	
- 14	95-110041-62	DOOR ASSY,RH /USED WITH 80 GAL. SYSTEM/ . . . . .	1	
- 15	95-110041-73	DOOR ASSY,LH /USED WITH 80 GAL. SYSTEM/ . . . . .	1	
- 16	95-110041-74	DOOR ASSY,RH /USED WITH 80 GAL. SYSTEM/ . . . . .	1	
- 17	95-110018	DOOR ASSY,LANDING GEAR ACCESS . . . . .	2	
- 18	50-110010-163	DOOR,LEADING EDGE ACCESS. . . . .	2	
- 19	35-361151	DOUBLER ASSY,PITOT MAST MOUNTING. . . . .	1	
	35-115142-114	SKIN ASSY,WING UPPER LH /STA 23 TO 108/ . . . . .	1	
	35-115142-115	SKIN ASSY,WING UPPER RH /STA 23 TO 108/ . . . . .	1	
- 19A	35-115142-52	• SKIN,WING UPPER LH. . . . .	1	
- 19B	35-115142-55	• SKIN,WING UPPER RH. . . . .	1	
	35-115137-20	SKIN ASSY,WING UPPER LH /STA 108 TO 191/. . . . .	1	
	35-115137-21	SKIN ASSY,WING UPPER RH /STA 108 TO 191/. . . . .	1	
- 20	35-115137-22	• SKIN,WING UPPER LH. . . . .	1	
- 21	35-115137-23	• SKIN,WING UPPER RH. . . . .	1	
- 22	35-115137-18	• SKIN,TRAILING EDGE UPPER OUTBD LH . . . . .	1	
- 23	35-115137-19	• SKIN,TRAILING EDGE UPPER OUTBD RH . . . . .	1	
	35-115194-28	SKIN ASSY,TRAILING EDGE UPPER INBD LH . . . . .	1	3
	35-115194-42	• SKIN. . . . .	1	4
- 24	35-115194-26	• SKIN. . . . .	1	3
	35-115194-44	• SKIN. . . . .	1	4
	35-115194-6	• GUSSET,LH /STA 34/. . . . .	1	
	35-115194-8	• GUSSET,LH/STA 94/ . . . . .	1	
	35-115194-38	• STIFFENER,LH. . . . .	1	
	35-115194-37	SKIN ASSY,TRAILING EDGE UPPER INBD RH . . . . .	1	
- 25	35-115194-35	• SKIN,RH UPPER TRAILING EDGE . . . . .	1	
	35-115194-7	• GUSSET,RH/STA 34/ . . . . .	1	
	35-115194-8	• GUSSET,RH/STA. 94/. . . . .	1	
	35-115194-40	• STIFFENER,RH. . . . .	1	
- 26	35-115194-31	• SKIN,RH TRAILING EDGE INBD/STA 34 TO 45/. . . . .	1	
- 27	35-115194-33	• SKIN,RH TRAILING EDGE INBD/STA 23 TO 34/. . . . .	1	
- 28	35-115301-617	WALKWAY ASSY,RH /STA 23 TO 45/. . . . .	1	
	35-115199-28	SKIN ASSY,WING LOWER LH /STA 108 TO 191/. . . . .	1	
	35-115199-29	SKIN ASSY,WING LOWER RH /STA 108 TO 191/. . . . .	1	
	35-115199-35	SKIN ASSY,WING LOWER RH/RADAR/. . . . .	1	5
- 29	35-115199-26	• SKIN,WING LOWER LH. . . . .	1	
- 30	35-115199-27	• SKIN,WING LOWER RH. . . . .	1	
	35-115199-37	• SKIN,WING LOWER RH/RADAR/ . . . . .	1	5
	000-110105-75	• DOOR,ACCESS . . . . .	1	5
	000-110105-77	• DOUBLER . . . . .	1	5

BEECHCRAFT  
BONANZA 33  
ILLUSTRATED PARTS CATALOG



33-122

B E E C H C R A F T  
BDNANZA 33  
I L L U S T R A T E D P A R T S C A T A L O G

FIG. & ITEM NO.	PART NO.	DESCRIPTION	1 2 3 4 5 6 7							UNITS PER ASSY	USABLE ON CODE
			1	2	3	4	5	6	7		
12	35-115199-14	• GUSSET,LH /STA 175/								1	
	35-115199-15	• GUSSET,RH /STA 175/								1	
- 31	35-115199-8	• REINFORCEMENT ASSY,LH								1	
- 32	35-115199-9	• REINFORCEMENT ASSY,RH								1	
- 33	35-115199-12	• DOOR,ACCESS								1	
- 34	35-115199-24	• SKIN,TRAILING EDGE LOWER OUTBD LH								1	
- 35	35-115199-25	• SKIN,TRAILING EDGE LOWER OUTBD RH								1	
	35-115200-104	• SKIN ASSY,WING LOWER LH /STA 23 TO 108/								1	
	35-115200-105	• SKIN ASSY,WING LOWER RH /STA 23 TO 108/								1	
	35-115200-613	• SKIN ASSY,WING LOWER LH /STA 66 TO 108/								1	
- 36	35-115200-106	• SKIN,LH								1	
	K1000-08	• NUTPLATE								5	
	35-115200-614	• SKIN ASSY,WING LOWER RH /STA 66 TO 108/								1	
- 37	35-115200-107	• SKIN,RH								1	
	K1000-08	• NUTPLATE								5	
- 38	35-115200-108	• COVER								2	
- 39	35-115200-4	• SKIN,WING LOWER LH								1	
- 40	35-115200-5	• SKIN,WING LOWER RH								1	
	35-115200-118	• SKIN ASSY,WING LOWER LH								1	
- 41	35-115200-116	• SKIN,LH								1	
	35-115200-92	• GUSSET,LH								1	
	35-115200-30	• STRINGER,LH								1	
	35-115200-119	• SKIN ASSY,WING LOWER RH								1	
- 42	35-115200-117	• SKIN,RH								1	
	35-115200-11	• GUSSET,RH								1	
	35-115200-31	• STRINGER,RH								1	
- 43	35-115200-100	• SKIN ASSY,WING LOWER LH								1	
	35-115200-98	• SKIN,LH								1	
	45-115053	• CLIP ASSY								1	
- 44	35-115200-101	• SKIN ASSY,WING LOWER RH								1	
	35-115200-99	• SKIN,RH								1	
	45-115053	• CLIP ASSY								1	
	35-115265-601	• SKIN ASSY,WING TRAILING EDGE LOWER LH								1	
- 45	35-115265-6	• SKIN,LH								1	
	35-115265-8	• CLIP,LH								1	
	A6196-8Z1	• NUTPLATE								2	
	35-115265-602	• SKIN ASSY,WING TRAILING EDGE LOWER RH								1	
- 46	35-115265-3	• SKIN,RH								1	
	A6196-8Z1	• NUTPLATE								1	
- 47	35-815055-214	• DOOR ASSY,MAIN LANDING GEAR OUTBD LH								1	
- 48	35-815055-215	• DOOR ASSY,MAIN LANDING GEAR OUTBD RH								1	
- 49	35-815055-601	• DOOR ASSY,MAIN LANDING GEAR INBD LH								1	
- 50	35-815055-602	• DOOR ASSY,MAIN LANDING GEAR INBD RH								1	

C O D E S O F E F F E C T I V I T Y

- 1 CD-1235 THRU CD-1304 2 CE-436 AND AFTER  
CE-290 THRU CE-435 CJ-31 AND AFTER  
CJ-26 THRU CJ-30
- 3 CD-1235 THRU CD-1304 4 CE-816 AND AFTER  
CE-290 THRU CE-815 CJ-150 AND AFTER  
CJ-26 THRU CJ-149
- 5 CE-878 AND AFTER

BEECHCRAFT  
BONANZA 33  
ILLUSTRATED PARTS CATALOG

FIGURE 13  
FUSELAGE SKINS

BEECHCRAFT  
 BONANZA 33  
 ILLUSTRATED PARTS CATALOG

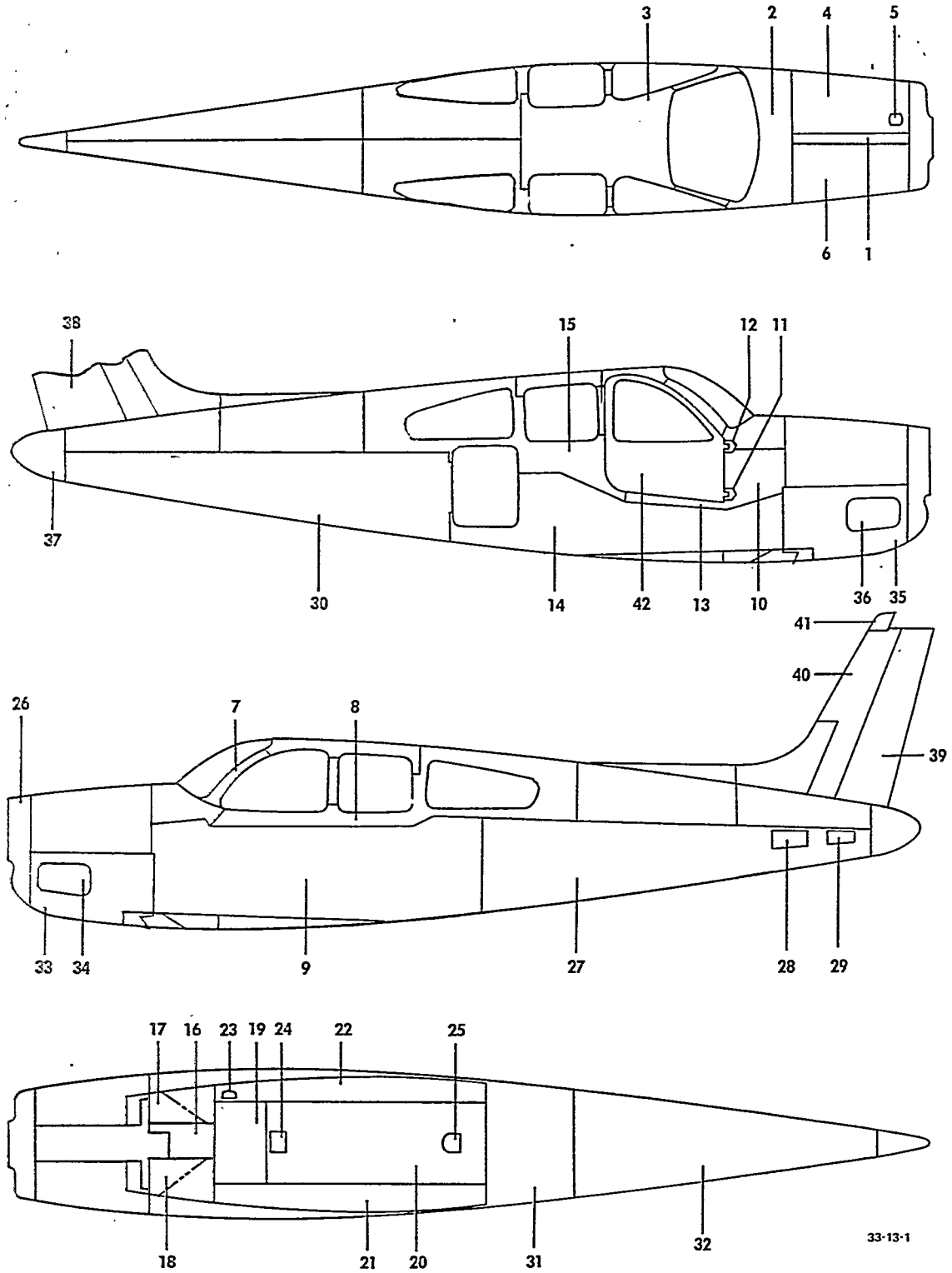
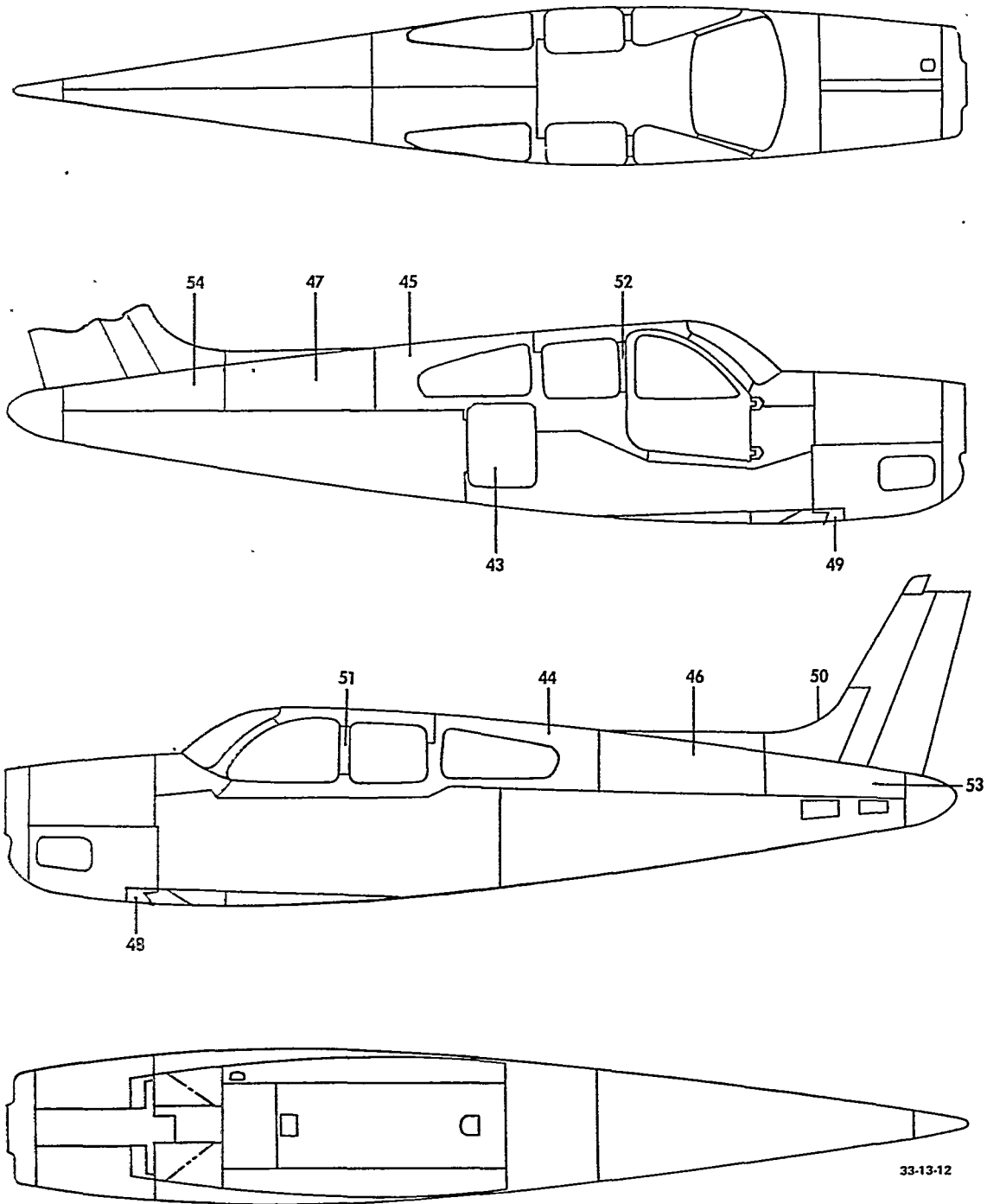


FIGURE 13. FUSELAGE SKINS  
 /SHEET 1 OF 2 SHEETS/

B E E C H C R A F T  
B O N A N Z A 3 3  
I L L U S T R A T E D P A R T S C A T A L O G

FIG. & ITEM NO.	PART NO.	DESCRIPTION	UNITS PER ASSY	USABLE ON CODE
		1 2 3 4 5 6 7		
13 - 1	35-910104-1	HINGE ASSY, COWL . . . . .	1	
- 2	35-410452-179	SKIN, FWD OF WINDSHIELD. . . . .	1	
- 3	96-420001-87	SKIN, FWD CABIN TOP. . . . .	1	5
	002-430008-83	SKIN, FWD CABIN TOP. . . . .	1	4
- 4	35-910160-616	DOOR ASSY, COWLING LH /WITH OIL FILLER DOOR/ . . . . .	1	
- 5	35-910160-30	DOOR ASSY, COWL OIL FILLER . . . . .	1	
- 6	35-910160-617	DOOR ASSY, COWLING RH. . . . .	1	
- 7	58-420039	SKIN, FWD LH . . . . .	1	
- 8	95-420015-101	SKIN, UPPER CABIN LH . . . . .	1	
- 9	35-410452-189	SKIN, LOWER CABIN LH . . . . .	1	
- 10	35-410452-7	SKIN, FWD CABIN RH . . . . .	1	
- 11	35-410452-35	REINFORCEMENT, LOWER . . . . .	1	
- 12	35-410452-33	REINFORCEMENT, UPPER . . . . .	1	
- 13	35-410452-3	SKIN, CABIN RH . . . . .	1	
- 14	35-410452-190	SKIN, CABIN RH . . . . .	1	
- 15	95-420015-178	SKIN, CABIN RH . . . . .	1	
- 16	35-410452-23	SKIN, CABIN BOTTOM FWD CENTER. . . . .	1	
- 17	35-410000-624	SKIN ASSY, BOTTOM LH . . . . .	1	
- 18	35-410000-625	SKIN ASSY, BOTTOM RH . . . . .	1	
- 19	35-410452-79	SKIN, CABIN BOTTOM CENTER. . . . .	1	
- 20	35-410452-109	SKIN, CABIN BOTTOM AFT CENTER. . . . .	1	1
	35-410452-183	SKIN, CABIN BOTTOM AFT CENTER. . . . .	1	2
- 21	35-410452-17	SKIN, CABIN BOTTOM RH. . . . .	1	1
	35-410452-115	SKIN, CABIN BOTTOM RH. . . . .	1	2
- 22	33-410032-17	SKIN, CABIN BOTTOM LH. . . . .	1	1
	35-410452-119	SKIN, CABIN BOTTOM LH. . . . .	1	2
- 23	002-430042-5	DOOR ASSY, FUEL STRAINER ACCESS. . . . .	1	
- 24	35-410259-16	DOOR ASSY, LANDING GEAR ACTUATOR ACCESS. . . . .	1	
- 25	35-420037-1	VENT. . . . .	1	
- 26	35-410446-215	NOSE BUG ASSY /SEE FIG.91/. . . . .	1	
- 27	33-410031-29	SKIN, FUSELAGE TAIL LH SIDE. . . . .	1	1
	33-410031-329	SKIN, FUSELAGE TAIL LH SIDE. . . . .	1	2
- 28	33-410031-41	DOOR, FUSELAGE TAIL ACCESS. . . . .	1	6
	33-410031-271	DOOR, FUSELAGE TAIL ACCESS. . . . .	1	3
- 29	33-410031-117	DOOR, FUSELAGE TAIL ACCESS. . . . .	1	
- 30	33-410031-30	SKIN, FUSELAGE TAIL RH SIDE. . . . .	1	1
	33-410031-330	SKIN, FUSELAGE TAIL RH SIDE. . . . .	1	2
- 31	33-410031-27	SKIN, FUSELAGE TAIL BOTTOM FWD . . . . .	1	1
	33-410031-69	SKIN, FUSELAGE TAIL BOTTOM FWD . . . . .	1	2
- 32	33-410031-31	SKIN, FUSELAGE TAIL BOTTOM AFT . . . . .	1	
- 33	35-410452-142	SKIN, ENGINE COWL LOWER LH/WITHOUT DOOR CUTOUT/. . . . .	1	
	35-410452-193	SKIN, ENGINE COWL LOWER LH/WITH DOOR CUTOUT/ . . . . .	1	
- 34	35-410460-5	DOOR ASSY, ENGINE ACCESS LOWER LH. . . . .	1	
- 35	35-410452-143	SKIN, ENGINE COWL LOWER RH/WITHOUT DOOR CUTOUT/. . . . .	1	
	35-410452-191	SKIN, ENGINE COWL LOWER RH/WITH DOOR CUTOUT/ . . . . .	1	
- 36	35-410460-6	DOOR ASSY, ENGINE ACCESS LOWER RH. . . . .	1	
- 37	33-440000-601	CONE ASSY, FUSELAGE TAIL . . . . .	1	
- 38	33-640000-24	SKIN, VERTICAL STABILIZER RH . . . . .	1	
- 39	33-640000-23	SKIN, VERTICAL STABILIZER LH . . . . .	1	
- 40	33-640000-21	SKIN, VERTICAL STABILIZER. . . . .	1	
- 41	33-640000-53	TIP ASSY, VERTICAL STABILIZER. . . . .	1	
- 42	33-400300-613	DOOR ASSY, CABIN /SUPER SOUNDPROOFING/ . . . . .	1	1
	33-400300-615	DOOR ASSY, CABIN /STANDARD SOUNDPROOFING/. . . . .	1	1
	33-400300-629	DOOR ASSY, CABIN /QUICK RELEASE/ . . . . .	1	3
	35-400010-632	DOOR ASSY, CABIN . . . . .	1	2

BEECHCRAFT  
BONANZA 33  
ILLUSTRATED PARTS CATALOG



B E E C H C R A F T  
 BONANZA 33  
 I L L U S T R A T E D P A R T S C A T A L O G

FIG. & ITEM NO.	PART NO.	DESCRIPTION							UNITS PER ASSY	USABLE ON CODE
		1	2	3	4	5	6	7		
13 - 43	35-410070-93	DOOR ASSY,BAGGAGE /STANDARD/	.	.	.	.	.	.	1	
	96-420016-203	DOOR ASSY,UTILITY BAGGAGE /OPTIONAL/	.	.	.	.	.	.	1	2
- 44	35-410452-175	SKIN,AFT CABIN TOP LH	.	.	.	.	.	.	1	
- 45	96-420001-90	SKIN,AFT CABIN TOP RH	.	.	.	.	.	.	1	
- 46	33-410031-317	SKIN,LH UPPER FWD	.	.	.	.	.	.	1	6
	33-410031-319	SKIN,LH UPPER FWD	.	.	.	.	.	.	1	3
- 47	33-410031-162	SKIN,RH UPPER FWD	.	.	.	.	.	.	1	
- 48	33-410030-13	GILL,LH	.	.	.	.	.	.	1	
- 49	33-410030-14	GILL,RH	.	.	.	.	.	.	1	
	33-440011-601	FIN ASSY,DORSAL	.	.	.	.	.	.	1	
- 50	33-440011-27	SKIN,DORSAL FIN FAIRING AFT	.	.	.	.	.	.	1	
- 51	35-410452-75	SKIN,LH	.	.	.	.	.	.	1	
- 52	33-410010-4	SKIN,RH	.	.	.	.	.	.	1	
- 53	33-410031-25	SKIN,LH UPPER AFT	.	.	.	.	.	.	1	
- 54	33-410031-26	SKIN,RH UPPER AFT	.	.	.	.	.	.	1	

CODES OF EFFECTIVITY

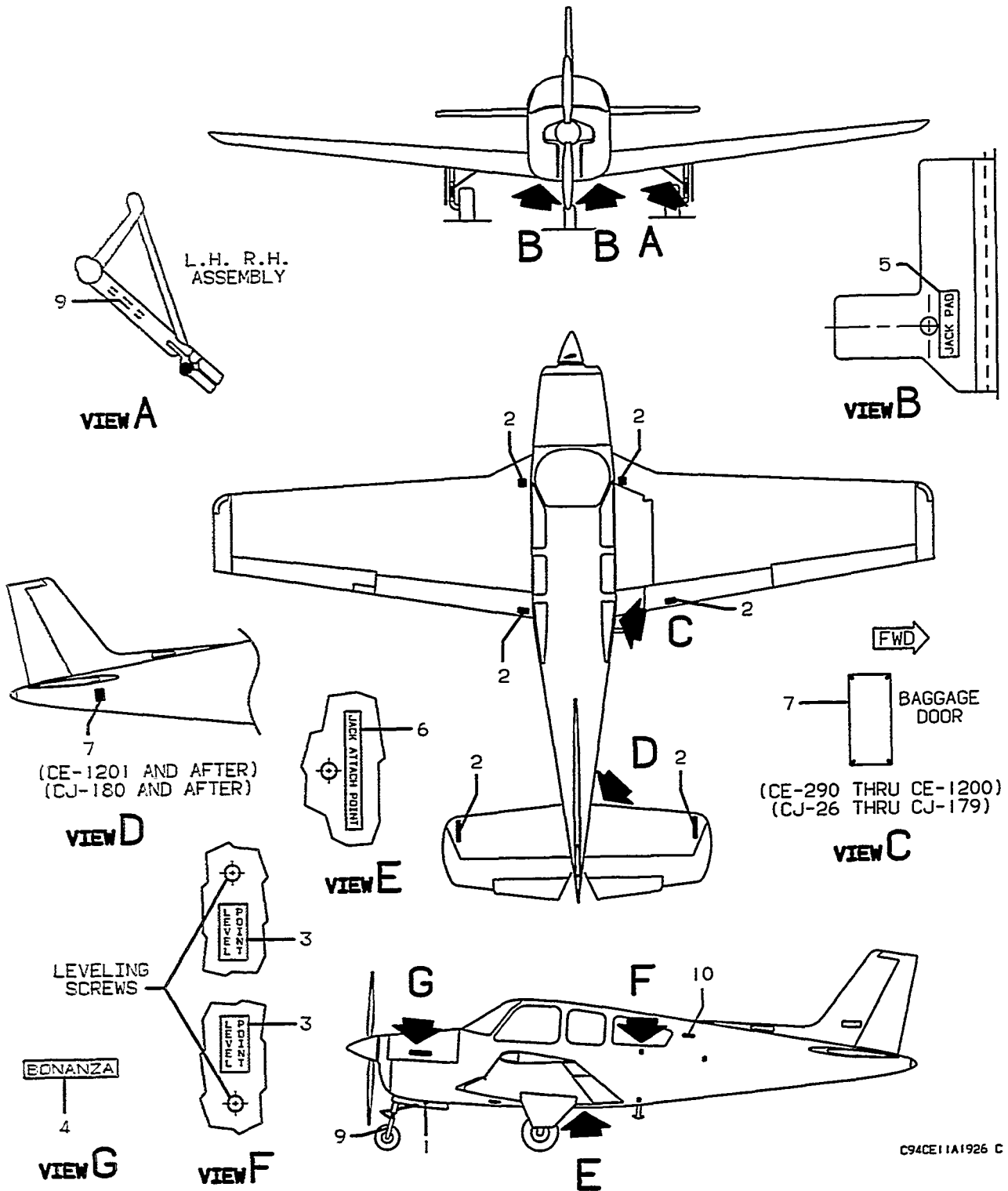
- |   |                      |   |  |
|---|----------------------|---|--|
| 1 | CD-1235 THRU CD-1304 | 2 | CE-316 AND AFTER                         |
|   | CE-290 THRU CE-315   |   |  |
|   | CD-1235 THRU CD-1304 |   |  |
| 3 | CJ-26 AND AFTER      | 4 | CE-679 AND AFTER,<br>CJ-129 AND AFTER    |
| 5 | CE-290 THRU CE-678   | 6 | CD-1235 THRU CD-1304<br>CE-290 AND AFTER |
|   | CJ-26 THRU CJ-128    |   |  |



BEECHCRAFT  
BONANZA 33  
ILLUSTRATED PARTS CATALOG

FIGURE 15  
EXTERIOR MARKINGS

BEECHCRAFT  
 BONANZA 33  
 ILLUSTRATED PARTS CATALOG

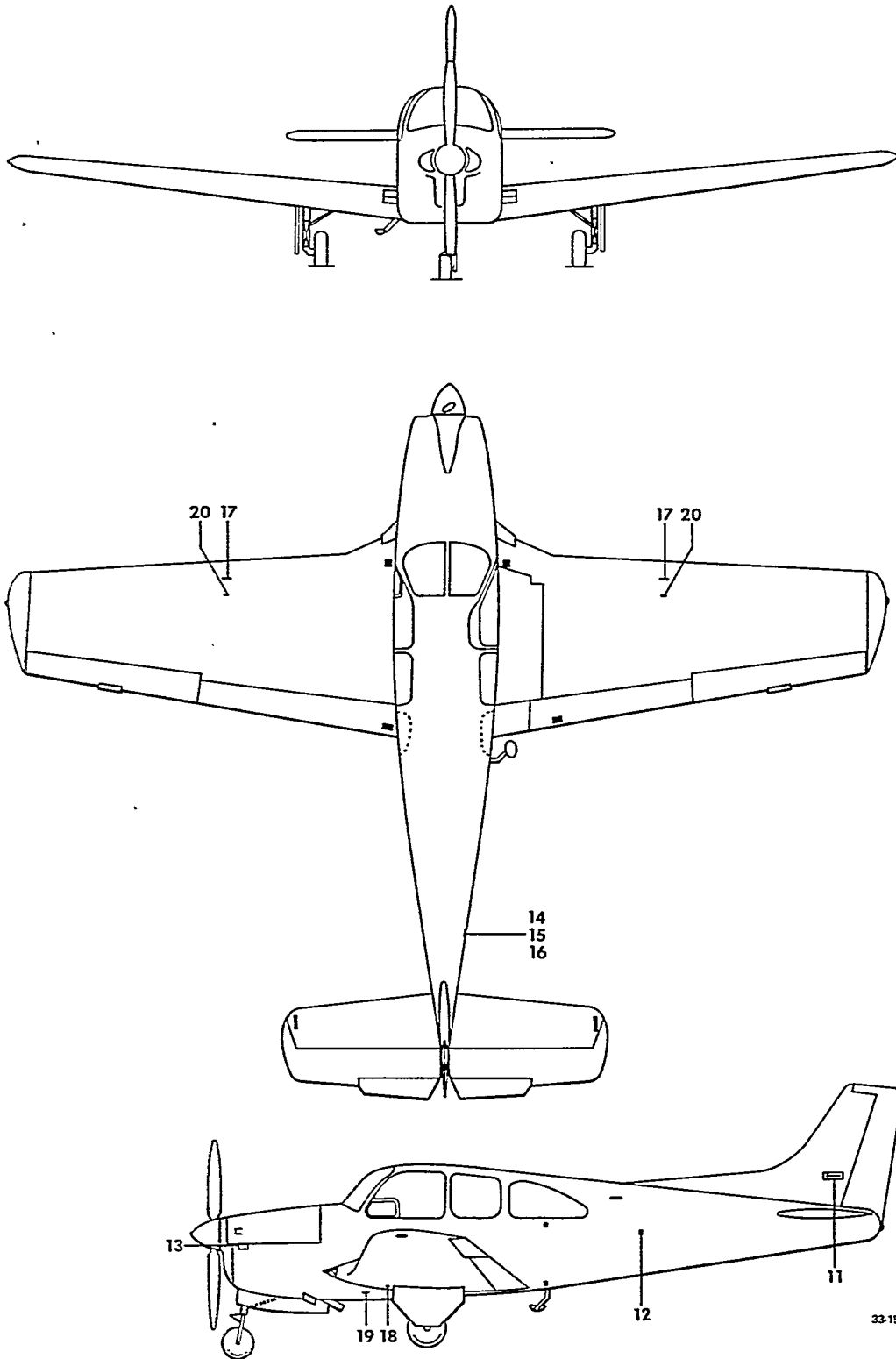


C94CE11A1926 C

B E E C H C R A F T  
B O N A N Z A 3 3  
I L L U S T R A T E D P A R T S C A T A L O G

FIG. & ITEM NO.	PART NO.	DESCRIPTION	UNITS PER ASSY	USABLE ON CODE
		1 2 3 4 5 6 7		
15	33-000051-1	MARKINGS, EXTERIOR /F33/ . . . . .	NP	1
	33-000051-3	MARKINGS, EXTERIOR /F33A/ . . . . .	NP	6
	33-000051-7	MARKINGS, EXTERIOR /F33C/ . . . . .	NP	7
	33-000051-9	MARKINGS, EXTERIOR /G33/ . . . . .	NP	9
	33-000062-1	MARKINGS, EXTERIOR /F33A/ . . . . .	NP	10
	33-000062-3	MARKINGS, EXTERIOR /G33/ . . . . .	NP	23
	33-000062-5	MARKINGS, EXTERIOR /F33C/ . . . . .	NP	20
	33-000064-3	MARKINGS, EXTERIOR /F33C/ . . . . .	NP	22
	33-000064-1	MARKINGS, EXTERIOR /F33A/ . . . . .	NP	12
- 1	36-820012	• PLACARD, FWD NOSE GEAR RETRACT LINK ROD . . . . .	1	
- 2	112733-2	• PLACARD, NO STEP /BLACK/ . . . . .	4	
	112733-4	• PLACARD, NO STEP /RED/ . . . . .	4	
- 3	35-410169 B-C	• PLACARD, LEVEL POINT /BLACK ON CLEAR/ . . . . .	2	
	35-410169 W-C	• PLACARD, LEVEL POINT /WHITE ON CLEAR/ . . . . .	2	
- 4	33-000052-1	• DECAL, BONANZA /F33/ /GOLD WITH BLACK OUTLINE/ . . . . .	2	1
	33-000052-3	• DECAL, BONANZA /F33/ /BLACK WITH GOLD OUTLINE/ . . . . .	2	1
	33-000053-1	• DECAL, BONANZA /F33A/ /GOLD WITH BLACK OUTLINE/ . . . . .	2	2
	33-000053-3	• DECAL, BONANZA /F33A/ /BLACK WITH GOLD OUTLINE/ . . . . .	2	2
	33-000055-1	• DECAL, BONANZA /F33C/ /GOLD WITH BLACK OUTLINE/ . . . . .	2	7
	33-000055-3	• DECAL, BONANZA /F33C/ /BLACK WITH GOLD OUTLINE/ . . . . .	2	7
	35-000129	• EMBLEM, BONANZA /MAY BE USED TO REPLACE. . . . .	2	5
		33-000052-1 OR -3 & 33-000053-1 OR -3		
		33-000055-1 OR -3/		
	36-000032-1	• EMBLEM, BONANZA /SCRIPT/ . . . . .	1	14
	36-000032-3	• EMBLEM, BONANZA /SCRIPT/ 50TH ANNIV, GOLD PLATE/ . . . . .	1	19
	36-000036-1	• 50TH ANNIVERSARY ID EMBLEM /ROUND/ . . . . .	1	19
	33-000050-1	• DECAL, AEROBATIC /GOLD WITH BLACK OUTLINE/ . . . . .	2	11
	33-000050-3	• DECAL, AEROBATIC /BLACK WITH GOLD OUTLINE/ . . . . .	2	11
- 5	112735 B-C	• PLACARD, JACK PAD /BLACK ON CLEAR/ . . . . .	2	
	112735 W-C	• PLACARD, JACK PAD /WHITE ON CLEAR/ . . . . .	2	
	112735-1	• PLACARD, JACK PAD /YELLOW/ . . . . .	2	
- 6	112736 B-C	• PLACARD, JACK ATTACH POINT /BLACK ON CLEAR/ . . . . .	1	
	112736 W-C	• PLACARD, JACK ATTACH POINT /WHITE ON CLEAR/ . . . . .	1	
- 7	130728	• PLACARD, MODEL . . . . .	1	
- 8	115081-1	• PLACARD, NO HANDLE /BLACK/ . . . . .	2	
	115081-3	• PLACARD, NO HANDLE /RED/ . . . . .	2	
- 9	112734	• PLACARD, HEAT TREATED ASSY /BLACK/ . . . . .	AR	
- 10	33-000052-5	• DECAL, F33 /GOLD WITH BLACK OUTLINE/ . . . . .	2	1
	33-000052-7	• DECAL, F33 /BLACK WITH GOLD OUTLINE/ . . . . .	2	1
	33-000056	• EMBLEM, F33 /MAY BE USED TO REPLACE. . . . .	2	1
		33-000052-5 OR -7/		
	33-000060-1	• EMBLEM, G33 . . . . .	2	3
	33-000053-5	• DECAL, F33A /GOLD WITH BLACK OUTLINE/ . . . . .	2	2
	33-000053-7	• DECAL, F33A /BLACK WITH GOLD OUTLINE/ . . . . .	2	2
	33-000055-5	• DECAL, F33C /GOLD WITH BLACK OUTLINE/ . . . . .	2	7
	33-000055-7	• DECAL, F33C /BLACK WITH GOLD OUTLINE/ . . . . .	2	7
	33-000057	• EMBLEM, F33A . . . . .	2	4
	33-000058	• EMBLEM, F33C /MAY BE USED TO REPLACE. . . . .	2	8
		33-000055-5 OR -7/		
	33-000066-1	• EMBLEM, IDENTIFICATION /F33A/ . . . . .	1	18
	33-000067-1	• EMBLEM, IDENTIFICATION /F33C/ . . . . .	1	24
	33-000066-3	• EMBLEM, IDENT /F33A/ 50TH ANNIVERSARY/ . . . . .	1	19
	58-530227-1	• EMBLEM, BEECHCRAFT CREST . . . . .	1	14
	58-530227-3	• EMBLEM, BEECHCRAFT CREST /50TH ANNIVERSARY/ . . . . .	1	19

BEECHCRAFT  
BONANZA 33  
ILLUSTRATED PARTS CATALOG



33-15-4

B E E C H C R A F T  
B O N A N Z A 3 3  
I L L U S T R A T E D P A R T S C A T A L O G

FIG. & ITEM NO.	PART NO.	DESCRIPTION	UNITS PER ASSY	USABLE ON CODE
		1 2 3 4 5 6 7		
15 - 11	R 115098-5	. PLACARD . . . . .	2	28
	R 101-531347-1	. PLACARD/ORDER KIT 101-2003-1 FOR SPARES/ . . .	NP	29
- 12	35-410286 B-C	. PLACARD,STATIC AIR KEEP CLEAN . . . . .	2	
		/BLACK ON CLEAR/		
	35-410286 W-C	. PLACARD,STATIC AIR KEEP CLEAN . . . . .	2	
		/WHITE ON CLEAR/		
- 13	35-910323-5	. PLACARD,PULL TO CHECK LATCH /BLACK ON CLEAR/.	1	
	35-910323-7	. PLACARD,PULL TO CHECK LATCH /WHITE ON CLEAR/.	1	
	58-100026-5	. DECAL,WING BOLTS. . . . .	8	21
	58-100026-7	. DECAL,WING BOLTS. . . . .	8	21
	60-810081-1	. DECAL,UPLOCK CABLE BOLT INSTRUCTION . . . . .	2	
		/WHEEL WELL ABOVE UPLOCK ASSY/		
	35-815153-3	. DECAL,DOOR HINGE BOLT DIRECTION . . . . .	2	
		/WHEEL WELL OUTBD SIDE ROOT RIB/		
- 14	36-340083-19	. DECAL,EMERGENCY LOCATOR SWITCH/BLACK/ . . . . .	1	25
	36-340083-21	. DECAL,EMERGENCY LOCATOR SWITCH/WHITE/ . . . . .	1	25
- 15	36-340083-23	. DECAL/ARM-OFF-ON/BLACK/ . . . . .	1	26
	36-340083-13	. DECAL/ARM-OFF-ON/WHITE/ . . . . .	1	26
	36-340324-5	. DECAL/REARM-ARM-XMIT/BLACK/ . . . . .	1	25
	36-340324-7	. DECAL/REARM-ARM-XMIT/WHITE/ . . . . .	1	25
- 16	36-340083-15	. DECAL/EMERGENCY LOCATOR TRANSMITTER SWITCH/B/	1	27
	36-340083-17	. DECAL/EMERGENCY LOCATOR TRANSMITTER SWITCH/W/	1	27
	101-341101-71	. DECAL/EMERGENCY LOCATOR TRANSMITTER/. . . . .	1	36
	101-341782-29	. DECAL/EMERGENCY LOCATOR TRANSMITTER/. . . . .	1	34
	101-341782-531	. DECAL/EMERGENCY LOCATOR TRANSMITTER/. . . . .	1	35
	101-342659-127	. DECAL/EMERGENCY LOCATOR TRANSMITTER/. . . . .	1	37
	36-364022-1	. PLATE,NOSE GEAR TOW INSTRUCTIONS/OPT LIGHT/ .	1	15
- 17	36-920054-5	. DECAL/80 GAL/AVGAS/BLACK/ . . . . .	2	30
	36-920054-7	. DECAL/80 GAL/AVGAS/WHITE/ . . . . .	2	30
	58-920034-21	. DECAL/80 GAL/USABLE FUEL/WHITE/ . . . . .	2	31
	58-920034-23	. DECAL/80 GAL/USABLE FUEL/BLACK/ . . . . .	2	31
	36-920036-5	. DECAL/50 GAL/FUEL INSTRUCTION/WHITE/. . . . .	2	32
	36-920036-7	. DECAL/50 GAL/FUEL INSTRUCTION/BLACK/. . . . .	2	32
	36-920053-5	. DECAL/CAUTION,FUEL NOZZLE/WHITE/. . . . .	2	32
	36-920053-7	. DECAL/CAUTION,FUEL NOZZLE/BLACK/. . . . .	2	32
	58-920050-5	. DECAL/50 GAL/AVGAS/BLACK/ . . . . .	2	33
	58-920050-7	. DECAL/50 GAL/AVGAS/WHITE/ . . . . .	2	33
	95-921016-1	. DECAL/50 GAL/CAUTION,FUEL NOZZLE/WHITE/ . . . .	2	33
	95-921016-3	. DECAL/50 GAL/CAUTION,FUEL NOZZLE/BLACK/ . . . .	2	33
- 18	35-924148	PLACARD,FUEL CELL SUMP DRAIN. . . . .	2	
- 19	95-921014-1	PLACARD,FUEL STRAINER /WHITE/ . . . . .	2	
	95-921014-3	PLACARD,FUEL STRAINER /BLACK/ . . . . .	2	
- 20	58-920034-25	PLACARD,IDENTIFICATION FUEL TANK WING /WHITE/ .	2	13
	58-920034-27	PLACARD,IDENTIFICATION FUEL TANK WING /BLACK/ .	2	13
	36-530110-5	DECAL,AIR CONDITIONED/RH SIDE/WHITE/. . . . .	1	16
	36-530110-7	DECAL,AIR CONDITIONED/RH SIDE/BLACK/. . . . .	1	16
	MAM BA-2	DECAL,AIR CONDITIONING. . . . .	1	17
	MAM BA-1	DECAL,RADAR EQUIPPED. . . . .	1	17

NOTE WHEN ORDERING PLACARDS PLEASE  
SPECIFY COLOR.

CODES OF EFFECTIVITY

1 CD-1235 THRU CD-1254 2 CE-290 THRU CE-311  
3 CD-1255 THRU CD-1304 4 CE-312 THRU CE-612

B E E C H C R A F T  
B O N A N Z A 3 3  
I L L U S T R A T E D P A R T S C A T A L O G

FIG. & ITEM NO.	-PART NO.	1 2 3 4 5 6 7	DESCRIPTION	UNITS PER ASSY	USABLE ON CODE
15			CONTINUED . . . . .		

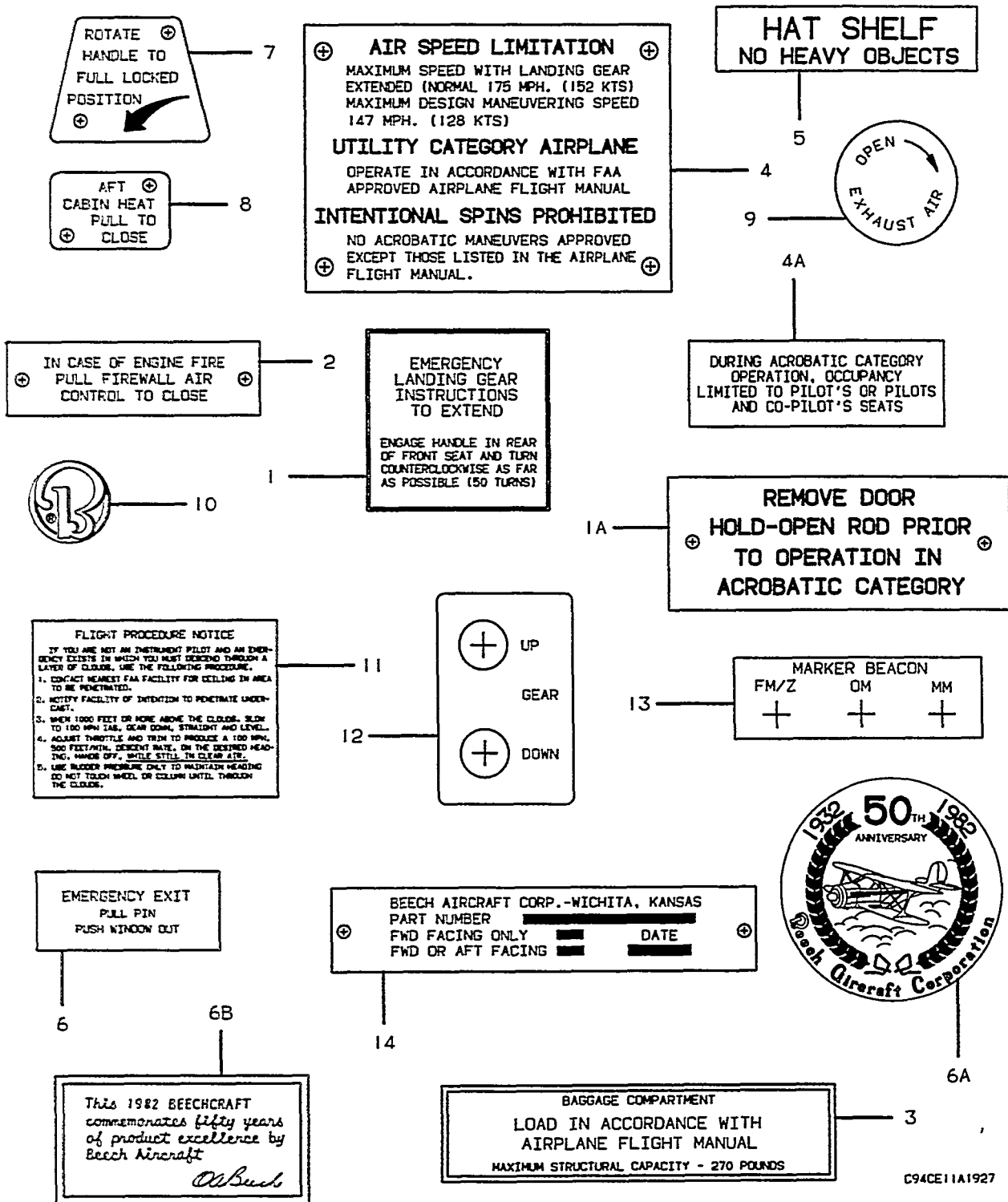
C O D E S O F E F F E C T I V I T Y

5 CE-290 THRU CE-612 CJ-26 THRU CJ-104 7 CJ-26 THRU CJ-30 9 CD-1255 ONLY 11 CJ-26 AND AFTER 13 CE-414 AND AFTER CJ-35 AND AFTER  15 CE-704 AND AFTER CJ-129 AND AFTER 17 CE-878 AND AFTER  19 CE-978 THRU CE-1011 21 CJ-156 AND AFTER CE-950 AND AFTER 23 CD-1256 THRU CD-1304 25 CE-595 THRU CE-905 CJ-94 THRU CJ-155 27 CE-829 THRU CE-905 CJ-150 THRU CJ-155  29 CE-1076 AND AFTER CJ-156 AND AFTER  31 CE-156 AND AFTER 33 CJ-26 THRU CJ-155  35 CE-1241 THRU CE-1646 37 CE-1647 AND AFTER CJ-180 AND AFTER	6 CE-290 THRU CE-349  8 CJ-31 THRU CJ-104 10 CE-350 THRU CE-464 12 CE-465 AND AFTER 14 CE-613 THRU CE-977, CE-1012 AND AFTER CJ-105 AND AFTER 16 CE-602 THRU CE-877  18 CE-613 THRU CE-977, CE-1012 AND AFTER 20 CJ-31 THRU CJ-51 22 CJ-52 AND AFTER  24 CJ-105 AND AFTER 26 CE-595 THRU CE-828 CJ-94 THRU CJ-155 28 CD-1235 THRU CD-1304 CE-290 THRU CE-1075 CJ-26 THRU CJ-155 30 CD-1255 THRU CD-1304 CE-290 AND AFTER CJ-26 AND AFTER 32 CE-290 AND AFTER 34 CE-1033 THRU CE-1240 CJ-156 THRU CJ-179 36 CE-906 THRU CE-1032
--	---

BEECHCRAFT  
BONANZA 33  
ILLUSTRATED PARTS CATALOG

FIGURE 16  
INTERIOR PLACARDS

BEECHCRAFT  
 BONANZA 33  
 ILLUSTRATED PARTS CATALOG



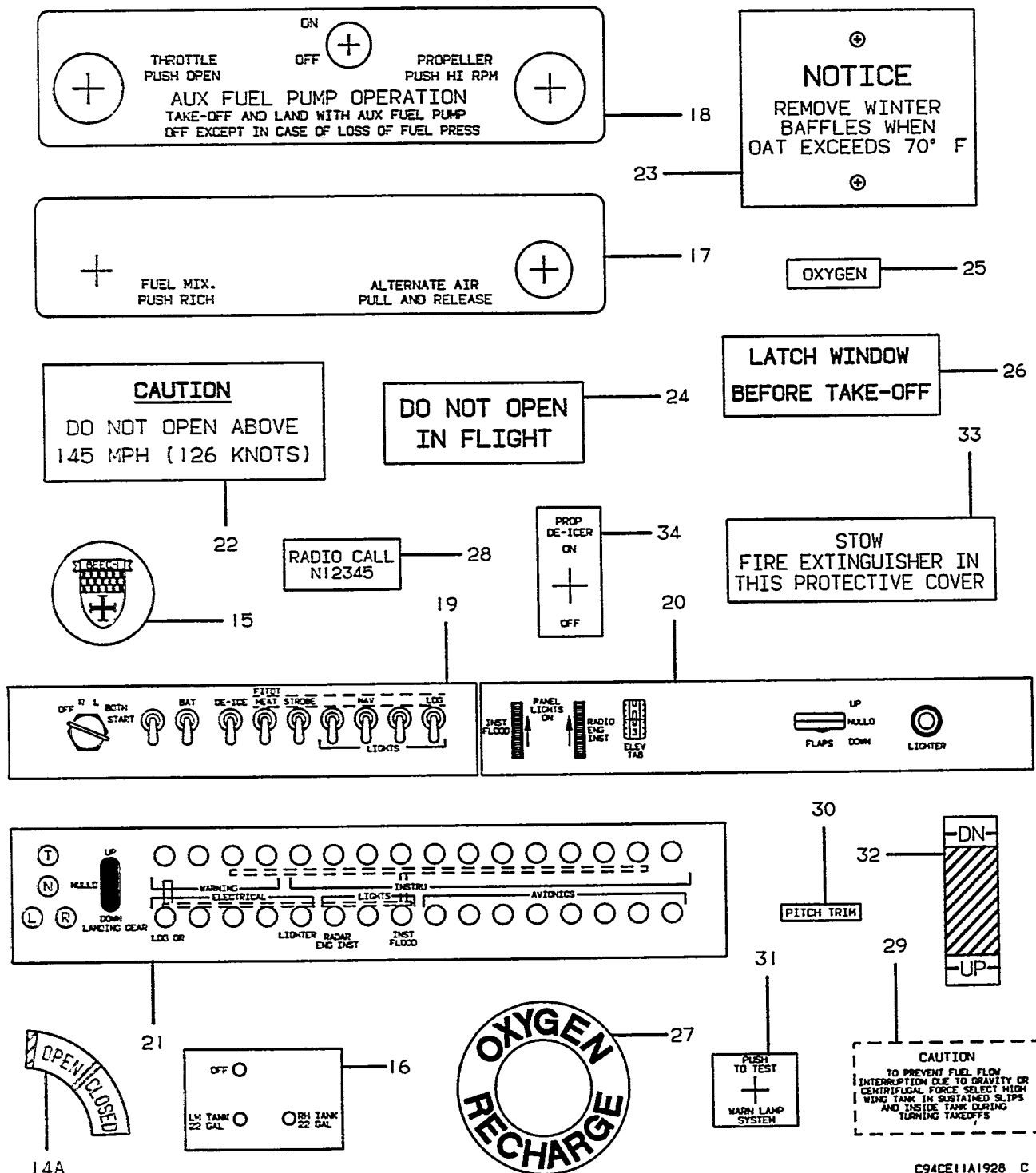
C94CE11A1927 C



B E E C H C R A F T  
B O N A N Z A 3 3  
I L L U S T R A T E D P A R T S C A T A L O G

FIG. & ITEM NO.	PART NO.	DESCRIPTION	UNITS PER ASSY	USABLE ON CODE
		1 2 3 4 5 6 7		
16	35-000131-3	MARKINGS INSTL, INTERIOR . . . . .	NP	1
	35-000131-5	MARKINGS INSTL, INTERIOR . . . . .	NP	2
	35-000131-7	MARKINGS INSTL, INTERIOR . . . . .	NP	13
	33-000061-5	MARKINGS INSTL, INTERIOR . . . . .	NP	3
	33-000061-3	MARKINGS INSTL, INTERIOR . . . . .	NP	4
	33-000061-9	MARKINGS INSTL, INTERIOR /OPENABLE WINDOWS/ . . . . .	NP	12
	33-000061-11	MARKINGS INSTL, INTERIOR /FIXED WINDOWS/ . . . . .	NP	12
	R 33-000063-1	MARKINGS INSTL, INTERIOR . . . . .	NP	27
	R 36-530134-1	MARKINGS INSTL, INTERIOR /50TH ANNIVERSARY/ . . . . .	NP	28
	33-000063-3	MARKINGS INSTL, INTERIOR . . . . .	NP	19
	96-534150-7	MARKINGS INSTL, INTERIOR . . . . .	NP	32
- 1	33-324032	. PLATE, EMERGENCY LANDING GEAR EXTENSION. . . . .	1	16
	58-530191-1	. PLATE, EMERGENCY LANDING GEAR EXTENSION. . . . .	1	27
- 1A	33-534058	. PLATE, DOOR HOLD-OPEN ROD INSTRUCTION. . . . .	1	11
- 2	R 33-324043	. PLATE, ENGINE FIRE INSTRUCTION . . . . .	1	20
- 3	33-534023	. PLATE, BAGGAGE COMPARTMENT LOADING INSTRUCTION . . . . .	1	5
	33-534036	. PLATE, BAGGAGE COMPARTMENT LOADING INSTRUCTION . . . . .	1	7
	33-534067	. PLATE, BAGGAGE COMPARTMENT LOADING INSTRUCTION . . . . .	1	8
	95-534026	. PLATE, BAGGAGE COMPARTMENT LOADING INSTRUCTION . . . . .	1	20
- 4	33-534043	. PLATE, OPERATIONS LIMITATIONS. . . . .	1	1
	33-534066	. PLATE, OPERATIONS LIMITATIONS. . . . .	1	21
	33-530019-1	. PLATE, OPERATIONS LIMITATIONS. . . . .	1	22
	33-530021-1	. PLATE, OPERATIONS LIMITATIONS. . . . .	1	23
	33-530039-1	. PLATE, OPERATIONS LIMITATIONS. . . . .	1	26
	35-534444	. PLATE, OPERATIONS LIMITATIONS. . . . .	1	17
	33-530020-1	. PLATE, OPERATIONS LIMITATIONS. . . . .	1	24
	33-530038-1	. PLATE, OPERATIONS LIMITATIONS. . . . .	1	25
	33-534065	. PLATE, OPERATIONS LIMITATIONS. . . . .	1	6
- 4A R	33-534057-1	. PLATE, OPERATIONS LIMITATIONS /OCCUPANCY/ . . . . .	1	11
- 5	35-534402	. PLACARD, HAT SHELF . . . . .	1	
- 6	96-534042-3	. PLATE, EMERGENCY EXIT INSTRUCTION. . . . .	1	16
	58-530194-1	. PLATE, EMERGENCY EXIT INSTRUCTION. . . . .	1	27
	33-534052	. PLATE, EMERGENCY EXIT INSTRUCTION. . . . .	1	11
- 6A	36-530136-3	. PLAQUE, INSTR PANEL 50TH ANNIVERSARY . . . . .	1	28
- 6B	36-530135-1	. EMBLEM, 50TH ANNIVERSARY . . . . .	1	28
- 7	35-400474	PLACARD, CABIN DOOR LOCKING PROCEDURE. . . . .	1	16
	58-530203-1	PLACARD, CABIN DOOR LOCKING PROCEDURE. . . . .	1	15
- 8	35-420011	PLATE, CABIN AIR SHUTOFF PROCEDURE . . . . .	1	
- 9	96-554013	PLACARD, EXHAUST AIR VALVE INSTRUCTION . . . . .	1	
- 10	130030-3	MEDALLION BEECHCRAFT B. . . . .	1	
- 11	35-324408	DECAL, FLIGHT PROCEDURE NOTICE . . . . .	1	
- 12	35-324410	PLATE, LANDING GEAR POSITION LIGHT . . . . .	1	
- 13	95-324063	PLACARD, MARKER BEACON LIGHTS. . . . .	1	
- 14	130569	PLACARD, CHAIR IDENTIFICATION. . . . .	1	

BEECHCRAFT  
 BONANZA 33  
 ILLUSTRATED PARTS CATALOG



C94CE11A1928 C

B E E C H C R A F T  
B O N A N Z A 3 3  
I L L U S T R A T E D P A R T S C A T A L O G

FIG. & ITEM NO.	PART NO.	DESCRIPTION	UNITS							USABLE ON CODE
			1	2	3	4	5	6	7	
16 - 14A	36-420015-1	PLACARD,INSIDE CABIN DOOR HANDLE. . . . .							1	39
- 15	50-524733-1	EMBLEM,SEAT BUCKLE IDENTIFICATION . . . . .							1	
- 16	36-920019	PLACARD,FUEL SELECTOR VALVE INSTRUCTION . . . . .							1	5
	36-530099-7	PLACARD,FUEL SELECTOR VALVE INSTRUCTION . . . . .							1	15
	36-920020	PLACARD,FUEL SELECTOR VALVE INSTRUCTION . . . . .							1	18
	36-530099-9	PLACARD,FUEL SELECTOR VALVE INSTRUCTION . . . . .							1	36
	36-530151	PLACARD,FUEL SELECTOR VALVE INSTRUCTION . . . . .							1	35
- 17	35-944064-1	PLATE,LOWER ENGINE CONTROL IDENTIFICATION . . . . .							1	10
	35-944064-3	PLATE,LOWER ENGINE CONTROL IDENTIFICATION . . . . .							1	9
- 18	35-944065	PLATE,UPPER ENGINE CONTROL IDENTIFICATION . . . . .							1	
	33-940011	PLATE,UPPER ENGINE CONTROL IDENTIFICATION . . . . .							1	11
- 19	35-380126-3	PANEL,SWITCH/LH/. . . . .							1	37
	36-380057	PANEL,SWITCH/LH/. . . . .							1	38
- 20	35-380133-19	PANEL,SWITCH/EL/. . . . .							1	14
	35-380133-55	PANEL,SWITCH/EL/. . . . .							1	29
	35-380133-65	PANEL,SWITCH/EL/. . . . .							1	30
	R 35-380133-71	PANEL,SWITCH/EL/. . . . .							1	31
	35-380133-21	PANEL,SWITCH/EL/. . . . .							1	5
- 21	35-380133-25	PANEL,CIRCUIT BREAKER/EL/RH/. . . . .							1	
- 22	35-410326	PLACARD,STORM WINDOW INSTRUCTION. . . . .							1	
- 23	35-910296-1	PLACARD,COWL WINTER BAFFLE. . . . .							1	
- 24	35-410329 W-C	PLACARD,CABIN WINDOW /WHITE ON CLEAR/ . . . . .							1	
	35-410329 B-C	PLACARD,CABIN WINDOW /BLACK ON CLEAR/ . . . . .							1	
- 25	50-560012	PLACARD,OXYGEN OUTLET . . . . .							AR	
- 26	35-534352-3	PLACARD,WINDOW LATCH. . . . .							2	
- 27	35-560010-33	DECAL,OXYGEN RECHARGE . . . . .							1	
- 28	35-324469-1	PLACARD,RADIO CALL. . . . .							1	
- 29	36-920012	PLACARD,FUEL TANK SELECTION INSTRUCTION . . . . .							1	
- 30	33-364018	PLATE,PITCH TRIM CIRCUIT BREAKER. . . . .							1	
- 31	35-324470	PLACARD,WARNING LAMP SYSTEM . . . . .							1	
- 32	35-815240	DECAL,NOSE GEAR INDICATOR IDENTIFICATION. . . . .							1	
- 33	50-571038	PLACARD,FIRE EXTINGUISHER COVER . . . . .							1	
- 34	35-324436	DECAL,PROP DEICER SWITCH. . . . .							1	
	96-364087	PLATE,STROBE LIGHT INSTRUCTIONS . . . . .							1	

BEECHCRAFT  
 BONANZA 33  
 ILLUSTRATED PARTS CATALOG

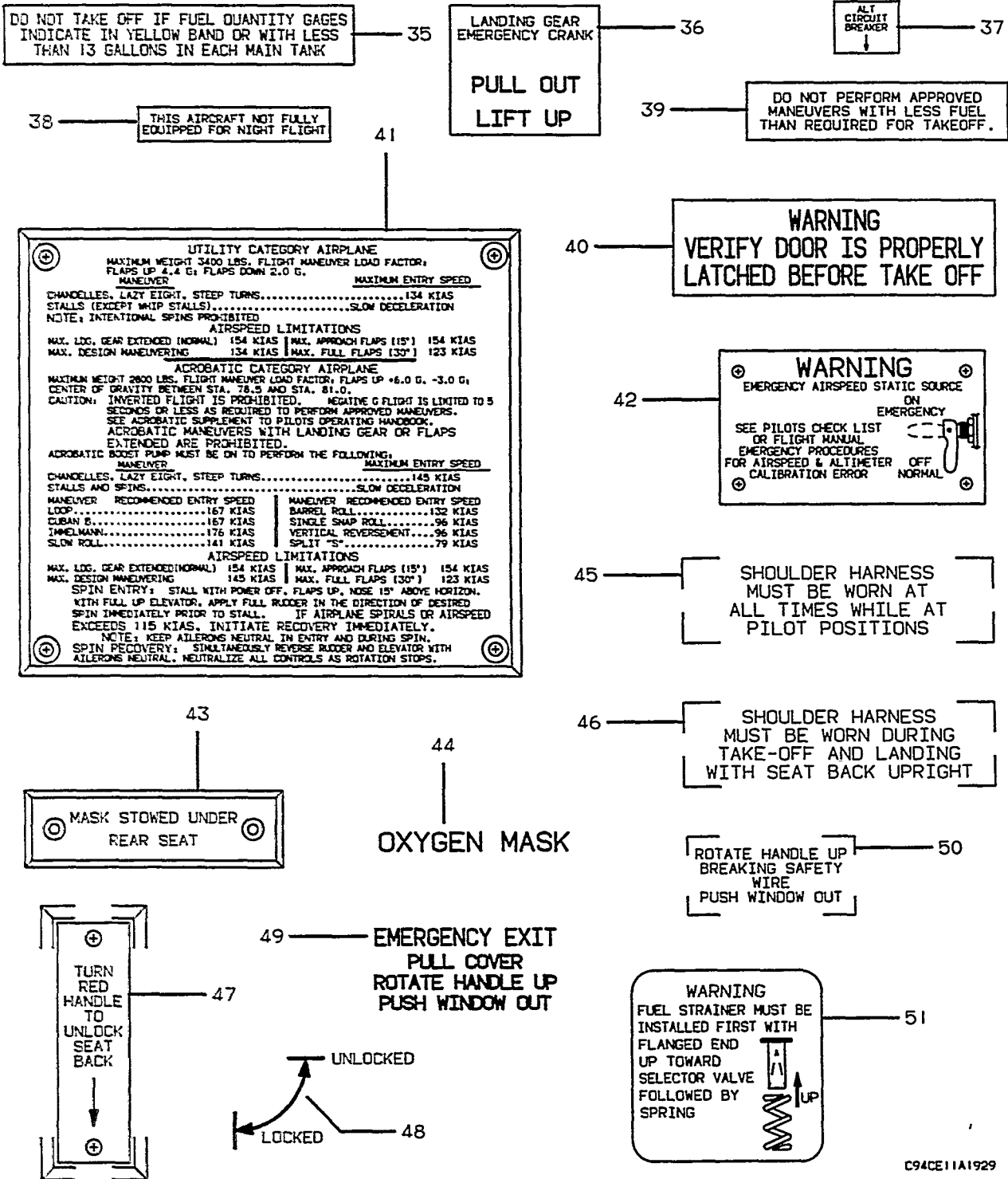


FIG. 16  
 PAGE 6

FIGURE 16. INTERIOR PLACARDS  
 /SHEET 3 OF 3 SHEETS/

B E E C H C R A F T  
B O N A N Z A 3 3  
I L L U S T R A T E D P A R T S C A T A L O G

FIG. & ITEM NO.	PART NO.	DESCRIPTION	UNITS PER ASSY	USABLE ON CODE
		1 2 3 4 5 6 7		
16 - 35	36-530102-1	PLACARD,FUEL LIMITATION . . . . .	1	15
- 36	58-530192-1	PLACARD,LDG GEAR EMERGENCY CRANK COVER. . . . .	1	15
- 37	36-324031-1	PLACARD,ALTERNATE CIRCUIT BREAKER . . . . .	1	15
- 38	36-324025-1	PLACARD,INSTRUCTION FLIGHT LIMITATION . . . . .	1	
- 39	35-2002-57	PLACARD,MANEUVERS LIMITATIONS . . . . .	1	
- 40 R	36-530166-3	PLACARD,DOOR WARNING. . . . .	1	
- 41 R	33-530047-1	PLATE,OPERATIONS LIMITATIONS. . . . .	1	33
- 42 R	96-324141-1	PLATE,EMERGENCY STATIC AIR SOURCE . . . . .	1	
- 43 R	106-530023-1	PLACARD,OXYGEN MASK STOWAGE . . . . .	1	
- 44 R	58-560013-1	PLACARD,OXYGEN MASK . . . . .	1	40
	R 102-560022-1	PLACARD,OXYGEN MASK . . . . .	1	41
- 45 R	102-530045-3	PLACARD,SHOULDER HARNESS. . . . .	2	
- 46 R	102-530044-3	PLACARD,SHOULDER HARNESS. . . . .	4	
- 47 R	102-530106-1	PLACARD,LOCKING SEAT BACK . . . . .	2	
- 48 R	106-530132-1	PLACARD,OPENABLE WINDOW . . . . .	1	42
- 49 R	106-530053-1	PLACARD,EMERGENCY EXIT. . . . .	1	32
- 50 R	106-530118-1	PLACARD,EMERGENCY HANDLE. . . . .	1	32
- 51 R	36-430057-1	PLACARD,INSTRUCTION-FUEL STRAINER . . . . .	1	10

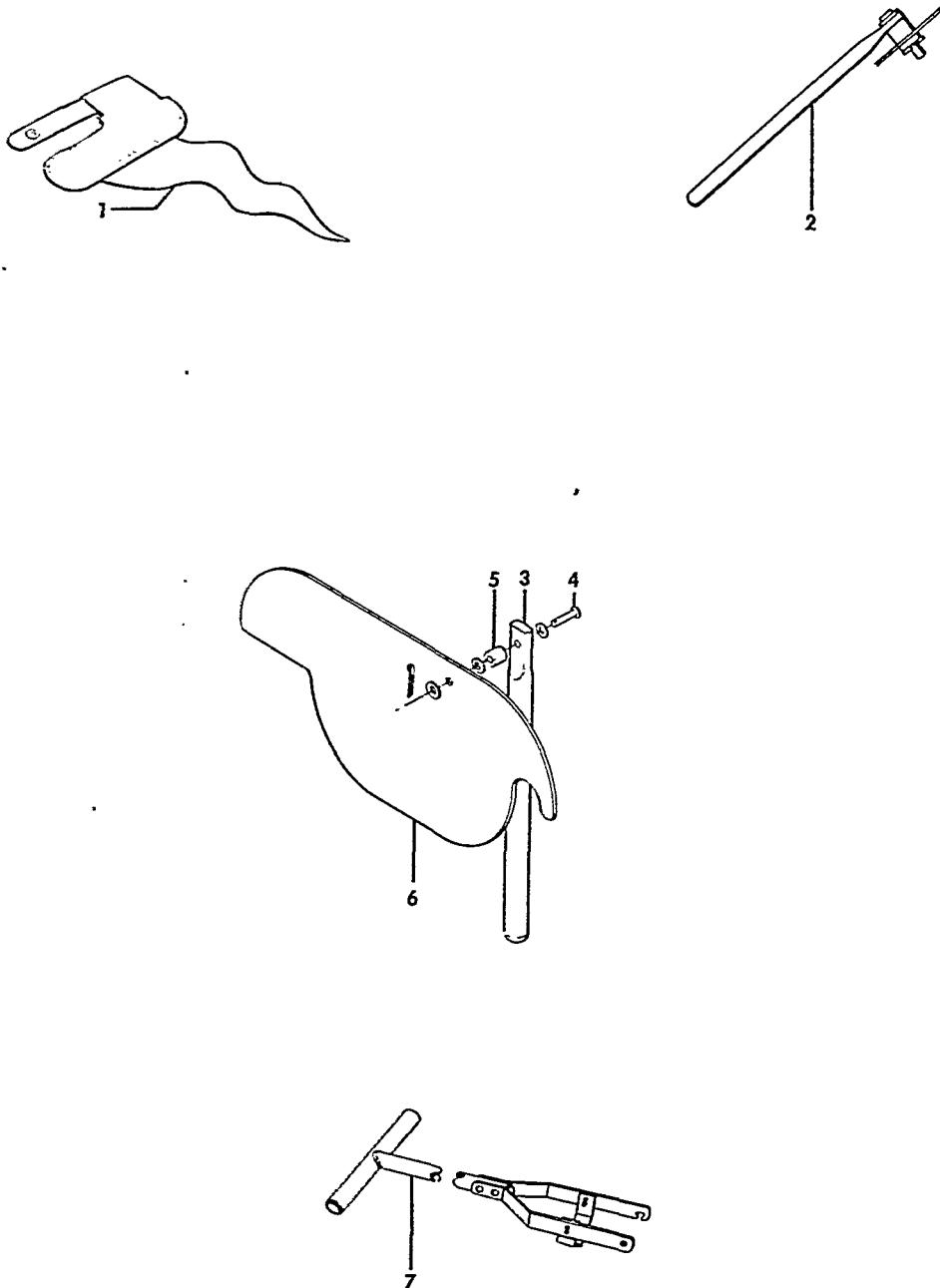
C O D E S O F E F F E C T I V I T Y

1 CD-1235 THRU CD-1254	2 CE-290 THRU CE-349
3 CD-1256 THRU CD-1304	4 CE-350 THRU CE-464
5 CD-1235 THRU CD-1304	6 CE-290 THRU CE-408
7 CE-290 THRU CE-315	8 CE-316 THRU CE-673
CJ-26 AND AFTER	
9 CD-1235 THRU CD-1254	10 CD-1255 THRU CD-1304
CE-290 AND AFTER, CJ-26 AND AFTER	
11 CJ-26 AND AFTER	12 CJ-31 THRU CJ-51
13 CJ-26 THRU CJ-30	14 CE-290 THRU CE-815
CJ-26 THRU CJ-149	
15 CE-465 THRU CE-883	16 CE-290 THRU CE-464
17 CE-409 THRU CE-673	18 CE-290 THRU CE-464
CJ-26 THRU CJ-155	
19 CJ-52 AND AFTER	20 CE-674 AND AFTER
21 CJ-26 THRU CJ-51	22 CJ-52 THRU CJ-128
23 CJ-129 THRU CJ-149	24 CE-674 THRU CE-815
25 CE-816 AND AFTER	26 CJ-150 THRU CJ-155
27 CE-465 THRU CE-918	28 CE-978 THRU CE-1011
CE-920 THRU CE-922 CE-924,CE-926 CE-928	
29 CE-816 THRU CE-977	30 CE-978 THRU CE-989
CJ-150 THRU CJ-155	
31 CE-990 AND AFTER	32 CE-919,CE-923
CE-925,CE-927 CE-929 AND AFTER	
33 CJ-156 AND AFTER	34 CE-290 AND AFTER
35 CE-1014 AND AFTER	36 CE-884 THRU CE-1013
CJ-156 AND AFTER	
37 CE-929 AND AFTER	38 CE-290 THRU CE-928
CJ-156 AND AFTER	
39 CE-1301,	40 CE-290 THRU CE-673
CE-1307 AND AFTER	
41 CE-674 AND AFTER	42 CE-984 AND AFTER
CJ-129 AND AFTER	
CJ-156 AND AFTER	

BEECHCRAFT  
BONANZA 33  
ILLUSTRATED PARTS CATALOG

FIGURE 17  
LOOSE TOOLS AND ACCESSORIES

BEECHCRAFT  
BONANZA 33  
ILLUSTRATED PARTS CATALOG



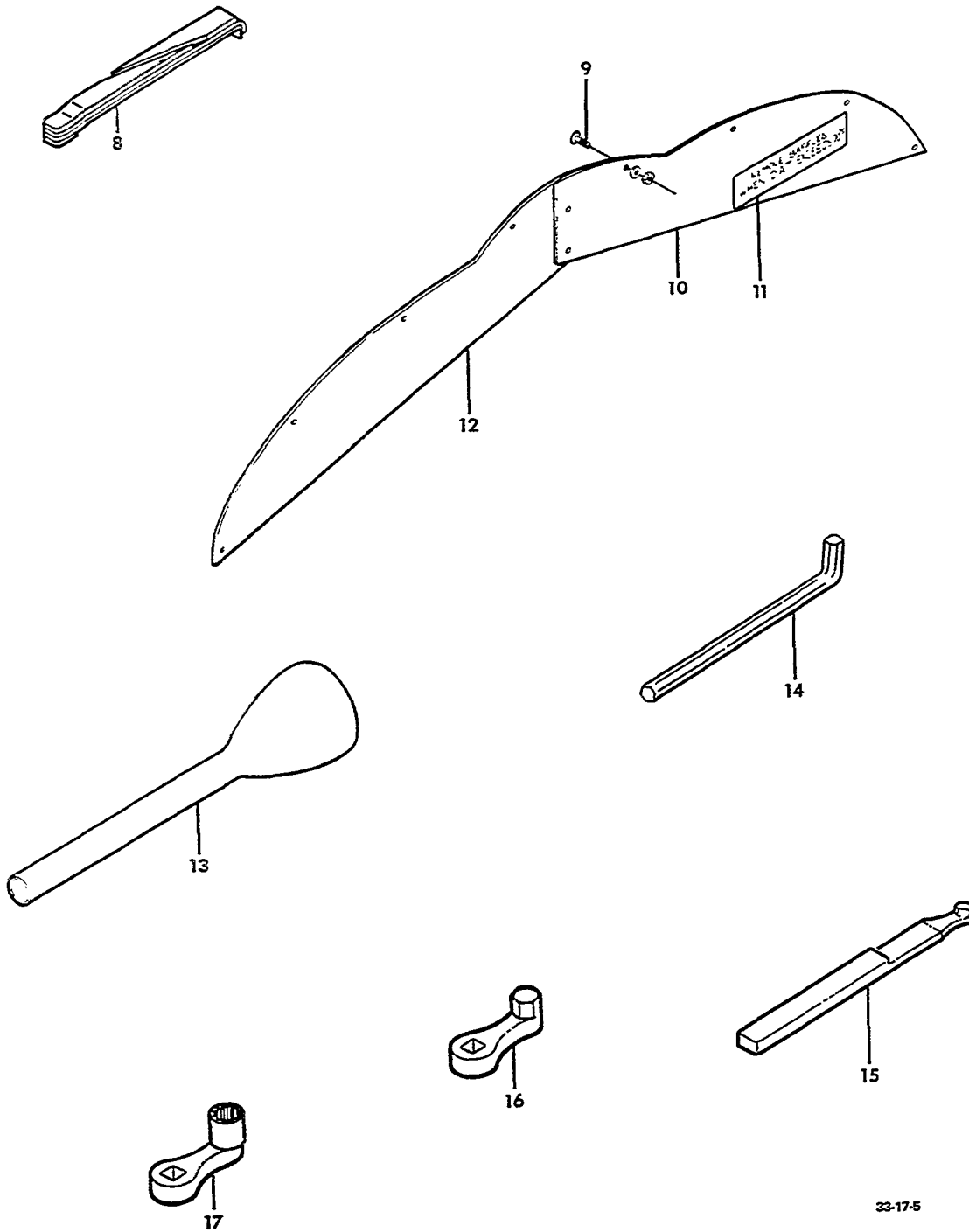
33-17-4

B E E C H C R A F T  
B O N A N Z A 3 3  
I L L U S T R A T E D P A R T S C A T A L O G

FIG. & ITEM NO.	PART NO.	DESCRIPTION	UNITS PER ASSY	USABLE ON CODE
		1 2 3 4 5 6 7		
17	33-590008	LOOSE TOOLS & ACCESSORIES INSTL,STANDARD. . . .	NP	1
	33-590009	LOOSE TOOLS & ACCESSORIES INSTL,STANDARD. . . .	NP	2
	33-590006-5	LOOSE TOOLS & ACCESSORIES INSTL,STANDARD. . . .	NP	13
	33-590027	LOOSE TOOLS & ACCESSORIES INSTL,STANDARD. . . .	NP	3
	33-590002-9	. PILOTS OPERATING HANDBOOK AND FAA APPROVED. . .	1	1
		AIRPLANE FLIGHT MANUAL/F33/		
	33-590027-3	. PILOTS OPERATING HANDBOOK AND FAA APPROVED. . .	1	3
		AIRPLANE FLIGHT MANUAL/G33/		
	33-590009-15	. PILOTS OPERATING HANDBOOK AND FAA APPROVED. . .	1	29
		AIRPLANE FLIGHT MANUAL		
	33-590009-13	. PILOTS OPERATING HANDBOOK AND FAA APPROVED. . .	1	25
		AIRPLANE FLIGHT MANUAL		
R	36-590002-19	. PILOTS OPERATING HANDBOOK AND FAA APPROVED. . .	1	38
		AIRPLANE FLIGHT MANUAL		
		AIRPLANE FLIGHT MANUAL		
	33-590006-13	. . PILOTS OPERATING HANDBOOK AND FAA APPROVED.	1	26
		AIRPLANE FLIGHT MANUAL SUPP FOR ACROBAT		
	33-590006-17	. . PILOTS OPERATING HANDBOOK & FAA APPROVED. . .	1	37
		AIRPLANE FLIGHT MANUAL SUPP FOR ACROBAT		
	33-590006-11	. . PILOTS OPERATING HANDBOOK AND FAA APPROVED.	1	24
		AIRPLANE FLIGHT MANUAL SUPP FOR ACROBAT		
	36-590002-29	. . PILOTS OPERATING HANDBOOK AND FAA APPROVED.	1	31
		A.F.M.S./ELECTRIC PROP DEICE/28 VOLT/		
	35-590118-25	. . FLIGHT MANUAL SUPPLEMENT. . . . .	1	30
		/ELECTRIC PROP.DEICE/2 AND 3 BLADE/14 V		
	35-590118-19	. . FLIGHT MANUAL SUPPLEMENT. . . . .	1	9
		/STANDBY GENERATOR/		
	35-590118-13	. . FLIGHT MANUAL SUPPLEMENT. . . . .	1	9
		/AREA NAVIGATION SYSTEM/		
	35-590110-13	. . AIRPLANE FLIGHT MANUAL SUPPLEMENT . . . . .	1	14
		/MAGIC HAND LANDING GEAR SAFETY SYSTEM/		
	33-590008-3	. OWNERS MANUAL,MODEL F33/ORDER 33-590002-9/. . .	NP	1
	35-590118-17	. OWNERS MANUAL SUPPLEMENT /FUEL COMPUTATION/ . . .	1	
	0250-010	. SERVICE INSTRUCTION /BEECH PUBLICATION/ . . . .	1	
	35-590110-9	. HORSEPOWER SETTING CHART,IO520B ENGINE. . . . .	1	14
	X30024	. OPERATORS MANUAL & SERVICE MAINTENANCE. . . . .	1	15
		INSTRUCTIONS,IO470 ENGINE		
	X30041	. OPERATORS MANUAL & SERVICE MAINTENANCE. . . . .	1	16
		INSTRUCTIONS,IO520B ENGINE		
- 1	35-590060	. COVER ASSY,PITOT TUBE . . . . .	1	5
		/USED WITH UNHEATED TUBE/		
	OP-HP1	. COVER ASSY,PITOT TUBE /USED WITH HEATED TUBE/ . . .	1	5
- 2	R 35-590103	. PIN ASSY,CONTROL COLUMN LOCK. . . . .	NP	32
		/ORDER 35-590128-1 FOR SPARES/		
	R 35-590128-1	. PIN ASSY,CONTROL COLUMN LOCK. . . . .	1	32
- 3	35-590103-5	. . PIN,CONTROL COLUMN LOCK . . . . .	1	32
		/ATTACHING PARTS/		
- 4	MS20392-1-19	. . PIN . . . . .	1	
- 5	100696D-ZF008	. . SPACER. . . . .	1	
	MS24665-130	. . PIN,COTTER. . . . .	1	
		-----x-----		
- 6	35-590103-3	. . PLATE,CONTROL COLUMN LOCK . . . . .	1	32
	36-590013-1	. LOCK ASSY,CONTROL . . . . .	1	11
	EF5-1	. LOG BOOK,ENGINE/SUPERSEDES EF5/ . . . . .	1	
	MPC11	. PROPELLER OPERATORS MANUAL. . . . .	1	40
	AF5-1	. LOG BOOK,AIRCRAFT/SUPERSEDES AF5/ . . . . .	1	
	118593	. UNCRATING & ERECTION INSTRUCTIONS . . . . .	1	21
		/EXPORT AIRPLANES ONLY/		
	98-36488	. UNCRATING & ERECTION INSTRUCTIONS . . . . .	1	22
		/EXPORT AIRPLANES ONLY/		
	113667	. BEECHCRAFT CERTIFIED SERVICE STATION. . . . .	1	
		DIRECTORY		
- 7	36-590015-1	. HANDLE ASSY,TOW/SUPERSEDES 35-590002/ . . . . .	1	



BEECHCRAFT  
BONANZA 33  
ILLUSTRATED PARTS CATALOG

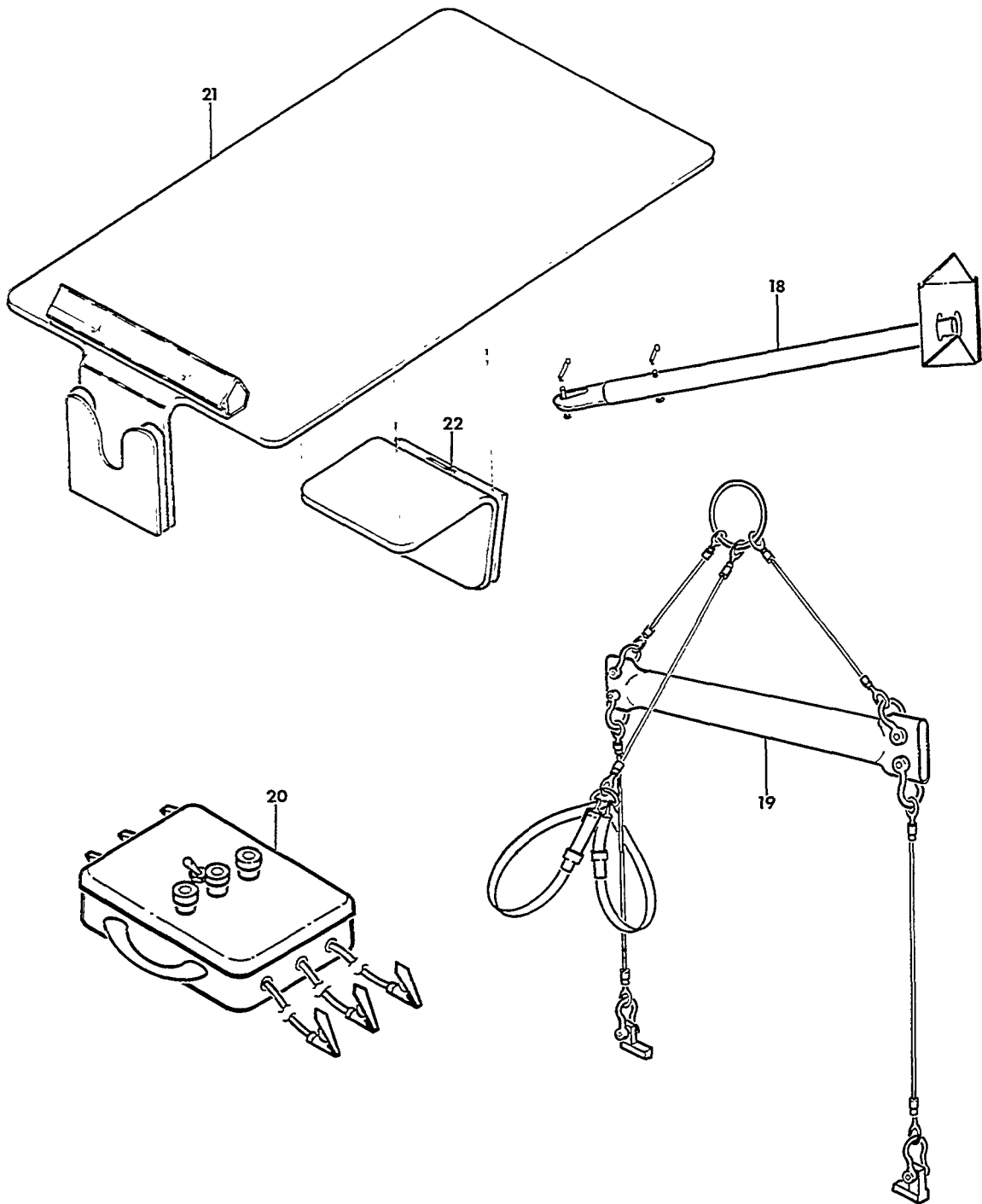


33-17-5

B E E C H C R A F T  
B O N A N Z A 3 3  
I L L U S T R A T E D P A R T S C A T A L O G

FIG. & ITEM NO.	PART NO.	DESCRIPTION	UNITS PER ASSY	USABLE ON CODE
		1 2 3 4 5 6 7		
17	33-590024	. HORSEPOWER CALCULATOR, DAY READING . . . . .	1	1
	33-590028	. HORSEPOWER CALCULATOR, DAY READING . . . . .	1	3
	33-590023	. HORSEPOWER CALCULATOR, DAY READING . . . . .	1	7
	33-590025	. HORSEPOWER CALCULATOR . . . . .	1	8
	35-590120-1	. HORSEPOWER CALCULATOR . . . . .	1	10
- 8	35-590077-11	. BAFFLE ASSY, OIL RADIATOR. . . . .	1	4
	35-910277-1	. BAFFLE INSTL, NOSE COWL. . . . .	NP	1
	35-910277-3	. BAFFLE INSTL, NOSE COWL. . . . .	NP	6
	35-910277-5	. BAFFLE INSTL, NOSE COWL. . . . .	NP	35
	35-910277-7	. BAFFLE INSTL, NOSE COWL/W/ 100A ALTERNATOR/. /ATTACHING PARTS/	NP	36
- 9	AN515-8-7	. SCREW . . . . .	14	
	AN960-8	. WASHER. . . . .	14	
	130909N23	. NUT . . . . .	14	
		-----*-----		
	35-910277-11	. . BAFFLE ASSY, LH. . . . .	1	
- 10	35-910278	. . . BAFFLE, NOSE COWL LH . . . . .	1	
- 11	35-910279	. . . PLACARD, NOSE COWL BAFFLE. . . . .	1	
- 12	35-910278-1	. . BAFFLE, NOSE COWL RH . . . . .	1	1
	35-910278-3	. . BAFFLE, NOSE COWL RH/ORDER 35-910278-5/. . .	1	6
	35-910278-5	. . BAFFLE, NOSE COWL RH/SPARES FOR 35-910278-3/	1	35
	35-910278-7	. . BAFFLE ASSY, NOSE COWL/W/ 100A ALTERNATOR/ .	1	36
	35-910296-1	. . PLACARD, NOSE COWL BAFFLE INSTRUCTIONS . . .	1	
		/INSIDE CABIN/ /ATTACHING PARTS/		
	XE49330	. . STUD. . . . .	2	
		-----*-----		
	A903	. BAG, FLIGHT. . . . .	1	
	ES315	. AIRCRAFT DISASSEMBLY, PRESERVATION & ERECTION. /EXPORT AIRCRAFT ONLY/	1	
- 13	BE180	. DUCT, ENGINE OIL DRAIN . . . . .	1	
	98-32176	. CARD, OWNER NOTIFICATION . . . . .	1	
	81-35963D	. PAINT CARE INSTRUCTIONS . . . . .	1	
	852-35769	. MANUAL, WARRANTY FACTS . . . . .	1	18
	98-38441	. PASSENGER INFORMATION CARD. . . . .	AR	39
	33-590010	LOOSE TOOLS & ACCESSORIES INSTL, OPTIONAL. . . . .	NP	17
	33-590010-5	LOOSE TOOLS & ACCESSORIES INSTL, OPTIONAL. . . . .	NP	13
	33-590011-1C	. SHOP MANUAL, MODEL F33, G33, F33A & F33C . . . . . /USE WITH 35-590026B SHOP MANUAL/	1	18
	36-590001-9	. MAINTENANCE MANUAL/BONANZA SERIES/. . . . .	1	31
	33-590010-7E	. PARTS CATALOG, MODEL F33, G33, F33A & F33C . . . . .	1	
	35-590102-7B	. WIRING DIAGRAM MANUAL, MODEL F33A & F33C . . . . .	1	20
R	35-590102-9C	. WIRING DIAGRAM MANUAL/28 VOLT/. . . . .	1	42
- 14	TS1222-5	. WRENCH, WING BOLT/LWR FWD, UPR & LWR AFT/ . . . . .	1	
	TS1222-5	. WRENCH, WING BOLT/UPPER FWD/ . . . . .	1	12
- 15	TS1222-3	. WRENCH, WING BOLT/UPPER FWD/ . . . . .	1	23
	TS1171-2	. ADAPTER, WING NUT TORQUE WRENCH. . . . . /LOWER FWD/INTERNAL WRENCHING/	1	28
- 16	TS1176-1	. ADAPTER, WING NUT TORQUE WRENCH. . . . . /UPPER FWD/INTERNAL WRENCHING/	1	12
	TS1171-2	. ADAPTER, WING NUT TORQUE WRENCH. . . . . /UPPER FWD/INTERNAL WRENCHING/	1	19
- 17	TS1176-10	. ADAPTER, WING NUT TORQUE WRENCH. . . . . /UPPER & LOWER FWD/EXTERNAL WRENCHING/	1	27
	TS1176-1	. ADAPTER, WING NUT TORQUE WRENCH. . . . . /UPPER & LOWER AFT/INTERNAL WRENCHING/	1	

BEECHCRAFT  
BONANZA 33  
ILLUSTRATED PARTS CATALOG



33-17-8

B E E C H C R A F T  
B O N A N Z A 3 3  
I L L U S T R A T E D P A R T S C A T A L O G

FIG. & ITEM NO.	PART NO.	DESCRIPTION	UNITS PER ASSY	USABLE ON CODE
		1 2 3 4 5 6 7		
17 - 18	35-590021	. SUPPORT ASSY, TAIL TIE DOWN. . . . .	1	
- 19	35-590064-1	. SLING ASSY, AIRPLANE HOISTING. . . . .	1	
	35-590027	. COVER, PROPELLER . . . . .	1	
	35-590050-1	. COVER, ENGINE. . . . .	1	
- 20	35-590063	. TESTER, LANCING GEAR CIRCUIT . . . . .	1	
	98-32227C	. INSPECTION FORM, 100, 200, 300 HOUR. . . . .	1	
	98-37515	. SAFETY INFORMATION. . . . .	1	31
	106-530154-1	APPROACH PLATE HOLDER INSTALLATION. . . . .	NP	41
- 21	106-530154-3	. HOLDER ASSY . . . . .	1	41
	106-530154-7	. . PLATE . . . . .	1	41
	58-530075-5	. . SPACER. . . . .	1	41
	58-530075-3	. . PLATE, MIC HOLDER. . . . .	1	41
	1265	. . CLIP. . . . .	1	41
- 22	106-530154-5	. . BRACKET ASSY. . . . .	1	41

C O D E S O F E F F E C T I V I T Y

1	CD-1235 THRU CD-1254	2	CE-290 AND AFTER
3	CD-1255 THRU CD-1304	4	CD-1235 THRU CD-1304
5	CD-1255 THRU CD-1304	6	CD-1255 THRU CD-1304
	CE-316 AND AFTER		CE-290 THRU CE-928
	CJ-31 AND AFTER		CJ-26 THRU CJ-155
7	CE-290 THRU CE-349,	8	CE-350 THRU CE-408
	CJ-26 THRU CJ-30		
9	CD-1290 THRU CD-1304	10	CE-409 AND AFTER
	CE-290 AND AFTER		CJ-31 AND AFTER
	CJ-26 AND AFTER		
11	CE-545 AND CE-546	12	CD-1235 THRU CD-1304
	CE-548 AND AFTER		CE-290 THRU CE-393
	CJ-156 AND AFTER		CE-396 THRU CE-400
13	CJ-26 AND AFTER	14	CE-290 AND AFTER,
			CJ-26 AND AFTER
15	CD-1235 THRU CD-1304	16	CE-290 AND AFTER
	CJ-26 THRU CJ-30		CJ-31 AND AFTER
17	CD-1235 THRU CD-1304	18	CD-1235 THRU CD-1304
	CE-290 AND AFTER		CE-290 THRU CE-747
			CE-749 THRU CE-771
			CJ-26 THRU CJ-148
19	CE-394, CE-395	20	CE-613 THRU CE-747
	CE-401 THRU CE-927		CE-749 THRU CE-771
	CJ-31 THRU CJ-155		CJ-105 THRU CJ-148
21	CD-1235 THRU CD-1304	22	CE-394, CE-395,
	CE-290 THRU CE-393		CE-401 AND AFTER
	CE-396 THRU CE-400		
	CJ-31 AND AFTER		
23	CE-394, CE-395	24	CJ-26 THRU CJ-128
	CE-401 AND AFTER		
	CJ-31 AND AFTER		
	CJ-156 AND AFTER		

BEECHCRAFT  
 BONANZA 33  
 ILLUSTRATED PARTS CATALOG

FIG. & ITEM NO.	PART NO.	DESCRIPTION							UNITS PER ASSY	USABLE ON CODE
		1	2	3	4	5	6	7		
17		CODES CONTINUED FROM PAGE 7 . . . . .								

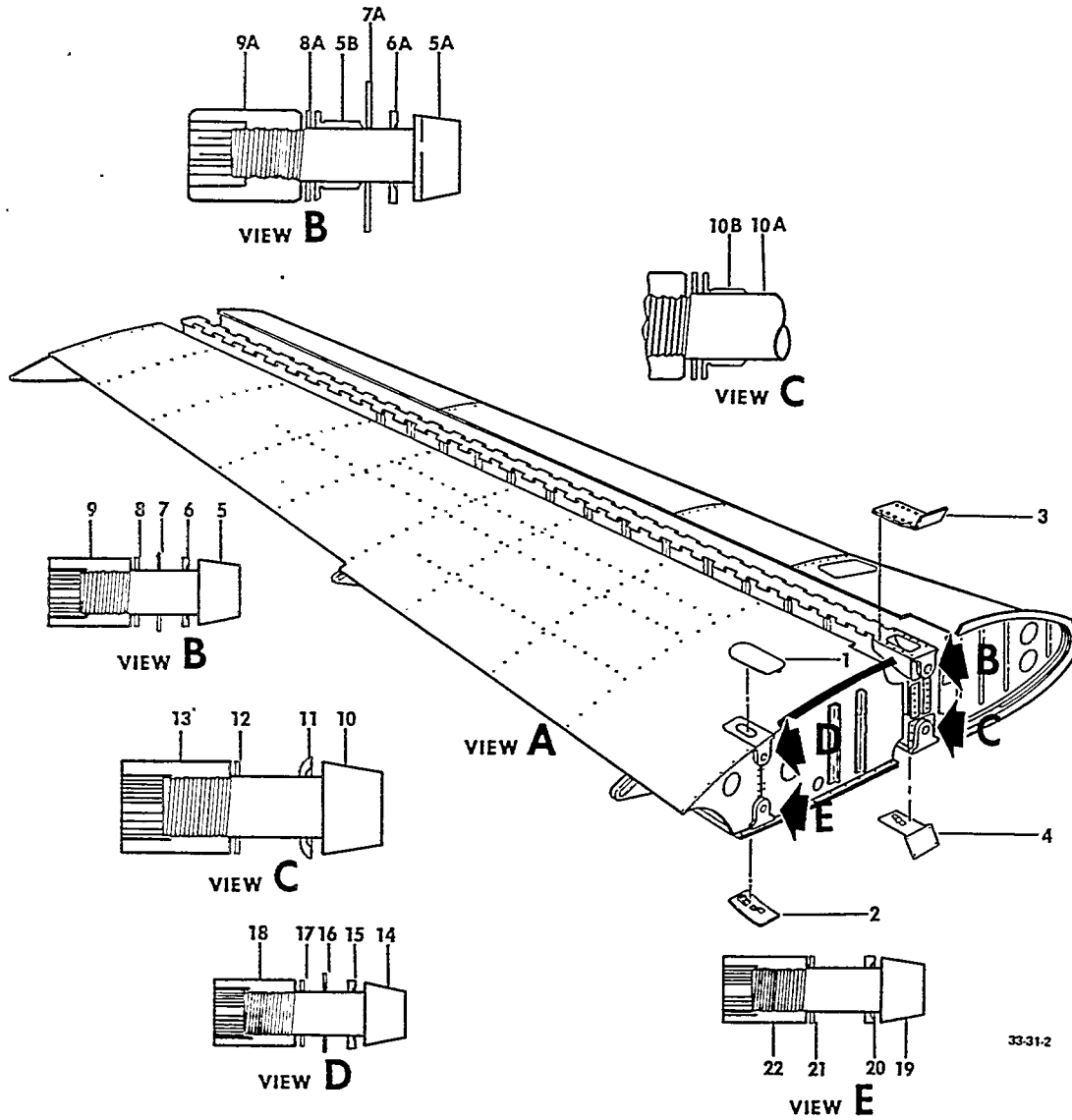
CODES OF EFFECTIVITY

25	CE-674 THRU CE-1022 CE-1024 THRU CE-1042 CJ-129 AND AFTER	26	CJ-129 THRU CJ-149 CJ-156 AND AFTER
27	CE-928 AND AFTER CJ-156 AND AFTER	28	CD-1235 THRU CD-1304 CE-290 THRU CE-927 CJ-26 THRU CJ-155
29	CE-290 THRU CE-673 CJ-26 THRU CJ-128	30	CE-674 THRU CE-747 CE-749 THRU CE-771 CJ-129 THRU CJ-148
31	CE-748, CE-772 AND AFTER CJ-149 AND AFTER	32	CE-290 THRU CE-544 CE-547 CJ-26 THRU CJ-85
33	DELETED	34	DELETED
35	CE-929 AND AFTER CJ-156 AND AFTER	36	CE-862 AND AFTER CJ-150 AND AFTER
37	CJ-150 THRU CJ-155	38	CE-1023, CE-1043 AND AFTER
39	CE-893 AND AFTER CJ-156 AND AFTER	40	CE-978 AND AFTER
41	CE-1024 AND AFTER	42	CE-777 AND AFTER CJ-149 AND AFTER

BEECHCRAFT  
BONANZA 33  
ILLUSTRATED PARTS CATALOG

FIGURE 31  
WINGS

BEECHCRAFT  
 BONANZA 33  
 ILLUSTRATED PARTS CATALOG



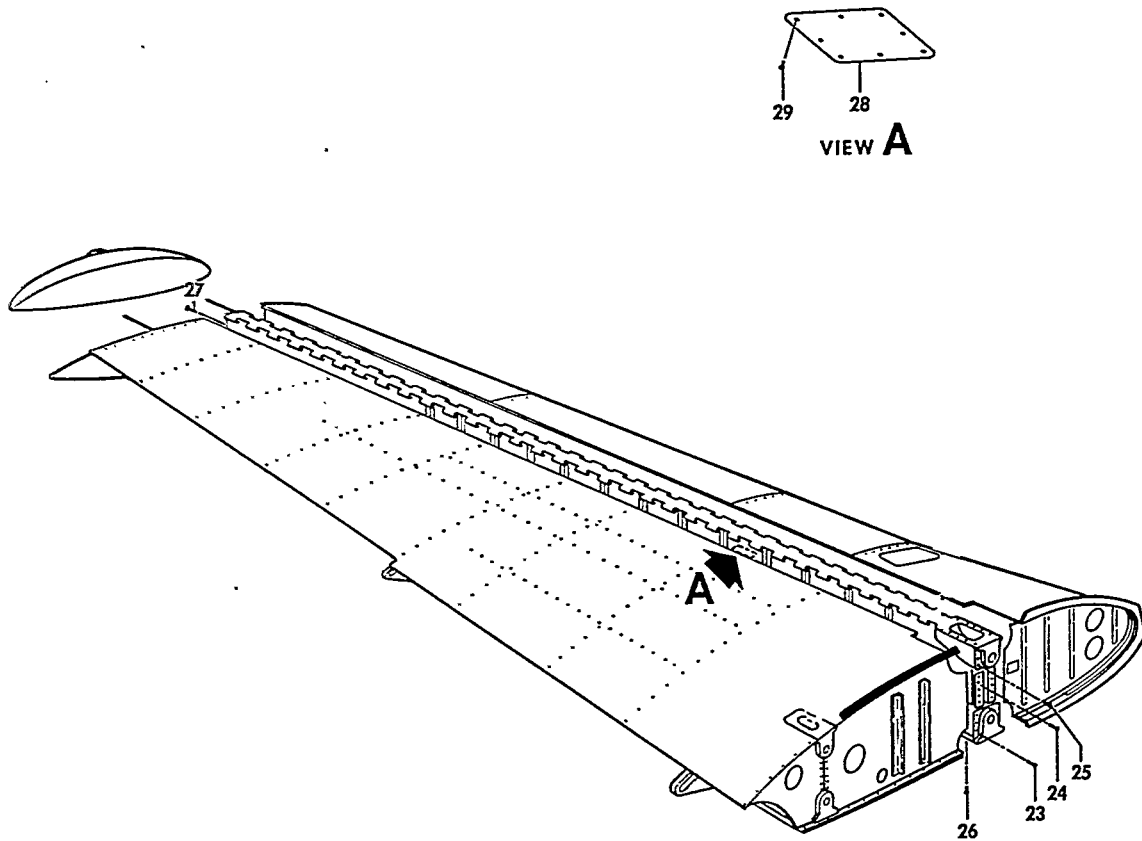
33-31-2

B E E C H C R A F T  
B O N A N Z A 3 3  
I L L U S T R A T E D P A R T S C A T A L O G

FIG. & ITEM NO.	PART NO.	DESCRIPTION	UNITS PER ASSY	USABLE ON CODE
		1 2 3 4 5 6 7		
31	35-105100	WING INSTL,LH . . . . .	NP	
	35-105100-1	WING INSTL,RH . . . . .	NP	
- 1	35-105005-12	. DOOR ASSY,UPPER REAR LH . . . . .	1	
	35-105005-13	. DOOR ASSY,UPPER REAR RH . . . . .	1	
- 2	35-105110	. COVER ASSY,LOWER REAR LH. . . . .	1	
	35-105110-1	. COVER ASSY,LOWER REAR RH. . . . .	1	
		/ATTACHING PARTS/		
	PK79XZ8-7	. SCREW . . . . .	3	
		*-----*		
- 3	35-105005-10	. DOOR ASSY,UPPER FRONT LH. . . . .	1	
	35-105005-11	. DOOR ASSY,UPPER FRONT RH. . . . .	1	
- 4	000-100100-1	. DOOR ASSY,LOWER FRONT LH. . . . .	1	
	000-100100-2	. DOOR ASSY,LOWER FRONT RH. . . . .	1	
		/ATTACHING PARTS/		
	AN530-8R8	. SCREW . . . . .	3	
	NAS395-17-1	. NUT . . . . .	2	
		*-----*		
	000-100100-7	. . SEAL,DOOR/LWR FRONT/. . . . .	1	
	33-110000	WING ASSY,LH /LESS FUEL CELLS,WING TIP. . . . .	1	
		AILERON,FLAP & LANDING GEAR/ /SPECIFY 25 OR 40 GAL.CAPACITY FUEL CELL/		
	33-110000	WING ASSY,RH /LESS FUEL CELLS,WING TIP. . . . .	1	
		AILERON,FLAP & LANDING GEAR/ /SPECIFY 25 OR 40 GAL.CAPACITY FUEL CELL/		
		/ATTACHING PARTS/		
- 5	NAS150-33/M/	BOLT,FWD UPPER. . . . .	1	6
- 5A	NAS150-38/M/	BOLT,FWD UPPER. . . . .	1	7
	MS20010-23/M/	BOLT,FWD UPPER /ALTERNATE FOR . . . . .	1	7
		NAS150-38/M//		
	131790-1	BOLT,FWD UPPER. . . . .	1	8
	NAS152-37	BOLT,FWD UPPER/ALTERNATE FOR 131790-1/. . . . .	1	8
- 5B	000-110100-1	BUSHING,FWD UPPER . . . . .	1	7
- 6	MS20002C10	WASHER/UNDER BOLT HEAD/ . . . . .	1	6
- 6A	MS20002C12	WASHER/UNDER BOLT HEAD/ . . . . .	1	7
	95-110021	WASHER/UNDER BOLT HEAD/ . . . . .	1	8
- 7	105090A032-10J	WASHER /BETWEEN WING & CARRY THRU FITTING/. . . . .	1	6
- 7A	105090A032-12K	WASHER /BETWEEN WING & CARRY THRU FITTING/. . . . .	1	13
- 8	MS20002-10	WASHER/UNDER NUT/ . . . . .	AR	6
- 8A	MS20002-12	WASHER/UNDER NUT/ . . . . .	1	7
	95-110025-1	WASHER/UNDER NUT/ . . . . .	1	8
	MS20002-12	WASHER/UNDER NUT AS REQUIRED FOR PROPER GRIP/ . . . . .	AR	13
- 9	12B108	NUT,FWD UPPER/INTERNAL WRENCHING/ . . . . .	1	9
- 9A	12NB126	NUT,FWD UPPER/INTERNAL WRENCHING/ . . . . .	NP	25
	EB126	NUT,FWD UPPER/SPARES FOR 12NB126/EXT WRENCHING/ . . . . .	1	24
- 10	MS20012-28/M/	BOLT,FWD LOWER. . . . .	1	6
- 10A	131790-2	BOLT,FWD LOWER. . . . .	1	13
- 10B	000-110094-1	BUSHING,FWD LOWER . . . . .	1	13
- 11	35-105011	WASHER/UNDER BOLT HEAD/ . . . . .	1	
- 12	MS20002-12	WASHER/UNDER NUT/ . . . . .	2	
- 13	12B126	NUT,FWD LOWER/ORDER EB126/INTERNAL WRENCHING/ . . . . .	NP	14
	EB126	NUT,FWD LOWER/EXTERNAL WRENCHING/ . . . . .	1	24
- 14	NAS150-33/M/	BOLT,AFT UPPER. . . . .	1	
- 15	35-105111-3	WASHER/UNDER BOLT HEAD/ . . . . .	1	
- 16	105090A032-10J	WASHER /BETWEEN WING & CARRY THRU FITTINGS/ . . . . .	1	
- 17	MS20002-10	WASHER/UNDER NUT/ . . . . .	AR	15
	95-110025-7	WASHER/UNDER NUT/ . . . . .	1	26
	MS20002-10	WASHER/UNDER NUT AS REQUIRED FOR PROPER GRIP/ . . . . .	AR	
- 18	12B108	NUT,AFT UPPER/INTERNAL WRENCHING/ . . . . .	1	
- 19	NAS150-35/M/	BOLT,AFT LOWER. . . . .	1	
- 20	35-105111-3	WASHER/UNDER BOLT HEAD/ . . . . .	1	
- 21	MS20002-10	WASHER/UNDER NUT/ . . . . .	AR	15
	95-110025-7	WASHER/UNDER NUT/ . . . . .	1	26
	MS20002-10	WASHER/UNDER NUT AS REQUIRED FOR PROPER GRIP/ . . . . .	AR	
- 22	12B108	NUT,AFT LOWER/INTERNAL WRENCHING/ . . . . .	1	
		*-----*		



BEECHCRAFT  
BONANZA 33  
ILLUSTRATED PARTS CATALOG

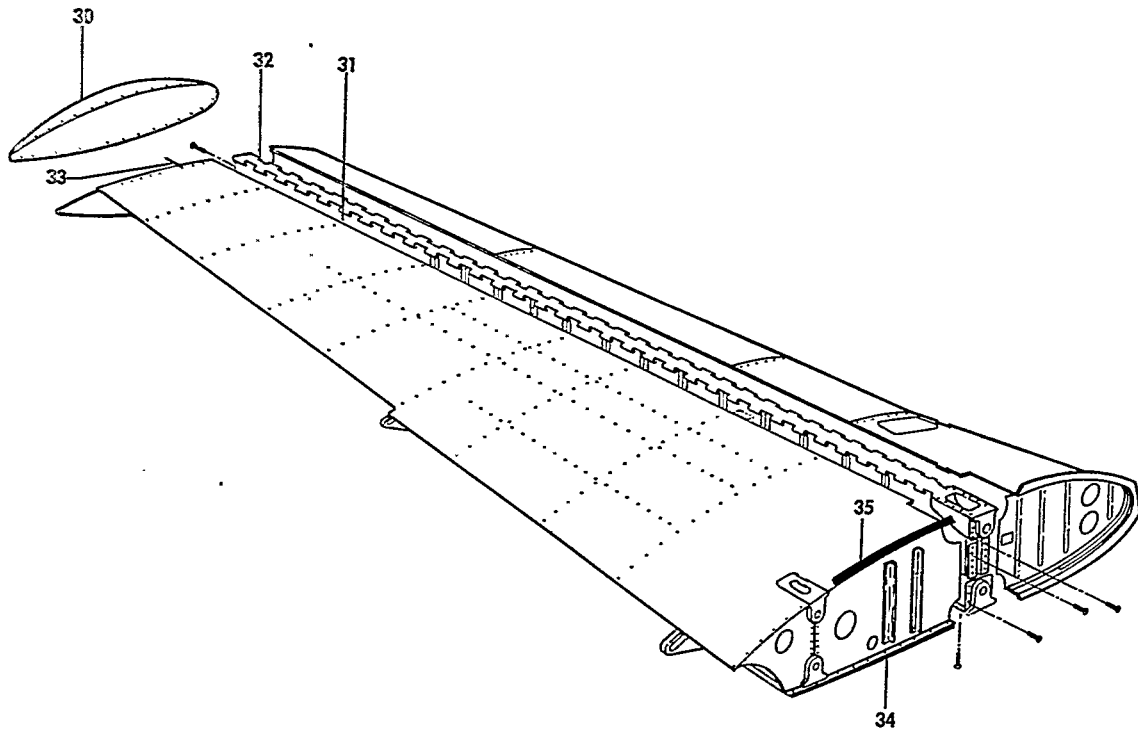


33-31-3

B E E C H C R A F T  
B O N A N Z A 3 3  
I L L U S T R A T E D P A R T S C A T A L O G

FIG. & ITEM NO.	PART NO.	DESCRIPTION	UNITS PER ASSY	USABLE ON CODE
31	33-110000-609	• LEADING EDGE & MAIN SPAR,LH /LESS FUEL CELLS/ /SPECIFY 25 OR 40 GAL.FUEL CAPACITY/ /SEE FIG.33 & 34/	1	1
	000-110161-607	• LEADING EDGE & MAIN SPAR,LH /LESS FUEL CELLS/ /SPECIFY 25 OR 40 GAL.FUEL CAPACITY/ /SEE FIG.33A & 34A/	1	5
	000-110161-609	• LEADING EDGE & MAIN SPAR,LH /LESS FUEL CELLS/ /SPECIFY 25 OR 40 GAL.FUEL CAPACITY/ /SEE FIG.33A & 34A/	1	18
	33-110000-611	• LEADING EDGE & MAIN SPAR,LH /LESS FUEL CELLS/ /SPECIFY 25 OR 40 GAL.FUEL CAPACITY/ /SEE FIG.33 & 34/	1	2
	33-110000-615	• LEADING EDGE & MAIN SPAR,LH/LESS FUEL CELLS/. /SPECIFY 25 OR 40 GAL.FUEL CAPACITY/ /SEE FIG.33 & 34/	1	20
	000-110161-605	• LEADING EDGE & MAIN SPAR,LH /LESS FUEL CELLS/ /SPECIFY 25 OR 40 GAL.FUEL CAPACITY/ /SEE FIG.33A & 34A/	1	19
	33-110000-610	• LEADING EDGE & MAIN SPAR,RH /LESS FUEL CELLS/ /SPECIFY 25 OR 40 GAL.FUEL CAPACITY/ /SEE FIG.33 & 34/	1	1
	000-110161-608	• LEADING EDGE & MAIN SPAR,RH /LESS FUEL CELLS/ /SPECIFY 25 OR 40 GAL.FUEL CAPACITY/ /SEE FIG.33A & 34A/	1	5
	000-110161-610	• LEADING EDGE & MAIN SPAR,RH /LESS FUEL CELLS/ /SPECIFY 25 OR 40 GAL.FUEL CAPACITY/ /SEE FIG.33A & 34A/	1	18
	33-110000-612	• LEADING EDGE & MAIN SPAR RH/LESS FUEL CELLS/. /SPECIFY 25 OR 40 GAL.FUEL CAPACITY/ /SEE FIG.33 & 34/	1	2
	33-110000-616	• LEADING EDGE & MAIN SPAR,RH/LESS FUEL CELLS/. /SPECIFY 25 OR 40 GAL.FUEL CAPACITY/ /SEE FIG.33 & 34/	1	20
	000-110161-606	• LEADING EDGE & MAIN SPAR RH/LESS FUEL CELLS/. /SPECIFY 25 OR 40 GAL.FUEL CAPACITY/ /SEE FIG.33A & 34A/	1	19
	36-110017-1	• LEADING EDGE ASSY,RH/40 GAL/USED WITH RADAR/. /SEE FIG.33A & 34A/ /ATTACHING PARTS/	1	17
- 23	NAS220-9	• SCREW . . . . .	4	
- 24	NAS220-8	• SCREW . . . . .	12	
- 25	NAS220-10	• SCREW . . . . .	4	
- 26	AN525-832R12	• SCREW . . . . .	24	
- 27	AN515-8R8	• SCREW . . . . .	6	
	AN960-8	• WASHER . . . . .	44	
	MS20365-832	• NUT . . . . .	44	
		*		
- 28	35-115431-173	• . DOOR,ACCESS . . . . .	1	
- 29	MS24694S5	• . SCREW . . . . .	4	
	000-110179-1	• . COVER,DOOR ACCESS . . . . .	1	17

BEECHCRAFT  
BONANZA 33  
ILLUSTRATED PARTS CATALOG



33-31-10

B E E C H C R A F T  
B O N A N Z A 3 3  
I L L U S T R A T E D P A R T S C A T A L O G

FIG. & ITEM NO.	PART NO.	DESCRIPTION	UNITS PER ASSY	USABLE ON CODE		
					1	2
31	35-115301-50	. BOX SECTION ASSY,LH/LESS SPAR & LEADING EDGE/	1	4		
	35-115301-98	. BOX SECTION ASSY,LH WING/REMOTE COMPASS/. . .	1	4		
	35-115301-80	. BOX SECTION ASSY,LH/LESS SPAR & LEADING EDGE/	1	3		
	35-115301-51	. BOX SECTION ASSY,RH/LESS SPAR & LEADING EDGE/	1			
	35-115301-201	. BOX SECTION ASSY,RH WING/RADAR/ . . . . . /SEE FIG.36 FOR BOX SECTION ASSY BREAKDOW	1	17		
- 30	35-175001	. TIP ASSY,LH/SEE FIG.39/ . . . . .	1	11		
	000-170001-1	. TIP ASSY,LH/SEE FIG.39A/ . . . . .	1	12		
	000-170001-47	. TIP ASSY,LH/SEE FIG.39A/ . . . . .	1	21		
	000-170001-49	. TIP ASSY,LH/REMOTE COMPASS/SEE FIG.39A/ . . . . .	1	12		
	000-170001-55	. TIP ASSY,LH/REMOTE COMPASS/SEE FIG.39A/ . . . . .	1	21		
	35-170005-19	. TIP ASSY,LH/SEE FIG.398/ . . . . .	1	22		
	35-170005-57	. TIP ASSY,LH/SEE FIG.398/ . . . . .	1	23		
	35-175001-1	. TIP ASSY,RH/SEE FIG.39/ . . . . .	1	11		
	000-170001-2	. TIP ASSY,RH/SEE FIG.39A/ . . . . .	1	12		
	000-170001-48	. TIP ASSY,RH/SEE FIG.39A/ . . . . .	1	21		
	35-170005-20	. TIP ASSY,RH/SEE FIG.398/ . . . . .	1	22		
	35-170005-58	. TIP ASSY,RH/SEE FIG.398/ . . . . .	1	23		
	- 31	35-110061-1	. SPAR ASSY,LH WING FRONT/SEE FIG.35/ . . . . .	1	16	
		000-110010-1	. SPAR ASSY,LH WING FRONT/SEE FIG.35A/ . . . . .	1	10	
		35-110061-2	. SPAR ASSY,RH WING FRONT/SEE FIG.35/ . . . . .	1	16	
000-110010-2		. SPAR ASSY,RH WING FRONT/SEE FIG.35A/ . . . . . /ATTACHING PARTS/	1	10		
- 32	35-115388-4	. PIN,WING UPPER HINGE. . . . .	2			
- 33	35-115388-4	. PIN,WING LOWER HINGE. . . . .	2			
- 34	111722	. EXTRUSION,LOWER WING SEAL/LH & RH/. . . . . /34 1/4 INCHES LONG/	2			
- 35	115092	. EXTRUSION,UPPER WING SEAL/LH & RH/. . . . . /110 INCHES LONG/.	2			

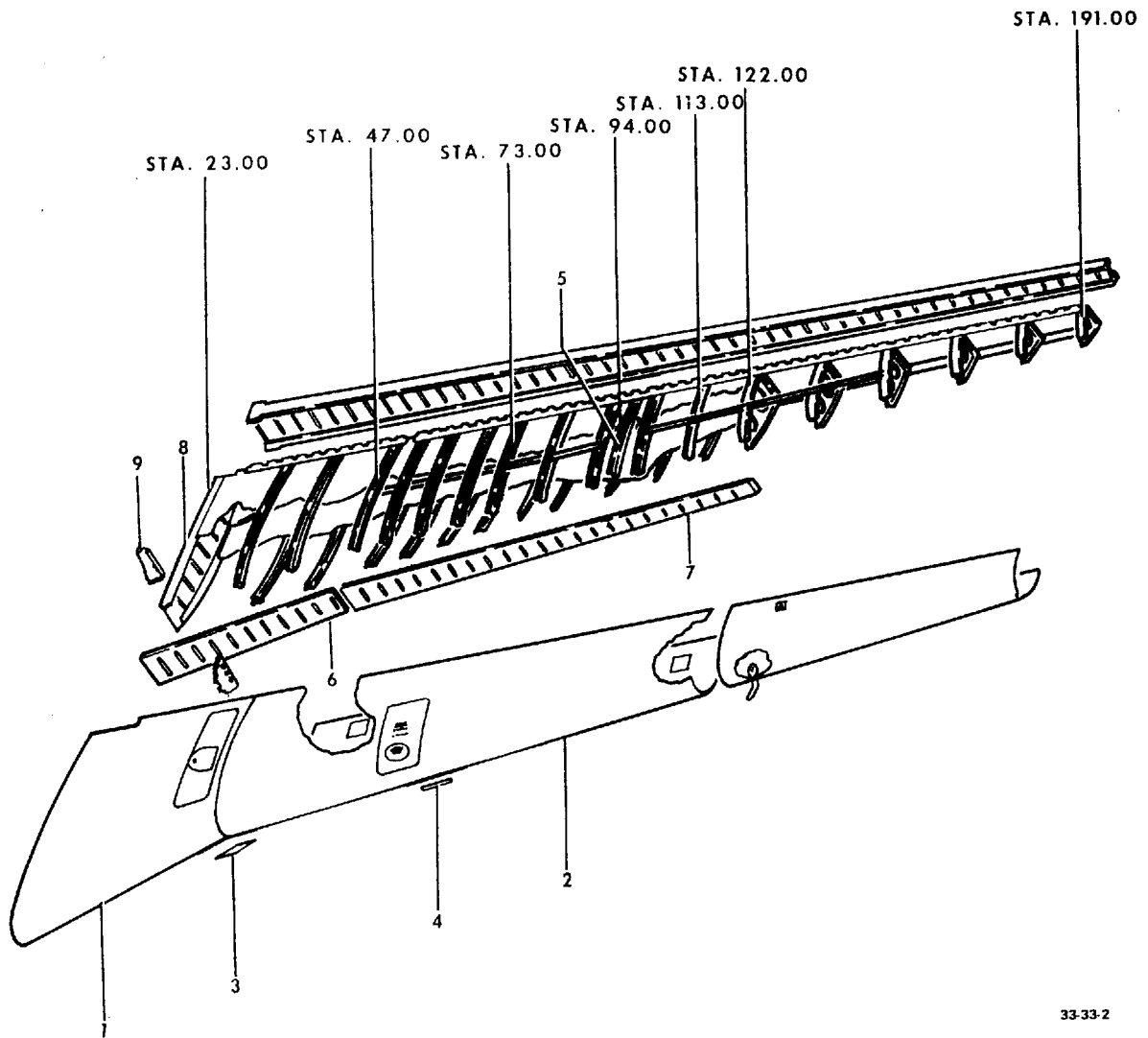
C O D E S O F E F F E C T I V I T Y

1	CD-1235 THRU CD-1303	2	CE-290 THRU CE-476
3	CJ-26 AND AFTER	4	CD-1235 THRU CD-1304 CE-290 AND AFTER
5	CD-1304 ONLY	6	CD-1235 THRU CD-1285 CE-290 THRU CE-376 CJ-26 THRU CJ-30
7	CD-1286 THRU CD-1304 CE-377 THRU CE-400 EXCEPT CE-394,CE-395	8	CE-394,CE-395, CE-401 AND AFTER CJ-31 AND AFTER
9	CD-1235 THRU CD-1304 CE-290 THRU CE-400 EXCEPT CE-394,CE-395 CJ-26 THRU CJ-30	10	CE-477 AND AFTER CJ-45 AND AFTER
11	CD-1235 THRU CD-1304 CE-290 THRU CE-315 CJ-26 THRU CJ-51	12	CE-436 THRU CE-771 EXCEPT CE-748
13	CD-1286 THRU CD-1304 CE-377 AND AFTER CJ-31 AND AFTER	14	CD-1235 THRU CD-1304 CE-290 THRU CE-927 CJ-26 THRU CJ-155
15	CD-1235 THRU CD-1304 CE-290 THRU CD-934 CJ-26 THRU CJ-155	16	CD-1235 THRU CD-1304 CE-290 THRU CE-476 CJ-26 THRU CJ-44
17	CE-878 AND AFTER	18	CJ-45 AND AFTER
19	CE-477 AND AFTER	20	CJ-26 THRU CJ-44
21	CE-748, CE-772 AND AFTER	22	CE-316 THRU CE-435 CJ-52 THRU CJ-148
23	CJ-149 AND AFTER	24	CE-928 AND AFTER CJ-156 AND AFTER
25	CE-394,CE-395, CE-401 THRU CE-927 CJ-31 THRU CJ-155	26	CE-935 AND AFTER CJ-156 AND AFTER

BEECHCRAFT  
BONANZA 33  
ILLUSTRATED PARTS CATALOG

FIGURE 33  
WING INBOARD LEADING EDGE  
CD-1235 THRU CD-1303, CE-290 THRU CE-476,  
CJ-26 THRU CJ-44

BEECHCRAFT  
BONANZA 33  
ILLUSTRATED PARTS CATALOG

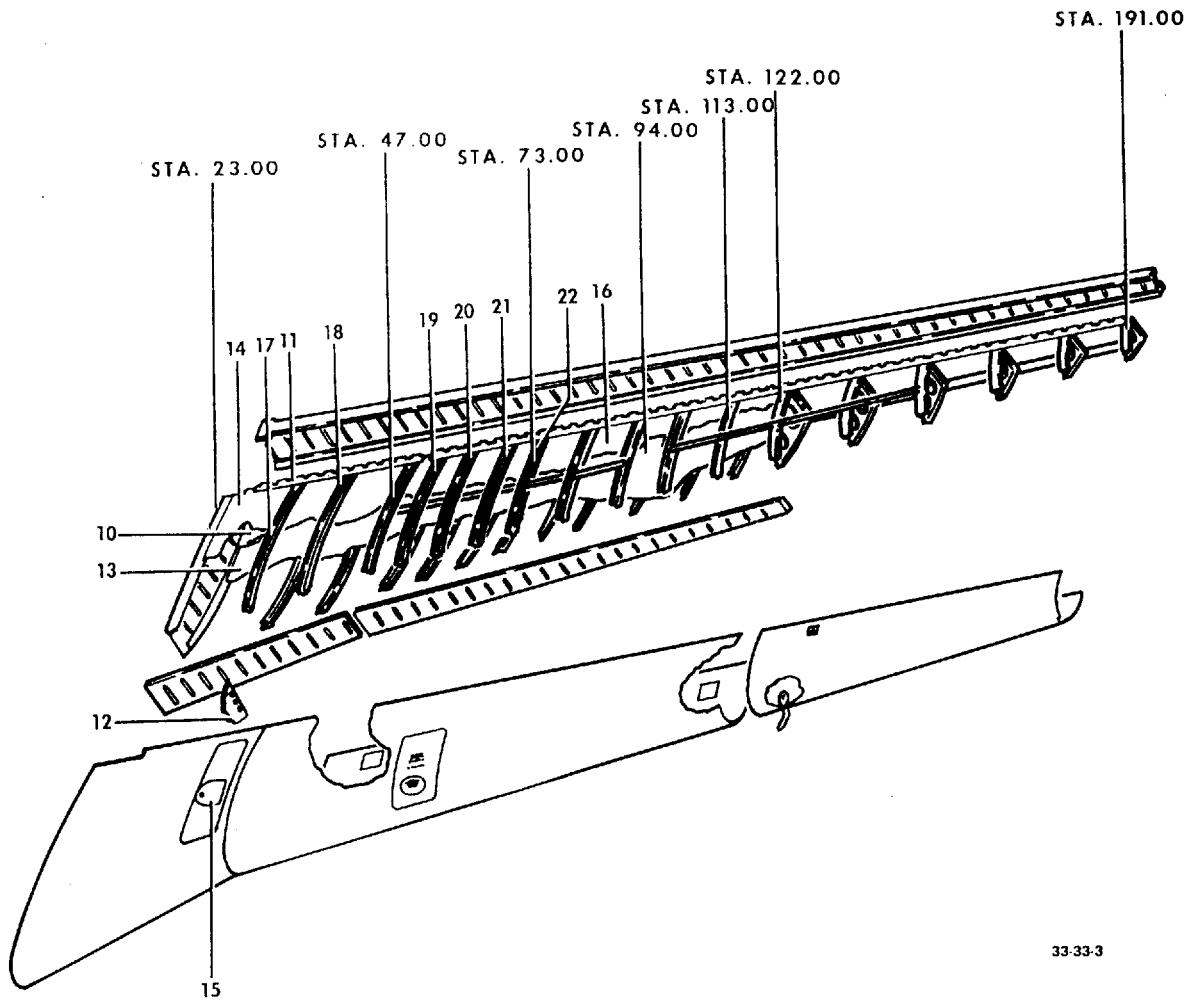


33-33-2

B E E C H C R A F T  
B O N A N Z A 3 3  
I L L U S T R A T E D P A R T S C A T A L O G

FIG. & ITEM NO.	PART NO.	DESCRIPTION	UNITS PER ASSY	USABLE ON CODE
		1 2 3 4 5 6 7		
33	33-110000-609	LEADING EDGE & MAIN SPAR,LH . . . . . /COMPLETE TWO PIECE LEADING EDGE LESS FUEL CELL/ /SPECIFY 25 OR 40 GAL. FUEL CELL/	1	1
	33-110000-611	LEADING EDGE & MAIN SPAR,LH . . . . . /COMPLETE TWO PIECE LEADING EDGE LESS FUEL CELL / SPECIFY 25 OR 40 GAL. FUEL CELL/	1	2
	33-110000-615	LEADING EDGE & MAIN SPAR,LH . . . . . /COMPLETE TWO PIECE LEADING EDGE LESS FUEL CELL/SPECIFY 25 OR 40 GAL.FUEL CELL/	1	4
	33-110000-610	LEADING EDGE & MAIN SPAR,RH . . . . . /COMPLETE TWO PIECE LEADING EDGE LESS FUEL CELL/ /SPECIFY 25 OR 40 GAL. FUEL CELL/	1	1
	33-110000-612	LEADING EDGE & MAIN SPAR,RH . . . . . /COMPLETE TWO PIECE LEADING EDGE LESS FUEL CELL/ /SPECIFY 25 OR 40 GAL. FUEL CELL/	1	2
	33-110000-616	LEADING EDGE & MAIN SPAR,RH . . . . . /COMPLETE TWO PIECE LEADING EDGE LESS FUEL CELL/SPECIFY 25 OR 40 GAL.FUEL CELL/	1	4
	35-110009-613	. LEADING EDGE ASSY,INBD LH /25 GAL. FUEL CELL/	1	3
	35-110009-601	. LEADING EDGE ASSY,INBD LH /40 GAL. FUEL CELL/	1	3
	35-110009-614	. LEADING EDGE ASSY,INBD RH /25 GAL. FUEL CELL/	1	3
	35-110009-602	. LEADING EDGE ASSY,INBD RH /40 GAL. FUEL CELL/	1	3
- 1	50-110010-127	. . SKIN,LH . . . . .	1	3
	50-110010-128	. . SKIN,RH . . . . .	1	3
- 2	35-115431-99	. . SKIN,LH . . . . .	1	3
	35-115431-100	. . SKIN,RH . . . . .	1	3
- 3	33-110010-34	. . STRIP,STALL . . . . .	1	3
- 4	33-110010-36	. . STRIP,STALL . . . . .	1	3
- 5	35-115431-85	. . ANGLE,LH UPPER /STA 94.113/ . . . . .	1	3
	35-115431-86	. . ANGLE,RH UPPER /STA 94.113/ . . . . .	1	3
	35-115431-87	. . ANGLE,LH LOWER /STA 94.113/ . . . . .	1	3
	35-115431-88	. . ANGLE,RH LOWER /STA 94.113/ . . . . .	1	3
	35-115431-617	. . BULKHEAD ASSY,LH. . . . .	1	3
	35-115431-618	. . BULKHEAD ASSY,RH. . . . .	1	3
- 6	95-110015-67	. . . SPAR,LH . . . . .	1	3
	95-110015-68	. . . SPAR,RH . . . . .	1	3
	95-110015-65	. . . SPLICE,LH . . . . .	1	3
	95-110015-66	. . . SPLICE,RH . . . . .	1	3
- 7	35-115431-103	. . . SPAR,LH . . . . .	1	3
	35-115431-104	. . . SPAR,RH . . . . .	1	3
	35-921154-101	. . . SUPPORT . . . . .	3	3
	35-115383	. . RIB ASSY,ROOT RIB TO FUSELAGE CLOSURE LH. . . . .	1	3
	35-115383-7	. . RIB ASSY,ROOT RIB TO FUSELAGE CLOSURE RH. . . . .	1	3
- 8	35-115383-2	. . . RIB,CLOSURE LH. . . . .	1	3
	35-115383-5	. . . RIB,CLOSURE RH. . . . .	1	3
	1/4X3/8 X 10 3/4	. . . DOORTITE. . . . .	1	3
- 9	96-110007-609	. . RIB ASSY,LH /STA 23.881/. . . . .	1	3
	96-110007-610	. . RIB ASSY,RH /STA 23.881/. . . . .	1	3
	96-110007-7	. . . RIB,LH. . . . .	1	3
	96-110007-8	. . . RIB,RH. . . . .	1	3
	50-110010-125	. . . ANGLE,LH. . . . .	1	3
	50-110010-126	. . . ANGLE,RH. . . . .	1	3
	50-110046-8	. . . ANGLE,LH. . . . .	1	3
	50-110046-9	. . . ANGLE,RH. . . . .	1	3
	50-110010-165	. . . STIFFENER . . . . .	1	3
	35-115166-20	. . . STRIP . . . . .	1	3
	A6195-8Z3	. . . NUT,ANCHOR. . . . .	1	3
	35-115166-14	. . . DOOR. . . . .	1	3
	35-115166-16	. . . HINGE . . . . .	2	3
		/ATTACHING PARTS/		
	104215-00300	. . . PIN,HINGE . . . . .	1	

BEECHCRAFT  
BONANZA 33  
ILLUSTRATED PARTS CATALOG



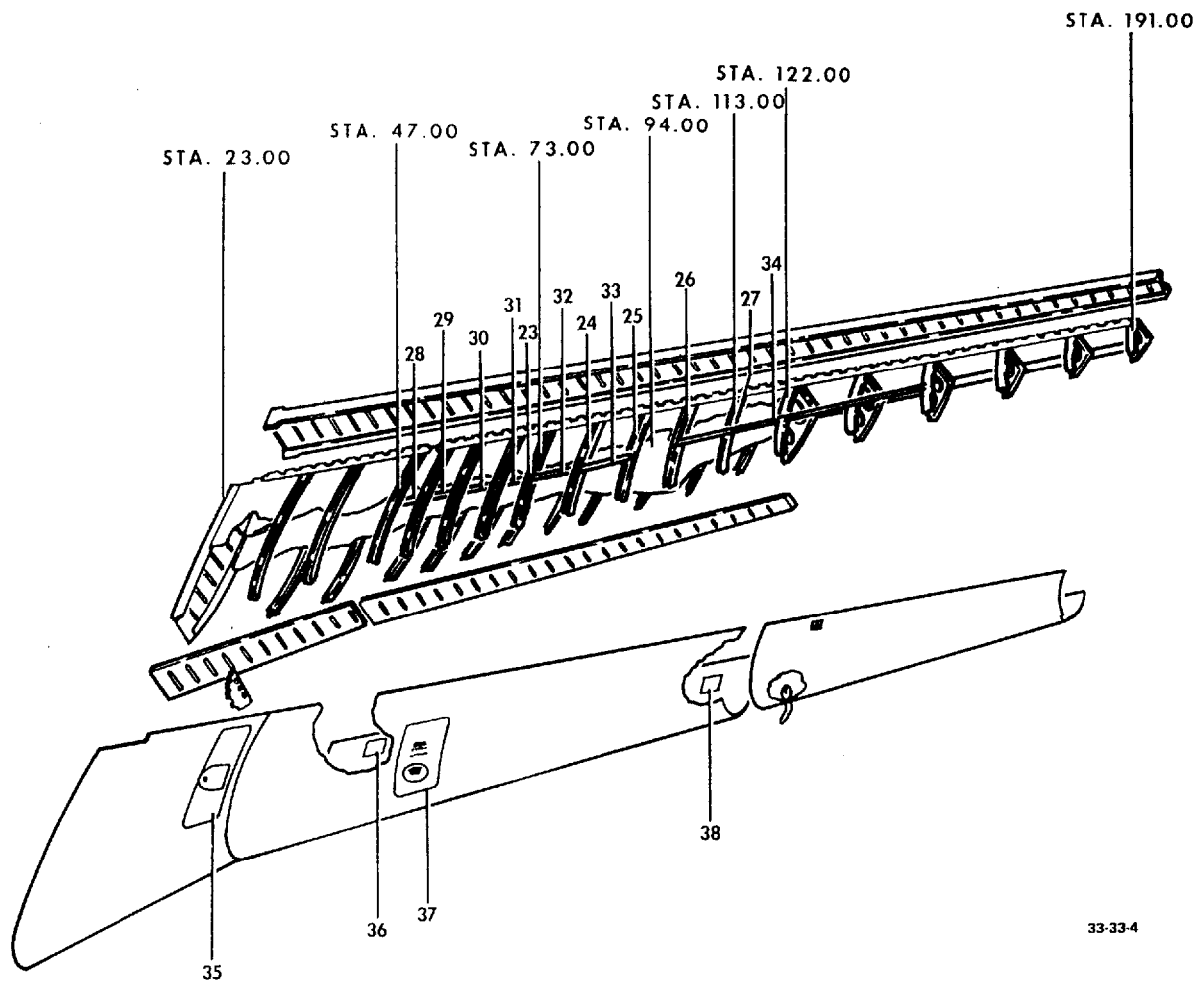
33-33-3



B E E C H C R A F T  
B O N A N Z A 3 3  
I L L U S T R A T E D P A R T S C A T A L O G

FIG. & ITEM NO.	PART NO.	1	2	3	4	5	6	7	DESCRIPTION	UNITS PER ASSY	USABLE ON CODE
33 - 10	50-110062	.	.	.	.	.	.	.	GUSSET,BOTTOM LH.	1	3
	50-110062-1	.	.	.	.	.	.	.	GUSSET,BOTTOM RH.	1	3
	50-110056	.	.	.	.	.	.	.	GUSSET, TOP LH.	1	3
	50-110056-1	.	.	.	.	.	.	.	GUSSET, TOP RH.	1	3
	50-110010-131	.	.	.	.	.	.	.	REINFORCEMENT, RH.	1	3
- 11	35-115431-109	.	.	.	.	.	.	.	HINGE, UPPER INBD LH.	1	3
	35-115431-110	.	.	.	.	.	.	.	HINGE, UPPER INBD RH.	1	3
	35-115431-111	.	.	.	.	.	.	.	HINGE, LOWER INBD LH.	1	3
- 12	35-115431-112	.	.	.	.	.	.	.	HINGE, LOWER INBD RH.	1	3
	45-115011-5	.	.	.	.	.	.	.	RIB, LH.	1	3
	45-115028-22	.	.	.	.	.	.	.	PLATE, LH.	1	3
	45-115011-2	.	.	.	.	.	.	.	RIB, RH.	1	3
- 13	45-115028-23	.	.	.	.	.	.	.	PLATE, RH.	1	3
	50-110086-1	.	.	.	.	.	.	.	LINER, LOWER INBD LH.	1	3
	50-110086-2	.	.	.	.	.	.	.	LINER, LOWER INBD RH.	1	3
	95-110015-35	.	.	.	.	.	.	.	LINER, LOWER OUTBD LH /25 GAL./.	1	3
	95-110015-36	.	.	.	.	.	.	.	LINER, LOWER OUTBD RH /25 GAL./.	1	3
- 14	35-115431-105	.	.	.	.	.	.	.	LINER, LOWER OUTBD /40 GAL./.	1	3
	50-110080	.	.	.	.	.	.	.	LINER ASSY, UPPER LH /STA 23 TO 39/.	1	3
	50-110080-1	.	.	.	.	.	.	.	LINER ASSY, UPPER RH /STA 23 TO 39/.	1	3
	50-110080-2	.	.	.	.	.	.	.	LINER.	1	3
	50-110081	.	.	.	.	.	.	.	RETAINER.	4	3
- 15	33-110010-607	.	.	.	.	.	.	.	PAN ASSY, LH /25 GAL./.	1	3
	33-110010-608	.	.	.	.	.	.	.	PAN ASSY, RH /25 GAL./.	1	3
	50-110010-110	.	.	.	.	.	.	.	LINER ASSY, LH /40 GAL./.	1	3
	50-110010-111	.	.	.	.	.	.	.	LINER ASSY, RH /40 GAL./.	1	3
- 16	50-110078	.	.	.	.	.	.	.	LINER, UPPER LH /25 GAL./ /STA 47 TO 73/.	1	3
	50-110078-1	.	.	.	.	.	.	.	LINER, UPPER RH /25 GAL./ /STA 47 TO 73/.	1	3
	35-115431-123	.	.	.	.	.	.	.	LINER, UPPER /39 OR 40 GAL./ /STA 47 TO 113/.	1	3
	95-110015-9	.	.	.	.	.	.	.	FORMER, LOWER LH /STA 31.75/.	1	3
	95-110015-10	.	.	.	.	.	.	.	FORMER, LOWER RH /STA 31.75/.	1	3
- 17	95-110015-11	.	.	.	.	.	.	.	FORMER, UPPER LH /STA 31.75/.	1	3
	95-110015-72	.	.	.	.	.	.	.	FORMER, UPPER RH /STA 31.75/.	1	3
	95-110015-13	.	.	.	.	.	.	.	FORMER, LOWER LH /STA 39.375/.	1	3
	95-110015-14	.	.	.	.	.	.	.	FORMER, LOWER RH /STA 39.375/.	1	3
- 18	95-110015-15	.	.	.	.	.	.	.	FORMER, UPPER LH /STA 39.375/.	1	3
	95-110015-16	.	.	.	.	.	.	.	FORMER, UPPER RH /STA 39.375/.	1	3
	95-110015-17	.	.	.	.	.	.	.	FORMER, LOWER LH /STA 47/.	1	3
	95-110015-18	.	.	.	.	.	.	.	FORMER, LOWER RH /STA 47/.	1	3
	95-110015-19	.	.	.	.	.	.	.	FORMER, UPPER LH /STA 47/.	1	3
- 19	95-110015-20	.	.	.	.	.	.	.	FORMER, UPPER RH /STA 47/.	1	3
	50-110010-22	.	.	.	.	.	.	.	DOUBLER, LOWER LH /STA 47/.	1	3
	50-110010-23	.	.	.	.	.	.	.	DOUBLER, LOWER RH /STA 47/.	1	3
	50-110010-66	.	.	.	.	.	.	.	DOUBLER, UPPER LH /STA 47/.	1	3
	50-110010-67	.	.	.	.	.	.	.	DOUBLER, UPPER RH /STA 47/.	1	3
- 20	95-110015-21	.	.	.	.	.	.	.	FORMER, LOWER LH /STA 53/.	1	3
	95-110015-22	.	.	.	.	.	.	.	FORMER, LOWER RH /STA 53/.	1	3
	95-110015-23	.	.	.	.	.	.	.	FORMER, UPPER LH /STA 53/.	1	3
	95-110015-24	.	.	.	.	.	.	.	FORMER, UPPER RH /STA 53/.	1	3
- 21	95-110015-25	.	.	.	.	.	.	.	FORMER, UPPER LH /STA 59/.	1	3
	95-110015-26	.	.	.	.	.	.	.	FORMER, UPPER RH /STA 59/.	1	3
	95-110015-27	.	.	.	.	.	.	.	FORMER, LOWER LH /STA 59/.	1	3
- 22	95-110015-28	.	.	.	.	.	.	.	FORMER, LOWER RH /STA 59/.	1	3
	95-110015-29	.	.	.	.	.	.	.	FORMER, UPPER LH /STA 66/.	1	3
	95-110015-30	.	.	.	.	.	.	.	FORMER, UPPER RH /STA 66/.	1	3

BEECHCRAFT  
BONANZA 33  
ILLUSTRATED PARTS CATALOG



B E E C H C R A F T  
B O N A N Z A 3 3  
I L L U S T R A T E D P A R T S C A T A L O G

FIG. & ITEM NO.	PART NO.	DESCRIPTION	UNITS PER ASSY	USABLE ON CODE
		1 2 3 4 5 6 7		
33	95-110015-31	• • FORMER,LOWER LH /STA 66/	1	3
	95-110015-32	• • FORMER,LOWER RH /STA 66/	1	3
- 23	35-115431-627	• • RIB ASSY,LH /25 GAL./ /STA 73.019/	1	3
	35-115431-628	• • RIB ASSY,RH /25 GAL./ /STA 73.019/	1	3
	35-115431-41	• • ZEE,UPPER LH /40 GAL./ /STA 73.019/	1	3
	35-115431-42	• • ZEE,UPPER RH /40 GAL./ /STA 73.019/	1	3
	35-115431-45	• • ZEE,LOWER LH /40 GAL./ /STA 73.019/	1	3
	35-115431-46	• • ZEE,LOWER RH /40 GAL./ /STA 73.019/	1	3
- 24	35-115431-39	• • ZEE,UPPER LH /STA 83.797/	1	3
	35-115431-40	• • ZEE,UPPER RH /STA 83.797/	1	3
	35-115431-117	• • ZEE,LOWER LH /STA 83.797/	1	3
	35-115431-118	• • ZEE,LOWER RH /STA 83.797/	1	3
- 25	35-115431-611	• • ZEE ASSY,UPPER LH /STA 94/	1	3
	35-115431-612	• • ZEE ASSY,UPPER RH /STA 94/	1	3
	35-115431-23	• • ZEE,LOWER LH /STA 94/	1	3
	35-115431-24	• • ZEE,LOWER RH /STA 94/	1	3
- 26	35-115431-609	• • ZEE ASSY,UPPER RH /STA 103/	1	3
	35-115431-610	• • ZEE ASSY,UPPER RH /STA 103/	1	3
	35-115431-29	• • ZEE,LOWER LH /STA 103/	1	3
	35-115431-30	• • ZEE,LOWER RH /STA 103/	1	3
- 27	35-115431-5	• • RIB ASSY,LH /STA 113/	1	3
	35-115431-6	• • RIB ASSY,RH /STA 113/	1	3
- 28	50-110010-54	• • STRINGER,LH	1	3
	50-110010-55	• • STRINGER,RH	1	3
- 29	50-110010-52	• • STRINGER,LH	1	3
	50-110010-53	• • STRINGER,RH	1	3
- 30	50-110010-50	• • STRINGER,LH	1	3
	50-110010-51	• • STRINGER,RH	1	3
- 31	35-115431-7	• • STRINGER,LH /STA 66 TO 73/	1	3
	35-115431-8	• • STRINGER,LH /STA 66 TO 73/	1	3
- 32	35-115431-9	• • STRINGER,LH /STA 73 TO 83/	1	3
	35-115431-10	• • STRINGER,RH /STA 73 TO 83/	1	3
- 33	35-115431-11	• • STRINGER,LH /STA 83 TO 94/	1	3
	35-115431-12	• • STRINGER,RH /STA 83 TO 94/	1	3
- 34	96-110007-5	• • STRINGER,LH /STA 103 TO 122/	1	3
	96-110007-6	• • STRINGER,RH /STA 103 TO 122/	1	3
- 35	95-110041-69	• • DOOR ASSY,LH /25 GAL./	1	3
	95-110041-70	• • DOOR ASSY,RH /25 GAL./	1	3
	50-110010-106	• • COVER	1	3
	50-110010-110	• • LINER ASSY.	1	3
	50-110010-111	• • LINER ASSY.	1	3
	50-110010-86	• • DOUBLER,LH.	1	3
	95-110041-61	• • DOOR ASSY,LH /40 GAL./	1	3
	50-110010-87	• • DOUBLER,RH.	1	3
	95-110041-62	• • DOOR ASSY,RH /40 GAL./	1	3
- 36	45-115089-33	• • CHANNEL ASSY.	1	3
	95-110018	• • DOOR ASSY	1	3
- 37	35-115431-93	• • DOOR,LH /25 GAL./	1	3
	35-115431-94	• • DOOR,RH /25 GAL./	1	3
	35-115431-613	• • PAN ASSY,LH /40 GAL./	1	3
	35-115431-614	• • PAN ASSY,RH /40 GAL./	1	3
	95-110041-73	• • DOOR ASSY,LH /40 GAL./	1	3
	95-110041-74	• • DOOR ASSY,RH /40 GAL./	1	3
	35-115431-615	• • DOUBLER ASSY,LH	1	3
	35-115431-616	• • DOUBLER ASSY,RH	1	3
- 38	35-115431-621	• • DOUBLER ASSY,LH	1	3
	35-115431-622	• • DOUBLER ASSY,RH	1	3

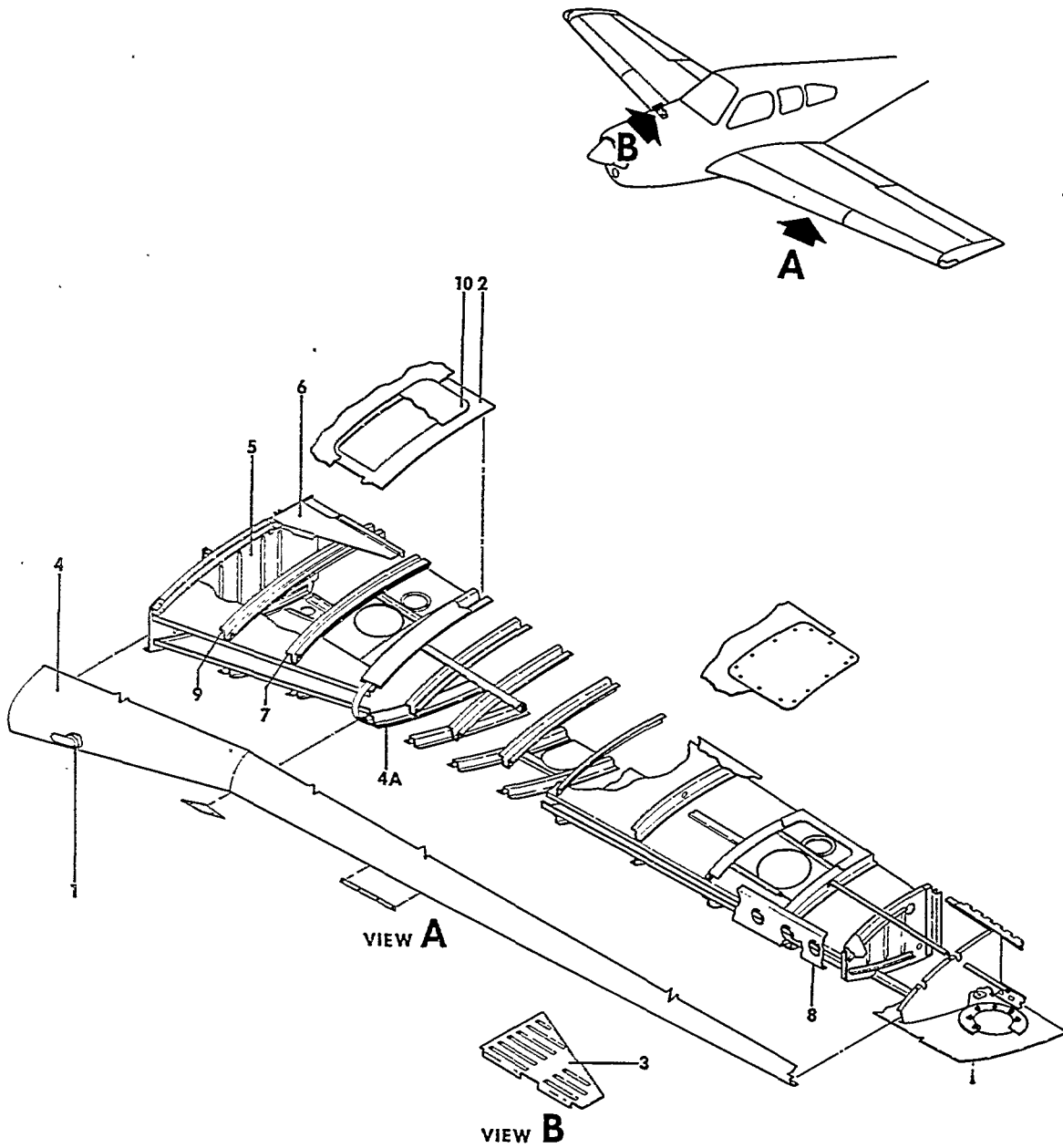
C O D E S O F E F F E C T I V I T Y

1 CD-1235 THRU CD-1303 2 CE-290 THRU CE-476  
3 CD-1235 THRU CD-1303 4 CJ-26 THRU CJ-44  
CE-290 THRU CE-476  
CJ-26 THRU CJ-44

BEECHCRAFT  
BONANZA 33  
ILLUSTRATED PARTS CATALOG

FIGURE 33A  
WING INBOARD LEADING EDGE  
CD-1304 ONLY, CE-477 AND AFTER,  
CJ-45 AND AFTER

BEECHCRAFT  
BOZANZA 33  
ILLUSTRATED PARTS CATALOG

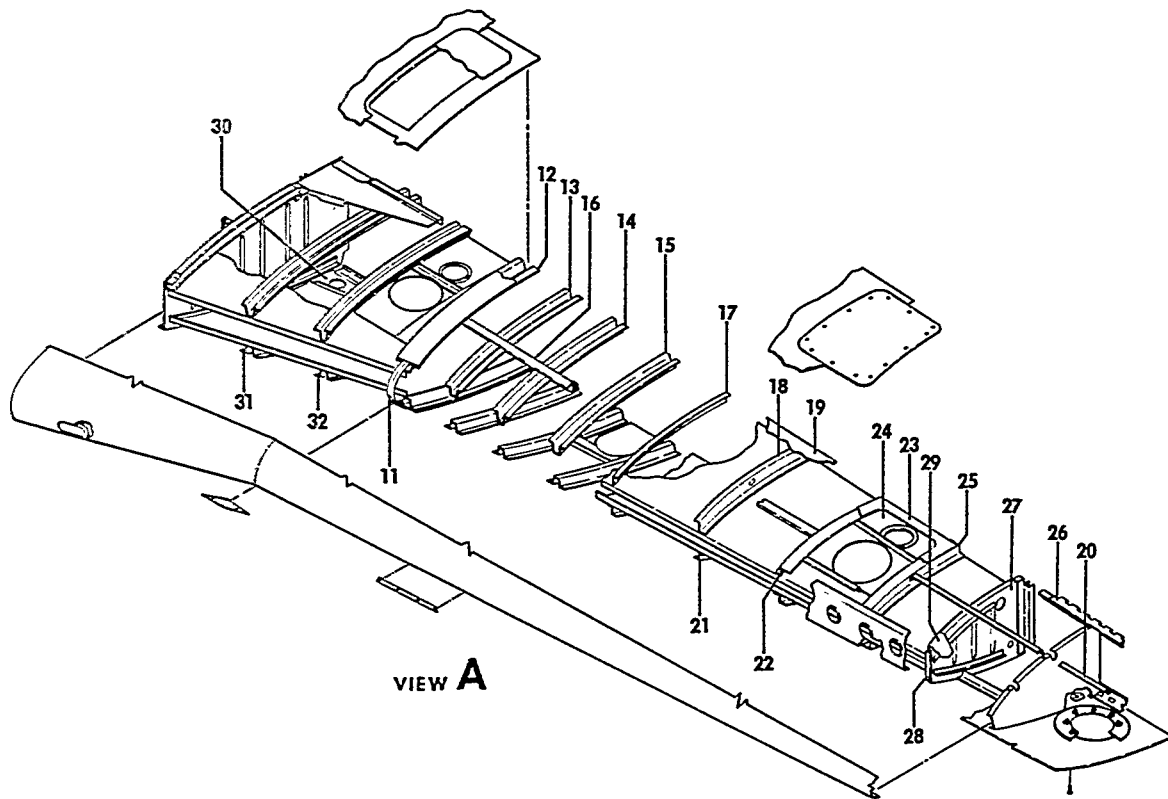
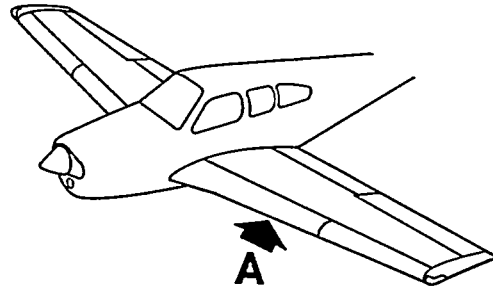


33-33-12

B E E C H C R A F T  
B O N A N Z A 3 3  
I L L U S T R A T E D P A R T S C A T A L O G

FIG. & ITEM NO.	PART NO.	1 2 3 4 5 6 7	DESCRIPTION	UNITS PER ASSY	USABLE ON CODE
33A	000-110161-607		LEADING EDGE & MAIN SPAR,LH /COMPLETE TWO PIECE LEADING EDGE LESS FUEL CELL/ /SPECIFY 25 OR 40 GAL. FUEL CELL/	1	1
	000-110161-608		LEADING EDGE & MAIN SPAR,RH /COMPLETE TWO PIECE LEADING EDGE LESS FUEL CELL/ /SPECIFY 25 OR 40 GAL. FUEL CELL/	1	1
	000-110161-605		LEADING EDGE & MAIN SPAR,LH /COMPLETE TWO PIECE LEADING EDGE LESS FUEL CELL/ /SPECIFY 25 OR 40 GAL. FUEL CELL/	1	2
	000-110161-606		LEADING EDGE & MAIN SPAR,RH /COMPLETE TWO PIECE LEADING EDGE LESS FUEL CELL/ /SPECIFY 25 OR 40 GAL. FUEL CELL/	1	2
	000-110161-609		LEADING EDGE & MAIN SPAR,LH /COMPLETE TWO PIECE LEADING EDGE LESS FUEL CELL/ /SPECIFY 25 OR 40 GAL. FUEL CELL/	1	3
	000-110161-610		LEADING EDGE & MAIN SPAR,RH /COMPLETE TWO PIECE LEADING EDGE LESS FUEL CELL/ /SPECIFY 25 OR 40 GAL. FUEL CELL/	1	3
	33-110017-1		LEADING EDGE ASSY,RH/USED WITH WING RADAR/ . . .	1	5
	000-110105-607		. LEADING EDGE ASSY,INBD LH . . . . .	1	1
	000-110105-608		. LEADING EDGE ASSY,INBD RH . . . . .	1	1
	000-110105-609		. LEADING EDGE ASSY,INBD LH . . . . .	1	2
	000-110105-610		. LEADING EDGE ASSY,INBD RH . . . . .	1	2
	000-110105-625		. LEADING EDGE ASSY,LH INBOARD . . . . .	1	3
	000-110105-626		. LEADING EDGE ASSY,RH INBOARD . . . . .	1	3
	000-110105-27		. SKIN PANEL ASSY,LH/W.S. 23.881/ . . . . .	1	4
	000-110105-28		. SKIN PANEL ASSY,RH/W.S. 23.881/ . . . . .	1	4
- 1	000-110118-1		. COVER,AIR INLET . . . . .	1	4
	000-110118-3		. SCREEN,AIR INLET . . . . .	1	4
- 2	000-110114-7		. REINFORCEMENT,LH ACCESS DOOR . . . . .	1	4
	000-110114-8		. REINFORCEMENT,RH ACCESS DOOR . . . . .	1	4
- 3	000-110108-1		. REINFORCEMENT,WALKWAY /RH WING ONLY/ . . . . .	1	4
- 4	000-110109-1		. SKIN,LH/W.S. 23.881/ . . . . .	1	4
	000-110109-3		. SKIN,RH/W.S. 23.881/ . . . . .	1	4
- 4A	000-110105-49		. REINFORCEMENT,LH INBOARD LOWER . . . . .	1	4
	000-110105-50		. REINFORCEMENT,RH INBOARD LOWER . . . . .	1	4
- 5	000-110106-1		. RIB ASSY,LH/W.S. 23.881/ . . . . .	1	4
	000-110106-2		. RIB ASSY,RH/W.S. 23.881/ . . . . .	1	4
- 6	000-110111-1		. GUSSET,LH UPPER . . . . .	1	4
	000-110111-2		. GUSSET,RH UPPER . . . . .	1	4
- 7	000-110135-7		. FORMER,LH UPPER . . . . .	1	4
	000-110135-8		. FORMER,RH UPPER . . . . .	1	4
- 8	000-110116-1		. SPAR ASSY,LH INBOARD LEADING EDGE . . . . .	1	4
	000-110116-2		. SPAR ASSY,RH INBOARD LEADING EDGE . . . . .	1	4
- 9	000-110135-1		. FORMER,LH UPPER . . . . .	1	4
	000-110135-3		. FORMER,RH UPPER . . . . .	1	4
- 10	000-110114-1		. COVER ASSY,LH INBOARD LEADING EDGE . . . . .	1	4
	000-110114-2		. COVER ASSY,RH INBOARD LEADING EDGE . . . . .	1	4
			/ATTACHING PARTS/		
	MS24694S5		. . . . . SCREW . . . . .	16	
	MS21049L08K		. . . . . CLIPNUT . . . . .	16	
			+		
	000-110114-3		. . . COVER,LH INBOARD LEADING EDGE . . . . .	1	4
	000-110114-4		. . . COVER,RH INBOARD LEADING EDGE . . . . .	1	4
	000-110114-5		. . . ANGLE,LH & RH INBOARD LEADING EDGE . . . . .	1	4

BEECHCRAFT  
BONANZA 33  
ILLUSTRATED PARTS CATALOG



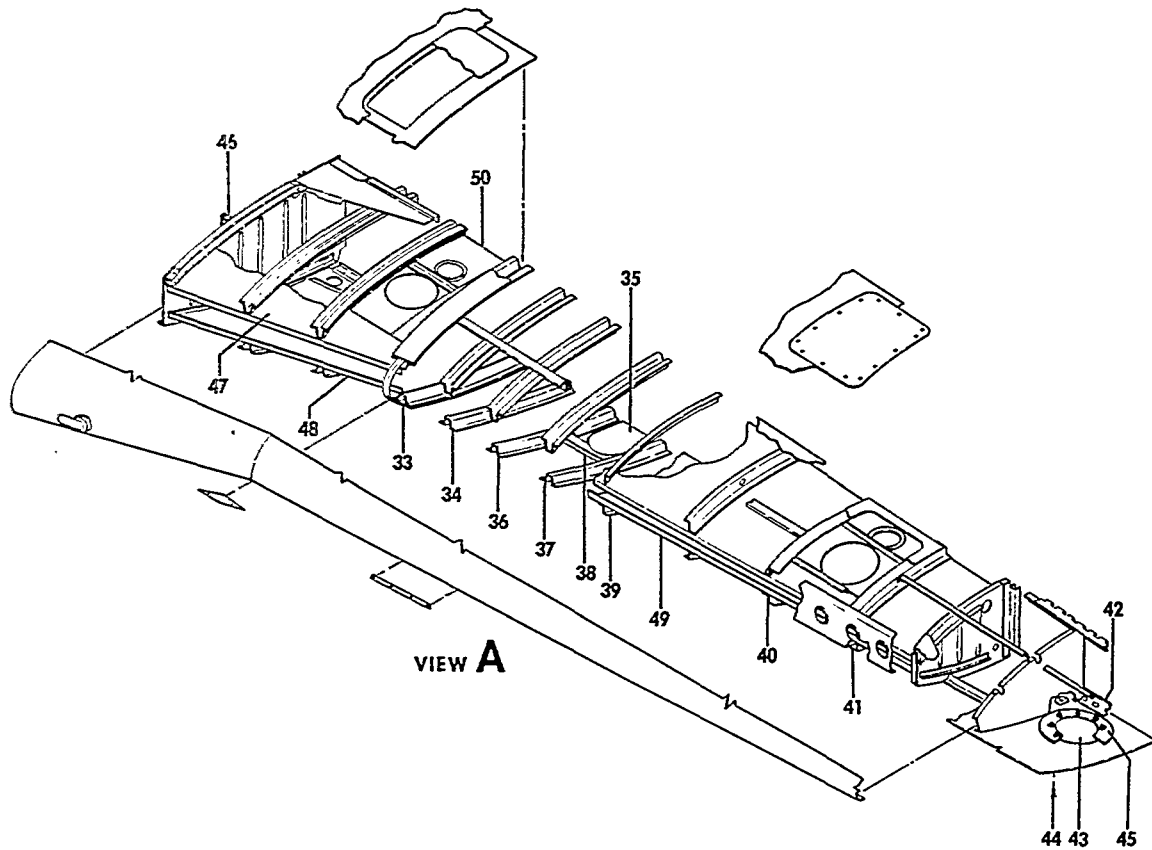
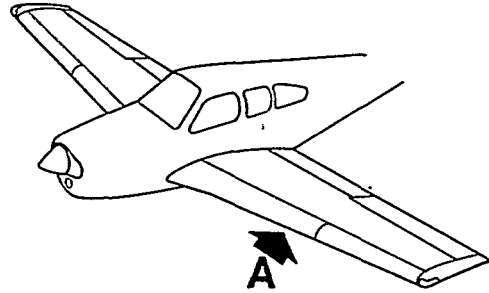
33-33-13

B E E C H C R A F T  
B O N A N Z A 3 3  
I L L U S T R A T E D P A R T S C A T A L O G

FIG. & ITEM NO.	PART NO.	1	2	3	4	5	6	7	DESCRIPTION	UNITS PER ASSY	USABLE ON CODE
33A - 11	000-110105-51	.	.	.	.	.	.	.	SPLICE,LH INBOARD LEADING EDGE.	1	4
	000-110105-52	.	.	.	.	.	.	.	SPLICE,RH INBOARD LEADING EDGE.	1	4
- 12	000-110135-11	.	.	.	.	.	.	.	FORMER,LH UPPER	1	4
	000-110135-12	.	.	.	.	.	.	.	FORMER,RH UPPER	1	4
- 13	000-110135-15	.	.	.	.	.	.	.	FORMER,LH UPPER	1	4
	000-110135-16	.	.	.	.	.	.	.	FORMER,RH UPPER	1	4
- 14	000-110135-19	.	.	.	.	.	.	.	FORMER,LH UPPER	1	4
	000-110135-20	.	.	.	.	.	.	.	FORMER,RH UPPER	1	4
	000-110117-1	.	.	.	.	.	.	.	CLIP,LH	12	4
	000-110117-2	.	.	.	.	.	.	.	CLIP,RH	12	4
- 15	000-110135-23	.	.	.	.	.	.	.	FORMER,LH UPPER	1	4
	000-110135-24	.	.	.	.	.	.	.	FORMER,RH UPPER	1	4
- 16	000-110132-1	.	.	.	.	.	.	.	STRINGER,LH UPPER	1	4
	000-110132-2	.	.	.	.	.	.	.	STRINGER,RH UPPER	1	4
- 17	000-110154-1	.	.	.	.	.	.	.	REINFORCEMENT,LH/Z SECTION/UPPER.	1	4
	000-110154-2	.	.	.	.	.	.	.	REINFORCEMENT,RH/Z SECTION/UPPER.	1	4
- 18	000-110152-1	.	.	.	.	.	.	.	REINFORCEMENT,LH /Z SECTION/UPPER	1	4
	000-110152-2	.	.	.	.	.	.	.	REINFORCEMENT,RH /Z SECTION/UPPER	1	4
- 19	000-110105-55	.	.	.	.	.	.	.	SKIN,LH INBOARD LEADING EDGE.	1	4
	000-110105-56	.	.	.	.	.	.	.	SKIN,RH INBOARD LEADING EDGE.	1	4
- 20	000-110132-9	.	.	.	.	.	.	.	STRINGER,LH UPPER	1	4
	000-110132-10	.	.	.	.	.	.	.	STRINGER,RH UPPER	1	4
- 21	000-110136-3	.	.	.	.	.	.	.	STIFFENER,LH LOWER.	1	4
	000-110136-4	.	.	.	.	.	.	.	STIFFENER,RH LOWER.	1	4
- 22	000-110148-1	.	.	.	.	.	.	.	REINFORCEMENT,LH /Z SECTION/UPPER	1	4
	000-110148-2	.	.	.	.	.	.	.	REINFORCEMENT,RH /Z SECTION/UPPER	1	4
- 23	000-110115-1	.	.	.	.	.	.	.	REINFORCEMENT /LH & RH/ UPPER	1	4
- 24	000-110155-1	.	.	.	.	.	.	.	SUPPORT ASSY,LH FUEL CELL INBD/W.S. 98.00/	1	4
	000-110155-2	.	.	.	.	.	.	.	SUPPORT ASSY,RH FUEL CELL INBD/W.S. 98.00/	1	4
	000-110155-3	.	.	.	.	.	.	.	LINER,LH FUEL CELL INBD LEADING EDGE.	1	4
	000-110155-4	.	.	.	.	.	.	.	LINER,RH FUEL CELL INBD LEADING EDGE.	1	4
	000-110155-5	.	.	.	.	.	.	.	ANGLE,FUEL CELL SUPPORT /LH & RH/	1	4
	330865	.	.	.	.	.	.	.	GROMMET /LH & RH/	1	4
- 25	000-110151-1	.	.	.	.	.	.	.	REINFORCEMENT,LH /Z SECTION/ UPPER.	1	4
	000-110151-2	.	.	.	.	.	.	.	REINFORCEMENT,RH /Z SECTION/ UPPER.	1	4
- 26	000-110083-5	.	.	.	.	.	.	.	HINGE,WING LEADING EDGE /UPPER/	1	4
- 27	000-110107-13	.	.	.	.	.	.	.	RIB ASSY,LH INBOARD LEADING EDGE.	1	4
	000-110107-14	.	.	.	.	.	.	.	RIB ASSY,RH INBOARD LEADING EDGE.	1	4
	000-110107-1	.	.	.	.	.	.	.	RIB,LH/W.S. 113.172/	1	4
	000-110107-2	.	.	.	.	.	.	.	RIB,RH/W.S. 113.172/	1	4
	000-110107-11	.	.	.	.	.	.	.	REINFORCEMENT /LH & RH/	1	4
- 28	000-110107-5	.	.	.	.	.	.	.	ANGLE,TIE IN /LH & RH/ LEADING EDGE	1	4
	000-110117-3	.	.	.	.	.	.	.	CLIP /LH & RH/	1	4
- 29	000-110105-69	.	.	.	.	.	.	.	GUSSET /LH & RH/	1	4
- 30	000-110112-1	.	.	.	.	.	.	.	GUSSET,LH LOWER	1	4
	000-110112-2	.	.	.	.	.	.	.	GUSSET,RH LOWER	1	4
- 31	000-110135-5	.	.	.	.	.	.	.	FORMER,LH LOWER	1	4
	000-110135-6	.	.	.	.	.	.	.	FORMER,RH LOWER	1	4
- 32	000-110135-9	.	.	.	.	.	.	.	FORMER,LH LOWER	1	4
	000-110135-10	.	.	.	.	.	.	.	FORMER,RH LOWER	1	4



BEECHCRAFT  
BONANZA 33  
ILLUSTRATED PARTS CATALOG

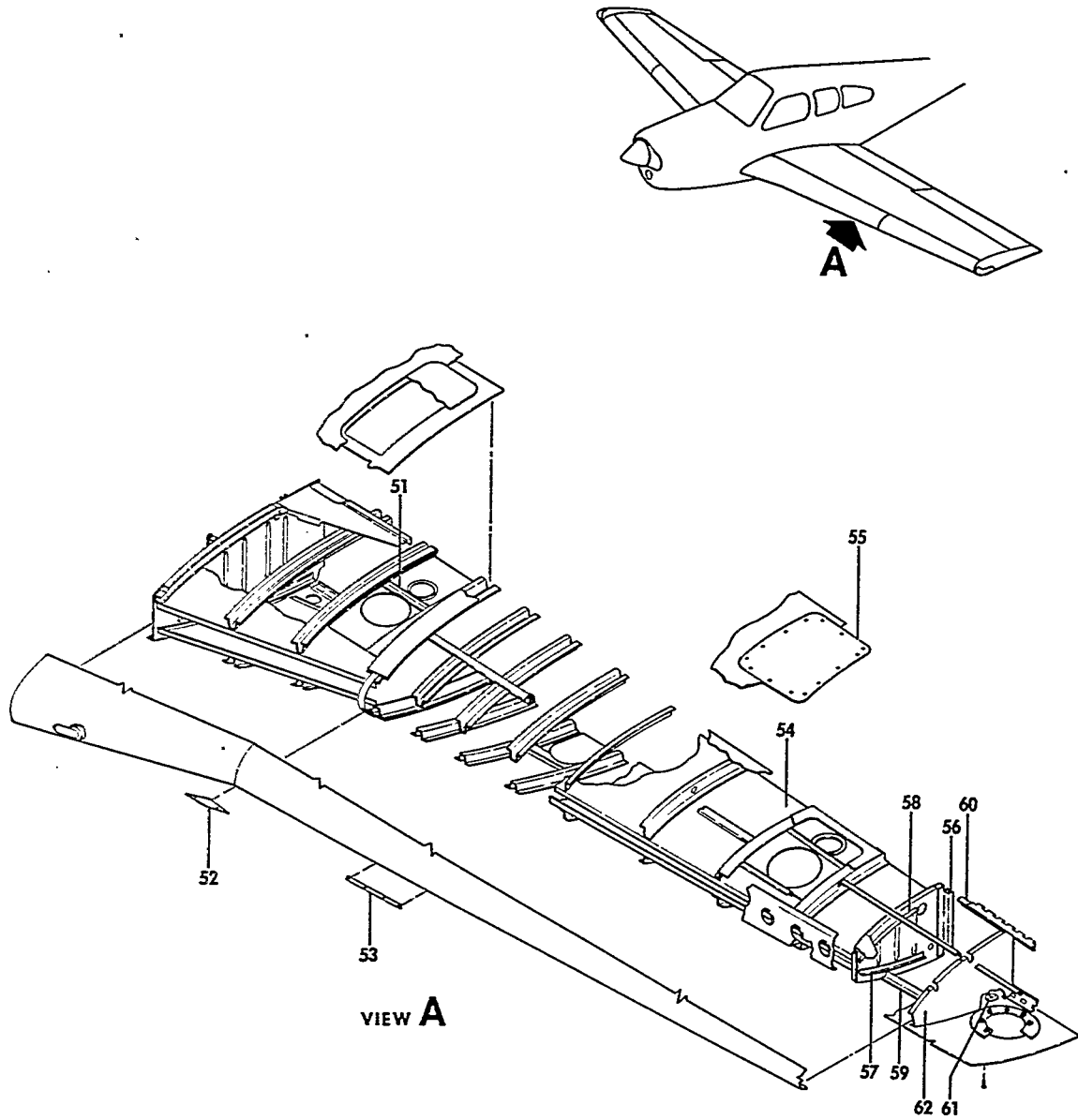


33-33-14

B E E C H C R A F T  
B O N A N Z A 3 3  
I L L U S T R A T E D P A R T S C A T A L O G

FIG. & ITEM NO.	PART NO.	1	2	3	4	5	6	7	DESCRIPTION	UNITS PER ASSY	USABLE ON CODE
33A - 33	000-110135-13	.	.	.	.	.	.	.	FORMER, LH LOWER . . . . .	1	4
	000-110135-14	.	.	.	.	.	.	.	FORMER, RH LOWER . . . . .	1	4
- 34	000-110135-17	.	.	.	.	.	.	.	FORMER, LH LOWER . . . . .	1	4
	000-110135-18	.	.	.	.	.	.	.	FORMER, RH LOWER . . . . .	12	4
	000-110117-1	.	.	.	.	.	.	.	CLIP, LH . . . . .	12	4
	000-110117-2	.	.	.	.	.	.	.	CLIP, RH . . . . .	1	4
- 35	000-110105-83	.	.	.	.	.	.	.	COVER, INBOARD LEADING EDGE /LH & RH/. . . . .	1	4
									/ATTACHING PARTS/		
	MS24694S5	.	.	.	.	.	.	.	SCREW . . . . .	7	
	MS21051L08	.	.	.	.	.	.	.	NUTPLATE . . . . .	6	
	MS21047L08	.	.	.	.	.	.	.	NUTPLATE . . . . .	1	
									*		
- 36	000-110135-21	.	.	.	.	.	.	.	FORMER, LH LOWER/W.S. 59.00/ . . . . .	1	4
	000-110135-22	.	.	.	.	.	.	.	FORMER, RH LOWER/W.S. 59.00/ . . . . .	1	4
- 37	000-110135-25	.	.	.	.	.	.	.	FORMER, LH LOWER . . . . .	1	4
	000-110135-26	.	.	.	.	.	.	.	FORMER, RH LOWER . . . . .	1	4
- 38	000-110105-53	.	.	.	.	.	.	.	ANGLE, INBOARD LEADING EDGE/STA 63.00/ . . . . .	1	4
- 39	000-110153-1	.	.	.	.	.	.	.	REINFORCEMENT, LH /Z SECTION/ STA 73.019 . . . . .	1	4
	000-110153-2	.	.	.	.	.	.	.	REINFORCEMENT, RH /Z SECTION/ STA 73.019 . . . . .	1	4
- 40	000-110147-1	.	.	.	.	.	.	.	REINFORCEMENT, LH /Z SECTION/. . . . .	1	4
	000-110147-2	.	.	.	.	.	.	.	REINFORCEMENT, RH /Z SECTION/. . . . .	1	4
- 41	000-110149-1	.	.	.	.	.	.	.	REINFORCEMENT, LH /Z SECTION/ LOWER. . . . .	1	4
	000-110149-2	.	.	.	.	.	.	.	REINFORCEMENT, RH /Z SECTION/ LOWER. . . . .	1	4
- 42	000-110083-7	.	.	.	.	.	.	.	HINGE, WING LEADING EDGE /LOWER/ . . . . .	1	4
- 43	000-110105-75	.	.	.	.	.	.	.	COVER, INBOARD LEADING EDGE /LH & RH/. . . . .	1	4
									/ATTACHING PARTS/		
- 44	MS24694S5	.	.	.	.	.	.	.	SCREW . . . . .	8	
	MS21049L08K	.	.	.	.	.	.	.	NUTPLATE . . . . .	8	
									*		
- 45	000-110105-77	.	.	.	.	.	.	.	REINFORCEMENT, COVER LEADING EDGE /LH & RH/. . . . .	1	4
- 46	000-110137-1	.	.	.	.	.	.	.	RIB, LH CLOSURE /W.S. 23.881/. . . . .	1	4
	000-110137-2	.	.	.	.	.	.	.	RIB, RH CLOSURE /W.S. 23.881/. . . . .	1	4
- 47	000-110168-1	.	.	.	.	.	.	.	LINER, LH INBOARD UPPER. . . . .	1	4
	000-110168-2	.	.	.	.	.	.	.	LINER, RH INBOARD UPPER. . . . .	1	4
- 48	000-110169-1	.	.	.	.	.	.	.	LINER, LH INBOARD LOWER. . . . .	1	4
	000-110169-2	.	.	.	.	.	.	.	LINER, RH INBOARD LOWER. . . . .	1	4
- 49	000-110171-1	.	.	.	.	.	.	.	LINER, LH INBOARD LOWER CENTER . . . . .	1	4
	000-110171-2	.	.	.	.	.	.	.	LINER, RH INBOARD LOWER CENTER . . . . .	1	4
	000-110165-1	.	.	.	.	.	.	.	SUPPORT ASSY, LH FUEL CELL INBD/W.S. 39.375/ . . . . .	1	4
	000-110165-2	.	.	.	.	.	.	.	SUPPORT ASSY, RH FUEL CELL INBD/W.S. 39.375/ . . . . .	1	4
	000-110165-3	.	.	.	.	.	.	.	CLIP ASSY, SUPPORT FUEL CELL . . . . .	2	4
	000-110165-13	.	.	.	.	.	.	.	CLIP, LH & RH. . . . .	1	4
	MS21047L06	.	.	.	.	.	.	.	NUTPLATE. . . . .	1	4
	000-110165-5	.	.	.	.	.	.	.	CLIP ASSY, FUEL CELL LEADING EDGE. . . . .	1	4
	000-110165-7	.	.	.	.	.	.	.	CLIP ASSY, FUEL CELL LEADING EDGE. . . . .	1	4
	000-110165-15	.	.	.	.	.	.	.	CLIP, LH . . . . .	1	4
	000-110165-17	.	.	.	.	.	.	.	CLIP, RH . . . . .	1	4
	MS21047L06	.	.	.	.	.	.	.	NUTPLATE. . . . .	1	4
- 50	000-110165-9	.	.	.	.	.	.	.	SUPPORT, LH. . . . .	1	4
	000-110165-10	.	.	.	.	.	.	.	SUPPORT, RH. . . . .	1	4

BEECHCRAFT  
BONANZA 33  
ILLUSTRATED PARTS CATALOG



33-33-15

B E E C H C R A F T  
B O N A N Z A 3 3  
I L L U S T R A T E D P A R T S C A T A L O G

FIG. & ITEM NO.	PART NO.	DESCRIPTION	UNITS PER ASSY	USABLE ON CODE
		1 2 3 4 5 6 7		
32A - 51	000-110165-11	. . ANGLE /LH & RH/ . . . . .	1	4
	330865	. . GROMMET /LH & RH/ . . . . .	1	4
- 52	000-110140-1	. STRIP,STALL /LH & RH/ . . . . .	1	4
- 53	000-110175-1	. STRIP,STALL /LH & RH/ . . . . .	1	4
- 54	000-110170-1	. LINER,LH INBD UPPER CENTER. . . . .	1	4
	000-110170-2	. LINER,RH INBD UPPER CENTER. . . . .	1	4
- 55	000-110115-21	. COVER & REINFORCEMENT INBD LEADING EDGE LH. . . . .	1	4
	000-110115-22	. COVER & REINFORCEMENT INBD LEADING EDGE RH. . . . .	1	4
	MS24694S5	. SCREW . . . . .	14	
		*-----*		
	000-110117-3	. CLIP. . . . .	3	4
- 56	000-110107-3	. ZEE,LH. . . . .	1	4
	000-110107-4	. ZEE,RH. . . . .	1	4
- 57	000-110107-7	. ANGLE,LH. . . . .	1	4
	000-110107-8	. ANGLE,RH. . . . .	1	4
- 58	000-110107-9	. ANGLE,LH. . . . .	1	4
	000-110107-10	. ANGLE,RH. . . . .	1	4
- 59	000-110132-13	. STRINGER,LH . . . . .	1	4
	000-110132-14	. STRINGER,RH . . . . .	1	4
- 60	000-110161-7	. ANGLE /LH & RH/ . . . . .	2	4
- 61	000-920012-7	. VENT ASSY,FUEL INBD LEADING EDGE/W.S.122.750/	1	4
	000-920012-5	. . FLANGE. . . . .	1	4
	000-920012-9	. . TUBE. . . . .	1	4
	36-110017-63	. VENT ASSY,FUEL/RADAR/W.S. 122.750/ . . . . .	1	5
- 62	000-110016-3	. RIB,LH /W.S. 122.750/ . . . . .	1	4
	000-110016-4	. RIB,RH /W.S. 122.750/ . . . . .	1	4

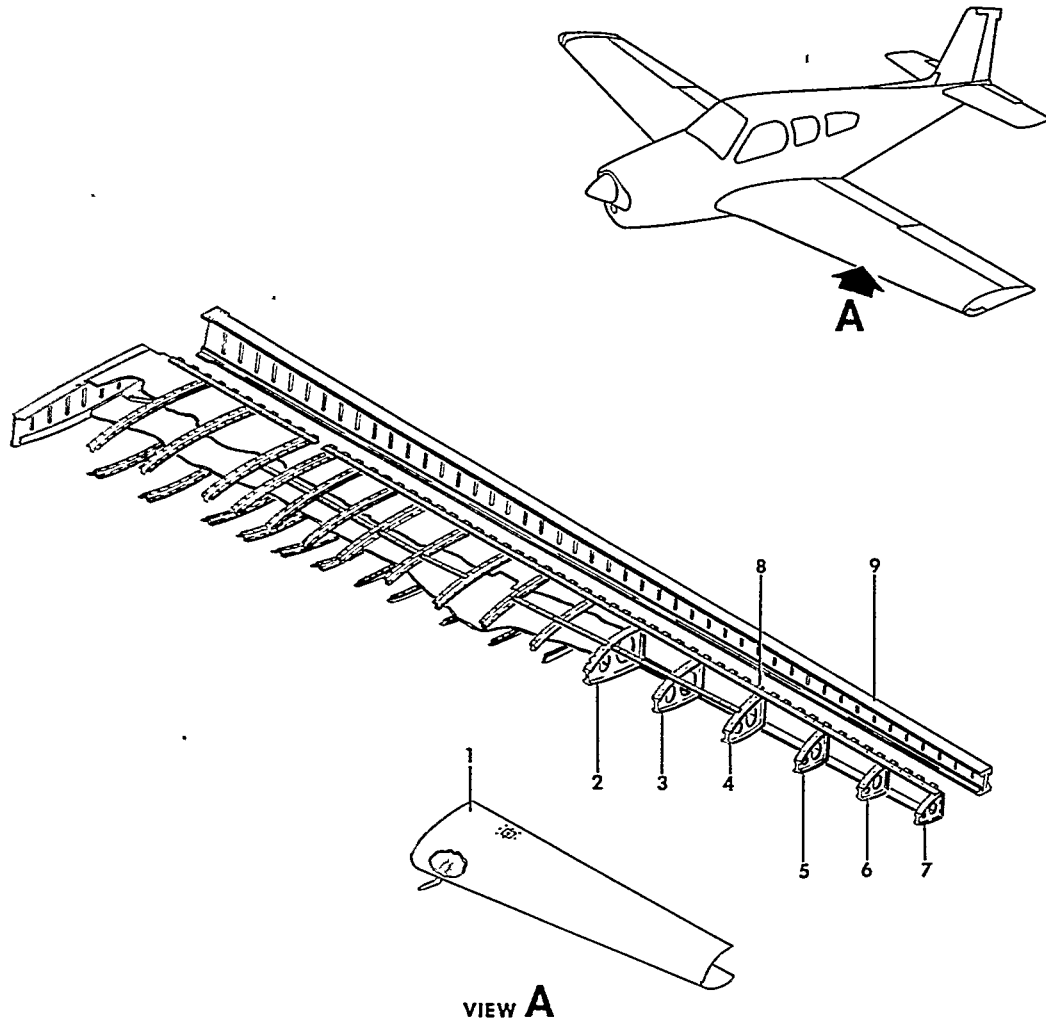
C O D E S O F E F F E C T I V I T Y

- |                    |                    |
|--------------------|--------------------|
| 1 CD-1304 ONLY     | 2 CE-477 AND AFTER |
| 3 CJ-45 AND AFTER  | 4 CD-1304 ONLY     |
|                    | CE-477 AND AFTER   |
|                    | CJ-45 AND AFTER    |
| 5 CE-878 AND AFTER |                    |

BEECHCRAFT  
BONANZA 33  
ILLUSTRATED PARTS CATALOG

FIGURE 34  
WING OUTBOARD LEADING EDGE  
CD-1235 THRU CD-1303, CE-290 THRU CE-476,  
CJ-26 THRU CJ-44

BEECHCRAFT  
BONANZA 33  
ILLUSTRATED PARTS CATALOG



33-34-1

BEECHCRAFT  
BONANZA 33  
ILLUSTRATED PARTS CATALOG

FIG. & ITEM NO.	PART NO.	DESCRIPTION	UNITS							USABLE ON CODE		
			1	2	3	4	5	6	7			
34	33-110000-609	LEADING EDGE & FRONT SPAR,LH.	.	.	.	.	.	.	.	1	1	
	33-110000-611	LEADING EDGE & FRONT SPAR,LH.	.	.	.	.	.	.	.	1	2	
	33-110000-615	LEADING EDGE & FRONT SPAR,LH.	.	.	.	.	.	.	.	1	4	
	33-110000-610	LEADING EDGE & FRONT SPAR,RH.	.	.	.	.	.	.	.	1	1	
	33-110000-612	LEADING EDGE & FRONT SPAR,RH.	.	.	.	.	.	.	.	1	2	
	33-110000-616	LEADING EDGE & FRONT SPAR,RH.	.	.	.	.	.	.	.	1	4	
	35-110009-603	OUTBD EDGE ASSY,LH /STA 122.750 TO 191/	.	.	.	.	.	.	.	1	3	
	35-110009-604	OUTBD EDGE ASSY,RH /STA 122.750 TO 191/	.	.	.	.	.	.	.	1	3	
	- 1	35-115431-107	SKIN,LH	.	.	.	.	.	.	.	1	3
		35-115431-108	SKIN,RH	.	.	.	.	.	.	.	1	3
	- 2	35-115046	RIB ASSY,LH /STA 122.75/	.	.	.	.	.	.	.	1	3
		35-115046-1	RIB ASSY,RH /STA 122.75/	.	.	.	.	.	.	.	1	3
	- 3	95-110015-157	RIB ASSY,LH /STA 136.188/	.	.	.	.	.	.	.	1	3
		95-110015-158	RIB ASSY,RH /STA 136.188/	.	.	.	.	.	.	.	1	3
	- 4	95-110015-155	RIB ASSY,LH /STA 148.875/	.	.	.	.	.	.	.	1	3
		95-110015-156	RIB ASSY,RH /STA 148.875/	.	.	.	.	.	.	.	1	3
	- 5	95-110015-153	RIB ASSY,LH /STA 162.563/	.	.	.	.	.	.	.	1	3
		95-110015-154	RIB ASSY,RH /STA 162.563/	.	.	.	.	.	.	.	1	3
	- 6	35-115035	RIB ASSY,LH /STA 175.281/	.	.	.	.	.	.	.	1	3
		35-115035-1	RIB ASSY,RH /STA 175.281/	.	.	.	.	.	.	.	1	3
	- 7	35-115034	RIB ASSY,LH /STA 191/	.	.	.	.	.	.	.	1	3
		35-115034-1	RIB ASSY,RH /STA 191/	.	.	.	.	.	.	.	1	3
	- 8	35-115431-113	HINGE,UPPER LH.	.	.	.	.	.	.	.	1	3
		35-115431-114	HINGE,UPPER RH.	.	.	.	.	.	.	.	1	3
		35-115431-115	HINGE,LOWER LH.	.	.	.	.	.	.	.	1	3
		35-115431-116	HINGE,LOWER RH.	.	.	.	.	.	.	.	1	3
			/ATTACHING PARTS/									
		35-115388-6	PIN,UPPER HINGE	.	.	.	.	.	.	.	1	3
		35-115388-4	PIN,LOWER HINGE	.	.	.	.	.	.	.	1	3
			*									
		50-110010-48	SPLICE,LH	.	.	.	.	.	.	.	1	3
		50-110010-49	SPLICE,RH	.	.	.	.	.	.	.	1	3
		96-110007-3	STRINGER,LH /STA 122 TO 175/	.	.	.	.	.	.	.	1	3
		96-110007-4	STRINGER,RH /STA 122 TO 175/	.	.	.	.	.	.	.	1	3
	96-110007-13	SPLICE,STRINGER LH.	.	.	.	.	.	.	.	1	3	
	96-110007-14	SPLICE,STRINGER RH.	.	.	.	.	.	.	.	1	3	
- 9	35-110061-1	FRONT SPAR ASSY,LH /SEE FIG.35/	.	.	.	.	.	.	.	1	3	
	35-110061-2	FRONT SPAR ASSY,RH /SEE FIG.35/	.	.	.	.	.	.	.	1	3	

CODES OF EFFECTIVITY

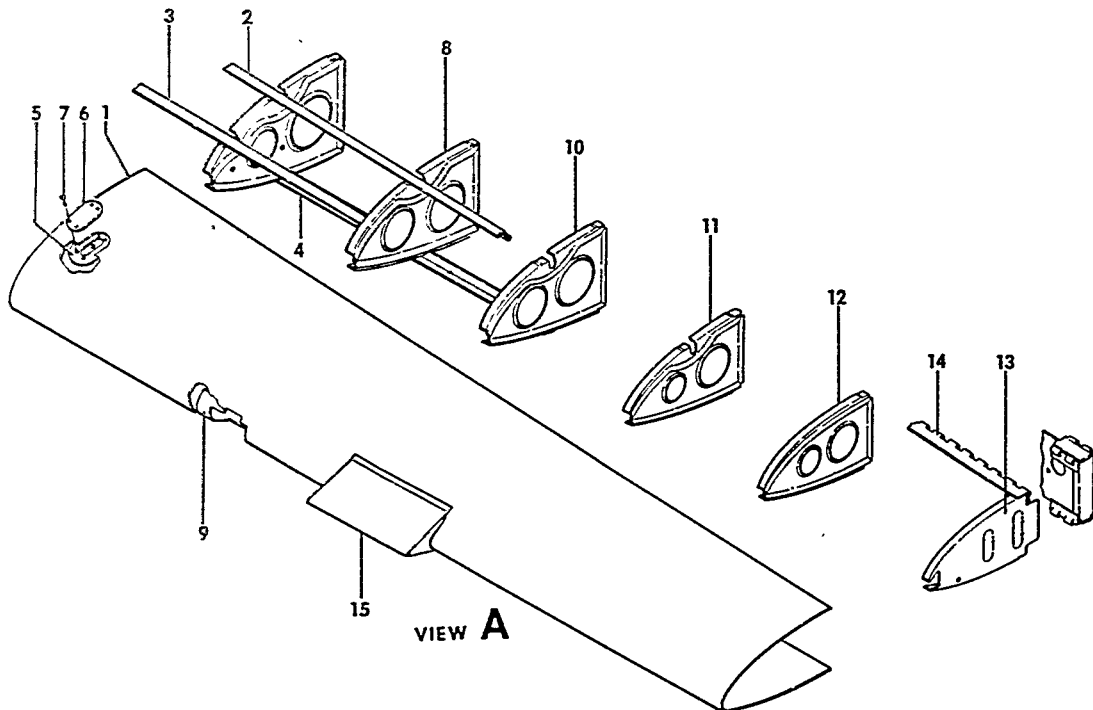
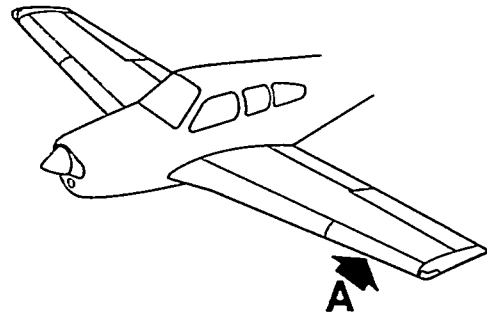
1 CD-1235 THRU CD-1303 2 CE-290 THRU CE-476  
3 CD-1235 THRU CD-1303 4 CJ-26 THRU CJ-44  
CE-290 THRU CE-476,  
CJ-26 THRU CJ-44

BEECHCRAFT  
BONANZA 33  
ILLUSTRATED PARTS CATALOG

FIGURE 34A  
WING OUTBOARD LEADING EDGE  
CD-1304 ONLY, CE-477 AND AFTER,  
CJ-45 AND AFTER



BEECHCRAFT  
BONANZA 33  
ILLUSTRATED PARTS CATALOG

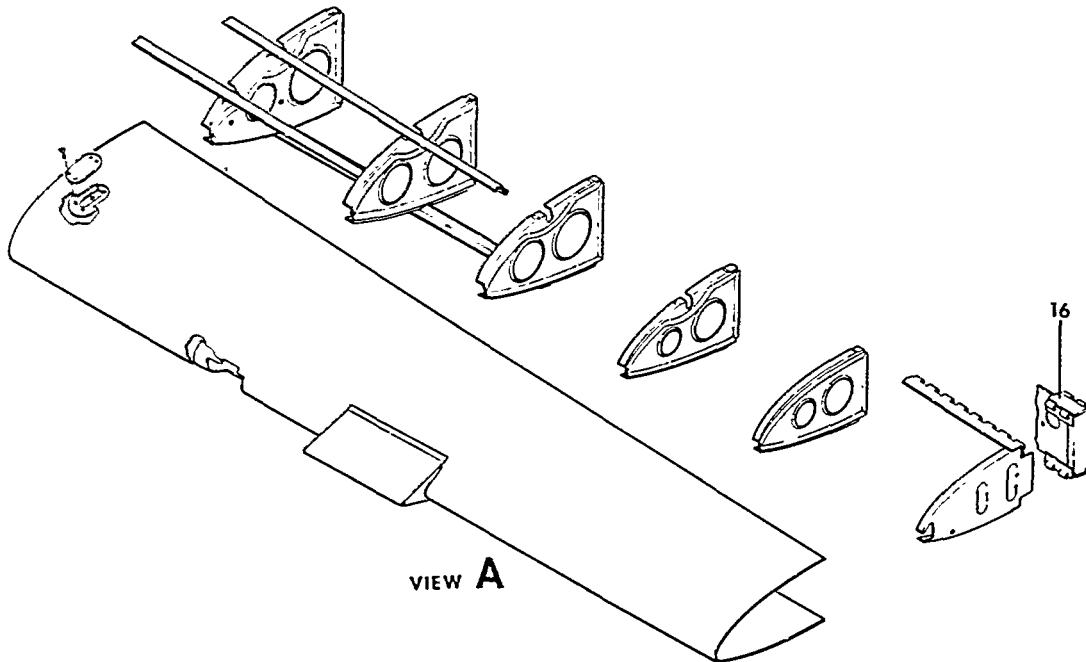
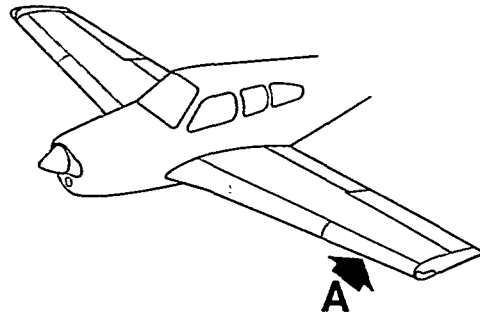


33-34A-7

B E E C H C R A F T  
B O N A N Z A 3 3  
I L L U S T R A T E D P A R T S C A T A L O G

FIG. & ITEM NO.	PART NO.	DESCRIPTION	UNITS PER ASSY	USABLE ON CODE
		1 2 3 4 5 6 7		
34A	000-110161-607	LEADING EDGE & FRONT SPAR,LH. . . . .	1	1
	000-110161-608	LEADING EDGE & FRONT SPAR,RH. . . . .	1	1
	000-110161-605	LEADING EDGE & FRONT SPAR,LH. . . . .	1	2
	000-110161-606	LEADING EDGE & FRONT SPAR,RH. . . . .	1	2
	000-110161-609	LEADING EDGE & FRONT SPAR,LH. . . . .	1	3
	000-110161-610	LEADING EDGE & FRONT SPAR,RH. . . . .	1	3
	36-110017-1	LEADING EDGE ASSY,RH/USED WITH WING RADAR/. . .	1	5
	000-110015-613	• LEADING EDGE ASSY,LH OUTBD/W.S. 122 TO 191/ .	1	4
	000-110015-614	• LEADING EDGE ASSY,RH OUTBD/W.S. 122 TO 191/ .	1	4
	36-110017-61	• LEADING EDGE ASSY,RH/RADAR/ . . . . .	1	5
- 1	000-110015-5	• SKIN,LH OUTBD LEADING EDGE/W.S. 122 TO 191/ .	1	4
	000-110015-11	• SKIN,RH OUTBD LEADING EDGE/W.S. 122 TO 191/ .	1	4
	36-110017-53	• SKIN,RH OUTBD LEADING EDGE/RADAR/ . . . . .	1	5
- 2	000-110015-7	• STRINGER,LH /W.S. 122.75 TO 175.00/ . . . . .	1	4
	000-110015-8	• STRINGER,RH /W.S. 122.75 TO 175.00/ . . . . .	1	4
	36-110017-57	• STRINGER,RH . . . . .	1	5
- 3	000-110015-9	• STRINGER,LH /W.S. 122.75 TO 136.188/ . . . . .	1	4
	000-110015-10	• STRINGER,RH /W.S. 122.75 TO 136.188/ . . . . .	1	4
- 4	000-110027-1	• REINFORCEMENT/LH & RH/ W.S. 122.75 TO 148/ .	1	4
	000-110025-1	• REINFORCEMENT ASSY,SKIN/PITOT MAST MOUNT/ .	1	4
- 5	000-110025-3	• REINFORCEMENT . . . . .	1	4
	36-110017-7	• RIB,RH/W.S. 122.75/ . . . . .	1	5
	36-110017-23	• ANGLE . . . . .	1	5
	36-110017-25	• ANGLE . . . . .	1	5
	36-110017-69	• RIB,RH/W.S. 124/ . . . . .	1	5
- 6	000-110026-1	• COVER,PITOT MAST MOUNTING . . . . .	1	4
- 7	MS24694S5	• SCREW . . . . .	4	4
- 8	000-110020-3	• RIB,LH /W.S. 136.188/ . . . . .	1	4
	000-110020-4	• RIB,RH /W.S. 136.188/ . . . . .	1	4
	36-110017-37	• RIB,RH/W.S. 145/ . . . . .	1	5
	36-110017-39	• WEB,RH/W.S. 145/ . . . . .	1	5
	36-110017-43	• ANGLE . . . . .	1	5
	36-110017-45	• ANGLE . . . . .	1	5
- 9	000-110029-39	• DOUBLER /LH ONLY/ /W.S. 136.188 TO 148.875/ .	1	4
- 10	000-110017-3	• RIB,LH /W.S. 148.875/ . . . . .	1	4
	000-110017-4	• RIB,RH /W.S. 148.875/ . . . . .	1	4
	36-110017-11	• RIB,RH/W.S. 148.875/ . . . . .	1	5
	36-110017-13	• RIB,RH/W.S. 148.875/ . . . . .	1	5
	36-110017-27	• ANGLE . . . . .	1	5
	36-110017-29	• ANGLE . . . . .	1	5
- 11	000-110018-3	• RIB,LH /W.S. 162.563/ . . . . .	1	4
	000-110018-4	• RIB,RH /W.S. 162.563/ . . . . .	1	4
- 12	000-110019-1	• RIB,LH . . . . .	1	4
	000-110019-2	• RIB,RH . . . . .	1	4
	000-110096-3	• RIB ASSY,LH OUTBD LEADING EDGE/W.S. 191/ . .	1	4
	000-110096-4	• RIB ASSY,RH OUTBD LEADING EDGE/W.S. 191/ . .	1	4
- 13	000-110096-1	• RIB,LH . . . . .	1	4
	000-110096-2	• RIB,RH . . . . .	1	4
- 14	000-110083-3	• PIN,UPPER HINGE . . . . .	2	4
	35-115388-6	• PIN,UPPER HINGE . . . . .	1	4
	35-115388-4	• PIN,LOWER HINGE . . . . .	1	4
	36-110017-5	• COVER,WING RADAR ANTENNA . . . . .	1	5
	36-110017-19	• ANGLE/W.S. 122.75/ . . . . .	1	5
	36-110017-41	• ANGLE/W.S. 145/ . . . . .	1	5
	36-110017-21	• ANGLE/W.S.148.875/ . . . . .	1	5
- 15	33-110011-3	• VORTEX GENERATOR,LH . . . . .	1	6
	33-110011-4	• VORTEX GENERATOR,RH . . . . .	1	6
	33-110011-5	• SKIN,LH . . . . .	1	6
	33-110011-6	• SKIN,RH . . . . .	1	6
	33-110011-7	• RIB,OUTBD LH . . . . .	1	6
	33-110011-8	• RIB,OUTBD RH . . . . .	1	6
	33-110011-9	• RIB,INBD LH . . . . .	1	6
	33-110011-10	• RIB,INBD RH . . . . .	1	6

BEECHCRAFT  
BONANZA 33  
ILLUSTRATED PARTS CATALOG



33-34A-8

B E E C H C R A F T  
 B O N A N Z A 3 3  
 I L L U S T R A T E D P A R T S C A T A L O G

FIG. & ITEM NO.	PART NO.	DESCRIPTION							UNITS PER ASSY	USABLE ON CODE
		1	2	3	4	5	6	7		
34A - 16	000-110010-1	.	.	.	.	.	.	.	1	4
	000-110010-2	.	.	.	.	.	.	.	1	4
	000-110010-69	.	.	.	.	.	.	.	1	5

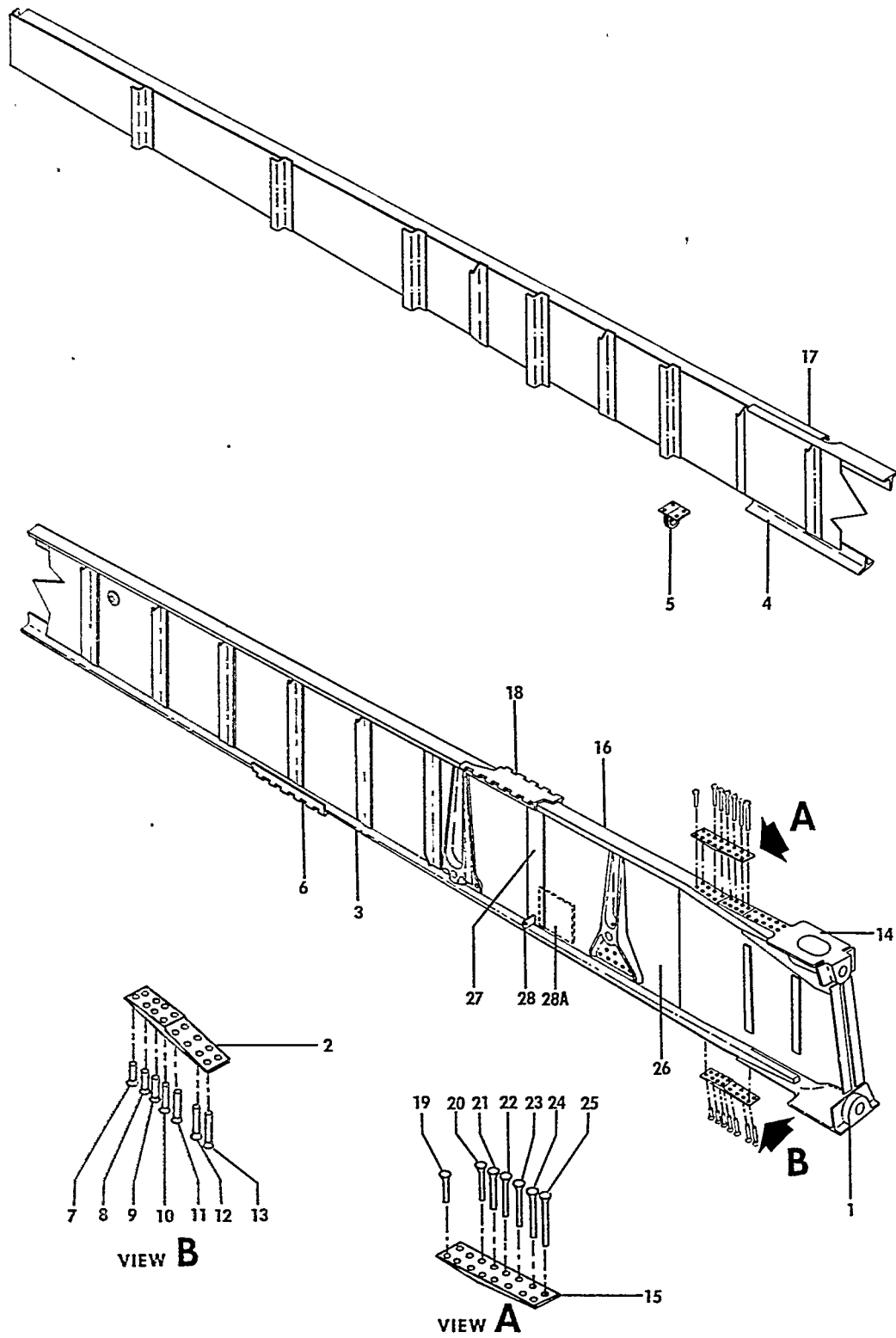
C O D E S O F E F F E C T I V I T Y

- |   |                  |   |   |
|---|------------------|---|---|
| 1 | CD-1304 ONLY     | 2 | CE-477 AND AFTER                                    |
| 3 | CJ-45 AND AFTER  | 4 | CD-1304 ONLY<br>CE-477 AND AFTER<br>CJ-45 AND AFTER |
| 5 | CE-878 AND AFTER | 6 | CJ-156 AND AFTER                                    |

BEECHCRAFT  
BONANZA 33  
ILLUSTRATED PARTS CATALOG

FIGURE 35  
WING FRONT SPAR  
CD-1235 THRU CD-1304, CE-290 THRU CE-476,  
CJ-26 THRU CJ-44

BEECHCRAFT  
 BONANZA 33  
 ILLUSTRATED PARTS CATALOG

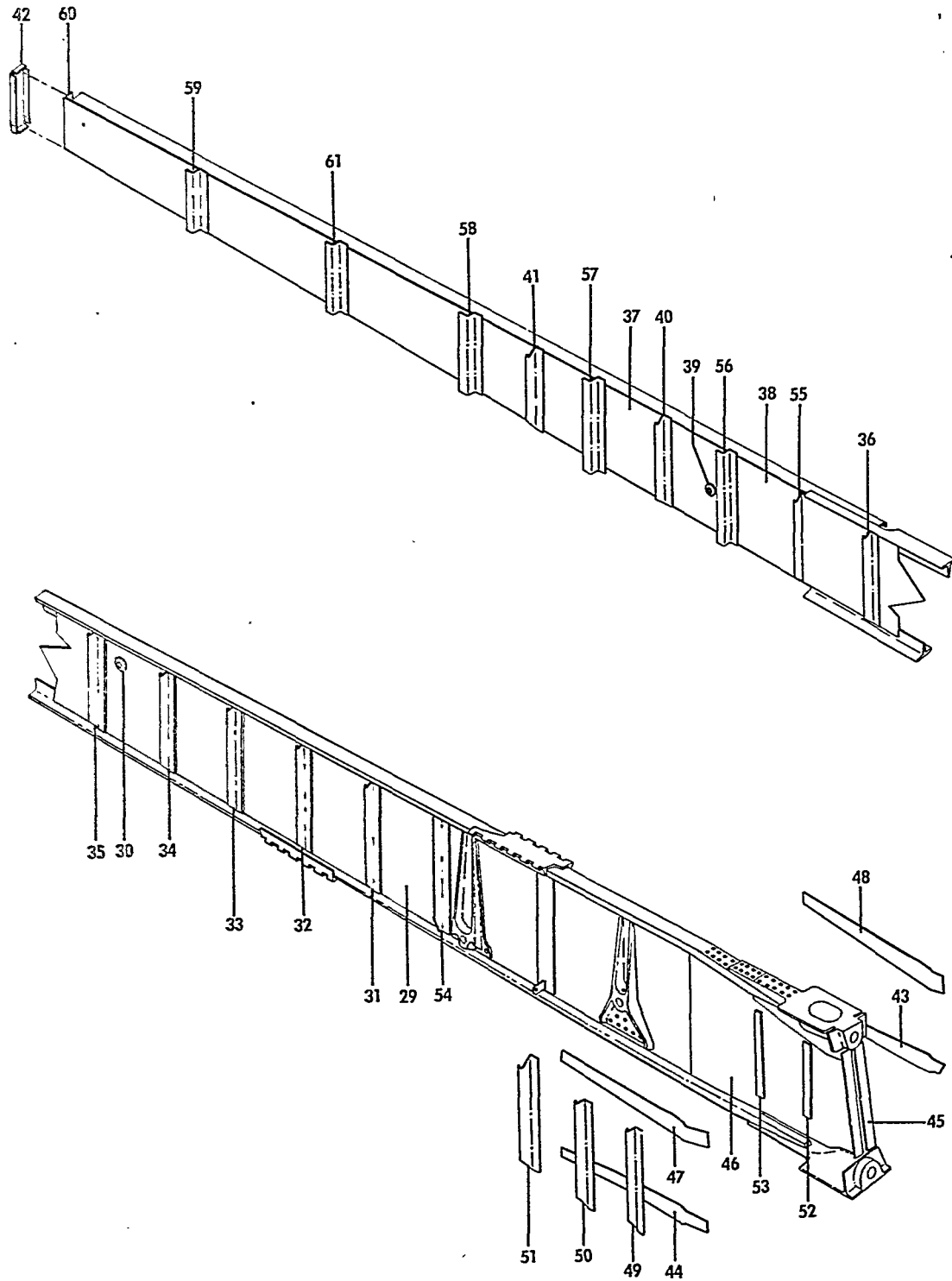


33-35-1

B E E C H C R A F T  
B O N A N Z A 3 3  
I L L U S T R A T E D P A R T S C A T A L O G

FIG. & ITEM NO.	PART NO.	DESCRIPTION	UNITS PER ASSY	USABLE ON CODE
		1 2 3 4 5 6 7		
35	35-110061-1	SPAR ASSY,WING FRONT LH . . . . .	1	1
	35-110061-2	SPAR ASSY,WING FRONT RH . . . . .	1	1
	35-110061-601	. . CAP ASSY,FRONT SPAR LH. . . . .	1	1
	35-110061-602	. . CAP ASSY,FRONT SPAR RH. . . . .	1	1
- 1	35-110064-1	. . ADAPTER,WING ATTACHING FRONT SPAR LOWER LH.	1	1
	35-110064-2	. . ADAPTER,WING ATTACHING FRONT SPAR LOWER RH.	1	1
- 2	50-110003-22	. . FILLER,FRONT SPAR . . . . .	1	1
- 3	35-110061-9	. . TEE,SPAR LH . . . . .	1	1
	35-110061-10	. . TEE,SPAR RH . . . . .	1	1
- 4	35-110061-25	. . CHANNEL,SPAR LH . . . . .	1	1
	35-110061-26	. . CHANNEL,SPAR RH . . . . .	1	1
- 5	35-115232	. . LUG ASSY,TIE DOWN . . . . .	1	1
		/ATTACHING PARTS/		
	NAS221-9	. . SCREW . . . . .	4	
	22A17-02	. . NUTPLATE. . . . .	4	
- 6	35-110061-79	. . CAP,SPAR HINGE LH . . . . .	1	1
	35-110061-80	. . CAP,SPAR HINGE RH . . . . .	1	1
- 7	ASCT509T6-11	. . BOLT,LOCK . . . . .	2	1
- 8	ASCT509T6-12	. . BOLT,LOCK . . . . .	2	1
- 9	ASCT509T6-13	. . BOLT,LOCK . . . . .	2	1
- 10	ASCT509T6-14	. . BOLT,LOCK . . . . .	2	1
- 11	ASCT509T6-15	. . BOLT,LOCK . . . . .	4	1
- 12	ASCT509T6-16	. . BOLT,LOCK . . . . .	8	1
- 13	ASCT509T6-17	. . BOLT,LOCK . . . . .	8	1
	LC-C6	. . COLLAR,LOCK BOLT. . . . .	28	1
	35-110061-603	. . CAP ASSY,FRONT SPAR LH. . . . .	1	1
	35-110061-604	. . CAP ASSY,FRONT SPAR RH. . . . .	1	1
- 14	35-110063-1	. . ADAPTER,WING ATTACHING FRONT SPAR UPPER LH.	1	1
	35-110063-2	. . ADAPTER,WING ATTACHING FRONT SPAR UPPER RH.	1	1
- 15	50-110003-22	. . FILLER,FRONT SPAR . . . . .	1	1
- 16	35-110061-7	. . TEE,SPAR LH . . . . .	1	1
	35-110061-8	. . TEE,SPAR RH . . . . .	1	1
- 17	35-110061-23	. . CHANNEL,SPAR LH . . . . .	1	1
	35-110061-24	. . CHANNEL,SPAR RH . . . . .	1	1
- 18	35-110061-77	. . CAP,SPAR HINGE LH . . . . .	1	1
	35-110061-78	. . CAP,SPAR HINGE RH . . . . .	1	1
- 19	ASCT509T6-14	. . BOLT,LOCK . . . . .	4	1
- 20	ASCT509T6-15	. . BOLT,LOCK . . . . .	2	1
- 21	ASCT509T6-16	. . BOLT,LOCK . . . . .	2	1
- 22	ASCT509T6-17	. . BOLT,LOCK . . . . .	4	1
- 23	ASCT509T6-18	. . BOLT,LOCK . . . . .	6	1
- 24	ASCT509T6-19	. . BOLT,LOCK . . . . .	6	1
- 25	ASCT509T6-20	. . BOLT,LOCK . . . . .	2	1
	LC-C6	. . COLLAR,LOCK BOLT. . . . .	26	1
	35-110061-605	. . WEB ASSY,FRONT SPAR LH. . . . .	1	1
	35-110061-606	. . WEB ASSY,FRONT SPAR RH. . . . .	1	1
- 26	35-110061-15	. . WEB,FRONT SPAR LH . . . . .	1	1
	35-110061-16	. . WEB,FRONT SPAR RH . . . . .	1	1
- 27	35-110061-39	. . STIFFENER,FRONT SPAR WEB. . . . .	1	1
- 28	35-115020-74	. . BRACKET,FRONT SPAR WEB. . . . .	1	1
- 28A	35-110061-81	. . DOUBLER . . . . .	1	1

BEECHCRAFT  
BONANZA 33  
ILLUSTRATED PARTS CATALOG



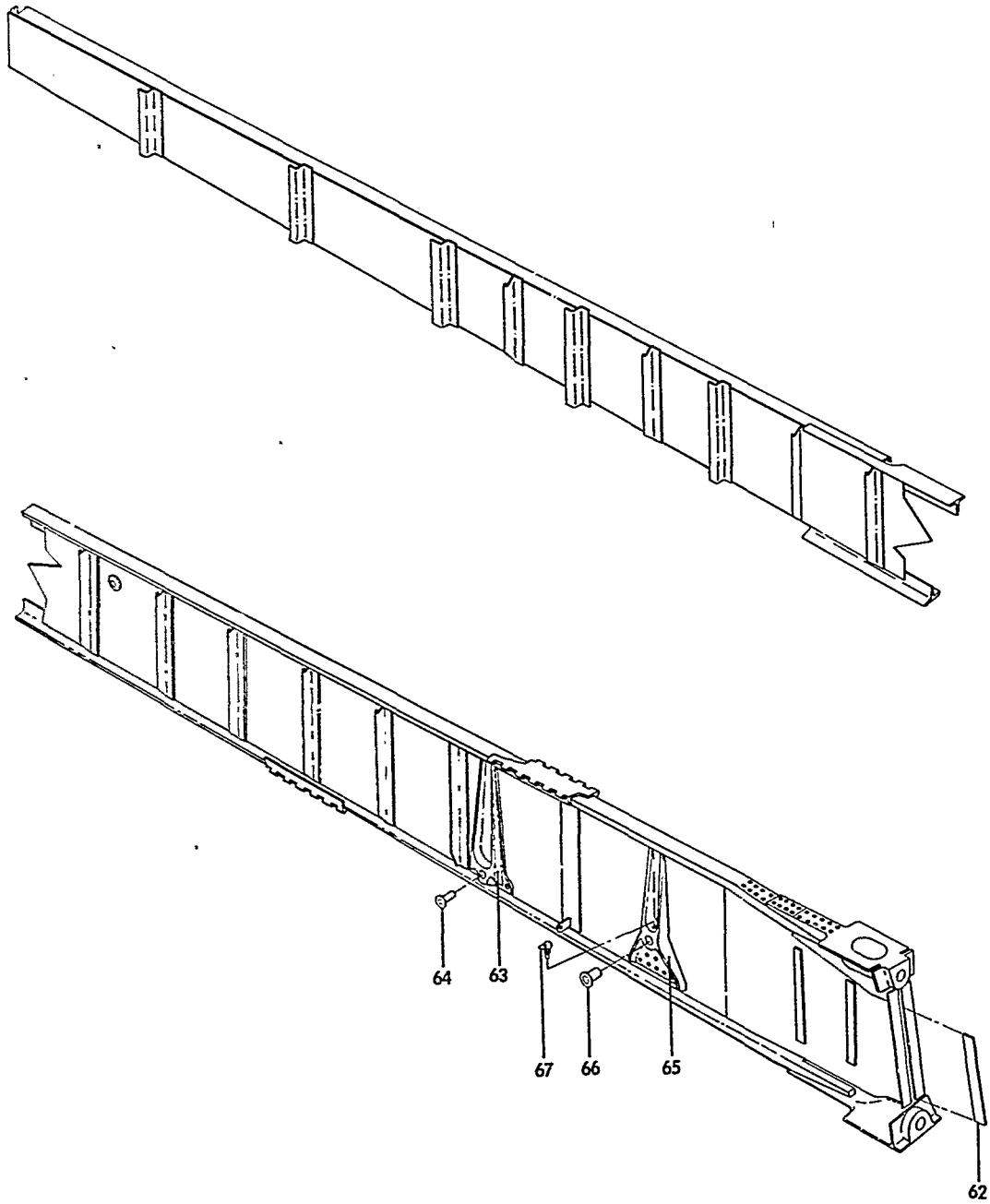
3335-2



B E E C H C R A F T  
B O N A N Z A 3 3  
I L L U S T R A T E D P A R T S C A T A L O G

FIG. & ITEM NO.	PART NO.	DESCRIPTION	UNITS PER ASSY	USABLE ON CODE
		1 2 3 4 5 6 7		
35	35-110061-607	• WEB ASSY,FRONT SPAR LH. . . . .	1	1
	35-110061-608	• WEB ASSY,FRONT SPAR RH. . . . .	1	1
- 29	35-110061-21	• • WEB,FRONT SPAR LH /STA 65 TO 115/ . . . . .	1	1
	35-110061-22	• • WEB,FRONT SPAR RH /STA 65 TO 115/ . . . . .	1	1
- 30	MS35489-6	• • GROMMET,SPAR /STA 99/ . . . . .	1	1
- 31	35-110061-45	• • STIFFENER,SPAR /STA 73/ . . . . .	1	1
- 32	35-110061-47	• • STIFFENER,SPAR /STA 80/ . . . . .	1	1
- 33	35-110061-49	• • STIFFENER,SPAR /STA 87/ . . . . .	1	1
- 34	35-110061-51	• • STIFFENER,SPAR /STA 94/ . . . . .	1	1
- 35	35-110061-53	• • STIFFENER,SPAR /STA 101/ . . . . .	1	1
- 36	35-110061-55	• • STIFFENER,SPAR /STA 108/ . . . . .	1	1
	35-110061-609	• WEB ASSY,FRONT SPAR LH. . . . .	1	1
	35-110061-610	• WEB ASSY,FRONT SPAR RH. . . . .	1	1
- 37	35-110061-27	• • WEB,SPAR . . . . .	1	1
- 38	35-110061-41	• • WEB,SPAR LH . . . . .	1	1
	35-110061-42	• • WEB,SPAR RH . . . . .	1	1
- 39	MS35489-4	• • GROMMET,SPAR /STA 124/ . . . . .	1	1
- 40	35-110061-61	• • STIFFENER,SPAR /STA 129/ . . . . .	1	1
- 41	35-110061-73	• • STIFFENER,SPAR /STA 142/ . . . . .	1	1
	35-110061-611	• STIFFENER ASSY,FRONT SPAR LH. . . . .	1	1
	35-110061-612	• STIFFENER ASSY,FRONT SPAR RH. . . . .	1	1
- 42	35-115020-8	• • STIFFENER,SPAR LH /STA 191/ . . . . .	1	1
	35-115020-9	• • STIFFENER,SPAR RH /STA 191/ . . . . .	1	1
	HIS832BC100X200	• • NUTPLATE . . . . .	8	1
- 43	35-110061-3	• PLATE,SPAR TIE. . . . .	1	1
- 44	35-110061-5	• PLATE,SPAR TIE. . . . .	1	1
- 45	35-110061-11	• ANGLE,SPAR LH . . . . .	1	1
	35-110061-12	• ANGLE,SPAR RH . . . . .	1	1
- 46	35-110061-13	• WEB,SPAR LH . . . . .	1	1
	35-110061-14	• WEB,SPAR RH . . . . .	1	1
- 47	35-110061-17	• PLATE,SPAR TIE. . . . .	1	1
- 48	35-110061-19	• PLATE,SPAR TIE. . . . .	1	1
- 49	35-110061-29	• STIFFENER,SPAR LH /STA 29/ . . . . .	1	1
	35-110061-30	• STIFFENER,SPAR RH /STA 29/ . . . . .	1	1
- 50	35-110061-31	• STIFFENER,SPAR LH /STA 35/ . . . . .	1	1
	35-110061-32	• STIFFENER,SPAR RH /STA 35/ . . . . .	1	1
- 51	35-110061-33	• STIFFENER,SPAR /STA 40/ . . . . .	1	1
- 52	35-110061-35	• SPACER,SPAR /STA 29/ . . . . .	1	1
- 53	35-110061-37	• SPACER,SPAR /STA 35/ . . . . .	1	1
- 54	35-110061-43	• ANGLE,SPAR LH /STA 66/ . . . . .	1	1
	35-110061-44	• ANGLE,SPAR RH /STA 66/ . . . . .	1	1
- 55	35-110061-57	• STIFFENER,SPAR /STA 115/ . . . . .	1	1
- 56	35-110061-59	• STIFFENER,SPAR LH /STA 122/ . . . . .	1	1
	35-110061-60	• STIFFENER,SPAR RH /STA 122/ . . . . .	1	1
- 57	35-110061-71	• STIFFENER,SPAR LH /STA 136/ . . . . .	1	1
	35-110061-72	• STIFFENER,SPAR RH /STA 136/ . . . . .	1	1
- 58	35-110061-75	• STIFFENER,SPAR LH /STA 148/ . . . . .	1	1
	35-110061-76	• STIFFENER,SPAR RH /STA 148/ . . . . .	1	1
- 59	50-110003-80	• STIFFENER,SPAR LH /STA 175/ . . . . .	1	1
	50-110003-81	• STIFFENER,SPAR RH /STA 175/ . . . . .	1	1
- 60	50-110003-84	• ANGLE,SPAR /STA 191/ . . . . .	1	1
- 61	50-110003-76	• STIFFENER,SPAR LH /STA 162/ . . . . .	1	1
	50-110003-77	• STIFFENER,SPAR RH /STA 162/ . . . . .	1	1

BEECHCRAFT  
BOHANZA 33  
ILLUSTRATED PARTS CATALOG



33-35-3

B E E C H C R A F T  
 BONANZA 33  
 I L L U S T R A T E D P A R T S C A T A L O G

FIG. & ITEM NO.	PART NO.	DESCRIPTION	UNITS PER ASSY	USABLE ON CODE
		1 2 3 4 5 6 7		
35 - 62	50-110003-90	. SPACER, SPAR /STA 23/ . . . . .	1	1
	35-110061-63	. FITTING ASSY, SPAR /STA 63/ . . . . . /ATTACHING PARTS/	1	1
	AN3-6A/M/	. BOLT . . . . .	4	
	AN960-10	. WASHER . . . . .	8	
	MS20365-1032	. NUT . . . . .	4	
		+-----+		
- 63	35-110061-65	. . . FITTING, SPAR /STA 63/ . . . . .	1	1
- 64	35-115215	. . BUSHING, SPAR FITTING. . . . .	1	1
	35-110061-67	. FITTING ASSY, SPAR /STA 47/ . . . . . /ATTACHING PARTS/	1	1
	ALPPH-T6-5	. BOLT, HUCK . . . . .	6	
	LC-C6	. COLLAR . . . . .	6	
		+-----+		
- 65	35-110061-69	. . . FITTING, SPAR /STA 47/ . . . . .	1	1
- 66	35-115184	. . BUSHING, SPAR FITTING. . . . .	1	1
- 67	MS15001-3	. . FITTING, GREASE /45 DEGREE/. . . . .	1	1

C O D E S O F E F F E C T I V I T Y

- 1 CD-1235 THRU CD-1304
- CE-290 THRU CE-476
- CJ-26 THRU CJ-44

BEECHCRAFT  
BOONANZA 33  
ILLUSTRATED PARTS CATALOG

FIGURE 35A  
WING FRONT SPAR  
CE-477 AND AFTER, CJ-45 AND AFTER

BEECHCRAFT  
BONANZA 33  
ILLUSTRATED PARTS CATALOG

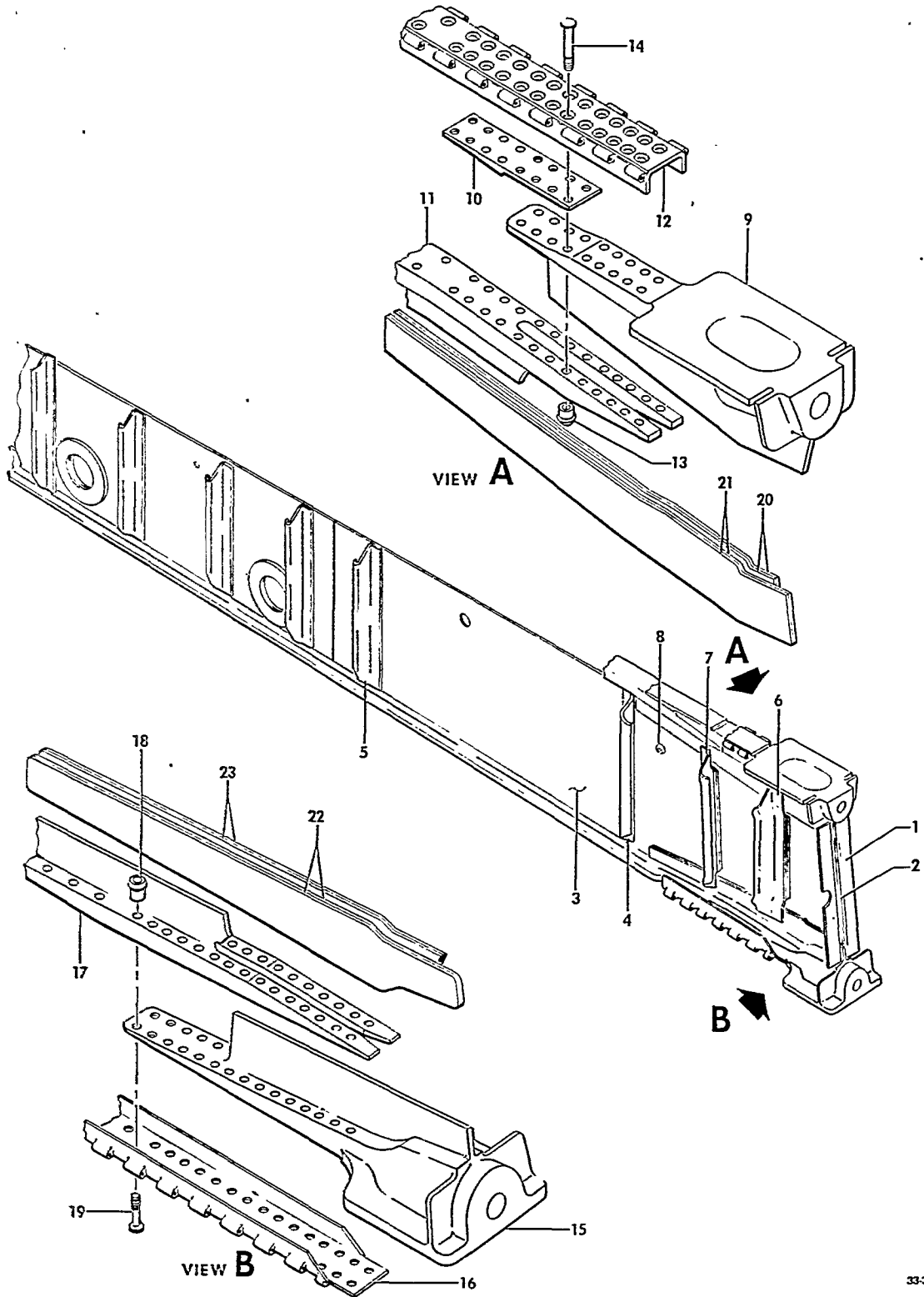
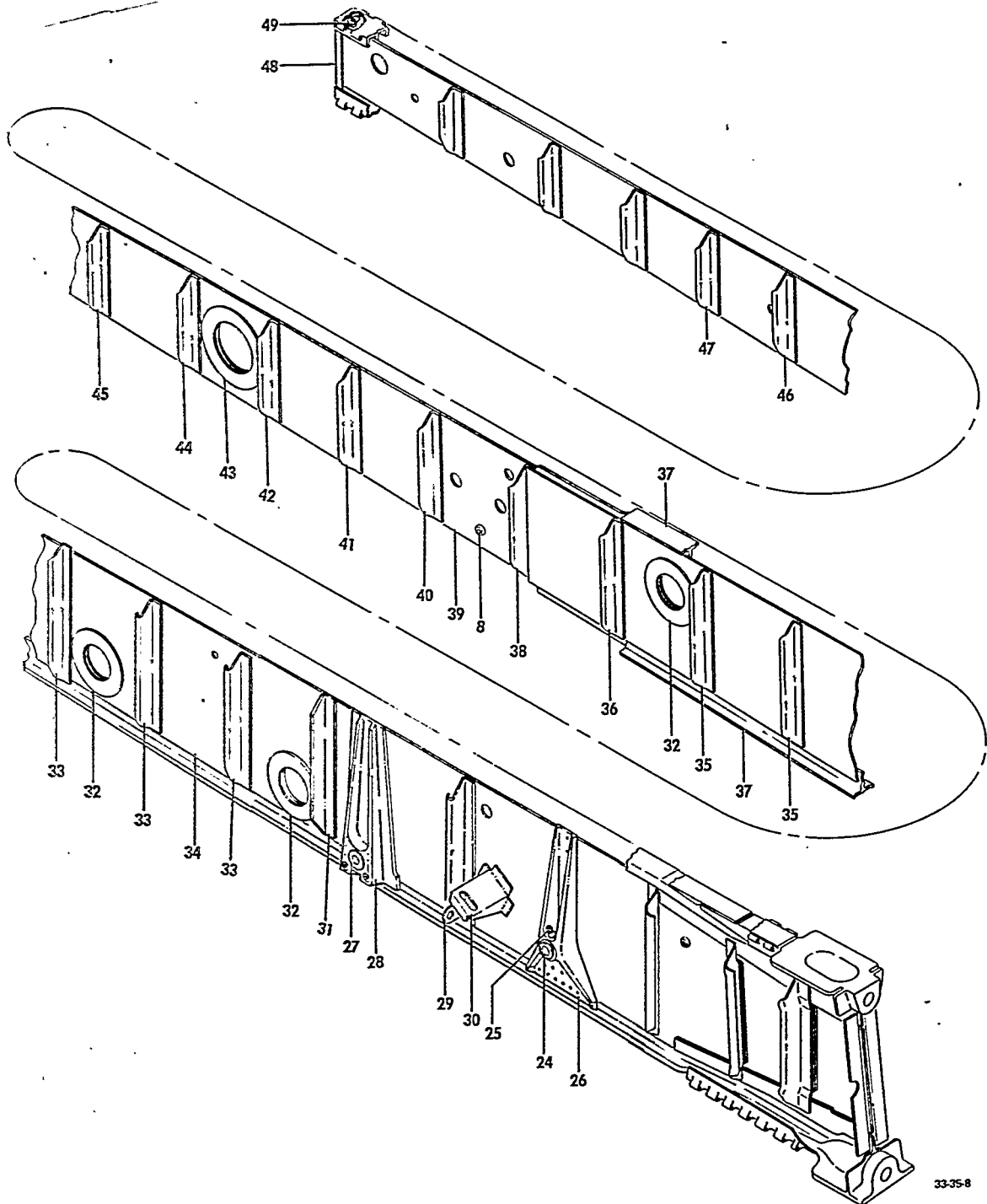


FIGURE 35A. WING FRONT SPAR  
/SHEET 1 OF 2 SHEETS/

B E E C H C R A F T  
B O N A N Z A 3 3  
I L L U S T R A T E D P A R T S C A T A L O G

FIG. & ITEM NO.	PART NO.	1 2 3 4 5 6 7	DESCRIPTION	UNITS PER ASSY	USABLE ON CODE
35A	000-110010-1		FRONT SPAR ASSY,LH WING . . . . .	1	1
	000-110010-2		FRONT SPAR ASSY,RH WING . . . . .	1	1
	000-110010-69		FRONT SPAR ASSY,RH WING/RADAR/. . . . .	1	2
- 1	000-110010-35		. . ANGLE LH. . . . .	1	1
	000-110010-36		. . ANGLE RH. . . . .	1	1
- 2	000-110010-37		. . SPACER. . . . .	1	1
	000-110014-1		. . WEB ASSY,INBD LH. . . . .	1	1
	000-110014-2		. . WEB ASSY,INBD RH. . . . .	1	1
- 3	000-110014-5		. . WEB LH. . . . .	1	1
	000-110014-6		. . WEB RH. . . . .	1	1
- 4	000-110014-7		. . STIFFENER . . . . .	1	1
- 5	000-110014-9		. . STIFFENER . . . . .	1	1
- 6	000-110010-39		. . STIFFENER,LH. . . . .	1	1
	000-110010-40		. . STIFFENER,RH. . . . .	1	1
- 7	000-110010-41		. . STIFFENER . . . . .	1	1
- 8	MS35489-6		. . GROMMET . . . . .	2	1
	000-110013-1		. . CAP ASSY,UPPER LH . . . . .	1	1
	000-110013-2		. . CAP ASSY,UPPER RH . . . . .	1	1
- 9	000-110087-1		. . FITTING,LH. . . . .	1	1
	000-110087-2		. . FITTING,RH. . . . .	1	1
- 10	000-110013-7		. . FILLER. . . . .	1	1
- 11	000-110013-11		. . TEE, LH. . . . .	1	1
	000-110013-12		. . TEE, RH. . . . .	1	1
- 12	000-110013-9		. . HINGE,CAP LH. . . . .	1	1
	000-110013-10		. . HINGE,CAP RH. . . . .	1	1
- 13	NAS1080-06		. . COLLAR . . . . .	26	1
- 14	NAS1486-14		. . LOCK BOLT . . . . .	4	1
	NAS1486-15		. . LOCK BOLT . . . . .	2	1
	NAS1486-16		. . LOCK BOLT . . . . .	2	1
	NAS1486-17		. . LOCK BOLT . . . . .	4	1
	NAS1486-18		. . LOCK BOLT . . . . .	6	1
	NAS1486-19		. . LOCK BOLT . . . . .	6	1
	NAS1486-20		. . LOCK BOLT . . . . .	2	1
	000-110013-3		. . CAP ASSY,LOWER LH . . . . .	1	1
	000-110013-4		. . CAP ASSY,LOWER RH . . . . .	1	1
- 15	000-110088-1		. . FITTING,LH. . . . .	1	1
	000-110088-2		. . FITTING,RH. . . . .	1	1
- 16	000-110013-15		. . HINGE CAP,LH. . . . .	1	1
	000-110013-16		. . HINGE CAP,RH. . . . .	1	1
- 17	000-110013-13		. . TEE, LH. . . . .	1	1
	000-110013-14		. . TEE, RH. . . . .	1	1
- 18	NAS1080-06		. . COLLAR . . . . .	30	1
- 19	NAS1486-11		. . LOCK BOLT . . . . .	2	1
	NAS1486-12		. . LOCK BOLT . . . . .	2	1
	NAS1486-13		. . LOCK BOLT . . . . .	2	1
	NAS1486-14		. . LOCK BOLT . . . . .	2	1
	NAS1486-15		. . LOCK BOLT . . . . .	6	1
	NAS1486-16		. . LOCK BOLT . . . . .	8	1
	NAS1486-17		. . LOCK BOLT . . . . .	8	1
	MS21051-3		. . NUT PLATE . . . . .	4	1
- 20	000-110095-1		. . TIE PLATE . . . . .	1	1
- 21	000-110095-3		. . TIE PLATE . . . . .	1	1
- 22	000-110024-1		. . TIE PLATE . . . . .	1	1
- 23	000-110024-3		. . TIE PLATE . . . . .	1	1

BEECHCRAFT  
BOJANZA 33  
ILLUSTRATED PARTS CATALOG



33-35-8

FIGURE 35A. WING FRONT SPAR  
/SHEET 2 OF 2 SHEETS/

B E E C H C R A F T  
B O N A N Z A 3 3  
I L L U S T R A T E D P A R T S C A T A L O G

FIG. & ITEM NO.	PART NO.	DESCRIPTION	UNITS PER ASSY							USABLE ON CODE
			1	2	3	4	5	6	7	
35A	000-110022-1	• PLATE ASSY, LANDING GEAR INBD ATTACH . . . . . /ATTACHING PARTS/							1	1
	NAS1080-06	• COLLAR . . . . .							3	
	NAS1466-06	• LOCK BOLT . . . . .							3	
- 24	35-115184	• BUSHING . . . . .							1	1
- 25	MS15001-3	• FITTING, GREASE . . . . .							1	1
- 26	000-110022-3	• PLATE . . . . .							1	1
	000-110023-1	• PLATE ASSY, LANDING GEAR OUTBD ATTACH . . . . . /ATTACHING PARTS/							1	1
	HL18PB6-5	• PIN, TAPER . . . . .							4	
	L30909N31	• NUT . . . . .							4	
- 27	35-115215	• BUSHING . . . . .							1	1
- 28	000-110023-3	• PLATE . . . . .							1	1
- 29	000-110010-49	• BRACKET . . . . .							1	1
- 30	000-361011-1	• BRACKET, LH. . . . .							1	1
	000-361011-2	• BRACKET, RH. . . . .							1	1
	000-361012-1	• ACTUATOR TAB, MAIN GEAR LIGHT SWITCH . . . . .							1	1
	000-361012-2	• ACTUATOR TAB, MAIN GEAR LIGHT SWITCH . . . . .							1	1
- 31	000-110010-43	• ANGLE . . . . .							1	1
	000-110010-3	• WEB ASSY, OUTBD WING LH. . . . .							1	1
	000-110010-4	• WEB ASSY, OUTBD WING RH. . . . .							1	1
- 32	000-110010-51	• REINFORCEMENT RING. . . . .							3	1
- 33	000-110010-7	• STIFFENER . . . . .							3	1
- 34	000-110010-5	• WEB . . . . .							1	1
- 35	000-110010-9	• STIFFENER . . . . .							2	1
- 36	000-110010-11	• STIFFENER . . . . .							1	1
- 37	000-110010-53	• REINFORCEMENT . . . . .							2	1
- 38	000-110010-45	• STIFFENER . . . . .							1	1
	000-110010-13	• WEB ASSY, OUTBD/LH/. . . . .							1	1
	000-110010-14	• WEB ASSY, OUTBD/RH/. . . . .							1	1
	000-110010-75	• WEB ASSY, OUTBD/RH/RADAR/. . . . .							1	2
- 39	000-110010-15	• WEB . . . . .							1	1
	000-110010-71	• WEB/RADAR/. . . . .							1	2
- 40	000-110010-17	• STIFFENER . . . . .							1	1
- 41	000-110010-19	• STIFFENER . . . . .							1	1
- 42	000-110010-21	• STIFFENER . . . . .							1	1
- 43	000-110010-79	• REINFORCEMENT RING/H/O RADAR/. . . . .							1	1
- 44	000-110010-23	• STIFFENER . . . . .							1	1
- 45	000-110010-25	• STIFFENER/H/O/RADAR/. . . . .							1	1
- 46	000-110010-27	• STIFFENER . . . . .							1	1
- 47	000-110010-29	• STIFFENER . . . . .							1	1
	000-110010-73	• DOUBLER/RADAR/. . . . .							1	2
	000-110010-77	• DOUBLER/RADAR/. . . . .							1	2
	MS35489-21	• GROMMET/RADAR/. . . . .							1	2
- 48	000-110028-1	• STIFFENER LH. . . . .							1	1
	000-110028-2	• STIFFENER RH. . . . .							1	1
- 49	MS21048L08	• NUTPLATE . . . . .							2	1

C O D E S O F E F F E C T I V I T Y

1 CE-477 AND AFTER      2 CE-878 AND AFTER  
CJ-45 AND AFTER



BEECHCRAFT  
BONANZA 33  
ILLUSTRATED PARTS CATALOG

FIGURE 36  
WING BOX SECTION

BEECHCRAFT  
 BONANZA 33  
 ILLUSTRATED PARTS CATALOG

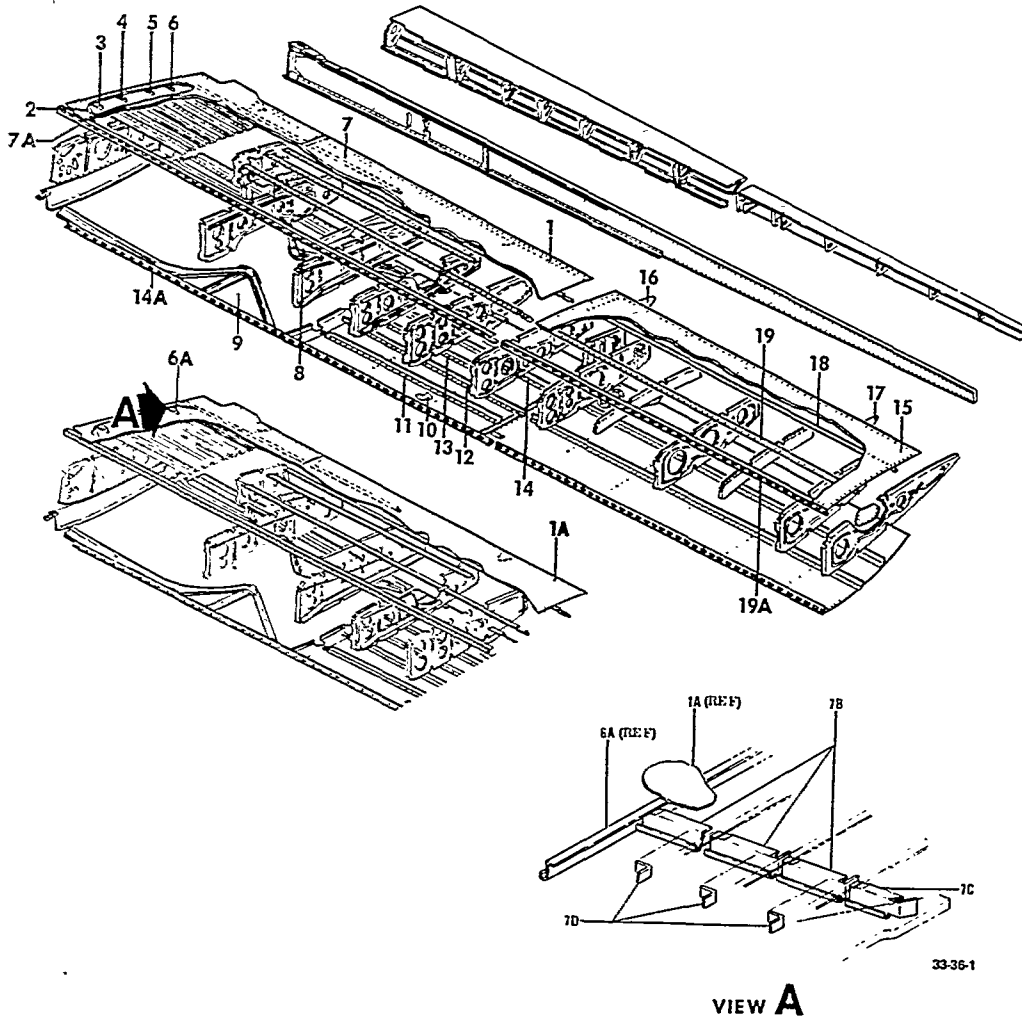
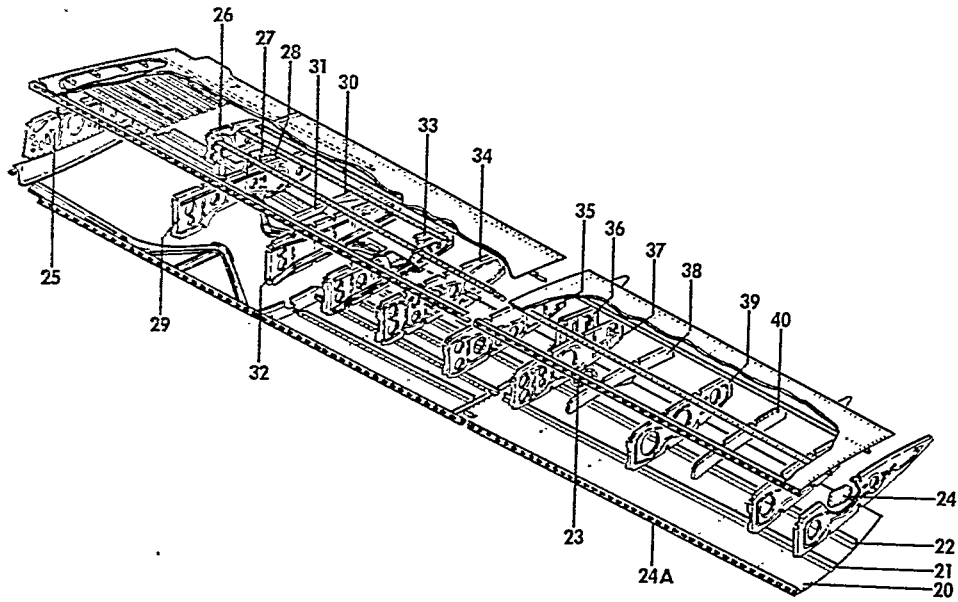


FIGURE 36. WING BOX SECTION  
 /SHEET 1 OF 4 SHEETS/

B E E C H C R A F T  
B O N A N Z A 3 3  
I L L U S T R A T E D P A R T S C A T A L O G

FIG. & ITEM NO.	PART NO.	DESCRIPTION	UNITS PER ASSY	USABLE ON CODE
		1 2 3 4 5 6 7		
36	35-115301-50	BOX SECTION ASSY,LH /LESS SPAR & LEADING EDGE/.	1	1
	35-115301-98	BOX SECTION ASSY,LH/REMOTE COMPASS/ . . . . .	1	1
	35-115301-80	BOX SECTION ASSY,LH /LESS SPAR & LEADING EDGE/.	1	2
	35-115301-51	BOX SECTION ASSY,RH /LESS SPAR & LEADING EDGE/.	1	
	35-115301-201	BOX SECTION ASSY,RH/RADAR/ . . . . .	1	7
	35-115142-114	. SKIN ASSY,UPPER INBD LH /STA 23 TO 108/ . . . . .	1	1
	35-115142-118S	. SKIN ASSY,UPPER INBD LH /STA 23 TO 108/ . . . . .	1	2
	35-115142-115	. SKIN ASSY,UPPER INBD RH /STA 23 TO 108/ . . . . .	1	
- 1	35-115142-52	. SKIN,LH . . . . .	1	1
- 1A	35-115142-132	. SKIN,LH . . . . .	1	2
	35-115142-55	. SKIN,RH . . . . .	1	
- 2	35-110062-1	. GUSSET . . . . .	1	
- 3	35-115142-60	. STRINGER,LH . . . . .	1	
	35-115142-63	. STRINGER,RH . . . . .	1	
- 4	35-115142-18	. STRINGER,LH . . . . .	1	
	35-115142-21	. STRINGER,RH . . . . .	1	
- 5	35-115142-70	. STRINGER,LH . . . . .	1	1
	35-115142-138	. STRINGER,LH . . . . .	1	2
	35-115142-73	. STRINGER,RH . . . . .	1	
- 6	35-115142-10	. STRINGER,LH . . . . .	1	1
- 6A	35-115142-122	. STRINGER,LH . . . . .	1	2
	35-115142-13	. STRINGER,RH . . . . .	1	
- 7	35-115142-6	. STRINGER,LH . . . . .	1	
	35-115142-9	. STRINGER,RH . . . . .	1	
- 7A	35-115142-110	. HINGE,LH . . . . .	1	
- 7B	35-115142-124	. STIFFENER,LH . . . . .	1	2
- 7C	35-115142-130	. STIFFENER,LH . . . . .	1	2
- 7D	35-108424-4	. CLIP . . . . .	1	2
	35-115142-113	. HINGE,RH . . . . .	1	
	35-115200-104	. SKIN ASSY,LOWER INBD LH /STA 23 TO 108/ . . . . .	1	
	35-115200-105	. SKIN ASSY,LOWER INBD RH /STA 23 TO 108/ . . . . .	1	
- 8	35-115200-106	. SKIN,LH . . . . .	1	
	35-115200-107	. SKIN,RH . . . . .	1	
- 9	35-115200-118	. SKIN ASSY,LH . . . . .	1	
	35-115200-119	. SKIN ASSY,RH . . . . .	1	
	35-115200-116	. SKIN,LH . . . . .	1	
	35-115200-117	. SKIN,RH . . . . .	1	
	35-115200-92	. GUSSET,INBD LH . . . . .	1	
	35-115200-11	. GUSSET,INBD RH . . . . .	1	
	35-115200-30	. STRINGER,LH . . . . .	1	
	35-115200-31	. STRINGER,RH . . . . .	1	
- 10	35-115200-663	. SKIN ASSY,LH . . . . .	1	
	35-115200-613	. SKIN ASSY,LH . . . . .	1	
	35-115200-664	. SKIN ASSY,RH . . . . .	1	
	35-115200-614	. SKIN ASSY,RH . . . . .	1	
- 11	35-115200-38	. STRINGER,LH . . . . .	1	
	35-115200-39	. STRINGER,RH . . . . .	1	
- 12	35-115200-36	. STRINGER,LH . . . . .	1	
	35-115200-37	. STRINGER,RH . . . . .	1	
- 13	35-115200-70	. STRINGER,LH . . . . .	1	
	35-115200-71	. STRINGER,RH . . . . .	1	
- 14	35-115200-76	. STRINGER,LH . . . . .	1	
	35-115200-77	. STRINGER,RH . . . . .	1	
- 14A	35-115200-90	. HINGE,LH . . . . .	1	
	35-115200-91	. HINGE,RH . . . . .	1	
	35-115137-20	. SKIN ASSY,UPPER OUTBD LH /STA 108 TO 191/ . . . . .	1	
	35-115137-21	. SKIN ASSY,UPPER OUTBD RH /STA 108 TO 191/ . . . . .	1	
- 15	35-115137-22	. SKIN,LH . . . . .	1	
	35-115137-23	. SKIN,RH . . . . .	1	
- 16	35-115137-8	. GUSSET,INBD LH . . . . .	1	
	35-115137-9	. GUSSET,INBD RH . . . . .	1	
- 17	35-115137-6	. GUSSET,OUTBD LH . . . . .	1	
	35-115137-7	. GUSSET,OUTBD RH . . . . .	1	
- 18	35-115137-10	. STRINGER,LH . . . . .	1	
	35-115137-11	. STRINGER,RH . . . . .	1	
- 19	35-115137-12	. STRINGER,LH . . . . .	1	
	35-115137-13	. STRINGER,RH . . . . .	1	
- 19A	35-115137-14	. HINGE,LH . . . . .	1	
	35-115137-15	. HINGE,RH . . . . .	1	

BEECHCRAFT  
BONANZA 33  
ILLUSTRATED PARTS CATALOG

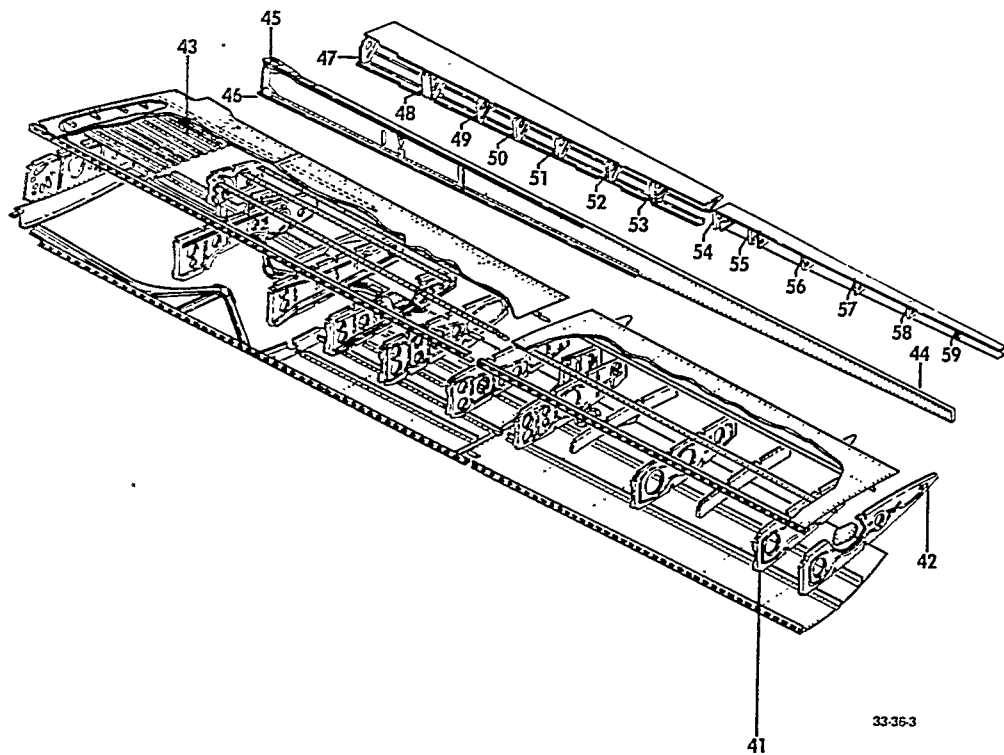


33-362

B E E C H C R A F T  
B O N A N Z A 3 3  
I L L U S T R A T E D P A R T S C A T A L O G

FIG. & ITEM NO.	PART NO.	DESCRIPTION	UNITS PER ASSY	USABLE ON CODE
		1 2 3 4 5 6 7		
36	35-115199-28	. SKIN ASSY,LOWER OUTBD LH /STA 108 TO 191/ . . . . .	1	
	35-115199-29	. SKIN ASSY,LOWER OUTBD RH /STA 108 TO 191/ . . . . .	1	
	35-115199-35	. SKIN ASSY,LOWER OUTBD/RH/RADAR/ . . . . .	1	7
- 20	35-115199-26	. . SKIN,LH . . . . .	1	
	35-115199-27	. . SKIN,RH . . . . .	1	
	35-115199-37	. . SKIN,RH/RADAR/. . . . .	1	7
	000-110105-75	. . DOOR,ACCESS . . . . .	1	7
	000-110105-77	. . DOUBLER . . . . .	1	7
- 21	35-115199-4	. . STRINGER,LH . . . . .	1	
	35-115199-5	. . STRINGER,RH . . . . .	1	
- 22	35-115199-6	. . STRINGER,LH . . . . .	1	
	35-115199-7	. . STRINGER,RH . . . . .	1	
- 23	35-115199-8	. . REINFORCEMENT ASSY,LH . . . . .	1	
	35-115199-9	. . REINFORCEMENT ASSY,RH . . . . .	1	
- 24	35-115199-14	. . GUSSET,LH . . . . .	1	
	35-115199-15	. . GUSSET,RH . . . . .	1	
- 24A	35-115199-16	. . HINGE,LH . . . . .	1	
	35-115199-17	. . HINGE,RH . . . . .	1	
- 25	35-115070-602	. RIB ASSY,LH /STA 23.881/. . . . .	1	3
	35-115070-604	. RIB ASSY,LH /STA 23.881/. . . . .	1	4
	35-115130-604	. RIB ASSY,RH /STA 23.881/. . . . .	1	3
	35-115130-606	. RIB ASSY,RH /STA 23.881/. . . . .	1	4
- 26	35-115079-604	. RIB ASSY,LH /STA 34.375/. . . . .	1	
R	35-115110-8	. RIB ASSY,RH /STA 34.375/. . . . .	1	
- 27	35-115247	. SUPPORT ASSY,FLAP ACTUATOR LH . . . . .	1	
R	35-115242-10	. SUPPORT ASSY,FLAP ACTUATOR RH . . . . .	1	
- 28	35-115246	. SUPPORT ASSY,FLAP ACTUATOR LH . . . . .	1	
R	35-115241-12	. SUPPORT ASSY,FLAP ACTUATOR RH . . . . .	1	
- 29	35-115303-652	. RIB ASSY,LH /STA 45/. . . . .	1	
	35-115304-602	. RIB ASSY,RH /STA 45/. . . . .	1	
- 30	35-115274	. FORMER,LH /STA 59/. . . . .	1	
	35-115274-1	. FORMER,RH /STA 59/. . . . .	1	
- 31	35-115275-2	. FORMER,LH /STA 59/. . . . .	1	
	35-115275-3	. FORMER,RH /STA 59/. . . . .	1	
- 32	35-115051-606	. RIB ASSY,LH /STA 66/. . . . .	1	
	35-115051-607	. RIB ASSY,RH /STA 66/. . . . .	1	
	35-115051-63	. RIB ASSY,RH/RADAR/. . . . .	1	7
- 33	35-115042-603	. RIB ASSY,LH /STA 80.047/. . . . .	1	
	35-115042-604	. RIB ASSY,RH /STA 80.047/. . . . .	1	
- 34	35-115041	. RIB ASSY,LH /STA 94.094/. . . . .	1	
	35-115041-1	. RIB ASSY,RH /STA 94.094/. . . . .	1	
- 35	45-115044	. RIB ASSY,LH /STA 108.281/ . . . . .	1	
	45-115044-1	. RIB ASSY,RH /STA 108.281/ . . . . .	1	
- 36	35-115253	. BRACKET ASSY,AILERON CONTROL LH . . . . .	1	
	35-115253-1	. BRACKET ASSY,AILERON CONTROL RH . . . . .	1	
- 37	35-115045-602	. RIB ASSY,LH /STA 122.750/ . . . . .	1	
	35-115045-603	. RIB ASSY,RH /STA 122.750/ . . . . .	1	
- 38	35-115272	. FORMER,LH UPPER /STA 136.188/ . . . . .	1	
	35-115272-1	. FORMER,RH UPPER /STA 136.188/ . . . . .	1	
	45-115072	. FORMER,LH LOWER /STA 136.188/ . . . . .	1	
	45-115072-1	. FORMER,RH LOWER /STA 136.188/ . . . . .	1	
- 39	35-115033-612	. RIB ASSY,LH /STA 148.875/ . . . . .	1	
	35-115033-613	. RIB ASSY,RH /STA 148.875/ . . . . .	1	
- 40	35-115273	. FORMER,LH UPPER /STA 162.563/ . . . . .	1	
	35-115273-1	. FORMER,RH UPPER /STA 162.563/ . . . . .	1	
	45-115060	. FORMER,LH LOWER /STA 162.563/ . . . . .	1	
	45-115060-1	. FORMER,RH LOWER /STA 162.563/ . . . . .	1	

BEECHCRAFT  
BONANZA 33  
ILLUSTRATED PARTS CATALOG

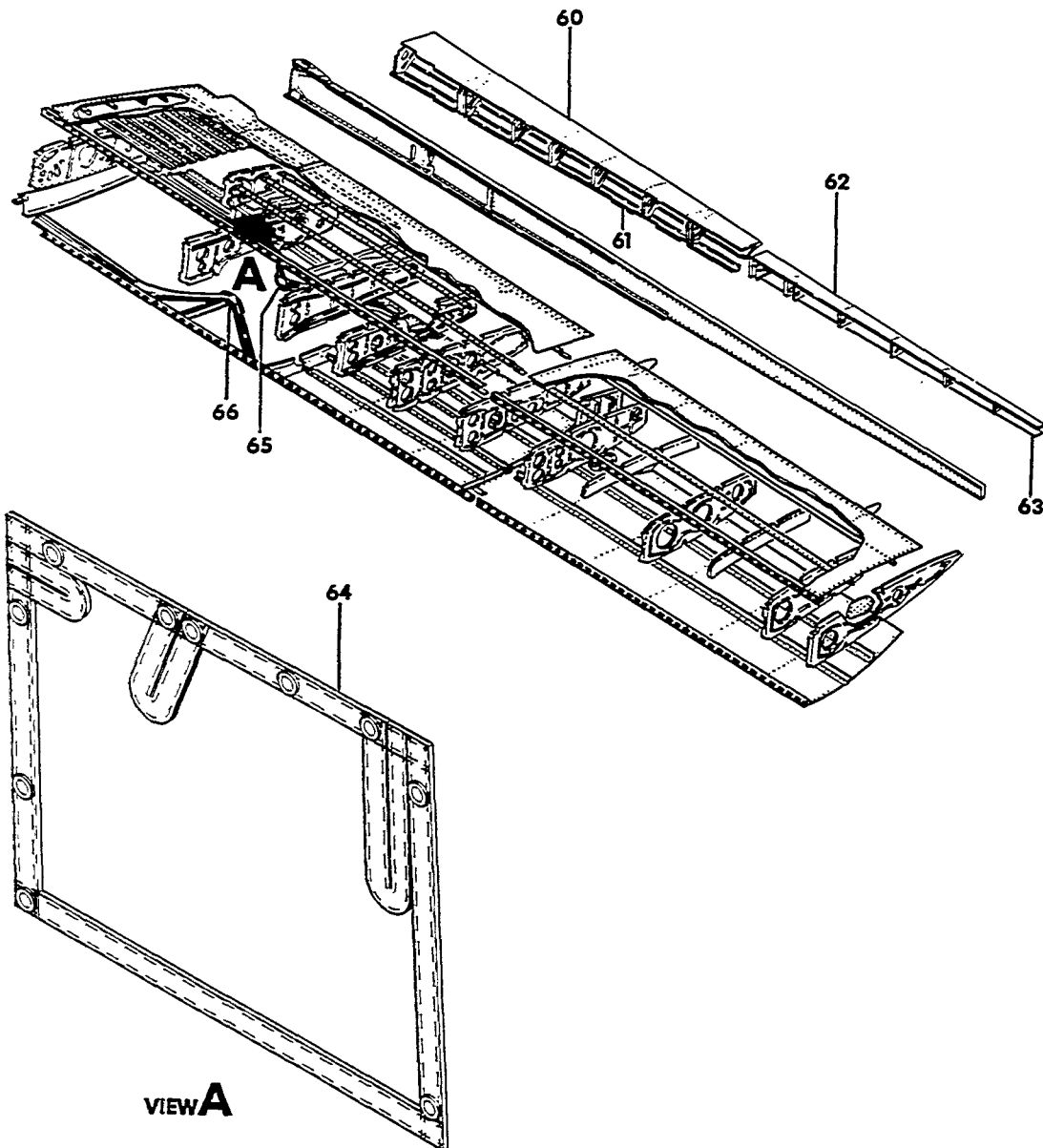


33-36-3

B E E C H C R A F T  
B O N A N Z A 3 3  
I L L U S T R A T E D P A R T S C A T A L O G

FIG. & ITEM NO.	-PART NO.	DESCRIPTION							UNITS PER ASSY	USABLE ON CODE
		1	2	3	4	5	6	7		
36 - 41	35-115032-602	.	RIB ASSY,LH /STA 175.281/	.	.	.	.	.	1	
	35-115032-603	.	RIB ASSY,RH /STA 175.281/	.	.	.	.	.	1	
- 42	35-115031	.	RIB ASSY,LH /STA 191/	.	.	.	.	.	1	
	35-115031-20	.	RIB ASSY,LH/REMOTE COMPASS/	.	.	.	.	.	1	1
	35-115031-1	.	RIB ASSY,RH /STA 191/	.	.	.	.	.	1	
- 43	96-110019-1	.	WALKWAY ASSY /RH ONLY/	.	.	.	.	.	1	
R	35-115301-630	.	REAR SPAR & TRAILING EDGE ASSY,LH	.	.	.	.	.	1	5
R	35-115301-641	.	REAR SPAR & TRAILING EDGE ASSY,LH	.	.	.	.	.	1	6
R	35-115301-631	.	REAR SPAR & TRAILING EDGE ASSY,RH	.	.	.	.	.	1	5
R	35-115301-642	.	REAR SPAR & TRAILING EDGE ASSY,RH	.	.	.	.	.	1	6
- 44	35-115050-604	.	SPAR ASSY,REAR LH /SEE FIG.37/	.	.	.	.	.	1	
	35-115050-605	.	SPAR ASSY,REAR RH /SEE FIG.37/	.	.	.	.	.	1	
- 45	35-115059-601	.	FITTING,UPPER SPAR LH	.	.	.	.	.	1	
R	35-115059-602	.	FITTING,UPPER SPAR RH	.	.	.	.	.	1	
- 46	35-115058	.	FITTING,LOWER SPAR LH	.	.	.	.	.	1	
	35-115058-1	.	FITTING,LOWER SPAR RH	.	.	.	.	.	1	
- 47	35-115096	.	RIB ASSY,LH /STA 23.881/	.	.	.	.	.	1	
R	35-115131-6	.	RIB ASSY,RH /STA 23.881/	.	.	.	.	.	1	
- 48	35-115301-601	.	BRACKET ASSY,INBD FLAP LH	.	.	.	.	.	1	
	35-115301-602	.	BRACKET ASSY,INBD FLAP RH	.	.	.	.	.	1	
- 49	35-115121-10	.	RIB ASSY,LH /STA 45/	.	.	.	.	.	1	
	35-115106-602	.	RIB ASSY,RH /STA 45/	.	.	.	.	.	1	
- 50	35-115122-6	.	RIB,LH /STA 55/	.	.	.	.	.	1	
	35-115122-7	.	RIB,RH /STA 55/	.	.	.	.	.	1	
- 51	35-115123-4	.	RIB,LH /STA 66/	.	.	.	.	.	1	
	35-115123-5	.	RIB,RH /STA 66/	.	.	.	.	.	1	
- 52	35-115124-4	.	RIB ASSY,LH /STA 80.047/	.	.	.	.	.	1	
	35-115124-5	.	RIB ASSY,RH /STA 80.047/	.	.	.	.	.	1	
- 53	35-115301-603	.	BRACKET ASSY,OUTBD FLAP LH	.	.	.	.	.	1	
	35-115301-604	.	BRACKET ASSY,OUTBD FLAP RH	.	.	.	.	.	1	
- 54 R	35-115078-10	.	RIB ASSY,LH	.	.	.	.	.	1	
R	35-115078-11	.	RIB ASSY,RH	.	.	.	.	.	1	
- 55	35-115160	.	BRACKET ASSY,AILERON INBD LH	.	.	.	.	.	1	
	35-115160-1	.	BRACKET ASSY,AILERON INBD RH	.	.	.	.	.	1	
	35-115147	.	FITTING ASSY,AILERON HINGE INBD	.	.	.	.	.	1	
	NAS505-3J	.	BEARING,NEEDLE	.	.	.	.	.	1	
- 56	35-115047	.	RIB,LH /STA 136.188/	.	.	.	.	.	1	
	35-115047-1	.	RIB,RH /STA 136.188/	.	.	.	.	.	1	
- 57	35-115048	.	RIB,LH /STA 148.875/	.	.	.	.	.	1	
	35-115048-1	.	RIB,RH /STA 148.875/	.	.	.	.	.	1	
- 58	35-115049	.	RIB,LH /STA 162.563/	.	.	.	.	.	1	
	35-115049-1	.	RIB,RH /STA 162.563/	.	.	.	.	.	1	
- 59	35-115071	.	BRACKET ASSY,AILERON OUTBD LH	.	.	.	.	.	1	
	35-115071-1	.	BRACKET ASSY,AILERON OUTBD RH	.	.	.	.	.	1	
	35-115071-12	.	FITTING ASSY,AILERON HINGE OUTBD	.	.	.	.	.	1	
	NAS505-3J	.	BEARING,NEEDLE	.	.	.	.	.	1	

BEECHCRAFT  
BONANZA 33  
ILLUSTRATED PARTS CATALOG



C96CE57A2973



B E E C H C R A F T  
B O N A N Z A 3 3  
I L L U S T R A T E D P A R T S C A T A L O G

FIG. & ITEM NO.	PART NO.	DESCRIPTION							UNITS PER ASSY	USABLE ON CODE
		1	2	3	4	5	6	7		
36 - 60	35-115194-26	.	.	.	.	.	.	.	1	5
	35-115194-44	.	.	.	.	.	.	.	1	6
	35-115194-35	.	.	.	.	.	.	.	1	
- 61	35-115265	.	.	.	.	.	.	.	1	
	35-115265-1	.	.	.	.	.	.	.	1	
- 62	35-115137-18	.	.	.	.	.	.	.	1	
	35-115137-19	.	.	.	.	.	.	.	1	
- 63	35-115199-24	.	.	.	.	.	.	.	1	
	35-115199-25	.	.	.	.	.	.	.	1	
- 64	R 35-115264	.	.	.	.	.	.	.	1	8
	R 35-115256	.	.	.	.	.	.	.	1	9
- 65	R 35-115205	.	.	.	.	.	.	.	1	8
	R 35-115205-1	.	.	.	.	.	.	.	1	9
- 66	R 35-115203	.	.	.	.	.	.	.	1	8
	R 35-115203-1	.	.	.	.	.	.	.	1	9
	35-115301-44	.	.	.	.	.	.	.	1	

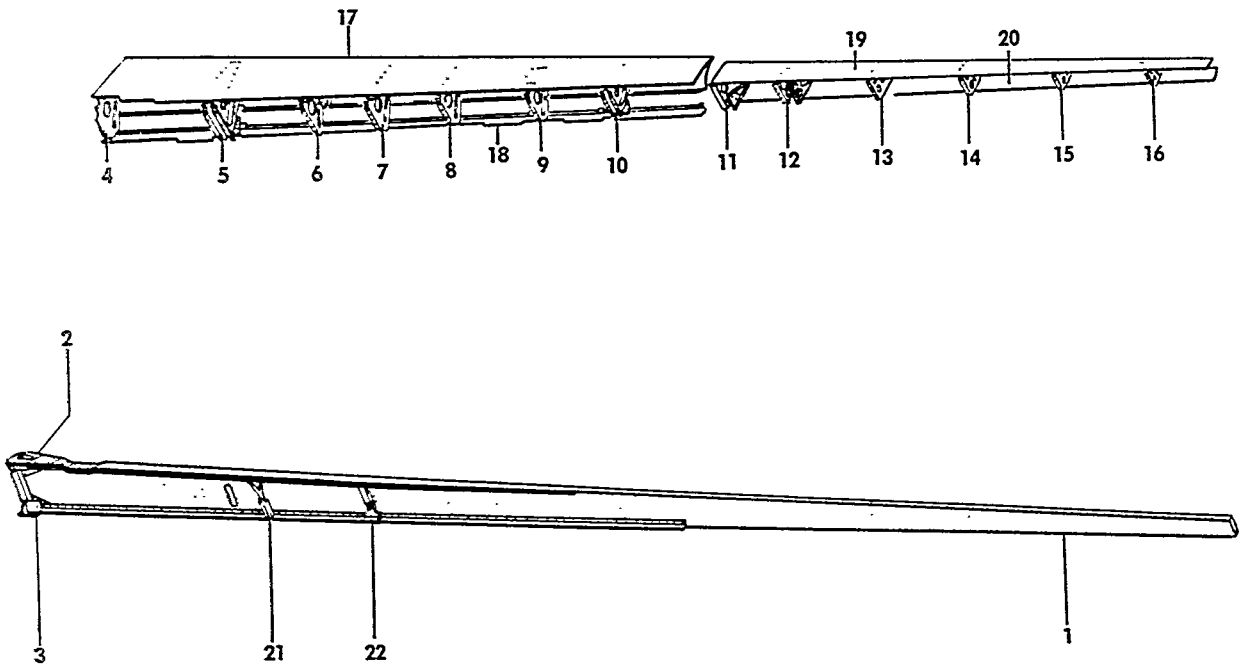
C O D E S O F E F F E C T I V I T Y

1	CD-1235 THRU CD-1304	2	CJ-26 AND AFTER
	CE-290 AND AFTER		
3	CD-1235 THRU CD-1304	4	CE-485 AND AFTER
	CE-290 THRU CE-484		CJ-40 AND AFTER
	CJ-26 THRU CJ-39		
5	CD-1235 THRU CD-1304	6	CE-816 AND AFTER
	CE-290 THRU CE-815		CJ-150 AND AFTER
	CJ-26 THRU CJ-149		
7	CE-878 AND AFTER	8	CE-290 THRU CE-1793
			CJ-26 THRU CJ-179
9	CE-1794 AND AFTER		
	CJ-180 AND AFTER		

BEECHCRAFT  
BONANZA 33  
ILLUSTRATED PARTS CATALOG

FIGURE 37  
WING REAR SPAR AND TRAILING EDGE  
CE-290 AND AFTER  
CJ-26 AND AFTER

BEECHCRAFT  
BONANZA 33  
ILLUSTRATED PARTS CATALOG

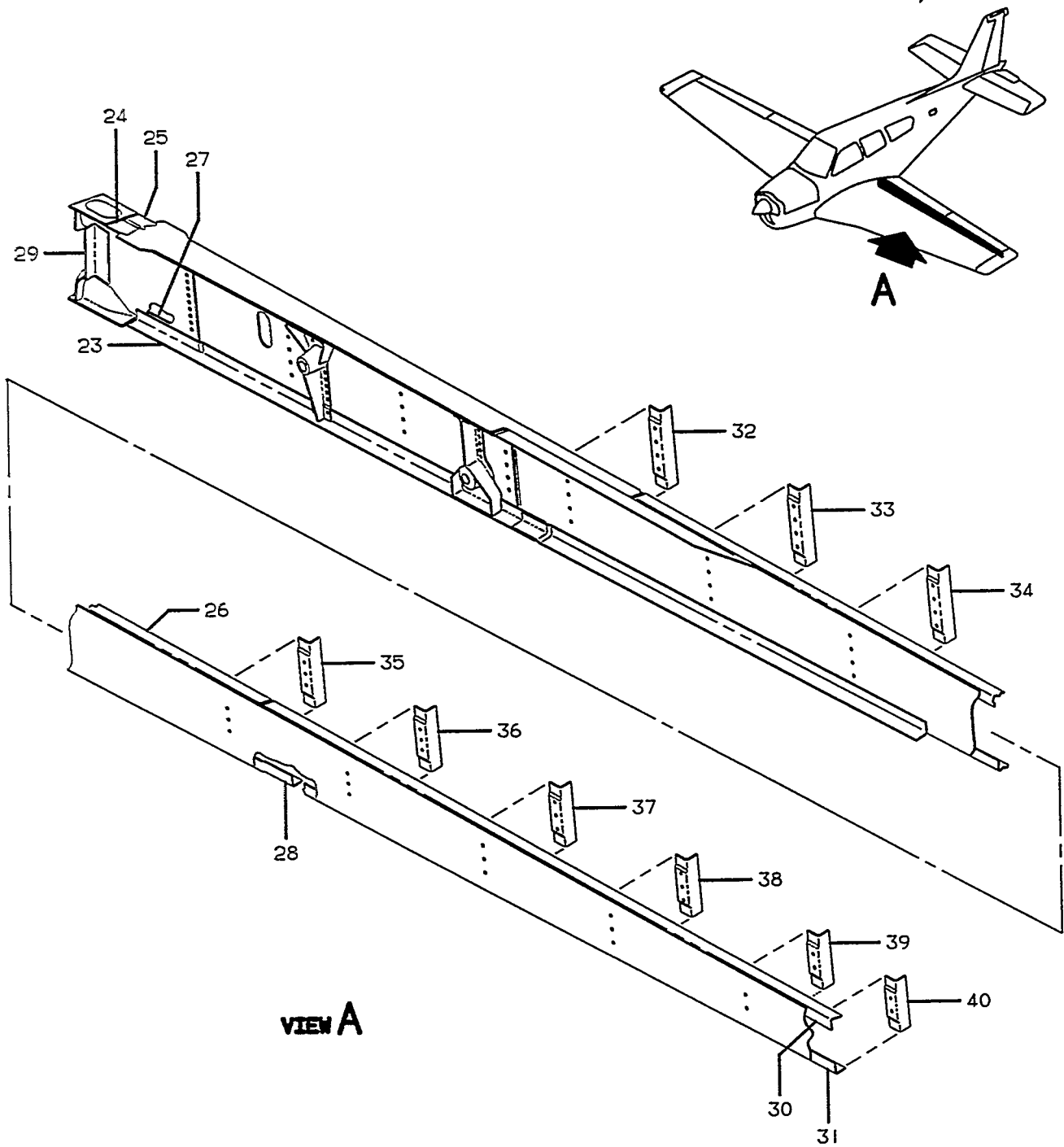


33-37-1

B E E C H C R A F T  
B O N A N Z A 3 3  
I L L U S T R A T E D P A R T S C A T A L O G

FIG. & ITEM NO.	PART NO.	DESCRIPTION	UNITS PER ASSY	USABLE ON CODE
		1 2 3 4 5 6 7		
37	R 35-115301-630	REAR SPAR & TRAILING EDGE ASSY,LH . . . . .	1	2
	R 35-115301-641	REAR SPAR & TRAILING EDGE ASSY,LH . . . . .	1	3
	R 35-115301-631	REAR SPAR & TRAILING EDGE ASSY,RH . . . . .	1	2
	R 35-115301-642	REAR SPAR & TRAILING EDGE ASSY,RH . . . . .	1	3
- 1	35-115050-604	. SPAR ASSY,REAR LH . . . . .	1	
	35-115050-605	. SPAR ASSY,REAR RH . . . . .	1	
- 2	35-115059-601	. . FITTING,UPPER SPAR LH . . . . .	1	
	R 35-115059-602	. . FITTING,UPPER SPAR RH . . . . .	1	
- 3	35-115058	. . FITTING,LOWER SPAR LH . . . . .	1	
	35-115058-1	. . FITTING,LOWER SPAR RH . . . . .	1	
- 4	35-115096	. RIB ASSY,LH /STA 23.881/. . . . .	1	
	R 35-115131-6	. RIB ASSY,RH /STA 23.881/. . . . .	1	
- 5	35-115301-601	. BRACKET ASSY,INBD FLAP LH . . . . .	1	
	35-115301-602	. BRACKET ASSY,INBD FLAP RH . . . . .	1	
- 6	35-115121-10	. RIB ASSY,LH /STA 45/. . . . .	1	
	35-115106-602	. RIB ASSY,RH /STA 45/. . . . .	1	
- 7	35-115122-6	. RIB,LH /STA 55/ . . . . .	1	
	35-115122-7	. RIB,RH /STA 55/ . . . . .	1	
	35-115301-97	. SHIM /STA 55/ /LH & RH/ . . . . .	1	1
	95-110014-309	. FORMER,LH /STA 55/. . . . .	1	1
	95-110014-310	. FORMER,RH /STA 55/. . . . .	1	1
- 8	35-115123-4	. RIB,LH /STA 66/ . . . . .	1	
	35-115123-5	. RIB,RH /STA 66/ . . . . .	1	
- 9	35-115124-4	. RIB ASSY,LH /STA 80.047/. . . . .	1	
	35-115124-5	. RIB ASSY,RH /STA 80.047/. . . . .	1	
	35-115301-97	. SHIM /STA 80.047/ /LH & RH/ . . . . .	1	1
	95-110014-313	. FORMER,LH /STA 80.047/. . . . .	1	1
	95-110014-314	. FORMER,RH /STA 80.047/. . . . .	1	1
- 10	35-115301-603	. BRACKET ASSY,OUTBD FLAP LH. . . . .	1	
	35-115301-604	. BRACKET ASSY,OUTBD FLAP RH. . . . .	1	
- 11	R 35-115078-10	. RIB ASSY,LH . . . . .	1	
	R 35-115078-11	. RIB ASSY,RH . . . . .	1	
- 12	35-115160	. BRACKET ASSY,AILERON INBD LH. . . . .	1	
	35-115160-1	. BRACKET ASSY,AILERON INBD RH. . . . .	1	
	35-115147	. . FITTING ASSY,AILERON HINGE INBD . . . . .	1	
	NAS505-3J	. . . BEARING,NEEDLE. . . . .	1	
- 13	35-115047	. RIB,LH /STA 136.188/. . . . .	1	
	35-115047-1	. RIB,RH /STA 136.188/. . . . .	1	
- 14	35-115048	. RIB,LH /STA 148.875/. . . . .	1	
	35-115048-1	. RIB,RH /STA 148.875/. . . . .	1	
- 15	35-115049	. RIB,LH /STA 162.563/. . . . .	1	
	35-115049-1	. RIB,RH /STA 162.563/. . . . .	1	
- 16	35-115071	. BRACKET ASSY,AILERON OUTBD LH . . . . .	1	
	35-115071-1	. BRACKET ASSY,AILERON OUTBD RH . . . . .	1	
	35-115071-12	. . FITTING ASSY,AILERON HINGE OUTBD. . . . .	1	
	NAS505-3J	. . . BEARING,NEEDLE. . . . .	1	
- 17	R 35-115194-26	. SKIN ASSY,LH. . . . .	1	2
	R 35-115194-44	. SKIN ASSY,LH/APPROACH FLAPS/. . . . .	1	3
	R 35-115194-35	. SKIN ASSY,RH. . . . .	1	
- 18	35-115265	. SKIN,LH . . . . .	1	
	35-115265-1	. SKIN,RH . . . . .	1	
- 19	35-115137-18	. SKIN,UPPER LH . . . . .	1	
	35-115137-19	. SKIN,UPPER RH . . . . .	1	
- 20	35-115199-24	. SKIN,LOWER LH . . . . .	1	
	35-115199-25	. SKIN,LOWER RH . . . . .	1	
- 21	35-115061	FITTING,LH INBD LANDING GEAR. . . . .	1	
	35-115061-1	FITTING,RH INBD LANDING GEAR. . . . .	1	
- 22	45-115063	FITTING,LH OUTBD LANDING GEAR . . . . .	1	
	45-115063-1	FITTING,RH OUTBD LANDING GEAR . . . . .	1	

BEECHCRAFT  
BONANZA 33  
ILLUSTRATED PARTS CATALOG



C94CE57A1972 C

B E E C H C R A F T  
B O N A N Z A 3 3  
I L L U S T R A T E D P A R T S C A T A L O G

FIG. & ITEM NO.	PART NO.	DESCRIPTION	1 2 3 4 5 6 7							UNITS PER ASSY	USABLE ON CODE
			1	2	3	4	5	6	7		
37 - 23	R 35-115050-14	ANGLE,LH LOWER. . . . .								1	
	R 35-115050-15	ANGLE,RH LOWER. . . . .								1	
- 24	R 35-115050-12	ANGLE,LH UPPER. . . . .								1	
	R 35-115050-59	ANGLE,RH UPPER. . . . .								1	
- 25	R 35-115050-8	ANGLE,LH UPPER INBOARD. . . . .								1	
	R 35-115050-57	ANGLE,RH UPPER INBOARD. . . . .								1	
- 26	R 35-115050-92	ANGLE,LH UPPER OUTBOARD . . . . .								1	
	R 35-115050-93	ANGLE,RH UPPER OUTBOARD . . . . .								1	
- 27	R 35-115050-10	ANGLE,LH LOWER INBOARD. . . . .								1	
	R 35-115050-11	ANGLE,RH LOWER INBOARD. . . . .								1	
- 28	R 35-115050-94	ANGLE,LH LOWER OUTBOARD . . . . .								1	
	R 35-115050-95	ANGLE,RH LOWER OUTBOARD . . . . .								1	
- 29	R 35-115050-24	ANGLE,LH INBOARD. . . . .								1	
	R 35-115050-61	ANGLE,RH INBOARD. . . . .								1	
- 30	R 35-115050-98	ANGLE,LH UPPER. . . . .								1	
	R 35-115050-99	ANGLE,RH UPPER. . . . .								1	
- 31	R 35-115050-102	ANGLE,LH LOWER. . . . .								1	
	R 35-115050-103	ANGLE,RH LOWER. . . . .								1	
- 32	R 35-115050-72	ANGLE,LH & RH . . . . .								1	
- 33	R 35-115050-74	ANGLE,LH & RH . . . . .								1	
- 34	R 35-115050-76	ANGLE,LH & RH . . . . .								1	
- 35	R 35-115050-80	ANGLE,LH & RH . . . . .								1	
- 36	R 35-115050-82	ANGLE,LH & RH . . . . .								1	
- 37	R 35-115050-84	ANGLE,LH & RH . . . . .								1	
- 38	R 35-115050-86	ANGLE,LH & RH . . . . .								1	
- 39	R 35-115050-88	ANGLE,LH & RH . . . . .								1	
- 40	R 35-115050-34	ANGLE,LH & RH . . . . .								1	

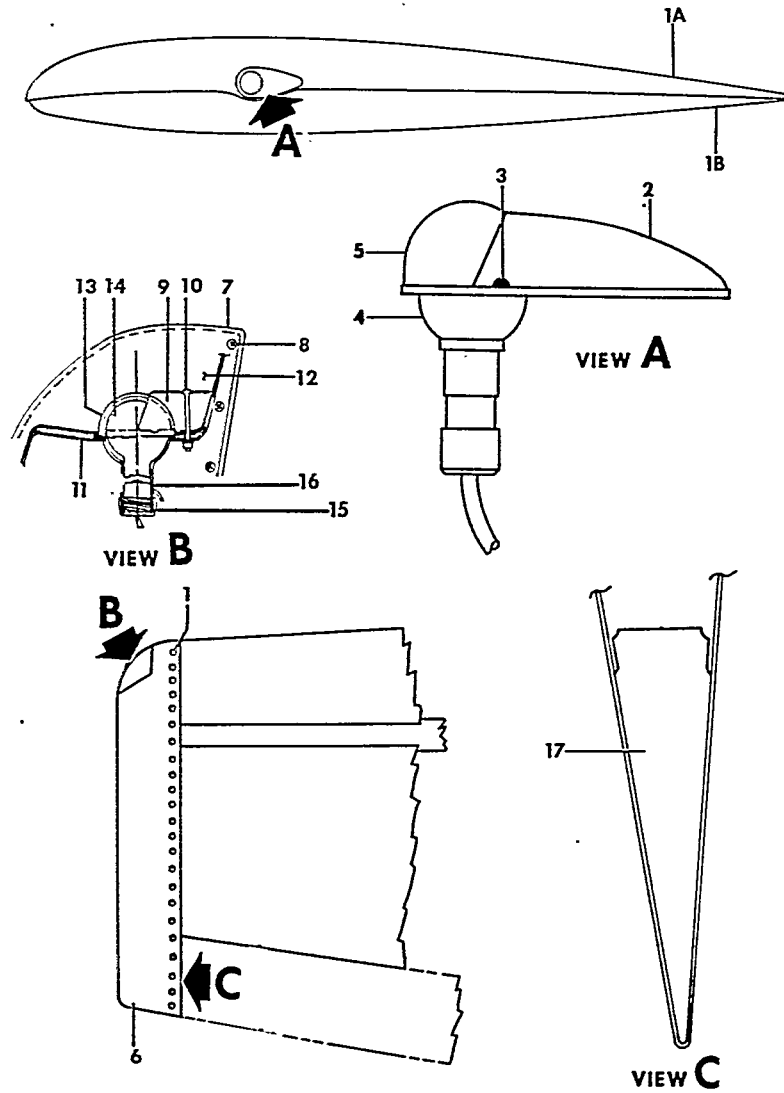
C O D E S O F E F F E C T I V I T Y

- |   |   |   |   |
|---|---|---|---|
| 1 | CE-490 THRU CE-510<br>CE-513 AND AFTER<br>CJ-52 AND AFTER | 2 | CE-290 THRU CE-815<br>CJ-26 THRU CJ-149 |
| 3 | CE-816 AND AFTER<br>CJ-150 AND AFTER                      |   |   |

BEECHCRAFT  
BONANZA 33  
ILLUSTRATED PARTS CATALOG

FIGURE 39  
WING TIP  
CD-1235 THRU CD-1304, CE-290 THRU CE-435  
CJ-26 THRU CJ-51

BEECHCRAFT  
 BONANZA 33  
 ILLUSTRATED PARTS CATALOG



33-39-5

FIGURE 39. WING TIP



B E E C H C R A F T  
B O N A N Z A 3 3  
I L L U S T R A T E D P A R T S C A T A L O G

FIG. & ITEM NO.	PART NO.	DESCRIPTION	UNITS PER ASSY	USABLE ON CODE
		1 2 3 4 5 6 7		
39	35-175001	TIP ASSY,LH WING. . . . .	1	1
	35-175001-1	TIP ASSY,RH WING. . . . .	1	1
		/ATTACHING PARTS/		
- 1	AN509-8R7	SCREW . . . . .	28	
		*-----*		
- 1A	35-175001-2	. SKIN,LH WING TIP UPPER. . . . .	1	1
	35-175001-3	. SKIN,RH WING TIP UPPER. . . . .	1	1
- 1B	35-175001-4	. SKIN,LH WING TIP LOWER. . . . .	1	1
	35-175001-5	. SKIN,RH WING TIP LOWER. . . . .	1	1
- 2	35-361702-2	LAMP ASSY,LH WING TIP . . . . .	1	1
	35-361702-4	LAMP ASSY,RH WING TIP . . . . .	1	1
		/ATTACHING PARTS/		
- 3	AN526-632-8	SCREW . . . . .	3	
		*-----*		
- 4	1512	LAMP. . . . .	1	1
- 5	AN3042-1	COVER,LAMP/RED/ . . . . .	1	1
	AN3042-2	COVER,LAMP/GREEN/ . . . . .	1	1
	36-110011-1	TIP INSTL,LH WING . . . . .	NP	2
	36-110011-2	TIP INSTL,RH WING . . . . .	NP	2
	35-170005-19	. TIP ASSY,LH WING. . . . .	1	2
	35-170005-20	. TIP ASSY,RH WING. . . . .	1	2
		/ATTACHING PARTS/		
	AN509-8R7	. SCREW . . . . .	28	2
		*-----*		
- 6	35-170005-21	. . . TIP,LH WING . . . . .	1	2
	35-170005-22	. . . TIP,RH WING . . . . .	1	2
- 7	35-170005-13	. . . COVER ASSY,LH . . . . .	1	2
	35-170005-14	. . . COVER ASSY,RH . . . . .	1	2
		/ATTACHING PARTS/		
- 8	AN507-632R6	. . . SCREW . . . . .	10	
	NAS390-6	. . . WASHER. . . . .	10	
		*-----*		
	35-170005-7	. . . COVER,LH. . . . .	1	2
	35-170005-8	. . . COVER,RH. . . . .	1	2
	35-170005-15	. . . SHIELD. . . . .	2	2
- 9	35-170002-5	. . . WEDGE . . . . .	2	2
		/ATTACHING PARTS/		
- 10	NAS387-632R20	. . . SCREW . . . . .	1	
	K1000-6	. . . NUTPLATE. . . . .	1	
		*-----*		
- 11	35-170005-5	. . . BRACKET,LH. . . . .	1	2
	35-170005-6	. . . BRACKET,RH. . . . .	1	2
- 12	35-170005-9	. . . BRACKET,LH. . . . .	1	2
	35-170005-10	. . . BRACKET,RH. . . . .	1	2
- 13	AN3042-1	. . . COVER,LH NAVIGATION LIGHT /RED/ . . . . .	1	2
	AN3042-2	. . . COVER,RH NAVIGATION LIGHT /GREEN/ . . . . .	1	2
- 14	AN3122-1512	. . . LAMP. . . . .	2	2
	A4149	. . . INSULATOR . . . . .	2	2
- 15	A1111	. . . NUT . . . . .	2	2
	A1783	. . . SPRING. . . . .	2	2
- 16	A1825	. . . SOCKET. . . . .	2	2
	A4490-3	. . . CONTACT ASSY. . . . .	2	2
	35-170006-1	. . . GLARESHIELD,LH NAVIGATION LIGHT . . . . .	1	2
	35-170006-2	. . . GLARESHIELD,RH NAVIGATION LIGHT . . . . .	1	2
- 17	35-115280	. . . CLOSURE ASSY,LH RIB . . . . .	1	2
	35-115280-1	. . . CLOSURE ASSY,RH RIB . . . . .	1	2

C O D E S O F E F F E C T I V I T Y

1 CD-1235 THRU CD-1304 2 CE-316 THRU CE-435  
CE-290 THRU CE-315  
CJ-26 THRU CJ-51

BEECHCRAFT  
BONANZA 33  
ILLUSTRATED PARTS CATALOG

FIGURE 39A  
WING TIP  
CE-436 AND AFTER



B E E C H C R A F T  
B O N A N Z A 3 3  
I L L U S T R A T E D P A R T S C A T A L O G

FIG. & ITEM NO.	PART NO.	1 2 3 4 5 6 7	DESCRIPTION	UNITS PER ASSY	USABLE ON CODE
39A	000-170001-1		TIP ASSY,LH WING. . . . .	1	2
	000-170001-47		TIP ASSY,LH WING. . . . .	1	3
	000-170001-2		TIP ASSY,RH WING. . . . .	1	2
	000-170001-48		TIP ASSY,RH WING. . . . .	1	3
	000-170001-49		TIP ASSY,LH WING/14 VOLT/WITH REMOTE COMPASS/	1	2
	000-170001-55		TIP ASSY,LH WING/28 VOLT/REMOTE COMPASS/	1	3
- 1	AN525-832R7		SCREW . . . . .	29	
			*-----*		
	000-170001-35		. RIB ASSY,LH . . . . .	1	1
	000-170001-36		. RIB ASSY,RH . . . . .	1	1
- 2	000-170001-29		. RIB,LH. . . . .	1	1
	000-170001-30		. RIB,RH. . . . .	1	1
- 3	000-170001-43		. ANGLE,LH. . . . .	1	1
	000-170001-45		. ANGLE,LH. . . . .	1	1
	000-170001-44		. ANGLE,RH. . . . .	1	1
	000-170001-46		. ANGLE,RH. . . . .	1	1
- 4	000-170001-31		. BRACKET,LH. . . . .	1	1
	000-170001-32		. BRACKET,RH. . . . .	1	1
- 5	000-170001-33		. RIB,LH. . . . .	1	1
	000-170001-34		. RIB,RH. . . . .	1	1
- 6	000-170001-13		. COVER,LH LENS . . . . .	1	1
	000-170001-14		. COVER,RH LENS . . . . .	1	1
			/ATTACHING PARTS/		
- 7	AN525-832R7		. SCREW . . . . .	2	
	MS21069L08K		. NUTPLATE . . . . .	2	
			*-----*		
- 8	000-170001-15		. WEDGE . . . . .	1	1
- 9	000-170001-41		. SKIN,TIP LH /WING STA. 191.00/ . . . . .	1	1
	000-170001-42		. SKIN,TIP RH /WING STA. 191.00/ . . . . .	1	1
	000-170001-19		. HARNESS,LH NAVIGATION LIGHT/12 VOLT/ . . . . .	1	2
	000-170001-37		. HARNESS,LH NAVIGATION LIGHT/28 VOLT/ . . . . .	1	3
	000-170001-20		. HARNESS,RH NAVIGATION LIGHT/12 VOLT/ . . . . .	1	2
	000-170001-38		. HARNESS,RH NAVIGATION LIGHT/28 VOLT/ . . . . .	1	3
- 10	A1815A1		. LIGHT ASSY,LH NAV/14 VOLT/RED/ . . . . .	1	2
	A1815AR7512		. LIGHT ASSY,LH NAV/28 VOLT/RED/ . . . . .	1	3
	A1815A2		. LIGHT ASSY,RH NAV/14 VOLT/GREEN/ . . . . .	1	2
	A1815AG7512		. LIGHT ASSY,RH NAV/28 VOLT/GREEN/ . . . . .	1	3
- 11	15853-1		. PLATE,IDENTIFICATION. . . . .	1	1
- 12	A6177		. RETAINER. . . . .	1	1
			/ATTACHING PARTS/		
- 13	NAS388-6-16		. SCREW . . . . .	1	
	MS35336-9		. LOCKWASHER. . . . .	1	
			*-----*		
- 14	AN3042-1		. COVER,LH NAVIGATION LIGHT . . . . .	1	1
	AN3042-2		. COVER,RH NAVIGATION LIGHT . . . . .	1	1
- 15	A1811		. BASE. . . . .	1	1
- 16	A1257A		. GASKET. . . . .	1	1
- 17	A1825		. LAMP HOLDER ASSY. . . . .	1	1
- 18	A7512-12		. LAMP /14 V/ /26 WATT/ . . . . .	1	2
	1524		. LAMP,28 VOLT. . . . .	1	3
- 19	15853-2		. PLATE,IDENTIFICATION. . . . .	1	1
	31890		. TERMINAL. . . . .	1	1
- 20	000-170021-1		. RETAINER. . . . .	2	1
- 21	XS48175		. PLUG,BUTTON . . . . .	1	1
	35-115280		. CLOSURE ASSY,RIB /LH & RH/. . . . .	1	1
- 22	000-170031-1		GLARESHIELD,LH WING TIP LIGHT . . . . .	1	1
	000-170031-2		GLARESHIELD,RH WING TIP LIGHT . . . . .	1	1

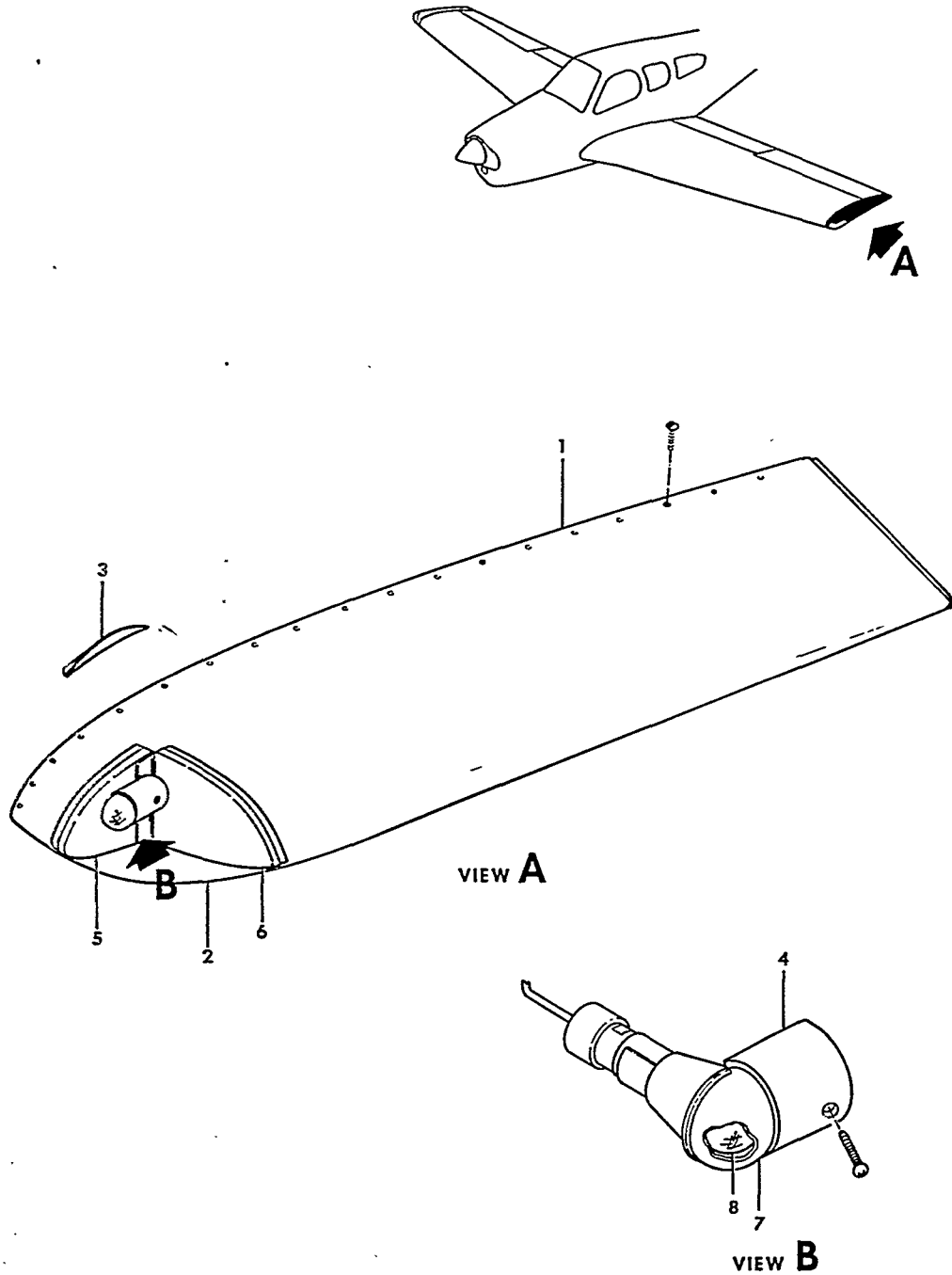
C O D E S O F E F F E C T I V I T Y

- 1 CE-436 AND AFTER      2 CE-436 THRU CE-771  
EXCEPT CE-748
- 3 CE-748,CE-772  
AND AFTER

BEECHCRAFT  
BONANZA 33  
ILLUSTRATED PARTS CATALOG

FIGURE 39B  
HING TIP  
CJ-52 AND AFTER

BEECHCRAFT  
BONANZA 33  
ILLUSTRATED PARTS CATALOG



33-398-7

FIGURE 39B.WING TIP

B E E C H C R A F T  
B O N A N Z A 3 3  
I L L U S T R A T E D P A R T S C A T A L O G

FIG. & ITEM NO.	PART NO.	1 2 3 4 5 6 7	DESCRIPTION	UNITS PER ASSY	USABLE ON CODE
39B	35-170005-19		TIP ASSY,LH WING. . . . .	1	2
	35-170005-20		TIP ASSY,RH WING. . . . .	1	2
	35-170005-57		TIP ASSY,LH WING. . . . .	1	3
	35-170005-58		TIP ASSY,RH WING. . . . .	1	3
			/ATTACHING PARTS/		
	MS27039-808		SCREW . . . . .	8	
	MS27039-807		SCREW . . . . .	21	
- 1	35-170005-3		. TIP,LH. . . . .	1	1
	35-170005-4		. TIP,RH. . . . .	1	1
- 2	35-170005-7		. COVER,LH. . . . .	1	1
	35-170005-8		. COVER,RH. . . . .	1	1
			/ATTACHING PARTS/		
	AN507-632R6		. SCREW . . . . .	10	
	AN960-6		. WASHER. . . . .	8	
- 3	35-170006-1		. GLARESHIELD,LH. . . . .	1	1
	35-170006-2		. GLARESHIELD,RH. . . . .	1	1
- 4	35-170002-5		. WEDGE . . . . .	1	1
- 5	35-170005-5		. BRACKET,LH. . . . .	1	1
	35-170005-6		. BRACKET,RH. . . . .	1	1
- 6	35-170005-9		. BRACKET,LH. . . . .	1	1
	35-170005-10		. BRACKET,RH. . . . .	1	1
	A1825		. LAMP HOLDER . . . . .	1	2
	AN3042-1		. COVER,LH. . . . .	1	2
	AN3042-2		. COVER,RH. . . . .	1	2
	AN3122-1512		. LAMP,14 VOLT. . . . .	1	2
	000-170000-37		. HARNESS ASSY,LH NAV LIGHT . . . . .	1	3
	000-170000-38		. HARNESS ASSY,RH NAV LIGHT . . . . .	1	3
			/ATTACHING PARTS/		
	MS24693S5		. SCREW . . . . .	2	
	MS35206-216		. SCREW . . . . .	1	
	MS20365-440		. NJT . . . . .	1	
			/		
	A1815AR7512		. . LAMP ASSY,LH RED. . . . .	1	3
	A1815AG7512		. . LAMP ASSY,RH GREEN. . . . .	1	3
- 7	A1280-2		. . . LENS,RED. . . . .	1	3
	A1280-3		. . . LENS,GREEN. . . . .	1	3
	A1257A		. . . GASKET. . . . .	1	3
- 8	1524		. . . LAMP,28 VOLT. . . . .	1	3
	1-480350-0		. . HOUSING,PIN . . . . .	1	3
	60618-1		. . PIN . . . . .	1	3
	31890		. . TERMINAL. . . . .	1	3
	32446		. . DISCONNECT. . . . .	1	3

C O D E S O F E F F E C T I V I T Y

- 1 CJ-52 AND AFTER      2 CJ-52 THRU CJ-148  
3 CJ-149 AND AFTER

BEECHCRAFT  
BOJANZA 33  
ILLUSTRATED PARTS CATALOG

FIGURE 40  
FLAPS



BEECHCRAFT  
BONANZA 33  
ILLUSTRATED PARTS CATALOG

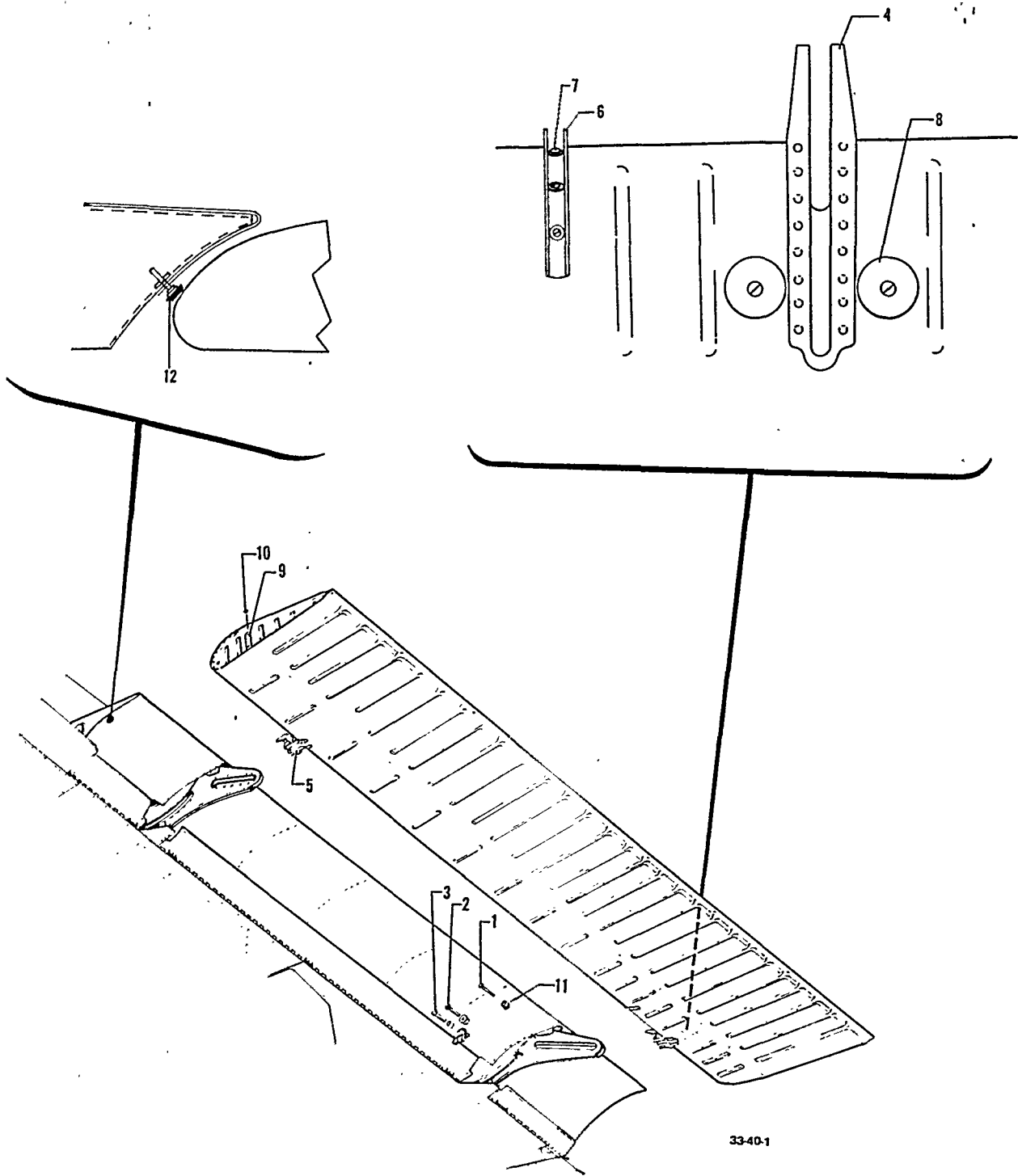


FIGURE 40. FLAPS

B E E C H C R A F T  
B O N A N Z A 3 3  
I L L U S T R A T E D P A R T S C A T A L O G

FIG. & ITEM NO.	PART NO.	1 2 3 4 5 6 7	DESCRIPTION	UNITS PER ASSY	USABLE ON CODE
40	35-165050-605		FLAP ASSY, LH. . . . .	1	1
	35-165050-214		FLAP ASSY, LH/THREE POSITION FLAP SYSTEM/. . . . .	1	2
	35-165050-606		FLAP ASSY, RH. . . . .	1	
			/ATTACHING PARTS/		
- 1	AN3-12A/M/		BOLT, AFT SLOT . . . . .	2	
- 2	AN3-11A/M/		BOLT, FWD SLOT . . . . .	2	
	AN960-10		WASHER. . . . .	4	
	MS20365-1032		NUT . . . . .	4	
- 3	AN4-10A/M/		BOLT, FWD. . . . .	2	
	100801S5-0500		BUSHING . . . . .	2	
	AN960-416		WASHER. . . . .	2	
	MS20365-428		NUT . . . . .	2	
			*-----*		
- 4	35-165050-30		. BRACKET, FLAP/INBD/. . . . .	1	
	35-165050-31		. BRACKET, FLAP/INBD/. . . . .	1	
- 5	35-165050-34		. BRACKET, FLAP/OUTBD/ . . . . .	1	
	35-165050-35		. BRACKET, FLAP/OUTBD/ . . . . .	1	
	35-160000-49		. CAM, FLAP LIMIT SWITCH . . . . .	1	2
- 6	35-165050-40		. BRACKET, ACTUATOR /LH ONLY/. . . . .	1	
			/ATTACHING PARTS/		
- 7	AN520-10-8		. SCREW . . . . .	3	
	100951S063ZT		. WASHER. . . . .	3	
	AN366F1032		. NUTPLATE. . . . .	3	
			*-----*		
- 8	A6914-1024-1		. PLATE, PATCH . . . . .	4	
- 9	103637		. PLACARD ASSY, SERIAL NUMBER. . . . .	1	
			/ATTACHING PARTS/		
- 10	49384		. FASTENER. . . . .	2	
			*-----*		
	35-165051-8		. SKIN, LH FLAP. . . . .	1	
	35-165051-9		. SKIN, RH FLAP. . . . .	1	
- 11	BC56984		ROLLER ASSY . . . . .	8	
- 12	2194		BUMPER, FLAP RUBBER. . . . .	2	
			/ATTACHING PARTS/		
	AN515-8R8		SCREW . . . . .	1	
	105090CR032-3E		WASHER. . . . .	1	
	AN340-832		NUT, SELF LOCKING. . . . .	1	
	AN366F832		NUTPLATE /SUPERSEDES 130006A832/. . . . .	1	
			*-----*		

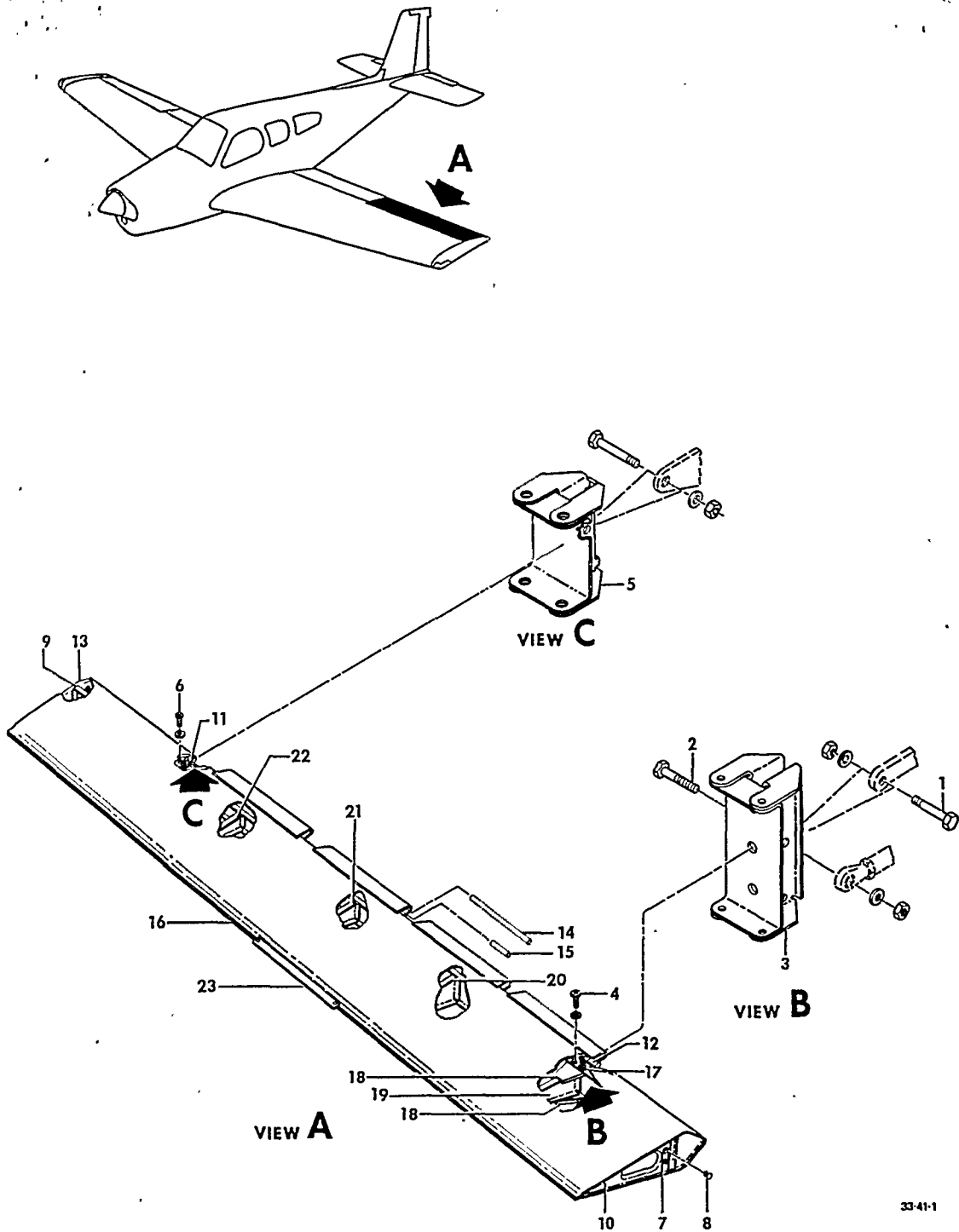
C O D E S O F E F F E C T I V I T Y

1 CD-1235 THRU CD-1304 2 CE-816 AND AFTER  
CE-290 THRU CE-815 CJ-150 AND AFTER  
CJ-26 THRU CJ-149

BEECHCRAFT  
BONANZA 33  
ILLUSTRATED PARTS CATALOG

FIGURE 41  
AILERON AND TAB

BEECHCRAFT  
 BONANZA 33  
 ILLUSTRATED PARTS CATALOG



33-41-1

B E E C H C R A F T  
B O N A N Z A 3 3  
I L L U S T R A T E D P A R T S C A T A L O G

FIG. & ITEM NO.	PART NO.	DESCRIPTION	UNITS PER ASSY	USABLE ON CODE
		1 2 3 4 5 6 7		
41	33-130000	AILERON ASSY,LH . . . . .	1	1
	33-130000-44	AILERON ASSY,RH . . . . .	1	1
	33-130000-25	AILERON ASSY,LH . . . . .	1	2
	33-130000-46	AILERON ASSY,RH . . . . .	1	2
		/ATTACHING PARTS/		
- 1	AN3-7A/M/ AN960-10	BOLT . . . . .	2	
	MS20365-1032	WASHER . . . . .	2	
		NUT . . . . .	2	
- 2	AN4-10A/M/ AN960-416	BOLT . . . . .	1	
	MS20365-428	WASHER . . . . .	1	
		NUT . . . . .	1	
		*-----*		
- 3	35-135025-36	. BRACKET ASSY,AILERON HINGE INBD . . . . .	1	
		/ATTACHING PARTS/		
- 4	NAS221-9 AN960-10L 112105	. SCREW . . . . .	4	
		. WASHER . . . . .	4	
		. WASHER . . . . .	4	
		*-----*		
- 5	35-135025-32	. BRACKET ASSY,AILERON HINGE OUTBD. . . . .	1	
		/ATTACHING PARTS/		
- 6	NAS221-9 AN960-10L 112105	. SCREW . . . . .	4	
		. WASHER . . . . .	4	
		. WASHER . . . . .	4	
		*-----*		
- 7	103637	. PLACARD, IDENTIFICATION. . . . .	1	
		/ATTACHING PARTS/		
- 8	49384	. FASTENER . . . . .	2	
		*-----*		
- 9	33-130000-1	. SPAR,AILERON. . . . .	1	1
	33-130000-29	. SPAR,AILERON. . . . .	1	2
- 10	35-135025-8	. RIB,AILERON INBD. . . . .	1	
- 11	45-135031-57	. RIB,AILERON OUTBD . . . . .	1	
- 12	45-135031-55	. RIB,AILERON INBD . . . . .	1	
- 13	35-135025-10	. RIB,AILERON OUTBD . . . . .	1	
- 14	35-135025-2	. WEIGHT,STATIC OVERBALANCE . . . . .	4	
- 15	35-135025-40	. WEIGHT,STATIC OVERBALANCE ADDITION. . . . .	2	
	33-130000-21	. WEIGHT ASSY,BALANCE . . . . .	2	
- 16	33-130000-3	. SKIN,AILERON. . . . .	1	1
	33-130000-27	. SKIN,AILERON. . . . .	1	2
	33-130000-11	. DOUBLER . . . . .	1	
- 17	33-130000-9	. DOUBLER . . . . .	2	
- 18	50-130020	. DOUBLER . . . . .	2	2
- 19	50-130019	. RIB,AILERON . . . . .	1	2
- 20	50-130002-61	. RIB,AILERON . . . . .	1	2
- 21	50-130002-59	. RIB,AILERON . . . . .	1	2
- 22	50-130000-57	. RIB,AILERON . . . . .	1	2
- 23	33-130000-7	. TAB . . . . .	1	
	33-130000-5	. SPACER,TRAILING EDGE. . . . .	1	

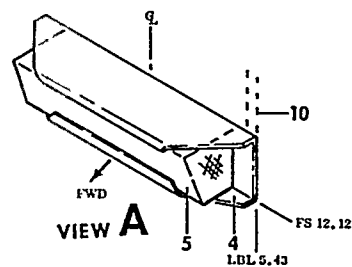
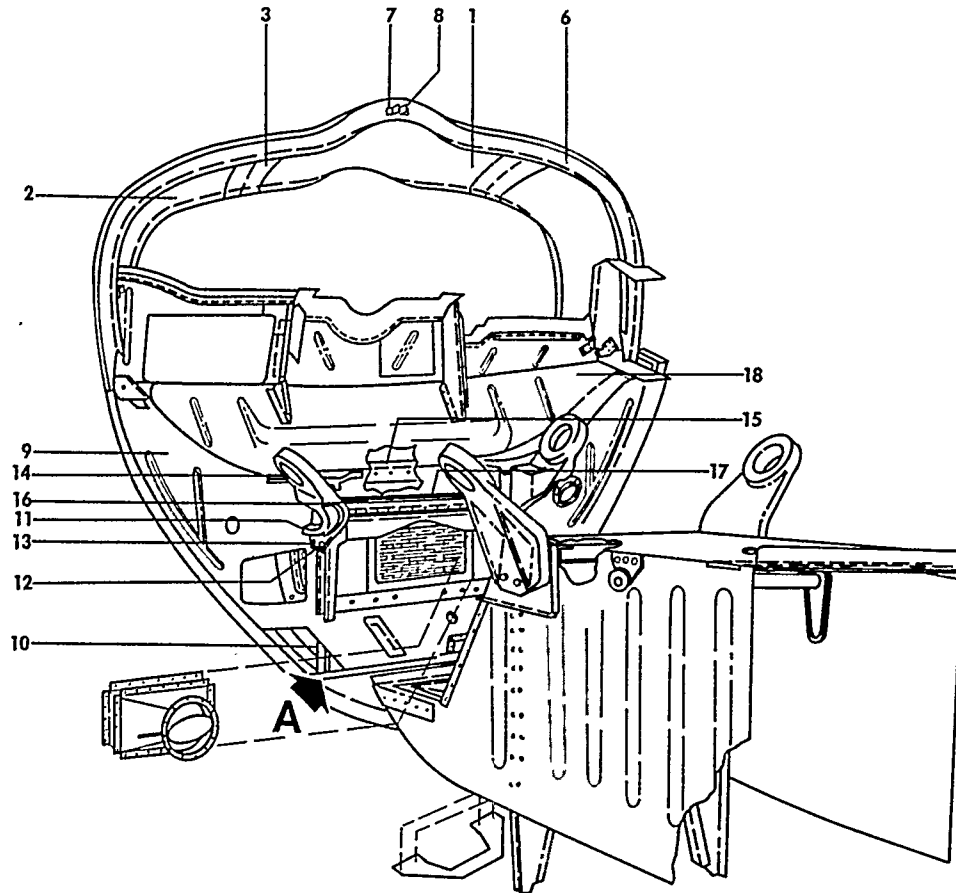
C O D E S O F E F F E C T I V I T Y

1 CD-1235 THRU CD-1304 2 CJ-26 AND AFTER  
CE-290 AND AFTER

BEECHCRAFT  
BONANZA 33  
ILLUSTRATED PARTS CATALOG

FIGURE 91  
NOSE STRUCTURE  
CD-1235 THRU CD-1304  
CE-290 THRU CE-435 EXCEPT CE-418  
CJ-26 THRU CJ-39

BEECHCRAFT  
 BONANZA 33  
 ILLUSTRATED PARTS CATALOG



33-91-1

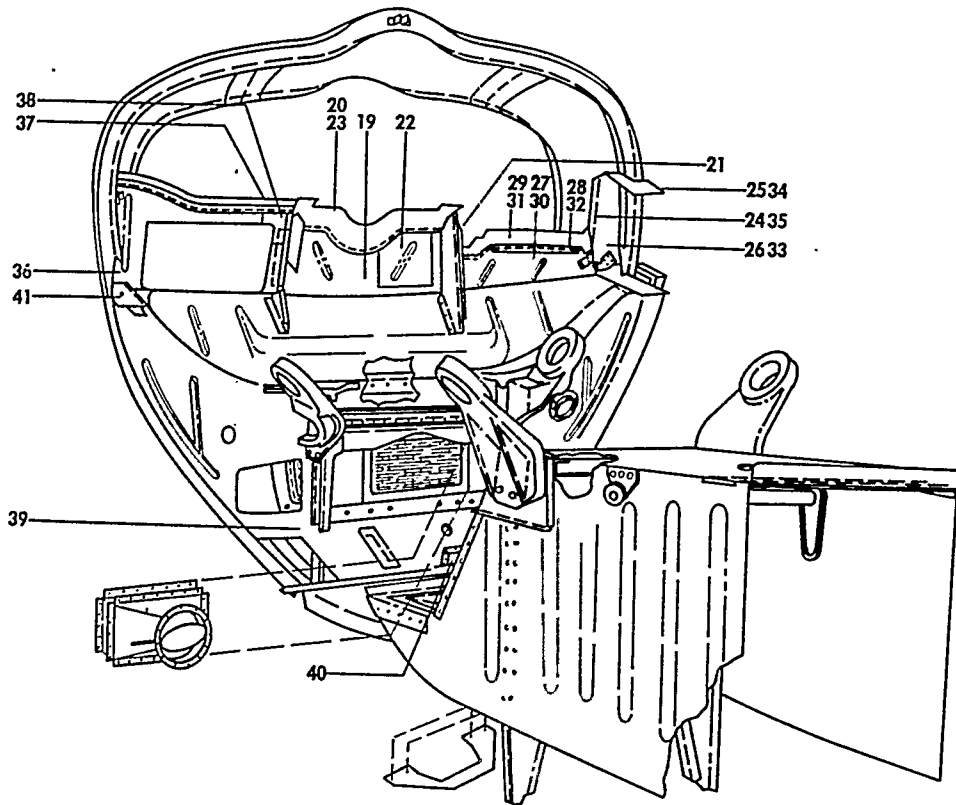
FIGURE 91.NOSE STRUCTURE  
 /SHEET 1 OF 5 SHEETS/

B E E C H C R A F T  
B O N A N Z A 3 3  
I L L U S T R A T E D P A R T S C A T A L O G

FIG. & ITEM NO.	PART NO.	1 2 3 4 5 6 7	DESCRIPTION	UNITS PER ASSY	USABLE ON CODE	
91	35-410446-666		NOSE ASSY, COWL & BULKHEAD . . . . .	1	3	
	35-410446-676		NOSE ASSY, COWL & BULKHEAD . . . . .	1	6	
			35-410446-660	NOSE ASSY, COWL & BULKHEAD . . . . .	1	2
			35-410446-290	• NOSE BUG ASSY . . . . .	1	3
			35-410446-215	• NOSE BUG ASSY . . . . .	1	4
	- 1		35-410446-217	• SECTION, NOSE BUG UPPER . . . . .	1	4
	- 2		35-410446-223	• BUG, NOSE /SKIN/ . . . . .	1	4
	- 3		35-410446-221	• DOUBLER, NOSE BUG SPLICE LH . . . . .	1	4
			35-410446-222	• DOUBLER, NOSE BUG SPLICE RH . . . . .	1	4
			35-410467	• BALLAST INSTL . . . . .	NP	2
	- 4		35-410467-1	• BOX . . . . .	1	2
			35-410467-5	• BRACKET, LH . . . . .	1	2
			35-410467-6	• BRACKET, RH . . . . .	1	2
	- 5		35-410467-3	• WEIGHT, BALLAST . . . . .	1	2
			AN4-35A/M/	• BOLT . . . . .	2	
			AN4-33A/M/	• BOLT . . . . .	3	
			AN960-716L	• WASHER . . . . .	2	
			AN960-416L	• WASHER . . . . .	3	
			MS20365-428	• NUT . . . . .	3	
				*-----*		
- 6		35-910226-6	• BULKHEAD, COWLING NOSE . . . . .	1	3	
		35-910226-10	• BULKHEAD, COWLING NOSE . . . . .	1	4	
- 7		35-910224	• BRACKET, LH . . . . .	1	9	
- 8		35-910224-1	• BRACKET, RH . . . . .	1	9	
- 9		35-410446-301	• WEB /STA 12.125/. . . . .	1	2	
		35-410446-299	• WEB /STA 12.125/. . . . .	1	1	
		35-410446-287	• STIFFENER, WEB /LH SIDE ONLY/. . . . .	1	9	
- 10		35-410446-171	• CHANNEL, LH /STA 12.125/. . . . .	1	9	
		35-410446-172	• CHANNEL, RH /STA 12.125/. . . . .	1	9	
- 11		35-910018-3	• FITTING, ENGINE MOUNT LH . . . . .	1	1	
		35-910027-6011	• FITTING, ENGINE MOUNT LH . . . . .	1	2	
		35-910018-4	• FITTING, ENGINE MOUNT RH . . . . .	1	1	
		35-910027-9	• FITTING, FWD ENGINE MOUNT RH . . . . .	1	2	
			• /ATTACHING PARTS/			
- 12		AN4-7A/M/	• BOLT . . . . .	5		
		AN960-416L	• WASHER . . . . .	5		
		MS20365-428	• NUT . . . . .	5		
			*-----*			
- 13		35-410446-183	• ZEE . . . . .	1	3	
		35-410446-181	• SPACER, LH . . . . .	1	1	
		35-410446-182	• SPACER, RH . . . . .	1	1	
- 14		35-410446-175	• GUSSET, LH /STA 12.125/. . . . .	1	9	
		35-410446-176	• GUSSET, RH /STA 12.125/. . . . .	1	9	
		35-410446-59	• REINFORCEMENT /STA 12.125/. . . . .	1	1	
- 15		35-410446-239	• REINFORCEMENT /STA 12.125/. . . . .	1	2	
		35-410446-55	• ANGLE, LH /W.L. 12.125/. . . . .	1	9	
		35-410446-56	• ANGLE, RH /W.L. 12.125/. . . . .	1	9	
- 16		35-410446-179	• TEE . . . . .	1	9	
		35-410446-177	• ANGLE, LH /STA 12.125/. . . . .	1	9	
		35-410446-178	• ANGLE, RH /STA 12.125/. . . . .	1	9	
		35-410446-185	• ANGLE /STA 12.125/. . . . .	2	1	
- 17		35-410446-241	• CHANNEL /STA 12.125/. . . . .	1	2	
- 18		35-410446-229	• PANEL . . . . .	1	2	
		35-410446-291	• PANEL . . . . .	1	1	



BEECHCRAFT  
BONANZA 33  
ILLUSTRATED PARTS CATALOG



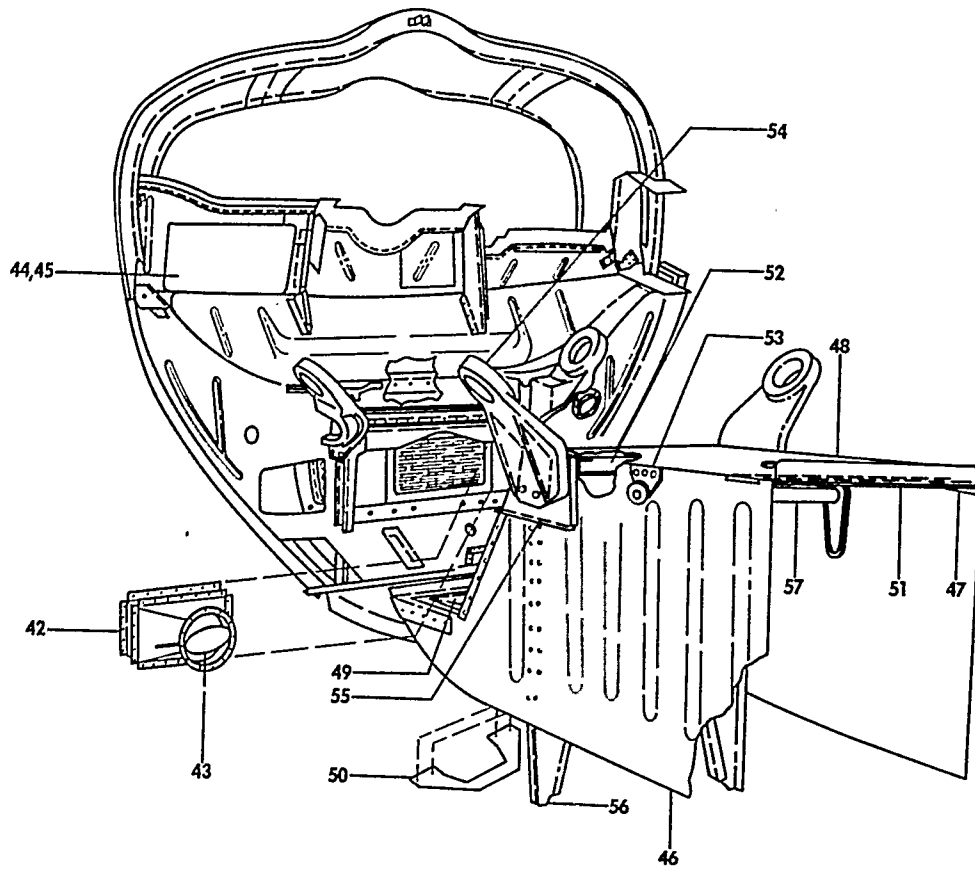
33912

FIGURE 91. NOSE STRUCTURE  
/SHEET 2 OF 5 SHEETS/

B E E C H C R A F T  
B O N A N Z A 3 3  
I L L U S T R A T E D P A R T S C A T A L O G

FIG. & ITEM NO.	PART NO.	DESCRIPTION	UNITS PER ASSY	USABLE ON CODE
		1 2 3 4 5 6 7		
91	35-410446-235	• BAFFLE ASSY,CENTER . . . . .	1	2
	35-410446-131	• BAFFLE ASSY,CENTER . . . . .	1	3
	35-410446-323	• BAFFLE ASSY,CENTER . . . . .	1	6
- 19	35-410446-133	• • BAFFLE,CENTER . . . . .	1	3
	35-410446-321	• • BAFFLE,CENTER . . . . .	1	6
	35-410446-237	• • BAFFLE,CENTER . . . . .	1	2
- 20	35-410446-139	• • SEAL,HALF . . . . .	1	3
	35-410446-329	• • SEAL,HALF . . . . .	1	6
	35-410446-249	• • SEAL,HALF . . . . .	1	2
- 21	35-410446-157	• • SEAL,CENTER BAFFLE . . . . .	1	3
	35-410446-333	• • SEAL,CENTER BAFFLE . . . . .	1	6
	35-410446-247	• • SEAL,CENTER BAFFLE . . . . .	1	2
	35-410446-159	• • STRIP,BACK /FOR 35-410446-157 SEAL/ . . . . .	1	3
	35-410446-335	• • STRIP,BACK . . . . .	1	6
	35-410446-251	• • STRIP,BACK . . . . .	1	2
	35-410446-288	• CLIP,CENTER BAFFLE . . . . .	1	1
	35-410446-135	• COVER ASSY,CENTER BAFFLE . . . . .	1	1
		/ATTACHING PARTS/		
	AN530-8R6	• SCREW . . . . .	6	
		*		
- 22	35-410446-137	• • COVER . . . . .	1	1
- 23	35-410446-139	• • SEAL,HALF . . . . .	1	1
	35-410446-169	• BAFFLE ASSY,NOSE RH . . . . .	1	3
- 24	35-410446-151	• • SEAL . . . . .	1	3
	35-410446-153	• • STRIP,BACK /FOR 35-410446-151 SEAL/ . . . . .	1	3
- 25	35-410446-191	• • SEAL . . . . .	1	3
- 26	35-410446-163	• • BAFFLE . . . . .	1	3
- 27	35-410446-161	• • BAFFLE . . . . .	1	3
- 28	35-410446-193	• • ANGLE . . . . .	1	3
- 29	35-410446-243	• • SEAL . . . . .	1	3
	35-410446-167	• • STRIP,BACK /FOR 35-410446-243 SEAL/ . . . . .	1	3
	35-410446-347	• BAFFLE ASSY,NOSE RH INBD . . . . .	1	4
- 30	35-410446-345	• • BAFFLE . . . . .	1	4
- 31	35-410446-337	• • SEAL . . . . .	1	4
	35-410446-349	• • STRIP,SEAL BACK . . . . .	1	4
	35-410446-167	• • STRIP,SEAL BACK . . . . .	1	4
- 32	35-410446-193	• • ANGLE . . . . .	1	4
	35-410446-341	• BAFFLE ASSY,NOSE RH OUTBD . . . . .	1	4
- 33	35-410446-339	• • BAFFLE . . . . .	1	4
- 34	35-410446-343	• • SEAL . . . . .	1	4
- 35	35-410446-151	• • SEAL . . . . .	1	4
	35-410446-153	• • STRIP,SEAL BACK . . . . .	1	4
	35-410446-644	• BAFFLE ASSY,NOSE LH . . . . .	1	2
	35-410446-620	• BAFFLE ASSY,NOSE LH . . . . .	1	3
	35-410446-319	• BAFFLE ASSY,NOSE LH . . . . .	1	6
- 36	35-410446-69	• • BAFFLE . . . . .	1	3
	35-410446-317	• • BAFFLE . . . . .	1	6
	35-410446-267	• • BAFFLE . . . . .	1	2
	MS20365-832	• • NUT . . . . .	4	9
	35-410446-109	• • CLIP . . . . .	1	9
- 37	35-410446-121	• • SEAL . . . . .	1	3
	35-410446-263	• • SEAL . . . . .	1	4
	35-410446-123	• • STRIP,BACK /FOR 35-410446-121 SEAL/ . . . . .	1	3
	35-410446-265	• • STRIP,BACK . . . . .	1	4
- 38	35-410446-297	• • STIFFENER,BAFFLE CORNER REINFORCEMENT . . . . .	1	9
- 39	35-415349-1	• PLATE,WHEEL WELL CROSS TIE . . . . .	1	9
- 40	35-410446-81	• PAN,WHEEL WELL . . . . .	1	9
- 41	35-410384-12	• STIFFENER,LH . . . . .	1	9
	35-410384-13	• STIFFENER,RH . . . . .	1	9

BEECHCRAFT  
BONANZA 33  
ILLUSTRATED PARTS CATALOG

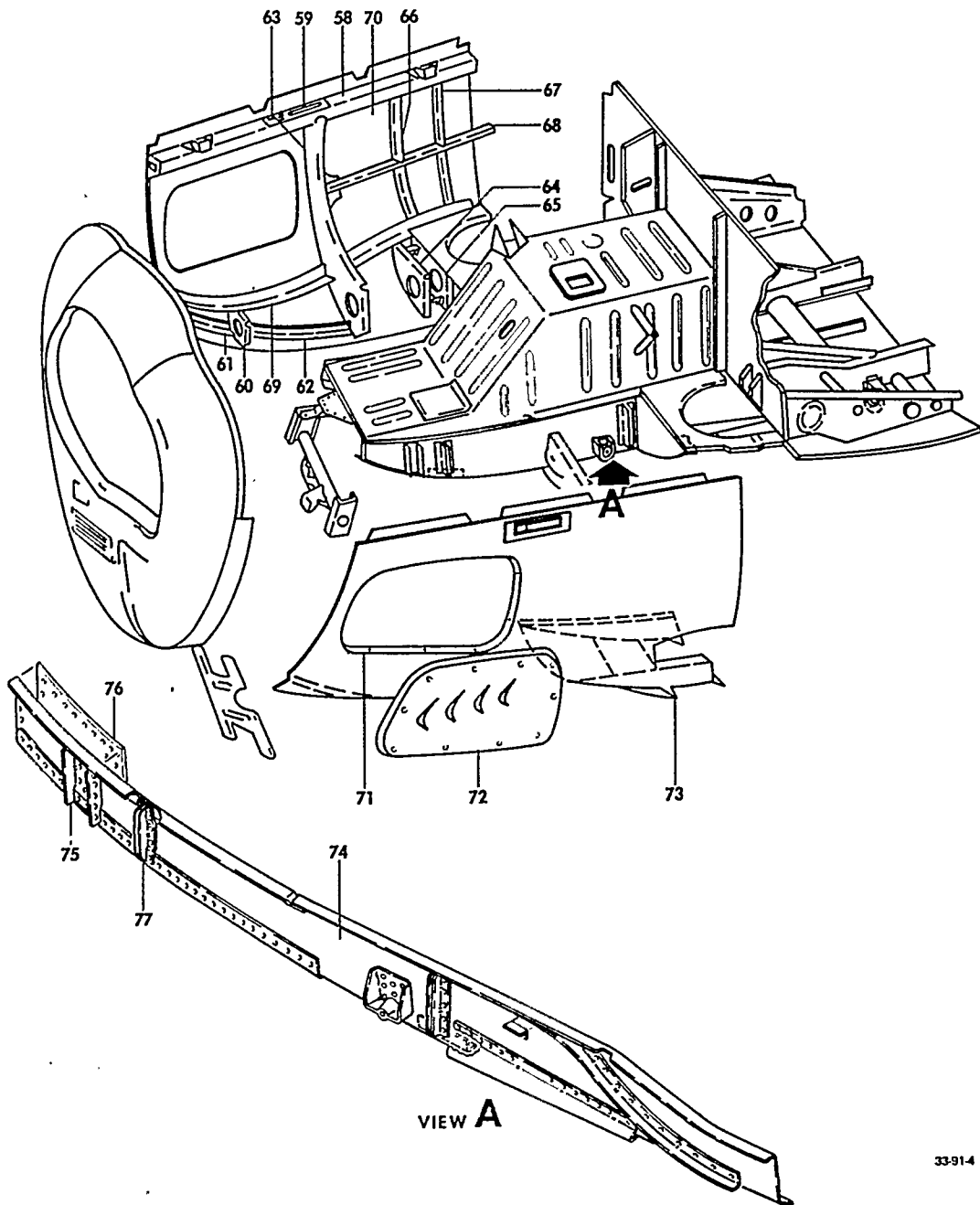


33-91-3

B E E C H C R A F T  
B O N A N Z A 3 3  
I L L U S T R A T E D P A R T S C A T A L O G

FIG. & ITEM NO.	PART NO.	DESCRIPTION	UNITS PER ASSY							USABLE ON CODE
			1	2	3	4	5	6	7	
91 - 42	35-410446-199	• INTAKE ASSY,AIR /SEE FIG. 258/	.	.	.	.	.	.	1	3
	35-410446-145	• • BOX,AIR INTAKE.	.	.	.	.	.	.	1	3
	35-410446-197	• • FUNNEL ASSY,AIR INTAKE.	.	.	.	.	.	.	1	3
	35-919025	• INTAKE ASSY,AIR /SEE FIG.258/	.	.	.	.	.	.	1	4
- 43	33-910011-1	• VALVE ASSY,INDUCTION.	.	.	.	.	.	.	1	1
	45-910231-21	• REINFORCEMENT,NOSE COWL GRILL	.	.	.	.	.	.	1	9
- 44	35-410446-89	DOOR,ACCESS	.	.	.	.	.	.	1	5
	35-410446-315	DOOR,ACCESS	.	.	.	.	.	.	1	6
		/ATTACHING PARTS/								
- 45	AN515-8R6	SCREW	.	.	.	.	.	.	4	
		-----*								
	35-410446-672	COVER ASSY,NOSE WHEEL WELL.	.	.	.	.	.	.	1	3
	35-410446-674	COVER ASSY,NOSE WHEEL WELL.	.	.	.	.	.	.	1	2
	35-410446-678	COVER ASSY,NOSE WHEEL WELL.	.	.	.	.	.	.	1	6
- 46	35-410446-3	• PLATE,WHEEL WELL SIDE LH.	.	.	.	.	.	.	1	9
	35-410446-5	• PLATE,WHEEL WELL SIDE RH.	.	.	.	.	.	.	1	9
- 47	35-410446-8	• ANGLE,RH.	.	.	.	.	.	.	1	9
	35-410446-7	• ANGLE,LH.	.	.	.	.	.	.	1	9
- 48	35-410446-295	• PLATE ASSY,WHEEL WELL COVER	.	.	.	.	.	.	1	9
	A6914-1024-1	• • PLATE,PATCH	.	.	.	.	.	.	1	9
- 49	35-410446-293	• • COVER ASSY.	.	.	.	.	.	.	1	9
	35-410480	• • • PLATE,WHEEL WELL COVER.	.	.	.	.	.	.	1	7
	35-410480-1	• • • PLATE,WHEEL WELL COVER.	.	.	.	.	.	.	1	8
	35-410446-285	• • • COVER	.	.	.	.	.	.	1	9
- 50	45-410356	• DOUBLER	.	.	.	.	.	.	1	9
- 51	35-410446-9	• DOUBLER	.	.	.	.	.	.	1	7
	AN743-13	• BRACKET	.	.	.	.	.	.	1	7
- 52	35-410481	• STIFFENER	.	.	.	.	.	.	1	9
	35-410446-119	• GUSSET,RH	.	.	.	.	.	.	1	9
- 53	35-410446-117	• GUSSET,LH	.	.	.	.	.	.	1	9
		/ATTACHING PARTS/								
	AN515-8R8	• SCREW	.	.	.	.	.	.	2	
	AN960-8	• WASHER.	.	.	.	.	.	.	2	
	MS20365-832	• NUT	.	.	.	.	.	.	2	
		-----*								
- 54	35-910019-1	• FITTING,REAR ENGINE MOUNT LH.	.	.	.	.	.	.	1	3
	35-910027-5	• FITTING,REAR ENGINE MOUNT LH.	.	.	.	.	.	.	1	4
	35-910019-3	• FITTING,REAR ENGINE MOUNT RH.	.	.	.	.	.	.	1	3
	35-910027-3	• FITTING,REAR ENGINE MOUNT RH.	.	.	.	.	.	.	1	4
		/ATTACHING PARTS/								
	AN4-11A/M/	• BOLT.	.	.	.	.	.	.	4	
	AN4-7A/M/	• BOLT.	.	.	.	.	.	.	2	
	AN960-416	• WASHER.	.	.	.	.	.	.	6	
	AN960-416L	• WASHER.	.	.	.	.	.	.	6	
	MS20365-428	• NUT	.	.	.	.	.	.	6	
		-----*								
- 55	35-410446-19	• DOUBLER,LH ENGINE MOUNT	.	.	.	.	.	.	1	9
	35-410446-20	• DOUBLER,RH ENGINE MOUNT	.	.	.	.	.	.	1	9
	35-410446-17	• SHIM,ENGINE MOUNT	.	.	.	.	.	.	2	9
- 56	35-410446-305	• FORMER,LH	.	.	.	.	.	.	1	9
	35-410446-306	• FORMER,RH	.	.	.	.	.	.	1	9
	35-410446-307	• DOUBLER,FORMER.	.	.	.	.	.	.	1	9
	35-410446-15	• SUPPORT,FORMER.	.	.	.	.	.	.	2	9
	35-410446-13	• CAP,FORMER.	.	.	.	.	.	.	1	9
	35-410446-303	• ANGLE,ENGINE MOUNT /LH & RH/.	.	.	.	.	.	.	4	9
	35-825117-6	• SHAFT ASSY,NOSE LANDING GEAR DOOR ACTUATOR.	.	.	.	.	.	.	1	4
- 57	35-825117-8	• SHAFT ASSY,NOSE LANDING GEAR DOOR ACTUATOR.	.	.	.	.	.	.	1	3
	35-944011-8	• ARM ASSY,COWL FLAP CONTROL.	.	.	.	.	.	.	1	9

BEECHCRAFT  
BONANZA 33  
ILLUSTRATED PARTS CATALOG

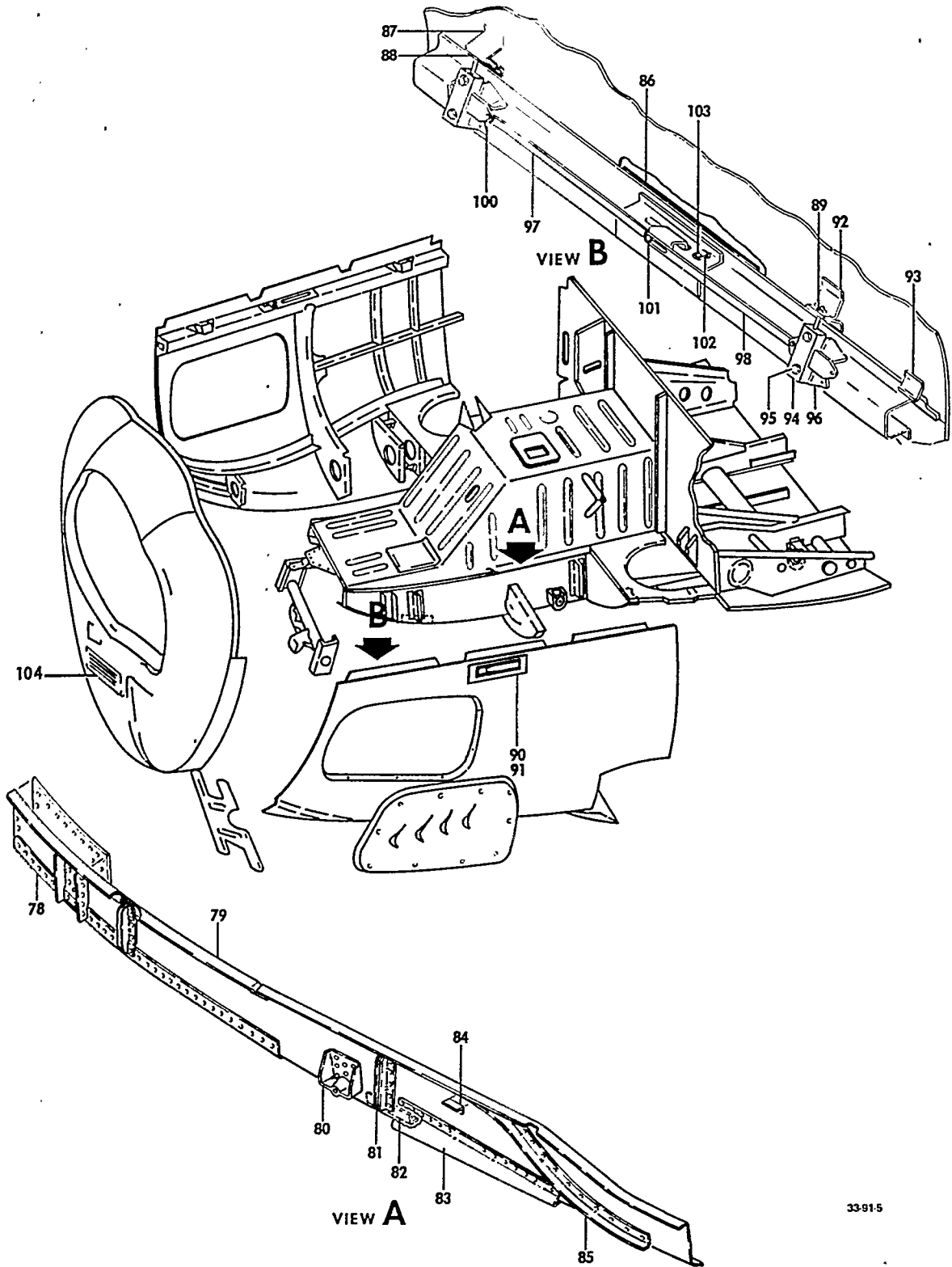


33914

B E E C H C R A F T  
B O N A N Z A 3 3  
I L L U S T R A T E D P A R T S C A T A L O G

FIG. & ITEM NO.	PART NO.	DESCRIPTION							UNITS PER ASSY	USABLE ON CODE
		1	2	3	4	5	6	7		
91	33-410000-679	•	•	•	•	•	•	•	1	3
	33-410000-680	•	•	•	•	•	•	•	1	3
	35-410000-681	•	•	•	•	•	•	•	1	4
	35-410000-682	•	•	•	•	•	•	•	1	4
- 58	35-410482-1	•	•	•	•	•	•	•	1	9
	35-410482-2	•	•	•	•	•	•	•	1	9
- 59	35-410482-3	•	•	•	•	•	•	•	1	9
	35-410482-4	•	•	•	•	•	•	•	1	9
	35-415352	•	•	•	•	•	•	•	1	9
- 60	35-415352-1	•	•	•	•	•	•	•	1	9
	35-410444-55	•	•	•	•	•	•	•	1	4
- 61	35-410444-56	•	•	•	•	•	•	•	1	4
	35-410444-57	•	•	•	•	•	•	•	1	4
- 62	35-410444-58	•	•	•	•	•	•	•	1	4
	35-415340-2	•	•	•	•	•	•	•	1	9
- 63	35-415340-1	•	•	•	•	•	•	•	1	9
	35-415341	•	•	•	•	•	•	•	1	9
- 64	35-415341-1	•	•	•	•	•	•	•	1	9
	35-415342-2	•	•	•	•	•	•	•	1	9
- 65	35-415342-3	•	•	•	•	•	•	•	1	9
	35-415342-4	•	•	•	•	•	•	•	1	4
	35-415342-5	•	•	•	•	•	•	•	1	4
	35-415342-6	•	•	•	•	•	•	•	1	4
	35-415342-7	•	•	•	•	•	•	•	1	4
	35-400473-15	•	•	•	•	•	•	•	1	9
- 66	35-400473-16	•	•	•	•	•	•	•	1	9
	35-400473-17	•	•	•	•	•	•	•	1	9
- 67	35-400473-18	•	•	•	•	•	•	•	1	9
	35-410000-46	•	•	•	•	•	•	•	1	9
- 68	35-410000-47	•	•	•	•	•	•	•	1	9
	35-410444-23	•	•	•	•	•	•	•	1	9
- 69	35-410444-24	•	•	•	•	•	•	•	1	9
	35-410452-142	•	•	•	•	•	•	•	1	9
	35-410452-191	•	•	•	•	•	•	•	1	9
	35-410452-143	•	•	•	•	•	•	•	1	9
- 70	35-410452-193	•	•	•	•	•	•	•	1	9
- 71	35-410460-9	•	•	•	•	•	•	•	1	9
	35-410460-10	•	•	•	•	•	•	•	1	9
	35-410460-7	•	•	•	•	•	•	•	1	9
	99833P098	•	•	•	•	•	•	•	10	9
- 72	35-410460-5	•	•	•	•	•	•	•	1	1
	35-410460-6	•	•	•	•	•	•	•	1	1
	98265-1-080	•	•	•	•	•	•	•	10	
	99836	•	•	•	•	•	•	•	10	
	295250-5	•	•	•	•	•	•	•	10	
		•	•	•	•	•	•	•		
- 73	33-410030-13	•	•	•	•	•	•	•	1	1
	33-410030-14	•	•	•	•	•	•	•	1	1
	35-415343-34	•	•	•	•	•	•	•	1	3
	35-415343-43	•	•	•	•	•	•	•	1	4
	35-415343-35	•	•	•	•	•	•	•	1	3
	35-415343-44	•	•	•	•	•	•	•	1	4
- 74	35-415343-2	•	•	•	•	•	•	•	1	9
	35-415343-5	•	•	•	•	•	•	•	1	9
- 75	35-415343-12	•	•	•	•	•	•	•	1	9
	35-415343-13	•	•	•	•	•	•	•	1	9
- 76	35-415343-36	•	•	•	•	•	•	•	2	9
- 77	35-415343-14	•	•	•	•	•	•	•	2	9
	35-415343-15	•	•	•	•	•	•	•	2	9

BEECHCRAFT  
BONANZA 33  
ILLUSTRATED PARTS CATALOG



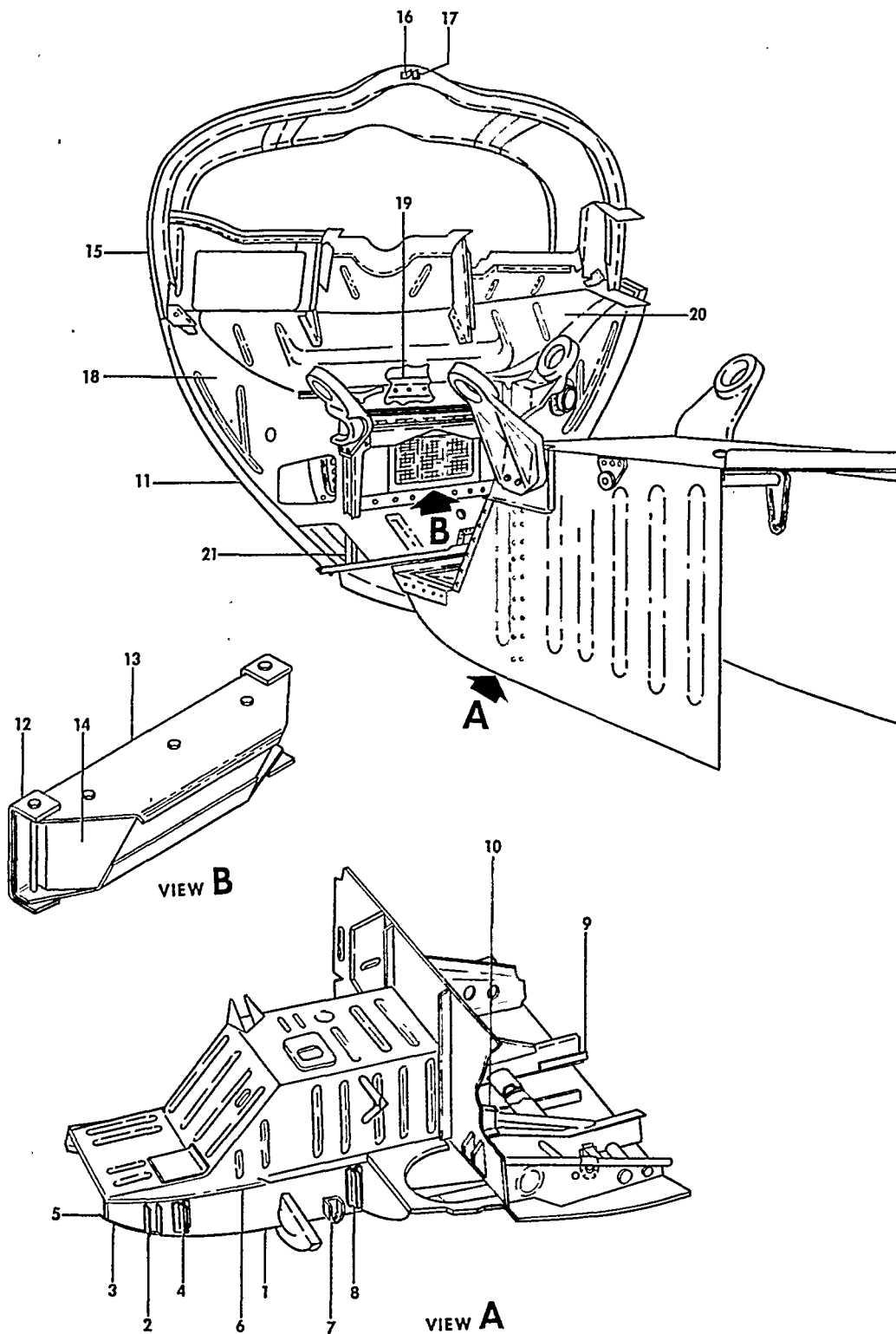




B E E C H C R A F T  
B O N A N Z A 3 3  
I L L U S T R A T E D P A R T S C A T A L O G

FIGURE 91A  
NOSE STRUCTURE  
CE-418, CE-436 AND AFTER; CJ-40 AND AFTER

BEECHCRAFT  
BONANZA 33  
ILLUSTRATED PARTS CATALOG

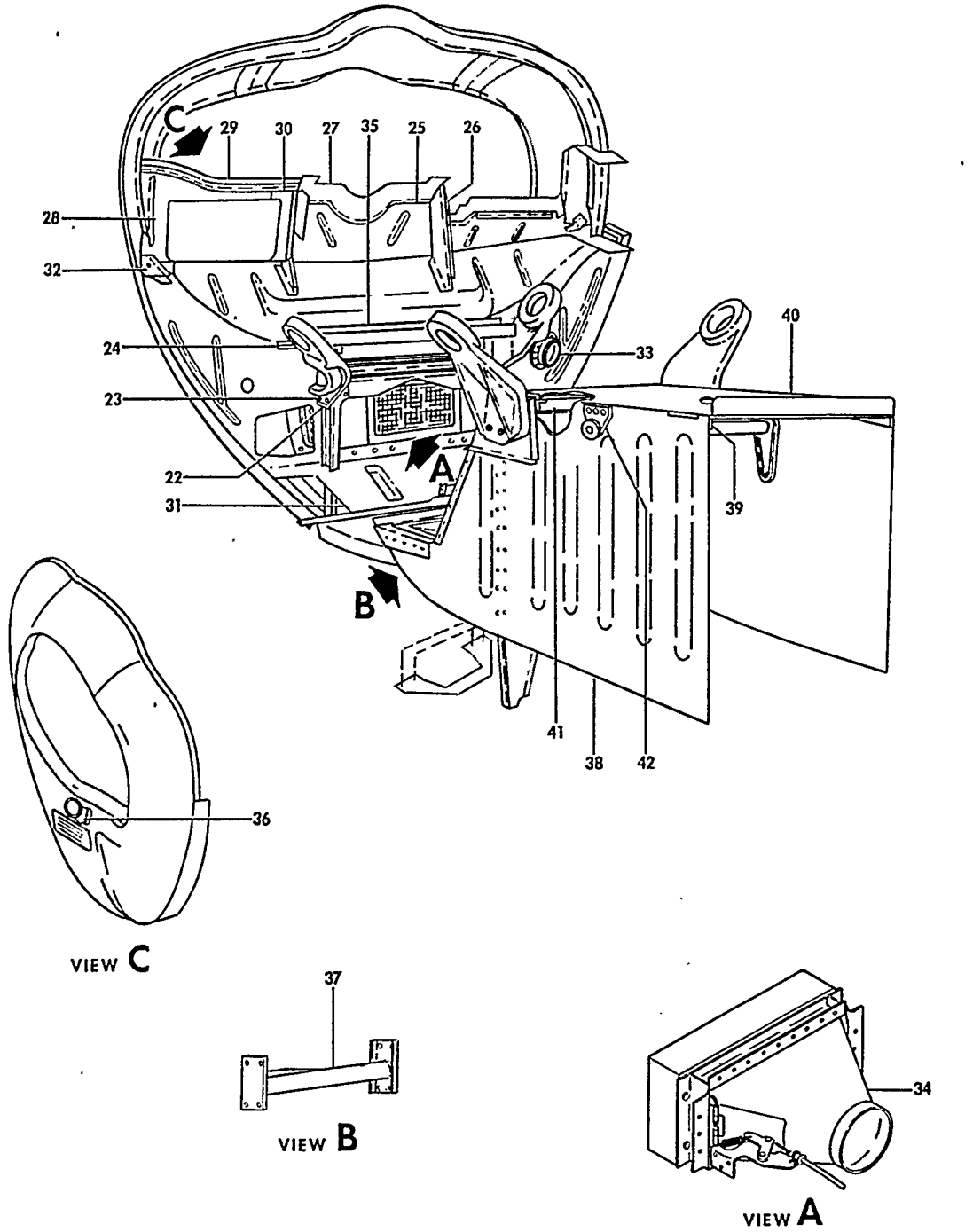


35-91-22

B E E C H C R A F T  
B O N A N Z A 3 3  
I L L U S T R A T E D P A R T S C A T A L O G

FIG. & ITEM NO.	PART NO.	DESCRIPTION	UNITS PER ASSY	USABLE ON CODE
91A	R 002-410000-3	COMPARTMENT ASSY,ENGINE . . . . .	NP	25
	R 002-410000-155	COMPARTMENT ASSY,ENGINE . . . . .	NP	26
	002-410019-1	. KEEL ASSY,LH. . . . .	1	2
	002-410019-27	. KEEL ASSY,LH. . . . .	1	3
	002-410019-2	. KEEL ASSY,RH. . . . .	1	2
	002-410019-28	. KEEL ASSY,RH. . . . .	1	3
- 1	R 35-415343-2	. . KEEL,LH . . . . .	1	4
	R 002-410019-3	. . KEEL,LH . . . . .	1	5
	R 002-410019-35	. . KEEL,LH . . . . .	1	15
	R 002-410019-37	. . KEEL,LH . . . . .	1	16
	35-415343-5	. . KEEL,RH . . . . .	1	4
	002-410019-4	. . KEEL,RH . . . . .	1	5
	R 002-410019-36	. . KEEL,RH . . . . .	1	15
	R 002-410019-38	. . KEEL,RH . . . . .	1	16
- 2	002-410019-9	. . CHANNEL,LH. . . . .	1	1
	002-410019-10	. . CHANNEL,RH. . . . .	1	1
- 3	002-410019-23	. . DOUBLER . . . . .	1	1
- 4	002-410019-11	. . ANGLE . . . . .	2	1
	R 002-410019-19	. . DOUBLER,LH. . . . .	1	2
	002-410019-20	. . DOUBLER,RH. . . . .	1	2
- 5	R 002-410019-5	. . ANGLE,LH LOWER. . . . .	1	1
	R 002-410019-6	. . ANGLE,RH LOWER. . . . .	1	1
- 6	002-410019-7	. . ANGLE,LH UPPER. . . . .	1	1
	002-410019-8	. . ANGLE,RH UPPER. . . . .	1	1
- 7	002-410057-1	. . FITTING,NOSE GEAR DRAG LEG ATTACH . . . . .	1	1
- 8	002-410019-13	. . ANGLE,LH. . . . .	2	1
- 9	002-410019-21	. . ANGLE,LH REINFORCEMENT. . . . .	1	1
	33-410050-1	. . FORMER,LH . . . . .	1	2
	33-410050-2	. . FORMER,RH . . . . .	1	2
	002-410019-22	. . ANGLE,RH REINFORCEMENT. . . . .	1	1
- 10	002-410019-25	. . BRACKET,LH. . . . .	1	1
	002-410000-121	. . NOSE BUG ASSY . . . . .	1	2
	002-410000-123	. . NOSE BUG ASSY . . . . .	1	3
- 11	002-410010-3	. . NOSE BUG. . . . .	1	1
- 12	002-410000-113	. . BRACKET,LH. . . . .	1	2
	002-410000-114	. . BRACKET,RH. . . . .	1	2
- 13	002-410000-115	. . BRACKET . . . . .	1	2
- 14	002-410000-111	. . WEIGHT. . . . .	1	2
		/ATTACHING PARTS/		
	AN4-33A	. . BOLT. . . . .	3	
	130909B53	. . BOLT. . . . .	2	
	AN960-416	. . WASHER. . . . .	3	
	AN960-416L	. . WASHER. . . . .	2	
	130909N32	. . NUT . . . . .	3	
		----*----		
- 15	002-410029-1	. . BULKHEAD ASSY . . . . .	1	1
	002-410029-3	. . . BULKHEAD. . . . .	1	1
- 16	002-410029-5	. . . BRACKET . . . . .	1	1
- 17	002-410029-6	. . . BRACKET . . . . .	1	1
	002-410000-35	. . WEB . . . . .	1	6
	35-410446-301	. . WEB . . . . .	1	7
- 18	002-410000-149	. . WEB . . . . .	1	8
	002-410000-43	. . DOUBLER . . . . .	1	6
	35-410446-239	. . DOUBLER . . . . .	1	7
- 19	002-410000-151	. . DOUBLER . . . . .	1	8
	002-410014-1	. . PAN . . . . .	1	6
	35-410446-229	. . PAN . . . . .	1	7
- 20	002-410014-3	. . PAN . . . . .	1	8
	002-410000-77	. . ANGLE . . . . .	1	1
- 21	002-410013-1	. . BRACKET,LH. . . . .	1	1
	002-410013-2	. . BRACKET,RH. . . . .	1	1

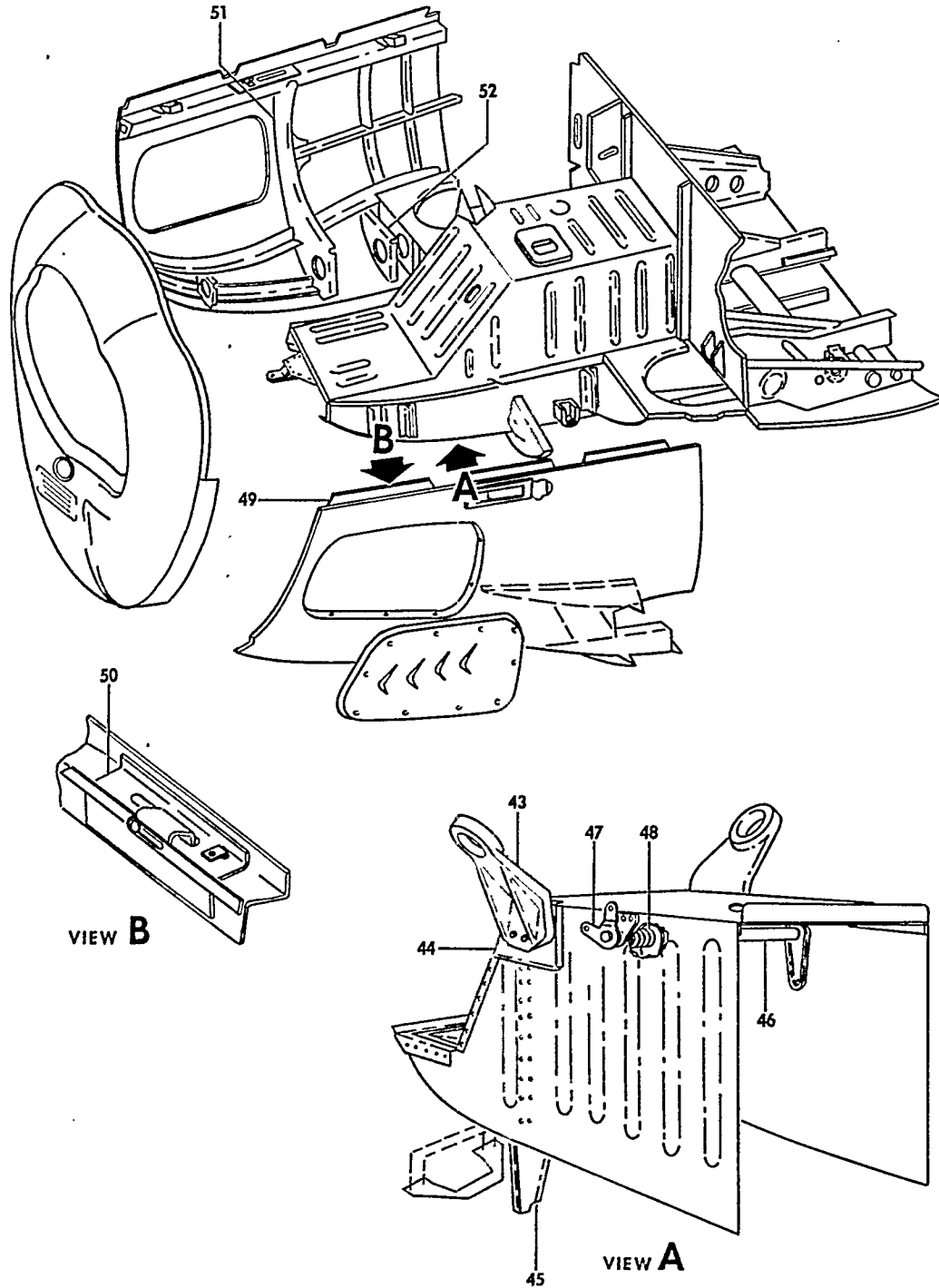
BEECHCRAFT  
BONANZA 33  
ILLUSTRATED PARTS CATALOG



B E E C H C R A F T  
B O N A N Z A 3 3  
I L L U S T R A T E D P A R T S C A T A L O G

FIG. & ITEM NO.	PART NO.	DESCRIPTION	UNITS PER ASSY	USABLE ON CODE
91A - 22	35-910027-11	. . FITTING,FWD ENGINE MOUNT LH . . . . .	1	11
	35-910027-6011	. . FITTING,FWD ENGINE MOUNT LH . . . . .	1	12
	35-910027-9	. . FITTING,FWD ENGINE MOUNT RH . . . . .	1	1
		/ATTACHING PARTS/		
- 23	R 130909B36	. . BOLT. . . . .	2	
	R 130909B38	. . BOLT. . . . .	3	
	AN960-416L	. . WASHER. . . . .	8	
	AN960-416	. . WASHER. . . . .	3	
	130909N32	. . NUT . . . . .	5	
		-----X-----		
- 24	002-410000-31	. . GUSSET,LH . . . . .	1	1
	002-410000-32	. . GUSSET,RH . . . . .	1	1
	002-410000-33	. . ANGLE . . . . .	1	1
	002-410000-39	. . BAFFLE ASSY,CENTER. . . . .	1	1
- 25	002-410000-41	. . BAFFLE,CENTER . . . . .	1	1
- 26	002-410000-55	. . SEAL,HALF . . . . .	1	1
- 27	002-410000-53	. . SEAL,CENTER BAFFLE. . . . .	1	1
	002-410000-57	. . BACK STRIP. . . . .	1	1
	002-410000-45	. . BAFFLE ASSY,LH. . . . .	1	1
- 28	002-410000-63	. . BAFFLE. . . . .	1	1
	002-410000-25	. . CLIP. . . . .	1	1
- 29	002-410000-59	. . SEAL. . . . .	1	1
	002-410000-61	. . STRIP . . . . .	1	1
- 30	002-410000-75	. . STIFFENER . . . . .	1	1
- 31	002-410016-1	. . PLATE,WHEEL WELL CROSS TIE. . . . .	1	1
- 32	002-410000-137	. . TIE PLATE . . . . .	1	1
	002-410000-138	. . TIE PLATE . . . . .	1	1
- 33	002-410000-153	. . FLANGE. . . . .	1	1
- 34	002-910011-1	. . INTAKE ASSY,AIR /SEE FIG 258/ . . . . .	1	1
	002-410000-19	. . ANGLE . . . . .	1	1
- 35	002-410000-51	. . CHANNEL . . . . .	1	1
	002-410000-73	. . REINFORCEMENT ASSY. . . . .	1	1
- 36	002-410000-141	. . REINFORCEMENT . . . . .	1	1
	002-410000-87	. . BRACKET . . . . .	1	1
	002-410015-1	. . TRACK,NOSE GEAR STRAIGHTENER. . . . .	1	1
- 37	002-410032-1	. . SUPPORT ASSY,NOSE WHEEL STEERING. . . . .	1	1
	002-410000-47	. . COVER ASSY,NOSE WHEEL WELL. . . . .	1	1
- 38	002-410012-1	. . PLATE,WHEEL WELL SIDE LH. . . . .	1	1
	002-410012-3	. . PLATE,WHEEL WELL SIDE RH. . . . .	1	1
- 39	002-410028-1	. . ANGLE,SUPPORT LH. . . . .	1	1
	002-410028-2	. . ANGLE,SUPPORT RH. . . . .	1	1
- 40	002-410011-1	. . COVER . . . . .	1	1
- 41	002-410000-139	. . REINFORCEMENT . . . . .	1	1
- 42	002-410000-27	. . GUSSET,LH . . . . .	1	1
	002-410000-29	. . GUSSET,RH . . . . .	1	1
		/ATTACHING PARTS/		
	MS35206-245	. . SCREW . . . . .	2	
	AN960-8	. . WASHER. . . . .	2	
	130909N28	. . NUT . . . . .	2	
		-----X-----		

BEECHCRAFT  
BONANZA 33  
ILLUSTRATED PARTS CATALOG

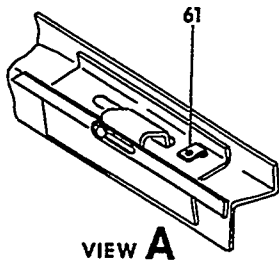
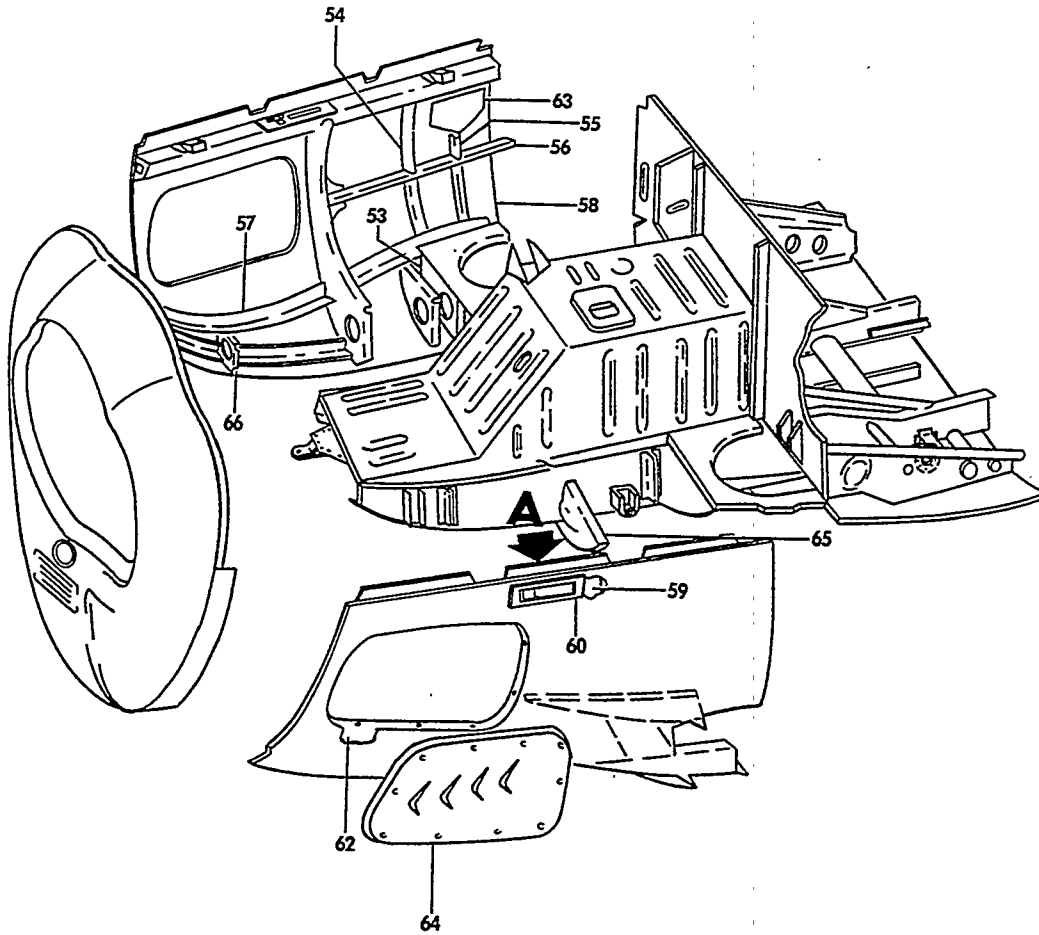


33-91-24

B E E C H C R A F T  
B O N A N Z A 3 3  
I L L U S T R A T E D P A R T S C A T A L O G

FIG. & ITEM NO.	PART NO.	DESCRIPTION	UNITS PER ASSY	USABLE ON CODE
		1 2 3 4 5 6 7		
91A - 43	35-910027-5	. . FITTING,REAR ENGINE MOUNT LH. . . . .	1	1
	35-910027-3	. . FITTING,REAR ENGINE MOUNT RH. . . . .	1	1
		/ATTACHING PARTS/		
	130909B38	. . BOLT. . . . .	2	
	130909B40	. . BOLT. . . . .	4	27
	130909B41	. . BOLT. . . . .	4	28
	AN960-416	. . WASHER. . . . .	12	
	AN960-416L	. . WASHER. . . . .	4	
	130909N32	. . NUT . . . . .	6	
		-----*-----		
	4G7H	. . JUMPER,BONDING. . . . .	1	1
- 44	002-410000-17	. . DOUBLER,LH. . . . .	1	1
	002-410000-18	. . DOUBLER,RH. . . . .	1	1
	002-410000-15	. . SHIM. . . . .	1	1
- 45	002-410022-1	. . FORMER,LH . . . . .	1	1
	002-410022-2	. . FORMER,RH . . . . .	1	1
	002-410022-3	. . DOUBLER,FORMER. . . . .	1	1
	002-410000-13	. . SUPPORT,FORMER. . . . .	1	1
	002-410022-5	. . CAP,FORMER. . . . .	1	1
	002-410022-7	. . BRACKET . . . . .	1	1
- 46	002-410038-3	. . SHAFT ASSY,NOSE GEAR DOOR RETRACT . . . . .	1	1
- 47	002-410053-1	. . ARM ASSY,COWL FLAP CONTROL LH . . . . .	1	1
	002-410053-3	. . ARM ASSY,COWL FLAP CONTROL RH . . . . .	1	1
		/ATTACHING PARTS/		
	MS35206-245	. . BOLT,LH ARM ASSY. . . . .	3	
	130909B20	. . BOLT,RH ARM ASSY. . . . .	1	
	AN960-8	. . WASHER,LH ARM ASSY. . . . .	3	
	AN960-10	. . WASHER,RH ARM ASSY. . . . .	1	
	130909N28	. . NUT,LH ARM ASSY . . . . .	3	
	130909N29	. . NUT,RH ARM ASSY . . . . .	1	
		-----*-----		
- 48	35-825074-1	. . SPRING,NOSE GEAR DOOR RETRACT SHAFT . . . . .	1	1
	002-410012-5	. . ARM ASSY /RH PANEL ONLY/. . . . .	1	1
	002-410012-11	. . BRACKET /RH PANEL ONLY/ . . . . .	1	1
	002-410000-79	. . DOUBLER . . . . .	1	1
	A6914-1024-1	. . PLATE,PATCH . . . . .	1	1
	002-410027-1	. . SIDE PANEL,ENGINE COMPARTMENT LH. . . . .	1	2
	002-410027-53	. . SIDE PANEL,ENGINE COMPARTMENT LH. . . . .	1	3
	002-410027-2	. . SIDE PANEL,ENGINE COMPARTMENT RH. . . . .	1	2
	002-410027-54	. . SIDE PANEL,ENGINE COMPARTMENT RH. . . . .	1	3
	002-410024-1	. . LONGERON ASSY,NOSE LH . . . . .	1	1
	002-410024-2	. . LONGERON ASSY,NOSE RH . . . . .	1	1
- 49	002-410024-5	. . LONGERON,LH . . . . .	1	1
	002-410024-6	. . LONGERON,RH . . . . .	1	1
- 50	002-410024-3	. . REINFORCEMENT,LH. . . . .	1	1
	002-410024-4	. . REINFORCEMENT,RH. . . . .	1	1
	002-410024-7	. . BRACKET . . . . .	1	1
	R 002-410026-1	. . BULKHEAD,LH /STA.33.345/. . . . .	1	1
- 51	R 002-410026-29	. . BULKHEAD,RH /STA.33.345/. . . . .	1	1
	R 002-410026-21	. . BULKHEAD,LH /STA.38.25/ . . . . .	1	1
- 52	R 002-410026-22	. . BULKHEAD,RH /STA.38.25/ . . . . .	1	1
	R 002-410026-3	. . BULKHEAD ASSY,LH /STA.40.75/. . . . .	1	1

BEECHCRAFT  
BONANZA 33  
ILLUSTRATED PARTS CATALOG



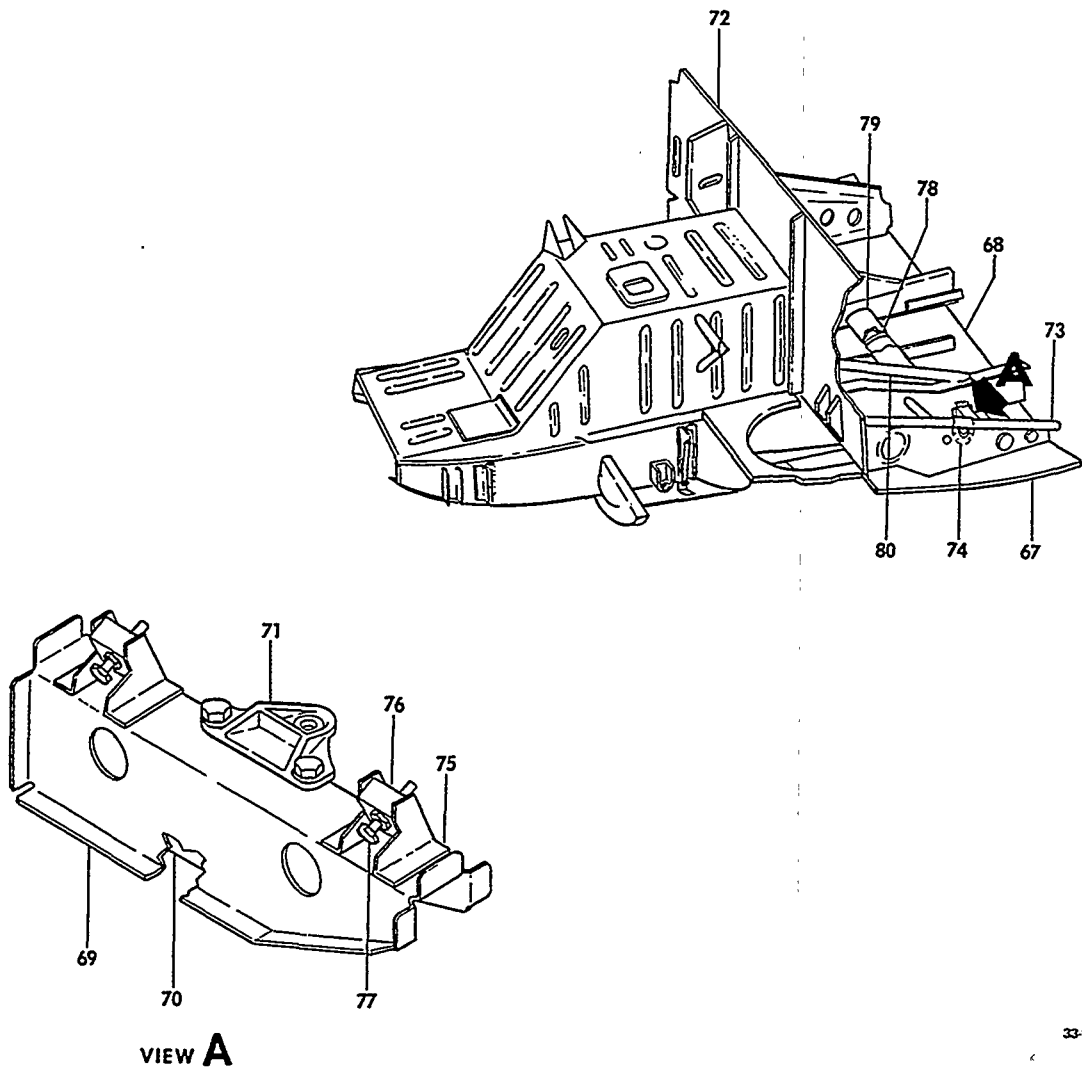
33-91-25



B E E C H C R A F T  
B O N A N Z A 3 3  
I L L U S T R A T E D P A R T S C A T A L O G

FIG. & ITEM NO.	PART NO.	DESCRIPTION							UNITS PER ASSY	USABLE ON CODE
		1	2	3	4	5	6	7		
91A	R 002-410026-4	. .	. .	. .	. .	. .	. .	. .	1	1
	R 002-410026-5	. . .	. . .	. . .	. . .	. . .	. . .	. . .	1	1
- 53	R 002-410026-6	. . .	. . .	. . .	. . .	. . .	. . .	. . .	1	1
	R 002-410026-7	. . .	. . .	. . .	. . .	. . .	. . .	. . .	1	1
	R 002-410026-8	. . .	. . .	. . .	. . .	. . .	. . .	. . .	1	1
	R 002-410026-9	. . .	. . .	. . .	. . .	. . .	. . .	. . .	1	1
	R 002-410026-10	. . .	. . .	. . .	. . .	. . .	. . .	. . .	1	1
	R 002-410027-9	. . .	. . .	. . .	. . .	. . .	. . .	. . .	2	2
- 54	R 002-410027-10	. . .	. . .	. . .	. . .	. . .	. . .	. . .	2	2
	R 33-410048-1	. . .	. . .	. . .	. . .	. . .	. . .	. . .	2	3
	R 33-410048-2	. . .	. . .	. . .	. . .	. . .	. . .	. . .	2	3
	R 002-410027-11	. . .	. . .	. . .	. . .	. . .	. . .	. . .	1	1
- 55	R 002-410027-12	. . .	. . .	. . .	. . .	. . .	. . .	. . .	1	1
	R 002-410027-13	. . .	. . .	. . .	. . .	. . .	. . .	. . .	1	1
- 56	R 002-410027-14	. . .	. . .	. . .	. . .	. . .	. . .	. . .	1	1
	R 002-410027-7	. . .	. . .	. . .	. . .	. . .	. . .	. . .	1	1
- 57	R 002-410027-8	. . .	. . .	. . .	. . .	. . .	. . .	. . .	1	1
	R 35-400473-3	. . .	. . .	. . .	. . .	. . .	. . .	. . .	1	13
	R 35-400473-4	. . .	. . .	. . .	. . .	. . .	. . .	. . .	1	13
	R 002-410027-55	. . .	. . .	. . .	. . .	. . .	. . .	. . .	1	1
- 58	R 002-410027-56	. . .	. . .	. . .	. . .	. . .	. . .	. . .	1	1
- 59	R 002-410027-15	. . .	. . .	. . .	. . .	. . .	. . .	. . .	1	1
- 60	R H2109-3	. . .	. . .	. . .	. . .	. . .	. . .	. . .	1	1
	R H2109-4	. . .	. . .	. . .	. . .	. . .	. . .	. . .	1	1
- 61	R 002-410027-31	. . .	. . .	. . .	. . .	. . .	. . .	. . .	1	1
	R AN530-8R6	. . .	. . .	. . .	. . .	. . .	. . .	. . .	1	1
		. . .	. . .	. . .	. . .	. . .	. . .	. . .	1	1
	R 002-410027-5	. . .	. . .	. . .	. . .	. . .	. . .	. . .	1	1
	R 002-410027-6	. . .	. . .	. . .	. . .	. . .	. . .	. . .	1	1
- 62	R 002-410027-19	. . .	. . .	. . .	. . .	. . .	. . .	. . .	1	1
	R 002-410027-20	. . .	. . .	. . .	. . .	. . .	. . .	. . .	1	1
	R 002-410027-21	. . .	. . .	. . .	. . .	. . .	. . .	. . .	1	1
- 63	R 002-410027-23	. . .	. . .	. . .	. . .	. . .	. . .	. . .	1	1
	R 002-410027-49	. . .	. . .	. . .	. . .	. . .	. . .	. . .	1	1
	R 002-410027-51	. . .	. . .	. . .	. . .	. . .	. . .	. . .	1	1
	R 002-410027-44	. . .	. . .	. . .	. . .	. . .	. . .	. . .	1	2
	R 33-410051-1	. . .	. . .	. . .	. . .	. . .	. . .	. . .	1	29
	R 33-410051-3	. . .	. . .	. . .	. . .	. . .	. . .	. . .	1	14
	R 33-410051-2	. . .	. . .	. . .	. . .	. . .	. . .	. . .	1	29
	R 33-410051-4	. . .	. . .	. . .	. . .	. . .	. . .	. . .	1	14
	R 33-410049-1	. . .	. . .	. . .	. . .	. . .	. . .	. . .	1	3
	R 33-410049-2	. . .	. . .	. . .	. . .	. . .	. . .	. . .	1	3
	R 002-410023-1	. . .	. . .	. . .	. . .	. . .	. . .	. . .	1	1
	R 002-410023-2	. . .	. . .	. . .	. . .	. . .	. . .	. . .	1	1
- 64	R 002-410023-3	. . .	. . .	. . .	. . .	. . .	. . .	. . .	1	1
	R 002-410023-4	. . .	. . .	. . .	. . .	. . .	. . .	. . .	1	1
	R 002-410023-5	. . .	. . .	. . .	. . .	. . .	. . .	. . .	4	1
	R 002-410023-6	. . .	. . .	. . .	. . .	. . .	. . .	. . .	4	1
	R 98265-1-100	. . .	. . .	. . .	. . .	. . .	. . .	. . .	10	1
	R 99836	. . .	. . .	. . .	. . .	. . .	. . .	. . .	10	1
	R 295250-5	. . .	. . .	. . .	. . .	. . .	. . .	. . .	10	1
	002-410026-13	. . .	. . .	. . .	. . .	. . .	. . .	. . .	1	1
- 65	002-410026-15	. . .	. . .	. . .	. . .	. . .	. . .	. . .	1	1
	002-410026-17	. . .	. . .	. . .	. . .	. . .	. . .	. . .	1	1
	002-410026-19	. . .	. . .	. . .	. . .	. . .	. . .	. . .	1	1
- 66	002-410026-20	. . .	. . .	. . .	. . .	. . .	. . .	. . .	1	1
	002-410026-23	. . .	. . .	. . .	. . .	. . .	. . .	. . .	2	1

BEECHCRAFT  
BONANZA 33  
ILLUSTRATED PARTS CATALOG

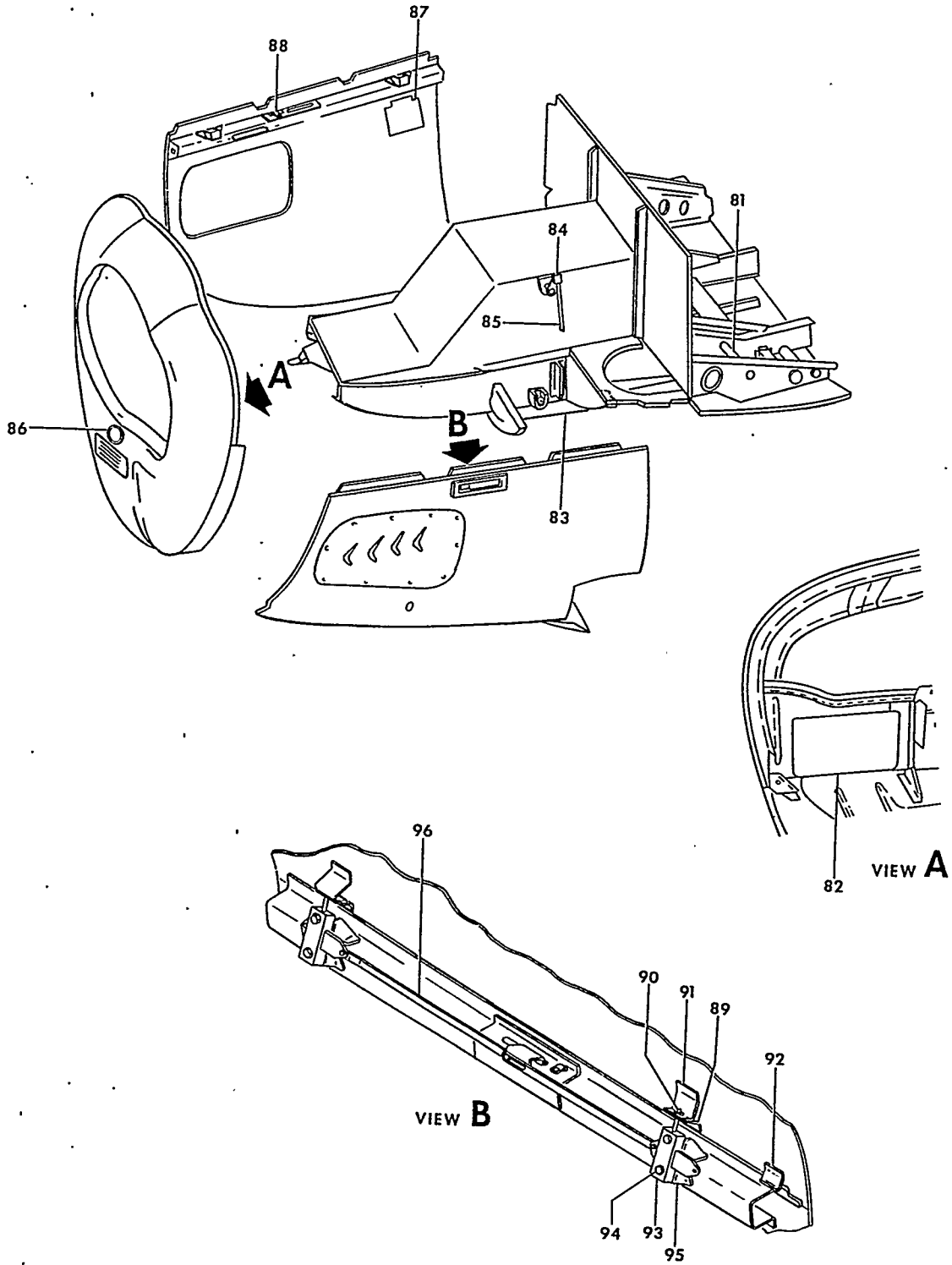


33-91-26

B E E C H C R A F T  
B O N A N Z A 3 3  
I L L U S T R A T E D P A R T S C A T A L O G

FIG. & ITEM NO.	PART NO.	DESCRIPTION	UNITS							USABLE ON CODE
			PER ASSY	1	2	3	4	5	6	
91A - 67	002-410027-33	. SKIN ASSY,LH /STA 49 TO STA 68/ . . . . .	1							1
	002-410027-34	. SKIN ASSY,RH /STA 49 TO STA 68/ . . . . .	1							1
	002-410027-41	. . SKIN,LH . . . . .	1							1
	002-410027-42	. . SKIN,RH . . . . .	1							1
	002-410027-37	. . ANGLE,LH. . . . .	1							1
	002-410027-38	. . ANGLE,RH. . . . .	1							1
R	002-410027-155	. . ANGLE,LH. . . . .	1							1
R	002-410027-156	. . ANGLE,RH. . . . .	1							1
- 68	002-410027-27	. SKIN,CENTER . . . . .	1							1
	002-410000-231	. STIFFENER/USE WITH 108424-4 CLIP/ . . . . .	1							1
	002-410056-1	. SUPPORT ASSY,LH RUDDER PEDAL BELLCRANK. . . . .	1							1
	002-410056-2	. SUPPORT ASSY,RH RUDDER PEDAL BELLCRANK. . . . .	1							1
- 69	002-410056-5	. . CHANNEL,LH. . . . .	1							1
	002-410056-6	. . CHANNEL,RH. . . . .	1							1
- 70	002-410056-3	. . BRACKET,LH. . . . .	1							1
	002-410056-4	. . BRACKET,RH. . . . .	1							1
- 71	R 35-524136-3	. . SUPPORT,RUDDER PEDAL/SPARES FOR 35-524136/. /ATTACHING PARTS/	1							1
	130909B15	. . BOLT. . . . .	4							
	AN960-10L	. . WASHER. . . . .	4							
		-----*								
- 72	R 002-410030-1	. FIREWALL ASSY,LOWER/SEE FIGURE 111B/ . . . . .	1							17
R	002-410030-181	. FIREWALL ASSY,LOWER/SEE FIGURE 111B/ . . . . .	1							18
R	002-410020-1	. SUPPORT ASSY,LH RUDDER PEDAL CONTROL. . . . .	1							19
R	002-410020-11	. SUPPORT ASSY,LH RUDDER PEDAL CONTROL. . . . .	1							20
R	002-410020-2	. SUPPORT ASSY,RH RUDDER PEDAL CONTROL. . . . .	1							19
R	002-410020-12	. SUPPORT ASSY,RH RUDDER PEDAL CONTROL. . . . .	1							20
- 73	R 002-410020-3	. . CHANNEL,LH. . . . .	1							19
R	002-410020-13	. . CHANNEL,LH. . . . .	1							20
R	002-410020-4	. . CHANNEL,RH. . . . .	1							19
R	002-410020-14	. . CHANNEL,RH. . . . .	1							20
	002-410020-5	. . SUPPORT ASSY,LH . . . . .	1							1
	002-410020-6	. . SUPPORT ASSY,RH . . . . .	1							1
- 74	002-410020-7	. . . SUPPORT . . . . .	1							1
	B146	. . . BEARING . . . . .	1							1
R	002-410031-1	. STOP ASSY,RUDDER PEDAL. . . . .	1							21
R	002-410031-7	. STOP ASSY,RUDDER PEDAL. . . . .	1							22
		/ATTACHING PARTS/								
	MS27039-1-10	. SCREW . . . . .	4							
	AN960-10L	. WASHER. . . . .	4							
	130909N29	. NUT . . . . .	4							
		-----*								
- 75	002-410031-3	. . ANGLE,LH. . . . .	1							1
	002-410031-4	. . ANGLE,RH. . . . .	1							1
		/ATTACHING PARTS/								
R	MS35206-251	. . SCREW . . . . .	2							
	AN960-8	. . WASHER. . . . .	2							
	130909N28	. . NUT . . . . .	2							
		-----*								
- 76	R 002-410031-5	. . BLOCK . . . . .	1							19
R	002-410031-9	. . BLOCK ASSY. . . . .	1							20
- 77	R 131002-3	. . BOLT. . . . .	1							19
R	NAS428-4-14	. . BOLT. . . . .	1							20
	AN316-4R	. . NUT . . . . .	1							1
	002-410017-5	. BRACKET ASSY,PULLEY NOSE. . . . .	1							1
- 78	002-410017-9	. . SUPPORT . . . . .	2							1
- 79	002-410017-7	. . SUPPORT . . . . .	1							1
- 80	002-410017-11	. . ANGLE,LH. . . . .	1							1
	002-410017-12	. . ANGLE,RH. . . . .	1							1
	002-410017-15	. . GUARD,PULLEY. . . . .	2							11
	118540BHP4	. . PULLEY. . . . .	4							1
		/ATTACHING PARTS/								
	AN4-24A	. . BOLT. . . . .	1							1
	AN960-416	. . WASHER. . . . .	2							
	130909N32	. . NUT . . . . .	1							
		-----*								

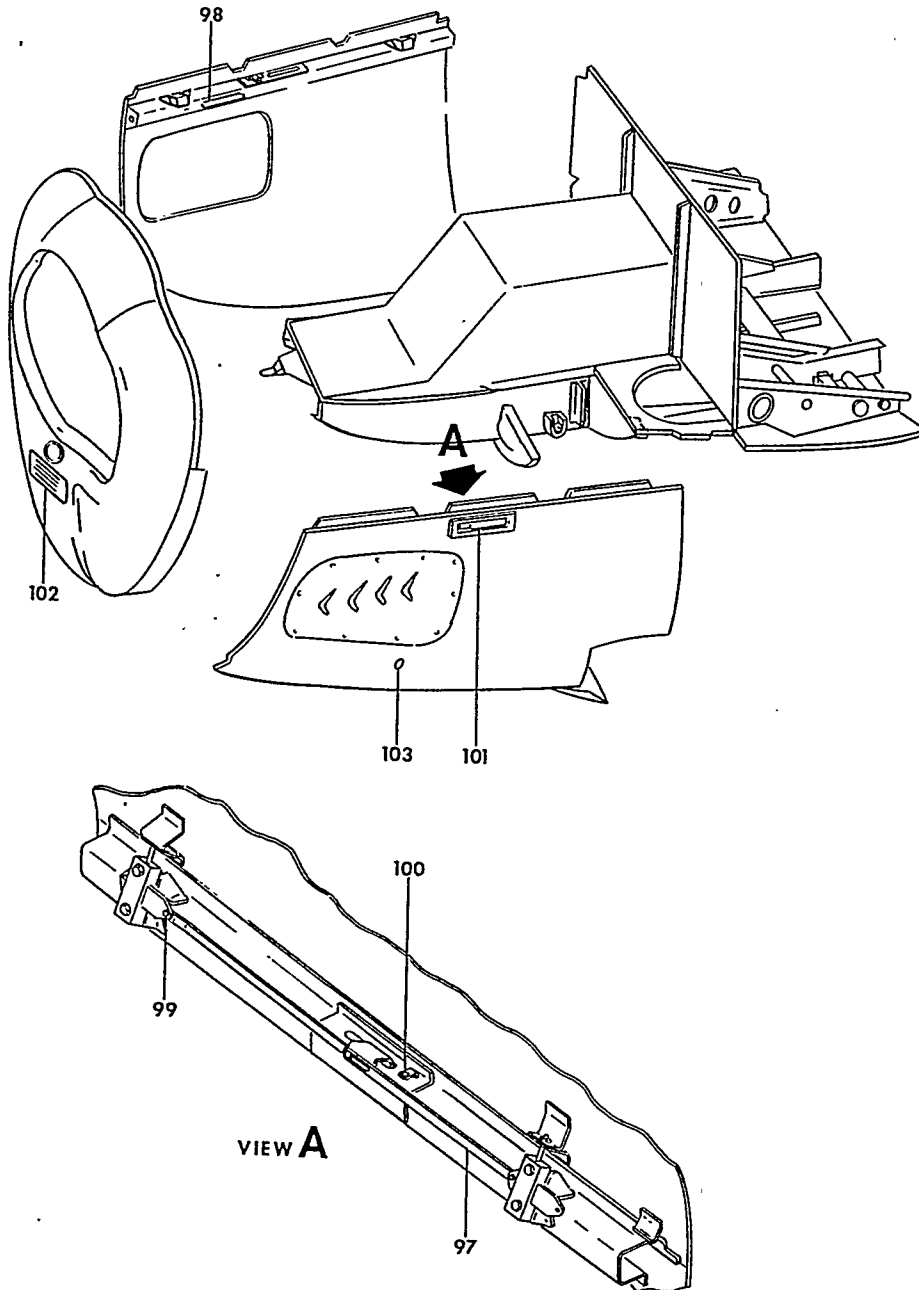
BEECHCRAFT  
BONANZA 33  
ILLUSTRATED PARTS CATALOG



B E E C H C R A F T  
B O N A N Z A 3 3  
I L L U S T R A T E D P A R T S C A T A L O G

FIG. & ITEM NO.	PART NO.	DESCRIPTION	UNITS PER ASSY	USABLE ON CODE
		1 2 3 4 5 6 7		
91A - 81	002-410033-1	. SUPPORT ASSY, MASTER CYLINDER. . . . .	1	1
- 82	002-410000-23	. DOOR. . . . .	1	1
		/ATTACHING PARTS/		
	MS35026-243	. SCREW . . . . .	4	
		---*---		
- 83	R 002-410025-1	. FLAP ASSY, LH. . . . .	1	23
	R 002-410025-13	. FLAP ASSY, LH. . . . .	1	24
	R 002-410025-2	. FLAP ASSY, RH. . . . .	1	23
	R 002-410025-14	. FLAP ASSY, RH. . . . .	1	24
- 84	B40-1	. ROD END . . . . .	1	1
		/ATTACHING PARTS/		
	MS35650-302	. NUT . . . . .	2	
	MS21042LB	. NUT . . . . .	2	
	AN960-10	. WASHER. . . . .	2	
		---*---		
- 85	002-410053-15	. LINK. . . . .	1	1
	002-410000-37	. RUB BLOCK . . . . .	2	1
- 86	002-410000-67	. COVER ASSY, LANDING LIGHT/14 VOLT/ . . . . .	1	9
	002-410000-165	. COVER ASSY, LANDING LIGHT/28 VOLT/ . . . . .	1	10
	002-410016-3	. ANGLE, LH. . . . .	1	1
	002-410016-4	. ANGLE, RH. . . . .	1	1
	002-410024-7	. BRACKET . . . . .	2	1
	35-036040-23	DOUBLER, EXTERNAL POWER RECEPTACLE BOX . . . . .	1	1
	35-036040-25	ANGLE, EXTERNAL POWER RECEPTACLE BOX . . . . .	1	1
	35-036040-8	BOX ASSY, EXTERNAL POWER RECEPTACLE . . . . .	1	1
- 87	180966	DOOR ASSY, EXTERNAL POWER RECEPTACLE . . . . .	1	1
	35-364214	PLACARD, EXTERNAL POWER/12 VOLT/ . . . . .	1	9
	36-364029	PLACARD, EXTERNAL POWER/24 VOLT/ . . . . .	1	10
	002-910010-1	LATCH INSTL, COWL DOOR . . . . .	NP	1
- 88	002-910010-7	. BRACKET, UPPER AFT/LH & RH/. . . . .	2	1
- 89	002-910010-5	. BRACKET, LOWER/LH & RH/. . . . .	4	1
- 90	AN315-4	. NUT . . . . .	4	1
- 91	002-910010-7	. BRACKET, UPPER FWD/LH & RH/. . . . .	2	1
	AN315-4	. NUT . . . . .	4	1
- 92	002-910010-15	. CLIP/LH & RH/ . . . . .	2	1
- 93	H910-3	. LATCH ASSY, COWL DOOR. . . . .	4	1
		/ATTACHING PARTS/		
- 94	R 130909B20	. BOLT. . . . .	2	
	130909N31	. NUT . . . . .	2	
		---*---		
- 95	35-910313-1	. BRACKET, COWL LATCH/LH & RH/ . . . . .	4	1
- 96	002-910010-9	. LINK, AFT. . . . .	2	1

BEECHCRAFT  
BONANZA 33  
ILLUSTRATED PARTS CATALOG



33-91-42

B E E C H C R A F T  
B O N A N Z A 3 3  
I L L U S T R A T E D P A R T S C A T A L O G

FIG. & ITEM NO.	PART NO.	DESCRIPTION	UNITS	USABLE
			PER ASSY	ON CODE
91A - 97	002-910010-13	. LINK,LH COWL LATCH. . . . .	1	1
- 98	002-910010-11	. LINK,RH COWL LATCH. . . . . /ATTACHING PARTS/	1	1
- 99	MS20392-2C9	. PIN . . . . .	2	
-100	130909B15	. BOLT. . . . .	2	
	AN960-10L	. WASHER. . . . .	4	
	MS24665-132	. PIN,COTTER. . . . .	2	
		-----*-----		
-101	H2109-3	HANDLE ASSY,LH COWL DOOR LATCH. . . . .	1	1
	H2109-4	HANDLE ASSY,RH COWL DOOR LATCH. . . . .	1	1
-102	002-410000-21	GRILL,AIR INTAKE. . . . .	2	1
-103	SS48143	PLUG BUTTON . . . . .	2	1

C O D E S O F E F F E C T I V I T Y

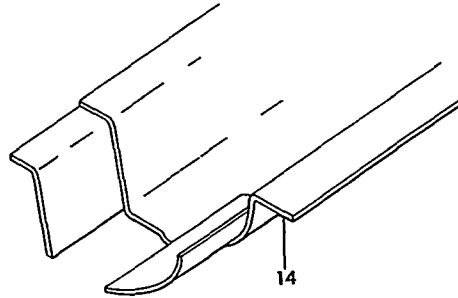
1	CE-418, CE-436 AND AFTER CJ-40 AND AFTER	2	CE-418, CE-436 AND AFTER
3	CJ-40 AND AFTER	4	CE-418, CE-436 THRU CE-451
5	CE-452 THRU CE-1048 CJ-40 THRU CJ-155	6	CE-418 ONLY
7	CE-436 THRU CE-441	8	CE-442 AND AFTER CJ-40 AND AFTER
9	CE-418, CE-436 THRU CE-747 CE-749 THRU CE-771 CJ-40 THRU CJ-148	10	CE-748, CE-772 AND AFTER CJ-149 AND AFTER
11	CE-418 CE-436 THRU CE-992 CJ-40 THRU CJ-155	12	CE-993 THRU CE-995 CE-997 AND AFT CJ-156 AND AFTER
13	CE-418, CE-436 THRU CE-803, CE-805 THRU CE-827,	14	CJ-156 AND AFTER
15	CE-1049 THRU CE-1742 CJ-156 AND AFTER	16	CE-1743 AND AFTER
17	CE-436 THRU CE-1439 CE-1441 THRU CE-1456 CJ-40 THRU CJ-179	18	CE-1440, CE-1457 AND AFTER CJ-180 AND AFTER
19	CE-436 THRU CE-634 CJ-40 THRU CJ-125	20	CE-635 AND AFTER CJ-126 AND AFTER
21	CE-436 THRU CE-913 CJ-40 THRU CJ-155	22	CE-914 AND AFTER CJ-156 AND AFTER
23	CE-436 THRU CE-746 CJ-40 THRU CJ-131	24	CE-747 AND AFTER CJ-132 AND AFTER
25	CE-418, CE-436 AND AFTER CJ-40 THRU CJ-148	26	CJ-149 AND AFTER
27	CE-418, CE-436 THRU CE-1688 CJ-40 THRU CJ-179	28	CE-1689 AND AFTER CJ-180 AND AFTER
29	CJ-40 THRU CJ-155		

BEECHCRAFT  
BONANZA 33  
ILLUSTRATED PARTS CATALOG

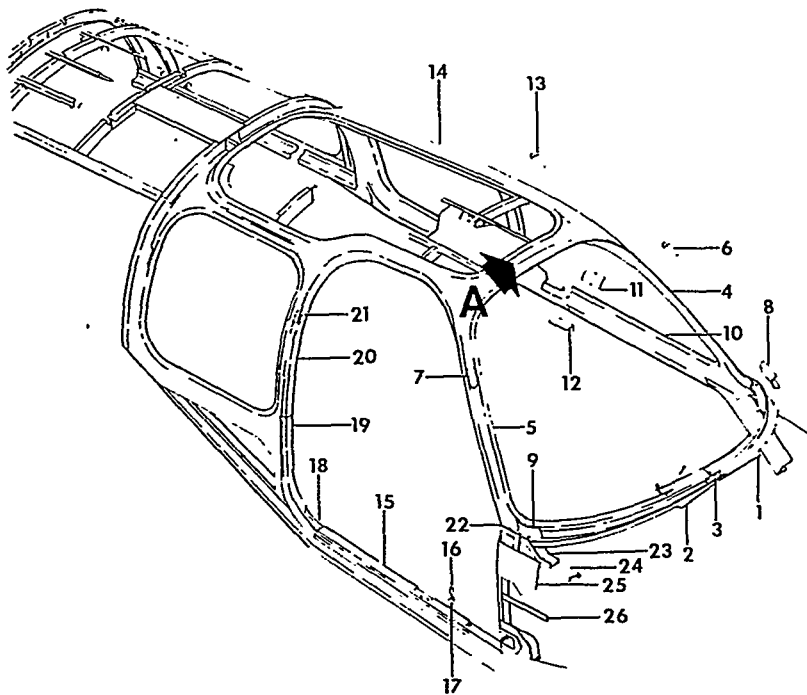
FIGURE 97  
CANOPY STRUCTURE



BEECHCRAFT  
BONANZA 33  
ILLUSTRATED PARTS CATALOG



VIEW A

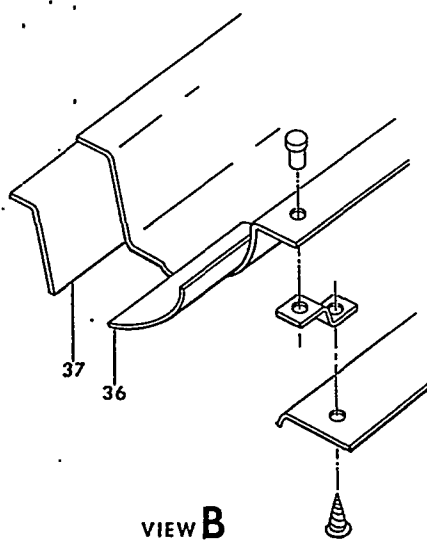


33-97-24

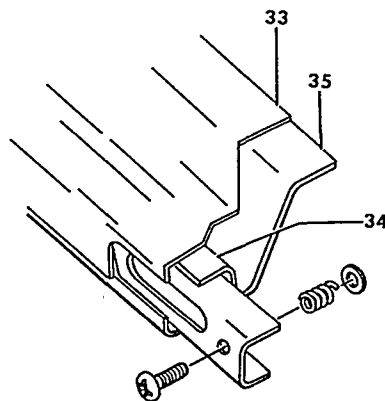
B E E C H C R A F T  
B O N A N Z A 3 3  
I L L U S T R A T E D P A R T S C A T A L O G

FIG. & ITEM NO.	PART NO.	DESCRIPTION	UNITS PER ASSY	USABLE ON CODE
97	33-410030-51S	STRUCTURE ASSY,CABIN. . . . .	NP	1
	33-410047-9	STRUCTURE ASSY,CABIN. . . . .	NP	5
	33-410047-7	STRUCTURE ASSY,CABIN. . . . .	NP	20
	33-410047-15	STRUCTURE ASSY,CABIN. . . . .	NP	24
	33-410047-5	STRUCTURE ASSY,CABIN SECTION FUSELAGE . . . . .	NP	2
	33-420000-1	STRUCTURE ASSY,CABIN/STANDARD BAGGAGE DOOR/ . . . . .	NP	3
	002-430000-23	STRUCTURE ASSY,CABIN/STANDARD BAGGAGE DOOR/ . . . . .	NP	19
	002-430000-231	STRUCTURE ASSY,CABIN/STANDARD BAGGAGE DOOR/ . . . . .	NP	27
	33-420000-3	STRUCTURE ASSY,CABIN/UTILITY BAGGAGE DOOR/ . . . . .	NP	3
	002-430000-21	STRUCTURE ASSY,CABIN/UTILITY BAGGAGE DOOR/ . . . . .	NP	19
	002-430000-229	STRUCTURE ASSY,CABIN/UTILITY BAGGAGE DOOR/ . . . . .	NP	27
	002-430000-209	STRUCTURE ASSY,CABIN. . . . .	NP	22
	002-430000-237	STRUCTURE ASSY,CABIN. . . . .	NP	26
	35-410038-183	. CANOPY INSTL. . . . .	NP	8
	35-410038-211	. CANOPY INSTL. . . . .	NP	9
	002-430008-13	. CANOPY INSTL. . . . .	NP	23
	R 002-430008-301	. CANOPY INSTL. . . . .	NP	27
- 1	002-430068-1	. . . SUPPORT,WINDSHIELD LH . . . . .	1	
- 2	002-430068-2	. . . SUPPORT,WINDSHIELD RH . . . . .	1	
- 3	35-410038-189	. . . SPLICE,WINDSHIELD SUPPORT CENTER. . . . .	1	29
- 4	002-430066-1	. . . HAT SECTION,WINDSHIELD LH . . . . .	1	
- 5	002-430067-1	. . . HAT SECTION,WINDSHIELD RH . . . . .	1	
- 6	35-410038-4	. . . SPLICE,HAT SECTION UPPER LH . . . . .	1	29
- 7	35-410038-34	. . . SPLICE,HAT SECTION UPPER RH . . . . .	1	29
- 8	102-430240-1	. . . SPLICE,HAT SECTION LOWER LH . . . . .	1	29
- 9	35-410038-179	. . . SPLICE,HAT SECTION LOWER RH . . . . .	1	29
- 10	35-410038-68	. . . LONGERON,LH . . . . .	1	10
	002-430063-1	. . . LONGERON,LH . . . . .	1	11
- 11	35-410038-72	. . . SPLICE,LH LONGERON. . . . .	1	10
- 12	35-410038-70	. . . SPLICE,LH . . . . .	1	10
	002-430008-165	. . . STIFFENER,LH. . . . .	1	11
	35-410038-199	. . . LONGERON,LH . . . . .	1	12
	R 002-430059-1	. . . LONGERON ASSY,LH/UNDER MIDDLE WINDOW/ . . . . .	1	35
	R 002-430059-25	. . . LONGERON ASSY,LH/UNDER MIDDLE WINDOW/ . . . . .	1	36
	R 002-430059-29	. . . LONGERON ASSY,LH/UNDER MIDDLE WINDOW/ . . . . .	1	37
- 13	35-410038-8	. . . SPLICE,LH . . . . .	1	29
- 14	35-410038-6	. . . HAT SECTION ASSY. . . . .	1	8
	35-410038-213	. . . HAT SECTION ASSY. . . . .	1	9
	002-430058-1	. . . HAT SECTION ASSY. . . . .	1	34
	R 58-530232-1	. . . BRACKET INSTL,SHOULDER HARNESS. . . . .	NP	4
	R 58-530229-1	. . . BRACKET ASSY,RH . . . . .	1	4
	R 58-530233-1	. . . BRACKET ASSY,LH . . . . .	1	4
	R 58-530233-7	. . . BRACKET ASSY,LH . . . . .	1	13
- 15	002-430008-163	. . . SILL,CABIN DOOR . . . . .	1	
- 16	002-430008-179	. . . MOUNT . . . . .	1	
- 17	002-430008-181	. . . BUSHING . . . . .	1	
- 18	002-430074-11	. . . ANGLE ASSY,DOOR FRAME . . . . .	1	
- 19	002-430074-7	. . . ANGLE,CABIN DOOR FRAME CENTER . . . . .	1	
- 20	002-430074-3	. . . HAT SECTION,CABIN DOOR FRAME. . . . .	1	
- 21	35-410038-32	. . . SPLICE,CABIN DOOR HAT SECTION AFT . . . . .	1	29
	002-430056-1	. . . PANEL ASSY,DOOR HINGE . . . . .	1	32
	002-430056-53	. . . PANEL ASSY,DOOR HINGE . . . . .	1	33
	002-430056-7	. . . BULKHEAD. . . . .	1	
- 22	002-430056-19	. . . DOUBLER,UPPER DOOR HINGE. . . . .	1	
- 23	002-430056-27	. . . CHANNEL . . . . .	1	
- 24	002-430056-11	. . . CHANNEL . . . . .	1	28
- 25	002-430056-21	. . . SKIN,RH . . . . .	1	
- 26	002-430056-15	. . . STRINGER,RH . . . . .	1	

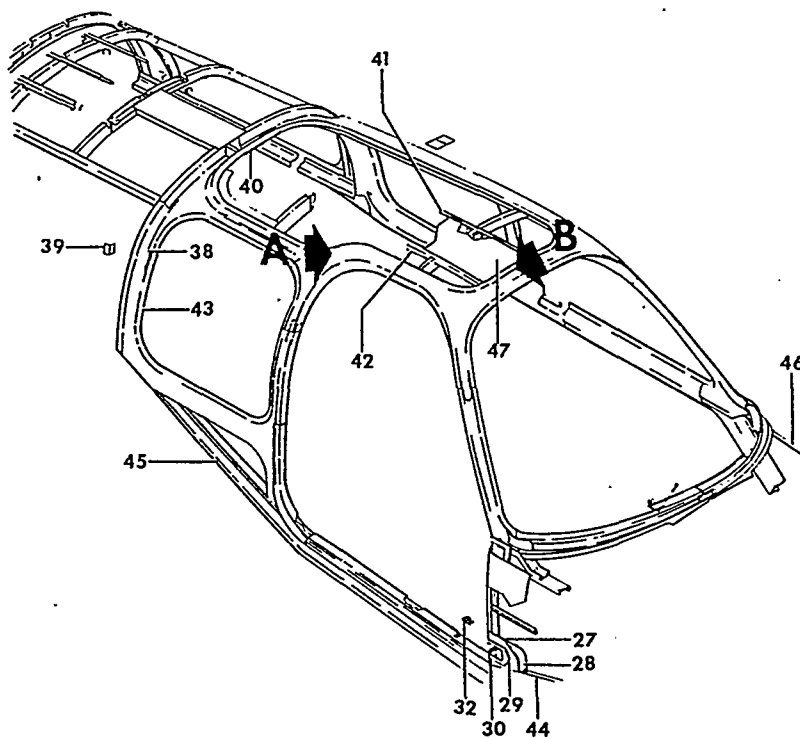
BEECHCRAFT  
 BONANZA 33  
 ILLUSTRATED PARTS CATALOG



VIEW B



VIEW A

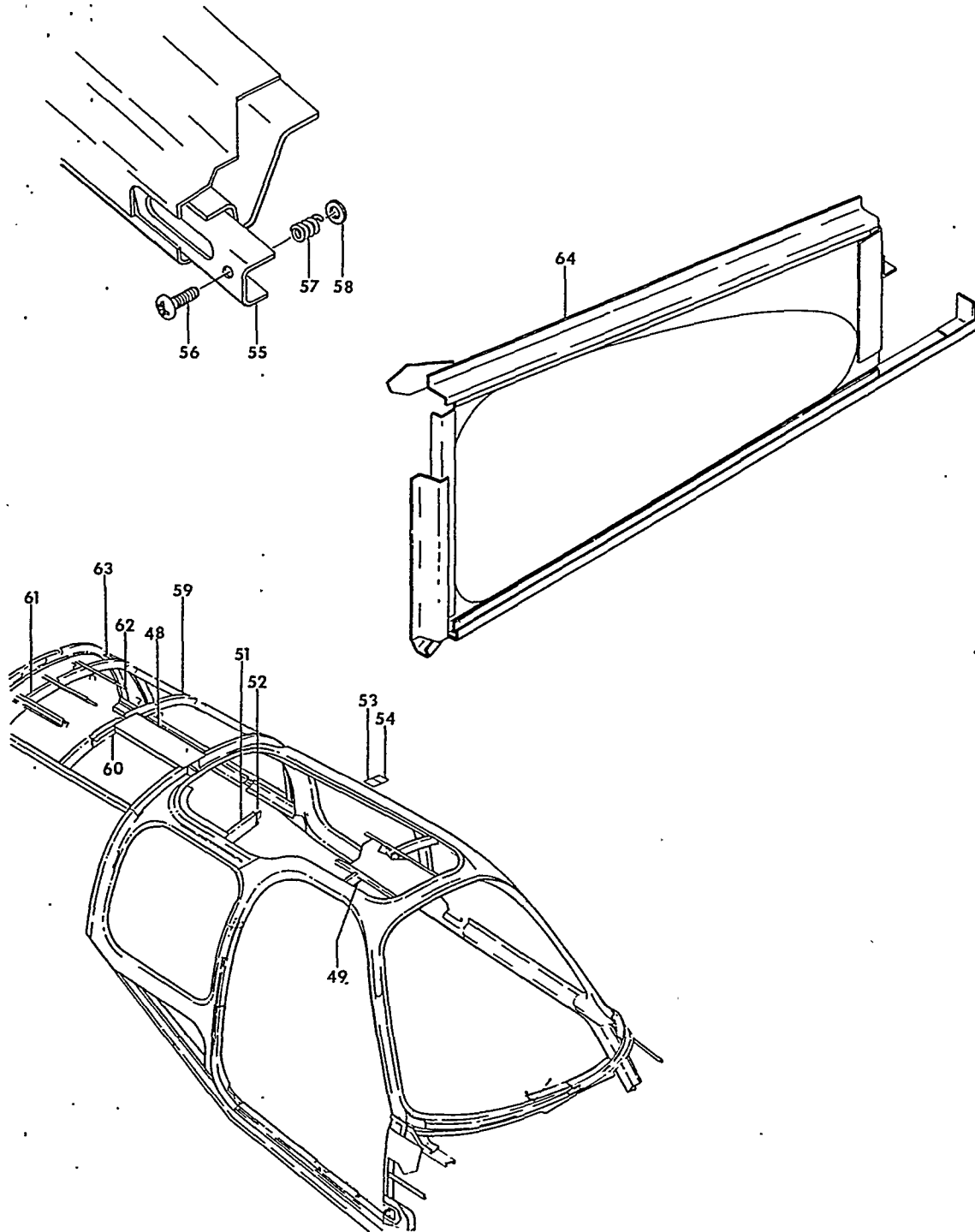


35-97-18

B E E C H C R A F T  
B O N A N Z A 3 3  
I L L U S T R A T E D P A R T S C A T A L O G

FIG. & ITEM NO.	PART NO.	1	2	3	4	5	6	7	DESCRIPTION	UNITS PER ASSY	USABLE ON CODE
97 - 27	002-430056-17	.	.	.	.	.	.	.	DOUBLER,RH LOWER. . . . .	1	
- 28	002-430056-29	.	.	.	.	.	.	.	CHANNEL,RH LOWER. . . . .	1	
- 29	002-430056-23	.	.	.	.	.	.	.	REINFORCEMENT,RH LOWER. . . . .	1	
- 30	002-430056-9	.	.	.	.	.	.	.	CHANNEL,RH LOWER. . . . .	1	
- 31		.	.	.	.	.	.	.	DELETED . . . . .		
- 32	002-430056-13	.	.	.	.	.	.	.	REINFORCEMENT,DOOR HINGE/UPPER AND LOWER/	4	
	002-430056-31	.	.	.	.	.	.	.	REINFORCEMENT,DOOR FRAME. . . . .	1	28
	002-430056-25	.	.	.	.	.	.	.	SHIM,HORIZONTAL/BETWEEN SKIN & STRINGER/	1	
	002-430056-45	.	.	.	.	.	.	.	SHIM,VERTICAL/STA 68/ . . . . .	1	
	002-430056-33	.	.	.	.	.	.	.	BRACKET/INSIDE PANEL/STA 68/ . . . . .	1	
	002-430056-35	.	.	.	.	.	.	.	BRACKET/NEXT LOWER HINGE/ . . . . .	1	32
	002-430056-59	.	.	.	.	.	.	.	SHIM,HORIZONTAL/BETWEEN SKIN AND DOUBLER/	1	
	35-410052-181	.	.	.	.	.	.	.	STIFFENER,LH/STA 68/ . . . . .	1	29
	002-430057-1	.	.	.	.	.	.	.	HAT SECTION ASSY,CANOPY . . . . .	1	35
	002-430057-19	.	.	.	.	.	.	.	HAT SECTION ASSY,CANOPY . . . . .	1	27
- 33	35-410038-90	.	.	.	.	.	.	.	HAT SECTION,CABIN DOOR. . . . .	1	8
	002-430057-5	.	.	.	.	.	.	.	HAT SECTION,CABIN DOOR. . . . .	1	19
	002-430057-21	.	.	.	.	.	.	.	HAT SECTION,CABIN DOOR. . . . .	1	27
- 34	002-430057-11	.	.	.	.	.	.	.	BRACKET ASSY,CABIN DOOR LATCH RECEPTACLE.	1	
- 35	002-430074-1	.	.	.	.	.	.	.	HAT SECTION,CABIN DOOR. . . . .	1	
- 36	35-410038-22	.	.	.	.	.	.	.	SPLICE,HAT SECTION. . . . .	1	29
- 37	35-410038-24	.	.	.	.	.	.	.	SPLICE,HAT SECTION. . . . .	1	8
	58-420021-3	.	.	.	.	.	.	.	SPLICE,HAT SECTION. . . . .	1	9
- 38	35-410038-10	.	.	.	.	.	.	.	SPLICE. . . . .	2	29
- 39	35-410038-12	.	.	.	.	.	.	.	SPLICE. . . . .	2	29
- 40	35-410038-126	.	.	.	.	.	.	.	SPLICE. . . . .	1	8
	002-430008-123	.	.	.	.	.	.	.	SPLICE. . . . .	1	19
- 41	35-410038-154	.	.	.	.	.	.	.	STRINGER,LH . . . . .	1	8
- 42	35-410038-155	.	.	.	.	.	.	.	STRINGER,RH . . . . .	1	8
	002-430008-197	.	.	.	.	.	.	.	CLIP,CABIN DOOR FRAME LOWER AFT . . . . .	1	
	002-430060-3	.	.	.	.	.	.	.	HAT SECTION ASSY,RH . . . . .	1	35
	002-430060-31	.	.	.	.	.	.	.	HAT SECTION ASSY,RH . . . . .	1	36
	002-430060-35	.	.	.	.	.	.	.	HAT SECTION ASSY,RH . . . . .	1	37
- 43	002-430060-9	.	.	.	.	.	.	.	HAT SECTION,RH SIDE WINDOW. . . . .	1	38
	002-430060-21	.	.	.	.	.	.	.	HAT SECTION,RH SIDE WINDOW. . . . .	1	39
	002-430060-25	.	.	.	.	.	.	.	HAT SECTION,RH SIDE WINDOW. . . . .	1	27
	22A1-82	.	.	.	.	.	.	.	NUTPLATE. . . . .	5	
	22A17-82	.	.	.	.	.	.	.	NUTPLATE. . . . .	1	
	MS21055L3	.	.	.	.	.	.	.	NUTPLATE. . . . .	2	
	MS21051-08	.	.	.	.	.	.	.	NUTPLATE. . . . .	2	35
	MS21047L08	.	.	.	.	.	.	.	NUTPLATE. . . . .	2	27
	002-430008-173	.	.	.	.	.	.	.	SHIM,2ND WINDOW/FWD/. . . . .	2	
	002-430008-175	.	.	.	.	.	.	.	SHIM,2ND WINDOW/AFT/. . . . .	2	
	002-430061-9	.	.	.	.	.	.	.	LONGERON ASSY,RH/STA 60/. . . . .	1	
- 44	002-430061-15	.	.	.	.	.	.	.	LONGERON. . . . .	1	35
	002-430061-31	.	.	.	.	.	.	.	LONGERON. . . . .	1	27
	002-430061-11	.	.	.	.	.	.	.	BRACKET . . . . .	1	
	002-430061-27	.	.	.	.	.	.	.	CLIP. . . . .	2	
	A6191-6Z1	.	.	.	.	.	.	.	NUT . . . . .	1	
- 45	002-430008-131	.	.	.	.	.	.	.	LONGERON,RH/STA 120/. . . . .	1	
- 46	002-430008-39	.	.	.	.	.	.	.	STRINGER/C/,LH FWD. . . . .	1	
	002-430008-40	.	.	.	.	.	.	.	STRINGER/C/,RH FWD. . . . .	1	
- 47	96-420001-85	.	.	.	.	.	.	.	DOUBLER,OVERHEAD PANEL/FWD. . . . .	1	8
	002-430008-43	.	.	.	.	.	.	.	REINFORCEMENT,UPPER FWD . . . . .	1	19

BEECHCRAFT  
BONANZA 33  
ILLUSTRATED PARTS CATALOG

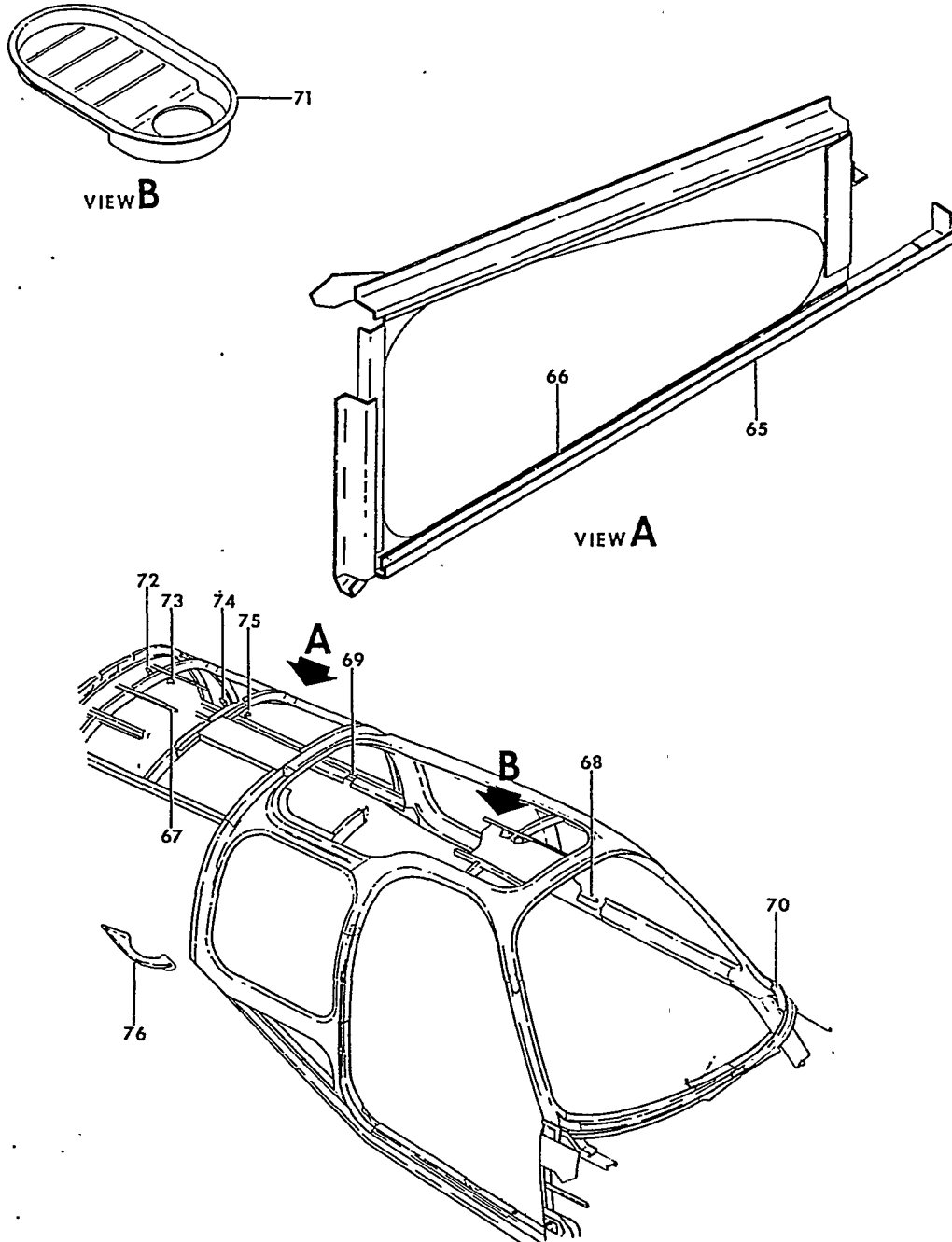


35-97-19

B E E C H C R A F T  
B O N A N Z A 3 3  
I L L U S T R A T E D P A R T S C A T A L O G

FIG. & ITEM NO.	PART NO.	DESCRIPTION	UNITS PER ASSY	USABLE ON CODE
		1 2 3 4 5 6 7		
97 - 48	002-430008-147	• • REINFORCEMENT,UPPER AFT . . . . .	1	19
	96-420001-97	• • DOUBLER,OVERHEAD PANEL/AFT/ . . . . .	1	8
	96-420001-91	• • PLUG,OVERHEAD PANEL . . . . .	2	8
- 49	96-420001-101	• • BULKHEAD. . . . .	1	8
	002-430008-47	• • BULKHEAD/STA 82/. . . . .	1	19
	58-530144-1	• • BRACKET INSTL,HEADLINER . . . . .	NP	
	58-530144-3	• • BRACKET ASSY. . . . .	1	
	108424-2	• • CLIP. . . . .	4	19
- 50		• • DELETED . . . . .		
- 51	96-420001-83	• • BULKHEAD/STA 116/ . . . . .	1	8
	96-420001-57	• • BULKHEAD. . . . .	1	8
- 52	96-420001-95	• • SHIM. . . . .	1	8
	002-430008-45	• • BULKHEAD/STA 116/ . . . . .	1	19
- 53	95-420015-161	• • ANGLE,VENT. . . . .	1	18
- 54	95-420015-163	• • SCREEN,VENT . . . . .	1	18
	95-420015-165	• • RETAINER,VENT. . . . .	1	18
	95-420015-167	• • VENT,OVERHEAD . . . . .	1	18
- 55	002-430008-177	• • CHANNEL,CABIN DOOR LATCH. . . . .	1	
		• • /ATTACHING PARTS/		
	MS24694S51	• • SCREW . . . . .	1	
	NAS698A3	• • NUTPLATE. . . . .	1	
- 56	MS24694S58	• • SCREW . . . . .	1	
- 57	100943CR-ZX020F	• • SPRING. . . . .	1	
- 58	AN960-10	• • WASHER. . . . .	1	
		* . . . . .		
	002-430051-21	• • WINDSHIELD ASSY,TINTED. . . . .	1	8
	002-430051-25	• • WINDSHIELD ASSY,TINTED. . . . .	1	8
	35-415412-631	• • FIREWALL ASSY,UPPER/SEE FIG 111/. . . . .	1	1
	35-415412-638	• • FIREWALL ASSY,UPPER/SEE FIG 111/. . . . .	1	5
	35-415412-632	• • FIREWALL ASSY,UPPER/SEE FIG 111/. . . . .	1	6
	35-415412-635	• • FIREWALL ASSY,UPPER/14 VOLT/SEE FIG 111/. . . . .	1	7
	002-430049-1	• • FIREWALL ASSY,UPPER/14 VOLT/SEE FIG 111A/ . . . . .	1	25
	002-430079-1	• • FIREWALL ASSY,UPPER/28 VOLT/SEE FIG 111A/ . . . . .	1	31
- 59	95-440006-209	• • BULKHEAD,LH/STA 151/. . . . .	1	8
	95-440006-211	• • BULKHEAD,RH/STA 151/. . . . .	1	8
	002-430008-145	• • BULKHEAD,UPPER/STA 151/ . . . . .	1	19
- 60	95-440006-221	• • DOUBLER,OVERHEAD/STA 151/ . . . . .	1	8
- 61	33-410046-17	• • ZEE,BULKHEAD UPPER/LH/STA 170/. . . . .	1	40
	35-430014-1	• • ZEE,BULKHEAD UPPER/LH/STA 170/. . . . .	1	41
	35-410046-19	• • ZEE,BULKHEAD UPPER/RH/STA 170/. . . . .	1	40
	35-430014-2	• • ZEE,BULKHEAD UPPER/RH/STA 170/. . . . .	1	41
	95-440006-223	• • DOUBLER,BULKHEAD/STA 170/ . . . . .	1	42
	95-440006-205	• • CHANNEL,LH LOWER/STA 170/ . . . . .	1	41
	95-440006-206	• • CHANNEL,RH LOWER/STA 170/ . . . . .	4	41
	002-430035-5	• • BULKHEAD,UPPER/STA 170/ . . . . .	1	43
	MS35489-11	• • GROMMET,BULKHEAD. . . . .	1	
- 62	002-430008-187	• • STRINGER,LH/B/. . . . .	1	
	002-430008-188	• • STRINGER,RH/B/. . . . .	1	
- 63	35-410452-139	• • STRINGER,LH/C/. . . . .	1	44
	95-420015-123	• • STRINGER,LH/C/. . . . .	1	9
	002-430008-149	• • STRINGER,LH/C/. . . . .	1	34
	35-410452-140	• • STRINGER,RH/C/. . . . .	1	44
	002-430008-150	• • STRINGER,RH/C/. . . . .	1	34
- 64	002-430008-313	• • ZEE,LH UPPER. . . . .	1	
	002-430008-158	• • ZEE,RH UPPER. . . . .	1	

BEECHCRAFT  
BONANZA 33  
ILLUSTRATED PARTS CATALOG



35-97-20

B E E C H C R A F T  
B O N A N Z A 3 3  
I L L U S T R A T E D P A R T S C A T A L O G

FIG. & ITEM NO.	PART NO.	DESCRIPTION	UNITS PER ASSY	USABLE ON CODE
		1 2 3 4 5 6 7		
97 - 65	002-430008-311	. . ZEE,LH REAR . . . . .	1	
	002-430008-151	. . ZEE,LH WINDOW AFT . . . . .	1	14
	96-430010-5	. . ZEE,RH LOWER. . . . .	1	15
	96-430010-75	. . ZEE,RH LOWER. . . . .	1	16
	002-430065-1	. . ZEE,RH THIRD WINDOW LOWER . . . . .	1	45
- 66	002-430000-119	. . ANGLE,LH AFT WINDOW . . . . .	1	
	002-430000-120	. . ANGLE,RH AFT WINDOW . . . . .	1	
- 67	96-420001-99	. . STRINGER/A/ . . . . .	1	8
	002-430008-127	. . STRINGER,AFT CABIN/A/STA 131 TO 170/. . . . .	1	46
	002-430008-125	. . STRINGER,CABIN/A/STA 116 TO 131/. . . . .	1	
	002-430008-51	. . STRINGER,FWD CABIN/A/STA 77 TO 82/. . . . .	1	
- 68	002-430008-165	. . STIFFENER,LH. . . . .	1	
- 69	95-440006-161	. . STRINGER. . . . .	1	47
	36-530064-1	GLARESHIELD INSTL/14 VOLT/SEE FIGURE 324/ . . . . .	NP	26
	36-530064-3	GLARESHIELD INSTL/28 VOLT/SEE FIGURE 324/ . . . . .	NP	21
- 70	36-530064-75	. . SUPPORT,GLARESHIELD . . . . .	3	
	96-550013-107	PANEL INSTL,OVERHEAD/SEE FIG 417/ . . . . .	NP	8
- 71	96-550013-35	. PAN . . . . .	1	8
		/ATTACHING PARTS/		
	A1785-621	. NUTPLATE. . . . .	3	
		-----*-----		
- 72	96-550013-57	. CLIP,LH . . . . .	1	8
	96-550013-58	. CLIP,RH . . . . .	1	8
- 73	96-550013-59	. CLIP,LH . . . . .	1	8
	96-550013-60	. CLIP,RH . . . . .	1	8
- 74	96-550013-61	. CLIP,LH . . . . .	1	8
	96-550013-62	. CLIP,RH . . . . .	1	8
- 75	96-550013-63	. CLIP. . . . .	2	8
	002-430000-117	WINDOW,LH AFT . . . . .	1	
	002-430000-118	WINDOW,RH AFT . . . . .	1	
	36-530001-85	WINDLACE,CABIN DOOR . . . . .	1	
- 76	002-430000-89	HANDLE,ASSIST . . . . .	1	

C O D E S O F E F F E C T I V I T Y

1	CD-1235 THRU CD-1254	2	CE-290 THRU CE-315
3	CE-316 THRU CE-768	4	CE-679 THRU CE-1673
			CJ-129 THRU CJ-179
5	CD-1255 THRU CD-1304	6	CE-290 THRU CE-349
			CJ-26 THRU CJ-30
7	CE-350 THRU CE-678	8	CD-1235 THRU CD-1304
	CJ-31 THRU CJ-128		CE-290 THRU CE-349
			CJ-26 THRU CJ-30
9	CD-1256 THRU CD-1304	10	CD-1235 THRU CD-1304
	CE-350 THRU CE-678		CE-290 THRU CE-464
	CJ-31 THRU CJ-128		CJ-26 THRU CJ-51
11	CE-465 AND AFTER	12	CE-290 THRU CE-464
	CJ-52 AND AFTER		CJ-26 THRU CJ-51
13	CE-1674 AND AFTER	14	CD-1255 THRU CD-130
	CJ-180 AND AFTER		CE-356 AND AFTER
			CJ-26 AND AFTER
15	CD-1235 THRU CD-1304	16	CE-469 THRU CE-510
	CE-290 THRU CE-468		CJ-26 THRU CJ-39
17	DELETED	18	CE-290 THRU CE-678



B E E C H C R A F T  
B O N A N Z A 3 3  
I L L U S T R A T E D P A R T S C A T A L O G

FIG. & ITEM NO.	- PART NO.	1 2 3 4 5 6 7	DESCRIPTION	UNITS PER ASSY	USABLE ON CODE
-----------------------	------------------	---------------	-------------	----------------------	----------------------

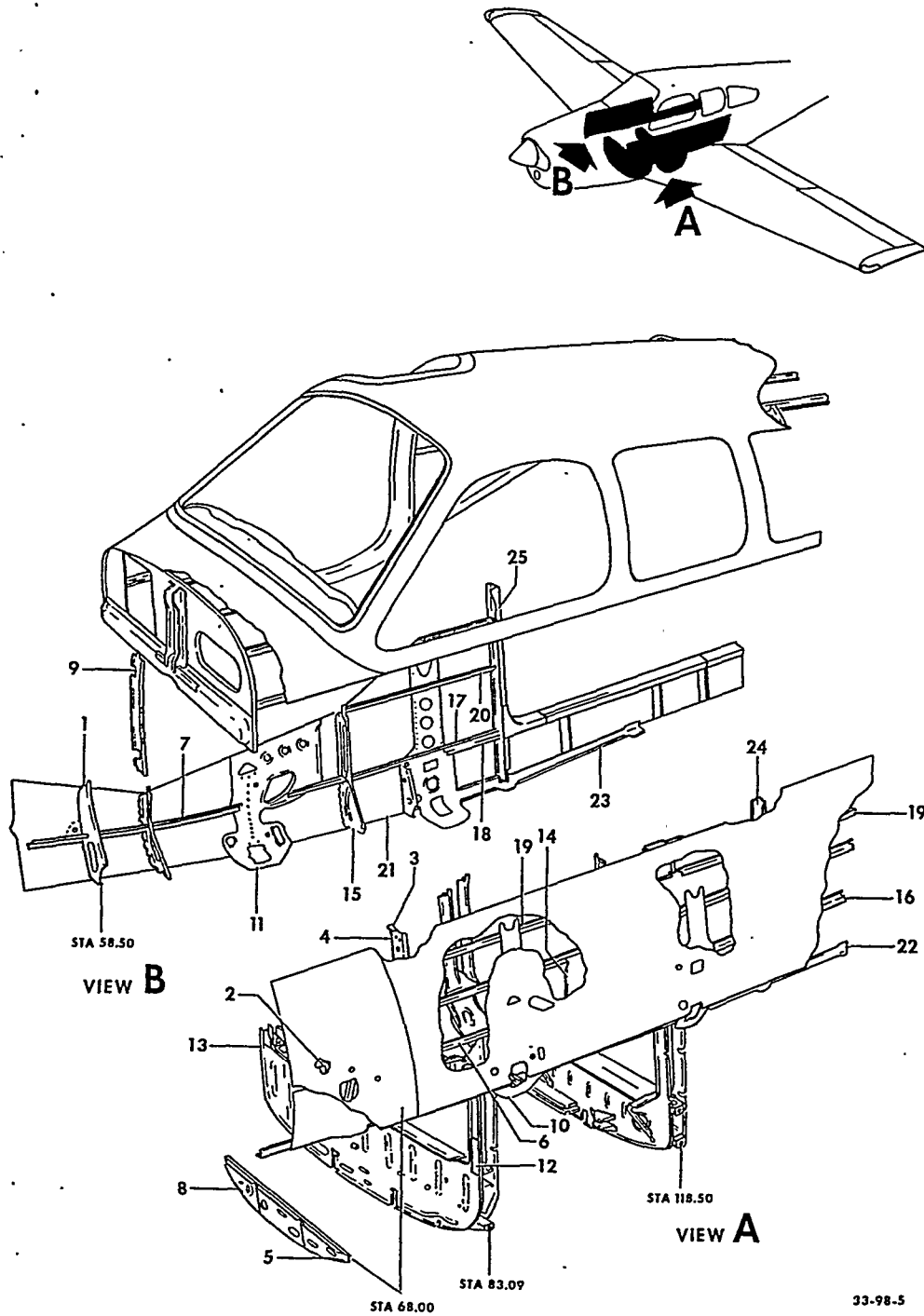
C O D E S O F E F F E C T I V I T Y

19	CD-1256 THRU CD-1304 CE-804, CE-828 THRU CE-918, CE-920 THRU CE-922, CE-924,CE-926,CE-928 CJ-31 THRU CJ-155	20	CJ-26 THRU CJ-145		
21	CE-748, CE-772 AND AFTER CJ-149 AND AFTER	22	CJ-149 THRU CJ-155		
23	CE-679 THRU CE-918 CE-922,CE-924, CE-926,CE-928, CJ-129 THRU CJ-155	24	CJ-146 THRU CJ-148		
25	CE-679 THRU CE-747 CE-749 THRU CE-771	26	CD-1235 THRU CD-1304 CE-290 THRU CE-747 CE-749 THRU CE-771 CJ-26 THRU CJ-148		
27	CE-919,CE-923 CE-925,CE-927 CE-929 AND AFTER CJ-156 AND AFTER	28	CD-1255 THRU CD-1304 CE-290 AND AFTER CJ-26 AND AFTER		
29	CD-1235 THRU CD-1304 CE-290 THRU CE-678 CJ-26 THRU CJ-128	30	DELETED		
31	CE-748, CE-722 AND AFTER CJ-149 AND AFTER	32	CD-1235 THRU CD-1304 CE-290 THRU CE-950 CJ-26 THRU CJ-155		
33	CE-951 AND AFTER CJ-156 AND AFTER	34	CE-679 AND AFTER CJ-129 AND AFTER		
35	CD-1235 THRU CD-1304 CE-290 THRU CE-918, CE-920 THRU CE-922, CE-924,CE-926, CE-928 CJ-26 THRU CJ-155	36	CE-919,CE-923, CE-925		
37	CE-927, CE-929 AND AFTER CJ-156 AND AFTER	38	CD-1235 THRU CD-1304 CE-290 THRU CE-761 CJ-26 THRU CJ-140		
39	CE-762 THRU CE-918, CE-920 THRU CE-922 CE-924,CE-926, CE-928 CJ-141 THRU CJ-155	40	CD-1235 THRU CD-1255		
41	CE-316 THRU CE-349	42	CD-1235 THRU CD-1255 CE-316 THRU CE-349		
43	CD-1256 THRU CD-1304 CE-350 AND AFTER CJ-31 AND AFTER	44	CD-1235 THRU CD-1255 CE-316 THRU CE-349 CJ-26 THRU CJ-30		
45	CE-511 AND AFTER CJ-40 AND AFTER	46	CD-1256 THRU CD-1304 CE-679 AND AFTER CJ-31 AND AFTER		
47	CE-511 THRU CE-803 CE-805 THRU CE-827				

BEECHCRAFT  
BONANZA 33  
ILLUSTRATED PARTS CATALOG

FIGURE 98  
CABIN SIDES STRUCTURE

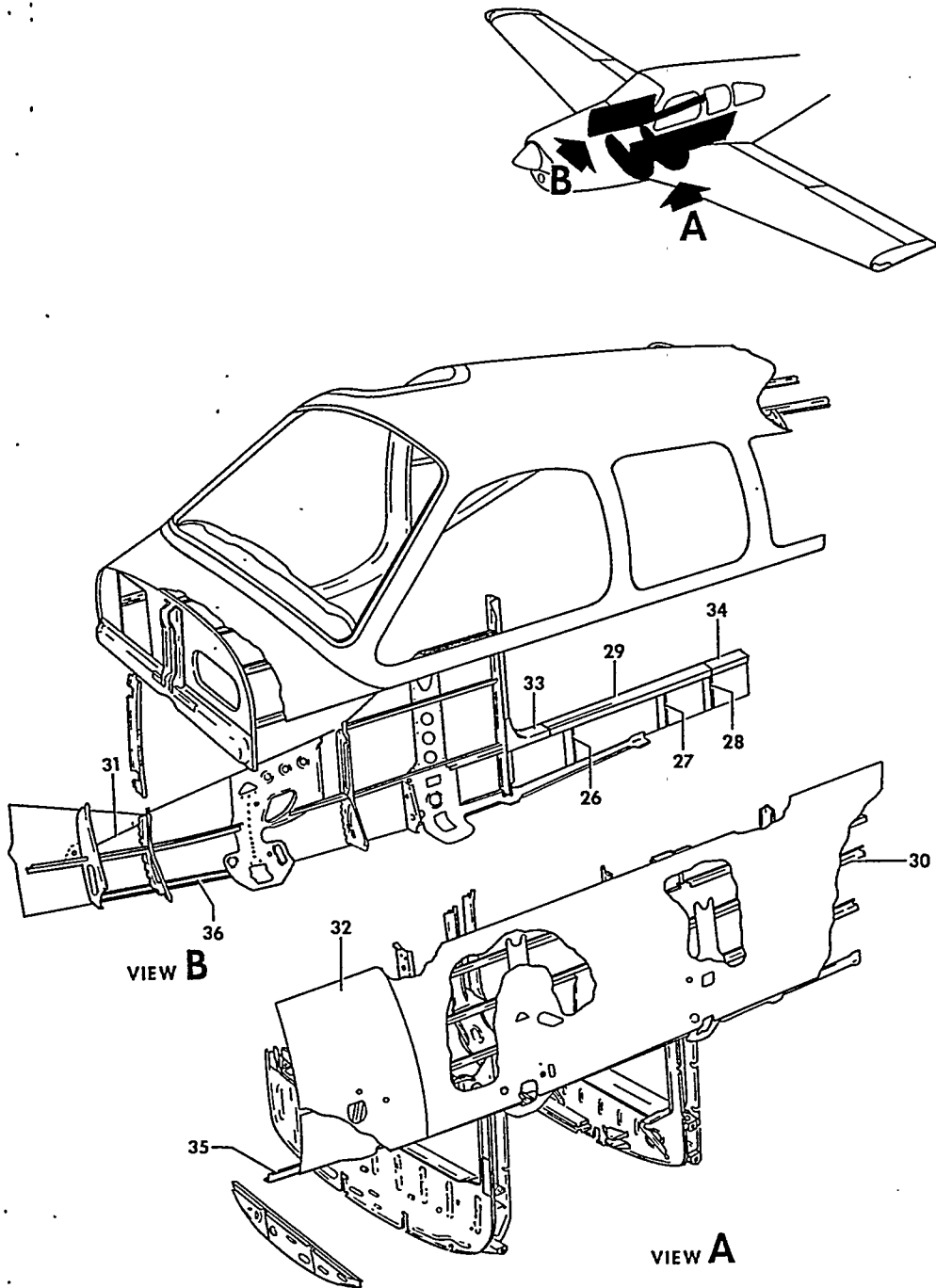
BEECHCRAFT  
 BONANZA 33  
 ILLUSTRATED PARTS CATALOG



B E E C H C R A F T  
B O N A N Z A 3 3  
I L L U S T R A T E D P A R T S C A T A L O G

FIG. & ITEM NO.	PART NO.	1 2 3 4 5 6 7	DESCRIPTION	UNITS PER ASSY	USABLE ON CODE
98	33-410030-51S		STRUCTURE INSTL,FUSELAGE CABIN SECTION . . . . .	NP	1
	33-410047-9		STRUCTURE ASSY,FUSELAGE CABIN SECTION . . . . .	NP	5
	33-410047-5		STRUCTURE INSTL,FUSELAGE CABIN SECTION . . . . .	NP	2
	33-410047-7		STRUCTURE ASSY,FUSELAGE CABIN SECTION . . . . .	NP	6
	33-410047-15		STRUCTURE ASSY,FUSELAGE CABIN SECTION . . . . .	NP	8
	33-420000-1		STRUCTURE INSTL,FUSELAGE CABIN SECTION /STD/ . . . . .	NP	4
	33-420000-7		STRUCTURE ASSY,FUSELAGE CABIN SECTION . . . . .	NP	11
	33-420000-3		STRUCTURE INSTL,FUSELAGE CABIN SECTION/OPT/ . . . . .	NP	4
	33-420000-9		STRUCTURE ASSY,FUSELAGE CABIN SECTION . . . . .	NP	11
	RA4300		. STRUCTURE ASSY,FUSELAGE CABIN SECTION . . . . .	NP	
	RA4301		. . . PANEL ASSY,LH SIDE CABIN . . . . .	NP	
	RA4302		. . . PANEL ASSY,RH SIDE CABIN . . . . .	NP	
	35-410215-14		. . . BULKHEAD ASSY,LH/STA 58.50/ . . . . .	1	9
	002-430046-21		. . . BULKHEAD ASSY,LH/STA 58.50/ . . . . .	1	10
	35-410215-12		. . . BULKHEAD,LH/STA 58.50/ . . . . .	1	9
	35-410215-16		. . . DOUBLER,LH/STA 58.50/ . . . . .	1	9
- 1	35-410215-5		. . . BULKHEAD,RH/STA 58.50/ . . . . .	1	9
	002-430046-3		. . . BULKHEAD,RH/STA 58.50/ . . . . .	1	10
- 2	35-410000-66		. . . DOUBLER,LH /STA 58.50/ . . . . .	1	
			/ATTACHING PARTS/		
	NAS682A08		. . . NUTPLATE . . . . .	1	
	AN515-8R12		. . . SCREW . . . . .	1	
			-----*		
	35-415373-608		. . . BULKHEAD ASSY,LH /STA 68/ . . . . .	1	9
	002-430044-33		. . . BULKHEAD ASSY,LH/STA. 68/ . . . . .	1	10
- 3	35-415373-22		. . . FRAME . . . . .	1	9
- 4	35-415373-24		. . . DOUBLER . . . . .	1	9
- 5	35-410210-24		. . . ANGLE . . . . .	1	9
	AN931-9-13		. . . GROMMET . . . . .	1	9
- 6	35-410000-30		. . . STRINGER,LH FWD /H/ . . . . .	1	
- 7	35-410000-31		. . . STRINGER,RH FWD /H/ . . . . .	1	
	35-415373-610		. . . BULKHEAD ASSY,RH /STA 68/ . . . . .	1	9
	002-430044-35		. . . BULKHEAD ASSY,RH/STA. 68/ . . . . .	1	10
- 8	35-410210-25		. . . ANGLE,RH . . . . .	1	9
- 9	35-410210-4		. . . FRAME,RH . . . . .	1	9
- 10	35-420016		. . . GUSSET,FWD LH . . . . .	1	
- 11	35-420017		. . . GUSSET,FWD RH . . . . .	1	
- 12	35-410158-10		. . . DOUBLER,LH . . . . .	1	9
	002-430043-9		. . . GUSSET . . . . .	1	10
- 13	35-410158-11		. . . DOUBLER,RH . . . . .	1	9
	002-430043-10		. . . GUSSET . . . . .	1	10
- 14	35-410170-2		. . . FRAME,LH /STA 100/ . . . . .	1	9
	002-430010-29		. . . FRAME,LH/STA. 100/ . . . . .	1	10
- 15	35-410170-4		. . . FRAME,RH /STA 100/ . . . . .	1	9
	002-430010-5		. . . FRAME,RH/STA. 100/ . . . . .	1	10
- 16	35-410000-8		. . . STRINGER,LH AFT /H/ . . . . .	1	
- 17	35-410000-125		. . . STRINGER,RH AFT UPPER /H/ . . . . .	1	
- 18	35-410000-38		. . . STRINGER,RH AFT LOWER /H/ . . . . .	1	
- 19	35-410000-90		. . . STRINGER,LH /F/ . . . . .	1	
- 20	35-410000-15		. . . STRINGER,RH /G/ . . . . .	1	9
	96-420000-49		. . . STRINGER,RH/G/ . . . . .	1	10
- 21	35-410452-190		. . . SKIN,RH . . . . .	1	
- 22	35-410000-2		. . . STRINGER,LH /I/ . . . . .	1	3
	95-420011-95		. . . STRINGER,LH /I/ . . . . .	1	7
- 23	33-410030-44		. . . STRINGER,RH /I/ . . . . .	1	3
	95-420015-69		. . . STRINGER,RH /I/ . . . . .	1	7
- 24	35-410180-2		. . . FRAME,LH BULKHEAD /STA 131/ . . . . .	1	3
	95-420015-21		. . . BULKHEAD,LH /STA 131/ . . . . .	1	7
- 25	35-410180-6		. . . FRAME,RH BULKHEAD /STA 131/ . . . . .	1	

BEECHCRAFT  
BONANZA 33  
ILLUSTRATED PARTS CATALOG



33-98-6

B E E C H C R A F T  
B O N A N Z A 3 3  
I L L U S T R A T E D P A R T S C A T A L O G

FIG. & ITEM NO.	PART NO.	1	2	3	4	5	6	7	DESCRIPTION	UNITS PER ASSY	USABLE ON CODE
98 - 26	35-410000-110	.	.	.	.	.	.	.	STIFFENER,BAGGAGE DOOR SILL . . . . .	1	
- 27	35-410000-109	.	.	.	.	.	.	.	STIFFENER,BAGGAGE DOOR SILL . . . . .	1	
- 28	35-410000-108	.	.	.	.	.	.	.	STIFFENER,BAGGAGE DOOR SILL . . . . .	1	
- 29	35-410070-18	.	.	.	.	.	.	.	CHANNEL ASSY,BAGGAGE DOOR SILL . . . . .	1	
	35-410070-20	.	.	.	.	.	.	.	ANGLE,INNER . . . . .	1	
	35-410070-22	.	.	.	.	.	.	.	ANGLE,OUTER . . . . .	1	
	35-410070-24	.	.	.	.	.	.	.	FILLER . . . . .	1	
	35-410000-12	.	.	.	.	.	.	.	STRINGER,LH/G/. . . . .	1	9
- 30	96-420000-47	.	.	.	.	.	.	.	STRINGER,LH/G/. . . . .	1	10
	35-410000-64	.	.	.	.	.	.	.	DOUBLER,LH/STA 58,50/ . . . . .	1	
- 31	35-410000-65	.	.	.	.	.	.	.	DOUBLER,RH/STA 58,50/ . . . . .	1	
- 32	35-410452-189	.	.	.	.	.	.	.	SKIN,LH FWD . . . . .	1	9
	35-410452-190	.	.	.	.	.	.	.	SKIN,RH FWD . . . . .	1	9
	35-410452-213	.	.	.	.	.	.	.	SKIN,LH . . . . .	1	10
	35-410452-214	.	.	.	.	.	.	.	SKIN,RH . . . . .	1	10
	35-410225-2	.	.	.	.	.	.	.	FORMER,FLOOR SUPPORT LH . . . . .	1	
	35-410225-3	.	.	.	.	.	.	.	FORMER,FLOOR SUPPORT RH . . . . .	1	
- 33	96-420016-9	.	.	.	.	.	.	.	SILL ASSY,BAGGAGE DOOR FWD . . . . .	1	4
- 34	96-420016-15	.	.	.	.	.	.	.	SILL ASSY,BAGGAGE DOOR AFT. . . . .	1	4
	96-420016-5	.	.	.	.	.	.	.	CHANNEL . . . . .	1	4
	96-420016-3	.	.	.	.	.	.	.	DOUBLER . . . . .	1	4
- 35	35-410024	.	.	.	.	.	.	.	STRINGER,LH FWD/I/. . . . .	1	
- 36	35-410000-25	.	.	.	.	.	.	.	STRINGER,RH FWD/I/. . . . .	1	

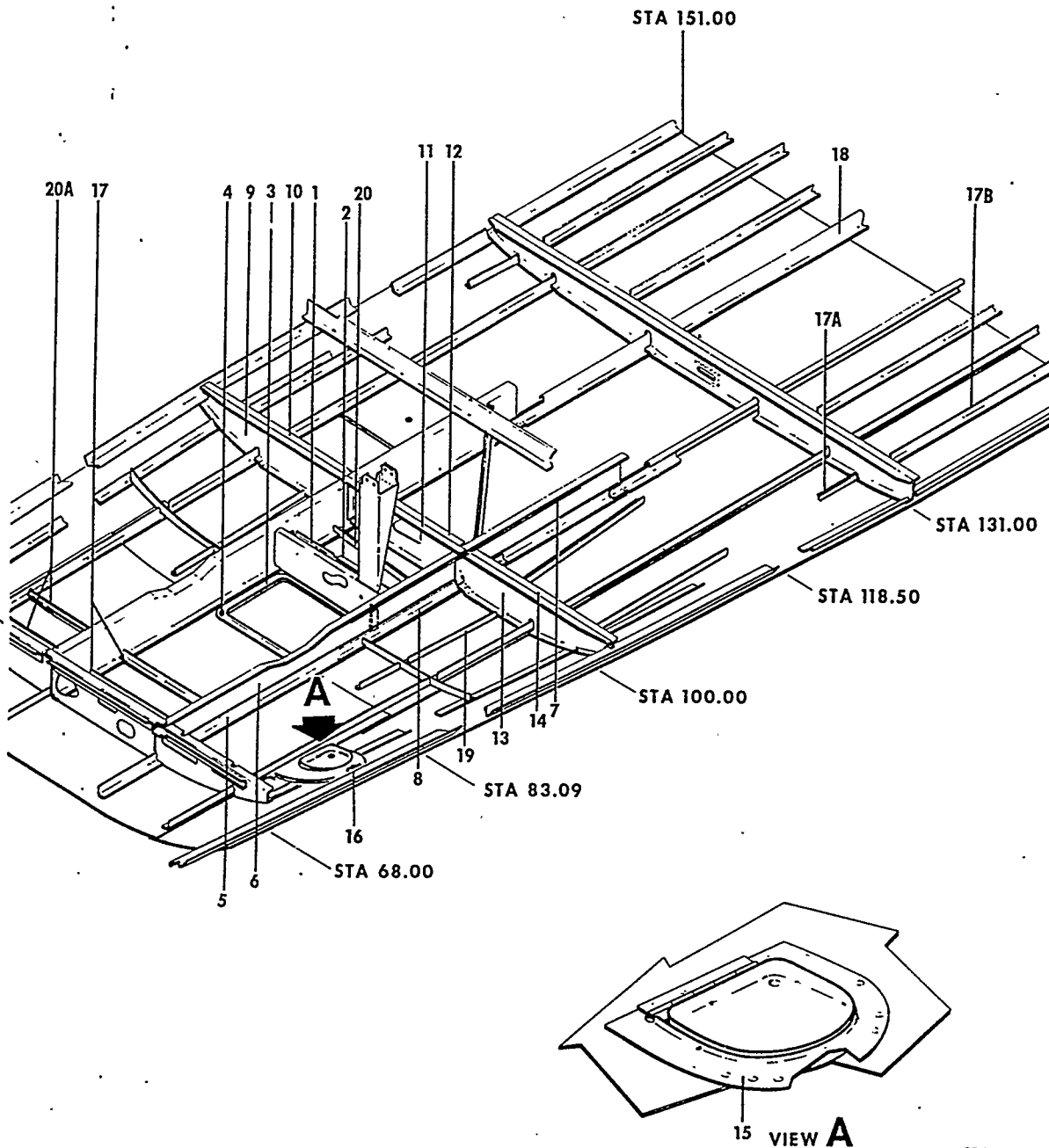
C O D E S O F E F F E C T I V I T Y

- 1 CD-1235 THRU CD-1254 2 CE-290 THRU CE-315
- 3 CD-1235 THRU CD-1304 4 CE-316 THRU CE-768
- CE-290 THRU CE-315
- CJ-26 AND AFTER
- 5 CD-1255 THRU CD-1304 6 CJ-26 THRU CJ-145
- 7 CE-316 AND AFTER 8 CJ-146 AND AFTER
- CJ-26 AND AFTER
- 9 CD-1235 THRU CD-1304 10 CE-609 AND AFTER
- CE-290 THRU CE-608 CJ-100 AND AFTER
- CJ-26 THRU CJ-99
- 11 CE-769 THRU CE-827
- EXCEPT CE-804

B E E C H C R A F T  
B O N A N Z A 3 3  
I L L U S T R A T E D P A R T S C A T A L O G

FIGURE 99  
CABIN BOTTOM STRUCTURE  
CD-1235 THRU CD-1304  
CE-290 THRU CE-768, CJ-26 THRU CJ-145

BEECHCRAFT  
 BONANZA 33  
 ILLUSTRATED PARTS CATALOG



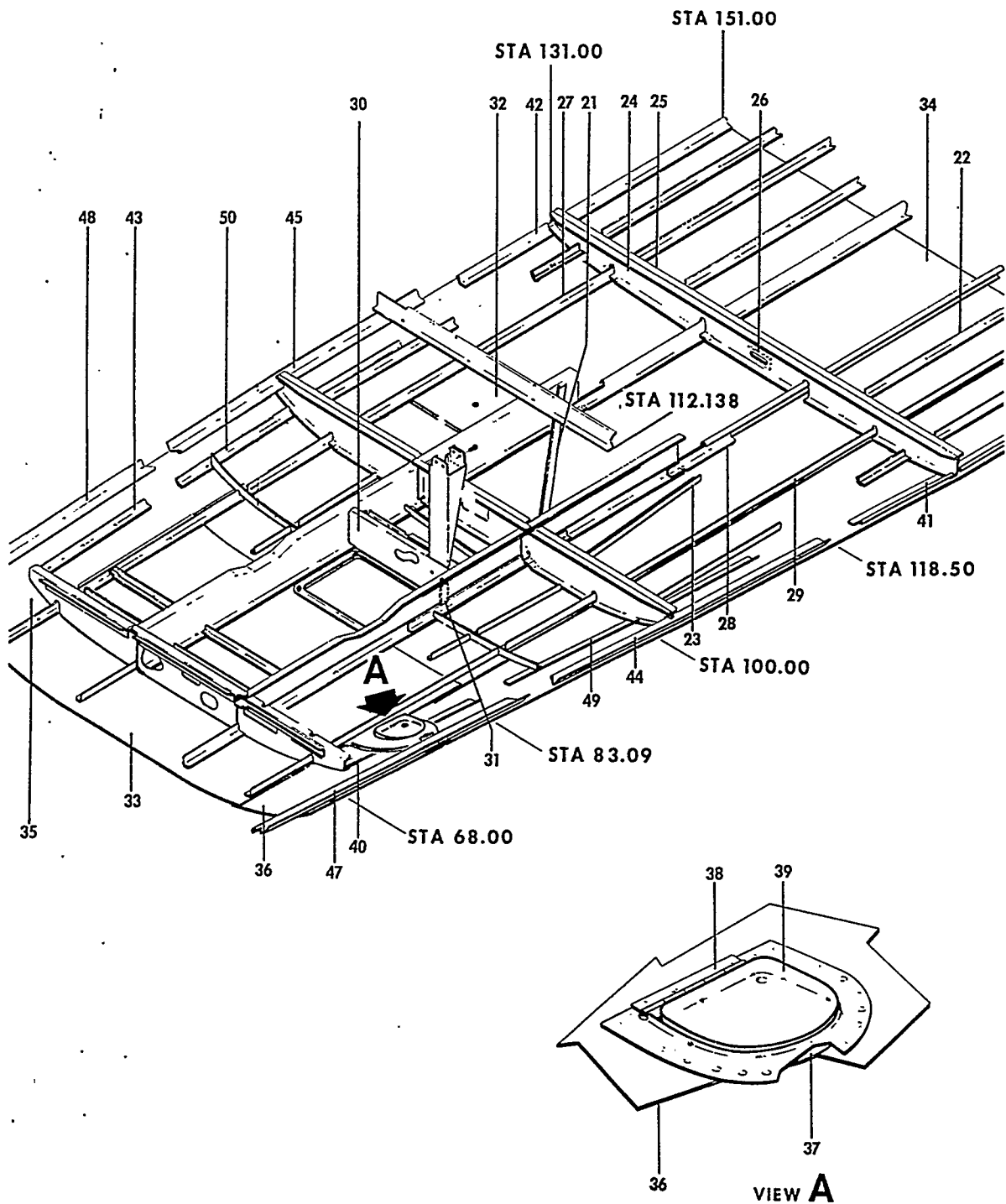
33-99-1



B E E C H C R A F T  
B O N A N Z A 33  
I L L U S T R A T E D P A R T S C A T A L O G

FIG. & ITEM NO.	PART NO.	DESCRIPTION	UNITS PER ASSY	USABLE ON CODE
		1 2 3 4 5 6 7		
99	33-410030-51S	STRUCTURE INSTL,FUSELAGE CABIN SECTION. . . . .	NP	1
	33-410047-9	STRUCTURE INSTL,FUSELAGE CABIN SECTION. . . . .	NP	5
	33-410047-5	STRUCTURE INSTL,FUSELAGE CABIN SECTION. . . . .	NP	2
	33-410047-7	STRUCTURE INSTL,FUSELAGE CABIN SECTION. . . . .	NP	6
	33-420000-1	STRUCTURE INSTL,FUSELAGE CABIN SECTION. . . . .	NP	3
	33-420000-3	STRUCTURE INSTL,FUSELAGE CABIN SECTION. . . . . /WITH STANDARD BAGGAGE DOOR/ /WITH UTILITY BAGGAGE DOOR/	NP	3
	RA4100	. STRUCTURE ASSY,LOWER CABIN. . . . .	NP	8
	RA4300	. . CABIN ASSY,LOWER /STA 49 THRU 151/. . . . .	NP	8
	RA4303	. . . BOTTOM ASSY,CABIN SECTION . . . . . /STA 49 THRU 151/	NP	8
	35-410259-624	. . . . BRKT ASSY,LANDING GEAR ACT SUPPORT. . . . .	1	8
- 1	35-410259-22	. . . . BRACKET . . . . .	1	8
- 2	35-410278	. . . . FAIRLEAD. . . . .	1	8
	AN366F428	. . . . NUTPLATE. . . . .	2	8
	35-410259-18	. . . . DOUBLER ASSY,LANDING GEAR ACTUATOR. . . . .	1	8
- 3	35-410259-14	. . . . DOUBLER . . . . .	1	8
- 4	98-21MS	. . . . SPRING. . . . .	4	8
	35-410330-602	. . . . KEEL ASSY,LH. . . . .	1	8
	35-410330-603	. . . . KEEL ASSY,RH. . . . .	1	8
- 5	35-410330-6	. . . . ANGLE,LH. . . . .	1	8
	35-410330-7	. . . . ANGLE,RH. . . . .	1	8
- 6	35-410330-2	. . . . KEEL,LH . . . . .	1	8
	35-410330-5	. . . . KEEL,RH . . . . .	1	8
- 7	35-410330-10	. . . . ANGLE . . . . .	1	8
- 8	35-410330-12	. . . . ANGLE . . . . .	1	8
	35-415374-606	. . . . CHANNEL ASSY. . . . .	1	8
- 9	35-415374-16	. . . . CHANNEL . . . . .	1	8
- 10	35-410170-16	. . . . ANGLE . . . . .	1	8
	35-415374-604	. . . . CHANNEL ASSY. . . . .	1	8
- 11	35-415374-10	. . . . CHANNEL . . . . .	1	8
- 12	35-415374-12	. . . . ANGLE . . . . .	1	8
	35-415374-602	. . . . CHANNEL ASSY. . . . .	1	8
- 13	35-415374-6	. . . . CHANNEL . . . . .	1	8
- 14	35-415374-14	. . . . ANGLE . . . . .	1	8
	35-410145-604	. . . . DOUBLER ASSY. . . . .	1	8
- 15	35-410145-16	. . . . DOUBLER . . . . .	1	8
- 16	99871C098	. . . . SPRING. . . . .	1	8
- 17	35-410444-21	. . . . STIFFENER . . . . .	2	8
- 17A	95-420015-51	. . . . CHANNEL,LH /STA 118 TO 131/ . . . . .	1	7
	95-420015-52	. . . . CHANNEL,RH /STA 118 TO 131/ . . . . .	1	7
	35-410000-17	. . . . STRINGER,LH . . . . .	1	4
	95-420015-47	. . . . CHANNEL,LH /STA 118 TO 131/ . . . . .	1	7
	95-420015-49	. . . . CHANNEL,LH /STA 131 TO 151/ . . . . .	1	7
- 17B	95-420015-31	. . . . CHANNEL,LH /STA 131 TO 151/ . . . . .	1	7
- 18	35-410000-16	. . . . STRINGER,RH . . . . .	1	4
	95-420015-48	. . . . CHANNEL,RH /STA 118 TO 131/ . . . . .	1	7
	95-420015-50	. . . . CHANNEL,RH /STA 131 TO 151/ . . . . .	1	7
	95-420015-32	. . . . CHANNEL,RH /STA 131 TO 151/ . . . . .	1	7
- 19	35-400471-13	. . . . STIFFENER,LH & RH . . . . .	2	8
- 20	35-400471-15	. . . . STIFFENER . . . . .	1	8
- 20A	35-410000-123	. . . . STIFFENER,RH ONLY . . . . .	2	7

BEECHCRAFT  
 BONANZA 33  
 ILLUSTRATED PARTS CATALOG

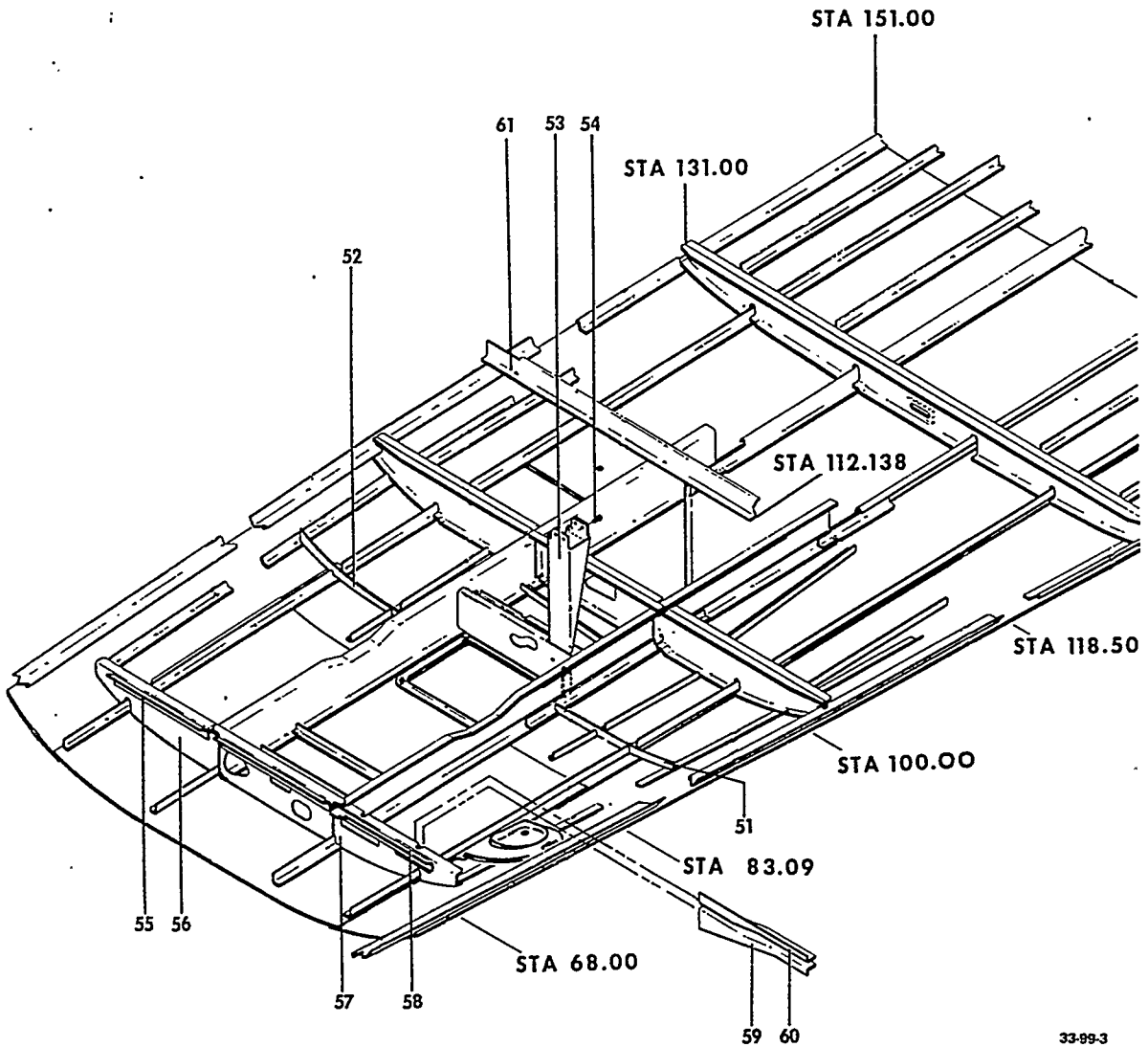


33-99-2

B E E C H C R A F T  
B O N A N Z A 3 3  
I L L U S T R A T E D P A R T S C A T A L O G

FIG. & ITEM NO.	PART NO.	1	2	3	4	5	6	7	DESCRIPTION	UNITS PER ASSY	USABLE ON CODE
99 - 21	35-400471-17	.	.	.	.	.	.	.	STIFFENER . . . . .	1	8
	35-400471-19	.	.	.	.	.	.	.	STIFFENER . . . . .	2	8
- 22	35-400471-25	.	.	.	.	.	.	.	STIFFENER . . . . .	4	4
	35-400471-25	.	.	.	.	.	.	.	STIFFENER . . . . .	2	7
- 23	35-400471-29	.	.	.	.	.	.	.	STIFFENER, LH. . . . .	1	8
	35-410331-602	.	.	.	.	.	.	.	BULKHEAD ASSY /STA 131/ . . . . .	1	4
	95-420015-601	.	.	.	.	.	.	.	BULKHEAD ASSY /STA 131/ . . . . .	1	7
- 24	35-410331-4	.	.	.	.	.	.	.	CHANNEL . . . . .	1	4
	95-420015-27	.	.	.	.	.	.	.	CHANNEL . . . . .	1	7
- 25	35-410331-10	.	.	.	.	.	.	.	ANGLE . . . . .	1	4
	95-420015-25	.	.	.	.	.	.	.	ANGLE . . . . .	1	7
- 26	35-410332	.	.	.	.	.	.	.	FAIRLEAD . . . . .	1	4
	95-420015-33	.	.	.	.	.	.	.	FAIRLEAD . . . . .	1	7
	95-420015-29	.	.	.	.	.	.	.	PLATE . . . . .	1	7
	95-420015-77	.	.	.	.	.	.	.	PLATE . . . . .	1	7
- 27	33-410030-45	.	.	.	.	.	.	.	STRINGER, RH /J/ . . . . .	1	4
	95-420015-45	.	.	.	.	.	.	.	STRINGER, RH /J/ . . . . .	1	7
- 28	35-410330-8	.	.	.	.	.	.	.	ANGLE, LH. . . . .	1	4
	35-410330-9	.	.	.	.	.	.	.	ANGLE, RH. . . . .	1	4
- 29	35-410000-18	.	.	.	.	.	.	.	STRINGER, LH /J/ . . . . .	1	4
	35-410461-53	.	.	.	.	.	.	.	STRINGER, LH /J/ . . . . .	1	7
- 30	35-410259-8	.	.	.	.	.	.	.	CHANNEL . . . . .	1	8
- 31	35-410259-30	.	.	.	.	.	.	.	ANGLE . . . . .	1	8
	22A5-048	.	.	.	.	.	.	.	NUT . . . . .	2	8
- 32	95-364027-21	.	.	.	.	.	.	.	DOUBLER /ROTATING BEACON/ . . . . .	1	8
	95-420015-151	.	.	.	.	.	.	.	DOUBLER, RH /STA 68/ . . . . .	1	8
- 33	35-410452-79	.	.	.	.	.	.	.	SKIN, FWD BOTTOM . . . . .	1	8
- 34	35-410452-109	.	.	.	.	.	.	.	SKIN, CENTER BOTTOM . . . . .	1	4
	35-410452-183	.	.	.	.	.	.	.	SKIN, CENTER BOTTOM . . . . .	1	7
- 35	35-410452-17	.	.	.	.	.	.	.	SKIN, RH BOTTOM . . . . .	1	4
	35-410452-115	.	.	.	.	.	.	.	SKIN, RH BOTTOM . . . . .	1	7
- 36	33-410032-17	.	.	.	.	.	.	.	SKIN, LH BOTTOM . . . . .	1	4
	35-410452-119	.	.	.	.	.	.	.	SKIN, LH BOTTOM . . . . .	1	7
- 37	002-430042-5	.	.	.	.	.	.	.	DOOR ASSY, FUEL STRAINER ACCESS . . . . .	1	8
	002-430042-9	.	.	.	.	.	.	.	DOOR, FUEL STRAINER ACCESS . . . . .	1	8
	99871C098	.	.	.	.	.	.	.	RECEPTACLE . . . . .	1	8
	HL98293-1-060	.	.	.	.	.	.	.	STUD . . . . .	1	8
	99785-2	.	.	.	.	.	.	.	CROSS PIN . . . . .	1	8
- 38	002-430042-11	.	.	.	.	.	.	.	HINGE HALF . . . . .	1	8
- 39	002-430042-3	.	.	.	.	.	.	.	PAN ASSY, DOOR . . . . .	1	8
- 40	96-420000-57	.	.	.	.	.	.	.	SUPPORT, LH . . . . .	1	8
- 41	35-410444-49	.	.	.	.	.	.	.	STRINGER, LH . . . . .	1	4
	95-420011-95	.	.	.	.	.	.	.	STRINGER, LH/I/STA 118 TO STA 151/ . . . . .	1	7
- 42	35-410444-50	.	.	.	.	.	.	.	STRINGER, RH . . . . .	1	4
	95-420015-69	.	.	.	.	.	.	.	STRINGER, RH/I/STA 118 TO STA 151/ . . . . .	1	7
- 43	96-420000-58	.	.	.	.	.	.	.	SUPPORT, RH . . . . .	1	8
- 44	35-420035-1	.	.	.	.	.	.	.	STRINGER, LH/I/ . . . . .	1	8
- 45	35-420035-3	.	.	.	.	.	.	.	STRINGER, RH/I/ . . . . .	1	8
- 46		.	.	.	.	.	.	.	DELETED . . . . .		
- 47	35-410000-24	.	.	.	.	.	.	.	SUPPORT, LH /I/ . . . . .	1	8
- 48	35-410000-25	.	.	.	.	.	.	.	SUPPORT, RH /I/ . . . . .	1	8
- 49	35-410444-51	.	.	.	.	.	.	.	ANGLE, LH. . . . .	1	8
- 50	35-410444-52	.	.	.	.	.	.	.	ANGLE, RH. . . . .	1	8

BEECHCRAFT  
BONANZA 33  
ILLUSTRATED PARTS CATALOG



B E E C H C R A F T  
B O N A N Z A 3 3  
I L L U S T R A T E D P A R T S C A T A L O G

FIG. & ITEM NO.	PART NO.	DESCRIPTION							UNITS PER ASSY	USABLE ON CODE
		1	2	3	4	5	6	7		
99 - 51	35-410279	.	.	.	ANGLE ASSY,LH	.	.	.	1	8
- 52	35-410279-1	.	.	.	ANGLE ASSY,RH	.	.	.	1	8
	35-410279-2	.	.	.	ANGLE,LH /STA 89.531/	.	.	.	1	8
	35-410279-3	.	.	.	ANGLE,RH /STA 89.531/	.	.	.	1	8
	A1784-621	.	.	.	NUT	.	.	.	5	8
- 53	35-410408	.	.	.	BRACKET ASSY,CROSS CHANNEL SUPPORT.	.	.	.	1	8
					/ATTACHING PARTS/					
- 54	AN4-5/M/	.	.	.	BOLT	.	.	.	6	
	AN960-416	.	.	.	WASHER	.	.	.	6	
					*					
	35-410408-2	.	.	.	BRACKET	.	.	.	1	8
	35-410408-4	.	.	.	DOUBLER	.	.	.	1	8
	35-400473-606	.	.	.	BULKHEAD ASSY,LOWER CABIN SECTION/STA 68/	.	.	.	1	8
- 55	35-410210-12	.	.	.	ANGLE	.	.	.	1	8
- 56	95-420015-139	.	.	.	FRAME	.	.	.	1	8
	35-415373-602	.	.	.	BULKHEAD ASSY,LOWER CABIN SECTION/STA 68/	.	.	.	1	8
- 57	35-415373-6	.	.	.	FRAME	.	.	.	1	8
- 58	35-415373-16	.	.	.	REINFORCEMENT	.	.	.	1	8
- 59	35-415373-18	.	.	.	BRACKET	.	.	.	1	8
- 60	35-415373-20	.	.	.	BRACKET	.	.	.	1	8
- 61	35-410225-4	.	.	.	SUPPORT,FLOOR /STA 112.138/	.	.	.	1	8
	33-410035-601	.	.	.	STRUCTURE ASSY,REAR SPAR CARRY THRU	.	.	.	1	8
					/SEE FIG.102/					
	35-410040-602	.	.	.	STRUCTURE ASSY,FRONT SPAR CARRY THRU.	.	.	.	1	9
					/SEE FIG.101/					
	81A16758	.	.	.	BUTTON,PLUG/JACK PAD/	.	.	.	1	8

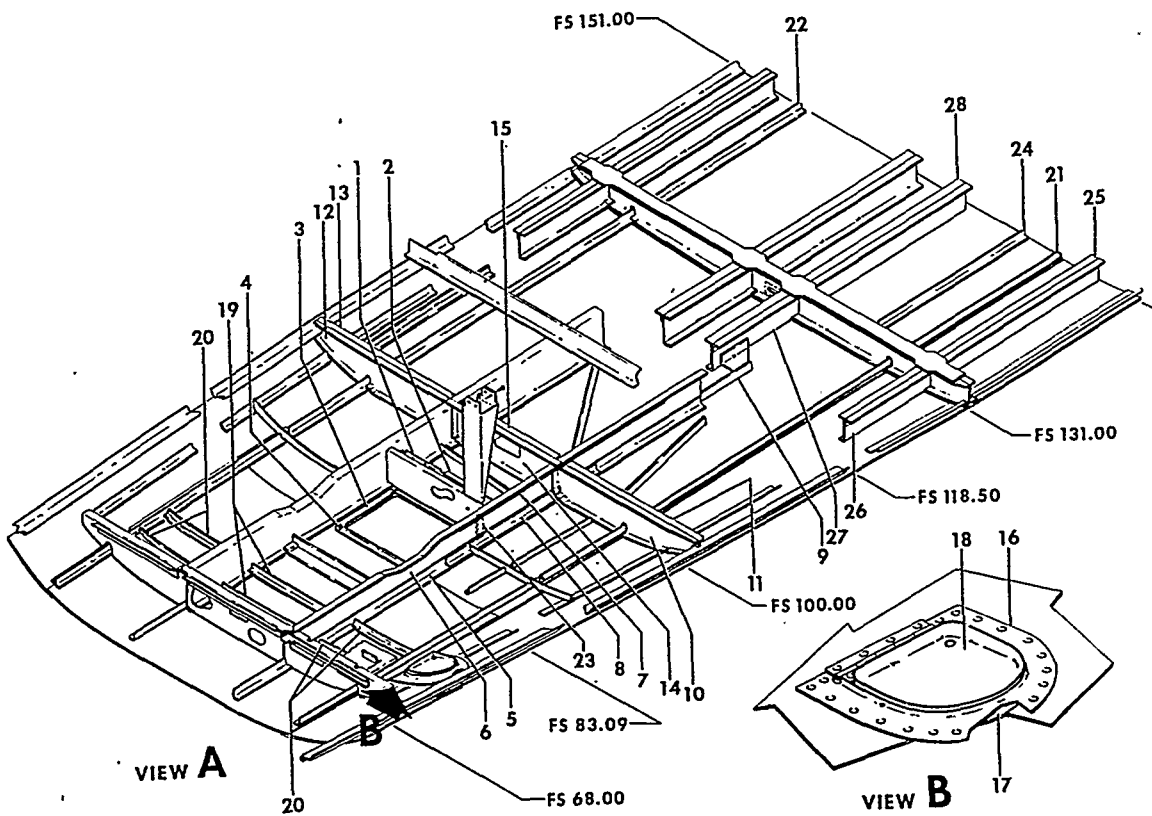
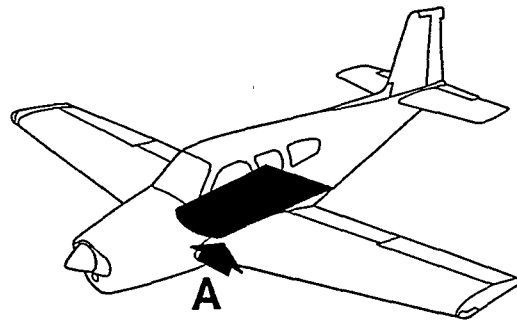
C O D E S O F E F F E C T I V I T Y

1	CD-1235 THRU CD-1254	2	CE-290 THRU CE-315
3	CE-316 THRU CE-768	4	CD-1235 THRU CD-1304
			CE-290 THRU CE-315
			CJ-26 THRU CJ-30
5	CD-1255 THRU CD-1304	6	CJ-26 THRU CJ-145
7	CE-316 THRU CE-768	8	CD-1235 THRU CD-1304
	CJ-31 THRU CJ-145		CE-290 THRU CE-768
			CJ-26 THRU CJ-145
9	CD-1235 THRU CD-1304		
	CE-290 THRU CE-400		

B E E C H C R A F T  
B O N A N Z A 3 3  
I L L U S T R A T E D P A R T S C A T A L O G

FIGURE 99A  
CABIN BOTTOM STRUCTURE  
CE-769 AND AFTER, CJ-146 AND AFTER

BEECHCRAFT  
 BONANZA 33  
 ILLUSTRATED PARTS CATALOG



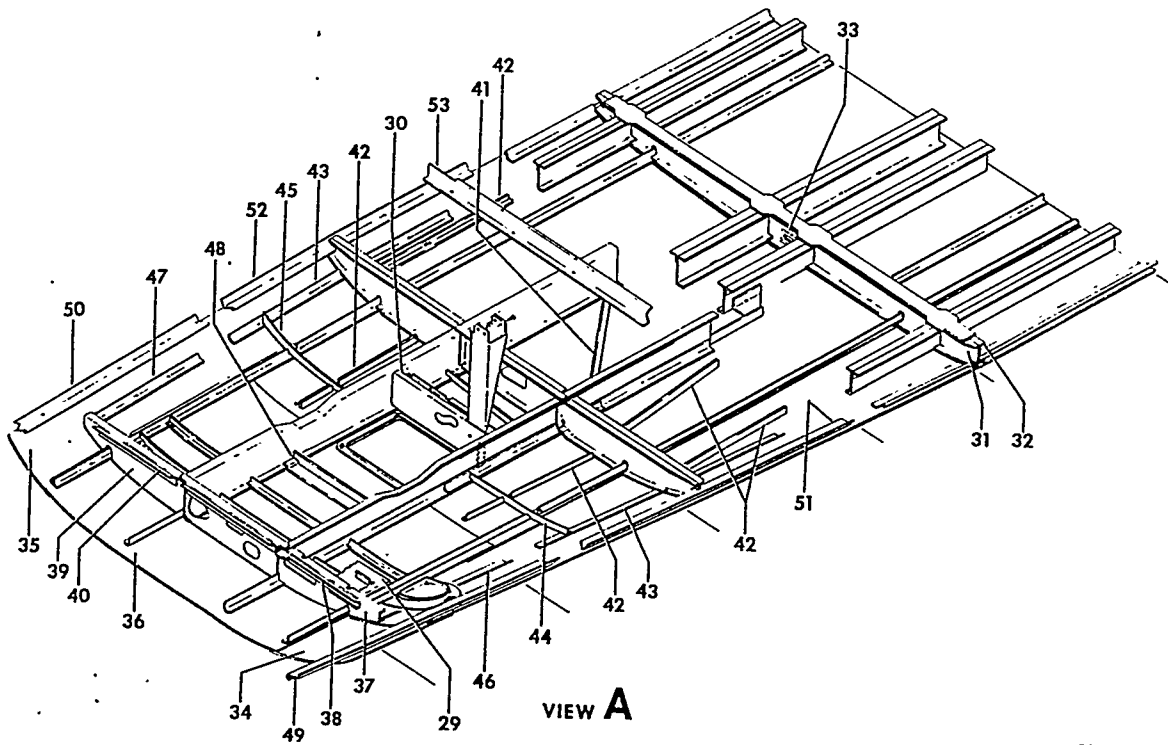
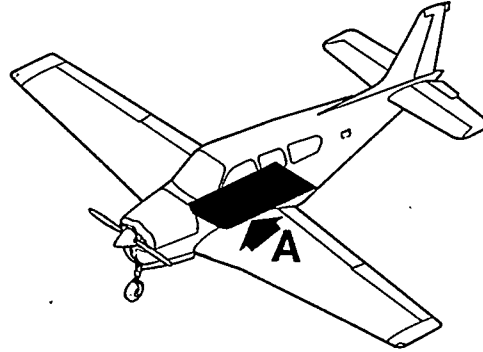
33-99A-8

B E E C H C R A F T  
B O N A N Z A 3 3  
I L L U S T R A T E D P A R T S C A T A L O G

FIG. & ITEM NO.	PART NO.	DESCRIPTION	UNITS PER ASSY	USABLE ON CODE
99A	002-430009-1	FUSELAGE ASSY, LOWER CABIN SECTION . . . . .	1	4
	002-430009-181	FUSELAGE ASSY, LOWER CABIN SECTION . . . . . /SMALL BAGGAGE DOOR/	1	5
	002-430009-11	FUSELAGE ASSY, LOWER CABIN SECTION . . . . .	1	4
	002-430009-183	FUSELAGE ASSY, LOWER CABIN SECTION . . . . . /LARGE BAGGAGE DOOR/	1	5
	002-430009-17	FUSELAGE ASSY, LOWER CABIN SECTION . . . . .	1	2
	002-430038-1	. PANEL ASSY, FUSELAGE BOTTOM. . . . .	1	1
	002-430038-3	. PANEL ASSY, FUSELAGE BOTTOM. . . . .	1	2
	002-430020-17	. BRACKET ASSY, LANDING GEAR ACTUATOR. . . . .	1	3
- 1	002-430020-15	. BRACKET . . . . .	1	3
- 2	002-430020-29	. FAIRLEAD. . . . .	1	3
	MS20392-1C23	. PIN . . . . .	1	3
	MS24665-132	. PIN, COTTER. . . . .	1	3
	002-430020-13	. DOUBLER ASSY, LANDING GEAR ACTUATOR ACCESS . . . . .	1	3
- 3	002-430020-11	. DOUBLER . . . . .	1	3
- 4	99871C098	. SPRING. . . . .	4	3
	002-430037-27	. KEEL ASSY, LH. . . . .	1	3
	002-430037-2	. KEEL ASSY, RH. . . . .	1	3
- 5	002-430037-11	. ANGLE, LH. . . . .	1	3
	002-430037-12	. ANGLE, RH. . . . .	1	3
- 6	002-430037-25	. KEEL, LH AFT . . . . .	1	3
	002-430037-10	. KEEL, RH AFT . . . . .	1	3
- 7	002-430037-15	. ANGLE, LH. . . . .	1	3
- 8	002-430037-13	. ANGLE, LH. . . . .	1	3
	002-430037-17	. ANGLE, LH. . . . .	1	2
	002-430037-18	. ANGLE, RH. . . . .	1	2
- 9	002-430037-19	. CHANNEL, LH. . . . .	1	1
	002-430037-20	. CHANNEL, RH. . . . .	1	1
	002-430010-19	. FRAME ASSY, LH/STA 100.0/. . . . .	1	3
- 10	002-430010-21	. FRAME, LH. . . . .	1	3
- 11	002-430010-23	. ANGLE, LH. . . . .	1	3
	002-430010-7	. FRAME ASSY, RH/STA 100.0/. . . . .	1	3
- 12	002-430010-9	. FRAME, RH. . . . .	1	3
- 13	002-430010-11	. ANGLE, RH. . . . .	1	3
	002-430010-13	. FRAME ASSY, CENTER/STA 100.0/. . . . .	1	3
- 14	002-430010-15	. FRAME, CENTER. . . . .	1	3
- 15	002-430010-17	. ANGLE, CENTER. . . . .	1	3
	R 002-430042-1	. DOOR INSTL, FUEL STRAINER ACCESS . . . . .	1	3
- 16	R 002-430042-7	. DOUBLER ASSY, FUEL STRAINER ACCESS DOOR. . . . .	1	3
- 17	R 002-430042-5	. DOOR ASSY, FUEL STRAINER ACCESS/STA 74/. . . . .	1	3
- 18	R 002-430042-3	. PAN ASSY, ACCESS DOOR. . . . .	1	3
	R 36-430057-1	. PLACARD, STRAINER ACCESS DOOR. . . . . /SEE FIG 16/	1	3
- 19	002-430038-13	. STIFFENER/CENTER/ . . . . .	2	3
- 20	002-430038-15	. STIFFENER/LH & RH/. . . . .	4	3
- 21	002-430038-83	. STRINGER, LH/J/. . . . .	1	1
- 22	002-430038-84	. STRINGER, RH/J/. . . . .	1	1
	002-430038-85	. STRINGER, LH/K/. . . . .	1	2
	002-430038-86	. STRINGER, RH/K/. . . . .	1	2
	002-430038-87	. STRINGER, LH/J/. . . . .	1	2
	002-430038-88	. STRINGER, RH/J/. . . . .	1	2
- 23	002-430020-23	. ANGLE . . . . .	1	3
	115005-3	. GROMMET/STA 131.0/. . . . .	2	3
- 24	002-430038-47	. STIFFENER . . . . .	2	1
- 25	002-430038-41	. CHANNEL, LH OUTBD AFT. . . . .	1	1
	002-430038-42	. CHANNEL, RH OUTBD AFT. . . . .	1	1
- 26	002-430038-39	. CHANNEL, LH OUTBD FWD. . . . .	1	1
	002-430038-40	. CHANNEL, RH OUTBD FWD. . . . .	1	1
- 27	002-430038-35	. CHANNEL, LH INBD FWD . . . . .	1	1
	002-430038-36	. CHANNEL, RH INBD FWD . . . . .	1	1
- 28	002-430038-37	. CHANNEL, LH INBD AFT . . . . .	1	1
	002-430038-38	. CHANNEL, RH INBD AFT . . . . .	1	1



BEECHCRAFT  
BONANZA 33  
ILLUSTRATED PARTS CATALOG

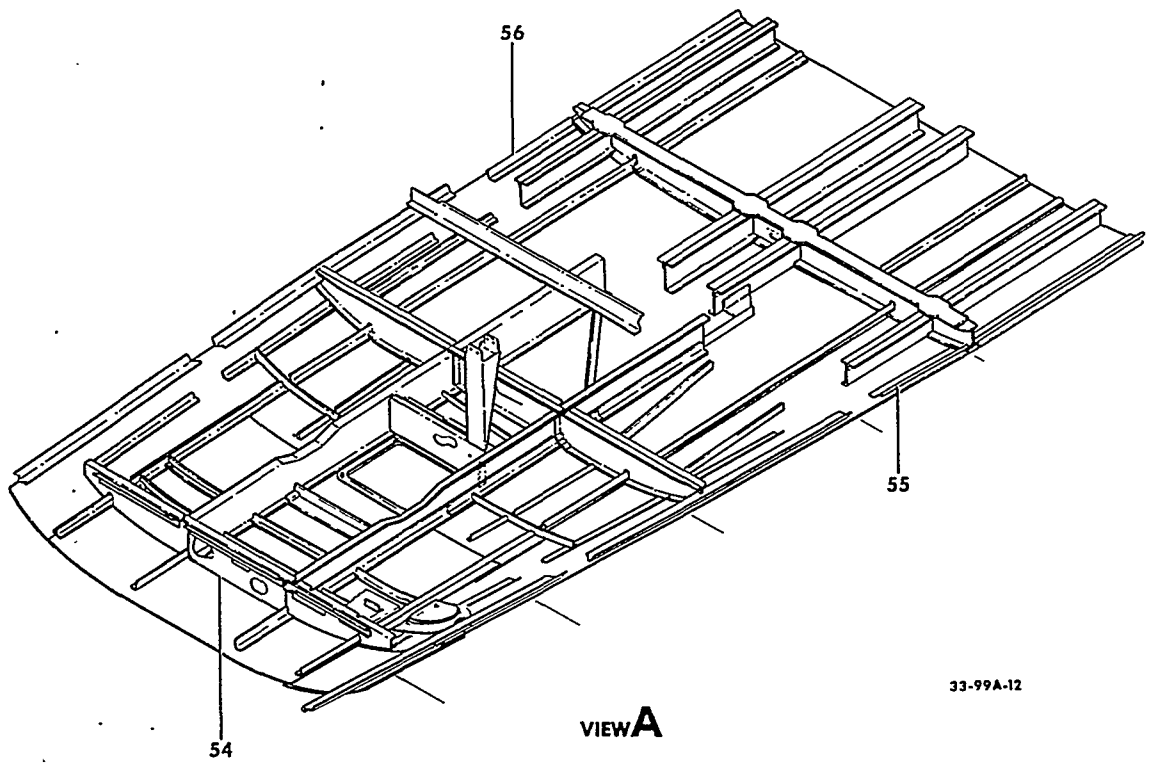
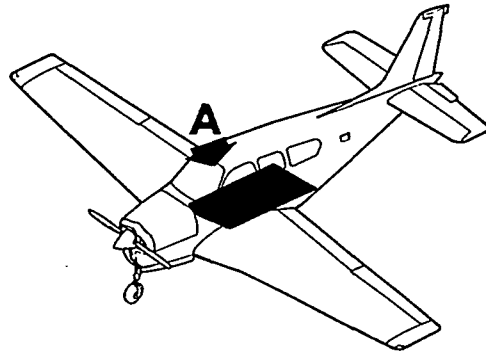


33-99A-9

B E E C H C R A F T  
B O N A N Z A 3 3  
I L L U S T R A T E D P A R T S C A T A L O G

FIG. & ITEM NO.	PART NO.	DESCRIPTION	UNITS PER ASSY	USABLE ON CODE
99A - 29	002-430038-91	. . BRACKET ASSY. . . . .	1	1
	35-580017-9	. . BRACKET ASSY. . . . .	1	2
	002-430038-107	. . REINFORCEMENT,RH. . . . .	1	3
- 30	002-430038-103	. . BRACKET ASSY. . . . .	1	3
	002-430038-57	. . FRAME ASSY/STA 131.0/ . . . . .	1	2
	002-430038-59	. . FRAME/STA 131.0/ . . . . .	1	2
	002-430038-61	. . ANGLE . . . . .	1	2
	002-430038-63	. . FAIRLEAD. . . . .	1	2
	002-430038-115	. . FRAME ASSY/STA 131.0/ . . . . .	1	1
- 31	002-430038-111	. . FRAME/STA 131.0/ . . . . .	1	1
- 32	002-430038-69	. . ANGLE . . . . .	1	1
	002-430038-113	. . PLATE . . . . .	1	1
- 33	MS21266N3	. . GROMMET . . . . .	AR	3
- 34	002-430038-17	. . SKIN,LH BOTTOM/STA 68 TO 151/ . . . . .	1	1
	35-410452-109	. . SKIN,LH BOTTOM. . . . .	1	2
- 35	002-430038-19	. . SKIN,RH BOTTOM/STA 68 TO 151/ . . . . .	1	1
	35-410452-17	. . SKIN,RH BOTTOM. . . . .	1	2
- 36	002-430038-21	. . SKIN,CENTER . . . . .	1	1
	35-410452-109	. . SKIN,CENTER . . . . .	1	2
	002-430044-75	. . FRAME ASSY/SUPERSEDES 002-430044-31/ . . . . .	1	3
- 37	002-430044-17	. . FRAME . . . . .	1	3
- 38	002-430044-23	. . STIFFENER . . . . .	1	3
	002-430044-19	. . BRACKET ASSY,CROSS CHANNEL SUPPORT. . . . .	1	3
	002-430044-21	. . BRACKET . . . . .	1	3
	002-430044-29	. . FRAME ASSY,RH BOTTOM/STA 68.00/ . . . . .	1	3
- 39	002-430044-7	. . FRAME,RH BOTTOM . . . . .	1	3
- 40	002-430044-9	. . STIFFENER . . . . .	1	3
- 41	002-430009-137	. . STIFFENER,SUPPORT . . . . .	1	3
- 42	002-430009-139	. . STIFFENER,SUPPORT . . . . .	5	3
- 43	002-430009-63	. . SUPPORT,FLOOR . . . . .	2	3
- 44	002-430009-65	. . ANGLE,LH. . . . .	1	3
- 45	002-430009-66	. . ANGLE,RH. . . . .	1	3
- 46	002-430009-99	. . SUPPORT,FLOORBOARD LH . . . . .	1	3
- 47	002-430009-103	. . SUPPORT,FLOORBOARD RH . . . . .	1	3
	35-410444-49	. . ANGLE,LH. . . . .	1	2
	35-410444-50	. . ANGLE,RH. . . . .	1	2
- 48	002-430009-77	. . SUPPORT,FLOOR/STA 79.50/ . . . . .	1	3
	58-430014-23	. . BRACKET INSTL,SHOULDER HARNESS LH . . . . .	NP	1
	58-430014-24	. . BRACKET INSTL,SHOULDER HARNESS RH . . . . .	NP	1
- 49	002-430009-101	. . STRINGER,LH/I/ . . . . .	1	3
- 50	002-430009-102	. . STRINGER,RH/I/ . . . . .	1	3
- 51 R	002-430009-201	. . STRINGER,LH/I/SPARES FOR 002-430009-107/ . . . . .	1	3
- 52 R	002-430009-202	. . STRINGER,RH/I/SPARES FOR 002-340009-108/ . . . . .	1	3
- 53	002-430009-97	. . ZEE . . . . .	1	3

BEECHCRAFT  
BONANZA 33  
ILLUSTRATED PARTS CATALOG



33-99A-12

B E E C H C R A F T  
B O N A N Z A 3 3  
I L L U S T R A T E D P A R T S C A T A L O G

FIG. & ITEM NO.	PART NO.	DESCRIPTION							UNITS PER ASSY	USABLE ON CODE
		1	2	3	4	5	6	7		
99A	002-043004-1	.	.	.	.	.	.	.	NP	3
		/SEE FIGURE 101A/								
	002-430046-57	.	.	.	.	.	.	.	NP	3
		/SEE FIGURE 102D/								
	002-430021-25	.	.	.	.	.	.	.	4	3
	002-430013-31	.	.	.	.	.	.	.	8	3
	002-430014-13	.	.	.	.	.	.	.	NP	3
	002-430021-57	.	.	.	.	.	.	.	2	3
	002-430021-59	.	.	.	.	.	.	.	4	3
	002-430013-31	.	.	.	.	.	.	.	12	3
	58-530231-1	.	.	.	.	.	.	.	2	3
	LA3SR103	.	.	.	.	.	.	.	2	3
- 54	35-415373-10	.	.	.	.	.	.	.	1	3
	35-415373-14	.	.	.	.	.	.	.	1	3
- 55	002-430039-27	.	.	.	.	.	.	.	1	3
- 56 R	002-430040-25	.	.	.	.	.	.	.	1	3
	81A16758	.	.	.	.	.	.	.	1	3

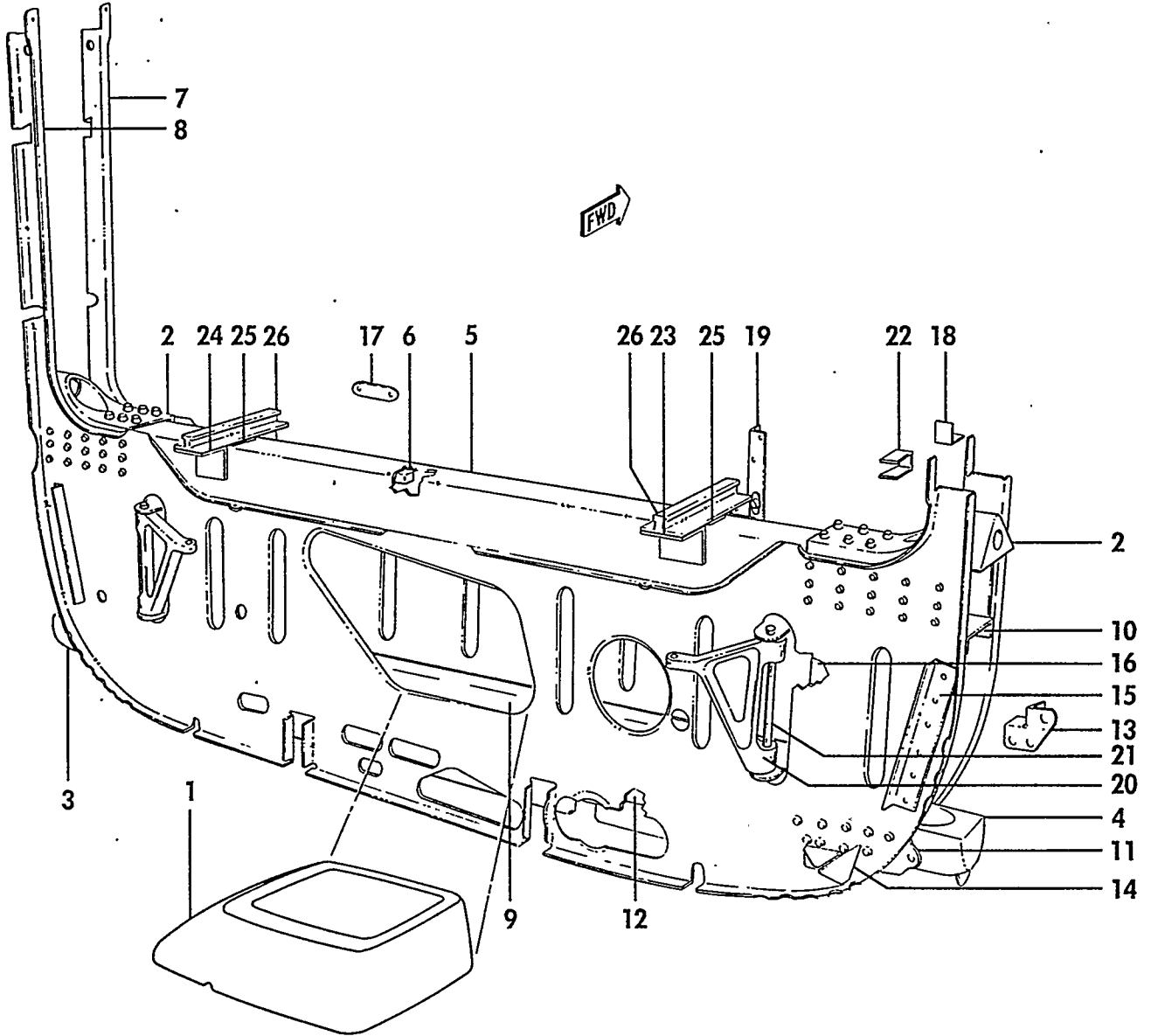
C O D E S O F E F F E C T I V I T Y

- |   |                  |   |                     |
|---|------------------|---|---------------------|
| 1 | CE-769 AND AFTER | 2 | CJ-146 AND AFTER    |
| 3 | CE-769 AND AFTER | 4 | CE-769 THRU CE-918  |
|   | CJ-146 AND AFTER |   | CE-290 THRU CE-922  |
|   |                  |   | CE-924,CE-926,CE-92 |
| 5 | CE-919,CE-923    |   |                     |
|   | CE-925,CE-927    |   |                     |
|   | CE-929 AND AFTER |   |                     |

BEECHCRAFT  
BONANZA 33  
ILLUSTRATED PARTS CATALOG

FIGURE 101  
FRONT SPAR CARRY THRU  
CD-1235 THRU CD-1304  
CE-290 THRU CE-400  
CJ-26 THRU CJ-30

BEECHCRAFT  
BONANZA 33  
ILLUSTRATED PARTS CATALOG



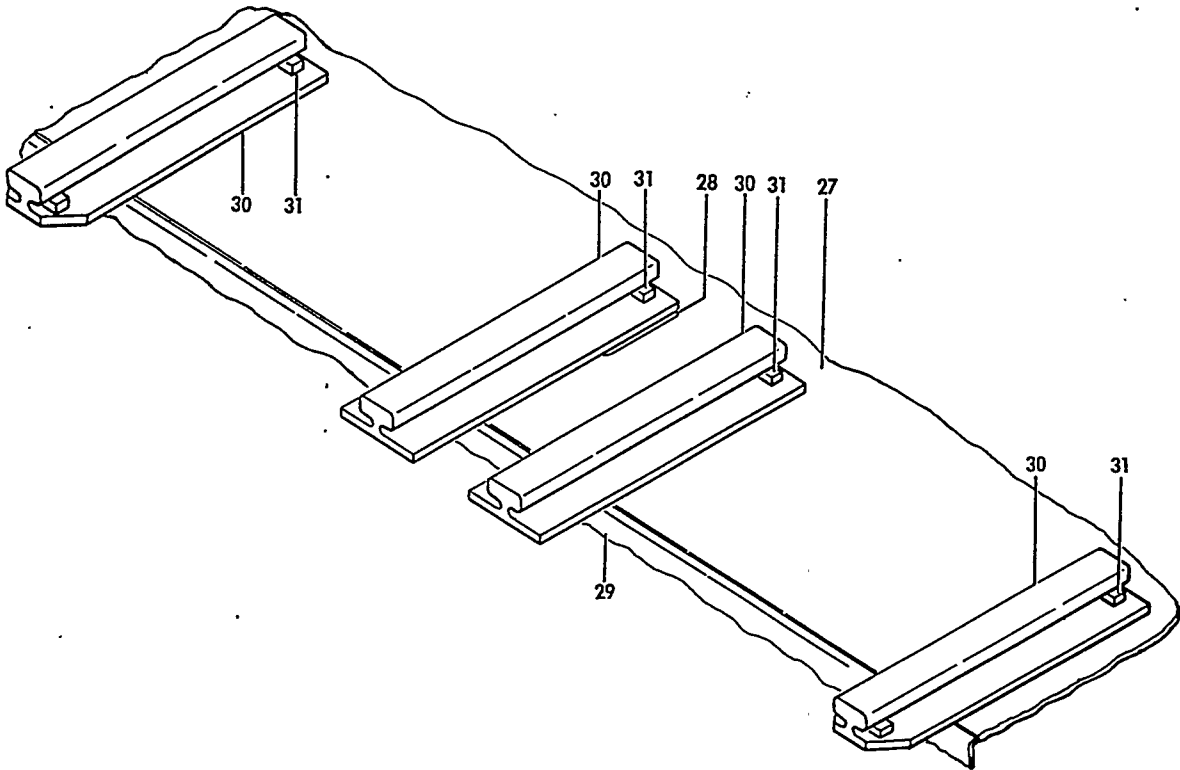
33-101-1

FIGURE 101.FRONT SPAR CARRY THRU  
/SHEET 1 OF 2 SHEETS/

B E E C H C R A F T  
B O N A N Z A 3 3  
I L L U S T R A T E D P A R T S C A T A L O G

FIG. & ITEM NO.	PART NO.	DESCRIPTION	UNITS PER ASSY	USABLE ON CODE		
					1	2
101	33-410040-602	STRUCTURE INSTL, FRONT SPAR CARRY-THRU . . . . .	NP	1		
- 1	35-410259-602	. SPOTWELDED ASSY, LANDING GEAR ACTUATOR SUPPORT . . . . .	1	1		
- 2	35-410256	. FITTING, UPPER WING BOLT ATTACH. . . . .	2	1		
- 3	35-410257-2	. FITTING, LH LOWER WING BOLT ATTACH . . . . .	1	1		
- 4	35-410257-3	. FITTING, RH LOWER WING BOLT ATTACH . . . . .	1	1		
- 5	33-410040-7	. CAP, UPPER SPAR. . . . .	1	1		
- 6	33-410040-6	. STIFFENER, UPPER SPAR CAP. . . . .	1	1		
- 7	33-410040-23	. WEB, FWD BULKHEAD. . . . .	1	1		
- 8	33-410040-25	. WEB, AFT BULKHEAD. . . . .	1	1		
- 9	35-410445-9	. CAP, LOWER SPAR. . . . .	1	1		
- 10	35-420022	. CHANNEL, UPPER . . . . .	1	1		
- 11	35-410445-7	. CHANNEL, LOWER . . . . .	1	1		
- 12	35-410260	. FAIRLEAD. . . . .	2	1		
	35-410217-36	. BRACKET, LH FWD. . . . .	1	1		
- 13	35-410217-37	. BRACKET, RH FWD. . . . .	1	1		
	35-410217-38	. BRACKET, LH AFT. . . . .	1	1		
- 14	35-410217-39	. BRACKET, RH AFT. . . . .	1	1		
- 15	35-410445-19	. ANGLE . . . . .	4	1		
- 16	35-410445-15	. SHIM. . . . .	8	1		
- 17	103637	. PLACARD . . . . .	1	1		
- 18	35-410217-40	. ANGLE . . . . .	2	1		
	35-410217-48	. STIFFENER, LH. . . . .	1	1		
- 19	35-410217-49	. STIFFENER, RH. . . . .	1	1		
- 20	35-815118	. ARM, LANDING GEAR DOOR ACTUATOR IDLER. . . . .	2	1		
		/ATTACHING PARTS/				
- 21	AN4-55A	. BOLT. . . . .	1			
	10080155-4781	. BUSHING . . . . .	1			
	AN960-416	. WASHER. . . . .	1			
	MS20365-428	. NUT . . . . .	1			
	AN960-416L	. WASHER. . . . .	AR			
	100951P062ZF	. WASHER. . . . .	2			
		*-----*				
- 22	49159	. BAND. . . . .	4	1		
	22A17-62	. NUT . . . . .	1	1		
	SLSP-T6-7	. HUCKBOLT. . . . .	28	1		
	SLSP-T8-6	. HUCKBOLT. . . . .	50	1		
	SLSP-T8-7	. HUCKBOLT. . . . .	4	1		
	SLSP-T8-8	. HUCKBOLT. . . . .	20	1		
	SLSP-T8-9	. HUCKBOLT. . . . .	16	1		
	SLSP-T8-12	. HUCKBOLT. . . . .	2	1		
	SLSP-T8-10	. HUCKBOLT. . . . .	4	1		
	SLSP-T8-13	. HUCKBOLT. . . . .	26	1		
	6LC-C6	. COLLAR. . . . .	28	1		
	6LC-C8	. COLLAR. . . . .	122	1		
	49158	. BAND. . . . .	1	1		
	49160	. BAND. . . . .	1	1		
- 23	33-410040-1	. ANGLE, LH FWD & RH AFT . . . . .	2	1		
- 24	33-410040-2	. ANGLE, LH AFT & RH FWD . . . . .	2	1		
- 25	33-410040-5	. SHIM, SEAT TRACK . . . . .	2	1		
- 26	95-420017-5	. TRACK, SEAT. . . . .	2	1		
		/ATTACHING PARTS/				
	AN3A6	. BOLT. . . . .	2			
	MS20365-1032	. NUT . . . . .	2			
		*-----*				
	AN743-13	. BRACKET . . . . .	2	1		
	35-921154-11	. BRACKET, FUEL LINE LH SUPPORT. . . . .	1	1		
	35-921154-15	. BRACKET, FUEL LINE RH SUPPORT. . . . .	1	1		

BEECHCRAFT  
BONANZA 33  
ILLUSTRATED PARTS CATALOG



35-101-4



B E E C H C R A F T  
B O N A N Z A 3 3  
I L L U S T R A T E D P A R T S C A T A L O G

FIG. & ITEM NO.	PART NO.	1	2	3	4	5	6	7	DESCRIPTION	UNITS PER ASSY	USABLE ON CODE
101	33-410040-606								APRON ASSY, FRONT SPAR CARRY-THRU. . . . .	1	1
- 27	33-410040-27								. WEB . . . . .	1	1
- 28	35-410217-28								. CHANNEL, CENTER/ORDER 002-430009-59/ . . . . .	NP	1
	002-430009-59								. CHANNEL, CENTER/SPARES FOR 35-410217-28/ . . . . .	1	1
- 29	35-410217-8								. CHANNEL, FWD . . . . .	1	1
- 30	95-420017-19								. TRACK, SEAT. . . . .	4	1
									/ATTACHING PARTS/		
	AN509-10R15								. SCREW . . . . .	4	
	MS20365-1032								. NUT . . . . .	4	
	33-534010-21								. FILLER. . . . .	1	
									-----*		
- 31	414-180657-3								. STOP, SEAT . . . . .	8	1
									/ATTACHING PARTS/		
	NAS221-10								. SCREW . . . . .	4	
	MS20365-1032								. NUT . . . . .	4	
									-----*		

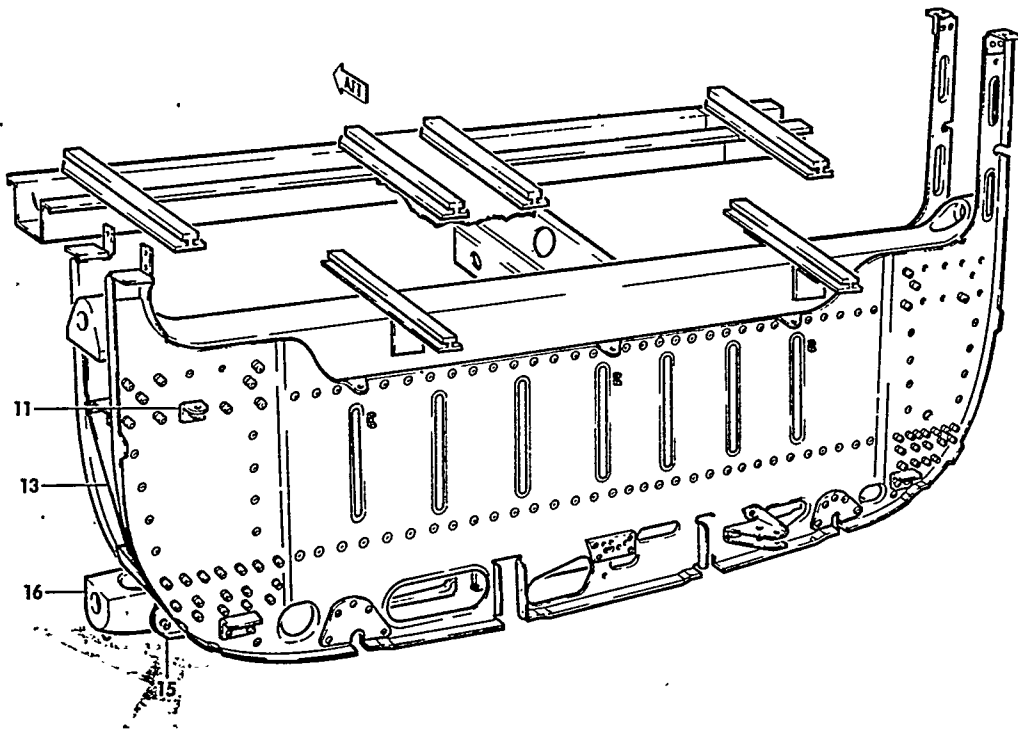
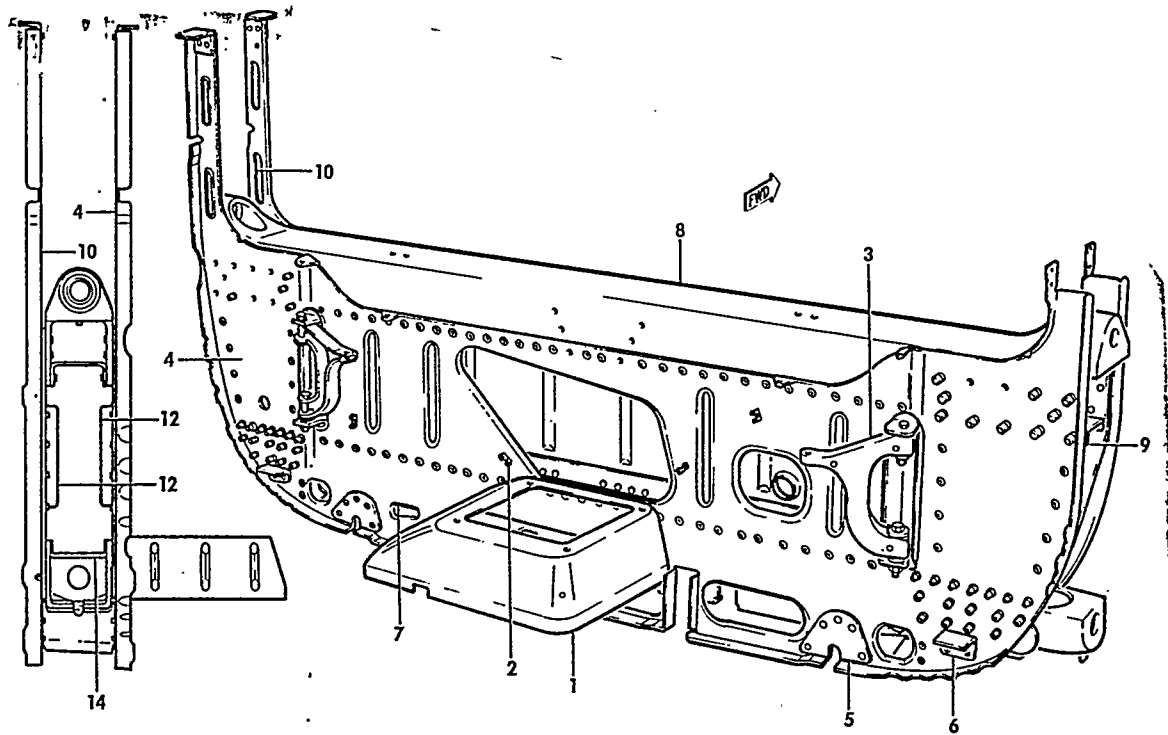
C O D E S O F E F F E C T I V I T Y

1 CD-1235 THRU CD-1304  
CE-290 THRU CE-400  
CJ-26 THRU CJ-30

BEECHCRAFT  
BONANZA 33  
ILLUSTRATED PARTS CATALOG

FIGURE 101A  
FRONT SPAR CARRY THRU  
CE-401 AND AFTER  
CJ-31 AND AFTER

BEECHCRAFT  
BONANZA 33  
ILLUSTRATED PARTS CATALOG

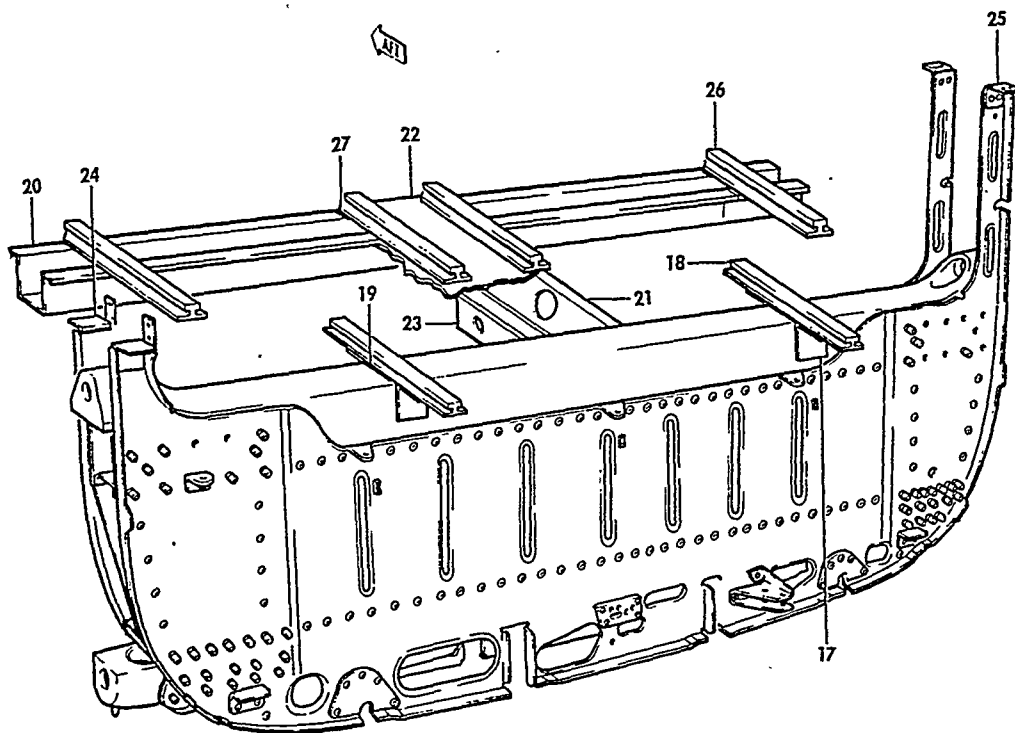


33-101-7

B E E C H C R A F T  
B O N A N Z A 3 3  
I L L U S T R A T E D P A R T S C A T A L O G

FIG. & ITEM NO.	PART NO.	DESCRIPTION							UNITS PER ASSY	USABLE ON CODE
		1	2	3	4	5	6	7		
101A	002-043004-1	CARRY THRU INSTL,FRONT SPAR . . . . .							NP	1
	002-430013-1	. CARRY THRU INSTL,FRONT SPAR . . . . .							NP	2
	002-430013-43	. CARRY THRU INSTL,FRONT SPAR . . . . .							NP	3
	002-430013-9	. . CARRY THRU ASSY,FRONT SPAR . . . . .							1	2
	002-430013-51	. . CARRY THRU ASSY,FRONT SPAR . . . . .							1	3
- 1	002-430020-27	. . . SUPPORT ASSY,LANDING GEAR ACTUATOR. . . . .							1	1
- 2	TM2S6	. . . MOUNT,TIE . . . . .							7	1
- 3	002-430024-1	. . . ARM, LANDING GEAR RETRACT ACTUATOR IDLER . . . . .							2	1
		/ATTACHING PARTS/								
	AN4-55A	. . . BOLT . . . . .							1	
	100801S5-4781	. . . BUSHING . . . . .							1	
	100951P062YH	. . . WASHER . . . . .							2	
	AN960-416	. . . WASHER . . . . .							1	
	AN960-416L	. . . WASHER . . . . .							1	
	MS20365-428	. . . NUT . . . . .							1	
		-----*								
- 4	002-430018-3	. . . WEB,AFT . . . . .							1	2
	002-430018-7	. . . WEB,AFT . . . . .							1	3
- 5	002-430013-19	. . . GUSSET . . . . .							4	1
- 6	002-430013-27	. . . ANGLE . . . . .							4	1
- 7	002-430013-35	. . . STRIP,RUB . . . . .							2	1
- 8	002-430015-5	. . . CAP,UPPER SPAR . . . . .							1	1
- 9	002-430015-3	. . . CHANNEL,UPPER . . . . .							1	1
- 10	002-430018-1	. . . WEB,FWD . . . . .							1	2
	002-430018-9	. . . WEB,FWD . . . . .							1	3
- 11	002-430013-29	. . . CLIP . . . . .							2	1
- 12	002-430017-1	. . . PLATE,TIE . . . . .							2	1
- 13	002-430017-2	. . . PLATE,TIE . . . . .							2	1
- 14	002-430016-5	. . . CHANNEL,LOWER . . . . .							1	1
- 15	002-430016-1	. . . CAP,LOWER SPAR . . . . .							1	1
- 16	002-430025-3	. . . FITTING,LOWER SPAR . . . . .							2	1
	NAS1426-8	. . . LOCK-BOLT . . . . .							28	1
	NAS1426-9	. . . LOCK-BOLT . . . . .							18	1
	NAS1426-10	. . . LOCK-BOLT . . . . .							2	1
	NAS1428-7	. . . LOCK-BOLT . . . . .							20	1
	NAS1428-9	. . . LOCK-BOLT . . . . .							20	1
	NAS1428-13	. . . LOCK-BOLT . . . . .							2	1
	NAS1428-14	. . . LOCK-BOLT . . . . .							26	1
	NAS1080C06	. . . COLLAR . . . . .							48	1
	NAS1080C8	. . . COLLAR . . . . .							68	1
	130909N33	. . . NUTPLATE . . . . .							4	1
	131270-3	. . . STUD,GROUNDING/LANDING GEAR MOTOR/. . . . .							1	1

BEECHCRAFT  
BONANZA 33  
ILLUSTRATED PARTS CATALOG



33-1014-

B E E C H C R A F T  
B O N A N Z A 3 3  
I L L U S T R A T E D P A R T S C A T A L O G

FIG. & ITEM NO.	PART NO.	1 2 3 4 5 6 7	DESCRIPTION	UNITS PER ASSY	USABLE ON CODE
101A - 17	002-430023-3	. .	ANGLE, SEAT TRACK SUPPORT AFT. . . . .	2	1
	002-430023-5	. .	ANGLE, SEAT TRACK SUPPORT FWD. . . . .	2	1
- 18	002-430021-19	. .	TRACK, CENTER SEAT . . . . . /ATTACHING PARTS/	2	1
	NAS464P3A6	. .	BOLT. . . . .	2	
- 19	002-430013-33	. .	SPACER. . . . .	1	
		*-----*			
	002-430013-37	. .	ANGLE . . . . .	2	1
- 20	33-410040-9	. .	CHANNEL . . . . .	1	1
- 21	002-430009-131	. .	CHANNEL . . . . .	1	1
- 22	33-410040-27	. .	WEB . . . . .	1	1
- 23	002-430009-133	. .	BRACKET . . . . .	1	1
- 24	35-410217-46	. .	CLIP. . . . .	2	1
- 25	35-410217-44	. .	CLIP. . . . .	2	1
- 26	95-420017-19	. .	TRACK, SEAT. . . . .	4	4
	002-430021-25	. .	TRACK, SEAT. . . . . /ATTACHING PARTS/	4	5
- 27	33-534010-21	. .	FILLER. . . . .	4	
	AN509-10R15	. .	SCREW . . . . .	4	
	AN960-10	. .	WASHER. . . . .	4	
	MS20365-1032	. .	NUT . . . . .	4	
		*-----*			
	002-430043-11	. .	GUSSET. . . . .	1	1
	002-430043-13	. .	GUSSET. . . . .	1	1
	58-530231-1	. .	STOP, SEAT TRACK/AFT END/. . . . .	4	1
	002-430013-31	. .	STOP, SEAT TRACK/FWD END/. . . . . /ATTACHING PARTS/	8	1
	MS27039-1-20	. .	SCREW . . . . .	4	
	130909N29	. .	NUT . . . . .	4	
		*-----*			

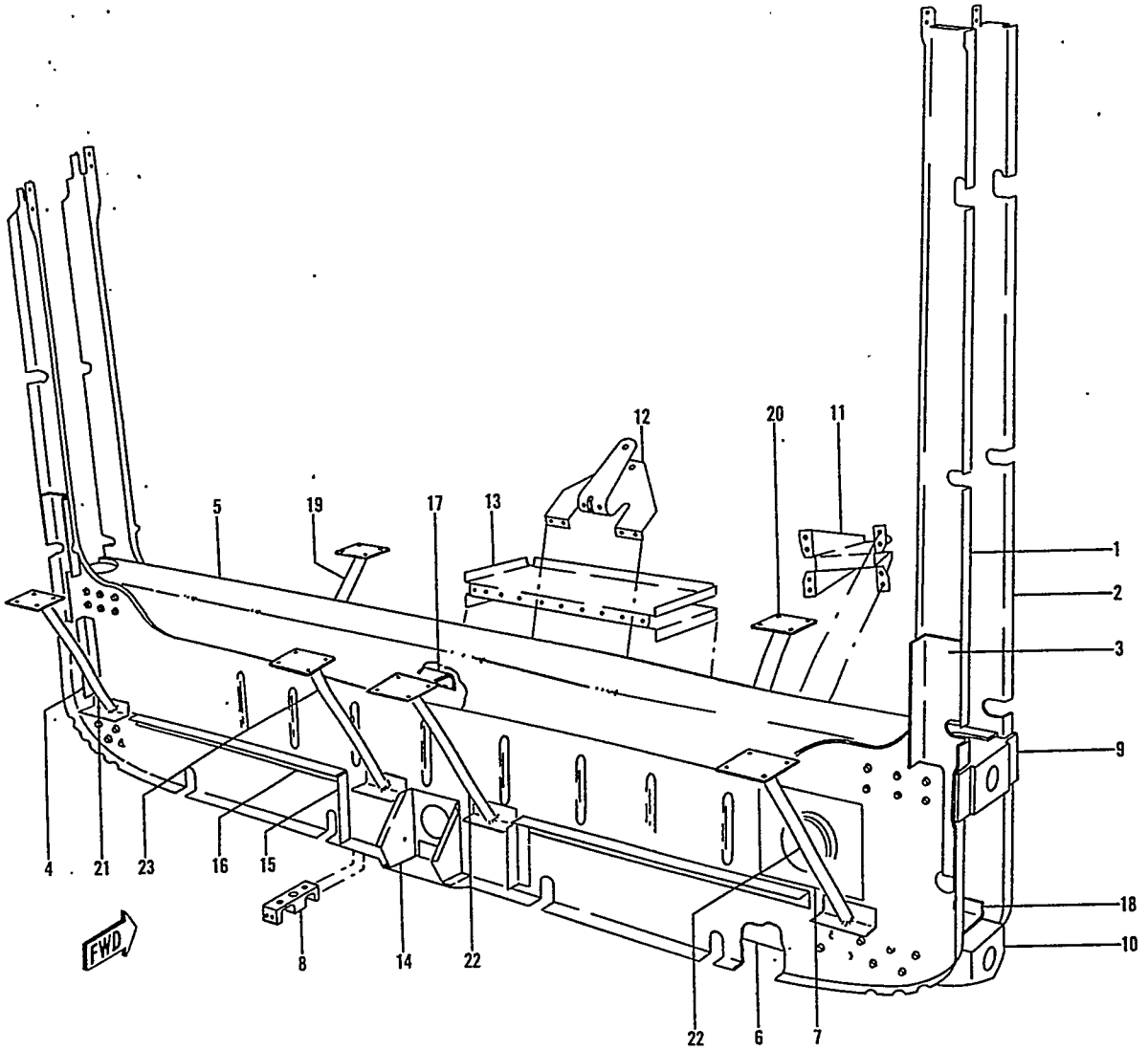
C O D E S O F E F F E C T I V I T Y

- |  |   |
|--|---|
| 1 CE-401 AND AFTER<br>CJ-31 AND AFTER  | 2 CE-401 THRU CE-464<br>CJ-31 THRU CJ-51  |
| 3 CE-465 AND AFTER<br>CJ-52 AND AFTER  | 4 CE-401 THRU CE-768<br>CJ-31 THRU CJ-145 |
| 5 CE-769 AND AFTER<br>CJ-146 AND AFTER |   |

B E E C H C R A F T  
B O N A N Z A 3 3  
I L L U S T R A T E D P A R T S C A T A L O G

FIGURE 102  
REAR SPAR CARRY THRU  
CD-1235 THRU CD-1304, CE-290 THRU CE-315,  
CJ-26 THRU CJ-30

BEECHCRAFT  
BONANZA 33  
ILLUSTRATED PARTS CATALOG



33-102-2



B E E C H C R A F T  
B O N A N Z A 3 3  
I L L U S T R A T E D P A R T S C A T A L O G

FIG. & ITEM NO.	PART NO.	DESCRIPTION	UNITS PER ASSY							USABLE ON CODE
			1	2	3	4	5	6	7	
102	33-410035-601	CARRY THRU STRUCTURE, REAR SPAR. . . . .							1	1
- 1	35-410158-5	. FRAME, AFT . . . . .							1	1
- 2	35-410158-6	. FRAME, FWD . . . . .							1	1
- 3	35-410158-36	. REINFORCEMENT, RH. . . . .							2	1
	35-410158-37	. REINFORCEMENT, LH. . . . .							2	1
- 4	35-410158-28	. ANGLE, LH. . . . .							1	1
	35-410158-29	. ANGLE, RH. . . . .							1	1
- 5	33-410035-17	. CAP, UPPER SPAR. . . . .							1	1
- 6	35-410158-4	. CAP, LOWER SPAR. . . . .							1	1
- 7	33-410035-13	. WELD ASSY, HEATER DUCT . . . . .							1	1
- 8	35-410258	. FITTING, JACK PAD. . . . .							1	1
- 9	35-410167	. FITTING, UPPER WING BOLT . . . . .							2	1
- 10	35-410168	. FITTING, LOWER WING BOLT . . . . .							2	1
- 11	35-410158-24	. BRACKET . . . . .							2	1
- 12	35-410158-20	. BRACKET . . . . .							1	1
- 13	35-410158-16	. BRACKET . . . . .							1	1
- 14	35-410158-18	. BRACKET . . . . .							1	1
- 15	95-420016-19	. ANGLE, LH. . . . .							1	1
	95-420016-20	. ANGLE, RH. . . . .							1	1
- 16	33-410035-7	. ANGLE, LH. . . . .							1	1
	33-410035-8	. ANGLE, RH. . . . .							1	1
- 17	35-410158-12	. CHANNEL, UPPER . . . . .							1	1
- 18	35-410158-14	. CHANNEL, LOWER . . . . .							1	1
- 19	95-420016-35	. SUPPORT ASSY, SEAT TRACK LH FWD. . . . .							1	1
- 20	95-420016-36	. SUPPORT ASSY, SEAT TRACK RH FWD. . . . .							1	1
- 21	33-534031-11	. SUPPORT ASSY, SEAT TRACK LH AFT OUTBD. . . . .							1	1
- 22	33-534031-12	. SUPPORT ASSY, SEAT TRACK RH AFT CENTER & OUTBD							2	1
- 23	33-534031-17	. SUPPORT ASSY, SEAT TRACK LH AFT CENTER . . . . .							1	1
	103637	. PLACARD, IDENTIFICATION. . . . .							1	1
	1954.	. CLIP. . . . .							2	1
		/ATTACHING PARTS/								
	AN3-30A/M/	. BOLT. . . . .							2	
	AN960-10	. WASHER. . . . .							2	
	MS20365-1032	. NUT . . . . .							2	
		*-----*								
	SLSP-T6-5	. HUCKBOLT. . . . .							2	1
	SLSP-T6-4	. HUCKBOLT. . . . .							4	1
	6LC-C6	. COLLAR. . . . .							6	1
	SLSP-T8-5	. HUCKBOLT. . . . .							16	1
	SLSP-T8-7	. HUCKBOLT. . . . .							16	1
	SLSP-T8-8	. HUCKBOLT. . . . .							24	1
	6LC-C8	. COLLAR. . . . .							56	1

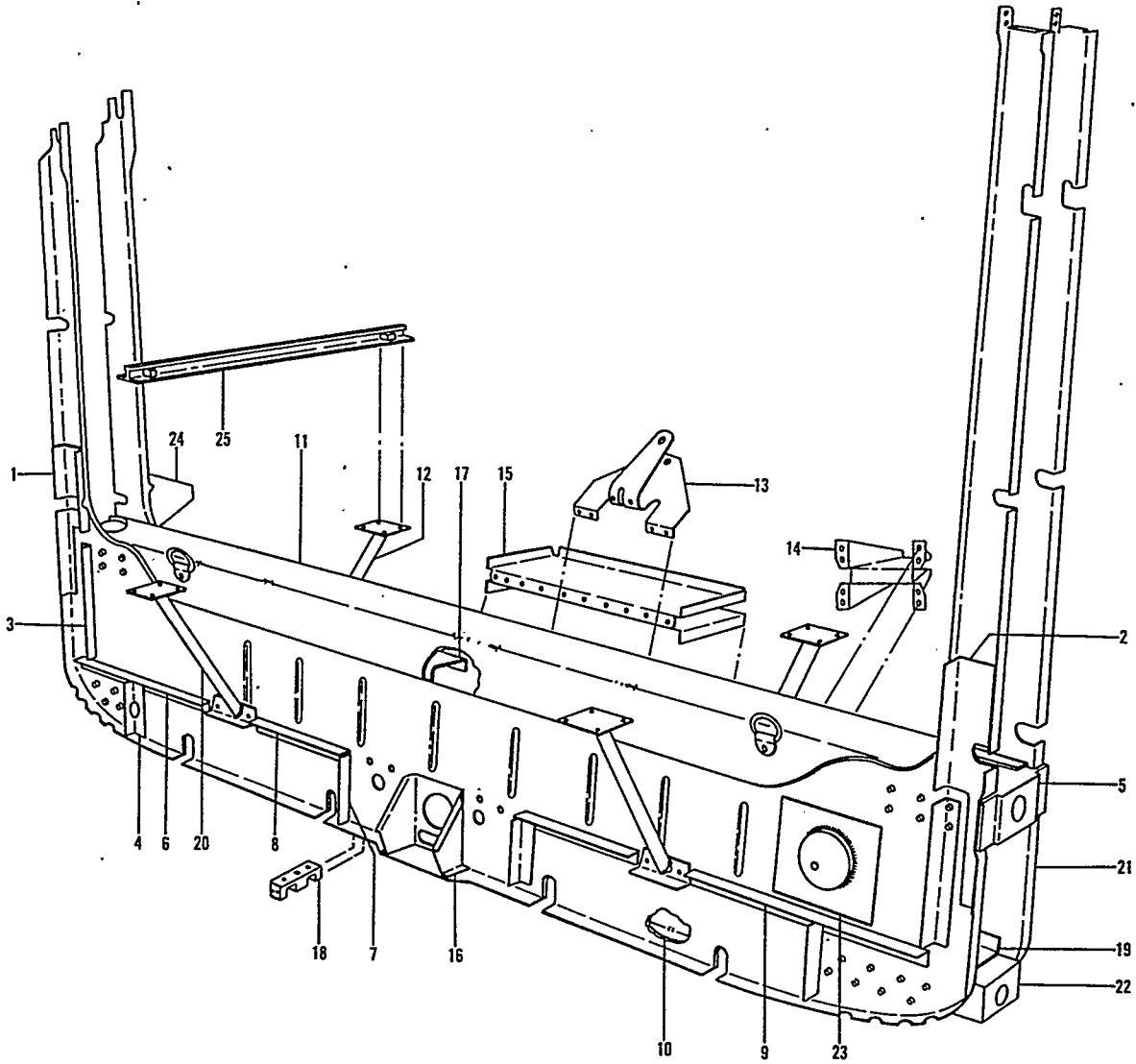
C O D E S O F E F F E C T I V I T Y

- 1 CD-1235 THRU CD-1304,
- CE-290 THRU CE-315,
- CJ-26 THRU CJ-30

BEECHCRAFT  
BONANZA 33  
ILLUSTRATED PARTS CATALOG

FIGURE 102A  
REAR SPAR CARRY THRU  
CE-316 THRU CE-400

BEECHCRAFT  
BONANZA 33  
ILLUSTRATED PARTS CATALOG



33-102-1

B E E C H C R A F T  
B O N A N Z A 3 3  
I L L U S T R A T E D P A R T S C A T A L O G

FIG. & ITEM NO.	PART NO.	DESCRIPTION	UNITS							USABLE ON CODE	
			1	2	3	4	5	6	7		
102A	35-410158-601	CARRY THRU STRUCTURE, REAR SPAR.	.	.	.	.	.	.	.	1	1
- 1	35-410158-36	• REINFORCEMENT, LH.	.	.	.	.	.	.	.	2	1
- 2	35-410158-37	• REINFORCEMENT, RH.	.	.	.	.	.	.	.	2	1
- 3	35-410158-28	• ANGLE, LH.	.	.	.	.	.	.	.	2	1
	35-410158-29	• ANGLE, RH.	.	.	.	.	.	.	.	2	1
- 4	35-410158-38	• ANGLE, LH.	.	.	.	.	.	.	.	1	1
	35-410158-39	• ANGLE, RH.	.	.	.	.	.	.	.	1	1
- 5	35-410167	• FITTING, UPPER WING /LH & RH/.	.	.	.	.	.	.	.	2	1
- 6	95-420016-25	• ANGLE, LH.	.	.	.	.	.	.	.	1	1
- 7	95-420016-19	• ANGLE, LH.	.	.	.	.	.	.	.	1	1
	95-420016-20	• ANGLE, RH.	.	.	.	.	.	.	.	1	1
- 8	95-420016-21	• ANGLE, LH.	.	.	.	.	.	.	.	1	1
	95-420016-22	• ANGLE, RH.	.	.	.	.	.	.	.	1	1
- 9	95-420016-26	• ANGLE, RH.	.	.	.	.	.	.	.	1	1
- 10	35-410158-4	• CAP, LOWER	.	.	.	.	.	.	.	1	1
- 11	35-410158-2	• CAP, UPPER	.	.	.	.	.	.	.	1	1
	AN366-832	• NUTPLATE	.	.	.	.	.	.	.	6	1
	AN227-8	• STUD.	.	.	.	.	.	.	.	5	1
	AN227-9	• STUD.	.	.	.	.	.	.	.	5	1
	SLSP-T8-8	• HUCKBOLT	.	.	.	.	.	.	.	24	1
	6LC-C8	• COLLAR	.	.	.	.	.	.	.	56	1
	AN525-1032	• SCREW	.	.	.	.	.	.	.	4	1
	AN509-18	• SCREW	.	.	.	.	.	.	.	16	1
	MK2000-832	• NUTPLATE	.	.	.	.	.	.	.	4	1
	NAS696A3	• NUTPLATE	.	.	.	.	.	.	.	16	1
	A1784-621	• NUT	.	.	.	.	.	.	.	4	1
	SLSP-T8-5	• HUCKBOLT	.	.	.	.	.	.	.	16	1
	6LC-C8	• COLLAR	.	.	.	.	.	.	.	8	1
	SLSP-T8-7	• HUCKBOLT	.	.	.	.	.	.	.	16	1
- 12	95-420016-35	• SUPPORT ASSY, FWD LH	.	.	.	.	.	.	.	1	1
	95-420016-36	• SUPPORT ASSY, FWD RH	.	.	.	.	.	.	.	1	1
		/ATTACHING PARTS/	.	.	.	.	.	.	.		
	SLSP-T6-5	• HUCKBOLT	.	.	.	.	.	.	.	8	
	6LC-C6	• COLLAR	.	.	.	.	.	.	.	8	
	103637	• PLACARD	.	.	.	.	.	.	.	1	1
- 13	35-410158-20	• BRACKET	.	.	.	.	.	.	.	1	1
- 14	35-410158-24	• BRACKET	.	.	.	.	.	.	.	2	1
- 15	35-410158-16	• BRACKET	.	.	.	.	.	.	.	1	1
- 16	35-410158-I8	• BRACKET	.	.	.	.	.	.	.	1	1
- 17	35-410158-12	• CHANNEL, UPPER	.	.	.	.	.	.	.	1	1
- 18	35-410258	• FITTING, JACK PAD.	.	.	.	.	.	.	.	1	1
- 19	35-410158-14	• CHANNEL, LOWER	.	.	.	.	.	.	.	1	1
- 20	95-420016-10	• SUPPORT ASSY, AFT LH	.	.	.	.	.	.	.	1	1
	95-420016-9	• SUPPORT ASSY, AFT RH	.	.	.	.	.	.	.	1	1
- 21	35-410158-6	• FRAME, FWD	.	.	.	.	.	.	.	1	1
	35-410158-50	• FRAME, AFT	.	.	.	.	.	.	.	1	1
- 22	35-410168	• FITTING, LOWER /LH & RH/	.	.	.	.	.	.	.	2	1
- 23	95-420016-45	• WELD ASSY	.	.	.	.	.	.	.	1	1
- 24	35-410158-10	DOUBLER, LH.	.	.	.	.	.	.	.	1	1
	35-410158-11	DOUBLER, RH.	.	.	.	.	.	.	.	1	1
- 25	95-420016-39	TRACK ASSY.	.	.	.	.	.	.	.	2	1

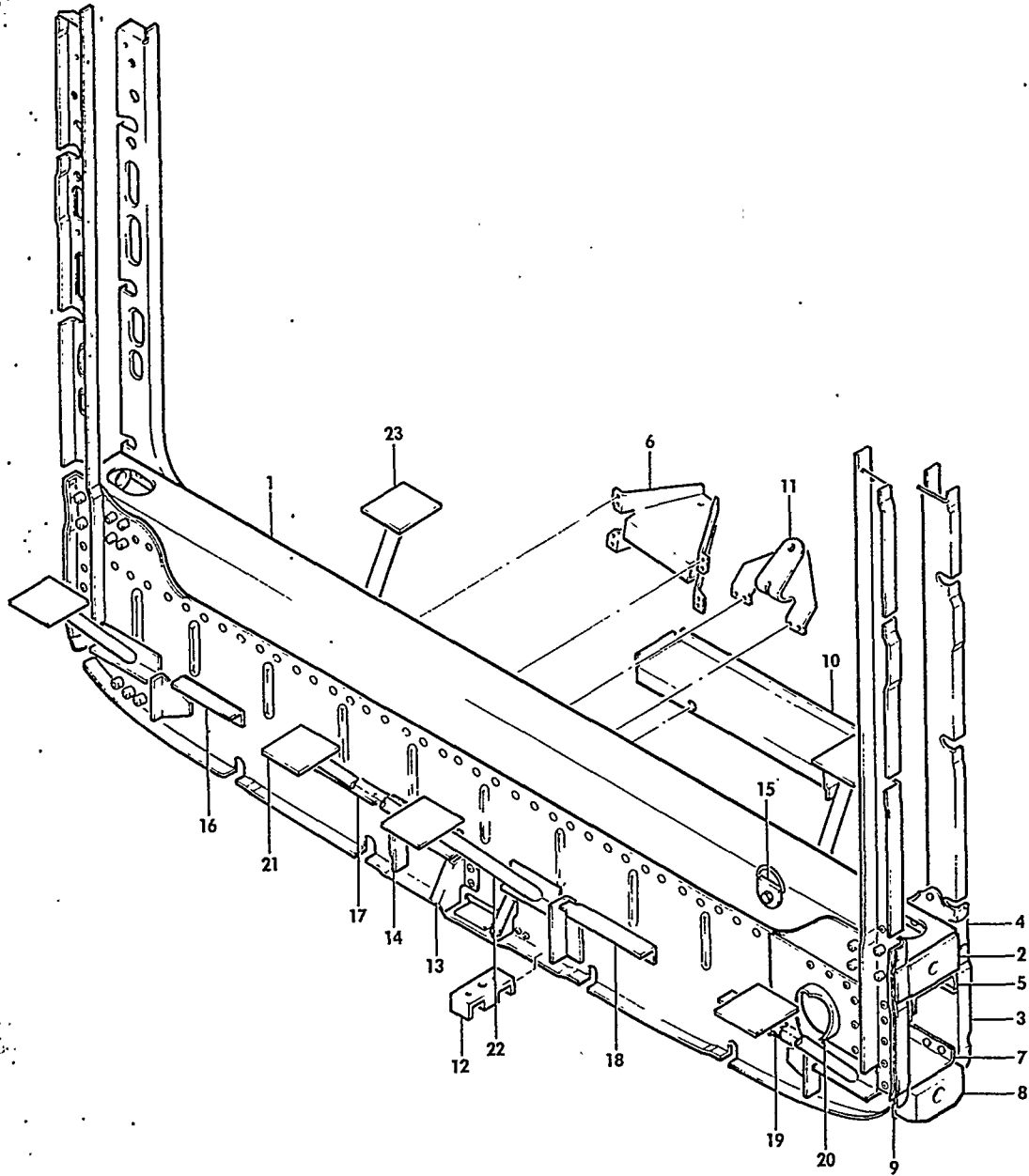
C O D E S O F E F F E C T I V I T Y

1 CE-316 THRU CE-400

BEECHCRAFT  
BONANZA 33  
ILLUSTRATED PARTS CATALOG

FIGURE 102B  
REAR SPAR CARRY THRU  
CJ-31 THRU CJ-102

BEECHCRAFT  
BONANZA 33  
ILLUSTRATED PARTS CATALOG



33-1028

FIGURE 102B-REAR SPAR CARRY THRU

B E E C H C R A F T  
B O N A N Z A 3 3  
I L L U S T R A T E D P A R T S C A T A L O G

FIG. & ITEM NO.	PART NO.	DESCRIPTION	UNITS PER ASSY	USABLE ON CODE
		1 2 3 4 5 6 7		
102B	002-430026-13	CARRY THRU ASSY, REAR SPAR . . . . .	1	2
	002-430026-55	CARRY THRU ASSY, REAR SPAR . . . . .	1	3
- 1	002-430028-1	. CAP, UPPER SPAR. . . . .	1	1
- 2	002-430025-9	. FITTING, WING BOLT UPPER . . . . .	2	1
- 3	002-430030-5	. WEB, FWD . . . . .	1	2
	002-430030-23	. WEB, FWD . . . . .	1	3
	002-430030-1	. WEB, AFT . . . . .	1	2
	002-430030-21	. WEB, AFT . . . . .	1	3
	002-430026-26	. REINFORCEMENT, LH. . . . .	2	1
- 4	002-430026-25	. REINFORCEMENT, RH. . . . .	2	1
- 5	002-430028-5	. CHANNEL, UPPER . . . . .	1	1
- 6	002-430031-1	. BRACKET, LH FWD PULLEY . . . . .	1	1
	002-430031-2	. BRACKET, RH FWD PULLEY . . . . .	1	1
		/ATTACHING PARTS/		
	AN525-10R8	. SCREW . . . . .	1	
	AN960-10	. WASHER. . . . .	1	
	130909N29	. NUT . . . . .	1	
		*-----*		
- 7	002-430028-13	. CHANNEL, LOWER . . . . .	1	1
- 8	35-410168	. FITTING, WING BOLT LOWER . . . . .	2	1
- 9	002-430028-9	. CAP, LOWER SPAR. . . . .	1	1
- 10	002-430032-5	. BRACKET, FWD PULLEY. . . . .	1	1
- 11	002-430032-3	. BRACKET, FWD PULLEY. . . . .	1	1
- 12	002-430026-27	. PAD, JACK. . . . .	1	1
	TM2S6	. BLOCK, TIE . . . . .	3	3
- 13	002-430032-1	. BRACKET, AFT PULLEY. . . . .	1	1
- 14	002-430026-29	. ANGLE, LH AFT. . . . .	1	1
	002-430026-30	. ANGLE, RH AFT. . . . .	1	1
- 15	1954	. CLIP & DEE. . . . .	2	1
		/ATTACHING PARTS/		
	AN3-30A	. BOLT . . . . .	1	
	AN960-10	. WASHER. . . . .	1	
	130909N29	. NUT . . . . .	1	
		*-----*		
- 16	002-430034-5	. ANGLE, FLOOR SUPPORT . . . . .	1	1
- 17	002-430034-1	. ANGLE, FLOOR SUPPORT . . . . .	1	1
- 18	002-430034-7	. ANGLE, FLOOR SUPPORT . . . . .	1	1
- 19	002-430034-3	. ANGLE, FLOOR SUPPORT . . . . .	1	1
- 20	002-430026-35	. DUCT. . . . .	1	2
	002-430026-53	. DUCT. . . . .	1	3
	NAS1426-4	. LOCK-BOLT . . . . .	12	1
	NAS1428-5	. LOCK-BOLT . . . . .	16	1
	NAS1428-7	. LOCK-BOLT . . . . .	16	1
	NAS1428-8	. LOCK-BOLT . . . . .	24	1
	NAS1080C6	. COLLAR. . . . .	12	1
	NAS1080C8	. COLLAR. . . . .	56	1
- 21	002-430022-39	. SUPPORT ASSY, LH SEAT TRACK. . . . .	2	1
- 22	002-430022-40	. SUPPORT ASSY, RH SEAT TRACK. . . . .	2	1
- 23	002-430022-19	. SUPPORT ASSY, CENTER SEAT TRACK FWD. . . . .	2	1

C O D E S O F E F F E C T I V I T Y

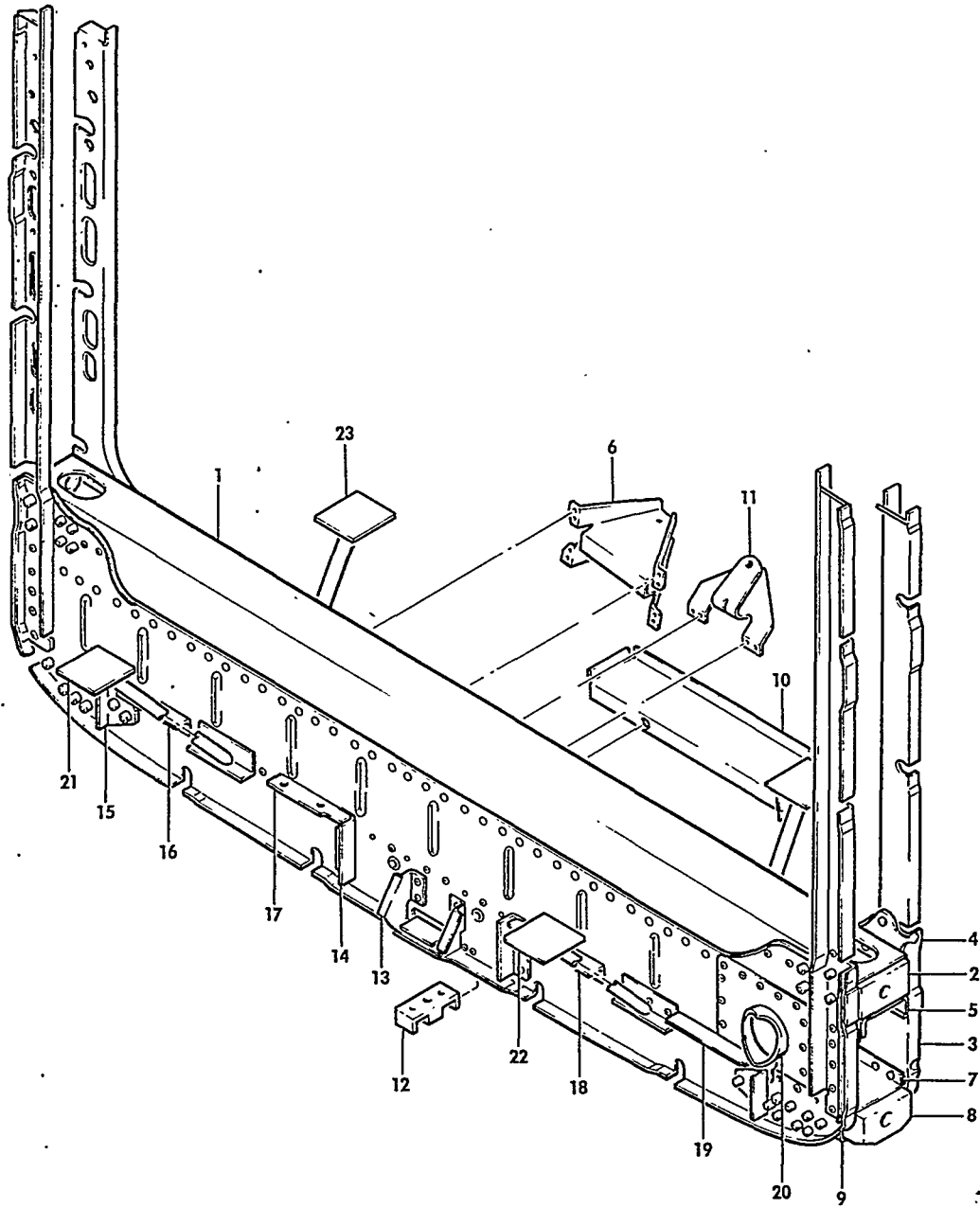
1 CJ-31 THRU CJ-102      2 CJ-31 THRU CJ-51  
3 CJ-52 THRU CJ-102

BEECHCRAFT  
BONANZA 33  
ILLUSTRATED PARTS CATALOG

FIGURE 102C  
REAR SPAR CARRY THRU  
CE-401 THRU CE-610



BEECHCRAFT  
BONANZA 33  
ILLUSTRATED PARTS CATALOG



35-102-7

FIGURE 102C. REAR SPAR CARRY THRU

B E E C H C R A F T  
B O N A N Z A 3 3  
I L L U S T R A T E D P A R T S C A T A L O G

FIG. & ITEM NO.	PART NO.	DESCRIPTION							UNITS PER ASSY	USABLE ON CODE
		1	2	3	4	5	6	7		
102C	002-430026-1	CARRY THRU ASSY,REAR SPAR	.	.	.	.	.	.	1	2
	002-430026-37	CARRY THRU ASSY,REAR SPAR	.	.	.	.	.	.	1	3
- 1	002-430028-1	• CAP,UPPER SPAR.	.	.	.	.	.	.	1	1
- 2	002-430025-9	• FITTING,WING BOLT UPPER	.	.	.	.	.	.	2	1
- 3	002-430030-5	• WEB,FWD	.	.	.	.	.	.	1	2
	002-430030-23	• WEB,FWD	.	.	.	.	.	.	1	3
	002-430030-1	• WEB,AFT	.	.	.	.	.	.	1	2
	002-430030-21	• WEB,AFT	.	.	.	.	.	.	1	3
	002-430026-26	• REINFORCEMENT,LH.	.	.	.	.	.	.	2	1
- 4	002-430026-25	• REINFORCEMENT,RH.	.	.	.	.	.	.	2	1
- 5	002-430028-5	• CHANNEL,UPPER	.	.	.	.	.	.	1	1
- 6	002-430031-1	• BRACKET,LH FWD PULLEY	.	.	.	.	.	.	1	1
	002-430031-2	• BRACKET,RH FWD PULLEY	.	.	.	.	.	.	1	1
		/ATTACHING PARTS/								
	AN525-10R8	• SCREW	.	.	.	.	.	.	1	
	AN960-10	• WASHER	.	.	.	.	.	.	1	
	130909N29	• NUT	.	.	.	.	.	.	1	
		+								
- 7	002-430028-13	• CHANNEL,LOWER	.	.	.	.	.	.	1	1
- 8	35-410168	• FITTING,WING BOLT LOWER	.	.	.	.	.	.	2	1
- 9	002-430028-9	• CAP,LOWER SPAR.	.	.	.	.	.	.	1	1
- 10	002-430032-5	• BRACKET,FWD PULLEY.	.	.	.	.	.	.	1	1
- 11	002-430032-3	• BRACKET,FWD PULLEY.	.	.	.	.	.	.	1	1
- 12	002-430026-27	• PAD,JACK.	.	.	.	.	.	.	1	1
- 13	002-430032-1	• BRACKET,AFT PULLEY.	.	.	.	.	.	.	1	1
- 14	002-430026-29	• ANGLE,LH AFT.	.	.	.	.	.	.	1	1
	002-430026-30	• ANGLE,RH AFT.	.	.	.	.	.	.	1	1
- 15	002-430026-21	• ANGLE,LH AFT.	.	.	.	.	.	.	1	1
	002-430026-22	• ANGLE,RH AFT.	.	.	.	.	.	.	1	1
- 16	002-430034-5	• ANGLE,FLOOR SUPPORT	.	.	.	.	.	.	1	1
- 17	002-430034-1	• ANGLE,FLOOR SUPPORT	.	.	.	.	.	.	1	1
- 18	002-430034-7	• ANGLE,FLOOR SUPPORT	.	.	.	.	.	.	1	1
- 19	002-430034-3	• ANGLE,FLOOR SUPPORT	.	.	.	.	.	.	1	1
- 20	002-430026-35	• DUCT.	.	.	.	.	.	.	1	2
	002-430026-53	• DUCT.	.	.	.	.	.	.	1	3
	TM2S6	• BLOCK,TIE	.	.	.	.	.	.	3	3
	NAS1426-4	• LOCK-BOLT	.	.	.	.	.	.	8	1
	NAS1428-5	• LOCK-BOLT	.	.	.	.	.	.	16	1
	NAS1428-7	• LOCK-BOLT	.	.	.	.	.	.	16	1
	NAS1428-8	• LOCK-BOLT	.	.	.	.	.	.	24	1
	NAS1080C6	• COLLAR.	.	.	.	.	.	.	8	1
	NAS1080C8	• COLLAR.	.	.	.	.	.	.	56	1
- 21	002-430022-1	• SUPPORT ASSY,LH SEAT TRACK.	.	.	.	.	.	.	1	1
- 22	002-430022-2	• SUPPORT ASSY,RH SEAT TRACK.	.	.	.	.	.	.	1	1
- 23	002-430022-19	• SUPPORT ASSY,INBD SEAT TRACK.	.	.	.	.	.	.	2	1

C O D E S O F E F F E C T I V I T Y

1 CE-401 THRU CE-610    2 CE-401 THRU CE-464  
3 CE-465 THRU CE-610

BEECHCRAFT  
BONANZA 33  
ILLUSTRATED PARTS CATALOG

FIGURE 102D  
REAR SPAR CARRY THRU  
CE-611 AND AFTER  
CJ-103 AND AFTER

BEECHCRAFT  
BONANZA 33  
ILLUSTRATED PARTS CATALOG

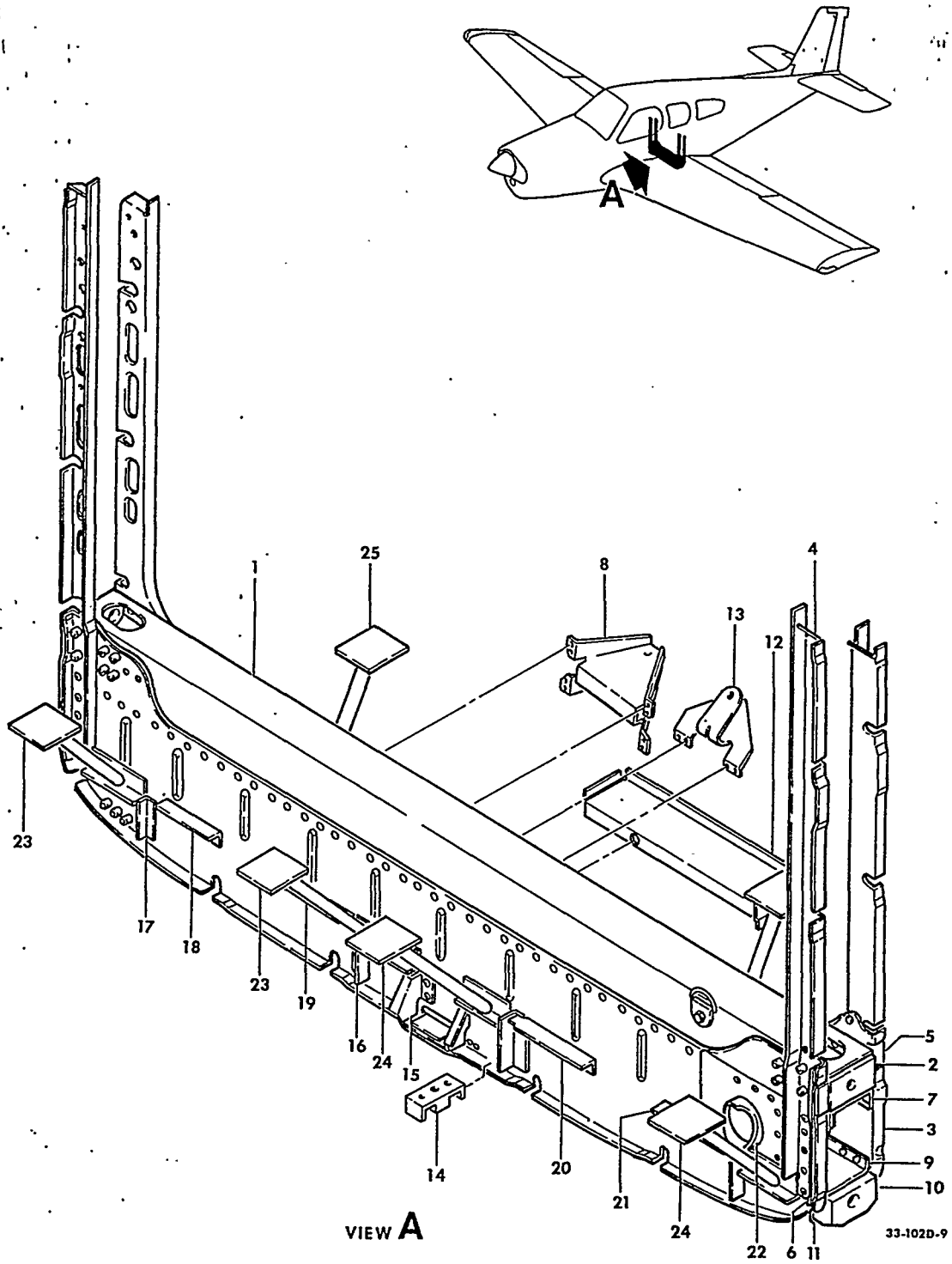


FIGURE 102D.REAR SPAR CARRY THRU

B E E C H C R A F T  
B O N A N Z A 3 3  
I L L U S T R A T E D P A R T S C A T A L O G

FIG. & ITEM NO.	PART NO.	DESCRIPTION	1	2	3	4	5	6	7	UNITS PER ASSY	USABLE ON CODE
102D	002-430026-57	CARRY THRU ASSY, REAR SPAR . . . . .								1	1
- 1	002-430028-1	• CAP, UPPER SPAR . . . . .								1	1
- 2	002-430025-9	• FITTING, WING BOLT UPPER . . . . .								1	1
- 3	002-430030-23	• WEB, FORWARD . . . . .								1	1
- 4	002-430030-21	• WEB, AFT . . . . .								1	1
- 5	002-430026-25	• REINFORCEMENT . . . . .								2	1
- 6	002-430026-26	• REINFORCEMENT . . . . .								2	1
- 7	002-430028-5	• CHANNEL, UPPER . . . . .								1	1
- 8	002-430031-1	• BRACKET, LH FORWARD PULLEY . . . . .								1	1
	002-430031-2	• BRACKET, RH FORWARD PULLEY . . . . .								1	1
		/ATTACHING PARTS/									
	AN525-10R8	• SCREW . . . . .								1	1
	AN960-10	• WASHER . . . . .								1	1
	130909N29	• NUT . . . . .								1	1
		*									
	MS20392-1C23	• PIN, CABLE GUARD . . . . .								6	1
	MS24665-132	• PIN, COTTER . . . . .								6	1
- 9	002-430028-13	• CHANNEL, LOWER . . . . .								1	1
- 10	35-410168	• FITTING, WING BOLT LOWER . . . . .								2	1
- 11	002-430028-9	• CAP, LOWER SPAR . . . . .								1	1
- 12	002-430032-5	• BRACKET, FWD PULLEY . . . . .								1	1
- 13	002-430032-3	• BRACKET, FWD PULLEY . . . . .								1	1
- 14	002-430026-27	• PAD, JACK . . . . .								1	1
- 15	002-430032-1	• BRACKET, AFT PULLEY . . . . .								1	1
- 16	002-430026-29	• ANGLE, LH AFT . . . . .								1	1
	002-430026-30	• ANGLE, RH AFT . . . . .								1	1
- 17	002-430026-21	• ANGLE, LH AFT . . . . .								1	1
	002-430026-22	• ANGLE, RH AFT . . . . .								1	1
- 18	002-430034-5	• ANGLE, FLOOR SUPPORT/LH OUTBD/ . . . . .								1	1
- 19	002-430034-1	• ANGLE, FLOOR SUPPORT/LH INBD/ . . . . .								1	1
- 20	002-430034-7	• ANGLE, FLOOR SUPPORT/RH INBD/ . . . . .								1	1
- 21	002-430034-3	• ANGLE, FLOOR SUPPORT/RH OUTBD/ . . . . .								1	1
- 22	002-430026-53	• DUCT, HEAT . . . . .								1	1
	TM256	• BLOCK, TIE . . . . .								3	1
	NAS1426-4	• LOCK-BOLT . . . . .								12	1
	NAS1428-5	• LOCK-BOLT . . . . .								16	1
	NAS1428-7	• LOCK-BOLT . . . . .								16	1
	NAS1428-8	• LOCK-BOLT . . . . .								24	1
	NAS1080C06	• COLLAR . . . . .								12	1
	NAS1080C8	• COLLAR . . . . .								56	1
- 23	002-430022-47	• SUPPORT ASSY, LH SEAT TRACK AFT . . . . .								2	1
- 24	002-430022-48	• SUPPORT ASSY, RH SEAT TRACK AFT . . . . .								2	1
- 25	002-430022-49	• SUPPORT ASSY, CTR SEAT TRACK FWD LH . . . . .								1	1
	002-430022-50	• SUPPORT ASSY, CTR SEAT TRACK FWD RH . . . . .								1	1

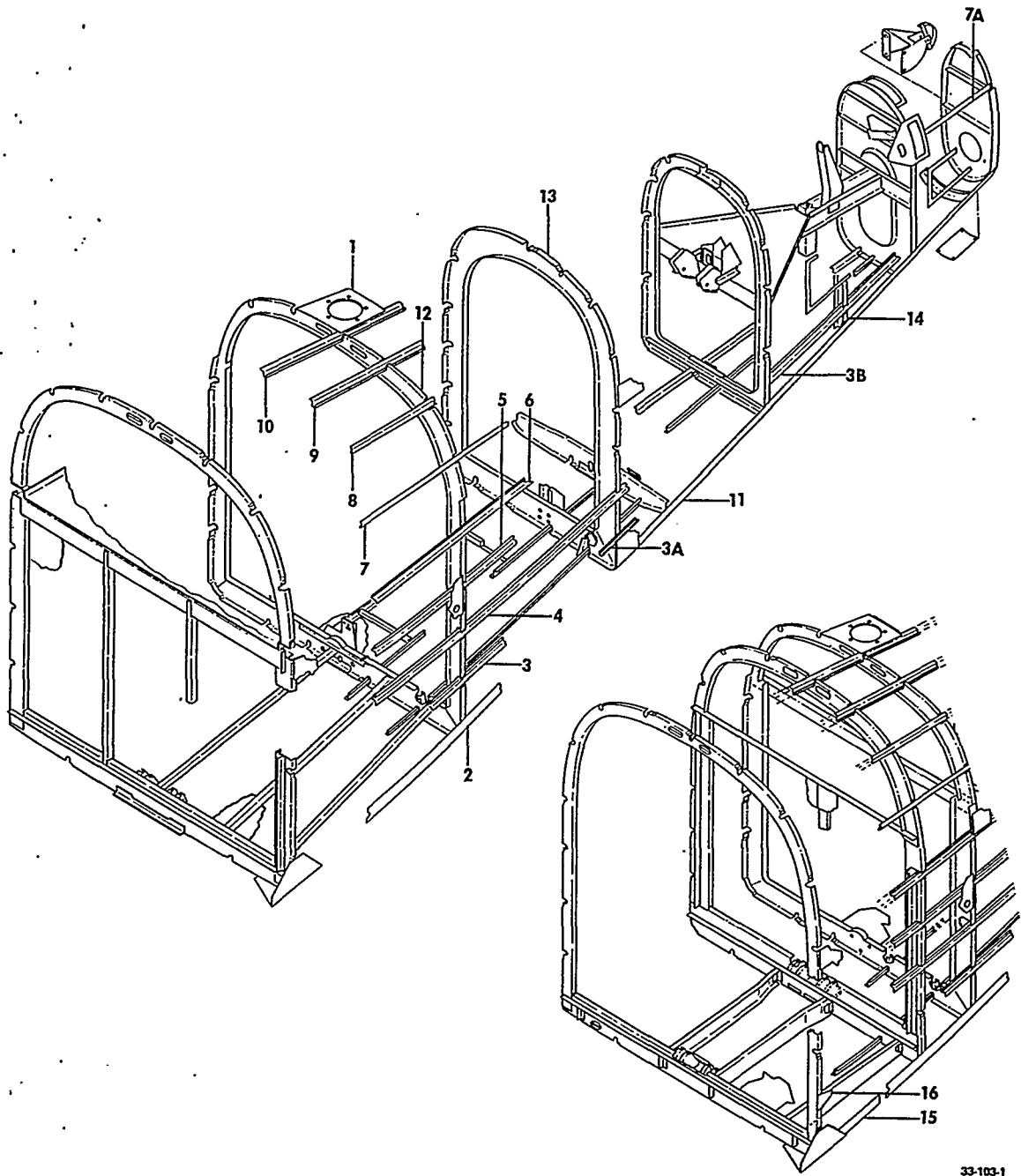
C O D E S O F E F F E C T I V I T Y

- 1 CJ-103 AND AFTER
- CE-611 AND AFTER

BEECHCRAFT  
BONANZA 33  
ILLUSTRATED PARTS CATALOG

FIGURE 103  
AFT FUSELAGE STRUCTURE  
CD-1235 THRU CD-1304  
CE-290 THRU CE-510  
CJ-26 THRU CJ-51

BEECHCRAFT  
BONANZA 33  
ILLUSTRATED PARTS CATALOG



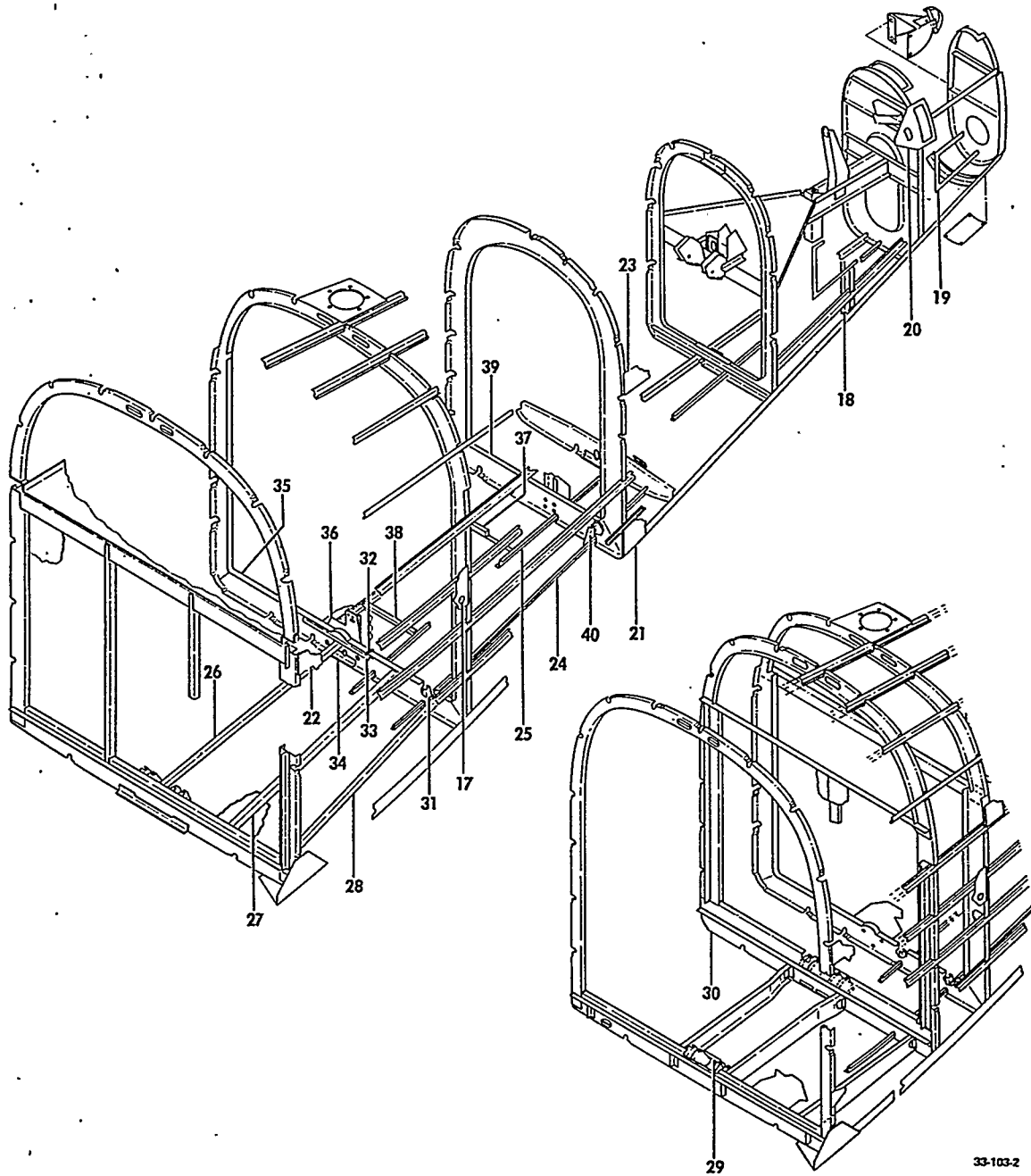
33-103-1

BEECHCRAFT  
BONANZA 33  
ILLUSTRATED PARTS CATALOG

FIG. & ITEM NO.	PART NO.	DESCRIPTION	UNITS PER ASSY	USABLE ON CODE
		1 2 3 4 5 6 7		
103	33-410031-167	FUSELAGE STRUCTURE ASSY,AFT . . . . .	NP	1
	33-410031-249S	FUSELAGE STRUCTURE ASSY,AFT . . . . .	NP	9
	33-410031-327	FUSELAGE STRUCTURE ASSY,AFT . . . . .	NP	12
	RA4401	. PANEL ASSY,AFT FUSELAGE LH. . . . .	NP	11
	RA4402	. PANEL ASSY,AFT FUSELAGE RH. . . . .	NP	11
- 1	95-364013-13	. . DOUBLER ASSY,ROTATING BEACON. . . . .	1	11
- 2	33-410031-33	. . STRINGER,LH /I/ . . . . .	1	1
	95-440006-125	. . STRINGER,LH /I/ . . . . .	1	2
	33-410031-163	. . STRINGER,RH /I/ . . . . .	1	1
	95-440006-126	. . STRINGER,RH /I/ . . . . .	1	2
- 3	35-410007-20	. . STRINGER,LH FWD /H/ /STA 151 TO 233/. . . . .	1	11
- 3A	33-410031-169	. . STRINGER,LH CENTER /H/ /STA 233 TO 257/ . . . . .	1	11
- 38	33-410031-173	. . STRINGER,LH AFT /H/ /STA 257 TO 272/. . . . .	1	11
	35-410010-14	. . STRINGER,RH FWD /H/ /STA 151 TO 233/. . . . .	1	11
	33-410031-170	. . STRINGER,RH CENTER /H/ /STA 233 TO 257/ . . . . .	1	11
	33-410031-174	. . STRINGER,RH AFT /H/ /STA 257 TO 272/. . . . .	1	11
- 4	33-410031-57	. . STRINGER,LH /G/ . . . . .	1	11
	33-410031-58	. . STRINGER,RH /G/ . . . . .	1	11
- 5	35-410007-16	. . STRINGER,LH /F/ /STA 151 TO 233/ . . . . .	1	11
	33-410031-259	. . STRINGER,LH /STA 233 TO 239/ . . . . .	1	9
	33-410031-261	. . STRINGER,LH /STA 251 TO 257/ . . . . .	1	9
	33-410031-263	. . STRINGER,LH /STA 257 TO 259/ . . . . .	1	9
	33-410031-265	. . STRINGER,LH /STA 267 TO 272/ . . . . .	1	9
	35-410010-10	. . STRINGER,RH FWD /F/ /STA 151 TO 233/ . . . . .	1	11
	33-410031-171	. . STRINGER,RH CENTER /F/ /STA 233 TO 257/ . . . . .	1	11
	33-410031-175	. . STRINGER,RH AFT /F/ /STA 257 TO 272/ . . . . .	1	11
- 6	33-410031-55	. . STRINGER,LH /E/ /STA 151 TO 272/ . . . . .	1	9
	33-410031-255	. . STRINGER,LH /STA 170 TO 179/ . . . . .	1	9
	33-410031-323	. . STRINGER,LH /STA 191 TO 207/ . . . . .	1	9
	33-410031-56	. . STRINGER,RH /E/ /STA 151 TO 272/ . . . . .	1	11
	33-410031-256	. . STRINGER,RH /STA 170 TO 179/ . . . . .	1	9
	33-410031-258	. . STRINGER,RH /STA 191 TO 207/ . . . . .	1	9
- 7	33-410031-157	. . STRINGER,LH FWD /D/ /STA 151 TO 257/ . . . . .	1	11
	33-410031-251	. . STRINGER,LH /STA 170 TO 179/ . . . . .	1	9
	33-410031-253	. . STRINGER,LH /STA 179 TO 207/ . . . . .	1	9
- 7A	33-410031-177	. . STRINGER,LH AFT /D/ /STA 257 TO 272/ . . . . .	1	11
	33-410031-158	. . STRINGER,RH FWD /D/ /STA 151 TO 257/ . . . . .	1	11
	33-410031-252	. . STRINGER,RH /STA 170 TO 179/ . . . . .	1	9
	33-410031-254	. . STRINGER,RH /STA 179 TO 207/ . . . . .	1	9
	33-410031-178	. . STRINGER,RH AFT /D/ /STA 257 TO 272/ . . . . .	1	11
- 8	33-410031-155K	. . STRINGER,LH /C/ . . . . .	1	11
	33-410031-156	. . STRINGER,RH /C/ . . . . .	1	11
- 9	33-410031-153	. . STRINGER,LH /B/ . . . . .	1	11
	33-410031-154	. . STRINGER,RH /B/ . . . . .	1	11
- 10	33-410031-159	. . STRINGER,UPPER CENTER /A/ /STA 174 TO 257/ . . . . .	1	7
	33-410031-331	. . STRINGER,UPPER CENTER /A/ /STA 174 TO 235/ . . . . .	NP	8
	002-440011-21	. . STRINGER,UPPER CENTER/A/STA. 174 TO 235/ . . . . .	1	8
	33-410031-333	. . STRINGER,UPPER CENTER /A/ /STA 241 TO 257/ . . . . .	NP	8
	002-440011-25	. . STRINGER,UPPER CENTER/A/STA. 241 TO 257/ . . . . .	1	8
		/002-440011-25 SPARES FOR 33-410031-333		
- 11	35-440011-1	. . CHANNEL,LH. . . . .	1	11
	35-440011-2	. . CHANNEL,RH. . . . .	1	11
- 12	35-440018-1	. . FRAME,BULKHEAD LH /STA 179/ . . . . .	1	11
	35-440018-2	. . FRAME,BULKHEAD RH /STA 179/ . . . . .	1	11
- 13	33-440028-1	. . FRAME,BULKHEAD LH/STA 207/ . . . . .	1	3
	95-430005-41	. . FRAME,BULKHEAD LH /STA 207/ . . . . .	1	4
	33-440028-3	. . FRAME,BULKHEAD RH /STA 207/ . . . . .	1	3
	95-430005-45	. . FRAME,BULKHEAD RH /STA 207/ . . . . .	1	4
- 14	35-410414-1	. . CHANNEL,AFT LH /STA 246/ . . . . .	1	11
- 15	95-430005-75	. . CHANNEL,FWD LH. . . . .	1	12
	95-430005-79	. . CHANNEL,FWD RH. . . . .	1	2
- 16	95-430005-77	. . GUSSET/STA 151/ . . . . .	1	2
	33-410031-123	. . BRACKET,ELEVATOR DOWN SPRING/OUTBD/ . . . . .	1	11
	33-410031-125	. . BRACKET,ELEVATOR DOWN SPRING LH INBD. . . . .	1	11
	33-410031-124	. . BRACKET,ELEVATOR DOWN SPRING RH INBD. . . . .	1	11
	33-410031-126	. . BRACKET,ELEVATOR DOWN SPRING RH INBD. . . . .	1	11



BEECHCRAFT  
BONANZA 33  
ILLUSTRATED PARTS CATALOG



33-103-2

B E E C H C R A F T  
B O N A N Z A 3 3  
I L L U S T R A T E D P A R T S C A T A L O G

FIG. & ITEM NO.	PART NO.	1	2	3	4	5	6	7	DESCRIPTION	UNITS PER ASSY	USABLE ON CODE
103 - 17	35-400212	.	.	.	.	.	.	.	FITTING, STATIC AIR. . . . .	2	5
	96-440012-1	.	.	.	.	.	.	.	FITTING, STATIC AIR. . . . .	2	6
	35-410365	.	.	.	.	.	.	.	DOUBLER, STATIC AIR FITTING. . . . .	2	5
	95-440006-243	.	.	.	.	.	.	.	DOUBLER, STATIC AIR FITTING. . . . .	2	6
- 18	33-410031-609	.	.	.	.	.	.	.	DOUBLER ASSY, AFT FUSELAGE FWD ACCESS DOOR . . . . .	1	10
- 19	33-410031-611	.	.	.	.	.	.	.	DOUBLER ASSY, AFT FUSELAGE AFT ACCESS DOOR . . . . .	1	11
	33-410031-183	.	.	.	.	.	.	.	DOUBLER, FWD DOOR. . . . .	1	10
	33-410031-179	.	.	.	.	.	.	.	DOUBLER, AFT DOOR. . . . .	1	11
	NAS444-5	.	.	.	.	.	.	.	NUTPLATE, FWD DOOR . . . . .	6	10
	NAS444-5	.	.	.	.	.	.	.	NUTPLATE, AFT DOOR . . . . .	4	11
	33-410031-273	.	.	.	.	.	.	.	DOUBLER, FWD DOOR. . . . .	1	9
- 20	33-410031-39	.	.	.	.	.	.	.	DOUBLER, HORIZONTAL STABILIZER SPAR CUTOUT . . . . .	2	11
- 21	33-410031-29	.	.	.	.	.	.	.	SKIN, LH LOWER . . . . .	1	5
	33-410031-335	.	.	.	.	.	.	.	SKIN, LH LOWER . . . . .	1	6
	33-410031-329	.	.	.	.	.	.	.	SKIN, LH LOWER . . . . .	1	5
	33-410031-341	.	.	.	.	.	.	.	SKIN, LH LOWER . . . . .	1	6
	33-410031-30	.	.	.	.	.	.	.	SKIN, RH LOWER . . . . .	1	5
	33-410031-336	.	.	.	.	.	.	.	SKIN, RH LOWER . . . . .	1	6
	33-410031-330	.	.	.	.	.	.	.	SKIN, RH LOWER . . . . .	1	5
	33-410031-342	.	.	.	.	.	.	.	SKIN, RH LOWER . . . . .	1	6
- 22	33-410031-317	.	.	.	.	.	.	.	SKIN, LH UPPER FWD . . . . .	1	10
	33-410031-319	.	.	.	.	.	.	.	SKIN, LH UPPER FWD . . . . .	1	9
	33-410031-162	.	.	.	.	.	.	.	SKIN, RH UPPER FWD . . . . .	1	11
- 23	33-410031-25	.	.	.	.	.	.	.	SKIN, LH UPPER AFT . . . . .	1	11
	33-410031-26	.	.	.	.	.	.	.	SKIN, RH UPPER AFT . . . . .	1	11
	RA4403	.	.	.	.	.	.	.	PANEL ASSY, AFT FUSELAGE BOTTOM. . . . .	NP	11
- 24	33-410031-45	.	.	.	.	.	.	.	STRINGER, LH /J/ . . . . .	1	1
	95-430005-23	.	.	.	.	.	.	.	STRINGER, LH /J/ . . . . .	1	2
	33-410031-46	.	.	.	.	.	.	.	STRINGER, RH /J/ . . . . .	1	1
	95-430005-24	.	.	.	.	.	.	.	STRINGER, RH /J/ . . . . .	1	2
- 25	33-410031-47	.	.	.	.	.	.	.	STRINGER, LH /K/ . . . . .	1	1
	33-410031-213	.	.	.	.	.	.	.	STRINGER, LH /K/ . . . . .	1	2
	33-410031-48	.	.	.	.	.	.	.	STRINGER, RH /K/ . . . . .	1	1
	33-410031-214	.	.	.	.	.	.	.	STRINGER, RH /K/ . . . . .	1	2
- 26	35-400471-21	.	.	.	.	.	.	.	STIFFENER /STA 151 TO 179/. . . . .	2	1
- 27	35-400471-23	.	.	.	.	.	.	.	STIFFENER /STA 151 TO 179/. . . . .	2	1
- 28	35-400471-27	.	.	.	.	.	.	.	STIFFENER /STA 151 TO 179/. . . . .	1	1
- 29	95-440006-89	.	.	.	.	.	.	.	ANGLE /STA 151/ . . . . .	1	2
	95-440006-91	.	.	.	.	.	.	.	ANGLE /STA 151/ . . . . .	1	2
	33-440030-1	.	.	.	.	.	.	.	ANGLE /STA 154/ . . . . .	1	1
	33-410031-215	.	.	.	.	.	.	.	ANGLE, PULLEY BRACKET SUPPORT /STA 170/. . . . .	1	2
	33-410031-217	.	.	.	.	.	.	.	ANGLE, PULLEY BRACKET SUPPORT /STA 170/. . . . .	1	2
- 30	95-440006-5	.	.	.	.	.	.	.	CHANNEL /STA 170/ . . . . .	1	2
- 31	35-410370	.	.	.	.	.	.	.	GUSSET, LH /STA 179/ . . . . .	2	11
	35-410370-1	.	.	.	.	.	.	.	GUSSET, RH /STA 179/ . . . . .	2	11
- 32	95-430005-69	.	.	.	.	.	.	.	STRAP /STA 179/ . . . . .	2	11
- 33	33-410031-113	.	.	.	.	.	.	.	ANGLE /STA 179/ . . . . .	1	11
- 34	33-410031-107	.	.	.	.	.	.	.	ANGLE /STA 179/ . . . . .	1	11
- 35	33-410031-103	.	.	.	.	.	.	.	FRAME, BULKHEAD LOWER /STA 179/. . . . .	1	1
	33-410031-243	.	.	.	.	.	.	.	FRAME, BULKHEAD LOWER /STA 179/. . . . .	1	2
- 36	33-410031-105	.	.	.	.	.	.	.	FAIRLEAD /STA 179/. . . . .	1	1
	33-410031-309	.	.	.	.	.	.	.	FAIRLEAD /STA 179/. . . . .	1	2
	33-410031-311	.	.	.	.	.	.	.	CHANNEL /STA 179/ . . . . .	1	1
- 37	33-410031-143	.	.	.	.	.	.	.	FAIRLEAD /STA 201/. . . . .	1	11
	AN515-8R12	.	.	.	.	.	.	.	SCREW . . . . .	2	
	AN960-8	.	.	.	.	.	.	.	WASHER. . . . .	2	
	MS20365-832	.	.	.	.	.	.	.	NUT . . . . .	2	
		*-----*									
- 38	33-410031-145	.	.	.	.	.	.	.	STRIP, FAIRLEAD /STA 201/. . . . .	1	11
	33-410031-143	.	.	.	.	.	.	.	FAIRLEAD /STA 186/. . . . .	1	11
	AN515-8R14	.	.	.	.	.	.	.	SCREW . . . . .	2	
		*-----*									
- 39	33-440028-5	.	.	.	.	.	.	.	FRAME, BULKHEAD LOWER /STA 207/. . . . .	1	11
- 40	35-410369-2	.	.	.	.	.	.	.	GUSSET, LH /STA 207/ . . . . .	1	11
	35-410369-3	.	.	.	.	.	.	.	GUSSET, RH /STA 207/ . . . . .	1	11

BEECHCRAFT  
BONANZA 33  
ILLUSTRATED PARTS CATALOG

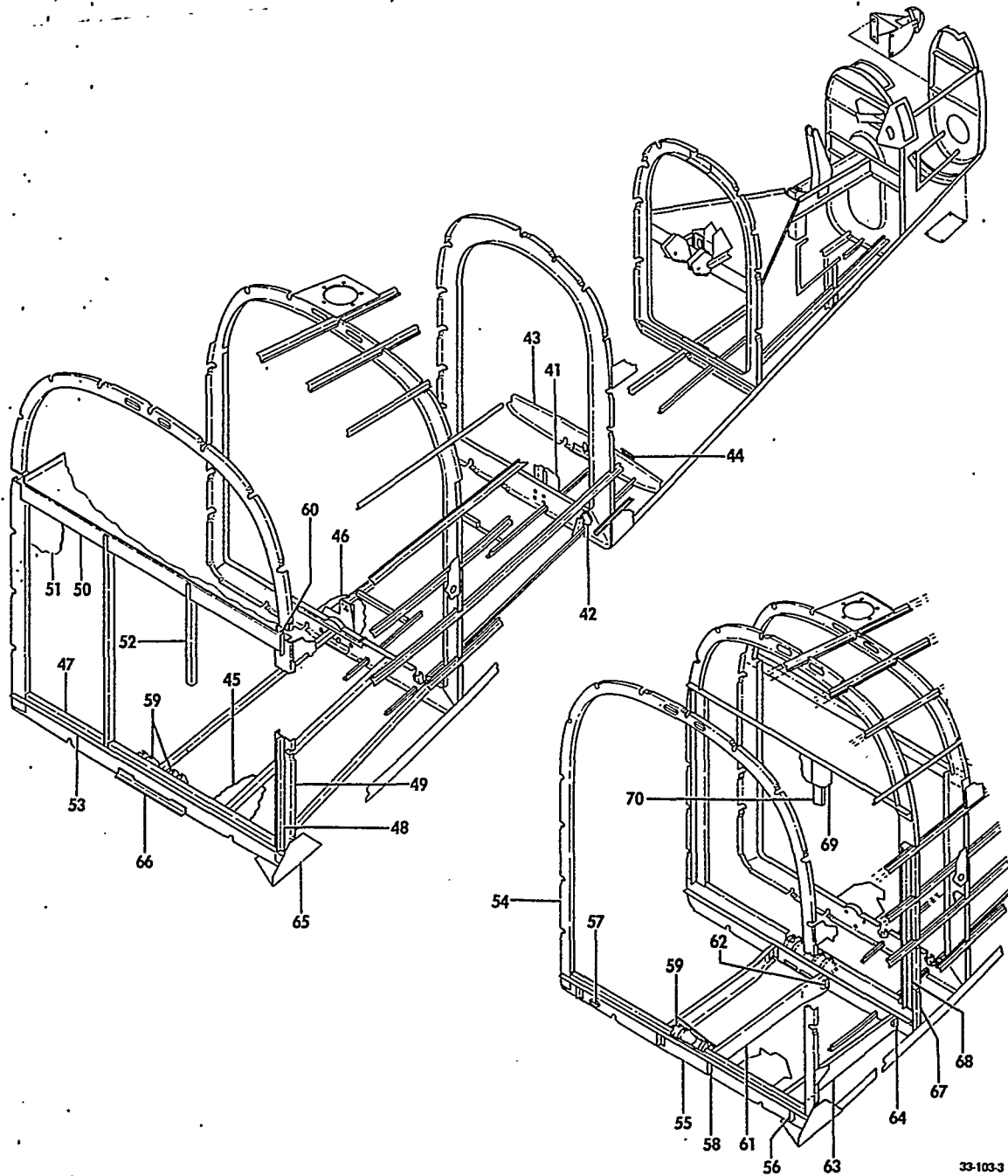
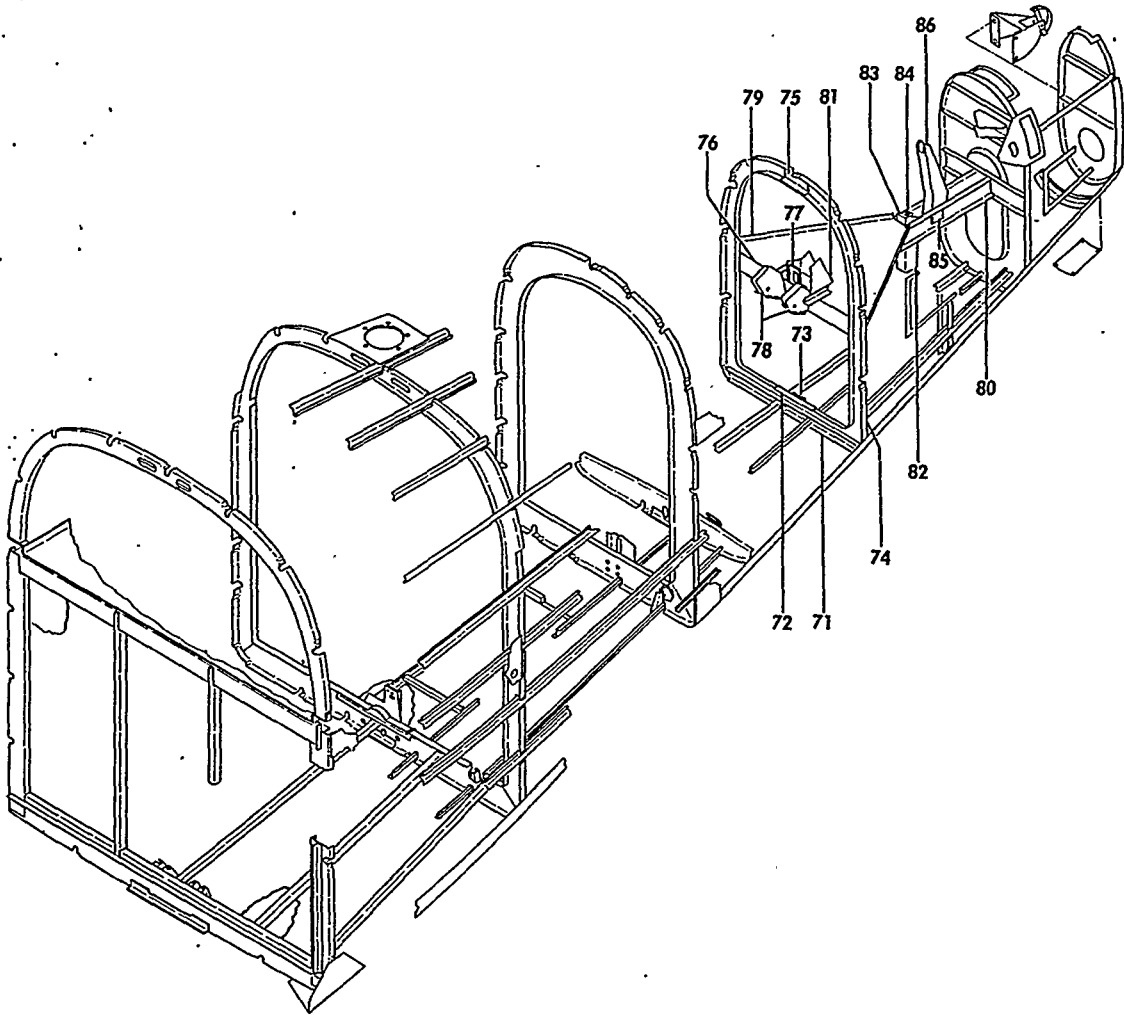


FIGURE 103. AFT FUSELAGE STRUCTURE  
/SHEET 3 OF 5 SHEETS/

B E E C H C R A F T  
B O N A N Z A 3 3  
I L L U S T R A T E D P A R T S C A T A L O G

FIG. & ITEM NO.	PART NO.	DESCRIPTION							UNITS PER ASSY	USABLE ON CODE	
		1	2	3	4	5	6	7			
103 - 41	33-410031-135	•	•	•	•	•	•	•	•	1	11
	33-410031-137	•	•	•	•	•	•	•	•	1	11
- 42	33-410031-81	•	•	•	•	•	•	•	•	1	11
	33-410031-82	•	•	•	•	•	•	•	•	1	11
	33-440018	•	•	•	•	•	•	•	•	2	11
	33-440019	•	•	•	•	•	•	•	•	2	11
- 43	33-440017-1	•	•	•	•	•	•	•	•	1	11
- 44	33-410031-133	•	•	•	•	•	•	•	•	1	11
	33-410031-134	•	•	•	•	•	•	•	•	1	11
- 45	33-410031-27	•	•	•	•	•	•	•	•	1	1
	95-440006-69	•	•	•	•	•	•	•	•	1	2
- 46	33-410031-31	•	•	•	•	•	•	•	•	1	11
	33-410046-602	•	•	•	•	•	•	•	•	1	1
- 47	35-410461-19	•	•	•	•	•	•	•	•	1	1
- 48	33-410046-7	•	•	•	•	•	•	•	•	1	1
	33-410046-9	•	•	•	•	•	•	•	•	1	1
- 49	35-410461-29	•	•	•	•	•	•	•	•	1	1
	35-410461-30	•	•	•	•	•	•	•	•	1	1
- 50	35-410461-21	•	•	•	•	•	•	•	•	1	1
- 51	33-410046-1	•	•	•	•	•	•	•	•	1	1
- 52	33-410046-3	•	•	•	•	•	•	•	•	2	1
- 53	33-410046-5	•	•	•	•	•	•	•	•	1	1
	35-400473-21	•	•	•	•	•	•	•	•	1	1
	95-440006-616	•	•	•	•	•	•	•	•	1	2
	95-440006-167	•	•	•	•	•	•	•	•	1	2
- 54	95-440006-169	•	•	•	•	•	•	•	•	1	2
- 55	95-440006-43	•	•	•	•	•	•	•	•	1	2
	95-440006-41	•	•	•	•	•	•	•	•	1	2
- 56	95-440006-49	•	•	•	•	•	•	•	•	1	2
	95-440006-50	•	•	•	•	•	•	•	•	1	2
- 57	35-400473-21	•	•	•	•	•	•	•	•	1	2
- 58	95-440006-47	•	•	•	•	•	•	•	•	1	2
	95-440006-48	•	•	•	•	•	•	•	•	1	2
	95-440006-135	•	•	•	•	•	•	•	•	1	2
- 59	35-410015	•	•	•	•	•	•	•	•	1	11
	35-410015-1	•	•	•	•	•	•	•	•	4	11
- 60	35-410469-31	•	•	•	•	•	•	•	•	1	11
	35-410469-32	•	•	•	•	•	•	•	•	1	11
- 61	95-440006-25	•	•	•	•	•	•	•	•	1	2
	95-440006-26	•	•	•	•	•	•	•	•	1	2
- 62	95-440006-29	•	•	•	•	•	•	•	•	1	2
	95-440006-30	•	•	•	•	•	•	•	•	1	2
- 63	95-440006-35	•	•	•	•	•	•	•	•	1	2
	35-400473-23	•	•	•	•	•	•	•	•	1	2
- 64	95-440006-37	•	•	•	•	•	•	•	•	1	2
	95-440006-38	•	•	•	•	•	•	•	•	1	2
- 65	95-440006-105	•	•	•	•	•	•	•	•	1	11
	35-410160-32	•	•	•	•	•	•	•	•	1	11
- 66	95-420011-147	•	•	•	•	•	•	•	•	1	1
	33-440030-3	•	•	•	•	•	•	•	•	1	1
	35-344129	•	•	•	•	•	•	•	•	1	11
	35-410372	•	•	•	•	•	•	•	•	1	1
	95-440006-603	•	•	•	•	•	•	•	•	1	2
- 67	95-440006-203	•	•	•	•	•	•	•	•	1	2
	95-440006-204	•	•	•	•	•	•	•	•	1	2
- 68	95-440006-3	•	•	•	•	•	•	•	•	1	2
	95-440006-4	•	•	•	•	•	•	•	•	1	2
	95-440006-7	•	•	•	•	•	•	•	•	1	2
	95-440006-227	•	•	•	•	•	•	•	•	1	2
	/ATTACHING PARTS/										
	AN815-8	•	•	•	•	•	•	•	•	AR	
	AN366F832	•	•	•	•	•	•	•	•	AR	
	22NA17A82	•	•	•	•	•	•	•	•	AR	
	*-----*										
- 69	95-440006-229	•	•	•	•	•	•	•	•	1	2
- 70	95-440006-231	•	•	•	•	•	•	•	•	1	2
	95-440006-241	•	•	•	•	•	•	•	•	1	11

BEECHCRAFT  
BONANZA 33  
ILLUSTRATED PARTS CATALOG

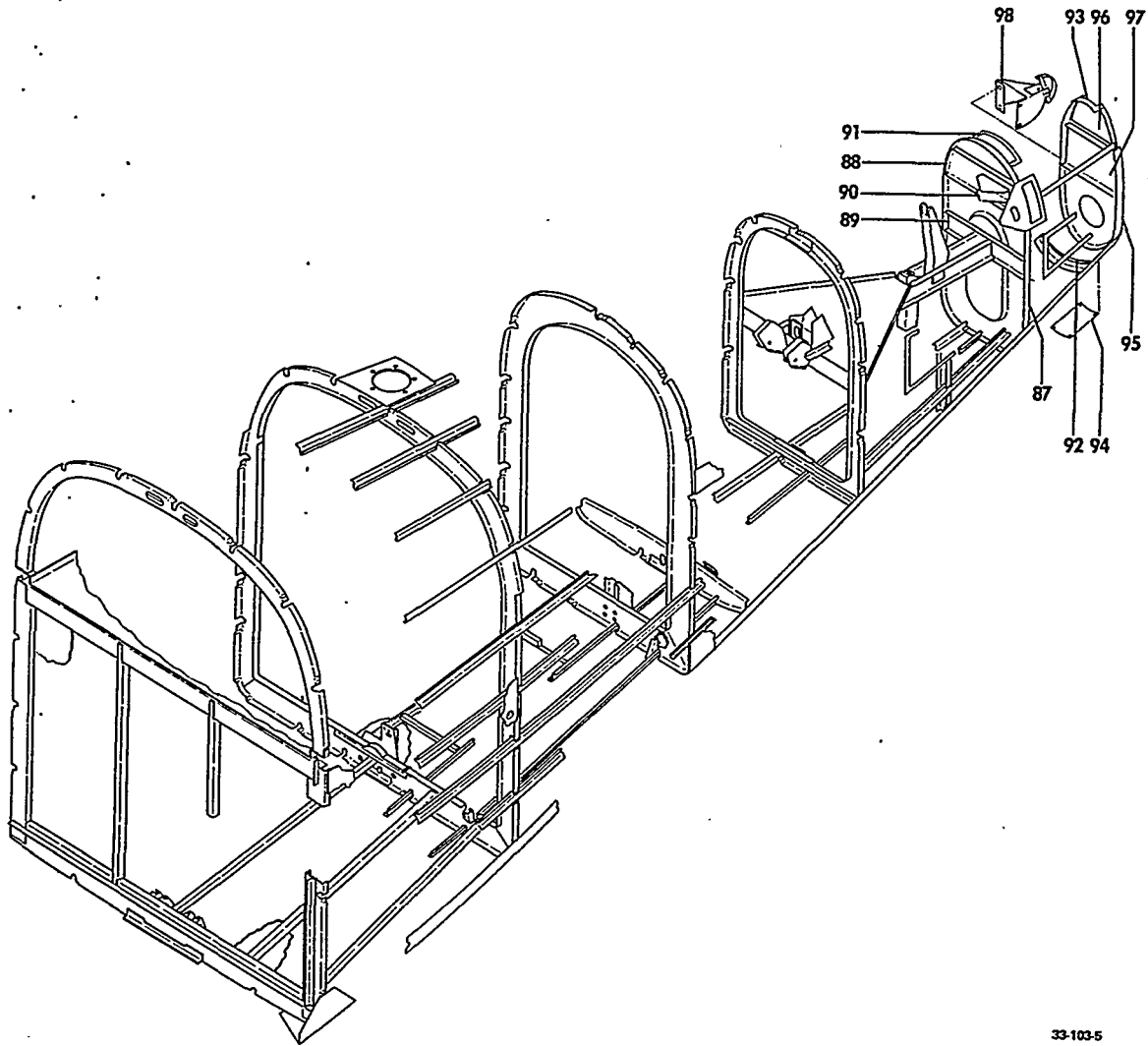


33-103-4

B E E C H C R A F T  
B O N A N Z A 3 3  
I L L U S T R A T E D P A R T S C A T A L O G

FIG. & ITEM NO.	PART NO.	DESCRIPTION							UNITS PER ASSY	USABLE ON CODE
		1	2	3	4	5	6	7		
103	33-440020	•	•	•	•	•	•	•	1	1
	33-410031-301	•	•	•	•	•	•	•	1	2
- 71	33-440024	•	•	•	•	•	•	•	1	1
	33-410031-307	•	•	•	•	•	•	•	1	2
- 72	33-440025	•	•	•	•	•	•	•	1	1
	33-410031-305	•	•	•	•	•	•	•	1	2
- 73	33-440027	•	•	•	•	•	•	•	1	1
	33-410031-303	•	•	•	•	•	•	•	1	2
- 74	33-440021-1	•	•	•	•	•	•	•	1	1
	33-410031-185	•	•	•	•	•	•	•	1	2
	33-440021-2	•	•	•	•	•	•	•	1	1
	33-410031-187	•	•	•	•	•	•	•	1	2
- 75	33-440026	•	•	•	•	•	•	•	1	1
	35-410130-22	•	•	•	•	•	•	•	1	2
	33-440031-601	•	•	•	•	•	•	•	1	1
	36-440011-601	•	•	•	•	•	•	•	1	2
- 76	33-440023	•	•	•	•	•	•	•	1	1
	33-410031-281	•	•	•	•	•	•	•	1	2
- 77	33-440040	•	•	•	•	•	•	•	1	1
	36-440014	•	•	•	•	•	•	•	1	2
- 78	33-440036	•	•	•	•	•	•	•	2	11
	33-440037-1	•	•	•	•	•	•	•	1	1
	36-440015-1	•	•	•	•	•	•	•	1	2
	33-440037-2	•	•	•	•	•	•	•	1	1
	36-440015-2	•	•	•	•	•	•	•	1	2
	36-440017	•	•	•	•	•	•	•	1	2
	36-440016	•	•	•	•	•	•	•	1	2
- 79	33-440032	•	•	•	•	•	•	•	1	1
	36-440018	•	•	•	•	•	•	•	1	2
- 80	33-440033-1	•	•	•	•	•	•	•	1	1
	36-440012-1	•	•	•	•	•	•	•	1	2
	33-440033-2	•	•	•	•	•	•	•	1	1
	36-440012-2	•	•	•	•	•	•	•	1	2
- 81	33-440038	•	•	•	•	•	•	•	1	1
	36-440013	•	•	•	•	•	•	•	1	2
- 82	58-524026	•	•	•	•	•	•	•	1	11
	AN3-3A/M/ MS20365-1032	•	•	•	•	•	•	•	8	
		•	•	•	•	•	•	•	8	
		•	•	•	•	•	•	•		
- 83	33-440034	•	•	•	•	•	•	•	2	11
	AN525-832-5	•	•	•	•	•	•	•	2	
	AN960-8	•	•	•	•	•	•	•	2	
	MS20365-832	•	•	•	•	•	•	•	2	
		•	•	•	•	•	•	•		
- 84	NAS428H4-14	•	•	•	•	•	•	•	2	11
	AN316-4R	•	•	•	•	•	•	•	2	11
- 85	96-440000-151	•	•	•	•	•	•	•	2	11
- 86	002-524024-35	•	•	•	•	•	•	•	1	11
	AN24-25/M/ AN960-416L 130909N7 MS24665-132	•	•	•	•	•	•	•	1	
		•	•	•	•	•	•	•	2	
		•	•	•	•	•	•	•	1	
		•	•	•	•	•	•	•	1	
		•	•	•	•	•	•	•	1	
	33-524000-43	•	•	•	•	•	•	•	1	11
	33-524001-5	•	•	•	•	•	•	•	2	11
	AN960-416L	•	•	•	•	•	•	•	2	11
	MS20365-428	•	•	•	•	•	•	•	2	11

BEECHCRAFT  
BONANZA 33  
ILLUSTRATED PARTS CATALOG



33-103-5

B E E C H C R A F T  
B O N A N Z A 3 3  
I L L U S T R A T E D P A R T S C A T A L O G

FIG. & ITEM NO.	PART NO.	DESCRIPTION	UNITS PER ASSY	USABLE ON CODE
103	NAS304-35-0564	• CABLE ASSY, ELEVATOR / ATTACHING PARTS/	2	11
	AN23-14/M/	• BOLT	1	
	AN960-10L	• WASHER	1	
	130909N15	• NUT	1	
	MS24665-132	• PIN, COTTER	1	
		*		
	33-440016-601	• BULKHEAD ASSY /STA 257.6/	1	1
	33-440016-602	• BULKHEAD ASSY /STA 257.6/	1	2
- 87	33-440016-5	• WEB	1	1
	33-440016-9	• WEB	1	2
- 88	33-440016-15	• CHANNEL, UPPER	1	11
	45-620011-6	• BUSHING	16	11
	45-620011-16	• BUSHING	6	11
- 89	33-440016-13	• CHANNEL, LOWER	1	11
	33-440016-7	• DOUBLER	1	1
	33-440016-11	• DOUBLER	1	2
- 90	33-440015	• BRACKET ASSY, ELEVATOR TAB PULLEY	1	11
	33-440015-1	• BRACKET, UPPER	1	11
	33-440015-3	• BRACKET, LOWER	1	11
	33-440015-5	• CHANNEL, BACK	1	11
- 91	33-410031-19	• DOUBLER /STA 257.6/	1	11
- 92	35-410023	• BRACKET /TIE DOWN LUG/	1	11
- 93	33-410031-149	• DOUBLER, VERTICAL STABILIZER CUTOUT /STA 272/	1	10
	33-410031-275	• DOUBLER, VERTICAL STABILIZER CUTOUT /STA 272/	1	9
- 94	35-400213	• LUG, TIE DOWN	1	11
		/ ATTACHING PARTS/		
	AN507-1032-8	• SCREW	2	
	AN507-1032-10	• SCREW	2	
	AN960-10L	• WASHER	4	
	MS20365-1032	• NUT	4	
		*		
	33-440012-601	• BULKHEAD ASSY /STA 272/	1	11
- 95	33-440012-1	• WEB	1	11
- 96	33-440012-3	• DOUBLER, UPPER	1	11
- 97	33-440013	• DOUBLER, LOWER	1	11
	45-620011-10	• BUSHING	10	11
	NAS428-3-11	• BOLT	2	11
	AN315-3R	• NUT	2	11
	NAS697A3	• NUTPLATE	2	11
- 98	33-440014-1	• BRACKET ASSY, LOWER RUDDER HINGE	1	11
	33-440014-3	• BRACKET, LOWER	1	11
	33-440014-5	• BRACKET, UPPER	1	11
	33-440014-7	• BOSS	1	11
	33-440011	• FAIRING INSTL, DORSAL FIN /SEE FIG. 134/	NP	11

C O D E S O F E F F E C T I V I T Y

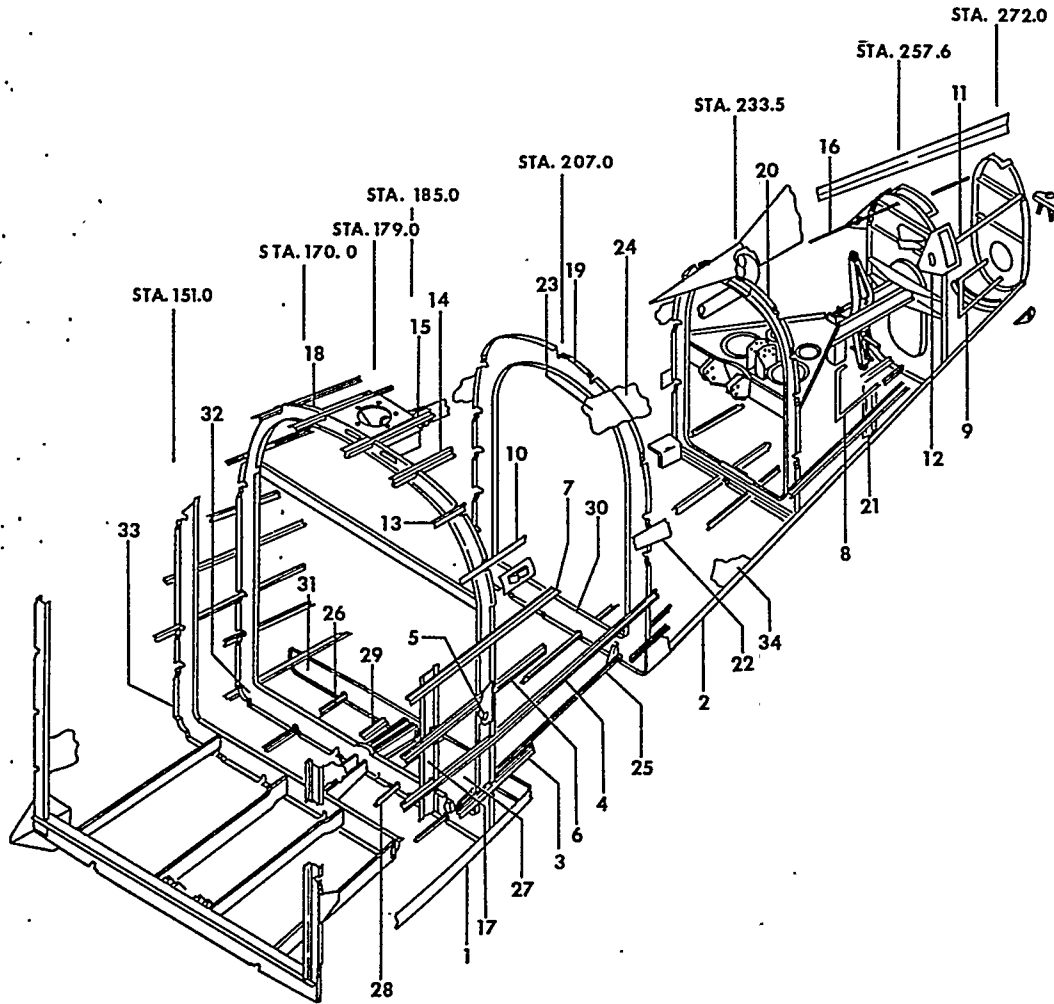
1	CD-1235 THRU CD-1304	2	CE-316 THRU CE-510
	CE-290 THRU CE-315		CJ-26 THRU CJ-51
3	CD-1235 THRU CD-1243	4	CD-1244 THRU CD-1304
			CE-290 THRU CE-510
			CJ-26 THRU CJ-51
5	CD-1235 THRU CD-1254	6	CD-1255 THRU CD-1304
	CE-290 THRU CE-377		CE-378 THRU CE-510
	CJ-26 THRU CJ-30		CJ-31 THRU CJ-51
7	CD-1235 THRU CD-1274	8	CD-1275 THRU CD-1304
	CE-290 THRU CE-362		CE-363 THRU CE-510
	CJ-26 THRU CJ-30		CJ-31 THRU CJ-51
9	CJ-26 THRU CJ-51	10	CD-1235 THRU CD-1304
			CE-290 THRU CE-510
11	CD-1235 THRU CD-1304	12	CE-316 THRU CE-510
	CE-290 THRU CE-510		
	CJ-26 THRU CJ-51		



BEECHCRAFT  
BONANZA 33  
ILLUSTRATED PARTS CATALOG

FIGURE 103A  
AFT FUSELAGE STRUCTURE  
CE-511 AND AFTER

BEECHCRAFT  
BONANZA 33  
ILLUSTRATED PARTS CATALOG

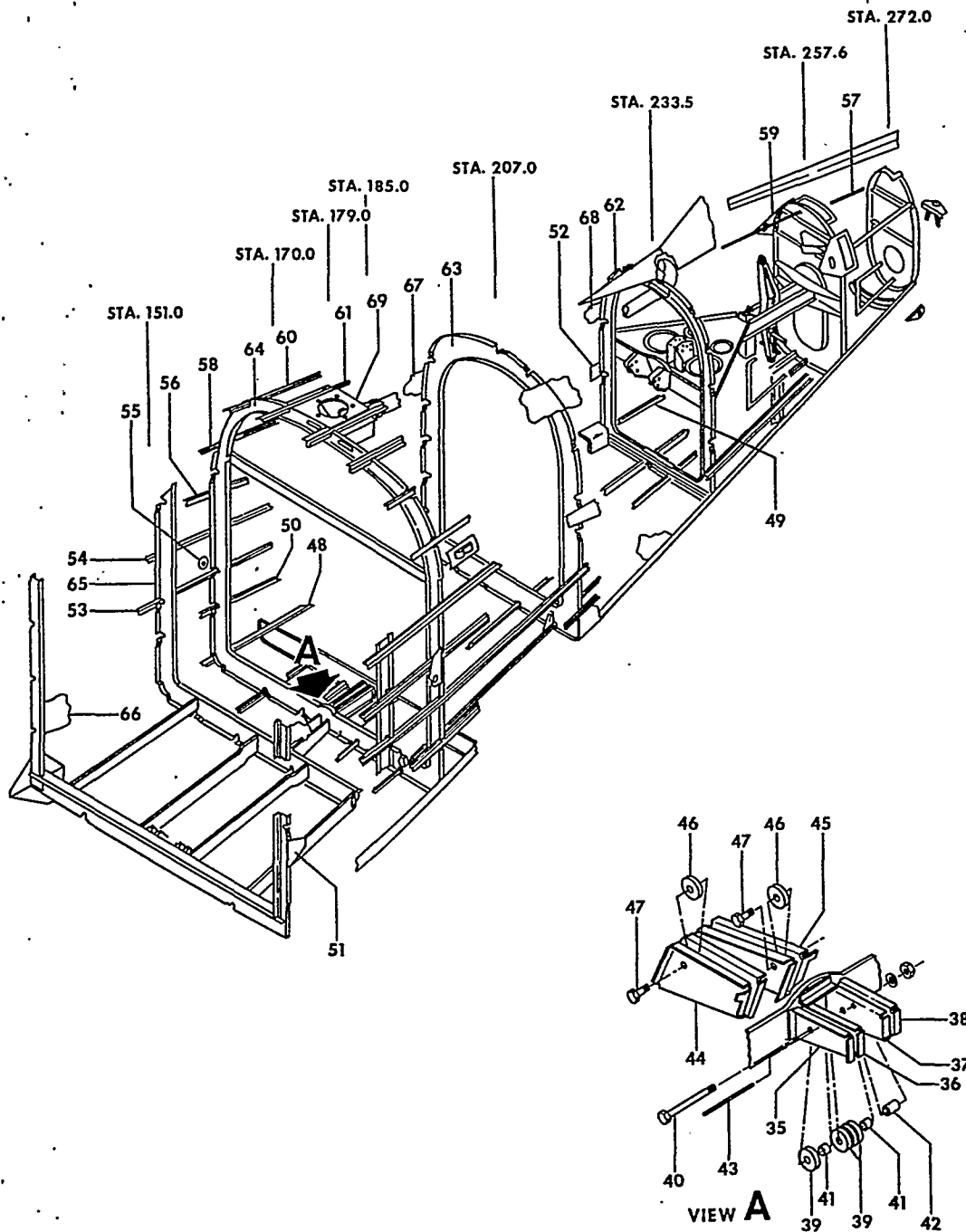


33-103A-12

B E E C H C R A F T  
B O N A N Z A 3 3  
I L L U S T R A T E D P A R T S C A T A L O G

FIG. & ITEM NO.	PART NO.	DESCRIPTION	UNITS PER ASSY							USABLE ON CODE
			1	2	3	4	5	6	7	
103A	002-440000-3	FUSELAGE STRUCTURE ASSY,AFT/STD BAGGAGE DOOR/							NP	1
	002-440000-19	FUSELAGE STRUCTURE ASSY,AFT/OPT BAGGAGE DOOR/							NP	1
	002-440011-3	• PANEL ASSY,FUSELAGE LH. . . . .							1	1
- 1	002-440017-3	• • STRINGER,LH FWD/I/STA 151 TO 207/ . . . . .							1	1
- 2	002-440017-5	• • STRINGER,LH AFT/I/STA 207 TO 272/ . . . . .							1	1
	002-440011-133	• • REINFORCEMENT . . . . .							1	1
- 3	002-440011-51	• • STRINGER,LH/H/STA 151 TO 272/ . . . . .							1	1
- 4	002-440011-9	• • STRINGER,LH/G/STA 151 TO 272/ . . . . .							1	1
	002-440015-1	• • GUSSET. . . . .							4	1
	002-440011-41	• • DOUBLER,STATIC AIR BUTTON . . . . .							1	1
- 5	002-440016-1	• • BUTTON ASSY,STATIC AIR. . . . .							1	1
- 6	002-440011-11	• • STRINGER,LH/F/STA 151 TO 233.50/ . . . . .							1	1
- 7	002-440011-13	• • STRINGER,LH/E/STA 151 TO 272/ . . . . .							1	1
- 8	002-440011-29	• • DOUBLER ASSY,ACCESS DOOR/STA 246/ . . . . .							1	1
- 9	002-440011-33	• • DOUBLER ASSY,ACCESS DOOR/STA 263/ . . . . .							1	1
- 10	002-440011-15	• • STRINGER,LH/D/STA 170 TO 257/ . . . . .							1	1
- 11	002-440011-19	• • STRINGER,LH/D/STA 259 TO 272/ . . . . .							1	1
- 12	002-440012-9	• • REINFORCEMENT,HORIZONTAL STABILIZER SPAR. . . . .							1	1
- 13	002-440011-17	• • STRINGER,LH/C/STA 174.50 TO 257.60/ . . . . .							1	1
	002-440011-55	• • BRACKET,ELEVATOR DOWN SPRING. . . . .							1	1
	002-440011-57	• • BRACKET,ELEVATOR DOWN SPRING. . . . .							1	1
	002-440011-23	• • STRINGER,LH/B/STA 174.50 TO 233.50/ . . . . .							1	2
- 14	002-440011-143	• • STRINGER,LH/B/STA 174.50 TO 233.50/ . . . . .							1	3
	002-440011-21	• • STRINGER,FWD CENTER/A/STA 174.50 TO 233.50/ . . . . .							1	2
- 15	002-440011-141	• • STRINGER,FWD CENTER/A/STA 174.50 TO 233.50/ . . . . .							1	3
- 16	002-440011-25	• • STRINGER,AFT CENTER/A/STA 240 TO 257/ . . . . .							1	1
- 17	002-440026-29	• • FRAME,LH/STA 170/ . . . . .							1	1
- 18	002-440019-1	• • FRAME,LH/STA 179/ . . . . .							1	1
- 19	002-440013-3	• • FRAME,LH/STA 207/ . . . . .							1	1
- 20	002-440014-2	• • FRAME,LH/STA 233.50/ . . . . .							1	1
- 21	002-440011-35	• • CHANNEL,LH/STA 246/ . . . . .							1	1
- 22	002-440011-39	• • SKIN,LH LOWER/STA 151 TO 272/ . . . . .							1	1
- 23	002-440011-45	• • SKIN,LH UPPER FWD/STA 179 TO 207/ . . . . .							1	1
- 24	002-440011-43	• • SKIN,LH UPPER AFT/STA 207 TO 272/ . . . . .							1	1
	002-440010-1	• PANEL ASSY,FUSELAGE BOTTOM. . . . .							1	1
- 25	002-440010-35	• • STRINGER,LH/J/STA 150 TO 207/ . . . . .							1	1
- 26	002-440010-36	• • STRINGER,RH/J/STA 150 TO 207/ . . . . .							1	1
	002-440015-1	• • GUSSET,LH/STA 207/ . . . . .							1	1
	002-440015-2	• • GUSSET,RH/STA 207/ . . . . .							1	1
	002-440015-3	• • GUSSET,LH/STA 179/ . . . . .							1	1
	002-440015-4	• • GUSSET,RH/STA 179/ . . . . .							1	1
- 27	002-440010-79	• • DOUBLER ASSY,LH/STA 179 TO 184/ . . . . .							1	1
- 28	002-440010-37	• • STRINGER,LH/K/STA 168 TO 257/ . . . . .							1	1
- 29	002-440010-38	• • STRINGER,RH/K/STA 168 TO 257/ . . . . .							1	1
- 30	002-440013-5	• • FRAME,BULKHEAD/STA 207/ . . . . .							1	1
	002-440010-47	• • ANGLE/STA 207/ . . . . .							1	1
	MS21266-2N	• • GROMMET/STA 207/ . . . . .							1	1
- 31	002-440010-25	• • FRAME,BULKHEAD/STA 185/ . . . . .							1	1
	002-440010-23	• • FAIRLEAD/FRAME STA 185/ . . . . .							1	1
- 32	002-440018-5	• • FRAME,BULKHEAD/STA 179/ . . . . .							1	1
	002-440010-27	• • CLIP/STA 179/ . . . . .							1	1
	002-440010-29	• • ANGLE/STA 179/ . . . . .							1	1
- 33	002-440026-1	• • FRAME,BULKHEAD/STA 170/ . . . . .							1	1
- 34	002-440010-39	• • SKIN,BOTTOM/STA 151 TO 272/ . . . . .							1	1

BEECHCRAFT  
 BONANZA 33  
 ILLUSTRATED PARTS CATALOG

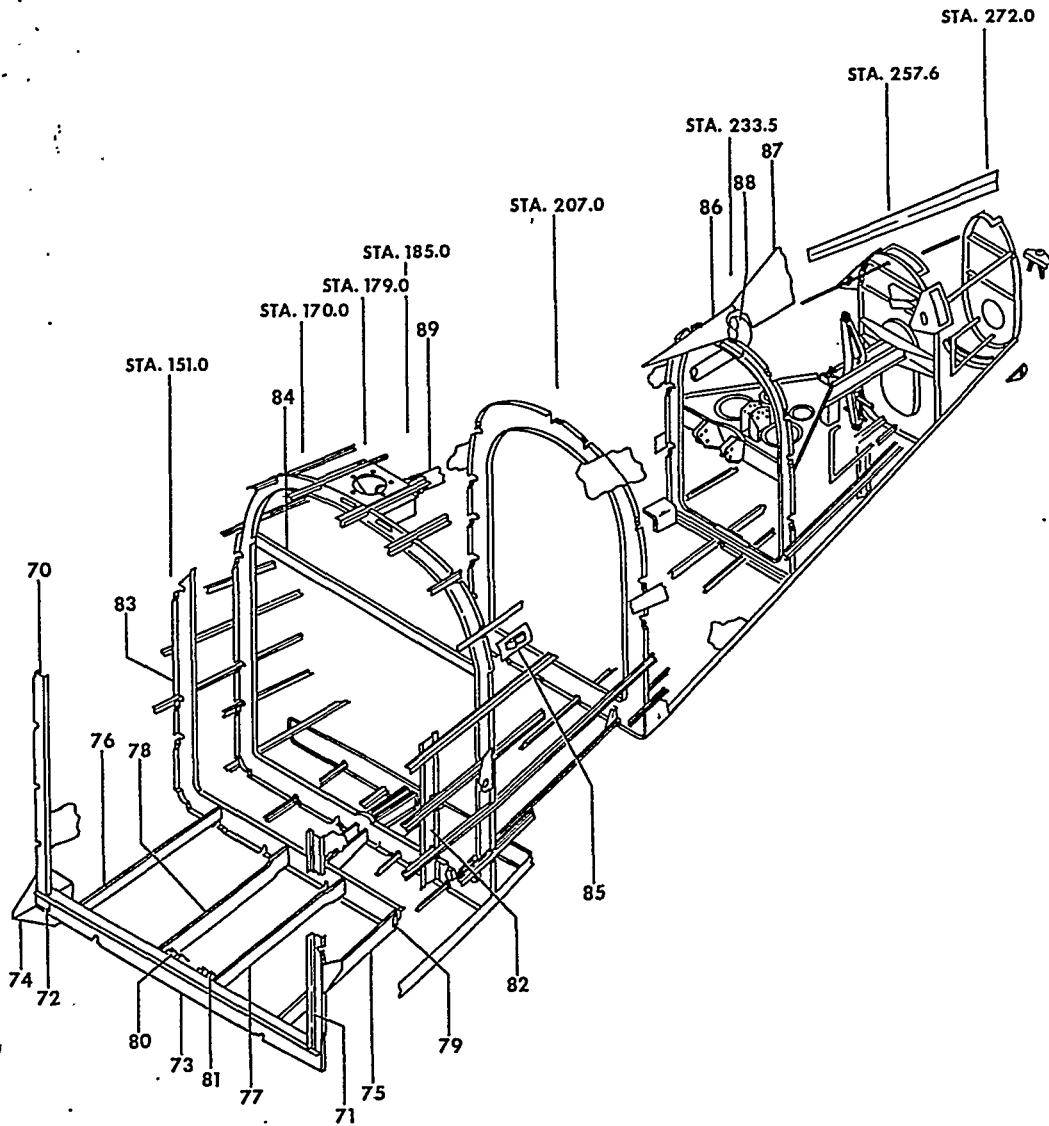


33-103A-13

B E E C H C R A F T  
B O N A N Z A 3 3  
I L L U S T R A T E D P A R T S C A T A L O G

FIG. & ITEM NO.	PART NO.	DESCRIPTION	UNITS PER ASSY	USABLE ON CODE
		1 2 3 4 5 6 7		
103A - 35	002-440010-11	• • BRACKET,PULLEY. . . . .	1	1
- 36	002-440010-13	• • BRACKET,PULLEY. . . . .	1	1
- 37	002-440010-15	• • BRACKET,PULLEY. . . . .	1	1
- 38	002-440010-17	• • BRACKET,PULLEY. . . . .	1	1
- 39	118540BHP3	• • PULLEY,CONTROL CABLE. . . . . /ATTACHING PARTS/	4	1
- 40	AN4-44A AN960-416 130909N32	• • BOLT. . . . . • • WASHER. . . . . • • NUT . . . . .	1 1 1	
- 41	102933S5ZR0484	• • SPACER. . . . .	2	1
- 42	102933S5ZR0968	• • SPACER. . . . .	1	1
- 43	002-440010-33 MS24665-132	• • GUIDE,CABLE . . . . . /ATTACHING PARTS/ • • PIN,COTTER. . . . .	1 2	1
- 44	002-440010-21	• • BRACKET,PULLEY. . . . .	1	1
- 45	002-440010-19	• • BRACKET,PULLEY. . . . .	1	1
- 46	118540BHP4	• • PULLEY,CONTROL CABLE. . . . . /ATTACHING PARTS/	2	1
- 47	130909B38 AN960-416 130909N32	• • BOLT. . . . . • • WASHER. . . . . • • NUT . . . . .	1 1 1	
	NAS427K11	• • PIN,CABLE GUARD . . . . .	2	1
	002-440012-3	• PANEL ASSY,FUSELAGE RH/STD BAGGAGE DOOR/. . . . .	1	1
	002-440022-1	• PANEL ASSY,FUSELAGE RH/OPT BAGGAGE DOOR/. . . . .	1	1
- 48	002-440017-1	• • STRINGER,RH FWD/I/STA 154 TO 207/ . . . . .	1	1
- 49	002-440017-5	• • STRINGER,RH AFT/I/STA 207 TO 272/ . . . . .	1	1
- 50	002-440012-29	• • STRINGER,RH/H/STA 151 TO 272/ . . . . .	1	1
- 51	002-440011-133 002-440022-15	• • GUSSET/STA 151/ . . . . . • • STRINGER,RH/H/STA 151 TO 272/OPT/ . . . . .	1 1	1 1
	002-440022-33	• • ANGLE,STRINGER H/STA 170 TO 207/OPT/ . . . . .	1	1
- 52	002-440012-11 KM713-16-064 002-440015-2	• • DOUBLER,ACCESS DOOR/STA 233/ . . . . . • • DOOR,ACCESS/STA 233/ELT SWITCH/ . . . . . • • GUSSET. . . . .	1 1 4	1 1 1
- 53	002-440012-27 002-440022-13	• • STRINGER,RH/G/STA 151 TO 272. . . . . • • STRINGER,RH/G/STA 170 TO 272/OPT/ . . . . .	1 1	1 1
- 54	002-440012-25 002-440022-11 002-440011-41	• • STRINGER,RH/F/STA 151 TO 272/ . . . . . • • STRINGER,RH/F/STA 170 TO 272/OPT/ . . . . . • • DOUBLE,STATIC AIR BUTTON. . . . .	1 1 1	1 1 1
- 55	002-440016-1	• • BUTTON ASSY,STATIC AIR. . . . .	1	1
- 56	002-440012-111 002-440022-9	• • STRINGER,RH/E/STA 151 TO 272/ . . . . . • • STRINGER,RH/E/STA 170 TO 272/OPT/ . . . . .	1 1	1 1
- 57	002-440012-13	• • STRINGER,RH AFT/D/STA 260 TO 272/ . . . . .	1	1
- 58	002-440012-21	• • STRINGER,RH FWD/D/STA 170 TO 257/ . . . . .	1	1
- 59	002-440012-9 002-440011-58 002-440011-56	• • REINFORCEMENT,HORIZONTAL STABILIZER SPAR. . . . . • • BRACKET,ELEVATOR DOWN SPRING. . . . . • • BRACKET,ELEVATOR DOWN SPRING. . . . .	1 1 1	1 1 1
- 60	002-440012-19 002-440012-17	• • STRINGER,RH/C/STA 175 TO 257.60/ . . . . . • • STRINGER,RH/B/STA 175 TO 233.50/ . . . . .	1 1	1 2
- 61	002-440012-117	• • STRINGER,RH/B/STA 175 TO 233.50/ . . . . .	1	3
- 62	002-440014-1	• • FRAME,BULKHEAD/STA 233.50/ . . . . .	1	1
- 63	002-440013-1	• • FRAME,BULKHEAD/STA 207/ . . . . .	1	1
- 64	002-440019-3	• • FRAME,BULKHEAD/STA 179/ . . . . .	1	1
- 65	002-440026-16	• • FRAME,BULKHEAD/STA 170/ . . . . .	1	1
- 66	002-440012-33 002-440022-17	• • SKIN,LOWER RH/STA 151 TO 272/ . . . . . • • SKIN,LOWER RH/STA 170 TO 272/OPT/ . . . . .	1 1	1 1
- 67	002-440012-35	• • SKIN,UPPER FWD RH/STA 179 TO 207/ . . . . .	1	1
- 68	002-440012-15	• • SKIN,UPPER AFT RH/STA 207 TO 272/ . . . . .	1	1
- 69	95-364013-13 36-364030-21	• • DOUBLER,ROTATING BEACON . . . . . • • DOUBLER,ROTATING BEACON . . . . .	1 1	5 6

BEECHCRAFT  
BONANZA 33  
ILLUSTRATED PARTS CATALOG

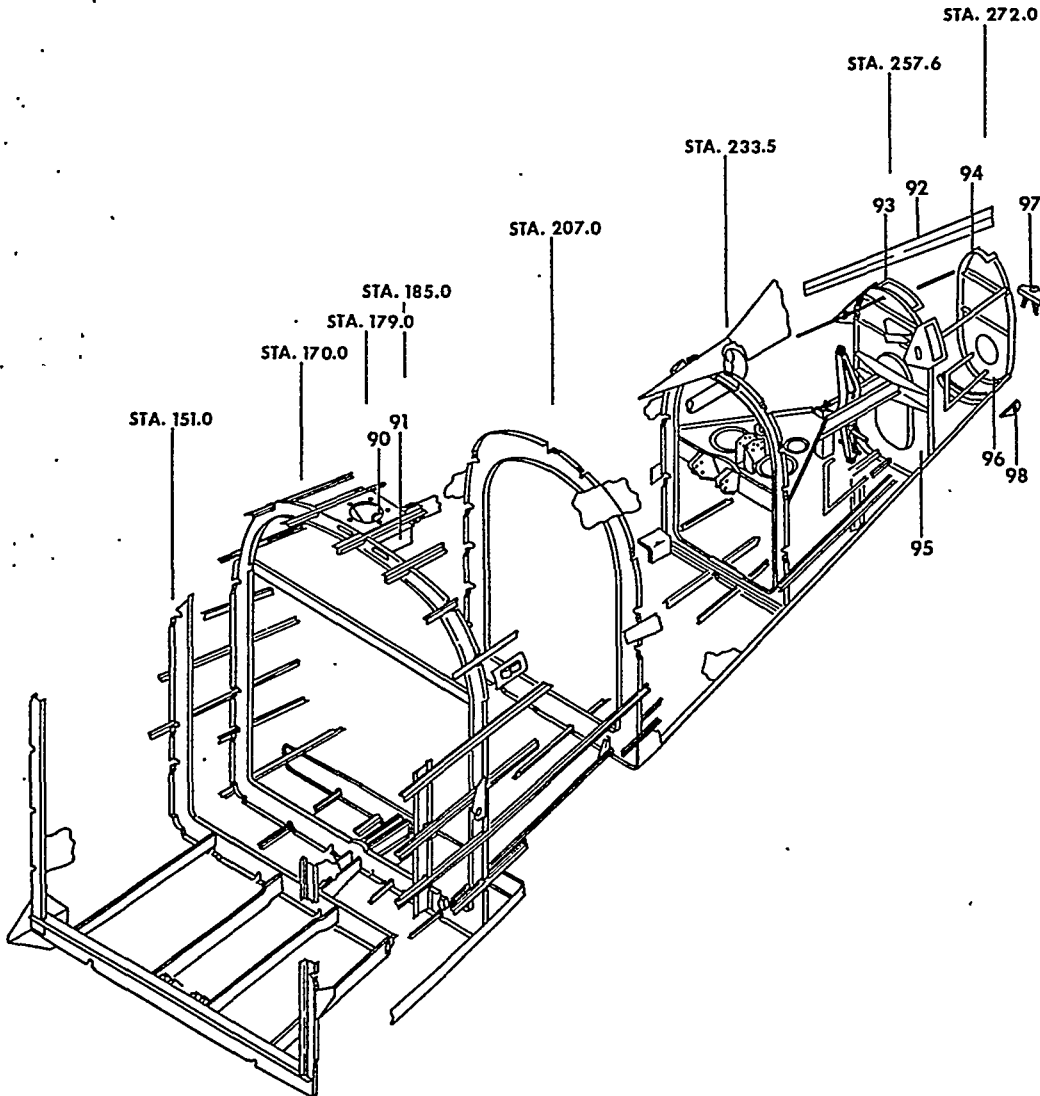


33-103A-14

B E E C H C R A F T  
B O N A N Z A 3 3  
I L L U S T R A T E D P A R T S C A T A L O G

FIG. & ITEM NO.	PART NO.	DESCRIPTION	UNITS PER ASSY	USABLE ON CODE
103A	002-440000-33	• ANGLE/STA 151/	1	1
	002-440027-1	• BULKHEAD ASSY, LOWER/STA 151/STD/	1	1
	002-440027-3	• BULKHEAD ASSY, LOWER/STA 151/OPT/	1	1
- 70	002-440027-21	• CHANNEL/STD/	1	1
	002-440027-15	• ANGLE/STD/	1	1
	002-440027-17	• CHANNEL/OPT/	1	1
- 71	002-430012-9	• CHANNEL	1	1
- 72	002-440027-7	• ANGLE	1	1
- 73	002-440027-25	• CHANNEL, BOTTOM	1	1
	002-440027-23	• ANGLE	1	1
	102-430456-1	• ANGLE, LH	1	1
	102-430456-2	• ANGLE, RH	1	1
	102-430457-1	• ANGLE, LH	1	1
	102-430457-2	• ANGLE, RH	1	1
	002-440000-25	• CHANNEL, LH	1	1
	002-440000-27	• CHANNEL, RH	1	1
- 74	002-440000-47	• REINFORCEMENT, RH/STA 151/	1	1
- 75	002-440029-1	• CHANNEL, LH/STA 151 TO 170/	1	1
- 76	002-440029-2	• CHANNEL, RH/STA 151 TO 170/	1	1
- 77	002-440029-3	• CHANNEL, LH/STA 151 TO 170/	1	1
- 78	002-440029-4	• CHANNEL, RH/STA 151 TO 170/	1	1
- 79	002-440029-5	• CLIP, LH	1	1
	002-440029-6	• CLIP, RH	1	1
- 80	002-440010-89	• BRACKET, PULLEY	2	1
- 81	002-440010-90	• BRACKET, PULLEY	2	1
	MS20392-1C21	• PIN, PULLEY GUIDE	2	1
	MS24665-132	• PIN, COTTER	2	1
	002-440026-3	• ANGLE, LH/STA 170/	1	1
	002-440026-4	• ANGLE, RH/STA 170/STD/	1	1
- 82	002-440026-17	• ANGLE, LH/STA 170/	1	1
- 83	002-440026-18	• ANGLE, RH/STA 170/STD/	1	1
	002-440026-9	• CHANNEL, RH/STA 170/OPT/	1	1
	002-440000-31	• REINFORCEMENT/STA 179/	1	1
- 84	002-440000-43	• CHANNEL, SUPPORT/STA 179/	1	1
	35-554035-1	• DUCT INSTL, AFT CABIN AIR EXHAUST	NP	1
	35-554035-33	• RETAINER, AIR EXHAUST	1	1
- 85	35-554035-37	• SCOOP ASSY, CABIN AIR EXHAUST	1	1
	35-554035-35	• SCREEN	1	1
	114632-24-14	• DUCT, CABIN AIR EXHAUST	1	1
	AN737TW107	• CLAMP	2	1
	002-440000-95	• DOUBLER ASSY, ELT ANTENNA/STA 195/	1	4
- 86	002-440030-13	• DUCT ASSY, AIR INTAKE/DORSAL FIN FAIRING/	1	1
- 87	002-440030-3	• SADDLE, DORSAL FIN	1	1
	002-440030-5	• DOUBLER, DORSAL FIN	1	1
	002-440030-9	• ANGLE, LH	1	1
	002-440030-10	• ANGLE, RH	1	1
- 88	002-440030-15	• ELBOW, ADAPTER/AIR INTAKE/	1	1
	106043S-ZD300	• TUBE, DRAIN/AIR INTAKE/ /ATTACHING PARTS/	1	1
	A8	• CLAMP	1	1
		*-----*		
	MS35490-9	• GROMMET	1	1
- 89	111716AZ6XX102	• DUCT/AIR INTAKE/ /ATTACHING PARTS/	1	1
	AN737RM98	• CLAMP	2	1
		*-----*		

BEECHCRAFT  
BONANZA 33  
ILLUSTRATED PARTS CATALOG



33-103A-15

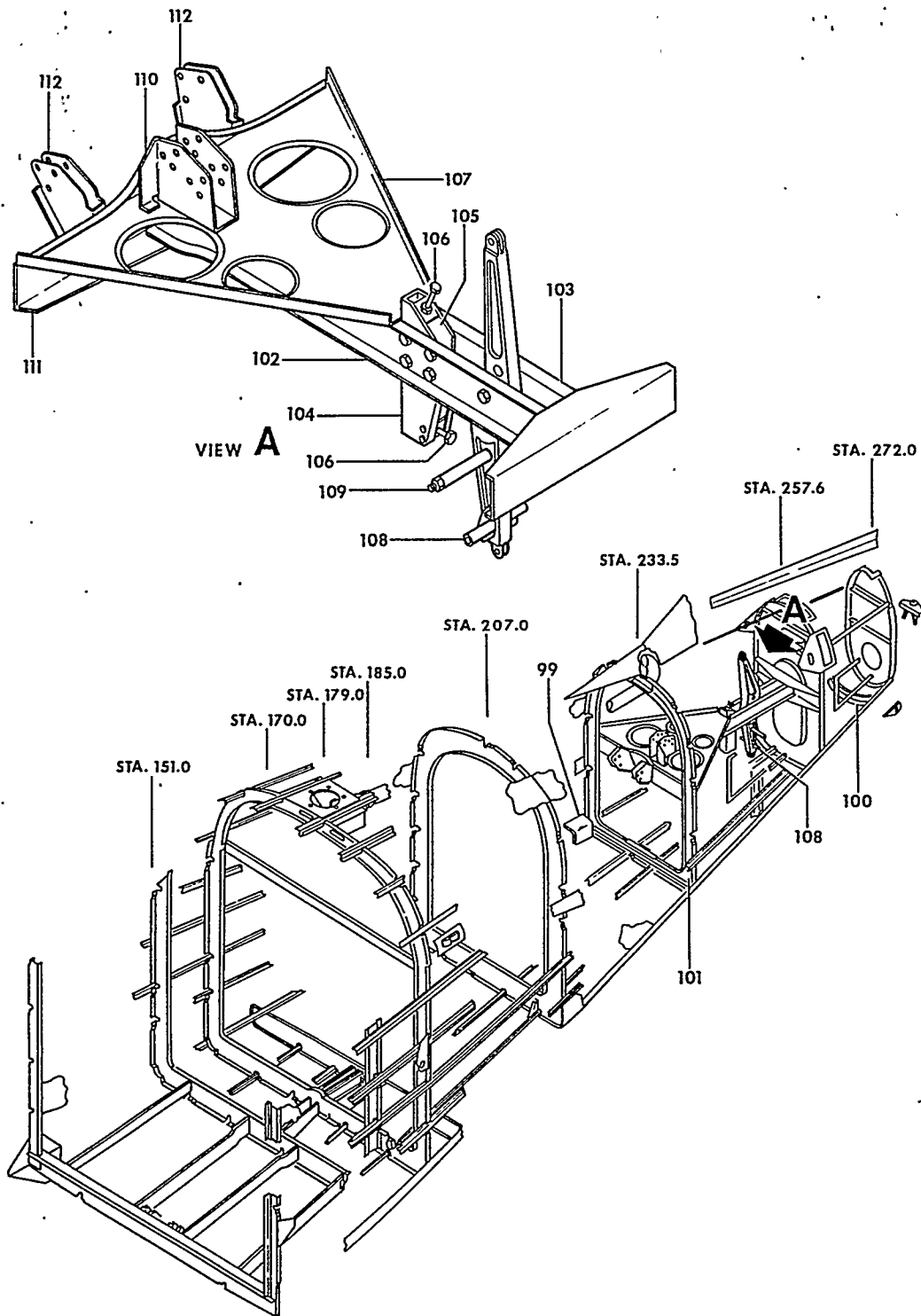
FIGURE 103A.AFT FUSELAGE STRUCTURE  
/SHEET 4 OF 5 SHEETS/



BEECHCRAFT  
BONANZA 33  
ILLUSTRATED PARTS CATALOG

FIG. & ITEM NO.	PART NO.	DESCRIPTION							UNITS PER ASSY	USABLE ON CODE		
		1	2	3	4	5	6	7				
103A - 90	95-554043-1	• DUCT,AIR INTAKE DISTRIBUTION.	•	•	•	•	•	•	•	1	1	
	AN743-13	• ANGLE	•	•	•	•	•	•	•	1	1	
	AN742-4	• CLAMP	•	•	•	•	•	•	•	1	1	
	AN515-8R6	• SCREW	•	•	•	•	•	•	•	1	1	
	AN960-8	• WASHER	•	•	•	•	•	•	•	1	1	
	AN960-10	• WASHER	•	•	•	•	•	•	•	2	1	
	MS20365-832	• NUT	•	•	•	•	•	•	•	1	1	
	MS20365-1032	• NUT	•	•	•	•	•	•	•	1	1	
	002-550011-1	• PIN	•	•	•	•	•	•	•	1	1	
	102933S4ZJ0093	• SPACER	•	•	•	•	•	•	•	1	1	
	MS35490-6	• GROMMET	•	•	•	•	•	•	•	1	1	
	- 91	002-440000-99	• VALVE ASSY,AIR INTAKE	•	•	•	•	•	•	•	1	1
		95-554043-5	• TUBE	•	•	•	•	•	•	•	1	1
		95-554043-25	• WELD ASSY,SHAFT	•	•	•	•	•	•	•	1	1
		95-554043-19	• SEAL	•	•	•	•	•	•	•	2	1
95-554043-21		• PLATE	•	•	•	•	•	•	•	1	1	
		/ATTACHING PARTS/										
AN515-440		• SCREW	•	•	•	•	•	•	•	3		
AN960-4L		• WASHER	•	•	•	•	•	•	•	3		
MS20365-440		• NUT	•	•	•	•	•	•	•	3		
- 92		002-440000-63	• FILLET,LH	•	•	•	•	•	•	•	1	1
	002-440000-64	• FILLET,RH	•	•	•	•	•	•	•	1	1	
- 93	002-440000-35	• DOUBLER	•	•	•	•	•	•	1	1		
- 94	002-440000-29	• DOUBLER	•	•	•	•	•	•	•	1	1	
	002-440023-7	• BULKHEAD ASSY/STA 257.60/	•	•	•	•	•	•	•	1	1	
- 95	002-440023-17	• WEB,BULKHEAD.	•	•	•	•	•	•	•	1	1	
	002-440023-43	• BRACKET ASSY,PULLEY	•	•	•	•	•	•	•	1	1	
	002-440023-45	• CHANNEL,UPPER	•	•	•	•	•	•	•	1	1	
	002-440023-59	• CHANNEL,LOWER	•	•	•	•	•	•	•	1	1	
	002-440036-5	• BUSHING	•	•	•	•	•	•	•	16	1	
	002-440036-9	• BUSHING	•	•	•	•	•	•	•	6	1	
	002-440023-61	• STRIP,RUB	•	•	•	•	•	•	•	2	1	
	002-440024-5	• FRAME ASSY,BULKHEAD/STA 272/	•	•	•	•	•	•	•	1	1	
- 96	002-440024-29	• WEB,BULKHEAD.	•	•	•	•	•	•	•	1	1	
	002-440024-31	• DOUBLER	•	•	•	•	•	•	•	1	1	
	002-440024-33	• DOUBLER	•	•	•	•	•	•	•	1	1	
	002-440036-7	• BUSHING	•	•	•	•	•	•	•	10	1	
- 97	002-440024-43	• BRACKET ASSY,RUDDER HINGE	•	•	•	•	•	•	•	1	1	
	002-440024-45	• BRACKET,LOWER	•	•	•	•	•	•	•	1	1	
	002-440024-47	• BRACKET,UPPER	•	•	•	•	•	•	•	1	1	
	002-440024-49	• BOSS	•	•	•	•	•	•	•	1	1	
- 98	002-440037-1	• LUG,TIE DOWN.	•	•	•	•	•	•	•	1	1	
	002-440000-77	• ROD,SPRING HOLDING.	•	•	•	•	•	•	•	1	1	
		/ATTACHING PARTS/										
	AN960-10L	• WASHER	•	•	•	•	•	•	•	2		
	MS24665-132	• PIN,COTTER.	•	•	•	•	•	•	•	2		
	33-524000-41	• LINK,ELEVATOR DOWN SPRING	•	•	•	•	•	•	•	2	1	
	002-440000-93	• SHIM/STA 257.60/	•	•	•	•	•	•	•	1	1	

BEECHCRAFT  
BONANZA 33  
ILLUSTRATED PARTS CATALOG



33-103A-16

B E E C H C R A F T  
B O N A N Z A 3 3  
I L L U S T R A T E D P A R T S C A T A L O G

FIG. & ITEM NO.	PART NO.	DESCRIPTION	UNITS PER ASSY	USABLE ON CODE
		1 2 3 4 5 6 7		
103A - 99	002-440000-23	• BRACKET ASSY,ELT XMTR MOUNTING/STA 233.50/	1	1
	002-440000-51	• CHANNEL/STA 207/	1	1
	002-440000-49	• FAIRLEAD/STA 207/	1	1
-100	002-440000-53	• BRACKET, SUPPRT/STA 268/	1	1
-101	002-440014-3	• FRAME, BULKHEAD/STA 233.50/	1	1
	002-440025-1	• SUPPORT ASSY, ELEVATOR BELLCRANK	1	1
-102	002-440025-5	• CHANNEL, LH.	1	1
-103	002-440025-6	• CHANNEL, RH.	1	1
-104	002-440025-7	• BRACKET, BELLCRANK STOP SUPPORT	1	1
		/ATTACHING PARTS/		
	130909B12	• BOLT.	8	
	AN960-10	• WASHER.	8	
	130909N29	• NUT	8	
		-----*		
-105	002-410031-5	• BLOCK, STOP.	2	1
		/ATTACHING PARTS/		
	MS27039-0824	• SCREW	2	
	AN960-8	• WASHER.	2	
	130909N28	• NUT	2	
		-----*		
-106	NAS428H4-14	• BOLT, STOP	2	1
	AN316-4R	• NUT, STOP	2	1
	002-440025-9	• REINFORCEMENT	2	1
-107	002-440025-11	• REINFORCEMENT	1	1
	002-524024-21	• BELLCRANK ASSY, ELEVATOR	1	1
	002-524024-23	• BELLCRANK ASSY.	1	1
-108	002-524024-25	• BELLCRANK	1	1
	MS27641-4	• BEARING	2	1
	NAS43HT4-32	• SPACER.	1	1
	105740X-XC0968	• BUSHING	1	1
-109	002-524024-13	• BOLT.	1	1
	002-524024-15	• SPACER.	2	1
	AN960-416L	• WASHER.	2	1
	MS21044N4	• NUT	2	1
	AN3H7A	• BOLT.	2	1
	100951X050ZM	• WASHER.	4	1
	MS20201KP3A	• BEARING	2	1
-110	002-440025-13	• BRACKET, PULLEY SUPPORT.	1	1
	118540BHP3	• PULLEY.	2	1
		/ATTACHING PARTS/		
	AN4-16A	• BOLT.	2	1
	AN960-416	• WASHER.	2	1
	NAS43HT4-50	• SPACER.	2	1
	MS21044L4	• NUT	2	1
		-----*		
	NAS427K21	• PIN, CABLE GUARD	4	1
-111	002-440025-15	• CHANNEL	1	1
	MS21266-1N	• GROMMET	AR	1
-112	002-440025-17	• BRACKET, PULLEY SUPPORT.	2	1
	002-440025-19	• CLIP.	1	1
	002-440025-20	• CLIP.	1	1
	118540BHP4	• PULLEY.	2	1
		/ATTACHING PARTS/		
	130909B40	• BOLT.	1	
	AN960-416	• WASHER.	1	
	130909N32	• NUT	1	
		-----*		
	NAS427K11	• PIN, CABLE GUARD	2	1

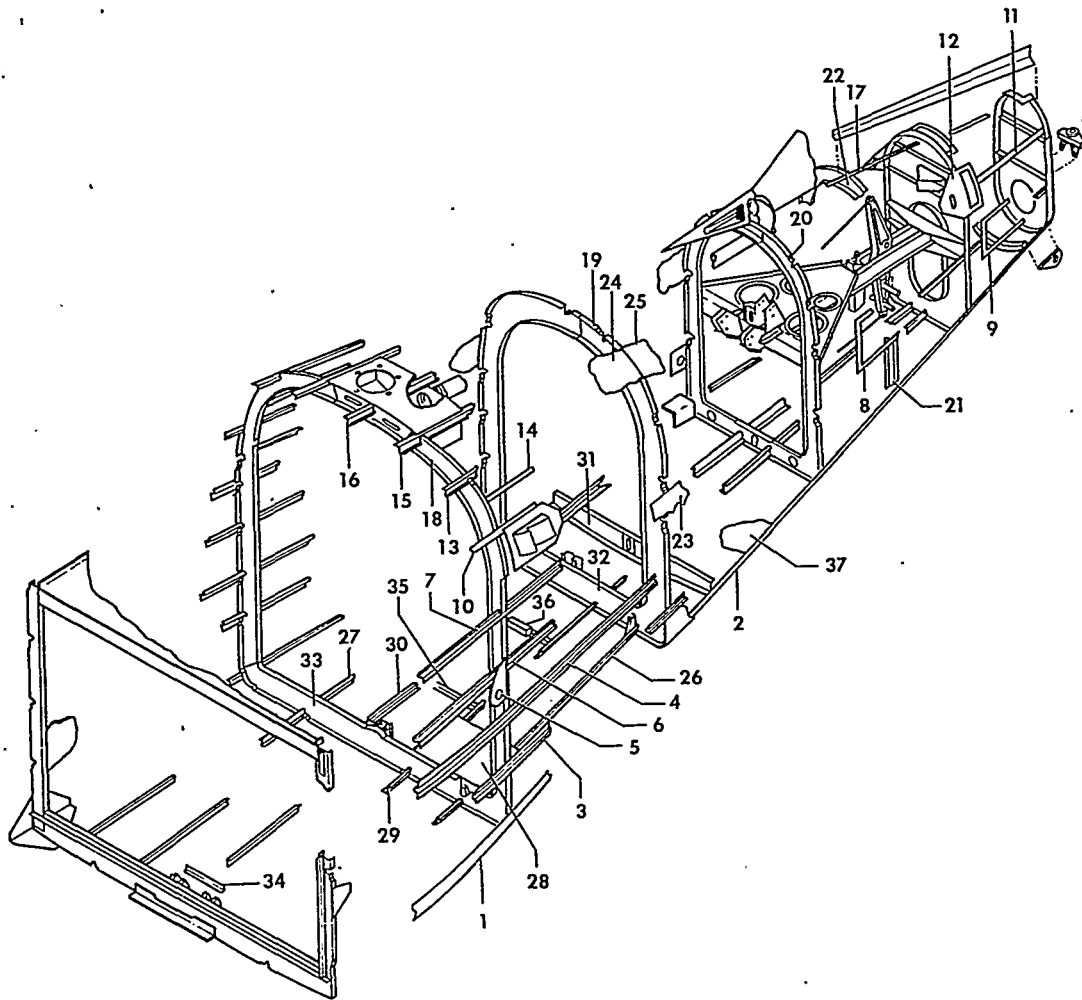
C O D E S O F E F F E C T I V I T Y

1	CE-511 AND AFTER	2	CE-511 THRU CE-678
3	CE-679 AND AFTER	4	CE-595 AND AFTER
5	CE-511 THRU CE-771 EXCEPT CE-748	6	CE-748, CE-772 AND AFTER

BEECHCRAFT  
BONANZA 33  
ILLUSTRATED PARTS CATALOG

FIGURE 103B  
AFT FUSELAGE STRUCTURE  
CJ-52 AND AFTER

BEECHCRAFT  
BONANZA 33  
ILLUSTRATED PARTS CATALOG

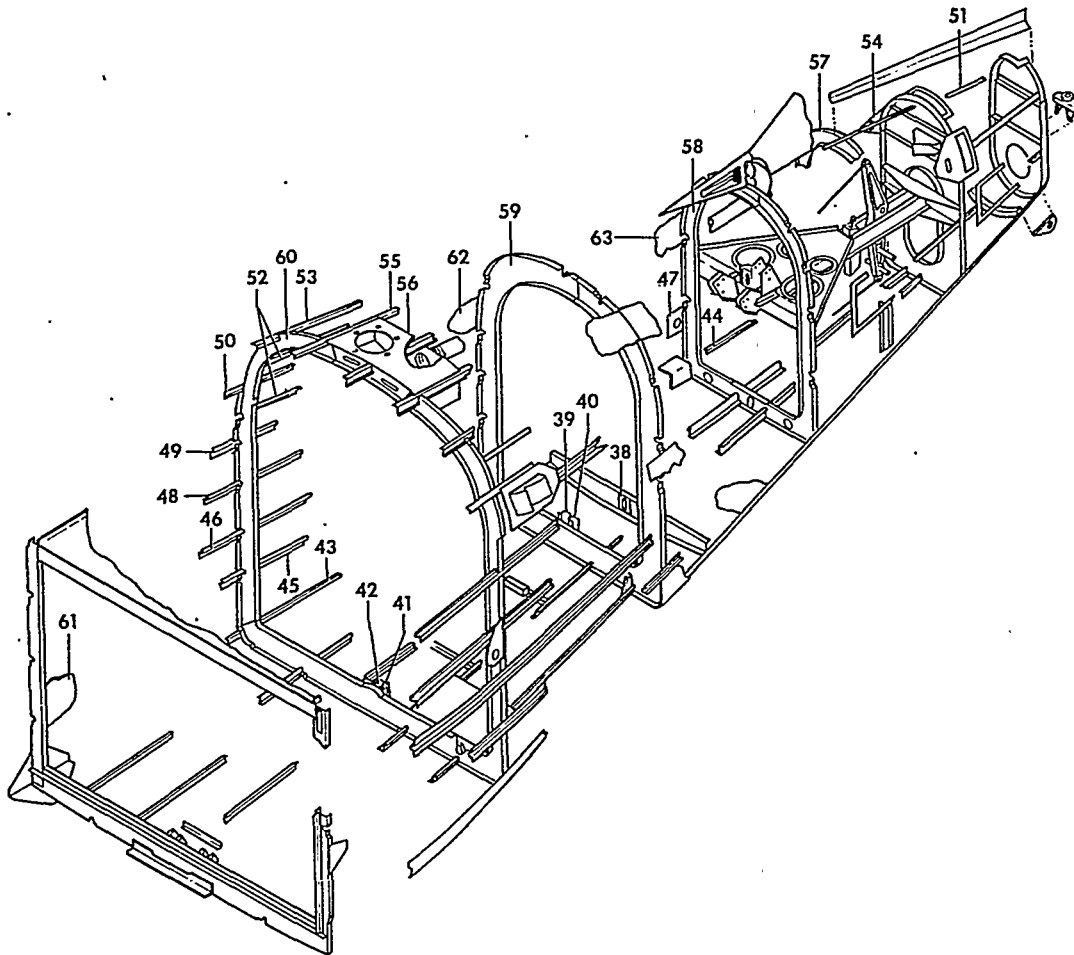


33-103B-17

B E E C H C R A F T  
B O N A N Z A 3 3  
I L L U S T R A T E D P A R T S C A T A L O G

FIG. & ITEM NO.	PART NO.	DESCRIPTION	UNITS PER ASSY	USABLE ON CODE
		1 2 3 4 5 6 7		
103B	002-440000-79	FUSELAGE STRUCTURE ASSY,AFT . . . . .	NP	1
	002-440011-129	• PANEL ASSY,FUSELAGE LH. . . . .	1	1
- 1	002-440017-3	• • STRINGER,LH FWD/I/STA 151 TO 207/ . . . . .	1	1
- 2	002-440017-5	• • STRINGER,LH AFT/I/STA 207 TO 272/ . . . . .	1	1
- 3	002-440011-51	• • STRINGER,LH/H/STA 151 TO 272/ . . . . .	1	1
- 4	002-440011-9	• • STRINGER,LH/H/STA 151 TO 272/ . . . . .	1	1
	002-440015-1	• • GUSSET. . . . .	4	1
	002-440011-41	• • DOUBLER,STATIC AIR BUTTON . . . . .	1	1
- 5	002-440016-1	• • BUTTON ASSY,STATIC AIR. . . . .	1	1
- 6	002-440011-11	• • STRINGER,LH/F/STA 151 TO 233.50/ . . . . .	1	1
- 7	002-440011-67	• • STRINGER,LH/E/STA 151 TO 272/ . . . . .	1	1
- 8	002-440011-29	• • DOUBLER ASSY,ACCESS DOOR/STA 246/ . . . . .	1	1
- 9	002-440011-33	• • DOUBLER ASSY,ACCESS DOOR/STA 263/ . . . . .	1	1
- 10	002-440011-15	• • STRINGER,LH/D/STA 170 TO 257/ . . . . .	1	1
- 11	002-440011-19	• • STRINGER,LH/D/STA 259 TO 272/ . . . . .	1	1
- 12	002-440012-9	• • REINFORCEMENT . . . . .	1	1
- 13	002-440011-17	• • STRINGER,LH/C/STA 174.50 TO 257.60/ . . . . .	1	1
- 14	002-440011-131	• • STRINGER,LH/STA 179 TO 207/ . . . . .	1	1
	108424-2	• • CLIP/STA 179/ . . . . .	1	1
	002-440011-55	• • BRACKET,ELEVATOR DOWN SPRING. . . . .	1	1
	002-440011-57	• • BRACKET,ELEVATOR DOWN SPRING. . . . .	1	1
	002-440011-23	• • STRINGER,LH/B/STA 174.50 TO 233.50/ . . . . .	1	2
- 15	002-440011-143	• • STRINGER,LH/B/STA 174.50 TO 233.50/ . . . . .	1	3
	002-440011-21	• • STRINGER,LH/A/STA 174.50 TO 233.50/ . . . . .	1	2
- 16	002-440011-141	• • STRINGER,LH/A/STA 174.50 TO 233.50/ . . . . .	1	3
- 17	002-440011-25	• • STRINGER,LH FWD/A/STA 240 TO 257/ . . . . .	1	1
- 18	002-440019-1	• • FRAME,LH/STA 179/ . . . . .	1	1
- 19	002-440013-3	• • FRAME,LH/STA 207/ . . . . .	1	1
- 20	002-440014-2	• • FRAME,LH/STA 233.50/ . . . . .	1	1
- 21	002-440011-35	• • CHANNEL,LH/STA 246/ . . . . .	1	1
- 22	002-440034-1	• • FRAME,LH UPPER/STA 246/ . . . . .	1	1
- 23	002-440011-37	• • SKIN,LH LOWER/STA 151 TO 272/ . . . . .	1	1
- 24	002-440011-45	• • SKIN,LH UPPER FWD/STA 179 TO 207/ . . . . .	1	1
- 25	002-440011-43	• • SKIN,LH UPPER AFT/STA 207 TO 272/ . . . . .	1	1
	002-440010-83	• • PANEL ASSY,FUSELAGE BOTTOM. . . . .	1	1
- 26	002-440010-35	• • STRINGER,LH/J/STA 150 TO 207/ . . . . .	1	1
- 27	002-440010-36	• • STRINGER,RH/J/STA 150 TO 207/ . . . . .	1	1
	002-440015-1	• • GUSSET,LH/STA 207/ . . . . .	1	1
	002-440015-2	• • GUSSET,RH/STA 207/ . . . . .	1	1
	002-440015-3	• • GUSSET,LH/STA 179/ . . . . .	2	1
	002-440015-4	• • GUSSET,RH/STA 179/ . . . . .	2	1
- 28	002-440010-79	• • DOUBLER ASSY,LH/STA 179 TO 184/ . . . . .	1	1
- 29	002-440010-85	• • STRINGER,LH/K/STA 150 TO 257/ . . . . .	1	1
- 30	002-440010-86	• • STRINGER,RH/K/STA 150 TO 257/ . . . . .	1	1
- 31	33-410017-1	• • BULKHEAD,BOTTOM/STA 216/ . . . . .	1	1
- 32	33-440028-5	• • FRAME,BULKHEAD/STA 207/ . . . . .	1	1
- 33	33-410031-103	• • FRAME,BULKHEAD/STA 179/ . . . . .	1	1
- 34	33-440030-1	• • ANGLE,SUPPORT/STA 154.45/ . . . . .	1	1
- 35	33-410031-141	• • FAIRLEAD/STA 186.50/ . . . . .	1	1
		/ATTACHING PARTS/		
	MS35206-247	• • SCREW . . . . .	2	
	AN960-8	• • WASHER . . . . .	2	
	MS20365-832	• • NUT . . . . .	2	
		*-----*		
	33-410031-145	• • STRIP/STA 201/ . . . . .	1	1
- 36	33-410031-143	• • FAIRLEAD/STA 201/ . . . . .	1	1
		/ATTACHING PARTS/		
	MS35206-248	• • SCREW . . . . .	2	
	AN960-8	• • WASHER . . . . .	3	
	MS20365-832	• • NUT . . . . .	2	
		*-----*		
- 37	002-440010-87	• • SKIN,BOTTOM/STA 151 TO 272/ . . . . .	1	1

BEECHCRAFT  
BONANZA 33  
ILLUSTRATED PARTS CATALOG



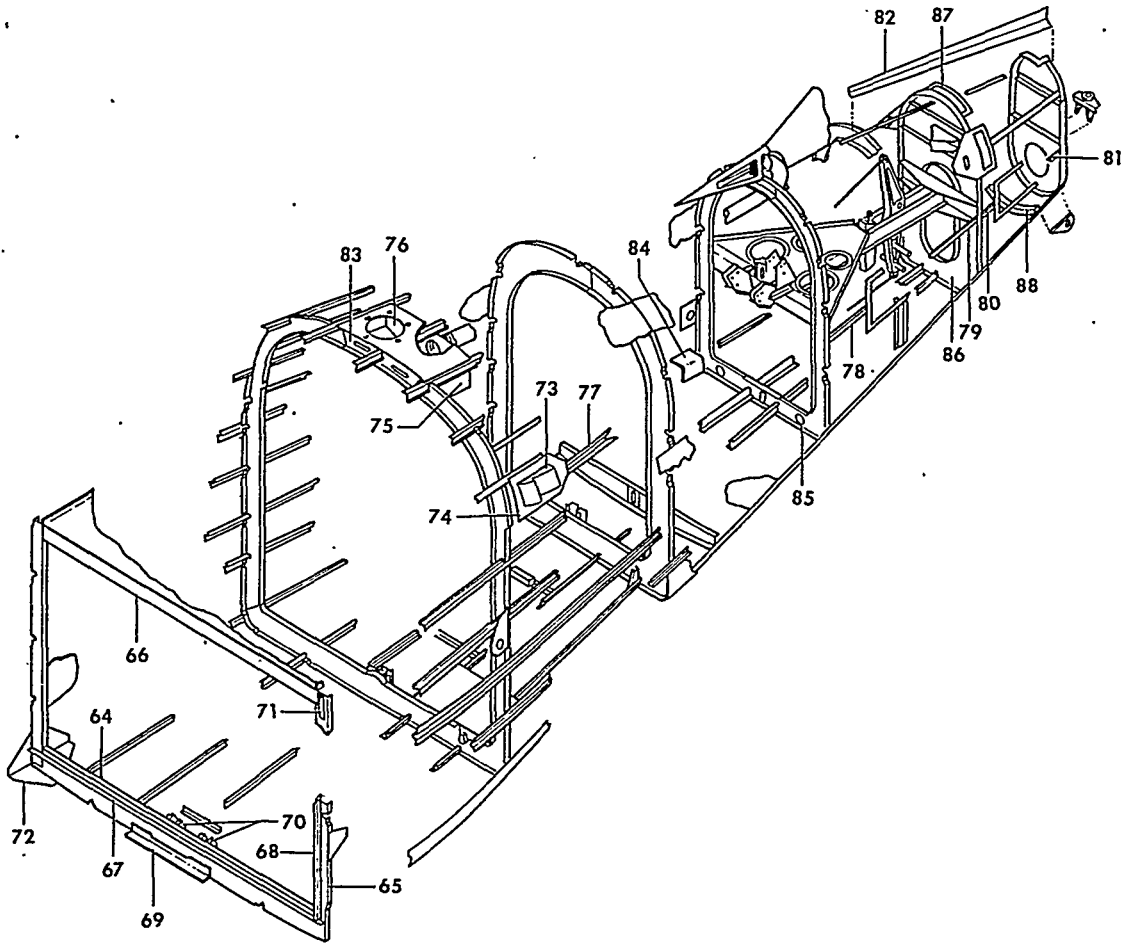
33-1038-18

B E E C H C R A F T  
B O N A N Z A 3 3  
I L L U S T R A T E D P A R T S C A T A L O G

FIG. & ITEM NO.	PART NO.	1	2	3	4	5	6	7	DESCRIPTION	UNITS PER ASSY	USABLE ON CODE
103B	33-410031-133	.	.	.	.	.	.	.	GUSSET,LH/STA 216/	1	1
	33-410031-134	.	.	.	.	.	.	.	GUSSET,RH/STA 216/	1	1
- 38	33-440019	.	.	.	.	.	.	.	FAIRLEAD/STA 216/	1	1
	33-440018	.	.	.	.	.	.	.	ANGLE/STA 216/	1	1
- 39	33-410031-135	.	.	.	.	.	.	.	BRACKET,LH PULLEY/STA 207/	1	1
- 40	33-410031-137	.	.	.	.	.	.	.	BRACKET,RH PULLEY/STA 207/	1	1
	33-410031-81	.	.	.	.	.	.	.	GUSSET,LH/STA 207/	1	1
	33-410031-82	.	.	.	.	.	.	.	GUSSET,RH/STA 207/	1	1
- 41	33-410031-105	.	.	.	.	.	.	.	FAIRLEAD/STA 179/	1	1
- 42	33-410031-311	.	.	.	.	.	.	.	CHANNEL/STA 179/	1	1
	33-410031-107	.	.	.	.	.	.	.	ANGLE/STA 179/	1	1
	33-410031-113	.	.	.	.	.	.	.	ANGLE/STA 179/	1	1
	95-430005-69	.	.	.	.	.	.	.	STRAP/STA 179/	1	1
	002-440012-103	.	.	.	.	.	.	.	PANEL ASSY,FUSELAGE RH.	1	1
- 43	002-440017-1	.	.	.	.	.	.	.	STRINGER,RH FWD/I/STA 151 TO 207/	1	1
- 44	002-440017-5	.	.	.	.	.	.	.	STRINGER,RH AFT/I/STA 207 TO 272/	1	1
- 45	002-440012-29	.	.	.	.	.	.	.	STRINGER,RH/H/STA 151 TO 272/	1	1
- 46	002-440012-27	.	.	.	.	.	.	.	STRINGER,RH/G/STA 151 TO 272/	1	1
- 47	002-440012-11	.	.	.	.	.	.	.	DOUBLER,ACCESS DOOR	1	1
	KM713-16-064	.	.	.	.	.	.	.	DOOR,ACCESS/STA 233/ELT SWITCH/	1	1
	002-440015-2	.	.	.	.	.	.	.	GUSSET	4	1
- 48	002-440012-25	.	.	.	.	.	.	.	STRINGER,RH/F/STA 151 TO 272/	1	1
	002-440011-41	.	.	.	.	.	.	.	DOUBLER,STATIC AIR BUTTON	1	1
	002-440016-1	.	.	.	.	.	.	.	BUTTON ASSY,STATIC AIR	1	1
- 49	002-440012-111	.	.	.	.	.	.	.	STRINGER,RH/E/STA 151 TO 272/	1	1
- 50	002-440012-21	.	.	.	.	.	.	.	STRINGER,RH FWD/D/STA 170 TO 256/	1	1
- 51	002-440012-13	.	.	.	.	.	.	.	STRINGER,RH AFT/D/STA 259 TO 272	1	1
- 52	002-440011-131	.	.	.	.	.	.	.	STRINGER,RH/STA 179 TO 207/	2	1
	108424-4	.	.	.	.	.	.	.	CLIP	2	1
- 53	002-440012-19	.	.	.	.	.	.	.	STRINGER,RH/C/STA 179 TO 257/	1	1
- 54	002-440012-9	.	.	.	.	.	.	.	REINFORCEMENT,HORIZONTAL STABILIZER SPAR	1	1
	002-440011-56	.	.	.	.	.	.	.	BRACKET,ELEVATOR DOWN SPRING	1	1
	002-440011-58	.	.	.	.	.	.	.	BRACKET,ELEVATOR DOWN SPRING	1	1
	002-440012-17	.	.	.	.	.	.	.	STRINGER,RH/B/STA 175 TO 233.50/	1	2
- 55	002-440012-117	.	.	.	.	.	.	.	STRINGER,RH/B/STA 175 TO 233.50/	1	3
- 56	95-364013-13	.	.	.	.	.	.	.	DOUBLER,ROTATING BEACON	1	5
	36-364030-21	.	.	.	.	.	.	.	DOUBLER,ROTATING BEACON	1	6
- 57	002-440034-3	.	.	.	.	.	.	.	FRAME/STA 246.30/	1	1
- 58	002-440014-1	.	.	.	.	.	.	.	FRAME,BULKHEAD/STA 233.50/	1	1
- 59	002-440013-1	.	.	.	.	.	.	.	FRAME,BULKHEAD/STA 207/	1	1
- 60	002-440019-3	.	.	.	.	.	.	.	FRAME,BULKHEAD	1	1
- 61	002-440012-31	.	.	.	.	.	.	.	SKIN,LOWER/STA 151 TO 272/	1	1
- 62	002-440012-35	.	.	.	.	.	.	.	SKIN,UPPER FWD/STA 179 TO 207/	1	1
- 63	002-440012-15	.	.	.	.	.	.	.	SKIN,UPPER AFT/STA 207 TO 272/	1	1



BEECHCRAFT  
BONANZA 33  
ILLUSTRATED PARTS CATALOG

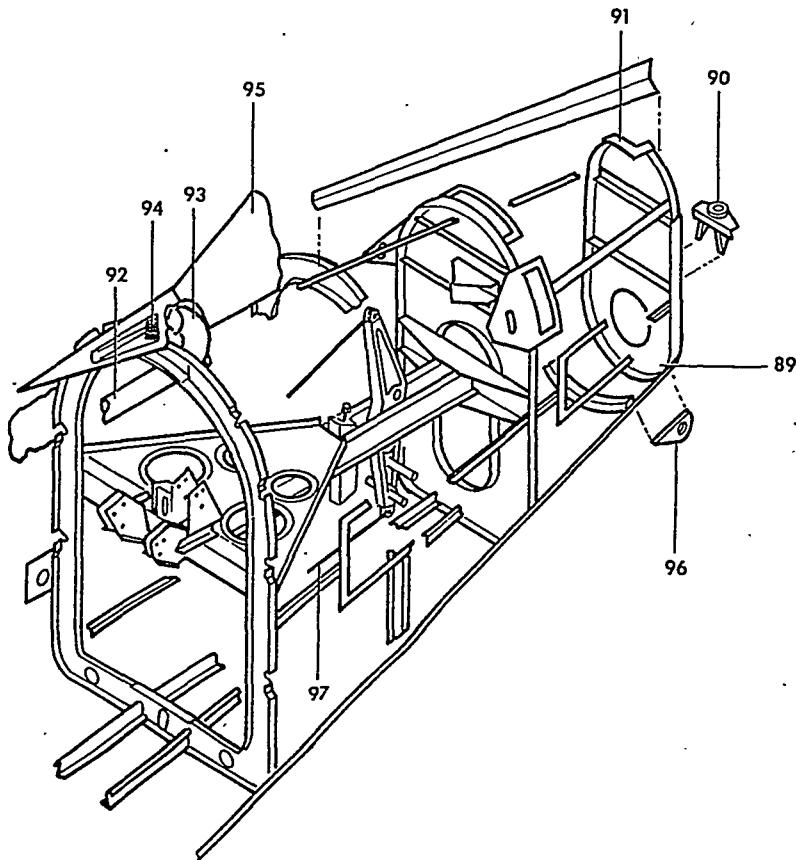


33-1038-19

B E E C H C R A F T  
B O N A N Z A 3 3  
I L L U S T R A T E D P A R T S C A T A L O G

FIG. & ITEM NO.	PART NO.	DESCRIPTION	1 2 3 4 5 6 7							UNITS PER ASSY	USABLE ON CODE
			1	2	3	4	5	6	7		
103B	002-440000-33	• ANGLE/STA 151/								1	1
- 64	35-410461-19	• FRAME,BULKHEAD LOWER/STA 151/								1	1
- 65	35-410461-29	• CHANNEL,LH.								1	1
	35-410461-30	• CHANNEL,RH.								1	1
- 66	35-410461-21	• CHANNEL								1	1
- 67	33-410046-5	• ANGLE,LOWER								1	1
- 68	33-410046-7	• ANGLE,LOWER								1	1
	33-410046-9	• ANGLE,RH.								1	1
- 69	95-420011-147	• ANGLE,FWD/STA 151/								1	1
- 70	35-410015	• BRACKET,LH PULLEY/STA 151/								1	1
	35-410015-1	• BRACKET,RH PULLEY/STA 151/								1	1
- 71	002-440000-33	• ANGLE/STA 151/								1	1
- 72	002-440000-47	• REINFORCEMENT,RH/STA 151/								1	1
	35-554035-27	• DUCT INST,AFT CABIN AIR EXHAUST								1	1
- 73	35-554035-37	• SCOOP ASSY,CABIN AIR EXHAUST								1	1
	35-554035-33	• RETAINER								1	1
	35-554035-35	• SCREEN								1	1
	115167DXX120846	• DUCT								1	1
	AN737TH107	• CLAMP								2	1
- 74	002-440000-81	• DOUBLER								1	1
- 75	95-554043-1	• DUCT,AIR INTAKE DISTRIBUTION								1	1
		/ATTACHING PARTS/									
	AN737RM107	• CLAMP								2	
		*-----*									
	AN743-13	• ANGLE								1	1
	AN742-4	• CLAMP								1	1
	AN515-8R6	• SCREW								1	1
	AN960-8	• WASHER								1	1
	AN960-10	• WASHER								2	1
	MS20365-832	• NUT								1	1
	MS20365-1032	• NUT								1	1
	002-550011-1	• PIN								1	1
	102933S4ZJ0093	• SPACER								1	1
	MS35489-33	• GROMMET								1	1
- 76	002-440000-99	• VALVE ASSY,AIR INTAKE								1	1
	95-554043-5	• TUBE								1	1
	95-554043-25	• WELD ASSY,SHAFT								1	1
	95-554043-19	• SEAL								2	1
	95-554043-21	• PLATE								1	1
	AN515-440	• SCREW								3	1
	AN960-4L	• WASHER								3	1
	MS20365-440	• NUT								3	1
- 77	002-440000-91	• STRINGER								1	1
- 78	002-440000-83	• STRINGER								1	1
- 79	002-440000-85	• STRINGER								1	1
- 80	002-440000-87	• STRINGER								1	1
- 81	002-440000-89	• STRINGER								1	1
- 82	002-440000-63	• FILLET,LH								1	1
	002-440000-64	• FILLET,RH								1	1
- 83	002-440000-31	• REINFORCEMENT/STA 179/								1	1
- 84	002-440000-23	• BRACKET ASSY,ELT XMTR MOUNTING/STA 233.50/								1	1
- 85	002-440014-3	• FRAME,LOWER/STA 233.50/								1	1
	002-440023-7	• BULKHEAD ASSY/STA 257.60/								1	1
- 86	002-440023-17	• WEB,BULKHEAD								1	1
	002-440023-43	• BRACKET ASSY,PULLEY								1	1
	002-440023-45	• CHANNEL,UPPER								1	1
	002-440023-59	• CHANNEL,LOWER								1	1
	002-440036-5	• BUSHING								16	1
	002-440036-9	• BUSHING								6	1
	002-440023-61	• STRIP,RUB								2	1
- 87	002-440000-35	• DOUBLER/STA 257.60/								1	1
- 88	002-440000-53	• BRACKET,SUPPORT								1	1

BEECHCRAFT  
BONANZA 33  
ILLUSTRATED PARTS CATALOG

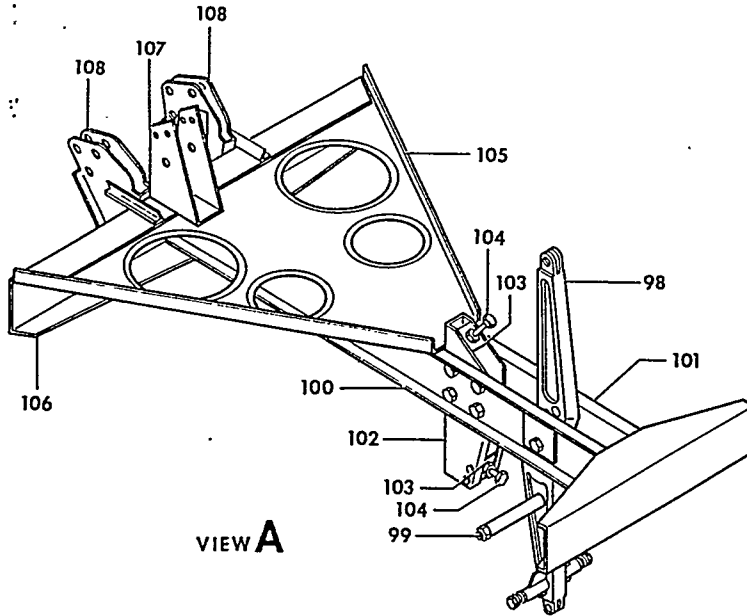


33-1038-20

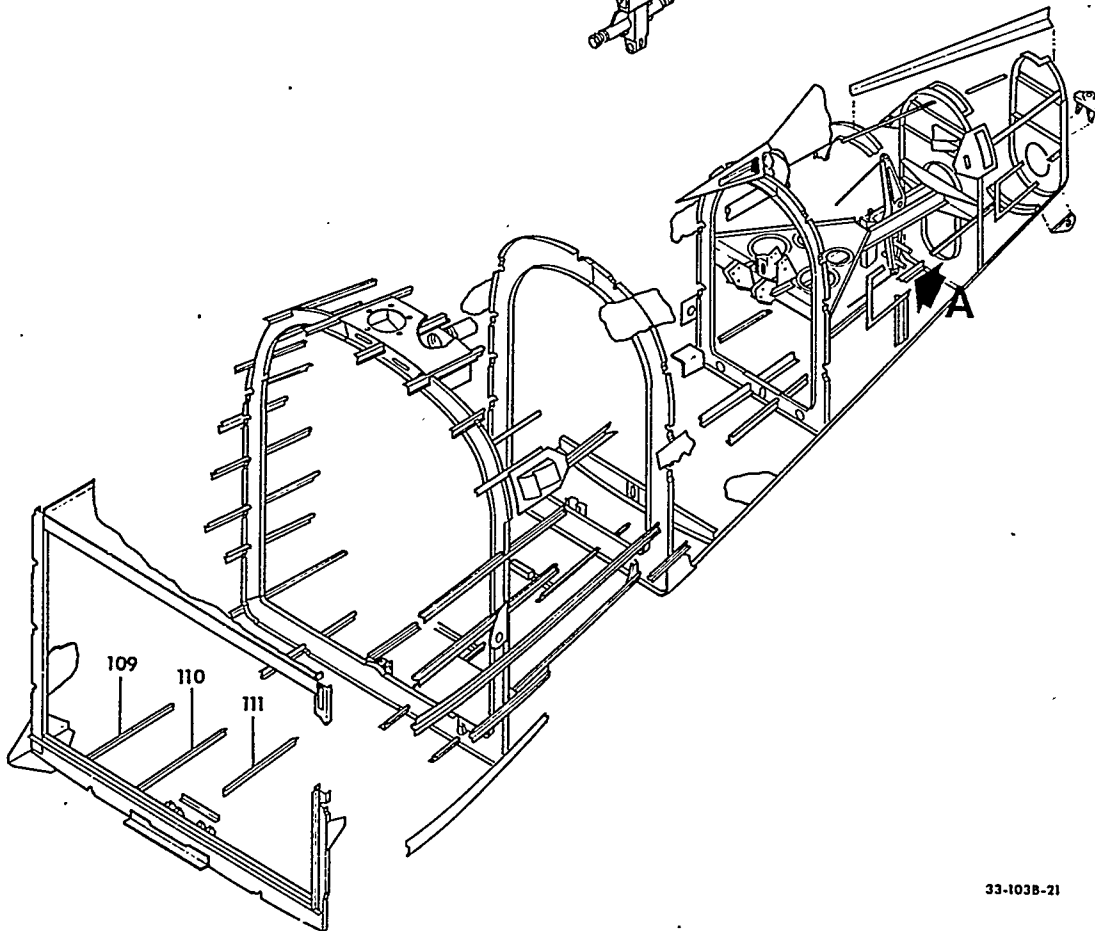
BEECHCRAFT  
BONANZA 33  
ILLUSTRATED PARTS CATALOG

FIG. & ITEM NO.	PART NO.	DESCRIPTION	UNITS PER ASSY	USABLE ON CODE
		1 2 3 4 5 6 7		
103B	002-440024-5	• FRAME ASSY,BULKHEAD/STA 272/	1	7
	002-440024-59	• FRAME ASSY,BULKHEAD/STA 272/	1	8
- 89	002-440024-29	• WEB,BULKHEAD.	1	7
	002-440024-61	• WEB,BULKHEAD.	1	8
	002-440024-31	• DOUBLER	1	1
	002-440024-33	• DOUBLER	1	7
	002-440024-63	• DOUBLER	1	8
	002-440036-7	• BUSHING	10	1
	NAS428-3-11	• BOLT.	2	7
	NAS428-3-14	• BOLT.	2	8
	AN315-3R	• NUT	2	1
	MS21069L3	• NUTPLATE.	2	1
- 90	002-440024-43	• BRACKET ASSY,RUDDER HINGE	1	1
	002-440024-45	• BRACKET,LOWER	1	1
	002-440024-47	• BRACKET,UPPER	1	1
	002-440024-49	• BOSS.	1	1
- 91	33-410031-275	• DOUBLER	1	1
- 92	111716AZ6XX102	• DUCT/AIR INTAKE/	1	1
- 93	002-440030-15	• ELBOW,ADAPTER/AIR INTAKE/	1	1
	002-440027-23	• ANGLE,RH/STA 151/	1	1
- 94	002-440030-13	• DUCT ASSY AIR INTAKE/DORSAL FIN FAIRING/	1	1
- 95	002-440030-3	• SADDLE,DORSAL FIN	1	1
	002-440030-5	• DOUBLER,DORSAL FIN.	1	1
	002-440030-9	• ANGLE,LH.	1	1
	002-440030-10	• ANGLE,RH.	1	1
	002-440000-95	• DOUBLER ASSY,ELT ANTENNA/STA 195/	1	4
	1060435-ZD300	• TUBE DRAIN/AIR INTAKE/ /ATTACHING PARTS/	1	1
	A8	• CLAMP	1	
	MS35490-9	• GROMMET	1	1
	49296	• CLAMP	2	1
	49245	• CLAMP	2	1
	002-440000-93	• SHIM/STA 257.60/	1	1
- 96	002-440037-1	• LUG,TIE DOWN.	1	1
- 97	NAS304-35-0564	• CABLE ASSY. /ATTACHING PARTS/	2	1
	AN23-14	• BOLT.	1	
	AN960-10L	• WASHER.	1	
	130909N45	• NUT	1	
	MS24665-132	• PIN,COTTER.	1	
	33-524000-41	• LINK. /ATTACHING PARTS/	2	1
	130909B17	• BOLT.	1	
	105739X-ZM0250	• BUSHING	1	
	AN960-10	• WASHER.	1	
	MS20365-1032	• NUT	1	

BEECHCRAFT  
BONANZA 33  
ILLUSTRATED PARTS CATALOG



VIEW A



33-103B-21

B E E C H C R A F T  
B O N A N Z A 3 3  
I L L U S T R A T E D P A R T S C A T A L O G

FIG. & ITEM NO.	PART NO.	DESCRIPTION							UNITS PER ASSY	USABLE ON CODE
		1	2	3	4	5	6	7		
103B	33-440031-3	•	•	•	•	•	•	•	NP	1
	002-524024-33	•	•	•	•	•	•	•	1	1
		/ATTACHING PARTS/								
	130909B124	•	•	•	•	•	•	•	1	
	AN960-416	•	•	•	•	•	•	•	3	
	130909N48	•	•	•	•	•	•	•	1	
	MS24665-132	•	•	•	•	•	•	•	1	
		*								
	002-524024-35	•	•	•	•	•	•	•	1	1
- 98	002-524024-37	•	•	•	•	•	•	•	1	1
	105740X-XC0968	•	•	•	•	•	•	•	1	1
	MS27641-4	•	•	•	•	•	•	•	2	1
	NAS43HT4-32	•	•	•	•	•	•	•	1	
- 99	002-524024-13	•	•	•	•	•	•	•	1	1
	AN960-416L	•	•	•	•	•	•	•	2	1
	MS21044N4	•	•	•	•	•	•	•	2	1
	002-524024-15	•	•	•	•	•	•	•	2	1
	130909B31	•	•	•	•	•	•	•	2	1
	100951X050ZM	•	•	•	•	•	•	•	4	1
	MS20201KP3A	•	•	•	•	•	•	•	2	1
-100	36-440012-1	•	•	•	•	•	•	•	1	1
-101	36-440012-2	•	•	•	•	•	•	•	1	1
-102	002-440025-7	•	•	•	•	•	•	•	1	1
	130909B12	•	•	•	•	•	•	•	8	1
	AN960-10	•	•	•	•	•	•	•	8	1
	MS20365-1032	•	•	•	•	•	•	•	1	1
-103	002-410031-5	•	•	•	•	•	•	•	2	1
		/ATTACHING PARTS/								
	AN525-832R24	•	•	•	•	•	•	•	2	
	AN960-8	•	•	•	•	•	•	•	2	1
	MS20365-832	•	•	•	•	•	•	•	2	1
		*								
-104	NAS428H4-14	•	•	•	•	•	•	•	2	1
	AN316-4R	•	•	•	•	•	•	•	2	1
	002-440025-9	•	•	•	•	•	•	•	2	1
-105	33-440032	•	•	•	•	•	•	•	1	1
-106	33-440023	•	•	•	•	•	•	•	1	1
-107	33-440038	•	•	•	•	•	•	•	1	1
-108	33-440036	•	•	•	•	•	•	•	2	1
	33-440037-1	•	•	•	•	•	•	•	1	1
	33-440037-2	•	•	•	•	•	•	•	1	1
-109	35-400471-27	•	•	•	•	•	•	•	1	1
-110	35-400471-23	•	•	•	•	•	•	•	2	1
-111	35-400471-21	•	•	•	•	•	•	•	2	1
	33-410031-41	•	•	•	•	•	•	•	1	1
	33-410031-117	•	•	•	•	•	•	•	1	1

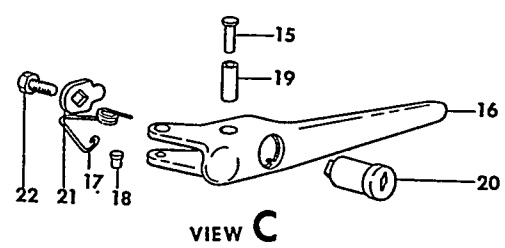
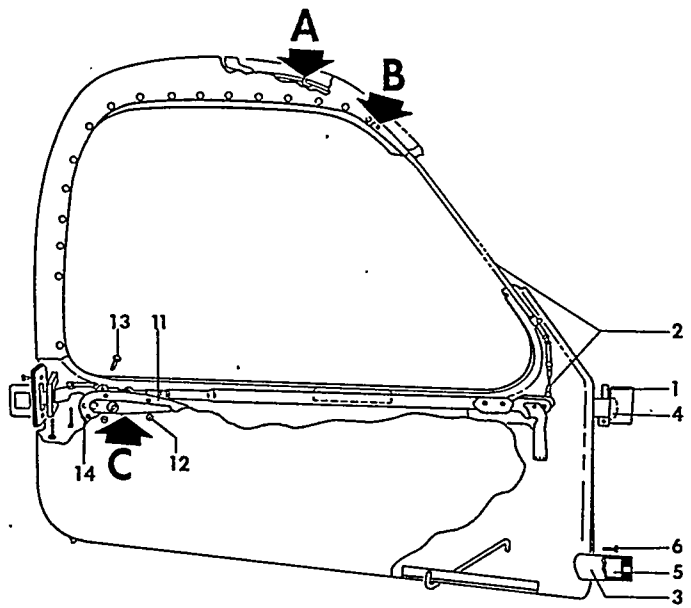
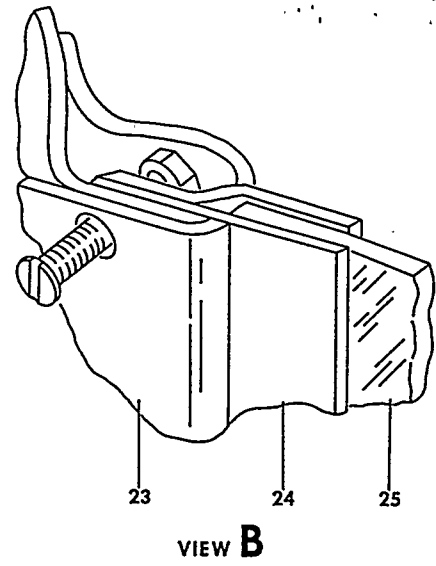
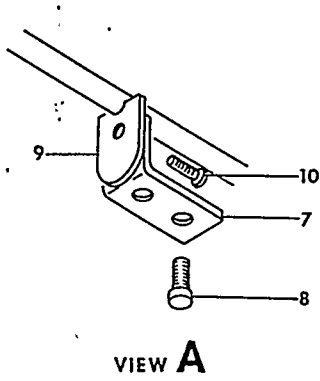
C O D E S O F E F F E C T I V I T Y

1	CJ-52 AND AFTER	2	CJ-52 THRU CJ-128
3	CJ-129 AND AFTER	4	CJ-94 AND AFTER
5	CJ-52 THRU CJ-148	6	CJ-149 AND AFTER
7	CJ-52 THRU CJ-155	8	CJ-156 AND AFTER

BEECHCRAFT  
BONANZA 33  
ILLUSTRATED PARTS CATALOG

FIGURE 104  
CABIN DOOR  
CD-1235 THRU CD-1304, CE-290 THRU CE-315

BEECHCRAFT  
 BONANZA 33  
 ILLUSTRATED PARTS CATALOG



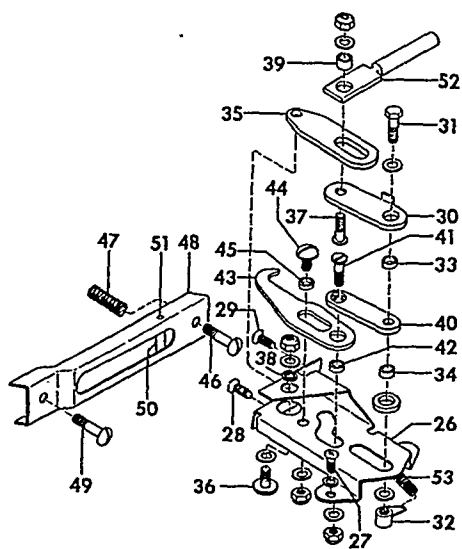
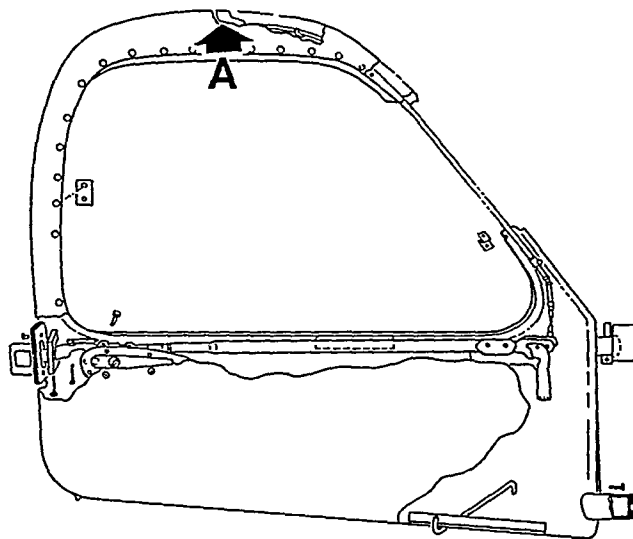
33-104-20



B E E C H C R A F T  
B O N A N Z A 3 3  
I L L U S T R A T E D P A R T S C A T A L O G

FIG. & ITEM NO.	PART NO.	DESCRIPTION	UNITS PER ASSY	USABLE ON CODE
		1 2 3 4 5 6 7		
104	33-400300-3	DOOR INSTL,CABIN . . . . .	NP	1
	35-400300-613	. DOOR ASSY,CABIN /STANDARD/. . . . .	1	1
	35-400300-615	. DOOR ASSY,CABIN /SUPER SOUNDPROOFING/ /ATTACHING PARTS/ . . . . .	1	1
- 1	AN393-63	. PIN . . . . .	2	
		-----*		
- 2	35-400010-83	. . . FRAME ASSY,CABIN DOOR . . . . .	1	1
	HE636	. . . CABLE ASSY,CABIN DOOR . . . . .	1	1
- 3	35-400010-30	. . . TAB,DOOR HINGE COVER . . . . .	2	1
- 4	35-400018-12	. . . HINGE ASSY,CABIN DOOR UPPER . . . . .	1	1
- 5	35-400008-12	. . . HINGE ASSY,CABIN DOOR LOWER . . . . . /ATTACHING PARTS/	1	1
- 6	AN3-5A/M/ AN960-10 22A41-02	. . . BOLT . . . . . . . . WASHER . . . . . . . . NUT . . . . .	2 2 2	
		-----*		
- 7	35-400010-36	. . . BRACKET,CABIN DOOR CABLE ASSY . . . . . /ATTACHING PARTS/	1	1
- 8	AN507-632R6 AN960-6 MS20365-632	. . . SCREW . . . . . . . . WASHER . . . . . . . . NUT . . . . .	2 2 2	
		-----*		
- 9	35-400010-34	. . . SWIVEL,CABIN DOOR CABLE ASSY. . . . . /ATTACHING PARTS/	1	1
- 10	AN520-10R8 AN960-10 MS20365-1032	. . . SCREW . . . . . . . . WASHER . . . . . . . . NUT . . . . .	1 1 1	
		-----*		
- 11	R 35-400032-9	. . . SUPPORT ASSY,CABIN DOOR OUTSIDE HANDLE. . /SUPERSEDES 35-400032-5/ /ATTACHING PARTS/	1	1
- 12	AN507-440R4	. . . SCREW . . . . .	6	
- 13	AN507-832R8	. . . SCREW . . . . .	2	
		-----*		
- 14	35-400404-1 35-400014-619	. . . SEAL,SUPPORT. . . . . . . . HANDLE ASSY,CABIN DOOR OUTSIDE. . . . . /ATTACHING PARTS/	1 1	1 1
- 15	MS20392-37	. . . PIN . . . . .	1	
		-----*		
- 16	35-400013-1	. . . HANDLE,CABIN DOOR OUTSIDE . . . . .	1	1
- 17	35-400031-1	. . . SPRING,CABIN DOOR OUTSIDE . . . . .	1	1
- 18	35-400033	. . . STUD,CABIN DOOR HANDLE OUTSIDE. . . . .	2	1
- 19	101321-00A0750	. . . BUSHING . . . . .	1	1
- 20	F6500AX2	. . . PLUG,LOCK . . . . .	1	1
- 21	35-400044-1	. . . CAM,CABIN DOOR HANDLE . . . . .	1	1
- 22	35-420015	. . . SCREW . . . . .	1	1
	35-400320-32	. . . SASH ASSY,CABIN DOOR /BONDED/ . . . . .	1	1
- 23	35-400320-6	. . . FRAME,CABIN DOOR WINDOW . . . . .	NP	1
- 24	35-400320-8	. . . RETAINER,CABIN DOOR WINDOW. . . . .	NP	1
- 25	35-400320-34	. . . GLASS,CABIN DOOR WINDOW . . . . .	NP	1

BEECHCRAFT  
BONANZA 33  
ILLUSTRATED PARTS CATALOG



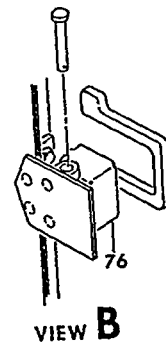
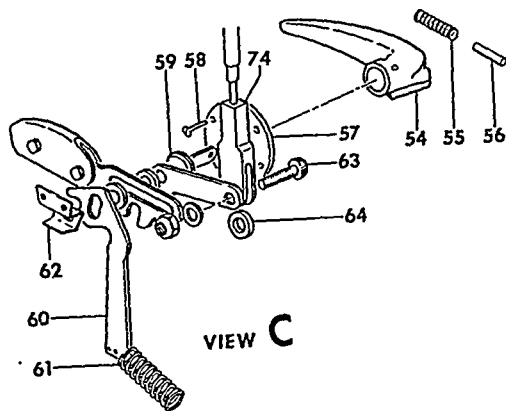
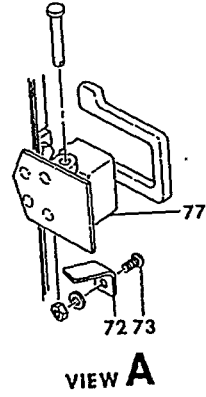
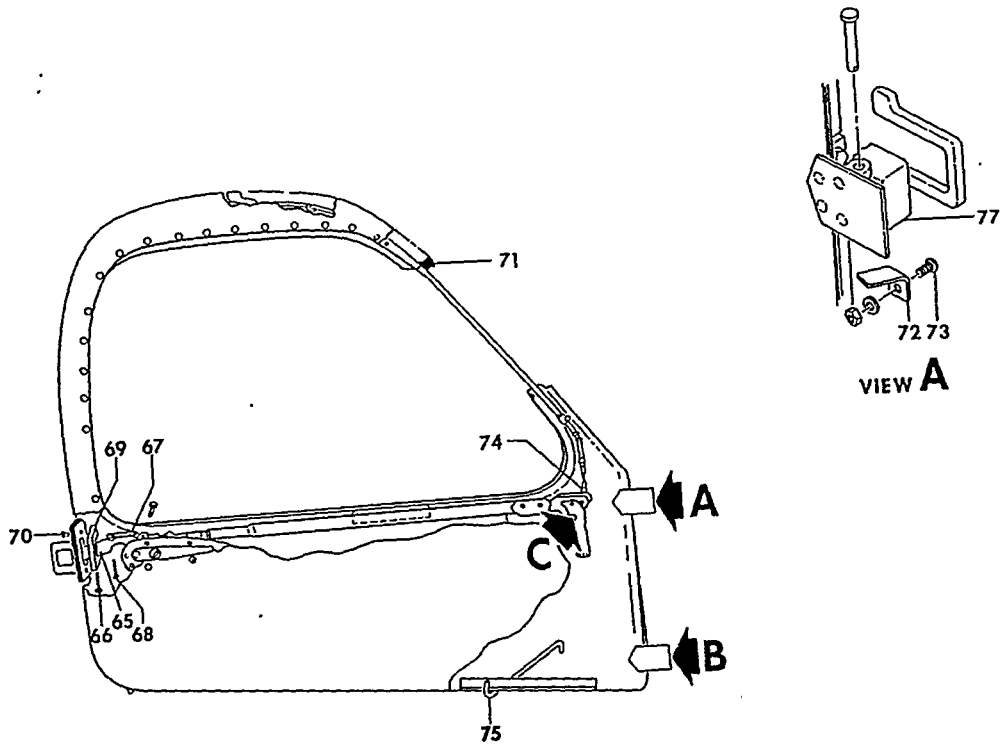
VIEW A

33-104-5

B E E C H C R A F T  
B O N A N Z A 3 3  
I L L U S T R A T E D P A R T S C A T A L O G

FIG. & ITEM NO.	PART NO.	1	2	3	4	5	6	7	DESCRIPTION	UNITS PER ASSY	USABLE ON CODE
104	35-410456	.	.	.	.	.	.	.	LATCH INSTL,CABIN DOOR UPPER. . . . .	NP	1
	35-410456-601	.	.	.	.	.	.	.	LATCH ASSY,CABIN DOOR UPPER . . . . .	1	1
	35-410456-1	.	.	.	.	.	.	.	BRACKET ASSY,CABIN DOOR UPPER . . . . .	1	1
- 26	35-410456-3	.	.	.	.	.	.	.	BRACKET,CABIN DOOR UPPER. . . . .	1	1
	/ATTACHING PARTS/										
- 27	AN525-832R6	.	.	.	.	.	.	.	SCREW . . . . .	2	
- 28	AN507-832-6	.	.	.	.	.	.	.	SCREW . . . . .	1	
- 29	AN507-632	.	.	.	.	.	.	.	SCREW . . . . .	1	
	AN960-8L	.	.	.	.	.	.	.	WASHER. . . . .	2	
	MS20365-832	.	.	.	.	.	.	.	NUT . . . . .	2	
	-----*										
- 30	35-410456-31	.	.	.	.	.	.	.	LINK,CABIN DOOR UPPER LATCH . . . . .	1	1
	/ATTACHING PARTS/										
- 31	AN3-6A/M/	.	.	.	.	.	.	.	BOLT. . . . .	1	
	100951X100YP	.	.	.	.	.	.	.	WASHER. . . . .	1	
	AN960-10	.	.	.	.	.	.	.	WASHER. . . . .	2	
- 32	35-410456-21	.	.	.	.	.	.	.	NUT,CABIN DOOR UPPER LATCH LINK . . . . .	1	
	-----*										
- 33	105739X-ZR0110	.	.	.	.	.	.	.	BUSHING,BEARING . . . . .	1	1
- 34	105739X-ZR0187	.	.	.	.	.	.	.	BUSHING,BEARING . . . . .	1	1
- 35	35-410456-11	.	.	.	.	.	.	.	LINK,CABIN DOOR UPPER LATCH . . . . .	1	1
	/ATTACHING PARTS/										
- 36	AN525-10R7	.	.	.	.	.	.	.	SCREW . . . . .	1	
- 37	35-410456-17	.	.	.	.	.	.	.	STUD,CABIN DOOR UPPER LATCH LINK. . . . .	1	
	AN960-10L	.	.	.	.	.	.	.	WASHER. . . . .	2	
	AN960-10	.	.	.	.	.	.	.	WASHER. . . . .	1	
	MS20364-1032	.	.	.	.	.	.	.	NUT . . . . .	2	
	-----*										
- 38	105739X-ZR0070	.	.	.	.	.	.	.	BUSHING,BEARING . . . . .	1	1
- 39	105739X-ZR0220	.	.	.	.	.	.	.	BUSHING,BEARING . . . . .	1	1
- 40	35-410456-7	.	.	.	.	.	.	.	LINK,CABIN DOOR UPPER LATCH . . . . .	1	1
	/ATTACHING PARTS/										
- 41	35-410456-17	.	.	.	.	.	.	.	STUD,CABIN DOOR UPPER LATCH LINK. . . . .	1	
	AN960-10	.	.	.	.	.	.	.	WASHER. . . . .	1	
	MS20364-1032	.	.	.	.	.	.	.	NUT . . . . .	1	
	-----*										
- 42	105739X-ZR0168	.	.	.	.	.	.	.	BUSHING,BEARING . . . . .	1	1
- 43	35-410456-5	.	.	.	.	.	.	.	LATCH,CABIN DOOR UPPER. . . . .	1	1
	/ATTACHING PARTS/										
- 44	AN525-10R9	.	.	.	.	.	.	.	SCREW . . . . .	1	
	AN960-10	.	.	.	.	.	.	.	WASHER. . . . .	1	
	MS20364-1032	.	.	.	.	.	.	.	NUT . . . . .	1	
	-----*										
- 45	105739X-ZR0102	.	.	.	.	.	.	.	BUSHING,BEARING . . . . .	1	1
	35-410456-33	.	.	.	.	.	.	.	SUPPORT ASSY. . . . .	1	1
	/ATTACHING PARTS/										
- 46	MS24694S58	.	.	.	.	.	.	.	SCREW . . . . .	2	
- 47	100943CR-ZX020F	.	.	.	.	.	.	.	SPRING,COMPRESSION. . . . .	1	
	AN960-10	.	.	.	.	.	.	.	WASHER. . . . .	1	
	NAS697A3	.	.	.	.	.	.	.	NUTPLATE. . . . .	1	
	-----*										
- 48	35-410456-27	.	.	.	.	.	.	.	CHANNEL,CABIN DOOR UPPER LATCH. . . . .	1	1
- 49	AN525-10	.	.	.	.	.	.	.	SCREW . . . . .	1	1
- 50	35-410456-29	.	.	.	.	.	.	.	BUSHING,CABIN DOOR UPPER LATCH. . . . .	1	1
- 51	102809-125-029	.	.	.	.	.	.	.	PIN,CABIN DOOR UPPER LATCH. . . . .	1	1
- 52	35-410456-13	.	.	.	.	.	.	.	TERMINAL,CABIN DOOR UPPER LATCH . . . . .	1	1
- 53	100942H0022-22	.	.	.	.	.	.	.	SPRING,TENSION. . . . .	1	1

BEECHCRAFT  
 BONANZA 33  
 ILLUSTRATED PARTS CATALOG

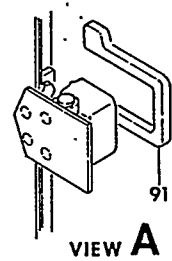
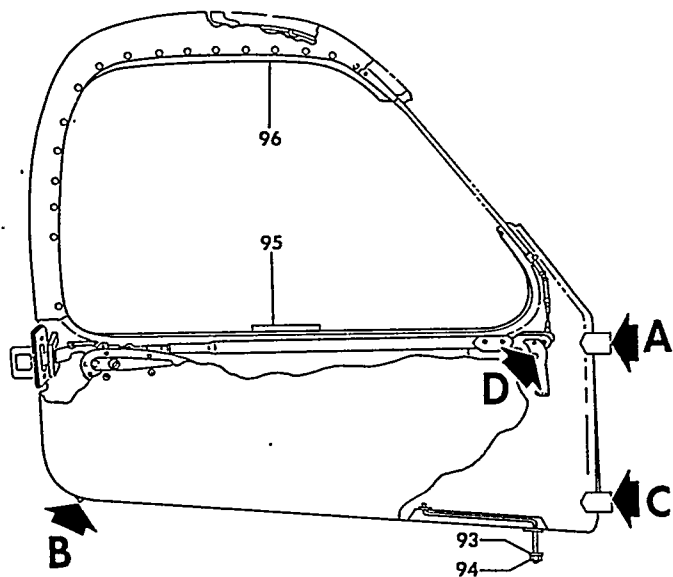


33-104-6

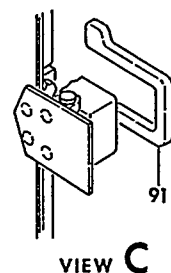
B E E C H C R A F T  
B O N A N Z A 3 3  
I L L U S T R A T E D P A R T S C A T A L O G

FIG. & ITEM NO.	PART NO.	DESCRIPTION							UNITS PER ASSY	USABLE ON CODE
		1	2	3	4	5	6	7		
104 - 54	95-380010	. .	. .	. .	. .	. .	. .	. .	1	1
- 55	35-400434	. .	. .	. .	. .	. .	. .	. .	1	1
- 56	102809A187-024	. .	. .	. .	. .	. .	. .	. .	1	1
- 57	35-400395	. .	. .	. .	. .	. .	. .	. .	1	1
- 58	AN507-632R8	. .	. .	. .	. .	. .	. .	. .	3	
		-----*								
- 59	35-400464-8	. .	. .	. .	. .	. .	. .	. .	1	1
- 60	35-400462	. .	. .	. .	. .	. .	. .	. .	1	1
- 61	100942L0023-17	. .	. .	. .	. .	. .	. .	. .	1	1
- 62	35-400036	. .	. .	. .	. .	. .	. .	. .	1	1
- 63	35-550520	. .	. .	. .	. .	. .	. .	. .	2	1
		/ATTACHING PARTS/								
- 64	102933S4ZJ0093	. .	. .	. .	. .	. .	. .	. .	1	
	AN960-10	. .	. .	. .	. .	. .	. .	. .	1	
	MS20365-1032	. .	. .	. .	. .	. .	. .	. .	1	
		-----*								
- 65	35-400417-1	. .	. .	. .	. .	. .	. .	. .	1	1
		/ATTACHING PARTS/								
- 66	AN393-69	. .	. .	. .	. .	. .	. .	. .	1	
		-----*								
- 67	35-400041	. .	. .	. .	. .	. .	. .	. .	2	1
		/ATTACHING PARTS/								
- 68	AN392-13	. .	. .	. .	. .	. .	. .	. .	1	
	MS24665-132	. .	. .	. .	. .	. .	. .	. .	1	
	AN960-6	. .	. .	. .	. .	. .	. .	. .	1	
	5171	. .	. .	. .	. .	. .	. .	. .	AR	
		-----*								
- 69	35-400414	. .	. .	. .	. .	. .	. .	. .	1	1
		/ATTACHING PARTS/								
- 70	AN526-832-8	. .	. .	. .	. .	. .	. .	. .	2	
		-----*								
- 71	115155 X 10 FT	. .	. .	. .	. .	. .	. .	. .	1	1
- 72	35-400320-56	. .	. .	. .	. .	. .	. .	. .	1	1
	35-400380	. .	. .	. .	. .	. .	. .	. .	1	1
		/ATTACHING PARTS/								
- 73	AN515-6-6	. .	. .	. .	. .	. .	. .	. .	1	
	AN960-6-6	. .	. .	. .	. .	. .	. .	. .	1	
	MS20365-632	. .	. .	. .	. .	. .	. .	. .	1	
		-----*								
- 74	AN665-21R	. .	. .	. .	. .	. .	. .	. .	1	1
- 75	35-400379	. .	. .	. .	. .	. .	. .	. .	1	1
- 76	35-410435	. .	. .	. .	. .	. .	. .	. .	1	1
- 77	35-410436	. .	. .	. .	. .	. .	. .	. .	1	1

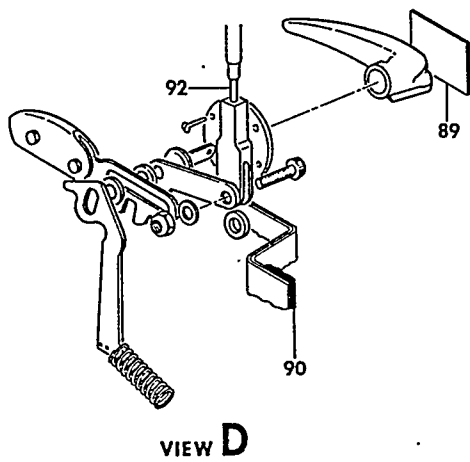
BEECHCRAFT  
 BONANZA 33  
 ILLUSTRATED PARTS CATALOG



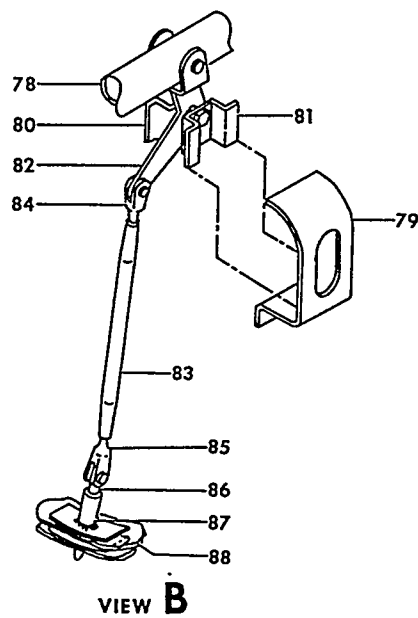
VIEW A



VIEW C



VIEW D



VIEW B

33-104-7

B E E C H C R A F T  
B O N A N Z A 3 3  
I L L U S T R A T E D P A R T S C A T A L O G

FIG. & ITEM NO.	PART NO.	DESCRIPTION	UNITS PER ASSY							USABLE ON CODE
			1	2	3	4	5	6	7	
104	96-420033-1	. . . LATCH POINT INSTL,THIRD . . . . .							NP	1
- 78	96-420033-29	. . . TUBE ASSY . . . . . /ATTACHING PARTS/							1	1
	MS20392-2C33	. . . PIN,CLEVIS. . . . .							1	
	AN960-416L	. . . WASHER. . . . .							2	
	MS24665-132	. . . PIN,COTTER. . . . .							1	
		-----*-----								
- 79	96-420033-27	. . . BRACKET . . . . .							1	1
- 80	96-420033-25	. . . BRACKET ASSY. . . . .							1	1
- 81	96-420033-23	. . . BRACKET . . . . .							1	1
- 82	96-420033-15	. . . BELLCRANK ASSY. . . . . /ATTACHING PARTS/							1	1
	AN174-10A	. . . BOLT. . . . .							1	
		-----*-----								
- 83	96-420033-11	. . . TUBE. . . . .							1	1
- 84	MS21252-3RS	. . . CLEVIS,UPPER. . . . .							1	1
- 85	MS21252-3LS	. . . CLEVIS,LOWER. . . . . /ATTACHING PARTS/							1	1
	MS20392-2C11	. . . PIN,CLEVIS. . . . .							1	
	AN960-10L	. . . WASHER /LOWER CLEVIS ONLY/. . . . .							1	
		-----*-----								
- 86	96-420033-13	. . . PIN,LATCH . . . . .							1	1
- 87	96-420033-5	. . . GUIDE ASSY,PIN. . . . . /ATTACHING PARTS/							1	1
	AN507-1032R8	. . . SCREW . . . . .							2	
	MS20365-1032	. . . NUT . . . . .							2	
		-----*-----								
- 88	96-420033-3	. . . PLATE INSTL,STRIKER . . . . .							NP	1
	002-430000-73	. . . PLATE,STRIKER/SPARES FOR 96-420033-33/. . . /ATTACHING PARTS/							1	1
	AN507-832R8	. . . SCREW . . . . .							2	
	AN936CB	. . . WASHER,LOCKING. . . . .							2	
	NAS1330S08K106	. . . NUTPLATE. . . . .							2	
		-----*-----								
- 89	35-400474	. . . PLACARD,CABIN DOOR LOCKING PROCEDURE. . . . . /ATTACHING PARTS/							1	1
	AN530-4R	. . . SCREW . . . . .							2	
		-----*-----								
- 90	35-400320-50	. . . SEAL,CABIN DOOR FWD EDGE. . . . .							1	1
- 91	35-400405	. . . SEAL,CABIN DOOR HINGE . . . . .							2	1
- 92	105774M-ZB04200	. . . PIN . . . . .							1	1
- 93	NW25-6875	. . . WASHER,NYLON. . . . .							2	1
- 94	MS20365-428	. . . NUT . . . . .							1	1
- 95	455-28	. . . HANDLE. . . . . /ATTACHING PARTS/							1	1
	AN507-832R	. . . SCREW . . . . .							2	
		-----*-----								
- 96	35-400320-66	. . . MOULDING,CABIN DOOR WINDOW. . . . .							1	1

C O D E S O F E F F E C T I V I T Y

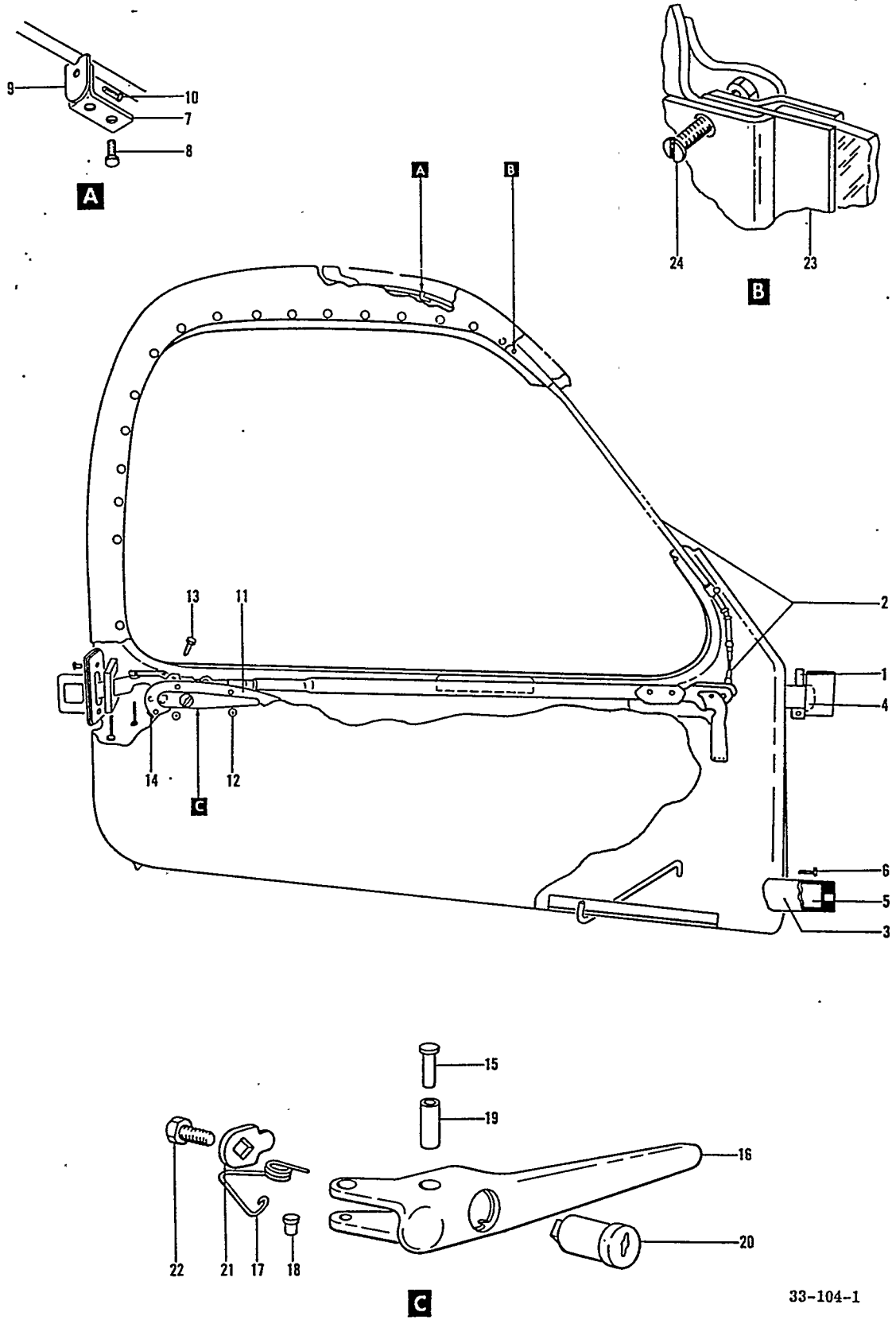
1 CD-1235 THRU CD-1304  
CE-290 THRU CE-315

B E E C H C R A F T  
B O N A N Z A 3 3  
I L L U S T R A T E D P A R T S C A T A L O G

FIGURE 104A  
CABIN DOOR  
CE-316 THRU CE-464, CJ-26 AND AFTER



BEECHCRAFT  
 BONANZA 33  
 ILLUSTRATED PARTS CATALOG

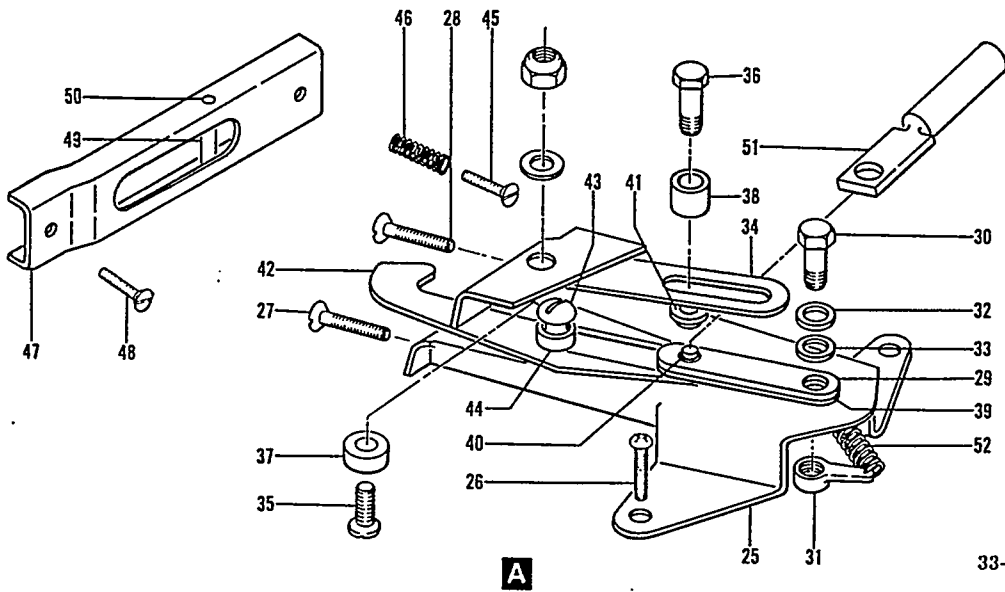
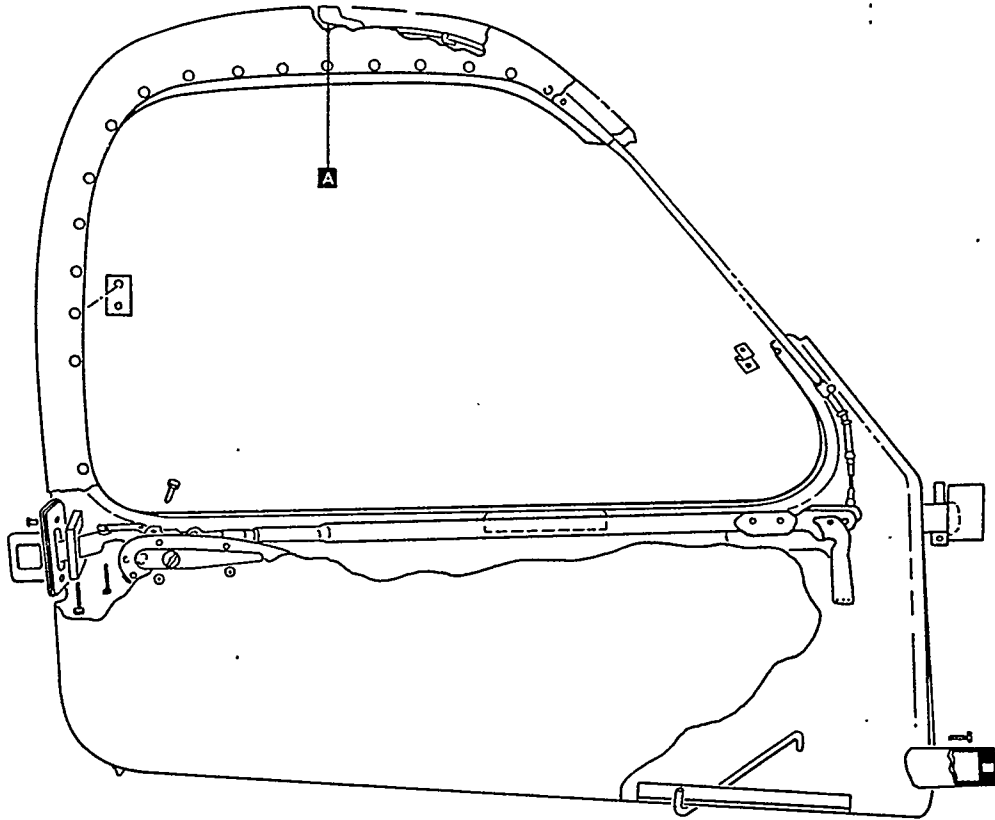


33-104-1

B E E C H C R A F T  
B O N A N Z A 3 3  
I L L U S T R A T E D P A R T S C A T A L O G

FIG. & ITEM NO.	PART NO.	DESCRIPTION	UNITS	USABLE
			PER ASSY	ON CODE
104A	35-400320-79	DOOR INSTL,CABIN. . . . .	NP	2
	33-400300-7	DOOR INSTL,CABIN. . . . .	NP	3
	35-400010-632	. DOOR ASSY,CABIN . . . . .	1	2
	33-400300-629	. DOOR ASSY,CABIN /QUICK RELEASE/ . . . . .	1	3
		/ATTACHING PARTS/		
- 1	AN393-63	. PIN . . . . .	2	
	33-420020-1	. PIN . . . . .	2	
		-----*		
	35-400010-67	. . . FRAME ASSY,CABIN DOOR . . . . .	1	2
	35-400010-95	. . . FRAME ASSY,CABIN DOOR . . . . .	1	3
- 2	HE636	. . . TUBE & CABLE ASSY . . . . .	1	1
- 3	35-400010-79	. . . TAB,UPPER DOOR HINGE. . . . .	1	2
	35-400010-81	. . . TAB,LOWER DOOR HINGE. . . . .	1	2
- 4	35-400018-18	. . . HINGE ASSY,CABIN DOOR UPPER . . . . .	1	2
- 5	35-400008-12	. . . HINGE ASSY,CABIN DOOR LOWER . . . . .	1	2
		/ATTACHING PARTS/		
- 6	130909B15	. . . BOLT. . . . .	2	
	AN960-10	. . . WASHER. . . . .	2	
	MS20365-1032	. . . NUT . . . . .	2	
		-----*		
- 7	35-400010-36	. . . BRACKET,CABIN DOOR HINGE. . . . .	1	1
		/ATTACHING PARTS/		
- 8	AN507-632R6	. . . SCREW . . . . .	2	
	AN960-6	. . . WASHER. . . . .	2	
	MS20365-632	. . . NUT . . . . .	2	
		-----*		
- 9	35-400010-34	. . . SWIVEL,CABIN DOOR HINGE . . . . .	1	1
		/ATTACHING PARTS/		
- 10	AN520-10R8	. . . SCREW . . . . .	1	
	AN960-10	. . . WASHER. . . . .	1	
	MS20365-1032	. . . NUT . . . . .	1	
		-----*		
- 11	R 35-400032-9	. . . SUPPORT ASSY,CABIN DOOR OUTSIDE HANDLE. . . . .	1	1
		/SUPERSEDES 35-400032-5/ /ATTACHING PARTS/		
- 12	AN507-440R4	. . . SCREW . . . . .	6	
- 13	AN507-832R8	. . . SCREW . . . . .	2	
		-----*		
- 14	35-400404-1	. . . SEAL,SUPPORT. . . . .	1	1
	35-400014-3	. . . HANDLE ASSY,CABIN DOOR OUTSIDE. . . . .	1	1
		/ATTACHING PARTS/		
- 15	MS20392-2-37	. . . PIN . . . . .	1	
		-----*		
- 16	35-400013-1	. . . HANDLE,CABIN DOOR OUTSIDE . . . . .	1	1
- 17	35-400031-1	. . . SPRING,CABIN DOOR OUTSIDE . . . . .	1	1
- 18	35-400033	. . . STUD,CABIN DOOR HANDLE OUTSIDE. . . . .	1	1
- 19	101321-00A0750	. . . BUSHING,SPECIAL BEARING . . . . .	1	1
- 20	F6500AX2	. . . PLUG,LOCK . . . . .	1	1
- 21	35-400044-1	. . . CAM,CABIN DOOR HANDLE . . . . .	1	1
- 22	35-420015	. . . SCREW . . . . .	1	1
- 23	35-400320-32	. . . WINDOW ASSY,CABIN DOOR. . . . .	1	1
		/ATTACHING PARTS/		
- 24	AN507-632R6	. . . SCREW . . . . .	13	
		-----*		
	35-400320-4	. . . GLASS,CABIN DOOR WINDOW . . . . .	NP	1
	35-400320-34	. . . GLASS,CABIN DOOR WINDOW TINTED /OPTIONAL/	NP	1
	35-400320-6	. . . FRAME,CABIN DOOR WINDOW. . . . .	NP	1
	35-400320-8	. . . RETAINER,CABIN DOOR WINDOW. . . . .	NP	1

BEECHCRAFT  
 BONANZA 33  
 ILLUSTRATED PARTS CATALOG

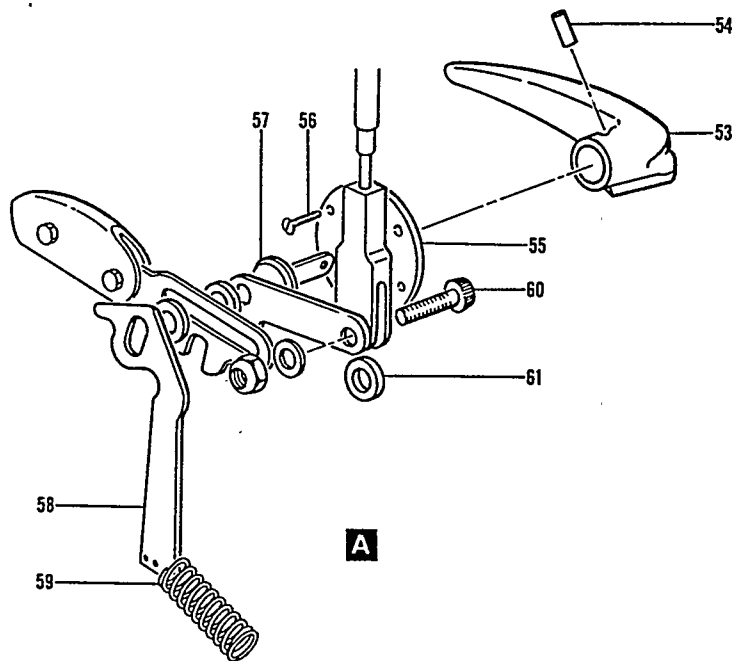
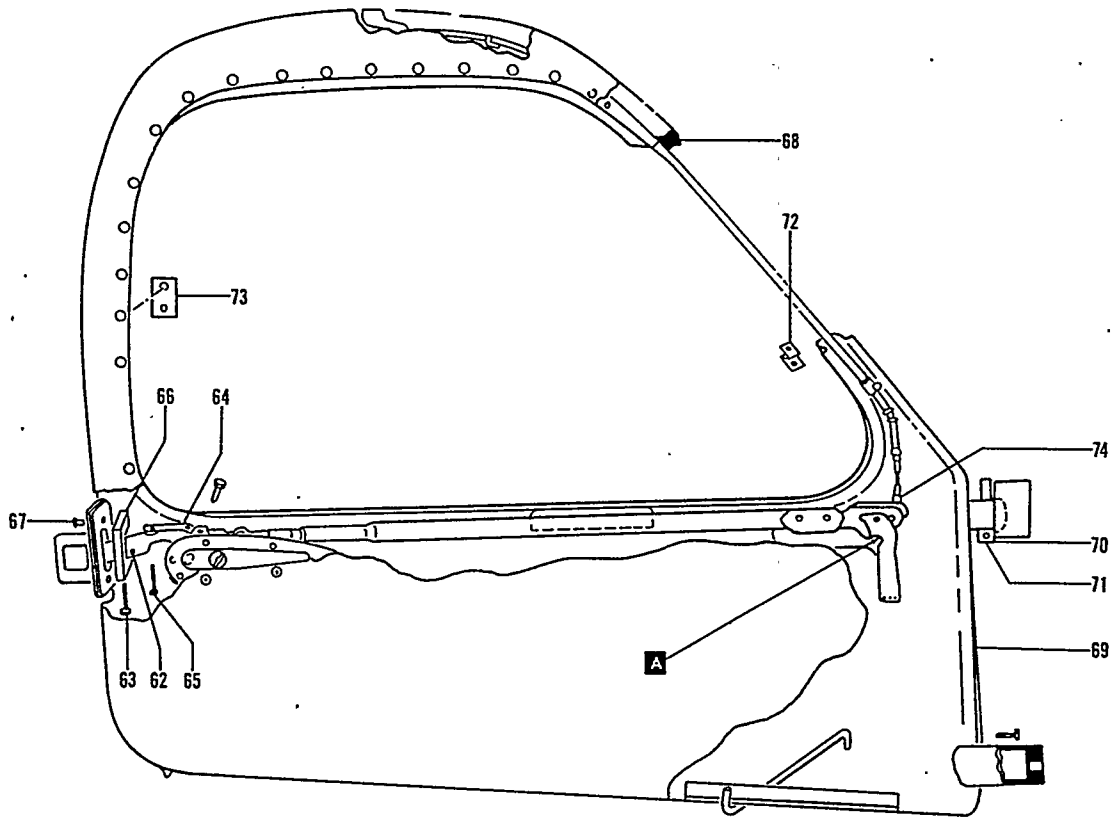


33-104-2

B E E C H C R A F T  
B O N A N Z A 3 3  
I L L U S T R A T E D P A R T S C A T A L O G

FIG. & ITEM NO.	PART NO.	DESCRIPTION						UNITS PER ASSY	USABLE ON CODE
		1	2	3	4	5	6		
104A	35-410456	.	.	.	.	.	.	NP	1
	35-410456-601	.	.	.	.	.	.	1	1
	35-410456-1	.	.	.	.	.	.	1	1
- 25	35-410456-3	.	.	.	.	.	.	1	1
		/ATTACHING PARTS/							
- 26	AN515-832R6	.	.	.	.	.	.	2	
- 27	AN507-832-6	.	.	.	.	.	.	1	
- 28	AN507-632	.	.	.	.	.	.	1	
	AN960-8L	.	.	.	.	.	.	2	
	MS20365-832	.	.	.	.	.	.	2	
		-----X-----							
- 29	35-410456-31	.	.	.	.	.	.	1	1
		/ATTACHING PARTS/							
- 30	130909B17	.	.	.	.	.	.	1	
	100951X100YF	.	.	.	.	.	.	1	
	AN960-10	.	.	.	.	.	.	2	
- 31	35-410456-21	.	.	.	.	.	.	1	
		-----X-----							
- 32	105739X-ZR0110	.	.	.	.	.	.	1	1
- 33	105739X-ZR0187	.	.	.	.	.	.	1	1
- 34	35-410456-11	.	.	.	.	.	.	1	1
		/ATTACHING PARTS/							
- 35	AN525-10R7	.	.	.	.	.	.	1	
- 36	35-410456-17	.	.	.	.	.	.	1	
	AN960-10L	.	.	.	.	.	.	2	
	AN960-10	.	.	.	.	.	.	1	
	MS20364-1032	.	.	.	.	.	.	2	
		-----X-----							
- 37	105739X-ZR0065	.	.	.	.	.	.	1	1
- 38	105739X-ZR0260	.	.	.	.	.	.	1	1
- 39	35-410456-7	.	.	.	.	.	.	1	1
		/ATTACHING PARTS/							
- 40	35-410456-17	.	.	.	.	.	.	1	
	AN960-10	.	.	.	.	.	.	1	
	MS20364-1032	.	.	.	.	.	.	1	
		-----X-----							
- 41	105739X-ZR0168	.	.	.	.	.	.	1	1
- 42	35-410456-5	.	.	.	.	.	.	1	1
		/ATTACHING PARTS/							
- 43	AN525-10R9	.	.	.	.	.	.	1	
	AN960-10	.	.	.	.	.	.	1	
	MS20364-1032	.	.	.	.	.	.	1	
		-----X-----							
- 44	105739X-ZR0102	.	.	.	.	.	.	1	1
	35-410456-33	.	.	.	.	.	.	1	1
		/ATTACHING PARTS/							
- 45	MS24694S58	.	.	.	.	.	.	2	
- 46	100943CR-ZX020F	.	.	.	.	.	.	1	
	AN960-10	.	.	.	.	.	.	1	
	NAS697A3	.	.	.	.	.	.	1	
		-----X-----							
- 47	35-410456-27	.	.	.	.	.	.	1	1
- 48	AN525-10	.	.	.	.	.	.	1	1
- 49	35-410456-29	.	.	.	.	.	.	1	1
- 50	102809-125-029	.	.	.	.	.	.	1	1
- 51	35-410456-13	.	.	.	.	.	.	1	1
- 52	100942H0022-32	.	.	.	.	.	.	1	1

BEECHCRAFT  
BONANZA 33  
ILLUSTRATED PARTS CATALOG

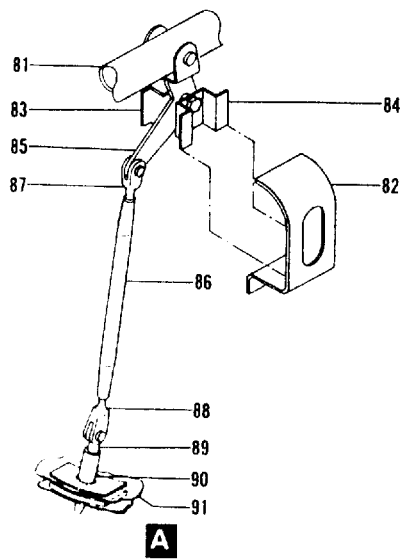
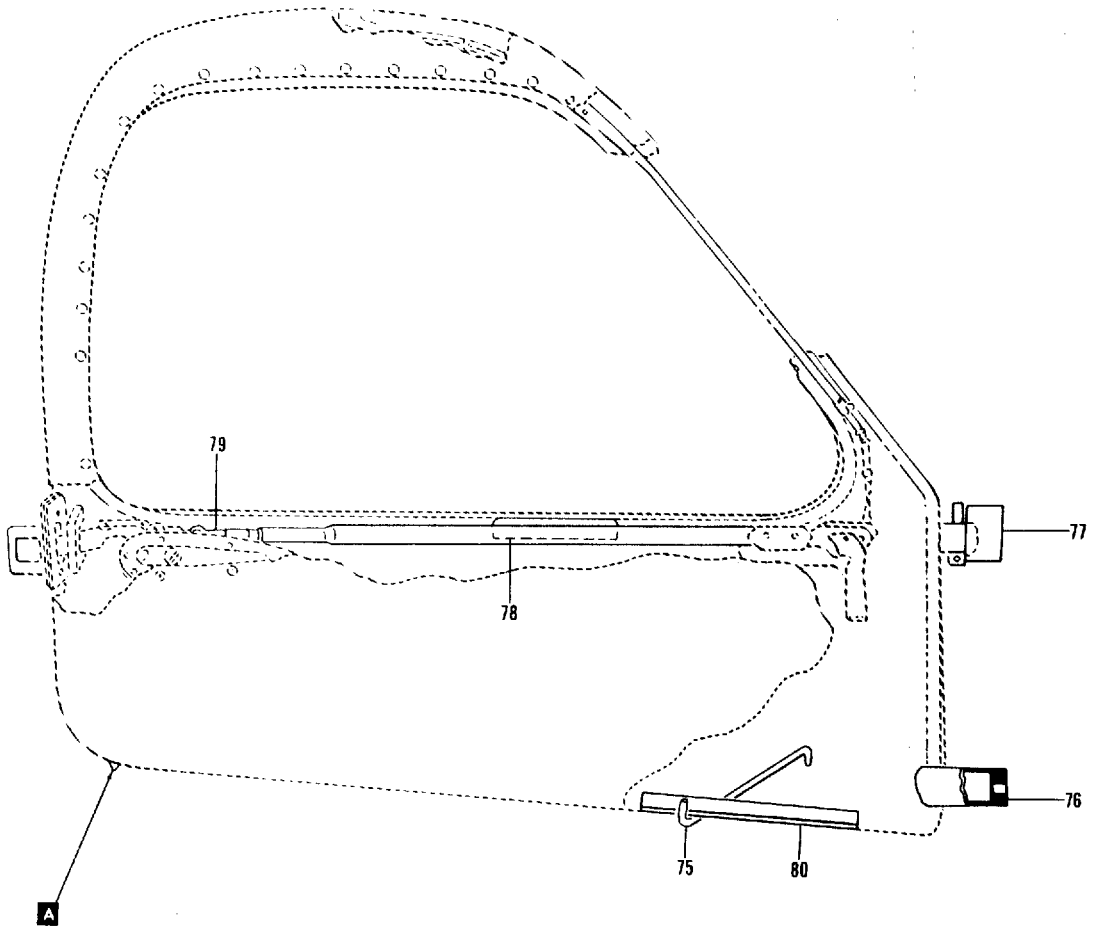


33-104-3

B E E C H C R A F T  
B O N A N Z A 3 3  
I L L U S T R A T E D P A R T S C A T A L O G

FIG. & ITEM NO.	PART NO.	DESCRIPTION	UNITS PER ASSY	USABLE ON CODE
104A - 53	R 95-380010	. . HANDLE ASSY, INSIDE DOOR . . . . . /36-380099-1 MAY BE USED AS SPARES FOR 95-380010 ON CABIN DOOR ONLY/	1	4
	R 36-380099-1	. . HANDLE ASSY, INSIDE DOOR . . . . . /ATTACHING PARTS/	1	5
- 54	35-400465	. . PIN . . . . .	1	
	R 36-420015-1	. . PLACARD, OPEN CLOSED . . . . .	1	5
- 55	35-400395	. . PLATE, INSIDE CABIN DOOR HANDLE MOUNTING . . . . . /ATTACHING PARTS/	1	1
- 56	AN507-632R8	. . SCREW . . . . .	3	
- 57	35-400464-8	. . SHAFT ASSY, CABIN DOOR HANDLE INSIDE . . . . .	1	1
- 58	35-400462	. . STOP, INSIDE CABIN DOOR HANDLE . . . . .	1	1
- 59	100942L0023-17	. . SPRING, STOP . . . . .	1	1
- 60	35-550520	. . PIN, CONTROL ATTACHMENT. . . . . /ATTACHING PARTS/	2	1
- 61	102933S4ZJ0093	. . SPACER. . . . .	1	
	AN960-10	. . WASHER. . . . .	1	
	MS20365-1032	. . NUT . . . . .	1	
- 62	35-400417	. . BOLT, CABIN DOOR LATCH . . . . . /ATTACHING PARTS/	1	1
- 63	AN393-69	. . PIN . . . . .	1	
- 64	35-400041	. . LINK, CABIN DOOR OUTSIDE HANDLE. . . . . /ATTACHING PARTS/	1	1
- 65	AN392-13	. . PIN . . . . .	1	
	MS24665-132	. . PIN, COTTER. . . . .	1	
	AN960-6	. . WASHER. . . . .	1	
	5171	. . WASHER, SPRING . . . . .	AR	
- 66	35-400414	. . GUIDE, CABIN DOOR LATCH BOLT . . . . . /ATTACHING PARTS/	1	1
- 67	R AN526-832-8	. . SCREW . . . . .	2	
- 68	115155X10FT	. . SEAL. . . . .	1	1
- 69	35-400320-50	. . SEAL. . . . .	1	1
- 70	35-400320-56	. . CLIP, CABIN DOOR LATCH . . . . . /ATTACHING PARTS/	1	2
- 71	AN515-6-6	. . SCREW . . . . .	1	
	AN960-6	. . WASHER. . . . .	1	
	MS20365-632	. . NUT . . . . .	1	
- 72	35-400320-68	. . CLIP, MOULDING . . . . .	8	2
	35-400320-69	. . CLIP, MOULDING . . . . .	8	2
- 73	35-400320-52	. . CLIP, MOULDING JOINT . . . . .	1	2
- 74	AN665-21R	. . CLEVIS. . . . .	1	1

BEECHCRAFT  
 BONANZA 33  
 ILLUSTRATED PARTS CATALOG



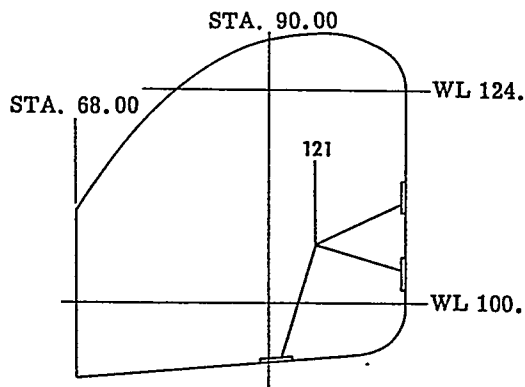
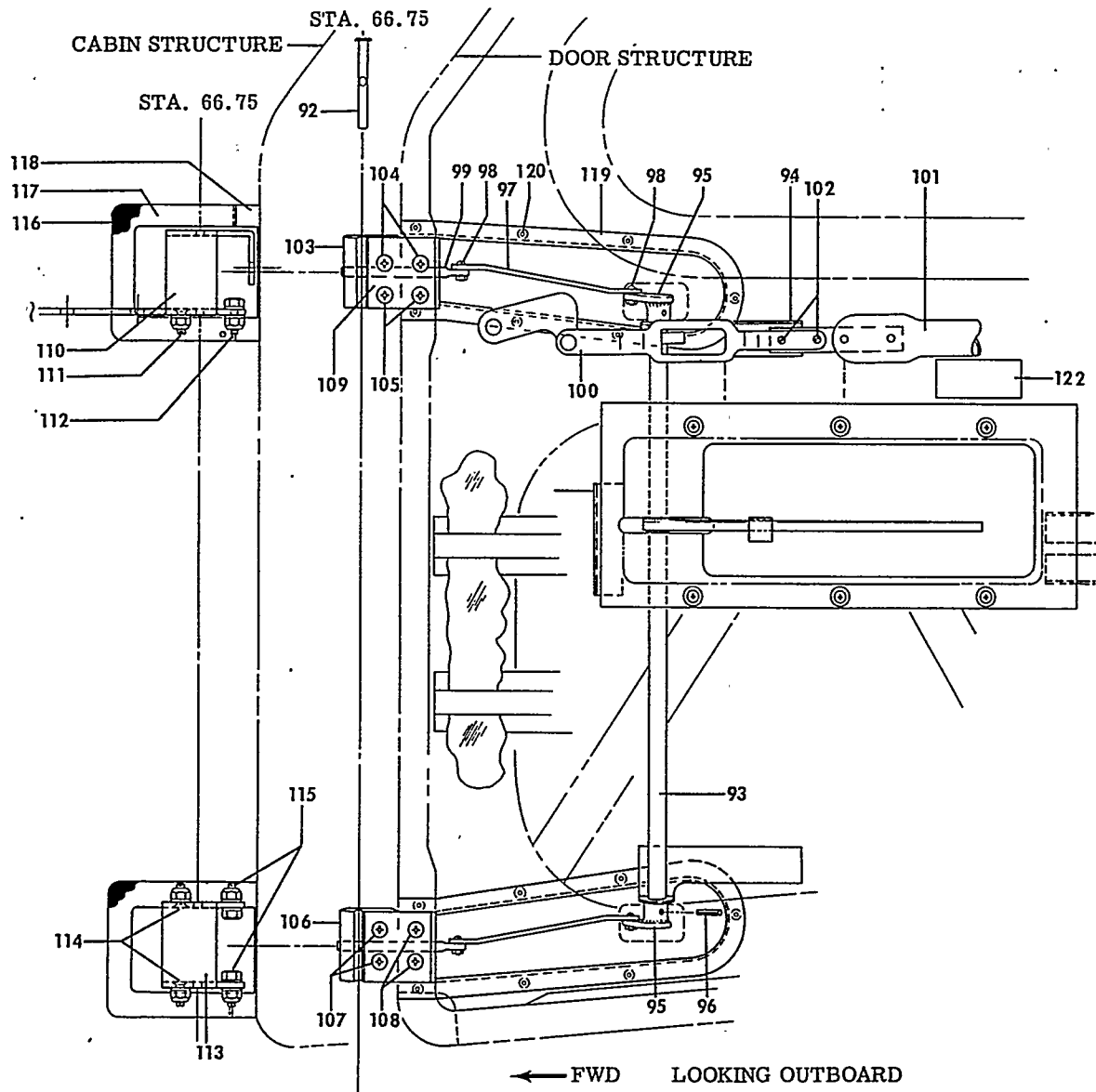
33-104-4

B E E C H C R A F T  
B O N A N Z A 3 3  
I L L U S T R A T E D P A R T S C A T A L O G

FIG. & ITEM NO.	PART NO.	1	2	3	4	5	6	7	DESCRIPTION	UNITS PER ASSY	USABLE ON CODE
104A - 75	35-400379	.	.	.	.	.	.	.	ROD ASSY,CABIN DOOR LOWER . . . . . /ATTACHING PARTS/	1	1
	MS20365-428	.	.	.	.	.	.	.	NUT . . . . .	1	
	NW25-6875	.	.	.	.	.	.	.	WASHER,NYLON. . . . .	2	
		-----*									
	52-022-094-0625	.	.	.	.	.	.	.	PIN,ROLL. . . . .	1	1
	35-400472	.	.	.	.	.	.	.	PLACARD,CABIN DOOR HANDLE . . . . .	1	1
- 76	35-410435	.	.	.	.	.	.	.	SEAL,CABIN DOOR LOWER HINGE . . . . .	1	2
- 77	35-410436	.	.	.	.	.	.	.	SEAL,CABIN DOOR UPPER HINGE . . . . .	1	2
- 78	455-28	.	.	.	.	.	.	.	HANDLE,INSIDE CLOSING . . . . .	1	2
	35-400320-66	.	.	.	.	.	.	.	MOULDING, CABIN DOOR. . . . .	1	2
- 79	35-400417-1	.	.	.	.	.	.	.	BOLT,CABIN DOOR HANDLE ACTUATOR . . . . .	1	1
- 80	35-400029	.	.	.	.	.	.	.	GUIDE ASSY,CABIN DOOR STOP. . . . .	1	1
	96-420033-1	.	.	.	.	.	.	.	LATCH POINT INSTL,THIRD . . . . .	NP	2
- 81	96-420033-29	.	.	.	.	.	.	.	TUBE ASSY . . . . . /ATTACHING PARTS/	1	2
	MS20392-2C33	.	.	.	.	.	.	.	PIN,CLEVIS. . . . .	1	
	AN960-416L	.	.	.	.	.	.	.	WASHER. . . . .	2	
	MS24665-132	.	.	.	.	.	.	.	PIN,COTTER. . . . .	1	
		-----*									
- 82	96-420033-27	.	.	.	.	.	.	.	BRACKET . . . . .	1	2
- 83	96-420033-25	.	.	.	.	.	.	.	BRACKET ASSY. . . . .	1	2
- 84	96-420033-23	.	.	.	.	.	.	.	BRACKET . . . . .	1	2
	NAS696A4	.	.	.	.	.	.	.	NUTPLATE. . . . .	1	2
- 85	96-420033-15	.	.	.	.	.	.	.	BELLCRANK ASSY. . . . . /ATTACHING PARTS/	1	2
	AN174-10A/M/	.	.	.	.	.	.	.	BOLT. . . . .	1	
		-----*									
- 86	96-420033-11	.	.	.	.	.	.	.	TUBE. . . . .	1	2
- 87	MS21252-3RS	.	.	.	.	.	.	.	CLEVIS,UPPER. . . . .	1	2
- 88	MS21252-2LS	.	.	.	.	.	.	.	CLEVIS,LOWER. . . . . /ATTACHING PARTS/	1	2
	MS20392-2C11	.	.	.	.	.	.	.	PIN,CLEVIS. . . . .	2	
	AN960-10L	.	.	.	.	.	.	.	WASHER /LOWER CLEVIS ONLY/. . . . .	1	
	MS24665-132	.	.	.	.	.	.	.	PIN,COTTER. . . . .	2	
		-----*									
- 89	96-420033-13	.	.	.	.	.	.	.	PIN,LATCH . . . . .	1	2
- 90	96-420033-5	.	.	.	.	.	.	.	GUIDE ASSY,PIN. . . . . /ATTACHING PARTS/	1	2
	AN507-1032R8	.	.	.	.	.	.	.	SCREW . . . . .	2	
	MS20365-1032	.	.	.	.	.	.	.	NUT . . . . .	2	
		-----*									
	96-420033-3	.	.	.	.	.	.	.	STRIKER INSTL,THIRD LATCH POINT . . . . .	NP	2
- 91	002-430000-73	.	.	.	.	.	.	.	PLATE,STRIKER/SPARES FOR 96-420033-33/. . . . . /ATTACHING PARTS/	1	2
	AN507-832R8	.	.	.	.	.	.	.	SCREW . . . . .	2	
	AN936C8	.	.	.	.	.	.	.	WASHER,LOCKING. . . . .	2	
	NAS1330S08K106	.	.	.	.	.	.	.	NUTPLATE. . . . .	2	
		-----*									



BEECHCRAFT  
 BONANZA 33  
 ILLUSTRATED PARTS CATALOG



33-104A-13

B E E C H C R A F T  
B O N A N Z A 3 3  
I L L U S T R A T E D P A R T S C A T A L O G

FIG. & ITEM NO.	PART NO.	1	2	3	4	5	6	7	DESCRIPTION	UNITS PER ASSY	USABLE ON CODE
104A	33-420011-9	.	.	.	.	.	.	.	QUICK RELEASE INSTL,CABIN DOOR.	NP	3
- 92	33-420020-1	.	.	.	.	.	.	.	PIN,HINGE	2	3
- 93	33-420012-9	.	.	.	.	.	.	.	LEVER ASSY,RELEASE.	1	3
- 94	33-420017-1	.	.	.	.	.	.	.	BRACKET,UPPER	1	3
	33-420016-1	.	.	.	.	.	.	.	BRACKET,LOWER	1	3
- 95	33-420013-7	.	.	.	.	.	.	.	ACTUATOR ASSY	2	3
		.	.	.	.	.	.	.	/ATTACHING PARTS/ PIN,ROLL.	1	
- 96	NAS561P4-10	.	.	.	.	.	.	.			
- 97	33-420018-1	.	.	.	.	.	.	.	LINK,RETAINER PIN	2	3
		.	.	.	.	.	.	.	/ATTACHING PARTS/ BOLT.	2	
- 98	AN22-8	.	.	.	.	.	.	.		2	
	AN320-2	.	.	.	.	.	.	.	NUT	2	
	AN960-8	.	.	.	.	.	.	.	WASHER.	4	
	MS24665-132	.	.	.	.	.	.	.	PIN,COTTER.	2	
- 99	33-420019-1	.	.	.	.	.	.	.	PIN,RETAINER.	2	3
-100	33-420015-1	.	.	.	.	.	.	.	LINK,RELEASE LEVER.	1	3
-101	33-420014-1	.	.	.	.	.	.	.	TUBE ASSY,LATCH	1	3
		.	.	.	.	.	.	.	/ATTACHING PARTS/ SCREW	2	
-102	AN525-8R6	.	.	.	.	.	.	.		2	
	MS20365-832	.	.	.	.	.	.	.	NUT	2	
-103	33-420022-1	.	.	.	.	.	.	.	HINGE,UPPER	1	3
		.	.	.	.	.	.	.	/ATTACHING PARTS/ SCREW	2	
-104	AN525-8R18	.	.	.	.	.	.	.		2	
-105	AN525-8R16	.	.	.	.	.	.	.	SCREW	2	
	AN960-8	.	.	.	.	.	.	.	WASHER.	AR	
	MS20364-832	.	.	.	.	.	.	.	NUT	4	
-106	33-420022-3	.	.	.	.	.	.	.	HINGE,LOWER	1	3
		.	.	.	.	.	.	.	/ATTACHING PARTS/ SCREW	2	
-107	AN525-8R20	.	.	.	.	.	.	.		2	
-108	AN525-8R18	.	.	.	.	.	.	.	SCREW	2	
	AN960-8	.	.	.	.	.	.	.	WASHER.	AR	
	MS20364-832	.	.	.	.	.	.	.	NUT	4	
-109	33-420023-1	.	.	.	.	.	.	.	ANGLE,UPPER HINGE	1	3
	33-420023-3	.	.	.	.	.	.	.	ANGLE,LOWER HINGE	1	3
-110	35-590044-2	.	.	.	.	.	.	.	ADAPTER,UPPER HINGE	1	3
		.	.	.	.	.	.	.	/ATTACHING PARTS/ SCREW	1	
-111	MS24694S60	.	.	.	.	.	.	.		1	
-112	130909B15	.	.	.	.	.	.	.	BOLT.	1	
	AN960-10	.	.	.	.	.	.	.	WASHER.	2	
	MS20365-1032	.	.	.	.	.	.	.	NUT	2	
-113	35-590044-4	.	.	.	.	.	.	.	ADAPTER,LOWER HINGE	1	3
		.	.	.	.	.	.	.	/ATTACHING PARTS/ SCREW	2	
-114	MS24694S60	.	.	.	.	.	.	.		2	
-115	130909B15	.	.	.	.	.	.	.	BOLT.	2	
	AN960-10	.	.	.	.	.	.	.	WASHER.	4	
	MS20365-1032	.	.	.	.	.	.	.	NUT	4	
-116	35-420021-5	.	.	.	.	.	.	.	SEAL,HINGE.	2	3
-117	33-420021-3	.	.	.	.	.	.	.	RETAINER,SEAL	2	3
-118	33-420021-1	.	.	.	.	.	.	.	RETAINER,SEAL	2	3
-119	33-420025	.	.	.	.	.	.	.	FAIRING,UPPER HINGE	1	3
	33-420026	.	.	.	.	.	.	.	FAIRING,LOWER HINGE	1	3
		.	.	.	.	.	.	.	/ATTACHING PARTS/ SCREW	7	
-120	AN504-6R5	.	.	.	.	.	.	.			
-121	33-420011-1	.	.	.	.	.	.	.	GUIDE,CABIN DOOR.	3	3
-122	33-534052	.	.	.	.	.	.	.	PLACARD,EMERGENCY EXIT.	1	3

SEE NEXT PAGE FOR CODES OF EFFECTIVITY

B E E C H C R A F T  
 BONANZA 33  
 I L L U S T R A T E D P A R T S C A T A L O G

FIG. & ITEM NO.	PART NO.	1 2 3 4 5 6 7	DESCRIPTION	UNITS PER ASSY	USABLE ON CODE
104A			REMOVE THIS LINE. . . . .		

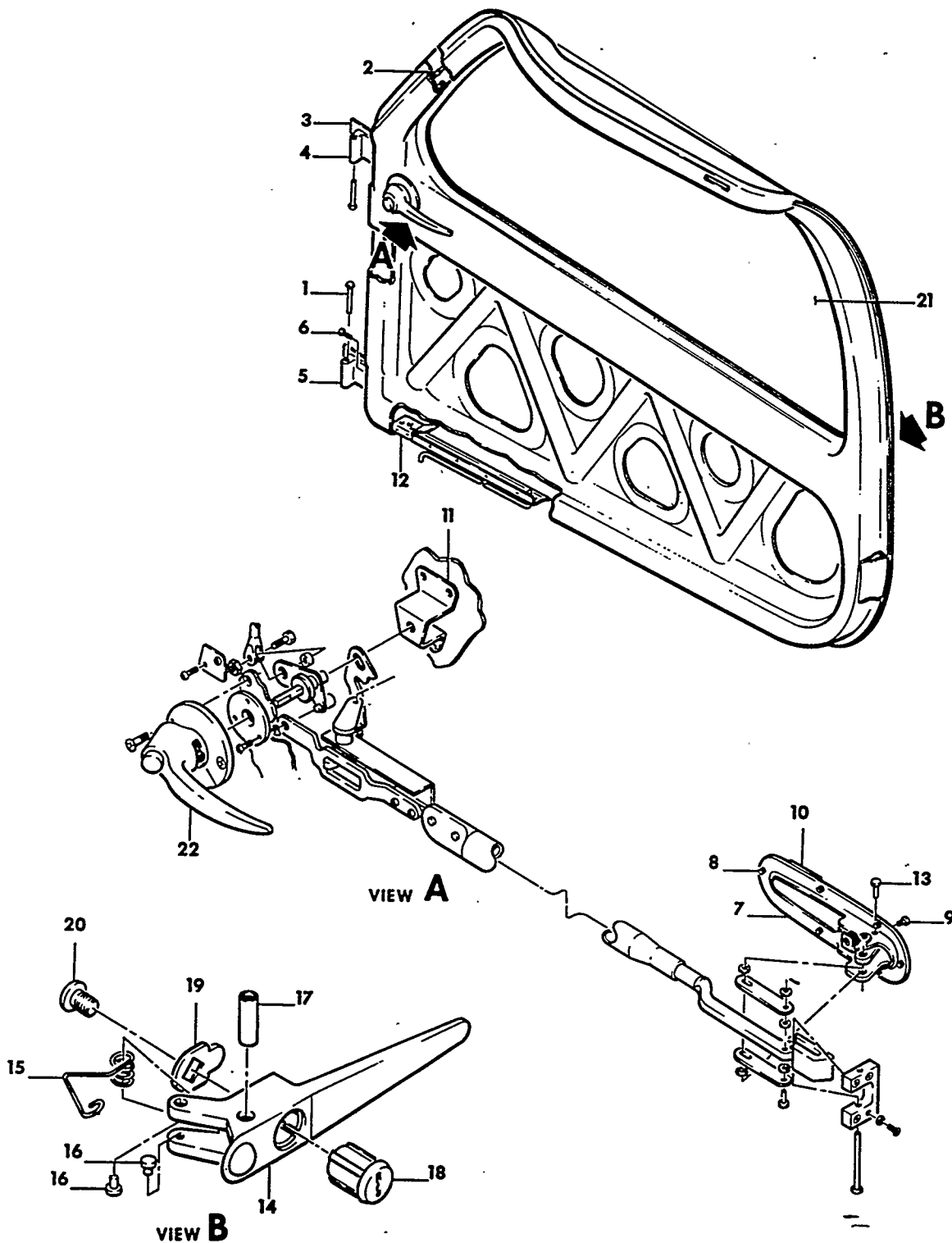
CODES OF EFFECTIVITY

- |   |   |
|---|---|
| 1 CE-316 THRU CE-464<br>CJ-26 AND AFTER | 2 CE-316 THRU CE-464                      |
| 3 CJ-26 AND AFTER                       | 4 CE-316 THRU CE-464<br>CJ-26 THRU CJ-179 |
| 5 CJ-180 AND AFTER                      |   |

BEECHCRAFT  
BONANZA 33  
ILLUSTRATED PARTS CATALOG

FIGURE 104B  
CABIN DOOR  
CE-465 AND AFTER

BEECHCRAFT  
BONANZA 33  
ILLUSTRATED PARTS CATALOG

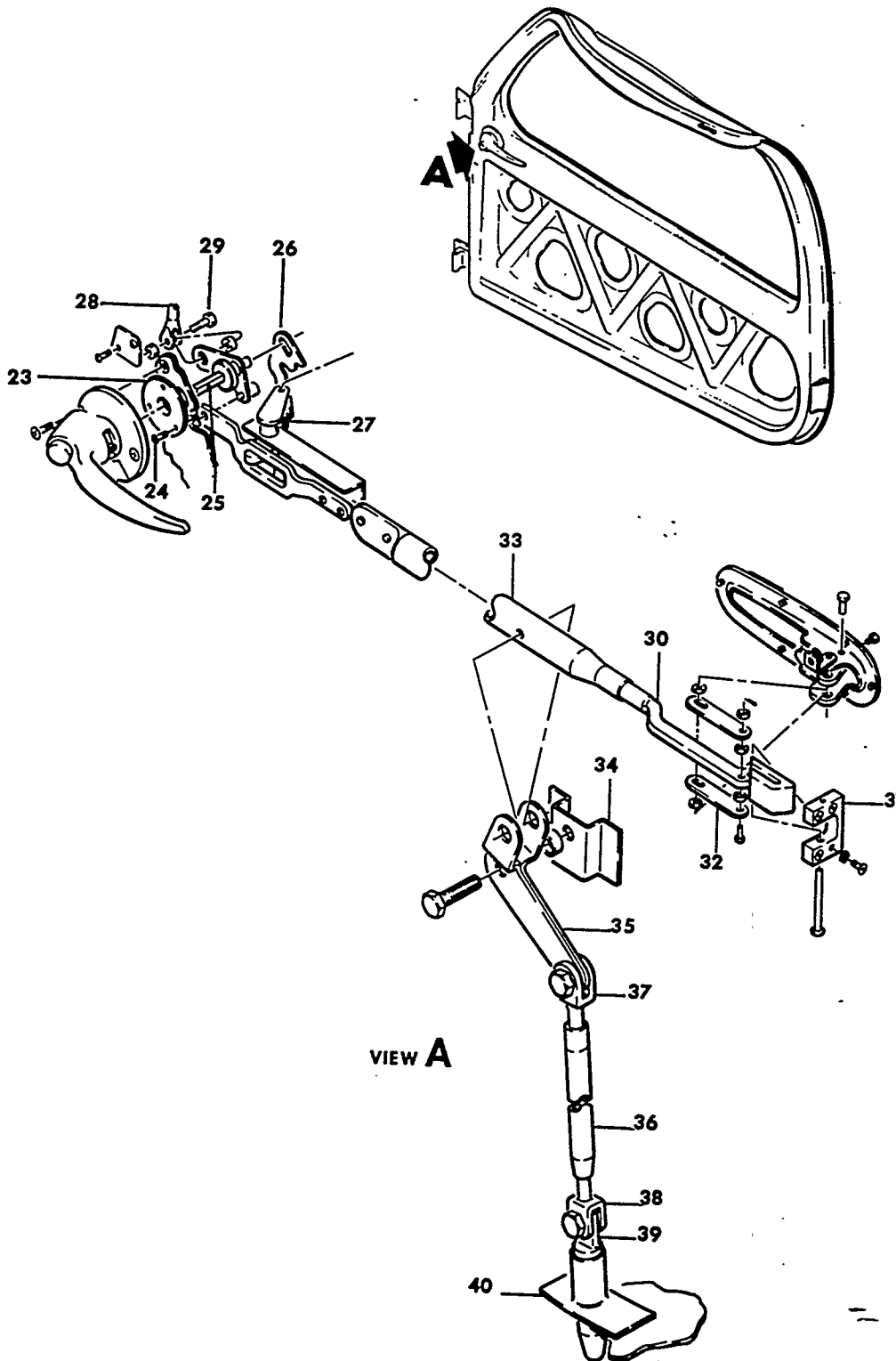


C96CE52A0014

B E E C H C R A F T  
B O N A N Z A 3 3  
I L L U S T R A T E D P A R T S C A T A L O G

FIG. & ITEM NO.	PART NO.	DESCRIPTION	UNITS PER ASSY	USABLE ON CODE
104B	36-420010-1	DOOR INSTL,CABIN /TINTED GLASS/ . . . . .	NP	1
	36-420010-11	. DOOR ASSY,CABIN /THIN GLASS/. . . . .	1	10
	36-420010-47	. DOOR ASSY,CABIN /THIN GLASS/. . . . .	1	11
		/ATTACHING PARTS/		
- 1	MS20392-2C63	. PIN,HINGE . . . . .	2	
		-----*		
	35-400010-105	. . . FRAME ASSY,CABIN DOOR . . . . .	1	2
	36-400032-31	. . . FRAME ASSY,CABIN DOOR/REPL 36-400032-15/. . .	1	7
	36-400032-15	. . . FRAME ASSY,CABIN DOOR . . . . .	NP	6
- 2	HE636	. . . CABLE ASSY,DOOR LATCH CONTROL . . . . .	1	2
	36-380030-1	. . . CABLE ASSY,DOOR LATCH CONTROL . . . . .	1	3
- 3	35-400010-79	. . . TAB,UPPER DOOR HINGE. . . . .	1	1
	35-400010-81	. . . TAB,LOWER DOOR HINGE. . . . .	1	1
- 4	35-400018-18	. . . HINGE ASSY,CABIN DOOR UPPER . . . . .	1	2
	R 36-430048-5	. . . HINGE ASSY,CABIN DOOR UPPER . . . . .	1	15
		/ALTN FOR 36-430048-9 & 36-430058-1/		
	R 36-430048-9	. . . HINGE ASSY,CABIN DOOR UPPER . . . . .	1	16
		/ALTN FOR 36-430048-5 & 36-430058-1/		
	R 36-430058-1	. . . HINGE ASSY,CABIN DOOR UPPER . . . . .	1	17
		/ALTN FOR 36-430048-5 & 36-430048-9/		
	36-430046-1	. . . MOUNT ASSY. . . . .	1	3
	36-400033-1	. . . PAN . . . . .	1	3
- 5	35-400008-12	. . . HINGE ASSY,CABIN DOOR LOWER . . . . .	1	2
	R 36-430041-7	. . . HINGE ASSY,CABIN DOOR LOWER . . . . .	1	15
		/ALTN FOR 36-430041-9 & 36-430058-5/		
	R 36-430041-9	. . . HINGE ASSY,CABIN DOOR LOWER . . . . .	1	16
		/ALTN FOR 36-430041-7 & 36-430058-5/		
	R 36-430058-5	. . . HINGE ASSY,CABIN DOOR LOWER . . . . .	1	17
		/ALTN FOR 36-430041-7 & 36-430041-9/		
		/ATTACHING PARTS/		
- 6	130909B15	. . . BOLT. . . . .	2	
	AN960-10	. . . WASHER. . . . .	2	
	MS20365-1032	. . . NUT . . . . .	2	
		-----*		
- 7	R 35-400032-9	. . . SUPPORT ASSY,CABIN DOOR OUTSIDE HANDLE. . .	1	1
		/SUPERSEDES 35-400032-5/		
		/ATTACHING PARTS/		
- 8	AN507-832RB	. . . SCREW . . . . .	2	
- 9	AN507-440R	. . . SCREW . . . . .	5	
		-----*		
- 10	35-400404-1	. . . SEAL,SUPPORT. . . . .	1	1
- 11	35-400036	. . . SUPPORT . . . . .	1	1
- 12	35-400029	. . . GUIDE . . . . .	1	1
	35-400010-109	. . . DOUBLER . . . . .	1	1
	35-400010-66	. . . SKIN ASSY,CABIN DOOR. . . . .	1	2
	36-430045-17	. . . SKIN ASSY,CABIN DOOR. . . . .	1	3
	35-400014-3	. . . HANDLE ASSY . . . . .	1	1
		/ATTACHING PARTS/		
- 13	MS20392-2C37	. . . PIN . . . . .	1	
		-----*		
- 14	35-400013-1	. . . HANDLE. . . . .	1	1
- 15	35-400031-1	. . . SPRING. . . . .	1	1
- 16	35-400033	. . . STUD. . . . .	2	1
- 17	101321-00A0750	. . . BUSHING . . . . .	1	1
- 18	35-590070-61	. . . PLUG,LOCK . . . . .	1	1
- 19	35-400044-1	. . . CAM . . . . .	1	1
- 20	PT32-6500-1004	. . . SCREW,PLUG RETAINING. . . . .	1	1
- 21	35-400320-32	. . . WINDOW ASSY,CABIN DOOR. . . . .	1	2
	36-430044-5	. . . WINDOW ASSY,CABIN DOOR. . . . .	1	3
	36-430044-1	. . . RETAINER,CABIN DOOR WINDOW. . . . .	1	3
- 22	95-380010	. . . HANDLE ASSY,CABIN DOOR INSIDE . . . . .	NP	8
		/ORDER KIT 35-5050-1 FOR SPARES/		
	36-380099-1	. . . HANDLE ASSY,CABIN DOOR INSIDE . . . . .	NP	12
		/ORDER KIT 35-5050-1 FOR SPARES/		
	35-5050-1	. . . KIT,HANDLE REPLACEMENT INSIDE CABIN DOOR. . .	1	14
	36-380099-3	. . . HANDLE ASSY,CABIN DOOR INSIDE . . . . .	1	13
		/ATTACHING PARTS/		
	MS24693S54	. . . SCREW . . . . .	2	
		-----*		

BEECHCRAFT  
BONANZA 33  
ILLUSTRATED PARTS CATALOG



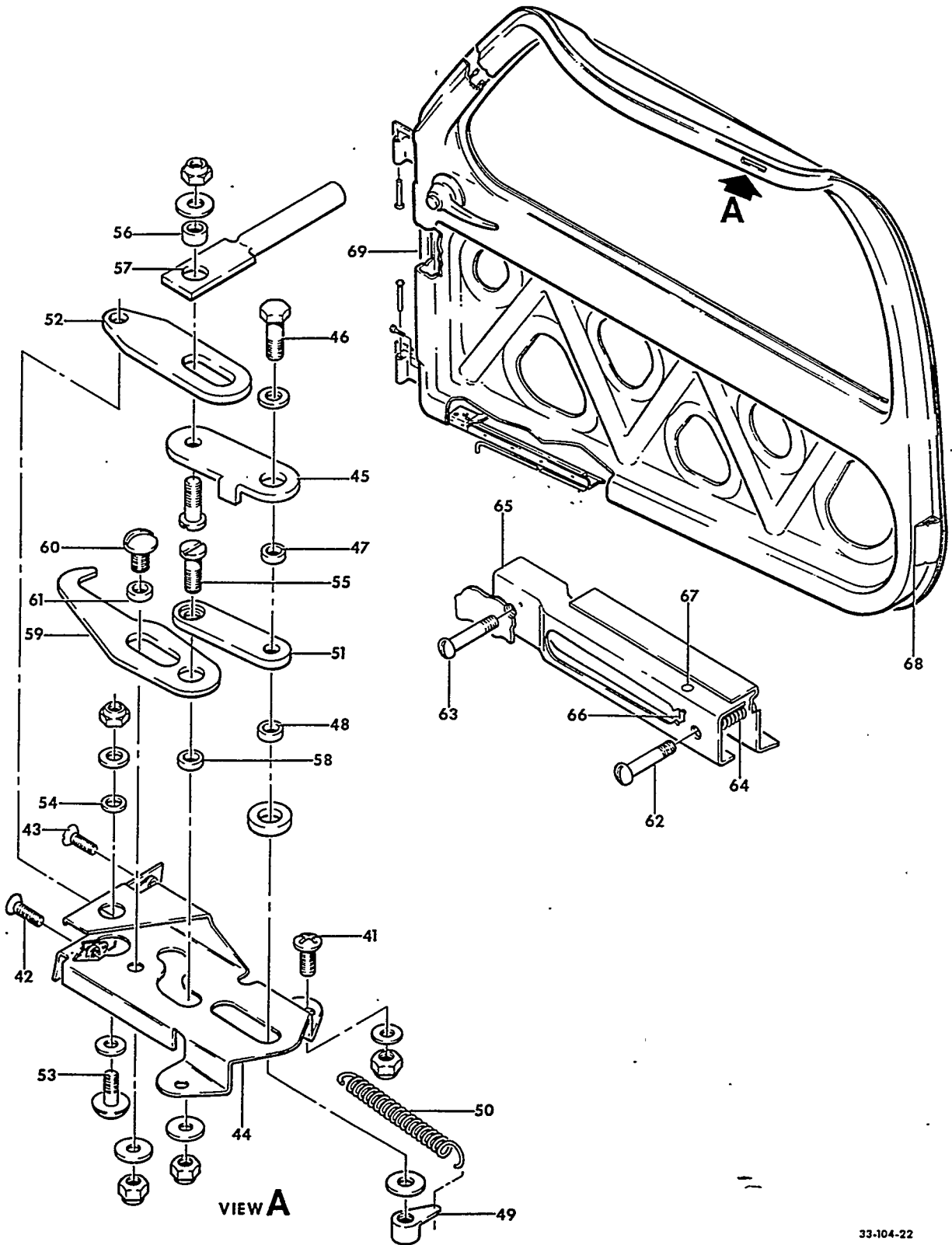
C96CE52A0015

B E E C H C R A F T  
B O N A N Z A 3 3  
I L L U S T R A T E D P A R T S C A T A L O G

FIG. & ITEM NO.	PART NO.	DESCRIPTION	UNITS PER ASSY	USABLE ON CODE
		1 2 3 4 5 6 7		
104B	R 36-420015-1	PLACARD, OPEN CLOSED	1	9
- 23	R 35-400395	PLATE	1	1
		/ATTACHING PARTS/		
- 24	R AN507-632R8	SCREW	3	
		-----*		
- 25	35-400464-8	SHAFT ASSY, CABIN DOOR HANDLE.	1	2
	35-400464-10	SHAFT ASSY, CABIN DOOR HANDLE.	1	3
- 26	35-400462	STOP, DOOR HANDLE.	1	10
	35-400462-3	STOP, DOOR HANDLE.	1	11
- 27	100942L0023-17	SPRING, HANDLE STOP.	1	1
- 28	AN665-21R	CLEVIS, CONTROL CABLE.	1	1
		/ATTACHING PARTS/		
- 29	AN3-5	BOLT.	1	2
	MS20392-2C11	PIN	1	3
	102933S4ZK0140	SPACER.	1	2
	AN960-10L	WASHER.	1	3
	MS20365-1032	NUT	1	2
	MS24665-132	COTTER PIN.	1	3
		-----*		
	35-400395-3	PLATE	1	3
- 30	35-400417-1	BOLT, CABIN DOOR LATCH	1	1
		/ATTACHING PARTS/		
	MS20392-2C69	PIN	1	
		-----*		
- 31	35-400414	GUIDE, LATCH BOLT.	1	1
		/ATTACHING PARTS/		
	AN515-8R8	SCREW	4	
	AN936A8	WASHER.	4	
		-----*		
- 32	35-400041-3	LINK.	2	1
		/ATTACHING PARTS/		
	MS20392-1C13	PIN	1	
	AN960-6	WASHER.	1	
	U190-0060S	WASHER, SPRING	2	
	AN380-2-2	PIN, COTTER.	1	
		-----*		
- 33	58-420060-1	TUBE ASSY	1	1
	36-4007-1	KIT, OVER CENTER THIRD LATCH POINT	1	10
	96-420033-35	LATCH POINT INSTL, THIRD	NP	10
		/ORDER KIT 36-4007-1 FOR SPARES/ /SEE PAGE 9 FOR CE-1671, CE-1680 AND AFTER/		
- 34	96-420033-37	BRACKET ASSY.	1	10
	96-420033-39	BRACKET	1	10
	NAS696A4	NUTPLATE.	1	10
- 35	58-420061-1	BELLCRANK ASSY.	1	10
		/ATTACHING PARTS/		
	NAS466P4-6	BOLT.	1	
	MS20392-3C21	PIN, CLEVIS.	1	
	96-420052	PIN, COWL LOCK	1	
		-----*		
- 36	96-420033-11	TUBE.	1	10
- 37	MS21252-3RS	CLEVIS, TUBE UPPER	1	10
- 38	MS21252-2LS	CLEVIS, TUBE LOWER	1	10
		/ATTACHING PARTS/		
	MS20392-2C11	PIN, CLEVIS.	1	
	AN960-10L	WASHER /LOWER CLEVIS ONLY/.	1	
	MS24665-132	PIN, COTTER.	1	
		-----*		
- 39	96-420033-13	PIN, LATCH	1	10
- 40	96-420033-5	GUIDE ASSY, PIN.	1	10
		/ATTACHING PARTS/		
	AN507-1032R8	SCREW	2	
	MS20365-1032	NUT	2	
		-----*		



BEECHCRAFT  
BONANZA 33  
ILLUSTRATED PARTS CATALOG

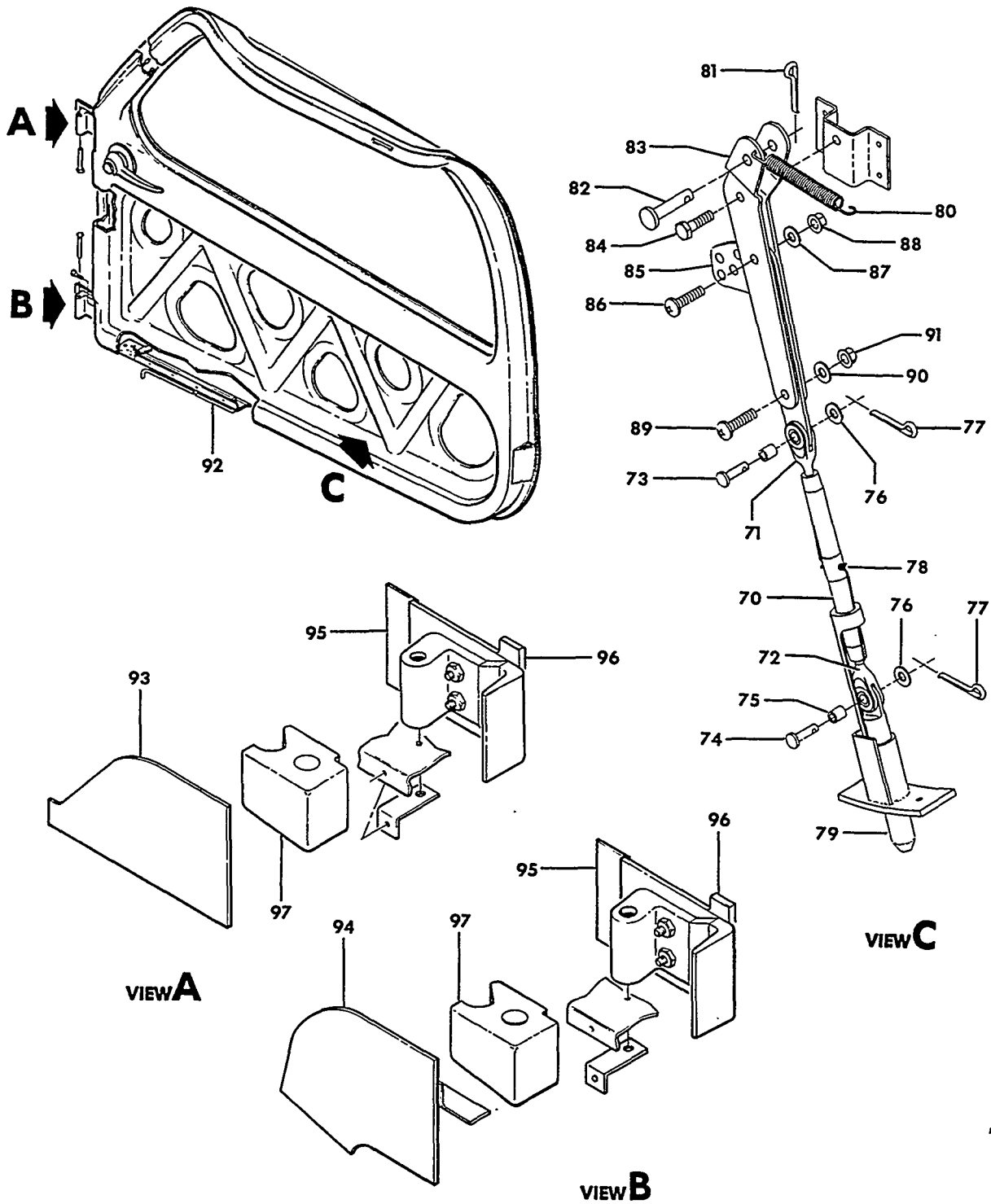


33-104-22

B E E C H C R A F T  
B O N A N Z A 3 3  
I L L U S T R A T E D P A R T S C A T A L O G

FIG. & ITEM NO.	PART NO.	DESCRIPTION							UNITS PER ASSY	USABLE ON CODE
		1	2	3	4	5	6	7		
104B	35-410456	.	.	.	LATCH INSTL,CABIN DOOR UPPER.	.	.	.	NP	2
	35-410456-43	.	.	.	LATCH INSTL,CABIN DOOR UPPER.	.	.	.	NP	3
	35-410456-35	.	.	.	LATCH ASSY.	.	.	.	1	2
	35-410456-41	.	.	.	LATCH ASSY.	.	.	.	1	3
		/ATTACHING PARTS/								
- 41	AN525-832R6	.	.	.	SCREW	.	.	.	2	
- 42	AN507-832R6	.	.	.	SCREW	.	.	.	1	
- 43	AN507-632R6	.	.	.	SCREW	.	.	.	1	
	AN960-8L	.	.	.	WASHER.	.	.	.	2	
	MS20365-832	.	.	.	NUT	.	.	.	2	
		-----*								
- 44	35-410456-1	.	.	.	BRACKET ASSY.	.	.	.	1	1
- 45	36-410015-3	.	.	.	LINK.	.	.	.	1	1
		/ATTACHING PARTS/								
- 46	130909B17	.	.	.	BOLT.	.	.	.	1	
	AN960-10	.	.	.	WASHER.	.	.	.	1	
	100951X100YF	.	.	.	WASHER.	.	.	.	1	
- 47	105739X-ZR0110	.	.	.	BUSHING	.	.	.	1	
- 48	105739X-ZR0187	.	.	.	BUSHING	.	.	.	1	
	AN960-10	.	.	.	WASHER.	.	.	.	1	
- 49	35-410456-21	.	.	.	NUT	.	.	.	1	
		-----*								
- 50	100942H0022-22	.	.	.	SPRING.	.	.	.	1	1
- 51	35-410456-7	.	.	.	LINK.	.	.	.	1	1
- 52	35-410456-11	.	.	.	LINK.	.	.	.	1	1
		/ATTACHING PARTS/								
- 53	AN525-10R7	.	.	.	SCREW	.	.	.	1	
	AN960-10L	.	.	.	WASHER.	.	.	.	3	
- 54	105739X-ZF0070	.	.	.	BUSHING	.	.	.	1	
- 55	35-410456-17	.	.	.	STUD.	.	.	.	2	
- 56	105739X-ZR0220	.	.	.	BUSHING	.	.	.	1	
- 57	35-410456-13	.	.	.	TERMINAL.	.	.	.	1	
- 58	105739X-ZR0187	.	.	.	BUSHING	.	.	.	1	
	100951S063ZT	.	.	.	WASHER.	.	.	.	1	
	130909N29	.	.	.	NUT	.	.	.	3	
		-----*								
- 59	35-410456-5	.	.	.	HOOK.	.	.	.	1	1
		/ATTACHING PARTS/								
- 60	AN925-10R7	.	.	.	SCREW	.	.	.	1	
- 61	105739X-ZR0115	.	.	.	BUSHING	.	.	.	1	
	100951S063ZT	.	.	.	WASHER.	.	.	.	1	
	130909N29	.	.	.	NUT	.	.	.	1	
		-----*								
	35-410456-33	.	.	.	SUPPORT ASSY,CABIN DOOR UPPER LATCH	.	.	.	1	1
		/ATTACHING PARTS/								
- 62	AN525-10R7	.	.	.	SCREW	.	.	.	1	
- 63	MS24694S58	.	.	.	SCREW	.	.	.	1	
	AN960-10	.	.	.	WASHER.	.	.	.	1	
- 64	100943CR-ZX020F	.	.	.	SPRING.	.	.	.	1	
		-----*								
- 65	35-410456-27	.	.	.	CHANNEL	.	.	.	1	1
- 66	35-410456-29	.	.	.	BUSHING	.	.	.	1	1
- 67	102809-125-029	.	.	.	PIN	.	.	.	1	1
	NAS697A3	.	.	.	NUTPLATE.	.	.	.	1	1
- 68	35-400320-54	.	.	.	SEAL.	.	.	.	1	4
	36-420010-27	.	.	.	SEAL/ORDER 36-420010-33/	.	.	.	NP	5
R	36-420010-33	.	.	.	SEAL/SPARES FOR 36-420010-27/	.	.	.	1	19
	36-420010-29	.	.	.	FILLER.	.	.	.	4	5
R	36-420010-31	.	.	.	FILLER/ORDER 36-420010-35/	.	.	.	NP	19
R	36-420010-35	.	.	.	FILLER/SPARES FOR 36-420010-31/	.	.	.	1	19
R	36-420010-49	.	.	.	FILLER ASSY	.	.	.	1	17
- 69	36-420010-25	.	.	.	SEAL.	.	.	.	1	4
R	36-420010-15	.	.	.	SEAL/BOTTOM OF DOOR/	.	.	.	1	18

BEECHCRAFT  
BONANZA 33  
ILLUSTRATED PARTS CATALOG



C94CE52A2925

B E E C H C R A F T  
B O N A N Z A 3 3  
I L L U S T R A T E D P A R T S C A T A L O G

FIG. & ITEM NO.	PART NO.	1	2	3	4	5	6	7	DESCRIPTION	UNITS PER ASSY	USABLE ON CODE
104B	96-420033-45	.	.	.	.	.	.	.	THIRD LATCH POINT INSTL,CABIN DOOR. . . . .	NP	11
- 70	MS21251B3S	.	.	.	.	.	.	.	TURNBUCKLE. . . . .	1	11
- 71	MS21252-3RS	.	.	.	.	.	.	.	CLEVIS/UPPER/ . . . . .	1	11
- 72	MS21252-3LS	.	.	.	.	.	.	.	CLEVIS/LOWER/ . . . . .	1	11
		.	.	.	.	.	.	.	/ATTACHING PARTS/		
- 73	MS20392-2C11	.	.	.	.	.	.	.	PIN,CLEVIS/UPPER/ . . . . .	1	
- 74	MS20392-2C19	.	.	.	.	.	.	.	PIN,CLEVIS/LOWER/ . . . . .	1	
- 75	NAS43HT3-17	.	.	.	.	.	.	.	SPACER/LOWER/ . . . . .	1	
- 76	AN960-10L	.	.	.	.	.	.	.	WASHER. . . . .	2	
- 77	MS24665-132	.	.	.	.	.	.	.	PIN,COTTER. . . . .	2	
		*-----*									
- 78	MS21256-1	.	.	.	.	.	.	.	CLIP,SAFETY . . . . .	2	11
- 79	96-420033-57	.	.	.	.	.	.	.	PIN,LATCH . . . . .	1	11
- 80	96-420144-1	.	.	.	.	.	.	.	SPRING. . . . .	1	11
- 81	MS20392-3C21	.	.	.	.	.	.	.	PIN . . . . .	1	11
		.	.	.	.	.	.	.	/ATTACHING PARTS/		
- 82	62	.	.	.	.	.	.	.	PIN,COWLING LOCK. . . . .	1	
		*-----*									
- 83	96-420033-47	.	.	.	.	.	.	.	BELLCRANK ASSY. . . . .	1	11
		.	.	.	.	.	.	.	/ATTACHING PARTS/		
- 84	130909B35	.	.	.	.	.	.	.	BOLT. . . . .	1	
		*-----*									
- 85	96-420033-69	.	.	.	.	.	.	.	EXTENSION . . . . .	1	11
		.	.	.	.	.	.	.	/ATTACHING PARTS/		
- 86	MS27039-0809	.	.	.	.	.	.	.	SCREW . . . . .	1	
- 87	AN960-8	.	.	.	.	.	.	.	WASHER. . . . .	1	
- 88	MS21042L08	.	.	.	.	.	.	.	NUT . . . . .	1	
- 89	MS27039-1-9	.	.	.	.	.	.	.	SCREW . . . . .	1	
- 90	AN960-10L	.	.	.	.	.	.	.	WASHER. . . . .	1	
- 91	MS21042L3	.	.	.	.	.	.	.	NUT . . . . .	1	
		*-----*									
- 92	35-400379	.	.	.	.	.	.	.	ROD ASSY,DOOR . . . . .	1	1
		.	.	.	.	.	.	.	/ATTACHING PARTS/		
	NW25-6875	.	.	.	.	.	.	.	WASHER. . . . .	2	
	MS20365-428	.	.	.	.	.	.	.	NUT . . . . .	1	
		*-----*									
- 93	35-420024-7	.	.	.	.	.	.	.	COVER,UPPER HINGE . . . . .	1	1
- 94	35-420024-9	.	.	.	.	.	.	.	COVER,LOWER HINGE . . . . .	1	1
- 95	35-400320-89	.	.	.	.	.	.	.	SEAL. . . . .	2	1
- 96	36-420010-23	.	.	.	.	.	.	.	SEAL. . . . .	2	1
- 97	35-410435-3	.	.	.	.	.	.	.	SEAL,LOWER HINGE. . . . .	1	1
	35-410436-3	.	.	.	.	.	.	.	SEAL,UPPER HINGE. . . . .	1	1

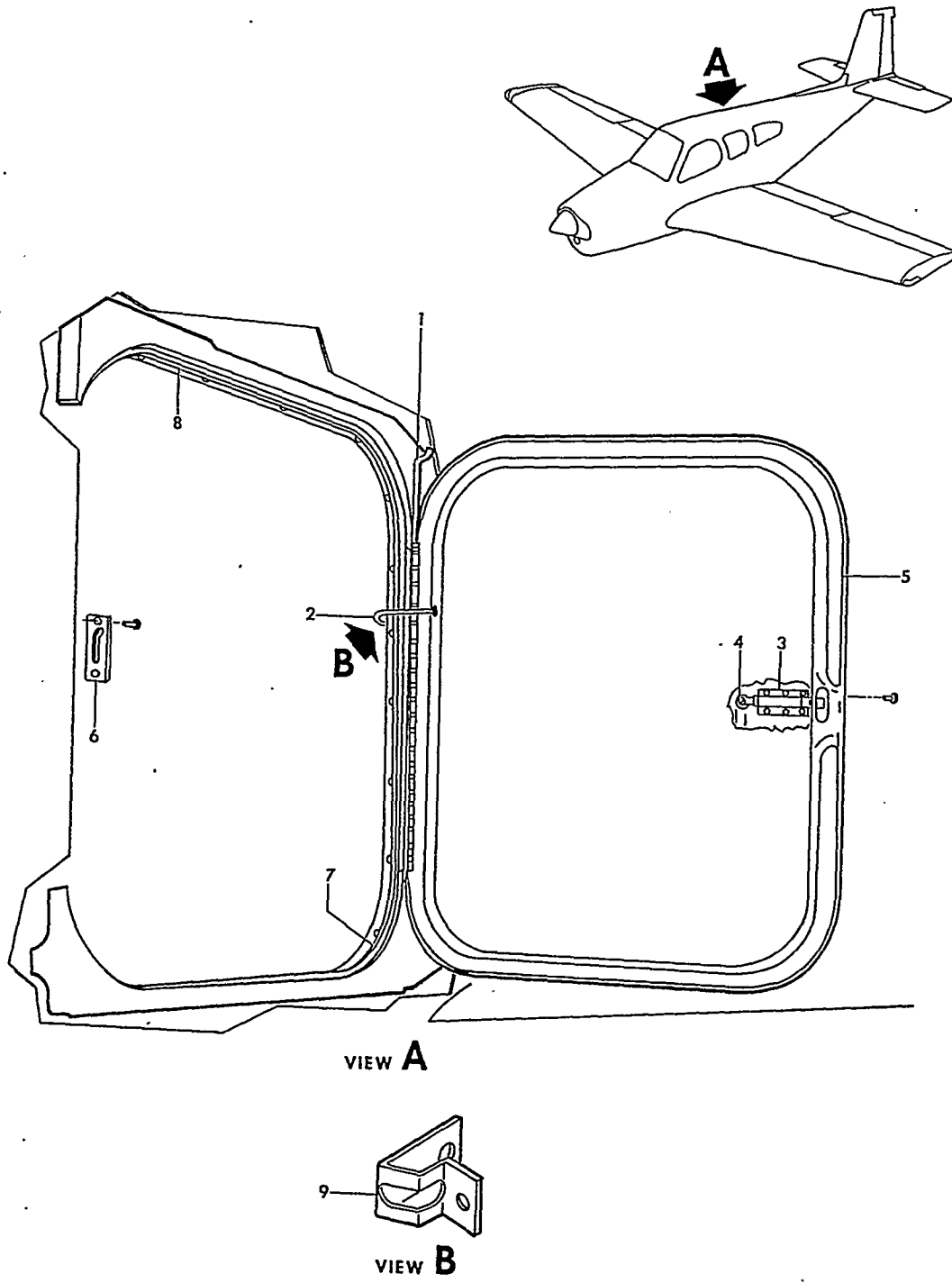
C O D E S O F E F F E C T I V I T Y

1	CE-465 AND AFTER	2	CE-465 THRU CE-632
3	CE-633 AND AFTER	4	CE-465 THRU CE-950
5	CE-951 AND AFTER	6	CE-633 THRU CE-994
7	CE-955 AND AFTER	8	CE-465 THRU CE-1300, CE-1302 THRU CE-1306
9	CE-1301, CE-1307 AND AFTER	10	CE-465 THRU CE-1670 CE-1672 THRU CE-1679
11	CE-1671, CE-1680 AND AFTER	12	CE-1301, CE-1307 THRU CE-1537
13	CE-1538 AND AFTER	14	CE-465 THRU CE-1537
15	CE-633 THRU CE-1622	16	CE-1623 THRU CE-1791
17	CE-1792 AND AFTER	18	CE-465 THRU CE-1791
19	CE-951 THRU CE-1791		

BEECHCRAFT  
BONANZA 33  
ILLUSTRATED PARTS CATALOG

FIGURE 106  
SMALL BAGGAGE DOOR

BEECHCRAFT  
BONANZA 33  
ILLUSTRATED PARTS CATALOG



VIEW A

VIEW B

33-106-4

B E E C H C R A F T  
B O N A N Z A 3 3  
I L L U S T R A T E D P A R T S C A T A L O G

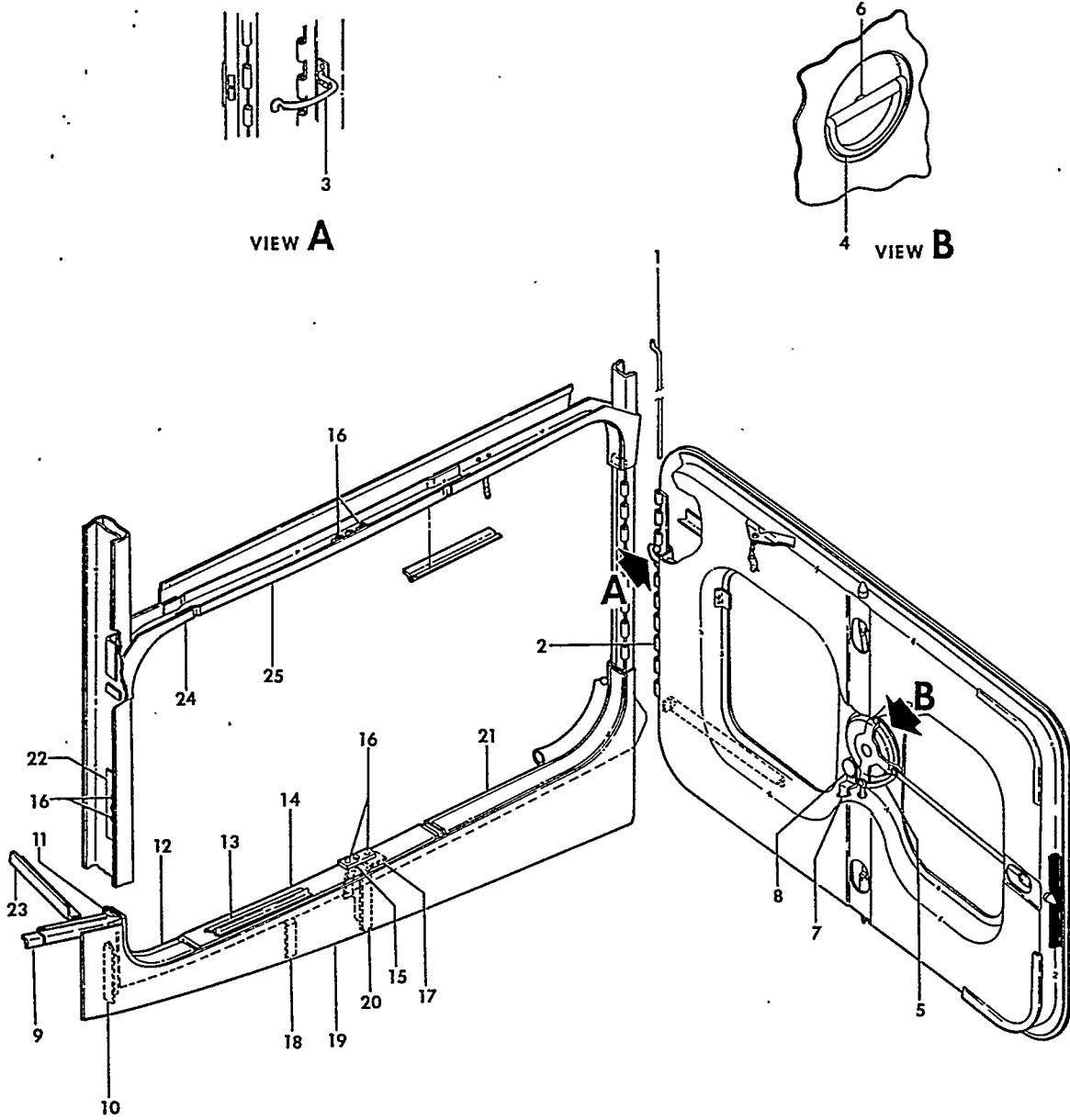
FIG. & ITEM NO.	PART NO.	DESCRIPTION							UNITS PER ASSY	USABLE ON CODE	
		1	2	3	4	5	6	7			
106	35-410070-81	DOOR INSTL, SMALL BAGGAGE.	.	.	.	.	.	.	NP		
	35-410070-12	. HINGE HALF, FUSELAGE . . . . .	.	.	.	.	.	.	1		
	35-410070-93	. DOOR ASSY, BAGGAGE . . . . .	.	.	.	.	.	.	1		
	- 1	35-410070-79	/ATTACHING PARTS/ . PIN, DOOR HINGE. . . . .	.	.	.	.	.	.	1	
			*								
	- 2	35-410070-10	. . HINGE HALF, DOOR . . . . .	.	.	.	.	.	.	1	
		35-410214-5	. . STOP ASSY, BAGGAGE DOOR. . . . .	.	.	.	.	.	.	1	
	- 3	35-415416	. . LATCH ASSY, BAGGAGE DOOR . . . . .	.	.	.	.	.	.	1	
		AN507-632	/ATTACHING PARTS/ . . SCREW . . . . .	.	.	.	.	.	.	6	
	- 4	35-410070-97	. . SEAL, LATCH. . . . .	.	.	.	.	.	.	1	
		35-590099-29	. . LOCK ASSY, BAGGAGE DOOR. . . . .	.	.	.	.	.	.	1	
	- 5	96-430011-27	SEAL INSTL, BAGGAGE DOOR . . . . .	.	.	.	.	.	.	NP	
		96-430011-31	. SEAL, BAGGAGE DOOR . . . . .	.	.	.	.	.	.	1	
	- 6	96-430011-29	. PLATE, STRIKER . . . . .	.	.	.	.	.	.	1	
		AN526-10R	/ATTACHING PARTS/ . SCREW . . . . .	.	.	.	.	.	.	2	
- 7	96-430011-19	. BLOCK, STRIKER . . . . .	.	.	.	.	.	.	1		
	96-430011-23	. STRIP, BAGGAGE DOOR SEAL /BOTTOM HALF/ . . . . .	.	.	.	.	.	.	1		
- 8	96-430011-25	. STRIP, BAGGAGE DOOR SEAL /TOP HALF/ . . . . .	.	.	.	.	.	.	1		
	PK76XZ6	/ATTACHING PARTS/ . SCREW . . . . .	.	.	.	.	.	.	15		
- 9	PK65A4-6	. SCREW . . . . .	.	.	.	.	.	.	14		
	96-430011-21	. STRIP, PHENDLIC. . . . .	.	.	.	.	.	.	1		
- 9	35-410180-14	LATCH, BAGGAGE DOOR STOP . . . . .	.	.	.	.	.	.	1		
	96-530007-99	WINDLACE, SMALL BAGGAGE DOOR . . . . .	.	.	.	.	.	.	1		

BEECHCRAFT  
BONANZA 33  
ILLUSTRATED PARTS CATALOG

FIGURE 107  
LARGE BAGGAGE DOOR/OPTIONAL/  
CE-316 AND AFTER



BEECHCRAFT  
 BONANZA 33  
 ILLUSTRATED PARTS CATALOG

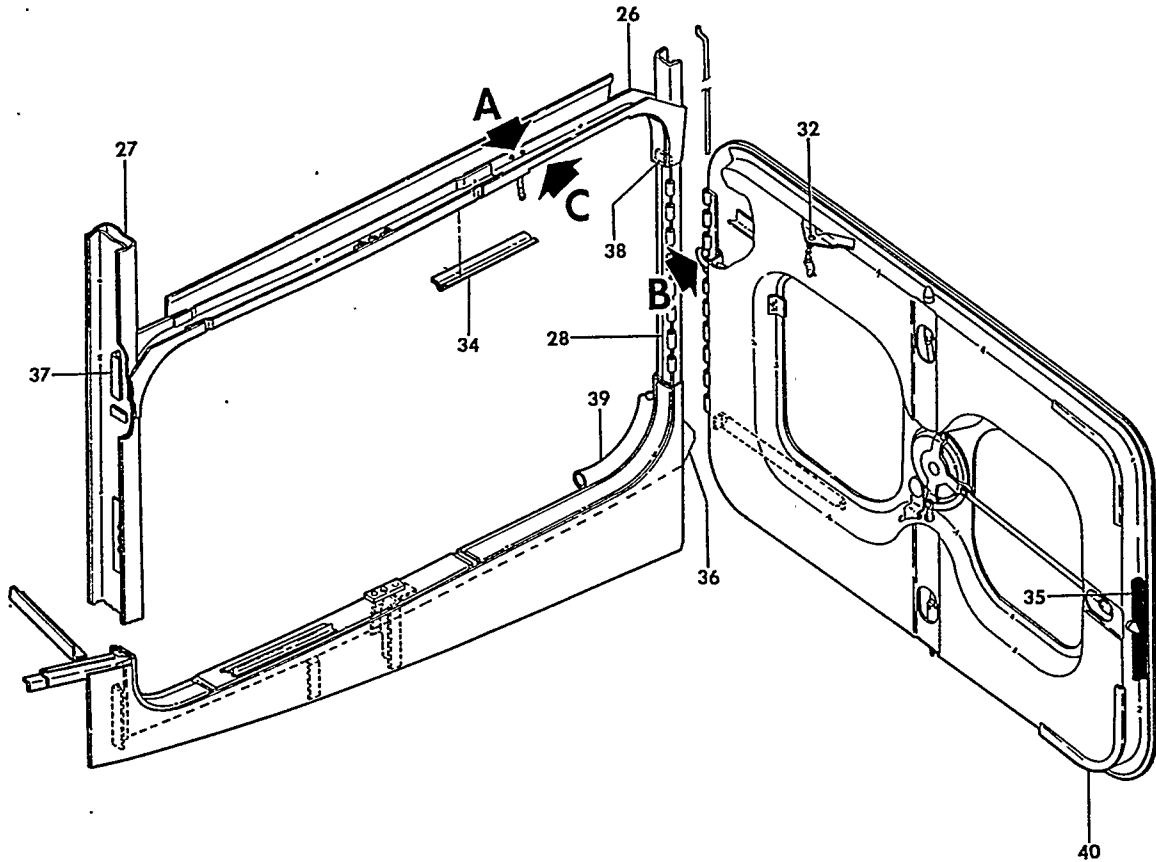
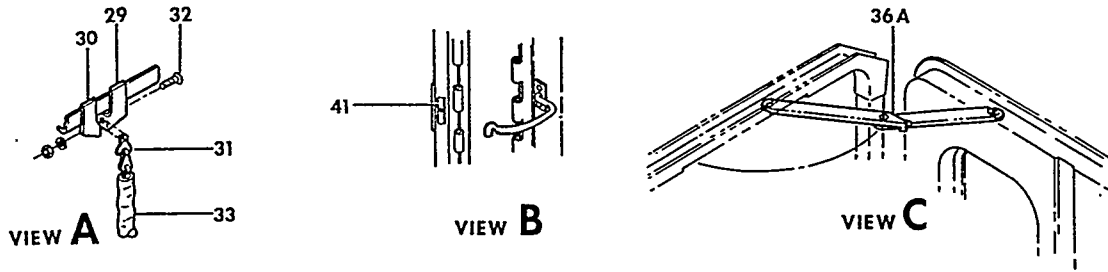


33-107-8

B E E C H C R A F T  
B O N A N Z A 3 3  
I L L U S T R A T E D P A R T S C A T A L O G

FIG. & ITEM NO.	PART NO.	DESCRIPTION	UNITS PER ASSY	USABLE ON CODE
107	96-420016-201S	DOOR INSTL,LARGE BAGGAGE . . . . .	NP	2
	96-420138-1	DOOR INSTL,LARGE BAGGAGE . . . . .	NP	3
	96-420016-203	. DOOR ASSY,LARGE BAGGAGE . . . . .	1	2
	002-430077-1	. DOOR ASSY,LARGE BAGGAGE . . . . .	1	3
		/ATTACHING PARTS/		
- 1	35-410070-14	. PIN,HINGE . . . . .	1	
		*-----*		
- 2	96-420016-97	. . HINGE,BAGGAGE DOOR HALF . . . . .	1	2
	002-430077-13	. . HINGE,BAGGAGE DOOR HALF . . . . .	1	3
- 3	35-410214-5	. . STOP ASSY,BAGGAGE DOOR . . . . .	1	2
	3003	. . BOLT ASSY,LARGE BAGGAGE DOOR . . . . .	1	1
- 4	DY1499	. . . HANDLE ASSY /INNER/ . . . . .	1	1
	DY1498	. . . HANDLE ASSY /WITH SPINDLE/ . . . . .	1	1
- 5	96-420016-159	. . STRIKER,LARGE BAGGAGE DOOR . . . . .	1	2
	002-430077-11	. . STRIKER,LARGE BAGGAGE DOOR . . . . .	1	3
	131301-12500	. . SEAL,AFT BAGGAGE DOOR . . . . .	1	3
- 6	79-032-156-0562	. . PIN,ROLL /HANDLE ATTACHING/ . . . . .	2	1
	96-420016-135	. . LOCK ASSY,LARGE BAGGAGE DOOR . . . . .	1	1
- 7	96-420016-161	. . CAM . . . . .	1	1
- 8	F6608EX2	. . PLUG . . . . .	1	1
- 9	96-420016-95	. . ANGLE,LOWER AFT . . . . .	1	1
- 10	96-420016-27	. . ANGLE,LOWER AFT . . . . .	1	1
- 11	96-420016-11	. . FILLER . . . . .	2	1
- 12	96-420016-15	. . SILL ASSY,AFT LOWER . . . . .	1	1
- 13	96-420016-55	. . STRIP,SEAL . . . . .	2	1
		/ATTACHING PARTS/		
	PK65A4-6	. . SCREW . . . . .	12	
	PK76-2-6	. . SCREW . . . . .	13	
		*-----*		
- 14	96-420016-5	. CHANNEL,LOWER . . . . .	1	2
- 15	96-420016-29	. BLOCK,STRIKER . . . . .	2	2
	96-420016-217	. BLOCK,STRIKER . . . . .	1	1
		/ATTACHING PARTS/		
- 16	MS27039-1-12	. SCREW . . . . .	2	
	NAS686A3	. NUTPLATE . . . . .	2	
		*-----*		
- 17	96-420016-17	. CLIP,DOOR FRAME . . . . .	1	1
- 18	96-420016-13	. STIFFENER,LOWER DOOR SILL . . . . .	1	2
	96-420016-251	. STIFFENER,LOWER DOOR SILL . . . . .	1	3
- 19	96-420016-177	. DOUBLER,LOWER AFT BAGGAGE DOOR . . . . .	1	2
- 19A	96-420016-3	. DOUBLER,LOWER AFT BAGGAGE DOOR . . . . .	1	1
- 20	96-420016-121	. CHANNEL,LOWER . . . . .	1	1
- 21	96-420016-9	. SILL ASSY,FWD LOWER . . . . .	1	1
- 22	96-420016-101	. DOUBLER,AFT . . . . .	1	1
- 23	96-420016-167	. ANGLE . . . . .	1	1
- 24	96-420016-71	. CORNER ASSY,AFT UPPER . . . . .	1	1
- 25	96-420016-21	. CHANNEL,UPPER . . . . .	1	1

BEECHCRAFT  
 BONANZA 33  
 ILLUSTRATED PARTS CATALOG



33-107-9

B E E C H C R A F T  
B O N A N Z A 3 3  
I L L U S T R A T E D P A R T S C A T A L O G

FIG. & ITEM NO.	PART NO.	DESCRIPTION	UNITS							USABLE ON CODE		
			1	2	3	4	5	6	7			
107	- 26	96-420016-73	.	.	.	.	.	.	.	.	1	1
	- 27	96-420016-25	.	.	.	.	.	.	.	.	1	1
	- 28	96-420016-99	.	.	.	.	.	.	.	.	1	1
	- 29	96-420016-103	.	.	.	.	.	.	.	.	1	1
	- 30	96-420016-104	.	.	.	.	.	.	.	.	1	1
	- 31	NAS1455C8-16	.	.	.	.	.	.	.	.	1	1
		/ATTACHING PARTS/										
	- 32	ANS15-8R	.	.	.	.	.	.	.	.	2	
		MS20365-832	.	.	.	.	.	.	.	.	2	
		-----x-----										
	- 33	106242-5-01550	.	.	.	.	.	.	.	.	1	1
	- 34	R 96-420016-57	.	.	.	.	.	.	.	.	1	2
		R 96-420016-55	.	.	.	.	.	.	.	.	1	2
	- 35	R 96-420016-59	.	.	.	.	.	.	.	.	1	2
		R 131301-12500	.	.	.	.	.	.	.	.	1	3
	- 36	002-430048-1	.	.	.	.	.	.	.	.	1	3
		002-430048-3	.	.	.	.	.	.	.	.	1	3
		002-430048-11	.	.	.	.	.	.	.	.	1	3
		002-430048-9	.	.	.	.	.	.	.	.	1	3
		96-420140-1	.	.	.	.	.	.	.	.	1	3
		/ATTACHING PARTS/										
		MS37039-1-10	.	.	.	.	.	.	.	.	2	
		AN960-10L	.	.	.	.	.	.	.	.	2	
		169-420010-85	.	.	.	.	.	.	.	.	1	
		MS20501-1032	.	.	.	.	.	.	.	.	1	
		130909N33	.	.	.	.	.	.	.	.	1	
		-----x-----										
	- 36A	169-380032-4	.	.	.	.	.	.	.	.	1	3
		169-380032-6	.	.	.	.	.	.	.	.	1	3
	- 37	35-410160-32	.	.	.	.	.	.	.	.	1	1
	- 38	35-410075	.	.	.	.	.	.	.	.	1	1
	- 39	96-420016-115	.	.	.	.	.	.	.	.	1	1
	- 40	R 96-420016-113	.	.	.	.	.	.	.	.	1	1
	- 41	35-410180-14	.	.	.	.	.	.	.	.	1	1
		95-364013-13	.	.	.	.	.	.	.	.	1	3

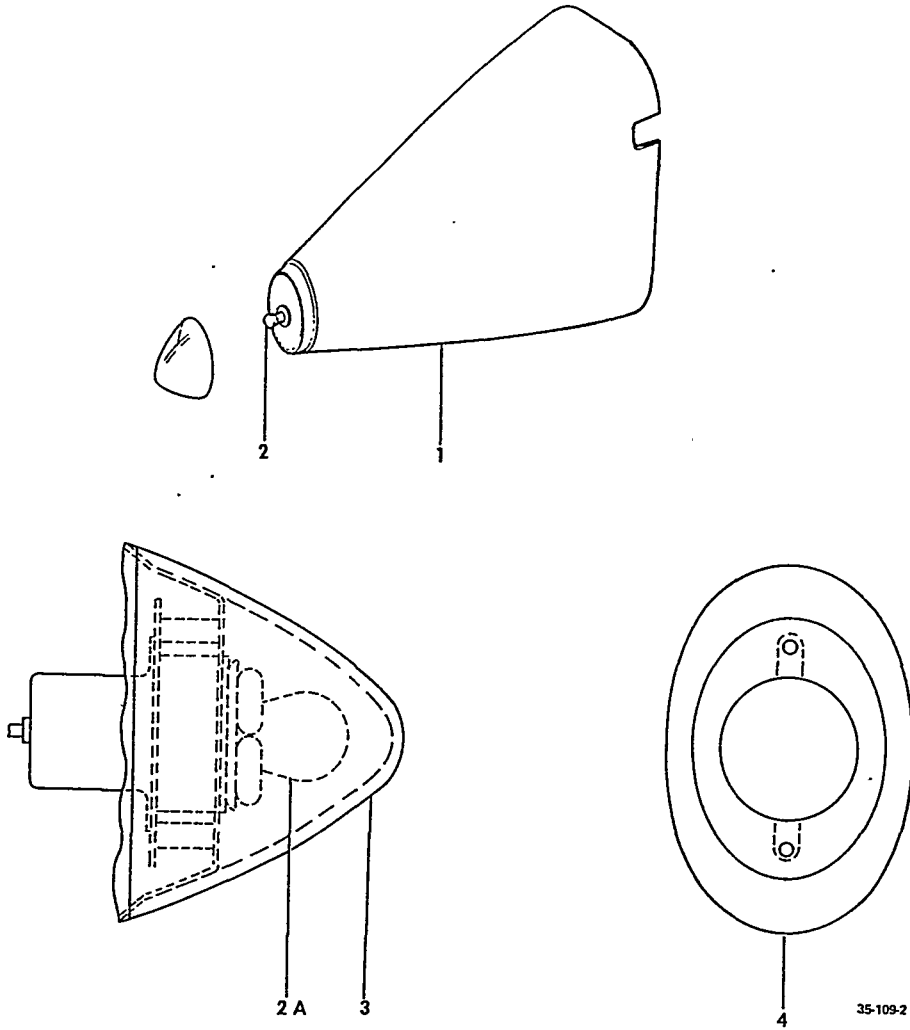
C O D E S O F E F F E C T I V I T Y

1 CE-316 AND AFTER      2 CE-316 THRU CE-510  
3 CE-511 AND AFTER

B E E C H C R A F T  
B O N A N Z A 3 3  
I L L U S T R A T E D P A R T S C A T A L O G

FIGURE 109  
TAIL CONE  
CD-1235 THRU CD-1304, CE-290 THRU CE-986  
CJ-26 THRU CJ-155

BEECHCRAFT  
BONANZA 33  
ILLUSTRATED PARTS CATALOG



B E E C H C R A F T  
B O N A N Z A 3 3  
I L L U S T R A T E D P A R T S C A T A L O G

FIG. & ITEM NO.	PART NO.	DESCRIPTION	UNITS PER ASSY							USABLE ON CODE	
			1	2	3	4	5	6	7		
109	33-440000	CONE INSTL, TAIL /WITHOUT STROBE LIGHT/							NP	1	
	002-440033-3	CONE INSTL, TAIL /WITHOUT STROBE LIGHT/							NP	2	
	- 1	33-440000-601	• CONE ASSY, TAIL							1	1
		002-440033-7	• CONE ASSY, TAIL							1	7
		002-440033-45	• CONE ASSY, TAIL							1	8
			/ATTACHING PARTS/								
		PK76XZ8-8	• SCREW							12	
		A6191-8Z3	• NUT							8	
		A6194-8Z1	• NUT							4	
			*-----*								
	33-440000-1	• COVER ASSY, TAIL CONE LIGHT							2	1	
- 2	002-440033-23	• COVER ASSY, TAIL CONE LIGHT							2	2	
	35-380001-603	• LIGHT ASSY							1	9	
	36-364001-11	• NAV LIGHT ASSY/ORDER 36-364001-637/							NP	10	
	36-364001-637	• LIGHT ASSY/SPARES FOR 36-364001-11/							1	10	
		/ATTACHING PARTS/									
		AN515-6R12	• SCREW							2	
		NAS1330A06K161	• RIVNUT							2	
			*-----*								
		35-364010-2	• BULB, NAVIGATION LIGHT							1	9
		1683	• BULB, NAVIGATION LIGHT							1	10
	AN931-4-7	• GROMMET							1	1	
	002-440033-29	• LIGHT ASSY							1	13	
	36-364001-11	• LIGHT ASSY							1	8	
	002-440033-21	• PLATE, END/WITHOUT STROBE LIGHT/							1	2	
	36-360016-7	CONE ASSY, TAIL /USED WITH STROBE LIGHT/							1	3	
	36-360016-29	CONE ASSY, TAIL /USED WITH STROBE LIGHT/							1	4	
	36-360016-35	CONE ASSY, TAIL /USED WITH STROBE LIGHT/							1	5	
	36-360016-39	CONE ASSY, TAIL /USED WITH STROBE LIGHT/							1	12	
	36-360016-13	• WELD ASSY, TAIL CONE SHELL							1	3	
	36-360016-33	• WELD ASSY, TAIL CONE SHELL							1	6	
- 2A	30-0815-3	• LIGHT ASSY, TAIL CONE /USED WITH STROBE LIGHT/							1	11	
	30-0815-1	• LIGHT ASSY, TAIL CONE /USED WITH STROBE LIGHT/							1	12	
		/ATTACHING PARTS/									
	AN525-832R8	• SCREW							2		
	NAS1329A08K75	• RIVNUT							2		
		*-----*									
- 3	002-440033-23	• COVER ASSY, TAIL CONE LIGHT							1	14	
- 4	58-360028-35	• PLATE, END							1	6	

C O D E S O F E F F E C T I V I T Y

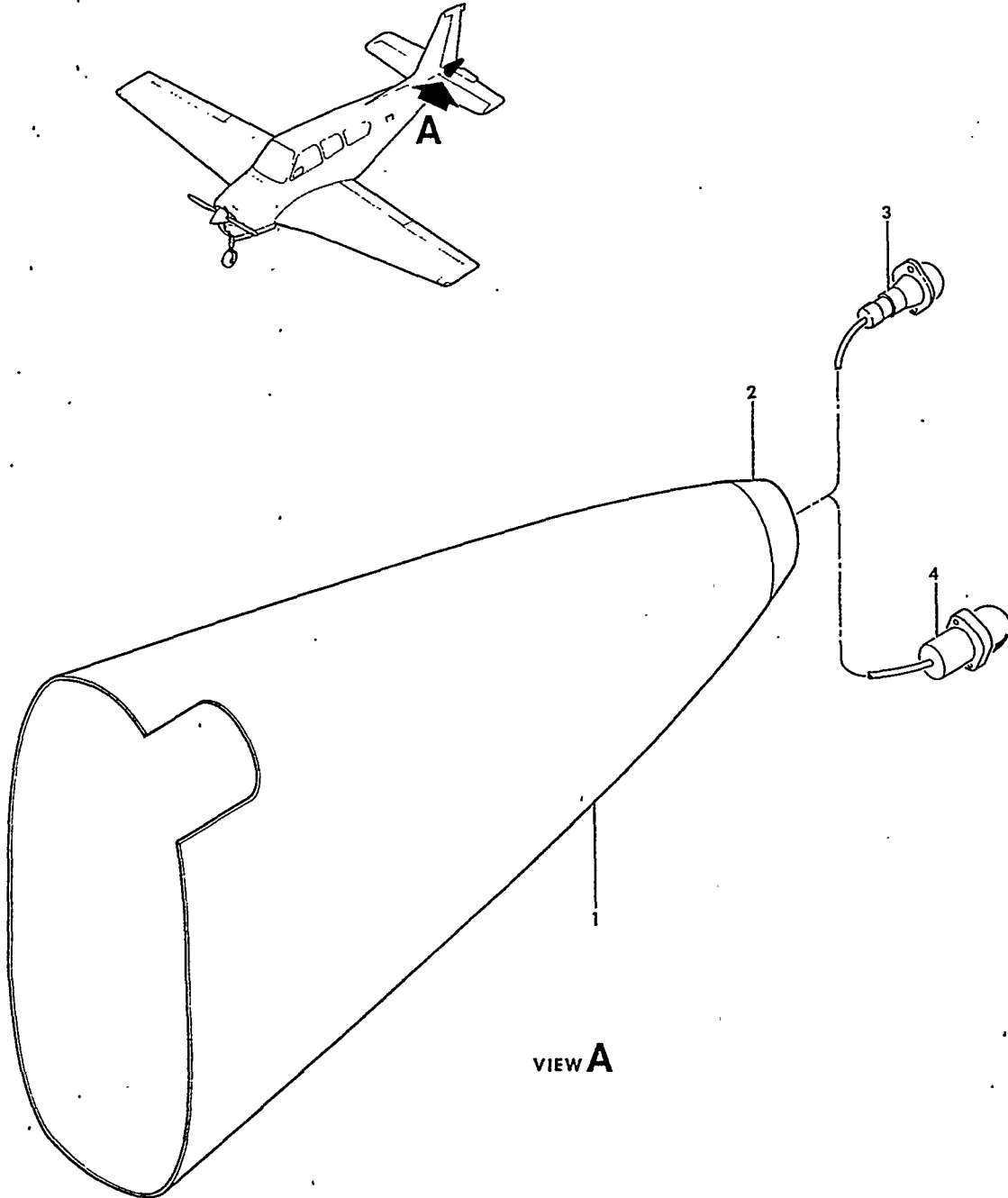
1	CD-1235 THRU CD-1304	2	CE-490 THRU CE-986
	CE-290 THRU CE-489		
	CJ-26 THRU CJ-155		
3	CE-371 THRU CE-489	4	CE-490 THRU CE-675
	CJ-26 THRU CJ-148		
5	CE-676 THRU CE-771	6	CE-436 THRU CE-986
	EXCEPT CE-748		
	CJ-129 THRU CJ-148		
7	CE-490 THRU CE-771,	8	CE-748, CE-772
	EXCEPT CE-748		THRU CE-986
9	CJ-26 THRU CJ-148	10	CJ-149 THRU CJ-155
11	CE-371 THRU CE-771	12	CE-748, CE-772
	EXCEPT CE-748		THRU CE-986
	CJ-26 THRU CJ-148		CJ-149 THRU CJ-155
13	CD-1235 THRU CD-1304	14	CD-1235 THRU CD-1304
	CE-290 THRU CE-771		CE-290 THRU CE-986
	EXCEPT CE-748		CJ-26 THRU CJ-155

B E E C H C R A F T  
B O N A N Z A 3 3  
I L L U S T R A T E D P A R T S C A T A L O G

FIGURE 109A  
TAIL CONE  
CE-987 AND AFTER, CJ-156 AND AFTER



BEECHCRAFT  
BONANZA 33  
ILLUSTRATED PARTS CATALOG



33-109A-5

B E E C H C R A F T  
B O N A N Z A 3 3  
I L L U S T R A T E D P A R T S C A T A L O G

FIG. & ITEM NO.	PART NO.	DESCRIPTION							UNITS PER ASSY	USABLE ON CODE	
		1	2	3	4	5	6	7			
109A	002-440039-3	TAIL CONE INSTL/W/O STROBE/	.	.	.	.	.	.	NP	1	
	002-440039-37	TAIL CONE INSTL/STROBE/ /ATTACHING PARTS/	.	.	.	.	.	.	NP	1	
	MS24621-30	SCREW	.	.	.	.	.	.	10		
	MS35206-245	SCREW	.	.	.	.	.	.	2		
	*-----*										
		002-440039-9	. CONE ASSY/W/O STROBE/	.	.	.	.	.	.	1	1
		002-440039-29	. CONE ASSY/STROBE/	.	.	.	.	.	.	1	1
	- 1	002-440039-21	. CONE. /ATTACHING PARTS/	.	.	.	.	.	.	1	1
		NAS395-16-3	. CLIPNUT	.	.	.	.	.	.	10	
		MS21059L08	. NUTPLATE	.	.	.	.	.	.	2	
*-----*											
- 2	002-440039-25	. TIP ASSY.	.	.	.	.	.	.	1	1	
	002-440039-33	. TIP	.	.	.	.	.	.	1	1	
	MS21073L06	. NUTPLATE	.	.	.	.	.	.	2	1	
- 3	36-364001-11	. NAV LIGHT ASSY/ORDER 36-364001-637/	.	.	.	.	.	.	NP	1	
	36-364001-637	. NAV LIGHT ASSY/SPARES FOR 36-364001-11/ /ATTACHING PARTS/	.	.	.	.	.	.	1	1	
	MS35206-230	. SCREW	.	.	.	.	.	.	2		
	TM2S6	. TY-RAP MOUNT	.	.	.	.	.	.	6		
	MS3367-1	. TY-RAP	.	.	.	.	.	.	3		
*-----*											
- 4	701557-8	. STROBE LIGHT ASSY /ATTACHING PARTS/	.	.	.	.	.	.	1	1	
	MS35206-233	. SCREW	.	.	.	.	.	.	2		
	TM2S6	. TY-RAP MOUNT	.	.	.	.	.	.	6		
	MS3367-1	. TY-RAP	.	.	.	.	.	.	6		
*-----*											

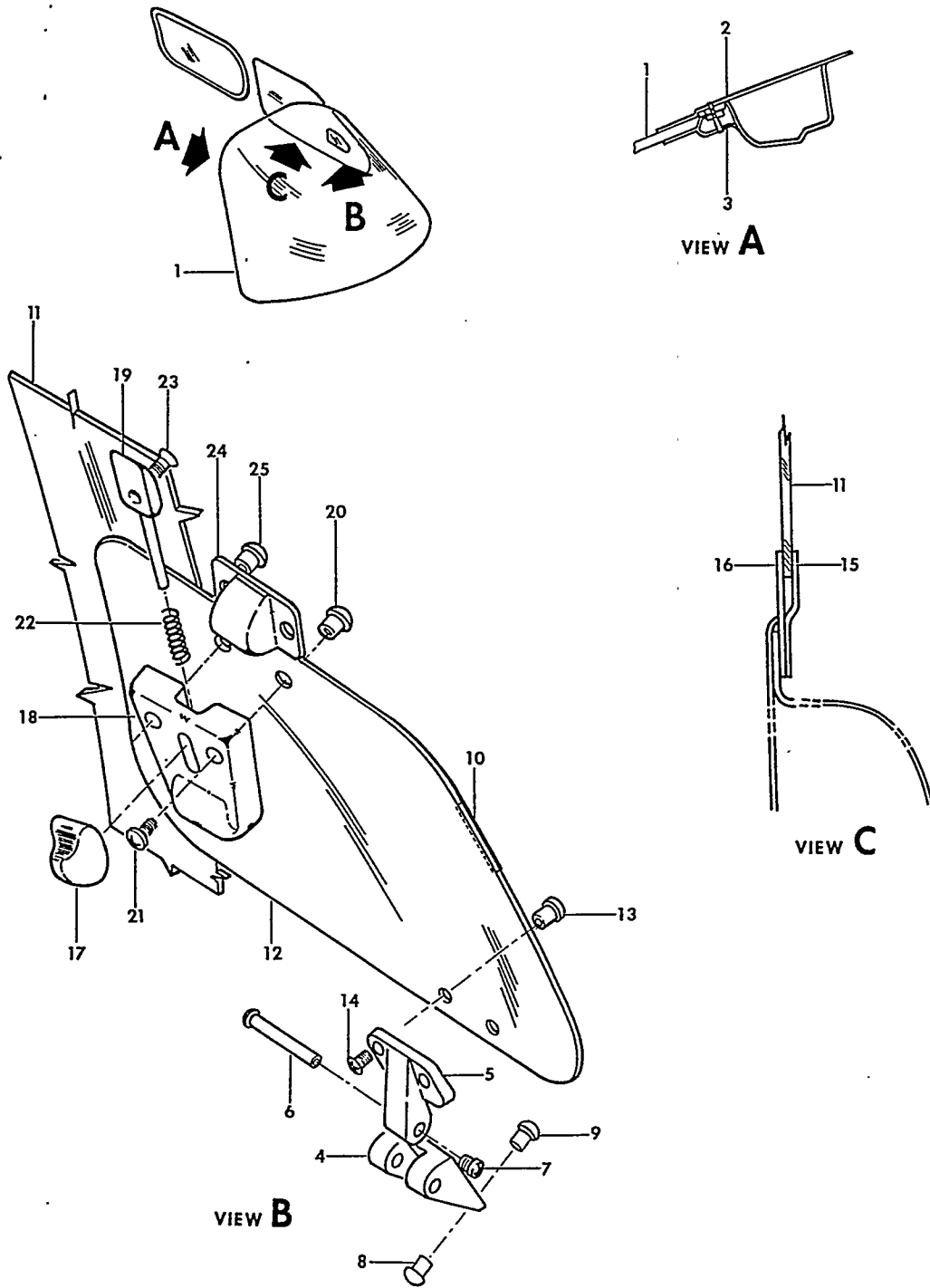
C O D E S O F E F F E C T I V I T Y

- 1 CE-987 AND AFTER
- CJ-156 AND AFTER

BEECHCRAFT  
BONANZA 33  
ILLUSTRATED PARTS CATALOG

FIGURE 110  
WINDSHIELD AND WINDOWS

BEECHCRAFT  
 BONANZA 33  
 ILLUSTRATED PARTS CATALOG

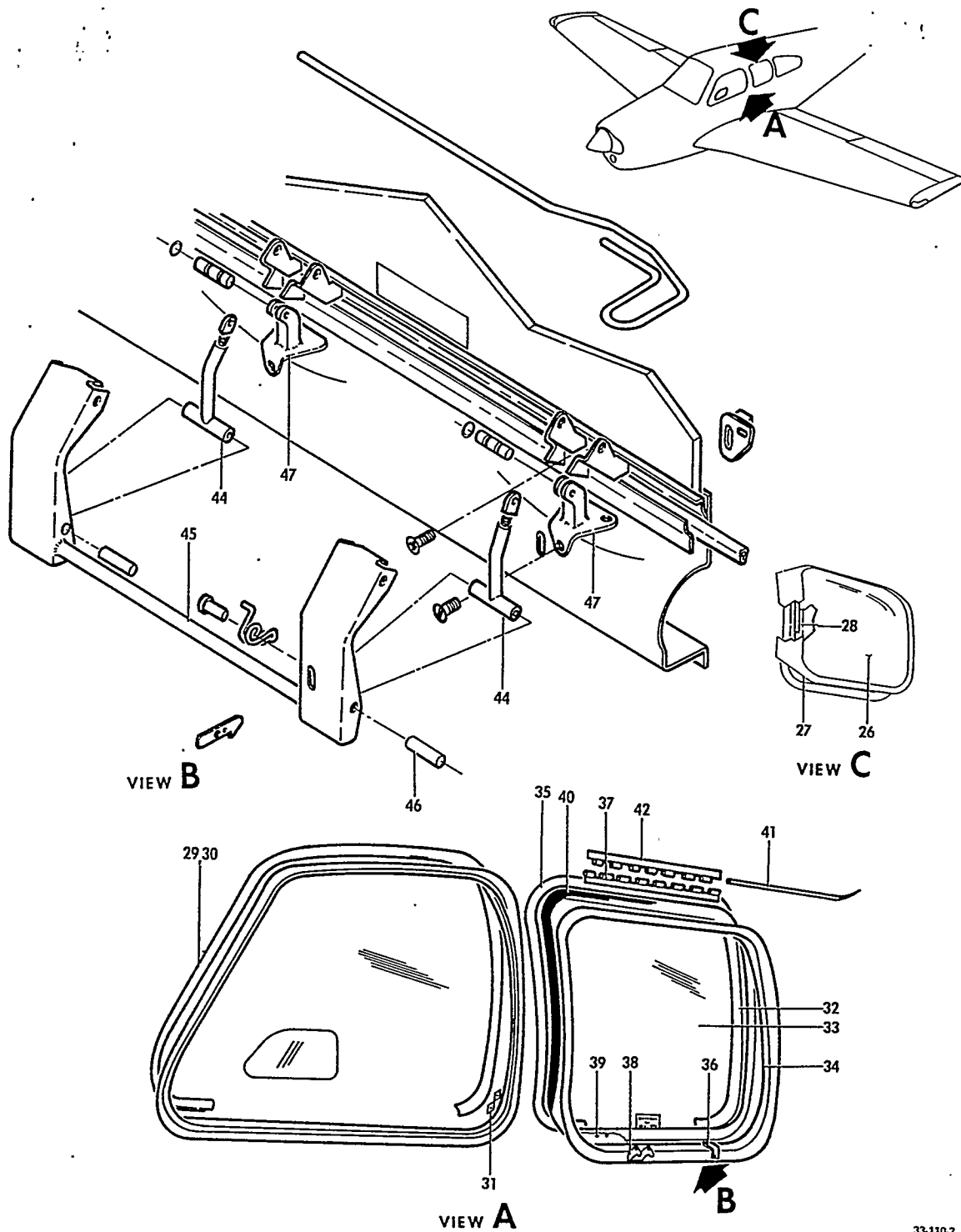


33-110-19

B E E C H C R A F T  
B O N A N Z A 3 3  
I L L U S T R A T E D P A R T S C A T A L O G

FIG. & ITEM NO.	PART NO.	DESCRIPTION	UNITS PER ASSY	USABLE ON CODE
		1 2 3 4 5 6 7		
110	35-410291-223	WINDOW INSTL,CABIN /TINTED SIDE WINDOWS WITH. 1 PIECE TINTED WINDSHIELD/	NP	1
	35-410291-225	WINDOW INSTL,CABIN /TINTED SIDE WINDOWS WITH. 1 PIECE CLEAR WINDSHIELD/	NP	1
	35-410291-207	WINDOW INSTL,CABIN /TINTED WINDSHIELD & . . . . WINDOWS WITH OPENABLE CENTER WINDOWS/	NP	14
	35-410291-209	WINDOW INSTL,CABIN /CLEAR WINDSHIELD & TINTED . SIDE WINDOWS WITH OPENABLE CENTER WINDOWS/	NP	13
	002-430008-13	CABIN ASSY,UPPER. . . . .	NP	15
	002-430008-301	CABIN ASSY,UPPER. . . . .	NP	17
	96-420030-1	WINDSHIELD INSTL /1 PIECE TINTED/ . . . . .	NP	
	96-420030-3	WINDSHIELD INSTL /1 PIECE CLEAR/ . . . . .	NP	
- 1	002-430051-21	WINDSHIELD ASSY /1 PIECE TINTED/ . . . . .	1	
	002-430051-25	WINDSHIELD ASSY/1 PIECE TINTED/OVERSIZE/ . . . . .	1	
	002-430051-3	WINDSHIELD ASSY /1 PIECE CLEAR/ . . . . .	1	
	002-430051-27	WINDSHIELD ASSY/1 PIECE CLEAR/OVERSIZE/ . . . . .	1	
- 2	35-410315	CLIP,MOULDING . . . . .	15	5
- 3	35-410474-49	MOULDING. . . . .	1	5
	35-410474-50	MOULDING. . . . .	1	5
		/ATTACHING PARTS/		
	PK84XA4-4	SCREW . . . . .	15	
		-----*		
	R 002-430052-1	WINDOW ASSY,FWD LH CABIN /TINTED/ . . . . . /ORDER 002-430053-27 FOR SPARES/	NP	18
	R 002-430052-27	WINDOW ASSY,FWD LH CABIN /TINTED/ . . . . .	1	19
- 4	002-430052-15	HINGE,STORM WINDOW HALF . . . . .	2	
- 5	002-430052-17	HINGE,STORM WINDOW HALF . . . . .	2	
		/ATTACHING PARTS/		
- 6	D4023 X 1 1/4	NUT,POST/LOWER HINGE/ . . . . .	2	
- 7	D366	SCREW/LOWER HINGE/ . . . . .	2	
		-----*		
- 8	D4023 X 3/8	NUT,POST. . . . .	4	
- 9	D366	SCREW . . . . .	4	
	RTV108	SEALANT . . . . .	AR	
- 10	002-430052-19	SEAL /30 IN. LONG/ . . . . .	1	
	002-430052-3	WINDOW,PREFIT /CABIN FWD LH & STORM/ . . . . .	1	
- 11	002-430052-11	WINDOW,FWD LH CABIN . . . . .	1	
- 12	002-430052-13	WINDOW,STORM. . . . .	1	
- 13	D4023X1/2	NUT,POST. . . . .	4	
- 14	D366	SCREW . . . . .	4	
- 15	002-430052-7	FRAME,WINDOW. . . . .	1	
- 16	002-430052-9	RETAINER. . . . .	1	
	R 002-430052-21	LATCH ASSY,STORM WINDOW . . . . . /ORDER 002-430052-25 FOR SPARES/	NP	18
	R 002-430052-25	LATCH ASSY,STORM WINDOW . . . . .	1	19
- 17	58-420062-1	KNOB. . . . .	1	
- 18	R 58-420065-3	COVER/ORDER 58-420065-5 FOR SPARES/ . . . . .	NP	18
	R 58-420065-5	COVER . . . . .	1	19
- 19	R 58-420064-1	CATCH/ORDER 58-420064-3 FOR SPARES/ . . . . .	NP	18
	R 58-420064-3	CATCH . . . . .	1	19
		/ATTACHING PARTS/		
- 20	D4023X5/8	NUT,POST. . . . .	2	
- 21	D366	SCREW . . . . .	2	
		-----*		
- 22	100943CRZD028L	SPRING. . . . .	1	
		/ATTACHING PARTS/		
- 23	MS24693NB273	SCREW . . . . .	1	
		-----*		
- 24	58-420063-1	STRIKER . . . . .	1	
		/ATTACHING PARTS/		
	D366	SCREW . . . . .	2	
- 25	AN502-1032R10	NUT,POST. . . . .	2	
		-----*		

BEECHCRAFT  
 BONANZA 33  
 ILLUSTRATED PARTS CATALOG

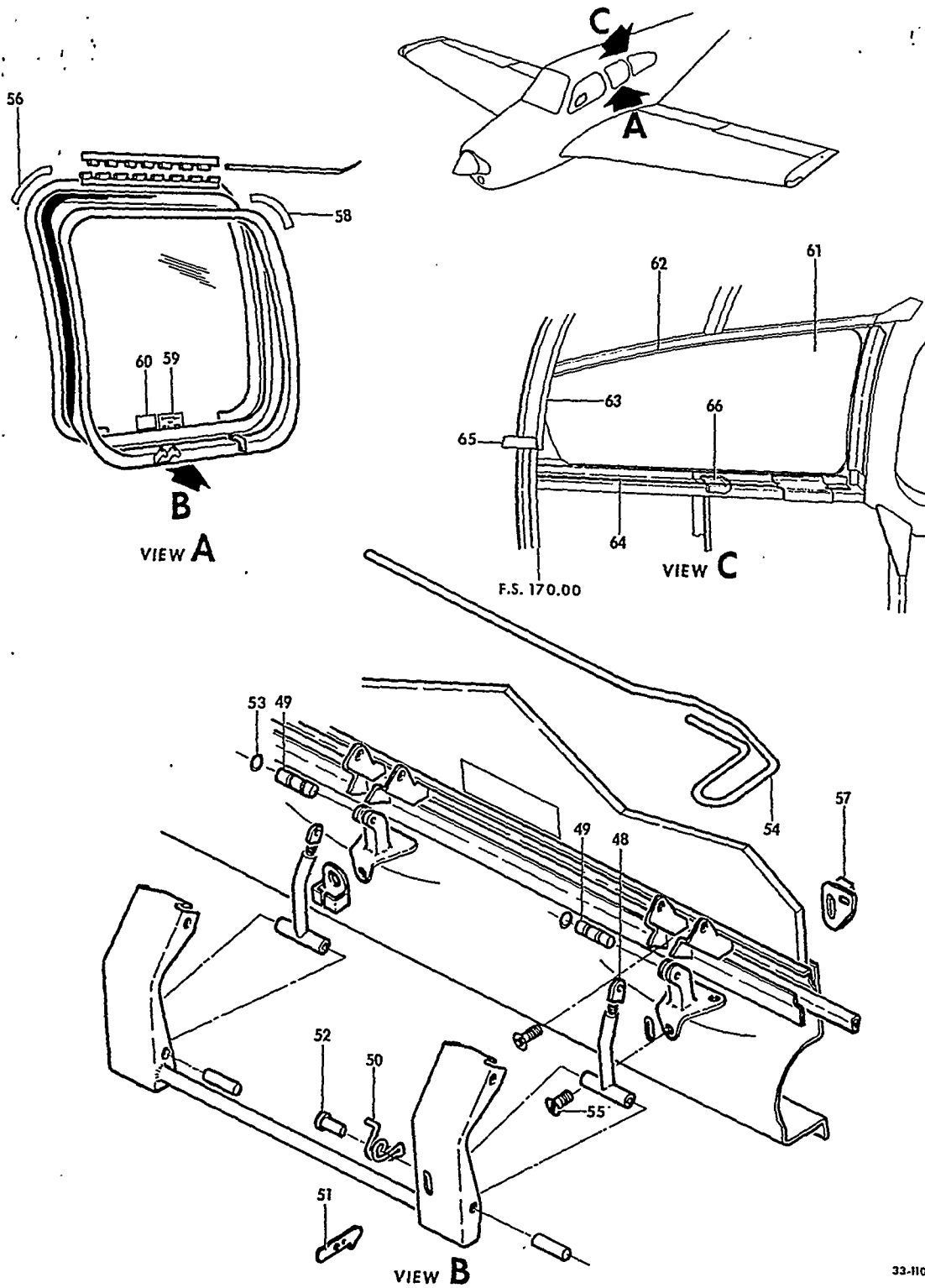


33-110-2

B E E C H C R A F T  
B O N A Z A 3 3  
I L L U S T R A T E D P A R T S C A T A L O G

FIG. & ITEM NO.	PART NO.	DESCRIPTION	UNITS PER ASSY	USABLE ON CODE
110 - 26	33-410010-1	. GLASS,LH CENTER CABIN WINDOW . . . . .	1	1
	33-410010-2	. GLASS,RH CENTER CABIN WINDOW . . . . .	1	1
- 27	33-410010-3	. FRAME,OUTSIDE LH CENTER CABIN WINDOW . . . . .	1	1
	33-410010-4	. FRAME,OUTSIDE RH CENTER CABIN WINDOW . . . . .	1	1
- 28	35-410291-227	. SHIM,CENTER CABIN WINDOW . . . . .	1	1
- 29	35-410291-175	. MOULDING,FWD LH CABIN WINDOW . . . . .	1	1
		/ATTACHING PARTS/		
- 30	PK84XA4-4	. SCREW . . . . .	16	
		-----*-----		
- 31	35-410315	. CLIP,MOULDING . . . . .	16	
	33-530001-3	. STRIP,MOULDING . . . . .	1	
	EC801	. SEALER . . . . .	AR	
- 32 R	002-430053-1	. WINDOW ASSY,LH CENTER CABIN /OPENABLE/. . . . .	1	15
R	002-430053-19	. WINDOW ASSY,LH CENTER CABIN /OPENABLE/. . . . .	1	21
R	002-430053-37	. WINDOW ASSY,LH CENTER CABIN /OPENABLE/. . . . .	1	22
R	002-430053-2	. WINDOW ASSY,RH CENTER CABIN /OPENABLE/. . . . .	1	15
R	002-430053-20	. WINDOW ASSY,RH CENTER CABIN /OPENABLE/. . . . .	1	21
R	002-430053-38	. WINDOW ASSY,RH CENTER CABIN /OPENABLE/. . . . .	1	22
- 33	002-430053-9	. . GLASS,LH CENTER CABIN WINDOW /TINTED/ . . . . .	1	
	002-430053-10	. . GLASS,RH CENTER CABIN WINDOW /TINTED/ . . . . .	1	
- 34	002-430053-5	. . FRAME,LH CENTER CABIN WINDOW . . . . .	1	
	002-430053-6	. . FRAME,RH CENTER CABIN WINDOW . . . . .	1	
- 35	002-430053-7	. . RETAINER,LH CABIN WINDOW . . . . .	1	
	002-430053-8	. . RETAINER,RH CABIN WINDOW . . . . .	1	
- 36 R	002-430053-13	. . SPACER . . . . .	2	
- 37 R	002-430053-15	. . HINGE,WINDOW HALF . . . . .	1	
- 38 R	106-530103-1	. . SUPPORT,CENTER CABIN WINDOW LATCH FWD . . . . .	1	
R	106-530103-2	. . SUPPORT,CENTER CABIN WINDOW LATCH AFT . . . . .	1	
		/ATTACHING PARTS/		
- 39 R	MS24693S48	. . SCREW . . . . .	2	
R	AN960-8	. . WASHER . . . . .	2	
R	MS21042L08	. . NUT . . . . .	2	
		-----*-----		
- 40	002-430008-139	. SEAL,CABIN WINDOW . . . . .	1	16
R	002-430008-287	. SEAL,WINDOW . . . . .	1	20
R	002-430008-407	. SEAL,WINDOW . . . . .	1	19
	002-430008-285	. RETAINER,WINDOW SEAL/LH/. . . . .	1	12
	002-430008-286	. RETAINER,WINDOW SEAL/RH/. . . . .	1	12
	35-410291-72	. MOULDING,LH CENTER CABIN WINDOW . . . . .	2	1
	35-410291-73	. MOULDING,RH CENTER CABIN WINDOW . . . . .	2	1
- 41	002-430008-171	. PIN,WINDOW HINGE /LH & RH/. . . . .	2	
- 42	002-430008-169	. HINGE,FUSELAGE HALF . . . . .	2	
- 43		. DELETED . . . . .		
	106-530108-5	. LATCH ASSY,LH & RH OPENABLE WINDOW . . . . .	2	17
		/SEE FIG 110A FOR BREAKDOWN/		
	35-410291-631	. LATCH ASSY,LH CENTER CABIN WINDOW . . . . .	1	6
	35-410291-632	. LATCH ASSY,RH CENTER CABIN WINDOW . . . . .	1	6
	35-410291-641	. LATCH ASSY,LH OPENABLE WINDOW . . . . .	1	7
	35-410291-642	. LATCH ASSY,RH OPENABLE WINDOW . . . . .	1	7
	002-430055-1	. LATCH ASSY,LH OPENABLE WINDOW . . . . .	1	8
	002-430055-2	. LATCH ASSY,RH OPENABLE WINDOW . . . . .	1	8
- 44	002-430055-5	. . LINK ASSY . . . . .	2	
- 45	002-430055-3	. . HANDLE,LH . . . . .	1	
	002-430055-4	. . HANDLE,RH . . . . .	1	
- 46	3/16 X 1/2	. . PIN,TYPE E DRIVE . . . . .	4	
- 47	002-430055-19	. . SUPPORT,WINDOW LATCH MECHANISM . . . . .	2	
		/ATTACHING PARTS/		
	AN507-8R9	. . SCREW . . . . .	8	
		-----*-----		

BEECHCRAFT  
 BONANZA 33  
 ILLUSTRATED PARTS CATALOG

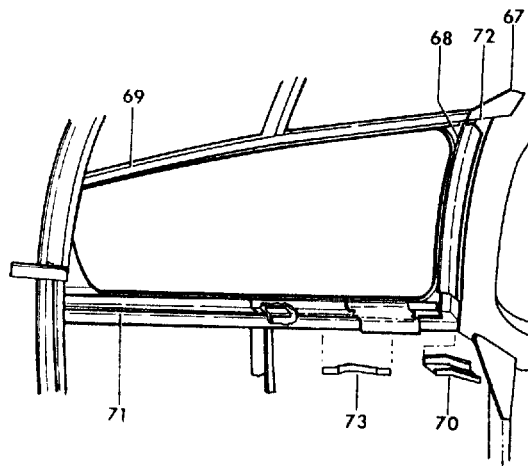
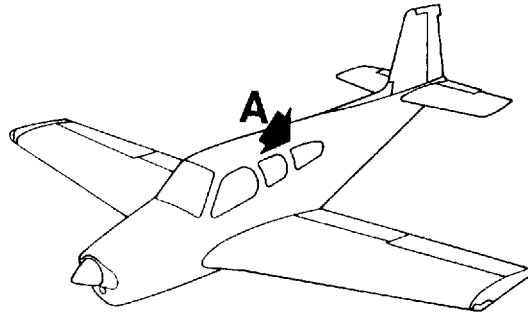




B E E C H C R A F T  
B O N A N Z A 3 3  
I L L U S T R A T E D P A R T S C A T A L O G

FIG. & ITEM NO.	PART NO.	DESCRIPTION	UNITS PER ASSY	USABLE ON CODE
		1 2 3 4 5 6 7		
110 - 48	002-430055-21	• • LINK . . . . .	2	
- 49	35-410317	• • PIN . . . . .	2	
- 50	002-430055-25	• • SPRING,LH . . . . .	1	
	002-430055-26	• • SPRING,RH . . . . .	1	
- 51	35-415311-1	• • LATCH,CABIN WINDOW CENTER . . . . .	2	6
	58-420057-3	• • LATCH,CABIN WINDOW CENTER . . . . .	2	7
	002-430055-29	• • LATCH,CABIN WINDOW CENTER . . . . .	2	8
- 52	MS20392-1C15	• • PIN,CENTER WINDOW LATCH . . . . .	1	
	MS24665-130	• • PIN,COTTER . . . . .	1	12
- 53	NAS51-18N	• • RING,SNAP . . . . .	4	
- 54	35-410316	• • PIN,LH EMERGENCY RELEASE . . . . .	1	9
	002-430008-135	• • PIN,LH EMERGENCY RELEASE . . . . .	1	8
	002-430008-136	• • PIN,RH EMERGENCY RELEASE . . . . .	1	
- 55	AN525-10R10	• • SCREW . . . . .	2	
- 56	002-430008-173	• • SHIM . . . . .	1	
- 57	35-415309-1	• • CATCH ASSY,LH . . . . .	1	6
	35-415309-2	• • CATCH ASSY,RH . . . . .	1	6
	002-430008-183	• • CATCH,CABIN WINDOW LH & RH . . . . .	2	10
- 58	002-430008-175	• • SHIM . . . . .	1	
- 59	35-410329 W-C	• • PLACARD,CABIN WINDOW /WHITE ON CLEAR/ . . . . .	1	5
	35-410329 B-C	• • PLACARD,CABIN WINDOW /BLACK ON CLEAR/ . . . . .	1	5
- 60	35-534352-3	• • PLACARD,WINDOW LATCH/BLACK/ . . . . .	2	5
	33-410012-5	WINDOW INSTL,THIRD . . . . .	NP	1
	96-430010-83	WINDOW INSTL,THIRD . . . . .	NP	2
	002-430000-23	FUSELAGE ASSY,CABIN . . . . .	NP	4
	33-534060-3	• • MOULDING,LH AFT WINDOW . . . . .	1	1
	96-430010-93	• • MOULDING,LH AFT WINDOW . . . . .	1	11
	95-420015-93	• • MOULDING,LH AFT WINDOW . . . . .	1	3
	33-534060-5	• • MOULDING,RH AFT WINDOW . . . . .	1	1
	96-430010-94	• • MOULDING,RH AFT WINDOW . . . . .	1	11
	95-420015-94	• • MOULDING RH AFT WINDOW . . . . .	1	3
		/ATTACHING PARTS/		
	NAS384-6-8P	• • SCREW . . . . .	16	
	NAS391-6P	• • WASHER . . . . .	16	
		*-----*		
- 61	002-430000-117	• • GLASS,LH /3RD WINDOW/ . . . . .	1	
	002-430000-118	• • GLASS,RH /3RD WINDOW/ . . . . .	1	
- 62	002-430000-121	• • ANGLE,LH . . . . .	1	
	002-430000-122	• • ANGLE,RH . . . . .	1	
		/ATTACHING PARTS/		
	AN530-8	• • SCREW . . . . .	AR	
		*-----*		
- 63	002-400000-61	• • ANGLE,LH . . . . .	1	
	002-400000-62	• • ANGLE,RH . . . . .	1	
		/ATTACHING PARTS/		
	AN530-8	• • SCREW . . . . .	AR	
		*-----*		
	35-115276	• • CLIP /LH FS170/ . . . . .	1	2
	35-115276-1	• • CLIP /LH FS170/ . . . . .	1	2
- 64	002-430000-119	• • ANGLE,LH . . . . .	1	
	002-430000-120	• • ANGLE,RH . . . . .	1	
- 65	96-430010-37	• • STRINGER,LH/STA 170 TO 248/ . . . . .	1	1
	96-430010-38	• • STRINGER,RH/STA 170 TO 248/ . . . . .	1	1
- 66	96-430010-73	• • ANGLE,RH LOWER . . . . .	1	2
	002-400000-57	• • CLIP . . . . .	2	

BEECHCRAFT  
BONANZA 33  
ILLUSTRATED PARTS CATALOG



VIEW A

33-110-3

B E E C H C R A F T  
B O N A N Z A 3 3  
I L L U S T R A T E D P A R T S C A T A L O G

FIG. & ITEM NO.	PART NO.	DESCRIPTION	UNITS PER ASSY	USABLE ON CODE
110 - 67	002-430000-127	. GUSSET. . . . .	2	
- 68	002-430000-123	. ANGLE,LH. . . . .	1	
	002-430000-124	. ANGLE,RH. . . . .	1	
	AN530-8	. SCREW . . . . .	AR	
		-----*		
- 69	002-430008-157	. ZEE,LH. . . . .	1	
	002-430008-158	. ZEE,RH. . . . .	1	
- 70	002-430000-125	. CHANNEL /RH ONLY/ . . . . .	1	
- 71 R	96-430010-85	. ZEE,LH. . . . .	1	13
R	002-430008-155	. ZEE,LH. . . . .	1	15
R	002-430008-311	. ZEE,LH. . . . .	1	17
	002-430065-1	. ZEE,RH. . . . .	1	
- 72	002-430008-151	. ZEE /LH ONLY/ . . . . .	1	
- 73	002-430008-89	. HANDLE,ASSIST /RH ONLY/ . . . . .	1	

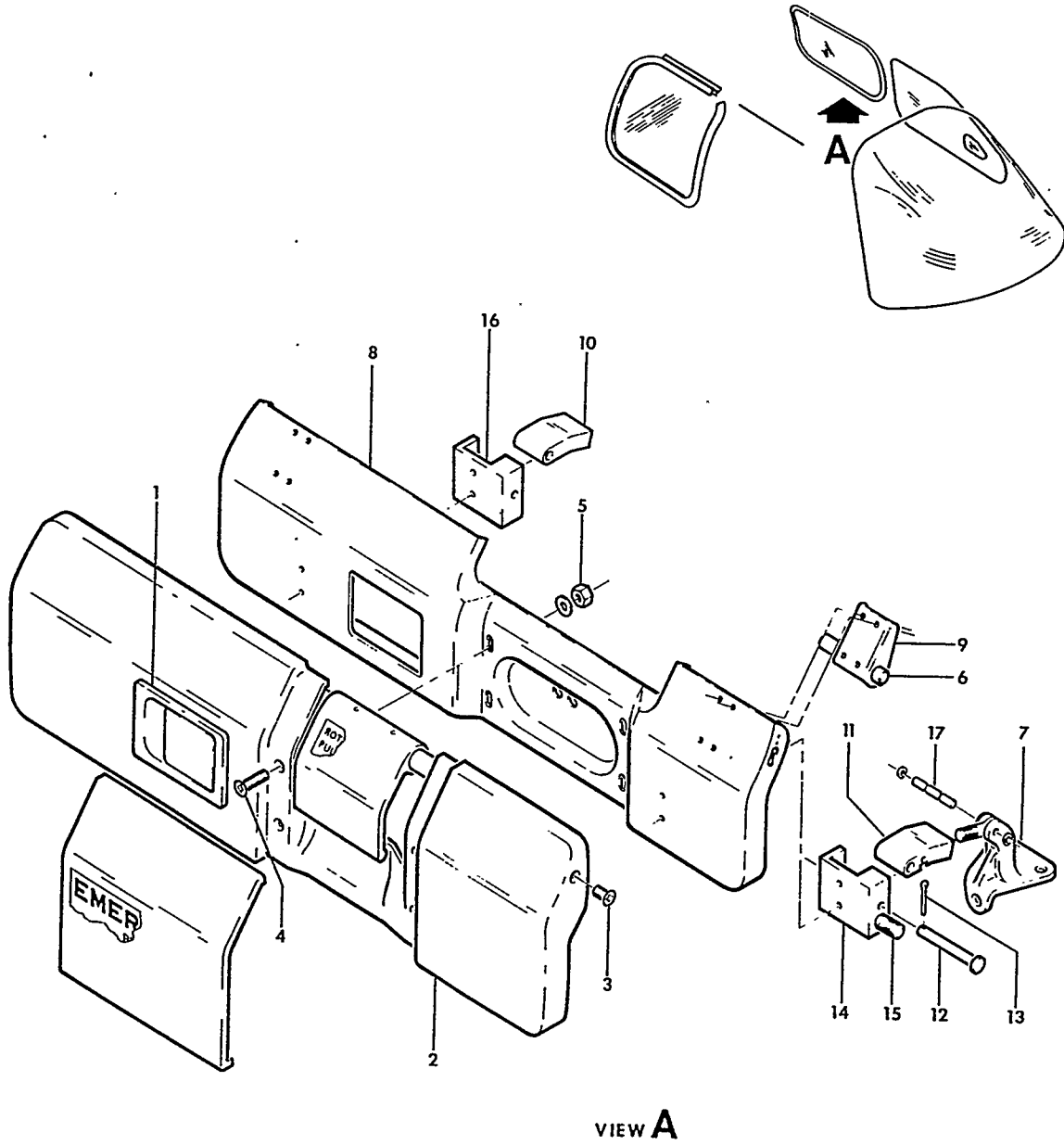
C O D E S O F E F F E C T I V I T Y

1	CD-1235 THRU CD-1304	2	CE-316 THRU CE-827, EXCEPT CE-804
	CE-290 THRU CE-315		CJ-52 THRU CJ-148
	CJ-26 THRU CJ-51		
3	CE-350 THRU CE-464	4	CE-804, CE-828 AND AFTER
	CJ-31 THRU CJ-51		CJ-149 AND AFTER
5	CD-1235 THRU CD-1255	6	CD-1235 THRU CD-1304
	CE-290 THRU CE-349		CE-290 THRU CE-415
	CJ-26 THRU CJ-30		CJ-26 THRU CJ-40
7	CE-416 THRU CE-464	8	CE-465 THRU CE-918, CE-920 THRU CE-922, CE-924,CE-926, CE-928
	CJ-41 THRU CJ-51		CJ-52 THRU CJ-155
9	CD-1235 THRU CD-1304	10	CE-416 THRU CE-918, CE-920 THRU CE-922, CE-924,CE-926, CE-928
	CE-290 THRU CE-464		CJ-41 THRU CJ-155
	CJ-26 THRU CJ-51		
11	CE-316 THRU CE-349	12	CE-762 AND AFTER
	CJ-26 THRU CJ-30		CJ-141 AND AFTER
13	CD-1235 THRU CD-1304	14	CD-1235 THRU CD-1304
	CE-290 THRU CE-678		CE-290 THRU CE-678
	CJ-26 THRU CJ-128		CJ-31 THRU CJ-128,
15	CE-679 THRU CE-918,	16	CD-1235 THRU CD-1304
	CE-920 THRU CE-922, CE-924,CE-926, CE-928		CE-290 THRU CE-671
	CJ-129 THRU CJ-155		CJ-26 THRU CJ-140
17	CE-919,CE-923, CE-925,CE-927, CE-929 AND AFTER	18	CE-290 THRU CE-1786
	CJ-156 AND AFTER		CJ-26 THRU CJ-179
19	CE-1787 AND AFTER	20	CE-762 THRU CE-1786
	CJ-180 AND AFTER		CJ-141 THRU CJ-179
21	CE-919,CE-923, CE-925	22	CE-927, CE-929 AND AFTER

BEECHCRAFT  
BONANZA 33  
ILLUSTRATED PARTS CATALOG

FIGURE 110A  
OPENABLE WINDOW LATCH  
CE-919, CE-923, CE-925, CE-927, CE-929 AND AFTER  
CJ-156 AND AFTER

BEECHCRAFT  
BONANZA 33  
ILLUSTRATED PARTS CATALOG

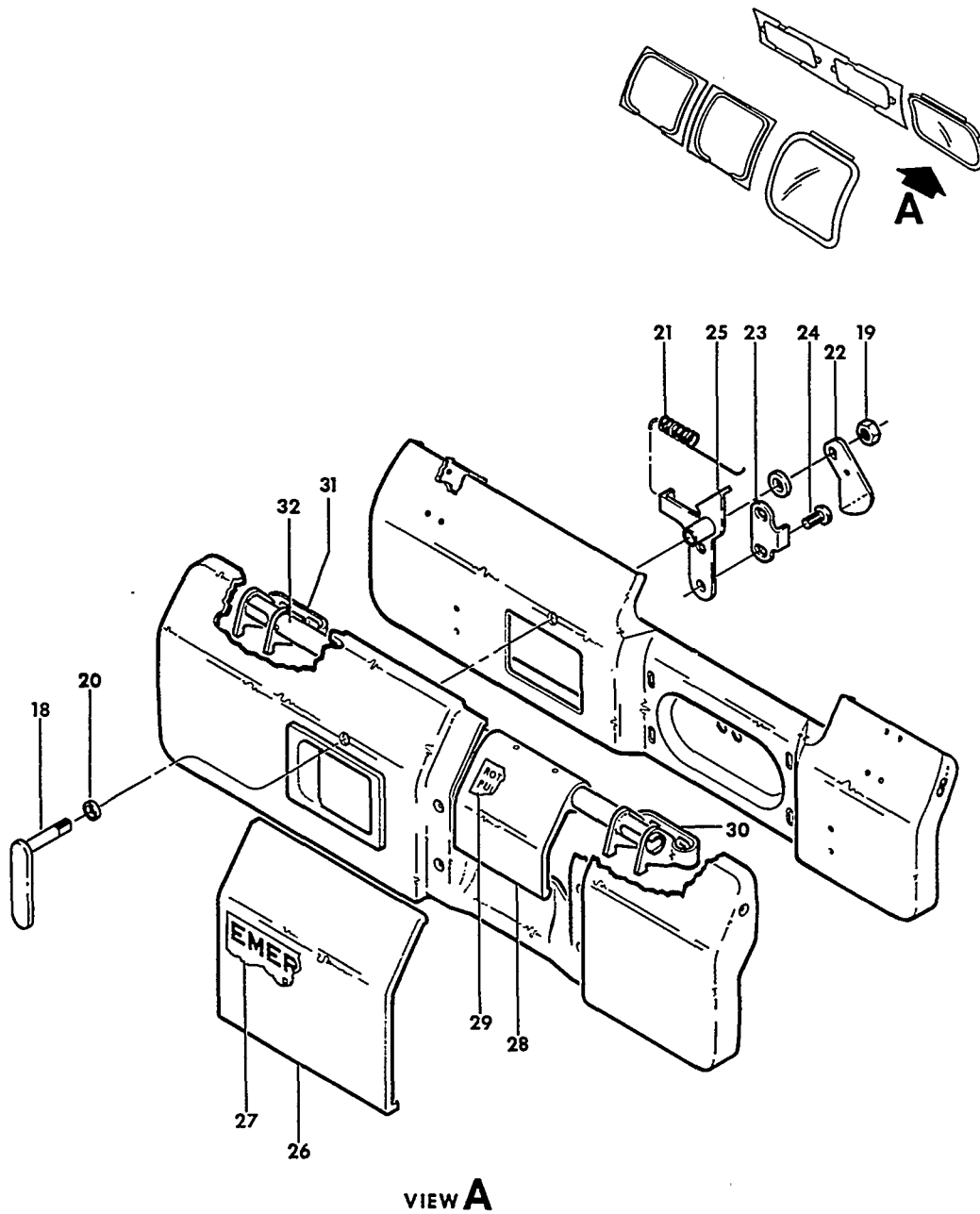


33-110-23

B E E C H C R A F T  
B O N A N Z A 3 3  
I L L U S T R A T E D P A R T S C A T A L O G

FIG. & ITEM NO.	PART NO.	DESCRIPTION	UNITS PER ASSY	USABLE ON CODE
		1 2 3 4 5 6 7		
110A	106-530108-5	LATCH ASSY, OPENABLE WINDOW/LH & RH. . . . .	1	3
	106-530108-9	LATCH ASSY, OPENABLE WINDOW/LH & RH/ . . . . .	1	2
	106-530108-13	LATCH ASSY, OPENABLE WINDOW/LH & RH/ . . . . .	1	4
- 1	H2829-1	. LATCH/ALTERNATE FOR A23092-1/ . . . . .	1	3
	A23092-1	. LATCH/ALTERNATE FOR H2829/. . . . .	1	3
	A23092-5	. LATCH . . . . .	1	2
	106-530108-7	. HINGE ASSY. . . . .	1	3
	106-530108-11	. HINGE ASSY. . . . .	1	2
	106-530108-15	. HINGE ASSY. . . . .	1	4
- 2	106-530035-7	. . PAN ASSY. . . . .	1	5
	106-530035-9	. . PAN ASSY. . . . .	1	4
		/ATTACHING PARTS/		
- 3	MS24693S50	. . SCREW . . . . .	2	1
- 4	MS24693S51	. . SCREW . . . . .	4	1
	AN9608L	. . WASHER. . . . .	4	1
	NAS43DD3-12	. . SPACER. . . . .	4	5
- 5	MS21083B08	. . NUT . . . . .	4	1
		-----x-----		
	106-530132-1	. . . PLACARD . . . . .	1	4
- 6	002-430055-21	. . LINK. . . . .	2	1
- 7	002-430055-19	. . SUPPORT . . . . .	2	3
- 8	106-530109-1	. . PAN . . . . .	1	5
	106-530109-3	. . PAN . . . . .	1	4
	R 106-530124-1	. . BEARING BLOCK ASSY. . . . .	1	6
	R 106-530124-7	. . BEARING BLOCK ASSY. . . . .	1	7
	R 106-530124-2	. . BEARING BLOCK ASSY. . . . .	1	6
	R 106-530124-8	. . BEARING BLOCK ASSY. . . . .	1	7
- 9	106-530111-3	. . . BRACKET . . . . .	2	1
	102807-250-120	. . . PIN . . . . .	2	1
- 10	R 106-530097-5	. . LINK/ALTERNATE FOR 106-530097-9/. . . . .	1	1
	R 106-530097-9	. . LINK/ALTERNATE FOR 106-530097-5/. . . . .	1	1
- 11	R 106-530097-7	. . LINK/ALTERNATE FOR 106-530097-9/. . . . .	1	1
	R 106-530097-9	. . LINK/ALTERNATE FOR 106-530097-7/. . . . .	1	1
- 12	MS20392-2C45	. . PIN . . . . .	2	1
- 13	MS24665-134	. . PIN . . . . .	1	1
	106-530096-1	. . EXTRUSION ASSY. . . . .	1	1
- 14	106-530096-3	. . . BLOCK . . . . .	1	1
- 15	SL5N	. . . SPRING PLUNGER. . . . .	1	1
- 16	106-530096-5	. . . BLOCK . . . . .	1	1
- 17	35-410317-1	. . . PIN . . . . .	2	1
	NAS51-18N	. . . SNAP RING . . . . .	2	2

BEECHCRAFT  
BONANZA 33  
ILLUSTRATED PARTS CATALOG



C94CE56A2841

B E E C H C R A F T  
B O N A N Z A 3 3  
I L L U S T R A T E D P A R T S C A T A L O G

FIG. & ITEM NO.	PART NO.	DESCRIPTION	UNITS							USABLE ON CODE
			1	2	3	4	5	6	7	
110A - 18	106-530130-1	. HANDLE ASSY, OPENABLE WINDOW LOCK. . . . . /ATTACHING PARTS/							1	4
- 19	R MS21042L3	. NUT . . . . .							1	4
	100951NY062WZ	. WASHER. . . . .							1	4
	AN960-10L	. WASHER. . . . .							AR	
		-----*								
- 20	NAS43HT3-3	. SPACER. . . . .							1	4
- 21	106-530131-1	. SPRING. . . . .							1	4
- 22	106-530130-7	. LATCH . . . . .							1	4
- 23	106-530130-15	. STRIKER . . . . .							1	4
		/ATTACHING PARTS/								
- 24	R MS27039-0810	. SCREW . . . . .							2	4
	R MS35333-38	. LOCKWASHER. . . . .							2	4
		-----*								
- 25	106-530130-9	. BRACKET ASSY. . . . .							1	4
- 26	106-530050-1	. COVER ASSY, EMERGENCY EXIT HANDLE. . . . .							1	1
- 27	106-530053-1	. PLACARD . . . . .							1	1
- 28	106-530040-1	HANDLE ASSY, LH & RH . . . . .							1	1
		/ATTACHING PARTS/								
	MS9048-039	PIN, ROLL. . . . .							4	1
		-----*								
- 29	106-530118-1	. PLACARD . . . . .							1	1
	106-530125-1	STRIKER ASSY. . . . .							2	1
		/ATTACHING PARTS/								
	NAS1096-2-6	SCREW . . . . .							2	
	AN960-8	WASHER. . . . .							2	
		-----*								
- 30	R 106-530103-1	SUPPORT, FWD . . . . .							1	1
- 31	R 106-530103-2	SUPPORT, AFT . . . . .							1	1
		/ATTACHING PARTS/								
	R MS24693S48	SCREW . . . . .							2	
	R AN960-8	WASHER. . . . .							2	
	R MS21042L08	NUT . . . . .							2	
		-----*								
- 32	R 106-530107-1	TUBE, TORQUE . . . . .							1	1

C O D E S O F E F F E C T I V I T Y

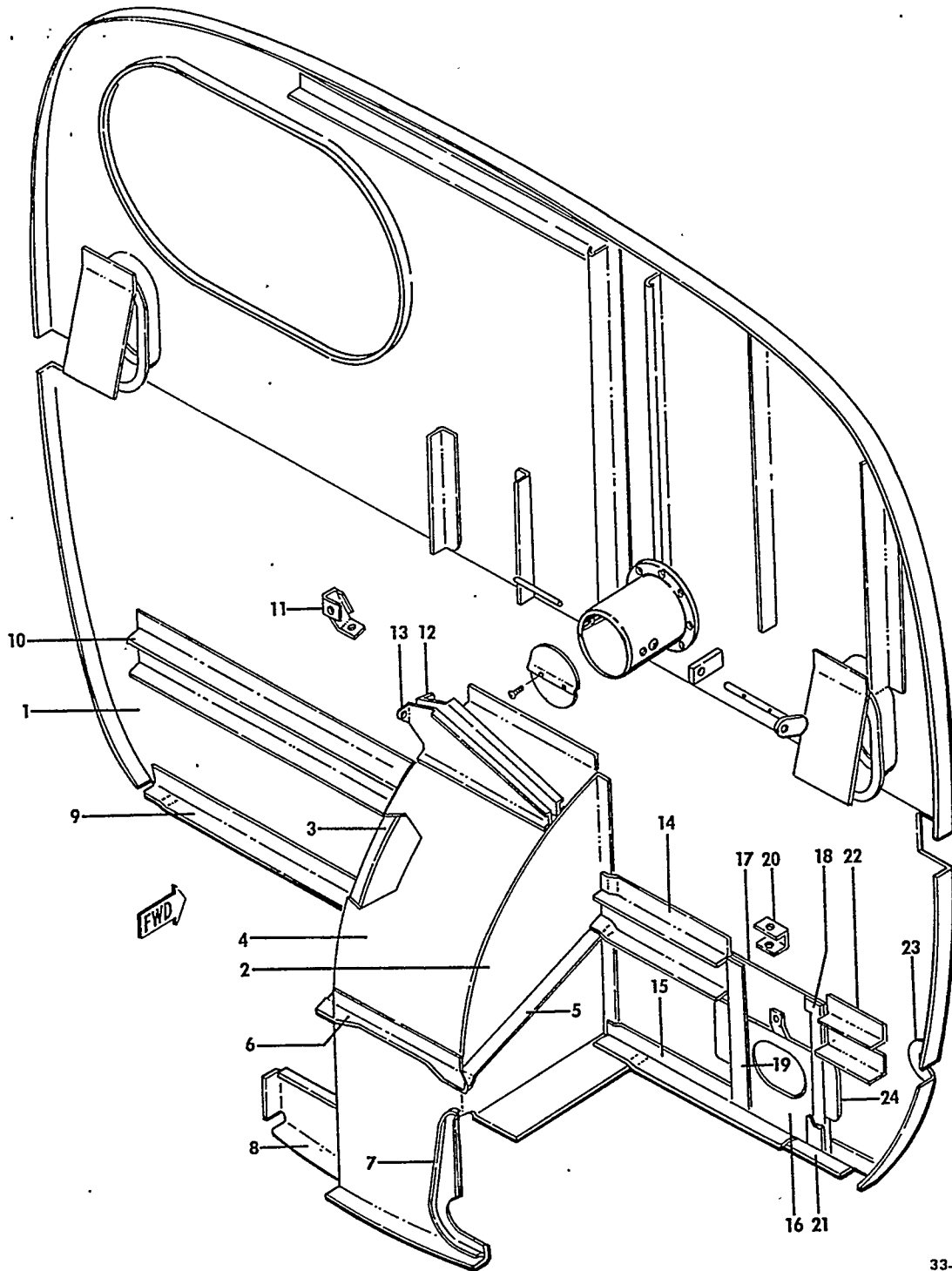
1	CE-919, CE-923 CE-925, CE-927 CE-929 AND AFTER CJ-156 AND AFTER	2	CE-927 CE-929 THRU CE-983
3	CE-919, CE-923, CE-925	4	CE-984 AND AFTER CJ-156 AND AFTER
5	CE-919, CE-923 CE-925, CE-927 CE-929 THRU CE-983	6	CE-919, CE-923 CE-925, CE-927 CE-929 THRU CE-1681 CJ-26 THRU CJ-179
7	CE-1682 AND AFTER CJ-180 AND AFTER		



BEECHCRAFT  
BONANZA 33  
ILLUSTRATED PARTS CATALOG

FIGURE 111  
FIREWALL  
CD-1235 THRU CD-1304, CE-290 THRU CE-678  
CJ-26 THRU CJ-128

BEECHCRAFT  
BONANZA 33  
ILLUSTRATED PARTS CATALOG

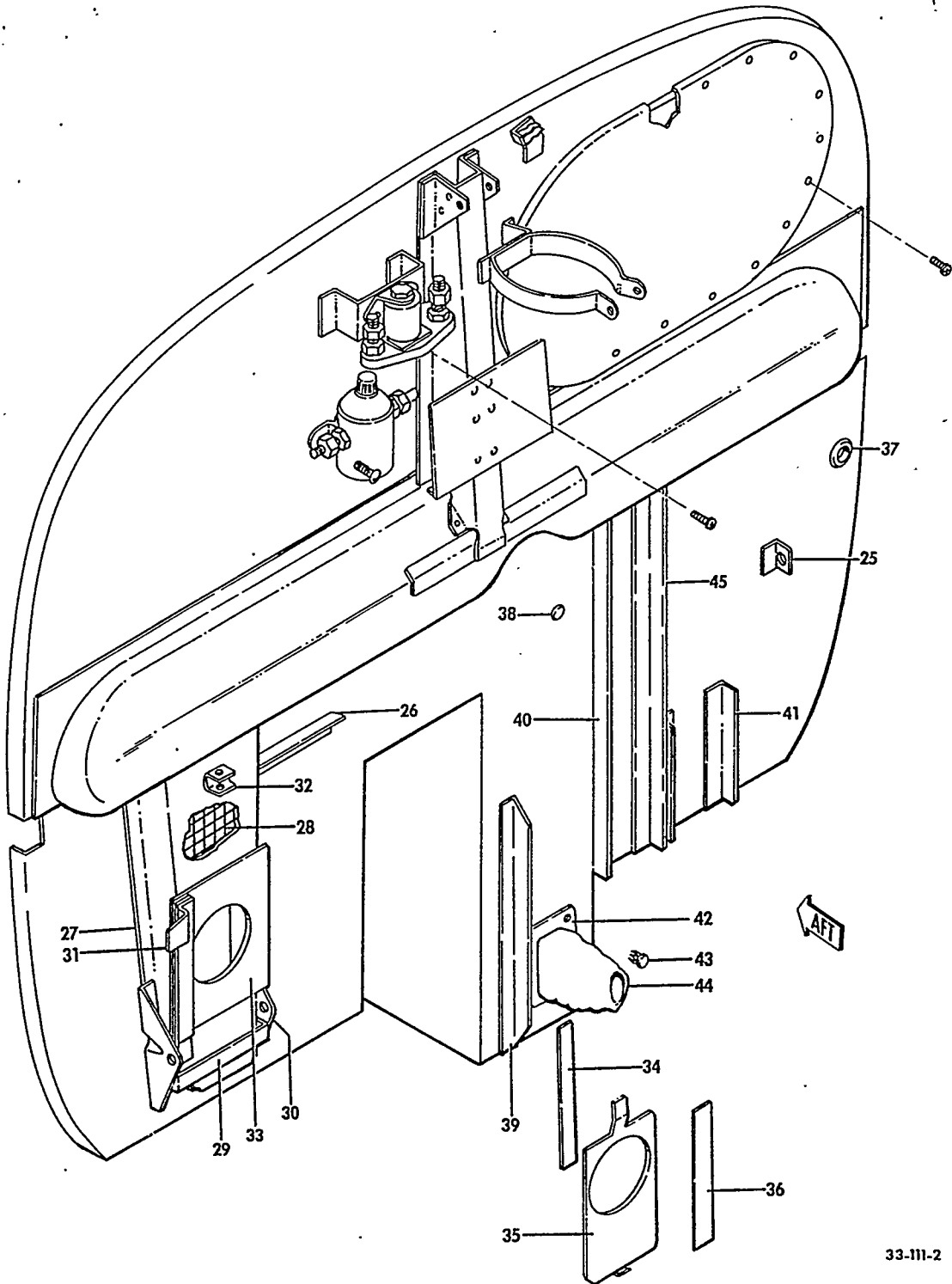


33-111-1

B E E C H C R A F T  
B O N A N Z A 3 3  
I L L U S T R A T E D P A R T S C A T A L O G

FIG. & ITEM NO.	PART NO.	DESCRIPTION							UNITS PER ASSY	USABLE ON CODE
		1	2	3	4	5	6	7		
111	35-415412-55	FIREWALL INSTL /STA 49/	.	.	.	.	.	.	NP	1
	35-415412-81	FIREWALL INSTL /STA 49/	.	.	.	.	.	.	NP	2
	35-415412-141	FIREWALL INSTL /STA 49/	.	.	.	.	.	.	NP	3
	35-415412-627	. FIREWALL ASSY, LOWER	.	.	.	.	.	.	1	4
	35-415412-629	. FIREWALL ASSY, LOWER	.	.	.	.	.	.	1	5
	35-415412-637	. FIREWALL ASSY, LOWER	.	.	.	.	.	.	1	6
- 1	35-415412-69	. . PANEL, LOWER FIREWALL.	.	.	.	.	.	.	1	7
	35-415412-133	. . PANEL, LOWER FIREWALL.	.	.	.	.	.	.	1	11
- 2	35-415330-166	. . PANEL, RH WHEEL WELL	.	.	.	.	.	.	1	17
- 3	35-415330-168	. . PANEL, LH WHEEL WELL	.	.	.	.	.	.	1	17
- 4	35-415412-73	. . COVER, WHEEL WELL.	.	.	.	.	.	.	1	17
	35-415330-44	. . ANGLE, WHEEL WELL LH	.	.	.	.	.	.	1	17
- 5	35-415330-45	. . ANGLE, WHEEL WELL RH	.	.	.	.	.	.	1	17
- 6	35-415330-12	. . ANGLE, WHEEL WELL CENTER	.	.	.	.	.	.	1	17
- 7	35-415330-172	. . DOUBLER	.	.	.	.	.	.	1	17
- 8	35-400339-2	. . BRACKET, AILERON CABLE	.	.	.	.	.	.	1	17
- 9	35-415330-42	. . ANGLE	.	.	.	.	.	.	1	17
- 10	35-415330-40	. . ANGLE	.	.	.	.	.	.	2	17
- 11	35-415332-6	. . GUSSET, WHEEL WELL PULLEY BRACKET.	.	.	.	.	.	.	1	17
- 12	35-415332-2	. . BRACKET, WHEEL WELL FWD.	.	.	.	.	.	.	1	17
- 13	35-415332-4	. . BRACKET, WHEEL WELL AFT.	.	.	.	.	.	.	1	17
- 14	35-415412-95	. . ANGLE	.	.	.	.	.	.	2	17
- 15	35-415412-97	. . ANGLE	.	.	.	.	.	.	1	17
- 16	35-420013-21	. . DOOR.	.	.	.	.	.	.	1	17
- 17	35-420013-5	. . PLATE	.	.	.	.	.	.	1	17
- 18	35-420013-7	. . SPACER.	.	.	.	.	.	.	2	17
- 19	35-420013-9	. . STRIP	.	.	.	.	.	.	2	17
- 20	169-910028-13	. . CLIP.	.	.	.	.	.	.	1	17
- 21	35-420013-15	. . ANGLE	.	.	.	.	.	.	1	17
- 22	35-415412-93	. . ANGLE	.	.	.	.	.	.	2	17
- 23	35-415330-170	. . REINFORCEMENT	.	.	.	.	.	.	2	17
- 24	35-550567-35	. . SHIM, DUCT	.	.	.	.	.	.	2	17

BEECHCRAFT  
BONANZA 33  
ILLUSTRATED PARTS CATALOG

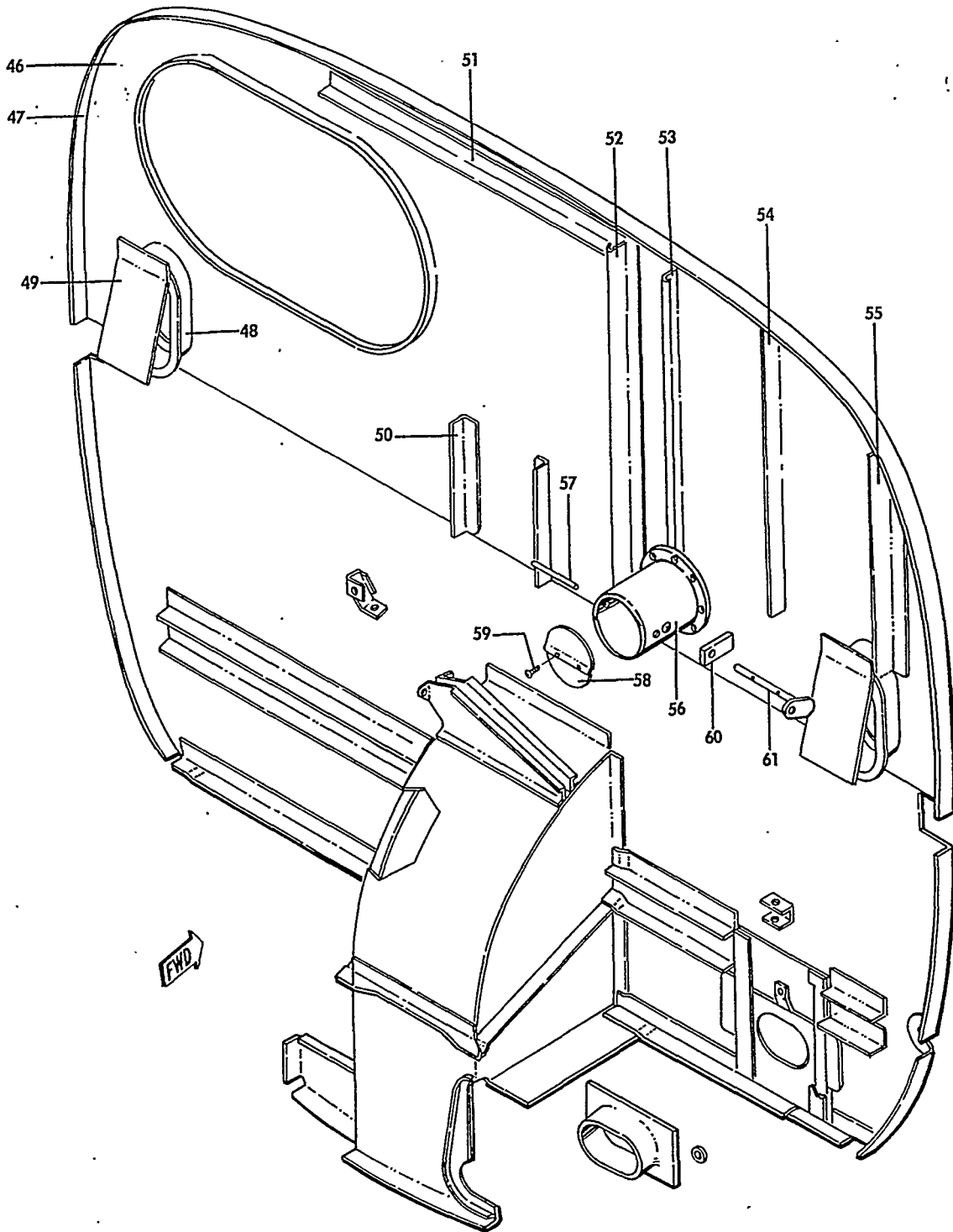


33-111-2

B E E C H C R A F T  
B O N A N Z A 3 3  
I L L U S T R A T E D P A R T S C A T A L O G

FIG. & ITEM NO.	PART NO.	DESCRIPTION	UNITS PER ASSY	USABLE ON CODE
		1 2 3 4 5 6 7		
111 - 25	35-415412-129	• • BRACKET, TRANSDUCER MOUNTING . . . . .	1	11
- 26	35-415412-29	• • ANGLE . . . . .	1	17
- 27	35-415412-85	• • DUCT, HEAT & VENT LOWER . . . . .	1	17
	35-415412-111	• • INSULATION, LOWER FIREWALL DUCT . . . . .	1	17
- 28	35-415412-119	• • SCREEN, DUCT INSULATION RETAINER . . . . .	1	17
	35-415412-113	• • VANE, LOWER FIREWALL DUCT . . . . .	1	17
- 29	35-415412-91	• • BRACE, DUCT . . . . .	1	17
- 30	35-415412-89	• • ANGLE, LH EXHAUST PIPE SUPPORT . . . . .	1	8
	36-410011-1	• • ANGLE, LH EXHAUST PIPE SUPPORT . . . . .	1	9
	35-415412-90	• • ANGLE, RH EXHAUST PIPE SUPPORT . . . . .	1	8
	36-410012-1	• • ANGLE, RH EXHAUST PIPE SUPPORT . . . . .	1	9
	35-550115-1	• • DOOR ASSY, HEAT & VENT . . . . .	1	17
- 31	35-550115-67	• • BRACKET . . . . .	1	17
- 32	169-910028-13	• • CLIP . . . . .	2	17
- 33	35-550115-7	• • PLATE . . . . .	1	17
- 34	35-550115-5	• • SPACER . . . . .	2	17
- 35	35-550115-55	• • VALVE, PLATE . . . . .	1	17
- 36	35-550115-3	• • STRIP . . . . .	2	17
	AN365F1032	• • NUT . . . . .	4	17
- 37	96-980012	• • GROMMET . . . . .	2	10
- 38	SS48172	• • BUTTON, PLUG . . . . .	1	12
- 39	35-415330-66	• • ANGLE . . . . .	1	17
- 40	35-415330-36	• • ANGLE, FIREWALL LH FWD . . . . .	1	17
	35-415330-37	• • ANGLE, FIREWALL RH AFT . . . . .	1	17
- 41	35-415330-72	• • ANGLE, LH EXHAUST PIPE SUPPORT . . . . .	1	8
	36-410010-1	• • ANGLE, LH EXHAUST PIPE SUPPORT . . . . .	1	9
	35-415330-73	• • ANGLE, RH EXHAUST PIPE SUPPORT . . . . .	1	8
	36-410010-2	• • ANGLE, RH EXHAUST PIPE SUPPORT . . . . .	1	9
- 42	35-825170	• • PLUG, BOOT RETAINER . . . . .	1	17
		/ATTACHING PARTS/		
- 43	49338	• • STUD, CLIP . . . . .	6	
		*-----*		
- 44	35-825171-1	• • BOOT, NOSE WHEEL STEERING . . . . .	1	17
	51043	• • BUTTON, PLUG . . . . .	1	17
	AN833-4	• • ELBOW . . . . .	1	17
	AN960-716	• • WASHER . . . . .	1	17
	AN924-4	• • NUT . . . . .	1	17
	SS51276	• • PLUG . . . . .	1	2
	AN960-516	• • WASHER . . . . .	2	2
- 45	002-364168-1	• • ANGLE/SPARES FOR 35-364168-1/ . . . . .	1	4
	MK1000-4	• • NUT . . . . .	2	4
	49176	• • BAND, FUEL SYSTEM TUBE . . . . .	1	17
	49296	• • BAND, FUEL SYSTEM TUBE . . . . .	1	17
	A6195-6Z1	• • NUT . . . . .	9	17

BEECHCRAFT  
BONANZA 33  
ILLUSTRATED PARTS CATALOG

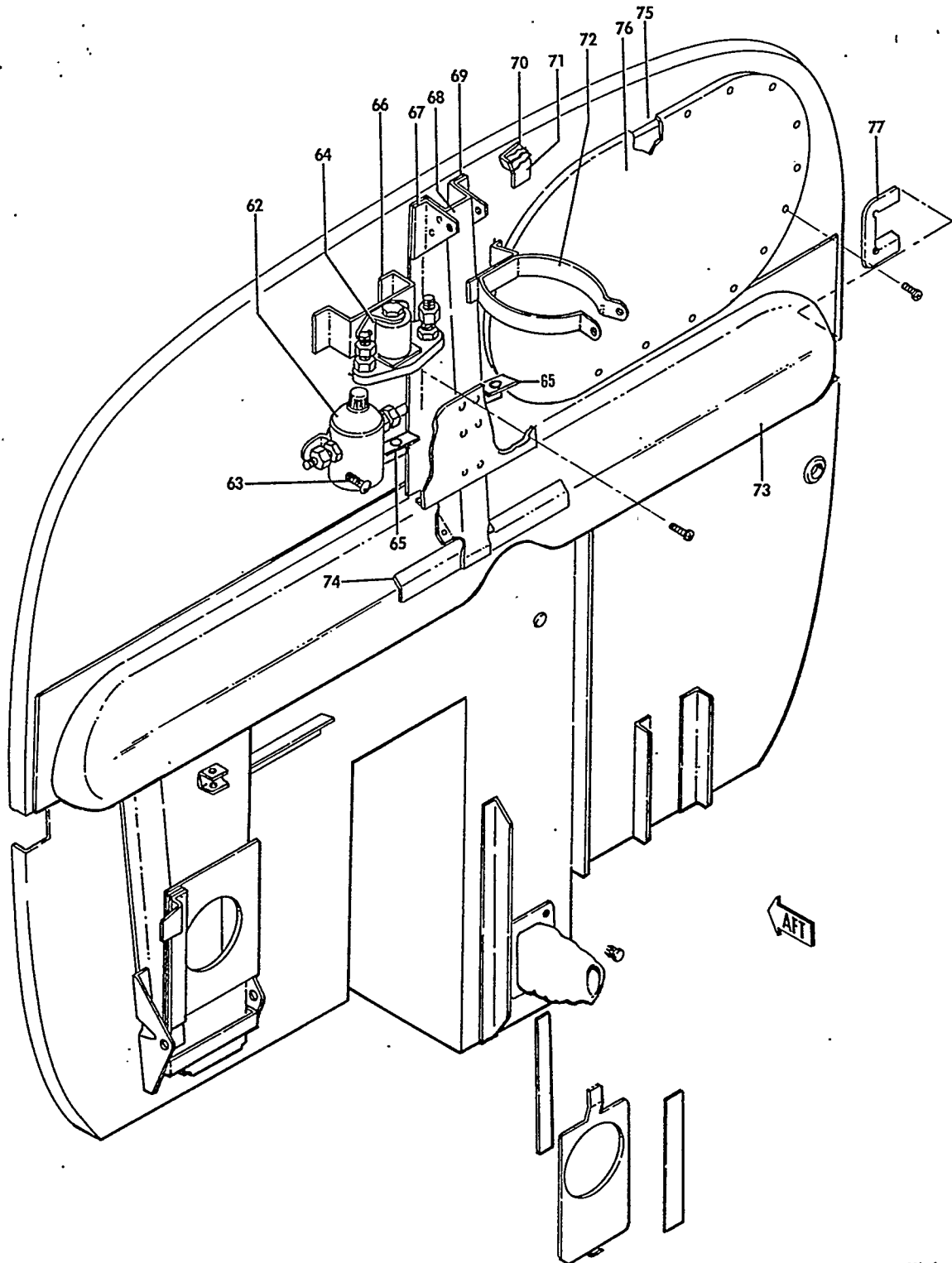


33-III-3

B E E C H C R A F T  
B O N A N Z A 3 3  
I L L U S T R A T E D P A R T S C A T A L O G

FIG. & ITEM NO.	PART NO.	DESCRIPTION							UNITS PER ASSY	USABLE ON CODE
		1	2	3	4	5	6	7		
111	35-415412-631	•	•	•	•	•	•	•	1	2,
	35-415412-632"	•	•	•	•	•	•	•	1	5
	35-415412-635	•	•	•	•	•	•	•	1	6
	35-415412-638	•	•	•	•	•	•	•	1	3
- 46	35-415412-71	•	•	•	•	•	•	•	1	15
	35-415412-125	•	•	•	•	•	•	•	1	11
	35-415412-41	•	•	•	•	•	•	•	1	2
	35-415412-137	•	•	•	•	•	•	•	1	3
- 47	35-410479-1	•	•	•	•	•	•	•	1	17
	35-410479-2	•	•	•	•	•	•	•	1	17
- 48	35-550024-2	•	•	•	•	•	•	•	2	17
- 49	35-550565-13	•	•	•	•	•	•	•	2	17
	100951DD190ZD	•	•	•	•	•	•	•	1	17
	100951DD091ZD	•	•	•	•	•	•	•	1	17
- 50	35-415330-64	•	•	•	•	•	•	•	1	17
	35-415330-65	•	•	•	•	•	•	•	1	17
- 51	35-415330-102	•	•	•	•	•	•	•	1	17
- 52	35-415412-37	•	•	•	•	•	•	•	1	17
- 53	35-415412-39	•	•	•	•	•	•	•	1	17
- 54	35-415412-11	•	•	•	•	•	•	•	1	17
- 55	35-415412-13	•	•	•	•	•	•	•	1	17
	35-550566-9	•	•	•	•	•	•	•	1	17
- 56	35-550566-3	•	•	•	•	•	•	•	1	17
- 57	414-183955-111	•	•	•	•	•	•	•	1	17
- 58	35-550501-20	•	•	•	•	•	•	•	1	17
	/ATTACHING PARTS/									
- 59	AN515-6R10	•	•	•	•	•	•	•	2	
	AN960-6	•	•	•	•	•	•	•	2	
	MS20365-632	•	•	•	•	•	•	•	2	
		-----*								
- 60	35-550501-18	•	•	•	•	•	•	•	2	17
- 61	35-550566-7	•	•	•	•	•	•	•	1	17
	/ATTACHING PARTS/									
	AN960-516L	•	•	•	•	•	•	•	AR	
	AN380-2-3	•	•	•	•	•	•	•	2	
		-----*								

BEECHCRAFT  
BONANZA 33  
ILLUSTRATED PARTS CATALOG



33-111-4



B E E C H C R A F T  
B O N A N Z A 3 3  
I L L U S T R A T E D P A R T S C A T A L O G

FIG. & ITEM NO.	PART NO.	DESCRIPTION	UNITS PER ASSY	USABLE ON CODE
111 - 62	36-3008-1	SOLENOID, STARTER /SUPERSEDES 1114213/ SPARES FOR 1464	1	17
		/ATTACHING PARTS/		
- 63	AN4-4A/M/ AN960-416	BOLT . . . . .	2	
		WASHER . . . . .	2	
		*-----*		
	33-360011-628	WIRE ASSY, STARTER & BATTERY RELAY & GROUND.	1	17
- 64	6041H187129	RELAY, BATTERY . . . . .	1	17
- 65	35-415412-129	BRACKET, TRANSDUCER MOUNTING . . . . .	2	11
- 66	35-415412-27	BRACKET, RELAY MOUNTING . . . . .	1	17
	35-415407-13	STIFFENER INSTL . . . . .	NP	17
- 67	35-415407-5	GUSSET, LH . . . . .	1	17
	35-415407-6	GUSSET, RH . . . . .	1	17
- 68	35-415407-3	CHANNEL . . . . .	1	17
- 69	35-415407-7	BRACKET . . . . .	1	17
- 70	185678	CLIP . . . . .	2	17
- 71	35-415369-2	BRACKET, LH COWL DOOR HOLD OPEN ROD . . . . .	1	17
	35-415369-3	BRACKET, RH COWL DOOR HOLD OPEN ROD . . . . .	1	17
- 72	35-415330-82	CLAMP, BRAKE FLUID CAN . . . . .	1	17
	AN832-3	UNION . . . . .	3	7
	AN832-4	UNION . . . . .	1	7
	AN960-616	WASHER . . . . .	3	7
	AN960-716	WASHER . . . . .	1	7
	AN924-3	NUT . . . . .	3	7
	AN924-4	NUT . . . . .	1	7
	MS28778-3	O RING . . . . .	1	7
	MS29512-03	O RING . . . . .	1	14
	AN894D3-2	BUSHING . . . . .	2	7
	AN837-3	ELBOW . . . . .	1	3
	AN833-3	ELBOW . . . . .	1	13
- 73	35-415412-87	DUCT, HEAT & VENT UPPER . . . . .	1	17
	35-415412-109	INSULATION, DUCT UPPER . . . . .	1	17
	35-415412-115	INSULATION, DUCT LOWER . . . . .	1	17
	35-415412-117	RETAINER, INSULATION . . . . .	1	17
	36-410014-5	BRACKET ASSY, BATTERY SUPPORT . . . . .	1	16
- 74	35-415330-130	ANGLE . . . . .	1	17
- 75	35-415330-118	SEAL, UPPER FIREWALL DOOR . . . . .	1	17
- 76	35-415330-158	DOOR, UPPER FIREWALL . . . . .	1	17
- 77	96-410032-33	REINFORCEMENT . . . . .	1	17

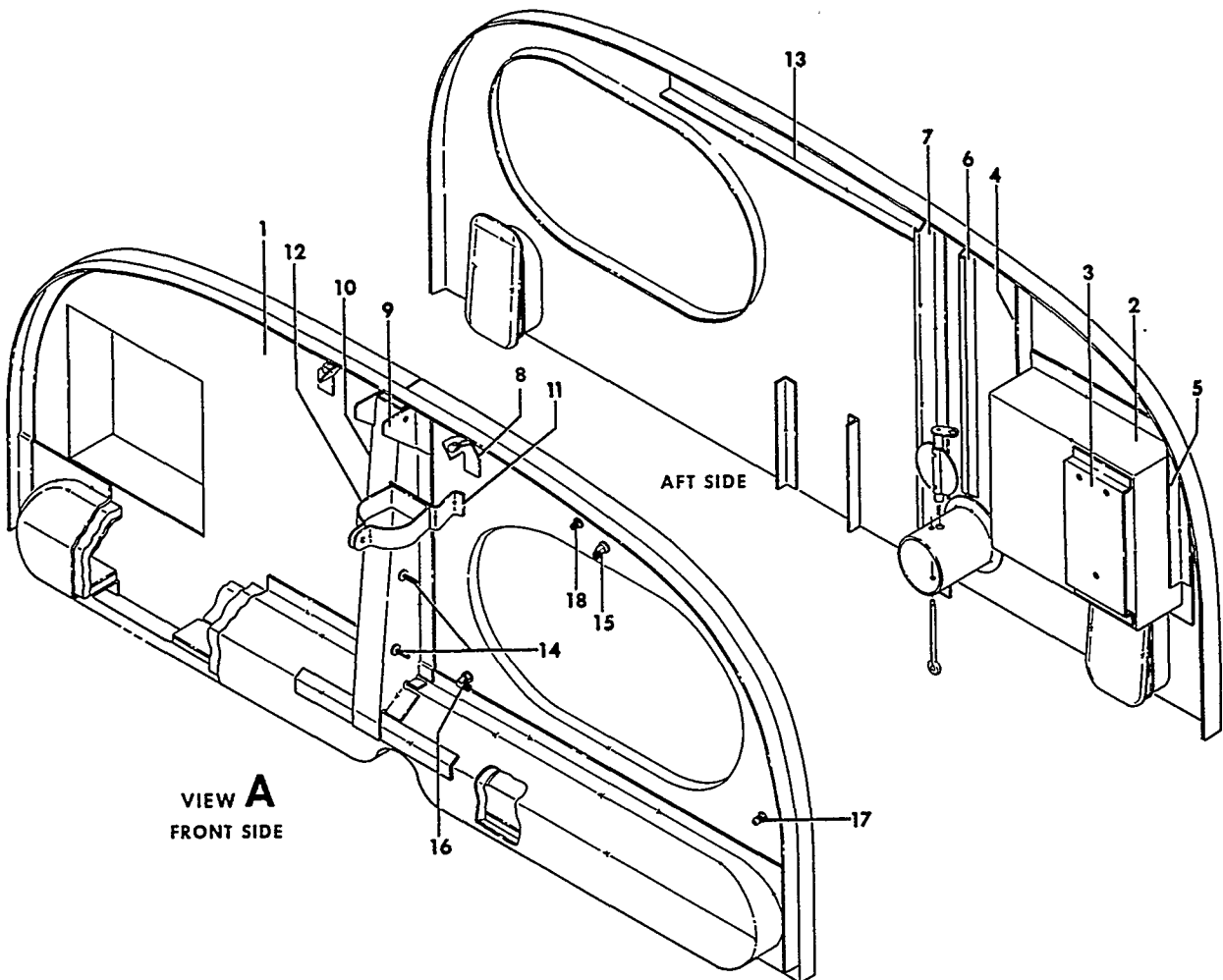
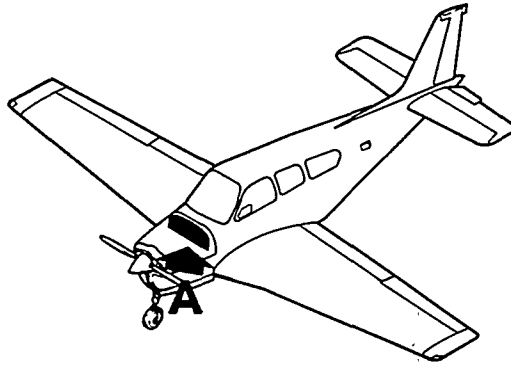
C O D E S O F E F F E C T I V I T Y

- |    |                      |    |                      |
|----|----------------------|----|----------------------|
| 1  | CE-290 THRU CE-678   | 2  | CD-1235 THRU CD-1254 |
|    | CJ-26 THRU CJ-128    |    |                      |
| 3  | CD-1255 THRU CD-1304 | 4  | CD-1235 THRU CD-1304 |
| 5  | CE-290 THRU CE-349   | 6  | CE-350 THRU CE-435,  |
|    | CJ-26 THRU CJ-30     |    | EXCEPT CE-418        |
|    |                      |    | CJ-31 THRU CJ-39     |
| 7  | CD-1235 THRU CD-1304 | 8  | CD-1235 THRU CD-1276 |
|    | CE-290 THRU CE-678,  |    | CE-290 THRU CE-391   |
|    | EXCEPT CE-350        |    | CJ-26 THRU CJ-30     |
|    | THRU CE-408          |    |                      |
|    | CJ-26 THRU CJ-128    |    |                      |
| 9  | CD-1277 THRU CD-1304 | 10 | CE-290 THRU CE-302   |
|    | CE-392 THRU CE-678   |    | CJ-26 THRU CJ-30     |
|    | CJ-31 THRU CJ-128    |    |                      |
| 11 | CE-350 THRU CE-480   | 12 | CE-290 THRU CE-678   |
|    |                      |    | CJ-26 THRU CJ-128    |
| 13 | CE-409 THRU CE-678   | 14 | CD-1235 THRU CD-1254 |
|    | CJ-31 THRU CJ-128    |    | CE-290 THRU CE-678,  |
|    |                      |    | EXCEPT CE-350 THRU   |
|    |                      |    | CE-408,              |
|    |                      |    | CJ-26 THRU CJ-128    |
| 15 | CE-290 THRU CE-580,  | 16 | CE-581 THRU CE-678   |
|    | EXCEPT CE-350        |    |                      |
|    | THRU CE-408          |    |                      |
|    | CJ-26 THRU CJ-85     |    |                      |
| 17 | CD-1235 THRU CD-1304 |    |                      |
|    | CE-290 THRU CE-678   |    |                      |
|    | CJ-26 THRU CJ-128    |    |                      |

BEECHCRAFT  
BONANZA 33  
ILLUSTRATED PARTS CATALOG

FIGURE 111A  
UPPER FIREWALL  
CE-679 AND AFTER  
CJ-129 AND AFTER

BEECHCRAFT  
BONANZA 33  
ILLUSTRATED PARTS CATALOG

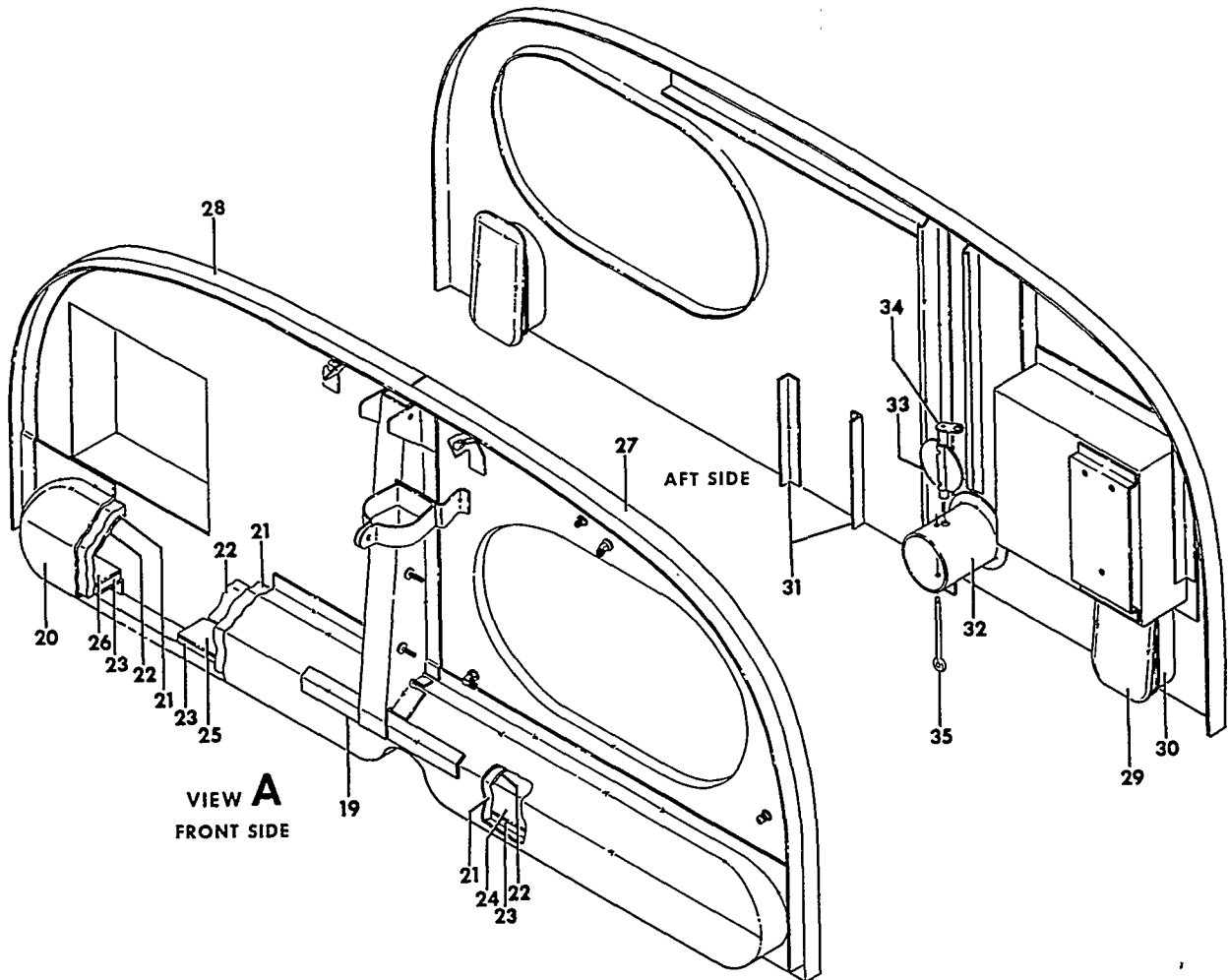
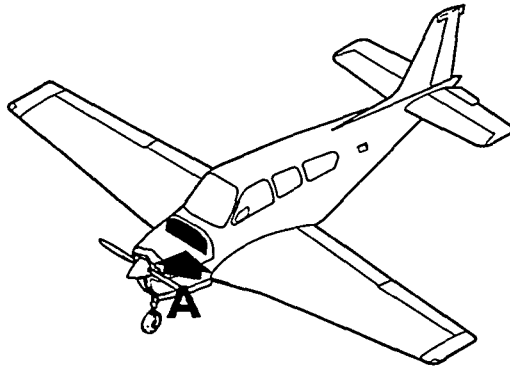


C94CE54A1991

B E E C H C R A F T  
B O N A N Z A 3 3  
I L L U S T R A T E D P A R T S C A T A L O G

FIG. & ITEM NO.	PART NO.	DESCRIPTION	UNITS							USABLE ON CODE
			1	2	3	4	5	6	7	
111A	002-430049-1	FIREWALL ASSY,UPPER . . . . .							1	3
	002-430079-1	FIREWALL ASSY,UPPER . . . . .							1	2
	R 002-430079-33	FIREWALL ASSY,UPPER . . . . .							1	9
	002-430049-9	. PANEL . . . . .							1	3
- 1	002-430079-3	. PANEL . . . . .							1	2
- 2	R 002-430049-71	. PAN ASSY. . . . .							1	3
	R 002-430079-5	. PAN ASSY. . . . .							1	7
	R 002-430079-25	. PAN ASSY. . . . .							1	8
	R 002-430079-35	. PAN ASSY. . . . .							1	9
- 3	R 002-430079-9	. . BRACKET ASSY. . . . .							1	7
	R 002-430079-21	. . BRACKET ASSY. . . . .							1	8
	R 002-430079-37	. . BRACKET ASSY. . . . .							1	9
- 4	002-430079-13	. ANGLE ASSY. . . . .							1	2
- 5	002-430079-17	. ANGLE ASSY. . . . .							1	2
- 6	002-430049-19	. STIFFENER . . . . .							1	1
- 7	002-430049-17	. STIFFENER . . . . .							1	1
	002-430049-61	. BRACKET ASSY,LH . . . . .							1	1
	002-430049-62	. BRACKET ASSY,RH . . . . .							1	1
- 8	002-430049-63	. . BRACKET,LH. . . . .							1	1
	002-430049-64	. . BRACKET,RH. . . . .							1	1
	185678	. . CLIP. . . . .							1	1
- 9	002-430049-15	. GUSSET,LH . . . . .							1	1
	002-430049-16	. GUSSET,RH . . . . .							1	1
- 10	R 002-430049-11	. CHANNEL . . . . .							1	1
- 11	002-430049-13	. BRACKET . . . . .							1	1
- 12	R 002-410001-99	. CLAMP . . . . .							1	5
	R 102-580011-1	. CLAMP . . . . .							1	6
- 13	002-430049-35	. ANGLE . . . . .							1	1
	CCA1296	. SEAL. . . . .							1	1
- 14	131270-3	. STUD,GROUNDING. . . . .							2	1
	35-910328-11	. ELBOW INSTL . . . . .							NP	1
- 15	AN837-3	. . ELBOW,MANIFOLD PRESSURE . . . . .							1	1
- 16	AN833-3	. . ELBOW,OIL PRESSURE. . . . .							1	1
	AN894D3-2	. . BUSHING . . . . .							2	1
	R MS29512-03	. . PACKING,PREFORMED,MANIFOLD PRESSURE . . . . .							1	1
	R MS28778-3	. . PACKING,PREFORMED,OIL PRESSURE. . . . .							1	1
	AN960-616	. . WASHER. . . . .							3	1
	AN924-3	. . NUT . . . . .							2	1
	MS20822-3B	. . ELBOW,MANIFOLD PRESSURE . . . . .							1	1
	36-920001-27	. BULKHEAD UNION INSTL/FUEL PRESSURE/ . . . . .							NP	1
- 17	AN832-4	. . UNION,BULKHEAD/FUEL PRESSURE/ . . . . .							1	1
	AN960-716	. . WASHER. . . . .							2	1
	AN924-4	. . NUT . . . . .							1	1
- 18	AN832-3	. . UNION,BULKHEAD/VENT FUEL PRESSURE/ . . . . .							1	1
	AN960-616	. . WASHER. . . . .							1	1
	AN924-3	. . NUT . . . . .							1	1

BEECHCRAFT  
BONANZA 33  
ILLUSTRATED PARTS CATALOG



C94CE54A1992

B E E C H C R A F T  
B O N A N Z A 3 3  
I L L U S T R A T E D P A R T S C A T A L O G

FIG. & ITEM NO.	PART NO.	DESCRIPTION	UNITS PER ASSY							USABLE ON CODE
			1	2	3	4	5	6	7	
111A - 19	002-430049-27	. ANGLE . . . . .							1	1
- 20	002-430049-25	. DUCT . . . . .							1	1
- 21	R 002-430049-31	. INSULATION . . . . .							1	1
- 22	R 002-430049-33	. RETAINER . . . . .							1	1
- 23	R 002-430049-29	. INSULATION . . . . .							1	1
- 24	R 002-430049-53	. RETAINER . . . . .							1	1
- 25	002-430049-67	. RETAINER . . . . .							1	1
- 26	002-430049-69	. RETAINER . . . . .							2	1
- 27	002-430049-39	. ANGLE . . . . .							1	1
- 28	002-430049-40	. ANGLE . . . . .							1	1
- 29	002-430049-57	. COVER . . . . .							2	1
- 30	002-430049-55	. FRAME . . . . .							2	1
- 31	002-430049-65	. ANGLE . . . . .							2	1
- 32	002-430049-41	. VALVE ASSY. . . . .							1	1
- 33	002-430049-43	. TUBE . . . . .							1	1
- 34	002-430049-45	. VALVE . . . . .							1	1
- 35	R 002-430049-45	. SHAFT ASSY. . . . .							1	1
	R NAS427K40	. PIN . . . . .							1	1
	36-364001-7	. ELECTRICAL EQUIPMENT INSTL/SEE FIG.354B/. . . . .							NP	1
	002-430008-215	SUPPORT ASSY.BATTERY BOX. . . . .							1	1
	002-430008-217	. SUPPORT . . . . .							1	3
	002-430008-283	. SUPPORT . . . . .							1	2
	002-430008-219	. ANGLE,LH. . . . .							1	1
	002-430008-220	. ANGLE,RH. . . . .							1	1

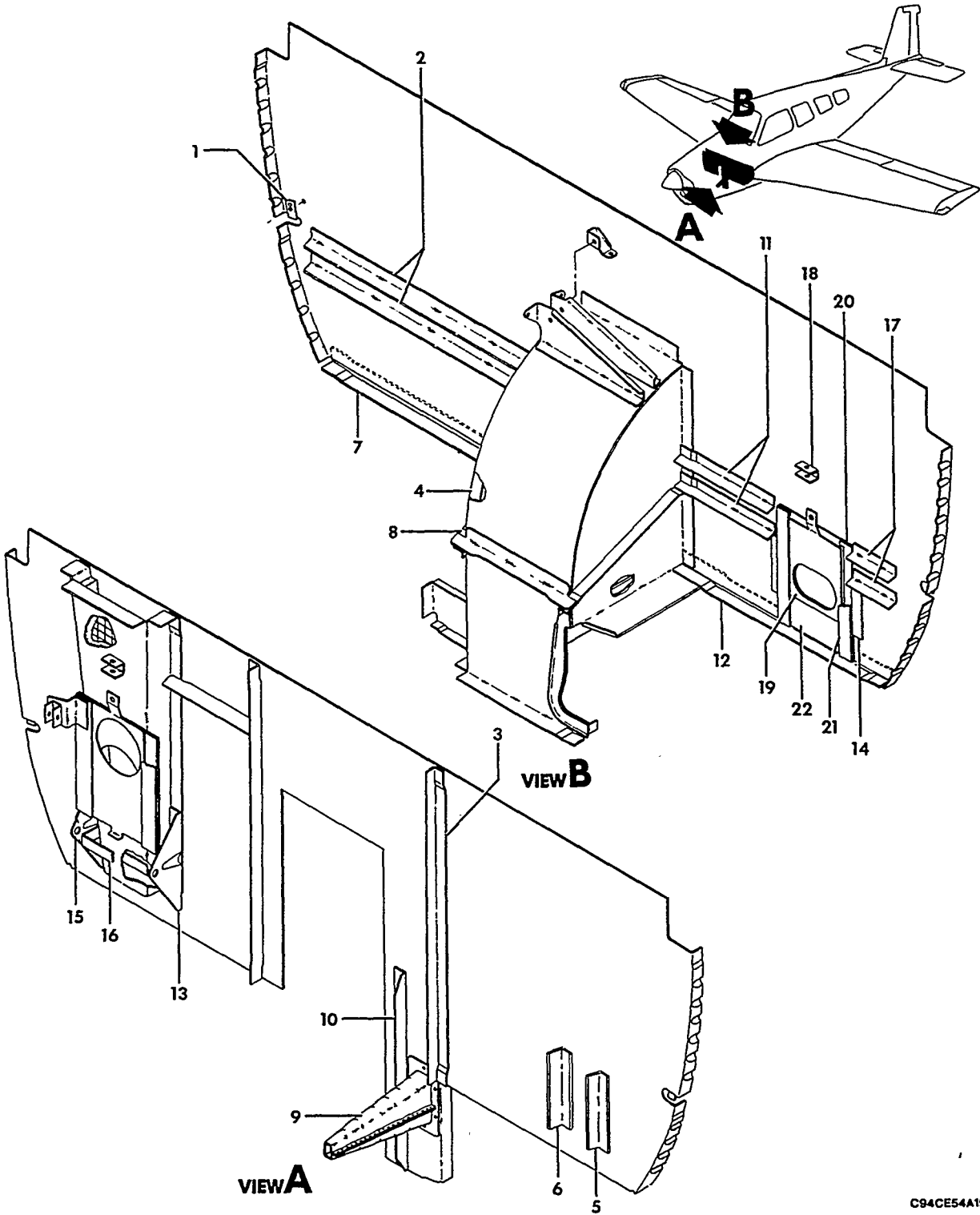
C O D E S O F E F F E C T I V I T Y

1	CE-679 AND AFTER CJ-129 AND AFTER	2	CE-748, CE-772 THRU CE-1439 CE-1441 THRU CE-1456 CJ-149 THRU CJ-179
3	CE-679 THRU CE-747 CE-749 THRU CE-771 CJ-129 THRU CJ-148	4	CE-1440, CE-1457 AND AFTER CJ-180 AND AFTER
5	CE-679 THRU CE-1288 CJ-129 THRU CJ-179	6	CE-1289 AND AFTER CJ-180 AND AFTER
7	CE-748, CE-772 THRU CE-834	8	CE-835 THRU CE-1742 CJ-149 THRU CJ-191
9	CE-1743 AND AFTER CJ-192 AND AFTER		

B E E C H C R A F T  
B O N A N Z A 3 3  
I L L U S T R A T E D P A R T S C A T A L O G

FIGURE 111B  
LOWER FIREWALL  
CE-418, CE-436 AND AFTER  
CJ-40 AND AFTER

BEECHCRAFT  
BONANZA 33  
ILLUSTRATED PARTS CATALOG



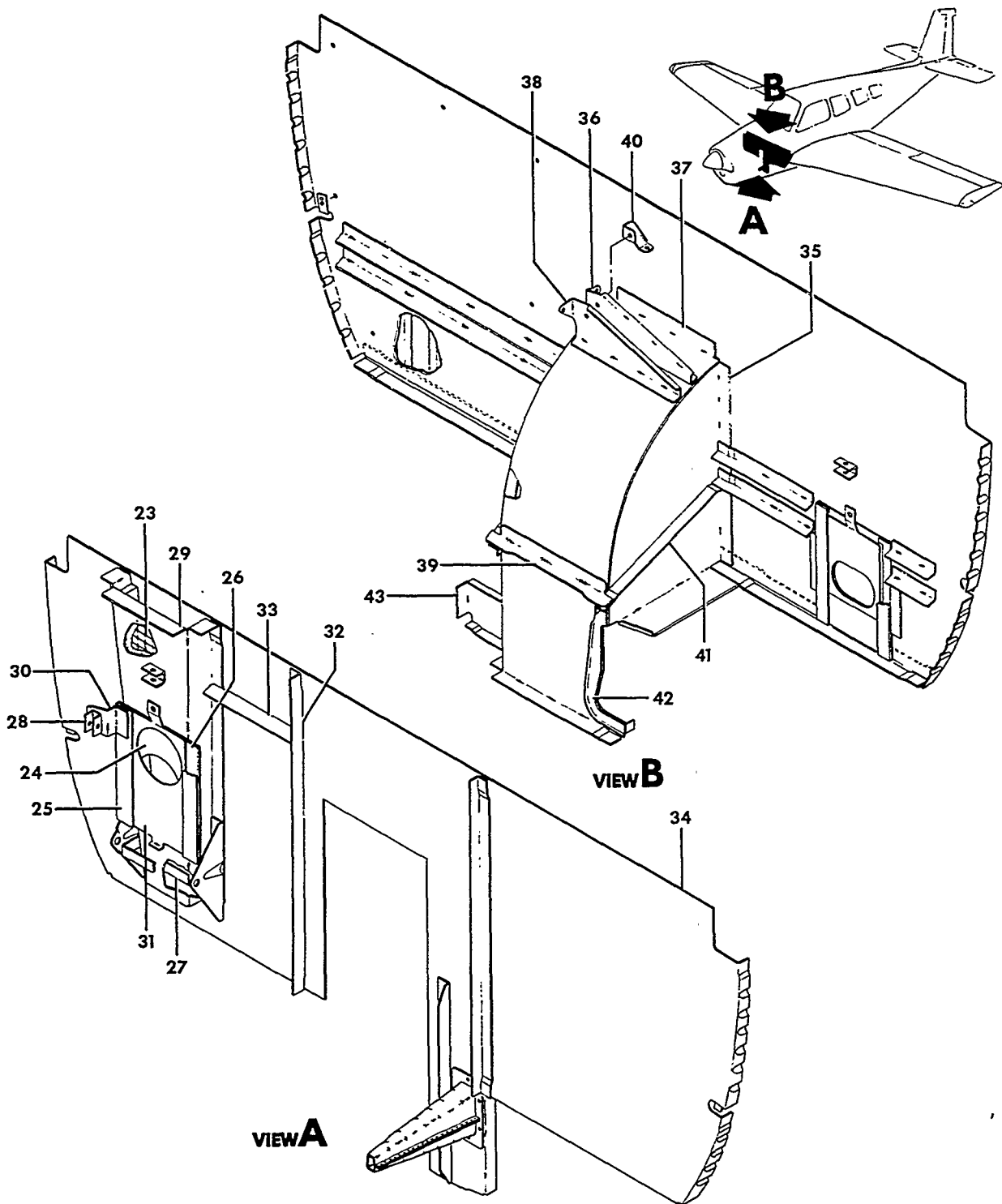
C94CE54A1995



B E E C H C R A F T  
B O N A N Z A 3 3  
I L L U S T R A T E D P A R T S C A T A L O G

FIG. & ITEM NO.	PART NO.	DESCRIPTION	UNITS PER ASSY	USABLE ON CODE
		1 2 3 4 5 6 7		
111B	R 002-410030-1	FIREWALL ASSY, LOWER . . . . .	1	2
	R 002-410030-181	FIREWALL ASSY, LOWER . . . . .	1	3
- 1	R 002-410030-43	. SEAL. . . . .	2	1
- 2	002-410030-51	. ANGLE . . . . .	2	1
	AN833-4	. ELBOW . . . . .	1	1
		/ATTACHING PARTS/		
	AN924-4	. NUT . . . . .	1	
	AN960-716	. WASHER. . . . .	2	
	AN960-716L	. WASHER. . . . .	2	
		-----x-----		
- 3	R 002-410030-19	. ANGLE . . . . .	1	1
- 4	R 002-410030-15	. PANEL . . . . .	1	1
- 5	R 002-410030-29	. ANGLE . . . . .	1	1
- 6	R 002-410030-30	. ANGLE . . . . .	1	1
- 7	002-410030-11	. ANGLE . . . . .	1	1
- 8	002-410030-41	. ANGLE . . . . .	1	1
	002-410030-61	. RETAINER. . . . .	1	1
- 9	R 35-8009-1	. KIT, BOOT/SPARES FOR 35-825171-9/. . . . .	1	8
	R 36-820026-1	. BOOT ASSY . . . . .	1	9
		/ATTACHING PARTS/		
	R MS35206-228	. SCREW . . . . .	6	9
	R AN960-6L	. WASHER. . . . .	6	9
		-----x-----		
- 10	002-410030-5	. ANGLE . . . . .	1	1
- 11	002-410030-9	. ANGLE . . . . .	2	1
- 12	R 002-410030-21	. ANGLE . . . . .	1	4
	R 002-410030-193	. ANGLE . . . . .	1	5
- 13	002-410030-99	. ANGLE . . . . .	1	1
- 14	002-410030-91	. STRIP . . . . .	2	1
- 15	002-410030-101	. ANGLE . . . . .	1	1
- 16	002-410030-103	. BRACE . . . . .	1	1
- 17	002-410030-7	. ANGLE . . . . .	2	1
- 18	002-410030-65	. CLIP. . . . .	1	1
	002-410030-97	. VALVE ASSY. . . . .	1	1
- 19	002-410030-95	. VALVE . . . . .	1	1
- 20	002-410030-89	. SHIM. . . . .	2	1
- 21	002-410030-87	. STRIP . . . . .	2	1
- 22	002-410030-93	. PLATE . . . . .	1	1

BEECHCRAFT  
BONANZA 33  
ILLUSTRATED PARTS CATALOG



C94CE54A1996

B E E C H C R A F T  
B O N A N Z A 3 3  
I L L U S T R A T E D P A R T S C A T A L O G

FIG. & ITEM NO.	PART NO.	DESCRIPTION	UNITS PER ASSY							USABLE ON CODE
			1	2	3	4	5	6	7	
111B	002-410030-85	. DUCT ASSY . . . . .							1	1
- 23	002-410030-79	. . RETAINER. . . . .							1	1
- 24	002-410030-69	. . PLATE . . . . .							1	1
	002-410030-81	. . INSULATION. . . . .							1	1
- 25	002-410030-71	. . STRIP . . . . .							2	1
- 26	002-410030-73	. . SHIM. . . . .							2	1
- 27	002-410030-83	. . VANE. . . . .							1	1
- 28	002-410030-65	. . CLIP. . . . .							2	1
- 29	002-410030-77	. . DUCT. . . . .							1	1
- 30	002-410030-67	. . BRACKET . . . . .							1	1
- 31	002-410030-75	. VALVE . . . . .							1	1
- 32	002-410030-20	. ANGLE . . . . .							1	1
- 33	002-410030-23	. ANGLE . . . . .							1	1
	002-410030-131	. GROUND TEE. . . . .							1	1
- 34	R 002-410030-45	. PANEL . . . . .							1	2
	R 002-410030-185	. PANEL . . . . .							1	3
- 35	002-410030-17	. PANEL . . . . .							1	1
- 36	002-410030-35	. BRACKET . . . . .							1	1
- 37	002-410030-13	. COVER . . . . .							1	1
- 38	002-410030-33	. BRACKET . . . . .							1	1
- 39	002-410030-25	. ANGLE . . . . .							1	1
- 40	002-410030-37	. GUSSET. . . . .							1	1
- 41	002-410030-42	. ANGLE . . . . .							1	1
- 42	002-410030-27	. DOUBLER . . . . .							1	1
- 43	R 002-410030-31	. BRACKET ASSY. . . . .							1	6
	R 002-410030-113	. BRACKET ASSY. . . . .							1	7
	R MS21266-1N	. GROMMET . . . . .							1	1

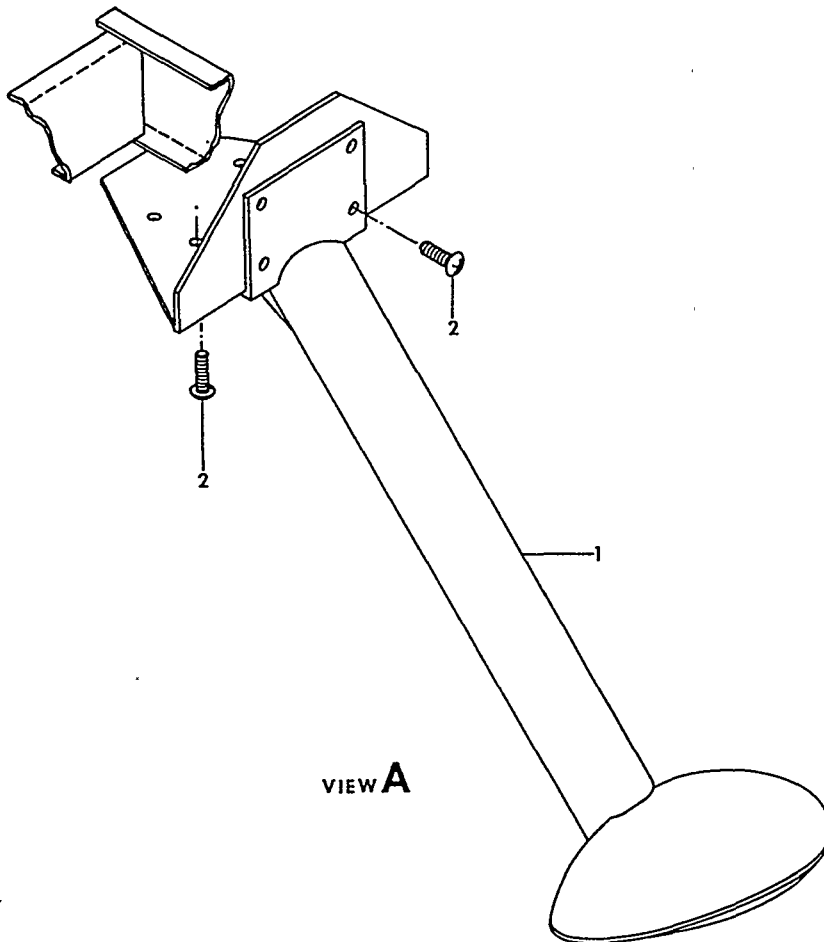
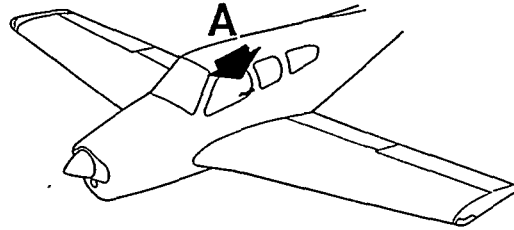
C O D E S O F E F F E C T I V I T Y

- |  |   |
|--|---|
| <p>1 CE-418,<br/>CE-436 AND AFTER<br/>CJ-40 AND AFTER</p>    | <p>2 CE-418,<br/>CE-436 THRU CE-1439<br/>CE-1441 THRU CE-1456<br/>CJ-40 THRU CJ-179</p> |
| <p>3 CE-1440,<br/>CE-1457 AND AFTER<br/>CJ-180 AND AFTER</p> | <p>4 CE-418,<br/>CE-436 THRU CE-1742<br/>CJ-40 THRU CJ-179</p>                          |
| <p>5 CE-1743 AND AFTER<br/>CJ-180 AND AFTER</p>              | <p>6 CE-418,<br/>CE-436 THRU CE-534<br/>CJ-40 THRU CJ-59</p>                            |
| <p>7 CE-535 AND AFTER<br/>CJ-60 AND AFTER</p>                | <p>8 CE-418,<br/>CE-436 THRU CE-1018<br/>CJ-40 THRU CJ-155</p>                          |
| <p>9 CE-1019 AND AFTER<br/>CJ-156 AND AFTER</p>              |   |

BEECHCRAFT  
BONANZA 33  
ILLUSTRATED PARTS CATALOG

FIGURE 112  
ASSIST STEP

BEECHCRAFT  
BONANZA 33  
ILLUSTRATED PARTS CATALOG



33-112-2

B E E C H C R A F T  
B O N A N Z A 3 3  
I L L U S T R A T E D P A R T S C A T A L O G

FIG. & ITEM NO.	PART NO.	DESCRIPTION							UNITS PER ASSY	USABLE ON CODE		
		1	2	3	4	5	6	7				
112	95-440014-47	STEP	INSTL	,ASSIST	.	.	.	.	NP	1		
	002-430076-1	STEP	INSTL	,ASSIST	.	.	.	.	NP	5		
	95-440014-49	STEP	INSTL	,ASSIST	.	.	.	.	NP	2		
	002-430076-17	STEP	INSTL	,ASSIST	.	.	.	.	NP	6		
	- 1	002-430076-23	.	WELD	ASSY	,ASSIST	STEP	/SPARES	FOR	95-440014-57	1	1
		95-440014-59	.	WELD	ASSY	,ASSIST	STEP	.	.	.	1	2
		002-430076-21	.	WELD	ASSY	,ASSIST	STEP	.	.	.	1	7
				/ATTACHING	PARTS/							
	- 2	NAS221-9	.	SCREW	.	.	.	.	.	9		
		NAS680A3	.	NUTPLATE	.	.	.	.	.	5	3	
	NAS682A3	.	NUTPLATE	.	.	.	.	.	4	3		
	AN960-10	.	WASHER	.	.	.	.	.	9	4		
	MS20365-1032	.	NUT	.	.	.	.	.	9	4		

\*-----\*

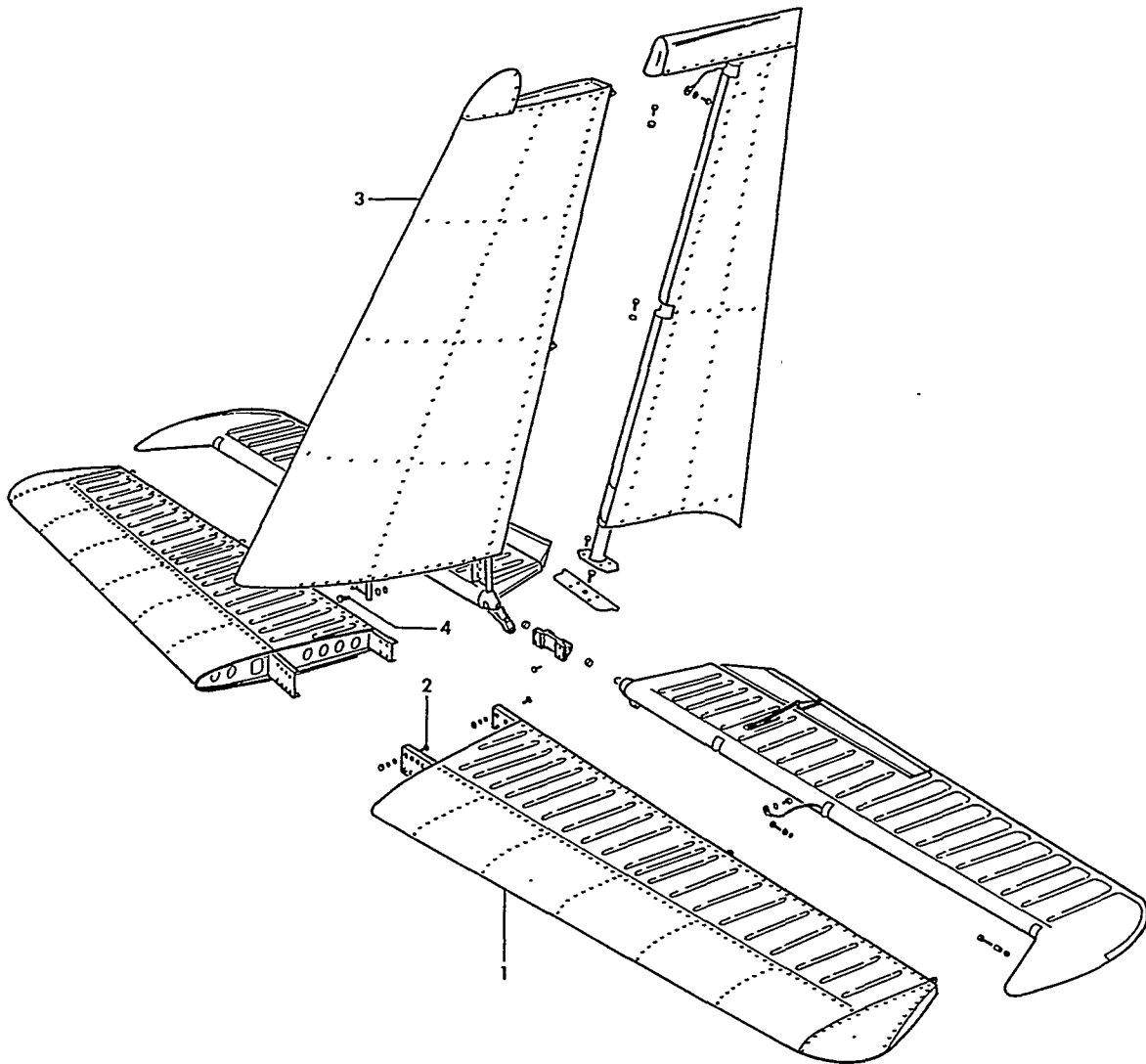
C O D E S O F E F F E C T I V I T Y

1	CE-316 THRU CE-803	2	CD-1235 THRU CD-1304
	CE-805 THRU CE-827		CE-290 THRU CE-315
			CJ-26 THRU CJ-148
3	CD-1235 THRU CD-1254	4	CD-1255 THRU CD-1304
	CE-290 THRU CE-315		CE-316 AND AFTER
			CJ-26 AND AFTER
5	CE-804,	6	CJ-149 AND AFTER
	CE-828 AND AFTER		
7	CE-804,		
	CE-828 AND AFTER		
	CJ-149 AND AFTER		

BEECHCRAFT  
BONANZA 33  
ILLUSTRATED PARTS CATALOG

FIGURE 131  
EMPENNAGE

BEECHCRAFT  
BONANZA 33  
ILLUSTRATED PARTS CATALOG



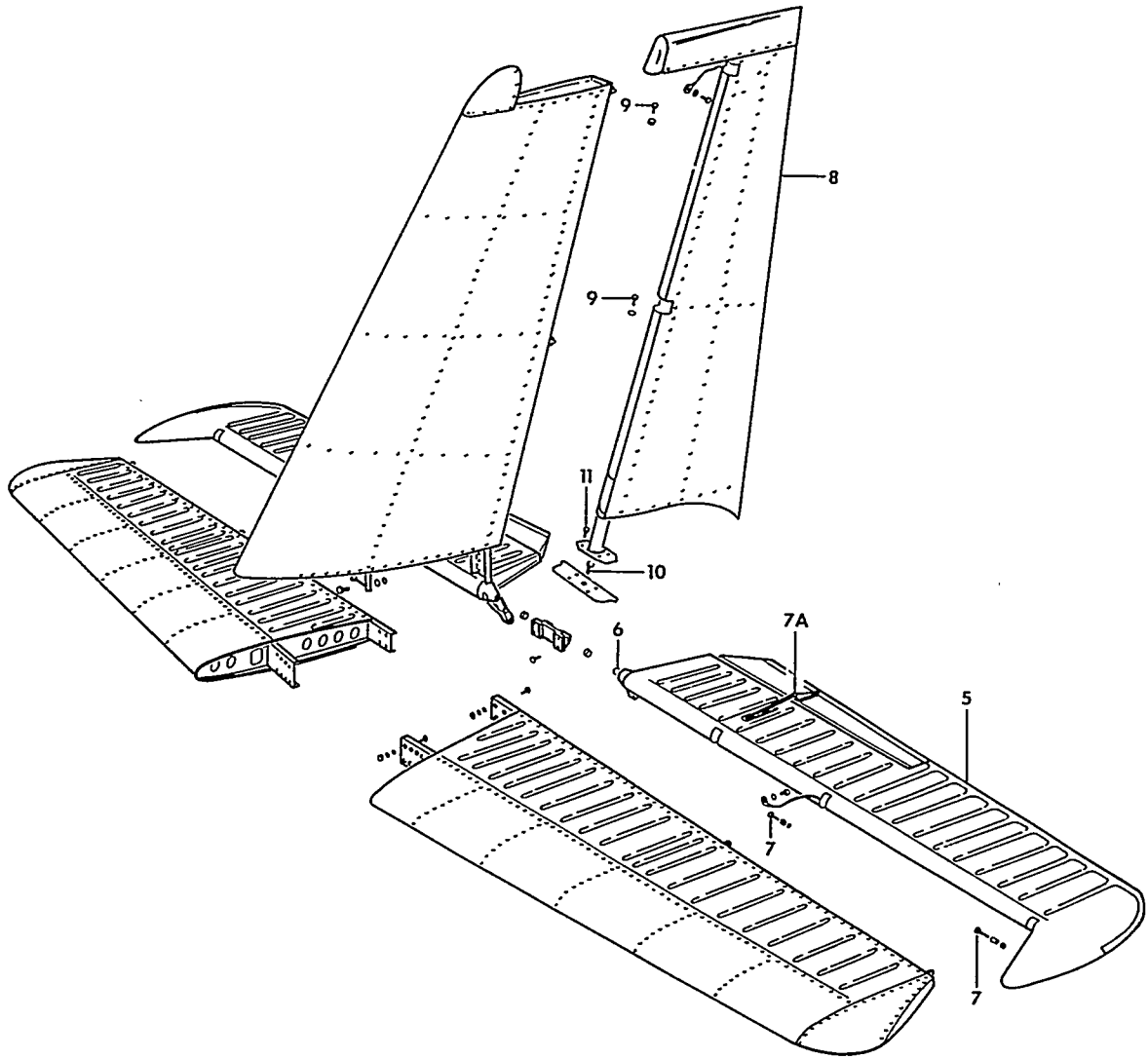
33-131-1



B E E C H C R A F T  
B O N A N Z A 3 3  
I L L U S T R A T E D P A R T S C A T A L O G

FIG. & ITEM NO.	PART NO.	DESCRIPTION	UNITS PER ASSY	USABLE ON CODE
131	33-600000	EMPENNAGE INSTL . . . . .	NP	4
	33-600000-5	EMPENNAGE INSTL . . . . .	NP	2
- 1	R 33-620000-611	. STABILIZER ASSY,HORIZONTAL LH/SEE FIG 132/ . . . . .	1	26
	R 33-620000-617	. STABILIZER ASSY,HORIZONTAL LH/SEE FIG 132/ . . . . .	1	27
	R 33-620001-601	. STABILIZER ASSY,HORIZONTAL LH/SEE FIG 132/ . . . . .	1	29
	R 33-620001-617	. STABILIZER ASSY,HORIZONTAL LH/SEE FIG 132/ . . . . .	1	25
	R 33-620000-612	. STABILIZER ASSY,HORIZONTAL RH/SEE FIG 132/ . . . . .	1	26
	R 33-620000-618	. STABILIZER ASSY,HORIZONTAL RH/SEE FIG 132/ . . . . .	1	27
	R 33-620001-602	. STABILIZER ASSY,HORIZONTAL RH/SEE FIG 132/ . . . . .	1	29
	R 33-620001-618	. STABILIZER ASSY,HORIZONTAL RH/SEE FIG 132/ . . . . .	1	25
		/ATTACHING PARTS/		
- 2	130909B35	. BOLT/FRONT SPAR/ . . . . .	8	13
	130909B36	. BOLT/FRONT SPAR/ . . . . .	8	14
	AN960-416	. WASHER/FRONT SPAR/ . . . . .	8	17
	AN960-416L	. WASHER/FRONT SPAR/ . . . . .	8	17
	MS20365-428	. NUT/FRONT SPAR/ . . . . .	8	17
	002-440023-85	. SPACER/FRONT SPAR/ . . . . .	8	17
	130909B158	. BOLT/FRONT SPAR/ . . . . .	1	15
	130909B157	. BOLT/FRONT SPAR/ . . . . .	7	15
	MS20002C4	. WASHER/ONE UNDER BOLT HEAD/FRONT SPAR/ . . . . .	8	15
	33-600000-9	. WASHER/TWO UNDER NUT/FRONT SPAR/ . . . . .	2	15
	AN960-416	. WASHER/TWO UNDER NUT/FRONT SPAR/ . . . . .	14	15
	130909N30	. NUT/FRONT SPAR/ . . . . .	8	15
	130909B38	. BOLT/REAR SPAR/ . . . . .	2	13
	130909B40	. BOLT/REAR SPAR/ . . . . .	2	14
	AN960-416	. WASHER/REAR SPAR/ . . . . .	2	17
	AN960-416L	. WASHER/REAR SPAR/ . . . . .	2	17
	MS20365-428	. NUT/REAR SPAR/ . . . . .	2	17
	130909B158	. BOLT/REAR SPAR/ . . . . .	2	18
	130909B120	. BOLT/REAR SPAR/ . . . . .	2	19
	130909B97	. BOLT/REAR SPAR/ . . . . .	2	12
	MS20002C4	. WASHER/ONE UNDER BOLT HEAD/REAR SPAR/ . . . . .	2	15
	AN960-416	. WASHER/UNDER NUT/REAR SPAR/ . . . . .	AR	15
	130909N30	. NUT/REAR SPAR/ . . . . .	2	15
		-----*		
- 3	33-640000-601	. STABILIZER ASSY,VERTICAL/SEE FIG 134/ . . . . .	1	10
	33-640000-613	. STABILIZER ASSY,VERTICAL/SEE FIG 134/ . . . . .	1	2
	33-640000-615	. STABILIZER ASSY,VERTICAL/SEE FIG 134/ . . . . .	1	9
		/ATTACHING PARTS/		
- 4	130909B35	. BOLT/FRONT SPAR/ . . . . .	6	17
	AN960-416	. WASHER/FRONT SPAR/ . . . . .	6	17
	AN960-416L	. WASHER/FRONT SPAR/ . . . . .	6	17
	MS20365-428	. NUT/FRONT SPAR/ . . . . .	6	17
	130909B96	. BOLT/FRONT SPAR/ . . . . .	6	15
	MS20002C4	. WASHER/FRONT SPAR/ . . . . .	6	15
	AN960-416	. WASHER/FRONT SPAR/ . . . . .	12	15
	130909N30	. NUT/FRONT SPAR/ . . . . .	6	15
	130909B35	. BOLT/REAR SPAR/ . . . . .	6	13
	130909B35	. BOLT/REAR SPAR/ . . . . .	2	14
	130909B36	. BOLT/REAR SPAR/ . . . . .	4	14
	AN960-416	. WASHER/REAR SPAR/ . . . . .	6	17
	AN960-416L	. WASHER/REAR SPAR/ . . . . .	6	17
	MS20365-428	. NUT/REAR SPAR/ . . . . .	6	17
	130909B96	. BOLT/REAR SPAR/ . . . . .	2	15
	130909B174	. BOLT/REAR SPAR/ . . . . .	4	18
	130909B161	. BOLT/REAR SPAR/ . . . . .	4	20
	MS20002C4	. WASHER/UNDER BOLT HEAD/REAR SPAR/ . . . . .	6	15
	AN960-416	. WASHER/TWO UNDER NUT/REAR SPAR/ . . . . .	12	15
	130909N30	. NUT/REAR SPAR/ . . . . .	6	15
		-----*		

BEECHCRAFT  
BONANZA 33  
ILLUSTRATED PARTS CATALOG

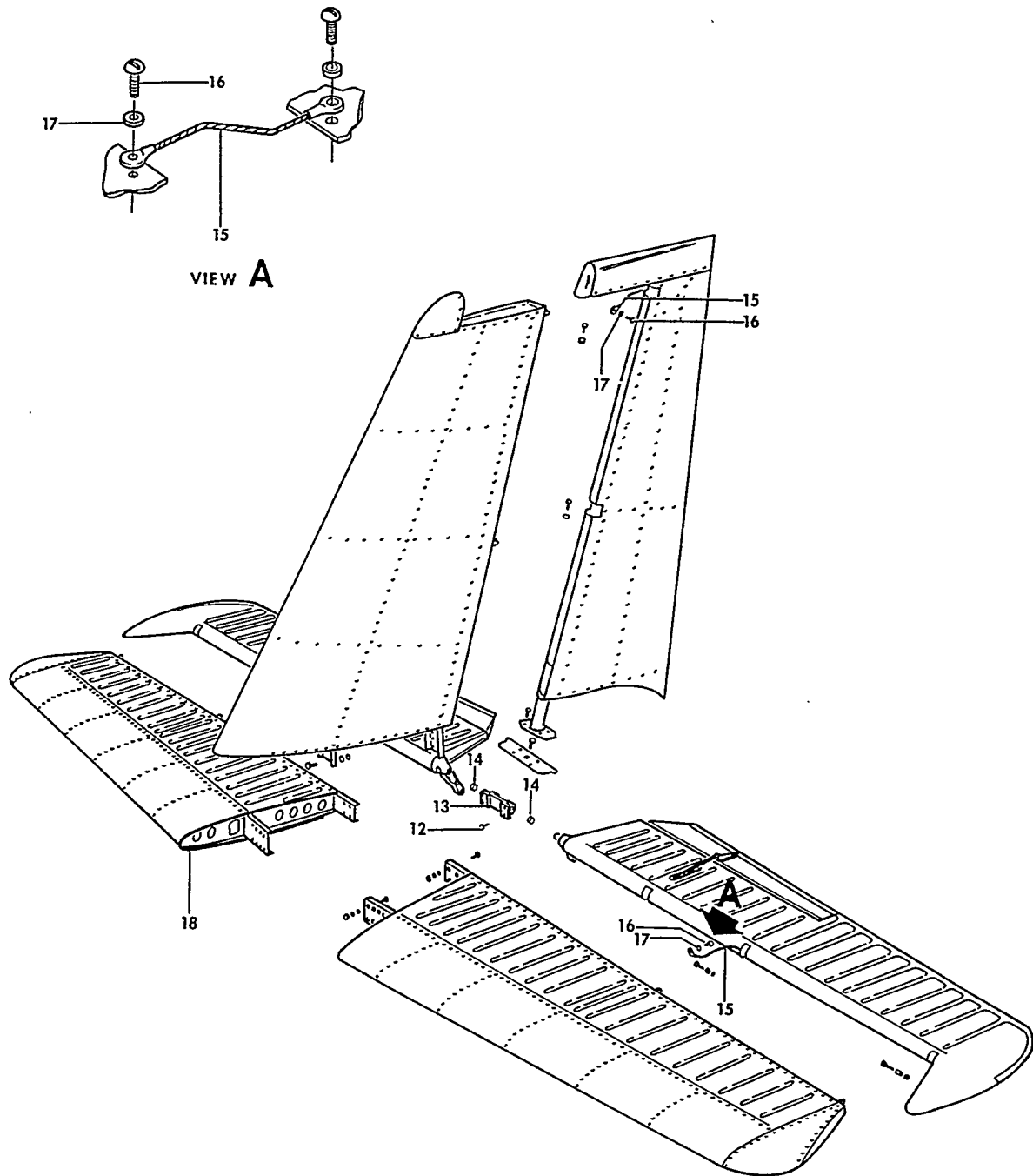


33-131-9

B E E C H C R A F T  
B O N A N Z A 3 3  
I L L U S T R A T E D P A R T S C A T A L O G

FIG. & ITEM NO.	PART NO.	DESCRIPTION	UNITS PER ASSY	USABLE ON CODE
		1 2 3 4 5 6 7		
131 - 5	33-610000-605	. ELEVATOR ASSY,LH/SEE FIG 133/ . . . . .	1	5
	33-610000-609	. ELEVATOR ASSY,LH/SEE FIG 133/ . . . . .	1	6
	33-610000-611	. ELEVATOR ASSY,LH/SEE FIG 133/ . . . . .	1	7
	33-610000-606	. ELEVATOR ASSY,RH/SEE FIG 133/ . . . . .	1	5
	33-610000-610	. ELEVATOR ASSY,RH/SEE FIG 133/ . . . . .	1	6
	33-610000-612	. ELEVATOR ASSY,RH/SEE FIG 133/ . . . . .	1	7
		/ATTACHING PARTS/		
- 6	130909B41	. BOLT. . . . .	1	22
	130909B43	. BOLT/USED WITH MORE THAN ONE AN960-416/ . . . . .	1	22
	AN960-416	. WASHER. . . . .	AR	22
	AN960-416L	. WASHER. . . . .	2	22
	MS20365-428	. NUT . . . . .	1	22
	130909B170	. BOLT. . . . .	1	23
	AN960-416	. WASHER. . . . .	4	23
	AN960-416L	. WASHER. . . . .	1	23
	130909N7	. NUT . . . . .	1	23
	MS24665-134	. COTTER PIN. . . . .	1	23
	35-600003	. BUSHING . . . . .	2	
	- 7	AN23-14	. BOLT. . . . .	2
AN960-10		. WASHER. . . . .	2	
130909N15		. NUT . . . . .	2	
MS24665-132		. PIN,COTTER. . . . .	2	
- 7A	130909B171	. BOLT/ELEVATOR TAB & ACTUATOR/ . . . . .	2	22
	AN960-10	. WASHER/ELEVATOR TAB & ACTUATOR/ . . . . .	4	22
	130909N45	. NUT/ELEVATOR TAB & ACTUATOR/ . . . . .	2	22
	MS24665-151	. PIN,COTTER/ELEVATOR TAB & ACTUATOR/ . . . . .	2	22
	130909B171	. BOLT. . . . .	2	23
	AN960-10	. WASHER. . . . .	2	23
	AN960-10L	. WASHER. . . . .	2	23
	130909N45	. NUT . . . . .	2	23
MS24665-151	. PIN,COTTER. . . . .	2	23	
		---x---		
- 8	33-630000-601	. RUDDER ASSY/SEE FIG 135/ . . . . .	1	1
	33-630000-603	. RUDDER ASSY/SEE FIG 135/ . . . . .	1	11
	33-630000-605	. RUDDER ASSY/SEE FIG 135/ . . . . .	1	12
	R 33-630000-139	. RUDDER ASSY/SEE FIG 135/ . . . . .	1	25
	R 33-630000-83	. RUDDER ASSY/SEE FIG 135/ORDER 36-630000-137/. . . . .	1	3
	R 33-630000-115	. RUDDER ASSY/SEE FIG 135/ORDER 36-630000-137/. . . . .	1	8
R 33-630000-137	. RUDDER ASSY/SEE FIG 135/ . . . . .	1	24	
		/ATTACHING PARTS/		
- 9	130909B16	. BOLT. . . . .	1	22
	130909N15	. NUT . . . . .	1	22
	AN380-2-2	. PIN . . . . .	1	22
	130909B16	. BOLT. . . . .	1	23
	AN960-10	. WASHER. . . . .	1	23
	130909N6	. NUT . . . . .	1	23
	MS24665-132	. PIN,COTTER. . . . .	1	23
- 10	130909B44	. BOLT. . . . .	1	22
	AN960-416	. WASHER. . . . .	1	22
	130909N16	. NUT . . . . .	1	22
	AN380-2-3	. PIN . . . . .	1	22
	130909B44	. BOLT. . . . .	1	23
	AN960-416	. WASHER. . . . .	2	23
	130909N7	. NUT . . . . .	1	23
	MS24665-134	. PIN,COTTER. . . . .	1	23
- 11	130909B17	. BOLT. . . . .	4	
	AN960-10L	. WASHER. . . . .	8	
	MS20365-1032	. NUT . . . . .	4	
		---x---		

BEECHCRAFT  
BONANZA 33  
ILLUSTRATED PARTS CATALOG



33-131-4

B E E C H C R A F T  
B O N A N Z A 3 3  
I L L U S T R A T E D P A R T S C A T A L O G

FIG. & ITEM NO.	PART NO.	DESCRIPTION	UNITS PER ASSY	USABLE ON CODE
131	45-524042-9	. HINGE ASSY, ELEVATOR INBD. . . . .	1	21
	33-610012-1	. HINGE ASSY, ELEVATOR INBD. . . . . /ATTACHING PARTS/	1	12
- 12	130909B38	. BOLT. . . . .	2	13
	130909B40	. BOLT. . . . .	2	14
	AN960-416	. WASHER. . . . .	2	17
	AN960-416L	. WASHER. . . . .	2	17
	MS20365-428	. NUT . . . . .	2	17
	130909B158	. BOLT. . . . .	2	18
	130909B120	. BOLT. . . . .	2	19
	130909B97	. BOLT. . . . .	2	12
	MS20002C4	. WASHER/ONE UNDER BOLT HEAD/ . . . . .	2	15
	AN960-416	. WASHER/UNDER NUT/ . . . . .	AR	15
	130909N30	. NUT . . . . .	2	15
		-----x-----		
- 13	45-524042-11	. . HINGE, ELEVATOR INBOARD. . . . .	1	21
R	33-610012-3	. . HINGE, ELEVATOR INBOARD. . . . .	1	28
- 14	MS27640-4	. . BEARING . . . . .	2	
- 15	AN749-1-4	. JUMPER, BONDING. . . . . /ATTACHING PARTS/	6	
- 16	AN515-6R8	. SCREW . . . . .	2	
- 17	R AN960D6	. WASHER. . . . .	2	
	AN365-632	. NUT . . . . .	2	
		-----x-----		
- 18	111722	. SEAL, STABILIZER TO FUSELAGE . . . . . /4 1/2 FT REQUIRED FOR EACH SIDE/	AR	

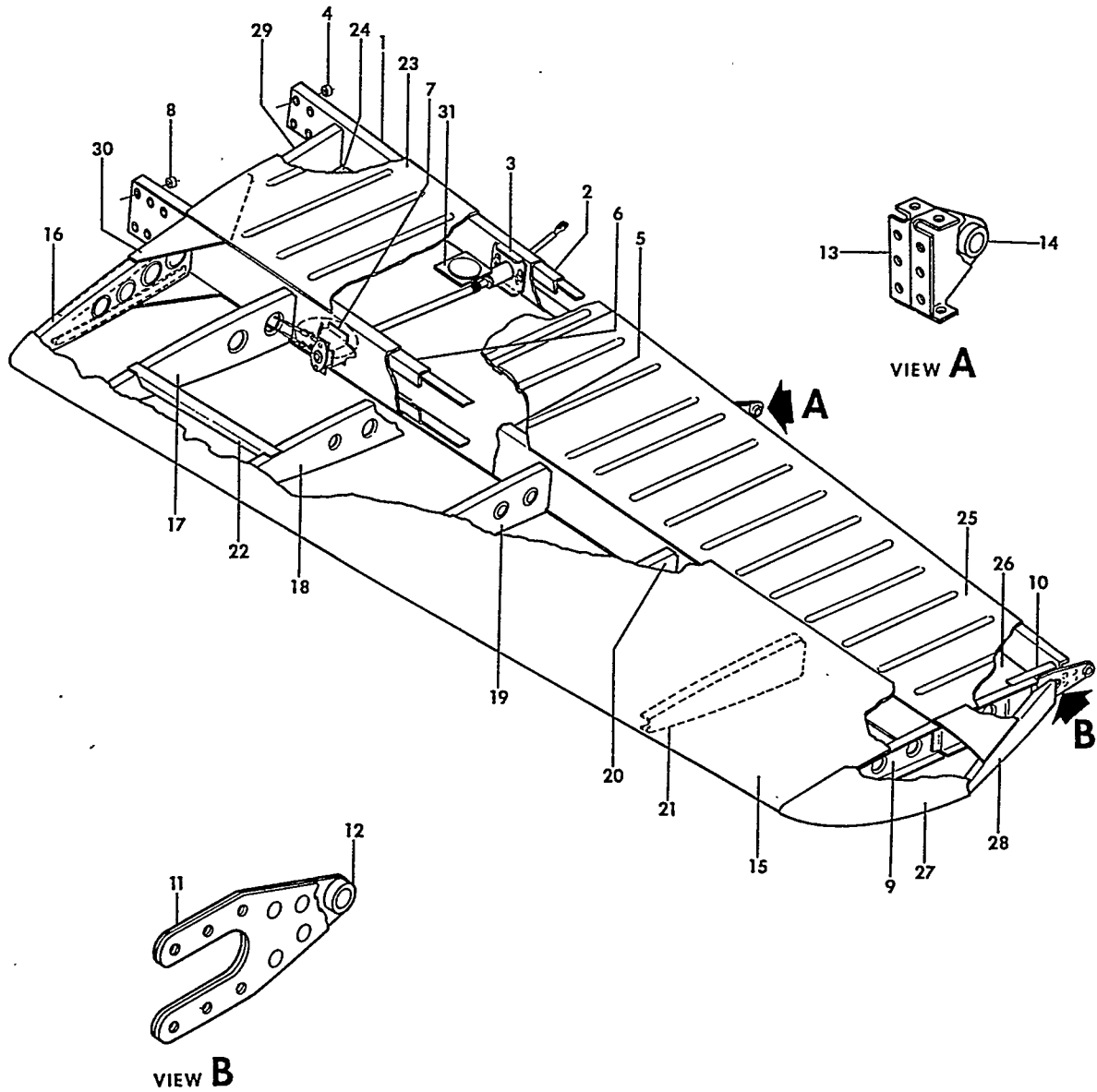
C O D E S O F E F F E C T I V I T Y

1	CD-1235 THRU CD-1304	2	CJ-26 AND AFTER
	CE-290 THRU CE-489		
3	CE-490 THRU CE-1023	4	CD-1235 THRU CD-1304
			CE-290 AND AFTER
5	CD-1235 THRU CD-1304	6	CE-825 THRU CE-932
	CE-290 THRU CE-824		CJ-149 THRU CJ-155
	CJ-26 THRU CJ-148		
7	CE-933 AND AFTER	8	CE-1024 THRU CE-1425
	CJ-156 AND AFTER		
9	CE-849, CE-860, CE-863 AND AFTER	10	CD-1235 THRU CD-1304
			CE-290 THRU CE-848, CE-850 THRU CE-859, CE-861 AND CE-862
11	CJ-26 THRU CJ-155	12	CJ-156 THRU CJ-179
13	CD-1235 THRU CD-1304	14	CJ-26 THRU CJ-143, CJ-145 THRU CJ-155
	CE-290 THRU CE-1013		
15	CE-1014 AND AFTER	16	CD-1235 THRU CD-1304
	CJ-144, CJ-156 AND AFTER		CE-290 THRU CE-1013
17	CD-1235 THRU CD-1304	18	CE-1014 AND AFTER
	CE-290 THRU CE-1013 CJ-26 THRU CJ-143, CJ-145 THRU CJ-155		
19	CJ-144 ONLY	20	CJ-144, CJ-156 AND AFTER
21	CD-1235 THRU CD-1304	22	CD-1235 THRU CD-1304
	CE-290 AND AFTER		CE-290 THRU CE-1013
	CJ-26 THRU CJ-155		CJ-26 THRU CJ-155
23	CE-1014 AND AFTER	24	CE-1426 AND AFTER
	CJ-156 AND AFTER		
25	CJ-180 AND AFTER	26	CE-290 THRU CE-1565
27	CE-1566 AND AFTER	28	CJ-156 AND AFTER
29	CJ-26 THRU CJ-179		

BEECHCRAFT  
BONANZA 33  
ILLUSTRATED PARTS CATALOG

FIGURE 132  
HORIZONTAL STABILIZER

BEECHCRAFT  
BONANZA 33  
ILLUSTRATED PARTS CATALOG



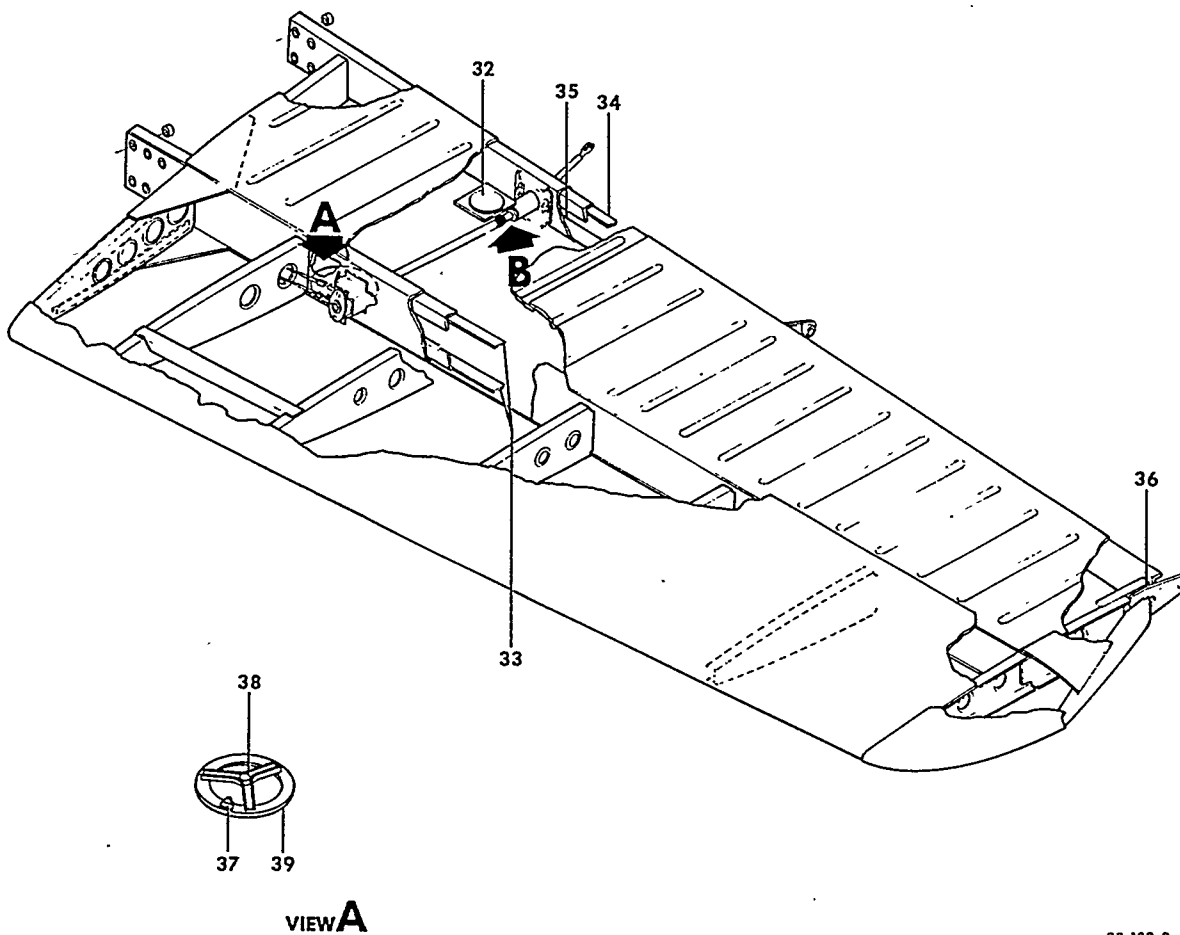
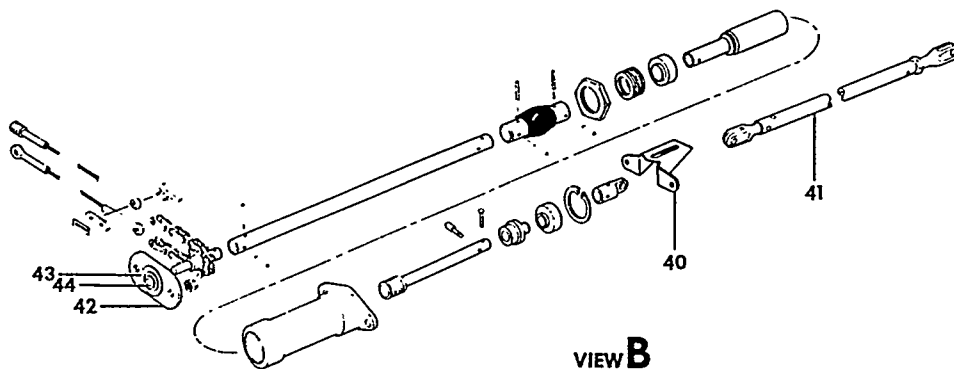
33-132-1

B E E C H C R A F T  
B O N A N Z A 3 3  
I L L U S T R A T E D P A R T S C A T A L O G

FIG. & ITEM NO.	PART NO.	DESCRIPTION	UNITS PER ASSY	USABLE ON CODE
132	R 33-620000-611	STABILIZER ASSY,HORIZONTAL LH . . . . .	1	11
	R 33-620000-617	STABILIZER ASSY,HORIZONTAL LH . . . . .	1	12
	R 33-620001-601	STABILIZER ASSY,HORIZONTAL LH . . . . .	1	15
	R 33-620001-617	STABILIZER ASSY,HORIZONTAL LH . . . . .	1	16
	R 33-620000-612	STABILIZER ASSY,HORIZONTAL RH . . . . .	1	11
	R 33-620000-618	STABILIZER ASSY,HORIZONTAL RH . . . . .	1	12
	R 33-620001-602	STABILIZER ASSY,HORIZONTAL RH . . . . .	1	15
	R 33-620001-618	STABILIZER ASSY,HORIZONTAL RH . . . . .	1	16
	R 33-620000-613	. SPAR ASSY,REAR LH & RH. . . . .	1	11
	R 33-620000-619	. SPAR ASSY,REAR LH . . . . .	1	12
	R 33-620000-620	. SPAR ASSY,REAR RH . . . . .	1	12
	33-620001-613	. SPAR ASSY,REAR. . . . .	1	2
- 1	R 33-620000-55	. . SPAR,REAR . . . . .	1	13
	R 33-620000-59	. . SPAR,REAR . . . . .	1	14
	R 35-650007-13	. . ANGLE . . . . .	1	14
- 2	33-620000-35	. . DOUBLER,REAR SPAR . . . . .	1	1
	95-620010-45	. . DOUBLER,REAR SPAR . . . . .	1	2
- 3	45-620010-30	. . DOUBLER . . . . .	1	
	NAS680A3	. . NUTPLATE. . . . .	2	
- 4	45-620011-10	. . BUSHING . . . . .	4	
	33-620000-615	. SPAR ASSY,FRONT . . . . .	1	1
	33-620001-615	. SPAR ASSY,FRONT . . . . .	1	2
- 5	33-620000-51	. . SPAR,FRONT. . . . .	1	1
	95-620010-39	. . SPAR,FRONT. . . . .	1	2
- 6	33-620000-53	. . DOUBLER . . . . .	1	1
	95-620010-41	. . DOUBLER . . . . .	1	2
- 7	45-620025-13	. . BRACKET . . . . .	1	
	NAS680A3	. . NUTPLATE. . . . .	2	
- 8	33-620000-57	. . BUSHING . . . . .	8	
	33-620000-607	. RIB ASSY,OUTBD. . . . .	1	
- 9	33-620000-15	. . RIB . . . . .	1	
- 10	33-620000-25	. . EXTENSION . . . . .	1	
- 11	35-650121-4	. . HINGE ASSY,ELEVATOR OUTBD . . . . .	1	
	35-650121-2	. . . HINGE,HALF. . . . .	2	
- 12	B55	. . BEARING . . . . .	1	
- 13	35-650122-6	. HINGE ASSY,ELEVATOR CENTER. . . . .	1	
	35-650122-2	. . HINGE,HALF. . . . .	2	
- 14	B55	. . BEARING . . . . .	1	
	33-620000-609	. SKIN ASSY,LEADING EDGE LH . . . . .	1	1
	33-620001-609	. SKIN ASSY,LEADING EDGE LH . . . . .	1	2
	33-620000-610	. SKIN ASSY,LEADING EDGE RH . . . . .	1	1
	33-620001-610	. SKIN ASSY,LEADING EDGE RH . . . . .	1	2
- 15	33-620000-43	. . SKIN,LH . . . . .	1	1
	33-620001-7	. . SKIN,LH . . . . .	1	2
	33-620000-44	. . SKIN,RH . . . . .	1	1
	33-620001-8	. . SKIN,RH . . . . .	1	2
- 16	33-620000-3	. . RIB . . . . .	1	
- 17	33-620000-5	. . RIB . . . . .	1	
- 18	33-620000-7	. . RIB . . . . .	1	
- 19	33-620000-9	. . RIB . . . . .	1	
- 20	33-620000-11	. . RIB . . . . .	1	
- 21	33-620000-13	. . RIB . . . . .	1	
- 22	35-650009-30	. . STIFFENER . . . . .	2	
- 23	33-620000-45	. SKIN,UPPER LH . . . . .	1	1
	33-620001-3	. SKIN,UPPER LH . . . . .	1	2
	33-620000-46	. SKIN,UPPER RH . . . . .	1	1
	33-620001-4	. SKIN,UPPER RH . . . . .	1	2
- 24	33-620000-47	. SKIN,LOWER LH . . . . .	1	1
	33-620001-5	. SKIN,LOWER LH . . . . .	1	2
	33-620000-48	. SKIN,LOWER RH . . . . .	1	1
	33-620001-6	. SKIN,LOWER RH . . . . .	1	2
- 25	33-620000-27	. SKIN,UPPER LH & LOWER RH. . . . .	1	1
	33-620001-9	. SKIN,UPPER LH & LOWER RH. . . . .	1	2
- 26	33-620000-28	. SKIN,LOWER LH & UPPER RH. . . . .	1	1
	33-620001-10	. SKIN,LOWER LH & UPPER RH. . . . .	1	2
- 27	45-650112	. FORMER. . . . .	1	
- 28	33-620000-19	. RIB . . . . .	1	
- 29	33-620000-17	. RIB . . . . .	1	
- 30	33-620000-37	. DOUBLER . . . . .	2	
- 31	45-620010-20	. DOUBLER . . . . .	1	



BEECHCRAFT  
BONANZA 33  
ILLUSTRATED PARTS CATALOG

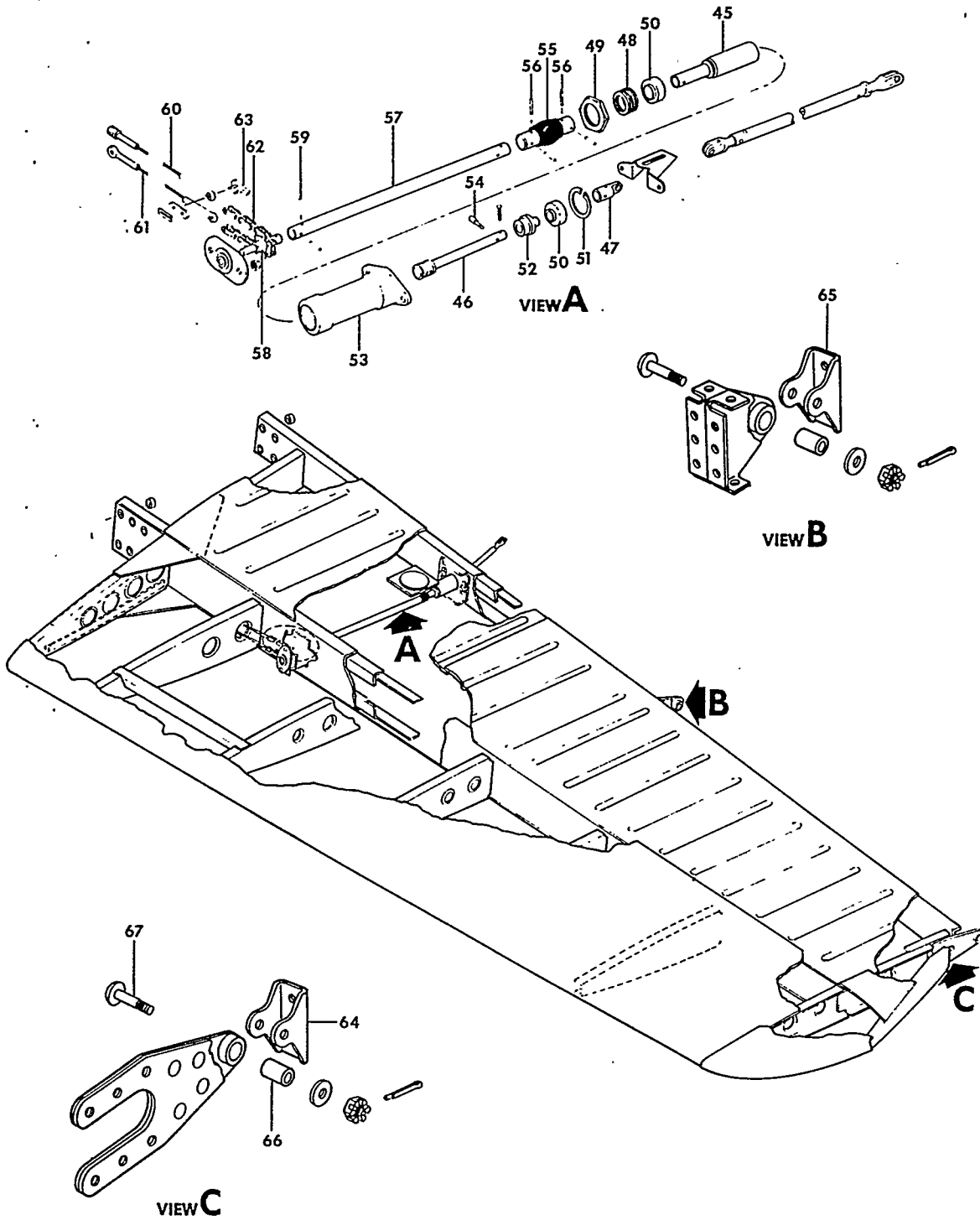


33-132-2

B E E C H C R A F T  
B O N A N Z A 3 3  
I L L U S T R A T E D P A R T S C A T A L O G

FIG. & ITEM NO.	PART NO.	DESCRIPTION							UNITS PER ASSY	USABLE ON CODE
		1	2	3	4	5	6	7		
132 - 32	A6914-1024-1	.	.	.	.	.	.	.	1	
- 33	45-620010-32	.	.	.	.	.	.	.	2	
- 34	45-620010-34	.	.	.	.	.	.	.	1	
- 35	45-620010-35	.	.	.	.	.	.	.	1	
- 36	33-620000-23	.	.	.	.	.	.	.	1	
- 37	45-620024	.	.	.	.	.	.	.	1	
- 38	45-620021	.	.	.	.	.	.	.	1	
- 39	45-620020	.	.	.	.	.	.	.	1	
		/ATTACHING PARTS/								
	R MS24693S50	.	.	.	.	.	.	.	1	
		-----X-----								
- 40	45-526008	.	.	.	.	.	.	.	1	
		/ATTACHING PARTS/								
	130909B15	.	.	.	.	.	.	.	2	
	AN960-10L	.	.	.	.	.	.	.	2	
		-----X-----								
- 41	96-520013-1	.	.	.	.	.	.	.	1	
		/ATTACHING PARTS/								
	130909B171	.	.	.	.	.	.	.	1	
	AN960-10	.	.	.	.	.	.	.	1	
	AN960-10L	.	.	.	.	.	.	.	1	
	130909N45	.	.	.	.	.	.	.	1	
	MS24665-151	.	.	.	.	.	.	.	1	
		-----X-----								
- 42	45-526006-5	.	.	.	.	.	.	.	1	
		/ATTACHING PARTS/								
	R 130909B12	.	.	.	.	.	.	.	2	
	AN960-10L	.	.	.	.	.	.	.	2	
		-----X-----								
	45-526006-7	.	.	.	.	.	.	.	1	
- 43	45-526006-3	.	.	.	.	.	.	.	1	
- 44	KP3A	.	.	.	.	.	.	.	1	
	33-620000-83	.	.	.	.	.	.	.	AR	
	R 33-620000-127	.	.	.	.	.	.	.	1	1
		/SUPERSEDES 33-620000-63,-67,-75,-79,91/								
	R 33-620000-129	.	.	.	.	.	.	.	1	1
		/SUPERSEDES 33-620000-65,-69,-77,-81,93/								
	R 33-620000-123	.	.	.	.	.	.	.	1	2
		/SUPERSEDES 33-620000-85,-111/								
	R 33-620000-125	.	.	.	.	.	.	.	1	2
		/SUPERSEDES 33-620000-87,-113/								
	R 45-524565-47	.	.	.	.	.	.	.	1	1
		/SUPERSEDES 45-524565-3,-11,-19,-23,-31 002-521010-1/								
	R 45-524565-49	.	.	.	.	.	.	.	1	1
		/SUPERSEDES 45-524565-5,-13,-21,-25,-33 002-521010-3/								
	R 45-524565-43	.	.	.	.	.	.	.	1	2
	R 45-524565-45	.	.	.	.	.	.	.	1	2

BEECHCRAFT  
BONANZA 33  
ILLUSTRATED PARTS CATALOG



33-132-3

FIGURE 132. HORIZONTAL STABILIZER  
/SHEET 3 OF 3 SHEETS/

B E E C H C R A F T  
B O N A N Z A 3 3  
I L L U S T R A T E D P A R T S C A T A L O G

FIG. & ITEM NO.	PART NO.	DESCRIPTION	UNITS PER ASSY	USABLE ON CODE
132 - 45	R 45-524557-1	NUT ASSY,LH/RH THREADED/	1	
	R 45-524557-3	/SPARES FOR 45-524557-5,-9/ NUT ASSY,RH/LH THREADED/	1	
		/SPARES FOR 45-524557-7,-11/		
- 46	45-524566-9	SCREW/LH/RH THREADED/	1	9
	33-524031-1	SCREW/LH/RH THREADED/	1	10
	33-524031-3	SCREW/RH/LH THREADED/	1	10
- 47	45-524563	END,ROD	1	9
- 48	45-524569	BUSHING	1	5
- 49	45-524564	NUT,CHECK	1	5
- 50	MS27641-6	BEARING	2	9
	MS27641-6	BEARING	1	10
- 51	NAS50-87	RING,SNAP	1	5
- 52	45-524562	BUSHING	1	9
- 53	R 45-524561-19	HOUSING,LH.	1	
	R 45-524561-23	/SPARES FOR 45-524561-3,-13,-15/ HOUSING,RH.	1	
		/SPARES FOR 45-524561-3,-13,-15/		
- 54	96-524032	PIN,SHOULDER.	1	5
	AN960-4	WASHER,SHOULDER PIN	1	5
	MS20365-440	NUT,SHOULDER PIN.	1	5
- 55	45-526015	U-JOINT	1	
- 56	MS9048-070	PIN,ROLL.	4	
- 57	45-526007-1	TUBE.	1	
- 58	45-526005-3	SPROCKET.	1	
- 59	MS9048-068	PIN,ROLL.	2	
	R 36-524000-29	CHAIN & CABLE ASSY,ELEVATOR TAB CONTROL LH.	1	11
	R 36-524000-63	CHAIN & CABLE ASSY,ELEVATOR TAB CONTROL LH.	1	12
	R 36-524000-31	CHAIN & CABLE ASSY,ELEVATOR TAB CONTROL RH.	1	11
	R 36-524000-69	CHAIN & CABLE ASSY,ELEVATOR TAB CONTROL RH.	1	12
- 60	36-524000-55	CABLE ASSY,LH ACTUATOR/STUD END/.	1	
	R 36-524000-45	CABLE ASSY,RH ACTUATOR/STUD END/.	1	11
	R 36-524000-65	CABLE ASSY,RH ACTUATOR/STUD END/.	1	12
- 61	36-524000-57	CABLE ASSY,LH ACTUATOR/CLEVIS END/.	1	
	R 36-524000-47	CABLE ASSY,RH ACTUATOR/CLEVIS END/.	1	11
	R 36-524000-67	CABLE ASSY,RH ACTUATOR/CLEVIS END/.	1	12
- 62	45-526011-7	CHAIN	1	
- 63	C4189	LINK,CHAIN.	2	
- 64	35-650121-8	BRACKET,ELEVATOR HINGE OUTBD.	2	
- 65	35-650122-8	BRACKET,ELEVATOR HINGE CENTER	2	
- 66	35-600003	BUSHING	4	
- 67	AN23-14	BOLT.	4	
	AN960-10	WASHER.	4	
	130909N15	NUT	4	
	MS24665-132	PIN,COTTER.	4	

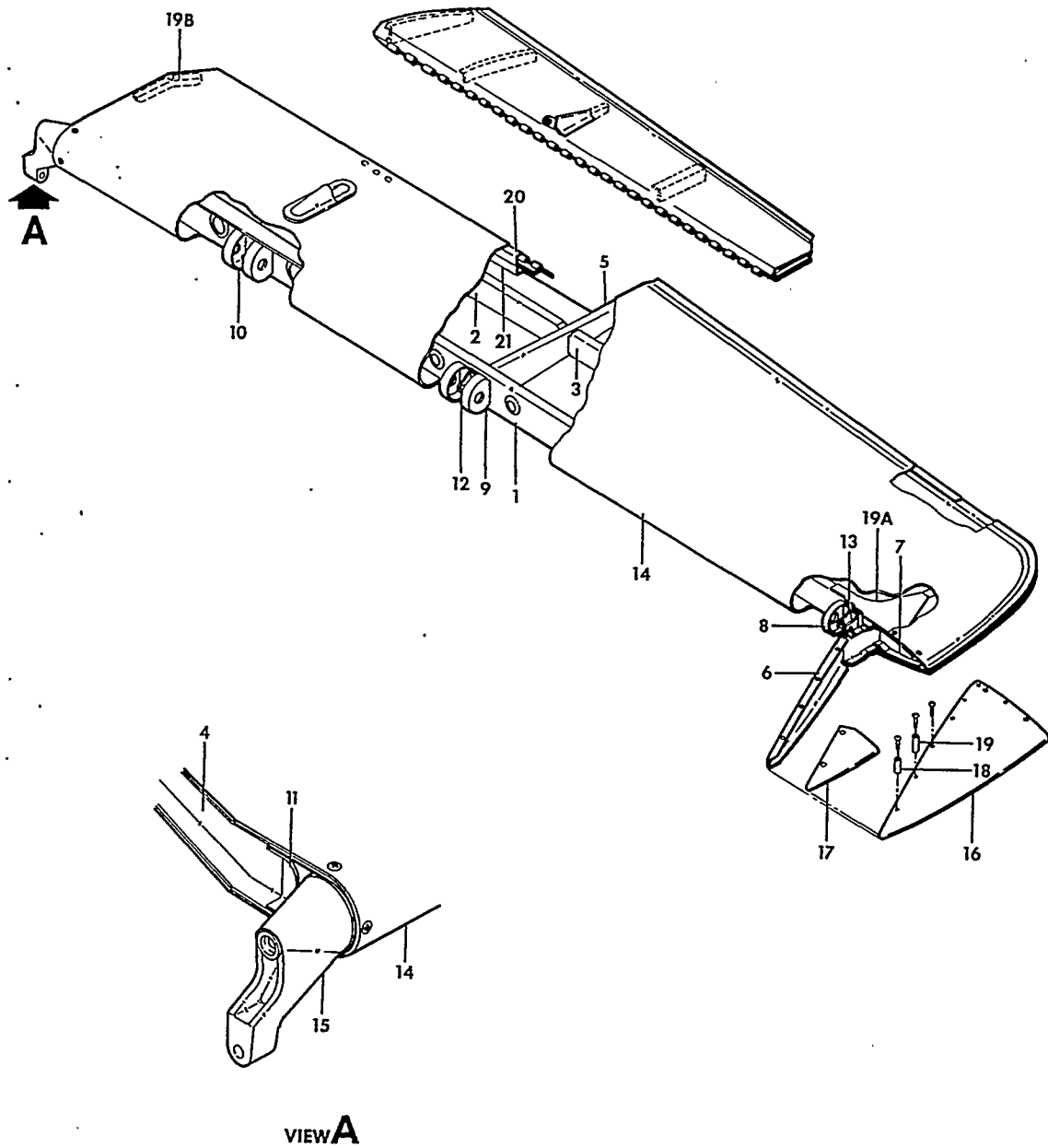
C O D E S O F E F F E C T I V I T Y

1	CD-1235 THRU CD-1304	2	CJ-26 AND AFTER
	CE-290 AND AFTER		
3	CE-952 THRU CE-980	4	CD-1235 THRU CD-1304
			CE-290 THRU CE-616
			CJ-26 THRU CJ-110
5	CE-981 AND AFTER	6	CE-617 THRU CE-742
	CJ-156 AND AFTER		CJ-111 THRU CJ-141
7	CD-1235 THRU CD-1304	8	CE-743 THRU CE-951
	CE-290 THRU CE-742		CJ-142 THRU CJ-155
	CJ-26 THRU CJ-141		
9	CE-981 AND AFTER	10	GJ-156 AND AFTER
11	CD-1235 THRU CD-1304	12	CE-1566 AND AFTER
	CE-290 THRU CE-1565		
	CJ-26 AND AFTER		
13	CD-1235 THRU CD-1304	14	CE-327 AND AFTER
	CE-290 THRU CE-326		CJ-40 AND AFTER
	CJ-26 THRU CJ-39		
15	CJ-26 THRU CJ-179	16	CJ-180 AND AFTER

B E E C H C R A F T  
B O N A N Z A 3 3  
I L L U S T R A T E D P A R T S C A T A L O G

FIGURE 133  
ELEVATOR AND TAB

BEECHCRAFT  
BONANZA 33  
ILLUSTRATED PARTS CATALOG

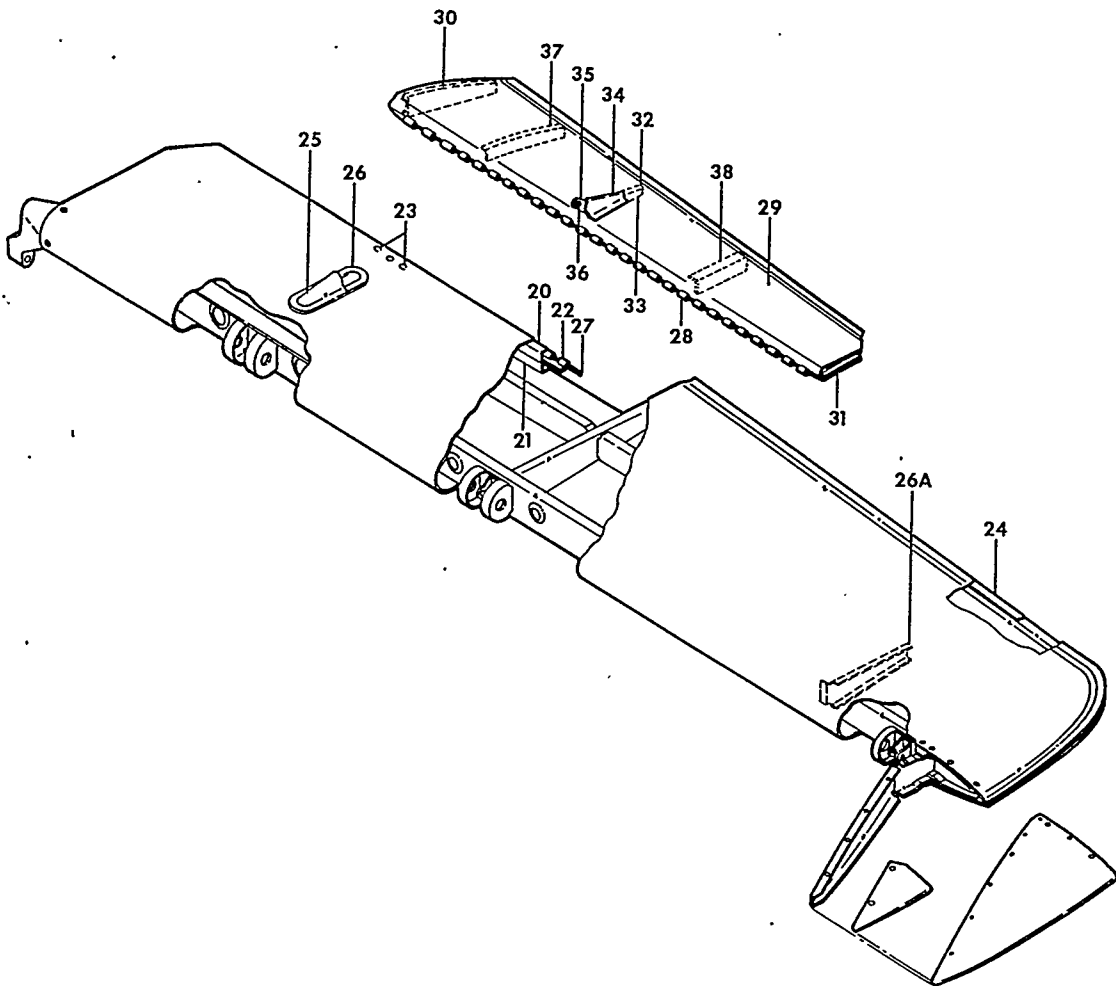


33-133-11

B E E C H C R A F T  
B O N A N Z A 3 3  
I L L U S T R A T E D P A R T S C A T A L O G

FIG. & ITEM NO.	PART NO.	DESCRIPTION	UNITS							USABLE ON CODE
			PER ASSY	1	2	3	4	5	6	
133	33-610000-605	ELEVATOR ASSY,LH.	1							1
	33-610000-609	ELEVATOR ASSY,LH.	1							2
	33-610000-611	ELEVATOR ASSY,LH.	1							5
	33-610000-617	ELEVATOR ASSY,LH.	1							6
	33-610000-606	ELEVATOR ASSY,RH.	1							1
	33-610000-610	ELEVATOR ASSY,RH.	1							2
	33-610000-612	ELEVATOR ASSY,RH.	1							5
	33-610000-618	ELEVATOR ASSY,RH.	1							6
- 1	45-610005-18	. SPAR.	1							
- 2	45-610007-1	. SPAR,LH	1							
	45-610007-2	. SPAR,RH	1							
- 3	45-610008	. SPAR,REAR	1							
- 4	33-610000-45	. RIB,INBD.	1							
	33-610000-49	. SHIM,ELEVATOR	1							
- 5	45-610005-16	. RIB,CENTER.	1							
	45-660011-22	. RIB ASSY,ELEVATOR HORN CLOSURE.	1							
- 6	R 45-660011-2	. . RIB	1							8
	R 45-660011-20	. . RIB	1							9
	R MS21047L08	. . NUTPLATE.	6							
	45-660011-4	. . PLATE	1							
	45-660011-6	. . PLATE	1							
- 7	R 45-610005-28	. RIB/ORDER 45-610005-137/.	1							10
	R 45-610005-137	. RIB	1							11
- 8	45-610005-96	. RIB,NOSE.	1							
	45-610005-10	. DOUBLER	1							
	45-610005-8	. GUSSET	2							
- 9	45-610005-94	. RIB,NOSE.	1							
	45-610005-30	. DOUBLER	1							
- 10	45-610005-92	. RIB,NOSE.	1							
- 11	45-610005-6	. BRACKET,INBD RIB.	1							
- 12	35-650122-8	. BRACKET,CENTER ELEVATOR HINGE	1							
- 13	35-650121-8	. BRACKET,OUTBD ELEVATOR HINGE.	1							
		/ATTACHING PARTS/								
	R 130909S3	. SCREW	2							
	R AN960-10L	. WASHER	2							
		-----X-----								
- 14	33-610000-47	. SKIN,ELEVATOR LH.	1							4
	33-610000-75	. SKIN,ELEVATOR LH.	1							3
	33-610000-48	. SKIN,ELEVATOR RH.	1							4
	33-610000-76	. SKIN,ELEVATOR RH.	1							3
- 15	33-610000-39	. FITTING,ELEVATOR TORQUE	1							
		/ATTACHING PARTS/								
	R AN23-9A/M/	. BOLT.	4							
	AN960-10	. WASHER.	4							
	R 130909N29	. NUT	4							
		-----X-----								
- 16	45-660012-1	. SKIN,ELEVATOR HORN.	1							
		/ATTACHING PARTS/								
	R MS24693S49	. SCREW	14							
	AN960D8	. WASHER.	2							
	112105	. WASHER.	4							
	22A3-82	. NUT	2							
	R 130909N28	. NUT	2							
		-----X-----								
- 17	R 33-610000-103	. WEIGHT ASSY,ELEVATOR/FINISH WT. 4.05/	1							
	R 33-610000-115	. WEIGHT ASSY,ELEVATOR/FINISH WT. 4.70/	1							
		/ATTACHING PARTS/								
	R MS24693S49	. SCREW	2							
	R MS24693S51	. SCREW	2							
	R MS35790-9	. WASHER.	4							
		-----X-----								
	R 33-610000-101	. . WEIGHT/FINISH WT. 4.05/	1							
	R 33-610000-113	. . WEIGHT/FINISH WT. 4.70/	1							
- 18	R STH8832-24	. . INSERT,BALANCE WEIGHT/SPARES FOR SP832H12B/	1							
- 19	SP832H8B	. . INSERT,BALANCE WEIGHT	2							
- 19A	33-610000-109	. REINFORCEMENT	2							6
- 19B	33-610000-106	. ANGLE,UPPER	1							6

BEECHCRAFT  
BONANZA 33  
ILLUSTRATED PARTS CATALOG



33-133-12



B E E C H C R A F T  
B O N A N Z A 3 3  
I L L U S T R A T E D P A R T S C A T A L O G

FIG. & ITEM NO.	PART NO.	DESCRIPTION	UNITS PER ASSY	USABLE ON CODE
133	33-610000-105	. ANGLE, LOWER . . . . .	1	6
	33-610000-107	. SHIM, ANGLE. . . . .	2	6
- 20	45-610005-104	. CHANNEL, UPPER LH. . . . .	1	
	45-610005-105	. CHANNEL, UPPER RH. . . . .	1	
- 21	45-610005-106	. CHANNEL, LOWER LH. . . . .	1	
	45-610005-107	. CHANNEL, LOWER RH. . . . .	1	
- 22	45-610005-54	. HINGE, LH. . . . .	1	
	45-610005-55	. HINGE, RH. . . . .	1	
	/ATTACHING PARTS/			
- 23	AN526-632R12	. SCREW . . . . .	3	
	NAS430D1-25	. SPACER. . . . .	3	
	AN960A6	. WASHER. . . . .	3	
	MS20365-632	. NUT . . . . .	3	
	----*----			
- 24	45-610005-12	. SPACER. . . . .	1	
- 25	45-610005-100	. FAIRING, ELEVATOR TAB ROD FWD. . . . .	1	
- 26	45-610005-102	. FAIRING, ELEVATOR TAB ROD AFT. . . . .	1	
- 26A	33-610000-77	. RIB, FWD/STA 60.35/. . . . .	1	3
	33-610000-79	. RIB, AFT/STA 60.35/. . . . .	1	3
	33-610000-81	. CLIP/STA 60.35/. . . . .	1	3
	/ATTACHING PARTS/			
- 27	33-610000-55	. PIN, HINGE . . . . .	1	
	----*----			
	33-610010-1	. TAB ASSY, LH . . . . .	1	7
	33-610010-15	. TAB ASSY, LH . . . . .	1	6
	33-610010-2	. TAB ASSY, RH . . . . .	1	7
	33-610010-16	. TAB ASSY, RH . . . . .	1	6
- 28	33-610010-5	. HINGE, LH. . . . .	1	7
	33-610010-19	. HINGE, LH. . . . .	1	6
	33-610010-6	. HINGE, RH. . . . .	1	7
	33-610010-20	. HINGE, RH. . . . .	1	6
- 29	33-610010-7	. SKIN, LH . . . . .	1	
	33-610010-8	. SKIN, RH . . . . .	1	
- 30	35-660043-13	. RIB, LH INBD . . . . .	1	
	35-660043-14	. RIB, RH INBD . . . . .	1	
- 31	35-660043-5	. RIB, LH OUTBD. . . . .	1	
	35-660043-6	. RIB, RH OUTBD. . . . .	1	
- 32	35-660043-9	. RIB, CONTROL . . . . .	1	7
	33-610010-17	. RIB, CONTROL . . . . .	1	6
- 33	35-660043-10	. RIB, CONTROL . . . . .	1	7
	33-610010-18	. RIB, CONTROL . . . . .	1	6
- 34	35-660043-25	. BRACKET . . . . .	1	
	33-610010-11	. HORN ASSY, ELEVATOR TRIM TAB . . . . .	1	
- 35	33-610010-13	. . . HORN. . . . .	1	
- 36	105740X-ZH0115	. . . BUSHING . . . . .	1	
- 37	35-660043-19	. RIB, LH. . . . .	1	
	35-660043-20	. RIB, RH. . . . .	1	
- 38	35-660043-21	. RIB, LH. . . . .	1	
	35-660043-22	. RIB, RH. . . . .	1	
	45-610005-114	. . CHANNEL . . . . .	1	

C O D E S O F E F F E C T I V I T Y

1	CD-1255 THRU CD-1304	2	CE-825 THRU CE-932
	CE-290 THRU CE-824		CJ-149 THRU CJ-155
	CJ-26 THRU CJ-148		
3	CE-934 AND AFTER	4	CD-1255 THRU CD-1304
	CJ-156 AND AFTER		CE-290 THRU CE-933
			CJ-26 THRU CJ-155
5	CE-933 AND AFTER	6	CJ-156 AND AFTER
7	CD-1255 THRU CD-1304	8	CD-1255 THRU CD-1304
	CE-290 AND AFTER		CE-290 THRU CE-906
	CJ-26 THRU CJ-155		CJ-26 THRU CJ-155
9	CE-907 AND AFTER	10	CE-290 THRU CE-1790
	CJ-156 AND AFTER		CJ-26 THRU CJ-179
11	CE-1791 AND AFTER		
	CJ-180 AND AFTER		

BEECHCRAFT  
BONANZA 33  
ILLUSTRATED PARTS CATALOG

FIGURE 134  
VERTICAL STABILIZER AND DORSAL FIN

BEECHCRAFT  
BONANZA 33  
ILLUSTRATED PARTS CATALOG

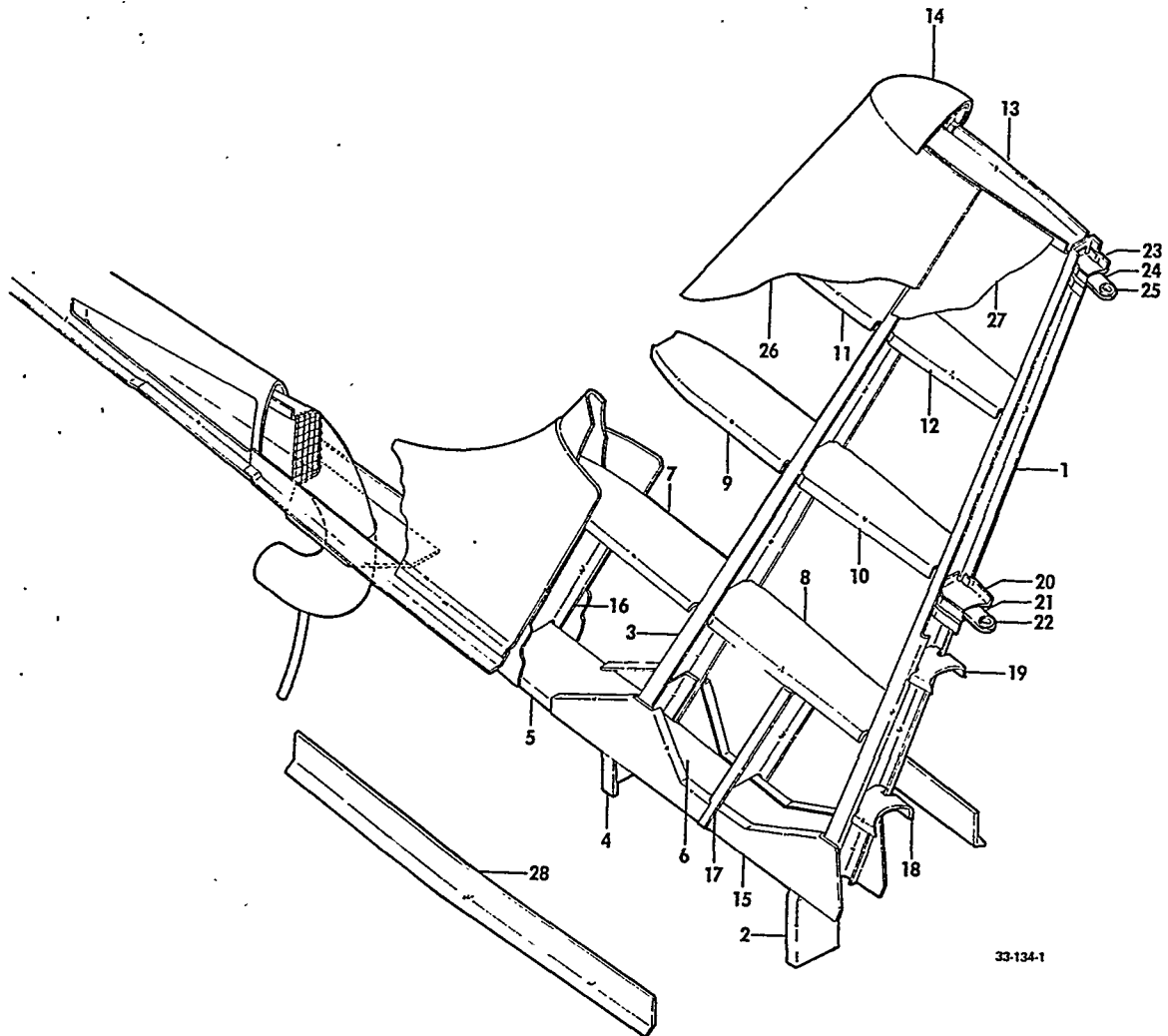
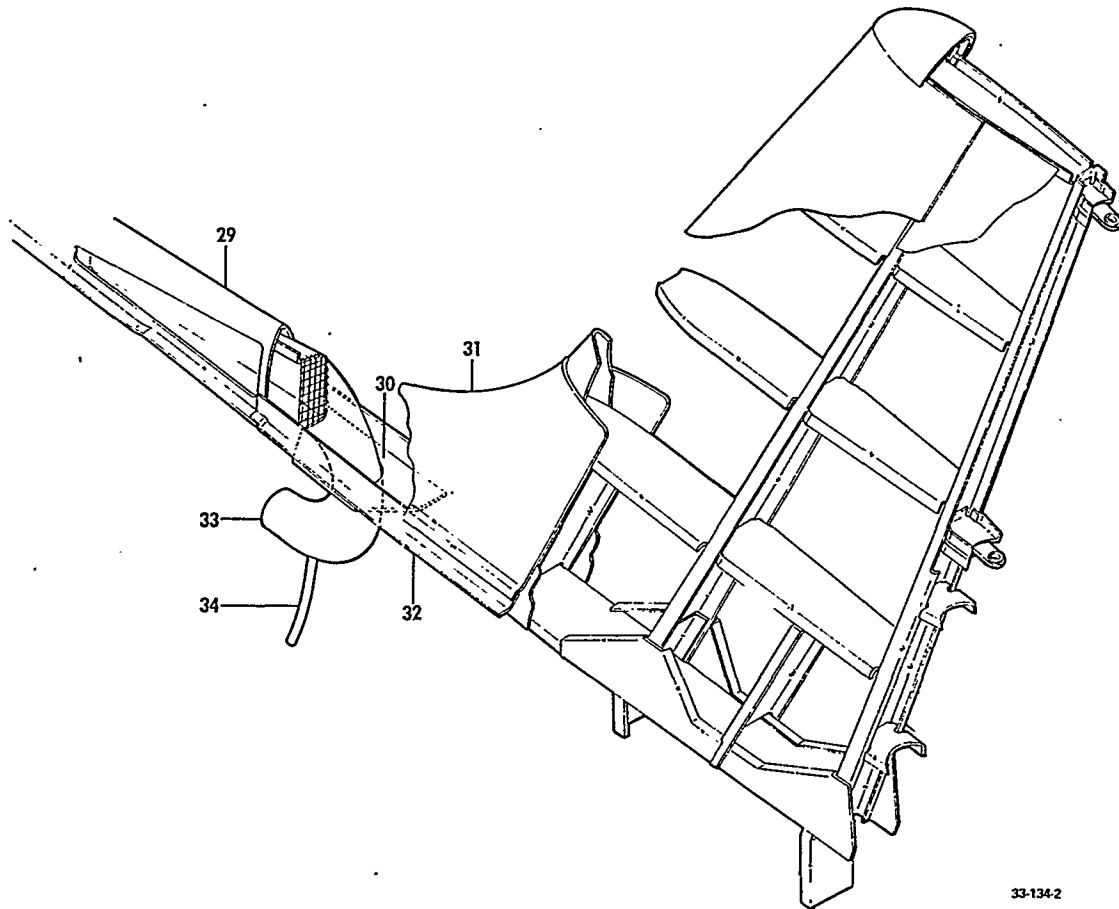


FIGURE 134. VERTICAL STABILIZER AND DORSAL FIN  
/SHEET 1 OF 2 SHEETS/

B E E C H C R A F T  
B O N A N Z A 3 3  
I L L U S T R A T E D P A R T S C A T A L O G

FIG. & ITEM NO.	PART NO.	DESCRIPTION	UNITS PER ASSY	USABLE ON CODE
		1 2 3 4 5 6 7		
134	33-640000-601	STABILIZER ASSY,VERTICAL. . . . .	1	7
	33-640000-615	STABILIZER ASSY,VERTICAL. . . . .	1	6
	33-640000-613	STABILIZER ASSY,VERTICAL. . . . .	1	2
- 1	33-640000-17	. SPAR,REAR . . . . .	1	
- 2	R 33-640000-99	. FITTING,REAR SPAR ATTACH. . . . .	1	1
		/SPARES FOR 33-640000-41/		
- 2	R 33-640000-101	. FITTING,REAR SPAR ATTACH. . . . .	1	2
		/SPARES FOR 33-640000-77/		
- 3	33-640000-25	. SPAR,FRONT. . . . .	1	
- 4	33-640000-39	. FITTING,FRONT SPAR ATTACH . . . . .	1	1
	33-640000-75	. FITTING,FRONT SPAR ATTACH . . . . .	1	2
- 5	33-640000-29	. RIB,LOWER FWD . . . . .	1	
- 6	33-640000-31	. RIB,LOWER AFT . . . . .	1	1
	33-640000-73	. RIB,LOWER AFT . . . . .	1	2
- 7	33-640000-3	. RIB,FWD . . . . .	1	
- 8	33-640000-15	. RIB,AFT . . . . .	1	
- 9	33-640000-5	. RIB,FWD . . . . .	1	
- 10	33-640000-13	. RIB,AFT . . . . .	1	7
	33-640000-89	. RIB,AFT . . . . .	1	6
- 11	33-640000-7	. RIB,FWD . . . . .	1	
- 12	33-640000-11	. RIB,AFT . . . . .	1	
	33-640000-606	. RIB ASSY,UPPER. . . . .	1	
- 13	33-640000-9	. RIB . . . . .	1	
	33-640000-19	. CLIP. . . . .	1	
	MK1000-832	. NUTPLATE. . . . .	4	
- 14	33-640000-53	. TIP ASSY. . . . .	1	
		/ATTACHING PARTS/		
	ANS25-8	. SCREW . . . . .	6	
	MS20365-832	. NUT . . . . .	2	
	MS1000-832	. NUTPLATE. . . . .	4	
		----*----		
	33-640000-51	. BULKHEAD. . . . .	1	
	33-640000-49	. TIP . . . . .	1	
- 15	33-640000-27	. GUSSET,LH . . . . .	1	
	33-640000-28	. GUSSET,RH . . . . .	1	
- 16	33-640000-57	. ANGLE,LH. . . . .	1	
	33-640000-58	. ANGLE,RH. . . . .	1	
- 17	33-640000-63	. ANGLE,LH. . . . .	AR	
	33-640000-64	. ANGLE,RH. . . . .	AR	
- 18	33-640000-61	. SUPPORT /STA 7.218/ . . . . .	1	4
	33-640000-97	. SUPPORT/STA. 7.218/ . . . . .	1	5
- 19	33-640000-59	. SUPPORT /STA 18.218/ . . . . .	1	4
	33-640000-95	. SUPPORT/STA. 18.218/ . . . . .	1	5
	33-640000-603	. HINGE ASSY,LOWER. . . . .	1	
- 20	33-640000-33	. BRACKET . . . . .	2	
	33-640000-35	. ARM ASSY. . . . .	1	
- 21	33-640000-37	. ARM . . . . .	1	
- 22	NASS05-3J	. BEARING . . . . .	1	
	33-640000-604	. HINGE ASSY,UPPER. . . . .	1	
- 23	33-640000-43	. BRACKET . . . . .	2	
	33-640000-45	. ARM ASSY. . . . .	1	
- 24	33-640000-47	. ARM . . . . .	1	
- 25	NASS05-3J	. BEARING . . . . .	1	
- 26	33-640000-21	. SKIN,LEADING EDGE . . . . .	1	1
	33-640000-71	. SKIN,LEADING EDGE . . . . .	1	2
- 27	33-640000-23	. SKIN,LH . . . . .	1	7
	33-640000-87	. SKIN,LH . . . . .	1	6
	33-640000-24	. SKIN,RH . . . . .	1	7
	33-640000-88	. SKIN RH . . . . .	1	6
	33-640010	FILLET INSTL,VERTICAL STABILIZER. . . . .	NP	4
- 28	33-640010-1	. FILLET,LH . . . . .	1	4
	33-640010-2	. FILLET,RH . . . . .	1	4
		/ATTACHING PARTS/		
	ANS25-832R7	. SCREW . . . . .	8	
	130007A832	. NUTPLATE. . . . .	8	
		----*----		

BEECHCRAFT  
BONANZA 33  
ILLUSTRATED PARTS CATALOG



33-134-2

B E E C H C R A F T  
B O N A N Z A 3 3  
I L L U S T R A T E D P A R T S C A T A L O G

FIG. & ITEM NO.	PART NO.	DESCRIPTION	UNITS PER ASSY	USABLE ON CODE
134	33-440011	FAIRING INSTL,DORSAL FIN. . . . .	NP	3
- 29	33-440011-601	. FAIRING ASSY,DORSAL FIN . . . . .	1	3
- 30	33-440011-5	. DOUBLER,DUCT. . . . .	1	3
- 31	33-440011-27	. SADDLE,DORSAL FIN . . . . .	1	3
		/ATTACHING PARTS/		
	AN525-8R8	. SCREW . . . . .	28	
	PK76X28-10	. SCREW . . . . .	2	
R	MS21047L08	. NUTPLATE. . . . .	6	
	130007A832	. NUTPLATE. . . . .	10	
	NAS1329A08K75	. RIVNUT. . . . .	16	
	NAS1329A08K120	. RIVNUT. . . . .	12	
		-----*-----		
- 32	33-440011-9	. ANGLE,LH. . . . .	1	3
	33-440011-10	. ANGLE,RH. . . . .	1	3
- 33	33-440011-15	. DUCT ASSY . . . . .	1	3
- 34	106043S-ZD300	. TUBE,DUCT DRAIN . . . . .	1	3
		/ATTACHING PARTS/		
R	130292A8	. CLAMP . . . . .	1	
	784-6	. CLAMP ASSY. . . . .	1	
R	MS35207-264	. SCREW . . . . .	2	
	AN960-10	. WASHER. . . . .	2	
R	130909N29	. NUT . . . . .	2	
		-----*-----		

C O D E S O F E F F E C T I V I T Y

1	CD-1235 THRU CD-1304	2	CJ-26 AND AFTER
	CE-290 AND AFTER		
3	CD-1235 THRU CD-1304	4	CD-1235 THRU CD-1304
	CE-290 AND AFTER		CE-290 THRU CE-980
	CJ-26 THRU CJ-51		CJ-26 THRU CJ-155
5	CE-981 AND AFTER	6	CE-849,CE-860,
	CJ-156 AND AFTER		CE-863 AND AFTER
7	CE-290 THRU CE-848		
	CE-850 THRU CE-859		
	CE-861,CE-862		

BEECHCRAFT  
BONANZA 33  
ILLUSTRATED PARTS CATALOG

FIGURE 135  
RUDDER AND TAB

BEECHCRAFT  
BONANZA 33  
ILLUSTRATED PARTS CATALOG

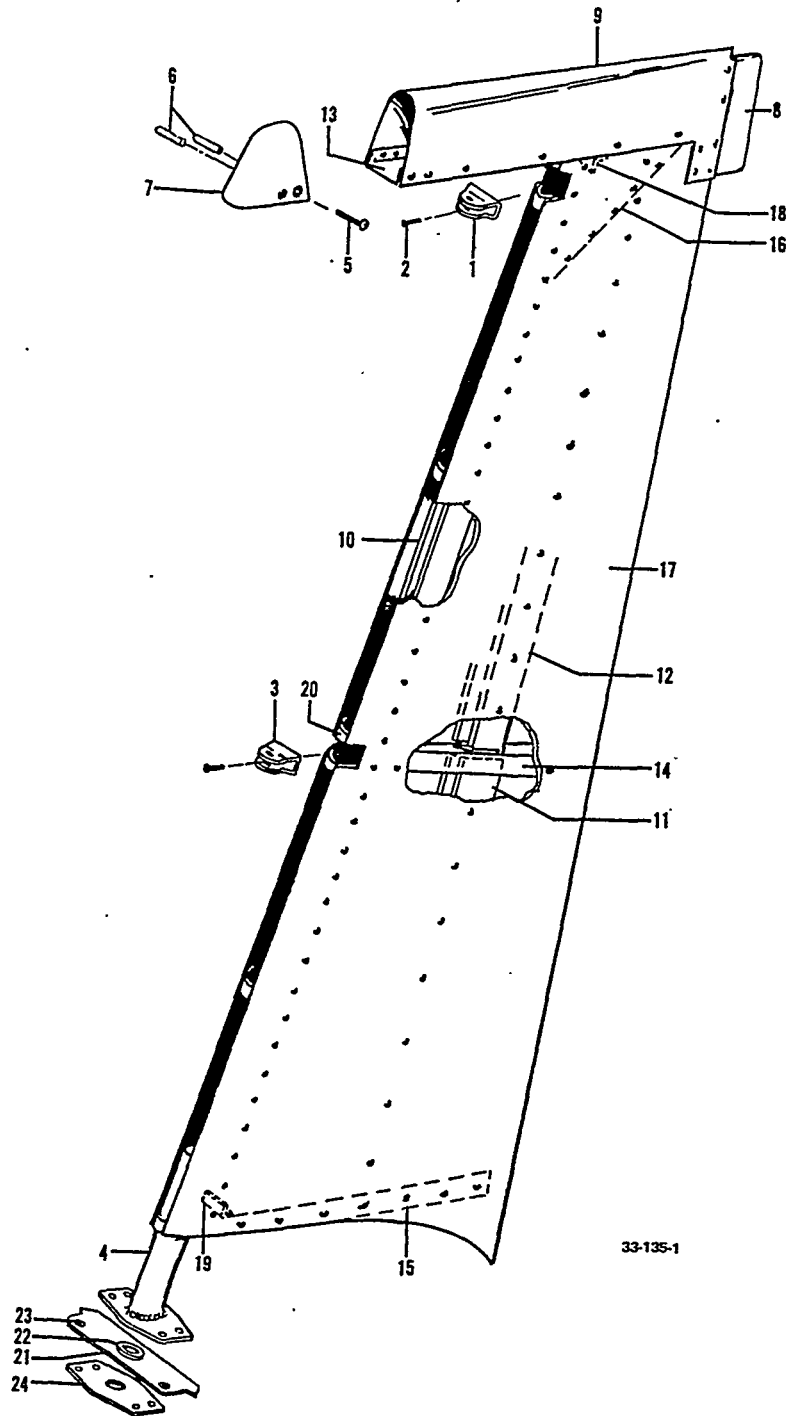


FIGURE 135. RUDDER AND TAB



B E E C H C R A F T  
B O N A N Z A 3 3  
I L L U S T R A T E D P A R T S C A T A L O G

FIG. & ITEM NO.	PART NO.	DESCRIPTION	UNITS PER ASSY	USABLE ON CODE
135	33-630000-601	RUDDER ASSY . . . . .	1	1
	33-630000-603	RUDDER ASSY . . . . .	1	2
	33-630000-605	RUDDER ASSY . . . . .	1	7
	R 33-630000-139	RUDDER ASSY . . . . .	1	10
	R 33-630000-83	RUDDER ASSY/ORDER 33-630000-137 FOR SPARES/ . .	NP	6
	R 33-630000-115	RUDDER ASSY/ORDER 33-630000-137 FOR SPARES/ . .	NP	5
	R 33-630000-137	RUDDER ASSY . . . . .	1	11
- 1	R 33-630000-15	. BRACKET,UPPER . . . . .	1	12
	R 33-630000-153	. BRACKET,UPPER . . . . .	1	13
		/ATTACHING PARTS/		
- 2	ANS02-10-6	. SCREW . . . . .	2	
	R NAS697A3	. NUTPLATE. . . . .	2	12
	R MS21047L3	. NUTPLATE. . . . .	2	13
		-----*		
- 3	R 33-630000-13	. BRACKET,LOWER . . . . .	1	12
	R 33-630000-157	. BRACKET,LOWER . . . . .	1	13
		/ATTACHING PARTS/		
	ANS02-10-6	. SCREW . . . . .	2	
	R NAS697A3	. NUTPLATE. . . . .	2	12
	R MS21047L3	. NUTPLATE. . . . .	2	13
		-----*		
- 4	33-630000-69	. WELD ASSY,RUDDER TORQUE TUBE. . . . .	1	
	33-630000-35	. WEIGHT ASSY,RUDDER BALANCE. . . . .	1	
		/ATTACHING PARTS/		
- 5	AN525-832R7	. SCREW . . . . .	4	
	AN936B8	. WASHER. . . . .	4	
		-----*		
- 6	SP832H8B	. . INSERT. . . . .	2	
- 7	33-630000-31	. WEIGHT. . . . .	1	
- 8	33-630000-65	. TAB,RUDDER. . . . .	1	9
	33-630000-111	. TAB,RUDDER. . . . .	1	5
- 9	33-630000-29	. HORN,RUDDER . . . . .	1	9
	33-630000-117	. HORN,RUDDER . . . . .	1	5
- 10	33-630000-17	. SPAR,FRONT. . . . .	1	
- 11	33-630000-9	. SPAR,REAR LOWER . . . . .	1	
- 12	33-630000-5	. SPAR,REAR UPPER . . . . .	1	
- 13	33-630000-27	. RIB,UPPER . . . . .	1	
- 14	R 33-630000-7	. RIB,CENTER. . . . .	1	12
	R 33-630000-147	. RIB,CENTER. . . . .	1	13
- 15	33-630000-49	. RIB,LOWER . . . . .	1	
- 16	R 33-630000-23	. DOUBLER . . . . .	2	12
	R 33-630000-23	. DOUBLER . . . . .	1	13
	R 33-630000-155	. GUSSET,LH . . . . .	1	13
- 17	33-630000-3	. SKIN. . . . .	1	4
	33-630000-85	. SKIN. . . . .	1	3
	R 33-630000-161	. SKIN. . . . .	1	11
	33-630000-109	. SKIN. . . . .	1	7
	R 33-630000-163	. SKIN. . . . .	1	10
- 18	R 33-630000-25	. ANGLE . . . . .	1	12
	R 33-630000-143	. ANGLE . . . . .	1	13
- 19	33-630000-59	. CLIP. . . . .	1	
- 20	33-630000-21	. CLIP /MINIMUM 6,MAXIMUM 10/ . . . . .	AR	
	33-630000-43	. PLATE ASSY. . . . .	1	8
	33-630000-101	. PLATE ASSY. . . . .	1	7
- 21	33-630000-41	. PLATE . . . . .	1	8
	33-630000-103	. PLATE . . . . .	1	7
- 22	MS27645-4	. BEARING . . . . .	1	
- 23	105740X-ZH0310	. BUSHING . . . . .	2	
- 24	33-630000-71	. PLATE . . . . .	1	

CODES OF EFFECTIVITY ON NEXT PAGE

B E E C H C R A F T  
B O N A N Z A 3 3  
I L L U S T R A T E D P A R T S C A T A L O G

FIG. & ITEM NO.	PART NO.	1 2 3 4 5 6 7	DESCRIPTION	UNITS PER ASSY	USABLE ON CODE
-----------------------	-------------	---------------	-------------	----------------------	----------------------

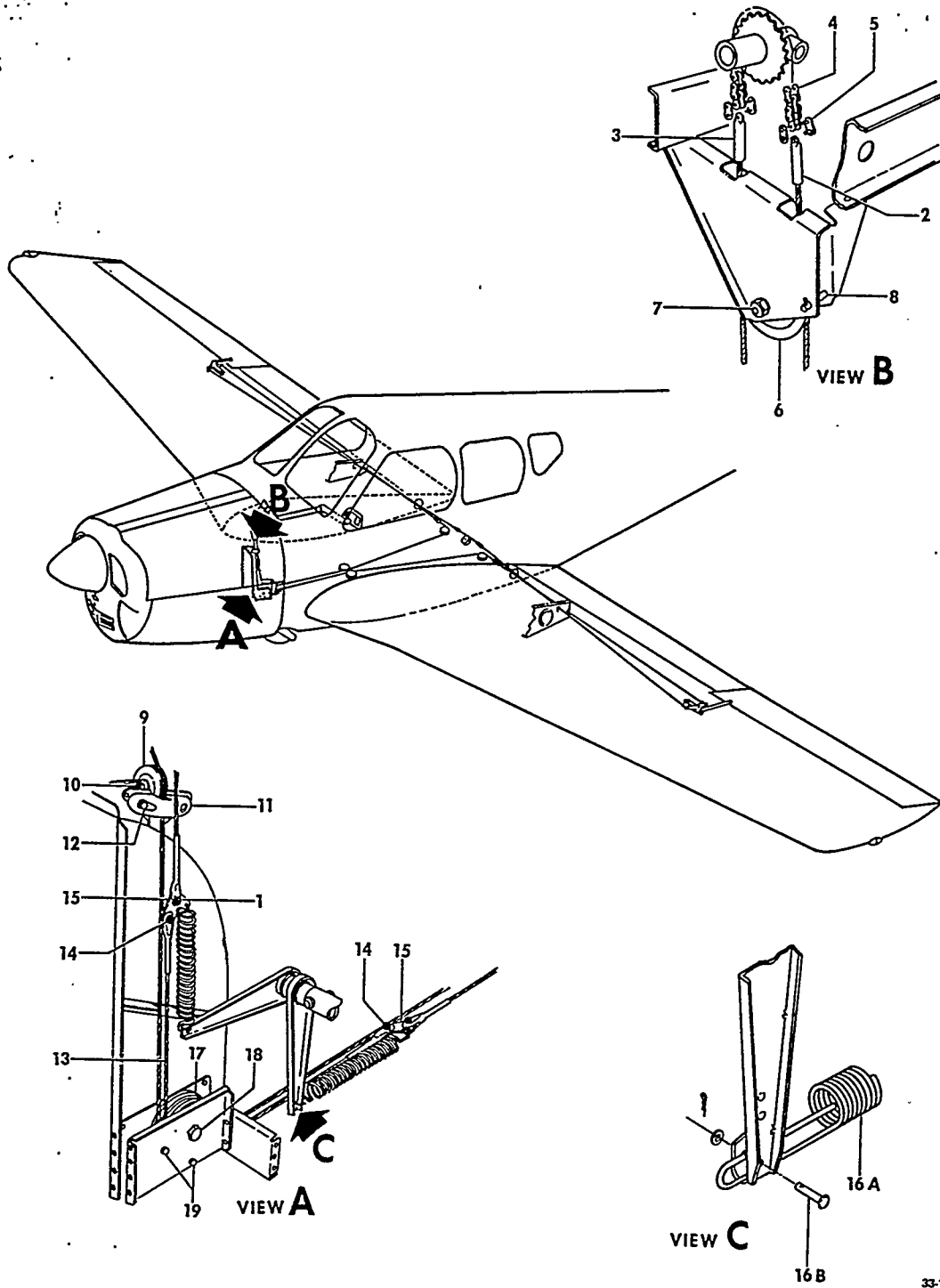
C O D E S O F E F F E C T I V I T Y

1	CD-1235 THRU CD-1304 CE-290 THRU CE-489	2	CJ-26 THRU CJ-155
3	CE-490 THRU CE-1425	4	CD-1235 THRU CD-1304 CE-290 THRU CE-489 CJ-26 THRU CJ-155
5	CE-1023 THRU CE-1425	6	CE-490 THRU CE-1022
7	CJ-156 THRU CJ-179	8	CD-1235 THRU CD-1304 CE-290 AND AFTER CJ-26 THRU CJ-155
9	CD-1235 THRU CD-1304 CE-290 THRU CE-1022 CJ-26 AND AFTER	10	CJ-180 AND AFTER
11	CE-1426 AND AFTER	12	CD-1235 THRU CD-1304 CE-290 THRU CE-1425 CJ-26 THRU CJ-179
13	CE-1426 AND AFTER CJ-180 AND AFTER		

BEECHCRAFT  
BONANZA 33  
ILLUSTRATED PARTS CATALOG

FIGURE 151  
AILERON CONTROLS  
CD-1235 THRU CD-1304  
CE-290 THRU CE-510  
CJ-26 AND AFTER

BEECHCRAFT  
 BONANZA 33  
 ILLUSTRATED PARTS CATALOG

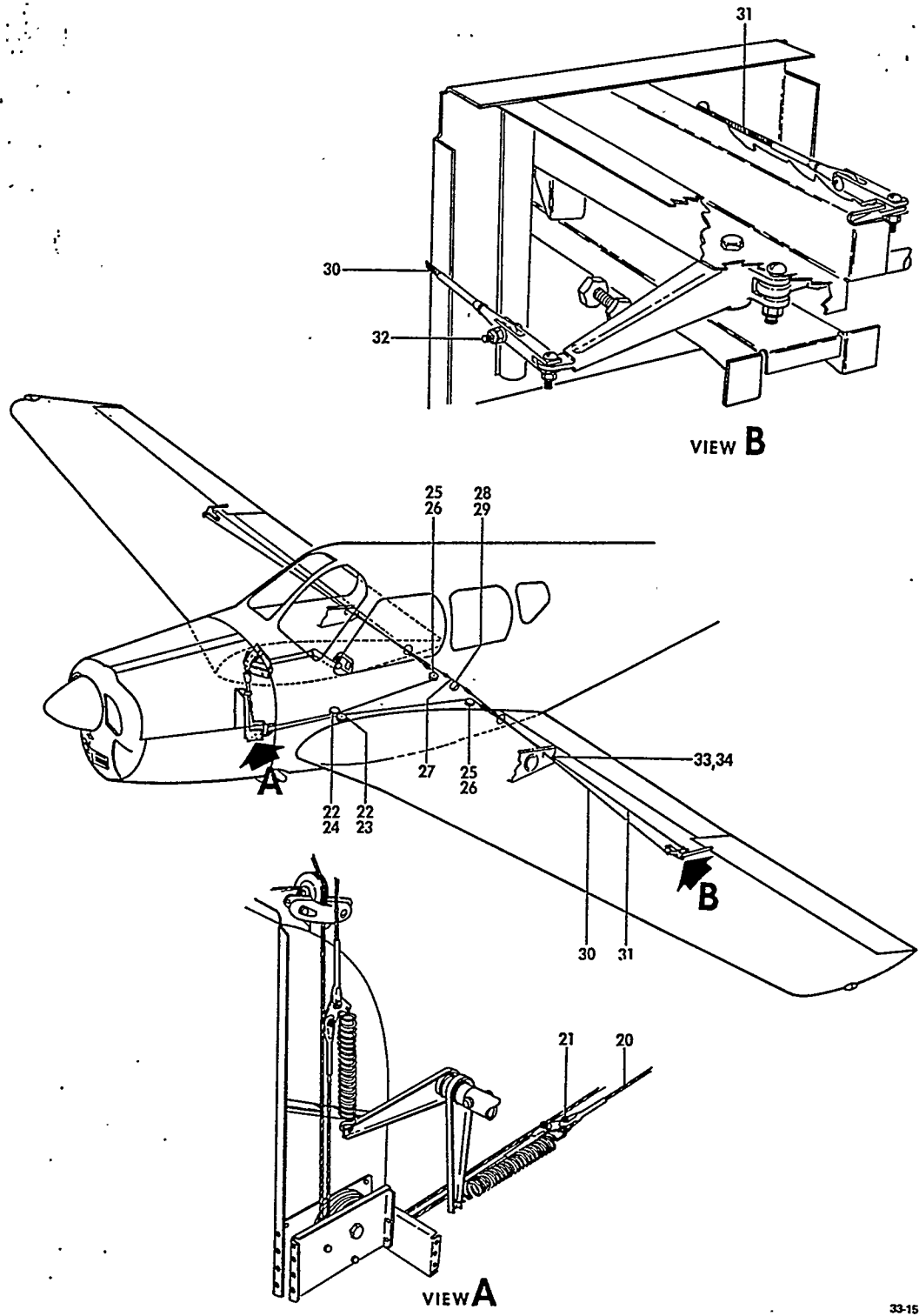


33-151-2

B E E C H C R A F T  
B O N A N Z A 3 3  
I L L U S T R A T E D P A R T S C A T A L O G

FIG. & ITEM NO.	PART NO.	DESCRIPTION	UNITS PER ASSY	USABLE ON CODE
		1 2 3 4 5 6 7		
151	33-524001	CONTROL INSTL,FUSELAGE FLIGHT . . . . .	NP	1
	33-524001-11	CONTROL INSTL,FUSELAGE FLIGHT . . . . .	NP	2
	33-524002	CONTROL INSTL,FUSELAGE FLIGHT . . . . .	NP	5
	33-524001-15	CONTROL INSTL,FUSELAGE FLIGHT . . . . .	NP	6
	35-524314	. CABLE ASSY,FUSELAGE AILERON CONTROL . . . . .	1	9
	35-524314-22	. CABLE ASSY,FUSELAGE AILERON CONTROL . . . . .	1	10
		/ATTACHING PARTS/		
- 1	AN23-11/M/	. BOLT. . . . .	1	
	AN960-10	. WASHER. . . . .	2	
	130909N45	. NUT . . . . .	1	
	MS24665-132	. PIN,COTTER. . . . .	1	
		-----X-----		
- 2	35-524314-8	. . SWAGE ASSY,FUSELAGE AILERON CONTROL CABLE . . . . .	1	4
- 3	35-524314-6	. . SWAGE ASSY,FUSELAGE AILERON CONTROL CABLE . . . . .	1	9
	35-524314-14	. . SWAGE ASSY,FUSELAGE AILERON CONTROL CABLE . . . . .	1	10
- 4	35-524314-10	. . CHAIN,ROLLER. . . . .	1	3
	58-524013-11	. . CHAIN,ROLLER. . . . .	1	13
- 5	88	. . LINK,TYPE A CONNECTING. . . . .	2	4
- 6	R MS24566-3B	. PULLEY/SUPERSEDES 118540BHP3/ . . . . .	1	4
		/ATTACHING PARTS/		
- 7	130909B38	. BOLT. . . . .	1	
	AN960-416	. WASHER. . . . .	1	
	MS20364-428	. NUT . . . . .	1	
		-----X-----		
- 8	MS20392-1C19	. PIN . . . . .	1	4
	MS24665-132	. PIN,COTTER. . . . .	1	4
- 9	R MS24566-3B	. PULLEY/SUPERSEDES 118540BHP3/ . . . . .	1	4
		/ATTACHING PARTS/		
- 10	130909B38	. BOLT. . . . .	1	
	AN960-416	. WASHER. . . . .	1	
	MS20365-428	. NUT . . . . .	1	
		-----X-----		
- 11	002-410035-3	. FAIRLEAD,AILERON CABLE GUARD. . . . .	1	4
		/ATTACHING PARTS/		
- 12	MS35206-245	. SCREW . . . . .	2	
	AN960-8	. WASHER. . . . .	4	
	MS20364-832	. NUT . . . . .	2	
		-----X-----		
- 13	NAS304-22-0255	. CABLE ASSY,FUSELAGE AILERON CONTROL . . . . .	1	4
		/ATTACHING PARTS/		
- 14	AN23-11/M/	. BOLT. . . . .	2	
	AN960-10	. WASHER. . . . .	4	
	130909N45	. NUT . . . . .	2	
	MS24665-132	. PIN,COTTER. . . . .	2	
		-----X-----		
- 15	35-524302	. LINK,AILERON CONTROL CABLE. . . . .	2	4
- 16		. DELETED . . . . .		
- 16A	35-524664	. SPRING,AILERON AND RUDDER FWD BUNGEE. . . . .	2	4
		/ATTACHING PARTS/		
- 16B	MS20392-1C13	. PIN,FLAT HEAD . . . . .	1	4
	AN960-4	. WASHER. . . . .	1	4
	MS24665-132	. PIN,COTTER. . . . .	1	4
		-----X-----		
	NAS43DD1-20	. BUSHING . . . . .	1	4
- 17	R MS24566-4B	. PULLEY/SUPERSEDES 118540BHP4/ . . . . .	2	4
		/ATTACHING PARTS/		
- 18	130909B45	. BOLT. . . . .	1	
	AN960-416	. WASHER. . . . .	1	
	MS20365-428	. NUT . . . . .	1	
		-----X-----		
- 19	MS20392-1C35	. PIN . . . . .	2	4
	MS24665-132	. PIN,COTTER. . . . .	2	4

BEECHCRAFT  
 BONANZA 33  
 ILLUSTRATED PARTS CATALOG



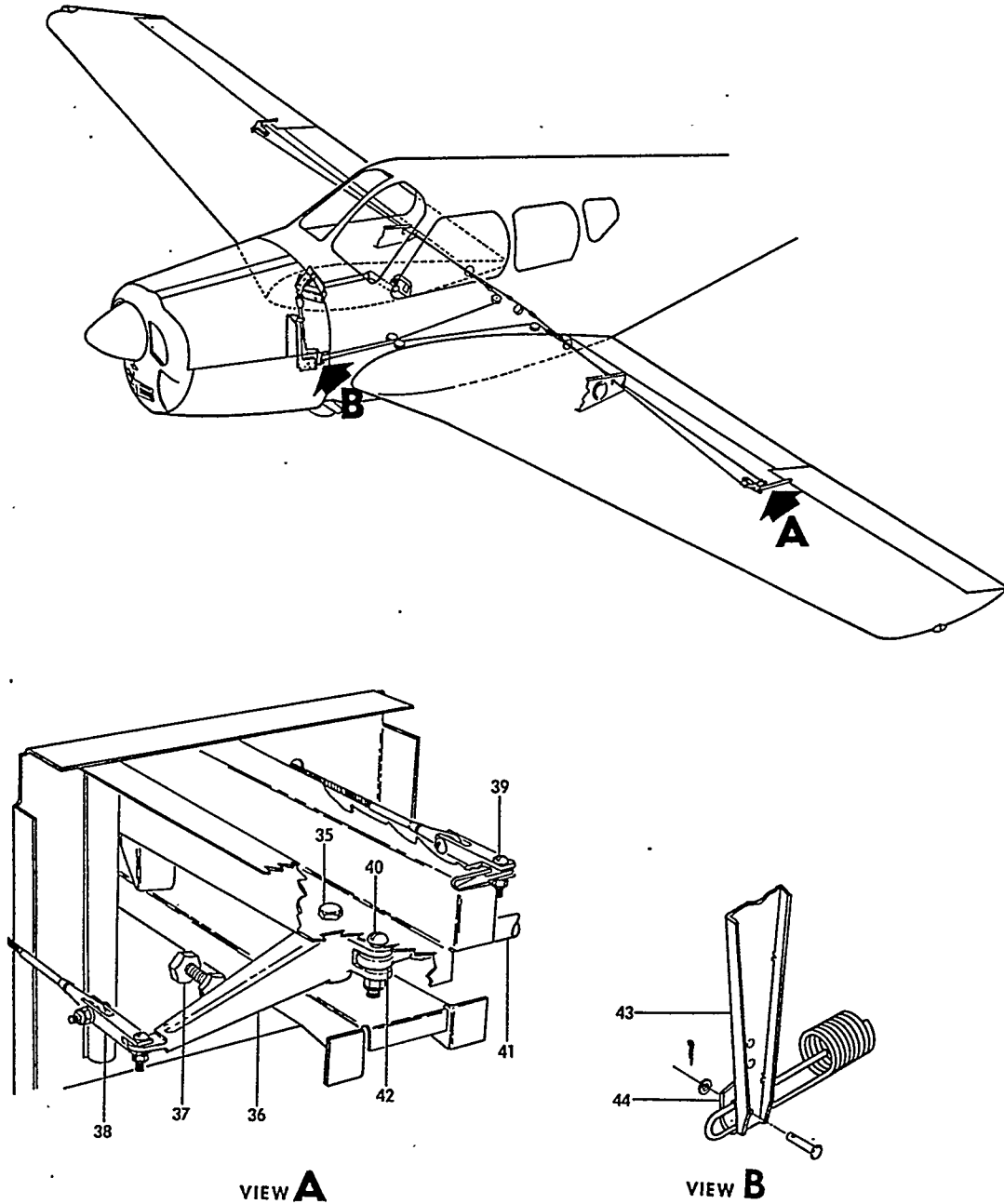
33-151-3

FIGURE 151.AILERON CONTROLS  
 /SHEET 2 OF 3 SHEETS/

B E E C H C R A F T  
B O N A N Z A 3 3  
I L L U S T R A T E D P A R T S C A T A L O G

FIG. & ITEM NO.	PART NO.	DESCRIPTION	UNITS PER ASSY	USABLE ON CODE
		1 2 3 4 5 6 7		
151 - 20	NAS304-26-0603	. CABLE ASSY. . . . .	1	4
		/ATTACHING PARTS/		
- 21	AN23-11/M/ AN960-10 130909N15 MS24665-132	. BOLT. . . . . . WASHER. . . . . . NUT . . . . . . PIN,COTTER. . . . .	1 1 1 1	
- 22 R	MS24566-4B	. PULLEY/SUPERSEDES 118540BHP4/ . . . . .	2	4
		/ATTACHING PARTS/		
- 23	130909B38	. BOLT. . . . .	1	
- 24	105077-10A AN960-416 MS20365-428	. BOLT. . . . . . WASHER. . . . . . NUT . . . . .	1 1 1	
		-----*-----		
	MS20392-1C23 MS24665-132	. PIN . . . . . . PIN,COTTER. . . . .	1 2	4 4
- 25 R	MS24566-4B	. PULLEY/SUPERSEDES 118540BHP4/ . . . . .	2	4
		/ATTACHING PARTS/		
- 26	130909B38 AN960-416 MS20365-428	. BOLT. . . . . . WASHER. . . . . . NUT . . . . .	1 1 1	
		-----*-----		
	MS20392-1C23 MS24665-132	. PIN . . . . . . PIN,COTTER. . . . .	2 2	4 4
- 27	NAS304-66-0173	. CABLE ASSY. . . . .	1	4
- 28 R	MS24566-4B	. PULLEY/SUPERSEDES 118540BHP4/ . . . . .	1	4
		/ATTACHING PARTS/		
- 29	130909B38 AN960-416 MS20365-428	. BOLT. . . . . . WASHER. . . . . . NUT . . . . .	1 1 1	
		-----*-----		
	MS20392-1C23 MS24665-132 MS21251B5S MS21256-1 35-521180 35-521180-1	. PIN . . . . . . PIN,COTTER. . . . . . BARREL,TURNBUCKLE . . . . . . CLIP. . . . . CONTROL INSTL,WING FLIGHT LH. . . . . CONTROL INSTL,WING FLIGHT RH. . . . .	1 1 4 2 NP NP	4 4 4 5 4 4
- 30	36-521011-3 NAS305-37-0667	. CABLE ASSY,AILERON BALANCE FWD. . . . . . CABLE ASSY,AILERON BALANCE FWD. . . . .	1 1	9 10
- 31	36-521011-1 NAS305-37-0647	. CABLE ASSY,AILERON CONTROL AFT. . . . . . CABLE ASSY,AILERON CONTROL AFT. . . . .	1 1	9 10
		/ATTACHING PARTS/		
- 32	AN24-12 AN960-416L MS17826-4 MS24665-132	. BOLT. . . . . . WASHER. . . . . . NUT . . . . . . PIN,COTTER. . . . .	2 2 2 2	
		-----*-----		
- 33	35-521181	. FAIRLEAD,AILERON CABLE /WING STA 66/. . . . .	2	4
		/ATTACHING PARTS/		
- 34	AN515-8R10 AN960-8	. SCREW . . . . . . WASHER. . . . .	1 1	
		-----*-----		

BEECHCRAFT  
BONANZA 33  
ILLUSTRATED PARTS CATALOG



33-151-4



B E E C H C R A F T  
B O N A N Z A 3 3  
I L L U S T R A T E D P A R T S C A T A L O G

FIG. & ITEM NO.	PART NO.	DESCRIPTION							UNITS PER ASSY	USABLE ON CODE
		1	2	3	4	5	6	7		
151	35-521158-5	.	.	.	.	.	.	.	1	4
	35-521158-6	.	.	.	.	.	.	.	1	4
		/ATTACHING PARTS/								
- 35	AN4-20A	.	.	.	.	.	.	.	1	
	AN960-416	.	.	.	.	.	.	.	1	
	130909N32	.	.	.	.	.	.	.	1	
	R MS24665-134	.	.	.	.	.	.	.	1	
		*-----								
- 36	35-521158-7	.	.	.	.	.	.	.	1	4
	35-521158-8	.	.	.	.	.	.	.	1	4
- 37	131002-9	.	.	.	.	.	.	.	2	4
	AR4	.	.	.	.	.	.	.	1	4
	105740X-XJ0190	.	.	.	.	.	.	.	2	4
- 38	35-521190	.	.	.	.	.	.	.	2	4
		/ATTACHING PARTS/								
- 39	35-521186	.	.	.	.	.	.	.	1	
	AN960-10L	.	.	.	.	.	.	.	1	
	130909N45	.	.	.	.	.	.	.	1	
	MS24665-132	.	.	.	.	.	.	.	1	
		*-----								
	35-521152-12	.	.	.	.	.	.	.	1	4
		/ATTACHING PARTS/								
- 40	35-521187	.	.	.	.	.	.	.	1	
	AN960-416L	.	.	.	.	.	.	.	1	
	130909N16	.	.	.	.	.	.	.	1	
	R AN380-2-2	.	.	.	.	.	.	.	1	
		*-----								
- 41	35-521152-4	.	.	.	.	.	.	.	2	4
- 42	002-381003-1	.	.	.	.	.	.	.	1	4
	002-381003-3	.	.	.	.	.	.	.	1	4
	130909N13	.	.	.	.	.	.	.	1	4
	AN316-4R	.	.	.	.	.	.	.	1	4
- 43	35-524297	.	.	.	.	.	.	.	2	7
	002-524018-1	.	.	.	.	.	.	.	2	11
	002-524018-15	.	.	.	.	.	.	.	2	8
- 44	35-524297-6	.	.	.	.	.	.	.	1	7
	002-524018-7	.	.	.	.	.	.	.	1	12

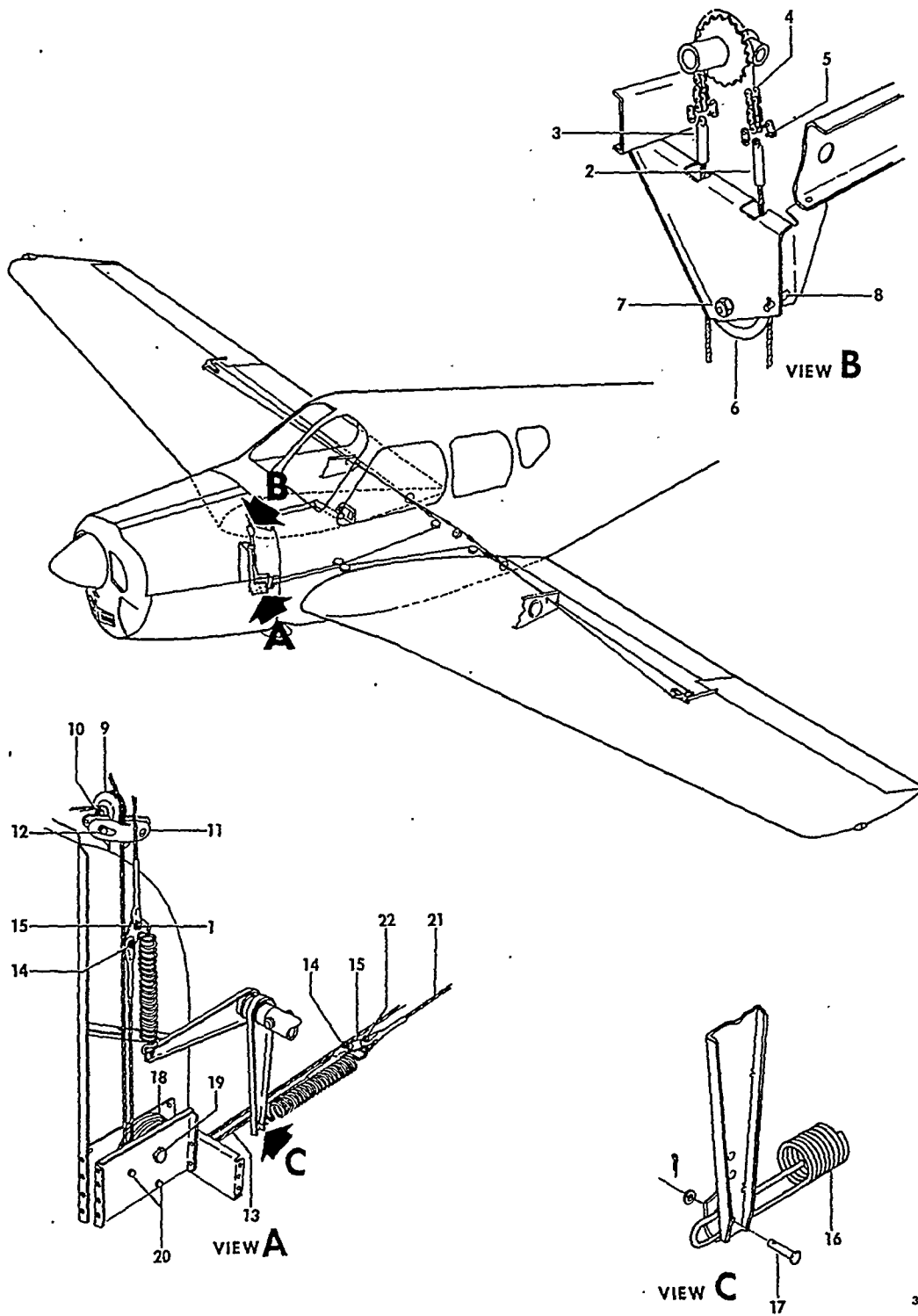
C O D E S O F E F F E C T I V I T Y

1	CD-1235 THRU CD-1254	2	CD-1255 THRU CD-1304
			CE-290 THRU CE-315
3	CD-1235 THRU CD-1304	4	CD-1235 THRU CD-1304
	CE-290 THRU CE-510		CE-290 THRU CE-510,
	CJ-26 THRU CJ-155		CJ-26 AND AFTER
5	CE-316 THRU CE-510	6	CJ-26 AND AFTER
7	CD-1235 THRU CD-1304	8	CJ-60 AND AFTER
	CE-290 THRU CE-417		
	CE-419 THRU CE-435		
	CJ-26 THRU CJ-39		
9	CD-1235 THRU CD-1304	10	CJ-129 AND AFTER
	CE-290 THRU CE-510		
	CJ-26 THRU CJ-128		
11	CE-418,	12	CE-418,
	CE-436 THRU CE-510		CE-436 THRU CE-510
	CJ-40 THRU CJ-59		CJ-40 AND AFTER
13	CJ-156 AND AFTER		

BEECHCRAFT  
BONANZA 33  
ILLUSTRATED PARTS CATALOG

FIGURE 151A  
AILERON CONTROLS  
CE-511 AND AFTER

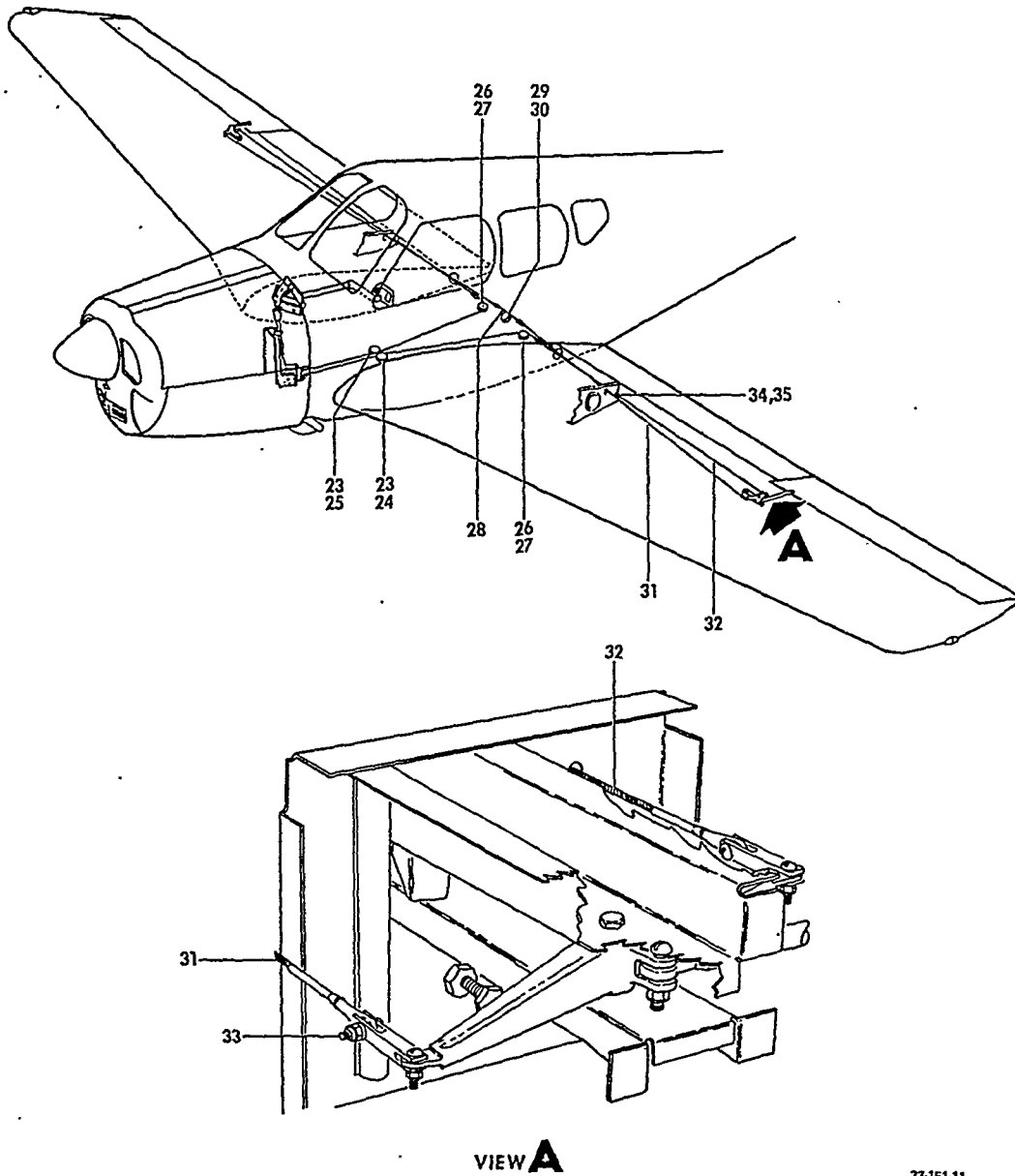
BEECHCRAFT  
 BONANZA 33  
 ILLUSTRATED PARTS CATALOG



B E E C H C R A F T  
 . B O N A N Z A 3 3  
 I L L U S T R A T E D P A R T S C A T A L O G

FIG. & ITEM NO.	PART NO.	DESCRIPTION	UNITS PER ASSY	USABLE ON CODE
		1 2 3 4 5 6 7		
151A	002-524000-9	CONTROL INSTL, FUSELAGE FLIGHT . . . . .	NP	1
	35-524314	. CABLE ASSY, FUSELAGE AILERON CONTROL . . . . .	1	2
	35-524314-22	. CABLE ASSY, FUSELAGE AILERON CONTROL . . . . .	1	3
		/ATTACHING PARTS/		
- 1	AN23-11/M/ AN960-10 130909N15 MS24665-132	. BOLT. . . . . . WASHER. . . . . . NUT . . . . . . PIN, COTTER. . . . .	1 2 1 1	
		-----X-----		
- 2	35-524314-8	. SWAGE ASSY, FUSELAGE AILERON CONTROL CABLE . . . . .	1	1
- 3	35-524314-6 35-524314-14	. SWAGE ASSY, FUSELAGE AILERON CONTROL CABLE . . . . . . SWAGE ASSY, FUSELAGE AILERON CONTROL CABLE . . . . .	1 1	2 3
- 4	R 35-524314-10 R 58-524013-11	. CHAIN, ROLLER. . . . . . CHAIN, ROLLER. . . . .	1 1	6 7
- 5	88	. LINK, TYPE A CONNECTING. . . . .	2	1
- 6	1185408HP3	. PULLEY. . . . .	1	1
		/ATTACHING PARTS/		
- 7	R 130909B38 AN960-416 AN960-4 MS20365-428	. BOLT. . . . . . WASHER. . . . . . WASHER. . . . . . NUT . . . . .	1 1 1 1	
		-----X-----		
- 8	MS20392-1C19 MS24665-132	. PIN . . . . . . PIN, COTTER. . . . .	1 1	1 1
- 9	1185408HP3	. PULLEY. . . . .	1	1
		/ATTACHING PARTS/		
- 10	R 130909B38 AN960-416 MS20365-428	. BOLT. . . . . . WASHER. . . . . . NUT . . . . .	1 1 1	
		-----X-----		
- 11	002-410035-3	. FAIRLEAD, AILERON CABLE GUARD. . . . .	1	1
		/ATTACHING PARTS/		
- 12	MS35206-245 AN960-8 130909N28	. SCREW . . . . . . WASHER. . . . . . NUT . . . . .	2 4 2	
		-----X-----		
- 13	NAS304-22-0255	. CABLE ASSY, FUSELAGE AILERON CONTROL . . . . .	1	1
		/ATTACHING PARTS/		
- 14	AN23-11/M/ AN960-10 130909N45 MS24665-132	. BOLT. . . . . . WASHER. . . . . . NUT . . . . . . PIN, COTTER. . . . .	2 4 2 2	
		-----X-----		
- 15	35-524302	. LINK, AILERON CONTROL CABLE. . . . .	2	1
- 16	35-524664	. SPRING, AILERON AND RUDDER FWD BUNGEE. . . . .	2	1
		/ATTACHING PARTS/		
- 17	AN392-13 AN960-4 MS24665-132 NAS43DD1-20	. PIN, FLAT HEAD . . . . . . WASHER. . . . . . PIN, COTTER. . . . . . BUSHING . . . . .	1 2 1 1	
		-----X-----		
- 18	1185408HP4	. PULLEY. . . . .	2	1
		/ATTACHING PARTS/		
- 19	R 130909B38 AN960-416 MS20365-428	. BOLT. . . . . . WASHER. . . . . . NUT . . . . .	2 1 1	
		-----X-----		
- 20	MS20392-1C35 MS24665-132	. PIN . . . . . . PIN, COTTER. . . . .	2 2	1 1
- 21	NAS304-26-0603	. CABLE ASSY. . . . .	1	1
		/ATTACHING PARTS/		
- 22	AN23-11/M/ AN960-10 130909N15 MS24665-132	. BOLT. . . . . . WASHER. . . . . . NUT . . . . . . PIN, COTTER. . . . .	1 2 1 1	
		-----X-----		

BEECHCRAFT  
BOJANZA 33  
ILLUSTRATED PARTS CATALOG

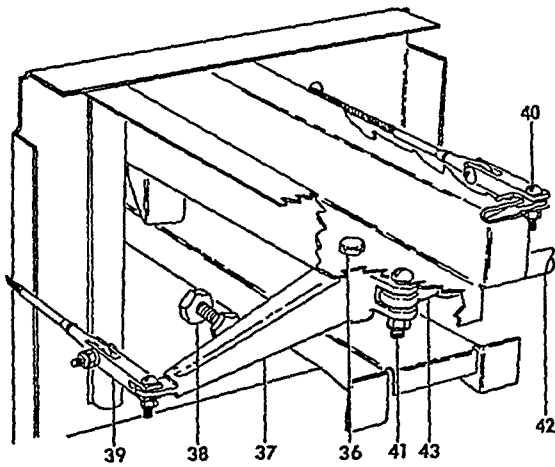
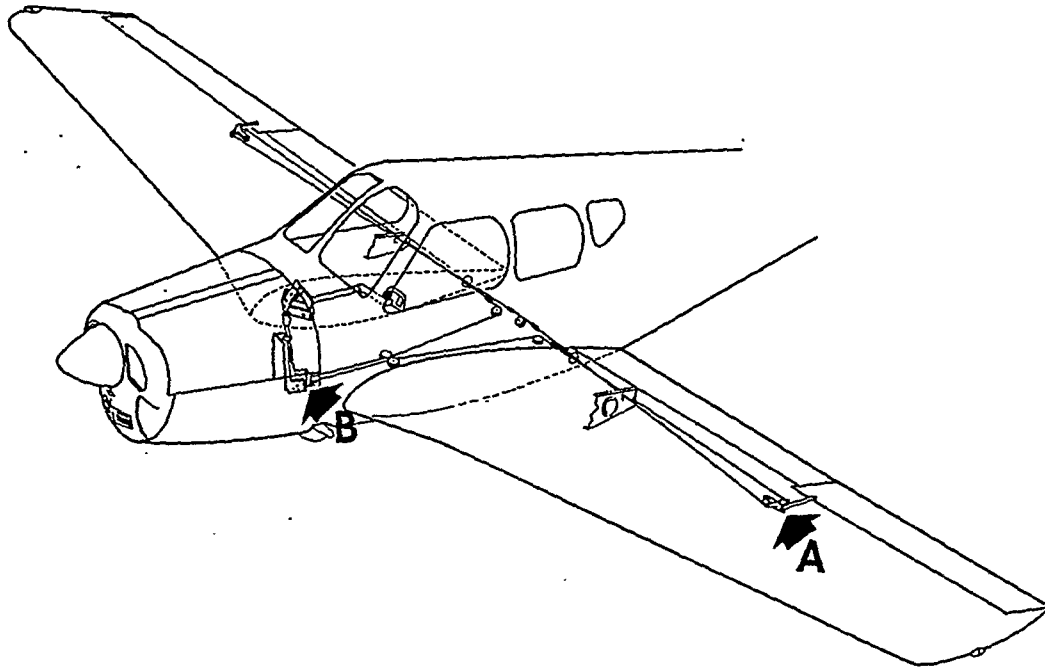


33-151-11

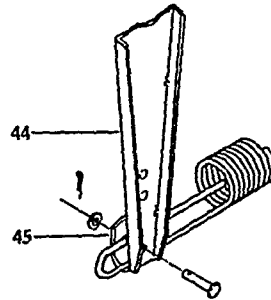
B E E C H C R A F T  
B O N A N Z A 3 3  
I L L U S T R A T E D P A R T S C A T A L O G

FIG. & ITEM NO.	PART NO.	DESCRIPTION	UNITS PER ASSY							USABLE ON CODE
			1	2	3	4	5	6	7	
151A - 23	118540BHP4	. PULLEY. . . . .							2	1
		/ATTACHING PARTS/								
- 24	R 130909B38	. BOLT. . . . .							1	
- 25	105077-10A	. BOLT. . . . .							1	
	AN960-416	. WASHER. . . . .							1	
		-----*								
	MS20392-1C23	. PIN . . . . .							1	1
	MS24665-132	. PIN,COTTER. . . . .							1	1
- 26	118540BHP4	. PULLEY. . . . .							2	1
		/ATTACHING PARTS/								
- 27	R 130909B38	. BOLT. . . . .							1	
	AN960-416	. WASHER. . . . .							1	
	MS20365-428	. NUT . . . . .							1	
		-----*								
	MS20392-1C23	. PIN . . . . .							4	1
	MS24665-132	. PIN,COTTER. . . . .							4	1
- 28	NAS304-66-0173	. CABLE ASSY. . . . .							1	1
- 29	118540BHP4	. PULLEY. . . . .							1	1
		/ATTACHING PARTS/								
- 30	130909B38	. BOLT. . . . .							1	
	AN960-416	. WASHER. . . . .							1	
	MS20365-428	. NUT . . . . .							1	
		-----*								
	MS20392-1C23	. PIN . . . . .							1	1
	MS24665-132	. PIN,COTTER. . . . .							1	1
	MS21251B5S	. BARREL,TURNBUCKLE . . . . .							4	1
	MS21256-1	. CLIP. . . . .							4	1
	35-521180	CONTROL INSTL,WING FLIGHT LH. . . . .							NP	1
	35-521180-1	CONTROL INSTL,WING FLIGHT RH. . . . .							NP	1
- 31	36-521011-3	. CABLE ASSY,AILERON BALANCE FWD. . . . .							1	2
	NAS305-37-0667	. CABLE ASSY,AILERON CONTROL FWD. . . . .							1	3
- 32	36-521011-1	. CABLE ASSY,AILERON CONTROL AFT. . . . .							1	2
	R NAS305-37-0647	. CABLE ASSY,AILERON CONTROL AFT. . . . .							1	3
		/ATTACHING PARTS/								
- 33	R AN24-12	. BOLT. . . . .							2	
	R AN960-416L	. WASHER. . . . .							2	
	R MS17826-4	. NUT . . . . .							2	
	R MS24665-132	. PIN,COTTER. . . . .							2	
		-----*								
- 34	35-521181	. FAIRLEAD,AILERON CABLE/WING STA 66/ . . . . .							2	1
		/ATTACHING PARTS/								
- 35	AN515-8R10	. SCREW . . . . .							1	
	AN960-8	. WASHER. . . . .							1	
		-----*								

BEECHCRAFT  
BONANZA 33  
ILLUSTRATED PARTS CATALOG



VIEW A



VIEW B

33-151-12

B E E C H C R A F T  
B O N A N Z A 3 3  
I L L U S T R A T E D P A R T S C A T A L O G

FIG. & ITEM NO.	PART NO.	DESCRIPTION	UNITS	USABLE
			PER ASSY	,ON CODE
151A	35-521158-5	. BELLCRANK ASSY,AILERON LH . . . . .	1	1
	35-521158-6	. BELLCRANK ASSY,AILERON RH . . . . .	1	1
		/ATTACHING PARTS/		
- 36	AN4-20A	. BOLT . . . . .	1	
	AN960-416	. WASHER . . . . .	1	
	130909N32	. NUT . . . . .	1	
		-----*		
- 37	35-521158-7	. . BELLCRANK,AILERON CONTROL LH. . . . .	1	1
	35-521158-8	. . BELLCRANK,AILERON CONTROL RH. . . . .	1	1
- 38	131002-9	. . BOLT,STOP . . . . .	2	1
	AR4	. . BEARING . . . . .	1	1
	105740X-XJ0190	. . BUSHING . . . . .	2	1
- 39	35-521190	. FITTING,AILERON CONTROL CABLE . . . . .	2	1
		/ATTACHING PARTS/		
- 40	35-521186	. BOLT,AILERON BELLCRANK FLATHEAD . . . . .	1	
	AN960-10L	. WASHER . . . . .	1	
	130909N45	. NUT . . . . .	1	
	MS24665-132	. PIN,COTTER. . . . .	1	
		-----*		
	R 35-521152-12	. ROD ASSY,AILERON CONTROL. . . . .	1	1
		/ATTACHING PARTS/		
- 41	35-521187	. BOLT,AILERON BELLCRANK FLATHEAD . . . . .	1	
	AN960-416L	. WASHER . . . . .	1	
	130909N16	. NUT . . . . .	1	
	MS24665-132	. PIN,COTTER. . . . .	1	
		-----*		
- 42	35-521152-4	. . TUBE,AILERON CONTROL. . . . .	1	1
- 43	R 002-381003-1	. . END,ROD . . . . .	1	1
	R 002-381003-3	. . END,ROD . . . . .	1	1
	130909N13	. . NUT,CHECK . . . . .	1	1
	AN316-4R	. . NUT,CHECK . . . . .	1	1
- 44	002-524018-1	ARM ASSY,RUDDER & AILERON BUNGEE SPRING . . . . .	1	4
	002-524018-15	ARM ASSY,RUDDER & AILERON BUNGEE SPRING . . . . .	1	5
- 45	002-524018-7	. SUPPORT,BUNGEE SPRING ARM . . . . .	1	1

C O D E S O F E F F E C T I V I T Y

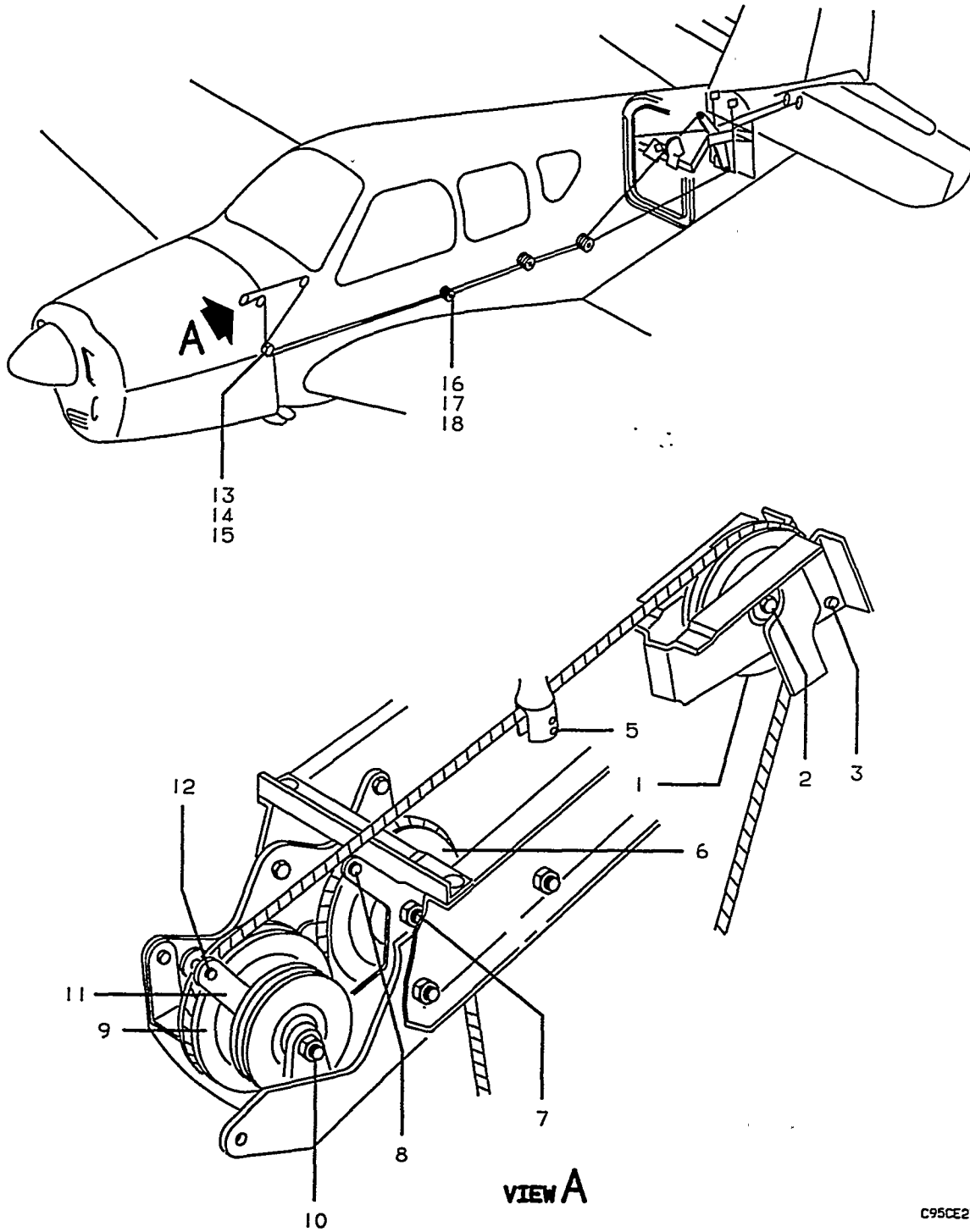
1	CE-511 AND AFTER	2	CE-511 THRU CE-680
3	CE-681 AND AFTER	4	CE-511 THRU CE-534
5	CE-535 AND AFTER	6	CE-535 THRU CE-953
7	CE-954 AND AFTER		



BEECHCRAFT  
BONANZA 33  
ILLUSTRATED PARTS CATALOG

FIGURE 152  
ELEVATOR AND ELEVATOR TAB CONTROLS  
CD-1235 THRU CD-1304  
CE-290 THRU CE-510  
CJ-26 AND AFTER

BEECHCRAFT  
BONANZA 33  
ILLUSTRATED PARTS CATALOG

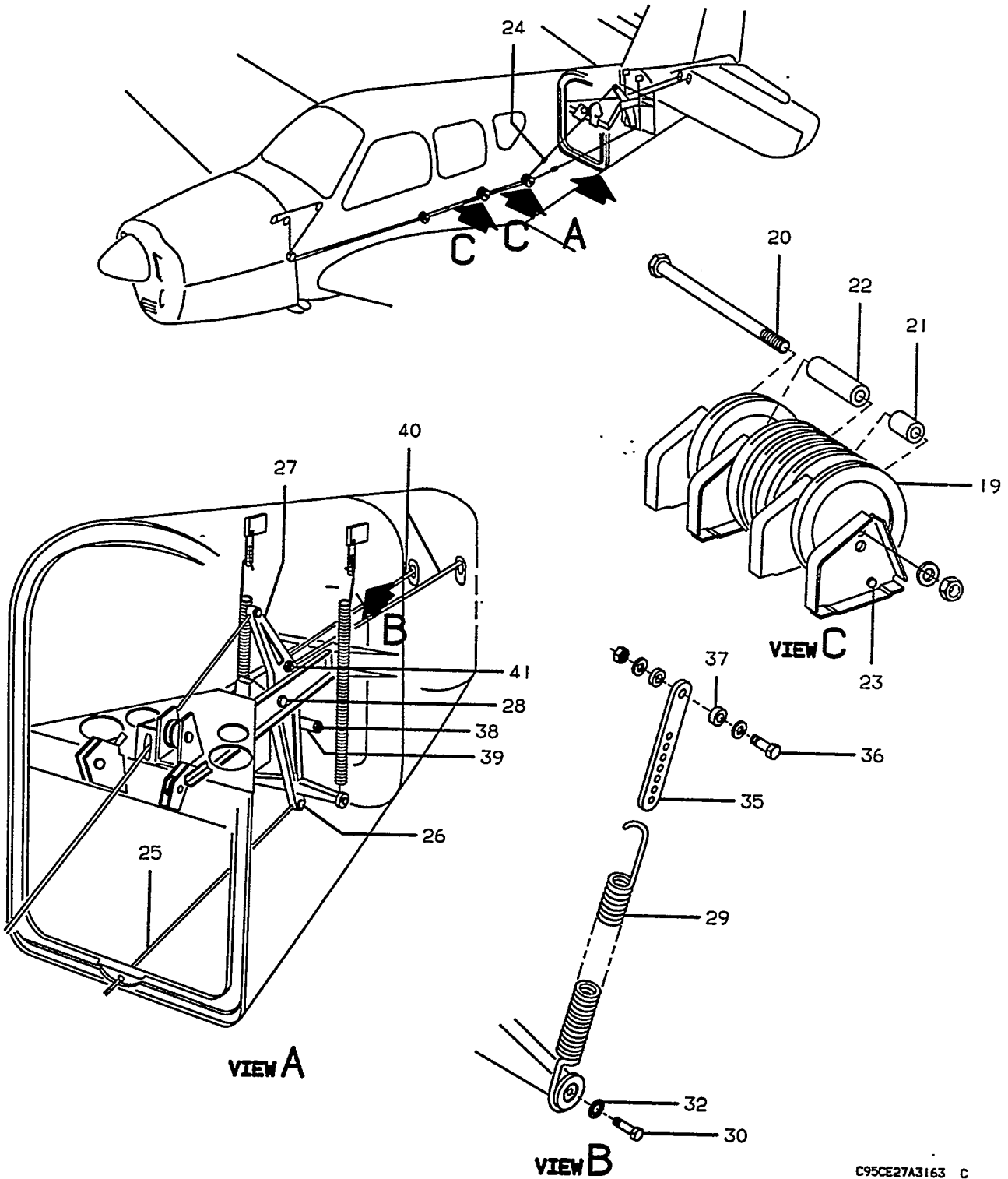


C95CE27A3162 C

B E E C H C R A F T  
B O N A N Z A 3 3  
I L L U S T R A T E D P A R T S C A T A L O G

FIG. & ITEM NO.	PART NO.	DESCRIPTION	UNITS PER ASSY	USABLE ON CODE
152	33-524001	CONTROL INSTL, FUSELAGE FLIGHT . . . . .	NP	1
	33-524001-11	CONTROL INSTL, FUSELAGE FLIGHT . . . . .	NP	2
	33-524001-15	CONTROL INSTL, FUSELAGE FLIGHT . . . . .	NP	10
	33-524002	CONTROL INSTL, FUSELAGE FLIGHT . . . . .	NP	3
- 1	R MS24566-4B	. PULLEY, ELEVATOR CONTROL CABLE . . . . . /SUPERSEDES 118540BHP4/ /ATTACHING PARTS/	1	11
- 2	AN4-11A/M/ AN960-416 MS20365-428	. BOLT. . . . . . WASHER. . . . . . NUT . . . . . -----x-----	1 1 1	
- 3	NAS427K12	. PIN . . . . .	1	11
- 4		. DELETED . . . . .		
- 5	35-524346 MS24665-132	. PIN, CONTROL COLUMN ELEVATOR CABLE LOCK. . . . . . PIN, COTTER. . . . .	1 1	11 11
- 6	18754-6	. PULLEY, ELEVATOR UP. . . . . /ATTACHING PARTS/	2	11
- 7	AN4-14A/M/ AN960-416 MS20365-428	. BOLT. . . . . . WASHER. . . . . . NUT . . . . . -----x-----	2 2 1	
- 8	MS20392-1C35 MS24665-132 535-521242-15	. PIN . . . . . . PIN, COTTER. . . . . . PLATE . . . . .	2 2 1	11 11 11
- 9	R MS24566-4B	. PULLEY, ELEVATOR UP. . . . . /SUPERSEDES 118540BHP4/ /ATTACHING PARTS/	1	11
- 10	AN3-23A/M/ 105740X-ZF1094 AN960-10 MS20365-1032	. BOLT. . . . . . BUSHING . . . . . . WASHER. . . . . . NUT . . . . . -----x-----	1 1 1 1	
- 11	35-524247	. PLATE, ELEVATOR CONTROL PULLEY GUARD . . . . .	2	11
- 12	MS20392-1C19 130909N32	. PIN . . . . . . PIN, COTTER. . . . .	1 1	11 11
- 13	R MS24566-4B	. PULLEY, ELEVATOR UP. . . . . /SUPERSEDES 118540BHP4/ /ATTACHING PARTS/	1	11
- 14	AN4-24A/M/ AN960-416 MS20365-428	. BOLT. . . . . . WASHER. . . . . . NUT . . . . . -----x-----	2 2 1	
- 15	MS20392-1C67 MS24665-132	. PIN . . . . . . PIN, COTTER. . . . .	2 2	11 11
- 16	R MS24566-3B	. PULLEY, ELEVATOR UP. . . . . /SUPERSEDES 118540BHP3/ /ATTACHING PARTS/	1	11
- 17	AN4-24A/M/ AN4-33A/M/ AN960-416 MS20365-428 MS21042-L4	. BOLT. . . . . . BOLT. . . . . . WASHER. . . . . . NUT . . . . . . NUT . . . . . -----x-----	1 2 1 1 1	8 9 8 9
- 18	102933DZM1080 MS20392-1C65 95-524000-19 MS24665-132	. SPACER. . . . . . PIN . . . . . . PIN . . . . . . PIN, COTTER. . . . .	1 1 1 2	9 8 9 11

BEECHCRAFT  
 BONANZA 33  
 ILLUSTRATED PARTS CATALOG

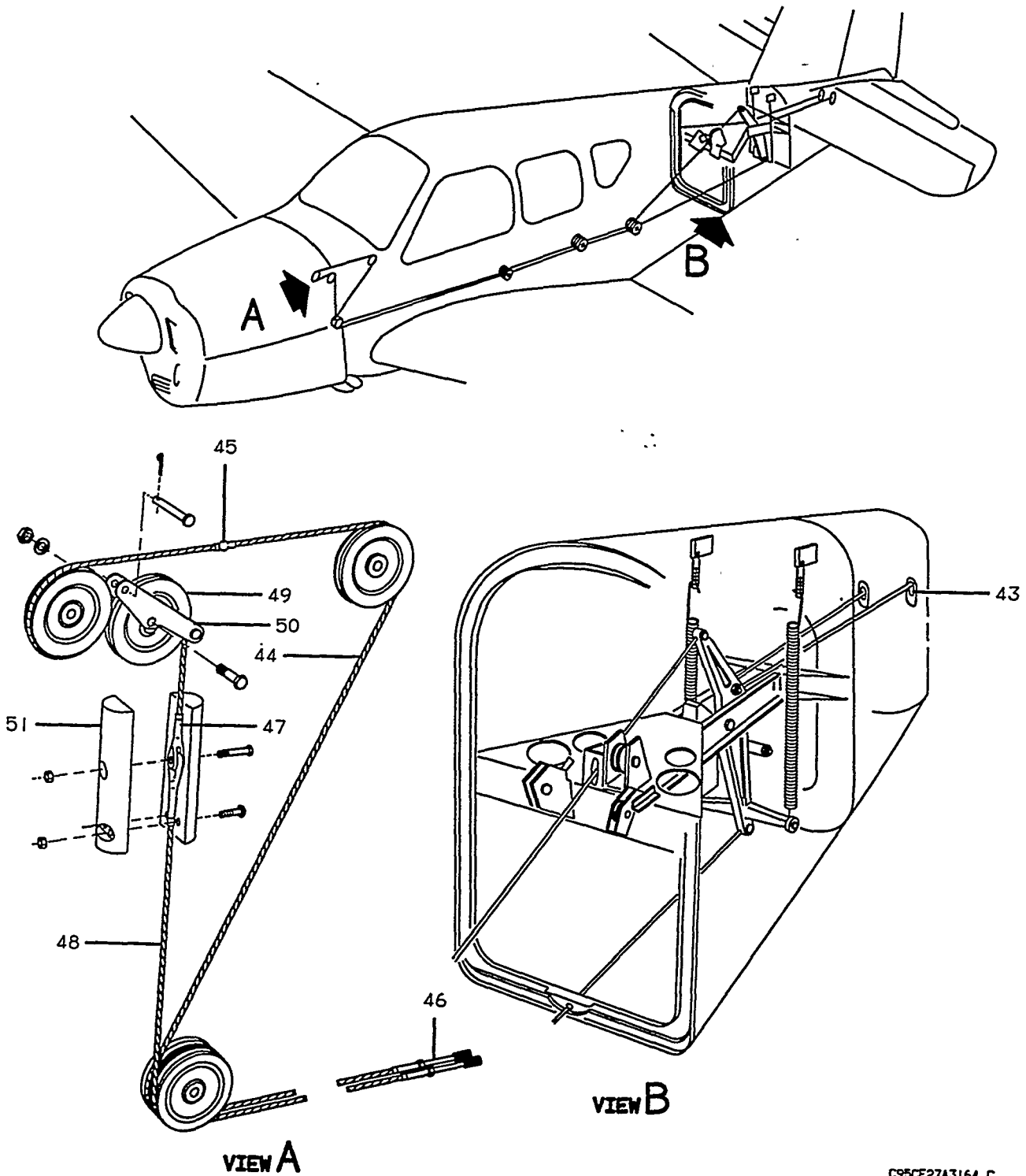


C95CE27A3163 C

B E E C H C R A F T  
B O N A N Z A 3 3  
I L L U S T R A T E D P A R T S C A T A L O G

FIG. & ITEM NO.	PART NO.	DESCRIPTION	UNITS							USABLE ON CODE
			1	2	3	4	5	6	7	
152 - 19	R MS24566-3B	. PULLEY,ELEVATOR CONTROL/STA 151/. . . . .							2	3
	R MS24566-4B	. PULLEY,ELEVATOR CONTROL/STA 170/. . . . . /SUPERSEDES 118540BHP3/ /SUPERSEDES 118540BHP4/ /ATTACHING PARTS/							2	3
- 20	R AN4-54A/M/	. BOLT. . . . .							1	
- 21	R 105739S-XU0484	. BUSHING . . . . .							1	
- 22	R 105739S-XU1484	. BUSHING . . . . .							1	
	R AN960-416	. WASHER. . . . .							2	
	R MS20365-428	. NUT . . . . .							1	
-----*										
- 23	R 35-524003	. PIN . . . . .							1	11
	R MS24665-132	. PIN,COTTER. . . . .							1	11
- 24	R MS21251B5L	. BARREL,TURNBUCKLE . . . . .							2	11
	R MS21256-2	. CLIP,TURNBUCKL. . . . .							2	11
- 25	NAS304-35-0564	. CABLE ASSY. . . . . /ATTACHING PARTS/							2	11
- 26	AN23-14/M/ AN960-416L AN960-10L 130909N45 MS24665-132	. BOLT. . . . . . WASHER. . . . . . WASHER. . . . . . NUT . . . . . . PIN,COTTER. . . . .							1 1 1 1 1	
-----*										
- 27	002-524024-35	. BELLCRANK ASSY,ELEVATOR . . . . . /ATTACHING PARTS/							1	11
- 28	AN24-25/M/ AN960-416L MS17826-4 MS24665-132	. BOLT. . . . . . WASHER. . . . . . NUT . . . . . . PIN,COTTER. . . . .							1 2 1 1	
-----*										
	002-524024-37 105740X-XC0968 MS27641-4 NAS43HT4-32	. . BELLCRANK . . . . . . . BUSHING . . . . . . . BEARING . . . . . . . SPACER. . . . .							1 1 2 1	11 11 11 11
- 29	33-524020	. SPRING,ELEVATOR DOWN TENSION. . . . . /ATTACHING PARTS/							2	11
- 30	AN3H6A/M/	. BOLT. . . . .							2	
- 31		. DELETED . . . . .								
- 32	MS20201KP3A 100951X050ZM	. BEARING,BALL. . . . . . WASHER. . . . .							2 4	
-----*										
- 33		. DELETED . . . . .								
- 34		. DELETED . . . . .								
- 35	33-524000-41	. LINK,ELEVATOR DOWN SPRING . . . . . /ATTACHING PARTS/							2	11
- 36	AN3-6A/M/	. BOLT. . . . .							1	
- 37	105739X-ZM0250 AN960-10 MS20365-1032	. BUSHING,BEARING . . . . . . WASHER. . . . . . NUT . . . . .							1 1 1	
-----*										
- 38	33-524000-43	. BOLT,ELEVATOR STOP. . . . .							1	11
- 39	33-524001-5 AN960-416L MS20365-428	. SPACER,ELEVATOR STOP. . . . . . WASHER. . . . . . NUT . . . . .							2 2 2	11 11 11
- 40	95-524017-8 33-524033-1	. TUBE,ELEVATOR CONTROL PUSH PULL . . . . . . TUBE,ELEVATOR CONTROL PUSH-PULL . . . . . /ATTACHING PARTS/							2 2	12 13
- 41	130909B73	. BOLT/AT BELLCRANK/. . . . .							1	11
- 42		. DELETED . . . . .								
	AN960-616 AN960-616L MS17825-6 130909N18 MS17826-6	. WASHER/AT BELLCRANK,UNDER NUT/. . . . . . WASHER/AT BELLCRANK,UNDER NUT/. . . . . . NUT/AT BELLCRANK/ . . . . . . NUT/AT BELLCRANK/ . . . . . . NUT/AT BELLCRANK/ . . . . .							1 1 1 1 1	3 11 4 14 15
-----*										

BEECHCRAFT  
BONANZA 33  
ILLUSTRATED PARTS CATALOG

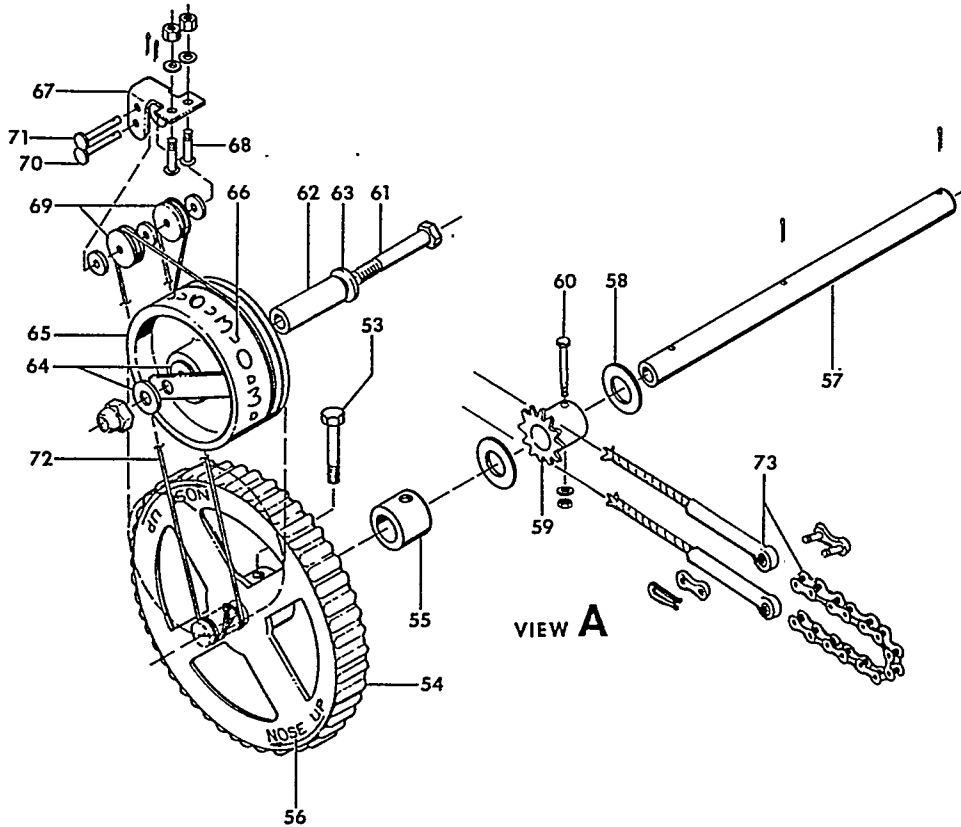
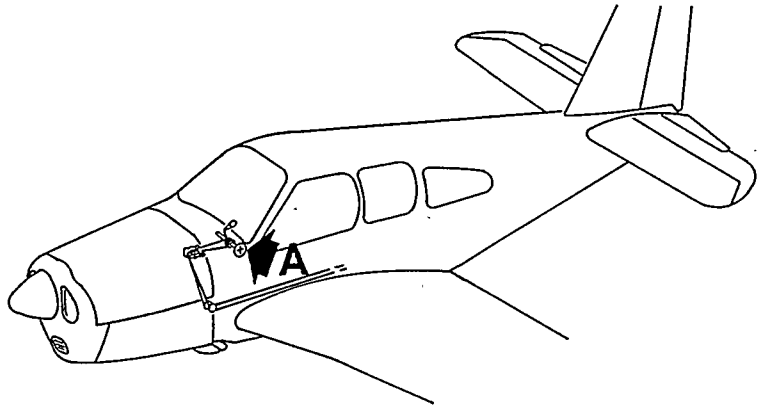


C95CE27A3164 C

B E E C H C R A F T  
B O N A N Z A 3 3  
I L L U S T R A T E D P A R T S C A T A L O G

FIG. & ITEM NO.	PART NO.	DESCRIPTION	UNITS PER ASSY	USABLE ON CODE
		1 2 3 4 5 6 7		
152	R MS24665-134	. PIN,COTTER/AT BELLCRANK/ . . . . .	1	4
		/ATTACHING PARTS/		
	R MS24665-135	. PIN,COTTER/AT BELLCRANK/ . . . . .	1	3
	R 130909B90	. SCREW/AT ELEVATOR/ . . . . .	1	11
	R AN960-616	. WASHER/AT ELEVATOR,UNDER NUT/ . . . . .	1	11
	R AN960-616L	. WASHER/AT ELEVATOR,UNDER NUT/ . . . . .	1	6
	R MS17826-6	. NUT/AT ELEVATOR/ . . . . .	1	6
	R AN320-69	. NUT/AT ELEVATOR/ . . . . .	1	16
	R MS24665-134	. PIN,COTTER/AT ELEVATOR/ . . . . .	1	11
		-----X-----		
- 43	R 131881-6	. END,ROD . . . . .	4	4
	R 131553-6M	. END,ROD . . . . .	4	3
	R AN960-616	. WASHER . . . . .	4	11
	R AN316-6R	. NUT . . . . .	4	11
	33-524000-61	. CABLE ASSY,ELEVATOR DOWN . . . . .	1	4
	33-524029	. CABLE ASSY,ELEVATOR DOWN . . . . .	1	3
- 44	33-524000-63	. . CABLE,ELEVATOR DOWN . . . . .	1	4
	33-524029-1	. . CABLE,ELEVATOR DOWN . . . . .	1	3
- 45	MS20663C4	. . END,CABLE DOUBLE SHANK BALL . . . . .	1	11
- 46	AN669L4	. . TERMINAL,CABLE STUD . . . . .	1	4
	MS21260L4RH	. . TERMINAL,CABLE STUD . . . . .	1	3
- 47	MS20667-4	. . TERMINAL,CABLE FORK END . . . . .	1	11
- 48	NAS304-34-1520	. CABLE ASSY,ELEVATOR UP . . . . .	1	11
- 49	18754-6	. PULLEY,ELEVATOR UP . . . . .	1	11
		/ATTACHING PARTS/		
	AN4-14A/M/	. BOLT . . . . .	1	
	AN960-416	. WASHER . . . . .	1	
	MS20365-428	. NUT . . . . .	1	
		-----X-----		
- 50	535-521242-15	. GUARD,ELEVATOR UP PULLEY . . . . .	2	11
	MS20392-1C35	. PIN,ELEVATOR UP PULLEY GUARD . . . . .	2	11
		/ATTACHING PARTS/		
	MS24665-132	. PIN,COTTER . . . . .	1	
		-----X-----		
- 51	535-521242-13	. BOBWEIGHT,ELEVATOR UP CABLE . . . . .	2	11
		/ATTACHING PARTS/		
	AN3-17A/M/	. BOLT . . . . .	1	
	ANS15-8R28	. SCREW . . . . .	2	
	MS20365-832	. NUT . . . . .	3	
		-----X-----		
- 52		. DELETED . . . . .		

BEECHCRAFT  
BONANZA 33  
ILLUSTRATED PARTS CATALOG



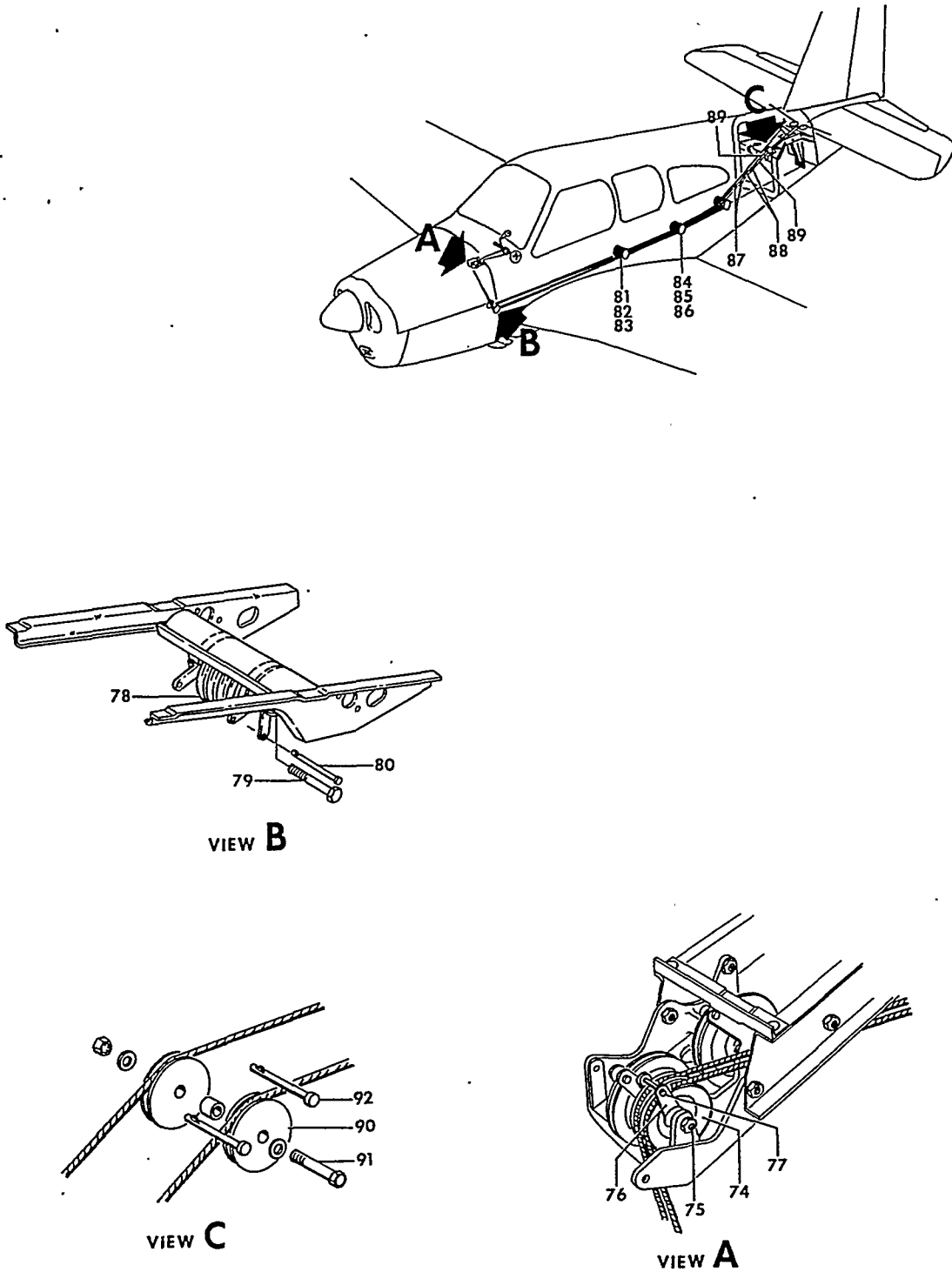
33-152-4



B E E C H C R A F T  
B O N A N Z A 3 3  
I L L U S T R A T E D P A R T S C A T A L O G

FIG. & ITEM NO.	PART NO.	DESCRIPTION	UNITS PER ASSY	USABLE ON CODE
152	35-524647-3	. INDICATOR INSTL,ELEVATOR TAB POSITION . . . .	NP	1
	35-524647-11	. INDICATOR INSTL,ELEVATOR TAB POSITION . . . .	NP	7
	36-524071-1	. INDICATOR INSTL,ELEVATOR TAB POSITION . . . .	NP	13
	35-524542-8	. . WHEEL ASSY,ELEVATOR TAB CONTROL . . . . .	1	5
		/ATTACHING PARTS/		
- 53	AN3-16A/M/	. . BOLT. . . . .	1	
	AN960-10	. . WASHER. . . . .	1	
	MS20365-1032	. . NUT . . . . .	1	
		-----x-----		
	35-524542-10	. . . WHEEL ASSY. . . . .	1	5
- 54	35-524542-6	. . . WHEEL,ELEVATOR TAB CONTROL. . . . .	1	5
- 55	35-524543	. . . BUSHING,ELEVATOR TAB CONTROL. . . . .	1	12
	36-524071-15	. . . BUSHING,ELEVATOR TAB CONTROL. . . . .	1	13
- 56	35-524555	. . . PLACARD,TAB CONTROL WHEEL DIRECTION . . . .	1	5
	36-524071-9	. . TUBE ASSY . . . . .	1	13
- 57	35-524647-7	. . TUBE ASSY,ELEVATOR TAB CONTROL. . . . .	1	12
	36-524071-11	. . TUBE ASSY,ELEVATOR TAB CONTROL. . . . .	1	13
		/ATTACHING PARTS/		
- 58	AN960-816L	. . WASHER. . . . .	2	
	MS24665-132	. . PIN,COTTER. . . . .	3	
		-----x-----		
- 59	33-524000-49	. . SPROCKET,ELEVATOR TAB CONTROL . . . . .	1	12
	95-524023-5	. . SPROCKET,ELEVATOR TAB CONTROL . . . . .	1	13
		/ATTACHING PARTS/		
- 60	AN3A	. . BOLT. . . . .	1	12
	130909B172	. . BOLT. . . . .	1	13
	AN960-10L	. . WASHER. . . . .	1	5
	MS20364-1032	. . NUT . . . . .	1	12
	MS21083N3	. . NUT . . . . .	1	13
		-----x-----		
	35-524546-7	. . DRUM ASSY,ELEVATOR TAB INDICATOR. . . . .	1	1
	35-524546-9	. . DRUM ASSY,ELEVATOR TAB INDICATOR. . . . .	1	5
		/ATTACHING PARTS/		
- 61	AN3-12A/M/	. . BOLT. . . . .	1	
- 62	105739X-ZV0703	. . BUSHING . . . . .	1	
- 63	AN960-10L	. . WASHER. . . . .	1	
- 64	AN960-10	. . WASHER. . . . .	2	
	MS20365-1032	. . NUT . . . . .	1	
		-----x-----		
- 65	35-524547	. . . DRUM,ELEVATOR TAB INDICATOR . . . . .	1	5
- 66	33-524018	. . . PLACARD,ELEVATOR TAB INDICATOR. . . . .	1	1
	33-524021	. . . PLACARD,ELEVATOR TAB INDICATOR. . . . .	1	5
	35-524546-2	. . . PIN,ELEVATOR TAB INDICATOR. . . . .	1	5
- 67	35-524554	. . BRACKET,INDICATOR CABLE TENSION PULLEY. . . .	1	5
		/ATTACHING PARTS/		
- 68	AN526-632-7	. . SCREW . . . . .	2	
	AN960-6	. . WASHER. . . . .	4	
	MS20365-632	. . NUT . . . . .	2	
		-----x-----		
- 69	35-524553	. . PULLEY,TAB INDICATOR CABLE TENSION IDLER. . .	2	5
		/ATTACHING PARTS/		
- 70	AN392-15	. . PIN . . . . .	1	
	AN960-6	. . WASHER. . . . .	3	
	MS24665-132	. . PIN,COTTER. . . . .	1	
		-----x-----		
- 71	AN392-15	. . PIN . . . . .	1	5
	MS24665-132	. . PIN,COTTER. . . . .	1	5
- 72	35-524647-9	. . CABLE,INDICATOR ACTUATING . . . . .	1	5
- 73	33-524001-7	. . CABLE ASSY,ELEVATOR TAB CONTROL . . . . .	1	4
R	33-524028	. . CABLE ASSY,ELEVATOR TAB CONTROL . . . . .	1	3

BEECHCRAFT  
 BONANZA 33  
 ILLUSTRATED PARTS CATALOG



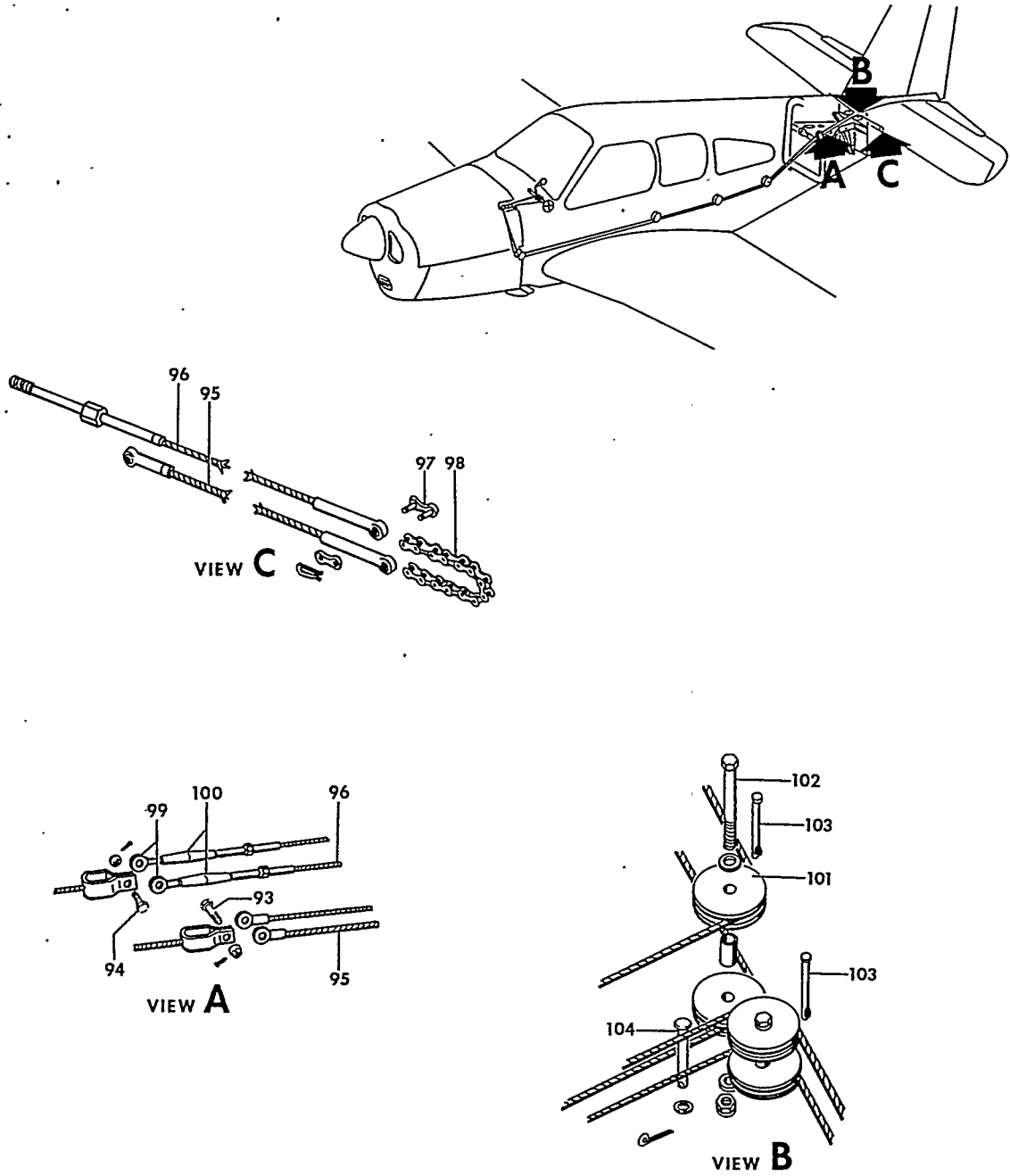
33-152-5

FIGURE 152. ELEVATOR AND ELEVATOR TAB CONTROLS  
 /SHEET 5 OF 6 SHEETS/

B E E C H C R A F T  
B O N A N Z A 33  
I L L U S T R A T E D P A R T S C A T A L O G

FIG. & ITEM NO.	PART NO.	DESCRIPTION							UNITS PER ASSY	USABLE ON CODE
		1	2	3	4	5	6	7		
- 74	R MS24566-2B	. PULLEY/SUPERSEDES 118540BHP2/ . . . . .							2	11
		. /ATTACHING PARTS/								
- 75	AN3-23A/M/ 105740X-ZF1094 AN960-10 MS20365-1032	. BOLT. . . . .							1	
		. BUSHING . . . . .							1	
		. WASHER. . . . .							1	
		. NUT . . . . .							1	
		-----*								
- 76	35-524248	. PLATE,ELEVATOR TAB CONTROL PULLEY GUARD . . . . .							2	11
- 77	MS20392-1C23 MS24665-132	. PIN . . . . .							1	11
		. PIN,COTTER. . . . .							1	11
- 78	R MS24566-4B	. PULLEY/SUPERSEDES 118540BHP4/ . . . . .							2	11
		. /ATTACHING PARTS/								
- 79	AN4-24A/M/ AN960-416 MS20365-428	. BOLT. . . . .							1	
		. WASHER. . . . .							1	
		. NUT . . . . .							1	
		-----*								
- 80	AN392-67 MS24665-132	. PIN . . . . .							1	11
		. PIN,COTTER. . . . .							1	11
- 81	R MS24566-3B	. PULLEY,ELEVATOR TAB . . . . .							2	11
		. /SUPERSEDES 118540BHP3/								
		. /ATTACHING PARTS/								
- 82	AN4-24A/M/ AN4-33A/M/ AN960-416 MS20365-428 130909N32	. BOLT. . . . .							1	8
		. BOLT. . . . .							1	9
		. WASHER. . . . .							1	
		. NUT . . . . .							1	8
		. NUT . . . . .							1	9
		-----*								
- 83	MS20392-1C65 95-524000-19 MS24665-132 102933D5ZM1080	. PIN . . . . .							1	8
		. PIN . . . . .							1	9
		. PIN,COTTER. . . . .							1	11
		. SPACER. . . . .							1	9
- 84	R MS24566-4B	. PULLEY,ELEVATOR TAB/STA 170/. . . . .							2	3
		. /SUPERSEDES 118540BHP4/								
	R MS24566-3B	. PULLEY,ELEVATOR TAB/STA 151/. . . . .							2	11
		. /SUPERSEDES 118540BHP3/								
		. /ATTACHING PARTS/								
- 85	AN4-54A/M/ 105739S-XU1484 105739S-XU0484 AN960-416 MS20365-428	. BOLT. . . . .							1	
		. BUSHING . . . . .							1	
		. BUSHING . . . . .							1	
		. WASHER. . . . .							1	
		. NUT . . . . .							1	
		-----*								
- 86	35-524003 MS24665-132	. PIN . . . . .							1	11
		. PIN,COTTER. . . . .							1	11
- 87	45-524624 AN960D516 MS17826-5 MS24665-134 35-524288 35-524287	. STOP. . . . .							2	4
		. WASHER. . . . .							4	4
		. NUT . . . . .							2	4
		. PIN,COTTER. . . . .							2	4
		. STOP,SCREW. . . . .							1	3
		. STOP,NUT. . . . .							1	3
- 88	MS21251B2L MS21256-2 NAS312-37-0790	. BARREL,TURNBUCKLE . . . . .							2	11
		. CLIP. . . . .							2	11
		. CABLE ASSY,ELEVATOR TAB CONTROL . . . . .							2	4
- 89	NAS312-37-0534	. CABLE ASSY,ELEVATOR TAB CONTROL . . . . .							2	3
- 90	R MS24566-3B	. PULLEY/SUPERSEDES 118540BHP3/ . . . . .							2	11
		. /ATTACHING PARTS/								
- 91	AN4-17A/M/ 105739S-XU0310 MS20365-428	. BOLT. . . . .							1	
		. BUSHING . . . . .							1	
		. NUT . . . . .							1	
		-----*								
	130001BB2	. BUSHING,PULLEY. . . . .							2	4
- 92	NAS427K24	. PIN . . . . .							2	11

BEECHCRAFT  
 BONANZA 33  
 ILLUSTRATED PARTS CATALOG



33-152-6

FIGURE 152. ELEVATOR AND ELEVATOR TAB CONTROLS  
 /SHEET 6 OF 6 SHEETS/

B E E C H C R A F T  
B O N A N Z A 3 3  
I L L U S T R A T E D P A R T S C A T A L O G

FIG. & ITEM NO.	PART NO.	DESCRIPTION	UNITS PER ASSY	USABLE ON CODE
152	36-524000-31	. CHAIN & CABLE ASSY,ELEVATOR TAB CONTROL LH. .	1	11
	36-524000-29	. CHAIN & CABLE ASSY,ELEVATOR TAB CONTROL RH. .	1	11
		/ATTACHING PARTS/		
- 93	MS20392-2C11	. PIN . . . . .	1	
- 94	MS20392-2C13	. PIN . . . . .	1	
	AN960-10L	. WASHER. . . . .	2	
	MS24665-132	. PIN,COTTER. . . . .	2	
		-----*		
- 95	33-524000-13	. . CABLE,LH. . . . .	1	11
	33-524000-23	. . CABLE,RH. . . . .	1	11
- 96	33-524000-15	. . CABLE,LH. . . . .	1	11
	33-524000-25	. . CABLE,RH. . . . .	1	11
- 97	C4189	. . LINK. . . . .	2	11
- 98	45-526011-7	. . CHAIN . . . . .	2	11
- 99	MS21254-2RS	. EYE,TURNBUCKLE. . . . .	2	11
-100	MS21251B2S	. BARREL,TURNBUCKLE . . . . .	2	11
	MS21256-1	. CLIP. . . . .	2	4
-101	130000BEP1	. PULLEY. . . . .	4	4
R	MS24566-1B	. PULLEY/SUPERSEDES 118540BHP1/ . . . . .	1	3
		/ATTACHING PARTS/		
	130001BB1	. BUSHING . . . . .	4	4
-102	130909B24	. BOLT. . . . .	2	4
	AN3-15A	. BOLT. . . . .	2	3
	105739S-ZT0500	. SPACER. . . . .	2	4
	100696S-ZF016	. SPACER. . . . .	2	3
	AN960-10	. WASHER. . . . .	2	11
	MS20365-1032	. NUT . . . . .	2	3
		-----*		
-103	NAS427K21	. PIN . . . . .	2	4
	NAS427K22	. PIN . . . . .	3	3
-104	MS20392-3C45	. PIN . . . . .	1	4
	AN960-416	. WASHER. . . . .	1	4
	MS24665-132	. COTTER PIN. . . . .	1	4
	35-524126	BRACKET ASSY,ELEV AND ELEV TAB PULLEY/STA 49/ .	1	11
	002-410017-5	BRACKET,ELEV AND ELEV TAB PULLEY/STA 59/ . . . .	1	11
	35-524386-99	BRACKET ASSY,ELEVATOR PULLEY/STA 68/ . . . . .	1	11
	35-410158-18	BRACKET,ELEV AND ELEV TAB PULLEY/STA 120/ . . . .	1	11
	35-410015-1	BRACKET,ELEVATOR AND ELEVATOR TAB PULLEY. . . .	2	11
		/STA 151 AND STA 170/		
	35-410015	BRACKET,ELEVATOR AND ELEVATOR TAB PULLEY. . . .	2	11
		/STA 151 AND STA 170/		
	33-440038	BRACKET,ELEVATOR TAB PULLEY/STA 234/ . . . . .	1	11
	33-440015	BRACKET ASSY,ELEVATOR TAB PULLEY/STA 257/ . . . .	1	11

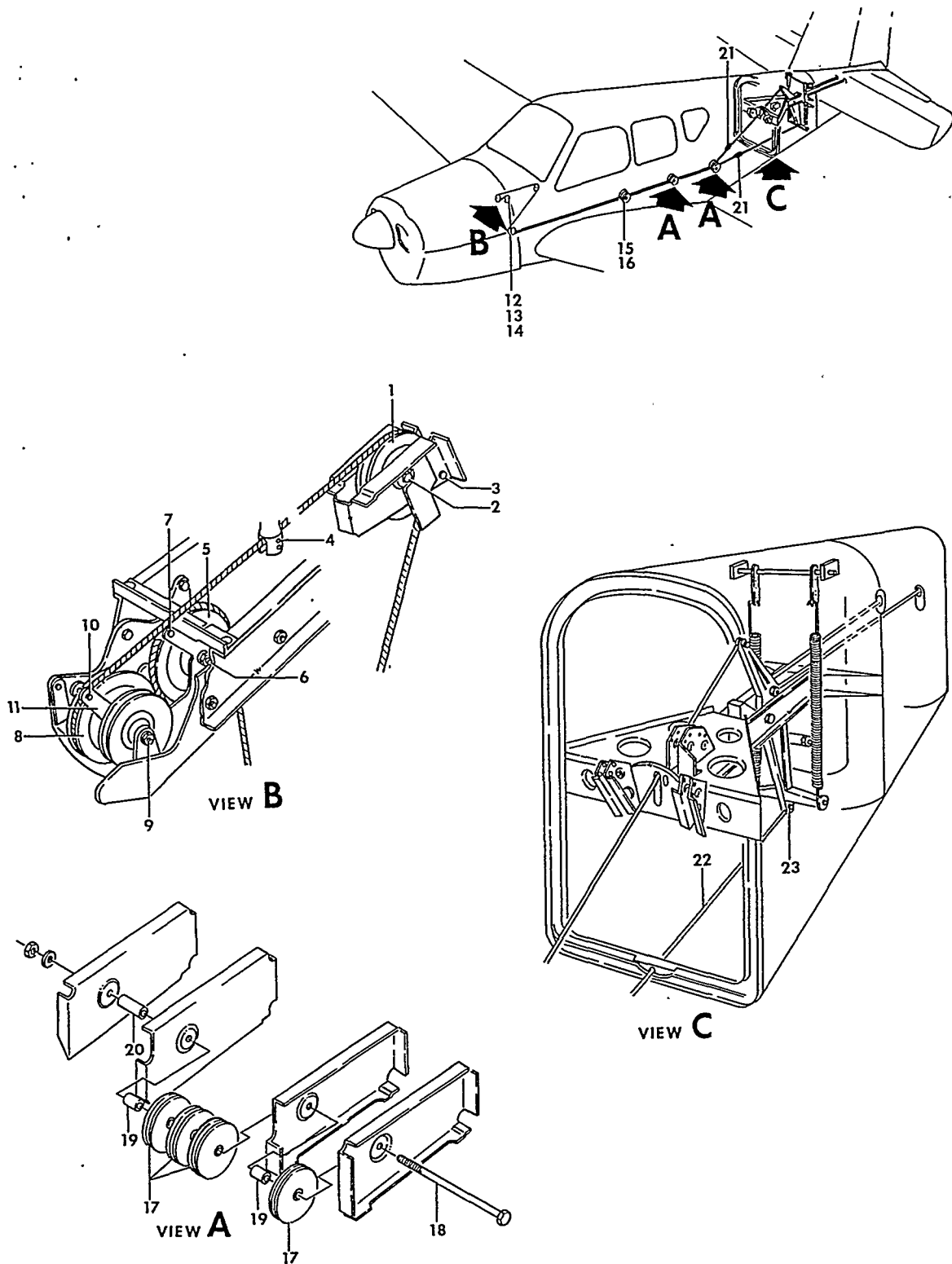
C O D E S O F E F F E C T I V I T Y

1	CD-1235 THRU CD-1254	2	CD-1255 THRU CD-1304
			CE-290 THRU CE-315
3	CE-316 THRU CE-510	4	CD-1235 THRU CD-1304
			CE-290 THRU CE-315
			CJ-26 AND AFTER
5	CD-1255 THRU CD-1304	6	CD-1235 THRU CD-1304
	CE-290 THRU CE-510		CE-290 THRU CE-315,
	CJ-26 AND AFTER		CE-387 THRU CE-510
			CJ-26 AND AFTER
7	CD-1255 THRU CD-1304	8	CD-1235 THRU CD-1304
	CE-290 THRU CE-315		CE-290 THRU CE-400
	CJ-26 THRU CJ-155		CJ-26 THRU CJ-30
9	CE-401 THRU CE-510	10	CJ-26 AND AFTER
	CJ-31 AND AFTER		
11	CD-1235 THRU CD-1304	12	CD-1235 THRU CD-1304
	CE-290 THRU CE-510		CE-290 THRU CE-510
	CJ-26 AND AFTER		CJ-26 THRU CJ-155
13	CJ-156 AND AFTER	14	CE-316 THRU CE-386
15	CE-387 THRU CE-510	16	CE-316 THRU CE-386

B E E C H C R A F T  
B O N A N Z A 3 3  
I L L U S T R A T E D P A R T S C A T A L O G

FIGURE 152A  
ELEVATOR AND ELEVATOR TAB CONTROLS  
CE-511 AND AFTER

BEECHCRAFT  
 BONANZA 33  
 ILLUSTRATED PARTS CATALOG



33-152A-31

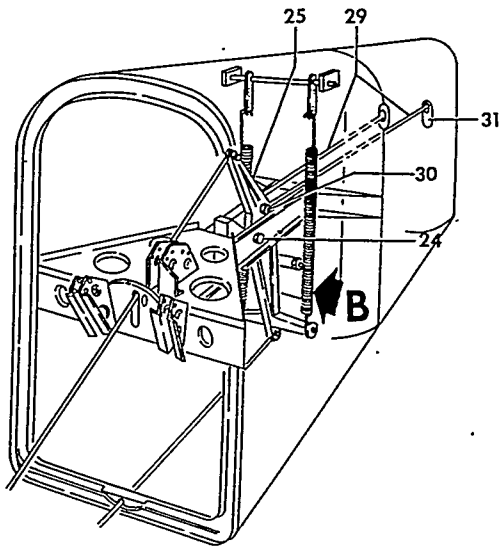
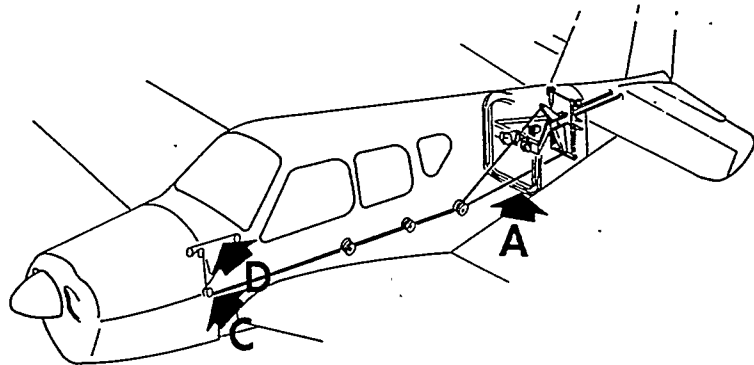
FIGURE 152A. ELEVATOR AND ELEVATOR TAB CONTROLS  
 /SHEET 1 OF 5 SHEETS/

B E E C H C R A F T  
B O N A N Z A 3 3  
I L L U S T R A T E D P A R T S C A T A L O G

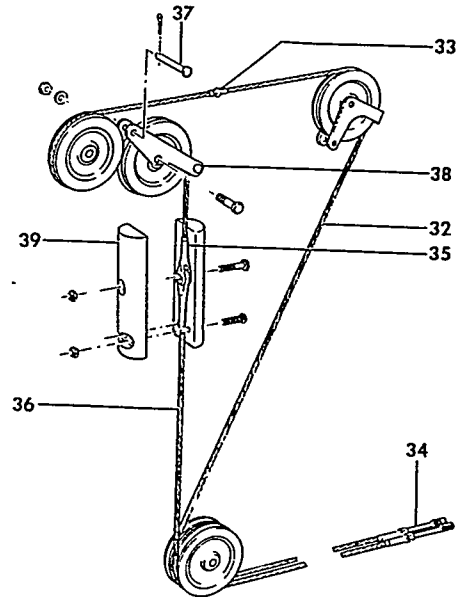
FIG. & ITEM NO.	PART NO.	DESCRIPTION	UNITS PER ASSY	USABLE ON CODE
		1 2 3 4 5 6 7		
152A	002-524000-9	CONTROL INSTL,FUSELAGE FLIGHT . . . . .	NP	1
- 1	R MS24566-4B	. PULLEY,ELEVATOR CONTROL CABLE . . . . . /SUPERSEDES 118540BHP4/ /ATTACHING PARTS/	1	1
- 2	AN4-11A/M/ AN960-416 MS20365-428	. BOLT. . . . . . WASHER. . . . . . NUT . . . . . -----*	1 1 1	
- 3	NAS427K12	. PIN . . . . .	1	1
- 4	MS20392-1C21 MS24665-132	. PIN,CONTROL COLUMN ELEVATOR CABLE LOCK. . . . . . PIN,COTTER. . . . .	1 1	1 1
- 5	18754-6	. PULLEY,ELEVATOR UP. . . . . /ATTACHING PARTS/	1	1
- 6	AN4-4A/M/ AN960-416 MS20365-428	. BOLT. . . . . . WASHER. . . . . . NUT . . . . . -----*	1 1 1	
- 7	535-521242-15 MS20392-1C35 MS24665-132	. PLATE . . . . . . PIN . . . . . . PIN,COTTER. . . . .	1 1 1	1 1 1
- 8	R MS24566-4B	. PULLEY,ELEVATOR UP. . . . . /SUPERSEDES 118540BHP4/ /ATTACHING PARTS/	1	1
- 9	AN3-23A/M/ 105740X-ZF1094 AN960-10 MS20365-1032	. BOLT. . . . . . BUSHING . . . . . . WASHER. . . . . . NUT . . . . . -----*	1 1 1 1	
- 10	35-524247	. PLATE,ELEVATOR CONTROL PULLEY GUARD . . . . .	2	1
- 11	MS20392-1C19 MS24665-132	. PIN . . . . . . PIN,COTTER. . . . .	1 1	1 1
- 12	R MS24566-4B	. PULLEY,ELEVATOR CONTROL/STA 59/ . . . . . /SUPERSEDES 118540BHP4/ /ATTACHING PARTS/	4	1
- 13	AN4-24A/M/ AN960-416 MS20365-428	. BOLT. . . . . . WASHER. . . . . . NUT . . . . . -----*	1 2 1	
- 14	MS20392-1C67 MS24665-132	. PIN . . . . . . PIN,COTTER. . . . .	1 1	1 1
- 15	R MS24566-3B	. PULLEY. . . . . /SUPERSEDES 118540BHP3/ /ATTACHING PARTS/	4	1
- 16	AN4-33A/M/ AN960-416 130909N32	. BOLT. . . . . . WASHER. . . . . . NUT . . . . . -----*	1 1 1	
- 17	102933D5ZM1080 95-524000-19 MS24665-132 R MS24566-3B	. SPACER. . . . . . PIN . . . . . . PIN,COTTER. . . . . . PULLEY/SUPERSEDES 118540BHP3/ . . . . . /ATTACHING PARTS/	1 1 1 2	1 1 1 1
- 18	AN4-44A/M/ AN960-416 130909N32	. BOLT. . . . . . WASHER. . . . . . NUT . . . . .	1 1 1	
- 19	102933S5ZR0484	. SPACER. . . . .	2	
- 20	102933S5ZR0968	. SPACER. . . . . -----*	1	
- 21	MS21251B25 MS21256-2	. BARREL,TURNBUCKLE . . . . . . CLIP,TURNBUCKLE . . . . .	2 1	1 1
- 22	NAS304-35-0564	. CABLE ASSY. . . . . /ATTACHING PARTS/	2	1
- 23	AN23-14/M/ AN960-10L 130909N45 MS24665-132	. BOLT. . . . . . WASHER. . . . . . NUT . . . . . . PIN,COTTER. . . . . -----*	1 1 1 1	



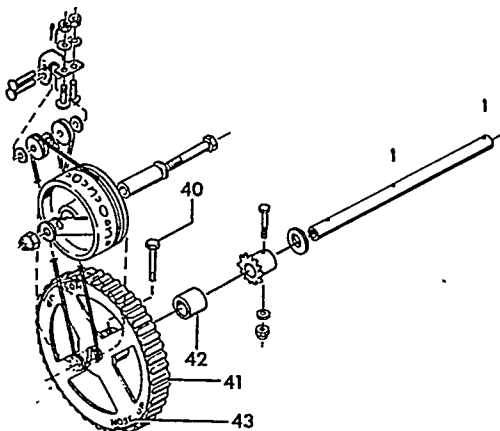
BEECHCRAFT  
 BONANZA 33  
 ILLUSTRATED PARTS CATALOG



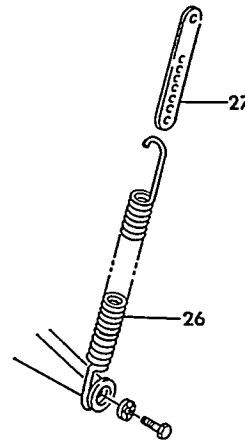
VIEW A



VIEW C



VIEW D



VIEW B

33-152A-32

B E E C H C R A F T  
B O N A N Z A 3 3  
I L L U S T R A T E D P A R T S C A T A L O G

FIG. & ITEM NO.	PART NO.	DESCRIPTION	UNITS PER ASSY	USABLE ON CODE
152A	002-524024-23	BELLCRANK ASSY,ELEVATOR . . . . . /ATTACHING PARTS/	1	1
- 24	130909B124	BOLT . . . . .	1	
	AN960-416	WASHER . . . . .	3	
	130909N48	NUT . . . . .	1	
	MS24665-132	PIN,COTTER . . . . .	1	
		-----*		
- 25	002-524024-25	BELLCRANK . . . . .	1	1
	105740X-XC0968	BUSHING . . . . .	1	1
	MS27641-4	BEARING . . . . .	2	1
	NAS43HT4-32	SPACER . . . . .	1	1
- 26 R	002-524027-1	SPRING,ELEVATOR DOWN TENSION . . . . .	2	1
- 27	33-524000-41	LINK,ELEVATOR DOWN SPRING . . . . .	2	1
- 28		DELETED . . . . .		
- 29	95-524017-8	TUBE,ELEVATOR CONTROL PUSH PULL . . . . . /ATTACHING PARTS/	2	1
		-----*		
- 30	AN6-25/M/	BOLT . . . . .	1	
	AN960-616	WASHER . . . . .	2	
	AN960-616L	WASHER . . . . .	2	
	MS17826-6	NUT . . . . .	2	
	MS24665-135	PIN,COTTER . . . . .	2	
		-----*		
- 31	HM6	END,ROD/ORDER 131881-6/ . . . . .	NP	6
	131881-6	END,ROD . . . . .	2	7
	AN960-616	WASHER . . . . .	2	1
	AN316-6R	NUT . . . . .	2	1
	33-524029	CABLE ASSY,ELEVATOR DOWN . . . . .	1	1
- 32	33-524029-1	CABLE,ELEVATOR DOWN . . . . .	1	1
- 33	MS20663C4	END,CABLE DOUBLE SHANK BALL . . . . .	1	1
- 34	MS21260L4RH	TERMINAL,CABLE STUD . . . . .	1	1
- 35	MS20667-4	TERMINAL,CABLE FORK END . . . . .	1	1
- 36	NAS304-34-1520	CABLE ASSY,ELEVATOR UP . . . . .	1	1
- 37	MS20392-1C35	PIN,ELEVATOR UP PULLEY GUARD . . . . .	2	1
- 38	535-521242-15	GUARD,ELEVATOR UP PULLEY . . . . .	2	1
	MS24665-132	PIN,COTTER . . . . .	1	1
- 39	535-521242-13	BOBWEIGHT,ELEVATOR UP CABLE . . . . . /ATTACHING PARTS/	2	1
		-----*		
	AN3-17A/M/	BOLT . . . . .	1	
	MS20365-1032	NUT . . . . .	1	
	AN515-8R28	SCREW . . . . .	2	
	MS20365-832	NUT . . . . .	2	
		-----*		
	35-524647-11	INDICATOR INSTL,ELEVATOR TAB POSITION . . . . .	NP	4
	36-524071-1	INDICATOR INSTL,ELEVATOR TAB POSITION . . . . .	NP	5
	35-524542-8	WHEEL ASSY,ELEVATOR TAB CONTROL . . . . . /ATTACHING PARTS/	1	1
		-----*		
- 40	AN3-16A/M/	BOLT . . . . .	1	
	AN960-10	WASHER . . . . .	1	
	MS20365-1032	NUT . . . . .	1	
		-----*		
	35-524647-10	WHEEL ASSY . . . . .	1	1
- 41	35-524542-6	WHEEL,ELEVATOR TAB CONTROL . . . . .	1	1
- 42	35-524543	BUSHING,ELEVATOR TAB CONTROL WHEEL . . . . .	1	4
	36-524071-15	BUSHING,ELEVATOR TAB CONTROL WHEEL . . . . .	1	5
- 43	35-524555	PLACARD,TAB CONTROL WHEEL DIRECTION . . . . .	1	1

BEECHCRAFT  
 BONANZA 33  
 ILLUSTRATED PARTS CATALOG

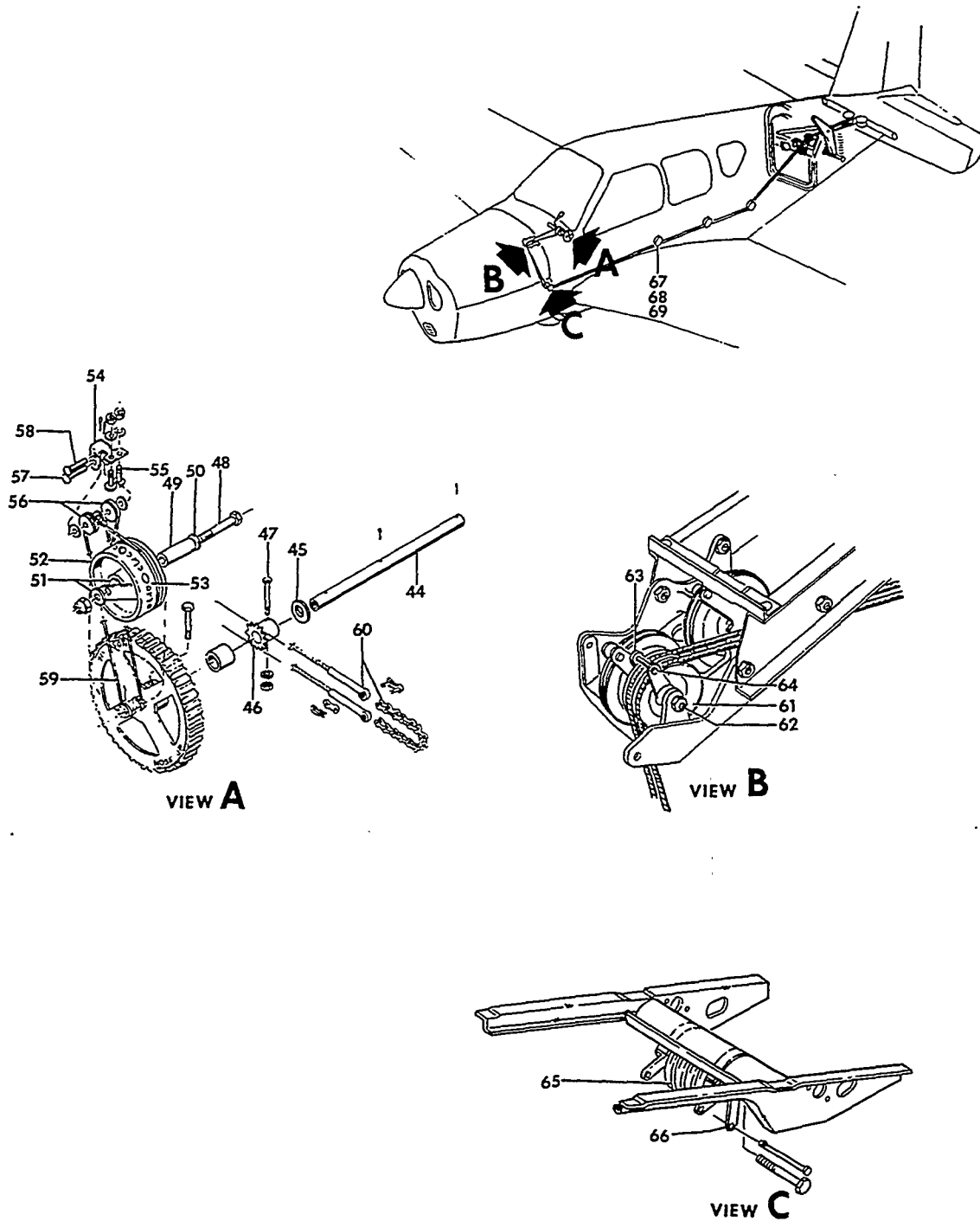
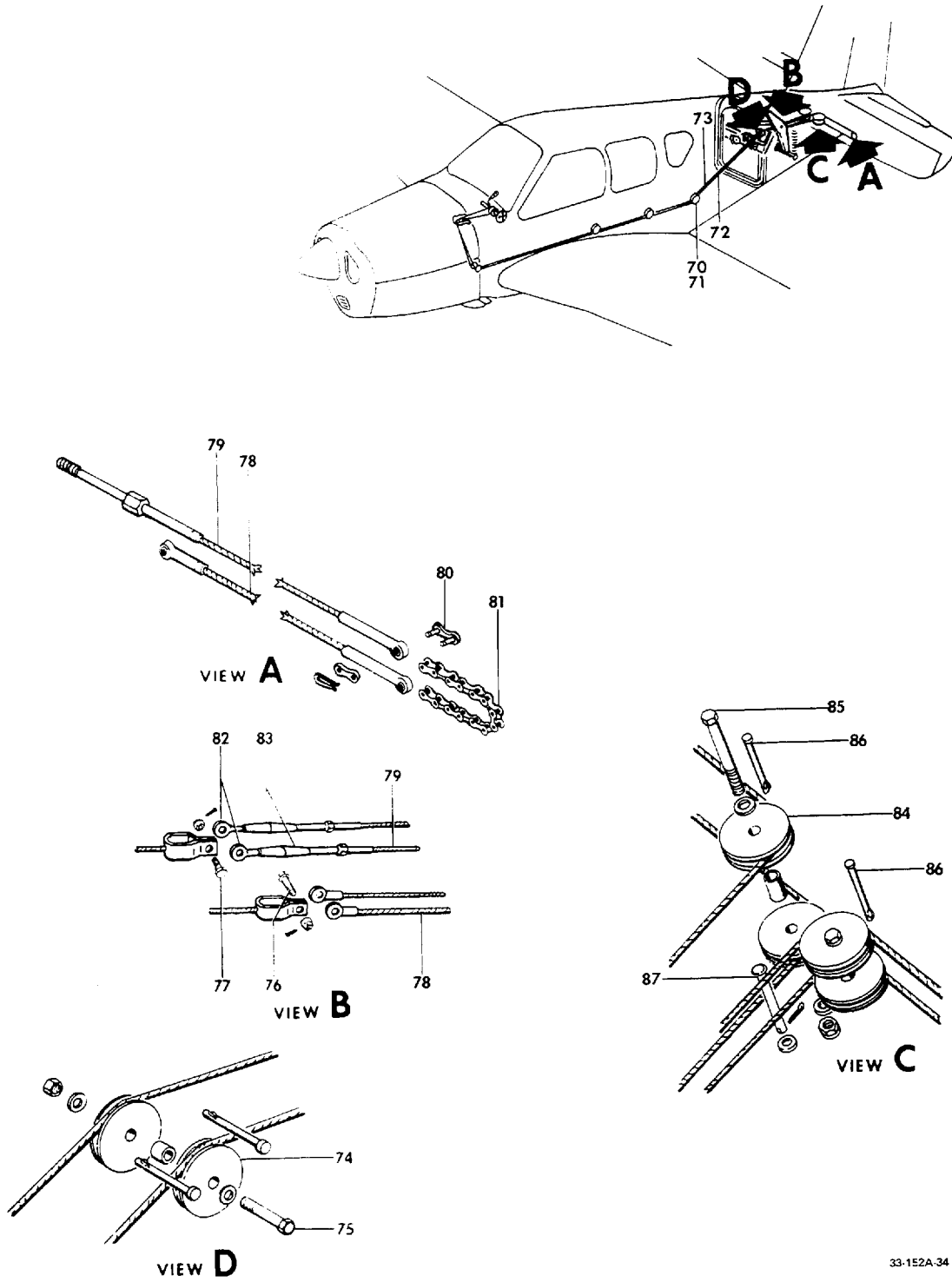


FIGURE 152A. ELEVATOR AND ELEVATOR TAB CONTROLS  
 /SHEET 3 OF 5 SHEETS/

B E E C H C R A F T  
B O N A N Z A 3 3  
I L L U S T R A T E D P A R T S C A T A L O G

FIG. & ITEM NO.	PART NO.	DESCRIPTION							UNITS PER ASSY	USABLE ON CODE
		1	2	3	4	5	6	7		
152A	36-524071-9	.	.	TUBE ASSY . . . . .					1	5
- 44	35-524647-7	.	.	TUBE ASSY,ELEVATOR TAB CONTROL. . . . .					1	4
	36-524071-11	.	.	TUBE ASSY,ELEVATOR TAB CONTROL. . . . .					1	5
				/ATTACHING PARTS/						
- 45	AN960-816L	.	.	WASHER. . . . .					2	
	MS24665-132	.	.	PIN,COTTER. . . . .					3	
				-----*						
- 46	33-524000-49	.	.	SPROCKET,ELEVATOR TAB CONTROL . . . . .					1	4
	95-524023-5	.	.	SPROCKET,ELEVATOR TAB CONTROL . . . . .					1	5
				/ATTACHING PARTS/						
- 47	AN3A/M/	.	.	BOLT. . . . .					1	4
	1309098172	.	.	BOLT. . . . .					1	5
	AN960-10L	.	.	WASHER. . . . .					1	
	MS20364-1032	.	.	NUT . . . . .					1	4
				-----*						
	MS21083N3	.	.	NUT . . . . .					1	5
	35-524546-9	.	.	DRUM ASSY,ELEVATOR TAB INDICATOR. . . . .					1	1
				/ATTACHING PARTS/						
- 48	AN3-12A/M/	.	.	BOLT. . . . .					1	
- 49	105739X-ZV0703	.	.	BUSHING . . . . .					1	
- 50	AN960-10L	.	.	WASHER. . . . .					1	
- 51	AN960-10	.	.	WASHER. . . . .					1	
	MS20365-1032	.	.	NUT . . . . .					1	
				-----*						
- 52	35-524547	.	.	DRUM,ELEVATOR TAB INDICATOR . . . . .					1	1
- 53	33-524021	.	.	PLACARD,ELEVATOR TAB INDICATOR. . . . .					1	1
	35-524546-2	.	.	PIN,ELEVATOR TAB INDICATOR. . . . .					1	1
- 54	35-524554	.	.	BRACKET,INDICATOR CABLE TENSION PULLEY. . .					1	1
				/ATTACHING PARTS/						
- 55	AN526-632-7	.	.	SCREW . . . . .					2	
	AN960-6	.	.	WASHER. . . . .					4	
	MS20365-632	.	.	NUT . . . . .					2	
				-----*						
- 56	35-524553	.	.	PULLEY,TAB INDICATOR CABLE TENSION IDLER. .					2	1
				/ATTACHING PARTS/						
- 57	AN392-15	.	.	PIN . . . . .					1	
	AN960-10	.	.	WASHER. . . . .					3	
	MS24665-132	.	.	PIN,COTTER. . . . .					1	
				-----*						
- 58	AN392-15	.	.	PIN . . . . .					1	1
	MS24665-132	.	.	PIN,COTTER. . . . .					1	1
- 59	35-524647-9	.	.	CABLE,INDICATOR ACTUATING . . . . .					1	1
	002-524028-23	.	.	CABLE ASSY,ELEVATOR TAB CONTROL . . . . .					1	3
- 60	002-524028-3	.	.	CABLE ASSY,ELEVATOR TAB CONTROL . . . . .					1	2
- 61 R	MS24566-2B	.	.	PULLEY,ELEVATOR TAB . . . . .					2	1
				/SUPERSEDES 118540BHP2/						
				/ATTACHING PARTS/						
- 62	AN3-23A/M/	.	.	BOLT. . . . .					1	
	105740X-ZF1094	.	.	BUSHING . . . . .					1	
	AN960-10	.	.	WASHER. . . . .					1	
	MS20365-1032	.	.	NUT . . . . .					1	
				-----*						
- 63	35-524248	.	.	PLATE,ELEVATOR TAB CONTROL PULLEY GUARD . .					2	1
- 64	MS20392-1C23	.	.	PIN . . . . .					1	1
	MS24665-132	.	.	PIN,COTTER. . . . .					1	1
- 65 R	MS24566-4B	.	.	PULLEY,ELEVATOR TAB/STA 59/ . . . . .					2	1
				/SUPERSEDES 118540BHP4/						
- 66	002-410017-15	.	.	GUARD,PULLEY. . . . .					2	1
- 67 R	MS24566-3B	.	.	PULLEY,ELEVATOR TAB/STA 120/. . . . .					2	1
				/SUPERSEDES 118540BHP3/						
				/ATTACHING PARTS/						
- 68	AN4-33A/M/	.	.	BOLT. . . . .					1	
	AN960-416	.	.	WASHER. . . . .					1	
	130909N32	.	.	NUT . . . . .					1	
				-----*						
	102933D52M1080	.	.	SPACER. . . . .					1	1
- 69	95-524000-19	.	.	PIN . . . . .					1	1
	MS24665-132	.	.	PIN,COTTER. . . . .					2	1

BEECHCRAFT  
 BONANZA 33  
 ILLUSTRATED PARTS CATALOG

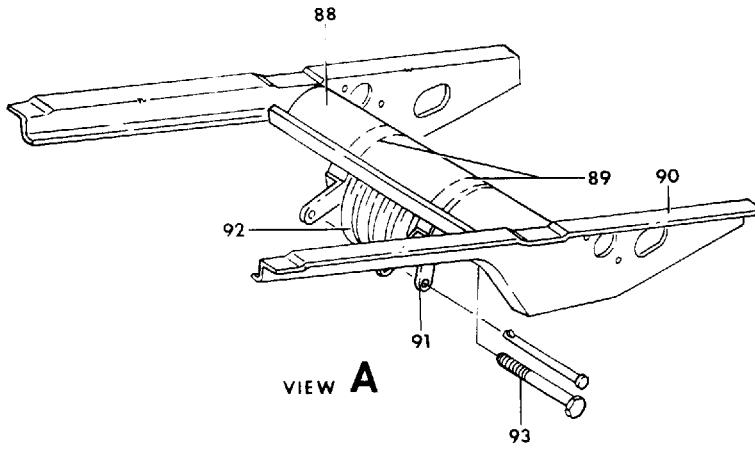
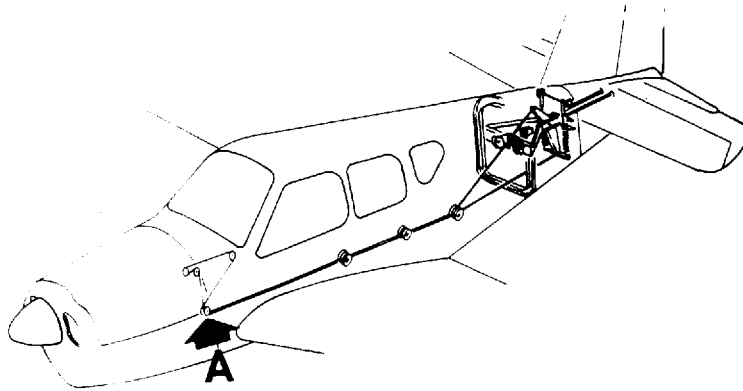


33-152A-34

BEECHCRAFT  
BONANZA 33  
ILLUSTRATED PARTS CATALOG

FIG. & ITEM NO.	PART NO.	DESCRIPTION	UNITS							USABLE ON CODE
			1	2	3	4	5	6	7	
- 70	R MS24566-3B	. PULLEY,ELEVATOR TAB/STA 180/. /SUPERSEDES 118540BHP3/ /ATTACHING PARTS/							2	1
- 71	AN4-44A/M/ 102933SSZR0968 102933SSZR0484 AN960-416 130909N32 MS24665-132	. BOLT. . SPACER. . SPACER. . WASHER. . NUT . PIN,COTTER.							1 1 2 1 1 2	
- 72	45-524624 AN960D516L MS20364-524	. STOP. . WASHER. . NUT							2 2 2	1 1 1
- 73	MS21251B5L MS21256-2 NAS312-37-0204 NAS312-37-0284 NAS312-37-0520	. BARREL,TURNBUCKLE . CLIP . CABLE ASSY,ELEVATOR TAB CONTROL . CABLE ASSY,ELEVATOR TAB CONTROL . CABLE ASSY,ELEVATOR TAB CONTROL							2 2 1 1 1	1 1 3 2 1
- 74	R MS24566-3B	. PULLEY,ELEVATOR TAB/STA 235/. /SUPERSEDES 118540BHP3/ /ATTACHING PARTS/							2	1
- 75	AN4-16A/M/ AN960-416 130909N32 NAS43HT4-50  36-524000-31 36-524000-29	. BOLT. . WASHER. . NUT . SPACER.  . CHAIN & CABLE ASSY,ELEVATOR TAB CONTROL LH. . CHAIN & CABLE ASSY,ELEVATOR TAB CONTROL RH.							2 2 2 2  1 1	
- 76	MS20392-2C11	. PIN							1	
- 77	MS20392-2C13 AN960-10L MS24665-132	. PIN . WASHER . PIN,COTTER.							1 2 2	
- 78	33-524000-13 33-524000-23	. CABLE,LH. . CABLE,RH.							1 1	1 1
- 79	33-524000-15 33-524000-25	. CABLE,LH. . CABLE,RH.							1 1	1 1
- 80	C4189	. LINK ASSY							2	1
- 81	45-526011-7	. CHAIN							2	1
- 82	MS21254-2RS	. EYE,TURNBUCKLE.							2	1
- 83	MS21251B2S MS21256-1	. BARREL,TURNBUCKLE . CLIP							2 2	1 1
- 84	R MS24566-1B	. PULLEY,ELEVATOR TAB/STA 255/. /SUPERSEDES 118540BHP1/ /ATTACHING PARTS/							4	1
- 85	AN3-13A/M/ 105739S-ZT0500 AN960-10 MS20365-1032	. BOLT. . BUSHING . WASHER . NUT							2 2 2 2	
- 86	NAS427K21	. PIN							2	1
- 87	MS20392-3C45 AN960-416 MS24665-132	. PIN . WASHER . PIN,COTTER.							1 1 1	1 1 1

BEECHCRAFT  
BONANZA 33  
ILLUSTRATED PARTS CATALOG



33-152A-35

B E E C H C R A F T  
B O N A N Z A 3 3  
I L L U S T R A T E D P A R T S C A T A L O G

FIG. & ITEM NO.	PART NO.	DESCRIPTION							UNITS PER ASSY	USABLE ON CODE
		1	2	3	4	5	6	7		
152A	35-524126	BRACKET,ELEV AND ELEV TAB PULLEY/STA 50/ . . . .							1	1
	002-410017-5	BRACKET ASSY,ELEV AND ELEV TAB PULLEY/STA 59/ .							1	1
- 88	002-410017-7	. SUPPORT . . . . .							1	1
- 89	002-410017-9	. SUPPORT . . . . .							2	1
- 90	002-410017-11	. ANGLE . . . . .							1	1
	002-410017-12	. ANGLE . . . . .							1	1
- 91	002-410017-15	. GUARD . . . . .							2	1
- 92	R MS24566-4B	. PULLEY/SUPERSEDES 118540BHP4/ . . . . .							4	1
		/ATTACHING PARTS/								
- 93	AN4-24A/M/	. BOLT. . . . .							1	
	AN960-416	. WASHER. . . . .							2	
	130909N32	. NUT . . . . .							1	
		-----*								
	MS20392-1C67	. PIN . . . . .							2	1
	MS24665-132	. PIN,COTTER. . . . .							2	1
	35-324386-99	BRACKET,ELEVATOR PULLEY/STA 68/ . . . . .							1	1
	002-430032-1	BRACKET,ELEV AND ELEV TAB PULLEY/STA. 120/ . . . .							1	1
	002-440010-11	BRACKET,ELEV AND ELEV TAB PULLEY/STA 180/ . . . .							1	1
	002-440010-13	BRACKET,ELEV AND ELEV TAB PULLEY/STA 180/ . . . .							1	1
	002-440010-15	BRACKET,ELEV AND ELEV TAB PULLEY/STA 180/ . . . .							1	1
	002-440010-17	BRACKET,ELEV AND ELEV TAB PULLEY/STA 180/ . . . .							1	1
	002-440025-13	BRACKET,ELEVATOR TAB PULLEY/STA 235/ . . . . .							1	1
	002-440023-43	BRACKET,ELEVATOR TAB PULLEY/STA 255/ . . . . .							1	1

C O D E S O F E F F E C T I V I T Y

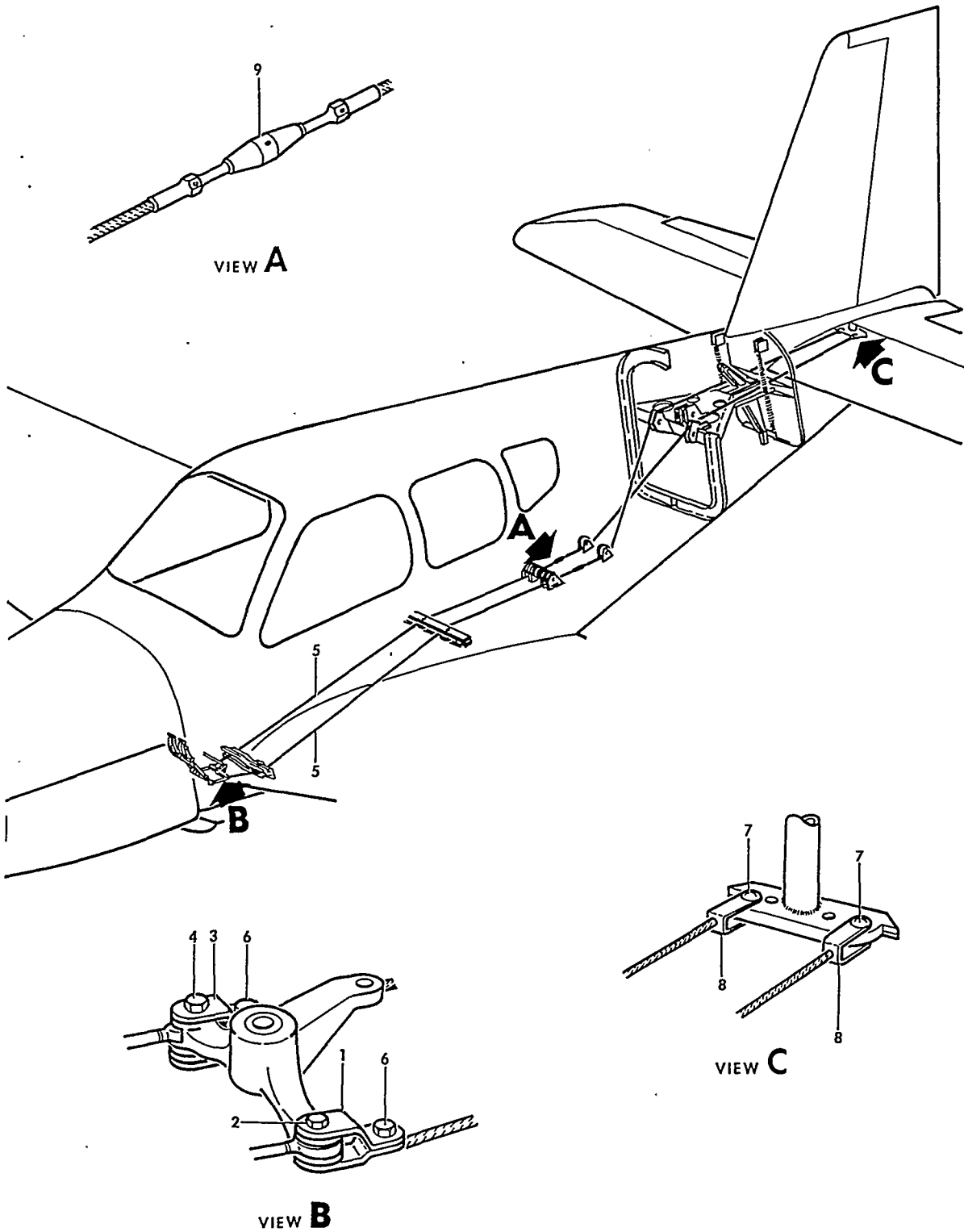
- |   |                   |   |                     |
|---|-------------------|---|---------------------|
| 1 | CE-511 AND AFTER  | 2 | CE-511 THRU CE-677  |
| 3 | CE-678 AND AFTER  | 4 | CE-511 THRU CE-959  |
| 5 | CE-960 AND AFTER  | 6 | CE-511 THRU CE-1023 |
| 7 | CE-1024 AND AFTER |   |                     |



B E E C H C R A F T  
B O N A N Z A 3 3  
I L L U S T R A T E D P A R T S C A T A L O G

FIGURE 153  
RUDDER CONTROLS  
CD-1235 THRU CD-1304  
CE-290 THRU CE-315  
CJ-26 AND AFTER

BEECHCRAFT  
BONANZA 33  
ILLUSTRATED PARTS CATALOG

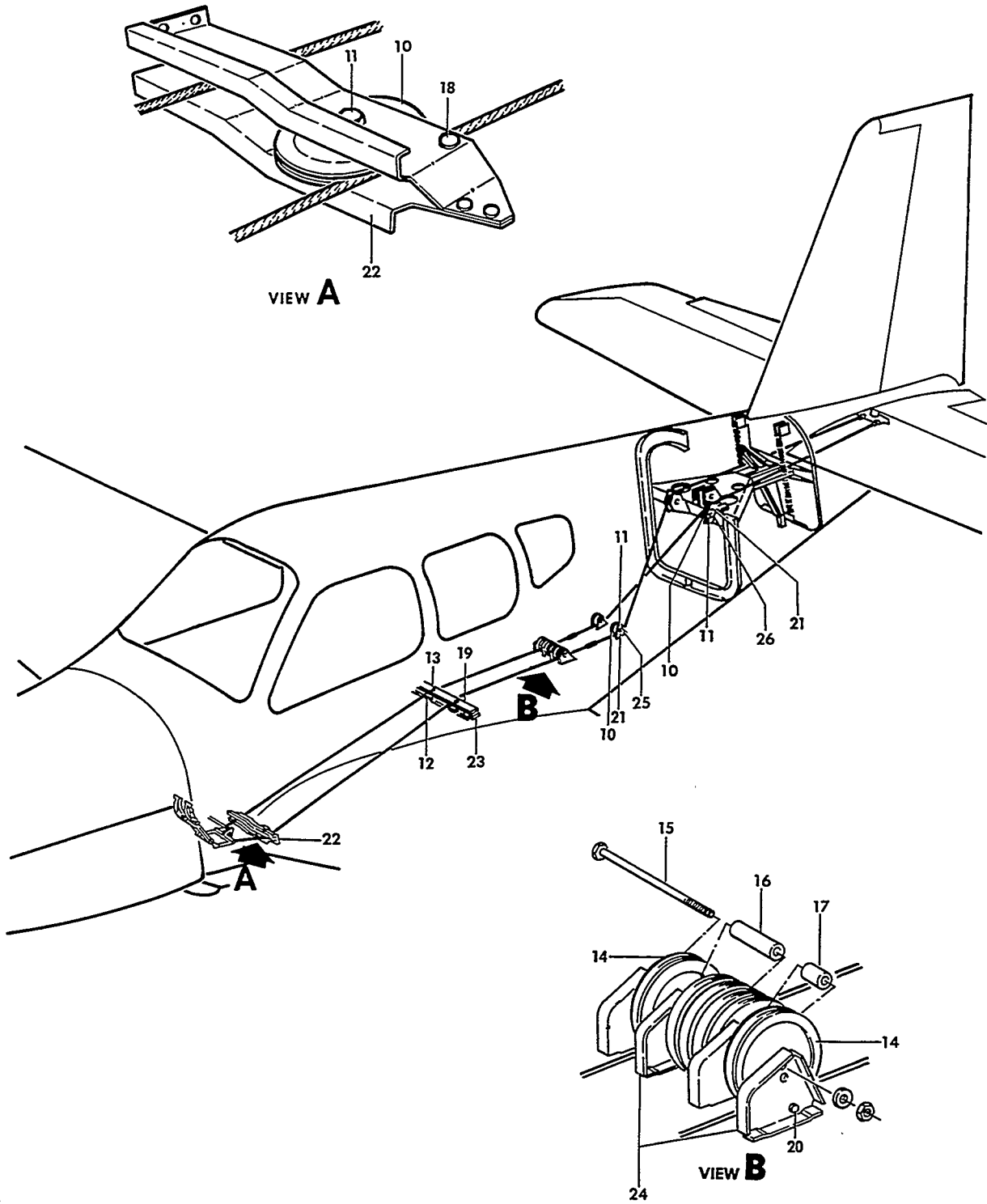


33 1533

B E E C H C R A F T  
B O N A N Z A 3 3  
I L L U S T R A T E D P A R T S C A T A L O G

FIG. & ITEM NO.	PART NO.	DESCRIPTION							UNITS PER ASSY	USABLE ON CODE
		1	2	3	4	5	6	7		
153	33-524001	CONTROL INSTL,FUSELAGE FLIGHT . . . . .							NP	1
	33-524001-11	CONTROL INSTL,FUSELAGE FLIGHT . . . . .							NP	2
	33-524001-15	CONTROL INSTL,FUSELAGE FLIGHT . . . . .							NP	4
	R 33-524012	. PEDAL INSTL,RUDDER /SINGLE/ . . . . .							NP	9
		/SEE FIG.154/								
	002-524010-3	. PEDAL ASSY,RUDDER/SINGLE/ . . . . .							1	6
		/SEE FIG.154A/								
- 1	33-524000-1	. LINK,RUDDER CONTROL CABLE . . . . .							2	5
		/ATTACHING PARTS/								
- 2	AN23-20A/M/	. BOLT,CLEVIS . . . . .							1	
	AN960-10	. WASHER. . . . .							1	
	130909N45	. NUT . . . . .							1	
	MS24665-132	. PIN,COTTER. . . . .							1	
		-----*								
- 3	33-524000-33	. LINK,RUDDER CONTROL CABLE . . . . .							1	5
	33-524000-35	. LINK,RUDDER CONTROL CABLE . . . . .							1	5
	33-524000-37	. LINK,RUDDER CONTROL CABLE . . . . .							1	5
		/ATTACHING PARTS/								
- 4	33-524000-57	. BOLT,CLEVIS . . . . .							1	
		-----*								
- 5	R NAS304-35-1325	. CABLE ASSY,RUDDER CONTROL FWD . . . . .							2	5
		/ATTACHING PARTS/								
- 6	AN3-5A/M/	. BOLT. . . . .							1	
	AN960-10	. WASHER. . . . .							1	
	MS21044N3	. NUT . . . . .							1	5
		-----*								
	33-524027	. BUSHING . . . . .							1	5
	33-524000-31	. CABLE ASSY,RUDDER CONTROL AFT . . . . .							2	3
	33-524000-67	. CABLE ASSY,RUDDER CONTROL AFT . . . . .							2	4
		/ATTACHING PARTS/								
- 7	AN23-13/M/	. BOLT. . . . .							1	
	AN960-10L	. WASHER. . . . .							1	
	130909N6	. NUT . . . . .							1	
	MS24665-132	. PIN,COTTER. . . . .							1	
		-----*								
- 8	33-524000-27	. . CLEVIS,RUDDER CONTROL AFT CABLE . . . . .							2	5
- 9	AN155-32L	. BARREL. . . . .							2	5

BEECHCRAFT  
 BONANZA 33  
 ILLUSTRATED PARTS CATALOG



33-153-10

B E E C H C R A F T  
B O N A N Z A 3 3  
I L L U S T R A T E D P A R T S C A T A L O G

FIG. & ITEM NO.	PART NO.	DESCRIPTION	UNITS PER ASSY	USABLE ON CODE
- 10	R MS24566-4B	. PULLEY, RUDDER CONTROL CABLE . . . . . /STA 68, STA 210 AND STA 233/ /SUPERSEDES 118540BHP4/ /ATTACHING PARTS/	1	5
- 11	AN4-10A/M/ AN960-416 MS20365-428	. BOLT. . . . . . WASHER. . . . . . NUT . . . . .	1 1 1	
-----x-----				
- 12	R MS24566-4B	. PULLEY/SUPERSEDES 118540BHP4/ . . . . . /ATTACHING PARTS/	2	5
- 13	AN4-10A/M/ AN960-416 MS20365-428	. BOLT. . . . . . WASHER. . . . . . NUT . . . . .	1 1 1	
-----x-----				
- 14	R MS24566-3B	. PULLEY/SUPERSEDES 118540BPH3/ . . . . . /ATTACHING PARTS/	2	5
- 15	AN4-54A/M/	. BOLT. . . . .	1	
- 16	105739S-XU1484	. BUSHING . . . . .	1	
- 17	105739S-XU0484 AN960-416 MS20365-428	. BUSHING . . . . . . WASHER. . . . . . NUT . . . . .	1 1 1	
-----x-----				
- 18	R AN392-19	. PIN, CABLE GUARD . . . . .	2	5
- 19	R AN392-23	. PIN, CABLE GUARD . . . . .	8	5
- 20	35-524003 MS24665-132	. PIN, CABLE GUARD . . . . . . PIN, COTTER. . . . .	1 1	5 5
- 21	NAS427K11	. PIN, CABLE GUARD . . . . .	4	5
- 22	35-415373-20	BRACKET, RUDDER PULLEY/STA 68/ . . . . .	1	5
- 23	002-430032-5 35-410158-16	BRACKET, RUDDER PULLEY/STA 118/. . . . . BRACKET, RUDDER PULLEY/STA 118/. . . . .	1 1	8 7
- 24	35-410015 35-410015-1	BRACKET, RUDDER PULLEY/STA 151/. . . . . BRACKET, RUDDER PULLEY/STA 151/. . . . .	2 2	5 5
- 25	33-410031-135 33-410031-137	BRACKET, RUDDER PULLEY LH/STA 207/ . . . . . BRACKET, RUDDER PULLEY RH/STA 207/ . . . . .	1 1	5 5
- 26	33-440036	BRACKET, RUDDER PULLEY/STA 233/ . . . . .	1	5

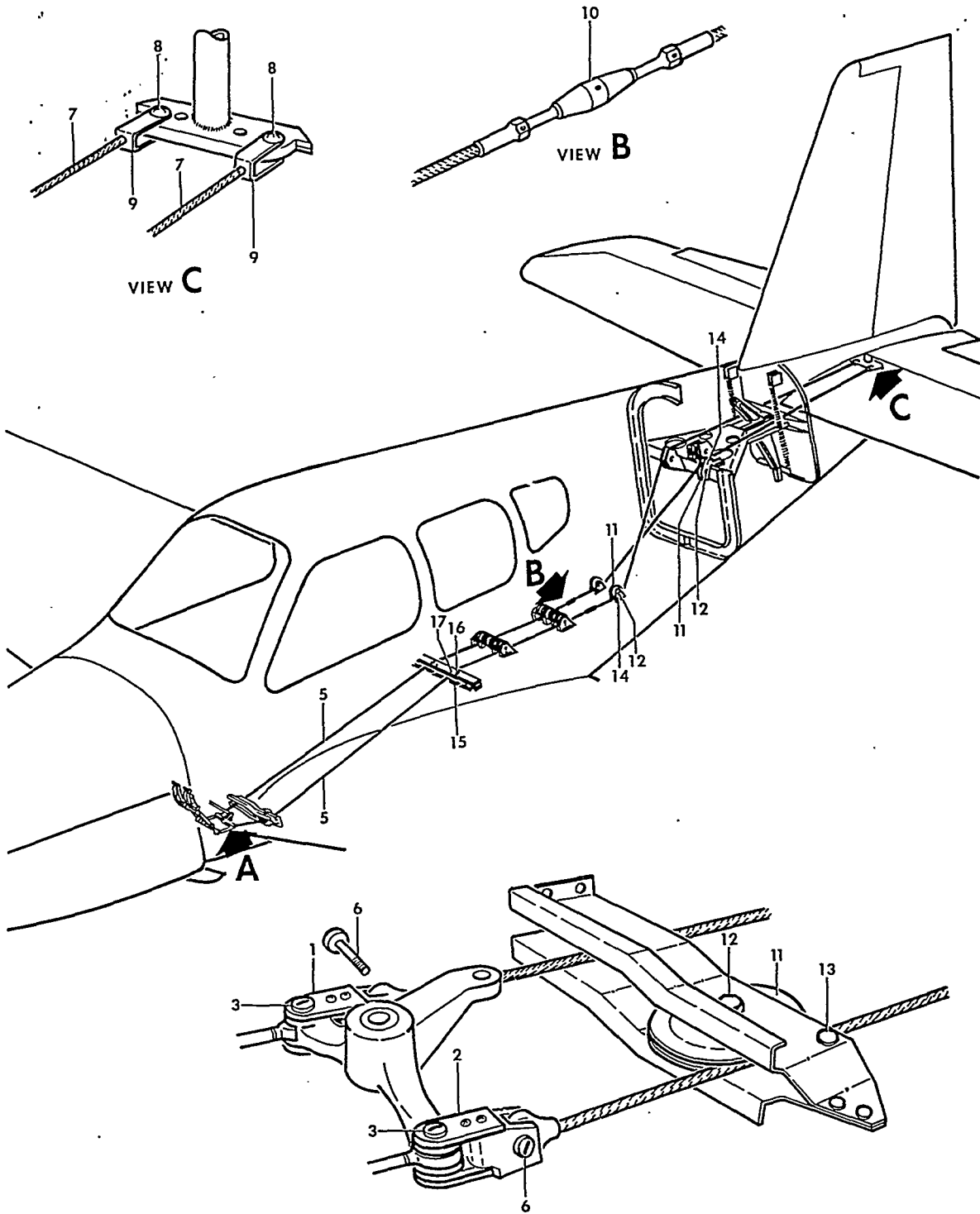
C O D E S O F E F F E C T I V I T Y

- |   |  |   |  |
|---|--|---|--|
| 1 | CD-1235 THRU CD-1254   | 2 | CD-1255 THRU CD-1304<br>CE-290 THRU CE-315 |
| 3 | CD-1235 THRU CD-1304<br>CE-290 THRU CE-315                     | 4 | CJ-26 AND AFTER                            |
| 5 | CD-1235 THRU CD-1304<br>CE-290 THRU CE-315,<br>CJ-26 AND AFTER | 6 | CJ-40 AND AFTER                            |
| 7 | CD-1235 THRU CD-1304<br>CE-290 THRU CE-315<br>CJ-26 THRU CJ-30 | 8 | CJ-31 AND AFTER                            |
| 9 | CD-1235 THRU CE-1304<br>CE-290 THRU CE-315<br>CJ-26 THRU CJ-39 |   |  |

BEECHCRAFT  
BONANZA 33  
ILLUSTRATED PARTS CATALOG

FIGURE 153A  
RUDDER CONTROLS  
CE-316 THRU CE-510

BEECHCRAFT  
 BONANZA 33  
 ILLUSTRATED PARTS CATALOG



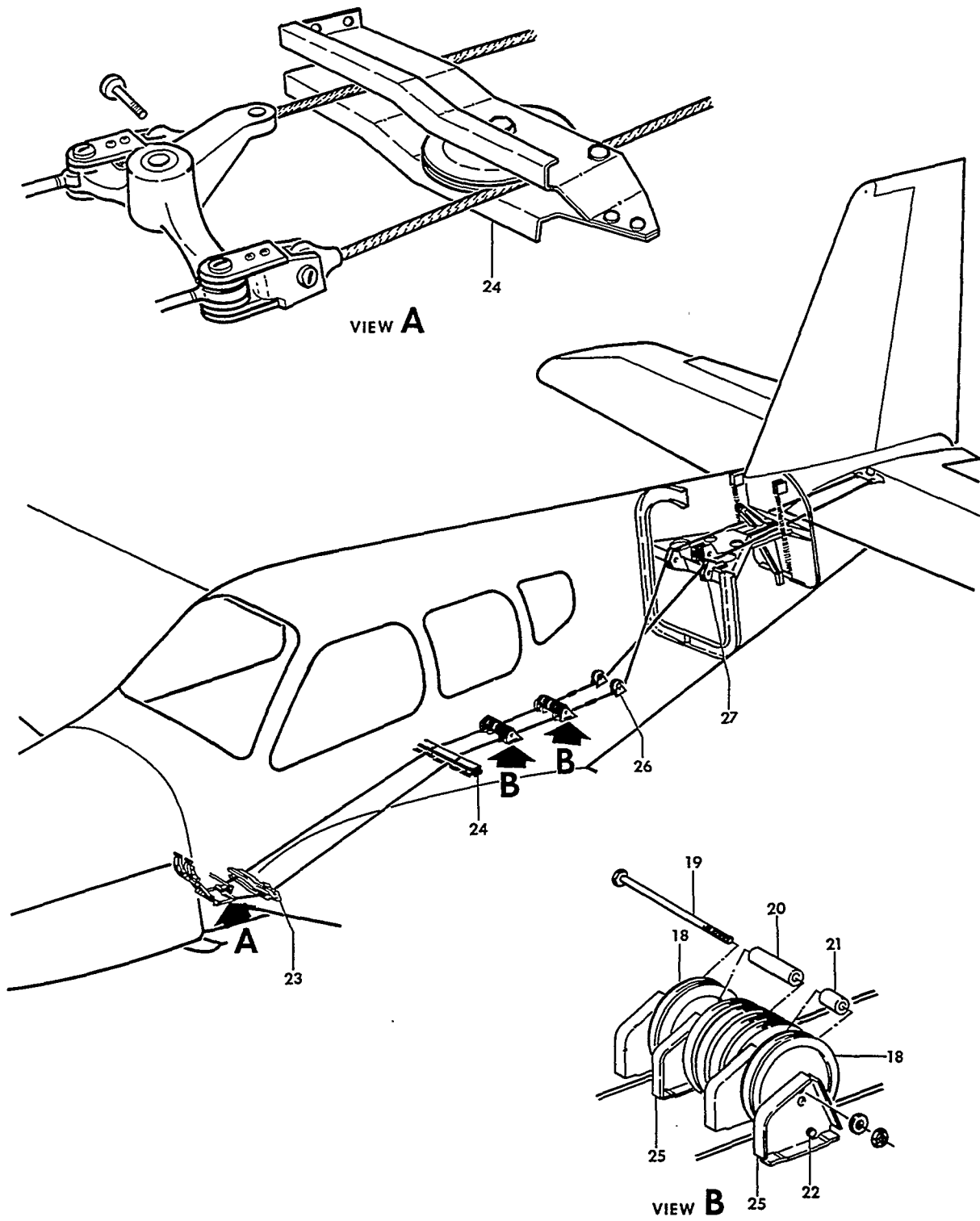
33-153-1

BEECHCRAFT  
BONANZA 33  
ILLUSTRATED PARTS CATALOG

FIG. & ITEM NO.	PART NO.	DESCRIPTION	UNITS							USABLE ON CODE		
			1	2	3	4	5	6	7		PER ASSY	
153A	33-524002	CONTROL INSTL,FUSELAGE FLIGHT . . . . .								NP	1	
	33-524012	. PEDAL INSTL,RUDDER /SINGLE/ . . . . . /SEE FIG.154/								NP	2	
	33-524013	. PEDAL INSTL,RUDDER /DUAL/ . . . . . /SEE FIG.154/								NP	2	
		002-524010-3	. PEDAL ASSY,RUDDER/SINGLE/ . . . . . /SEE FIG.154A/								1	3
		002-524010-5	. PEDAL ASSY,RUDDER/DUAL/ . . . . . /SEE FIG.154A/								1	3
		36-524017	. LINK ASSY,RUDDER CONTROL CABLE. . . . .								1	2
	- 1	002-410041-1	. LINK ASSY,RUDDER CONTROL CABLE. . . . .								1	3
		36-524016	. LINK ASSY,RUDDER CONTROL CABLE. . . . .								1	2
	- 2	002-410041-3	. LINK ASSY,RUDDER CONTROL CABLE. . . . . /ATTACHING PARTS/								1	3
		AN23-20	. BOLT,CLEVIS . . . . .								1	
	- 3	33-524000-57	. BOLT,CLEVIS . . . . .								1	2
		AN960-10	. WASHER. . . . .								2	
		130909N15	. NUT . . . . .								1	4
		130909N45	. NUT . . . . .								1	5
		MS24665-132	. PIN,COTTER. . . . .								1	
			-----*									
	- 4		. DELETED . . . . .									
	- 5	NAS304-35-1321	. CABLE ASSY,RUDDER CONTROL FWD . . . . . /ATTACHING PARTS/								2	1
		AN23-14/M/	. BOLT. . . . .								1	
	- 6	AN960-10	. WASHER. . . . .								1	
		130909N15	. NUT . . . . .								1	4
		130909N45	. NUT . . . . .								1	5
		MS24665-132	. PIN,COTTER. . . . .								1	
			-----*									
	- 7	33-524000-31	. CABLE ASSY,RUDDER CONTROL AFT . . . . . /ATTACHING PARTS/								2	1
		AN23-13/M/	. BOLT. . . . .								1	
	- 8	AN960-10L	. WASHER. . . . .								1	
		130909N15	. NUT . . . . .								1	
		MS24665-132	. PIN,COTTER. . . . .								1	
			-----*									
	- 9	33-524000-27	. CLEVIS,RUDDER CONTROL AFT CABLE . . . . .								2	1
	- 10	MS21251B5L	. TURNBUCKLE,BARREL . . . . .								2	1
		MS21256-2	. CLIP. . . . .								1	1
- 11	R MS24566-4B	. PULLY,RUDDER CONTROL CABLE. . . . . /SUPERSEDES 118540BHP4/ /ATTACHING PARTS/								1	1	
	AN4-10A/M/	. BOLT. . . . .								1		
- 12	AN960-416	. WASHER. . . . .								1		
	MS20365-428	. NUT . . . . .								1		
		-----*										
- 13	MS20392-1C19	. PIN,CABLE GUARD . . . . .								1	1	
	MS24665-132	. PIN,COTTER. . . . .								1	1	
- 14	NAS427K11	. PIN,CABLE GUARD . . . . .								1	1	
- 15	R MS24566-4B	. PULLEY/SUPERSEDES 118540BHP4/ . . . . . /ATTACHING PARTS/								2	1	
	AN4-10A/M/	. BOLT. . . . .								2		
- 16	AN960-416	. WASHER. . . . .								1		
	MS20365-428	. NUT . . . . .								1		
		-----*										
- 17	MS20392-1C23	. PIN,PULLEY GUARD. . . . .								2	1	
	MS24665-132	. PIN,COTTER. . . . .								2	1	
		. BUSHING,PULLEY. . . . .								1		
	130001BB2	-----*										



BEECHCRAFT  
 BONANZA 33  
 ILLUSTRATED PARTS CATALOG



33-153-15

BEECHCRAFT  
BONANZA 33  
ILLUSTRATED PARTS CATALOG

FIG. & ITEM NO.	PART NO.	DESCRIPTION							UNITS PER ASSY	USABLE ON CODE	
		1	2	3	4	5	6	7			
- 18	R MS24566-3B	.	P	P					2	1	
	R MS24566-4B	.	P	P					2	1	
			/SUPERSEDES 118540BHP4/ /ATTACHING PARTS/								
- 19	AN4-54A/M/	.	B	C	L	T	.	.	1		
- 20	105739S-XU1484	.	B						1		
- 21	105739S-XU0484	.	B						1		
	AN960-416	.	W						1		
	MS20365-428	.	N						1		
		-----*-----									
- 22	35-524003	.	P	I	N	,	C	A	B	1	
	MS24665-132	.	P	I	N	,	C	O	T	2	
- 23	35-415373-20		B	R	A	C	K	E	T	1	
- 24	002-430032-5		B	R	A	C	K	E	T	1	
- 25	35-410015		B	R	A	C	K	E	T	2	
	35-410015-1		B	R	A	C	K	E	T	2	
- 26	33-410031-135		B	R	A	C	K	E	T	1	
	33-410031-135		B	R	A	C	K	E	T	1	
- 27	002-440025-17		B	R	A	C	K	E	T	2	

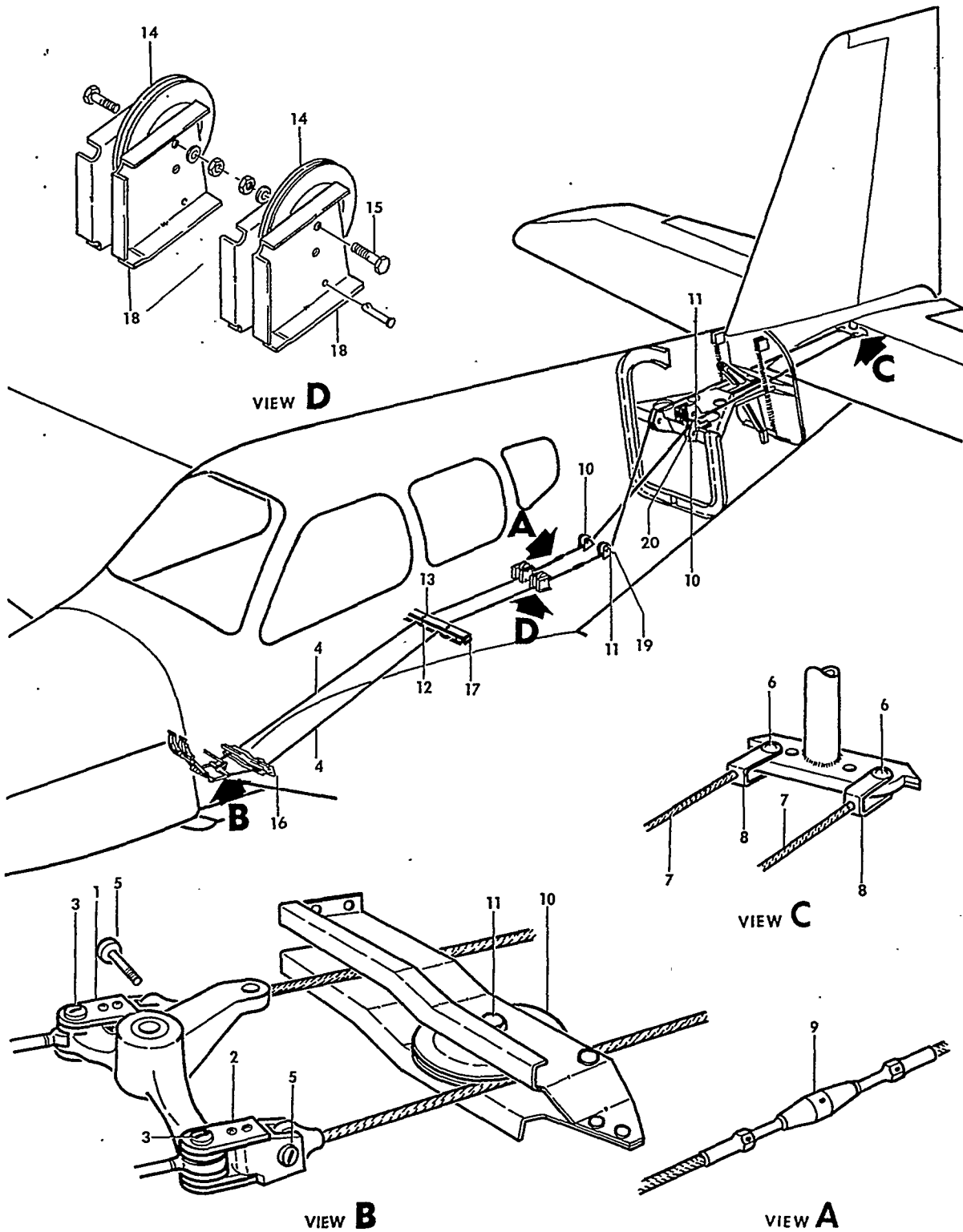
CODES OF EFFECTIVITY

1	CE-316 THRU CE-510	2	CE-316 THRU CE-417 CE-419 THRU CE-435
3	CE-418, CE-436 THRU CE-510	4	CE-316 THRU CE-387
5	CE-388 THRU CE-510		

BEECHCRAFT  
BONANZA 33  
ILLUSTRATED PARTS CATALOG

FIGURE 153B  
RUDDER CONTROLS  
CE-511 AND AFTER

BEECHCRAFT  
 BONANZA 33  
 ILLUSTRATED PARTS CATALOG



33-1538-11

FIGURE 153B. RUDDER CONTROLS

B E E C H C R A F T  
B O N A N Z A 3 3  
I L L U S T R A T E D P A R T S C A T A L O G

FIG. & ITEM NO.	PART NO.	DESCRIPTION	UNITS	USABLE
			PER ASSY	ON CODE
153B	002-524000-9	CONTROL INSTL,FUSELAGE FLIGHT . . . . .	NP	1
	002-524010-3	. PEDAL ASSY,RUDDER/LH/SEE FIG.154A/. . . . .	1	1
	002-524010-5	. PEDAL ASSY,RUDDER/RH/SEE FIG.154A/. . . . .	1	1
- 1	002-410041-1	. LINK ASSY,RUDDER CONTROL CABLE. . . . .	1	1
- 2	002-410041-3	. LINK ASSY,RUDDER CONTROL CABLE. . . . .	1	1
		/ATTACHING PARTS/		
- 3	AN23-20	. BOLT. . . . .	1	
	AN960-10	. WASHER. . . . .	1	
	130909N45	. NUT . . . . .	1	
	MS24665-132	. PIN,COTTER. . . . .	1	
		-----*		
	002-410041-7	. . LINK. . . . .	1	1
	002-410041-5	. . LINK. . . . .	1	1
	002-410041-9	. . STRAP . . . . .	2	1
- 4	002-524000-21	. CABLE ASSY,RUDDER CONTROL FWD . . . . .	1	1
		/ATTACHING PARTS/		
- 5	AN23-14/M/	. BOLT. . . . .	1	
	AN960-10	. WASHER. . . . .	1	
	130909N45	. NUT . . . . .	1	
	MS24665-132	. PIN,COTTER. . . . .	1	
		-----*		
	002-524000-23	. CABLE ASSY,RUDDER CONTROL AFT . . . . .	2	1
		/ATTACHING PARTS/		
- 6	AN23-13/M/	. BOLT. . . . .	2	
	AN960-10L	. WASHER. . . . .	2	
	130909N6	. NUT . . . . .	2	
	MS24665-132	. PIN,COTTER. . . . .	2	
		-----*		
- 7	002-524000-25	. . CABLE . . . . .	2	1
- 8	33-524000-27	. . CLEVIS,RUDDER CONTROL AFT CABLE . . . . .	2	1
- 9	MS21251B5L	. TURNBUCKLE,BARREL . . . . .	2	1
	MS21256-2	. CLIP. . . . .	2	1
- 10	R MS24566-4B	. PULLEY,RUDDER CONTROL CABLE . . . . .	5	1
		/STA 68,STA 175 AND STA 233/ /SUPERSEDES 118540BHP4/ /ATTACHING PARTS/		
- 11	AN4-10A/M/	. BOLT. . . . .	1	
	AN960-416	. WASHER. . . . .	3	
	130909N32	. NUT . . . . .	1	
	NAS427K11	. PIN . . . . .	1	
	MS24665-132	. PIN,COTTER. . . . .	3	
		-----*		
- 12	R MS24566-4B	. PULLEY/SUPERSEDES 118540BHP4/ . . . . .	2	1
		/ATTACHING PARTS/		
- 13	AN4-10A/M/	. BOLT. . . . .	1	
	AN960-416	. WASHER. . . . .	1	
	MS20365-428	. NUT . . . . .	1	
		-----*		
- 14	R MS24566-3B	. PULLEY/SUPERSEDES 118540BHP3/ . . . . .	2	1
		/ATTACHING PARTS/		
- 15	AN4-10A/M/	. BOLT. . . . .	2	
	AN960-416	. WASHER. . . . .	4	
	MS20365-428	. NUT . . . . .	2	
		-----*		
- 16	35-415373-20	BRACKET,RUDDER PULLEY/STA 68/ . . . . .	1	1
- 17	002-430032-5	BRACKET,RUDDER PULLEY/STA 118/. . . . .	1	1
- 18	002-440010-89	BRACKET,RUDDER PULLEY LH/STA 151/ . . . . .	2	1
	002-440010-90	BRACKET,RUDDER PULLEY RH/STA 151/ . . . . .	2	1
	002-440010-19	BRACKET,RUDDER PULLEY RH/STA 175/ . . . . .	1	1
- 19	002-440010-21	BRACKET,RUDDER PULLEY LH/STA 175/ . . . . .	1	1
- 20	002-440025-17	BRACKET,RUDDER PULLEY/STA 233/. . . . .	1	1

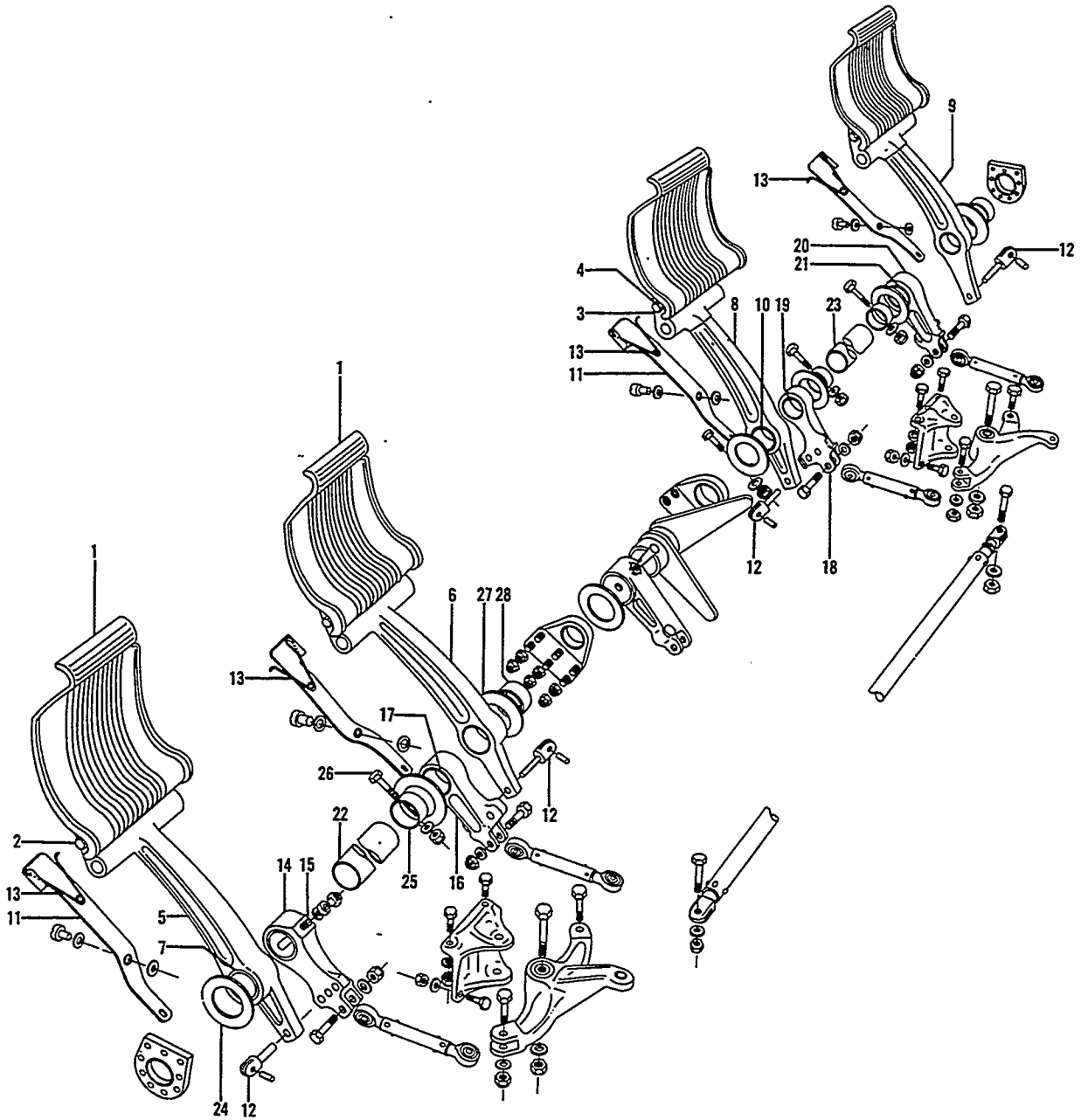
C O D E S O F E F F E C T I V I T Y

1 CE-511 AND AFTER

BEECHCRAFT  
BONANZA 33  
ILLUSTRATED PARTS CATALOG

FIGURE 154  
RUDDER PEDALS AND LINKAGE  
CD-1235 THRU CD-1304  
CE-290 THRU CE-417  
CE-419 THRU CE-435  
CJ-26 THRU CJ-39

BEECHCRAFT  
BONANZA 33  
ILLUSTRATED PARTS CATALOG



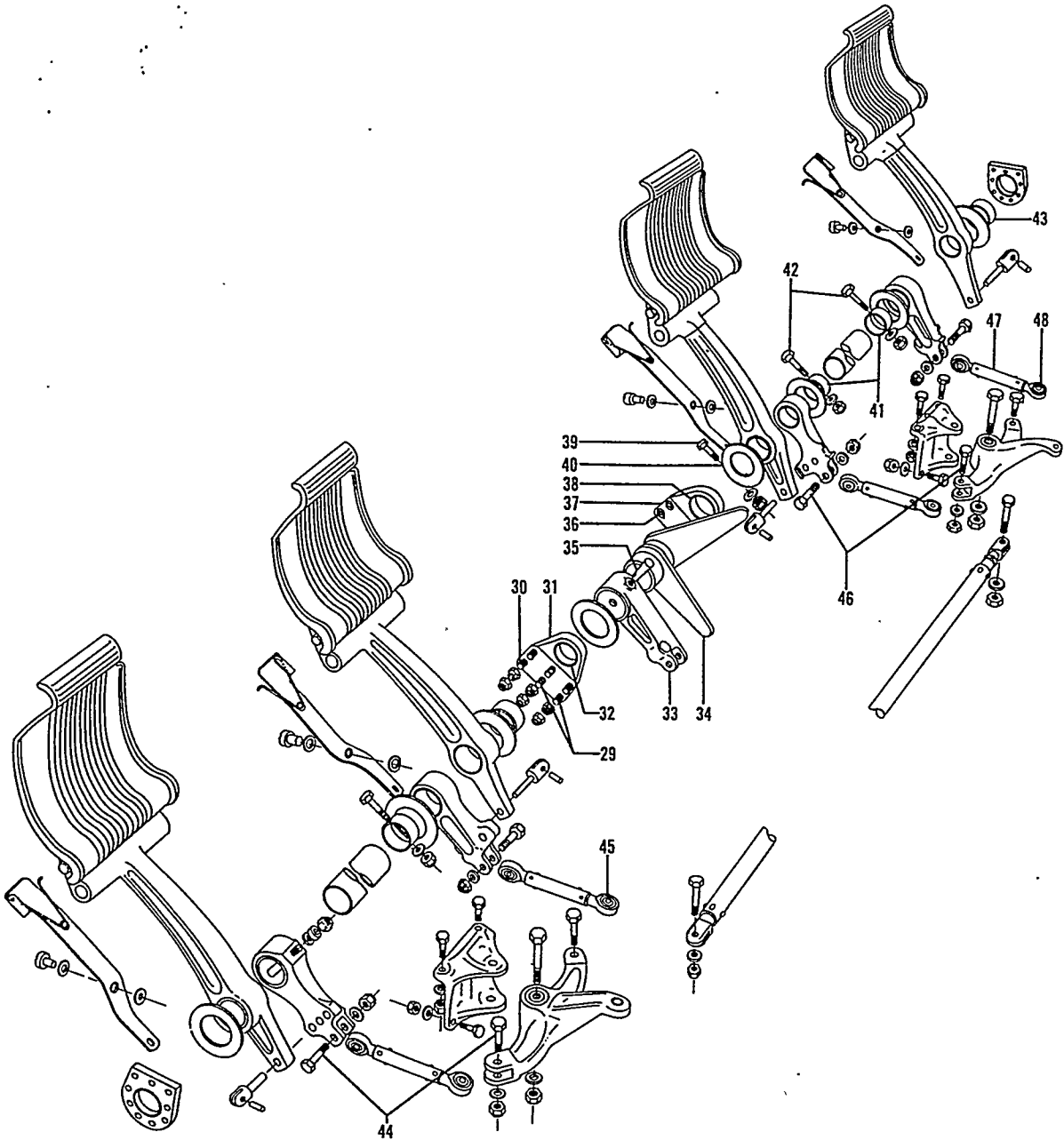
33-154-1

B E E C H C R A F T  
B O N A N Z A 3 3  
I L L U S T R A T E D P A R T S C A T A L O G

FIG. & ITEM NO.	PART NO.	DESCRIPTION	UNITS PER ASSY	USABLE ON CODE
		1 2 3 4 5 6 7		
154	33-524012	PEDAL INSTL, RUDDER /SINGLE/ . . . . .	NP	1
	33-524013	PEDAL INSTL, RH RUDDER /DUAL/ . . . . .	NP	1
- 1	35-524011	• PEDAL, RUDDER LH . . . . . /ATTACHING PARTS/	2	1
- 2	AN3-10/M/ AN960-10 130909N6 MS24665-132	• BOLT . . . . . • WASHER . . . . . • NUT . . . . . • PIN, COTTER . . . . .	2 2 2 2	
- 3	35-524641	• CAP, RUDDER PEDAL RH /DUAL/ . . . . . /ATTACHING PARTS/	2	1
- 4	AN3-44A 22K1-02	• BOLT . . . . . • NUT . . . . .	1 1	
	50-524326-1	• ARM ASSY, PILOTS RUDDER PEDAL LH . . . . .	1	1
	50-524326-2	• ARM ASSY, PILOTS RUDDER PEDAL RH . . . . .	1	1
- 5	50-524326-3	• ARM, RUDDER PEDAL LH . . . . .	1	1
- 6	50-524326-4	• ARM, RUDDER PEDAL RH . . . . .	1	1
- 7	A1170-2	• BEARING . . . . .	2	1
	50-524326-1	• ARM ASSY, COPILOTS RUDDER PEDAL LH . . . . .	1	1
	50-524326-2	• ARM ASSY, COPILOTS RUDDER PEDAL RH . . . . .	1	1
- 8	50-524326-3	• ARM, RUDDER PEDAL LH . . . . .	1	1
- 9	50-524326-4	• ARM, RUDDER PEDAL RH . . . . .	1	1
- 10	A1170-2	• BEARING . . . . .	2	1
- 11	35-524666-1	• LEVER, RUDDER PEDAL ADJUSTING LH . . . . .	2	1
	35-524666-2	• LEVER, RUDDER PEDAL ADJUSTING RH . . . . .	2	1
- 12	35-524171	• PIN, RUDDER PEDAL ADJUSTING LEVER . . . . .	4	1
	102809A125-014	• PIN . . . . .	4	1
- 13	35-524308	• SPRING, RUDDER PEDAL ADJUST LEVER . . . . .	4	1
- 14	35-524300	• ARM, PILOTS RUDDER PEDAL LOWER . . . . .	1	1
- 15	AN386-2-12A AN975-3 AN960-416L MS20364-1032	• PIN, TAPER . . . . . • WASHER . . . . . • WASHER . . . . . • NUT . . . . .	1 1 1 1	1 1 1 1
	35-524143-6	• ARM ASSY, PILOTS RUDDER PEDAL LOWER . . . . .	1	1
- 16	35-524143-2	• ARM, PILOTS RUDDER PEDAL LOWER . . . . .	1	1
- 17	A1170-8	• BEARING . . . . .	1	1
	35-524367	• ARM ASSY, COPILOTS RUDDER PEDAL LOWER LH . . . . .	1	1
- 18	35-524367-2	• ARM, COPILOTS RUDDER PEDAL LOWER LH . . . . .	1	1
- 19	A1170-8	• BEARING . . . . .	1	1
	35-524367-1	• ARM ASSY, COPILOTS RUDDER PEDAL LOWER RH . . . . .	1	1
- 20	35-524367-3	• ARM, COPILOTS RUDDER PEDAL LOWER RH . . . . .	1	1
- 21	A1170-8	• BEARING . . . . .	1	1
- 22	35-524301	• TUBE, PILOTS RUDDER PEDAL TORQUE . . . . .	1	1
- 23	35-524018	• TUBE, COPILOTS RUDDER PEDAL TORQUE . . . . .	1	1
- 24	100951S031XW	• WASHER . . . . .	3	1
- 25	105739S-YZ0594	• BUSHING . . . . . /ATTACHING PARTS/	1	1
- 26	AN3-14A/M/ AN960-10 MS20365-1032	• BOLT . . . . . • WASHER . . . . . • NUT . . . . .	1 1 1	
- 27	100951S031XW	• WASHER . . . . .	1	1
- 28	105739S-YZ0391 100951S031XW	• BUSHING . . . . . • WASHER . . . . .	1 1	1 1



BEECHCRAFT  
BONANZA 33  
ILLUSTRATED PARTS CATALOG

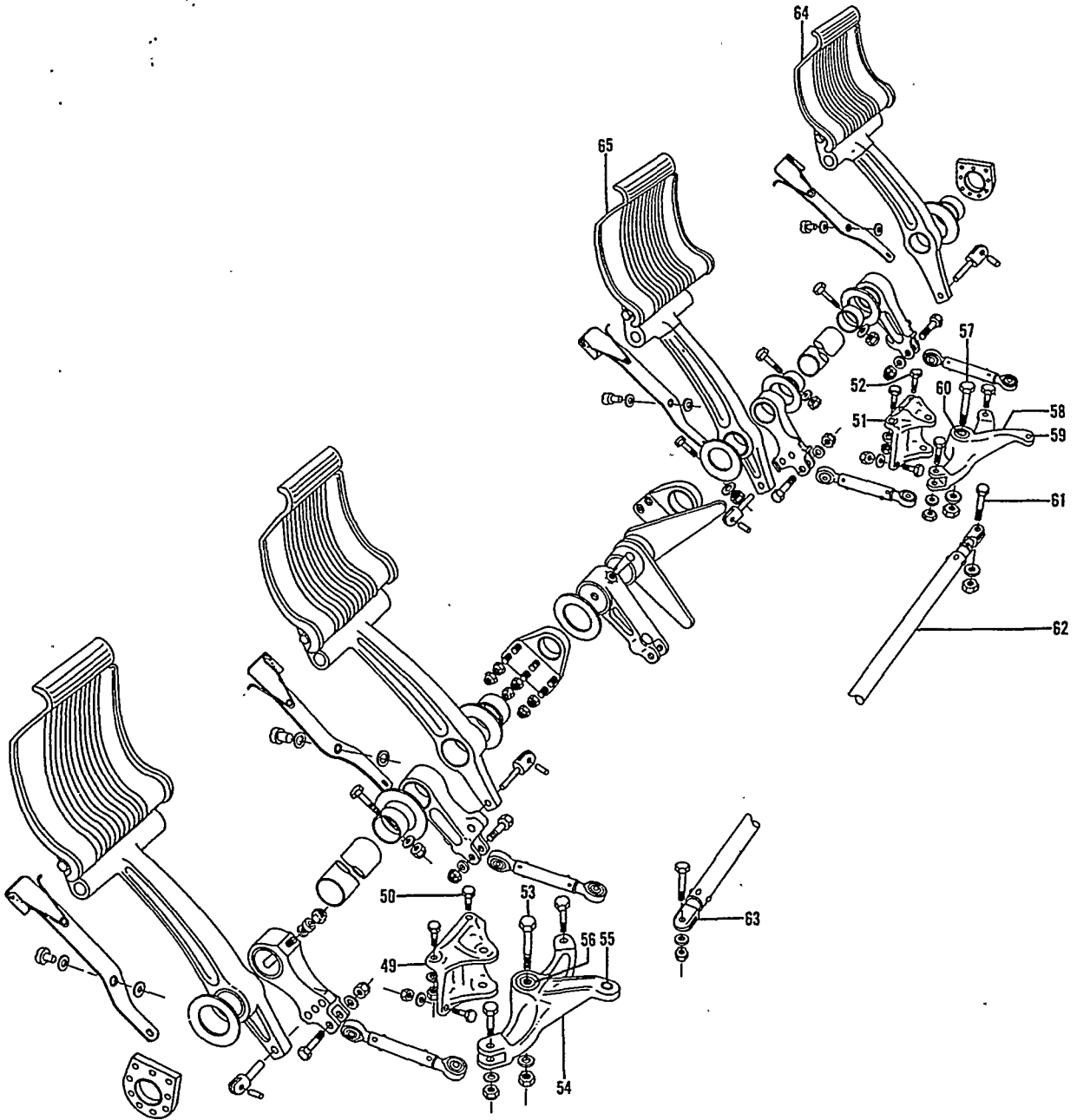


33-154-2

B E E C H C R A F T  
B O N A N Z A 3 3  
I L L U S T R A T E D P A R T S C A T A L O G

FIG. & ITEM NO.	PART NO.	DESCRIPTION	UNITS PER ASSY	USABLE ON CODE
		1 2 3 4 5 6 7		
154	35-524183	• SUPPORT ASSY, RUDDER TORQUE TUBE INBD LH . . . . . /ATTACHING PARTS/	1	1
- 29	35-524275-1	• SCREW . . . . .	2	
- 30	35-524275	• SCREW . . . . .	4	
	AN960-10	• WASHER . . . . .	6	
	MS20365-1032	• NUT . . . . .	6	
		*-----*		
- 31	35-524183-2	• . SUPPORT, RUDDER TORQUE TUBE INBD LH. . . . .	1	1
- 32	A1170-7	• . BEARING, OILITE. . . . .	1	1
- 33	35-825054-5	• ARM, NOSE STEERING TORQUE. . . . .	1	1
- 34	35-524297-4	• ARM ASSY, RUDDER & AILERON BUNGEE SPRING . . . . . /ATTACHING PARTS/	1	1
- 35	AN386-2-12A	• PIN, TAPER . . . . .	1	
	AN975-3	• WASHER . . . . .	1	
	MS20364-1032	• NUT . . . . .	1	
		*-----*		
	35-524299	• . ARM . . . . .	1	1
	35-524183	• SUPPORT ASSY, RUDDER TORQUE TUBE INBD RH . . . . . /DUAL/ /ATTACHING PARTS/	1	1
- 36	35-524275	• SCREW . . . . .	6	
	AN960-10	• WASHER . . . . .	6	
	MS20365-1032	• NUT . . . . .	6	
		*-----*		
- 37	35-524183-2	• . SUPPORT, RUDDER TORQUE TUBE INBD RH. . . . .	1	1
- 38	A1170-7	• . BEARING, OILITE. . . . .	1	1
	100951S031XW	• WASHER . . . . .	1	1
	105739S-YZ0641	• BUSHING . . . . .	1	1
		/ATTACHING PARTS/		
- 39	AN3-14A/M/	• BOLT. . . . .	1	
	AN960-10	• WASHER. . . . .	1	
	MS20365-1032	• NUT . . . . .	1	
		*-----*		
- 40	100951S031XW	• WASHER. . . . .	2	1
- 41	105739X-ZN0135	• BUSHING . . . . .	2	1
		/ATTACHING PARTS/		
- 42	AN3-14A/M/	• BOLT. . . . .	1	
	AN960-10	• WASHER. . . . .	1	
	MS20365-1032	• NUT . . . . .	1	
		*-----*		
- 43	105739S-YZ0532	• BUSHING . . . . .	1	1
	002-410043-3	• ROD ASSY, RUDDER PEDAL PUSH. . . . . /ATTACHING PARTS/	2	1
- 44	AN3-11/M/	• BOLT. . . . .	2	
	AN960-10	• WASHER. . . . .	2	
	MS17825-3	• NUT . . . . .	2	
	MS24665-132	• PIN, COTTER. . . . .	2	
		*-----*		
- 45	002-410043-7	• . TUBE, RUDDER PEDAL PUSH ROD. . . . .	2	1
	MS21150-1	• . END, ROD . . . . .	2	1
	002-410043-1	• ROD ASSY, RUDDER PEDAL ADJUST LEVER /DUAL/ . . . . . /ATTACHING PARTS/	2	1
- 46	AN3-11/M/	• BOLT. . . . .	2	
	AN960-10	• WASHER. . . . .	2	
	MS17825-3	• NUT . . . . .	2	
	MS24665-132	• PIN, COTTER. . . . .	2	
		*-----*		
- 47	002-410043-5	• . TUBE, RUDDER PEDAL PUSH ROD. . . . .	1	1
- 48	MS21150-1	• . END, ROD . . . . .	2	1

BEECHCRAFT  
BONANZA 33  
ILLUSTRATED PARTS CATALOG



33-154-3

B E E C H C R A F T  
B O N A N Z A 3 3  
I L L U S T R A T E D P A R T S C A T A L O G

FIG. & ITEM NO.	PART NO.	DESCRIPTION	UNITS PER ASSY	USABLE ON CODE
		1 2 3 4 5 6 7		
154 - 49	35-524136	• SUPPORT, RUDDER PEDAL BELLCRANK. . . . . /ATTACHING PARTS/	1	1
- 50	AN3-5A/M/ AN960-10	• BOLT. . . . . • WASHER. . . . .	4 4	
*-----*				
- 51	35-524136	• SUPPORT, RUDDER PEDAL BELLCRANK /DUAL/ . . . . . /ATTACHING PARTS/	1	1
- 52	AN3-5A/M/ AN960-10	• BOLT. . . . . • WASHER. . . . .	4 4	
*-----*				
	35-524138	• BELLCRANK ASSY, RUDDER PEDAL LH. . . . . /ATTACHING PARTS/	1	1
- 53	AN4-21/M/ AN960-416 130909N7 AN380-2-3	• BOLT. . . . . • WASHER. . . . . • NUT . . . . . • PIN, COTTER. . . . .	1 1 1 1	
*-----*				
- 54	35-524138-2	• BELLCRANK, RUDDER PEDAL LH . . . . .	1	1
- 55	A225	• BEARING . . . . .	1	1
- 56	KP4A	• BEARING . . . . .	2	1
	102933D5ZX0749	• SPACER. . . . .	1	1
	35-524138	• BELLCRANK ASSY, RUDDER PEDAL RH /DUAL/ . . . . . /ATTACHING PARTS/	1	1
- 57	AN4-21/M/ AN960-416 130909N7 AN380-2-3	• BOLT. . . . . • WASHER. . . . . • NUT . . . . . • PIN, COTTER. . . . .	1 1 1 1	
*-----*				
- 58	35-524138-2	• BELLCRANK, RUDDER PEDAL RH /DUAL/ . . . . .	1	1
- 59	A225	• BEARING /DUAL/ . . . . .	1	1
- 60	KP4A	• BEARING /DUAL/ . . . . .	1	1
	102933D5ZX0749	• SPACER /DUAL/ . . . . .	1	1
	35-524144	• ROD ASSY, RUDDER PEDAL BELLCRANK PUSH /DUAL/ . . . . . /ATTACHING PARTS/	1	1
- 61	AN23-14/M/ AN960-10 AN960-10L 130909N15 MS24665-132	• BOLT. . . . . • WASHER. . . . . • WASHER. . . . . • NUT . . . . . • PIN, COTTER. . . . .	2 1 1 2 2	
*-----*				
- 62	35-524144-8	• TUBE, RUDDER PEDAL PUSH ROD /DUAL/ . . . . .	1	1
- 63	35-524258 AN316-6R	• FORK, RUDDER PEDAL PUSH ROD /DUAL/ . . . . . • NUT . . . . .	2 1	1 1
- 64	35-524011	PEDAL, COPILOT RH RUDDER /DUAL BRAKE ONLY/ . . . . .	1	1
- 65	95-810019-43	PEDAL, COPILOT LH RUDDER /DUAL BRAKE ONLY/ . . . . . /ATTACHING PARTS/	1	1
	AN3-10/M/ AN960-10 130909N6 MS24665-132	BOLT. . . . . WASHER. . . . . NUT . . . . . PIN, COTTER. . . . .	2 2 2 2	
*-----*				

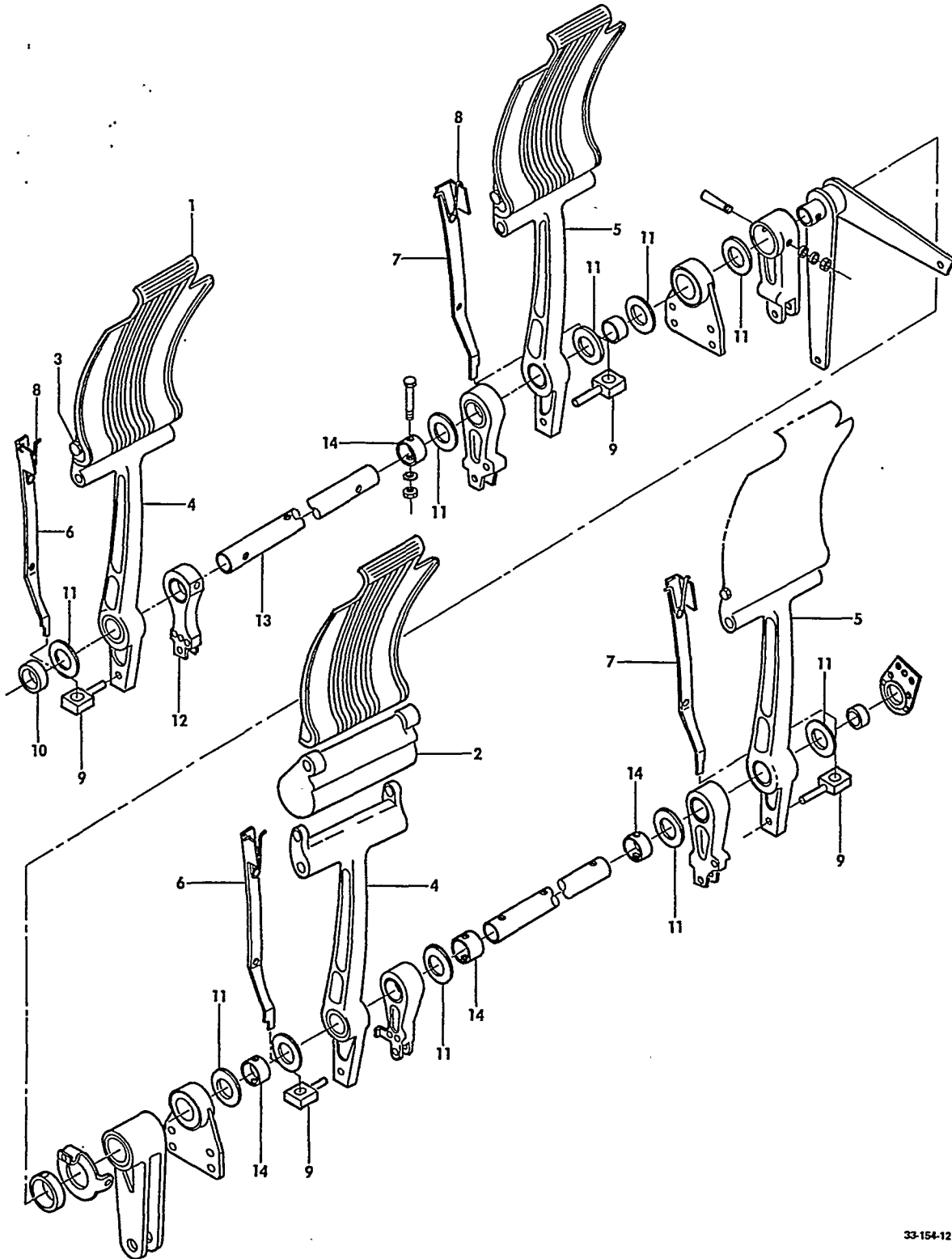
C O D E S O F E F F E C T I V I T Y

- 1 CD-1235 THRU CD-1304
- CE-290 THRU CE-417
- CE-419 THRU CE-435
- CJ-26 THRU CJ-39

BEECHCRAFT  
BONANZA 33  
ILLUSTRATED PARTS CATALOG

FIGURE 154A  
RUDDER PEDALS AND LINKAGE  
CE-418, CE-436 AND AFTER  
CJ-40 AND AFTER

BEECHCRAFT  
BONANZA 33  
ILLUSTRATED PARTS CATALOG

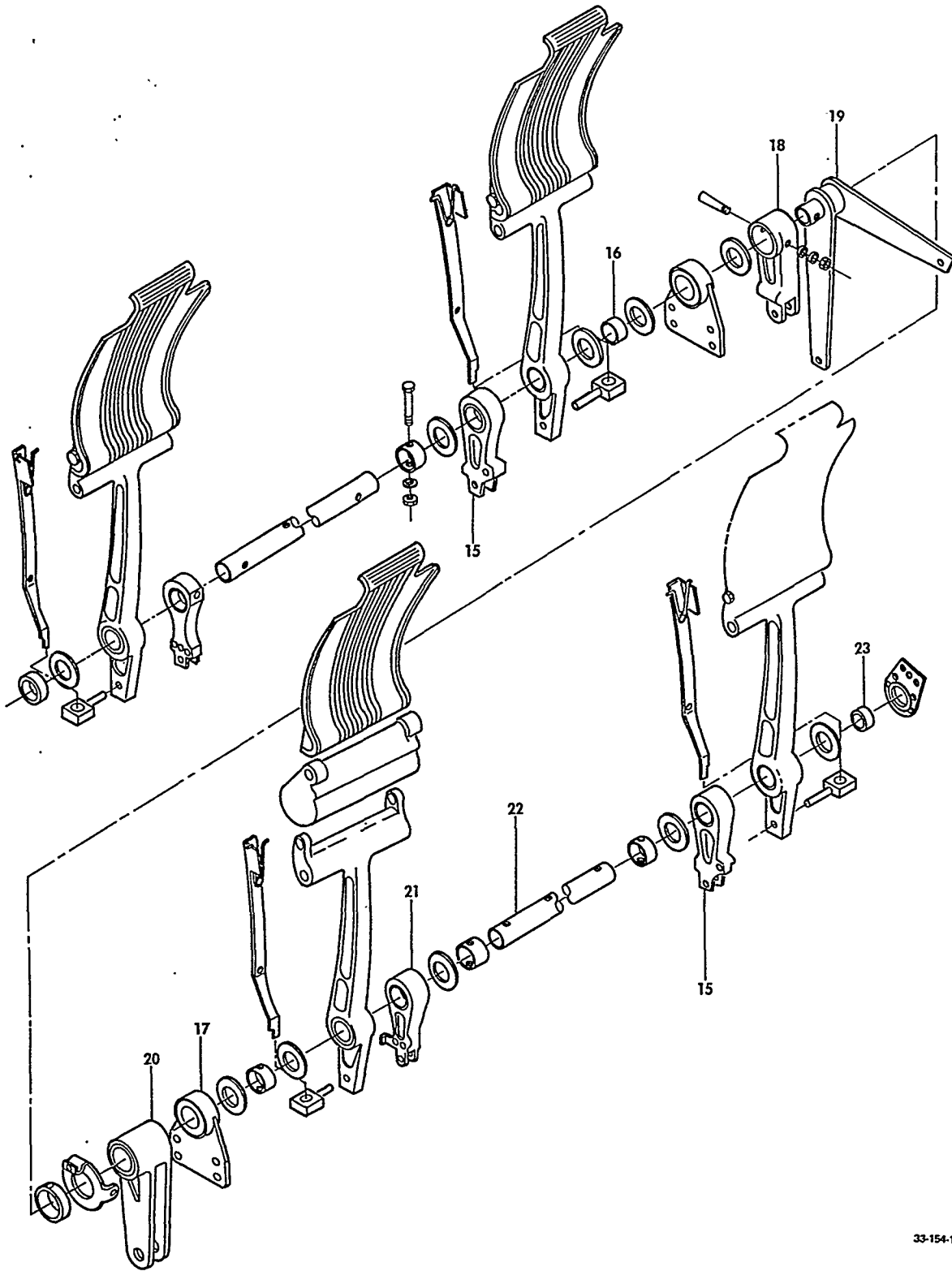


33-154-12

B E E C H C R A F T  
B O N A N Z A 3 3  
I L L U S T R A T E D P A R T S C A T A L O G

FIG. & ITEM NO.	PART NO.	DESCRIPTION	UNITS PER ASSY	USABLE ON CODE
		1 2 3 4 5 6 7		
154A	002-524010-3	RUDDER PEDAL ASSY,LH. . . . .	1	1
	002-524010-5	RUDDER PEDAL ASSY,RH /LESS DUAL BRAKES/ . . . . .	1	1
	002-524010-19	RUDDER PEDAL ASSY,RH /WITH DUAL BRAKES/ . . . . .	1	1
- 1	002-524011-1	. PEDAL,RUDDER /WITH DUAL BRAKES/ . . . . .	4	1
- 2	002-524023-1	. PEDAL,RH RUDDER /LESS DUAL BRAKES/ . . . . .	2	1
		/ATTACHING PARTS/		
- 3	130909B172	. BOLT /WITH DUAL BRAKES/ . . . . .	2	
	AN8-44A	. BOLT,RH RUDDER PEDALS /LESS DUAL BRAKES/ . . . . .	1	
	AN960-10	. WASHER /WITH DUAL BRAKES/ . . . . .	2	
	130909N6	. NUT /WITH DUAL BRAKES/ . . . . .	2	
R	F22K1-02	. NUT /LESS DUAL BRAKES/ . . . . .	1	
	MS24665-132	. PIN,COTTER /WITH DUAL BRAKES/ . . . . .	1	
		-----x-----		
- 4	R 002-524020-13	. ARM ASSY,LH RUDDER PEDAL. . . . .	2	1
		/SPARES FOR 002-524020-1 OR -5/		
- 5	R 002-524020-14	. ARM ASSY,RH RUDDER PEDAL. . . . .	2	1
		/SPARES FOR 002-524020-2 OR -6/		
	R 002-524020-15	. . ARM/SPARES FOR 002-524020-3 OR -7/ . . . . .	1	1
	R 002-524020-16	. . ARM/SPARES FOR 002-524020-4 OR -8/ . . . . .	1	1
	B1416	. . BEARING . . . . .	1	1
- 6	002-524019-1	. LEVER,LH RUDDER PEDAL ADJUSTMENT. . . . .	2	1
- 7	002-524019-2	. LEVER,RH RUDDER PEDAL ADJUSTMENT. . . . .	2	1
		/ATTACHING PARTS/		
	MS35266-62	. SCREW . . . . .	1	
	AN960-10	. WASHER . . . . .	1	
	105739X-ZN0135	. BUSHING . . . . .	1	
		-----x-----		
- 8	002-524022-3	. SPRING,RUDDER PEDAL ADJUSTMENT LEVER. . . . .	4	1
- 9	002-524021-1	. PIN,RUDDER PEDAL ADJUSTMENT . . . . .	4	1
- 10	002-524010-9	. SPACER,LH RUDDER PEDAL. . . . .	1	1
- 11	AN960-1416L	. WASHER . . . . .	17	1
- 12	002-524012-3	. ARM,LH. . . . .	1	1
		/ATTACHING PARTS/		
	NAS464-4A25	. BOLT. . . . .	1	
	AN960-416	. WASHER. . . . .	1	
	130909N32	. NUT . . . . .	1	
		-----x-----		
- 13	002-524016-3	. SHAFT,LH RUDDER PEDALS. . . . .	1	1
- 14	002-524010-13	. SPACER. . . . .	4	1
		/ATTACHING PARTS/		
	AN3-14A	. BOLT. . . . .	1	
	AN960-10	. WASHER. . . . .	1	
	130909N29	. NUT . . . . .	1	
		-----x-----		

BEECHCRAFT  
BONANZA 33  
ILLUSTRATED PARTS CATALOG



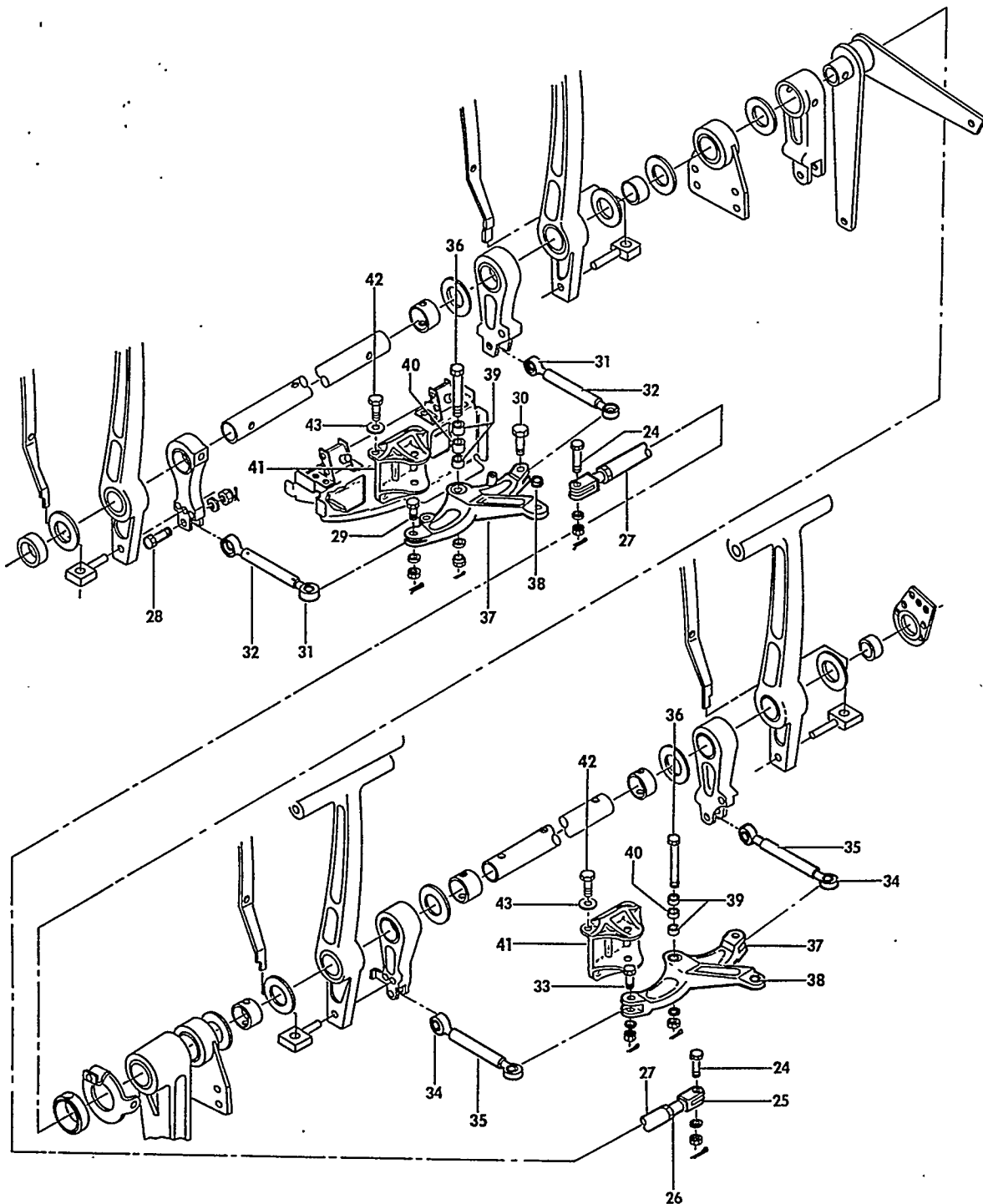
33-154-13



B E E C H C R A F T  
B O N A N Z A 3 3  
I L L U S T R A T E D P A R T S C A T A L O G

FIG. & ITEM NO.	PART NO.	DESCRIPTION							UNITS PER ASSY	USABLE ON CODE
		1	2	3	4	5	6	7		
154A - 15	002-524012-1	•	•	•	•	•	•	•	2	1
	002-524012-5	•	•	•	•	•	•	•	1	1
	002-524012-9	•	•	•	•	•	•	•	2	1
	002-524012-11	•	•	•	•	•	•	•	1	1
	B1412	•	•	•	•	•	•	•	1	1
- 16	002-524010-11	•	•	•	•	•	•	•	2	
	MS24665-357	•	•	•	•	•	•	•	1	
		*-----*								
- 17	002-524017-5	•	•	•	•	•	•	•	2	1
	B148	•	•	•	•	•	•	•	1	1
- 18	002-820010-1	•	•	•	•	•	•	•	1	1
		/ATTACHING PARTS/								
	NAS464-4A25	•	•	•	•	•	•	•	1	
	AN960-416	•	•	•	•	•	•	•	1	
	130909N32	•	•	•	•	•	•	•	1	
		*-----*								
- 19	002-524018-1	•	•	•	•	•	•	•	1	4
	002-524018-15	•	•	•	•	•	•	•	1	5
	002-524018-3	•	•	•	•	•	•	•	1	1
- 20	002-820011-1	•	•	•	•	•	•	•	1	1
	002-820011-3	•	•	•	•	•	•	•	1	1
	B148	•	•	•	•	•	•	•	2	1
	105740X-ZU0164	•	•	•	•	•	•	•	2	1
- 21	002-524012-7	•	•	•	•	•	•	•	1	1
	002-524012-15	•	•	•	•	•	•	•	1	1
	002-524012-13	•	•	•	•	•	•	•	1	1
	002-524012-17	•	•	•	•	•	•	•	1	1
	B1412	•	•	•	•	•	•	•	1	1
- 22	002-524016-1	•	•	•	•	•	•	•	1	1
- 23	002-524010-15	•	•	•	•	•	•	•	1	1

BEECHCRAFT  
BONANZA 33  
ILLUSTRATED PARTS CATALOG



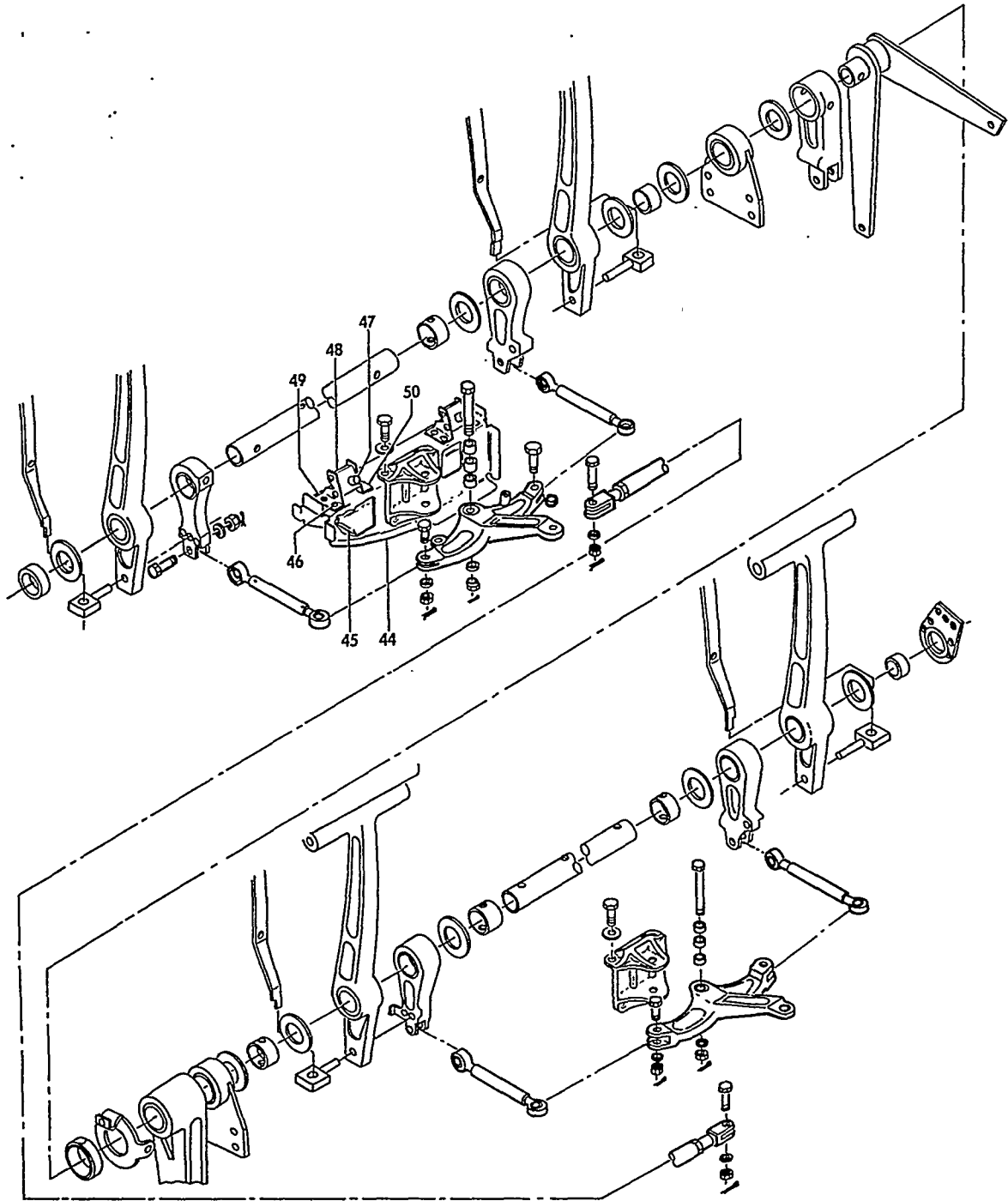
33-154-14

FIGURE 154A. RUDDER PEDALS AND LINKAGE  
/SHEET 3 OF 4 SHEETS/

BEECHCRAFT  
BONANZA 33  
ILLUSTRATED PARTS CATALOG

FIG. & ITEM NO.	PART NO.	DESCRIPTION	UNITS PER ASSY	USABLE ON CODE
154A	002-410034-1	. ROD ASSY,PILOT AND COPILOT RUDDER PEDAL . . . /INTERCONNECT/ /ATTACHING PARTS/	1	1
- 24	AN23-14/M/ AN960-10L MS17825-3 MS24665-130	. BOLT. . . . . . WASHER. . . . . . NUT . . . . . . PIN,COTTER. . . . .	2 2 2 2	
- 25	002-410034-5	. . . . .	2	1
- 26	AN316-6R	. . . . .	2	1
- 27	002-410034-3	. . . . .	1	1
R	002-410043-1	. ROD ASSY,PILOT RUDDER PEDAL PUSH. . . . . /ATTACHING PARTS/	2	1
- 28	AN23-20	. BOLT/LH RUDDER PEDAL/ . . . . .	2	
- 29	AN23-20	. BOLT/RH PILOTS RUDDER PEDAL/. . . . .	1	2
- 30	33-524000-57 AN960-10	. BOLT/RH PILOTS RUDDER PEDAL/. . . . . . PIN COTTER. . . . .	1 2	3
- 31	MS21150-1	. . . . .	2	1
- 32	002-410043-5 002-410043-1	. . . . . . . . . . . ROD ASSY,COPILOT RUDDER PEDAL PUSH. . . . . /WITH DUAL BRAKES/	1 2	1 1
	002-410043-3	. ROD ASSY,COPILOT RUDDER PEDAL PUSH. . . . . /LESS DUAL BRAKES/ /ATTACHING PARTS/	2	1
- 33	130909B209 AN960-10 MS17825-3 MS24665-130	. BOLT. . . . . . WASHER. . . . . . NUT . . . . . . PIN,COTTER. . . . .	2 2 2 2	
- 34	MS21150-1	. . . . .	2	1
- 35	002-410043-5 002-410043-7 002-410039-3	. . . . . . . . . . . . . . . . BELLCRANK ASSY,PILOT & COPILOT RUDDER PEDAL . /ATTACHING PARTS/	1 1 1 2	1 1 1 1
- 36	130909B47 AN960-416 130909N7 MS24665-132	. BOLT. . . . . . WASHER. . . . . . NUT . . . . . . PIN,COTTER. . . . .	1 1 1 1	1
- 37	002-410039-7	. . . . .	1	1
- 38	A225	. . . . .	1	1
- 39	MS20201KP4A	. . . . .	2	1
- 40	102933D5ZX0749 002-410056-1 002-410056-2	. . . . . . . . . . . . . . . . SUPPORT ASSY,PILOTS RUDDER PEDAL BELLCRANK. . . SUPPORT ASSY,COPILOTS RUDDER PEDAL BELLCRANK.	1 1 1 1	1 1 1 1
- 41	R 35-524136-3	. . . . . /ATTACHING PARTS/	1	1
- 42	130909B15	. . . . .	4	
- 43	AN960-102 MS21047-3 MS21059-3	. . . . . . . . . . . . . . . . . . . .	4 2 2	

BEECHCRAFT  
BONANZA 33  
ILLUSTRATED PARTS CATALOG



33-154-15

FIGURE 154A. RUDDER PEDALS AND LINKAGE  
/SHEET 4 OF 4 SHEETS/

B E E C H C R A F T  
B O N A N Z A 3 3  
I L L U S T R A T E D P A R T S C A T A L O G

FIG. & ITEM NO.	PART NO.	DESCRIPTION							UNITS PER ASSY	USABLE ON CODE
		1	2	3	4	5	6	7		
154A - 44	002-410056-3	.	.	BRACKET,LH.	.	.	.	.	1	1
	002-410056-4	.	.	BRACKET,RH.	.	.	.	.	1	1
- 45	002-410056-5	.	.	CHANNEL,LH.	.	.	.	.	1	1
	002-410056-6	.	.	BRACKET,RH.	.	.	.	.	1	1
	002-410031-1	.	.	STOP ASSY,LH RUDDER PEDAL BELLCRANK	.	.	.	.	2	6
	002-410031-7	.	.	STOP ASSY,LH RUDDER PEDAL BELLCRANK	.	.	.	.	2	7
				/ATTACHING PARTS/						
- 46	MS27039-1-10	.	.	SCREW	.	.	.	.	4	
	AN960-102	.	.	WASHER.	.	.	.	.	4	
	130909N29	.	.	NUT	.	.	.	.	4	
				-----*						
- 47	131002-3	.	.	BOLT.	.	.	.	.	1	6
	NAS428-4-14	.	.	BOLT.	.	.	.	.	1	7
	AN316-4R	.	.	NUT,STOP BOLT LOCKING	.	.	.	.	1	1
	KNL428	.	.	INSERT.	.	.	.	.	1	7
- 48	002-410031-5	.	.	BLOCK	.	.	.	.	1	6
	002-410031-9	.	.	BLOCK	.	.	.	.	1	7
				/ATTACHING PARTS/						
	MS35206-251	.	.	SCREW	.	.	.	.	2	
	AN960-8	.	.	WASHER.	.	.	.	.	2	
	130909N28	.	.	NUT	.	.	.	.	2	
				-----*						
- 49	002-410031-3	.	.	ANGLE,SUPPORT	.	.	.	.	1	1
- 50	002-410031-4	.	.	ANGLE,SUPPORT	.	.	.	.	1	1

C O D E S O F E F F E C T I V I T Y

1	CE-418, CE-436 AND AFTER CJ-40 AND AFTER	2	CE-418, CE-436 AND AFTER
3	CJ-40 AND AFTER	4	CE-418, CE-436 THRU CE-534 CJ-40 THRU CJ-59
5	CE-535 AND AFTER CJ-60 AND AFTER	6	CE-418, CE-436 AND AFTER CJ-40 THRU CJ-155
7	CE-914 AND AFTER CJ-156 AND AFTER		

BEECHCRAFT  
BONANZA 33  
ILLUSTRATED PARTS CATALOG

FIGURE 155  
CONTROL COLUMN AND LINKAGE

BEECHCRAFT  
BONANZA 33  
ILLUSTRATED PARTS CATALOG

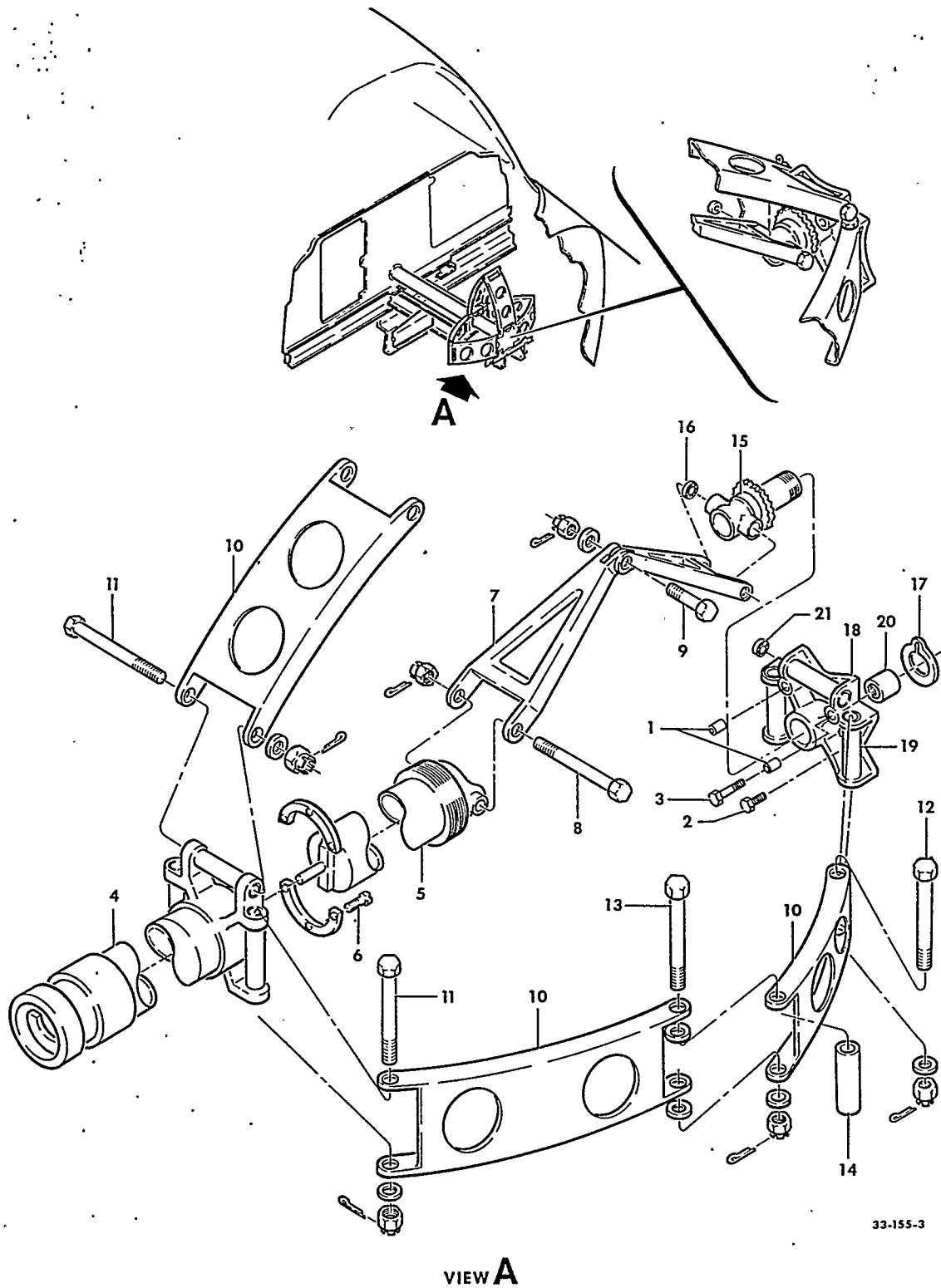


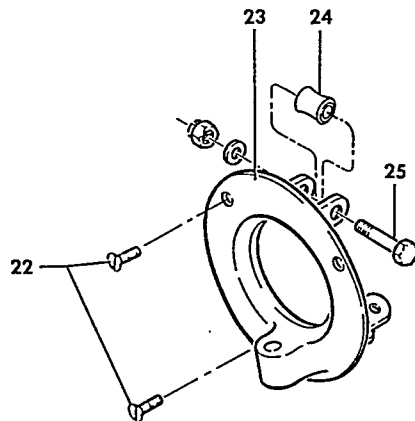
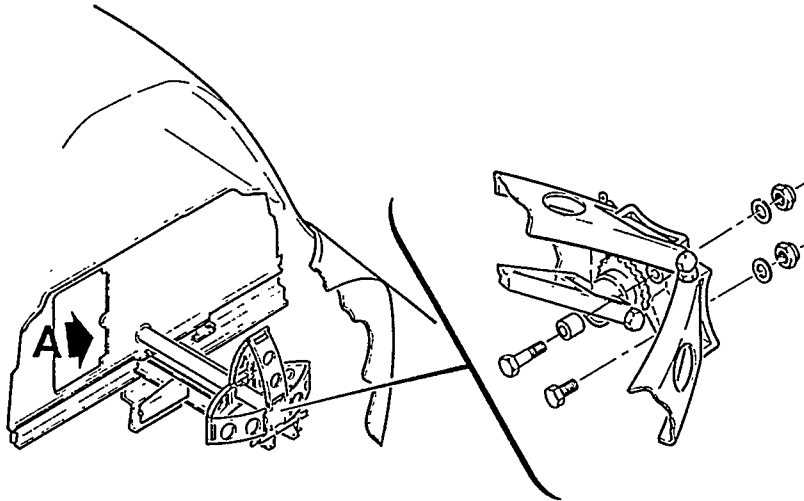
FIGURE 155. CONTROL COLUMN AND LINKAGE  
/SHEET 1 OF 2 SHEETS/

B E E C H C R A F T  
B O N A N Z A 3 3  
I L L U S T R A T E D P A R T S C A T A L O G

FIG. & ITEM NO.	PART NO.	DESCRIPTION	UNITS PER ASSY	USABLE ON CODE
		1 2 3 4 5 6 7		
155	35-324386-67	STRUCTURE INSTL, INSTRUMENT PANEL & . . . . . CONTROL COLUMN	NP	1
	35-324386-75	STRUCTURE INSTL, INSTRUMENT PANEL & . . . . . CONTROL COLUMN	NP	2
- 1	35-524007	. GUARD,AILERON CONTROL ROLLER CHAIN. . . . .	2	
	35-524040-6	. COLUMN ASSY,CONTROL . . . . .	1	11
	35-524040-10	. COLUMN ASSY,CONTROL . . . . . /ATTACHING PARTS/	1	12
- 2	AN3-5A/M/	. BOLT. . . . .	2	
- 3	AN3-16A/M/ AN960-10	. BOLT. . . . . . WASHER. . . . .	2 4	
	MS20365-1032	. NUT . . . . .	4	
		*		
- 4	35-524202-18	. . TUBE ASSY,CONTROL COLUMN OUTER. . . . .	1	3
	35-524202-22	. . TUBE ASSY,CONTROL COLUMN OUTER. . . . .	1	4
	35-524202-24	. . TUBE ASSY,CONTROL COLUMN OUTER. . . . .	1	5
	35-524202-26	. . TUBE ASSY,CONTROL COLUMN OUTER. . . . .	1	12
- 5	35-524227	. . TUBE ASSY,CONTROL COLUMN INNER. . . . .	1	3
	35-524227-10	. . TUBE ASSY,CONTROL COLUMN OUTER. . . . .	1	4
	35-524227-16	. . TUBE ASSY,CONTROL COLUMN INNER. . . . .	1	5
	35-524227-18	. . TUBE ASSY,CONTROL COLUMN INNER. . . . . /ATTACHING PARTS/	1	12
- 6	AN503-8-6	. . SCREW . . . . .	6	
	35-524038	. . WASHER. . . . .	2	
		*		
- 7	35-524047	. . KNEE,TORQUE . . . . . /ATTACHING PARTS/	2	
- 8	AN3-26/M/	. . BOLT. . . . .	2	
- 9	AN4-10/M/ AN960-416	. . BOLT. . . . . . . WASHER. . . . .	1 1	
	130909N6	. . NUT . . . . .	2	
	130909N7	. . NUT . . . . .	1	
	MS24665-132	. . PIN,COTTER. . . . .	1	
	MS24665-134	. . PIN,COTTER. . . . .	2	
		*		
- 10	35-524240	. . LINK ASSY . . . . . /ATTACHING PARTS/	6	
- 11	35-524269	. . BOLT. . . . .	3	
- 12	NAS53-32	. . BOLT. . . . .	3	
- 13	NAS54-33/M/	. . BOLT. . . . .	3	
- 14	102933D5ZM2452	. . SPACER. . . . .	3	6
	AN960-10	. . WASHER. . . . .	6	
	AN960-416	. . WASHER. . . . .	3	
	AN960-416L	. . WASHER. . . . .	6	
	130909N6	. . NUT . . . . .	6	
	130909N7	. . NUT . . . . .	3	
	MS24665-132	. . PIN,COTTER. . . . .	9	
		*		
- 15	35-524274	. . SPROCKET ASSY,CONTROL COLUMN ROLLER CHAIN . . . . .	1	
- 16	35-524274-4	. . . BRAZE ASSY,CONTROL COLUMN . . . . .	1	
- 17	MS27640-3A	. . . BEARING,BALL. . . . .	2	
	NAS670-87	. . . RING,RETAINER . . . . .	1	
	35-524230	. . . HANGER ASSY,CONTROL COLUMN. . . . .	1	
- 18	35-524231	. . . FITTING,CONTROL COLUMN. . . . .	1	
- 19	35-524230-2	. . . BUSHING,CONTROL COLUMN. . . . .	3	
- 20	B148	. . . BEARING . . . . .	2	
- 21	MS27640-3A	. . . BEARING,BALL. . . . .	6	



BEECHCRAFT  
BONANZA 33  
ILLUSTRATED PARTS CATALOG



VIEW A

33-155-4

B E E C H C R A F T  
B O N A N Z A 3 3  
I L L U S T R A T E D P A R T S C A T A L O G

FIG. & ITEM NO.	PART NO.	DESCRIPTION	UNITS PER ASSY	USABLE ON CODE
155	35-524125-4	• HANGER ASSY, CONTROL COLUMN . . . . .	1	7
	35-524125-12	• HANGER ASSY, CONTROL COLUMN . . . . . /ATTACHING PARTS/	1	8
- 22	AN507-832-10	• SCREW . . . . . *-----	3	
- 23	35-524125-6	• HANGER, CONTROL COLUMN . . . . .	1	7
	35-524125-10	• HANGER, CONTROL COLUMN . . . . .	1	8
- 24	35-524197-4	• ROLLER ASSY, CONTROL COLUMN . . . . . /ATTACHING PARTS/	3	
- 25	AN3-12A/M/	• BOLT . . . . .	1	
	35-524264	• BUSHING, CONTROL COLUMN ROLLER . . . . .	1	
	AN960-10L	• WASHER . . . . .	2	
	MS20365-1032	• NUT . . . . . *-----	1	
	35-324465-3	• SUBPANEL ASSY/SEE FIG.395/. . . . .	1	9
	35-324465-5	• SUBPANEL ASSY/SEE FIG.395/. . . . .	1	10

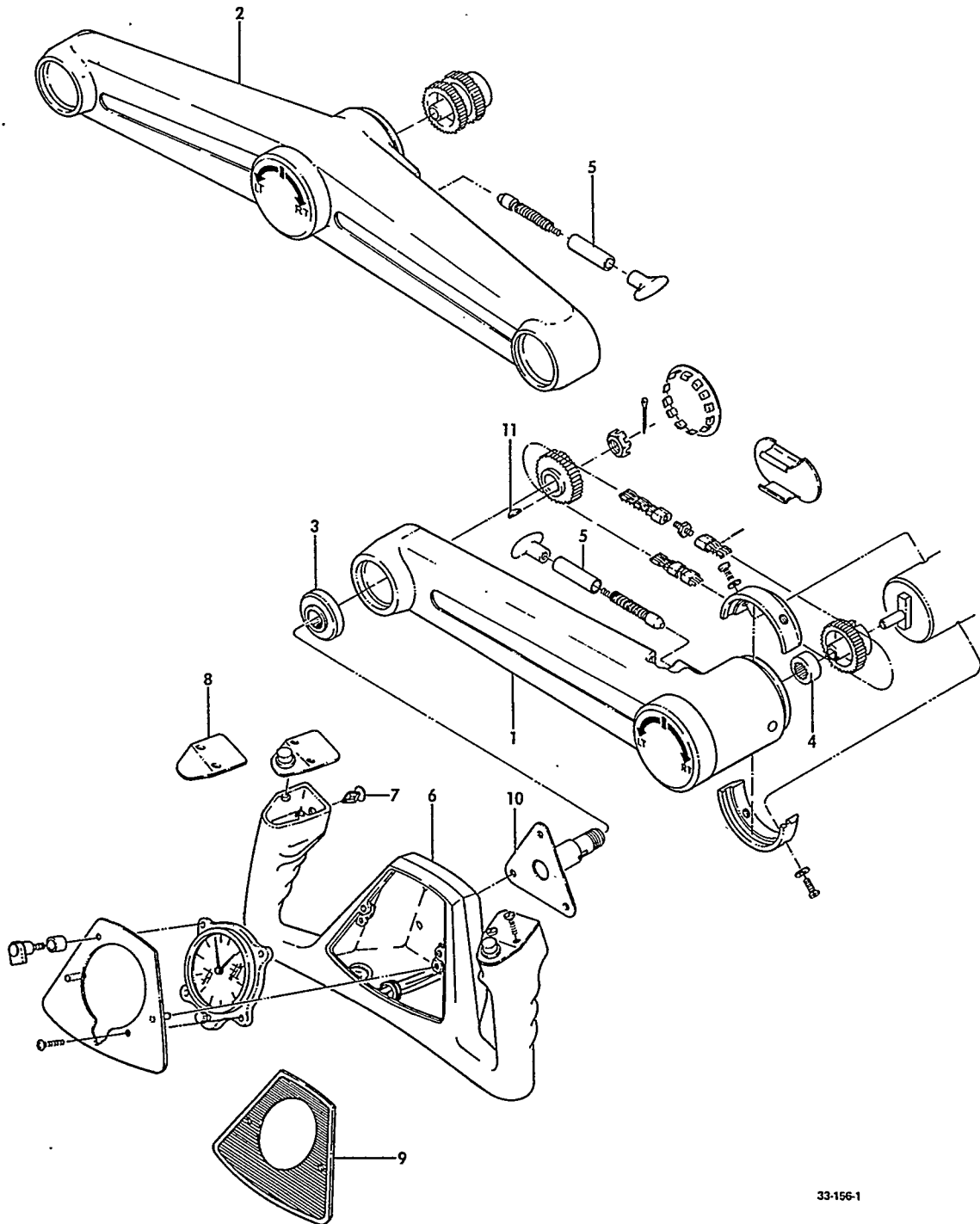
C O D E S O F E F F E C T I V I T Y

- |    |                      |    |                      |
|----|----------------------|----|----------------------|
| 1  | CE-290 THRU CE-1022  | 2  | CD-1235 THRU CD-1304 |
|    | CE-1024 THRU CE-1042 |    | CJ-31 THRU CJ-52     |
|    | CJ-26 THRU CJ-30     |    |                      |
|    | CJ-52 AND AFTER      |    |                      |
| 3  | CD-1235 THRU CD-1304 | 4  | CE-454 THRU CE-544   |
|    | CE-290 THRU CE-453   |    | AND CE-547           |
|    | CJ-26 THRU CJ-51     |    | CJ-52 THRU CJ-85     |
| 5  | CE-545 THRU CE-912   | 6  | CD-1235 THRU CD-1304 |
|    | EXCEPT CE-547        |    | CE-290 THRU CE-689   |
|    | CJ-86 THRU CJ-155    |    |                      |
| 7  | CD-1235 THRU CD-1304 | 8  | CE-545, CE-546       |
|    | CE-290 THRU CE-544   |    | CE-548 AND AFTER     |
|    | AND CE-547           |    | CJ-86 AND AFTER      |
|    | CJ-26 THRU CJ-85     |    |                      |
| 9  | CD-1235 THRU CD-1254 | 10 | CD-1255 THRU CD-1304 |
|    | CJ-31 THRU CJ-51     |    | CE-290 AND AFTER     |
|    |                      |    | CJ-26 THRU CJ-30     |
|    |                      |    | CJ-52 AND AFTER      |
| 11 | CD-1235 THRU CD-1304 | 12 | CE-913 AND AFTER     |
|    | CE-290 THRU CE-912   |    | CJ-156 AND AFTER     |
|    | CJ-26 THRU CJ-155    |    |                      |

BEECHCRAFT  
BONANZA 33  
ILLUSTRATED PARTS CATALOG

FIGURE 156  
CONTROL WHEEL

BEECHCRAFT  
BONANZA 33  
ILLUSTRATED PARTS CATALOG

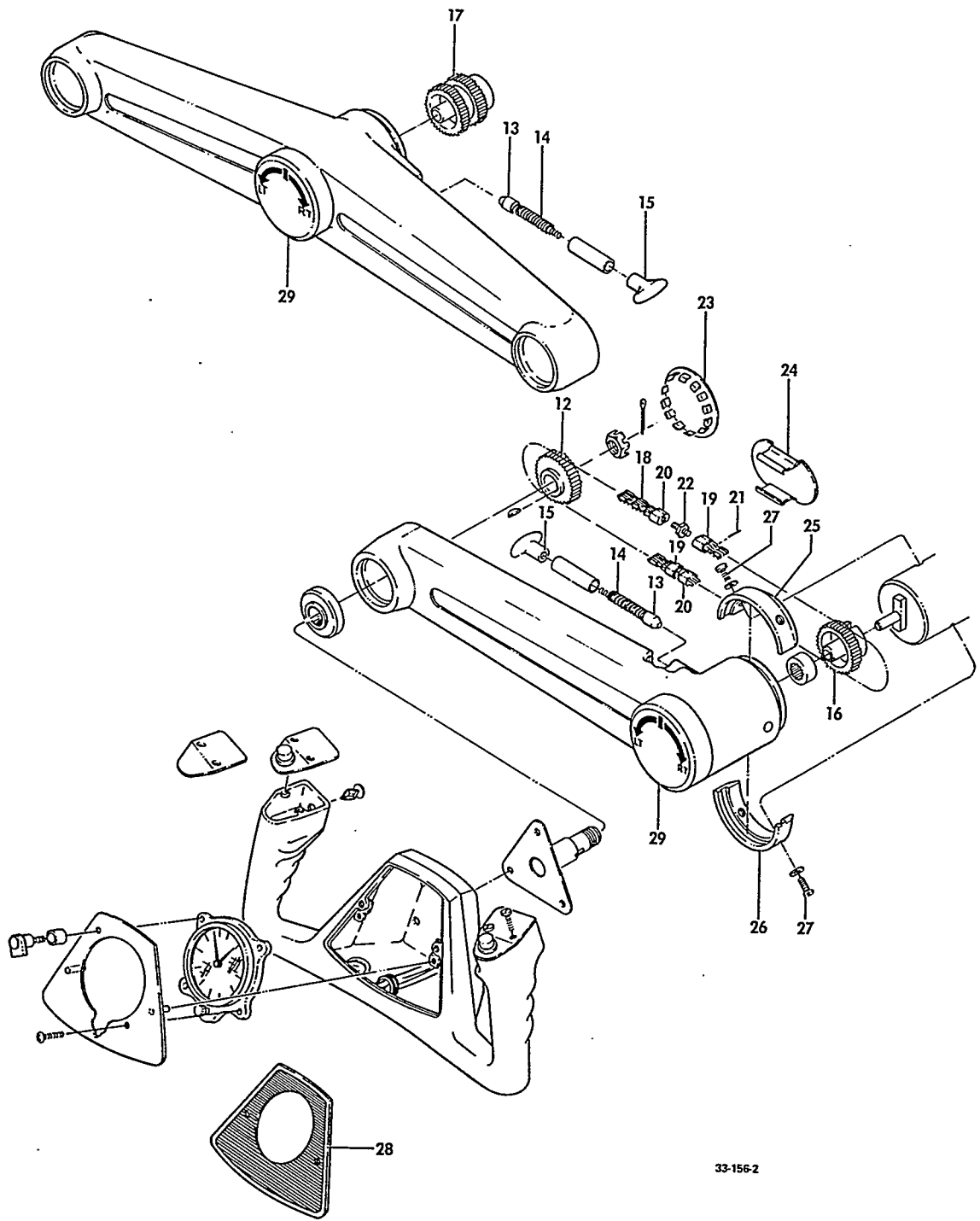


33-156-1

B E E C H C R A F T  
B O N A N Z A 3 3  
I L L U S T R A T E D P A R T S C A T A L O G

FIG. & ITEM NO.	PART NO.	DESCRIPTION							UNITS PER ASSY	USABLE ON CODE	
		1	2	3	4	5	6	7			
156	35-524585-27	ARM INSTL,SINGLE CONTROL . . . . .							NP	1	
	58-524037-5	ARM ASSY,SINGLE CONTROL . . . . .							1	2	
	35-524656-15	ARM INSTL,DUAL CONTROL . . . . .							NP	1	
	36-524021-3	ARM ASSY,DUAL CONTROL . . . . .							1	2	
	35-524585-620	• ARM ASSY,SINGLE CONTROL/WITHOUT MAP LIGHT/. . . . .							1	1	
	35-524585-622	• ARM ASSY,SINGLE CONTROL/WITH MAP LIGHT/. . . . .							1	1	
	58-524037-603	• ARM ASSY,SINGLE CONTROL /WITH MAP LIGHT/. . . . .							1	2	
	58-524037-605	• ARM ASSY,SINGLE CONTROL /WITHOUT MAP LIGHT/. . . . .							1	2	
	35-524656-620	• ARM ASSY,DUAL CONTROL/WITHOUT MAP LIGHT/. . . . .							1	1	
	35-524656-624	• ARM ASSY,DUAL CONTROL/WITH MAP LIGHT/. . . . .							1	1	
	36-524021-601	• ARM ASSY,DUAL CONTROL /WITHOUT MAP LIGHT/. . . . .							NP	13	
	36-524021-603	• ARM ASSY,DUAL CONTROL/WITH PILOT MAP LIGHT/. . . . .							NP	13	
	36-524021-605	• ARM ASSY,DUAL CONTROL/WITH PILOT & COPILOT . . . . .							NP	13	
			MAP LIGHT/ /ORDER 36-524021-607 SPARES FOR 36-524021-601,-603 AND -605.								
		36-524021-607	• ARM ASSY,DUAL CONTROL . . . . .							1	14
		36-524021-6607	• ARM ASSY, DUAL CONTROL/W/O WHEEL/ . . . . .							1	15
		35-524656-626	• ARM ASSY,DUAL CONTROL . . . . .							1	1
		35-524087-8	• ARM ASSY,SINGLE CONTROL . . . . .							1	5
		35-524087-24	• ARM ASSY,SINGLE CONTROL . . . . .							1	6
		35-524261-35	• ARM ASSY,DUAL CONTROL . . . . .							1	
	- 1	35-524087-6	• ARM,SINGLE CONTROL . . . . .							1	5
		35-524087-22	• ARM,SINGLE CONTROL . . . . .							1	6
	- 2	35-524261-37	• ARM,DUAL CONTROL . . . . .							1	
	- 3	MS27641-10	• BEARING . . . . .							2	
	- 4	B78	• BEARING . . . . .							1	
	- 5	35-524241	• BUSHING . . . . .							1	
		60-524080-9	• WHEEL ASSY,PILOTS CONTROL . . . . .							1	
		60-524080-10	• WHEEL ASSY,COPILOTS CONTROL /DUAL ONLY/. . . . .							1	
			/ATTACHING PARTS/ AN23-10A/M/ AN960-10L MS21042-L3							3 3 3	
			*-----*								
- 6	60-524080-13	• WHEEL,PILOTS CONTROL . . . . .							1		
	60-524080-14	• WHEEL,COPILOTS CONTROL /DUAL ONLY/. . . . .							1	2	
- 7	254160801000101	• CLIP,CANOE . . . . .							1	1	
- 8	50-524594	• PLATE,CONTROL WHEEL COVER . . . . .							2		
		/ATTACHING PARTS/ NAS387-440-4P							2		
		*-----*									
- 9	50-534846-11	• EMBLEM,CONTROL WHEEL /RH DUAL/. . . . .							1		
		/ATTACHING PARTS/ 106-320012-5 PK89XA6-10 NAS384-6-6P							2 2 2		
		*-----*									
- 10	96-524029-31	• ADAPTER ASSY,LH CONTROL WHEEL . . . . .							1		
	96-524029-33	• ADAPTER ASSY,RH CONTROL WHEEL/DUAL ONLY/. . . . .							1		
		/ATTACHING PARTS/ AN280H404 130909N19 MS17826-7 AN380-3-4 MS24665-136 MS24665-283							1 1 1 1 1 1	1 2 1 2	
		*-----*									

BEECHCRAFT  
 BONANZA 33  
 ILLUSTRATED PARTS CATALOG

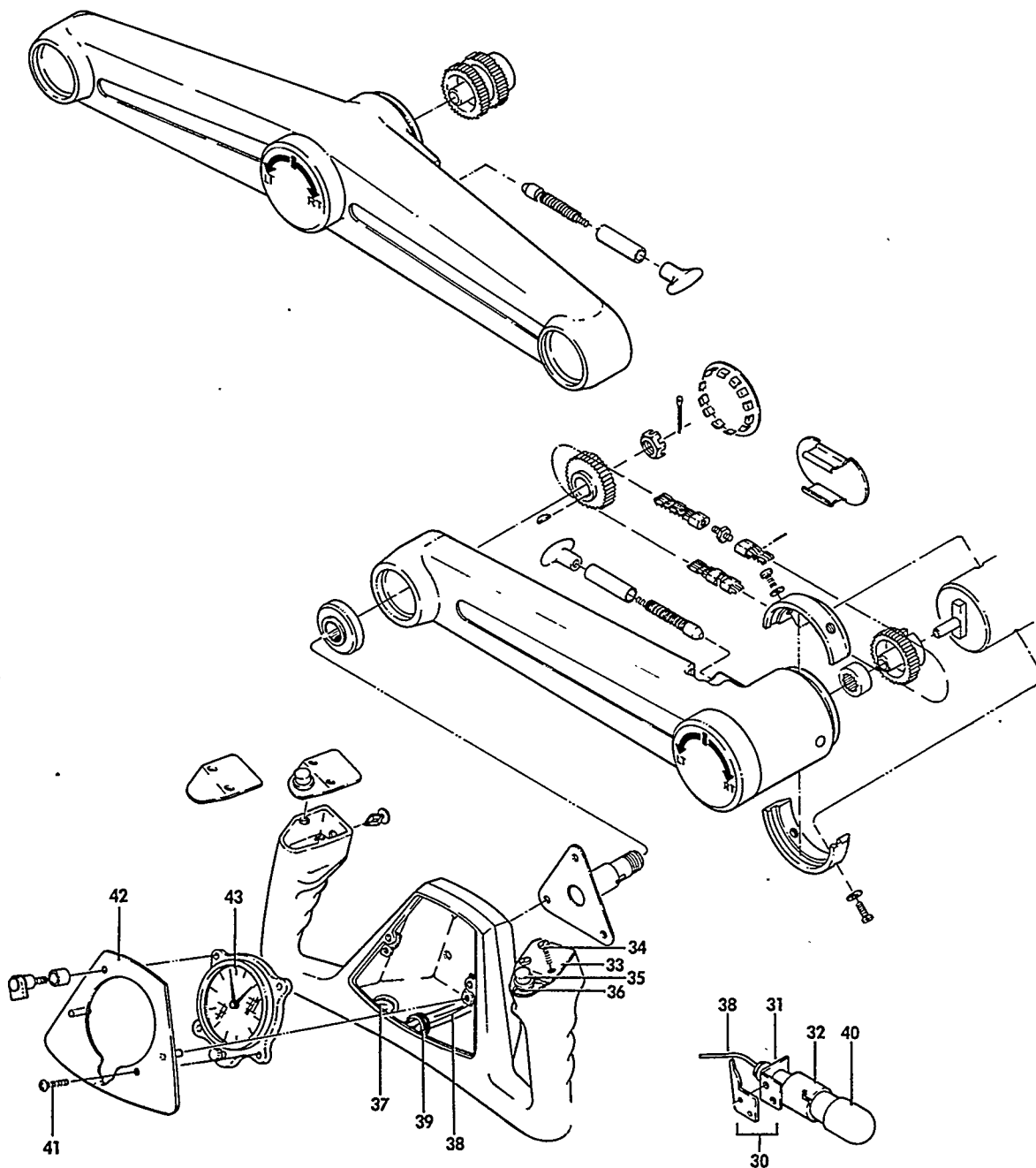


33-156-2

B E E C H C R A F T  
B O N A N Z A 3 3  
I L L U S T R A T E D P A R T S C A T A L O G

FIG. & ITEM NO.	PART NO.	DESCRIPTION							UNITS PER ASSY	USABLE ON CODE
		1	2	3	4	5	6	7		
156 - 12	35-524048	•	•	•	•	•	•	•	1	1
	58-524035-1	•	•	•	•	•	•	•	1	2
	35-524048	•	•	•	•	•	•	•	2	1
	58-524035-1	•	•	•	•	•	•	•	2	2
- 13	35-524095-1	•	•	•	•	•	•	•	1	
- 14	100943ZG108G	•	•	•	•	•	•	•	1	
- 15	35-524096-1	•	•	•	•	•	•	•	1	
- 16	35-524051-1	•	•	•	•	•	•	•	1	1
	58-524034-1	•	•	•	•	•	•	•	1	2
- 17	35-524262-1	•	•	•	•	•	•	•	1	1
	58-524040-1	•	•	•	•	•	•	•	1	2
	35-524139	•	•	•	•	•	•	•	NP	1
	58-524039-1	•	•	•	•	•	•	•	1	2
	58-524039-5	•	•	•	•	•	•	•	1	2
	35-524139	•	•	•	•	•	•	•	NP	1
	58-524039-1	•	•	•	•	•	•	•	2	2
	58-524039-5	•	•	•	•	•	•	•	2	2
- 18	35-524139-1	•	•	•	•	•	•	•	NP	1
	58-524039-3	•	•	•	•	•	•	•	1	2
	58-524039-7	•	•	•	•	•	•	•	1	2
	35-524140-2	•	•	•	•	•	•	•	1	1
- 19	58-524036-1	•	•	•	•	•	•	•	1	2
- 20	35-524140-4	•	•	•	•	•	•	•	1	1
	58-524036-3	•	•	•	•	•	•	•	1	2
- 21	102809-072-018	•	•	•	•	•	•	•	2	1
	C6189	•	•	•	•	•	•	•	2	2
- 22	35-524141	•	•	•	•	•	•	•	2	
	35-524141	•	•	•	•	•	•	•	4	
- 23	51020	•	•	•	•	•	•	•	1	
	51020	•	•	•	•	•	•	•	2	
- 24	35-524587	•	•	•	•	•	•	•	2	
- 25	35-524238-4	•	•	•	•	•	•	•	1	
- 26	35-524238-12	•	•	•	•	•	•	•	1	
	58-524046-1	•	•	•	•	•	•	•	AR	
	58-524046-3	•	•	•	•	•	•	•	AR	
		/ATTACHING PARTS/								
- 27	AN501-10-5	•	•	•	•	•	•	•	4	1
	MS35266-60	•	•	•	•	•	•	•	4	2
	AN935-10L	•	•	•	•	•	•	•	4	
		*-----*								
- 28	50-534846-11	•	•	•	•	•	•	•	1	
		/ATTACHING PARTS/								
	106-320012-5	•	•	•	•	•	•	•	2	
	PK89XA6-10	•	•	•	•	•	•	•	2	
	NAS384-6-6P	•	•	•	•	•	•	•	2	
		*-----*								
- 29	36-524022-1	CONTROL INSTL,AILERON TRIM. . . . .							NP	
	35-380072-1	•	•	•	•	•	•	•	1	
		/ATTACHING PARTS/								
	MS24693S52	•	•	•	•	•	•	•	3	
		*-----*								

BEECHCRAFT  
BONANZA 33  
ILLUSTRATED PARTS CATALOG



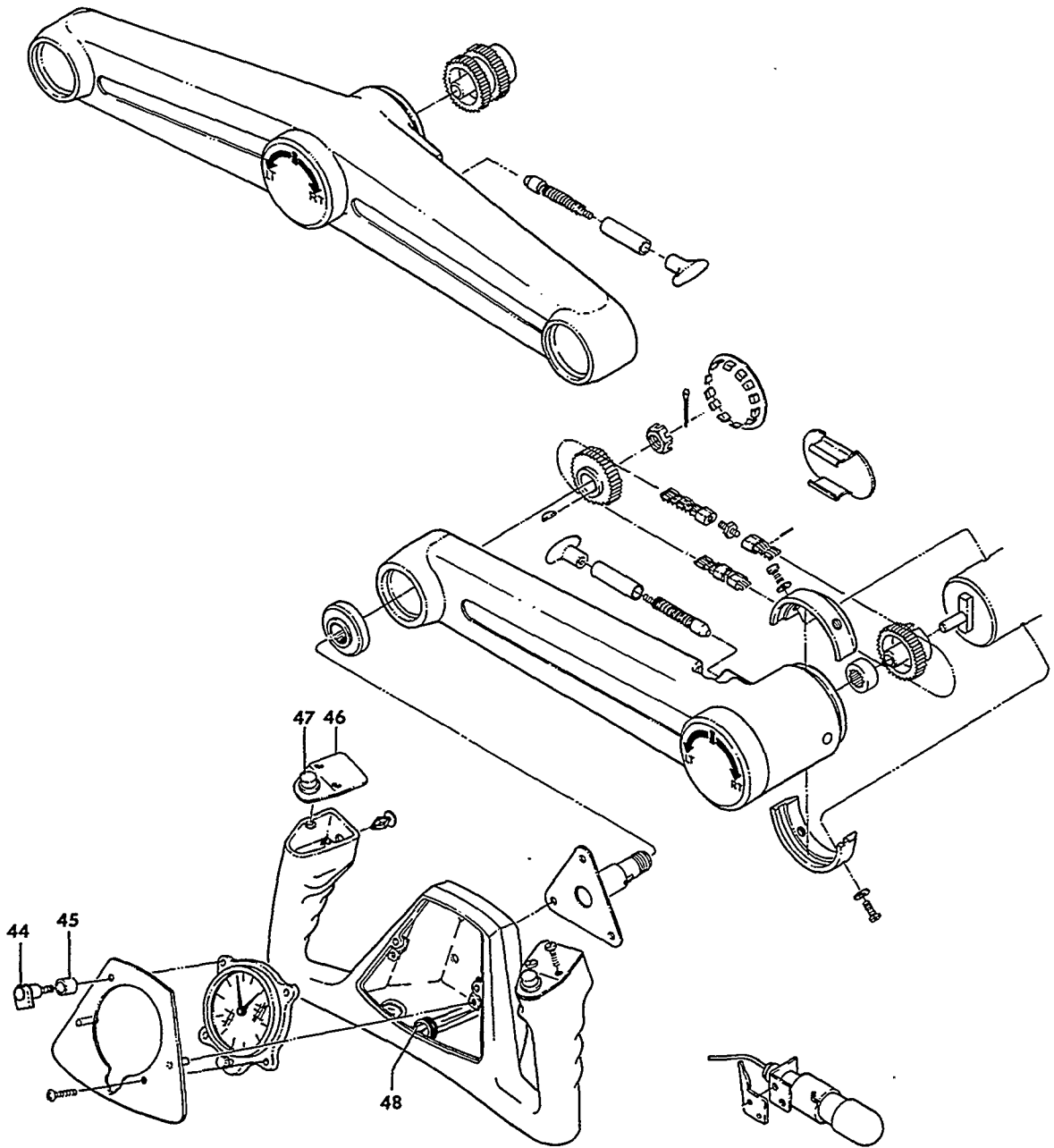
C94CE27A1930



BEECHCRAFT  
BONANZA 33  
ILLUSTRATED PARTS CATALOG

FIG. & ITEM NO.	PART NO.	DESCRIPTION	UNITS PER ASSY	USABLE ON CODE
		1 2 3 4 5 6 7		
156	96-364090-1	LIGHT INSTL,PILOT CONTROL WHEEL MAP . . . . .	NP	3
	96-364090-15	LIGHT INSTL,PILOT CONTROL WHEEL MAP . . . . .	NP	4
	96-364090-2	LIGHT INSTL,COPILOT CONTROL WHEEL MAP . . . . .	NP	
		/DUAL CONTROLS/		
- 30	96-364090-3	. BRACKET ASSY,PILOT LIGHT MOUNTING . . . . .	1	
	96-364090-4	. BRACKET ASSY,COPILOT LIGHT MOUNTING . . . . .	1	
- 31	96-364090-5	. . BRACKET . . . . .	1	
	96-364090-6	. . BRACKET . . . . .	1	
- 32	96-364090-11	. . HOLDER,LAMP . . . . .	1	
- 33	96-364090-21	. PLATE,SWITCH MOUNTING/LH/MAP,OAT,COMPASS/ . . . . .	1	
	96-364090-25	. PLATE,SWITCH MOUNTING/RH/MAP/ . . . . .	1	
		/ATTACHING PARTS/		
- 34	NAS387-440-4P	. SCREW . . . . .	2	
		-----*		
- 35	L18366-5	. SWITCH ASSY,PILOTS MAP LIGHT. . . . .	1	
	L18366-3	. SWITCH ASSY,COPILOTS MAP LIGHT. . . . .	1	
- 36	26119	. TERMINAL. . . . .	2	
- 37	96-364090-9	. LENS,MAP LIGHT. . . . .	1	
- 38	101-384082-7	. COILED CORD/15 CONDUCTORS/. . . . .	1	
	101-384118-1	. COILED CORD/19 CONDUCTORS/. . . . .	1	
	8409	. COILED CORD,COPILOTS/DUAL CONTROLS/ . . . . .	1	
		/ATTACHING PARTS/		
	MS21104D6	. CLAMP /1 ON ARM,1 ON CONSOLE/ . . . . .	2	
- 39	TA1720SS06T	. CLAMP /1 IN WHEEL / . . . . .	1	
	NAS384-6-8P	. SCREW . . . . .	2	
	NAS391-S6P	. WASHER. . . . .	1	
	AN525-8	. SCREW . . . . .	1	
	AN520-10R8	. SCREW . . . . .	1	
	AN960-10L	. WASHER. . . . .	1	
	MS20364-1032	. NUT . . . . .	1	
		-----*		
	MS35489-35	. GROMMET /INSTALL IN PANEL FOR COILED CORD/. . . . .	1	
- 40	1816	. BULB,MAP LIGHT/14 VOLT/ . . . . .	1	8
	1495	. BULB,MAP LIGHT/28 VOLT/ . . . . .	1	9
	50-534622-5	CLOCK INSTL,CONTROL WHEEL/8 DAY/14 VOLT/. . . . .	NP	16
	58-324036-1	CLOCK INSTL,CONTROL WHEEL/INTERNALLY LIGHTED/ . . . . .	NP	8
		/8 DAY/14 VOLT/		
	58-324036-3	CLOCK INSTL,CONTROL WHEEL/INTERNALLY LIGHTED/ . . . . .	NP	9
		/8 DAY/28 VOLT/		
	102-320073-1	CLOCK INSTL,CONTROL WHEEL/LCD CHRONOMETER/. . . . .	NP	12
	106-320012-3	CLOCK INSTL,CONTROL WHEEL/LED CHRONOMETER/. . . . .	NP	10
	50-534846-5	. PLATE,CLOCK MOUNTING /8 DAY/. . . . .	1	16
	50-534846-29	. PLATE INSTL,CLOCK MOUNTING. . . . .	NP	
		/ATTACHING PARTS/		
- 41	NAS384-6-8	. SCREW/USE ONE WITH POST LIGHT/. . . . .	2	
	AN960-6	. WASHER/USE ONE WITH POST LIGHT/ . . . . .	2	
	MS20364-632	. NUT/USE ONE WITH POST LIGHT/. . . . .	2	
		-----*		
- 42	50-534846-21	. . PLATE,CLOCK MOUNTING/INTERNALLY LIGHTED/. . . . .	1	
		/ATTACHING PARTS/		
	102-320073-5	. . CLIP. . . . .	2	
	PK89XA6-10	. . SCREW,CLIP MOUNTING . . . . .	2	
	NAS384-6-6P	. . SCREW,PLATE MOUNTING. . . . .	2	
		-----*		
- 43	50-384211-1	. CLOCK ASSY,8 DAY/14VOLT/. . . . .	1	16
		/ORDER KIT 55-3028-1 FOR SPARES/		
	50-384210-1	. CLOCK ASSY,CHRONOGRAPH/14 VOLT OR 28 VOLT/. . . . .	1	16
		/ORDER KIT 55-3028-1,14V OR 55-3028-3,28V		
	58-380015-1	. CLOCK ASSY,8 DAY/INTERNALLY LIGHTED/14 VOLT/. . . . .	NP	8
		/ORDER KIT 55-3028-1 FOR SPARES/		
	58-380015-3	. CLOCK ASSY,8 DAY/INTERNALLY LIGHTED/28 VOLT/. . . . .	NP	9
		/ORDER KIT 55-3028-3 FOR SPARES/		
R	AT4220A4	. CLOCK,DIGITAL/LIQUID CRYSTAL DISPLAY/ . . . . .	NP	18
		/ORDER MB801-28 FOR SPARES/		
R	AT4220A6	. CLOCK,DIGITAL/LIQUID CRYSTAL DISPLAY/ . . . . .	NP	19
		/ORDER MB801-28 FOR SPARES/		
	MB801-28	. CLOCK,DIGITAL/LIQUID CRYSTAL DISPLAY/ . . . . .	1	17
	CT2A2	. CLOCK,DIGITAL/LIGHT EMITTING DIODE DISPLAY/ . . . . .	1	11

BEECHCRAFT  
BONANZA 33  
ILLUSTRATED PARTS CATALOG



C94CE27A1931

B E E C H C R A F T  
B O N A N Z A 3 3  
I L L U S T R A T E D P A R T S C A T A L O G

FIG. & ITEM NO.	PART NO.	DESCRIPTION	UNITS PER ASSY	USABLE ON CODE
156 - 44	A6795B	. POST LIGHT ASSY /LESS BULB/ . . . . .	1	
	A8970B2-330	. BULB,POST LIGHT/14 VOLT/. . . . .	1	8
- 45	50-534622-15	. SPACER. . . . .	1	
	1N4005	. DIODE,DIGITAL CLOCK . . . . .	2	11
	96-340045-29	RADIO INSTL /MIC SWITCH LOCATION/ . . . . .	NP	
- 46	96-340045-53	. PLATE ASSY,MIC SWITCH MOUNTING. . . . .	1	
	96-340045-39	. . PLATE . . . . .	1	
	96-340045-41	. . PLACARD . . . . .	1	
	NAS387-440-4P	. SCREW . . . . .	2	
- 47	30-1	. SWITCH ASSY,MIC . . . . .	1	
- 48	101-384082-3	. CORD,COILED . . . . .	1	

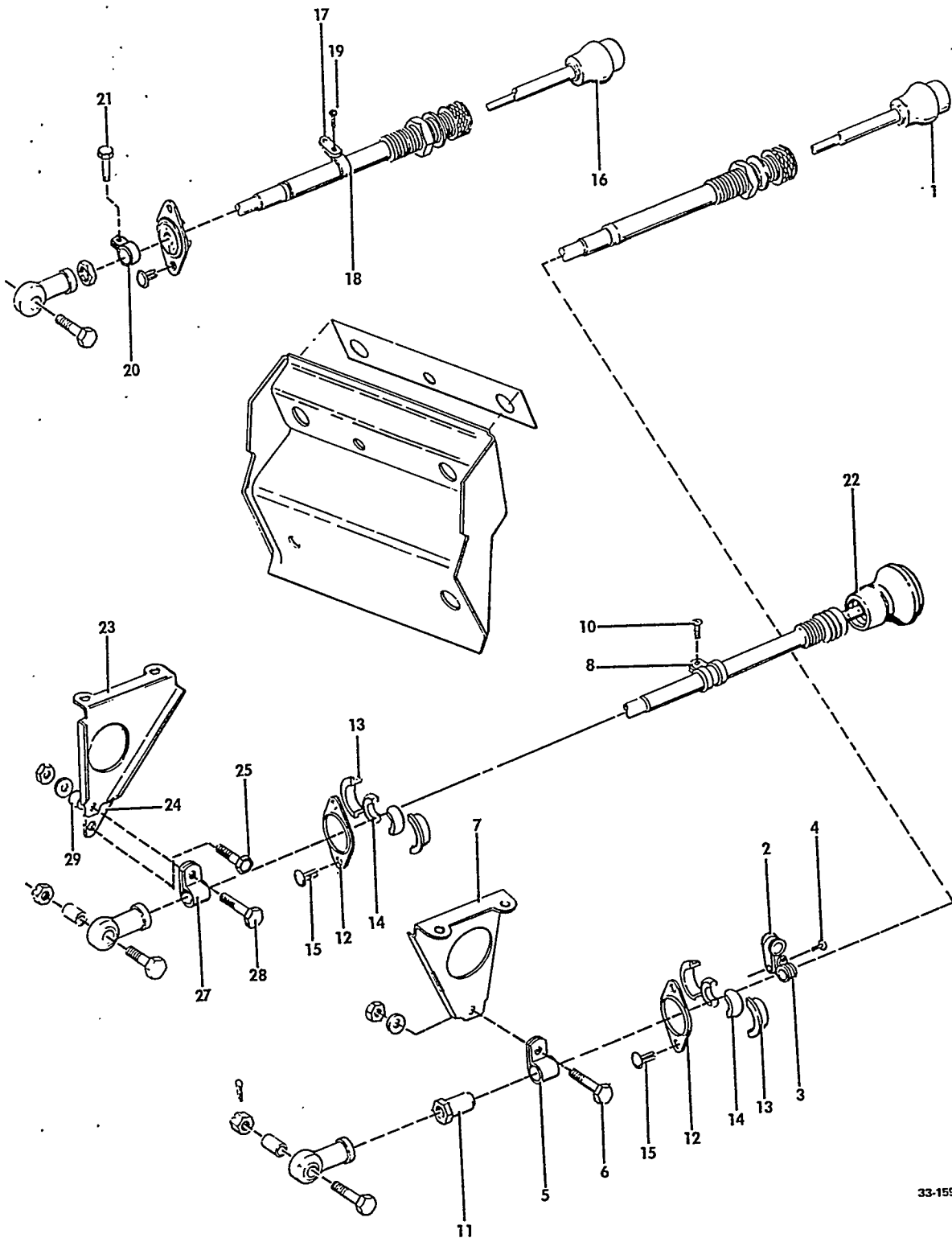
C O D E S O F E F F E C T I V I T Y

- |    |                         |                         |
|----|-------------------------|-------------------------|
| 1  | CD-1235 THRU CD-1299,2  | CD-1300 THRU CD-1304    |
|    | CE-290 THRU CE-397,     | CE-398 AND AFTER,       |
|    | EXCEPT CE-394           | CE-394 AND CE-395,      |
|    | AND CE-395,             | CJ-31 AND AFTER         |
|    | CJ-26 THRU CJ-30        |                         |
| 3  | CD-1235 THRU CD-1255,4  | CD-1256 THRU CD-1304    |
|    | CE-290 THRU CE-349      | CE-350 AND AFTER        |
|    | CJ-26 THRU CJ-30        | CJ-31 AND AFTER         |
| 5  | CD-1235 THRU CD-1304 6  | CE-761 AND AFTER        |
|    | CE-290 THRU CE-760      | CJ-140 AND AFTER        |
|    | CJ-26 THRU CJ-139       |                         |
| 7  | CD-1235 THRU CD-1254 8  | CD-1235 THRU CD-1304    |
|    | CE-290 THRU CE-771,     | EXCEPT CE-748,          |
|    | CJ-26 THRU CJ-148       |                         |
| 9  | CE-748,                 | 10 CE-718 THRU CE-861   |
|    | CE-772 THRU CE-1049     | CE-929 AND AFTER        |
|    | CJ-149                  | CJ-129 THRU CJ-149      |
| 11 | CE-718 AND AFTER        | 12 CE-862 AND AFTER     |
|    | CJ-129 AND AFTER        | CJ-150 THRU CJ-155      |
| 13 | CD-1300 THRU CD-1304 14 | CE-869 THRU CE-1000     |
|    | CE-394,CE-395,          | CJ-150 THRU CJ-155      |
|    | CE-398 THRU CE-868      |                         |
|    | CJ-31 THRU CJ-149       |                         |
| 15 | CE-1001 AND AFTER       | 16 CD-1235 THRU CD-1304 |
|    | CJ-156 AND AFTER        |                         |
| 17 | CE-1541 AND AFTER       | 18 CE-862 THRU CE-886   |
|    | CJ-180 AND AFTER        | CJ-150 THRU CJ-155      |
| 19 | CE-887 THRU CE-1540     |                         |
|    | CJ-156 THRU CJ-179      |                         |

BEECHCRAFT  
BONANZA 33  
ILLUSTRATED PARTS CATALOG

FIGURE 159  
ENGINE CONTROLS  
CD-1235 THRU CD-1254

BEECHCRAFT  
BONANZA 33  
ILLUSTRATED PARTS CATALOG



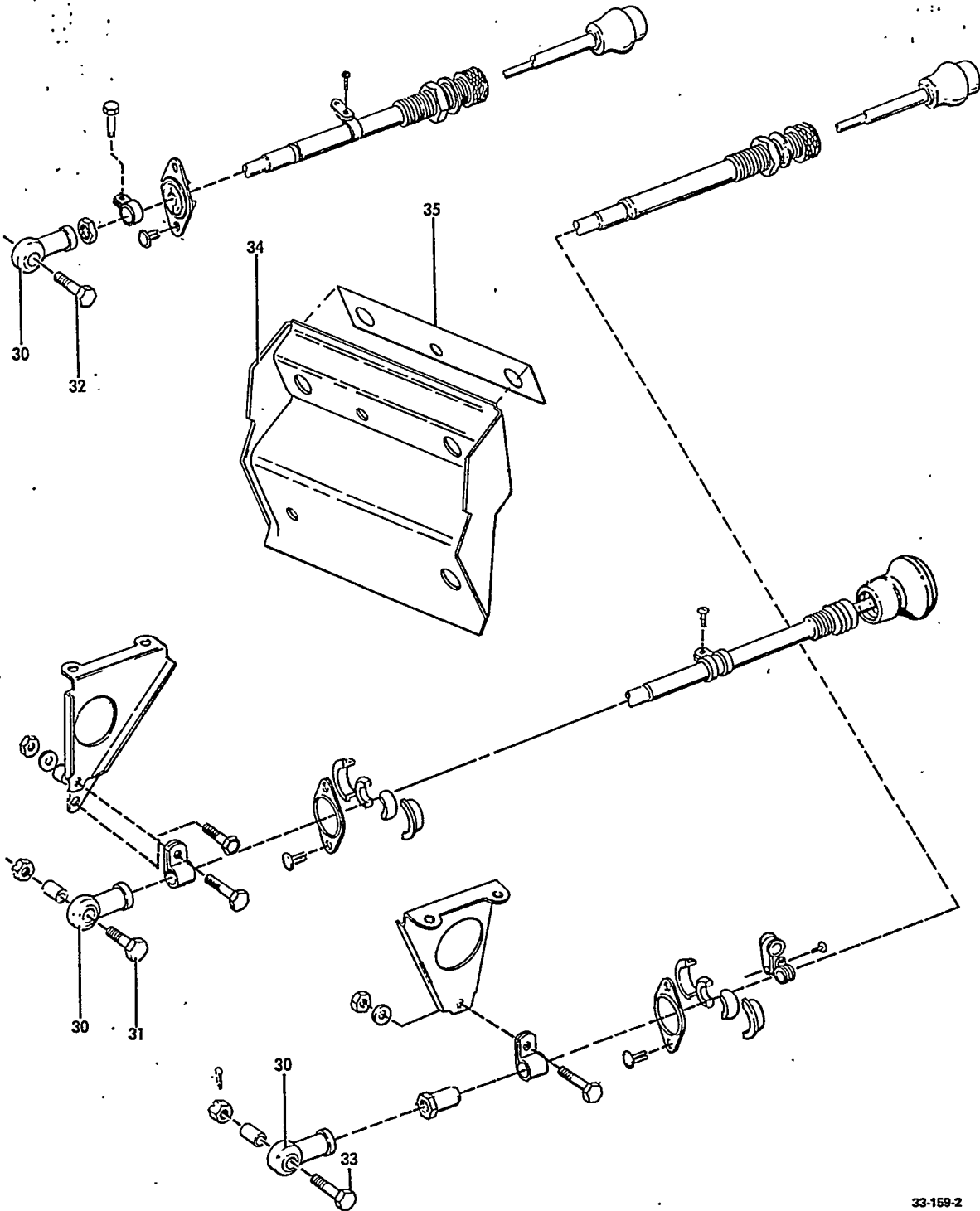
33-159-1

FIGURE 159. ENGINE CONTROLS  
/SHEET 1 OF 2 SHEETS/

B E E C H C R A F T  
B O N A N Z A 3 3  
I L L U S T R A T E D P A R T S C A T A L O G

FIG. & ITEM NO.	PART NO.	DESCRIPTION	UNITS							USABLE ON CODE	
			1	2	3	4	5	6	7		PER ASSY
159	33-940001	CONTROL INSTL, ENGINE . . . . .								NP	1
- 1	35-944046-5	. CONTROL ASSY, THROTTLE . . . . .								1	1
- 2	MS21919DG36	. CLAMP, THROTTLE CONTROL . . . . .								1	1
- 3	776-6	. CLIP, THROTTLE CONTROL SUPPORT . . . . .								1	1
		/ATTACHING PARTS/									
- 4	AN515-8R	. SCREW . . . . .								2	
	AN960-8	. WASHER . . . . .								2	
	MS20365-832	. NUT . . . . .								2	
		*-----*									
- 5	PP561DS4	. CLAMP, THROTTLE CONTROL . . . . .								1	1
		/ATTACHING PARTS/									
- 6	AN3	. BOLT . . . . .								1	
	AN960-10L	. WASHER . . . . .								1	
	MS20365-1032	. NUT . . . . .								1	
		*-----*									
- 7	35-944052-5	. BRACKET, THROTTLE CONTROL ARM . . . . .								1	1
- 8	MS21919DG6	. CLAMP, MIXTURE CONTROL . . . . .								1	1
		/ATTACHING PARTS/									
- 9		. DELETED . . . . .									
- 10	AN515-8R	. SCREW . . . . .								1	
		*-----*									
- 11	35-369123-3	. ACTUATOR, THROTTLE CONTROL ARM . . . . .								1	1
- 12	112436-6	. RETAINER . . . . .								3	1
- 13	112412	. GROMMET . . . . .								6	1
- 14	112413-4	. BALL . . . . .								2	1
	112413-8	. BALL . . . . .								4	1
- 15	49338	. FASTENER . . . . .								6	1
	AN960-8	. WASHER . . . . .								12	1
- 16	35-944048-3	. CONTROL ASSY, PROPELLER . . . . .								1	1
- 17	35-944047-1	. CLIP, PROPELLER CONTROL ARM . . . . .								1	1
- 18	MS21919DG6	. CLAMP . . . . .								1	1
		/ATTACHING PARTS/									
- 19	AN515-8	. SCREW . . . . .								1	
	AN960-8	. WASHER . . . . .								1	
	MS20365-832	. NUT . . . . .								1	
		*-----*									
- 20	PP561DS4	. CLAMP . . . . .								1	1
		/ATTACHING PARTS/									
- 21	AN3-6A/M/	. BOLT . . . . .								1	
	AN960-10	. WASHER . . . . .								1	
	MS20365-1032	. NUT . . . . .								1	
		*-----*									
- 22	33-380005-1	. CONTROL ASSY, MIXTURE . . . . .								1	1
- 23	35-944052-5	. BRACKET, MIXTURE CONTROL ARM . . . . .								1	1
- 24	33-940000-11	. CLIP, MIXTURE CONTROL . . . . .								1	1
		/ATTACHING PARTS/									
- 25	AN3	. BOLT . . . . .								1	
	AN960-10	. WASHER . . . . .								1	
	MS20365-1032	. NUT . . . . .								1	
		*-----*									
- 26		. DELETED . . . . .									
- 27	PP561DS4	. CLAMP . . . . .								1	1
		/ATTACHING PARTS/									
- 28	AN3	. BOLT . . . . .								1	
- 29	404-189064	. BUSHING, MIXTURE CONTROL . . . . .								1	
	AN960-10L	. WASHER . . . . .								1	
	MS20365-1032	. NUT . . . . .								1	
		*-----*									

BEECHCRAFT  
BONANZA 33  
ILLUSTRATED PARTS CATALOG



33-159-2

B E E C H C R A F T  
B O N A N Z A 3 3  
I L L U S T R A T E D P A R T S C A T A L O G

FIG. & ITEM NO.	PART NO.	DESCRIPTION							UNITS PER ASSY	USABLE ON CODE
		1	2	3	4	5	6	7		
159 - 30	131765-1F	.	.	.	.	.	.	.	3	1
		END, ROD/SPARES FOR F34-14M/ /ATTACHING PARTS/								
- 31	AN3-6/M/	.	.	.	.	.	.	.	3	
- 32	AN3-7/M/	.	.	.	.	.	.	.	1	
- 33	AN3-1/M/	.	.	.	.	.	.	.	1	
	AN960-10L	.	.	.	.	.	.	.	1	
	AN935-416	.	.	.	.	.	.	.	2	
	130909N6	.	.	.	.	.	.	.	3	
	AN380-2-2	.	.	.	.	.	.	.	3	
		*-----*								
- 34	35-944075	.	.	.	.	.	.	.	1	1
- 35	35-944065	.	.	.	.	.	.	.	1	1
	35-944064-3	.	.	.	.	.	.	.	1	1

C O D E S O F E F F E C T I V I T Y

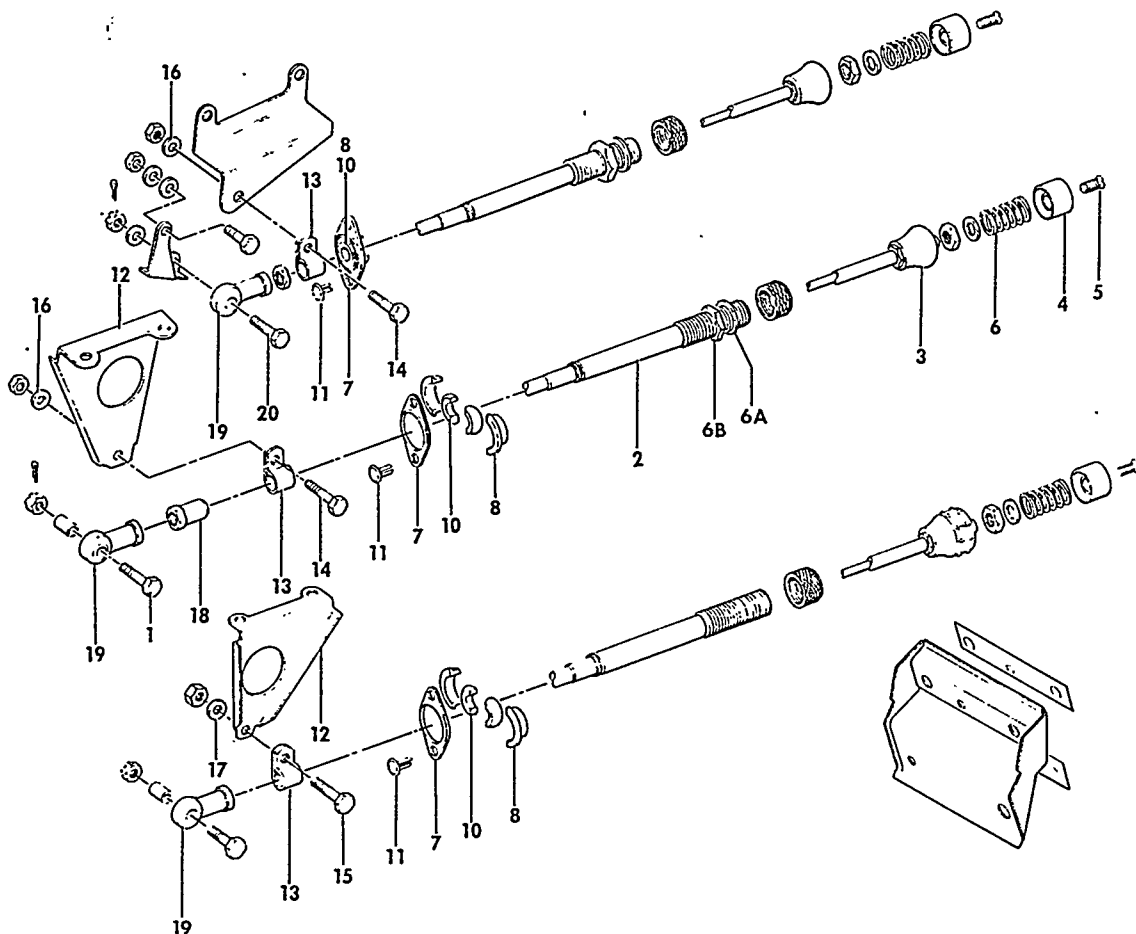
1 CD-1235 THRU CD-1254



BEECHCRAFT  
BONANZA 33  
ILLUSTRATED PARTS CATALOG

FIGURE 159A  
ENGINE CONTROLS  
CD-1255 THRU CD-1304  
CE-290 AND AFTER  
CJ-26 AND AFTER

BEECHCRAFT  
BONANZA 33  
ILLUSTRATED PARTS CATALOG



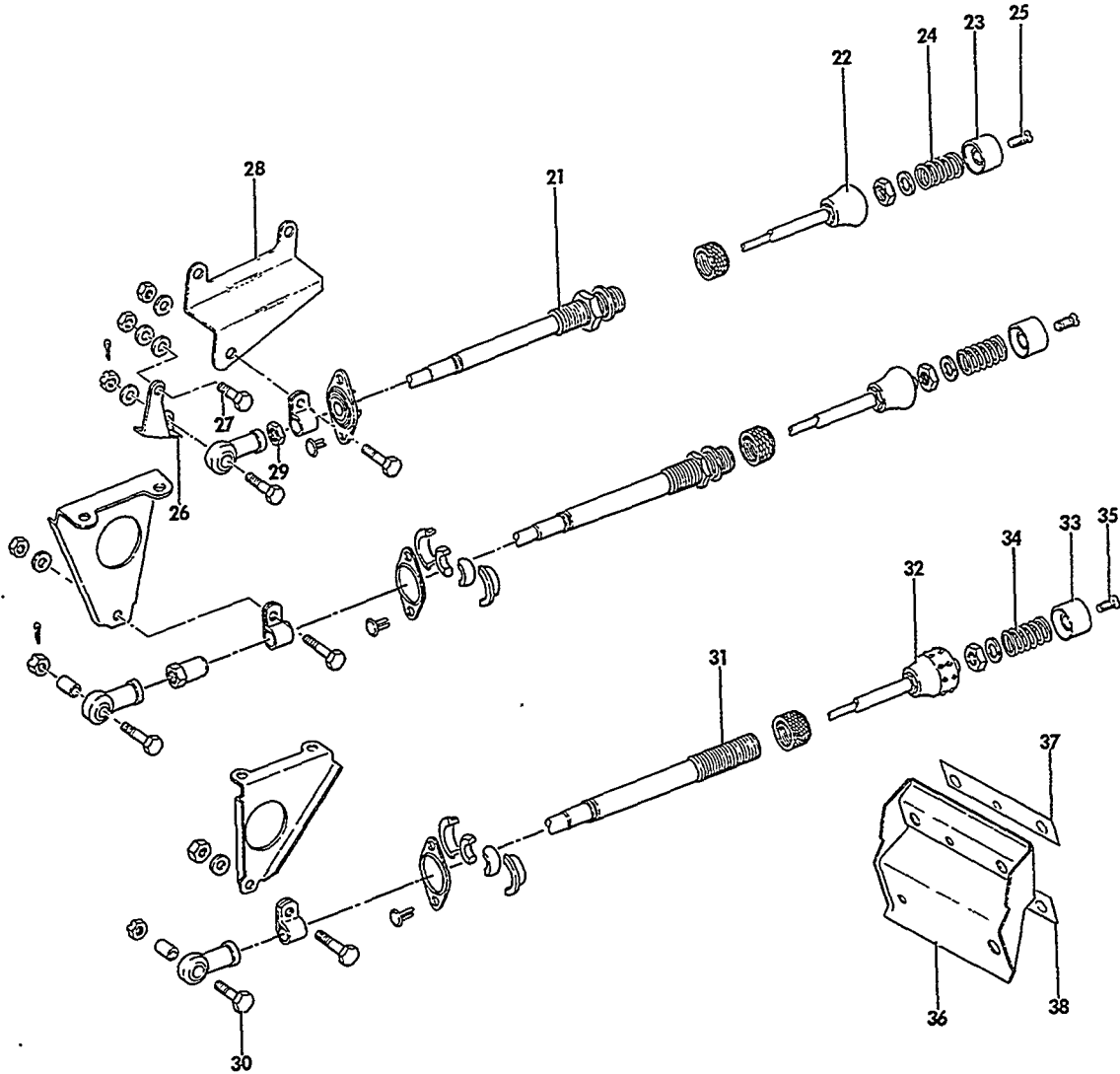
35-159-19

FIGURE 159A. ENGINE CONTROLS  
/SHEET 1 OF 3 SHEETS/

B E E C H C R A F T  
B O N A N Z A 3 3  
I L L U S T R A T E D P A R T S C A T A L O G

FIG. & ITEM NO.	PART NO.	DESCRIPTION	UNITS PER ASSY	USABLE ON CODE
		1 2 3 4 5 6 7		
159A	35-944056	CONTROL INSTL,ENGINE. . . . .	NP	2
	35-944056-3	CONTROL INSTL,ENGINE. . . . .	NP	3
	35-944046-5	CONTROL ASSY,THROTTLE . . . . .	1	7
	35-944046-7	CONTROL ASSY,THROTTLE . . . . .	1	8
		/ATTACHING PARTS/		
- 1	130909B172	BOLT. . . . .	1	
	MS17825-3	NUT . . . . .	1	
	MS24665-132	PIN,COTTER. . . . .	1	
	100951S063ZK	WASHER. . . . .	1	
		-----X-----		
- 2	36-380061-1	CONTROL ASSY. . . . .	1	1
- 3	35-944042-1	KNOB,THROTTLE CONTROL . . . . .	1	7
	35-944042-3	KNOB,THROTTLE CONTROL/BLACK/. . . . .	1	8
		/ATTACHING PARTS/		
	AN936A616	WASHER. . . . .	1	
	AN924-3D	NUT . . . . .	1	
		-----X-----		
- 4	35-944035-1	BUTTON. . . . .	1	7
	35-944035-5	BUTTON. . . . .	1	8
		/ATTACHING PARTS/		
- 5	NAS387-832-8P	SCREW . . . . .	1	
- 6	PP4405	SPRING/ALTERNATE FOR 53-3318-0131/ . . . . .	1	
	R 53-3318-0131	SPRING/ALTERNATE FOR PP4405/ . . . . .	1	
		-----X-----		
- 6A	1232-00	WASHER. . . . .	1	1
- 6B	AN924-8D	NUT . . . . .	1	1
- 7	112436-6	RETAINER. . . . .	3	1
- 8	112412	GROMMET . . . . .	6	1
- 9		DELETED . . . . .		
- 10	112413-8	BALL. . . . .	6	1
- 11	49338	FASTENER. . . . .	6	1
	AN960-8	WASHER. . . . .	12	1
	MS21919WDG6	CLAMP,THROTTLE CONTROL. . . . .	1	1
		/ATTACHING PARTS/		
	ANS15-8R32	SCREW . . . . .	1	
	105739X-XD1500	BOLT. . . . .	1	
		-----X-----		
- 12	35-944052-5	BRACKET . . . . .	2	2
- 13	PP561DS4	CLAMP . . . . .	3	2
		/ATTACHING PARTS/		
- 14	130909B17	BOLT. . . . .	1	
- 15	130909B19	BOLT. . . . .	1	
- 16	AN960-10L	WASHER. . . . .	1	
- 17	AN960C10L	WASHER. . . . .	1	
	MS20365-1032	NUT . . . . .	1	
		-----X-----		
- 18	35-369123-3	ACTUATOR. . . . .	1	9
	35-369123-5	ACTUATOR. . . . .	1	10
- 19	131765-1F	END,ROD/SPARES FOR F34-14M/ . . . . .	3	1
	35-944048-3	CONTROL ASSY,PROPELLER. . . . .	1	7
	35-944048-7	CONTROL ASSY,PROPELLER. . . . .	1	8
		/ATTACHING PARTS/		
- 20	130909B18	BOLT. . . . .	1	
	MS24665-132	PIN,COTTER. . . . .	1	
		-----X-----		

BEECHCRAFT  
BONANZA 33  
ILLUSTRATED PARTS CATALOG

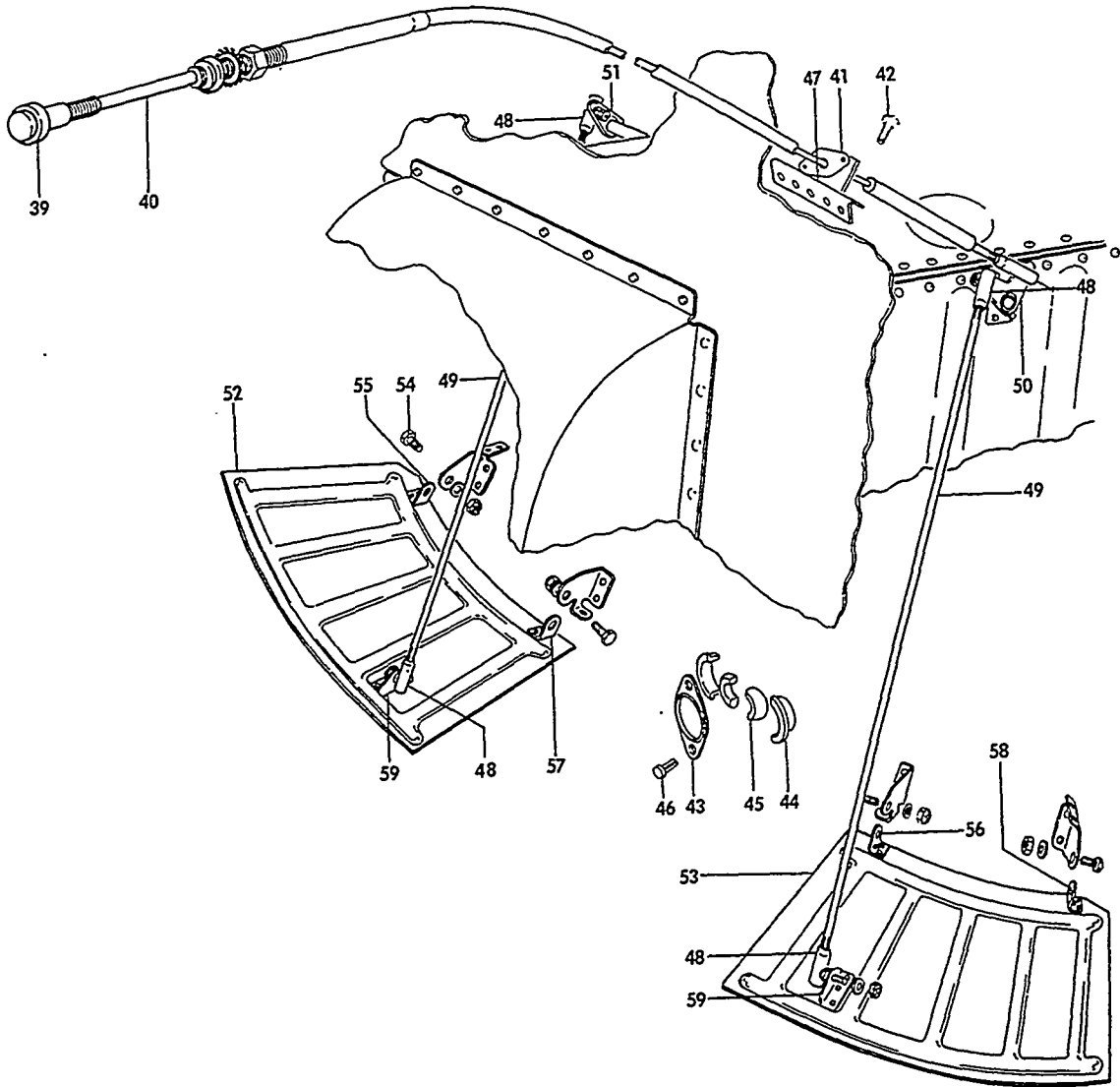


35-159-7

B E E C H C R A F T  
B O N A N Z A 3 3  
I L L U S T R A T E D P A R T S C A T A L O G

FIG. & ITEM NO.	PART NO.	DESCRIPTION	UNITS PER ASSY	USABLE ON CODE
		1 2 3 4 5 6 7		
159A - 21	36-380061-3	. . CONTROL ASSY,PROP . . . . .	1	1
- 22	35-944049-5	. . KNOB. . . . .	1	7
	35-944049-7	. . KNOB. . . . .	1	8
		/ATTACHING PARTS/		
	AN936A616	. . WASHER. . . . .	1	
	AN924-3D	. . NUT . . . . .	1	
		-----*		
- 23	35-944035-1	. . BUTTON. . . . .	1	7
	35-944035-7	. . BUTTON. . . . .	1	8
		/ATTACHING PARTS/		
- 24	PP4405	. . SPRING/ALTERNATE FOR 53-3318-0131/. . . . .	1	
	R 53-3318-0131	. . SPRING/ALTERNATE FOR PP4405/	1	
- 25	NAS387-832-8P	. . SCREW . . . . .	1	
		-----*		
	35-944047-1	. CLIP,THROTTLE CONTROL CLAMP . . . . .	1	1
	MS21919WDG6	. CLAMP,FUEL MIX CONTROL. . . . .	1	1
		/ATTACHING PARTS/		
	130909B14	. BOLT. . . . .	1	
	AN960-8	. WASHER. . . . .	1	
	MS20365-1032	. NUT . . . . .	1	
		-----*		
- 26	35-944051-1	. ARM ASSY,PROP CONTROL . . . . .	1	1
		/ATTACHING PARTS/		
- 27	130909B17	. BOLT. . . . .	1	
	AN960-10L	. WASHER. . . . .	1	
	AN936A10	. WASHER. . . . .	2	
	MS20365-1032	. NUT . . . . .	1	
		-----*		
- 28	35-944052-9	. BRACKET,PROP CONTROL ASSY . . . . .	1	1
- 29	AN316-4R	. NUT . . . . .	1	1
	AN935-416	. WASHER,LOCK . . . . .	1	1
	35-944054-3	. CONTROL ASSY,FUEL MIX . . . . .	1	7
	35-944054-7	. CONTROL ASSY,FUEL MIX . . . . .	1	8
		/ATTACHING PARTS/		
- 30	130909B172	. BOLT. . . . .	1	
	130909N6	. NUT . . . . .	1	
	MS24665-132	. PIN,COTTER. . . . .	1	
		-----*		
- 31	36-380061-5	. . CONTROL ASSY,FUEL MIX . . . . .	1	1
- 32	35-944049-3	. . KNOB. . . . .	1	7
	35-944049-9	. . KNOB. . . . .	1	8
		/ATTACHING PARTS/		
	AN936A616	. . WASHER. . . . .	1	
	AN924-3D	. . NUT . . . . .	1	
		-----*		
- 33	35-944035-1	. . BUTTON. . . . .	1	7
	35-944035-3	. . BUTTON. . . . .	1	8
		/ATTACHING PARTS/		
- 34	PP4405	. . SPRING/ALTERNATE FOR 53-3318-0131/	1	
	R 53-3318-0131	. . SPRING/ALTERNATE FOR PP4405/	1	
- 35	NAS387-832-8P	. . SCREW . . . . .	1	
		-----*		
- 36	35-944075	. ESCUTCHEON. . . . .	1	1
- 37	35-944065	. PLACARD,ENGINE CONTROL UPPER. . . . .	1	2
	33-940011	. PLACARD,ENGINE CONTROL UPPER. . . . .	1	3
- 38	35-944064-1	. PLACARD,ENGINE CONTROL LOWER. . . . .	1	1

BEECHCRAFT  
BONANZA 33  
ILLUSTRATED PARTS CATALOG



35-159-8

BEECHCRAFT  
BONANZA 33  
ILLUSTRATED PARTS CATALOG

FIG. & ITEM NO.	PART NO.	DESCRIPTION	UNITS PER ASSY	USABLE ON CODE
159A	35-380050-1	. CONTROL ASSY,COWL FLAP. . . . . /SPARES FOR SKEW007663-002, 565-520-041/	1	1
- 39	35-524655	. . KNOB,COWL FLAP CONTROL. . . . .	1	1
- 40	35-944018	. . CONTROL ASSY. . . . .	1	1
- 41	35-944037	. BLOCK CLAMP . . . . . /ATTACHING PARTS/	1	6
- 42	AN515-832-20	. SCREW . . . . .	2	
	AN960-8	. WASHER. . . . .	6	
	MS20365-832	. NUT . . . . .	2	
		-----*		
- 43	112436-6	. RETAINER. . . . .	1	1
- 44	112412	. GROMMET . . . . .	2	1
- 45	112413-4	. BALL. . . . .	2	1
- 46	49338	. FASTENER. . . . .	2	1
	AN960-8	. WASHER. . . . .	3	1
- 47	35-944001-4	. PLATE . . . . .	1	1
- 48	R R5021	. BALL JOINT. . . . .	5	1
	35-944012	. LINK,COWL FLAP CONTROL. . . . .	2	4
	35-944025	. ARM ASSY,COWL FLAP CONTROL RH . . . . .	1	4
	35-944011-8	. ARM ASSY,COWL FLAP CONTROL LH . . . . .	1	4
	35-910053-12	. FLAP ASSY,COWL LH . . . . .	1	4
	35-910053-1	. FLAP ASSY,COWL RH . . . . .	1	4
	35-910053-2	. . SKIN,LH . . . . .	1	4
	35-910053-3	. . SKIN,RH . . . . .	1	4
	35-910053-4	. . REINFORCEMENT,LH. . . . .	1	4
	35-910053-5	. . REINFORCEMENT,RH. . . . .	1	4
	35-910053-8	. . FLANGE/LH OUTBD/. . . . .	1	4
	35-910053-6	. . FLANGE/LH INBD/. . . . .	1	4
	35-910053-9	. . FLANGE/RH OUTBD/. . . . .	1	4
	35-910053-7	. . FLANGE/RH INBD/. . . . .	1	4
	35-910056	. . HINGE,LH OUTBD. . . . .	1	4
	35-910056-1	. . HINGE,RH INBD . . . . .	1	4
	35-910057	. . HINGE,LH INBD . . . . .	1	4
	35-910057-1	. . HINGE,RH OUTBD. . . . .	1	4
	35-910058	. . BRACKET . . . . .	1	4
- 49	002-410053-15	LINK,COWL FLAP CONTROL. . . . .	2	5
- 50	002-410053-3	ARM ASSY,COWL FLAP CONTROL/RH/. . . . .	1	5
- 51	002-420053-1	ARM ASSY,COWL FLAP CONTROL/LH/. . . . .	1	5
- 52	002-410025-13	FLAP ASSY,COWL/LH/. . . . .	1	5
- 53	002-410025-14	FLAP ASSY,COWL/RH/. . . . . /ATTACHING PARTS/	1	5
- 54	130909B13	BOLT. . . . .	2	5
		-----*		
	002-410025-17	. SKIN,LH . . . . .	1	5
	002-410025-18	. SKIN,RH . . . . .	1	5
	002-410025-15	. DOUBLER,LH. . . . .	1	5
	002-410025-16	. DOUBLER,RH. . . . .	1	5
- 55	002-410025-11	. HINGE,LH OUTBD. . . . .	1	5
- 56	002-410025-10	. HINGE,RH INBD . . . . .	1	5
- 57	002-410025-9	. HINGE,LH INBD . . . . .	1	5
- 58	002-410025-12	. HINGE,RH OUTBD. . . . .	1	5
- 59	002-410025-7	. BRACKET . . . . .	1	5

CODES OF EFFECTIVITY

1	CD-1255 THRU CD-1304	2	CD-1255 THRU CD-1304
	CE-290 AND AFTER		CE-290 AND AFTER
	CJ-26 AND AFTER		
3	CJ-26 AND AFTER	4	CE-290 THRU CE-417,
			CE-419 THRU CE-435
			CJ-26 THRU CJ-39
5	CE-418,	6	CE-290 AND AFTER
	CE-436 AND AFTER		
	CJ-40 AND AFTER		
7	CD-1255 THRU CD-1304	8	CE-937 AND AFTER
	CE-290 THRU CE-936		CJ-156 AND AFTER
	CJ-26 THRU CJ-155		

SEE NEXT PAGE

B E E C H C R A F T  
 BONANZA 33  
 I L L U S T R A T E D P A R T S C A T A L O G

FIG. & ITEM NO.	PART NO.	1	2	3	4	5	6	7	DESCRIPTION	UNITS PER ASSY	USABLE ON CODE
159A	R	CONTINUED . . . . .									

CODES OF EFFECTIVITY

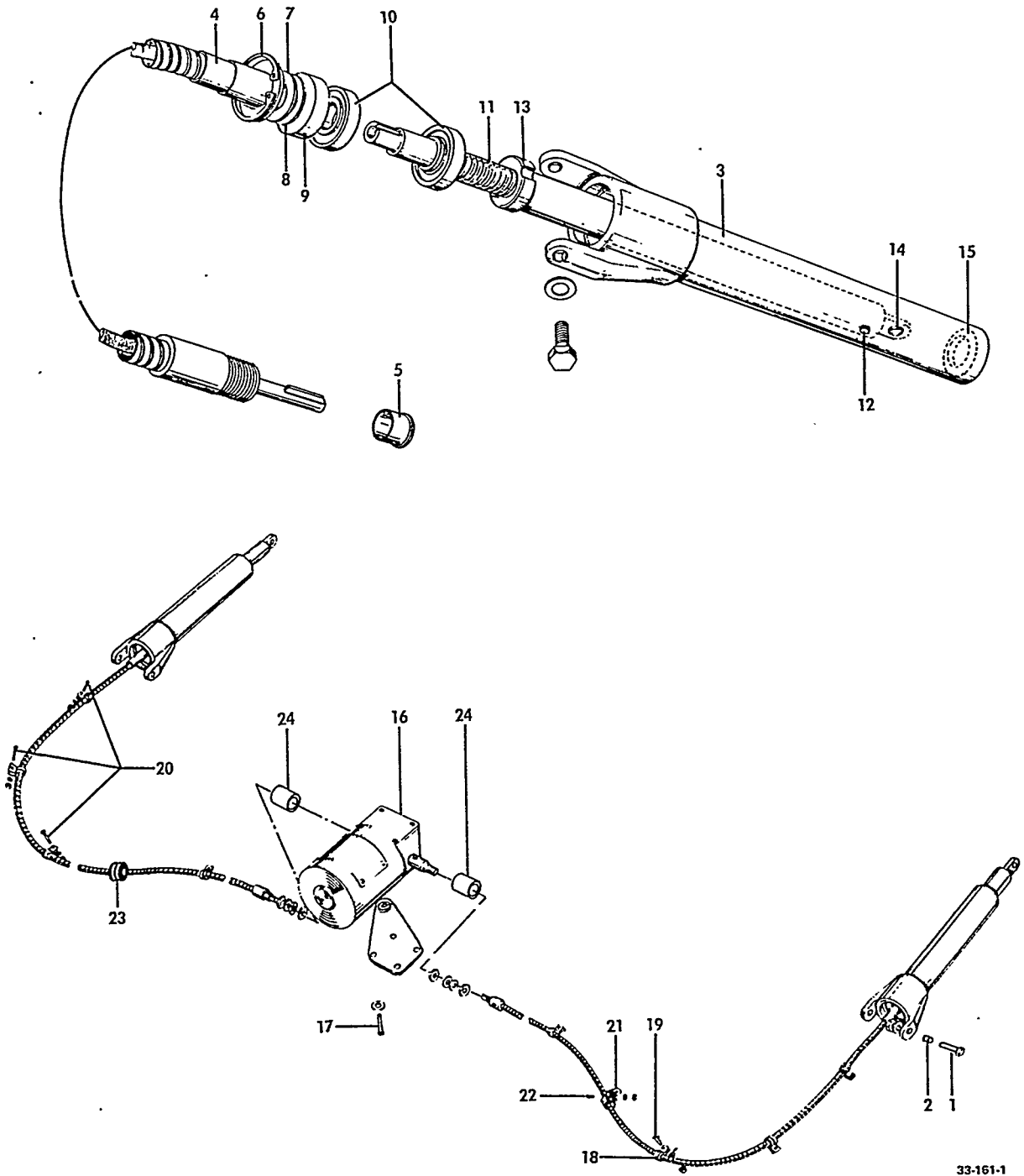
9 CD-1255 THRU CD-1304 10 CE-1301.  
 CE-290 THRU CE-1300 CE-1307 AND AFTER  
 CE-1302 THRU CE-1306 CJ-180 AND AFTER  
 CJ-26 THRU CJ-179



BEECHCRAFT  
BONANZA 33  
ILLUSTRATED PARTS CATALOG

FIGURE 161  
FLAP CONTROL MECHANISM

BEECHCRAFT  
BONANZA 33  
ILLUSTRATED PARTS CATALOG

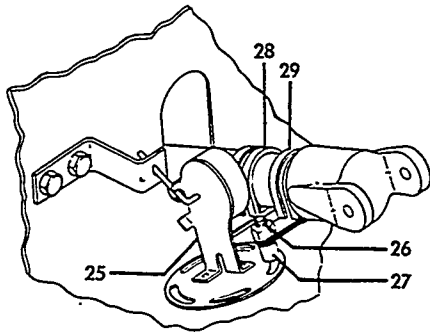


33-161-1

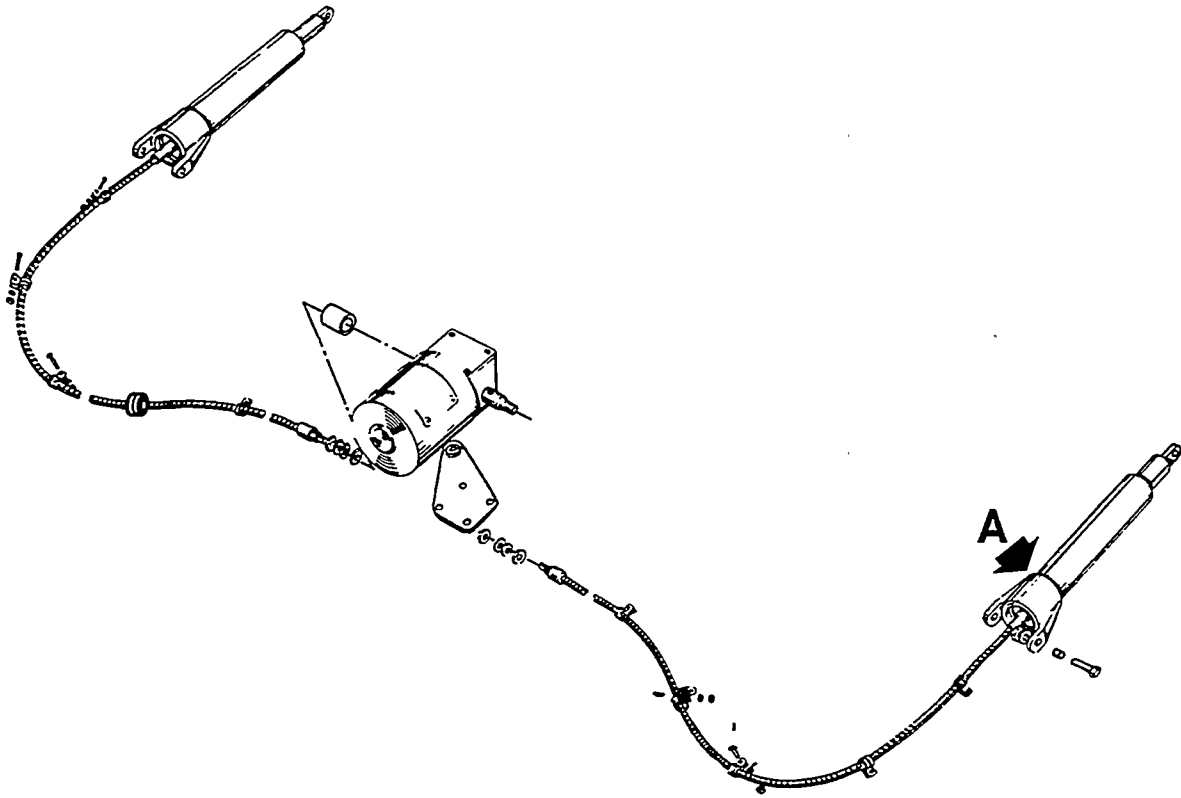
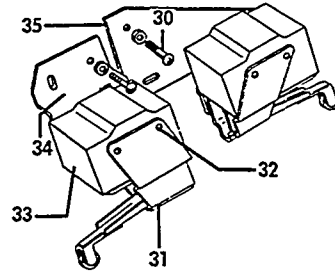
B E E C H C R A F T  
B O N A N Z A 3 3  
I L L U S T R A T E D P A R T S C A T A L O G

FIG. & ITEM NO.	PART NO.	DESCRIPTION	UNITS PER ASSY	USABLE ON CODE
161	35-521240	CONTROL INSTL, FLAP. . . . .	NP	
	45-521212-604	. ACTUATOR ASSY, FLAP LH . . . . .	1	
	R 45-521212-607	. ACTUATOR ASSY, FLAP RH . . . . .	1	
		/ATTACHING PARTS/		
- 1	AN4-5A/M/	. BOLT. . . . .	2	
- 2	105739S-YH0230	. BUSHING . . . . .	2	
	AN960-416L	. WASHER. . . . .	2	
	MS20364-428	. NUT . . . . .	2	
		-----*		
- 3	R 35-521213	. HOUSING, FLAP ACTUATOR . . . . .	1	5
	R 35-521213-3	. HOUSING, FLAP ACTUATOR . . . . .	1	6
- 4	R 3X5K8720A63 5/16	. FLEX SHAFT & CASING ASSY, LH FLAP ACTUATOR . . . . .	NP	
		/ORDER 1257Y-63.61 FOR SPARES/		
	R 1257Y-63.61	. FLEX SHAFT & CASING ASSY, LH FLAP ACTUATOR . . . . .	1	
	R 3X5K9320-63 5/16	. FLEX SHAFT & CASING ASSY, RH FLAP ACTUATOR . . . . .	NP	
		/ORDER 12163Y-63.31 FOR SPARES/		
	R 12163Y-63.61	. FLEX SHAFT & CASING ASSY, RH FLAP ACTUATOR . . . . .	1	1
- 5	35-521229	. COLLAR, FLAP ACTUATOR. . . . .	1	
- 6	R MS16625-1112	. RING, RETAINING. . . . .	1	
- 7	35-521230-2	. SPACER, FLAP ACTUATOR. . . . .	1	
- 8	35-521230	. SPACER, FLAP ACTUATOR /MAXIMUM OF 7/ . . . . .	AR	
	R 35-521230-4	. SPACER, FLAP ACTUATOR. . . . .	AR	
- 9	R 11116M1	. SEAL. . . . .	1	7
	R 90-380020-1	. SEAL/ALTERNATE FOR 90-380020-5/ . . . . .	1	7
	R 90-380020-5	. SEAL/ALTERNATE FOR 90-380020-1/ . . . . .	1	8
- 10	R S5S	. BEARING . . . . .	2	
- 11	45-521216	. SCREW, FLAP ACTUATOR LH. . . . .	1	
	45-521216-1	. SCREW, FLAP ACTUATOR RH. . . . .	1	
	45-521212-4	. PISTON ASSY, FLAP ACTUATOR LH. . . . .	1	
	45-521212-5	. PISTON ASSY, FLAP ACTUATOR RH. . . . .	1	
- 12	45-521212-2	. PIN, FLAP ACTUATOR . . . . .	1	
- 13	45-521214	. PISTON, FLAP ACTUATOR LH . . . . .	1	
	45-521214-1	. PISTON, FLAP ACTUATOR RH . . . . .	1	
- 14	35-521215	. PLUG, FLAP ACTUATOR PISTON . . . . .	1	
- 15	AN6227B13	. SEAL. . . . .	1	
	R 131052-1	. PLACARD . . . . .	1	
- 16	35-380109	. MOTOR ASSY, FLAP/14 VOLT/. . . . .	1	1
	D160-00-1	. MOTOR ASSY, FLAP/14 VOLT/. . . . .	1	2
	D160-00-3	. MOTOR ASSY, FLAP/28VOLT/ . . . . .	1	3
		/ATTACHING PARTS/		
- 17	AN73A3/M/	. BOLT. . . . .	4	
	A1503	. NUT . . . . .	4	2
		-----*		
	C145-200	. MOTOR, FLAP/EXCHANGE ONLY, NON-REPAIRABLE/. . . . .	1	2
	C145-250	. MOTOR, FLAP/EXCHANGE ONLY, NON-REPAIRABLE/. . . . .	1	3
	B100-06	. COUPLER . . . . .	1	4
	C160-40-1	. TRANSMISSION. . . . .	1	4
	10F36	. BRUSH GUIDE ASSY. . . . .	2	1
	6F2	. BRUSH . . . . .	1	1
- 18	MS21919DG7	. CLAMP . . . . .	9	
		/ATTACHING PARTS/		
- 19	AN520-10-10	. SCREW . . . . .	1	
- 20	AN520-10-8	. SCREW . . . . .	1	
	AN960-10L	. WASHER. . . . .	1	
	MS20365-1032	. NUT . . . . .	1	
		-----*		
- 21	AN743-12	. CLIP. . . . .	1	
		/ATTACHING PARTS/		
- 22	AN520-8-8	. SCREW . . . . .	1	
	MS20365-832	. NUT . . . . .	1	
		-----*		
- 23	35-160025-9	. GROMMET . . . . .	1	
	35-810132	. SUPPORT ASSY, LANDING GEAR ACTUATOR UPPER. . . . .	1	
- 24	50-361131	. RETAINER ASSY . . . . .	2	
	35-160025-1	. TRANSMITTER INSTL, FLAP POSITION INDICATOR . . . . .	NP	
	35-160025-9	. GUIDE, TRANSMITTER . . . . .	1	
		/ATTACHING PARTS/		
	AN3-5A/M/	. BOLT. . . . .	2	
	AN960-10	. WASHER. . . . .	2	
	MS20365-1032	. NUT . . . . .	2	
		-----*		

BEECHCRAFT  
BONANZA 33  
ILLUSTRATED PARTS CATALOG



VIEW A



33-161-2

B E E C H C R A F T  
B O N A N Z A 3 3  
I L L U S T R A T E D P A R T S C A T A L O G

FIG. & ITEM NO.	PART NO.	DESCRIPTION	UNITS PER ASSY	USABLE ON CODE
		1 2 3 4 5 6 7		
161 - 25	35-160025-5	. . TRANSMITTER, FLAP POSITION INDICATOR . . . .	1	
		/ATTACHING PARTS/		
- 26	AN3-10A /M/	. . BOLT . . . . .	2	
- 27	102933D4ZJ0375	. . SPACER . . . . .	2	
	AN960-10	. . WASHER . . . . .	2	
	MS20365-1032	. . NUT . . . . .	2	
		-----*		
- 28	MS21919DG17	. . CLAMP . . . . .	1	
- 29	35-160025-7	. . CLAMP . . . . .	1	
	2194	. BUMPER, RUBBER /STA 108/ . . . . .	2	
		/ATTACHING PARTS/		
	AN515-8R18	. SCREW . . . . .	1	
	AN340-8	. NUT . . . . .	1	
	105090CR032-3E	. WASHER . . . . .	1	
		-----*		
	45-361115	SWITCH INSTL, FLAP LIMIT . . . . .	NP	
	45-361116	. SWITCH ASSY, FLAP UP LIMIT . . . . .	1	
	45-361117	. SWITCH ASSY, FLAP DOWN LIMIT . . . . .	1	
		/ATTACHING PARTS/		
- 30	AN515-8R7	. SCREW . . . . .	2	
	AN960D8	. WASHER . . . . .	2	
		-----*		
- 31	AN3169-1	. . ACTUATOR . . . . .	1	
		/ATTACHING PARTS/		
- 32	AN515-6-18	. . SCREW . . . . .	2	
	AN936A6	. . WASHER . . . . .	2	
	AN340-6	. . NUT . . . . .	2	
		-----*		
- 33	MS25026-1	. . SWITCH . . . . .	1	
- 34	45-361116-1	. . BRACKET, FLAP UP LIMIT SWITCH . . . . .	1	
- 35	45-361117-1	. . PLATE, FLAP DOWN LIMIT SWITCH . . . . .	1	

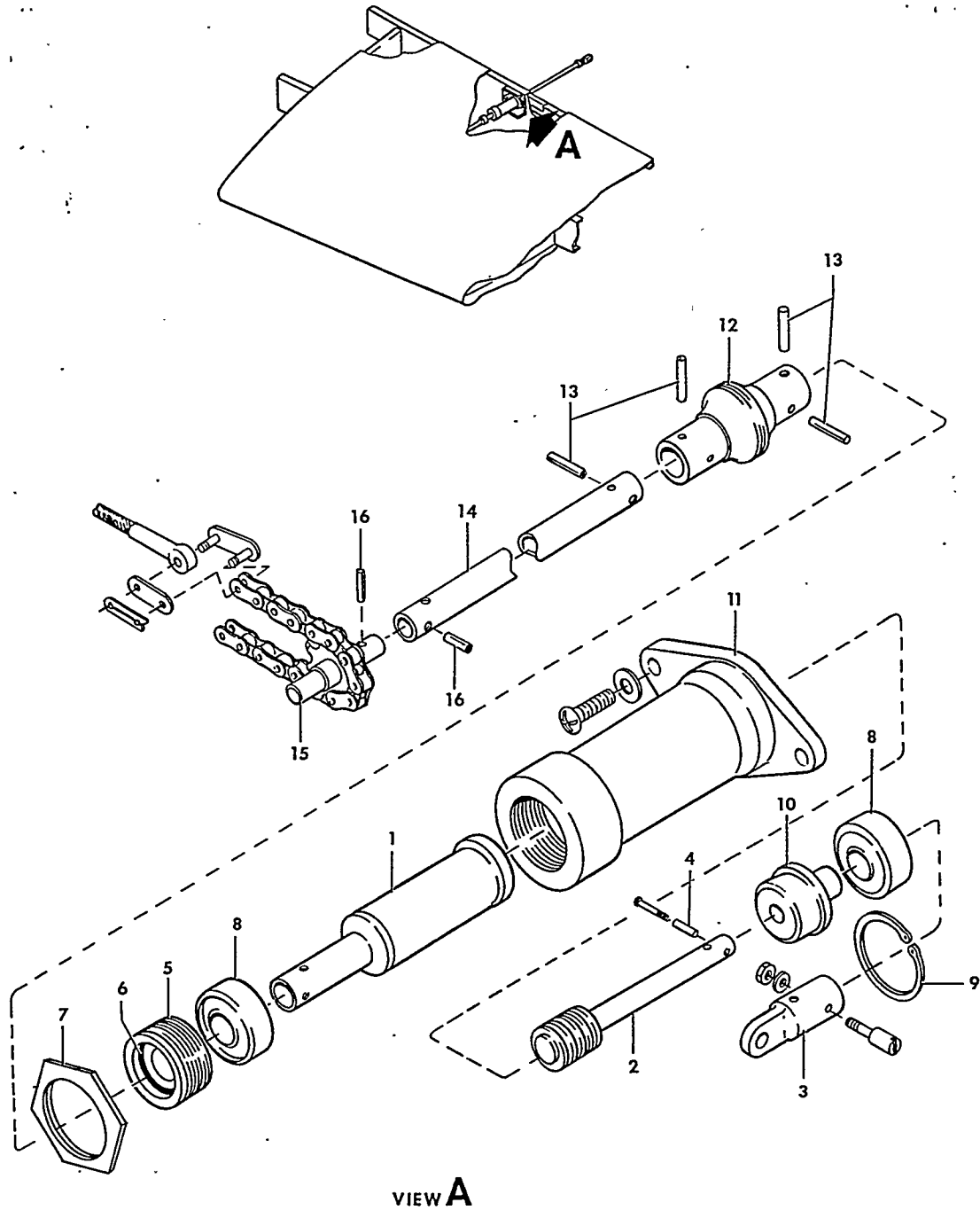
C O D E S O F E F F E C T I V I T Y

1	CD-1235 THRU CD-1304	2	CE-683 THRU CE-771
	CE-290 THRU CE-682		EXCEPT CE-748
	CJ-26 THRU CJ-128		CJ-129 THRU CJ-148
3	CE-772 AND AFTER,	4	CE-683 AND AFTER
	CE-748,		CJ-129 AND AFTER
	CJ-149 AND AFTER		
5	CE-290 THRU CE-910	6	CE-911 AND AFTER
	CJ-26 AND AFTER		CJ-26 AND AFTER
7	CE-290 THRU CE-753	8	CE-754 AND AFTER
	CJ-149 THRU CJ-133		CJ-134 AND AFTER

BEECHCRAFT  
BONANZA 33  
ILLUSTRATED PARTS CATALOG

FIGURE 164  
ELEVATOR TAB ACTUATOR

BEECHCRAFT  
BONANZA 33  
ILLUSTRATED PARTS CATALOG



33-164-1

FIGURE 164. ELEVATOR TAB ACTUATOR

B E E C H C R A F T  
B O N A N Z A 3 3  
I L L U S T R A T E D P A R T S C A T A L O G

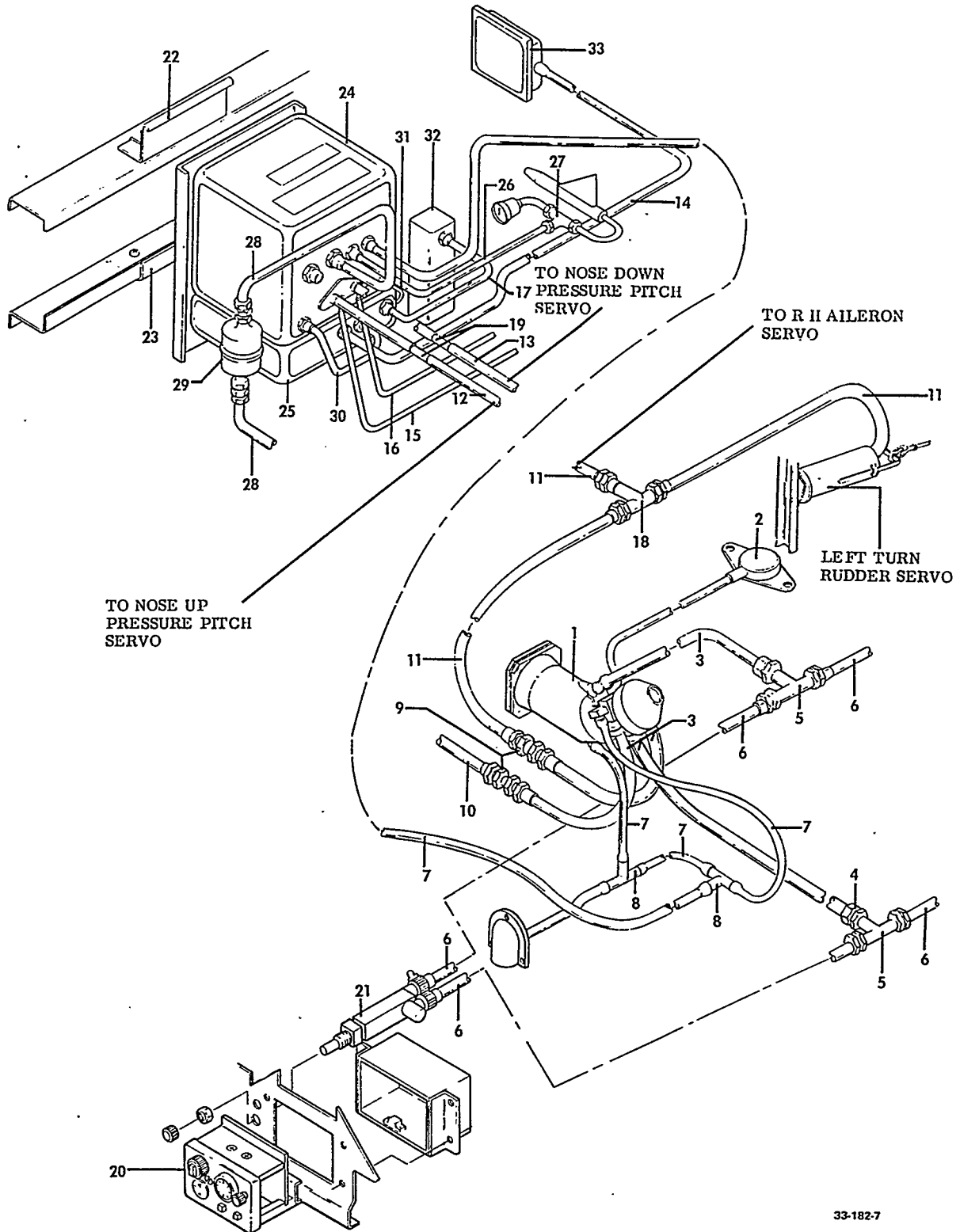
FIG. & ITEM NO.	PART NO.	DESCRIPTION	UNITS PER ASSY	USABLE ON CODE
		1 2 3 4 5 6 7		
164	95-620010-609	ACTUATOR ASSY,ELEVATOR TAB CONTROL LH . . . . .	1	
	95-620010-610	ACTUATOR ASSY,ELEVATOR TAB CONTROL RH . . . . .	1	
		/ATTACHING PARTS/		
	AN3-6A/M/ AN960D10	BOLT. . . . .	2	
		WASHER. . . . .	2	
		*-----*		
	45-524565-11	. ACTUATOR ASSY,ELEVATOR TRIM TAB LH. . . . .	1	
	45-524565-13	. ACTUATOR ASSY,ELEVATOR TRIM TAB RH. . . . .	1	
- 1	45-524557-1	. . NUT ASSY,TRIM TAB ACTUATOR LH . . . . .	1	
	45-524557-3	. . NUT ASSY,TRIM TAB ACTUATOR RH . . . . .	1	
- 2	45-524566-3	. . SCREW,TRIM TAB ACTUATOR LH. . . . .	1	
	45-524566-5	. . SCREW,TRIM TAB ACTUATOR RH. . . . .	1	
- 3	45-524563	. . END,TAB ACTUATOR ROD. . . . .	1	
- 4	NAS42HT3-28	. . SPACER. . . . .	1	
- 5	45-524626	. . BUSHING,TRIM TAB ACTUATOR . . . . .	1	
- 6	AN6227-8	. . O RING. . . . .	1	
- 7	45-524564	. . NUT,TAB ACTUATOR CHECK. . . . .	1	
- 8	KP6A	. . BEARING . . . . .	2	
- 9	NAS50-87	. . RING,SNAP . . . . .	1	
- 10	45-524562	. . BUSHING,TRIM TAB ACTUATOR . . . . .	1	
- 11	45-524561-3	. . HOUSING,TRIM TAB ACTUATOR . . . . .	1	
- 12	45-526015	. . JOINT,TRIM TAB ACTUATOR UNIVERSAL . . . . .	1	
- 13	52-022-094-0562	. . PIN,ROLL . . . . .	4	
- 14	45-526007-1	. . TUBE,ELEVATOR TRIM TAB ACTUATOR . . . . .	1	
- 15	45-526005-3	. . SPROCKET,ELEVATOR TRIM TAB ACTUATOR . . . . .	1	
- 16	52-022-094-0437	. . PIN,ROLL. . . . .	2	



BEECHCRAFT  
BONANZA 33  
ILLUSTRATED PARTS CATALOG

FIGURE 182  
BRITAIN AUTOPILOT  
CD-1237 ONLY

BEECHCRAFT  
 BONANZA 33  
 ILLUSTRATED PARTS CATALOG

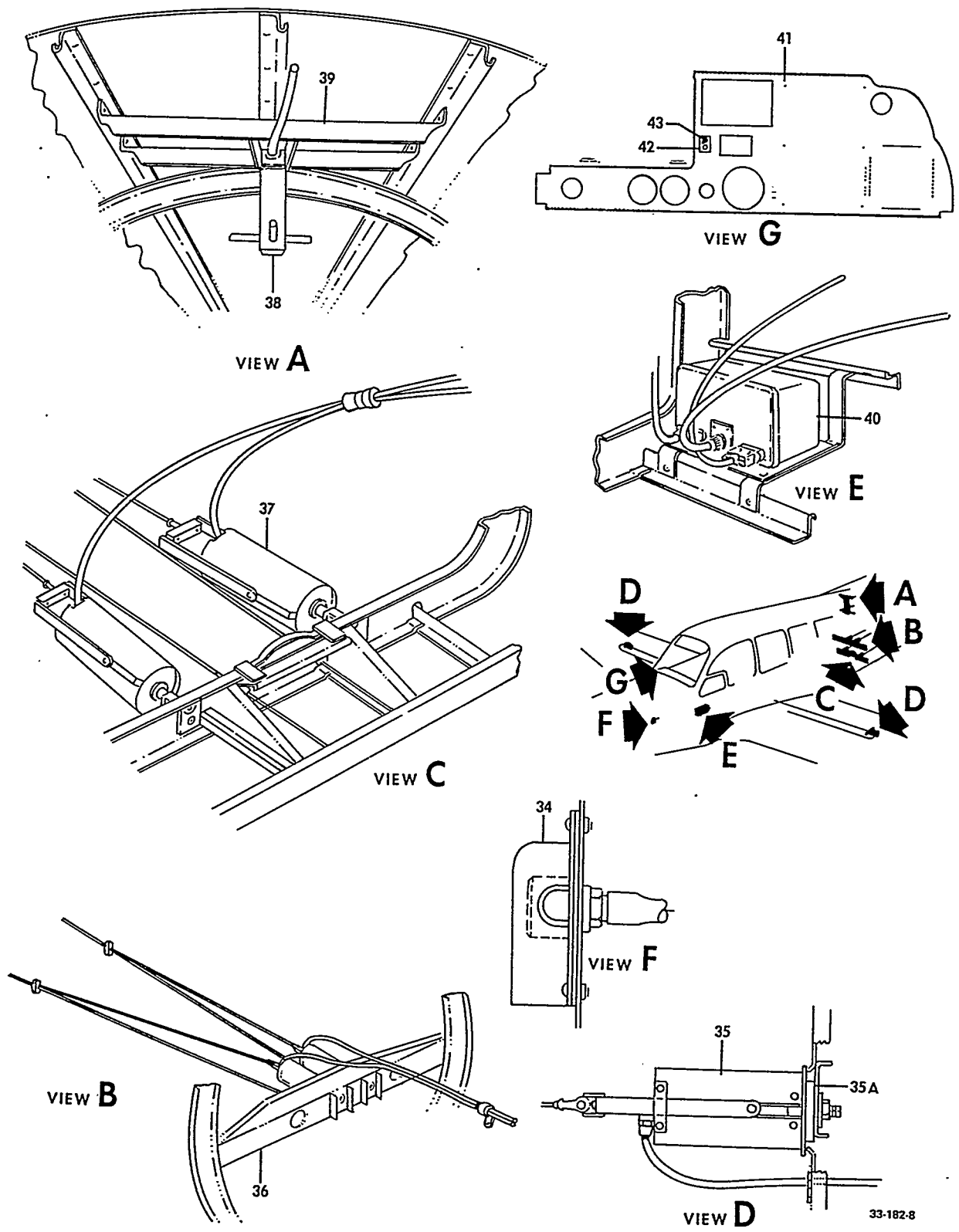


33-182-7

B E E C H C R A F T  
B O N A N Z A 3 3  
I L L U S T R A T E D P A R T S C A T A L O G

FIG. & ITEM NO.	PART NO.	DESCRIPTION	UNITS PER ASSY	USABLE ON CODE
182	33-500009-11	AUTOPILOT INSTL,MODEL B5P . . . . .	NP	1
- 1	1-329-13A	. . . . . AUTOPILOT KIT,MODEL B5P . . . . .	1	1
	2909P	. . . . . COORDINATOR,TURN . . . . .	1	1
		/ATTACHING PARTS/		
	AN507B6R16	. . . . . SCREW . . . . .	3	
	NAS487-21	. . . . . NUT . . . . .	3	
- 2	NO NUMBER	. . . . . INVERTER,TURN COORDINATOR . . . . .	1	1
		/ATTACHING PARTS/		
	AN526-832R10	. . . . . SCREW . . . . .	2	
	MS20365-832	. . . . . NUT . . . . .	2	
- 3	3/16 ID X 1/4 OD	. . . . . TUBING,TYGON. . . . .	AR	1
- 4	266P1/4	. . . . . CONNECTOR . . . . .	2	1
- 5	272P 5/16	. . . . . TEE . . . . .	2	1
- 6	3/16ID X 5/16OD	. . . . . TUBING,TYGON. . . . .	AR	1
- 7	3/16 ID	. . . . . TUBING,LATEX /BLACK/. . . . .	AR	1
- 8	11873	. . . . . TEE . . . . .	2	1
- 9	256P 3/8 X 1/4	. . . . . REDUCER . . . . .	2	1
- 10	3/8 OD	. . . . . TUBING,POLY-FLO /RED/ . . . . .	AR	1
- 11	3/8 OD	. . . . . TUBING,POLY-FLO /GREEN/ . . . . .	AR	1
- 12	3/8 OD	. . . . . TUBING,POLY-FLO /BLUE/. . . . .	AR	1
- 13	3/8 OD	. . . . . TUBING,POLY-FLO /YELLOW/. . . . .	AR	1
- 14	3/8 OD	. . . . . TUBING,POLY-FLO /ORANGE/. . . . .	AR	1
- 15	3/16 OD	. . . . . TUBING,PLASTIC /BLUE/ . . . . .	AR	1
- 16	3/16 OD	. . . . . TUBING,PLASTIC /YELLOW/ . . . . .	AR	1
- 17	3/16 OD	. . . . . TUBING,PLASTIC /ORANGE/ . . . . .	AR	1
- 18	264P3/8	. . . . . TEE . . . . .	2	1
- 19	11177	. . . . . RESTRICTOR,INLINE . . . . .	2	1
- 20	3902	. . . . . CONTROLLER ASSY,AUTOPILOT . . . . .	1	1
		/ATTACHING PARTS/		
	AN507B8R8	. . . . . SCREW . . . . .	4	
- 21	11782-1	. . . . . VALVE,AUTOPILOT MASTER. . . . .	1	1
	GS4	. . . . . CLAMP,TUBE. . . . .	AR	1
- 22	1194	. . . . . BRACKET,UPPER MOUNTING. . . . .	1	1
- 23	1194-1	. . . . . BRACKET,LOWER MOUNTING. . . . .	1	1
		/ATTACHING PARTS/		
	#8 X 1/2	. . . . . SCREW . . . . .	2	
	C8107-832	. . . . . NUT . . . . .	2	
- 24	11300-13P	. . . . . SENSOR ASSY,PITCH /ALTITUDE/. . . . .	1	1
- 25	11674-2	. . . . . SENSOR ASSY,PITCH . . . . .	1	1
- 26	12000-2	. . . . . SENSOR ASSY,ALTITUDE HOLD . . . . .	1	1
- 26	1/4 OD	. . . . . TUBING,POLY-FLO /CLEAR/ . . . . .	AR	1
	A4	. . . . . CLAMP,TUBE. . . . .	AR	1
- 27	264P1/4	. . . . . TEE . . . . .	1	1
- 28	5/16 OD	. . . . . TUBING,TYGON. . . . .	AR	1
- 29	11864-4	. . . . . FILTER ASSY . . . . .	1	1
- 30	3/16 OD	. . . . . TUBING,PLASTIC /BROWN/. . . . .	AR	1
	11385	. . . . . CLAMP,TUBE. . . . .	2	1
- 31	3/16 OD	. . . . . TUBING,PLASTIC /GREEN/. . . . .	AR	1
- 32	3907	. . . . . VALVE ASSY,SOLENOID . . . . .	1	1
		/ATTACHING PARTS/		
	4-40 X 7/16	. . . . . SCREW . . . . .	2	
	AN936B4	. . . . . WASHER. . . . .	2	
- 33	11391	. . . . . CHAMBER ASSY,ALTITUDE HOLD. . . . .	1	1

BEECHCRAFT  
 BONANZA 33  
 ILLUSTRATED PARTS CATALOG



B E E C H C R A F T  
B O N A N Z A 3 3  
I L L U S T R A T E D P A R T S C A T A L O G

FIG. & ITEM NO.	PART NO.	DESCRIPTION	UNITS PER ASSY	USABLE ON CODE
182 - 34	3195	• • EXHAUST ASSY,AIR. . . . . /ATTACHING PARTS/	1	1
	AN526-632-8	• • SCREW . . . . .	3	
	AN366F632	• • NUTPLATE. . . . .	3	
		*-----*		
- 35	3191	• • SERVO ASSY,AILERON /LH & RH/. . . . . /ATTACHING PARTS/	2	1
	1104	• • DISC. . . . .	1	
- 35A	3191-3	• • SPACER. . . . .	1	
	AN970-5	• • WASHER. . . . .	1	
	MS20364-524	• • NUT . . . . .	1	
		*-----*		
- 36	G51H	• • GROMMET,TUBING. . . . .	2	1
	11738-1	• • SERVO ASSY,ELEVATOR . . . . . /ATTACHING PARTS/	1	1
	AN3-4A/M/	• • BOLT. . . . .	10	
	AN960D10	• • WASHER. . . . .	10	
	MS20365-1032	• • NUT . . . . .	20	
	11740	• • DOUBLER . . . . .	2	
		*-----*		
- 37	3190-1	• • SERVO ASSY,RUDDER . . . . . /ATTACHING PARTS/	1	1
	AN526-832R8	• • SCREW . . . . .	4	
	AN960D8L	• • WASHER. . . . .	4	
	MS20365-832	• • NUT . . . . .	4	
		*-----*		
- 38	3903	• • SENSOR ASSY,MAGNETIC HEADING. . . . . /ATTACHING PARTS/	1	1
	AN520B1032R8	• • SCREW . . . . .	2	
	AN960D10L	• • WASHER. . . . .	2	
		*-----*		
- 39	11244-4	• • PLATE,SENSOR MOUNTING . . . . . /ATTACHING PARTS/	1	1
	AN515B6R6	• • SCREW . . . . .	4	
	AN960D6L	• • WASHER. . . . .	4	
	MS20365-632	• • NUT . . . . .	4	
		*-----*		
- 40	3901	• • POWER SUPPLY,AUTOPILOT. . . . .	1	1
- 41	33-500009-7	• • PANEL ASSY,INSTRUMENT . . . . .	1	1
- 42	96-500040-1	• • PLACARD,AUTOPILOT SWITCH. . . . .	1	1
- 43	MST205N	• • SWITCH. . . . .	1	1

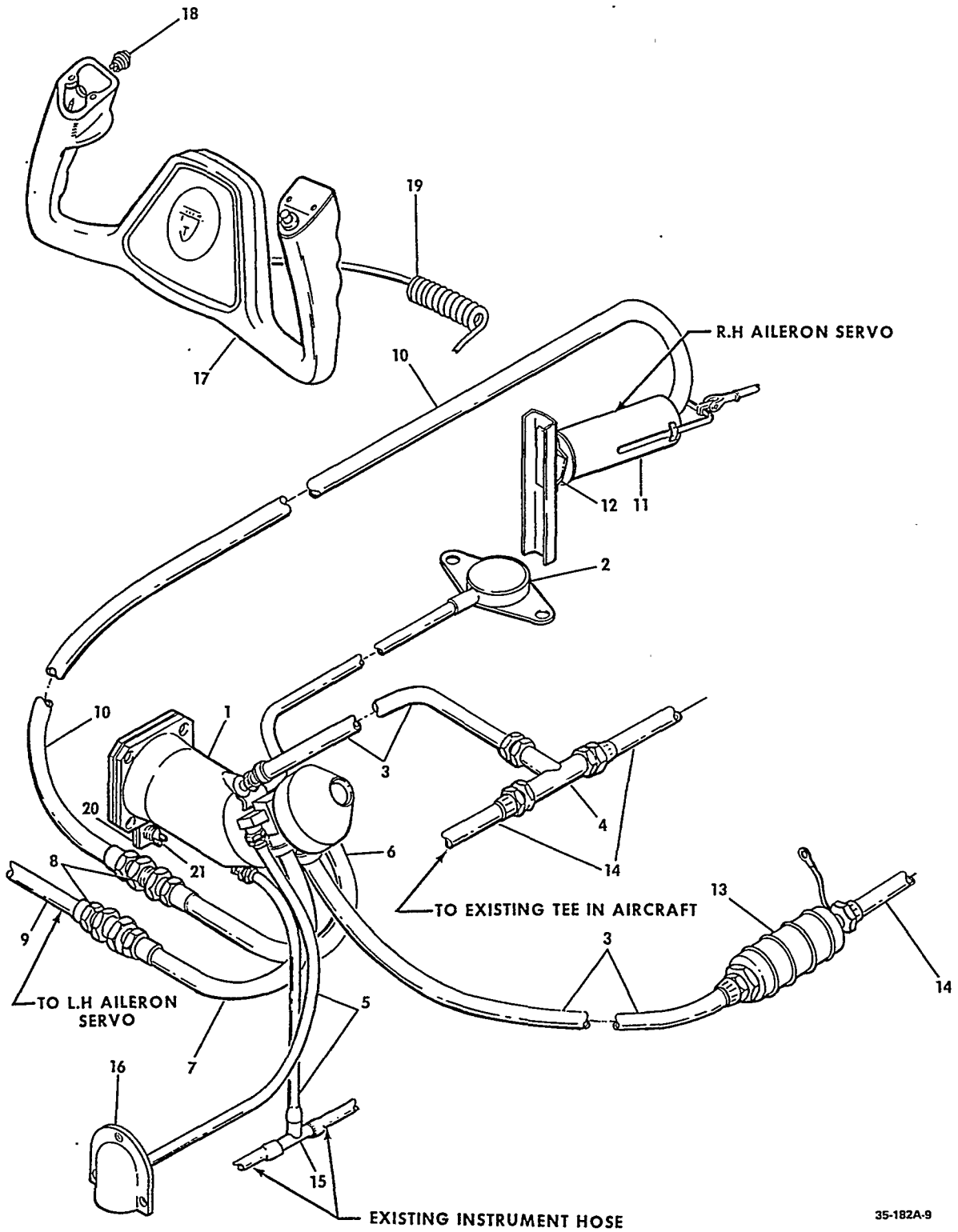
C O D E S O F E F F E C T I V I T Y

1 CD-1237 ONLY

BEECHCRAFT  
BONANZA 33  
ILLUSTRATED PARTS CATALOG

FIGURE 182A  
STABILITY AUGMENTATION SYSTEM

BEECHCRAFT  
BONANZA 33  
ILLUSTRATED PARTS CATALOG



35-182A-9

FIGURE 182A. STABILITY AUGMENTATION SYSTEM

B E E C H C R A F T  
B O N A N Z A 3 3  
I L L U S T R A T E D P A R T S C A T A L O G

FIG. & ITEM NO.	PART NO.	DESCRIPTION	UNITS PER ASSY	USABLE ON CODE
		1 2 3 4 5 6 7		
182A	33-500010-1	STABILITY AUGMENTATION SYSTEM INSTL /BSA-4/ . . . . .	NP	1
	33-500010-3	STABILITY AUGMENTATION SYSTEM INSTL /BSA-4/ . . . . .	NP	2
	35-689-47	. KIT, STABILITY AUGMENTATION. . . . .	1	
- 1	2908P	. . COORDINATOR, TURN. . . . .	1	
		/ATTACHING PARTS/		
	AN507B6R16	. . SCREW . . . . .	3	
	NAS187-21	. . NUT . . . . .	3	
		-----*		
- 2	NO NUMBER	. . INVERTER, TURN COORDINATOR . . . . .	1	
		/ATTACHING PARTS/		
	AN526-832R10	. . SCREW . . . . .	2	
	MS20365-832	. . NUT . . . . .	2	
		-----*		
- 3	3/16ID X 1/40D	. . TUBING, POLY-FLO /CLEAR/ . . . . .	AR	
- 4	49165	. . TEE . . . . .	1	
- 5	3/16 ID	. . TUBING, LATEX /BLACK/ . . . . .	AR	
- 6	3/16ID X 1/40D	. . TUBING, POLY-FLO /GREEN/ . . . . .	AR	
- 7	3/16ID X 1/40D	. . TUBING, POLY-FLO /RED/ . . . . .	AR	
- 8	256P3/8 X 1/4	. . REDUCER . . . . .	2	
- 9	3/8 OD	. . TUBING, POLY-FLO /RED/ . . . . .	AR	
- 10	3/8 OD	. . TUBING, POLY-FLO /GREEN/ . . . . .	AR	
- 11	3191	. . SERVO ASSY, AILERON. . . . .	2	
		/ATTACHING PARTS/		
	1104	. . DISC . . . . .	1	
- 12	3191-3	. . SPACER. . . . .	1	
	AN970-5	. . WASHER. . . . .	1	
	MS20364-524	. . NUT . . . . .	1	
		-----*		
- 13	11131	. . CLAMP, CABLE . . . . .	2	
	4086	. . VALVE ASSY, SOLENOID . . . . .	1	
		/ATTACHING PARTS/		
	AN526-832R8	. . SCREW . . . . .	2	
	AN960D8	. . WASHER. . . . .	2	
	MS20365-832	. . NUT . . . . .	2	
		-----*		
- 14	3/16ID X 5/16OD	. . TUBING, TYGON. . . . .	AR	
	GS4	. . CLAMP, TUBE. . . . .	1	
- 15	11873-11	. . TEE . . . . .	1	
- 16	3195	. . EXHAUST ASSY, AIR SYSTEM . . . . .	1	
		/ATTACHING PARTS/		
	AN526-632-8	. . SCREW . . . . .	3	
	AN366F632	. . NUTPLATE. . . . .	3	
		-----*		
- 17	60-524080-3	. . WHEEL ASSY, CONTROL /SEE FIG.156/ . . . . .	1	
- 18	30-15	. . SWITCH, CONTROL WHEEL. . . . .	1	
	AN960-416L	. . WASHER, SWITCH . . . . .	1	
- 19	8409	. . CORD, COIL . . . . .	1	
		/ATTACHING PARTS/		
	MS21919DG2	. . CLAMP . . . . .	3	
	AN530-8R	. . SCREW . . . . .	3	
		-----*		
- 20	MS35489-1	. . GROMMET . . . . .	1	
- 21	33-500025	. . PLACARD, AUTOPILOT ON-OFF. . . . .	1	
	MST105D	. . SWITCH, AUTOPILOT ON-OFF . . . . .	1	

C O D E S O F E F F E C T I V I T Y

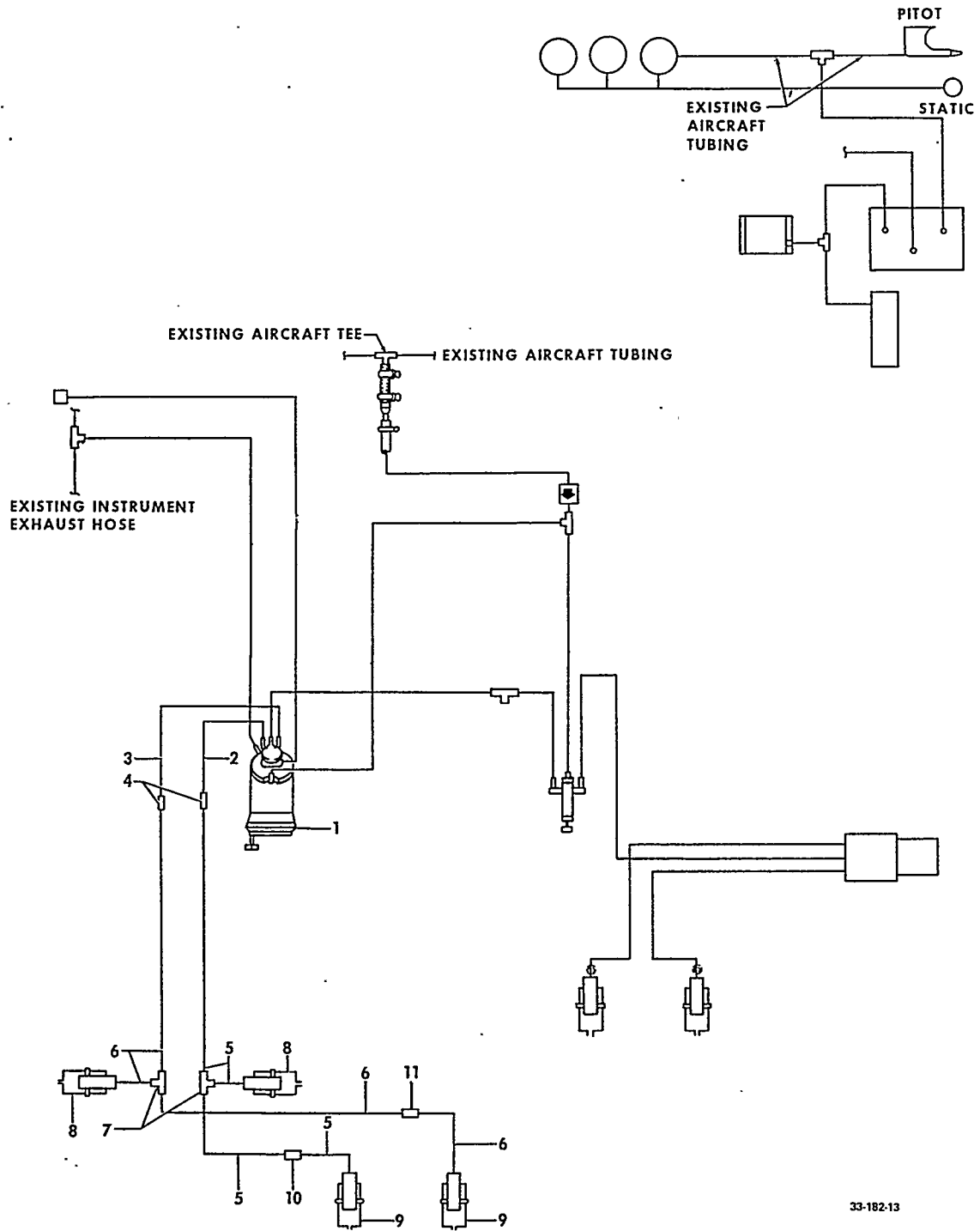
1 CE-290 AND AFTER      2 CD-1235 THRU CD-1304



B E E C H C R A F T  
B O N A N Z A 3 3  
I L L U S T R A T E D P A R T S C A T A L O G

FIGURE 182B  
BRITAIN AUTOPILOT  
CD-1235 THRU CD-1304, EXCEPT CD-1237  
GE-290 AND AFTER, CJ-26 AND AFTER

BEECHCRAFT  
 BONANZA 33  
 ILLUSTRATED PARTS CATALOG

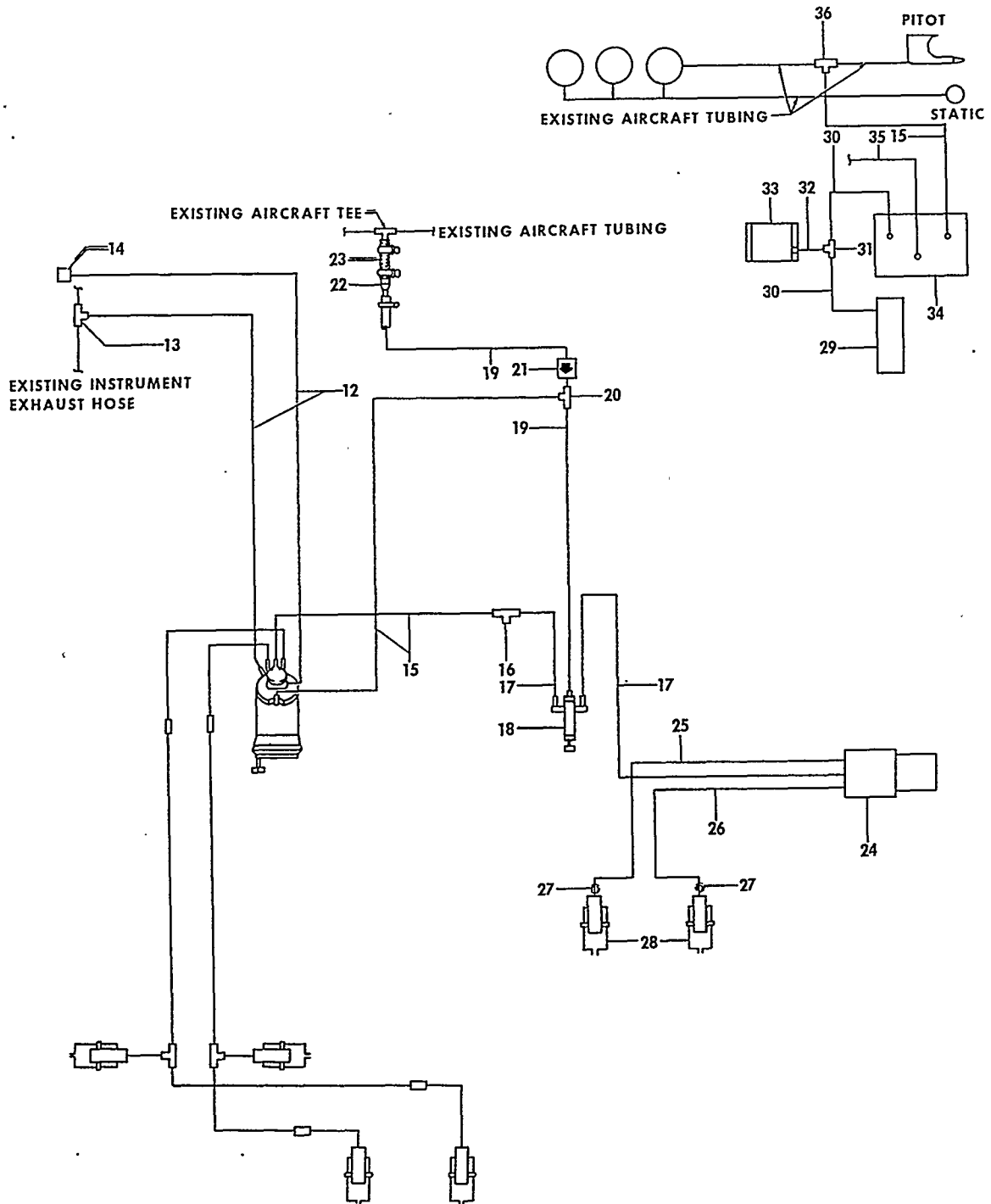


33-182-13

B E E C H C R A F T  
B O N A N Z A 3 3  
I L L U S T R A T E D P A R T S C A T A L O G

FIG. & ITEM NO.	PART NO.	DESCRIPTION	UNITS PER ASSY	USABLE ON CODE
		1 2 3 4 5 6 7		
182B	33-500009-21	AUTOPILOT INSTL,B-VII . . . . .	NP	1
	33-500009-23	AUTOPILOT INSTL,B-VII . . . . .	NP	2
	1-332-53	. . . . .	1	1
	401-335-004	. . . . .	1	2
- 1	20364-2	. . . COORDINATOR,TURN /MODEL TC100 12 EVT/ . . .	1	3
	58-380020-1	. . . COORDINATOR,TURN /MODEL TC100 12 EVT/ . . . /INTERNALLY LIGHTED/ /OPTIONAL/ /ATTACHING PARTS/	1	3
	AN507B6R16	. . . SCREW . . . . .	3	
	NAS487-21	. . . NUT . . . . .	3	
		*		
	58-380022-9	. . . TRAY ASSY,TURN COORDINATOR LIGHT /OPTIONAL/	1	3
	NO NUMBER	. . . INVERTER,TURN COORDINATOR . . . . . /ATTACHING PARTS/	1	3
	AN526-832R10	. . . SCREW . . . . .	2	
	AN960-8	. . . WASHER . . . . .	2	
	MS20365-832	. . . NUT . . . . .	2	
		*		
- 2	1/40D X 3/16ID	. . . TUBE,POLY-FLO /GREEN/ . . . . .	AR	3
- 3	1/40D X 3/16ID	. . . TUBE,POLY-FLO /RED/ . . . . .	AR	3
- 4	256P 3/8 X 1/4	. . . REDUCER . . . . .	2	3
- 5	3/80D X 1/4ID	. . . TUBE,POLY-FLO /GREEN/ . . . . .	AR	3
- 6	3/80D X 1/4ID	. . . TUBE,POLY-FLO /RED/ . . . . .	AR	3
- 7	264P 3/8	. . . TEE . . . . .	2	3
- 8	3191	. . . SERVO ASSY,AILERON. . . . . /ATTACHING PARTS/	2	3
	1104	. . . DISC . . . . .	1	
	3191-3	. . . SPACER . . . . .	1	
	1/4 ID X 3/8 OD	. . . WASHER . . . . .	1	
	MS20364-524	. . . NUT . . . . .	1	
		*		
- 9	5146	. . . SERVO ASSY,RUDDER . . . . .	2	3
- 10	1168-1	. . . INTEGRATOR ASSY,LH RUDDER SERVO . . . . .	1	3
- 11	1168-2	. . . INTEGRATOR ASSY,RH RUDDER SERVO . . . . . /ATTACHING PARTS/	1	3
	AN960-8	. . . WASHER . . . . .	2	
	MS20365-832	. . . NUT . . . . .	2	
		*		
	5146-1	. . . BRACKET,LH RUDDER SERVO . . . . .	1	3
	5146-2	. . . BRACKET,RH RUDDER SERVO . . . . . /ATTACHING PARTS/	1	3
	AN515-8R6	. . . SCREW . . . . .	3	
	AN960-8	. . . WASHER . . . . .	3	
	MS20365-832	. . . NUT . . . . .	3	
		*		
	11198-1	. . . GUARD,CABLE . . . . .	1	3
	11198-2	. . . GUARD,CABLE /STA 233/ . . . . . /ATTACHING PARTS/	1	3
	AN515-632-8	. . . SCREW . . . . .	2	
	AN960-6	. . . WASHER . . . . .	2	
	MS20365-632	. . . NUT . . . . .	2	
		*		
	AN743-13	. . . CLIP,RUDDER SERVO SUPPORT . . . . . /ATTACHING PARTS/	2	3
	AN526-8R8	. . . SCREW . . . . .	1	
	AN960-8	. . . WASHER . . . . .	1	
	MS20365-832	. . . NUT . . . . .	1	
		*		

BEECHCRAFT  
 BONANZA 33  
 ILLUSTRATED PARTS CATALOG

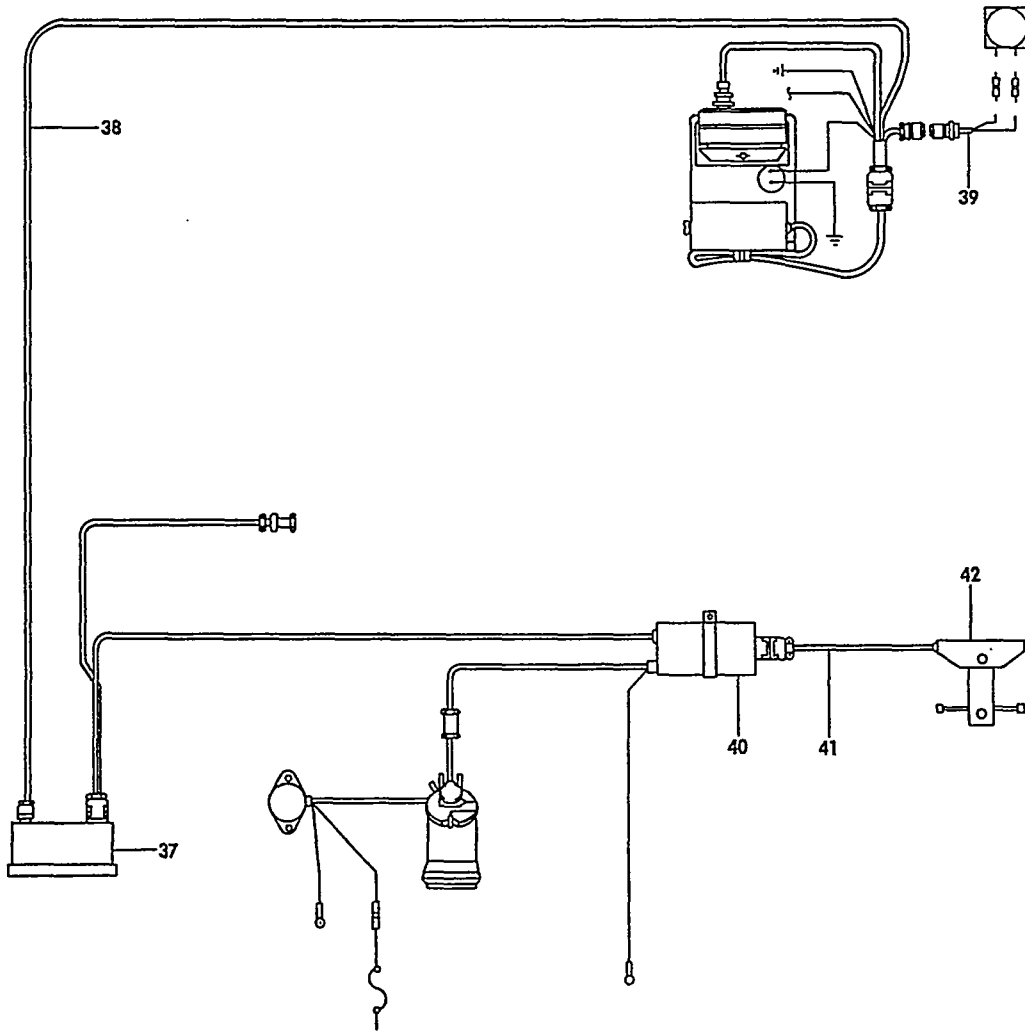


33-182-14

B E E C H C R A F T  
B O N A N Z A 3 3  
I L L U S T R A T E D P A R T S C A T A L O G

FIG. & ITEM NO.	PART NO.	DESCRIPTION	UNITS PER ASSY	USABLE ON CODE
		1 2 3 4 5 6 7		
182B - 12	3/8OD X 1/4ID	. . . TUBE,TYGON /CLEAR/ . . . . .	AR	3
- 13	11873-11	. . . TEE . . . . .	1	3
	GS4	. . . CLAMP,TUBE . . . . .	1	3
	AN737TH30	. . . CLAMP,TUBE . . . . .	2	3
- 14	3195	. . . EXHAUST AIR ASSY. . . . .	1	3
		/ATTACHING PARTS/		
	AN526-632R8	. . . SCREW . . . . .	3	
	AN366F632	. . . WASHER . . . . .	3	
- 15	1/4OD X 3/16ID	. . . TUBE,POLY-FLO /CLEAR/ . . . . .	AR	3
- 16	279P3/8 X 1/4	. . . TEE . . . . .	1	3
	259P3/8	. . . CAP,TEE . . . . .	1	3
- 17	3/8OD X 1/4ID	. . . TUBE,POLY-FLO /GRAY/ . . . . .	AR	3
- 18	11782-3	. . . VALVE,AUTOPILOT MASTER . . . . .	1	3
	GS4	. . . CLAMP,TUBE . . . . .	6	3
- 19	1/2OD X 3/8ID	. . . TUBE,TYGON /CLEAR/ . . . . .	AR	3
- 20	11873-30	. . . TEE . . . . .	1	3
- 21	11864-2	. . . FILTER ASSY,AIR . . . . .	1	3
- 22	2094-2	. . . REDUCER . . . . .	1	3
- 23	3/4OD X 1/2ID	. . . HOSE,R108 RAYON /BLACK/ . . . . .	AR	3
	AN737TH30	. . . CLAMP . . . . .	2	3
- 24	20464-836	. . . VALVE ASSY,SERVO CONTROL . . . . .	1	3
	20464-6	. . . VALVE ASSY,SERVO CONTROL . . . . .	1	3
		/ALTERNATE FOR 20464-836/		
- 25	1/4 ID X 3/8 OD	. . . TUBE,POLY-FLO /BLUE/ . . . . .	AR	3
- 26	3/8OD X 1/4ID	. . . TUBE,POLY-FLO /YELLOW/ . . . . .	AR	3
- 27	089-005-501	. . . VALVE,CHECK RELIEF . . . . .	2	3
- 28	130-005-500	. . . SERVO ASSY,ELEVATOR /INCLUDES SERVOS &. . . . .	1	1
		ALL ATTACHING HARDWARE/		
	130-006-502	. . . SERVO ASSY,ELEVATOR /INCLUDES SERVOS &. . . . .	1	2
		ALL ATTACHING HARDWARE/		
		/ATTACHING PARTS/		
	AN3-4A/M/	. . . BOLT . . . . .	10	
	AN960D10	. . . WASHER . . . . .	20	
	MS20365-1032	. . . NUT . . . . .	10	
- 29	3907	. . . VALVE ASSY,ALTITUDE HOLD . . . . .	1	3
- 30	3/16 ID X 1/4 OD	. . . TUBE,PLASTIC /ORANGE/ . . . . .	AR	3
- 31	20501	. . . TEE . . . . .	1	3
- 32	3/16 ID X 1/4 OD	. . . TUBE,POLY-FLO /ORANGE/ . . . . .	AR	3
- 33	11391	. . . CHAMBER ASSY,ALTITUDE HOLD . . . . .	1	3
- 34	20488-314	. . . SENSOR ASSY,PITCH-ALTITUDE . . . . .	1	3
	20488-12	. . . SENSOR ASSY,PITCH-ALTITUDE . . . . .	1	3
		/ALTERNATE FOR 20488-314/		
	20571-5	. . . . . AMPLIFIER ASSY,PITCH CONTROL . . . . .	1	3
	20668	. . . . . SENSOR ASSY,PITCH-ALTITUDE . . . . .	1	3
- 35	1/8 ID X 3/16 OD	. . . TUBE,PLASTIC /YELLOW/ . . . . .	AR	3
	A4	. . . CLAMP,TUBE . . . . .	4	3
	GS4	. . . CLAMP,TUBE . . . . .	2	3
- 36	11873-2	. . . TEE . . . . .	1	3

BEECHCRAFT  
BONANZA 33  
ILLUSTRATED PARTS CATALOG



35-1823

B E E C H C R A F T  
B O N A N Z A 3 3  
I L L U S T R A T E D P A R T S C A T A L O G

FIG. & ITEM NO.	PART NO.	1	2	3	4	5	6	7	DESCRIPTION	UNITS PER ASSY	USABLE ON CODE
182B - 37	20490	.	.	.	.	.	.	.	CONTROLLER, AUTOPILOT. . . . .	1	3
	AN507-832R8	.	.	.	.	.	.	.	/ATTACHING PARTS/ SCREW . . . . .	4	
- 38	20492	.	.	.	.	.	.	.	HARNESS ASSY, WIRE /CONTROLLER TO. PITCH-ALTITUDE SENSOR ASSY/ . . . . .	1	3
- 39	20677-1	.	.	.	.	.	.	.	HARNESS ASSY, PITCH CONTROL WIRE . . . . .	1	3
- 40	3901	.	.	.	.	.	.	.	POWER SUPPLY, AUTOPILOT. . . . .	1	3
	3900	.	.	.	.	.	.	.	CLAMP, POWER SUPPLY MOUNTING . . . . .	1	3
- 41	3905-25	.	.	.	.	.	.	.	HARNESS ASSY, MAGNETIC HEADING SENSOR WIRE . . . . .	1	3
	20443	.	.	.	.	.	.	.	BRACKET ASSY, MAGNETIC HEADING SENSOR. /ATTACHING PARTS/ . . . . .	1	3
	AN515B8R8	.	.	.	.	.	.	.	SCREW . . . . .	4	
	AN960DBL	.	.	.	.	.	.	.	WASHER. . . . .	4	
	AN365B832	.	.	.	.	.	.	.	NUT . . . . .	4	
- 42	3903-1	.	.	.	.	.	.	.	SENSOR ASSY, MAGNETIC HEADING. /ATTACHING PARTS/ . . . . .	1	3
	AN520B1032R8	.	.	.	.	.	.	.	SCREW . . . . .	2	
	AN960B10L	.	.	.	.	.	.	.	WASHER. . . . .	2	
	33-500009-17	.	.	.	.	.	.	.	PANEL ASSY, FIXED INSTRUMENT . . . . .	1	3
	35-524125-8	.	.	.	.	.	.	.	HANGER ASSY, CONTROL COLUMN. . . . .	1	3
	35-524125-6	.	.	.	.	.	.	.	PLATE . . . . .	1	3
	35-524197-4	.	.	.	.	.	.	.	ROLLER. . . . .	3	3
	AN3-12A/M/	.	.	.	.	.	.	.	BOLT. . . . .	1	
	AN960-10L	.	.	.	.	.	.	.	WASHER. . . . .	2	
	MS20365-1032	.	.	.	.	.	.	.	NUT . . . . .	1	
	36-500004-5	.	.	.	.	.	.	.	AUTOPILOT INST, CENTURY III. . . . .	NP	2
	36-500003-61	.	.	.	.	.	.	.	AUTOPILOT INST, CENTURY I/WITH GYROS/. . . . .	NP	4
	36-500003-63	.	.	.	.	.	.	.	AUTOPILOT INST, CENTURY I/WITHOUT GYROS/. . . . .	NP	4

C O D E S O F E F F E C T I V I T Y

- 1 CD-1235 THRU CD-1304 2 CE-316 AND AFTER  
EXCEPT CD-1237  
CE-290 THRU CE-315
- 3 CD-1235 THRU CD-1304 4 CJ-26 AND AFTER  
EXCEPT CD-1237  
CE-290 AND AFTER

B E E C H C R A F T  
B O N A N Z A 3 3  
I L L U S T R A T E D P A R T S C A T A L O G

FIGURE 194  
INSTRUMENT PRESSURE SYSTEM  
CD-1235 THRU CD-1304  
CE-290 THRU CE-1439, CE-1441 THRU CE-1456  
CJ-26 THRU CJ-179



BEECHCRAFT  
 BONANZA 33  
 ILLUSTRATED PARTS CATALOG

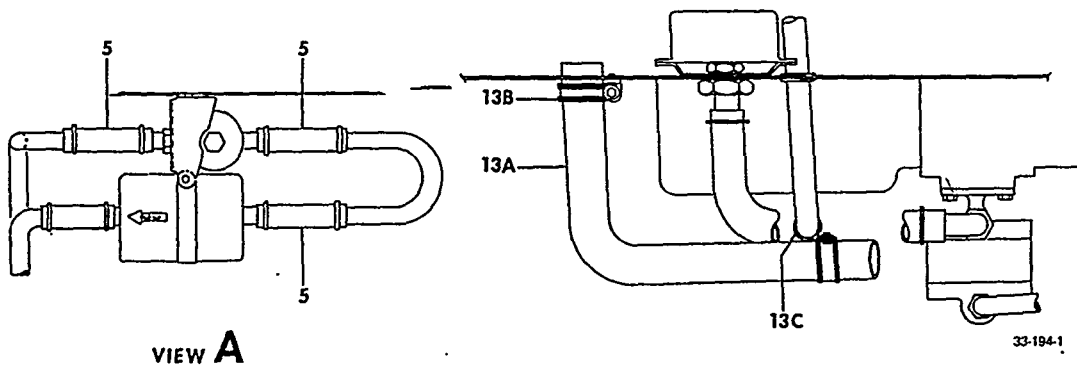
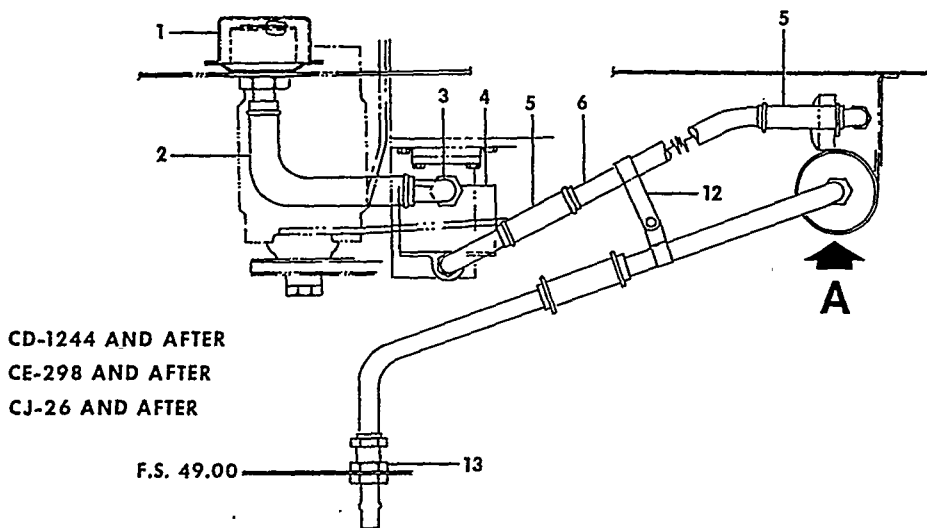
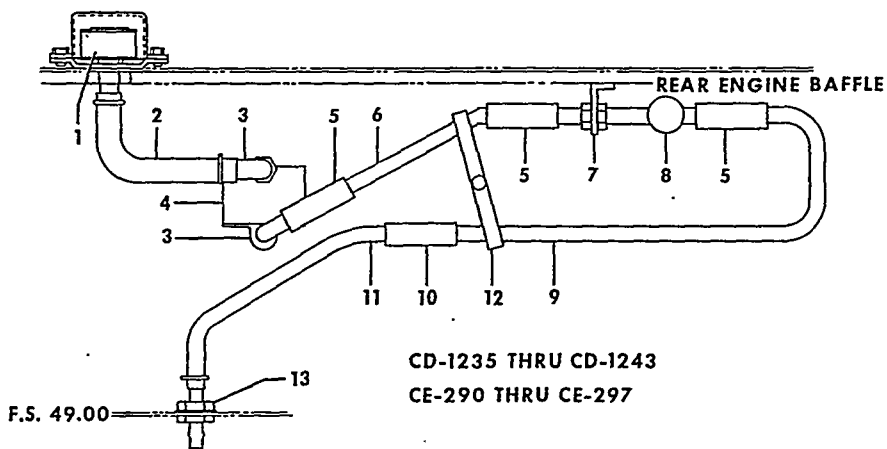
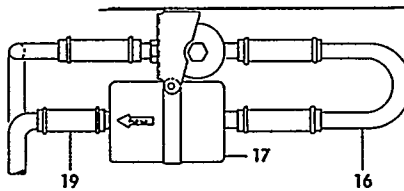
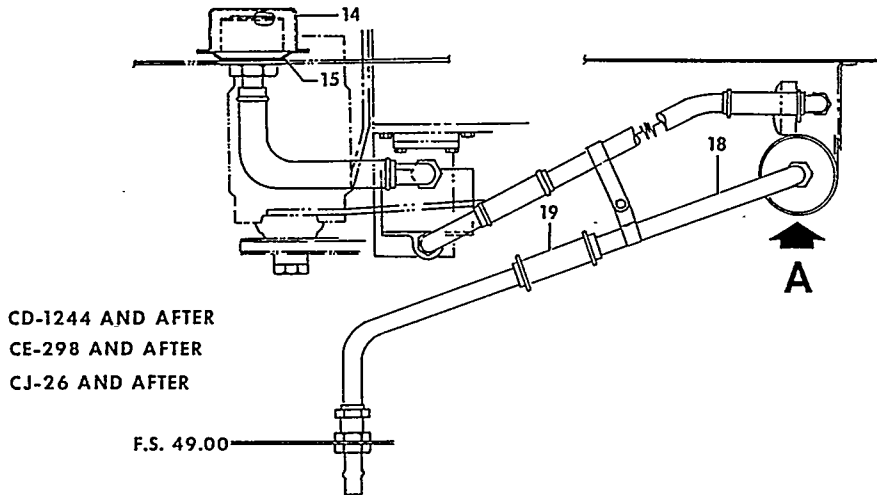
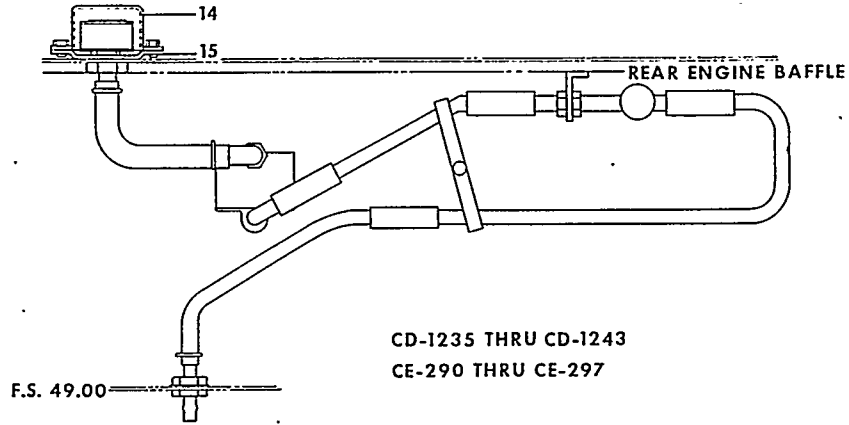


FIGURE 194. INSTRUMENT PRESSURE SYSTEM  
 /SHEET 1 OF 2 SHEETS/

B E E C H C R A F T  
B O N A N Z A 3 3  
I L L U S T R A T E D P A R T S C A T A L O G

FIG. & ITEM NO.	PART NO.	DESCRIPTION	UNITS	USABLE
			PER ASSY	ON CODE
194	33-329010	PRESSURE SYSTEM INSTL,AIR . . . . .	NP	1
	35-329012-5	PRESSURE SYSTEM INSTL,AIR . . . . .	NP	2
	35-329012-7	PRESSURE SYSTEM INSTL,AIR . . . . .	NP	3
	35-329012-29	PRESSURE SYSTEM INSTL,AIR . . . . .	NP	4
	35-329017-1	PRESSURE SYSTEM INSTL,AIR . . . . .	NP	18
	36-324018	PRESSURE SYSTEM INSTL,GREATER CAPACITY PUMP. . . . .	NP	
- 1	1J2-1	. FILTER,AIR. . . . .	1	
	AN960-1416L	. WASHER. . . . .	1	
	D9-14-1	. CARTRIDGE,FILTER. . . . .	1	
- 2	106200H10-41	. HOSE. . . . .	1	5
	106200H10-35	. HOSE. . . . .	1	4
	33-329010-3	. HOSE. . . . .	1	1
	R 130292A14	. CLAMP,HOSE. . . . .	2	
- 3	1K1-6-10	. ELBOW,PRESSURE PUMP . . . . .	2	
- 4	242CW	. PUMP,AIR PRESSURE . . . . .	1	19
	212CW	. PUMP,AIR PRESSURE . . . . .	1	20
	442CW	. PUMP,AIR PRESSURE(GREATER CAPACITY) . . . . .	1	5
- 5	35-329012-11	. HOSE. . . . .	3	6
	35-329012-11	. HOSE. . . . .	4	7
	245B08X06	. HOSE. . . . .	3	9
	33-329010-11	. HOSE. . . . .	4	10
	R 130292A14	. CLAMP,HOSE. . . . .	AR	
- 6	35-329012-9	. TUBE. . . . .	1	8
	35-329017-7	. TUBE. . . . .	1	18
	35-329012-27	. SPLICE. . . . .	1	13
	131152-9-00-07	. TUBE. . . . .	1	18
	33-329010-7	. TUBE. . . . .	1	1
- 7	35-329012-25	. BRACKET,REGULATOR SUPPORT . . . . .	1	16
	35-329012-41	. BRACKET,REGULATOR SUPPORT . . . . .	1	17
	35-329017-5	. BRACKET,REGULATOR SUPPORT . . . . .	1	18
- 8	2H30-9	. REGULATOR,AIR PRESSURE. . . . .	1	
	AN960-1416	. WASHER. . . . .	2	
	131152-9-00-03	. TUBE. . . . .	1	9
- 9	35-329012-15	. TUBE ASSY . . . . .	1	6
	33-329010-13	. TUBE ASSY . . . . .	1	9
- 10	35-329012-17	. HOSE. . . . .	1	6
	33-329010-15	. HOSE. . . . .	1	9
- 11	35-329012-19	. TUBE ASSY . . . . .	1	14
	35-329017-11	. TUBE ASSY . . . . .	1	18
	33-329010-17	. TUBE ASSY . . . . .	1	1
- 12	MS21919DG11	. CLAMP . . . . .	2	3
	ANS20-10R10	. SCREW,CLAMP ATTACHING . . . . .	1	
	AN960-10	. WASHER,CLAMP ATTACHING. . . . .	2	
	MS20365-1032	. NUT,CLAMP ATTACHING . . . . .	1	
- 13	AN807-10	. ADAPTER . . . . .	1	
	108492S1416-116	. WASHER. . . . .	2	
	AN924-10	. NUT . . . . .	1	
- 13A	35-329012-39	. TUBE,BLAST COOLING. . . . .	1	15
- 13B	MS21919DG20	. CLAMP . . . . .	2	15
		/ATTACHING PARTS/		
	ANS20-10R8	. SCREW . . . . .	2	
	AN960-10	. WASHER. . . . .	4	
	MS20365-1032	. NUT . . . . .	2	
		-----X-----		
- 13C	MS21919DG12	. CLAMP . . . . .	1	15
		/ATTACHING PARTS/		
	ANS20-10R10	. SCREW . . . . .	1	
	AN960-10	. WASHER. . . . .	4	
	MS20365-1032	. NUT . . . . .	1	
		-----X-----		
	AN743-12	. CLIP,CLAMP SUPPORT. . . . .	1	15
	MS21266-1N	. GROMMET /PLASTIC/ . . . . .	AR	15

BEECHCRAFT  
 BONANZA 33  
 ILLUSTRATED PARTS CATALOG



VIEW A

33 194-6

B E E C H C R A F T  
B O N A N Z A 3 3  
I L L U S T R A T E D P A R T S C A T A L O G

FIG. & ITEM NO.	PART NO.	DESCRIPTION	UNITS PER ASSY	USABLE ON CODE
		1 2 3 4 5 6 7		
194 - 14	58-910021-1	. COVER,AIR FILTER. . . . .	1	
		/ATTACHING PARTS/		
	R 130909B13	. BOLT. . . . .	2	
	35-329012-43	. WASHER. . . . .	2	
	MS20365-1032	. NUT . . . . .	2	
	100696A-ZC008	. SPACER. . . . .	1	
		-----*		
- 15	96-910041-2	. BRACKET,AIR FILTER COVER. . . . .	1	16
- 16	35-329012-21	. TUBE. . . . .	1	8
	33-329010-21	. TUBE. . . . .	1	10
- 17	1J4-7	. FILTER. . . . .	1	11
	R 130909B15	. BOLT,FILTER ATTACHING . . . . .	1	
	AN960-10	. WASHER. . . . .	1	
	MS20364-1032	. NUT . . . . .	1	
- 18	35-329012-23	. TUBE. . . . .	1	7
	35-329017-9	. TUBE. . . . .	1	18
	33-329010-25	. TUBE. . . . .	1	10
- 19	35-329012-11	. HOSE. . . . .	2	12
	35-329012-27	. SPLICE. . . . .	2	13
	131152-9-00-07	. TUBE,SPLICE . . . . .	1	18
	33-329010-11	. HOSE. . . . .	2	10
	R 130292A14	. CLAMP,HOSE. . . . .	AR	

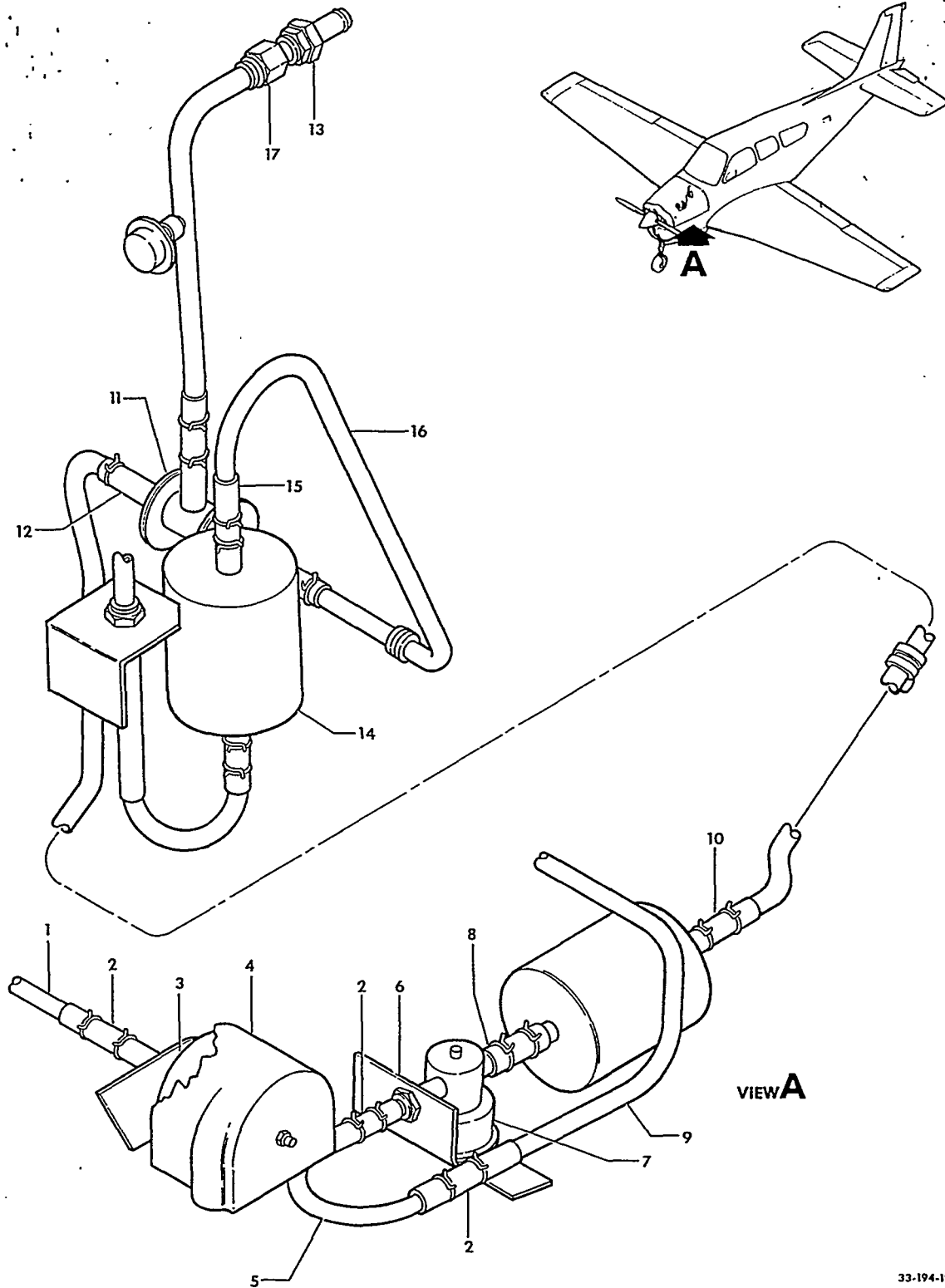
C O D E S O F E F F E C T I V I T Y

1	CD-1235 THRU CD-1254	2	CE-290 THRU CE-305
3	CE-306 THRU CE-580	4	CD-1255 THRU CD-1304
	CJ-26 THRU CJ-85		
5	CE-290 THRU CE-1439	6	CE-290 THRU CE-297
	CE-1441 THRU CE-1456		
	CJ-26 THRU CJ-179		
7	CD-1255 THRU CD-1304	8	CD-1255 THRU CD-1304
	CE-298 THRU CE-580		CE-290 THRU CE-1439
	CJ-26 THRU CJ-85		CE-1441 THRU CE-1456
			CJ-26 THRU CJ-179
9	CD-1235 THRU CD-1304	10	CD-1244 THRU CD-1304
11	CD-1244 THRU CD-1304	12	CD-1255
	CE-298 THRU CE-1439		CE-298 THRU CE-349
	CE-1441 THRU CE-1456		
	CJ-26 THRU CJ-179		
13	CD-1256 THRU CD-1304	14	CD-1235 THRU CD-1304
	CE-350 THRU CE-580		CE-290 THRU CE-485
	CJ-26 THRU CJ-85		AND CE-511
			CJ-26 THRU CJ-51
15	CE-486 THRU CE-510	16	CD-1235 THRU CD-1304
	CE-512 THRU CE-1439		CE-290 THRU CE-451,
	CE-1441 THRU CE-1456		CJ-26 THRU CJ-39
	CJ-52 THRU CJ-179		
17	CE-452 THRU CE-580	18	CE-581 THRU CE-1439
	CJ-40 THRU CJ-85		CE-1441 THRU CE-1456
	CJ-40 THRU CJ-85		CJ-86 THRU CJ-179
19	CE-290 THRU CE-631	20	CE-632 THRU CE-1439
	CJ-26 THRU CJ-128		CE-1441 THRU CE-1456
			CJ-129 THRU CJ-179

BEECHCRAFT  
BONANZA 33  
ILLUSTRATED PARTS CATALOG

FIGURE 194A  
INSTRUMENT PRESSURE SYSTEM/STANDBY/  
CE-1056 AND AFTER  
CJ-156 AND AFTER

BEECHCRAFT  
 BONANZA 33  
 ILLUSTRATED PARTS CATALOG

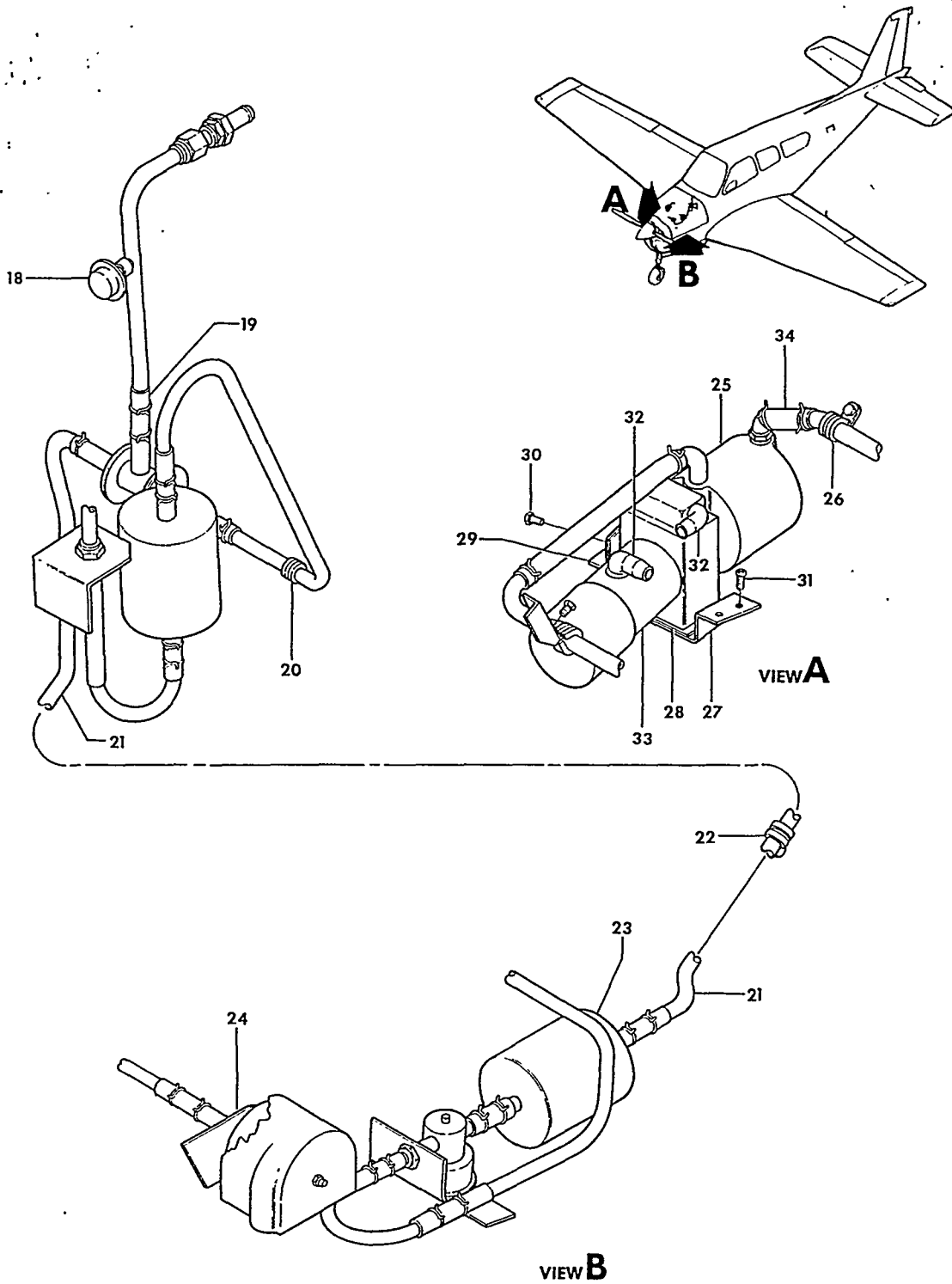


33-194-18

B E E C H C R A F T  
B O N A N Z A 3 3  
I L L U S T R A T E D P A R T S C A T A L O G

FIG. & ITEM NO.	PART NO.	DESCRIPTION							UNITS PER ASSY	USABLE ON CODE
		1	2	3	4	5	6	7		
194A	35-324490-1								NP	1
	35-324490-3								NP	2
- 1	36-324088-17								1	3
- 2	35-329012-11								3	3
	R 130292A14								2	3
- 3	1J2-1								1	3
	AN960PD1716L								1	3
- 4	58-910021-1								1	3
	NAS43DD3-16								1	
	AN970-3								2	
	130909N29								1	
- 5	35-329012-21								1	3
- 6	36-324088-5								1	3
- 7	R 2H30-9								NP	7
	R 2H30-35								1	8
	AN960-1416L								1	
- 8	106200H10-10								1	3
	R 130292A16								2	
- 9	36-324088-19								1	3
- 10	131823H12A0030								1	3
	R 130292A12								2	
- 11	50-324473-35								1	3
	MS21919DG16								1	
	MS35206-247								1	
	MS35335-31								1	
	NAS43DD3-12								1	
- 12	130936P12A0020								1	5
	131823H12A0030								1	6
	R 130292A12								2	
- 13	AN807-10								1	3
	AN924-10								1	
	AN960-1416								1	
- 14	1J4-7								1	3
- 15	130936P12A0030								1	5
	131823H12A0030								1	6
	R 130292A12								1	
- 16	R 36-324088-23								1	7
- 17	36-324091-1								1	3

BEECHCRAFT  
BONANZA 33  
ILLUSTRATED PARTS CATALOG



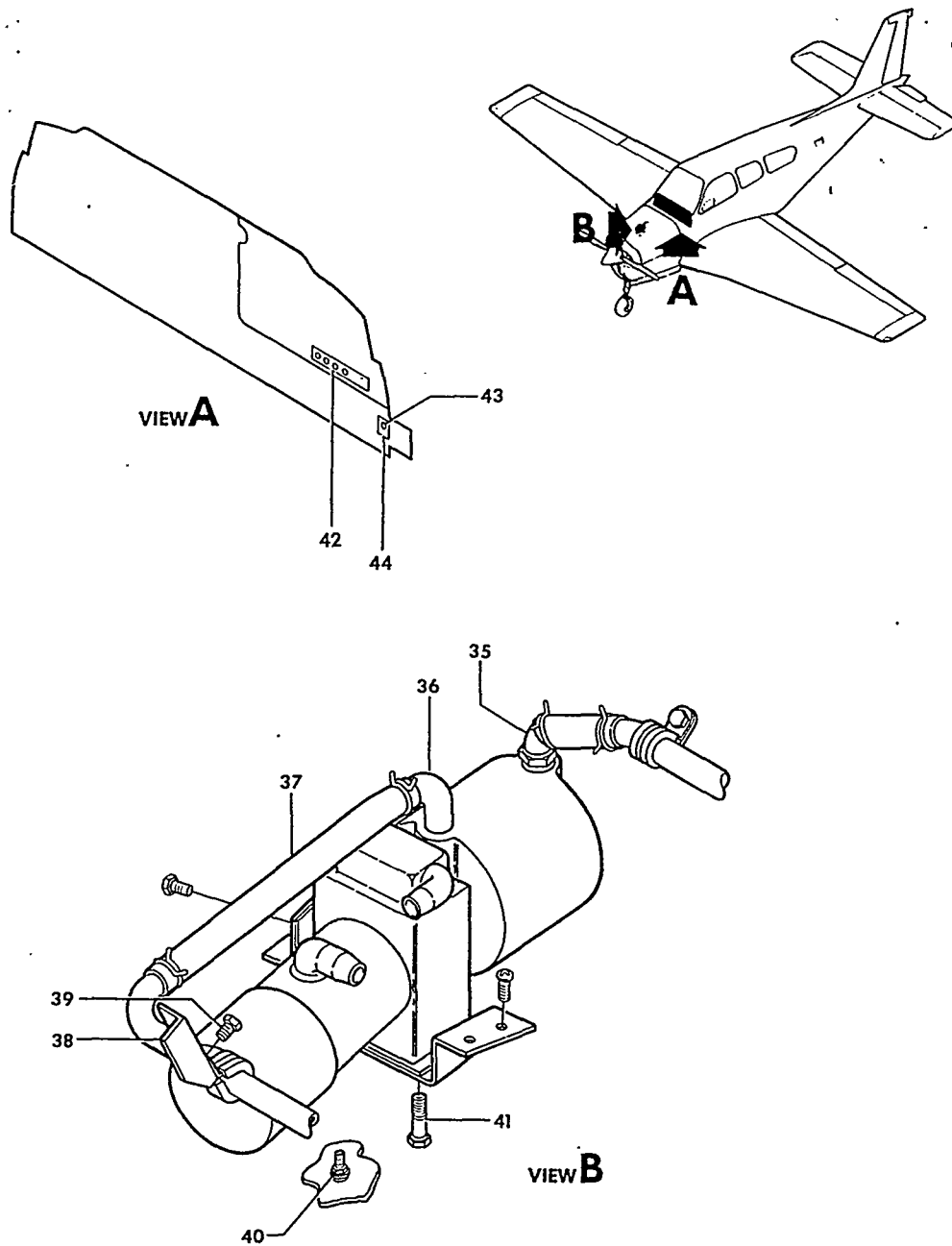
33-194-19



B E E C H C R A F T  
B O N A N Z A 3 3  
I L L U S T R A T E D P A R T S C A T A L O G

FIG. & ITEM NO.	PART NO.	DESCRIPTION	UNITS PER ASSY	USABLE ON CODE
194A - 18	R 36-324096-19	. SWITCH /ALTERNATE FOR 36-324096-21/ . . . . . /SPARES FOR M4007-1 5,25530-1 5/	1	3
	R 36-324096-21	. SWITCH /ALTERNATE FOR 36-324096-19/ . . . . . /SPARES FOR M4007-1 5,25530-1 5/	1	3
- 19	130936P12A0030	. TUBE . . . . .	2	5
	131823H12A0030	. TUBE . . . . .	2	6
	R 130292A12	. CLAMP . . . . . -----*-----	2	
- 20	R MS21919DG10	. CLAMP . . . . . /ATTACHING PARTS/	1	7
	MS35206-249	. SCREW . . . . .	1	
	MS35335-31	. LOCKWASHER . . . . . -----*-----	1	
	R NAS43DD3-28	. SPACER . . . . .	1	7
- 21	36-324088-21	. TUBE . . . . .	1	3
- 22	MS21919DG10	. CLAMP . . . . . /ATTACHING PARTS/	1	3
	130909B14	. BOLT . . . . .	1	
	AN960-10	. WASHER . . . . . -----*-----	1	
- 23	MS21047L3K	. NUTPLATE . . . . .	2	3
	1J4-7	. FILTER . . . . . /ATTACHING PARTS/	1	3
	130909B14	. BOLT . . . . .	1	
	AN960-10	. WASHER . . . . .	1	
	MS21919DG50	. CLAMP . . . . . -----*-----	2	6
	MS21047L3K	. NUTPLATE . . . . .	1	3
- 24	36-324088-7	. PLATE,SUPPORT . . . . .	1	3
- 25	212CW	. PUMP . . . . .	1	3
- 26	MS21919DG50	. CLAMP . . . . . /ATTACHING PARTS/	1	3
	130909B14	. BOLT . . . . .	1	
	AN960-10	. WASHER . . . . . -----*-----	1	
- 27	MS21047L3K	. NUTPLATE . . . . .	1	3
	36-324087-3	. BRACKET . . . . . /ATTACHING PARTS/	1	3
	MS20073-04-05	. BOLT . . . . .	4	
	AN960-416L	. WASHER . . . . . -----*-----	4	
- 28	36-324087-15	. PAD . . . . .	1	3
- 29	36-324087-19	. BRACKET . . . . . /ATTACHING PARTS/	1	3
- 30	130909B14	. BOLT . . . . .	2	
	AN960-10	. WASHER . . . . . -----*-----	2	
- 31	MS27039-0808	. SCREW . . . . .	2	3
	AN960-8	. WASHER . . . . .	2	3
	MS21047L08	. NUTPLATE . . . . .	2	3
- 32	MS25171-1S	. NIPPLE . . . . .	2	3
- 33	EM917-5	. MOTOR . . . . .	1	3
- 34	35-329012-11	. HOSE . . . . . /ATTACHING PARTS/	1	3
	R 130292A14	. CLAMP . . . . . -----*-----	2	

BEECHCRAFT  
BONANZA 33  
ILLUSTRATED PARTS CATALOG



33-194-20

B E E C H C R A F T  
B O N A N Z A 3 3  
I L L U S T R A T E D P A R T S C A T A L O G

FIG. & ITEM NO.	PART NO.	DESCRIPTION	UNITS PER ASSY	USABLE ON CODE
194A - 35	1K9-6-10	. ELBOW . . . . .	1	3
- 36	1K1-6-10	. ELBOW . . . . .	1	3
- 37	106200H10-34	. HOSE . . . . .	1	3
		/ATTACHING PARTS/		
	R 130292A16	. CLAMP . . . . .	2	
		-----X-----		
- 38	36-324088-9	. ANGLE . . . . .	1	3
		/ATTACHING PARTS/		
- 39	130909B14	. BOLT . . . . .	1	
	MS21919DG10	. CLAMP . . . . .	1	
	AN960-10	. WASHER . . . . .	1	
	130909N29	. NUT . . . . .	1	
		-----X-----		
- 40	131270-3	. GROUNDING STUD. . . . .	1	3
	MS35338-43	. LOCKWASHER . . . . .	1	3
	AN960-10	. WASHER . . . . .	1	3
	130909N29	. NUT . . . . .	1	3
- 41	36-364028-51	. PLACARD . . . . .	1	3
		/ATTACHING PARTS/		
	MS24693S28	. SCREW . . . . .	2	
	AN960-6	. WASHER . . . . .	2	
	MS21042L06	. NUT . . . . .	2	
		-----X-----		
	4522	. FUSEBLOCK . . . . .	1	3
	AGC5	. FUSE . . . . .	2	3
- 42	33-324060-1	. PLACARD . . . . .	1	3
- 43	35-380132-39	. SWITCH,CIRCUIT BREAKER. . . . .	1	3
	36-364040-1	. WASHER . . . . .	1	3
- 44	33-324062-1	. PLACARD . . . . .	1	3
	R 35-324490-5	. PANEL ASSY. . . . .	1	1
	R 35-324490-7	. PANEL ASSY. . . . .	1	2
	35-324451-149	. . . . .	1	2
	96-324075	. . . . .	1	3
	35-324451-145	. . . . .	1	1
	35-324451-151	. . . . .	1	2
	33-324060-1	. . . . .	1	1
	R 33-324061-1	. . . . .	1	2
	855291SI-A4DS-P6	. . . . .	1	3
	855291SI-R2DS-P6	. . . . .	1	3
	327	. . . . .	1	3
	36-5009-3	KIT,STANDBY AIR PRESSURE SYSTEM . . . . .	1	4

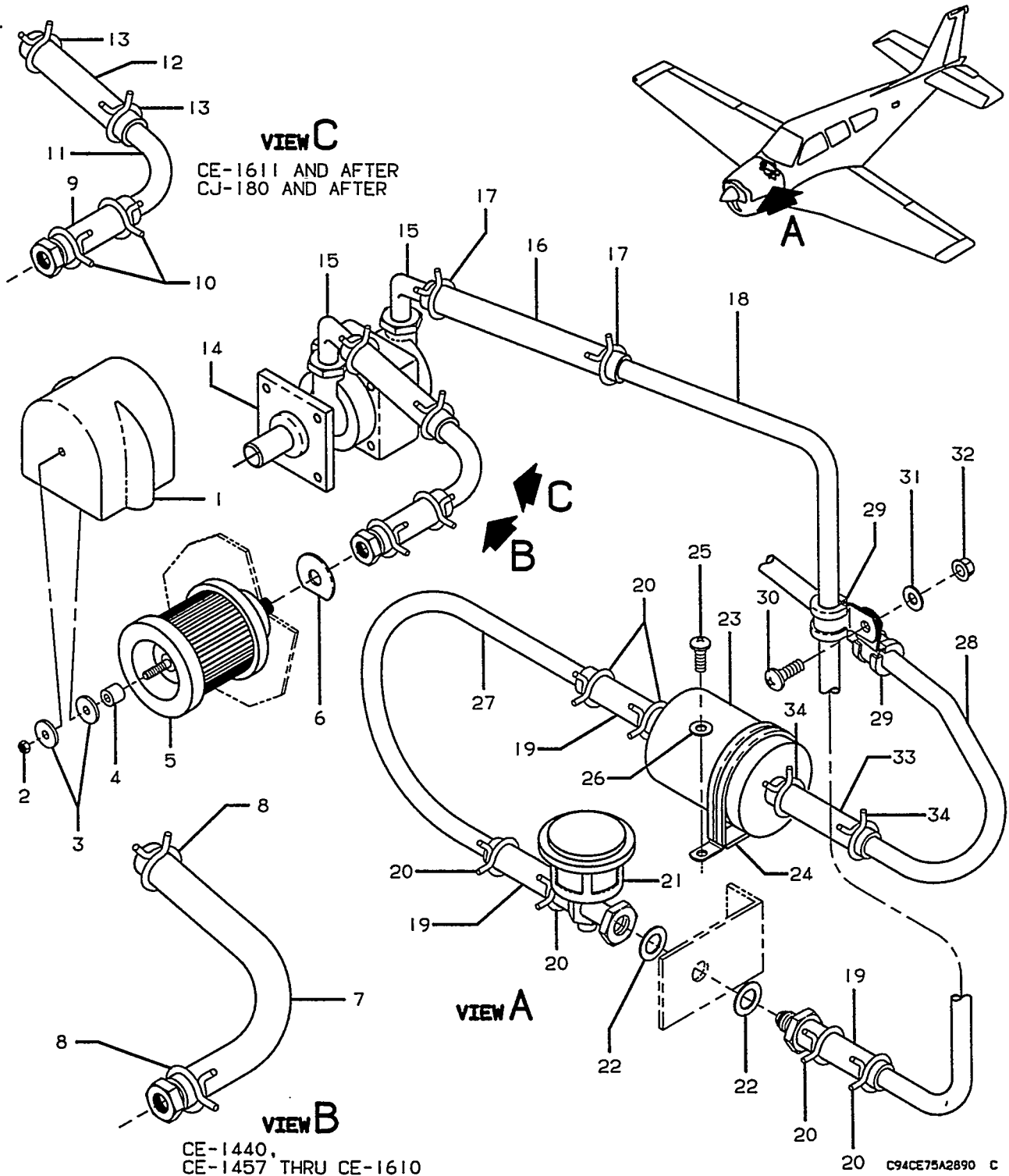
C O D E S O F E F F E C T I V I T Y

1	CE-1056 AND AFTER	2	CJ-156 AND AFTER
3	CE-1056 AND AFTER	4	CE-748,
	CJ-156 AND AFTER		CE-772 THRU CE-1055
5	CE-1056 THRU CE-1068	6	CE-1069,
	CE-1070		CE-1071 AND AFTER
			CJ-156 AND AFTER
7	CE-1056 THRU CE-1439	8	CE-1440,
	CE-1441 THRU CE-1456		CE-1457 AND AFTER
	CJ-156 THRU CJ-179		CJ-180 AND AFTER

B E E C H C R A F T  
B O N A N Z A 3 3  
I L L U S T R A T E D P A R T S C A T A L O G

FIGURE 194B  
INSTRUMENT PRESSURE SYSTEM  
CE-1440, CE-1457 AND AFTER  
CJ-180 AND AFTER

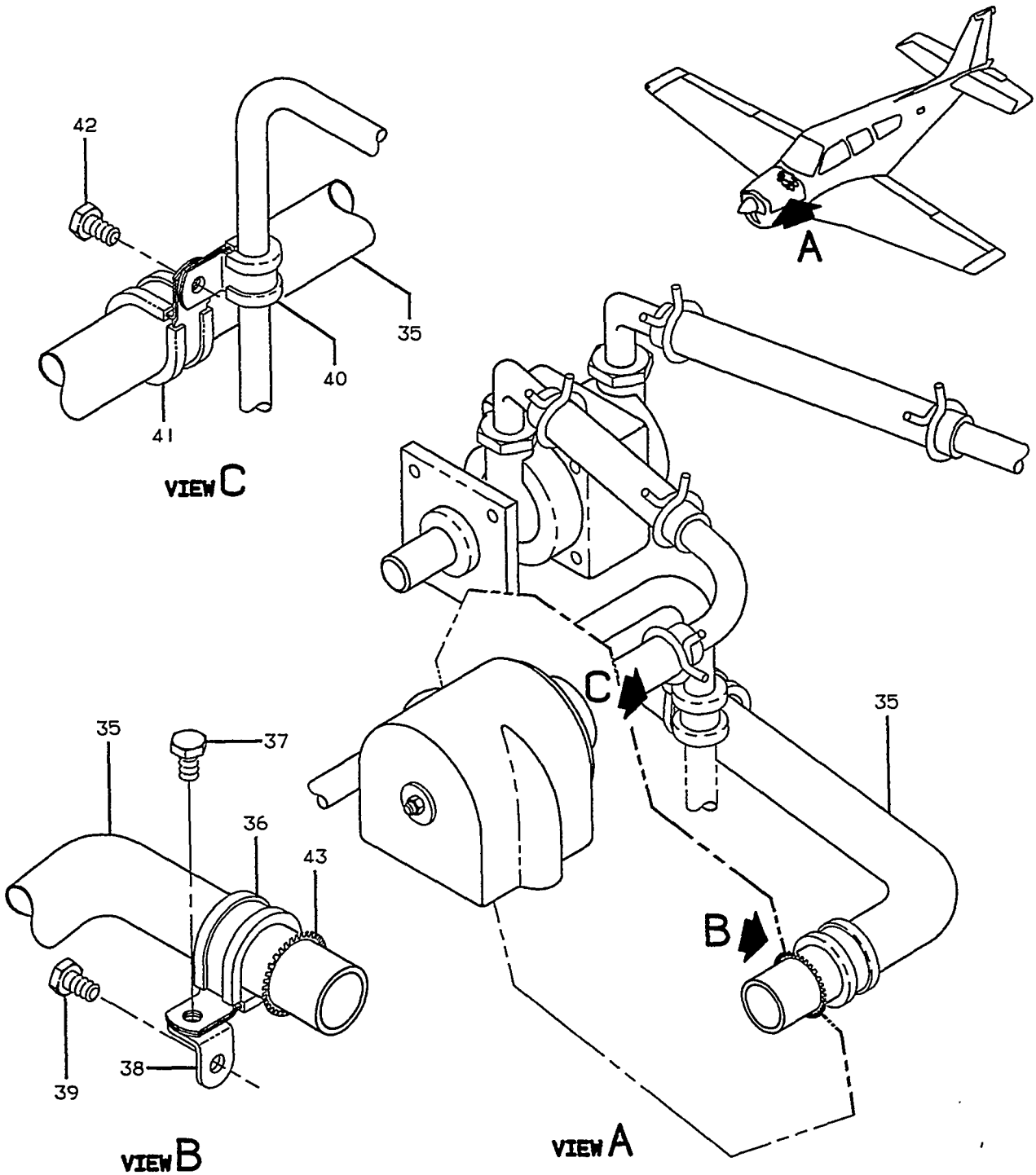
BEECHCRAFT  
 BONANZA 33  
 ILLUSTRATED PARTS CATALOG



B E E C H C R A F T  
B O N A N Z A 3 3  
I L L U S T R A T E D P A R T S C A T A L O G

FIG. & ITEM NO.	PART NO.	DESCRIPTION	UNITS PER ASSY	USABLE ON CODE							
					1	2	3	4	5	6	7
194B	R 36-324095-1	AIR PRESSURE SYSTEM INSTL . . . . .	NP	1							
- 1	R 58-910021-1	. COVER,OIL FILTER. . . . .	1	1							
		/ATTACHING PARTS/									
- 2	R 130909N29	. NUT . . . . .	1								
- 3	R AN970-3	. WASHER. . . . .	2								
		-----*-----									
- 4	R 100696A-ZC008	. SPACER. . . . .	1	1							
- 5	R 1J2-1	. FILTER,OIL. . . . .	1	1							
- 6	R 36-324086-13	. WASHER. . . . .	1	2							
	R 36-324095-25	. WASHER. . . . .	1	3							
- 7	R 106200H10-41	. HOSE. . . . .	1	4							
- 8	R 130292A16	. CLAMP . . . . .	2	4							
	R 36-324095-23	. HOSE ASSY . . . . .	1	5							
- 9	R 106200H10-10	. HOSE. . . . .	1	5							
		/ATTACHING PARTS/									
- 10	R 130292A16	. CLAMP . . . . .	2								
		-----*-----									
- 11	R 36-324087-33	. TUBE. . . . .	1	5							
- 12	R 106200H10-26	. HOSE. . . . .	1	5							
		/ATTACHING PARTS/									
- 13	R 130292A16	. CLAMP . . . . .	2								
		-----*-----									
- 14	R 212CW	. PUMP,PRESSURE . . . . .	1	1							
	R MS9134-01	. GASKET. . . . .	1	1							
- 15	R 1K1-6-10	. ELBOW . . . . .	2	1							
- 16	R 36-324095-11	. HOSE. . . . .	1	1							
		/ATTACHING PARTS/									
- 17	R 130292A14	. CLAMP . . . . .	2								
		-----*-----									
- 18	R 36-324095-3	. TUBE. . . . .	1	1							
- 19	R 36-324095-9	. HOSE. . . . .	3	1							
		/ATTACHING PARTS/									
- 20	R 130292A14	. CLAMP . . . . .	2								
		-----*-----									
- 21	R 2H30-35	. REGULATOR . . . . .	1	1							
- 22	R AN960-1416L	. WASHER. . . . .	2	1							
- 23	R 1J4-7	. FILTER. . . . .	1	1							
		/ATTACHING PARTS/									
- 24	R MS21919WDG50	. CLAMP . . . . .	1								
- 25	R MS35207-264	. SCREW . . . . .	1								
- 26	R AN960-10	. WASHER. . . . .	1								
		-----*-----									
- 27	R 36-324095-5	. TUBE. . . . .	1	1							
- 28	R 36-324095-7	. TUBE. . . . .	1	1							
- 29	R MS21919WDG10	. CLAMP . . . . .	2	1							
		/ATTACHING PARTS/									
- 30	R MS35207-264	. SCREW . . . . .	1								
- 31	R AN960-10	. WASHER. . . . .	1								
- 32	R 130909N29	. NUT . . . . .	1								
		-----*-----									
- 33	R 131823H12A0022	. HOSE. . . . .	1	1							
		/ATTACHING PARTS/									
- 34	R 130292A12	. CLAMP . . . . .	1								
		-----*-----									

BEECHCRAFT  
 BONANZA 33  
 ILLUSTRATED PARTS CATALOG



C94CE75A2891 C

B E E C H C R A F T  
 BONANZA 33  
 I L L U S T R A T E D P A R T S C A T A L O G

FIG. & ITEM NO.	PART NO.	DESCRIPTION	UNITS PER ASSY	USABLE ON CODE
		1 2 3 4 5 6 7		
194B - 35	R 35-329012-39	. TUBE,BLAST. . . . .	1	1
- 36	R MS21919WDG20	. CLAMP . . . . .	1	1
		/ATTACHING PARTS/		
- 37	R 130909B14	. BOLT. . . . .	1	
	R AN960-10L	. WASHER. . . . .	1	
	R 130909N29	. NUT . . . . .	1	
		-----x-----		
- 38	R AN743-12	. BRACKET . . . . .	1	1
		/ATTACHING PARTS/		
- 39	R 130909B14	. BOLT. . . . .	1	
	R AN960-10L	. WASHER. . . . .	1	
	R 130909N29	. NUT . . . . .	1	
		-----x-----		
- 40	R MS21919WDG12	. CLAMP . . . . .	1	1
- 41	R MS21919WDG20	. CLAMP . . . . .	1	1
		/ATTACHING PARTS/		
- 42	R 130909B12	. BOLT. . . . .	1	
	R AN960-10L	. WASHER. . . . .	1	
	R 130909N29	. NUT . . . . .	1	
		-----x-----		
- 43	R MS21266-1N	. GROMMENT. . . . .	1	1

CODES OF EFFECTIVITY

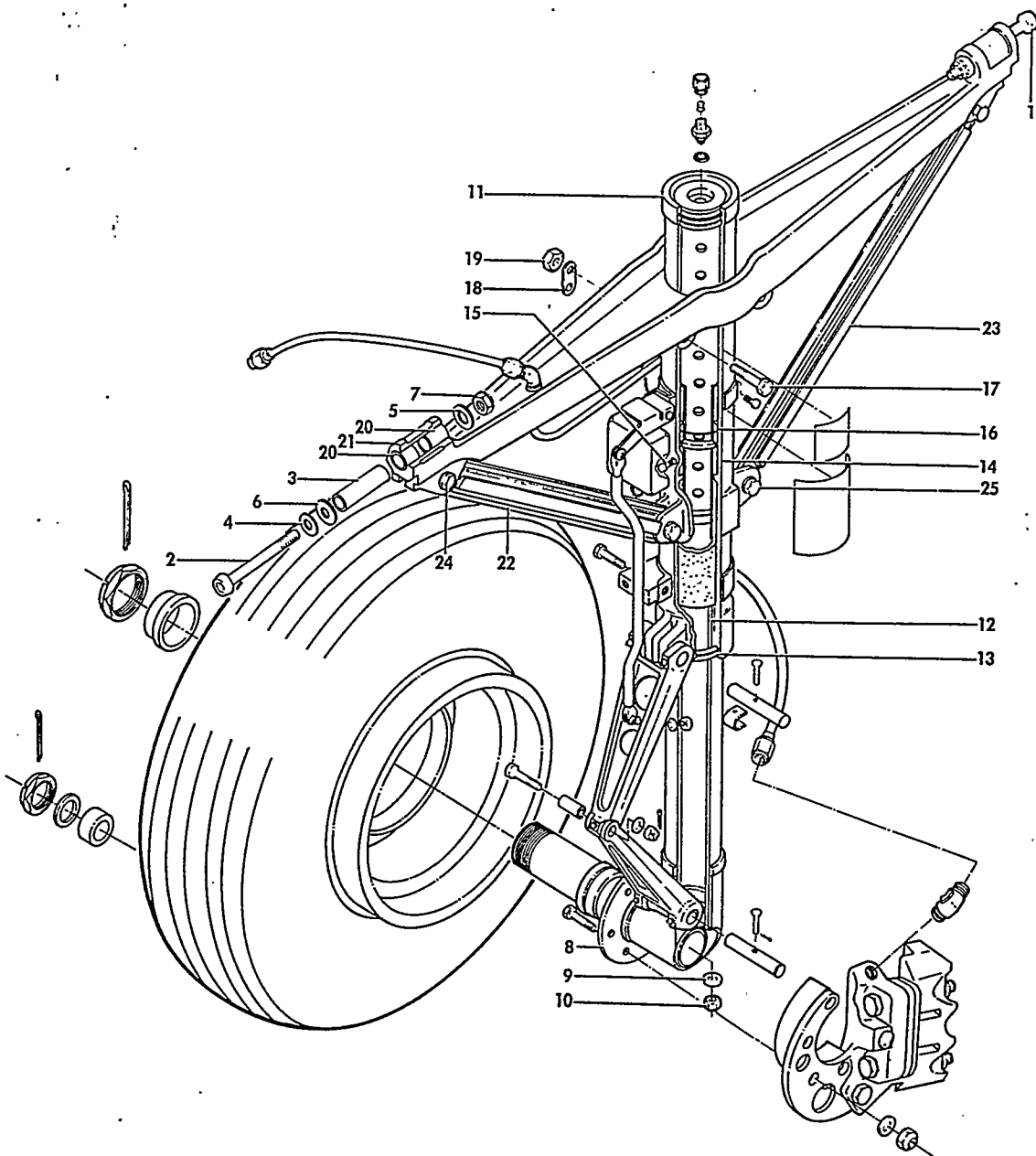
- |   |                                       |   |                                  |
|---|---------------------------------------|---|----------------------------------|
| 1 | CE-1440,<br>CE-1457 AND AFTER         | 2 | CE-1440,<br>CE-1457 THRU CE-1731 |
| 3 | CE-1732 AND AFTER<br>CJ-180 AND AFTER | 4 | CE-1440,<br>CE-1457 THRU CE-1610 |
| 5 | CE-1611 AND AFTER<br>CJ-180 AND AFTER |   |                                  |



BEECHCRAFT  
BONANZA 33  
ILLUSTRATED PARTS CATALOG

FIGURE 202  
MAIN LANDING GEAR

BEECHCRAFT  
BONANZA 33  
ILLUSTRATED PARTS CATALOG

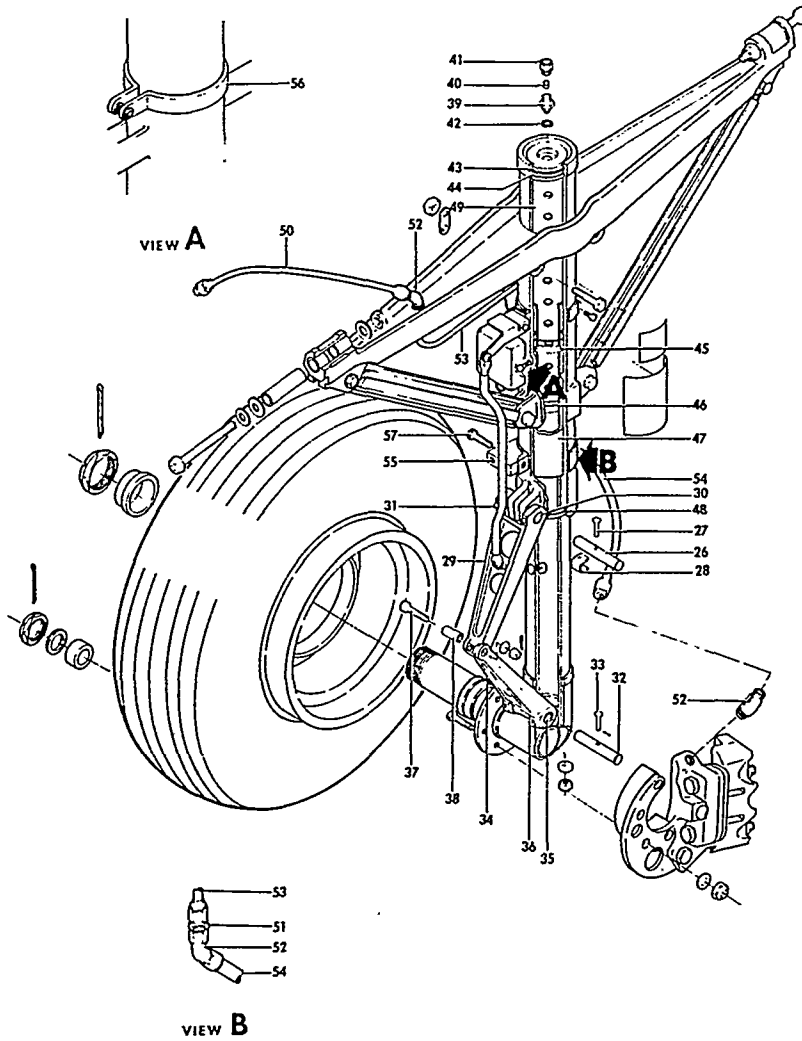


33-2022

B E E C H C R A F T  
B O N A N Z A 3 3  
I L L U S T R A T E D P A R T S C A T A L O G

FIG. & ITEM NO.	PART NO.	DESCRIPTION	UNITS							USABLE ON CODE
			PER ASSY	1	2	3	4	5	6	
202	35-810026-653	GEAR ASSY,MAIN LANDING LH . . . . .	1							
		/LESS TIRE,WHEEL & BRAKE/								
	35-810026-654	GEAR ASSY,MAIN LANDING RH . . . . .	1							
		/LESS TIRE,WHEEL & BRAKE/								
	35-810026-601	GEAR ASSY,MAIN LANDING LH /COMPLETE/ . . . . .	1						1	
	35-810026-611	GEAR ASSY,MAIN LANDING LH /COMPLETE/ . . . . .	1						2	
	35-810026-613	GEAR ASSY,MAIN LANDING LH/COMPLETE/ . . . . .	1						3	
	35-810026-602	GEAR ASSY,MAIN LANDING RH /COMPLETE/ . . . . .	1						1	
	35-810026-612	GEAR ASSY,MAIN LANDING RH /COMPLETE/ . . . . .	1						2	
	35-810026-614	GEAR ASSY,MAIN LANDING RH/COMPLETE/ . . . . .	1						3	
		/ATTACHING PARTS/								
- 1	NAS148A67	BOLT,AFT. . . . .	1							
- 2	NAS148A69/M/	BOLT,FWD. . . . .	1							
- 3	35-815250	BUSHING . . . . .	2							
- 4	NAS143-8C	WASHER . . . . .	2							
- 5	AN960-816	WASHER . . . . .	2							
- 6	100951S016XF	WASHER /USED BETWEEN GEAR & SPAR FITTING IF . .	2							
		GAP IS 0.016 TO 0.031/								
	100951S032XF	WASHER /USED BETWEEN GEAR & SPAR FITTING IF . .	2							
		GAP IS 0.032 TO 0.047/								
- 7	130909N10	NUT . . . . .	2							
	AN380-3-3	PIN,COTTER. . . . .	2							
		-----*								
- 8	R 35-815260-7	. SHOCK ASSY,LOWER LH/SPARES FOR 35-815260-3/ .	1							
	R 35-815260-8	. SHOCK ASSY,LOWER RH/SPARES FOR 35-815260-4/ .	1							
- 9	35-815081	. . WASHER . . . . .	1							
- 10	MS20365-524	. . NUT . . . . .	1							
- 11	R 35-815246-5	. CYLINDER,LH . . . . .	1							
	R 35-815246-7	. CYLINDER,RH . . . . .	1							
- 12	35-815246-9	. BEARING,LOWER . . . . .	1							
- 13	504271	. SEAL SCRAPPER . . . . .	1							
- 14	35-815246-13	. BEARING,UPPER . . . . .	1							
- 15	R HL18PB6-6	. PIN,HILOCK. . . . .	2							
	R HL70-6	. COLLAR. . . . .	2							
- 16	R MS28775-138	. PACKING,PREFORMED . . . . .	1							
- 17	NAS334CPA30	. BOLT. . . . .	2							
- 18	35-815256	. CONNECTOR,BRACE TO CLAMP. . . . .	2							
- 19	R 130909N32	. NUT . . . . .	2							
- 20	10DU12	. BUSHING . . . . .	4							
- 21	35-815251-3	. BRACE . . . . .	1							
- 22	35-815252-1	. COLUMN,FWD. . . . .	1							
- 23	35-815252-3	. COLUMN,AFT. . . . .	1							
		/ATTACHING PARTS/								
- 24	R 130909B9	. BOLT. . . . .	2							
- 25	35-815247-15	. BOLT. . . . .	2							
	AN960D716	. WASHER . . . . .	4							
	R 130909N36	. NUT . . . . .	4							
		-----*								

BEECHCRAFT  
 BONANZA 33  
 ILLUSTRATED PARTS CATALOG

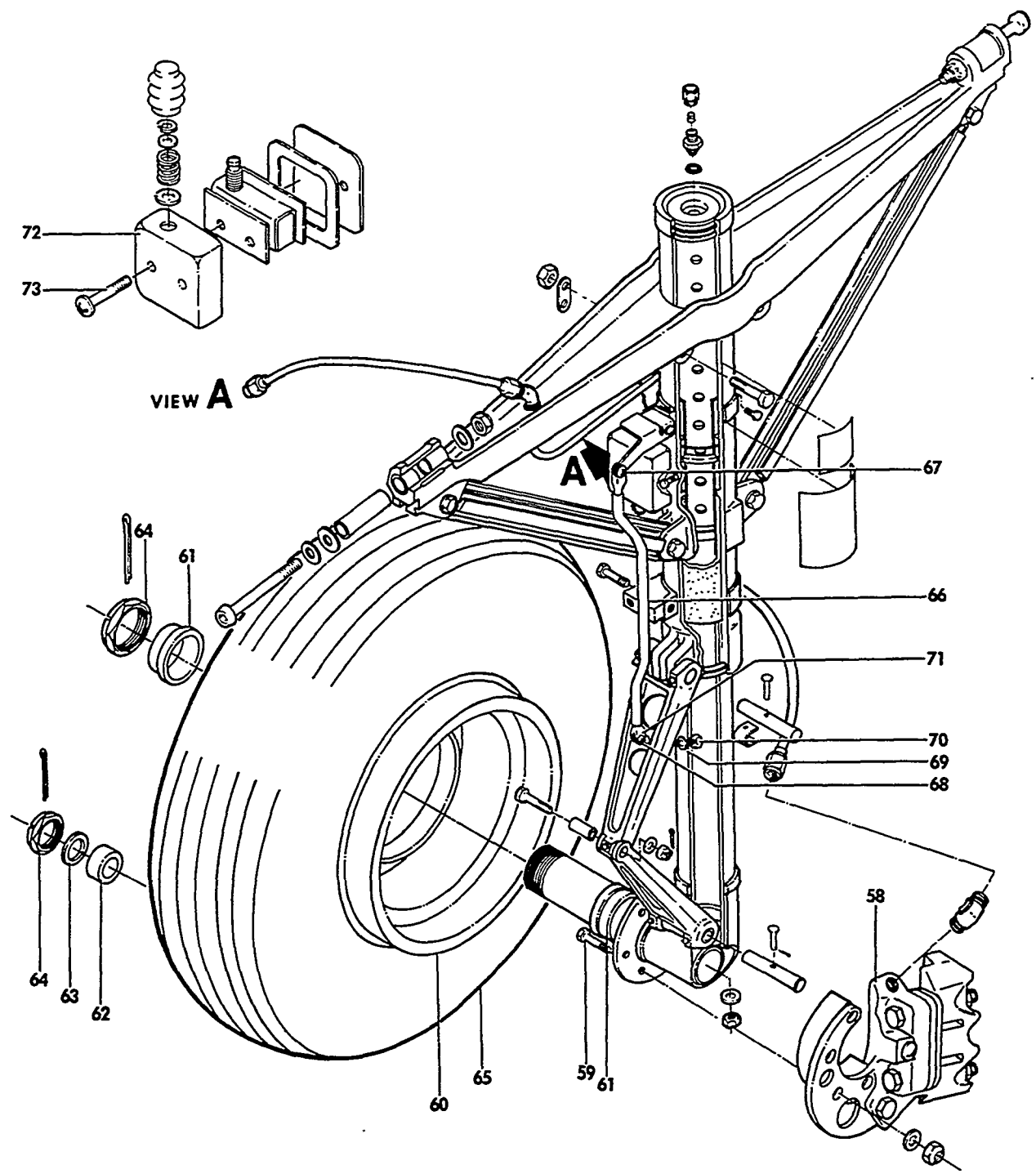


33 202 3

BEECHCRAFT  
BONANZA 33  
ILLUSTRATED PARTS CATALOG

FIG. & ITEM NO.	- PART NO.	DESCRIPTION	UNITS							USABLE ON CODE
			1	2	3	4	5	6	7	
202	R 36-810015-1	. KNEE ASSY,UPPER/SPARES REPL.FOR 45-815011-10/							1	29
	R 36-810015-5	. KNEE ASSY,UPPER . . . . .							1	28
		/ATTACHING PARTS/								
- 26	45-815237	. PIN . . . . .							1	
- 27	MS20392-1-21	. PIN . . . . .							1	
	AN380-2-1	. PIN,COTTER. . . . .							1	
- 28	35-815253	. STOP. . . . .							1	
		-----*								
- 29	45-815011-8	. . KNEE,UPPER. . . . .							1	
- 30	45-815013	. . BUSHING . . . . .							2	
- 31	1729	. . FITTING,ZERK. . . . .							3	
	36-810016-1	. KNEE ASSY,LOWER TORQUE/SUPERSEDES 35-815194/.							1	
		36-810016-1 IS A SPARES REPLACEMENT FOR AIRCRAFT EQUIPPED WITH CLEVELAND BRAKES								
	36-810016-3	. KNEE ASSY,LOWER TORQUE/SUPERSEDES 35-815194/.							1	
		36-810016-3 IS A SPARES REPLACEMENT FOR AIRCRAFT EQUIPPED WITH GOODYEAR BRAKES								
		/ATTACHING PARTS/								
- 32	45-815237	. PIN . . . . .							1	
- 33	R MS20392-1C27	. PIN . . . . .							1	
	MS24665-130	. PIN,COTTER. . . . .							2	
		-----*								
- 34	35-815194-5	. . KNEE,LOWER. . . . .							1	
- 35	45-815013	. . BUSHING . . . . .							2	
- 36	MS15002-1	. . FITTING,ZERK. . . . .							2	
- 37	AN5-13/M/	. BOLT. . . . .							1	
- 38	105739S-YK0431	. BUSHING . . . . .							1	
	AN960-516	. WASHER. . . . .							1	
	130909N8	. NUT . . . . .							1	
	R MS24665-134	. PIN,COTTER. . . . .							1	
- 39	118642-7	. BODY,AIR VALVE. . . . .							1	
- 40	R AN802-9	. CORE,AIR VALVE. . . . .							1	
- 41	R MS20813-1	. CAP . . . . .							1	
- 42	MS28778-5	. GASKET. . . . .							1	
- 43	RRN237C	. RING,RETAINING. . . . .							1	
- 44	AN623085	. GASKET. . . . .							1	
- 45	R AN6227-31	. PACKING,PREFORMED . . . . .							1	
	MS28774-328	. RETAINER,BACKUP . . . . .							1	
- 46	35-380020-1	. RING,PISTON . . . . .							1	
- 47	35-815247-9	. FELT. . . . .							1	
- 48	R MS28774-328	. RETAINER. . . . .							2	
- 49	35-815249-5	. BRAZE ASSY,ORIFICE/ORDER 36-810017-1/ . . . . .							NP	14
	36-810017-1	. BRAZE ASSY,ORIFICE/SPARES FOR 35-815249-5/ . . . . .							1	13
- 50	MS28741-4-0125	. HOSE ASSY,UPPER . . . . .							1	
	AN960D716	. WASHER. . . . .							3	
- 51	AN924-4D	. NUT . . . . .							2	
- 52	R MS24396D4	. ELBOW . . . . .							2	
- 53	95-810002-37	. TUBE ASSY,LH UPPER. . . . .							1	
	95-810002-38	. TUBE ASSY,RH UPPER. . . . .							1	
	R MS21919WDG4	. CLAMP,TUBE. . . . .							1	
		/ATTACHING PARTS/								
	R MS35207-263	. SCREW . . . . .							1	
	AN960D10	. WASHER. . . . .							1	
	R 130909N29	. NUT . . . . .							1	
		-----*								
- 54	R MS28741-4-0170	. HOSE ASSY,LOWER . . . . .							1	11
	R MS28741-4-0160	. HOSE ASSY,LOWER . . . . .							1	12
- 55	35-815004	. CLAMP ASSY,LH LOWER . . . . .							1	
	35-815004-1	. CLAMP ASSY,RH LOWER . . . . .							1	
	AN815-4	. FITTING,LOWER HOSE. . . . .							1	
	R MS28778-4	. PACKING,PREFORMED . . . . .							1	
- 56	35-815264-1	. CLAMP ASSY,LH . . . . .							1	
	35-815264-2	. CLAMP ASSY,RH . . . . .							1	
- 57	R 130909B44	. BOLT. . . . .							1	
	AN960-416	. WASHER. . . . .							1	
	R 130909N32	. NUT . . . . .							1	

BEECHCRAFT  
BONANZA 33  
ILLUSTRATED PARTS CATALOG

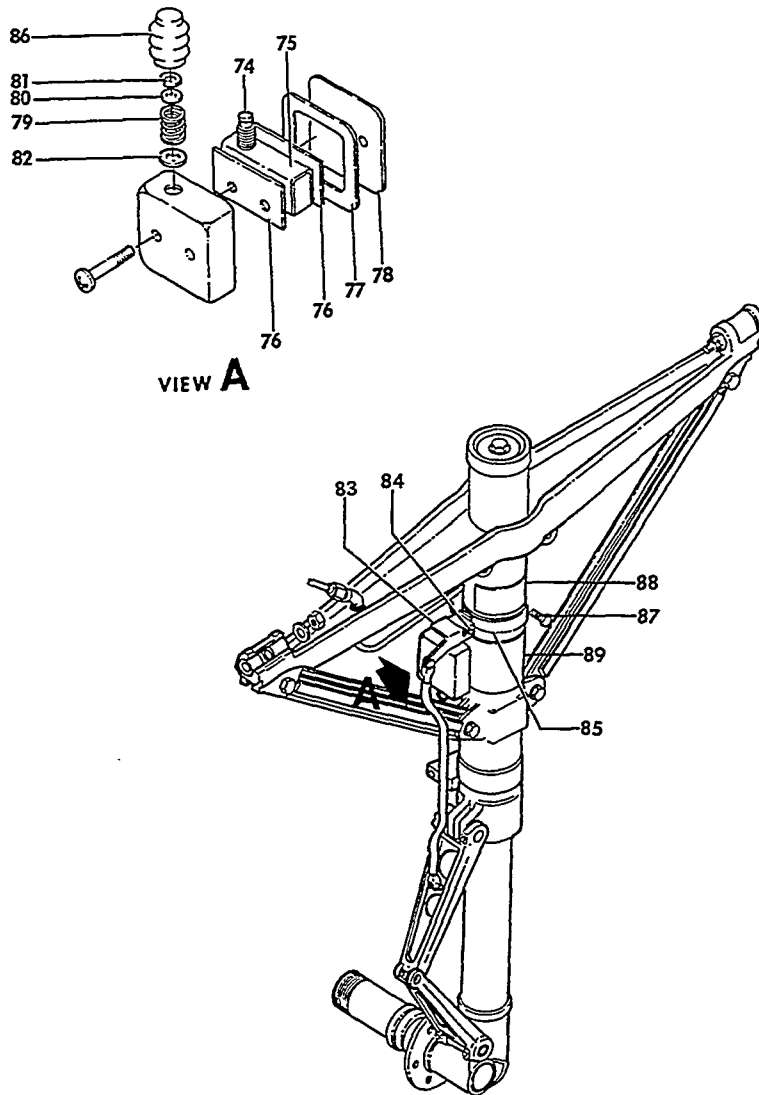


C95CE32A3263

B E E C H C R A F T  
B O N A N Z A 3 3  
I L L U S T R A T E D P A R T S C A T A L O G

FIG. & ITEM NO.	PART NO.	DESCRIPTION	UNITS							USABLE ON CODE
			1	2	3	4	5	6	7	
202	35-810026-39	WHEEL & BRAKE ASSY, BALANCED . . . . . /ORDER 35-810026-27/							1	4
- 58	35-810026-27	WHEEL & BRAKE ASSY, BALANCED . . . . .							1	5
	35-8002-25	BRAKE ASSY /SEE FIG.218/. . . . .							1	4
	36-8001-9	BRAKE ASSY/SEE FIG.218A/WHEN REPLACING. . . . . 36-8001-9 BRAKE & 36-8001-3 WHEEL AS A REPL.WITH 36-8001-29 BRAKE & 36-8001-25							1	6
	36-8001-29	BRAKE ASSY/SEE FIG 218A/ORDER 36-8001-41/ . . . . .							NP	17
	36-8001-41	BRAKE ASSY/SPARES FOR 36-8001-29/ . . . . . /ATTACHING PARTS/							1	18
- 59	AN5-6A/M/ MS20002C5 AN960D10 MS20365-524	BOLT. . . . . WASHER. . . . . WASHER. . . . . NUT . . . . .							5 5 5 5	
		-----*-----								
- 60	35-810026-9	WHEEL & TIRE ASSY /BALANCED/. . . . . /ORDER 35-810026-31/							NP	4
	35-810026-31	WHEEL & TIRE ASSY /BALANCED/. . . . . /ATTACHING PARTS/							1	5
- 61	33-810000-13	BUSHING . . . . .							1	
- 62	33-810000-15	BUSHING . . . . .							1	
- 63	100951X100VY	WASHER/ALTERNATE FOR 100951X050VY/. . . . .							AR	
	100951X050VY	WASHER/ALTERNATE FOR 100951X100VY/. . . . .							AR	
- 64	AN7502-24 MS2102524	NUT/ORDER MS2102524/. . . . . NUT/SPARES FOR AN7502-24/ . . . . .							NP 1	15 16
		-----*-----								
- 65	6 00 X 6 6P TT 7 00 X 6 6P TT 6 00 X 6 7 00 X 6 35-8002-3 36-8001-3	TIRE, 6 PLY /TUBE TYPE/. . . . . TIRE, 6 PLY /TUBE TYPE/. . . . . TUBE, TIRE . . . . . TUBE, TIRE . . . . . WHEEL ASSY /SEE FIG.203/. . . . . WHEEL ASSY/SEE FIG.203A/WHEN REPLACING. . . . . 36-8001-3 WHEEL & 36-8001-9 BRAKE AS REPL.WITH 36-8001-25 WHL & 36-8001-29							1 1 1 1 1 1	4 5 4 5 4 6
	36-8001-25	WHEEL ASSY/SEE FIG.203A/. . . . .							1	10
- 66	35-361145 002-361013-5	LINK ASSY, LANDING GEAR SAFETY SWITCH. . . . . LINK ASSY, LANDING GEAR SAFETY SWITCH. . . . . /ATTACHING PARTS/							1 1	19 20
- 67	MS20392-2C13 AN960D10 MS24665-130	PIN . . . . . WASHER. . . . . PIN, COTTER. . . . .							2 2 2	
		-----*-----								
- 68	AN42B4	BOLT, EYE. . . . .							1	
- 69	AN960-10L	WASHER. . . . .							2	
- 70	130909N6	NUT . . . . .							1	
- 71	MS21252-3RS	FORK. . . . .							1	
	R 95-361015	SWITCH ASSY, LH LANDING GEAR SAFETY. . . . .							1	21
	R 002-361013-31	SWITCH ASSY, LH LANDING GEAR SAFETY. . . . .							1	22
	R 002-361013-45	SWITCH ASSY, LH LANDING GEAR SAFETY. . . . . /WITHOUT AIR CONDITIONING/							1	23
	R 002-361013-47	SWITCH ASSY, LH LANDING GEAR SAFETY. . . . . /WITH AIR CONDITIONING/							1	31
	R 002-361013-55	SWITCH ASSY, LH LANDING GEAR SAFETY. . . . . /WITH AIR CONDITIONING/							1	30
	R 002-361013-55	SWITCH ASSY, LH LANDING GEAR SAFETY. . . . . /WITH OR WITHOUT AIR CONDITIONING/							1	24
	R 35-361131	SWITCH ASSY, RH LANDING GEAR SAFETY. . . . .							1	21
	R 002-361013-32	SWITCH ASSY, RH LANDING GEAR SAFETY. . . . .							1	20
- 72	002-361013-15 35-361134 002-361013-16	COVER, LH LANDING GEAR SAFETY SWITCH . . . . . COVER, RH LANDING GEAR SAFETY SWITCH . . . . . COVER, RH LANDING GEAR SAFETY SWITCH . . . . .							1 1 1	25 21 20
- 73	MS35206-329 AN960D6 MS20365-632	SCREW . . . . . WASHER. . . . . NUT . . . . .							2 2 2	

BEECHCRAFT  
BONANZA 33  
ILLUSTRATED PARTS CATALOG



33-202-12



B E E C H C R A F T  
B O N A N Z A 3 3  
I L L U S T R A T E D P A R T S C A T A L O G

FIG. & ITEM NO.	- PART NO.	DESCRIPTION	1	2	3	4	5	6	7	UNITS PER ASSY	USABLE ON CODE
202 - 74	R AN3186-2	. . ACTUATOR,LH . . . . .								1	27
	R MC2711	. . ACTUATOR,LH . . . . .								1	24
	R MC2711	. . ACTUATOR,RH . . . . .								1	21
	R AN3186-2	. . ACTUATOR,RH . . . . .								1	20
- 75	R BZ3AT	. . SWITCH,LH . . . . .								1	22
	R MS25026-1	. . SWITCH,LH . . . . .								1	23
	R MS25008-1	. . SWITCH,LH . . . . .								1	24
	R BZ3YT	. . SWITCH,RH . . . . .								1	21
	R BZ3AT	. . SWITCH,RH . . . . .								1	20
- 76	45-364238	. . INSULATOR . . . . .								2	7
	002-361013-33	. . INSULATOR . . . . .								2	8
- 77	002-361013-23	. . GASKET . . . . .								1	
- 78	002-361013-25	. . PLATE . . . . .								1	
- 79	002-361013-27	. . SPRING . . . . .								1	
- 80	10095100032YF	. . WASHER . . . . .								1	
- 81	R MS16624-1031	. . RING,SNAP . . . . .								1	
- 82	AN960-816L	. . WASHER . . . . .								1	
- 83	R 35-361132-1	. . ARM,SAFETY SWITCH . . . . .								1	21
	R 002-361013-19	. . ARM,SAFETY SWITCH . . . . .								1	20
- 84	R MS20392-2C29	. . PIN . . . . .								1	7
	MS20392-2C29	. . PIN . . . . .								1	8
	AN960-10	. . WASHER . . . . .								1	
	MS24665-130	. . PIN,COTTER . . . . .								1	
- 85	R 35-361133	. . BRACKET,ASSY . . . . .								1	21
	R 002-361013-29	. . BRACKET,ASSY . . . . .								1	20
	106242-7-03600	. . TUBING,INSULATING . . . . .								1	
- 86	35-361148-1	. . BOLT . . . . .								1	
- 87	R 130909B23	. . BOLT . . . . .								1	
	AN960-10	. . WASHER . . . . .								2	
	MS20365-1032	. . NUT . . . . .								1	
- 88	112406	PLACARD . . . . .								2	
- 89	96-810020	PLACARD,LH INSTRUCTION . . . . .								1	
	96-810021	PLACARD,RH INSTRUCTION . . . . .								1	

B E E C H C R A F T  
B O N A N Z A 3 3  
I L L U S T R A T E D P A R T S C A T A L O G

FIG. & ITEM NO.	PART NO.	1 2 3 4 5 6 7	DESCRIPTION	UNITS PER ASSY	USABLE ON CODE
-----------------------	-------------	---------------	-------------	----------------------	----------------------

C O D E S O F E F F E C T I V I T Y

1	CD-1235 THRU CD-1276 CE-290 THRU CE-306 CJ-26 THRU CJ-30	2	CD-1277 THRU CD-1304 CE-307 THRU CE-537 CE-542,CE-544,CE-547 CJ-31 THRU CJ-61 CJ-67,CJ-68,CJ-75 AND CJ-76		
3	CE-538 THRU CE-541 CE-543,CE-545,CE-546 CE-548 AND AFTER CJ-62 THRU CJ-66 CJ-69 THRU CJ-74 CJ-77 AND AFTER	4	CD-1235 THRU CD-1271 CE-290 THRU CE-300 CJ-26 THRU CJ-30		
5	CD-1272 THRU CD-1304 CE-301 AND AFTER CJ-31 AND AFTER	6	CD-1272 THRU CD-1304 CE-301 THRU CE-634 CJ-31 THRU CJ-124		
7	CE-290 THRU CE-747 CE-749 THRU CE-771 CJ-26 THRU CJ-148	8	CE-748 CE-772 AND AFTER CJ-149 AND AFTER		
9	CD-1235 THRU CD-1304 CE-290 THRU CE-537, CE-542,CE-544,CE-547 CJ-26 THRU CJ-61 CJ-67,CJ-68,CJ-75, CJ-76	10	CE-635 AND AFTER CJ-125 AND AFTER		
11	CD-1235 THRU CD-1271	12	CD-1272 AND AFTER CE-290 AND AFTER CJ-26 AND AFTER		
13	CE-981 AND AFTER CJ-156 AND AFTER	14	CD-1235 THRU CD-1304 CE-290 THRU CE-980 CJ-26 THRU CJ-155		
15	CE-290 THRU CE-930	16	CE-931 AND AFTER CJ-156 AND AFTER		
17	CE-635 THRU CE-1071 CJ-125 THRU CJ-155	18	CE-1072 AND AFTER CJ-156 AND AFTER		
19	CD-1235 THRU CD-1304 CE-290 THRU CE-537, CE-542,CE-544,CE-547 CJ-26 THRU CJ-61, CJ-67,CJ-68, CJ-75,CJ-76	20	CE-538 THRU CE-541 CE-543,CE-545,CE-546 CE-548 AND AFTER CJ-62 THRU CJ-66, CJ-69 THRU CJ-74, CJ-77 AND AFTER		
21	CE-290 THRU CE-537, CE-542,CE-544,CE-547 CJ-26 THRU CJ-61, CJ-67,CJ-68, CJ-75,CJ-76	22	CE-538 THRU CE-541 CE-543, CE-545,CE-546 CE-548 THRU CE-771 CJ-62 THRU CJ-66, CJ-69 THRU CJ-74, CJ-77 THRU CJ-148		
23	CE-748, CE-772 AND AFTER CJ-149 AND AFTER	24	CE-969 AND AFTER		

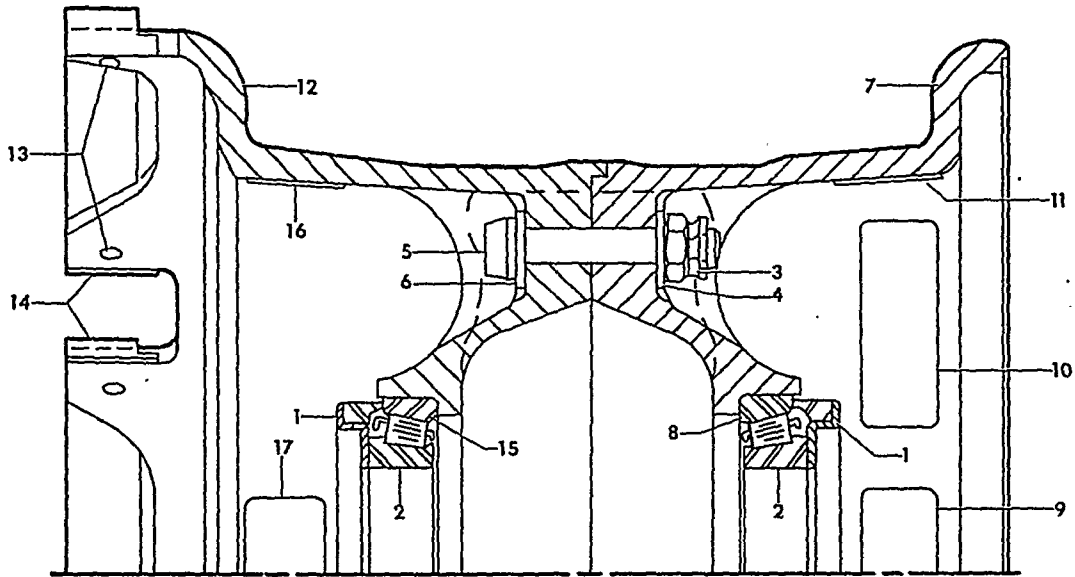
B E E C H C R A F T  
B O N A N Z A 3 3  
I L L U S T R A T E D P A R T S C A T A L O G

FIG. & ITEM NO.	PART NO.	1	2	3	4	5	6	7	DESCRIPTION	UNITS PER ASSY	USABLE ON CODE
	25	CE-538	THRU	CE-541	26	CE-290	THRU	CE-537,	CE-542,CE-544,		
		CE-543,CE-545,				CE-542,CE-544,			CE-545,CE-547,		
		CE-546,CE-547,				CE-545,CE-547,			CE-969 AND AFTER		
		CE-549 AND AFTER				CJ-26 THRU CJ-61			CJ-67,		
		CJ-62 AND AFTER				CJ-68,CJ-75,CJ-76					
	27	CE-538	THRU	CE-541	28	CE-770	AND	AFTER			
		CE-543,CE-546,				CJ-146	AND	AFTER			
		CE-548 THRU CE-968									
		CJ-62 THRU CJ-66,									
		CJ-69 THRU CJ-74,									
		CJ-77 AND AFTER									
	29	CD-1235	THRU	CD-1304	30	CE-941	THRU	CE-968			
		CE-290 THRU CE-769									
		CJ-26 THRU CJ-145									
	31	CE-748,									
		CE-772 THRU CE-940									
		CJ-149 AND AFTER									

BEECHCRAFT  
BONANZA 33  
ILLUSTRATED PARTS CATALOG

FIGURE 203  
MAIN GEAR WHEEL  
CD-1235 THRU CD-1271, CE-290 THRU CE-300,  
CJ-26 THRU CJ-30

BEECHCRAFT  
BONANZA 33  
ILLUSTRATED PARTS CATALOG



33-203-2

B E E C H C R A F T  
B O N A N Z A 3 3  
I L L U S T R A T E D P A R T S C A T A L O G

FIG. & ITEM NO.	PART NO.	DESCRIPTION							UNITS PER ASSY	USABLE ON CODE	
		1	2	3	4	5	6	7			
203	1	35-8002-3								2	1
- 1		95-24218								2	1
- 2		13889								2	1
- 3		95-6867								4	1
- 4		95-6974								4	1
- 5		95-8249								4	1
- 6		95-6926								4	1
- 7		35-8002-9								1	1
- 8		13830								1	1
- 9		95-35523								1	1
- 10		95-300001-31								1	1
- 11		95-35576								1	1
- 12		35-8002-7								1	1
- 13		95-7649								12	1
- 14		95-43686								6	1
- 15		13830								1	1
- 16		95-35522								1	1
- 17		95-300001-31								1	1

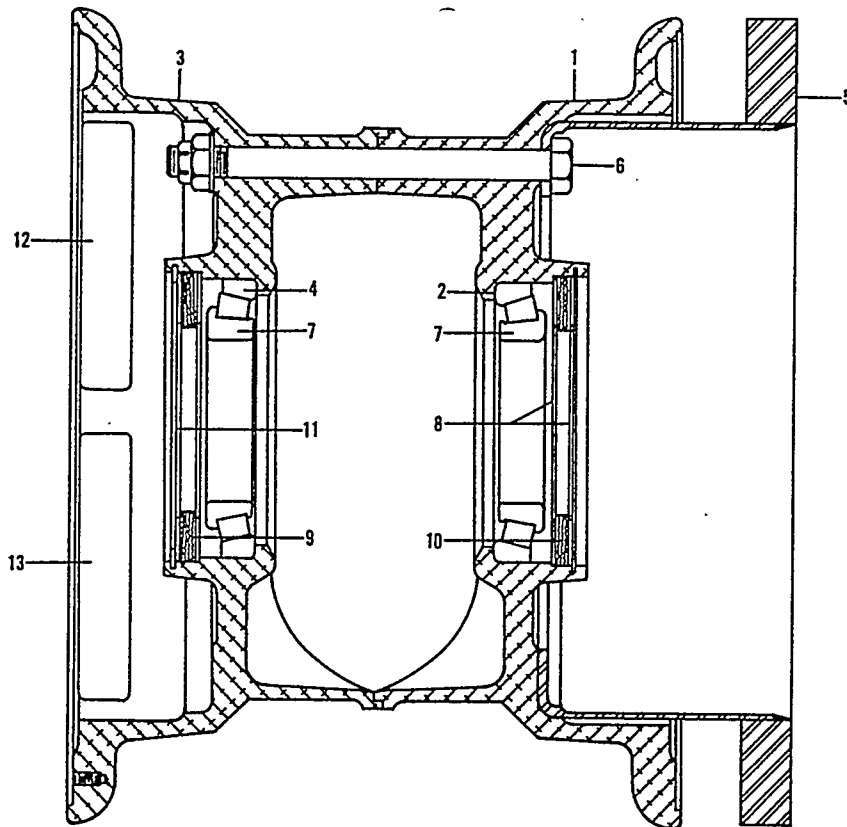
C O D E S O F E F F E C T I V I T Y

- 1 CO-1235 THRU CO-1271
- CE-290 THRU CE-300
- CJ-26 THRU CJ-30

B E E C H C R A F T  
B O N A N Z A 3 3  
I L L U S T R A T E D P A R T S C A T A L O G

FIGURE 203A  
MAIN GEAR WHEEL  
CD-1272 THRU CD-1304, CE-301 AND AFTER,  
CJ-31 AND AFTER

BEECHCRAFT  
BONANZA 33  
ILLUSTRATED PARTS CATALOG



G33-203-1



B E E C H C R A F T  
B O N A N Z A 3 3  
I L L U S T R A T E D P A R T S C A T A L O G

FIG. & ITEM NO.	PART NO.	DESCRIPTION	UNITS PER ASSY	USABLE ON CODE	
203A	1	36-8001-3	WHEEL ASSY,MAIN . . . . .	2	2
		36-8001-25	WHEEL ASSY,MAIN . . . . .	2	3
		36-8001-5	• WHEEL HALF ASSY,INNER . . . . .	1	1
- 1	151-26	• WHEEL HALF,INNER. . . . .	1	1	
- 2	13836	• BEARING,CUP . . . . .	1	1	
	36-8001-7	• WHEEL HALF ASSY,OUTER . . . . .	1	1	
- 3	152-24	• WHEEL HALF,OUTER. . . . .	1	1	
- 4	13836	• BEARING,CUP . . . . .	1	1	
- 5	36-8001-21	• DISC ASSY,BRAKE . . . . .	1	2	
	36-8001-27	• DISC ASSY,BRAKE . . . . .	1	3	
		/ATTACHING PARTS/			
- 6	AN3-35A/M/	• BOLT. . . . .	3		
	AN960-516	• WASHER. . . . .	3		
	MS20365-524	• NUT . . . . .	3		
- 7	13889	• BEARING,CONE. . . . .	2	1	
- 8	153-9	• RING,GREASE SEAL. . . . .	4	1	
- 9	154-16	• FELT,GREASE SEAL. . . . .	1	1	
- 10	154-8	• FELT,GREASE SEAL. . . . .	1	1	
- 11	3023	• RING,SNAP . . . . .	2	1	
- 12	166-14	• NAMEPLATE . . . . .	1	1	
- 13	166-24	• NAMEPLATE . . . . .	1	1	

NOTE WHEN REPLACING 36-8001-3 WHL & 36-8001-9  
BRAKE AS A SET,REPLACE WITH 36-8001-25  
WHEEL & 36-8001-29 BRAKE.

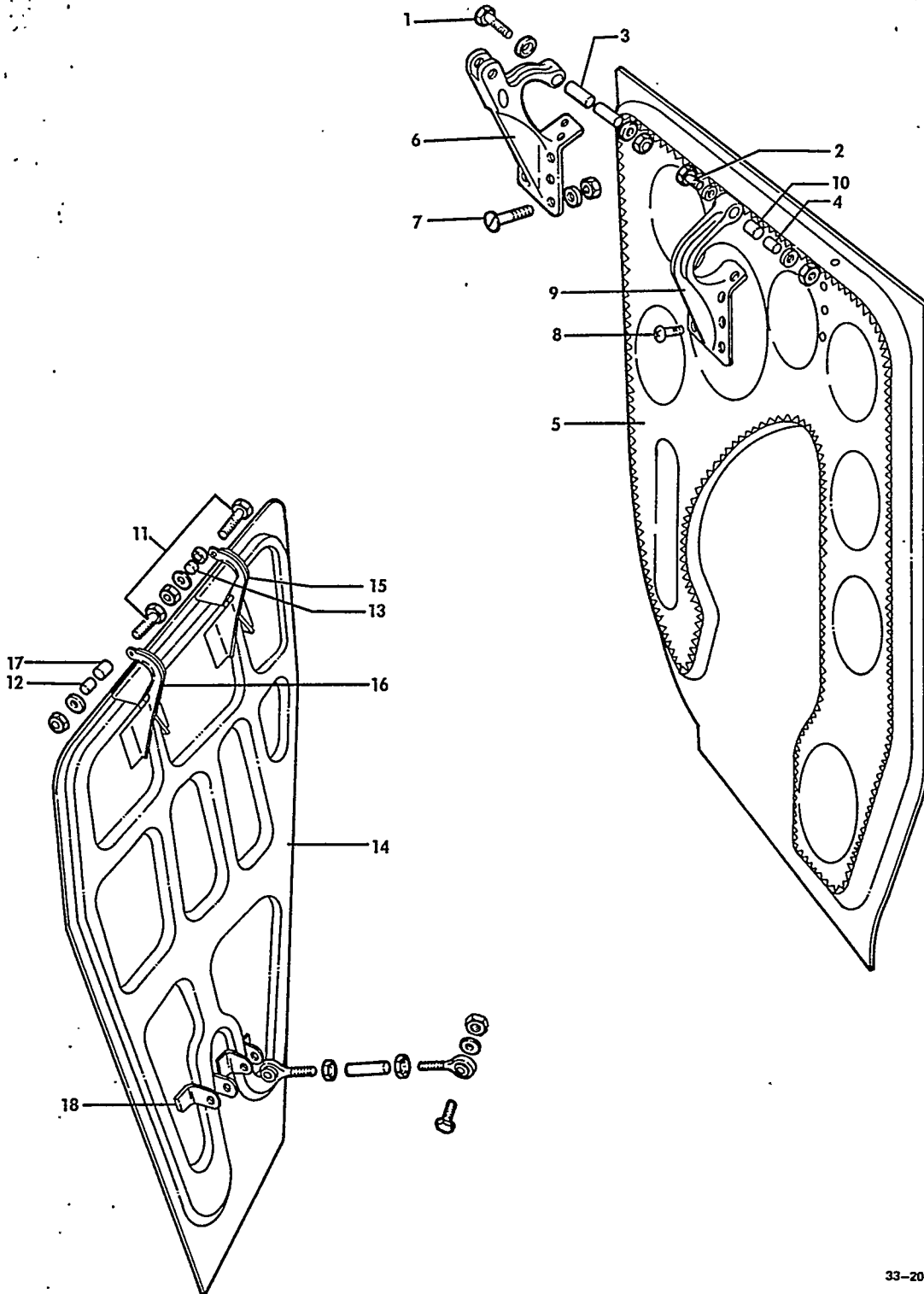
C O D E S O F E F F E C T I V I T Y

- |                        |                        |
|------------------------|------------------------|
| 1 CD-1272 THRU CD-1304 | 2 CD-1272 THRU CD-1304 |
| CE-301 AND AFTER       | CE-301 THRU CE-634     |
| CJ-31 AND AFTER        | CJ-31 THRU CJ-124      |
| 3 CE-635 AND AFTER     |                        |
| CJ-125 AND AFTER       |                        |

BEECHCRAFT  
BONANZA 33  
ILLUSTRATED PARTS CATALOG

FIGURE 204  
MAIN GEAR DOORS

BEECHCRAFT  
BONANZA 33  
ILLUSTRATED PARTS CATALOG

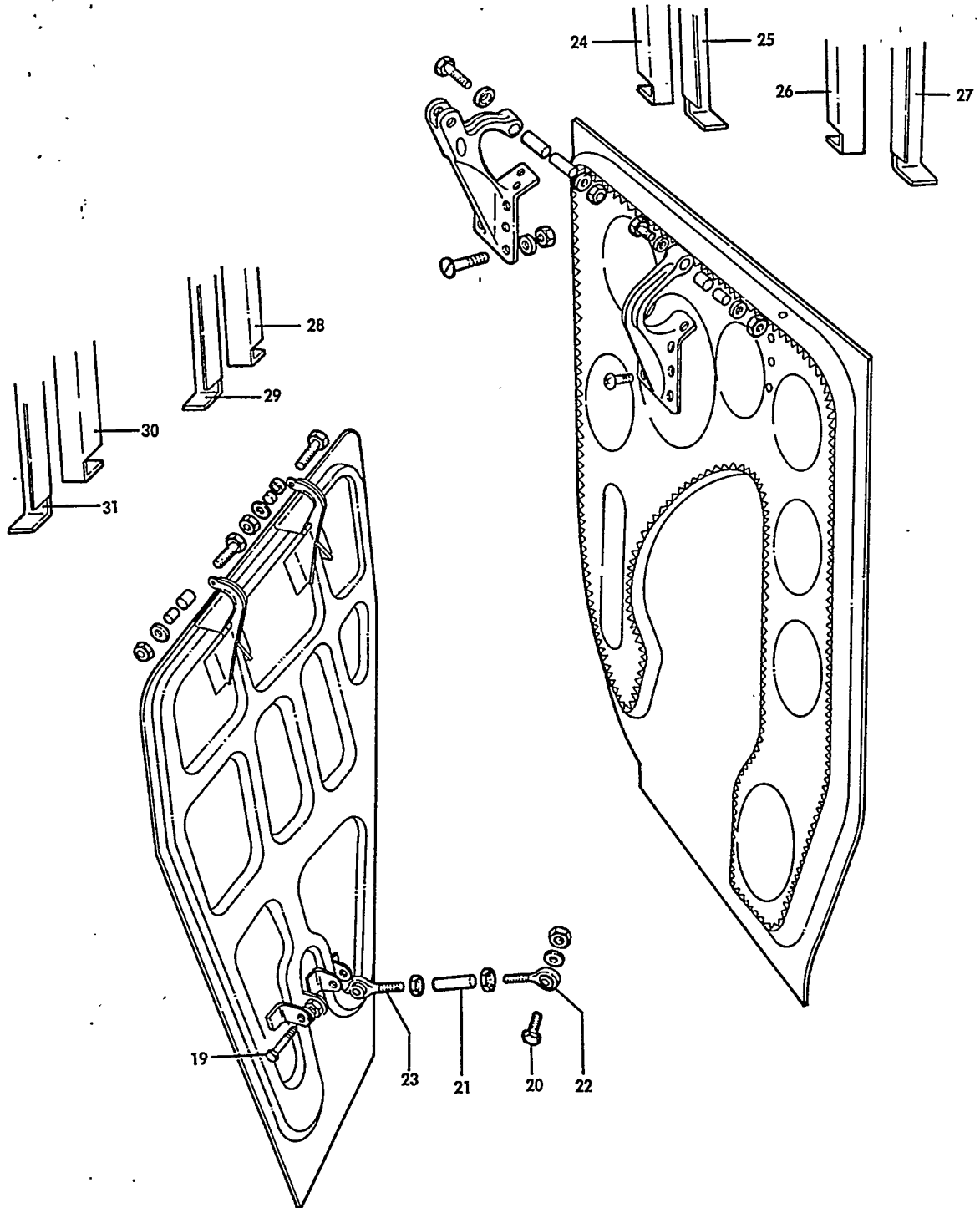


33-204-1

B E E C H C R A F T  
B O N A N Z A 3 3  
I L L U S T R A T E D P A R T S C A T A L O G

FIG. & ITEM NO.	PART NO.	DESCRIPTION	UNITS PER ASSY	USABLE ON CODE
204	35-815055	DOOR INSTL,MAIN LANDING GEAR LH . . . . .	NP	
	35-815055-1	DOOR INSTL,MAIN LANDING GEAR RH . . . . .	NP	
	35-815055-158	. DOOR ASSY,INBD LH . . . . .	1	
	35-815055-159	. DOOR ASSY,INBD RH . . . . .	1	
		/ATTACHING PARTS/		
- 1	AN3-15A/M/	. BOLT. . . . .	1	
- 2	R 130909B20	. BOLT. . . . .	1	
	AN960-10	. WASHER. . . . .	2	
- 3	58-810022-5	. BUSHING . . . . .	1	
	58-810022-7	. BUSHING/AFT/. . . . .	1	
- 4	58-810022-3	. BUSHING . . . . .	2	
	MS20365-1032	. NUT . . . . .	2	
		-----X-----		
- 5	35-815055-164	. . DOOR,INBD LH. . . . .	1	
	35-815055-165	. . DOOR,INBD RH. . . . .	1	
- 6	35-815266-1	. . HINGE ASSY,FWD INBD LH. . . . .	1	
	35-815266-2	. . HINGE ASSY,FWD INBD RH. . . . .	1	
		/ATTACHING PARTS/		
- 7	AN525-10-24	. . SCREW . . . . .	3	
	AN525-10-8	. . SCREW . . . . .	2	
	AN525-10-10	. . SCREW . . . . .	2	
	AN960-10	. . WASHER. . . . .	5	
	MS20365-1032	. . NUT . . . . .	5	
		-----X-----		
	35-815016-4	. . HINGE ASSY,AFT INBD LH. . . . .	1	
	35-815016-5	. . HINGE ASSY,AFT INBD RH. . . . .	1	
		/ATTACHING PARTS/		
- 8	AN525-10-10	. . SCREW . . . . .	4	
	AN960-10	. . WASHER. . . . .	3	
	AN960-10L	. . WASHER. . . . .	1	
	130909N29	. . NUT . . . . .	4	
		-----X-----		
- 9	35-815016-2	. . . HINGE,LH. . . . .	1	
	35-815016-3	. . . HINGE,RH. . . . .	1	
- 10	105740X-ZR0480	. . . BUSHING . . . . .	1	
	35-815055-214	. DOOR ASSY,OUTBD LH. . . . .	1	
	35-815055-215	. DOOR ASSY,OUTBD RH. . . . .	1	
		/ATTACHING PARTS/		
- 11	R 130909B20	. BOLT. . . . .	2	
	AN960-10	. WASHER. . . . .	2	
- 12	58-810022-1	. BUSHING . . . . .	4	
- 13	MS20365-1032	. NUT . . . . .	2	
		-----X-----		
- 14	35-815055-212	. . DOOR,OUTBD LH . . . . .	1	
	35-815055-213	. . DOOR,OUTBD RH . . . . .	1	
- 15	35-815055-114	. . HINGE ASSY,FWD OUTBD LH . . . . .	1	
	35-815055-115	. . HINGE ASSY,FWD OUTBD RH . . . . .	1	
- 16	35-815055-116	. . HINGE ASSY,AFT OUTBD LH & RH. . . . .	1	
- 17	105740X-ZJ0490	. . . BUSHING . . . . .	1	
- 18	35-815055-62	. . BRACKET,HINGE . . . . .	2	1
	35-815055-63	. . BRACKET,HINGE . . . . .	2	1
	35-815055-208	. . BRACKET,HINGE . . . . .	2	2
	35-815055-209	. . BRACKET,HINGE . . . . .	2	2

BEECHCRAFT  
BONANZA 33  
ILLUSTRATED PARTS CATALOG



33-204-2

B E E C H C R A F T  
B O N A N Z A 3 3  
I L L U S T R A T E D P A R T S C A T A L O G

FIG. & ITEM NO.	PART NO.	DESCRIPTION	UNITS							USABLE ON CODE
			1	2	3	4	5	6	7	
204	R 35-815056	. LINK ASSY, LANDING GEAR DOOR OUTBD . . . . .							2	1
	35-815056-16	. LINK ASSY, LANDING GEAR DOOR OUTBD . . . . .							2	2
		/ATTACHING PARTS/								
- 19	R 130909B38	. BOLT. . . . .							1	
- 20	R 130909B36	. BOLT. . . . .							1	
	AN960-416	. WASHER. . . . .							AR	
	MS20365-428	. NUT . . . . .							2	
		-----*								
- 21	35-815056-2	. . TUBE, LANDING GEAR DOOR. . . . .							1	
	35-815056-18	. . TUBE, . . . . .							2	
- 22	HM4U	. . END, ROD . . . . .							1	
- 23	35-815056-4	. . END, ROD . . . . .							1	
	AN316-4R	. . NUT . . . . .							1	
- 24	35-115070-8	ANGLE, LH INBD DOOR FWD HINGE FWD. . . . .							1	
	35-115070-9	ANGLE, RH INBD DOOR FWD HINGE FWD. . . . .							1	
- 25	35-115070-10	ANGLE, LH INBD DOOR FWD HINGE AFT. . . . .							1	
	35-115070-11	ANGLE, RH INBD DOOR FWD HINGE AFT. . . . .							1	
- 26	35-115070-16	ANGLE, LH INBD DOOR AFT HINGE FWD. . . . .							1	
	35-115130-22	ANGLE, RH INBD DOOR AFT HINGE FWD. . . . .							1	
- 27	35-115070-18	ANGLE, LH INBD DOOR AFT HINGE AFT. . . . .							1	
	35-115130-24	ANGLE, RH INBD DOOR AFT HINGE AFT. . . . .							1	
- 28	35-115051-4	ANGLE, LH OUTBD DOOR FWD HINGE FWD . . . . .							1	
	35-115051-5	ANGLE, RH OUTBD DOOR FWD HINGE FWD . . . . .							1	
- 29	35-115051-6	ANGLE, LH OUTBD DOOR FWD HINGE AFT . . . . .							1	
	35-115051-7	ANGLE, RH OUTBD DOOR FWD HINGE AFT . . . . .							1	
- 30	35-115051-10	ANGLE, LH OUTBD DOOR AFT HINGE FWD . . . . .							1	
	35-115051-11	ANGLE, RH OUTBD DOOR AFT HINGE FWD . . . . .							1	
- 31	35-115051-8	ANGLE, LH OUTBD DOOR AFT HINGE AFT . . . . .							1	
	35-115051-9	ANGLE, RH OUTBD DOOR AFT HINGE AFT . . . . .							1	

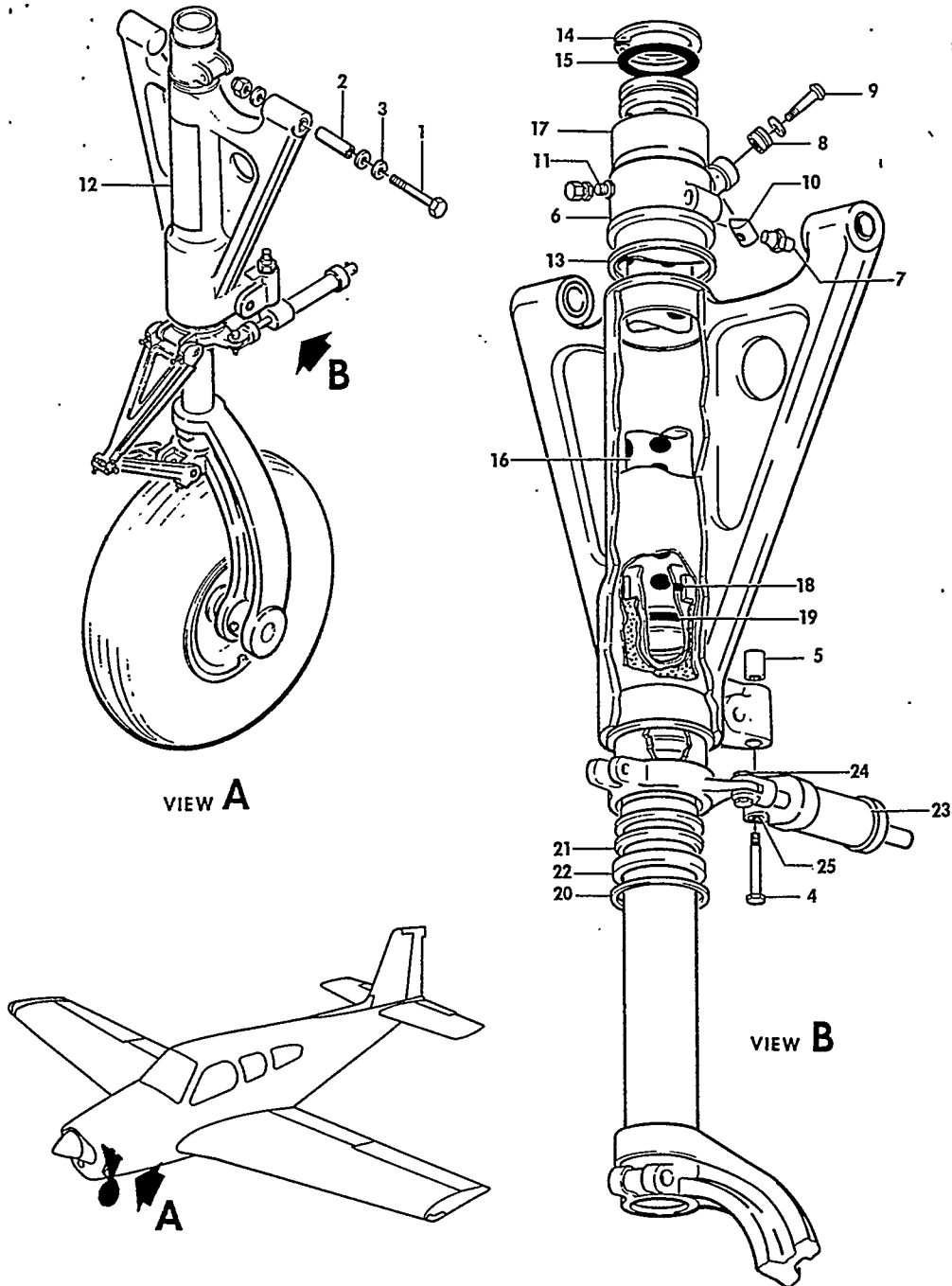
C O D E S O F E F F E C T I V I T Y

1 CE-290 THRU CE-833      2 CE-834 AND AFTER  
CJ-26 THRU CJ-148      CJ-149 AND AFTER

BEECHCRAFT  
BONANZA 33  
ILLUSTRATED PARTS CATALOG

FIGURE 206  
NOSE LANDING GEAR  
CD-1235 THRU CD-1304  
CE-290 THRU CE-979  
CJ-26 THRU CJ-155

BEECHCRAFT  
BONANZA 33  
ILLUSTRATED PARTS CATALOG



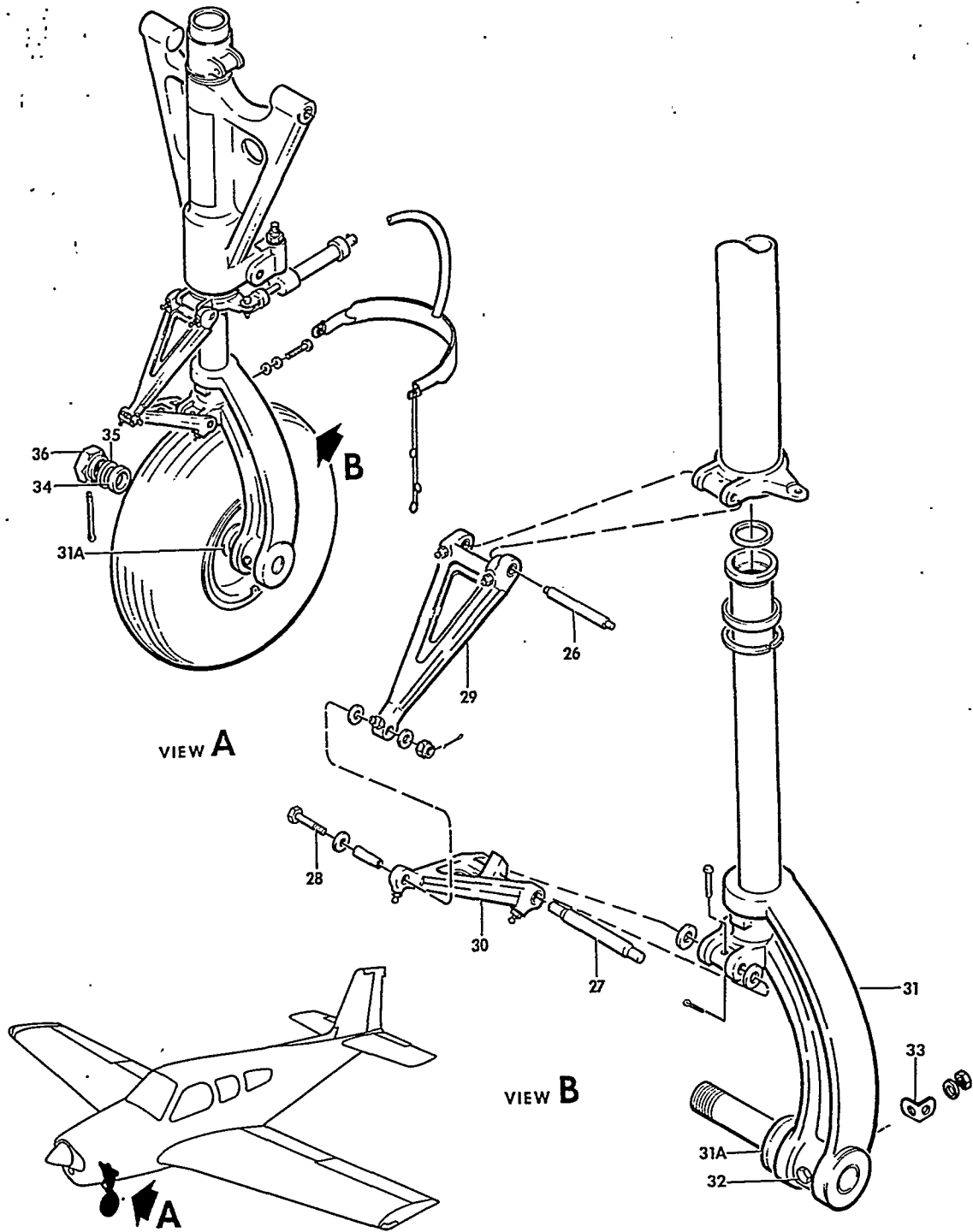
33-206-7



B E E C H C R A F T  
B O N A N Z A 3 3  
I L L U S T R A T E D P A R T S C A T A L O G

FIG. & ITEM NO.	PART NO.	DESCRIPTION							UNITS PER ASSY	USABLE ON CODE	
		1	2	3	4	5	6	7			
206	35-825196-11	GEAR INSTL,NOSE LANDING . . . . .							NP	1	
	35-825196-31	GEAR INSTL,NOSE LANDING . . . . .							NP	2	
	35-825196-698	• GEAR ASSY,NOSE /LESS WHEEL,TIRE & TUBE/ . . . . .							1	22	
	35-825196-616	• GEAR ASSY,NOSE /WITH WHEEL,TIRE & TUBE ASSY/ /MOUNTED & BALANCED/ . . . . .							1	1	
	35-825196-622	• GEAR ASSY,NOSE /WITH WHEEL,TIRE & TUBE ASSY/ /MOUNTED & BALANCED/ . . . . .							1	3	
	35-825196-624	• GEAR ASSY,NOSE /WITH WHEEL,TIRE & TUBE ASSY/ /MOUNTED & BALANCED/ . . . . .							1	4	
	35-825196-626	• GEAR ASSY,NOSE /WITH WHEEL,TIRE & TUBE ASSY/ /MOUNTED & BALANCED/ . . . . .							1	5	
	35-825196-628	• GEAR ASSY,NOSE /WITH WHEEL,TIRE & TUBE ASSY/ /MOUNTED & BALANCED/ . . . . .							1	6	
	35-825195	• • SHOCK ABSORBER ASSY . . . . .							1	10	
	35-825195-55	• • SHOCK ABSORBER ASSY . . . . .							1	11	
	35-825195-61	• • SHOCK ABSORBER ASSY . . . . . /ATTACHING PARTS/							1	12	
	- 1	NAS146-46/M/	• • BOLT . . . . .							2	
	- 2	45-825011	• • BUSHING . . . . .							2	
	- 3	100951X032YP	• • WASHER . . . . .							2	
		AN960-616	• • WASHER . . . . .							4	
		MS20365-624	• • NUT . . . . .							2	
		95-824005-601	• • BRACE ASSY,NOSE LANDING GEAR . . . . . /ATTACHING PARTS/							1	22
	- 4	AN6-31A/M/	• • BOLT . . . . .							1	
	- 5	105739S-YP1483	• • BUSHING . . . . .							1	
		100951X031-4YM	• • WASHER . . . . .							1	
		100951X031-4YN	• • WASHER . . . . .							1	
		MS20365-624	• • NUT . . . . .							1	
	- 6	45-825033	• • COLLAR,NOSE GEAR STEERING . . . . . /ATTACHING PARTS/							1	22
	- 7	45-825034	• • BOLT,NOSE GEAR COLLAR ATTACH. . . . .							2	
- 8	NAS505-4J	• • BEARING,NEEDLE . . . . .							1	22	
- 9	130909883	• • BOLT . . . . .							2	22	
	AN960-416	• • WASHER . . . . .							2	22	
- 10	S1452-048	• • NUT,BARREL . . . . .							1	22	
- 11	118642-1	• • BODY,NOSE STRUT FILLER VALVE . . . . .							1	22	
- 12	35-825197	• • PLACARD,SHOCK ABSORBER INSTRUCTIONS . . . . .							1	22	
	MS28778-5	• • PACKING,NOSE STRUT FILLER VALVE . . . . .							1	22	
	AN809-1	• • CORE,NOSE STRUT FILLER VALVE . . . . .							1	22	
	AN813-18	• • CAP,NOSE STRUT FILLER VALVE . . . . .							1	22	
- 13	35-820134	• • SHIM,NOSE WHEEL STEERING COLLAR . . . . .							1	22	
- 14	NAS50-187	• • RING,INTERNAL RETAINER . . . . .							1	22	
- 15	AN6230B1	• • O RING . . . . .							1	22	
- 16	35-825195-51	• • TUBE ASSY,SHOCK ABSORBER DRIFICE . . . . .							1	22	
	35-820130-2	• • PAD,SHOCK ABSORBER . . . . .							1	22	
- 17	35-825195-31	• • BARREL ASSY,SHOCK ABSORBER . . . . .							1	22	
- 18	AN6230B2	• • O RING . . . . .							1	22	
- 19	35-380020-3	• • RING,SHOCK ABSORBER PISTON . . . . .							1	22	
- 20	111200-6	• • RING,SNAP . . . . .							1	22	
- 21	45-825032	• • ADAPTER,NOSE GEAR PISTON SCRAPER . . . . .							1	22	
- 22	AN6231A19	• • SCRAPER,NOSE GEAR PISTON . . . . .							1	22	
- 23	35-825145	• • DAMPER ASSY,NOSE GEAR SHIMMY/SEE FIG.209/ /ATTACHING PARTS/							1	22	
- 24	AN3-6A/M/	• • BOLT . . . . .							1		
- 25	105739S-ZK0190	• • BUSHING . . . . .							1		
	AN960-10	• • WASHER . . . . .							1		
	AN960-10L	• • WASHER . . . . .							1		
	MS20365-1032	• • NUT . . . . .							1		

BEECHCRAFT  
 BONANZA 33  
 ILLUSTRATED PARTS CATALOG



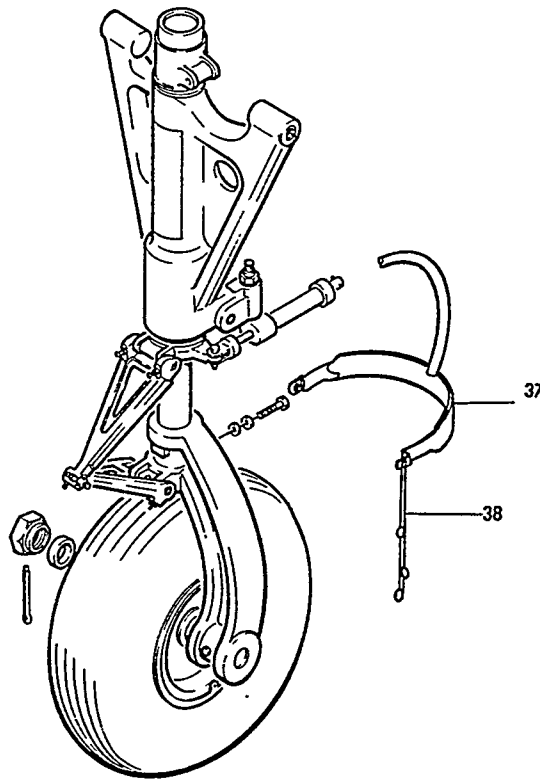
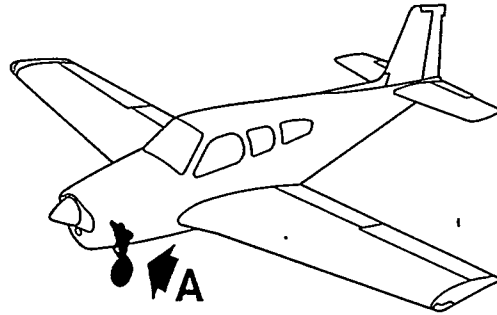
33-206-8

FIGURE 206. NOSE LANDING GEAR  
 /SHEET 2 OF 3 SHEETS/

B E E C H C R A F T  
B O N A N Z A 3 3  
I L L U S T R A T E D P A R T S C A T A L O G

FIG. & ITEM NO.	PART NO.	1	2	3	4	5	6	7	DESCRIPTION	UNITS PER ASSY	USABLE ON CODE
206	35-820107	.	.	.	.	.	.	.	KNEE ASSY, NOSE SHOCK ABSORBER UPPER TORQUE.	1	22
	35-825193	.	.	.	.	.	.	.	KNEE ASSY, NOSE SHOCK ABSORBER LOWER TORQUE.	1	22
	AN392-23	.	.	.	.	.	.	.	/ATTACHING PARTS/ PIN, UPPER TORQUE.	1	
	AN392-21	.	.	.	.	.	.	.	PIN, LOWER TORQUE.	1	
- 26	35-820108	.	.	.	.	.	.	.	PIN, UPPER TORQUE KNEE	1	10
	35-825200	.	.	.	.	.	.	.	PIN, UPPER TORQUE KNEE	1	13
- 27	60-820029-1	.	.	.	.	.	.	.	PIN, LOWER TORQUE KNEE	1	
	MS24665-130	.	.	.	.	.	.	.	PIN, COTTER.	1	
	AN960-616	.	.	.	.	.	.	.	WASHER.	2	
- 28	AN4-12/M/	.	.	.	.	.	.	.	BOLT, KNEE ASSY JUNCTION	1	
	100951S063ZZ	.	.	.	.	.	.	.	WASHER.	1	
	100951S063YH	.	.	.	.	.	.	.	WASHER.	1	
	35-820028	.	.	.	.	.	.	.	BUSHING, NOSE WHEEL TORQUE KNEE GRIP	1	
	130909N7	.	.	.	.	.	.	.	NUT	1	
	MS24665-132	.	.	.	.	.	.	.	PIN, COTTER.	1	
		*-----*									
- 29	35-820107-1	.	.	.	.	.	.	.	KNEE, UPPER TORQUE	1	22
- 30	35-825193-1	.	.	.	.	.	.	.	KNEE, LOWER TORQUE	1	22
	35-820123	.	.	.	.	.	.	.	BUSHING	2	22
	MS15002-1	.	.	.	.	.	.	.	FITTING, LUBRICATION	2	22
	1729	.	.	.	.	.	.	.	FITTING, LUBRICATION	1	22
- 31	35-825195-3	.	.	.	.	.	.	.	PISTON & FORK ASSY.	1	7
	35-825195-57	.	.	.	.	.	.	.	PISTON & FORK ASSY.	1	14
	35-825195-73	.	.	.	.	.	.	.	PISTON & FORK ASSY.	1	15
	35-810169	.	.	.	.	.	.	.	FORK.	1	22
	35-825195-7	.	.	.	.	.	.	.	TUBE	1	22
	35-825195-9	.	.	.	.	.	.	.	PLUG.	1	22
	AN6227-23	.	.	.	.	.	.	.	O RING.	1	22
	35-825128-5	.	.	.	.	.	.	.	AXLE ASSY	1	7
	35-825128-7	.	.	.	.	.	.	.	AXLE ASSY	1	8
	35-825195-35	.	.	.	.	.	.	.	BUSHING	1	16
- 31A	35-825195-75	.	.	.	.	.	.	.	BUSHING	1	15
- 32	AN4-21A/M/	.	.	.	.	.	.	.	BOLT.	1	22
	MS20365-428	.	.	.	.	.	.	.	NUT	1	22
- 33	35-820133	.	.	.	.	.	.	.	CLIP, NOSE WHEEL SCRAPER	1	22
	35-825196-17	.	.	.	.	.	.	.	WHEEL ASSY, NOSE /SEE FIG. 207/	NP	1
		/ORDER KIT 33-8003-1 FOR SPARES/									
	35-825196-33	.	.	.	.	.	.	.	WHEEL ASSY, NOSE /SEE FIG. 207A/	NP	18
		/ORDER KIT 33-8003-1 FOR SPARES/									
	33-8003-1	.	.	.	.	.	.	.	KIT, NOSE WHEEL ASSY	1	16
		/SPARES FOR 35-825196-17 & 35-825196-33									
	35-825196-37	.	.	.	.	.	.	.	WHEEL ASSY, NOSE /SEE FIG. 207A/	NP	19
	36-820019-7	.	.	.	.	.	.	.	WHEEL ASSY, NOSE /SEE FIG 207A/	1	20
		/ATTACHING PARTS/									
- 34	35-825195-35	.	.	.	.	.	.	.	BUSHING, NOSE WHEEL.	1	16
	35-825195-75	.	.	.	.	.	.	.	BUSHING, NOSE WHEEL.	1	15
	95-820000-1	.	.	.	.	.	.	.	WASHER, NOSE WHEEL	1	
- 35	95-820000-3	.	.	.	.	.	.	.	WASHER, NOSE WHEEL	1	21
- 36	AN7502-20	.	.	.	.	.	.	.	NUT, WHEEL BEARING RETAINING	1	
	AN380-4-7	.	.	.	.	.	.	.	PIN, COTTER.	1	21
	MS24665-359	.	.	.	.	.	.	.	PIN, COTTER.	1	20
		*-----*									

BEECHCRAFT  
BONANZA 33  
ILLUSTRATED PARTS CATALOG



VIEW A

33-206-9

B E E C H C R A F T  
B O N A N Z A 3 3  
I L L U S T R A T E D P A R T S C A T A L O G

FIG. & ITEM NO.	PART NO.	1	2	3	4	5	6	7	DESCRIPTION	UNITS PER ASSY	USABLE ON CODE
206 - 37	35-825175-12	.	.	.	.	.	.	.	GUARD ASSY, NOSE WHEEL SCRAPER /ATTACHING PARTS/	1	17
	NAS428H4-7	.	.	.	.	.	.	.	BOLT.	1	
	AN960-416	.	.	.	.	.	.	.	WASHER.	2	
	AN4H3A/M/	.	.	.	.	.	.	.	BOLT.	1	
		*-----*									
- 38	35-825196-25	.	.	.	.	.	.	.	CABLE, STATIC GROUND /ATTACHING PARTS/	1	9
	AN4-4A/M/	.	.	.	.	.	.	.	BOLT.	1	
	96-820011	.	.	.	.	.	.	.	BOLT.	1	
	AN960-416	.	.	.	.	.	.	.	WASHER.	1	
	MS20364-428	.	.	.	.	.	.	.	NUT	1	
		*-----*									

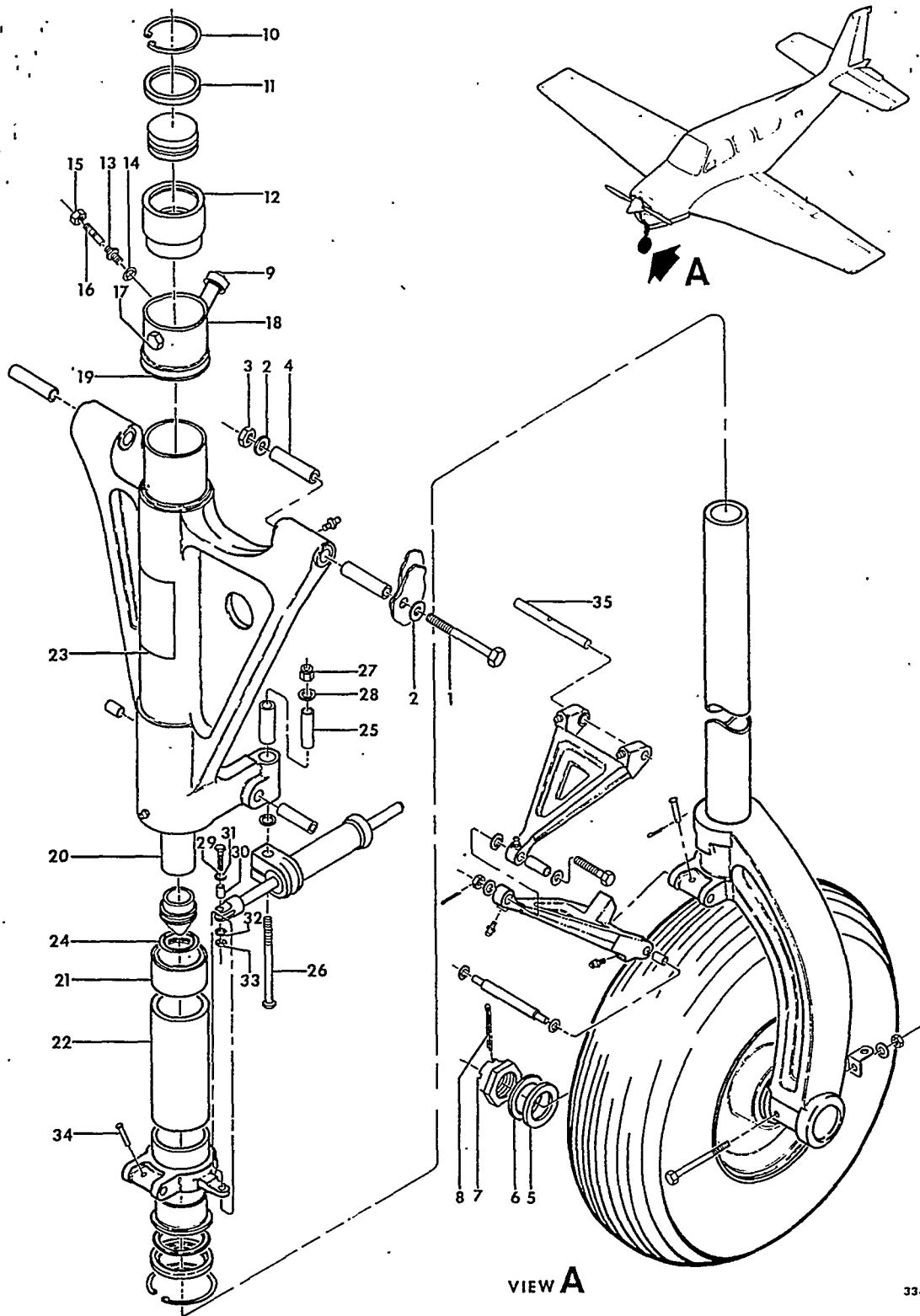
C O D E S O F E F F E C T I V I T Y

1	CD-1235 THRU CD-1257	2	CD-1258 THRU CD-1304
	CE-290 THRU CE-300		CE-301 THRU CE-979
	CJ-26 THRU CJ-30		CJ-31 THRU CJ-155
3	CE-301 THRU CE-399	4	CD-1258 THRU CD-1304
5	CJ-31 THRU CJ-51	6	CE-400 THRU CE-979
			CJ-52 THRU CJ-155
7	CD-1235 THRU CD-1304	8	CE-349 THRU CE-979
	CE-290 THRU CE-348		CJ-31 THRU CJ-155
	CJ-26 THRU CJ-30		
9	CD-1235 THRU CD-1257	10	CD-1235 THRU CD-1304
	CE-290 THRU CE-310		CE-290 THRU CE-300
	CJ-26 THRU CJ-30		CJ-26 THRU CJ-51
11	CE-301 THRU CE-722	12	CE-723 THRU CE-979
	CJ-52 THRU CJ-128		CJ-129 THRU CJ-155
13	CE-301 THRU CE-980	14	CE-349 THRU CE-909
	CJ-52 THRU CJ-155		CJ-31 THRU CJ-155
15	CE-910 THRU CE-979	16	CD-1235 THRU CD-1304
			CE-290 THRU CE-909
			CJ-26 THRU CJ-155
17	CD-1235 THRU CD-1254	18	CD-1258 THRU CD-1304
	CE-290 THRU CE-348		CE-301 THRU CE-909
	CJ-26 THRU CJ-30		CJ-31 THRU CJ-155
19	CE-902 THRU CE-944	20	CE-945 THRU CE-979
21	CD-1235 THRU CD-1304	22	CD-1235 THRU CD-1304
	CE-290 THRU CE-944		CE-290 THRU CE-979
	CJ-26 THRU CJ-155		CJ-26 THRU CJ-155

BEECHCRAFT  
BONANZA 33  
ILLUSTRATED PARTS CATALOG

FIGURE 206A  
NOSE LANDING GEAR  
CE-980 AND AFTER; CJ-156 AND AFTER

BEECHCRAFT  
 BONANZA 33  
 ILLUSTRATED PARTS CATALOG



VIEW A

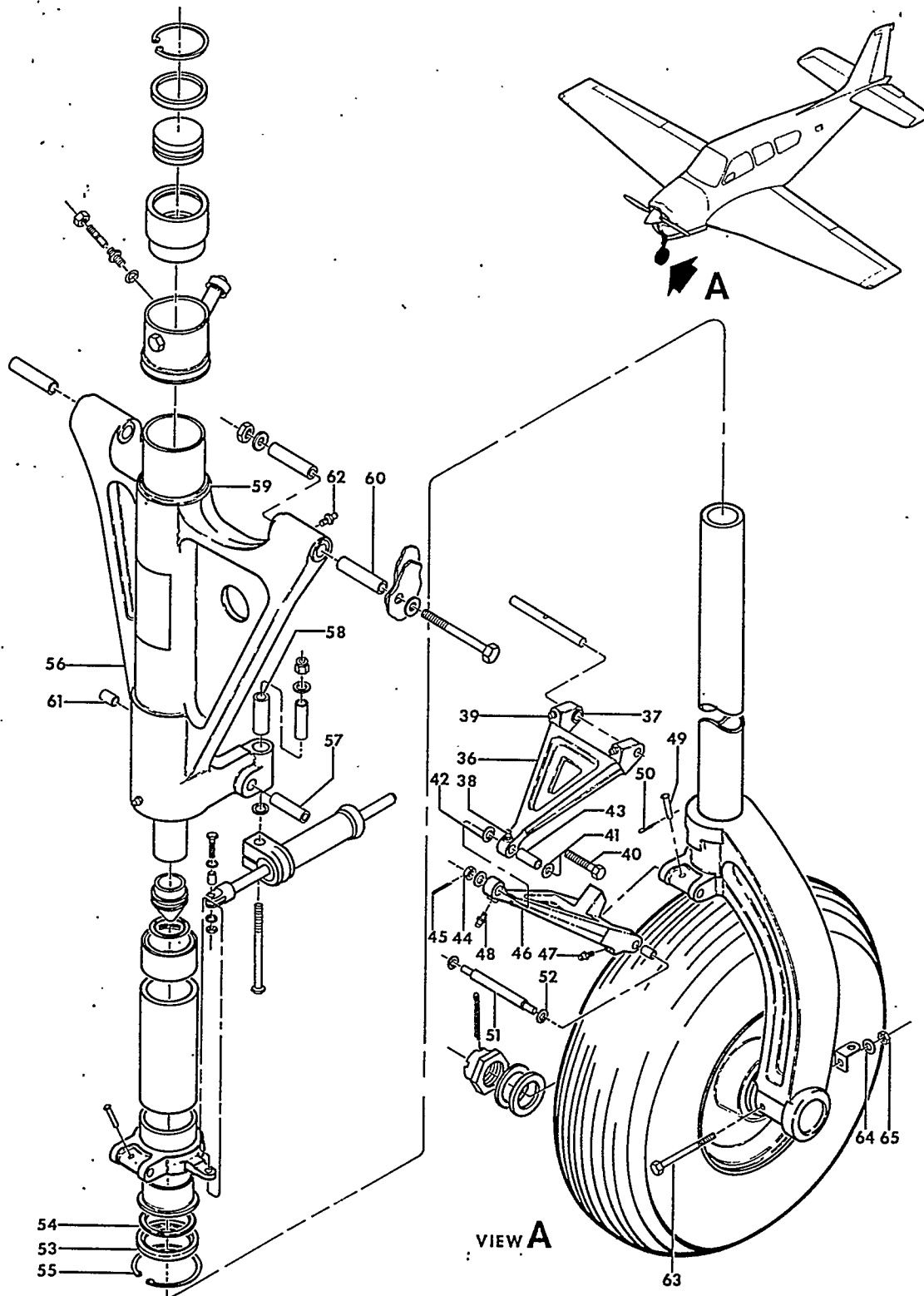
33-206A-14

B E E C H C R A F T  
B O N A N Z A 3 3  
I L L U S T R A T E D P A R T S C A T A L O G

FIG. & ITEM NO.	PART NO.	DESCRIPTION	UNITS PER ASSY	USABLE ON CODE
		1 2 3 4 5 6 7		
206A	36-820019-1	GEAR INSTL,NOSE LANDING . . . . .	1	1
	36-820019-601	• GEAR ASSY,NOSE LANDING . . . . .	1	1
		/ATTACHING PARTS/		
- 1	NAS146-46	• BOLT . . . . .	1	1
- 2	MS20002C6	• WASHER . . . . .	1	1
- 3	130909N25	• NUT . . . . .	1	1
	100951S071YP	• WASHER . . . . .	1	1
	100951S032YP	• WASHER . . . . .	1	1
- 4	45-825011	• BUSHING . . . . .	2	1
		*-----*		
	36-820019-7	• WHEEL AND TIRE ASSY/BALANCED/ . . . . .	1	1
		/ATTACHING PARTS/		
- 5	96-820019-11	• SPACER . . . . .	1	1
- 6	95-820000-1	• WASHER . . . . .	1	1
- 7	MS21025-20	• NUT . . . . .	1	1
- 8	MS24665-359	• PIN . . . . .	1	1
		*-----*		
- 9	36-820020-1	• GEAR ASSY,NOSE . . . . .	1	1
	NAS505NJ	• BEARING,NOSE GEAR . . . . .	1	1
	AN24-15A	• BOLT . . . . .	1	1
	AN960-416L	• WASHER . . . . .	AR	1
	S1452-048	• BARREL NUT . . . . .	1	1
- 10	NAS50-187	• RING . . . . .	1	1
- 11	AN6230-1	• GASKET . . . . .	1	1
- 12	35-825195-31	• BARREL ASSY . . . . .	1	1
- 13	118642-1	• AIR VALVE BODY . . . . .	1	1
- 14	MS28778-5	• GASKET . . . . .	1	1
- 15	MS20813-1	• CAP . . . . .	1	1
- 16	AN809-1	• CORE . . . . .	1	1
- 17	45-825034	• BOLT . . . . .	1	1
- 18	45-825033	• COLLAR . . . . .	1	1
- 19	35-820134	• SHIM . . . . .	1	1
- 20	36-820021-1	• ORIFICE TUBE ASSY . . . . .	1	1
	36-820021-5	• ORIFICE HEAD . . . . .	1	1
	36-820021-11	• CAP . . . . .	1	1
	36-820021-9	• TUBE . . . . .	1	1
- 21	AN6230-2	• GASKET . . . . .	1	1
- 22	35-820130-2	• PAD . . . . .	1	1
- 23	36-820022	• INSTRUCTION DECAL . . . . .	1	1
- 24	35-380020-3	• RING . . . . .	1	1
- 25	1057395-YP1483	• BUSHING . . . . .	1	1
- 26	AN6-31A	• BOLT . . . . .	1	1
- 27	MS20365-624	• NUT . . . . .	1	1
- 28	100951X031YM	• WASHER . . . . .	1	1
	35-825145-2	• DAMPER ASSY . . . . .	1	1
		/ATTACHING PARTS/		
- 29	130909B17	• BOLT . . . . .	1	1
- 30	1057395-ZK0190	• BUSHING . . . . .	1	1
- 31	AN960-10	• WASHER . . . . .	1	1
- 32	AN960-10L	• WASHER . . . . .	1	1
- 33	MS20365-1032	• NUT . . . . .	1	1
		*-----*		
- 34	MS20392-1C23	• PIN . . . . .	1	1
	MS24665-132	• COTTER PIN . . . . .	1	1
- 35	35-825200	• PIN . . . . .	1	1



BEECHCRAFT  
BONANZA 33  
ILLUSTRATED PARTS CATALOG



B E E C H C R A F T  
B O N A N Z A 3 3  
I L L U S T R A T E D P A R T S C A T A L O G

FIG. & ITEM NO.	PART NO.	1	2	3	4	5	6	7	DESCRIPTION	UNITS PER ASSY	USABLE ON CODE
206A	35-820107	.	.	.	.	.	.	.	KNEE ASSY	1	1
- 36	35-820107-3	.	.	.	.	.	.	.	KNEE	1	1
- 37	35-820123	.	.	.	.	.	.	.	BUSHING	1	1
- 38	1729	.	.	.	.	.	.	.	FITTING	1	1
- 39	MS15002-1	.	.	.	.	.	.	.	FITTING	1	1
- 40	130909B170	.	.	.	.	.	.	.	BOLT	1	1
- 41	100951S063ZZ	.	.	.	.	.	.	.	WASHER	1	1
- 42	100951S063YH	.	.	.	.	.	.	.	WASHER	1	1
- 43	35-820028	.	.	.	.	.	.	.	BUSHING	1	1
- 44	130909N7	.	.	.	.	.	.	.	NUT	1	1
- 45	MS24665-132	.	.	.	.	.	.	.	COTTER PIN	1	1
	35-825193	.	.	.	.	.	.	.	KNEE ASSY	1	1
- 46	35-825193-1	.	.	.	.	.	.	.	KNEE	1	1
- 47	MS15002-1	.	.	.	.	.	.	.	FITTING	1	1
- 48	1729	.	.	.	.	.	.	.	FITTING	1	1
- 49	MS20392-1C25	.	.	.	.	.	.	.	PIN	1	1
- 50	MS24665-132	.	.	.	.	.	.	.	COTTER PIN	1	1
- 51	60-820029-1	.	.	.	.	.	.	.	PIN	1	1
- 52	AN960-616	.	.	.	.	.	.	.	WASHER	2	1
- 53	45-825032	.	.	.	.	.	.	.	ADAPTER	1	1
- 54	MS28776R2-19	.	.	.	.	.	.	.	SCRAPPER	1	1
- 55	111200-6	.	.	.	.	.	.	.	SNAP RING	1	1
	45-820096-603	.	.	.	.	.	.	.	BRACE ASSY	1	1
- 56	45-820096-17	.	.	.	.	.	.	.	BRACE	1	1
- 57	105740XYD1365	.	.	.	.	.	.	.	BUSHING	1	1
- 58	105740XYD1458	.	.	.	.	.	.	.	BUSHING	1	1
- 59	35-820115	.	.	.	.	.	.	.	BEARING	2	1
- 60	35-820135	.	.	.	.	.	.	.	BEARING	2	1
- 61	105740X-YD0490	.	.	.	.	.	.	.	BUSHING	1	1
- 62	MS15002-1	.	.	.	.	.	.	.	FITTING	4	1
	35-825195-79	.	.	.	.	.	.	.	STRUT PISTON ASSY	1	1
- 63	AN4-24A	.	.	.	.	.	.	.	BOLT	1	1
- 64	AN360-416	.	.	.	.	.	.	.	WASHER	1	1
- 65	AN365-428	.	.	.	.	.	.	.	NUT	1	1

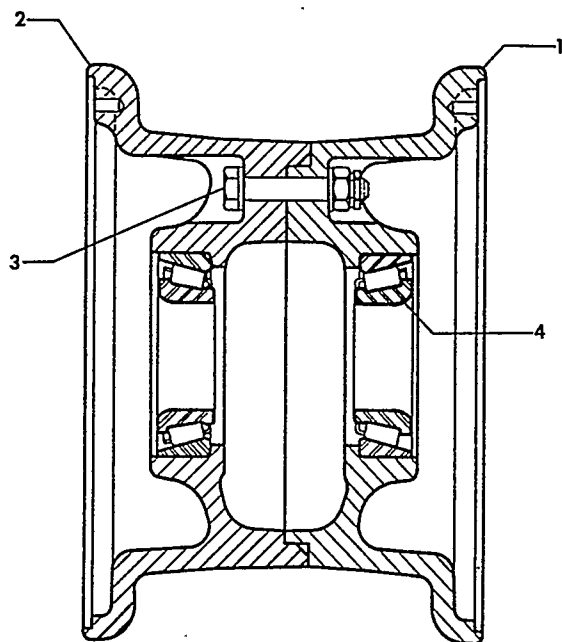
C O D E S O F E F F E C T I V I T Y

- 1 CE-980 AND AFTER
- CJ-156 AND AFTER

BEECHCRAFT  
BONANZA 33  
ILLUSTRATED PARTS CATALOG

FIGURE 207  
NOSE GEAR WHEEL  
CD-1235 THRU CD-1257, CE-290 THRU CE-300,  
CJ-26 THRU CJ-30

BEECHCRAFT  
BONANZA 33  
ILLUSTRATED PARTS CATALOG



33-207-2

B E E C H C R A F T  
B O N A N Z A 3 3  
I L L U S T R A T E D P A R T S C A T A L O G

FIG. & ITEM NO.	PART NO.	DESCRIPTION	1 2 3 4 5 6 7							UNITS PER ASSY	USABLE ON CODE
			1	2	3	4	5	6	7		
207	35-825196-17	WHEEL & TIRE ASSY,NOSE /TUBE TYPE/	.	.	.	.	.	.	.	NP	1
		/ORDER KIT 35-8003-1/	.	.	.	.	.	.	.		
	9532926	WHEEL ASSY,NOSE	.	.	.	.	.	.	.	1	1
- 1	9541899	WHEEL HALF ASSY,LH.	.	.	.	.	.	.	.	1	1
- 2	9541898	WHEEL HALF ASSY,RH.	.	.	.	.	.	.	.	1	1
		/ATTACHING PARTS/	.	.	.	.	.	.	.		
- 3	AN4-14A/M/	BOLT	.	.	.	.	.	.	.	3	
	AN960-416	WASHER	.	.	.	.	.	.	.	3	
	22FH428	NUT	.	.	.	.	.	.	.	3	
		*									
- 4	LM67048XL	CONE,NOSE WHEEL BEARING	.	.	.	.	.	.	.	2	1
	5 00 X 5 4P TT	TIRE,FOUR PLY /TUBE TYPE/	.	.	.	.	.	.	.	1	1
	5 00 X 5	TUBE,TIRE	.	.	.	.	.	.	.	1	1

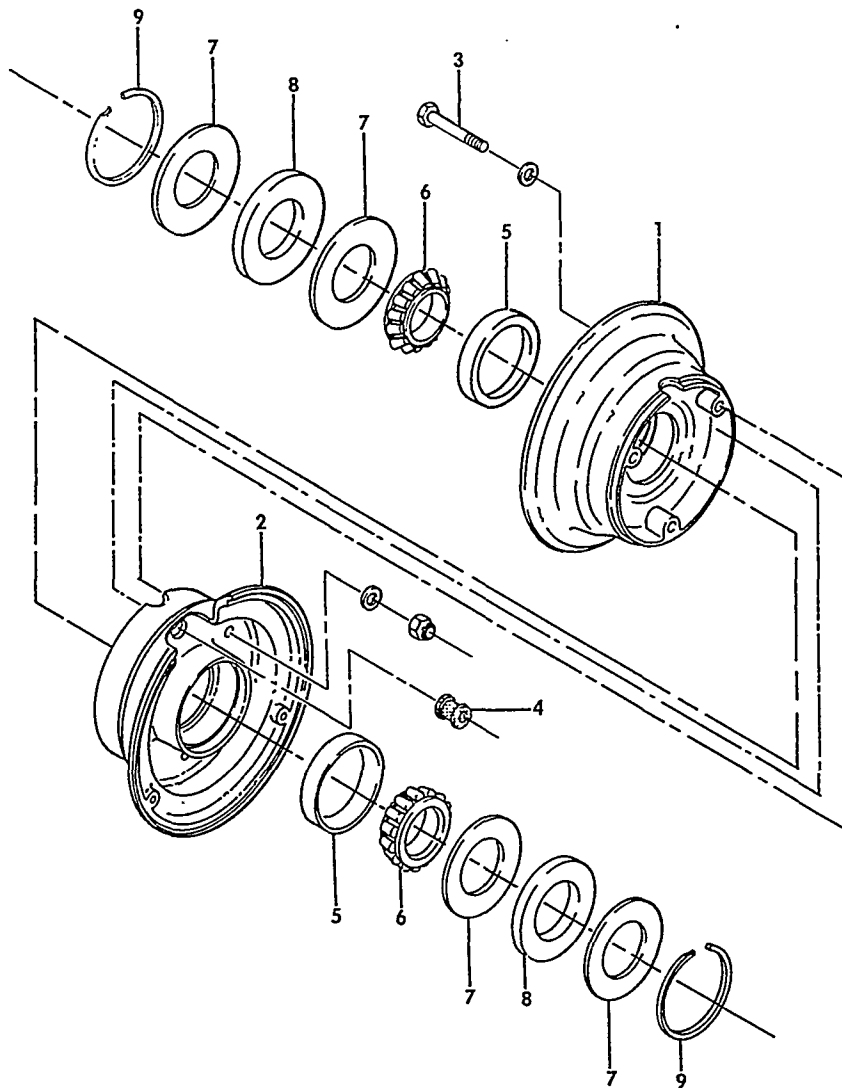
C O D E S O F E F F E C T I V I T Y

1 CD-1235 THRU CD-1257,  
CE-290 THRU CE-300  
CJ-26 THRU CJ-30

BEECHCRAFT  
BONANZA 33  
ILLUSTRATED PARTS CATALOG

FIGURE 207A  
NOSE GEAR WHEEL  
CD-1258 THRU CD-1304, CE-301 AND AFTER,  
CJ-31 AND AFTER

BEECHCRAFT  
BONANZA 33  
ILLUSTRATED PARTS CATALOG



G33-207-1

B E E C H C R A F T  
B O N A N Z A 3 3  
I L L U S T R A T E D P A R T S C A T A L O G

FIG. & ITEM NO.	PART NO.	DESCRIPTION							UNITS PER ASSY	USABLE ON CODE
		1	2	3	4	5	6	7		
207A	35-825196-33	WHEEL ASSY,NOSE/ORDER KIT 35-8003-1/	.	.	.	.	.	.	NP	1
	35-825196-37	WHEEL ASSY,NOSE/ORDER KIT 35-8008-1/	.	.	.	.	.	.	NP	2
	36-820019-7	WHEEL ASSY,NOSE	.	.	.	.	.	.	1	3
	36-8002-1	WHEEL ASSY,NOSE	.	.	.	.	.	.	1	1
	40-77D	WHEEL ASSY,NOSE	.	.	.	.	.	.	NP	2
	40-77E	WHEEL ASSY,NOSE	.	.	.	.	.	.	1	3
- 1	36-8002-3	WHEEL HALF ASSY, INNER	.	.	.	.	.	.	1	1
	161-07701	WHEEL HALF, SUB ASSY INNER	.	.	.	.	.	.	1	4
- 2	36-8002-5	WHEEL HALF ASSY, OUTER	.	.	.	.	.	.	1	1
	163-07201	WHEEL HALF, SUB ASSY OUTER	.	.	.	.	.	.	1	4
		/ATTACHING PARTS/								
- 3	AN4-22A/M/	BOLT	.	.	.	.	.	.	3	1
	AN4-22A	BOLT	.	.	.	.	.	.	3	2
	103-10500	BOLT	.	.	.	.	.	.	3	3
	AN960-416	WASHER	.	.	.	.	.	.	6	5
	095-10400	WASHER	.	.	.	.	.	.	6	3
	MS20365-1032	NUT	.	.	.	.	.	.	3	1
	AN365-428	NUT	.	.	.	.	.	.	3	2
	094-10300	NUT	.	.	.	.	.	.	3	3
		*								
	151-07401	WHEEL, HALF, INNER	.	.	.	.	.	.	1	4
	152-07301	WHEEL HALF, OUTER	.	.	.	.	.	.	1	4
- 4	217-1	GROMMET	.	.	.	.	.	.	1	1
	217-00100	GROMMET/OUTER WHEEL ONLY/	.	.	.	.	.	.	1	4
- 5	08231	BEARING, CUP	.	.	.	.	.	.	1	1
	214-03200	BEARING, CUP	.	.	.	.	.	.	1	4
- 6	08125	CONE, NOSE WHEEL BEARING	.	.	.	.	.	.	2	1
	214-03300	BEARING, CUP	.	.	.	.	.	.	2	4
- 7	153-1	RING, GREASE SEAL	.	.	.	.	.	.	4	1
- 8	154-1	FELT, GREASE SEAL	.	.	.	.	.	.	2	1
	154-02900	SEAL, GREASE	.	.	.	.	.	.	2	2
	154-03200	SEAL, GREASE	.	.	.	.	.	.	2	3
- 9	155-2	RING, SNAP	.	.	.	.	.	.	2	1
	155-00200	RING, SNAP	.	.	.	.	.	.	2	3
	166-01200	NAMEPLATE	.	.	.	.	.	.	1	3
	166-01400	NAMEPLATE	.	.	.	.	.	.	1	3
	5 00 X 5 4P TT	TIRE, FOUR PLY /TUBE TYPE/	.	.	.	.	.	.	1	6
	5 00 X 5	TUBE, TIRE	.	.	.	.	.	.	1	6
	5 00 X 5 4P	TIRE AND TUBE, 4 PLY BALANCED	.	.	.	.	.	.	2	2

C O D E S O F E F F E C T I V I T Y

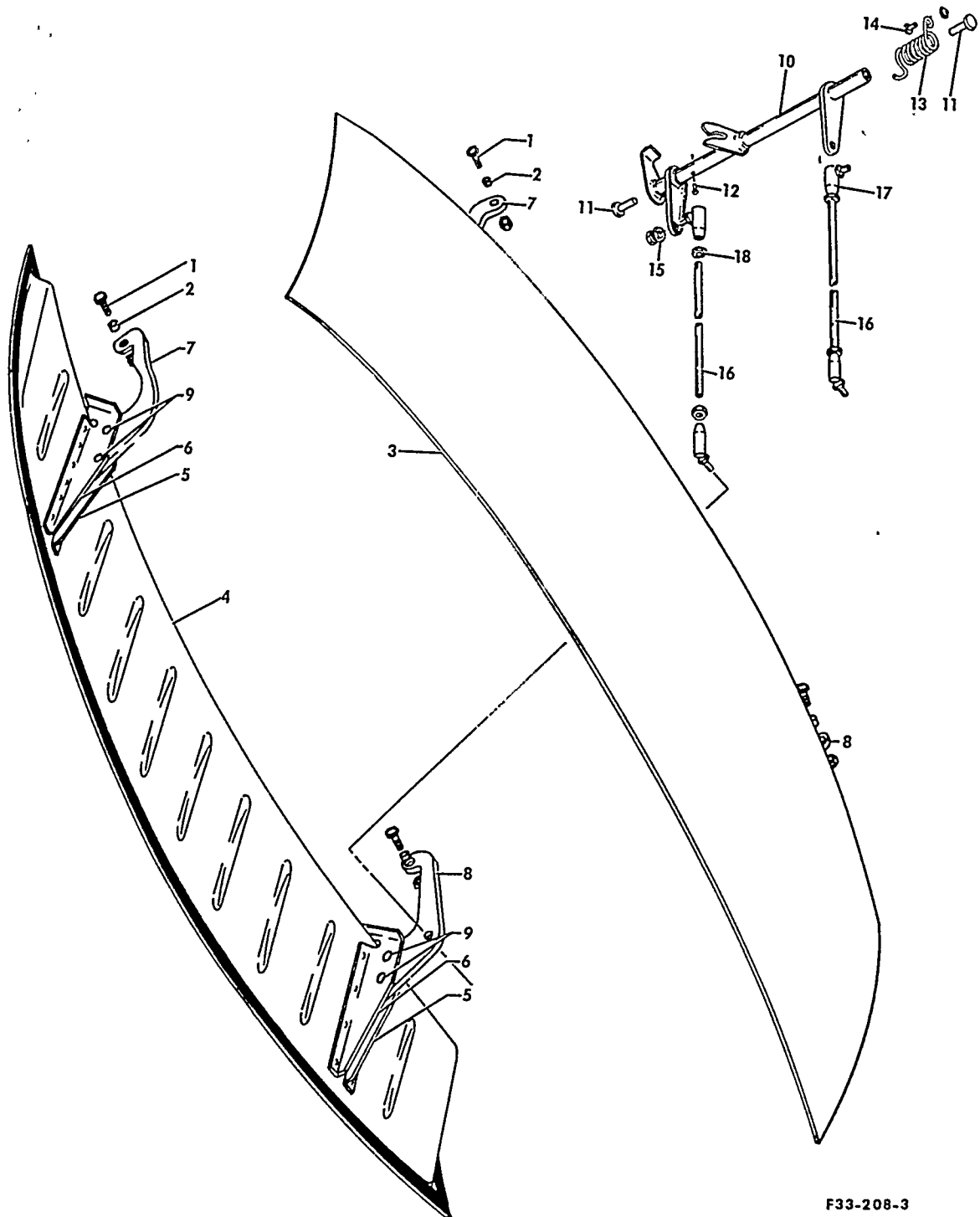
1	CD-1258 THRU CD-1304	2	CE-902 THRU CE-944
	CE-301 THRU CE-901		
	CJ-31 THRU CJ-155		
3	CE-945 AND AFTER	4	CE-902 AND AFTER
	CJ-156 AND AFTER		CJ-156 AND AFTER
5	CD-1258 THRU CD-1304	6	CD-1258 THRU CD-1304
	CE-301 THRU CE-944		CE-301 THRU CE-901
	CJ-31 THRU CJ-155		CE-945 AND AFTER
			CJ-31 AND AFTER



BEECHCRAFT  
BONANZA 33  
ILLUSTRATED PARTS CATALOG

FIGURE 208  
NOSE GEAR DOORS

BEECHCRAFT  
BONANZA 33  
ILLUSTRATED PARTS CATALOG



B E E C H C R A F T  
B O N A N Z A 3 3  
I L L U S T R A T E D P A R T S C A T A L O G

FIG. & ITEM NO.	PART NO.	DESCRIPTION	UNITS PER ASSY	USABLE ON CODE
208	35-410077-28	DOOR INSTL,NOSE LANDING GEAR LH . . . . .	NP	
	35-410077-29	DOOR INSTL,NOSE LANDING GEAR RH . . . . .	NP	
	35-410077-30	. DOOR ASSY,NOSE LH . . . . .	1	3
	35-410077-44	. DOOR ASSY,NOSE LH . . . . .	1	4
	35-410077-31	. DOOR ASSY,NOSE RH . . . . .	1	3
	35-410077-45	. DOOR ASSY,NOSE RH . . . . .	1	4
		/ATTACHING PARTS/		
- 1	R 130909B17	. BOLT . . . . .	2	
- 2	105739S-ZG0250	. BUSHING . . . . .	2	
	AN960-10	. WASHER . . . . .	2	
	MS20365-1032	. NUT . . . . .	2	
		-----X-----		
- 3	35-410077-36	. . DOOR ASSY,LH. . . . .	1	
- 4	35-410077-37	. . DOOR ASSY,RH. . . . .	1	3
	35-410077-40	. . DOOR ASSY,RH. . . . .	1	4
- 5	35-410077-8	. . . SUPPORT,HINGE LH. . . . .	2	
- 6	35-410077-9	. . . SUPPORT,HINGE RH. . . . .	2	
- 7	002-410001-109	. . HINGE,NOSE WHEEL DOOR FWD . . . . .	1	3
	002-410001-143	. . HINGE,NOSE WHEEL DOOR FWD . . . . .	1	4
- 8	002-410001-107	. . HINGE,NOSE WHEEL DOOR AFT . . . . .	1	
		/ATTACHING PARTS/		
- 9	AN525-8	. . SCREW . . . . .	2	
	AN960-8	. . WASHER . . . . .	2	
	MS20365-832	. . NUT . . . . .	2	
	MS25083-2BB5	. . JUMPER,BONDING. . . . .	1	4
	AN525-832R11	. . SCREW . . . . .	1	4
	MS35338-42	. . WASHER/TO BONDING JUMPER/ . . . . .	1	4
	AN960-8	. . WASHER/TO BONDING JUMPER/ . . . . .	1	4
	AN960D8	. . WASHER/TO BONDING JUMPER/ . . . . .	1	4
	MS21042-08	. . NUT/TO BONDING JUMPER/ . . . . .	1	4
	AN525-832R11	. . SCREW/TO BONDING JUMPER/ . . . . .	1	4
	AN525-832R14	. . SCREW . . . . .	1	4
	MS35338-42	. . WASHER . . . . .	1	4
	AN960D8	. . WASHER . . . . .	1	4
	MS21042-08	. . NUT . . . . .	2	4
	AN742-2	. . CLAMP . . . . .	1	4
	MS35206-230	. . SCREW . . . . .	1	4
	AN960-6	. . WASHER/UNDER NUT/ . . . . .	1	4
	MS21042-06	. . NUT . . . . .	1	4
		-----X-----		
- 10	35-825117-8	SHAFT ASSY,NOSE GEAR DOOR ACTUATOR. . . . .	1	1
	002-410038-3	SHAFT ASSY,NOSE GEAR DOOR ACTUATOR. . . . .	1	2
- 11	45-825078-1	END,NOSE GEAR DOOR ACTUATOR SHAFT . . . . .	2	1
		/ATTACHING PARTS/		
- 12	AN515-8R	SCREW . . . . .	1	
	MS20365-832	NUT . . . . .	1	
		-----X-----		
- 13	35-825074-1	SPRING,DOOR ACTUATOR OPERATING. . . . .	1	
		/ATTACHING PARTS/		
- 14	AN525-832-8	SCREW . . . . .	1	
	MS20365-832	NUT . . . . .	1	
		-----X-----		
	R 35-825191-19	ROD ASSY,DOOR ACTUATOR. . . . .	2	5
		/SPARES FOR 35-825191-1, -11, -15/		
		/ATTACHING PARTS/		
	AN960-10	WASHER. . . . .	2	
- 15	MS20364-1032	NUT . . . . .	1	
		-----X-----		
- 16	R 35-825191-17	. ROD,DOOR ACTUATOR . . . . .	1	5
		/SPARES FOR 35-825191-5, -9, -13/		
- 17	R C100102	. JOINT,BALL. . . . .	2	5
		/SPARES FOR R5020 OR B40-1/		
- 18	AN315-3R	. NUT . . . . .	2	

CODES OF EFFECTIVITY ON NEXT PAGE

B E E C H C R A F T  
 BONANZA 33  
 I L L U S T R A T E D P A R T S C A T A L O G

FIG. & ITEM NO.	- PART NO.	1 2 3 4 5 6 7	DESCRIPTION	UNITS PER ASSY	USABLE ON CODE
-----------------------	------------------	---------------	-------------	----------------------	----------------------

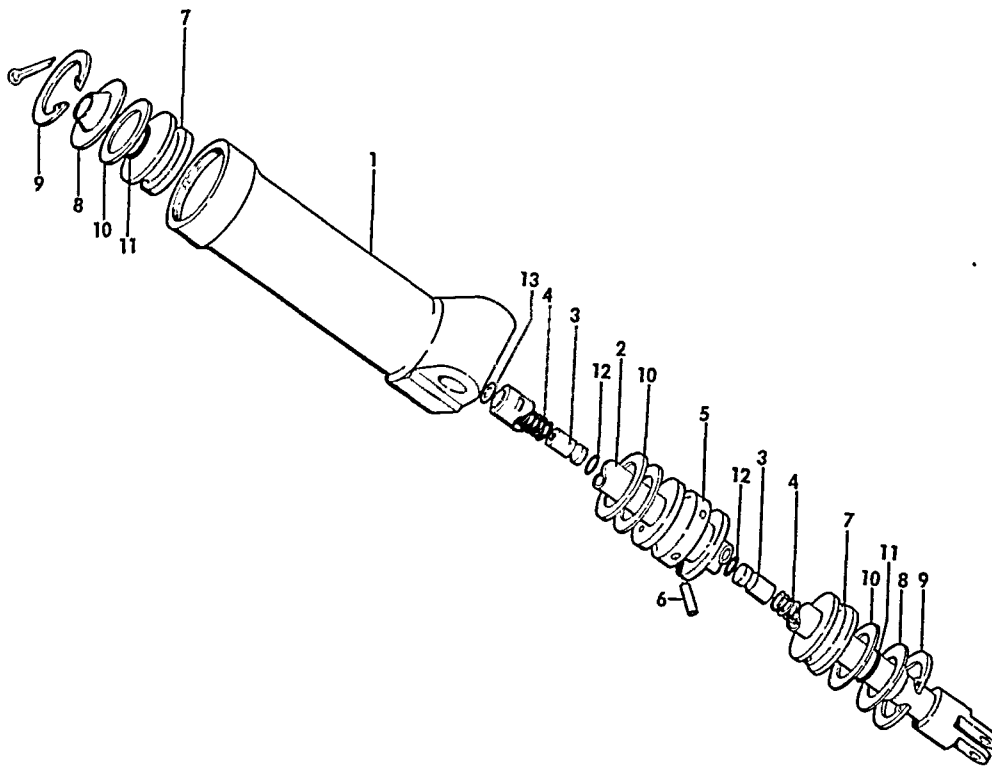
CODES OF EFFECTIVITY

1	CD-1235 THRU CD-1254	2	CD-1255 THRU CD-1304 CE-290 AND AFTER CJ-26 AND AFTER
3	CD-1235 THRU CD-1304 CE-290 THRU CE-1028 CJ-26 THRU CJ-155	4	CE-1029 AND AFTER CJ-156 AND AFTER
5	CE-1316 AND AFTER CJ-180 AND AFTER		

BEECHCRAFT  
BONANZA 33  
ILLUSTRATED PARTS CATALOG

FIGURE 209  
NOSE GEAR SHIMMY DAMPER

BEECHCRAFT  
BONANZA 33  
ILLUSTRATED PARTS CATALOG



33-209-1

B E E C H C R A F T  
B O N A N Z A 3 3  
I L L U S T R A T E D P A R T S C A T A L O G

FIG. & ITEM NO.	PART NO.	DESCRIPTION							UNITS PER ASSY	USABLE ON CODE	
		1	2	3	4	5	6	7			
209	35-825145	DAMPER ASSY, SHIMMY.	.	.	.	.	.	.	.	1	
- 1	35-825146	. BARREL, SHIMMY DAMPER.	.	.	.	.	.	.	.	1	
- 2	35-825148	. ROD, SHIMMY DAMPER PISTON.	.	.	.	.	.	.	.	1	
- 3	35-825152	. PISTON, FLOATING	.	.	.	.	.	.	.	2	
- 4	100943ZE316G	. SPRING, FLOATING PISTON.	.	.	.	.	.	.	.	2	
- 5	35-825147	. PISTON, SHIMMY DAMPER.	.	.	.	.	.	.	.	1	
- 6	102809-093-026	. PIN, PISTON RETAINING.	.	.	.	.	.	.	.	1	
- 7	35-825151	. END, SHIMMY DAMPER	.	.	.	.	.	.	.	2	
- 8	111190-14	. RING, PISTON SCRAPER	.	.	.	.	.	.	.	2	
- 9	NAS50-93	. RING, INTERNAL RETAINER.	.	.	.	.	.	.	.	2	
- 10	AN6227-13	. O RING, HYDRAULIC.	.	.	.	.	.	.	.	4	
- 11	AN6227-7	. O RING, HYDRAULIC.	.	.	.	.	.	.	.	2	
- 12	AN6227-1	. O RING, HYDRAULIC.	.	.	.	.	.	.	.	2	
- 13	AN960-3	. WASHER.	.	.	.	.	.	.	.	1	
	AN380-3-2	. PIN, COTTER.	.	.	.	.	.	.	.	1	

BEECHCRAFT  
BONANZA 33  
ILLUSTRATED PARTS CATALOG

FIGURE 210  
NOSE GEAR STEERING

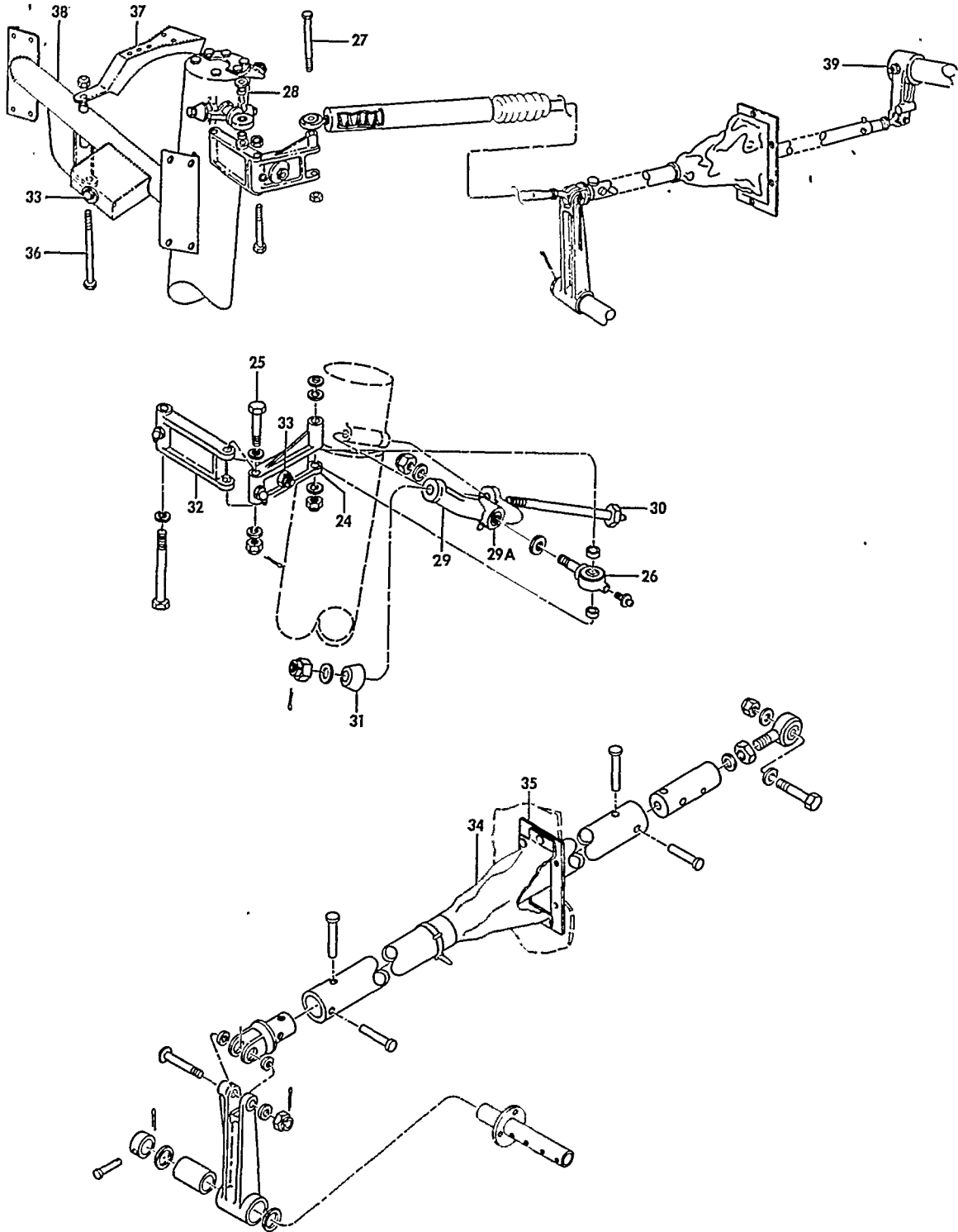




B E E C H C R A F T  
B O N A N Z A 3 3  
I L L U S T R A T E D P A R T S C A T A L O G

FIG. & ITEM NO.	PART NO.	DESCRIPTION	UNITS PER ASSY	USABLE ON CODE
		1 2 3 4 5 6 7		
210	35-825160	STEERING INSTL, NOSE WHEEL . . . . .	NP	
	35-825044-4	. ROD ASSY, NOSE GEAR STEERING AFT . . . . .	1	
		/ATTACHING PARTS/		
- 1	AN4-13A/M/ AN960-416 MS20365-428	. BOLT . . . . . . WASHER . . . . . . NUT . . . . .	1 2 1	
		*-----*		
- 2	35-825044-6	. . TUBE . . . . .	1	
- 3	35-825097	. . SLEEVE . . . . .	1	
- 4	MD46-15	. . END, ROD . . . . .	1	
- 5	35-820045	. . END, AFT STEERING ROD . . . . .	1	
- 6	AN960-616L	. . WASHER . . . . .	1	
- 7	AN316-6R 35-825052	. . NUT . . . . . . ARM ASSY, STEERING ROD IDLER . . . . .	1 1	
- 8	35-825052-2	. . ARM, IDLER . . . . .	1	
- 9	A779	. . BUSHING, OILITE . . . . .	1	
- 10	35-825049	. . SHAFT, IDLER ARM . . . . .	1	
- 11	35-825051 AN392-25	. . COLLAR, NOSE GEAR STEERING IDLER . . . . . . . PIN . . . . .	1 1	
- 12	AN380-2-2 35-825160-602 35-825161	. . PIN, COTTER . . . . . . LINK ASSY, FLEXIBLE STEERING . . . . . . LINK ASSY, FWD NOSE WHEEL STEERING . . . . .	1 1 1	
		/ATTACHING PARTS/		
- 13	AN24-25/M/ 105740X-ZL0104 AN960-416L 130909N16 MS24665-132	. . BOLT . . . . . . BUSHING . . . . . . WASHER . . . . . . NUT . . . . . . PIN, COTTER . . . . .	1 2 3 1 1	
		*-----*		
- 14	HM4U	. . END, ROD . . . . .	1	
- 15	AN316-4R	. . NUT . . . . .	2	
- 16	35-825165	. . BARREL ASSY, NOSE WHEEL STEERING . . . . .	1	
- 17	35-825163	. . SHAFT ASSY, NOSE WHEEL STEERING . . . . .	1	
- 18	100943YD302C	. . SPRING . . . . .	2	
- 19	35-825164	. . BEARING, FLEXIBLE STEERING LINK . . . . .	1	
- 20	AN6227-13	. . O RING . . . . .	1	
- 21	NAS50-87	. . RING, RETAINER . . . . .	1	
- 22	3686	. . BOOT . . . . .	1	
- 23	35-825162	. . END, ROD . . . . .	1	

BEECHCRAFT  
BONANZA 33  
ILLUSTRATED PARTS CATALOG



35-210-4

B E E C H C R A F T  
B O N A N Z A 3 3  
I L L U S T R A T E D P A R T S C A T A L O G

FIG. & ITEM NO.	PART NO.	1 2 3 4 5 6 7	DESCRIPTION	UNITS PER ASSY	USABLE ON CODE
210 - 24	35-825173	.	LINK ASSY, NOSE WHEEL STEERING . . . . .	1	
			/ATTACHING PARTS/		
- 25	NAS54-16	.	BOLT. . . . .	1	
	AN960-416	.	WASHER. . . . .	2	
	130909N7	.	NUT . . . . .	1	
	MS24665-132	.	PIN, COTTER. . . . .	1	
		*			
- 26	50-820130-8	.	EYE, NOSE STEERING/SPARES REPLACEMENT FOR. . .	1	
			35-825006 AND 50-820130-4/		
			/ATTACHING PARTS/		
- 27	AN174-24A/M/	.	BOLT. . . . .	1	
- 28	35-825053	.	SPACER. . . . .	2	
	AN960-416	.	WASHER. . . . .	3	
	MS20365-428	.	NUT . . . . .	1	
		*			
- 29	35-825007	.	YOKE ASSY, NOSE GEAR STEERING. . . . .	1	
- 29A	NAS76A7-020	.	BUSHING . . . . .	1	
- 30	35-825005	.	BOLT ASSY, STEERING YOKE ATTACHING . . . . .	1	
- 31	35-825045	.	STOP, NOSE WHEEL LIFT. . . . .	1	
- 32	35-825035	.	LINK ASSY, NOSE GEAR STEERING IDLER CROSS. . .	1	
- 33	35-825046	.	BOLT, NOSE WHEEL STOP. . . . .	2	
	MS20364-428	.	NUT . . . . .	1	
- 34	35-825171-1	.	BOOT, NOSE WHEEL STRAIGHTENER. . . . .	1	
- 35	35-825170	.	RING, NOSE WHEEL STRAIGHTENER. . . . .	1	
- 36	AN174-34/M/	.	BOLT. . . . .	1	
	AN960-416	.	WASHER. . . . .	1	
	130909N7	.	NUT . . . . .	1	
- 37	35-410338	.	TRACK, NOSE WHEEL STRAIGHTENER . . . . .	1	
- 38	35-825166-651	.	CHANNEL ASSY, SUPPORT /SUPERSEDES 35-825166-6/ .	1	1
	35-825166-12	.	CHANNEL ASSY, SUPPORT. . . . .	1	2
- 39	35-825054-5	.	ARM, STEERING TORQUE . . . . .	1	

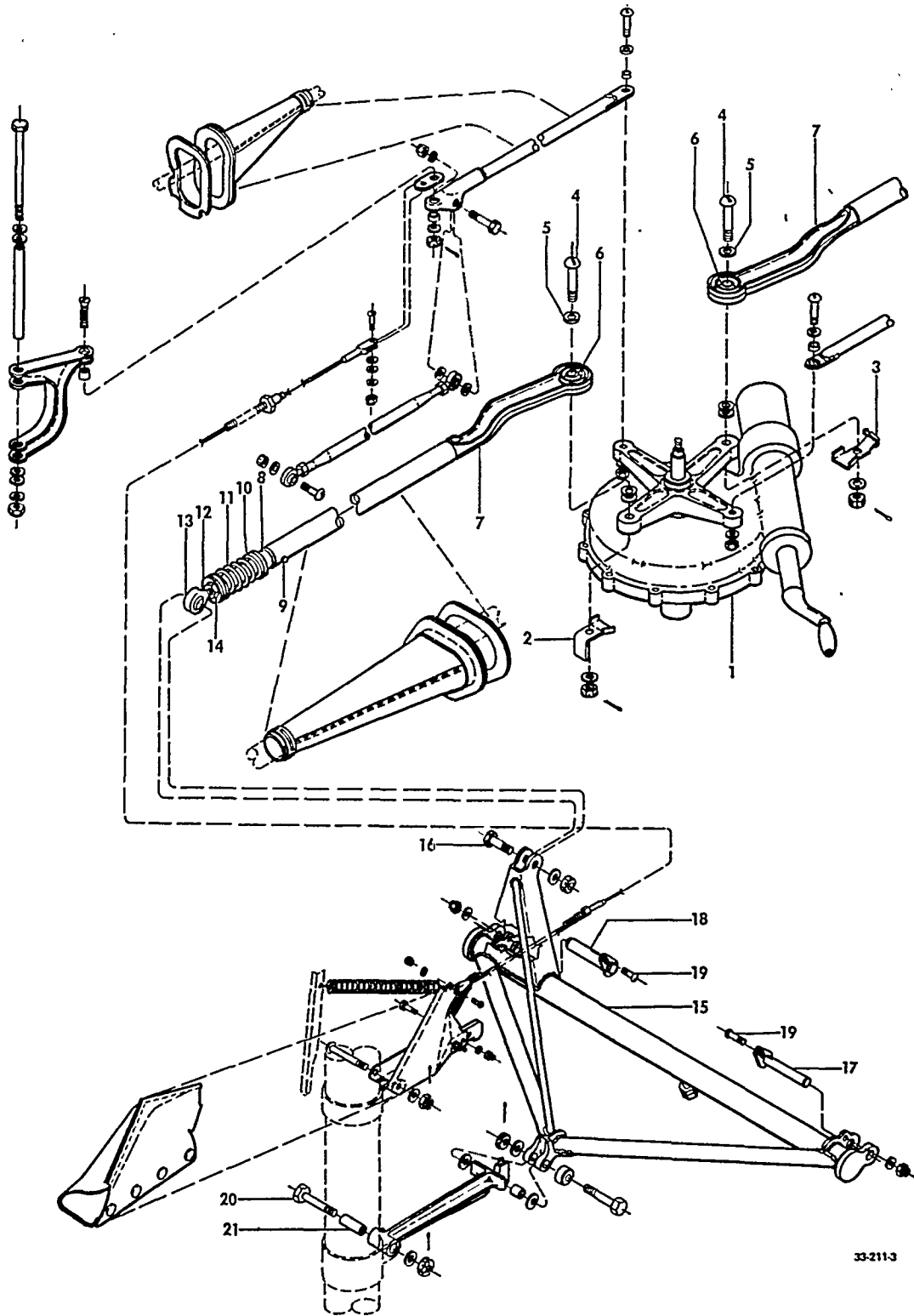
C O D E S O F E F F E C T I V I T Y

1 CD-1235 THRU CD-1244 2 CD-1245 THRU CD-1304  
CE-290 THRU CE-299 CE-300 AND AFTER,  
CJ-26 AND AFTER

BEECHCRAFT  
BONANZA 33  
ILLUSTRATED PARTS CATALOG

FIGURE 211  
MAIN LANDING GEAR RETRACT SYSTEM

BEECHCRAFT  
BONANZA 33  
ILLUSTRATED PARTS CATALOG



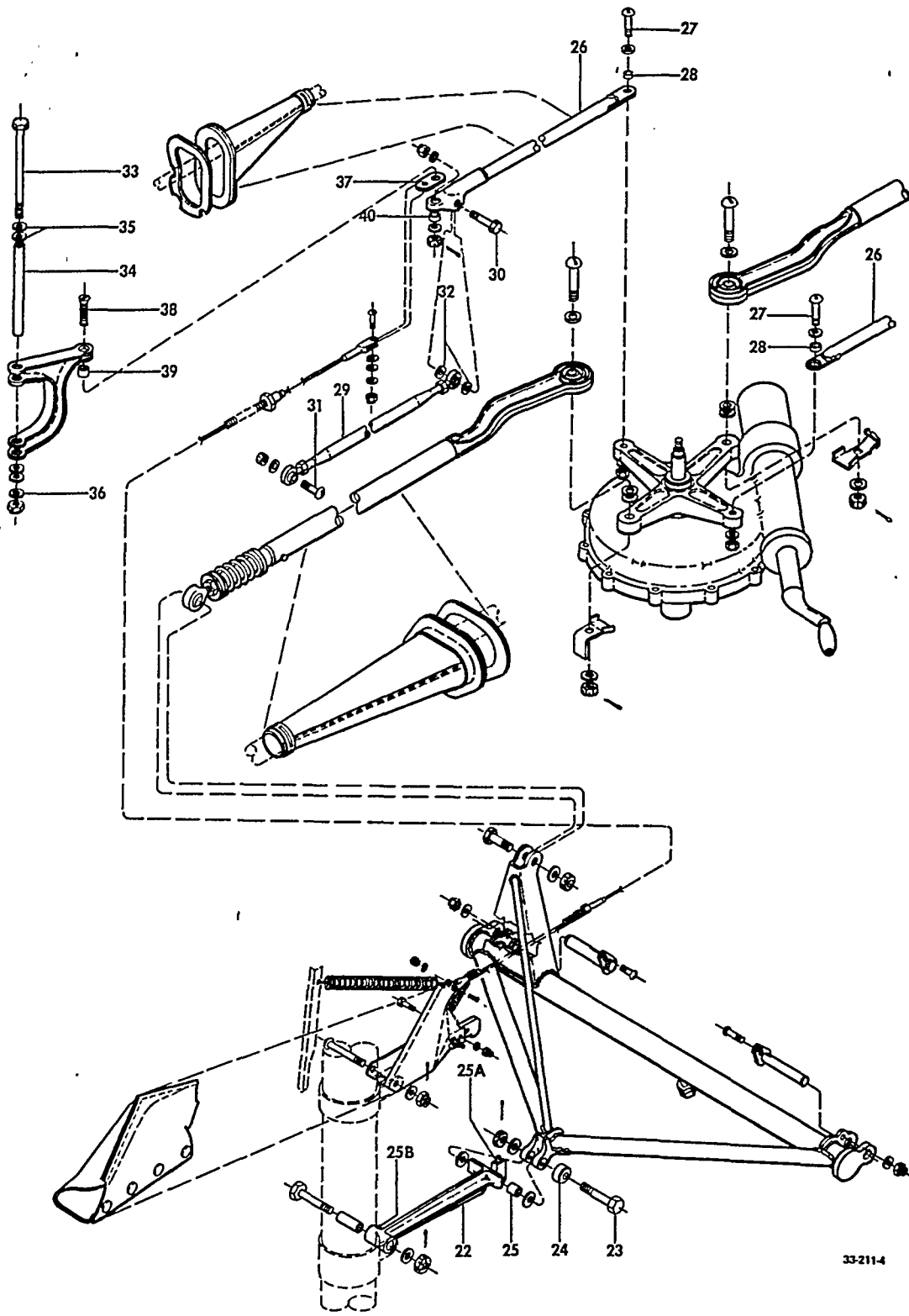
33-211-3

FIGURE 211 .MAIN LANDING GEAR RETRACT SYSTEM  
/SHEET 1 OF 3 SHEETS/

B E E C H C R A F T  
B O N A N Z A 3 3  
I L L U S T R A T E D P A R T S C A T A L O G

FIG. & ITEM NO.	PART NO.	DESCRIPTION							UNITS PER ASSY	USABLE ON CODE
		1	2	3	4	5	6	7		
211	35-815101-3	RETRACT INSTL,MAIN LANDING GEAR . . . . .							NP	4
	35-815101-15	RETRACT INSTL,MAIN LANDING GEAR . . . . .							NP	3
	- 1	35-810075-13	• ACTUATOR ASSY,LDG GEAR RETRACT/SEE FIG.213/						1	1
			/SPARES REPLACEMENT FOR 35-810075-7/							
		95-810017-23	• ACTUATOR ASSY,LDG GEAR RETRACT/SEE FIG.213/						1	2
			/SPARES FOR 95-810017-11,95-810017-13,							
			95-810017-15,95-810017-17,95-810017-19							
			& 95-810017-21/							
	- 2	35-364127	• ACTUATOR,LANDING GEAR SWITCH. . . . .						1	4
		102-810016-5	• ACTUATOR,LANDING GEAR SWITCH. . . . .						1	3
	- 3	35-364130	• ACTUATOR,LANDING GEAR SWITCH. . . . .						1	
		35-815125-41	• ROD ASSY,MAIN GEAR RETRACT LH . . . . .						1	
		35-815125-43	• ROD ASSY,MAIN GEAR RETRACT RH . . . . .						1	
			/ATTACHING PARTS/							
	- 4	AN26-23/M/	• BOLT. . . . .						1	
	- 5	AN960-616	• WASHER. . . . .						3	
		130909N18	• NUT . . . . .						1	
		MS20365-624	• NUT . . . . .						1	
		AN380-3-2	• PIN,COTTER. . . . .						1	
			-----*							
	- 6	LS6	• BEARING . . . . .						1	
- 7	35-815125-602	• BRAZE ASSY,ROD LH . . . . .						1		
	35-815125-604	• BRAZE ASSY,ROD RH . . . . .						1		
- 8	35-815131	• PLUNGER ASSY,LANDING GEAR RETRACT ROD . . . . .						1		
		/ATTACHING PARTS/								
- 9	AN394-33	• PIN . . . . .						1		
	AN960D416L	• WASHER. . . . .						1		
	MS24665-132	• PIN,COTTER. . . . .						1		
		-----*								
- 10	35-815125-10	• TUBE,RETRACT ROD. . . . .						1		
	100951S063XP	• WASHER,LH . . . . .						4		
	100951S063XP	• WASHER,RH . . . . .						3		
- 11	45-815091-3	• SPRING. . . . .						1		
- 12	100951S063YU	• WASHER. . . . .						1		
- 13	131553F6-6M	• END,ROD . . . . .						1		
- 14	AN316-6R	• NUT . . . . .						1		
- 15	35-815155-610	• BRACE ASSY,LANDING GEAR RETRACT LH. . . . .						1		
	35-815155-611	• BRACE ASSY,LANDING GEAR RETRACT RH. . . . .						1		
		/ATTACHING PARTS/								
- 16	AN6-11A/M/	• BOLT. . . . .						1		
	AN960-616	• WASHER. . . . .						1		
	MS20365-624	• NUT . . . . .						1		
- 17	35-815120	• PIN ASSY,LANDING GEAR RETRACT BRACE AFT . . . . .						1		
	100951S016YP	• WASHER. . . . .						AR		
	100951S032YP	• WASHER. . . . .						AR		
- 18	35-815123-10	• PIN ASSY,LANDING GEAR RETRACT BRACE FWD . . . . .						1		
	100951S016XF	• WASHER. . . . .						AR		
	100951S032XF	• WASHER. . . . .						AR		
- 19	AN515-8R8	• SCREW . . . . .						2		
	AN960-8	• WASHER. . . . .						2		
	MS20365-832	• NUT . . . . .						2		
- 20	AN5-22/M/	• BOLT. . . . .						1		
	AN960-516	• WASHER. . . . .						1		
- 21	35-815124	• BUSHING,RETRACT BRACE LOWER GRIP. . . . .						1		
	130909N8	• NUT . . . . .						1		
	MS24665-132	• PIN,COTTER. . . . .						1		
		-----*								

BEECHCRAFT  
 BONANZA 33  
 ILLUSTRATED PARTS CATALOG



33-211-4

FIGURE 211. MAIN LANDING GEAR RETRACT SYSTEM  
 /SHEET 2 OF 3 SHEETS/



B E E C H C R A F T  
B O N A N Z A 3 3  
I L L U S T R A T E D P A R T S C A T A L O G

FIG. & ITEM NO.	PART NO.	1	2	3	4	5	6	7	DESCRIPTION	UNITS PER ASSY	USABLE ON CODE
211	35-815102-20	.	.	.	.	.	.	.	BRACE ASSY,LH /ORDER 35-815155-610/	NP	
	35-815102-21	.	.	.	.	.	.	.	BRACE ASSY,RH /ORDER 35-815155-611/	NP	
- 22	35-815129	.	.	.	.	.	.	.	LEG ASSY,MAIN GEAR RETRACT /ORDER 35-815155-610 LH OR 35-815155-611 RH	NP	
		.	.	.	.	.	.	.	/ATTACHING PARTS/		
- 23	35-815274-1	.	.	.	.	.	.	.	BOLT/SPARES REPLACEMENT FOR 58-810014-1 AND NAS464-5-23/M/	1	
- 24	NAS505-5J	.	.	.	.	.	.	.	BEARING	1	
- 25	35-810122-1	.	.	.	.	.	.	.	BUSHING,RETRACT BRACE GRIP.	1	
	AN960-516L	.	.	.	.	.	.	.	WASHER	1	
	AN320-5/M/	.	.	.	.	.	.	.	NUT	1	
	MS24665-132	.	.	.	.	.	.	.	PIN,COTTER.	1	
		.	.	.	.	.	.	.	*		
- 25A	1729	.	.	.	.	.	.	.	FITTING,LUBRICATION	1	
- 25B	AN286-1	.	.	.	.	.	.	.	FITTING,LUBRICATION	1	
- 26	45-815003-3	.	.	.	.	.	.	.	ROD ASSY,LANDING GEAR DOOR ACTUATOR LH.	1	
	45-815003-1	.	.	.	.	.	.	.	ROD ASSY,LANDING GEAR DOOR ACTUATOR RH.	1	
		.	.	.	.	.	.	.	/ATTACHING PARTS/		
- 27	AN24-16/M/	.	.	.	.	.	.	.	BOLT.	1	
	AN960-416	.	.	.	.	.	.	.	WASHER.	2	
- 28	35-815101-2	.	.	.	.	.	.	.	BUSHING	1	
	130909N7	.	.	.	.	.	.	.	NUT	1	
	MS24665-132	.	.	.	.	.	.	.	PIN,COTTER.	1	
		.	.	.	.	.	.	.	*		
- 29	35-815007-4	.	.	.	.	.	.	.	LINK ASSY,MAIN GEAR DOOR.	1	
		.	.	.	.	.	.	.	/ATTACHING PARTS/		
- 30	AN4-12A/M/	.	.	.	.	.	.	.	BOLT.	1	
- 31	AN24-15/M/	.	.	.	.	.	.	.	BOLT.	1	
	AN960-416L	.	.	.	.	.	.	.	WASHER.	1	
	AN3-5/M	.	.	.	.	.	.	.	NUT	1	
	130909N16	.	.	.	.	.	.	.	NUT	1	
	MS24665-132	.	.	.	.	.	.	.	PIN,COTTER.	1	
- 32	102933S5ZL0125	.	.	.	.	.	.	.	SPACER.	2	
		.	.	.	.	.	.	.	*		
	35-815118	.	.	.	.	.	.	.	ARM ASSY,MAIN GEAR DOOR IDLER	1	
		.	.	.	.	.	.	.	/ATTACHING PARTS/		
- 33	AN4-54A/M/	.	.	.	.	.	.	.	BOLT.	1	
- 34	100801S5-4781	.	.	.	.	.	.	.	BUSHING	1	
	AN960-416	.	.	.	.	.	.	.	WASHER.	1	
- 35	100951P062YH	.	.	.	.	.	.	.	WASHER.	2	
- 36	108492S1416-016	.	.	.	.	.	.	.	WASHER.	1	
	MS20365-428	.	.	.	.	.	.	.	NUT	1	
		.	.	.	.	.	.	.	*		
- 37	35-815078	.	.	.	.	.	.	.	LINK,MAIN LANDING GEAR UP LOCK CABLE.	1	
		.	.	.	.	.	.	.	/ATTACHING PARTS/		
- 38	35-815183	.	.	.	.	.	.	.	SCREW,LANDING GEAR DOOR IDLER ATTACH.	1	
- 39	105739D-ZT0250	.	.	.	.	.	.	.	BUSHING	1	
- 40	105739S-ZE0137	.	.	.	.	.	.	.	BUSHING	1	
	AN960-10	.	.	.	.	.	.	.	WASHER.	1	
	130909N6	.	.	.	.	.	.	.	NUT	1	
	MS24665-132	.	.	.	.	.	.	.	PIN,COTTER.	1	
		.	.	.	.	.	.	.	*		



B E E C H C R A F T  
B O N A N Z A 3 3  
I L L U S T R A T E D P A R T S C A T A L O G

FIG. & ITEM NO.	PART NO.	DESCRIPTION	UNITS PER ASSY	USABLE ON CODE
		1 2 3 4 5 6 7		
211	35-815109	• CABLE ASSY,MAIN GEAR UP LOCK . . . . .	1	
		/ATTACHING PARTS/		
- 41	AN23-10/M/ AN960-10 AN960-10L 130909N6 MS24665-132	• BOLT . . . . . • WASHER . . . . . • WASHER . . . . . • NUT . . . . . • PIN,COTTER . . . . .	2 1 1 2 2	
- 42	S167-46	• HOUSING /46 IN. LONG/ . . . . .	1	
- 43	AN667-2	• TERMINAL,CABLE . . . . .	1	
- 44	AN666-2	• TERMINAL,CABLE . . . . .	1	
- 45	35-815109-2	• CABLE,MAIN GEAR UP LOCK . . . . .	1	
- 46	S123 AN960-616 MS20365-624	• BUSHING . . . . . • WASHER . . . . . • NUT . . . . .	2 2 2	
- 47	AN665-10R 35-815077-12 35-815077-13	• TERMINAL . . . . . • LOCK ASSY,MAIN LANDING GEAR UP LH . . . . . • LOCK ASSY,MAIN LANDING GEAR UP RH . . . . .	1 1 1	
		/ATTACHING PARTS/		
- 48	AN24-32/M/ AN960-416L 130909N7 MS24665-132	• BOLT . . . . . • WASHER . . . . . • NUT . . . . . • PIN,COTTER . . . . .	1 1 1 1	
- 49	35-815077-14 35-815077-15	• BRACKET,LANDING GEAR UP LOCK LH . . . . . • BRACKET,LANDING GEAR UP LOCK RH . . . . .	1 1	
- 50	35-815077-4 35-815077-5	• BLOCK,LANDING GEAR LH . . . . . • BLOCK,LANDING GEAR RH . . . . .	1 1	
- 51	AN3-5A/M/ AN960-10 MS20365-1032	• BOLT . . . . . • WASHER . . . . . • NUT . . . . .	2 2 2	
- 52	35-815115	• SPRING,MAIN LANDING GEAR UP LOCK . . . . .	2	
- 53	100942C0020-31	• SPRING,TENSION . . . . .	2	
- 54	35-815156-4 35-815156-5 33-534047 96-810024 96-810024-7	• BOOT ASSY,LANDING GEAR UP LOCK LH . . . . . • BOOT ASSY,LANDING GEAR UP LOCK RH . . . . . SEAL INSTL,CABIN . . . . . • SEAL ASSY,LANDING GEAR DOOR RETRACT ROD . . . . . • SEAL ASSY . . . . .	1 1 NP 2 1	
- 55	96-810024-1	• SEAL . . . . .	1	
- 56	96-810024-5	• FLANGE . . . . .	1	
- 57	96-810024-3 96-810023-7	• RING . . . . . • SEAL ASSY,LANDING GEAR RETRACT ROD . . . . .	1 2	
- 58	96-810023-1	• SEAL . . . . .	1	
- 59	96-810023-5	• FLANGE . . . . .	1	
- 60	33-534047-1	• RING,LANDING GEAR RETRACT ROD SEAL . . . . .	1	
- 61	NAS397-16	• CLAMP . . . . .	1	
- 62	NAS397-8	• CLAMP . . . . .	1	

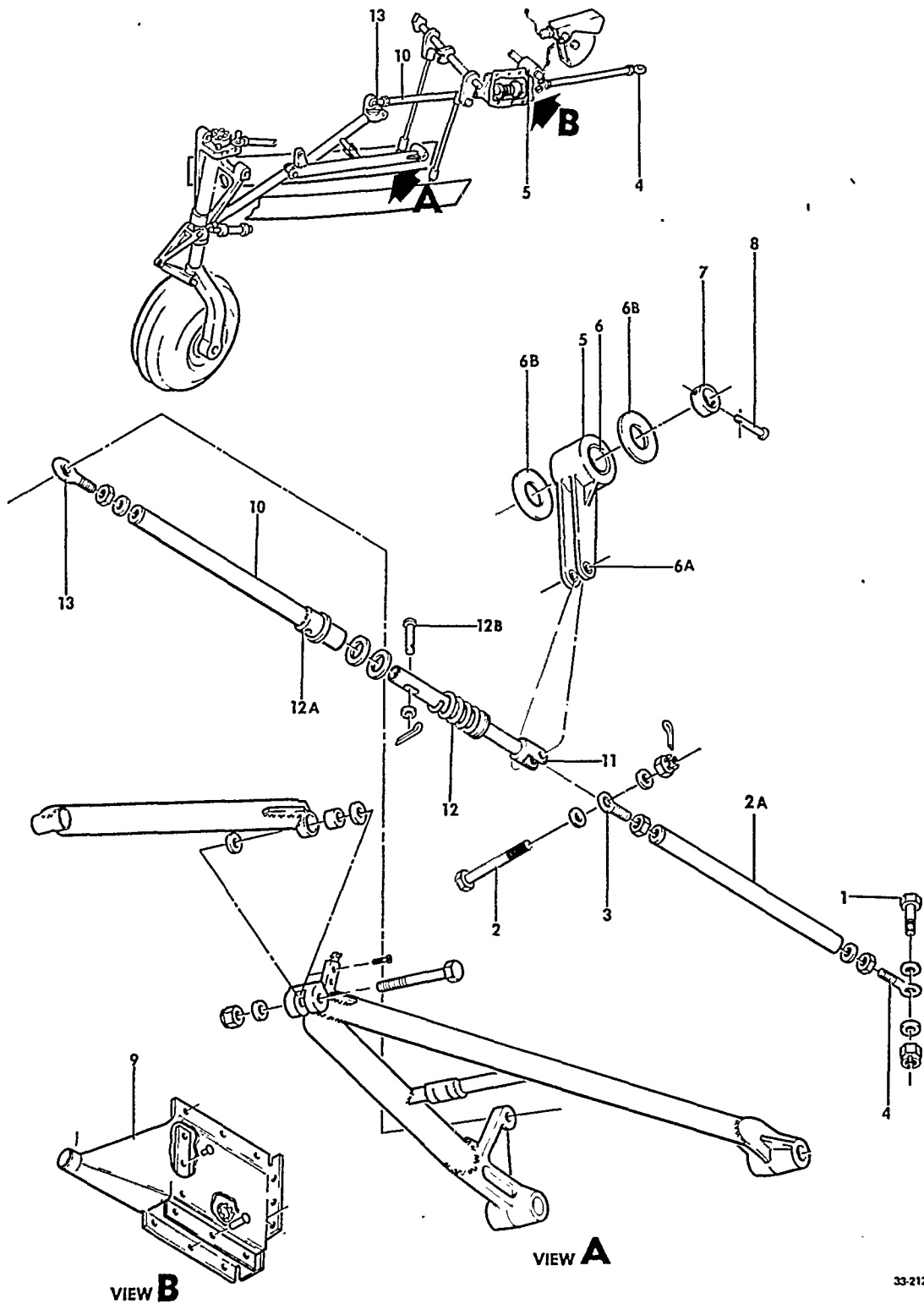
C O D E S O F E F F E C T I V I T Y

- |  |  |
|--|--|
| <p>1 CD-1235 THRU CD-1304<br/>CE-290 THRU CE-771<br/>EXCEPT CE-748<br/>CJ-26 THRU CJ-148</p> | <p>2 CE-748<br/>CE-772 AND AFTER<br/>CJ-149 AND AFTER</p>                  |
| <p>3 CE-959 AND AFTER<br/>CJ-156 AND AFTER</p>   | <p>4 CD-1235 THRU CD-1304<br/>CE-290 THRU CE-958<br/>CJ-26 THRU CJ-155</p> |

BEECHCRAFT  
BONANZA 33  
ILLUSTRATED PARTS CATALOG

FIGURE 212  
NOSE GEAR RETRACT SYSTEM

BEECHCRAFT  
BONANZA 33  
ILLUSTRATED PARTS CATALOG



B E E C H C R A F T  
B O N A N Z A 3 3  
I L L U S T R A T E D P A R T S C A T A L O G

FIG. & ITEM NO.	PART NO.	DESCRIPTION	UNITS PER ASSY	USABLE ON CODE
		1 2 3 4 5 6 7		
212	33-820000-3	RETRACT INSTL,NOSE LANDING GEAR . . . . .	NP	1
	35-825071-5	RETRACT INSTL,NOSE LANDING GEAR . . . . .	NP	2
	36-820011-17	. ROD ASSY,RETRACT/ALTN FOR 36-820018-1/. . . . .	1	
	36-820018-1	. ROD ASSY,RETRACT/ALTN FOR 36-820011-17/. . . . .	1	2
		/ATTACHING PARTS/		
- 1	AN26-28/M/	. BOLT. . . . .	1	
	AN960-616	. WASHER. . . . .	1	
	AN960-616L	. WASHER. . . . .	2	
	MS17826-6	. NUT . . . . .	1	
	MS24665-132	. PIN,COTTER. . . . .	1	
- 2	AN25-22/M/	. BOLT. . . . .	1	
	AN960-516L	. WASHER. . . . .	2	
	100951CR016YF	. WASHER. . . . .	2	
	130909N17	. NUT . . . . .	1	
	MS24665-132	. PIN,COTTER. . . . .	1	
		---x---		
- 2A	36-820011-9	. . TUBE ASSY,SWAGED/ALTN FOR 36-820018-19/ . . . . .	1	
	36-820018-19	. . TUBE ASSY,BRAZED/ALTN FOR 36-820011-9/. . . . .	1	
- 3	R ADNE5-323	. . END,ROD/SPARES FOR DREMHDS/ . . . . .	1	
	R ARHTSECR	. . END,ROD/ALTERNATE FOR ADNE5-323/. . . . .	1	
	AN960-616L	. . WASHER. . . . .	1	
	AN316-6R	. . NUT . . . . .	1	
- 4	R ADNEL6-317	. . END,ROD/SPARES FOR 131554L6M,131554LFG6M/ . . . . .	1	
	R AN960-716L	. . WASHER. . . . .	1	
	R AN316-7L	. . NUT . . . . .	1	
	SS51351	. PLUG,BUTTON . . . . .	1	
	002-820011-1	. . ARM ASSY,NOSE GEAR RETRACT IDLER. . . . .	1	
- 5	002-820011-3	. . ARM,NOSE GEAR RETRACT IDLER . . . . .	1	
- 6	R B148	. . BEARING . . . . .	2	
- 6A	105740X-ZU0164	. . BUSHING . . . . .	2	
- 6B	100951S031XW	. . WASHER. . . . .	2	
- 7	35-820095	. COLLAR,NOSE GEAR RETRACT IDLER. . . . .	1	
- 8	MS20392-1-37	. PIN,FLATHEAD. . . . .	1	
	MS24665-130	. PIN,COTTER. . . . .	1	
- 9	R 35-825076-5	. BOOT/ORDER KIT 35-8009-3/ . . . . .	NP	7
	R 002-820014-11	. BOOT/ORDER KIT 35-8009-3/ . . . . .	NP	6
	R 36-820023-1	. BOOT. . . . .	1	8
	R 002-820013-1	. COVER/WITHOUT KIT/. . . . .	1	6
	R 36-820025-1	. COVER/WITH KIT/ . . . . .	1	8
		/ATTACHING PARTS/		
	R MS35206-277	. SCREW/WITH KIT/ . . . . .	13	
	R AN960-6L	. WASHER/WITH KIT/ . . . . .	13	
		---x---		
	R 002-820015-1	. STRIP/WITHOUT KIT/. . . . .	1	6
	R 36-820024-1	. STRIP/WITH KIT/ . . . . .	1	8
	R 35-825078-3	. STRIP/WITH KIT/ . . . . .	1	8
	R GS5	. CLAMP/WITH KIT/ . . . . .	1	8
	R 49338	. STUD/WITHOUT KIT/ . . . . .	1	6
	R AN525-10R6	. SCREW/WITHOUT KIT/. . . . .	1	6
	R AN960PD10L	. WASHER/WITHOUT KIT/ . . . . .	1	6
	35-825087-16	. ROD ASSY,FWD NOSE GEAR RETRACT LINK . . . . .	1	
- 10	35-825087-14	. . BRAZE ASSY. . . . .	1	
- 11	35-825094-4	. . PLUNGER ASSY. . . . .	1	
- 12	35-825188	. . SPRING,NOSE GEAR RETRACT COMPRESSION. . . . .	1	
- 12A	35-825089	. . FLANGE. . . . .	1	
- 12B	R AN393-25	. . PIN/ALTERNATE FOR MS20392-2C25/ . . . . .	1	
	R MS20392-2C25	. . PIN/ALTERNATE FOR AN393-25/ . . . . .	1	
	AN960D10L	. . WASHER. . . . .	1	
	MS24665-132	. . PIN,COTTER. . . . .	1	
- 13	R ADNE5-323	. . END,ROD/SPARES FOR HMX5FG OR 131554FG5M/. . . . .	1	
	AN316-6R	. . NUT . . . . .	1	
	AN960-616L	. . WASHER. . . . .	1	

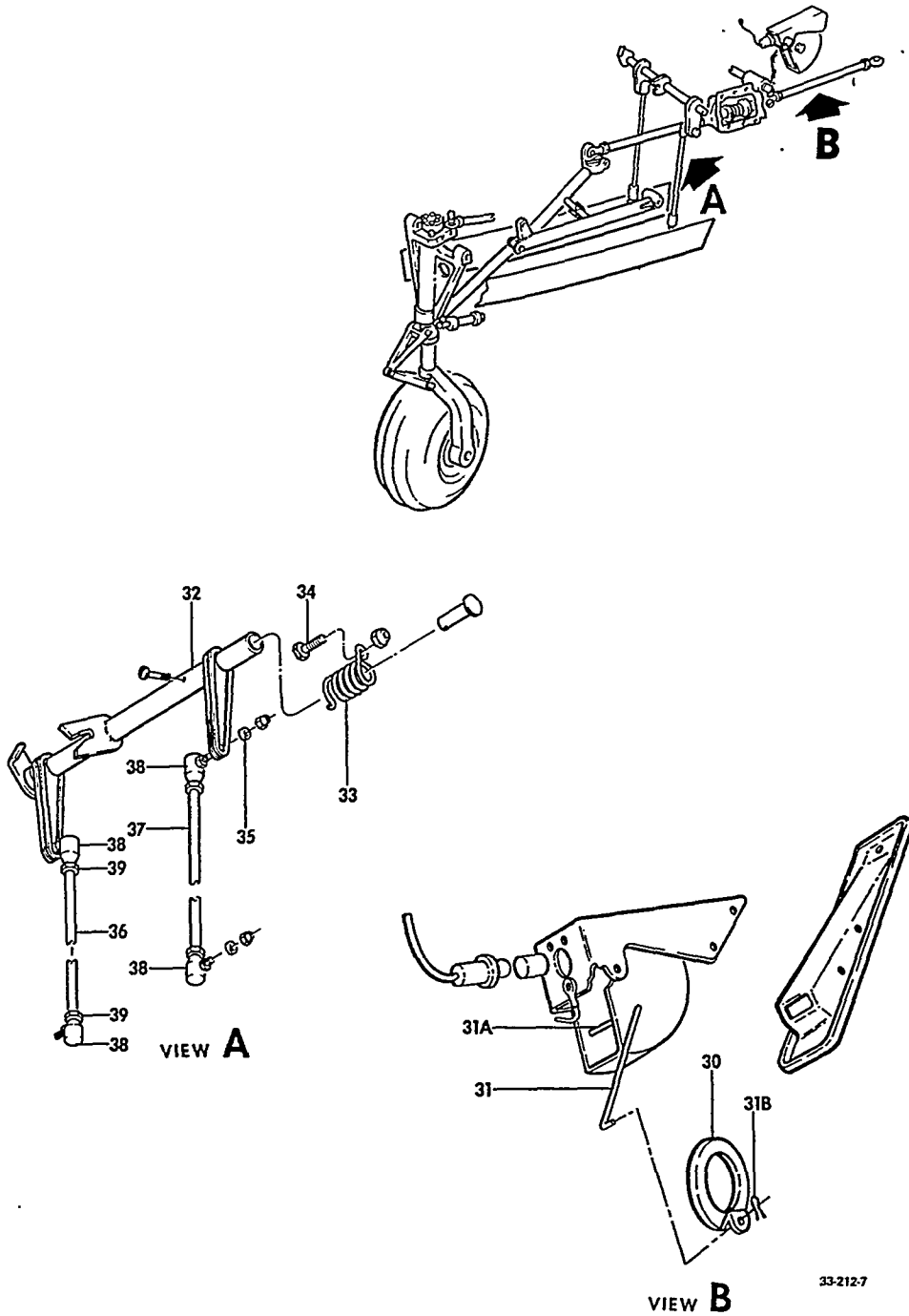


BEECHCRAFT  
BONANZA 33  
ILLUSTRATED PARTS CATALOG

FIG. & ITEM NO.	PART NO.	DESCRIPTION	UNITS							USABLE ON CODE
			1	2	3	4	5	6	7	
212	95-824018-3	. BRACE ASSY/ORDER KIT 35-4012-1/							1	3
	002-820018-3	. BRACE ASSY.							1	4
		/ATTACHING PARTS/								
- 14	35-825108	. BOLT,NOSE GEAR LINK ROD							1	
	AN320-5/M/	. NUT							1	
	AN380-2-2	. PIN,COTTER.							1	
- 15	AN6-30A/M/	. BOLT.							2	
	MS27183-13	. WASHER.							2	
	AN960-616	. WASHER.							2	
	AN960-616L	. WASHER.							4	
- 16	AN6-36	. BOLT.							1	
	105740S-ZT1110	. BUSHING							1	
	AN960-616	. WASHER.							4	
	130909N9	. NUT							1	
	AN380-2-3	. PIN,COTTER.							1	
- 17	35-825123	. BUSHING							2	3
	35-825123-9	. BUSHING							2	4
		----X----								
- 18	45-825080-13	. . LEG ASSY,DRAG/ORDER KIT 35-4012-1/							NP	3
- 18A R	002-820017-1	. . LEG ASSY,DRAG							1	4
	MS15002-1	. . FITTING,GREASE.							2	
- 19	95-824019-3	. . BRACE ASSY,DRAG/ORDER KIT 35-4012-1/							NP	3
- 19A R	002-820016-31	. . BRACE ASSY,V.							1	4
		/ATTACHING PARTS/								
- 20	NAS55A14/M/	. . BOLT.							1	3
	AN960-716	. . WASHER.							2	3
	MS20365-524	. . NUT							1	3
- 20A	AN175-17A	. . BOLT.							1	4
	AN960-516	. . WASHER.							1	4
	130909N24	. . NUT							1	4
- 21 R	NAS72-5-011	. . BUSHING							1	3
- 21A R	NAS72-5-011	. . BUSHING/USED WITH 002-820018-3/							1	4
		----X----								
- 21B	002-820016-27	. . . ARM,OUTBD							1	
- 21C	002-820016-29	. . . ARM,INBD.							1	
	130909B40	. . . BOLT.							1	
	AN960D416	. . . WASHER.							1	
	130909N32	. . . NUT							1	
	130909B20	. . . BOLT.							1	
	AN960D10	. . . WASHER.							1	
	130909N29	. . . NUT							1	
- 21D	002-820016-39	. . . PIN ASSY,DOOR ACTUATOR.							1	
- 21E	002-820016-9	. . . BRACKET,PIN SUPPORT							1	
- 21F	95-824019-1	. . . BUMPER ASSY							1	3
	002-820016-41	. . . BUMPER.							1	4
	35-815239	. . . INDICATOR INSTL,NOSE GEAR POSITION.							NP	5
	35-815239-629	. . . INDICATOR ASSY,NOSE GEAR POSITION							1	5
	NAS384-B-6P	. . . SCREW							2	
	NAS395-17	. . . NUT							2	
- 22	2505	. . . SOCKET,NOSE GEAR POSITION INDICATOR							1	5
- 23	53	. . . BULB /CLEAR/.							1	5
- 23A	D165-100-2	. . . FILTER /BLUE/							1	5
- 24	35-815239-7	. . . INDICATOR,NOSE GEAR POSITION.							1	5
		/ATTACHING PARTS/								
	AN3-17/M/	. . . BOLT.							1	
- 25 R	MS20392-1C57	. . . PIN							1	
- 25A	35-815239-19	. . . SPACER.							1	
	AN960-10L	. . . WASHER.							1	
	AN960PD6	. . . WASHER.							AR	
	R 130909N29	. . . NUT							1	
	MS24665-130	. . . PIN,COTTER.							1	
		----X----								
- 26	35-815239-13	. . . BRACKET,NOSE GEAR POSITION INDICATOR.							1	5
- 27	35-815239-17	. . . SHIELD,NOSE GEAR POSITION INDICATOR							1	5
- 28	35-815239-11	. . . ESCUTCHEON ASSY,NOSE GEAR INDICATOR							1	5
- 29	35-815240	. . . DECAL,NOSE GEAR INDICATOR IDENTIFICATION.							1	5



BEECHCRAFT  
BONANZA 33  
ILLUSTRATED PARTS CATALOG



B E E C H C R A F T  
B O N A N Z A 3 3  
I L L U S T R A T E D P A R T S C A T A L O G

FIG. & ITEM NO.	PART NO.	DESCRIPTION	UNITS PER ASSY	USABLE ON CODE
		1 2 3 4 5 6 7		
212	R 320555	. . . DISCONNECT, HOT WIRE . . . . .	1	5
	R MS25036-149	. . . TERMINAL, GROUND WIRE. . . . .	2	5
	AN515-8R	. . . SCREW . . . . .	1	
		-----*		
- 30	35-815239-5	. . BRACKET, NOSE GEAR POSITION INDICATOR. . . . .	1	5
	AN535-2-4	. . SCREW . . . . .	1	
		-----*		
- 31	35-815239-9	. . LINK, NOSE GEAR POSITION INDICATOR . . . . .	1	5
		/ATTACHING PARTS/		
- 31A	AN3-17/M/	. . BOLT. . . . .	1	
	AN960-10L	. . WASHER. . . . .	1	
	MS20364-1032	. . NUT . . . . .	2	
		-----*		
	AN960-3	. . WASHER, NOSE GEAR POSITION INDICATOR LINK. . . . .	1	5
- 31B	A872-012-1	. . FASTENER, LINK . . . . .	1	5
- 32	002-410038-3	. SHAFT ASSY, NOSE LANDING GEAR DOOR ACTUATOR. . . . .	1	
- 33	35-825074-1	. SPRING, DOOR ACTUATOR OPERATING. . . . .	1	
		/ATTACHING PARTS/		
- 34	AN525-832-8	. SCREW . . . . .	1	
	MS20365-832	. NUT . . . . .	1	
		-----*		
	R 35-825191-19	. ROD ASSY, DOOR ACTUATOR. . . . .	2	
		/ATTACHING PARTS/		
- 35	AN960-10	. WASHER. . . . .	AR	
	MS20364-1032	. NUT . . . . .	2	
		-----*		
- 36	35-825191-5	. . ROD, DOOR ACTUATOR LH. . . . .	1	
- 37	35-825191-7	. . ROD, DOOR ACTUATOR RH. . . . .	1	
- 38	R C100102	. . BALL-JOINT. . . . .	2	
- 39	AN315-3R	. . NUT . . . . .	2	

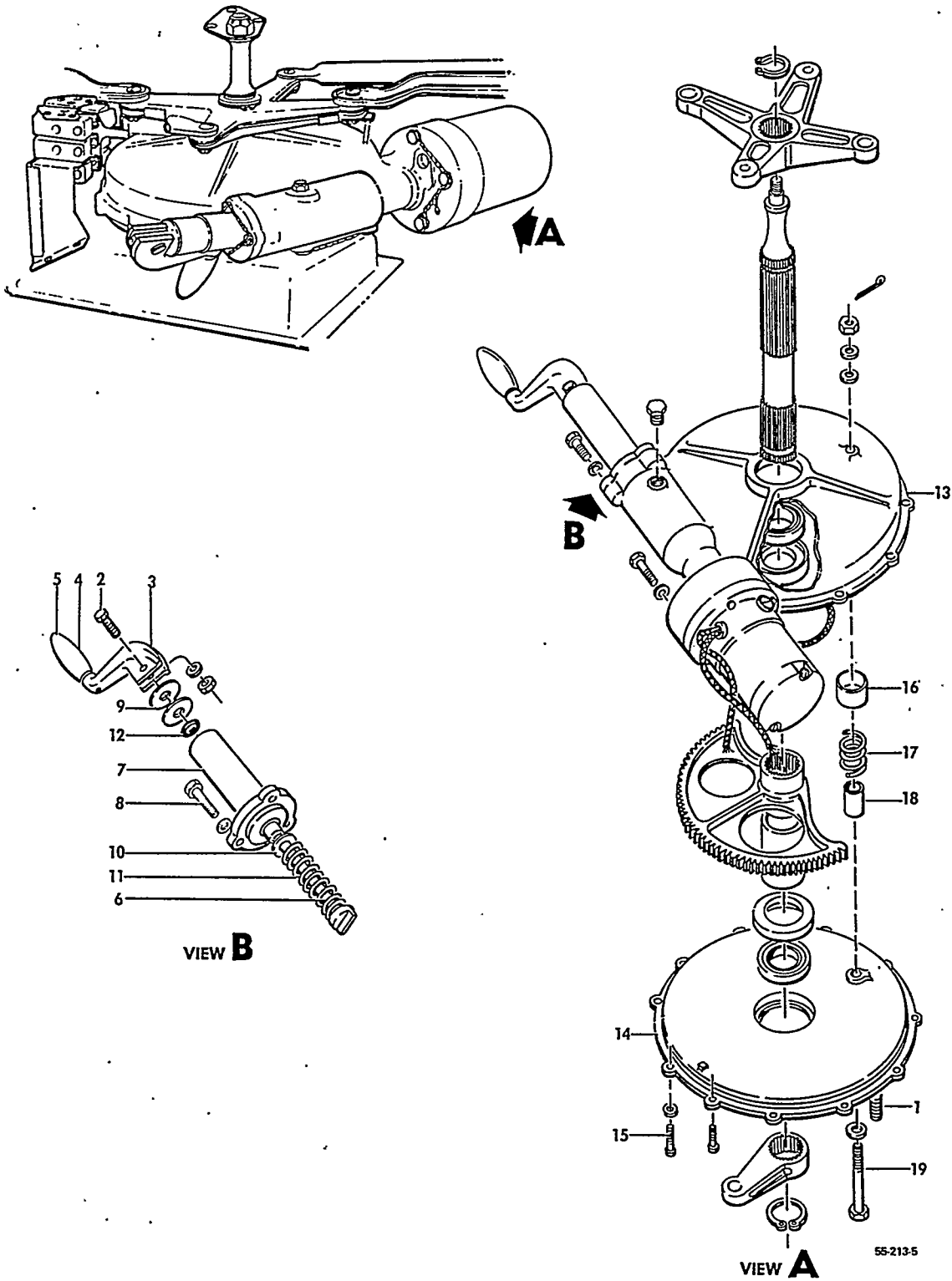
C O D E S O F E F F E C T I V I T Y

1	CD-1235 THRU CD-1254	2	CD-1255 THRU CD-1304
			CE-290 AND AFTER
			CJ-26 AND AFTER
3	CD-1235 THRU CD-1304	4	CE-732 AND AFTER
	CE-290 THRU CE-731		CJ-129 AND AFTER
	CJ-26 THRU CJ-128		
5	CD-1235 THRU CD-1254	6	CE-448 THRU CE-1018
	CE-290 THRU CE-338		CJ-40 AND AFTER
	CJ-26 THRU CJ-30		
7	CD-1235 THRU CD-1304	8	CE-1019 AND AFTER
	CE-290 THRU CE-477		JC-156 AND AFTER
	CJ-26 THRU CJ-39		

BEECHCRAFT  
BONANZA 33  
ILLUSTRATED PARTS CATALOG

FIGURE 213  
LANDING GEAR RETRACT. GEARBOX

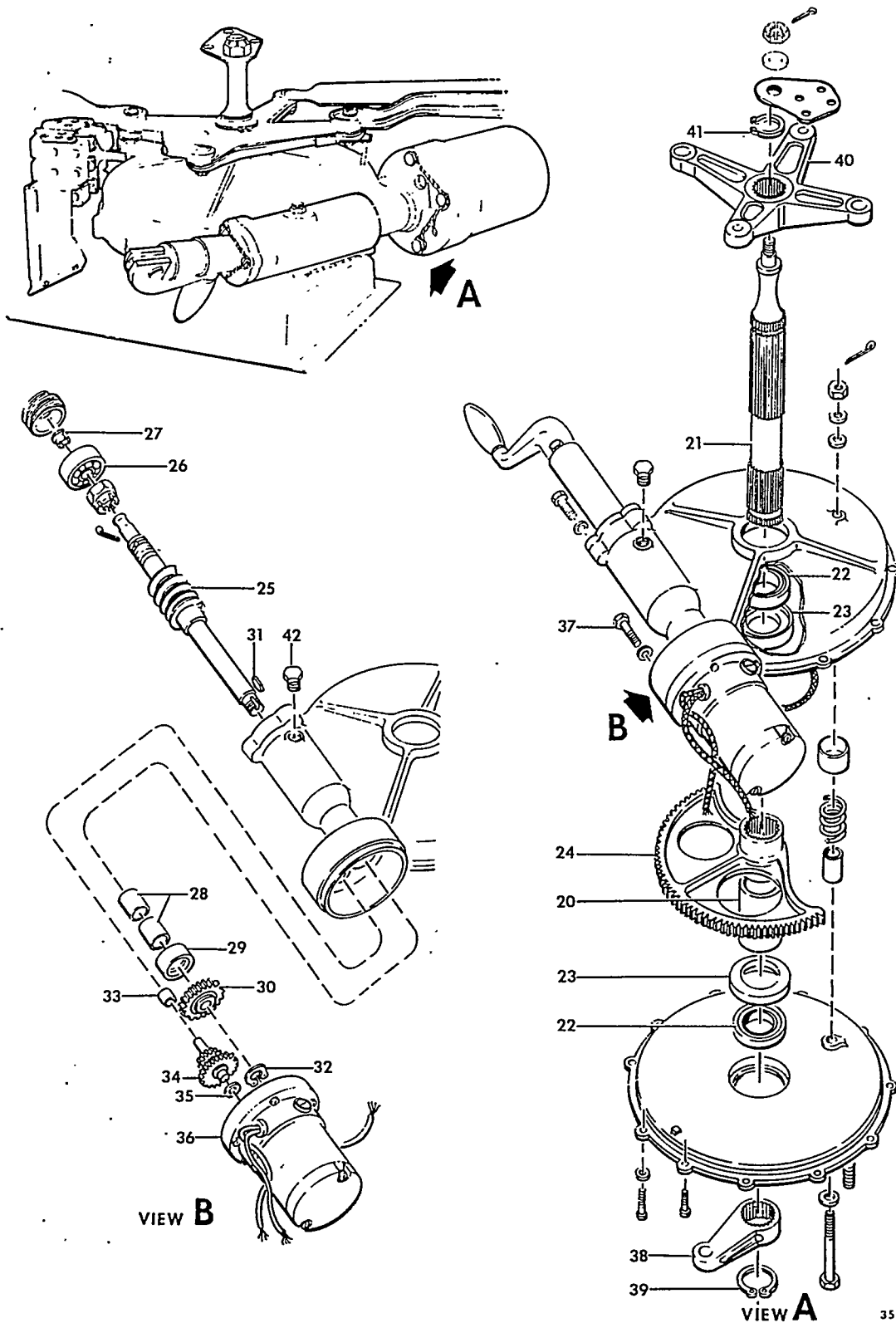
BEECHCRAFT  
 BONANZA 33  
 ILLUSTRATED PARTS CATALOG



B E E C H C R A F T  
B O N A N Z A 3 3  
I L L U S T R A T E D P A R T S C A T A L O G

FIG. & ITEM NO.	PART NO.	DESCRIPTION	UNITS							USABLE ON CODE	
			1	2	3	4	5	6	7		PER ASSY
213	35-810075-13	ACTUATOR ASSY, LANDING GEAR . . . . .								1	1
	95-810017-23	ACTUATOR ASSY, LANDING GEAR RETRACT/FOR 28 VOLT/ /ATTACHING PARTS/								1	2
- 1	35-810097	STUD, LANDING GEAR RETRACT . . . . .								4	
	AN960-416	WASHER . . . . .								4	
	MS20365-428	NUT . . . . .								4	
	35-810094-10	* CRANK ASSY, HAND . . . . .								1	
		/ATTACHING PARTS/									
- 2	AN23-17A/M/	. BOLT . . . . .								1	
	AN960-10	. WASHER . . . . .								1	
	MS20365-1032	. NUT . . . . .								1	
		* . . . . .									
- 3	35-810094-12	. . CRANK, HAND . . . . .								1	
- 4	35-810094-6	. . HANDLE, HAND CRANK . . . . .								1	
- 5	AN393-77	. . PIN . . . . .								1	
	#75 LOCTITE	. . COMPOUND, RETAINING . . . . .								AR	
	AN960-10L	. . WASHER . . . . .								1	
- 6	35-810095	. SHAFT, HAND CRANK ENGAGING . . . . .								1	
- 7	35-810142-2	. HOUSING, HAND CRANK SHAFT . . . . .								1	
		/ATTACHING PARTS/									
- 8	AN500A10-10	. SCREW . . . . .								3	
	AN960-10	. WASHER . . . . .								3	
		* . . . . .									
	R1348	. COMPOUND, PERFECT SEAL SEALING . . . . .								AR	
- 9	35-810134	. WASHER . . . . .								2	
	35-810134-1	. WASHER . . . . .								AR	
- 10	100951X063YH	. WASHER . . . . .								1	
- 11	35-810075-11	. SPRING . . . . .								1	
- 12	AN6227B9	. O RING . . . . .								1	
- 13	35-810141-9	. HOUSING, LANDING GEAR ACTUATOR UPPER . . . . .								1	9
	35-810141-11	. HOUSING, LANDING GEAR ACTUATOR UPPER . . . . .								1	7
- 14	35-815020-3	. HOUSING, LANDING GEAR ACTUATOR LOWER . . . . .								1	
		/ATTACHING PARTS/									
- 15	AN500A10-10	. SCREW . . . . .								9	
	AN500A10-8	. SCREW . . . . .								2	
	AN960-10	. WASHER . . . . .								11	
		* . . . . .									
- 16	100696X-YD024	. SPACER, GEAR STOP . . . . .								1	
- 17	35-810119	. SPRING, GEAR STOP . . . . .								1	
- 18	35-810087	. STOP, WORM SECTOR GEAR . . . . .								1	
		/ATTACHING PARTS/									
- 19	AN5-17/M/	. BOLT . . . . .								1	
	AN960-516	. WASHER . . . . .								1	
	AN960D516	. WASHER . . . . .								2	
	130909N8	. NUT . . . . .								1	
	MS24665-132	. PIN, COTTER . . . . .								1	
		* . . . . .									

BEECHCRAFT  
 BONANZA 33  
 ILLUSTRATED PARTS CATALOG



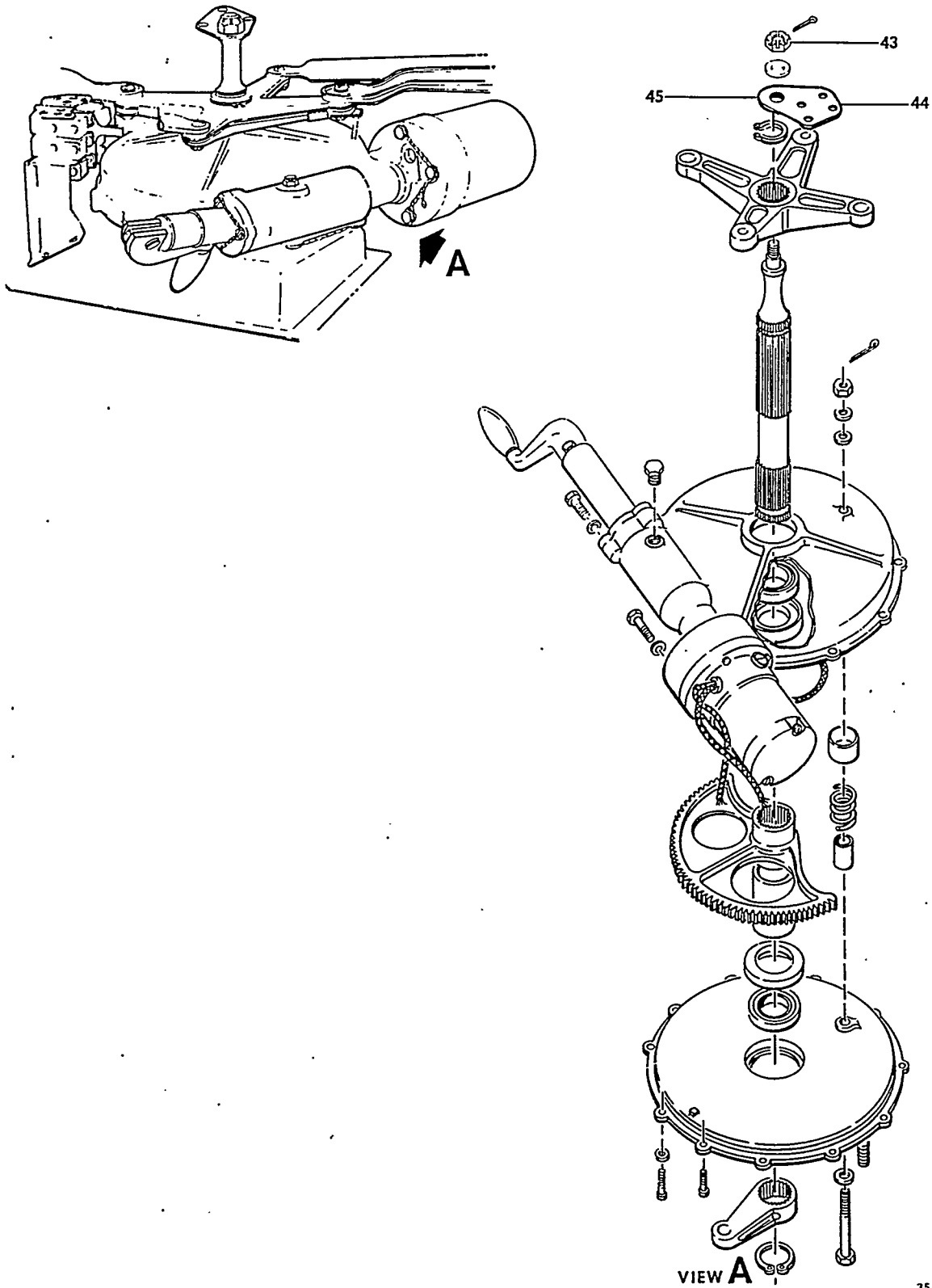
35-213-4

FIGURE 213. LANDING GEAR RETRACT GEARBOX  
 /SHEET 2 OF 3 SHEETS/

B E E C H C R A F T  
B O N A N Z A 3 3  
I L L U S T R A T E D P A R T S C A T A L O G

FIG. & ITEM NO.	PART NO.	DESCRIPTION	1 2 3 4 5 6 7							UNITS PER ASSY	USABLE ON CODE
			1	2	3	4	5	6	7		
213 - 20	35-810088	• SPACER, LANDING GEAR ACTUATOR. . . . .								1	
- 21	35-810083	• SHAFT, ACTUATOR DRIVE. . . . .								1	
- 22	K218	• BEARING, DRIVE SHAFT/ALTERNATE KP21B2TS/ . . . . .								2	
- 23	450273	• SEAL. . . . .								2	
- 24	35-810117-5	• SECTOR, ACTUATOR WDRM. . . . .								1	
- 25	35-810076-3	• GEAR, ACTUATOR WORM. . . . .								1	
	AN380-3-4	• PIN, COTTER. . . . .								1	
	35-810147	• NUT, ACTUATOR WORM GEAR. . . . .								1	
- 26	5201KD	• BEARING/ALTERNATE FOR 5201SBKF/ . . . . .								1	
	5201SBKF	• BEARING/ALTERNATE FOR 5201KD/ . . . . .								1	
	60-810106-1	• WASHER/BETWEEN HOUSING & BEARING/ . . . . .								1	7
- 27	35-810077-3	• BUSHING, ACTUATOR WORM GEAR. . . . .								2	
	45-810144	• NUT . . . . .								1	
- 28	B88	• BEARING . . . . .								2	
- 29	09916M1	• SEAL. . . . .								1	
- 30	35-810140	• GEAR, WORM DRIVE . . . . .								1	
- 31	35-810091	• KEY, WORM DRIVE GEAR . . . . .								1	
- 32	NAS51-43	• RING, SNAP . . . . .								1	1
	MS16624-1043	• RING, SNAP . . . . .								1	2
- 33	M471	• BEARING . . . . .								1	
- 34	35-810139	• GEAR, SPUR & PINION. . . . .								1	1
	35-810135	• GEAR, SPUR & PINION. . . . .								1	2
- 35	105090CRO32-4E	• WASHER. . . . .								1	
- 36	35-380094	• MOTOR ASSY, LANDING GEAR ACTUATOR/14 VOLT/ /SEE FIGURE 214/ . . . . .								1	3
	35-380094-3	• MOTOR ASSY, LANDING GEAR ACTUATOR/14 VOLT/ /SEE FIGURE 214A/ . . . . .								1	4
	58-380090-1	• MOTOR ASSY, LANDING GEAR ACTUATOR/28 VOLT/ /SPARES FOR 58-380090-5, 96-380022 & 96-380022-5/ /ATTACHING PARTS/ . . . . .								1	2
- 37	AN73-15/M/ AN960-10L	• BOLT. . . . . • WASHER. . . . .								3 3	
- 38	35-825172-13	• ARM, NOSE GEAR ACTUATOR RETRACT. . . . .								1	
- 39	NAS51-131	• RING. . . . .								1	
- 40	45-810090	• ARM, ACTUATOR RETRACT. . . . .								1	8
	45-810090-3	• ARM, ACTUATOR RETRACT. . . . .								1	6
	58-810023-1	• ARM, ACTUATOR RETRACT. . . . .								1	7
- 41	NAS51-131	• RING. . . . .								1	
- 42	5677	• PLUG, WORM GEAR GREASE . . . . .								1	
	RTV108	• SEALING COMPOUND. . . . .								AR	
	60-810107-1	• DECAL, INSTRUCTION ACTUATOR RIGGING. . . . .								1	7

BEECHCRAFT  
BONANZA 33  
ILLUSTRATED PARTS CATALOG



35-213-5



B E E C H C R A F T  
 BONANZA 33  
 I L L U S T R A T E D P A R T S C A T A L O G

FIG. & ITEM NO.	PART NO.	DESCRIPTION	UNITS PER ASSY	USABLE ON CODE
213	35-810132	SUPPORT ASSY, LANDING GEAR ACTUATOR UPPER . . . . /ATTACHING PARTS/	1	
	AN960-716	WASHER. . . . .	1	
	AN960-516	WASHER. . . . .	1	
- 43	130909N8	NUT . . . . .	1	
	MS24665-132	PIN, COTTER. . . . .	1	
		*		
- 44	35-810132-2	. SUPPORT, GEAR ACTUATOR UPPER . . . . .	1	
- 45	35-810133	. BUSHING, ACTUATOR GEAR SUPPORT . . . . .	1	

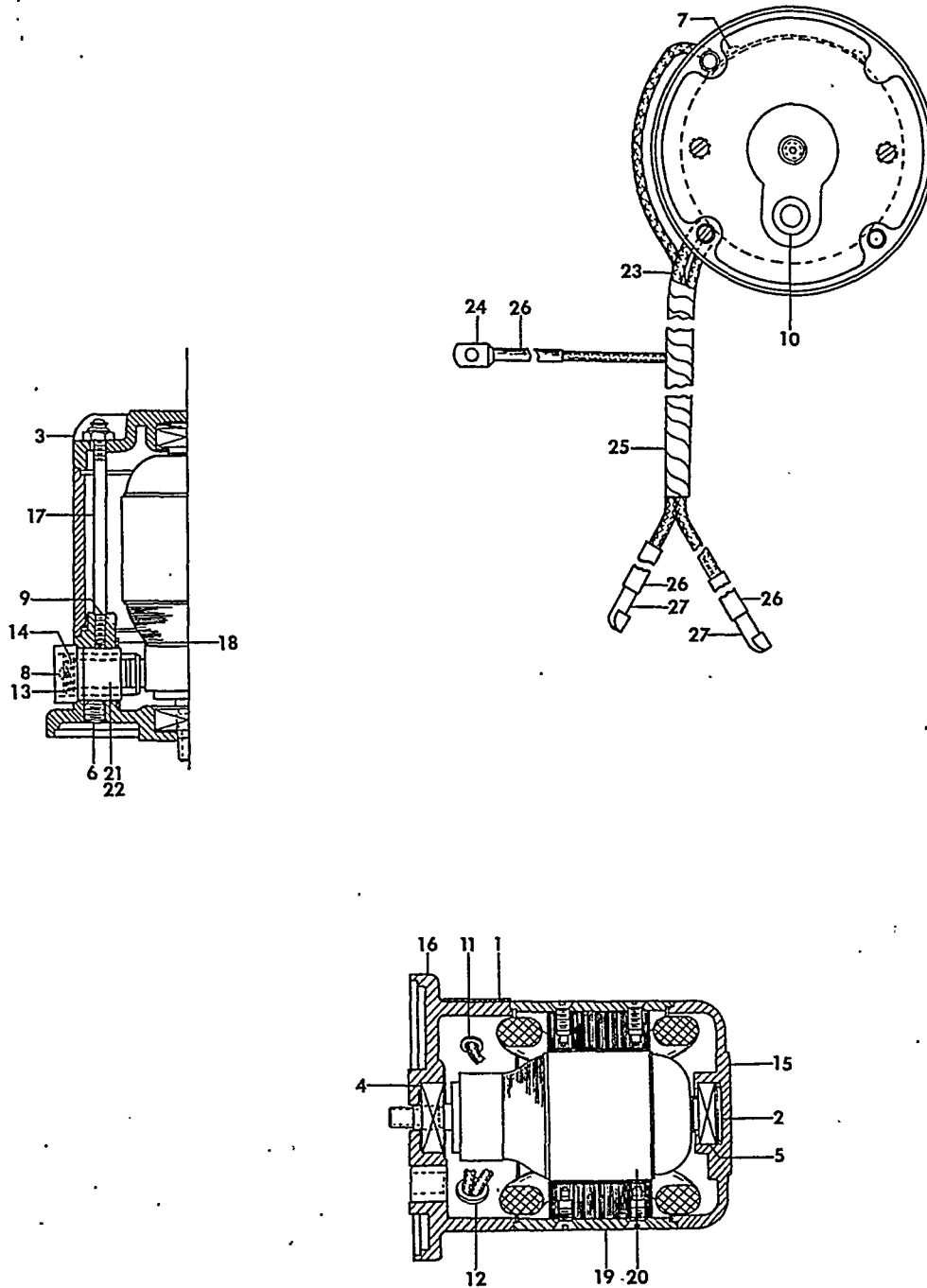
C O D E S O F E F F E C T I V I T Y

- |   |                      |   |   |
|---|----------------------|---|---|
| 1 | CD-1235 THRU CD-1304 | 2 | CE-748,<br>CE-772 AND AFTER               |
|   | CE-290 THRU CE-747   |   | CJ-149 AND AFTER                          |
|   | CE-749 THRU CE-771   |   |   |
|   | CJ-26 THRU CJ-148    |   |   |
| 3 | CD-1235 THRU CD-1304 | 4 | CE-607 THRU CE-747,<br>CE-749 THRU CE-771 |
|   | CE-290 THRU CE-606   |   | CJ-105 THRU CJ-148                        |
|   | CJ-26 THRU CJ-104    |   |   |
| 5 | DELETED              | 6 | CE-813 ONLY                               |
| 7 | CE-959 AND AFTER     | 8 | CD-1235 THRU CD-1304                      |
|   | CJ-156 AND AFTER     |   | CE-290 THRU CE-812,<br>CE-814 THRU CE-958 |
|   |                      |   | CJ-26 THRU CJ-155                         |
| 9 | CD-1235 THRU CD-1304 |   |   |
|   | CE-290 THRU CE-958   |   |   |
|   | CJ-26 THRU CJ-155    |   |   |

BEECHCRAFT  
BONANZA 33  
ILLUSTRATED PARTS CATALOG

FIGURE 214  
LANDING GEAR RETRACT MOTOR  
CD-1235 THRU CD-1304  
CE-290 THRU CE-606, CJ-26 THRU CJ-104

BEECHCRAFT  
BONANZA 33  
ILLUSTRATED PARTS CATALOG



33-214-1

B E E C H C R A F T  
B O N A N Z A 3 3  
I L L U S T R A T E D P A R T S C A T A L O G

FIG. & ITEM NO.	PART NO.	DESCRIPTION							UNITS PER ASSY	USABLE ON CODE
		1	2	3	4	5	6	7		
214	35-380094	MOTOR ASSY, LANDING GEAR RETRACT . . . . .							1	1
		/ALTERNATE FOR 35-380094-3/								
- 1	8047	. NAMEPLATE . . . . .							1	1
- 2	0-3518	. SPRING, LOAD . . . . .							2	1
- 3	7469	. NUT . . . . .							2	1
- 4	30-7623	. BEARING, BALL . . . . .							1	1
- 5	20-7609	. BEARING, BALL . . . . .							1	1
- 6	7978	. SCREW, SET . . . . .							2	1
- 7	8058	. PIN, DRIVE . . . . .							2	1
- 8	8282	. PIN, COTTER . . . . .							2	1
- 9	10-7822	. SCREW, SET . . . . .							2	1
- 10	20-7642	. BEARING, NEEDLE . . . . .							1	1
- 11	0-3883	. BUSHING, CORD . . . . .							1	1
- 12	0-3896	. BUSHING, CORD . . . . .							1	1
- 13	10-4431	. DISC, FIBER . . . . .							2	1
- 14	5705	. SCREW, BRUSH HOLDER . . . . .							2	1
- 15	0-6864	. BRACKET, END . . . . .							1	1
- 16	0-6865	. BRACKET, END . . . . .							1	1
- 17	10-7868	. STUD . . . . .							2	1
- 18	0-2497	. WASHER, FIBER . . . . .							2	1
- 19	IS14818F	. FIELD ASSY, MOTOR . . . . .							1	1
- 20	13981A	. ARMATURE ASSY . . . . .							1	1
- 21	33107A	. HOLDER ASSY, BRUSH . . . . .							2	1
- 22	35107A	. BRUSH & SPRING ASSY . . . . .							1	1
- 23	39109A	. CLIP ASSY, LEAD . . . . .							1	1
- 24	0-5159	. LUG, TERMINAL . . . . .							1	1
- 25	P0-750	. TAPE . . . . .							AR	1
- 26	20-3841	. SLEEVE . . . . .							3	1
- 27	0-5157	. TERMINAL /QUICK DISCONNECT/ . . . . .							2	1

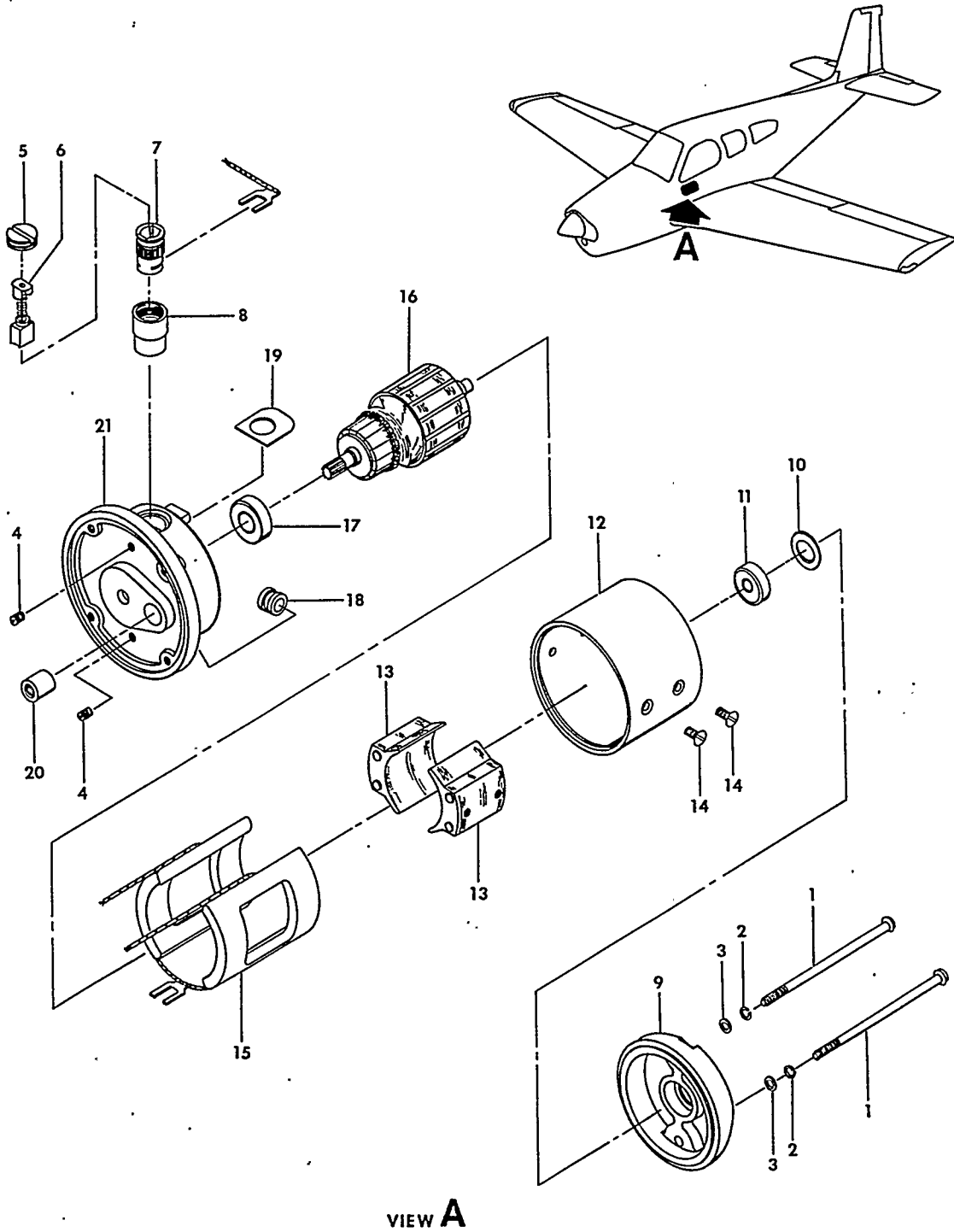
C O D E S O F E F F E C T I V I T Y

- 1 CD-1235 THRU CD-1304
- CE-290 THRU CE-606
- CJ-26 THRU CJ-104

BEECHCRAFT  
BONANZA 33  
ILLUSTRATED PARTS CATALOG

FIGURE 214A  
LANDING GEAR RETRACT MOTOR/14 VOLT/  
CE-607 THRU CE-771, EXCEPT CE-748  
CJ-105 THRU CJ-148

BEECHCRAFT  
 BONANZA 33  
 ILLUSTRATED PARTS CATALOG



VIEW A

33-214A-2

B E E C H C R A F T  
B O N A N Z A 3 3  
I L L U S T R A T E D P A R T S C A T A L O G

FIG. & ITEM NO.	PART NO.	DESCRIPTION	UNITS PER ASSY	USABLE ON CODE
		1 2 3 4 5 6 7		
214A	35-380094-3	MOTOR ASSY, LANDING GEAR RETRACT /ALTERNATE FOR 35-380094/	1	1
- 1	AN505-4-48	• SCREW	2	1
- 2	AN935-8L	• WASHER	2	1
- 3	AN960-8L	• WASHER	2	1
- 4	8-32 X 1/4	• SCREW, SET	2	1
- 5	27-2-3006	• CAP, BRUSH	2	1
- 6	27-4-3002	• BRUSH & SPRING ASSY	2	1
- 7	27-4-3001	• SLEEVE	2	1
- 8	27-2-3002-1	• HOLDER	2	1
- 9	27-4-6003-2	• END BELL, REAR	1	1
- 10	F0728-006	• WASHER, SPRING	1	1
- 11	27-4-1006	• BEARING	1	1
- 12	27-4-5001	• HOUSING, FIELD	1	1
- 13	27-4-5003	• FIELD STACK ASSY. /ATTACHING PARTS/	2	1
- 14	AN505C6-5	• SCREW	4	
		*-----*		
- 15	27-4-5002	• FIELD COIL ASSY	1	1
- 16	27-4-2000	• ARMATURE ASSY	1	1
- 17	27-4-1005	• BEARING	1	1
- 18	M535489-62	• GROMMET	2	1
- 19	27-4-1004	• INSULATOR, BRUSH TERMINAL	2	1
- 20	M471	• BEARING	1	1
- 21	27-4-4003-2	• END BELL, FRONT	1	1

C O D E S O F E F F E C T I V I T Y

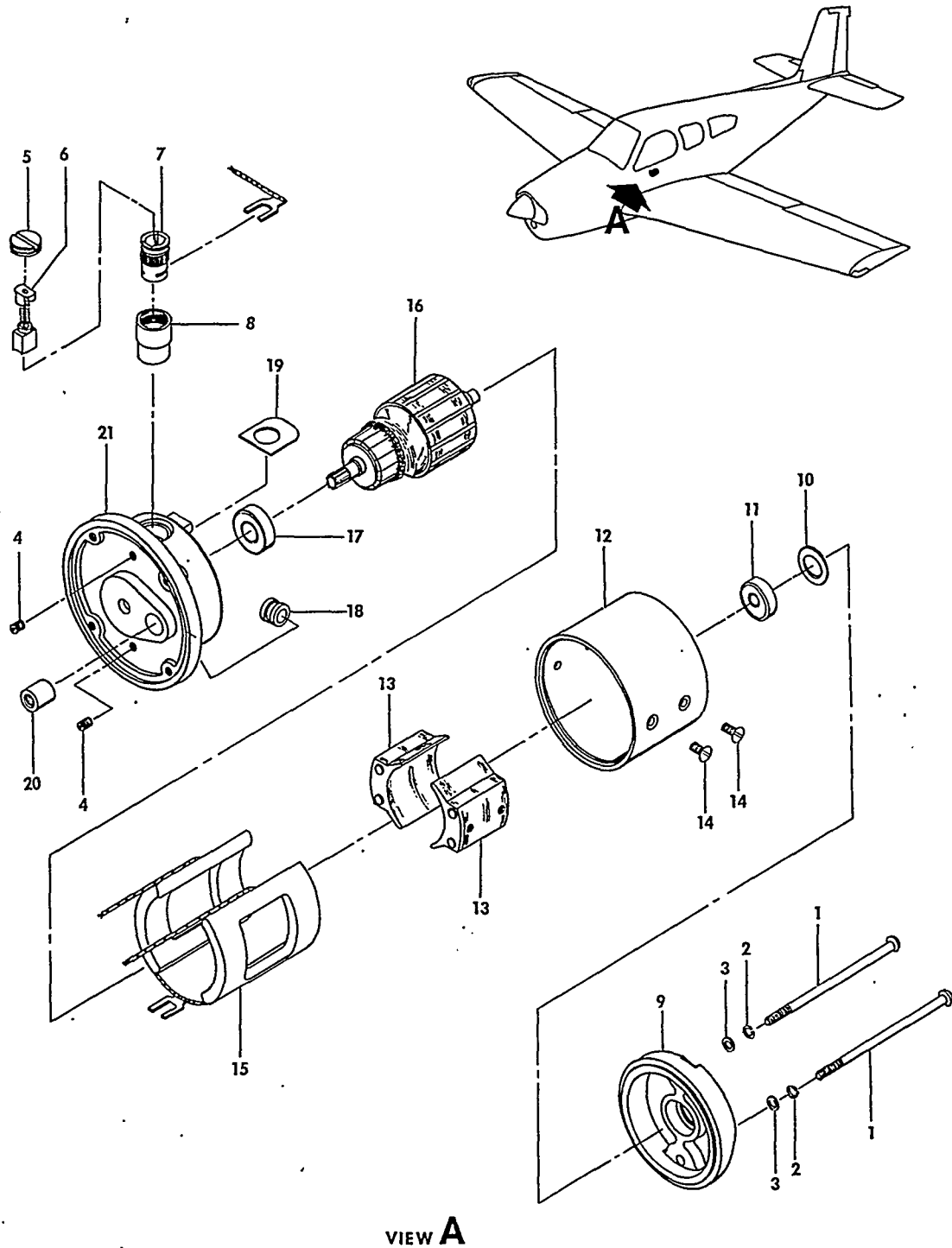
1 CE-607 THRU CE-771  
EXCEPT CE-748  
CJ-105 THRU CJ-148

BEECHCRAFT  
BONANZA 33  
ILLUSTRATED PARTS CATALOG

FIGURE 214B  
LANDING GEAR RETRACT MOTOR/28 VOLT/  
CE-748,CE-772 AND AFTER  
CJ-149 AND AFTER



BEECHCRAFT  
BONANZA 33  
ILLUSTRATED PARTS CATALOG



VIEW A

33-214B-3

B E E C H C R A F T  
B O N A N Z A 3 3  
I L L U S T R A T E D P A R T S C A T A L O G

FIG. & ITEM NO.	PART NO.	DESCRIPTION	UNITS PER ASSY							USABLE ON CODE
			1	2	3	4	5	6	7	
214B	96-380022-5	MOTOR ASSY, LANDING GEAR RETRACT . . . . . /ORDER 58-380090-1/ /ATTACHING PARTS/							NP	1
- 1	AN505-8-48	SCREW . . . . .							2	
- 2	AN935-8L	WASHER, LOCK . . . . .							2	
- 3	AN960-8L	WASHER . . . . .							2	
		*								
- 4	8-32 X 1/4	• SCREW, SET . . . . .							2	1
- 5	27-2-3006	• CAP, BRUSH . . . . .							2	1
- 6	27-8-3002	• BRUSH & SPRING ASSY . . . . .							2	1
- 7	27-4-3001	• SLEEVE . . . . .							2	1
- 8	27-2-3002-1	• HOLDER . . . . .							2	1
- 9	27-4-6003-2	• END BELL, REAR . . . . .							1	1
- 10	F0728-006	• WASHER, SPRING . . . . .							1	1
- 11	27-4-1006	• BEARING . . . . .							1	1
- 12	27-4-5001	• HOUSING, FIELD . . . . .							1	1
- 13	27-4-5003	• FIELD STACK ASSY. . . . .							2	1
		/ATTACHING PARTS/								
- 14	AN505C6-5	• SCREW . . . . .							4	
		*								
- 15	27-8-5002	• FIELD COIL ASSY . . . . .							1	1
- 16	27-4-2000	• ARMATURE ASSY . . . . .							1	1
- 17	27-4-1005	• BEARING . . . . .							1	1
- 18	MS35489-62	• GROMMET . . . . .							2	1
- 19	27-4-1004	• INSULATOR, BRUSH TERMINAL . . . . .							2	1
- 20	M471	• BEARING . . . . .							1	1
- 21	27-4-4003-2	• END BELL, FRONT . . . . .							1	1
	58-380090-1	MOTOR ASSY, LANDING GEAR RETRACT . . . . . /NO BREAKDOWN AVAILABLE/							1	1

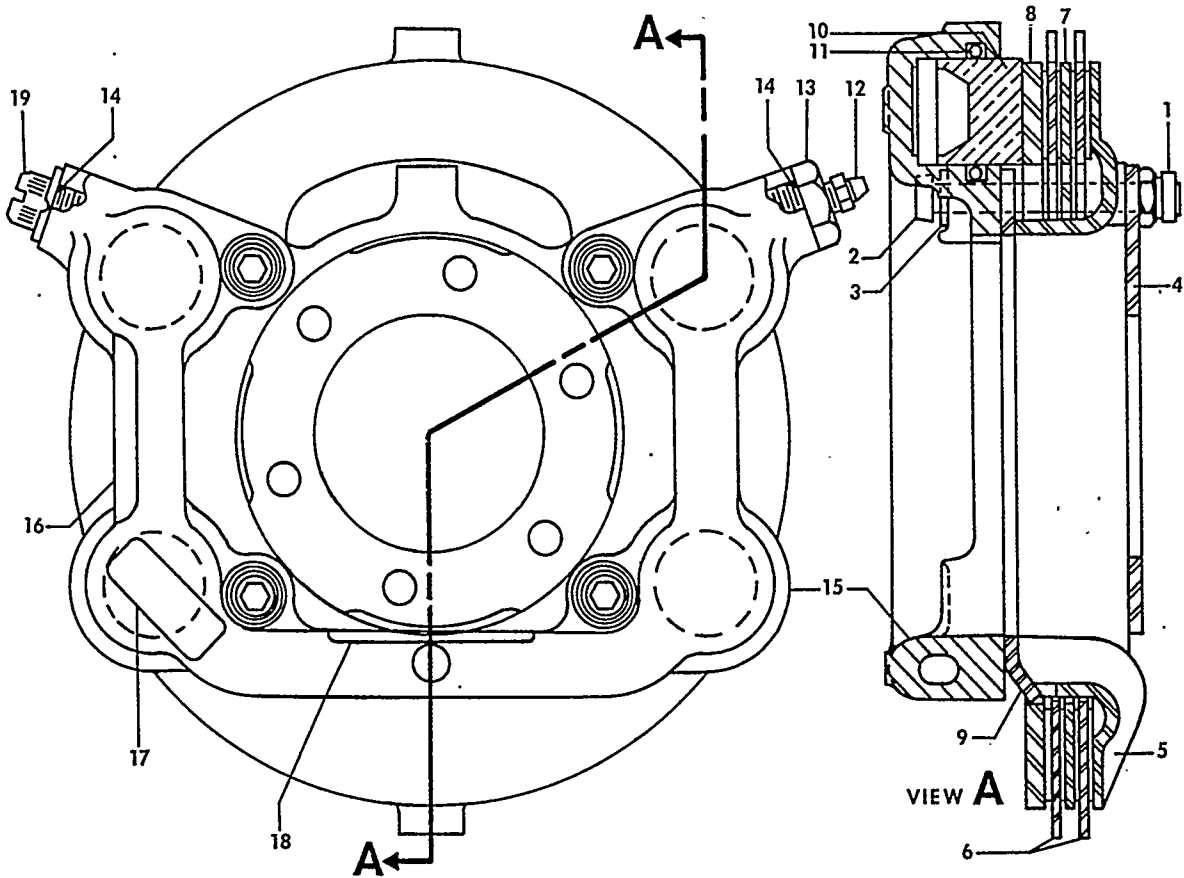
C O D E S O F E F F E C T I V I T Y

- 1 CE-748,
- CE-772 AND AFTER
- CJ-149 AND AFTER

BEECHCRAFT  
BONANZA 33  
ILLUSTRATED PARTS CATALOG

FIGURE 218  
BRAKES  
CD-1235 THRU CD-1271, CE-290 THRU CE-300,  
CJ-26 THRU CJ-30

BEECHCRAFT  
BONANZA 33  
ILLUSTRATED PARTS CATALOG



33-218-2

B E E C H C R A F T .  
B O N A N Z A 3 3  
I L L U S T R A T E D P A R T S C A T A L O G

FIG. & ITEM NO.	PART NO.	DESCRIPTION							UNITS PER ASSY	USABLE ON CODE
		1	2	3	4	5	6	7		
218	35-8002-25	BRAKE ASSY.	.	.	.	.	.	.	2	1
- 1	95-6867	. NUT, SELFLOCKING	.	.	.	.	.	.	4	1
- 2	95-9491	. BOLT, INTERNAL WRENCHING	.	.	.	.	.	.	4	1
- 3	6926	. WASHER.	.	.	.	.	.	.	4	1
- 4	95-35451	. FLANGE, TORQUE	.	.	.	.	.	.	1	1
- 5	35-8002-13	. PLATE, BACK.	.	.	.	.	.	.	1	1
- 6	35-8002-21	. DISC, ROTATING	.	.	.	.	.	.	2	1
- 7	35-8002-23	. DISC, STATIONARY	.	.	.	.	.	.	1	1
- 8	35-8002-19	. PLATE, PRESSURE.	.	.	.	.	.	.	1	1
- 9	95-35454	. PLATE, TORQUE.	.	.	.	.	.	.	1	1
- 10	95-35452	. PISTON.	.	.	.	.	.	.	4	1
- 11	95-4719	. PACKING, O RING.	.	.	.	.	.	.	4	1
- 12	95-9279	. VALVE, BLEEDER	.	.	.	.	.	.	1	1
- 13	95-3218	. ADAPTER, BLEEDER VALVE	.	.	.	.	.	.	1	1
- 14	95-5761	. PACKING, O RING.	.	.	.	.	.	.	2	1
- 15	35-8002-11	. HOUSING, BRAKE	.	.	.	.	.	.	1	1
- 16	95-35577	. PLATE, BEECHCRAFT DATA	.	.	.	.	.	.	1	1
- 17	95-35625	. PLATE, TORQUE DATA	.	.	.	.	.	.	1	1
- 18	95-300001-64	. PLATE, SERIAL DATA	.	.	.	.	.	.	1	1
- 19	95-1989	. PLUG, STORAGE & SHIPPING	.	.	.	.	.	.	1	1

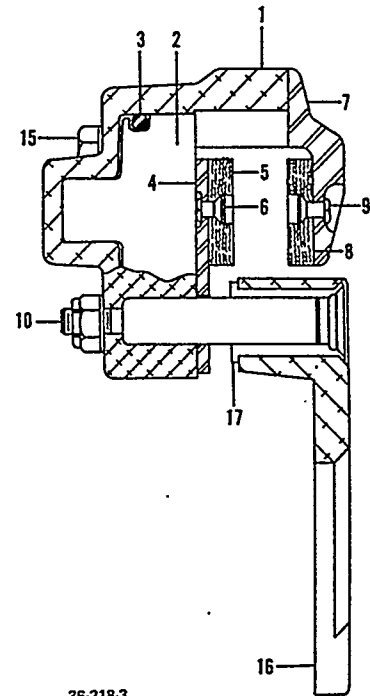
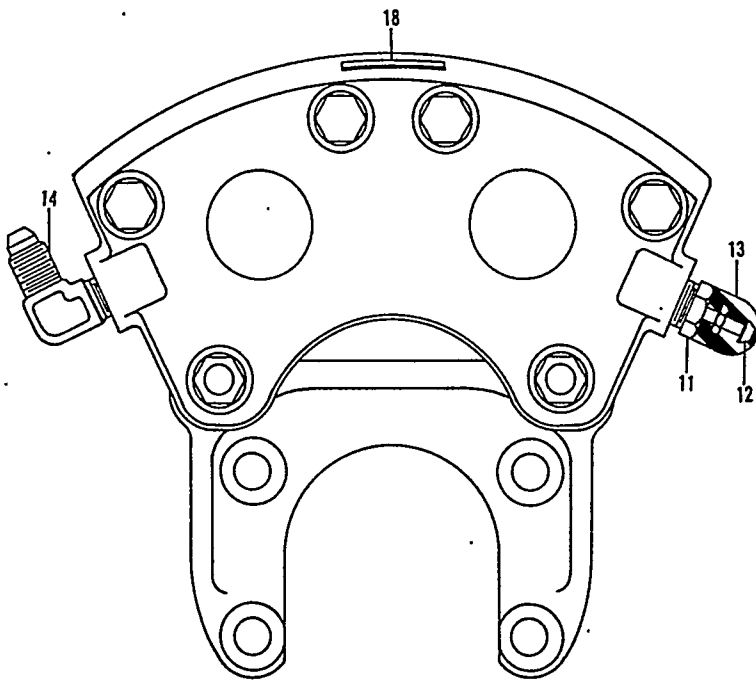
C O D E S O F E F F E C T I V I T Y

- 1 CD-1235 THRU CD-1271
- CE-290 THRU CE-300
- CJ-26 THRU CJ-30

BEECHCRAFT  
BONANZA 33  
ILLUSTRATED PARTS CATALOG

FIGURE 218A  
BRAKES  
CD-1272 THRU CD-1304, CE-301 AND AFTER,  
CJ-31 AND AFTER

BEECHCRAFT .  
BOONANZA 33  
ILLUSTRATED PARTS CATALOG



36-218-3

B E E C H C R A F T  
B O N A N Z A 3 3  
I L L U S T R A T E D P A R T S C A T A L O G

FIG. & ITEM NO.	PART NO.	DESCRIPTION	UNITS PER ASSY	USABLE ON CODE
		1 2 3 4 5 6 7		
218A	36-8001-9	BRAKE ASSY. . . . .	2	1
	36-8001-29	BRAKE ASSY/ORDER 36-8001-41/. . . . .	NP	4
	36-8001-41	BRAKE ASSY/SPARES FOR 36-8001-29/. . . . .	2	5
	36-8001-11	. . . CYLINDER ASSY . . . . .	1	3
- 1	61-24	. . . CYLINDER. . . . .	1	3
	36-8001-13	. . . PISTON ASSY . . . . .	2	3
- 2	62-15	. . . PISTON. . . . .	2	3
- 3	AN6227B27	. . . O R I N G . . . . .	2	3
	36-8001-15	. . . PLATE ASSY,PRESSURE/ORDER 36-8001-45/ . . . . .	NP	6
	36-8001-45	. . . PLATE ASSY,PRESSURE . . . . .	1	5
- 4	63-11	. . . PLATE,PRESSURE. . . . .	NP	3
- 5	36-8001-23	. . . LINING/ORDER 36-8001-43/. . . . .	NP	6
	36-8001-43	. . . LINING/SPARES FOR 36-8001-23/ . . . . .	2	5
- 6	561	. . . R I V E T . . . . .	4	3
	36-8001-35	. . . PLATE ASSY,BACK/REPLACES 36-8001-17/. . . . . ORDER 36-8001-47	2	6
	36-8001-47	. . . PLATE ASSY,BACK/SPARES FOR 36-8001-35/. . . . .	2	5
- 7	64-15A	. . . PLATE,BACK. . . . .	1	3
- 8	36-8001-23	. . . LINING/ORDER 36-8001-43/. . . . .	NP	6
	36-8001-43	. . . LINING/SPARES FOR 36-8001-23/ . . . . .	1	5
- 9	561	. . . R I V E T . . . . .	2	3
- 10	69-4	. . . B O L T , A N C H O R . . . . .	2	3
	MS20365-428	. . . N U T . . . . .	2	3
	AN960-416L	. . . W A S H E R . . . . .	6	3
- 11	37-206	. . . S E A T , B L E E D E R . . . . .	1	3
- 12	95-9279	. . . S C R E W , B L E E D E R . . . . .	1	3
- 13	183-1	. . . C A P , B L E E D E R . . . . .	1	3
- 14	AN823-4D	. . . F I T T I N G , T U B E . . . . .	4	3
- 15	LP4-21A/M/	. . . B O L T . . . . .	4	3
	36-8001-19	. . . P L A T E A S S Y , T O R Q U E . . . . .	1	1
	36-8001-31	. . . P L A T E A S S Y , T O R Q U E . . . . .	1	2
- 16	65-27	. . . P L A T E , T O R Q U E . . . . .	1	1
	065-02701	. . . P L A T E , T O R Q U E . . . . .	1	2
- 17	145-18	. . . B U S H I N G . . . . .	2	3
- 18	166-15	. . . N A M E P L A T E . . . . .	1	3
	36-8001-21	D I S C A S S Y , B R A K E . . . . .	2	1
	36-8001-27	D I S C A S S Y , B R A K E . . . . .	2	2

NOTE WHEN REPL 36-8001-9 BRAKE AND 36-8001-3  
WHEEL AS A SET,REPLACE WITH 36-8001-29  
BRAKE & 36-8001-25 WHEEL

C O D E S O F E F F E C T I V I T Y

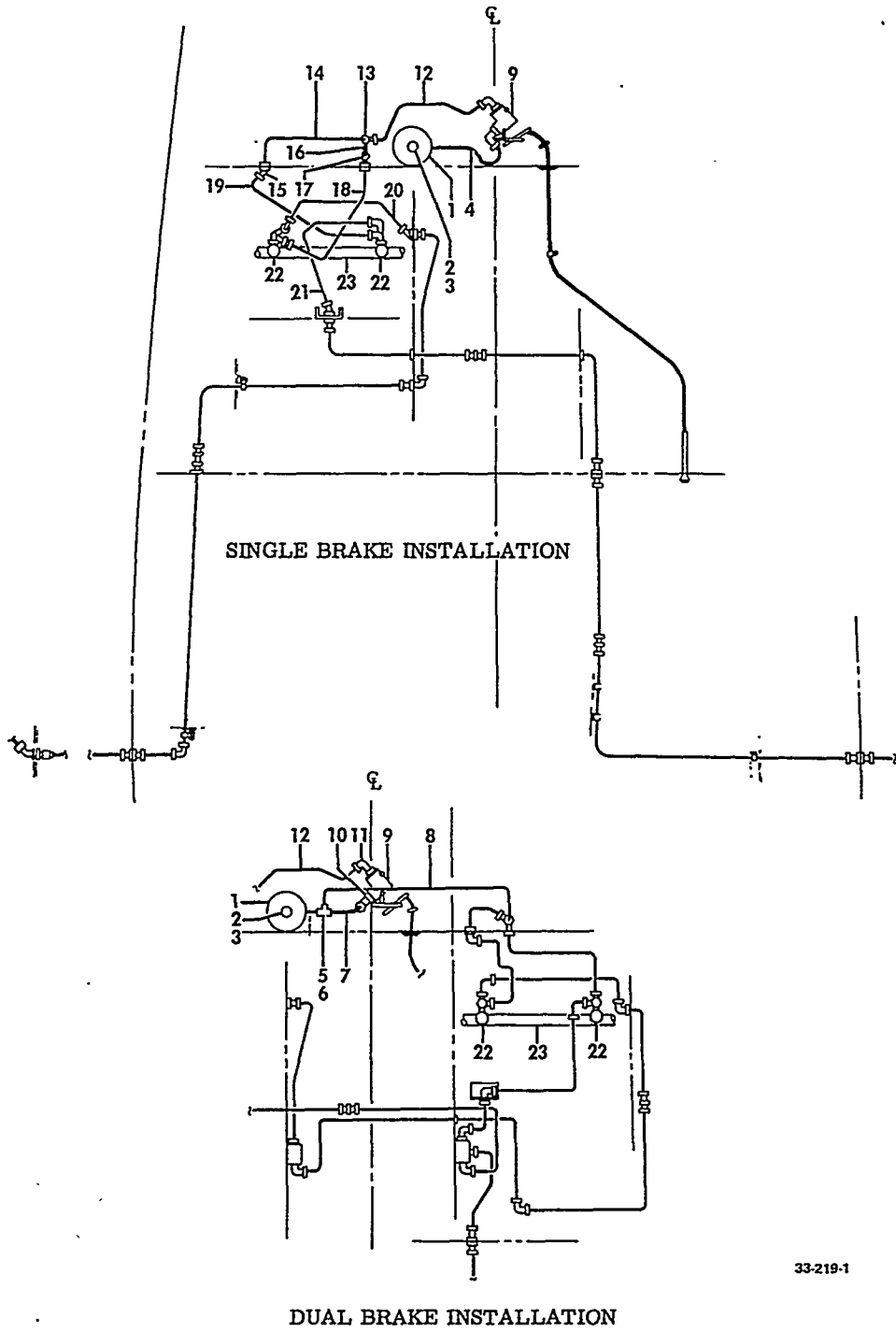
- |                        |                        |
|------------------------|------------------------|
| 1 CD-1272 THRU CD-1304 | 2 CE-635 AND AFTER     |
| CE-301 THRU CE-634     | CJ-125 AND AFTER       |
| CJ-31 THRU CJ-124      |                        |
| 3 CD-1272 THRU CD-1304 | 4 CE-635 THRU CE-1071  |
| CE-301 AND AFTER       | CJ-125 THRU CJ-155     |
| CJ-31 AND AFTER        |                        |
| 5 CE-1072 AND AFTER    | 6 CD-1272 THRU CD-1304 |
| CJ-156 AND AFTER       | CE-301 THRU CE-1071    |
|                        | CJ-31 THRU CJ-155      |



BEECHCRAFT  
BONANZA 33  
ILLUSTRATED PARTS CATALOG

FIGURE 219  
BRAKE PLUMBING  
CD-1235 THRU CD-1243, CE-290 THRU CE-301  
AND CJ-26 ONLY

BEECHCRAFT  
BONANZA 33  
ILLUSTRATED PARTS CATALOG



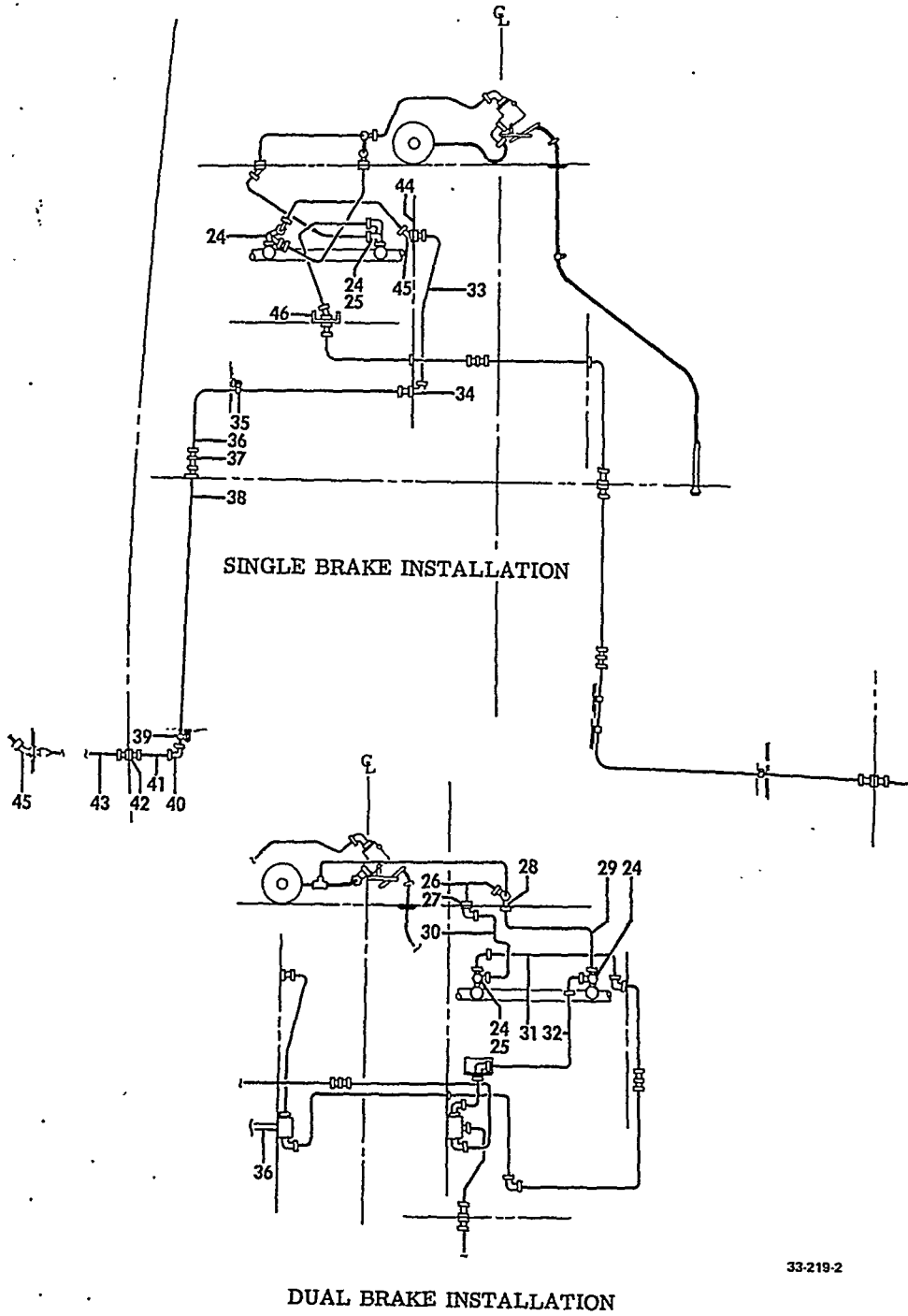
33-219-1

FIGURE 219. BRAKE PLUMBING  
/SHEET 1 OF 4 SHEETS/

B E E C H C R A F T  
B O N A N Z A 3 3  
I L L U S T R A T E D P A R T S C A T A L O G

FIG. & ITEM NO.	PART NO.	DESCRIPTION	UNITS PER ASSY	USABLE ON CODE
219	35-580000-41	PLUMBING INSTL,SINGLE HYDRAULIC BRAKES. . . . .	NP	2
	35-580000-71	PLUMBING INSTL,SINGLE HYDRAULIC BRAKES. . . . .	NP	3
	35-580001-51	PLUMBING INSTL,DUAL HYDRAULIC BRAKES. . . . .	NP	1
	33-580011	. RESERVOIR ASSY,HYDRAULIC BRAKE FLUID. . . . .	1	3
	33-580012	. . CHECK VALVE . . . . .	1	3
	35-815180-8	. . RESERVOIR ASSY,HYDRAULIC BRAKE FLUID. . . . .	1	1
		/ATTACHING PARTS/		
	AN520-10-10	. . SCREW . . . . .	1	
	AN960-10	. . WASHER. . . . .	1	
	MS20365-1032	. . NUT . . . . .	1	
- 1	112136-12	. . . CAN, HYDRAULIC FLUID . . . . .	1	1
	35-815180-10	. . . CAP ASSY,RESERVOIR. . . . .	NP	1
		/ORDER 35-815180-8/		
- 2	35-815180-12	. . . . CAP,RESERVOIR . . . . .	1	1
- 3	AN526-632-40	. . . . SCREW . . . . .	1	1
	AN960-6	. . . . WASHER. . . . .	1	1
	35-815180-6	. . . . SPACER. . . . .	1	1
	100951DD032VA	. . . . WASHER. . . . .	1	1
	MS20365-632	. . . . NUT . . . . .	1	1
- 4	35-580000-51	. TUBE ASSY,SINGLE BRAKE. . . . .	1	1
- 5	35-580001-65	. TUBE ASSY,DUAL BRAKES . . . . .	1	1
- 6	MS24402D4	. TEE . . . . .	1	1
- 7	35-580001-53	. TUBE ASSY,DUAL BRAKES . . . . .	1	1
- 8	35-580001-55	. TUBE ASSY,DUAL BRAKES . . . . .	1	1
- 9	35-380065-1	. VALVE ASSY,PARKING BRAKE /SEE FIG.222/. . . . .	1	1
		/ATTACHING PARTS/		
	AN3-13A/M/	. SCREW . . . . .	2	
	AN960-10	. WASHER. . . . .	2	
	MS20365-1032	. NUT . . . . .	2	
- 10	AN816-4D	. NIPPLE. . . . .	1	1
- 11	AN822-4D	. ELBOW . . . . .	1	1
- 12	35-580000-31	. TUBE ASSY . . . . .	1	1
	MS21919DG4	. CLAMP,TUBE SUPPORT. . . . .	1	1
	100696D-ZF020	. SPACER,CLAMP. . . . .	1	1
	AN515-8R20	. SCREW,CLAMP . . . . .	1	1
	130008A1032BC	. NUTPLATE. . . . .	1	1
- 13	AN824-4D	. TEE . . . . .	1	1
- 14	35-580000-27	. TUBE ASSY . . . . .	1	1
- 15	AN837-4D	. ELBOW . . . . .	1	1
	AN960-716L	. WASHER,ELBOW. . . . .	1	1
	AN924-4D	. NUT,ELBOW . . . . .	1	1
- 16	35-580000-39	. TUBE ASSY . . . . .	1	1
- 17	AN837-4D	. ELBOW . . . . .	1	1
	AN960-716L	. WASHER,ELBOW. . . . .	1	1
	AN924-4D	. NUT,ELBOW . . . . .	1	1
- 18	35-580010-5	. HOSE ASSY,PILOT LH PEDAL. . . . .	1	1
- 19	35-580010-7	. HOSE ASSY,PILOT RH PEDAL. . . . .	1	1
- 20	35-580010-9	. HOSE ASSY,PILOT LH PEDAL. . . . .	1	1
- 21	35-580010-3	. HOSE ASSY,PILOT RH PEDAL. . . . .	1	1
- 22	96-380034-25	. CYLINDER,MASTER /SEE FIG.220/. . . . .	4	1
		/96-380034-25 SPARES FOR 96-380034-3/		
		/ATTACHING PARTS/		
	AN3-10/M/	. BOLT. . . . .	2	
	AN960-10	. WASHER. . . . .	2	
	130909N6	. NUT . . . . .	2	
	MS24665-132	. PIN,COTTER. . . . .	2	
- 23	35-400359-12	. SUPPORT ASSY,MASTER CYLINDER /DUAL BRAKES/. . . . .	1	1
	35-815006-24	. COVER,MASTER CYLINDER . . . . .	4	1

BEECHCRAFT  
BONANZA 33  
ILLUSTRATED PARTS CATALOG

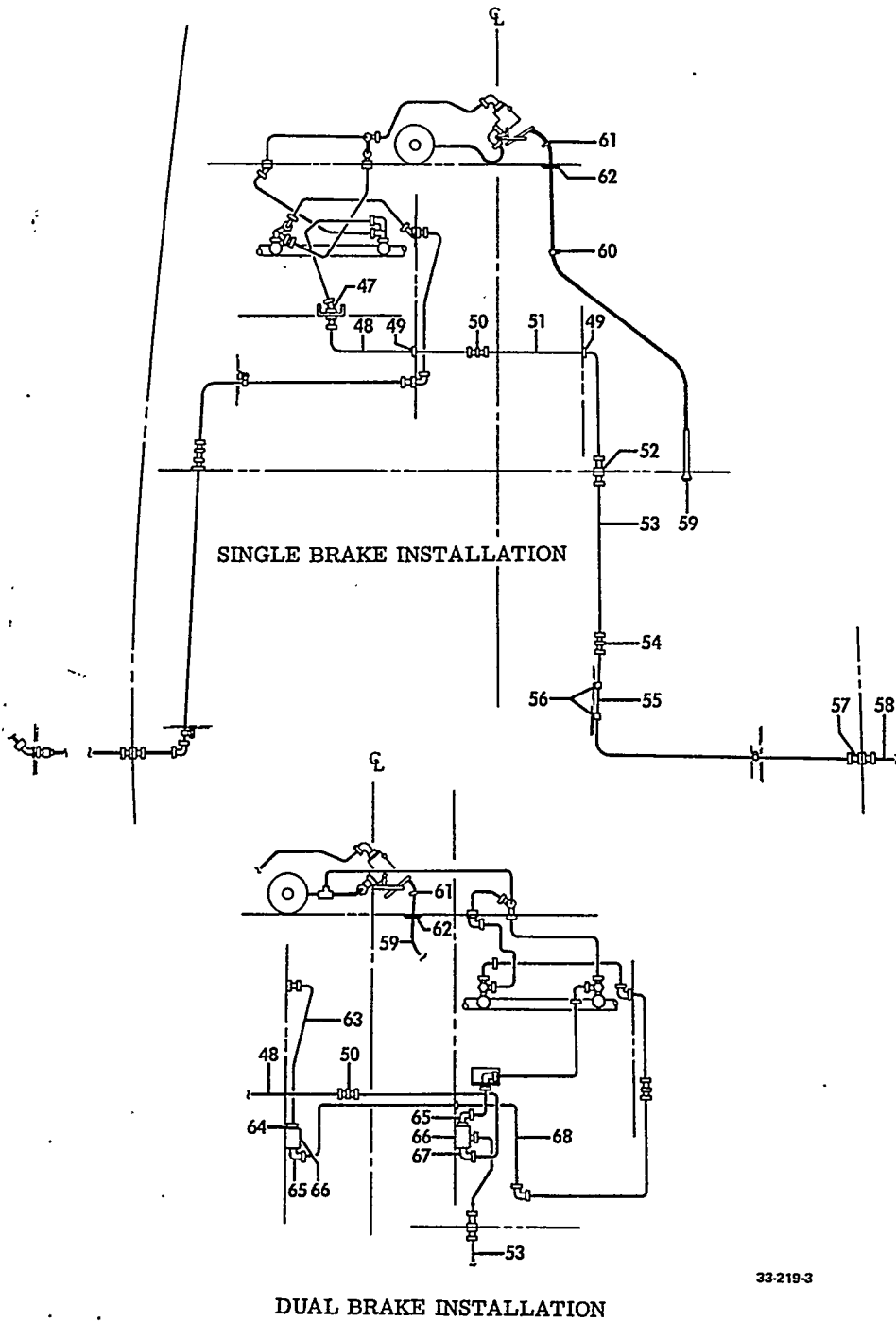


33-219-2

B E E C H C R A F T  
B O N A N Z A 3 3  
I L L U S T R A T E D P A R T S C A T A L O G

FIG. & ITEM NO.	PART NO.	DESCRIPTION	UNITS PER ASSY	USABLE ON CODE
		1 2 3 4 5 6 7		
219 - 24	MS20822-4D	• ELBOW, MASTER CYLINDER . . . . .	6	1
- 25	AN816-4D	• NIPPLE, MASTER CYLINDER . . . . .	2	1
- 26	35-580001-11	• TUBE ASSY /DUAL BRAKES/ . . . . .	1	1
- 27	AN833-4D	• ELBOW . . . . .	1	1
	AN960-716L	• WASHER, ELBOW & TEE . . . . .	2	1
	AN924-4D	• NUT, ELBOW & TEE . . . . .	2	1
- 28	AN804D4	• TEE . . . . .	1	1
- 29	35-580010-13	• HOSE ASSY, COPILOT RH PEDAL . . . . .	1	1
- 30	35-580010-15	• HOSE ASSY, COPILOT LH PEDAL . . . . .	1	1
- 31	35-580010-11	• HOSE ASSY, COPILOT LH PEDAL . . . . .	1	1
- 32	35-580010-1	• HOSE ASSY, COPILOT RH PEDAL . . . . .	1	1
- 33	35-580000-23	• TUBE ASSY /SINGLE INSTL ONLY/ . . . . .	1	1
- 34	AN833-4D	• ELBOW /SINGLE INSTL ONLY/ . . . . .	1	1
- 35	AN743-6	• BRACKET . . . . .	1	1
		/ATTACHING PARTS/		
	AN515-8-7	• SCREW . . . . .	1	
	AN960-8	• WASHER . . . . .	1	
	MS20365-832	• NUT . . . . .	1	
		*-----*		
	AN742-6C	• CLAMP . . . . .	1	1
		/ATTACHING PARTS/		
	AN520-10-8	• SCREW . . . . .	1	
	AN960-10	• WASHER . . . . .	1	
	MS20365-1032	• NUT . . . . .	1	
		*-----*		
	AN960-716L	• WASHER /SINGLE INSTL ONLY/ . . . . .	1	1
	AN924-4D	• NUT /SINGLE INSTL ONLY/ . . . . .	1	1
- 36	35-580000-11	• TUBE ASSY . . . . .	1	1
- 37	AN815-4D	• UNION . . . . .	1	1
- 38	35-815095	• TUBE ASSY . . . . .	1	1
- 39	AN743-6	• BRACKET . . . . .	2	1
		/ATTACHING PARTS/		
	AN515-8-7	• SCREW . . . . .	2	
	AN960-8	• WASHER . . . . .	2	
	MS20365-832	• NUT . . . . .	2	
		*-----*		
	AN742-6C	• CLAMP . . . . .	2	1
		/ATTACHING PARTS/		
	AN520-10-8	• SCREW . . . . .	2	
	AN960-10	• WASHER . . . . .	2	
	MS20365-1032	• NUT . . . . .	2	
		*-----*		
- 40	AN821-4D	• ELBOW . . . . .	1	1
- 41	35-815006-8	• TUBE ASSY . . . . .	1	1
- 42	AN833-4D	• ELBOW . . . . .	1	1
	AN960-716	• WASHER . . . . .	2	1
	AN924-4D	• NUT . . . . .	2	1
- 43	35-815006-12	• TUBE ASSY . . . . .	1	1
- 44	35-580012-3	• BRACKET . . . . .	1	1
- 45	AN837-4D	• ELBOW . . . . .	2	1
	AN960-716L	• WASHER . . . . .	1	1
	AN924-4D	• NUT . . . . .	1	1
- 46	35-580000-25	• BRACKET . . . . .	1	1
		/ATTACHING PARTS/		
	130909812	• BOLT . . . . .	2	
		*-----*		

BEECHCRAFT  
 BONANZA 33  
 ILLUSTRATED PARTS CATALOG



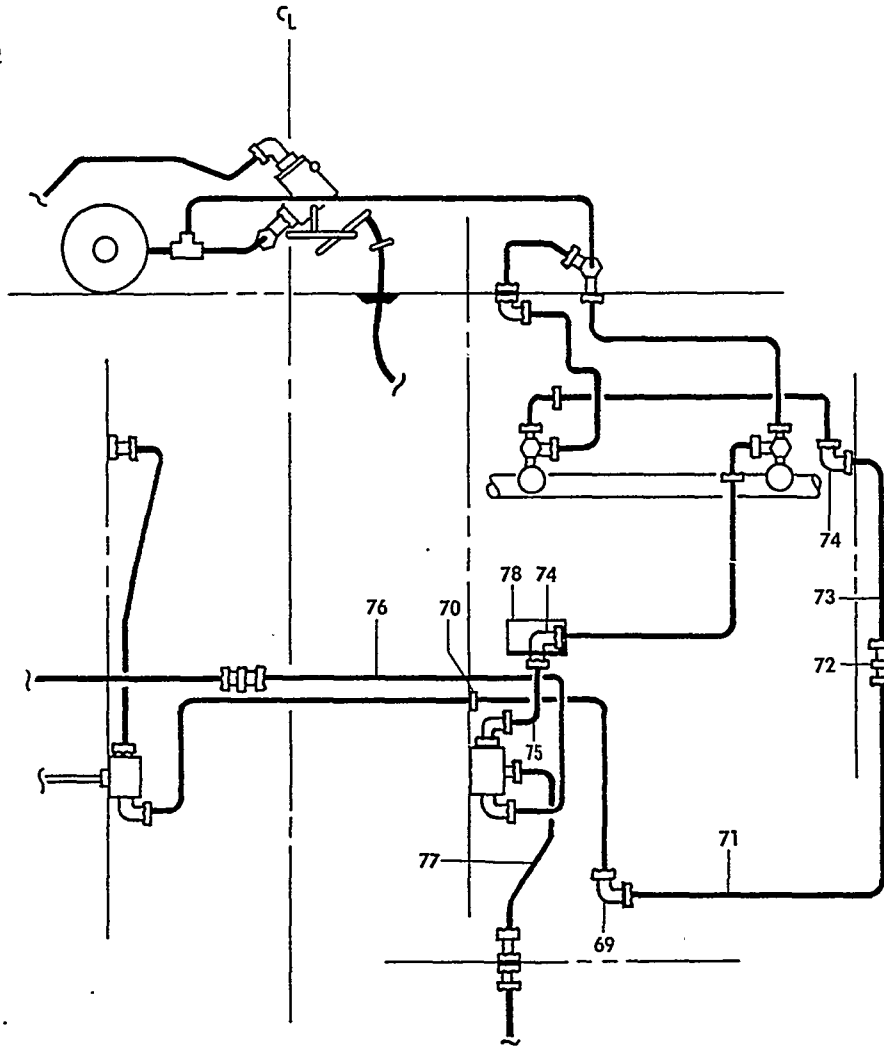
33-219-3

FIGURE 219. BRAKE PLUMBING  
 /SHEET 3 OF 4 SHEETS/

B E E C H C R A F T  
B O N A N Z A 3 3  
I L L U S T R A T E D P A R T S C A T A L O G

FIG. & ITEM NO.	PART NO.	DESCRIPTION	UNITS PER ASSY	USABLE ON CODE
		1 2 3 4 5 6 7		
219 - 47	AN837-40	. ELBOW . . . . .	1	1
	AN960-716L	. WASHER . . . . .	1	1
	AN924-40	. NUT . . . . .	1	1
- 48	35-580000-15	. TUBE ASSY . . . . .	1	1
- 49	739-4	. CLIP . . . . .	2	1
	/ATTACHING PARTS/			
	AN515-8-7	. SCREW . . . . .	2	
	AN960-8	. WASHER . . . . .	2	
	MS20365-832	. NUT . . . . .	2	
	*-----*			
- 50	AN815-40	. UNION . . . . .	1	1
- 51	35-580000-19	. TUBE ASSY /SINGLE INSTL ONLY/ . . . . .	1	1
- 52	AN832-40	. UNION . . . . .	1	1
	AN960-716	. WASHER . . . . .	1	1
	MS2440004	. NUT . . . . .	1	1
- 53	95-814005-9	. TUBE ASSY . . . . .	1	1
- 54	AN815-40	. UNION . . . . .	1	1
- 55	35-815006-10	. TUBE ASSY . . . . .	1	1
- 56	AN742-6C	. CLAMP . . . . .	3	1
	/ATTACHING PARTS/			
	AN520-10-8	. SCREW . . . . .	3	
	AN960-10	. WASHER . . . . .	3	
	MS20365-1032	. NUT . . . . .	3	
	*-----*			
- 57	AN837-40	. ELBOW . . . . .	1	1
- 58	35-815006-13	. TUBE ASSY . . . . .	1	1
- 59	35-380063-7	. CONTROL, PARKING BRAKE . . . . .	1	1
- 60	AN743P12	. BRACKET . . . . .	1	1
- 61	AN743-12	. BRACKET . . . . .	1	1
	/ATTACHING PARTS/			
	AN525-10R10	. SCREW . . . . .	1	
	AN960-10	. WASHER . . . . .	1	
	MS20365-1032	. NUT . . . . .	1	
	*-----*			
	AN742-3	. CLAMP . . . . .	1	1
	/ATTACHING PARTS/			
	AN525-10R	. SCREW . . . . .	1	
	AN960-10	. WASHER . . . . .	1	
	MS20365-1032	. NUT . . . . .	1	
	*-----*			
- 62	112412	. GROMMET . . . . .	2	1
	112413-2	. BALL . . . . .	2	1
	112436-6	. RETAINER . . . . .	1	1
	AN960-8	. WASHER . . . . .	4	1
	49338	. FASTENER . . . . .	2	1
- 63	35-580001-3	. TUBE ASSY /DUAL INSTL ONLY/ . . . . .	1	1
- 64	AN816-40	. NIPPLE . . . . .	2	1
- 65	MS20822-4D	. ELBOW . . . . .	2	1
	/SEE FIG. 221A/			
	101-388004-11	. VALVE, SHUTTLE/SUPERSEDES 50-380079-1 OR -3/ . . . . .	2	1
	AN924-40	. NUT . . . . .	2	1
- 67	MS20822-40	. ELBOW . . . . .	1	1
- 68	35-580001-19	. TUBE ASSY . . . . .	1	1

BEECHCRAFT  
BONANZA 33  
ILLUSTRATED PARTS CATALOG



DUAL BRAKE INSTALLATION

33-219-4



B E E C H C R A F T  
B O N A N Z A 3 3  
I L L U S T R A T E D P A R T S C A T A L O G

FIG. & ITEM NO.	PART NO.	DESCRIPTION	UNITS PER ASSY	USABLE ON CODE
		1 2 3 4 5 6 7		
219 - 69	AN821-4D	• ELBOW . . . . .	1	1
- 70	739-4	• CLIP . . . . .	4	1
		/ATTACHING PARTS/		
	AN515-8-7	• SCREW . . . . .	4	
	AN960-8	• WASHER . . . . .	4	
	MS20365-832	• NUT . . . . .	4	
		*-----*		
- 71	35-580001-35	• TUBE ASSY . . . . .	1	1
- 72	AN815-4D	• UNION . . . . .	1	1
- 73	35-580001-27	• TUBE ASSY . . . . .	1	1
- 74	AN833-4D	• ELBOW . . . . .	2	1
	AN960-716L	• WASHER . . . . .	2	1
	AN924-4D	• NUT . . . . .	2	1
- 75	35-580001-23	• TUBE ASSY . . . . .	1	1
- 76	35-580001-15	• TUBE ASSY . . . . .	1	1
- 77	35-580001-31	• TUBE ASSY . . . . .	1	1
- 78	35-580011-1	• BRACKET . . . . .	1	1
	AN530-10-10	• SCREW, BRACKET ATTACHING . . . . .	2	1
	95-810019-43	• PEDAL, LH COPILOT /DUAL BRAKES/ . . . . .	1	1
	35-524011	• PEDAL, RH COPILOT /DUAL BRAKES/ . . . . .	1	1
		/ATTACHING PARTS/		
	130909B172	• BOLT . . . . .	4	
	AN960-10	• WASHER . . . . .	4	
	130909N6	• NUT . . . . .	4	
	AN380-2-2	• PIN, COTTER . . . . .	4	
		*-----*		

C O D E S O F E F F E C T I V I T Y

- 1 CD-1235 THRU CD-1243 2 CD-1235 THRU CD-1243  
CE-290 THRU CE-301 CE-290 THRU CE-301  
CJ-26 ONLY  
3 CJ-26 ONLY

BEECHCRAFT  
BONANZA 33  
ILLUSTRATED PARTS CATALOG

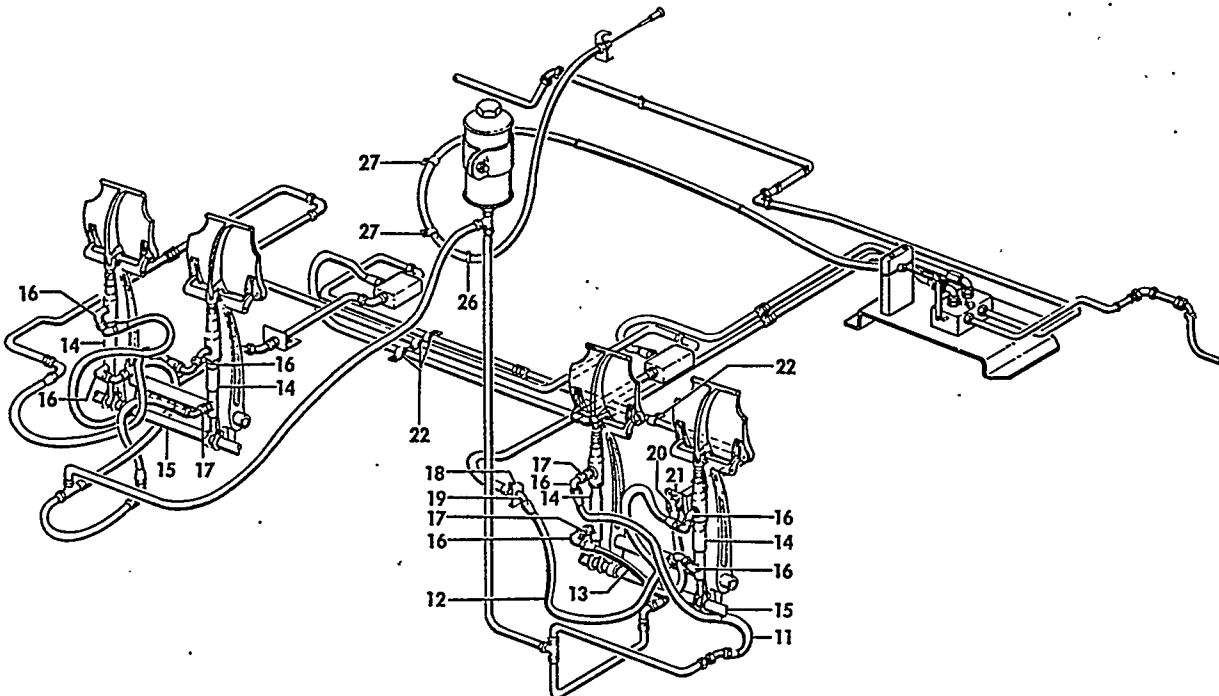
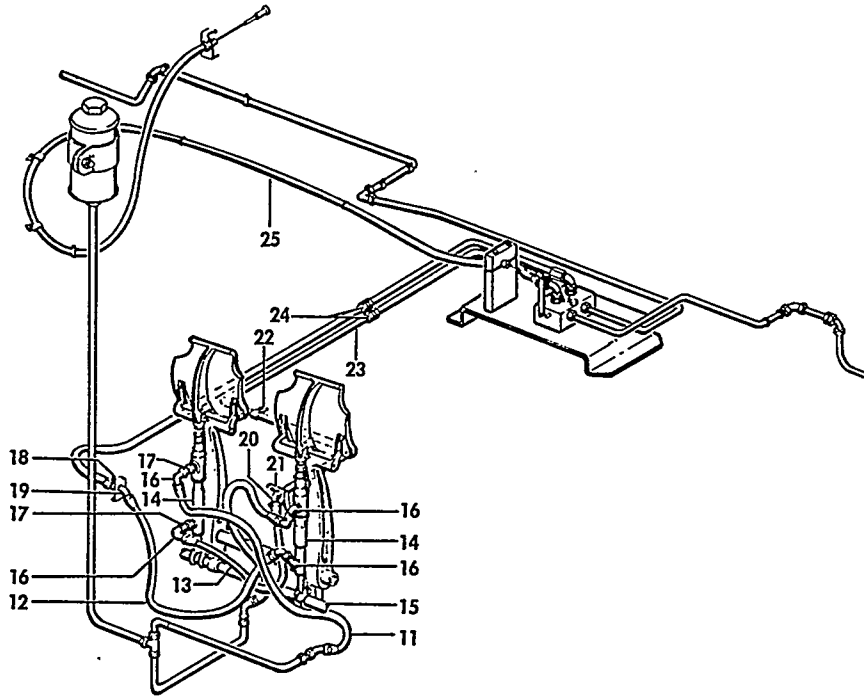
FIGURE 219A  
BRAKE PLUMBING  
CD-1244 THRU CD-1304, CE-302 AND AFTER,  
CJ-27 AND AFTER



B E E C H C R A F T  
B O N A N Z A 3 3  
I L L U S T R A T E D P A R T S C A T A L O G

FIG. & ITEM NO.	PART NO.	DESCRIPTION	UNITS	USABLE
			PER ASSY	ON CODE
219A	35-580002-1	PLUMBING INSTL,SINGLE HYDRAULIC BRAKES. . . . .	NP	2
	35-580002-19	PLUMBING INSTL,SINGLE HYDRAULIC BRAKES. . . . .	NP	3
	35-580002-35	PLUMBING INSTL,SINGLE HYDRAULIC BRAKES. . . . .	NP	4
	35-580002-31	PLUMBING INSTL,SINGLE HYDRAULIC BRAKES. . . . .	NP	5
	35-580002-39	PLUMBING INSTL,SINGLE HYDRAULIC BRAKES. . . . .	NP	6
	35-580002-3	PLUMBING INSTL,DUAL HYDRAULIC BRAKES. . . . .	NP	2
	35-580002-25	PLUMBING INSTL,DUAL HYDRAULIC BRAKES. . . . .	NP	3
R	35-580002-37	PLUMBING INSTL,DUAL HYDRAULIC BRAKES. . . . .	NP	20
	35-580002-33	PLUMBING INSTL,DUAL HYDRAULIC BRAKES. . . . .	NP	5
	35-580002-41	PLUMBING INSTL,DUAL HYDRAULIC BRAKES. . . . .	NP	6
	33-580011	. RESERVOIR ASSY,HYDRAULIC BRAKE FLUID. . . . .	1	8
	35-815180-8	. RESERVOIR ASSY,HYDRAULIC BRAKE FLUID. . . . .	1	7
		/ATTACHING PARTS/		
	AN520-10R10	. SCREW . . . . .	1	
	AN960-10	. WASHER. . . . .	1	
	MS20365-1032	. NUT . . . . .	1	
		-----x-----		
- 1	112136-12	. . CAN,HYDRAULIC FLUID . . . . .	1	1
- 2	35-815180-10	. . CAP ASSY,RESERVOIR/ORDER 35-815180-8/ . . . . .	NP	1
	35-815180-12	. . CAP,RESERVOIR . . . . .	1	1
	AN526-632-40	. . SCREW . . . . .	1	1
	AN960-6	. . WASHER. . . . .	1	1
	35-815180-6	. . SPACER. . . . .	1	1
	100951DD032VA	. . WASHER. . . . .	1	1
	MS20365-632	. . NUT . . . . .	1	1
	33-580012	. . CHECK VALVE . . . . .	1	8
- 3	AN824-4D	. TEE /DUAL INSTL ONLY/ . . . . .	1	1
- 4	36-580000-97	. TUBE ASSY . . . . .	1	1
- 4A	36-580000-119	. TUBE ASSY,DUAL BRAKES . . . . .	1	11
	36-580000-149	. TUBE ASSY,DUAL BRAKES . . . . .	1	12
- 4B	35-580001-65	. TUBE ASSY,DUAL BRAKES . . . . .	1	11
	36-580000-145	. TUBE ASSY,DUAL BRAKES . . . . .	1	12
	002-580010-3	. TUBE ASSY,SINGLE BRAKES . . . . .	1	
- 4C	35-580000-69	. TUBE ASSY . . . . .	1	8
- 4D	35-580000-73	. TUBE ASSY . . . . .	1	8
R	MS21919WDG4	. CLAMP . . . . .	1	8
	130292A4	. CLAMP . . . . .	1	8
R	MS21919WDG3	. CLAMP . . . . .	1	8
R	MS21919WDG12	. CLAMP . . . . .	1	8
		/ATTACHING PARTS/		
	AN5158R6	. SCREW . . . . .	1	
	AN960-8	. WASHER. . . . .	1	
	130909N28	. NUT . . . . .	1	
		-----x-----		
- 5	AN824-4D	. TEE . . . . .	1	1
- 6	35-580000-27	. TUBE ASSY . . . . .	1	9
	002-580013-3	. TUBE ASSY . . . . .	1	10
- 7	AN837-4D	. ELBOW . . . . .	1	9
	AN960-716L	. WASHER, ELBOW. . . . .	1	1
	AN924-4D	. NUT, ELBOW . . . . .	1	1
- 8	35-580000-39	. TUBE ASSY . . . . .	1	9
	002-580014-3	. TUBE ASSY . . . . .	1	10
- 9	AN833-4D	. ELBOW . . . . .	1	1
	AN960-716L	. WASHER, ELBOW. . . . .	1	1
	AN924-4D	. NUT, ELBOW . . . . .	1	1
- 10	330997-4-140	. HOSE ASSY,PILOT LH PEDAL. . . . .	1	1

BEECHCRAFT  
BONANZA 33  
ILLUSTRATED PARTS CATALOG

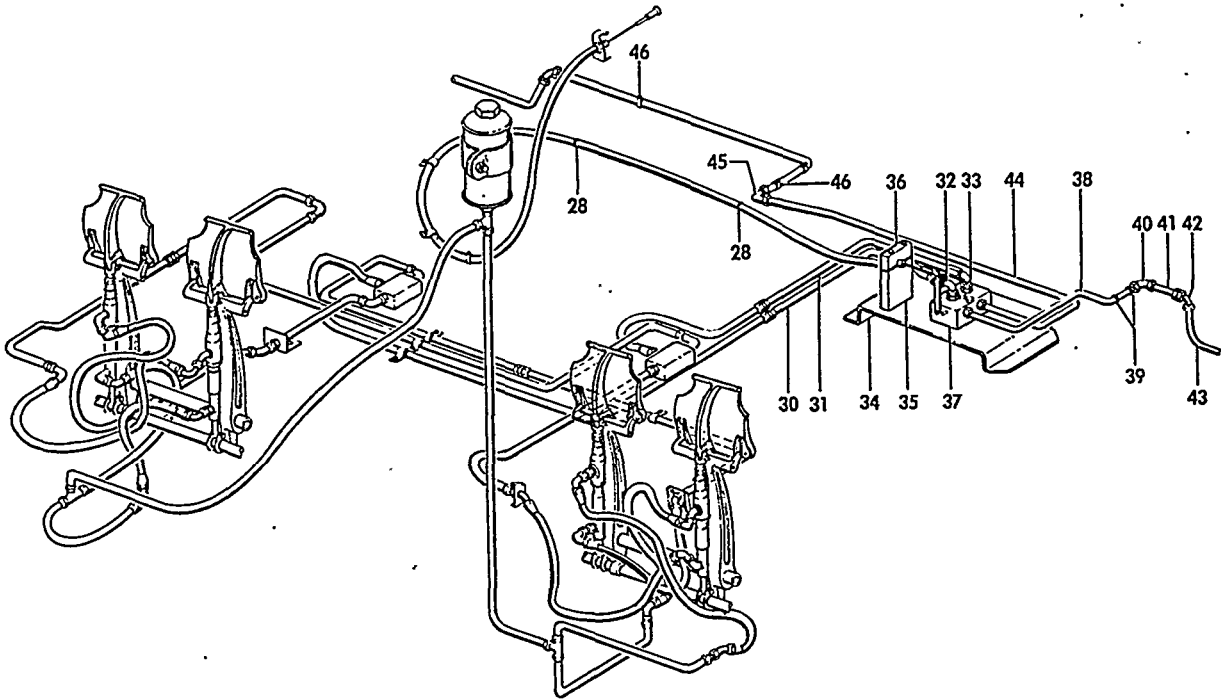
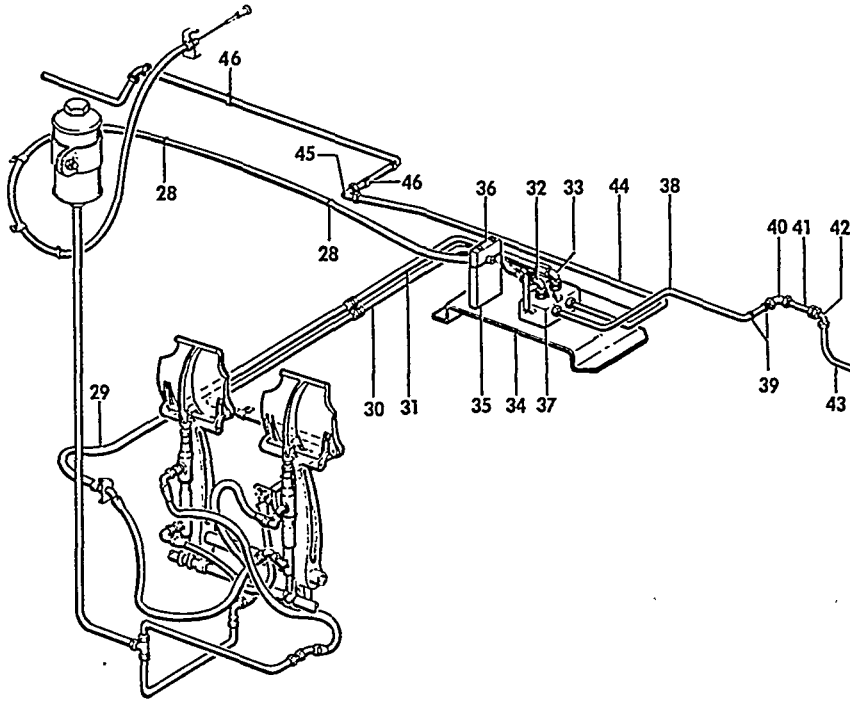


33-219A-6

BEECHCRAFT  
BONANZA 33  
ILLUSTRATED PARTS CATALOG

FIG. & ITEM NO.	PART NO.	DESCRIPTION	UNITS	USABLE
			PER ASSY	ON CODE
219A - 11	330997-4-130	. HOSE ASSY,PILOT RH PEDAL. . . . .	1	1
- 12	MS28741-4-0107	. HOSE ASSY,PILOT LH PEDAL. . . . .	1	1
- 13	MS28741-4-0107	. HOSE ASSY,PILOT RH PEDAL. . . . .	1	1
- 14	R 96-380034-25	. CYLINDER,MASTER . . . . .	4	18
	R 96-380034-29	. CYLINDER,MASTER . . . . .	4	19
		/ATTACHING PARTS/		
	130909B172	. BOLT. . . . .	2	
	AN960-10	. WASHER. . . . .	2	
	130909N6	. NUT . . . . .	2	
	MS24665-132	. PIN,COTTER. . . . .	2	
		-----X-----		
- 15	002-410033-1	. SUPPORT ASSY,MASTER CYLINDER /DUAL BRAKES/ . . . . .	1	1
- 16	MS20822-4D	. ELBOW,MASTER CYLINDER . . . . .	6	1
- 17	AN816-4D	. NIPPLE,MASTER CYLINDER. . . . .	2	1
- 18	35-580012-3	. BRACKET . . . . .	1	9
	002-410019-25	. BRACKET . . . . .	1	10
- 19	AN837-4D	. ELBOW . . . . .	1	1
	AN960-716L	. WASHER, ELBOW. . . . .	1	1
	AN924-4D	. NUT, ELBOW . . . . .	1	1
- 20	AN837-4D	. ELBOW . . . . .	1	1
	AN960-716L	. WASHER, ELBOW. . . . .	1	1
	AN924-4D	. NUT, ELBOW . . . . .	1	1
- 21	35-580000-25	. BRACKET . . . . .	1	1
		/ATTACHING PARTS/		
	R 130909B13	. BOLT. . . . .	2	2
- 22	739-4	. CLIP. . . . .	4	3
	AN515-8R7	. SCREW . . . . .	8	
	AN960-8	. WASHER. . . . .	8	
	MS20365-832	. NUT . . . . .	8	
		-----X-----		
- 23	36-580000-7	. TUBE ASSY /SINGLE BRAKE/ . . . . .	1	9
	002-580012-3	. TUBE ASSY /SINGLE BRAKE/ . . . . .	1	10
- 24	AN832-4D	. UNION . . . . .	2	1
	AN960-716	. WASHER. . . . .	2	1
	AN924-4D	. NUT . . . . .	2	1
- 25	35-380063-11	. CONTROL,PARKING BRAKE . . . . .	1	13
	35-380063-13	. CONTROL,PARKING BRAKE . . . . .	1	17
- 26	AN742-3	. CLAMP . . . . .	1	1
		/ATTACHING PARTS/		
	AN515-8R8	. SCREW . . . . .	1	
	AN960-8	. WASHER. . . . .	1	
	NAS1329A08K120	. RIVNUT. . . . .	1	13
	MS20365-832	. NUT PLATE . . . . .	1	14
		-----X-----		
- 27	739-4	. CLIP. . . . .	2	1
		/ATTACHING PARTS/		
	AN515-8R6	. SCREW . . . . .	4	
	AN960-8	. WASHER. . . . .	4	
	MS20365-832	. NUT . . . . .	4	
		-----X-----		

BEECHCRAFT  
BONANZA 33  
ILLUSTRATED PARTS CATALOG



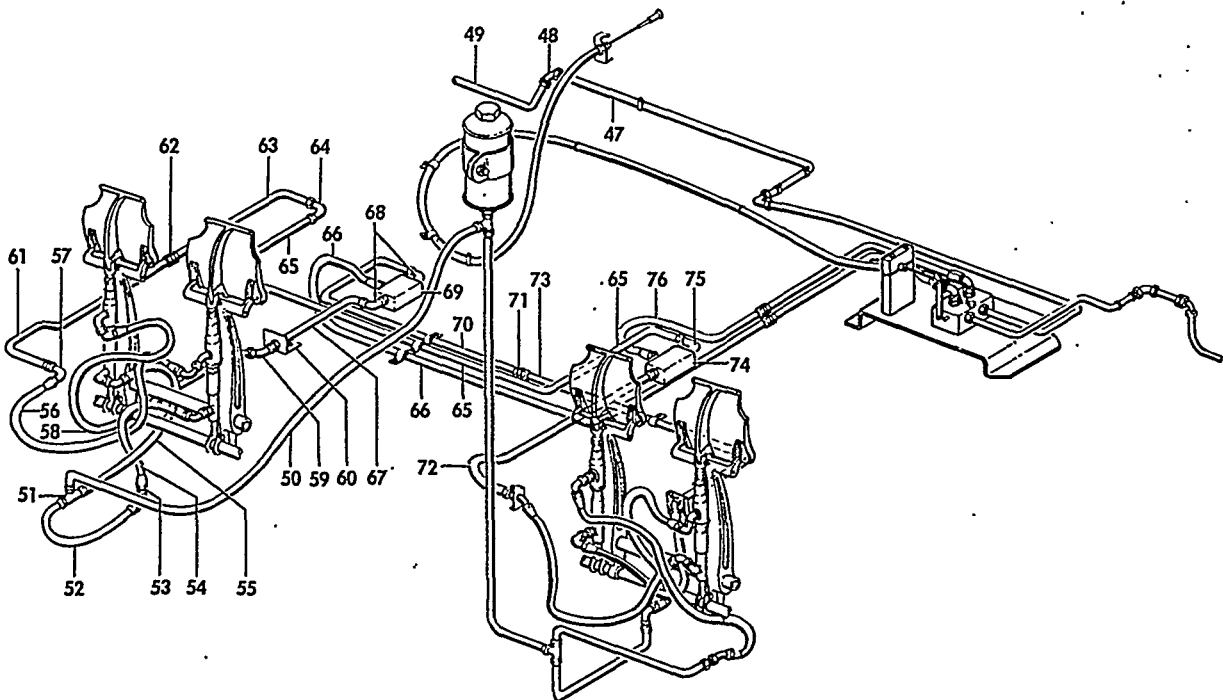
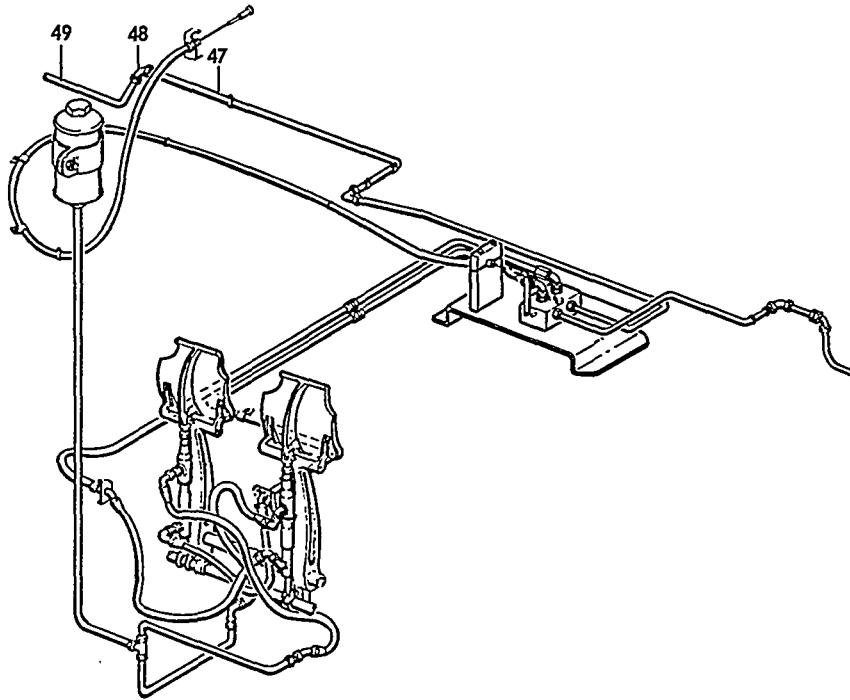
33-219A-7

BEECHCRAFT  
BONANZA 33  
ILLUSTRATED PARTS CATALOG

FIG. & ITEM NO.	PART NO.	DESCRIPTION	UNITS							USABLE ON CODE
			1	2	3	4	5	6	7	
219A - 28	115005-1	. GROMMET . . . . .							2	1
- 29	36-580000-41	. TUBE ASSY /SINGLE BRAKE/ . . . . .							1	9
	36-580000-153	. TUBE ASSY /SINGLE BRAKE/ . . . . .							1	10
- 30	36-580000-103	. TUBE ASSY . . . . .							1	13
	35-580002-29	. TUBE ASSY . . . . .							1	14
- 31	36-580000-83	. TUBE ASSY . . . . .							1	13
	35-580002-27	. TUBE ASSY . . . . .							1	14
- 32	MS20823-4D	. ELBOW . . . . .							1	1
- 33	MS20822-4D	. ELBOW . . . . .							1	1
	36-580012	. BRACKET ASSY, PARKING BRAKE CONTROL . . . . .							1	13
	35-580017-1	. BRACKET ASSY, PARKING BRAKE CONTROL . . . . .							1	14
- 34	36-580000-81	. BRACKET . . . . .							1	13
	35-580017-3	. BRACKET . . . . .							1	14
	NAS697A3	. NUTPLATE . . . . .							4	1
- 35	36-580000-93	. BLOCK, LOWER /36-580000-91 & 36-580000-93. . . . .							1	1
		SOLD IN MATCHED SETS ONLY/								
- 36	36-580000-91	. BLOCK, UPPER . . . . .							1	1
		/ATTACHING PARTS/								
	AN3-23A/M/	. BOLT . . . . .							2	
	AN960-10L	. WASHER . . . . .							2	
		-----*-----								
R	130909B12	. BOLT . . . . .							1	
	AN345-10	. NUT . . . . .							1	1
	36-580011	. SWIVEL . . . . .							1	1
	AN960-10L	. WASHER . . . . .							2	1
	MS24665-153	. PIN, COTTER . . . . .							1	1
- 37 R	A850-8	. VALVE, PARKING BRAKE/SEE FIG. 222/ . . . . .							1	1
		/SUPERSEDES HE7002-3/								
		/ALTERNATE FOR HE7002-3/								
		/ATTACHING PARTS/								
R	130909B23	. BOLT . . . . .							2	
	AN960-10	. WASHER . . . . .							6	
		-----*-----								
- 38	35-580013	. TUBE ASSY . . . . .							1	13
	35-580002-21	. TUBE ASSY . . . . .							1	14
- 39	AN931-7-11	. GROMMET . . . . .							2	1
- 40	AN821-4D	. ELBOW . . . . .							1	1
- 41	36-580000-15	. TUBE ASSY . . . . .							1	1
- 42	AN833-4D	. ELBOW . . . . .							2	1
	AN960-716	. WASHER, ELBOW . . . . .							2	1
	AN924-4D	. NUT, ELBOW . . . . .							2	1
- 43	35-815006-12	. TUBE ASSY . . . . .							1	1
- 44	35-580014	. TUBE ASSY . . . . .							1	13
	35-580002-23	. TUBE ASSY . . . . .							1	14
- 45	AN821-4D	. ELBOW . . . . .							1	1
- 46	AN742-6C	. CLAMP . . . . .							2	1
		/ATTACHING PARTS/								
	AN520-10R8	. SCREW . . . . .							2	
	AN960-10L	. WASHER . . . . .							2	
	MS20365-1032	. NUT . . . . .							2	
		-----*-----								



BEECHCRAFT  
BONANZA 33  
ILLUSTRATED PARTS CATALOG

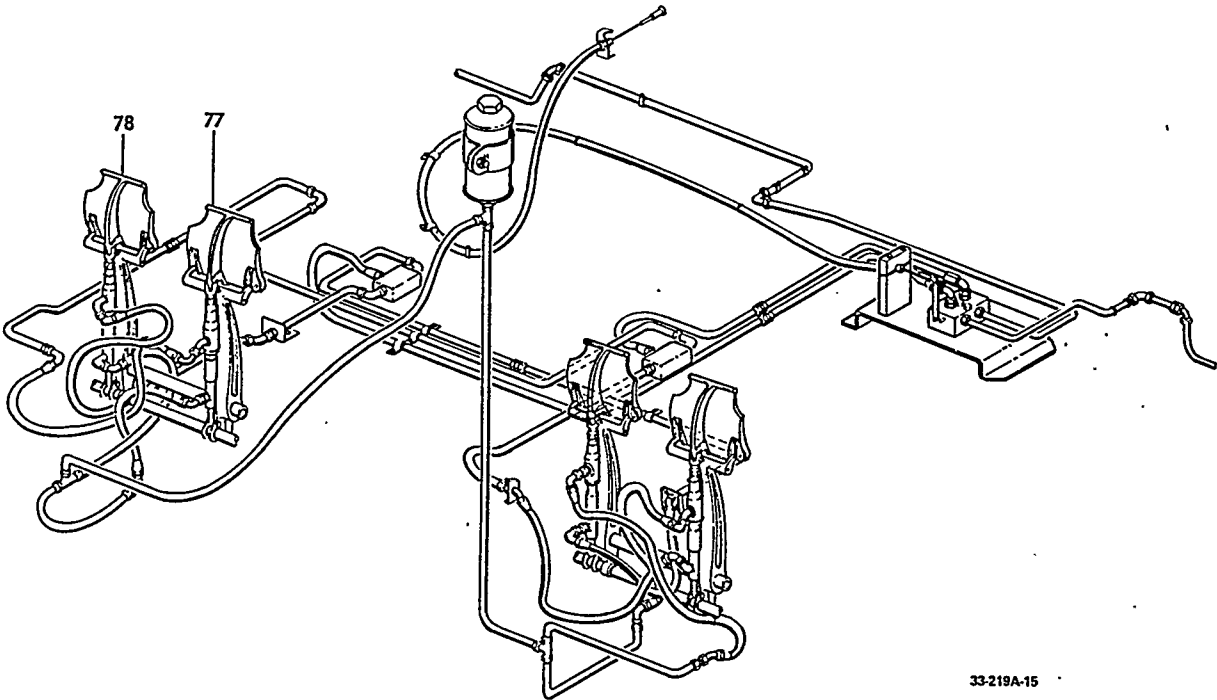


33-219A-14

B E E C H C R A F T  
B O N A N Z A 3 3  
I L L U S T R A T E D P A R T S C A T A L O G

FIG. & ITEM NO.	PART NO.	DESCRIPTION							UNITS PER ASSY	USABLE ON CODE
		1	2	3	4	5	6	7		
219A - 47	35-815006-10	.	.	.	.	.	.	.	1	1
- 48	AN837-4D	.	.	.	.	.	.	.	1	1
- 49	35-815006-13	.	.	.	.	.	.	.	1	1
- 50	36-580000-101	.	.	.	.	.	.	.	1	11
	36-580000-147	.	.	.	.	.	.	.	1	12
- 51	AN804D4	.	.	.	.	.	.	.	1	1
	AN960-716L	.	.	.	.	.	.	.	1	1
	AN924-4D	.	.	.	.	.	.	.	1	1
- 52	35-580001-11	.	.	.	.	.	.	.	1	1
- 53	AN833-4D	.	.	.	.	.	.	.	1	1
	AN960-716L	.	.	.	.	.	.	.	1	1
	AN924-4D	.	.	.	.	.	.	.	1	1
- 54	330997-0-0124	.	.	.	.	.	.	.	1	1
- 55	330997-4-0150	.	.	.	.	.	.	.	1	1
- 56	330997-4-0130	.	.	.	.	.	.	.	1	1
- 57	AN837-4D	.	.	.	.	.	.	.	1	1
	AN960-716L	.	.	.	.	.	.	.	1	1
	AN924-4D	.	.	.	.	.	.	.	1	1
- 58	MS28741-4-0107	.	.	.	.	.	.	.	1	1
- 59	AN837-4D	.	.	.	.	.	.	.	1	1
	AN960-716L	.	.	.	.	.	.	.	1	1
	AN924-4D	.	.	.	.	.	.	.	1	1
- 60	35-580011-1	.	.	.	.	.	.	.	1	1
		.	.	.	.	.	.	.		
	AN520-10R8	.	.	.	.	.	.	.	2	
	MS20365-1032	.	.	.	.	.	.	.	2	
		.	.	.	.	.	.	.		
- 61	35-580001-27	.	.	.	.	.	.	.	1	1
- 62	AN815-4D	.	.	.	.	.	.	.	1	1
- 63	35-580001-75	.	.	.	.	.	.	.	1	1
- 64	AN821-4D	.	.	.	.	.	.	.	1	1
- 65	35-580001-71	.	.	.	.	.	.	.	1	1
- 66	36-580000-61	.	.	.	.	.	.	.	1	1
- 67	36-580000-67	.	.	.	.	.	.	.	1	1
- 68	MS20822-4D	.	.	.	.	.	.	.	1	1
- 69	50-380079	.	.	.	.	.	.	.	2	15
	101-388004-11	.	.	.	.	.	.	.	2	16
- 70	35-580001-15	.	.	.	.	.	.	.	1	1
- 71	AN815-4D	.	.	.	.	.	.	.	1	1
- 72	36-580000-155	.	.	.	.	.	.	.	1	1
- 73	35-580000-15	.	.	.	.	.	.	.	1	1
- 74	AN816-4D	.	.	.	.	.	.	.	1	1
- 75	MS20822-4D	.	.	.	.	.	.	.	1	1
- 76	36-580000-57	.	.	.	.	.	.	.	1	1

BEECHCRAFT  
BONANZA 33  
ILLUSTRATED PARTS CATALOG



33-219A-15

B E E C H C R A F T  
B O N A N Z A 3 3  
I L L U S T R A T E D P A R T S C A T A L O G

FIG. & ITEM NO.	PART NO.	DESCRIPTION	UNITS PER ASSY	USABLE ON CODE
219A - 77	95-810019-43	. PEDAL,LH COPILOT /DUAL BRAKES/ . . . . .	1	9
- 78	35-524011	. PEDAL,RH COPILOT /DUAL BRAKES/ . . . . .	1	9
	002-524010-19	. PEDAL /LH & RH/ /SINGLE & DUAL BRAKES/ . . . . . /ATTACHING PARTS/	1	10
R	130909B20	. BOLT . . . . .	4	
	AN960-10	. WASHER . . . . .	4	
	130909N6	. NUT . . . . .	4	
	MS24665-132	. PIN,COTTER . . . . .	4	
		-----x-----		
	95-524018-31	. ROD ASSY,PUSH . . . . .	2	9
	002-410043-1	. ROD ASSY,PUSH . . . . .	2	10

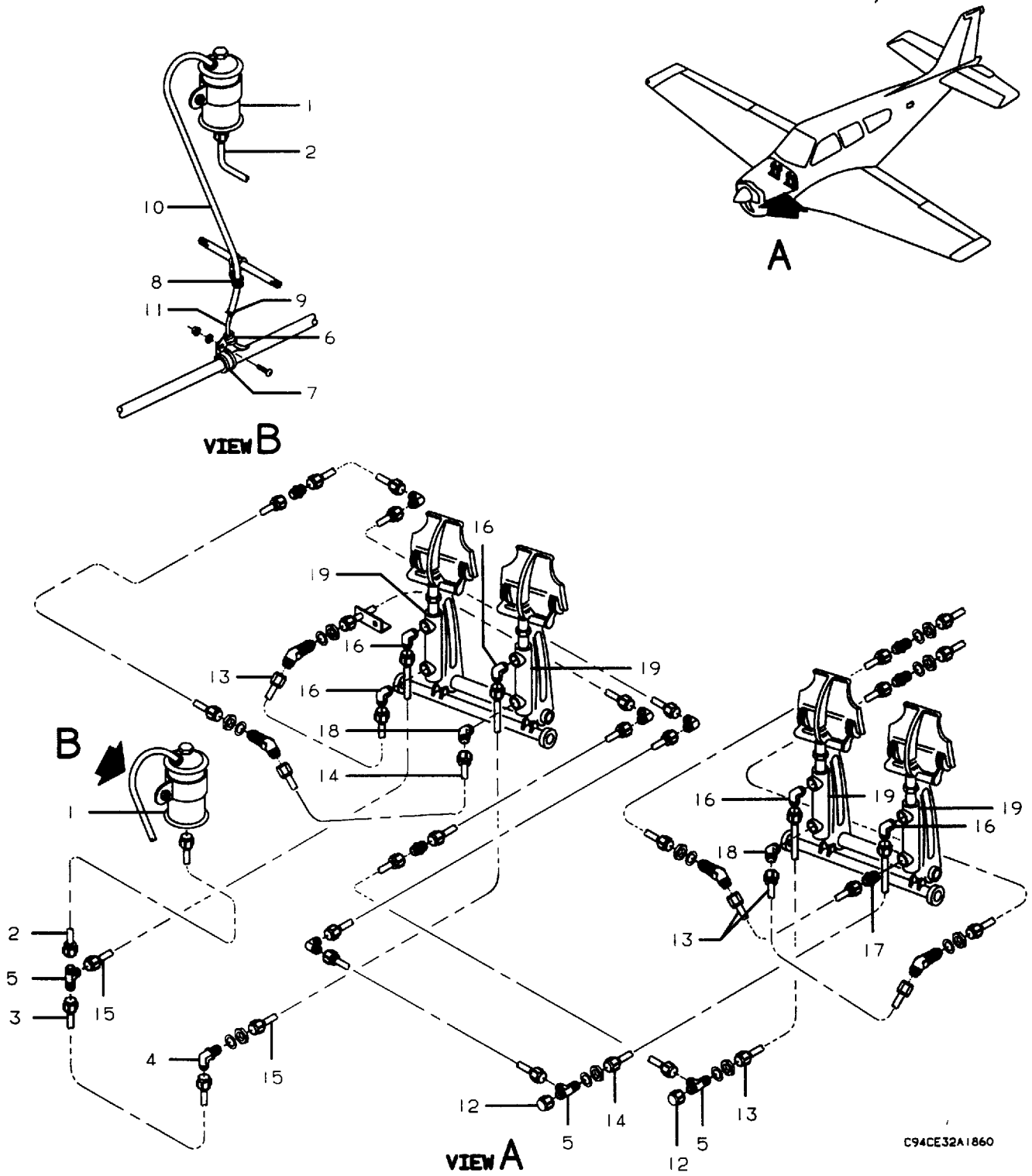
C O D E S O F E F F E C T I V I T Y

- |    |                      |    |                      |
|----|----------------------|----|----------------------|
| 1  | CD-1244 THRU CD-1304 | 2  | CD-1244 THRU CD-1273 |
|    | CE-302 AND AFTER     |    | CE-302 THRU CE-363   |
|    | CJ-27 AND AFTER      |    |                      |
| 3  | CD-1274 THRU CD-1304 | 4  | CE-418,CE-436        |
|    | CE-364 THRU CE-435   |    | AND AFTER            |
|    | EXCEPT CE-418        |    |                      |
| 5  | CJ-27 THRU CJ-39     | 6  | CJ-40 AND AFTER      |
| 7  | CD-1244 THRU CD-1304 | 8  | CJ-27 AND AFTER      |
|    | CE-302 AND AFTER     |    |                      |
| 9  | CD-1244 THRU CD-1304 | 10 | CE-418,CE-436        |
|    | CE-302 THRU CE-435   |    | AND AFTER            |
|    | EXCEPT CE-418        |    | CJ-40 AND AFTER      |
|    | CJ-27 THRU CJ-39     |    |                      |
| 11 | CD-1244 THRU CD-1304 | 12 | CE-710 AND AFTER     |
|    | CE-302 THRU CE-709   |    | CJ-129 AND AFTER     |
|    | CJ-27 THRU CJ-128    |    |                      |
| 13 | CD-1244 THRU CD-1273 | 14 | CD-1274 THRU CD-1304 |
|    | CE-302 THRU CE-363   |    | CE-364 AND AFTER     |
|    | CJ-27 THRU CJ-30     |    | CJ-31 AND AFTER      |
| 15 | CD-1244 THRU CD-1304 | 16 | CE-762 THRU CE-838   |
|    | CE-302 THRU CE-761   |    | CJ-139 THRU CJ-149   |
|    | CJ-27 THRU CJ-138    |    |                      |
| 17 | CD-1274 THRU CD-1304 | 18 | CD-1244 THRU CD-1304 |
|    | CE-364 AND AFTER     |    | CE-302 THRU CE-1261, |
|    |                      |    | CE-1265 AND AFTER    |
|    |                      |    | CJ-27 AND AFTER      |
| 19 | CE-1262 THRU CE-1264 | 20 | CE-418,              |
|    |                      |    | CE-436 THRU CE-838   |

BEECHCRAFT  
BONANZA 33  
ILLUSTRATED PARTS CATALOG

FIGURE 219B  
BRAKE PLUMBING/DUAL BRAKES/  
CE-839 AND AFTER  
CJ-150 AND AFTER

BEECHCRAFT  
 BONANZA 33  
 ILLUSTRATED PARTS CATALOG

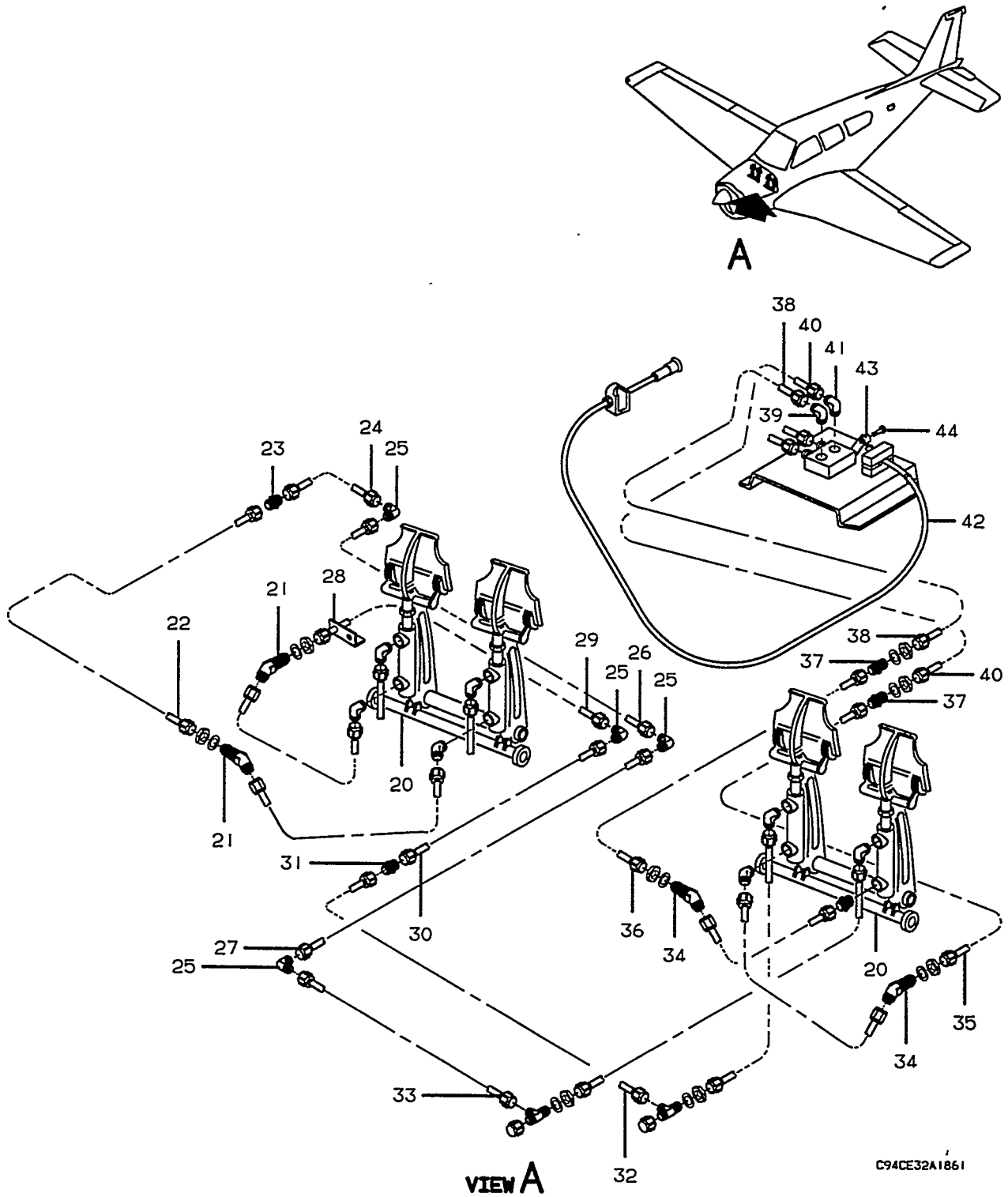


C94CE32A1860

B E E C H C R A F T  
B O N A N Z A 3 3  
I L L U S T R A T E D P A R T S C A T A L O G

FIG. & ITEM NO.	PART NO.	DESCRIPTION	UNITS							USABLE ON CODE
			1	2	3	4	5	6	7	
219B	R 36-580001-3	PLUMBING INSTL,DUAL BRAKE . . . . .							NP	1
	R 36-580001-5	PLUMBING INSTL,DUAL BRAKE . . . . .							NP	2
- 1	R 35-815180-8	. RESERVOIR ASSY/ORDER 35-815275-1 RESERVOIR. . . . .							NP	6
		& 102-580011-1 CLAMP FOR SPARES/								
	R 35-815275-1	. RESERVOIR ASSY. . . . .							1	7
	R 33-580011	. RESERVOIR ASSY/ORDER 33-580011-1 RESERVOIR. . . . .							NP	8
		& 102-580011-1 CLAMP FOR SPARES/								
	R 33-580011-1	. RESERVOIR ASSY. . . . .							1	9
		/ATTACHING PARTS/								
	R MS35215-56	. SCREW . . . . .							1	
	R AN960-10	. WASHER. . . . .							1	
	R 130909N29	. NUT . . . . .							1	
		-----*								
- 2	R 36-580001-21	. TUBE ASSY . . . . .							1	3
- 3	R 35-580001-11	. TUBE ASSY . . . . .							1	3
- 4	R AN833-4	. ELBOW . . . . .							1	3
		/ATTACHING PARTS/								
	R AN960-716L	. WASHER. . . . .							1	
	R AN924-4	. NUT . . . . .							1	
		-----*								
- 5	R AN804-4	. TEE . . . . .							3	3
		/ATTACHING PARTS/								
	R AN960-716L	. WASHER. . . . .							1	
	R AN924-4	. NUT . . . . .							1	
		-----*								
- 6	R MS21919WDG3	. CLAMP . . . . .							1	2
- 7	R MS21919WDG12	. CLAMP . . . . .							1	2
		/ATTACHING PARTS/								
	R MS35206-243	. SCREW . . . . .							1	
	R AN960-8	. WASHER. . . . .							1	
	R MS21042L08	. NUT . . . . .							1	
		-----*								
- 8	R MS21919WDG4	. CLAMP . . . . .							1	2
- 9	R 130292A4	. CLAMP . . . . .							1	2
- 10	R 35-580000-69	. TUBE. . . . .							1	2
- 11	R 35-580000-73	. TUBE. . . . .							1	2
- 12	R AN929-4	. CAP . . . . .							2	3
- 13	R MS28741-4-0107	. HOSE ASSY . . . . .							4	3
- 14	R MS28741-4-0090	. HOSE ASSY . . . . .							2	3
- 15	R 330997-4-0130	. HOSE ASSY . . . . .							2	3
- 16	R MS20822-4D	. ELBOW . . . . .							5	3
- 17	R AN916-4D	. NIPPLE. . . . .							1	3
- 18	R MS20823-4D	. ELBOW . . . . .							2	3
- 19	R 96-380034-3	. CYLINDER,MASTER BRAKE . . . . .							NP	4
		/ORDER 96-380034-25 FOR SPARES/								
	R 96-380034-25	. CYLINDER,MASTER BRAKE . . . . .							4	5
		/ATTACHING PARTS/								
	R MS20392-2C25	. PIN,CLEVIS/UPR & LWR OUTBOARD,UPR INBOARD/. . . . .							AR	
	R MS20392-2C33	. PIN,CLEVIS/LWR INBOARD/ . . . . .							AR	
	R AN960-10	. WASHER/2 MAXIMUM EACH PIN/. . . . .							AR	
	R MS24665-132	. PIN,COTTER. . . . .							2	
	R NAS43HT3-16	. SPACER/LWR INBOARD/ . . . . .							AR	
		-----*								

BEECHCRAFT  
BONANZA 33  
ILLUSTRATED PARTS CATALOG

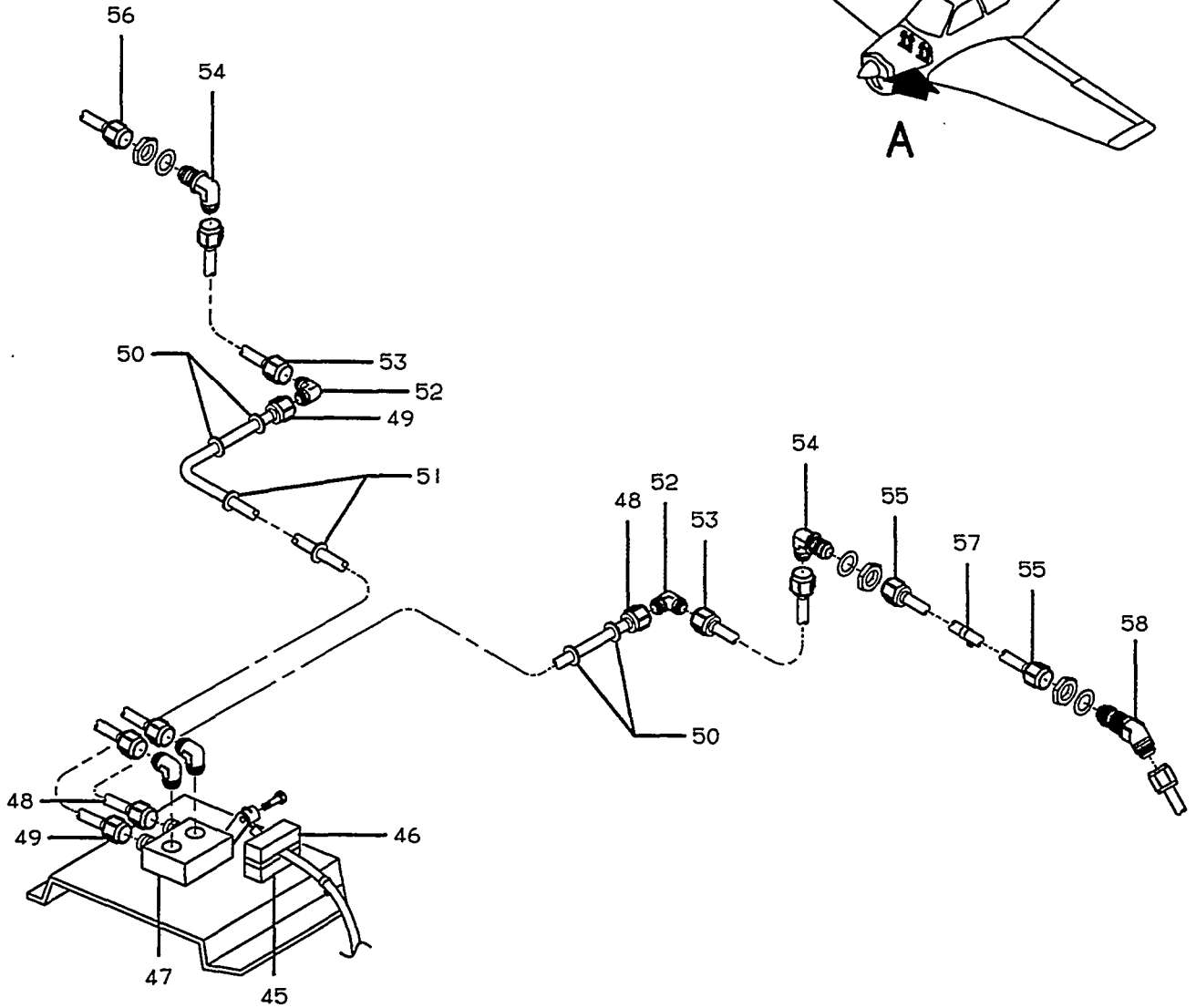
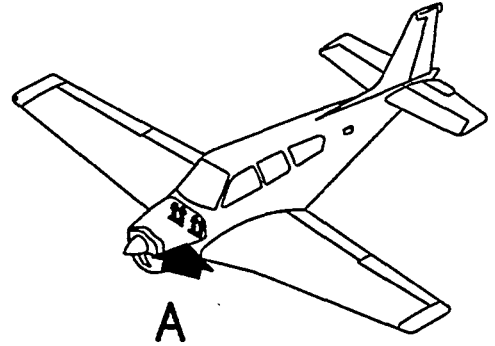




B E E C H C R A F T  
B O N A N Z A 3 3  
I L L U S T R A T E D P A R T S C A T A L O G

FIG. & ITEM NO.	PART NO.	DESCRIPTION	UNITS PER ASSY	USABLE ON CODE
219B - 20	R 002-410033-1	. SUPPORT, MASTER CYLINDER . . . . .	2	3
- 21	R AN837-4D	. ELBOW . . . . .	2	3
		/ATTACHING PARTS/		
	R AN960-716L	. WASHER . . . . .	1	
	R AN924-4D	. NUT . . . . .	1	
		-----*		
- 22	R 35-580001-27	. TUBE ASSY . . . . .	1	3
- 23	R AN815-4D	. UNION . . . . .	1	3
- 24	R 35-580001-75	. TUBE ASSY . . . . .	1	3
- 25	R AN821-4D	. ELBOW . . . . .	4	3
- 26	R 35-580001-13	. TUBE ASSY . . . . .	1	3
- 27	R 35-580001-17	. TUBE ASSY . . . . .	1	3
- 28	R 35-580011-1	. BRACKET . . . . .	1	3
		/ATTACHING PARTS/		
	R 130909B12	. BOLT . . . . .	2	
	R 130909N29	. NUT . . . . .	2	
		-----*		
- 29	R 36-580001-11	. TUBE . . . . .	1	3
- 30	R 36-580001-15	. TUBE ASSY . . . . .	1	3
- 31	R AN815-4D	. UNION . . . . .	1	3
- 32	R 36-580001-7	. TUBE ASSY . . . . .	1	3
- 33	R 36-580001-9	. TUBE ASSY . . . . .	1	3
- 34	R AN837-4D	. ELBOW . . . . .	2	3
		/ATTACHING PARTS/		
	R AN960-716L	. WASHER . . . . .	1	
	R AN924-4D	. NUT . . . . .	1	
		-----*		
- 35	R 002-580012-3	. TUBE ASSY . . . . .	1	3
- 36	R 36-580000-153	. TUBE ASSY . . . . .	1	3
	R 739-4	. CLIP . . . . .	1	3
		/ATTACHING PARTS/		
	R MS35206-244	. SCREW . . . . .	2	
	R AN960-8	. WASHER . . . . .	2	
	R MS21042L08	. NUT . . . . .	2	
		-----*		
- 37	R AN832-4D	. UNION . . . . .	2	3
		/ATTACHING PARTS/		
	R AN960-716L	. WASHER . . . . .	1	
	R AN924-4	. NUT . . . . .	1	
		-----*		
- 38	R 35-580002-57	. TUBE ASSY . . . . .	1	1
	R 35-580002-29	. TUBE ASSY . . . . .	1	2
- 39	R MS20822-4D	. ELBOW . . . . .	1	3
- 40	R 35-580002-55	. TUBE ASSY . . . . .	1	1
	R 35-580002-27	. TUBE ASSY . . . . .	1	2
- 41	R MS20823-4D	. ELBOW . . . . .	1	3
- 42	R 35-380063-13	. CABLE, CONTROL . . . . .	1	3
		/ATTACHING PARTS/		
	R 49296	. CLAMP . . . . .	1	
	R SCMSP	. CLIP, SWIVEL . . . . .	1	
		-----*		
- 43	R 36-580011	. SWIVEL . . . . .	1	3
		/ATTACHING PARTS/		
	R AN960-10L	. WASHER . . . . .	2	
	R MS24665-153	. PIN, COTTER . . . . .	1	
		-----*		
- 44	R 130909B12	. BOLT . . . . .	1	3
	R MS35650-302	. NUT . . . . .	1	3

BEECHCRAFT  
BONANZA 33  
ILLUSTRATED PARTS CATALOG



VIEW A

C94CE32A1862

B E E C H C R A F T  
B O N A N Z A 3 3  
I L L U S T R A T E D P A R T S C A T A L O G

FIG. & ITEM NO.	PART NO.	DESCRIPTION	UNITS PER ASSY	USABLE ON CODE
		1 2 3 4 5 6 7		
219B - 45	R 36-580000-93	. BLOCK, LOWER . . . . .	1	3
- 46	R 36-580000-91	. BLOCK, UPPER . . . . .	1	3
		/ATTACHING PARTS/		
	R AN3-23A	. BOLT . . . . .	2	
	R AN960-10L	. WASHER . . . . .	2	
		-----*		
- 47	R A850-8	. VALVE, PARKING BRAKE/SUPERSEDES HE7002-3/ . . . . .	1	3
		/SEE FIG. 222/		
		/ATTACHING PARTS/		
	R 130909B23	. BOLT . . . . .	2	
	R AN960-10	. WASHER/ONE UNDER BOLT HEAD, ONE BETWEEN VALVE. AND BRACKET/	4	
		-----*		
- 48	R 35-580002-53	. TUBE ASSY . . . . .	1	1
	R 35-580002-23	. TUBE ASSY . . . . .	1	2
- 49	R 35-580002-51	. TUBE ASSY . . . . .	1	1
	R 35-580002-49	. TUBE ASSY . . . . .	1	2
- 50	R MS35489-13	. GROMMET . . . . .	4	3
- 51	R MS35489-6	. GROMMET . . . . .	2	3
- 52	R AN821-4D	. ELBOW . . . . .	2	3
- 53	R 36-580000-15	. TUBE ASSY . . . . .	2	3
- 54	R AN833-4D	. ELBOW . . . . .	2	3
		/ATTACHING PARTS/		
	R AN960-716	. WASHER . . . . .	1	
	R AN924-4D	. NUT . . . . .	1	
		-----*		
	R 36-580000-131	. PLUMBING ASSY, LH WING . . . . .	1	3
	R 36-580000-133	. PLUMBING ASSY, RH WING . . . . .	1	3
- 55	R 35-815006-12	. TUBE ASSY, LH . . . . .	1	3
- 56	R 35-815006-13	. TUBE ASSY, RH . . . . .	1	3
- 57	R AN742-6C	. CLAMP . . . . .	1	3
		/ATTACHING PARTS/		
	R AN515-8R7	. SCREW . . . . .	1	
	R AN960-8	. WASHER . . . . .	1	
	R MS20365-832	. NUT . . . . .	1	
	R AN743-12	. BRACKET . . . . .	1	
	R AN520-10R8	. SCREW . . . . .	1	
	R AN960-10L	. WASHER . . . . .	1	
	R MS20365-1032	. NUT . . . . .	1	
		-----*		
- 58	R AN837-4D	. ELBOW . . . . .	1	3
	R AN960-716	. WASHER . . . . .	1	3
	R AN924-4D	. NUT . . . . .	1	3

NOTE USE FOLLOWING HARDWARE FOR TUBING SUPPORT

R AN743-12	. BRACKET . . . . .	AR	3
R MS21919WDG4	. CLAMP . . . . .	AR	3
R MS35207-263	. SCREW . . . . .	AR	3
R AN960-10	. WASHER . . . . .	AR	3
R 130909N29	. NUT . . . . .	AR	3

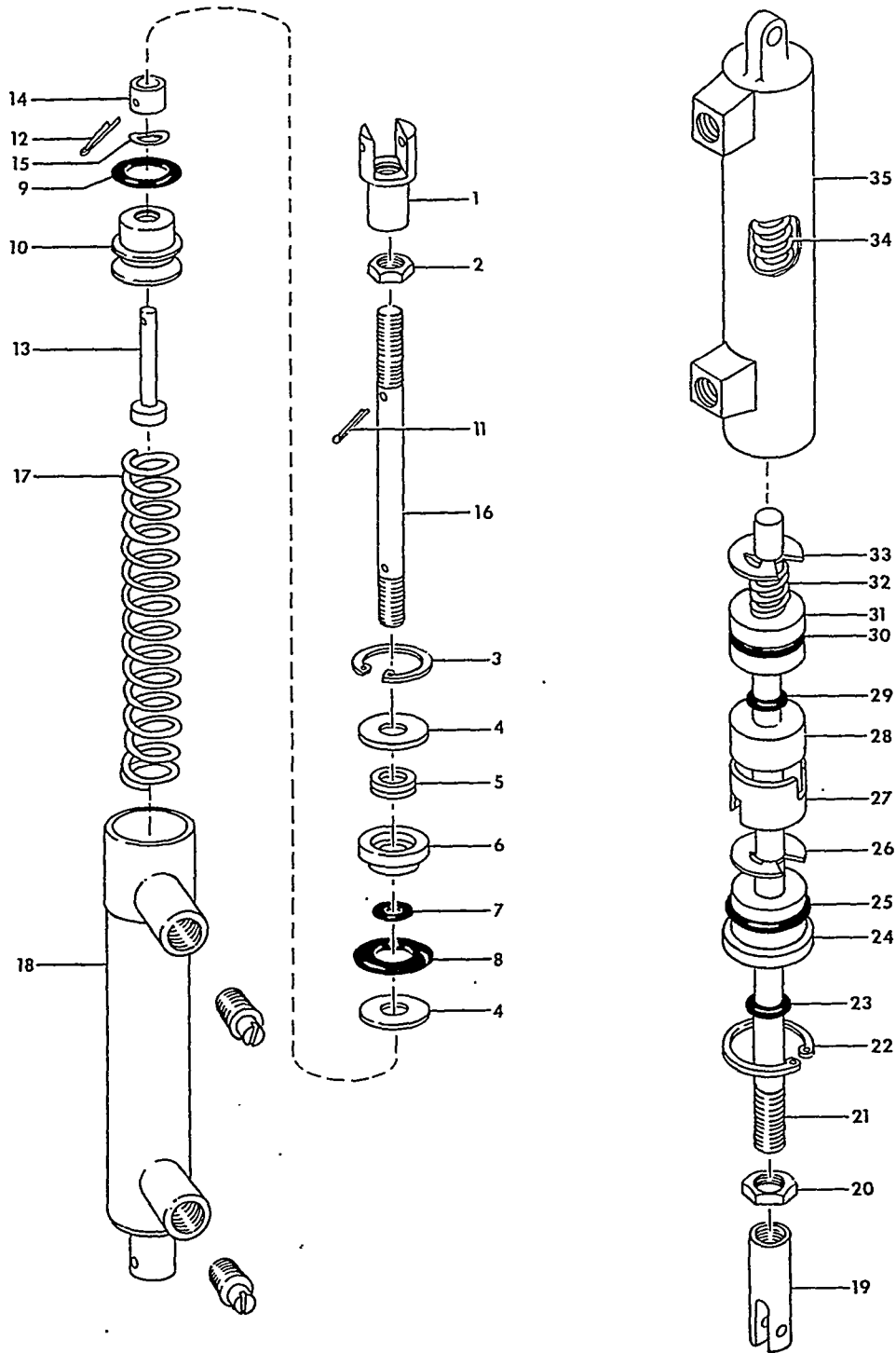
CODES OF EFFECTIVITY

1	CE-839 AND AFTER	2	CJ-150 AND AFTER
3	CE-839 AND AFTER CJ-150 AND AFTER	4	CE-839 THRU CE-889 CE-891 THRU CE-905 CJ-150 THRU CJ-155
5	CE-890, CE-906 AND AFTER CJ-156 AND AFTER	6	CE-839 THRU CE-1288
7	CE-1289 AND AFTER	8	CJ-150 THRU CJ-179
9	CJ-180 AND AFTER		

BEECHCRAFT  
BOEING 33  
ILLUSTRATED PARTS CATALOG

FIGURE 220  
BRAKE MASTER CYLINDER

BEECHCRAFT  
 BONANZA 33  
 ILLUSTRATED PARTS CATALOG



35-220-3

FIGURE 220. BRAKE MASTER CYLINDER

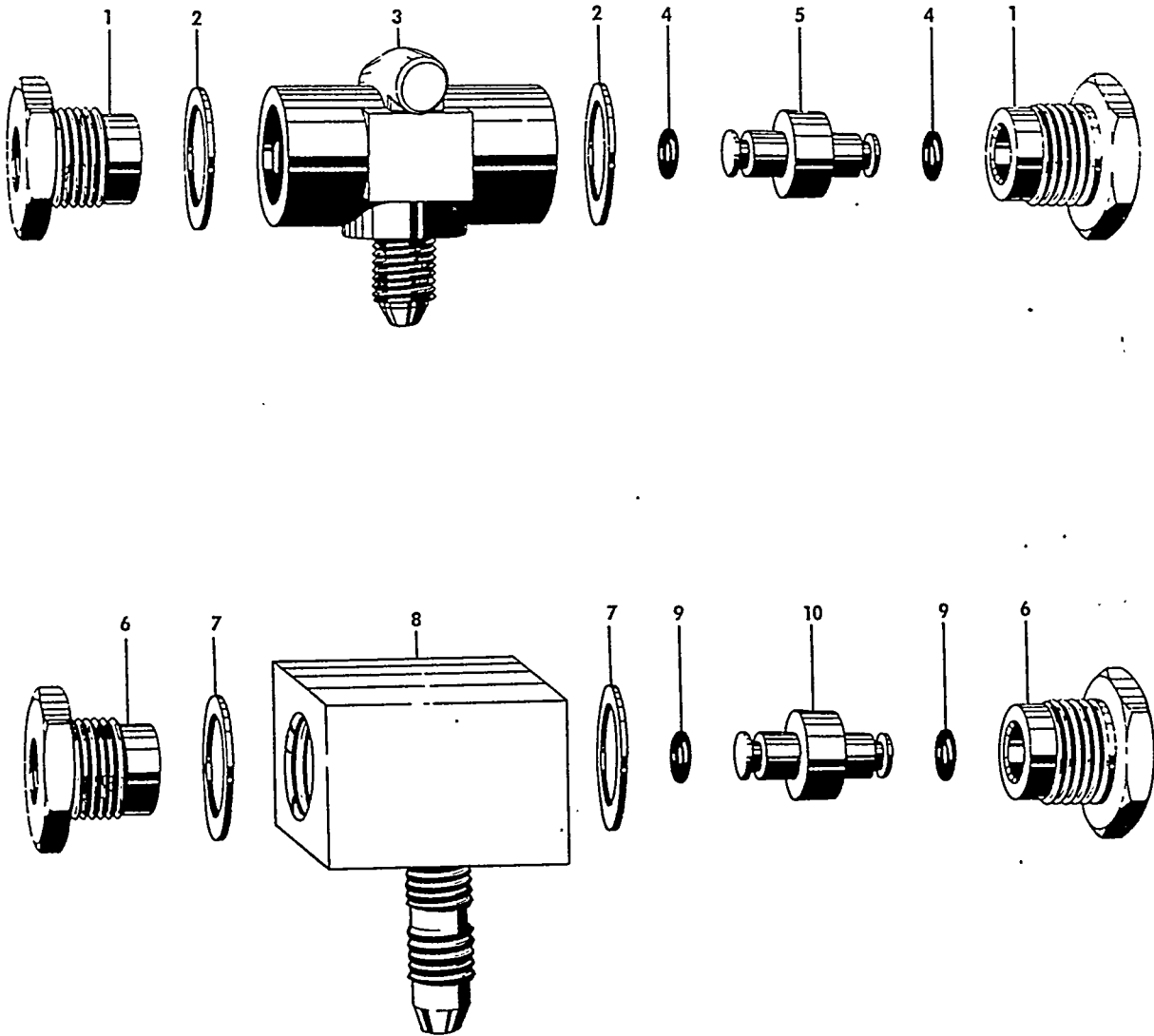
B E E C H C R A F T  
B O N A N Z A 3 3  
I L L U S T R A T E D P A R T S C A T A L O G

FIG. & ITEM NO.	PART NO.	DESCRIPTION	UNITS PER ASSY	USABLE ON CODE
		1 2 3 4 5 6 7		
220	96-380034-3	CYLINDER ASSY, HYDRAULIC BRAKE MASTER. . . . .	NP	
		ORDER 96-380034-25		
	96-380034-25	CYLINDER ASSY, HYDRAULIC BRAKE MASTER. . . . .	4	
	VV15-625-2	• CYLINDER ASSY, HYDRAULIC BRAKE . . . . .	4	
- 1	A57G400	• • CLEVIS. . . . .	1	
- 2	AN316-5	• • NUT . . . . .	1	
- 3	5000-77	• • RING, TRUARC SNAP. . . . .	1	
- 4	A57G395	• • WASHER, RETAINING. . . . .	2	
- 5	A57G401	• • WIPER, ROD . . . . .	1	
- 6	A57G399	• • BUSHING, ROD GUIDE . . . . .	1	
- 7	AN6227B6	• • O RING. . . . .	1	
- 8	AN6227B11	• • O RING. . . . .	1	
- 9	AN6227B9	• • O RING. . . . .	1	
- 10	A57G394	• • PISTON ASSY, ROD . . . . .	1	
- 11	AN380-2C2	• • PIN, COTTER. . . . .	1	
- 12	A606	• • PIN, MODIFIED COTTER . . . . .	1	
- 13	A57G113	• • VALVE ASSY. . . . .	1	
- 14	A57G011	• • STOP, VALVE. . . . .	1	
- 15	3502-18-24-0511	• • WASHER, SPRING . . . . .	1	
- 16	A57G396	• • PISTON & ROD ASSY . . . . .	1	
- 17	A505	• • SPRING. . . . .	1	
- 18	A57G393	• • BRAZE ASSY, CYLINDER . . . . .	1	
	96-380034-3	CYLINDER ASSY, HYDRAULIC BRAKE MASTER. . . . .	NP	
		ORDER 96-380034-25		
	96-380034-25	CYLINDER ASSY, HYDRAULIC BRAKE MASTER. . . . .	4	
	A110	• CYLINDER ASSY, HYDRAULIC BRAKE . . . . .	4	
- 19	A091A	• • CLEVIS. . . . .	1	
- 20	AN316-5	• • NUT, LOCK. . . . .	1	
- 21	A137A2	• • SHAFT . . . . .	1	
- 22	N5000-68MD	• • RING, TRUARC SNAP. . . . .	1	
- 23	2-011	• • O RING. . . . .	1	
- 24	A104A	• • CAP, END AND BEARING . . . . .	1	
- 25	11-014	• • O RING. . . . .	1	
- 26	X5133-21	• • RING, TRUARC SNAP. . . . .	1	
- 27	A086A	• • COLLAR, THRUST . . . . .	1	
- 28	A138A	• • SPACER. . . . .	1	
- 29	2-008	• • O RING. . . . .	1	
- 30	2-111	• • O RING. . . . .	1	
- 31	A497A	• • PISTON . . . . .	1	
- 32	A113A	• • SPRING. . . . .	1	
- 33	X5133-21	• • RING, TRUARC SNAP. . . . .	1	
- 34	A323A	• • SPRING. . . . .	1	
- 35	A107A	• • HOUSING . . . . .	1	

BEECHCRAFT  
BONANZA 33  
ILLUSTRATED PARTS CATALOG

FIGURE 221  
BRAKE SHUTTLE VALVE  
CD-1235 THRU CD-1304, CE-290 THRU CE-761  
CJ-26 THRU CJ-138

BEECHCRAFT  
BONANZA 33  
ILLUSTRATED PARTS CATALOG



33-221-1



B E E C H C R A F T  
B O N A N Z A 3 3  
I L L U S T R A T E D P A R T S C A T A L O G

FIG. & ITEM NO.	PART NO.	DESCRIPTION							UNITS PER ASSY	USABLE ON CODE
		1	2	3	4	5	6	7		
221	50-380079-1	VALVE, BRAKE SHUTTLE/ORDER 101-388004-11/. . . .							2	1
		/SEE FIGURE 221A/								
- 1	A102-15	. FITTING, END . . . . .							2	1
- 2	HL5	. GASKET . . . . .							2	1
- 3	A101-22	. BODY, VALVE . . . . .							1	1
- 4	HL214	. O RING . . . . .							2	1
- 5	HL837	. PISTON . . . . .							1	1
	50-380079-3	VALVE, BRAKE SHUTTLE/ORDER 101-388004-11/. . . .							2	1
		/SEE FIGURE 221A/								
- 6	A-SA408	. FITTING, END . . . . .							2	1
- 7	A-SA405	. WASHER . . . . .							2	1
- 8	A-SA406	. BODY, VALVE . . . . .							1	1
- 9	AN6227B3	. O RING . . . . .							2	1
- 10	A-SA407	. PISTON . . . . .							1	1

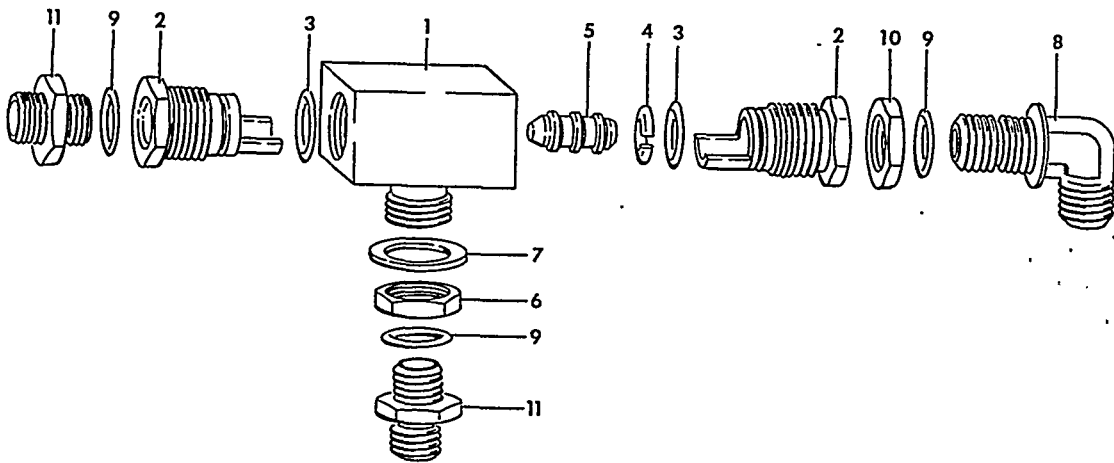
C O D E S O F E F F E C T I V I T Y

- 1 CD-1235 THRU CD-1304
- CE-290 THRU CE-761
- CJ-26 THRU CJ-138

BEECHCRAFT  
BONANZA 33  
ILLUSTRATED PARTS CATALOG

FIGURE 221A  
BRAKE SHUTTLE VALVE  
CE-762 THRU CE-838, CJ-139 THRU CJ-149

BEECHCRAFT  
BONANZA 33  
ILLUSTRATED PARTS CATALOG



36-221A-2

B E E C H C R A F T  
B O N A N Z A 3 3  
I L L U S T R A T E D P A R T S C A T A L O G

FIG. & ITEM NO.	PART NO.	DESCRIPTION	UNITS PER ASSY	USABLE ON CODE
221A	101-388004-11	VALVE, SHUTTLE . . . . .	1	1
- 1	92056	. HOUSING . . . . .	1	1
- 2	95094	. FITTING, END . . . . .	2	1
- 3	R MS28775-015	. PACKING, PREFORMED . . . . .	2	1
- 4	95103	. SPRING . . . . .	1	1
- 5	92112	. POPPET . . . . .	1	1
- 6	AN924-8D	. NUT . . . . .	1	1
- 7	100951DD064VC	. WASHER . . . . .	1	1
- 8	AN833-4D	ELBOW . . . . .	2	1
- 9	R MS28778-4	PACKING, PREFORMED . . . . .	3	1
- 10	AN924-4D	NUT . . . . .	1	1
- 11	AN814-4D	UNION . . . . .	2	1

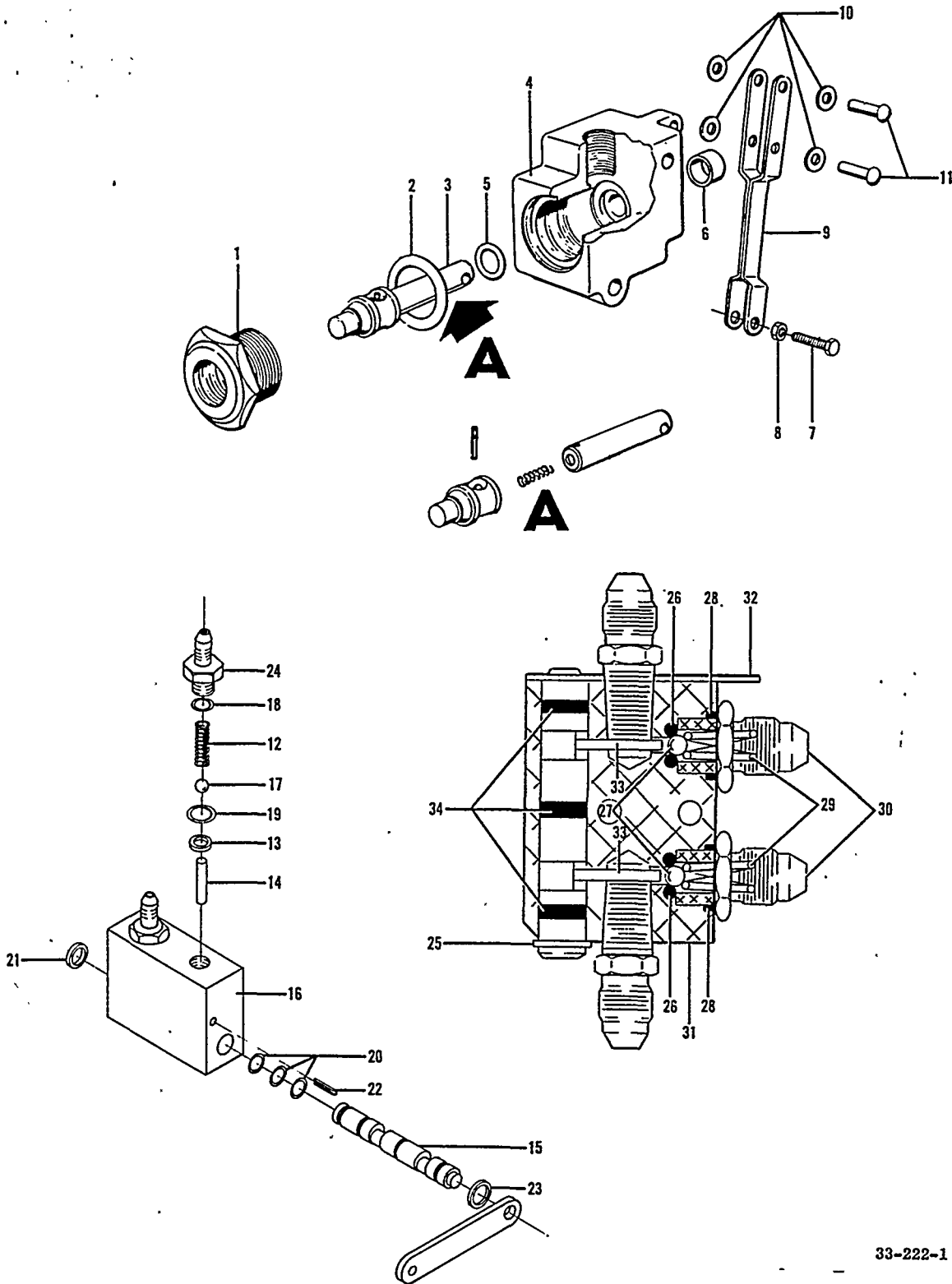
C O D E S O F E F F E C T I V I T Y

- 1 CE-762 THRU CE-838
- CJ-139 THRU CJ-149

BEECHCRAFT  
BONANZA 33  
ILLUSTRATED PARTS CATALOG

FIGURE 222  
PARKING BRAKE VALVE

BEECHCRAFT  
 BONANZA 33  
 ILLUSTRATED PARTS CATALOG



33-222-1

FIGURE 222. PARKING BRAKE VALVE

BEECHCRAFT  
BONANZA 33  
ILLUSTRATED PARTS CATALOG

FIG. & ITEM NO.	PART NO.	DESCRIPTION	UNITS PER ASSY	USABLE ON CODE
		1 2 3 4 5 6 7		
222	35-380065-1	VALVE ASSY,PARKING BRAKE. . . . .	1	1
- 1	A164-669	. VALVE ASSY,CHECK. . . . .	1	1
- 2	HL200	. GASKET. . . . .	1	1
- 3	A164-454	. PISTON ASSY . . . . .	1	1
- 4	A164-668	. BODY ASSY . . . . .	1	1
- 5 R	HL338	. PACKING,PREFORMRD . . . . .	1	1
- 6	A150-126	. SPACER. . . . .	1	1
- 7	A114-176	. SCREW . . . . .	1	1
- 8	A115-62	. NUT,LOCK. . . . .	1	1
- 9	A104-188	. LEVER ASSY. . . . .	1	1
- 10	A117-133	. WASHER. . . . .	4	1
- 11	A132-179	. PIN,COTTER. . . . .	2	1
	HE7002-3	VALVE ASSY,PARKING BRAKE. . . . .	1	2
- 12	HE1793	. SPRING. . . . .	2	2
- 13	HE1902	. SEAL. . . . .	2	2
- 14	HE1903	. PIN . . . . .	2	2
- 15	HE1905-1	. LEVER ASSY,CAM. . . . .	1	2
- 16	HE1906	. BODY,VALVE. . . . .	1	2
- 17	7/32 DIA	. BALL,STEEL. . . . .	2	2
- 18 R	AN6290-4	. PACKING,PREFORMED . . . . .	2	2
- 19 R	AN6227B7	. PACKING,PREFORMED . . . . .	2	2
- 20 R	AN6227B5	. PACKING,PREFORMED . . . . .	3	2
- 21	5100-37	. RING,RETAINING. . . . .	1	2
- 22	79-022-094-0375	. PIN,ROLL. . . . .	1	2
- 23	HE1373	. WASHER. . . . .	1	2
- 24	HE1900-4	. FITTING . . . . .	2	2
	A850-8	VALVE ASSY,PARKING BRAKE. . . . .	1	2
	21-5-125-0250	. PIN,ROLL. . . . .	1	2
- 25	5100-37MD	. RING,SNAP . . . . .	1	2
- 26 R	101-50353	. PACKING,PREFORMED . . . . .	2	2
- 27	A1384A	. POPPET. . . . .	2	2
- 28 R	101-50342	. PACKING,PREFORMED /BOSS GASKET/ . . . . .	2	2
- 29	A1259A	. SPRING. . . . .	2	2
- 30	A867A	. FITTING . . . . .	2	2
- 31	A889B	. HOUSING,VALVE . . . . .	1	2
- 32	A865A1	. CAMSHAFT ASSY . . . . .	1	2
- 33	28420-093-10	. PIN,DOWELL. . . . .	2	2
- 34 R	2-010	. PACKING,PREFORMED . . . . .	3	2

CODES OF EFFECTIVITY

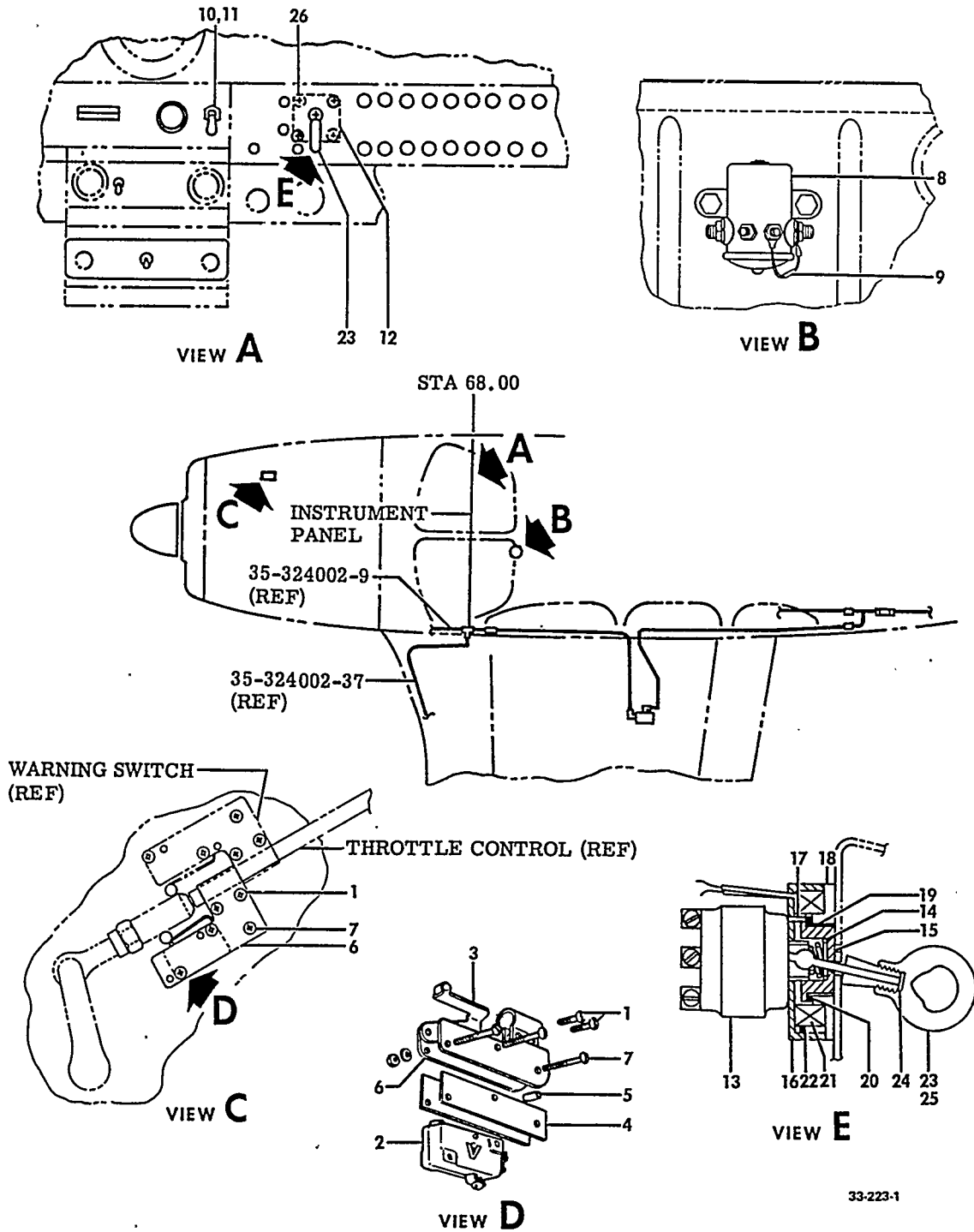
1 CD-1235 THRU CD-1243 2 CD-1244 THRU CD-1304  
 CE-290 THRU CE-301 CE-302 THRU CE-838  
 CJ-26 ONLY CJ-27 THRU CJ-149

BEECHCRAFT  
BONANZA 33  
ILLUSTRATED PARTS CATALOG

FIGURE 223  
LANDING GEAR SAFETY SYSTEM



BEECHCRAFT  
 BONANZA 33  
 ILLUSTRATED PARTS CATALOG



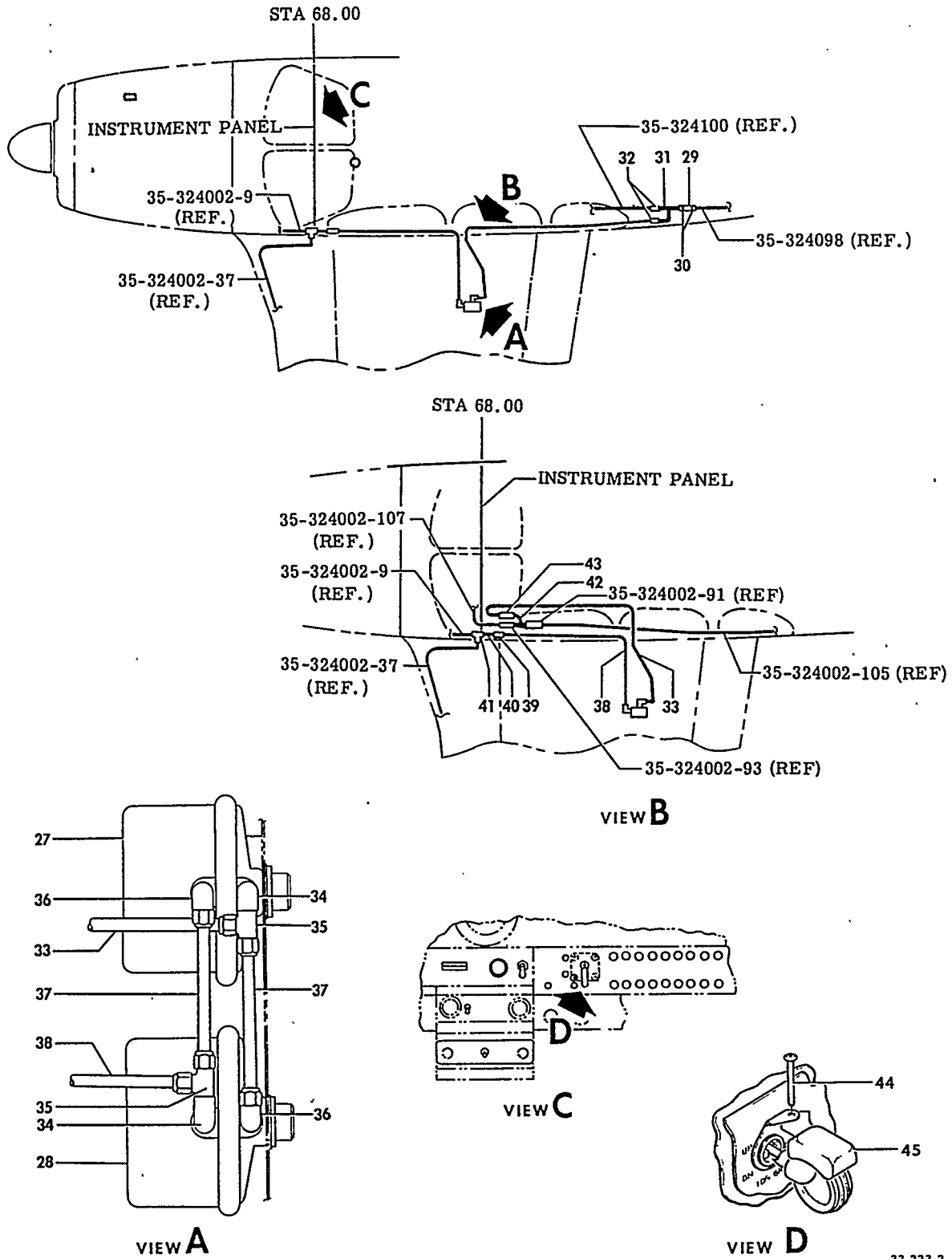
33-223-1

FIGURE 223. LANDING GEAR SAFETY SYSTEM  
 /SHEET 1 OF 2 SHEETS/

B E E C H C R A F T  
B O N A N Z A 3 3  
I L L U S T R A T E D P A R T S C A T A L O G

FIG. & ITEM NO.	PART NO.	DESCRIPTION	UNITS PER ASSY	USABLE ON CODE
		1 2 3 4 5 6 7		
223	35-364170-11	EQUIPMENT INSTL, LANDING GEAR SAFETY SYSTEM. . . . .	NP	1
	35-364170-13	EQUIPMENT INSTL, LANDING GEAR SAFETY SYSTEM. . . . .	NP	2
	35-364153-606	• SWITCH ASSY, LANDING GEAR SAFETY . . . . .	1	
		/ATTACHING PARTS/		
- 1	AN515-4R6	• SCREW . . . . .	2	
	AN960-4	• WASHER . . . . .	2	
	MS20365-440	• NUT . . . . .	2	
		*-----*		
- 2	V3-1	• SWITCH, LANDING GEAR SAFETY. . . . .	1	
- 3	JV5	• ACTUATOR, SWITCH . . . . .	1	
- 4	35-369131	• INSULATOR, SWITCH. . . . .	2	
- 5	102933D1ZA0410	• SPACER. . . . .	1	
- 6	35-369124-3	• BRACKET . . . . .	1	
- 7	AN515-4R12	• SCREW . . . . .	3	
	AN960-4	• WASHER. . . . .	6	
	MS20365-440	• NUT . . . . .	3	
- 8	70-111224	• RELAY/14 VOLT/. . . . .	1	4
	50-380048-1	• RELAY/28 VOLT/. . . . .	1	5
	50-380048-3	• RELAY/14 VOLT/. . . . .	1	6
		/ATTACHING PARTS/		
	AN3-10/M/	• BOLT. . . . .	2	
	AN960-10	• WASHER. . . . .	4	
	MS20365-1032	• NUT . . . . .	2	
		*-----*		
- 9	35-361028-603	• HARNESS ASSY, LANDING GEAR SAFETY SYSTEM . . . . .	1	
	1N4004	• RECTIFIER . . . . .	1	
	35-380053-656	• SWITCH ASSY, LANDING GEAR SAFETY SYSTEM TEST . . . . .	1	
- 10	35-380053-11	• SWITCH, LANDING GEAR SAFETY SYSTEM TEST. . . . .	1	
- 11	96-384050-7	• KNOB, SWITCH . . . . .	1	
	1N5400	• DIODE . . . . .	1	3
	1N4005	• DIODE . . . . .	2	3
- 12	35-364171-1	• SWITCH ASSY, LANDING GEAR SAFETY/14 VOLT/. . . . .	1	4
	35-364171-27	• SWITCH ASSY, LANDING GEAR SAFETY/28 VOLT/. . . . .	1	5
		/ATTACHING PARTS/		
	AN507-6R8	• SCREW . . . . .	2	
		*-----*		
- 13	35-364171-7	• SWITCH. . . . .	1	
- 14	35-364171-3	• SPRING. . . . .	1	
- 15	35-364171-9	• LATCH, SOLENOID. . . . .	1	
	35-364171-11	• HOUSING ASSY. . . . .	1	
- 16	35-364171-21	• HOUSING . . . . .	1	
- 17	35-364171-19	• PIN . . . . .	1	
	35-364171-13	• CAP ASSY. . . . .	1	
- 18	35-364171-17	• CAP . . . . .	1	
- 19	35-364171-15	• BEARING, SLEEVE. . . . .	1	
- 20	105090D050-12G	• WASHER. . . . .	1	
- 21	35-380079-1	• COIL ASSY/14 VOLT/. . . . .	1	4
	35-380079-7	• COIL ASSY/28 VOLT/. . . . .	1	5
- 22	AN6227B27	• O RING. . . . .	1	
	35-364171-25	• LEVER ASSY, LANDING GEAR SWITCH. . . . .	1	
- 23	118665	• LEVER . . . . .	1	
- 24	35-364171-23	• SPACER. . . . .	1	
- 25	AN565D8H2	• SCREW, SET . . . . .	1	
- 26	AN507-632R5	• SCREW . . . . .	2	

BEECHCRAFT  
 BONANZA 33  
 ILLUSTRATED PARTS CATALOG



33-223-2

FIGURE 223. LANDING GEAR SAFETY SYSTEM  
 /SHEET 2 OF 2 SHEETS/

B E E C H C R A F T  
B O N A N Z A 3 3  
I L L U S T R A T E D P A R T S C A T A L O G

FIG. & ITEM NO.	PART NO.	DESCRIPTION	UNITS PER ASSY	USABLE ON CODE		
					1	2
223 - 27	90-380010-3	• SWITCH,PRESSURE . . . . .	1			
- 28	90-380010-5	• SWITCH,PRESSURE . . . . .	1			
	35-364170-17	• BLOCK,RUB . . . . .	1			
	AN960-1416	• WASHER /USE AS SHIMS FOR SWITCHES/ . . . . .	AR			
	35-324002-123	• LINES INSTL,PITOT & INSTRUMENT . . . . .	NP			
- 29	35-324002-75	• HOSE . . . . .	1			
- 30	AN737RM22	• CLAMP . . . . .	2			
- 31	35-324002-57	• TUBE ASSY . . . . .	1			
- 32	35-324392-47	• SPLICE,TUBE . . . . .	2			
- 33	35-324002-71	• TUBE,STATIC LINE TO PRESSURE SWITCH . . . . .	1			
- 34	AN914-1D	• ELBOW . . . . .	2			
- 35	271P 1/4 X 1/8	• TEE . . . . .	2			
- 36	269P 1/4 X 1/8	• ELBOW . . . . .	2			
- 37	35-324002-73	• TUBE,PRESSURE SWITCH CONNECTING . . . . .	2			
- 38	35-324002-49	• TUBE,PRESSURE SWITCH TO PITOT LINE . . . . .	1			
- 39	35-324392-47	• SPLICE,TUBE . . . . .	1			
- 40	35-324002-53	• TUBE ASSY . . . . .	1			
- 41	AN824-4D	• TEE . . . . .	1			
- 42	35-324002-167	• WELD ASSY . . . . .	1			
- 43	35-324002-93	• SPLICE . . . . .	1			
	435-205-104	• CIRCUIT BREAKER . . . . .	1	7		
	7277-2-5	• CIRCUIT BREAKER . . . . .	1	8		
	36-810021-1	BRACKET ASSY,LANDING GEAR SWITCH GUARD . . . . .	1	10		
- 44	36-810021-15	• PIN . . . . .	1	10		
- 45	36-810022-1	• GUARD . . . . .	1	10		
	36-810020-1	• SPRING . . . . .	1	10		
	6100-9STPA	• RING,RETAINING . . . . .	1	10		
	36-810021-3	• BRAZE ASSY . . . . .	1	10		
	58-8001-15	KIT INFORMATION,LANDING GEAR SWITCH GUARD . . . . .	1	9		

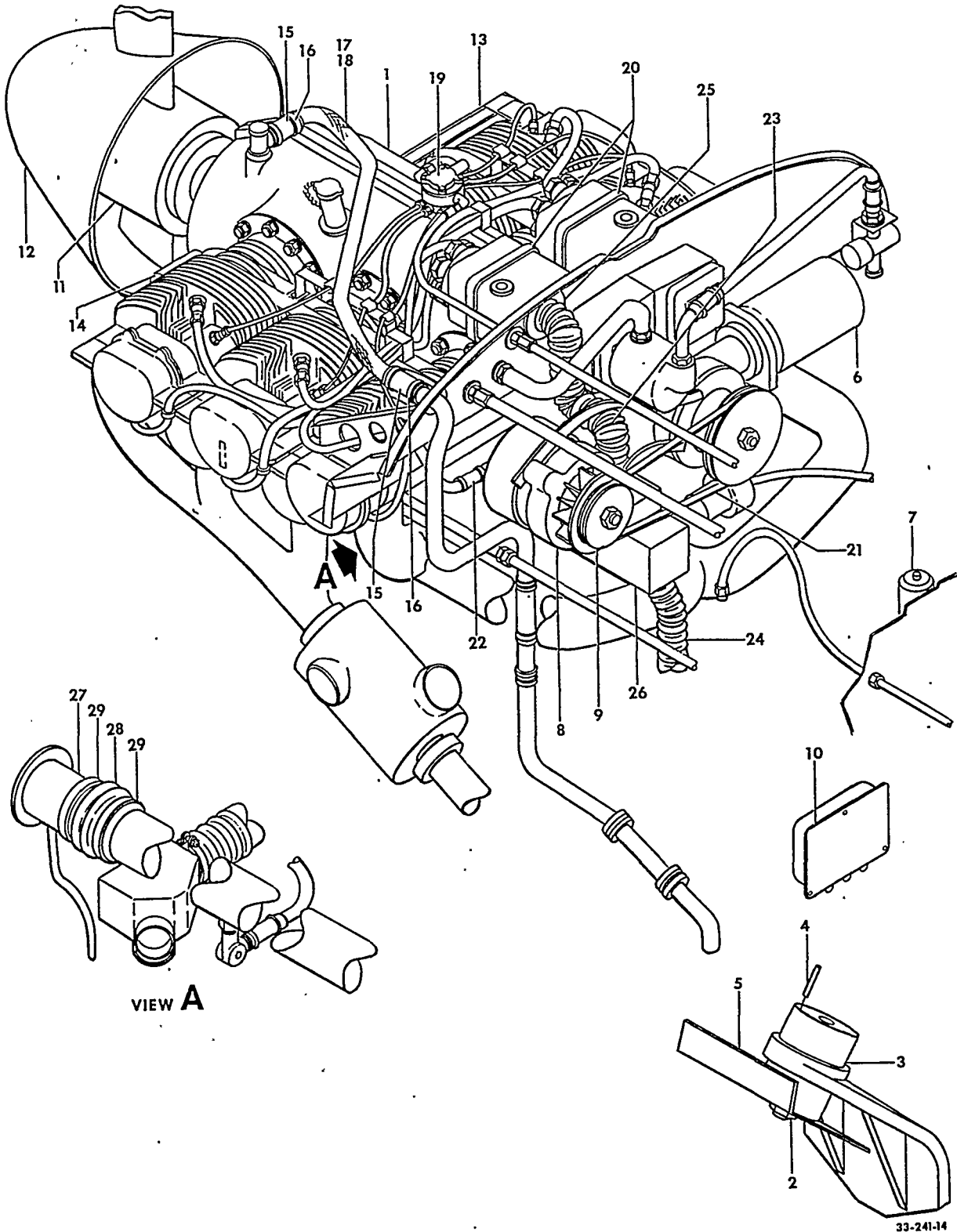
C O D E S O F E F F E C T I V I T Y

1	CE-290 AND AFTER CJ-26 AND AFTER	2	CD-1235 THRU CD-1304
3	CE-674 AND AFTER CJ-129 AND AFTER	4	CD-1235 THRU CD-1304 CE-290 THRU CE-771 EXCEPT CE-748 CJ-26 THRU CJ-148
5	CE-748, CE-772 AND AFTER CJ-149 AND AFTER	6	CE-674 THRU CE-771 EXCEPT CE-748 CJ-129 THRU CJ-148
7	CE-748 CE-772 THRU CE-918 CJ-149 AND AFTER	8	CE-919 THRU CE-929
9	CD-1235 THRU CD-1304 CE-290 THRU CE-999 CJ-26 THRU CJ-155	10	CE-1000 AND AFTER CJ-156 AND AFTER

BEECHCRAFT  
BONANZA 33  
ILLUSTRATED PARTS CATALOG

FIGURE 241  
POWER PLANT  
CD-1235 THRU CD-1254

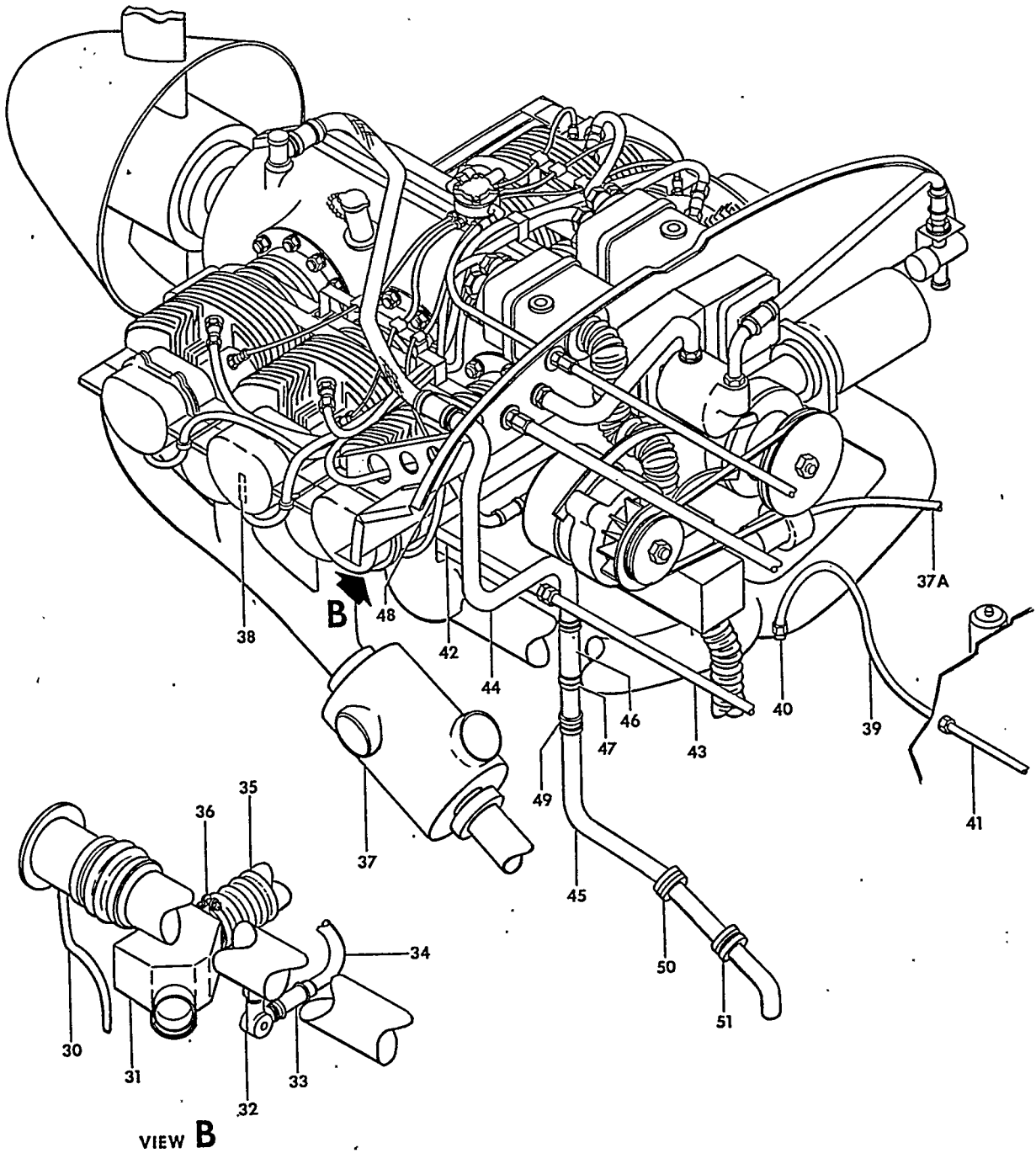
BEECHCRAFT  
 BONANZA 33  
 ILLUSTRATED PARTS CATALOG



B E E C H C R A F T  
B O N A N Z A 3 3  
I L L U S T R A T E D P A R T S C A T A L O G

FIG. & ITEM NO.	PART NO.	DESCRIPTION	UNITS PER ASSY	USABLE ON CODE
		1 2 3 4 5 6 7		
241	33-910000-5	ENGINE INSTL /2 BLADED PROPELLER/	NP	1
- 1	I0470K	• ENGINE ASSY	1	1
		/ATTACHING PARTS/		
- 2	AN735A/M/ AN960-716	• BOLT	4	
	130909N3	• WASHER	4	
- 3	J7518-2	• NUT	4	
- 4	79-028-125-1250	• MOUNT, SANDWICH	4	
		• PIN, ROLL	4	
		*		
- 5	33-910000-13	• SHROUD ASSY	2	1
	35-910003-85	• SHROUD	1	1
	33-9001	• BLUEPRINT /KIT INFORMATION/	1	1
- 6	MCL6501	• STARTER ASSY	1	1
- 7	36-3008-1	• KIT, STARTER SOLENOID/SPARES FOR 1464/	1	1
- 8	1101913	• GENERATOR ASSY, 35 AMP /SEE FIG.358/	1	1
	1101912	• GENERATOR ASSY, 50 AMP /SEE FIG.358/	1	1
	33-369110	• ALTERNATOR INSTL, 60 AMP /SEE FIG.359A/	NP	1
- 9	534787	• SHEAVE, GENERATOR	1	1
	535541	• WASHER, GENERATOR SHEAVE	1	1
	33-380010	• REGULATOR, VOLTAGE/USE WITH 60 AMP ALTERNATOR/ /SEE FIG.359A/	1	1
- 10	1119220	• REGULATOR ASSY, 35 AMP VOLTAGE	1	1
	1119224C	• REGULATOR ASSY, 50 AMP VOLTAGE	1	1
		/ATTACHING PARTS/		
	100696D-ZT016	• SPACER	3	
	NAS222-23	• SCREW	3	
	AN960-416L	• WASHER	6	
		*		
- 11	2A36C23DF/8480	• PROPELLER ASSY /SEE FIG.248/	1	1
- 12	33-910000-11	• SPINNER ASSY, PROPELLER	1	1
- 13	627392A	• COOLER, OIL	1	1
- 14	33-380008-1	• GOVERNOR ASSY, PROPELLER	1	1
- 15	106200FR12-11	• HOSE, CRANKCASE BREATHER	2	1
- 16	A20	• CLAMP	4	1
- 17	35-910004-3	• TUBE, CRANKCASE BREATHER	1	1
- 18	35-910003-31	• LAGGING, CRANKCASE BREATHER TUBE	1	1
- 19	631427A1 S88	• VALVE ASSY, FUEL MANIFOLD	1	1
		• SPARK PLUG, AC	12	1
- 20	636141 15-48A	• MAGNETO ASSY /SUPERSEDES 680/	2	1
	633311	• KIT, CONTACT POINTS	1	1
	539547	• HARNESS, MAGNETO	1	1
- 21	539547	• BELT, GENERATOR DRIVE	1	1
- 22	106242-12 AN737RM34	• TUBE, GENERATOR AIR BLAST /2 1/2 IN. LONG/	1	1
		• CLAMP, GENERATOR AIR BLAST TUBE	2	1
- 23	115167CXZ060585	• DUCT, FUEL PUMP AIR BLAST	1	1
- 24	115167CXZ060285	• DUCT, FUEL PUMP AIR BLAST OVERBOARD	1	1
		/ATTACHING PARTS/		
- 25	35-910004-7	• WASHER	1	
	NAS397-28	• CLAMP	1	
	AN515-8R7	• SCREW	4	
	AN960-8	• WASHER	4	
	MS20365-832	• NUT	4	
		*		
- 26	626062-9	• PUMP ASSY, FUEL	1	1
- 27	33-910011-1	• HOUSING ASSY, INDUCTION AIR /SEE FIG. 258/	1	1
		/ATTACHING PARTS/		
	AN515-8R	• SCREW	4	
		*		
- 28	AD877-1	• DUCT, INDUCTION AIR	1	1
- 29	105798-18	• CLAMP	2	1
	114693-2-00212	• TUBING	1	1
	AN735D6	• CLAMP	2	1
	AN515-8-6	• SCREW	2	1
	AN960-8	• WASHER	2	1
	MS20365-832	• NUT	2	1

BEECHCRAFT  
BONANZA 33  
ILLUSTRATED PARTS CATALOG



33-241-15



B E E C H C R A F T  
B O N A N Z A 3 3  
I L L U S T R A T E D P A R T S C A T A L O G

FIG. & ITEM NO.	PART NO.	DESCRIPTION							UNITS PER ASSY	USABLE ON CODE
		1	2	3	4	5	6	7		
241 - 30	33-910000-3	.	.	.	.	.	.	.	1	1
- 31	625487-1	.	.	.	.	.	.	.	1	1
- 32	58-920051-5	.	.	.	.	.	.	.	1	1
- 33	114693-2-00212	.	.	.	.	.	.	.	1	1
	AN735D6	.	.	.	.	.	.	.	2	1
	AN515-8-6	.	.	.	.	.	.	.	2	1
	AN960-8	.	.	.	.	.	.	.	2	1
	MS20365-832	.	.	.	.	.	.	.	2	1
- 34	35-910005-3	.	.	.	.	.	.	.	1	1
- 35	115167CX2080565	.	.	.	.	.	.	.	1	1
	35-910004-9	.	.	.	.	.	.	.	1	
	AN515-8R7	.	.	.	.	.	.	.	4	
	AN960-8	.	.	.	.	.	.	.	4	
	MS20365-832	.	.	.	.	.	.	.	4	
- 36	NAS397-34	.	.	.	.	.	.	.	1	
- 37	33-950001-1	.	.	.	.	.	.	.	NP	1
	33-950001-3	.	.	.	.	.	.	.	NP	1
- 37A	6409513	.	.	.	.	.	.	.	1	1
- 38	1514340	.	.	.	.	.	.	.	1	1
	629141	.	.	.	.	.	.	.	1	1
- 39	MS28741-3-0140	.	.	.	.	.	.	.	1	1
- 40	MS20822-3B	.	.	.	.	.	.	.	1	1
	AN832-3	.	.	.	.	.	.	.	1	1
	AN960-616	.	.	.	.	.	.	.	2	1
	AN894-3-2D	.	.	.	.	.	.	.	1	1
	AN924-3	.	.	.	.	.	.	.	1	1
	MS28778-3	.	.	.	.	.	.	.	1	1
- 41	35-910005-5	.	.	.	.	.	.	.	1	1
	AN816-2D	.	.	.	.	.	.	.	1	1
- 42	35-910004-5	.	.	.	.	.	.	.	1	1
	AN894-3D	.	.	.	.	.	.	.	1	1
	AN919-0D	.	.	.	.	.	.	.	1	1
	AN832-3	.	.	.	.	.	.	.	1	1
	AN960-616	.	.	.	.	.	.	.	1	1
- 43	MS28741-3-0124	.	.	.	.	.	.	.	2	1
	AN924-3	.	.	.	.	.	.	.	1	1
	MS28778-3	.	.	.	.	.	.	.	1	1
- 44	35-910004-17	.	.	.	.	.	.	.	1	1
- 45	35-910007-11	.	.	.	.	.	.	.	1	1
- 46	WAIT3-14-4	.	.	.	.	.	.	.	1	1
- 47	AN737TH30	.	.	.	.	.	.	.	2	1
- 48	AN931-12-17	.	.	.	.	.	.	.	1	1
- 49	MS21919DG12	.	.	.	.	.	.	.	1	1
	AN3-25A/M/	.	.	.	.	.	.	.	1	
	100696D-ZG204	.	.	.	.	.	.	.	1	
- 50	MS21919DG12	.	.	.	.	.	.	.	1	1
- 51	MS21919DG12	.	.	.	.	.	.	.	1	1
	AN515-8-24	.	.	.	.	.	.	.	1	
	AN960-8	.	.	.	.	.	.	.	1	
	130909N23	.	.	.	.	.	.	.	1	
	100696D-ZF100	.	.	.	.	.	.	.	1	

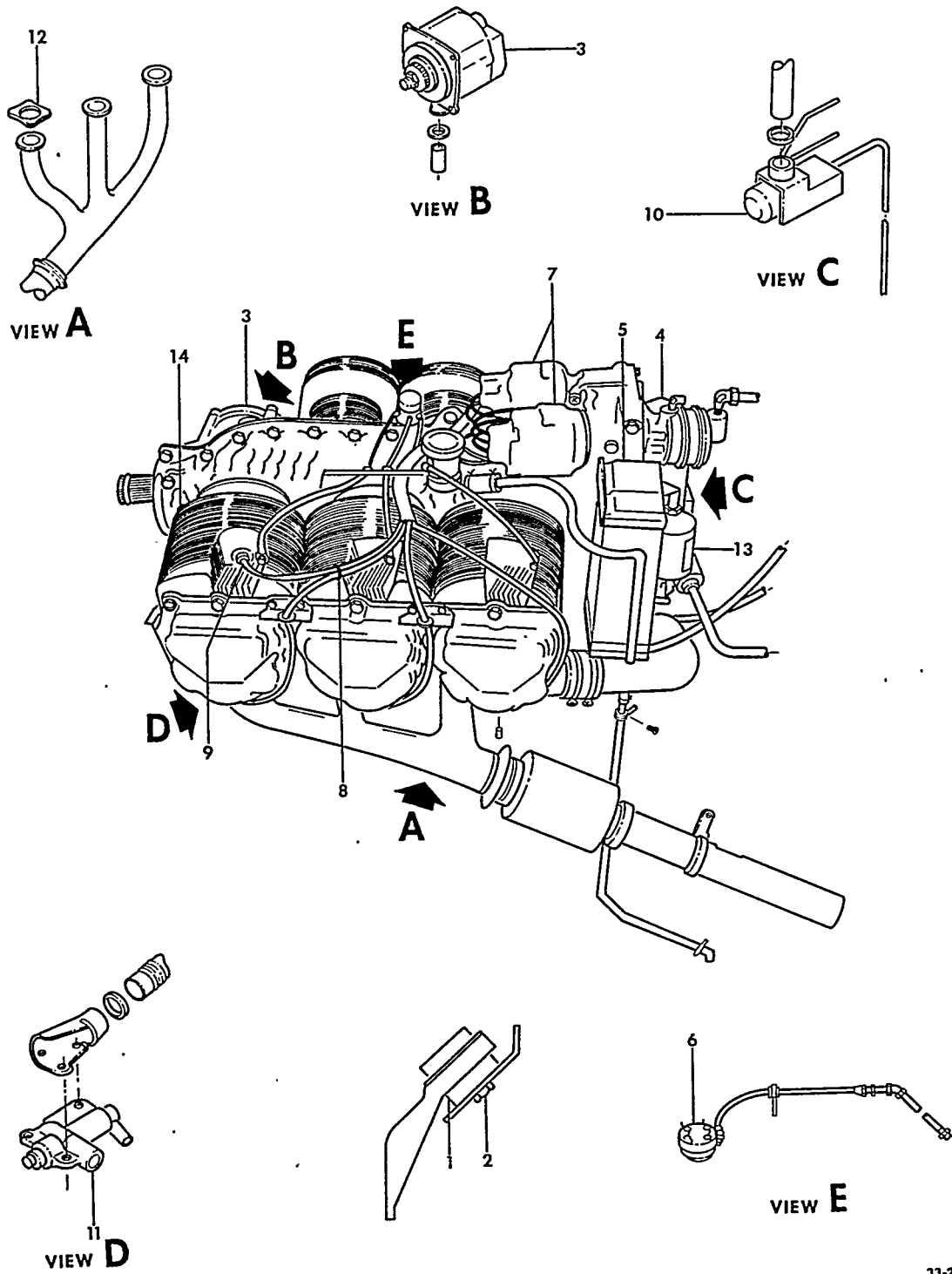
C O D E S O F E F F E C T I V I T Y

1 CD-1235 THRU CD-1254

BEECHCRAFT  
BONANZA 33  
ILLUSTRATED PARTS CATALOG

FIGURE 241A  
POWER PLANT  
CE-290 AND AFTER, CJ-26 AND AFTER

BEECHCRAFT  
 BONANZA 33  
 ILLUSTRATED PARTS CATALOG

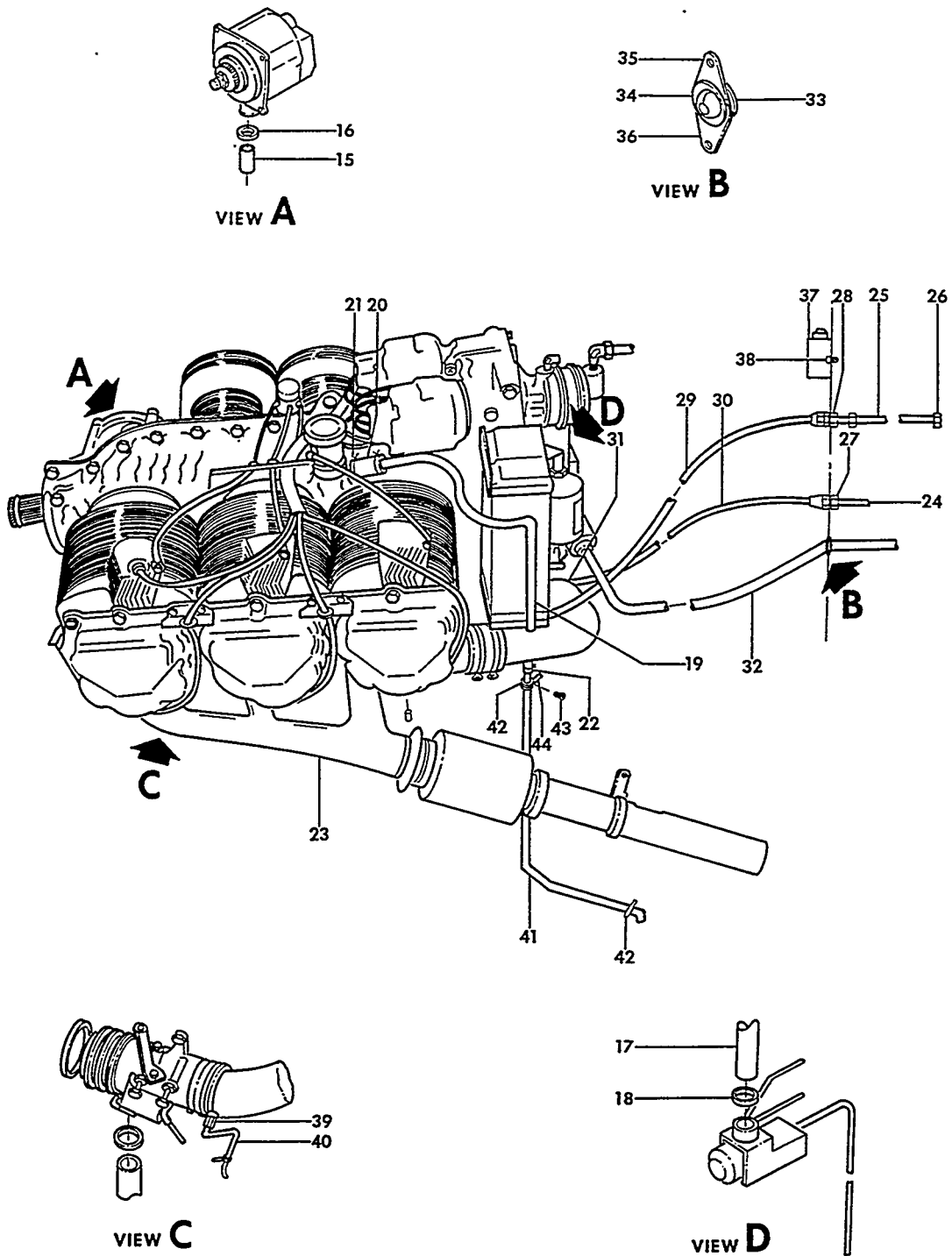


33-241A-16

BEECHCRAFT  
BONANZA 33  
ILLUSTRATED PARTS CATALOG

FIG. & ITEM NO.	PART NO.	DESCRIPTION	UNITS PER ASSY	USABLE ON CODE
241A	35-910007	POWER PLANT INSTL,CANTED /MCCAULEY 2 BLADE/ . . .	NP	2
	35-910007-19	POWER PLANT INSTL,CANTED /MCCAULEY 2 BLADE/ . . .	NP	12
	35-910007-23	POWER PLANT INSTL,CANTED /HARTZELL 2 BLADE/ . . .	NP	4
	35-910007-27	POWER PLANT INSTL,CANTED /HARTZELL 2 BLADE/ . . .	NP	5
	35-910007-31	POWER PLANT INSTL,CANTED/MCCAULEY 2 BLADE/ . . .	NP	6
	35-910328-1	POWER PLANT INSTL,CANTED/MCCAULEY 2 BLADE/ . . .	NP	7
	35-910007-17	POWER PLANT INSTL,CANTED /MCCAULEY 3 BLADE/ . . .	NP	8
	35-910007-29	POWER PLANT INSTL /HARTZELL 3 BLADE/ . . . . .	NP	11
	35-910007-21	POWER PLANT INSTL,CANTED /MCCAULEY 3 BLADE/ . . .	NP	9
	35-910007-25	POWER PLANT INSTL,CANTED /HARTZELL 3 BLADE/ . . .	NP	10
	35-910328-3	POWER PLANT INSTL,CANTED/MCCAULEY 3 BLADE/ . . .	NP	3
	35-910328-31	POWER PLANT INSTL,CANTED/HARTZELL 3 BLADE/ . . .	NP	29
	35-910328-35	POWER PLANT INSTL,CANTED/HARTZELL 3 BLADE/ . . .	NP	31
	I0520BB	. ENGINE ASSY,SPEC 12/14 VOLT/ . . . . .	1	25
	I0520BB	. ENGINE ASSY,SPEC 15/28 VOLT/ . . . . .	1	27
	I0520BB	. ENGINE ASSY,SPEC 16/28 VOLT/ . . . . .	1	28
	I0520BB	. ENGINE ASSY,SPEC 18/28 VOLT/ . . . . .	1	42
	R I0520BB	. ENGINE ASSY,SPEC 21/28 VOLT/ . . . . . /ALTERNATE FOR I0520BB SPEC 21/ /ALTERNATE FOR I0520BB SPEC 18/ /ATTACHING PARTS/	1	42
- 1	J10520-1	. MOUNTING KIT/SPARES FOR 7351231-3/ . . . . .	4	
	7351231-3	. MOUNTING KIT/ORDER J10520-1/ . . . . .	4	
- 2	130909B8	. BOLT . . . . .	4	
	AN960-716	. WASHER . . . . .	4	
	130909N3	. NUT . . . . .	4	
	79-028-125-1250	. PIN,ROLL . . . . .	4	
		-----*-----		
- 3	641670	. . ALTERNATOR,14 VOLT 70 AMP/SEE FIGURE 359/ .	1	25
	640789	. . ALTERNATOR,28 VOLT 100 AMP/SEE FIGURE 359B/	1	36
	641668	. . ALTERNATOR,28 VOLT 50 AMP/SEE FIGURE 359C/.	1	27
	642056A2	. . ALTERNATOR,28 VOLT 100 AMP/SEE FIGURE 359D/	1	37
	642055	. . ALTERNATOR,28 VOLT 60 AMP/SEE FIGURE 359E/.	1	38
	646491	. . ALTERNATOR,28 VOLT 100 AMP/SEE FIGURE 359F/	1	39
	646490	. . ALTERNATOR,28 VOLT 60 AMP/SEE FIGURE 359G/.	1	39
	R 646845	. . ALTERNATOR ASSY,28 VOLT 100 AMP / /USE WITH I0520BB SPEC 21 ENGINE/	1	42
	R 629436	. . GASKET/USE WITH 646845 ALTERNATOR ASSY/ /	1	42
- 4	634592	. . STARTER ASSY,14 VOLT/SEE FIGURE 357/ . . . . .	1	25
	637847	. . STARTER ASSY,28 VOLT/SEE FIGURE 357A/ . . . . .	1	26
- 5	635996	. . COOLER,OIL . . . . .	1	1
- 6	631427A1	. . VALVE ASSY,FUEL MANIFOLD . . . . .	1	1
- 7	625765	. . MAGNETO/LH & RH/ . . . . .	2	13
	636141	. . MAGNETO /LH & RH/ /SUPERSEDES 680/ . . . . .	2	14
	10-349350-1	. . MAGNETO /LH & RH/ /SUPERSEDES 640030 . . . . . AND S6RNI225/	2	15
	R 6210	. . MAGNETO/LH & RH/ORDER 6310 FOR SPARES/ . . . . .	NP	42
	R 6310	. . MAGNETO/LH & RH/ . . . . .	2	42
	15-48A	. . KIT,CONTACT POINTS . . . . .	1	14
	10-382584	. . CONTACT POINT ASSY . . . . .	1	15
	M3081	. . KIT,CONTACT POINT . . . . .	1	42
	633311	. . HARNESS ASSY,MAGNETO . . . . .	1	16
	636603	. . HARNESS ASSY,MAGNETO . . . . .	1	17
- 8	M1779	. . CLAMP,MAGNETO HARNESS /LH & RH/ . . . . .	2	1
- 9	AC273	. . SPARK PLUG,AC . . . . .	12	1
	RHB32N	. . SPARK PLUG,CHAMPION . . . . .	12	1
- 10	638154-16A2	. . FUEL PUMP & VAPOR SEPARATOR ASSY . . . . .	1	1
- 11	629904-2A2	. . CONTROL ASSY,FUEL INJECTION . . . . .	1	1
- 12	537379	. . GASKET,EXHAUST FLANGE . . . . .	6	1
- 13	642908	. . ELEMENT,OIL FILTER . . . . .	1	1
- 14	35-380088-1	. GOVERNOR ASSY,PROPELLER/SUPERSEDES 35-380088/	1	1
	96-910002-101	. CLIP,MAGNETO WIRE HARNESS . . . . . /ATTACHING PARTS/	1	1
	130909B33	. BOLT . . . . .	1	
	AN960-416	. WASHER . . . . .	1	
		-----*-----		

BEECHCRAFT  
 BONANZA 33  
 ILLUSTRATED PARTS CATALOG

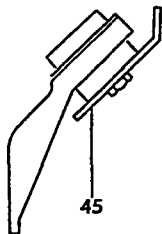
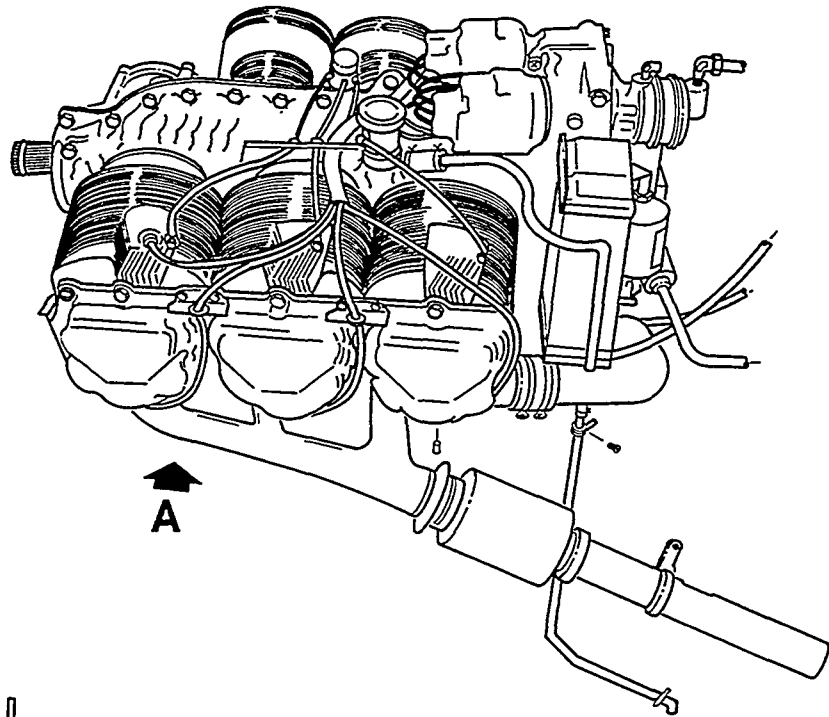
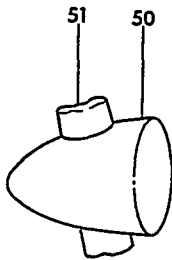
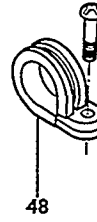
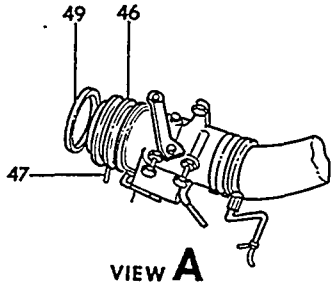


33-241A-17

B E E C H C R A F T  
B O N A N Z A 3 3  
I L L U S T R A T E D P A R T S C A T A L O G

FIG. & ITEM NO.	PART NO.	DESCRIPTION	UNITS PER ASSY	USABLE ON CODE
241A - 15	LOT6A10	. CLIP,FUEL PRESSURE TUBE . . . . .	1	1
- 16	NAS397-24	. CLAMP,FUEL PRESSURE TUBE. . . . .	1	1
- 17	115167CXZ060585	. DUCT,FUEL PUMP & FUEL CONTROL UNIT. . . . .	2	1
		/ALTERNATE FOR B709-6-72-6/		
	B709-6-72-6	. DUCT,FUEL PUMP & FUEL CONTROL UNIT. . . . .	2	1
		/ALTERNATE FOR 115167CXZ060585/		
- 18	NAS397-28	. CLAMP,FUEL PUMP & FUEL CONTROL UNIT DUCT. . . . .	2	1
- 19	35-910007-13	. TUBE,CRANKCASE BREATHER UPPER . . . . .	1	1
- 20	106200H12-14	. HOSE,CRANKCASE BREATHER UPPER . . . . .	1	1
- 21	A20	. CLAMP,CRANKCASE BREATHER HOSE . . . . .	2	1
	A18	. CLAMP,CRANKCASE BREATHER HOSE . . . . .	2	1
- 22	WAIT3-14-4	. DUCT,CRANKCASE BREATHER LOWER . . . . .	1	1
		/ATTACHING PARTS/		
	AN737-38	. CLAMP . . . . .	2	1
		-----*		
- 23	35-950005-13	. EXHAUST ASSY,LH/SEE FIG.245A/ . . . . .	NP	1
		/ORDER 35-950005-33/		
	35-950005-33	. EXHAUST ASSY,LH/SEE FIGURE 245A/. . . . .	1	29
	35-950005-15	. EXHAUST ASSY,RH/SEE FIG.245A/ . . . . .	NP	1
		/ORDER 35-950005-35/		
	35-950005-35	. EXHAUST ASSY,RH/SEE FIG.245A/ . . . . .	1	29
- 24	35-910005-5	. TUBE ASSY,MANIFOLD PRESSURE . . . . .	1	18
	35-910328-5	. TUBE ASSY,MANIFOLD PRESSURE . . . . .	1	7
- 25	33-910000-15	. TUBE ASSY,OIL PRESSURE. . . . .	1	19
- 26	106-100002	. FITTING,OIL PRESSURE GAGE . . . . .	1	19
- 27	AN832-3	. UNION,MANIFOLD PRESSURE TUBE. . . . .	1	18
	AN837-3	. ELBOW,MANIFOLD PRESSURE TUBE. . . . .	1	7
- 28	MS28778-3	. PACKING,PREFORMED,OIL PRESSURE TUBE . . . . .	1	19
	MS29512-03	. PACKING,PREFORMED,MANIFOLD PRESSURE TUBE. . . . .	1	19
	AN960-616	. WASHER. . . . .	2	19
	AN894D3-2	. BUSHING . . . . .	2	19
	AN924-3	. NUT . . . . .	2	19
- 29	130524-3-0160	. HOSE ASSY,OIL PRESSURE. . . . .	1	19
- 30	130524-3-0124	. HOSE ASSY,MANIFOLD PRESSURE . . . . .	1	18
	130524-3-0250	. HOSE ASSY,MANIFOLD PRESSURE . . . . .	1	7
- 31	MS20822-38	. ELBOW,MANIFOLD PRESSURE . . . . .	1	19
- 32 R	36-910013-1	. SHAFT ASSY,TACHOMETER . . . . .	1	1
		/ORDER 0144S00055 FOR SPARES/		
	R 0144S00055	. CABLE,TACHOMETER . . . . .	1	1
	96-389002-1	. COIL,MAGNETIC PICK UP /TACHOMETER P2101/. . . . .	1	2
- 33	112412	. GROMMET,TACHOMETER SHAFT. . . . .	2	1
- 34	112413-4	. BALL HALF,FIRE RESISTANT TACHOMETER SHAFT . . . . .	2	1
- 35	112436-6	. RETAINER,TACHOMETER SHAFT . . . . .	1	1
- 36	49338	. FASTENER,RETAINER . . . . .	2	1
- 37	36-3008-1	. KIT,STARTER RELAY . . . . .	1	1
		/ATTACHING PARTS/		
- 38	130909B33	. BOLT. . . . .	3	
	AN960-416	. WASHER. . . . .	3	
		-----*		
- 39	58-920051-5	. VALVE ASSY,MANIFOLD DRAIN . . . . .	1	1
		/SPARES FOR 35-924254-1/		
- 40	114693-2-01300	. TUBE,MANIFOLD DRAIN . . . . .	1	1
		/ATTACHING PARTS/		
	CS6A	. CLAMP . . . . .	1	
		-----*		
	MS35489-11	. GROMMET,MANIFOLD DRAIN TUBE . . . . .	1	1
- 41	35-910007-11	. TUBE,CRANKCASE BREATHER LOWER . . . . .	1	1
		/ATTACHING PARTS/		
- 42	MS219190G12	. CLAMP . . . . .	3	
- 43	AN3-25A/M/	. BOLT. . . . .	2	
	AN515-8R6	. SCREW . . . . .	1	
- 44	100696D-ZG204	. SPACER. . . . .	2	
	AN960-8	. WASHER. . . . .	2	
	MS20365-832	. NUT . . . . .	2	
		-----*		
	BJ107	. VALVE,OIL DRAIN . . . . .	1	1
	AN900-10	. WASHER. . . . .	1	1

BEECHCRAFT  
BONANZA 33  
ILLUSTRATED PARTS CATALOG



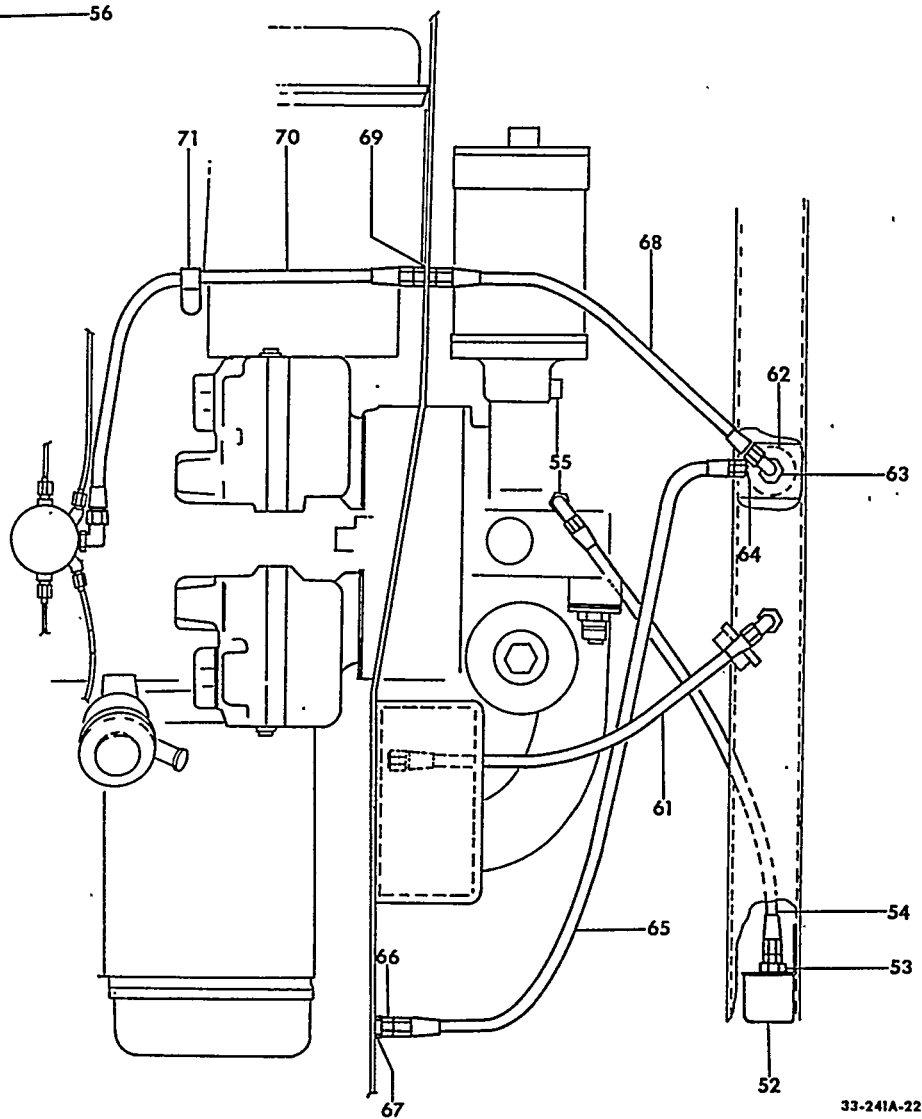
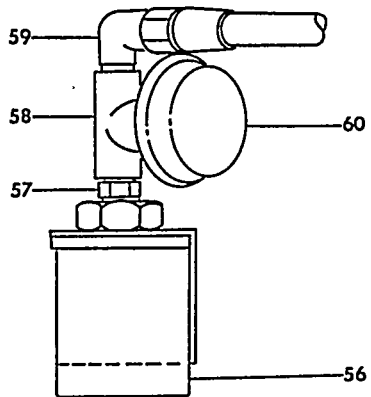
33-241A-18

B E E C H C R A F T  
B O N A N Z A 3 3  
I L L U S T R A T E D P A R T S C A T A L O G

FIG. & ITEM NO.	PART NO.	DESCRIPTION	UNITS PER ASSY	USABLE ON CODE
241A - 45	35-910003-85	. SHROUD,ENGINE MOUNT . . . . .	2	1
- 46	R 36-380098-1	. DUCT,INDUCTION AIR/SPARES FOR AD877/. . . . .	1	1
= 47	35-910007-9	. TUBE,INDUCTION DRAIN. . . . .	1	40
	36-910002-21	. TUBE,INDUCTION DRAIN. . . . .	1	41
	R 36-910002-23	. TUBE,INDUCTION DRAIN. . . . .	1	43
	R U5	. CLAMP . . . . .	1	44
	R 130292A6	. CLAMP . . . . .	2	43
- 48	R MS21919WDG4	. CLAMP . . . . .	1	44
	R MS21919WDG6	. CLAMP . . . . .	1	43
		/ATTACHING PARTS/		
	100696F12-06024	. SPACER. . . . .	1	
	AN515-8R6	. SCREW . . . . .	1	
	AN960-8	. WASHER. . . . .	1	
	MS20365-832	. NUT . . . . .	1	
		-----X-----		
	R MS35489-6	. GROMMET,INDUCTION DRAIN TUBE. . . . .	1	44
	R NAS557-6A	. GROMMET,INDUCTION DRAIN TUBE. . . . .	1	43
- 49	105798-1-8	. CLAMP,INDUCTION AIR DUCT. . . . .	2	1
	P10-5304	. FILTER,INDUCTION AIR. . . . .	1	1
- 50	35-910028-7	. SPINNER /2 BLADE PROPELLER/ /MCCAULEY/. . . . .	1	22
	A2295P	. SPINNER /2 BLADE PROPELLER/ /HARTZELL/. . . . .	1	20
	A2295-1P	. SPINNER /3 BLADE PROPELLER/ /HARTZELL/. . . . .	1	30
	35-910028-9	. SPINNER /3 BLADE PROPELLER/ /MCCAULEY/. . . . .	1	23
- 51	2A36C23CP/84B0	. PROPELLER ASSY /2 BLADE PROPELLER/. . . . .	1	22
		/SEE FIG.248 FOR BREAKDOWN/		
	BHCC2YF1BF/F8468	. PROPELLER ASSY /2 BLADE PROPELLER/. . . . .	1	20
		/SEE HARTZELL OVERHAUL MANUAL 113B FOR BK		
	3A32C76S/82NB2	. PROPELLER ASSY /3 BLADE PROPELLER/. . . . .	1	23
		/SEE FIG.249A FOR BREAKDOWN/		
	PHCC3YF1RF/F84*	686R. PROPELLER ASSY/3 BLADE PROPELLER/. . . . .	1	21
		/SEE HARTZELL OVERHAUL MANUAL 113B FOR BKDN		
	36-960001-3	. PROPELLER ASSY/3 BLADE PROPELLER. . . . .	1	29
	36-960003-3	. PROPELLER INSTL/3 BLADE/. . . . .	1	31
	36-960004-1	. PROPELLER INSTL/2 BLADE/. . . . .	1	31
	36-380013-1	GENERATOR,STANDBY/14 VOLT/SEE FIGURE 358A/. . . . .	1	25
	36-380048-1	GENERATOR,STANDBY/28 VOLT/. . . . .	1	26
	36-3006-1	KIT,STANDBY GENERATOR . . . . .	1	32



BEECHCRAFT  
BONANZA 33  
ILLUSTRATED PARTS CATALOG



33-241A-22

B E E C H C R A F T  
B O N A N Z A 3 3  
I L L U S T R A T E D P A R T S C A T A L O G

FIG. & ITEM NO.	PART NO.	DESCRIPTION	UNITS	USABLE
			PER ASSY	ON CODE
241A	35-910325	TRANSDUCER INSTL,ENGINE /VERTICAL INSTRUMENTS/.	NP	24
- 52	96-384020-3	. TRANSDUCER,MANIFOLD PRESSURE. . . . .	1	24
- 53	AN816-4D	. NIPPLE. . . . .	1	24
- 54	MS28741-4-0180	. HOSE ASSY,MANIFOLD PRESSURE . . . . .	1	24
- 55	35-910326	. RESTRICTOR ASSY,MANIFOLD PRESSURE LINE. . . . .	1	24
- 56	96-384021-3	. TRANSDUCER ASSY,OIL PRESSURE. . . . .	1	24
- 57	AN911-1	. NIPPLE. . . . .	1	24
- 58	AN917-1	. TEE . . . . .	1	24
- 59	MS20822-3	. ELBOW . . . . .	1	24
- 60	M4006	. PRESSURE SWITCH,ENGINE HOURMETER. . . . .	1	24
- 61	130524-3-0190	. HOSE ASSY,OIL PRESSURE. . . . .	1	24
- 62	96-384022-1	. TRANSDUCER,FUEL PRESSURE. . . . .	1	24
- 63	MS20823-4	. ELBOW . . . . .	1	24
- 64	MS20822-4	. ELBOW . . . . .	1	24
- 65	MS28741-4-0254	. HOSE ASSY,AIR SENSING . . . . .	1	24
- 66	AN816-4	. NIPPLE. . . . .	1	24
- 67	AN865-1	. FITTING . . . . .	1	24
- 68	130524-4-0154	. HOSE ASSY,FUEL PRESSURE . . . . .	1	24
- 69	AN832-4	. UNION . . . . .	1	24
- 70	130524-4-0160	. HOSE ASSY,FUEL PRESSURE . . . . .	1	24
- 71	MS21919WDG14	. CLAMP,FUEL PRESSURE HOSE. . . . .	1	24

C O D E S O F E F F E C T I V I T Y

1	CE-290 AND AFTER CJ-26 AND AFTER	2	CE-290 THRU CE-349 CE-394,CE-395 CE-401 THRU CE-408 CE 416 THRU CE-580 CJ-26 THRU CJ-30
3	CE-581 THRU CE-912 CE-917 AND CE-919	4	CE-361 THRU CE-393 CE-396 THRU CE-400
5	CE-409 THRU CE-415	6	CJ-31 THRU CJ-85
7	CE-581 AND AFTER CJ-86 AND AFTER	8	CE-290 THRU CE-349 CE-394,CE-395 CE-401 THRU CE-408 CE-413 THRU CE-580
9	CE-350 THRU CE-353	10	CE-354 THRU CE-393 CE 396 THRU CE-400
11	CE-409 THRU CE-412	12	CE-350 THRU CE-360
13	CE-290 THRU CE-299 CJ-26 THRU CJ-28	14	CE-300 THRU CE-385 CJ-29 AND CJ-30
15	CE-386 THRU CE-1075 CJ-31 THRU CJ-155	16	CE-290 THRU CE-385 CJ-26 THRU CJ-30
17	CE-386 AND AFTER CJ-31 AND AFTER	18	CE-290 THRU CE-349, CE-394 AND CE-395, CE-409 THRU CE-580 CJ-26 THRU CJ-85
19	CE-290 THRU CE-349, CE-394 AND CE-395, CE-409 AND AFTER CJ-26 AND AFTER	20	CE-361 THRU CE-393, CE-396 THRU CE-400, CE-409 THRU CE-415
21	CE-354 THRU CE-393, CE-396 THRU CE-400, CE-409 THRU CE-412	22	CE-290 THRU CE-360, CE-394 AND CE-395, CE-401 THRU CE-408, CE-416 AND AFTER CJ-26 AND AFTER

SEE NEXT PAGE

B E E C H C R A F T  
S O N A N Z A 3 3  
I L L U S T R A T E D P A R T S C A T A L O G

FIG. & ITEM NO.	- PART NO.	1 2 3 4 5 6 7	DESCRIPTION	UNITS PER ASSY	USABLE ON CODE
241A			CONTINUED . . . . .		

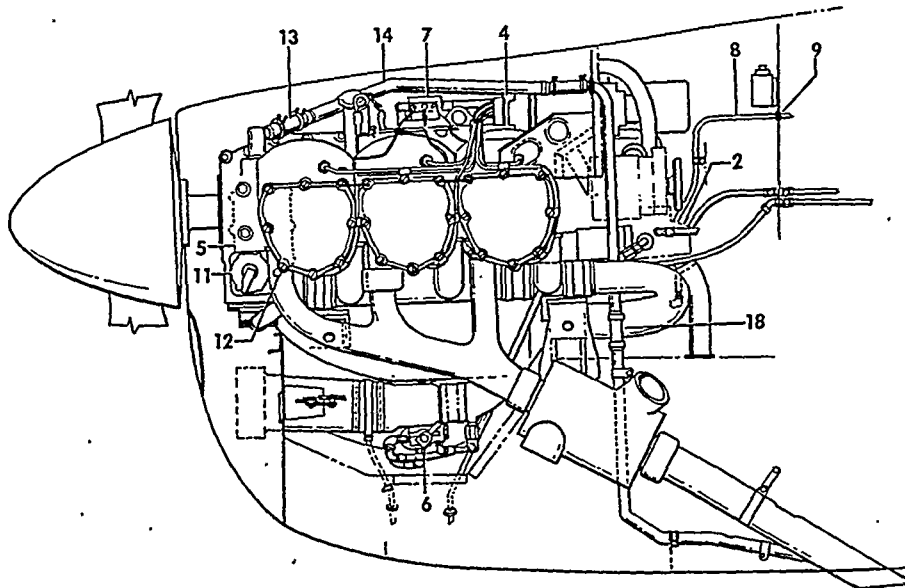
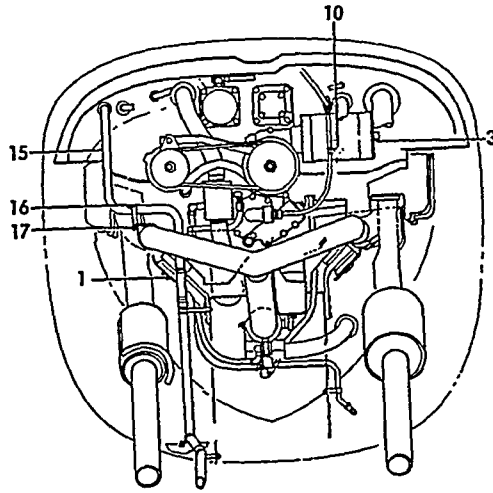
C O D E S O F E F F E C T I V I T Y

- |   |   |
|---|---|
| <p>23 CE-290 THRU CE-353,<br/>CE-394 AND CE-395,<br/>CE-401 THRU CE-408,<br/>CE-413 THRU CE-912,<br/>CE-917 AND CE-919</p> <p>25 CE-290 THRU CE-747,<br/>CE-749 THRU CE-771<br/>CJ-26 THRU CJ-148</p> <p>27 CE-748,<br/>CE-772 THRU CE-928<br/>CJ-149 THRU CJ-155</p> <p>29 CE-913 THRU CE-916,<br/>CE-918,<br/>CE-920 THRU CE-977</p> <p>31 CE-913 THRU CE-916<br/>CE-918<br/>CE-920 AND AFTER<br/>CJ-156 AND AFTER</p> <p>33 CJ-31 THRU CJ-128</p> <p>35 CE-834 AND AFTER<br/>CJ-149 AND AFTER</p> <p>37 CE-862 THRU CE-1025<br/>CJ-150 THRU CJ-155</p> <p>39 CE-1026 AND AFTER<br/>CJ-156 AND AFTER</p> <p>41 CE-1056 THRU CE-1181<br/>CJ-156 THRU CJ-180</p> <p>43 CE-1182 AND AFTER<br/>CJ-180 AND AFTER</p> | <p>24 CE-350 THRU CE-393,<br/>CE-396 THRU CE-408</p> <p>26 CE-748,<br/>CE-772 AND AFTER<br/>CJ-149 AND AFTER</p> <p>28 CE-929 THRU CE-1075</p> <p>30 CE-354 THRU CE-393,<br/>CE-396 THRU CE-400,<br/>CE-409 THRU CE-412<br/>CE-913 THRU CE-916,<br/>CE-918,<br/>CE-920 AND AFTER</p> <p>32 CE-772 AND AFTER<br/>CJ-149 AND AFTER</p> <p>34 CJ-129 AND AFTER</p> <p>36 CE-748,<br/>CE-772 THRU CE-861<br/>CJ-149 ONLY</p> <p>38 CE-929 THRU CE-1025</p> <p>40 CE-290 THRU CE-1055<br/>CJ-26 THRU CJ-155</p> <p>42 CE-1076 AND AFTER<br/>CJ-156 AND AFTER</p> <p>44 CE-290 THRU CE-1181<br/>CJ-26 THRU CJ-179</p> |
|---|---|

BEECHCRAFT  
BONANZA 33  
ILLUSTRATED PARTS CATALOG

FIGURE 241B  
POWER PLANT  
CD-1255 THRU CD-1304

BEECHCRAFT  
BONANZA 33  
ILLUSTRATED PARTS CATALOG

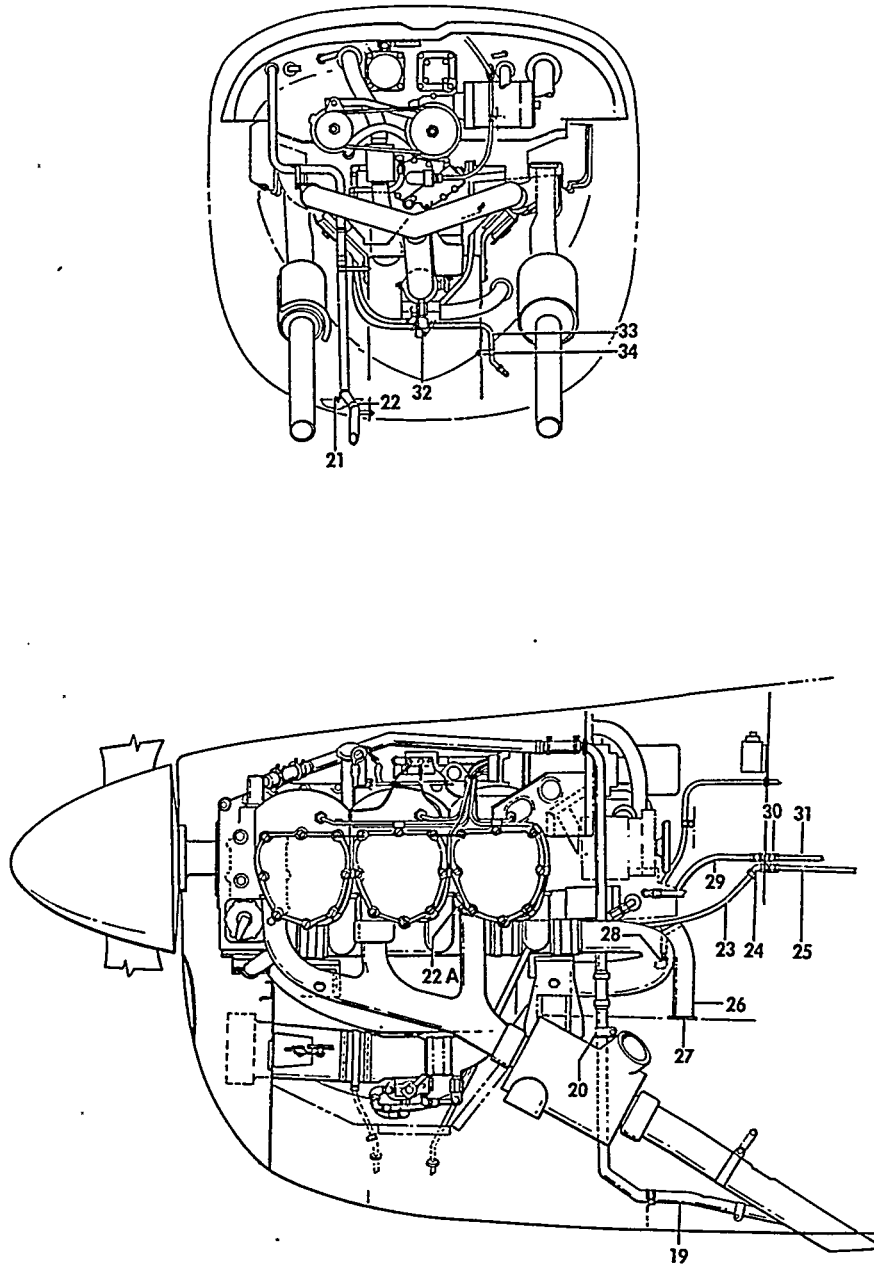


G33-241-10

B E E C H C R A F T  
B O N A N Z A 3 3  
I L L U S T R A T E D P A R T S C A T A L O G

FIG. & ITEM NO.	PART NO.	DESCRIPTION	UNITS							USABLE ON CODE
			1	2	3	4	5	6	7	
241B	33-910002-1 I0470N	POWER PLANT INSTL . . . . .							NP	1
		. ENGINE. . . . .							1	1
		/ATTACHING PARTS/								
- 1	J10520-1	. MOUNT KIT,ENGINE. . . . .							4	
	7351231	. MOUNT KIT,ENGINE /ALTERNATE FOR J10520-1/ . .							4	
	R 130909B118	. BOLT. . . . .							4	
	AN960-716	. WASHER. . . . .							4	
	R 130909N3	. NUT . . . . .							4	
	79-028-125-1250	. PIN,ROLL. . . . .							4	
	35-910003-85	. SHIELD,ENGINE MOUNT HEAT. . . . .							3	
		-----*-----								
- 2	638156-3A1	. . . PUMP ASSY,FUEL. . . . .							1	1
- 3	634433	. . . STARTER ASSY. . . . .							1	1
- 4	636141	. . . MAGNETO /SUPERSEDES 680/. . . . .							2	2
	10-349350-1	. . . MAGNETO /LH & RH/ /SUPERSEDES 640030. . . .							2	3
		AND S6RN-12252/								
	15-48A	. . . KIT,CONTACT POINTS. . . . .							1	2
	10-382584	. . . CONTACT POINT ASSY. . . . .							1	3
	633311	. . . HARNESS ASSY,MAGNETO. . . . .							1	2
	636603	. . . HARNESS ASSY,MAGNETO. . . . .							1	3
- 5	627392	. . . COOLER,OIL. . . . .							1	1
- 6	634746	. . . INJECTION ASSY,FUEL . . . . .							1	1
- 7	631427A1	. . . VALVE,FUEL INJECTION MANIFOLD . . . . .							1	1
	RHB37E	. SPARK PLUG,CHAMPION /MASSIVE ELECTRODE/ . . . .							12	1
	AC273	. SPARK PLUG,AC /ALTERNATE FOR RHB37E/. . . . .							12	1
- 8	33-369113	. ALTERNATOR INSTL /SEE FIG.359A/ . . . . .							NP	1
- 9	36-910014-1	. SHAFT,TACHOMETER. . . . .							1	1
- 9	112412	. GROMMET,TACHOMETER SHAFT. . . . .							2	1
	112413-4	. BALL,TACHOMETER SHAFT . . . . .							2	1
	112436-6	. RETAINER,BALL . . . . .							1	1
		/ATTACHING PARTS/								
	49338	. FASTENER. . . . .							2	
	AN960-8	. WASHER. . . . .							2	
		-----*-----								
- 10	AN743-13	. CLIP,CLAMP MOUNTING . . . . .							1	1
	R MS21919WDG6	. CLAMP,TACHOMETER SHAFT SUPPORT. . . . .							1	1
		/ATTACHING PARTS/								
	AN515-10R	. SCREW . . . . .							1	
	AN960-10	. WASHER. . . . .							1	
	MS20365-1032	. NUT . . . . .							1	
		-----*-----								
- 11	33-380008-1	. GOVERNOR,PROPELLER. . . . .							1	1
	209217	. GASKET,PROPELLER GOVERNOR . . . . .							1	1
- 12	MS28034-1	. BULB,OIL TEMPERATURE. . . . .							1	1
	AN900-10	. GASKET,OIL TEMPERATURE BULB . . . . .							1	1
- 13	106200G12-11	. HOSE. . . . .							2	1
	A18	. CLAMP,HOSE. . . . .							4	1
- 14	35-910004-3	. TUBE. . . . .							1	1
	96-910001-45	. INSULATION,TUBE . . . . .							1	1
	NAS397-18	. CLAMP . . . . .							2	1
	AN931-12-17	. GROMMET /STA 49/. . . . .							1	1
- 15	33-910002-5	. TUBE. . . . .							1	1
- 16	R MS21919WDG12	. CLAMP,TUBE SUPPORT. . . . .							1	1
- 17	R MS21919WDG36	. CLAMP,TUBE SUPPORT. . . . .							1	1
		/ATTACHING PARTS/								
	AN520-10-48	. SCREW . . . . .							1	
	AN960-10L	. WASHER. . . . .							1	
	100696A-ZM208	. SPACER. . . . .							1	
	MS20365-1032	. NUT . . . . .							1	
		-----*-----								
- 18	WAIT3-14-4	. DUCT. . . . .							1	1
	AN737TW30	. CLAMP,DUCT. . . . .							2	1

BEECHCRAFT  
BONANZA 33  
ILLUSTRATED PARTS CATALOG



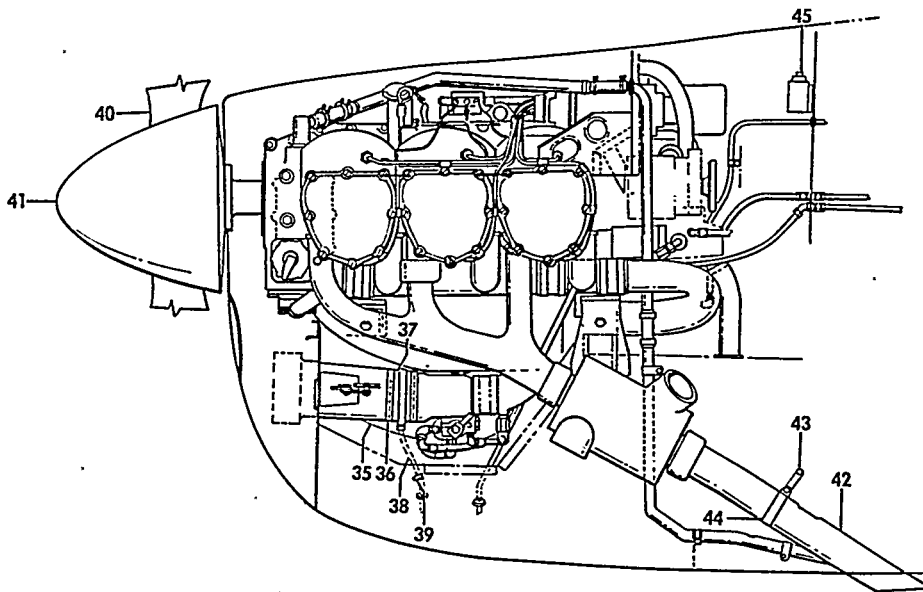
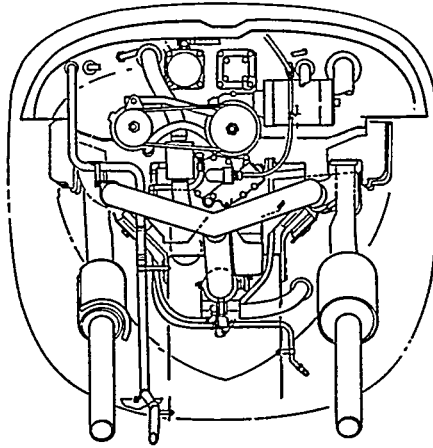
G33-241-11

B E E C H C R A F T  
B O N A N Z A 3 3  
I L L U S T R A T E D P A R T S C A T A L O G

FIG. & ITEM NO.	PART NO.	DESCRIPTION	UNITS PER ASSY	USABLE ON CODE
241B - 19	35-910007-11	. TUBE . . . . .	1	1
- 20	R MS21919WDG12	. CLAMP,TUBE SUPPORT. . . . . /ATTACHING PARTS/	1	1
	AN3-25A/M/ 100696D-ZG204	. BOLT . . . . . . SPACER . . . . . -----x-----	1 1	
- 21	R MS21919WDG12	. CLAMP,TUBE SUPPORT. . . . . /ATTACHING PARTS/	1	1
	AN515-8R6 AN960-8 MS20365-832	. SCREW . . . . . . WASHER . . . . . . NUT . . . . . -----x-----	1 1 1	
- 22	R MS21919WDG12	. CLAMP,TUBE SUPPORT. . . . . /ATTACHING PARTS/	1	1
	AN3-25A/M/ AN960-8 100696D-ZG204 MS20365-832	. BOLT . . . . . . WASHER . . . . . . SPACER . . . . . . NUT . . . . . -----x-----	1 1 1 1	
- 22A	169-910017-33 AN912-3	. FITTING,OIL PRESSURE HOSE . . . . . . REDUCER . . . . .	1 1	1 1
- 23	MS28741-3-0260	. HOSE ASSY,OIL PRESSURE. . . . .	1	1
- 24	AN837-3 AN894D3-2	. ELBOW . . . . . . BUSHING . . . . .	1 1	1 1
	R MS28778-3 AN960-616 AN924-3	. PACKING,PREFORMED . . . . . . WASHER . . . . . . NUT . . . . .	1 1 1	1 1 1
- 25	33-910000-15 AN816-2D	. TUBE,OIL PRESSURE . . . . . . NIPPLE /INSTALLED IN OIL PRESSURE GAGE/ . . . . .	1 1	1 1
- 26	115167CXZ060345 NAS397-28	. DUCT,FUEL PUMP COOLING. . . . . . CLAMP,DUCT . . . . .	1 1	1 1
- 27	35-910004-7	. WASHER,FUEL PUMP COOLING DUCT . . . . . /ATTACHING PARTS/	1	1
	AN515-8R7 AN960-8 MS20365-832	. SCREW . . . . . . WASHER . . . . . . NUT . . . . . -----x-----	4 4 4	
- 28	MS20822-3B	. ELBOW . . . . .	1	1
- 29	MS28741-3-0124	. HOSE ASSY,MANIFOLD PRESSURE . . . . .	1	1
- 30	AN832-3 AN894D3-2 AN960-616 AN924-3	. UNION . . . . . . BUSHING . . . . . . WASHER . . . . . . NUT . . . . .	1 1 1 1	1 1 1 1
	R MS28778-3	. PACKING,PACKING . . . . .	1	1
- 31	35-910005-5 AN816-2B	. TUBE ASSY,MANIFOLD PRESSURE . . . . . . NIPPLE,MANIFOLD PRESSURE GAGE . . . . .	1 1	1 1
- 32	58-920051-5	. VALVE ASSY,MANIFOLD DRAIN/SPARES FOR. . . . . 35-924254-1/	1	1
- 33	114693-2-01300 CS6A	. TUBE,MANIFOLD DRAIN . . . . . . CLAMP,TUBE . . . . .	1 2	1 1
- 34	R MS21919WDG6	. CLAMP,TUBE SUPPORT. . . . . /ATTACHING PARTS/	1	1
	AN515-8-18 AN960-8 100696P-ZW022 MS20365-832	. SCREW . . . . . . WASHER . . . . . . SPACER . . . . . . NUT . . . . . -----x-----	1 1 1 1	
	MS35489-11	. GROMMET,MANIFOLD DRAIN TUBE . . . . .	1	1



BEECHCRAFT  
BONANZA 33  
ILLUSTRATED PARTS CATALOG



G33-241-12

B E E C H C R A F T  
B O N A N Z A 3 3  
I L L U S T R A T E D P A R T S C A T A L O G

FIG. & ITEM NO.	PART NO.	DESCRIPTION	UNITS PER ASSY							USABLE ON CODE
			1	2	3	4	5	6	7	
241B - 35	115167CXZ060585	. DUCT . . . . .							1	1
	NAS397-28	. CLAMP, DUCT . . . . .							1	1
- 36	105798-13	. CLAMP, INDUCTION AIR DUCT . . . . .							2	1
- 37 R	36-380098-1	. DUCT, INDUCTION AIR/SPARES FOR AD877/. . . . .							1	1
- 38	35-910007-9	. TUBE, INDUCTION AIR DRAIN . . . . .							1	1
	A4S	. CLAMP, TUBE . . . . .							1	1
- 39 R	MS21919WDG4	. CLAMP, TUBE SUPPORT . . . . .							1	1
		/ATTACHING PARTS/								
	AN515-8R6	. SCREW . . . . .							1	
	AN960-8	. WASHER . . . . .							1	
	100696F-ZL024	. SPACER . . . . .							1	
	MS20365-832	. NUT . . . . .							1	
		-----X-----								
	MS35489-6	. GROMMET, INDUCTION DRAIN TUBE . . . . .							1	1
- 40	2A36C23CP/84B-0	. PROPELLER ASSY /SEE FIG.248/. . . . .							1	5
	R BHC-L2YF1BFF84 * 68AR	. PROPELLER ASSY . . . . .							1	4
- 41	33-910000-11	. SPINNER, PROPELLER /SEE FIG.248/ . . . . .							1	5
	A2295	. SPINNER, PROPELLER . . . . .							1	4
- 42	35-950005-13	. EXHAUST SYSTEM, LH /SEE FIG.245A/. . . . .							1	1
	35-950005-15	. EXHAUST SYSTEM, RH /SEE FIG.245A/. . . . .							1	1
- 43	35-910003-43	. LINK, LH EXHAUST CLAMP ATTACHING . . . . .							2	1
	35-910007-5	. LINK, RH EXHAUST CLAMP ATTACHING . . . . .							2	1
		/ATTACHING PARTS/								
	R 130909B16	. BOLT . . . . .							2	
	100951S063ZK	. WASHER . . . . .							4	
	330939-1	. GROMMET . . . . .							2	
	102933S4ZE0170	. BUSHING . . . . .							2	
	AN960-10	. WASHER . . . . .							2	
	130909N6	. NUT . . . . .							2	
	AN380-2-2	. PIN, COTTER . . . . .							2	
		-----X-----								
- 44	35-910003-41	. CLAMP, EXHAUST PIPE . . . . .							2	1
		/ATTACHING PARTS/								
	R 130909B15	. BOLT . . . . .							1	
	AN960-10	. WASHER . . . . .							1	
	130909N6	. NUT . . . . .							1	
	AN380-2-2	. PIN, COTTER . . . . .							1	
		-----X-----								
- 45	36-3008-1	. KIT, STARTER SOLENOID/SPARES FOR 1464/ . . . . .							1	1
		/ATTACHING PARTS/								
	R 130909B33	. BOLT . . . . .							1	
	AN960-416	. WASHER . . . . .							1	
		-----X-----								

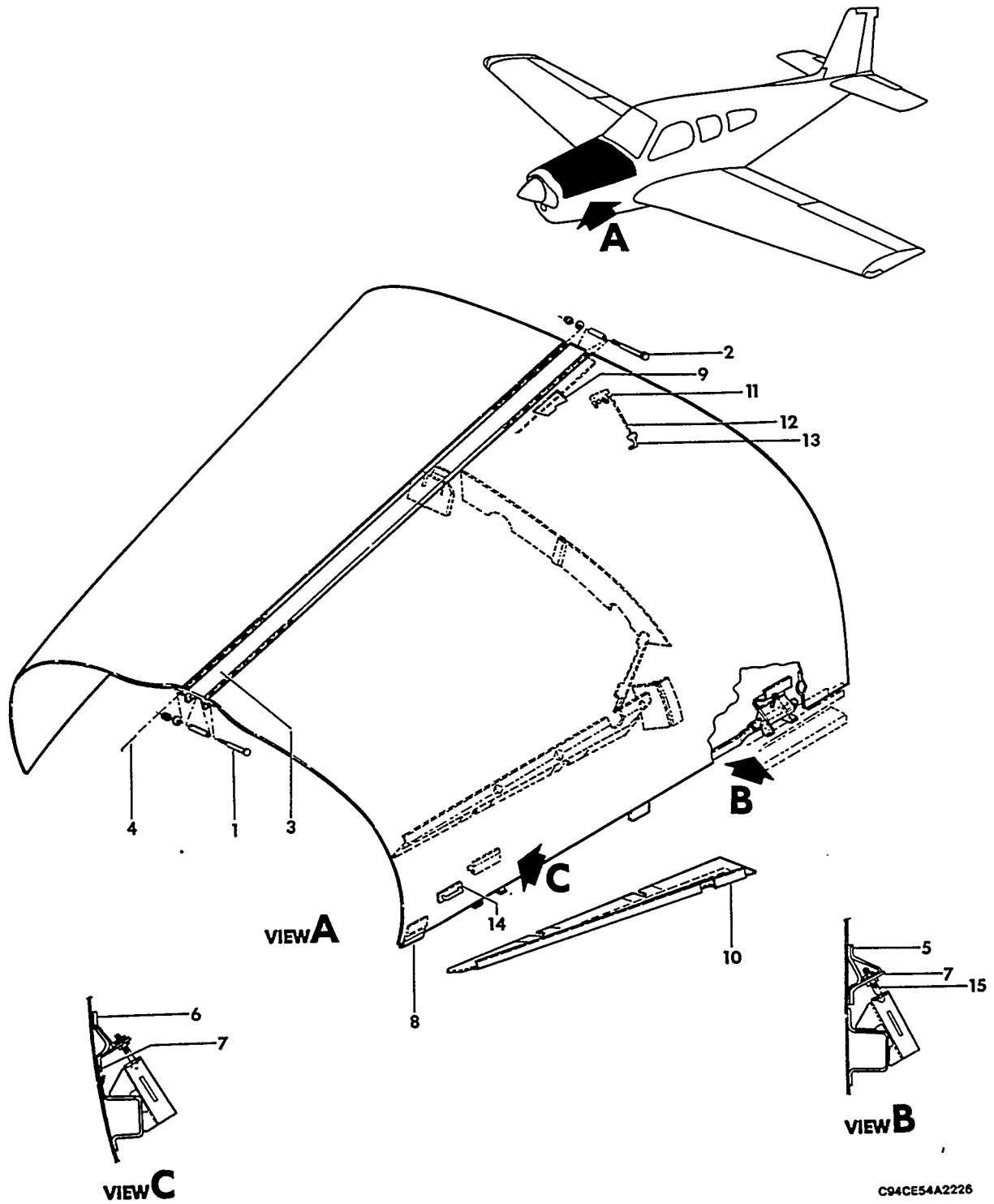
C O D E S O F E F F E C T I V I T Y

1 CD-1255 THRU CD-1304 2 CD-1255 THRU CD-1292  
3 CD-1293 THRU CD-1304 4 CD-1284,  
CD-1286 THRU CD-1301  
CD-1303 AND CD-1304  
5 CD-1255 THRU CD-1283  
CD-1285 AND CD-1302

BEECHCRAFT  
BONANZA 33  
ILLUSTRATED PARTS CATALOG

FIGURE 242  
COWLING

BEECHCRAFT  
BONANZA 33  
ILLUSTRATED PARTS CATALOG



C94CE54A2226

B E E C H C R A F T  
B O N A N Z A 3 3  
I L L U S T R A T E D P A R T S C A T A L O G

FIG. & ITEM NO.	PART NO.	DESCRIPTION	UNITS PER ASSY	USABLE ON CODE
242	35-910101-9	COWLING INSTL,ENGINE. . . . .	NP	2
	R 35-910321-603	. COWLING ASSY,ENGINE . . . . .	1	4
	R 35-910321-629	. COWLING ASSY,ENGINE . . . . .	1	5
		/ATTACHING PARTS/		
- 1	AN3-22A/M/	. BOLT,FWD. . . . .	2	
- 2	AN3-17A/M/	. BOLT,AFT. . . . .	2	
	10293305ZJ1375	. SPACER,FWD. . . . .	2	
	10293305ZJ1265	. SPACER,AFT. . . . .	1	
	AN960-10	. WASHER. . . . .	4	
	MS20365-1032	. NUT . . . . .	4	
		-----x-----		
- 3	35-910102-1	. . . HINGE,CENTER. . . . .	1	2
	R 35-910321-607	. . . DOOR ASSY,LH COWL . . . . .	1	4
	R 35-910321-625	. . . DOOR ASSY,LH COWL . . . . .	1	5
	R 35-910321-608	. . . DOOR ASSY,RH COWL . . . . .	1	4
	R 35-910321-626	. . . DOOR ASSY,RH COWL . . . . .	1	5
		/ATTACHING PARTS/		
- 4	105774C-ZB03703	. . . PIN,HINGE . . . . .	1	
		-----x-----		
- 5	R 002-910010-7	. . . BRACKET,UPPER AFT COWL LATCH. . . . .	1	2
- 6	002-910010-7	. . . BRACKET,UPPER FWD COWL LATCH. . . . .	1	2
- 7	002-910010-5	. . . BRACKET,LOWER COWL LATCH. . . . .	2	2
- 8	002-910010-15	. . . CLIP,COWL LATCH . . . . .	1	2
- 9	35-910103	. . . HINGE,LH HALF . . . . .	1	2
	35-910103-1	. . . HINGE,RH HALF . . . . .	1	2
- 10	R 35-910321-35	. . . SEAL ASSY,LH DOOR . . . . .	1	2
	35-910321-36	. . . SEAL ASSY,RH DOOR . . . . .	1	2
- 11	R 35-910109-1	. . . BRACKET,HOLD OPEN ROD UPPER . . . . .	1	2
- 12	R 35-910108	. . . ROD,DOOR HOLD OPEN. . . . .	1	2
		/ATTACHING PARTS/		
	NAS557-4A	. . . GROMMET . . . . .	2	
	AN380-2-2	. . . PIN,COTTER. . . . .	1	
		-----x-----		
- 13	R 185678	. . . CLIP,HOLD OPEN ROD LOWER. . . . .	1	2
- 14	35-910322-1	. . . HANDLE. . . . .	2	2
		/ATTACHING PARTS/		
	R MS35206-243	. . . SCREW . . . . .	4	
	AN936A8	. . . WASHER. . . . .	4	
		-----x-----		
- 15	R 106470-7	. PIN . . . . .	2	2
	NAS509-4	. NUT . . . . .	4	2
	35-910312	. LATCH INSTL,COWLING /SEE FIG.91/. . . . .	NP	1
	002-910010-1	. LATCH INSTL,COWLING/SEE FIG.91A/. . . . .	NP	3
	95-910020	. DECAL,INSTRUCTION/MAGNETO DISCONNECT/. . . . .	1	2
	35-939181	. DECAL,INSTRUCTION/OIL WEIGHT/ . . . . .	1	2

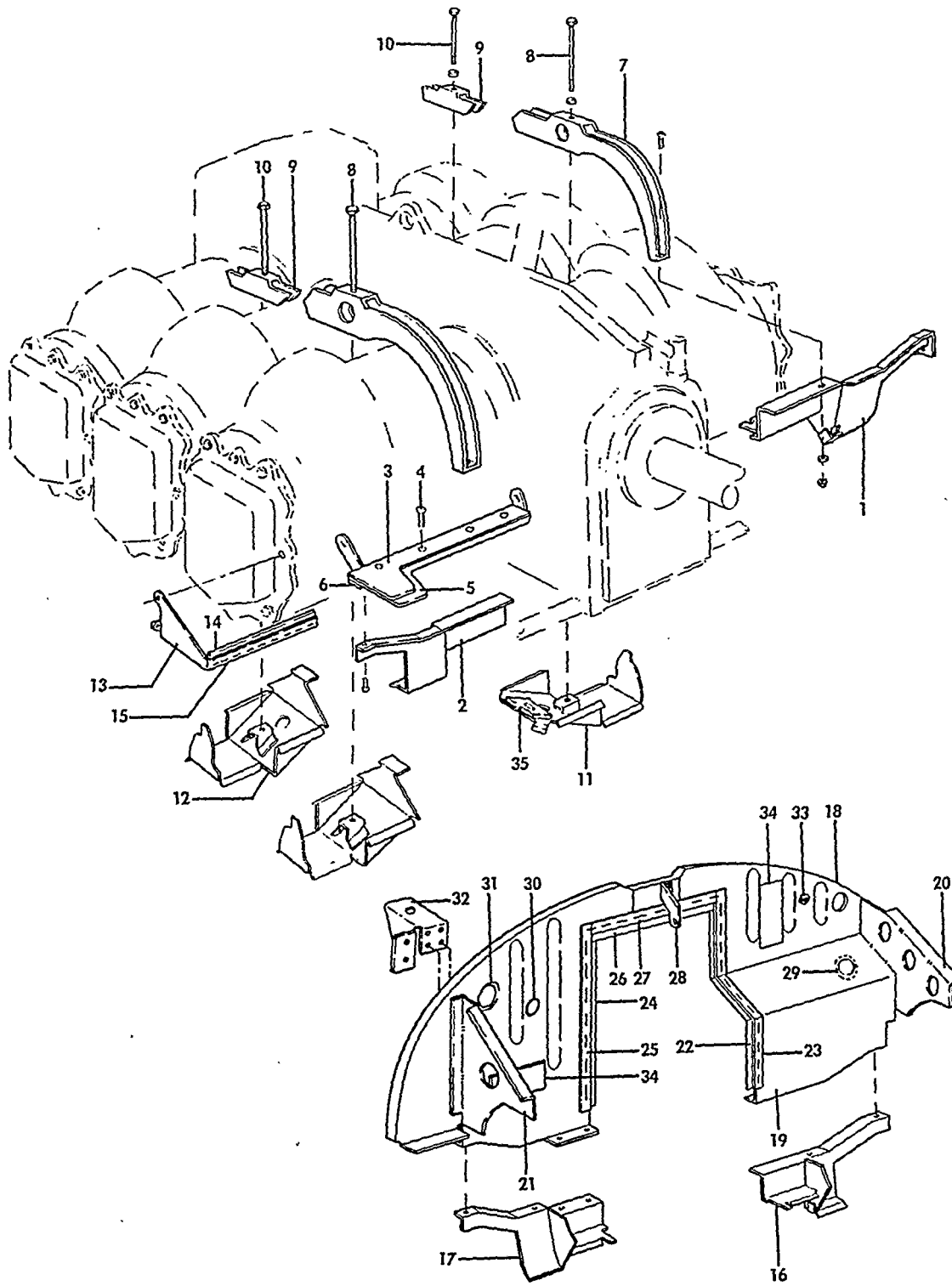
C O D E S O F E F F E C T I V I T Y

1	CD-1235 THRU CD-1304	2	CD-1235 THRU CD-1304
	CE-290 THRU CE-435		CE-290 AND AFTER
	EXCEPT CE-418		CJ-26 AND AFTER
	CJ-26 THRU CJ-39		
3	CE-418,	4	CD-1235 THRU CD-1304
	CE-436 AND AFTER		CE-290 THRU CE-1365
	CJ-40 AND AFTER		CJ-26 THRU CJ-179
5	CE-1366 AND AFTER		
	CJ-180 AND AFTER		

BEECHCRAFT  
BONANZA 33  
ILLUSTRATED PARTS CATALOG

FIGURE 244  
BAFFLES  
CD-1235 THRU CD-1254

BEECHCRAFT  
BONANZA 33  
ILLUSTRATED PARTS CATALOG



33-244-3

FIGURE 244. BAFFLES

B E E C H C R A F T  
B O N A N Z A 3 3  
I L L U S T R A T E D P A R T S C A T A L O G

FIG. & ITEM NO.	PART NO.	DESCRIPTION							UNITS PER ASSY	USABLE ON CODE
		1	2	3	4	5	6	7		
244	33-910010	BAFFLE INSTL,ENGINE	.	.	.	.	.	NP	1	
- 1	33-910010-601	. BAFFLE ASSY,FWD LH.	.	.	.	.	.	1	1	
	33-910010-37	. . BAFFLE.	.	.	.	.	.	1	1	
	33-910266-2	. . BAFFLE.	.	.	.	.	.	1	1	
	35-910266-12	. . BRACKET	.	.	.	.	.	1	1	
	33-910010-7	. BAFFLE & CAP STRIP ASSY,FWD RH.	.	.	.	.	.	1	1	
- 2	33-910010-5	. . BAFFLE ASSY,FWD RH.	.	.	.	.	.	1	1	
- 3	33-910010-87	. . STRIP ASSY,CAP.	.	.	.	.	.	1	1	
		/ATTACHING PARTS/								
- 4	AN515-8R6	. . SCREW	.	.	.	.	.	4		
		*-----*								
	33-910010-85	. . . STRIP,CAP	.	.	.	.	.	1	1	
- 5	33-910010-99	. . . SEAL,CAP STRIP.	.	.	.	.	.	1	1	
- 6	35-910066-199	. . . RETAINER,SEAL	.	.	.	.	.	1	1	
- 7	35-910215	. SUPPORT,LH.	.	.	.	.	.	1	1	
	35-910294	. SUPPORT,RH.	.	.	.	.	.	1	1	
		/ATTACHING PARTS/								
- 8	AN3-47A/M/	. BOLT.	.	.	.	.	.	1		
	AN960-10	. WASHER.	.	.	.	.	.	1		
	AN515-8R7	. SCREW	.	.	.	.	.	1		
		*-----*								
- 9	35-910216	. SUPPORT	.	.	.	.	.	2	1	
		/ATTACHING PARTS/								
- 10	AN3-37A/M/	. BOLT.	.	.	.	.	.	1		
		*-----*								
- 11	33-910010-75	. BAFFLE ASSY,INTERCYLINDER FWD LH.	.	.	.	.	.	1	1	
	33-910010-77	. BAFFLE ASSY,INTERCYLINDER FWD RH.	.	.	.	.	.	1	1	
- 12	33-910010-73	. BAFFLE ASSY,INTERCYLINDER AFT	.	.	.	.	.	2	1	
- 13	33-910010-15	. BAFFLE ASSY,OIL COOLER LOWER.	.	.	.	.	.	1	1	
- 14	33-910010-13	. . SEAL.	.	.	.	.	.	1	1	
- 15	33-910010-11	. . RETAINER,SEAL	.	.	.	.	.	1	1	
- 16	33-910010-41	. BAFFLE ASSY,LOWER AFT LH.	.	.	.	.	.	1	1	
- 17	33-910010-47	. BAFFLE ASSY,LOWER AFT RH.	.	.	.	.	.	1	1	
	33-910010-602	. BAFFLE ASSY,REAR.	.	.	.	.	.	1	1	
- 18	33-910010-113	. . BAFFLE,REAR	.	.	.	.	.	1	1	
- 19	33-910010-21	. . BAFFLE,LOWER LH	.	.	.	.	.	1	1	
- 20	33-910010-25	. . SUPPORT,LH.	.	.	.	.	.	1	1	
- 21	33-910010-17	. . SUPPORT,RH.	.	.	.	.	.	1	1	
- 22	33-910010-105	. . SEAL,LH	.	.	.	.	.	1	1	
- 23	35-910066-177	. . RETAINER,SEAL	.	.	.	.	.	1	1	
- 24	33-910010-103	. . SEAL,RH	.	.	.	.	.	1	1	
- 25	35-910066-175	. . RETAINER,SEAL	.	.	.	.	.	1	1	
- 26	33-910010-101	. . SEAL,CENTER	.	.	.	.	.	1	1	
- 27	35-910066-173	. . RETAINER,SEAL	.	.	.	.	.	1	1	
	33-910010-97	. . SUPPORT,RH.	.	.	.	.	.	1	1	
- 28	35-910066-13	. . SUPPORT,CENTER.	.	.	.	.	.	1	1	
- 29	35-910066-205	. . TUBE ASSY,GENERATOR BLAST	.	.	.	.	.	1	1	
	35-910066-243	. . DOUBLER	.	.	.	.	.	1	1	
- 30	MS35489-23	. . GROMMET	.	.	.	.	.	1	1	
- 31	35-410446-253	. . FLANGE,COLD AIR DUCT.	.	.	.	.	.	1	1	
- 32	33-329010-19	. . ANGLE,AIR PRESSURE REGULATOR SUPPORT.	.	.	.	.	.	1	1	
- 33	AN865-1	. . FLANGE,FUEL FLOWMETER VENT.	.	.	.	.	.	1	1	
- 34	95-910020	. PLACARD,MAGNETO INSTRUCTIONS.	.	.	.	.	.	2	1	
- 35	33-910010-109	. SEAL,DIPSTICK	.	.	.	.	.	1	1	

C O D E S O F E F F E C T I V I T Y

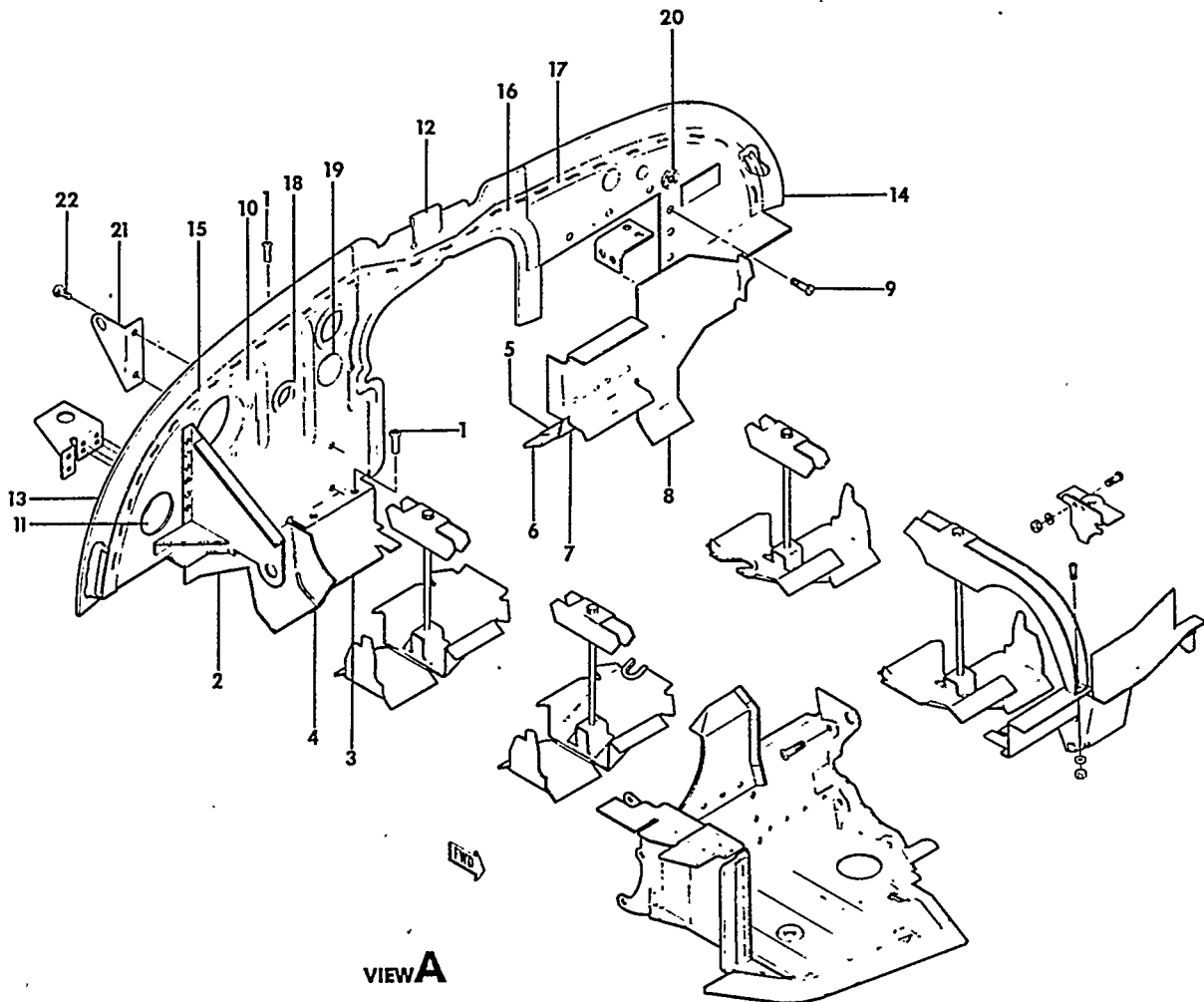
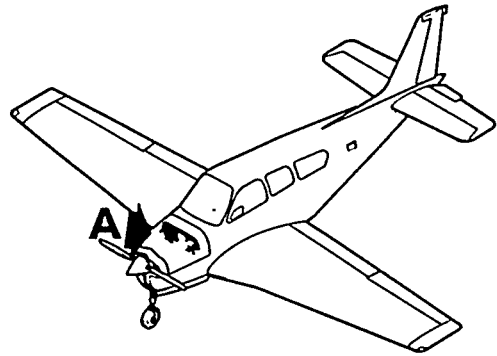
1 CD-1235 THRU CD-1254



BEECHCRAFT  
BONANZA 33  
ILLUSTRATED PARTS CATALOG

FIGURE 244A  
BAFFLES  
CE-290 AND AFTER, CJ-26 AND AFTER

BEECHCRAFT  
BONANZA 33  
ILLUSTRATED PARTS CATALOG

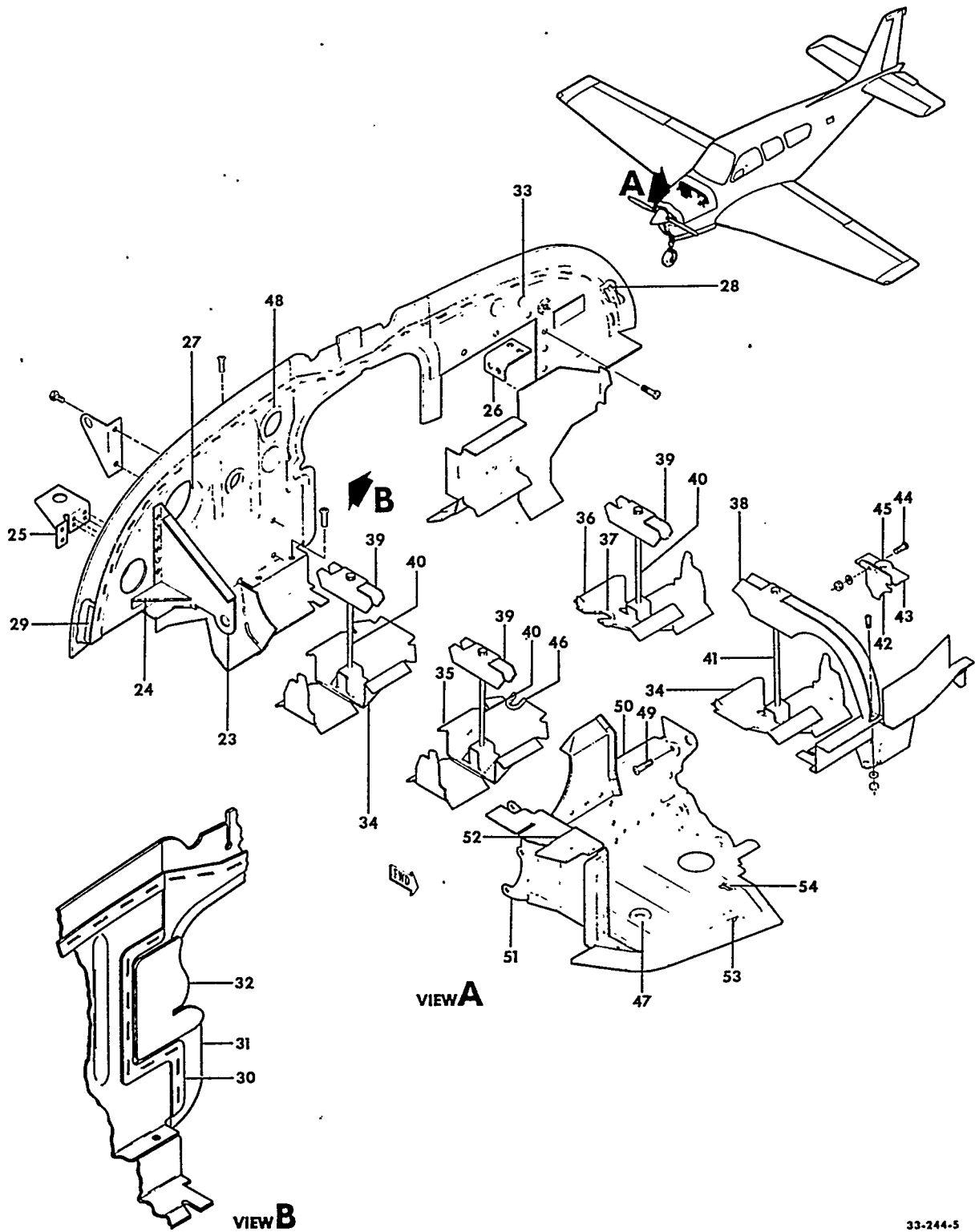


33-244-4

B E E C H C R A F T  
B O N A N Z A 3 3  
I L L U S T R A T E D P A R T S C A T A L O G

FIG. & ITEM NO.	PART NO.	DESCRIPTION	UNITS PER ASSY	USABLE ON CODE
		1 2 3 4 5 6 7		
244A	35-910067	BAFFLE INSTL,ENGINE . . . . .	NP	2
	R 35-910067-167	BAFFLE INSTL,ENGINE . . . . .	NP	20
	R 35-910067-281	BAFFLE INSTL,ENGINE . . . . .	NP	22
	35-910067-43	. BAFFLE ASSY,RH REAR/LOWER/. . . . .	1	2
	35-910067-185	. BAFFLE ASSY,RH REAR/LOWER/. . . . .	1	3
		/ATTACHING PARTS/		
- 1	AN515-6RS	. SCREW . . . . .	4	
	AN960-6	. WASHER . . . . .	4	
		----*----		
- 2	35-910066-43	. . BAFFLE . . . . .	1	1
- 3	35-910066-49	. . BAFFLE . . . . .	1	1
- 4	35-910066-165	. . CLIP . . . . .	1	1
	R 35-910067-51	. BAFFLE ASSY,LH REAR/LOWER/. . . . .	1	21
	R 35-910067-265	. BAFFLE ASSY,LH REAR/LOWER/. . . . .	1	22
- 5	35-910067-53	. . STRIP . . . . .	1	1
- 6	35-910067-55	. . SEAL . . . . .	1	1
- 7	R 35-910067-57	. . BAFFLE . . . . .	1	21
	R 35-910067-263	. . BAFFLE . . . . .	1	22
- 8	R 35-910067-79	. . BAFFLE . . . . .	1	21
	R 35-910067-261	. . BAFFLE . . . . .	1	22
	96-910020-95	. . ANGLE . . . . .	1	1
	35-910067-603	. BAFFLE ASSY,REAR . . . . .	1	2
	35-910067-606	. BAFFLE ASSY,LH REAR . . . . .	1	6
	R 35-910067-617	. BAFFLE ASSY,LH REAR . . . . .	1	19
	R 35-910067-633	. BAFFLE ASSY,LH REAR . . . . .	1	24
	35-910067-605	. BAFFLE ASSY,RH REAR . . . . .	1	6
	35-910067-612	. BAFFLE ASSY,RH REAR . . . . .	1	7
	R 35-910067-629	. BAFFLE ASSY,RH REAR . . . . .	1	24
		/ATTACHING PARTS/		
- 9	R 130909B12	. BOLT . . . . .	AR	
	AN960-10	. WASHER . . . . .	AR	
	MS20365-1032	. NUT . . . . .	AR	
		----*----		
- 10	35-910067-129	. . BAFFLE . . . . .	1	10
	35-910067-161	. . BAFFLE . . . . .	1	11
	35-910067-163	. . BAFFLE . . . . .	1	12
	35-910067-173	. . BAFFLE,LH REAR . . . . .	1	18
	35-910067-273	. . BAFFLE,LH REAR . . . . .	1	19
	R 35-910067-305	. . BAFFLE,LH REAR . . . . .	1	24
	35-910067-607	. . BAFFLE ASSY,RH REAR . . . . .	1	6
	35-910067-611	. . BAFFLE ASSY,RH REAR . . . . .	1	7
	R 35-910067-625	. . BAFFLE ASSY,RH REAR . . . . .	1	24
	35-910329-1	. . . BAFFLE . . . . .	1	6
	35-910329-7	. . . BAFFLE . . . . .	1	7
	R 35-910329-13	. . . BAFFLE . . . . .	1	24
	35-910067-187	. . . SUPPORT . . . . .	1	3
- 11	35-910067-183	. . . TUBE . . . . .	1	3
- 12	35-910067-25	. . SEAL . . . . .	1	2
	35-910067-175	. . SEAL . . . . .	1	13
	35-910067-225	. . SEAL . . . . .	1	14
- 13	35-910067-27	. . SEAL . . . . .	1	1
- 14	35-910067-29	. . SEAL . . . . .	1	1
- 15	35-910067-31	. . STRIP . . . . .	1	1
- 16	35-910067-33	. . RETAINER . . . . .	1	2
	35-910067-177	. . RETAINER . . . . .	1	3
- 17	35-910067-35	. . STRIP . . . . .	1	2
- 18	MS35489-23	. . GROMMET . . . . .	1	2
- 19	SS51058	. . PLUG . . . . .	1	2
- 20	AN865-1	. . FLANGE . . . . .	1	15
- 21	35-910067-153	. . CLIP . . . . .	1	1
		/ATTACHING PARTS/		
- 22	R 130909B12	. . BOLT . . . . .	2	
	AN960-10	. . WASHER . . . . .	2	
	MS20365-1032	. . NUT . . . . .	2	
		----*----		

BEECHCRAFT  
BONANZA 33  
ILLUSTRATED PARTS CATALOG

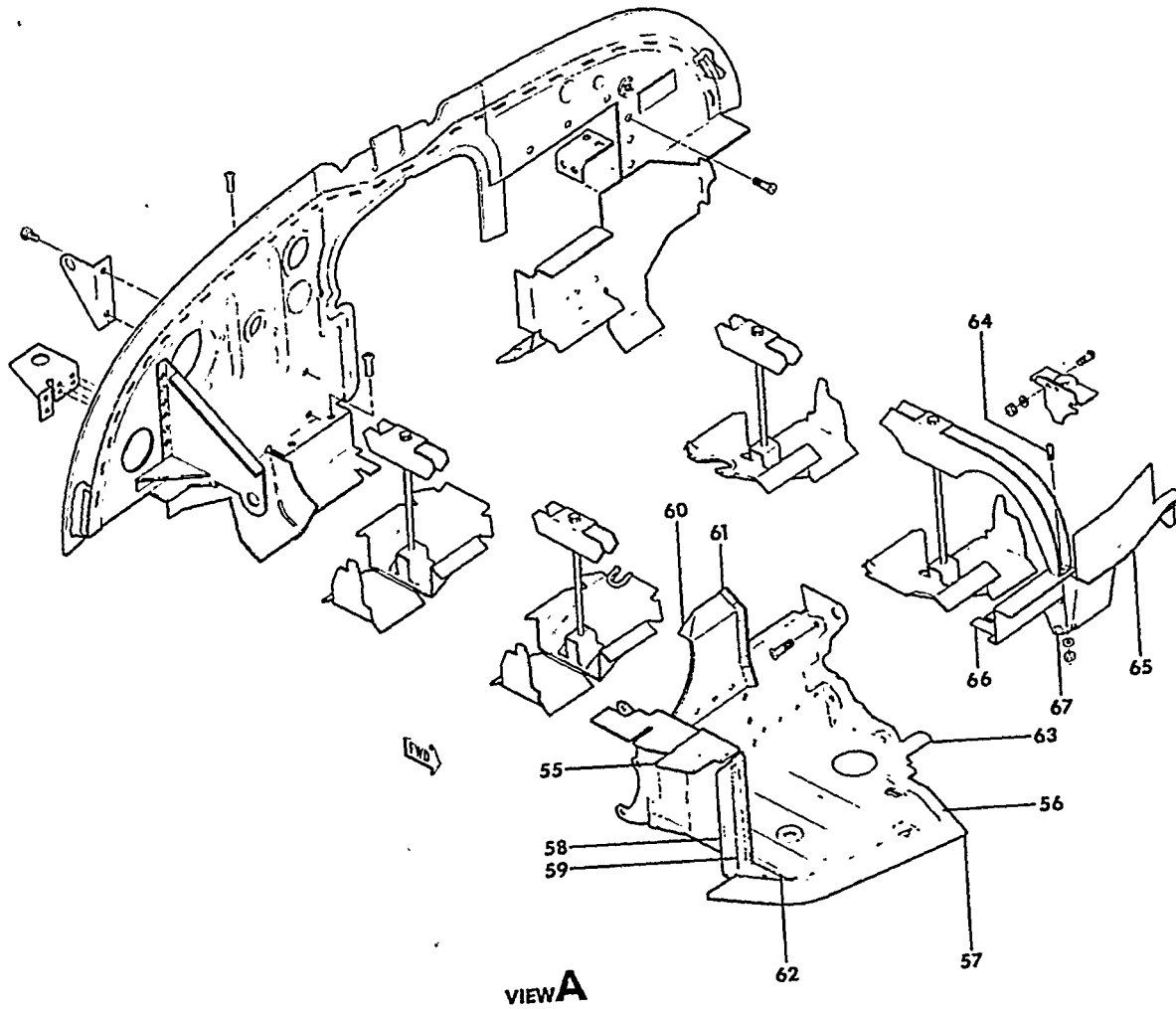
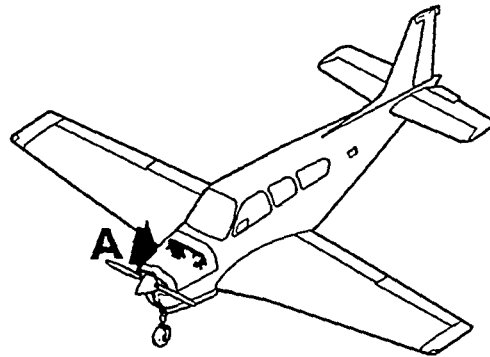


33-244-5

B E E C H C R A F T  
B O N A N Z A 3 3  
I L L U S T R A T E D P A R T S C A T A L O G

FIG. & ITEM NO.	PART NO.	DESCRIPTION	UNITS							USABLE ON CODE
			1	2	3	4	5	6	7	
244A - 23	35-910066-239	. . SUPPORT . . . . .							1	10
	35-910067-157	. . SUPPORT . . . . .							1	16
	35-910067-187	. . SUPPORT . . . . .							1	3
- 24	35-910067-113	. . GUSSET . . . . .							1	10
	35-910067-155	. . ANGLE . . . . .							1	17
- 25	33-329010-19	. . BRACKET,AIR PRESSURE TUBE . . . . .							1	1
- 26	35-910067-77	. . CLIP . . . . .							1	1
- 27	35-910067-159	. . FITTING,FLANGE . . . . .							1	2
- 28	35-910067-109	. . STRIP,LH AFT. . . . .							1	1
- 29	35-910067-111	. . STRIP,RH AFT. . . . .							1	1
- 30	35-910067-181	. . RETAINER . . . . .							1	3
- 31	35-910067-179	. . SEAL . . . . .							1	3
	NAS451-26	. . PLUG BUTTON . . . . .							1	3
- 32	35-910067-189	. . SEAL . . . . .							1	3
		/ATTACHING PARTS/								
	MS35206-228	. . SCREW . . . . .							3	
	AN960-6	. . WASHER . . . . .							3	
	MS21042-06	. . NUT . . . . .							3	
		-----X-----								
- 33	SS48155	. . PLUG/USE WITH VACUUM DRIVEN INSTRUMENTS/. . . . .							1	2
- 34	96-910020-151	. . BAFFLE ASSY,INTERCYLINDER . . . . .							2	1
- 35	35-910067-47	. . BAFFLE ASSY,INTERCYLINDER . . . . .							1	1
- 36	96-910020-85	. . BAFFLE ASSY,INTERCYLINDER . . . . .							1	1
- 37	96-910020-253	. . GROMMET . . . . .							1	1
- 38	35-910215	. . SUPPORT,BAFFLE. . . . .							1	1
- 39	R 35-910216-3	. . SUPPORT,BAFFLE/SPARES FOR 35-910216/. . . . .							3	1
		/ATTACHING PARTS/								
- 40	AN3-63A	. . BOLT . . . . .							1	
- 41	AN3-73A	. . BOLT . . . . .							1	
	AN960-10	. . WASHER . . . . .							1	
		-----X-----								
- 42	45-910314	. . PLATE . . . . .							4	1
- 43	45-910315-1	. . CLIP . . . . .							4	1
		/ATTACHING PARTS/								
- 44	AN515-8R8	. . SCREW . . . . .							2	
	AN960-8	. . WASHER . . . . .							2	
	MS20365-832	. . NUT . . . . .							2	
		-----X-----								
- 45	AN931-5S13	. . GROMMET . . . . .							4	1
- 46	35-910067-117	. . GROMMET . . . . .							1	1
- 47	MS35489-14S	. . GROMMET . . . . .							1	8
	115005-4	. . GROMMET . . . . .							1	9
- 48	MS35489-27	. . GROMMET . . . . .							1	1
	35-910067-143	. . BAFFLE ASSY,RH FWD/USED WITH 14 VOLT SYSTEM/. . . . .							1	4
	R 35-910067-193	. . BAFFLE ASSY,RH FWD/USED WITH 28 VOLT SYSTEM/. . . . .							1	23
	R 35-910067-255	. . BAFFLE ASSY,RH FWD/USED WITH 28 VOLT SYSTEM/. . . . .							1	22
		/ATTACHING PARTS/								
- 49	AN520-10R6	. . SCREW . . . . .							3	
	AN960-10	. . WASHER . . . . .							3	
		-----X-----								
- 50	35-910067-131	. . BAFFLE. . . . .							1	4
	R 35-910067-201	. . BAFFLE. . . . .							1	23
	R 35-910067-257	. . BAFFLE. . . . .							1	22
- 51	35-910067-7	. . SUPPORT . . . . .							1	1
- 52	35-910067-13	. . RETAINER . . . . .							1	1
- 53	35-910067-15	. . RETAINER . . . . .							1	1
- 54	35-910067-17	. . RETAINER . . . . .							1	1

BEECHCRAFT  
BONANZA 33  
ILLUSTRATED PARTS CATALOG



33-244-10

FIGURE 244A. BAFFLES  
/SHEET 3 OF 3 SHEETS/

04/11/86

B E E C H C R A F T  
B O N A N Z A 3 3  
I L L U S T R A T E D P A R T S C A T A L O G

FIG. & ITEM NO.	PART NO.	DESCRIPTION	UNITS PER ASSY	USABLE ON CODE
		1 2 3 4 5 6 7		
244A - 55	35-910067-19	. . SEAL. . . . .	1	1
- 56	35-910067-21	. . SEAL. . . . .	1	1
- 57	35-910067-23	. . SEAL. . . . .	1	1
- 58	35-910067-59	. . SEAL. . . . .	1	1
	35-910067-203	. . SEAL. . . . .	1	5
- 59	35-910067-61	. . RETAINER. . . . .	1	1
	35-910067-87	. . BAFFLE ASSY . . . . .	1	4
	35-910067-195	. . BAFFLE ASSY . . . . .	1	5
		/ATTACHING PARTS/		
	AN515-6R5	. . SCREW . . . . .	3	
	AN960-6	. . WASHER. . . . .	3	
	130006A632BC	. . NUTPLATE. . . . .	3	
		----*----		
- 60	35-910067-81	. . . BAFFLE. . . . .	1	4
	35-910067-197	. . . BAFFLE. . . . .	1	5
- 61	35-910067-83	. . . STIFFENER . . . . .	1	4
	35-910067-199	. . . STIFFENER . . . . .	1	5
- 62	35-910067-115	. . ANGLE . . . . .	1	1
- 63	35-910068	. . SUPPORT . . . . .	1	1
	35-910073-1	. . BAFFLE ASSY, FWD LH. . . . .	1	1
		/ATTACHING PARTS/		
- 64	AN515-6R14	. . SCREW . . . . .	1	
	AN960-6	. . WASHER. . . . .	1	
	MS20365-632	. . NUT . . . . .	1	
		----*----		
- 65	35-910073-3	. . BAFFLE. . . . .	1	1
- 66	35-910073-5	. . BAFFLE. . . . .	1	1
- 67	35-910066-165	. . CLIP. . . . .	1	1

C O D E S O F E F F E C T I V I T Y

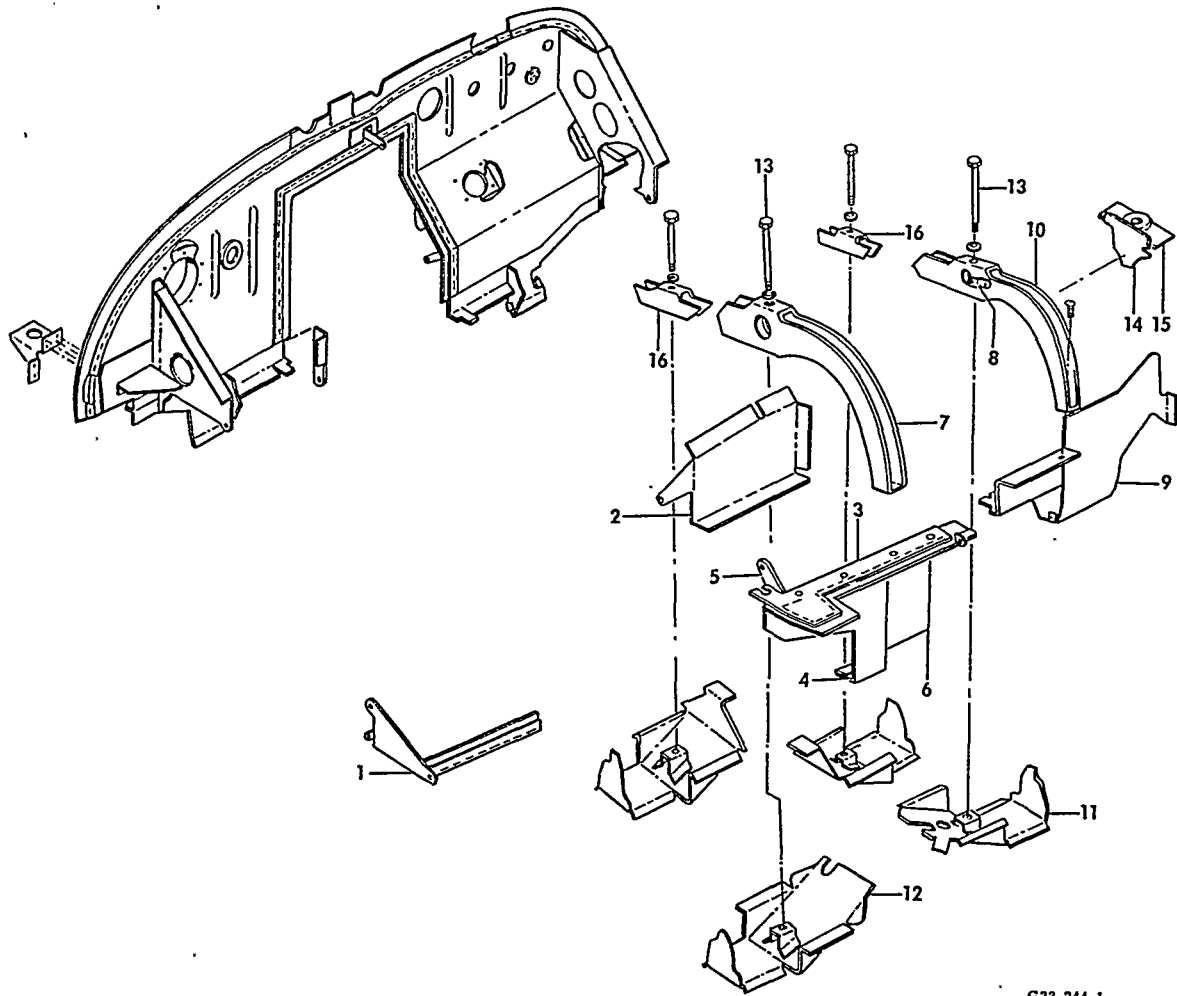
1	CE-290 AND AFTER CJ-26 AND AFTER	2	CE-290 THRU CE-580 CJ-26 THRU CJ-85
3	CE-581 AND AFTER CJ-86 AND AFTER	4	CE-290 THRU CE-747, CE-749 THRU CE-771 CJ-26 THRU CJ-148
5	CE-748, CE-772 AND AFTER CJ-149 AND AFTER	6	CE-581 THRU CE-928 CJ-86 THRU CJ-155
7	CE-929 THRU CE-1789 CJ-156 THRU CJ-179	8	CE-290 THRU CE-889 CJ-26 THRU CJ-155
9	CE-890 AND AFTER CJ-156 AND AFTER	10	CE-290 THRU CE-451 CJ-26 THRU CJ-39
11	CE-452 THRU CE-485 CJ-40 THRU CJ-51	12	CE-486 THRU CE-580 CJ-52 THRU CJ-85
13	CE-581 THRU CE-836 CJ-86 THRU CJ-155	14	CE-837 AND AFTER CJ-156 AND AFTER
15	CE-290 THRU CE-928 CJ-26 THRU CJ-155	16	CE-452 THRU CE-580 CJ-40 THRU CJ-85
17	CE-452 AND AFTER CJ-40 AND AFTER	18	CE-581 THRU CE-1052 CJ-86 THRU CJ-155
19	CE-1053 THRU CE-1789 CJ-156 THRU CJ-179	20	CE-581 THRU CE-1490 CJ-86 THRU CJ-179
21	CE-290 THRU CE-1490 CJ-26 THRU CJ-179	22	CE-1491 AND AFTER CJ-180 AND AFTER
23	CE-748, CE-772 THRU CE-1490 CJ-149 THRU CJ-179	24	CE-1790 AND AFTER CJ-180 AND AFTER

BEECHCRAFT  
BONANZA 33  
ILLUSTRATED PARTS CATALOG

FIGURE 244B  
BAFFLES  
CD-1255 THRU CD-1304



BEECHCRAFT  
BONANZA 33  
ILLUSTRATED PARTS CATALOG

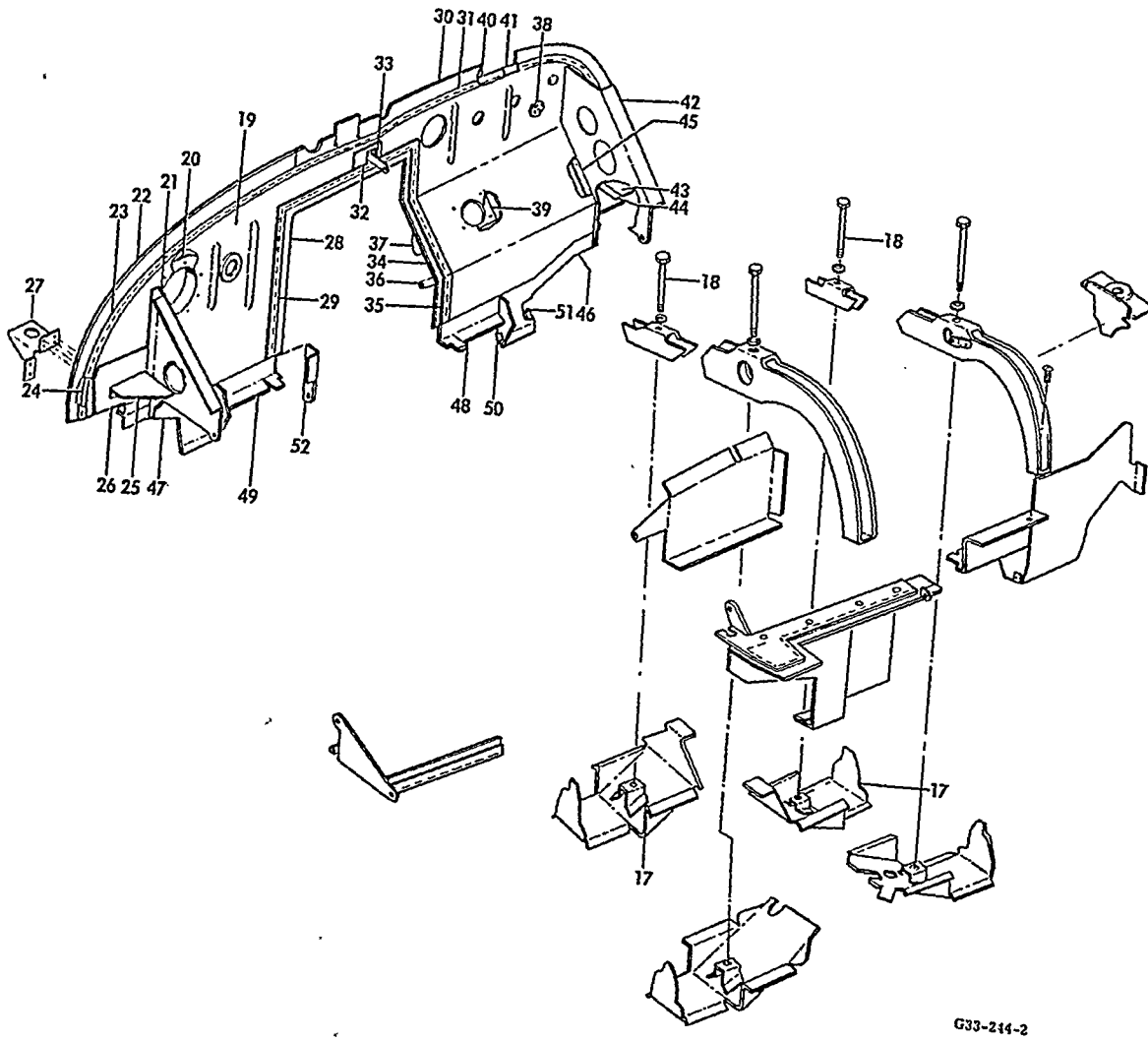


G33-244-1

B E E C H C R A F T  
B O N A N Z A 3 3  
I L L U S T R A T E D P A R T S C A T A L O G

FIG. & ITEM NO.	PART NO.	DESCRIPTION							UNITS PER ASSY	USABLE ON CODE
		1	2	3	4	5	6	7		
2448	33-910017-1	BAFFLE INSTL,ENGINE	.	.	.	.	.	.	NP	1
- 1	35-910066-207	. BAFFLE ASSY,RH FWD.	.	.	.	.	.	.	1	1
	35-910066-209	. . BAFFLE.	.	.	.	.	.	.	1	1
	35-910066-211	. . SEAL.	.	.	.	.	.	.	1	1
	35-910066-213	. . STRIP,BACK.	.	.	.	.	.	.	1	1
- 2	96-910025-7	. BAFFLE ASSY,RH FWD.	.	.	.	.	.	.	1	1
	96-910025-3	. . BAFFLE.	.	.	.	.	.	.	1	1
	96-910025-5	. . CLIP.	.	.	.	.	.	.	1	1
	33-910017-5	. STRIP ASSY,CAP.	.	.	.	.	.	.	1	1
		/ATTACHING PARTS/								
	AN515-8R6	. SCREW	.	.	.	.	.	.	5	
	NAS1025N08K	. NUTPLATE	.	.	.	.	.	.	1	
	NAS680A08K	. NUTPLATE	.	.	.	.	.	.	4	
- 3	33-910017-9	. . STRIP,CAP	.	.	.	.	.	.	1	1
	33-910017-11	. . SEAL.	.	.	.	.	.	.	1	1
	33-910017-601	. BAFFLE ASSY,RH FWD.	.	.	.	.	.	.	1	1
- 4	35-910066-185	. . BAFFLE ASSY	.	.	.	.	.	.	1	1
	35-910066-183	. . BAFFLE.	.	.	.	.	.	.	1	1
- 5	35-910066-193	. . BRACKET	.	.	.	.	.	.	1	1
	35-910066-135	. . ANGLE	.	.	.	.	.	.	1	1
	35-910066-165	. . ANGLE	.	.	.	.	.	.	1	1
	HIS832BC	. . NUTPLATE	.	.	.	.	.	.	3	1
	33-910017-7	. . BAFFLE ASSY	.	.	.	.	.	.	1	1
		/ATTACHING PARTS/								
	AN515-8R6	. SCREW	.	.	.	.	.	.	1	
- 6	35-910066-187	. . BAFFLE.	.	.	.	.	.	.	1	1
	33-910017-3	. . BRACKET	.	.	.	.	.	.	1	1
	NAS680A08K	. . NUTPLATE	.	.	.	.	.	.	1	1
	NAS1025N08K	. . NUTPLATE	.	.	.	.	.	.	1	1
- 7	35-910294	. SUPPORT,RH INTERCYLINDER BAFFLE	.	.	.	.	.	.	1	1
		/ATTACHING PARTS/								
	AN515-8R6	. SCREW	.	.	.	.	.	.	1	
- 8	35-910067-151	. CLIP,SUPPORT.	.	.	.	.	.	.	1	1
		/ATTACHING PARTS/								
	AN520-10-8	. SCREW	.	.	.	.	.	.	1	
	AN960-10	. WASHER	.	.	.	.	.	.	1	
	MS20364-1032	. NUT	.	.	.	.	.	.	1	
- 9	35-910073-1	. BAFFLE ASSY,LH.	.	.	.	.	.	.	1	1
	35-910073-3	. . BAFFLE.	.	.	.	.	.	.	1	1
	35-910073-5	. . BAFFLE.	.	.	.	.	.	.	1	1
	35-910066-165	. . CLIP.	.	.	.	.	.	.	1	1
- 10	35-910215	. SUPPORT,LH INTERCYLINDER BAFFLE	.	.	.	.	.	.	1	1
		/ATTACHING PARTS/								
	AN515-6R7	. SCREW	.	.	.	.	.	.	1	
	AN960-6	. WASHER	.	.	.	.	.	.	1	
	MS20365-632	. NUT	.	.	.	.	.	.	1	
- 11	35-910066-113	. BAFFLE ASSY,LH INTERCYLINDER	.	.	.	.	.	.	1	1
- 12	35-910067-47	. BAFFLE ASSY,RH INTERCYLINDER	.	.	.	.	.	.	1	1
		/ATTACHING PARTS/								
- 13	AN3-71/M/	. BOLT.	.	.	.	.	.	.	1	
	AN960-10	. WASHER	.	.	.	.	.	.	1	
- 14	45-910314	. PLATE /LH & RH/	.	.	.	.	.	.	4	1
- 15	45-910315	. CLIP /LH & RH/	.	.	.	.	.	.	4	1
		/ATTACHING PARTS/								
	AN515-8R8	. SCREW	.	.	.	.	.	.	2	
	AN960-8	. WASHER	.	.	.	.	.	.	2	
	MS20365-832	. NUT	.	.	.	.	.	.	2	
- 16	35-910216	. SUPPORT,AFT INTERCYLINDER BAFFLE.	.	.	.	.	.	.	2	1

BEECHCRAFT  
BONANZA 33  
ILLUSTRATED PARTS CATALOG



G33-244-2

B E E C H C R A F T  
B O N A N Z A 3 3  
I L L U S T R A T E D P A R T S C A T A L O G

FIG. & ITEM NO.	PART NO.	DESCRIPTION	UNITS PER ASSY	USABLE ON CODE
		1 2 3 4 5 6 7		
244B - 17	35-910066-111	. BAFFLE ASSY,AFT INTERCYLINDER . . . . . /ATTACHING PARTS/	2	1
- 18	AN3-60A/M/ AN960-10	. BOLT . . . . . . WASHER . . . . . *-----*	1 1	
	33-910016-601	. BAFFLE ASSY,AFT . . . . . /ATTACHING PARTS/	1	1
	AN515-6R5 AN960-6 MS20365-632	. SCREW . . . . . . WASHER . . . . . . NUT . . . . . *-----*	8 8 8	
- 19	33-910016-3	. . BAFFLE . . . . .	1	1
- 20	35-410446-253	. . ADAPTER,HEATER AIR. . . . .	1	1
- 21	35-910066-239	. . SUPPORT . . . . .	1	1
- 22	35-910067-27	. . SEAL . . . . .	1	1
- 23	35-910067-31	. . STRIP,SEAL BACKUP . . . . .	1	1
- 24	35-910067-111	. . STRIP,SEAL . . . . .	1	1
- 25	35-910067-113	. . GUSSET . . . . .	1	1
- 26	35-910067-145	. . DOUBLER . . . . .	1	1
- 27	35-329012-25	. . BRACKET . . . . .	1	1
- 28	35-910066-169	. . SEAL . . . . .	1	1
- 29	35-910066-175	. . STRIP,SEAL BACKUP . . . . .	1	1
- 30	33-910016-7	. . SEAL . . . . .	1	1
- 31	33-910016-9	. . STRIP,SEAL BACKUP . . . . .	1	1
- 32	33-910016-5	. . DOUBLER . . . . .	1	1
- 33	33-910016-15	. . SUPPORT . . . . .	1	1
- 34	35-910066-171	. . SEAL . . . . .	1	1
- 35	33-910016-11	. . STRIP,SEAL BACKUP . . . . .	1	1
- 36	35-910066-159	. . CLIP . . . . .	1	1
- 37	33-369110-23	. . WELD ASSY,ALTERNATOR BLAST TUBE . . . . .	1	1
- 38	AN865-1	. . FLANGE,FUEL GAGE AIR SENSING. . . . .	1	1
- 39	35-910067-29	. . SEAL . . . . .	1	1
- 40	35-910067-109	. . STRIP,SEAL . . . . .	1	1
- 41	33-910016-13	. . STRIP,SEAL BACKUP . . . . .	1	1
- 42	33-910016-21	. . SUPPRT . . . . .	1	1
- 43	33-910016-25	. . SEAL . . . . .	1	1
- 44	33-910016-27	. . STRIP,SEAL BACKUP . . . . .	1	1
- 45	33-910016-23 35-910066-157 35-910066-33	. . ANGLE . . . . . . BAFFLE ASSY,LH AFT. . . . . . BAFFLE ASSY,RH AFT. . . . .	1 1 1	1 1 1
- 46	35-910066-153	. . BAFFLE,LH . . . . .	1	1
- 47	35-910066-43	. . BAFFLE,RH . . . . .	1	1
- 48	35-910066-155	. . BAFFLE,LH . . . . .	1	1
- 49	35-910066-49	. . BAFFLE,RH . . . . .	1	1
- 50	35-910066-165	. . CLIP . . . . .	1	1
- 51	35-910066-91	. . CLIP,LH . . . . .	1	1
- 52	35-910066-181	. . CLIP,RH . . . . .	1	1

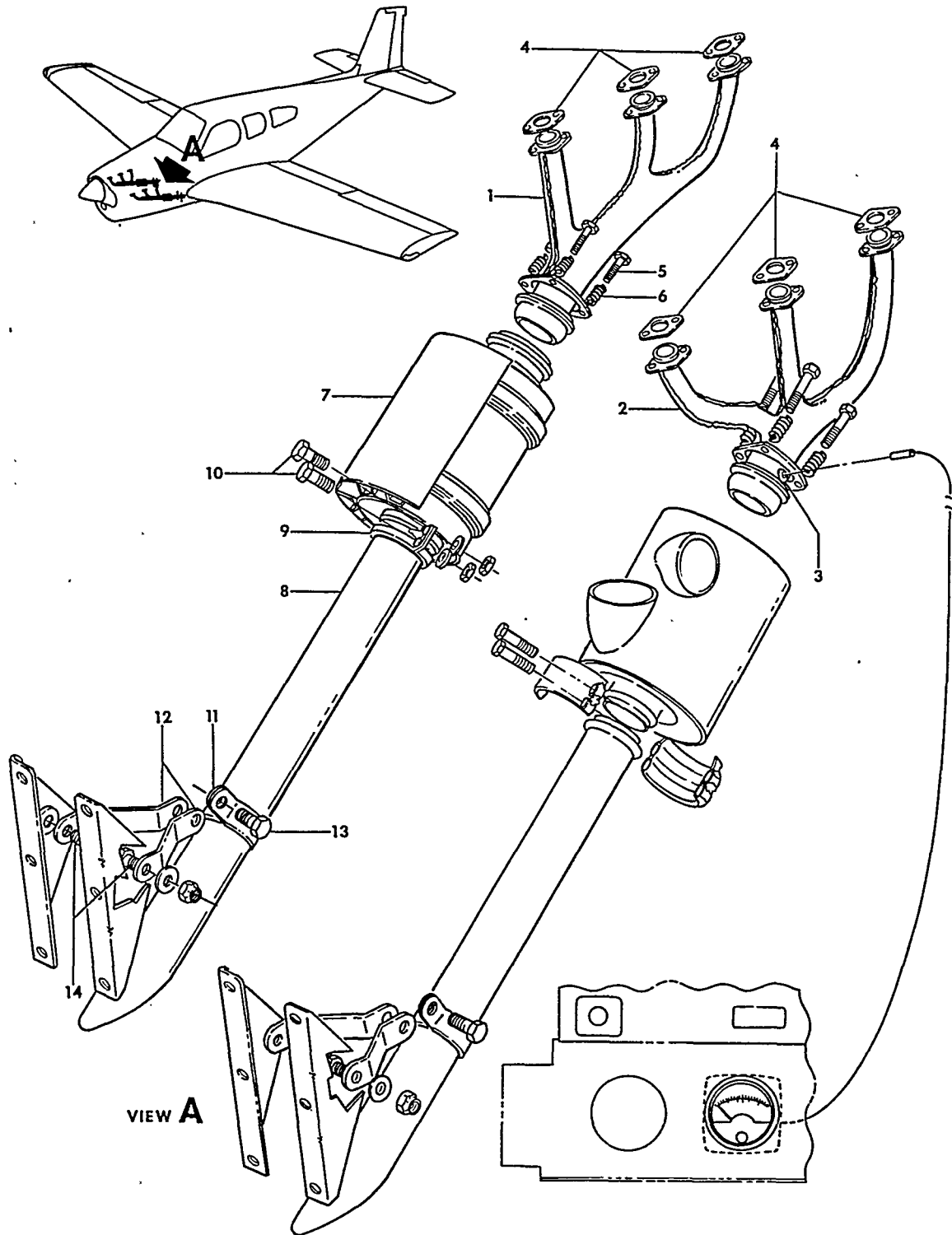
C O D E S O F E F F E C T I V I T Y

1 CD-1255 THRU CD-1304

B E E C H C R A F T  
B O N A N Z A 3 3  
I L L U S T R A T E D P A R T S C A T A L O G

FIGURE 245  
EXHAUST SYSTEM  
CD-1235 THRU CD-1254

BEECHCRAFT  
BONANZA 33  
ILLUSTRATED PARTS CATALOG

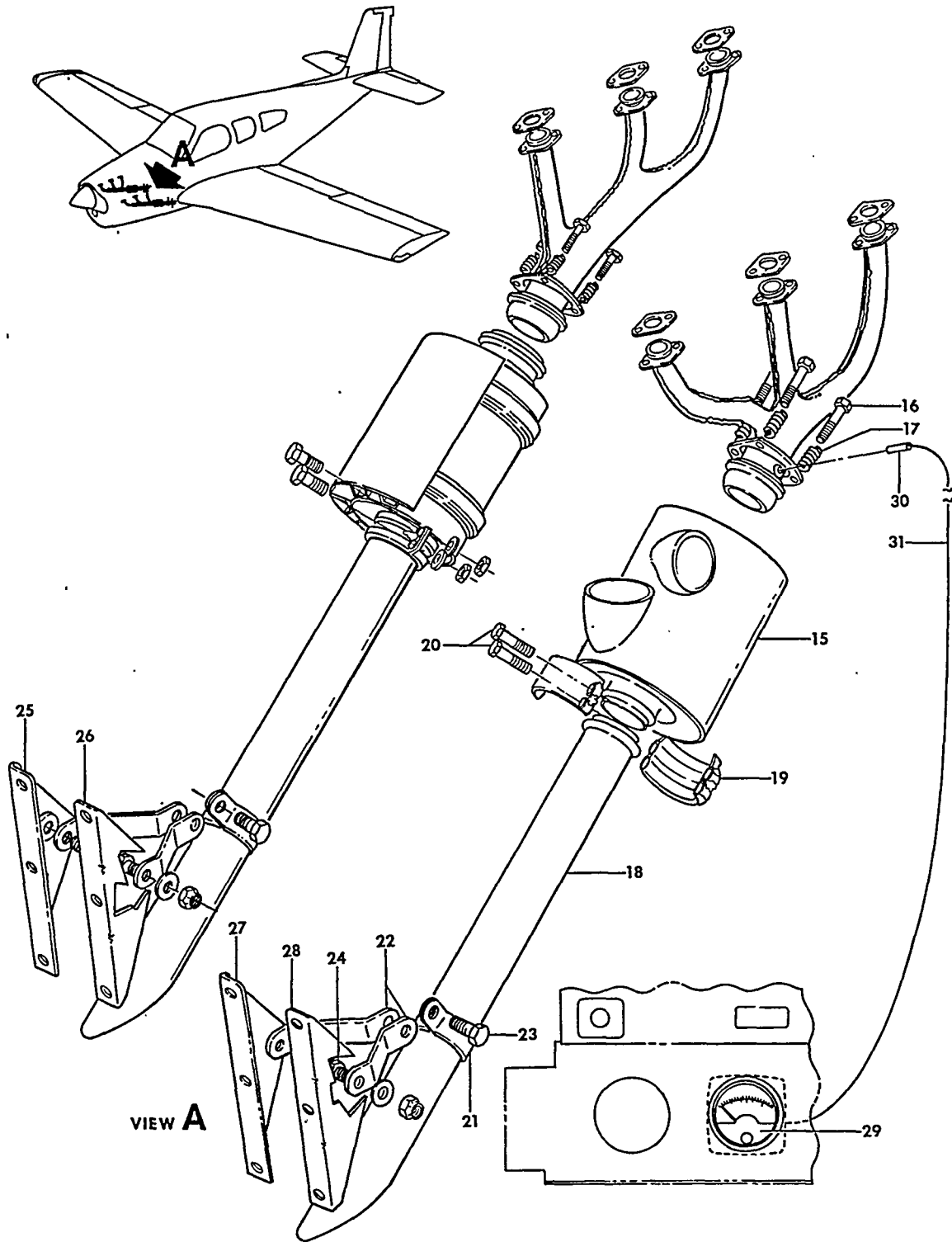


33-245-3

B E E C H C R A F T  
B O N A N Z A 3 3  
I L L U S T R A T E D P A R T S C A T A L O G

FIG. & ITEM NO.	PART NO.	DESCRIPTION	UNITS PER ASSY	USABLE ON CODE
		1 2 3 4 5 6 7		
245	33-950001-1	SYSTEM INSTL,EXHAUST LH . . . . .	NP	1
	33-950001-3	SYSTEM INSTL,EXHAUST RH . . . . .	NP	1
- 1	35-950118	. . . STACK ASSY,LH EXHAUST . . . . .	1	1
	35-950116	. . . STACK ASSY,RH EXHAUST /WITHOUT ALCOR PROBE/ . . . . .	1	1
- 2	33-950001-7	. . . STACK ASSY,RH EXHAUST /WITH ALCOR PROBE/. . . . .	1	1
- 3	106B	. . . BOSS,EXHAUST TEMPERATURE PROBE. . . . .	1	1
- 4	350606	. . . GASKET,EXHAUST STACK. . . . .	6	1
	632837	. . . GASKET,EXHAUST STACK /ALTERNATE FOR 350606/ . . . . .	6	1
	35-950115-602	. . . MUFFLER & TAILPIPE ASSY . . . . .	1	1
		. . . /OPTIONAL SUPER SOUNDPROOFING/ . . . . .		
	33-950000-602	. . . TAILPIPE ASSY . . . . .	1	1
		. . . /ATTACHING PARTS/ . . . . .		
- 5	AN3-12/M/	. . . BOLT. . . . .	3	
- 6	100943CR-ZX020F	. . . SPRING. . . . .	3	
	AN960-10	. . . WASHER. . . . .	3	
	130909N6	. . . NUT . . . . .	3	
	MS24665-172	. . . PIN,COTTER. . . . .	3	
		*-----*		
- 7	189	. . . MUFFLER /WITH OPTIONAL SUPER SOUNDPROOFING/ . . . . .	1	1
- 8	35-950133	. . . PIPE ASSY,EXHAUST /WITH OPTIONAL . . . . .	1	1
		. . . SUPER SOUNDPROOFING/ . . . . .		
	35-950000-1	. . . TUBE ASSY,EXHAUST . . . . .	1	1
- 9	186-8A	. . . CLAMP,MUFFLER /WITH OPTIONAL . . . . .	1	1
		. . . SUPER SOUNDPROOFING/ . . . . .		
	186-216	. . . FLANGE,EXHAUST TUBE BOLT. . . . .	1	1
		. . . /ATTACHING PARTS/ . . . . .		
- 10	AN3-4A/M/	. . . BOLT /WITH OPTIONAL SUPER SOUNDPROOFING/. . . . .	4	
	AN960-10	. . . WASHER. . . . .	4	
	130909N6	. . . NUT . . . . .	4	
	MS24665-132	. . . PIN,COTTER. . . . .	4	
		*-----*		
- 11	35-950126	. . . CLAMP,TAILPIPE. . . . .	1	1
- 12	35-950132	. . . LINK,TAILPIPE . . . . .	2	1
		. . . /ATTACHING PARTS/ . . . . .		
- 13	AN3-3/M/	. . . BOLT. . . . .	1	
- 14	AN3-5/M/	. . . BOLT. . . . .	1	
	AN960-10	. . . WASHER. . . . .	3	
	130909N6	. . . NUT . . . . .	3	
	MS24665-132	. . . PIN,COTTER. . . . .	3	
	MS35489-4	. . . GROMMET . . . . .	2	
		*-----*		

BEECHCRAFT  
BONANZA 33  
ILLUSTRATED PARTS CATALOG



33-245-4



B E E C H C R A F T  
B O N A N Z A 3 3  
I L L U S T R A T E D P A R T S C A T A L O G

FIG. & ITEM NO.	PART NO.	DESCRIPTION	UNITS PER ASSY	USABLE ON CODE
		1 2 3 4 5 6 7		
245 - 15	8003-9	• HEATER ASSY, RH. . . . . /ATTACHING PARTS/	1	1
- 16	AN3-12/M/	• BOLT. . . . .	3	
- 17	100943CR-ZX020F	• SPRING. . . . .	3	
	AN960-10	• WASHER. . . . .	3	
	130909N6	• NUT . . . . .	3	
	MS24665-172	• PIN, COTTER. . . . .	3	
- 18	35-950011	• PIPE ASSY, EXHAUST /WITH OPTIONAL. SUPER SOUNDPROOFING/	1	1
- 19	186-8A	• CLAMP ASSY, HEATER . . . . . /ATTACHING PARTS/	1	1
- 20	AN3-4/M/	• BOLT. . . . .	2	
	AN960-10	• WASHER. . . . .	2	
	130909N6	• NUT . . . . .	2	
	MS24665-132	• PIN, COTTER. . . . .	2	
- 21	186-8A	• CLAMP, TAILPIPE. . . . .	1	1
- 22	33-950010	• LINK, TAILPIPE . . . . . /ATTACHING PARTS/	2	1
- 23	AN3-3/M/	• BOLT. . . . .	1	
- 24	AN3-5/M/	• BOLT. . . . .	2	
	AN960-10	• WASHER. . . . .	3	
	130909N6	• NUT . . . . .	3	
	MS24665-132	• PIN . . . . .	3	
	MS35489-4	• GROMMET . . . . .	2	
- 25	35-415330-72	ANGLE, LH OUTBD. . . . .	1	1
- 26	35-415330-73	ANGLE, LH INBD . . . . .	1	1
- 27	35-415412-89	ANGLE, RH INBD . . . . .	1	1
- 28	35-415412-90	ANGLE, RH OUTBD. . . . .	1	1
	35-329006-1	INDICATOR INSTL, EXHAUST GAS TEMPERATURE . . . . .	NP	1
	35-329006-3	INDICATOR INSTL, EXHAUST GAS TEMPERATURE . . . . . /INTERNALLY LIGHTED/	NP	1
- 29	210-8A	• INDICATOR, EXHAUST GAS TEMPERATURE . . . . .	1	1
	210-8AL	• INDICATOR, EXHAUST GAS TEMPERATURE . . . . . /INTERNALLY LIGHTED/	1	1
- 30	MODEL A106B	• PROBE, EXHAUST GAS TEMPERATURE . . . . .	1	1
- 31	A106-7.5	• WIRE, LEAD . . . . .	1	1

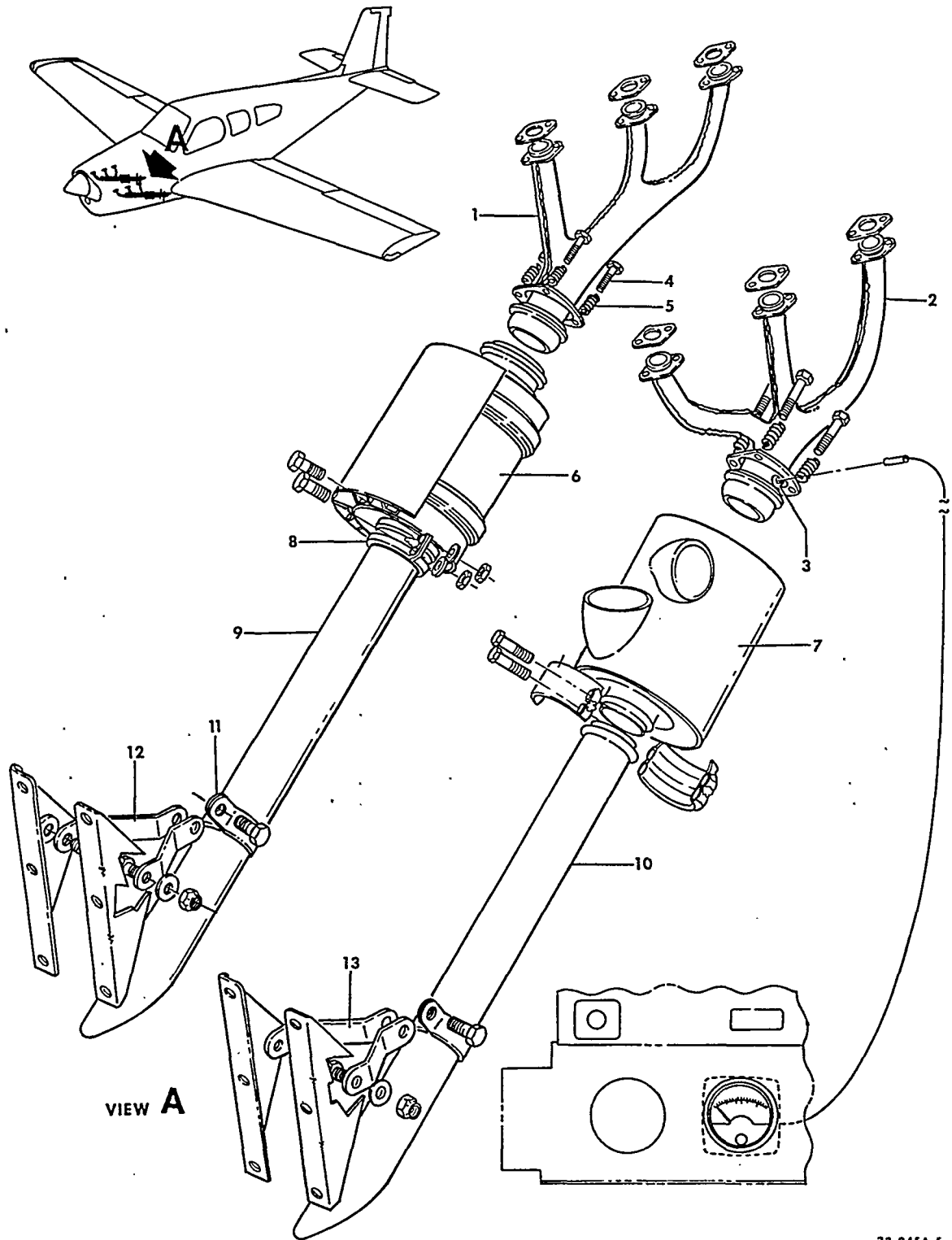
C O D E S O F E F F E C T I V I T Y

1 CD-1235 THRU CD-1254

B E E C H C R A F T  
B O N A N Z A 3 3  
I L L U S T R A T E D P A R T S C A T A L O G

FIGURE 245A  
EXHAUST SYSTEM  
CD-1255 THRU CD-1304, CE-290 AND AFTER  
CJ-26 AND AFTER

BEECHCRAFT  
BONANZA 33  
ILLUSTRATED PARTS CATALOG



33-245A-5

B E E C H C R A F T  
B O N A N Z A 3 3  
I L L U S T R A T E D P A R T S C A T A L O G

FIG. & ITEM NO.	PART NO.	DESCRIPTION	UNITS PER ASSY							USABLE ON CODE	
			1	2	3	4	5	6	7		
245A	35-950005-13	EXHAUST ASSY,LH/ORDER 35-950005-33/ . . . . .							NP	14	
	35-950005-33	EXHAUST ASSY,LH/SPARES FOR 35-950005-13/ . . . . .							1	13	
	35-950005-15	EXHAUST ASSY,RH/ORDER 35-950005-35/ . . . . .							NP	14	
	35-950005-35	EXHAUST ASSY RH/SPARES FOR 35-950005-15/ . . . . .							1	13	
	- 1	35-950005-1	. STACK ASSY,LH EXHAUST/ORDER 35-9016-1/ . . . . .							NP	14
		35-9016-1	. STACK ASSY,LH EXHAUST . . . . .							1	14
		35-950005-37	. STACK ASSY,LH EXHAUST . . . . .							1	13
	- 2	35-950005-3	. STACK ASSY,RH EXHAUST/ORDER 35-9016-3/ . . . . .							NP	14
		35-9016-3	. STACK ASSY,RH EXHAUST . . . . .							1	14
		35-950005-39	. STACK ASSY,RH EXHAUST . . . . .							1	13
	- 3		. . . DELETED . . . . .								
		35-950005-43	. TUBE ASSY,LH/MIDDLE RISER/ . . . . .							1	13
		35-950005-63	. TUBE ASSY,RH/MIDDLE RISER/ . . . . .							1	13
		35-910007-614	. MUFFLER & TAILPIPE ASSY,LH/SPARES FOR . . . . .							1	14
			35-910007-612/ . . . . .								
		35-950005-59	. MUFFLER & TAILPIPE ASSY,LH . . . . .							1	13
		35-910007-615	. HEATER & TAILPIPE ASSY,RH/SPARES FOR . . . . .							1	14
			35-910007-613/ . . . . .								
		35-910007-55	. HEATER & TAILPIPE ASSY,RH . . . . .							1	13
			/ATTACHING PARTS/								
	- 4	AN3-15/M/	. BOLT . . . . .							3	
		AN960-10	. WASHER . . . . .							9	
	- 5	186-218	. SPRING . . . . .							3	
		130909N6	. NUT . . . . .							3	
	AN380-2-3	. PIN . . . . .							3		
		*-----*									
- 6	701-4	. . MUFFLER,LH . . . . .							1	6	
	701-20	. . MUFFLER,LH . . . . .							1	7	
- 7	701-5	. . HEATER,RH . . . . .							1	6	
	701-21	. . HEATER,RH . . . . .							1	7	
- 8	35-950004-17	. . CLAMP,MUFFLER & HEATER . . . . .							2	1	
		/ATTACHING PARTS/									
	AN4-5/M/	. . BOLT . . . . .							2		
	AN4-6/M/	. . BOLT . . . . .							2		
	AN960-416	. . WASHER . . . . .							12		
	AN363-428	. . NUT . . . . .							4		
		*-----*									
- 9	35-950005-11	. . TUBE,LH EXHAUST/ORDER 35-950005-61/ . . . . .							NP	15	
	35-950005-61	. . TUBE,LH EXHAUST/SPARES FOR 35-950005-11/ . . . . .							1	16	
- 10	35-950005-9	. . TUBE,RH EXHAUST/ORDER 35-950005-57/ . . . . .							NP	15	
	35-950005-57	. . TUBE,RH EXHAUST/SPARES FOR 35-950005-9/ . . . . .							1	16	
- 11	35-910003-41	. . CLAMP,EXHAUST TUBE . . . . .							1	1	
- 12	35-910003-43	. . LINK,LH EXHAUST CLAMP . . . . .							2	1	
- 13	35-910007-5	. . LINK,RH EXHAUST CLAMP . . . . .							2	1	
		/ATTACHING PARTS/									
	AN3-3/M/	. . BOLT . . . . .							1		
	AN3-5/M/	. . BOLT . . . . .							2	7	
	AN3-6/M/	. . BOLT . . . . .							2	7	
	AN960-10	. . WASHER . . . . .							AR	6	
	I30909N6	. . NUT . . . . .							3		
	AN380-2-2	. . PIN . . . . .							3		
	MS35489-4	. . GROMMET . . . . .							2	1	
	330939-1	. . GROMMET . . . . .							2	1	
	102933S4ZE0170	. . BUSHING,GROMMET . . . . .							2	1	
	100951S063ZK	. . WASHER /ON BOTH SIDES OF GROMMET/ . . . . .							4	1	
		*-----*									
	MCI106-200	. . PLUG . . . . .							1	13	
	MCI106-199	. . PLUG . . . . .							1	14	
	MCI106-150	. . GASKET . . . . .							1	13	

BEECHCRAFT  
BONANZA 33  
ILLUSTRATED PARTS CATALOG

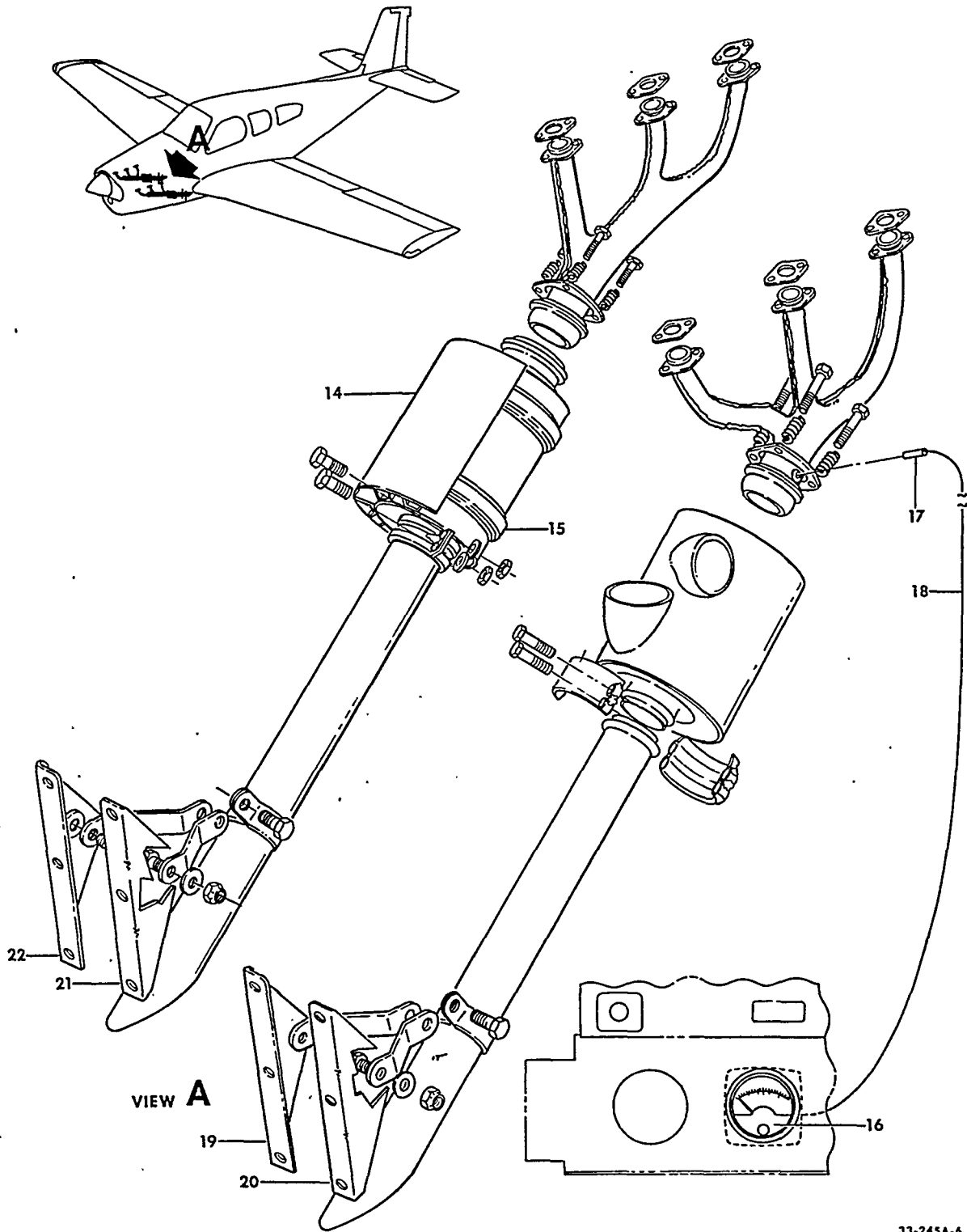


FIGURE 245A. EXHAUST SYSTEM  
/SHEET 2 OF 2 SHEETS/

B E E C H C R A F T  
B O N A N Z A 3 3  
I L L U S T R A T E D P A R T S C A T A L O G

FIG. & ITEM NO.	PART NO.	DESCRIPTION	UNITS PER ASSY	USABLE ON CODE
		1 2 3 4 5 6 7		
245A	95-910019-13	. SHROUD INSTL, EXHAUST LH/ORDER 35-910328-33/	NP	1
	35-910328-33	. SHIELD ASSY/SPARES FOR 95-910019-13/	1	1
- 14	95-910019-27	. . SHROUD ASSY, MUFFLER	1	1
- 15	68KS3	. . CLAMP, SHROUD.	2	1
	36-910042-13	. . BRACKET, ASSY.	4	
	MS35207-263	. . SCREW	4	1
	AN970-3	. . WASHER	4	1
		*-----*		
	35-329006	INDICATOR INSTL, EXHAUST GAS TEMPERATURE	NP	2
	35-329006-3	INDICATOR INSTL, EXHAUST GAS TEMPERATURE /INTERNALLY LIGHTED/	NP	2
	35-324479-1	INDICATOR INSTL, EXHAUST GAS TEMPERATURE	NP	3
	36-324024-1	INDICATOR INSTL, EXHAUST GAS TEMPERATURE	NP	9
	36-324024-3	INDICATOR INSTL, EXHAUST GAS TEMPERATURE /INTERNALLY LIGHTED/	NP	9
- 16	210-8A	. INDICATOR, EXHAUST GAS TEMPERATURE	1	10
	210-8AL	. INDICATOR, EXHAUST GAS TEMPERATURE /INTERNALLY LIGHTED/	1	10
	210-8AL/24	. INDICATOR, EXHAUST GAS TEMPERATURE /INTERNALLY LIGHTED/	1	11
- 17	MODEL A106B	. PROBE, EXHAUST GAS TEMPERATURE	1	1
- 18	A106-7.5	. WIRE, LEAD	1	1
	35-950005-29	. STACK ASSY, RH EXHAUST/ORDER 35-9016-5/	NP	2
	35-9016-5	. STACK ASSY, RH EXHAUST	1	2
	35-354479-7	. STACK ASSY, RH EXHAUST	1	12
- 19	35-415412-89	ANGLE, EXHAUST TUBE RH INBD.	1	4
	36-410011-1	ANGLE, EXHAUST TUBE RH INBD.	1	5
	002-410030-99	ANGLE, EXHAUST TUBE RH INBD.	1	8
- 20	35-415412-90	ANGLE, EXHAUST TUBE RH OUTBD.	1	4
	36-410012-1	ANGLE, EXHAUST TUBE RH OUTBD.	1	5
	002-410030-101	ANGLE, EXHAUST TUBE RH OUTBD.	1	8
- 21	35-415330-73	ANGLE, EXHAUST TUBE LH INBD.	1	4
	36-410010-2	ANGLE, EXHAUST TUBE LH INBD.	1	5
	002-410030-30	ANGLE, EXHAUST TUBE LH INBD.	1	8
- 22	35-415330-72	ANGLE, EXHAUST TUBE LH OUTBD.	1	4
	36-410010-1	ANGLE, EXHAUST TUBE LH OUTBD.	1	5
	002-410030-29	ANGLE, EXHAUST TUBE LH OUTBD.	1	8

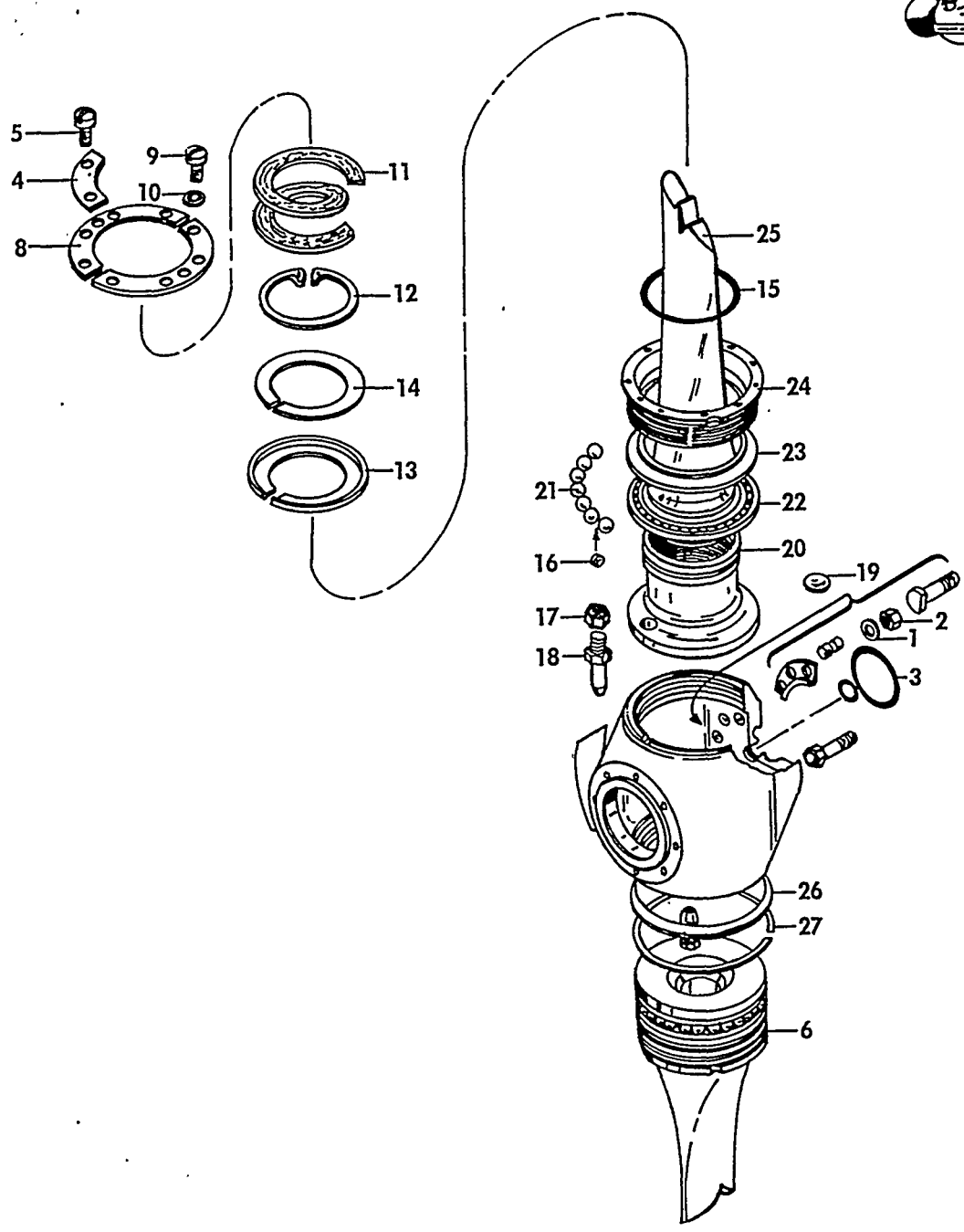
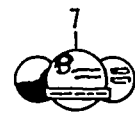
C O D E S O F E F F E C T I V I T Y

1	CD-1255 THRU CD-1304 CE-290 AND AFTER CJ-26 AND AFTER	2	CD-1255 THRU CD-1304 CE-290 THRU CE-349
3	CE-350 THRU CE-400 EXCEPT CE-394, CE-395	4	CD-1255 THRU CD-1298 CE-290 THRU CE-391 CJ-26 THRU CJ-30
5	CD-1299 THRU CD-1304 CE-392 THRU CE-435 EXCEPT CE-418 CJ-31 THRU CJ-39	6	CD-1255 THRU CD-1304 CE-290 THRU CE-470 CJ-26 THRU CJ-51
7	CE-471 AND AFTER CJ-52 AND AFTER	8	CE-418, CE-436 AND AFTER CJ-40 AND AFTER
9	CE-409 AND AFTER CJ-26 AND AFTER	10	CE-409 THRU CE-771, EXCEPT CE-748 CJ-26 THRU CJ-148
11	CE-748, CE-772 AND AFTER CJ-149 AND AFTER	12	CE-350 AND AFTER CJ-26 AND AFTER
13	CE-1001 AND AFTER CJ-156 AND AFTER	14	CE-290 THRU CE-1000 CJ-26 THRU CJ-155
15	CE-290 THRU CE-1001 CJ-26 THRU CJ-155	16	CE-1002 AND AFTER CJ-156 AND AFTER

BEECHCRAFT  
BONANZA 33  
ILLUSTRATED PARTS CATALOG

FIGURE 248  
TWO BLADED PROPELLER

BEECHCRAFT  
BONANZA 33  
ILLUSTRATED PARTS CATALOG



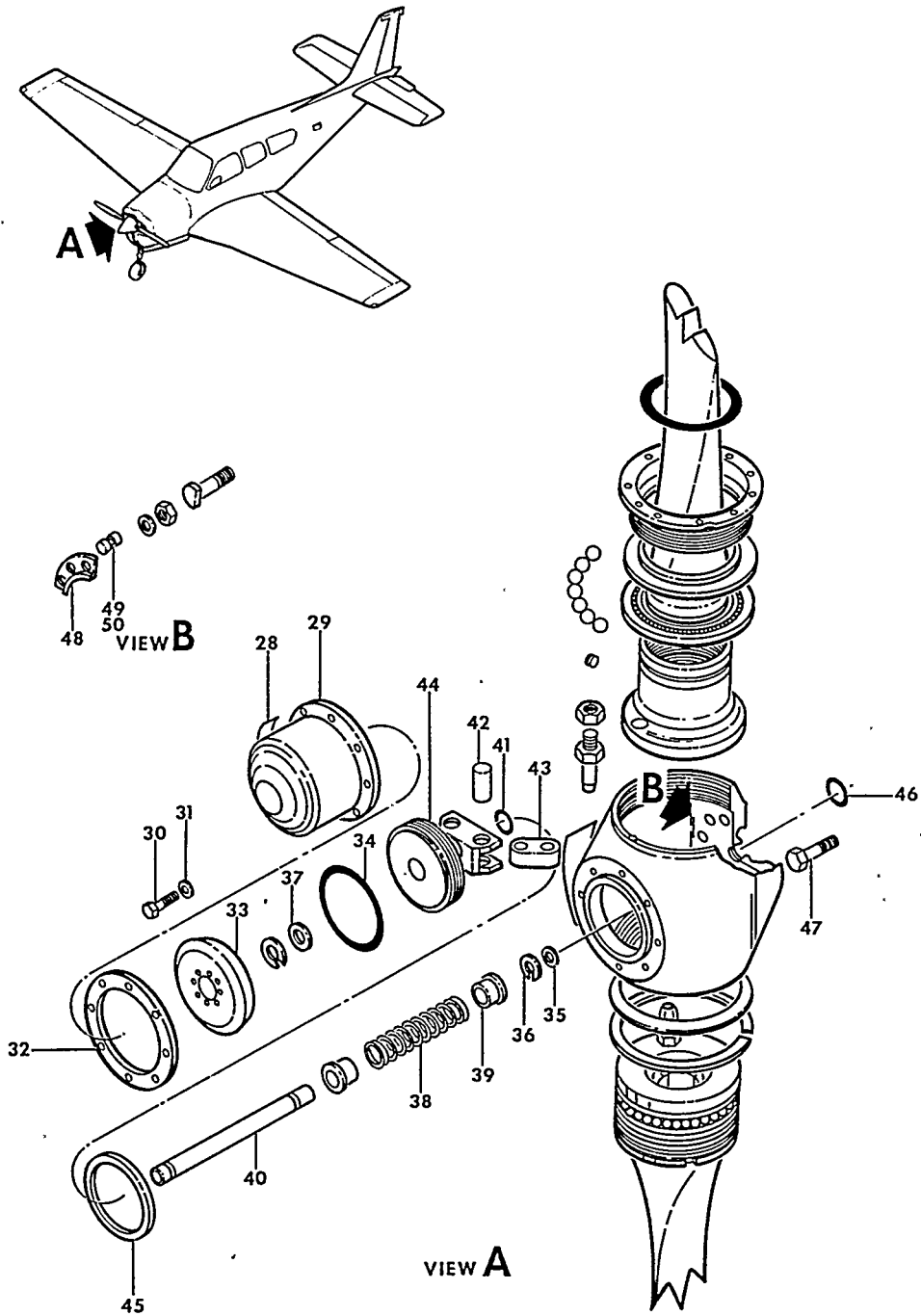
33-248-2



B E E C H C R A F T  
B O N A N Z A 3 3  
I L L U S T R A T E D P A R T S C A T A L O G

FIG. & ITEM NO.	PART NO.	DESCRIPTION	UNITS PER ASSY	USABLE ON CODE
248	33-910000-5	POWER PLANT INSTL /2 BLADED/ . . . . .	NP	1
	35-910007	POWER PLANT INSTL /2 BLADED/ . . . . .	NP	4
	33-910002-1	POWER PLANT INSTL /2 BLADED/ . . . . .	NP	5
	35-910328	POWER PLANT INSTL /2 BLADED/ . . . . .	NP	6
	36-960004-1	. PROPELLER INSTL/2 BLADED/ . . . . .	NP	8
	2A36C23DF/84B0	. PROPELLER ASSY/2 BLADED/ . . . . .	1	1
	2A36C23CP/84B-0	. PROPELLER ASSY/2 BLADED/ . . . . .	1	2
		/ATTACHING PARTS/		
- 1	A1639-2	. NUT . . . . .	6	
- 2	A1638-2	. WASHER . . . . .	6	
- 3	A1633-3	. O RING . . . . .	1	
		*		
- 4	A2423	. . WEIGHT,BALANCE /0.720 OZ/ . . . . .	AR	
		/ATTACHING PARTS/		
- 5	A1635-16	. . SCREW /ATTACH 1 WEIGHT/ /0.142 OZ/ . . . . .	2	
	A1635-17	. . SCREW /ATTACH 2 WEIGHTS/ /0.152 OZ/ . . . . .	2	
	A1635-18	. . SCREW /ATTACH 3 WEIGHTS/ /0.162 OZ/ . . . . .	2	
	A1635-19	. . SCREW /ATTACH 4 WEIGHTS/ /0.174 OZ/ . . . . .	2	
	A1635-21	. . SCREW /ATTACH 5 WEIGHTS/ /0.184 OZ/ . . . . .	2	
	A1635-22	. . SCREW /ATTACH 6 WEIGHTS/ /0.194 OZ/ . . . . .	2	
		*		
- 6	D2859/84B-0	. . BLADE ASSY. . . . .	2	
- 7	A3289	. . . DECAL /BEECHCRAFT/ . . . . .	1	
- 8	B2417	. . . PLATE,SPLIT COVER . . . . .	2	
		/ATTACHING PARTS/		
- 9	A1635-27	. . . SCREW . . . . .	AR	
- 10	A1638-5	. . . WASHER . . . . .	AR	
		*		
- 11	B2422-1	. . . PACKING,FELT. . . . .	1	
- 12	A1636-6	. . . RING,EXTERNAL RETAINING . . . . .	1	
- 13	B2420-4	. . . SHIM /0.004 IN./ . . . .	AR	
	B2420-6	. . . SHIM /0.006 IN./ . . . .	AR	
- 14	B2421-8	. . . SHIM /0.008 IN./ . . . .	AR	
	B2421-10	. . . SHIM /0.010 IN./ . . . .	AR	
	B2421-12	. . . SHIM /0.012 IN./ . . . .	AR	
	B2421-14	. . . SHIM /0.014 IN./ . . . .	AR	
	B2421-16	. . . SHIM /0.016 IN./ . . . .	AR	
	B2421-18	. . . SHIM /0.018 IN./ . . . .	AR	
	B2421-20	. . . SHIM /0.020 IN./ . . . .	AR	
- 15	A1633-13	. . . PACKING,O RING. . . . .	1	
- 16	A1742	. . . SEPARATOR,BALL. . . . .	22	
- 17	A1883	. . . WASHER,ACTUATING PIN. . . . .	1	
- 18	A1882	. . . PIN,BLADE ACTUATING . . . . .	1	
- 19	A1580	. . . PLUG,FERRULE STAKING. . . . .	1	
- 20	C2464	. . . FERRULE,BLADE RETENTION . . . . .	1	
	C1587	. . . BEARING ASSY,BLADE RETENTION. . . . .	1	
- 21	A1634-4	. . . BEARING,BALL. . . . .	22	
- 22	C1587-1	. . . RACE,INNER. . . . .	1	
- 23	C1587-2	. . . RACE,OUTER. . . . .	1	
- 24	C2463	. . . NUT,BLADE RETENTION . . . . .	2	
- 25	84B-0	. . . BLADE . . . . .	2	
- 26	B3216	. . . RING,RETENTION NUT LOCK . . . . .	2	
- 27	A3217	. . . SHIM,BALANCING. . . . .	2	

BEECHCRAFT  
 BONANZA 33  
 ILLUSTRATED PARTS CATALOG



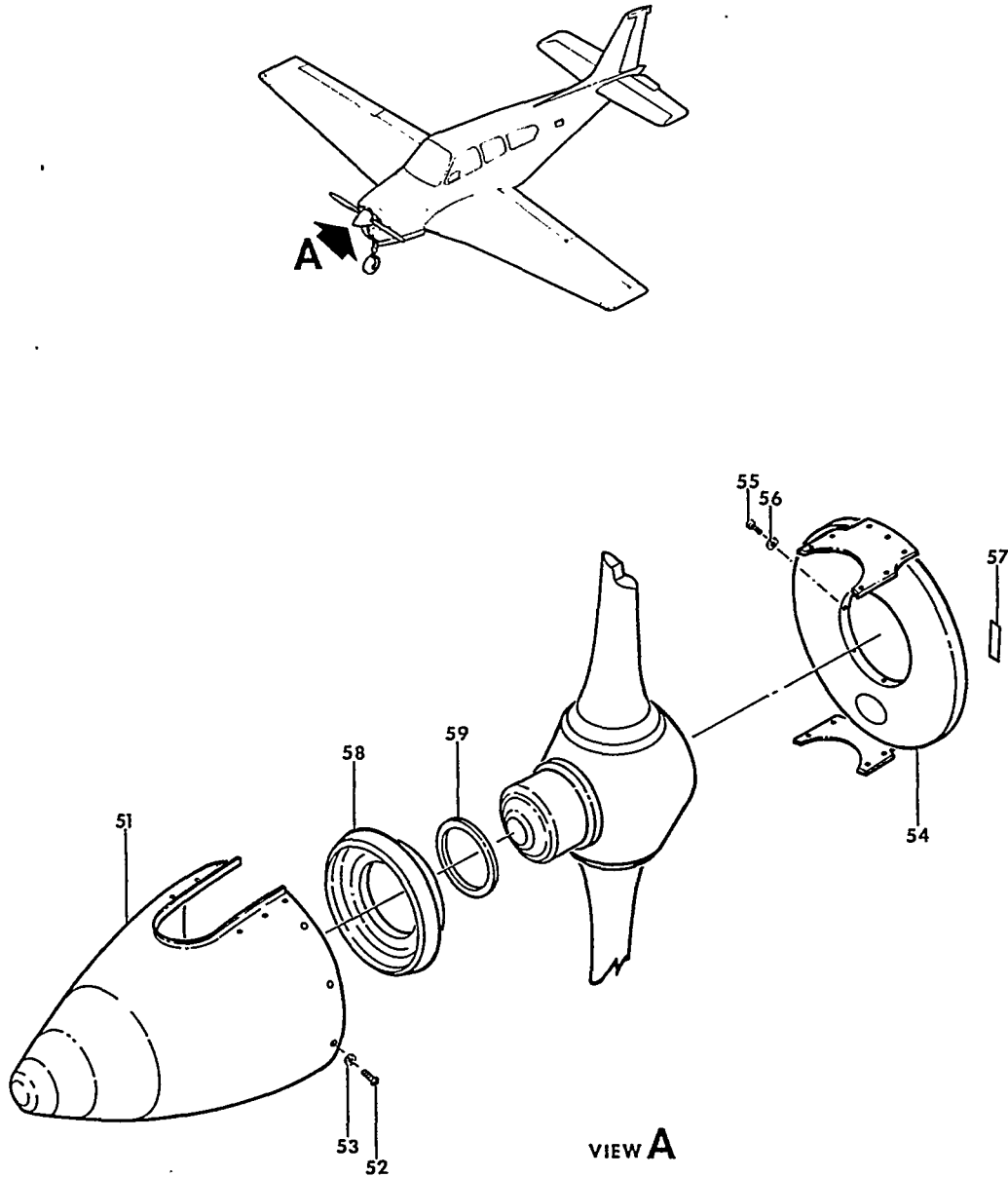
33-248-6

FIGURE 248.TWO BLADED PROPELLER  
 /SHEET 2 OF 3 SHEETS/

B E E C H C R A F T  
B O N A N Z A 3 3  
I L L U S T R A T E D P A R T S C A T A L O G

FIG. & ITEM NO.	PART- NO.	1	2	3	4	5	6	7	DESCRIPTION	UNITS PER ASSY	USABLE ON CODE
248 - 28	A2356	.	.	.	.	.	.	.	DECAL, SPRING KIT INSTL. . . . .	1	
- 29	C1904	.	.	.	.	.	.	.	CYLINDER. . . . .	1	
		.	.	.	.	.	.	.	/ATTACHING PARTS/		
- 30	A1635-65	.	.	.	.	.	.	.	SCREW . . . . .	8	
- 31	A1638-9	.	.	.	.	.	.	.	WASHER. . . . .	8	
- 32	A1938	.	.	.	.	.	.	.	GASKET. . . . .	1	
		*									
- 33	B1965	.	.	.	.	.	.	.	SUPPORT, SPACER. . . . .	1	
- 34	A1633-12	.	.	.	.	.	.	.	PACKING, O RING. . . . .	1	
- 35	A2351	.	.	.	.	.	.	.	WASHER, FIBER. . . . .	1	
- 36	A1636-7	.	.	.	.	.	.	.	RING, EXTERNAL RETAINING . . . . .	2	
- 37	A2108	.	.	.	.	.	.	.	SPACER, LOW PITCH STOP . . . . .	AR	
- 38	A3125	.	.	.	.	.	.	.	SPRING, LOW PITCH RETURN BOOST . . . . .	1	
- 39	A3124	.	.	.	.	.	.	.	GUIDE, SPRING. . . . .	2	
- 40	B2345	.	.	.	.	.	.	.	TUBE, PISTON ROD . . . . .	1	
- 41	A1633-9	.	.	.	.	.	.	.	PACKING, O RING. . . . .	1	
	A1934	.	.	.	.	.	.	.	PISTON ASSY . . . . .	1	
- 42	A1936	.	.	.	.	.	.	.	PIN, PISTON. . . . .	2	
- 43	A1935	.	.	.	.	.	.	.	LINK, BLADE ACTUATING. . . . .	2	
- 44	C1939	.	.	.	.	.	.	.	PISTON, BLADE ACTUATING. . . . .	1	
- 45	A1937	.	.	.	.	.	.	.	SPACER, HIGH PITCH STOP. . . . .	AR	
- 46	A1633-9	.	.	.	.	.	.	.	PACKING, O RING. . . . .	1	
	C2835	.	.	.	.	.	.	.	HUB ASSY. . . . .	1	
- 47	A2126-2	.	.	.	.	.	.	.	BOLT, HUB MOUNTING . . . . .	6	
	A1561-4	.	.	.	.	.	.	.	BOLT, HUB MOUNTING /0.002 IN. OVERSIZE/. . . . .	AR	
	A2126-4	.	.	.	.	.	.	.	BOLT, HUB MOUNTING /0.002 IN. OVERSIZE/. . . . .	AR	
	A1561-6	.	.	.	.	.	.	.	BOLT, HUB MOUNTING /0.004 IN. OVERSIZE/. . . . .	AR	
	A2126-6	.	.	.	.	.	.	.	BOLT, HUB MOUNTING /0.004 IN. OVERSIZE/. . . . .	AR	
- 48	A2185	.	.	.	.	.	.	.	WASHER, FLANGE . . . . .	3	
- 49	A3047	.	.	.	.	.	.	.	DOWEL, HUB ALIGNMENT . . . . .	2	
	A3047-30	.	.	.	.	.	.	.	DOWEL, HUB ALIGNMENT /0.015 IN. OVERSIZE/. . . . .	AR	
	A3047-45	.	.	.	.	.	.	.	DOWEL, HUB ALIGNMENT /0.030 IN. OVERSIZE/. . . . .	AR	
- 50	A1636-17	.	.	.	.	.	.	.	RING, EXTERNAL RETAINING . . . . .	1	
	D2116	.	.	.	.	.	.	.	HUB, PROPELLER . . . . .	1	

BEECHCRAFT  
BONANZA 33  
ILLUSTRATED PARTS CATALOG



33-248-7

FIGURE 248. TWO BLADED PROPELLER  
/SHEET 3 OF 3 SHEETS/

B E E C H C R A F T  
B O N A N Z A 3 3  
I L L U S T R A T E D P A R T S C A T A L O G

FIG. & ITEM NO.	PART NO.	DESCRIPTION							UNITS PER ASSY	USABLE ON CODE
		1	2	3	4	5	6	7		
248	35-910028-7	•	•	•	•	•	•	•	1	7
	A2295P	•	•	•	•	•	•	•	1	9
	33-910000-11	•	•	•	•	•	•	•	1	3
	36-960004-3	•	•	•	•	•	•	•	1	8
- 51	35-910028-21	•	•	•	•	•	•	•	1	7
	C3532-4	•	•	•	•	•	•	•	1	9
	D2820	•	•	•	•	•	•	•	1	3
	D3395	•	•	•	•	•	•	•	1	8
		/ATTACHING PARTS/								
- 52	A1635-26	•	•	•	•	•	•	•	22	
- 53	A1638-5	•	•	•	•	•	•	•	22	
		*-----*								
- 54	03393	•	•	•	•	•	•	•	1	10
	D3291	•	•	•	•	•	•	•	1	3
	C2294	•	•	•	•	•	•	•	1	9
		/ATTACHING PARTS/								
- 55	A1635-6	•	•	•	•	•	•	•	6	
- 56	A1638-4	•	•	•	•	•	•	•	6	
		*-----*								
- 57	A3324	•	•	•	•	•	•	•	1	
- 58	B3243	•	•	•	•	•	•	•	1	10
	B2800	•	•	•	•	•	•	•	1	3
- 59	B3410-16	•	•	•	•	•	•	•	1	
	B3410-32	•	•	•	•	•	•	•	4	

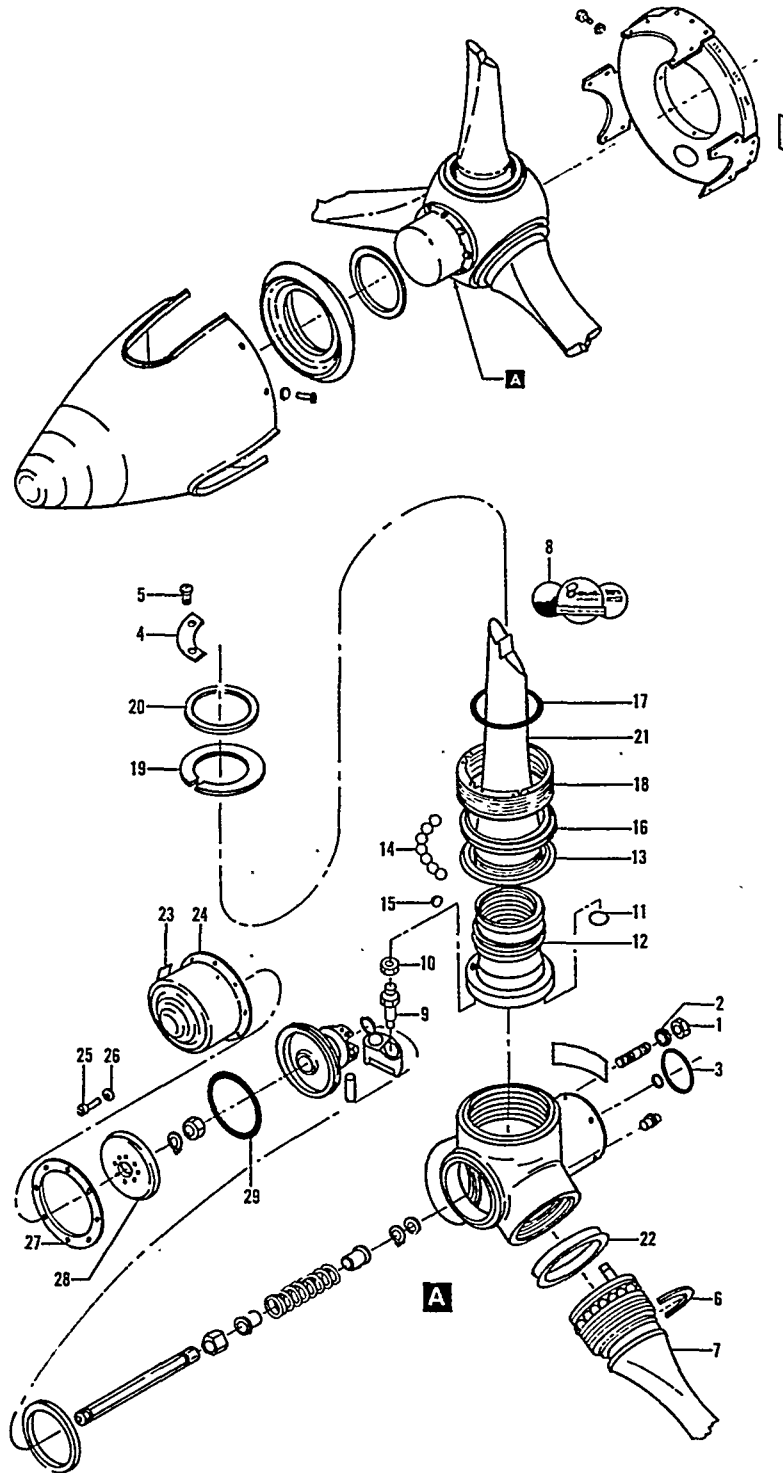
C O D E S O F E F F E C T I V I T Y

1	CD-1235 THRU CD-1254	2	CD-1255 THRU CD-1304
			CE-290 THRU CE-977
			CJ-26 AND AFTER
3	CD-1235 THRU CD-1283	4	CE-290 THRU CE-580
	CD-1285 AND CD-1302		CJ-26 THRU CJ-85
5	CD-1255 THRU CD-1304	6	CE-581 THRU CE-977
			CJ-86 AND AFTER
7	CE-290 THRU CE-360	8	CE-978 AND AFTER
	CE-394 AND CE-395		
	CE-401 THRU CE-408		
	CE-416 THRU CE-977		
	CJ-26 AND AFTER		
9	CE-361 THRU CE-393	10	CE-290 THRU CE-360
	CE-396 THRU CE-400		CE-394, CE-395,
	CE-409 THRU CE-415		CE-401 THRU CE-408
			CE-416 AND AFTER
			CJ-26 AND AFTER

BEECHCRAFT  
BONANZA 33  
ILLUSTRATED PARTS CATALOG

FIGURE 249  
THREE BLADED PROPELLER  
CE-290 AND AFTER

BEECHCRAFT  
 BONANZA 33  
 ILLUSTRATED PARTS CATALOG



33-249A-3

B E E C H C R A F T  
B O N A N Z A 3 3  
I L L U S T R A T E D P A R T S C A T A L O G

FIG. & ITEM NO.	PART NO.	DESCRIPTION	UNITS PER ASSY	USABLE ON CODE
		1 2 3 4 5 6 7		
249	35-910007	POWER PLANT INSTL /3 BLADED PROPELLER/ . . . . .	NP	2
	35-910328	POWER PLANT INSTL/3 BLADED PROPELLER/ . . . . .	NP	3
	3A32C76S/82NB2	. PROPELLER ASSY /3 BLADED/ /MCCAULEY/ . . . . .	1	1
		/ATTACHING PARTS/		
- 1	A1639-2	. NUT . . . . .	6	
- 2	A1638-2	. WASHER . . . . .	6	
- 3	A1633-3	. PACKING,O RING. . . . .	1	
		-----*		
- 4	A3530	. . WEIGHT,BALANCE. . . . .	AR	1
		/ATTACHING PARTS/		
- 5	A1635-36	. . SCREW /ATTACH 1 WEIGHT/ . . . . .	2	
	A1635-40	. . SCREW /ATTACH 2 OR 3 WEIGHTS/ . . . . .	2	
	A1635-56	. . SCREW /ATTACH 3 OR 4 WEIGHTS/ . . . . .	2	
	A1635-57	. . SCREW /ATTACH 6 WEIGHTS/ . . . . .	2	
		-----*		
- 6	B3503	. . RING,SPACER /HALF/. . . . .	6	1
- 7	D3582/82NB2	. . BLADE ASSY. . . . .	3	1
- 8	A3289	. . . . . DECAL . . . . .	1	1
- 9	B3491	. . . . . PIN, BLADE ACTUATING . . . . .	1	1
- 10	A3543	. . . . . WASHER, SPACER . . . . .	1	1
- 11	A1580	. . . . . PLUG, FERRULE STAKING. . . . .	1	1
- 12	C3111	. . . . . FERRULE, BLADE RETENTION . . . . .	1	1
	C2987	. . . . . BEARING, BLADE RETENTION . . . . .	1	1
- 13	C2987-1	. . . . . RACE, INNER. . . . .	1	1
- 14	A1634-5	. . . . . BEARING, BALL. . . . .	30	1
- 15	A3110	. . . . . SEPARATOR, BALL. . . . .	30	1
- 16	C2987-2	. . . . . RACE, OUTER. . . . .	1	1
- 17	A1633-30	. . . . . PACKING, O RING. . . . .	1	1
- 18	C3493	. . . . . NUT, BLADE RETENTION . . . . .	1	1
- 19	B3476-8	. . . . . SHIM /0.008 IN./ . . . .	AR	1
	B3476-10	. . . . . SHIM /0.010 IN./ . . . .	AR	1
	B3476-12	. . . . . SHIM /0.012 IN./ . . . .	AR	1
	B3476-14	. . . . . SHIM /0.014 IN./ . . . .	AR	1
	B3476-16	. . . . . SHIM /0.016 IN./ . . . .	AR	1
	B3476-18	. . . . . SHIM /0.018 IN./ . . . .	AR	1
	B3476-20	. . . . . SHIM /0.020 IN./ . . . .	AR	1
	B3476-22	. . . . . SHIM /0.022 IN./ . . . .	AR	1
	B3476-25	. . . . . SHIM /0.025 IN./ . . . .	AR	1
- 20	B3478	. . . . . RING, RETAINING. . . . .	1	1
- 21	82NB2	. . . . . BLADE . . . . .	1	1
- 22	B3551	. . . . . RETAINER, GREASE . . . . .	3	1
- 23	A2356	. . . . . DECAL, SPRING KIT INSTL. . . . .	1	1
- 24	C1904	. . . . . CYLINDER. . . . .	1	1
		/ATTACHING PARTS/		
- 25	A1635-65	. . . . . SCREW . . . . .	8	
- 26	A1638-9	. . . . . WASHER, BRASS. . . . .	8	
- 27	A1938	. . . . . GASKET, CYLINDER . . . . .	1	
		-----*		
- 28	B3526	. . . . . SUPPORT, SPACER. . . . .	1	1
- 29	A1633-12	. . . . . PACKING, O RING. . . . .	1	1





B E E C H C R A F T  
B O N A N Z A 3 3  
I L L U S T R A T E D P A R T S C A T A L O G

FIG. & ITEM NO.	PART NO.	DESCRIPTION	UNITS PER ASSY	USABLE ON CODE
		1 2 3 4 5 6 7		
249 - 30	A2351	• • WASHER, FIBER. . . . .	1	1
- 31	A1636-7	• • RING, EXTERNAL RETAINING . . . . .	2	1
- 32	A2108 SPACER	• • SPACER, LOW PITCH STOP . . . . .	AR	1
- 33	A3124	• • GUIDE, SPRING. . . . .	2	1
- 34	A3125	• • SPRING, LOW PITCH RETURN BOOST . . . . .	1	1
- 35	A3556	• • SPACER, SPRING GUIDE . . . . .	1	1
- 36	B2345	• • TUBE, PISTON ROD . . . . .	1	1
- 37	A1633-9	• • PACKING, O RING. . . . .	1	1
	B3531	• • PISTON ASSY . . . . .	1	1
- 38	B3557	• • PIN, PISTON. . . . .	3	1
- 39	B3529	• • LINK, BLADE ACTUATING. . . . .	3	1
- 40	D3496	• • PISTON, BLADE ACTUATING. . . . .	1	1
- 41	A1937	• • SPACER, HIGH PITCH STOP. . . . .	AR	1
- 42	A1633-9	• • PACKING, O RING. . . . .	1	1
	D3581	• • HUB ASSY. . . . .	1	1
- 43	B3099	• • STUD, HUB MOUNTING . . . . .	6	1
- 44	A3047	• • DOWEL, HUB MOUNTING. . . . .	2	1
	A3047-30	• • DOWEL, HUB MOUNTING /0.015 IN. OVERSIZE/ . . . . .	AR	1
	A3047-45	• • DOWEL, HUB MOUNTING /0.030 IN. OVERSIZE/ . . . . .	AR	1
	A1636	• • RING, EXTERNAL RETAINING . . . . .	1	1
- 45	A2230	• • DECAL, PROPELLER INSTL . . . . .	1	1
- 46	E3510	• • HUB, PROPELLER . . . . .	1	1
	35-910028-9	• • SPINNER ASSY, PROPELLER. . . . .	1	4
	D5259	• • SPINNER ASSY, PROPELLER. . . . .	1	5
- 47	35-910028-23	• • SHELL, SPINNER . . . . .	1	4
	D5257	• • SHELL, SPINNER POLISHED. . . . .	1	5
		/ATTACHING PARTS/		
- 48	A1635-26	• • SCREW . . . . .	27	
- 49	A1638-5	• • WASHER . . . . .	27	
		*-----*		
- 50	B3243	• • SUPPORT, SPINNER . . . . .	1	6
- 51	B3510-16	• • SHIM, SPINNER SUPPORT /0.016 IN. THICK/. . . . .	1	6
	B3510-32	• • SHIM, SPINNER SUPPORT /0.032 IN. THICK/. . . . .	4	6
- 52	D3586	• • BULKHEAD & FILLET ASSY. . . . .	1	4
	D5258	• • BULKHEAD ASSY . . . . .	1	5
	B5254	• • POLISHED FILLET ASSY. . . . .	1	5
		/ATTACHING PARTS/		
- 53	A1635-6	• • BOLT. . . . .	6	
- 54	A1638-4	• • WASHER. . . . .	6	
		*-----*		
- 55	A3324	• • DECAL, SPINNER . . . . .	1	1

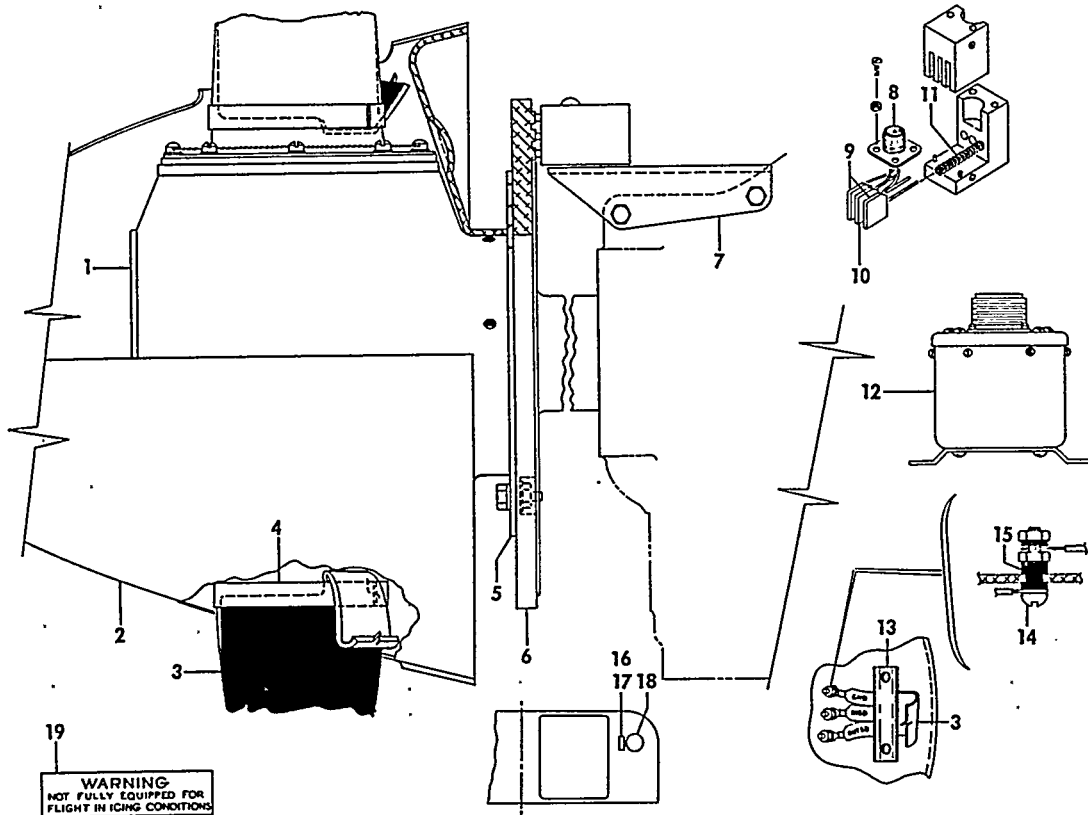
C O D E S O F E F F E C T I V I T Y

1	CE-290 THRU CE-353	2	CE-290 THRU CE-580
	CE-394 AND CE-395		
	CE-401 THRU CE-408		
	CE-413 THRU CE-912		
	CE-917 AND CE-919		
3	CE-581 AND AFTER	4	CE-290 THRU CE-977
5	CE-978 AND AFTER	6	CE-290 AND AFTER

B E E C H C R A F T  
B O N A N Z A 3 3  
I L L U S T R A T E D P A R T S C A T A L O G

FIGURE 250  
TWO BLADE ELECTRIC PROPELLER DEICE/14 VOLT/  
CE-290 THRU CE-771, EXCEPT CE-748  
CJ-26 THRU CJ-148

BEECHCRAFT  
 BONANZA 33  
 ILLUSTRATED PARTS CATALOG



19  
 WARNING  
 NOT FULLY EQUIPPED FOR  
 FLIGHT IN ICING CONDITIONS

35-250-1

FIGURE 250. TWO BLADE ELEC PROP DEICE/14 VOLT/

B E E C H C R A F T  
B O N A N Z A 3 3  
I L L U S T R A T E D P A R T S C A T A L O G

FIG. & ITEM NO.	PART NO.	DESCRIPTION	UNITS PER ASSY	USABLE ON CODE
		1 2 3 4 5 6 7		
250	35-960076	DEICER INSTL,PROPELLER/2 BLADE/14 VOLT/ . . . . .	NP	1
	35-960076-603	. PROP & SPINNER ASSY /WITH DEICER/ . . . . .	1	1
	2A36C23DF/84B0	. . PROPELLER ASSY/USE WITH IO470 ENGINE. . . . .	1	1
		/SEE FIG.248/		
- 1	2A36C23CP/84B-0	. . PROPELLER ASSY /USE WITH IO520 ENGINE/. . . . .	1	1
		/SEE FIG.248/		
- 2	35-910028-7	. . SPINNER ASSY /SEE FIG.248/. . . . .	1	1
- 3	4E1214-3	. . BOOT,DEICER . . . . .	2	1
- 4	3E1470	. . STRAP,BOOT RESTRAINER . . . . .	2	1
- 5	4E1645	. . PLATE,SLIP RING MOUNTING. . . . .	1	1
- 6	4E1635	. . RING ASSY,SLIP. . . . .	1	1
		/ATTACHING PARTS/		
	AN4-7A/M/	. . BOLT. . . . .	6	
	AN960C416L	. . WASHER. . . . .	12	
	NAS679A4	. . NUT . . . . .	6	
		*-----*		
- 7	3E1461	. BRACKET,BRUSH BLOCK MOUNTING. . . . .	1	1
		/ATTACHING PARTS/		
	AN5-25A/M/	. BOLT. . . . .	2	
	1E1297	. SPACER. . . . .	4	
		*-----*		
	90-3085-1	. KIT,BRUSH BLOCK/SEE BEECHCRAFT SERVICE. . . . .	1	1
		INSTRUCTION NO.1075/		
		/ATTACHING PARTS/		
	AN526C832R28	. SCREW . . . . .	2	
	AN960C8	. WASHER. . . . .	4	
	MS20365-832C	. NUT . . . . .	2	
	1E1137	. SHIM. . . . .	1	
		*-----*		
- 8	MS3102A/B10SL3P	. . CONNECTOR,BRUSH BLOCK . . . . .	1	1
- 9	3E1443-1	. . BRUSH . . . . .	2	1
- 10	3E1443-2	. . BRUSH . . . . .	1	1
- 11	1E1136	. . SPRING. . . . .	3	1
- 12	3E1150-3	. . TIMER,PROP DEICE. . . . .	1	1
		/ATTACHING PARTS/		
	AN507B632R10	. SCREW . . . . .	4	
	A8944-632-24A	. NUT . . . . .	4	
		*-----*		
- 13	3E1271-2	. CLIP,LEAD . . . . .	2	1
		/ATTACHING PARTS/		
	AN526C632R8	. SCREW . . . . .	4	
	AN960C6	. WASHER. . . . .	4	
	MS20365-632C	. NUT . . . . .	4	
		*-----*		
- 14	6-32 X 7/8	. SCREW,DEICER BOOT LEAD TERMINAL . . . . .	6	1
	AN936A6	. WASHER. . . . .	18	1
- 15	2E1260	. BUSHING . . . . .	12	1
	AN340B6	. NUT . . . . .	12	1
- 16	1E1140	. SWITCH,PROP DEICE . . . . .	1	1
- 17	35-324436	. DECAL,PROP DEICER SWITCH INSTRUCTION. . . . .	1	1
- 18	3E1219-6	. AMMETER . . . . .	1	1
- 19	65-001022-11	. PLACARD,DEICER WARNING. . . . .	1	1
	35-960076-601	. HARNESS ASSY,PROP DEICER WIRE . . . . .	1	1
	MS3106A/B10SL3S	. . SOCKET,WIRE HARNESS . . . . .	1	1
	MS3057-6A	. . CLAMP . . . . .	2	1
	35-960076-602	. HARNESS ASSY,PROP DEICER WIRE . . . . .	1	1
	MS3106A/B20-15S	. . SOCKET,WIRE HARNESS . . . . .	1	1
	MS3057-6A	. . CLAMP . . . . .	1	1
	MS3057-12A	. . CLAMP . . . . .	1	1

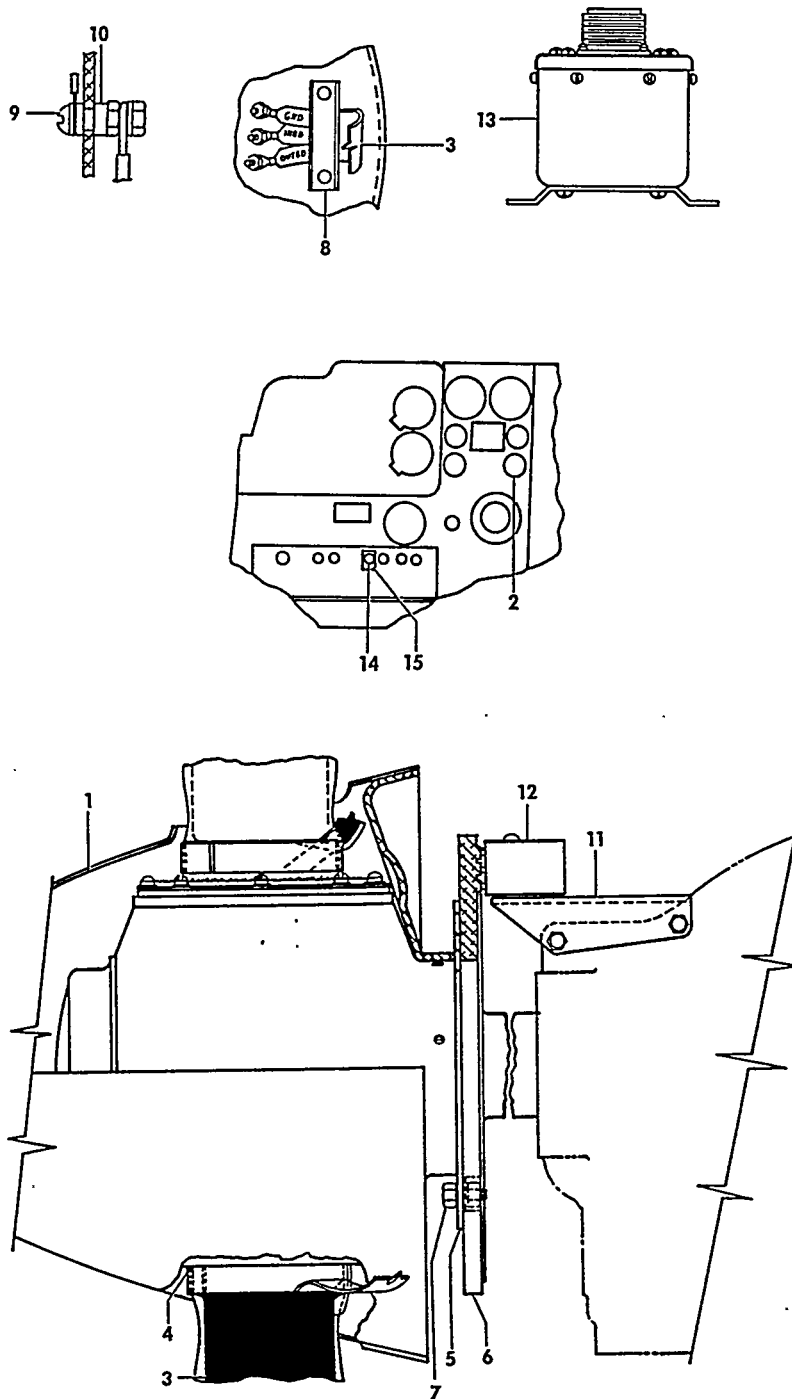
C O D E S O F E F F E C T I V I T Y

1 CE-290 THRU CE-771,  
EXCEPT CE-748  
CJ-26 THRU CJ-148

BEECHCRAFT  
BONANZA 33  
ILLUSTRATED PARTS CATALOG

FIGURE 250A  
TWO BLADE ELECTRIC PROPELLER DEICE/28 VOLT/  
CE-748,CE-772 AND AFTER,CJ-149 AND AFTER

BEECHCRAFT  
BONANZA 33  
ILLUSTRATED PARTS CATALOG



33-250-2

FIGURE 250A.TWO BLADE ELEC PROP DEICE/28 VOLT/

B E E C H C R A F T  
B O N A N Z A 3 3  
I L L U S T R A T E D P A R T S C A T A L O G

FIG. & ITEM NO.	PART NO.	DESCRIPTION	UNITS PER ASSY	USABLE ON CODE
		1 2 3 4 5 6 7		
250A	35-960080-1	DEICER INSTL,PROPELLER/2 BLADED/28 VOLT/ . . . . .	NP	1
	35-960080-5	DEICER INSTL,PROPELLER/2 BLADED/28 VOLT/ . . . . .	NP	1
		/LIGHTED AMMETER/		
- 1	35-960080-13	. SPINNER ASSY,PROPELLER. . . . .	1	1
- 2	90-380007-5	. AMMETER,PROPELLER DEICER. . . . .	1	1
	90-380007-7	. AMMETER,PROPELLER DEICER/LIGHTED/ . . . . .	1	1
	90-380008-1	. SHUNT,METER . . . . .	1	1
	67-270	. DEICE KIT . . . . .	1	1
- 3	4E2200-2	. . BOOT,PROPELLER DEICER . . . . .	1	1
- 4	3E1470	. . STRAP,RESTRAINER. . . . .	1	1
- 5	4E1645	. . MOUNTING PLATE,SLIP RING. . . . .	1	1
- 6	4E2324	. . RING,SLIP . . . . .	1	1
		/ATTACHING PARTS/		
- 7	130909836	. . BOLT. . . . .	6	
	AN960C416L	. . WASHER. . . . .	18	
	MS35333-33	. . WASHER. . . . .	6	
	H10-4	. . NUT/KAYLOCK/. . . . .	6	
		*-----*		
- 8	3E1271-2	. . CLIP,LEAD . . . . .	1	1
		/ATTACHING PARTS/		
	MS51957-30	. . SCREW . . . . .	2	
	AN960C6	. . WASHER. . . . .	2	
	MS21045-06	. . NUT . . . . .	2	
		*-----*		
- 9	6-32 X 3/4	. . SCREW,BRASS/SLIP RING LEAD WIRES/ . . . . .	2	1
- 10	2E1260	. . BUSHING . . . . .	4	1
	MS35333-37	. . WASHER. . . . .	2	1
	MS35649-265	. . NUT . . . . .	2	1
- 11	3E1461	. . BRACKET,BRUSH BLOCK . . . . .	1	1
		/ATTACHING PARTS/		
	130909864	. . BOLT. . . . .	2	
	1E1297	. . SPACER. . . . .	4	
		*-----*		
- 12	3E2062-2	. . MODULE ASSY,BRUSH . . . . .	1	1
		/NO BREAKDOWN AVAILABLE/		
		/ATTACHING PARTS/		
	MS51957-52	. . SCREW . . . . .	2	
	1E1157	. . SHIM. . . . .	1	
	AN960C8	. . WASHER. . . . .	4	
	MS21045-08	. . NUT . . . . .	2	
		*-----*		
- 13	3E1964-3	. . TIMER . . . . .	1	1
		/ATTACHING PARTS/		
	MS35207-264	. . SCREW . . . . .	4	
	AN960-10	. . WASHER. . . . .	4	
		*-----*		
	MS3106A	. . CONNECTOR/ALTERNATE FOR B20-15S/. . . . .	1	1
	B20-15S	. . CONNECTOR/ALTERNATE FOR MS3106A/. . . . .	1	1
	35-960081-1	. . BRACKET,TIMER MOUNTING. . . . .	1	1
		/ATTACHING PARTS/		
	MS35207-264	. . SCREW . . . . .	4	
		*-----*		
- 14	35-380132-9	. CIRCUIT BREAKER,TOGGLE SWITCH . . . . .	1	1
- 15	35-324436	. PLACARD,DEICE SWITCH. . . . .	1	1
	35-324487	. PLACARD,DEICE INSTRUCTION/OVER LOAD/. . . . .	1	1

C O D E S O F E F F E C T I V I T Y

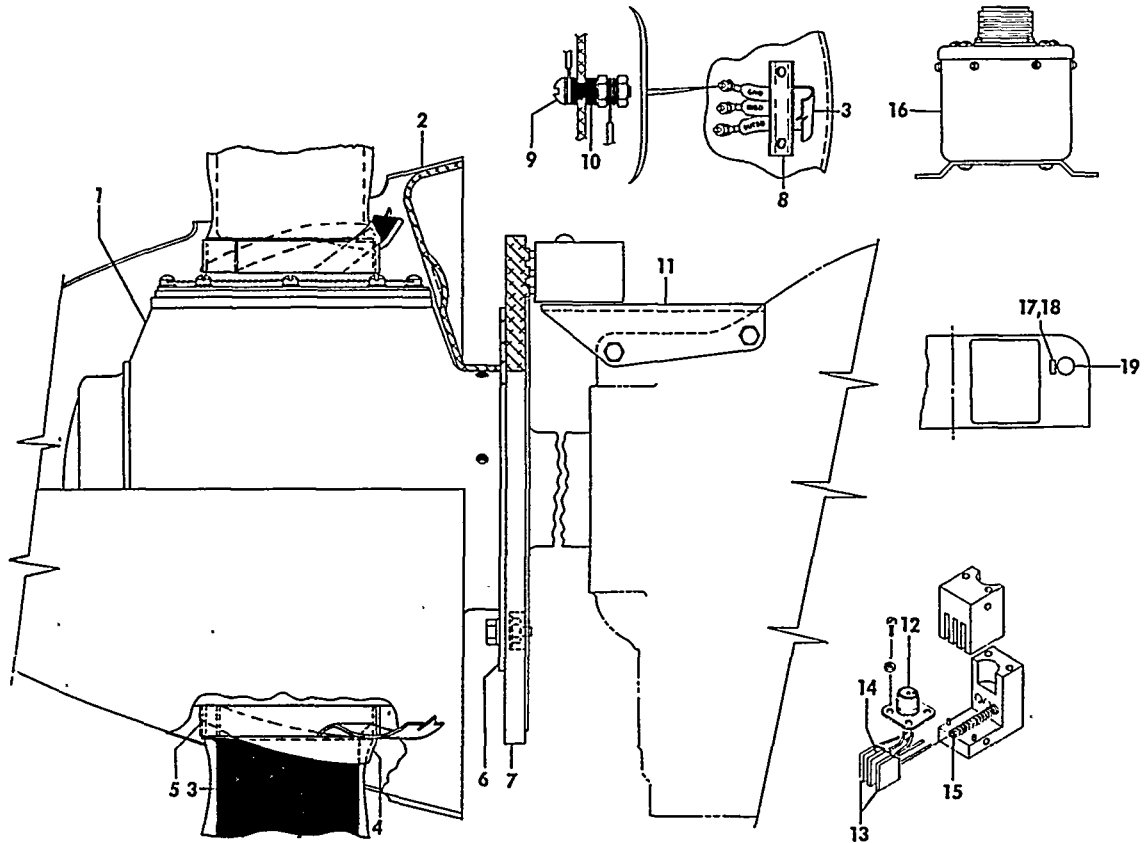
- 1 CE-748,
- CE-772 AND AFTER
- CJ-149 AND AFTER



BEECHCRAFT  
BONANZA 33  
ILLUSTRATED PARTS CATALOG

FIGURE 251  
THREE BLADE ELECTRIC PROPELLER DEICE/14 VOLT/  
CE-290 THRU CE-771, EXCEPT CE-748

BEECHCRAFT  
BOJANZA 33  
ILLUSTRATED PARTS CATALOG



33-251-1

B E E C H C R A F T  
B O N A N Z A 3 3  
I L L U S T R A T E D P A R T S C A T A L O G

FIG. & ITEM NO.	PART NO.	DESCRIPTION	UNITS PER ASSY	USABLE ON CODE
		1 2 3 4 5 6 7		
251	35-960077	DEICER INSTL,PROPELLER/3 BLADE/14 VOLT/ . . . . .	NP	1
	35-960077-603	. . . PROP & SPINNER ASSY /WITH DEICER/ . . . . .	1	1
- 1	3A32C76S82NB2	. . . PROPELLER ASSY. . . . .	1	1
- 2	35-910028-9	. . . SPINNER ASSY,PROPELLER . . . . .	1	1
- 3	4E1214-3	. . . BOOT,PROPELLER DEICER . . . . .	3	1
- 4	2E1290	. . . STRAP,RESTRAINER. . . . .	3	1
- 5	2E1291	. . . STRAP,RESTRAINER. . . . .	3	1
- 6	4E1645	. . . PLATE,SLIP RING MOUNTING. . . . .	1	1
- 7	4E1681	. . . RING,SLIP . . . . .	1	1
		/ATTACHING PARTS/		
	130909B36	. . . BOLT. . . . .	6	
	AN960C416L	. . . WASHER. . . . .	12	
	NAS679A4	. . . NUT . . . . .	6	
		*-----*		
- 8	3E1271-2	. . . CLIP,LEAD . . . . .	3	1
		/ATTACHING PARTS/		
	AN526C632R8	. . . SCREW . . . . .	2	
	AN960C6	. . . WASHER. . . . .	2	
	MS20365-632C	. . . NUT . . . . .	2	
		*-----*		
- 9	6-32 X 3/4	. . . SCREW,DEICER BOOT LEAD TERMINAL . . . . .	9	1
	AN936A6	. . . WASHER. . . . .	27	1
- 10	2E1260	. . . BUSHING . . . . .	18	1
	AN340B6	. . . NUT . . . . .	18	1
- 11	3E1461	. . . BRACKET,BRUSH BLOCK . . . . .	1	1
		/ATTACHING PARTS/		
	AN5-25A/M/ 1E1297	. . . BOLT. . . . .	2	
		. . . SPACER. . . . .	4	
		*-----*		
	90-3085-1	. . . KIT,BRUSH BLOCK/SEE BEECHCRAFT SERVICE. . . . .	1	1
		INSTRUCTION NO.1075/ /ATTACHING PARTS/		
	AN526C832R28	. . . SCREW . . . . .	2	
	AN960C8	. . . WASHER. . . . .	4	
	MS20365-832C	. . . NUT . . . . .	2	
	1E1157	. . . SHIM. . . . .	1	
		*-----*		
- 12	MS3102A/B10SL3P	. . . CONNECTOR,BRUSH BLOCK . . . . .	1	1
- 13	3E1443-1	. . . BRUSH . . . . .	2	1
- 14	3E1443-2	. . . BRUSH . . . . .	1	1
- 15	1E1136	. . . SPRING. . . . .	3	1
- 16	3E1150-3	. . . TIMER,PROPELLER DEICER. . . . .	1	1
		/ATTACHING PARTS/		
	AN507B632R10	. . . SCREW . . . . .	4	
	A8944-632-24A	. . . NUT . . . . .	4	
		*-----*		
- 17	1E1324	. . . SWITCH,PROPELLER DEICER . . . . .	1	1
- 18	35-324436	. . . DECAL,PROP DEICER SWITCH INSTRUCTIONS . . . . .	1	1
- 19	3E1219-7	. . . AMMETER,PROPELLER DEICER. . . . .	1	1
	35-960077-601	. . . HARNESS ASSY,PROPELLER DEICER WIRE. . . . .	1	1
	MS3106A/B10SL3S	. . . SOCKET,WIRE HARNESS . . . . .	1	1
	MS3057-6A	. . . CLAMP . . . . .	2	1
	35-960077-602	. . . HARNESS ASSY,PROPELLER DEICER WIRE. . . . .	1	1
	MS3106A/B20-15S	. . . SOCKET,WIRE HARNESS . . . . .	1	1
	MS3057-12A	. . . CLAMP . . . . .	1	1

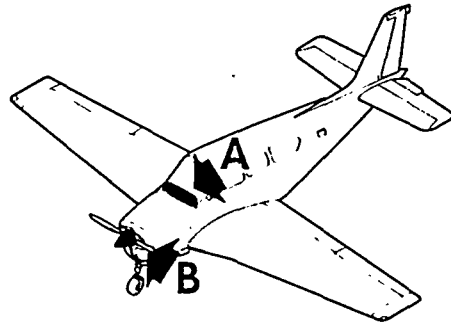
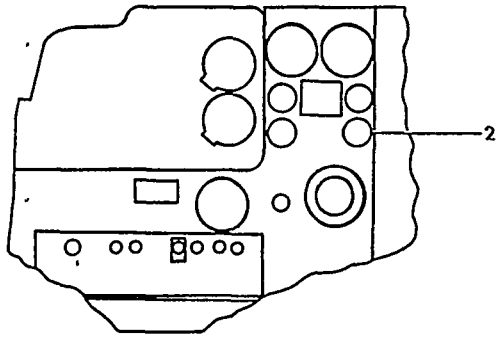
C O D E S O F E F F E C T I V I T Y

1 CE-290 THRU CE-771  
EXCEPT CE-748

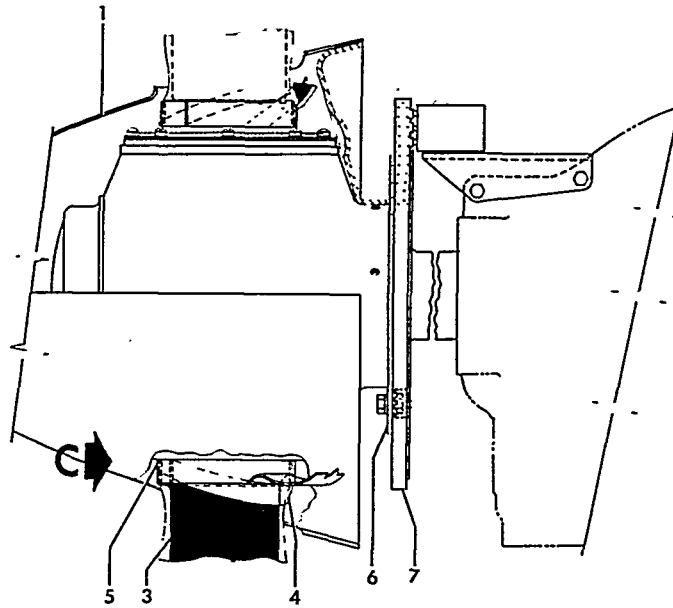
BEECHCRAFT  
BONANZA 33  
ILLUSTRATED PARTS CATALOG

FIGURE 251A  
THREE BLADE ELECTRIC PROPELLER DEICE/28 VOLT/  
CE-748,CE-772 AND AFTER

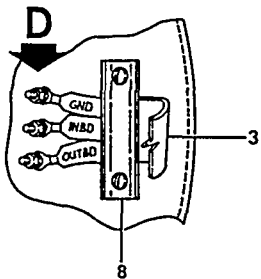
BEECHCRAFT  
 BONANZA 33  
 ILLUSTRATED PARTS CATALOG



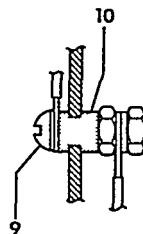
VIEW A



VIEW B



VIEW C



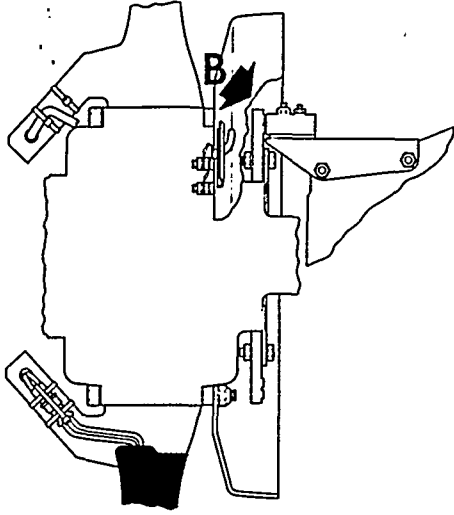
VIEW D

33-251-3

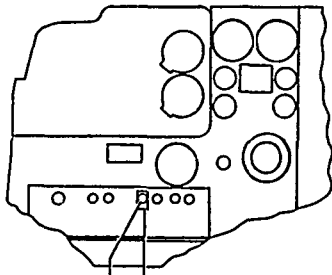
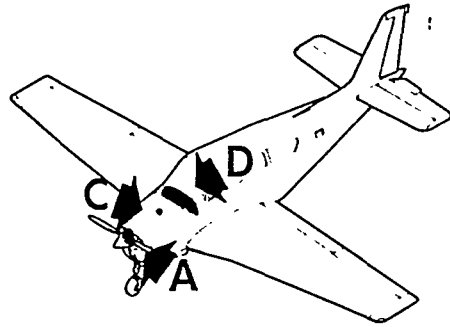
B E E C H C R A F T  
B O N A N Z A 3 3  
I L L U S T R A T E D P A R T S C A T A L O G

FIG. & ITEM NO.	PART NO.	DESCRIPTION	UNITS PER ASSY	USABLE ON CODE	
		1 2 3 4 5 6 7			
251A	35-960080-3	DEICER INSTL,PROPELLER/3 BLADE/28 VOLT/ . . . . .	NP	2	
	35-960080-17	DEICER INSTL,PROPELLER/3 BLADE/28 VOLT/ . . . . .	NP	3	
	35-960080-25	DEICER INSTL,PROP/3 BLADE,28 VOLT/. . . . .	NP	4	
	35-960080-7	DEICER INSTL,PROPELLER/3 BLADED/28 VOLT/. . . . . /WITH LIGHTED AMMETER/	NP	2	
	35-960080-19	DEICER INSTL,PROPELLER/3 BLADE/28 VOLT/ . . . . . /WITH LIGHTED AMMETER/	NP	3	
	35-960080-27	DEICER INSTL,PROP/3 BLADE,28 VOLT/. . . . . /WITH LIGHTED AMMETER/	NP	4	
	- 1	35-960080-15	. . SPINNER ASSY,PROPELLER. . . . .	1	2
		35-960080-21	. . SPINNER ASSY,PROPELLER. . . . .	1	3
		35-960080-23	. . SPINNER ASSY,PROPELLER. . . . . /NO BREAKDOWN AVAILABLE FOR 35-960080-23/	1	4
		35-910028-23	. . SHELL,SPINNER . . . . .	1	2
		D5257	. . SHELL,POLISHED SPINNER. . . . . /ATTACHING PARTS/	1	3
		1635-26	. . SCREW . . . . .	27	2
		1635-133	. . SCREW . . . . .	36	3
		1638-5	. . WASHER. . . . .	36	3
		B3243	. . SUPPORT,SPINNER . . . . .	1	5
		B3410-16	. . SHIM,SPINNER SUPPORT. . . . .	1	2
		B3510-32	. . SHIM,SPINNER SUPPORT. . . . .	4	5
		D3586	. . BULKHEAD AND FILLET ASSY. . . . .	1	2
		D5258	. . BULKHEAD ASSY . . . . .	1	3
		B5254	. . FILLET ASSY . . . . . /ATTACHING PARTS/	1	3
		A1635-6	. . BOLT. . . . .	6	5
		A1638-4	. . WASHER. . . . .	6	5
	- 2	A3324	. . DECAL,SPINNER . . . . .	1	5
		90-380007-9	. . AMMETER,PROPELLER DEICER. . . . .	1	1
		90-380007-11	. . AMMETER,PROPELLER DEICER/LIGHTED/ . . . . .	1	1
67-275		. . DEICE KIT . . . . .	1	5	
67-335		. . DEICE KIT . . . . .	1	4	
- 3	4E2200-2	. . BOOT,PROPELLER DEICER . . . . .	1	1	
- 4	2E1290	. . STRAP,RESTRAINER. . . . .	1	1	
- 5	2E1291	. . STRAP,RESTRAINER. . . . .	1	4	
- 6	4E1645	. . MOUNTING PLATE,SLIP RING. . . . .	1	1	
	4E2058	. . MOUNTING PLATE,SLIP RING. . . . .	1	5	
- 7	4E2267	. . RING ASSY,SLIP. . . . . /ATTACHING PARTS/	1	1	
	130909B36	. . BOLT. . . . .	6	1	
	AN960C416L	. . WASHER. . . . .	18	1	
	H10-4	. . NUT/KAYLOCK/. . . . .	6	1	
- 8	3E1271-2	. . CLIP,LEAD . . . . . /ATTACHING PARTS/	1	1	
	MS51957-30	. . SCREW . . . . .	2	1	
	AN960C6	. . WASHER. . . . .	2	1	
	MS21045-06	. . NUT . . . . .	2	1	
- 9	6-32X3/4LG	. . SCREW,BRASS/SLIP RING LEAD WIRES/ . . . . .	2	1	
- 10	2E1260	. . BUSHING . . . . .	4	1	
	MS35333-37	. . WASHER. . . . .	2	1	
	MS35649-265	. . NUT . . . . .	2	1	

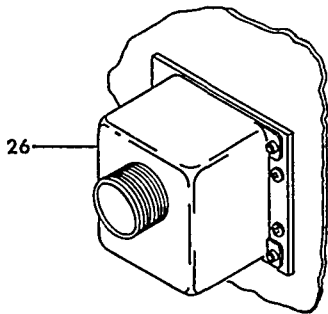
BEECHCRAFT  
 BONANZA 33  
 ILLUSTRATED PARTS CATALOG



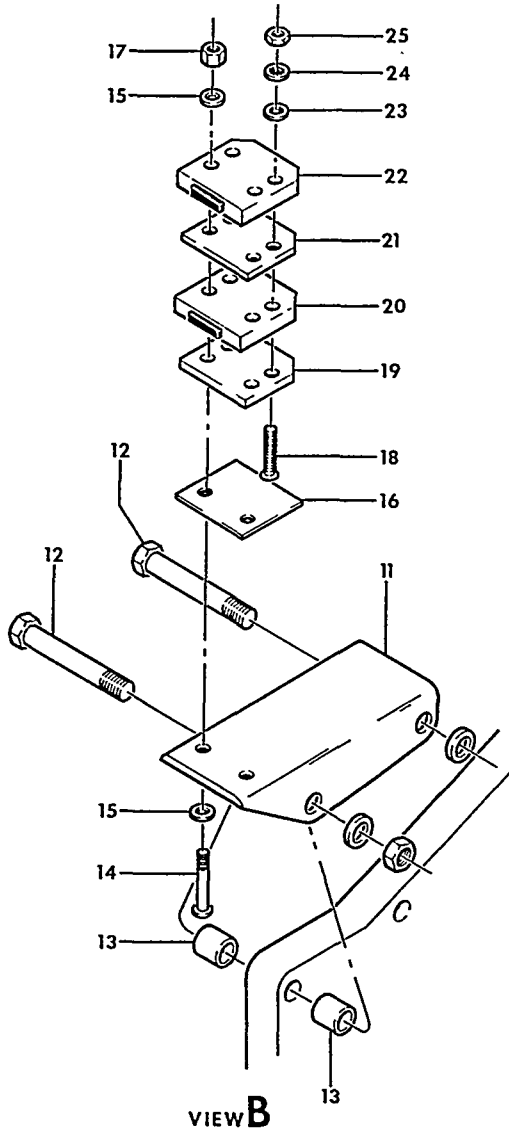
VIEW A



VIEW D



VIEW C



VIEW B

33-251-4

FIGURE 251A. THREE BLADE ELEC PROP DEICE/28 V/  
 /SHEET 2 OF 2 SHEETS/

B E E C H C R A F T  
B O N A N Z A 3 3  
I L L U S T R A T E D P A R T S C A T A L O G

FIG. & ITEM NO.	PART NO.	DESCRIPTION							UNITS PER ASSY	USABLE ON CODE.
		1	2	3	4	5	6	7		
251A - 11	3E1461	. .	. .	. .	. .	. .	. .	. .	1	1
		/ATTACHING PARTS/								
- 12	130909B64	. .	. .	. .	. .	. .	. .	. .	2	1
- 13	1E1211	. .	. .	. .	. .	. .	. .	. .	2	1
		*-----*								
	3E2062-2	. .	. .	. .	. .	. .	. .	. .	1	1
		/ATTACHING PARTS/								
- 14	MS51957-51	. .	. .	. .	. .	. .	. .	. .	2	
- 15	AN960C	. .	. .	. .	. .	. .	. .	. .	4	
- 16	1E1157	. .	. .	. .	. .	. .	. .	. .	1	
- 17	MS21045-08	. .	. .	. .	. .	. .	. .	. .	2	
		*-----*								
- 18	MS24693S32	. . .	. . .	. . .	. . .	. . .	. . .	. . .	2	1
- 19	4E2218-3	. . .	. . .	. . .	. . .	. . .	. . .	. . .	1	1
- 20	3E2011-3	. . .	. . .	. . .	. . .	. . .	. . .	. . .	1	1
- 21	4E2218-4	. . .	. . .	. . .	. . .	. . .	. . .	. . .	1	1
- 22	3E2011-2	. . .	. . .	. . .	. . .	. . .	. . .	. . .	1	1
- 23	AN960C6	. . .	. . .	. . .	. . .	. . .	. . .	. . .	2	1
- 24	MS35333-37	. . .	. . .	. . .	. . .	. . .	. . .	. . .	2	1
- 25	MS35649-262	. . .	. . .	. . .	. . .	. . .	. . .	. . .	2	1
- 26	3E1964-3	. . .	. . .	. . .	. . .	. . .	. . .	. . .	1	5
	35-960081-1	. . .	. . .	. . .	. . .	. . .	. . .	. . .	1	4
		/ATTACHING PARTS/								
	MS35207-264	. . .	. . .	. . .	. . .	. . .	. . .	. . .	4	
	AN960-10	. . .	. . .	. . .	. . .	. . .	. . .	. . .	4	
		*-----*								
	MS3102R20-15P	. . .	. . .	. . .	. . .	. . .	. . .	. . .	1	1
	MS3102R20-15S	. . .	. . .	. . .	. . .	. . .	. . .	. . .	1	1
	1E1110-1	. . .	. . .	. . .	. . .	. . .	. . .	. . .	1	1
- 27	35-380132-9	. . .	. . .	. . .	. . .	. . .	. . .	. . .	1	1
- 28	35-324436	. . .	. . .	. . .	. . .	. . .	. . .	. . .	1	1
	35-324487	. . .	. . .	. . .	. . .	. . .	. . .	. . .	1	1
	36-530130-1	. . .	. . .	. . .	. . .	. . .	. . .	. . .	1	1

C O D E S O F E F F E C T I V I T Y

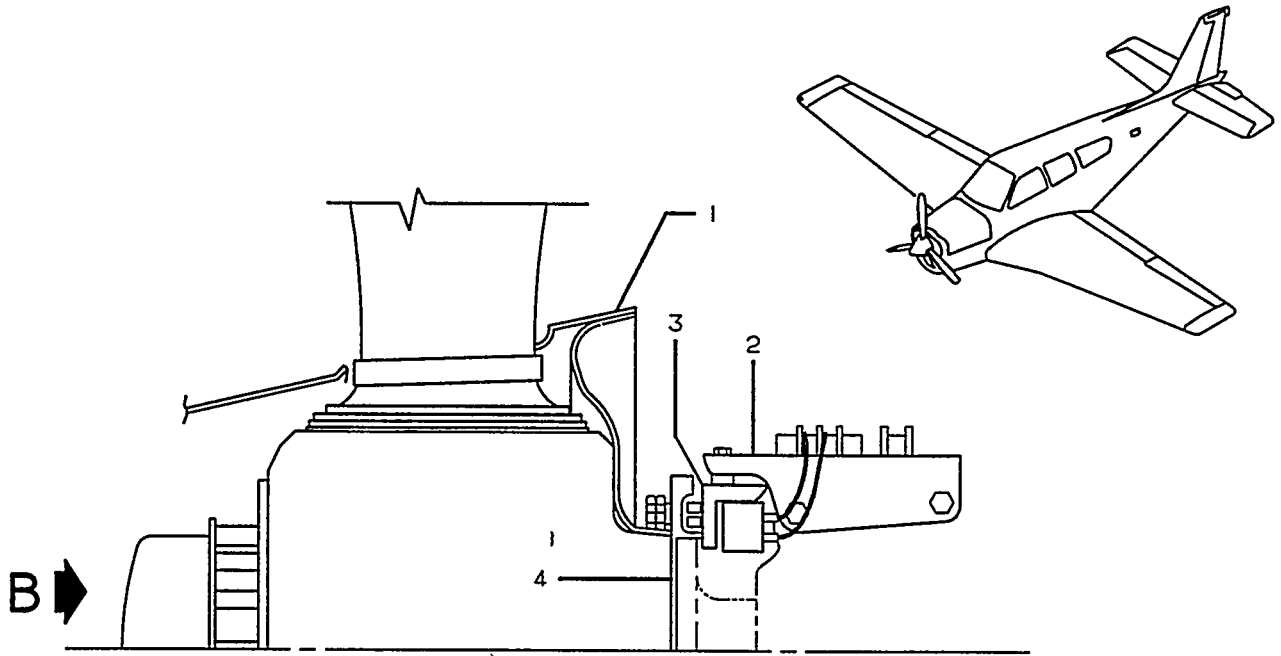
- |   |  |
|---|--|
| <p>1 CE-748,<br/>CE-772 AND AFTER</p> <p>3 CE-913 THRU CE-916<br/>CE-918<br/>CE-920 THRU CE-977</p> <p>5 CE-748,<br/>CE-772 THRU CE-977</p> | <p>2 CE-748,<br/>CE-772 THRU CE-912<br/>CE-917 THRU CE-919</p> <p>4 CE-978 AND AFTER</p> |
|---|--|



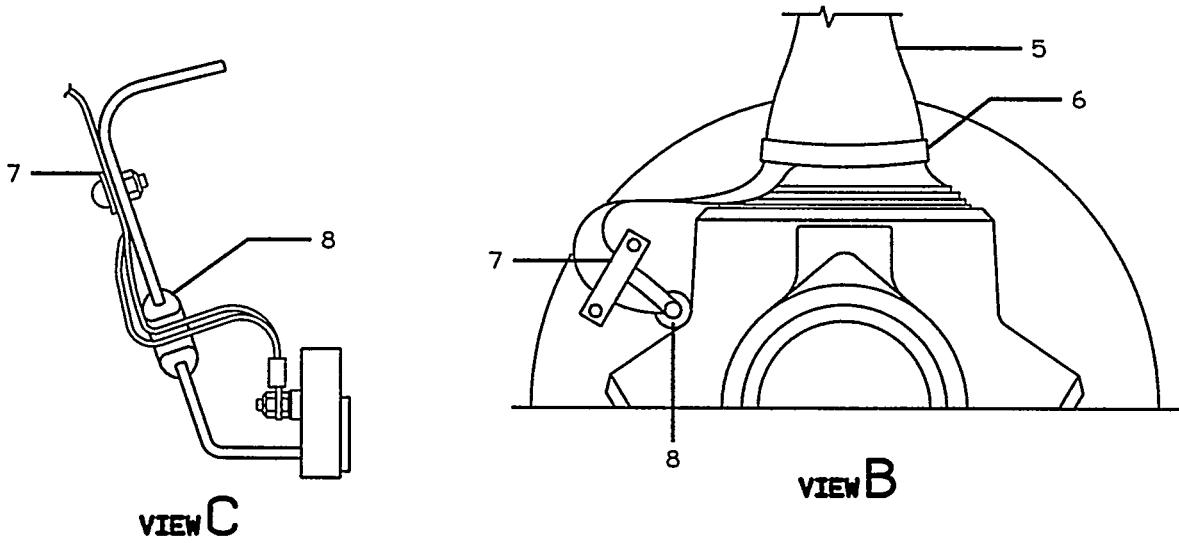
BEECHCRAFT  
BONANZA 33  
ILLUSTRATED PARTS CATALOG

FIGURE 251B  
ELECTRIC PROPELLER DEICE/3 BLADE/  
OPTIONAL  
CE-1024 AND AFTER

BEECHCRAFT  
BONANZA 33  
ILLUSTRATED PARTS CATALOG



VIEW A



VIEW C

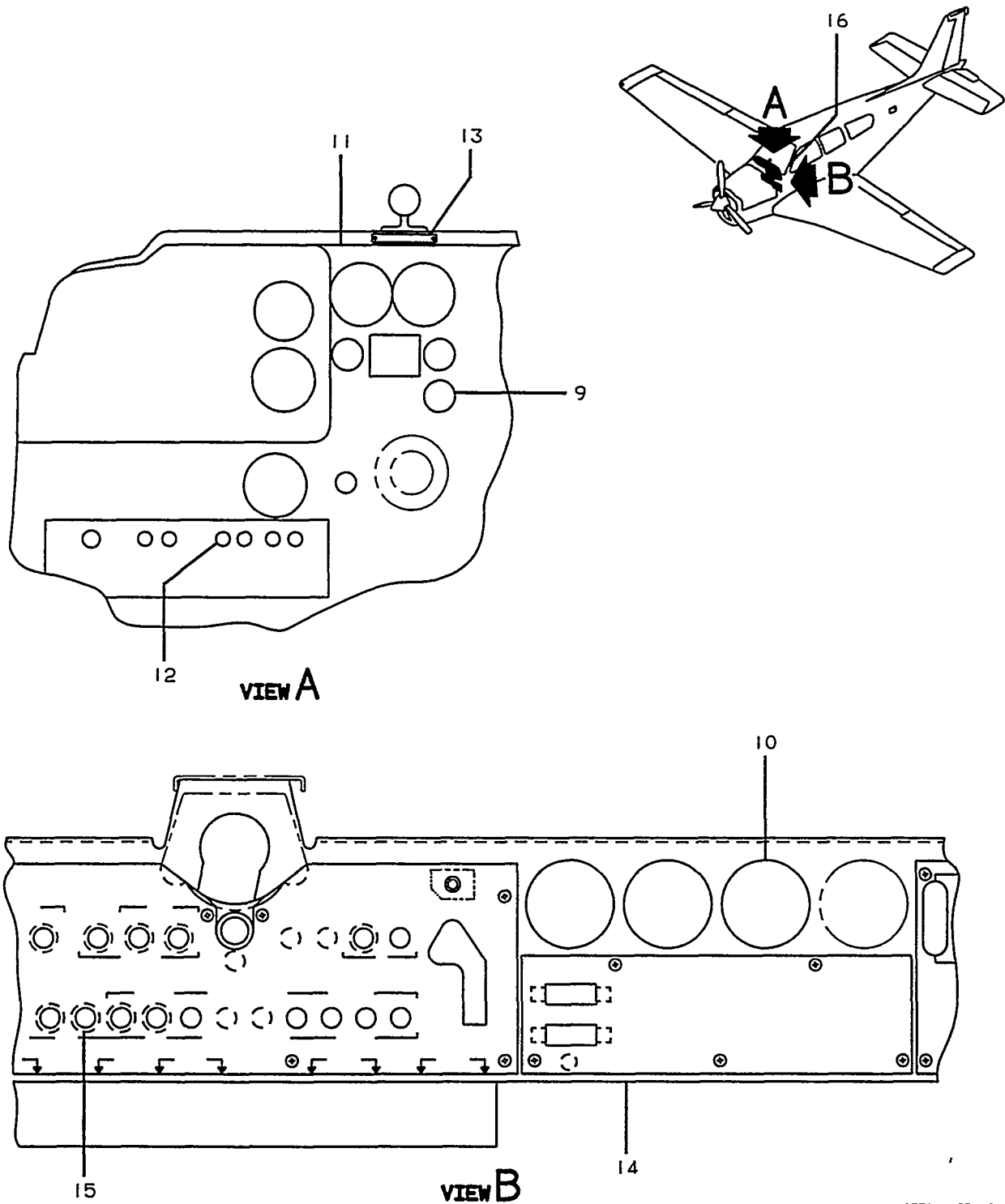
VIEW B

C94CE30A2024 C

B E E C H C R A F T  
B O N A N Z A 3 3  
I L L U S T R A T E D P A R T S C A T A L O G

FIG. & ITEM NO.	PART NO.	DESCRIPTION	UNITS PER ASSY	USABLE ON CODE
251B	R 36-960012-1	PROP DEICE INSTL/28V,3-BL MCCAULEY PROP, . . . . SINGLE CONTROL COLUMN/	NP	1
	R 36-960012-3	PROP DEICE INSTL/28V,3-BL MCCAULEY PROP, . . . . SINGLE CONTROL COLUMN/	NP	1
	R 36-960012-17	PROP DEICE INSTL/28V,3-BL MCCAULEY, . . . . . DUAL CONTROL COLUMN	NP	1
- 1	R 36-960012-19	. SPINNER ASSY. . . . .	1	1
- 2	R C40298	. BRACKET ASSY. . . . . /ATTACHING PARTS/	1	1
	R AN5-23A	. BOLT. . . . .	2	
	R AN960P0516L	. WASHER. . . . .	AR	
	R AN960-516L	. WASHER. . . . .	4	
	R B40030-3	. SPACER. . . . .	4	
	R MS21045L5	. NUT . . . . .	2	
		-----x-----		
- 3	R C40257	. BRUSH BLOCK ASSY. . . . . /ATTACHING PARTS/	1	1
	R AN503-10-18	. SCREW . . . . .	2	
	R AN960-10	. WASHER. . . . .	2	
	R B40024-2	. SPACER. . . . .	2	
	R AN960PD10L	. WASHER. . . . .	AR	
		-----x-----		
- 4	R D40238	. SLIP RING ASSY. . . . .	1	1
- 5	R B40245-53	. BOOT,DEICE. . . . .	3	1
- 6	R B40251	. STRAP,DEICE BOOT RETAINING. . . . .	3	1
- 7	R TA08311D00116HA5	. CLAMP,DEICE BOOT LEAD STRAP . . . . . /ATTACHING PARTS/	3	1
	R AN503-8-10	. SCREW . . . . .	2	
	R AN960-8	. WASHER. . . . .	4	
	R MS21083N08	. NUT . . . . .	2	
		-----x-----		
- 8	R MS35489-42	. GROMMET . . . . .	3	1

BEECHCRAFT  
BONANZA 33  
ILLUSTRATED PARTS CATALOG



C94CE30A2025 C

B E E C H C R A F T  
B O N A N Z A 3 3  
I L L U S T R A T E D P A R T S C A T A L O G

FIG. & ITEM NO.	PART NO.	DESCRIPTION	UNITS PER ASSY	USABLE ON CODE
251B - 9	R 90-380007-9	. AMMETER/UNLIGHTED,SINGLE CONTROL COLUMN/ . . .	1	1
	R 90-380007-11	. AMMETER/LIGHTED,SINGLE CONTROL COLUMN/ . . .	1	1
- 10	R 90-380007-11	. AMMETER/DUAL CONTROL COLUMN/ . . . . .	1	1
	R 101-389017-11	. AMMETER/ALTERNATE FOR 90-380007-11/ . . . . . /ATTACHING PARTS/	1	1
	R MS24693BB32	. SCREW . . . . .	4	
	R MS33737-16	. NUT . . . . .	4	
		-----X-----		
	R 90-380008-1	. SHUNT,AMMETER/REAR OF AMMETER/ . . . . .	1	1
	R 58-380022-13	. LIGHT TRAY,AMMETER. . . . . /ATTACHING PARTS/	1	1
	R MS35198-11	. SCREW . . . . .	2	
		-----X-----		
- 11	R 36-960012-9	. PANEL ASSY,INSTR/SINGLE CONTROL COLUMN/ . . .	1	1
	R 36-960012-11	. . . . .	1	1
	R 35-324481-7	. . . . .	2	1
	R 150PL14	. . . . .	2	1
		/ATTACHING PARTS/		
	R MS27039-0809	. . . . .	4	
	R MS20365-832	. . . . .	4	
		-----X-----		
	R MS21059L08	. . . . .	9	1
- 12	R 35-380132-7	. SWITCH,CIRCUIT BREAKER/SINGLE CONTROL COLUMN/	1	1
- 13	R 36-530130-1	. PLATE/SINGLE CONTROL COLUMN/ . . . . . /MAG COMPASS ERRATIC WHEN PROP DEICE ON/ /ATTACHING PARTS/	1	1
	R MS24693BB28	. SCREW . . . . .	2	
	R MS20365D632	. NUT . . . . .	2	
		-----X-----		
- 14	R 36-324050-25	. SUBPANEL/DUAL CONTROL COLUMN/ . . . . .	1	1
- 15	R 35-380132-7	. SWITCH,CIRCUIT BREAKER/DUAL CONTROL COLUMN/	1	1
	R 36-364040-1	. WASHER/CIRCUIT BREAKER SWITCH/ . . . . .	1	1
- 16	R 60-324147-5	. PLATE/DUAL CONTROL COLUMN/ . . . . . /MAG COMPASS ERRATIC WHEN PROP DEICE ON/	1	1
	R B45018	. TIMER/SEE BEEHCRAFT SERVICE BULLETIN 2107/ . /ATTACHING PARTS/	1	1
	R MS35207-264	. SCREW . . . . .	4	
	R AN960-10L	. WASHER. . . . .	4	
		-----X-----		
	R MS3106A20-15S	. CONNECTOR,TIMER . . . . .	1	1
	R 35-960081-1	. BRACKET ASSY,TIMER/SINGLE CONTROL COLUMN/ . . /ATTACHING PARTS/	1	1
	R 130909B12	. BOLT. . . . .	4	
	R AN960-10L	. WASHER. . . . .	4	
		-----X-----		

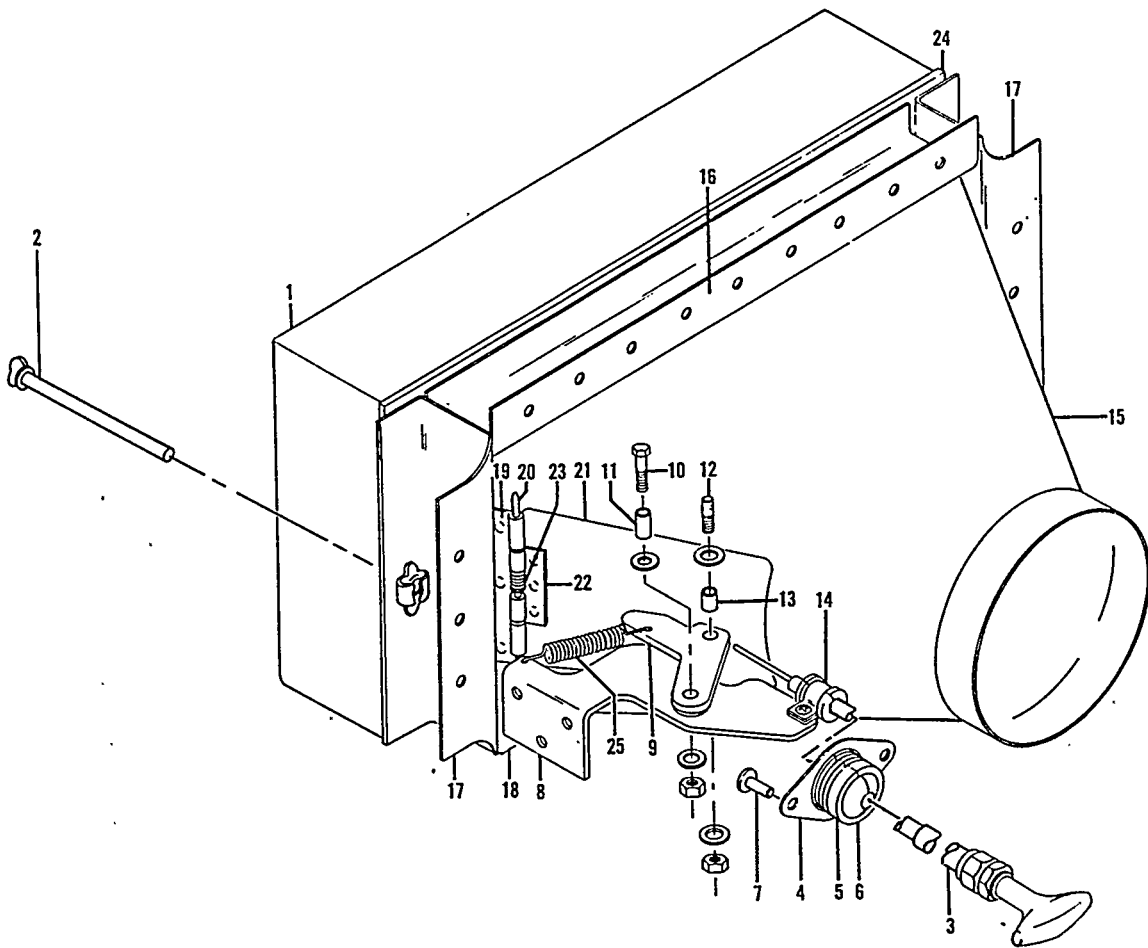
C O D E S O F E F F E C T I V I T Y

1 CE-1024 AND AFTER

BEECHCRAFT  
BOONANZA 33  
ILLUSTRATED PARTS CATALOG

FIGURE 258  
INDUCTION SYSTEM

BEECHCRAFT  
BONANZA 33  
ILLUSTRATED PARTS CATALOG



G33-258-1

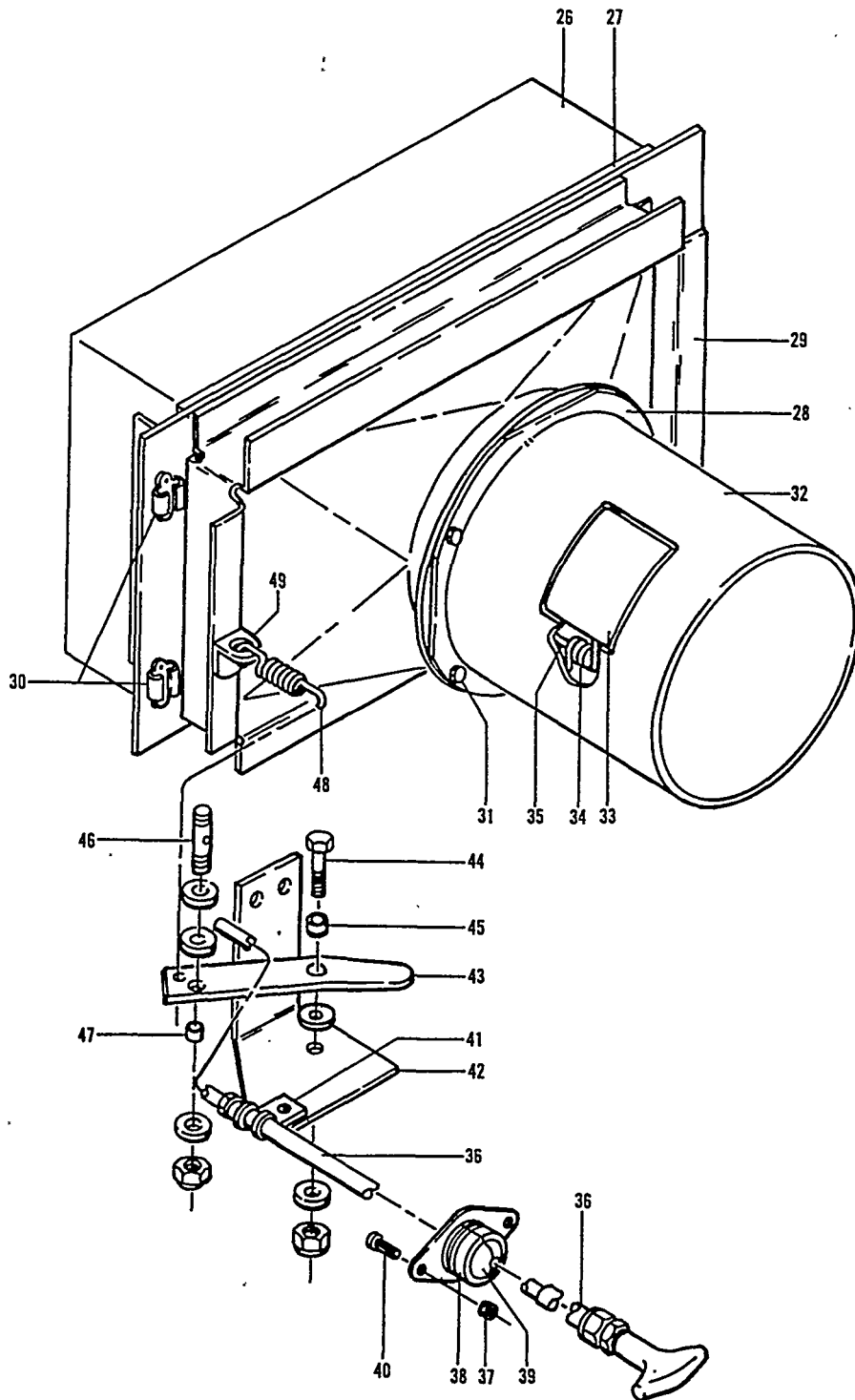
FIGURE 258.INDUCTION SYSTEM  
/SHEET 1 OF 2 SHEETS/

B E E C H C R A F T  
B O N A N Z A 3 3  
I L L U S T R A T E D P A R T S C A T A L O G

FIG. & ITEM NO.	PART NO.	DESCRIPTION	UNITS PER ASSY	USABLE ON CODE
		1 2 3 4 5 6 7		
258 -- 1	35-380035-1	FILTER ASSY,AIR /WET TYPE/.	NP	5
	35-380035-5	FILTER ASSY,AIR /DRY TYPE/.	NP	5
	P10-5304	FILTER ASSY,AIR/REPLACES 35-380035-1 & .	1	5
		35-380035-5/ /ATTACHING PARTS/		
-- 2	W98293-15-2120	STUD.	2	
	98293-3-340	STUD/ALTERNATE FOR W98293-15-2120/.	2	
	99785-2	PIN . . . . .	2	
		*-----*		
	002-910011-19	GASKET/NOT REQD WITH P10-5304 FILTER/ . . . . .	1	5
	35-380035-7	FILTER ASSY,AIR . . . . .	1	6
		/ATTACHING PARTS/		
	130909B12	BOLT/DONALDSON FILTER/.	2	
	MS35207-261	SCREW/ALTERNATE FOR AN3-3A/ . . . . .	2	
	AN3-23A	BOLT/AIRMAZE FILTER/.	2	
	MS35207-273	SCREW/ALTERNATE FOR AN3-23A/ . . . . .	2	
		*-----*		
	35-919025	INTAKE ASSY,AIR . . . . .	1	3
	002-910011-3	INTAKE ASSY,AIR . . . . .	1	4
-- 3	35-380063-1	. CONTROL,ALTERNATE AIR DOOR. . . . .	1	1
-- 4	112436-6	. RETAINER. . . . .	1	1
-- 5	112412	. GROMMET,HALF. . . . .	2	1
-- 6	112413-2	. BALL,HALF . . . . .	2	1
-- 7	49338	. FASTENER,RETAINER . . . . .	2	1
	AN960-8	. WASHER. . . . .	2	1
-- 8	002-410000-87	. BRACKET . . . . .	1	1
-- 9	002-910011-21	. LEVER . . . . .	1	1
		/ATTACHING PARTS/		
-- 10	AN3-7A/M/	. BOLT. . . . .	1	
-- 11	105739X-ZK0156	. BUSHING . . . . .	1	
	AN960-10	. WASHER. . . . .	3	
	130909N29	. NUT . . . . .	1	
		*-----*		
-- 12	35-550520	. STUD,CONTROL ATTACHING. . . . .	1	1
-- 13	105739X-ZK0156	. BUSHING . . . . .	1	1
	AN960-10L	. WASHER. . . . .	2	1
	130909N29	. NUT . . . . .	1	1
-- 14	MS21919DG3	. CLAMP . . . . .	2	1
		/ATTACHING PARTS/		
	AN3-5A/M/	. BOLT. . . . .	1	
	AN960-10	. WASHER. . . . .	1	
	130909N29	. NUT . . . . .	1	
		*-----*		
	002-910011-1	. BOX ASSY,AIR. . . . .	1	5
	002-910011-29	. BOX ASSY,AIR. . . . .	1	6
-- 15	002-910011-27	. FUNNEL ASSY . . . . .	1	1
-- 16	002-910011-7	. CHANNEL,UPPER . . . . .	1	1
-- 17	002-910011-9	. CHANNEL,SIDE. . . . .	2	5
	002-910011-31	. CHANNEL,SIDE. . . . .	2	6
	002-910011-11	. CHANNEL,LOWER . . . . .	1	1
-- 18	002-910011-17	. HINGE,HALF. . . . .	1	4
-- 19	35-919025-27	. DOOR ASSY,AIR BOX . . . . .	1	3
	002-910011-25	. DOOR ASSY,AIR BOX . . . . .	1	4
		/ATTACHING PARTS/		
-- 20	102361-00300	. PIN,HINGE . . . . .	1	
		*-----*		
	35-919025-13	. . . SHIM /UNDER HINGE HALF/ . . . . .	1	3
	002-910011-13	. . . SHIM/UNDER HINGE HALF/ . . . . .	1	1
-- 21	002-910011-15	. . . DOOR. . . . .	1	1
-- 22	002-910011-23	. . . HINGE,DOOR HALF . . . . .	1	1
-- 23	35-910288-1	. SPRING. . . . .	1	1
-- 24	35-919025-19	. GASKET,AIR FILTER . . . . .	1	3
	002-910011-19	. GASKET,AIR FILTER . . . . .	1	4
-- 25	100942L023-17	. SPRING. . . . .	1	1



BEECHCRAFT  
BONANZA 33  
ILLUSTRATED PARTS CATALOG



G33-258-2

B E E C H C R A F T  
B O N A N Z A 3 3  
I L L U S T R A T E D P A R T S C A T A L O G

FIG. & ITEM NO.	PART NO.	DESCRIPTION	UNITS PER ASSY	USABLE ON CODE
		1 2 3 4 5 6 7		
258 - 26	13917	FILTER/ALTERNATE FOR P13-0374/ . . . . .	1	2
	P13-0374	FILTER/ALTERNATE FOR 13917/ . . . . .	1	2
- 27	35-910303-1	GASKET,AIR,FILTER . . . . .	1	2
	35-410446-199	INTAKE ASSY,AIR . . . . .	1	2
- 28	35-410446-197	FUNNEL ASSY,AIR INTAKE. . . . .	1	2
- 29	35-410446-145	BOX,AIR INTAKE. . . . .	1	2
- 30	99871C098	SPRING,FILTER STUD. . . . .	4	2
	33-910011-1	HOUSING ASSY,INDUCTION. . . . .	1	2
		/ATTACHING PARTS/		
- 31	AN515-8R	SCREW . . . . .	4	
	AN366F832	NUTPLATE. . . . .	4	
		*-----*		
- 32	33-910011-3	HOUSING,INDUCTION . . . . .	1	2
- 33	35-910003-7	DOOR,INDUCTION. . . . .	2	2
- 34	35-910288	SPRING,DOOR . . . . .	2	2
- 35	102361-00128	PIN,HINGE . . . . .	2	2
	35-944069	CONTROL INSTL,ALTERNATE AIR . . . . .	NP	2
- 36	35-380063-1	CONTROL,ALTERNATE AIR . . . . .	1	2
- 37	112436-6	RETAINER,GROMMET. . . . .	1	2
- 38	112412	GROMMET,HALF. . . . .	2	2
- 39	112413-2	BALL,HALF . . . . .	2	2
- 40	49338	FASTENER,RETAINER . . . . .	2	2
- 41	TA1718DT3	CLAMP . . . . .	1	2
		/ATTACHING PARTS/		
	AN520-10R	SCREW . . . . .	1	
	AN960-10	WASHER. . . . .	1	
	130909N29	NUT . . . . .	1	
		*-----*		
- 42	35-944069-1	BRACKET,CONTROL . . . . .	1	2
		/ATTACHING PARTS/		
	AN525-8R	SCREW . . . . .	2	
	AN960-8L	WASHER. . . . .	2	
	MS20365-832	NUT . . . . .	2	
		*-----*		
- 43	35-944069-3	LEVER . . . . .	1	2
		/ATTACHING PARTS/		
- 44	AN3-7A/M/	BOLT. . . . .	1	
- 45	105739X-ZK0156	BUSHING . . . . .	1	
	AN960-10	WASHER. . . . .	1	
	130909N29	NUT . . . . .	1	
		*-----*		
- 46	35-550520	STUD. . . . .	1	2
- 47	105739X-ZK0156	BUSHING . . . . .	1	2
	AN960-10L	WASHER. . . . .	1	2
	130909N29	NUT . . . . .	1	2
- 48	100942J0100-17	SPRING. . . . .	1	2
- 49	35-944069-5	CLIP,SPRING . . . . .	1	2

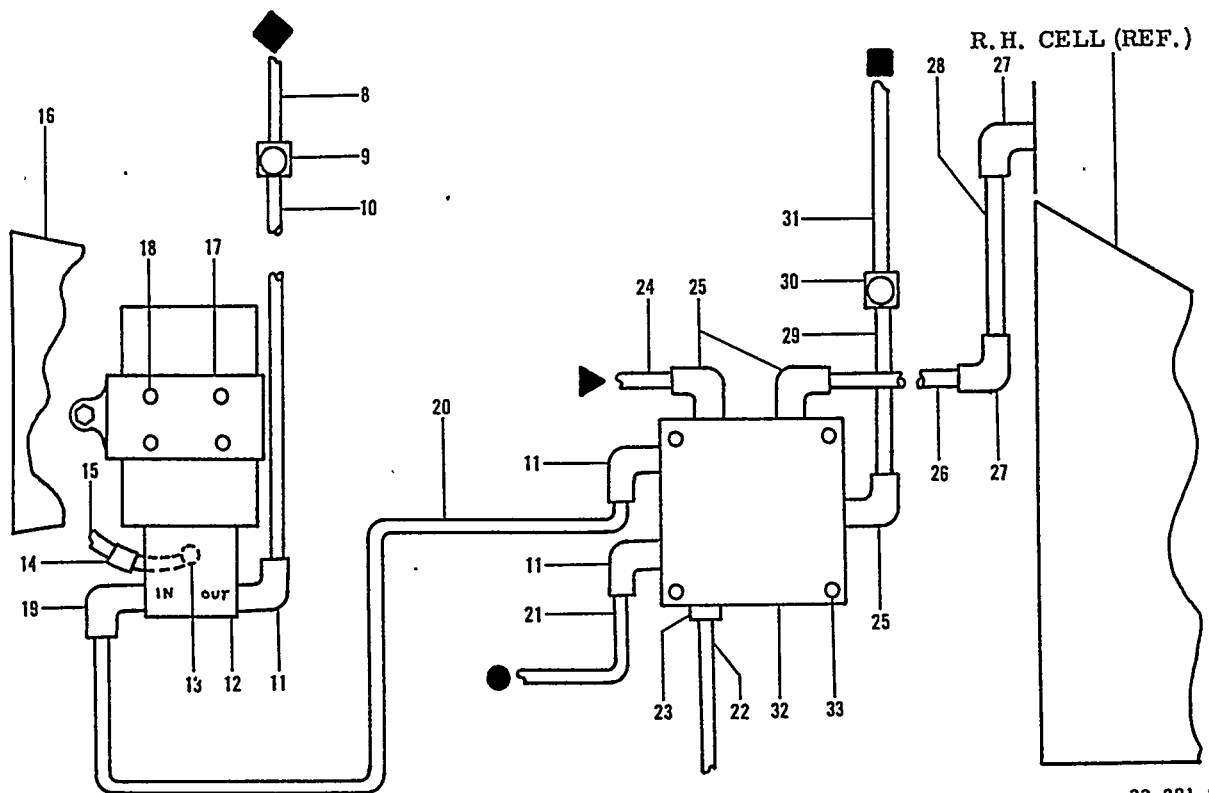
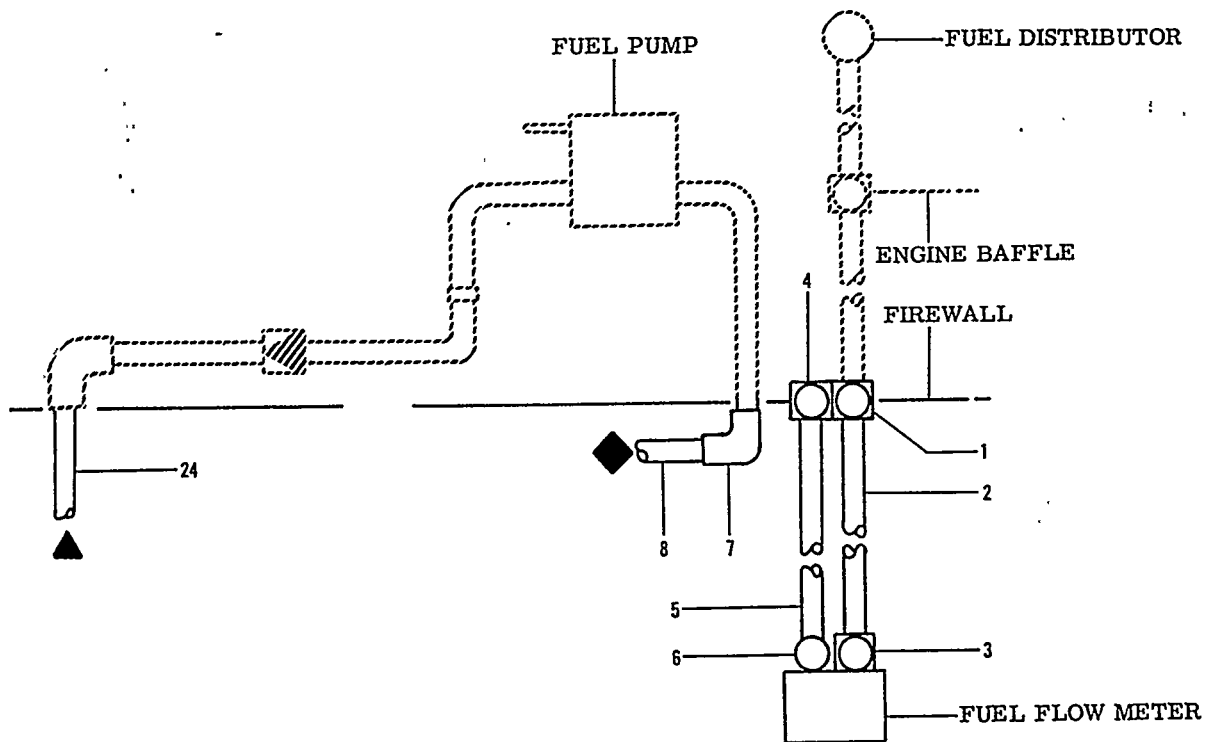
C O D E S O F E F F E C T I V I T Y

- |   |                      |   |                      |
|---|----------------------|---|----------------------|
| 1 | CD-1255 THRU CD-1304 | 2 | CD-1235 THRU CD-1254 |
|   | CE-290 AND AFTER     |   |                      |
|   | CJ-26 AND AFTER      |   |                      |
| 3 | CD-1255 THRU CD-1304 | 4 | CE-418,CE-436        |
|   | CE-290 THRU CE-435   |   | AND AFTER            |
|   | EXCEPT CE-418        |   | CJ-40 AND AFTER      |
|   | CJ-26 THRU CJ-39     |   |                      |
| 5 | CD-1255 THRU CD-1304 | 6 | CE-793 AND AFTER     |
|   | CE-290 THRU CE-792   |   | CJ-149 AND AFTER     |
|   | CJ-26 THRU CJ-148    |   |                      |

BEECHCRAFT  
BONANZA 33  
ILLUSTRATED PARTS CATALOG

FIGURE 281  
FUEL SYSTEM  
CD-1235 THRU CD-1254

BEECHCRAFT  
 BONANZA 33  
 ILLUSTRATED PARTS CATALOG



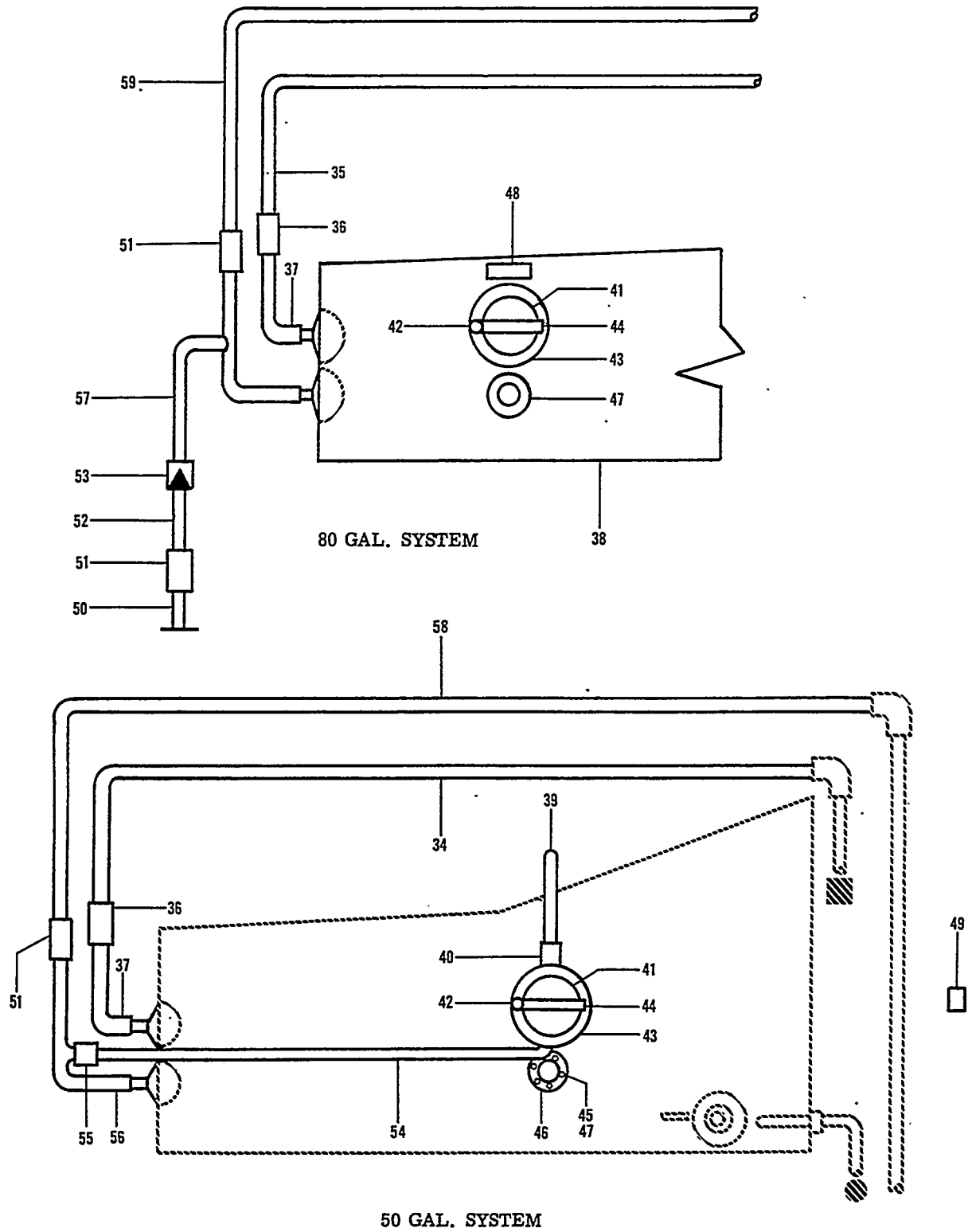
33-281-8

FIGURE 281.FUEL SYSTEM  
 /SHEET 1 OF 3 SHEETS/

B E E C H C R A F T  
B O N A N Z A 3 3  
I L L U S T R A T E D P A R T S C A T A L O G

FIG. & ITEM NO.	PART NO.	DESCRIPTION	UNITS							USABLE ON CODE
			1	2	3	4	5	6	7	
281	33-920000-21	FUEL SYSTEM INSTL/STANDARD 50 GALLON CAPACITY/.							NP	1
	R 35-921155-107	FUEL SYSTEM INSTL/OPTIONAL 80 GALLON CAPACITY/.							NP	2
	R 35-921155-149	FUEL SYSTEM INSTL/OPTIONAL 80 GALLON CAPACITY/.							NP	3
- 1	AN832-4D	. UNION . . . . .							2	1
	AN960-716	. WASHER. . . . .							2	1
	AN924-4	. NUT . . . . .							2	1
- 2	AN6270-4-18	. HOSE ASSY, FUEL PRESSURE TO FLOW METER . . . . .							1	1
- 3	AN816-4D	. UNION . . . . .							1	1
- 4	AN832-3	. UNION . . . . .							1	1
	AN960-616	. WASHER. . . . .							2	1
	AN924-3	. NUT . . . . .							1	1
- 5	AN6270-3-17 1/2	. HOSE ASSY, FUEL FLOW GAGE TO FIREWALL. . . . .							1	1
- 6	AN816-3D	. NIPPLE. . . . .							1	1
- 7	AN833-6	. ELBOW . . . . .							1	1
	AN960-916	. WASHER. . . . .							1	1
	AN924-9	. NUT . . . . .							1	1
- 8	35-921154-43	. TUBE ASSY, FUEL TO FIREWALL. . . . .							1	1
- 9	AN832-6D	. UNION . . . . .							1	1
- 10	35-921155-93	. TUBE ASSY, PUMP OUTLET . . . . .							1	1
- 11	AN833-6	. ELBOW . . . . .							3	1
	MS29512-06	. GASKET. . . . .							3	1
	AN924-6D	. NUT . . . . .							3	1
- 12	35-921154-612	. PUMP ASSY, BOOST /INCLUDES FITTING/. . . . . /SEE FIG.285/							1	1
- 13	35-924291-1	. ELBOW, PUMP DRAIN. . . . .							1	1
- 14	106200H4-12	. HOSE. . . . .							1	1
- 15	35-921155-95	. TUBE, PUMP DRAIN . . . . .							1	1
- 16	35-921155-3	. BRACKET ASSY, BOOST PUMP & SELECTOR VALVE. . . . .							1	1
- 17	35-921255	. CLAMP ASSY, BOOST PUMP . . . . . /ATTACHING PARTS/							1	1
- 18	130909B33	. BOLT. . . . .							4	
	AN936B416	. WASHER. . . . .							4	
		-----x-----								
- 19	6C5XS	. ELBCW . . . . .							1	1
	MS29512-6	. GASKET. . . . .							1	1
- 20	35-921155-91	. TUBE ASSY, STRAINER TO PUMP INLET. . . . .							1	1
- 21	35-921155-105	. TUBE ASSY, LH FUEL CELL TO SELECTOR VALVE. . . . .							1	1
- 22	35-921155-71	. TUBE ASSY, RH FUEL CELL TO SELECTOR VALVE. . . . .							1	1
- 23	AN815-6D	. UNION . . . . .							1	1
	MS29512-06	. GASKET. . . . .							1	1
- 24	35-921155-63	. TUBE ASSY, FIREWALL TO SELECTOR VALVE. . . . .							1	1
- 25	AN833-4D	. ELBOW . . . . .							3	1
	MS29512-4	. GASKET. . . . .							3	1
	AN924-4D	. NUT . . . . .							3	1
- 26	35-921155-69	. TUBE ASSY, RETURN FROM SELECTOR VALVE RH . . . . .							1	1
- 27	AN821-4D	. ELBOW . . . . .							5	1
- 28	35-921154-41	. TUBE ASSY, RETURN TO FUSELAGE SKIN RH. . . . .							1	1
- 29	35-921155-75	. TUBE ASSY, RETURN FROM SELECTOR VALVE LH . . . . .							1	1
- 30	AN815-4D	. UNION . . . . .							1	1
- 31	35-921154-23	. TUBE ASSY, RETURN TO FUSELAGE SKIN LH. . . . .							1	1
- 32	36-380026-1	. VALVE ASSY, FUEL SELECTOR. . . . . /SEE FIG 289 FOR ALTERNATE PARTS/ /ATTACHING PARTS/							1	1
- 33	AN74-3/M/ AN936B416	. BOLT. . . . . . WASHER. . . . .							2 2	
		-----x-----								

BEECHCRAFT  
 BONANZA 33  
 ILLUSTRATED PARTS CATALOG

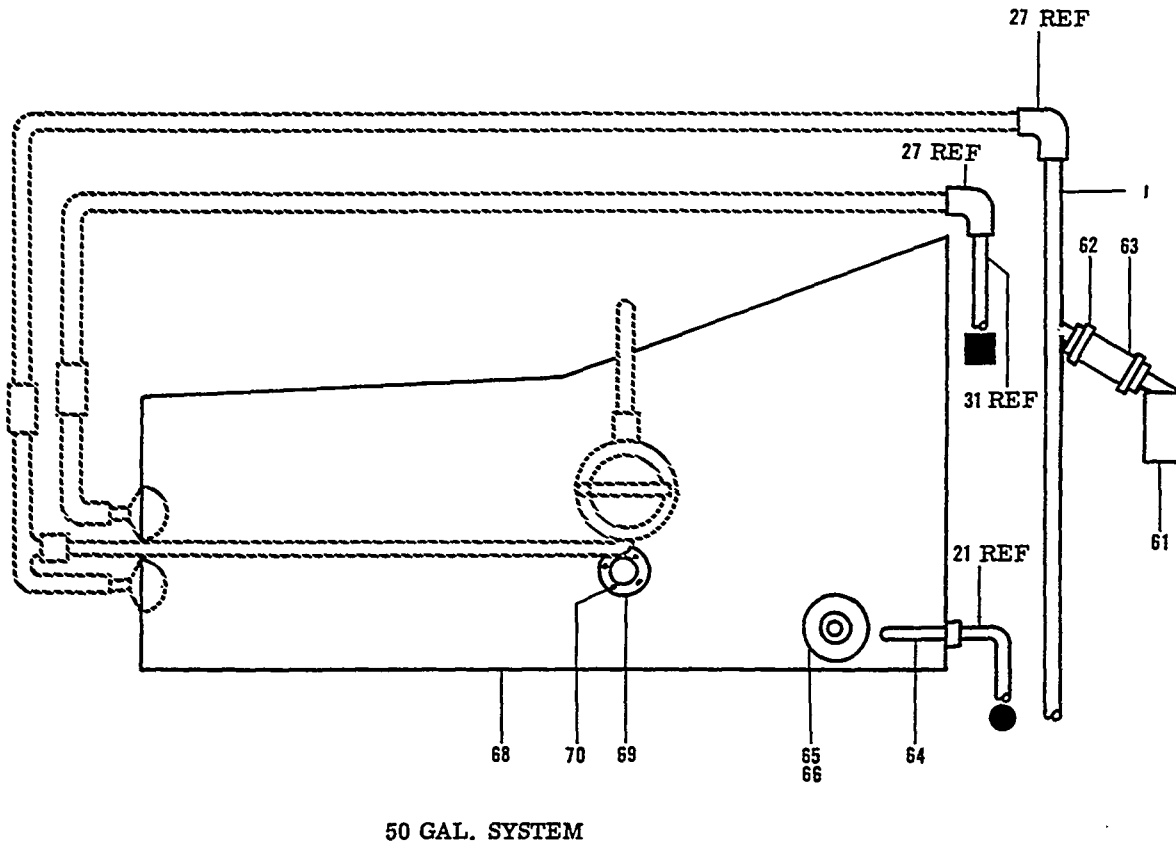
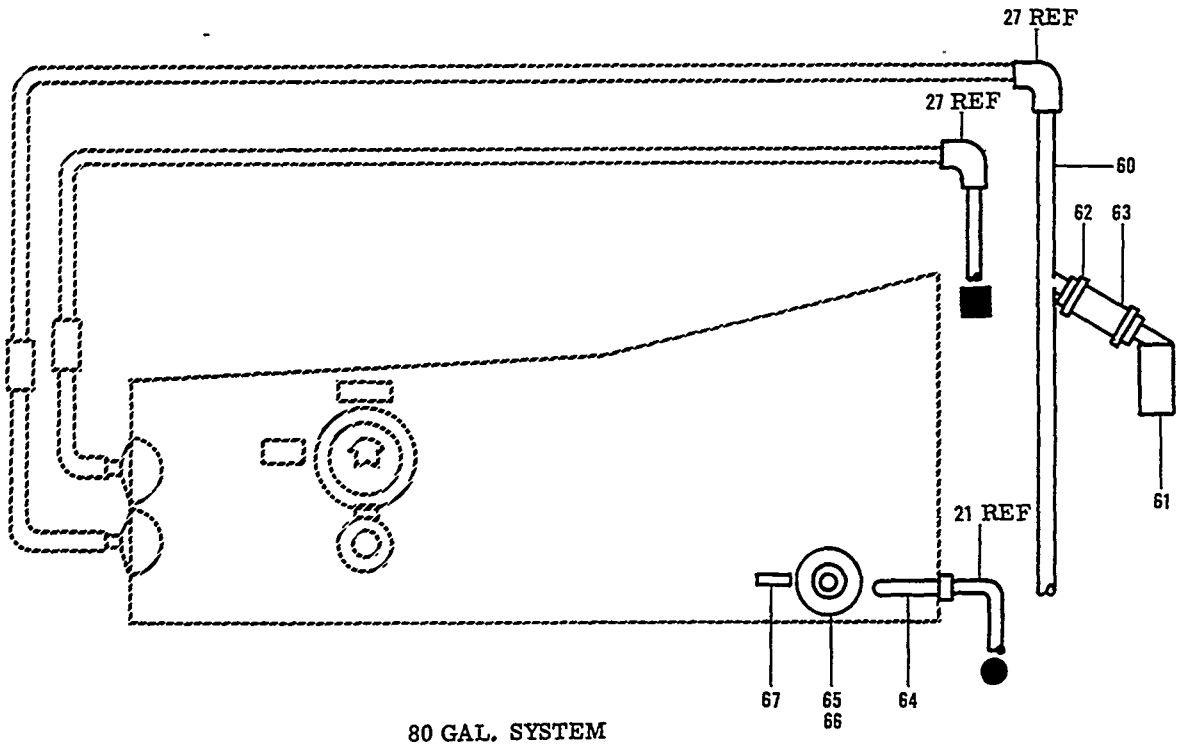


33-281-9

B E E C H C R A F T  
B O N A N Z A 3 3  
I L L U S T R A T E D P A R T S C A T A L O G

FIG. & ITEM NO.	PART NO.	DESCRIPTION	UNITS PER ASSY	USABLE ON CODE
281 - 34	35-921154-71	. TUBE ASSY,RETURN TO TANK/LH/25 GAL.CAP.CELL/.	1	1
- 35	35-921155-49	. TUBE ASSY,RETURN TO TANK/LH/40 GAL.CAP.CELL/.	1	1
	35-921154-73	. TUBE ASSY,RETURN TO TANK/RH/25 GAL.CAP.CELL/.	1	1
	35-921155-53	. TUBE ASSY,RETURN TO TANK/RH/40 GAL.CAP.CELL/.	1	1
- 36	106200H4-15	. HOSE. . . . .	2	1
- 37	35-921154-95	. ELBOW,RETURN TO TANK. . . . .	2	1
- 38 R	35-380135-1	. CELL,FUEL LH/ALTERNATE FOR 35-380135-3/ . . . . . /ORDER 35-380135-9 OR -11 FOR SPARES/	NP	1
	R 35-380135-3	. CELL,FUEL LH/ALTERNATE FOR 35-380135-1/ . . . . . /ORDER 35-380135-9 OR -11 FOR SPARES/	NP	1
	R 35-380135-2	. CELL,FUEL RH/ALTERNATE FOR 35-380135-4/ . . . . . /ORDER 35-380135-10 OR -12 FOR SPARES/	NP	1
	R 35-380135-4	. CELL,FUEL RH/ALTERNATE FOR 35-380135-2/ . . . . . /ORDER 35-380135-10 OR -12 FOR SPARES/	NP	1
- 39	35-921105	. TUBE,SCUPPER DRAIN/25 GALLON CAPACITY CELL/ .	2	1
- 40	106200H4-9	. HOSE/25 GALLON CAPACITY CELL/ . . . . .	2	1
	96-380035-1	. CAP ASSY,FUEL/40 GAL.CAP.CELL/SEE FIG.287/ . .	2	1
- 41	50-921509-9	. PLATE,FILLER HOLE COVER . . . . . /ATTACHING PARTS/	2	1
- 42	AN74-3/M/ AN936A416	. BOLT. . . . . . WASHER. . . . .	24 24	
		-----*		
- 43	FCB25722	. GASKET,FILLER HOLE & COVER PLATE. . . . .	2	1
- 44	50-921509-37	. CLIP ASSY,DOOR SUPPORT. . . . .	2	1
- 45	96-380042-1	. TRANSMITTER,OUTBD FUEL LEVEL/40 GAL.CELL LH/.	2	1
	96-380042-3	. TRANSMITTER,OUTBD FUEL LEVEL/40 GAL.CELL RH/.	2	1
		/ATTACHING PARTS/		
- 46	AN502-10-8	. SCREW . . . . .	2	
	AN502-10-6	. SCREW . . . . .	8	
		-----*		
	96-380041-1	. TRANSMITTER,INBD FUEL LEVEL/40 GAL.CAPACITY/.	1	1
		/ATTACHING PARTS/		
	130909S3	. SCREW . . . . .	10	
		-----*		
- 47	15-423	. GASKET,TRANSMITTER. . . . .	2	1
- 48	35-2002-67	. DECAL,WHITE/USE 80/87 OCTANE,40 GAL,. . . . . 37 GAL USEABLE,FUEL FILLER NOZZLE CAUTION	2	1
	35-2002-81	. DECAL,BLACK/USE 80/87 OCTANE,40 GAL,. . . . . 37 GAL USEABLE,FUEL FILLER NOZZLE CAUTION	2	1
- 49	95-921014-1	. PLACARD,WHITE /FUEL STRAINER ACCESS DOOR/ . .	1	1
	95-921014-3	. PLACARD,BLACK /FUEL STRAINER ACCESS DOOR/ . .	1	1
- 50	50-920077	. FLANGE,VENT/40 GALLON CAPACITY CELL/. . . . .	2	1
- 51	106200H4-15	. HOSE. . . . .	4	1
- 52	35-921155-101	. TUBE,VALVE TO FLANGE/40 GALLON CAPACITY CELL/	2	1
- 53	366-00	. VALVE,CHECK/40 GALLON CAPACITY CELL/. . . . .	2	1
- 54	33-920000-1	. TUBE,FILLER VENT/LH/25 GALLON CAPACITY CELL/.	1	1
	33-920000-2	. TUBE,FILLER VENT/RH/25 GALLON CAPACITY CELL/.	1	1
- 55	106043ZK022	. HOSE/25 GALLON CAPACITY CELL/ . . . . .	2	1
- 56	35-924059	. WELD ASSY,VENT/LH/25 GALLON CAPACITY CELL/ . .	1	1
- 57	35-921155-99	. WELD ASSY,VENT/LH/40 GALLON CAPACITY CELL/ . .	1	1
	35-924060	. WELD ASSY,VENT/RH/25 GALLON CAPACITY CELL/ . .	1	1
	35-921155-100	. WELD ASSY,VENT/RH/40 GALLON CAPACITY CELL/ . .	1	1
- 58	35-921154-69	. TUBE ASSY,LH WELD ASSY TO FUSELAGE SKIN VENT. /25 GALLON CAPACITY CELL/	1	1
- 59	35-921155-51	. TUBE ASSY,LH WELD ASSY TO FUSELAGE SKIN VENT. /40 GALLON CAPACITY CELL/	1	1
	35-921154-75	. TUBE ASSY,RH WELD ASSY TO FUSELAGE SKIN VENT. /25 GALLON CAPACITY CELL/	1	1
	35-921155-55	. TUBE ASSY,RH WELD ASSY TO FUSELAGE SKIN VENT. /40 GALLON CAPACITY CELL/	1	1

BEECHCRAFT  
 BONANZA 33  
 ILLUSTRATED PARTS CATALOG





B E E C H C R A F T  
B O N A N Z A 3 3  
I L L U S T R A T E D P A R T S C A T A L O G

FIG. & ITEM NO.	PART NO.	DESCRIPTION	UNITS PER ASSY	USABLE ON CODE
281 - 60	35-921155-127	. TUBE ASSY,LH OVERBOARD VENT . . . . .	1	1
	35-921155-128	. TUBE ASSY,RH OVERBOARD VENT . . . . .	1	1
- 61	414-920022-5	. SCOOP,LH. . . . .	1	1
	414-920022-3	. SCOOP,RH. . . . .	1	1
- 62	AN737RM26	. CLAMP . . . . .	4	1
- 63	106200H6-27	. HOSE. . . . .	2	1
- 64	45-921541	. STRAINER,FUEL . . . . .	2	1
- 65	CCA3400	. VALVE,DRAIN . . . . .	2	1
		/ATTACHING PARTS/		
- 66	35-921533	. CLAMP . . . . .	1	
	35-921532	. WASHER. . . . .	1	
		-----x-----		
	CCA1319	. . SEAL,VALVE. . . . .	1	1
- 67	35-921548	. PLACARD,SUMP DRAIN. . . . .	2	1
	33-921000-3	CELL INSTL,LH FUEL/25 GALLON CAPACITY/. . . . .	NP	1
	33-921000-4	CELL INSTL,RH FUEL/25 GALLON CAPACITY/. . . . .	NP	1
- 68 R	96-380046-1	. CELL,FUEL LH. . . . .	NP	1
		/ORDER 96-380046-9 FOR SPARES/		
	R 96-380046-2	. CELL,FUEL RH. . . . .	NP	1
		/ORDER 96-380046-10 FOR SPARES/		
- 69	CB7740-126	. TRANSMITTER,LH FUEL LEVEL/25 GAL.CAP.CELL/. . . . .	1	1
	CB7740-127	. TRANSMITTER,RH FUEL LEVEL/25 GAL.CAP.CELL/. . . . .	1	1
		/ATTACHING PARTS/		
- 70	AN502-10-8	. SCREW . . . . .	1	
	AN502-10-6	. SCREW . . . . .	4	
		-----x-----		
	35-921526-32	. CAP ASSY,FUEL/25 GAL.CAP.CELL/SEE FIG.287/. . . . .	2	1
	35-2002-73	DECAL,BLACK/80-87 OCTANE,25 GAL.,22 USABLE/ . . . . .	2	1
	35-2002-75	DECAL,WHITE/80-87 OCTANE,25 GAL.,22 USABLE/ . . . . .	1	1

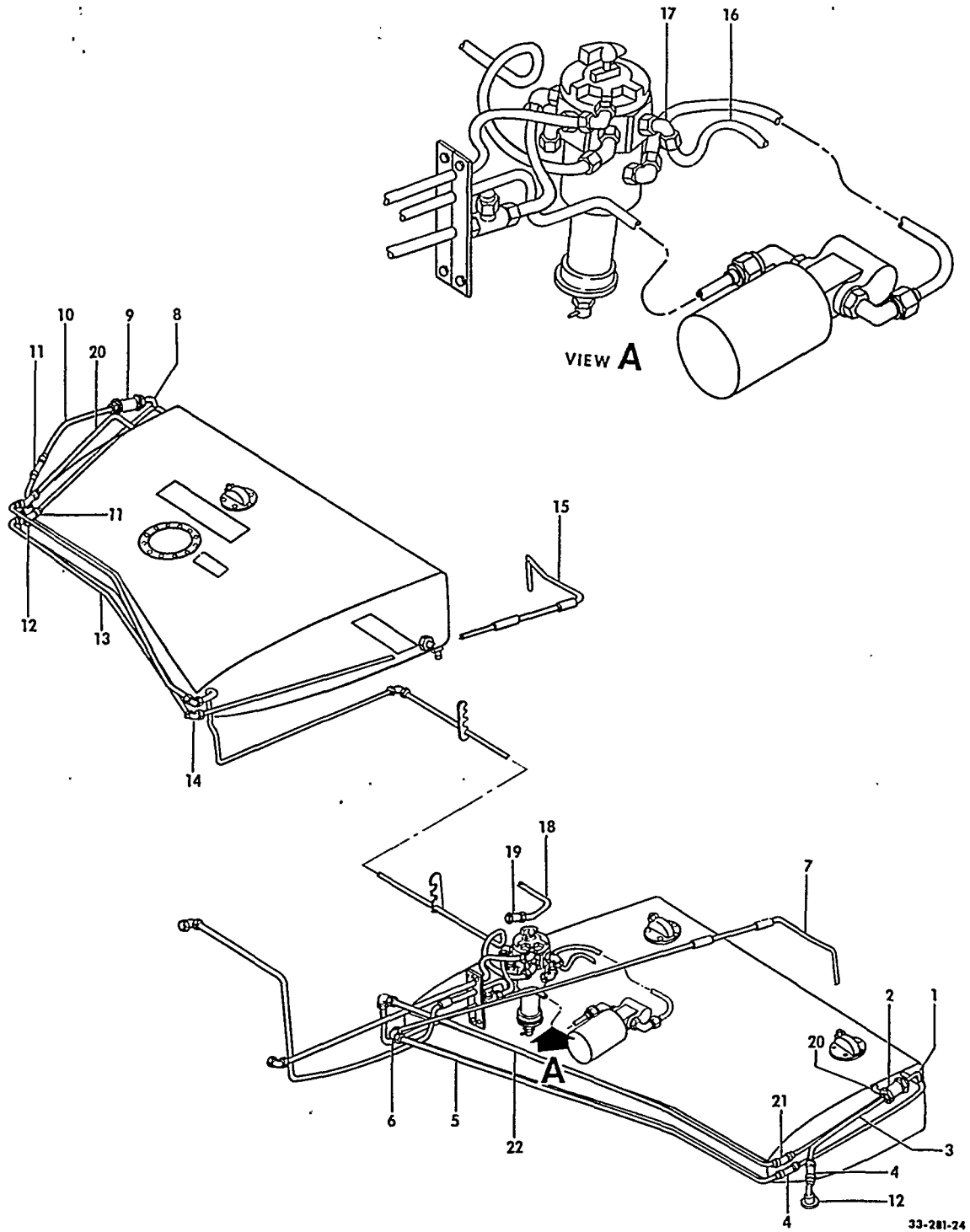
C O D E S O F E F F E C T I V I T Y

1 CD-1235 THRU CD-1254 2 CD-1235,CE-1236,  
3 CD-1237 CD-1238 THRU CE-1254

B E E C H C R A F T  
B O N A N Z A 3 3  
I L L U S T R A T E D P A R T S C A T A L O G

FIGURE 281A  
FUEL SYSTEM  
CD-1255 THRU CD-1304, CE-290 AND AFTER  
CJ-26 AND AFTER

BEECHCRAFT  
 BONANZA 33  
 ILLUSTRATED PARTS CATALOG



B E E C H C R A F T  
B O N A N Z A 3 3  
I L L U S T R A T E D P A R T S C A T A L O G

FIG. & ITEM NO.	PART NO.	DESCRIPTION	UNITS							USABLE ON CODE
			1	2	3	4	5	6	7	
281A	35-921155-109	FUEL SYSTEM INSTL/80 GALLON CAPACITY/ . . . . .							NP	15
	35-921155-195	FUEL SYSTEM INSTL/80 GAL/ . . . . .							NP	24
	35-921155-133	FUEL SYSTEM INSTL/80 GALLON CAPACITY/OPTIONAL/ . . . . .							NP	13
	35-921155-173	FUEL SYSTEM INSTL/80 GALLON CAPACITY/ . . . . .							NP	2
	35-921155-193	FUEL SYSTEM INSTL/80 GAL/ . . . . .							NP	3
	35-921155-159	FUEL SYSTEM INSTL/80 GALLON CAPACITY/ . . . . .							NP	2
	35-921155-151	FUEL SYSTEM INSTL/80 GALLON CAPACITY/ . . . . .							NP	16
	35-921155-153	FUEL SYSTEM INSTL/50 GALLON CAPACITY/ . . . . .							NP	16
	35-921155-117	FUEL SYSTEM INSTL/50 GALLON CAPACITY/ . . . . .							NP	28
	35-921155-135	FUEL SYSTEM INSTL/50 GALLON CAPACITY/ . . . . .							NP	33
	35-921155-161	FUEL SYSTEM INSTL/50 GALLON CAPACITY/ . . . . .							NP	2
- 1	35-921155-99	. WELD ASSY, VENT LH . . . . .							1	7
	33-921016-1	. WELD ASSY, VENT LH . . . . .							1	8
- 2	50-380170-11	. VALVE, CHECK . . . . .							1	3
	MS21919DGI7	. CLAMP, CHECK VALVE . . . . .							1	3
		/ATTACHING PARTS/								
	ANS15-10R12	. SCREW . . . . .							1	
	AN960-10	. WASHER . . . . .							1	
		-----*								
- 3	35-921155-101	. TUBE ASSY, VENT LH . . . . .							1	7
	35-921155-147	. TUBE ASSY, VENT LH . . . . .							1	8
- 4	106200H4-15	. HOSE . . . . .							2	3
- 5	35-921155-51	. TUBE ASSY, VENT/LH/USED ON 80 GALLON CAPACITY/ . . . . .							1	3
	35-921154-69	. TUBE ASSY, VENT/LH/USED ON 50 GALLON CAPACITY/ . . . . .							1	3
- 6	AN821-4D	. ELBOW . . . . .							1	3
- 7	35-921155-127	. TUBE ASSY, LH VENT . . . . .							1	3
	AN737RM26	. CLAMP . . . . .							2	3
	414-920022-5	. SCOOP, LH . . . . .							1	3
- 8	35-921155-100	. WELD ASSY, VENT RH . . . . .							1	7
	33-921016-1	. WELD ASSY, VENT RH . . . . .							1	8
- 9	50-380170-11	. VALVE, CHECK . . . . .							1	3
- 10	35-921155-101	. TUBE ASSY, VENT RH . . . . .							1	7
	35-921155-148	. TUBE ASSY, VENT RH . . . . .							1	8
- 11	106200H4-15	. HOSE . . . . .							2	3
- 12	50-920077	. FLANGE ASSY, VENT . . . . .							2	17
	000-920012-7	. FLANGE ASSY, VENT . . . . .							2	18
- 13	35-921155-55	. TUBE ASSY, VENT/RH/USED ON 80 GALLON CAPACITY/ . . . . .							1	3
	35-921154-75	. TUBE ASSY, VENT/RH/USED ON 50 GALLON CAPACITY/ . . . . .							1	3
- 14	AN821-4D	. ELBOW . . . . .							1	3
- 15	35-921155-128	. TUBE ASSY, VENT RH . . . . .							1	3
	AN737RM26	. CLAMP . . . . .							2	3
	414-920022-3	. SCOOP, RH . . . . .							1	3
- 16	35-921155-105	. TUBE ASSY, LH FUEL SUPPLY LINE . . . . .							1	3
- 17	AN833-6D	. ELBOW . . . . .							1	3
	MS29512-06	. GASKET . . . . .							1	3
- 18	35-921155-71	. TUBE ASSY, FUEL RH SUPPLY LINE . . . . .							1	3
	MS35489-17	. GROMMET . . . . .							1	3
	AN833-6	. ELBOW . . . . .							1	26
	AN931-4-12	. GROMMET . . . . .							3	3
- 19	AN815-6D	. UNION . . . . .							1	3
	MS29512-06	. GASKET . . . . .							1	3
	AN924-6D	. NUT . . . . .							1	3
	115005-4	. GROMMET . . . . .							2	18
- 20	35-921154-95	. TUBE, RETURN TO TANK . . . . .							2	3
	106200H4-12	. HOSE . . . . .							1	3
- 21	106200H4-15	. HOSE . . . . .							1	3
- 22	35-921155-49	. TUBE ASSY, LH RETURN TO TANK . . . . .							1	3
		/USE ON 80 GALLON CAPACITY SYSTEM/								
	35-921154-71	. TUBE ASSY, LH RETURN TO TANK . . . . .							1	3
		/USE ON 50 GALLON CAPACITY SYSTEM/								

BEECHCRAFT  
 BONANZA 33  
 ILLUSTRATED PARTS CATALOG

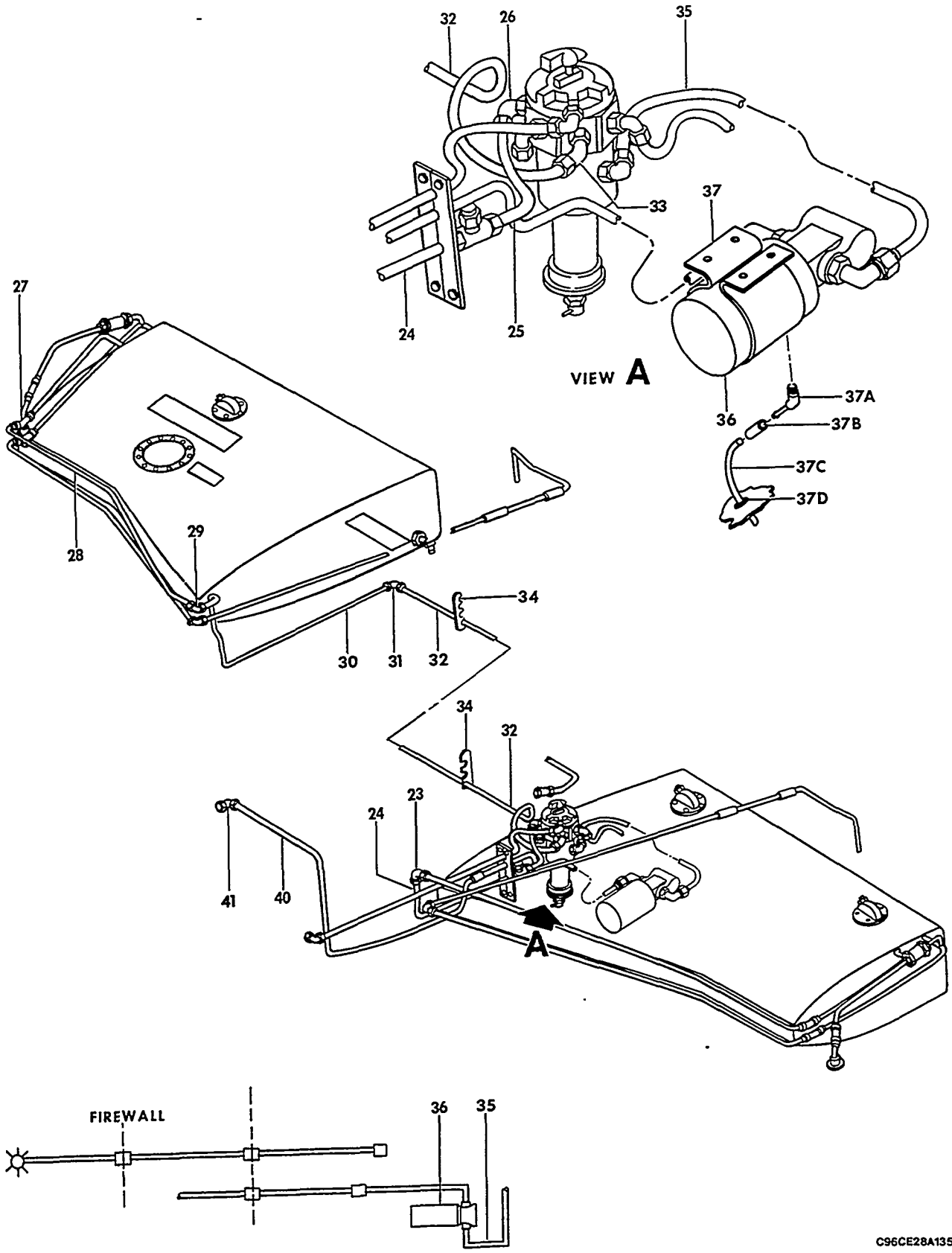
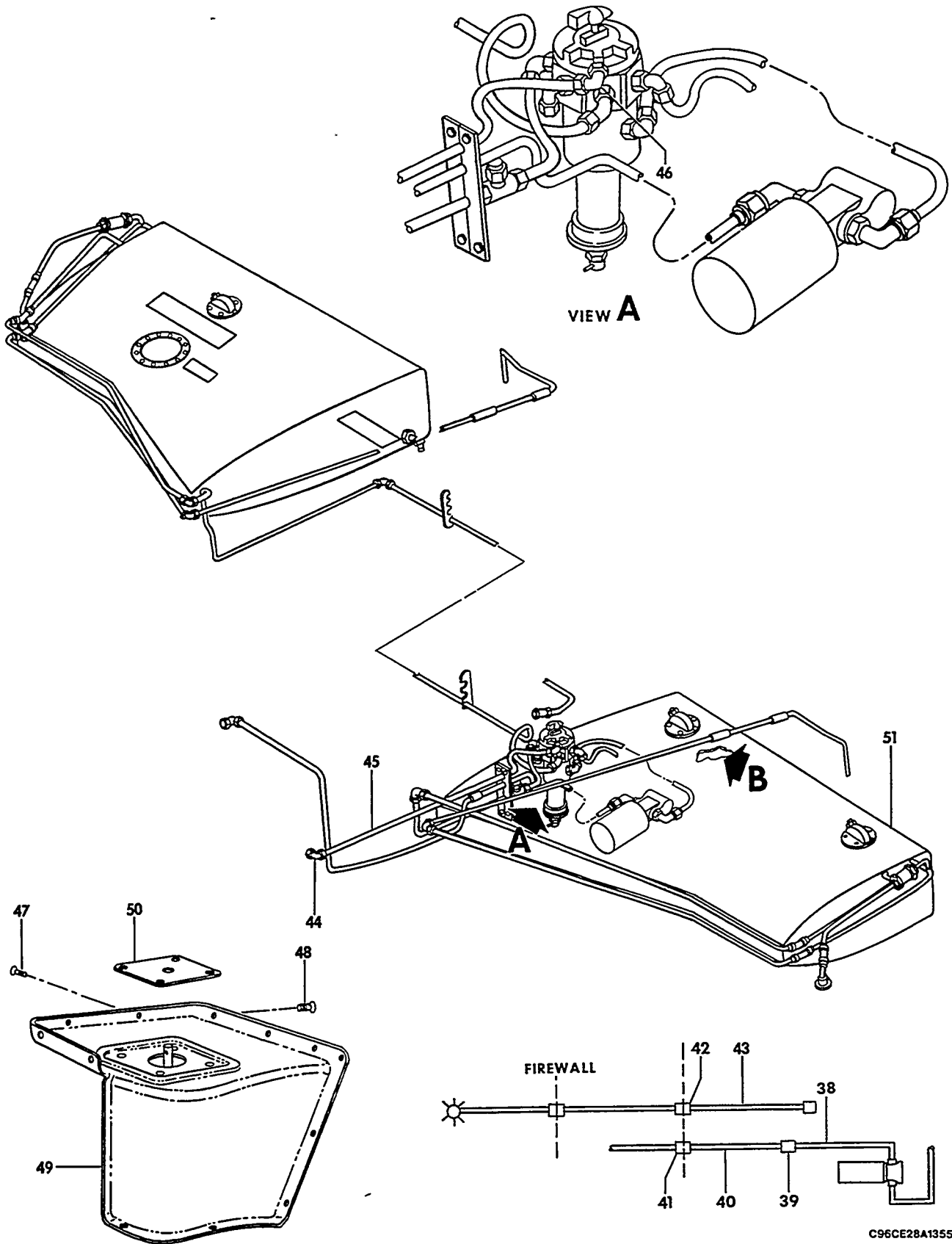


FIGURE 281A. FUEL SYSTEM  
 /SHEET 2 OF 6 SHEETS/

B E E C H C R A F T  
B O N A N Z A 3 3  
I L L U S T R A T E D P A R T S C A T A L O G

FIG. & ITEM NO.	PART NO.	DESCRIPTION	UNITS PER ASSY	USABLE ON CODE		
					1	2
281A - 23	AN821-4D	. ELBOW . . . . .	1	3		
- 24	35-921154-23	. TUBE ASSY,RETURN TO FUSELAGE SKIN LH. . . . .	1	3		
	AN815-4D	. UNION . . . . .	1	3		
- 25	35-921155-75	. TUBE ASSY,RETURN FROM SELECTOR VALVE LH . . . . .	1	3		
- 26	AN833-4D	. ELBOW . . . . .	1	3		
	MS29512-4	. GASKET. . . . .	1	3		
	AN924-4D	. NUT . . . . .	1	3		
- 27	106200H4-15	. HOSE. . . . .	1	3		
- 28	35-921155-53	. TUBE ASSY,RETURN TO TANK RH . . . . .	1	3		
		/USE ON 80 GALLON CAPACITY SYSTEM/				
	35-921154-73	. TUBE ASSY,RETURN TO TANK RH . . . . .	1	3		
		/USE ON 50 GALLON CAPACITY SYSTEM/				
	MS21919DG4	. CLAMP . . . . .	1	17		
		/ATTACHING PARTS/				
	AN515-8R10	. SCREW . . . . .	1			
	AN960-8L	. WASHER. . . . .	1			
	MS20365-832	. NUT . . . . .	1			
		-----x-----				
	755-2-6	. CLAMP . . . . .	4	18		
		/ATTACHING PARTS/				
	MS35206-247	. SCREW . . . . .	4			
	100696DZF008	. SPACER. . . . .	4			
	AN960-8L	. WASHER. . . . .	4			
	130909N28	. NUT . . . . .	4			
		-----x-----				
	35-921154-101	. SUPPORT,TUBE. . . . .	7	3		
- 29	AN821-4D	. ELBOW . . . . .	1	3		
- 30	35-921154-41	. TUBE ASSY,RETURN TO FUSELAGE SKIN RH. . . . .	1	3		
- 31	AN821-4D	. ELBOW . . . . .	1	3		
- 32	35-921155-69	. TUBE ASSY,RETURN FROM SELECTOR VALVE RH . . . . .	1	3		
- 33	AN833-4D	. ELBOW . . . . .	1	3		
	MS29512-4	. GASKET. . . . .	1	3		
	AN924-4D	. NUT . . . . .	1	3		
- 34	35-921154-11	. BRACKET,TUBE SUPPORT. . . . .	2	3		
		/ATTACHING PARTS/				
	AN515-8R10	. SCREW . . . . .	4			
	AN960-8	. WASHER. . . . .	4			
		-----x-----				
- 35	35-921155-91	. TUBE ASSY,STRAINER TO PUMP. . . . .	1	3		
- 36	4140-00-39	. PUMP,FUEL BOOST/14 VOLT/SEE FIG.285A/ . . . . .	NP	19		
		/ORDER 4140-00-39NV FOR SPARES/				
	4140-00-39NV	. PUMP,FUEL BOOST/14 VOLT . . . . .	1	19		
		/NO BREAK DOWN AVAILABLE/				
	1296-00-1	. PUMP,FUEL BOOST/28 VOLT/. . . . .	NP	20		
		/ORDER 1296-00-1NV FOR SPARES/				
	1296-00-1NV	. PUMP,FUEL BOOST/28 VOLT/. . . . .	NP	20		
		/NO BREAK DOWN AVAILABLE/				
- 37	35-921255	. BRACKET,FUEL PUMP . . . . .	1	34		
		/ATTACHING PARTS/				
	130909B33	. BOLT. . . . .	4			
	AN936B416	. WASHER. . . . .	4			
	AN515-1032	. BOLT. . . . .	1			
	AN960-10	. WASHER. . . . .	1			
	MS20365-1032	. NUT . . . . .	1			
		-----x-----				
- 37A	35-924291-1	. ELBOW . . . . .	1	34		
- 37B	106200H4-12	. HOSE,CONNECTING . . . . .	1	34		
		/ATTACHING PARTS/				
	U5	. CLAMP . . . . .	2			
		-----x-----				
- 37C	35-921155-95	. TUBE ASSY . . . . .	1	9		
	33-924016-5	. TUBE ASSY . . . . .	1	4		
- 37D	AN931-4-7	. GROMMET . . . . .	1	34		
R	36-920052-1	. STOP ASSY,FUEL SELECTOR VALVE . . . . .	1	37		
R	36-920052-3	. STOP ASSY,FUEL SELECTOR VALVE . . . . .	1	38		
		/SEE FIG 289/				

BEECHCRAFT  
 BONANZA 33  
 ILLUSTRATED PARTS CATALOG



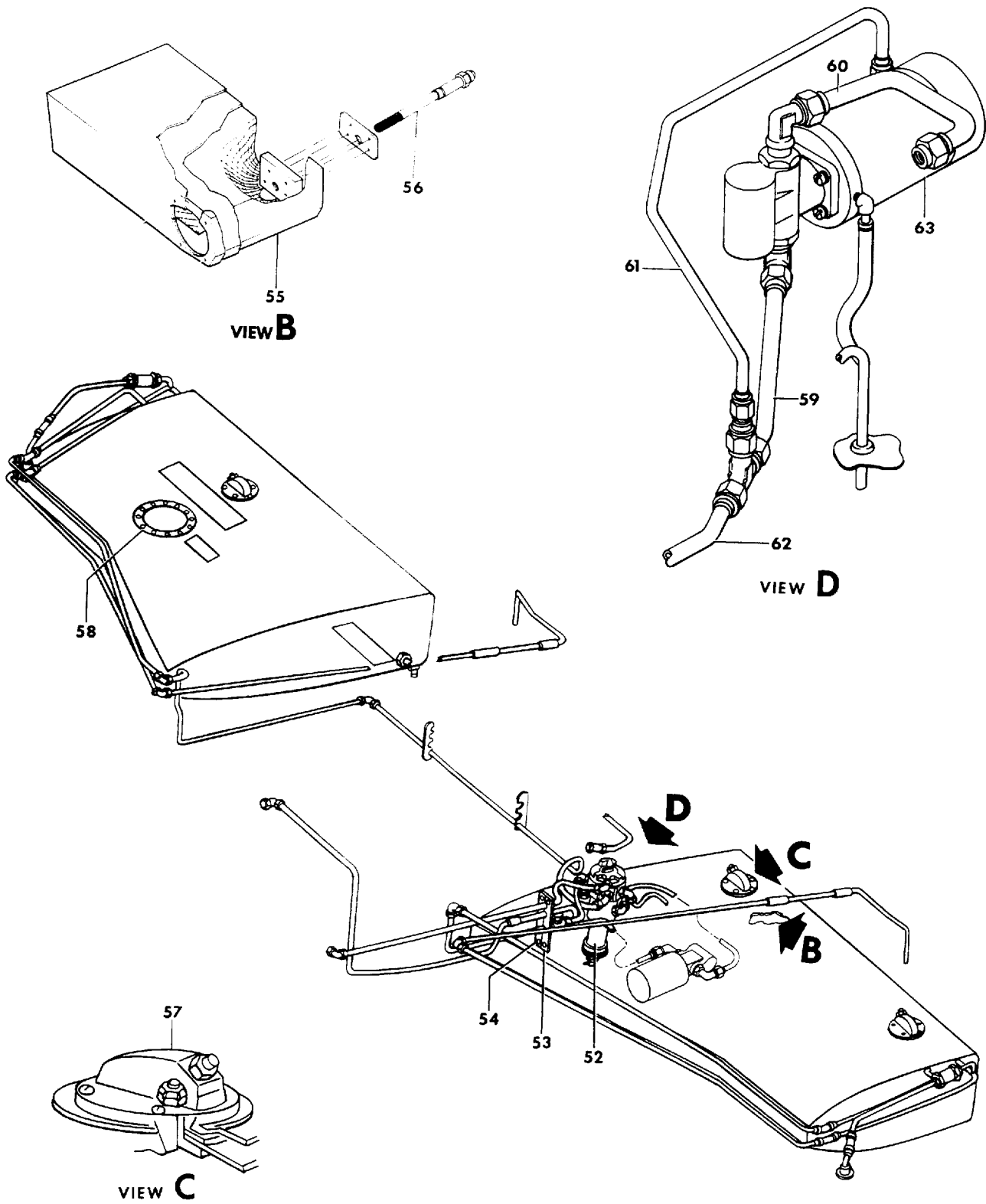
C96CE28A1355

B E E C H C R A F T  
B O N A N Z A 3 3  
I L L U S T R A T E D P A R T S C A T A L O G

FIG. & ITEM NO.	PART NO.	DESCRIPTION	UNITS	USABLE
			PER ASSY	ON CODE
281A - 38	35-921155-93	. TUBE ASSY, FUEL PUMP OUTLET. . . . .	1	3
- 39	AN815-6D	. UNION . . . . .	1	3
- 40	35-921155-129	. TUBE ASSY, FUEL TO FIREWALL. . . . .	1	3
- 41	AN833-6	. ELBOW . . . . .	1	3
	AN960-916	. WASHER. . . . .	1	3
	AN924-6	. NUT . . . . .	1	3
- 42	AN837-4D	. ELBOW, FIREWALL. . . . .	1	3
	AN960-716	. WASHER. . . . .	1	3
	AN924-4	. NUT . . . . .	1	3
- 43	AN6270-4-22 1/2	. HOSE ASSY, FUEL PRESSURE . . . . .	1	24
- 44	AN833-4	. ELBOW . . . . .	1	3
	AN960-716	. WASHER. . . . .	1	3
	AN924-4D	. NUT . . . . .	1	3
- 45	35-921155-63	. TUBE ASSY, RETURN. . . . .	1	3
- 46	AN833-4D	. ELBOW . . . . .	1	3
	MS29512-4	. GASKET. . . . .	1	3
	AN924-4D	. NUT . . . . .	1	3
	35-534421-23	. PARTITION ASSY/50 GAL. CAP./WITHOUT OXYGEN/ . . . . .	1	23
	35-534421-25	. PARTITION ASSY/80 GAL. CAP./WITHOUT OXYGEN/. . . . .	1	23
	35-560010-41	. PARTITION INSTL . . . . .	NP	4
	36-530099-3	. COVER ASSY, FUEL SELECTOR VALVE. . . . . /SEE FIG. 286 FOR PARTITION ASSYS & COVER/ /USED ON INSTALLATIONS WITHOUT OXYGEN/ /ATTACHING PARTS/	1	10
- 47	NAS384-6-12P	. SCREW . . . . .	2	
- 48	NAS384-6-8P	. SCREW . . . . .	8	
		-----x-----		
- 49	35-534421-7	. . COVER, FUEL SELECTOR VALVE . . . . .	1	23
	35-924256-3	. . COVER, FUEL SELECTOR VALVE . . . . .	1	4
	36-530099-5	. . COVER, FUEL SELECTOR VALVE . . . . . /ATTACHING PARTS/	1	10
- 50	AN530-6R6	. . SCREW . . . . .	4	
	NAS446-2-1	. . NUT . . . . .	4	
		-----x-----		
- 51 R	35-380135-1	. CELL, FUEL LH/40GAL CAPACITY/. . . . . /ORDER 35-380135-9 FOR SPARES/ /ALTERNATE FOR 35-380135-3/	NP	39
R	35-380135-3	. CELL, FUEL LH/40GAL CAPACITY/. . . . . /ORDER 35-380135-9 FOR SPARES/ /ALTERNATE FOR 35-380135-1/	NP	39
R	35-380135-9	. CELL, FUEL LH/40GAL CAPACITY/. . . . . /ALTERNATE FOR 35-380135-11/	1	40
R	35-380135-11	. CELL, FUEL LH/40GAL CAPACITY/. . . . . /ALTERNATE FOR 35-380135-9/	1	40
R	35-380135-2	. CELL, FUEL RH/40GAL CAPACITY/. . . . . /ORDER 35-380135-10 FOR SPARES/ /ALTERNATE FOR 35-380135-4/	NP	39
R	35-380135-4	. CELL, FUEL RH/40GAL CAPACITY/. . . . . /ORDER 35-380135-10 FOR SPARES/ /ALTERNATE FOR 35-380135-2/	NP	39
R	35-380135-10	. CELL, FUEL RH/40GAL CAPACITY/. . . . . /ALTERNATE FOR 35-380135-12/	1	40
R	35-380135-12	. CELL, FUEL RH/40GAL CAPACITY/. . . . . /ALTERNATE FOR 35-380135-10/	1	40
R	35-921242-7	. CELL, FUEL LH/40GAL CAPACITY/. . . . .	1	27
R	35-921242-9	. CELL, FUEL LH/40GAL CAPACITY/. . . . .	1	27
R	35-921242-11	. CELL, FUEL LH/40GAL CAPACITY/. . . . .	1	27
R	35-921242-6	. CELL, FUEL RH/40GAL CAPACITY/. . . . .	1	27
R	35-921242-8	. CELL, FUEL RH/40GAL CAPACITY/. . . . .	1	27
R	35-921242-10	. CELL, FUEL RH/40GAL CAPACITY/. . . . .	1	27



BEECHCRAFT  
BONANZA 33  
ILLUSTRATED PARTS CATALOG

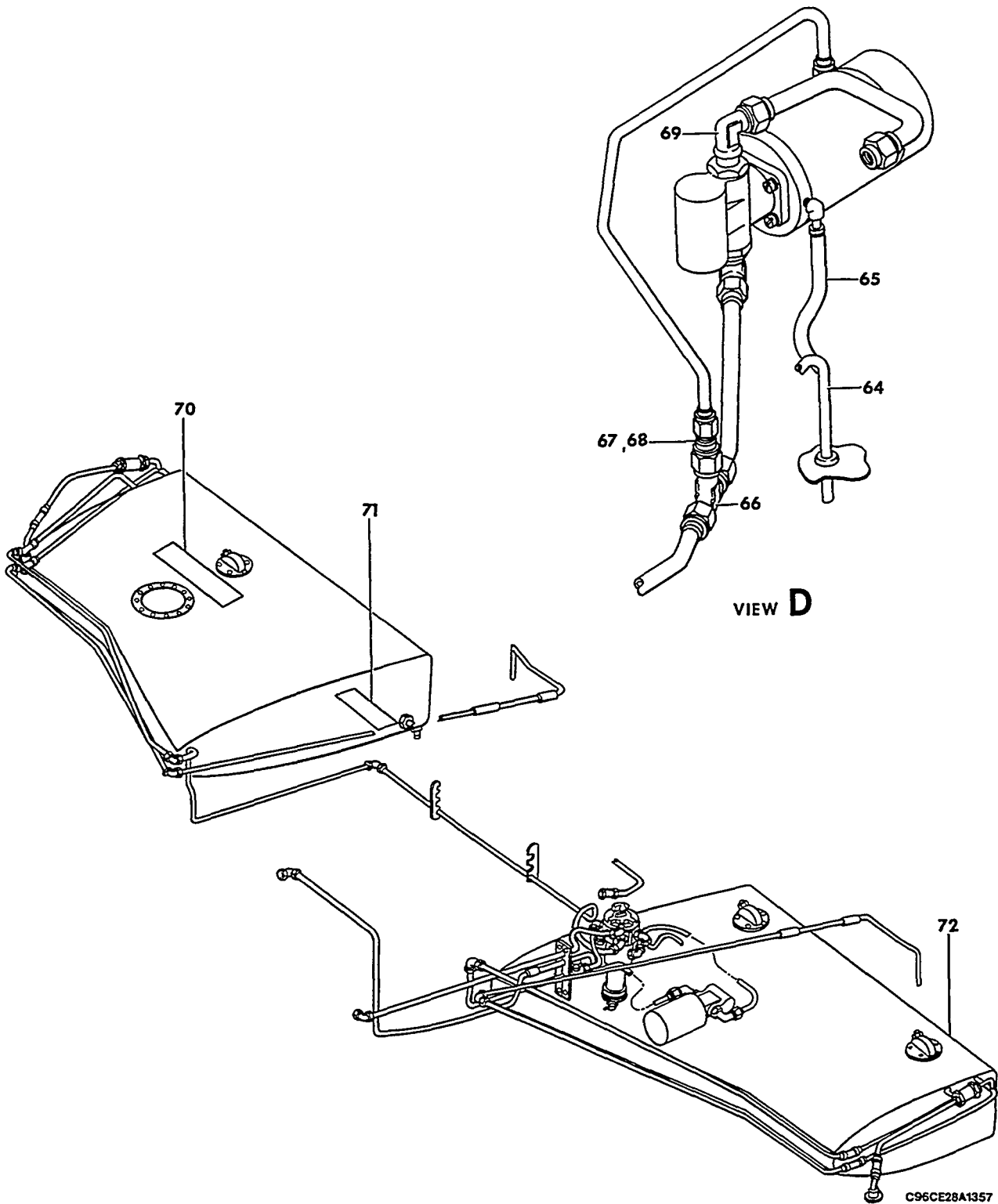


C96CE28A1356

B E E C H C R A F T  
B O N A N Z A 3 3  
I L L U S T R A T E D P A R T S C A T A L O G

FIG. & ITEM NO.	PART NO.	DESCRIPTION							UNITS PER ASSY	USABLE ON CODE
		1	2	3	4	5	6	7		
281A - 52	36-380026-1	. VALVE ASSY, FUEL SELECTOR. . . . .							1	3
		/SEE FIG 289 FOR ALTERNATE PARTS/ /ATTACHING PARTS/								
	AN74-3	. BOLT. . . . .							3	36
	AN936B416	. WASHER. . . . .							3	36
	130909B33	. BOLT. . . . .							2	30
	AN936B416	. WASHER. . . . .							2	30
		-----*								
- 53	35-921154-45	. BLOCK, TUBE SUPPORT. . . . .							1	3
- 54	35-921154-47	. BLOCK, TUBE SUPPORT. . . . .							1	3
		/ATTACHING PARTS/								
	AN515-8R8	. SCREW . . . . .							4	
	AN960-8	. WASHER. . . . .							12	
	MS20364-832	. NUT . . . . .							4	
		-----*								
	MS29512-6	. GASKET. . . . .							1	3
	AN924-6D	. NUT . . . . .							1	3
- 55	FCR57175-1	. RESERVOIR, LH FUEL CELL/AEROBATIC/ . . . . .							1	35
- 56	36-920014-1	. CONNECTOR, LH RESERVOIR/AEROBATIC/ . . . . .							1	35
	33-921015-1	. RESERVOIR, LH & RH FUEL CELL/AEROBATIC/ . . . . .							NP	13
		REPLACE WITH KIT 35-9012-1 LH & 35-9012-2								
	35-9012-1	. KIT, RESERVOIR LH FUEL CELL. . . . .							1	13
	35-9012-2	. KIT, RESERVOIR RH FUEL CELL. . . . .							1	13
	FCR57175-1	. RESERVOIR, LH. . . . .							1	13
	FCR57176-2	. RESERVOIR, RH. . . . .							1	13
	36-920014-1	. CONNECTOR . . . . .							1	13
	35-921502	. GASKET. . . . .							1	13
	35-2002-59	. DECAL . . . . .							1	13
	FCR57176-2	. RESERVOIR, RH FUEL CELL/AEROBATIC/ . . . . .							1	35
	36-920014-1	. CONNECTOR, LH RESERVOIR/AEROBATIC/ . . . . .							1	35
	33-921015-1	. RESERVOIR, RH/REPLACE WITH KIT 35-9012-2/ . . . . .							NP	13
	AN737-30	. CLAMP . . . . .							2	3
- 57	96-380041-1	. TRANSMITTER, FUEL QUANTITY INBD. . . . .							2	3
		/USE ON 80 GALLON CAPACITY SYSTEM/								
	15-423	. GASKET. . . . .							4	3
	96-380042-1	. TRANSMITTER, FUEL QUANTITY OUTBD LH. . . . .							1	3
	96-380042-3	. TRANSMITTER, FUEL QUANTITY OUTBD RH. . . . .							1	3
		/USE ON 80 GALLON CAPACITY SYSTEM/								
- 58	96-380035	. CAP ASSY, FUEL CELL/USED ON 80 GAL. CAPACITY/ . . . . .							2	32
	36-5013-1	. KIT, FUEL FILLER NECK RESTRICTOR . . . . .							1	32
	36-380095-1	. CAP ASSY, FUEL CELL/USED ON 80 GAL CAPACITY/ . . . . .							2	31
		/SEE FIGURE 287A/								
	557-003	. ADAPTER ASSY INSERT . . . . .							2	31
	000-110114-9	. COVER, LH INBOARD FILLER CAP . . . . .							1	1
	000-110114-10	. COVER, RH INBOARD FILLER CAP . . . . .							1	1
	FCB25722	. GASKET. . . . .							2	1
	MCO E01265-3	. GAGE & ADAPTER ASSY . . . . .							2	1
	96-380036-3	. ADAPTER, FILLER CAP. . . . .							2	1
	MCO E01265-5	. GAGE, FUEL . . . . .							1	1
	33-921017-5	. DECAL, CAUTION/INBOARD FILLER CAP/WHITE/ . . . . .							2	1
	33-921017-7	. DECAL, CAUTION/INBOARD FILLER CAP/BLACK/ . . . . .							2	1
- 59	35-921155-139	. TUBE ASSY . . . . .							1	4
- 60	35-921155-141	. TUBE ASSY . . . . .							1	4
- 61	35-921155-143	. TUBE ASSY . . . . .							1	4
- 62	35-921155-145	. TUBE ASSY . . . . .							1	4
- 63	4140-00-191	. BOOST PUMP/14 VOLT/ . . . . .							1	21
		/ORDER 4140-00-191NV FOR SPARES/								
	4140-00-191NV	. BOOST PUMP/14 VOLT/ . . . . .							1	21
	1297-00-1	. BOOST PUMP/28 VOLT/ . . . . .							1	22
		/ORDER 1297-00-1NV FOR SPARES/								
	1297-00-1NV	. BOOST PUMP/28 VOLT/ . . . . .							1	22
		/ATTACHING PARTS/								
	AN737TW91	. CLAMP . . . . .							1	
	130909B35	. BOLT. . . . .							2	
	AN960-416L	. WASHER. . . . .							2	
	MS20365-428	. NUT . . . . .							2	
	AN960-416	. WASHER. . . . .							AR	
		-----*								

BEECHCRAFT  
BONANZA 33  
ILLUSTRATED PARTS CATALOG

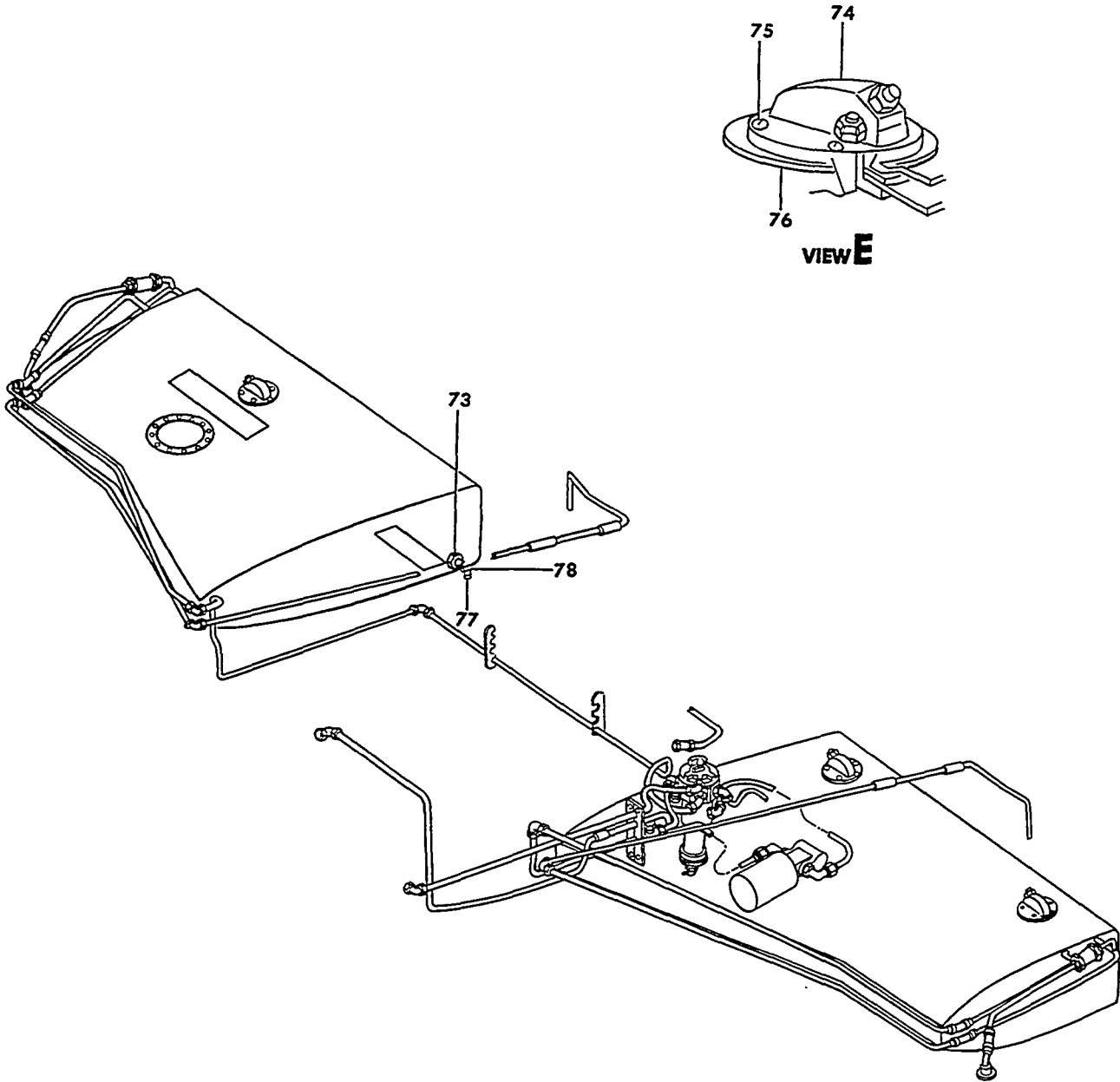


C96CE28A1357

B E E C H C R A F T  
B O N A N Z A 3 3  
I L L U S T R A T E D P A R T S C A T A L O G

FIG. & ITEM NO.	PART NO.	DESCRIPTION							UNITS PER ASSY	USABLE ON CODE																																			
		1	2	3	4	5	6	7																																					
281A	60-389012-7	.	P	R	E	S	S	W	I	T	C	H	/	14	V	O	L	T	/	1	21																								
	60-389012-9	.	P	R	E	S	S	W	I	T	C	H	/	28	V	O	L	T	/	1	22																								
- 64	33-924016-5	.	T	U	B	E	A	S	S	Y	.	.	.	.	.	.	.	.	.	1	4																								
- 65	106200H4-36	.	H	O	S	E	A	S	S	Y	.	.	.	.	.	.	.	.	1	4																									
- 66	AN824-6D	.	T	E	E	.	.	.	.	.	.	.	.	.	.	.	.	.	1	4																									
- 67	AN818-6D	.	N	U	T	.	.	.	.	.	.	.	.	.	.	.	.	.	1	4																									
- 68	6-4TRTX-S	.	R	E	D	U	C	E	R	.	.	.	.	.	.	.	.	.	1	4																									
- 69	AN833-6D	.	E	L	B	O	W	.	.	.	.	.	.	.	.	.	.	.	1	4																									
	AN924-6	.	N	U	T	.	.	.	.	.	.	.	.	.	.	.	.	.	1	4																									
	MS29512-6	.	P	A	C	K	I	N	G	,	P	R	E	F	O	R	M	E	D	.	1	4																							
- 70	36-920054-5	.	D	E	C	A	L	/	80	G	A	L	/	A	V	G	A	S	/	B	L	A	C	/	2	34																			
	36-920054-7	.	D	E	C	A	L	/	80	G	A	L	/	A	V	G	A	S	/	W	H	I	T	E	/	2	34																		
	58-920034-21	.	D	E	C	A	L	/	80	G	A	L	/	U	S	A	B	L	E	F	U	E	L	/	W	H	I	T	E	/	2	27													
	58-920034-23	.	D	E	C	A	L	/	80	G	A	L	/	U	S	A	B	L	E	F	U	E	L	/	B	L	A	C	/	2	27														
	36-920036-5	.	D	E	C	A	L	/	50	G	A	L	/	F	U	E	L	I	N	S	T	R	U	C	T	I	O	N	/	W	H	I	T	E	/	2	29								
	36-920036-7	.	D	E	C	A	L	/	50	G	A	L	/	F	U	E	L	I	N	S	T	R	U	C	T	I	O	N	/	B	L	A	C	/	2	29									
	36-920053-5	.	D	E	C	A	L	/	C	A	U	T	I	O	N	,	F	U	E	L	N	O	Z	Z	L	E	/	W	H	I	T	E	/	2	29										
	36-920053-7	.	D	E	C	A	L	/	C	A	U	T	I	O	N	,	F	U	E	L	N	O	Z	Z	L	E	/	B	L	A	C	/	2	29											
	58-920050-5	.	D	E	C	A	L	/	50	G	A	L	/	A	V	G	A	S	/	B	L	A	C	/	.	.	.	.	.	.	.	.	.	2	33										
	58-920050-7	.	D	E	C	A	L	/	50	G	A	L	/	A	V	G	A	S	/	W	H	I	T	E	/	.	.	.	.	.	.	.	.	2	33										
	95-921016-1	.	D	E	C	A	L	/	50	G	A	L	/	C	A	U	T	I	O	N	,	F	U	E	L	N	O	Z	Z	L	E	/	W	H	I	T	E	/	2	33					
	95-921016-3	.	D	E	C	A	L	/	50	G	A	L	/	C	A	U	T	I	O	N	,	F	U	E	L	N	O	Z	Z	L	E	/	B	L	A	C	/	2	33						
- 71	R 35-924148	.	P	L	A	C	A	R	D	,	F	U	E	L	C	E	L	L	S	U	M	P	D	R	A	I	N	.	.	.	.	.	.	2	3										
	R 95-921014-1	.	P	L	A	C	A	R	D	,	F	U	E	L	S	T	R	A	I	N	E	R	/	W	H	I	T	E	/	.	.	.	.	.	2	3									
	R 95-921014-3	.	P	L	A	C	A	R	D	,	F	U	E	L	S	T	R	A	I	N	E	R	/	B	L	A	C	/	.	.	.	.	.	2	3										
	R 58-920034-25	.	P	L	A	C	A	R	D	,	I	D	E	N	T	I	F	I	C	A	T	I	O	N	F	U	E	L	T	A	N	K	W	I	N	G	/	W	H	I	T	E	/	2	3
	R 58-920034-27	.	P	L	A	C	A	R	D	,	I	D	E	N	T	I	F	I	C	A	T	I	O	N	F	U	E	L	T	A	N	K	W	I	N	G	/	B	L	A	C	/	2	3	
	131061-2	.	D	E	C	A	L	.	.	.	.	.	.	.	.	.	.	.	.	.	.	.	.	.	.	.	.	.	.	.	.	.	.	1	29										
	35-921500-1	.	C	E	L	L	I	N	S	T	L	,	W	I	N	G	F	U	E	L	L	H	/	A	N	T	I	-	S	L	O	S	H	/	.	.	.	NP	33						
	35-921500-3	.	C	E	L	L	I	N	S	T	L	,	W	I	N	G	F	U	E	L	L	H	/	A	N	T	I	-	S	L	O	S	H	/	.	.	.	NP	9						
	35-921500-2	.	C	E	L	L	I	N	S	T	L	,	W	I	N	G	F	U	E	L	R	H	/	A	N	T	I	-	S	L	O	S	H	/	.	.	.	NP	33						
	35-921500-4	.	C	E	L	L	I	N	S	T	L	,	W	I	N	G	F	U	E	L	R	H	/	A	N	T	I	-	S	L	O	S	H	/	.	.	.	NP	9						
- 72	R 96-380046-1	.	W	I	N	G	F	U	E	L	C	E	L	L	H	/	25	G	A	L	C	A	P	A	C	I	T	/	.	.	.	.	.	NP	39										
	R 96-380046-7	.	W	I	N	G	F	U	E	L	C	E	L	L	H	/	25	G	A	L	C	A	P	A	C	I	T	/	.	.	.	.	.	NP	39										
	R 96-380046-9	.	W	I	N	G	F	U	E	L	C	E	L	L	H	/	25	G	A	L	C	A	P	A	C	I	T	/	.	.	.	.	.	1	40										
	R 96-380046-11	.	W	I	N	G	F	U	E	L	C	E	L	L	H	/	25	G	A	L	C	A	P	A	C	I	T	/	.	.	.	.	.	1	40										
	R 96-380046-2	.	W	I	N	G	F	U	E	L	C	E	L	L	R	H	/	25	G	A	L	C	A	P	A	C	I	T	/	.	.	.	.	.	NP	39									
	R 96-380046-8	.	W	I	N	G	F	U	E	L	C	E	L	L	R	H	/	25	G	A	L	C	A	P	A	C	I	T	/	.	.	.	.	.	NP	39									
	R 96-380046-10	.	W	I	N	G	F	U	E	L	C	E	L	L	R	H	/	25	G	A	L	C	A	P	A	C	I	T	/	.	.	.	.	.	1	40									
	R 96-380046-12	.	W	I	N	G	F	U	E	L	C	E	L	L	R	H	/	25	G	A	L	C	A	P	A	C	I	T	/	.	.	.	.	.	1	40									
	95-380027-1	.	W	I	N	G	F	U	E	L	C	E	L	L	A	S	S	Y	L	H	/	25	G	A	L	C	A	P	A	C	I	T	/	.	.	.	1	6							
	50-92008-7	.	W	I	N	G	F	U	E	L	C	E	L	L	A	S	S	Y	L	H	/	25	G	A	L	C	A	P	A	C	I	T	/	.	.	.	1	6							
	95-380027-3	.	W	I	N	G	F	U	E	L	C	E	L	L	A	S	S	Y	L	H	/	25	G	A	L	C	A	P	A	C	I	T	/	.	.	.	1	41							
	95-380027-5	.	W	I	N	G	F	U	E	L	C	E	L	L	A	S	S	Y	L	H	/	25	G	A	L	C	A	P	A	C	I	T	/	.	.	.	1	41							
	95-380027-2	.	W	I	N	G	F	U	E	L	C	E	L	L	A	S	S	Y	L	H	/	25	G	A	L	C	A	P	A	C	I	T	/	.	.	.	1	6							
	50-92008-8	.	W	I	N	G	F	U	E	L	C	E	L	L	A	S	S	Y	R	H	/	25	G	A	L	C	A	P	A	C	I	T	/	.	.	.	1	6							
	95-380027-4	.	W	I	N	G	F	U	E	L	C	E	L	L	A	S	S	Y	R	H	/	25	G	A	L	C	A	P	A	C	I	T	/	.	.	.	1	41							
	95-380027-6	.	W	I	N	G	F	U	E	L	C	E	L	L	A	S	S	Y	R	H	/	25	G	A	L	C	A	P	A	C	I	T	/	.	.	.	1	41							

BEECHCRAFT  
BONANZA 33  
ILLUSTRATED PARTS CATALOG



C96CE28A1358

B E E C H C R A F T  
B O N A N Z A 3 3  
I L L U S T R A T E D P A R T S C A T A L O G

FIG. & ITEM NO.	PART NO.	DESCRIPTION	UNITS							USABLE ON CODE	
			1	2	3	4	5	6	7		
281A - 73	45-921541	. STRAINER,WING FUEL. . . . .							1	10	
	50-920064	. STRAINER,WING FUEL/ALTERNATE FOR 45-921541/ .							1	11	
	FCR57175-1	. RESERVOIR ASSY,LH . . . . .							1	5	
	FCR57176-2	. RESERVOIR ASSY,RH . . . . .							1	5	
	36-920014-1	. CONNECTOR ASSY. . . . .							1	5	
	5640556	. TRANSMITTER,LH/USED ON 50 GAL.CAP. SYSTEM/ .							1	6	
	CB7740-126	. TRANSMITTER,LH/ALTERNATE FOR 5640556/ . . . .							1	6	
	- 74	5641801	. TRANSMITTER,RH/USED ON 50 GAL.CAP SYSTEM/ . .							1	6
		CB7740-126	. TRANSMITTER,RH/ALTERNATE FOR 5641801/ . . . .							1	6
		35-380136-7	. TRANSMITTER,LH & RH/ON 50 GAL CAP SYSTEM/ . .							2	12
		/ATTACHING PARTS/									
	ANS02-10-6	. SCREW . . . . .							4		
- 75	ANS02-10-8	. SCREW . . . . .							1		
		-----*									
- 76	35-921503	. GASKET,TRANSMITTER. . . . .							1	3	
	96-380035-1	. CAP ASSY,FUEL CELL/USE ON 50 GAL.CAP.SYSTEM/ .							2	3	
		/SEE FIG.287/									
- 77	CCA3400	. VALVE,DRAIN . . . . .							1	3	
	CCA1319	. . SEAL. . . . .							1	3	
		/ATTACHING PARTS/									
- 78	35-921533	. CLAMP,FUEL CELL DRAIN . . . . .							1		
	35-921532	. WASHER,FUEL CELL DRAIN. . . . .							1		
		-----*									
	CCA1319	. . SEAL,VALVE. . . . .							1	3	
	36-920022-1	. SPACER /LH & RH/. . . . .							1	3	

B E E C H C R A F T  
B O N A N Z A 3 3  
I L L U S T R A T E D P A R T S C A T A L O G

FIG. & ITEM NO.	PART NO.	1 2 3 4 5 6 7	DESCRIPTION	UNITS PER ASSY	USABLE ON CODE
-----------------------	-------------	---------------	-------------	----------------------	----------------------

C O D E S O F E F F E C T I V I T Y

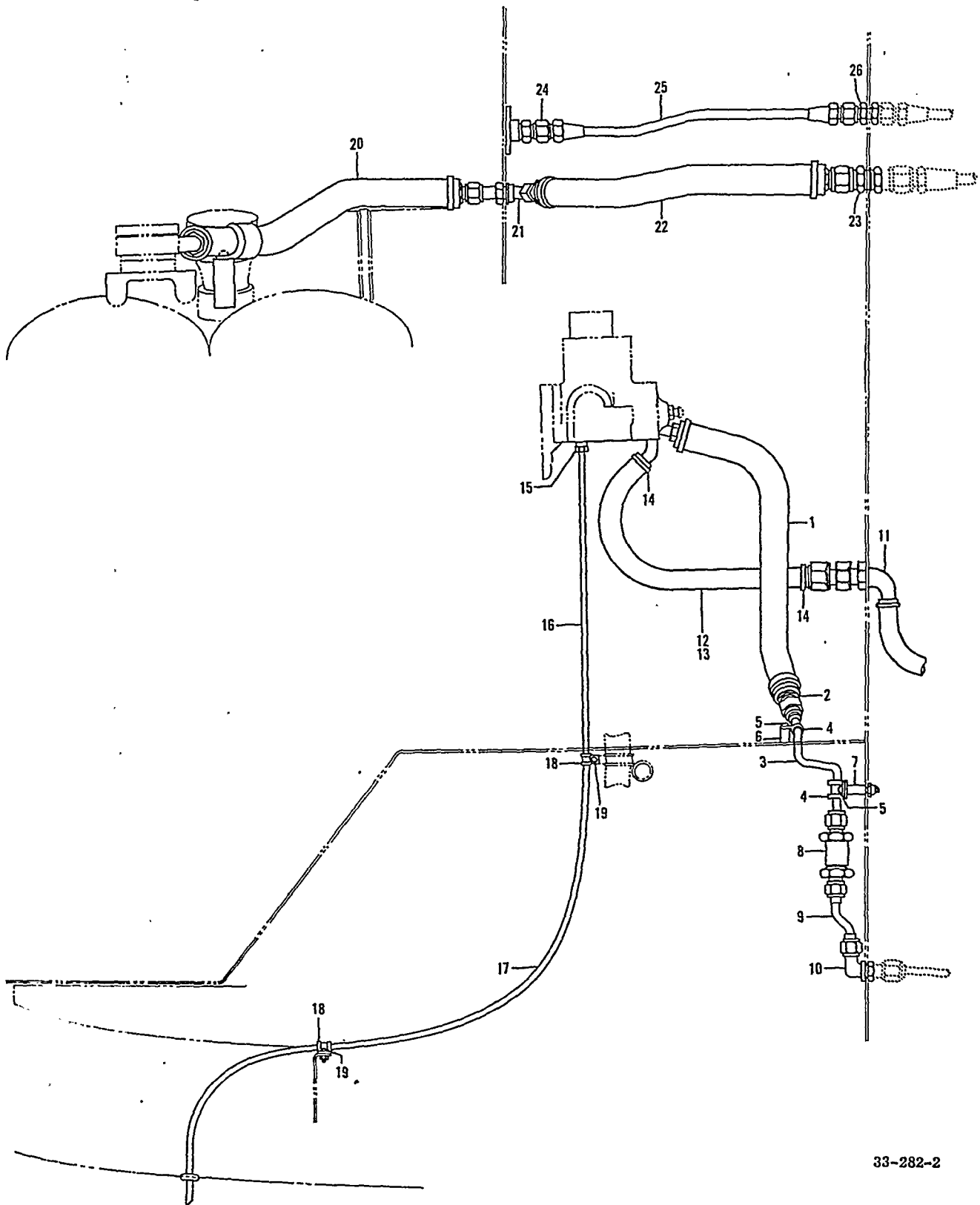
1	CJ-130 AND AFTER	2	CD-1255 THRU CD-1304
3	CD-1255 THRU CD-1304	4	CJ-26 AND AFTER
	CE-290 AND AFTER		
	CJ-26 AND AFTER		
5	CJ-31 AND AFTER	6	CJ-26 THRU CJ-30
7	CE-290 THRU CE-308	8	CD-1255 THRU CD-1304
	CJ-26 THRU CJ-30		CE-309 AND AFTER
			CJ-31 AND AFTER
9	CD-1255 THRU CD-1304	10	CE-465 AND AFTER
	CE-290 AND AFTER		
11	CD-1274 THRU CD-1304	12	CD-1255 THRU CD-1304
	CE-364 AND AFTER		CJ-31 AND AFTER
	CJ-31 AND AFTER		
13	CJ-26 THRU CJ-39	14	CJ-40 THRU CJ-155
15	CE-290 THRU CE-349	16	CE-350 THRU CE-393,
	CE-394,CE-395,		CE-396 THRU CE-400
	CE-401 THRU CE-928		
17	CD-1255 THRU CD-1304	18	CE-477 AND AFTER
	CE-290 THRU CE-476		CJ-45 AND AFTER
	CJ-26 THRU CJ-44		
19	CD-1255 THRU CD-1304	20	CE-748,
	CE-290 THRU CE-747		CE-772 AND AFTER
	CE-749 THRU CE-771		CJ-149 AND AFTER
	CJ-26 THRU CJ-148		
21	CJ-26 THRU CJ-148	22	CJ-149 AND AFTER
23	CD-1255 THRU CD-1304	24	CE-929 AND AFTER
	CE-290 THRU CE-464		
25	CD-1255 THRU CD-1304	26	CE-1014 AND AFTER
	CJ-156 AND AFTER		
27	CJ-156 AND AFTER	28	CE-290 THRU CE-349
			CE-394,CE-395
			CE-401 THRU CE-883
29	CE-290 AND AFTER	30	CE-1014 AND AFTER
			CJ-156 AND AFTER
31	CE-1056 AND AFTER	32	CD-1255 THRU CD-1304
	CJ-156 AND AFTER		CE-290 THRU CE-1055
			CJ-26 THRU CJ-155
33	CJ-26 THRU CJ-155	34	CD-1255 THRU CD-1304
			CE-290 AND AFTER
			CJ-26 AND AFTER
35	CJ-40 AND AFTER	36	CD-1255 THRU CD-1304
			CE-290 THRU CE-1013
37	CE-1014 THRU CE-1767	38	CE-1768 AND AFTER
	CJ-156 THRU CJ-179		CJ-180 AND AFTER
39	CD-1255 THRU CD-1273	40	CD-1274 THRU CD-1304
	CE-290 THRU CE-363		CE-364 AND AFTER
41	CJ-31 THRU CJ-155		

B E E C H C R A F T  
B O N A N Z A 3 3  
I L L U S T R A T E D P A R T S C A T A L O G

FIGURE 282  
ENGINE SECTION FUEL SYSTEM  
CD-1235 THRU CD-1254



BEECHCRAFT  
BONANZA 33  
ILLUSTRATED PARTS CATALOG



33-282-2

FIGURE 282. ENGINE SECTION FUEL SYSTEM

B E E C H C R A F T  
B O N A N Z A 3 3  
I L L U S T R A T E D P A R T S C A T A L O G

FIG. & ITEM NO.	PART NO.	DESCRIPTION							UNITS PER ASSY	USABLE ON CODE
		1	2	3	4	5	6	7		
282	33-920000-21	FUEL SYSTEM INSTL/STANDARD 50 GALLON CAPACITY/.							NP	1
	35-921155-107	FUEL SYSTEM INSTL/OPTIONAL 80 GALLON CAPACITY/.							NP	1
- 1	MS28741-4-0102	. HOSE ASSY, FUEL RETURN . . . . .							1	1
- 2	AN815-4	. UNION . . . . .							1	1
- 3	36-920000-17	. TUBE ASSY, FUEL RETURN . . . . .							1	1
		/ATTACHING PARTS/								
- 4	MS21919DG4	. CLAMP . . . . .							2	
- 5	AN515-8R16	. SCREW . . . . .							2	
- 6	100696D-ZF016	. SPACER . . . . .							1	
- 7	100696D-ZF020	. SPACER . . . . .							1	
	AN960-8	. WASHER . . . . .							1	
		*-----*								
- 8	50-380170-11	. VALVE, CHECK . . . . .							1	1
- 9	36-920000-3	. TUBE ASSY, FUEL RETURN . . . . .							1	1
- 10	AN833-4	. ELBOW . . . . .							1	1
	AN960-716	. WASHER . . . . .							AR	1
	AN924-4	. NUT . . . . .							1	1
- 11	AN833-6	. ELBOW . . . . .							1	1
	AN960-916	. WASHER . . . . .							AR	1
	AN924-6	. NUT . . . . .							1	1
- 12	35-921154-55	. LAGGING . . . . .							1	1
- 13	MS28741-6-0140	. HOSE ASSY . . . . .							1	1
		/ATTACHING PARTS/								
- 14	NAS397-16	. CLAMP . . . . .							2	
	A3122-16-1	. CLAMP /ALTERNATE FOR NAS397-16/ . . . . .							2	
		*-----*								
- 15	AN816-2B	. NIPPLE . . . . .							1	1
- 16	35-921154-103	. TUBE ASSY, PUMP DRAIN . . . . .							1	1
	130936N6U0200	. HOSE, DRAIN . . . . .							1	1
	U5	. CLAMP . . . . .							2	1
- 17	35-921155-119	. TUBE ASSY, DRAIN . . . . .							1	1
		/ATTACHING PARTS/								
- 18	MS21919DG4	. CLAMP . . . . .							2	
- 19	AN515-8R8	. SCREW . . . . .							2	
	AN960-8	. WASHER . . . . .							2	
	MS20365-832	. NUT . . . . .							2	
		*-----*								
- 20	MS28741-4-0160	. HOSE ASSY, FUEL PRESSURE . . . . .							1	1
- 21	AN832-4D	. UNION . . . . .							1	1
	AN960-716	. WASHER . . . . .							2	1
	AN924-4D	. NUT . . . . .							1	1
- 22	MS28741-4-0120	. HOSE ASSY, PRESSURE . . . . .							1	1
- 23	AN832-4	. UNION . . . . .							1	1
	AN960-716	. WASHER . . . . .							2	1
	AN924-4	. NUT . . . . .							1	1
- 24	AN816-3D	. NIPPLE . . . . .							1	1
- 25	MS28741-4-0130	. HOSE ASSY, VENT . . . . .							1	1
- 26	AN832-3	. UNION . . . . .							1	1
	AN960-616	. WASHER . . . . .							2	1
	AN924-3	. NUT . . . . .							1	1

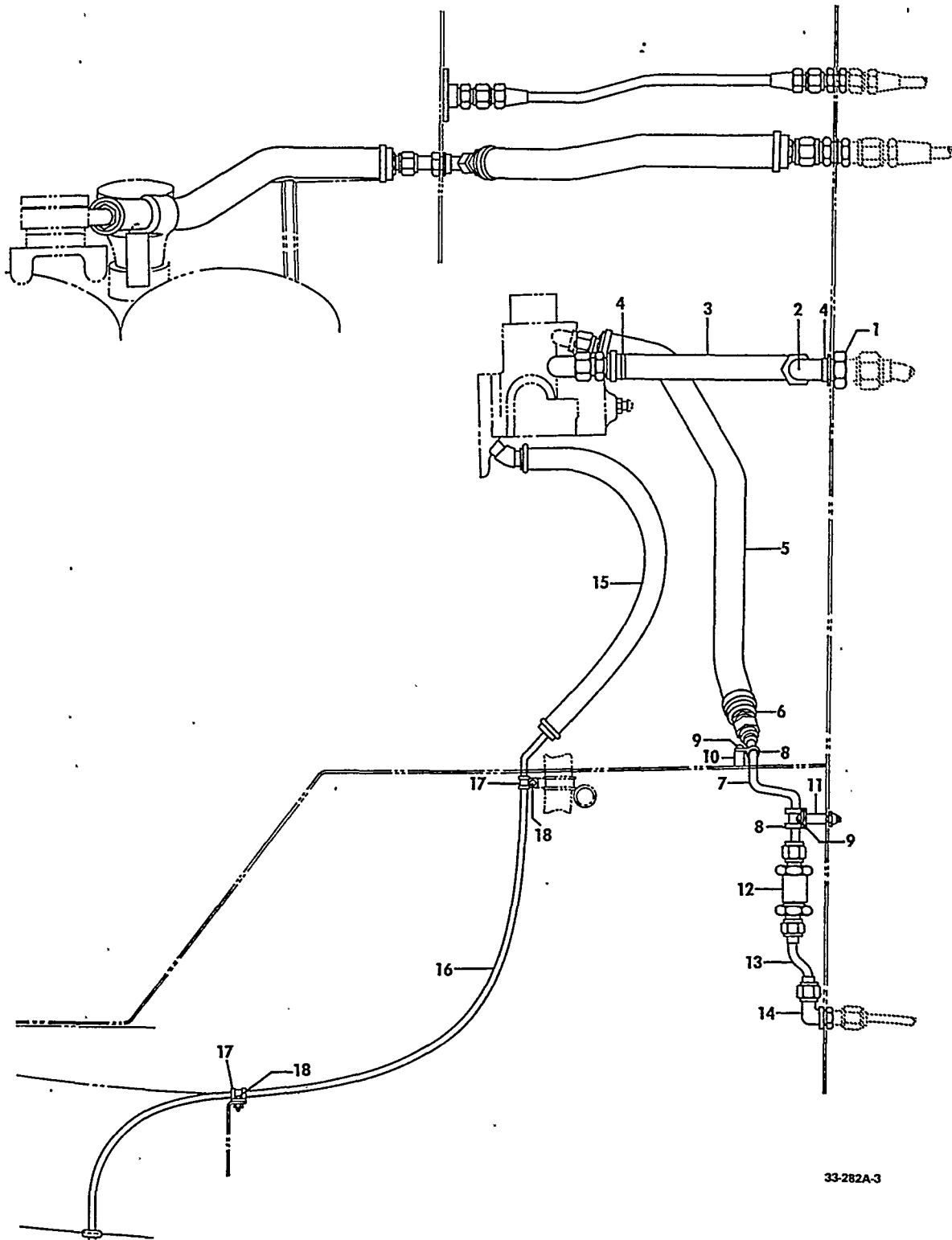
C O D E S O F E F F E C T I V I T Y

1 CD-1235 THRU CD-1254

B E E C H C R A F T  
B O N A N Z A 3 3  
I L L U S T R A T E D P A R T S C A T A L O G

FIGURE 282A  
ENGINE SECTION FUEL SYSTEM  
CD-1255 THRU CD-1304, CE-290 AND AFTER  
CJ-26 AND AFTER

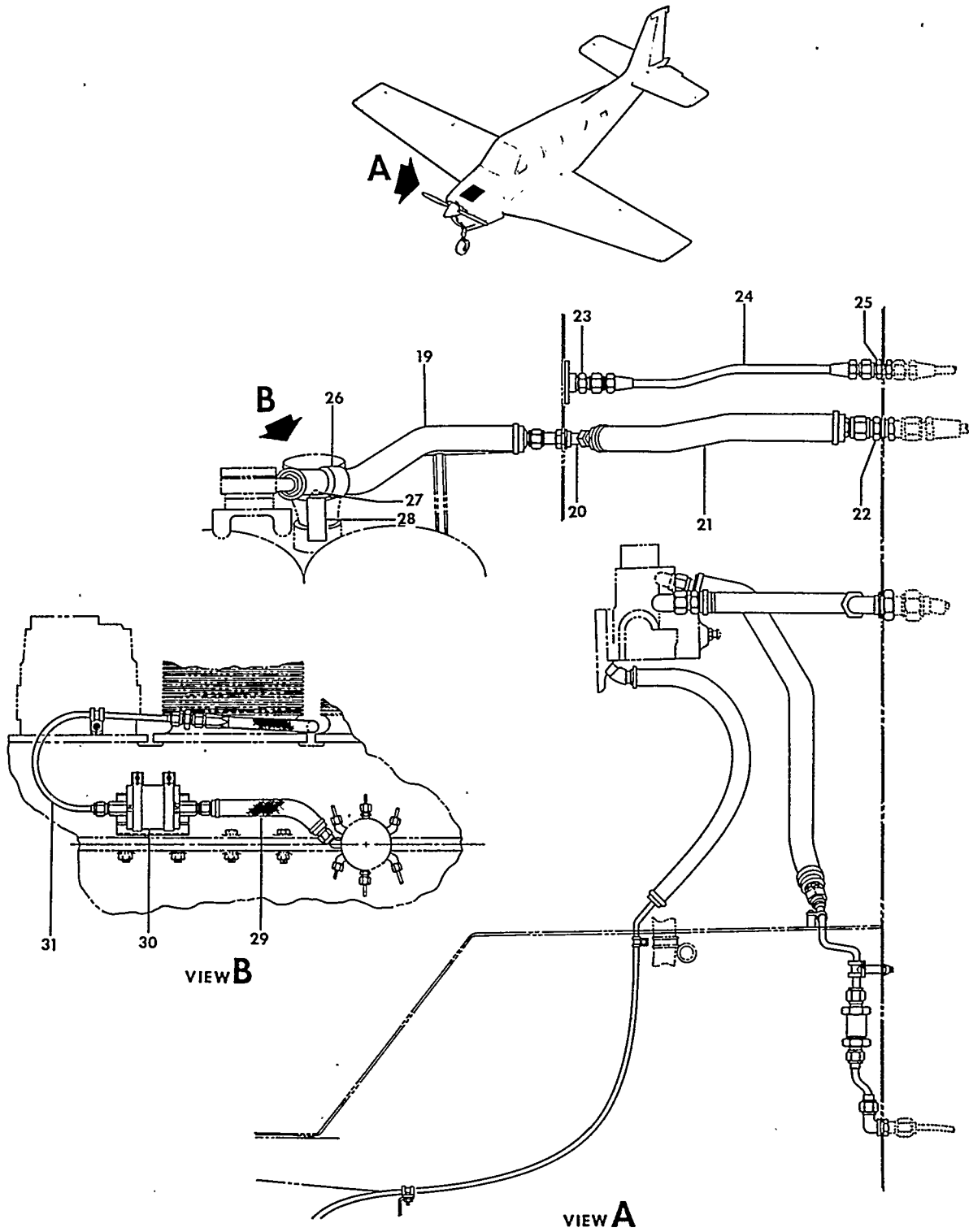
BEECHCRAFT  
BONANZA 33  
ILLUSTRATED PARTS CATALOG



B E E C H C R A F T  
B O N A N Z A 3 3  
I L L U S T R A T E D P A R T S C A T A L O G

FIG. & ITEM NO.	PART NO.	DESCRIPTION	UNITS PER ASSY	USABLE ON CODE
		1 2 3 4 5 6 7		
282A	35-921155-117	FUEL SYSTEM INSTL/STANDARD 50 GALLON CAPACITY/.	NP	1
	35-921155-135	FUEL SYSTEM INSTL/STANDARD 50 GALLON CAPACITY/.	NP	4
	35-921155-161	FUEL SYSTEM INSTL/STANDARD 50 GALLON CAPACITY/.	NP	2
	35-921155-109	FUEL SYSTEM INSTL/OPTIONAL 80 GALLON CAPACITY/.	NP	1
	35-921155-195	FUEL SYSTEM INSTL/80 GAL/ . . . . .	NP	10
	35-921155-133	FUEL SYSTEM INSTL/OPTIONAL 80 GALLON CAPACITY/.	NP	6
	35-921155-173	FUEL SYSTEM INSTL/OPTIONAL 80 GALLON CAPACITY/.	NP	7
	35-921155-193	FUEL SYSTEM INSTL/80 GAL/ . . . . .	NP	10
	35-921155-159	FUEL SYSTEM INSTL/OPTIONAL 80 GALLON CAPACITY/.	NP	2
- 1	AN833-6	. ELBOW . . . . .	1	3
	AN960-916	. WASHER . . . . .	1	3
	AN924-6	. NUT . . . . .	1	3
- 2	130524-6-0185	. HOSE ASSY, FUEL SUPPLY . . . . .	1	5
	130524-6-0180	. HOSE ASSY, FUEL SUPPLY . . . . .	1	2
- 3	35-921155-131	. SLEEVE . . . . .	1	3
		/ATTACHING PARTS/		
- 4	NAS397-16	. CLAMP . . . . .	2	
		*-----*		
	4C6X-S	. ELBOW . . . . .	1	9
- 5	130524-4-0170	. HOSE ASSY, FUEL RETURN . . . . .	1	3
- 6	AN815-4	. UNION . . . . .	1	3
- 7	36-920001-33	. TUBE ASSY, FUEL RETURN . . . . .	1	3
		/ATTACHING PARTS/		
- 8	MS21919DG4	. CLAMP . . . . .	2	
- 9	AN515-8R16	. SCREW . . . . .	2	
- 10	1006960-ZF016	. SPACER . . . . .	1	
- 11	1006960-ZF020	. SPACER . . . . .	1	
	AN960-8	. WASHER . . . . .	1	
		*-----*		
- 12	50-380170-11	. VALVE, CHECK . . . . .	1	3
	131061-2	. DECAL . . . . .	1	12
- 13	36-920000-3	. TUBE ASSY, FUEL RETURN . . . . .	1	3
- 14	AN833-4	. ELBOW . . . . .	1	3
	AN960-716	. WASHER . . . . .	1	3
	AN924-4	. NUT . . . . .	1	3
- 15	130936N6U0200	. HOSE ASSY, DRAIN . . . . .	1	5
	106200G4-32	. HOSE ASSY, FUEL PUMP DRAIN . . . . .	1	2
- 16	35-921155-119	. TUBE ASSY, DRAIN . . . . .	1	3
		/ATTACHING PARTS/		
- 17	MS21919DG4	. CLAMP . . . . .	2	
- 18	AN515-8R8	. SCREW . . . . .	2	
	AN960-8	. WASHER . . . . .	1	
	MS20365-832	. NUT . . . . .	1	
		*-----*		

BEECHCRAFT  
BONANZA 33  
ILLUSTRATED PARTS CATALOG



33-282A-6

FIGURE 282A. ENGINE SECTION FUEL SYSTEM  
/SHEET 2 OF 2 SHEETS/

B E E C H C R A F T  
B O N A N Z A 3 3  
I L L U S T R A T E D P A R T S C A T A L O G

FIG. & ITEM NO.	PART NO.	DESCRIPTION							UNITS PER ASSY	USABLE ON CODE
		1	2	3	4	5	6	7		
282A - 19	130524-4-0160	•	•	•	•	•	•	•	1	8'
	130524-4-0170	•	•	•	•	•	•	•	1	9
- 20	AN837-4	•	•	•	•	•	•	•	1	8
	AN832-4	•	•	•	•	•	•	•	1	9
	AN960-816	•	•	•	•	•	•	•	1	3
	AN924-4	•	•	•	•	•	•	•	1	3
- 21	130524-4-0130	•	•	•	•	•	•	•	1	11
- 22	AN832-4	•	•	•	•	•	•	•	1	8
	AN837-4	•	•	•	•	•	•	•	1	9
	AN960-716	•	•	•	•	•	•	•	1	3
	AN924-4	•	•	•	•	•	•	•	1	3
- 23	AN816-3D	•	•	•	•	•	•	•	1	8
	MS20822-3	•	•	•	•	•	•	•	1	9
- 24	AN6270-3D0170	•	•	•	•	•	•	•	1	11
	MS28741-3-0140	•	•	•	•	•	•	•	1	2
- 25	AN832-3	•	•	•	•	•	•	•	1	3
	AN960-616	•	•	•	•	•	•	•	1	3
	AN924-3	•	•	•	•	•	•	•	1	3
- 26	MS21919DG11	•	•	•	•	•	•	•	1	3
		/ATTACHING PARTS/								
- 27	AN520-10R22	•	•	•	•	•	•	•	1	
- 28	100696D-ZL027	•	•	•	•	•	•	•	1	
	AN960-10	•	•	•	•	•	•	•	1	
	MS20365-1032	•	•	•	•	•	•	•	1	
		*								
	35-921263-1	•	•	•	•	•	•	•	NP	10
- 29	330995F4-0060	•	•	•	•	•	•	•	1	10
- 30	102-389034-1	•	•	•	•	•	•	•	1	10
	102-910060-1	•	•	•	•	•	•	•	1	10
	28KS3	•	•	•	•	•	•	•	2	10
- 31	35-921263-3	•	•	•	•	•	•	•	1	10

C O D E S O F E F F E C T I V I T Y

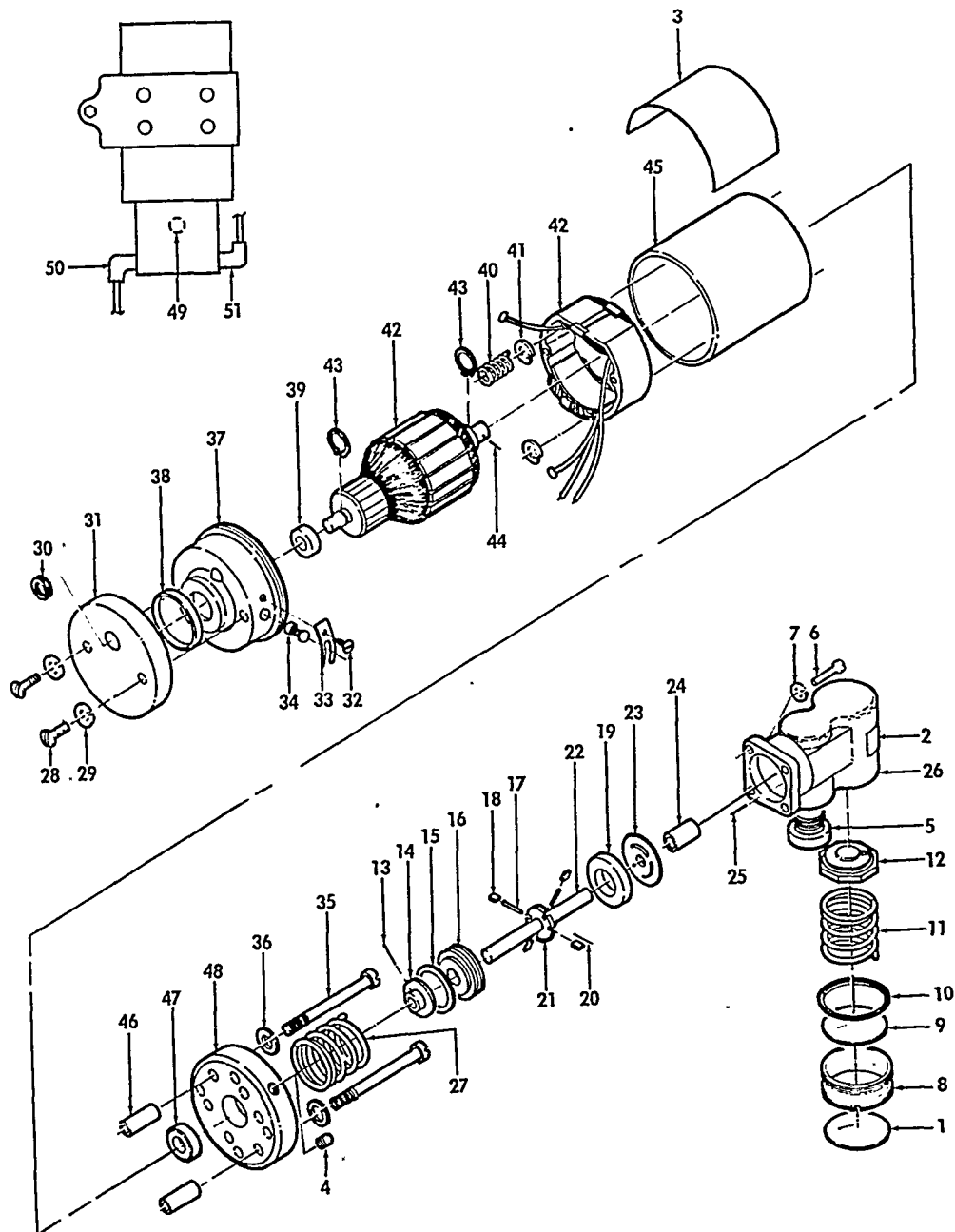
1	CE-290 AND AFTER	2	CD-1255 THRU CD-1304
3	CD-1255 THRU CD-1304	4	CJ-26 AND AFTER
	CE-290 AND AFTER		
	CJ-26 AND AFTER		
5	CE-290 AND AFTER,	6	CJ-26 THRU CJ-39
	CJ-26 AND AFTER		
7	CJ-40 AND AFTER	8	CD-1255 THRU CD-1304
			CE-290 THRU CE-580
			CJ-26 THRU CJ-85
9	CE-581 THRU CE-928	10	CE-929 AND AFTER
	CJ-86 THRU CJ-155		CJ-156 AND AFTER
11	CD-1235 THRU CD-1304	12	CE-920 AND AFTER
	CE-290 THRU CE-928		CJ-156 AND AFTER
	CJ-26 THRU CJ-155		

BEECHCRAFT  
BONANZA 33  
ILLUSTRATED PARTS CATALOG

FIGURE 285  
FUEL BOOST PUMP  
CD-1235 THRU CD-1254



BEECHCRAFT  
 BONANZA 33  
 ILLUSTRATED PARTS CATALOG



33-285-2

FIGURE 285.FUEL BOOST PUMP

BEECHCRAFT  
 BONANZA 33  
 ILLUSTRATED PARTS CATALOG

FIG. & ITEM NO.	PART NO.	DESCRIPTION	UNITS PER ASSY	USABLE ON CODE
		1 2 3 4 5 6 7		
285	35-921154-612	PUMP ASSY, FUEL BOOSTER . . . . .	1	1
	R 4140-00-7	. PUMP/ORDER 4140-00-07NV FOR SPARES/ . . . . .	NP	1
	R 4140-00-7NV	. PUMP. . . . .	1	1
- 1	2140-73	. . PLATE, INSTRUCTION . . . . .	1	1
- 2	2140-97	. . PLATE, IDENTIFICATION. . . . .	1	1
- 3	2140-25-7	. . PLATE, IDENTIFICATION. . . . .	1	1
- 4	AN932D1	. . PLUG, DRAIN. . . . .	1	1
- 5	SP6	. . PLUG, PROTECTIVE . . . . .	2	1
- 6	AN501-10-9	. . SCREW, MACHINE . . . . .	4	1
- 7	AN935-10L	. . WASHER, LOCK . . . . .	4	1
- 8	2140-56	. . PLUG. . . . .	1	1
- 9	2140-87	. . SPACER, SPRING . . . . .	AR	1
- 10	R 2140-57	. . PACKING, PREFORMED . . . . .	1	1
- 11	2140-38	. . SPRING, HELICAL. . . . .	1	1
- 12	2140-36	. . SWING ASSY, CHECK. . . . .	1	1
- 13	2172-55	. . PIN, STRAIGHT. . . . .	1	1
- 14	2140-18	. . RING, SLINGER. . . . .	1	1
- 15	R 2140-66	. . PACKING, PREFORMED . . . . .	1	1
- 16	2140-12	. . BEARING ASSY. . . . .	1	1
- 17	2140-16-1	. . PIN, STRAIGHT. . . . .	2	1
- 18	2140-21	. . VANE ASSY . . . . .	4	1
- 19	2140-07	. . SPACER. . . . .	1	1
- 20	2140-39-1	. . PIN, STRAIGHT. . . . .	1	1
- 21	2140-09	. . ROTOR . . . . .	1	1
- 22	2140-08-1	. . SHAFT . . . . .	1	1
- 23	2140-06-1	. . PLATE, BEARING . . . . .	1	1
- 24	2140-17	. . BEARING, SLEEVE. . . . .	1	1
- 25	2172-41	. . PIN, STRAIGHT. . . . .	1	1
- 26	4140-14	. . BODY, PUMP . . . . .	1	1
- 27	2140-15	. . SPRING, HELICAL. . . . .	1	1
- 28	AN500D8-12	. . SCREW, MACHINE . . . . .	2	1
- 29	AN936A8	. . WASHER, LOCK . . . . .	2	1
- 30	AN931-3-5	. . GROMMET . . . . .	1	1
- 31	2140-28	. . COVER . . . . .	1	1
- 32	AN515C4-4	. . SCREW . . . . .	2	1
- 33	2140-68	. . RETAINER, BRUSH. . . . .	2	1
- 34	2140-51	. . BRUSH ASSY. . . . .	2	1
- 35	2140-65	. . SCREW, MACHINE . . . . .	2	1
- 36	AN936A8	. . WASHER, LOCK . . . . .	2	1
- 37	3140-30	. . END BELL, MOTOR. . . . .	1	1
- 38	2140-90	. . SLEEVE. . . . .	1	1
- 39	2140-62	. . BEARING, BALL. . . . .	1	1
- 40	2140-71	. . SPRING, HELICAL. . . . .	2	1
- 41	AN935-10L	. . WASHER, LOCK . . . . .	2	1
- 42	3140-37-12	. . ARMATURE & FIELD ASSY . . . . .	1	1
- 43	2140-61	. . RING, RETAINING. . . . .	2	1
- 44	2140-50-1	. . PIN, STRAIGHT. . . . .	1	1
- 45	2140-29	. . SHELL, MOTOR . . . . .	1	1
- 46	2161-23	. . SPACER, STANDOFF . . . . .	2	1
- 47	2140-62	. . BEARING, BALL. . . . .	1	1
- 48	3140-22-1	. . END BELL, MOTOR. . . . .	1	1
- 49	35-924291-1	. . ELBOW . . . . .	1	1
- 50	6C5X-D	. . ELBOW . . . . .	1	1
- 51	AN833-6D	. . ELBOW . . . . .	1	1

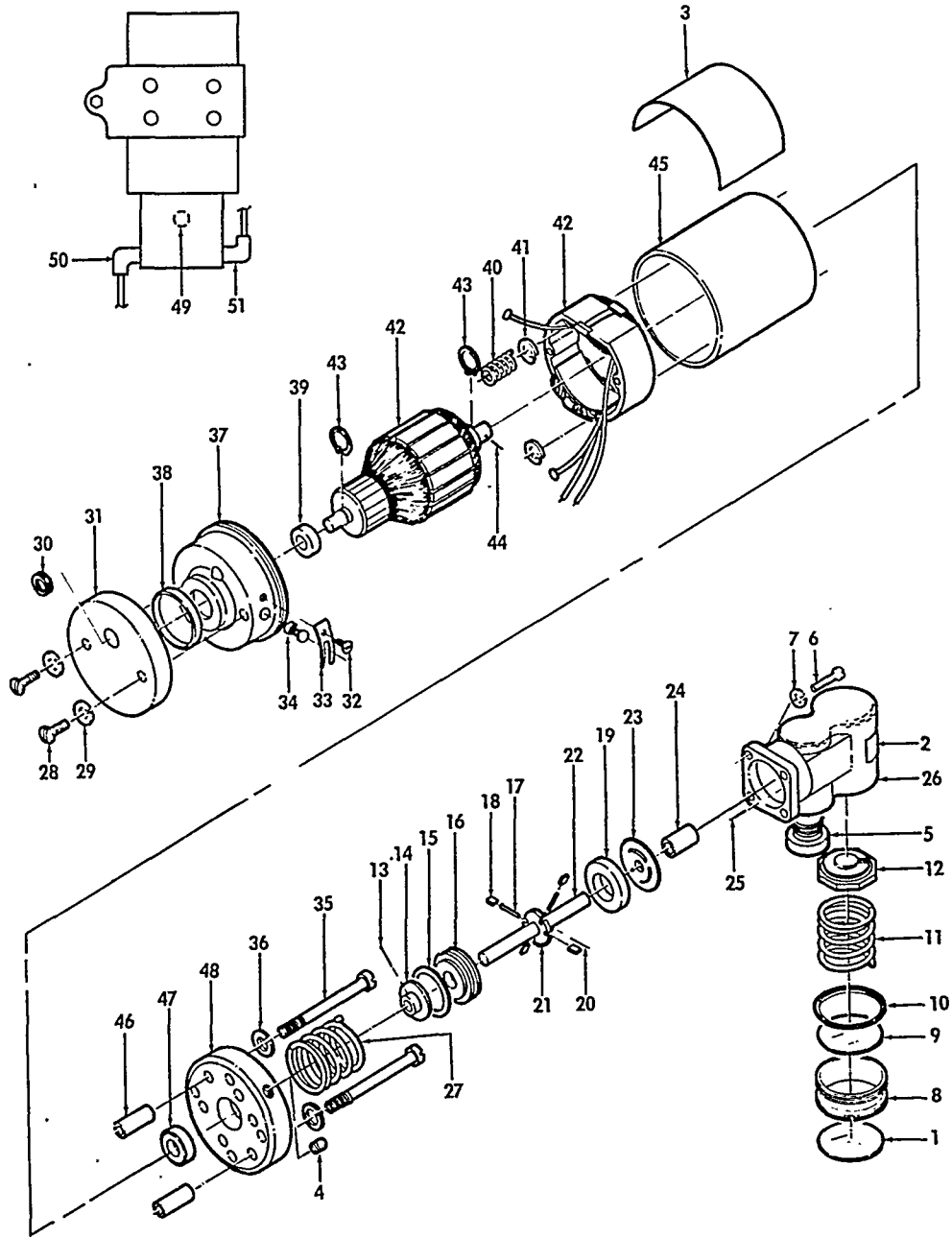
CODES OF EFFECTIVITY

1 CD-1235 THRU CD-1254

BEECHCRAFT  
BONANZA 33  
ILLUSTRATED PARTS CATALOG

FIGURE 285A  
FUEL BOOST PUMP  
CD-1255 THRU CD-1304,  
CE-290 THRU CE-771 EXCEPT CE-748  
CJ-26 THRU CJ-149

BEECHCRAFT  
 BONANZA 33  
 ILLUSTRATED PARTS CATALOG



33-285-2

FIGURE 285A. FUEL BOOST PUMP

B E E C H C R A F T  
B O N A N Z A 3 3  
I L L U S T R A T E D P A R T S C A T A L O G

FIG. & ITEM NO.	PART NO.	DESCRIPTION	UNITS PER ASSY	USABLE ON CODE
285A	35-921155-610	PUMP ASSY, FUEL BOOSTER . . . . .	1	1
	R 4140-00-39	. PUMP/NO BREAK DOWN AVAILABLE FOR 4140-00-39/ /ORDER 4140-00-39NV FOR SPARES/	NP	1
	R 4140-00-39NV	. PUMP . . . . . /NO BREAK DOWN AVAILABLE FOR 4140-00-39NV	1	1
- 1	2140-73	. . . PLATE, INSTRUCTION . . . . .	1	1
- 2	2140-97	. . . PLATE, IDENTIFICATION . . . . .	1	1
- 3	2140-25-39	. . . PLATE, IDENTIFICATION . . . . .	1	1
- 4	AN932D1	. . . PLUG, DRAIN . . . . .	1	1
- 5	SP6	. . . PLUG, PROTECTIVE . . . . .	2	1
- 6	AN501-10-9	. . . SCREW, MACHINE . . . . .	4	1
- 7	AN935-1CL	. . . WASHER, LOCK . . . . .	4	1
- 8	2140-56	. . . PLUG, THREADED . . . . .	1	1
- 9	2140-87	. . . SPRING, SPACER . . . . .	AR	1
- 10	R 2140-57	. . . PACKING, PREFORMED . . . . .	1	1
- 11	2140-38-3	. . . SPRING, HELICAL . . . . .	1	1
- 12	2140-36	. . . CHECK ASSY, SWING . . . . .	1	1
- 13	2172-55	. . . PIN, STRAIGHT . . . . .	1	1
- 14	2140-18	. . . RING, SLINGER . . . . .	1	1
- 15	R 2140-66	. . . PACKING, PREFORMED . . . . .	1	1
- 16	2140-12	. . . BEARING ASSY . . . . .	1	1
- 17	2140-16-1	. . . PIN, STRAIGHT . . . . .	2	1
- 18	2140-21	. . . VANE ASSY . . . . .	4	1
- 19	2140-07	. . . SPACER . . . . .	1	1
- 20	2140-39-1	. . . PIN, STRAIGHT . . . . .	1	1
- 21	2140-09	. . . ROTOR . . . . .	1	1
- 22	2140-08-1	. . . SHAFT . . . . .	1	1
- 23	2140-06-1	. . . PLATE, BEARING . . . . .	1	1
- 24	2140-17	. . . BEARING, SLEEVE . . . . .	1	1
- 25	2172-41	. . . PIN, STRAIGHT . . . . .	1	1
- 26	4140-14	. . . BODY, PUMP . . . . .	1	1
- 27	2140-15	. . . SPRING, HELICAL . . . . .	1	1
- 28	AN500D8-12	. . . SCREW, MACHINE . . . . .	2	1
- 29	AN936A8	. . . WASHER, LOCK . . . . .	2	1
- 30	AN931-3-5	. . . GROMMET . . . . .	1	1
- 31	2140-28	. . . COVER . . . . .	1	1
- 32	AN515C4-4	. . . SCREW . . . . .	2	1
- 33	2140-68	. . . RETAINER, BRUSH . . . . .	2	1
- 34	2140-51	. . . BRUSH ASSY . . . . .	2	1
- 35	2140-65	. . . SCREW, MACHINE . . . . .	2	1
- 36	AN936A8	. . . WASHER, LOCK . . . . .	2	1
- 37	3140-30	. . . BELL, MOTOR END . . . . .	1	1
- 38	2140-90	. . . SLEEVE . . . . .	1	1
- 39	2140-62	. . . BEARING, BALL . . . . .	1	1
- 40	2140-71	. . . SPRING, HELICAL . . . . .	2	1
- 41	AN935-1CL	. . . WASHER, LOCK . . . . .	2	1
- 42	3140-37-12	. . . ARMATURE & FIELD ASSY . . . . .	1	1
- 43	2140-61	. . . RING, RETAINING . . . . .	2	1
- 44	2140-50-1	. . . PIN, STRAIGHT . . . . .	1	1
- 45	2140-29	. . . SHELL, MOTOR . . . . .	1	1
- 46	2161-23	. . . SPACER, STANDOFF . . . . .	2	1
- 47	2140-62	. . . BEARING, BALL . . . . .	1	1
- 48	3140-22-1	. . . BELL, MOTOR END . . . . .	1	1
- 49	35-924291-1	. . . ELBOW . . . . .	1	1
- 50	6C5X-D	. . . ELBOW . . . . .	1	1
- 51	AN833-6D	. . . ELBOW . . . . .	1	1
	MS29512-6	. . . GASKET . . . . .	2	1
	AN924-6D	. . . NUT . . . . .	2	1

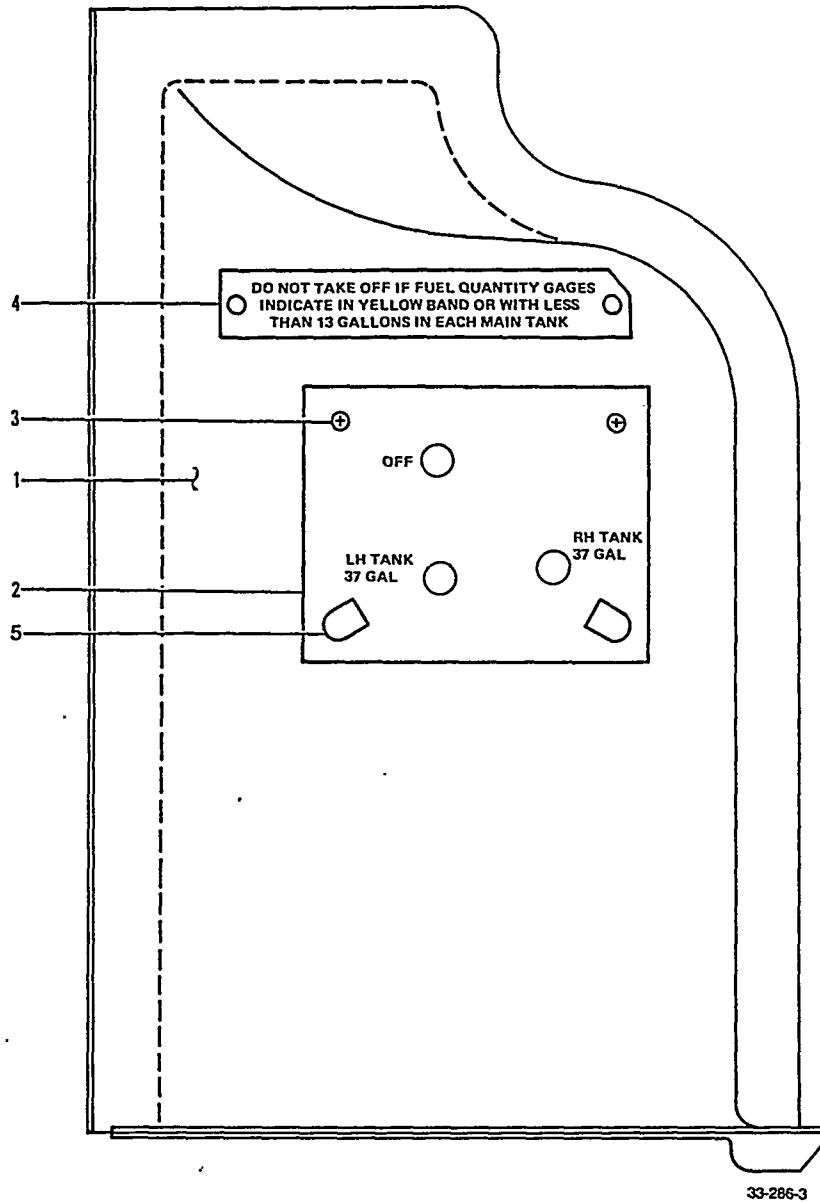
C O D E S O F E F F E C T I V I T Y

1 CD-1255 THRU CD-1304  
CE-290 THRU CE-771  
EXCEPT CE-748  
CJ-26 THRU CJ-149

BEECHCRAFT  
BONANZA 33  
ILLUSTRATED PARTS CATALOG

FIGURE 286  
FUEL SELECTOR VALVE COVER

BEECHCRAFT  
BONANZA 33  
ILLUSTRATED PARTS CATALOG



B E E C H C R A F T  
B O N A N Z A 3 3  
I L L U S T R A T E D P A R T S C A T A L O G

FIG. & ITEM NO.	PART NO.	DESCRIPTION	UNITS PER ASSY	USABLE ON CODE	
		1 2 3 4 5 6 7			
286	35-534421-23	PARTITION ASSY/50 GALLON CAPACITY SYSTEM/ /WITHOUT OXYGEN/	1	1	
	35-534421-25	PARTITION ASSY/80 GALLON CAPACITY SYSTEM/ /WITHOUT OXYGEN/	1	1	
	35-560010-41	PARTITION INSTL . . . . .	NP	3	
	36-530099-3	COVER ASSY,FUEL SELECTOR VALVE . . . . .	1	2	
	35-560010-39	OXYGEN BOTTLE INSTL . . . . .	NP	5	
	35-560010-45	OXYGEN BOTTLE INSTL . . . . .	NP	4	
	- 1	35-534421-7	. COVER,FUEL SELECTOR VALVE . . . . .	1	1
		36-530099-5	. COVER,FUEL SELECTOR VALVE . . . . .	1	2
		35-924256-3	. COVER,FUEL SELECTOR VALVE/USED ON . . . . .	1	3
			35-560010-39,-41&-45 INSTALLATIONS/		
	- 2	36-534421-27	. PLACARD ASSY/50 GALLON CAPACITY SYSTEM/ . . . . .	1	6
		36-534421-29	. PLACARD ASSY/80 GALLON CAPACITY SYSTEM/ . . . . .	1	6
		36-530099-7	. PLACARD ASSY/50 GALLON CAPACITY SYSTEM/ . . . . .	1	2
		36-530099-9	. PLACARD ASSY/80 GALLON CAPACITY SYSTEM/ . . . . .	1	2
		36-530151	. PLACARD ASSY/80 GALLON CAPACITY SYSTEM/ . . . . .	1	11
			/ATTACHING PARTS/		
	- 3	AN530-6R6	. SCREW . . . . .	4	
			*-----*		
		36-920019-3	. . PLACARD,FUEL SELECTOR/50 GAL.CAPACITY SYS/. /WHITE ON CLEAR BACKGROUND/	1	6
		36-920019-5	. . PLACARD,FUEL SELECTOR/50 GAL.CAPACITY SYS/. /WHITE ON BLACK BACKGROUND	1	6
		36-920019-1	. . PLACARD,FUEL SELECTOR/50 GAL.CAPACITY SYS/.	1	2
		36-920020-3	. . PLACARD,FUEL SELECTOR/80 GAL.CAPACITY SYS/. /WHITE ON CLEAR BACKGROUND/	1	6
		36-920020-5	. . PLACARD,FUEL SELECTOR/80 GAL.CAPACITY SYS/. /WHITE ON BLACK BACKGROUND/	1	6
		36-920020-1	. . PLACARD,FUEL SELECTOR/80 GAL.CAPACITY SYS/.	1	2
		33-924017	. PLATE,FUEL LIMITATION INSTRUCTION . . . . .	1	9
- 4	36-920021-1	. PLATE,FUEL LIMITATION INSTRUCTION . . . . .	1	10	
	36-530102-5	. PLACARD,FUEL LIMITATION INSTRUCTION . . . . .	1	2	
		/ATTACHING PARTS/			
	AN530-4R4	. SCREW . . . . .	2		
		*-----*			
- 5	35-921155-603	FUEL SELECTOR VALVE/SEE FIG.289/. . . . .	1		
	A6795B330	POSTLAMP,14 VOLT. . . . .	2	7	
	A6795B327	POSTLAMP,28 VOLT. . . . .	2	8	

C O D E S O F E F F E C T I V I T Y

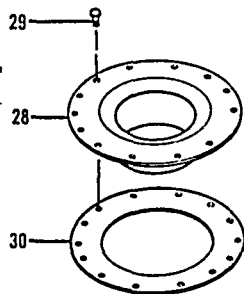
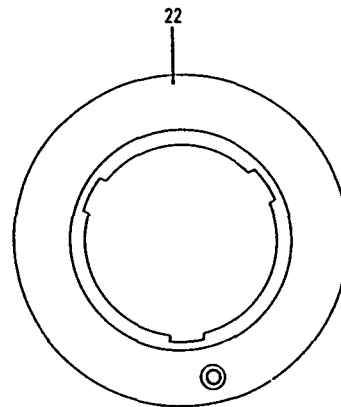
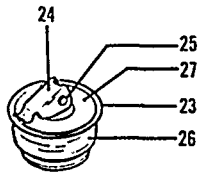
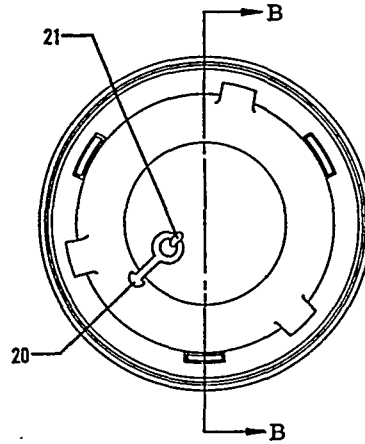
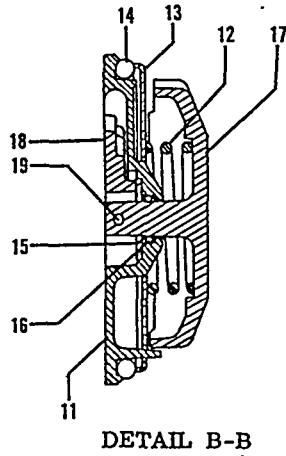
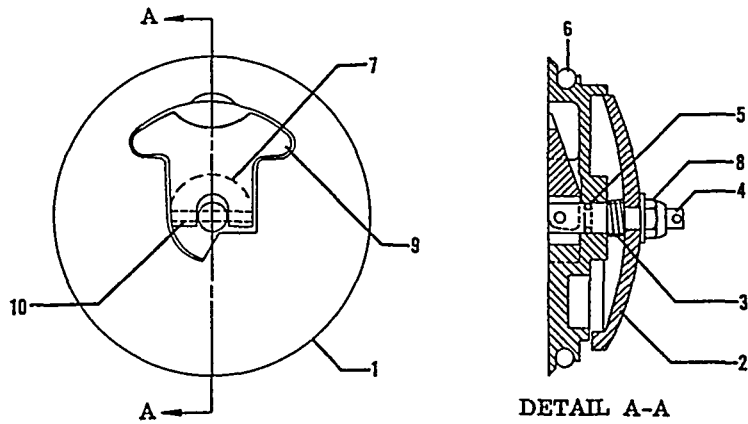
1	CD-1235 THRU CD-1304	2	CE-465 THRU CE-1013
	CE-290 THRU CE-464		
3	CJ-26 AND AFTER	4	CJ-52 THRU CJ-155
5	CD-1235 THRU CD-1304	6	CD-1235 THRU CD-1304
	CE-290 THRU CE-928		CE-290 THRU CE-464
	EXCEPT CE-919,CE-923		CJ-26 THRU CJ-155
	CE-925 AND CE-927		
	CJ-26 THRU CJ-51		
7	CD-1235 THRU CD-1304	8	CE-748,
	CE-290 THRU CE-771,		CE-772 AND AFTER
	EXCEPT CE-748		CJ-149 AND AFTER
	CJ-26 THRU CJ-148		
9	CD-1235 THRU CD-1276	10	CD-1277 THRU CD-1304
	CE-290 THRU CE-366		CE-367 THRU CE-464
	CJ-26 THRU CJ-30		CJ-31 AND AFTER
11	CE-1014 AND AFTER		
	CJ-156 AND AFTER		



B E E C H C R A F T  
B O N A N Z A 3 3  
I L L U S T R A T E D P A R T S C A T A L O G

FIGURE 287  
FUEL CAP AND ADAPTER  
CD-1235 THRU CD-1304  
CE-290 THRU CE-1055  
CJ-26 THRU CJ-155

BEECHCRAFT  
 BONANZA 33  
 ILLUSTRATED PARTS CATALOG



33-287-1

FIGURE 287. FUEL CAP AND ADAPTER

B E E C H C R A F T  
B O N A N Z A 3 3  
I L L U S T R A T E D P A R T S C A T A L O G

FIG. & ITEM NO.	PART NO.	DESCRIPTION	UNITS PER ASSY	USABLE ON CODE
		1 2 3 4 5 6 7		
287	96-380035-1	CAP ASSY, FUEL TANK FILLER /ORDER 96-380035/ /MAY BE USED IN LIEU OF 96-380035-3/ /80 GALLON CAPACITY SYSTEM/	NP	1
- 1	431-9	. BODY ASSY, CAP	1	1
- 2	431-14	. BASE	1	1
- 3	431-11	. PAWL	1	1
- 4	431-13	. SPRING	1	1
- 5	431-16	. AXLE	1	1
- 6	MS29513-10	. O RING	1	1
- 7	MS29513-338	. O RING	1	1
- 8	431-18	. PLATE, BEARING	1	1
- 9	130909N7	. NUT	1	1
- 10	416-326-1	. WASHER	1	1
- 11	MS24665-132	. PIN, COTTER	1	1
- 12	431-15	. HANDLE	1	1
		/ATTACHING PARTS/		
- 13	416-9-1	. PIN, HANDLE	1	
		*-----*		
	96-380035-3	CAP ASSY, FUEL TANK FILLER /ORDER 96-380035/ /MAY BE USED IN LIEU OF 96-380035-1/ /80 GALLON CAPACITY SYSTEM/	NP	1
- 14	37685-2	. BASE	1	1
- 15	37693	. SPRING	1	1
- 16	37691	. RETAINER	1	1
- 17	37617-339	. O RING	1	1
- 18	37117	. PLATE, BEARING	1	1
- 19	MS9021-110	. O RING	1	1
- 20	38038	. LOCK	1	1
- 21	C37656-41	. HANDLE	1	1
		/ATTACHING PARTS/		
- 22	38061	. PIN, HANDLE	1	
		*-----*		
- 23	38104	. COUPLING	1	1
- 24	AN381-3-8	. PIN, COTTER	1	1
- 25	36-920013-3	ADAPTER, LEADING EDGE FUEL FILLER CAP. /SIGHT GAGE/	2	1
- 26	FCB25722	GASKET, ADAPTER	2	1
- 27	35-921526-32	CAP ASSY, FUEL/50 GALLON CAPACITY SYSTEM/	2	1
- 28	35-921525	. CAM, FUEL CAP. /ATTACHING PARTS/	1	1
- 29	AN393-17	. PIN	1	
- 30	AN380-2-1	. PIN, COTTER	1	
		*-----*		
- 31	35-921526-30	. SEAL, FUEL CAP	1	1
- 32	33-921010	. PLACARD, FUEL CAP	1	1
- 33	35-921522	ADAPTER, FUEL CAP. /ATTACHING PARTS/	2	1
- 34	AN74-4	BOLT	12	
		*-----*		
- 35	35-921502	GASKET, ADAPTER	2	1
- 36	36-5013-1 S	KIT, FUEL FILLER NECK RESTRICTOR	1	1

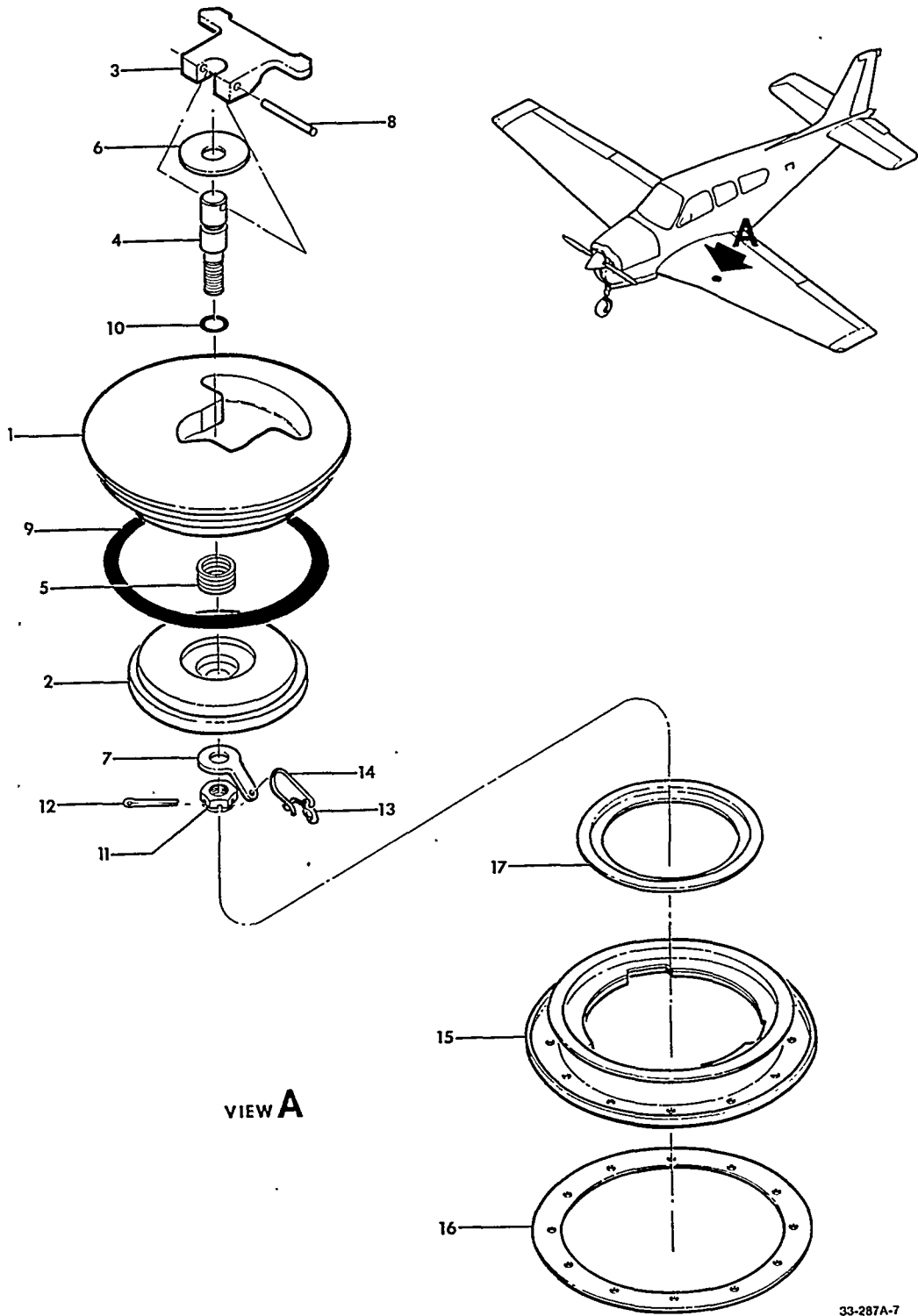
C O D E S O F E F F E C T I V I T Y

1 CD-1235 THRU CD-1304  
CE-290 THRU CE-1055  
CJ-26 THRU CJ-155

BEECHCRAFT  
BONANZA 33  
ILLUSTRATED PARTS CATALOG

FIGURE 287A  
FUEL CAP AND ADAPTER  
CE-1056 AND AFTER, CJ-156 AND AFTER

BEECHCRAFT  
BONANZA 33  
ILLUSTRATED PARTS CATALOG



B E E C H C R A F T  
B O N A N Z A 3 3  
I L L U S T R A T E D P A R T S C A T A L O G

FIG. & ITEM NO.	PART NO.	DESCRIPTION	1 2 3 4 5 6 7							UNITS PER ASSY	USABLE ON CODE
			1	2	3	4	5	6	7		
287A	36-380095-1	CAP ASSY, FUEL TANK FILLER . . . . .								1	1
	531-046	• CAP ASSEMBLY. . . . .								1	1
- 1	531-033	• • BASE. . . . .								1	1
- 2	531-032	• • DISK, ANCHOR . . . . .								1	1
- 3	431-15	• • HANDLE. . . . .								1	1
- 4	431-16-2	• • AXLE. . . . .								1	1
- 5	431-13	• • SPRING. . . . .								1	1
- 6	431-18	• • PLATE, BEARING . . . . .								1	1
- 7	431-140	• • WASHER, LANYARD TAB. . . . .								1	1
- 8	416-9-1	• • PIN . . . . .								1	1
- 9	MS29513-338	• • O-RING. . . . .								1	1
- 10	MS29513-010	• • O-RING. . . . .								1	1
- 11	130909N7	• • NUT . . . . .								1	1
- 12	MS24665-151	• • COTTER PIN. . . . .								1	1
- 13	10A167	• • COUPLING, BEAD CHAIN . . . . .								1	1
- 14	416-13	• • HOOK. . . . .								1	1
	MS29523-1	• • HOOK, CHAIN. . . . .								1	1
	NAS1201810	• • CHAIN, BEADED. . . . .								1	1
- 15	36-920013-3	• ADAPTER ASSY. . . . .								1	1
		/ATTACHING PARTS/									
	AN509-1032R	• SCREW . . . . .								12	
	AN74	• BOLT. . . . .								12	
	AN936A416	• WASHER. . . . .								12	
		-----*									
- 16	FCB25722	• GASKET. . . . .								1	1
- 17	557-003	• INSERT, ADAPTER ASSY . . . . .								1	1

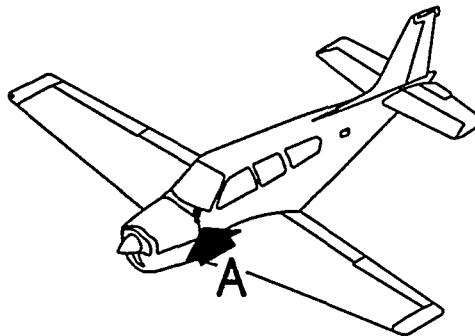
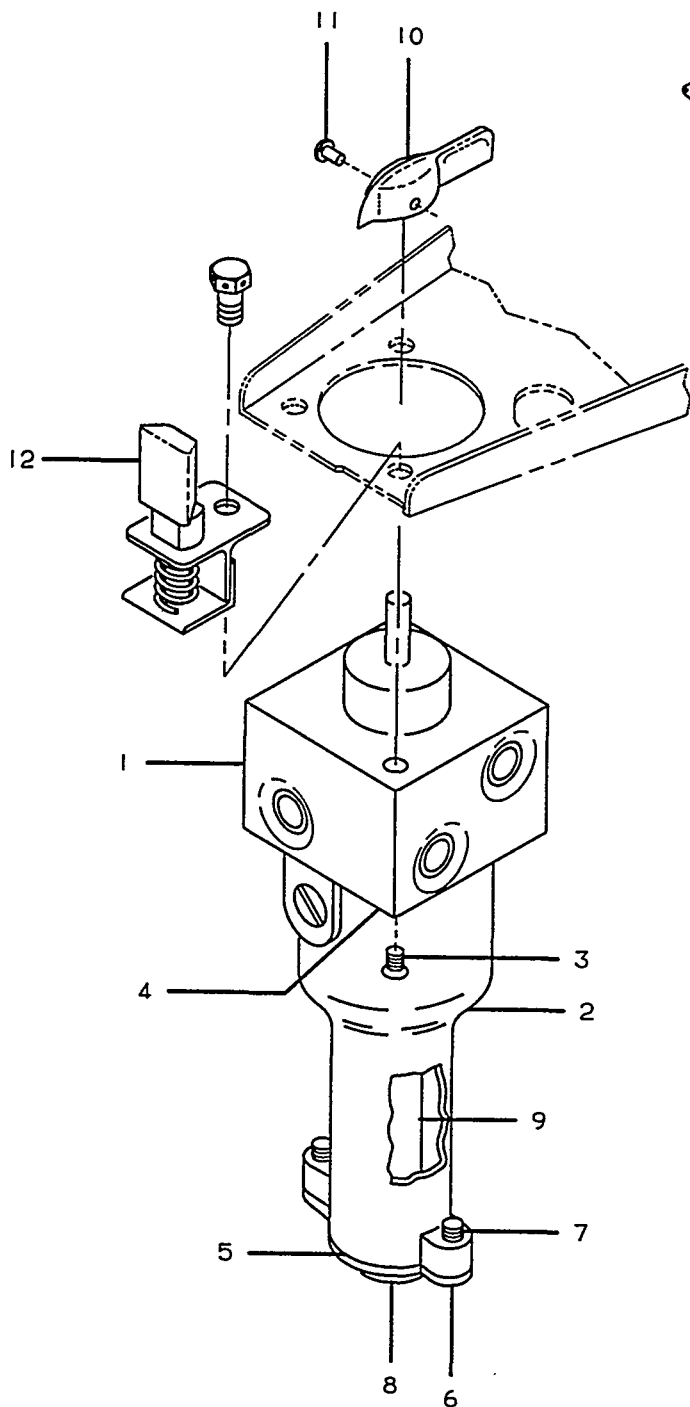
C O D E S O F E F F E C T I V I T Y

- 1 CE-1056 AND AFTER
- CJ-156 AND AFTER

BEECHCRAFT  
BONANZA 33  
ILLUSTRATED PARTS CATALOG

FIGURE 289  
FUEL SELECTOR VALVE AND STOP ASSEMBLY

BEECHCRAFT  
BONANZA 33  
ILLUSTRATED PARTS CATALOG



VIEW A

C94CE28A1889 C



B E E C H C R A F T  
B O N A N Z A 3 3  
I L L U S T R A T E D P A R T S C A T A L O G

FIG. & ITEM NO.	PART NO.	DESCRIPTION	UNITS PER ASSY	USABLE ON CODE
		1 2 3 4 5 6 7		
289	R 35-921155	FUEL SYSTEM INSTALLATION. . . . .	NP	
- 1	R HE833	. VALVE ASSY,FUEL SELECTOR. . . . . /ALTERNATE FOR 5033,5033-2,36-380026-1/	1	
	R 5033	. VALVE ASSY,FUEL SELECTOR. . . . . /ALTERNATE FOR HE833,5033-2,36-380026-1/	1	
	R 5033-2	. VALVE ASSY,FUEL SELECTOR. . . . . /ALTERNATE FOR HE833,5033,36-380026-1/ /ATTACHING PARTS/	1	
	R 36-380026-1	. VALVE ASSY,FUEL SELECTOR. . . . . ----x----	1	
		/ALTERNATE FOR HE833,5033,5033-2/		
- 2	R 45-920036-1	. HOUSING,FUEL STRAINER . . . . . /ATTACHING PARTS/	1	
- 3	R AN500A10-8 AN935-10	. SCREW . . . . . . WASHER. . . . . ----x----	4 4	
- 4	R 50-920030-4	. GASKET. . . . .	1	
- 5	R 35-921181	. GASKET,HOUSING. . . . .	1	
- 6	R 50-920057 R 111504ZT0324-3 R 36-920058-1	. PLATE/ORDER 36-920058-1 FOR SPARES/ . . . . . . SPRING/USED ONLY WITH 50-520057/. . . . . . PLATE ASSY. . . . . /ATTACHING PARTS/	NP 1 1	3 3 4
- 7	R AN500A10-12 AN960-10L	. SCREW . . . . . . WASHER. . . . . ----x----	1 1	
- 8	R CCA4850	. VALVE . . . . .	1	
- 9	R 50-920040-10	. STRAINER ASSY,FUEL. . . . .	1	
- 10	R 35-924255-1	. HANDLE ASSY,FUEL SELECTOR VALVE . . . . . /ATTACHING PARTS/	1	
- 11	R A905 AN380-1-1 R NW25-6875	. PIN . . . . . . PIN . . . . . . WASHER. . . . . ----x----	1 1 2	
- 12	R 36-920052-3 R 36-920050-3 R MS24665-132 R 111504XB0028-6 R AN960-416L 36-5006-1	. STOP ASSY,FUEL SELECTOR VALVE . . . . . . . STOP. . . . . . . PIN,COTTER. . . . . . . SPRING. . . . . . . WASHER. . . . . KIT,FUEL SELECTOR VALVE STOP. . . . .	1 1 1 1 2 1	1 1 1 1 1 2

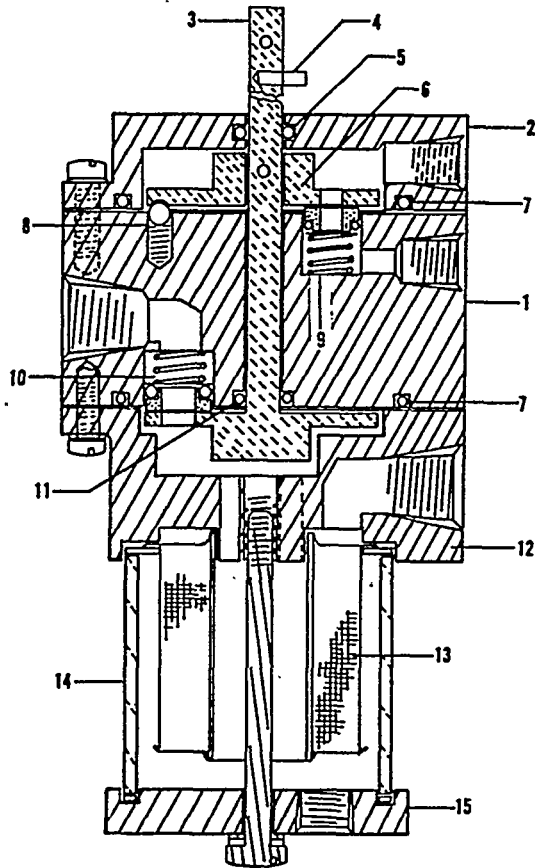
C O D E S O F E F F E C T I V I T Y

1	CE-1014 AND AFTER CJ-156 AND AFTER	2	CD-1235 THRU CD-1304 CE-290 THRU CE-1013 CJ-26 THRU CJ-155
3	CE-290 THRU CE-1756 CJ-26 THRU CJ-179	4	CE-1757 AND AFTER CJ-180 AND AFTER

BEECHCRAFT  
BONANZA 33  
ILLUSTRATED PARTS CATALOG

FIGURE 296  
WING TIP TANKS  
CE-290 AND AFTER

BEECHCRAFT  
BONANZA 33  
ILLUSTRATED PARTS CATALOG



33-296-1

B E E C H C R A F T  
B O N A N Z A 3 3  
I L L U S T R A T E D P A R T S C A T A L O G

FIG. & ITEM NO.	PART NO.	1	2	3	4	5	6	7	DESCRIPTION	UNITS PER ASSY	USABLE ON CODE
296	35-921257-3	TANK INSTL,WING TIP FUEL. . . . .							NP	1	
	35-668-5	. TANK KIT,WING TIP . . . . .							.1	1	
	HE763	. . VALVE ASSY,FUEL SELECTOR & STRAINER . . . . .							1	1	
		/ATTACHING PARTS/									
	AN74-3/M/ AN936B416	. . BOLT . . . . .							2		
		. . WASHER . . . . .							2		
		*-----*									
	- 1	HE1569	. . . BODY . . . . .							1	1
	- 2	HE1570	. . . COVER . . . . .							1	1
		/ATTACHING PARTS/									
		AN501-10-8	. . . SCREW . . . . .							3	
		AN935-10L	. . . WASHER,LOCK . . . . .							3	
		*-----*									
	- 3	HE1571	. . . ROTOR,MAIN . . . . .							1	1
	- 4	79-022-094-0375	. . . PIN,ROLL . . . . .							1	1
- 5	MS29513-10	. . . O RING . . . . .							1	1	
- 6	HE1572	. . . ROTOR, TOP . . . . .							1	1	
	/ATTACHING PARTS/										
	MS171500	. . . PIN,ROLL . . . . .							1		
	*-----*										
- 7	MS29513-136	. . . O RING . . . . .							2	1	
- 8	HE189	. . . SPRING . . . . .							1	1	
	5/32	. . . BALL,STEEL . . . . .							1	1	
	HE1331	. . . SEAL . . . . .							1	1	
	MS29513-11	. . . O RING . . . . .							1	1	
	HE1332	. . . WASHER . . . . .							1	1	
- 9	HE191	. . . SPRING . . . . .							1	1	
	HE1573	. . . SEAL . . . . .							1	1	
	MS29513-12	. . . O RING . . . . .							1	1	
	HE193	. . . WASHER . . . . .							1	1	
- 10	HE191	. . . SPRING . . . . .							1	1	
- 11	MS29513-10	. . . O RING . . . . .							1	1	
- 12	HE1574	. . . BODY,STRAINER . . . . .							1	1	
	HE1526-2	. . . GASKET,STRAINER CYLINDER UPPER . . . . .							1	1	
- 13	HE1568-1	. . . ELEMENT,STRAINER . . . . .							1	1	
- 14	HE1528-8	. . . CYLINDER,STRAINER . . . . .							1	1	
	HE1526-1	. . . GASKET,STRAINER CYLINDER LOWER . . . . .							1	1	
- 15	HE1575	. . . PLATE,SUMP . . . . .							1	1	
	/ATTACHING PARTS/										
	AN3H23A	. . . BOLT . . . . .							1		
	AN960-10L	. . . WASHER . . . . .							1		
	600-001-10	. . . SEAL . . . . .							1		
	*-----*										

BEECHCRAFT  
 BONANZA 33  
 ILLUSTRATED PARTS CATALOG

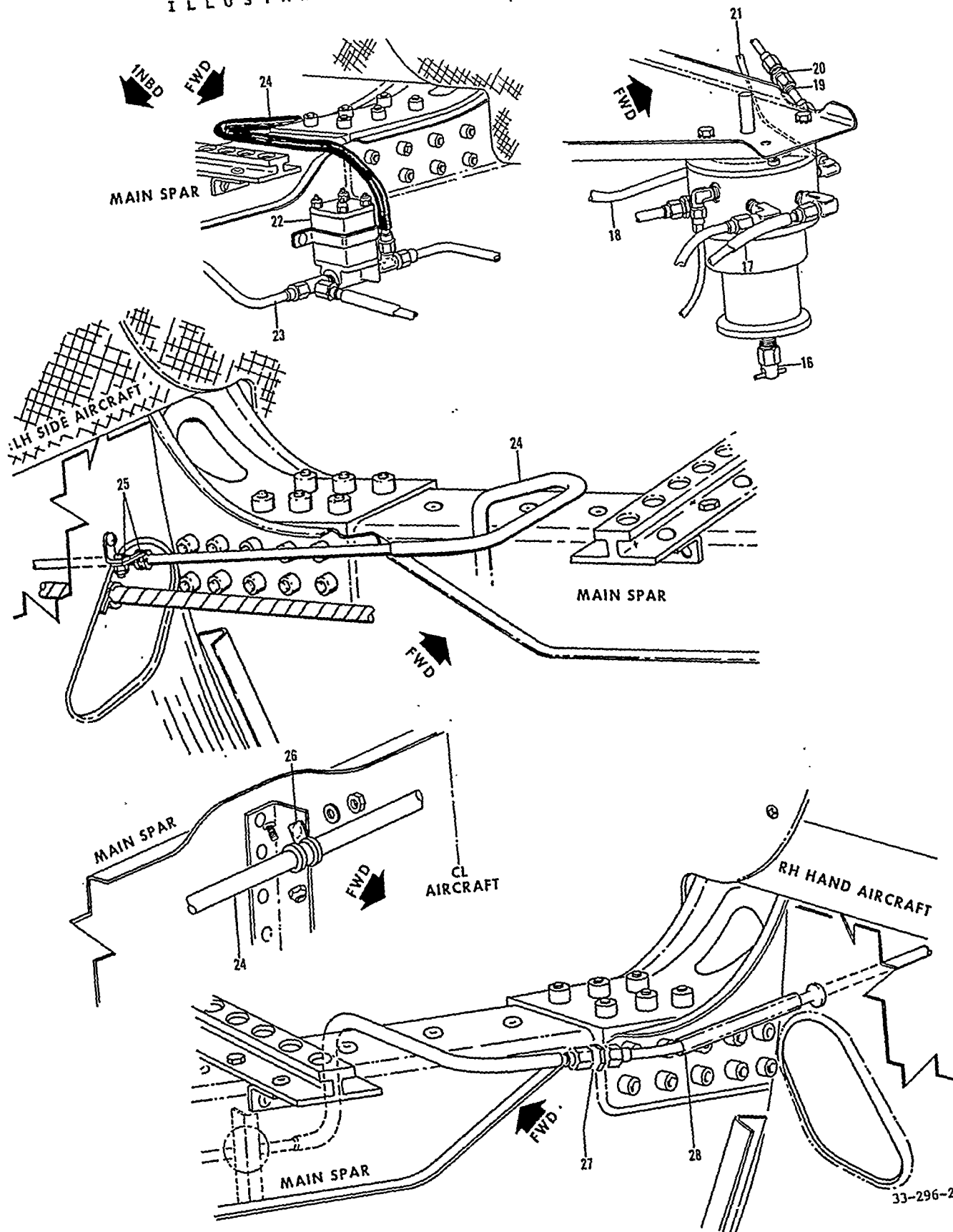


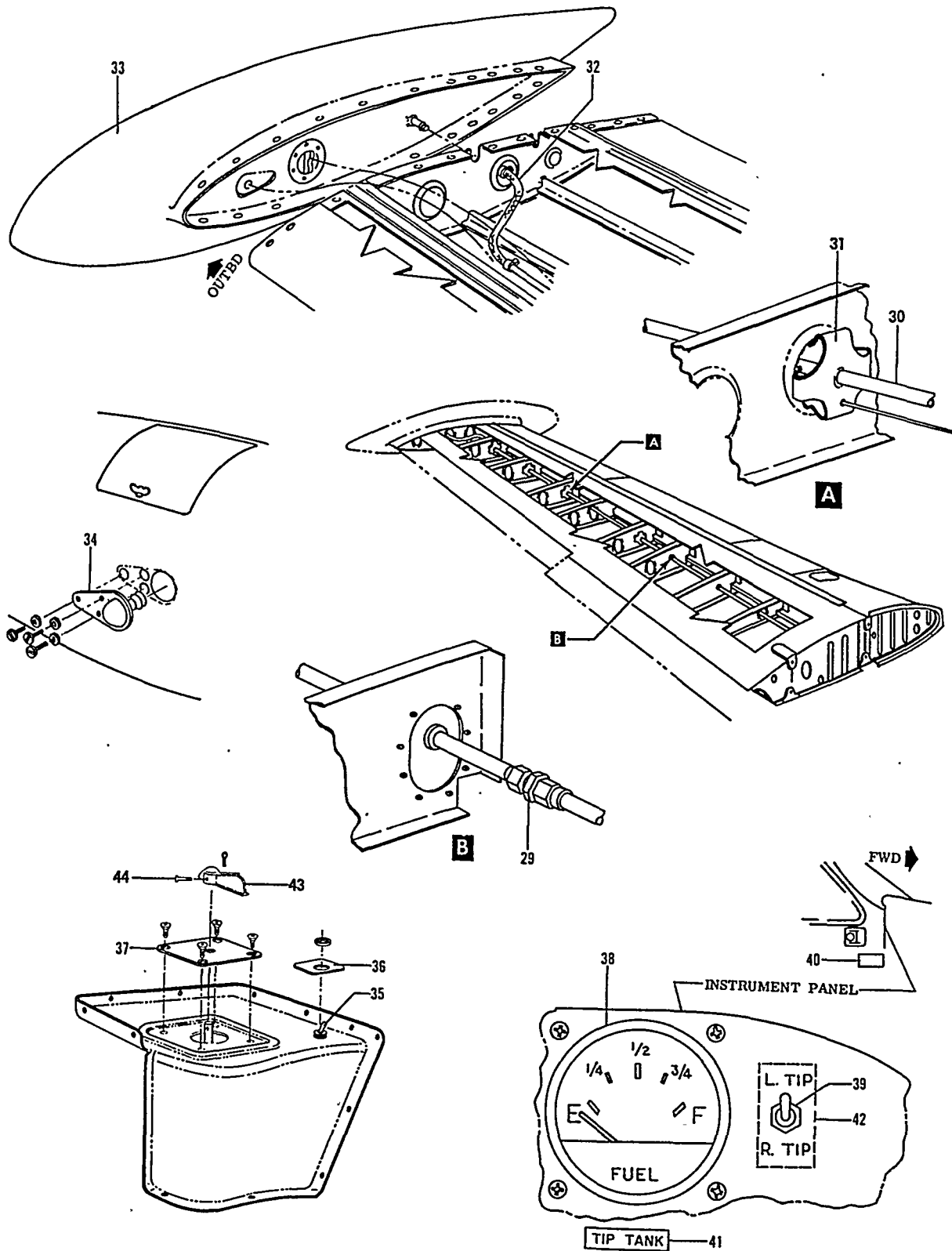
FIGURE 296. WING TIP TANKS  
 /SHEET 2 OF 3 SHEETS/

04/11/86

B E E C H C R A F T  
B O N A N Z A 3 3  
I L L U S T R A T E D P A R T S C A T A L O G

FIG. & ITEM NO.	PART NO.	DESCRIPTION	UNITS PER ASSY	USABLE ON CODE
		1 2 3 4 5 6 7		
296 - 16	CCA4850	• • VALVE, FUEL STRAINER DRAIN . . . . .	1	1
	CCA1269	• • SEAL . . . . .	1	1
- 17	55035-3	• • TUBE ASSY, FUEL /FUEL SELECTOR TO SOLENOID/ . . . . .	1	1
- 18	55035-4	• • TUBE ASSY, FUEL /FUEL SELECTOR TO SOLENOID/ . . . . .	1	1
- 19	55035-5	• • TUBE ASSY, FUEL /FUEL RETURN FROM ENGINE/ . . . . .	1	1
- 20	AN815-4D	• • UNION . . . . .	1	1
- 21	55035-7	• • TUBE ASSY, FUEL /TO LEFT MAIN RETURN LINE/ . . . . .	1	1
- 22	55028	• • VALVE ASSY, SOLENOID . . . . .	1	1
		/ATTACHING PARTS/		
	AN515-8R8	• • SCREW . . . . .	2	
	AN936B8	• • WASHER . . . . .	2	
		*-----*		
- 23	55035-1	• • TUBE ASSY, FUEL /SOLENOID TO RH TIP TANK/ . . . . .	1	1
- 24	55035-2	• • TUBE ASSY, FUEL /SOLENOID TO LH TIP TANK/ . . . . .	1	1
- 25	AN742-6C	• • CLAMP, FUEL LINE . . . . .	1	1
		/ATTACHING PARTS/		
	AN515-8R8	• • SCREW . . . . .	1	
	AN960D8	• • WASHER . . . . .	1	
	MS20365-832	• • NUT . . . . .	1	
		*-----*		
- 26	758-6	• • CLAMP, FUEL LINE . . . . .	1	1
		/ATTACHING PARTS/		
	AN515-8R8	• • SCREW . . . . .	1	
	AN960D8	• • WASHER . . . . .	1	
	MS20365-832	• • NUT . . . . .	1	
		*-----*		
- 27	AN815-6D	• • UNION . . . . .	1	1
	AN818-6D	• • NUT, UNION . . . . .	1	1
	AN819-6D	• • SLEEVE, FUEL LINE . . . . .	1	1
- 28	55035-6	• • TUBE ASSY, RH FUEL . . . . .	1	1
	SB500-6	• • GROMMET . . . . .	1	1

BEECHCRAFT  
 BONANZA 33  
 ILLUSTRATED PARTS CATALOG



33-296-3

FIGURE 296. WING TIP TANKS  
 /SHEET 3 OF 3 SHEETS/

B E E C H C R A F T  
B O N A N Z A 3 3  
I L L U S T R A T E D P A R T S C A T A L O G

FIG. & ITEM NO.	PART NO.	DESCRIPTION	UNITS PER ASSY	USABLE ON CODE
		1 2 3 4 5 6 7		
296 - 29	AN815-6D	. . UNION /LH & RH/ . . . . .	2	1
	AN818-6D	. . NUT, UNION . . . . .	AR	1
	AN819-6D	. . SLEEVE, FUEL LINE . . . . .	AR	1
- 30	4024-3	. . TUBE ASSY, FUEL /LH & RH/ . . . . .	2	1
	758-6	. . CLAMP, FUEL LINE . . . . .	2	1
		/ATTACHING PARTS/		
	AN515-8R8	. . SCREW . . . . .	2	
	AN960D8	. . WASHER . . . . .	2	
	MS20365-832	. . NUT . . . . .	2	
		*-----*		
- 31	55011	. . SPIDER, FUEL LINE GUIDE /SMALL/ . . . . .	4	1
	55011-1	. . SPIDER, FUEL LINE GUIDE /LARGE/ . . . . .	4	1
	SB500-6	. . GROMMET /LH & RH/ . . . . .	2	1
- 32	55037	. . HOSE, FUEL /LH & RH TIP TANK TO TUBE ASSY/ . . . . .	2	1
- 33	55000L	. . TANK ASSY, LH TIP . . . . .	1	1
	55000R	. . TANK ASSY, RH TIP . . . . .	1	1
		/ATTACHING PARTS/		
	AN525-832R7	. . SCREW . . . . .	26	
		*-----*		
- 34	30-0009-5	. . LIGHT ASSY, LH POSITION /RED/ . . . . .	1	1
	30-0009-6	. . LIGHT ASSY, RH POSITION /GREEN/ . . . . .	1	1
- 35	MS35058-23	. . SWITCH, FUEL SELECTOR PANEL . . . . .	1	1
- 36	55036-1	. . PLACARD, FUEL SELECTOR SWITCH . . . . .	1	1
- 37	55036	. . PLACARD, FUEL SELECTOR VALVE INSTRUCTIONS . . . . .	1	1
		/USE WITH WING TIP TANKS/		
- 38	55027	. . GAGE, TIP TANK FUEL QUANTITY . . . . .	1	1
- 39	MS35058-21	. . SWITCH, FUEL QUANTITY GAGE . . . . .	1	1
- 40	55023	. . PLACARD . . . . .	1	1
- 41	35-921258-7	. . PLACARD, GAGE . . . . .	1	1
- 42	35-921258-5	. . PLACARD, SWITCH . . . . .	1	1
	96043	. . FLIGHT MANUAL SUPPLEMENT . . . . .	1	1
- 43	35-924255-1	HANDLE ASSY, FUEL SELECTOR . . . . .	1	1
		/ATTACHING PARTS/		
- 44	A905	PIN, CLEVIS . . . . .	1	
	AN380-1-1	PIN, COTTER . . . . .	1	
		*-----*		

C O D E S O F E F F E C T I V I T Y

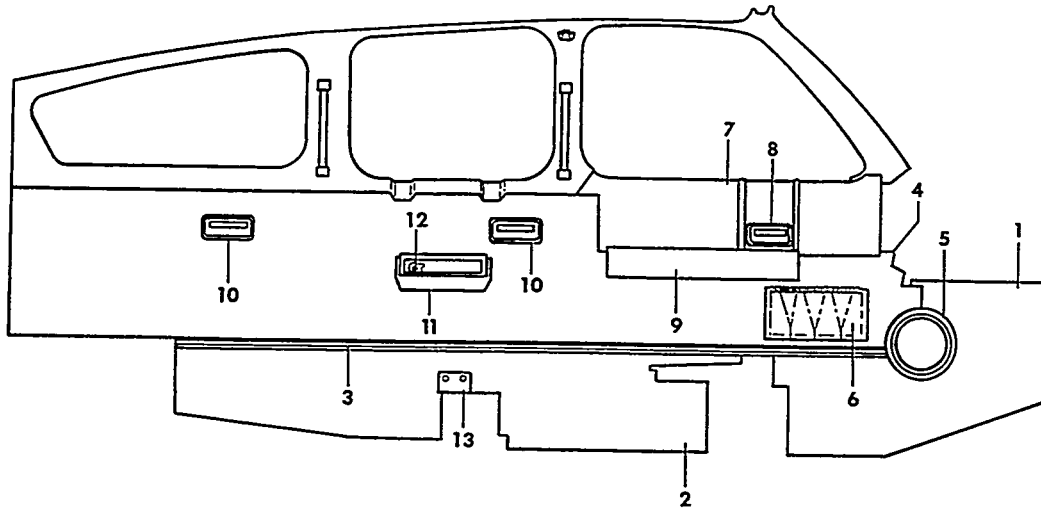
1 CE-290 AND AFTER



B E E C H C R A F T  
B O N A N Z A 3 3  
I L L U S T R A T E D P A R T S C A T A L O G

FIGURE 311  
CABIN UPHOLSTERY  
CE-465 THRU CE-918, CE-920 THRU CE-922  
CE-924, CE-926, CE-928  
CJ-52 THRU CJ-155

BEECHCRAFT  
BONANZA 33  
ILLUSTRATED PARTS CATALOG

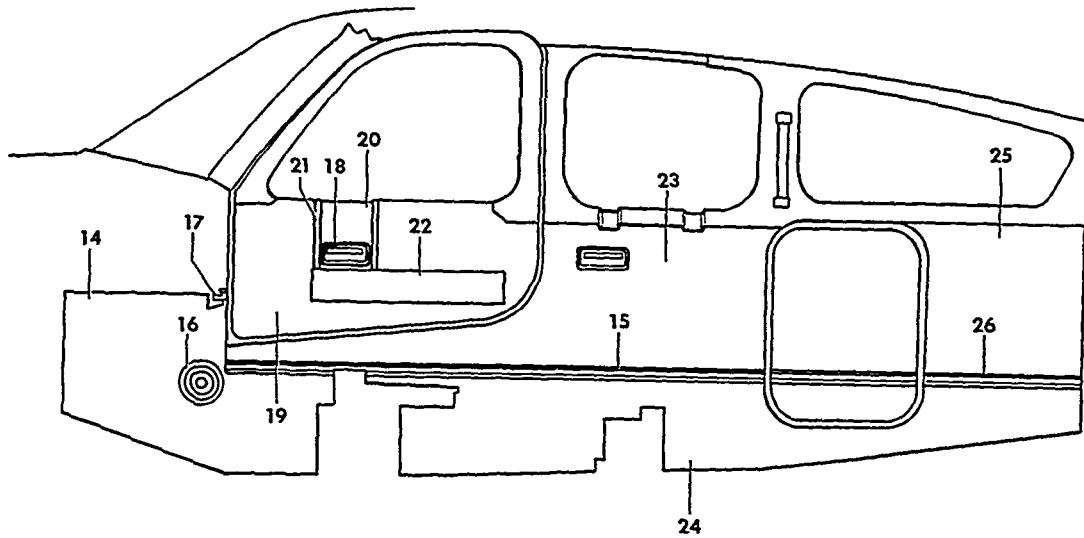


35-311A-16

B E E C H C R A F T  
B O N A N Z A 3 3  
I L L U S T R A T E D P A R T S C A T A L O G

FIG. & ITEM NO.	PART NO.	DESCRIPTION	UNITS PER ASSY	USABLE ON CODE
311	96-530017-81	UPHOLSTERY INSTL/WITH SMALL BAGGAGE DOOR/ . . .	NP	1
	R 96-530017-97	UPHOLSTERY INSTL/WITH SMALL BAGGAGE DOOR/ . . .	NP	2
	R 96-530017-83	UPHOLSTERY INSTL/WITH CARGO BAGGAGE DOOR/ . . .	NP	1
- 1	33-580009-25	. MOLDING INSTL/LH FWD CANOPY POST/ . . . . .	1	3
- 2	96-530008-51	. . MOLDING . . . . .	1	12
	33-530009-29	. PANEL ASSY,LOWER AFT LH SCUFF . . . . .	1	2
	96-530017-145	. PANEL ASSY,LWR LH SCUFF . . . . .	1	11
- 3	35-534009-21	. TRIM,LH . . . . .	1	1
	35-534009-31	. TRIM,LH . . . . .	1	2
	36-530004-57	. CLIP . . . . .	2	3
- 4	96-530017-85	. PANEL ASSY,UPPER FWD LH . . . . .	1	1
- 5	58-530147-1	. ESCUTCHEON,AIR VALVE/LH/ . . . . .	1	3
	102-530113-1	. POCKET INSTL,LH . . . . .	NP	3
- 6	102-530113-3	. . POCKET ASSY . . . . .	1	3
		/ATTACHING PARTS/		
	NAS384-6-12P	. . SCREW . . . . .	2	
	NAS390-8	. . WASHER . . . . .	2	
	NAS446-2	. . NUT . . . . .	2	
		-----*-----		
	58-530161-3	. PANEL INSTL,UPPER FWD LH. . . . .	NP	1
	58-530161-47	. PANEL INSTL,UPPER FWD LH. . . . .	NP	2
- 7	58-530161-11	. . PANEL ASSY,FWD LH . . . . .	1	1
	58-530161-13	. . PANEL ASSY,FWD LH . . . . .	1	2
	58-530101-49	. . PANEL ASSY. . . . .	1	2
- 8	3A17680	. . ASH TRAY ASSY . . . . .	1	1
		/ATTACHING PARTS/		
	NAS385-8-10P	. . SCREW . . . . .	2	
		-----*-----		
	58-530179-3	. ARMREST INSTL,FWD LH. . . . .	NP	3
	58-530179-5	. . BRACKET . . . . .	1	3
	58-530179-15	. . BRACKET . . . . .	1	3
	58-530179-13	. . PLATE . . . . .	1	3
- 9	58-530180-1	. . ARMREST ASSY,FWD LH . . . . .	1	3
	58-530214	. . TRIM ASSY,FWD LH. . . . .	1	3
	58-530161-43	. . CLIP. . . . .	3	3
- 10	3A17680	. ASH TRAY,LH & RH/3RD & 4TH SEATS/ . . . . .	2	3
	AN530-8-12	. SCREW . . . . .	2	
- 11	96-534133-1	. ARMREST ASSY,LH/3RD SEAT/ . . . . .	1	3
	96-534133-2	. ARMREST ASSY,RH/4TH SEAT/ . . . . .	1	3
		/ATTACHING PARTS/		
- 12	AN525-10R28	. SCREW . . . . .	2	
	AN525-10R8	. SCREW,CENTER. . . . .	1	
	AN970-3	. WASHER . . . . .	3	
		-----*-----		
	58-530214-5	. TRIM ASSY,LH & RH ARMREST . . . . .	1	3
	58-530145-1	. COVER INSTL,LH WING BOLT ACCESS/AFT/. . . . .	NP	3
	58-530145-2	. COVER INSTL,RH WING BOLT ACCESS/AFT/. . . . .	NP	3
- 13	58-530145-3	. . COVER,WING BOLT ACCESS/LH & RH/ . . . . .	2	3
		/ATTACHING PARTS/		
	NAS384-8-8P	. . SCREW . . . . .	2	
		-----*-----		

BEECHCRAFT  
BONANZA 33  
ILLUSTRATED PARTS CATALOG

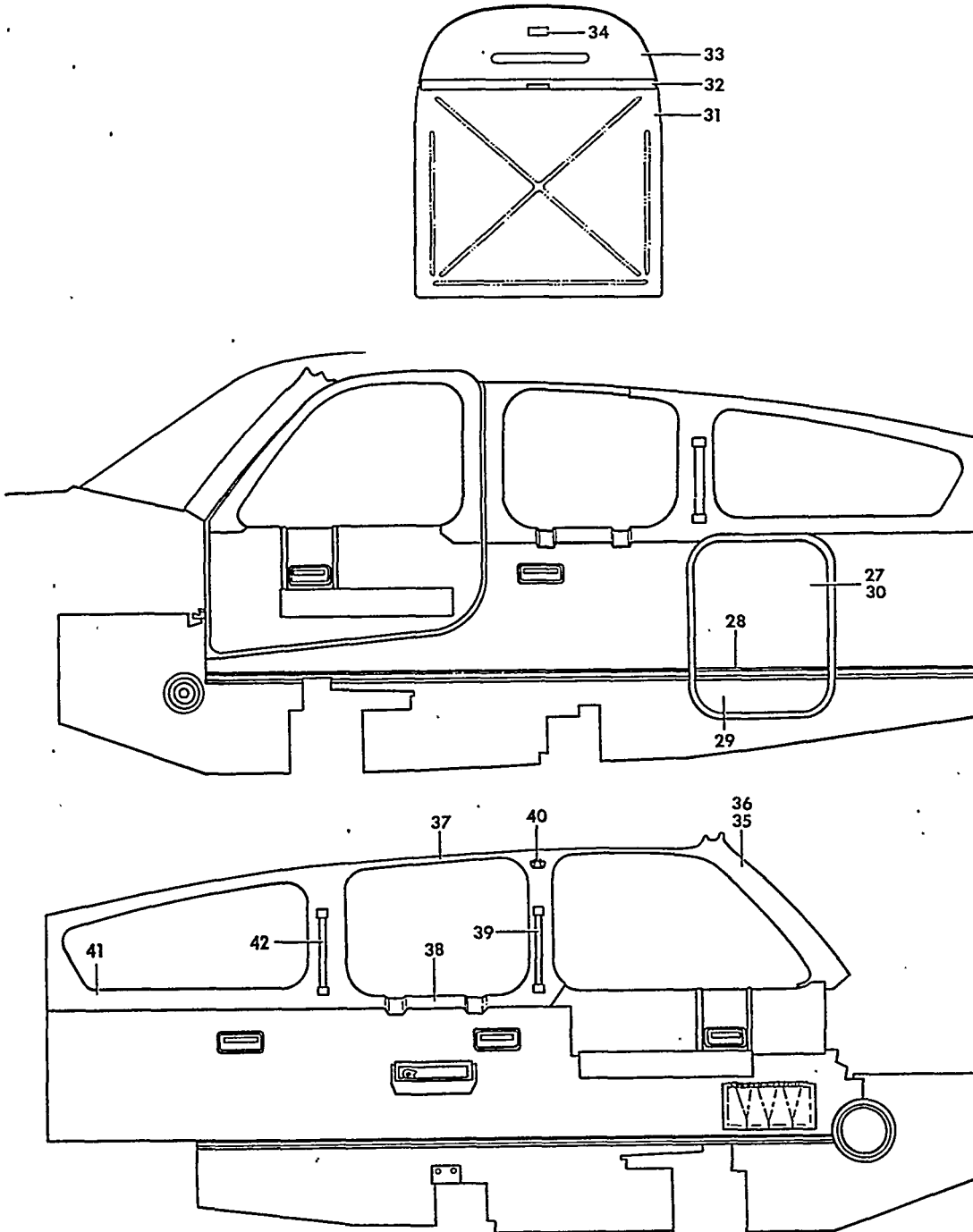


35-311A-17

BEECHCRAFT  
 BONANZA 33  
 ILLUSTRATED PARTS CATALOG

FIG. & ITEM NO.	PART NO.	DESCRIPTION	UNITS PER ASSY	USABLE ON CODE
		1 2 3 4 5 6 7		
311 - 14	33-530009-3	• PANEL ASSY, LOWER FWD RH SCUFF . . . . .	1	3
- 15	96-530008-55	• TRIM, RH . . . . .	1	6
- 16	58-530147-3	• ESCUTCHEON, AIR VALVE/RH/. . . . .	1	3
	36-530001-85	• WINDLACE/CABIN DOOR/. . . . .	1	9
	35-534466-1	• PAD INSTL, INSTRUMENT PANEL/RH LOWER/. . . . .	NP	3
- 17	35-534466-3	• PAD ASSY. . . . .	1	3
		/ATTACHING PARTS/		
	MS24693-251	• SCREW . . . . .	3	
		-----*		
	58-530163-1	• PANEL INSTL, ELBOW RECESS/CABIN DOOR/. . . . .	NP	3
	58-530223-1	• PANEL INSTL, ELBOW RECESS/CABIN DOOR/. . . . .	NP	3
	33-530015-1	• PANEL INSTL, ELBOW RECESS/CABIN DOOR/. . . . .	NP	19
	33-534079-1	• PANEL INSTL, ELBOW RECESS/CABIN DOOR/. . . . .	NP	20
- 18	3A17680	• ASH TRAY. . . . .	1	1
		/ATTACHING PARTS/		
	NAS384-6-10P	• SCREW . . . . .	2	
		-----*		
	58-530163-3	• PANEL ASSY. . . . .	1	7
	58-530223-5	• PANEL ASSY. . . . .	1	1
	33-530015-3	• PANEL ASSY. . . . .	1	19
	33-534079-3	• PANEL ASSY. . . . .	1	20
		/ATTACHING PARTS/		
	NAS385-8-8P	• SCREW . . . . .	2	
	NAS390-8	• WASHER. . . . .	2	
	58-530161-43	• CLIP. . . . .	3	
		-----*		
- 19	58-530164-1	• PANEL, CABIN DOOR. . . . .	1	7
	58-530221-1	• PANEL, CABIN DOOR ELBOW RECESS . . . . .	1	8
	33-530016-1	• PANEL, CABIN DOOR. . . . .	1	19
	58-530221-5	• PANEL, CABIN DOOR. . . . .	1	20
- 20	58-530161-29	• TRIM PANEL. . . . .	1	7
	58-530161-45	• TRIM PANEL. . . . .	1	19
	58-530161-45	• TRIM PANEL. . . . .	1	19
	58-530161-53	• TRIM PANEL. . . . .	1	20
- 21	58-530055-1	• TRIM. . . . .	2	1
	58-530055-5	• TRIM. . . . .	1	20
	58-530161-39	• REINFORCEMENT . . . . .	2	7
	58-530179-1	• ARMREST INSTL, CABIN DOOR. . . . .	NP	3
	58-530179-7	• BRACKET ASSY. . . . .	1	3
	58-530179-9	• BRACKET . . . . .	1	3
	58-530179-11	• BRACKET . . . . .	1	3
	58-530179-13	• PLATE . . . . .	1	3
- 22	58-530180-3	• ARMREST ASSY. . . . .	1	3
		/ATTACHING PARTS/		
	NAS384-8-16P	• SCREW . . . . .	2	
	NAS384-8-20P	• SCREW . . . . .	2	
	NAS391-8P	• WASHER. . . . .	2	
		-----*		
- 23	96-530017-119	• PANEL ASSY, FWD RH . . . . .	1	5
	96-530017-49	• PANEL ASSY, FWD RH . . . . .	1	6
- 24	96-530008-21	• PANEL ASSY, LOWER RH AFT SCUFF/SMALL/. . . . .	1	12
	33-530009-7	• PANEL ASSY, LOWER RH AFT SCUFF/SMALL/. . . . .	1	2
	96-530017-137	• PANEL ASSY, LOWER RH AFT SCUFF/SMALL/. . . . .	1	1
	96-530008-37	• PANEL ASSY, LOWER RH AFT SCUFF/LARGE/. . . . .	1	6
	96-530017-125	• PANEL ASSY, LOWER RH AFT SCUFF/SMALL/. . . . .	1	10
	96-530017-141	• PANEL ASSY, LOWER RH AFT SCUFF/SMALL/. . . . .	1	11
- 25	96-530017-29	• PANEL ASSY, UPPER RH AFT/SMALL/. . . . .	1	3
	96-530017-73	• PANEL ASSY, UPPER RH AFT/LARGE/. . . . .	1	1
- 26	35-534009-21	• TRIM, RH AFT/SMALL/. . . . .	1	1
	33-530009-31	• TRIM, RH AFT/SMALL/. . . . .	1	2

BEECHCRAFT  
BONANZA 33  
ILLUSTRATED PARTS CATALOG

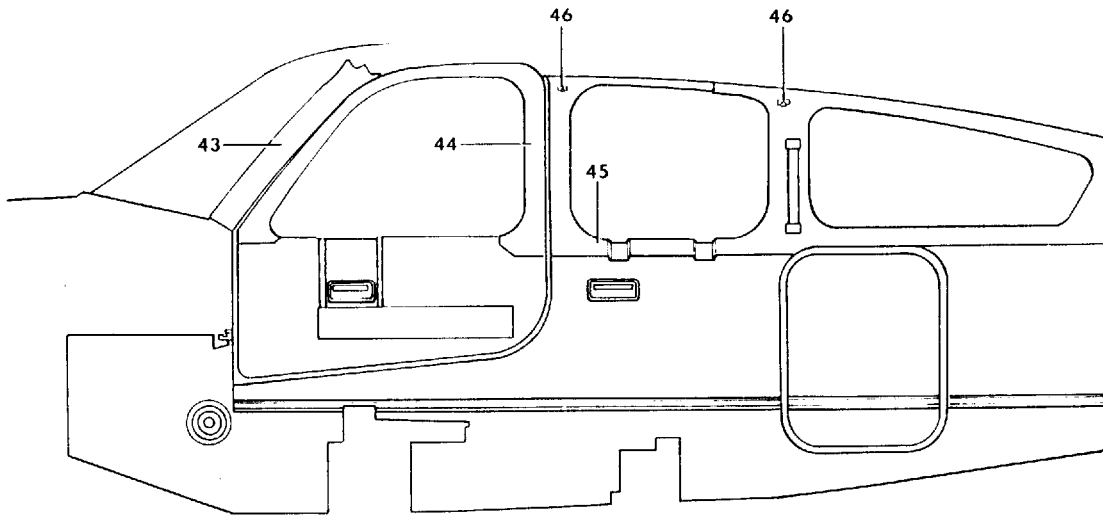


35-311A-18

B E E C H C R A F T  
B O N A N Z A 3 3  
I L L U S T R A T E D P A R T S C A T A L O G

FIG. & ITEM NO.	PART NO.	DESCRIPTION	UNITS PER ASSY	USABLE ON CODE
		1 2 3 4 5 6 7		
311 - 27	96-530017-39	• PANEL ASSY,UPPER RH CARGO DOOR/SMALL/ . . . . .	1	3
	96-530017-59	• PANEL ASSY,UPPER RH CARGO DOOR/LARGE/ . . . . .	1	1
- 28	96-530008-57	• TRIM/SMALL/ . . . . .	1	3
	96-530008-61	• TRIM/LARGE/ . . . . .	1	1
- 29	96-530008-25	• PANEL ASSY,LOWER RH CARGO DOOR SCUFF/SMALL/ . . . . .	1	3
	50-534033-179	• STRIP . . . . .	1	3
	96-530008-33	• PANEL ASSY,LOWER RH CARGO DOOR SCUFF/LARGE/ . . . . .	1	1
- 30	96-530008-67	• PANEL ASSY,UPPER RH CARGO DOOR/SMALL/ . . . . .	1	3
	96-530008-69	• PANEL ASSY,UPPER RH CARGO DOOR/LARGE/ . . . . .	1	1
	96-530007-99	• WINDLACE/SMALL/ . . . . .	1	3
	96-530007-191	• WINDLACE/LARGE/ . . . . .	1	1
	35-534463-3	• UPHOLSTERY INSTL,CLOSURE PANEL . . . . .	NP	1
	33-530009-15	• UPHOLSTERY WEB ASSY . . . . .	NP	2
	33-530009-17	• WEB . . . . .	1	2
	35-534463-17	• CLOSURE WEB ASSY . . . . .	1	1
- 31	35-534463-19	• WEB . . . . .	1	1
	35-534463-9	• SEAL,LH & RH . . . . .	2	1
	35-534463-11	• SEAL,BOTTOM . . . . .	1	1
	35-534463-13	• SEAL,TOP . . . . .	1	1
- 32	35-534463-15	• HOLDER ASSY . . . . .	1	1
		/ATTACHING PARTS/		
	AN227-8B	• STUD . . . . .	6	
	NAS384-6-10P	• SCREW . . . . .	6	
	NAS446-2-1	• NUT . . . . .	6	
		-----*		
	36-530108-1	• HAT SHELF INSTL . . . . .	NP	1
- 33	35-554035-5	• HAT SHELF ASSY . . . . .	1	1
		/ATTACHING PARTS/		
	NAS384-6-8P	• SCREW . . . . .	9	
		-----*		
- 34	35-534402	• DECAL . . . . .	1	1
	58-530166-1	• MOLDING INSTL,LH FWD WINDOW . . . . .	NP	3
	58-530166-3	• MOLDING ASSY,LH FWD . . . . .	1	3
- 35	58-530166-5	• MOLDING,LH FWD . . . . .	1	3
	58-530166-27	• MOLDING ASSY,LH FWD . . . . .	1	3
- 36	58-530166-29	• MOLDING,LH FWD . . . . .	1	3
- 37	58-530166-13	• MOLDING,LH OPENABLE WINDOW/UPPER/ . . . . .	1	3
	58-530166-23	• MOLDING ASSY,LH OPENABLE WINDOW/LOWER/ . . . . .	1	3
- 38	58-530166-15	• MOLDING,LH LOWER . . . . .	1	3
- 39	58-530134-11	• HANDLE ASSY,ASSIST . . . . .	1	3
- 40	58-530195-1	• HOOK ASSY,COAT . . . . .	1	3
	96-534131-1	• MOLDING INSTL,LH AFT . . . . .	NP	1
	96-534131-9	• MOLDING INSTL,LH AFT . . . . .	NP	2
	96-534131-3	• MOLDING ASSY,LH AFT . . . . .	1	1
	96-534131-11	• MOLDING ASSY,LH AFT . . . . .	1	2
		/ATTACHING PARTS/		
	DH82S8SM16DS25GY	• SCREW . . . . .	3	
	DHS8SM24DS25GY	• SCREW . . . . .	5	
		-----*		
- 41	96-534131-5	• MOLDING,LH AFT . . . . .	1	1
	96-534131-13	• MOLDING,LH AFT . . . . .	1	2
- 42	58-530134-11	• HANDLE,ASSIST . . . . .	1	3
		/ATTACHING PARTS/		
	NAS387-1032-16P	• SCREW . . . . .	2	
	NAS39088P	• WASHER . . . . .	2	
		-----*		

BEECHCRAFT  
BONANZA 33  
ILLUSTRATED PARTS CATALOG



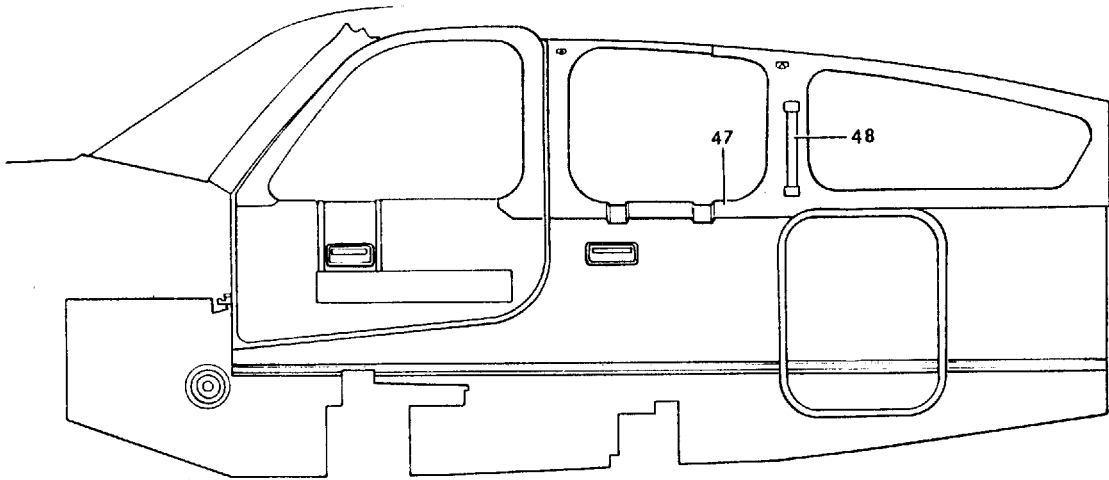
35-311A 44



B E E C H C R A F T  
B O N A N Z A 3 3  
I L L U S T R A T E D P A R T S C A T A L O G

FIG. & ITEM NO.	PART NO.	1	2	3	4	5	6	7	DESCRIPTION	UNITS PER ASSY	USABLE ON CODE
311	58-530171-1	.	.	.	.	.	.	.	MOLDING INSTL,RH FWD WINDOW . . . . .	NP	3
	58-530171-3	.	.	.	.	.	.	.	MOULDING ASSY,RH FWD WINDOW . . . . .	1	3
- 43	58-530171-5	.	.	.	.	.	.	.	MOLDING,RH FWD WINDOW . . . . .	1	3
	58-530086-5	.	.	.	.	.	.	.	PLATE . . . . .	1	3
	58-530170-3	.	.	.	.	.	.	.	MOLDING INSTL,CABIN DOOR. . . . .	NP	22
	58-530222-3	.	.	.	.	.	.	.	MOLDING INSTL,CABIN DOOR. . . . .	NP	21
- 44	58-530170-5	.	.	.	.	.	.	.	MOLDING,CABIN DOOR. . . . .	1	22
	58-530222-5	.	.	.	.	.	.	.	MOLDING ASSY,CABIN DOOR . . . . .	1	21
	58-530222-11	.	.	.	.	.	.	.	MOLDING . . . . .	1	21
	58-530202-3	.	.	.	.	.	.	.	COVER INSTL,COURTESY LIGHT/CABIN DOOR/. . . . .	1	22
	58-530202-7	.	.	.	.	.	.	.	COVER,COURTESY LIGHT/CABIN DOOR/. . . . .	1	1
	58-530169-9	.	.	.	.	.	.	.	MOLDING INSTL,RH OPENABLE WINDOW. . . . .	NP	3
	58-530169-15	.	.	.	.	.	.	.	MOLDING ASSY,RH OPENABLE WINDOW . . . . .	1	3
	58-530169-25	.	.	.	.	.	.	.	MOLDING ASSY,RH OPENABLE WINDOW . . . . .	1	3
									/ATTACHING PARTS/		
	OHS8SM16DS25GY	.	.	.	.	.	.	.	SCREW . . . . .	2	
	OHS8C16DS25GY	.	.	.	.	.	.	.	SCREW . . . . .	2	
									*-----*		
	58-530169-11	.	.	.	.	.	.	.	MOLDING,RH OPENABLE WINDOW. . . . .	1	3
- 45	58-530169-27	.	.	.	.	.	.	.	MOLDING,RH OPENABLE WINDOW. . . . .	1	3
	58-530134-11	.	.	.	.	.	.	.	HANDLE,ASSIST . . . . .	1	3
									/ATTACHING PARTS/		
	NAS387-1032-16P	.	.	.	.	.	.	.	SCREW . . . . .	2	
	NAS390B8P	.	.	.	.	.	.	.	WASHER. . . . .	2	
									*-----*		
- 46	DOA26229024K	.	.	.	.	.	.	.	HOOK,COAT . . . . .	2	3
	NAS384-8-20	.	.	.	.	.	.	.	SCREW . . . . .	2	
	96-534131-2	.	.	.	.	.	.	.	MOLDING INSTL,RH AFT. . . . .	NP	1
	96-534131-10	.	.	.	.	.	.	.	MOLDING INSTL,RH AFT. . . . .	NP	2
	96-534131-4	.	.	.	.	.	.	.	MOLDING ASSY,RH AFT . . . . .	1	1
	96-534131-12	.	.	.	.	.	.	.	MOLDING ASSY,RH AFT . . . . .	1	2
									/ATTACHING PARTS/		
	OH82S8SM16DS25GY	.	.	.	.	.	.	.	SCREW . . . . .	3	
	OHS8SM24DS25GY	.	.	.	.	.	.	.	SCREW . . . . .	5	
									*-----*		

BEECHCRAFT  
BONANZA 33  
ILLUSTRATED PARTS CATALOG



35-311A-46

B E E C H C R A F T  
B O N A N Z A 3 3  
I L L U S T R A T E D P A R T S C A T A L O G

FIG. & ITEM NO.	PART NO.	DESCRIPTION	UNITS PER ASSY	USABLE ON CODE
311 - 47	96-534131-6	. . . MOLDING,RH AFT. . . . .	1	1
	96-534131-14	. . . MOLDING,RH AFT. . . . .	1	2
- 48	58-530134-11	. . HANDLE ASSIST . . . . .	1	3
		/ATTACHING PARTS/		
	NAS387-1002-16P	. . SCREW . . . . .	2	
	NAS390B8P	. . WASHER . . . . .	2	
		-----*		
R 36-530064-1		. GLARESHIELD INSTL/SEE FIGURE 324/ . . . . .	NP	4
R 36-530064-3		. GLARESHIELD INSTL/SEE FIGURE 324/ . . . . .	NP	23
	35-534399	. HANGER INSTL. . . . .	NP	1
	95-534042	. STRAP INSTL . . . . .	NP	2
	58-530207-3	. LIGHTER INSTL/SEE FIGURE 324/ . . . . .	NP	13
	58-530207-9	. ESCUTCHEON. . . . .	1	14
	33-534075-27	. FLOOR FURNISHINGS INSTL . . . . .	NP	16
	33-524075-1	. FLOOR FURNISHINGS INSTL . . . . .	NP	15
	35-534464-5	. FLOOR FURNISHINGS INSTL . . . . .	NP	17
	35-534464-7	. FLOOR FURNISHINGS INSTL . . . . .	NP	18

NOTE FOR CABIN UPHOLSTERY  
SEE FIGURE 312 FOR CE-290 THRU CE-349 AND  
FIGURE 327 FOR CE-350 THRU CE-464. ALSO  
SEE FIGURE 311E FOR CJ-26 THRU CJ-30  
AND 311F FOR CJ-31 THRU CJ-51.

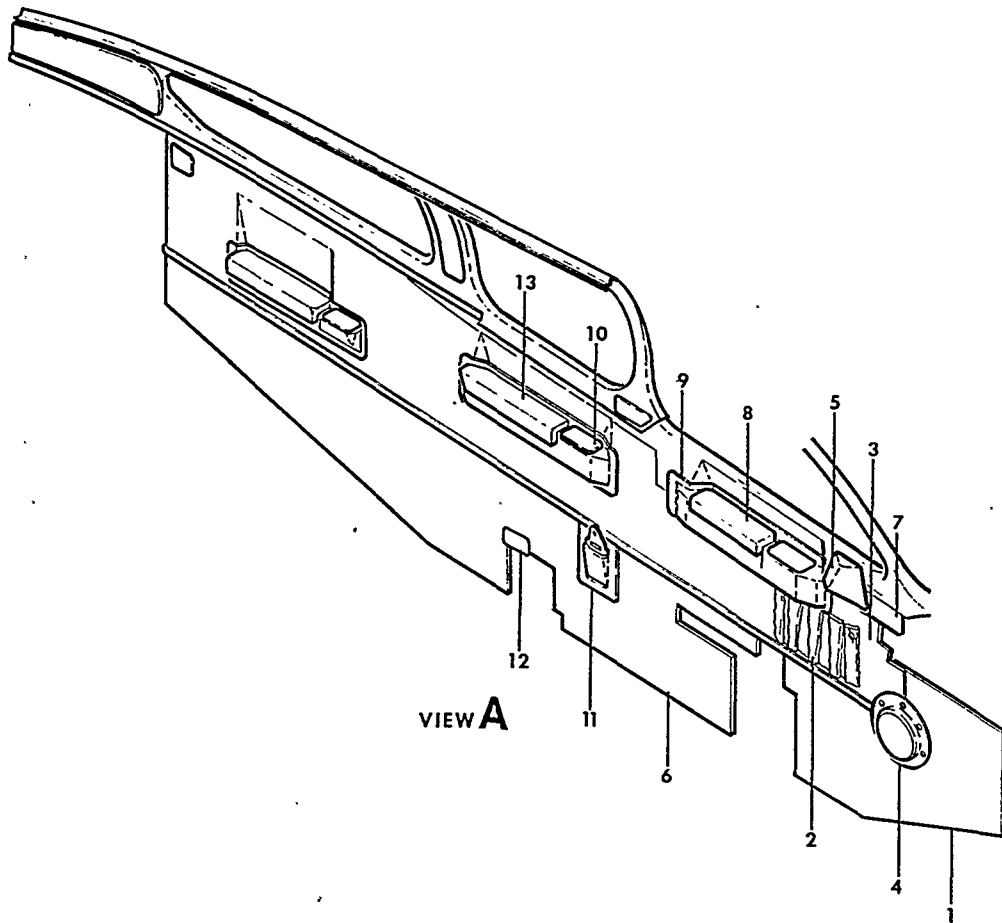
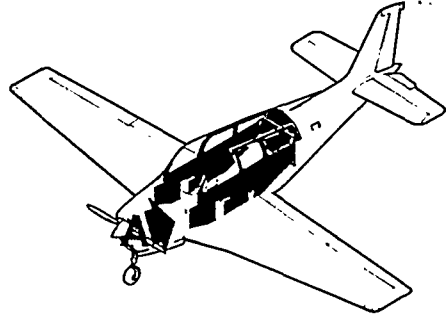
CODES OF EFFECTIVITY

1	CE-465 THRU CE-918	2	CJ-52 THRU CJ-155
	CE-920 THRU CE-922		
	CE-924,CE-926,CE-928		
3	CE-465 THRU CE-918	4	CE-465 THRU CE-747
	CE-920 THRU CE-922		CE-749 THRU CE-771
	CE-924,CE-926,CE-928		CJ-52 THRU CJ-148
	CJ-52 THRU CJ-155		
5	CE-511 THRU CE-918	6	CE-465 THRU CE-510
	CE-920 THRU CE-922		CJ-52 THRU CJ-155
	CE-924,CE-926,CE-928		
7	CE-465 THRU CE-632	8	CE-633 THRU CE-918
			CE-920 THRU CE-922
			CE-924,CE-926,CE-928
9	CE-465 THRU CE-678	10	CE-511 THRU CE-711
	CJ-52 THRU CE-128		
11	CE-712 THRU CE-918	12	CE-465 THRU CE-711
	CE-920,CE-922		
	CE-924,CE-926,CE-928		
13	CE-465 THRU CE-771	14	CE-772 THRU CE-918
	CJ-52 THRU CJ-148		CE-290 THRU CE-922
			CJ-149 THRU CJ-155
15	CJ-52 THRU CJ-145	16	CJ-146 THRU CJ-155
17	CE-465 THRU CE-768	18	CE-769 THRU CE-918
			CE-920 THRU CE-922
			CE 924,CE-926,CE-928
19	CJ-52 THRU CJ-110	20	CJ-111 THRU CJ-155
21	CE-633 THRU CE-918	22	CE-465 THRU CE-632
	CE-920 THRU CE-922		CJ-52 THRU CJ-110
	CE-924,CE-926,CE-928		
	CJ-111 THRU CJ-155		
23	CE-748,		
	CE-772 THRU CE-918		
	CE-920 THRU CE-922		
	CE-924,		
	CE-926 AND CE-928		
	CJ-149 THRU CJ-155		

B E E C H C R A F T  
B O N A N Z A 3 3  
I L L U S T R A T E D P A R T S C A T A L O G

FIGURE 311A  
CABIN UPHOLSTERY  
CE-919,CE-923,CE-925,CE-927,CE-929 AND AFTER  
CJ-156 AND AFTER

BEECHCRAFT  
BONANZA 33  
ILLUSTRATED PARTS CATALOG

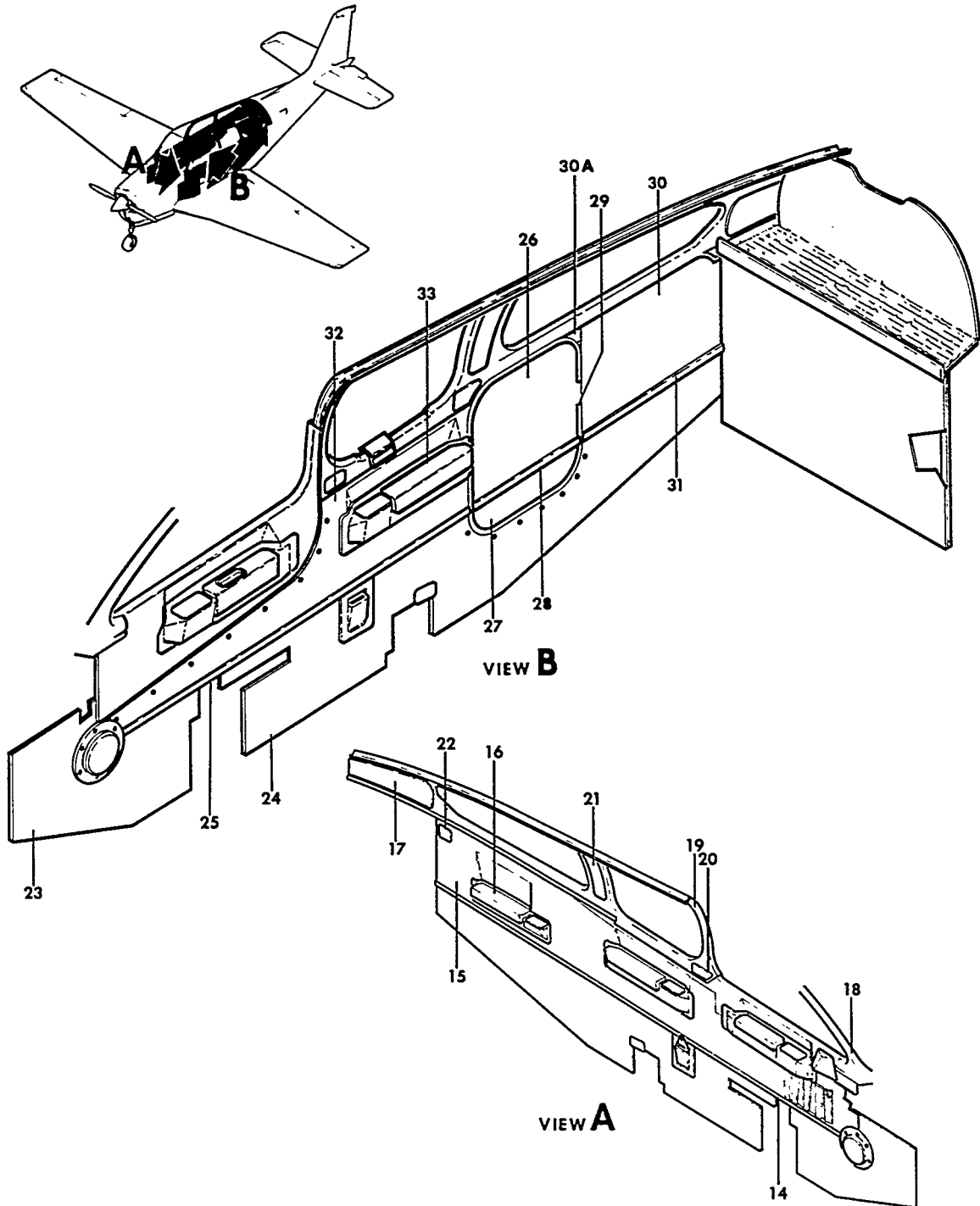


33-311A-39

B E E C H C R A F T  
B O N A N Z A 3 3  
I L L U S T R A T E D P A R T S C A T A L O G

FIG. & ITEM NO.	PART NO.	DESCRIPTION	UNITS	USABLE
			PER ASSY	ON CODE
		1 2 3 4 5 6 7		
311A	96-530019-37	UPHOLSTERY INSTL/SMALL BAGGAGE DOOR,4 SEATS/.	NP	3
	96-530019-39	UPHOLSTERY INSTL/SMALL BAGGAGE DOOR,5 SEATS/.	NP	3
	96-530019-41	UPHOLSTERY INSTL/LARGE BAGGAGE DOOR,4 SEATS/.	NP	3
	96-530019-43	UPHOLSTERY INSTL/LARGE BAGGAGE DOOR,5 SEATS/.	NP	3
	96-530019-45	UPHOLSTERY INSTL/SMALL BAGGAGE DOOR,4 SEATS/.	NP	2
- 1	33-530009-25	. PANEL ASSY,LH SCUFF . . . . .	1	1
- 2	102-530113-3	. POCKET ASSY,LH. . . . . /ATTACHING PARTS/	1	1
	NAS384-6-12P	. SCREW . . . . .	2	
	NAS390-8	. SCREW . . . . .	2	
	NAS446-2	. NUT . . . . .	2	
	MS20426AD4	. RIVET . . . . .	6	
	A1037-012-3	. NUT . . . . .	6	
		-----X-----		
- 3	96-530019-149	. PANEL ASSY. . . . .	1	3
	96-530019-47	. PANEL ASSY. . . . .	1	2
- 4	58-530147-1	. ESCUTCHEON. . . . .	1	1
	106-530090-3	. ESCUTCHEON ASSY . . . . .	1	1
- 5	106-530090-1	. . ESCUTCHEON. . . . .	1	1
	106-530090-5	. . COVER . . . . .	1	1
	106-530090-7	. . GIMP. . . . .	1	1
- 6	96-530017-145	. PANEL ASSY. . . . .	1	3
	33-530009-29	. PANEL ASSY. . . . .	1	2
	106-530088-1	. PANEL INSTL,ELBOW RECESS. . . . .	NP	3
	33-530044-1	. PANEL INSTL,ELBOW RECESS. . . . .	NP	2
- 7	106-530088-13	. . PANEL ASSY. . . . .	1	3
	33-530044-3	. . PANEL ASSY. . . . .	1	2
	33-530047-1	. . PLATE,INSTRUCTIONS/OPERATION LIMITATIONS/ . . . . .	1	2
	106-530088-27	. . . . PANEL ASSY. . . . .	1	3
	33-530044-9	. . . . PANEL ASSY. . . . .	1	2
	106-530078-1	. ARMREST INSTL . . . . .	NP	1
- 8	106-530078-3	. . PAD ASSY,ARMREST. . . . .	1	1
	106-530078-19	. . BRACKET ASSY. . . . .	1	1
- 9	106-530079-3	. . ESCUTCHEON,ARMREST. . . . . /ATTACHING PARTS/	1	1
	R MS35206-266	. . SCREW . . . . .	2	
	100951P063ZL	. . WASHER. . . . .	2	
		-----X-----		
	106-530080-4	. . SUPPORT . . . . .	1	1
- 10	3130	. . ASH TRAY. . . . .	1	1
- 11	106-530030-3	. ESCUTCHEON,INERTIA REEL . . . . . /ATTACHING PARTS/	2	1
	NAS384-8-10P	. SCREW . . . . .	2	
		-----X-----		
- 12	58-530145-3	. COVER,WING BOLT ACCESS. . . . . /ATTACHING PARTS/	2	1
	NAS384-8-8P	. SCREW . . . . .	2	
		-----X-----		
- 13	106-530082-1	. ARMREST INSTL . . . . .	NP	1
	106-530082-13	. . PAD ASSY,ARMREST. . . . .	1	1
	106-530083-5	. . ESCUTCHEON,ARMREST. . . . . /ATTACHING PARTS/	1	1
	MS35207-264	. . SCREW . . . . .	2	
	100951P063ZL	. . WASHER. . . . .	2	
		-----X-----		
	3130	. . ASH TRAY. . . . .	1	1
	100-4V25	. . GASKET. . . . .	1	1

BEECHCRAFT  
BONANZA 33  
ILLUSTRATED PARTS CATALOG



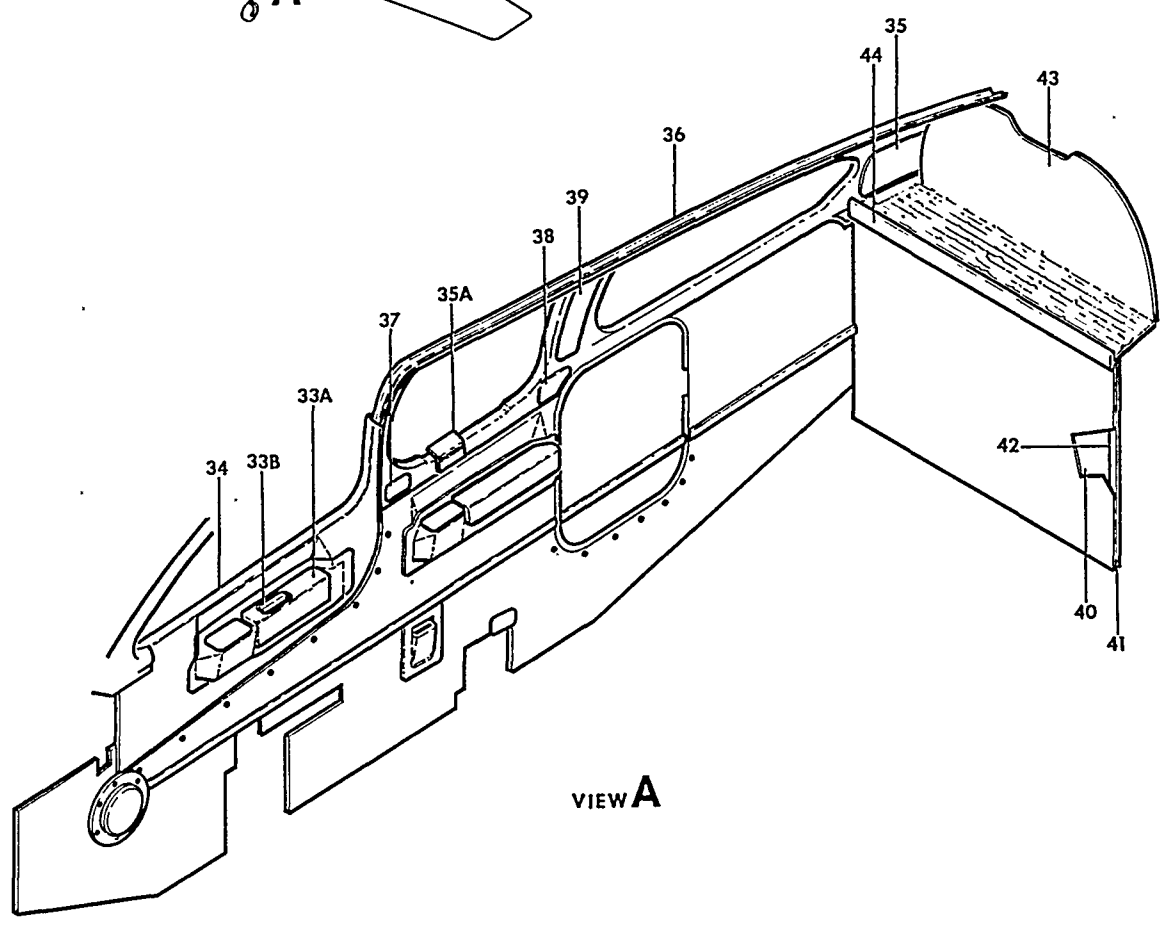
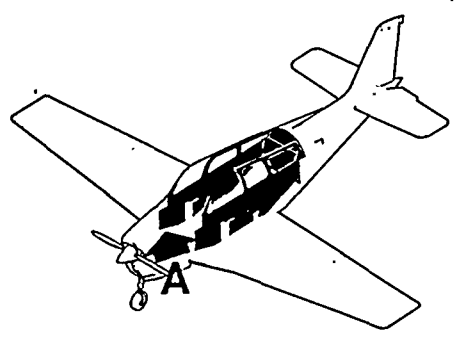
C94CE25A1807

B E E C H C R A F T  
B O N A N Z A 3 3  
I L L U S T R A T E D P A R T S C A T A L O G

FIG. & ITEM NO.	PART NO.	DESCRIPTION	UNITS PER ASSY	USABLE ON CODE
311A - 14	33-534009-21	. TRIM. . . . .	1	1
- 15	96-530019-119	. PANEL ASSY. . . . .	1	3
	106-530084-1	. ARMREST INSTL . . . . .	NP	3
- 16	106-530084-15	. . PAD ASSY,ARMREST. . . . .	1	3
	106-530085-7	. . ESCUTCHEON,ARMREST. . . . .	1	3
		/ATTACHING PARTS/		
	MS35207-264	. . SCREW . . . . .	2	
	100951P063ZL	. . WASHER. . . . .	2	
		-----X-----		
	3130	. . ASH TRAY. . . . .	1	1
- 17	106-530065-67	. INSERT ASSY/W/O REEL ESCUTCHEON/. . . . .	1	3
	106-530065-171	. INSERT ASSY/WITH REEL ESCUTCHEON/ . . . . .	1	3
- 18	106-530065-19	. MOLDING ASSY,WINDOW . . . . .	1	1
		/ATTACHING PARTS/		
	OHS8C16D-S05BG	. SCREW . . . . .	2	
	OHS8SM16D-S5BG	. SCREW . . . . .	3	
		-----X-----		
	106-530065-31	. MOLDING ASSY. . . . .	1	3
	106-530065-35	. MOLDING ASSY. . . . .	1	2
- 19	106-530065-33	. . MOLDING,WINDOW. . . . .	1	3
	106-530065-37	. . MOLDING,WINDOW. . . . .	1	2
- 20	106-530065-57	. . INSERT ASSY . . . . .	1	1
- 21	106-530065-61	. . INSERT ASSY . . . . .	1	1
- 22	106-530065-65	. . INSERT ASSY . . . . .	1	1
R	FOSZ6129024D	. . HOOK,COAT/SPARES FOR 58-530195-1/ . . . . .	1	1
		/ATTACHING PARTS/		
R	NAS384-8-20	. . SCREW . . . . .	1	
		-----X-----		
- 23	33-530009-3	. PANEL ASSY,RH SCUFF . . . . .	1	1
	58-530147-3	. ESCUTCHEON,AIR VAVLE. . . . .	1	1
- 24	96-530017-137	. PANEL ASSY/SMALL BAGGAGE DOOR/. . . . .	1	1
	96-530017-141	. PANEL ASSY/LARGE BAGGAGE DOOR/. . . . .	1	1
- 25	96-530008-55	. TRIM. . . . .	1	1
- 26	96-530019-59	. PANEL ASSY,SMALL BAGGAGE DOOR/UPPER/. . . . .	1	1
	96-530019-83	. PANEL ASSY,LARGE BAGGAGE DOOR/UPPER/. . . . .	1	1
- 27	96-530008-25	. PANEL ASSY,SMALL BAGGAGE DOOR/LOWER/. . . . .	1	1
	96-530008-33	. PANEL ASSY,LARGE BAGGAGE DOOR/LOWER/. . . . .	1	1
- 28	96-530008-57	. TRIM,SMALL BAGGAGE DOOR . . . . .	1	1
	96-530008-61	. TRIM,LARGE BAGGAGE DOOR . . . . .	1	1
- 29	96-530007-99	. WINDLACE,SMALL BAGGAGE DOOR . . . . .	1	1
	96-530007-191	. WINDLACE,LARGE BAGGAGE DOOR . . . . .	1	1
- 30	96-530019-65	. PANEL ASSY/SMALL BAGGAGE DOOR/. . . . .	1	1
- 30A R	96-530017-73	. PANEL ASSY. . . . .	1	1
		/ATTACHING PARTS/		
R	NAS384-6-8P	. SCREW . . . . .	1	
R	NAS391B6P	. WASHER. . . . .	1	
		-----X-----		
- 31	96-530008-59	. TRIM. . . . .	1	1
- 32	96-530019-53	. PANEL ASSY. . . . .	1	1
	NAS3846-8P	. SCREW . . . . .	9	1
	NAS391B6P	. WASHER. . . . .	9	1
	106-530082-2	. ARMREST INSTL . . . . .	NP	1
- 33	106-530082-14	. . PAD ASSY,ARMREST. . . . .	1	1
	106-530083-6	. . ESCUTCHEON,ARMREST. . . . .	1	1
		/ATTACHING PARTS/		
	MS35207-264	. . SCREW . . . . .	2	
	100951P063ZL	. . WASHER. . . . .	2	
		-----X-----		
	3130	. . ASH TRAY. . . . .	1	1
	100-4V25	. . GASKET. . . . .	1	1



BEECHCRAFT  
BONANZA 33  
ILLUSTRATED PARTS CATALOG



VIEW A

33-311A-41

B E E C H C R A F T  
B O N A N Z A 3 3  
I L L U S T R A T E D P A R T S C A T A L O G

FIG. & ITEM NO.	PART NO.	DESCRIPTION							UNITS PER ASSY	USABLE ON CODE
		1	2	3	4	5	6	7		
311A	106-530080-1	.	.	.	.	.	.	.	NP	7
	106-530080-29	.	.	.	.	.	.	.	NP	6
- 33A	106-530078-4	.	.	.	.	.	.	.	1	7
	106-530078-25	.	.	.	.	.	.	.	1	6
	106-530079	.	.	.	.	.	.	.	1	1
		/ATTACHING PARTS/								
	MS35207-263	.	.	.	.	.	.	.	2	
	100951P063ZL	.	.	.	.	.	.	.	2	
		-----*								
- 33B	106-530093-1	.	.	.	.	.	.	.	1	1
		/ATTACHING PARTS/								
	0HSM16DS25GY	.	.	.	.	.	.	.	2	
		-----*								
	3130	.	.	.	.	.	.	.	1	1
	106-530086-1	.	.	.	.	.	.	.	NP	4
	106-530086-21	.	.	.	.	.	.	.	NP	5
	106-530086-41	.	.	.	.	.	.	.	NP	6
	33-534085-1	.	.	.	.	.	.	.	NP	2
- 34	106-530086-3	.	.	.	.	.	.	.	1	4
	106-530086-23	.	.	.	.	.	.	.	1	5
	106-530086-43	.	.	.	.	.	.	.	1	6
	33-534085-3	.	.	.	.	.	.	.	1	2
	106-530086-9	.	.	.	.	.	.	.	1	8
	106-530086-49	.	.	.	.	.	.	.	1	6
	33-534083-1	.	.	.	.	.	.	.	1	2
	106-530087-1	.	.	.	.	.	.	.	1	7
	106-530087-5	.	.	.	.	.	.	.	1	6
	50-534033-179	.	.	.	.	.	.	.	1	1
- 35	106-530065-81	.	.	.	.	.	.	.	1	1
- 35A	106-530050-1	.	.	.	.	.	.	.	1	1
	58-530222-17	.	.	.	.	.	.	.	NP	1
		/WITH COURTESY LIGHT/								
	58-530222-19	.	.	.	.	.	.	.	NP	1
		/WITHOUT COURTESY LIGHT/								
	58-530222-21	.	.	.	.	.	.	.	1	1
		/WITH COURTESY LIGHT/								
	58-530222-23	.	.	.	.	.	.	.	1	1
		/WITHOUT COURTESY LIGHT/								
	58-530222-25	.	.	.	.	.	.	.	1	1
	58-530222-27	.	.	.	.	.	.	.	1	1
		/ATTACHING PARTS/								
	0HS8C16D-S25GY	.	.	.	.	.	.	.	AR	
		-----*								
	106-530065-32	.	.	.	.	.	.	.	1	3
	106-530065-36	.	.	.	.	.	.	.	1	2
- 36	106-530065-34	.	.	.	.	.	.	.	1	3
	106-530065-38	.	.	.	.	.	.	.	1	2
- 37	106-530065-71	.	.	.	.	.	.	.	1	1
- 38	106-530065-73	.	.	.	.	.	.	.	1	1
- 39	106-530065-75	.	.	.	.	.	.	.	1	1
	FOSZ6129024D	.	.	.	.	.	.	.	1	6
		HOOK, COAT/SPARES FOR 58-530195-1/								
	NAS384-8-20	.	.	.	.	.	.	.	1	6
	58-530165-7	.	.	.	.	.	.	.	1	1
	96-530019-155	.	.	.	.	.	.	.	1	3
	33-530009-15	.	.	.	.	.	.	.	1	2
- 40	96-530019-157	.	.	.	.	.	.	.	1	3
- 41	35-534463-11	.	.	.	.	.	.	.	2	3
	33-530009-37	.	.	.	.	.	.	.	1	2
- 42	35-534463-9	.	.	.	.	.	.	.	2	1
- 43	106-530092-3	.	.	.	.	.	.	.	1	3
	106-530092-5	.	.	.	.	.	.	.	1	2
- 44	33-534048-1	.	.	.	.	.	.	.	1	3
	33-534048-3	.	.	.	.	.	.	.	1	2
R	36-530064-3	.	.	.	.	.	.	.	1	1
	96-440025-5	.	.	.	.	.	.	.	1	1
		HAT SHELF								

B E E C H C R A F T  
 BONANZA 33  
 I L L U S T R A T E D P A R T S C A T A L O G

FIG. & ITEM NO.	PART NO.	1	2	3	4	5	6	7	DESCRIPTION	UNITS PER ASSY	USABLE ON CODE
-----------------------	-------------	---	---	---	---	---	---	---	-------------	----------------------	----------------------

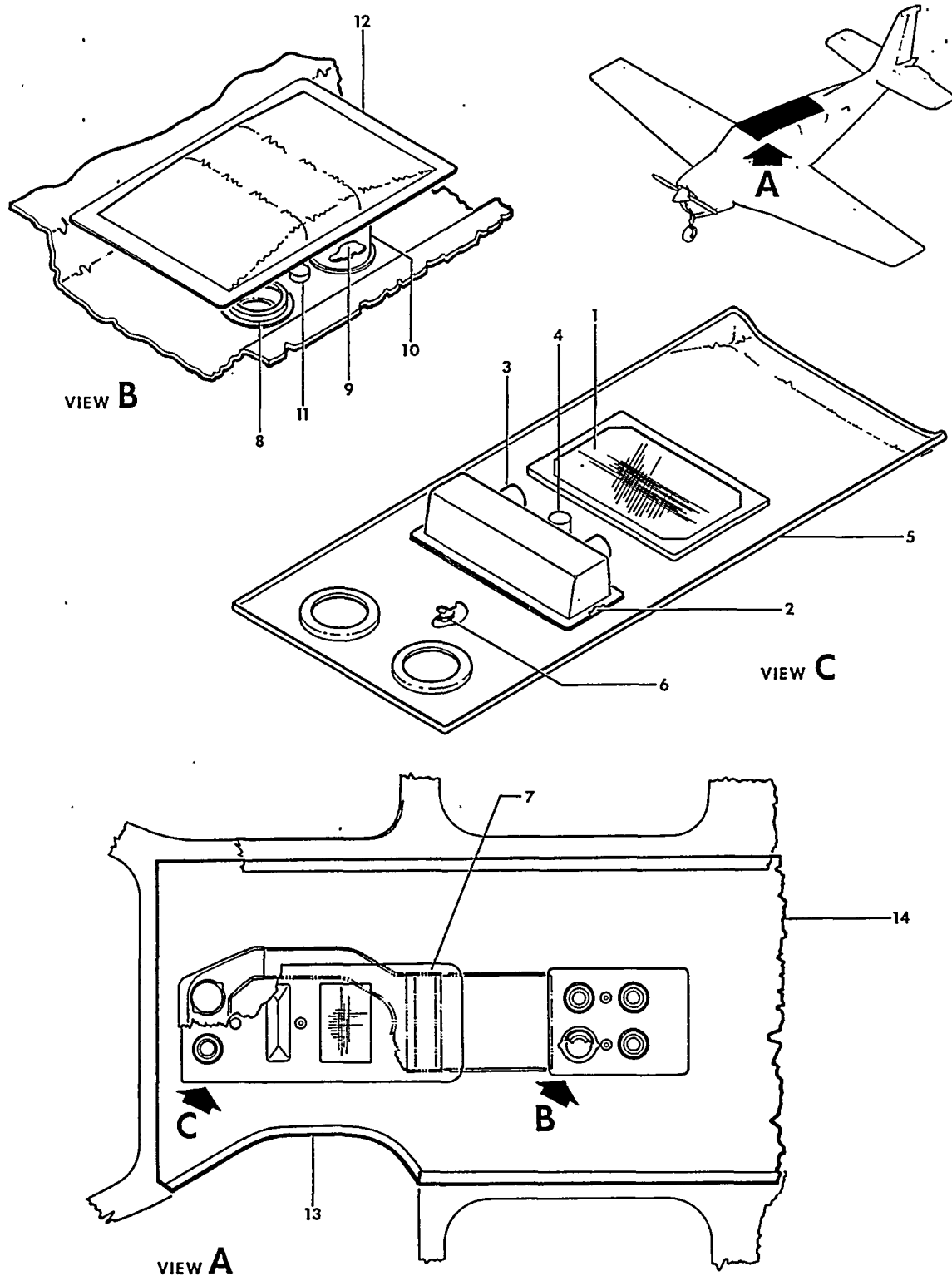
CODES OF EFFECTIVITY

1	CE-919,CE-923, CE-925,CE-927, CE-929 AND AFTER CJ-156 AND AFTER	2	CJ-156 AND AFTER						
3	CE-919,CE-923, CE-925,CE-927, CE-929 AND AFTER	4	CE-919,CE-923, CE-925,CE-927, CE-929 THRU CE-977						
5	CE-978 THRU CE-1670 CE-1672 THRU CE-1679	6	CE-1671, CE-1680 AND AFTER						
7	CE-919,CE-923, CE-925,CE-927, CE-929 THRU CE-1670 CE-1672 THRU CE-1679 CJ-156 AND AFTER	8	CE-919,CE-923, CE-925,CE-927, CE-929 THRU CE-1670 CE-1672 THRU CE-1679						

BEECHCRAFT  
BONANZA 33  
ILLUSTRATED PARTS CATALOG

FIGURE 311B  
CABIN HEADLINER  
CD-1256 THRU CD-1304  
CE-919, CE-923, CE-925, CE-927, CE-929 AND AFTER  
CJ-31 THRU CJ-51, CJ-156 AND AFTER

BEECHCRAFT  
 BONANZA 33  
 ILLUSTRATED PARTS CATALOG

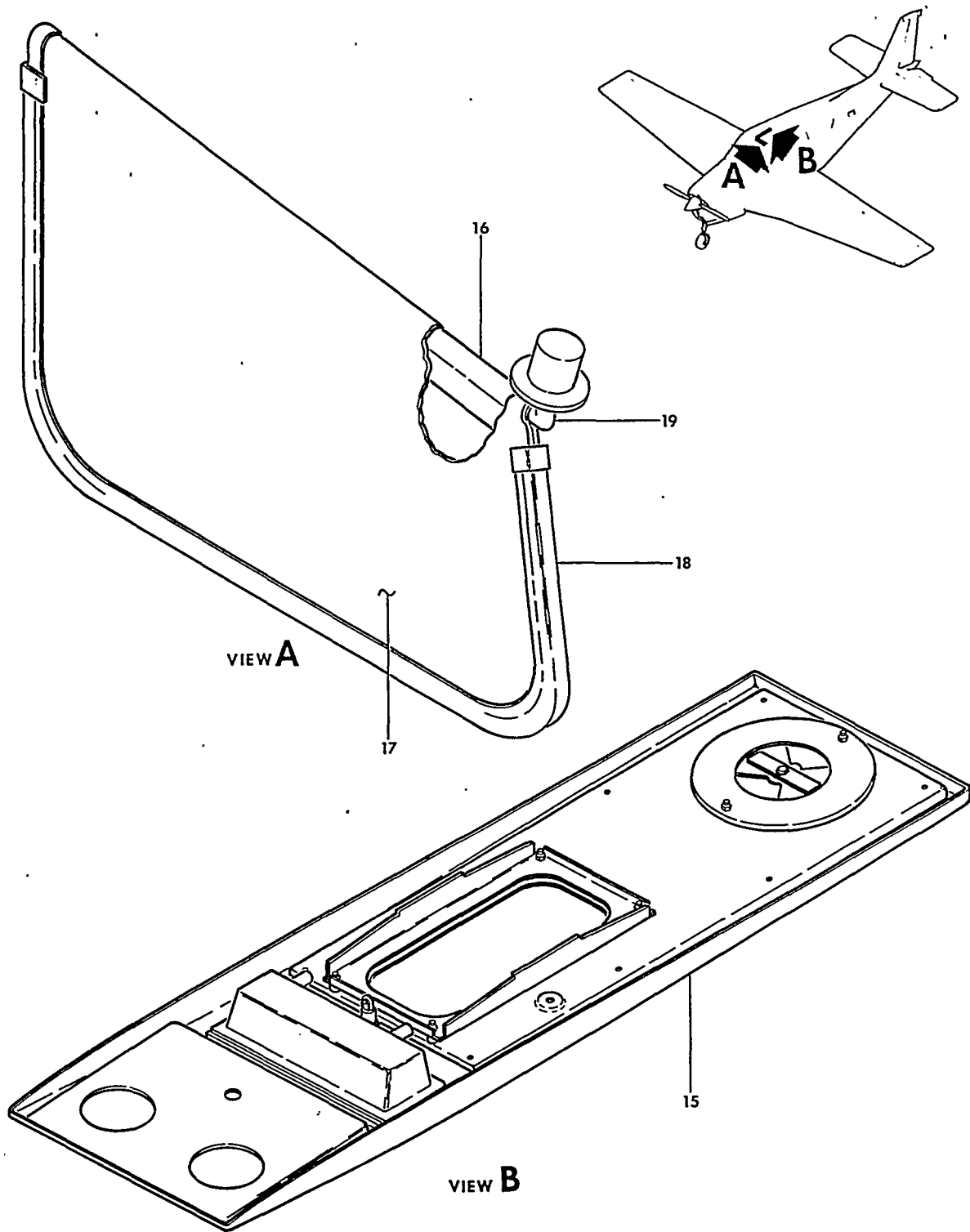


33-311-43

B E E C H C R A F T  
B O N A N Z A 3 3  
I L L U S T R A T E D P A R T S C A T A L O G

FIG. & ITEM NO.	PART NO.	DESCRIPTION	UNITS PER ASSY	USABLE ON CODE
		1 2 3 4 5 6 7		
311B	106-530055-7	HEADLINER INSTL/4 AIR OUTLETS/ . . . . .	NP	1
	106-530055-9	HEADLINER INSTL/5 AIR OUTLETS/ . . . . .	NP	1
	106-530055-19	HEADLINER INSTL/4 AIR OUTLETS/ . . . . .	NP	2
	106-530041-1	. CONSOLE ASSY,OVERHEAD . . . . . /USE 106-530041-3 FOR SPARES/	NP	4
	106-530041-3	. CONSOLE ASSY,OVERHEAD . . . . . /ATTACHING PARTS/	1	5
	OHS8SM16D-S05BG	. SCREW . . . . .	4	
- 1	106-530043-1	. GRILL,SPEAKER . . . . . /ATTACHING PARTS/	1	3
	A1037-012-67	. NUT . . . . .	4	
- 2	58-530106-7	. LIGHT ASSY. . . . .	1	4
	58-530106-5	. LENS. . . . .	1	4
	58-530106-9	. BOX,LIGHT . . . . .	1	4
	58-530106-11	. LENS. . . . .	1	5
- 3	2506	. SOCKET,LAMP . . . . .	2	3
- 4	L18366-3	. SWITCH,LAMP . . . . . /ALTERNATE FOR J20125-03/	1	3
	J20125-03	. SWITCH,LAMP . . . . . /ALTERNATE FOR L18366-3/	1	3
- 5	106-530042-1	. ESCUTCHEON. . . . .	1	4
- 6	106-530042-3	. ESCUTCHEON. . . . .	1	5
	58-530110-3	. KNOB,FRESH AIR CONTROL. . . . .	1	3
	106-530032-1	. SUN VISOR ASSY/SEE FIG.324 FOR BREAKDOWN/ /ATTACHING PARTS/	2	3
	AN509-8R18	. SCREW . . . . .	3	
- 7	106-530110-1	. DUCT,SPLICE . . . . .	1	3
	106-530055-27	. PANEL ASSY,HEADLINER/4 AIR OUTLETS/ . . . . .	1	1
	106-530055-29	. PANEL ASSY,HEADLINER/5 AIR OUTLETS/ . . . . .	1	1
	106-530055-39	. PANEL ASSY,HEADLINER/4 AIR OUTLETS/ . . . . .	1	2
- 8	2515	. VALVE,AIR . . . . .	AR	3
- 9	2565-1	. LIGHT ASSY. . . . .	AR	3
- 10	106-530072-1	. RETAINER ASSY,LIGHT . . . . .	AR	3
- 11	J20154	. SWITCH AND RETAINER . . . . .	AR	3
- 12	106-530066-1	. COVER . . . . .	AR	3
- 13	106-530075-3	. MOLDING ASSY. . . . . /ATTACHING PARTS/	1	3
	OHS8SM16D-S05BG	. SCREW . . . . .	3	
- 14	106-530069-7	. PANEL ASSY,BONDED/4 AIR OUTLETS/ . . . . .	1	1
	106-530069-9	. PANEL ASSY,BONDED/5 AIR OUTLETS/ . . . . .	1	1
	106-530069-19	. PANEL ASSY,BONDED/4 AIR OUTLETS/ . . . . .	1	2
	106-530055-43	. COVERING,PANEL ASSY . . . . .	1	3

BEECHCRAFT  
BONANZA 33  
ILLUSTRATED PARTS CATALOG



33-311B-45

B E E C H C R A F T  
B O N A N Z A 3 3  
I L L U S T R A T E D P A R T S C A T A L O G

FIG. & ITEM NO.	PART NO.	DESCRIPTION							UNITS PER ASSY	USABLE ON CODE
		1	2	3	4	5	6	7		
311B	58-530121-7	HEADLINER INSTL/STD/ . . . . .							NP	6
	58-530121-13	HEADLINER INSTL/OPT/ . . . . .							NP	7
	58-530096-1	. CONSOLE INSTL/SEE FIGURE 417A/ . . . . .							NP	6
- 15	58-530097-1	. . CONSOLE ASSY. . . . .							1	6
	58-530128-1	. SUNVISOR ASSY . . . . .							1	6
	AN509-8R18	. SCREW . . . . .							6	6
		-----*-----								
	58-530128-3	. . SHADE ASSY. . . . .							1	6
- 16	58-530128-5	. . . SPLINE. . . . .							1	6
	58-530128-7	. . . BLADE . . . . .							1	6
- 17	58-530128-9	. . . COVER . . . . .							1	6
- 18	58-530128-11	. . . TRIM. . . . .							1	6
- 19	58-530129-1	. . ARM, SHADE . . . . .							1	6
	58-530130-1	. . MOUNT . . . . .							1	6
	58-530131-1	. . BUSHING . . . . .							1	6
	58-530121-15	. PANEL ASSY, FORWARD HEADLINER. . . . .							NP	6
		/ORDER 58-530121-21/								
	58-530121-19	. PANEL ASSY, AFT HEADLINER. . . . .							1	6
	58-530150-1	. PLUG. . . . .							AR	6

C O D E S O F E F F E C T I V I T Y

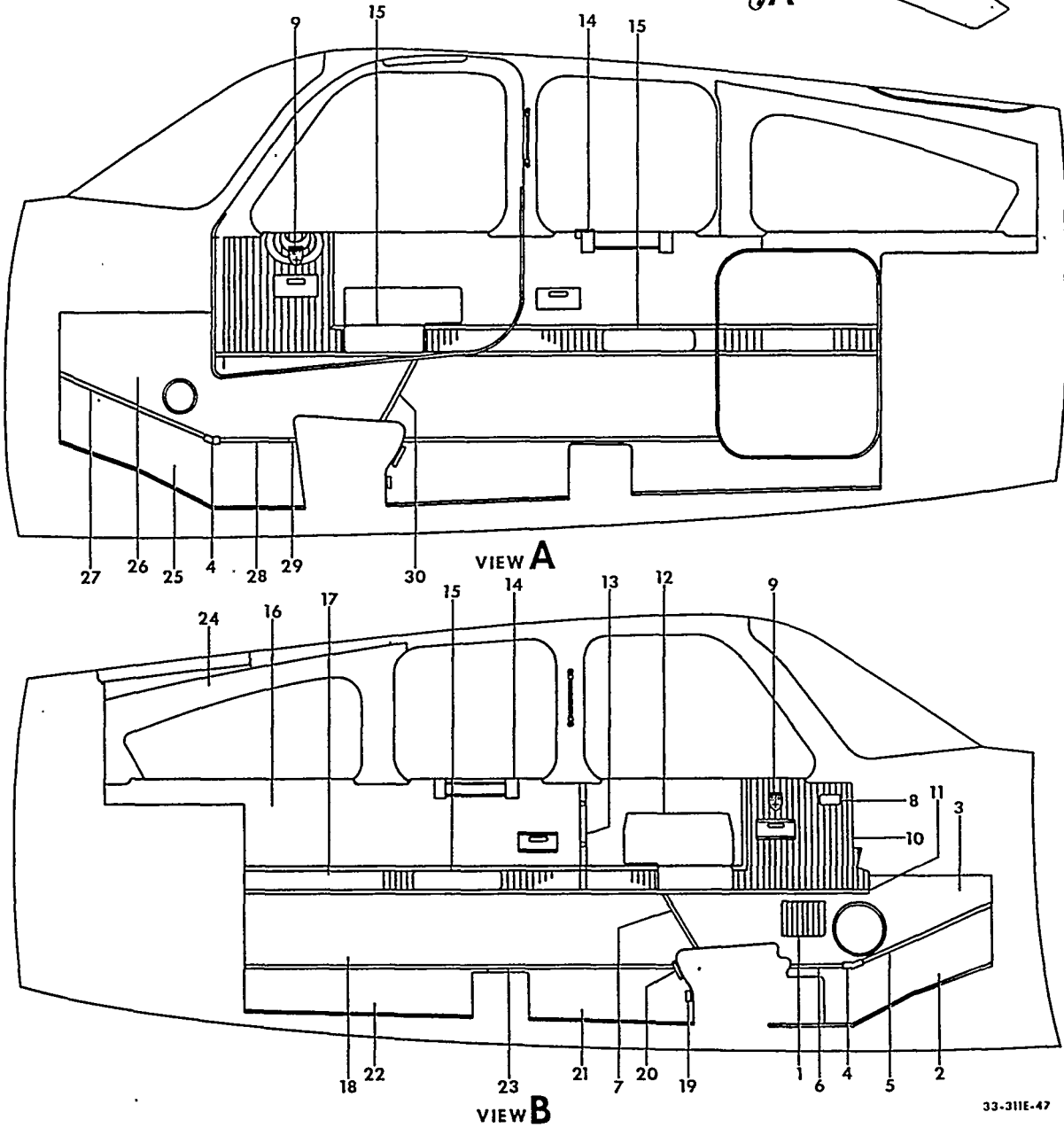
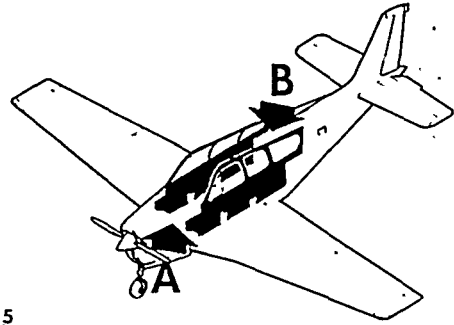
1	CE-919, CE-923	2	CJ-156 AND AFTER
	CE-925, CE-927		
	CE-929 AND AFTER		
3	CE-919, CE-923	4	CE-919, CE-923
	CE-925, CE-927		CE-925, CE-927
	CE-929 AND AFTER		
	CJ-156 AND AFTER		
5	CE-929 AND AFTER	6	CD-1256 THRU CD-1304
	CJ-156 AND AFTER		CJ-31 THRU CJ-51
7	CD-1256 THRU CD-1304		



BEECHCRAFT  
BONANZA 33  
ILLUSTRATED PARTS CATALOG

FIGURE 311E  
CABIN UPHOLSTERY  
CJ-26 THRU CJ-30

BEECHCRAFT  
 BONANZA 33  
 ILLUSTRATED PARTS CATALOG



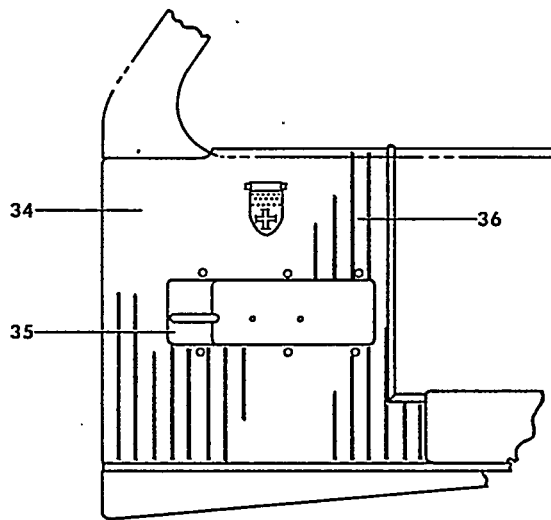
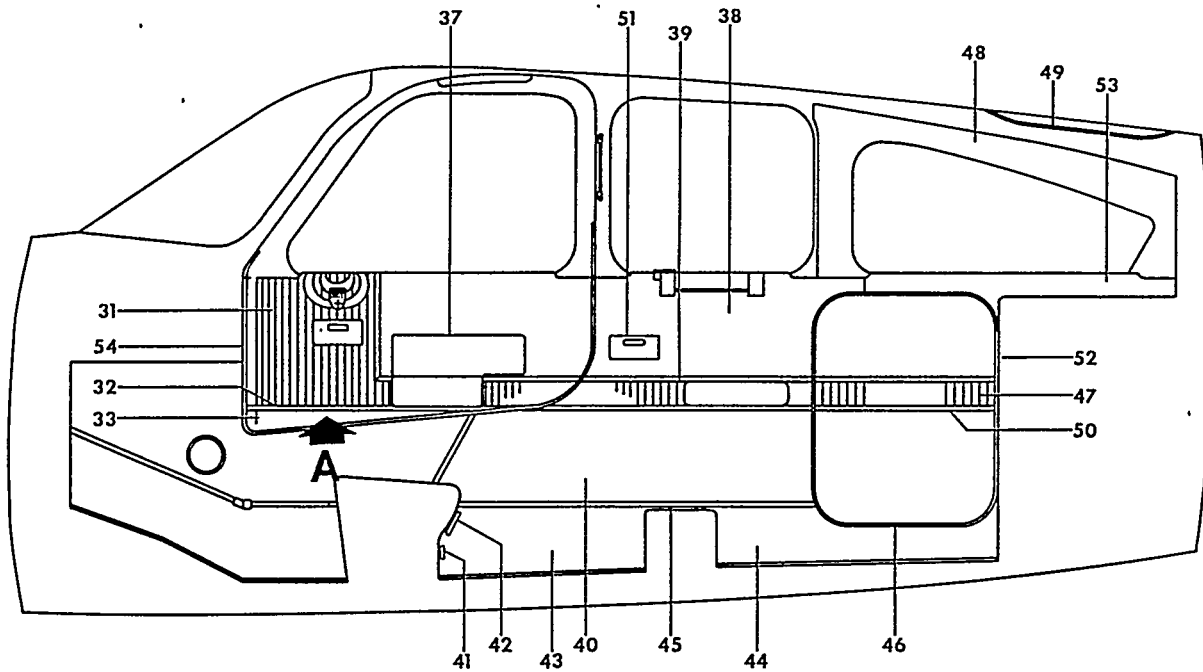
33-311E-47

FIGURE 311E. CABIN UPHOLSTERY  
 /SHEET 1 OF 2 SHEETS/

B E E C H C R A F T  
B O N A N Z A 3 3  
I L L U S T R A T E D P A R T S C A T A L O G

FIG. & ITEM NO.	PART NO.	DESCRIPTION							UNITS PER ASSY	USABLE ON CODE
		1	2	3	4	5	6	7		
311E	33-530007-7	UPHOLSTERY INSTL.	.	.	.	.	.	.	NP	1
- 1	33-530007-119	POCKET ASSY,LH ONLY	.	.	.	.	.	.	1	1
- 2	33-530005-213	PANEL ASSY,LH FWD	.	.	.	.	.	.	1	1
- 3	33-530007-109	PANEL ASSY/LH/	.	.	.	.	.	.	1	1
- 4	96-530001-221	STRAP/LH AND RH/	.	.	.	.	.	.	1	1
- 5	33-530007-117	TRIM/LH/	.	.	.	.	.	.	1	1
- 6	33-530007-231	TRIM/LH/	.	.	.	.	.	.	1	1
- 7	33-530007-121	TRIM/LH/	.	.	.	.	.	.	1	1
- 8	96-534093-1	OUTSIDE AIR TEMP ESCUTCHEON/LH/	.	.	.	.	.	.	1	1
- 9	96-534103	EMBLEM/LH AND RH/	.	.	.	.	.	.	1	1
- 10	33-530007-99	PANEL ASSY,LH	.	.	.	.	.	.	1	1
- 11	33-530007-107	TRIM/LH/	.	.	.	.	.	.	1	1
- 12	58-530042-3	RECESS PANEL/LH/	.	.	.	.	.	.	1	1
	96-530002-69	CLIP/LH AND RH/	.	.	.	.	.	.	AR	1
- 13	33-530003-89	BRACKET/LH/	.	.	.	.	.	.	1	1
- 14	35-534412	ESCUTCHEON/LH AND RH/	.	.	.	.	.	.	2	1
- 15	35-534448-1	ARMREST INSTL,SIDE PANEL/LH & RH/	.	.	.	.	.	.	NP	1
	36-530068-29	ARMREST ASSY/RH FWD/	.	.	.	.	.	.	1	1
	36-530068-30	ARMREST ASSY/LH FWD/	.	.	.	.	.	.	1	1
	36-530085-1	ARMREST ASSY/LH AFT/	.	.	.	.	.	.	1	1
	36-530085-2	ARMREST ASSY/RH AFT/	.	.	.	.	.	.	1	1
- 16	33-530007-315	PANEL ASSY/LH/	.	.	.	.	.	.	1	1
- 17	33-530007-137	PANEL ASSY,LH	.	.	.	.	.	.	1	1
	33-530007-139	COVER ASSY,DIELECTRIC/LH/	.	.	.	.	.	.	1	1
- 18	33-530007-133	PANEL ASSY/LH/	.	.	.	.	.	.	1	1
- 19	35-534202	ANGLE/LH/	.	.	.	.	.	.	1	1
- 20	35-534201	ANGLE/LH/	.	.	.	.	.	.	1	1
- 21	33-530007-123	PANEL ASSY/LH/	.	.	.	.	.	.	1	1
- 22	33-530007-129	PANEL ASSY/LH/	.	.	.	.	.	.	1	1
- 23	33-530007-127	TRIM/LH/	.	.	.	.	.	.	1	1
- 24	33-534060-1	MOULDING INSTL/LH AFT WINDOW/	.	.	.	.	.	.	NP	1
	33-534060-3	MOLDING	.	.	.	.	.	.	1	1
	96-530002-67	CLIP/LH AND RH/	.	.	.	.	.	.	AR	1
- 25	33-530007-45	PANEL ASSY,RH FWD	.	.	.	.	.	.	1	1
- 26	33-530007-51	PANEL ASSY/RH/	.	.	.	.	.	.	1	1
- 27	33-530007-49	TRIM/RH/	.	.	.	.	.	.	1	1
- 28	33-530007-183	TRIM/RH/	.	.	.	.	.	.	1	1
- 29	96-530001-220	CLIP/RH/	.	.	.	.	.	.	1	1
- 30	33-530007-43	TRIM/RH/	.	.	.	.	.	.	1	1

BEECHCRAFT  
BONANZA 33  
ILLUSTRATED PARTS CATALOG



VIEW A

33-311E-48

B E E C H C R A F T  
B O N A N Z A 3 3  
I L L U S T R A T E D P A R T S C A T A L O G

FIG. & ITEM NO.	PART NO.	DESCRIPTION							UNITS PER ASSY	USABLE ON CODE
		1	2	3	4	5	6	7		
311E - 31	33-530007-65	•							1	1
- 32	33-530007-71	•							1	1
- 33	33-530007-75	•							1	1
- 34	33-530007-337	•							1	1
- 35	33-534046-3	•							1	1
- 36	33-534046-67	•							1	1
- 37	58-530042-4	•							1	1
- 38	33-530007-305	•							1	1
	33-530007-307	•							1	1
- 39	33-530007-91	•							1	1
	33-530007-93	•							1	1
- 40	33-53000735	•							1	1
- 41	35-534202-1	•							1	1
- 42	35-534201	•							1	1
- 43	33-530007-39	•							1	1
- 44	33-530007-29	•							1	1
- 45	33-530007-33	•							1	1
- 46	35-530007-23	•							1	1
- 47	33-530007-323	•							1	1
	33-530007-325	•							1	1
- 48	33-534060-2	•							NP	1
	33-534060-5	•							1	1
- 49	35-534399	•							NP	1
- 50	33-530007-21	•							1	1
- 51	96-534078-27	•							3	1
- 52	33-530007-329	•							1	1
- 53	33-530007-319	•							1	1
- 54	33-530007-57	•							1	1
	35-534406-85	•							1	1

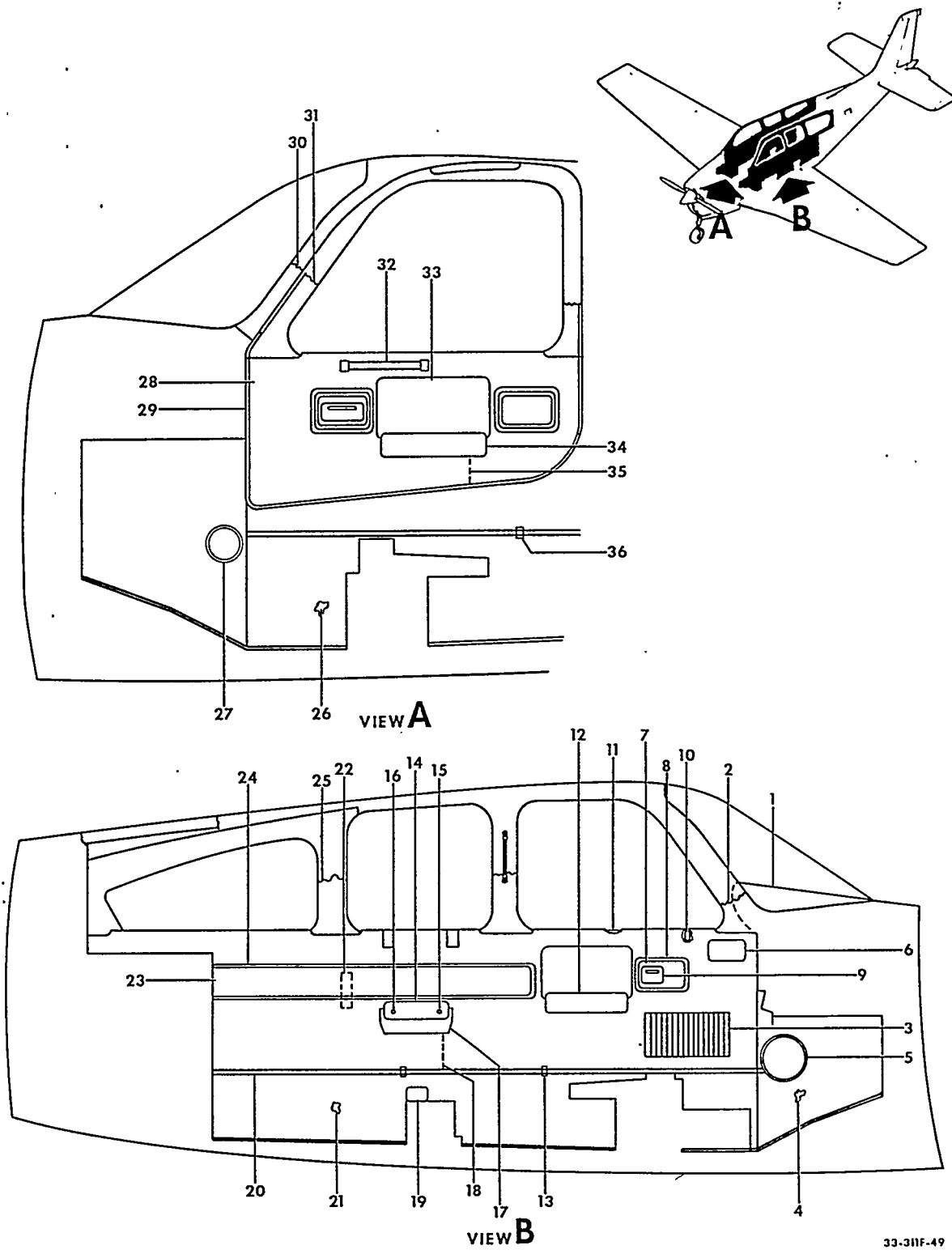
C O D E S O F E F F E C T I V I T Y

1 CJ-26 THRU CJ-30

BEECHCRAFT  
BONANZA 33  
ILLUSTRATED PARTS CATALOG

FIGURE 311F  
CABIN UPHOLSTERY  
CJ-31 THRU CJ-51

BEECHCRAFT  
 BONANZA 33  
 ILLUSTRATED PARTS CATALOG



33-311F-49

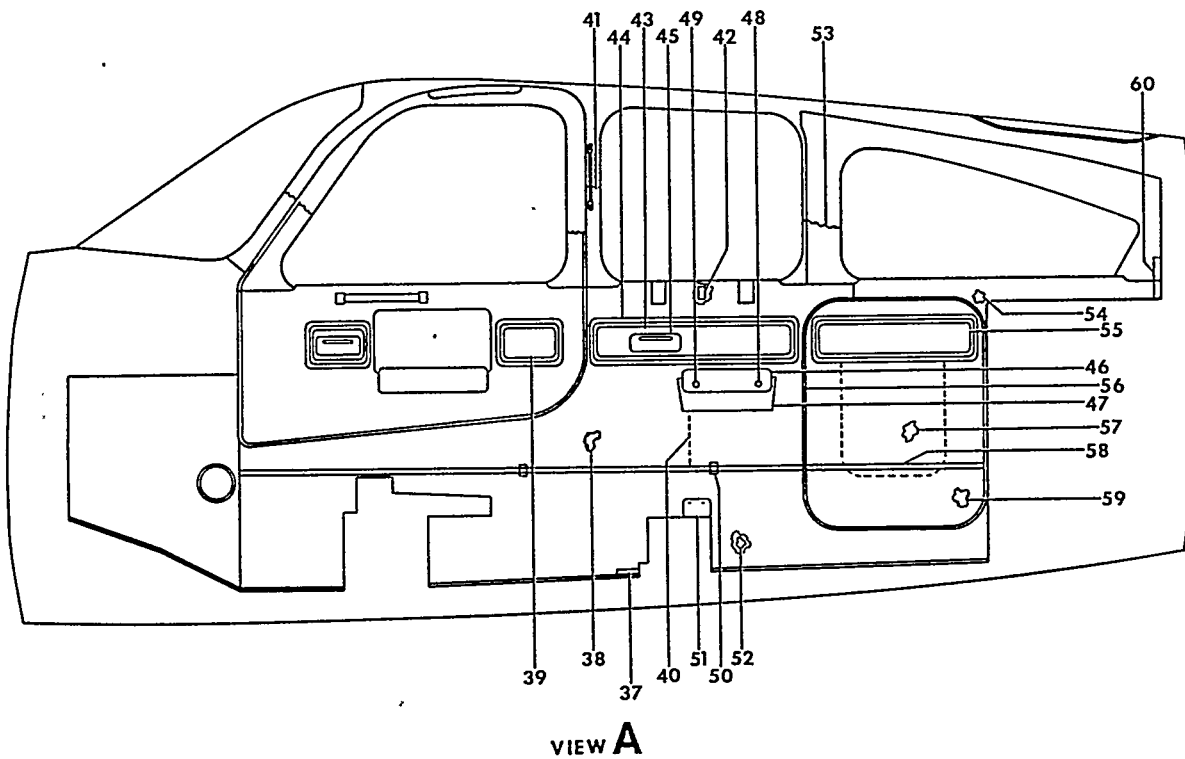
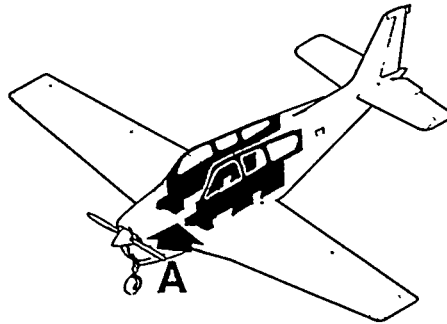
FIGURE 311F. CABIN UPHOLSTERY  
 /SHEET 1 OF 2 SHEETS/

B E E C H C R A F T  
B O N A N Z A 3 3  
I L L U S T R A T E D P A R T S C A T A L O G

FIG. & ITEM NO.	PART NO.	DESCRIPTION							UNITS PER ASSY	USABLE ON CODE
		1	2	3	4	5	6	7		
311F	33-530009-59	UPHOLSTERY INSTL/WITH SMALL BAGGAGE DOOR/	.	.	.	.	.	.	NP	1
- 1	36-530064-1	• GLARESHIELD INSTL/SEE FIGURE 324/	.	.	.	.	.	.	NP	1
- 2	58-530086-1	• MOLDING INSTL	.	.	.	.	.	.	NP	1
	58-530086-3	• MOLDING	.	.	.	.	.	.	1	1
- 3	58-530146-1	• POCKET INSTL/PILOT, SIDEWALL/	.	.	.	.	.	.	NP	1
	58-530146-3	• POCKET ASSY	.	.	.	.	.	.	1	1
- 4	35-530009-25	• SCUFF PANEL ASSY/LH FWD/	.	.	.	.	.	.	1	1
- 5	58-530147-1	• ESCUTCHEON/PILOT AIR/	.	.	.	.	.	.	1	1
- 6	36-530088-1	• ESCUTCHEON/OAT/	.	.	.	.	.	.	1	1
- 7	58-530132-91	• PANEL ASSY/LH/	.	.	.	.	.	.	1	1
- 8	58-530132-89	• PAN/LH/	.	.	.	.	.	.	1	1
- 9	2A20580	• ASH TRAY/LH/	.	.	.	.	.	.	1	1
- 10	96-530002-69	• CLIP/LH/	.	.	.	.	.	.	5	1
- 11	33-530009-63	• PANEL ASSY/LH/	.	.	.	.	.	.	1	1
- 12	36-530091-1	• PAD ASSY/LH/	.	.	.	.	.	.	1	1
- 13	36-530004-57	• CLIP/LH/	.	.	.	.	.	.	AR	1
- 14	35-534462-1	• PAD ASSY/LH/	.	.	.	.	.	.	1	1
		/ATTACHING PARTS/								
- 15	AN525-10R28	• SCREW	.	.	.	.	.	.	2	1
- 16	AN525-10R20	• SCREW	.	.	.	.	.	.	1	1
		*-----*								
- 17	35-534461-1	• ARMREST/AFT/	.	.	.	.	.	.	1	1
- 18	35-534459-1	• REINFORCEMENT INSTL/ARMREST 3RD & 4TH SEAT/	.	.	.	.	.	.	NP	1
	35-534459-3	• REINFORCEMENT ASSY	.	.	.	.	.	.	2	1
	35-534459-5	• REINFORCEMENT	.	.	.	.	.	.	2	1
- 19	58-530145-2	• COVER INSTL/UPHOLSTERY WING BOLT ACCES LH/	.	.	.	.	.	.	NP	1
	58-530145-3	• COVER	.	.	.	.	.	.	1	1
- 20	33-530009-31	• TRIM/LH/	.	.	.	.	.	.	1	1
	96-530017-163	• ANGLE	.	.	.	.	.	.	1	1
- 21	33-530009-29	• SCUFF PANEL ASSY/LH/	.	.	.	.	.	.	1	1
- 22	36-530004-55	• PLATE/LH/	.	.	.	.	.	.	AR	1
- 23	35-534458-83	• PANEL ASSY/LH/	.	.	.	.	.	.	1	1
- 24	35-534458-81	• PAN/LH/	.	.	.	.	.	.	1	1
- 25	35-534456-1	• MOLDING INSTL/WINDOW AFT/	.	.	.	.	.	.	NP	1
	35-534456-3	• MOLDING	.	.	.	.	.	.	1	1
- 26	33-530009-3	• SCUFF PANEL ASSY/RH/	.	.	.	.	.	.	1	1
- 27	58-530147-3	• ESCUTCHEON/LH/	.	.	.	.	.	.	1	1
- 28	58-530003-57	• PANEL ASSY/RH/	.	.	.	.	.	.	1	1
- 29	36-530001-85	• WINDLACE/RH/	.	.	.	.	.	.	1	1
- 30	58-530085-1	• MOLDING INSTL/RH FOWARD CANOPY POST/	.	.	.	.	.	.	NP	1
	58-530085-3	• MOLDING	.	.	.	.	.	.	1	1
	58-530086-5	• PLATE	.	.	.	.	.	.	1	1
- 31	58-530083-1	• MOLDING INSTL/CABIN DOOR/	.	.	.	.	.	.	NP	1
	58-530083-5	• MOLDING	.	.	.	.	.	.	1	1
- 32	58-530134-1	• HANDLE/RH/	.	.	.	.	.	.	1	1
- 33	36-530092-1	• ESCUTCHEON INSTL/RECESS, ARMREST/	.	.	.	.	.	.	NP	1
	58-530115-1	• RECESS PANEL	.	.	.	.	.	.	1	1
- 34	36-530091-1	• PAD ASSY	.	.	.	.	.	.	2	1
- 35	58-530133-1	• PROVISIONS INSTL, CABIN DOOR	.	.	.	.	.	.	NP	1
	58-530133-5	• PROVISIONS ASSY	.	.	.	.	.	.	2	1
	58-530133-7	• BRACKET	.	.	.	.	.	.	2	1
	58-530133-3	• ZEE	.	.	.	.	.	.	1	1
	58-530133-11	• DOOR PAN.	.	.	.	.	.	.	1	1
- 36	36-530004-57	• CLIP	.	.	.	.	.	.	4	1



BEECHCRAFT  
BONANZA 33  
ILLUSTRATED PARTS CATALOG



33-311F-50

B E E C H C R A F T  
B O N A N Z A 3 3  
I L L U S T R A T E D P A R T S C A T A L O G

FIG. & ITEM NO.	PART NO.	DESCRIPTION							UNITS PER ASSY	USABLE ON CODE
		1	2	3	4	5	6	7		
311F - 37	33-534069-1	• UPHOLSTERY INSTL, FLOOR AND FIREWALL . . . . .							NP	1
		/SEE FIGURE 312/								
- 38	33-530009-41	• PANEL ASSY/RH/ . . . . .							1	1
- 39	58-530132-73	• PANEL ASSY/RH/ . . . . .							1	1
- 40	35-534459-1	• REINFORCEMENT INSTL/ARMREST, 3RD & 4TH SEAT/ . . . . .							NP	1
	35-534459-5	• REINFORCEMENT . . . . .							1	1
	58-530088-5	• MOLDING . . . . .							NP	1
- 41	58-530134-11	• HANDLE . . . . .							1	1
- 42	96-530002-69	• CLIP/RH/ . . . . .							5	1
- 43	35-534458-17	• PANEL ASSY/RH/ . . . . .							1	1
- 44	35-534458-1	• PAN/RH/ . . . . .							1	1
- 45	3A17680	• ASH TRAY/PASSENGER/ . . . . .							2	1
- 46	35-534461-2	• ARMREST ASSY/RH/ . . . . .							1	1
- 47	35-534462-2	• PAD ASSY/RH/ . . . . .							1	1
		/ATTACHING PARTS/								
- 48	AN525-10R20	• SCREW . . . . .							1	1
- 49	AN525-10R28	• SCREW . . . . .							1	1
		*								
- 50	96-530008-55	• TRIM/RH/ . . . . .							1	1
	96-530017-163	• ANGLE/RH/ . . . . .							1	1
- 51	58-530145-1	• COVER INSTL, RH/UPHOLSTERY WING BOLT ACCESS/ . . . . .							NP	1
	58-530145-3	• COVER . . . . .							1	1
- 52	33-530009-7	• SCUFF PANEL ASSY/RH/ . . . . .							1	1
- 53	35-534456-2	• MOLDING/RH/ . . . . .							1	1
- 54	33-530009-11	• PANEL ASSY/RH/ . . . . .							1	1
- 55	35-534458-25	• PANEL ASSY/RH/ . . . . .							1	1
- 56	96-530007-99	• WINDLACE/RH/SMALL BAGGAGE DOOR/ . . . . .							1	1
- 57	96-530008-9	• PANEL ASSY/RH/ . . . . .							1	1
- 58	96-530008-57	• TRIM/RH/ . . . . .							1	1
- 59	96-530008-25	• SCUFF PANEL ASSY . . . . .							1	1
- 60	36-530004-55	• PLATE . . . . .							AR	1

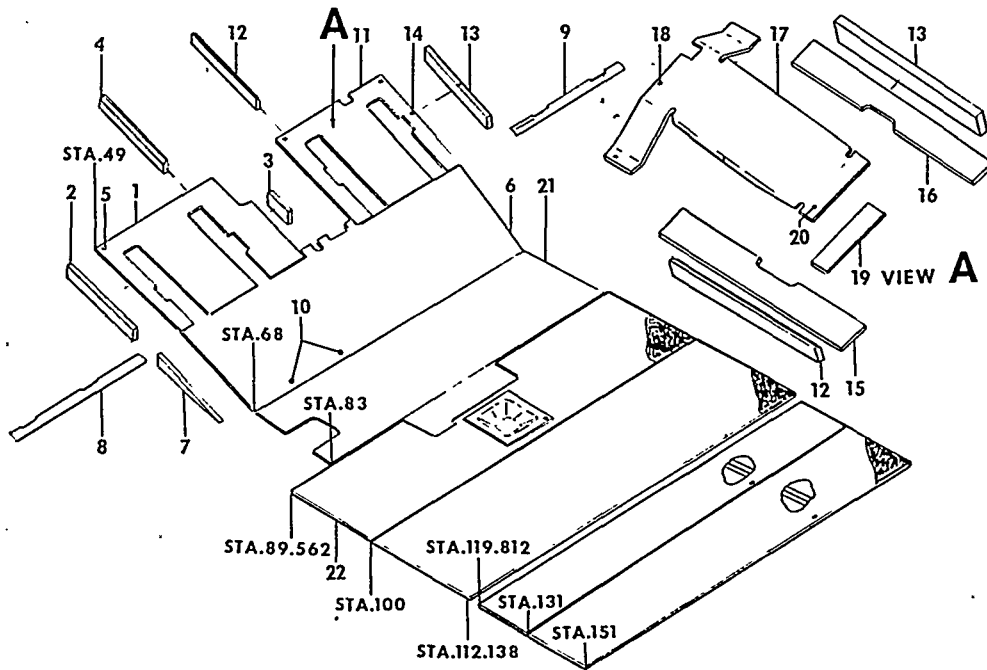
C O D E S O F E F F E C T I V I T Y

1 C J - 3 1 T H R U C J - 5 1

BEECHCRAFT  
BONANZA 33  
ILLUSTRATED PARTS CATALOG

FIGURE 312  
CARPETS AND FLOORBOARDS  
CD-1235 THRU CD-1304  
CE-290 THRU CE-464  
CJ-26 THRU CJ-51

BEECHCRAFT  
 BONANZA 33  
 ILLUSTRATED PARTS CATALOG

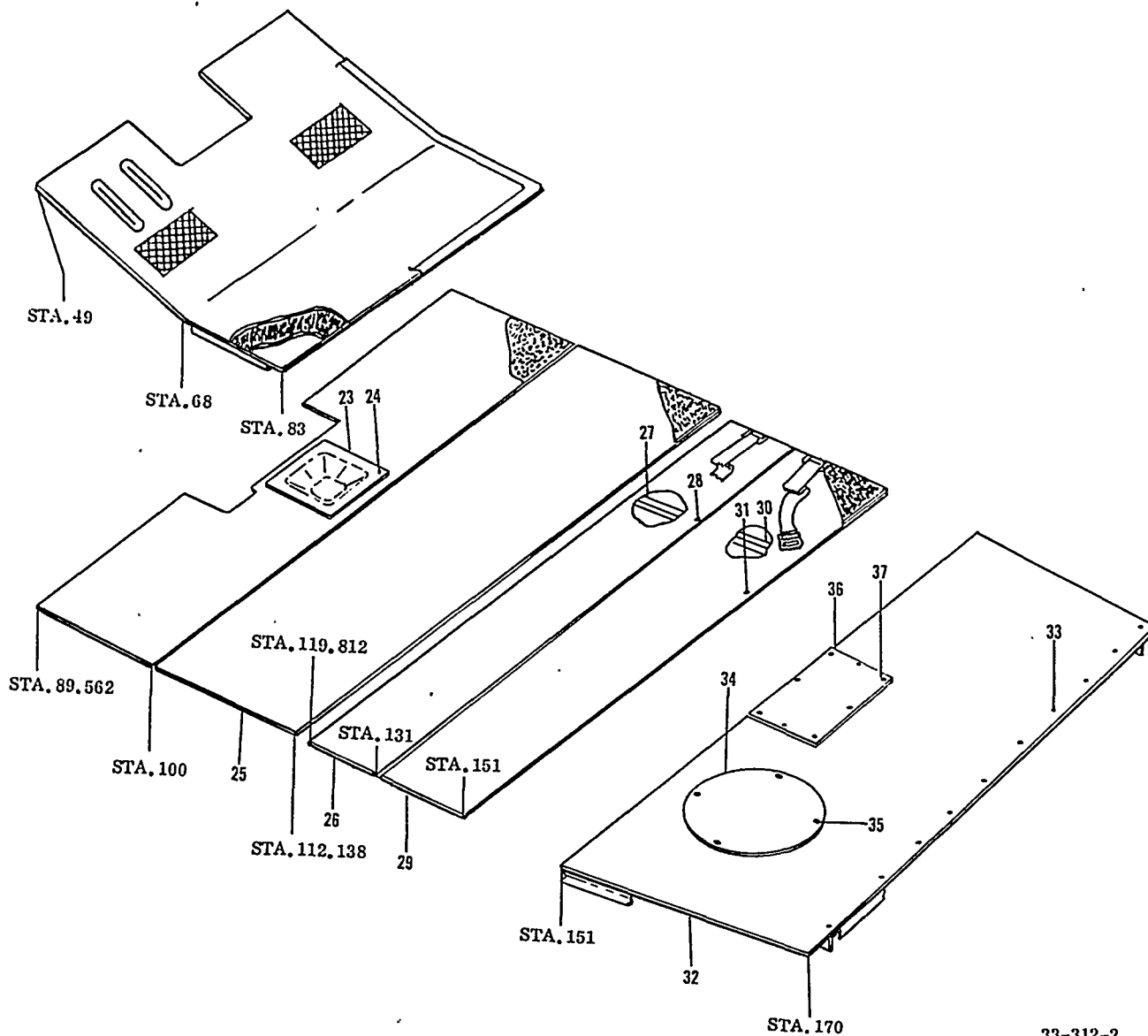


33 312 1

B E E C H C R A F T  
B O N A N Z A 3 3  
I L L U S T R A T E D P A R T S C A T A L O G

FIG. & ITEM NO.	PART NO.	DESCRIPTION	UNITS PER ASSY	USABLE ON CODE
		1 2 3 4 5 6 7		
312	35-415417-3	FLOORBOARD INSTL,RAISED CABIN /STANDARD/ . . . .	NP	1
	35-415417-1	FLOORBOARD INSTL,RAISED CABIN /STANDARD/ . . . .	NP	2
	35-415417-45	FLOORBOARD INSTL,RAISED CABIN /OPTIONAL/ . . . .	NP	1
		/USED WITH DUAL BRAKES/		
	35-415417-37	FLOORBOARD INSTL,RAISED CABIN /OPTIONAL/ . . . .	NP	2
		/USED WITH DUAL BRAKES/		
	35-415417-35	FLOORBOARD INSTL,RAISED CABIN /OPTIONAL/ . . . .	NP	1
		/USED WITH RH RUDDER PEDALS/		
	35-415417-5	• FLOORBOARD ASSY,LH RUDDER PEDAL . . . . .	1	13
- 1	35-415417-7	• FLOORBOARD,LH RUDDER PEDAL . . . . .	1	13
- 2	35-415417-17	• BLOCK,LH FWD . . . . .	1	13
- 3	35-415417-21	• BLOCK,RH FWD . . . . .	1	13
- 4	35-415417-31	• BLOCK,CENTER . . . . .	1	13
- 5	AN550-5R4	• SCREW,STUD ATTACHING . . . . .	4	13
	AN227-8B	• STUD,CARPET ATTACHING . . . . .	4	13
	NAS444-4	• NUTPLATE . . . . .	AR	13
	35-415417-13	• FLOORBOARD ASSY . . . . .	1	13
- 6	35-415417-15	• FLOORBOARD . . . . .	1	13
- 7	35-415417-19	• BLOCK . . . . .	4	13
- 8	35-415417-23	• STRIP,LH FWD . . . . .	1	13
- 9	35-415417-25	• STRIP,RH FWD . . . . .	1	13
- 10	AN550-5R4	• SCREW,STUD ATTACHING . . . . .	8	13
	AN227-8B	• STUD,CARPET ATTACHING . . . . .	8	13
	NAS444-4	• NUTPLATE . . . . .	AR	13
	35-415417-27	• FLOORBOARD ASSY/W/O RUDDER PEDALS/ . . . . .	1	1
	35-415417-9	• FLOORBOARD ASSY/W/ RUDDER PEDALS,W/O BRAKES/ . . . . .	1	13
- 11	35-415417-29	• FLOORBOARD/W/O RUDDER PEDALS/ . . . . .	1	1
	35-415417-11	• FLOORBOARD/W/ RUDDER PEDALS,W/O BRAKES/ . . . . .	1	13
- 12	35-415417-33	• BLOCK,LH . . . . .	1	13
- 13	35-415417-17	• BLOCK,RH . . . . .	1	13
- 14	AN550-5R4	• SCREW,STUD ATTACHING . . . . .	4	13
	AN227-8B	• STUD,CARPET ATTACHING . . . . .	4	13
	NAS444-4	• NUTPLATE . . . . .	3	13
	35-415417-39	• FLOORBOARD ASSY/W/ RUDDER PEDALS & BRAKES/ . . . . .	1	13
- 15	35-415417-41	• FLOORBOARD,LH STRIP . . . . .	1	13
- 16	35-415417-49	• FLOORBOARD,RH STRIP . . . . .	1	13
	AN550-5R4	• SCREW,STUD ATTACHING . . . . .	4	13
	AN227-8B	• STUD,CARPET ATTACHING . . . . .	4	13
	NAS444-4	• NUTPLATE . . . . .	6	13
- 17	35-415417-51	• COVER,RISER . . . . .	1	13
		/ATTACHING PARTS/		
- 18	NAS384-6-16P	• SCREW . . . . .	8	
	NAS444-4	• NUTPLATE . . . . .	8	
		*-----*		
- 19	35-415417-53	• RISER,CENTER . . . . .	1	13
		/ATTACHING PARTS/		
- 20	MS24621-19	• SCREW . . . . .	3	
	NAS395-6-1	• NUTPLATE . . . . .	3	
		*-----*		
- 21	35-415417-63	• FLOORBOARD ASSY,MIDDLE /STA 68 TO 79.50/ . . . . .	1	13
	45-620024	• STOP,COVER . . . . .	1	13
	NAS444-1	• NUTPLATE . . . . .	2	13
	35-415417-65	• FLOORBOARD . . . . .	1	13
	45-620020	• COVER . . . . .	1	13
		/ATTACHING PARTS/		
	AN507-832R8	• SCREW . . . . .	1	
	45-620021	• CLAMP ASSY . . . . .	1	
		*-----*		
- 22	35-415380-58	• FLOORBOARD ASSY /STA 89.562 TO 100/ . . . . .	1	13
	AN550-5R4	• SCREW,STUD ATTACHING . . . . .	4	13
	AN227-8B	• STUD,CARPET ATTACHING . . . . .	4	13
	35-415380-10	• FLOORBOARD . . . . .	1	13

BEECHCRAFT  
 BONANZA 33  
 ILLUSTRATED PARTS CATALOG

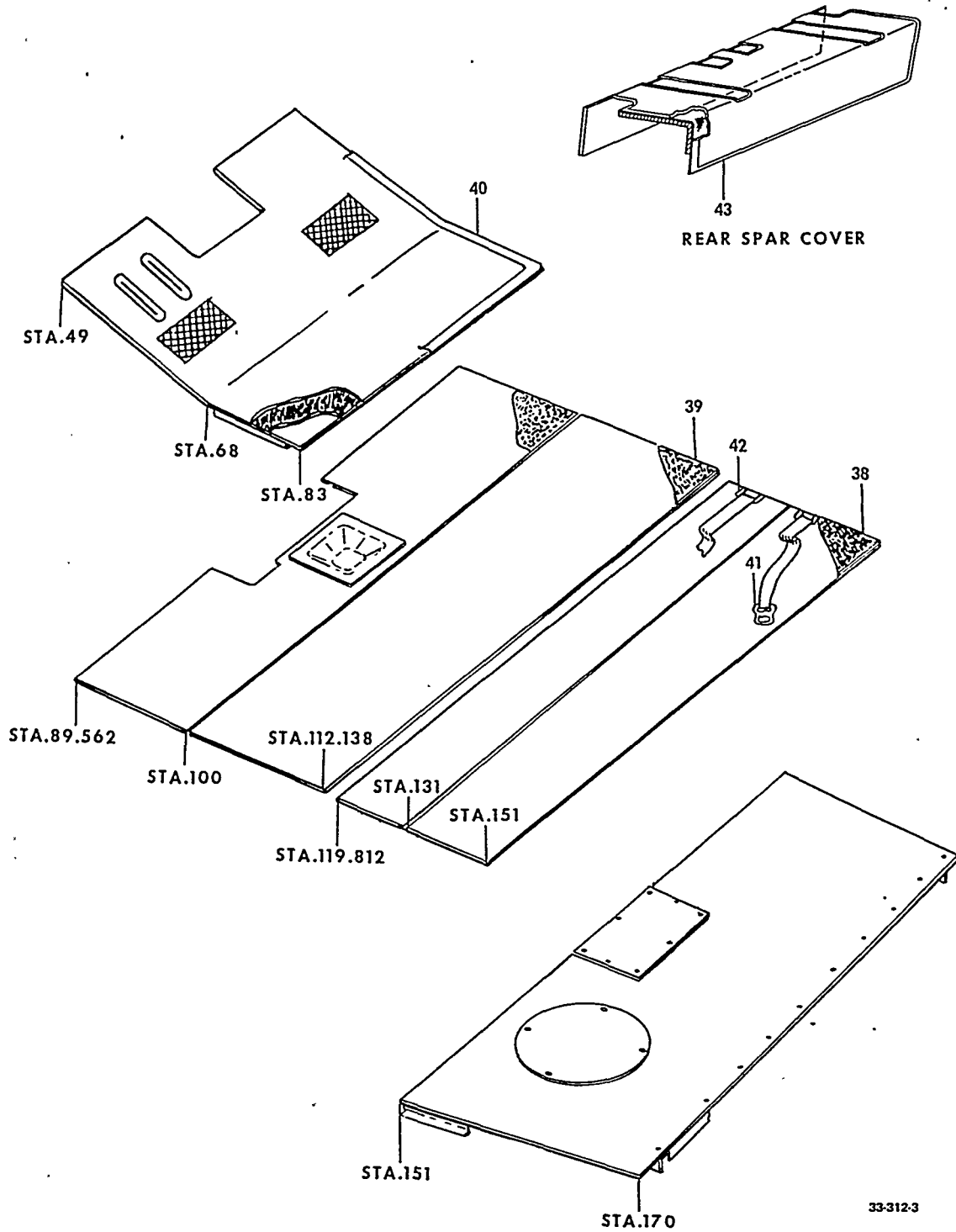


33-312-2

BEECHCRAFT  
BONANZA 33  
ILLUSTRATED PARTS CATALOG

FIG. & ITEM NO.	PART NO.	DESCRIPTION	UNITS PER ASSY	USABLE ON CODE
312 - 23	002-430036-55	• PAN . . . . .	1	13
		/ATTACHING PARTS/		
- 24	NAS384-6-12P	• SCREW . . . . .	4	
		*-----		
- 25	35-415380-60	• FLOORBOARD ASSY /STA 100 TO 112.10/ . . . . .	1	13
	AN550-5R4	• • SCREW, STUD ATTACHING . . . . .	4	13
	AN227-8B	• • STUD, CARPET ATTACHING . . . . .	4	13
	35-415380-12	• • FLOORBOARD . . . . .	1	13
- 26	35-415380-64	• FLOORBOARD ASSY /STA 119.812 TO 131/ . . . . .	1	13
		/WITHOUT EXTENDED CABIN/		
	AN550-5R4	• • SCREW, STUD ATTACHING . . . . .	4	13
	AN227-8B	• • STUD, CARPET ATTACHING . . . . .	4	13
	35-415380-24	• • FLOORBOARD . . . . .	1	13
- 27	35-415380-28	• • STIFFENER /STA 131 TO 151/ . . . . .	4	13
		/ATTACHING PARTS/		
- 28	AN515-6R20	• • SCREW . . . . .	24	
	AN960-6	• • WASHER . . . . .	24	
	105090-040-1G	• • WASHER . . . . .	24	
	MS20365-632	• • NUT . . . . .	24	
		*-----		
- 29	35-415380-62	• FLOORBOARD ASSY /STA 131 TO 151/ . . . . .	1	13
		/WITHOUT EXTENDED CABIN/		
	AN550-5R4	• • SCREW, STUD ATTACHING . . . . .	4	13
	AN227-8B	• • STUD, CARPET ATTACHING . . . . .	4	13
	35-415380-14	• • FLOORBOARD . . . . .	1	13
- 30	35-415380-18	• • STIFFENER /STA 131 TO 151/ . . . . .	4	13
		/ATTACHING PARTS/		
- 31	AN515-6R20	• • SCREW . . . . .	24	
	105090-040-1G	• • WASHER . . . . .	24	
	AN960-6	• • WASHER . . . . .	24	
	MS20365-632	• • NUT . . . . .	24	
		*-----		
- 32	002-430036-73	• FLOORBOARD /STA 151 TO 170/ . . . . .	1	2
		/WITH EXTENDED CABIN/		
- 33	AN530-8	• SCREW . . . . .	AR	2
- 34	002-430036-75	• COVER, PLATE . . . . .	1	2
		/ATTACHING PARTS/		
- 35	AN530-6R6	• SCREW . . . . .	4	
	NAS395-7-1	• NUT . . . . .	4	
		*-----		
- 36	002-430036-69	• DOOR . . . . .	1	2
		/ATTACHING PARTS/		
- 37	AN530-6R6	• SCREW . . . . .	6	
	NAS395-7-1	• NUT . . . . .	6	
		*-----		
	95-420015-17	• FLOORBOARD /STA 119.85 TO STA 151/ . . . . .	1	2
		/WITH EXTENDED CABIN/		
	002-430036-67	• DOOR /WITH EXTENDED CABIN/ . . . . .	1	2
		/ATTACHING PARTS/		
	AN530-6R6	• SCREW . . . . .	6	
	NAS395-7-1	• NUTPLATE . . . . .	6	
		*-----		
	002-430021-39	• TRACK, SEAT /WITH EXTENDED CABIN/ . . . . .	4	2
		/ATTACHING PARTS/		
	MS27039-1-10	• SCREW . . . . .	10	
	SL213-3-1	• CLIPNUT . . . . .	9	
		*-----		
	95-420015-147	• SHIM, SEAT TRACK /STA 132.56/ . . . . .	4	2
	95-420015-149	• SHIM, SEAT TRACK /STA 131/ . . . . .	4	2

BEECHCRAFT  
 BONANZA 33  
 ILLUSTRATED PARTS CATALOG

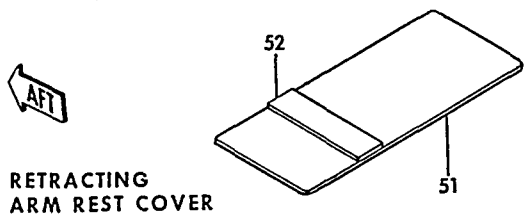




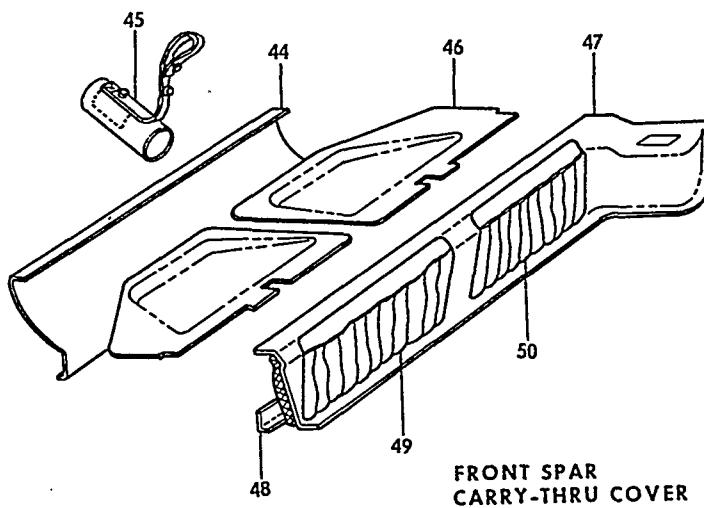
B E E C H C R A F T  
B O N A N Z A 3 3  
I L L U S T R A T E D P A R T S C A T A L O G

FIG. & ITEM NO.	PART NO.	DESCRIPTION	UNITS PER ASSY	USABLE ON CODE
		1 2 3 4 5 6 7		
312	33-530007-1	UPHOLSTERY & SOUNDPROOFING INSTL /STD/ . . . . .	NP	3
	33-530007-17	UPHOLSTERY & SOUNDPROOFING INSTL /STD/ . . . . .	NP	4
	33-530007-9	UPHOLSTERY & SOUNDPROOFING INSTL /OPT/ . . . . .	NP	3
		/WITH 35-410291-207 OR -209 WINDOW INST		
	33-530007-19	UPHOLSTERY & SOUNDPROOFING INSTL /OPT/ . . . . .	NP	4
		/WITH UTILITY BAGGAGE DOOR/		
	33-534069-1	UPHOLSTERY INSTL,FLOOR & FIREWALL . . . . .	NP	6
	33-534069-3	UPHOLSTERY INSTL,FLOOR & FIREWALL . . . . .	NP	5
- 38	33-530003-53	. CARPET ASSY,AFT CABIN FLOOR . . . . .	1	1
	33-534069-5	. PAD,CARPET. . . . .	1	6
	95-530002-53	. CARPET ASSY,AFT CABIN FLOOR . . . . .	1	4
	96-530007-219	. CARPET ASSY,AFT CABIN FLOOR . . . . .	1	5
	96-534125-7	. PAD,CARPET. . . . .	1	5
- 39	33-530003-55	. CARPET ASSY,CENTER CABIN FLOOR. . . . .	1	3
	33-534305-39	. CARPET ASSY,CENTER CABIN FLOOR. . . . .	1	4
	96-530007-217	. CARPET ASSY,CENTER CABIN FLOOR. . . . .	1	10
	96-534125-5	. PAD,CARPET. . . . .	1	10
- 40	33-530003-57	. CARPET ASSY,LH PEDAL SINGLE CONTROL /STD/ . . . . .	1	3
	35-534420-95	. CARPET ASSY,LH PEDAL SINGLE CONTROL /STD/ . . . . .	1	11
	33-534069-7	. PAD,CARPET. . . . .	1	10
	33-530003-59	. CARPET ASSY,LH & RH PEDAL DUAL CONTROL /OPT/. . . . .	1	3
	111191-06000	. STRAP ASSY,LH BAGGAGE HOLD DOWN . . . . .	4	3
- 41	95-530002-93	. STRAP ASSY,LH BAGGAGE HOLD DOWN . . . . .	3	11
	111192-02400	. STRAP ASSY,RH BAGGAGE HOLD DOWN . . . . .	4	3
	95-530002-95	. STRAP ASSY,RH BAGGAGE HOLD DOWN . . . . .	3	11
	6411BNP	. LOOP,FOOTMAN. . . . .	4	3
- 42	1954	. CLIP & DEE. . . . .	6	11
	33-534069-9	. CARPET ASSY,REAR SPAR CARRY THRU. . . . .	1	5
	96-534125-9	. CARPET ASSY,REAR SPAR CARRY THRU. . . . .	1	6
	96-530007-259	. CARPET,HEAT DEFLECTOR . . . . .	1	5
	33-534032	. COVER INSTL,REAR SPAR CARRY THRU. . . . .	NP	12
	95-534020	. COVER ASSY,REAR SPAR CARRY THRU . . . . .	1	5
- 43	33-534032-3	. COVER,REAR SPAR CARRY THRU. . . . .	1	12
		/ATTACHING PARTS/		
	AN515-6R8	. . SCREW . . . . .	5	
	NAS384-6-6P	. . SCREW . . . . .	5	
	NAS1329A08K160	. . RIVNUT. . . . .	5	
	NAS391	. . WASHER. . . . .	5	

BEECHCRAFT  
BONANZA 33  
ILLUSTRATED PARTS CATALOG



RETRACTING  
ARM REST COVER



FRONT SPAR  
CARRY-THRU COVER

33-312-9

B E E C H C R A F T  
B O N A N Z A 3 3  
I L L U S T R A T E D P A R T S C A T A L O G

FIG. & ITEM NO.	PART NO.	DESCRIPTION	UNITS PER ASSY	USABLE ON CODE
		1 2 3 4 5 6 7		
312 - 44	96-530002-83	• PARTITION ASSY. . . . . /ATTACHING PARTS/	1	13
	NAS384-6-8P	• SCREW . . . . .	18	
	NAS391-6P	• WASHER . . . . .	18	
		-----*		
- 45	35-534052	• COVER ASSY. . . . .	1	10
	33-534015-9	• COVER INSTL,FRONT SPAR CARRY THRU . . . . .	NP	13
- 46	33-534015-7	• COVER ASSY,LH . . . . .	1	13
	33-534015-8	• COVER ASSY,RH . . . . .	1	13
- 47	35-534421-1	• PARTITION ASSY,FRONT SPAR CARRY THRU. . . . .	1	9
	35-534421-23	• PARTITION ASSY,FRONT SPAR CARRY THRU. . . . .	1	10
- 48	35-534420-93	• ANGLE,CABIN FLOOR STRUCTURE . . . . .	1	9
- 49	35-530003-153	• POCKET ASSY,FRONT SPAR CARRY THRU . . . . .	1	13
- 50	35-530003-151	• POCKET ASSY,FRONT SPAR CARRY THRU . . . . .	1	13
- 51	96-530002-85	• CARPET ASSY,RETRACTING ARMREST. . . . .	1	9
- 52	33-324032	• PLACARD . . . . .	1	9
	35-534420-109	• COVER ASSY,FIREWALL . . . . .	1	9
	35-534407-11	• COVER ASSY,WHEEL WELL . . . . .	1	7
	35-534407-21	• COVER ASSY,WHEEL WELL . . . . .	1	8
	36-530004-83	• COVER ASSY,FIREWALL . . . . .	1	10
	96-530006-79	• WRAPPER,COHL. . . . .	1	10

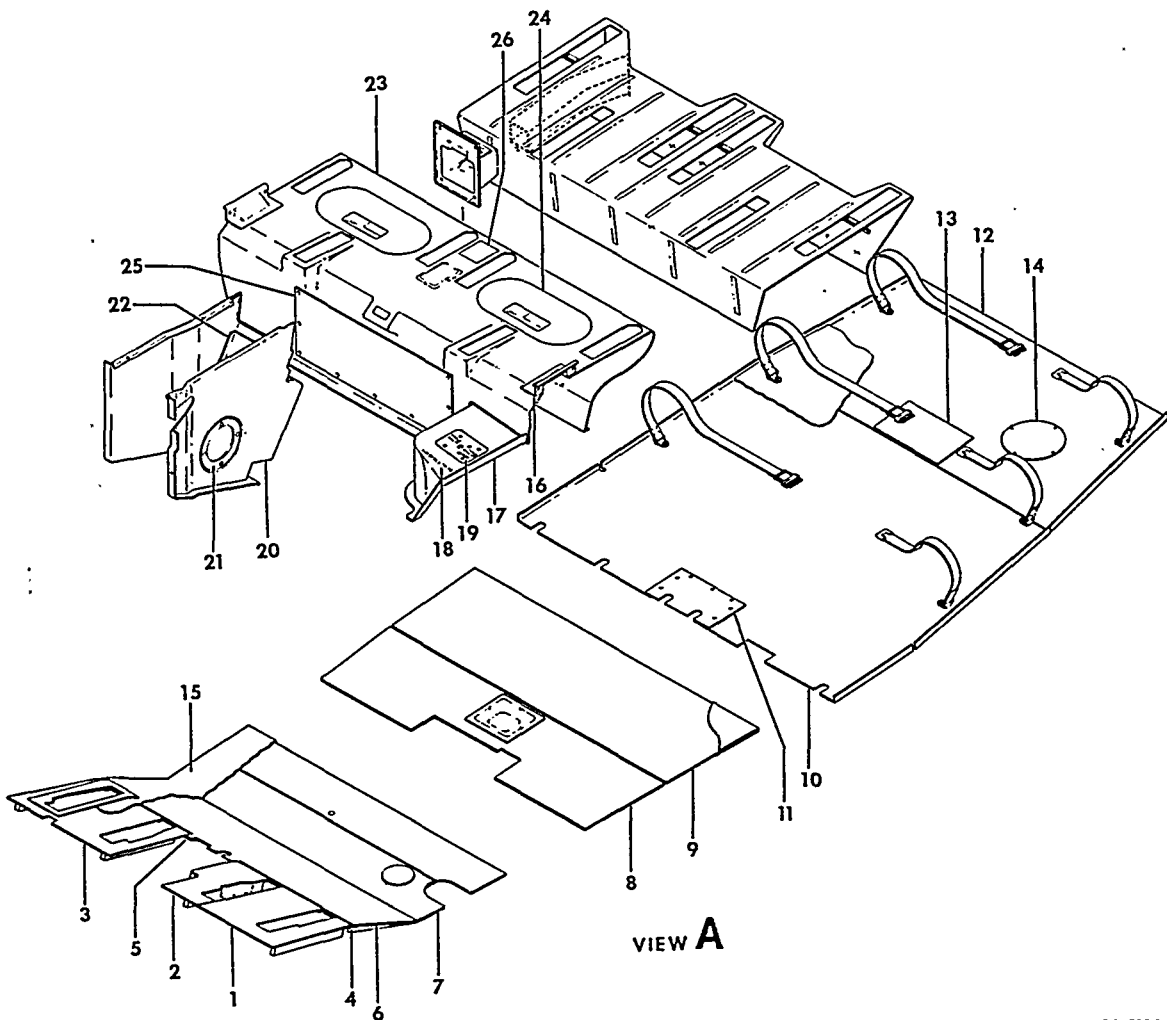
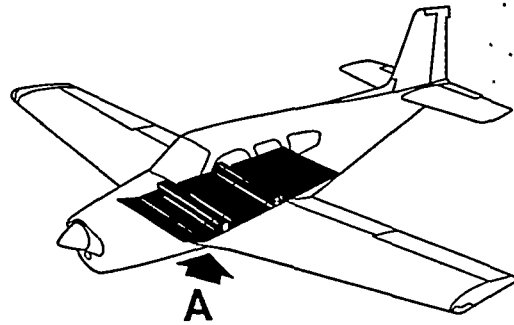
C O D E S O F E F F E C T I V I T Y

- |    |                        |    |                      |
|----|------------------------|----|----------------------|
| 1  | CD-1235 THRU CD-1304   | 2  | CE-316 THRU CE-464   |
|    | CE-290 THRU CE-315     |    |                      |
|    | CJ-26 THRU CJ-51       |    |                      |
| 3  | CD-1235 THRU CD-1255,4 | 4  | CE-316 THRU CE-349   |
|    | CE-290 THRU CE-315     |    |                      |
|    | CJ-26 THRU CJ-30       |    |                      |
| 5  | CE-350 THRU CE-464     | 6  | CD-1256 THRU CD-1304 |
|    |                        |    | CJ-31 THRU CJ-51     |
| 7  | CD-1235 THRU CD-1254   | 8  | CD-1255 THRU CD-1304 |
|    | CE-290 THRU CE-338     |    | CE-339 THRU CE-464   |
|    |                        |    | CJ-26 THRU CJ-51     |
| 9  | CD-1235 THRU CD-1255   | 10 | CD-1256 THRU CD-1304 |
|    | CE-290 THRU CE-349     |    | CE-350 THRU CE-464   |
|    |                        |    | CJ-31 THRU CJ-51     |
| 11 | CD-1256 THRU CD-1304   | 12 | CD-1235 THRU CD-1304 |
|    | CE-316 THRU CE-464     |    | CE-290 THRU CE-349   |
|    | CJ-31 THRU CJ-51       |    | CJ-26 THRU CJ-51     |
| 13 | CD-1235 THRU CD-1304   |    |                      |
|    | CE-290 THRU CE-464     |    |                      |
|    | CJ-26 THRU CJ-51       |    |                      |

BEECHCRAFT  
BONANZA 33  
ILLUSTRATED PARTS CATALOG

FIGURE 312A  
CARPETS AND FLOORBOARDS  
CE-465 THRU CE-768  
CJ-52 THRU CJ-145

BEECHCRAFT  
BONANZA 33  
ILLUSTRATED PARTS CATALOG



33-312A-16

B E E C H C R A F T  
B O N A N Z A 3 3  
I L L U S T R A T E D P A R T S C A T A L O G

FIG. & ITEM NO.	PART NO.	DESCRIPTION	UNITS PER ASSY	USABLE ON CODE
		1 2 3 4 5 6 7		
312A	35-415417-67	FLOORBOARD INSTL/WITHOUT DUAL BRAKES/ . . . . .	NP	1
	35-415417-89	FLOORBOARD INSTL/WITHOUT DUAL BRAKES/ . . . . .	NP	2
	35-415417-69	FLOORBOARD INSTL/WITH DUAL BRAKES/ . . . . .	NP	1
	35-415417-91	FLOORBOARD INSTL/WITH DUAL BRAKES/ . . . . .	NP	2
- 1	35-415417-101	. FLOORBOARD ASSY,LH OUTBD. . . . .	1	3
- 2	35-415417-105	. FLOORBOARD ASSY,LH INBD . . . . .	1	3
- 3	35-415417-9	. FLOORBOARD ASSY,RH/WITHOUT DUAL BRAKES/ . . . . .	1	3
	35-415417-39	. FLOORBOARD ASSY,RH/WITH DUAL BRAKES/ . . . . .	1	3
- 4	002-430036-23	. STRIP,LH FWD. . . . .	1	3
- 5	002-430036-25	. STRIP,RH FWD. . . . .	1	3
- 6	35-415417-83	. FLOORBOARD ASSY/STA 58.50 TO STA 68.00/ . . . . .	1	3
- 7	35-415417-111	. FLOORBOARD ASSY/STA 68.00 TO STA 79.50/ . . . . .	1	5
	35-415417-71	. FLOORBOARD ASSY/STA 68.00 TO STA 79.50/ . . . . .	1	4
- 8	35-415417-75	. FLOORBOARD ASSY/STA 89.56 TO STA 100.00/ . . . . .	1	6
- 9	35-415380-60	. FLOORBOARD/STA 100.00 TO STA 112.106/ . . . . .	1	6
- 10	002-430036-139	. FLOORBOARD/STA 119.85 TO STA 151.00/ . . . . .	1	8
	95-420015-17	. FLOORBOARD ASSY/STA 119.85 TO STA 151.00/ . . . . .	1	7
	35-415417-93	. FLOORBOARD ASSY/STA 119.85 TO STA 131.00/ . . . . .	1	2
	35-415417-97	. FLOORBOARD ASSY/STA 131.00 TO STA 151.00/ . . . . .	1	9
	002-430036-89	. FLOORBOARD ASSY/STA 131.00 TO STA 151.00/ . . . . .	1	10
- 11	002-430036-67	. DOOR,ACCESS . . . . .	1	8
	36-400011-107	. DOOR,ACCESS . . . . .	1	7
- 12	002-430036-73	. FLOORBOARD/STA 151.00 TO STA 170.00/ . . . . .	1	8
	95-440006-27	. FLOORBOARD/STA 151.00 TO STA 170.00/ . . . . .	1	7
- 13	95-440006-33	. DOOR,ACCESS . . . . .	1	1
- 14	002-430036-75	. COVER,ACCESS . . . . .	1	1
	35-534464-5	FURNISHINGS INSTL,FLOOR . . . . .	NP	1
	33-534075-1	FURNISHINGS INSTL,FLOOR . . . . .	NP	2
- 15	35-534464-35	. CARPET ASSY,FWD . . . . .	1	12
	35-534464-25	. CARPET ASSY,FWD . . . . .	1	11
	33-534075-5	. CARPET ASSY,FWD . . . . .	1	13
	33-534075-25	. CARPET ASSY,FWD . . . . .	1	14
- 16	96-534139-3	. COVER,WING BOLT ACCESS. . . . .	2	1
	NAS384-6-8P	. SCREW . . . . .	2	
	36-530099-3	. COVER ASSY,FUEL SELECTOR VALVE. . . . .	1	1
	35-560010	. PARTITION INSTL . . . . .	NP	2
- 17	36-530099-5	. COVER,FUEL SELECTOR VALVE . . . . .	1	1
	35-924256-3	. COVER,FUEL SELECTOR VALVE . . . . .	1	2
- 18	36-530102-5	. PLACARD,FUEL LIMITATION . . . . .	1	1
	36-920021-1	. PLACARD,FUEL LIMITATION . . . . .	1	2
- 19	36-530099-7	. PLACARD/50 GAL/ . . . . .	1	1
	36-920019-3	. PLACARD/50 GAL/ . . . . .	1	2
	36-530099-9	. PLACARD/80 GAL/ . . . . .	1	1
	36-920020-3	. PLACARD/80 GAL/ . . . . .	1	2
- 20	36-530098-3	. COVER ASSY,CENTER CONSOLE . . . . .	1	1
	33-534075-19	. COVER ASSY,CENTER CONSOLE . . . . .	1	2
- 21	36-530098-7	. DOOR,ACCESS . . . . .	1	3
- 22	36-530098-13	. POCKET . . . . .	1	1
	33-534075-9	. POCKET . . . . .	1	2
- 23	35-534465-9	. COVER ASSY,FRONT SPAR CARRY THRU. . . . .	1	15
	35-534465-29	. COVER ASSY,FRONT SPAR CARRY THRU. . . . .	1	16
	35-534465-23	. COVER ASSY,FRONT SPAR CARRY THRU. . . . .	1	17
	35-534465-33	. COVER ASSY,FRONT SPAR CARRY THRU. . . . .	1	18
- 24	58-530158-1	. COVER,FRONT SPAR CARRY THRU ACCESS. . . . .	2	3
- 25	58-530159-3	. POCKET . . . . .	1	1
- 26	58-530191-1	. PLACARD . . . . .	1	3



B E E C H C R A F T  
B O N A N Z A 3 3  
I L L U S T R A T E D P A R T S C A T A L O G

FIG. & ITEM NO.	PART NO.	DESCRIPTION	UNITS PER ASSY	USABLE ON CODE
		1 2 3 4 5 6 7		
312A	58-530160-1	. COVER ASSY, EMERGENCY EXTENSION CRANK. . . . .	1	3
- 27	58-530160-3	. . COVER . . . . .	1	3
- 28	58-530160-5	. . PLACARD ASSY. . . . .	1	3
- 29	96-530006-79	. WRAPPER, COWL. . . . .	2	3
- 30	36-530004-83	. COVER ASSY, FIREWALL . . . . .	1	22
	35-534474-1	. COVER ASSY FIREWALL . . . . .	1	23
- 31	35-534464-29	. PAN ASSY. . . . .	1	3
- 32	96-534141-5	. COVER ASSY, REAR SPAR CARRY THRU . . . . .	1	19
	96-534128-9	. COVER ASSY, REAR SPAR CARRY THRU . . . . .	1	7
	33-534076-3	. COVER ASSY, REAR SPAR CARRY THRU . . . . .	1	9
- 33	96-534142-1	. PLENUM. . . . .	1	19
	96-534129-1	. PLENUM. . . . .	1	7
	33-534077-1	. PLENUM. . . . .	1	9
- 34	35-534464-37	. CARPET ASSY, CENTER. . . . .	1	20
	35-534464-13	. CARPET ASSY, CENTER. . . . .	1	21
- 35	96-534126-3	. STRAP ASSY. . . . .	3	7
	96-534126-7	. STRAP ASSY. . . . .	2	2
- 36	96-534126-1	. BUCKLE ASSY . . . . .	3	7
	96-534126-5	. BUCKLE ASSY . . . . .	2	2
- 37	35-534464-31	. CARPET ASSY, AFT . . . . .	1	8
	35-534464-9	. CARPET ASSY, AFT . . . . .	1	7
	33-534075-3	. CARPET ASSY, AFT . . . . .	1	9
	33-534075-23	. CARPET ASSY, AFT . . . . .	1	10

C O D E S O F E F F E C T I V I T Y

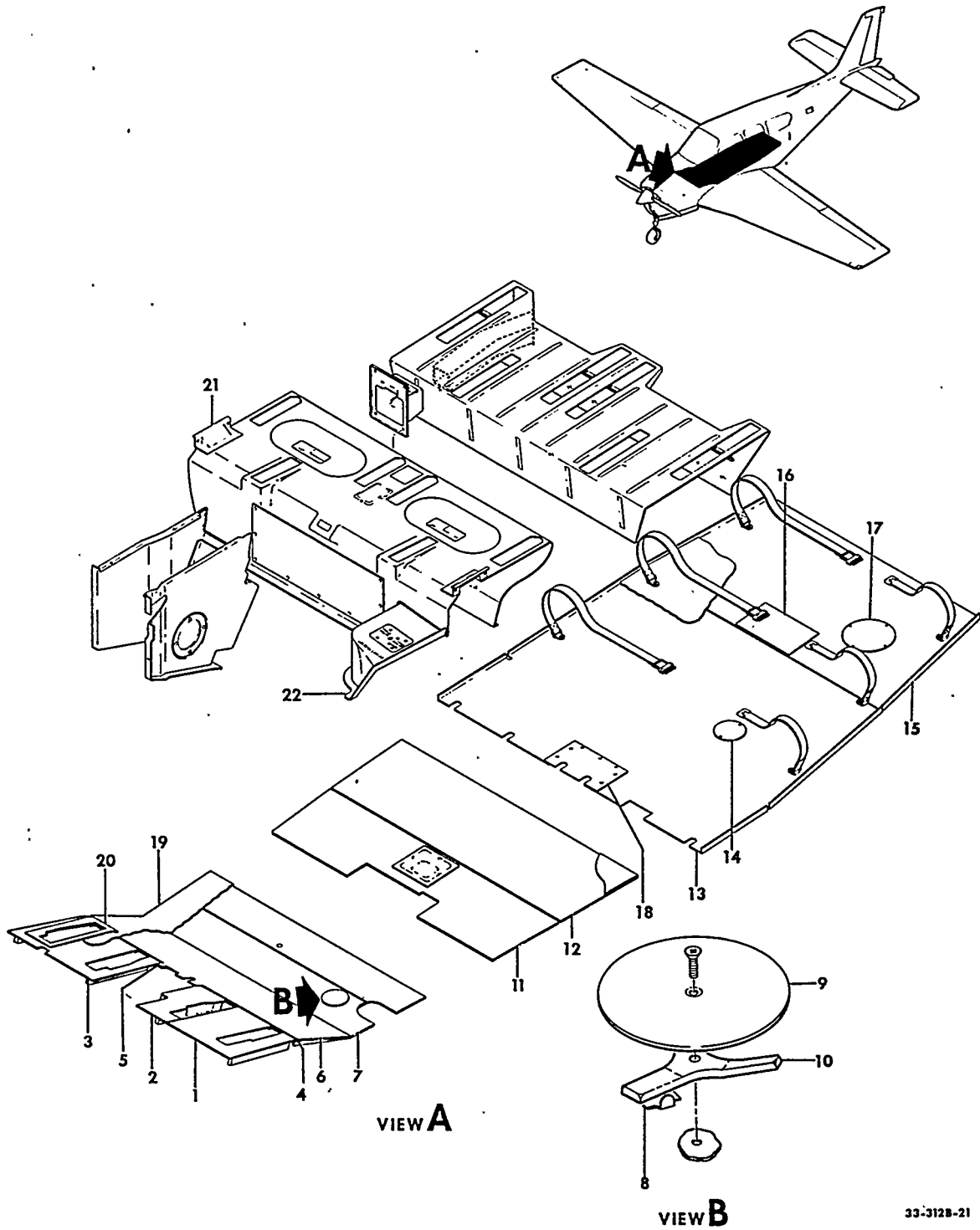
1	CE-465 THRU CE-768	2	CJ-52 THRU CJ-145
3	CE-465 THRU CE-768	4	CE-465 THRU CE-601
	CJ-52 THRU CJ-145		CJ-52 THRU CJ-145
5	CE-602 THRU CE-768	6	CE-465 THRU CE-768
			CJ-52 THRU CJ-145
7	CE-465 THRU CE-610	8	CE-611 THRU CE-768
9	CJ-52 THRU CJ-102	10	CJ-103 THRU CJ-145
11	CE-465 THRU CE-611	12	CE-612 THRU CE-768
13	CJ-52 THRU CJ-104	14	CJ-105 THRU CJ-145
15	CE-465 THRU CE-682	16	CE-683 THRU CE-768
17	CJ-52 THRU CJ-128	18	CJ-129 THRU CJ-145
19	CE-611 THRU CE-768	20	CE-612 THRU CE-768
	CJ-103 THRU CJ-145		CJ-105 THRU CJ-145
21	CE-465 THRU CE-611	22	CE-465 THRU CE-768
	CJ-52 THRU CJ-104		EXCEPT CE-748
			CJ-52 THRU CJ-145
23	CE-748		



BEECHCRAFT  
BONANZA 33  
ILLUSTRATED PARTS CATALOG

FIGURE 312B  
CARPETS AND FLOORBOARDS  
CE-769 AND AFTER

BEECHCRAFT  
 BONANZA 33  
 ILLUSTRATED PARTS CATALOG



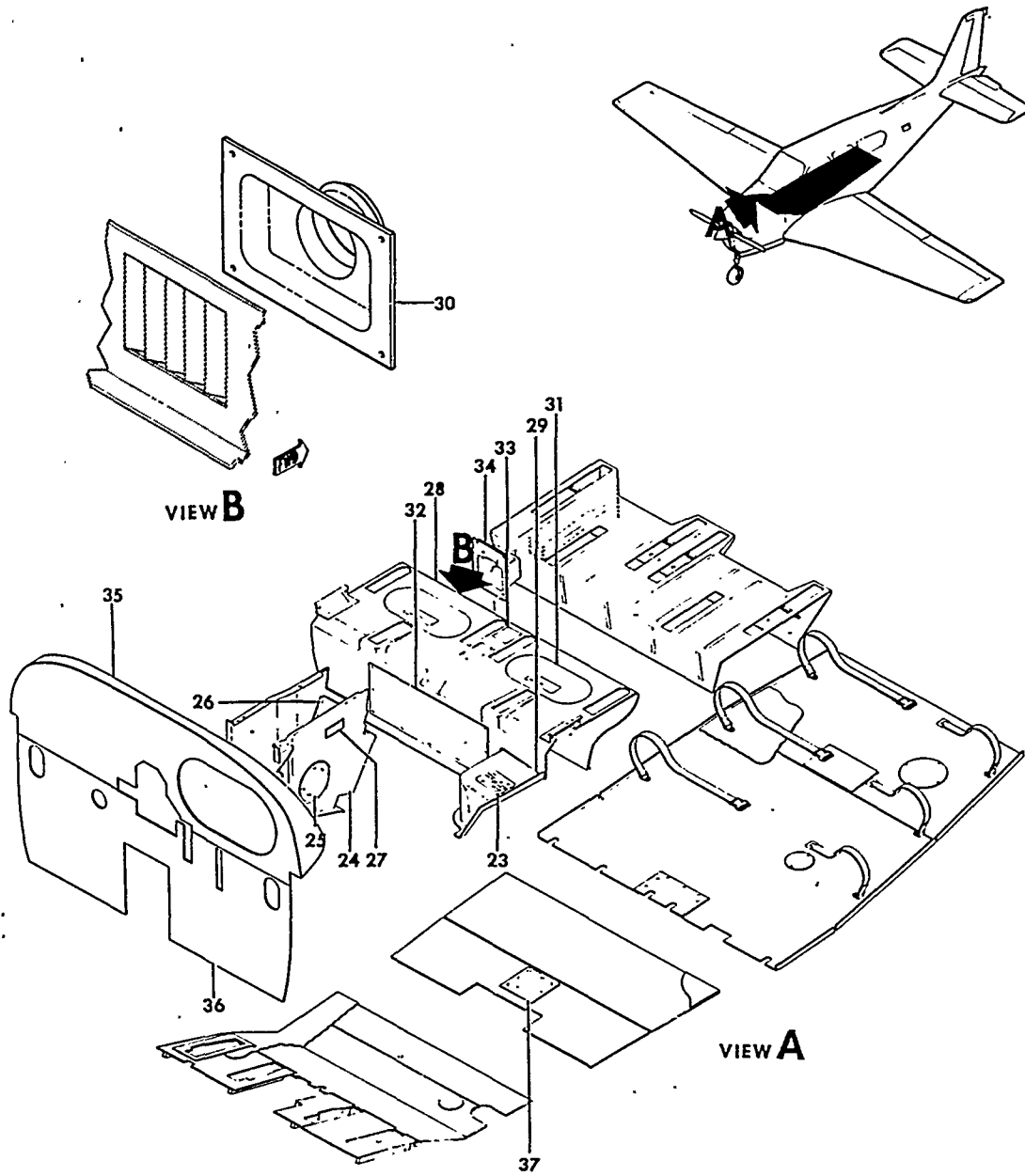
33-312B-21

FIGURE 312B. CARPETS AND FLOORBOARDS  
 /SHEET 1 OF 3 SHEETS/

B E E C H C R A F T  
B O N A N Z A 3 3  
I L L U S T R A T E D P A R T S C A T A L O G

FIG. & ITEM NO.	PART NO.	DESCRIPTION	UNITS PER ASSY	USABLE ON CODE
		1 2 3 4 5 6 7		
312B	002-430036-1	FLOORBOARD INSTL/WITHOUT DUAL BRAKES/ . . . . .	NP	1
	002-430036-37	FLOORBOARD INSTL/WITH DUAL BRAKES/ . . . . .	NP	1
- 1	002-430036-5	. FLOORBOARD ASSY,LH OUTBD . . . . .	1	1
- 2	002-430036-153	. FLOORBOARD ASSY,LH INBD . . . . .	1	6
- 3	002-430036-9	. FLOORBOARD ASSY,RH/WITHOUT DUAL BRAKES/ . . . . .	1	6
	002-430036-39	. FLOORBOARD ASSY,RH/WITH DUAL BRAKES/ . . . . .	1	6
- 4	002-430036-23	. STRIP,LH FWD . . . . .	1	6
- 5	002-430036-25	. STRIP,RH FWD . . . . .	1	1
- 6	002-430036-13	. FLOORBOARD ASSY/STA 58.50 TO STA 68.00/ . . . . .	1	6
- 7	002-430036-165	. FLOORBOARD ASSY/STA 68.// TO STA 79.50/ . . . . .	1	1
	002-430036-167	. FLOORBOARD . . . . .	1	1
- 8	002-430036-117	. STOP . . . . .	1	1
- 9	002-430036-119	. COVER . . . . .	1	1
- 10	002-430036-113	. CLAMP . . . . .	1	1
		/ATTACHING PARTS/		
	AN507-832R8	. SCREW . . . . .	1	
		*-----*		
- 11	002-430036-81	. FLOORBOARD ASSY/STA 89.56 TO STA 100.00/ . . . . .	1	1
- 12	002-430036-57	. FLOORBOARD ASSY/STA 100.00 TO STA 112.106/ . . . . .	1	1
- 13	002-430036-139	. FLOORBOARD ASSY/STA 119.85 TO STA 151.00/ . . . . .	1	1
	002-430036-141	. FLOORBOARD . . . . .	1	1
- 14	002-430036-143	. DOOR,ACCESS . . . . .	1	1
		/ATTACHING PARTS/		
	MS24621-15	. SCREW . . . . .	2	
		*-----*		
- 15	002-430036-73	. FLOORBOARD/STA 151.00 TO STA 170.00/ . . . . .	1	1
- 16	002-430036-69	. DOOR,ACCESS . . . . .	1	1
		/ATTACHING PARTS/		
	AN530-6R6	. SCREW . . . . .	6	
	NAS395-6-1	. NUT . . . . .	6	
		*-----*		
- 17	002-430036-75	. COVER . . . . .	1	1
		/ATTACHING PARTS/		
	MS35206-243	. SCREW . . . . .	4	
	130290-3	. CLIP NUT . . . . .	4	
		*-----*		
- 18	002-430036-67	. DOOR,ACCESS . . . . .	1	1
		/ATTACHING PARTS/		
	AN530-6R6	. SCREW . . . . .	6	
	NAS395-6-1	. NUT . . . . .	6	
		*-----*		
	35-534464-7	FURNISHINGS INSTL . . . . .	NP	6
- 19	35-534464-35	. CARPET ASSY,FWD . . . . .	1	6
- 20	35-534305-55	. BOOT ASSY,HALF . . . . .	8	1
- 21	96-534139-3	. COVER,WING BOLT ACCESS . . . . .	2	1
		/ATTACHING PARTS/		
	NAS384-6-8P	. SCREW . . . . .	2	
		*-----*		
	36-530099-1	. COVER INSTL . . . . .	NP	6
	36-530099-3	. COVER ASSY . . . . .	1	2
	36-530099-21	. COVER ASSY . . . . .	1	3
		/ATTACHING PARTS/		
	NAS384-6-8P	. SCREW . . . . .	4	
	NAS384-6-12P	. SCREW . . . . .	2	
	NAS391B6P	. WASHER . . . . .	6	
		*-----*		
- 22	36-530099-5	. COVER . . . . .	1	6

BEECHCRAFT  
BONANZA 33  
ILLUSTRATED PARTS CATALOG

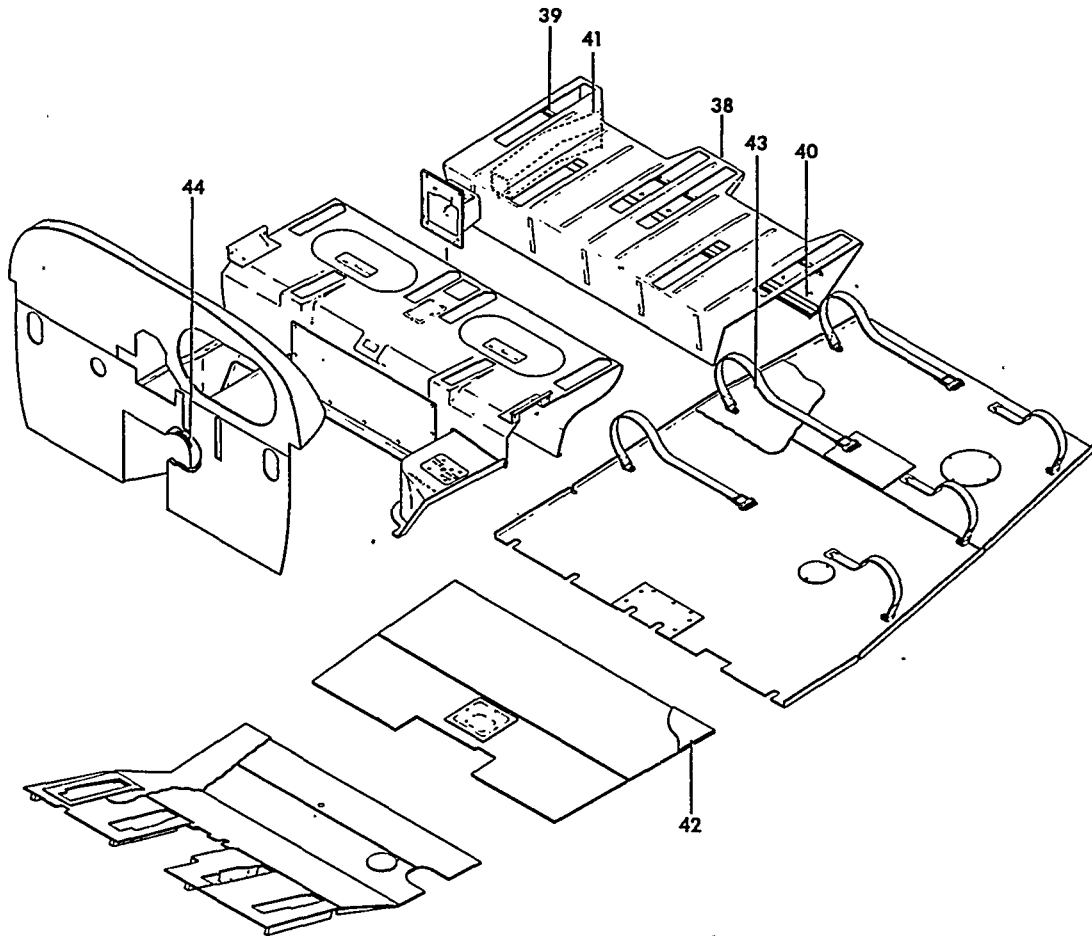
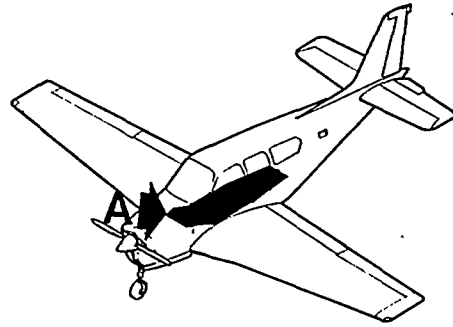


33-312B-22

B E E C H C R A F T  
B O N A N Z A 3 3  
I L L U S T R A T E D P A R T S C A T A L O G

FIG. & ITEM NO.	PART NO.	1	2	3	4	5	6	7	DESCRIPTION	UNITS PER ASSY	USABLE ON CODE	
312B - 23	36-530099-7	.	.	.	.	.	.	.	PLACARD ASSY.	1	2	
	36-530099-9	.	.	.	.	.	.	.	PLACARD ASSY.	1	3	
		/ATTACHING PARTS/										
	AN530-6R6	.	.	.	.	.	.	.	SCREW	4		
	NAS446-2-1	.	.	.	.	.	.	.	NUT	4		
	*-----*											
	33-924013	.	.	.	.	.	.	.	PLATE	1	6	
	36-920019-1	.	.	.	.	.	.	.	PLACARD/50GAL/	1	2	
	36-920020-1	.	.	.	.	.	.	.	PLACARD/80 GAL/	1	3	
	36-530102-5	.	.	.	.	.	.	.	PLACARD ASSY/MIN FUEL/	1	1	
	36-530098-23	.	.	.	.	.	.	.	COVER INSTL	NP	6	
	36-530098-25	.	.	.	.	.	.	.	COVER ASSY.	1	6	
	/ATTACHING PARTS/											
	NAS384-6-6P	.	.	.	.	.	.	.	SCREW	2		
A1784-6Z1	.	.	.	.	.	.	.	CLIP NUT	2			
NAS384-6-16P	.	.	.	.	.	.	.	SCREW	4			
NAS384-6-12P	.	.	.	.	.	.	.	SCREW	5			
NAS39186P	.	.	.	.	.	.	.	WASHER	9			
*-----*												
- 24	36-530098-5	.	.	.	.	.	.	.	COVER	1	6	
- 25	36-530098-7	.	.	.	.	.	.	.	ACCESS DOOR	1	6	
/ATTACHING PARTS/												
NAS384-6-6P	.	.	.	.	.	.	.	SCREW	4			
1793-6Z3	.	.	.	.	.	.	.	CLIP NUT	4			
*-----*												
- 26	36-530098-31	.	.	.	.	.	.	.	POCKET ASSY	1	6	
- 27	35-910296-1	.	.	.	.	.	.	.	PLACARD/NOTICE	1	6	
/ATTACHING PARTS/												
AN530-6R6	.	.	.	.	.	.	.	SCREW	2			
1784-6Z1	.	.	.	.	.	.	.	NUT	2			
*-----*												
	35-534465-67	.	.	.	.	.	.	.	COVER INSTL,FRONT SPAR.	NP	6	
	35-534465-69	.	.	.	.	.	.	.	COVER ASSY.	1	6	
/ATTACHING PARTS/												
NAS384-6-12P	.	.	.	.	.	.	.	SCREW	10			
NAS39186P	.	.	.	.	.	.	.	WASHER	10			
*-----*												
- 28	35-534465-71	.	.	.	.	.	.	.	COVER	1	6	
	35-534465-95	.	.	.	.	.	.	.	COVER	1	6	
- 29	35-534465-13	.	.	.	.	.	.	.	GIMP	1	6	
- 30	58-530157-1	.	.	.	.	.	.	.	PLENUM	1	6	
- 31	58-530158-1	.	.	.	.	.	.	.	COVER ASSY.	2	6	
- 32	58-530159-3	.	.	.	.	.	.	.	POCKET ASSY	1	1	
/ATTACHING PARTS/												
NAS384-6-12P	.	.	.	.	.	.	.	SCREW	9			
NAS39186P	.	.	.	.	.	.	.	WASHER	9			
NAS446-2	.	.	.	.	.	.	.	NUT	9			
*-----*												
- 33	58-530191-1	.	.	.	.	.	.	.	PLACARD/EMER LD GR INSTR/	1	1	
- 34	58-530160-1	.	.	.	.	.	.	.	COVER ASSY,EMERGENCY EXTENSION CRANK.	1	1	
	58-530160-3	.	.	.	.	.	.	.	COVER	1	1	
	58-530160-5	.	.	.	.	.	.	.	PLACARD ASSY.	1	1	
- 35	96-530006-79	.	.	.	.	.	.	.	WRAPPER,COHL	2	1	
- 36	35-534474-1	.	.	.	.	.	.	.	PANEL ASSY.	1	6	
- 37	35-534464-29	.	.	.	.	.	.	.	PAN ASSY.	1	1	
/ATTACHING PARTS/												
NAS384-6-12P	.	.	.	.	.	.	.	SCREW	4			
*-----*												

BEECHCRAFT  
BONANZA 33  
ILLUSTRATED PARTS CATALOG



VIEW A

33-3128-23

B E E C H C R A F T  
B O N A N Z A 3 3  
I L L U S T R A T E D P A R T S C A T A L O G

FIG. & ITEM NO.	PART NO.	1 2 3 4 5 6 7	DESCRIPTION	UNITS PER ASSY	USABLE ON CODE
312B	96-534141-11	.	COVER INSTL/REAR SPAR/.	NP	1
- 38	96-534141-15	.	COVER ASSY.	1	1
			/ATTACHING PARTS/		
	NAS387-1032-12	.	SCREW/TOP FWD/.	4	
	NAS391B10P	.	WASHER.	4	
	NAS387-6-12P	.	SCREW/RH BOTTOM AFT/.	1	
	NAS391B6P	.	WASHER/RH BOTTOM AFT/.	1	
	NAS384-6-12P	.	SCREW/BOTTOM FWD/.	5	
	NAS391B6P	.	WASHER/BOTTOM FWD/.	5	
	6411B	.	FOOTMAN LOOP/BOTTOM AFT/.	4	
	NAS387-1032-8P	.	SCREW/BOTTOM AFT/.	9	
	NAS391B10P	.	WASHER/BOTTOM AFT/.	1	
	130290-2	.	CLIP NUT/BOTTOM AFT/.	9	
		*			
- 39	58-530152-7	.	SUPPORT ASSY.	2	1
			/ATTACHING PARTS/		
	MS24693S50	.	SCREW.	4	
	AN960-8	.	WASHER.	4	
	MS20365-832	.	NUT.	4	
		*			
- 40	96-534141-9	.	SUPPORT.	1	1
- 41	96-534142-9	.	PLENUM.	1	1
			/ATTACHING PARTS/		
	NAS384-6-12P	.	SCREW.	4	
	NAS391B6P	.	WASHER.	4	
	NAS395-6-1	.	NUT.	4	
		*			
- 42	35-534464-17	.	CARPET ASSY,CENTER.	1	1
- 43	35-534464-31	.	CARPET ASSY,AFT.	1	1
- 44	35-534300-192	.	SOUNDPROOFING/FACE OF WHEELWELL/.	1	1

C O D E S O F E F F E C T I V I T Y

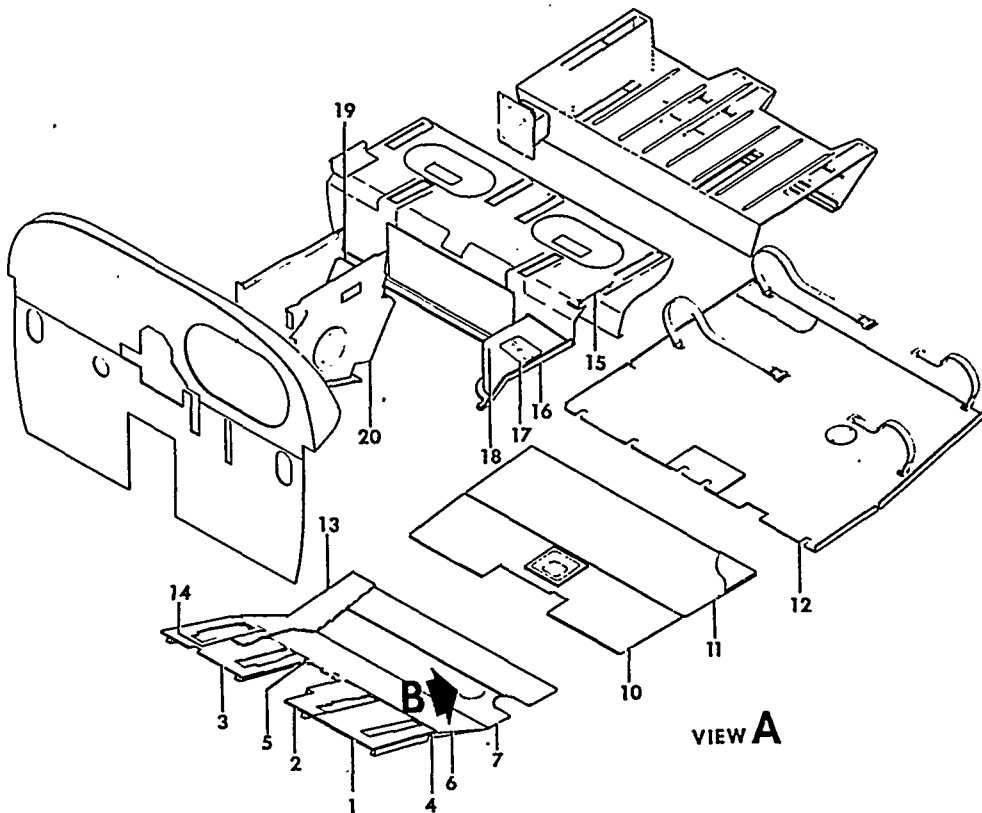
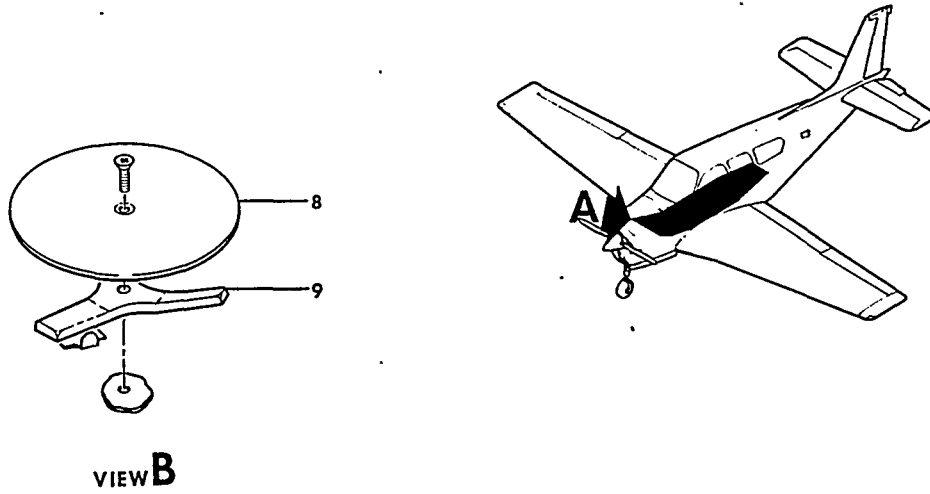
1	CE-769 AND AFTER	2	CE-769 THRU CE-883
3	CE-884 AND AFTER	4	CE-769 AND AFTER
5	CE-1014 AND AFTER	6	CE-769 THRU CE-1013

BEECHCRAFT  
BONANZA 33  
ILLUSTRATED PARTS CATALOG

FIGURE 312C  
CARPETS AND FLOORBOARDS  
CJ-146 AND AFTER



BEECHCRAFT  
BONANZA 33  
ILLUSTRATED PARTS CATALOG

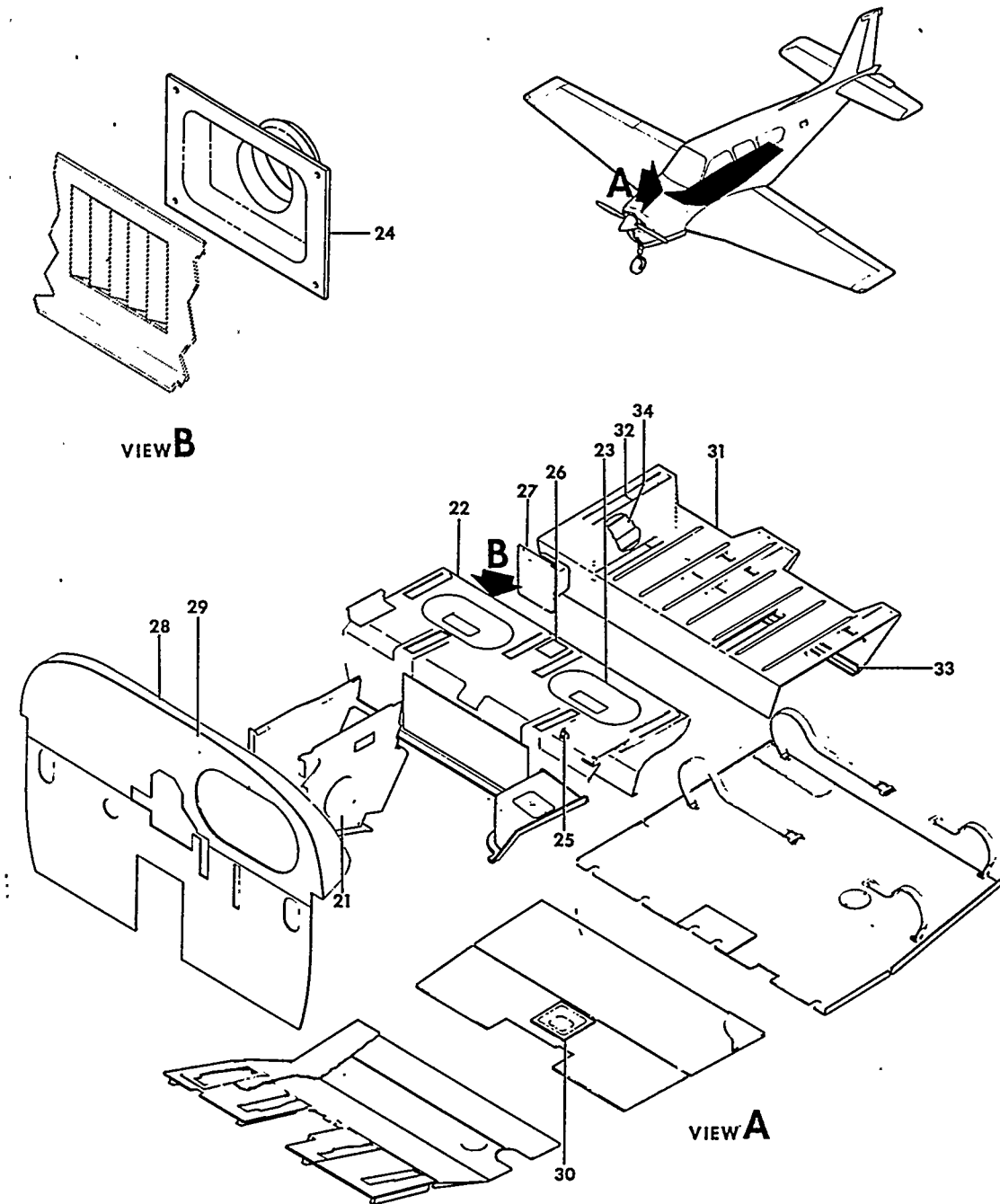


33-312C-25

B E E C H C R A F T  
B O N A N Z A 3 3  
I L L U S T R A T E D P A R T S C A T A L O G

FIG. & ITEM NO.	PART NO.	DESCRIPTION	UNITS PER ASSY	USABLE ON CODE
		1 2 3 4 5 6 7		
312C	002-430036-35	FLOORBOARD INSTL/WITHOUT DUAL BRAKES/ . . . . .	NP	1
	002-430036-45	FLOORBOARD INSTL/WITH DUAL BRAKES/ . . . . .	NP	1
- 1	002-430036-5	. FLOORBOARD ASSY,LH OUTBD. . . . .	1	1
- 2	002-430036-153	. FLOORBOARD ASSY,LH INBD . . . . .	1	1
- 3	002-430036-9	. FLOORBOARD ASSY,RH/WITHOUT DUAL BRAKES/ . . . . .	1	1
	002-430036-39	. FLOORBOARD ASSY,RH/WITH DUAL BRAKES/ . . . . .	1	1
- 4	002-430036-23	. STRIP,LH FWD. . . . .	1	1
- 5	002-430036-25	. STRIP,RH FWD. . . . .	1	1
- 6	002-430036-13	. FLOORBOARD ASSY/STA 58.50 TO STA 68.00/ . . . . .	1	1
- 7	002-430036-63	. FLOORBOARD ASSY/STA 68.00 TO STA 79.50/ . . . . .	1	1
- 8	002-430036-119	. COVER . . . . .	1	2
- 9	002-430036-113	. CLAMP . . . . .	1	1
		/ATTACHING PARTS/		
	AN507-832R8	. SCREW . . . . .	1	
		-----*		
- 10	002-430036-81	. FLOORBOARD ASSY/STA 89.562 TO STA 100.00/ . . . . .	1	1
- 11	002-430036-57	. FLOORBOARD/STA 100.00 TO 112.106/ . . . . .	1	1
- 12	002-430036-83	. FLOORBOARD ASSY/STA 119.812 TO STA 131.0/ . . . . .	1	1
	002-430036-89	. FLOORBOARD ASSY/STA 131.00 TO STA 151.00/ . . . . .	1	1
	33-534075-27	FURNISHINGS INSTL,FLOOR . . . . .	NP	1
- 13	33-534075-25	. CARPET ASSY . . . . .	1	1
- 14	35-534305-55	. BOOT ASSY . . . . .	8	1
- 15	96-534139-3	. COVER,WING BOLT ACCESS. . . . .	2	1
		/ATTACHING PARTS/		
	NAS384-6-8P	. SCREW . . . . .	2	
		-----*		
	35-560010-41	. PARTITION INSTL . . . . .	NP	1
- 16	35-924256-3	. COVER,FUEL SELECTOR VALVE . . . . .	1	1
		/ATTACHING PARTS/		
	NAS384-6	. SCREW . . . . .	14	
	NAS391-6P	. WASHER . . . . .	14	
		-----*		
- 17	35-534421-27	. PLACARD ASSY/50 GAL/. . . . .	1	1
	35-534421-29	. PLACARD ASSY/80 GAL/. . . . .	1	1
		/ATTACHING PARTS/		
	AN530-6R6	. SCREW . . . . .	4	
	NAS446-2-1	. NUT . . . . .	4	
		-----*		
	33-924013	. . . PLATE . . . . .	1	1
	36-920019-1	. . . PLACARD/50 GAL/ . . . . .	1	1
	36-920020-1	. . . PLACARD/80 GAL/ . . . . .	1	1
- 18	36-920021-1	. . . PLATE/MIN FUEL/ . . . . .	1	1
		/ATTACHING PARTS/		
	AN530-6R6	. SCREW . . . . .	2	
	NAS446-2-1	. NUT . . . . .	2	
		-----*		
	33-534075-19	. COVER ASSY,CONSOLE. . . . .	1	1
- 19	33-534075-9	. POCKET ASSY . . . . .	1	1
		/ATTACHING PARTS/		
	NAS384-6-12P	. SCREW . . . . .	9	
	NAS391B6P	. WASHER . . . . .	9	
	NAS446-2	. NUT . . . . .	9	
		-----*		
- 20	33-534075-21	. . . CONSOLE COVER . . . . .	1	1
		/ATTACHING PARTS/		
	NAS384-6-16P	. SCREW . . . . .	4	
	NAS384-6-12P	. SCREW . . . . .	5	
	NAS391B6P	. WASHER . . . . .	9	
	NAS384-6-6P	. SCREW . . . . .	2	
	A1784-6Z1	. CLIP NUT. . . . .	2	
		-----*		

BEECHCRAFT  
BONANZA 33  
ILLUSTRATED PARTS CATALOG

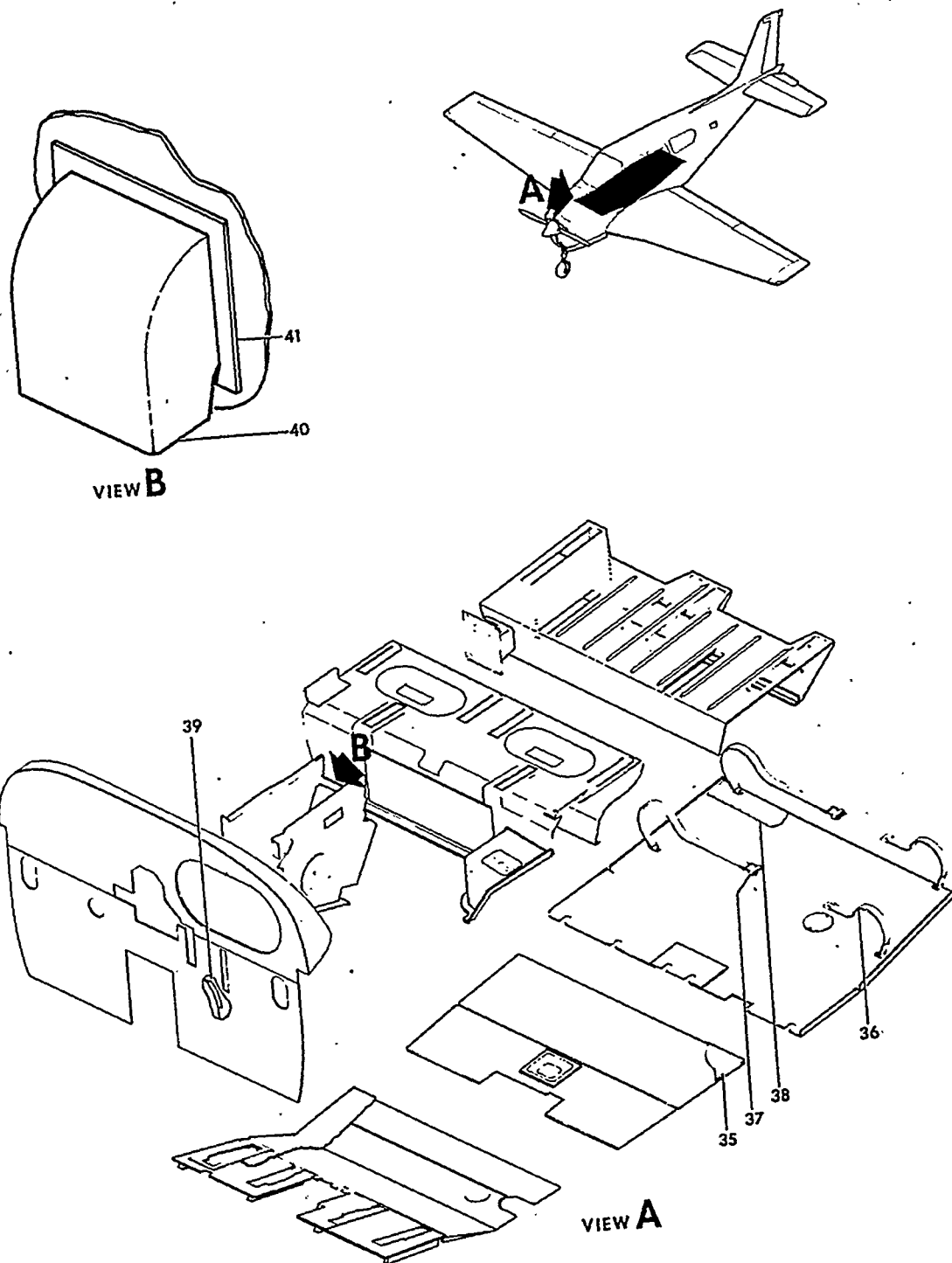


33-312C-26

BEECHCRAFT  
 BONANZA 33  
 ILLUSTRATED PARTS CATALOG

FIG. & ITEM NO.	PART NO.	DESCRIPTION							UNITS PER ASSY	USABLE ON CODE
		1	2	3	4	5	6	7		
312C - 21	36-530098-7	DOOR, ACCESS . . . . .							1	1
		/ATTACHING PARTS/								
	NAS384-6-6P	SCREW . . . . .							4	
	A1793-6Z3	U NUT . . . . .							4	
	35-534465-73	COVER INSTL . . . . .							NP	1
	35-534465-75	COVER ASSY. . . . .							1	1
- 22	35-534465-77	COVER . . . . .							1	1
- 23	58-530158-1	COVER ASSY. . . . .							2	1
- 24	58-530157-1	PLENUM. . . . .							1	1
- 25	35-534465-27	CLIP. . . . .							2	1
		/ATTACHING PARTS/								
	MS35206-246	SCREW . . . . .							2	
	130290-3	CLIP NUT. . . . .							2	
- 26	58-530191-1	PLACARD/EMERG LAND GEAR/. . . . .							1	1
		/ATTACHING PARTS/								
	NAS384-6-12P	SCREW . . . . .							10	
	NAS391B6P	WASHER. . . . .							10	
- 27	58-530160-1	COVER ASSY, EMERGENCY EXTENSION CRANK. . . . .							1	1
	58-530160-3	COVER . . . . .							1	1
	58-530160-5	PLACARD ASSY. . . . .							1	1
- 28	96-530006-79	WRAPPER, COHL. . . . .							2	1
- 29	36-530004-83	COVER ASSY, FIREWALL . . . . .							1	2
	35-534474-1	PANEL ASSY, FIREWALL . . . . .							1	3
- 30	35-534464-29	PAN ASSY. . . . .							1	1
		/ATTACHING PARTS/								
	NAS384-6-12P	SCREW . . . . .							4	
- 31	96-534141-13	COVER INSTL . . . . .							NP	1
	96-534141-15	COVER ASSY. . . . .							1	1
		/ATTACHING PARTS/								
	NAS387-1032-12	SCREW/TOP FWD/. . . . .							4	
	NAS391B10P	WASHER/TOP FWD/ . . . . .							4	
	NAS387-6-12P	SCREW/RH BOTTOM AFT/. . . . .							1	
	NAS391B6P	WASHER/RH BOTTOM AFT/ . . . . .							1	
	NAS384-6-12P	SCREW/BOTTOM FWD/ . . . . .							5	
	NAS391B6P	WASHER/BOTTOM FWD/. . . . .							5	
	NAS387-1032-8P	SCREW/BOTTOM AFT/. . . . .							9	
	NAS391B10P	WASHER/BOTTOM AFT/. . . . .							9	
	130290-2	CLIP NUT/BOTTOM AFT/. . . . .							9	
- 32	58-530152-7	SUPPORT ASSY. . . . .							2	1
		/ATTACHING PARTS/								
	MS24693S50	SCREW . . . . .							4	
	AN960-8	WASHER. . . . .							4	
	MS20365-832	NUT . . . . .							4	
- 33	96-534141-9	SUPPORT . . . . .							1	1
		/ATTACHING PARTS/								
	AN545-4R3	SCREW . . . . .							22	
- 34	96-534142-1	PLENUM. . . . .							1	1
		/ATTACHING PARTS/								
	NAS384-6-12P	SCREW . . . . .							4	
	NAS391B6P	WASHER. . . . .							4	
	NAS395-6-1	NUT . . . . .							4	

BEECHCRAFT  
BONANZA 33  
ILLUSTRATED PARTS CATALOG



33-312C-27

04/11/86

FIGURE 312C. CARPETS AND FLOORBOARDS  
/SHEET 3 OF 3 SHEETS/

B E E C H C R A F T  
B O N A N Z A 3 3  
I L L U S T R A T E D P A R T S C A T A L O G

FIG. & ITEM NO.	PART NO.	DESCRIPTION							UNITS PER ASSY	USABLE ON CODE
		1	2	3	4	5	6	7		
312C - 35	35-534464-17	.	.	.	.	.	.	.	1	1
- 36	96-534126-7	.	.	.	.	.	.	.	2	1
- 37	96-534126-5	.	.	.	.	.	.	.	2	1
		/ATTACHING PARTS/								
	6411B	.	.	.	.	.	.	.	1	
	NAS387-1032-12P	.	.	.	.	.	.	.	2	
		*-----*								
- 38	33-534075-23	.	.	.	.	.	.	.	1	1
- 39	35-534300-192	.	.	.	.	.	.	.	1	1
- 40	2A20580	.	.	.	.	.	.	.	1	1
- 41	58-530176-7	.	.	.	.	.	.	.	1	1
		/ATTACHING PARTS/								
	NAS384-6-12P	.	.	.	.	.	.	.	2	
		*-----*								

C O D E S O F E F F E C T I V I T Y

- 1 CJ-146 AND AFTER      2 CJ-146 THRU CJ-148  
3 CJ-149 AND AFTER

BEECHCRAFT  
BONANZA 33  
ILLUSTRATED PARTS CATALOG

FIGURE 313  
PILOT AND COPILOT SEATS  
CD-1235 THRU CD-1255, CE-290 THRU CE-349

BEECHCRAFT  
 BONANZA 33  
 ILLUSTRATED PARTS CATALOG

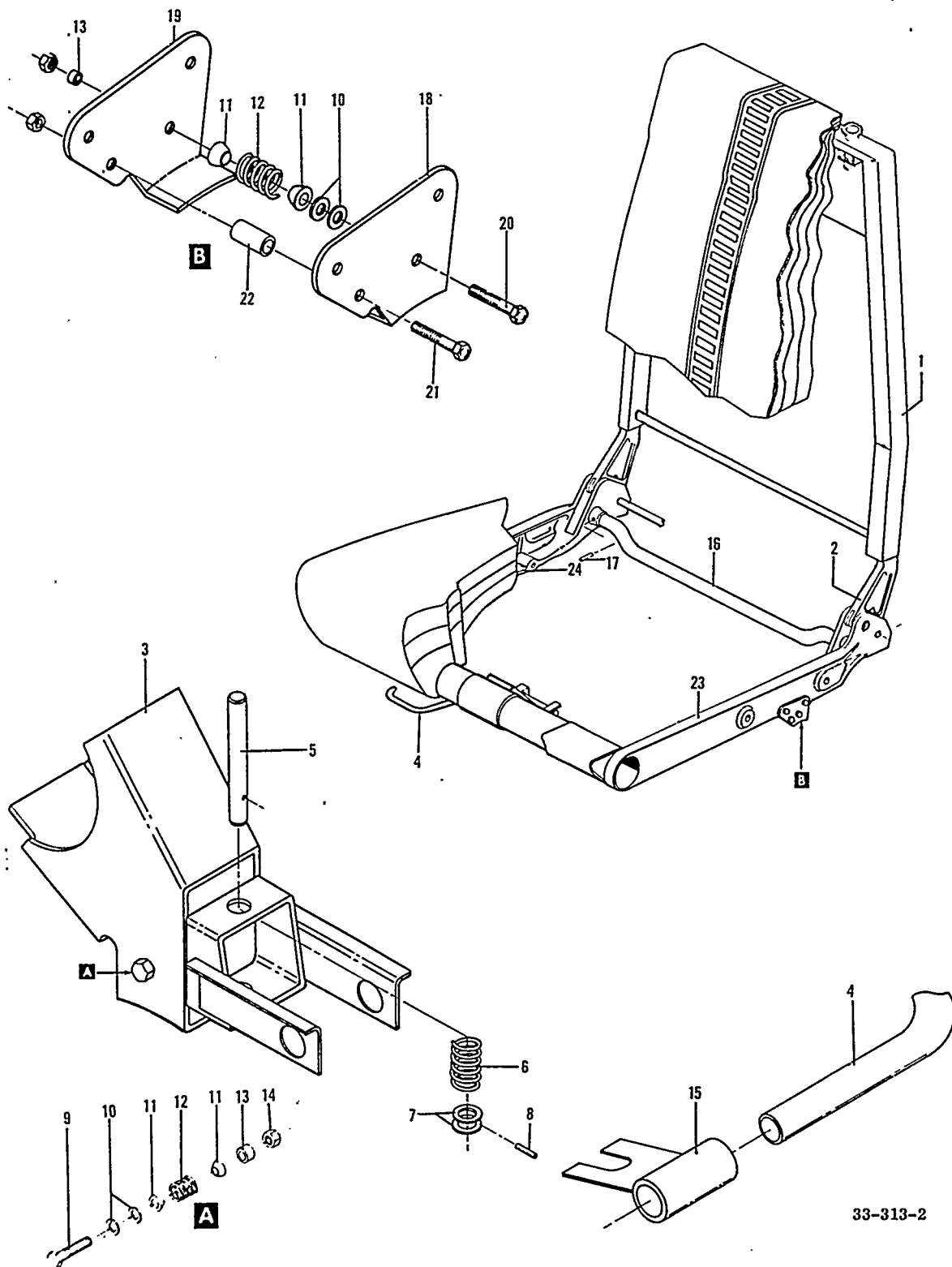


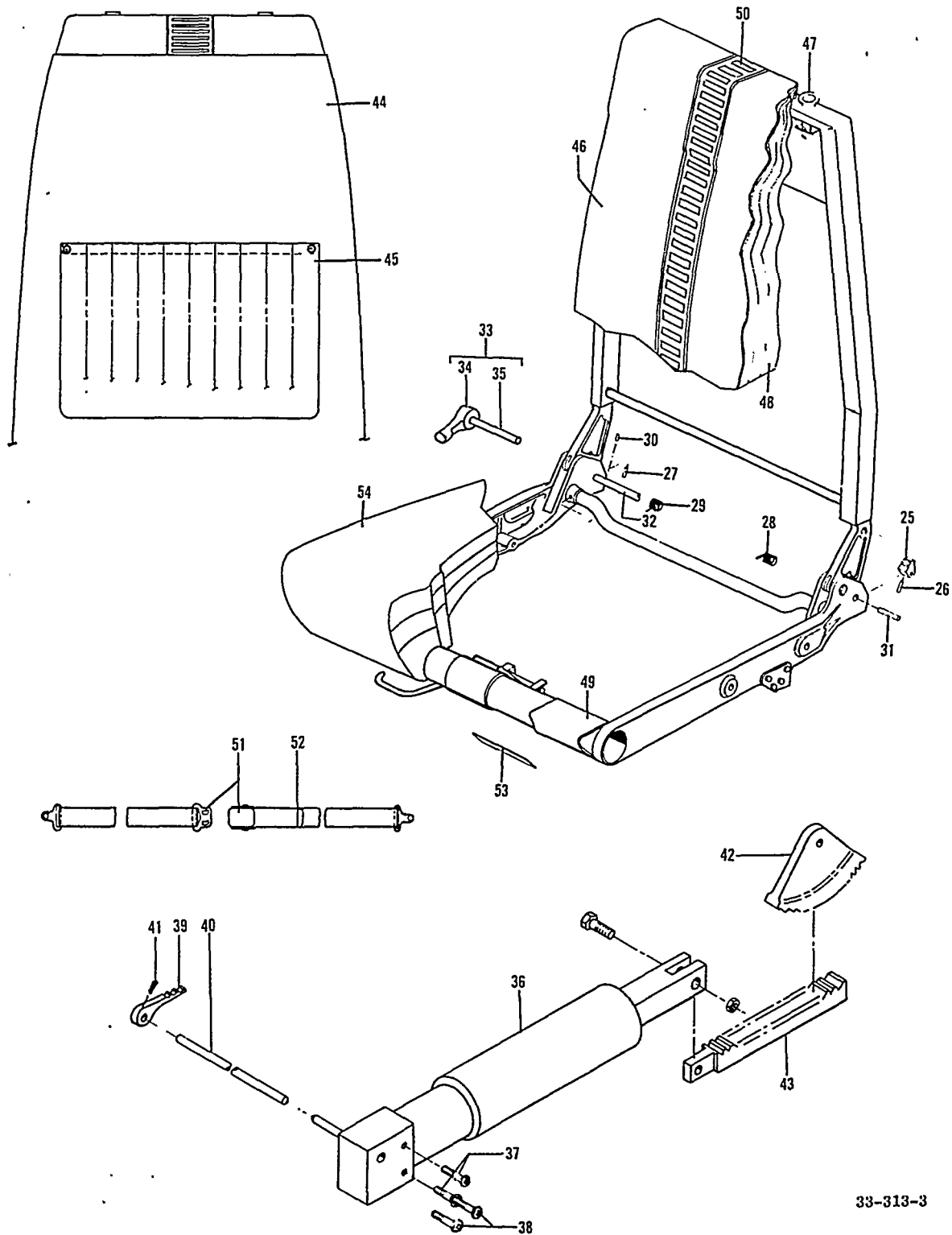
FIGURE 313. PILOT AND COPILOT SEATS  
 /SHEET 1 OF 3 SHEETS/



B E E C H C R A F T  
B O N A N Z A 3 3  
I L L U S T R A T E D P A R T S C A T A L O G

FIG. & ITEM NO.	PART NO.	DESCRIPTION	UNITS						USABLE ON CODE	
			1	2	3	4	5	6		PER ASSY
313	33-534038-5	SEATING INSTL /WITH ARMRESTS/ /4 PLACE/ . . . . .							NP	1
	33-534038-7	SEATING INSTL /WITH ARMRESTS/ /5 PLACE/ . . . . .							NP	1
	33-534038-9	SEATING INSTL /WITHOUT ARMRESTS /4 PLACE/ . . . . .							NP	1
	33-534038-11	SEATING INSTL /WITHOUT ARMRESTS/ /5 PLACE/ . . . . .							NP	1
	58-530040-3	SEATING INSTL /WITH CAM BACK/ /4 PLACE/ . . . . .							NP	2
	96-534071-3	SEATING INSTL /WITH FULL RECLINE ON 3 SEATS/. . . . .							NP	2
	35-534449-1	• CHAIR ASSY,PILOTS UPHOLSTERED /CAM ADJUSTING/ /WITH ARMREST/							1	3
	35-534449-3	• CHAIR ASSY,PILOTS UPHOLSTERED /CAM ADJUSTING/ /WITHOUT ARMREST/							1	1
	35-534449-5	• CHAIR ASSY,COPILOTS UPHOLSTERED . . . . . /CAM ADJUSTING/ /WITH ARMREST/							1	3
	35-534449-7	• CHAIR ASSY,COPILOT UPHOLSTERED . . . . . /ROTON ADJUSTABLE/							1	2
	35-534449-9	• CHAIR ASSY,COPILOTS UPHOLSTERED . . . . . /CAM ADJUSTING/ /WITHOUT ARMREST/							1	1
	96-534073-1	• • FRAME ASSY,PILOTS CHAIR /CAM ADJUSTING/ . . . . .							1	3
	96-534073-5	• • FRAME ASSY,COPILOTS CHAIR /CAM ADJUSTING/ . . . . .							1	3
	96-534073-3	• • FRAME ASSY,COPILOTS CHAIR/RECLINING/ . . . . .							1	2
	58-530026-1	• • BACK ASSY,PILOTS & COPILOTS SEAT . . . . . /ATTACHING PARTS/							1	3
		NAS221-21	• • SCREW . . . . .						2	
		100951X032WF	• • WASHER /NEXT TO SCREW HEAD/ . . . . .						2	
		102933D4ZM0190	• • SPACER . . . . .						2	
		AN960-10L	• • WASHER . . . . .						2	
		22K2-02	• • NUT, CAP . . . . .						2	
		*-----*								
	- 1	58-530026-5	• • • WELD ASSY,CHAIR BACK . . . . .						1	3
	- 2	60-530040-1	• • • ADAPTER . . . . . /ATTACHING PARTS/						2	3
	AN525-10R14	• • • SCREW . . . . .						4		
	AN960-10L	• • • WASHER . . . . .						4		
	MS20364-1032	• • • NUT . . . . .						4		
	*-----*									
	96-534073-7	• • • FRAME ASSY,CHAIR BOTTOM . . . . .						1	3	
- 3	96-534073-33	• • • WELD ASSY,FRONT LEG . . . . .						1	3	
- 4	96-534073-51	• • • HANDLE ASSY . . . . .						1	3	
- 5	36-530025-15	• • • PIN . . . . .						1	3	
- 6	100943ZS027G	• • • SPRING . . . . .						1	3	
- 7	AN960-416L	• • • WASHER . . . . .						2	3	
- 8	1/16 X 1/2	• • • PIN,DRIVELOCK /TYPE E/ . . . . .						1	3	
- 9	AN3-14A/M/	• • • BOLT . . . . .						3	3	
- 10	AN960-10L	• • • WASHER . . . . .						6	3	
- 11	118641	• • • ROLLER . . . . .						6	3	
- 12	100943ZA016J	• • • SPRING . . . . .						3	3	
- 13	102933D4ZJ0190	• • • SPACER . . . . .						3	3	
- 14	MS20365-1032	• • • NUT . . . . .						3	3	
- 15	60-530013-11	• • • WELD ASSY . . . . . /ATTACHING PARTS/						1	3	
	MS171498	• • • PIN,ROLL . . . . .						2		
	*-----*									
- 16	36-530025-27	• • • TUBE,SUPPORT . . . . . /ATTACHING PARTS/						1	3	
- 17	MS171564	• • • PIN,ROLL . . . . .						2		
	*-----*									
- 18	36-530025-13	• • • FOOT . . . . .						2	3	
- 19	36-530025-14	• • • FOOT . . . . .						2	3	
	/ATTACHING PARTS/									
- 20	AN3-14A/M/	• • • BOLT . . . . .						2		
	AN960-10L	• • • WASHER . . . . .						2		
	MS20365-1032	• • • NUT . . . . .						2		
	*-----*									
- 21	AN3-14A/M/	• • • BOLT . . . . .						2	3	
- 22	102933D4ZJ1000	• • • SPACER . . . . .						2	3	
	AN960-10L	• • • WASHER . . . . .						2	3	
	MS20365-1032	• • • NUT . . . . .						2	3	
- 23	60-530039-3	• • • FRAME,LH SIDE . . . . .						1	3	
- 24	60-530039-4	• • • FRAME,RH SIDE . . . . .						1	3	

BEECHCRAFT  
BONANZA 33  
ILLUSTRATED PARTS CATALOG



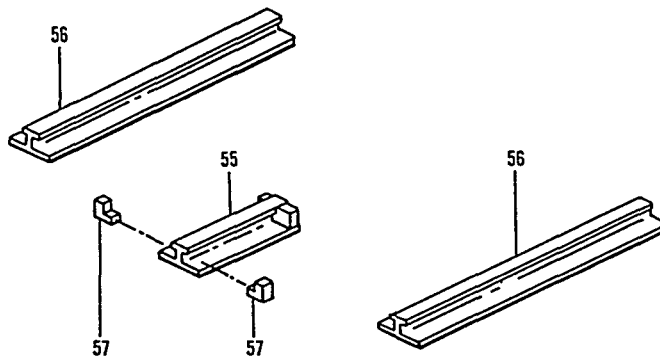
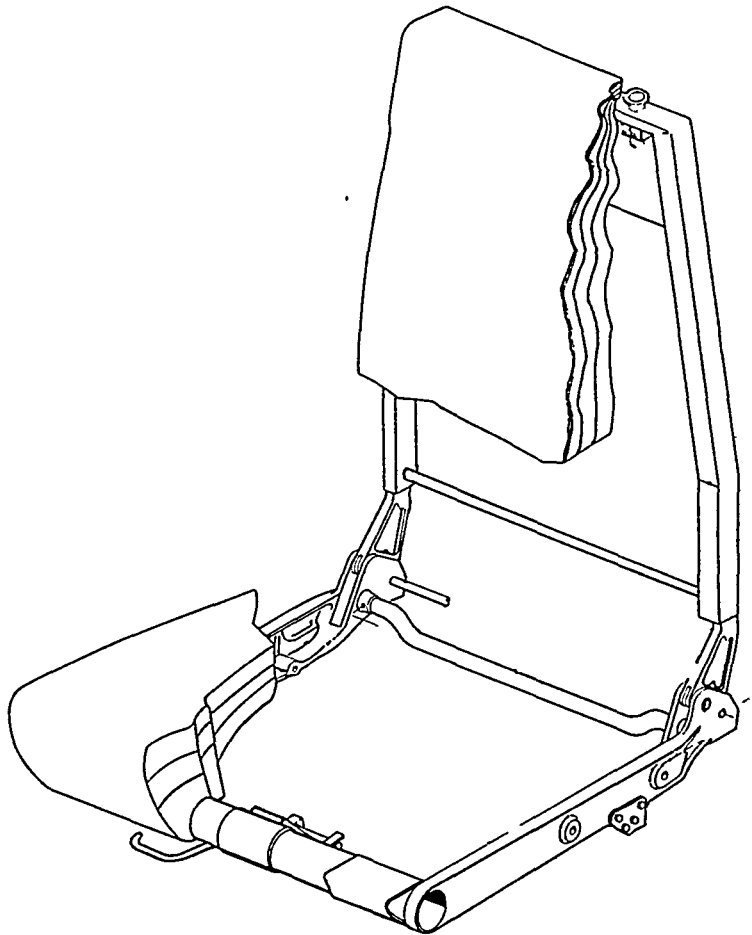
33-313-3

FIGURE 313. PILOT AND COPILOT SEATS  
/SHEET 2 OF 3 SHEETS/

B E E C H C R A F T  
B O N A N Z A 3 3  
I L L U S T R A T E D P A R T S C A T A L O G

FIG. & ITEM NO.	PART- NO.	1	2	3	4	5	6	7	DESCRIPTION	UNITS PER ASSY	USABLE ON CODE
313	96-534073-9	.	.	.	.	.	.	.	SUPPORT INSTL,PILOTS SEAT BACK. /CAM ADJUSTING/	NP	3
	96-534073-10	.	.	.	.	.	.	.	SUPPORT INSTL,COPILOTS SEAT BACK. /CAM ADJUSTING/	NP	3
- 25	60-530043	.	.	.	.	.	.	.	CAM,PILOTS CHAIR.	2	3
- 26	MS171534	.	.	.	.	.	.	.	PIN,RH ROLL	1	3
- 27	MS171539	.	.	.	.	.	.	.	PIN,LH ROLL	1	3
- 28	60-530046-1	.	.	.	.	.	.	.	SPRING,LH TORSION	1	3
- 29	60-530046-2	.	.	.	.	.	.	.	SPRING,RH TORSION	1	3
- 30	MS171499	.	.	.	.	.	.	.	PIN,SPRING RETAINING ROLL	2	3
- 31	60-530045	.	.	.	.	.	.	.	PIN,SEAT BACK LH.	1	3
- 32	60-530013-41	.	.	.	.	.	.	.	TUBE /PILOTS & COPILOTS CHAIR/	1	3
- 33	58-530045-1	.	.	.	.	.	.	.	HANDLE ASSY,COPILOTS CHAIR.	1	3
	58-530045-2	.	.	.	.	.	.	.	HANDLE ASSY,PILOTS CHAIR.	1	3
- 34	58-530045-3	.	.	.	.	.	.	.	HANDLE.	1	3
- 35	58-530046	.	.	.	.	.	.	.	PIN,HANDLE.	1	3
- 36	60-530051-3	.	.	.	.	.	.	.	ACTUATOR ASSY,COPILOTS CHAIR /RECLINING/ /ATTACHING PARTS/	1	2
- 37	NAS221-19	.	.	.	.	.	.	.	SCREW	2	
- 38	NAS221-8	.	.	.	.	.	.	.	SCREW	2	
	AN960-10L	.	.	.	.	.	.	.	WASHER	6	
	MS20365-1C32	.	.	.	.	.	.	.	NUT	4	
		*									
- 39	60-530052-3	.	.	.	.	.	.	.	HANDLE ASSY,COPILOT CHAIR /RECLINING/	1	2
- 40	96-534073-31	.	.	.	.	.	.	.	TUBE,COPILOTS CHAIR /RECLINING/	1	2
- 41	MS171498	.	.	.	.	.	.	.	PIN,ROLL /HANDLE & TUBE ATTACHING/	1	2
- 42	60-530041-1	.	.	.	.	.	.	.	GEAR,COPILOTS CHAIR /RECLINING/	1	2
- 43	60-530054-1	.	.	.	.	.	.	.	RACK,COPILOTS CHAIR GEAR /RECLINING/ /ATTACHING PARTS/	1	2
	AN4-7A/M/	.	.	.	.	.	.	.	BOLT.	1	
	MS20365-428	.	.	.	.	.	.	.	NUT	1	
		*									
	60-530139-1	.	.	.	.	.	.	.	ARMREST INSTL,PILOTS CHAIR /SEE FIG.327/	NP	4
	60-530139-2	.	.	.	.	.	.	.	ARMREST INSTL,COPILOTS CHAIR /SEE FIG.327/	NP	4
	60-530139-117	.	.	.	.	.	.	.	ARMREST INST,PILOTS CHAIR/SEE FIG.327/	NP	5
	35-534449-43	.	.	.	.	.	.	.	SHELL ASSY,PILOTS SEAT BACK	1	3
	35-534449-44	.	.	.	.	.	.	.	SHELL ASSY,COPILOTS SEAT BACK /ATTACHING PARTS/	1	3
	NAS387-6-10P	.	.	.	.	.	.	.	SCREW	6	
	NAS391-6P	.	.	.	.	.	.	.	WASHER.	6	
		*									
- 44	35-534453-3	.	.	.	.	.	.	.	SHELL,PILOTS SEAT BACK.	1	3
	35-534453-4	.	.	.	.	.	.	.	SHELL,COPILOTS SEAT BACK.	1	3
- 45	35-534449-51	.	.	.	.	.	.	.	POCKET,SEAT BACK. /ATTACHING PARTS/	1	3
	NAS384-6-6P	.	.	.	.	.	.	.	SCREW	2	
	NAS391-6P	.	.	.	.	.	.	.	WASHER.	2	
		*									
- 46	35-534449-47	.	.	.	.	.	.	.	COVER ASSY,PILOTS & COPILOTS SEAT BACK.	1	3
- 47	130010	.	.	.	.	.	.	.	MOULDING,SEAT BACK HEADREST	2	3
- 48	35-534449-39	.	.	.	.	.	.	.	PAD,SEAT BACK	1	3
	58-530072-1	.	.	.	.	.	.	.	CUSHION ASSY,SEAT BOTTOM.	1	3
	58-530072-3	.	.	.	.	.	.	.	CUSHION ASSY,SEAT BOTTOM.	1	3
- 49	36-530023-17	.	.	.	.	.	.	.	EXTENSION,CHAIR BOTTOM. /ATTACHING PARTS/	1	3
	AN530-6R5	.	.	.	.	.	.	.	SCREW	10	
		*									
- 50	35-534449-49	.	.	.	.	.	.	.	COVER ASSY,INSERT /DIELECTRIC/	1	3
	130498CL9-32 C	.	.	.	.	.	.	.	SEAT BELT ASSY.	1	3
- 51	CS4000H/265-4	.	.	.	.	.	.	.	BUCKLE ASSY	1	3
	50-534733-1	.	.	.	.	.	.	.	PLACARD	1	3
- 52	D611A	.	.	.	.	.	.	.	TIP	1	3
- 53	130569	.	.	.	.	.	.	.	PLATE,SEAT IDENTIFICATION /ATTACHING PARTS/	1	3
	PK65A4-5	.	.	.	.	.	.	.	SCREW	2	
		*									
- 54	35-534449-37	.	.	.	.	.	.	.	COVER ASSY,SEAT CUSHION	1	3

BEECHCRAFT  
BONANZA 33  
ILLUSTRATED PARTS CATALOG



33-313-10

B E E C H C R A F T  
B O N A N Z A 33  
I L L U S T R A T E D P A R T S C A T A L O G

FIG. & ITEM NO.	PART NO.	DESCRIPTION							UNITS PER ASSY	USABLE ON CODE
		1	2	3	4	5	6	7		
313	58-530041-27	COVER,PILOTS SEAT /GREEN TENT CLOTH/ . . . . .							1	3
		/WITH ARMRESTS/								
	58-530041-28	COVER,COPILOTS SEAT /GREEN TENT CLOTH/ . . . . .							1	3
		/WITH ARMRESTS/								
	58-530041-23	COVER,SEAT /GREEN TENT CLOTH/ . . . . .							2	3
		/WITHOUT ARMRESTS/								
	58-530041-25	COVER,BACK /GREEN TENT CLOTH/ . . . . .							2	3
	35-534452-1	HEADREST ASSY /SEE FIG.324/ . . . . .							2	3
- 55	95-420017-5	TRACK,LH AND RH CENTER SEAT . . . . .							2	3
		/ATTACHING PARTS/								
	AN3A6/M/	BOLT . . . . .							2	
	MS20365-1032	NUT . . . . .							2	
		-----*								
	33-410040-1	ANGLE,LH FWD & RH AFT . . . . .							2	3
	33-410040-2	ANGLE,LH AFT & RH FWD . . . . .							2	3
- 56	95-420017-19	TRACK,LH AND RH REAR SEAT . . . . .							4	3
		/ATTACHING PARTS/								
	AN509-10R15	SCREW . . . . .							4	
	AN960-10	WASHER . . . . .							4	
	MS20365-1032	NUT . . . . .							4	
	33-534010-21	FILLER . . . . .							1	
		-----*								
- 57	418-180657-3	STOP,SEAT . . . . .							8	3
		/ATTACHING PARTS/								
	NAS221-10	SCREW . . . . .							1	
	MS20365-1032	NUT . . . . .							1	
		-----*								
	33-5005-1	KIT,SEAT BACK RESTRAINT . . . . .							1	6
	55-5012-1	KIT,PILOT SHOULDER HARNESS. . . . .							1	7
	55-5012-3	KIT,COPILOT SHOULDER HARNESS. . . . .							1	7

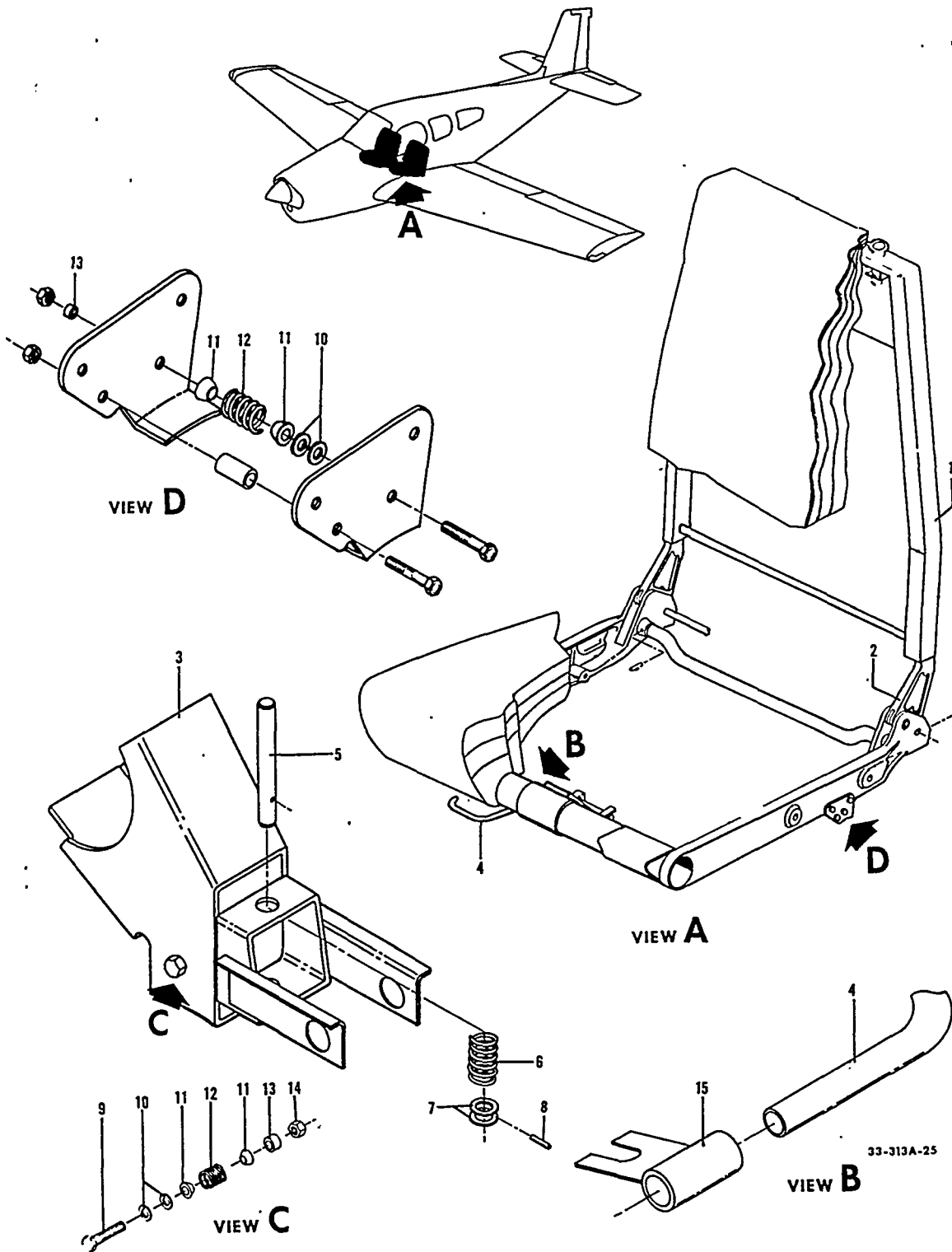
C O D E S O F E F F E C T I V I T Y

1	CD-1235 THRU CD-1255	2	CE-316 THRU CE-349
	CE-290 THRU CE-315		
3	CD-1235 THRU CD-1255	4	CD-1235 THRU CD-1244
	CE-290 THRU CE-349		CE-290 THRU CE-299
5	CD-1245 THRU CD-1255	6	CD-1235 THRU CD-1254
	CE-300 THRU CE-349		CE-290 THRU CE-349
7	CE-290 THRU CE-349		

BEECHCRAFT  
BONANZA 33  
ILLUSTRATED PARTS CATALOG

FIGURE 313A  
PILOT AND COPILOT SEATS  
CD-1256 THRU CD-1304  
CE-350 THRU CE-610

BEECHCRAFT  
 BONANZA 33  
 ILLUSTRATED PARTS CATALOG



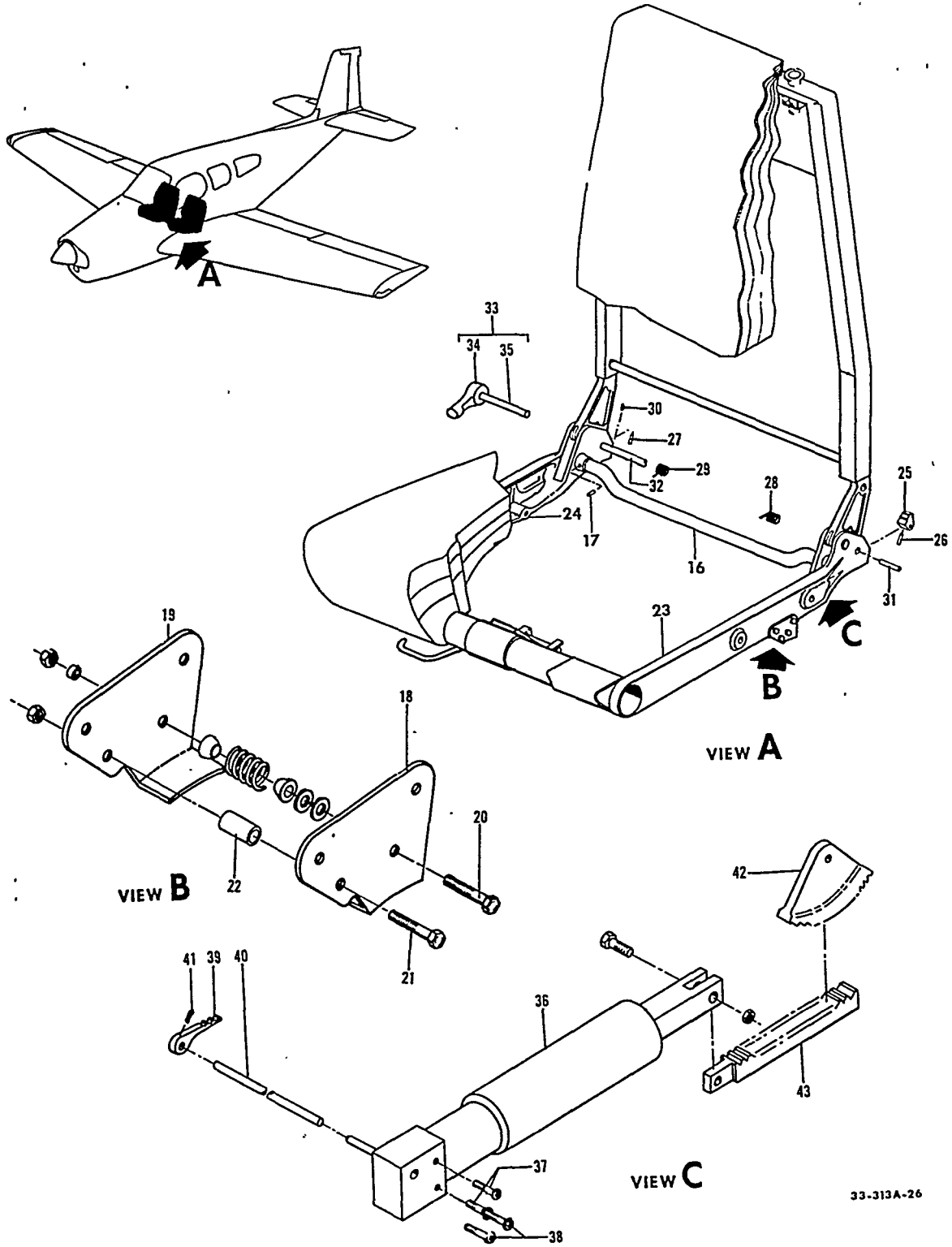
33-313A-25

B E E C H C R A F T  
B O N A N Z A 3 3  
I L L U S T R A T E D P A R T S C A T A L O G

FIG. & ITEM NO.	PART NO.	DESCRIPTION	UNITS PER ASSY	USABLE ON CODE
		1 2 3 4 5 6 7		
313A	33-534068-1	SEATING INSTL /WITHOUT ARMRESTS/ /4 PLACE/ . . .	NP	1
		/CAM ADJUSTING/		
	58-530118-1	SEATING INSTL /WITH ARM RESTS/ /FOUR PLACE/ . . .	NP	2
		/ALL CAM/		
	58-530182-1	SEATING INSTL /WITH ARM RESTS/ /FOUR PLACE/ . . .	NP	4
		/ALL CAM/		
	33-534068-3	SEATING INSTL /WITH ARMRESTS/ 4 PLACE/ . . . . .	NP	1
		/CAM BACK/		
	58-530118-7	SEATING INSTL /3 FULL RECLINING/ /4 PLACE/ . . .	NP	2
	58-530182-7	SEATING INSTL /3 FULL RECLINING/ /4 PLACE/ . . .	NP	4
	33-534068-5	SEATING INSTL /WITH ARMRESTS/ /5 PLACE/ . . . . .	NP	1
		/4 CAM BACK/		
	33-534068-7	SEATING INSTL /WITHOUT ARMRESTS/ /5 PLACE/ . . .	NP	1
		/4 CAM BACK/		
	33-534068-9	SEATING INSTL /WITH ARMRESTS/ /4 PLACE/ . . . . .	NP	1
		/3 FULL RECLINING/		
	33-534068-11	SEATING INSTL /WITH ARMRESTS/ /5 PLACE/ . . . . .	NP	1
		/3 FULL RECLINING/		
	58-530108-1	• CHAIR ASSY,PILOTS UPHOLSTERED /CAM BACK/ . . .	1	5
	58-530184-1	• CHAIR ASSY,PILOTS UPHOLSTERED /CAM BACK/ . . .	1	4
	58-530108-3	• CHAIR ASSY,PILOTS UPHOLSTERED /CAM BACK/ . . .	1	1
	58-530108-7	• CHAIR ASSY,COPILOT UPHOLSTERED /CAM BACK/ . . .	1	5
	58-530184-5	• CHAIR ASSY,COPILOT UPHOLSTERED /CAM BACK/ . . .	1	4
	58-530108-9	• CHAIR ASSY,COPILOT UPHOLSTERED /ROTON BACK/ . . .	1	5
	58-530184-7	• CHAIR ASSY,COPILOT UPHOLSTERED /ROTON BACK/ . . .	1	4
	96-534073-1	• • FRAME ASSY,PILOTS CHAIR /CAM ADJUSTING/ . . .	1	5
	96-534073-67	• • FRAME ASSY,PILOTS CHAIR /CAM ADJUSTING/ . . .	1	4
	96-534073-5	• • FRAME ASSY,COPILOTS CHAIR /CAM ADJUSTING/ . . .	1	5
	96-534073-71	• • FRAME ASSY,COPILOTS CHAIR /CAM ADJUSTING/ . . .	1	4
	96-534073-3	• • FRAME ASSY,COPILOTS /RECLINING/ . . . . .	1	5
	96-534073-73	• • FRAME ASSY,COPILOTS /RECLINING/ . . . . .	1	4
	58-530026-1	• • • BACK ASSY,PILOTS & COPILOTS SEAT . . . . .	1	5
	58-530026-39	• • • BACK ASSY,PILOTS & COPILOTS SEAT . . . . .	1	4
		/ATTACHING PARTS/		
	NAS221-24	• • • SCREW . . . . .	2	
	100951X032WF	• • • WASHER /NEXT TO SCREW HEAD/ . . . . .	2	
	102933D4ZM0190	• • • SPACER . . . . .	2	
	AN960-10L	• • • WASHER . . . . .	2	
	22K2-02	• • • NUT,CAP . . . . .	2	
		-----*		
- 1	58-530026-5	• • • • WELD ASSY,CHAIR BACK . . . . .	1	5
	58-530026-49	• • • • WELD ASSY,CHAIR BACK . . . . .	1	4
- 2	60-530040-1	• • • • ADAPTER . . . . .	2	3
		/ATTACHING PARTS/		
	AN525-10R14	• • • • SCREW . . . . .	4	
	AN960-10L	• • • • WASHER . . . . .	4	
	MS20364-1032	• • • • NUT . . . . .	4	
		-----*		
	96-534073-7	• • • • FRAME ASSY,CHAIR BOTTOM . . . . .	1	3
- 3	96-534073-57	• • • • WELD ASSY,FRONT LEG . . . . .	1	3
- 4	96-534073-51	• • • • HANDLE ASSY . . . . .	1	3
- 5	36-530025-15	• • • • PIN . . . . .	1	3
- 6	100943ZS027G	• • • • SPRING . . . . .	1	3
- 7	AN960-416L	• • • • WASHER . . . . .	2	3
- 8	1/16 X 1/2	• • • • PIN,DRIVE LOCK/TYPE E/ . . . . .	1	3
- 9	AN3-14A/M/	• • • • BOLT . . . . .	3	3
- 10	AN960-10L	• • • • WASHER . . . . .	6	3
- 11	118641	• • • • ROLLER . . . . .	6	3
- 12	100943ZA016J	• • • • SPRING . . . . .	3	3
- 13	102933D4ZJ0190	• • • • SPACER . . . . .	3	3
- 14	MS20365-1032	• • • • NUT . . . . .	3	3
- 15	36-530026-53	• • • • WELD ASSY . . . . .	1	3
		/ATTACHING PARTS/		
	MS171498	• • • • PIN,ROLL . . . . .	2	
		-----*		



BEECHCRAFT  
 BONANZA 33  
 ILLUSTRATED PARTS CATALOG

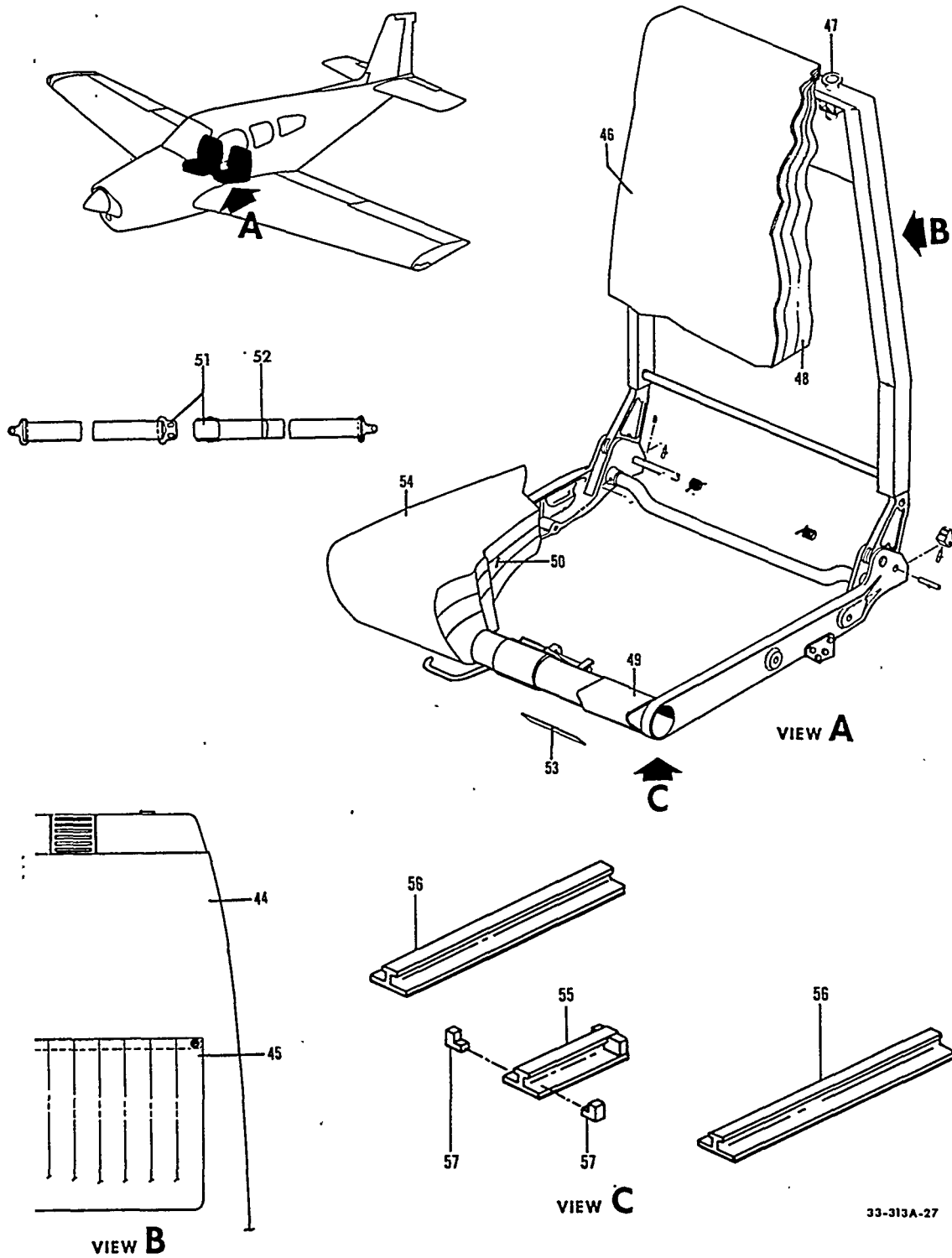


33-313A-26

B E E C H C R A F T  
B O N A N Z A 3 3  
I L L U S T R A T E D P A R T S C A T A L O G

FIG. & ITEM NO.	PART NO.	1	2	3	4	5	6	7	DESCRIPTION	UNITS PER ASSY	USABLE ON CODE
313A - 16	36-530025-27	.	.	.	.	.	.	.	TUBE,SUPPORT. /ATTACHING PARTS/	1	3
- 17	MS171564	.	.	.	.	.	.	.	PIN,ROLL.	2	
- 18	36-530025-13	.	.	.	.	.	.	.	FOOT.	2	3
- 19	36-530025-14	.	.	.	.	.	.	.	FOOT. /ATTACHING PARTS/	2	3
- 20	AN3-14A/M/ AN960-10L MS20365-1032	.	.	.	.	.	.	.	BOLT. WASHER. NUT	2 2 2	
- 21	AN3-14A/M/	.	.	.	.	.	.	.	BOLT.	2	3
- 22	102933D4ZJ1000 AN960-10L MS20365-1032	.	.	.	.	.	.	.	SPACER. WASHER. NUT	2 2 2	3 3 3
- 23	60-530039-3	.	.	.	.	.	.	.	FRAME,LH SIDE	1	3
- 24	60-530039-4 96-534073-9	.	.	.	.	.	.	.	FRAME,RH SIDE SUPPORT INSTL,PILOTS SEAT BACK. /CAM ADJUSTING/	1 NP	3 3
	96-534073-10	.	.	.	.	.	.	.	SUPPORT INSTL,COPILOTS SEAT BACK. /CAM ADJUSTING/	NP	3
- 25	60-530043-3	.	.	.	.	.	.	.	CAM,PILOTS CHAIR.	2	3
- 26	MS171536	.	.	.	.	.	.	.	PIN,RH ROLL	1	3
- 27	MS171539	.	.	.	.	.	.	.	PIN,LH ROLL	1	3
- 28	60-530046-1	.	.	.	.	.	.	.	SPRING,LH TORSION	1	3
- 29	60-530046-2	.	.	.	.	.	.	.	SPRING,RH TORSION	1	3
- 30	MS171499	.	.	.	.	.	.	.	PIN,SPRING RETAINING ROLL	2	3
- 31	60-530045	.	.	.	.	.	.	.	PIN,SEAT BACK LH.	1	3
- 32	60-530013-41	.	.	.	.	.	.	.	TUBE /PILOTS & COPILOTS CHAIR/	1	3
- 33	58-530045-1 58-530045-2	.	.	.	.	.	.	.	HANDLE ASSY,COPILOTS CHAIR. HANDLE ASSY,PILOTS CHAIR.	1 1	3 3
- 34	58-530045-3	.	.	.	.	.	.	.	HANDLE.	1	3
- 35	58-530046	.	.	.	.	.	.	.	PIN,HANDLE.	1	3
- 36	60-530051-3	.	.	.	.	.	.	.	ACTUATOR ASSY,COPILOTS CHAIR /RECLINING/ /ATTACHING PARTS/	1	3
- 37	NAS221-29	.	.	.	.	.	.	.	SCREW	2	
- 38	NAS221-8 AN960-10L MS20365-1C32	.	.	.	.	.	.	.	SCREW WASHER. NUT	2 AR 4	
- 39	60-530052-3	.	.	.	.	.	.	.	HANDLE ASSY,COPILOT CHAIR /RECLINING/	1	3
- 40	96-534073-31	.	.	.	.	.	.	.	TUBE,COPILOTS CHAIR /RECLINING/	1	3
- 41	MS171498	.	.	.	.	.	.	.	PIN,ROLL /HANDLE & TUBE ATTACHING/	1	3
- 42	60-530041-1	.	.	.	.	.	.	.	GEAR,COPILOTS CHAIR /RECLINING/	1	3
- 43	60-530054-1	.	.	.	.	.	.	.	RACK,COPILOTS CHAIR GEAR /RECLINING/ /ATTACHING PARTS/	1	3
	AN4-7A/M/ MS20365-428	.	.	.	.	.	.	.	BOLT. NUT	1 1	
	60-530139-117	.	.	.	.	.	.	.	ARMREST INSTL,PILOTS CHAIR /SEE FIG.327/	NP	3
	58-530108-47	.	.	.	.	.	.	.	SHELL ASSY,PILOTS SEAT BACK	1	3
	58-530184-51	.	.	.	.	.	.	.	SHELL ASSY,PILOTS SEAT BACK	1	5
	58-530108-48	.	.	.	.	.	.	.	SHELL ASSY,COPILOTS SEAT BACK	1	5
	58-530184-52	.	.	.	.	.	.	.	SHELL ASSY,COPILOTS SEAT BACK	1	4
	58-530108-49	.	.	.	.	.	.	.	SHELL ASSY,COPILOTS SEAT BACK /LH & RH/	1	5
	58-530184-53	.	.	.	.	.	.	.	SHELL ASSY,COPILOTS SEAT BACK /LH & RH/ /ATTACHING PARTS/	1	4
	NAS387-632-10P NAS391-6P	.	.	.	.	.	.	.	SCREW WASHER.	6 6	

BEECHCRAFT  
 BONANZA 33  
 ILLUSTRATED PARTS CATALOG



33-313A-27

B E E C H C R A F T  
B O N A N Z A 3 3  
I L L U S T R A T E D P A R T S C A T A L O G

FIG. & ITEM NO.	PART NO.	DESCRIPTION	UNITS PER ASSY	USABLE ON CODE
		1 2 3 4 5 6 7		
313A - 44	35-534453-3	. . . SHELL,PILOTS SEAT BACK. . . . .	1	3
	35-534453-4	. . . SHELL,COPILOTS SEAT BACK /CAM ADJUSTING/. . .	1	3
	35-534453-1	. . . SHELL,COPILOTS SEAT BACK /RECLINING/. . .	1	3
	58-530108-59	. . . COVER ASSY,PILOTS & COPILOTS SEAT BACK. . .	1	5
	58-530184-59	. . . COVER ASSY,PILOTS & COPILOTS SEAT BACK. . .	1	4
- 45	58-530108-51	. . . POCKET,SEAT BACK. . . . .	1	5
	58-530184-55	. . . POCKET,SEAT BACK. . . . .	1	4
		/ATTACHING PARTS/		
	NAS387-632-10P	. . . SCREW . . . . .	2	
	NAS391-6P	. . . WASHER. . . . .	2	
	MS20365-632	. . . NUT . . . . .	2	
		-----*-----		
- 46	58-530108-45	. . . COVER ASSY,SEAT BACK TOP FRONT. . . . .	1	5
	58-530184-39	. . . COVER ASSY,SEAT BACK TOP FRONT. . . . .	1	4
- 47	130010-3	. . . MOULDING,SEAT BACK HEADREST . . . . .	2	3
- 48	58-530080-1	. . . CUSHION ASSY,SEAT BACK. . . . .	1	5
	58-530186-1	. . . CUSHION ASSY,SEAT BACK. . . . .	1	4
- 49	36-530023-17	. . . EXTENSION,CHAIR BOTTOM. . . . .	1	3
		/ATTACHING PARTS/		
	AN530-6R5	. . . SCREW . . . . .	10	
		-----*-----		
- 50	58-530082-1	. . . CUSHION ASSY,SEAT BOTTOM. . . . .	1	5
	58-530185-1	. . . CUSHION ASSY,SEAT BOTTOM. . . . .	1	4
	130498C19-32 C	. . . SEAT BELT ASSY. . . . .	1	3
- 51	CS4000W/265-4	. . . BUCKLE ASSY . . . . .	1	3
	50-534733-1	. . . PLACARD . . . . .	1	3
- 52	D611A	. . . TIP . . . . .	1	3
- 53	130569	. . . PLATE,SEAT IDENTIFICATION . . . . .	1	3
		/ATTACHING PARTS/		
	PK65A4-5	. . . SCREW . . . . .	2	
		-----*-----		
- 54	58-530108-43	. . . COVER ASSY,SEAT BOTTOM. . . . .	1	5
	58-530184-37	. . . COVER ASSY,SEAT BOTTOM. . . . .	1	4
- 55 R	95-420017-5	TRACK,CENTER SEAT . . . . .	2	3
		/ATTACHING PARTS/		
	R AN3A6/H/	BOLT. . . . .	2	
	MS20365-1032	NUT . . . . .	2	
		-----*-----		
	33-410040-1	ANGLE,LH FWD & RH AFT . . . . .	2	3
	33-410040-2	ANGLE,LH AFT & RH FWD . . . . .	2	3
- 56 R	95-420017-19	TRACK,OUTBD AND INBD SEAT . . . . .	4	3
		/ATTACHING PARTS/		
	AN509-10R15	SCREW . . . . .	4	
	AN960-10	WASHER. . . . .	4	
	MS20365-1032	NUT . . . . .	4	
	33-534010-21	FILLER. . . . .	1	
		-----*-----		
- 57 R	002-430013-31	STOP,SEAT/SUPERSEDES 414-180657-3/. . . . .	8	3
		/ATTACHING PARTS/		
	MS27039-1-20	SCREW . . . . .	1	
	130909N29	NUT . . . . .	1	
		-----*-----		
	R 58-530231-1	STOP,SEAT . . . . .	2	4
	58-530041-23	COVER,PILOTS SEAT /GREEN TENT CLOTH/. . . . .	2	3
		/WITHOUT ARMRESTS/		
	58-530041-25	COVER,COPILOTS SEAT /GREEN TENT CLOTH/. . . . .	2	3
		/WITHOUT ARMRESTS/		
	58-530120-1	HEADREST ASSY /SEE FIG.324/ . . . . .	2	3
	33-5005-1	KIT,SEAT BACK RESTRAINT . . . . .	1	6
	58-5005-3	KIT,SHOULDER HARNESS. . . . .	1	7
	58-5005-1	KIT,SHOULDER HARNESS. . . . .	1	8
	55-5012-1	KIT,PILOT SHOULDER HARNESS. . . . .	1	9
	55-5012-3	KIT,COPILOT SHOULDER HARNESS. . . . .	1	9

CODES OF EFFECTIVITY ON NEXT PAGE

B E E C H C R A F T  
 BONANZA 33  
 I L L U S T R A T E D P A R T S C A T A L O G

FIG. & ITEM NO.	PART NO.	1 2 3 4 5 6 7	DESCRIPTION	UNITS PER ASSY	USABLE ON CODE
-----------------------	-------------	---------------	-------------	----------------------	----------------------

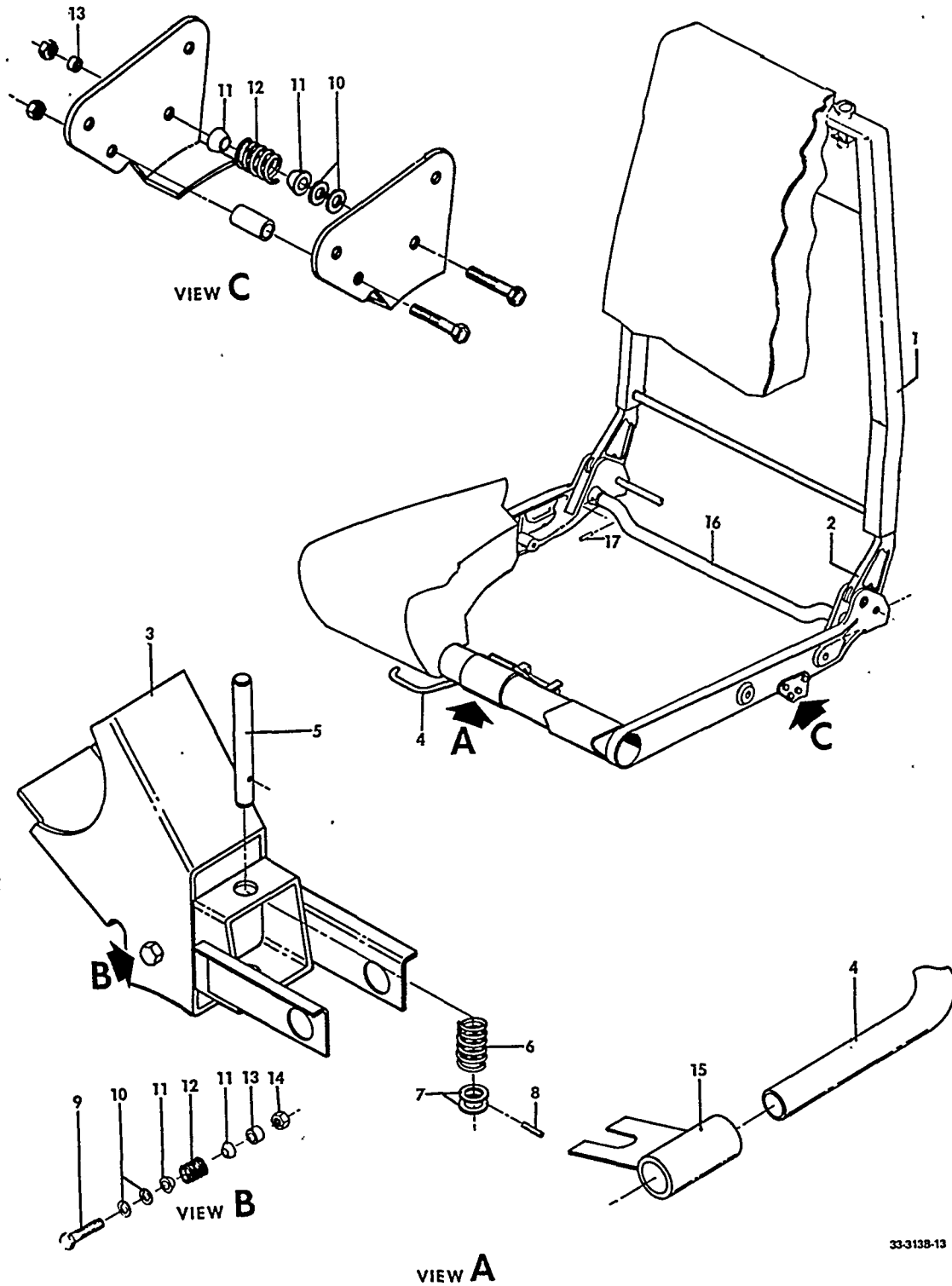
CODES OF EFFECTIVITY

1	CD-1256 THRU CD-1304	2	CE-350 THRU CE-464
3	CD-1256 THRU CD-1304	4	CE-465 THRU CE-610
	CE-350 THRU CE-610		
5	CD-1256 THRU CD-1304	6	CE-350 THRU CE-610
	CE-350 THRU CE-364		
7	CD-1257 THRU CD-1268	8	CD-1269 THRU CD-1304
	CE-351 THRU CE-357		CE-358 THRU CE-610
9	CE-350 ONLY		

BEECHCRAFT  
BONANZA 33  
ILLUSTRATED PARTS CATALOG

FIGURE 313B  
PILOT AND COPILOT SEATS  
CJ-26 THRU CJ-51

BEECHCRAFT  
 BONANZA 33  
 ILLUSTRATED PARTS CATALOG



33-3138-13

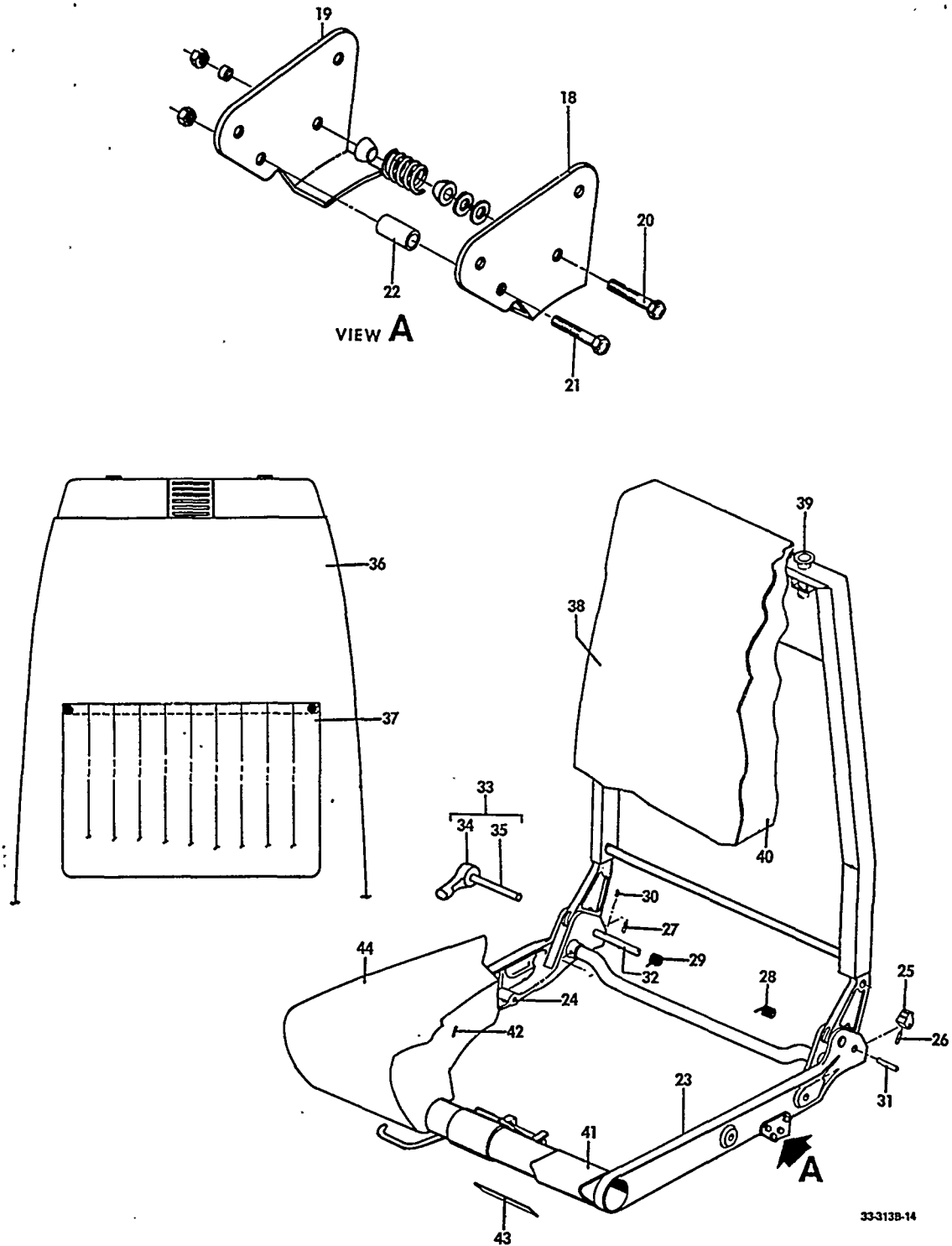
FIGURE 313B. PILOT AND COPILOT SEATS  
 /SHEET 1 OF 3 SHEETS/

B E E C H C R A F T  
B O N A N Z A 3 3  
I L L U S T R A T E D P A R T S C A T A L O G

FIG. & ITEM NO.	PART- NO.	DESCRIPTION							UNITS PER ASSY	USABLE ON CODE
		1	2	3	4	5	6	7		
313B	33-534048-5	SEATING INSTL /WITHOUT ARMREST/ /4 PLACE/ . . .							NP	1
		/CAM ADJUSTING/								
	33-534048-3	SEATING INSTL /WITH ARMREST/ /4 PLACE/. . . . .							NP	1
		/CAM ADJUSTING/								
	33-534070-1	SEATING INSTL /WITHOUT ARMREST/ /4 PLACE/ . . .							NP	2
		/CAM ADJUSTING/								
	33-534056-19	. CHAIR ASSY,PILOTS UPHOLSTERED /CAM ADJUSTING/							1	1
		/WITH ARMREST/								
	33-534056-23	. CHAIR ASSY,PILOTS UPHOLSTERED /CAM ADJUSTING/							1	1
		/WITHOUT ARMREST/								
	33-534056-25	. CHAIR ASSY,COPILOTS UPHOLSTERED /CAM ADJUST/.							1	1
		/WITHOUT ARMREST/								
	33-534056-21	. CHAIR ASSY,COPILOTS UPHOLSTERED /CAM ADJUST/.							1	1
		/WITH ARMREST/								
	33-534071-1	. CHAIR ASSY,PILOTS UPHOLSTERED /CAM ADJUSTING/							1	2
		/WITHOUT ARMREST/								
	33-534071-3	. CHAIR ASSY,COPILOTS UPHOLSTERED /CAM ADJUST/.							1	2
		/WITHOUT ARMREST/								
	96-534073-1	. . . FRAME ASSY,PILOTS CHAIR /CAM ADJUSTING/ . .							1	6
	96-534073-67	. . . FRAME ASSY,PILOTS CHAIR /CAM ADJUSTING/ . .							1	7
	96-534073-5	. . . FRAME ASSY,COPILOTS CHAIR /CAM ADJUSTING/ . .							1	6
	96-534073-71	. . . FRAME ASSY,COPILOTS CHAIR /CAM ADJUSTING/ . .							1	7
	58-530026-1	. . . SEAT BACK ASSY,PILOTS & COPILOTS. . . . .							1	6
	58-530026-39	. . . SEAT BACK ASSY,PILOTS & COPILOTS. . . . .							1	7
		/ATTACHING PARTS/								
	NAS221-24	. . . SCREW . . . . .							2	
	100951X032WF	. . . WASHER /NEXT TO SCREW HEAD/ . . . . .							2	
	102933D4ZM0190	. . . SPACER . . . . .							2	
	AN960-10L	. . . WASHER . . . . .							2	
	22K2-02	. . . NUT,CAP . . . . .							2	
		*-----*								
- 1	58-530026-5	. . . . WELD ASSY,CHAIR BACK. . . . .							1	6
	58-530026-49	. . . . WELD ASSY,CHAIR BACK. . . . .							1	7
- 2	60-530040-1	. . . . ADAPTER . . . . .							2	3
		/ATTACHING PARTS/								
	AN525-10R14	. . . . SCREW . . . . .							2	
	AN960-10L	. . . . WASHER . . . . .							4	
	MS20364-1032	. . . . NUT . . . . .							4	
		*-----*								
	96-534073-7	. . . . FRAME ASSY,CHAIR BOTTOM . . . . .							1	3
- 3	96-534073-57	. . . . WELD ASSY,FRONT LEG . . . . .							1	3
- 4	96-534073-51	. . . . HANDLE ASSY . . . . .							1	3
- 5	36-530025-15	. . . . PIN . . . . .							1	3
- 6	100943ZS027G	. . . . SPRING . . . . .							1	3
- 7	AN960-416L	. . . . WASHER . . . . .							2	3
- 8	1/16 X 1/2	. . . . PIN,DRIVELOCK /TYPE E/. . . . .							1	3
- 9	AN3-14A/M/	. . . . BOLT . . . . .							3	3
- 10	AN960-10L	. . . . WASHER . . . . .							6	3
- 11	118641	. . . . ROLLER . . . . .							6	3
- 12	100943ZA016J	. . . . SPRING . . . . .							3	3
- 13	102933D4ZJ0190	. . . . SPACER . . . . .							3	3
- 14	MS20365-1032	. . . . NUT . . . . .							3	3
- 15	36-530026-53	. . . . WELD ASSY . . . . .							1	3
		/ATTACHING PARTS/								
	MS171498	. . . . PIN,ROLL . . . . .							2	
		*-----*								
- 16	36-530025-27	. . . . TUBE,SUPPORT. . . . .							1	3
		/ATTACHING PARTS/								
- 17	MS171564	. . . . PIN,ROLL . . . . .							2	
		*-----*								



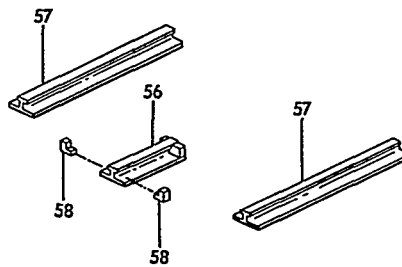
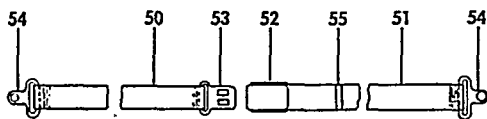
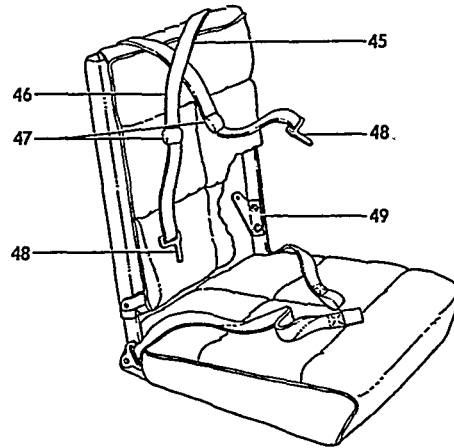
BEECHCRAFT  
BONANZA 33  
ILLUSTRATED PARTS CATALOG



B E E C H C R A F T  
B O N A N Z A 3 3  
I L L U S T R A T E D P A R T S C A T A L O G

FIG. & ITEM NO.	PART NO.	1	2	3	4	5	6	7	DESCRIPTION	UNITS PER ASSY	USABLE ON CODE
313B - 18	36-530025-13	.	.	.	.	.	.	.	FOOT . . . . .	2	3
- 19	36-530025-14	.	.	.	.	.	.	.	FOOT . . . . .	2	3
		/ATTACHING PARTS/									
- 20	AN3-14A/M/ AN960-10L MS20365-1032	.	.	.	.	.	.	.	BOLT . . . . .	2	
		.	.	.	.	.	.	.	WASHER . . . . .	2	
		.	.	.	.	.	.	.	NUT . . . . .	2	
		*									
- 21	AN3-14A/M/	.	.	.	.	.	.	.	BOLT . . . . .	2	3
- 22	102933D4ZJ1000 AN960-10L MS20365-1032	.	.	.	.	.	.	.	SPACER . . . . .	2	3
		.	.	.	.	.	.	.	WASHER . . . . .	2	3
		.	.	.	.	.	.	.	NUT . . . . .	2	3
- 23	60-530039-3	.	.	.	.	.	.	.	FRAME,LH SIDE . . . . .	1	3
- 24	60-530039-4	.	.	.	.	.	.	.	FRAME,RH SIDE . . . . .	1	3
	96-534073-9	.	.	.	.	.	.	.	SUPPORT INSTL,PILOTS SEAT BACK . . . . .	NP	3
		/CAM ADJUSTING/									
	96-534073-10	.	.	.	.	.	.	.	SUPPORT INSTL,COPILOTS SEAT BACK . . . . .	NP	3
		/CAM ADJUSTING/									
- 25	60-530043-3	.	.	.	.	.	.	.	CAM,PILOTS CHAIR . . . . .	2	3
- 26	MS171536	.	.	.	.	.	.	.	PIN,RH ROLL . . . . .	1	3
- 27	MS171539	.	.	.	.	.	.	.	PIN,LH ROLL . . . . .	1	3
- 28	60-530046-1	.	.	.	.	.	.	.	SPRING,LH TORSION . . . . .	1	3
- 29	60-530046-2	.	.	.	.	.	.	.	SPRING,RH TORSION . . . . .	1	3
- 30	MS171499	.	.	.	.	.	.	.	PIN,SPRING RETAINING ROLL . . . . .	2	3
- 31	60-530045	.	.	.	.	.	.	.	PIN,SEAT BACK LH . . . . .	1	3
- 32	60-530013-41	.	.	.	.	.	.	.	TUBE,PILOTS CHAIR . . . . .	1	3
- 33	58-530045-1	.	.	.	.	.	.	.	HANDLE ASSY,COPILOTS CHAIR . . . . .	1	3
	58-530045-2	.	.	.	.	.	.	.	HANDLE ASSY,PILOTS CHAIR . . . . .	1	3
- 34	58-530045-3	.	.	.	.	.	.	.	HANDLE . . . . .	1	3
- 35	58-530046-1	.	.	.	.	.	.	.	PIN,HANDLE . . . . .	1	3
	60-530139-1	.	.	.	.	.	.	.	ARMREST INSTL /SEE FIG.327/ . . . . .	NP	4
	60-530139-2	.	.	.	.	.	.	.	ARMREST INSTL /SEE FIG.327/ . . . . .	NP	4
	60-530139-117	.	.	.	.	.	.	.	ARMREST INSTL /SEE FIG.327/ . . . . .	NP	5
	35-534453-35	.	.	.	.	.	.	.	SHELL ASSY,PILOTS SEAT BACK . . . . .	1	1
	33-534071-13	.	.	.	.	.	.	.	SHELL ASSY,PILOTS SEAT BACK . . . . .	1	2
	35-534453-36	.	.	.	.	.	.	.	SHELL ASSY,COPILOTS SEAT BACK . . . . .	1	1
	35-534071-14	.	.	.	.	.	.	.	SHELL ASSY,COPILOTS SEAT BACK . . . . .	1	2
		/ATTACHING PARTS/									
	NAS387-632-10P	.	.	.	.	.	.	.	SCREW . . . . .	6	
	NAS391-6P	.	.	.	.	.	.	.	WASHER . . . . .	6	
		*									
- 36	35-534453-3	.	.	.	.	.	.	.	SHELL,PILOTS SEAT BACK . . . . .	1	3
	35-534453-4	.	.	.	.	.	.	.	SHELL,COPILOTS SEAT BACK . . . . .	1	3
- 37	33-534056-37	.	.	.	.	.	.	.	POCKET,SEAT BACK . . . . .	1	1
	33-534071-15	.	.	.	.	.	.	.	POCKET,SEAT BACK . . . . .	1	2
		/ATTACHING PARTS/									
	NAS387-632-10P	.	.	.	.	.	.	.	SCREW . . . . .	2	
	NAS391-6P	.	.	.	.	.	.	.	WASHER . . . . .	2	
	MS20364-632	.	.	.	.	.	.	.	NUT . . . . .	2	
		*									
- 38	33-534056-29	.	.	.	.	.	.	.	COVER ASSY,PILOTS & COPILOTS SEAT BACK . . . . .	1	1
	33-534071-9	.	.	.	.	.	.	.	COVER ASSY,PILOTS & COPILOTS SEAT BACK . . . . .	1	2
- 39	130010-3	.	.	.	.	.	.	.	MOULDING,SEAT BACK HEADREST . . . . .	2	3
- 40	33-534056-33	.	.	.	.	.	.	.	CUSHION ASSY,SEAT BACK . . . . .	1	1
	33-534071-31	.	.	.	.	.	.	.	CUSHION ASSY,SEAT BACK . . . . .	1	2
- 41	36-530023-17	.	.	.	.	.	.	.	EXTENSION,CHAIR BOTTOM . . . . .	1	3
- 42	58-530082-1	.	.	.	.	.	.	.	CUSHION ASSY,SEAT BOTTOM . . . . .	1	2
	58-530072-1	.	.	.	.	.	.	.	CUSHION ASSY,SEAT BOTTOM . . . . .	1	1
- 43	130569	.	.	.	.	.	.	.	PLATE,SEAT IDENTIFICATION . . . . .	1	3
		/ATTACHING PARTS/									
	AN530-4R4	.	.	.	.	.	.	.	SCREW . . . . .	2	
		*									
- 44	33-534056-41	.	.	.	.	.	.	.	COVER ASSY,SEAT CUSHION BOTTOM . . . . .	1	1
	33-534071-5	.	.	.	.	.	.	.	COVER ASSY,SEAT CUSHION BOTTOM . . . . .	1	2

BEECHCRAFT  
BONANZA 33  
ILLUSTRATED PARTS CATALOG



F33-3138-15

B E E C H C R A F T  
B O N A N Z A 3 3  
I L L U S T R A T E D P A R T S C A T A L O G

FIG. & ITEM NO.	PART NO.	DESCRIPTION							UNITS PER ASSY	USABLE ON CODE
		1	2	3	4	5	6	7		
313B - 45	50-534815-9	.	.	.	.	.	.	.	1	3
- 46	50-534815-10	.	.	.	.	.	.	.	1	3
	CS1050	.	.	.	.	.	.	.	1	3
- 47	CS1800	.	.	.	.	.	.	.	1	3
- 48	CS647	.	.	.	.	.	.	.	1	3
	115184-1	.	.	.	.	.	.	.	1	3
- 49	33-534056-45	.	.	.	.	.	.	.	1	3
	33-534056-46	.	.	.	.	.	.	.	1	3
- 50	50-534815-1	.	.	.	.	.	.	.	1	1
	33-534073-3	.	.	.	.	.	.	.	1	2
- 51	50-534815-5	.	.	.	.	.	.	.	1	1
	33-534073-1	.	.	.	.	.	.	.	1	2
- 52	CS5000B3B	.	.	.	.	.	.	.	1	3
- 53	CS649	.	.	.	.	.	.	.	1	3
- 54	M2005M2	.	.	.	.	.	.	.	1	3
	115184-1	.	.	.	.	.	.	.	1	3
- 55	D611A	.	.	.	.	.	.	.	1	3
- 56	95-420017-5	.	.	.	.	.	.	.	2	3
	AN3A6/M/ MS20365-1032	.	.	.	.	.	.	.	2	
	33-410040-1	.	.	.	.	.	.	.	2	3
	33-410040-2	.	.	.	.	.	.	.	2	3
- 57	95-420017-19	.	.	.	.	.	.	.	2	3
	AN509-10R15	.	.	.	.	.	.	.	4	
	AN960-10	.	.	.	.	.	.	.	4	
	MS20365-1032	.	.	.	.	.	.	.	4	
	33-534010-21	.	.	.	.	.	.	.	1	3
- 58	002-430013-31	.	.	.	.	.	.	.	8	3
	NAS221-21	.	.	.	.	.	.	.	4	
	MS20365-1032	.	.	.	.	.	.	.	4	
	33-534051	.	.	.	.	.	.	.	4	2
	LA3S-R1.030	.	.	.	.	.	.	.	4	2
	35-534452-1	.	.	.	.	.	.	.	2	1
	58-530120-1	.	.	.	.	.	.	.	2	2
	58-530041-23	.	.	.	.	.	.	.	AR	3
	58-530041-25	.	.	.	.	.	.	.	AR	3
	33-5005-1	.	.	.	.	.	.	.	1	3

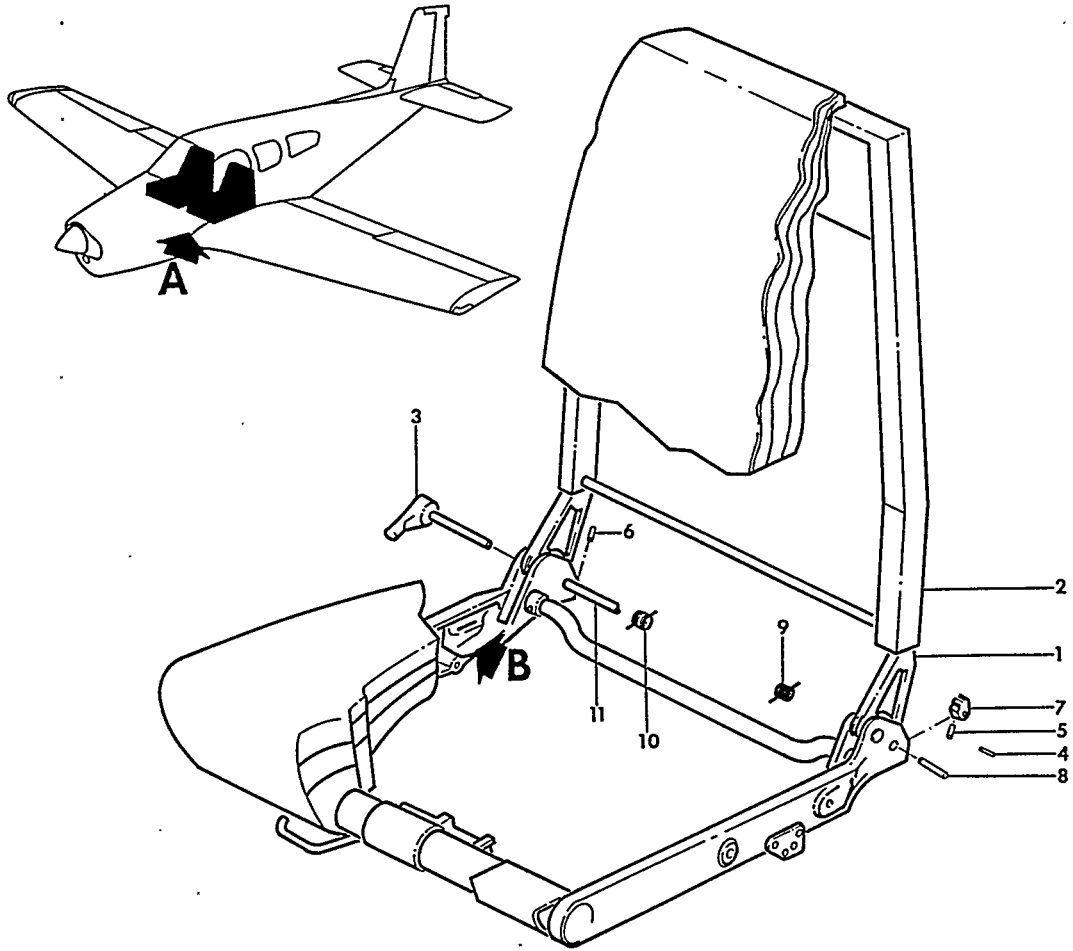
C O D E S O F E F F E C T I V I T Y

- |   |                  |   |                  |
|---|------------------|---|------------------|
| 1 | CJ-26 THRU CJ-30 | 2 | CJ-31 THRU CJ-51 |
| 3 | CJ-26 THRU CJ-51 | 4 | CJ-26 THRU CJ-28 |
| 5 | CJ-29 THRU CJ-51 | 6 | CJ-26 THRU CJ-39 |
| 7 | CJ-40 THRU CJ-51 |   |                  |

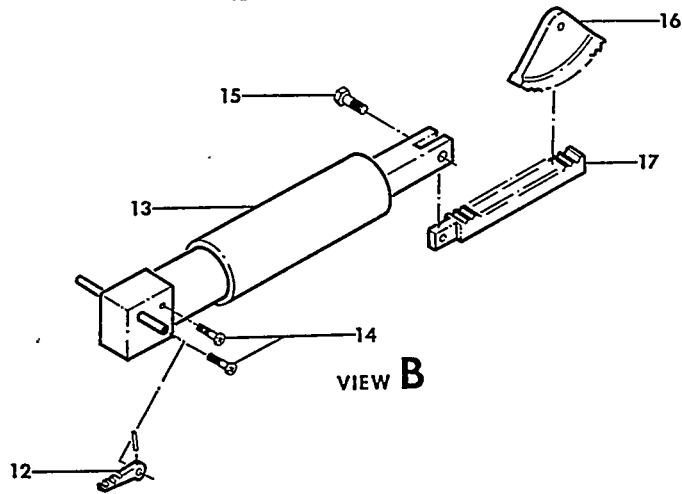
BEECHCRAFT  
BONANZA 33  
ILLUSTRATED PARTS CATALOG

FIGURE 313C  
PILOT AND COPILOT SEATS  
CJ-52 THRU CJ-128

BEECHCRAFT  
BOJANZA 33  
ILLUSTRATED PARTS CATALOG



VIEW A



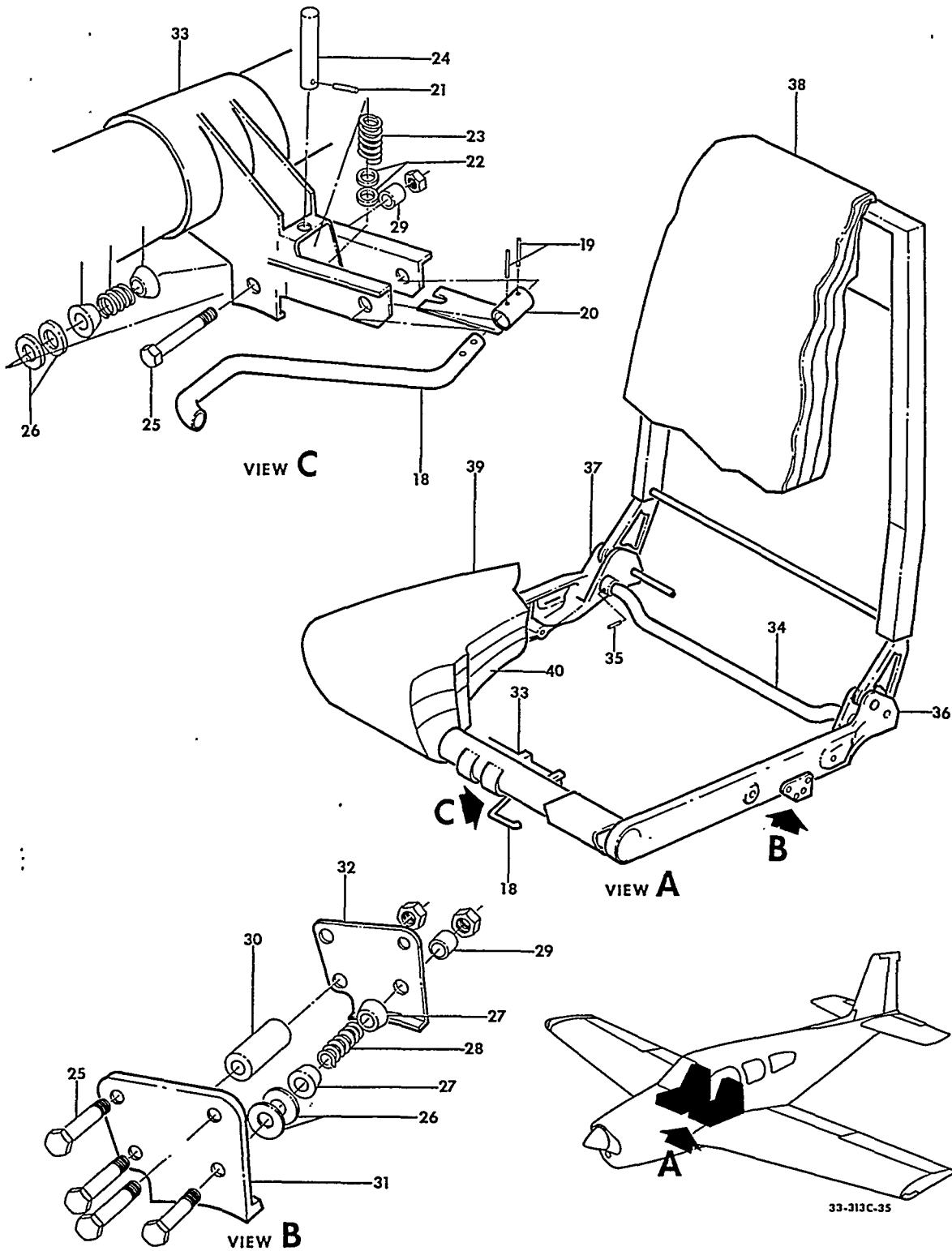
VIEW B

33-313C-34

B E E C H C R A F T  
B O N A N Z A 3 3  
I L L U S T R A T E D P A R T S C A T A L O G

FIG. & ITEM NO.	PART NO.	DESCRIPTION	UNITS PER ASSY	USABLE ON CODE
		1 2 3 4 5 6 7		
313C	33-534074-1	SEAT ASSY,PILOT/CAM ADJUSTABLE/ . . . . .	1	1
	33-534081-1	SEAT ASSY,PILOT/CAM ADJUSTABLE/ . . . . .	1	2
	33-534074-3	SEAT ASSY,COPILOT/CAM ADJUSTABLE/ . . . . .	1	1
	33-534081-3	SEAT ASSY,COPILOT/CAM ADJUSTABLE/ . . . . .	1	2
	33-534074-35	SEAT ASSY,COPILOT/ROTON ADJUSTABLE/ . . . . .	1	1
	33-534081-5	SEAT ASSY,COPILOT/ROTON ADJUSTABLE/ . . . . .	1	2
	96-534073-67	• FRAME ASSY,PILOT SEAT/CAM ADJUSTABLE/ . . . . .	1	3
	96-534073-71	• FRAME ASSY,COPILOT SEAT/CAM ADJUSTABLE/ . . . . .	1	3
	96-534073-73	• FRAME ASSY,COPILOT SEAT/ROTON ADJUSTABLE/ . . . . .	1	3
	58-530026-39	• • FRAME ASSY,SEAT BACK. . . . .	1	3
		/ATTACHING PARTS/		
	NAS221-24	• • SCREW . . . . .	2	
	100951X032WF	• • WASHER . . . . .	2	
	102933D4ZM0190	• • SPACER . . . . .	2	
	AN960-10L	• • WASHER . . . . .	2	
	22K2-02	• • NUT,CAP . . . . .	2	
		*-----*		
- 1	60-530040-3	• • ADAPTER . . . . .	2	3
		/ATTACHING PARTS/		
	AN525-10R14	• • SCREW . . . . .	2	
	AN960-10L	• • WASHER . . . . .	2	
	130909N29	• • NUT . . . . .	2	
		*-----*		
- 2	58-530026-49	• • WELD ASSY,SEAT BACK . . . . .	1	3
- 3	58-530045-2	• • HANDLE,PILOTS SEAT ADJUSTING. . . . .	1	3
	58-530045-1	• • HANDLE,COPILOTS SEAT ADJUSTING. . . . .	1	3
- 4	MS171532	• • PIN,ROLL/ALTERNATE FOR MS171652/. . . . .	2	3
	MS171652	• • PIN,ROLL/ALTERNATE FOR MS171652/. . . . .	2	3
- 5	MS171539	• • PIN,ROLL . . . . .	2	3
- 6	MS171499	• • PIN,ROLL/SPRING RETAINING/. . . . .	2	3
- 7	60-530043-5	• • CAM . . . . .	2	3
- 8	60-530045	• • PIN . . . . .	1	3
- 9	60-530046-1	• • SPRING,LH . . . . .	1	3
- 10	60-530046-2	• • SPRING,RH . . . . .	1	3
- 11	60-530013-41	• • TUBE . . . . .	1	3
- 12	60-530052-3	• • HANDLE ASSY,ACTUATOR/ROTON ADJUSTABLE/. . . . .	1	3
		/ATTACHING PARTS/		
	MS171498	• • PIN,ROLL . . . . .	1	
		*-----*		
- 13	60-530051-1	• • ACTUATOR ASSY,COPILOT SEAT/ROTON ADJUST/. . . . .	1	3
		/ATTACHING PARTS/		
- 14	NAS221-29	• • SCREW . . . . .	2	
	AN960-10L	• • WASHER . . . . .	2	
	130909N29	• • NUT . . . . .	2	
- 15	130909836	• • BOLT . . . . .	1	
		*-----*		
- 16	60-530041-1	• • GEAR,COPILOT SEAT/ROTON ADJUSTABLE/ . . . . .	1	3
- 17	60-530054-1	• • RACK,GEAR/COPILOT SEAT ROTON ADJUSTABLE/. . . . .	1	3

BEECHCRAFT  
 BONANZA 33  
 ILLUSTRATED PARTS CATALOG



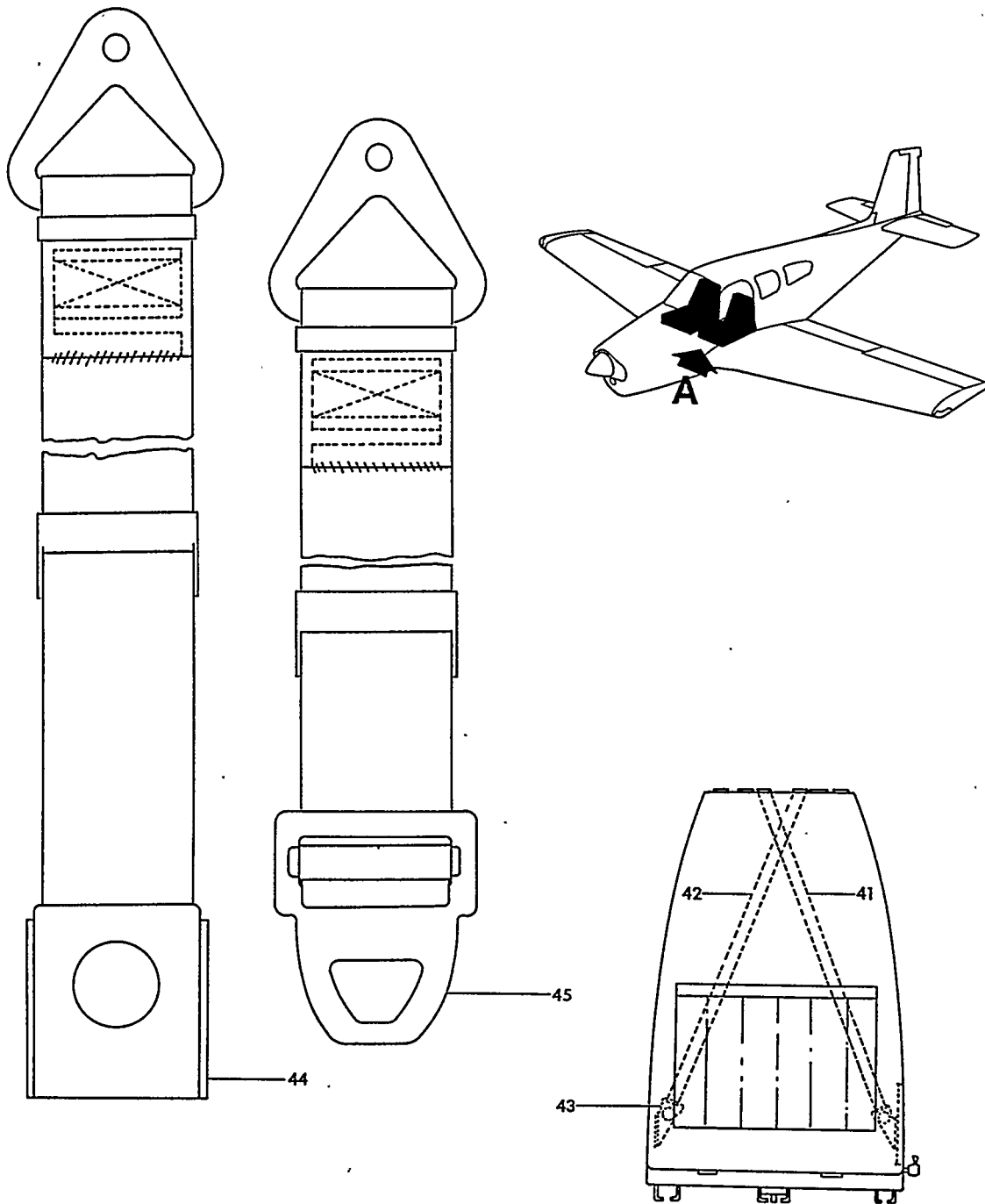
33-313C-35



B E E C H C R A F T  
B O N A N Z A 3 3  
I L L U S T R A T E D P A R T S C A T A L O G

FIG. & ITEM NO.	PART NO.	1 2 3 4 5 6 7	DESCRIPTION	UNITS PER ASSY	USABLE ON CODE
313C	96-534073-7	. . .	FRAME ASSY, SEAT BOTTOM. . . . .	1	3
- 18	96-534073-51	. . .	HANDLE. . . . .	1	3
			/ATTACHING PARTS/		
- 19	MS171498	. . .	PIN, ROLL. . . . .	2	
			-----X-----		
- 20	60-530013-93	. . .	WELD ASSY . . . . .	1	3
- 21	1/16 X 1/2	. . .	PIN, TYPE E. . . . .	1	3
- 22	AN960-416L	. . .	WASHER. . . . .	2	3
- 23	100943ZS027G	. . .	SPRING. . . . .	1	3
- 24	36-530025-15	. . .	PIN . . . . .	1	3
- 25	AN3-14A	. . .	BOLT. . . . .	9	3
	130909N29	. . .	NUT . . . . .	9	3
NOTE SEE SERVICE BULLETIN NO. 2010, REV. 1					
- 26	AN960-10L	. . .	WASHER. . . . .	10	3
- 27	118641	. . .	ROLLER. . . . .	6	3
- 28	100943ZA016J	. . .	SPRING. . . . .	3	3
- 29	102933D4ZJ0190	. . .	SPACER. . . . .	3	3
- 30	102933D4ZJ1000	. . .	SPACER. . . . .	2	3
- 31	36-530025-13	. . .	FOOT, LH . . . . .	2	3
- 32	36-530025-14	. . .	FOOT, RH . . . . .	2	3
- 33	96-534073-57	. . .	LEG ASSY, FWD/WELDED/. . . . .	1	3
- 34	36-530025-27	. . .	TUBE. . . . .	1	3
			/ATTACHING PARTS/		
- 35	MS171565	. . .	PIN, ROLL. . . . .	2	
			-----X-----		
- 36	60-530039-3	. . .	FRAME, LH. . . . .	1	3
- 37	60-530039-4	. . .	FRAME, RH. . . . .	1	3
- 38	33-534081-7	. . .	CUSHION ASSY, THROW OVER . . . . .	1	2
	33-534074-5	. . .	CUSHION ASSY, THROW OVER . . . . .	1	1
	33-534081-9	. . .	COVER ASSY. . . . .	1	2
	33-534074-7	. . .	COVER ASSY. . . . .	1	1
	33-534081-15	. . .	CUSHION . . . . .	1	2
	33-534074-33	. . .	CUSHION . . . . .	1	1
	33-534074-13	. . .	SHELL ASSY, PILOT SEAT/CAM/. . . . .	1	1
	33-534074-14	. . .	SHELL ASSY, COPILOT SEAT/CAM/. . . . .	1	1
	33-534074-37	. . .	SHELL ASSY, COPILOT SEAT/ROTON/. . . . .	1	1
	33-534074-15	. . .	POCKET ASSY . . . . .	1	1
	101-530294-15	. . .	POCKET ASSY . . . . .	1	2
	33-534074-9	. . .	COVER ASSY, SEAT BACK FRAME. . . . .	1	1
	33-534081-11	. . .	COVER ASSY, SEAT BACK FRAME. . . . .	1	2
- 39	102-530095-19	. . .	COVER ASSY, SEAT BOTTOM. . . . .	1	2
	33-534074-11	. . .	COVER ASSY, SEAT BOTTOM. . . . .	1	1
- 40	58-530185-1	. . .	CUSHION ASSY, SEAT BOTTOM. . . . .	1	3
	33-534074-23	. . .	SLING, SEAT BACK . . . . .	1	3
	33-534074-21	. . .	SLING, SEAT BOTTOM . . . . .	1	1
	102-530095-31	. . .	SLING, SEAT BOTTOM . . . . .	1	2
	130010	. . .	MOULDING, HEADREST/ALTERNATE FOR 130010-1/ . . . . .	2	1
	130010-1	. . .	MOULDING, HEADREST/ALTERNATE FOR 130010/ . . . . .	2	1
	131354-1	. . .	MOULDING, HEADREST/ALTERNATE FOR 131354-3/ . . . . .	2	2
	131354-3	. . .	MOULDING, HEADREST/ALTERNATE FOR 131354-1/ . . . . .	2	2

BEECHCRAFT  
BONANZA 33  
ILLUSTRATED PARTS CATALOG



VIEW A

33-313C-36

FIGURE 313C.PILOT AND COPILOT SEATS  
/SHEET 3 OF 3 SHEETS/

B E E C H C R A F T  
B O N A N Z A 3 3  
I L L U S T R A T E D P A R T S C A T A L O G

FIG. & ITEM NO.	PART NO.	DESCRIPTION	UNITS PER ASSY							USABLE ON CODE
			1	2	3	4	5	6	7	
313C - 41	50-534815-9	. HARNESS ASSY, SHOULDER . . . . .							1	3
- 42	50-534815-10	. HARNESS ASSY, SHOULDER . . . . .							1	3
		/ATTACHING PARTS/								
	MS27039-1-09	. SCREW . . . . .							1	
	100951X032WF	. WASHER . . . . .							1	
	102933S4ZJ0093	. SPACER . . . . .							1	
	130909N29	. NUT . . . . .							1	
		-----*								
- 43	33-534056-45	. FITTING, HARNESS ASSY LH ATTACHMENT. . . . .							1	3
	33-534056-46	. FITTING, HARNESS ASSY RH ATTACHMENT. . . . .							1	3
- 44	58-530219-21	BELT ASSY, SEAT LAP. . . . .							2	3
- 45	58-530219-53	BELT ASSY, SEAT LAP. . . . .							2	3
		/ATTACHING PARTS/								
	MS27039-1-08	SCREW . . . . .							1	
	100951X040ZL	WASHER . . . . .							1	
	102933S4ZM0150	SPACER . . . . .							1	
	22K2-02	NUT, CAP . . . . .							1	
		-----*								
	95-420017-19	TRACK, SEAT OUTBD & INBD . . . . .							4	3
		/ATTACHING PARTS/								
	AN509-10R15	SCREW . . . . .							4	
	AN960-10	WASHER . . . . .							4	
	130909N29	NUT . . . . .							4	
		-----*								
	002-430021-19	TRACK, SEAT CENTER . . . . .							2	3
		/ATTACHING PARTS/								
	NAS464P3A6	BOLT . . . . .							2	
		-----*								
	002-430013-31	STOP, FWD SEAT . . . . .							4	3
		/ATTACHING PARTS/								
	MS27039-1-20	SCREW . . . . .							1	
	130909N29	NUT . . . . .							1	
		-----*								
	33-534051-3	STOP, AFT SEAT . . . . .							2	3
		/ATTACHING PARTS/								
	LA3S-R1 030	PIN, QUICK RELEASE . . . . .							1	
		-----*								
	33-5005-1	KIT, SEAT BACK RESTRAINT . . . . .							1	3

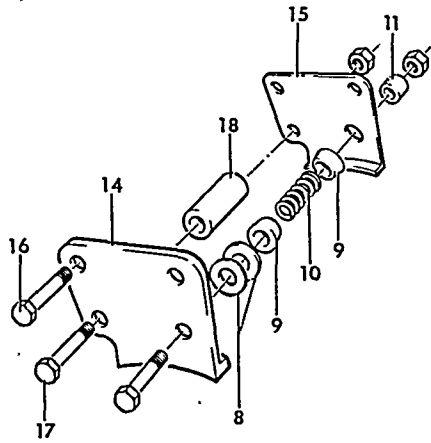
C O D E S O F E F F E C T I V I T Y

- 1 CJ-52 THRU CJ-104      2 CJ-105 THRU CJ-128
- 3 CJ-52 THRU CJ-128

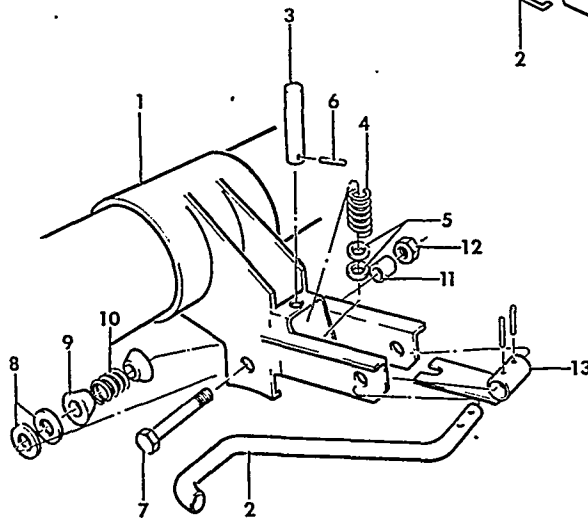
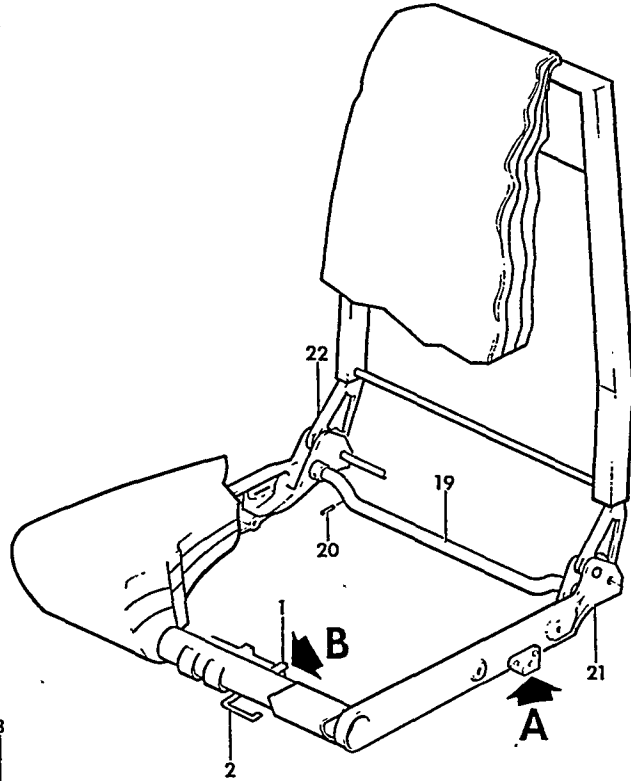
B E E C H C R A F T  
B O N A N Z A 3 3  
I L L U S T R A T E D P A R T S C A T A L O G

FIGURE 313D  
PILOT AND COPILOT SEATS  
CE-611 THRU CE-677

BEECHCRAFT  
 BONANZA 33  
 ILLUSTRATED PARTS CATALOG



VIEW A



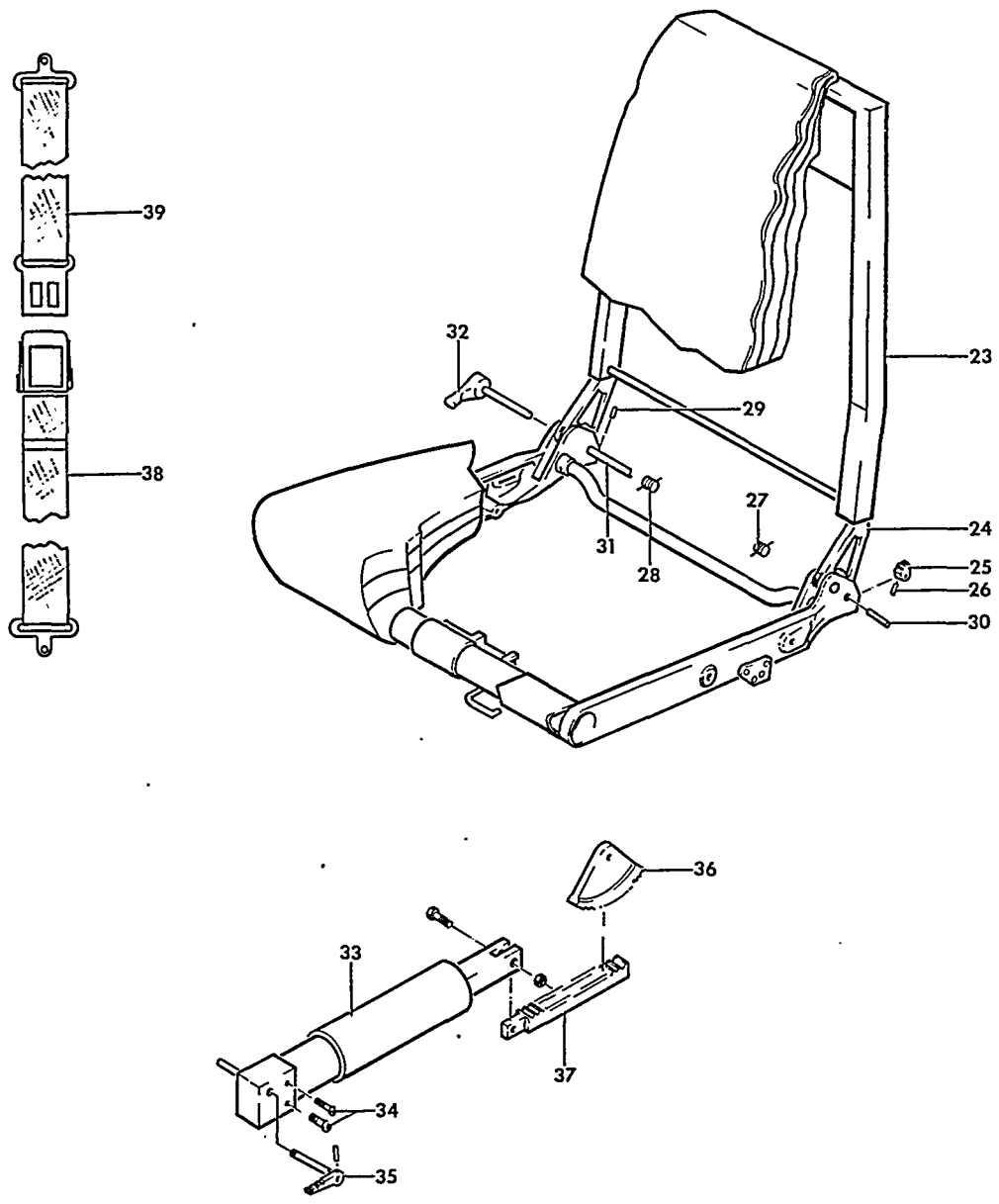
VIEW B

33-313D-31

B E E C H C R A F T  
B O N A N Z A 3 3  
I L L U S T R A T E D P A R T S C A T A L O G

FIG. & ITEM NO.	PART NO.	DESCRIPTION	UNITS PER ASSY	USABLE ON CODE
313D	58-530182-5	SEATING INSTL,PILOT AND COPILOT CAM ADJUSTABLE.	NP	2
	58-530182-11	SEATING INSTL/PILOT CAM ADJUSTABLE,COPILOT. . .	NP	2
	58-530182-13	ROTON ADJUSTABLE/		
	58-530182-15	SEATING INSTL,PILOT AND COPILOT CAM ADJUSTABLE.	NP	3
		SEATING INSTL/PILOT CAM ADJUSTABLE,COPILOT. . .	NP	3
		ROTON ADJUSTABLE/		
	102-530095-1	. SEAT ASSY,PILOT/CAM ADJUSTABLE/ . . . . .	1	2
	102-530095-39	. SEAT ASSY,PILOT/CAM ADJUSTABLE/ . . . . .	1	3
	102-530095-3	. SEAT ASSY,COPILOT/CAM ADJUSTABLE/ . . . . .	1	2
	102-530095-5	. SEAT ASSY,COPILOT/ROTON ADJUSTABLE/ . . . . .	1	2
	102-530095-41	. SEAT ASSY,COPILOT/CAM ADJUSTABLE/ . . . . .	1	3
	102-530095-43	. SEAT ASSY,COPILOT/ROTON ADJUSTABLE/ . . . . .	1	3
	96-534073-67	. . . FRAME ASSY,PILOT/CAM ADJUSTABLE/. . . . .	1	1
	96-534073-71	. . . FRAME ASSY,COPILOT/CAM ADJUSTABLE/. . . . .	1	1
	96-534073-73	. . . FRAME ASSY,COPILOT/ROTON ADJUSTABLE/. . . . .	1	1
	96-534073-7	. . . . . FRAME ASSY,BOTTOM . . . . .	1	1
- 1	96-534073-57	. . . . . WELD ASSY,BOTTOM FRONT. . . . .	1	1
- 2	96-534073-51	. . . . . HANDLE ASSY . . . . .	1	1
- 3	36-530025-15	. . . . . PIN . . . . .	1	1
- 4	100943ZS027G	. . . . . SPRING. . . . .	1	1
- 5	AN960-416L	. . . . . WASHER. . . . .	2	1
- 6	1/16X1/2 TYPE E	. . . . . PIN,DRIVELOCK . . . . .	1	1
- 7	AN3-14A/M/	. . . . . BOLT. . . . .	3	1
- 8	AN960-10L	. . . . . WASHER. . . . .	6	1
- 9	118641	. . . . . ROLLER. . . . .	6	1
- 10	100943ZA016J	. . . . . SPRING. . . . .	3	1
- 11	102933D4ZJ0190	. . . . . SPACER. . . . .	3	1
- 12	MS20365-1032	. . . . . NUT . . . . .	3	1
- 13	60-530013-93	. . . . . WELD ASSY . . . . .	1	1
		/ATTACHING PARTS/		
	MS171498	. . . . . PIN,ROLL. . . . .	2	
		-----X-----		
- 14	36-530025-13	. . . . . FOOT. . . . .	2	1
- 15	36-530025-14	. . . . . FOOT. . . . .	2	1
		/ATTACHING PARTS/		
- 16	AN3-14A/M/	. . . . . BOLT. . . . .	2	
	AN960-10L	. . . . . WASHER. . . . .	2	
	MS20365-1032	. . . . . NUT . . . . .	2	
		-----X-----		
NOTE SEE SERVICE BULLETIN NO. 2010, REV. 1				
- 17	AN3-14A/M/	. . . . . BOLT. . . . .	2	1
- 18	102933D4ZJ1000	. . . . . SPACER. . . . .	2	1
	AN960-10L	. . . . . WASHER. . . . .	2	1
	MS20365-1032	. . . . . NUT . . . . .	2	1
- 19	36-530025-27	. . . . . TUBE,SUPPORT. . . . .	1	1
		/ATTACHING PARTS/		
- 20	MS171564	. . . . . PIN,ROLL. . . . .	2	
		-----X-----		
- 21	60-530039-3	. . . . . FRAME,LH. . . . .	1	1
- 22	60-530039-4	. . . . . FRAME,RH. . . . .	1	1
		/ATTACHING PARTS/		
	AN515-6R8	. . . . . SCREW . . . . .	4	
	MS20365-832	. . . . . NUT . . . . .	4	
		-----X-----		

BEECHCRAFT  
BONANZA 33  
ILLUSTRATED PARTS CATALOG



33-313D-32

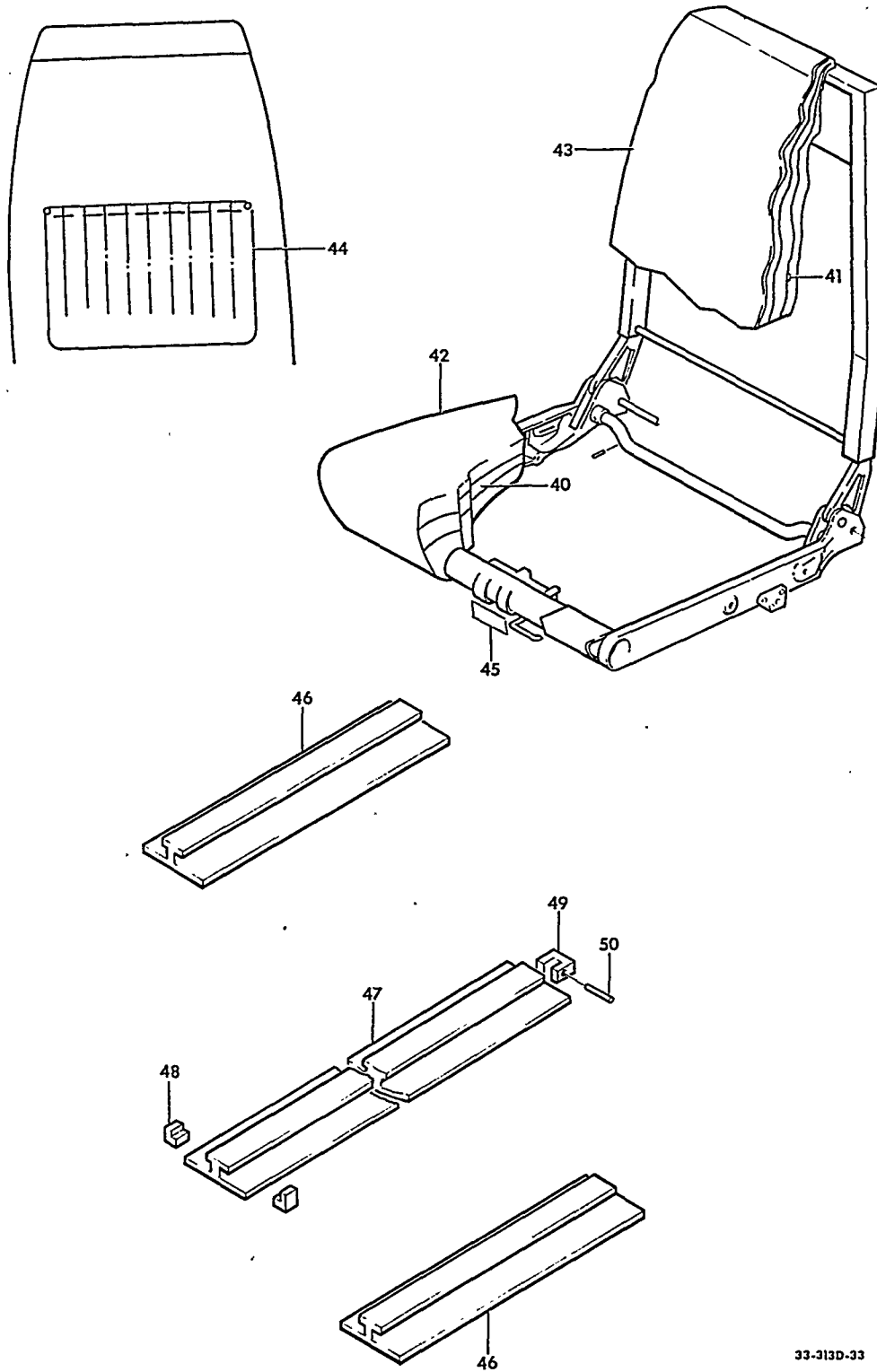
FIGURE 313D. PILOT AND COPILOT SEATS  
/SHEET 2 OF 3 SHEETS/

B E E C H C R A F T  
B O N A N Z A 3 3  
I L L U S T R A T E D P A R T S C A T A L O G

FIG. & ITEM NO.	PART NO.	1	2	3	4	5	6	7	DESCRIPTION	UNITS PER ASSY	USABLE ON CODE
3130	58-530026-39	.	.	.	.	.	.	.	BACK ASSY, PILOT AND COPILOT SEAT. /ATTACHING PARTS/	1	1
	NAS221-24	.	.	.	.	.	.	.	SCREW	2	
	100951X032WF	.	.	.	.	.	.	.	WASHER/NEXT TO SCREW HEAD/	2	
	102933D4ZM0190	.	.	.	.	.	.	.	SPACER	2	
	AN960-10L	.	.	.	.	.	.	.	WASHER	2	
	22K2-02	.	.	.	.	.	.	.	NUT, CAP	2	
		*-----*									
- 23	58-530026-49	.	.	.	.	.	.	.	WELD ASSY, CHAIR BACK	1	1
- 24	60-530040-1	.	.	.	.	.	.	.	ADAPTER /ATTACHING PARTS/	2	1
	AN525-10R14	.	.	.	.	.	.	.	SCREW	4	
	AN960-10L	.	.	.	.	.	.	.	WASHER	4	
	MS20364-1032	.	.	.	.	.	.	.	NUT	4	
		*-----*									
	96-534073-9	.	.	.	.	.	.	.	SUPPORT INSTL, PILOTS SEAT BACK. /CAM ADJUSTABLE/	NP	1
	96-534073-10	.	.	.	.	.	.	.	SUPPORT INSTL, COPILOTS SEAT BACK. /CAM ADJUSTABLE/	NP	1
- 25	60-530043-5	.	.	.	.	.	.	.	CAM	2	1
	MS171532	.	.	.	.	.	.	.	PIN, ROLL/CAM RETAINING/	2	1
- 26	MS171539	.	.	.	.	.	.	.	PIN, ROLL	2	1
- 27	60-530046-1	.	.	.	.	.	.	.	SPRING, LH TORSION	1	1
- 28	60-530046-2	.	.	.	.	.	.	.	SPRING, RH TORSION	1	1
- 29	MS171499	.	.	.	.	.	.	.	PIN, SPRING RETAINING ROLL	2	1
- 30	60-530045	.	.	.	.	.	.	.	PIN	1	1
- 31	60-530013-41	.	.	.	.	.	.	.	TUBE	1	1
- 32	58-530045-2	.	.	.	.	.	.	.	HANDLE ASSY, PILOTS SEAT	1	1
	58-530045-1	.	.	.	.	.	.	.	HANDLE ASSY, COPILOTS SEAT	1	1
- 33	60-530051-1	.	.	.	.	.	.	.	ACTUATOR ASSY, ROTON ADJUSTING /ATTACHING PARTS/	1	1
	NAS221-29	.	.	.	.	.	.	.	SCREW	2	
	AN960-10L	.	.	.	.	.	.	.	WASHER	AR	
	130909N29	.	.	.	.	.	.	.	NUT	2	
		*-----*									
- 35	130906TC-BC065	.	.	.	.	.	.	.	TUBE, ACTUATOR COVER	1	1
	60-530052-3	.	.	.	.	.	.	.	HANDLE, ACTUATOR /ATTACHING PARTS/	1	1
	MS171498	.	.	.	.	.	.	.	PIN, ROLL	1	
		*-----*									
- 36	60-530041-1	.	.	.	.	.	.	.	GEAR	1	1
- 37	60-530054-1	.	.	.	.	.	.	.	RACK, GEAR /ATTACHING PARTS/	1	1
	AN4-7A/H/	.	.	.	.	.	.	.	BOLT	1	
	MS20365-428	.	.	.	.	.	.	.	NUT	1	
		*-----*									
- 38	130498C19-32	.	.	.	.	.	.	.	BELT ASSY, SEAT	1	2
- 38	58-530219-7	.	.	.	.	.	.	.	BELT ASSY, SEAT	1	3
- 39	58-530219-29	.	.	.	.	.	.	.	BELT ASSY, SEAT	1	3



BEECHCRAFT  
BONANZA 33  
ILLUSTRATED PARTS CATALOG



33-313D-33

B E E C H C R A F T  
B O N A N Z A 3 3  
I L L U S T R A T E D P A R T S C A T A L O G

FIG. & ITEM NO.	PART NO.	DESCRIPTION	UNITS PER ASSY	USABLE ON CODE
		1 2 3 4 5 6 7		
3130	102-530095-31	• • SLING, SEAT BOTTOM . . . . .	1	1
	102-530095-29	• • SLING, SEAT BACK . . . . .	1	1
- 40	58-530185-1	• • CUSHION, SEAT BOTTOM . . . . .	1	1
- 41	102-530096-1	• • CUSHION, SEAT BACK . . . . .	1	1
- 42	102-530095-19	• • COVER ASSY, SEAT BOTTOM. . . . .	1	2
	102-530095-67	• • COVER ASSY, SEAT BOTTOM. . . . .	1	3
- 43	102-530095-17	• • COVER ASSY, SEAT BACK. . . . .	1	2
	102-530095-65	• • COVER ASSY, SEAT BACK. . . . .	1	3
- 44	101-530294-15	• • POCKET ASSY, SEAT BACK . . . . . /ATTACHING PARTS/	1	1
	NAS384-6-6P	• • SCREW . . . . .	2	
	NAS391-6P	• • WASHER. . . . .	2	
	101-530294-19	• • DOUBLER, SEAT BACK POCKET. . . . .	2	1
- 45	130569	• • PLACARD, SEAT IDENTIFICATION . . . . . /ATTACHING PARTS/	1	1
	AN535-2-4	• • SCREW . . . . .	2	
	60-530139-117	• • ARMREST INSTL, PILOTS SEAT/SEE FIGURE 327/ . . . . .	NP	1
	131354-1	• • MOULDING, HEADREST/ALTERNATE FOR 131354-3/ . . . . .	2	1
	131354-3	• • MOULDING, HEADREST/ALTERNATE FOR 131354-1/ . . . . .	2	1
	58-530224-1	HARNES INSTL, SHOULDER/PILOT & COPILOT SEAT/. . . . .	NP	3
	58-530226-1	• • REEL INSTL, INERTIA/PILOT & COPILOT/ . . . . .	NP	3
	58-380071-15	• • REEL, INERTIA. . . . .	1	3
	58-530120-3	HEADREST ASSY . . . . .	1	1
- 46	95-420017-19	TRACK, FRONT/LH AND RH/. . . . . /ATTACHING PARTS/	4	1
	AN509-10R15	SCREW . . . . .	16	
	MS20365-1032	NUT . . . . .	16	
	AN960-10	WASHER. . . . .	16	
- 47	002-430021-19	TRACK, SEAT CENTER . . . . . /ATTACHING PARTS/	2	1
	002-430013-33	SPACER. . . . .	2	
	NAS464P3A6-2	JO-BOLT . . . . .	4	
- 48	002-430013-31	STOP. . . . . /ATTACHING PARTS/	8	1
	MS27039-1-20	SCREW . . . . .	4	
	130909N29	NUT . . . . .	4	
- 49	58-530231-1	STOP, SEAT REMOVAL . . . . .	4	1
- 50	LA3S-R1 030	PIN . . . . .	4	1
	33-5005-1	KIT, SEAT BACK RESTRAINT . . . . .	1	1

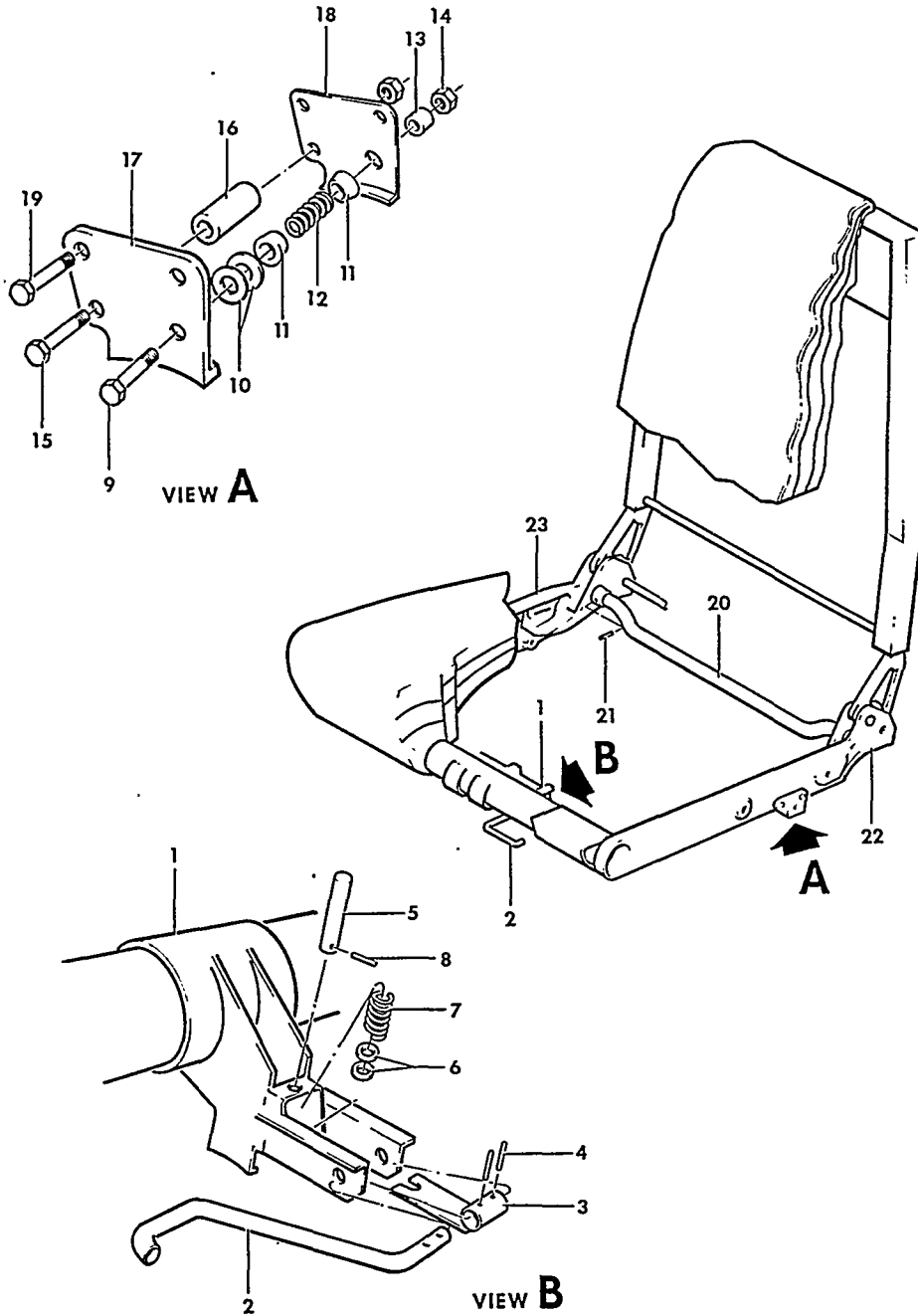
C O D E S O F E F F E C T I V I T Y

1 CE-611 THRU CE-677    2 CE-611 THRU CE-633  
3 CE-634 THRU CE-677

BEECHCRAFT  
BONANZA 33  
ILLUSTRATED PARTS CATALOG

FIGURE 313E  
PILOT AND COPILOT SEATS  
CE-678 THRU CE-928  
EXCEPT CE-919,CE-923,CE-925,CE-927  
CJ-129 THRU CJ-148

BEECHCRAFT  
BONANZA 33  
ILLUSTRATED PARTS CATALOG

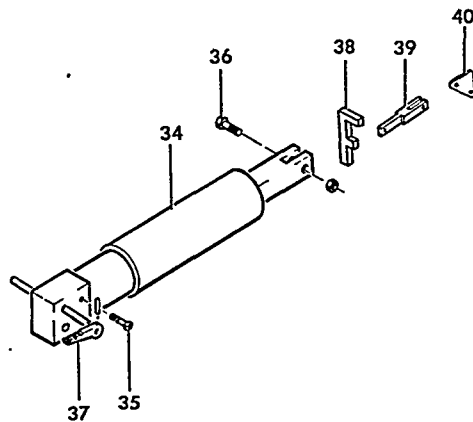
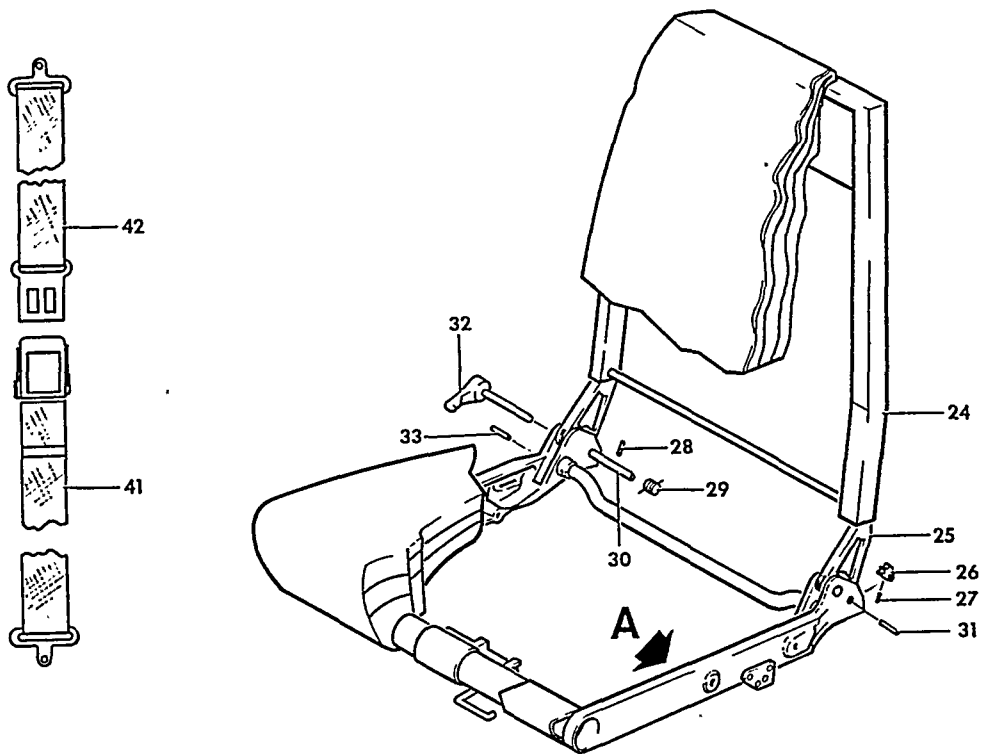


33-313E-28

B E E C H C R A F T  
B O N A N Z A 3 3  
I L L U S T R A T E D P A R T S C A T A L O G

FIG. & ITEM NO.	PART NO.	DESCRIPTION	UNITS PER ASSY	USABLE ON CODE
		1 2 3 4 5 6 7		
313E	102-530099-1	SEATING INSTL,4 PLACE/CAM AJUSTING/ . . . . .	NP	2
	102-530099-9	SEATING INSTL,4 PLACE/CAM ADJUSTING/ . . . . .	NP	3
	102-530099-5	SEATING INSTL,4 PLACE/1 CAM ADJUSTING AND 3 . . . . .	NP	2
		ROTON ADJUSTING/		
	102-530099-11	SEATING INSTL,4 PLACE/1 CAM ADJUSTING & 3 . . . . .	NP	3
		ROTON ADJUSTING/		
	102-530095-51	. SEAT ASSY,PILOT/CAM ADJUSTING/ . . . . .	1	2
	33-534081-17	. SEAT ASSY,PILOT/CAM ADJUSTING/ . . . . .	1	3
	102-530095-53	. SEAT ASSY,COPILOT/CAM ADJUSTING/ . . . . .	1	2
	33-534081-19	. SEAT ASSY,COPILOT/CAM ADJUSTING/ . . . . .	1	3
	102-530095-55	. SEAT ASSY,COPILOT/ROTON ADJUSTING/ . . . . .	1	2
	33-534081-21	. SEAT ASSY,COPILOT/ROTON ADJUSTING/ . . . . .	1	3
	102-530087-1	. . FRAME ASSY,PILOT/CAM ADJUSTING/ . . . . .	1	1
	102-530087-3	. . FRAME ASSY,COPILOT/CAM ADJUSTING/ . . . . .	1	1
	102-530087-15	. . FRAME ASSY,COPILOT/ROTON ADJUSTING/ . . . . .	1	1
	102-530087-7	. . . FRAME ASSY,BOTTOM/CAM/ . . . . .	1	1
	102-530087-17	. . . FRAME ASSY,BOTTOM/ROTON/ . . . . .	1	1
- 1	102-530087-9	. . . . LEG ASSY,FRONT(WELD) . . . . .	1	1
- 2	96-534073-51	. . . . HANDLE ASSY . . . . .	1	1
- 3	36-530026-53	. . . . WELD ASSY . . . . .	1	1
- 4	MS171498	. . . . PIN,ROLL . . . . .	2	1
	102-530087-35	. . . . BUTTON . . . . .	1	1
- 5	36-530026-49	. . . . PIN . . . . .	1	1
- 6	AN960-416L	. . . . WASHER/ONE ON EACH SIDE OF PIN/ . . . . .	2	1
- 7	100943ZS027G	. . . . SPRING . . . . .	1	1
- 8	1/16X1/2 TYPE E	. . . . PIN,DRIVE LOCK . . . . .	1	1
- 9	AN3-14A	. . . . BOLT . . . . .	2	1
- 10	AN960-10L	. . . . WASHER . . . . .	4	1
- 11	118641	. . . . ROLLER . . . . .	4	1
- 12	100943ZA016J	. . . . SPRING . . . . .	2	1
- 13	100801-4A0190	. . . . SPACER . . . . .	2	1
- 14	130909N29	. . . . NUT . . . . .	2	1
NOTE SEE SERVICE BULLETIN NO. 2010, REV. 1				
- 15	AN3-14A	. . . . BOLT . . . . .	2	1
- 16	102933D4ZJ1000	. . . . SPACER . . . . .	2	1
	AN960-10L	. . . . WASHER . . . . .	2	1
	130909N29	. . . . NUT . . . . .	2	1
- 17	36-530025-13	. . . . FOOT,LH . . . . .	2	1
- 18	36-530025-14	. . . . FOOT,RH . . . . .	2	1
		/ATTACHING PARTS/		
- 19	AN3-14A	. . . . BOLT . . . . .	2	
	AN960-10L	. . . . WASHER . . . . .	2	
	130909N29	. . . . NUT . . . . .	2	
		-----x-----		
- 20	36-530025-27	. . . . TUBE SUPPORT . . . . .	1	1
		/ATTACHING PARTS/		
- 21	MS171535	. . . . PIN,ROLL . . . . .	2	
		-----x-----		
- 22	60-530039-23	. . . . FRAME,LH . . . . .	1	1
- 23	60-530039-24	. . . . FRAME,RH . . . . .	1	1

BEECHCRAFT  
 BONANZA 33  
 ILLUSTRATED PARTS CATALOG



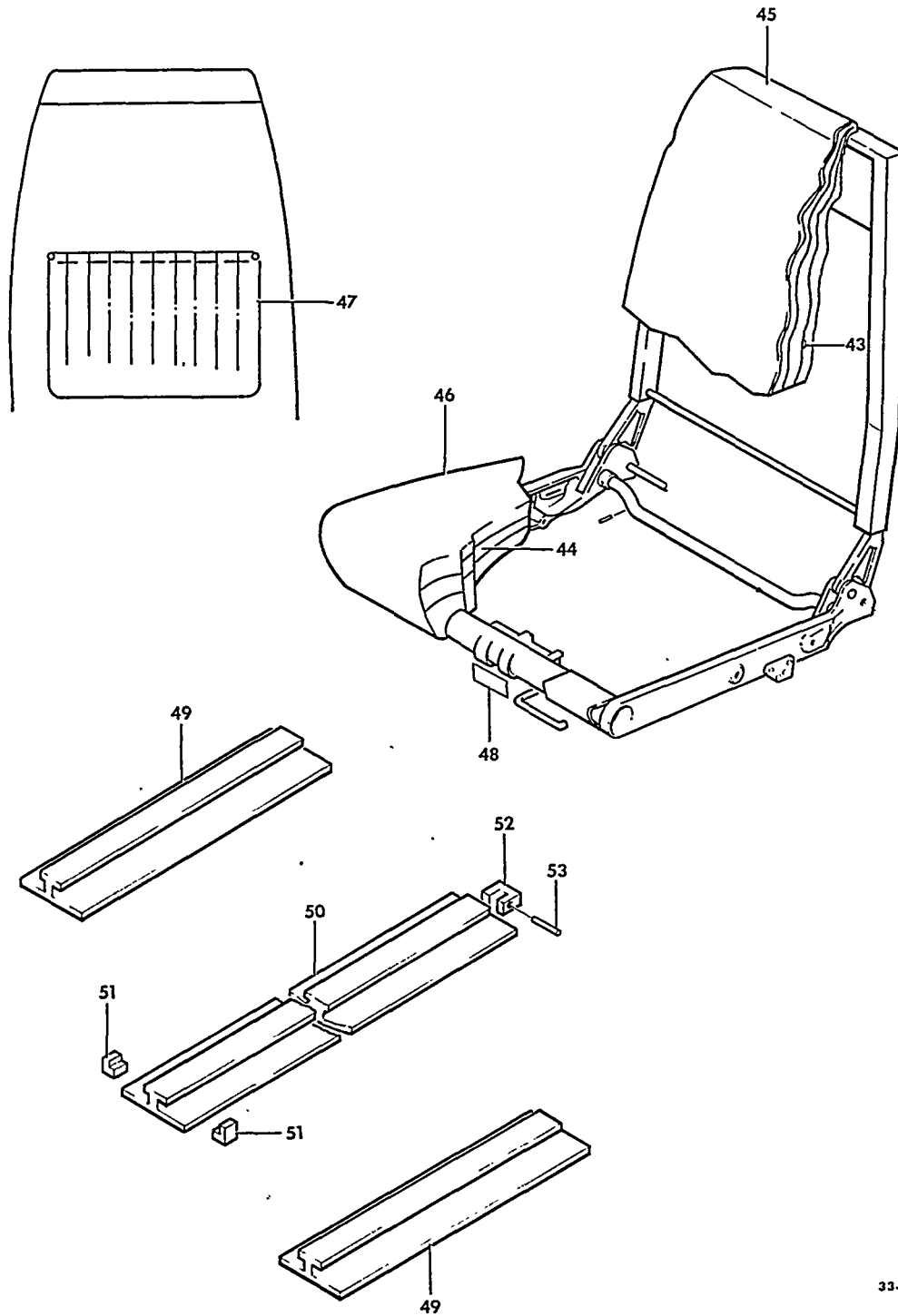
VIEW A

33-313E-29

B E E C H C R A F T  
B O N A N Z A 3 3  
I L L U S T R A T E D P A R T S C A T A L O G

FIG. & ITEM NO.	PART NO.	DESCRIPTION	UNITS PER ASSY	USABLE ON CODE
		1 2 3 4 5 6 7		
313E	58-530026-39	. . . BACK ASSY, PILOT AND COPILOT SEAT. . . . . /ATTACHING PARTS/	1	1
	NAS464P4A18	. . . BOLT. . . . .	2	
	100951X032VB	. . . WASHER/NEXT TO SCREW HEAD/. . . . .	2	
	102933D5ZM0290	. . . SPACER. . . . .	2	
	AN960-416L	. . . WASHER. . . . .	2	
	22K2-048	. . . NUT, CAP. . . . .	2	
		*-----*		
- 24	58-530026-49	. . . WELD ASSY, CHAIR BACK. . . . .	1	1
- 25	60-530040-5	. . . ADAPTER. . . . . /ATTACHING PARTS/	2	1
	AN525-10R14	. . . SCREW. . . . .	2	
	AN960-10L	. . . WASHER. . . . .	2	
	130909N29	. . . NUT. . . . .	2	
		*-----*		
- 26	60-530043-7	. . . CAM. . . . . /ATTACHING PARTS/	2	1
- 27	MS171652	. . . PIN, ROLL. . . . .	1	
		*-----*		
- 28	171499	. . . PIN, ROLL/SPRING RETAINING/. . . . .	2	1
- 29	60-530046-1	. . . SPRING, LH. . . . .	1	1
	60-530046-2	. . . SPRING, RH. . . . .	1	1
- 30	60-530013-41	. . . TUBE. . . . .	1	1
- 31	60-530161-1	. . . PIN, SEAT BACK. . . . .	1	1
- 32	58-530045-6	. . . HANDLE ASSY, PILOT SEAT. . . . .	1	1
	58-530045-5	. . . HANDLE ASSY, COPILOT SEAT. . . . .	1	1
- 33	MS171652	. . . PIN, ROLL. . . . .	2	1
- 34	106-384001-1	. . . ACTUATOR ASSY, COPILOT SEAT/LH/. . . . .	1	1
	106-384001-6	. . . ACTUATOR ASSY, COPILOT SEAT/RH/. . . . . /ATTACHING PARTS/	1	1
- 35	NAS221-29	. . . SCREW. . . . .	2	
	AN960-10L	. . . WASHER. . . . .	2	
	MS20365-1032	. . . NUT. . . . .	2	
- 36	130909B36	. . . BOLT. . . . .	1	
	AN960B416	. . . WASHER. . . . .	AR	
		*-----*		
	130906TC-8B073	. . . TUBE, ACTUATOR PROTECTIVE. . . . .	1	1
	101-530284-5	. . . TUBE. . . . .	1	1
- 37	102-530111-1	. . . HANDLE ASSY, ROTON ACTUATOR. . . . . /ATTACHING PARTS/	1	1
	10-24 X 3/16	. . . SCREW, SET. . . . .	1	
		*-----*		
- 38	102-530074-5	. . . GUIDE. . . . . /ATTACHING PARTS/	1	1
	MS27039-1-29	. . . SCREW. . . . .	1	
	AN960-10L	. . . WASHER. . . . .	1	
	130909N29	. . . NUT. . . . .	1	
		*-----*		
- 39	102-530080-3	. . . LINK, ACTUATOR. . . . . /ATTACHING PARTS/	1	1
	102-530072-19	. . . PIN. . . . .	1	
		*-----*		
- 40	102-530097-1	. . . PLATE, SEAT PIVOT. . . . .	1	1
- 41	58-530219-29	. . . BELT ASSY, SEAT. . . . .	1	2
	58-530081-29	. . . BELT ASSY, SEAT. . . . .	1	3
- 42	58-530219-61	. . . BELT ASSY, SEAT. . . . .	1	2
	58-530081-53	. . . BELT ASSY, SEAT. . . . .	1	3

BEECHCRAFT  
BONANZA 33  
ILLUSTRATED PARTS CATALOG



33-313E-30



B E E C H C R A F T  
B O N A N Z A 3 3  
I L L U S T R A T E D P A R T S C A T A L O G

FIG. & ITEM NO.	PART NO.	1	2	3	4	5	6	7	DESCRIPTION	UNITS PER ASSY	USABLE ON CODE
313E	102-530095-29	.	.	.	.	.	.	.	SLING, SEAT BACK . . . . .	1	2
	33-534074-23	.	.	.	.	.	.	.	SLING, SEAT BACK . . . . .	1	3
	102-530095-31	.	.	.	.	.	.	.	SLING, SEAT BOTTOM . . . . .	1	1
- 43	102-530096-1	.	.	.	.	.	.	.	CUSHION, SEAT BACK . . . . .	1	2
	33-534081-7	.	.	.	.	.	.	.	CUSHION ASSY, SEAT BACK THROW OVER . . . . .	1	3
	33-534081-9	.	.	.	.	.	.	.	COVER ASSY, CUSHION . . . . .	1	3
	33-534081-15	.	.	.	.	.	.	.	CUSHION . . . . .	1	3
- 44	58-530185-1	.	.	.	.	.	.	.	CUSHION, SEAT BOTTOM . . . . .	1	1
- 45	102-530095-17	.	.	.	.	.	.	.	COVER, SEAT BACK . . . . .	1	2
	33-534081-11	.	.	.	.	.	.	.	COVER ASSY, SEAT BACK FRAME . . . . .	1	3
- 46	102-530095-19	.	.	.	.	.	.	.	COVER, SEAT BOTTOM . . . . .	1	1
- 47	101-530294-15	.	.	.	.	.	.	.	POCKET ASSY, SEAT BACK . . . . .	1	1
									/ATTACHING PARTS/		
	NAS384-6-6P	.	.	.	.	.	.	.	SCREW . . . . .	2	
	NAS391-6P	.	.	.	.	.	.	.	WASHER . . . . .	2	
									*-----*		
	101-530294-19	.	.	.	.	.	.	.	DOUBLER, SEAT BACK . . . . .	2	1
- 48	130569	.	.	.	.	.	.	.	PLACARD, SEAT IDENTIFICATION . . . . .	1	1
									/ATTACHING PARTS/		
	AN535-2-4	.	.	.	.	.	.	.	SCREW . . . . .	2	
									*-----*		
	60-530139-117	.	.	.	.	.	.	.	ARMREST INSTL/SEE FIGURE 327/ . . . . .	1	2
	131354-1	.	.	.	.	.	.	.	MOULDING, HEADREST/ALTERNATE FOR 131354-3/ . . . . .	2	1
	131354-3	.	.	.	.	.	.	.	MOULDING, HEADREST/ALTERNATE FOR 131354-1/ . . . . .	2	1
	50-534815-10	.	.	.	.	.	.	.	HARNASS ASSY, RH SHOULDER . . . . .	1	3
	50-534815-9	.	.	.	.	.	.	.	HARNASS ASSY, LH SHOULDER . . . . .	1	3
	58-530224-1	.	.	.	.	.	.	.	HARNASS INSTL, SHOULDER/PILOT & COPILOT SEAT/ . . . . .	NP	1
	58-530226-1	.	.	.	.	.	.	.	HARNASS ASSY, LH SHOULDER . . . . .	NP	1
	58-380071-15	.	.	.	.	.	.	.	REEL, INERTIA . . . . .	1	1
	58-530120-1	.	.	.	.	.	.	.	HEADREST ASSY/SEE FIGURE 324/ . . . . .	2	1
- 49	95-420017-19	.	.	.	.	.	.	.	TRACK, SEAT/INBOARD & OUTBOARD/ . . . . .	4	1
									/ATTACHING PARTS/		
	AN509-10R15	.	.	.	.	.	.	.	SCREW . . . . .	8	
	130909N29	.	.	.	.	.	.	.	NUT . . . . .	8	
	AN960-10	.	.	.	.	.	.	.	WASHER . . . . .	8	
									*-----*		
- 50	002-430021-19	.	.	.	.	.	.	.	TRACK, SEAT CENTER . . . . .	2	1
									/ATTACHING PARTS/		
	002-430013-33	.	.	.	.	.	.	.	SPACER . . . . .	1	
	NAS464P3A6-2	.	.	.	.	.	.	.	JO-BOLT . . . . .	2	
									*-----*		
- 51	002-430013-31	.	.	.	.	.	.	.	STOP . . . . .	4	1
									/ATTACHING PARTS/		
	MS27039-1-20	.	.	.	.	.	.	.	SCREW . . . . .	2	
	130909N29	.	.	.	.	.	.	.	NUT . . . . .	2	
									*-----*		
- 52	58-530231-1	.	.	.	.	.	.	.	STOP, SEAT REMOVAL . . . . .	2	1
- 53	LA3SR1 030	.	.	.	.	.	.	.	PIN, QUICK RELEASE . . . . .	2	1
	33-5005-1	.	.	.	.	.	.	.	KIT, SEAT BACK RESTRAINT . . . . .	1	1

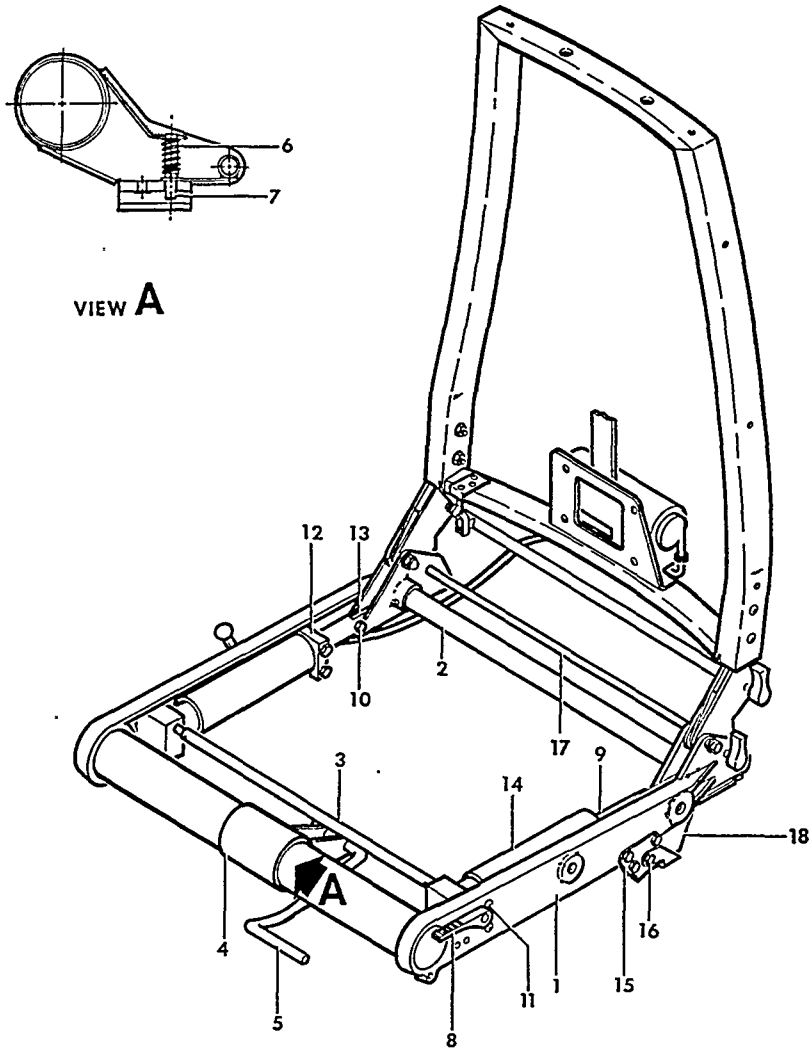
C O D E S O F E F F E C T I V I T Y

- |  |  |
|--|--|
| 1 CE-678 THRU CE-928<br>EXCEPT CE-919, CE-923<br>CE-925 AND CE-927<br>CJ-129 THRU CJ-148 | 2 CE-678 THRU CE-928<br>EXCEPT CE-919, CE-923<br>CE-925 AND CE-927 |
| 3 CJ-129 THRU CJ-148   |  |

BEECHCRAFT  
BONANZA 33  
ILLUSTRATED PARTS CATALOG

FIGURE 313F  
PILOT AND COPILOT SEATS  
CJ-149 AND AFTER

BEECHCRAFT  
BONANZA 33  
ILLUSTRATED PARTS CATALOG

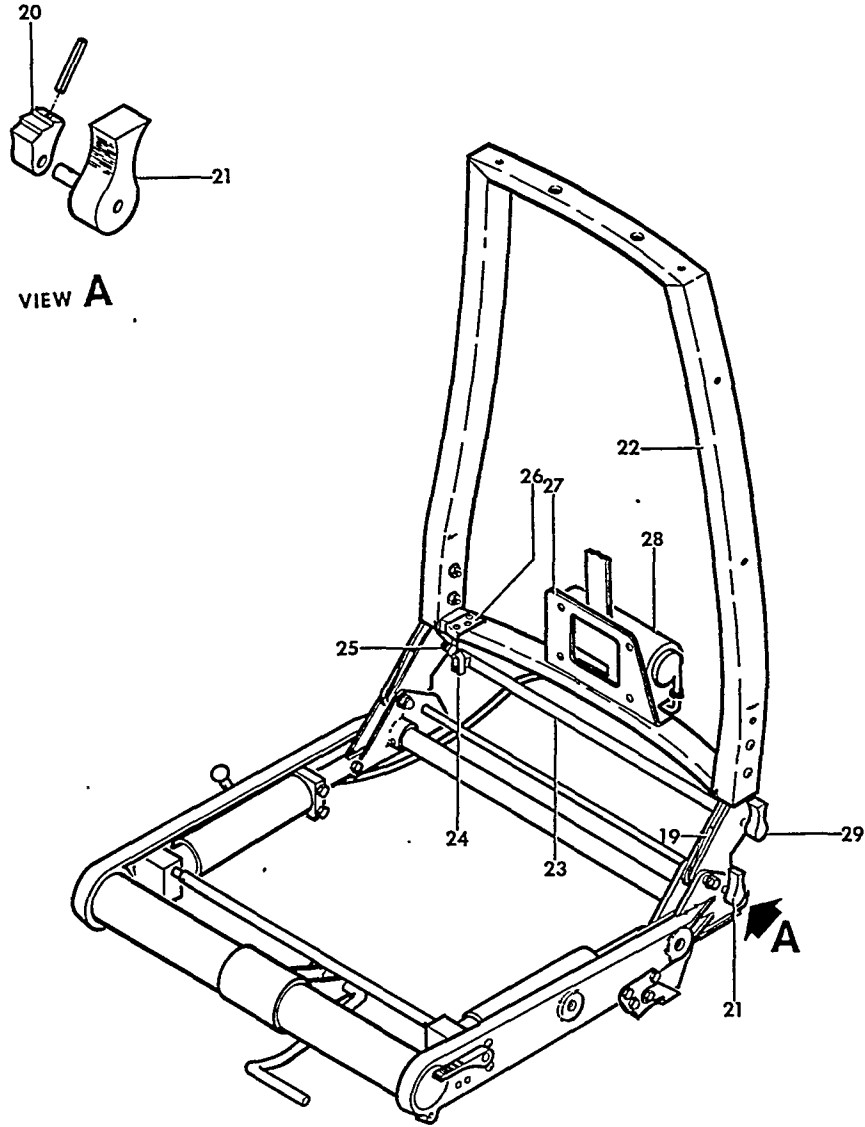


33-313-37

B E E C H C R A F T  
B O N A N Z A 3 3  
I L L U S T R A T E D P A R T S C A T A L O G

FIG. & ITEM NO.	PART NO.	DESCRIPTION	UNITS PER ASSY	USABLE ON CODE
313F	33-530022-1	SEATING INSTL/FOUR CAM/ . . . . .	NP	2
	33-530040-1	SEATING INSTL/FOUR CAM/ . . . . .	NP	3
	33-530022-3	SEATING INSTL/1 CAM,3 ROTON/. . . . .	NP	2
	33-530040-3	SEATING INSTL/1 CAM,3 ROTON/. . . . .	NP	3
	33-530024-1	. SEAT ASSY,PILOT/CAM/. . . . .	1	2
	33-530041-1	. SEAT ASSY,PILOT/CAM/. . . . .	1	3
	33-530024-3	. SEAT ASSY,COPILOT/CAM/. . . . .	1	2
	33-530041-3	. SEAT ASSY,COPILOT/CAM/. . . . .	1	3
	33-530024-5	. SEAT ASSY,COPILOT/ROTON/. . . . .	1	2
	33-530041-5	. SEAT ASSY,COPILOT/ROTON/. . . . .	1	3
	33-530023-1	. . FRAME ASSY. . . . .	1	1
	33-530023-3	. . FRAME ASSY. . . . .	1	1
	33-530023-5	. . FRAME ASSY. . . . .	1	1
	33-530023-7	. . . FRAME ASSY,BOTTOM . . . . .	1	1
- 1	60-530039-29	. . . . FRAME,SIDE RAIL . . . . .	1	1
	60-530039-30	. . . . FRAME,SIDE RAIL . . . . .	1	1
- 2	36-530025-27	. . . . TUBE. . . . .	1	1
		/ATTACHING PARTS/		
	MS171565	. . . . PIN . . . . .	2	
		-----*		
- 3	101-530284-5	. . . . TUBE. . . . .	1	1
		/ATTACHING PARTS/		
	MS171496	. . . . PIN . . . . .	2	
		-----*		
- 4	102-530087-9	. . . . LEG ASSY. . . . .	1	2
	102-530087-33	. . . . LEG ASSY. . . . .	1	3
	96-534073-51	. . . . HANDLE ASSY . . . . .	1	1
- 5	96-534073-53	. . . . HANDLE. . . . .	1	1
- 6	100943ZS027G	. . . . SPRING. . . . .	1	1
- 7	36-530026-49	. . . . PIN,LOCK. . . . .	1	1
	AN960-416L	. . . . PIN . . . . .	1	1
	102-530087-35	. . . . BUTTON. . . . .	1	2
	106-530181-1	. . . . SLIDE . . . . .	1	3
	102-530111-1	. . . . HANDLE ASSY . . . . .	1	1
- 8	102-530111-3	. . . . HANDLE. . . . .	1	1
- 9	106-384001-1	. . . . ACTUATOR ASSY,LH. . . . .	1	1
	106-384001-6	. . . . ACTUATOR ASSY,RH. . . . .	1	1
		/ATTACHING PARTS/		
- 10	130909B36	. . . . BOLT. . . . .	2	
	AN960B416	. . . . WASHER. . . . .	2	
- 11	MS27039-1-35	. . . . SCREW . . . . .	2	
	AN960-10L	. . . . WASHER. . . . .	2	
	130909N29	. . . . NUT . . . . .	2	
		-----*		
- 12	102-530074-5	. . . . GUIDE . . . . .	1	1
- 13	102-530080-3	. . . . LINK. . . . .	1	1
- 14	130906TC-BB073	. . . . TUBE. . . . .	1	1
- 15	102-530087-19	. . . . FOOT. . . . .	1	1
	102-530087-20	. . . . FOOT. . . . .	1	1
- 16	AN3-14A	. . . . BOLT. . . . .	4	1
	AN960-10L	. . . . WASHER. . . . .	4	1
	118641	. . . . ROLLER. . . . .	1	1
	NAS43DD3-12	. . . . SPACER. . . . .	1	1
	100943ZA016J	. . . . SPRING. . . . .	1	1
	130909N29	. . . . NUT . . . . .	4	1
		NOTE SEE SERVICE BULLETIN NO. 2010, REV. 1		
- 17	60-530013-41	. . . . TUBE. . . . .	1	1
- 18	33-530035-1	. . . . BRACKET . . . . .	1	1
	33-530035-2	. . . . BRACKET . . . . .	1	1
	60-530046-1	. . . . SPRING,LH . . . . .	2	1
	60-530046-2	. . . . SPRING,RH . . . . .	2	
	MS171499	. . . . PIN . . . . .	2	1

BEECHCRAFT  
BONANZA 33  
ILLUSTRATED PARTS CATALOG

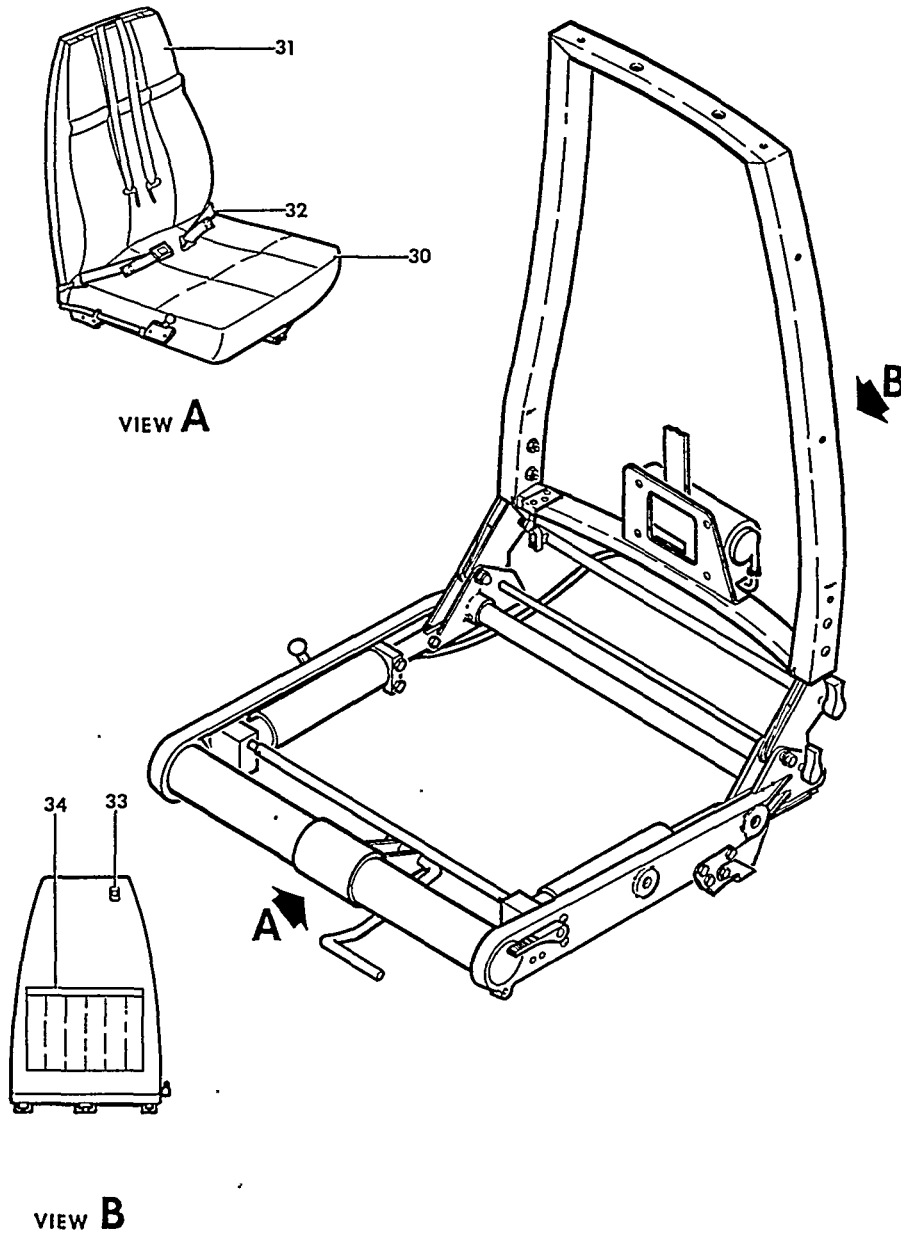


33-313-38

B E E C H C R A F T  
B O N A N Z A 3 3  
I L L U S T R A T E D P A R T S C A T A L O G

FIG. & ITEM NO.	PART NO.	DESCRIPTION							UNITS PER ASSY	USABLE ON CODE
		1	2	3	4	5	6	7		
313F	102-530075-7	.	.	.	.	.	.	.	2	1
- 19	102-530076-1	.	.	.	.	.	.	.	2	1
- 20	60-530043-7	.	.	.	.	.	.	.	2	1
	MS171504	.	.	.	.	.	.	.	2	1
	58-530045-5	.	.	.	.	.	.	.	1	1
	58-530045-6	.	.	.	.	.	.	.	1	1
- 21	58-530045-3	.	.	.	.	.	.	.	2	1
	58-530046-1	.	.	.	.	.	.	.	2	1
	33-530023-9	.	.	.	.	.	.	.	1	1
	33-530023-11	.	.	.	.	.	.	.	1	1
- 22	102-530068-15	.	.	.	.	.	.	.	1	1
- 23	33-530023-13	.	.	.	.	.	.	.	1	1
	33-530023-15	.	.	.	.	.	.	.	1	1
- 24	R 33-530032-7	.	.	.	.	.	.	.	1	1
	MS20392-1C13	.	.	.	.	.	.	.	1	1
	AN960-10L	.	.	.	.	.	.	.	1	1
	MS24665-170	.	.	.	.	.	.	.	1	1
- 25	60-530046-4	.	.	.	.	.	.	.	2	1
	MS171499	.	.	.	.	.	.	.	2	1
	60-530161-1	.	.	.	.	.	.	.	2	1
- 26	R 33-530032-9	.	.	.	.	.	.	.	1	1
	33-530025-1	.	.	.	.	.	.	.	1	1
	/ATTACHING PARTS/									
	MS27039-1-14	.	.	.	.	.	.	.	3	
	AN960-10L	.	.	.	.	.	.	.	3	
	NAS43DD3-29	.	.	.	.	.	.	.	3	
	-----*-----									
- 27	33-530025-3	.	.	.	.	.	.	.	1	1
- 28	0101-665-03	.	.	.	.	.	.	.	1	1
	0101-665-01	.	.	.	.	.	.	.	1	1
	/ATTACHING PARTS/									
	MS27039-1-08	.	.	.	.	.	.	.	3	
	MS27039-1-37	.	.	.	.	.	.	.	1	
	AN960-10L	.	.	.	.	.	.	.	4	
	130909N29	.	.	.	.	.	.	.	4	
	-----*-----									
- 29	58-530045-7	.	.	.	.	.	.	.	1	1
	58-530045-9	.	.	.	.	.	.	.	2	1
	58-530046-1	.	.	.	.	.	.	.	2	1
	102-530081-3	.	.	.	.	.	.	.	2	1
	MS171504	.	.	.	.	.	.	.	2	1
	MS171557	.	.	.	.	.	.	.	2	1

BEECHCRAFT  
BONANZA 33  
ILLUSTRATED PARTS CATALOG



33-313-39

B E E C H C R A F T  
B O N A N Z A 3 3  
I L L U S T R A T E D P A R T S C A T A L O G

FIG. & ITEM NO.	PART NO.	DESCRIPTION							UNITS PER ASSY	USABLE ON CODE
		1	2	3	4	5	6	7		
313F - 30	102-530095-19	.	.	.	.	.	.	.	1	2
	106-530060-9	.	.	.	.	.	.	.	1	3
	58-530185-1	.	.	.	.	.	.	.	1	1
- 31	33-530024-7	.	.	.	.	.	.	.	1	2
	33-530041-7	.	.	.	.	.	.	.	1	3
- 32	R 101-530604-45	.	.	.	.	.	.	.	1	2
	R 101-530604-49	.	.	.	.	.	.	.	1	2
	R 331774B1L1-25-25	.	.	.	.	.	.	.	1	4
	R 332101B1L1-25-25	.	.	.	.	.	.	.	1	5
- 33	MC91-21	.	.	.	.	.	.	.	1	1
	NAS385-8-8P	.	.	.	.	.	.	.	2	
	33-530029-1	.	.	.	.	.	.	.	1	1
	NAS385-6-8P	.	.	.	.	.	.	.	2	
- 34	101-530294-15	.	.	.	.	.	.	.	1	1
	33-5005-1	.	.	.	.	.	.	.	1	1

C O D E S O F E F F E C T I V I T Y

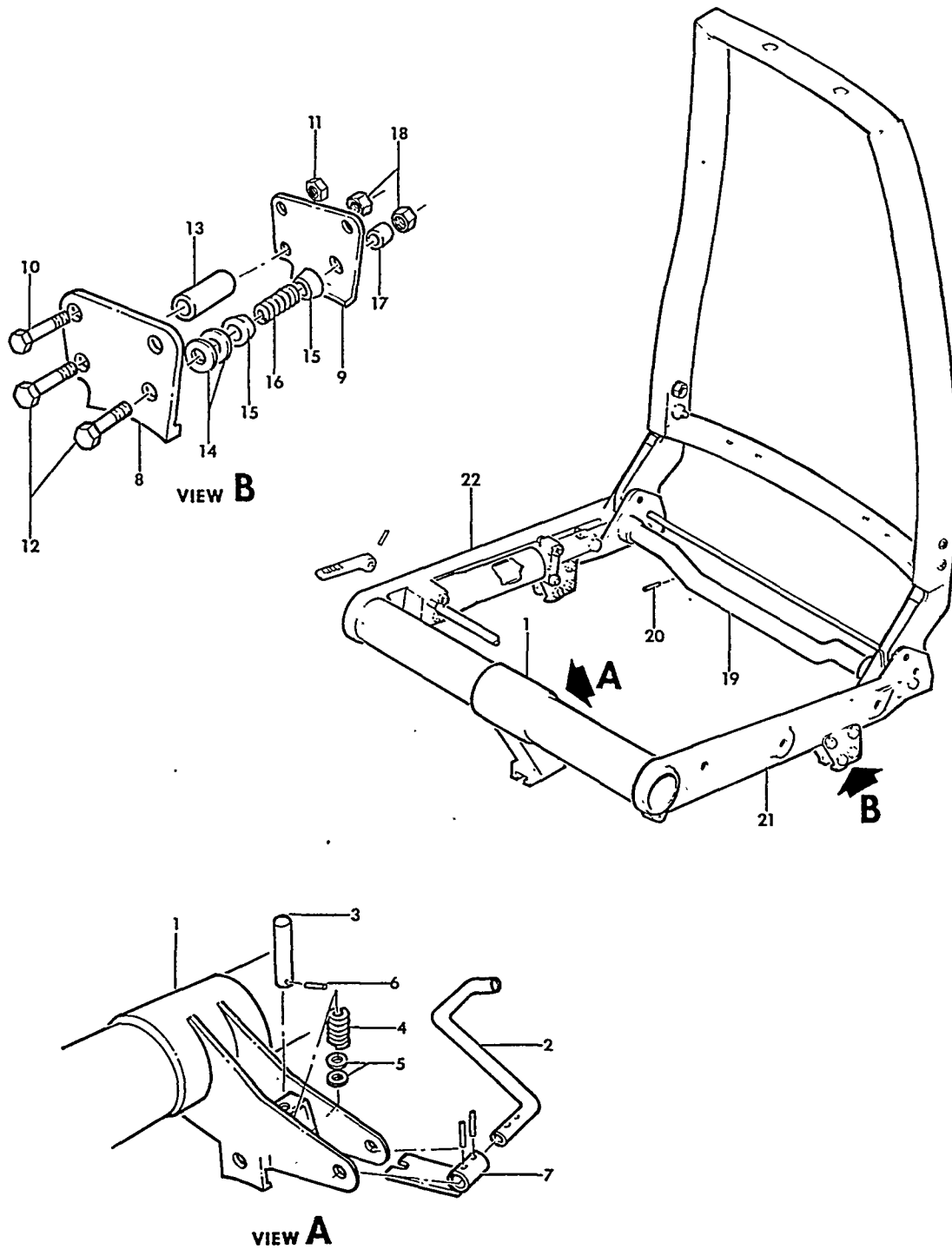
- |   |                  |   |                    |
|---|------------------|---|--------------------|
| 1 | CJ-149 AND AFTER | 2 | CJ-149 THRU CJ-155 |
| 3 | CJ-156 AND AFTER | 4 | CJ-156 THRU CJ-179 |
| 5 | CJ-180 AND AFTER |   |                    |



B E E C H C R A F T  
B O N A N Z A 3 3  
I L L U S T R A T E D P A R T S C A T A L O G

FIGURE 313G  
PILOT AND COPILOT SEATS  
CE-919,CE-923,CE-925,CE-927  
CE-929 AND AFTER

BEECHCRAFT  
BOJANZA 33  
ILLUSTRATED PARTS CATALOG

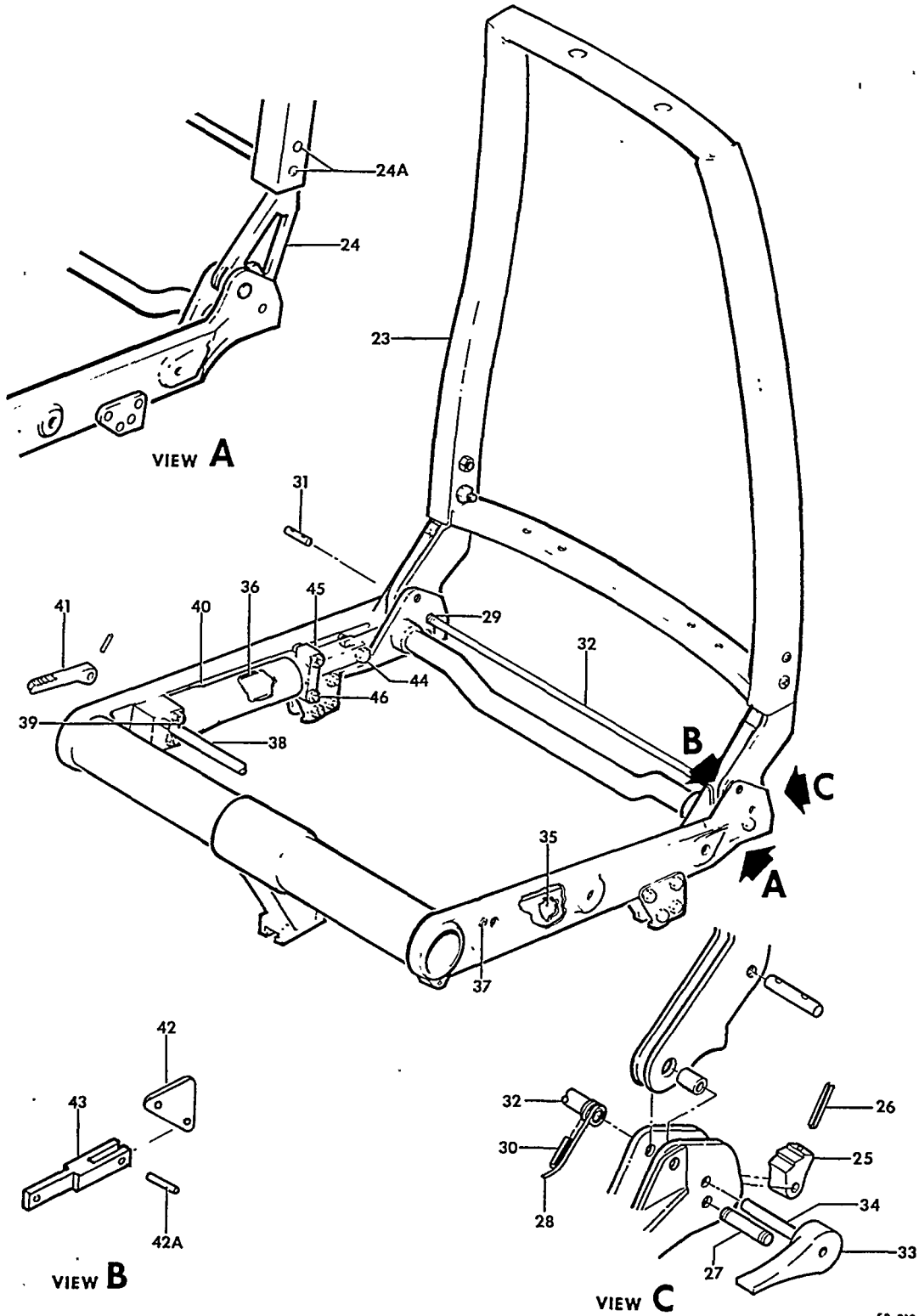


58-313-49

B E E C H C R A F T  
B O N A N Z A 3 3  
I L L U S T R A T E D P A R T S C A T A L O G

FIG. & ITEM NO.	PART NO.	DESCRIPTION	UNITS PER ASSY	USABLE ON CODE
		1 2 3 4 5 6 7		
313G	106-530060-1	SEAT ASSY,PILOT/CAM ADJUSTING/ . . . . .	1	1
	106-530060-3	SEAT ASSY,COPILOT/CAM ADJUSTING/ . . . . .	1	1
	106-530060-5	SEAT ASSY,COPILOT/ROTON ADJUSTING/ . . . . .	1	1
	102-530087-1	. FRAME ASSY,PILOT/CAM ADJUSTING/ . . . . .	1	1
	102-530087-3	. FRAME ASSY,COPILOT/CAM ADJUSTING/ . . . . .	1	3
	102-530087-29	. FRAME ASSY,COPILOT/CAM ADJUST/ . . . . .	1	2
	102-530087-15	. FRAME ASSY,COPILOT/ROTON ADJUSTING/ . . . . .	1	3
	102-530087-31	. FRAME ASSY,COPILOT/ROTON ADJUST/ . . . . .	1	2
	102-530087-17	. . . FRAME ASSY,BOTTOM . . . . .	1	1
- 1	102-530087-9	. . . WELD ASSY,BOTTOM FRONT. . . . .	1	7
	102-530087-33	. . . WELD ASSY,BOTTOM FRONT. . . . .	1	6
- 2	96-534073-51	. . . HANDLE ASSY,SEAT ADJUST . . . . .	1	1
- 3	36-530026-49	. . . PIN,LOCK ADJUSTING. . . . .	1	1
- 4	100943ZS027G	. . . SPRING,PIN RETAINING. . . . .	1	1
- 5	AN960-416L	. . . WASHER. . . . .	2	1
- 6	1/16X1/2 TYPE E	. . . PIN,DRIVELOK. . . . .	1	1
	102-530087-35	. . . BUTTON,SLIDE. . . . .	1	7
	106-530181-1	. . . SLIDE . . . . .	1	6
- 7	36-530026-53	. . . WELD ASSY,PIN RELEASE . . . . .	1	1
		/ATTACHING PARTS/		
	MS171498	. . . PIN,ROLL. . . . .	2	1
		-----x-----		
- 8	102-530087-19	. . . FOOT,SEAT . . . . .	2	1
- 9	102-530087-20	. . . FOOT,SEAT . . . . .	2	1
		/ATTACHING PARTS/		
- 10	AN3-14A	. . . BOLT. . . . .	2	1
	AN960-10L	. . . WASHER. . . . .	2	1
- 11	MS20365-1032	. . . NUT . . . . .	2	1
- 12	AN3-14A	. . . BOLT. . . . .	2	1
- 13	102933D4ZJ1000	. . . SPACER. . . . .	1	1
- 14	AN960-10L	. . . WASHER. . . . .	1	1
	AN960-10	. . . WASHER. . . . .	1	1
- 15	118641	. . . ROLLER. . . . .	2	1
- 16	1009432A016J	. . . SPRING. . . . .	1	1
- 17	100801-4A0190	. . . BUSHING . . . . .	1	1
- 18	130909N29	. . . NUT . . . . .	2	1
		-----x-----		
		NOTE SEE SERVICE BULLETIN NO. 2010, REV. 1		
- 19	36-530025-27	. . . TUBE,SUPPORT. . . . .	1	1
		/ATTACHING PARTS/		
- 20	MS171565	. . . PIN,ROLL. . . . .	2	
		-----x-----		
- 21	60-530039-23	. . . FRAME,LH. . . . .	1	1
- 22	60-530039-24	. . . FRAME,RH. . . . .	1	1
	33-530045-1	. . . RESTRAINT,SEAT BACK/COPILOT/. . . . .	1	2
	33-530045-2	. . . RESTRAINT,SEAT BACK/COPILOT/. . . . .	1	2
	58-530026-59	. . . BACK ASSY,SEAT. . . . .	1	1
		/ATTACHING PARTS/		
	NAS464P4A18	. . . BOLT. . . . .	2	1
	NAS464P4A23	. . . BOLT. . . . .	2	2
	100951X032VB	. . . WASHER/NEXT TO SCREW HEAD/. . . . .	2	1
	10293305ZM0290	. . . SPACER. . . . .	2	1
	NAS43HT4-20	. . . SPACER. . . . .	2	2
	AN960-416L	. . . WASHER. . . . .	2	
	22K2-048	. . . NUT,CAP . . . . .	2	
		-----x-----		

BEECHCRAFT  
 BONANZA 33  
 ILLUSTRATED PARTS CATALOG



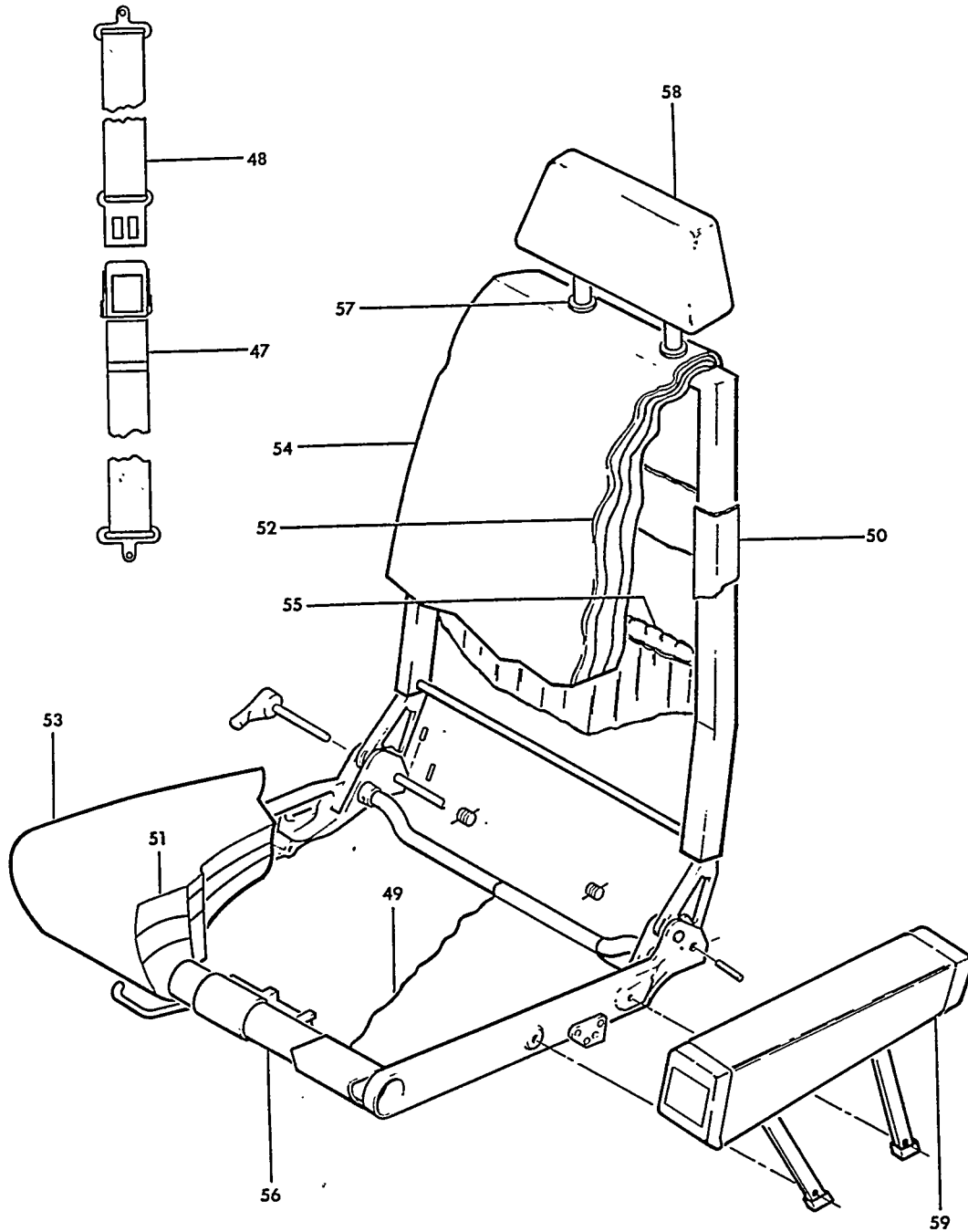
58-313-50

FIGURE 313G. PILOT AND COPILOT SEATS  
 /SHEET 2 OF 4 SHEETS/

B E E C H C R A F T  
B O N A N Z A 3 3  
I L L U S T R A T E D P A R T S C A T A L O G

FIG. & ITEM NO.	PART NO.	1	2	3	4	5	6	7	UNITS PER ASSY	USABLE ON CODE
313G - 23	58-530026-49	.	.	.	WELD ASSY, CHAIR BACK.	.	.	.	1	1
- 24	60-530040-5	.	.	.	ADAPTER	.	.	.	2	1
- 24A	AN525-10R14	.	.	.	SCREW	.	.	.	2	
	AN960-10L	.	.	.	WASHER.	.	.	.	2	
	MS20364-1032	.	.	.	NUT	.	.	.	2	
		----	*	----						
- 25	60-530043-7	.	.	.	CAM, CHAIR ADJUSTING	.	.	.	2	1
- 26	MS171508	.	.	.	PIN, ROLL/CAM RETAINING/	.	.	.	2	1
- 27	MS171652	.	.	.	PIN, ROLL/CAM STOP/	.	.	.	2	1
- 28	60-530046-1	.	.	.	SPRING, LH TORSION	.	.	.	1	1
- 29	60-530046-2	.	.	.	SPRING, RH TORSION	.	.	.	1	1
- 30	MS171499	.	.	.	PIN, ROLL/SPRING RETAINING/	.	.	.	2	1
- 31	60-530161-1	.	.	.	PIN, SEAT BACK ADJUSTER TUBE	.	.	.	1	1
- 32	60-530013-41	.	.	.	TUBE, CAM ADJUST	.	.	.	1	1
	58-530045-5	.	.	.	HANDLE ASSY, COPILOT SEAT.	.	.	.	1	1
	58-530045-6	.	.	.	HANDLE ASSY, PILOT SEAT.	.	.	.	1	1
- 33	58-530045-3	.	.	.	HANDLE, CAM ADJUSTING.	.	.	.	1	1
- 34	58-530046-1	.	.	.	PIN, HANDLE/SEAT BACK ADJUST/	.	.	.	1	1
- 35	106-384001-1	.	.	.	ACTUATOR ASSY, COPILOT SEAT/LH ROTON/	.	.	.	1	1
- 36	106-384001-6	.	.	.	ACTUATOR ASSY, COPILOT SEAT/RH ROTON/	.	.	.	1	1
- 37	MS27039-1-35	.	.	.	SCREW	.	.	.	4	
	AN960-10L	.	.	.	WASHER.	.	.	.	2	
	MS20365-1032	.	.	.	NUT	.	.	.	2	
		----	*	----						
- 38	101-530284-5	.	.	.	TUBE.	.	.	.	1	1
- 39	MS171496	.	.	.	PIN	.	.	.	2	1
- 40	130906TC-BB073	.	.	.	TUBE, ACTUATOR COVER	.	.	.	2	1
- 41	102-530111-5	.	.	.	HANDLE ASSY, ACTUATOR/COPILOT SEAT/ROTON/	.	.	.	1	1
		.	.	.	/SPARES FOR 102-530111-1/	.	.	.		
- 42	102-530097-1	.	.	.	PLATE, COPILOT SEAT/ROTON/	.	.	.	2	1
- 42A	102-530072-19	.	.	.	PIN	.	.	.	2	1
- 43	102-530080-3	.	.	.	LINK, COPILOT SEAT ACTUATOR/ROTON/	.	.	.	2	1
- 44	130909B36	.	.	.	BOLT.	.	.	.	2	1
	AN960B416	.	.	.	WASHER.	.	.	.	2	1
- 45	102-530074-5	.	.	.	GUIDE, COPILOT SEAT ACTUATOR/ROTON/	.	.	.	2	1
- 46	MS27039-1-29	.	.	.	SCREW	.	.	.	2	
	AN960-10L	.	.	.	WASHER.	.	.	.	2	
	NAS43DD3-6	.	.	.	SPACER.	.	.	.	2	
	130909N29	.	.	.	NUT	.	.	.	2	
		----	*	----						

BEECHCRAFT  
BONANZA 33  
ILLUSTRATED PARTS CATALOG



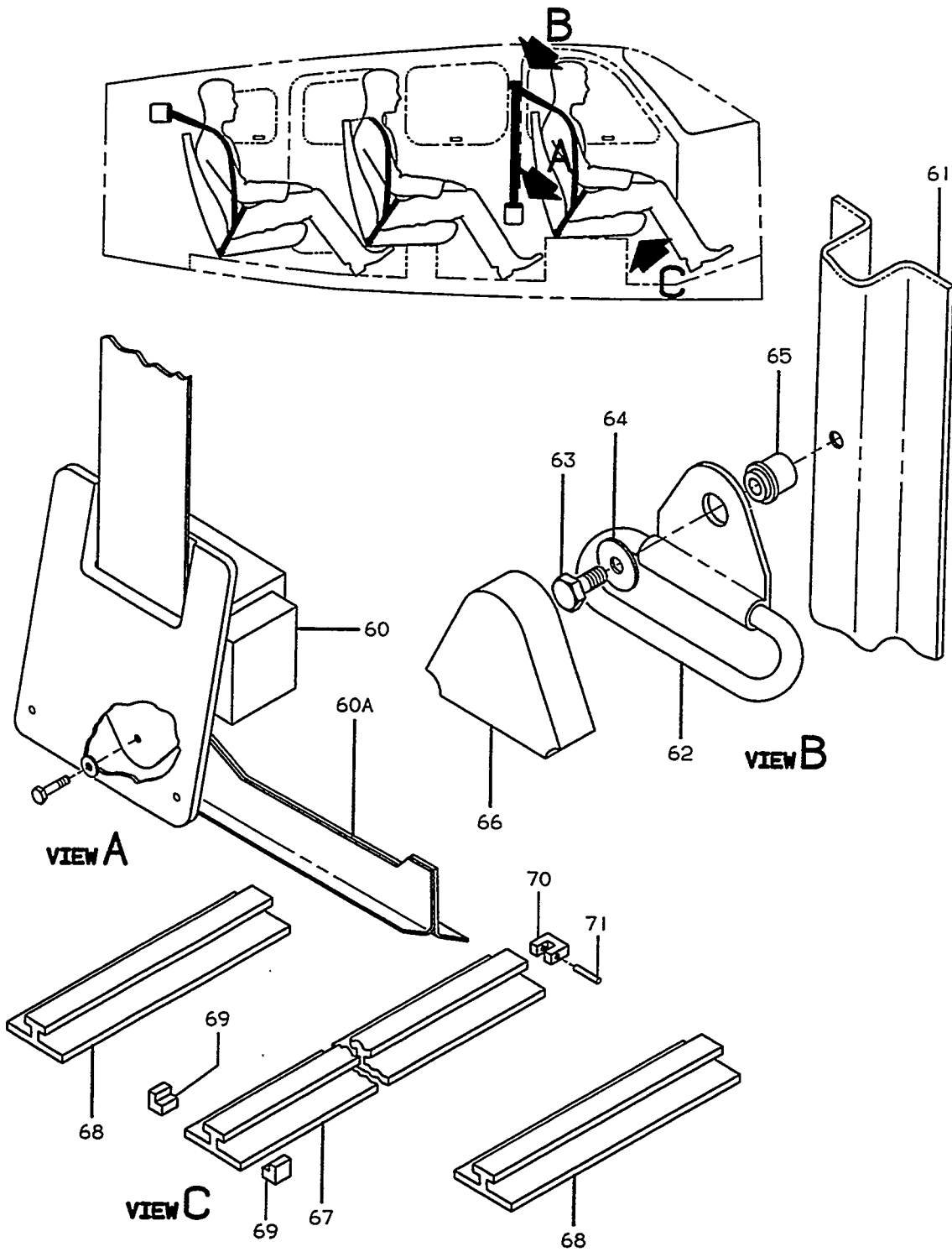
36-313-44

FIGURE 313G.PILOT AND COPILOT SEATS  
/SHEET 3 OF 4 SHEETS/

B E E C H C R A F T  
B O N A N Z A 3 3  
I L L U S T R A T E D P A R T S C A T A L O G

FIG. & ITEM NO.	PART NO.	DESCRIPTION	UNITS							USABLE ON CODE
			1	2	3	4	5	6	7	
313G - 47	101-530604-1	. BELT ASSY,SEAT/BUCKLE/ . . . . .							1	5
- 48	101-530604-5	. BELT ASSY,SEAT/CONNECTOR/ . . . . .							1	5
	331774A1N1-10-40	. BELT ASSY,SEAT/COMPLETE/ . . . . .							1	4
	R 332101A1N1-10-40	. BELT ASSY,SEAT/COMPLETE/ . . . . .							1	8
- 49	102-530095-31	. SLING,SEAT BOTTOM . . . . .							1	1
- 50	102-530095-33	. SLING,SEAT BACK . . . . .							1	1
- 51	58-530185-1	. CUSHION,CHAIR BOTTOM. . . . .							1	1
- 52	102-530096-1	. CUSHION,CHAIR BACK. . . . .							1	1
- 53	106-530060-9	. COVER,CHAIR BOTTOM. . . . .							1	1
- 54	106-530060-7	. COVER,CHAIR BACK. . . . .							1	1
- 55	101-530294-15	. POCKET ASSY . . . . .							1	1
		/ATTACHING PARTS/								
	NAS384-8-20P	. SCREW . . . . .							2	
	NAS391-8P	. WASHER. . . . .							2	
	NAS43DD3-48	. SPACER. . . . .							2	
		-----*								
	101-530294-19	. DOUBLER,SEAT BACK POCKET. . . . .							2	1
- 56	130569	. PLATE,SEAT IDENTIFICATION . . . . .							1	1
		/ATTACHING PARTS/								
	AN535-2-4	. SCREW . . . . .							2	
		-----*								
- 57	131354-1	. MOLDING,SEAT BACK/ALTERNATE FOR 131354-3/ . . . . .							2	1
	131354-3	. MOLDING,SEAT BACK/ALTERNATE FOR 131354-1/ . . . . .							2	1
	131345	. SPRING. . . . .							2	1
- 58	106-530064-3	. HEADREST ASSY . . . . .							1	1
	106-530064-7	. . . . . PAD ASSY. . . . .							1	1
	106-530064-9	. . . . . COVER ASSY. . . . .							1	1
	58-530120-29	. . . . . TUBE. . . . .							2	1
- 59	106-530063-1	. ARMREST ASSY/PILOT/ . . . . .							1	1
		/SEE FIG.327A/								
		/ATTACHING PARTS/								
	R AN24-27A	. BOLT. . . . .							2	
	R 105739SYD1400	. BUSHING . . . . .							2	
	50-534547-25	. WASHER. . . . .							2	
	42ND8-048	. NUT . . . . .							2	
	R 60-530139-133	. SPACER. . . . .							2	
		-----*								

BEECHCRAFT  
 BONANZA 33  
 ILLUSTRATED PARTS CATALOG



C94CE25A2897 C



B E E C H C R A F T  
B O N A N Z A 3 3  
I L L U S T R A T E D P A R T S C A T A L O G

FIG. & ITEM NO.	PART NO.	DESCRIPTION	UNITS							USABLE ON CODE
			1	2	3	4	5	6	7	
313G	58-530224-1	HARNES INSL,SHOULDER/PILOT & COPILOT SEAT/							NP	1
	58-530226-1	REEL INSL,INERTIA/PILOT & COPILOT SEAT/							NP	1
- 60	58-380071-15	REEL,INERTIA/							1	1
	ANS-5A	BOLT/PILOT/							1	
	AN960-516	WASHER							1	
	AN970-4	WASHER/COPILOT/							2	
	100696S-ZN004	BUSHING/COPILOT/							2	
	130909N32	NUT/COPILOT/							2	
	NAS384-8-8P	SCREW							12	
		-----x-----								
	35-430014-3	BRACKET INSL/PILOT/							1	2
- 60A	58-530014-7	BRACKET ASSY/PILOT							1	1
	58-430014-4	BRACKET ASSY/PILOT & COPILOT/							1	1
- 61	58-430014-7	BRACKET ASSY/PILOT/							1	1
	58-430014-8	BRACKET ASSY/COPILOT/							1	1
- 62	472677	WEB GUIDE,SHOULDER HARNES							2	9
	503268	GUIDE ASSY,SHOULDER HARNES							2	10
		/ATTACHING PARTS/								
- 63	130909B38	BOLT							1	
- 64	100951X060YA	WASHER							1	
- 65 R	58-530246-3	SPACER/ORDER 58-530246-11 FOR SPARES/							NP	
	58-530246-9	SPACER/ORDER 58-530246-11 FOR SPARES/							NP	
	58-530246-11	SPACER							1	
		-----*-----								
- 66	500794-5	COVER/PILOT/							1	1
	106-530122-1	COVER/COPILOT/							1	1
- 67 R	002-430021-19	TRACK,SEAT/CENTER/							1	1
- 68 R	002-430021-25	TRACK,SEAT/INBOARD AND OUTBOARD/							2	1
- 69 R	002-430013-33	STOP							4	1
- 70 R	58-530231-1	STOP,SEAT REMOVAL							2	1
- 71 R	LA3SR1 030	PIN,QUICK RELEASE							2	1
	33-5005-1	KIT,SEAT BACK RESTRAINT							1	1

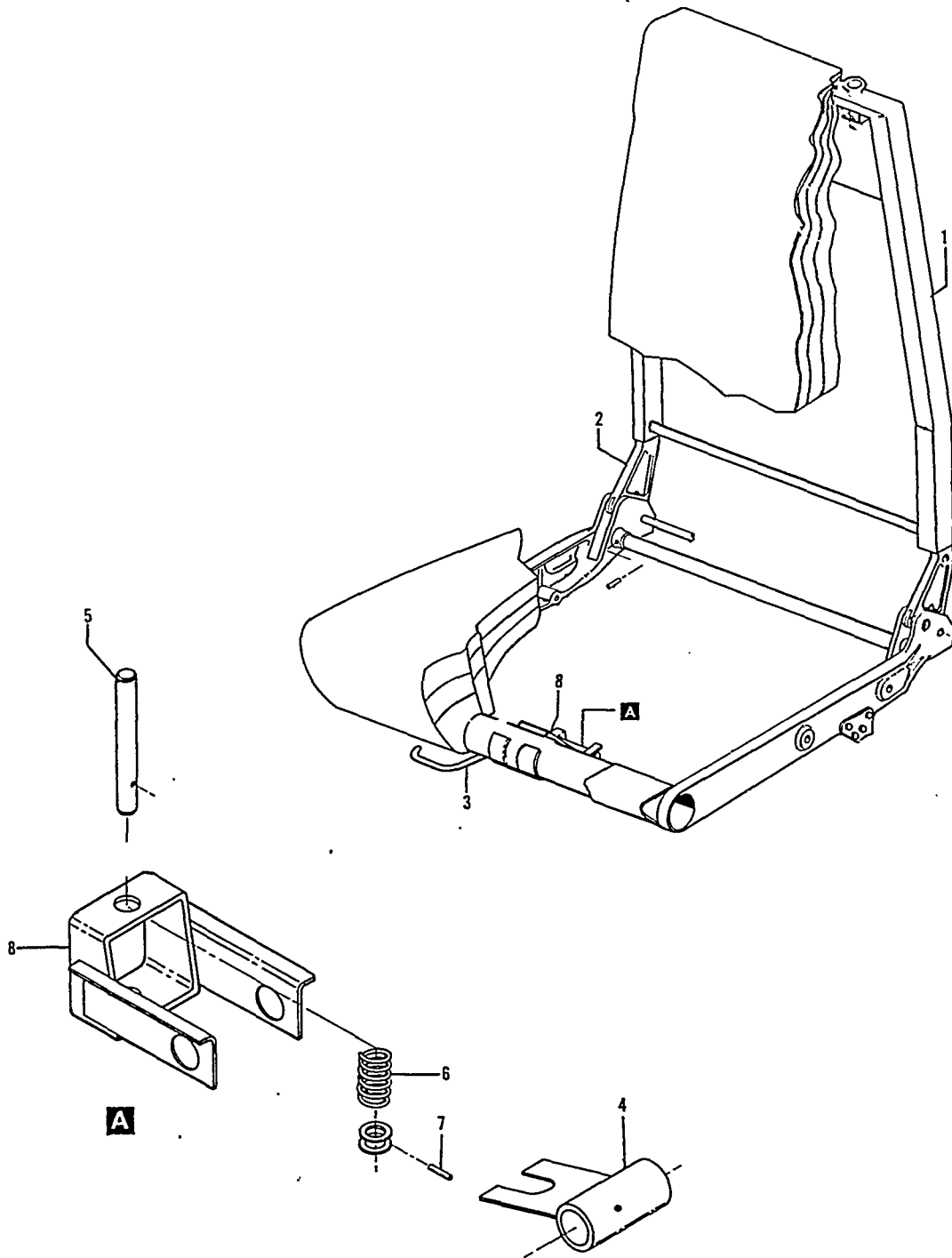
C O D E S O F E F F E C T I V I T Y

1	CE-919,CE-923	2	CE-932 AND AFTER
	CE-925,CE-927		
	CE-929 AND AFTER		
3	CE-919,CE-923	4	CE-1024 THRU CE-1167
	CE-925,CE-927		
	CE-929 THRU CE-931		
5	CE-919,CE-923	6	CE-1044 AND AFTER
	CE-925,CE-927		
	CE-929 THRU CE-1023		
7	CE-919,CE-923	8	CE-1168 AND AFTER
	CE-925,CE-927		
	CE-929 THRU CE-1043		
9	CE-919,CE-923	10	CE-1718 AND AFTER
	CE-925,CE-927		
	CE-929 THRU CE-1717		

BEECHCRAFT  
BONANZA 33  
ILLUSTRATED PARTS CATALOG

FIGURE 314  
PASSENGER SEATS  
CD-1235 THRU CD-1255, CE-290 THRU CE-349,  
CJ-26 THRU CJ-30

BEECHCRAFT  
BONANZA 33  
ILLUSTRATED PARTS CATALOG

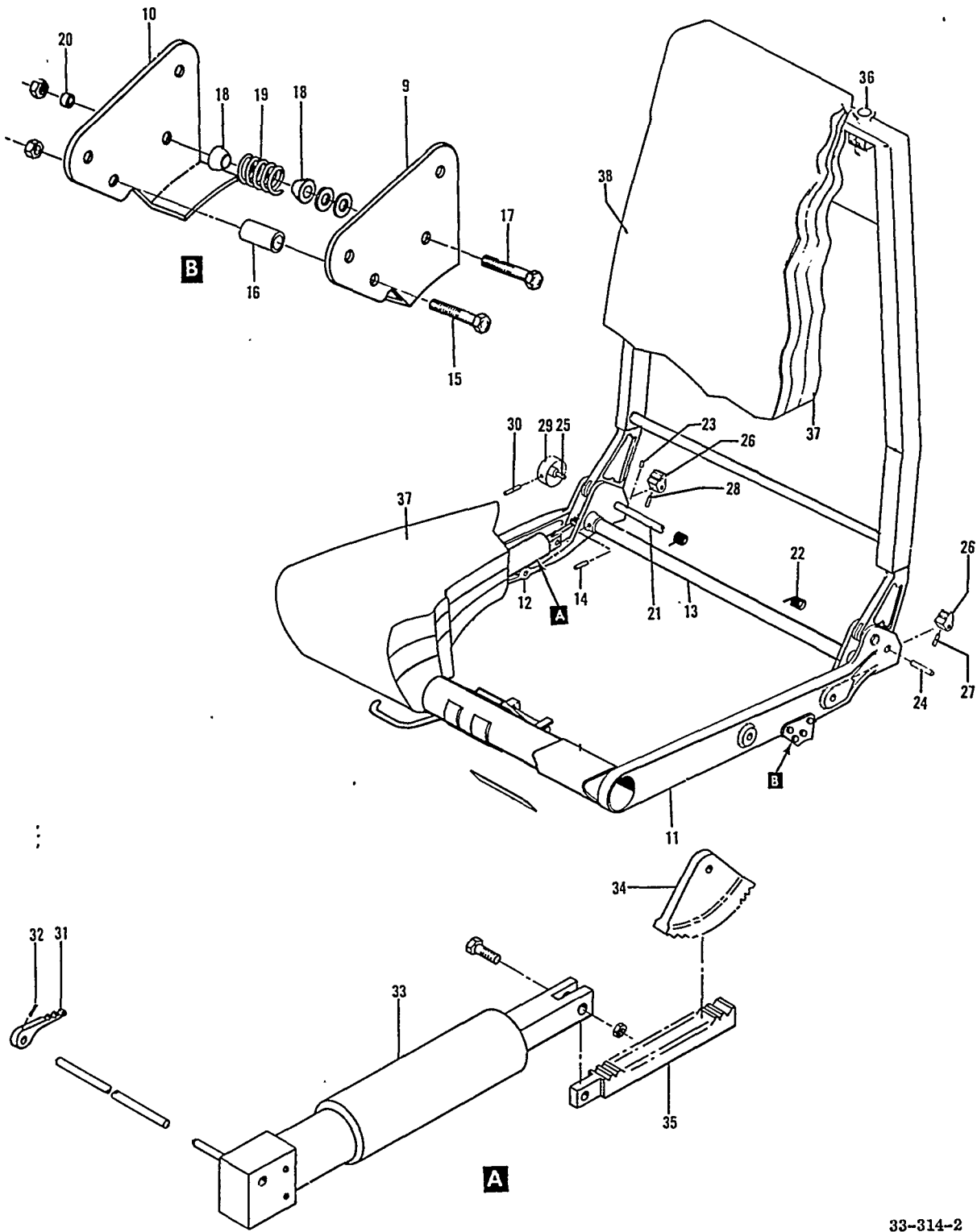


33-314-1

B E E C H C R A F T  
B O N A N Z A 3 3  
I L L U S T R A T E D P A R T S C A T A L O G

FIG. & ITEM NO.	PART- NO.	1 2 3 4 5 6 7	DESCRIPTION	UNITS PER ASSY	USABLE ON CODE
314	33-534038-5		SEATING INSTL,PASSENGERS /4 PLACE/ . . . . .	NP	1
			/WITH ARMRESTS/		
	33-534038-7		SEATING INSTL,PASSENGERS /5 PLACE/ . . . . .	NP	1
			/WITH ARMRESTS/		
	33-534038-9		SEATING INSTL,PASSENGERS /4 PLACE/ . . . . .	NP	1
			/WITHOUT ARMRESTS/		
	33-534038-11		SEATING INSTL,PASSENGERS /5 PLACE/ . . . . .	NP	1
			/WITHOUT ARMRESTS/		
	33-534048-5		SEATING INSTL,PASSENGERS /4 PLACE/ . . . . .	NP	5
			/WITHOUT ARMRESTS/		
	58-530040-3		SEAT INSTL,CAM ADJUSTABLE /STANDARD/ . . . . .	NP	2
	96-534071-3		SEAT INSTL,ROTON ADJUSTABLE /OPTIONAL/ . . . . .	NP	2
	33-534031-37		. SEAT INSTL,PASSENGERS /4 PLACE/ . . . . .	NP	1
	33-534031-39		. SEAT INSTL,PASSENGERS /5 PLACE/ . . . . .	NP	1
	35-534449-19		. . CHAIR ASSY,LH/CAM ADJUSTABLE/ . . . . .	1	6
	35-534449-27		. . CHAIR ASSY,LH/CAM ADJUSTABLE/ . . . . .	1	2
	35-534449-23		. . CHAIR ASSY,RH/CAM ADJUSTABLE/ . . . . .	1	6
	35-534449-29		. . CHAIR ASSY,RH/CAM ADJUSTABLE/ . . . . .	1	2
	35-534449-21		. . CHAIR ASSY,LH/ROTON ADJUSTABLE/ . . . . .	1	2
	35-534449-25		. . CHAIR ASSY,RH/ROTON ADJUSTABLE/ . . . . .	1	2
	96-534074-5		. . . FRAME ASSY,LH CHAIR . . . . .	1	6
	96-534074-43		. . . FRAME ASSY,LH /CAM ADJUSTABLE/ . . . . .	1	2
	96-534074-45		. . . FRAME ASSY,RH /CAM ADJUSTABLE/ . . . . .	1	2
	96-534074-7		. . . FRAME ASSY,RH CHAIR . . . . .	1	6
	96-534074-1		. . . FRAME ASSY,LH /ROTON ADJUSTABLE/ . . . . .	1	2
	96-534074-3		. . . FRAME ASSY,RH /ROTON ADJUSTABLE/ . . . . .	1	2
	58-530026-1		. . . . BACK ASSY,CHAIR /LH & RH/ . . . . .	2	3
			/ATTACHING PARTS/		
	NAS221-21		. . . . . SCREW . . . . .	2	
	100951X032HF		. . . . . WASHER /UNDER SCREW HEAD/ . . . . .	2	
	102933D4ZM0190		. . . . . SPACER . . . . .	2	
	AN960-10L		. . . . . WASHER . . . . .	2	
	22K2-02		. . . . . NUT,CAP . . . . .	2	
			*-----*		
- 1	58-530026-5		. . . . . WELD ASSY,CHAIR BACK . . . . .	1	3
- 2	60-530040-1		. . . . . ADAPTER . . . . .	2	3
			/ATTACHING PARTS/		
	AN525-10R14		. . . . . SCREW . . . . .	2	
	AN960-10L		. . . . . WASHER . . . . .	2	
	MS20364-1032		. . . . . NUT . . . . .	2	
			*-----*		
- 3	96-534074-23		. . . . . WELD ASSY,LH CHAIR HANDLE . . . . .	1	3
	96-534074-17		. . . . . WELD ASSY,RH CHAIR HANDLE . . . . .	1	6
	96-534074-19		. . . . . WELD ASSY,RH CHAIR HANDLE . . . . .	1	2
- 4	60-530013-11		. . . . . WELD ASSY . . . . .	1	3
			/ATTACHING PARTS/		
	MS171498		. . . . . PIN,ROLL . . . . .	2	
			*-----*		
	96-534074-9		. . . . . FRAME ASSY,CHAIR BOTTOM . . . . .	1	6
	96-534074-11		. . . . . FRAME ASSY,CHAIR BOTTOM . . . . .	1	2
- 5	36-530025-15		. . . . . PIN,SEAT ADJUSTING . . . . .	1	3
- 6	100943ZS027G		. . . . . SPRING . . . . .	1	3
- 7	1/16 X 1/2		. . . . . PIN,DRIVELOCK /TYPE E/ . . . . .	1	3
	AN960-416L		. . . . . WASHER . . . . .	2	3
- 8	96-534074-13		. . . . . WELD ASSY,FRONT LEG . . . . .	1	6
	96-534073-15		. . . . . WELD ASSY,FRONT LEG . . . . .	1	2
	96-534074-21		. . . . . WELD ASSY,REAR LEG . . . . .	1	4

BEECHCRAFT  
BONANZA 33  
ILLUSTRATED PARTS CATALOG

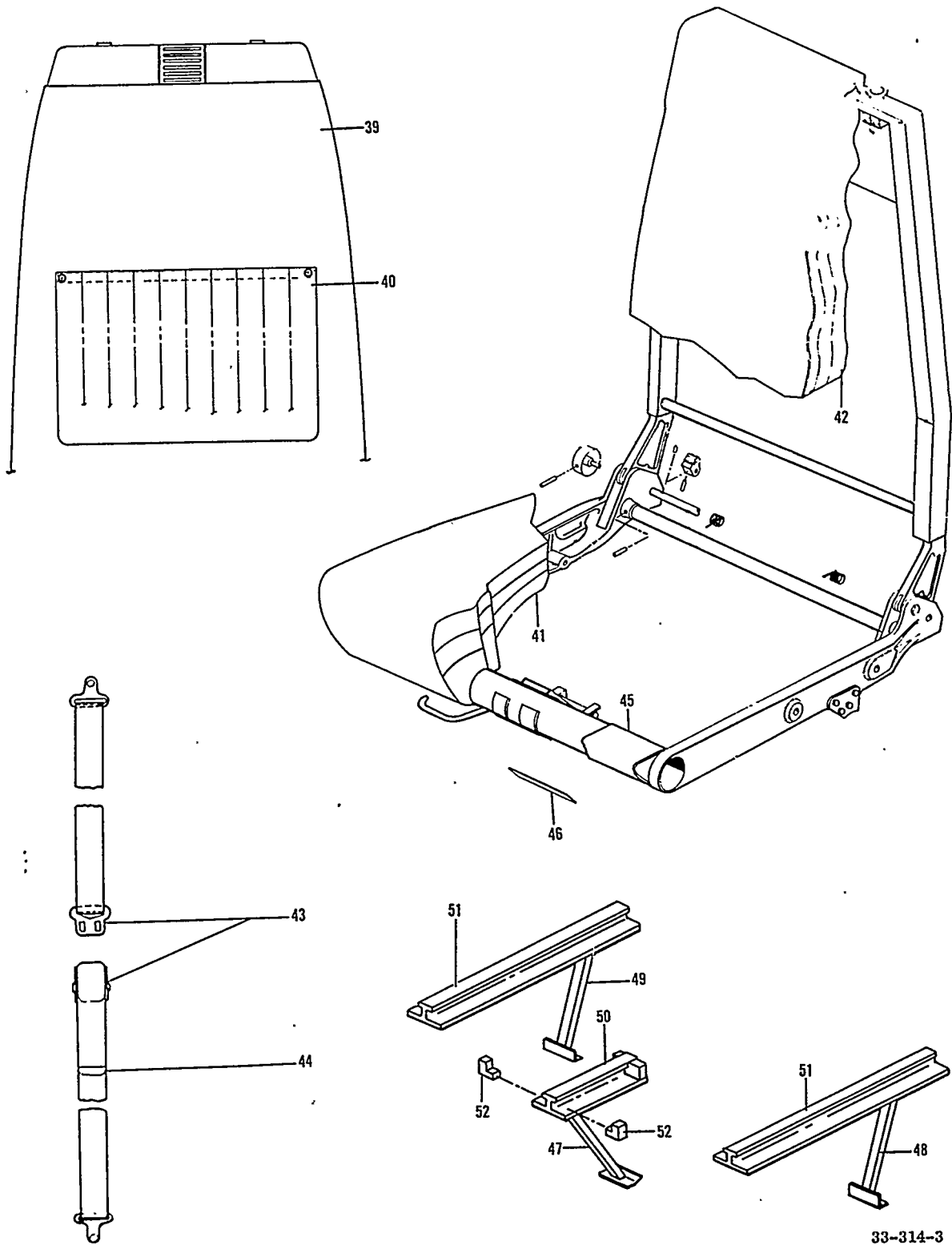


33-314-2

B E E C H C R A F T  
B O N A N Z A 3 3  
I L L U S T R A T E D P A R T S C A T A L O G

FIG. & ITEM NO.	PART NO.	1	2	3	4	5	6	7	DESCRIPTION	UNITS PER ASSY	USABLE ON CODE
314 - 9	36-530025-13	.	.	.	.	.	.	.	FOOT. . . . .	2	3
- 10	36-530025-14	.	.	.	.	.	.	.	FOOT. . . . .	2	3
		/ATTACHING PARTS/									
	AN3-14A/M/	.	.	.	.	.	.	.	BOLT. . . . .	2	
	AN960-10L	.	.	.	.	.	.	.	WASHER. . . . .	2	
	MS20365-1032	.	.	.	.	.	.	.	NUT . . . . .	2	
		*-----*									
- 11	60-530039-3	.	.	.	.	.	.	.	FRAME,LH SIDE . . . . .	1	3
	60-530039-1	.	.	.	.	.	.	.	FRAME,LH SIDE . . . . .	1	2
- 12	60-530039-4	.	.	.	.	.	.	.	FRAME,RH SIDE . . . . .	1	3
	60-530039-2	.	.	.	.	.	.	.	FRAME,RH SIDE . . . . .	1	2
- 13	36-530026-13	.	.	.	.	.	.	.	SUPPORT,CHAIR BOTTOM. . . . .	1	3
		/ATTACHING PARTS/									
- 14	MS171534	.	.	.	.	.	.	.	PIN . . . . .	2	
		*-----*									
- 15	AN3-14A/M/	.	.	.	.	.	.	.	BOLT. . . . .	2	3
- 16	102933D4ZJ1000	.	.	.	.	.	.	.	SPACER. . . . .	2	3
	AN960-10L	.	.	.	.	.	.	.	WASHER. . . . .	2	3
	MS20365-1032	.	.	.	.	.	.	.	NUT . . . . .	2	3
- 17	AN3-14A/M/	.	.	.	.	.	.	.	BOLT. . . . .	3	3
- 18	118641	.	.	.	.	.	.	.	ROLLER. . . . .	6	3
- 19	100943ZA016J	.	.	.	.	.	.	.	SPRING. . . . .	3	3
- 20	102933D4ZJ0190	.	.	.	.	.	.	.	SPACER. . . . .	3	3
	AN960-10L	.	.	.	.	.	.	.	WASHER. . . . .	6	3
	MS20365-1032	.	.	.	.	.	.	.	NUT . . . . .	3	3
	96-534073-9	.	.	.	.	.	.	.	SUPPORT INSTL,LH CHAIR BACK . . . . .	NP	3
	96-534073-10	.	.	.	.	.	.	.	SUPPORT INSTL,RH CHAIR BACK . . . . .	NP	3
- 21	60-530013-41	.	.	.	.	.	.	.	TUBE. . . . .	1	3
	60-530046-1	.	.	.	.	.	.	.	SPRING,OUTBD CHAIR /LH & RH/ . . . . .	1	3
- 22	60-530046-2	.	.	.	.	.	.	.	SPRING,INBD CHAIR /LH & RH/ . . . . .	1	3
- 23	MS171499	.	.	.	.	.	.	.	PIN,SPRING RETAINING. . . . .	2	3
- 24	60-530045	.	.	.	.	.	.	.	PIN,OUTBD . . . . .	1	3
- 25	60-530044	.	.	.	.	.	.	.	PIN,INBD. . . . .	1	3
- 26	60-530043	.	.	.	.	.	.	.	CAM . . . . .	2	3
- 27	MS171534	.	.	.	.	.	.	.	PIN . . . . .	1	3
- 28	MS171539	.	.	.	.	.	.	.	PIN . . . . .	1	3
- 29	60-530047	.	.	.	.	.	.	.	KNOB. . . . .	1	3
- 30	MS171507	.	.	.	.	.	.	.	PIN,KNOB ATTACHING. . . . .	1	3
- 31	60-530052-3	.	.	.	.	.	.	.	HANDLE /ROTON ADJUSTING ONLY/ . . . . .	1	2
- 32	MS171498	.	.	.	.	.	.	.	PIN . . . . .	1	2
- 33	60-530051-1	.	.	.	.	.	.	.	ACTUATOR ASSY /ROTON ADJUSTING/ . . . . .	1	2
		/ATTACHING PARTS/									
	NAS221-29	.	.	.	.	.	.	.	SCREW . . . . .	2	
	AN960-10L	.	.	.	.	.	.	.	WASHER. . . . .	2	
	MS20365-1C32	.	.	.	.	.	.	.	NUT . . . . .	2	
		*-----*									
- 34	60-530054-1	.	.	.	.	.	.	.	RACK ASSY,GEAR /ROTON ADJUSTING ONLY/ . . . . .	1	2
- 35	60-530041-1	.	.	.	.	.	.	.	GEAR /ROTON ADJUSTING ONLY/ . . . . .	1	2
	NAS221-21	.	.	.	.	.	.	.	SCREW . . . . .	2	2
	100951X032WF	.	.	.	.	.	.	.	SPACER /NEXT TO HEAD/ . . . . .	2	2
	102933D4ZM0190	.	.	.	.	.	.	.	SPACER. . . . .	2	2
	AN960-10L	.	.	.	.	.	.	.	WASHER. . . . .	2	2
	22K2-02	.	.	.	.	.	.	.	NUT . . . . .	2	2
- 36	130010	.	.	.	.	.	.	.	MOULDING. . . . .	2	3
- 37	35-534449-63	.	.	.	.	.	.	.	COVER ASSY,SEAT BOTTOM. . . . .	1	3
- 38	35-534449-47	.	.	.	.	.	.	.	COVER ASSY,SEAT BACK. . . . .	1	3

BEECHCRAFT  
BONANZA 33  
ILLUSTRATED PARTS CATALOG



33-314-3

FIGURE 314. PASSENGER SEATS  
/SHEET 3 OF 3 SHEETS/

B E E C H C R A F T  
B O N A N Z A 3 3  
I L L U S T R A T E D P A R T S C A T A L O G

FIG. & ITEM NO.	PART NO.	1	2	3	4	5	6	7	DESCRIPTION	UNITS PER ASSY	USABLE ON CODE
314	35-534449-43	.	.	.	.	.	.	.	SHELL ASSY,LH SEAT. . . . .	1	3
	35-534449-44	.	.	.	.	.	.	.	SHELL ASSY,RH SEAT. . . . .	1	3
		/ATTACHING PARTS/									
	NAS387-6-10P	.	.	.	.	.	.	.	SCREW . . . . .	6	
	NAS391-6P	.	.	.	.	.	.	.	WASHER. . . . .	6	
		*-----*									
- 39	35-534453-3	.	.	.	.	.	.	.	SHELL,LH. . . . .	1	3
	35-534453-4	.	.	.	.	.	.	.	SHELL,RH. . . . .	1	3
	35-534453-1	.	.	.	.	.	.	.	SHELL /ROTON ADJUSTING /LH & RH/. . . . .	1	2
- 40	35-534449-51	.	.	.	.	.	.	.	POCKET ASSY . . . . .	1	3
		/ATTACHING PARTS/									
	NAS384-6-6P	.	.	.	.	.	.	.	SCREW . . . . .	2	
	NAS391-6P	.	.	.	.	.	.	.	WASHER. . . . .	2	
		*-----*									
- 41	58-530072-1	.	.	.	.	.	.	.	CUSHION ASSY,SEAT BOTTOM. . . . .	1	3
	58-530072-3	.	.	.	.	.	.	.	CUSHION ASSY,SEAT BOTTOM. . . . .	1	3
- 42	35-534449-39	.	.	.	.	.	.	.	CUSHION ASSY,SEAT BACK. . . . .	1	3
	130498C19-32	.	.	.	.	.	.	.	SEAT BELT ASSY. . . . .	1	3
- 43	CS4000W/265-4	.	.	.	.	.	.	.	BUCKLE ASSY . . . . .	1	3
	50-534733-1	.	.	.	.	.	.	.	PLACARD,BUCKLE. . . . .	1	3
- 44	D611A	.	.	.	.	.	.	.	TIP . . . . .	1	3
- 45	36-530023-17	.	.	.	.	.	.	.	EXTENSION,CHAIR BOTTOM. . . . .	1	3
		/ATTACHING PARTS/									
	ANS30-6R5	.	.	.	.	.	.	.	SCREW . . . . .	10	
		*-----*									
- 46	130569	.	.	.	.	.	.	.	PLATE,SEAT IDENTIFICATION . . . . .	1	3
		/ATTACHING PARTS/									
	PK65A4-5	.	.	.	.	.	.	.	SCREW . . . . .	2	
		*-----*									
- 47	96-420016-35	.	.	.	.	.	.	.	SUPPORT ASSY,LH CENTER TRACK. . . . .	1	3
	96-420016-36	.	.	.	.	.	.	.	SUPPORT ASSY,RH CENTER TRACK. . . . .	1	3
- 48	33-534031-11	.	.	.	.	.	.	.	SUPPORT ASSY,LH OUTBD SEAT TRACK. . . . .	1	3
- 49	33-534031-17	.	.	.	.	.	.	.	SUPPORT ASSY,LH INBD SEAT TRACK . . . . .	1	3
	33-534031-12	.	.	.	.	.	.	.	SUPPORT ASSY,RH INBD & OUTBD SEAT TRACK . . . . .	2	3
		/ATTACHING PARTS/									
	SLSP-T6-5	.	.	.	.	.	.	.	BOLT. . . . .	2	
	6LC-C6	.	.	.	.	.	.	.	COLLAR. . . . .	2	
		*-----*									
- 50	33-534031-9	.	.	.	.	.	.	.	TRACK,CENTER SEAT /LH & RH/ /4 PLACE/ . . . . .	2	3
	33-534031-19	.	.	.	.	.	.	.	TRACK,RH CENTER SEAT /5 PLACE/. . . . .	1	4
	33-534031-21	.	.	.	.	.	.	.	TRACK,LH CENTER SEAT /5 PLACE/. . . . .	1	4
- 51	33-534031-31	.	.	.	.	.	.	.	TRACK,REAR SIDE /LH & RH/ /3 & 4 PLACE/ . . . . .	4	6
	95-420015-145	.	.	.	.	.	.	.	TRACK,REAR SIDE /LH & RH/ /3 & 4 PLACE/ . . . . .	4	2
		/ATTACHING PARTS/									
	AN509-10R8	.	.	.	.	.	.	.	SCREW . . . . .	AR	
	AN960-10	.	.	.	.	.	.	.	WASHER. . . . .	AR	
	130909N29	.	.	.	.	.	.	.	NUT . . . . .	AR	
		*-----*									
- 52	414-180657-3	.	.	.	.	.	.	.	STOP,TRACK SEAT . . . . .	8	3
		/ATTACHING PARTS/									
	NAS221-21	.	.	.	.	.	.	.	SCREW . . . . .	1	
	130909N29	.	.	.	.	.	.	.	NUT . . . . .	1	
		*-----*									
	35-534452-1	.	.	.	.	.	.	.	HEADREST ASSY,PASSENGERS /SEE FIG.324/. . . . .	2	3
	58-530041-23	.	.	.	.	.	.	.	COVER,SEAT BOTTOM /GREEN TENT CLOTH/. . . . .	2	3
	58-530041-25	.	.	.	.	.	.	.	COVER,SEAT BACK /GREEN TENT CLOTH/. . . . .	2	3
	58-5009-1	.	.	.	.	.	.	.	KIT,SHOULDER HARNESS/3RD & 4TH SEATS/ . . . . .	1	7
	58-5009-5	.	.	.	.	.	.	.	KIT,SHOULDER HARNESS/5TH SEATS/ . . . . .	1	8
	58-5009-7	.	.	.	.	.	.	.	KIT,SHOULDER HARNESS/6TH SEATS/ . . . . .	1	8

C O D E S O F E F F E C T I V I T Y

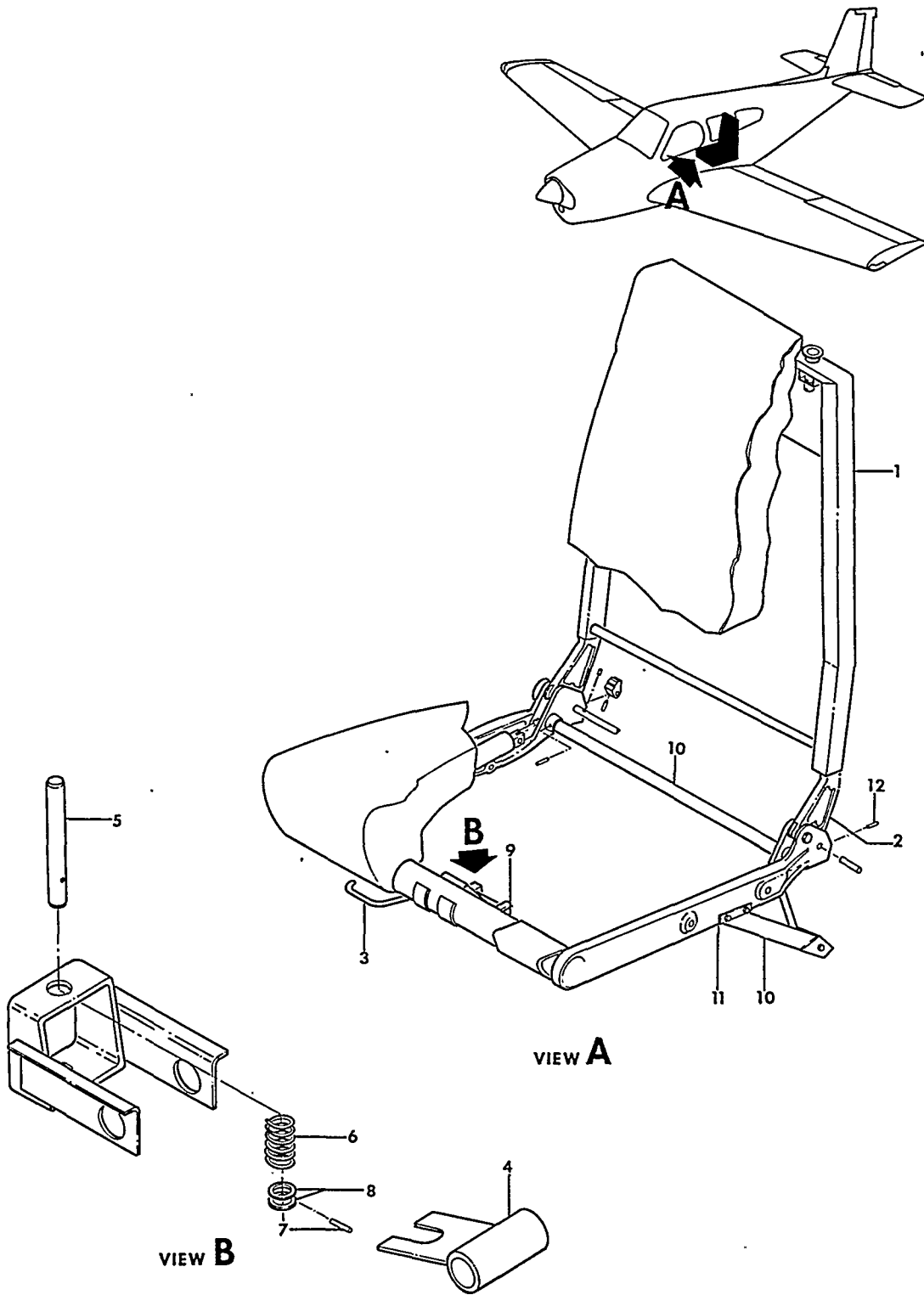
1	CD-1235 THRU CD-1255	2	CE-316 THRU CE-349
	CE-290 THRU CE-315		
3	CD-1235 THRU CD-1255	4	CD-1235 THRU CD-1255
	CE-290 THRU CE-349		CE-290 THRU CE-349
	CJ-26 THRU CJ-30		
5	CJ-26 THRU CJ-30	6	CD-1235 THRU CD-1255
			CE-290 THRU CE-315
			CJ-26 THRU CJ-30
7	CE-290 THRU CE-349	8	CE-316 THRU CE-349
	CJ-26 THRU CJ-30		



BEECHCRAFT  
BONANZA 33  
ILLUSTRATED PARTS CATALOG

FIGURE 314A  
PASSENGER SEATS  
CE-350 THRU CE-610

BEECHCRAFT  
BONANZA 33  
ILLUSTRATED PARTS CATALOG

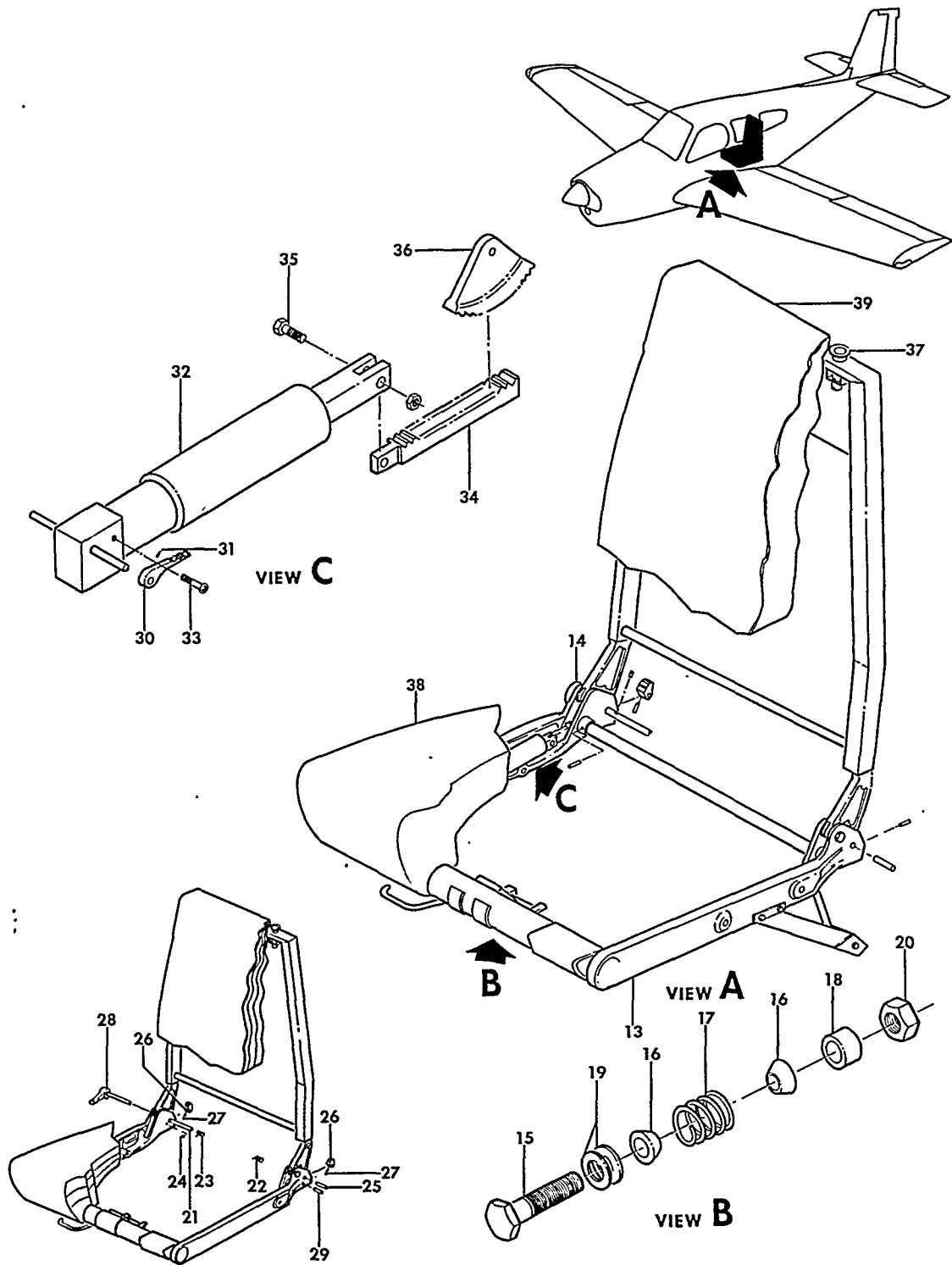


33-314A-29

B E E C H C R A F T  
B O N A N Z A 3 3  
I L L U S T R A T E D P A R T S C A T A L O G

FIG. & ITEM NO.	PART NO.	DESCRIPTION							UNITS PER ASSY	USABLE ON CODE	
		1	2	3	4	5	6	7			
314A	58-530108-15	SEAT ASSY,LH/CAM ADJUSTABLE/	.	.	.	.	.	.	1	1	
	58-530184-13	SEAT ASSY,LH/CAM ADJUSTABLE/	.	.	.	.	.	.	1	2	
	58-530108-17	SEAT ASSY,LH/ROTON ADJUSTABLE/	.	.	.	.	.	.	1	1	
	58-530184-15	SEAT ASSY,LH/ROTON ADJUSTABLE/	.	.	.	.	.	.	1	2	
	58-530108-29	SEAT ASSY,RH/CAM ADJUSTABLE/	.	.	.	.	.	.	1	1	
	58-530184-23	SEAT ASSY,RH/CAM ADJUSTABLE/	.	.	.	.	.	.	1	2	
	58-530108-31	SEAT ASSY,RH/ROTON ADJUSTABLE/	.	.	.	.	.	.	1	1	
	58-530184-25	SEAT ASSY,RH/ROTON ADJUSTABLE/	.	.	.	.	.	.	1	2	
	96-534074-1	FRAME ASSY,LH/ROTON ADJUSTABLE/	.	.	.	.	.	.	1	1	
	96-534137-1	FRAME ASSY,LH/ROTON ADJUSTABLE/	.	.	.	.	.	.	1	2	
	96-534074-3	FRAME ASSY,RH/ROTON ADJUSTABLE/	.	.	.	.	.	.	1	1	
	96-534137-3	FRAME ASSY,RH/ROTON ADJUSTABLE/	.	.	.	.	.	.	1	2	
	96-534074-43	FRAME ASSY,LH/CAM ADJUSTABLE/	.	.	.	.	.	.	1	1	
	96-534137-5	FRAME ASSY,LH/CAM ADJUSTABLE/	.	.	.	.	.	.	1	2	
	96-534074-45	FRAME ASSY,RH/CAM ADJUSTABLE/	.	.	.	.	.	.	1	1	
	96-534137-7	FRAME ASSY,RH/CAM ADJUSTABLE/	.	.	.	.	.	.	1	2	
	58-530026-39	FRAME ASSY,SEAT BACK.	.	.	.	.	.	.	1	3	
		/ATTACHING PARTS/									
		NAS221-24	SCREW	.	.	.	.	.	.	2	
		100951X032WF	WASHER	.	.	.	.	.	.	2	
		102933D4ZM0190	SPACER	.	.	.	.	.	.	2	
		AN960-10L	WASHER	.	.	.	.	.	.	2	
		22K2-02	NUT,CAP	.	.	.	.	.	.	2	
	- 1	58-530026-49	WELD ASSY,SEAT BACK	.	.	.	.	.	.	1	3
	- 2	60-530040-1	ADAPTER	.	.	.	.	.	.	2	3
		/ATTACHING PARTS/									
		AN525-10R14	SCREW	.	.	.	.	.	.	2	
		AN960-10L	WASHER	.	.	.	.	.	.	2	
		MS20364-1032	NUT	.	.	.	.	.	.	2	
	- 3	96-534074-23	HANDLE,LH SEAT.	.	.	.	.	.	.	1	3
		96-534074-19	HANDLE,RH SEAT.	.	.	.	.	.	.	1	1
	96-534074-23	HANDLE,RH SEAT.	.	.	.	.	.	.	1	2	
	/ATTACHING PARTS/										
	MS171498	PIN,ROLL.	.	.	.	.	.	.	2		
- 4	60-530013-11	WELD ASSY	.	.	.	.	.	.	1	1	
	36-530026-53	WELD ASSY	.	.	.	.	.	.	1	2	
	96-534074-11	FRAME ASSY,SEAT BOTTOM.	.	.	.	.	.	.	1	1	
	96-534137-9	FRAME ASSY,LH SEAT BOTTOM	.	.	.	.	.	.	1	2	
	96-534137-11	FRAME ASSY,RH SEAT BOTTOM	.	.	.	.	.	.	1	2	
- 5	36-530025-15	PIN	.	.	.	.	.	.	1	3	
- 6	100943ZS027G	SPRING	.	.	.	.	.	.	1	3	
- 7	1/16 X 1/2	PIN/TYPE E/	.	.	.	.	.	.	1	3	
- 8	AN960-416L	WASHER	.	.	.	.	.	.	2	3	
- 9	96-534074-15	LEG ASSY,FRONT/WELDED/	.	.	.	.	.	.	1	3	
- 10	96-534074-21	LEG ASSY,REAR/WELDED/	.	.	.	.	.	.	1	1	
	96-534137-13	LEG ASSY,REAR/WELDED/	.	.	.	.	.	.	1	2	
	/ATTACHING PARTS/										
- 11	AN3-14A	BOLT	.	.	.	.	.	.	4		
	AN960-10L	WASHER	.	.	.	.	.	.	4		
	130909N29	NUT	.	.	.	.	.	.	4		
- 12	MS171534	PIN,ROLL.	.	.	.	.	.	.	2		

BEECHCRAFT  
 BONANZA 33  
 ILLUSTRATED PARTS CATALOG

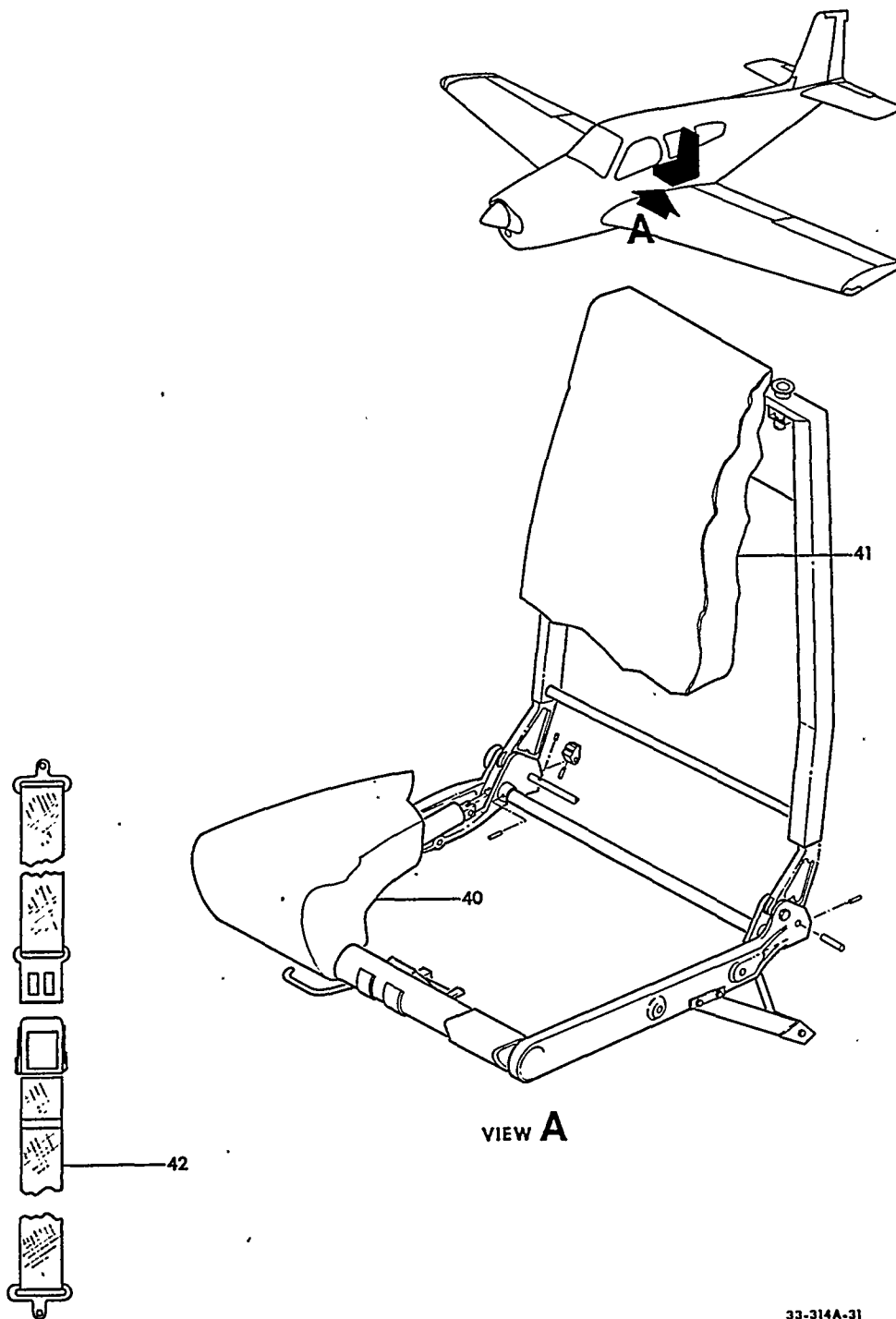


33-314A-30

B E E C H C R A F T  
B O N A N Z A 3 3  
I L L U S T R A T E D P A R T S C A T A L O G

FIG. & ITEM NO.	PART NO.	1	2	3	4	5	6	7	DESCRIPTION	UNITS PER ASSY	USABLE ON CODE
314A - 13	60-530039-3	.	.	.	.	.	.	.	FRAME,LH SIDE	1	3
- 14	60-530039-4	.	.	.	.	.	.	.	FRAME,RH SIDE	1	3
- 15	AN3-14A	.	.	.	.	.	.	.	BOLT	3	3
- 16	118641	.	.	.	.	.	.	.	ROLLER	6	3
- 17	100943ZA016J	.	.	.	.	.	.	.	SPRING	3	3
- 18	102933D4ZJ0190	.	.	.	.	.	.	.	SPACER	3	3
- 19	AN960-10L	.	.	.	.	.	.	.	WASHER	6	3
- 20	130909N29	.	.	.	.	.	.	.	NUT	3	3
	96-534073-9	.	.	.	.	.	.	.	SUPPORT INSTL,LH SEAT BACK/CAM ADJUSTING/	NP	3
	96-534073-10	.	.	.	.	.	.	.	SUPPORT INSTL,RH SEAT BACK/CAM ADJUSTING/	NP	3
- 21	60-530013-41	.	.	.	.	.	.	.	TUBE	1	3
- 22	60-530046-1	.	.	.	.	.	.	.	SPRING,LH	1	3
- 23	60-530046-2	.	.	.	.	.	.	.	SPRING,RH	1	3
- 24	MS171499	.	.	.	.	.	.	.	PIN,SPRING RETAINING	2	3
- 25	60-530045	.	.	.	.	.	.	.	PIN	1	3
- 26	60-530043-5	.	.	.	.	.	.	.	CAM	2	3
- 27	MS171539	.	.	.	.	.	.	.	PIN,ROLL	2	3
- 28	58-530045-2	.	.	.	.	.	.	.	HANDLE ASSY,LH SEAT	1	3
	58-530045-1	.	.	.	.	.	.	.	HANDLE ASSY,RH SEAT	1	3
- 29	MS171532	.	.	.	.	.	.	.	PIN,ROLL	2	3
- 30	60-530052-3	.	.	.	.	.	.	.	HANDLE/ROTON ADJUSTING/ /ATTACHING PARTS/	1	3
- 31	MS171498	.	.	.	.	.	.	.	PIN,ROLL	1	3
- 32	60-530051-1	.	.	.	.	.	.	.	ACTUATOR ASSY/ROTON ADJUSTING/ /ATTACHING PARTS/	1	3
- 33	NAS221-30	.	.	.	.	.	.	.	BOLT	2	
	AN960-10L	.	.	.	.	.	.	.	WASHER	2	
	130909N29	.	.	.	.	.	.	.	NUT	2	
- 34	60-530054-1	.	.	.	.	.	.	.	RACK ASSY,GEAR/ROTON ADJUSTING/ /ATTACHING PARTS/	1	3
- 35	130909B36	.	.	.	.	.	.	.	BOLT	1	
	AN960B416	.	.	.	.	.	.	.	WASHER	1	
- 36	60-530041-1	.	.	.	.	.	.	.	GEAR/ROTON ADJUSTING/	1	3
	130906TC-BC065	.	.	.	.	.	.	.	TUBE,ACTUATOR COVER	1	3
- 37	130010	.	.	.	.	.	.	.	MOULDING/ALTERNATE FOR 130010-1/	2	3
	130010-1	.	.	.	.	.	.	.	MOULDING/ALTERNATE FOR 130010/	2	3
- 38	58-530108-43	.	.	.	.	.	.	.	COVER ASSY,SEAT BOTTOM	1	1
	58-530184-37	.	.	.	.	.	.	.	COVER ASSY,SEAT BOTTOM	1	2
- 39	58-530108-45	.	.	.	.	.	.	.	COVER ASSY,SEAT BACK	1	1
	58-530184-39	.	.	.	.	.	.	.	COVER ASSY,SEAT BACK	1	2
	58-530108-47	.	.	.	.	.	.	.	SHELL ASSY,LH SEAT/CAM ADJUSTING/	1	1
	58-530184-51	.	.	.	.	.	.	.	SHELL ASSY,LH SEAT/CAM ADJUSTING/	1	2
	58-530108-48	.	.	.	.	.	.	.	SHELL ASSY,RH SEAT/CAM ADJUSTING/	1	1
	58-530184-52	.	.	.	.	.	.	.	SHELL ASSY,RH SEAT/CAM ADJUSTING/	1	2
	58-530108-49	.	.	.	.	.	.	.	SHELL ASSY,LH & RH SEAT/ROTON ADJUSTING/	1	1
	58-530184-53	.	.	.	.	.	.	.	SHELL ASSY,LH & RH SEAT/ROTON ADJUSTING/ /ATTACHING PARTS/	1	2
	NAS387-6-10P	.	.	.	.	.	.	.	SCREW	6	
	NAS391-6P	.	.	.	.	.	.	.	WASHER	6	
	58-530108-51	.	.	.	.	.	.	.	POCKET ASSY	1	1
	58-530184-55	.	.	.	.	.	.	.	POCKET ASSY /ATTACHING PARTS/	1	2
	NAS384-6-6P	.	.	.	.	.	.	.	SCREW	2	
	NAS391-6P	.	.	.	.	.	.	.	WASHER	2	

BEECHCRAFT  
BONANZA 33  
ILLUSTRATED PARTS CATALOG



33-314A-31

B E E C H C R A F T  
B O N A N Z A 3 3  
I L L U S T R A T E D P A R T S C A T A L O G

FIG. & ITEM NO.	PART NO.	DESCRIPTION	UNITS PER ASSY	USABLE ON CODE
		1 2 3 4 5 6 7		
314A - 40	58-530082-3	. CUSHION ASSY,SEAT BOTTOM. . . . .	1	1
	58-530185-1	. CUSHION ASSY,SEAT BOTTOM. . . . .	1	2
- 41	58-530080-1	. CUSHION ASSY,SEAT BACK. . . . .	1	1
	58-530186-1	. CUSHION ASSY,SEAT BACK. . . . .	1	2
- 42	130498C19-32	. BELT ASSY,SEAT. . . . .	1	3
	002-430021-39	TRACK,INBD & OUTBD SEAT . . . . .	4	3
	002-430021-5	TRACK,CENTER SEAT . . . . .	2	3
	002-430013-31	STOP,SEAT FWD . . . . .	12	3
		/ATTACHING PARTS/		
	MS27039-1-20	SCREW . . . . .	1	
	130909N29	NUT . . . . .	1	
		-----*		
	33-534051-3	STOP,SEAT AFT . . . . .	2	3
		/ATTACHING PARTS/		
	LA3S-R1 030	PIN . . . . .	1	
		-----*		
	58-530120-1	HEADREST ASSY/SEE FIGURE 324/ . . . . .	2	3
	60-530139-119	ARMREST INSTL/SEE FIGURE 327/ . . . . .	NP	3
	58-5009-1	KIT,SHOULDER HARNESS/3RD & 4TH SEATS/ . . . . .	1	3

C O D E S O F E F F E C T I V I T Y

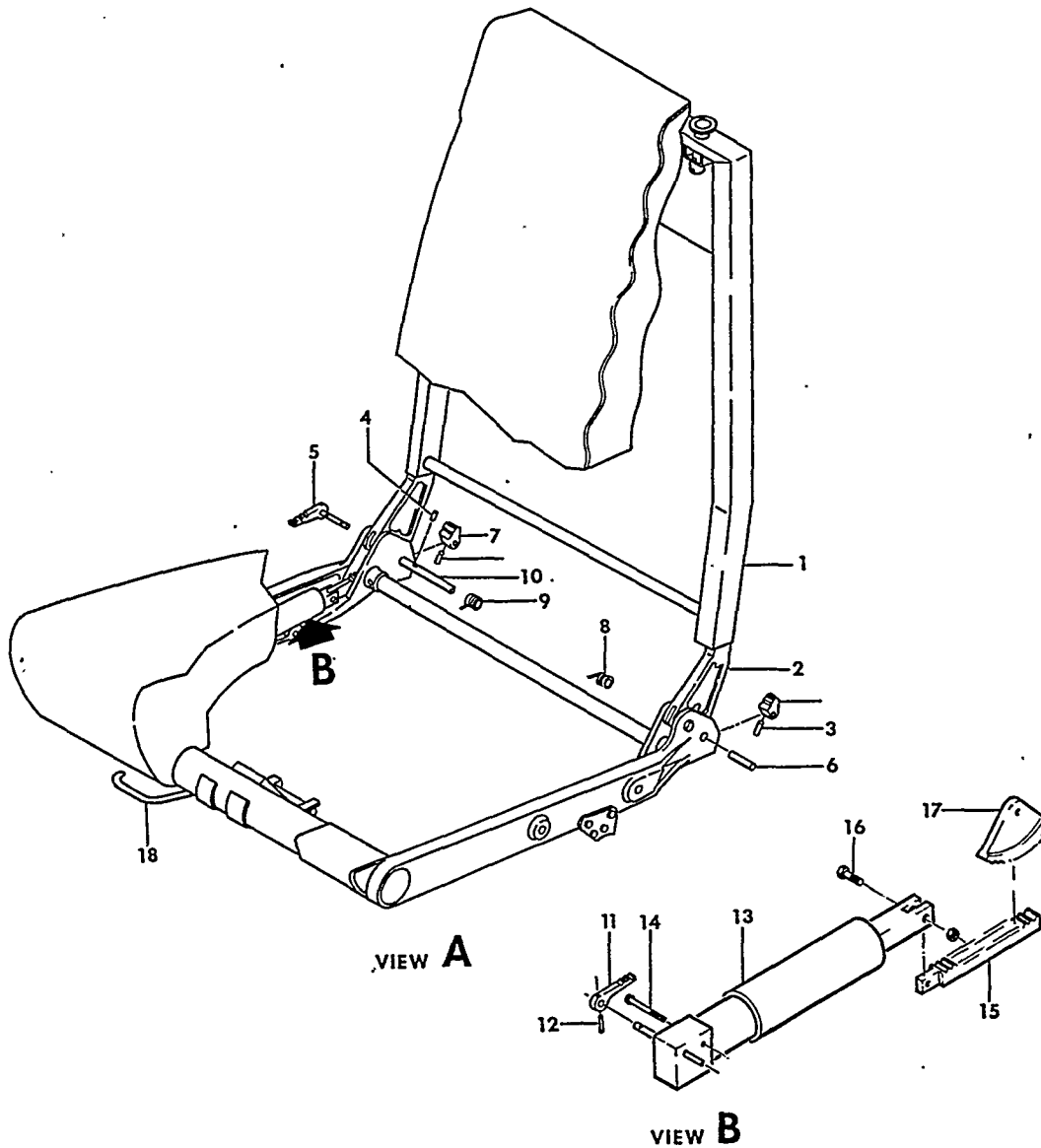
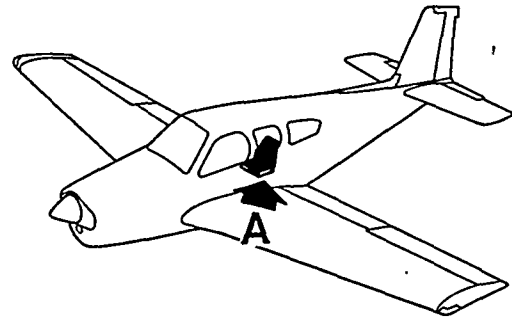
- 1 CE-350 THRU CE-464    2 CE-465 THRU CE-610  
3 CE-350 THRU CE-610

BEECHCRAFT  
BONANZA 33  
ILLUSTRATED PARTS CATALOG

FIGURE 314B  
PASSENGER SEATS  
CD-1256 THRU CD-1304  
CJ-31 THRU CJ-51



BEECHCRAFT  
BONANZA 33  
ILLUSTRATED PARTS CATALOG

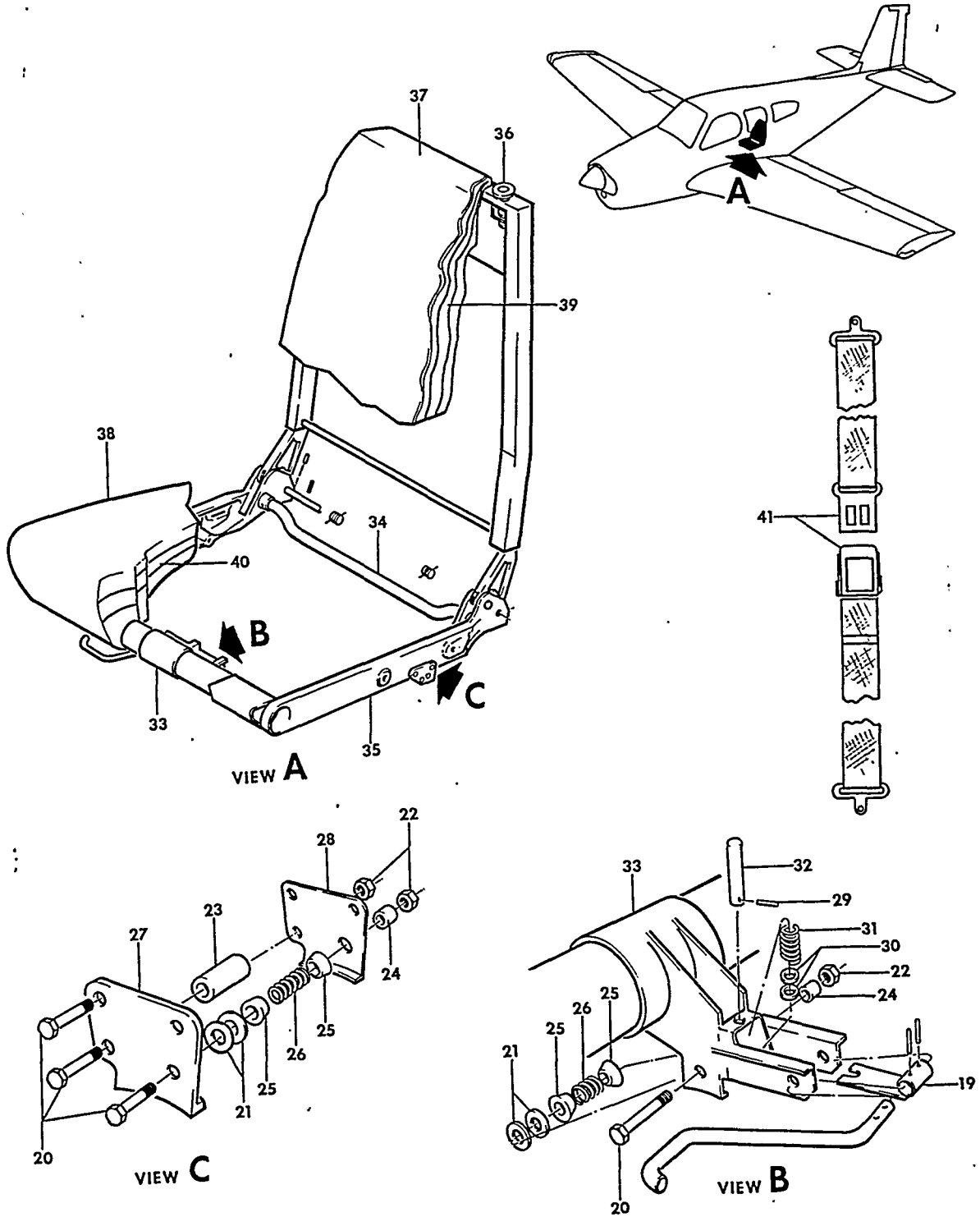


33-3148-32

B E E C H C R A F T  
B O N A N Z A 3 3  
I L L U S T R A T E D P A R T S C A T A L O G

FIG. & ITEM NO.	PART NO.	DESCRIPTION	UNITS PER ASSY	USABLE ON CODE
		1 2 3 4 5 6 7		
3148	58-530108-23	SEAT ASSY,LH/CAM ADJUSTING/ . . . . .	1	1
	58-530108-25	SEAT ASSY,LH/ROTON ADJUSTING/ . . . . .	1	1
	58-530108-37	SEAT ASSY,RH/CAM ADJUSTING/ . . . . .	1	1
	58-530108-41	SEAT ASSY,RH/ROTON ADJUSTING/ . . . . .	1	1
	96-534074-5	• FRAME ASSY,LH SEAT/CAM ADJUSTING/ . . . . .	1	1
	96-534074-49	• FRAME ASSY,LH SEAT/ROTON ADJUSTING/ . . . . .	1	1
	96-534074-7	• FRAME ASSY,RH SEAT/CAM ADJUSTING/ . . . . .	1	1
	96-534074-47	• FRAME ASSY,RH SEAT/ROTON ADJUSTING/ . . . . .	1	1
	58-530026-1	• • BACK ASSY,SEAT . . . . .	1	1
		/ATTACHING PARTS/		
		• • SCREW . . . . .	2	
		• • WASHER . . . . .	2	
		• • SPACER . . . . .	2	
		• • WASHER . . . . .	2	
		• • NUT,CAP . . . . .	2	
- 1	58-530026-5	• • • WELD ASSY,SEAT BACK . . . . .	1	1
	/ATTACHING PARTS/			
	• • • SCREW . . . . .	4		
	• • • WASHER . . . . .	4		
	• • • NUT . . . . .	4		
- 2	60-530040-1	• • • ADAPTER . . . . .	2	1
	96-534073-9	• • SUPPORT INSTL,LH SEAT BACK/CAM ADJUSTING/ . . . . .	NP	1
	96-534073-10	• • SUPPORT INSTL,RH SEAT BACK/CAM ADJUSTING/ . . . . .	NP	1
- 3	MS171539	• • • PIN,ROLL . . . . .	2	1
- 4	MS171499	• • • PIN,ROLL/SPRING RETAINING/ . . . . .	2	1
- 5	58-530045-2	• • • HANDLE ASSY,LH SEAT . . . . .	1	1
	58-530045-1	• • • HANDLE ASSY,RH SEAT . . . . .	1	1
- 6	60-530045	• • • PIN . . . . .	1	1
- 7	60-530043-5	• • • CAM . . . . .	2	1
- 8	60-530046-1	• • • SPRING,LH . . . . .	1	1
- 9	60-530046-2	• • • SPRING,RH . . . . .	1	1
- 10	60-530013-41	• • • TUBE . . . . .	1	1
- 11	60-530052-3	• • HANDLE,ACTUATOR/ROTON ADJUSTING/ . . . . .	1	1
	/ATTACHING PARTS/			
- 12	MS171498	• • PIN,ROLL . . . . .	1	
- 13	60-530051-1	• • ACTUATOR ASSY/ROTON ADJUSTING/ . . . . .	1	1
	/ATTACHING PARTS/			
- 14	NAS221-30	• • SCREW . . . . .	2	
	AN960-10L	• • WASHER . . . . .	2	
	130909N29	• • NUT . . . . .	2	
- 15	60-530054-1	• • RACK,GEAR/ROTON ADJUSTING/ . . . . .	1	1
	/ATTACHING PARTS/			
- 16	130909B36	• • BOLT . . . . .	1	
- 17	60-530041-1	• • GEAR/ROTON ADJUSTING/ . . . . .	1	1
- 18	96-534074-23	• • HANDLE,LH SEAT . . . . .	1	1
	96-534074-17	• • HANDLE,RH SEAT . . . . .	1	1
	/ATTACHING PARTS/			
	MS171498	• • PIN,ROLL . . . . .	2	

BEECHCRAFT  
 BONANZA 33  
 ILLUSTRATED PARTS CATALOG



33-314B-33

B E E C H C R A F T  
B O N A N Z A 3 3  
I L L U S T R A T E D P A R T S C A T A L O G

FIG. & ITEM NO.	PART NO.	1	2	3	4	5	6	7	DESCRIPTION	UNITS PER ASSY	USABLE ON CODE
3148 - 19	60-530013-11	.	.	.	.	.	.	.	WELD ASSY . . . . .	1	1
	96-534074-9	.	.	.	.	.	.	.	FRAME ASSY, SEAT BOTTOM . . . . .	1	1
- 20	AN3-14A	.	.	.	.	.	.	.	BOLT . . . . .	9	1
- 21	AN960-10L	.	.	.	.	.	.	.	WASHER . . . . .	12	1
- 22	130909N29	.	.	.	.	.	.	.	NUT . . . . .	9	1
- 23	10293304ZJ1000	.	.	.	.	.	.	.	SPACER . . . . .	2	1
- 24	10293304ZJ0190	.	.	.	.	.	.	.	SPACER . . . . .	3	1
- 25	118641	.	.	.	.	.	.	.	ROLLER . . . . .	6	1
- 26	100943ZA016J	.	.	.	.	.	.	.	SPRING . . . . .	3	1
- 27	36-530025-13	.	.	.	.	.	.	.	FOOT, LH . . . . .	2	1
- 28	36-530025-14	.	.	.	.	.	.	.	FOOT, RH . . . . .	2	1
- 29	1/2 X 1/16	.	.	.	.	.	.	.	PIN/TYPE E/ . . . . .	1	1
- 30	AN960-416L	.	.	.	.	.	.	.	WASHER . . . . .	2	1
- 31	100943ZS027G	.	.	.	.	.	.	.	SPRING . . . . .	1	1
- 32	36-530025-15	.	.	.	.	.	.	.	PIN, SEAT ADJUSTING . . . . .	1	1
- 33	96-534074-13	.	.	.	.	.	.	.	LEG ASSY, FRONT/WELDED/ . . . . .	1	1
- 34	36-530026-13	.	.	.	.	.	.	.	SUPPORT, SEAT BOTTOM . . . . .	1	1
		.	.	.	.	.	.	.	/ATTACHING PARTS/		
	MS171534	.	.	.	.	.	.	.	PIN, ROLL . . . . .	2	
		.	.	.	.	.	.	.	*-----*		
- 35	60-530039-3	.	.	.	.	.	.	.	FRAME, LH . . . . .	1	1
	60-530039-4	.	.	.	.	.	.	.	FRAME, RH . . . . .	1	1
	58-530108-47	.	.	.	.	.	.	.	SHELL ASSY, LH SEAT/CAM ADJUSTING/ . . . . .	1	1
	58-530108-48	.	.	.	.	.	.	.	SHELL ASSY, RH SEAT/CAM ADJUSTING/ . . . . .	1	1
	58-530108-49	.	.	.	.	.	.	.	SHELL ASSY, LH & RH SEAT/ROTON ADJUSTING/ . . . . .	1	1
		.	.	.	.	.	.	.	/ATTACHING PARTS/		
	NAS387-6-10P	.	.	.	.	.	.	.	SCREW . . . . .	6	
	NAS391-6P	.	.	.	.	.	.	.	WASHER . . . . .	6	
		.	.	.	.	.	.	.	*-----*		
	58-530108-51	.	.	.	.	.	.	.	POCKET ASSY . . . . .	1	1
		.	.	.	.	.	.	.	/ATTACHING PARTS/		
	NAS384-6-6P	.	.	.	.	.	.	.	SCREW . . . . .	2	
	NAS391-6P	.	.	.	.	.	.	.	WASHER . . . . .	2	
		.	.	.	.	.	.	.	*-----*		
	35-534453-3	.	.	.	.	.	.	.	SHELL, LH SEAT/CAM ADJUSTING/ . . . . .	1	1
	35-534453-4	.	.	.	.	.	.	.	SHELL, RH SEAT/CAM ADJUSTING/ . . . . .	1	1
	35-534453-1	.	.	.	.	.	.	.	SHELL, LH & RH SEAT/ROTON ADJUSTING/ . . . . .	1	1
- 36	130010	.	.	.	.	.	.	.	MOULDING, HEADREST/ALTERNATE FOR 130010-1/ . . . . .	2	1
	130010-1	.	.	.	.	.	.	.	MOULDING, HEADREST/ALTERNATE FOR 130010/ . . . . .	2	1
- 37	58-530108-45	.	.	.	.	.	.	.	COVER ASSY, SEAT BACK . . . . .	1	1
- 38	58-530108-43	.	.	.	.	.	.	.	COVER ASSY, SEAT BOTTOM . . . . .	1	1
- 39	58-530080-1	.	.	.	.	.	.	.	CUSHION ASSY, SEAT BACK . . . . .	1	1
- 40	58-530082-3	.	.	.	.	.	.	.	CUSHION ASSY, SEAT BOTTOM . . . . .	1	1
- 41	130498C19-32	.	.	.	.	.	.	.	BELT ASSY, SEAT . . . . .	1	1
	58-530108-61	.	.	.	.	.	.	.	SLING, SEAT BACK . . . . .	1	1
	58-530108-65	.	.	.	.	.	.	.	SLING, SEAT BOTTOM . . . . .	1	1
	33-534031-21	.	.	.	.	.	.	.	TRACK, LH SEAT CENTER . . . . .	1	2
	002-430021-17	.	.	.	.	.	.	.	TRACK, RH SEAT CENTER . . . . .	1	2
	002-430021-17	.	.	.	.	.	.	.	TRACK, LH & RH SEAT CENTER . . . . .	2	3
	002-430021-41	.	.	.	.	.	.	.	TRACK, LH & RH SEAT OUTBD & INBD . . . . .	4	1
	002-430013-31	.	.	.	.	.	.	.	STOP, SEAT . . . . .	16	1
		.	.	.	.	.	.	.	/ATTACHING PARTS/		
	MS27039-1-20	.	.	.	.	.	.	.	SCREW . . . . .	1	
	130909N29	.	.	.	.	.	.	.	NUT . . . . .	1	
		.	.	.	.	.	.	.	*-----*		
	58-530120-1	.	.	.	.	.	.	.	HEADREST ASSY/SEE FIGURE 324/ . . . . .	2	1
	58-5009-1	.	.	.	.	.	.	.	KIT, SHOULDER HARNESS/3RD & 4TH SEATS/ . . . . .	1	4

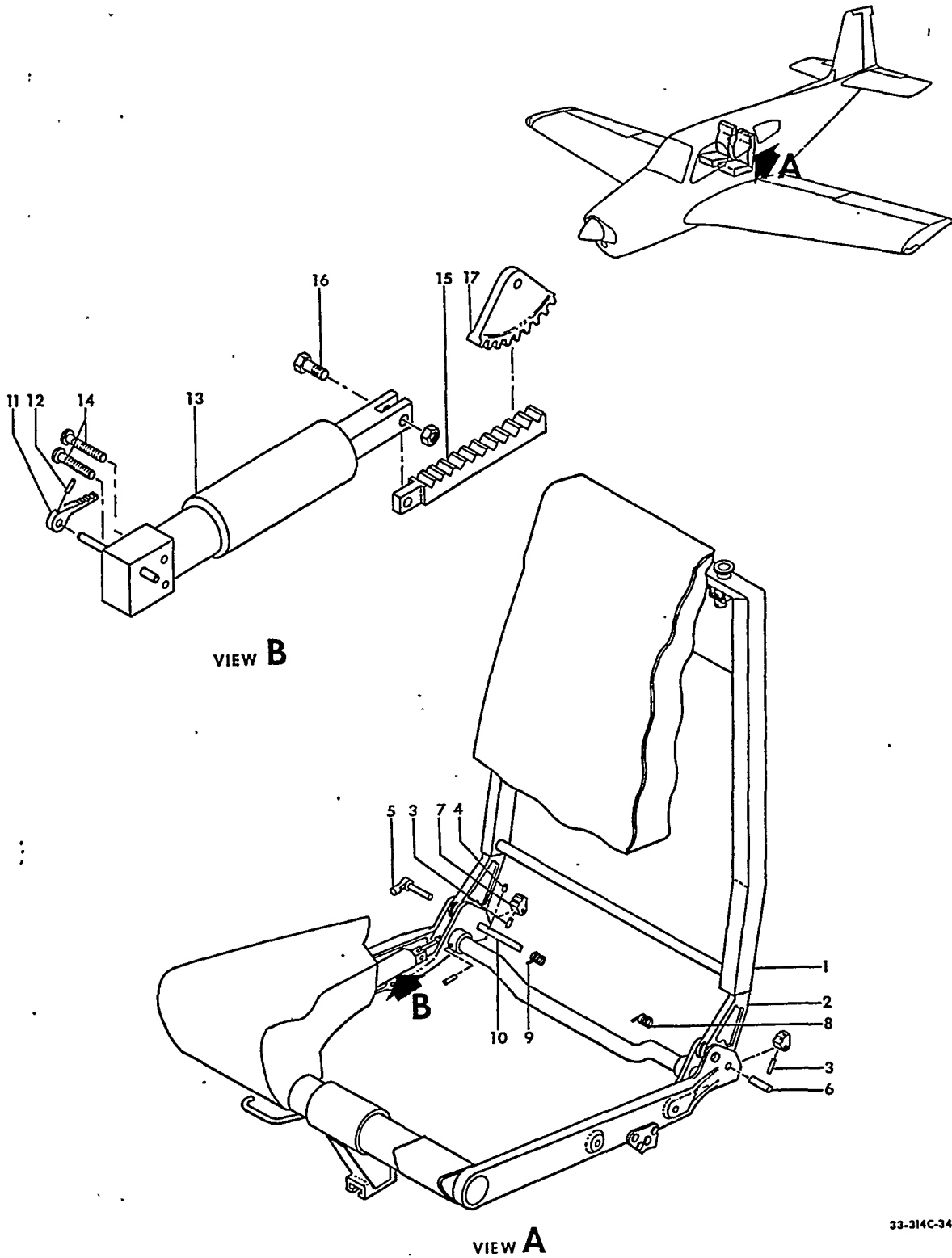
C O D E S O F E F F E C T I V I T Y

1 CD-1256 THRU CD-1304 2 CD-1256 THRU CD-1304  
CJ-31 THRU CJ-51  
3 CJ-31 THRU CJ-51 4 CD-1257 THRU CD-1304  
CJ-31 THRU CJ-51

BEECHCRAFT  
BONANZA 33  
ILLUSTRATED PARTS CATALOG

FIGURE 314C  
PASSENGER SEATS  
CE-611 THRU CE-633  
CJ-52 THRU CJ-128

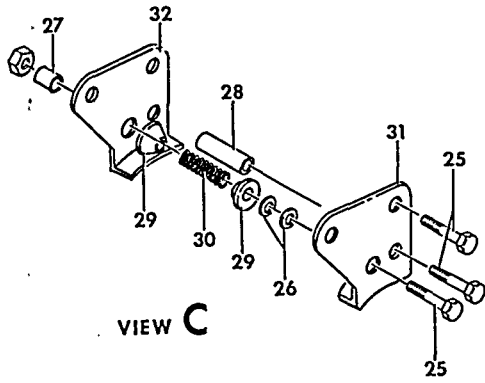
BEECHCRAFT  
BONANZA 33  
ILLUSTRATED PARTS CATALOG



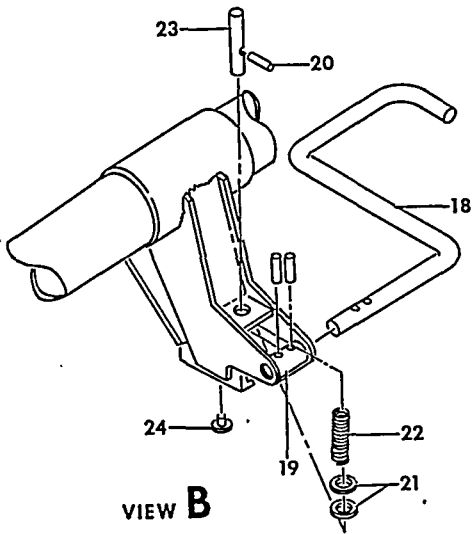
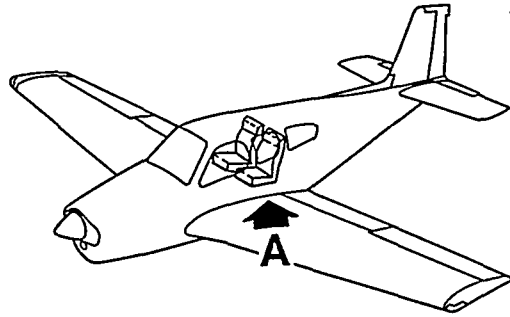
B E E C H C R A F T  
B O N A N Z A 3 3  
I L L U S T R A T E D P A R T S C A T A L O G

FIG. & ITEM NO.	PART NO.	DESCRIPTION							UNITS PER ASSY	USABLE ON CODE	
		1	2	3	4	5	6	7			
314C	58-530184-17	SEAT ASSY,LH/CAM ADJUSTABLE/	.	.	.	.	.	.	1	1	
	58-530184-19	SEAT ASSY,LH/ROTON ADJUSTABLE/	.	.	.	.	.	.	1	1	
	58-530184-27	SEAT ASSY,RH/CAM ADJUSTABLE/	.	.	.	.	.	.	1	1	
	58-530184-29	SEAT ASSY,RH/ROTON ADJUSTABLE/	.	.	.	.	.	.	1	1	
	58-530242-1	SEAT ASSY,LH/CAM ADJUSTABLE/	.	.	.	.	.	.	1	2	
	58-530242-3	SEAT ASSY,LH/ROTON ADJUSTABLE/	.	.	.	.	.	.	1	2	
	58-530242-5	SEAT ASSY,RH/CAM ADJUSTABLE/	.	.	.	.	.	.	1	2	
	58-530242-7	SEAT ASSY,RH/ROTON ADJUSTABLE/	.	.	.	.	.	.	1	2	
	58-530190-5	• FRAME ASSY,LH SEAT/CAM ADJUSTABLE/	.	.	.	.	.	.	1	3	
	58-530190-1	• FRAME ASSY,LH SEAT/ROTON ADJUSTABLE/	.	.	.	.	.	.	1	3	
	58-530190-7	• FRAME ASSY,RH SEAT/CAM ADJUSTABLE/	.	.	.	.	.	.	1	3	
	58-530190-3	• FRAME ASSY,RH SEAT/ROTON ADJUSTABLE/	.	.	.	.	.	.	1	3	
	58-530026-39	• • FRAME ASSY,SEAT BACK.	.	.	.	.	.	.	1	3	
			/ATTACHING PARTS/								
		NAS221-24	• • SCREW	.	.	.	.	.	.	2	
		100951X032WF	• • WASHER	.	.	.	.	.	.	2	
		102933D4ZM0190	• • SPACER	.	.	.	.	.	.	2	
	AN960-10L	• • WASHER	.	.	.	.	.	.	4		
	22K2-02	• • NUT,CAP	.	.	.	.	.	.	2		
		*-----*									
- 1	60-530040-1	• • ADAPTER	.	.	.	.	.	.	2	3	
		/ATTACHING PARTS/									
	AN525-10R14	• • SCREW	.	.	.	.	.	.	2		
	AN960-10L	• • WASHER	.	.	.	.	.	.	2		
	130909N29	• • NUT	.	.	.	.	.	.	2		
		*-----*									
- 2	58-530026-49	• • WELD ASSY,SEAT BACK	.	.	.	.	.	.	1	3	
	96-534073-9	• • SUPPORT INSTL,LH SEAT BACK/CAM ADJUSTABLE/	.	.	.	.	.	.	NP	3	
	96-534073-10	• • SUPPORT INSTL,RH SEAT BACK/CAM ADJUSTABLE/	.	.	.	.	.	.	NP	3	
- 3	MS171539	• • PIN,ROLL	.	.	.	.	.	.	2	3	
- 4	MS171499	• • PIN,ROLL/SPRING RETAINING/	.	.	.	.	.	.	2	3	
- 5	58-530045-2	• • HANDLE ASSY,LH SEAT	.	.	.	.	.	.	1	3	
	58-530045-1	• • HANDLE ASSY,RH SEAT	.	.	.	.	.	.	1	3	
- 6	60-530045	• • PIN	.	.	.	.	.	.	1	3	
- 7	60-530043-5	• • CAM	.	.	.	.	.	.	2	3	
- 8	60-530046-1	• • SPRING,LH	.	.	.	.	.	.	1	3	
- 9	60-530046-2	• • SPRING,RH	.	.	.	.	.	.	1	3	
- 10	60-530013-41	• • TUBE	.	.	.	.	.	.	1	3	
- 11	60-530052-3	• • HANDLE,ACTUATOR/ROTON ADJUSTABLE/	.	.	.	.	.	.	1	3	
		/ATTACHING PARTS/									
- 12	MS171498	• • PIN,ROLL	.	.	.	.	.	.	1		
		*-----*									
- 13	60-530051-1	• • ACTUATOR ASSY/ROTON ADJUSTABLE/	.	.	.	.	.	.	1	3	
		/ATTACHING PARTS/									
- 14	NAS221-29	• • SCREW	.	.	.	.	.	.	2		
	AN960-10L	• • WASHER	.	.	.	.	.	.	2		
	130909N29	• • NUT	.	.	.	.	.	.	2		
		*-----*									
- 15	60-530054-1	• • RACK,GEAR/ROTON ADJUSTABLE/	.	.	.	.	.	.	1	3	
		/ATTACHING PARTS/									
- 16	130909B36	• • BOLT	.	.	.	.	.	.	1		
	AN960B416	• • WASHER	.	.	.	.	.	.	1		
		*-----*									
- 17	60-530041-1	• • GEAR/ROTON ADJUSTABLE/	.	.	.	.	.	.	1	3	
	130906TC-BC065	• • TUBE,ROTON ACTUATOR PROTECTIVE	.	.	.	.	.	.	1	3	

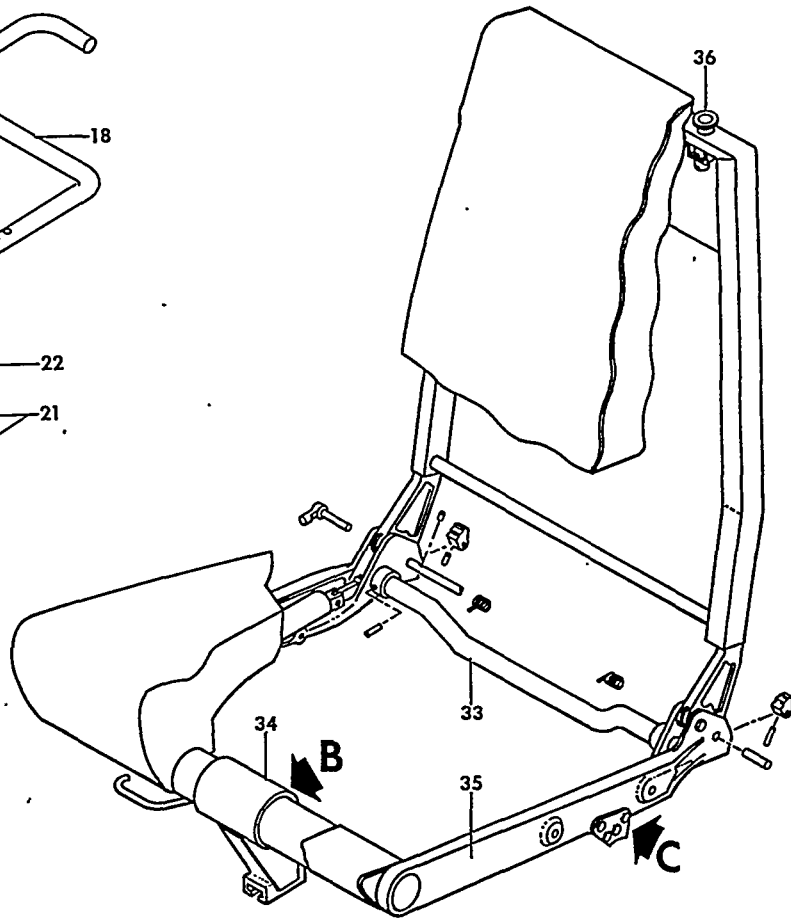
BEECHCRAFT  
 BONANZA 33  
 ILLUSTRATED PARTS CATALOG



VIEW C



VIEW B



VIEW A

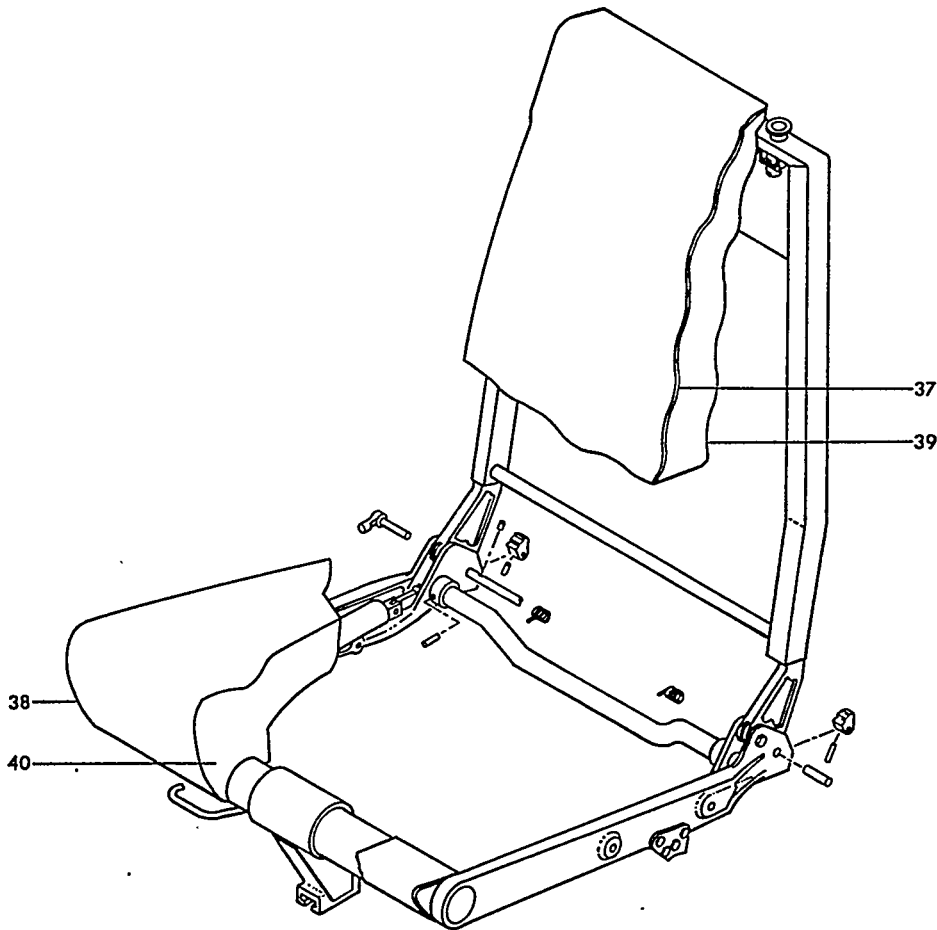
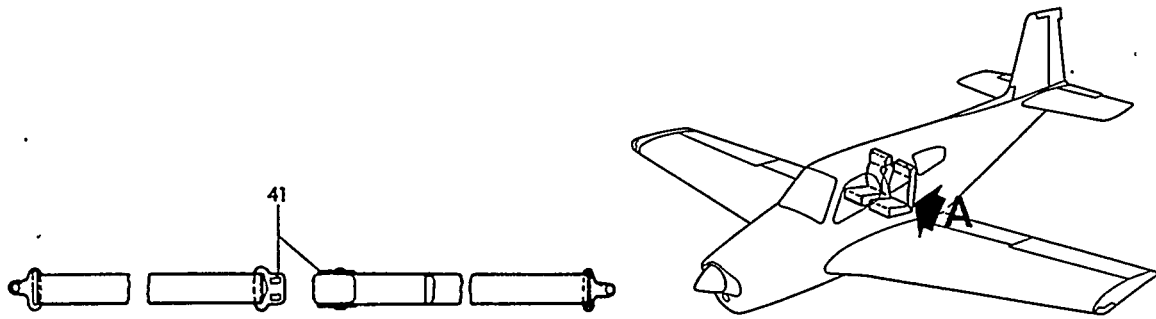
33-314C-35



B E E C H C R A F T  
B O N A N Z A 3 3  
I L L U S T R A T E D P A R T S C A T A L O G

FIG. & ITEM NO.	PART NO.	1 2 3 4 5 6 7	DESCRIPTION	UNITS PER ASSY	USABLE ON CODE
314C	58-530190-13	. . .	FRAME ASSY, SEAT BOTTOM.	1	3
- 18	96-534074-23	. . .	HANDLE.	1	3
	MS171498	. . .	/ATTACHING PARTS/ PIN, ROLL.	2	
- 19	102-530088-1	. . .	WELD ASSY	1	3
- 20	1/16 X 1/2	. . .	PIN, TYPE E.	1	3
- 21	AN960-416L	. . .	WASHER.	2	3
- 22	100943ZS027G	. . .	SPRING.	1	3
- 23	36-530026-49	. . .	PIN	1	3
- 24	36-530026-57	. . .	BUTTON.	1	3
- 25	AN3-14A	. . .	BOLT.	8	3
- 26	AN960-10L 130909N29	. . .	WASHER. NUT	10 8	3 3
- 27	102933D4ZJ0190	. . .	SPACER.	2	3
- 28	102933D4ZJ1000	. . .	SPACER.	2	3
- 29	118641	. . .	ROLLER.	4	3
- 30	100943ZA016J	. . .	SPRING.	2	3
- 31	36-530026-9	. . .	FOOT, LH	2	3
- 32	36-530026-10	. . .	FOOT, RH	2	3
- 33	36-530025-27	. . .	SUPPORT	1	3
	MS171535	. . .	/ATTACHING PARTS/ PIN, ROLL.	2	
- 34	58-530190-17	. . .	LEG ASSY, SEAT FWD	1	3
- 35	60-530039-3	. . .	FRAME, LH.	1	3
	60-530039-4	. . .	FRAME, RH.	1	3
	58-530184-51	. . .	SHELL ASSY, LH SEAT/CAM ADJUSTABLE/	1	1
	58-530184-52	. . .	SHELL ASSY, RH SEAT/CAM ADJUSTABLE/	1	1
	58-530184-53	. . .	SHELL ASSY, LH & RH SEAT/ROTON ADJUSTABLE/	1	1
	NAS387-632-10P	. . .	/ATTACHING PARTS/ SCREW	6	
	NAS391-6P	. . .	WASHER.	6	
	58-534184-55	. . .	POCKET ASSY	1	1
	NAS387-632-10P	. . .	/ATTACHING PARTS/ SCREW	2	
	NAS391-6P	. . .	WASHER.	2	
	MS20365-632	. . .	NUT	2	
	101-530294-15	. . .	POCKET ASSY	1	2
	NAS684-6-6P	. . .	/ATTACHING PARTS/ SCREW	2	
	NAS391-6P	. . .	WASHER.	2	
- 36	131354-1	. . .	MOULDING, HEADREST/ALTERNATE FOR 131354-3/	2	3
	131354-3	. . .	MOULDING, HEADREST/ALTERNATE FOR 131354-1/	2	3

BEECHCRAFT  
BONANZA 33  
ILLUSTRATED PARTS CATALOG



VIEW A

33-314C-36

B E E C H C R A F T  
B O N A N Z A 3 3  
I L L U S T R A T E D P A R T S C A T A L O G

FIG. & ITEM NO.	PART NO.	DESCRIPTION	UNITS PER ASSY	USABLE ON CODE
		1 2 3 4 5 6 7		
314C - 37	58-530184-39	• COVER ASSY,SEAT BACK. . . . .	1	1
	58-530242-13	• COVER ASSY,SEAT BACK. . . . .	1	2
- 38	58-530184-37	• COVER ASSY,SEAT BOTTOM. . . . .	1	1
	102-530095-19	• COVER ASSY,SEAT BOTTOM. . . . .	1	2
- 39	58-530186-1	• CUSHION ASSY,SEAT BACK. . . . .	1	1
	102-530096-1	• CUSHION ASSY,SEAT BACK. . . . .	1	2
- 40	58-530185-1	• CUSHION ASSY,SEAT BOTTOM. . . . .	1	3
- 41	130498C19-32	• BELT ASSY,SEAT. . . . .	1	3
	58-530184-61	• SLING,SEAT BACK . . . . .	1	1
	102-530095-29	• SLING,SEAT BACK . . . . .	1	2
	58-530184-63	• SLING,SEAT BOTTOM . . . . .	1	1
	102-530095-31	• SLING,SEAT BOTTOM . . . . .	1	2
	60-530139-119	• ARMREST INSTL/SEE FIGURE 327/ . . . . .	NP	3
	58-530120-1	HEADREST ASSY/SEE FIGURE 324/ . . . . .	AR	3
	002-430021-57	TRACK,SEAT CENTER . . . . .	2	3
	002-430021-59	TRACK,SEAT INBD & OUTBD . . . . .	4	3
		/ATTACHING PARTS/		
	MS24694S50	SCREW . . . . .	6	
	AN960PD10L	WASHER. . . . .	4	
	130909N29	NUT . . . . .	4	
		*-----*		
	002-430013-31	STOP,FWD SEAT . . . . .	12	3
		/ATTACHING PARTS/		
	MS27039-1-20	SCREW . . . . .	1	
	130909N29	NUT . . . . .	1	
		*-----*		
	58-530231-1	STOP,AFT SEAT/CENTER TRACK/ . . . . .	2	3
		/ATTACHING PARTS/		
	LA3S-R1 030	PIN . . . . .	1	
		*-----*		
	58-5009-1	KIT,SHOULDER HARNESS/3RD & 4TH SEATS/ . . . . .	1	3

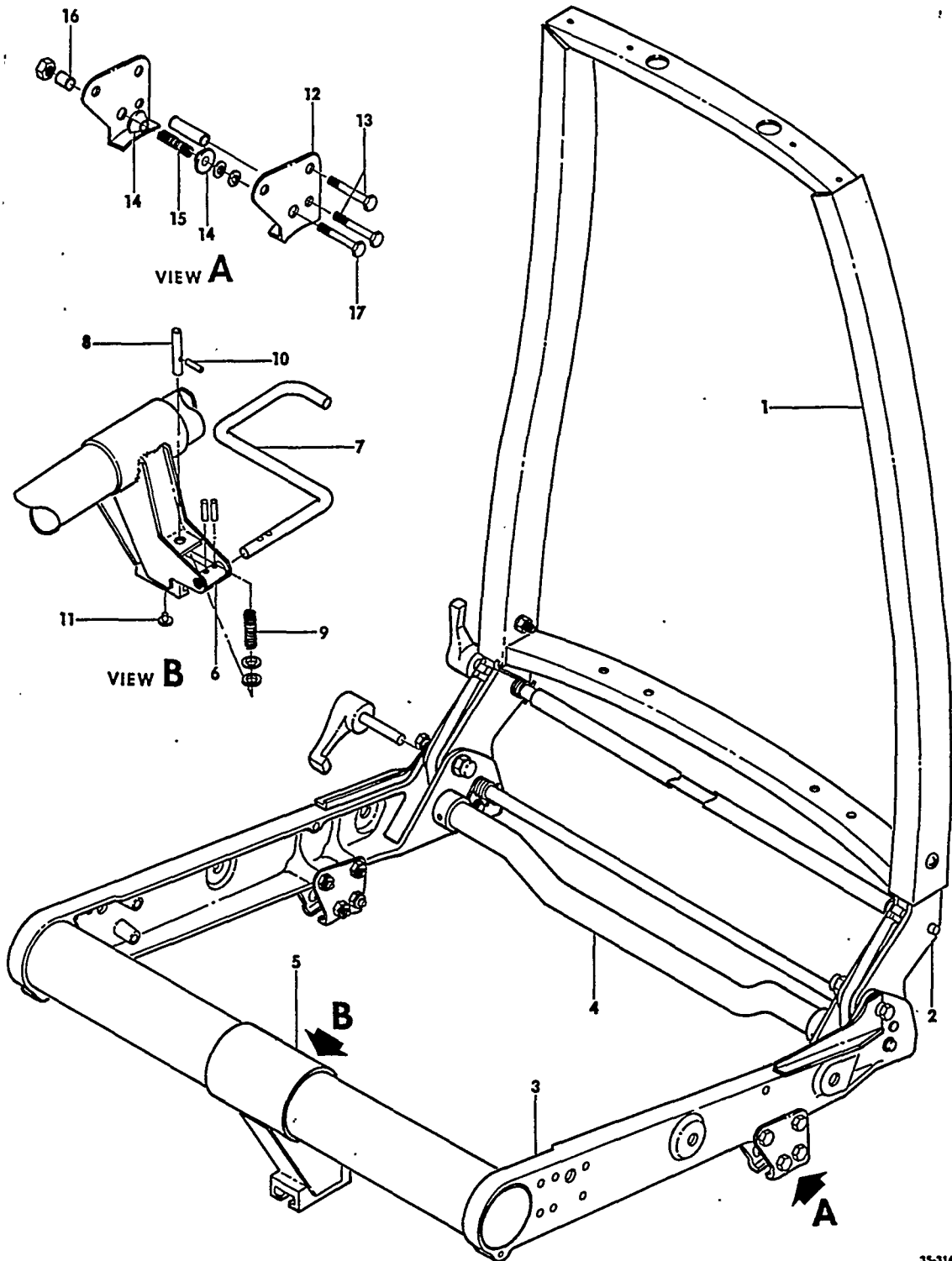
C O D E S O F E F F E C T I V I T Y

- |   |                    |   |                    |
|---|--------------------|---|--------------------|
| 1 | CE-611 ONLY        | 2 | CE-612 THRU CE-633 |
|   | CJ-52 THRU CJ-104  |   | CJ-105 THRU CJ-128 |
| 3 | CE-611 THRU CE-633 |   |                    |
|   | CJ-52 THRU CJ-128  |   |                    |

B E E C H C R A F T  
B O N A N Z A 3 3  
I L L U S T R A T E D P A R T S C A T A L O G

FIGURE 314D  
PASSENGER SEATS/CAM ADJUSTABLE/  
CE-634 THRU CE-928, EXCEPT CE-919,  
CE-923, CE-925, CE-927  
CJ-129 THRU CJ-155

BEECHCRAFT  
BONANZA 33  
ILLUSTRATED PARTS CATALOG

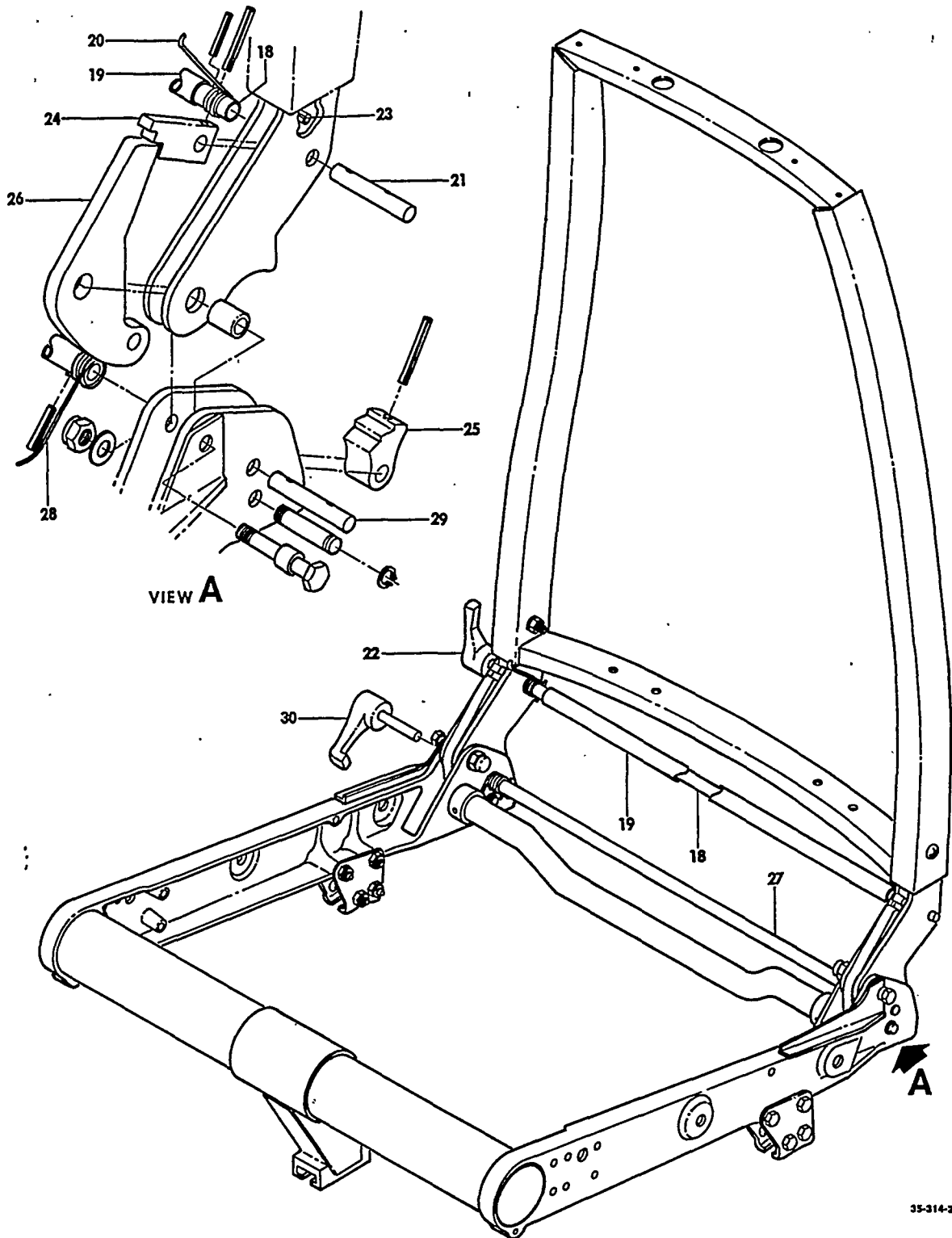


35-314-23

B E E C H C R A F T  
B O N A N Z A 3 3  
I L L U S T R A T E D P A R T S C A T A L O G

FIG. & ITEM NO.	PART NO.	DESCRIPTION	UNITS PER ASSY	USABLE ON CODE
		1 2 3 4 5 6 7		
314D	58-530182-13	SEATING INSTL,CAM ADJUSTABLE.	NP	2
	102-530099-1	SEATING INSTL,CAM ADJUSTABLE.	NP	3
	102-530099-9	SEATING INSTL,CAM ADJUSTABLE.	NP	4
	102-530094-3	• SEAT ASSY,LH.	1	1
	102-530094-1	• SEAT ASSY,RH.	1	1
	102-530072-1	• FRAME ASSY,LH SEAT.	1	1
	102-530072-2	• FRAME ASSY,RH SEAT.	1	1
	102-530068-1	• BACK ASSY,SEAT.	1	1
		/ATTACHING PARTS/		
	NAS464P4A19	• BOLT.	2	
	102933D5ZM0290	• SPACER.	2	
	102-530072-21	• SPACER.	2	
	AN960D416	• WASHER.	2	
	22K2-048	• CAPNUT.	2	
		-----*		
- 1	102-530068-3	• WELD ASSY,SEAT BACK	1	1
- 2	102-530082-1	• SUPPORT ASSY,LH	1	1
	102-530082-2	• SUPPORT ASSY,RH	1	1
		/ATTACHING PARTS/		
	MS27039-1-21	• SCREW	2	
	AN960D10	• WASHER	2	
	MS21083N3	• NUT	2	
		-----*		
- 3	102-530071-1	• FRAME ASSY,SEAT BOTTOM.	1	1
	60-530039-23	• FRAME ASSY,LH SIDE.	1	1
	60-530039-24	• FRAME ASSY,RH SIDE.	1	1
- 4	36-530025-27	• TUBE SUPPORT.	1	1
		/ATTACHING PARTS/		
	MS171535	• PIN	2	
		-----*		
- 5	102-530071-7	• LEG ASSY/SUPERSEDES 102-530071-3/	1	1
- 6	102-530088-1	• WELD ASSY	1	1
		/ATTACHING PARTS/		
	MS171498	• PIN	2	
		-----*		
- 7	96-534074-23	• HANDLE.	1	1
- 8	36-530026-49	• PIN,LOCK.	1	1
- 9	100943ZS027G	• SPRING.	1	1
- 10	1/16X1/28TYPE E	• PIN	1	1
	AN960-416L	• WASHER/EACH SIDE OF PIN/	2	1
- 11	36-530026-35	• BUTTON.	1	1
- 12	36-530026-9	• FOOT,LH	2	1
	36-530026-10	• FOOT,RH	2	1
		/ATTACHING PARTS/		
- 13	AN3-14A	• BOLT.	6	
	AN960-10L	• WASHER.	6	
	MS20365-1032	• NUT	6	
	100801-4A0190	• BUSHING	2	
		-----*		
- 14	1/16X1/28 TYPE E	• ROLLER.	4	1
- 15	100943ZA016J	• SPRING.	2	1
- 16	102933D4ZJ0190	• SPACER.	2	1
		/ATTACHING PARTS/		
- 17	AN3-14A	• BOLT.	2	
	AN960-10L	• WASHER.	4	
	MS20365-1032	• NUT	2	
		-----*		

BEECHCRAFT  
BONANZA 33  
ILLUSTRATED PARTS CATALOG

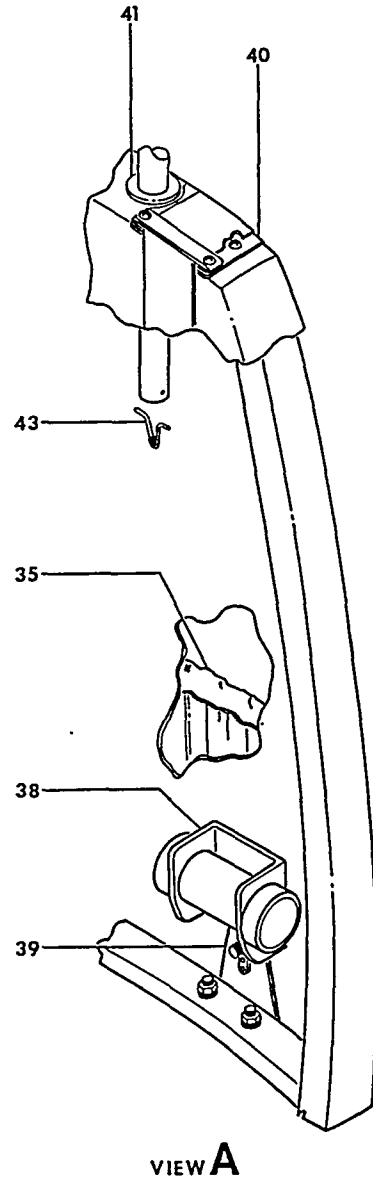
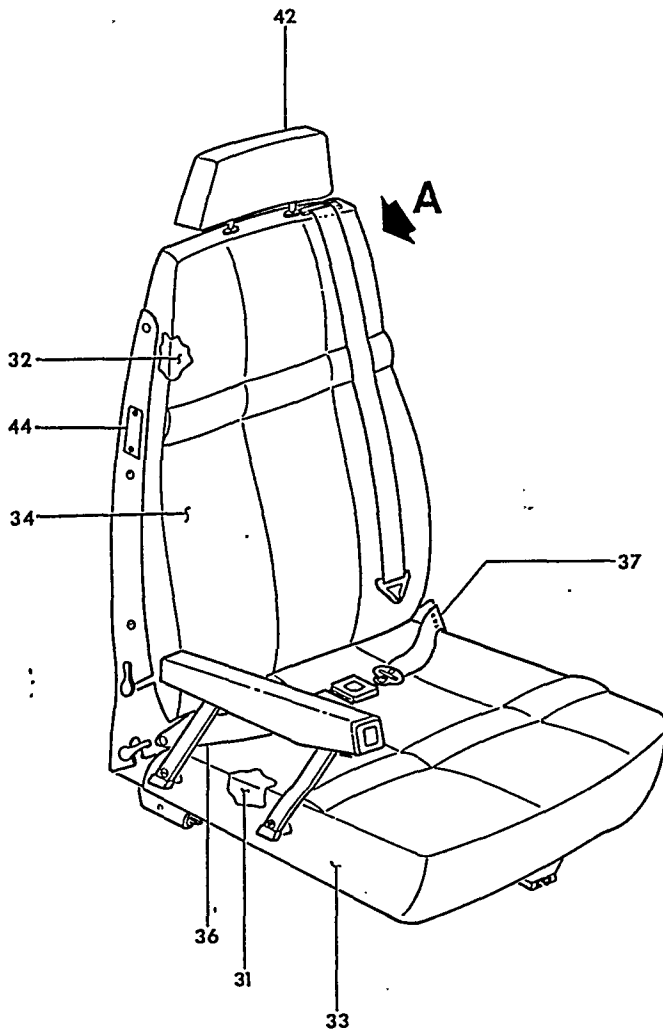


B E E C H C R A F T  
B O N A N Z A 3 3  
I L L U S T R A T E D P A R T S C A T A L O G

FIG. & ITEM NO.	PART NO.	1	2	3	4	5	6	7	DESCRIPTION	UNITS PER ASSY	USABLE ON CODE
314D - 18	102-530072-15	.	.	.	.	.	.	.	TUBE . . . . .	1	1
- 19	102-530072-25	.	.	.	.	.	.	.	TUBE . . . . .	1	1
- 20	60-530046-3	.	.	.	.	.	.	.	SPRING,LH . . . . .	1	1
	60-530046-4	.	.	.	.	.	.	.	SPRING,RH . . . . .	1	1
- 21	60-530161-1	.	.	.	.	.	.	.	PIN,OUTBD SIDE . . . . .	1	1
	MS171499	.	.	.	.	.	.	.	/ATTACHING PARTS/ PIN,ROLL . . . . .	1	
- 22	58-530045-8	.	.	.	.	.	.	.	HANDLE ASSY,LH SEAT . . . . .	1	1
	58-530045-7	.	.	.	.	.	.	.	HANDLE ASSY,RH SEAT . . . . .	1	1
	MS171499	.	.	.	.	.	.	.	/ATTACHING PARTS/ PIN ROLL . . . . .	1	
- 23	MS171557	.	.	.	.	.	.	.	PIN ROLL . . . . .	2	1
- 24	102-530081-3	.	.	.	.	.	.	.	CAM . . . . .	2	1
	MS171504	.	.	.	.	.	.	.	/ATTACHING PARTS/ PIN,ROLL . . . . .	2	
- 25	60-530043-7	.	.	.	.	.	.	.	CAM . . . . .	2	1
	MS171504	.	.	.	.	.	.	.	/ATTACHING PARTS/ PIN ROLL . . . . .	2	
- 26	102-530076-1	.	.	.	.	.	.	.	STOP . . . . .	2	1
	NAS464P4A14	.	.	.	.	.	.	.	/ATTACHING PARTS/ BOLT . . . . .	2	
	AN960D416	.	.	.	.	.	.	.	WASHER . . . . .	2	
	22K2-048	.	.	.	.	.	.	.	NUT . . . . .	2	
- 27	60-530013-41	.	.	.	.	.	.	.	TUBE . . . . .	1	1
- 28	60-530046-1	.	.	.	.	.	.	.	SPRING,LH . . . . .	1	1
	60-530046-2	.	.	.	.	.	.	.	SPRING,RH . . . . .	1	1
- 29	60-530161-1	.	.	.	.	.	.	.	PIN,OUTBD SIDE . . . . .	1	1
	MS171499	.	.	.	.	.	.	.	/ATTACHING PARTS/ PIN ROLL . . . . .	1	
- 30	58-530045-13	.	.	.	.	.	.	.	HANDLE ASSY,LH SEAT . . . . .	1	1
	58-530045-13	.	.	.	.	.	.	.	HANDLE ASSY,RH SEAT . . . . .	1	1
	MS171499	.	.	.	.	.	.	.	/ATTACHING PARTS/ PIN,ROLL . . . . .	1	
	102-530106-1	.	.	.	.	.	.	.	PLATE INSTRUCTION . . . . .	1	1
	NAS384-6-12	.	.	.	.	.	.	.	SCREW . . . . .	2	1
	130569	.	.	.	.	.	.	.	PLACARD,SEAT IDENTIFICATION . . . . .	1	1
	AN535-2-4	.	.	.	.	.	.	.	/ATTACHING PARTS/ SCREW . . . . .	2	
	102-530077-23	.	.	.	.	.	.	.	SLING,SEAT BACK . . . . .	1	1
	102-530095-31	.	.	.	.	.	.	.	SLING,SEAT BOTTOM . . . . .	1	1



BEECHCRAFT  
BONANZA 33  
ILLUSTRATED PARTS CATALOG



35-314-25

B E E C H C R A F T  
B O N A N Z A 3 3  
I L L U S T R A T E D P A R T S . C A T A L O G

FIG. & ITEM NO.	PART NO.	DESCRIPTION	UNITS PER ASSY	USABLE ON CODE
		1 2 3 4 5 6 7		
314D - 31	58-530185-1	. . CUSHION, SEAT BOTTOM . . . . .	1	1
- 32	101-530303-3	. . CUSHION, SEAT BACK . . . . .	1	1
- 33	102-530095-19	. . COVER ASSY, SEAT BOTTOM. . . . .	1	1
- 34	102-530094-9	. . COVER ASSY, SEAT BACK. . . . .	1	1
- 35	101-530294-15	. . POCKET ASSY . . . . .	1	1
		/ATTACHING PARTS/		
	NAS384-6-6P	. . SCREW . . . . .	2	
	NAS391-6P	. . WASHER. . . . .	2	
- 36	58-530219-29	. . BELT ASSY, SAFETY. . . . .	1	1
- 37	58-530219-57	. . BELT ASSY, SAFETY. . . . .	1	5
	58-530219-61	. . BELT ASSY, SEAT. . . . .	1	6
- 38	58-380071-1	. . INERTIA REEL, SHOULDER HARNESS . . . . .	1	1
		/ATTACHING PARTS/		
	AN5-5A	. . BOLT. . . . .	1	
	AN960-516	. . WASHER. . . . .	1	
- 39	102-530069-1	. . BRACKET ASSY, INERTIA REEL . . . . .	1	1
		/ATTACHING PARTS/		
	MS27039-1-16	. . SCREW . . . . .	2	
	AN960-10L	. . WASHER. . . . .	2	
	130909N29	. . NUT . . . . .	2	
- 40	106-530028-1	. . BRACKET, LH SEAT . . . . .	1	1
	106-530028-2	. . BRACKET, RH SEAT . . . . .	1	1
		/ATTACHING PARTS/		
	OHS8SM24D-S25GY	. . SCREW . . . . .	2	
- 41	131354-1	. . MOULDING/ALTERNATE FOR 131354-3/. . . . .	2	1
	131354-3	. . MOULDING/ALTERNATE FOR 131354-1/. . . . .	2	1
- 42	58-530120-33	. . HEADREST ASSY . . . . .	1	1
- 43	131345	. . SPRING. . . . .	2	1
	60-530139-119	. . ARMREST INSTL/SEE FIGURE 327/ . . . . .	NP	1
	101-530305-7	. . COVER, SEAT BACK . . . . .	1	1
- 44	102-530106-1	. . PLACARD, INSTRUCTION/LOCKING SEAT BACK/. . . . .	1	1
	002-430041-13	TRACK INSTL, SEAT. . . . .	NP	1
	002-430021-57	. . TRACK/CENTER/ . . . . .	2	1
	002-430021-59	. . TRACK/LH, RH/. . . . .	4	1
	002-430013-31	. . STOP. . . . .	12	1
	33-534051	. . STOP. . . . .	2	1
		/ATTACHING PARTS/		
	LA3SR1.030	. . PIN . . . . .	2	
	MS27039-1-20	. . SCREW . . . . .	6	
	MS24694S50	. . SCREW . . . . .	36	
	AN960PD10L	. . WASHER. . . . .	24	
	130909N29	. . NUT . . . . .	30	

C O D E S O F E F F E C T I V I T Y

- |   |   |   |   |
|---|---|---|---|
| 1 | CE-634 THRU CE-928<br>EXCEPT CE-919, CE-923<br>CE-925, CE-927<br>CJ-129 THRU CJ-155 | 2 | CE-634 THRU CE-677  |
| 3 | CE-678 THRU CE-928<br>EXCEPT CE-919, CE-923<br>CE-925, CE-927                       | 4 | CJ-129 THRU CJ-155  |
| 5 | CE-634 THRU CE-663  | 6 | CE-664 THRU CE-928<br>EXCEPT CE-916, CE-923<br>CE-925, CE-927<br>CJ-129 THRU CJ-155 |

BEECHCRAFT  
BONANZA 33  
ILLUSTRATED PARTS CATALOG

FIGURE 314E  
PASSENGER SEATS/ROTON ADJUSTABLE/  
CE-634 THRU CE-928, EXCEPT CE-919, CE-923  
CE-925, CE-927, CJ-129 THRU CJ-155

BEECHCRAFT  
BONANZA 33  
ILLUSTRATED PARTS CATALOG

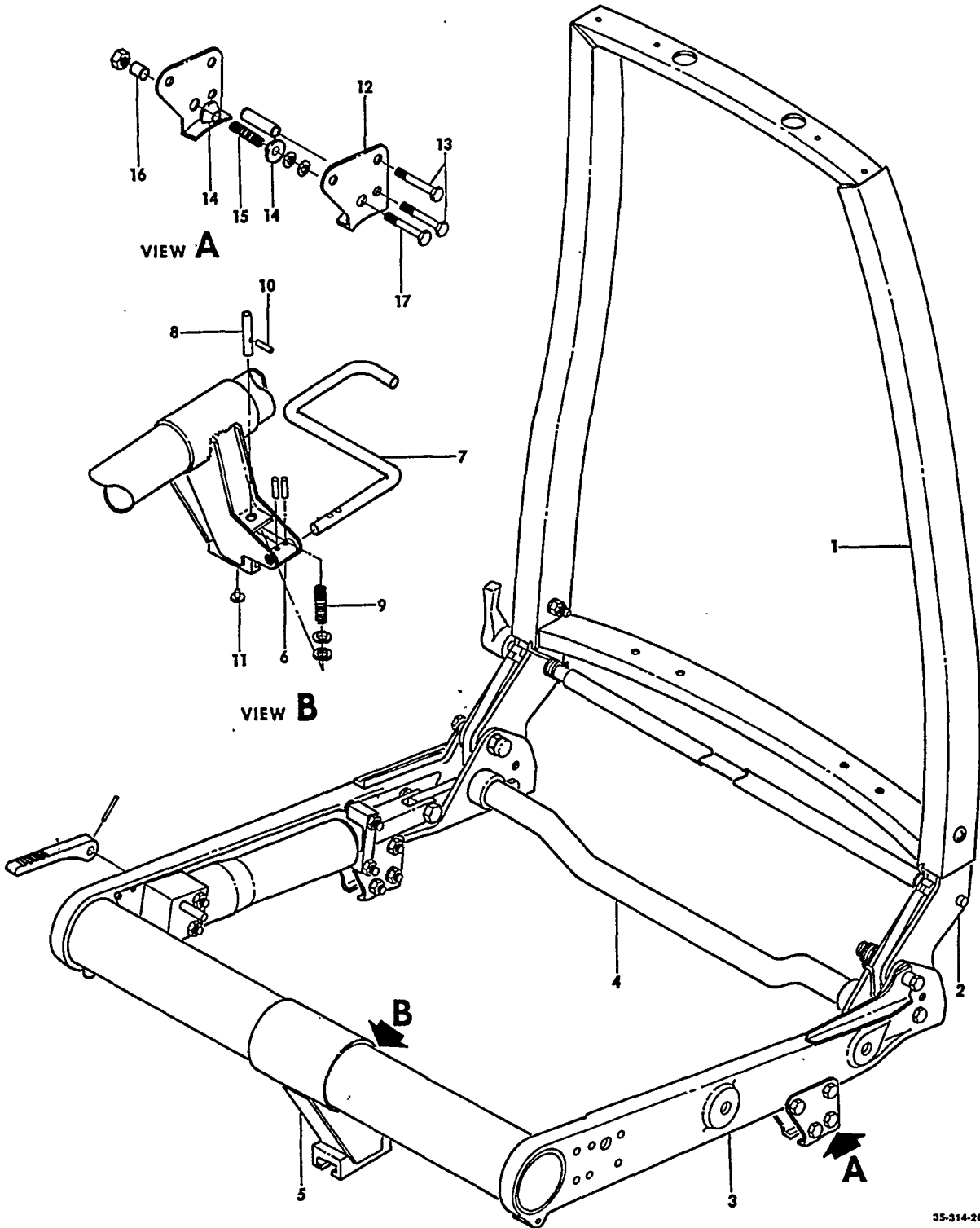
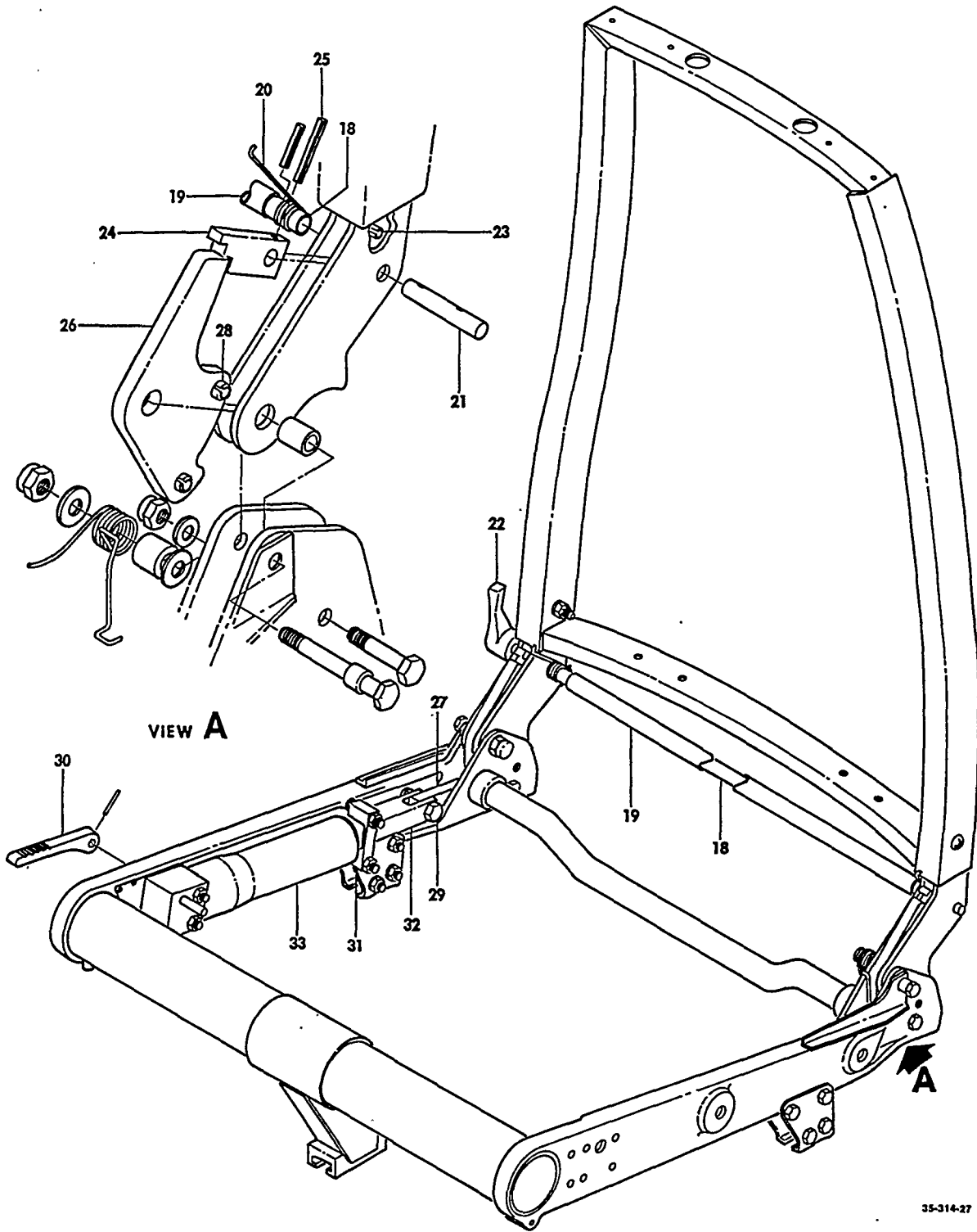


FIGURE 314E. PASSENGER SEATS/ROTON ADJUSTABLE/  
/SHEET 1 OF 3 SHEETS/

B E E C H C R A F T  
B O N A N Z A 3 3  
I L L U S T R A T E D P A R T S C A T A L O G

FIG. & ITEM NO.	PART- NO.	DESCRIPTION							UNITS PER ASSY	USABLE ON CODE
		1	2	3	4	5	6	7		
314E	58-530182-15	SEATING INSTL,ROTON ADJUSTABLE.	.	.	.	.	.	.	NP	2
	102-530099-5	SEATING INSTL,ROTON ADJUSTABLE.	.	.	.	.	.	.	NP	3
	102-530099-11	SEATING INSTL,ROTON ADJUSTABLE.	.	.	.	.	.	.	NP	4
	102-530094-5	SEAT ASSY,LH.	.	.	.	.	.	.	1	1
	102-530094-7	SEAT ASSY,RH.	.	.	.	.	.	.	1	1
	102-530072-5	FRAME ASSY,LH	.	.	.	.	.	.	1	1
	102-530072-6	FRAME ASSY,RH	.	.	.	.	.	.	1	1
	102-530068-1	BACK ASSY,SEAT	.	.	.	.	.	.	1	1
		/ATTACHING PARTS/								
	NAS464P4A26	BOLT.	.	.	.	.	.	.	1	
	10293305ZR0430	SPACER.	.	.	.	.	.	.	1	
	102-530086-1	SPRING,LH SEAT.	.	.	.	.	.	.	1	
	102-530086-2	SPRING,RH SEAT.	.	.	.	.	.	.	1	
	10293305ZM0290	SPACER.	.	.	.	.	.	.	2	
	102-530072-21	SPACER.	.	.	.	.	.	.	2	
	NAS464P4A19	BOLT.	.	.	.	.	.	.	1	
	AN960D416	WASHER.	.	.	.	.	.	.	1	
	22K2-048	CAPNUT.	.	.	.	.	.	.	2	
		*-----*								
- 1	102-530068-3	WELD ASSY,SEAT BACK	.	.	.	.	.	.	1	1
- 2	102-530082-1	SUPPORT ASSY,LH	.	.	.	.	.	.	1	1
	102-530082-2	SUPPORT ASSY,RH	.	.	.	.	.	.	1	1
		/ATTACHING PARTS/								
	MS27039-1-21	SCREW	.	.	.	.	.	.	2	
	AN960D10	WASHER.	.	.	.	.	.	.	2	
	MS21083N3	NUT	.	.	.	.	.	.	2	
		*-----*								
- 3	102-530071-1	FRAME ASSY,SEAT BOTTOM.	.	.	.	.	.	.	1	1
	60-530039-23	FRAME,LH SIDE	.	.	.	.	.	.	1	1
	60-530039-24	FRAME,RH SIDE	.	.	.	.	.	.	1	1
- 4	36-530025-27	TUBE,SUPPORT.	.	.	.	.	.	.	1	1
		/ATTACHING PARTS/								
	MS171535	PIN,ROLL.	.	.	.	.	.	.	2	
		*-----*								
- 5	102-530071-7	LEG ASSY/REPLCS 102-530071-3/	.	.	.	.	.	.	1	1
- 6	102-530088-1	WELD ASSY	.	.	.	.	.	.	1	1
		/ATTACHING PARTS/								
	MS171498	PIN,ROLL.	.	.	.	.	.	.	2	
		*-----*								
- 7	96-534074-23	HANDLE.	.	.	.	.	.	.	1	1
- 8	36-530026-49	PIN,LOCK.	.	.	.	.	.	.	1	1
- 9	100943ZS027G	SPRING.	.	.	.	.	.	.	1	1
- 10	1/16X1/2 TYPE E	PIN	.	.	.	.	.	.	1	1
	AN960-416L	WASHER.	.	.	.	.	.	.	2	1
- 11	36-530026-57	BUTTON.	.	.	.	.	.	.	1	1
- 12	36-530026-9	FOOT,LH	.	.	.	.	.	.	2	1
	36-530026-10	FOOT,RH	.	.	.	.	.	.	2	1
		/ATTACHING PARTS/								
- 13	AN3-14A	BOLT.	.	.	.	.	.	.	6	
	AN960-10L	WASHER.	.	.	.	.	.	.	6	
	MS20365-1032	NUT	.	.	.	.	.	.	6	
	102933D4ZJ1000	SPACER.	.	.	.	.	.	.	2	
		*-----*								
- 14	118641	ROLLER.	.	.	.	.	.	.	4	1
- 15	100943ZA016J	SPRING.	.	.	.	.	.	.	2	1
- 16	100801-4A0190	BUSHING	.	.	.	.	.	.	2	1
		/ATTACHING PARTS/								
- 17	AN3-14A	BOLT.	.	.	.	.	.	.	2	
	AN960-10L	WASHER.	.	.	.	.	.	.	4	
	MS20365-1032	NUT	.	.	.	.	.	.	2	
		*-----*								

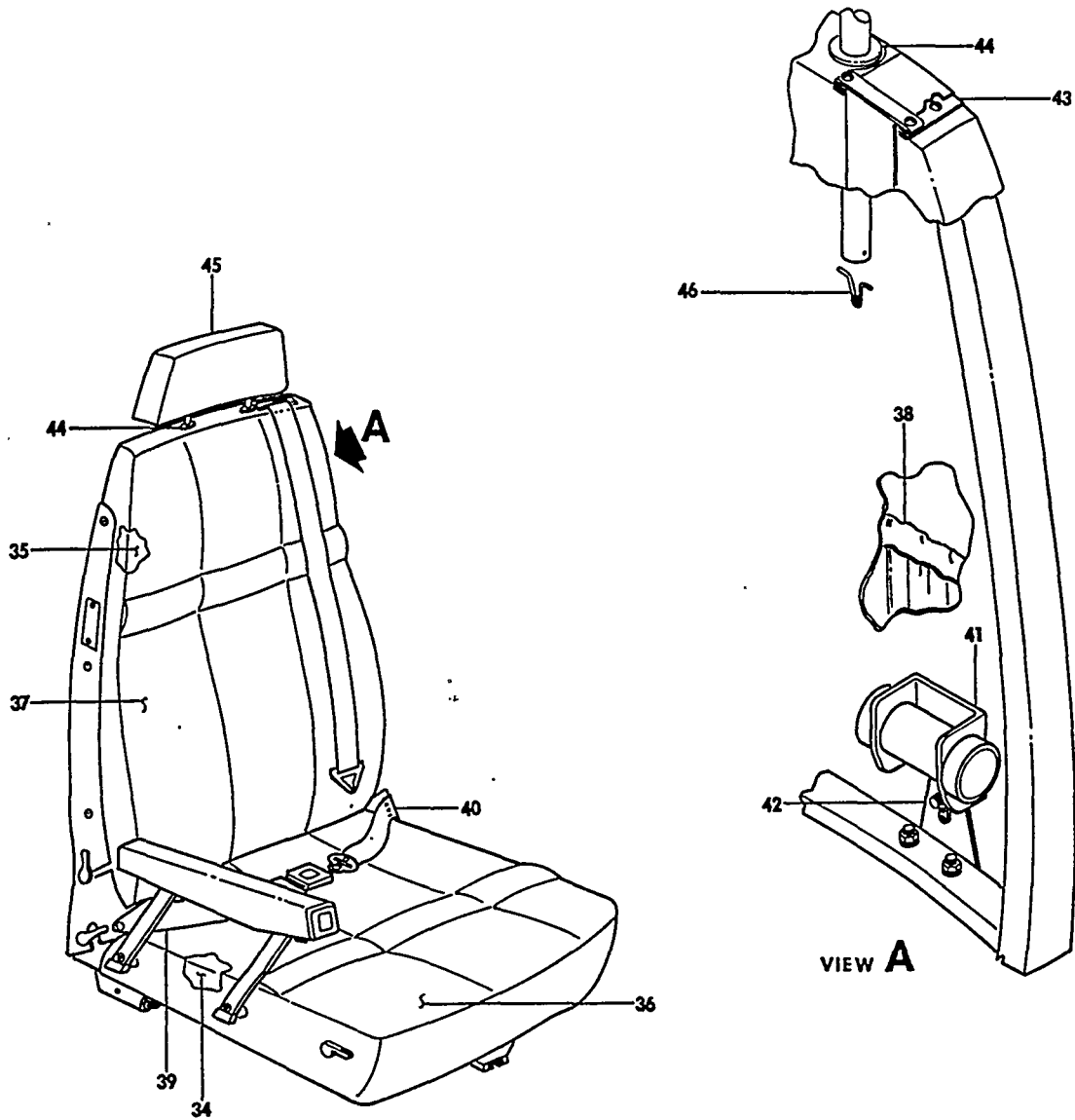
BEECHCRAFT  
BONANZA 33  
ILLUSTRATED PARTS CATALOG



B E E C H C R A F T  
B O N A N Z A 3 3  
I L L U S T R A T E D P A R T S C A T A L O G

FIG. & ITEM NO.	PART NO.	1	2	3	4	5	6	7	DESCRIPTION	UNITS PER ASSY	USABLE ON CODE
314E - 18	102-530072-15	.	.	.	TUBE, TORQUE	.	.	.	.	1	1
- 19	102-530072-25	.	.	.	TUBE	.	.	.	.	1	1
- 20	60-530046-3	.	.	.	SPRING, LH	.	.	.	.	1	1
	60-530046-4	.	.	.	SPRING, RH	.	.	.	.	1	1
- 21	60-530161-1	.	.	.	PIN, OUTBD SIDE	.	.	.	.	1	1
- 22	58-530045-8	.	.	.	HANDLE ASSY, LH SEAT	.	.	.	.	1	1
	58-530045-7	.	.	.	HANDLE ASSY, RH SEAT	.	.	.	.	1	1
	MS171499	.	.	.	PIN, ROLL	.	.	.	.	1	
- 23	MS171557	.	.	.	PIN, ROLL	.	.	.	.	2	1
- 24	102-530081-3	.	.	.	CAM	.	.	.	.	2	1
- 25	MS171504	.	.	.	PIN, ROLL	.	.	.	.	2	
- 26	102-530075-1	.	.	.	STOP	.	.	.	.	2	1
	NAS464P4A14	.	.	.	BOLT	.	.	.	.	2	
	AN960D416	.	.	.	WASHER	.	.	.	.	2	
	22K2-048	.	.	.	NUT	.	.	.	.	2	
- 27	102-530080-1	.	.	.	LINK, ACTUATOR	.	.	.	.	1	1
- 28	102-530072-19	.	.	.	PIN	.	.	.	.	1	
- 29	130909B36	.	.	.	BOLT	.	.	.	.	1	
	AN960D416	.	.	.	WASHER	.	.	.	.	1	
- 30	60-530052-3	.	.	.	HANDLE ASSY, ACTUATOR	.	.	.	.	1	1
	MS171498	.	.	.	PIN, ROLL	.	.	.	.	1	
- 31	102-530074-1	.	.	.	GUIDE, ACTUATOR	.	.	.	.	1	1
	MS27039-1-29	.	.	.	SCREW	.	.	.	.	2	
	AN960-10L	.	.	.	WASHER	.	.	.	.	2	
	130909N29	.	.	.	NUT	.	.	.	.	2	
	102933D4ZM0590	.	.	.	SPACER	.	.	.	.	1	
- 32	60-530051-1	.	.	.	ACTUATOR ASSY, ROTON	.	.	.	.	1	1
	MS27039-1-29	.	.	.	SCREW	.	.	.	.	2	
	AN960-10L	.	.	.	WASHER	.	.	.	.	2	
	130909N29	.	.	.	NUT	.	.	.	.	2	
- 33	130906TC-8C065	.	.	.	TUBE, ACTUATOR COVER	.	.	.	.	1	1
	102-530084-1	.	.	.	PLATE, INSTRUCTION	.	.	.	.	1	1
	NAS384-6-12	.	.	.	SCREW	.	.	.	.	2	
	130569	.	.	.	PLACARD, SEAT IDENTIFICATION	.	.	.	.	1	1
	AN535-2-4	.	.	.	SCREW	.	.	.	.	2	
	102-530077-23	.	.	.	SLING, SEAT BACK	.	.	.	.	1	1
	102-530095-31	.	.	.	SLING, SEAT BOTTOM	.	.	.	.	1	1

BEECHCRAFT  
BONANZA 33  
ILLUSTRATED PARTS CATALOG



35-314-28



B E E C H C R A F T  
B O N A N Z A 3 3  
I L L U S T R A T E D P A R T S C A T A L O G

FIG. & ITEM NO.	PART NO.	1	2	3	4	5	6	7	DESCRIPTION	UNITS PER ASSY	USABLE ON CODE
314E - 34	58-530185-1	.	.	.	.	.	.	.	CUSHION, SEAT BOTTOM . . . . .	1	1
- 35	101-530303-7	.	.	.	.	.	.	.	CUSHION, SEAT BACK . . . . .	1	1
- 36	102-530095-19	.	.	.	.	.	.	.	COVER ASSY, SEAT BOTTOM. . . . .	1	1
- 37	102-530094-9	.	.	.	.	.	.	.	COVER ASSY, SEAT BACK. . . . .	1	1
- 38	101-530294-15	.	.	.	.	.	.	.	POCKET ASSY . . . . .	1	1
									/ATTACHING PARTS/		
	NAS384-6-6P	.	.	.	.	.	.	.	SCREW . . . . .	2	
	NAS391-6P	.	.	.	.	.	.	.	WASHER. . . . .	2	
									*-----*		
- 39	58-530219-29	.	.	.	.	.	.	.	BELT ASSY, SAFETY. . . . .	1	1
- 40	58-530219-57	.	.	.	.	.	.	.	BELT ASSY, SAFETY. . . . .	1	5
	58-530219-61	.	.	.	.	.	.	.	BELT ASSY, SEAT. . . . .	1	6
- 41	58-380071-1	.	.	.	.	.	.	.	INERTIA REEL, SHOULDER HARNESS . . . . .	1	1
									/ATTACHING PARTS/		
	AN5-5A	.	.	.	.	.	.	.	BOLT. . . . .	1	
	AN960-516	.	.	.	.	.	.	.	WASHER. . . . .	1	
									*-----*		
- 42	102-530069-1	.	.	.	.	.	.	.	BRACKET ASSY, INERTIA REEL . . . . .	1	1
									/ATTACHING PARTS/		
	MS27039-1-16	.	.	.	.	.	.	.	SCREW . . . . .	2	
	AN960-10L	.	.	.	.	.	.	.	WASHER. . . . .	2	
	130909N29	.	.	.	.	.	.	.	NUT . . . . .	2	
									*-----*		
- 43	106-530028-1	.	.	.	.	.	.	.	BRACKET, LH SEAT . . . . .	1	1
	106-530028-2	.	.	.	.	.	.	.	BRACKET, RH SEAT . . . . .	1	1
									/ATTACHING PARTS/		
	OHS8SM24DS25GY	.	.	.	.	.	.	.	SCREW . . . . .	2	
									*-----*		
- 44	131354-3	.	.	.	.	.	.	.	MOULDING/ALTERNATE FOR 131354-1/. . . . .	2	1
	131354-1	.	.	.	.	.	.	.	MOULDING/ALTERNATE FOR 131354-3/. . . . .	2	1
- 45	58-530120-33	.	.	.	.	.	.	.	HEADREST ASSY . . . . .	1	1
- 46	131345	.	.	.	.	.	.	.	SPRING, SNAP . . . . .	2	1
	60-530139-119	.	.	.	.	.	.	.	ARMREST INSTL/SEE FIGURE 327/ . . . . .	NP	1
	101-530305-7	.	.	.	.	.	.	.	COVER, SEAT BACK . . . . .	1	1
	002-430021-57	.	.	.	.	.	.	.	TRACK/CENTER/ . . . . .	2	1
	002-430021-59	.	.	.	.	.	.	.	TRACK/LH, RH/. . . . .	4	1
	002-430013-31	.	.	.	.	.	.	.	STOP. . . . .	12	1
	33-534051	.	.	.	.	.	.	.	STOP. . . . .	2	1
									/ATTACHING PARTS/		
	LA3SR1.030	.	.	.	.	.	.	.	PIN . . . . .	2	
	MS27039-1-20	.	.	.	.	.	.	.	SCREW . . . . .	6	
	MS24694S50	.	.	.	.	.	.	.	SCREW . . . . .	36	
	AN960PDI0L	.	.	.	.	.	.	.	WASHER. . . . .	24	
	130909N29	.	.	.	.	.	.	.	NUT . . . . .	30	
									*-----*		

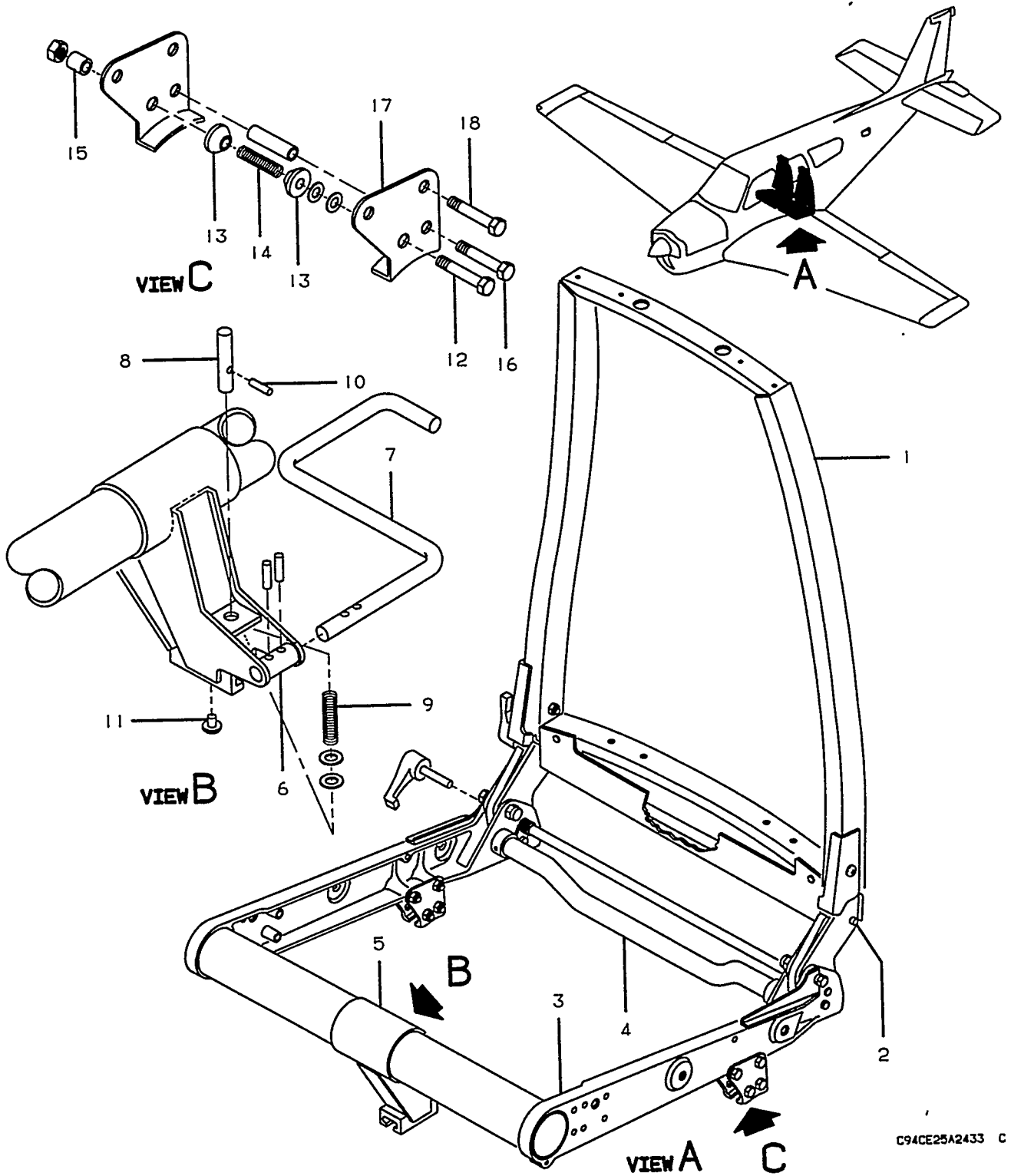
C O D E S O F E F F E C T I V I T Y

- |  |   |
|--|---|
| <p>1 CE-634 THRU CE-928,<br/>EXCEPT CE-919, CE-923<br/>CE-925, CE-927<br/>CJ-129 THRU CJ-155</p> | <p>2 CE-634 THRU CE-677<br/>CE-678 THRU CE-928<br/>EXCEPT CE-919, CE-923<br/>CE-925, CE-927</p> |
| <p>3 CE-634 THRU CE-663</p>  | <p>4 CJ-129 THRU CJ-155</p>   |
| <p>5 CE-634 THRU CE-663</p>  | <p>6 CE-664 THRU CE-928<br/>EXCEPT CE-919, CE-923<br/>CE-925, CE-927<br/>CJ-129 THRU CJ-155</p> |

BEECHCRAFT  
BONANZA 33  
ILLUSTRATED PARTS CATALOG

FIGURE 314F  
PASSENGER SEATS/CAM ADJUSTABLE/  
CE-919,CE-923,CE-925,CE-927,  
CE-929 AND AFTER  
CJ-156 AND AFTER

BEECHCRAFT  
BONANZA 33  
ILLUSTRATED PARTS CATALOG

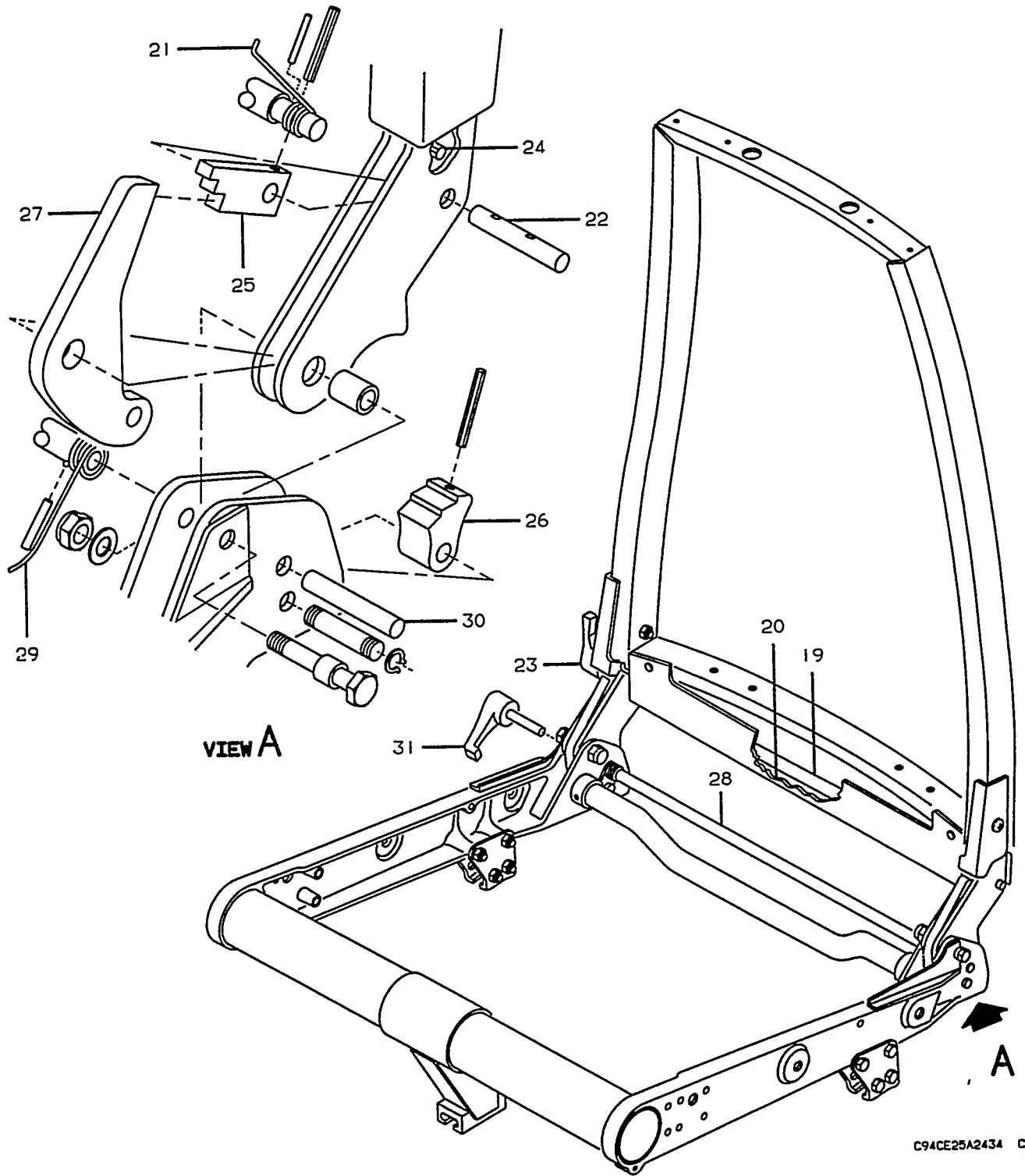


C94CE25A2433 C

B E E C H C R A F T  
B O N A N Z A 3 3  
I L L U S T R A T E D P A R T S C A T A L O G

FIG. & ITEM NO.	PART NO.	DESCRIPTION							UNITS PER ASSY	USABLE ON CODE	
		1	2	3	4	5	6	7			
314F	106-530059-1	SEATING INSTL,CAM ADJUSTABLE	.	.	.	.	.	.	NP	1	
	106-530058-3	SEAT ASSY,LH	.	.	.	.	.	.	1	1	
	106-530058-1	SEAT ASSY,RH	.	.	.	.	.	.	1	1	
	102-530072-1	FRAME ASSY,LH	.	.	.	.	.	.	1	1	
	102-530072-2	FRAME ASSY,RH	.	.	.	.	.	.	1	1	
	102-530068-13	BACK ASSY,SEAT	.	.	.	.	.	.	1	1	
			/ATTACHING PARTS/								
		NAS464P4A19	BOLT	.	.	.	.	.	.	2	
		102933D5ZM0290	SPACER	.	.	.	.	.	.	2	
		102-530072-21	SPACER	.	.	.	.	.	.	2	
		AN960D416	WASHER	.	.	.	.	.	.	2	
		22K2-048	CAPNUT	.	.	.	.	.	.	2	
			-----*								
	- 1	102-530068-3	WELD ASSY,SEAT BACK	.	.	.	.	.	.	1	1
	- 2	102-530082-15	SUPPORT ASSY,LH	.	.	.	.	.	.	1	1
		102-530082-16	SUPPORT ASSY,RH	.	.	.	.	.	.	1	1
			/ATTACHING PARTS/								
		MS27039-1-21	SCREW	.	.	.	.	.	.	2	
	AN960D10	WASHER	.	.	.	.	.	.	2		
	MS21083N3	NUT	.	.	.	.	.	.	2		
		-----*									
	102-530071-9	FRAME ASSY,BOTTOM	.	.	.	.	.	.	1	1	
- 3	60-530039-23	FRAME,LH SIDE	.	.	.	.	.	.	1	1	
	60-530039-24	FRAME,RH SIDE	.	.	.	.	.	.	1	1	
- 4	36-530025-27	TUBE SUPPORT	.	.	.	.	.	.	1	1	
		/ATTACHING PARTS/									
	MS171565	PIN	.	.	.	.	.	.	2		
		-----*									
- 5	102-530071-7	LEG ASSY	.	.	.	.	.	.	1	4	
	102-530071-13	LEG ASSY	.	.	.	.	.	.	1	5	
- 6	36-530026-53	WELD ASSY	.	.	.	.	.	.	1	1	
- 7	96-534074-23	HANDLE	.	.	.	.	.	.	1	1	
		/ATTACHING PARTS/									
	MS171498	PIN	.	.	.	.	.	.	2		
		-----*									
- 8	36-530026-49	PIN,LOCK	.	.	.	.	.	.	1	1	
- 9	100943ZS027G	SPRING	.	.	.	.	.	.	1	1	
- 10	1/16X1/28 TYPE E	PIN	.	.	.	.	.	.	1	1	
	AN960-416L	WASHER/EACH SIDE OF PIN/	.	.	.	.	.	.	2	1	
- 11	102-530087-35	BUTTON	.	.	.	.	.	.	1	4	
	106-530181-1	SLIDE	.	.	.	.	.	.	1	5	
- 12	AN3-14A	BOLT	.	.	.	.	.	.	2	1	
	AN960-10L	WASHER	.	.	.	.	.	.	4	1	
- 13	118641	ROLLER	.	.	.	.	.	.	4	1	
- 14	100943ZA016J	SPRING	.	.	.	.	.	.	2	1	
- 15	100801-4A0190	BUSHING	.	.	.	.	.	.	2	1	
	MS20365-1032	NUT	.	.	.	.	.	.	2	1	
- 16	AN3-14A	BOLT	.	.	.	.	.	.	2	1	
	102933D4ZJ1000	SPACER	.	.	.	.	.	.	2	1	
	AN960-10L	WASHER	.	.	.	.	.	.	2	1	
	MS20365-1032	NUT	.	.	.	.	.	.	2	1	
- 17	102-530071-11	FOOT,LH	.	.	.	.	.	.	2	1	
	102-530071-12	FOOT,RH	.	.	.	.	.	.	2	1	
		/ATTACHING PARTS/									
- 18	AN3-14A	BOLT	.	.	.	.	.	.	4		
	AN960-10L	WASHER	.	.	.	.	.	.	4		
	MS20365-1032	NUT	.	.	.	.	.	.	4		
		-----*									

BEECHCRAFT  
BONANZA 33  
ILLUSTRATED PARTS CATALOG

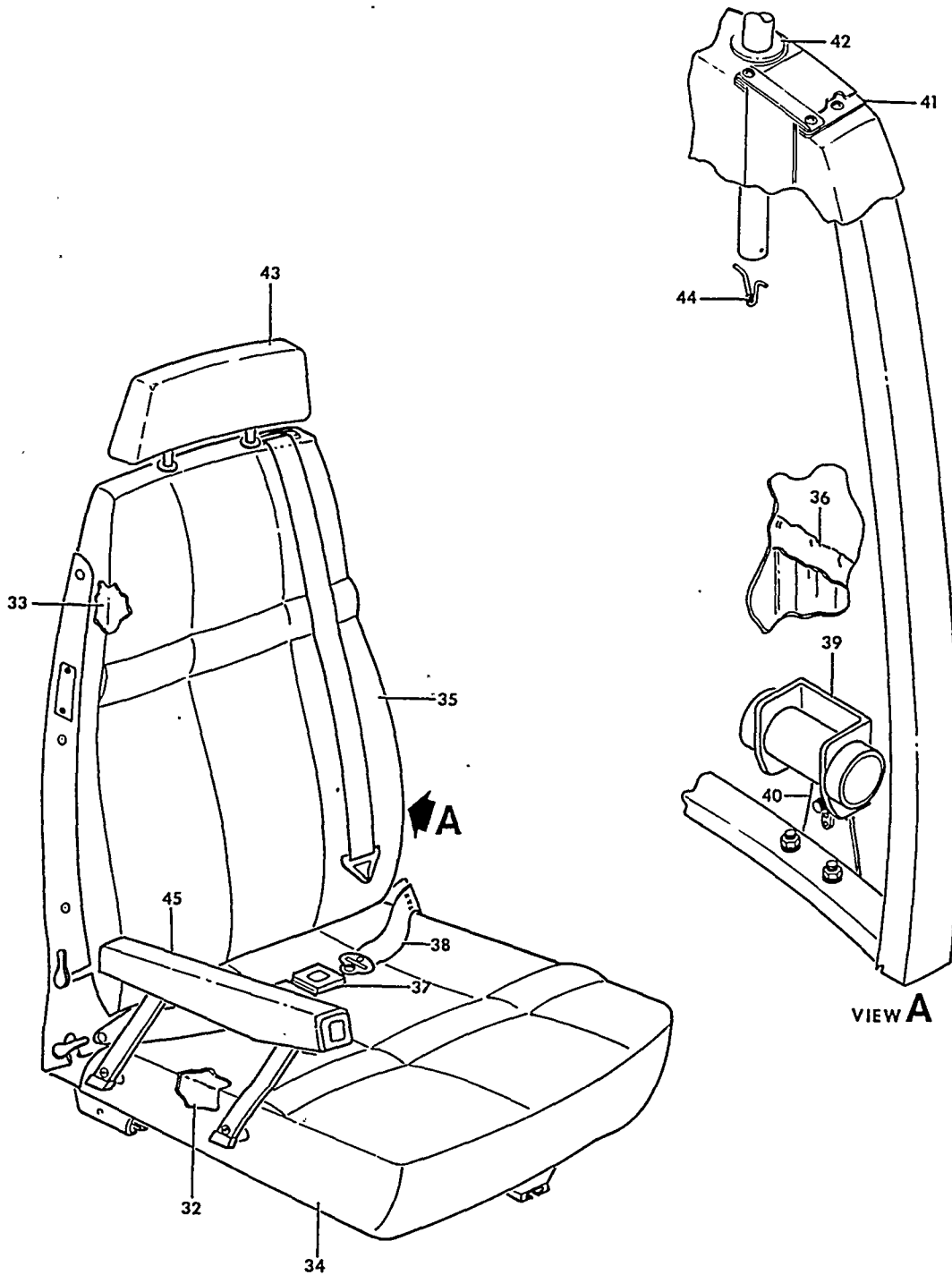


C94CE25A2434 C

B E E C H C R A F T  
B O N A N Z A 3 3  
I L L U S T R A T E D P A R T S C A T A L O G

FIG. & ITEM NO.	PART NO.	1	2	3	4	5	6	7	DESCRIPTION	UNITS PER ASSY	USABLE ON CODE	
314F - 19	102-530072-15	.	.	.	TUBE.	.	.	.	.	1	1	
- 20	102-530109-1	.	.	.	SHIELD,PROTECTIVE	.	.	.	.	1	1	
- 21	60-530046-3	.	.	.	SPRING,LH	.	.	.	.	1	1	
	60-530046-4	.	.	.	SPRING,RH	.	.	.	.	1	1	
- 22	60-530161-1	.	.	.	PIN,OUTBD SIDE	.	.	.	.	1	1	
	MS171499	.	.	.	PIN,ROLL	.	.	.	.	1		
		*-----*										
- 23	58-530045-8	.	.	.	HANDLE ASSY,LH SEAT	.	.	.	.	1	1	
	58-530045-7	.	.	.	HANDLE ASSY,RH SEAT	.	.	.	.	1	1	
	MS171499	.	.	.	PIN,ROLL	.	.	.	.	1		
		*-----*										
- 24	MS171557	.	.	.	PIN,ROLL	.	.	.	.	2	1	
- 25	102-530081-3	.	.	.	CAM	.	.	.	.	2	1	
	MS171504	.	.	.	PIN,ROLL	.	.	.	.	2		
		*-----*										
- 26	60-530043-7	.	.	.	CAM	.	.	.	.	2	1	
	MS171504	.	.	.	PIN,ROLL	.	.	.	.	2		
		*-----*										
- 27	102-530076-1	.	.	.	STOP	.	.	.	.	2	1	
	102-530098-1	.	.	.	PIN	.	.	.	.	2		
	MS16624-1025	.	.	.	RING,RETAINER	.	.	.	.	2		
		*-----*										
- 28	60-530013-41	.	.	.	TUBE	.	.	.	.	1	1	
- 29	60-530046-1	.	.	.	SPRING,LH	.	.	.	.	1	1	
	60-530046-2	.	.	.	SPRING,RH	.	.	.	.	1	1	
- 30	60-530161-1	.	.	.	PIN,OUTBD SIDE	.	.	.	.	1	1	
	MS171499	.	.	.	PIN,ROLL	.	.	.	.	1		
		*-----*										
- 31	58-530045-13	.	.	.	HANDLE ASSY,LH SEAT	.	.	.	.	1	1	
	58-530045-14	.	.	.	HANDLE ASSY,RH SEAT	.	.	.	.	1	1	
	MS171499	.	.	.	PIN,ROLL	.	.	.	.	1		
		*-----*										
	102-530106-1	.	.	.	PLATE,INSTRUCTION	.	.	.	.	1	1	
	NAS384-6-12	.	.	.	SCREW	.	.	.	.	2		
		*-----*										
	130569	.	.	.	PLACARD,SEAT IDENTIFICATION	.	.	.	.	1	1	
	AN535-2-4	.	.	.	SCREW	.	.	.	.	2		
		*-----*										
	102-530077-23	.	.	.	SLING,SEAT BACK	.	.	.	.	1	1	
	102-530095-31	.	.	.	SLING,SEAT BOTTOM	.	.	.	.	1	1	

BEECHCRAFT  
BONANZA 33  
ILLUSTRATED PARTS CATALOG



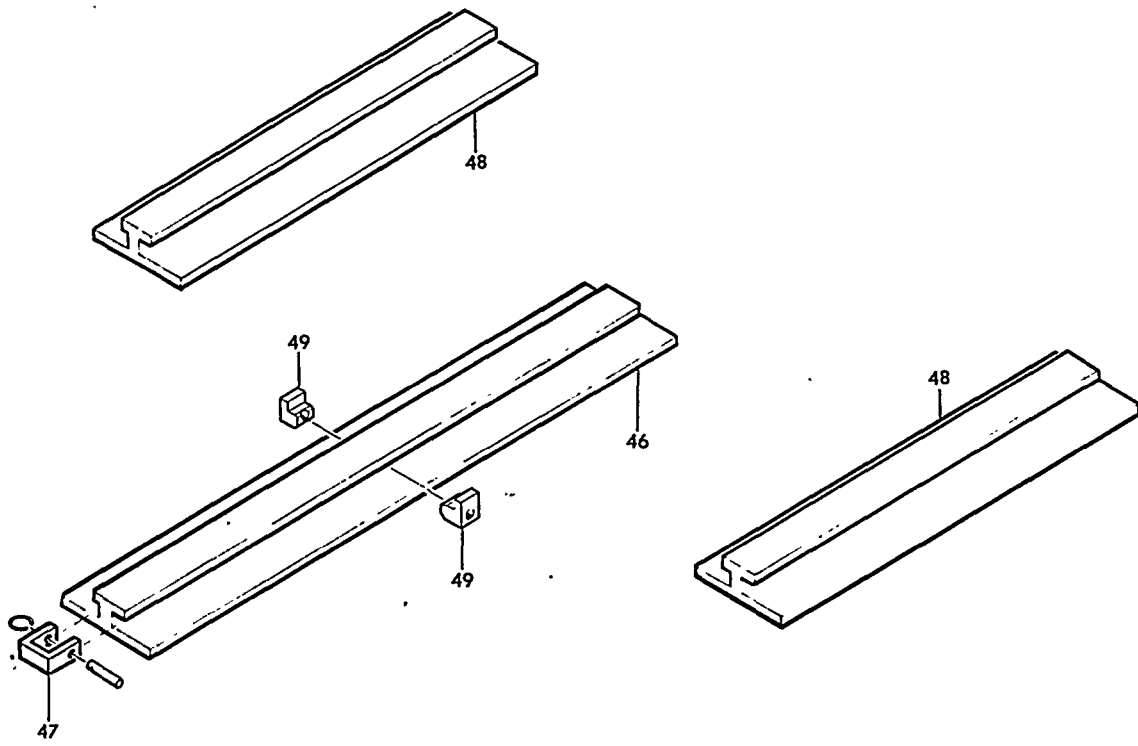
36-314D-39

B E E C H C R A F T  
B O N A N Z A 3 3  
I L L U S T R A T E D P A R T S C A T A L O G

FIG. & ITEM NO.	PART NO.	1	2	3	4	5	6	7	DESCRIPTION	UNITS PER ASSY	USABLE ON CODE
314F - 32	58-530185-1	.	.	.	.	.	.	.	CUSHION, SEAT BOTTOM . . . . .	1	1
- 33	101-530303-3	.	.	.	.	.	.	.	CUSHION, SEAT BACK . . . . .	1	1
- 34	106-530060-9	.	.	.	.	.	.	.	COVER ASSY, SEAT BOTTOM. . . . .	1	1
- 35	106-530058-9	.	.	.	.	.	.	.	COVER ASSY, SEAT BACK. . . . .	1	1
- 36	101-530294-15	.	.	.	.	.	.	.	POCKET ASSY . . . . .	1	1
									/ATTACHING PARTS/		
	NAS384-8-20P	.	.	.	.	.	.	.	SCREW . . . . .	2	
	NAS391-8P	.	.	.	.	.	.	.	WASHER. . . . .	2	
	NAS43DD3-48	.	.	.	.	.	.	.	SPACER. . . . .	2	
									-----*-----		
- 37	101-530604-1	.	.	.	.	.	.	.	BELT ASSY, SEAT/BUCKLE/. . . . .	1	2
- 38	101-530604-5	.	.	.	.	.	.	.	BELT ASSY, SEAT/CONNECTOR/. . . . .	1	2
	331774A1N1-10-42	.	.	.	.	.	.	.	BELT ASSY, SEAT/COMPLETE/. . . . .	1	3
R	332101A1N1-10-42	.	.	.	.	.	.	.	BELT ASSY, SEAT/COMPLETE/. . . . .	1	6
- 39	58-380071-1	.	.	.	.	.	.	.	INERTIAL REEL, SHOULDER HARNESS. . . . .	1	1
									/ATTACHING PARTS/		
	AN5-5A	.	.	.	.	.	.	.	BOLT. . . . .	1	
	AN960-516	.	.	.	.	.	.	.	WASHER. . . . .	1	
	130909N43	.	.	.	.	.	.	.	NUT . . . . .	1	
									-----*-----		
- 40	102-530069-3	.	.	.	.	.	.	.	BRACKET ASSY, INERTIAL REEL. . . . .	1	1
									/ATTACHING PARTS/		
	MS27039-1-16	.	.	.	.	.	.	.	SCREW . . . . .	2	
	AN960-10L	.	.	.	.	.	.	.	WASHER. . . . .	2	
	130909N29	.	.	.	.	.	.	.	NUT . . . . .	2	
									-----*-----		
- 41	106-530028-1	.	.	.	.	.	.	.	BRACKET, LH SEAT SHOULDER HARNESS. . . . .	1	1
	106-530028-2	.	.	.	.	.	.	.	BRACKET, RH SEAT SHOULDER HARNESS. . . . .	1	1
									/ATTACHING PARTS/		
	0HS8SM24DS25GY	.	.	.	.	.	.	.	SCREW . . . . .	2	
									-----*-----		
- 42	131354-1	.	.	.	.	.	.	.	MOLDING, HEADREST/ALTERNATE FOR 131354-3/. . . . .	2	1
	131354-3	.	.	.	.	.	.	.	MOLDING, HEADREST/ALTERNATE FOR 131354-1/. . . . .	2	1
- 43	106-530064-1	.	.	.	.	.	.	.	HEADREST ASSY . . . . .	1	1
	106-530064-5	.	.	.	.	.	.	.	PAD ASSY. . . . .	1	1
	106-530064-9	.	.	.	.	.	.	.	COVER ASSY. . . . .	1	1
	58-530120-29	.	.	.	.	.	.	.	TUBE. . . . .	2	1
- 44	131345	.	.	.	.	.	.	.	SPRING. . . . .	2	1
- 45	106-530063-3	.	.	.	.	.	.	.	ARMREST ASSY, 3RD & 4TH SEAT/SEE FIG.327A/ . . . . .	1	1
									/ATTACHING PARTS/		
	AN24-27A	.	.	.	.	.	.	.	BOLT. . . . .	2	
	105739SYD1400	.	.	.	.	.	.	.	BUSHING . . . . .	2	
	50-534547-25	.	.	.	.	.	.	.	WASHER. . . . .	2	
	42ND8-048	.	.	.	.	.	.	.	NUT . . . . .	2	
									-----*-----		
	58-530183-5	.	.	.	.	.	.	.	SHIM. . . . .	AR	1



BEECHCRAFT  
BONANZA 33  
ILLUSTRATED PARTS CATALOG



33-314F-44

B E E C H C R A F T  
B O N A N Z A 3 3  
I L L U S T R A T E D P A R T S C A T A L O G

FIG. & ITEM NO.	PART NO.	1 2 3 4 5 6 7	DESCRIPTION	UNITS PER ASSY	USABLE ON CODE
314F	002-430041-9		TRACK INSTL, SEAT. . . . .	NP	1
- 46	002-430021-9		. TRACK, CENTER. . . . .	2	1
			/ATTACHING PARTS/		
	R NAS1203-3		. SCREW . . . . .	4	
	R AN960-10		. WASHER. . . . .	4	
	R 130909N29		. NUT . . . . .	4	
	R NAS623-3-5		. SCREW . . . . .	2	
			-----X-----		
- 47	R 58-530231-1		. STOP. . . . .	4	1
			/ATTACHING PARTS/		
	R LA3S-R1 030		. PIN/QUICK RELEASE/. . . . .	1	
			-----X-----		
- 48	002-430021-13		. TRACK, INBD & OUTBD. . . . .	4	1
			/ATTACHING PARTS/		
	R NAS1203-3		. SCREW . . . . .	4	
	R AN960-10		. WASHER. . . . .	4	
	R 130909N29		. NUT . . . . .	4	
			-----X-----		
- 49	002-430013-31		. STOP. . . . .	8	1
			/ATTACHING PARTS/		
	R MS27039-1-20		. SCREW . . . . .	1	
	130909N29		. NUT . . . . .	1	
			-----X-----		

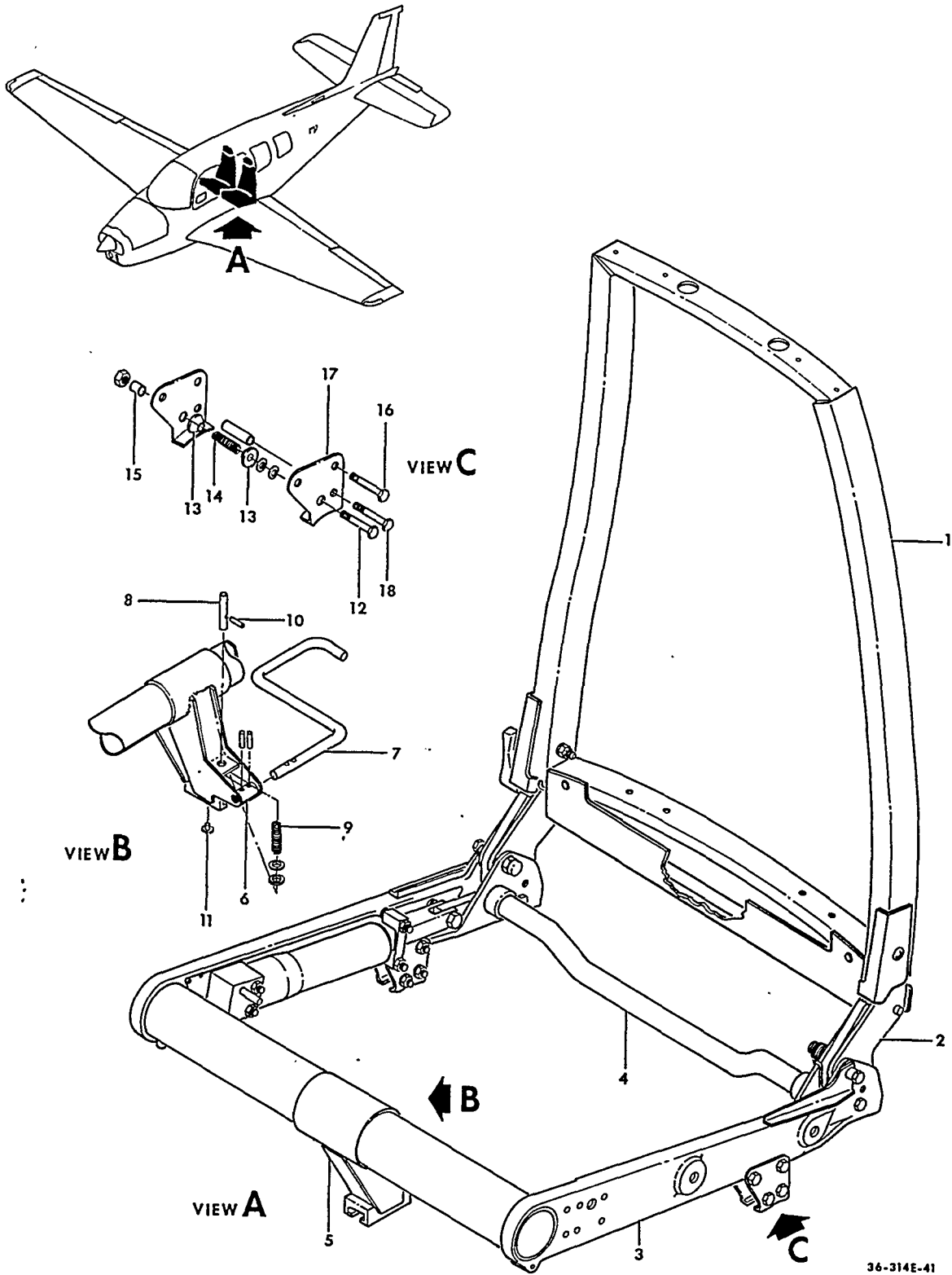
C O D E S O F E F F E C T I V I T Y

1	CE-919, CE-923	2	CE-919, CE-923
	CE-925, CE-927		CE-925, CE-927
	CE-929 AND AFTER		CE-929 THRU CE-1023
	CJ-156 AND AFTER		
3	CE-1024 THRU CE-1167	4	CE-919, CE-923
	CJ-156 THRU CJ-179		CE-925, CE-927
			CE-929 THRU CE-1043
5	CE-1044 AND AFTER	6	CE-1168 AND AFTER
	CJ-156 AND AFTER		CJ-180 AND AFTER

BEECHCRAFT  
BONANZA 33  
ILLUSTRATED PARTS CATALOG

FIGURE 314G  
PASSENGER SEATS/ROTON ADJUSTABLE/  
CE-919, CE-923, CE-925, CE-927, CE-929 AND AFTER  
CJ-156 AND AFTER

BEECHCRAFT  
 BONANZA 33  
 ILLUSTRATED PARTS CATALOG

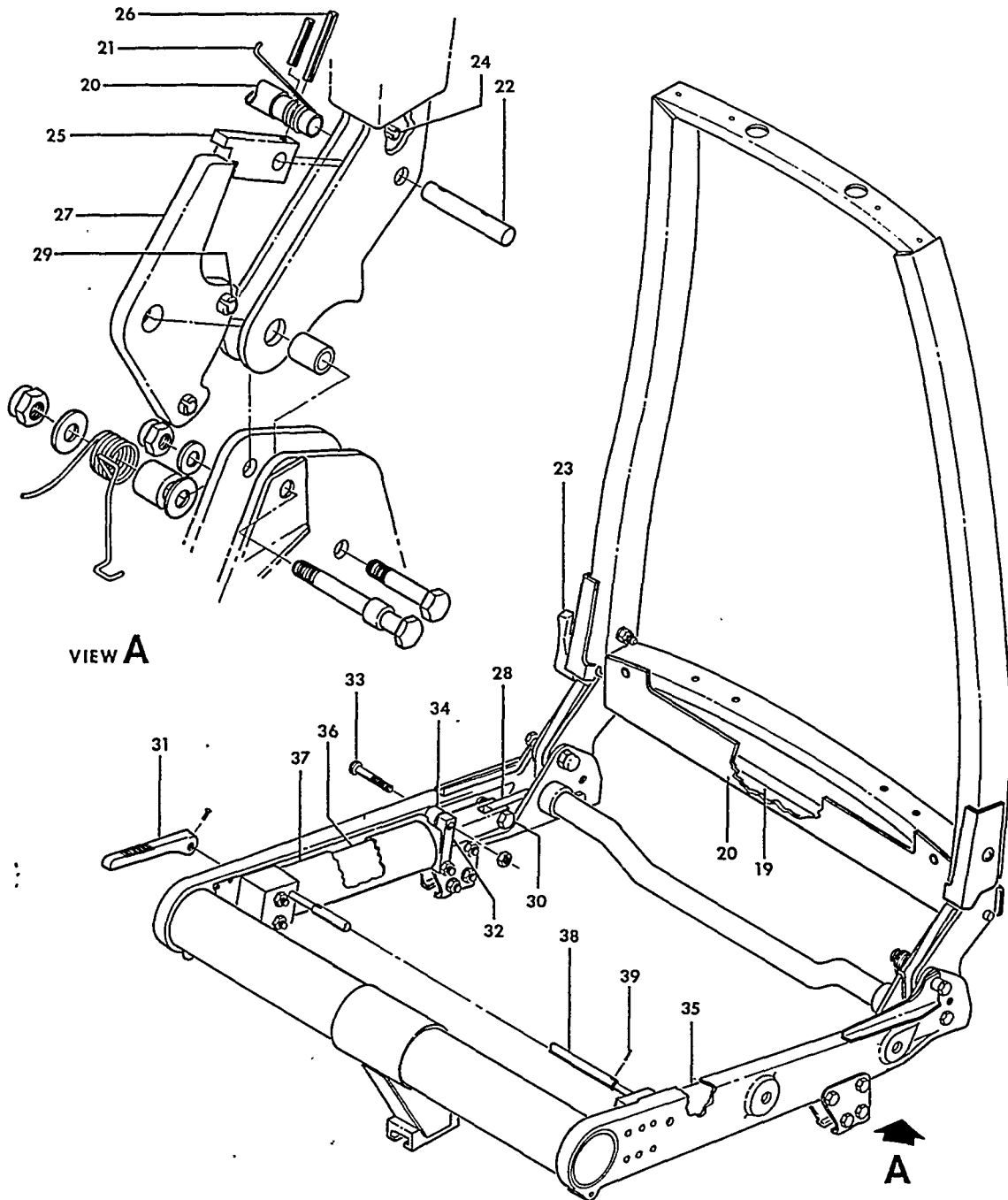


36-314E-41

B E E C H C R A F T  
B O N A N Z A 3 3  
I L L U S T R A T E D P A R T S C A T A L O G

FIG. & ITEM NO.	PART NO.	1 2 3 4 5 6 7	DESCRIPTION	UNITS PER ASSY	USABLE ON CODE
314G	106-530059-3		SEATING INSTL, ROTON ADJUSTABLE.	NP	1
	106-530058-5		• SEAT ASSY, LH.	1	1
	106-530058-7		• SEAT ASSY, RH.	1	1
	102-530072-31		• • FRAME ASSY, LH	1	1
	102-530072-32		• • FRAME ASSY, RH	1	1
	102-530068-13		• • • BACK ASSY, SEAT.	1	1
			/ATTACHING PARTS/		
	NAS464P4A19		• • • BOLT.	2	
	102933D5ZM0290		• • • SPACER.	2	
	102-530072-21		• • • SPACER.	2	
	AN960D416		• • • WASHER.	2	
	22K2-048		• • • CAPNUT.	2	
			*-----*		
- 1	102-530068-3		• • • WELD ASSY, SEAT BACK	1	1
- 2	102-530082-15		• • • SUPPORT ASSY, LH	1	1
	102-530082-16		• • • SUPPORT ASSY, RH	1	1
			/ATTACHING PARTS/		
	MS27039-1-21		• • • SCREW	2	
	AN960D10		• • • WASHER.	2	
	MS21083N3		• • • NUT	2	
			*-----*		
- 3	102-530071-9		• • • FRAME ASSY, BOTTOM	1	1
	60-530039-23		• • • FRAME, LH SIDE	1	1
	60-530039-24		• • • FRAME, RH SIDE	1	1
- 4	36-530025-27		• • • TUBE SUPPORT.	1	1
			/ATTACHING PARTS/		
	MS171565		• • • PIN	2	
			*-----*		
- 5	102-530071-7		• • • LEG ASSY.	1	5
	102-530071-13		• • • LEG ASSY.	1	4
- 6	36-530026-53		• • • WELD ASSY	1	1
- 7	96-534074-23		• • • HANDLE.	1	1
			/ATTACHING PARTS/		
	MS171498		• • • PIN, ROLL.	2	
			*-----*		
- 8	36-530026-49		• • • PIN, LOCK.	1	1
- 9	100943ZS027G		• • • SPRING.	1	1
- 10	1/16X1/28 TYPE E		• • • PIN	1	1
	AN960-416L		• • • WASHER/EACH SIDE OF PIN/.	2	1
- 11	102-530087-35		• • • BUTTON.	1	5
	106-530181-1		• • • SLIDE	1	4
- 12	AN3-14A		• • • BOLT.	2	1
	AN960-10L		• • • WASHER.	4	1
- 13	118641		• • • ROLLER.	4	1
- 14	100943ZA016J		• • • SPRING.	2	1
- 15	100801-4A0190		• • • SPACER.	2	1
	MS20365-1032		• • • NUT	2	1
- 16	AN3-14A		• • • BOLT.	2	1
	102933D4ZJ1000		• • • SPACER.	2	1
	AN960-10L		• • • WASHER.	2	1
	MS20365-1032		• • • NUT	2	1
- 17	102-530071-11		• • • FOOT, LH	2	1
	102-530071-12		• • • FOOT, RH	2	1
			/ATTACHING PARTS/		
- 18	AN3-14A		• • • BOLT.	4	
	AN960-10L		• • • WASHER.	4	
	MS20365-1032		• • • NUT	4	
			*-----*		

BEECHCRAFT  
BONANZA 33  
ILLUSTRATED PARTS CATALOG

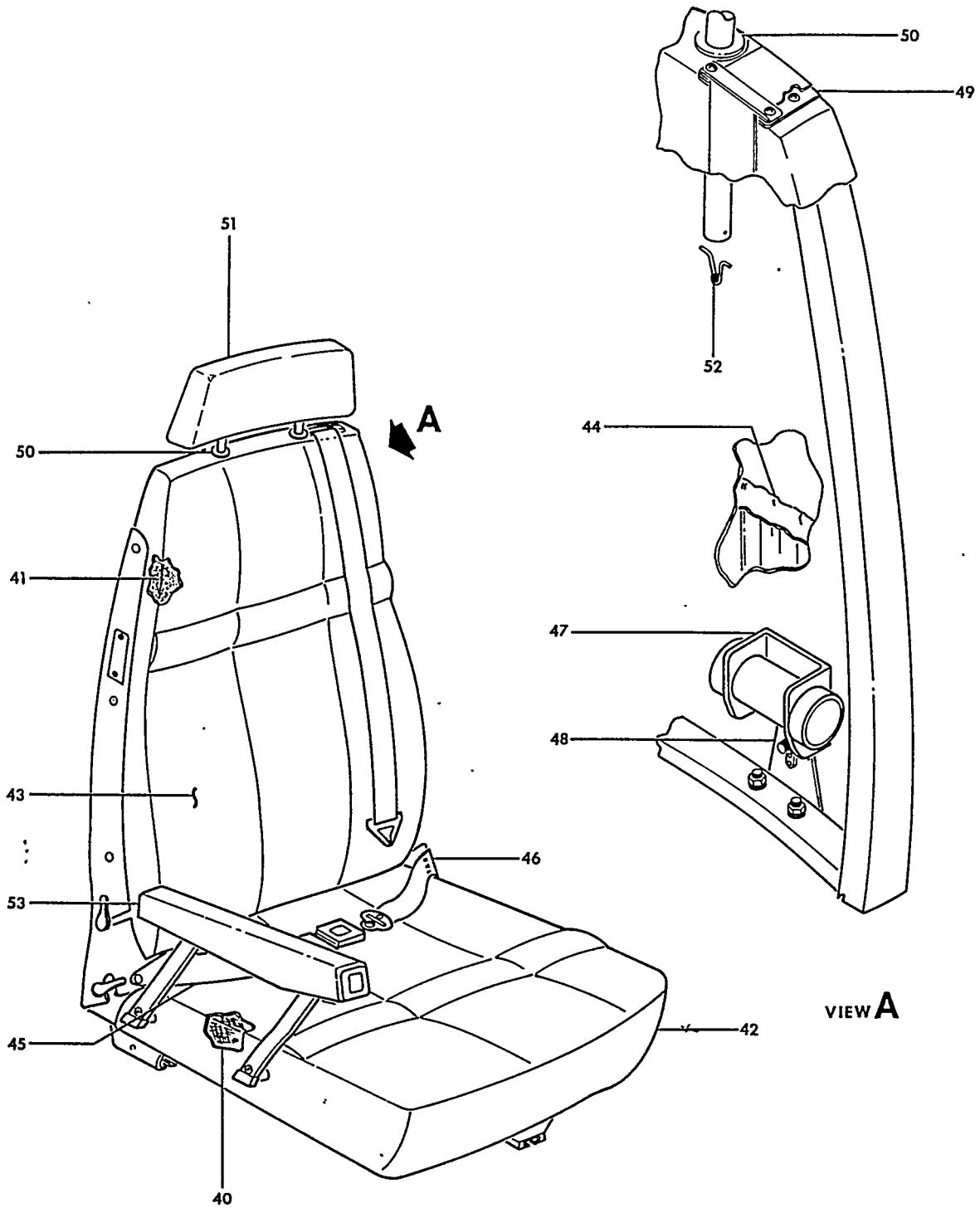


36-314E-42

B E E C H C R A F T  
B O N A N Z A 3 3  
I L L U S T R A T E D P A R T S C A T A L O G

FIG. & ITEM NO.	PART NO.	1	2	3	4	5	6	7	DESCRIPTION	UNITS PER ASSY	USABLE ON CODE
314G - 19	102-530072-15	.	.	.	.	.	.	.	TUBE, TORQUE . . . . .	1	1
- 20	102-530109-1	.	.	.	.	.	.	.	SHIELD, PROTECTIVE . . . . .	1	1
- 21	60-530046-3	.	.	.	.	.	.	.	SPRING, LH . . . . .	1	1
	58-530046-4	.	.	.	.	.	.	.	SPRING, RH . . . . .	1	1
- 22	60-530161-1	.	.	.	.	.	.	.	PIN, OUTBD SIDE. . . . .	1	1
- 23	58-530045-8	.	.	.	.	.	.	.	HANDLE ASSY, LH SEAT . . . . .	1	1
	58-530045-7	.	.	.	.	.	.	.	HANDLE ASSY, RH SEAT . . . . .	1	1
	MS171499	.	.	.	.	.	.	.	/ATTACHING PARTS/ PIN, ROLL. . . . .	1	
		----	*	----							
- 24	MS171557	.	.	.	.	.	.	.	PIN, ROLL. . . . .	2	1
- 25	102-530081-1	.	.	.	.	.	.	.	CAM . . . . .	2	1
		.	.	.	.	.	.	.	/ATTACHING PARTS/ PIN, ROLL. . . . .	2	
- 26	MS171504	.	.	.	.	.	.	.	PIN, ROLL. . . . .	2	
		----	*	----							
- 27	102-530075-1	.	.	.	.	.	.	.	STOP. . . . .	2	1
		.	.	.	.	.	.	.	/ATTACHING PARTS/ BOLT. . . . .	2	
	NAS464P4A14	.	.	.	.	.	.	.	WASHER. . . . .	2	
	AN960D416	.	.	.	.	.	.	.	NUT . . . . .	2	
	22K2-048	.	.	.	.	.	.	.		2	
		----	*	----							
- 28	102-530081-1	.	.	.	.	.	.	.	LINK, ACTUATOR . . . . .	2	1
		.	.	.	.	.	.	.	/ATTACHING PARTS/ PIN . . . . .	2	
- 29	102-530072-19	.	.	.	.	.	.	.	PIN . . . . .	2	
- 30	130909B36	.	.	.	.	.	.	.	BOLT. . . . .	2	
	AN960D416	.	.	.	.	.	.	.	WASHER. . . . .	2	
		----	*	----							
- 31	R 102-530111-1	.	.	.	.	.	.	.	HANDLE ASSY, ACTUATOR. . . . .	1	6
	R 102-530111-5	.	.	.	.	.	.	.	HANDLE ASSY, ACTUATOR. . . . .	1	7
- 32	102-530074-5	.	.	.	.	.	.	.	GUIDE . . . . .	2	1
		.	.	.	.	.	.	.	/ATTACHING PARTS/ SCREW . . . . .	2	
- 33	MS27039-1-30	.	.	.	.	.	.	.	SCREW . . . . .	2	
	AN960-10L	.	.	.	.	.	.	.	WASHER. . . . .	2	
	130909N29	.	.	.	.	.	.	.	NUT . . . . .	2	
- 34	NAS43DD3-6	.	.	.	.	.	.	.	SPACER. . . . .	1	
		----	*	----							
- 35	106-384001-5	.	.	.	.	.	.	.	ACTUATOR ASSY, 3RD SEAT/LH ROTON/. . . . .	1	1
- 36	106-384001-2	.	.	.	.	.	.	.	ACTUATOR ASSY, 3RD SEAT/RH ROTON/. . . . .	1	1
	106-384001-1	.	.	.	.	.	.	.	ACTUATOR ASSY, 4RH SEAT/LH ROTON/. . . . .	1	1
	106-384001-6	.	.	.	.	.	.	.	ACTUATOR ASSY, 4RH SEAT/RH ROTON/. . . . .	1	1
		.	.	.	.	.	.	.	/ATTACHING PARTS/ SCREW . . . . .	2	
	MS27039-1-35	.	.	.	.	.	.	.	SCREW . . . . .	2	
	AN960-10L	.	.	.	.	.	.	.	WASHER. . . . .	2	
	130909N29	.	.	.	.	.	.	.	NUT . . . . .	2	
		----	*	----							
- 37	130906TC-BB073	.	.	.	.	.	.	.	TUBE, ACTUATOR COVER . . . . .	2	1
- 38	101-530284-3	.	.	.	.	.	.	.	TUBE. . . . .	1	1
- 39	MS171496	.	.	.	.	.	.	.	PIN . . . . .	2	1
	102-530106-1	.	.	.	.	.	.	.	PLATE, INSTRUCTION . . . . .	1	1
		.	.	.	.	.	.	.	/ATTACHING PARTS/ SCREW . . . . .	2	
	NAS384-6-12	.	.	.	.	.	.	.	SCREW . . . . .	2	
		----	*	----							
	130569	.	.	.	.	.	.	.	PLACARD, SEAT IDENTIFICATION . . . . .	1	1
		.	.	.	.	.	.	.	/ATTACHING PARTS/ SCREW . . . . .	2	
	AN535-2-4	.	.	.	.	.	.	.	SCREW . . . . .	2	
		----	*	----							
	102-530077-23	.	.	.	.	.	.	.	SLING, SEAT BACK . . . . .	1	1
	102-530095-31	.	.	.	.	.	.	.	SLING, SEAT BOTTOM . . . . .	1	1

BEECHCRAFT  
BONANZA 33  
ILLUSTRATED PARTS CATALOG



36-314E-43

FIGURE 314G-PASSENGER SEATS/ROTON ADJUSTABLE/  
/SHEET 3 OF 3 SHEETS/



B E E C H C R A F T  
B O N A N Z A 3 3  
I L L U S T R A T E D P A R T S C A T A L O G

FIG. & ITEM NO.	PART NO.	1	2	3	4	5	6	7	DESCRIPTION	UNITS PER ASSY	USABLE ON CODE
314G - 40	58-530185-1	.	.	.	.	.	.	.	CUSHION, SEAT BOTTOM . . . . .	1	1
- 41	101-530303-3	.	.	.	.	.	.	.	CUSHION, SEAT BACK . . . . .	1	1
- 42	106-530060-9	.	.	.	.	.	.	.	COVER ASSY, SEAT BOTTOM. . . . .	1	1
- 43	106-530058-9	.	.	.	.	.	.	.	COVER ASSY, SEAT BACK. . . . .	1	1
- 44	R 101-530294-15	.	.	.	.	.	.	.	POCKET ASSY . . . . .	1	1
	NAS384-8-20P	.	.	.	.	.	.	.	SCREW . . . . .	2	
	NAS391-8P	.	.	.	.	.	.	.	WASHER. . . . .	2	
	NAS43DD3-48	.	.	.	.	.	.	.	SPACER. . . . .	2	
- 45	101-530604-1	.	.	.	.	.	.	.	BELT ASSY, SEAT/BUCKLE/. . . . .	1	2
- 46	101-530604-5	.	.	.	.	.	.	.	BELT ASSY, SEAT/CONNECTOR/. . . . .	1	2
	331744A1N1-10-42	.	.	.	.	.	.	.	BELT ASSY, SEAT/COMPLETE/. . . . .	1	3
	R 332101A1N1-10-42	.	.	.	.	.	.	.	BELT ASSY, SEAT/COMPLETE/. . . . .	1	7
- 47	58-380071-1	.	.	.	.	.	.	.	INERTIA REEL, SHOULDER HARNESS . . . . .	1	1
		.	.	.	.	.	.	.	/ATTACHING PARTS/		
	AN5-5A	.	.	.	.	.	.	.	BOLT. . . . .	1	
	AN960-516	.	.	.	.	.	.	.	WASHER. . . . .	1	
	130909N43	.	.	.	.	.	.	.	NUT . . . . .	1	
		-----*									
- 48	102-530069-3	.	.	.	.	.	.	.	BRACKET ASSY, INERTIA REEL . . . . .	1	1
		.	.	.	.	.	.	.	/ATTACHING PARTS/		
	MS27039-1-16	.	.	.	.	.	.	.	SCREW . . . . .	2	
	AN960-10L	.	.	.	.	.	.	.	WASHER. . . . .	2	
	130909N29	.	.	.	.	.	.	.	NUT . . . . .	2	
		-----*									
- 49	106-530028-1	.	.	.	.	.	.	.	BRACKET, LH SEAT SHOULDER HARNESS. . . . .	1	1
	106-530028-2	.	.	.	.	.	.	.	BRACKET, RH SEAT SHOULDER HARNESS. . . . .	1	1
		.	.	.	.	.	.	.	/ATTACHING PARTS/		
	OHS8SM24DS25GY	.	.	.	.	.	.	.	SCREW . . . . .	2	
		-----*									
- 50	131354-1	.	.	.	.	.	.	.	MOLDING, HEADREST/ALTERNATE FOR 131354-3/. . . . .	2	1
	131354-3	.	.	.	.	.	.	.	MOLDING, HEADREST/ALTERNATE FOR 131354-1/. . . . .	2	1
- 51	106-530064-1	.	.	.	.	.	.	.	HEADREST ASSY . . . . .	1	1
	106-530064-5	.	.	.	.	.	.	.	PAD ASSY. . . . .	1	1
	106-530064-9	.	.	.	.	.	.	.	COVER ASSY. . . . .	1	1
	58-530120-29	.	.	.	.	.	.	.	TUBE. . . . .	2	1
- 52	131345	.	.	.	.	.	.	.	SPRING. . . . .	2	1
- 53	106-530063-3	.	.	.	.	.	.	.	ARMREST ASSY, 3RD & 4TH SEAT/SEE FIG.327A/ . . . . .	1	1
		.	.	.	.	.	.	.	/ATTACHING PARTS/		
	AN24-27A	.	.	.	.	.	.	.	BOLT. . . . .	2	
	105739SYD1400	.	.	.	.	.	.	.	BUSHING . . . . .	2	
	50-534547-25	.	.	.	.	.	.	.	WASHER. . . . .	2	
	42ND8-048	.	.	.	.	.	.	.	NUT . . . . .	2	
		-----*									
	58-530183-5	.	.	.	.	.	.	.	SHIM. . . . .	AR	1
	002-430041-9	.	.	.	.	.	.	.	TRACK INSTL, SEAT. . . . .	NP	1
	002-430021-9	.	.	.	.	.	.	.	TRACK, CENTER. . . . .	2	1
	002-430021-13	.	.	.	.	.	.	.	TRACK, INBD & OUTBD. . . . .	4	1
	R 002-430013-31	.	.	.	.	.	.	.	STOP. . . . .	8	1
	NAS1203-2	.	.	.	.	.	.	.	SCREW . . . . .	AR	
	AN960-10	.	.	.	.	.	.	.	WASHER. . . . .	AR	
	130909N29	.	.	.	.	.	.	.	NUT . . . . .	AR	
	R NAS623-3-5-2	.	.	.	.	.	.	.	SCREW . . . . .	4	
	R 58-530231-1	.	.	.	.	.	.	.	STOP. . . . .	1	1
	R LA3S-R1 030	.	.	.	.	.	.	.	PIN . . . . .	4	1

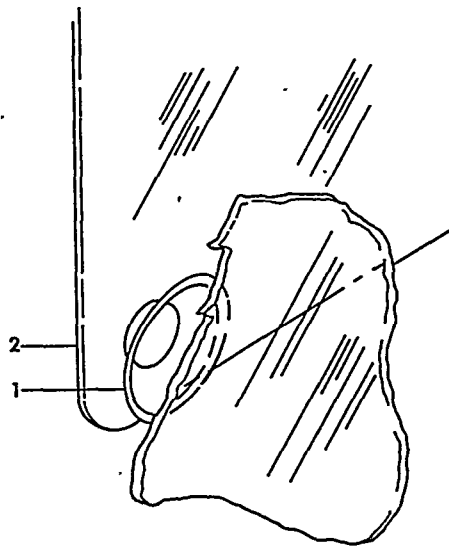
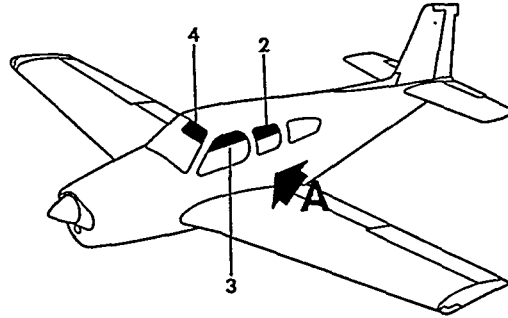
C O D E S O F E F F E C T I V I T Y

1	CE-919, CE-923	2	CE-919, CE-923
	CE-925, CE-927		CE-925, CE-927
	CE-929 AND AFTER		CE-929 THRU CE-1023
	CJ-156 AND AFTER		
3	CE-1024 THRU CE-1167	4	CE-1044 AND AFTER
	CJ-156 THRU CJ-179		CJ-156 AND AFTER
5	CE-919, CE-923	6	CE-919, CE-923
	CE-925, CE-927		CE-925, CE-927
	CE-929 THRU CE-1043		CE-929 THRU CE-1083
			CJ-156 AND AFTER
7	CE-1168 AND AFTER		
	CJ-180 AND AFTER		

B E E C H C R A F T  
B O N A N Z A 3 3  
I L L U S T R A T E D P A R T S C A T A L O G

FIGURE 315  
WINDOW SUNSHADES  
CD-1235 THRU CD-1304  
CE-290 THRU CE-315

BEECHCRAFT  
BONANZA 33  
ILLUSTRATED PARTS CATALOG



VIEW A

33-315-3

B E E C H C R A F T  
B O N A N Z A 3 3  
I L L U S T R A T E D P A R T S C A T A L O G

FIG. & ITEM NO.	PART NO.	DESCRIPTION							UNITS PER ASSY	USABLE ON CODE
		1	2	3	4	5	6	7		
315	35-534085	SUNSHADE INSTL,CABIN WINDOW	.	.	.	.	.	.	NP	1
	35-534085-8	. SUNSHADE ASSY,LH.	.	.	.	.	.	.	1	1
	35-534085-9	. SUNSHADE ASSY,RH.	.	.	.	.	.	.	1	1
	AN6227-5	. O RING.	.	.	.	.	.	.	4	1
	AN960-616L	. WASHER.	.	.	.	.	.	.	4	1
	- 1	CR1720	. CUP ASSY.	.	.	.	.	.	4	1
	- 2	35-534085-10	. SHADE,LH/PLEXIGLASS/.	.	.	.	.	.	1	1
		35-534085-11	. SHADE,RH/PLEXIGLASS/.	.	.	.	.	.	1	1
	- 3	35-534085-16	. SHADE,PILOTS WINDOW/PLEXIGLASS/	.	.	.	.	.	1	1
		35-534085-18	. SHADE,CABIN DOOR WINDOW/PLEXIGLASS/	.	.	.	.	.	1	1
- 4	35-534085-14	. SHADE,WINDSHIELD/PLEXIGLASS/.	.	.	.	.	.	2	1	
	50-534075-20	. CLIP,SHADE SUPPORT.	.	.	.	.	.	8	1	

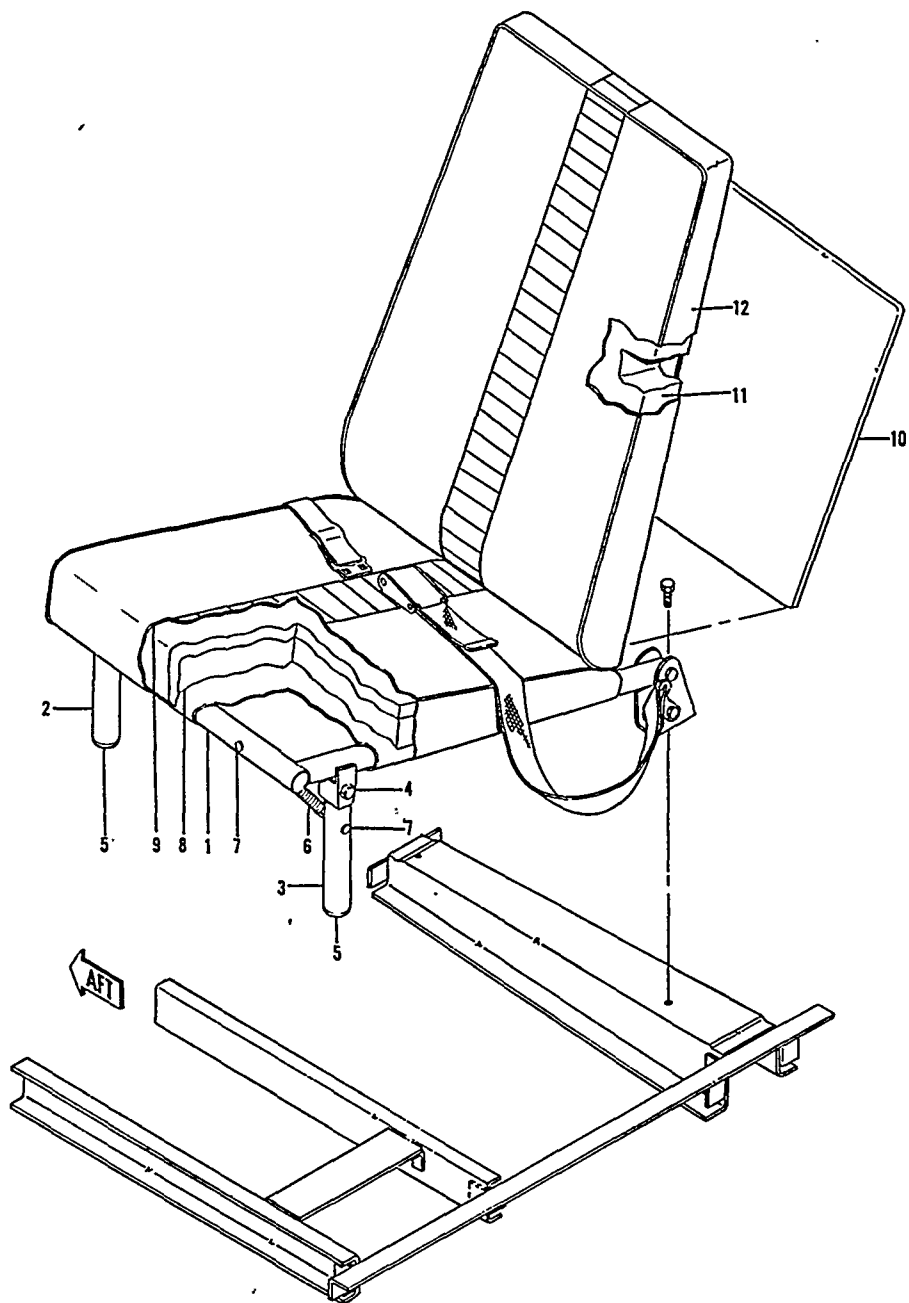
C O D E S O F E F F E C T I V I T Y

1 CD-1235 THRU CD-1304  
CE-290 THRU CE-315

BEECHCRAFT  
BONANZA 33  
ILLUSTRATED PARTS CATALOG

FIGURE 317  
SPECIAL SEATS  
CD-1235 THRU CD-1304  
CE-290 THRU CE-315

BEECHCRAFT  
BONANZA 33  
ILLUSTRATED PARTS CATALOG

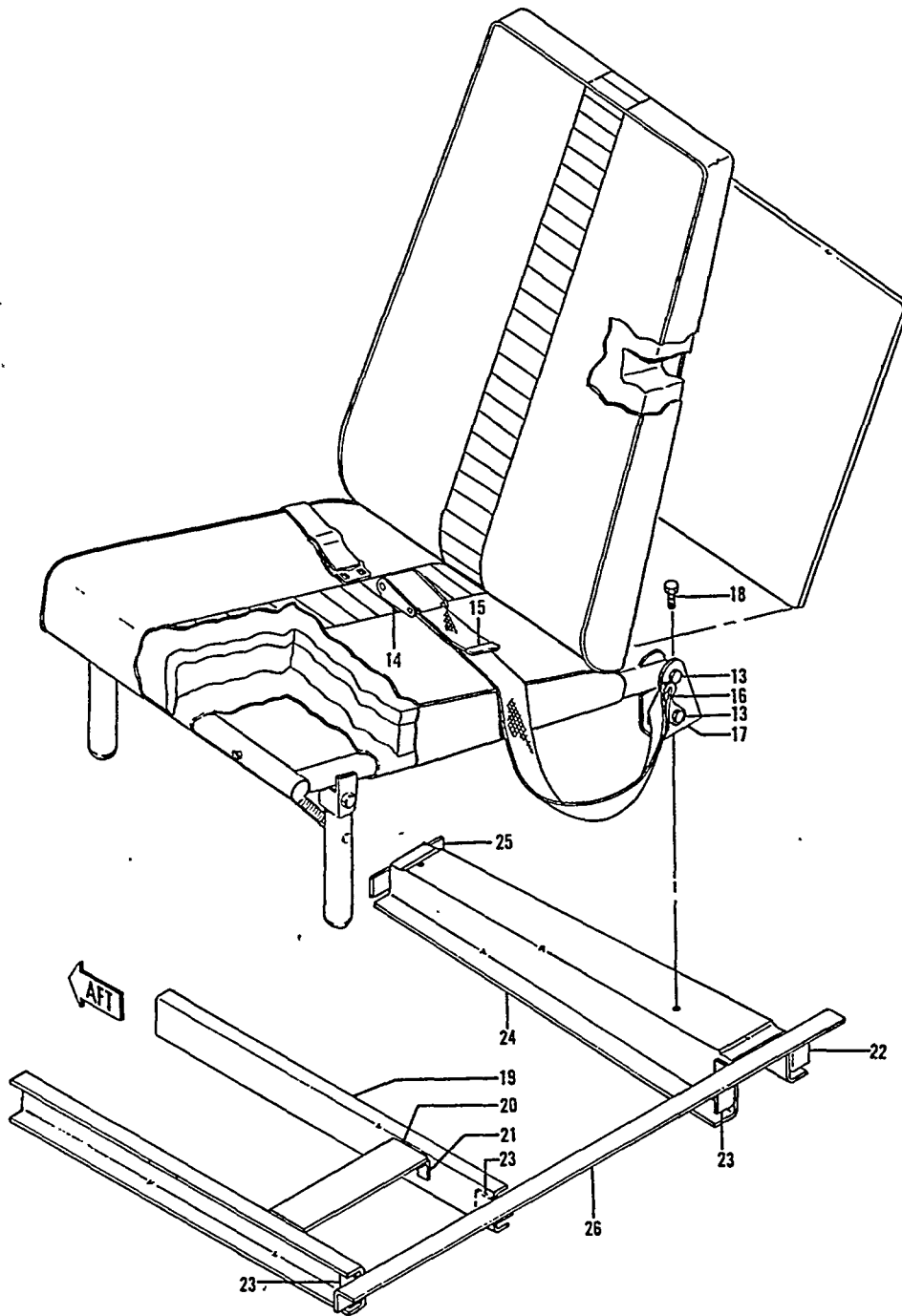


33-317-3

B E E C H C R A F T  
B O N A N Z A 3 3  
I L L U S T R A T E D P A R T S C A T A L O G

FIG. & ITEM NO.	PART NO.	DESCRIPTION							UNITS PER ASSY	USABLE ON CODE
		1	2	3	4	5	6	7		
317	33-534033-605	SEAT ASSY, SIDE FACING 5TH	.	.	.	.	.	.	1	3
	33-534033-607	SEAT ASSY, SIDE FACING 5TH	.	.	.	.	.	.	1	2
		/ATTACHING PARTS/								
	AN3-8A	BOLT	.	.	.	.	.	.	2	
	AN960-10	WASHER	.	.	.	.	.	.	2	
	MS20365-1032	NUT	.	.	.	.	.	.	2	
		*								
- 1	96-534051-25	WELD ASSY, SEAT BOTTOM	.	.	.	.	.	.	1	1
- 2	96-534051-27	LEG, AFT	.	.	.	.	.	.	1	1
- 3	33-534033-29	LEG, FWD	.	.	.	.	.	.	1	1
		/ATTACHING PARTS/								
- 4	AN3-14A	BOLT	.	.	.	.	.	.	2	
	AN960-10	WASHER	.	.	.	.	.	.	2	
	MS20365-1032	NUT	.	.	.	.	.	.	2	
		*								
- 5	HS51248	BUTTON, PLUG	.	.	.	.	.	.	2	1
- 6	100942L0200-48	SPRING, LEG STOWAGE	.	.	.	.	.	.	2	1
- 7	MS20392-1C35	PIN, SPRING ATTACH	.	.	.	.	.	.	2	1
- 8	96-534051-129	CUSHION, SEAT BOTTOM	.	.	.	.	.	.	1	1
- 9	33-534033-77	COVER ASSY, SEAT BOTTOM	.	.	.	.	.	.	1	3
	33-534033-87	COVER ASSY, SEAT BOTTOM	.	.	.	.	.	.	1	2
- 10	35-534432-7	PANEL ASSY, SEAT BACK SUPPORT	.	.	.	.	.	.	1	1
- 11	33-534033-33	CUSHION, SEAT BACK	.	.	.	.	.	.	1	1
- 12	33-534033-75	COVER ASSY, SEAT BACK	.	.	.	.	.	.	1	3
	33-534033-85	COVER ASSY, SEAT BACK	.	.	.	.	.	.	1	2
	AN227-6	STUD	.	.	.	.	.	.	12	1
	AN227-9B	STUD	.	.	.	.	.	.	9	1
	AN227-7B	STUD	.	.	.	.	.	.	12	1
	AN227-8B	STUD	.	.	.	.	.	.	9	1

BEECHCRAFT  
BONANZA 33  
ILLUSTRATED PARTS CATALOG



33-317-5



B E E C H C R A F T  
B O N A N Z A 3 3  
I L L U S T R A T E D P A R T S C A T A L O G

FIG. & ITEM NO.	PART NO.	1	2	3	4	5	6	7	DESCRIPTION	UNITS PER ASSY	USABLE ON CODE
317	130498C29-33	.	.	.	.	.	.	.	BELT ASSY, SEAT . . . . .	1	1
		.	.	.	.	.	.	.	/ATTACHING PARTS/		
- 13	130909B45	.	.	.	.	.	.	.	BOLT . . . . .	2	
	AN960-416	.	.	.	.	.	.	.	WASHER . . . . .	2	
	MS20365-428	.	.	.	.	.	.	.	NUT . . . . .	2	
	102933D5ZM0190	.	.	.	.	.	.	.	SPACER . . . . .	2	
		.	.	.	.	.	.	.	-----*		
- 14	CS4000W/265-4	.	.	.	.	.	.	.	BUCKLE ASSY, SEAT BELT . . . . .	1	1
- 15	D611A	.	.	.	.	.	.	.	TIP, SEAT BELT . . . . .	1	1
- 16	M2005M2	.	.	.	.	.	.	.	FITTING, SEAT BELT . . . . .	2	1
	50-534733-1	.	.	.	.	.	.	.	PLACARD, BUCKLE . . . . .	1	1
	115184	.	.	.	.	.	.	.	PLACARD, SEAT IDENTIFICATION . . . . .	1	1
	33-534033-21	.	.	.	.	.	.	.	WELD ASSY, AFT SEAT SUPPORT . . . . .	1	1
- 17	33-534033-27	.	.	.	.	.	.	.	WELD ASSY, FWD SEAT SUPPORT . . . . .	1	1
		.	.	.	.	.	.	.	/ATTACHING PARTS/		
- 18	AN6-16A	.	.	.	.	.	.	.	BOLT . . . . .	2	
		.	.	.	.	.	.	.	-----*		
- 19	33-534033-7	.	.	.	.	.	.	.	CHANNEL, FLOOR SUPPORT LH. . . . .	1	1
	33-534033-8	.	.	.	.	.	.	.	CHANNEL, FLOOR SUPPORT RH. . . . .	1	1
- 20	33-534033-57	.	.	.	.	.	.	.	TRACK, FLOOR SUPPORT . . . . .	1	1
- 21	33-534033-55	.	.	.	.	.	.	.	ANGLE, TRACK ATTACH. . . . .	4	1
- 22	33-534033-13	.	.	.	.	.	.	.	CLIP . . . . .	1	1
- 23	33-534033-15	.	.	.	.	.	.	.	CLIP . . . . .	3	1
- 24	33-534033-43	.	.	.	.	.	.	.	CHANNEL, HAT SECTION . . . . .	1	1
- 25	33-534033-39	.	.	.	.	.	.	.	CHANNEL, AFT SUPPORT . . . . .	1	1
- 26	33-534033-45	.	.	.	.	.	.	.	ANGLE . . . . .	1	1
	58-530041-15	.	.	.	.	.	.	.	COVER, SEAT BOTTOM/CANVAS/ . . . . .	1	1
	58-530041-17	.	.	.	.	.	.	.	COVER, SEAT BACK/CANVAS/ . . . . .	1	1

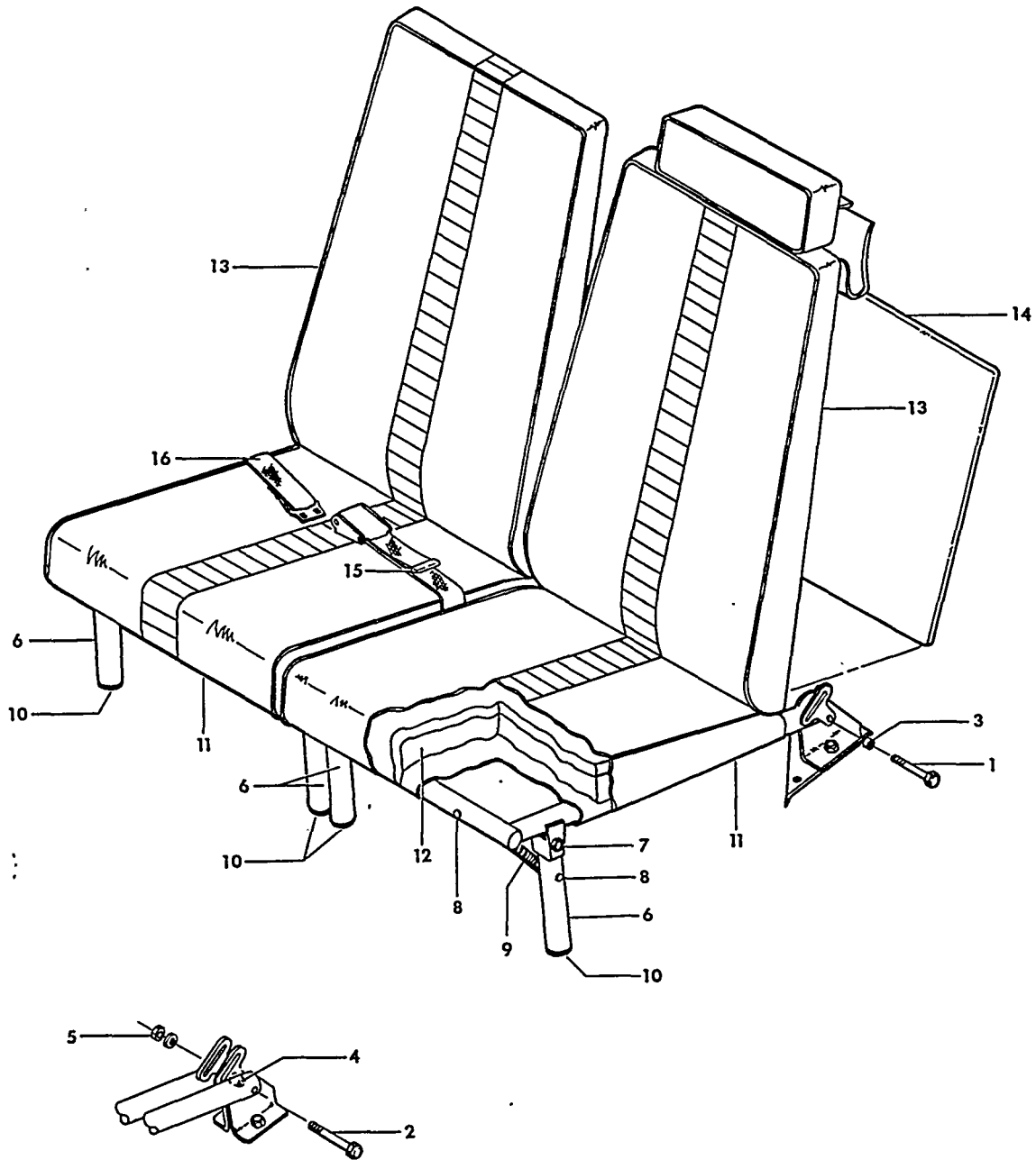
C O D E S O F E F F E C T I V I T Y

- 1 CD-1235 THRU CD-1304 2 CD-1256 THRU CD-1304  
CE-290 THRU CE-315
- 3 CD-1235 THRU CD-1255  
CE-290 THRU CE-315

B E E C H C R A F T  
B O N A N Z A 3 3  
I L L U S T R A T E D P A R T S C A T A L O G

FIGURE 317A  
SPECIAL SEATS  
CE-316 THRU CE-928, EXCEPT CE-919  
CE-923, CE-925, CE-927

BEECHCRAFT  
BOJANZA 33  
ILLUSTRATED PARTS CATALOG

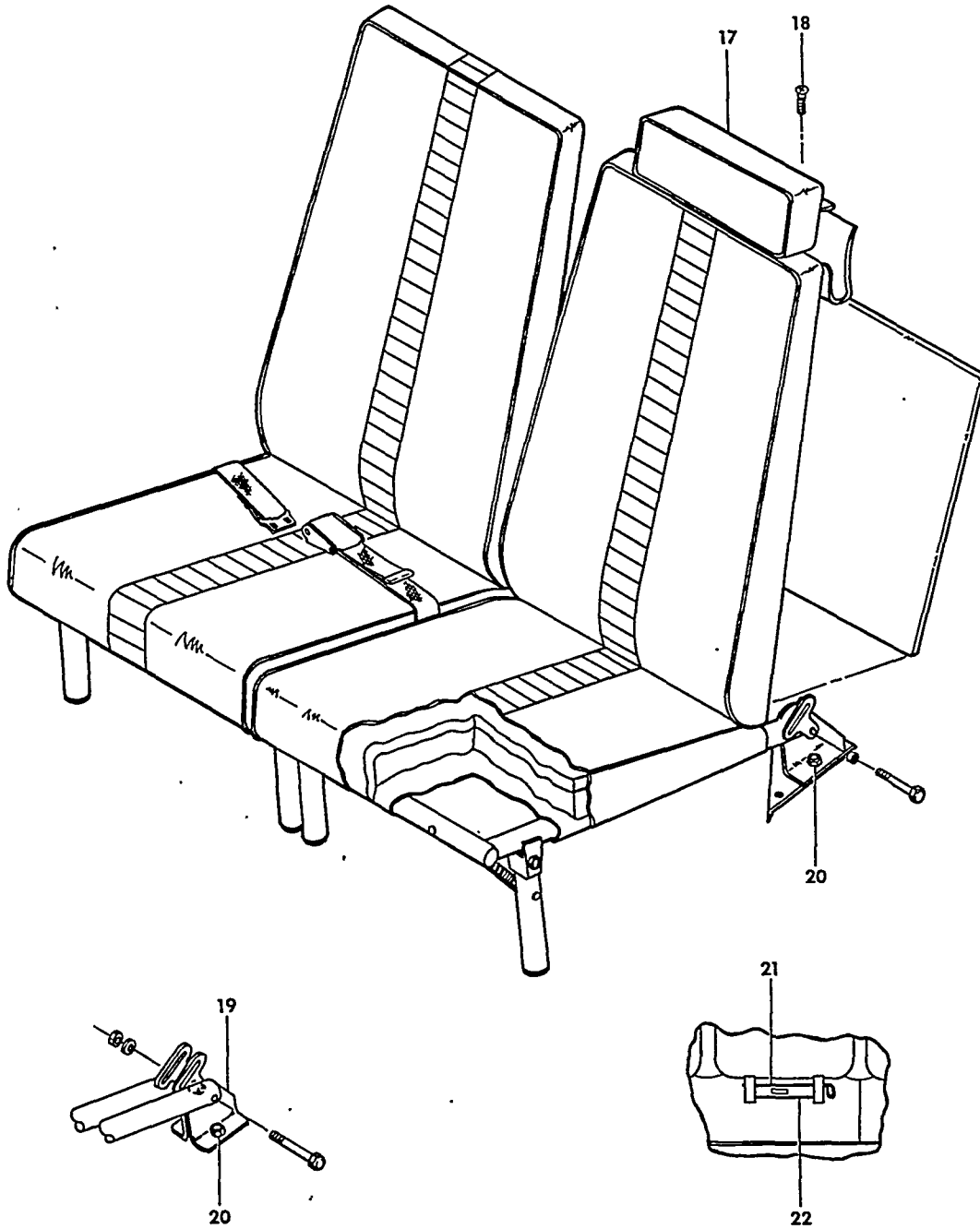


33-317A-11

B E E C H C R A F T  
B O N A N Z A 3 3  
I L L U S T R A T E D P A R T S C A T A L O G

FIG. & ITEM NO.	PART NO.	DESCRIPTION							UNITS PER ASSY	USABLE ON CODE	
		1	2	3	4	5	6	7			
317A	96-534051-117	SEAT INSTL,FOLDING 5TH.	.	.	.	.	.	.	NP	5	
	96-534051-119	SEAT INSTL,FOLDING 5TH & 6TH.	.	.	.	.	.	.	NP	5	
	96-534051-143	SEAT INSTL,FOLDING 5TH.	.	.	.	.	.	.	NP	6	
	96-534051-145	SEAT INSTL,FOLDING 5TH & 6TH.	.	.	.	.	.	.	NP	9	
	96-534051-616	. SEAT ASSY,5TH	.	.	.	.	.	.	1	3	
	96-534051-617	. SEAT ASSY,6TH	.	.	.	.	.	.	1	3	
	96-534051-618	. SEAT ASSY,5TH & 6TH	.	.	.	.	.	.	1	2	
	58-534184-601	. SEAT ASSY,5TH & 6TH	.	.	.	.	.	.	1	4	
	102-530095-615	. SEAT ASSY,5TH & 6TH	.	.	.	.	.	.	1	7	
			/ATTACHING PARTS/								
	- 1	AN4-15	. BOLT.	.	.	.	.	.	.	2	
	- 2	130909B51	. BOLT.	.	.	.	.	.	.	1	
	- 3	102933D5ZM0250	. SPACER,LH & RH OUTBD.	.	.	.	.	.	.	2	
		102933D5ZM0190	. SPACER,LH INBD.	.	.	.	.	.	.	1	
	- 4	NAS43HT4-50	. SPACER,CENTER	.	.	.	.	.	.	1	
	- 5	130909N32	. NUT	.	.	.	.	.	.	3	
			*-----*								
- 6	96-534051-25	. . FRAME ASSY,5TH & 6TH SEAT BOTTOM.	.	.	.	.	.	.	1	1	
	96-534051-83	. . LEG,CHAIR	.	.	.	.	.	.	2	1	
		/ATTACHING PARTS/									
- 7	AN525-10R24	. . BOLT.	.	.	.	.	.	.	2		
	AN960-10L	. . WASHER.	.	.	.	.	.	.	2		
	MS20365-1032	. . NUT	.	.	.	.	.	.	2		
		*-----*									
- 8	MS20392-1C35	. . PIN	.	.	.	.	.	.	4	1	
- 9	100942L0316-84	. . SPRING.	.	.	.	.	.	.	2	1	
- 10	HS15248	. . BUTTON,SEAT LEG PLUG.	.	.	.	.	.	.	2	1	
- 11	96-534051-125	. . COVER ASSY,SEAT BOTTOM.	.	.	.	.	.	.	1	3	
	96-534051-137	. . COVER ASSY,SEAT BOTTOM.	.	.	.	.	.	.	1	2	
	58-534184-45	. . COVER ASSY,SEAT BOTTOM.	.	.	.	.	.	.	1	4	
	102-530095-27	. . COVER ASSY,SEAT BOTTOM.	.	.	.	.	.	.	1	7	
- 12	96-534051-129	. . CUSHION,SEAT BOTTOM	.	.	.	.	.	.	1	3	
	96-534051-141	. . CUSHION,SEAT BOTTOM	.	.	.	.	.	.	1	2	
	35-534467-1	. . CUSHION,SEAT BOTTOM	.	.	.	.	.	.	1	10	
- 13	96-534051-123	. . CUSHION,SEAT BACK UPHOLSTERED	.	.	.	.	.	.	1	3	
	96-534051-139	. . CUSHION,SEAT BACK UPHOLSTERED	.	.	.	.	.	.	1	2	
	35-534467-3	. . CUSHION,SEAT BACK	.	.	.	.	.	.	1	10	
	58-534184-47	. . COVER ASSY,SEAT BACK.	.	.	.	.	.	.	1	6	
	102-530095-25	. . COVER ASSY,SEAT BACK.	.	.	.	.	.	.	1	7	
- 14	35-534432-7	. . PAN ASSY,SEAT BACK.	.	.	.	.	.	.	1	3	
	35-534432-5	. . PAN ASSY,SEAT BACK.	.	.	.	.	.	.	1	8	
	130498C19-32	. BELT ASSY,SEAT.	.	.	.	.	.	.	1	5	
- 15	101-530604-9	. BELT ASSY,INBD SEAT	.	.	.	.	.	.	1	6	
- 16	101-530604-5	. BELT ASSY,OUTBD SEAT.	.	.	.	.	.	.	1	6	
		:									

BEECHCRAFT  
BONANZA 33  
ILLUSTRATED PARTS CATALOG



33-317A-12

B E E C H C R A F T  
B O N A N Z A 3 3  
I L L U S T R A T E D P A R T S C A T A L O G

FIG. & ITEM NO.	PART NO.	DESCRIPTION							UNITS PER ASSY	USABLE ON CODE
		1	2	3	4	5	6	7		
317A - 17	96-534039-3	. HEADREST ASSY . . . . .							1	1
		/ATTACHING PARTS/								
- 18	NAS384-6-6	. SCREW . . . . .							6	
	NAS391-6	. WASHER . . . . .							6	
		*-----*								
- 19	96-534051-81	. BRACKET /USED WITH 5TH & 6TH SEAT ONLY/ . . . . .							1	1
	96-534051-82	. BRACKET /USED WITH 5TH & 6TH SEAT ONLY/ . . . . .							1	1
		/ATTACHING PARTS/								
- 20	AN6-7	. BOLT . . . . .							1	
		*-----*								
- 21	002-430008-135	. PIN, EMERGENCY EXIT/LH/. . . . .							1	1
	002-430008-136	. PIN, EMERGENCY EXIT/RH/. . . . .							1	1
- 22	96-534042-3	. PLACARD, EMERGENCY EXIT INSTRUCTION . . . . .							1	1
		/ATTACHING PARTS/								
	NAS384-6-8P	. SCREW . . . . .							2	
		*-----*								
	118650	. LICENSE HOLDER /5TH & 6TH SEAT ONLY/. . . . .							1	3
		/ATTACHING PARTS/								
	AN227-8B	. STUD . . . . .							6	
	AN227-9B	. EYELET . . . . .							6	
	AN227-6B	. BUTTON . . . . .							6	
	AN227-7B	. SOCKET . . . . .							6	
		*-----*								
	58-530224-9	. HARNESS INSTL, 5TH SEAT SHOULDER . . . . .							NP	6
	58-530224-10	. HARNESS INSTL, 6TH SEAT SHOULDER . . . . .							NP	9
	36-530111-1	. . ESCUTCHEON, INERTIA REEL/5TH SEAT/ . . . . .							1	6
	36-530111-2	. . ESCUTCHEON, INERTIA REEL/6TH SEAT/ . . . . .							1	9
		/ATTACHING PARTS/								
	OHS8SM160-S25GY	. . SCREW . . . . .							2	
		*-----*								
	58-380071-1	. . INERTIA REEL ASSY . . . . .							1	1
		/ATTACHING PARTS/								
	130909B35	. . BOLT . . . . .							1	
	AN970-4	. . WASHER . . . . .							1	
	NAS43HT4-8	. . SPACER . . . . .							1	
		*-----*								

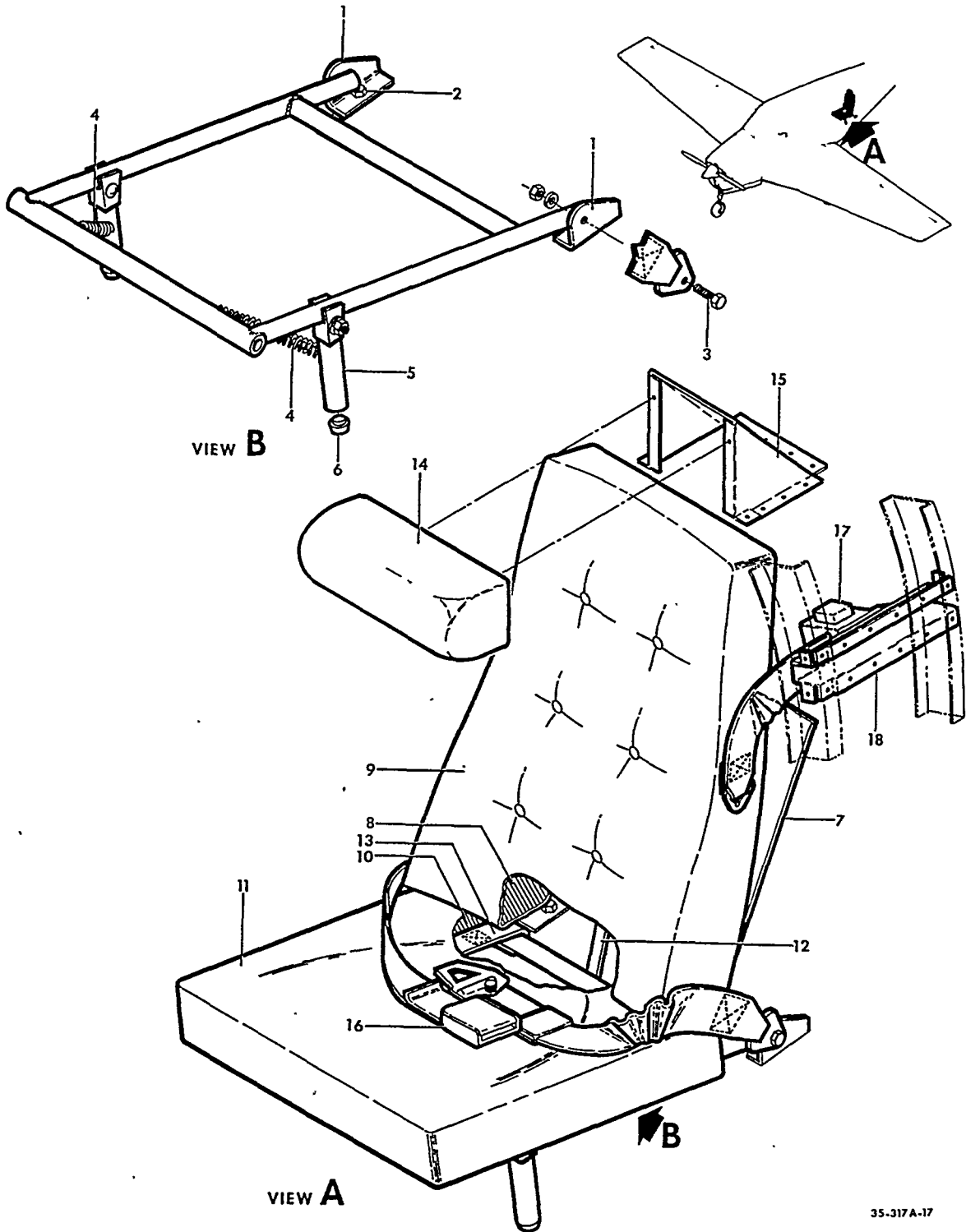
C O D E S O F E F F E C T I V I T Y

1	CE-316 THRU CE-928 EXCEPT CE-919, CE-923 CE-925, CE-927	2	CE-350 THRU CE-464
3	CE-316 THRU CE-349	4	CE-465 THRU CE-611
5	CE-316 THRU CE-633	6	CE-634 THRU CE-928 EXCEPT CE-919, CE-923 CE-925, CE-927
7	CE-612 THRU CE-928 EXCEPT CE-919, CE-923 CE-925, CE-927	8	CE-350 THRU CE-928 EXCEPT CE-919, CE-923 CE-925, CE-927
9	CE-634 THRU CE-673	10	CE-465 THRU CE-928 EXCEPT CE-919, CE-923 CE-925, CE-927

BEECHCRAFT  
BONANZA 33  
ILLUSTRATED PARTS CATALOG

FIGURE 317B  
SPECIAL SEATS  
CE-919,CE-923,CE-925,CE-927,CE-929 AND AFTER

BEECHCRAFT  
BONANZA 33  
ILLUSTRATED PARTS CATALOG



35-317A-17

FIGURE 317B.SPECIAL SEATS



B E E C H C R A F T  
B O N A N Z A 3 3  
I L L U S T R A T E D P A R T S C A T A L O G

FIG. & ITEM NO.	PART NO.	DESCRIPTION	UNITS PER ASSY	USABLE ON CODE
317B	35-534476-1	SEAT INSTL, FOLDING 5TH.	NP	1
- 1	96-534051-81	. BRACKET, LH.	1	1
	96-534051-82	. BRACKET, RH.	1	1
		/ATTACHING PARTS/		
- 2	AN6-7	. BOLT.	2	
- 3	AN4-15	. BOLT.	2	
	NAS43DD4-16	. SPACER.	2	
	MS20365-428	. NUT	2	
		-----*		
	106-530056-3	. SEAT ASSY, FOLDING 5TH	1	1
	96-534051-131	. FRAME ASSY.	1	1
	96-534051-25	. . . WELD ASSY, FRAME	1	1
- 4	100942L0316-84	. . . SPRING.	2	1
	MS20392-1C35	. . . PIN	4	1
- 5	96-534051-83	. . . LEG	2	1
		/ATTACHING PARTS/		
	AN525-10R24	. . . SCREW	2	
	AN960-10L	. . . WASHER.	2	
	MS20365-1032	. . . NUT	2	
		-----*		
- 6	MS15248	. . . BUTTON, PLUG	2	1
- 7	35-534432-5	. . . PAN ASSY.	1	1
- 8	35-534467-3	. . . CUSHION, BACK.	1	1
- 9	106-530056-11	. . . COVER ASSY, SEAT BACK.	1	1
- 10	35-534467-1	. . . CUSHION, SEAT BOTTOM	1	1
- 11	106-530056-9	. . . COVER ASSY, SEAT BOTTOM.	1	1
- 12	96-534051-133	. . . STRAP	1	1
	R XX10362-12K1105	. . . STUD.	1	1
- 13	102-530095-37	. . . SLING	1	1
- 14	35-534477-1	. HEADREST ASSY	1	1
		/ATTACHING PARTS/		
	MS35207-262	. SCREW	2	
	R AN960-10	. WASHER.	2	
		-----*		
	35-534477-3	. . . PLATE ASSY.	1	1
	35-534477-5	. . . PLATE	1	1
	35-534477-7	. . . BRACKET	1	1
	R MS21069L3	. . . NUTPLATE.	2	1
	96-534039-41	. . . FOAM.	AR	1
- 15	R 35-534478-5	. FRAME, HEADREST SUPPORT.	1	1
- 16	101-530604-5	. BELT ASSY, SEAT/CONNECTOR/	1	2
	101-530604-9	. BELT ASSY, SEAT/BUCKLE/.	1	2
	R 331774A1N1-14-40	. BELT ASSY, SEAT/COMPLETE/.	1	3
	R 332101A1N1-14-40	. BELT ASSY, SEAT/COMPLETE/.	1	4
	58-530216-23	. HARNESS INSTL, SHOULDER.	NP	1
- 17	58-380071-17	. . . INERTIA REEL.	1	1
		/ATTACHING PARTS/		
	130909B35	. . . BOLT.	1	
	AN970-4	. . . WASHER.	1	
	NAS43HT4-8	. . . SPACER.	1	
		-----*		
	58-530218-1	. . . BRACKET INSTL	NP	1
- 18	58-530218-33	. . . BRACKET ASSY, INERTIA REEL	1	1
	58-530218-27	. . . CLIP.	1	1
	58-530218-29	. . . CLIP.	1	1

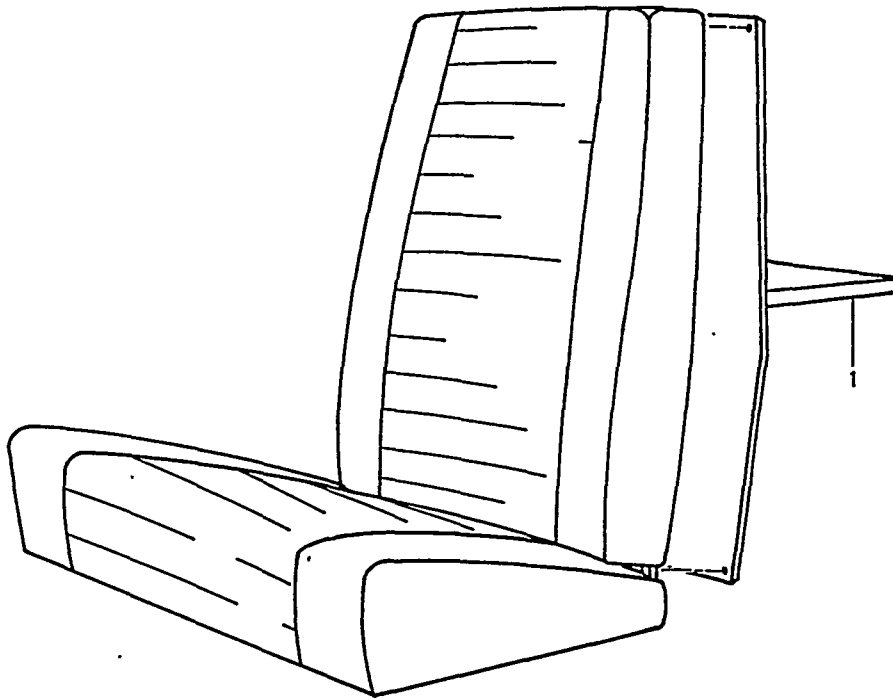
C O D E S O F E F F E C T I V I T Y

1	CE-919, CE-923	2	CE-919, CE-923
	CE-925, CE-927		CE-925, CE-927
	CE-929 AND AFTER		CE-929 THRU CE-1023
3	CE-1024 THRU CE-1167	4	CE-1168 AND AFTER

BEECHCRAFT  
BONANZA 33  
ILLUSTRATED PARTS CATALOG

FIGURE 320  
SEAT BACK TABLE  
CD-1235 THRU CD-1304  
CE-290 THRU CE-633

BEECHCRAFT  
BONANZA 33  
ILLUSTRATED PARTS CATALOG



56TC-320-1

FIGURE 320. SEAT BACK TABLE

B E E C H C R A F T  
 BONANZA 33  
 I L L U S T R A T E D P A R T S C A T A L O G

FIG. & ITEM NO.	PART NO.	DESCRIPTION							UNITS PER ASSY	USABLE ON CODE
		1	2	3	4	5	6	7		
320 - 1	36-530075-1	TABLE INSTL, SEAT BACK . . . . .							NP	1
	36-380001	. TABLE, SEAT BACK . . . . .							1	1
		/ATTACHING PARTS/								
	NAS387-632-16P	. SCREW . . . . .							6	
	NAS391-6P	. WASHER . . . . .							6	

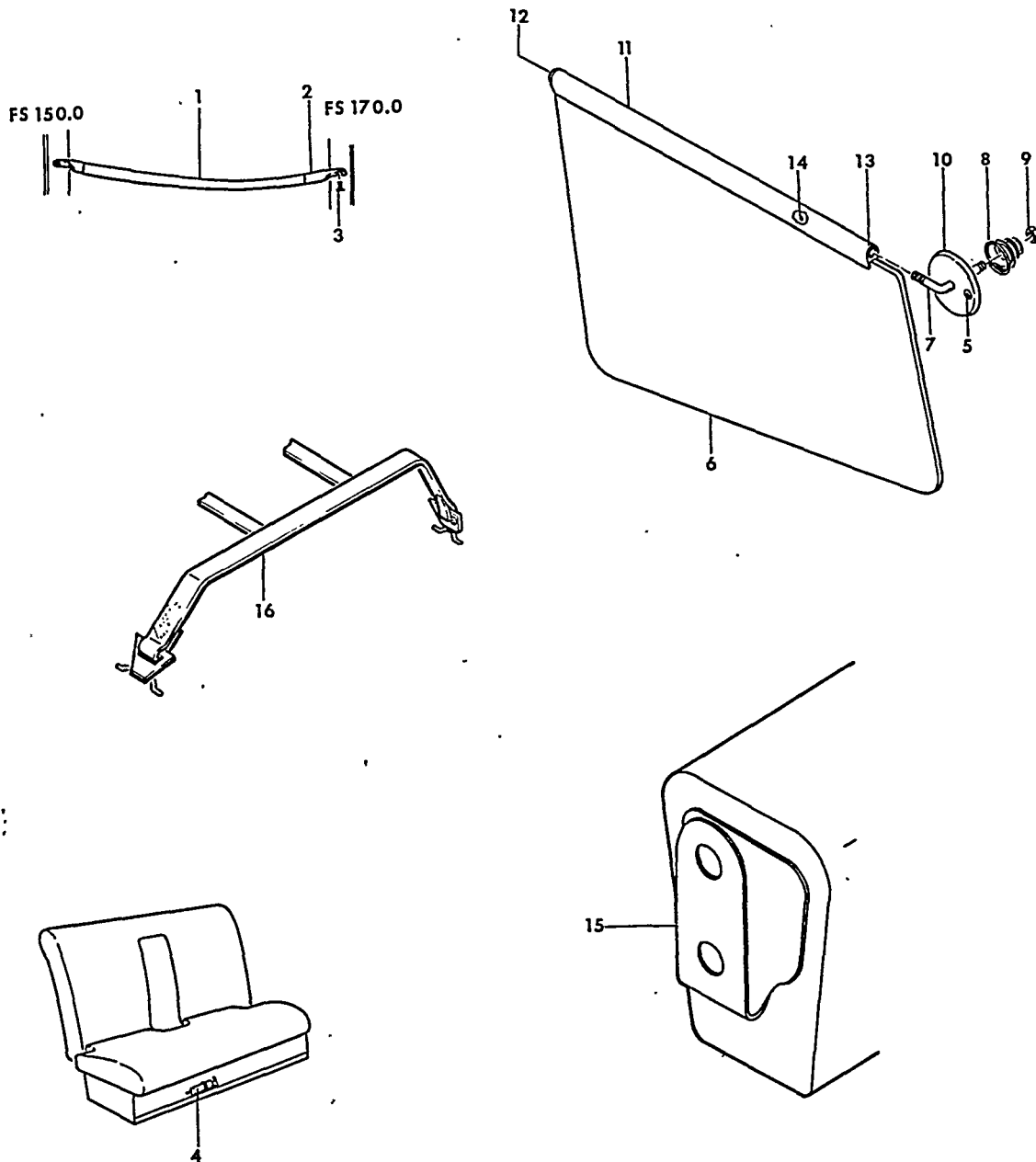
CODES OF EFFECTIVITY

- 1 CD-1235 THRU CD-1304
- CE-290 THRU CE-633

BEECHCRAFT  
BONANZA 33  
ILLUSTRATED PARTS CATALOG

FIGURE 324  
MISCELLANEOUS CABIN FURNISHINGS

BEECHCRAFT  
BONANZA 33  
ILLUSTRATED PARTS CATALOG

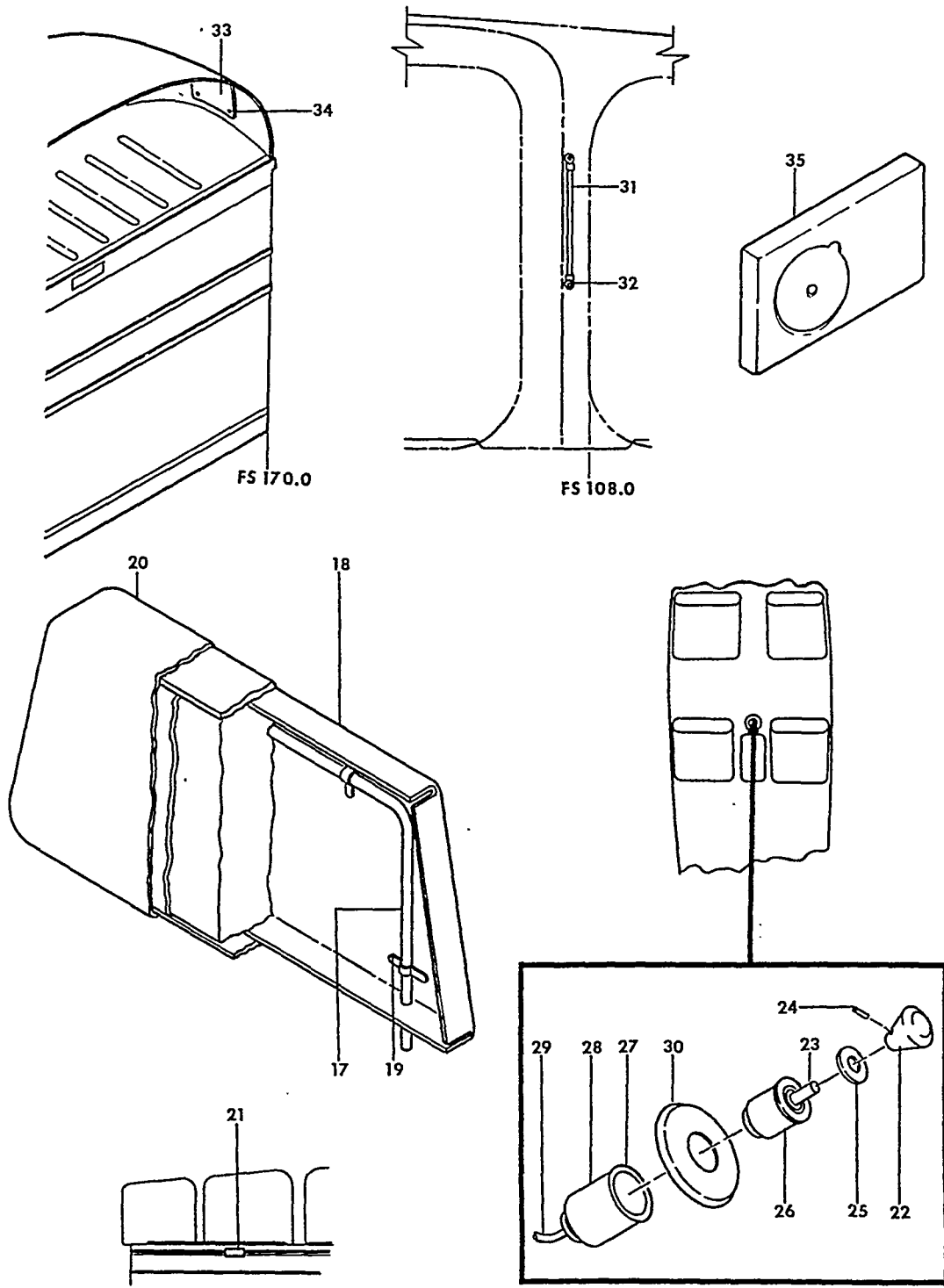


33-324-17

B E E C H C R A F T  
B O N A N Z A 3 3  
I L L U S T R A T E D P A R T S C A T A L O G

FIG. & ITEM NO.	PART NO.	DESCRIPTION	UNITS PER ASSY	USABLE ON CODE
		1 2 3 4 5 6 7		
324	35-534399	HANGER INSTL,COAT . . . . .	NP	1
- 1	1440-14	. STRAP,COAT HANGER . . . . .	1	1
- 2	95-534042-3	. COVER,COAT HANGER STRAP END . . . . .	2	1
		/ATTACHING PARTS/		
- 3	NAS387-1032-8P	. SCREW . . . . .	2	
	NAS39188P	. WASHER . . . . .	2	
	102933D4-0312ZM	. SPACER . . . . .	2	
	MS21047-3	. NUTPLATE . . . . .	2	
	35-534085	SUNSHADE INSTL/SEE FIG 315/ . . . . .	NP	2
	35-574025-1	FIRE EXTINGUISHER,HAND /FREON TYPE/ . . . . .	NP	4
- 4	106-570000-1	FIRE EXTINGUISHER INSTL/HALON 1211 TYPE/. . . . .	1	3
	FR2 1/2	. EXTINGUISHER,FIRE/FREON TYPE/ . . . . .	1	4
	2-10	. EXTINGUISHER,FIRE/HALON TYPE/ . . . . .	1	3
		/ATTACHING PARTS/		
	MS27039-1-11	. SCREW . . . . .	4	
	58-530023-1	SUNVISOR INSTL,CABIN . . . . .	NP	8
	58-530121-7	HEADLINER INSTL,CABIN . . . . .	NP	11
	58-530173-7	HEADLINER INSTL,CABIN . . . . .	NP	6
	106-530055-7	HEADLINER INSTL,CABIN . . . . .	NP	18
	58-530023-3	. SUNVISOR ASSY,CABIN FWD . . . . .	1	5
	58-530128-1	. SUNVISOR ASSY,CABIN FWD . . . . .	1	7
	106-530032-1	. SUNVISOR ASSY . . . . .	1	18
		/ATTACHING PARTS/		
- 5	NAS387-832-8P	. SCREW . . . . .	6	6
	AN509-8R18	. SCREW . . . . .	3	18
	58-530023-11	. SHADE . . . . .	1	8
- 6	58-530128-3	. SHADE . . . . .	1	19
	106-530032-3	. SHADE . . . . .	1	18
- 7	58-530023-5	. ROD ASSY,SUNVISOR . . . . .	1	8
	58-530129-1	. ROD ASSY,SUNVISOR . . . . .	1	5
		/ATTACHING PARTS/		
- 8	58-530060	. SPRING . . . . .	1	8
	58-530131-1	. BUSHING/THRU 58-530129-1/ . . . . .	2	5
- 9	MS20365-1032	. NUT . . . . .	1	5
	AN960-10L	. WASHER . . . . .	1	8
- 10	33-530003-107	. PIVOT,SUNVISOR . . . . .	1	8
	58-530130-1	. MOUNT,SUNVISOR . . . . .	1	5
- 11	58-530023-9	. SUPPORT . . . . .	1	19
- 12	SS51034	. PLUG . . . . .	1	8
- 13	60-530124-9	. FITTING . . . . .	1	8
	58-530131-1	. BUSHING /THRU 58-530130-1 MOUNT/. . . . .	2	5
		/ATTACHING PARTS/		
- 14	MS9048-068	. PIN,ROLL . . . . .	1	6
	MS9048-071	. PIN,ROLL . . . . .	1	7
	MS9048-067	. PIN,ROLL . . . . .	1	19
	35-324408-3	. DECAL,FLIGHT INSTRUCTIONS/ON SUNVISOR/. . . . .	1	
	58-530044-1	HOOK INSTL,MIKE/PILOT'S ARMREST/. . . . .	NP	2
	58-530044-5	HOOK INSTL,MIKE/PILOT'S ARMREST/. . . . .	NP	12
	58-530075	. HOOK ASSY,MIC . . . . .	1	2
- 15	58-530044-3	. HOOK . . . . .	1	
	58-530044-7	. RETAINER . . . . .	1	12
	36-530045-25	STRAP INSTL,BAGGAGE . . . . .	NP	10
	36-530045-27	. WEB ASSY . . . . .	1	13
- 16	36-530045-29	. WEB ASSY . . . . .	1	14

BEECHCRAFT  
 BONANZA 33  
 ILLUSTRATED PARTS CATALOG



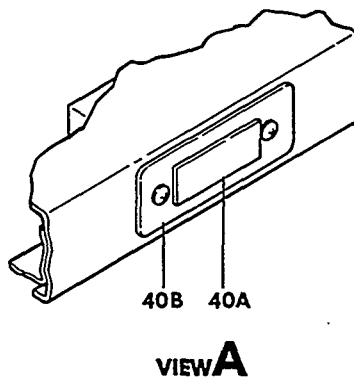
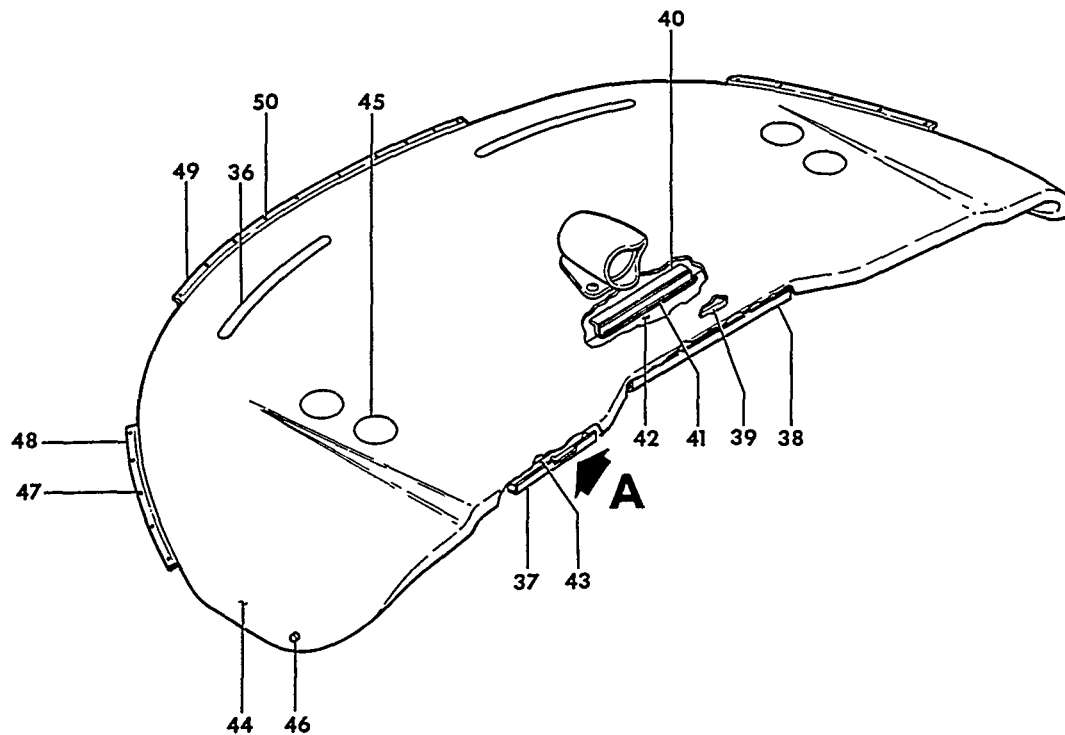
33-324-18



B E E C H C R A F T  
B O N A N Z A 3 3  
I L L U S T R A T E D P A R T S C A T A L O G

FIG. & ITEM NO.	PART NO.	DESCRIPTION	UNITS	USABLE
			PER ASSY	ON CODE
324	35-534452-1	HEADREST ASSY, SEAT . . . . .	2	5
	58-530120-1	HEADREST ASSY, SEAT /STANDARD/ . . . . .	1	7
	35-534452-3	. FRAME ASSY, HEADREST . . . . .	1	5
	58-530120-5	. FRAME ASSY, HEADREST . . . . .	1	7
- 17	35-534452-7	. . SUPPORT . . . . .	1	5
	58-530120-11	. . SUPPORT . . . . .	2	7
- 18	35-534452-5	. . FRAME . . . . .	1	5
	58-530120-13	. . FRAME . . . . .	1	5
		/ATTACHING PARTS/		
- 19	750-6	. . CLAMP, SUPPORT . . . . .	4	5
	AN515-8R5	. . SCREW . . . . .	8	6
	MS20364-832	. . NUT . . . . .	8	6
	MS27039-0810	. . SCREW . . . . .	2	7
	AN9600D8	. . WASHER . . . . .	2	7
	MS20365-832	. . NUT . . . . .	2	7
		-----*		
- 20	35-534452-9	. COVER ASSY, HEADREST . . . . .	1	5
	58-530120-15	. COVER ASSY, HEADREST . . . . .	1	7
	58-530076-7	ASH TRAY INSTL. . . . .	NP	
	58-530076-11	. DOUBLER . . . . .	4	
	58-530076-13	. DOUBLER . . . . .	1	
- 21	3A17680	. ASH TRAY . . . . .	5	
		/ATTACHING PARTS/		
	PK76XZ6-10	. SCREW . . . . .	2	
	NAS395-4	. NUT . . . . .	2	
		-----*		
	96-364013-3	LIGHTER INSTL, CIGARETTE . . . . .	NP	5
	58-530207-3	LIGHTER INSTL, CIGARETTE . . . . .	NP	17
	58-530207-9	ESCUTCHEON INSTL. . . . .	NP	16
	58-530208-1	. ESCUTCHEON ASSY . . . . .	1	
	58-530209-1	. REINFORCEMENT . . . . .	1	
	35-364160	. LIGHTER ASSY, CIGARETTE . . . . .	1	
	35-364160-3	. . KNOB ASSY . . . . .	1	
- 22	35-380055-1	. . . KNOB . . . . .	1	
- 23	35-364061	. . . STUD . . . . .	1	
- 24	AN565D8-3	. . . SCREW, SET . . . . .	1	
- 25	35-364160-1	. . . WASHER, TRIM . . . . .	1	
- 26	201200	. . . ELEMENT ASSY, LIGHTER . . . . .	1	
- 27	206480	. . . BASE ASSY, LIGHTER . . . . .	1	
- 28	LU27054	. . . CLAMPING, SHELL . . . . .	1	
- 29	LWA29455	. . . CORD ASSY, LIGHTER . . . . .	1	
- 30	96-364013-1	. PLATE, FACE . . . . .	1	5
		/ATTACHING PARTS/		
	NAS384-6-8	. SCREW . . . . .	2	
	NAS395-6	. NUT . . . . .	2	
		-----*		
- 31	58-530134-11	HANDLE ASSY, UTILITY/SUPERSEDES 34CB759/ . . . . .	2	
		/ATTACHING PARTS/		
- 32	NAS387-1032-10P	SCREW . . . . .	2	
	MK1000-3	NUTPLATE . . . . .	2	
		-----*		
- 33	118650	HOLDER ASSY, LICENSE . . . . .	1	
		/ATTACHING PARTS/		
- 34	PK79XZ4-6	SCREW . . . . .	6	
	AN227-8B	STUD . . . . .	6	
		-----*		
	35-324444	OUTSIDE AIR TEMPERATURE INSTL . . . . .	1	
	35-380019-5	. INDICATOR, OUTSIDE AIR TEMPERATURE . . . . .	1	
	96-534093-1	ESCUTCHEON, OUTSIDE AIR TEMPERATURE . . . . .	1	5
	36-530088-1	ESCUTCHEON INSTL, OUTSIDE AIR TEMPERATURE . . . . .	NP	11
- 35	36-530089-1	. ESCUTCHEON, OUTSIDE AIR TEMPERATURE . . . . .	1	11
	36-530088-3	. CLIP . . . . .	1	11
	PK84X4-6-8	. SCREW, CLIP ATTACHING . . . . .	3	11

BEECHCRAFT  
BONANZA 33  
ILLUSTRATED PARTS CATALOG

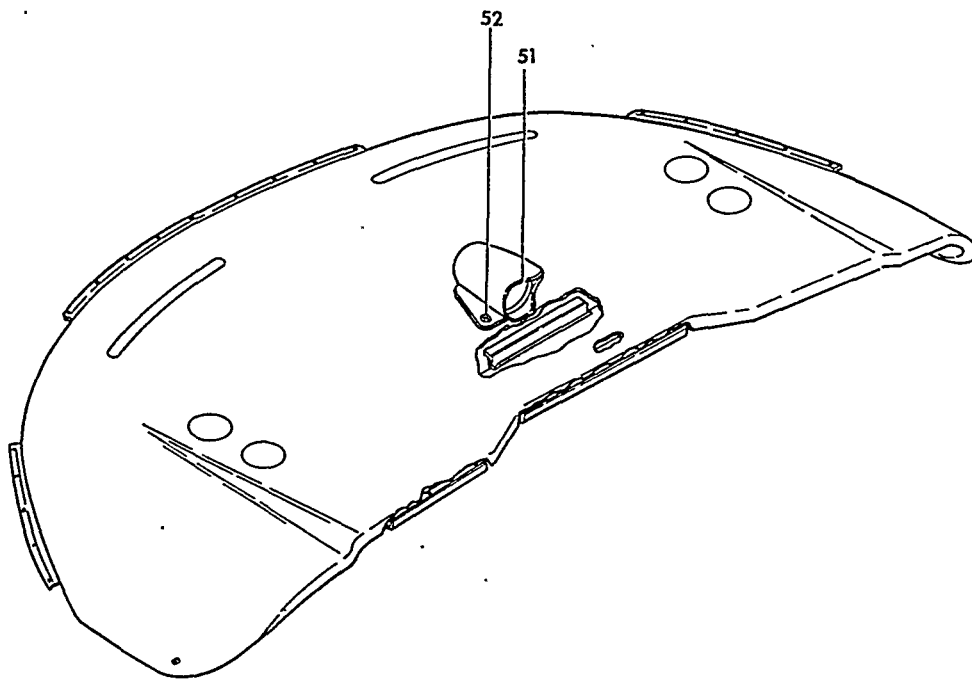


33-324-19

B E E C H C R A F T  
B O N A N Z A 3 3  
I L L U S T R A T E D P A R T S C A T A L O G

FIG. & ITEM NO.	PART NO.	DESCRIPTION	UNITS PER ASSY							USABLE ON CODE
			1	2	3	4	5	6	7	
324	36-530064-1	GLARESHIELD INSTL/14 VOLT/.							NP	15
	R 36-530064-3	GLARESHIELD INSTL/28 VOLT/.							NP	16
	36-530064-613	. GLARESHIELD ASSY.							1	15
	36-530064-627	. GLARESHIELD ASSY.							1	9
	R 36-530064-629	. GLARESHIELD ASSY.							1	24
	R 36-530064-631	. GLARESHIELD ASSY.							1	25
	36-530064-33	. DECK ASSY, GLARESHIELD							1	21
	R 36-530064-119	. DECK ASSY, GLARESHIELD							1	24
	R 36-530064-131	. DECK ASSY, GLARESHIELD							1	25
- 36	R 102-550044-1	. DUCT ASSY, DEFROSTER							1	
- 37	36-530064-43	. ANGLE							2	22
	36-530064-65	. ANGLE, LH & RH							2	23
	36-530064-121	. ANGLE, LH.							1	20
	36-530064-65	. ANGLE, RH.							1	20
- 38	R 36-530064-47	. ANGLE, CENTER.							1	26
	R 36-530064-67	. ANGLE, CENTER.							1	27
	R 36-530064-57	. CHANNEL							1	28
	R 36-530064-133	. CHANNEL							1	25
- 39	36-530064-51	. REFLECTOR ASSY.							1	
	4169-143	. BRACKET, REFLECTOR							12	
	R MS25231-313	. LAMP.							12	
	D165-100-2	. FILTER.							12	
- 40	R 36-530064-23	. SUPPORT ASSY.							1	26
	R 36-530064-61	. SUPPORT ASSY.							1	27
	99967C098	. RECEPTACLE.							4	
- 40A	421ABE02-001	. ANNUNCIATOR ASSY. /ATTACHING PARTS/							1	20
	MS24693BB6	. SCREW							2	
		----*----								
- 40B	36-530064-123	. FACE PLATE, ANNUNCIATOR.							1	20
- 41	36-530064-11	. CHANNEL							1	1
- 42	36-530064-19	. CLOSURE, CENTER. /ATTACHING PARTS/							1	
- 43	AN531-4-4	. SCREW							10	
		----*----								
- 44	36-530064-29	. COVER							1	
- 45	XP51162-12	. BUTTON, PLUG							4	
- 46	SS51338	. BUTTON, PLUG							2	
- 47	36-530064-75	. SUPPORT, LH AND RH /ATTACHING PARTS/							1	
- 48	MS24693S30	. SCREW							5	
	102933P22M0250	. SPACER.							5	
	AN960-6	. WASHER.							5	
	MS20365-632	. NUT							5	
		----*----								
- 49	36-530064-75	. SUPPORT, CENTER. /ATTACHING PARTS/							1	
- 50	MS24693S30	. SCREW							8	
	102933P22M0250	. SPACER.							8	
	AN960-6	. WASHER.							8	
	MS20365-632	. NUT							8	
		----*----								

BEECHCRAFT  
BONANZA 33  
ILLUSTRATED PARTS CATALOG



33-324-20

B E E C H C R A F T  
B O N A N Z A 3 3  
I L L U S T R A T E D P A R T S C A T A L O G

FIG. & ITEM NO.	PART NO.	DESCRIPTION							UNITS PER ASSY	USABLE ON CODE
		1	2	3	4	5	6	7		
324 - 51	C2400L4P1B	.	COMPASS ASSY/14 VOLT/	.	.	.	.	.	1	15
	C2400L4P1A-B	.	COMPASS ASSY/28 VOLT/	.	.	.	.	.	1	16
- 52	AN515B8R8	.	SCREW	.	.	.	.	.	3	
	MS35338-98	.	WASHER	.	.	.	.	.	3	
	MS35649-265B	.	NUT	.	.	.	.	.	3	

-----\*-----

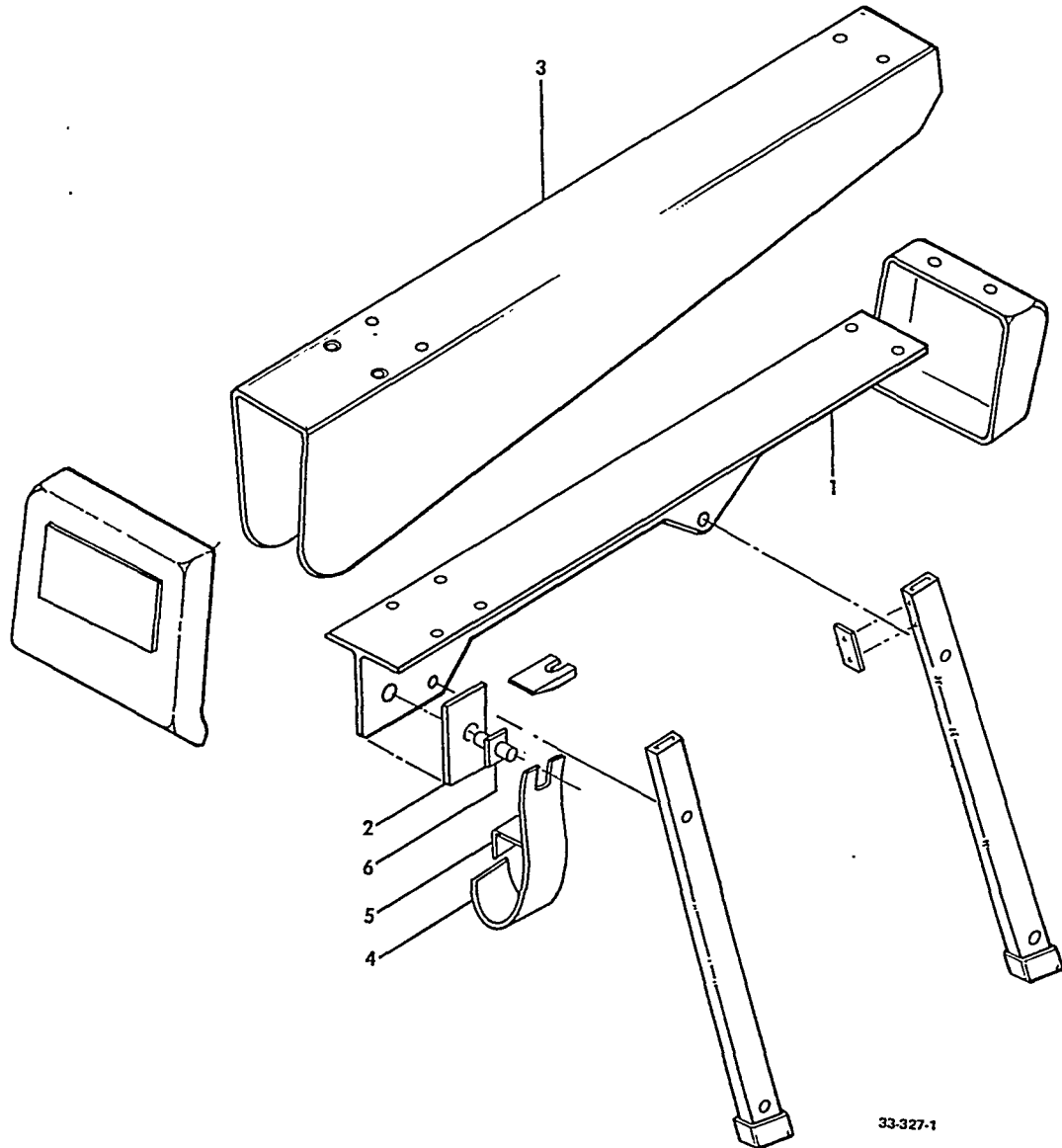
C O D E S O F E F F E C T I V I T Y

- |    |                      |    |                      |
|----|----------------------|----|----------------------|
| 1  | CD-1235 THRU CD-1304 | 2  | CD-1235 THRU CD-1304 |
|    | CE-290 AND AFTER     |    |                      |
|    | CJ-26 THRU CJ-51     |    |                      |
| 3  | CE-644 AND AFTER     | 4  | CD-1235 THRU CD-1304 |
|    | CJ-129 AND AFTER     |    | CE-290 THRU CD-643   |
|    |                      |    | CJ-26 THRU CJ-128    |
| 5  | CD-1235 THRU CD-1255 | 6  | CE-465 THRU CE-918   |
|    | CE-290 THRU CE-349   |    | CE-920 THRU CE-922   |
|    | CJ-26 THRU CJ-30     |    | CE-924,              |
|    |                      |    | CE-926 AND CE-928    |
|    |                      |    | CJ-52 THRU CJ-155    |
| 7  | CD-1256 THRU CD-1304 | 8  | CD-1235 THRU CD-1255 |
|    | CE-350 THRU CE-918   |    | CJ-26 THRU CJ-30     |
|    | CE-920 THRU CE-922   |    |                      |
|    | CE-924,              |    |                      |
|    | CE-926 AND CE-928    |    |                      |
|    | CJ-31 THRU CJ-155    |    |                      |
| 9  | CE-748,              | 10 | CE-290 AND AFTER     |
|    | CE-772 THRU CE-1300, |    |                      |
|    | CE-1302 THRU CE-1306 |    |                      |
|    | CJ-149 THRU CJ-179   |    |                      |
| 11 | CD-1256 THRU CD-1304 | 12 | CE-290 AND AFTER     |
|    | CE-350 THRU CE-464   |    | CJ-26 AND AFTER      |
|    | CJ-31 THRU CJ-51     |    |                      |
| 13 | CE-290 THRU CE-673   | 14 | CE-674 AND AFTER     |
| 15 | CD-1235 THRU CD-1304 | 16 | CE-748,              |
|    | CE-290 THRU CE-747   |    | CE-772 AND AFTER     |
|    | CE-749 THRU CE-771   |    | CJ-149 AND AFTER     |
|    | CJ-26 THRU CJ-148    |    |                      |
| 17 | CD-1256 THRU CD-1304 | 18 | CE-919,CE-923,       |
|    | CE-350 THRU CE-747   |    | CE-925,CE-927,       |
|    | CE-749 THRU CE-771   |    | CE-929 AND AFTER     |
|    | CJ-31 THRU CJ-148    |    | CJ-156 AND AFTER     |
| 19 | CD-1256 THRU CD-1304 | 20 | CE-1301,             |
|    | CE-350 AND AFTER     |    | CE-1307 AND AFTER    |
|    | CJ-31 AND AFTER      |    | CJ-180 AND AFTER     |
| 21 | CD-1235 THRU CD-1304 | 22 | CE-290 THRU CE-312   |
|    | CE-290 THRU CE-1300, |    | AND CE-324           |
|    | CE-1302 THRU CE-1306 |    | CJ-26 THRU CJ-30     |
|    | CJ-26 THRU CJ-179    |    |                      |
| 23 | CD-1235 THRU CD-1304 | 24 | CE-1301,             |
|    | CE-313 THRU CE-323,  |    | CE-1307 THRU CE-1732 |
|    | CE-325 THRU CE-1300, |    |                      |
|    | CE-1302 THRU CE-1306 |    |                      |
|    | CJ-31 THRU CJ-179    |    |                      |
| 25 | CE-1733 AND AFTER    | 26 | CE-290 THRU CE-312   |
|    | CJ-180 AND AFTER     |    | CE-324,              |
|    |                      |    | CJ-26 THRU CJ-30     |
| 27 | CD-1235 THRU CD-1304 | 28 | CD-1235 THRU CD-1304 |
|    | CE-313 THRU CE-323   |    | CE-290 THRU CE-1732  |
|    | CE-325 AND AFTER     |    | CJ-26 THRU CJ-179    |
|    | CJ-31 AND AFTER      |    |                      |

B E E C H C R A F T  
B O N A N Z A 3 3  
I L L U S T R A T E D P A R T S C A T A L O G

FIGURE 327  
ARMREST  
CD-1235 THRU CD-1304  
CE-290 THRU CE-928 EXCEPT CE-919,  
CE-923, CE-925 AND CE-927  
CJ-26 THRU CJ-155

BEECHCRAFT  
BONANZA 33  
ILLUSTRATED PARTS CATALOG

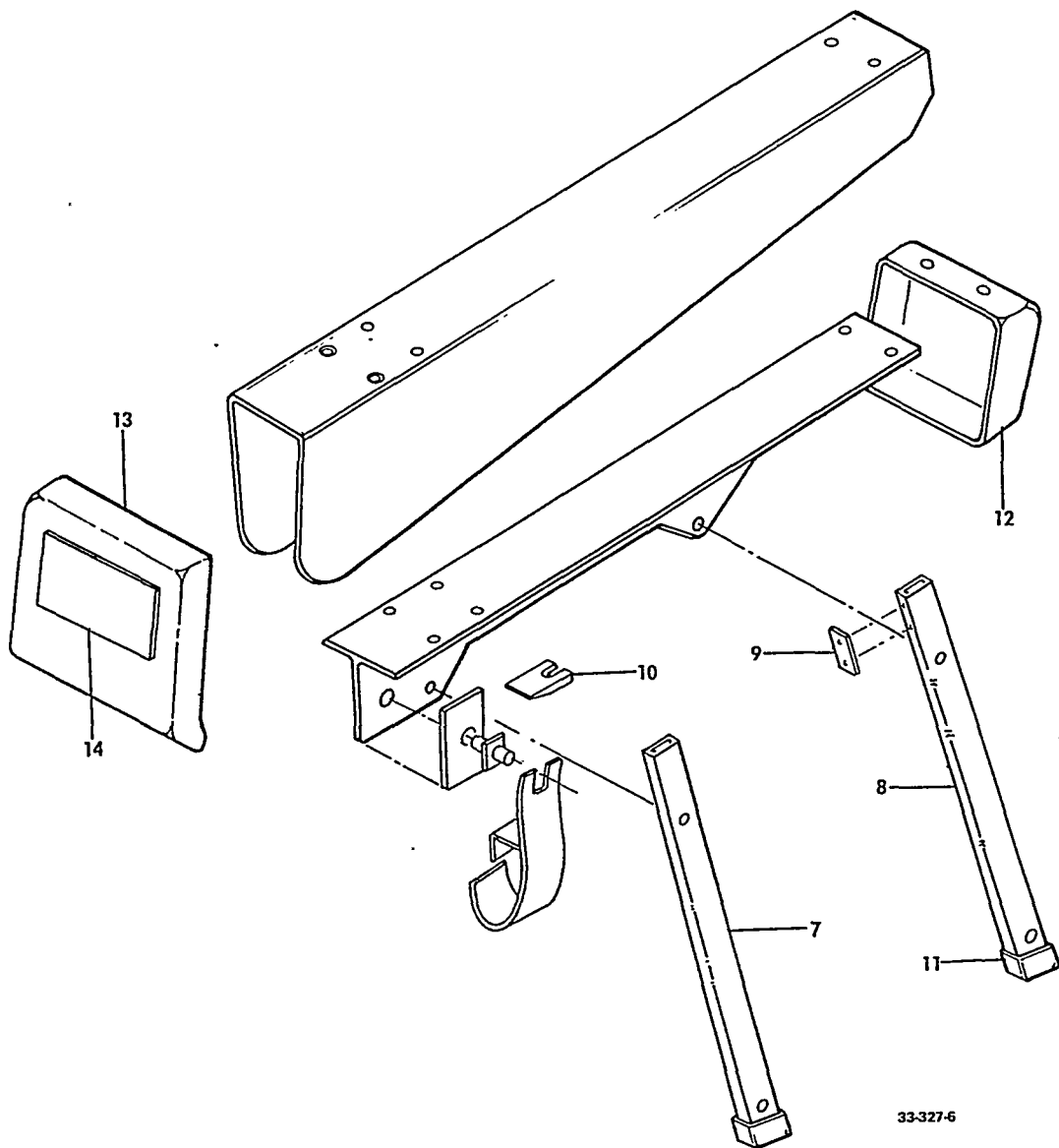


B E E C H C R A F T  
B O N A N Z A 3 3  
I L L U S T R A T E D P A R T S C A T A L O G

FIG. & ITEM NO.	PART NO.	1	2	3	4	5	6	7	DESCRIPTION	UNITS PER ASSY	USABLE ON CODE	
327	60-530139-1								ARMREST INSTL,LH STOWABLE . . . . .	NP	1	
	60-530139-2								ARMREST INSTL,RH STOWABLE . . . . .	NP	1	
	60-530139-117								ARMREST INSTL,STOWABLE /PILOT CHAIR/. . . . .	NP	2	
	60-530139-119								ARMREST INSTL,STOWABLE /PASSENGER CHAIR/. . . . .	NP	2	
	60-530139-3								• ARMREST ASSY,LH UPHOLSTERED . . . . .	1	1	
	60-530139-4								• ARMREST ASSY,RH UPHOLSTERED . . . . .	1	6	
	60-530139-121								• ARMREST ASSY,LH UPHOLSTERED . . . . .	1	2	
									/ATTACHING PARTS/			
		AN24-18A								• BOLT . . . . .	2	1
		AN24-27A								• BOLT . . . . .	2	
		105739SYD0700								• SPACER . . . . .	2	1
		105739SYD1400								• BUSHING . . . . .	2	
		50-534547-25								• WASHER . . . . .	2	1
		42ND8-048								• NUT . . . . .	2	2
		60-530139-133								• SPACER . . . . .	2	2
										-----*		
		60-530139-5								• • FRAME ASSY,LH SEAT ARMREST . . . . .	1	1
		60-530139-6								• • FRAME ASSY,RH SEAT ARMREST . . . . .	1	6
		60-530139-123								• • FRAME ASSY,LH SEAT ARMREST . . . . .	1	2
		60-530139-7								• • SUPPORT ASSY,LH . . . . .	1	1
	60-530139-8								• • SUPPORT ASSY,RH . . . . .	1	6	
	60-530139-125								• • SUPPORT ASSY,LH . . . . .	1	2	
- 1	60-530139-13								• • SUPPORT,LH . . . . .	1	1	
	60-530139-14								• • SUPPORT,RH . . . . .	1	6	
	60-530139-131								• • SUPPORT,LH . . . . .	1	2	
- 2	60-530139-15								• • DOUBLER,SUPPORT . . . . .	1	6	
	60-530139-25								• • CLIP . . . . .	2	6	
	60-530139-9								• • PAN ASSY,LH . . . . .	1	6	
	60-530139-10								• • PAN ASSY,RH . . . . .	1	6	
									/ATTACHING PARTS/			
	AN515-8R4								• • SCREW . . . . .	4		
	AN935-8L								• • WASHER . . . . .	4		
	AN366-832								• • NUTPLATE . . . . .	4		
									-----*			
- 3	60-530139-27								• • • PAN . . . . .	1	6	
	60-530139-33								• • • CLIP . . . . .	2	6	
	60-530139-11								• • • RELEASE ASSY,ARMREST . . . . .	1	6	
									/ATTACHING PARTS/			
	AN509-8R7								• • • SCREW . . . . .	1		
	AN960-8								• • • WASHER . . . . .	1		
	MS20364-832								• • • NUT . . . . .	1		
									-----*			
- 4	60-530139-29								• • • HANDLE . . . . .	1	6	
- 5	60-530139-31								• • • SPRING . . . . .	1	6	
- 6	50-534547-29								• • • BOLT,LH ARMREST LATCH . . . . .	1	6	
	50-534547-30								• • • BOLT,RH ARMREST LATCH . . . . .	1	6	
	NAS77A6-35								• • • BUSHING,LATCH BOLT . . . . .	1	6	
	MS171499								• • • PIN,LATCH BOLT . . . . .	1	6	



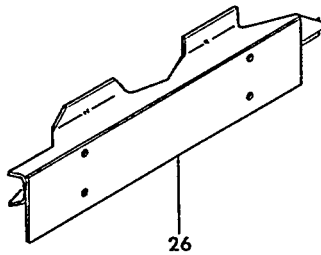
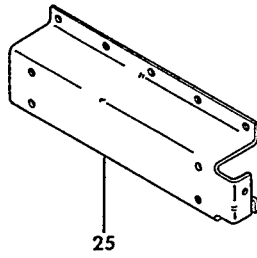
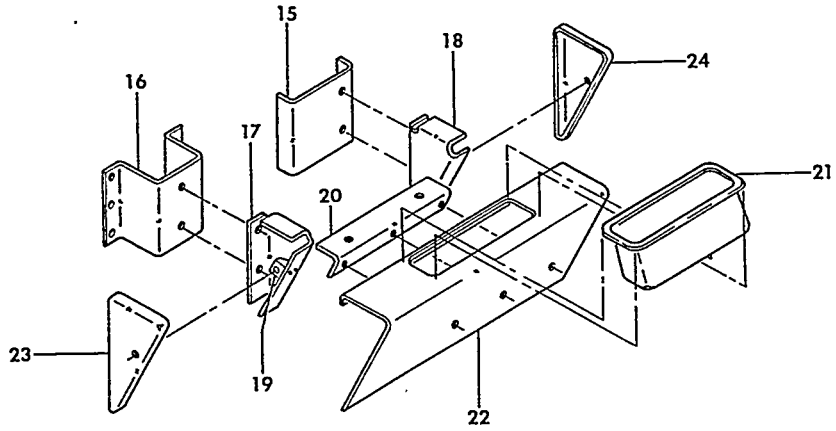
BEECHCRAFT  
BONANZA 33  
ILLUSTRATED PARTS CATALOG



B E E C H C R A F T  
B O N A N Z A 3 3  
I L L U S T R A T E D P A R T S C A T A L O G

FIG. & ITEM NO.	PART NO.	1	2	3	4	5	6	7	DESCRIPTION	UNITS PER ASSY	USABLE ON CODE
327	- 7	60-530139-17	.	.	.	ARM, ARMREST FWD	.	.	.	1	1
		60-530139-127	.	.	.	ARM, ARMREST FWD	.	.	.	1	2
	- 8	60-530139-19	.	.	.	ARM, ARMREST AFT	.	.	.	1	1
		60-530139-129	.	.	.	ARM, ARMREST AFT	.	.	.	1	2
			/ATTACHING PARTS/								
		1309098172	.	.	.	BOLT	.	.	.	2	
		AN960-10L	.	.	.	WASHER	.	.	.	2	
		60-530139-23	.	.	.	WASHER	.	.	.	2	
		MS20364-1032	.	.	.	NUT	.	.	.	2	
			-----*								
	- 9	60-530139-21	.	.	.	STOP, ARMREST AFT ARM	.	.	.	1	6
			/ATTACHING PARTS/								
		PK89XA6-11	.	.	.	SCREW	.	.	.	2	
			-----*								
- 10	60-530139-37	.	.	.	STOP, ARMREST FWD ARM	.	.	.	1	6	
		/ATTACHING PARTS/									
	AN509-8R12	.	.	.	SCREW	.	.	.	1		
	AN960-8	.	.	.	WASHER	.	.	.	1		
	MS20364-832	.	.	.	NUT	.	.	.	1		
		-----*									
- 11	99-530073-15	.	.	.	COVER, ARMREST ARM	.	.	.	2	6	
- 12	60-530139-35	.	.	.	CAP, ARMREST AFT	.	.	.	1	6	
		/ATTACHING PARTS/									
	NAS384-6P	.	.	.	SCREW	.	.	.	2		
	NAS390-6P	.	.	.	WASHER	.	.	.	2		
		-----*									
- 13	50-534527-5	.	.	.	CAP, ARMREST FWD	.	.	.	1	6	
		/ATTACHING PARTS/									
	PK89XA6-6	.	.	.	SCREW	.	.	.	2		
		-----*									
- 14	50-534536	.	.	.	DECAL, ARMREST	.	.	.	1	6	

BEECHCRAFT  
BONANZA 33  
ILLUSTRATED PARTS CATALOG

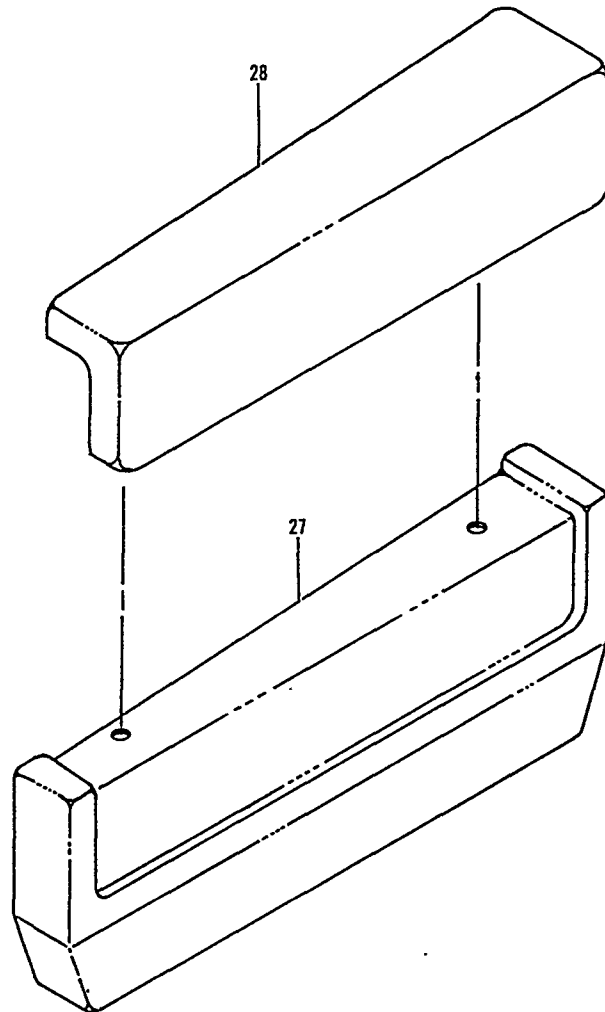


33-327-2

B E E C H C R A F T  
B O N A N Z A 3 3  
I L L U S T R A T E D P A R T S C A T A L O G

FIG. & ITEM NO.	PART NO.	DESCRIPTION							UNITS PER ASSY	USABLE ON CODE
		1	2	3	4	5	6	7		
327	35-534448-13	ARMREST INSTL, SIDE PANEL. . . . .							NP	3
- 15	35-534448-5	. CHANNEL ASSY, REAR ARMREST AFT /LH & RH/ . . . . .							2	3
	35-534448-7	. . CHANNEL . . . . .							1	3
	K1000-3	. . NUTPLATE . . . . .							2	3
	35-534448-9	. CHANNEL ASSY, REAR ARMREST FWD /LH & RH/ . . . . .							2	3
- 16	35-534448-11	. . CHANNEL . . . . .							1	3
	K1000-3	. . NUTPLATE . . . . .							2	3
	36-530068-29	. ARMREST ASSY, RH /STANDARD/ . . . . .							1	3
	36-530068-25	. ARMREST ASSY, RH /OPTIONAL/ . . . . .							1	3
	36-530068-30	. ARMREST ASSY, LH . . . . .							1	3
	36-530085-1	. ARMREST ASSY, LH FWD . . . . .							1	3
	36-530085-2	. ARMREST ASSY, RH FWD . . . . .							1	3
		/ATTACHING PARTS/								
	AN3-4A/M/	. BOLT . . . . .							4	
	AN960-10	. WASHER . . . . .							4	
		*-----*								
	36-530085-3	. . PANEL, LH FWD ARMREST COVER . . . . .							1	3
	36-530085-4	. . PANEL, RH FWD ARMREST COVER . . . . .							1	3
	36-530085-5	. . ANGLE, LH FWD . . . . .							1	3
	36-530085-6	. . ANGLE, RH AFT . . . . .							1	3
	36-530085-7	. . ANGLE, LH FWD . . . . .							1	3
	36-530085-8	. . ANGLE, RH AFT . . . . .							1	3
- 17	36-530068-19	. . GUSSET, RH FWD . . . . .							1	3
- 18	36-530068-20	. . GUSSET, RH AFT . . . . .							1	3
	36-530068-21	. . GUSSET, LH FWD . . . . .							1	3
	36-530068-22	. . GUSSET, LH AFT . . . . .							1	3
- 19	NAS1033N06	. . NUTPLATE . . . . .							1	3
- 20	36-530068-13	. . ANGLE, RH FWD ARMREST . . . . .							1	3
- 21	36-530076-1	. . ESCUTCHEON, RH ARMREST DOOR PULL . . . . .							1	3
		/ATTACHING PARTS/								
	NAS385-6-6	. . SCREW . . . . .							2	
	NAS391-6	. . WASHER . . . . .							2	
		*-----*								
- 22	36-530068-23	. . PANEL, RH FWD ARMREST COVER /STANDARD/ . . . . .							1	3
	36-530068-27	. . PANEL, RH FWD ARMREST COVER /OPTIONAL/ . . . . .							1	3
	36-530068-28	. . PANEL, LH FWD ARMREST COVER . . . . .							1	3
- 23	36-530086-1	. CAP, ARMREST FWD . . . . .							4	3
- 24	36-530086-3	. CAP, ARMREST AFT . . . . .							4	3
		/ATTACHING PARTS/								
	NAS387-632-6P	. SCREW . . . . .							1	
	NAS391-6P	. WASHER . . . . .							1	
	NAS43DD1-42	. SPACER . . . . .							1	
		*-----*								
- 25	35-534451-1	. BRACKET ASSY, LH FWD ARMREST . . . . .							1	3
	35-534451-3	. BRACKET . . . . .							1	3
	K1000-3	. . NUTPLATE . . . . .							4	3
- 26	35-534450-1	. BRACKET ASSY, RH FWD ARMREST . . . . .							1	3
	35-534450-3	. BRACKET . . . . .							1	3
	35-534450-5	. . PLATE . . . . .							1	3
	K1000-3	. . NUTPLATE . . . . .							4	3

BEECHCRAFT  
BONANZA 33  
ILLUSTRATED PARTS CATALOG



V35-327-5

B E E C H C R A F T  
B O N A N Z A 3 3  
I L L U S T R A T E D P A R T S C A T A L O G

FIG. & ITEM NO.	PART NO.	DESCRIPTION	1	2	3	4	5	6	7	UNITS PER ASSY	USABLE ON CODE
327	35-534009-1	UPHOLSTERY INSTL. . . . .								NP	4
	96-530017-81	UPHOLSTERY INSTL. . . . .								NP	5
- 27	35-534461-1	. ARMREST ASSY,LH /3 & 4 PLACE/ . . . . .								1	4
	96-534133-1	. ARMREST ASSY,LH /3 & 4 PLACE/ . . . . .								1	5
	35-534461-2	. ARMREST ASSY,RH . . . . .								1	4
	96-534133-2	. ARMREST ASSY,RH . . . . .								1	5
		/ATTACHING PARTS/									
	AN525-10R28	. SCREW,LH FWD. . . . .								2	
	AN525-10R28	. SCREW,RH AFT. . . . .								2	
		*-----*									
	35-534461-3	. . ARMREST,LH. . . . .								1	4
	35-534461-4	. . ARMREST,RH. . . . .								1	4
	35-534461-5	. . BRACKET,LH. . . . .								1	4
	35-534461-6	. . BRACKET,RH. . . . .								1	4
	96-534140-1	. . REINFORCEMENT,LH. . . . .								1	4
	96-534140-2	. . REINFORCEMENT,RH. . . . .								1	4
- 28	96-534133-3	. . PAD,LH ARMREST /3 & 4 PLACE/ . . . . .								1	5
	96-534133-4	. . PAD,RH ARMREST /3 & 4 PLACE/ . . . . .								1	5
	58-530180-1	. ARMREST ASSY,LH FWD CABIN /PILOT/ . . . . .								1	5
	58-530180-2	. ARMREST ASSY,RH FWD CABIN /COPILOT/ . . . . .								1	5

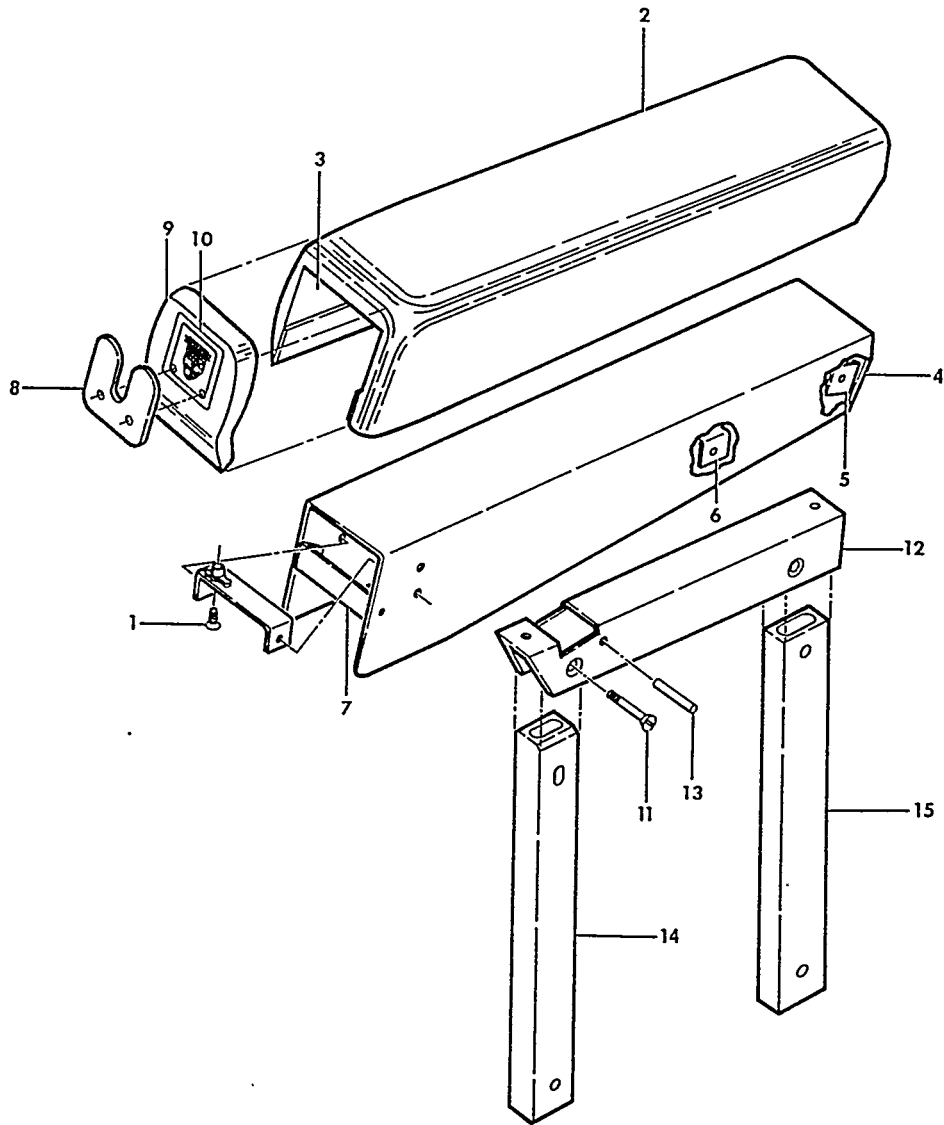
C O D E S O F E F F E C T I V I T Y

1	CD-1235 THRU CD-1244	2	CD-1245 THRU CD-1304
	CE-290 THRU CE-299		CE-300 THRU CE-928
	CJ-26 THRU CJ-28		EXCEPT CE-919,CE-923
			CE-925 AND CE-927
			CJ-29 THRU CJ-155
3	CD-1235 THRU CD-1255	4	CD-1256 THRU CD-1304
	CE-290 THRU CE-349,		CE-350 THRU CE-464,
	CJ-26 THRU CJ-30		CJ-31 THRU CJ-51
5	CE-465 THRU CE-928	6	CD-1235 THRU CD-1304
	EXCEPT CE-919,CE-923		CE-290 THRU CE-928
	CE-925 AND CE-927		EXCEPT CE-919,CE-923
	CJ-52 THRU CJ-155		CE-925 AND CE-927
			CJ-26 THRU CJ-155

BEECHCRAFT  
BONANZA 33  
ILLUSTRATED PARTS CATALOG

FIGURE 327A  
ARMRESTS  
CE-919,CE-923,CE-925,CE-927,CE-929 AND AFTER  
CJ-156 AND AFTER

BEECHCRAFT  
BONANZA 33  
ILLUSTRATED PARTS CATALOG



36-327A-7



B E E C H C R A F T  
B O N A N Z A 3 3  
I L L U S T R A T E D P A R T S C A T A L O G

FIG. & ITEM NO.	PART NO.	1 2 3 4 5 6 7	DESCRIPTION	UNITS PER ASSY	USABLE ON CODE
327A	106-530063-1		ARMREST ASSY,PILOT. . . . .	1	1
	106-530063-3		ARMREST ASSY,4TH SEAT . . . . .	1	1
			/ATTACHING PARTS/		
	AN24-15A		BOLT. . . . .	2	
	105739SYD0560		BUSHING . . . . .	2	
	50-534547-25		WASHER. . . . .	2	
	42ND8-048		NUT . . . . .	2	
			*-----*		
	106-530063-9		. SADDLE ASSY,PILOT . . . . .	1	1
	106-530063-9		. SADDLE ASSY/4TH SEAT/ . . . . .	1	1
- 1	MS24693-49		. SCREW . . . . .	2	
- 2	106-530063-15		. COVER . . . . .	1	1
- 3	106-530013-13		. SADDLE,PILOT. . . . .	1	1
	106-530063-13		. SADDLE,4TH SEAT . . . . .	1	1
- 4	60-530139-35		. CAP,ARMREST AFT . . . . .	1	1
			/ATTACHING PARTS/		
	NAS384-6-6P		. SCREW . . . . .	2	
	NAS390-6P		. WASHER. . . . .	2	
			*-----*		
- 5	106-530063-33		. BRACKET . . . . .	1	1
	106-530063-19		. BRACKET ASSY. . . . .	2	1
- 6	106-530063-17		. BRACKET . . . . .	1	1
	MS21047-08		. NUTPLATE. . . . .	1	1
- 7	106-530063-21		. BRACKET . . . . .	1	1
	58-530075-1		. MIC HOLDER. . . . .	1	1
			/ATTACHING PARTS/		
	NAS384-6-12P		. SCREW . . . . .	2	
	NAS395-16-3		. CLIP,NUT. . . . .	2	
			*-----*		
- 8	58-530075-3		. PLATE . . . . .	1	1
	58-530075-5		. SPACER. . . . .	1	1
- 9	50-534527-5		. CAP,ARMREST FWD . . . . .	1	1
- 10	50-534536		. PLATE,ARMREST CAP IDENTIFICATION/3RD & 4TH/ . . . . .	1	1
	106-530063-5		. FRAME ASSY,PILOT. . . . .	1	1
	106-530063-7		. FRAME ASSY/4TH SEAT/. . . . .	1	1
			/ATTACHING PARTS/		
- 11	130909B88		. BOLT. . . . .	2	
	AN960-616L		. WASHER,FWD & AFT BOLT . . . . .	AR	
	AN960-616		. WASHER,FWD & AFT BOLT . . . . .	AR	
	100951NY125YM		. WASHER,AFT BOLT . . . . .	AR	
	130909N25		. NUT . . . . .	2	
			*-----*		
- 12	106-530063-11		. FRAME,PILOT . . . . .	1	1
	106-530063-83		. FRAME,PILOT . . . . .	1	1
	106-530063-11		. FRAME . . . . .	1	1
- 13	MS9048-108		. PIN . . . . .	1	1
- 14	106-530063-23		. LEG,FWD/PILOT/. . . . .	1	1
	106-530063-25		. LEG,FWD/4TH SEAT/ . . . . .	1	1
- 15	106-530063-27		. LEG,AFT/PILOT/. . . . .	1	1
	106-530063-31		. LEG,AFT/4TH SEAT/ . . . . .	1	1

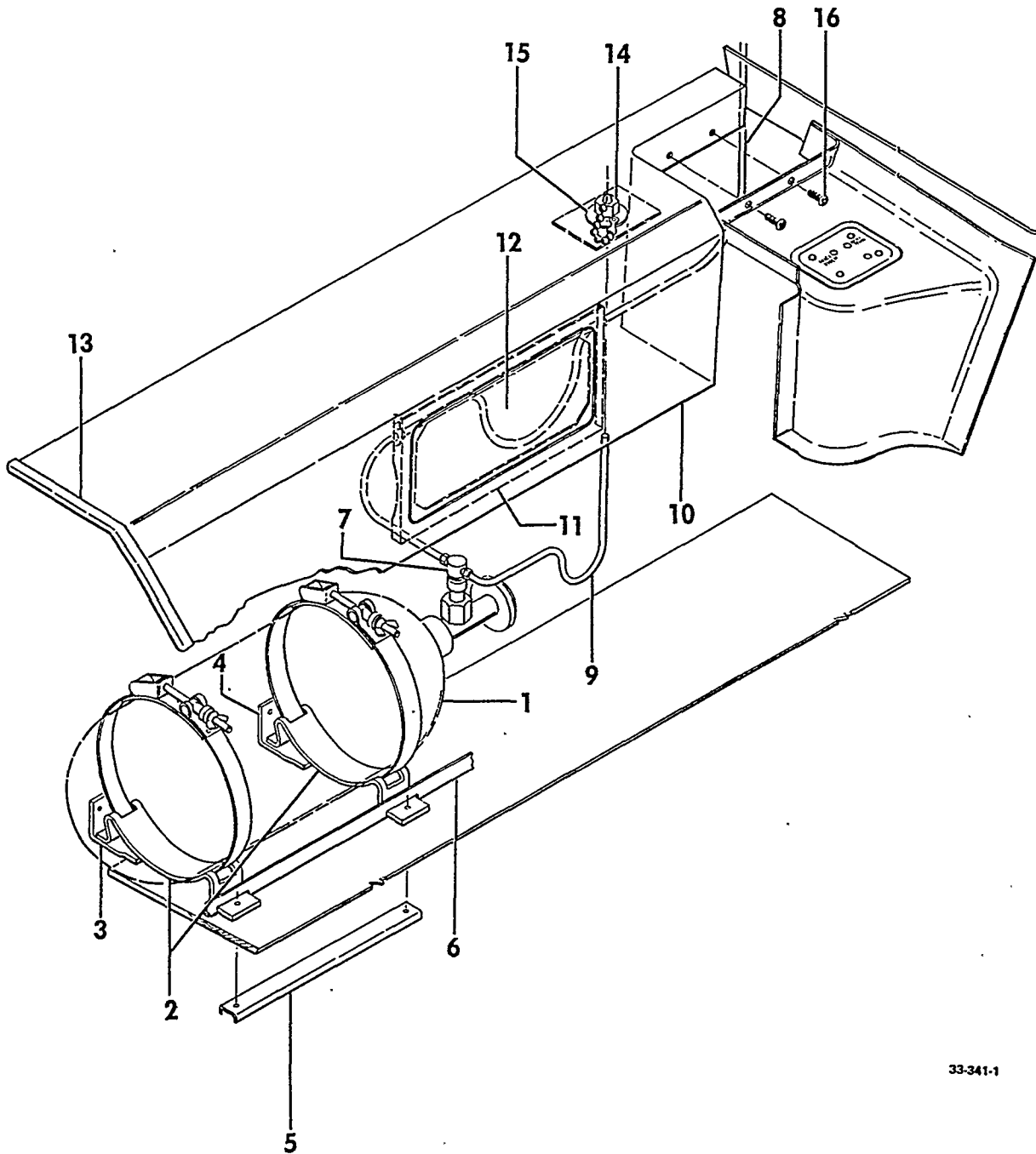
C O D E S O F E F F E C T I V I T Y

- 1 CE-919,CE-923
- CE-925,CE-927
- CE-929 AND AFTER
- CJ-156 AND AFTER

B E E C H C R A F T  
B O N A N Z A 3 3  
I L L U S T R A T E D P A R T S C A T A L O G

FIGURE 341  
OXYGEN SYSTEM  
CD-1235 THRU CD-1304, CE-290 THRU CE-928  
EXCEPT CE-919, CE-923, CE-925 AND CE-927  
CJ-26 THRU CJ-155

BEECHCRAFT  
BONANZA 33  
ILLUSTRATED PARTS CATALOG

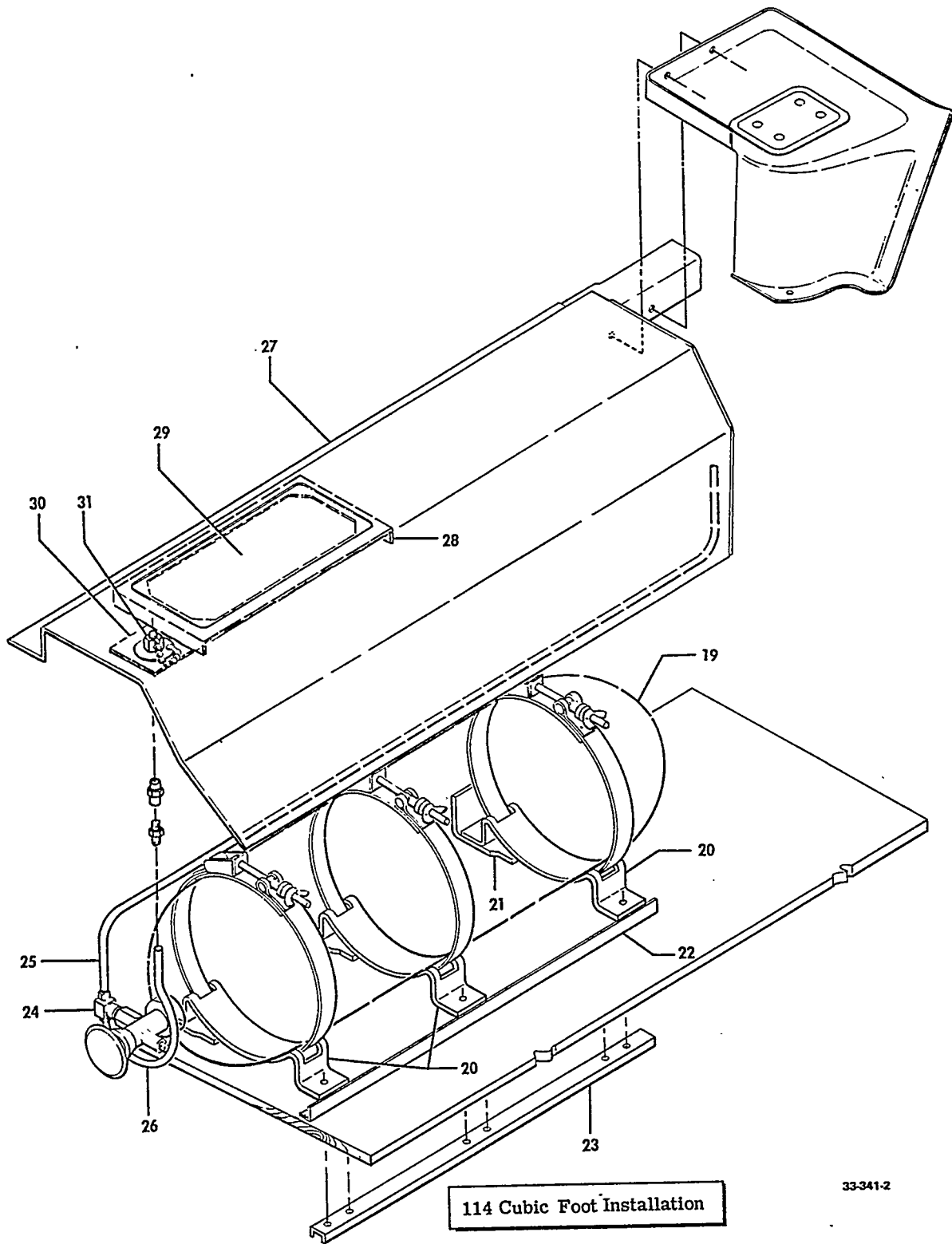


33-341-1

B E E C H C R A F T  
B O N A N Z A 3 3  
I L L U S T R A T E D P A R T S C A T A L O G

FIG. & ITEM NO.	PART NO.	DESCRIPTION	UNITS							USABLE ON CODE	
			1	2	3	4	5	6	7		PER ASSY
341	35-560010-39	BOTTLE INSTL,OXYGEN /49 CU FT/	.	.	.	.	.	.	.	NP	1
	35-560010-45	BOTTLE INSTL,OXYGEN /49 CU FT/	.	.	.	.	.	.	.	NP	2
- 1	6350A25-0C	. BOTTLE,OXYGEN /49 CU FT/	.	.	.	.	.	.	.	1	22
- 2	35-560010-9	. BRACKET,BOTTLE MOUNTING	.	.	.	.	.	.	.	2	22
		/ATTACHING PARTS/									
	AN3	. BOLT	.	.	.	.	.	.	.	2	
	AN960-10	. WASHER	.	.	.	.	.	.	.	2	
	NAS68A3	. NUTPLATE	.	.	.	.	.	.	.	2	
		*-----*									
- 3	35-560010-13	. ANGLE,BRACKET SUPPORT	.	.	.	.	.	.	.	1	22
- 4	35-560010-15	. ANGLE,BRACKET SUPPORT	.	.	.	.	.	.	.	1	22
		/ATTACHING PARTS/									
	AN525-832	. SCREW	.	.	.	.	.	.	.	2	
	AN960-8	. WASHER	.	.	.	.	.	.	.	2	
	MS20365-832	. NUT	.	.	.	.	.	.	.	2	
	AN3	. BOLT	.	.	.	.	.	.	.	2	
	AN960-10	. WASHER	.	.	.	.	.	.	.	2	
	K2000-3	. NUTPLATE	.	.	.	.	.	.	.	2	
		*-----*									
- 5	35-560010-11	. SUPPORT	.	.	.	.	.	.	.	1	22
- 6	35-560010-19	. ANGLE	.	.	.	.	.	.	.	1	22
- 7	18-300009-21	. TEE	.	.	.	.	.	.	.	1	7
	300-3TTF	. TEE	.	.	.	.	.	.	.	1	4
	8580	. COUPLER	.	.	.	.	.	.	.	1	4
- 8	35-560010-37	. TUBE ASSY /49 CU FT INSTL/	.	.	.	.	.	.	.	1	7
	35-560010-51	. TUBE ASSY/49 CU. FT. INSTL/	.	.	.	.	.	.	.	1	4
- 9	35-560010-23	. TUBE ASSY /49 CU FT INSTL/	.	.	.	.	.	.	.	1	7
	35-560010-53	. TUBE ASSY/49 CU. FT. INSTL/	.	.	.	.	.	.	.	1	4
- 10	35-560010-607	. PARTITION ASSY,FWD FRONT SEAT UPHOLSTERED	.	.	.	.	.	.	.	1	1
		/SPECIFY AIRPLANE SERIAL/									
	35-560010-609	. COVER ASSY,FRONT SPAR/WITH OXYGEN/	.	.	.	.	.	.	.	1	2
		/SPECIFY AIRPLANE SERIAL/									
		/ATTACHING PARTS/									
	AN530-6	. SCREW	.	.	.	.	.	.	.	8	
		*-----*									
- 11	35-410451-39	. DOUBLER ASSY	.	.	.	.	.	.	.	1	22
	35-410451-43	. DOUBLER	.	.	.	.	.	.	.	1	22
	99871P098	. RECEPTACLE	.	.	.	.	.	.	.	4	22
- 12	35-410451-35	. DOOR ASSY	.	.	.	.	.	.	.	1	22
	35-410451-41	. DOOR	.	.	.	.	.	.	.	1	22
	98293-1-060	. STUD	.	.	.	.	.	.	.	4	22
	99785-2	. PIN	.	.	.	.	.	.	.	4	22
- 13	112416	. EXTRUSION /15 1/2 INCHES LONG/	.	.	.	.	.	.	.	1	22
- 14	ZV850	. FILLER VALVE & CAP ASSY	.	.	.	.	.	.	.	1	7
	26875-48	. FILLER VALVE & CAP ASSY	.	.	.	.	.	.	.	1	4
- 15	35-560010-33	. PLACARD ASSY,OXYGEN RECHARGE	.	.	.	.	.	.	.	1	22
	50-560015	. PLACARD,OXYGEN RECHARGE	.	.	.	.	.	.	.	1	22
	100951DD020MH	. WASHER	.	.	.	.	.	.	.	1	22
	35-560010-603	. COVER ASSY,FUEL SELECTOR VALVE	.	.	.	.	.	.	.	1	5
	35-560010-611	. COVER ASSY,FUEL SELECTOR VALVE	.	.	.	.	.	.	.	1	6
		/ATTACHING PARTS/									
- 16	AN530-6	. SCREW	.	.	.	.	.	.	.	12	
		*-----*									
- 17		. DELETED	.	.	.	.	.	.	.		
- 18		. DELETED	.	.	.	.	.	.	.		

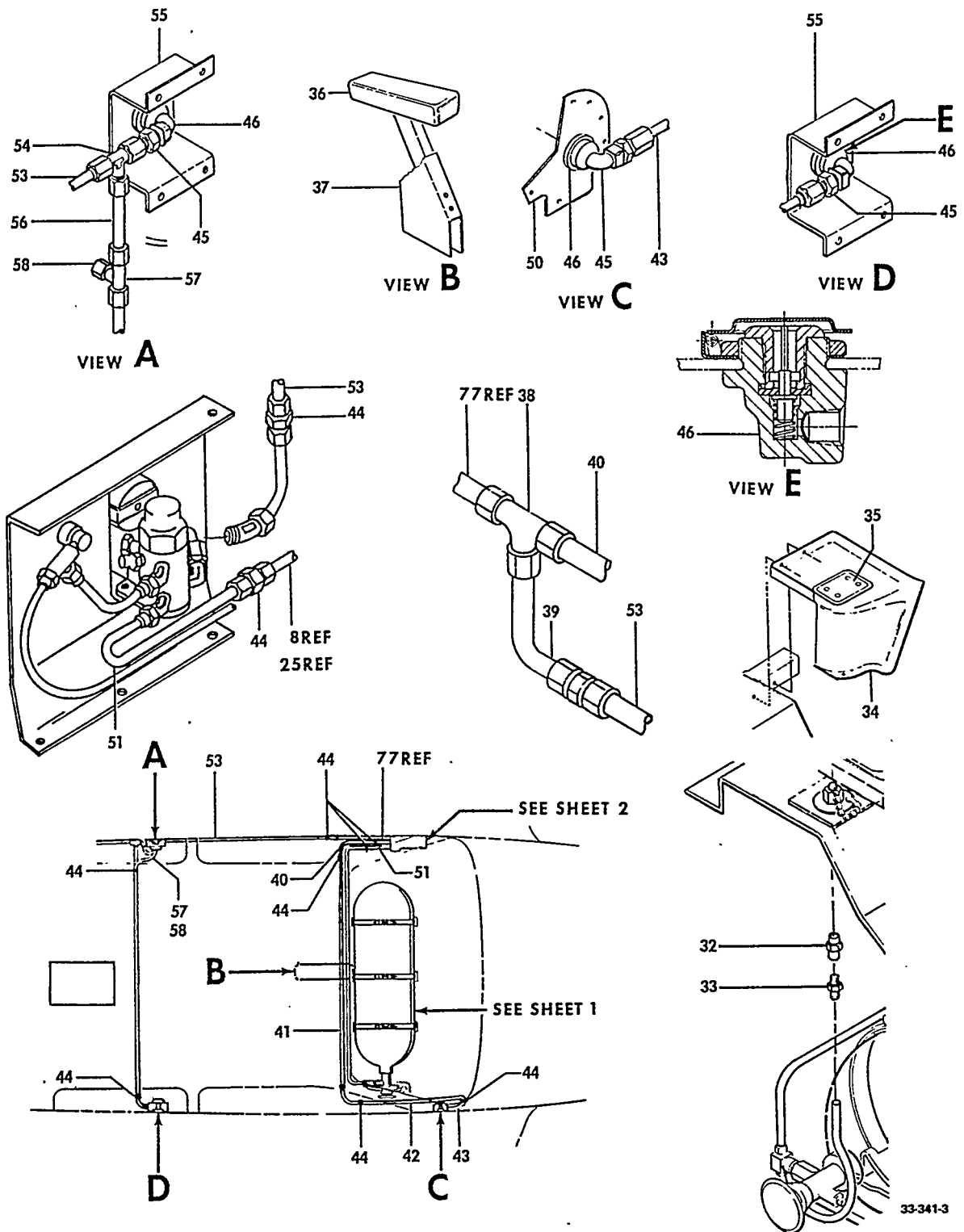
BEECHCRAFT  
BONANZA 33  
ILLUSTRATED PARTS CATALOG



B E E C H C R A F T  
B O N A N Z A 3 3  
I L L U S T R A T E D P A R T S C A T A L O G

FIG. & ITEM NO.	PART NO.	DESCRIPTION							UNITS PER ASSY	USABLE ON CODE
		1	2	3	4	5	6	7		
341	35-560011-1	OXYGEN BOTTLE INSTL /114 CU FT/	.	.	.	.	.	.	NP	3
- 19	6350A34-0C	. BOTTLE, OXYGEN	.	.	.	.	.	.	1	3
- 20	35-560011-37	. BRACKET, BOTTLE MOUNTING	.	.	.	.	.	.	3	3
		/ATTACHING PARTS/								
	AN3	. BOLT.	.	.	.	.	.	.	2	
	AN960-10	. WASHER.	.	.	.	.	.	.	2	
	K2000-3	. NUTPLATE.	.	.	.	.	.	.	2	
		*-----*								
- 21	35-560011-39	. ANGLE, BRACKET SUPPORT	.	.	.	.	.	.	3	3
		/ATTACHING PARTS/								
	AN3	. BOLT.	.	.	.	.	.	.	1	
	AN960-10	. WASHER.	.	.	.	.	.	.	1	
	K2000-3	. NUTPLATE.	.	.	.	.	.	.	1	
	AN525-8R	. SCREW	.	.	.	.	.	.	2	
	AN960-8	. WASHER.	.	.	.	.	.	.	2	
	MS20365-832	. NUT	.	.	.	.	.	.	2	
		*-----*								
- 22	35-410241	. ANGLE ASSY.	.	.	.	.	.	.	1	3
	35-410421-2	. ANGLE	.	.	.	.	.	.	1	3
	NAS395-6-1	. NUT	.	.	.	.	.	.	4	3
- 23	35-560011-45	. SUPPORT	.	.	.	.	.	.	1	3
		/ATTACHING PARTS/								
	AN515-8R	. SCREW	.	.	.	.	.	.	3	
	AN960-8	. WASHER.	.	.	.	.	.	.	3	
	AN366F832	. NUTPLATE.	.	.	.	.	.	.	3	
		*-----*								
- 24	18-300009-21	. TEE	.	.	.	.	.	.	1	3
- 25	35-560011-41	. TUBE ASSY	.	.	.	.	.	.	1	3
- 26	35-560011-43	. TUBE ASSY	.	.	.	.	.	.	1	3
- 27	35-560011-601 C	. PARTITION ASSY, FRONT SEAT UPHOLSTERED	.	.	.	.	.	.	1	3
		/SPECIFY AIRPLANE SERIAL/								
		/ATTACHING PARTS/								
	AN530-6	. SCREW	.	.	.	.	.	.	8	
		*-----*								
- 28	35-410451-39	. DOUBLER ASSY.	.	.	.	.	.	.	1	3
	35-410451-43	. DOUBLER	.	.	.	.	.	.	1	3
	99871P098	. RECEPTACLE.	.	.	.	.	.	.	4	3
- 29	35-410451-35	. DOOR ASSY	.	.	.	.	.	.	1	3
	35-410451-41	. DOOR	.	.	.	.	.	.	1	3
	98293-1-060	. STUD	.	.	.	.	.	.	4	3
	99785-2	. PIN	.	.	.	.	.	.	4	3
- 30	35-560010-33	. PLACARD ASSY, OXYGEN RECHARGE	.	.	.	.	.	.	1	3
	50-560015	. PLACARD, OXYGEN RECHARGE	.	.	.	.	.	.	1	3
	100951D0020WH	. WASHER.	.	.	.	.	.	.	1	3
- 31	26875-48	. FILLER VALVE & CAP ASSY	.	.	.	.	.	.	1	3
		/ATTACHING PARTS/								
	AN520-10	. SCREW	.	.	.	.	.	.	3	
	AN960-10	. WASHER.	.	.	.	.	.	.	3	
	MS20365-1032	. NUT	.	.	.	.	.	.	3	
		*-----*								

BEECHCRAFT  
 BONANZA 33  
 ILLUSTRATED PARTS CATALOG

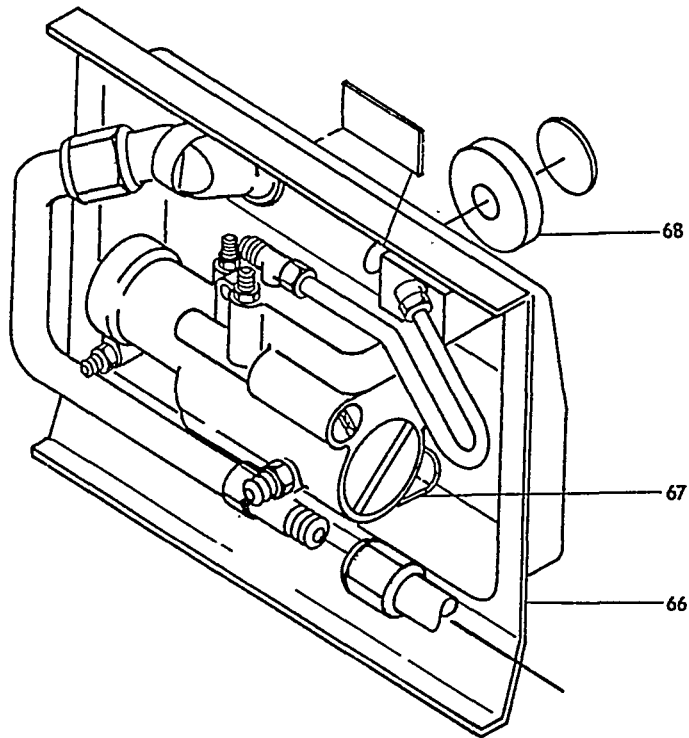
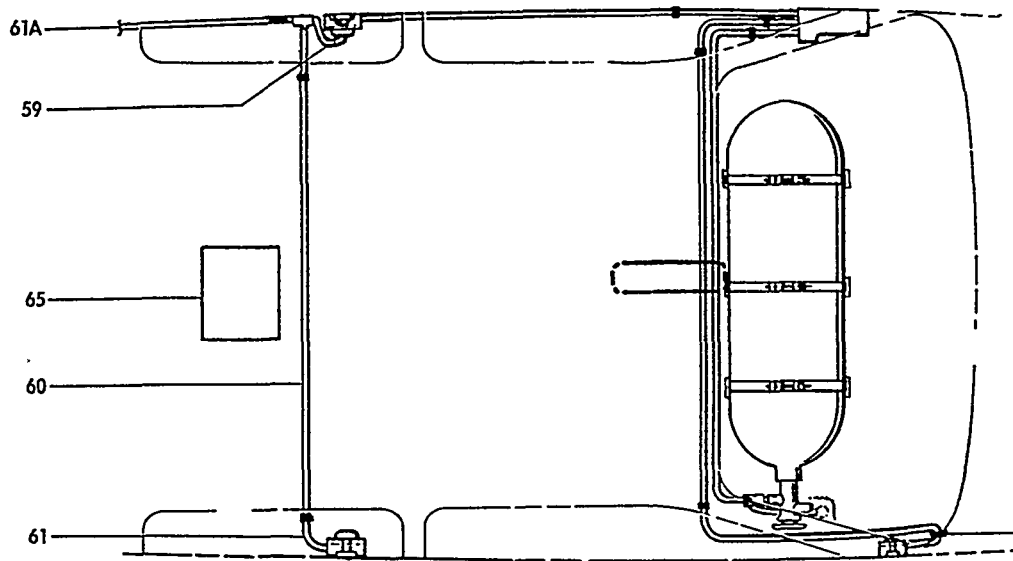


B E E C H C R A F T  
B O N A N Z A 3 3  
I L L U S T R A T E D P A R T S C A T A L O G

FIG. & ITEM NO.	PART NO.	DESCRIPTION	UNITS PER ASSY	USABLE ON CODE
341 - 32	AN910-1	• COUPLING, FILLER VALVE . . . . .	1	3
- 33	AN780-3	• NIPPLE, FILLER VALVE . . . . .	1	3
	35-560011-603	• COVER ASSY, FUEL SELECTOR VALVE . . . . . /USED WITH 114 CU.FT. SYSTEM/ /ATTACHING PARTS/	1	3
	AN530-6R8	• SCREW . . . . .	12	
- 34	35-560011-13	• . COVER, FUEL SELECTOR VALVE . . . . .	1	3
	35-534421-27	• . PLACARD ASSY, FUEL SELECTOR/50 GAL. CAPACITY/	1	3
- 35	35-534421-29	• . PLACARD ASSY, FUEL SELECTOR/80 GAL. CAPACITY/ /ATTACHING PARTS/	1	3
	NAS384-6-8P	• . SCREW . . . . .	4	
	A1777-6Z3	• . NUTPLATE . . . . .	4	
	36-920019	• . . PLACARD, FUEL SELECTOR VALVE . . . . . /50 GALLON CAPACITY/	1	3
	36-920020	• . . PLACARD, FUEL SELECTOR VALVE . . . . . /80 GALLON CAPACITY/	1	3
	33-924013	• . . PLATE, FUEL SELECTOR VALVE COVER . . . . .	1	3
	36-920021-1	• . PLATE . . . . .	1	3
- 36	35-560011-23	• ARMREST ASSY. . . . .	1	3
- 37	35-560011-27	• COVER ASSY, ARMREST. . . . .	1	3
	35-560001-125	OXYGEN OUTLET INSTL /4 OUTLETS/ /LH & RH/ . . . . .	NP	22
	35-560001-127	OXYGEN OUTLET INSTL /5 OUTLETS/ /LH & RH/ . . . . .	NP	8
	35-560001-129	OXYGEN OUTLET INSTL /6 OUTLETS/ /LH & RH/ . . . . .	NP	9
- 38	AN824-5D	• TEE . . . . .	1	22
- 39	35-560001-59	• TUBE ASSY . . . . .	1	10
- 40	35-560001-35	• TUBE ASSY . . . . .	1	22
	58-560001-133	• TUBE ASSY . . . . .	1	11
	58-560000-113	• TUBE ASSY . . . . .	1	12
- 41	35-560001-77	• TUBE ASSY . . . . .	1	22
- 42	35-560001-21	• TUBE ASSY . . . . .	1	22
- 43	35-560001-49	• TUBE ASSY . . . . .	1	22
- 44	AN815-5D	• UNION . . . . .	6	22
- 45	AN816-5D	• NIPPLE . . . . .	1	22
- 46	23599-01	• OUTLET ASSY, OXYGEN. . . . .	1	22
- 47		• DELETED . . . . .		22
- 48		• DELETED . . . . .		22
- 49		• DELETED . . . . .		22
	35-560001-139	• TRIM STRIP, LH . . . . .	3	22
	36-560004-59	• CLIP, TRIM . . . . .	3	22
- 50	35-560001-39	• SUPPORT . . . . .	1	22
- 51	96-560004-29	• TUBE ASSY . . . . .	1	22
- 52		• DELETED . . . . .		22
- 53	35-560001-19	• TUBE ASSY . . . . .	1	22
	58-560000-83	• TUBE ASSY . . . . .	1	11
	58-560000-123	• TUBE ASSY . . . . .	1	12
	AN821-5D	• ELBOW . . . . .	7	22
	AN931-5-12	• GROMMET . . . . .	7	22
- 54	MS20826-5D	• TEE . . . . .	1	22
- 55	96-560004-13	• BRACKET, OUTLET. . . . .	2	22
- 56	35-560001-27	• TUBE ASSY . . . . .	1	22
- 57	AN824-5D	• TEE . . . . .	1	22
	58-560000-81	• TUBE ASSY . . . . .	1	13
	58-560000-27	• TUBE ASSY . . . . .	1	13
- 58	AN929-5D	• CAP . . . . .	1	22



BEECHCRAFT  
BONANZA 33  
ILLUSTRATED PARTS CATALOG



33-341-4

B E E C H C R A F T  
B O N A N Z A 3 3  
I L L U S T R A T E D P A R T S C A T A L O G

FIG. & ITEM NO.	PART NO.	DESCRIPTION	UNITS PER ASSY	USABLE ON CODE
		1 2 3 4 5 6 7		
341 - 59	35-560001-47	. TUBE ASSY . . . . .	1	10
- 60	35-560001-25	. TUBE ASSY . . . . .	1	22
	35-560001-51	. CLAMP . . . . .	1	22
- 61	35-560001-23	. TUBE ASSY . . . . .	1	10
	58-560000-91	. TUBE ASSY . . . . .	1	13
- 61A	35-560001-29	. TUBE ASSY /5 OR 6 OUTLET SYSTEM/ . . . . .	1	10
	58-560000-79	. TUBE ASSY /5 OR 6 OUTLET SYSTEM/ . . . . .	1	13
	58-560000-89	. TUBE ASSY /6 OUTLET SYSTEM/ . . . . .	1	13
	ZH691-8	. HOSE ASSY . . . . .	3	13
	AN929-5	. CAP . . . . .	1	22
	96-560004-15	. BRACKET /6 OUTLET SYSTEM/ . . . . .	1	22
	96-560004-21	. TUBE ASSY . . . . .	1	22
	AN929-5	. CAP . . . . .	1	22
	801145-00	. MASK ASSY, OXYGEN/PASSENGER/ . . . . .	5	14
	801145-01	. MASK ASSY, OXYGEN/PASSENGER/ . . . . .	5	15
	801144-01	. MASK ASSY, OXYGEN/CREW/ . . . . .	1	14
	801144-02	. MASK ASSY, OXYGEN/CREW/ . . . . .	1	15
- 62		. . DELETED . . . . .		22
- 63		. . DELETED . . . . .		22
- 64		. . DELETED . . . . .		22
- 65	96-560001-59	. BOX, OXYGEN MASK STORAGE . . . . .	1	22
	AN227-7B	. SOCKET, BOX ATTACHING . . . . .	2	22
	AN227-6B	. BUTTON, BOX ATTACHING . . . . .	2	22
	96-560022-601	. CONSOLE ASSY, OXYGEN . . . . . /ATTACHING PARTS/	1	22
	AN530-6R8	. SCREW . . . . .	3	
	A1793-6Z3	. NUT /TYPE E/ . . . . .	3	
	PK84XA6	. SCREW . . . . .	3	
		*-----*		
- 66	96-560022-15	. . ESCUTCHEON . . . . .	1	16
	96-560022-23	. . ESCUTCHEON . . . . .	1	17
- 67	96-560022-5	. . BRACKET, REGULATOR MOUNTING . . . . . /ATTACHING PARTS/	1	22
	AN520-10R5	. . SCREW . . . . .	2	
	AN960-10L	. . WASHER . . . . .	2	
	MS20365-1032	. . NUT . . . . .	2	
		*-----*		
- 68	24567-1	. . KNOB, REGULATOR . . . . . /ATTACHING PARTS/	1	22
	AN345C10	. . NUT . . . . .	1	
	BOW95-516	. . WASHER, SPRING . . . . .	1	
	AN936B10	. . WASHER . . . . .	1	
		*-----*		

BEECHCRAFT  
BONANZA 33  
ILLUSTRATED PARTS CATALOG

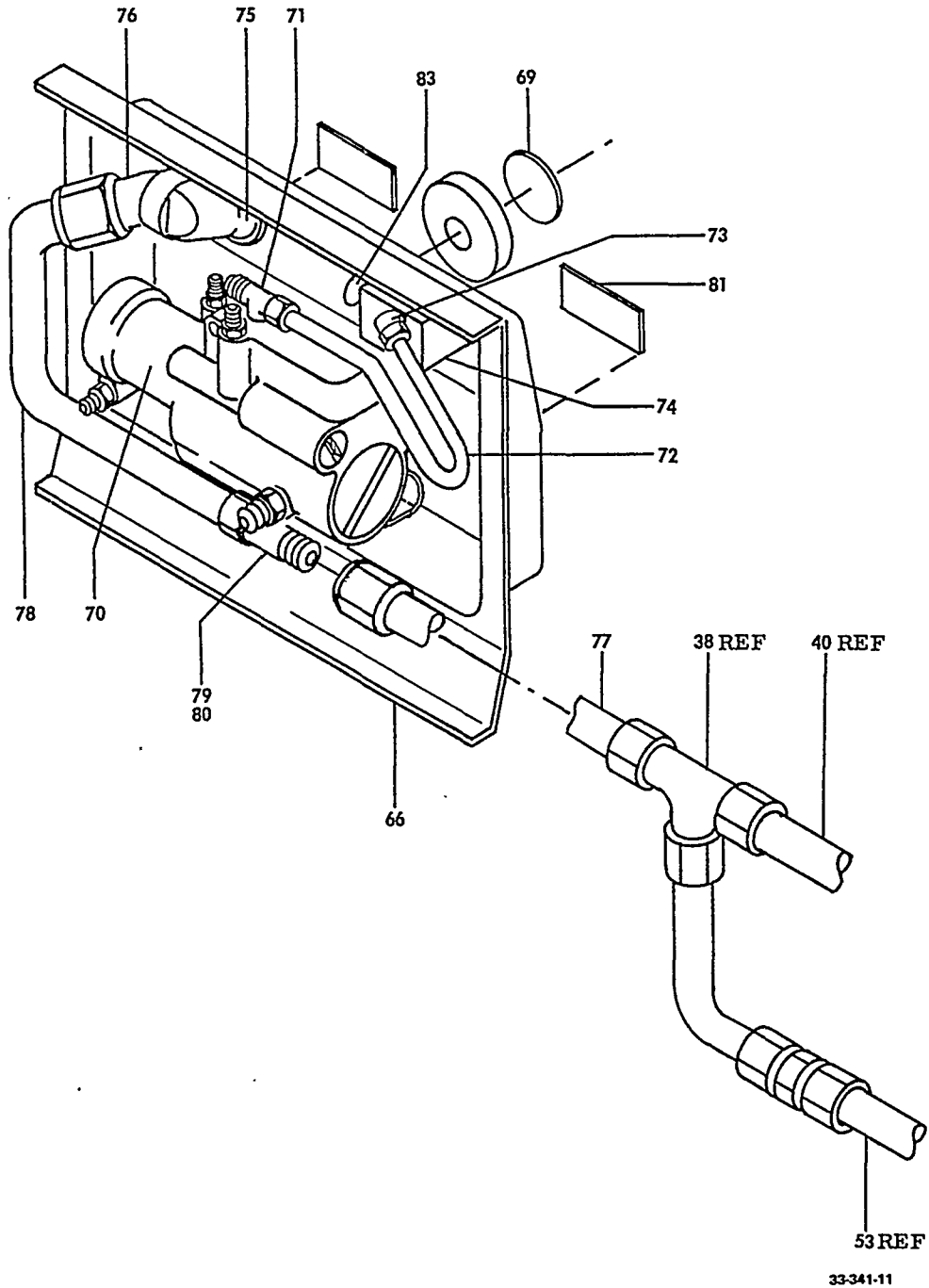


FIGURE 341.OXYGEN SYSTEM  
/SHEET 5 OF 5 SHEETS/

B E E C H C R A F T  
B O N A N Z A 3 3  
I L L U S T R A T E D P A R T S C A T A L O G

FIG. & ITEM NO.	PART NO.	1	2	3	4	5	6	7	DESCRIPTION	UNITS PER ASSY	USABLE ON CODE
341 - 69	22427-1	.	.	.	.	.	.	.	PLATE, IDENTIFICATION /ON & OFF/	1	22
- 70	24555-7	.	.	.	.	.	.	.	REGULATOR ASSY, OXYGEN	1	22
- 71	300-3TTM	.	.	.	.	.	.	.	TEE	1	22
- 72	96-560022-7	.	.	.	.	.	.	.	TUBE /USE WITH 800322-00 GAGE/	1	18
	96-560022-19	.	.	.	.	.	.	.	TUBE /USE WITH 800327-01 GAGE/	1	19
- 73	300-8-2	.	.	.	.	.	.	.	ELBOW	1	22
	800322-00	.	.	.	.	.	.	.	GAGE ASSY, OXYGEN	1	18
- 74	99-384042	.	.	.	.	.	.	.	GAGE ASSY, OXYGEN	1	19
	800327-01	.	.	.	.	.	.	.	GAGE ASSY, OXYGEN/ALTERNATE FOR 99-384042/	1	19
	800316	.	.	.	.	.	.	.	OUTLET ASSY, OXYGEN	1	20
- 75	23599-01	.	.	.	.	.	.	.	OUTLET ASSY, OXYGEN	1	21
- 76	MS20823-5D	.	.	.	.	.	.	.	ELBOW	1	22
- 77	96-560022-13	.	.	.	.	.	.	.	TUBE ASSY	1	22
- 78	96-560022-11	.	.	.	.	.	.	.	TUBE ASSY	1	22
- 79	MS20825-5D	.	.	.	.	.	.	.	TEE	1	22
- 80	AN914-5D	.	.	.	.	.	.	.	ELBOW	1	22
- 81	50-534288	.	.	.	.	.	.	.	PLACARD, CONSOLE /OXYGEN CAUTION/	1	22
- 82		.	.	.	.	.	.	.	DELETED		22
- 83	A8970B1-330	.	.	.	.	.	.	.	LIGHT, OXYGEN GAGE	1	22
	327	.	.	.	.	.	.	.	BULB, GAGE LIGHT	1	22

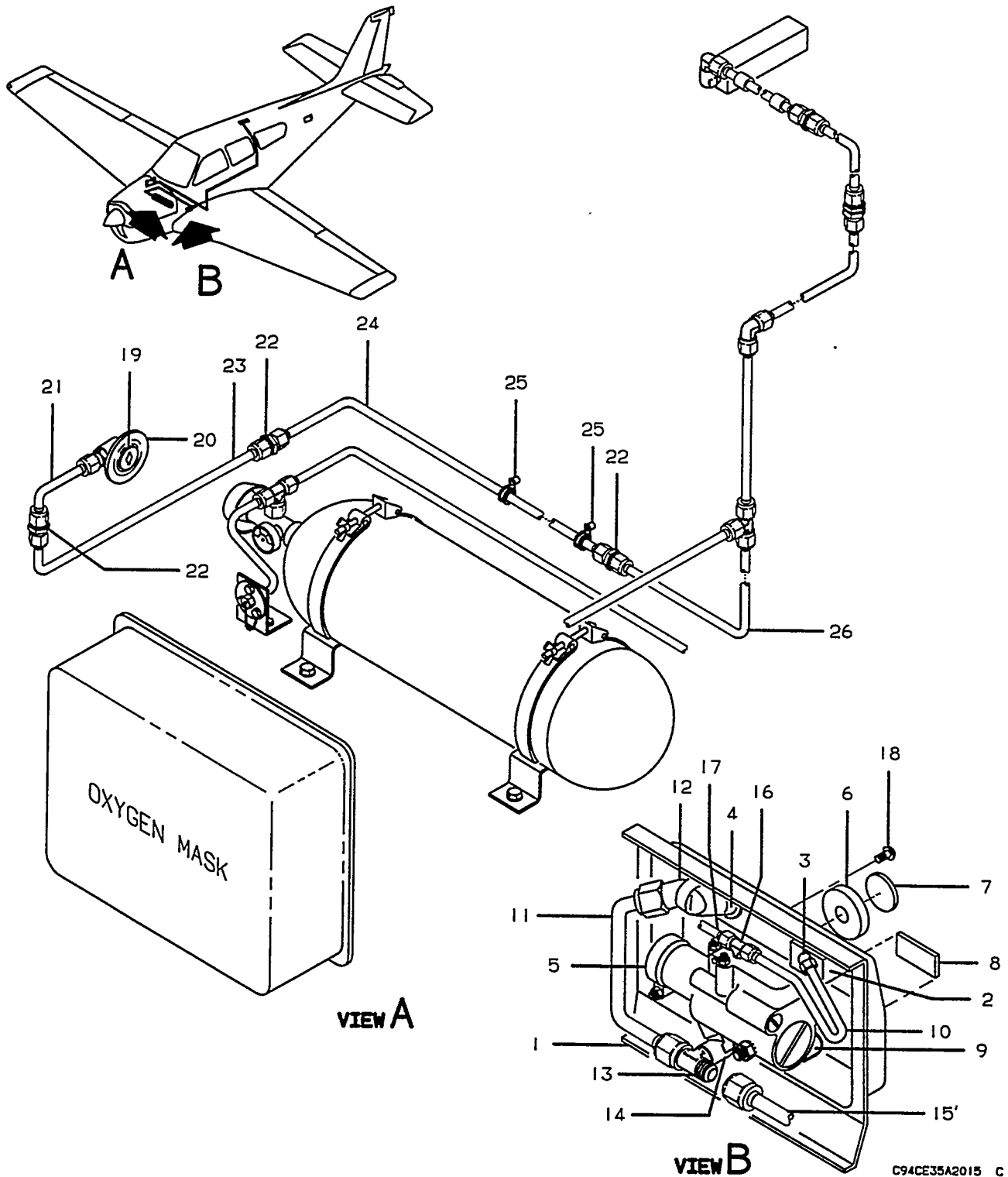
C O D E S O F E F F E C T I V I T Y

- |    |                        |    |                       |
|----|------------------------|----|-----------------------|
| 1  | CD-1235 THRU CD-1304   | 2  | CJ-52 THRU CJ-155     |
|    | CE-290 THRU CE-928,    |    |                       |
|    | EXCEPT CE-919, CE-923  |    |                       |
|    | CE-925, CE-927         |    |                       |
|    | CJ-26 THRU CJ-51       |    |                       |
| 3  | CD-1235 THRU CD-1304   | 4  | CE-615 THRU CE-928,   |
|    |                        |    | EXCEPT CE-919, CE-923 |
|    |                        |    | CJ-104 THRU CJ-155    |
| 5  | CD-1235 THRU CD-1304   | 6  | CE-772 THRU CE-928,   |
|    | CE-290 THRU CE-771,    |    | EXCEPT CE-919, CE-923 |
|    | EXCEPT CE-748          |    | CE-925, CE-927        |
|    | CJ-26 THRU CJ-155      |    | CJ-149 THRU CJ-155    |
| 7  | CD-1235 THRU CD-1304   | 8  | CE-350 THRU CE-928    |
|    | CE-290 THRU CE-614     |    | EXCEPT CE-919, CE-923 |
|    | CJ-26 THRU CJ-103      |    | CE-925, CE-927        |
| 9  | CE-350 THRU CE-673     | 10 | CD-1235 THRU CD-1255  |
|    |                        |    | CE-290 THRU CE-349    |
| 11 | CE-350 THRU CE-464     | 12 | CE-465 THRU CE-928    |
|    |                        |    | EXCEPT CE-919, CE-923 |
|    |                        |    | CE-925, CE-927        |
| 13 | CD-1256 THRU CD-1304   | 14 | CD-1235 THRU CD-1304  |
|    | CE-350 THRU CE-928,    |    | CE-290 THRU CE-620    |
|    | EXCEPT CE-919, CE-923  |    | CJ-26 THRU CJ-111     |
|    | CE-925, CE-927         |    |                       |
| 15 | CE-621 THRU CE-928,    | 16 | CD-1235 THRU CD-1304  |
|    | EXCEPT CE-919, CE-923  |    | CE-290 THRU CE-547    |
|    | CE-925, CE-927         |    | CJ-26 THRU CJ-75      |
|    | CJ-112 THRU CJ-155     |    |                       |
| 17 | CE-548 THRU CE-928     | 18 | CD-1235 THRU CD-1304  |
|    | EXCEPT CE-919, CE-923  |    | CE-290 THRU CE-546    |
|    | CE-925, CE-927         |    | CJ-26 THRU CJ-39      |
|    | CJ-76 THRU CJ-155      |    |                       |
| 19 | CE-547 THRU CE-928     | 20 | CD-1235 THRU CD-1304  |
|    | EXCEPT CE-919, CE-923  |    | CE-290 THRU CE-445    |
|    | CE-925, CE-927         |    | CJ-26 THRU CJ-39      |
|    | CJ-40 THRU CJ-155      |    |                       |
| 21 | CE-446 THRU CE-928,    | 22 | CD-1235 THRU CD-1304  |
|    | EXCEPT CE-919, CE-923, |    | CE-290 THRU CE-928,   |
|    | CE-925 AND CE-927      |    | EXCEPT CE-919, CE-923 |
|    | CJ-40 THRU CJ-155      |    | CE-925 AND CE-927     |
|    |                        |    | CJ-26 THRU CJ-155     |

BEECHCRAFT  
BONANZA 33  
ILLUSTRATED PARTS CATALOG

FIGURE 341A  
OXYGEN SYSTEM  
CE-919, CE-923, CE-925, CE-927,  
CE-929 AND AFTER  
CJ-156 AND AFTER

BEECHCRAFT  
 BONANZA 33  
 ILLUSTRATED PARTS CATALOG

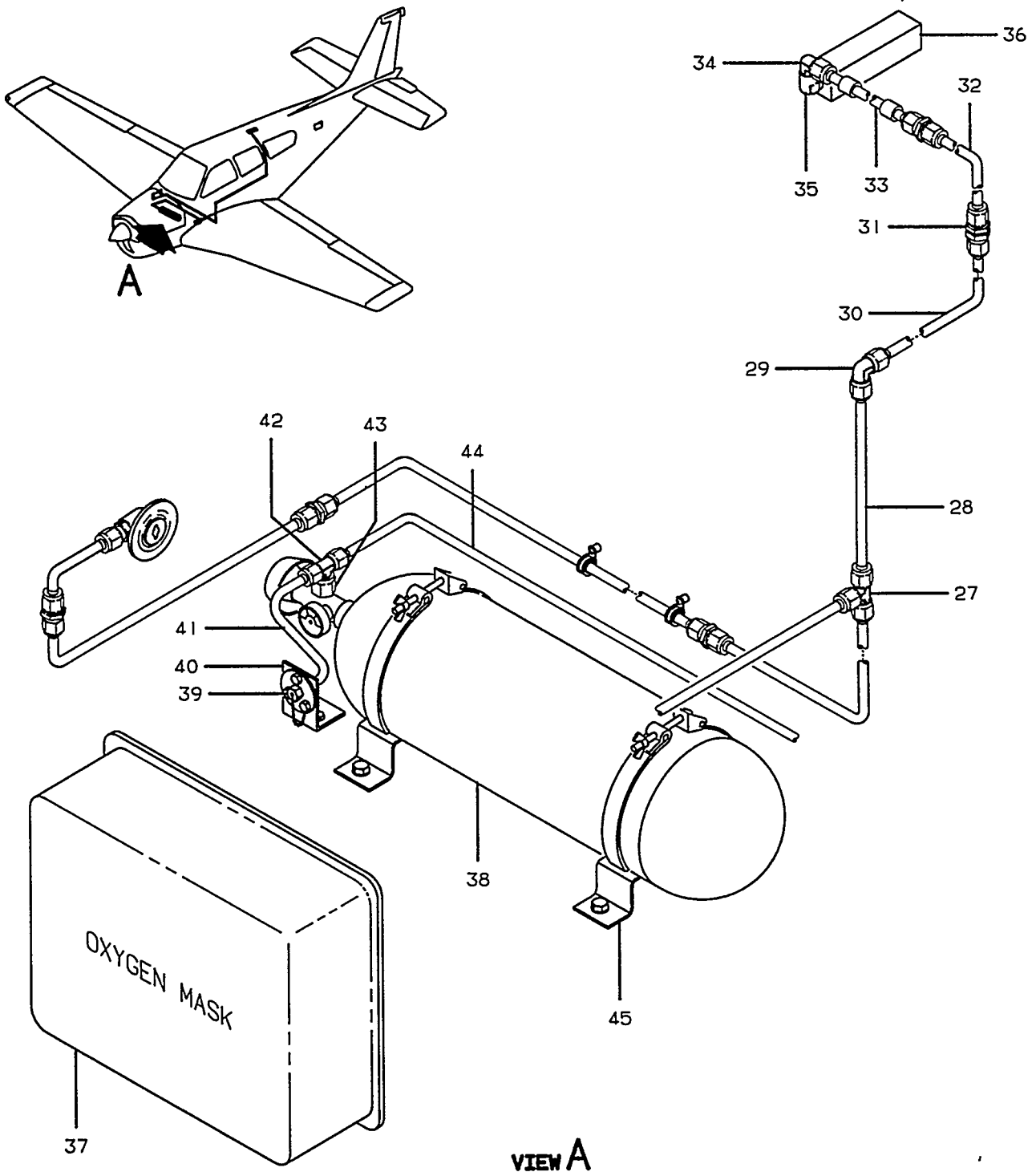


C94CE35A2015 C

B E E C H C R A F T  
B O N A N Z A 3 3  
I L L U S T R A T E D P A R T S C A T A L O G

FIG. & ITEM NO.	PART NO.	DESCRIPTION	UNITS PER ASSY	USABLE ON CODE
		1 2 3 4 5 6 7		
341A	36-560000-9	PLUMBING INSTL,OXYGEN/4 PLACE/.	NP	1
	36-560000-11	PLUMBING INSTL,OXYGEN/5 PLACE/.	NP	1
	96-560022-3	. CONSOLE ASSY.	1	1
		/ATTACHING PARTS/		
	AN530-6R8	. SCREW	6	
	A1793-6Z3	. NUT	3	
		-----*		
- 1	96-560022-23	. . ESCUTCHEON.	1	1
- 2	99-384042	. . GAGE,OXYGEN/ALTERNATE FOR 800327-01/.	1	1
	800327-01	. . GAGE,OXYGEN/ALTERNATE FOR 99-384042/.	1	1
- 3	300-8-2	. . ELBOW	1	1
- 4	23599-11	. . OUTLET ASSY	1	1
- 5	24555-7	. . REGULATOR ASSY.	1	1
		/ATTACHING PARTS/		
	AN525-8R26	. . SCREW	2	
	AN960-8	. . WASHER.	2	
	MS20365-832	. . NUT	2	
		-----*		
- 6	24567-1	. . KNOB,REGULATOR.	1	1
		/ATTACHING PARTS/		
	AN345C10	. . NUT	1	
	AN936B10	. . WASHER.	1	
	22445-1	. . SPRING WASHER	1	
		-----*		
- 7	R 22427-1	. . PLATE,IDENTIFICATION.	1	1
- 8	50-534288	. . DECAL/OXYGEN OUTLET VALVE/.	1	1
- 9	96-560022-5	. . BRACKET	1	1
- 10	96-560022-7	. . TUBE ASSY/USE WITH 99-384042 OXYGEN GAGE/	1	1
	96-560022-19	. . TUBE ASSY/USE WITH 800327-01 OXYGEN GAGE/	1	1
- 11	96-560022-11	. . TUBE ASSY	1	1
- 12	MS20823-5D	. . ELBOW	1	1
- 13	MS20825-5D	. . TEE	1	1
- 14	R AN914-1D	. . ELBOW	1	1
- 15	R 96-560022-13	. . TUBE ASSY	1	1
- 16	R 300-3TTH	. . TEE	1	1
- 17	R 96-560022-17	. . TUBE ASSY	1	1
- 18	R A8970B1-330	. . POSTLIGHT	1	1
- 19	R 23599-11	. . OUTLET.	1	1
	AN816-5D	. . NIPPLE.	1	1
- 20	R 96-560004-31	. . ESCUTCHEON.	1	1
	35-560001-39	. . SUPPORT	1	1
- 21	R 35-560001-49	. . TUBE ASSY	1	1
- 22	R AN815-5D	. . UNION	5	1
- 23	R 35-560001-21	. . TUBE ASSY	1	1
- 24	R 35-560001-77	. . TUBE ASSY	1	1
- 25	R 100696DZ6-016	. . SPACER.	2	1
	MS21104D5	. . CLAMP	2	1
		/ATTACHING PARTS/		
	R MS35207-268	. . SCREW	1	
		-----*		
- 26	R 35-560001-35	. . TUBE ASSY	1	1

BEECHCRAFT  
BONANZA 33  
ILLUSTRATED PARTS CATALOG



C94CE35A2016 C



B E E C H C R A F T  
B O N A N Z A 3 3  
I L L U S T R A T E D P A R T S C A T A L O G

FIG. & ITEM NO.	PART NO.	DESCRIPTION	UNITS PER ASSY	USABLE ON CODE
		1 2 3 4 5 6 7		
341A - 27	R AN824-5D	. TEE . . . . .	1	1
- 28	R 58-560000-113	. TUBE ASSY . . . . .	1	1
- 29	R AN821-5D	. ELBOW . . . . .	1	1
- 30	R 58-560003-41	. TUBE ASSY . . . . .	1	1
- 31	R AN832-5D	. UNION . . . . .	1	1
	AN960-816	. WASHER . . . . .	1	1
	AN924-5D	. NUT . . . . .	1	1
- 32	R 58-560003-45	. TUBE ASSY . . . . .	1	1
- 33	R ZH691-8	. HOSE ASSY/ALTERNATE FOR 37009-5-00800/. . . . .	1	1
	37009-5-00800	. HOSE ASSY/ALTERNATE FOR ZH691-8/. . . . .	1	1
- 34	R MS20822-5D	. ELBOW . . . . .	1	1
- 35	R AN914-1D	. ELBOW . . . . .	1	1
- 36	R 8802-12	. MANIFOLD . . . . .	1	1
	106-530070-1	. FACE PLATE . . . . .	1	1
		/ATTACHING PARTS/		
	MS35206-217	. SCREW . . . . .	1	1
		-----*		
	106-530018-1	. CONTAINER INSTL . . . . .	NP	1
	R 106-530018-5	. CONTAINER INSTL/REAR SEAT/. . . . .	NP	1
- 37	R 106-530019-1	. . CONTAINER ASSY,MASK/QTY 1 106-530018-5/ . . . . .	4	1
	R 106-530021-1	. . LID ASSY/QTY 1 106-530018-5/. . . . .	4	1
	801144-02	. MASK,OXYGEN . . . . .	1	1
	R 801145-01	. MASK,OXYGEN/QTY 4 36-560000-11/. . . . .	3	1
	R 35-560010-39	BOTTLE INSTL,OXYGEN/49.8 CU FT/. . . . .	NP	2
	R 35-560010-61	BOTTLE INSTL,OXYGEN/49.8 CU FT/. . . . .	NP	3
	R 35-560010-63	BOTTLE INSTL,OXYGEN/66.0 CU FT/. . . . .	NP	3
- 38	R 6350A25-0C	. BOTTLE,OXYGEN/49.8 CU FT/. . . . .	1	1
	6350A27-0C	. BOTTLE,OXYGEN/66.0 CU FT/. . . . .	1	1
- 39	R 26875-48	. VALVE . . . . .	1	1
		/ATTACHING PARTS/		
	R MS35207-263	. SCREW . . . . .	3	2
	R MS35206-245	. SCREW . . . . .	3	3
	R AN960-10	. WASHER . . . . .	3	2
	R AN960-8	. WASHER . . . . .	3	3
	R 130909N29	. NUT . . . . .	3	2
	R 130909N28	. NUT . . . . .	3	3
		-----*		
	R 300-7-2	. CONNECTOR . . . . .	1	1
- 40	R 36-560013-7	. BRACKET . . . . .	1	3
	R 36-530051-29	. DOUBLER . . . . .	1	2
		/ATTACHING PARTS/		
	R AN545-8R3	. SCREW . . . . .	3	3
	R MS35338-42	. WASHER,LOCK . . . . .	3	3
		-----*		
- 41	R 35-560010-73	. TUBE . . . . .	1	3
	R 35-560010-53	. TUBE ASSY . . . . .	1	2
- 42	R 300-3TTF	. TEE . . . . .	1	1
- 43	R 8580	. COUPLING . . . . .	1	1
- 44	R 35-560010-75	. TUBE ASSY . . . . .	1	3
	R 35-560010-51	. TUBE ASSY . . . . .	1	2
- 45	R 35-560010-77	. BRACKET ASSY/49.8 CU FT/. . . . .	2	3
	R 35-560010-9	. BRACKET/49.8 CU FT/. . . . .	2	2
	R 35-560010-79	. BRACKET ASSY/66.0 CU FT/. . . . .	2	3
		/ATTACHING PARTS/		
	130909B17	. BOLT . . . . .	6	
	AN960-10	. WASHER . . . . .	6	
		-----*		

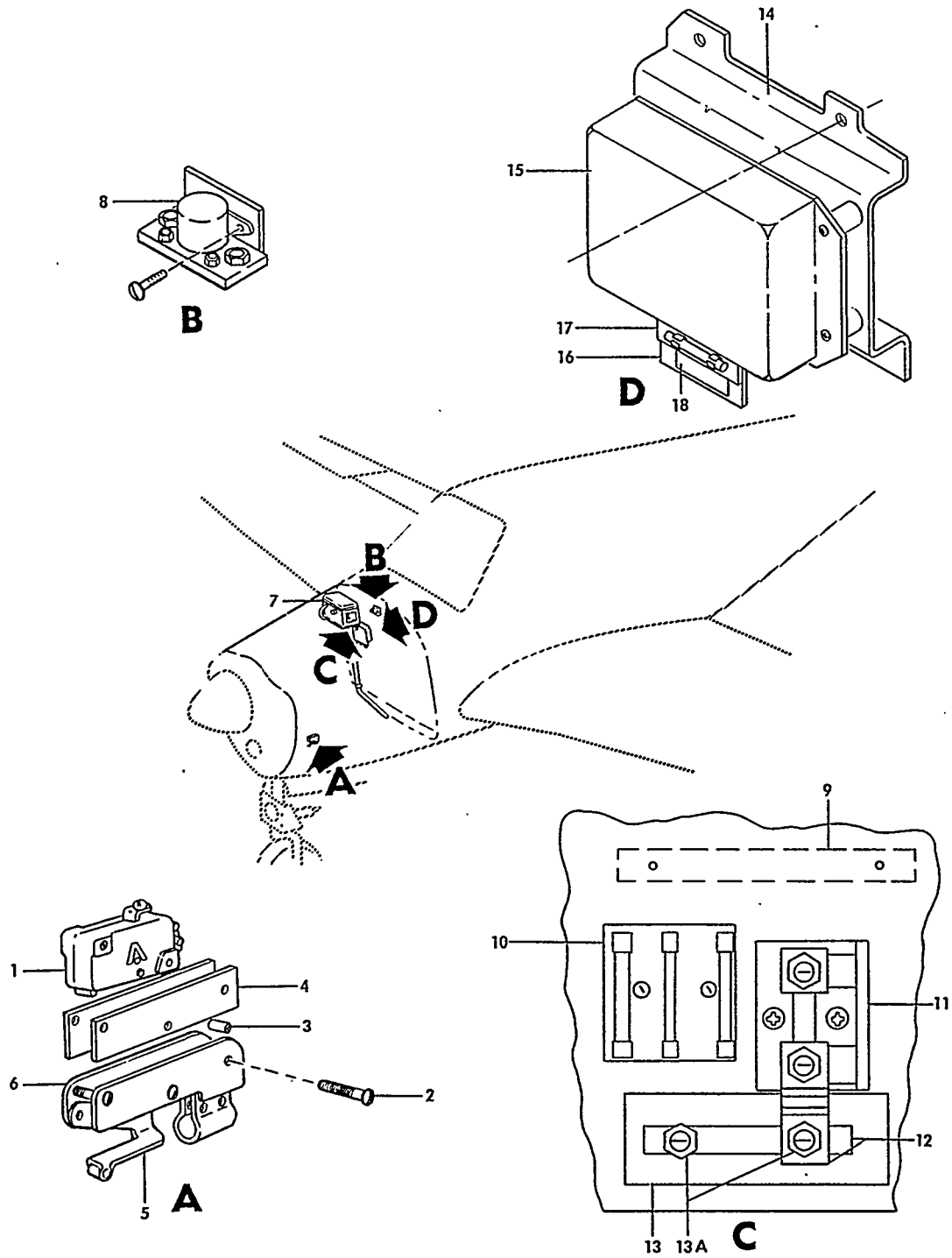
C O D E S O F E F F E C T I V I T Y

- |   |  |   |   |
|---|--|---|---|
| 1 | CE-919,CE-923,<br>CE-925,CE-927,<br>CE-929 AND AFTER<br>CJ-156 AND AFTER | 2 | CE-919,CE-923,<br>CE-925,CE-927,<br>CE-929 THRU CE-1013 |
| 3 | CE-1014 AND AFTER<br>CJ-156 AND AFTER                                    |   |   |

B E E C H C R A F T  
B O N A N Z A 3 3  
I L L U S T R A T E D P A R T S C A T A L O G

FIGURE 354  
FUSELAGE ELECTRICAL  
CD-1235 THRU CD-1304  
CE-290 THRU CE-771,  
EXCEPT CE-748

BEECHCRAFT  
 BONANZA 33  
 ILLUSTRATED PARTS CATALOG

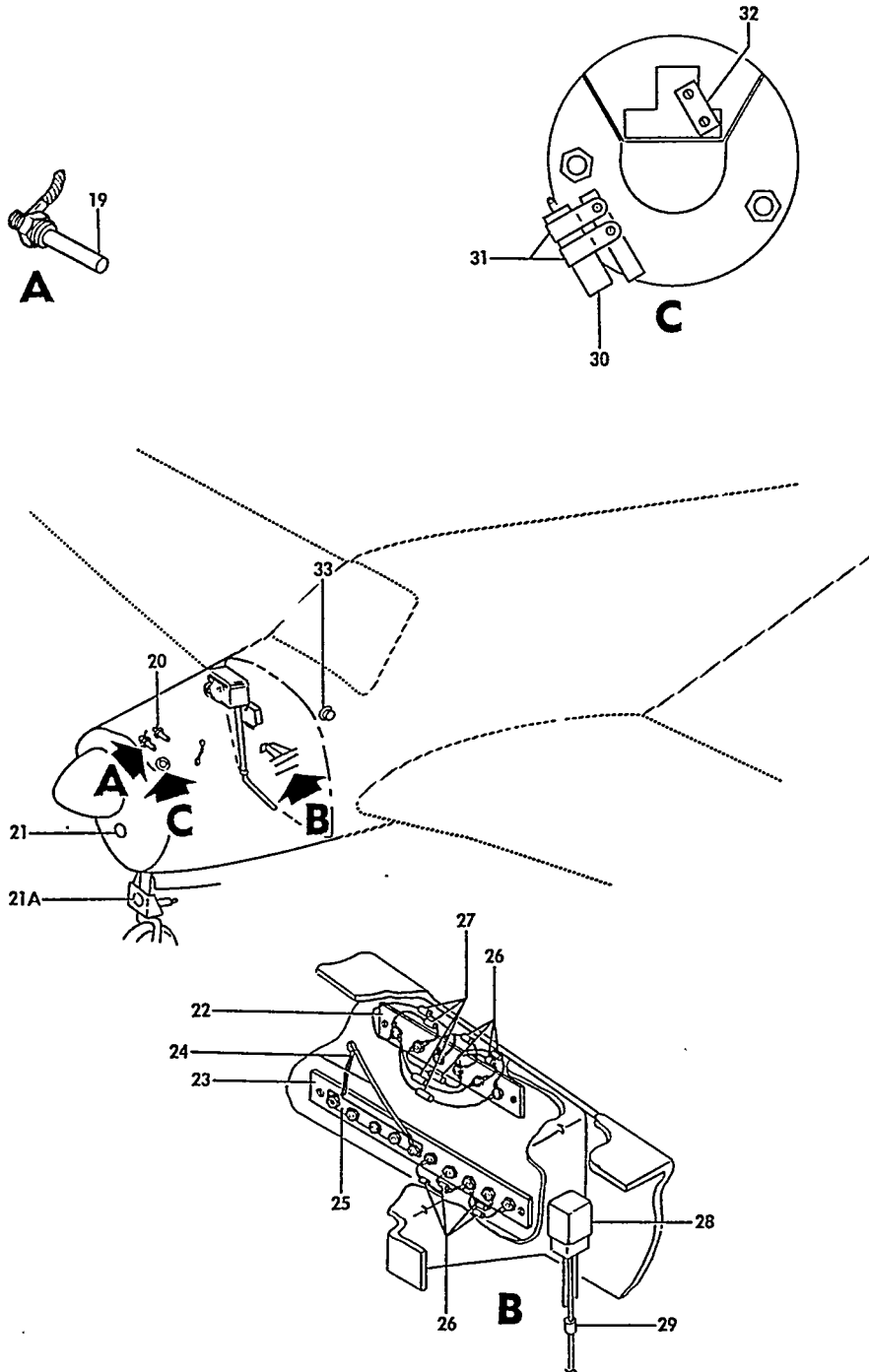


33-354-6

B E E C H C R A F T  
B O N A N Z A 3 3  
I L L U S T R A T E D P A R T S C A T A L O G

FIG. & ITEM NO.	PART NO.	DESCRIPTION	UNITS PER ASSY	USABLE ON CODE
		1 2 3 4 5 6 7		
354	33-360013	ELECTRICAL EQUIPMENT INSTL,FUSELAGE . . . . .	NP	1
	33-360014	ELECTRICAL EQUIPMENT INSTL,FUSELAGE . . . . .	NP	7
	35-360011-1	ELECTRICAL EQUIPMENT INSTL,FUSELAGE . . . . .	NP	4
	33-360015	ELECTRICAL EQUIPMENT INSTL,FUSELAGE . . . . .	NP	3
	002-360000-1	ELECTRICAL EQUIPMENT INSTL,FUSELAGE . . . . .	NP	24
- 1	V3-1	. SWITCH,THROTTLE WARNING . . . . .	1	19
		/ATTACHING PARTS/		
- 2	AN515-4	. SCREW . . . . .	5	7
	AN515-4R12	. SCREW . . . . .	3	8
	AN515-4R8	. SCREW . . . . .	2	8
	AN960-4L	. WASHER . . . . .	6	
- 3	102933D1ZA0410	. SPACER . . . . .	1	
	MS20365-440	. NUT . . . . .	5	
		*-----*		
- 4	35-369131	. INSULATOR, SWITCH. . . . .	2	19
- 5	JV5	. ACTUATOR,THROTTLE WARNING SWITCH. . . . .	1	19
- 6	33-369124-1	. BRACKET,THROTTLE WARNING SWITCH . . . . .	1	19
- 7	35-410462-1	. BOX,BATTERY /SEE FIG.356/ . . . . .	1	20
	36-369015-1	. BOX INSTL,BATTERY . . . . .	NP	21
		/ATTACHING PARTS/		
	AN515-8R	. SCREW . . . . .	6	
		*-----*		
- 8	36-380025-1	. BATTERY . . . . .	1	19
	6041H187	. RELAY,BATTERY . . . . .	1	19
	F6	. DIODE,BATTERY RELAY . . . . .	2	20
	1N4005	. DIODE,BATTERY RELAY . . . . .	2	21
- 9	36-360014	. SPACER,BATTERY BOX. . . . .	1	19
- 10	4532	. BLOCK,AMMETER FUSE. . . . .	1	19
	AGC3	. FUSE,AMMETER. . . . .	3	19
- 11	MS91586-2	. SHUNT,AMMETER . . . . .	1	1
	MS91586-3	. SHUNT,AMMETER . . . . .	1	2
	MA751T600	. SHUNT,AMMETER . . . . .	1	3
		/ATTACHING PARTS/		
	AN520-10R16	. SCREW . . . . .	2	
	AN935B10	. WASHER . . . . .	2	
	130909N15	. NUT . . . . .	2	
		*-----*		
- 12	MS25226-6-2	. BUS BAR . . . . .	2	20
- 13	MS25123-3-2	. TERMINAL BOARD. . . . .	1	20
		/ATTACHING PARTS/		
	AN515B6T6	. SCREW . . . . .	3	
	MS21044E06	. NUT . . . . .	3	
		*-----*		
- 13A	MS20341-416C	. NUT . . . . .	2	20
	AN960C416	. WASHER . . . . .	2	20
	AN935-416	. WASHER . . . . .	2	20
	TA15M3-2	. COVER, TERMINAL BOARD. . . . .	1	20
- 14	35-369145	. BRACKET ASSY,VOLTAGE REGULATOR. . . . .	1	22
- 15	35-380093-3	. REGULATOR,VOLTAGE/SUPERSEDES 35-380093-2/ . . . . .	1	2
		/ATTACHING PARTS/		
	AN520-416R24	. SCREW . . . . .	3	
	100696D-ZF016	. SPACER . . . . .	3	
		*-----*		
- 16	MS3106A/B18-4S	. CONNECTOR,VOLTAGE REGULATOR . . . . .	1	19
- 17	35-369017-5	. PLATE,INSULATING. . . . .	1	2
	4522	. BLOCK,ALTERNATOR FUSE . . . . .	1	2
	AGC3	. FUSE . . . . .	2	2
- 18	36-364013	. DECAL,ALTERNATOR OUT FUSEBLOCK. . . . .	1	2

BEECHCRAFT  
 BONANZA 33  
 ILLUSTRATED PARTS CATALOG

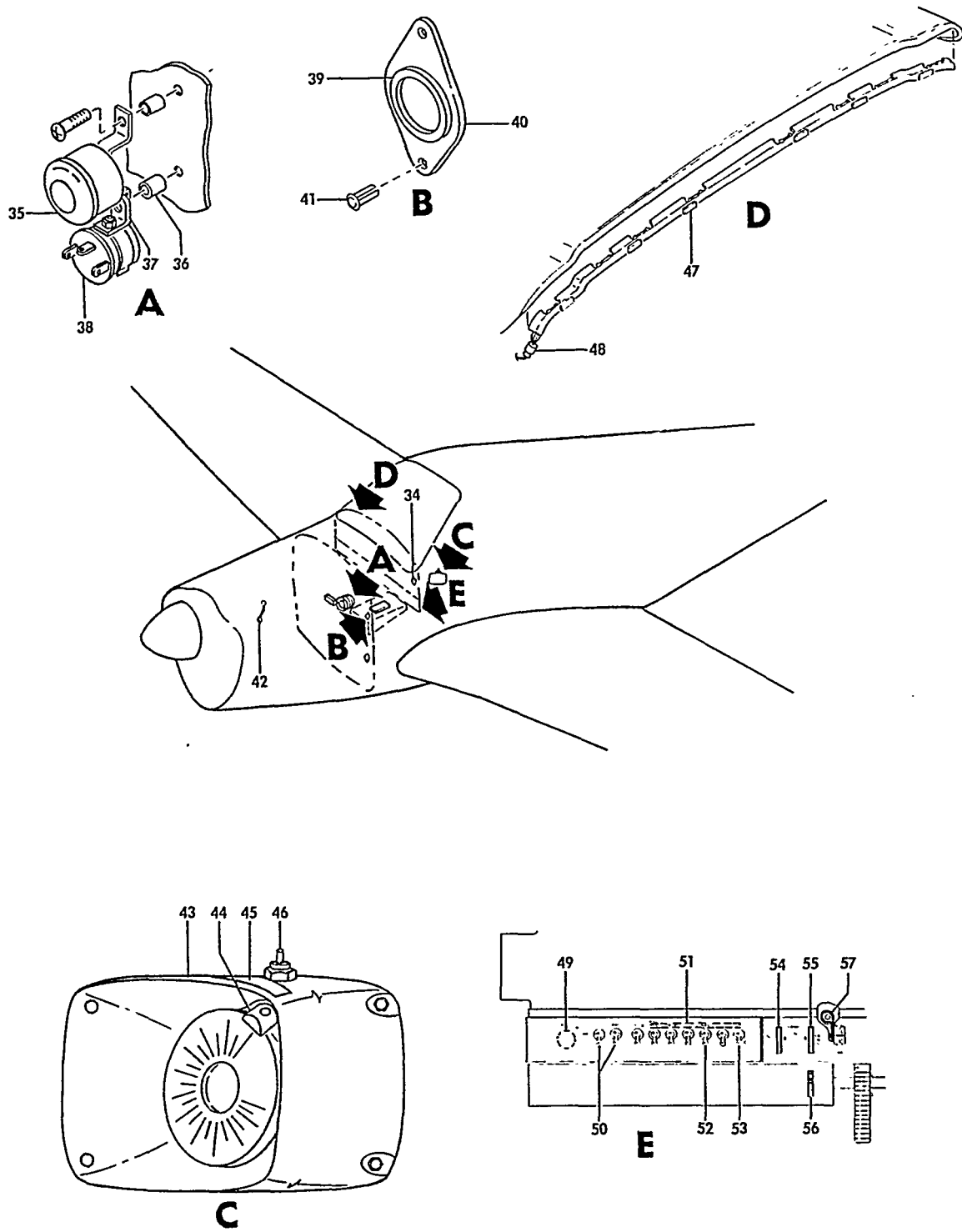


33-364-7

B E E C H C R A F T  
B O N A N Z A 3 3  
I L L U S T R A T E D P A R T S C A T A L O G

FIG. & ITEM NO.	PART NO.	DESCRIPTION	UNITS PER ASSY	USABLE ON CODE
		1 2 3 4 5 6 7		
354 - 19	MS28034-1	• BULB,OIL TEMPERATURE. . . . .	1	19
	MS3106A/B12S3S	• CONNECTOR,OIL TEMPERATURE BULB. . . . .	1	19
- 20	AN5546-1	• BULB,CYLINDER HEAD TEMPERATURE. . . . .	1	19
	AN4076-1	• ADAPTER,CYLINDER HEAD TEMPERATURE BULB. . . . .	1	19
- 21	002-410000-67	• COVER ASSY,LANDING LIGHT/SEE FIG.360/ . . . . .	1	19
- 21A	35-364258	• LIGHT INSTL,NOSE GEAR TAXI /SEE FIG.360/. . . . .	NP	2
- 22	MS27212-1-6	• TERMINAL BOARD. . . . .	1	2
		/ATTACHING PARTS/		
	AN515-4R12	• SCREW . . . . .	2	
	AN960D4	• WASHER. . . . .	2	
	NAS43DD0-26	• SPACER. . . . .	2	
	MS20365-440	• NUT . . . . .	2	
		*-----*		
- 23	MS27212-1-10	• TERMINAL BOARD. . . . .	1	20
		/ATTACHING PARTS/		
	AN515-4R12	• SCREW . . . . .	3	
	AN960D4	• WASHER. . . . .	3	
	NAS43DD0-26	• SPACER. . . . .	3	
	MS20365-440	• NUT . . . . .	3	
		*-----*		
- 24	MS25083-2AA3	• JUMPER,BONDING. . . . .	2	20
		/ATTACHING PARTS/		
	AN515-4R5	• SCREW . . . . .	1	
	AN960D4	• WASHER. . . . .	1	
	MS20365-440	• NUT . . . . .	1	3
		*-----*		
- 25	MS25226-2-5	• BUS BAR . . . . .	1	20
- 26	1N2484	• DIODE . . . . .	8	20
- 27	RC42GF151K	• RESISTOR. . . . .	4	20
- 28	50-380048-3	• RELAY,DIMMER. . . . .	1	9
	C281XDX12VDC	• RELAY,DIMMER. . . . .	1	10
	35-344267-17	• BRACKET . . . . .	1	10
- 29	1N2484	• DIODE,FUEL SELECTOR BLOCKING. . . . .	1	19
- 30	121P60501R5V1	• CAPACITOR,RADIO NOISE . . . . .	1	2
- 31	AN742D12	• CLAMP,CAPACITOR ATTACHING . . . . .	2	2
		/ATTACHING PARTS/		
	AN525-8R10	• SCREW . . . . .	1	
	AN502-10-8	• SCREW . . . . .	1	
	AN960-8L	• WASHER. . . . .	1	
	AN935-10L	• WASHER. . . . .	1	
	MS20365-832	• NUT . . . . .	1	
	96-360002-15	• CLIP. . . . .	1	
		*-----*		
- 32	58-361011	• BUS BAR . . . . .	1	20
	002-369014-3	• BUS BAR . . . . .	1	21
- 33	169-380021-7	• HORN,STALL WARNING. . . . .	1	19
		/ATTACHING PARTS/		
	AN520-10R	• SCREW . . . . .	2	
	AN960-10L	• WASHER. . . . .	2	
	MS20365-1032	• NUT . . . . .	2	
		*-----*		

BEECHCRAFT  
 BONANZA 33  
 ILLUSTRATED PARTS CATALOG



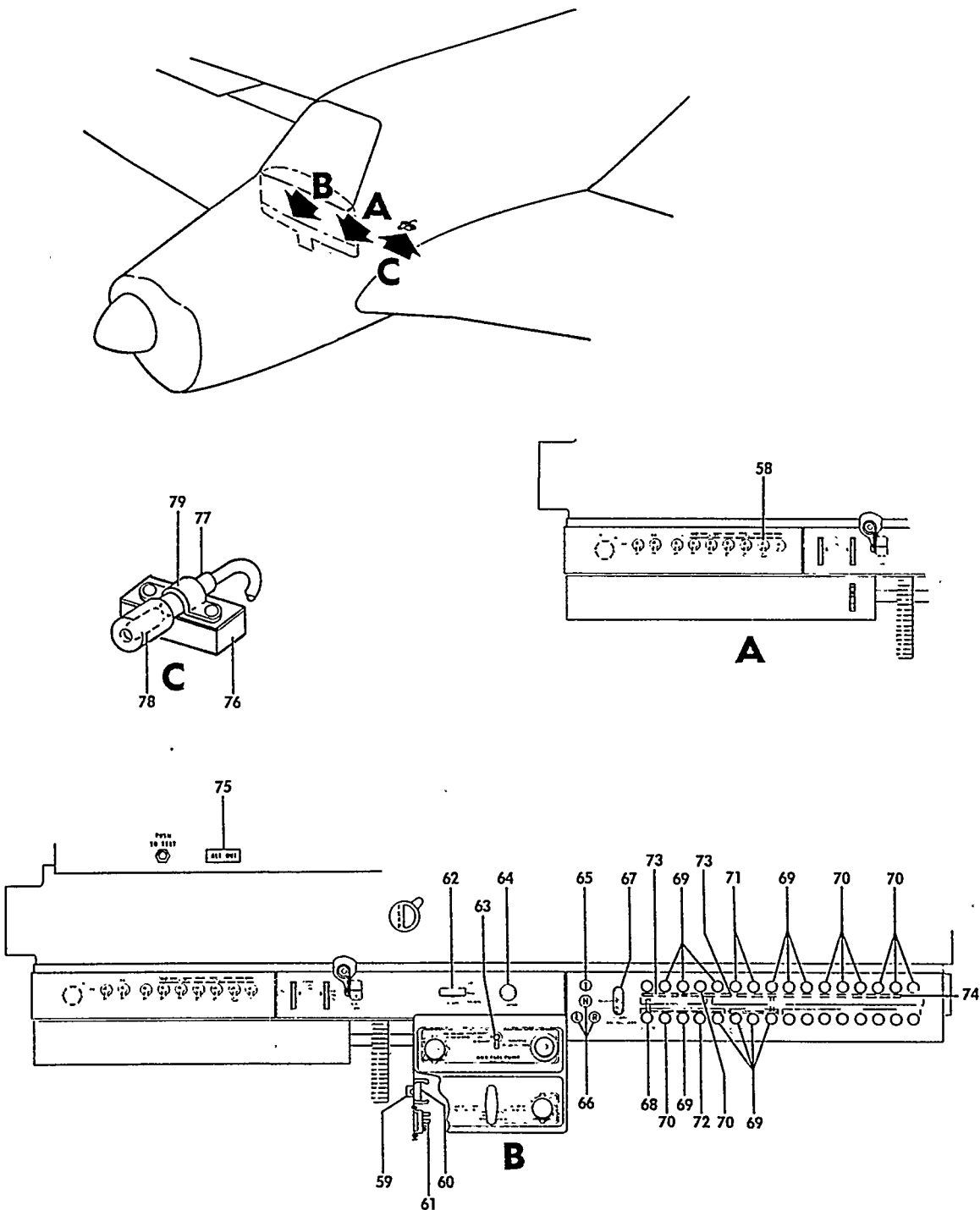
33-354-R

B E E C H C R A F T  
B O N A N Z A 3 3  
I L L U S T R A T E D P A R T S C A T A L O G

FIG. & ITEM NO.	PART NO.	DESCRIPTION	UNITS PER ASSY	USABLE ON CODE
		1 2 3 4 5 6 7		
354 - 34	MS27212-5-2	. TERMINAL BOARD. . . . .	1	20
	MS25226-8-2	. BUS BAR . . . . .	1	19
		/ATTACHING PARTS/		
	MS20341-616C	. NUT . . . . .	2	
	AN960C616	. WASHER. . . . .	2	
	AN935-616	. WASHER, LOCK . . . . .	1	
		*-----*		
- 35	TA15M3-2	. COVER, TERMINAL. . . . .	1	20
	169-380021-5	. HORN, LANDING GEAR WARNING . . . . .	1	19
		/ATTACHING PARTS/		
- 36	AN520-10R10	. SCREW . . . . .	2	
	100696S-ZV012	. SPACER. . . . .	2	
		*-----*		
- 37	AN743P12	. BRACKET, FLASHER MOUNTING. . . . .	1	19
- 38	R102	. FLASHER, STALL WARNING HORN. . . . .	1	19
- 39	112149-12	. GROMMET . . . . .	2	19
- 40	112436-4	. RETAINER, GROMMET. . . . .	1	19
		/ATTACHING PARTS/		
- 41	49338	. STUD. . . . .	2	
		*-----*		
- 42	MS21266-1N	. GROMMET . . . . .	1	19
	4G7H	. JUMPER, ENGINE BONDING . . . . .	2	19
	AN960-616L	. WASHER, BONDING JUMPER . . . . .	2	19
	100951X062WS	. WASHER. . . . .	2	19
	35-380019-5	. INDICATOR, OUTSIDE AIR TEMPERATURE . . . . .	1	19
- 43	96-534093-1	. ESCUTCHEON, OUTSIDE AIR TEMPERATURE. . . . .	1	11
	36-530088-1	. ESCUTCHEON, OUTSIDE AIR TEMPERATURE. . . . .	1	23
		/ATTACHING PARTS/		
	NAS387-832-14P	. SCREW . . . . .	4	
	NAS391B8P	. WASHER. . . . .	4	
		*-----*		
- 44	A6745B	. LIGHT, OUTSIDE AIR TEMPERATURE INDICATOR POST. . . . .	1	19
- 45	96-364061-1	. DECAL, OUTSIDE AIR TEMPERATURE LIGHT SWITCH. . . . .	1	11
- 46	18366	. SWITCH, OUTSIDE AIR TEMPERATURE LIGHT. . . . .	1	11
- 47	1816	. BULB, GLARESHIELD LIGHT. . . . .	12	19
	1-480270-0	. CONNECTOR, GLARESHIELD . . . . .	1	19
	61009-1	. SOCKET, GLARESHIELD LIGHT CONNECTOR. . . . .	6	19
- 48	1-480340-0	. PLUG, GLARESHIELD LIGHT. . . . .	1	19
	61010-1	. PIN, GLARESHIELD LIGHT PLUG. . . . .	6	19
- 49	35-590099-3	. SWITCH, IGNITION . . . . .	1	19
- 50	35-380053-21	. SWITCH, ALTERNATOR & BATTERY MASTER. . . . .	2	19
	96-384050-5	. KNOB, SWITCH . . . . .	2	19
- 51	114931-1-6	. BUS BAR . . . . .	1	19
- 52	35-380132-51	. SWITCH, NAVIGATION . . . . .	1	19
- 53	35-380132-47	. SWITCH, LANDING LIGHT. . . . .	1	19
- 54	XR6577	. RHEOSTAT/FLOODLIGHTS/ . . . . .	1	25
	VH1KSPB	. RHEOSTAT/FLOODLIGHTS/ . . . . .	1	26
- 55	VH1KSPB	. RHEOSTAT, PANEL LIGHTS . . . . .	1	19
	96-364085-1	. KNOB, FLOOD & PANEL LIGHTS RHEOSTAT. . . . .	2	25
	96-364085-9	. KNOB, FLOOD & PANEL LIGHTS RHEOSTAT. . . . .	2	26
- 56	XR6903	. RHEOSTAT, SUBPANEL LIGHTS. . . . .	1	25
	VH1KSPB	. RHEOSTAT, SUBPANEL LIGHTS. . . . .	1	26
	96-364085-3	. KNOB, SUBPANEL LIGHTS RHEOSTAT . . . . .	1	25
	96-364095-11	. KNOB, SUBPANEL LIGHTS RHEOSTAT . . . . .	1	26
- 57	AN742-11	. CLAMP, LIGHT SOCKET. . . . .	1	19
	PL1	. SOCKET, LIGHT. . . . .	1	19
	1813	. BULB, LIGHT. . . . .	2	19
	D165-100-2	. FILTER, LIGHT. . . . .	2	19



BEECHCRAFT  
 BONANZA 33  
 ILLUSTRATED PARTS CATALOG



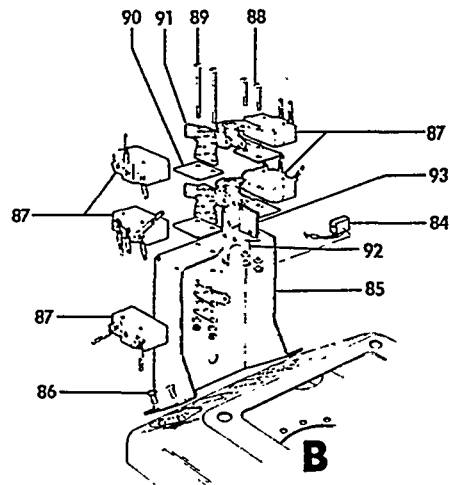
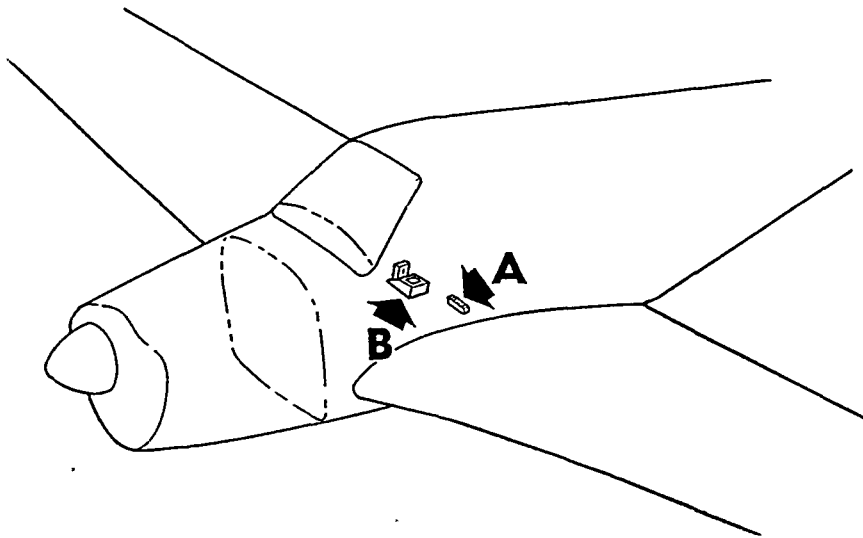
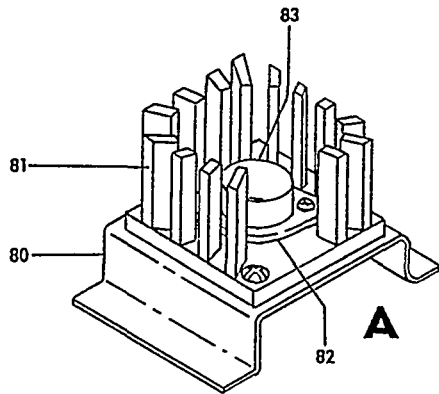
33-354-9

FIGURE 354. FUSELAGE ELECTRICAL  
 /SHEET 4 OF 7 SHEETS/

B E E C H C R A F T  
B O N A N Z A 3 3  
I L L U S T R A T E D P A R T S C A T A L O G

FIG. & ITEM NO.	PART NO.	DESCRIPTION	UNITS PER ASSY	USABLE ON CODE
		1 2 3 4 5 6 7		
354 - 58	35-380132-47	• SWITCH, NOSE GEAR TAXI LIGHT . . . . .	1	2
- 59	CDLM80	• CIRCUIT BREAKER, ALTERNATOR . . . . .	1	5
	CDLM60	• CIRCUIT BREAKER, ALTERNATOR . . . . .	1	3
		/ATTACHING PARTS/		
	AN525-10R14	• SCREW . . . . .	2	
		*-----*		
	35-324432-601	• PRINTED CIRCUIT BOARD ASSY, . . . . .	1	23
		/FLAP POSITION INDICATOR/		
	002-364040-1	• PRINTED CIRCUIT BOARD ASSY/FLAP POSITION/ . .	1	24
- 60	36-380000-1	• SENSOR, ALTERNATOR OUT . . . . .	1	2
		/ATTACHING PARTS/		
	AN515-6R12	• SCREW . . . . .	2	
	AN960-6L	• WASHER . . . . .	2	
	MS20365-632	• NUT . . . . .	2	
		*-----*		
- 61	X17717	• INVERTER . . . . .	1	19
- 62	MS2512581	• SWITCH, FLAP . . . . .	1	27
	8857K40	• SWITCH, FLAP . . . . .	1	28
	118664	• LEVER, FLAP SWITCH . . . . .	1	19
- 63	35-380053-21	• SWITCH, AUXILIARY FUEL PUMP . . . . .	1	19
	96-384050-9	• KNOB, AUXILIARY FUEL PUMP SWITCH . . . . .	1	19
- 64	35-364160	• LIGHTER, CIGARETTE . . . . .	1	19
	35-364160-3	• KNOB ASSY . . . . .	1	19
	LHA30882	• UNIT ASSY, HEATING . . . . .	1	19
	35-364160-1	• WASHER, TRIM . . . . .	1	19
	LBA27492	• BASE ASSY, SWITCH . . . . .	1	19
	LU27054	• SHELL, CLAMPING . . . . .	1	19
	LWA2919	• CORD ASSY . . . . .	1	19
- 65	855SI-R2STD	• LIGHT ASSY . . . . .	1	19
- 66	855SI-G5STD	• LIGHT ASSY . . . . .	3	19
	855	• LENS . . . . .	4	19
	330	• BULB, LIGHT . . . . .	4	19
	1N2484	• DIODE . . . . .	4	19
- 67	8906K1041	• SWITCH, LANDING GEAR RETRACT . . . . .	1	19
	118665	• LEVER, LANDING GEAR RETRACT SWITCH . . . . .	1	19
- 68	CB2320	• CIRCUIT BREAKER, LANDING GEAR . . . . .	1	19
- 69	435-205-104	• CIRCUIT BREAKER /5 AMP/ . . . . .	11	19
- 70	SS51043	• BUTTON, PLUG . . . . .	8	19
- 71	435-210-104	• CIRCUIT BREAKER/START RELAY/AUX FUEL/ . . . . .	2	5
- 72	435-215-104	• CIRCUIT BREAKER/FLAP MOTOR/ . . . . .	1	19
- 73	114931-1-8	• BUS BAR . . . . .	2	19
- 74	114931-1-2	• BUS BAR . . . . .	1	19
	30-15	• SWITCH PUSH TEST . . . . .	1	19
- 75	1N2484	• DIODE, ALTERNATOR OUT LIGHT . . . . .	1	2
	RC42GF151K	• RESISTOR, ALTERNATOR OUT LIGHT . . . . .	1	2
- 76	35-364153-9	• BLOCK, FUEL SELECTOR PANEL LIGHT . . . . .	1	19
- 77	PL2	• SOCKET, FUEL SELECTOR PANEL LIGHT . . . . .	1	19
	D165-100-2	• FILTER, LIGHT . . . . .	1	19
- 78	53	• BULB, FUEL SELECTOR PANEL LIGHT . . . . .	1	19
- 79	AN750-6	• CLAMP, FUEL SELECTOR PANEL LIGHT SOCKET . . . . .	1	19
		/ATTACHING PARTS/		
	AN515-8R	• SCREW . . . . .	2	
	MS20365-832	• NUT . . . . .	2	
		*-----*		

BEECHCRAFT  
 BONANZA 33  
 ILLUSTRATED PARTS CATALOG

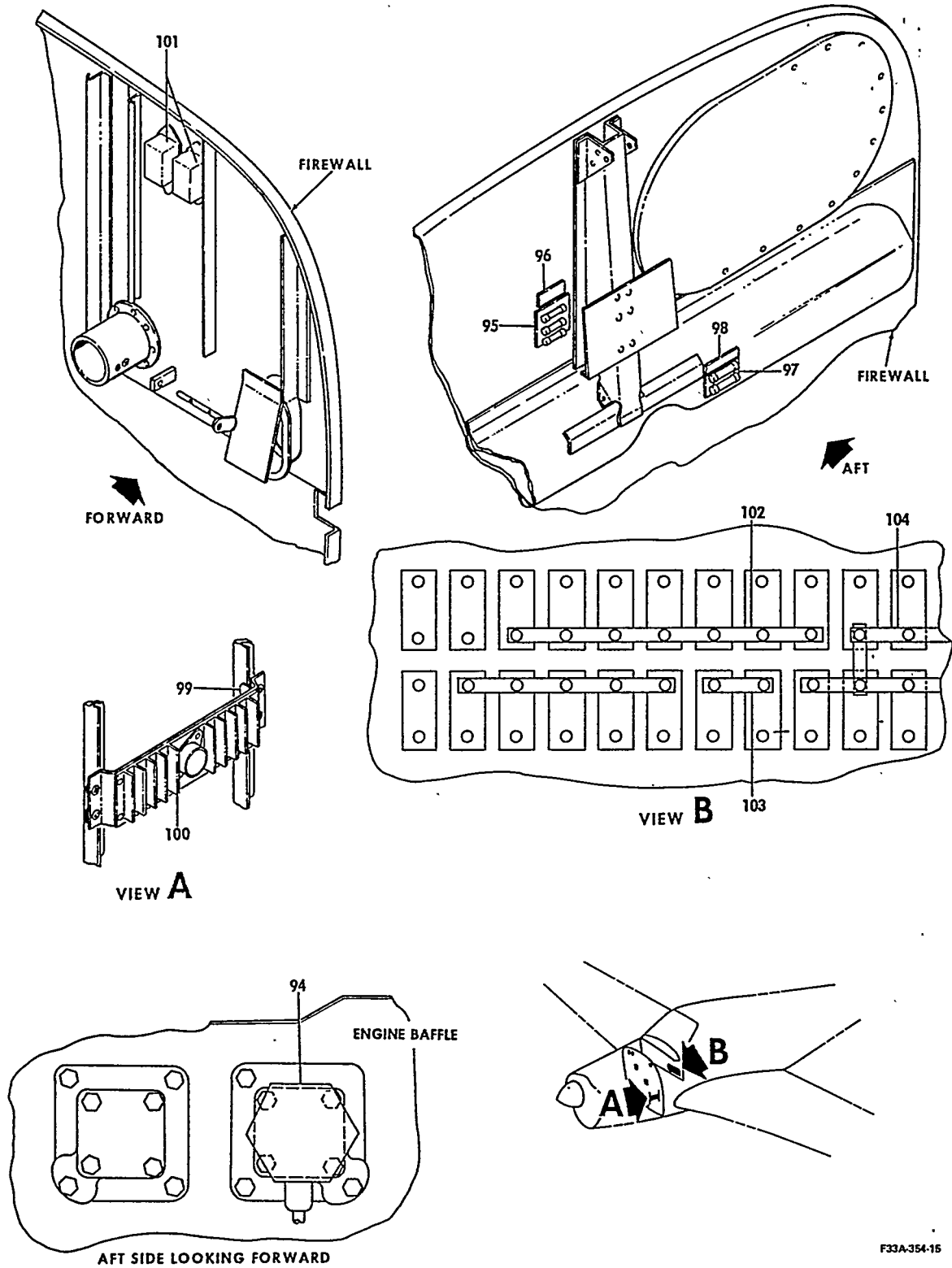


33-354-10

B E E C H C R A F T  
B O N A N Z A 3 3  
I L L U S T R A T E D P A R T S C A T A L O G

FIG. & ITEM NO.	PART NO.	1 2 3 4 5 6 7	DESCRIPTION	UNITS PER ASSY	USABLE ON CODE
354	50-364308-127	.	TRANSISTOR ASSY . . . . .	2	1
	50-364308-127	.	TRANSISTOR ASSY . . . . .	3	6
			/ATTACHING PARTS/		
	AN515-6R6	.	SCREW . . . . .	AR	
	AN960-6L	.	WASHER . . . . .	AR	
			*-----*		
- 80	50-364308-67	.	BRACKET . . . . .	1	1
	50-364308-67	.	BRACKET . . . . .	1	6
- 81	50-364308-223	.	HEAT SINK . . . . .	1	1
	50-364308-223	.	HEAT SINK . . . . .	1	6
			/ATTACHING PARTS/		
	AN515-6R8	.	SCREW . . . . .	AR	
	AN960-6L	.	WASHER . . . . .	AR	
	MS20365-632	.	NUT . . . . .	AR	
			*-----*		
- 82	2TS1	.	SOCKET, TRANSISTOR . . . . .	1	1
	2TS1	.	SOCKET, TRANSISTOR . . . . .	1	6
			/ATTACHING PARTS/		
	AN507-440R8	.	SCREW . . . . .	2	1
	AN507-440R8	.	SCREW . . . . .	2	6
	MS20365-440	.	NUT . . . . .	2	1
	MS20365-440	.	NUT . . . . .	2	6
			*-----*		
- 83	2N3055	.	TRANSISTOR . . . . .	1	1
	2N3055	.	TRANSISTOR . . . . .	1	6
- 84	50-380048-3	.	RELAY, LANDING GEAR POSITION LIGHTS . . . . .	1	9
	C281XDX12VDC	.	RELAY, LANDING GEAR POSITION LIGHTS . . . . .	1	10
			/ATTACHING PARTS/		
	35-344267-1	.	BRACKET, RELAY . . . . .	1	10
	AN515-6R6	.	SCREW . . . . .	2	
	AN960-6L	.	WASHER . . . . .	2	10
	AN936B3	.	WASHER . . . . .	2	10
	AN960-3	.	WASHER . . . . .	2	10
	130006A632	.	NUTPLATE . . . . .	2	
	MS20365-632	.	NUT . . . . .	2	10
	AN340-3	.	NUT . . . . .	2	10
			*-----*		
	35-364129-613	.	SWITCH ASSY, LANDING GEAR LIMIT . . . . .	1	12
	35-364129-615	.	SWITCH ASSY, LANDING GEAR LIMIT . . . . .	1	13
- 85	35-364126-2	.	BRACKET, LANDING GEAR LIMIT SWITCH . . . . .	1	19
			/ATTACHING PARTS/		
- 86	AN515-8R8	.	SCREW . . . . .	4	
	AN960-8	.	WASHER . . . . .	4	
			*-----*		
- 87	MS25026-1	.	SWITCH, LANDING GEAR LIMIT . . . . .	5	19
			/ATTACHING PARTS/		
- 88	AN515-6-32	.	SCREW . . . . .	2	
- 89	AN515-6-40	.	SCREW . . . . .	2	
			*-----*		
- 90	35-364238	.	INSULATOR, LANDING GEAR LIMIT SWITCH . . . . .	5	19
- 91	35-364247	.	ACTUATOR, LANDING GEAR LIMIT SWITCH . . . . .	5	19
- 92	35-364136	.	TAB, LANDING GEAR LIMIT SWITCH . . . . .	1	19
- 93	35-364137	.	PLATE, LANDING GEAR LIMIT SWITCH . . . . .	1	19

BEECHCRAFT  
 BONANZA 33  
 ILLUSTRATED PARTS CATALOG

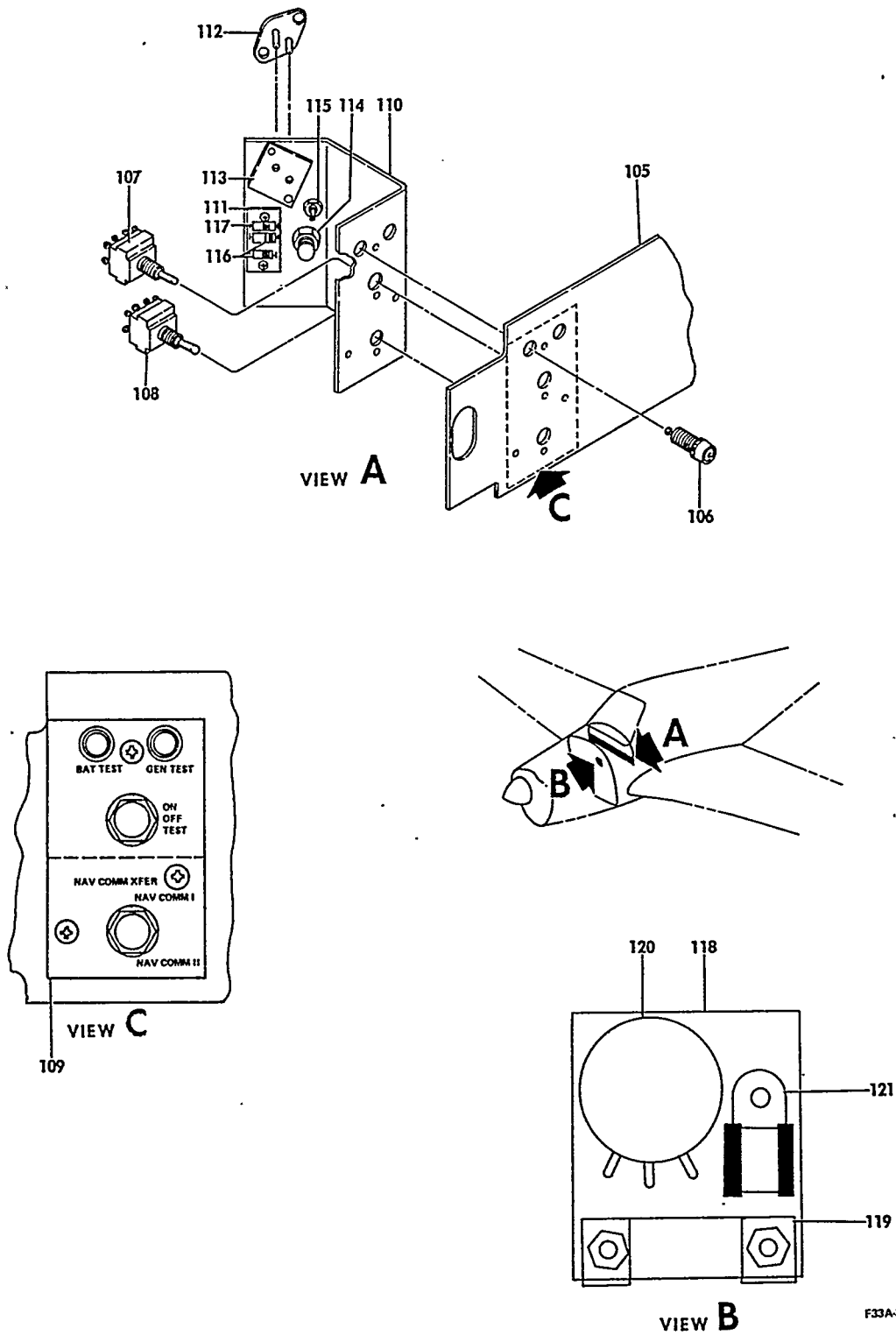


F33A-354-15

B E E C H C R A F T  
B O N A N Z A 3 3  
I L L U S T R A T E D P A R T S C A T A L O G

FIG. & ITEM NO.	PART NO.	DESCRIPTION							UNITS PER ASSY	USABLE ON CODE
		1	2	3	4	5	6	7		
354	36-369010-1	GENERATOR INSTL,STANDBY . . . . .							NP	14
	36-369010-3	GENERATOR INSTL,STANDBY /WITH DUAL. . . . .							NP	14
	36-369010-5	COMM/NAV SYSTEM/ GENERATOR INSTL,STANDBY . . . . .							NP	14
	36-369010-5	GENERATOR INSTL,STANDBY . . . . .							NP	15
	36-369010-7	GENERATOR INSTL,STANDBY /WITH DUAL. . . . .							NP	15
- 94	36-380013-1	COMM/NAV SYSTEM/ GENERATOR,STANDBY . . . . .							1	16
	MS3106R14S7S	CONNECTOR,STANDBY GENERATOR . . . . .							1	16
- 95	4532	FUSEBLOCK,STANDBY GENERATOR . . . . .							1	16
	AGC5	FUSE,STANDBY GENERATOR. . . . .							3	16
- 96	36-369013-1	DECAL,STANDBY GENERATOR FUSE. . . . .							1	16
- 97	4522	FUSEBLOCK,STANDBY GENERATOR . . . . .							1	16
		/ATTACHING PARTS/								
	AN936D6	WASHER. . . . .							2	
	MS24693S28	SCREW . . . . .							2	
		*-----*								
	AGC8	FUSE,STANDBY GENERATOR. . . . .							2	16
- 98	36-369013-3	DECAL,STANDBY GENERATOR FUSE. . . . .							1	16
- 99	AN743-12	BRACKET,TRANSISTOR ASSY . . . . .							4	16
		/ATTACHING PARTS/								
	MS35206-245	SCREW . . . . .							4	
	AN960-8L	WASHER. . . . .							4	
	MS20365-832	NUT . . . . .							4	
		*-----*								
-100	50-364308-61	TRANSISTOR ASSY,STANDBY GENERATOR . . . . .							1	16
		/ATTACHING PARTS/								
	MS35206-230	SCREW . . . . .							4	
	AN960-6L	WASHER. . . . .							8	
	MS20365-632	NUT . . . . .							4	
		*-----*								
-101	6041H53A	RELAY,STANDBY GENERATOR . . . . .							2	16
		/ATTACHING PARTS/								
	AN960-10L	WASHER. . . . .							4	
	MS35207-263	SCREW . . . . .							4	
		*-----*								
	MS25171-3S	TERMINAL COVER,RELAY. . . . .							4	16
	MS25171-1S	TERMINAL COVER,RELAY. . . . .							8	16
-102	114931-1-7	BUS BAR . . . . .							1	14
	114931-1-3	BUS BAR . . . . .							1	15
-103	114931-1-2	BUS BAR . . . . .							1	16
-104	114931-1-5	BUS BAR . . . . .							1	16

BEECHCRAFT  
 BONANZA 33  
 ILLUSTRATED PARTS CATALOG



F33A-354-15

FIGURE 354. FUSELAGE ELECTRICAL  
 /SHEET 7 OF 7 SHEETS/

B E E C H C R A F T  
B O N A N Z A 3 3  
I L L U S T R A T E D P A R T S C A T A L O G

FIG. & ITEM NO.	PART NO.	DESCRIPTION	UNITS PER ASSY	USABLE ON CODE
354 -105	36-369010-17	• PANEL . . . . .	1	17
	36-369010-27	• PANEL . . . . .	1	18
	36-369010-21	• PANEL . . . . .	1	15
-106	855SI-G5STD	• HOLDER, LAMP . . . . .	2	16
	330	• LAMP . . . . .	1	16
-107	MS25068-31	• SWITCH, TEST . . . . .	1	16
-108	MS25068-23	• SWITCH /USED ONLY WITH DUAL COMM/NAV SYSTEM/ . . . . .	1	16
-109	36-369014-1	• PLATE, STANDBY GENERATOR IDENTIFICATION . . . . .	1	16
	36-369014-3	• PLATE, STANDBY GENERATOR IDENTIFICATION /USED. ONLY WITH DUAL COMM/NAV SYSTEM/ . . . . .	1	16
-110	36-369010-13	• BRACKET . . . . .	1	16
-111	36-369010-23	• TERMINAL BOARD . . . . .	1	16
-112	2N1296	• TRANSISTOR . . . . .	1	16
-113	2TS1	• SOCKET . . . . .	1	16
-114	1N3212	• DIODE . . . . .	1	16
		/ATTACHING PARTS/		
	AN960-6L	• WASHER . . . . .	1	
	MS20365-632	• NUT . . . . .	1	
		*-----*		
-115	1N1354	• ZENER DIODE . . . . .	1	16
-116	RC42GF101K	• RESISTOR . . . . .	2	16
-117	1N2484	• DIODE . . . . .	1	16
-118	36-369010-31	• PLATE . . . . .	1	16
-119	50-380048-1	• RELAY . . . . .	1	16
-120	RV4LAYS151A	• RHEOSTAT . . . . .	1	16
-121	MS21919DG3	• CLAMP . . . . .	1	16

C O D E S O F E F F E C T I V I T Y

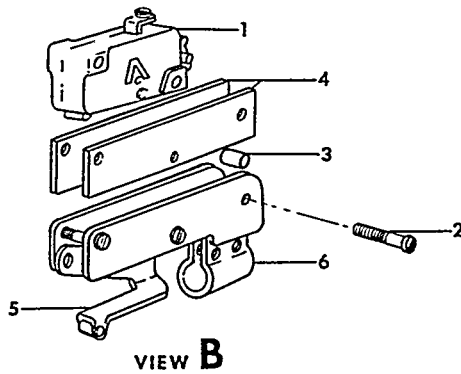
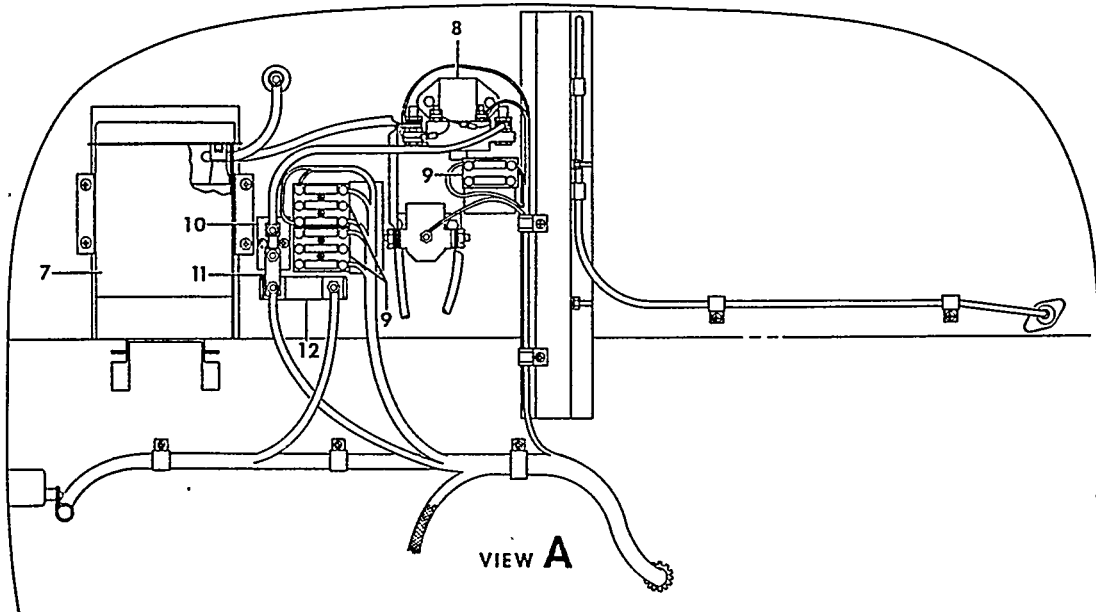
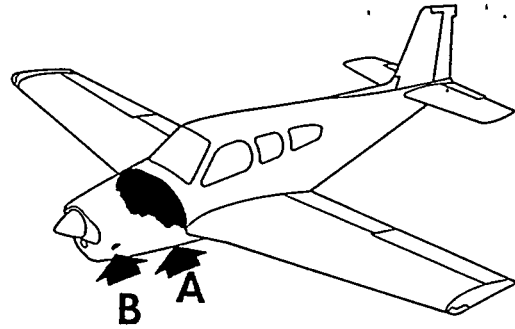
1	CD-1235 THRU CD-1254	2	CE-290 THRU CE-771 EXCEPT CE-748
3	CD-1255 THRU CD-1304	4	CE-350 THRU CE-612
5	CD-1235 THRU CD-1254	6	CD-1255 THRU CD-1304 CE-290 THRU CE-771 EXCEPT CE-748
7	CE-290 THRU CE-349	8	CE-290 THRU CE-771 EXCEPT CE-748
9	CE-290 THRU CE-398	10	CE-350 THRU CE-771 EXCEPT CE-748
11	CD-1235 THRU CD-1254	12	CE-399 THRU CE-771 EXCEPT CE-748
	CE-290 THRU CE-349		CD-1235 THRU CD-1254 CE-290 THRU CE-307
13	CE-308 THRU CE-771	14	CE-290 THRU CE-771 EXCEPT CE-748
	CD-1255 THRU CD-1304		CE-374 THRU CE-771 EXCEPT CE-748
15	CD-1290 THRU CD-1304	16	CD-1290 THRU CD-1304 CE-374 THRU CE-771 EXCEPT CE-748
17	CE-374 THRU CE-411	18	CE-412 THRU CE-771 EXCEPT CE-748
19	CD-1235 THRU CD-1304	20	CE-470 THRU CE-771, CE-290 THRU CE-771, EXCEPT CE-748
21	CE-581 THRU CE-771, EXCEPT CE-748	22	CE-290 THRU CE-580
23	CE-350 THRU CE-464	24	CE-290 THRU CE-580
25	CD-1235 THRU CD-1304	26	CE-613 THRU CE-771, EXCEPT CE-748
	CE-290 THRU CE-469		CE-470 THRU CE-771, EXCEPT CE-748
27	CE-613 THRU CE-682	28	CE-683 THRU CE-771, EXCEPT CE-748



B E E C H C R A F T  
B O N A N Z A 3 3  
I L L U S T R A T E D P A R T S C A T A L O G

FIGURE 354A  
FUSELAGE ELECTRICAL  
CJ-26 THRU CJ-148

BEECHCRAFT  
BONANZA 33  
ILLUSTRATED PARTS CATALOG

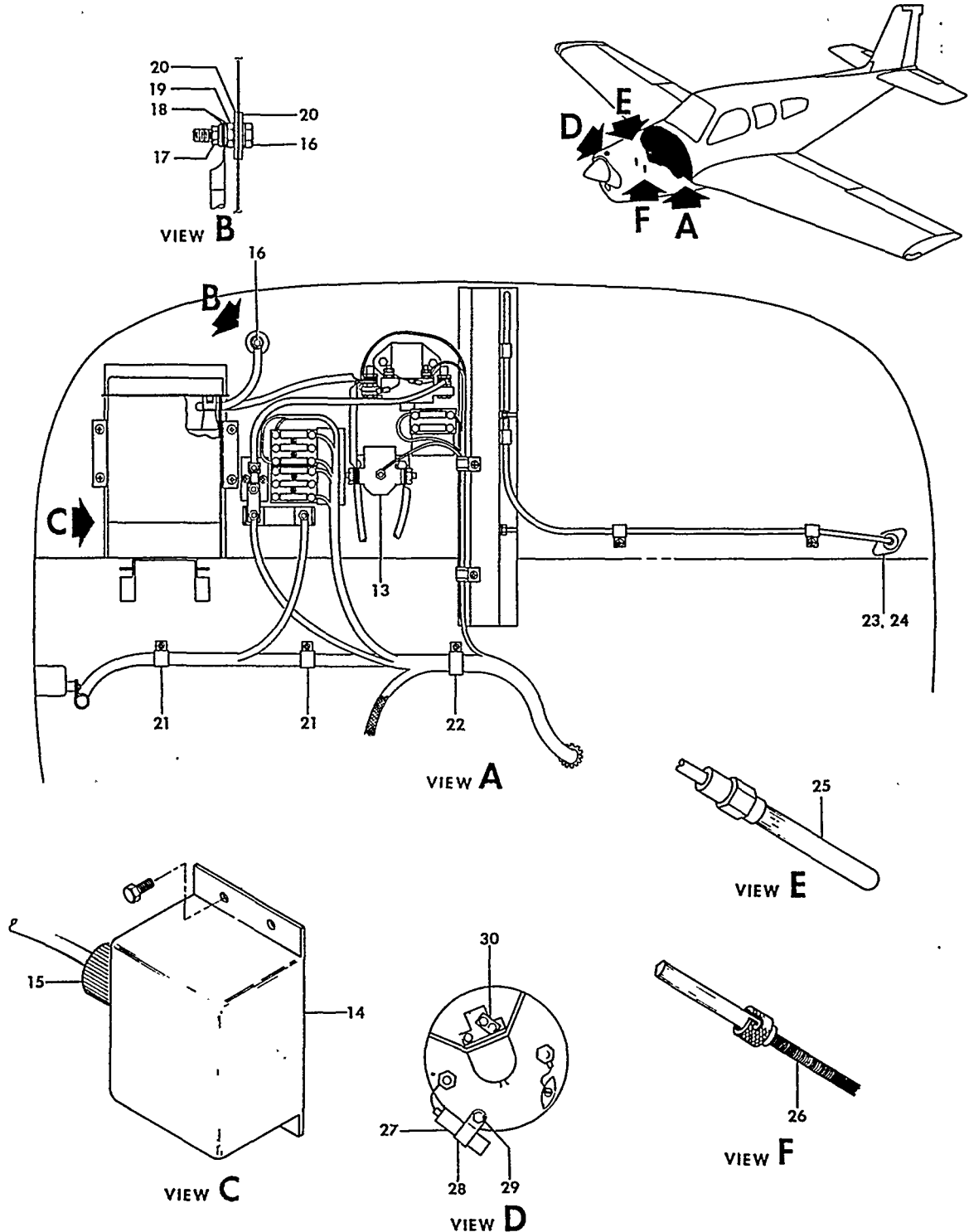


33-354A-29

B E E C H C R A F T  
B O N A N Z A 3 3  
I L L U S T R A T E D P A R T S C A T A L O G

FIG. & ITEM NO.	PART NO.	DESCRIPTION	UNITS PER ASSY							USABLE ON CODE	
			1	2	3	4	5	6	7		
354A	33-360014-1	ELECTRICAL EQUIPMENT INSTL,FUSELAGE . . . . .							NP	2	
	35-360011-7	ELECTRICAL EQUIPMENT INSTL,FUSELAGE . . . . .							NP	3	
	002-364000-3	ELECTRICAL EQUIPMENT INSTL,FUSELAGE . . . . .							NP	4	
	- 1	V3-1	. SWITCH,THROTTLE WARNING . . . . . /ATTACHING PARTS/						1	1	
	- 2	AN515-4R12	. SCREW . . . . .							3	
		AN960-4L	. WASHER . . . . .							6	
	- 3	10293301ZA0410	. SPACER . . . . .							1	
		MS20365-440	. NUT . . . . .							3	
		AN515-4R8	. SCREW . . . . .							2	
		MS20365-440	. NUT . . . . .							2	
			*-----*								
	- 4	35-369131	. INSULATOR, SWITCH. . . . .							2	1
- 5	JV5	. ACTUATOR,THROTTLE WARNING SWITCH. . . . .							1	1	
- 6	33-369124-1	. BRACKET,THROTTLE WARNING SWITCH . . . . .							1	1	
	35-410462-1	. BOX,BATTERY/SEE FIGURE 356/ . . . . .							1	9	
- 7	36-369015-1	. BOX,BATTERY/SEE FIGURE 356A/ . . . . . /ATTACHING PARTS/							1	8	
	AN515-8R	. SCREW . . . . .							6		
	MS35206-244	. SCREW . . . . .							4		
		*-----*									
- 8	36-380025-1	. BATTERY . . . . .							1	1	
	6041H187	. RELAY,BATTERY . . . . .							1	1	
	1N4005	. DIODE . . . . .							2	1	
- 9	4532	. BLOCK,FUSE. . . . .							3	1	
	4532	. BLOCK,FUSE. . . . .							2	4	
	4522	. BLOCK,FUSE/ALTERNATOR/. . . . .							1	4	
	A6C3	. FUSE. . . . .							3	1	
	A6C5	. FUSE. . . . .							3	1	
- 10	MS91586-3	. SHUNT . . . . .							1	1	
- 11	002-364000-9	. BUS BAR . . . . .							1	4	
	MS25226-6-2	. BUS BAR . . . . .							2	5	
- 12	FLLB	. LIMITER,CURRENT . . . . .							1	4	
	FSH	. BASE,LIMITER. . . . .							1	4	
	MS25123-3-2	. BOARD,TERMINAL. . . . .							1	5	

BEECHCRAFT  
 BONANZA 33  
 ILLUSTRATED PARTS CATALOG

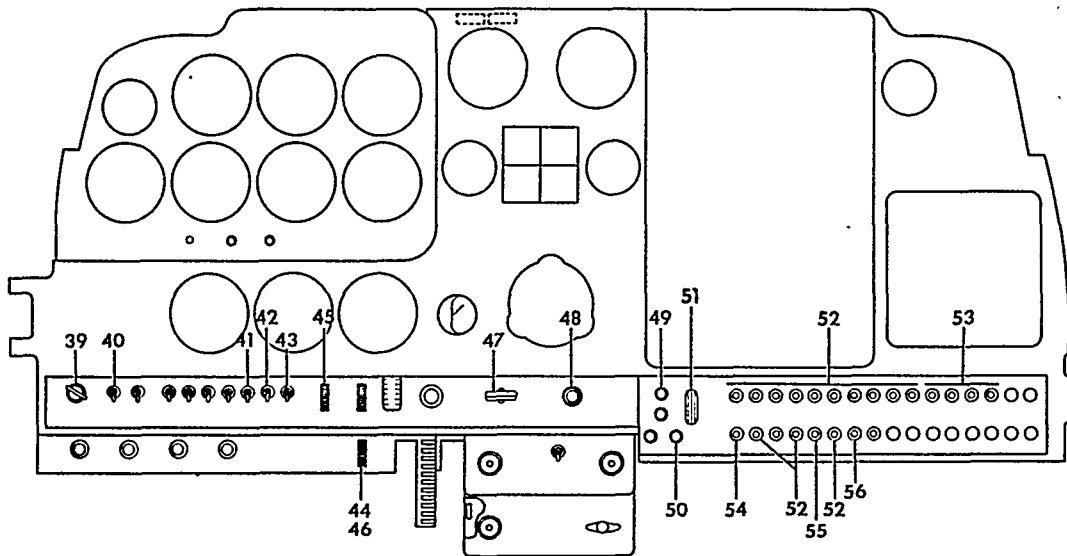
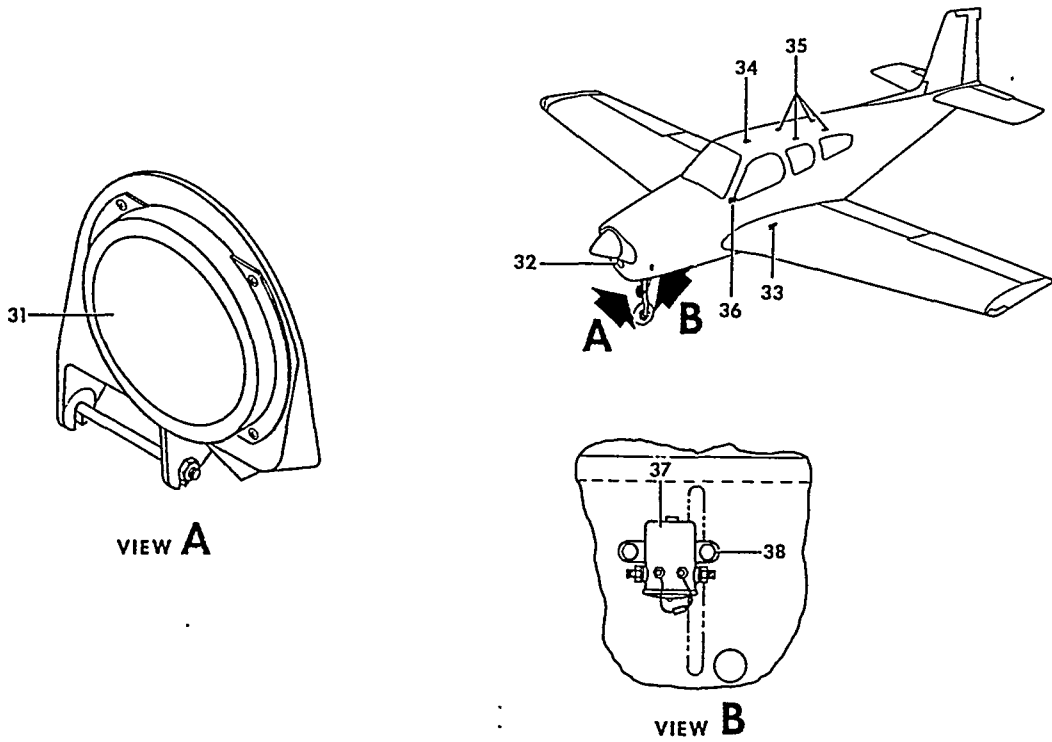


33-354A-30

B E E C H C R A F T  
B O N A N Z A 3 3  
I L L U S T R A T E D P A R T S C A T A L O G

FIG. & ITEM NO.	PART NO.	DESCRIPTION	UNITS PER ASSY	USABLE ON CODE
354A - 13	36-3008-1	. KIT, STARTER RELAY/SPARES FOR 1464/. . . . .	1	4
	130909B33	. /ATTACHING PARTS/		
	AN960-416	. BOLT. . . . .	2	
		. WASHER. . . . .	2	
		*		
- 14	35-380093-3	. REGULATOR, VOLTAGE/SUPERSEDES 35-380093-2/ . .	1	1
	130909B34	. /ATTACHING PARTS/		
	AN960-416	. BOLT. . . . .	3	
		. WASHER. . . . .	3	
		*		
- 15	MS3106A184S	. CONNECTOR . . . . .	1	1
- 16	NAS428H5-11	. BOLT/GROUND/. . . . .	1	4
	105982-5A11-010	. BOLT/GROUND/. . . . .	1	5
	MS35338-45	. WASHER. . . . .	1	4
	1009510D080TK	. WASHER. . . . .	2	5
- 17	130909N24	. NUT . . . . .	1	4
	MS20365-524	. NUT . . . . .	1	5
- 18	AN960-516	. WASHER. . . . .	2	4
- 19	130909N14	. NUT . . . . .	1	4
- 20	1009510D080YK	. WASHER. . . . .	2	4
	105982-5A11-010	. BOLT/GROUND/. . . . .	1	5
	1009510D080YK	. WASHER. . . . .	2	5
	MS20365-524	. NUT . . . . .	1	5
- 21	MS21919DG8	. CLAMP . . . . .	3	1
- 22	MS21919DG14	. CLAMP . . . . .	1	1
- 23	112149-9	. GROMMET . . . . .	2	1
- 24	112436-4	. RETAINER. . . . .	1	1
	49338	. STUD. . . . .	2	1
- 25	MS28034-1	. BULB, OIL TEMPERATURE. . . . .	1	1
- 26	MS3106-12S3S	. CONNECTOR . . . . .	1	1
	AN5546-1	. TEMPERATURE UNIT, CYLINDER HEAD. . . . .	1	1
	AN4076-1	. ADAPTER . . . . .	1	1
- 27	121P60501R5V1	. FILTER, RADIO NOISE. . . . .	1	1
	96-360002-15	. /ATTACHING PARTS/		
- 28	MS21103D12	. CLIP. . . . .	1	5
	AN742D12	. CLAMP . . . . .	1	4
	AN525-8R10	. CLAMP . . . . .	2	5
	234-59700-012	. SCREW . . . . .	1	5
- 29	AN935-10L	. SCREW, SELF TAPPING HEX WASHER HEAD. . . . .	1	1
	AN960-10L	. WASHER, LOCK . . . . .	1	1
	AN960-10L	. WASHER. . . . .	1	4
		*		
		NOTE WHEN ALTERNATOR IS PRETAPPED, REMOVE 234-5900-012 SCREW AND ADD AN3H4A BOLT		
- 30	002-369014-3	. BUS BAR . . . . .	1	4
	58-361011	. BUS BAR . . . . .	1	5

BEECHCRAFT  
 BONANZA 33  
 ILLUSTRATED PARTS CATALOG

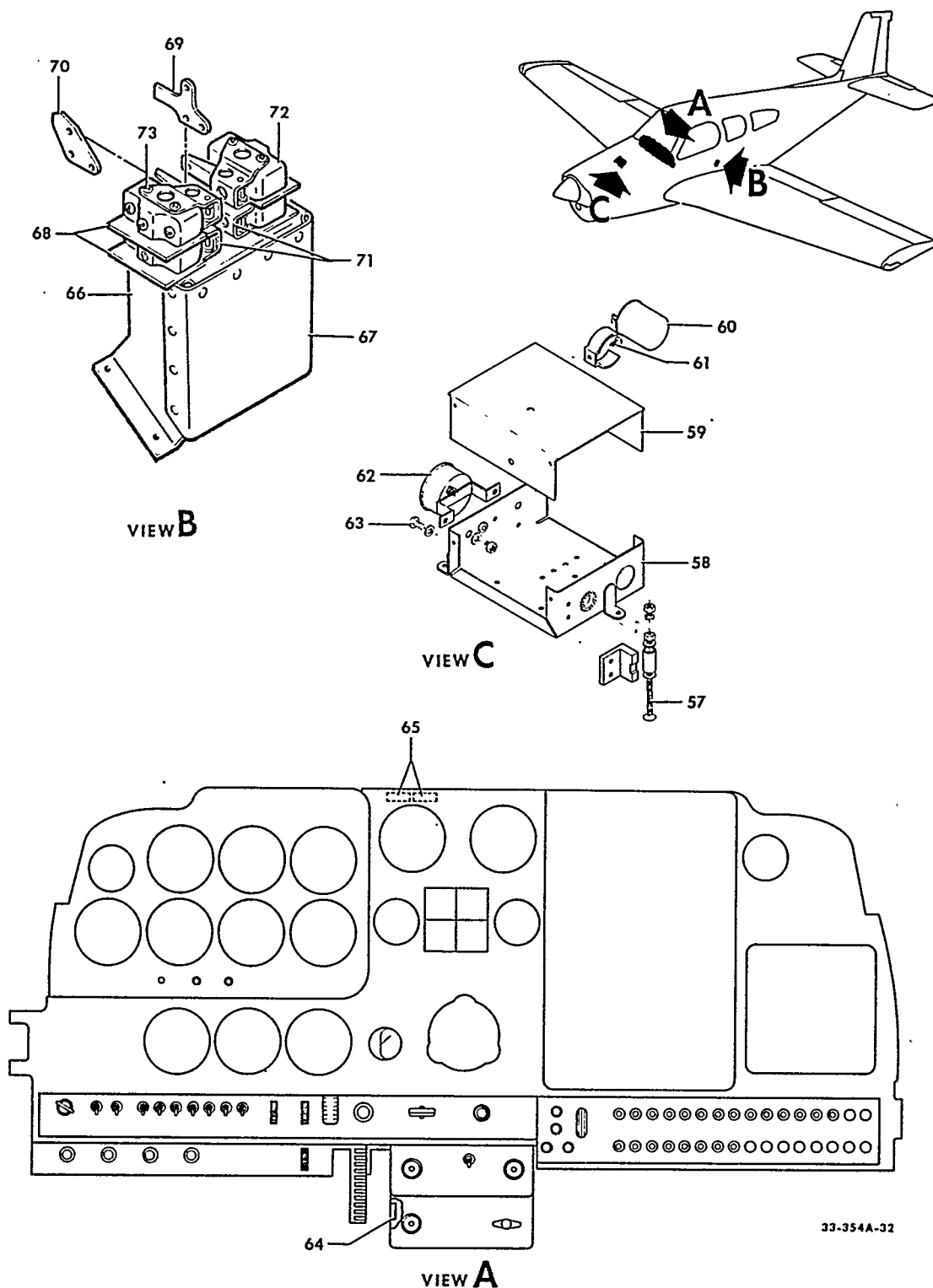


33-354A-31

B E E C H C R A F T  
B O N A N Z A 3 3  
I L L U S T R A T E D P A R T S C A T A L O G

FIG. & ITEM NO.	PART NO.	DESCRIPTION	UNITS PER ASSY	USABLE ON CODE
		1 2 3 4 5 6 7		
354A - 31	35-364258	• LIGHT INSTL, STEERABLE LANDING/SEE FIGURE 360/	NP	1
- 32	002-410000-67	• COVER ASSY, LANDING LIGHT/SEE FIG. 360/ . . . . .	1	1
- 33	A6795B	• POST LIGHT/FUEL SELECTOR VALVE COVER/ . . . . .	2	1
	330	• LAMP/FUEL SELECTOR VALVE COVER/ . . . . .	2	1
- 34	1816	• LAMP/CABIN LIGHTS/. . . . .	2	1
- 35	89	• LAMP/3RD, 4TH, 5TH AND 6TH SEAT READING LIGHTS/	4	1
	303	• LAMP/OUTSIDE AIR TEMPERATURE/ . . . . .	1	1
- 36	A6745B	• POST LIGHT/OUTSIDE AIR TEMPERATURE/ . . . . .	1	1
	002-364000-11	• RELAY INSTL, LANDING GEAR RETRACT. . . . .	NP	6
- 37	70-111224-5	• RELAY . . . . .	1	6
		/ATTACHING PARTS/		
- 38	130909813	• BOLT. . . . .	2	
		*-----*		
	1 5KE51CA	• TRANSORB. . . . .	1	6
- 39	35-590099-3	• SWITCH, IGNITION . . . . .	1	1
- 40	35-380053-21	• SWITCH, BATTERY, ALTERNATOR . . . . .	2	1
	96-384050-5	• KNOB, BATTERY, ALTERNATOR . . . . .	2	1
- 41	35-380132-51	• SWITCH, NAV LIGHTS . . . . .	1	1
- 42	35-380132-47	• SWITCH, TAXI LIGHTS. . . . .	1	1
- 43	35-380132-47	• SWITCH, LANDING LIGHTS . . . . .	1	1
	XR6903	• RHEOSTAT, SUBPANEL LIGHTS. . . . .	1	10
- 44	VWIKSPB	• RHEOSTAT/SUBPANEL LIGHTS/ . . . . .	1	11
	XR6577	• RHEOSTAT/FLOODLIGHTS/ . . . . .	1	10
- 45	VWIKSPB	• RHEOSTAT/FLOODLIGHTS/ . . . . .	1	11
	VWIKSPB	• RHEOSTAT/PANEL LIGHTS/. . . . .	1	1
	96-364085-1	• KNOB, RHEOSTAT/FLOOD AND PANEL LIGHTS/ . . . . .	2	10
	96-364085-9	• KNOB, RHEOSTAT/FLOOD AND PANEL LIGHTS/ . . . . .	2	11
	96-364085-3	• KNOB, RHEOSTAT/SUBPANEL LIGHTS/. . . . .	1	10
- 46	96-364085-11	• KNOB, RHEOSTAT/SUBPANEL LIGHTS/. . . . .	1	11
	8858K40	• SWITCH, FLAPS ACTUATING. . . . .	1	6
	MS25125B1	• SWITCH, FLAPS ACTUATING. . . . .	1	7
- 47	118664	• LEVER, FLAP. . . . .	1	1
- 48	35-364160	• LIGHTER ASSY, CIGARETTE. . . . .	1	1
	35-364160-3	• KNOB. . . . .	1	1
	LBA27492	• BASE ASSY, SWITCH. . . . .	1	1
	LU27054	• SHELL, CLAMPING. . . . .	1	1
	LWA29455	• CORD ASSY . . . . .	1	1
	1-480350-0	• HOUSING . . . . .	1	1
	35-380053-275	• SWITCH/AUX FUEL PUMP/ . . . . .	1	4
	96-384050-9	• KNOB/AUX FUEL PUMP/ . . . . .	1	1
- 49	855291SI-R2	• LIGHT ASSY, STD. . . . .	1	1
- 50	855291SI-G5	• LIGHT ASSY, STD. . . . .	3	1
	303	• LAMP. . . . .	4	1
- 51	118665	• LEVER, LANDING GEAR. . . . .	1	1
	8906K1041	• SWITCH, LANDING GEAR . . . . .	1	1
- 52	435-205-104	• CIRCUIT BREAKER . . . . .	13	1
- 53	SS51043	• BUTTON, PLUG . . . . .	6	1
- 54	CB2320	• CIRCUIT BREAKER . . . . .	1	1
- 55	435-210-104	• CIRCUIT BREAKER . . . . .	1	1
- 56	435-210-104	• CIRCUIT BREAKER . . . . .	2	1

BEECHCRAFT  
 BONANZA 33  
 ILLUSTRATED PARTS CATALOG



33-354A-32



B E E C H C R A F T  
B O N A N Z A 3 3  
I L L U S T R A T E D P A R T S C A T A L O G

FIG. & ITEM NO.	PART NO.	1 2 3 4 5 6 7	DESCRIPTION	UNITS PER ASSY	USABLE ON CODE
354A	002-364037-1	.	BOX, JUNCTION. . . . .	1	4
		.	/ATTACHING PARTS/		
- 57	MS24693S280	.	SCREW . . . . .	3	
	NAS43HT4-50	.	SPACER. . . . .	3	
	AN960-10L	.	WASHER. . . . .	6	
	AN935-10L	.	WASHER. . . . .	3	
	MS35650-302	.	NUT . . . . .	3	
	130909N49	.	NUT . . . . .	3	
		---	*		
- 58	002-364037-7	.	BOX ASSY. . . . .	1	4
	AN743-13	.	CLIP . . . . .	3	4
	MS35489-1	.	GROMMET . . . . .	1	4
	RAMH-S6	.	BLOCK . . . . .	1	4
	MS21266-2N	.	GROMMET . . . . .	AR	4
- 59	002-364037-9	.	COVER ASSY. . . . .	1	4
- 60	R102	.	FLASHER . . . . .	1	4
		.	/ATTACHING PARTS/		
- 61	MS35206-227	.	SCREW . . . . .	1	
	AN960-6L	.	WASHER. . . . .	1	
	MS21042-06	.	NUT . . . . .	1	
		---	*		
	002-364038-1	.	PRINTED CIRCUIT BOARD/ELECTRICAL EQUIPMENT/	1	4
- 62	002-364040-1	.	PRINTED CIRCUIT BOARD/FLAP POSITION/	1	4
	169-380021-7	.	HORN, STALL WARNING. . . . .	1	1
		.	/ATTACHING PARTS/		
- 63	MS35207-263	.	SCREW . . . . .	2	
	AN960-10L	.	WASHER. . . . .	2	
	130909N29	.	NUT . . . . .	2	
		---	*		
	MS21919DG17	.	CLAMP . . . . .	1	1
		.	/ATTACHING PARTS/		
	MS35207-263	.	SCREW . . . . .	1	
	AN960-10L	.	WASHER. . . . .	1	
		---	*		
- 64	36-380000-1	.	SENSOR, ALTERNATOR OUT . . . . .	1	1
- 65	58-364041-9	.	PRINTED CIRCUIT BOARD, FUEL QUANTITY . . . . .	1	1
	002-364013-1	.	SWITCH ASSY, LANDING GEAR LIMIT. . . . .	1	1
	002-364013-5	.	BRACKET ASSY. . . . .	1	1
- 66	002-364013-7	.	BRACKET . . . . .	1	1
- 67	002-364013-9	.	REINFORCEMENT . . . . .	1	1
- 68	002-364013-33	.	INSULATOR . . . . .	4	1
- 69	002-364013-11	.	TAB . . . . .	1	1
- 70	002-364013-13	.	PLATE . . . . .	1	1
- 71	002-364013-17	.	ACTUATOR. . . . .	4	1
- 72	MS25006-1	.	SWITCH. . . . .	4	1
- 73	MS35206-237	.	SCREW . . . . .	4	1

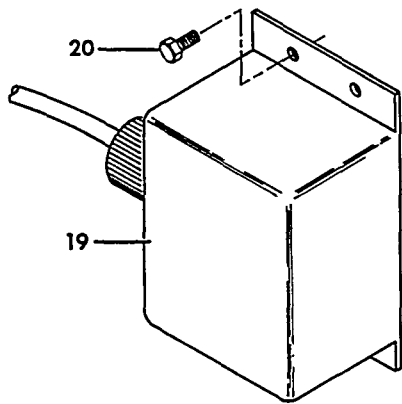
C O D E S O F E F F E C T I V I T Y

1	CJ-26 THRU CJ-148	2	CJ-26 THRU CJ-51
3	CJ-52 THRU CJ-104	4	CJ-105 THRU CJ-148
5	CJ-26 THRU CJ-104	6	CJ-129 THRU CJ-148
7	CJ-26 THRU CJ-128	8	CJ-86 THRU CJ-148
9	CJ-26 THRU CJ-85	10	CJ-26 THRU CJ-51
11	CJ-52 THRU CJ-148		

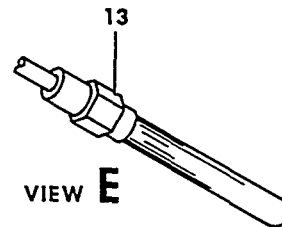
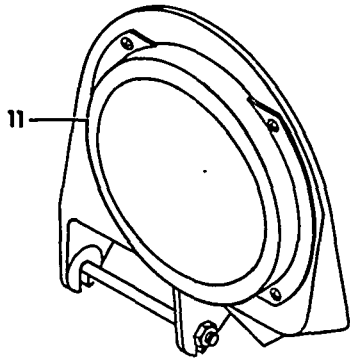
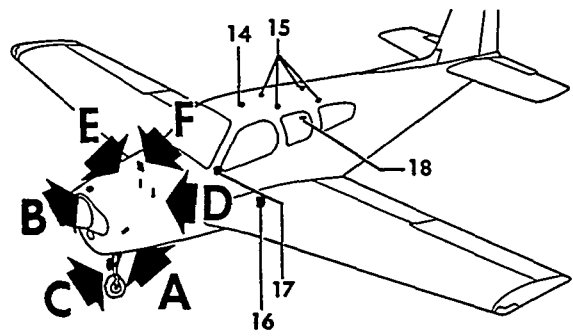
B E E C H C R A F T  
B O N A N Z A 3 3  
I L L U S T R A T E D P A R T S C A T A L O G

FIGURE 354B  
FUSELAGE ELECTRICAL  
CE-748, CE-772 AND AFTER  
CJ-149 AND AFTER

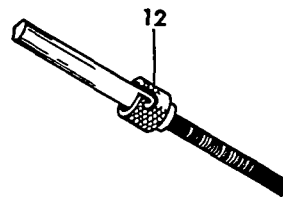
BEECHCRAFT  
 BONANZA 33  
 ILLUSTRATED PARTS CATALOG



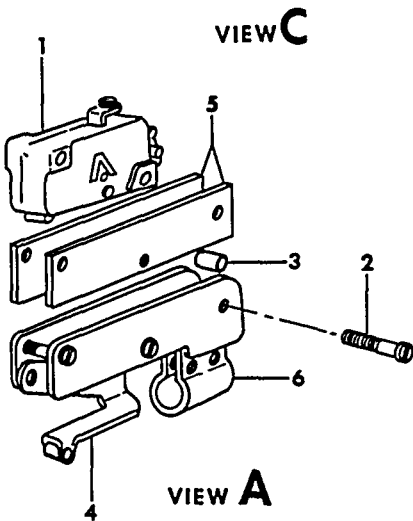
VIEW F



VIEW E

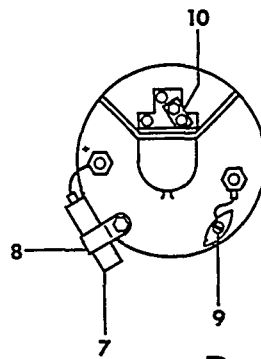


VIEW D

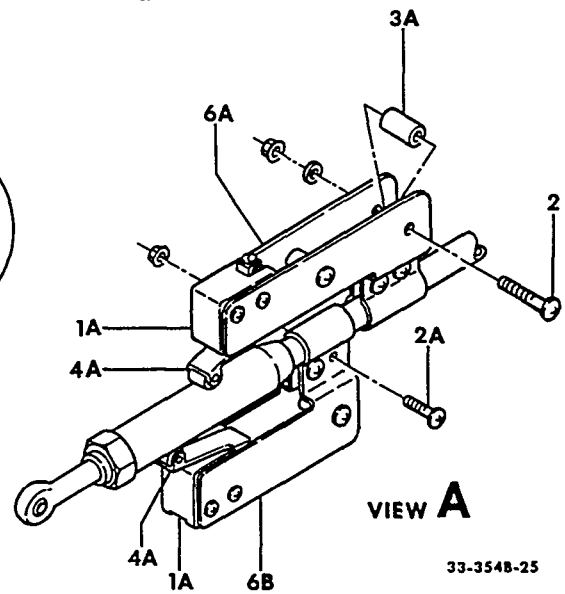


VIEW C

VIEW A



VIEW B



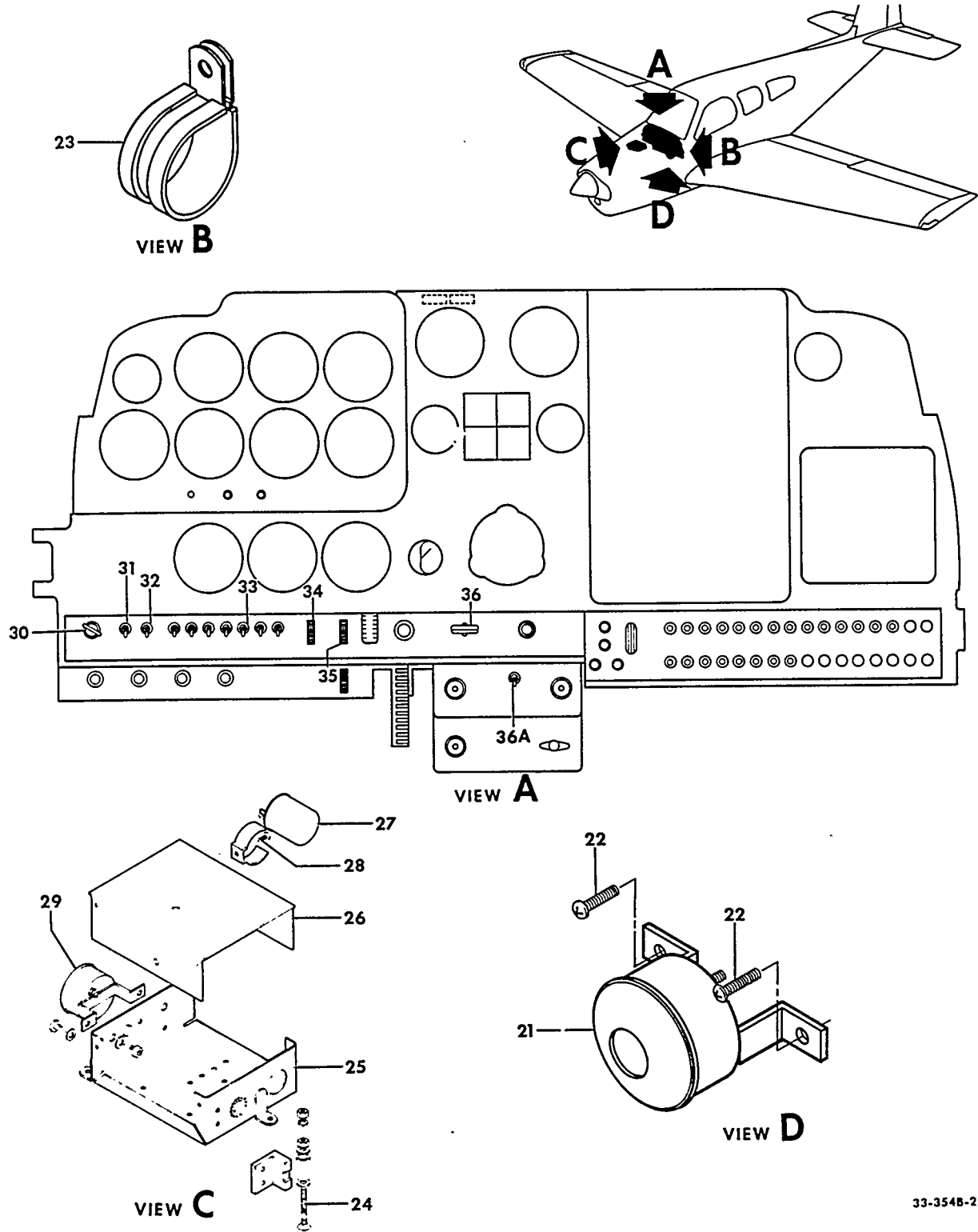
VIEW A

33-3548-25

B E E C H C R A F T  
BONANZA 33  
I L L U S T R A T E D P A R T S C A T A L O G

FIG. & ITEM NO.	PART NO.	DESCRIPTION	UNITS PER ASSY	USABLE ON CODE
		1 2 3 4 5 6 7		
354B	36-364001-1	ELECTRICAL EQUIPMENT INSTL,FUSELAGE . . . . .	NP	2
	36-364001-3	ELECTRICAL EQUIPMENT INSTL,FUSELAGE . . . . .	NP	3
- 1	V3-1	. SWITCH,THROTTLE WARNING . . . . .	1	22
- 1A	1SE1-6	. SWITCH,THROTTLE WARNING . . . . .	2	21
- 2	AN515-4R12	. SCREW . . . . .	3	1
	AN515-4R8	. SCREW . . . . .	2	22
- 2A	MS35206-230	. SCREW . . . . .	4	21
	AN960-4L	. WASHER. . . . .	6	1
	MS20365-440	. NUT . . . . .	5	22
	MS20365-440	. NUT . . . . .	3	21
- 3	102933D1ZA0410	. SPACER. . . . .	1	22
- 3A	102933D1ZA0410	. SPACER. . . . .	3	21
	MS21042L06	. NUT . . . . .	4	21
- 4	JV5	. ACTUATOR,SWITCH . . . . .	1	22
- 4A	JE5	. ACTUATOR,SWITCH . . . . .	1	21
- 5	35-369131	. INSULATOR,SWITCH. . . . .	2	22
- 6	35-369124-1	. BRACKET,SWITCH. . . . .	1	6
	35-369124-5	. BRACKET,SWITCH. . . . .	1	7
- 6A	33-369117-1	. BRACKET,SWITCH. . . . .	1	21
- 6B	33-369117-3	. BRACKET,SWITCH. . . . .	1	21
- 7	121P60501R5V1	. FILTER,RADIO NOISE. . . . .	1	1
		/ATTACHING PARTS/		
- 8	MS21103D12	. CLAMP . . . . .	1	
	234-5700-012	. SCREW,SELF TAPPING. . . . .	1	
	AN935-10L	. WASHER,LOCK . . . . .	1	
	AN960-10L	. WASHER. . . . .	1	
		-----*		
NOTE WHEN ALTERNATOR IS PRETAPPED,REMOVE 234-59700-012 SCREW AND ADD AN3H4A BOLT				
- 9	MS35207-261	. SCREW,GROUND. . . . .	1	1
	AN960-10L	. WASHER. . . . .	1	1
	MS35335-39	. WASHER. . . . .	1	1
- 10	58-361011-3	. BUS BAR . . . . .	1	1
	AN960-10	. WASHER. . . . .	3	1
	MS35489-17	. GROMMET . . . . .	1	1
- 11	35-364258-3	. LIGHT INSTL,TAXI/SEE FIGURE 360/. . . . .	NP	1
	MS35489-2	. GROMMET/KEEL/ . . . . .	1	1
- 12	R MS24482-1	. BULB,CYLINDER HEAD TEMPERATURE. . . . .	1	1
	AN4076-1	. ADAPTER . . . . .	1	1
- 13	MS28034-1	. BULB,OIL TEMPERATURE. . . . .	1	1
	CA3106E12S3S	. CONNECTOR . . . . .	1	1
- 14	1864	. LAMP/CABIN LIGHTS/. . . . .	2	1
- 15	303	. LAMP/3RD,4TH,5TH & 6TH SEAT READING LIGHTS/ . . . . .	4	1
	MS25237-327	. LAMP/FUEL SELECTOR VALVE COVER/ . . . . .	2	1
- 16	A6795B	. POST LIGHT/FUEL SELECTOR VALVE COVER/ . . . . .	2	1
	MS25237-327	. LAMP/OUTSIDE AIR TEMP/. . . . .	1	1
- 17	A6745B	. POST LIGHT/OUTSIDE AIR TEMP/. . . . .	1	1
	AN960-416	. WASHER. . . . .	2	1
- 18	35-364160-5	. LIGHTER ASSY,CIGARETTE. . . . .	2	1
	R 207946	. . ELEMENT/POP-OUT UNIT/ . . . . .	1	1
	R 206352	. . SHELL,CLAMPING. . . . .	1	1
	R 207890	. . BASE ASSY . . . . .	1	1
	R LWA29455	. . COARD ASSY. . . . .	1	1
- 19	R 60-389017-3	. REGULATOR,VOLTAGE/ALTERNATOR SYSTEM/. . . . .	NP	8
		/ORDER 36-380056-5 FOR SPARES/		
	R 36-380056-1	. REGULATOR,VOLTAGE/ALTERNATOR SYSTEM/. . . . .	NP	9
		/ORDER 36-380056-5 FOR SPARES/		
	R 36-380056-3	. REGULATOR,VOLTAGE/ALTERNATOR SYSTEM/. . . . .	NP	12
		/ORDER 36-380056-5 FOR SPARES/		
	R 36-380056-5	. REGULATOR,VOLTAGE/ALTERNATE FOR 36-380096-1/. . . . .	1	24
	R 36-380096-1	. REGULATOR,VOLTAGE/ALTERNATE FOR 36-380056-5/. . . . .	1	24
		/ATTACHING PARTS/		
- 20	130909B33	. BOLT. . . . .	3	
		-----*		

BEECHCRAFT  
 BONANZA 33  
 ILLUSTRATED PARTS CATALOG

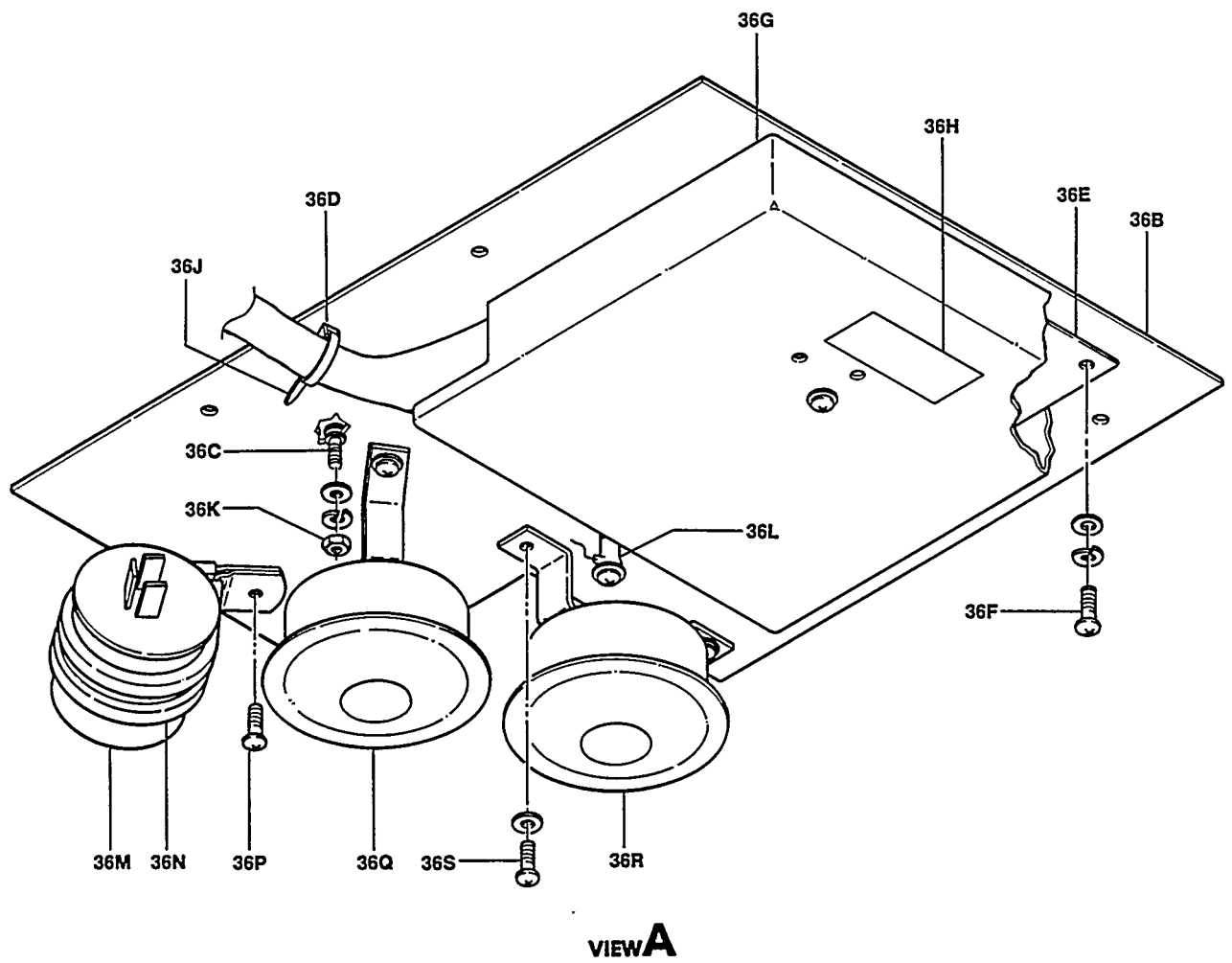
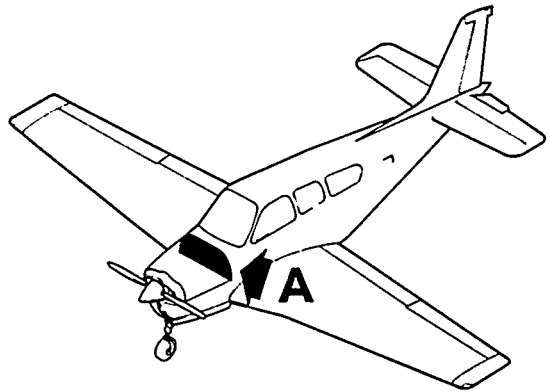


33-354B-26

BEECHCRAFT  
BONANZA 33  
ILLUSTRATED PARTS CATALOG

FIG. & ITEM NO.	PART NO.	DESCRIPTION	UNITS							USABLE ON CODE
			1	2	3	4	5	6	7	
354B - 21	169-380021-11	. HORN,STALL WARNING. . . . .							1	18
		/ATTACHING PARTS/								
- 22	MS35207-263	. SCREW . . . . .							2	
	AN960-10L	. WASHER. . . . .							2	
	130909N29	. NUT . . . . .							2	
		-----*								
- 23	MS21919DG17	. CLAMP . . . . .							1	1
		/ATTACHING PARTS/								
	MS35207-263	. SCREW . . . . .							1	
	AN960-10L	. WASHER. . . . .							1	
		-----*								
	002-364037-3	. BOX ASSY,JUNCTION . . . . .							1	16
	002-364037-15	. BOX ASSY,JUNCTION . . . . .							1	17
		/ATTACHING PARTS/								
- 24	MS24693S280	. SCREW . . . . .							AR	
	NAS43HT4-50	. SPACER. . . . .							AR	
	AN960-10L	. WASHER. . . . .							AR	
	AN935-10L	. WASHER. . . . .							AR	
	MS35650-302	. NUT . . . . .							AR	
	AN960-10L	. WASHER. . . . .							AR	
	130909N29	. NUT . . . . .							AR	
		-----*								
- 25	002-364037-7	. . . BOX ASSY. . . . .							1	18
	AN743-13	. . . CLIP. . . . .							3	18
	MS35489-1	. . . GROMMET . . . . .							1	18
	RAMH-S6	. . . BLOCK,TIE . . . . .							1	18
- 26	002-364037-9	. . . COVER ASSY. . . . .							1	18
- 27	R102	. . . FLASHER . . . . .							1	18
		/ATTACHING PARTS/								
- 28	MS35206-227	. . . SCREW . . . . .							1	
	AN960-6L	. . . WASHER. . . . .							1	
	MS21042-06	. . . NUT . . . . .							1	
		-----*								
- 29	169-380021-9	. . . HORN,LANDING GEAR WARNING . . . . .							1	18
- 30	35-590099-33	. SWITCH,IGNITION . . . . .							1	1
- 31	35-380053-21	. SWITCH,BATTERY. . . . .							1	1
	96-384050-5	. KNOB. . . . .							1	1
- 32	35-380132-13	. SWITCH/ALTERNATOR/. . . . .							1	1
- 33	35-380132-41	. SWITCH/NAV.LIGHTS/. . . . .							1	1
	35-380132-43	. SWITCH/TAXI AND LANDING LIGHTS/ . . . . .							2	1
	R VW1KP	. RHEOSTAT/PANEL LIGHTS/. . . . .							3	1
- 34	96-364085-9	. KNOB. . . . .							2	1
- 35	96-364085-11	. KNOB/SUBPANEL LIGHTS/ . . . . .							1	1
- 36	8858K40	. SWITCH/FLAPS/ . . . . .							1	4
	8858K82	. SWITCH/FLAPS/THREE POSITION/. . . . .							1	5
	R 118664-5	. LEVER . . . . .							1	1
	AN565D6H2	. SCREW,SET . . . . .							1	1
- 36A	96-384050-9	. KNOB. . . . .							1	1
	35-380053-27	. SWITCH/AUX FUEL PUMP/ . . . . .							1	3
	35-380053-21	. SWITCH/AUX FUEL PUMP/ . . . . .							1	2

BEECHCRAFT  
BONANZA 33  
ILLUSTRATED PARTS CATALOG



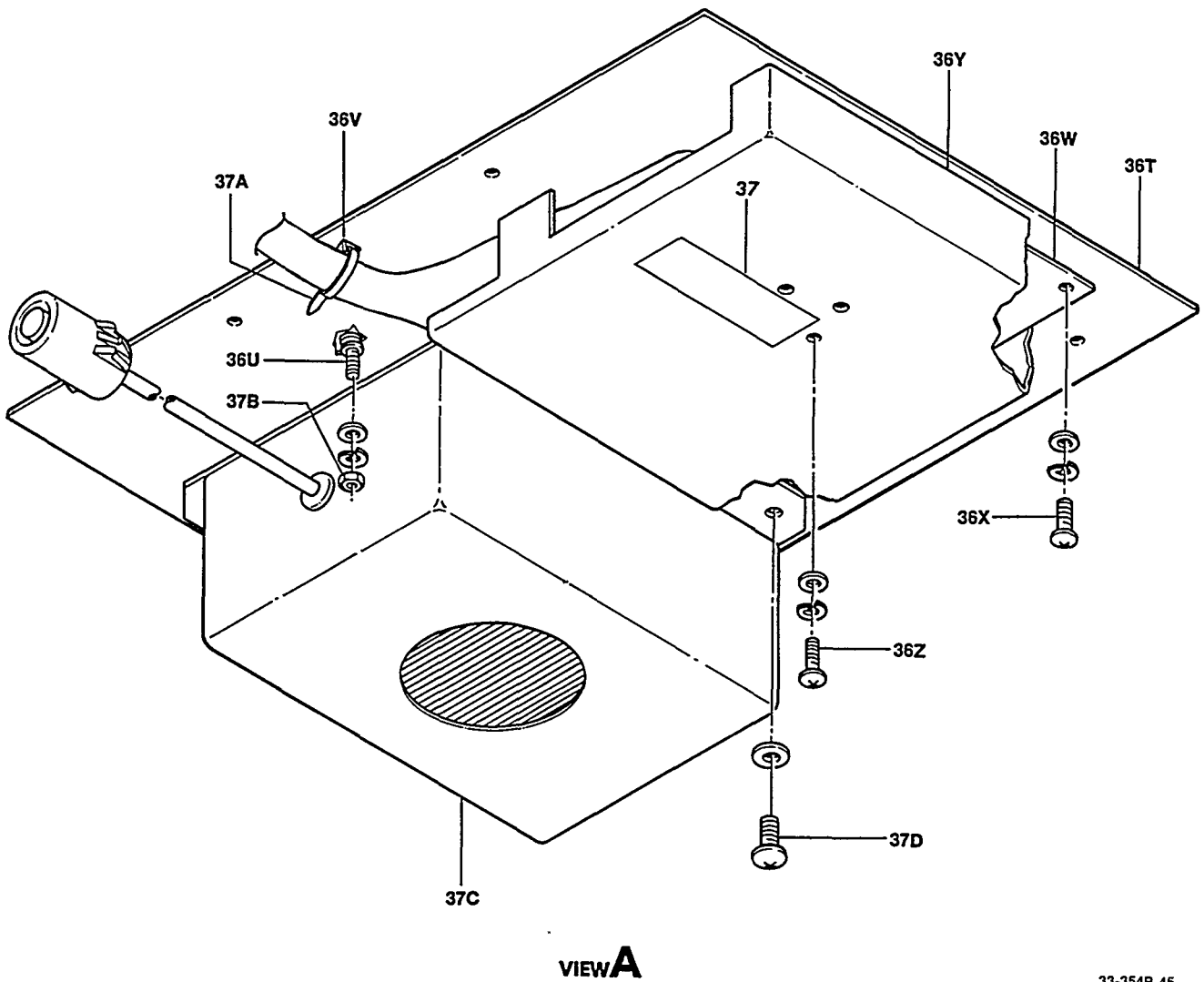
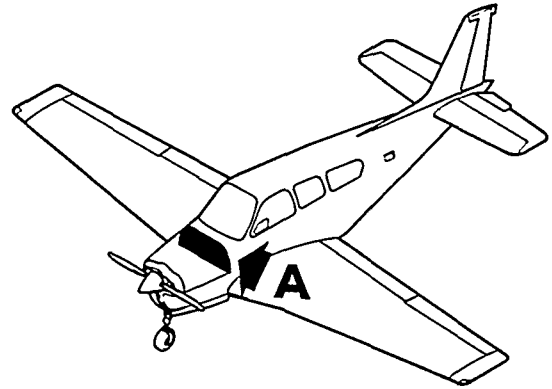
33-354B-44

B E E C H C R A F T  
B O N A N Z A 3 3  
I L L U S T R A T E D P A R T S C A T A L O G

FIG. & ITEM NO.	PART NO.	DESCRIPTION	UNITS PER ASSY	USABLE ON CODE
354B	R 58-364056-1	. BOX ASSY, JUNCTION . . . . .	1	19
	R 58-364056-13	. BOX ASSY, JUNCTION . . . . .	1	20
		/ATTACHING PARTS/		
	R MS24693S280	. SCREW . . . . .	4	
	R NAS43HT4-50	. SPACER . . . . .	4	
	R AN960-10L	. WASHER . . . . .	4	
	R AN935-10L	. WASHER . . . . .	4	
	R MS35650-302	. NUT . . . . .	4	
	R AN960-10L	. WASHER . . . . .	4	
	R MS21042L3	. NUT . . . . .	4	
		-----*		
- 36B	R 58-364056-9	. . PLATE ASSY. . . . .	1	23
- 36C	R 131270-3	. . . GROUND STUD . . . . .	1	23
- 36D	R TM2S6	. . . TIE MOUNT . . . . .	1	23
	R MS21075L3	. . . NUTPLATE . . . . .	6	23
	R MS21075L08	. . . NUTPLATE . . . . .	1	23
	R 9505-04	. . . NUTSERT . . . . .	5	23
- 36E	R 58-364055-1	. . PRINTED CIRCUIT BOARD . . . . .	1	19
	R 58-364055-7	. . PRINTED CIRCUIT BOARD . . . . .	1	20
		/ATTACHING PARTS/		
- 36F	R MS35206-214	. . SCREW . . . . .	4	
	R MS35338-40	. . LOCKWASHER . . . . .	4	
	R AN960-4L	. . WASHER . . . . .	4	
		-----*		
- 36G	R 58-364056-5	. . COVER . . . . .	1	23
		/ATTACHING PARTS/		
	R MS35206-221	. . SCREW . . . . .	1	
	R MS35338-40	. . LOCKWASHER . . . . .	1	
	R AN960-4L	. . WASHER . . . . .	1	
		-----*		
- 36H	R 58-364060-1	. . PLACARD/FLAP INDICATOR ADJUSTMENT/. . . . .	1	23
- 36J	R MS3367-4	. . TIE . . . . .	AR	23
- 36K	R MS21045L3	. . NUT/GROUND STUD/. . . . .	1	23
	R AN960-10L	. . WASHER/GROUND STUD/. . . . .	1	23
	R AN935-10L	. . LOCKWASHER/GROUND STUD/. . . . .	1	23
- 36L	R 1717	. . RESISTOR . . . . .	1	23
		/ATTACHING PARTS/		
	R 2155	. . WASHER, FIBER . . . . .	2	
	R MS35206-254	. . SCREW . . . . .	1	
		-----*		
- 36M	R R102	. . FLASHER . . . . .	1	23
	R 42599-2	. . TERMINAL, FLASHER . . . . .	3	23
- 36N	R MS21919DG20	. . CLAMP, FLASHER . . . . .	1	23
		/ATTACHING PARTS/		
- 36P	R MS35207-264	. . SCREW . . . . .	1	
	R AN960-10L	. . WASHER . . . . .	1	
		-----*		
- 36Q	R 169-380021-9	. . HORN, LANDING GEAR WARNING . . . . .	1	23
- 36R	R 169-380021-11	. . HORN, STALL WARNING . . . . .	1	23
		/ATTACHING PARTS/		
- 36S	R MS35207-263	. . SCREW . . . . .	2	
	R AN960-10L	. . WASHER . . . . .	2	
	R AN960D10L	. . WASHER . . . . .	2	
	R AN935-10L	. . LOCKWASHER . . . . .	2	
		-----*		
	R 206151-2	. . PIN HOUSING . . . . .	1	23
	R 66103-2	. . PIN . . . . .	37	23
	R 206138-1	. . STRAIN RELIEF . . . . .	1	23



BEECHCRAFT  
BONANZA 33  
ILLUSTRATED PARTS CATALOG

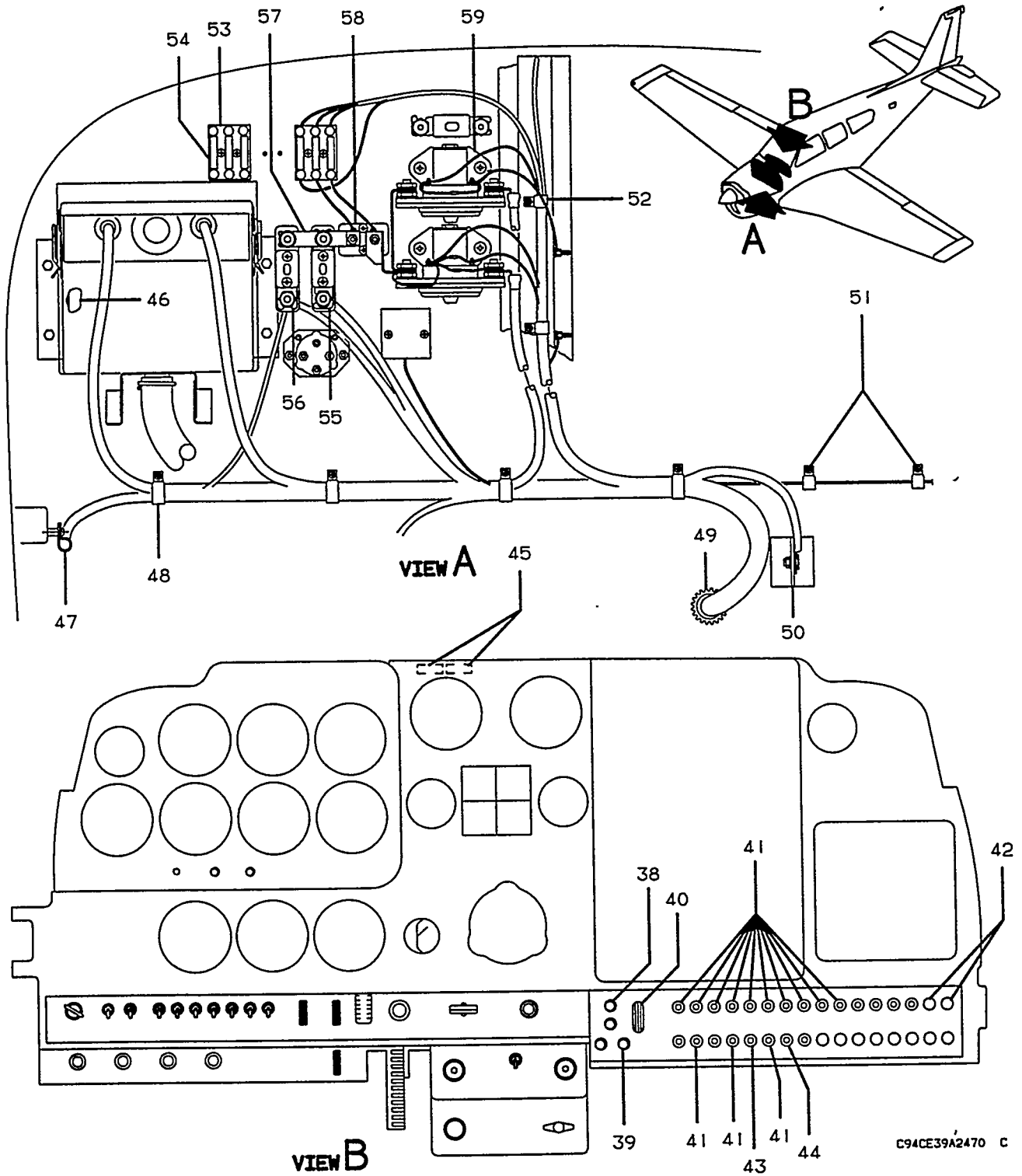


33-354B-45

B E E C H C R A F T  
B O N A N Z A 3 3  
I L L U S T R A T E D P A R T S C A T A L O G

FIG. & ITEM NO.	PART NO.	DESCRIPTION	UNITS PER ASSY	USABLE ON CODE
354B	R 58-364056-15	. BOX ASSY, JUNCTION . . . . .	1	25
	R 58-364056-35	. BOX ASSY, JUNCTION . . . . .	1	26
		/ATTACHING PARTS/		
	MS24693S280	. SCREW . . . . .	4	
	NAS43HT4-50	. SPACER . . . . .	4	
	AN960-10L	. WASHER . . . . .	4	
	AN935-10L	. WASHER . . . . .	4	
	MS35650-302	. NUT . . . . .	4	
	AN960-10L	. WASHER . . . . .	4	
	MS21042L3	. NUT . . . . .	4	
		-----x-----		
- 36T	58-364056-21	. . . PLATE ASSY. . . . .	1	21
- 36U	131270-3	. . . GROUND STUD . . . . .	1	21
- 36V	TM2S6	. . . TIE MOUNT . . . . .	1	21
	MS21059L3	. . . NUTPLATE. . . . .	4	21
	9505-04	. . . NUTSERT . . . . .	5	21
- 36W	58-364055-9	. . . PRINTED CIRCUIT BOARD . . . . .	1	21
		/ATTACHING PARTS/		
- 36X	R MS35206-214	. . . SCREW . . . . .	4	25
	R MS35206-214	. . . SCREW . . . . .	3	26
	R MS35338-135	. . . LOCKWASHER . . . . .	4	25
	R MS35338-135	. . . LOCKWASHER . . . . .	3	26
	R AN960-4L	. . . WASHER . . . . .	4	25
	R AN960-4L	. . . WASHER . . . . .	3	26
		-----x-----		
- 36Y	R 58-364056-25	. . . COVER . . . . .	1	25
	R 58-364056-29	. . . COVER ASSY. . . . .	1	26
		/ATTACHING PARTS/		
- 36Z	R MS35206-221	. . . SCREW . . . . .	1	25
	R MS35338-135	. . . LOCKWASHER . . . . .	1	25
	R AN960-4L	. . . WASHER . . . . .	1	25
		-----x-----		
	R 58-364056-27	. . . COVER . . . . .	1	26
	R MS35206-324	. . . SCREW . . . . .	2	26
	R MS35338-135	. . . LOCKWASHER . . . . .	2	26
	R AN960-4L	. . . WASHER . . . . .	2	26
	R NAS43DD0-32	. . . SPACER . . . . .	2	26
	R AN960-4L	. . . WASHER . . . . .	2	26
	R AB72-012-1	. . . NUT . . . . .	2	26
- 37	58-364060-1	. . . PLACARD/FLAP INDICATOR ADJUSTMENT/. . . . .	1	21
- 37A	MS3367-1-9	. . . CABLE TIE . . . . .	1	21
- 37B	MS21042L3	. . . NUT/GROUND STUD/. . . . .	1	21
	MS35338-138	. . . LOCKWASHER/GROUND STUD/. . . . .	1	21
	AN960-10L	. . . WASHER/GROUND STUD/. . . . .	1	21
- 37C	102-384040-5	. . . HORN, ELECTRONIC WARNING . . . . .	1	21
		/ATTACHING PARTS/		
- 37D	MS35207-263	. . . SCREW . . . . .	4	
	AN960-10L	. . . WASHER . . . . .	4	
		-----x-----		
	206151-2	. . . PIN HOUSING . . . . .	1	21
	66103-2	. . . PIN . . . . .	AR	21
	206138-1	. . . STRAIN RELIEF . . . . .	1	21

BEECHCRAFT  
 BONANZA 33  
 ILLUSTRATED PARTS CATALOG

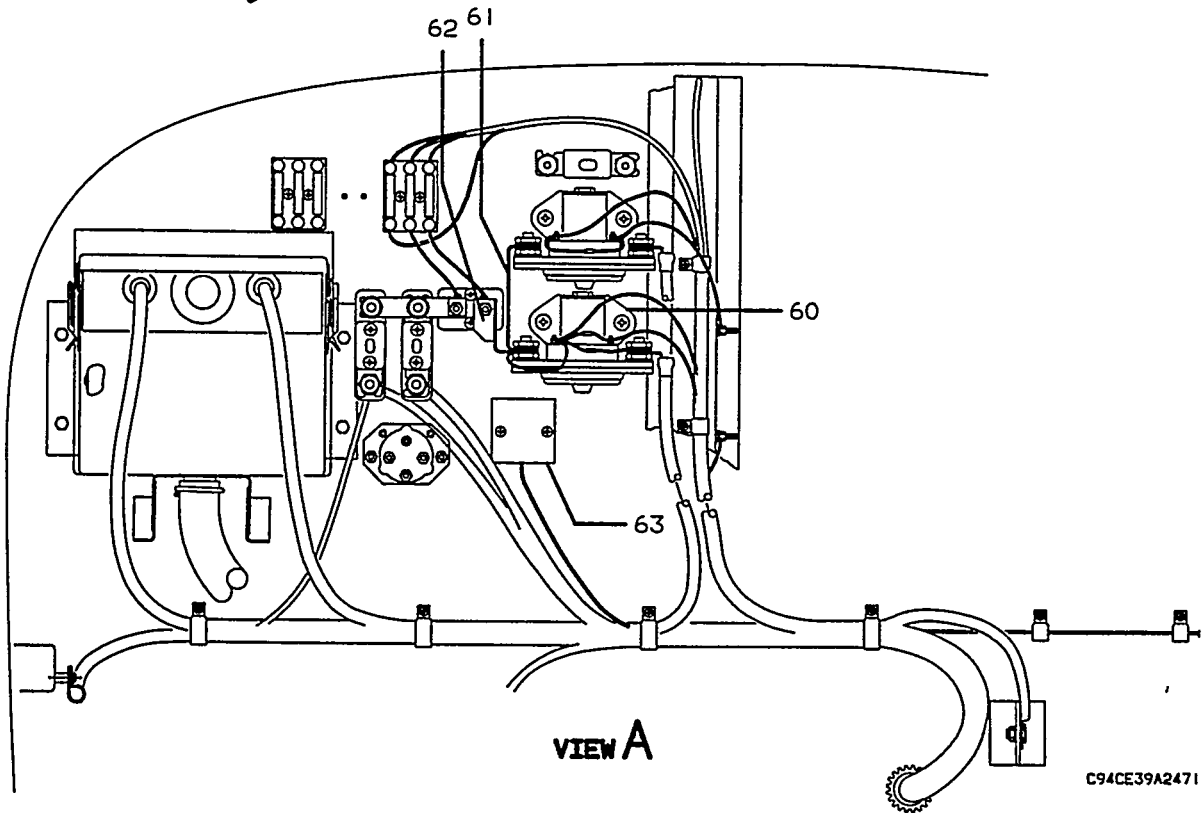
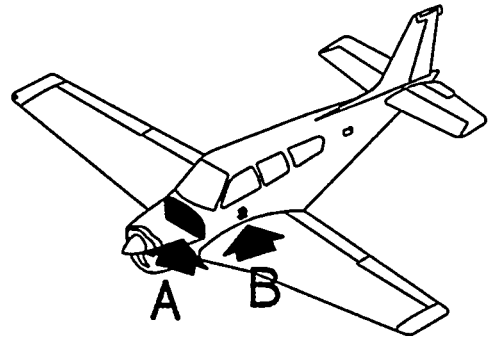
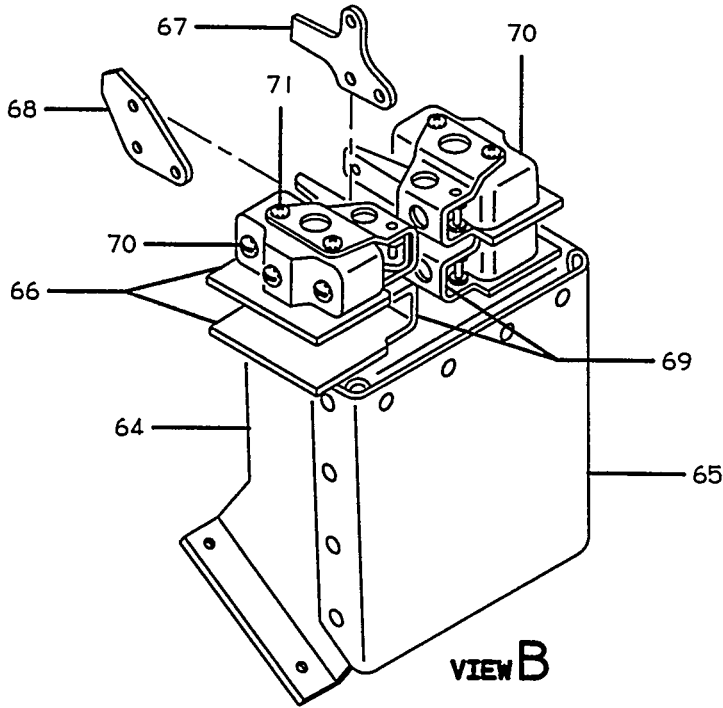


C94CE39A2470 C

B E E C H C R A F T  
B O N A N Z A 3 3  
I L L U S T R A T E D P A R T S C A T A L O G

FIG. & ITEM NO.	PART NO.	DESCRIPTION	UNITS							USABLE ON CODE
			1	2	3	4	5	6	7	
354B - 38	855291SI-R2	. LIGHT ASSY,STD. . . . .							1	1
	MS25237-327	. LAMP. . . . .							4	1
- 39	855291SI-G5	. LIGHT ASSY,STD. . . . .							3	1
- 40	MS25125E3	. SWITCH/LANDING GEAR/. . . . .							1	1
	R 118665-5	. LEVER . . . . .							1	1
	ANS65D8H2	. SCREW,SET . . . . .							1	1
	7271-8-30	. CIRCUIT BREAKER/LANDING GEAR/ . . . . .							1	11
	CB2330	. CIRCUIT BREAKER/LANDING GEAR/ . . . . .							1	10
- 41	435-205-104	. CIRCUIT BREAKER . . . . .							12	10
	7277-2-5	. CIRCUIT BREAKER . . . . .							18	11
- 42	SS51043	. BUTTON,PLUG . . . . .							2	1
- 43	435-215-104	. CIRCUIT BREAKER . . . . .							1	10
	7271-8-15	. CIRCUIT BREAKER . . . . .							1	11
- 44	435-210-104	. CIRCUIT BREAKER . . . . .							1	10
	7277-2-10	. CIRCUIT BREAKER . . . . .							1	11
- 45	S8-364041-9	. PRINTED CIRCUIT BOARD/FUEL QUANTITY/. . . . .							2	1
	36-369019-1	. BOX INSTL,BATTERY/SEE FIGURE 356B/. . . . .							1	1
- 46	PS12-11	. BATTERY,24 VOLT . . . . .							1	1
	36-364025-23	. BLOCK,BATTERY HOLD DOWN . . . . .							1	1
- 47	MS21919DG8	. CLAMP . . . . .							1	1
	100696D10-06-016	. SPACER. . . . .							1	1
		/ATTACHING PARTS/								
	MS35207-233	. SCREW . . . . .							1	
		-----X-----								
- 48	MS21919DG14	. CLAMP . . . . .							1	1
		/ATTACHING PARTS/								
	MS35207-245	. SCREW . . . . .							1	
		-----X-----								
- 49	MS21266-1N	. GROMMET . . . . .							1	1
- 50	36-364001-17	. TEE . . . . .							1	4
- 51	MS21919DG4	. CLAMP . . . . .							1	1
		/ATTACHING PARTS/								
	MS35207-245	. SCREW . . . . .							1	
		-----X-----								
- 52	MS21919G7	. CLAMP . . . . .							1	1
		/ATTACHING PARTS/								
	MS35207-263	. SCREW . . . . .							1	
		-----X-----								
	36-364001-7	FIREWALL INSTL,ELECTRICAL . . . . .							1	1
- 53	4532	. BLOCK,FUSE. . . . .							2	1
		/ATTACHING PARTS/								
	MS24693S28	. SCREW . . . . .							2	
		-----X-----								
	36-364028-5	. PLACARD . . . . .							1	1
- 54	AGC5	. FUSE. . . . .							6	1
- 55	FLLA	. LIMITER,CURRENT . . . . .							3	1
- 56	FSH	. BASE,LIMITER. . . . .							2	1
		/ATTACHING PARTS/								
	MS24693S274	. SCREW . . . . .							2	
	100951X040ZL	. WASHER. . . . .							4	
	130909N29	. NUT . . . . .							2	
		-----X-----								
	36-364028-9	. PLACARD . . . . .							1	1
	36-364028-7	. PLACARD . . . . .							1	1
	36-364028-1	. PLACARD . . . . .							1	1
- 57	002-361016-7	. BUS BAR . . . . .							1	1
- 58	MS91586-2	. SHUNT . . . . .							1	13
	MLA60-50	. SHUNT . . . . .							1	14
		/ATTACHING PARTS/								
	MS35207-264	. SCREW . . . . .							2	
		-----X-----								
- 59	6041H190	. RELAY,STARTER . . . . .							1	1
		/ATTACHING PARTS/								
	MS35207-279	. SCREW . . . . .							2	
		-----X-----								

BEECHCRAFT  
BONANZA 33  
ILLUSTRATED PARTS CATALOG



C94CE39A2471 C

B E E C H C R A F T  
B O N A N Z A 3 3  
I L L U S T R A T E D P A R T S C A T A L O G

FIG. & ITEM NO.	PART NO.	1 2 3 4 5 6 7	DESCRIPTION	UNITS PER ASSY	USABLE ON CODE
354B	60-369025-2	.	FUSEHOLDER. . . . .	1	15
	AGCS	.	FUSE. . . . .	1	15
	36-364028-37	.	PLACARD . . . . .	1	15
	1 SKE51CA	.	TRANSORB. . . . .	1	1
- 60	6041H189	.	RELAY,BATTERY MASTER. . . . .	1	1
			/ATTACHING PARTS/		
	MS35207-279	.	SCREW . . . . .	2	
			-----*-----		
	1 SKE51CA	.	TRANSORB. . . . .	1	1
	1N4005	.	DIODE . . . . .	2	1
- 61	36-364001-13	.	BUS BAR . . . . .	1	1
- 62	36-364001-19	.	BUS BAR . . . . .	1	1
- 63	36-380000-3	.	SENSOR,ALTERNATOR OUT . . . . .	1	1
			/ATTACHING PARTS/		
	ANS15-6-16	.	SCREW . . . . .	2	
	AN960DL6	.	WASHER. . . . .	2	
			-----*-----		
	36-364001-9		FUSELAGE ELECTRICAL EQUIP INSTL,LOWER . . . . .	NP	1
	002-364013-29	.	SWITCH ASSY,LANDING GEAR LIMIT. . . . .	1	22
	002-364013-35	.	SWITCH ASSY,LANDING GEAR LIMIT. . . . .	1	21
	002-364013-5	.	BRACKET ASSY. . . . .	1	1
- 64	002-364013-7	.	BRACKET . . . . .	1	1
- 65	002-364013-9	.	REINFORCEMENT . . . . .	1	1
- 66	002-361013-33	.	INSULATOR . . . . .	4	1
- 67	002-364013-11	.	TAB . . . . .	1	1
- 68	002-364013-13	.	PLATE . . . . .	1	1
- 69	002-364013-17	.	ACTUATOR. . . . .	4	1
- 70	MS25026-1	.	SWITCH,POSITION LIGHT,UP AND DOWN LIMIT . . . . .	3	1
			/ATTACHING PARTS/		
- 71	MS35206-237	.	SCREW . . . . .	4	
			-----*-----		

C O D E S O F E F F E C T I V I T Y

1	CE-748, CE-772 AND AFTER CJ-149 AND AFTER	2	CE-748, CE-772 AND AFTER
3	CJ-149 AND AFTER	4	CE-748, CE-772 THRU CE-815 CJ-149 ONLY
5	CE-816 AND AFTER CJ-150 AND AFTER	6	CE-748, CE-772 THRU CE-861 CJ-149 ONLY
7	CE-862 THRU CE-1300, CE-1302 THRU CE-1306 CJ-150 THRU CJ-179	8	CE-748, CE-772 THRU CE-897 CJ-149 THRU CJ-155
9	CE-898 THRU CE-993	10	CE-748 CE-772 THRU CE-918 CE-920 THRU CE-928 CJ-149 THRU CJ-155
11	CE-919 THRU CE-928 CJ-156 AND AFTER	12	CE-994 THRU CE-1142 CJ-156 THRU CJ-179
13	CE-748 CE-772 THRU CE-928 CJ-149 THRU CJ-155	14	CE-929 AND AFTER CJ-156 AND AFTER
15	CE-919,CE-923 CE-925,CE-927 CE-929 AND AFTER CJ-156 AND AFTER	16	CE-748 CE-772 THRU CE-815

SEE NEXT PAGE

B E E C H C R A F T  
 BONANZA 33  
 I L L U S T R A T E D P A R T S C A T A L O G

FIG. & ITEM NO.	PART NO.	1 2 3 4 5 6 7	DESCRIPTION	UNITS PER ASSY	USABLE ON CODE
354B			CONTINUED . . . . .		

CODES OF EFFECTIVITY

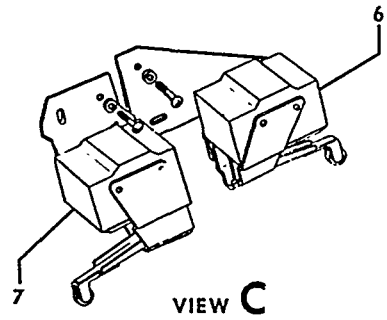
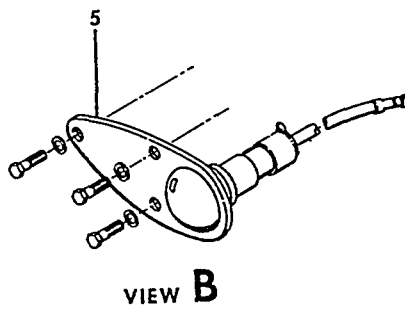
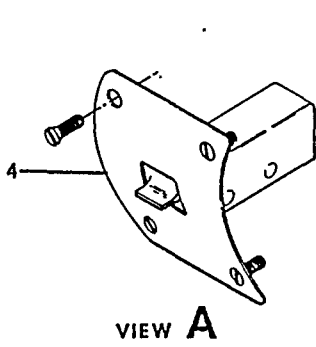
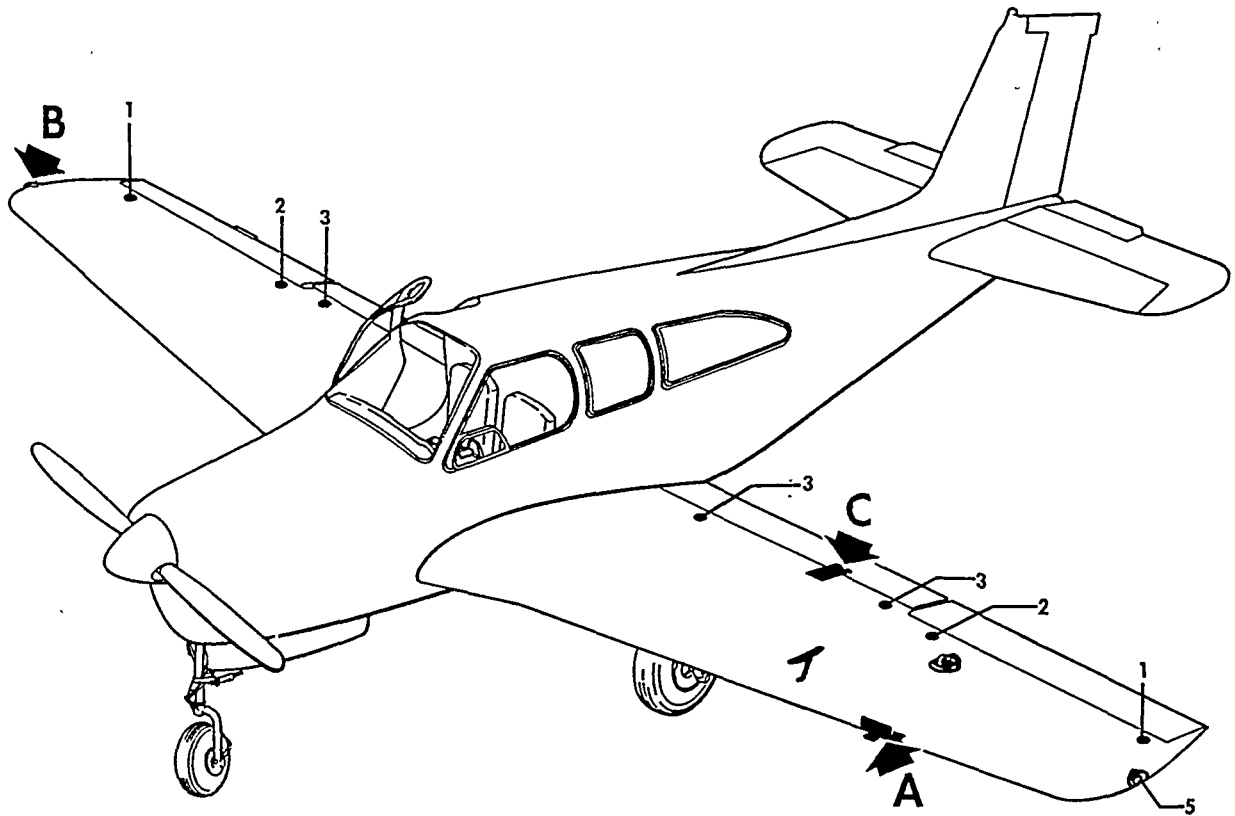
- |  |  |
|--|--|
| <p>17 CE-816 THRU CE-918,<br/>         CE-290 THRU CE-922,<br/>         CE-924,CE-926<br/>         AND CE-928<br/>         CJ-149 THRU CJ-155</p> <p>19 CE-919,CE-923,<br/>         CE-925,CE-927<br/>         CE-929 THRU CE-1055</p> <p>21 CE-1301,<br/>         CE-1307 AND AFTER<br/>         CJ-180 AND AFTER</p> <p>23 CE-919,CE-923,<br/>         CE-925,CE-927,<br/>         CE-929 THRU CE-1300,<br/>         CE-1302 THRU CE-1306<br/>         CJ-156 THRU CJ-179</p> <p>25 CE-1301,<br/>         CE-1307 THRU CE-1718</p> | <p>18 CE-748,<br/>         CE-772 THRU CE-918,<br/>         CE-920 THRU CE-922,<br/>         CE-924,CE-926<br/>         AND CE-928<br/>         CJ-149 THRU CJ-155</p> <p>20 CE-1056 THRU CE-1300<br/>         CE-1302 THRU CE-1306<br/>         CJ-156 THRU CJ-179</p> <p>22 CE-748,<br/>         CE-772 THRU CE-1300,<br/>         CE-1302 THRU CE-1306<br/>         CJ149 THRU CJ-179</p> <p>24 CE-1142 AND AFTER<br/>         CJ-180 AND AFTER</p> <p>26 CE-1719 AND AFTER<br/>         CJ-180 AND AFTER</p> |
|--|--|

BEECHCRAFT  
BONANZA 33  
ILLUSTRATED PARTS CATALOG

FIGURE 355  
WING SECTION ELECTRICAL



BEECHCRAFT  
BONANZA 33  
ILLUSTRATED PARTS CATALOG

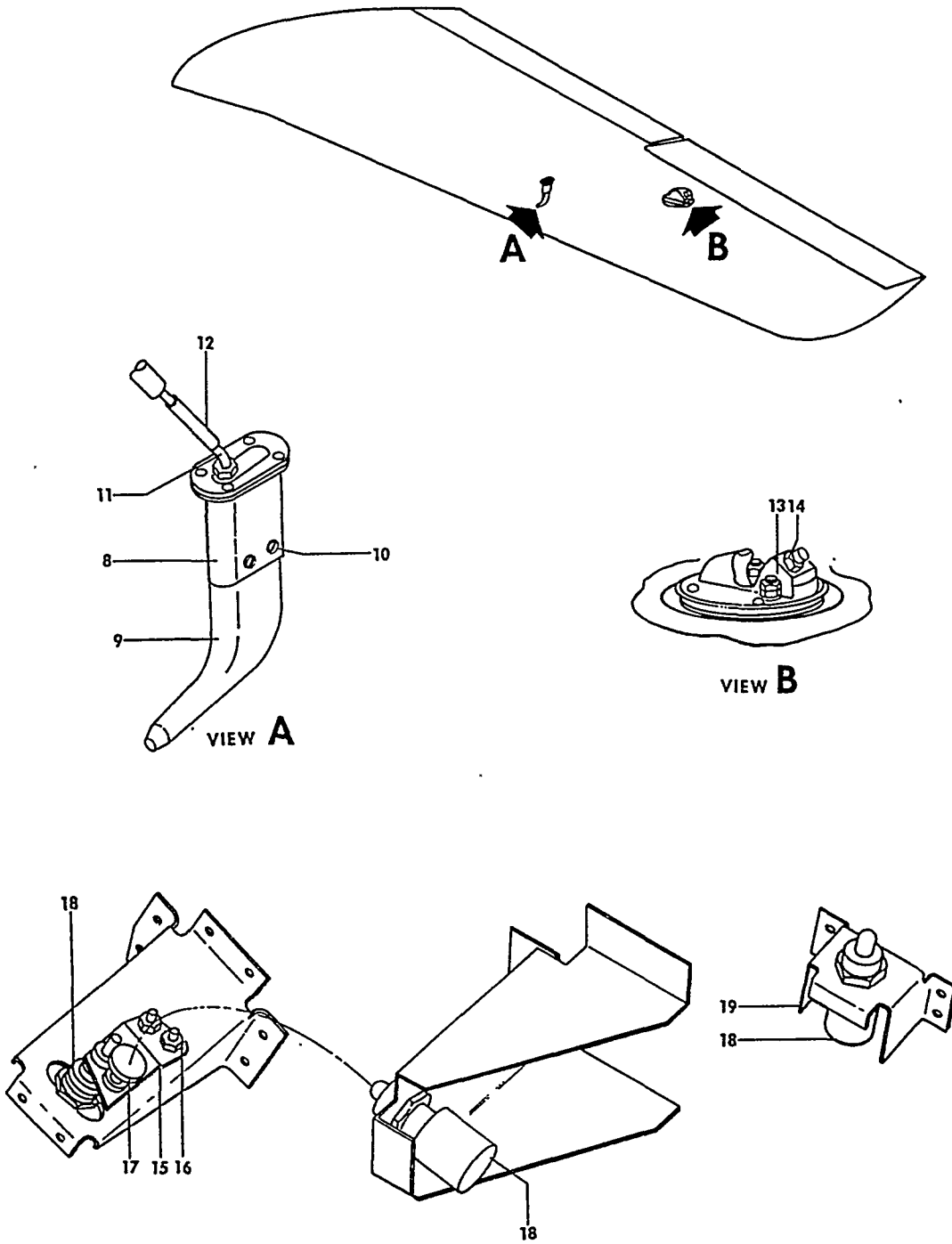


33-355-1

B E E C H C R A F T  
B O N A N Z A 3 3  
I L L U S T R A T E D P A R T S C A T A L O G

FIG. & ITEM NO.	PART NO.	DESCRIPTION	UNITS PER ASSY	USABLE ON CODE
355	35-361102	ELECTRICAL INSTL,WING LH. . . . .	NP	10
	35-361102-1	ELECTRICAL INSTL,WING RH. . . . .	NP	10
- 1	AQ6Q	. JUMPER,BONDING. . . . . /ATTACHING PARTS/	2	10
	AN526-632-7	. SCREW,UPPER . . . . .	1	
	AN960-6	. WASHER. . . . .	2	
	AN365-632	. NUT . . . . .	2	
		-----*-----		
- 2	AQ8Q	. JUMPER,BONDING. . . . . /ATTACHING PARTS/	2	10
	AN526-632-7	. SCREW . . . . .	2	
	AN960-6	. WASHER. . . . .	2	
	AN365-632	. NUT . . . . .	2	
		-----*-----		
- 3	CP6P	. JUMPER,BONDING. . . . . /ATTACHING PARTS/	4	10
	AN526-632-7	. SCREW . . . . .	2	
	AN960-6	. WASHER. . . . .	4	
	AN365-632	. NUT . . . . .	2	
		-----*-----		
	002-361000-1	ELECTRICAL INSTL,WING/LH/ . . . . .	NP	11
	002-361000-2	ELECTRICAL INSTL,WING/RH/ . . . . .	NP	11
	36-361000-1	ELECTRICAL INSTL,WING/LH/ . . . . .	NP	14
	36-361000-3	ELECTRICAL INSTL,WING/LH/ . . . . .	NP	12
R	96-361011	. SWITCH INSTL,FLAP LIMIT . . . . . /SEE FIGURE 355A FOR BREAKDOWN/	NP	16
R	96-361011-25	. SWITCH INSTL,FLAP LIMIT . . . . . /SEE FIGURE 355A FOR BREAKDOWN/	NP	17
R	35-361025-1	WARNING INSTL,STALL . . . . .	NP	5
R	58-361013-1	WARNING INSTL,STALL . . . . .	NP	6
- 4	151	. DETECTOR UNIT,STALL WARNING . . . . .	1	5
	151-10	. DETECTOR UNIT,STALL WARNING . . . . . /ATTACHING PARTS/	1	6
	MS24693S29	. SCREW . . . . .	2	
	MS24693S31	. SCREW . . . . .	2	
	AN960PD6	. WASHER. . . . .	10	
	MS21044N06	. NUT . . . . .	2	
	MS21047-06	. NUTPLATE. . . . .	2	
		-----*-----		
- 5	35-361702-2	LAMP ASSY,WING TIP LH/SEE FIG. 39/. . . . .	1	1
	000-170001-1	TIP ASSY,WING LH/SEE FIG. 39A/. . . . .	1	2
	35-361702-4	LAMP ASSY,WING TIP RH/SEE FIG. 39/. . . . .	1	1
	000-170001-2	TIP ASSY,WING RH/SEE FIG. 39A/. . . . . /ATTACHING PARTS/	1	2
	AN526-632-8	SCREW . . . . .	3	
		-----*-----		
- 6	45-361115	SWITCH INSTL,FLAP LIMIT . . . . .	NP	13
	45-361117	. SWITCH,FLAP UP LIMIT. . . . .	1	13
- 7	45-361116	. SWITCH,FLAP DOWN LIMIT. . . . .	1	13
	58-380009-1	SENSOR,FLAP POSITION. . . . .	1	

BEECHCRAFT  
BONANZA 33  
ILLUSTRATED PARTS CATALOG

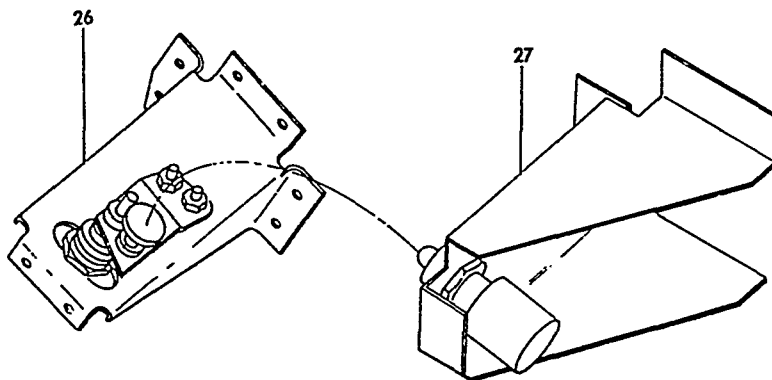
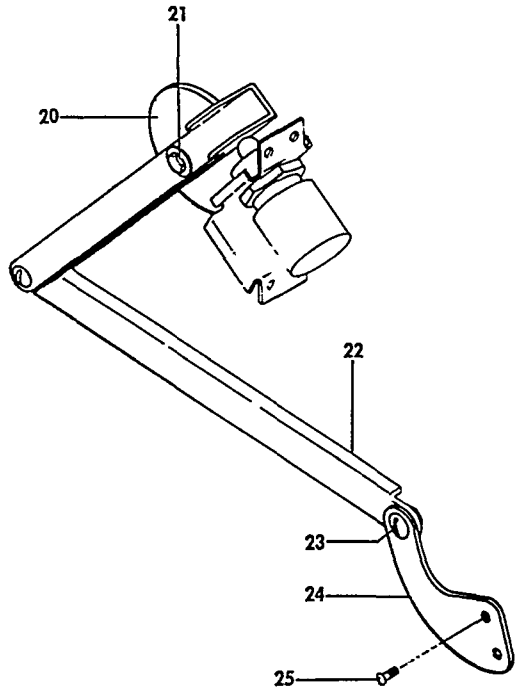


33-365-9

B E E C H C R A F T  
B O N A N Z A 3 3  
I L L U S T R A T E D P A R T S C A T A L O G

FIG. & ITEM NO.	PART NO.	DESCRIPTION	UNITS PER ASSY	USABLE ON CODE
		1 2 3 4 5 6 7		
355	35-361131	SWITCH INSTL, LANDING GEAR SAFETY. . . . .	NP	8
		/SEE FIG.202/		
	35-361159	PITOT INSTL, HEATED. . . . .	NP	
- 8	35-361108-8	. MAST ASSY, PITOT . . . . .	1	
- 9	50-384040-1	. TUBE ASSY, PITOT . . . . .	1	8
	50-384040	. TUBE ASSY, PITOT . . . . .	1	9
		/ATTACHING PARTS/		
- 10	AN520-640R4	. SCREW . . . . .	4	
		*-----*		
- 11	35-361109	. TUBE ASSY . . . . .	1	
- 12	50-320010-6	. HOSE, FLEX . . . . .	1	
	35-921500-1	CELL INSTL, WING FUEL LH . . . . .	NP	4
	35-921500-3	CELL INSTL, WING FUEL LH . . . . .	NP	3
	35-921500-2	CELL INSTL, WING FUEL RH . . . . .	NP	4
	35-921500-4	CELL INSTL, WING FUEL RH . . . . .	NP	3
- 13	35-380136-3	. SENSOR, FUEL QUANTITY/LH/25 GAL. CAPACITY CELL/. . . . .	1	8
	35-380136-5	. SENSOR, FUEL QUANTITY/RH/25 GAL. CAPACITY CELL/. . . . .	1	8
	96-380041-1	. TRANSMITTER, INBD FUEL/LH&RH/40 GAL. CAP. CELL/. . . . .	2	8
	96-380042-1	. TRANSMITTER, OUTBD FUEL/LH/40 GAL. CAP. CELL/. . . . .	1	8
	96-380042-3	. TRANSMITTER, OUTBD FUEL/RH/40 GAL. CAP. CELL/. . . . .	1	8
		/ATTACHING PARTS/		
	AN502-10-8	. SCREW . . . . .	2	
	AN502-10-6	. SCREW . . . . .	2	
		*-----*		
- 14	AN345B10	. NUT . . . . .	1	8
	AN936A10	. WASHER. . . . .	1	8
	35-360012	SWITCH INSTL, LANDING GEAR POSITION LIGHT. . . . .	NP	8
- 15	000-361012-1	. ACTUATING TAB, LH. . . . .	1	8
	000-361012-2	. ACTUATING TAB, RH. . . . .	1	8
		/ATTACHING PARTS/		
- 16	AN3-5A/M/	. BOLT. . . . .	2	
	AN960-10	. WASHER. . . . .	2	
	130909N49	. NUT . . . . .	2	
		*-----*		
- 17	45-361093-3	. BOLT ASSY . . . . .	4	8
	MS35650-302	. NUT . . . . .	4	8
	AN935-10L	. LOCK WASHER . . . . .	4	8
	130909N49	. NUT . . . . .	4	8
- 18	1CH25	. SWITCH, LANDING GEAR POSITION LIMIT. . . . .	6	8
- 19	35-360017	. BRACKET, LH. . . . .	1	7
	35-360021	. BRACKET, RH. . . . .	1	7

BEECHCRAFT  
BONANZA 33  
ILLUSTRATED PARTS CATALOG



33-355-10

B E E C H C R A F T  
B O N A N Z A 3 3  
I L L U S T R A T E D P A R T S C A T A L O G

FIG. & ITEM NO.	PART NO.	DESCRIPTION							UNITS PER ASSY	USABLE ON CODE
		1	2	3	4	5	6	7		
355 - 20	35-360018	.	.	.	.	.	.	.	1	7
		/ATTACHING PARTS/								
- 21	AN3-10A/M/	.	.	.	.	.	.	.	1	
	AN960-10L	.	.	.	.	.	.	.	1	
	AN960-516L	.	.	.	.	.	.	.	1	
	MS20365-1032	.	.	.	.	.	.	.	1	
		-----*								
- 22	35-360014	.	.	.	.	.	.	.	1	8
		/ATTACHING PARTS/								
- 23	AN520-10R8	.	.	.	.	.	.	.	1	
	AN960-10L	.	.	.	.	.	.	.	1	
	AN960-516L	.	.	.	.	.	.	.	1	
	102933S4ZH0093	.	.	.	.	.	.	.	1	
	MS20364-1032	.	.	.	.	.	.	.	1	
		-----*								
	35-360014-1	.	.	.	.	.	.	.	1	8
	35-360014-3	.	.	.	.	.	.	.	1	8
	102933S1ZC0060	.	.	.	.	.	.	.	1	8
- 24	35-360022	.	.	.	.	.	.	.	1	8
		/ATTACHING PARTS/								
- 25	ANS15-8R8	.	.	.	.	.	.	.	1	
	AN960-8	.	.	.	.	.	.	.	1	
	MS20364-832	.	.	.	.	.	.	.	1	
		-----*								
- 26	000-361011-1	.	.	.	.	.	.	.	1	8
	000-361011-2	.	.	.	.	.	.	.	1	8
- 27	000-361010-1	.	.	.	.	.	.	.	1	8

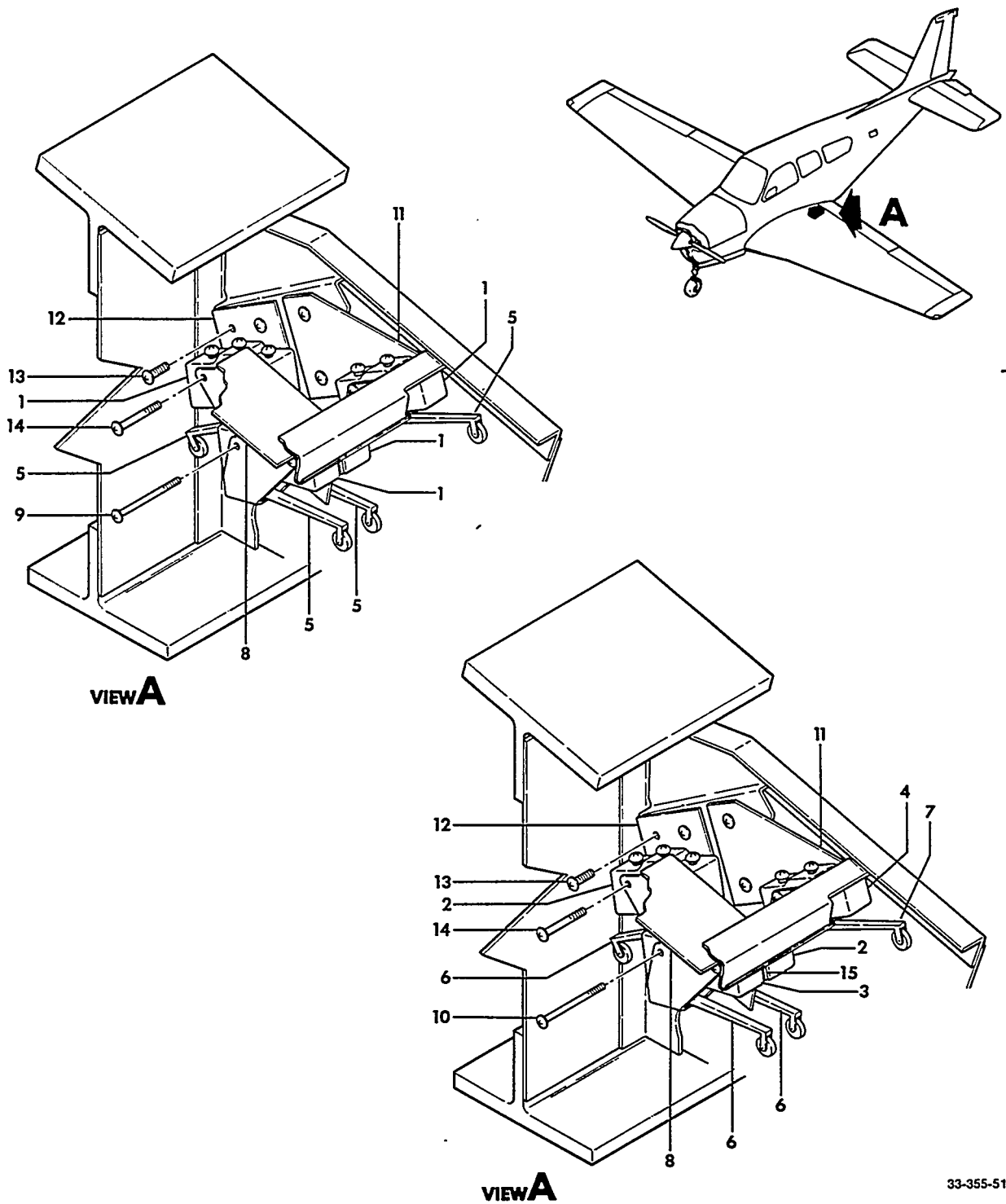
C O D E S O F E F F E C T I V I T Y

1	CD-1235 THRU CD-1304	2	CE-409 THRU CE-771 EXCEPT CE-748
	CJ-26 THRU CJ-30		CJ-31 THRU CJ-148
3	CD-1235 THRU CD-1304	4	CJ-26 THRU CJ-148
	CE-290 THRU CE-771 EXCEPT CE-748		
5	CD-1235 THRU CD-1304	6	CE-477 THRU CE-771 EXCEPT CE-748
	CE-290 THRU CE-476		CJ-45 THRU CJ-148
	CJ-26 THRU CJ-44		
7	CD-1235 THRU CD-1304	8	CD-1235 THRU CD-1304
	CE-290 THRU CE-435 EXCEPT CE-418		CE-290 THRU CE-771 EXCEPT CE-748
	CJ-26 THRU CJ-39		CJ-26 THRU CJ-148
9	CE-748,	10	CD-1235 THRU CD-1304 CE-290 THRU CE-612
	CE-772 AND AFTER		CJ-26 THRU CJ-104
	CJ-149 AND AFTER		
11	CE-613 THRU CE-771 EXCEPT CE-748	12	CE-816 AND AFTER CJ-150 AND AFTER
	CJ-105 THRU CJ-148		
13	CE-290 THRU CE-815 CJ-26 THRU CJ-149	14	CE-748 CE-772 THRU CE-815 CJ-149 ONLY
15	CE-748, CE-772 AND AFTER CJ-149 AND AFTER	16	CE-816 THRU CE-1300, CE-1302 THRU CE-1306 CJ-150 THRU CJ-179
17	CE-1301, CE-1307 AND AFTER CJ-180 AND AFTER		

B E E C H C R A F T  
B O N A N Z A 3 3  
I L L U S T R A T E D P A R T S C A T A L O G

FIGURE 355A  
FLAP LIMIT SWITCHES  
CE-816 AND AFTER  
CJ-150 AND AFTER

BEECHCRAFT  
 BONANZA 33  
 ILLUSTRATED PARTS CATALOG



33-355-51

FIGURE 355A. FLAP LIMIT SWITCHES



B E E C H C R A F T  
B O N A N Z A 3 3  
I L L U S T R A T E D P A R T S C A T A L O G

FIG. & ITEM NO.	PART NO.	DESCRIPTION							UNITS PER ASSY	USABLE ON CODE
		1	2	3	4	5	6	7		
355A	R 96-361011	SWITCH INSTALLATION, FLAP LIMIT. . . . .							NP	1
	R 96-361011-25	SWITCH INSTALLATION, FLAP LIMIT. . . . .							NP	2
- 1	R MS25026-1	. SWITCH. . . . .							4	1
- 2	R MS25026-1	. SWITCH. . . . .							2	2
- 3	R BZ3AT	. SWITCH. . . . .							1	2
- 4	R MS25008-1	. SWITCH. . . . .							1	2
- 5	R AN3169-1	. ACTUATOR. . . . .							4	1
- 6	R AN3169-1	. ACTUATOR. . . . .							3	2
- 7	R ADD3721R	. ACTUATOR. . . . .							1	2
	R 96-361011-9	. DOUBLER . . . . .							1	3
- 8	R 96-361011-7	. BRACKET . . . . .							1	3
- 9	R MS35206-237	. SCREW . . . . .							2	1
- 10	R MS35206-238	. SCREW . . . . .							2	2
	R AN960-6	. WASHER. . . . .							AR	3
	R MS21042L06	. NUT . . . . .							2	3
- 11	R 96-361011-13	. BRACKET . . . . .							1	3
- 12	R 96-361011-11	. BRACKET . . . . .							1	3
		/ATTACHING PARTS/								
- 13	R MS35206-243	. SCREW . . . . .							2	
	R AN960-8	. WASHER. . . . .							2	
		-----x-----								
- 14	R MS35206-328	. SCREW . . . . .							4	3
	R AN960-6	. WASHER. . . . .							4	3
	R MS21042L06	. NUT . . . . .							4	3
- 15	R 002-361013-33	. INSULATOR . . . . .							1	2

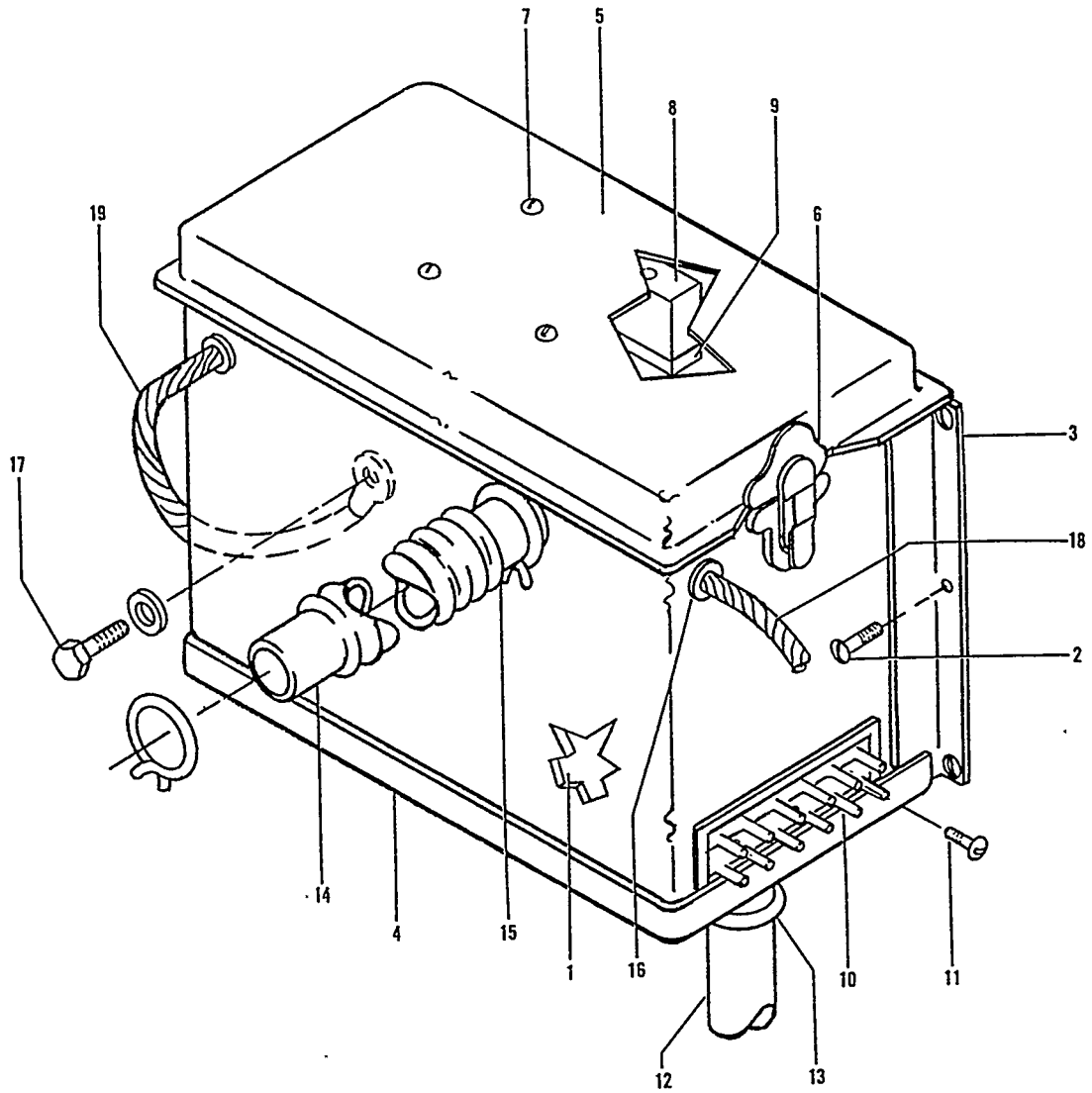
C O D E S O F E F F E C T I V I T Y

1	CE-816 THRU CE-1300	2	CE-1301,
	CE-1302 THRU CE-1306		CE-1307 AND AFTER
	CJ-150 THRU CJ-179		CJ-180 AND AFTER
3	CE-816 AND AFTER		
	CJ-150 AND AFTER		

BEECHCRAFT  
BONANZA 33  
ILLUSTRATED PARTS CATALOG

FIGURE 356  
BATTERY INSTALLATION/14 VOLT/  
CD-1235 THRU CD-1304  
CE-290 THRU CE-580,CJ-26 THRU CJ-85

BEECHCRAFT  
BONANZA 33  
ILLUSTRATED PARTS CATALOG



33-356-1

FIGURE 356. BATTERY INSTALLATION/14 VOLT/

B E E C H C R A F T  
B O N A N Z A 3 3  
I L L U S T R A T E D P A R T S C A T A L O G

FIG. & ITEM NO.	PART NO.	DESCRIPTION							UNITS PER ASSY	USABLE ON CODE
		1	2	3	4	5	6	7		
356 - 1	36-380025-1	BATTERY,BEECHCRAFT 12 VOLT.	.	.	.	.	.	.	1	1
	35-410462-1	BOX ASSY,BATTERY.	.	.	.	.	.	.	1	1
	35-410462-601	. BOX ASSY,BATTERY.	.	.	.	.	.	.	1	1
	35-410462-3	. . BOX . . . . .	.	.	.	.	.	.	1	1
		/ATTACHING PARTS/								
- 2	AN515-8R	. . SCREW . . . . .	.	.	.	.	.	.	6	1
		-----*								
- 3	35-410462-7	. . . ANGLE,LH. . . . .	.	.	.	.	.	.	1	1
	35-410462-8	. . . ANGLE,RH. . . . .	.	.	.	.	.	.	1	1
	35-410462-603	. . WRAPPER ASSY. . . . .	.	.	.	.	.	.	1	1
- 4	35-410462-13	. . . PAN ASSY,BOTTOM . . . . .	.	.	.	.	.	.	1	1
	35-410462-5	. . COVER ASSY, TOP . . . . .	.	.	.	.	.	.	1	1
- 5	35-410462-17	. . . COVER . . . . .	.	.	.	.	.	.	1	1
- 6	1771-1/2	. . . LATCH . . . . .	.	.	.	.	.	.	2	1
	35-410462-23	. . . BLOCK ASSY. . . . .	.	.	.	.	.	.	2	1
		/ATTACHING PARTS/								
- 7	AN545-8R7	. . . SCREW . . . . .	.	.	.	.	.	.	2	
		-----*								
- 8	35-410462-19	. . . . BLOCK . . . . .	.	.	.	.	.	.	1	1
- 9	35-410462-21	. . . . STRIP . . . . .	.	.	.	.	.	.	1	1
- 10	MS25123-3-2	. . TERMINAL BOARD,BATTERY BOX. . . . .	.	.	.	.	.	.	1	1
		/ATTACHING PARTS/								
- 11	AN515B6R6	. . SCREW . . . . .	.	.	.	.	.	.	3	
	AN363B632	. . NUT . . . . .	.	.	.	.	.	.	3	
		-----*								
	MS25226-6-2	. . BUS BAR . . . . .	.	.	.	.	.	.	2	1
	AN743-13	. . CLIP . . . . .	.	.	.	.	.	.	1	1
	TA15M3-2	. . COVER . . . . .	.	.	.	.	.	.	1	1
- 12	35-410462-25	. TUBE,BATTERY BOX DRAIN. . . . .	.	.	.	.	.	.	1	1
		/ATTACHING PARTS/								
- 13	CS20A	. CLAMP,TUBE . . . . .	.	.	.	.	.	.	1	
		-----*								
- 14	111716AX2X214	. DUCT,BATTERY BOX VENT . . . . .	.	.	.	.	.	.	1	1
		/ATTACHING PARTS/								
- 15	CS17A	. CLAMP,DUCT . . . . .	.	.	.	.	.	.	2	
		-----*								
	95-910020	. PLACARD,BATTERY BOX . . . . .	.	.	.	.	.	.	1	1
- 16	294929A	. GROMMET . . . . .	.	.	.	.	.	.	2	1
	105982-5A11-010	BOLT,BATTERY GROUND CABLE . . . . .	.	.	.	.	.	.	1	1
- 17	100951DD080YK	WASHER. . . . .	.	.	.	.	.	.	2	1
	MS20365-524	NUT . . . . .	.	.	.	.	.	.	1	1
	33-360011-640	MISC WIRE ASSY. . . . .	.	.	.	.	.	.	1	1
- 18	P1A2	. CABLE,BATTERY/POSITIVE/11 INCHES/ . . . . .	.	.	.	.	.	.	1	1
	33-360011-628	STARTER RELAY HARNESS ASSY. . . . .	.	.	.	.	.	.	1	1
- 19	P2A2N	CABLE,BATTERY /GROUND/. . . . .	.	.	.	.	.	.	1	1
	35-360000-651	BATTERY CABLE ASSY/POSITIVE & NEGATIVE/ . . . . .	.	.	.	.	.	.	1	1
	35-369002-17	TUBE,BATTERY DRAIN. . . . .	.	.	.	.	.	.	1	1

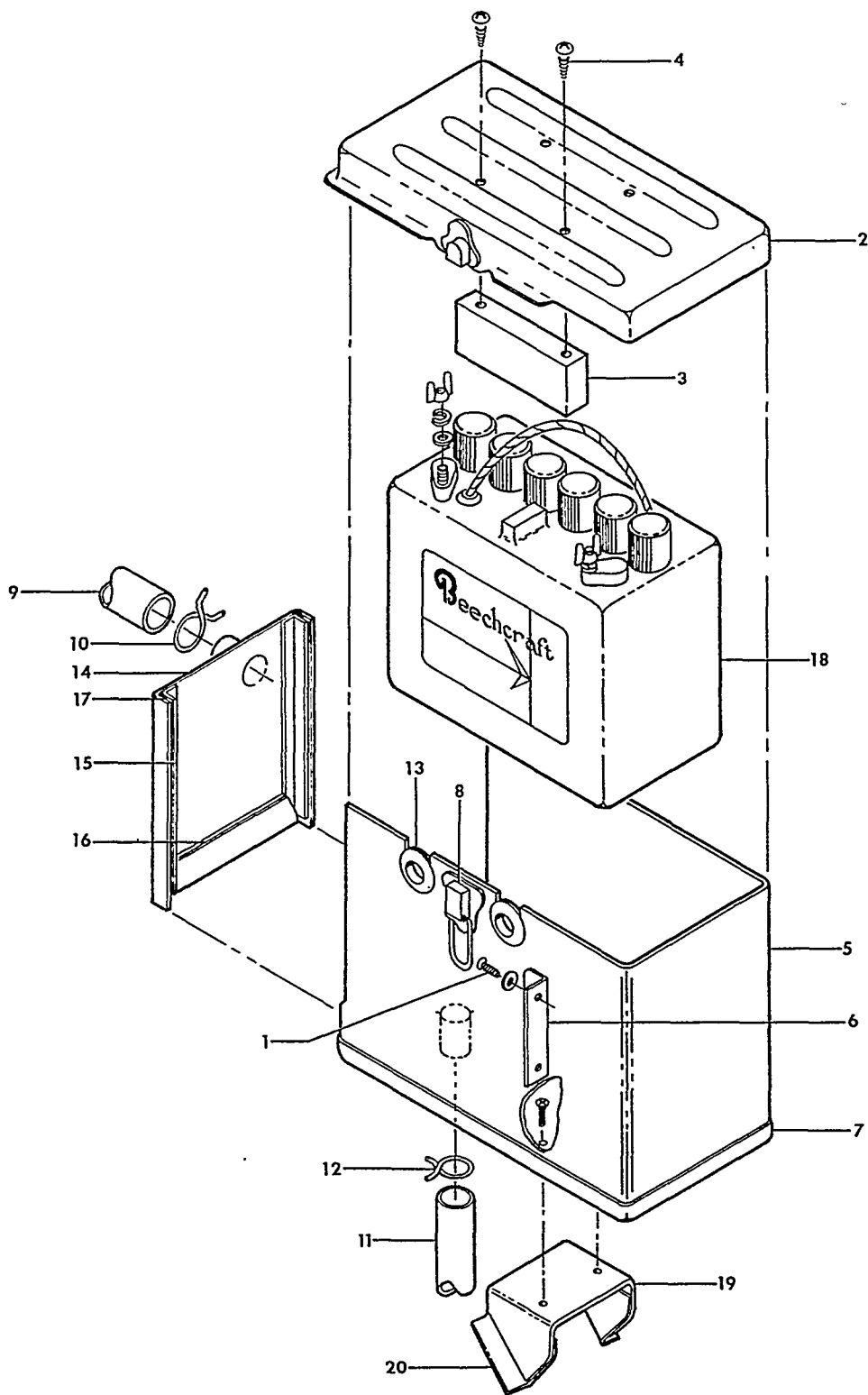
C O D E S O F E F F E C T I V I T Y

- 1 CD-1235 THRU CD-1304
- CE-290 THRU CE-580
- CJ-26 THRU CJ-85

B E E C H C R A F T  
B O N A N Z A 3 3  
I L L U S T R A T E D P A R T S C A T A L O G

FIGURE 356A  
BATTERY INSTALLATION/14 VOLT/  
CE-581 THRU CE-771 EXCEPT CE-748  
CJ-86 THRU CJ-148

BEECHCRAFT  
BONANZA 33  
ILLUSTRATED PARTS CATALOG



33-356A-4

B E E C H C R A F T  
B O N A N Z A 3 3  
I L L U S T R A T E D P A R T S C A T A L O G

FIG. & ITEM NO.	PART NO.	1 2 3 4 5 6 7	DESCRIPTION	UNITS PER ASSY	USABLE ON CODE
356A	36-369015-1		BOX INSTALLATION,BATTERY.	NP	1
	36-369015-11		• BOX ASSY,BATTERY.	1	1
			/ATTACHING PARTS/		
- 1	MS35206-244		• SCREW	4	
	AN960-8L		• WASHER	4	
	MS21047L08K		• NUTPLATE	4	
			*-----*		
	36-369015-13		• COVER ASSY,BATTERY.	1	1
- 2	36-369015-15		• COVER	1	1
- 3	35-410462-23		• BLOCK ASSY.	2	1
			/ATTACHING PARTS/		
- 4	AN545-8R7		• SCREW	4	
			*-----*		
- 5	36-369015-25		• WRAPPER	1	1
- 6	36-369015-27		• ANGLE,LH.	1	1
	36-369015-28		• ANGLE,RH.	1	1
- 7	36-369015-41		• PAN ASSY.	1	1
- 8	1771-1/2		• LATCH	2	1
	ECT50		• SEALER	AR	1
- 9	BE709-4-23-6		• DUCT,BATTERY BOX VENT	1	1
			/ATTACHING PARTS/		
- 10	CS17A		• CLAMP	1	
			*-----*		
- 11	35-410462-25		• TUBE,BATTERY BOX DRAIN.	1	1
			/ATTACHING PARTS/		
- 12	CS20A		• CLAMP	1	
			*-----*		
	294929A		• GROMMET/BATTERY CASE/	2	1
- 13	MS35489-78		• GROMMET/BATTERY CASE/	2	1
	D65238-1		• CABLE,BATTERY/BATTERY CASE/	2	1
	36-369015-33		• PANEL ASSY,BATTERY BOX.	1	1
- 14	36-369015-35		• PANEL	1	1
- 15	36-369015-17		• ANGLE,LH.	1	1
	36-369015-18		• ANGLE,RH.	1	1
- 16	36-369015-37		• BRACE,LH.	1	1
	36-369015-39		• BRACE,RH.	1	1
- 17	36-369015-21		• SEAL	2	1
	36-369015-23		• SEAL	1	1
	35-410462-15		• TUBE/WELDED/	1	1
- 18	36-380025-1		BATTERY,BEECHCRAFT/LEAD-ACID/12 VOLT.	1	1
	002-430008-215		SUPPORT ASSY,BATTERY.	1	1
- 19	002-430008-217		• SUPPORT	1	1
- 20	002-430008-219		• ANGLE,LH.	1	1
	002-430008-220		• ANGLE,RH.	1	1

C O D E S O F E F F E C T I V I T Y

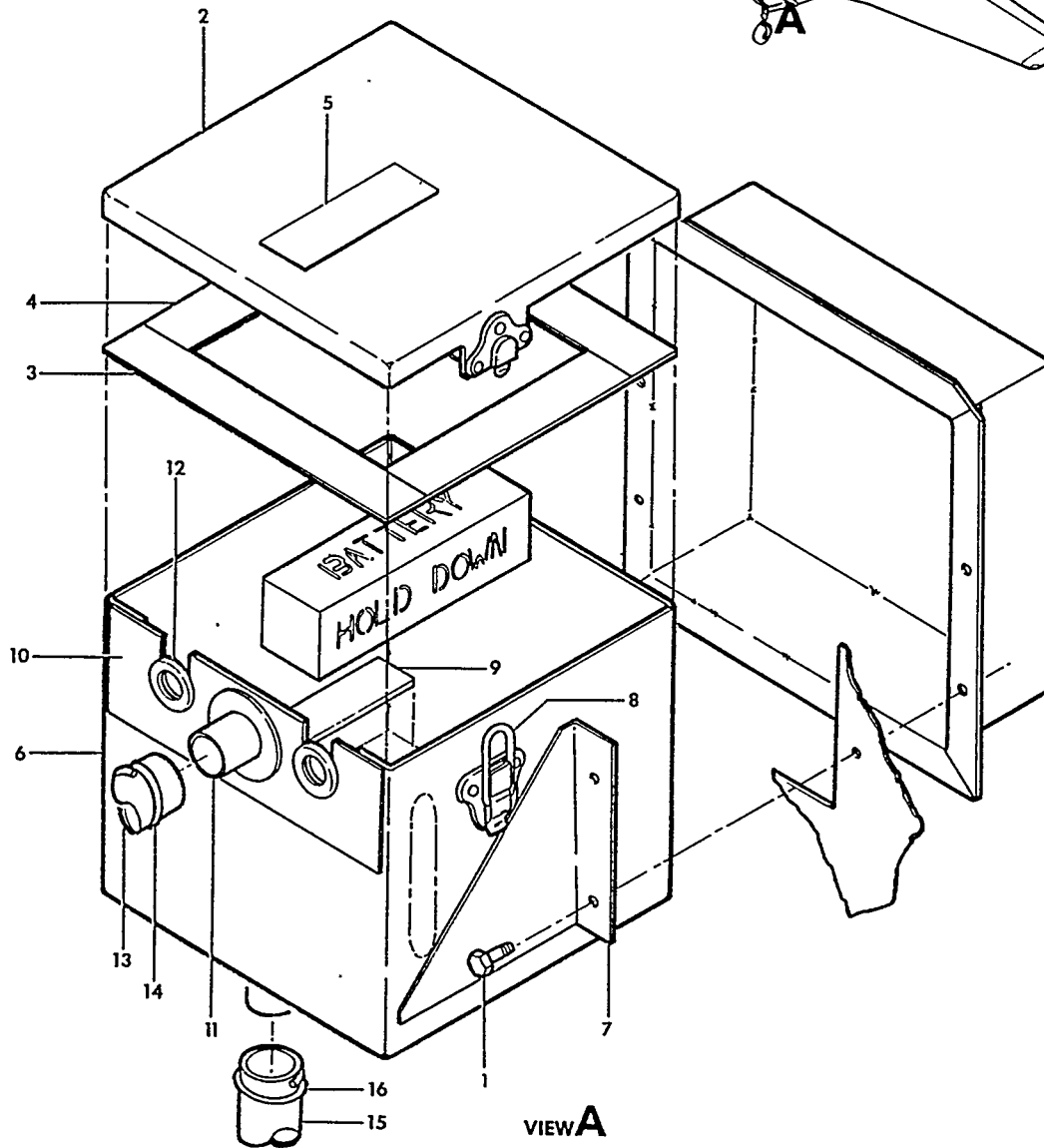
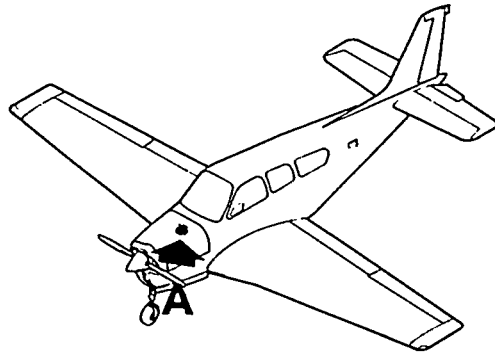
1 CE-581 THRU CE-771,  
EXCEPT CE-748  
CJ-85 THRU CJ-148

BEECHCRAFT  
BONANZA 33  
ILLUSTRATED PARTS CATALOG

FIGURE 356B  
BATTERY INSTALLATION/24 VOLT/  
CE-748,CE-772 AND AFTER  
CJ-149 AND AFTER



BEECHCRAFT  
BONANZA 33  
ILLUSTRATED PARTS CATALOG



35-3568-8

FIGURE 3568. BATTERY INSTALLATION/24 VOLT/

B E E C H C R A F T  
B O N A N Z A 3 3  
I L L U S T R A T E D P A R T S C A T A L O G

FIG. & ITEM NO.	PART NO.	DESCRIPTION							UNITS PER ASSY	USABLE ON CODE
		1	2	3	4	5	6	7		
356B	36-369019-1	BOX INSTALLATION, BATTERY/24 VOLT/ . . . . .							NP	1
	36-364025-1	. BOX ASSY, BATTERY. . . . .							1	1
		/ATTACHING PARTS/								
- 1	AN3C3A	. BOLT. . . . .							4	
		*-----*								
	36-364025-5	. . LID ASSY. . . . .							1	1
- 2	36-364025-7	. . . LID . . . . .							1	1
	36-364025-53	. . . LID . . . . .							1	1
- 3	36-364025-13	. . . GASKET. . . . .							2	1
- 4	36-364025-15	. . . GASKET. . . . .							2	1
- 5	36-364026-1	. . DECAL . . . . .							1	1
- 6	36-364025-3	. . BOX . . . . .							1	1
- 7	36-364025-9	. . SUPPORT . . . . .							1	1
	36-364025-10	. . SUPPORT . . . . .							1	1
- 8	1771-1/2	. . LATCH . . . . .							2	1
- 9	36-364025-11	. . SPACER. . . . .							2	1
- 10	36-364025-17	. . INSULATOR . . . . .							1	1
- 11	36-364025-21	. . TUBE ASSY . . . . .							1	1
- 12	MS35489-118	. . GROMMET . . . . .							2	1
- 13	BE709-4-30-6	. DUCT, VENT . . . . .							1	1
		/ATTACHING PARTS/								
- 14	CS17A	. CLAMP . . . . .							1	
		*-----*								
- 15	35-410462-25	. TUBE, DRAIN. . . . .							1	1
		/ATTACHING PARTS/								
- 16	CS20A	. CLAMP . . . . .							1	
		*-----*								
	36-380059-1	BATTERY, 24 VOLT . . . . .							1	1
	36-364025-23	BLOCK, BATTERY HOLD DOWN . . . . .							1	1
	002-430008-215	SUPPORT ASSY, BATTERY BOX. . . . .							1	1
	002-430008-283	. SUPPORT . . . . .							1	1
	002-430008-219	. ANGLE, LH. . . . .							1	1
	002-430008-220	. ANGLE, RH. . . . .							1	1

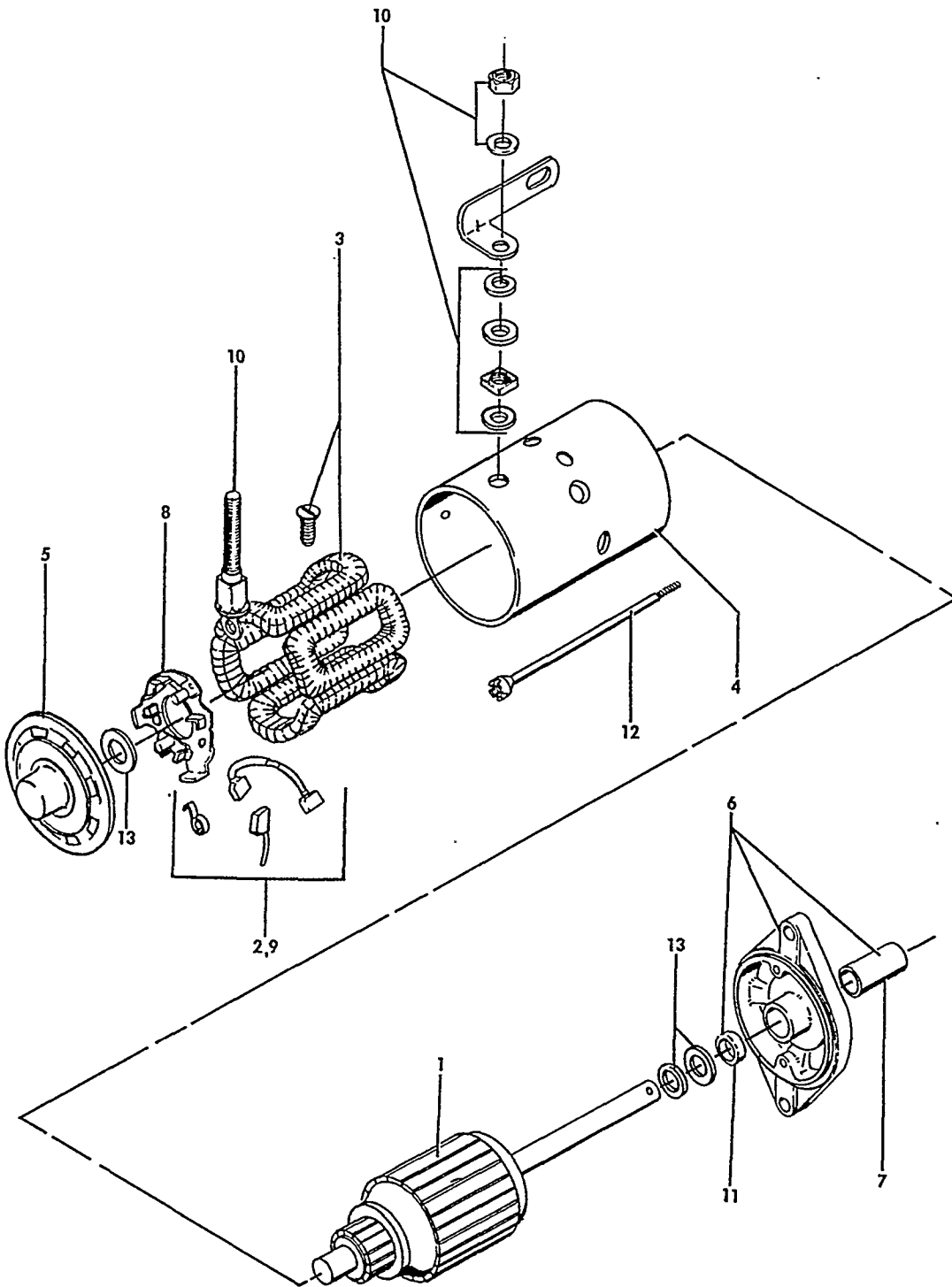
C O D E S O F E F F E C T I V I T Y

- 1 CE-748
- CE-772 AND AFTER
- CJ-149 AND AFTER

B E E C H C R A F T  
B O N A N Z A 3 3  
I L L U S T R A T E D P A R T S C A T A L O G

FIGURE 357  
STARTER/14 VOLT/  
CD-1235 THRU CD-1304,  
CE-290 THRU CE-771 EXCEPT CE-748  
CJ-26 THRU CJ-148

BEECHCRAFT  
BONANZA 33  
ILLUSTRATED PARTS CATALOG



33-357-1

FIGURE 357. STARTER/14 VOLT/

B E E C H C R A F T  
B O N A N Z A 3 3  
I L L U S T R A T E D P A R T S C A T A L O G

FIG. & ITEM NO.	PART NO.	DESCRIPTION							UNITS PER ASSY	USABLE ON CODE
		1	2	3	4	5	6	7		
357	33-910000	POWER PLANT INSTL . . . . .							NP	1
	33-910002	POWER PLANT INSTL . . . . .							NP	.2
	35-910007	POWER PLANT INSTL . . . . .							NP	3
	35-910328	POWER PLANT INSTL . . . . .							NP	4
	634592	. STARTER ASSY/14 VOLT SYSTEM/ . . . . .							1	5
- 1	MCH2147	. . ARMATURE. . . . .							1	5
- 2	MHD2012S	. . BRUSH SET . . . . .							1	5
- 3	MCL1005P	. . COIL PACKAGE, FIELD. . . . .							1	5
- 4	MCL092S	. . FRAME & FIELD ASSY. . . . .							1	5
- 5	MDL1002	. . HEAD ASSY /COMMENTATOR END/ . . . . .							1	5
- 6	MCL1136S	. . HEAD ASSY /DRIVE END/ . . . . .							1	5
- 7	ML18A	. . BEARING /DRIVE END/ . . . . .							1	5
- 8	MFX1064	. . PLATE ASSY, BRUSH. . . . .							1	5
- 9	MZ19S	. . SPRING SET, BRUSH. . . . .							1	5
- 10	P90-842	. . STUD PACKAGE, TERMINAL . . . . .							1	5
- 11	XA1024	. . SEAL, OIL. . . . .							1	5
- 12	GJ20DS	. . BOLT PACKAGE, THRU . . . . .							1	5
- 13	P90-2006	. . WASHER PACKAGE, THRUST . . . . .							1	5

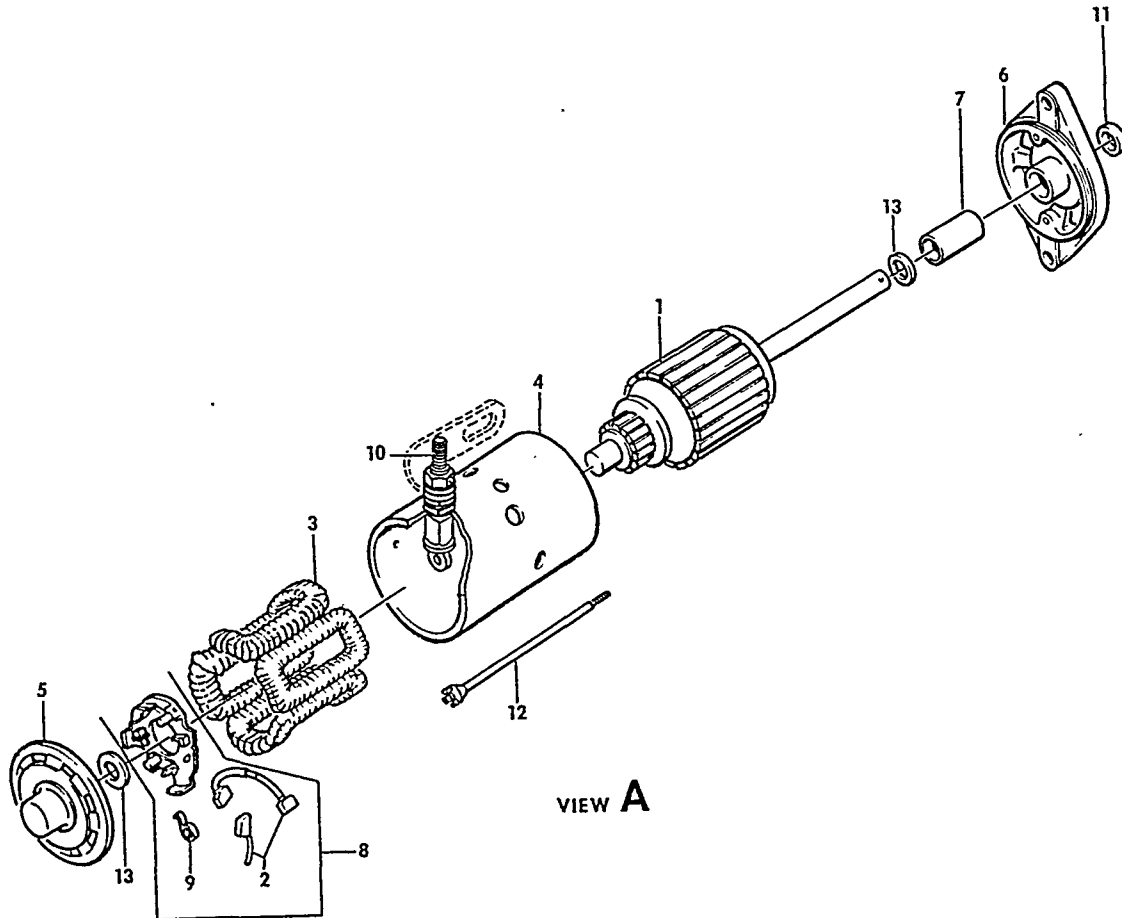
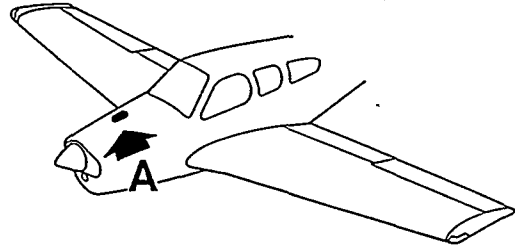
C O D E S O F E F F E C T I V I T Y

- |   |                      |   |                      |
|---|----------------------|---|----------------------|
| 1 | CD-1235 THRU CD-1254 | 2 | CD-1255 THRU CD-1304 |
| 3 | CE-290 THRU CE-580   | 4 | CE-581 THRU CE-771   |
|   | CJ-26 THRU CJ-85     |   | EXCEPT CE-748        |
|   |                      |   | CJ-86 THRU CJ-148    |
| 5 | CD-1235 THRU CD-1304 |   |                      |
|   | CE-290 THRU CE-771   |   |                      |
|   | EXCEPT CE-748        |   |                      |
|   | CJ-26 THRU CJ-148    |   |                      |

B E E C H C R A F T  
B O N A N Z A 3 3  
I L L U S T R A T E D P A R T S C A T A L O G

FIGURE 357A  
STARTER/28 VOLT/  
CE-748,CE-772 AND AFTER  
CJ-149 AND AFTER

BEECHCRAFT  
BONANZA 33  
ILLUSTRATED PARTS CATALOG



33-357A-3

B E E C H C R A F T  
B O N A N Z A 3 3  
I L L U S T R A T E D P A R T S C A T A L O G

FIG. & ITEM NO.	PART NO.	DESCRIPTION							UNITS PER ASSY	USABLE ON CODE
		1	2	3	4	5	6	7		
357A	637847	STARTER ASSY,28 VOLT. . . . .							1	1
- 1	MHJ2147	• ARMATURE. . . . .							1	1
- 2	MDL2012ES	• BRUSH SET . . . . .							1	1
- 3	MDL1005FS	• COIL PACKAGE, FIELD. . . . .							1	1
- 4	MEX2092S	• FRAME AND FIELD ASSY/ALTERNATE FOR MEX2092AS/							1	1
	MEX2092AS	• FRAME AND FIELD ASSY/ALTERNATE FOR MEX2092S/.							1	1
- 5	ML1002	• HEAD ASSY, COMMUTATOR END. . . . .							1	1
- 6	MCL2136A	• HEAD ASSY, DRIVE END . . . . .							1	1
- 7	ML18A	• BEARING, D.E. . . . .							1	1
- 8	MD1064ES	• PLATE ASSY, BRUSH. . . . .							1	1
- 9	MZ19S	• SPRING SET, BRUSH. . . . .							1	1
- 10	P90-842	• STUD PACKAGE, TERMINAL . . . . .							1	1
- 11	XA1024	• SEAL, OIL. . . . .							1	1
- 12	6J20DS	• BOLT PACKAGE. . . . .							1	1
- 13	P90-2006	• WASHER PACKAGE, THRUST . . . . .							1	1

C O D E S O F E F F E C T I V I T Y

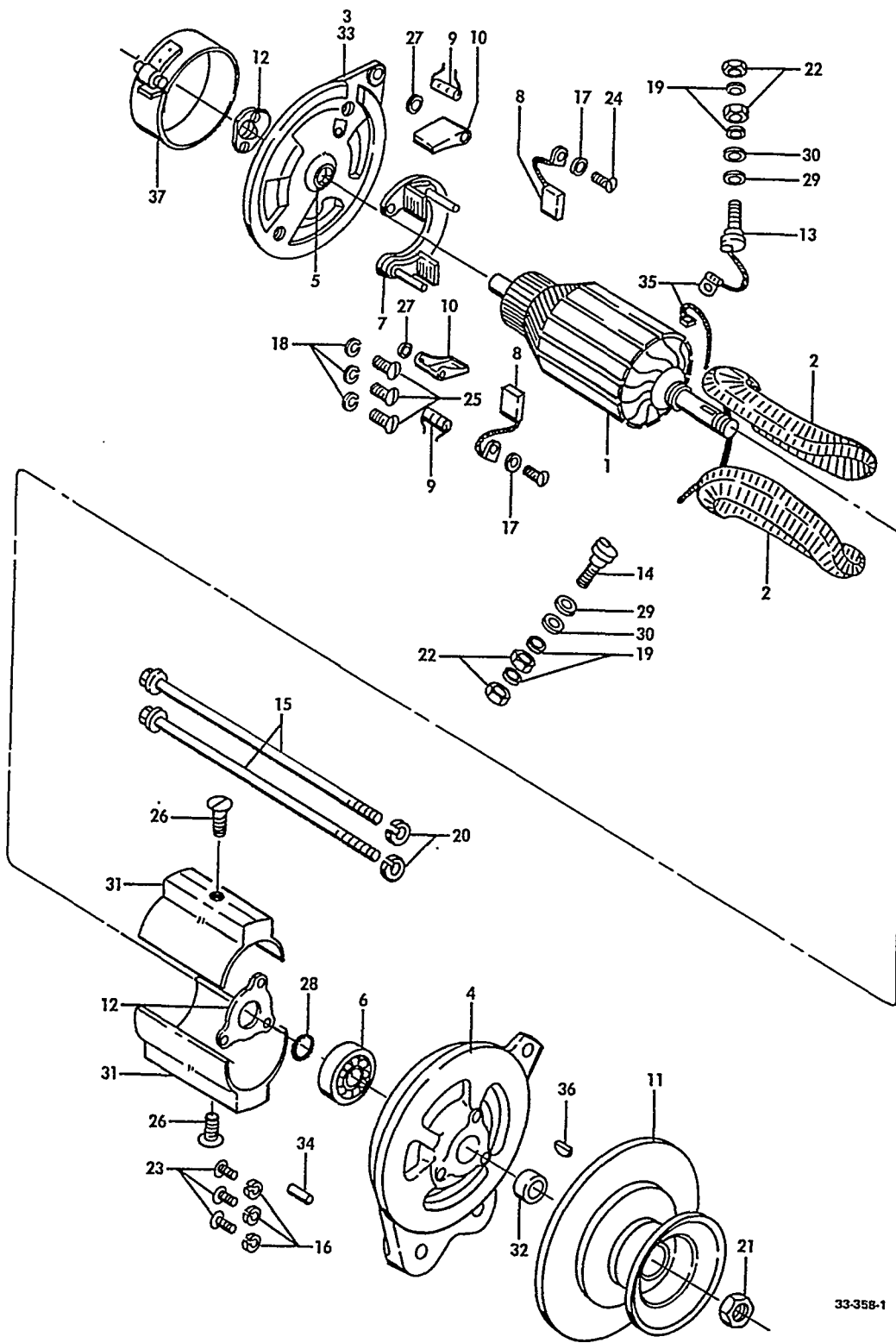
- 1 CE-748,
- CE-772 AND AFTER
- CJ-149 AND AFTER



B E E C H C R A F T  
B O N A N Z A 3 3  
I L L U S T R A T E D P A R T S C A T A L O G

FIGURE 358  
GENERATOR  
CD-1235 THRU CD-1254

BEECHCRAFT  
 BONANZA 33  
 ILLUSTRATED PARTS CATALOG

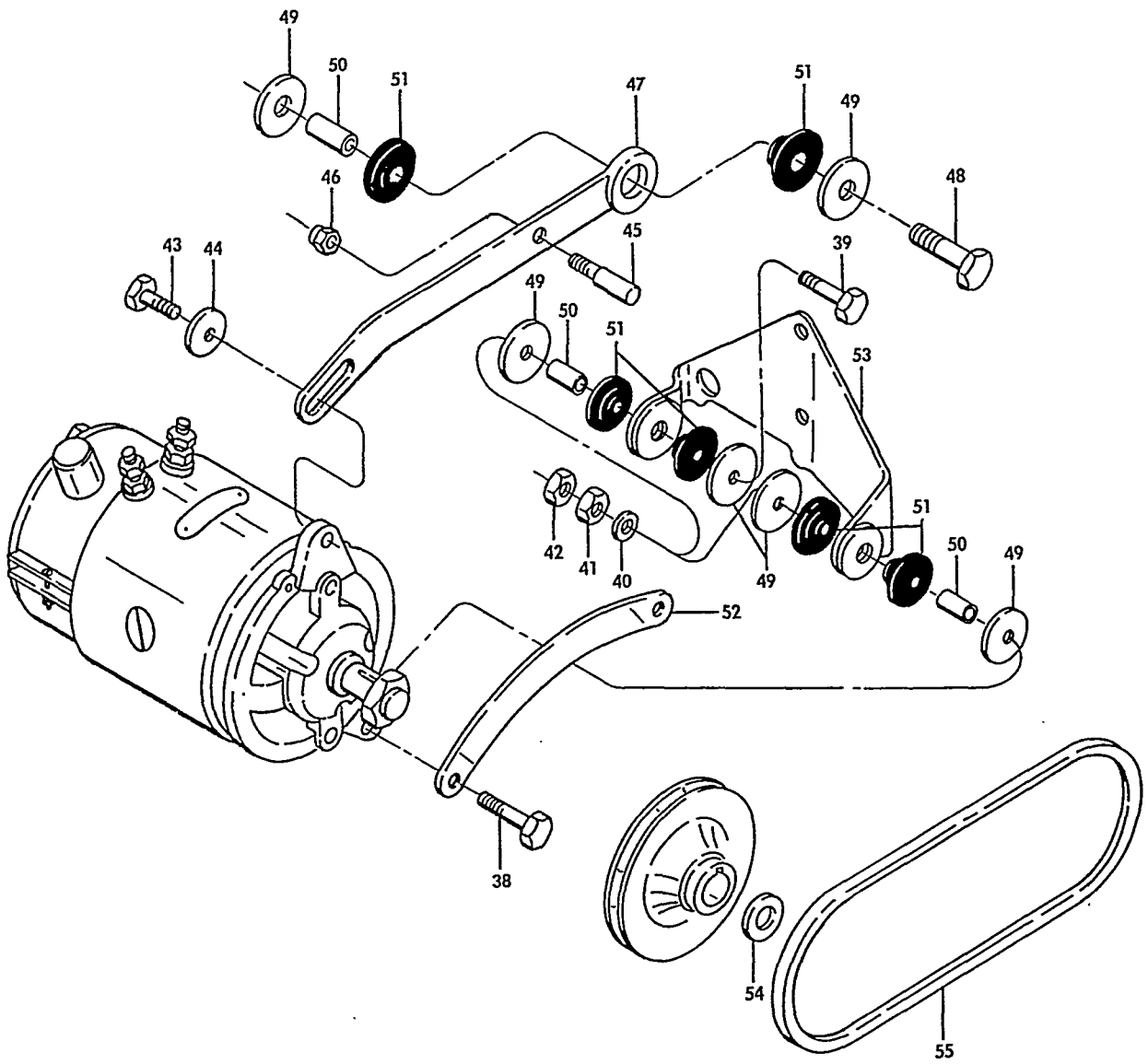


33-358-1

B E E C H C R A F T  
B O N A N Z A 3 3  
I L L U S T R A T E D P A R T S C A T A L O G

FIG. & ITEM NO.	PART NO.	DESCRIPTION	UNITS							USABLE ON CODE	
			1	2	3	4	5	6	7		
358	33-910000-5	POWER PLANT INSTL . . . . .								NP	1
	1101912	. GENERATOR /50 AMP/. . . . .								1	1
	1101913	. GENERATOR /35 AMP/. . . . .								1	1
- 1	1939823	. . ARMATURE /50 AMP/ . . . . .								1	1
	1925032	. . ARMATURE /35 AMP/ . . . . .								1	1
- 2	1925031	. . FIELD COIL SET /2 COILS/. . . . .								1	1
- 3	1943590	. . FRAME,CAP END . . . . .								1	1
- 4	1925832	. . FRAME,DRIVE END . . . . .								1	1
- 5	954162	. . BEARING,BALL /CAP END/. . . . .								1	1
- 6	954143	. . BEARING,BALL /DRIVE END/. . . . .								1	1
- 7	190899	. . PLATE,BRUSH . . . . .								1	1
- 8	1906984	. . BRUSH . . . . .								2	1
- 9	1908829	. . SPRING,BRUSH. . . . .								2	1
- 10	1850759	. . ARM,BRUSH . . . . .								2	1
- 11	627377	. . SHEAVE,GENERATOR DRIVE. . . . .								1	1
- 12	1927844	. . PLATE,BEARING RETAINER. . . . .								1	1
- 13	1914186	. . STUD,TERMINAL /WITH LEAD/ . . . . .								2	1
- 14	1858751	. . STUD,TERMINAL /50 AMP/. . . . .								2	1
	1910359	. . STUD,TERMINAL /35 AMP/. . . . .								2	1
- 15	1908680	. . BOLT,THRU . . . . .								2	1
- 16	1880781	. . WASHER,LOCK /BEARING PLATE SCREW DRIVE END/								3	1
- 17	1904377	. . WASHER,LOCK /BRUSH LEAD SCREW/. . . . .								2	1
- 18	121841	. . WASHER,LOCK /BRUSH PLATE SCREW/ . . . . .								3	1
- 19	1904661	. . WASHER,LOCK /TERMINAL STUD/ . . . . .								4	1
- 20	120638	. . WASHER,LOCK /THRU BOLT/ . . . . .								2	1
- 21	1953794	. . NUT,SHAFT /DRIVE END/ . . . . .								1	1
- 22	121743	. . NUT,TERMINAL. . . . .								4	1
- 23	5017850	. . SCREW,BEARING RETAINER PLATE /DRIVE END/ . . . . .								3	1
- 24	132688	. . SCREW,BRUSH LEAD. . . . .								2	1
- 25	1886496	. . SCREW,BRUSH PLATE . . . . .								3	1
- 26	1913960	. . SCREW,POLE SHOE . . . . .								2	1
- 27	1857412	. . WASHER,BRUSH ARM SPACER . . . . .								2	1
- 28	809945	. . WASHER,SPACER /DRIVE END/ . . . . .								1	1
- 29	1902746	. . WASHER,INSULATION /TERMINAL STUD/ . . . . .								2	1
- 30	1881409	. . WASHER,PLAIN /DRIVE END/ . . . . .								2	1
- 31	1914618	. . POLE,SHOE . . . . .								2	1
- 32	1861591	. . COLLAR,SPACER /DRIVE END/ . . . . .								1	1
- 33	1886684	. . PIN,DOWEL /CAP END/ . . . . .								1	1
- 34	1886684	. . PIN,DOWEL /DRIVE END/ . . . . .								1	1
	1914491	. . INSULATOR,FIELD COIL. . . . .								2	1
	200362	. . CLIP,RH TERMINAL. . . . .								1	1
- 35	200242	. . CLIP,LH TERMINAL. . . . .								1	1
- 36	124545	. . KEY,WOODRUFF /DRIVE END/. . . . .								1	1
- 37	1910131	. . BAND,COVER. . . . .								1	1

BEECHCRAFT  
BONANZA 33  
ILLUSTRATED PARTS CATALOG



33-358-2

B E E C H C R A F T  
B O N A N Z A 3 3  
I L L U S T R A T E D P A R T S C A T A L O G

FIG. & ITEM NO.	PART NO.	DESCRIPTION							UNITS PER ASSY	USABLE ON CODE
		1	2	3	4	5	6	7		
358	- 38	AN5-16A	.	.	.	.	.	.	1	1
	- 39	130909B62	.	.	.	.	.	.	1	1
	- 40	2473	.	.	.	.	.	.	1	1
	- 41	AN315-5R	.	.	.	.	.	.	2	1
	- 42	2560	.	.	.	.	.	.	2	1
	- 43	AN75A6	.	.	.	.	.	.	1	1
	- 44	537539	.	.	.	.	.	.	1	1
	- 45	627673	.	.	.	.	.	.	1	1
	- 46	22661	.	.	.	.	.	.	1	1
	- 47	627276	.	.	.	.	.	.	1	1
	- 48	AN75A15	.	.	.	.	.	.	1	1
	- 49	627279	.	.	.	.	.	.	6	1
	- 50	627281	.	.	.	.	.	.	3	1
	- 51	627282	.	.	.	.	.	.	6	1
	- 52	627068	.	.	.	.	.	.	1	1
	- 53	627690	.	.	.	.	.	.	1	1
	- 54	536213	.	.	.	.	.	.	1	1
	- 55	539547	.	.	.	.	.	.	1	1

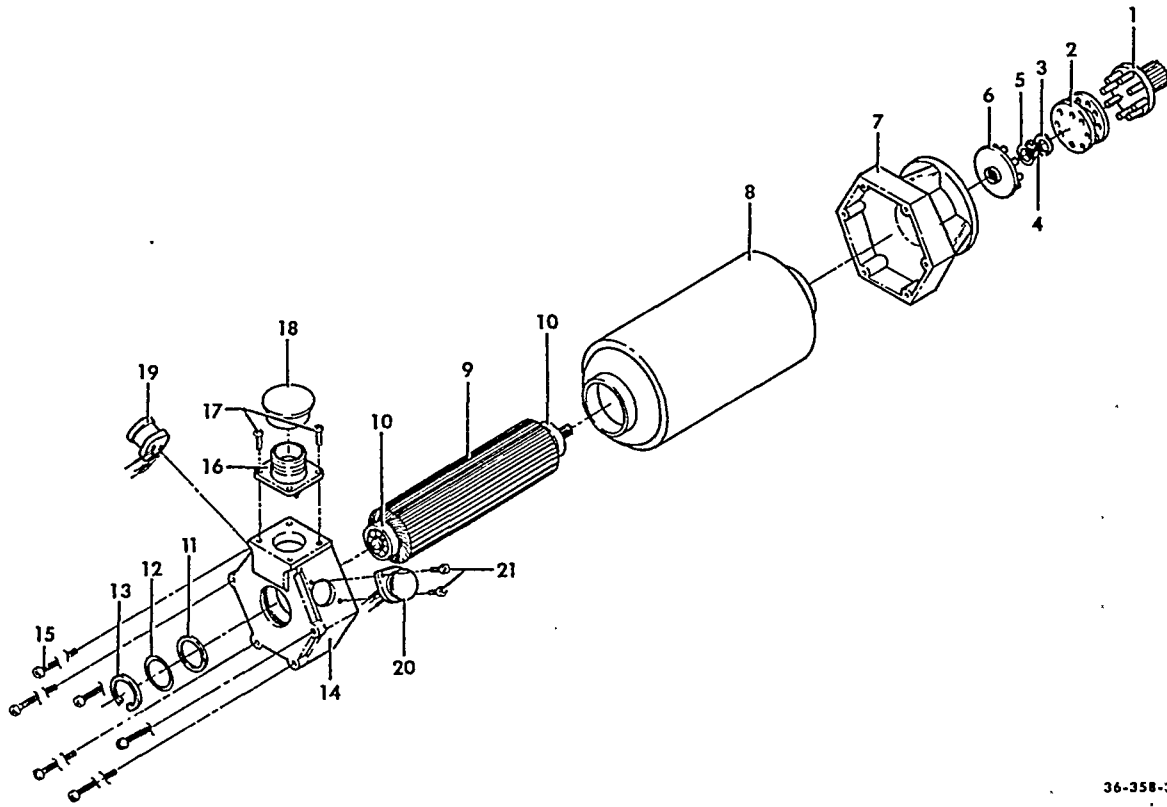
C O D E S O F E F F E C T I V I T Y

1 CD-1235 THRU CD-1254

BEECHCRAFT  
BONANZA 33  
ILLUSTRATED PARTS CATALOG

FIGURE 358A  
STANDBY GENERATOR  
CE-374 AND AFTER  
CJ-31 AND AFTER

BEECHCRAFT  
BONANZA 33  
ILLUSTRATED PARTS CATALOG



36-358-3

B E E C H C R A F T  
B O N A N Z A 3 3  
I L L U S T R A T E D P A R T S C A T A L O G

FIG. & ITEM NO.	PART NO.	DESCRIPTION	UNITS PER ASSY	USABLE ON CODE
		1 2 3 4 5 6 7		
358A	36-380013-1	GENERATOR,STANDBY/14 VOLT/.	1	1
- 1	320973	. ADAPTER,SPLINED .	1	1
- 2	1901450	. COUPLING,FLEXIBLE .	1	1
- 3	390550	. RING,RETAINER .	1	1
- 4	100695	. SPRING,SHIM .	1	1
- 5	210678	. SHIM. .	2	1
- 6	9A1506	. HUB,DRIVE .	1	1
- 7	402583	. HOUSING,FRONT .	1	1
- 8	7A3724	. STATOR. .	1	1
- 9	7A3723	. ROTOR .	1	1
- 10	1501062	. BEARING,BALL. .	2	1
	210823-1	. SHIM. .	AR	1
- 11	210965	. WASHER,SPRING .	1	1
- 12	1901108	. SHIM. .	1	1
- 13	350579	. RING. .	1	1
- 14	402584	. HOUSING,REAR. .	1	1
- 15	MS35265-57	. SCREW .	6	1
- 16	4001793	. CONNECTOR .	1	1
		/ATTACHING PARTS/		
- 17	MS35265-15	. SCREW .	4	
		----x----		
- 18	MS25178-14	. CAP,DUST. .	1	1
- 19	4002127-1	. RECTIFIER .	1	1
- 20	4002127-2	. RECTIFIER .	1	1
		/ATTACHING PARTS/		
- 21	AN500A6-4	. SCREW .	4	
		----x----		
	MS9134-01	GASKET. .	1	3
R	36-380048-1	GENERATOR,STANDBY/28 VOLT/.	1	2
		/NO BREAK DOWN AVAILABLE FOR 28V GENERATOR/		
	36-380056-1	REGULATOR,VOLTAGE/STANDBY GENERATOR/.	1	2

C O D E S O F E F F E C T I V I T Y

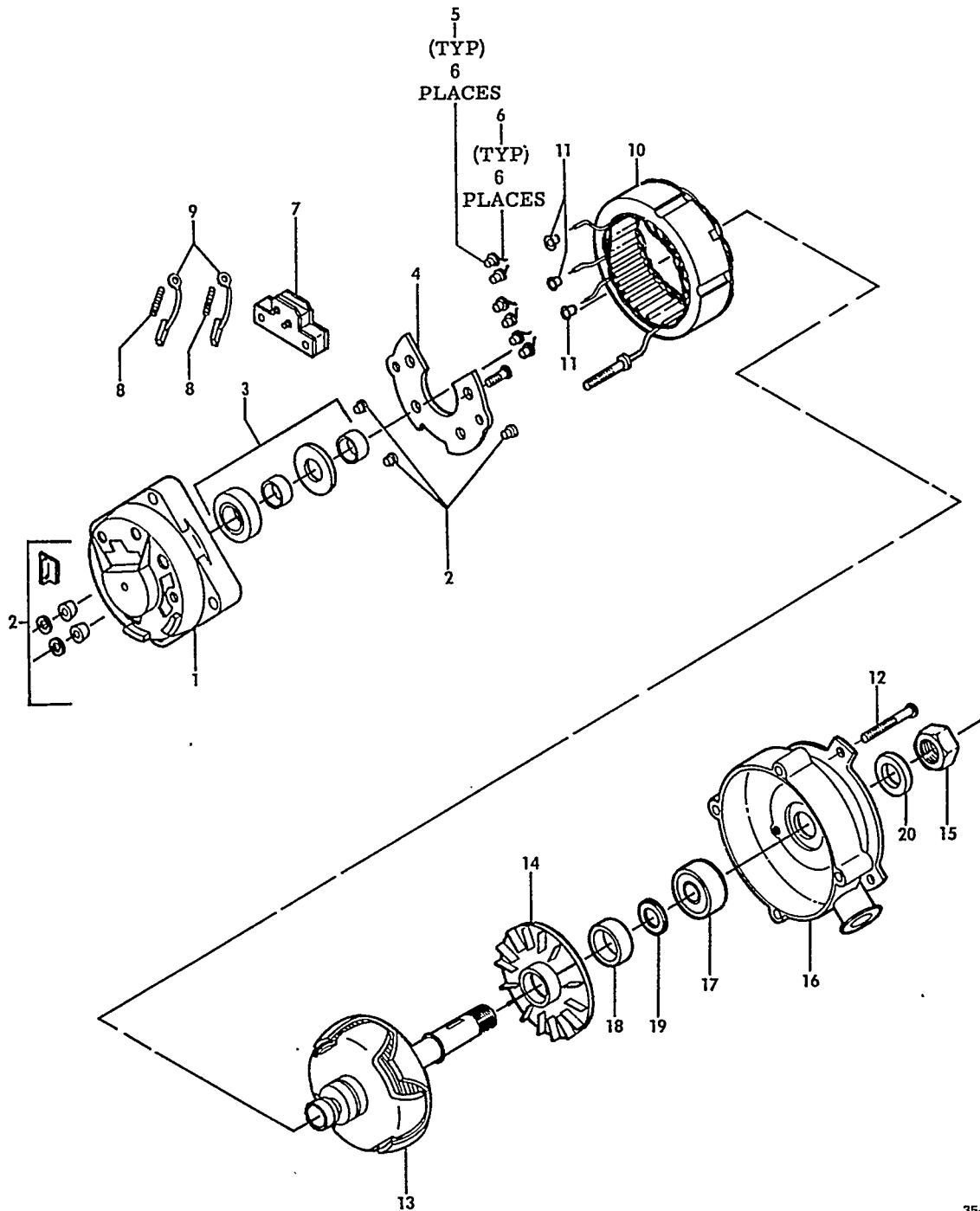
1	CE-374 THRU CE-833	2	CE-834 AND AFTER
	CJ-31 THRU CJ-148		CJ-149 AND AFTER
3	CE-374 AND AFTER		
	CJ-31 AND AFTER		



B E E C H C R A F T  
B O N A N Z A 3 3  
I L L U S T R A T E D P A R T S C A T A L O G

FIGURE 359  
ALTERNATOR/70 AMP/14 VOLT/  
CE-290 THRU CE-771 EXCEPT CE-748  
CJ-26 THRU CJ-148

BEECHCRAFT  
BONANZA 33  
ILLUSTRATED PARTS CATALOG



35-359-1

B E E C H C R A F T  
B O N A N Z A 3 3  
I L L U S T R A T E D P A R T S C A T A L O G

FIG. & ITEM NO.	PART NO.	DESCRIPTION	1	2	3	4	5	6	7	UNITS PER ASSY	USABLE ON CODE
359	641670	ALTERNATOR,70 AMP/14 VOLT/ALT FOR ALX9424/ . . .								1	1
	ALX9424	ALTERNATOR,70 AMP/14 VOLT/ALT FOR 641670/ . . .								1	1
- 1	ALE1042AAS1	. . HEAD ASSY,SLIP RING END . . . . .								1	1
- 2	P90-2043	. . STUD PACKAGE,TERMINAL . . . . .								1	1
- 3	P90-2014	. . BEARING & SEAL PACKAGE. . . . .								1	1
- 4	ALE1054R	. . PLATE,RECTIFIER . . . . .								1	1
- 5	XA944J	. . RECTIFIER,NEGATIVE. . . . .								1	1
- 6	XA943F	. . RECTIFIER,POSITIVE. . . . .								1	1
- 7	ALU1045AS	. . HOLDER ASSY,BRUSH . . . . .								1	1
- 8	ALA19S	. . SPRING SET,BRUSH. . . . .								1	1
- 9	ALE1012NS	. . BRUSH SET . . . . .								1	1
- 10	ALE2008AB	. . STATOR ASSY . . . . .								1	1
- 11	P90-818	. . EYELET PACKAGE. . . . .								1	1
- 12	ALA20GS	. . BOLT PACKAGE. . . . .								1	1
- 13	ALX2038AS	. . ROTOR ASSY. . . . .								1	1
- 14	ALP1034	. . FAN,VENT. . . . .								1	1
- 15	8X4075	. . NUT,ROTOR SHAFT . . . . .								1	1
- 16	ALU1043	. . HEAD ASSY,DRIVE END . . . . .								1	1
- 17	X4087	. . BEARING . . . . .								1	1
- 18	GR32	. . RETAINER. . . . .								1	1
- 19	XA744AZ	. . O RING . . . . .								1	1
- 20	XA1026	. . SEAL,OIL. . . . .								1	1

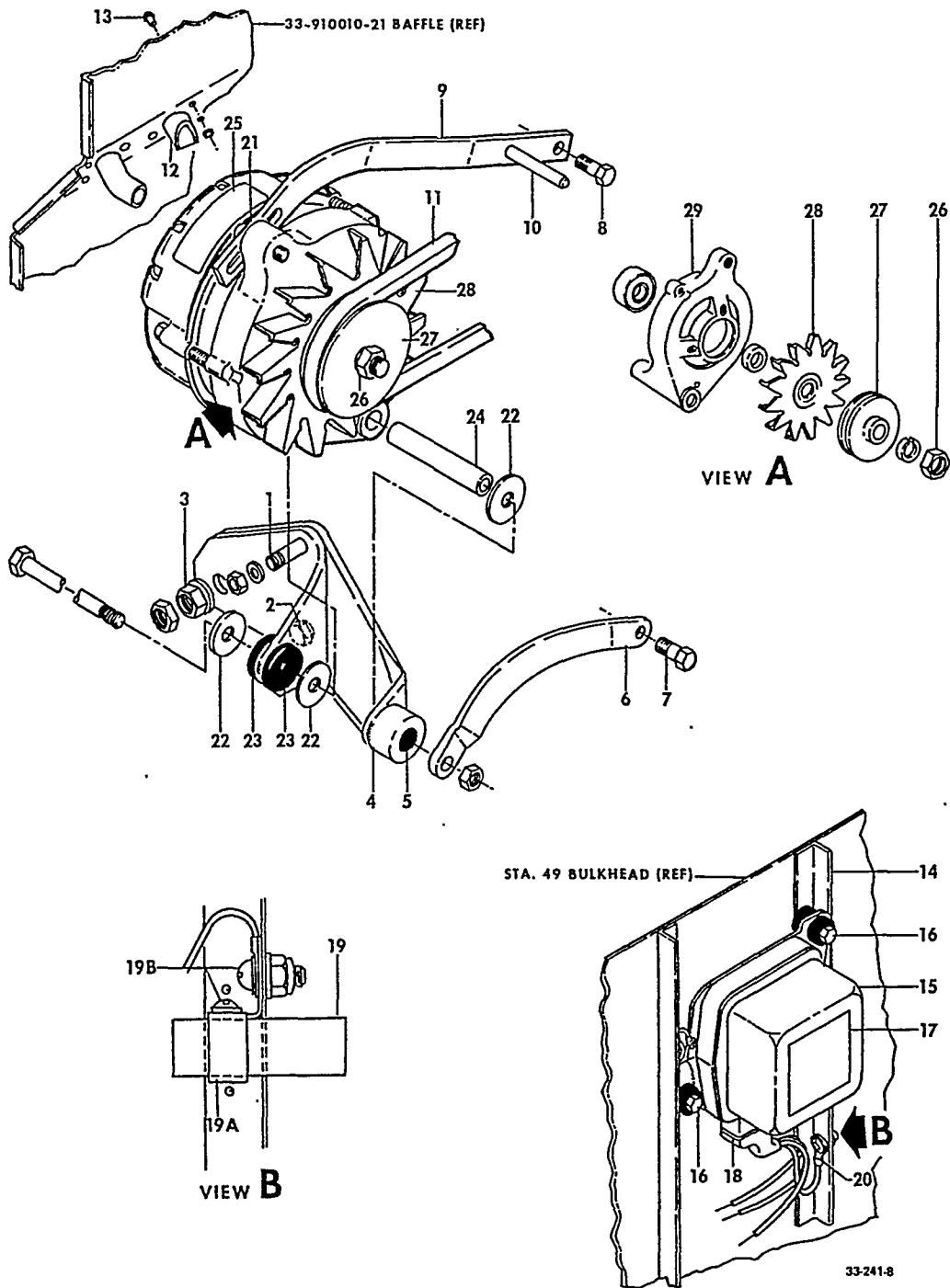
C O D E S O F E F F E C T I V I T Y

1 CE-290 THRU CE-771  
EXCEPT CE-748 AND  
CJ-26 THRU CJ-148

B E E C H C R A F T  
B O N A N Z A 3 3  
I L L U S T R A T E D P A R T S C A T A L O G

FIGURE 359A  
ALTERNATOR/60 AMP/14 VOLT/  
CD-1235 THRU CD-1304

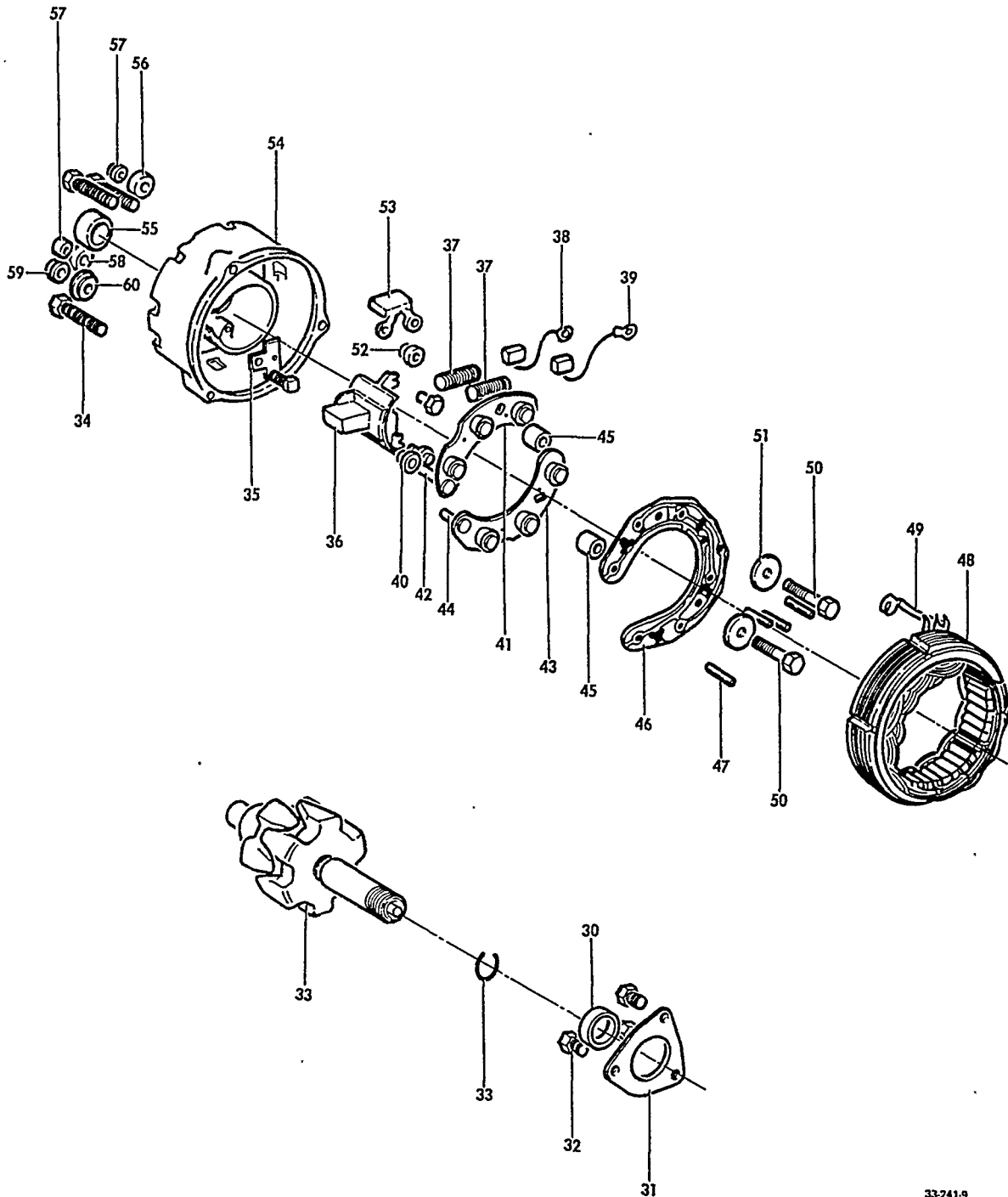
BEECHCRAFT  
 BONANZA 33  
 ILLUSTRATED PARTS CATALOG



B E E C H C R A F T  
B O N A N Z A 3 3  
I L L U S T R A T E D P A R T S C A T A L O G

FIG. & ITEM NO.	PART NO.	DESCRIPTION	UNITS PER ASSY	USABLE ON CODE
		1 2 3 4 5 6 7		
359A	33-369110	ALTERNATOR INSTL/60 AMP/ . . . . .	NP	2
	33-369113	ALTERNATOR INSTL /60 AMP/ . . . . .	NP	3
	33-910012-49	• BRACKET ASSY,ALTERNATOR SUPPORT . . . . .	1	1
		/ATTACHING PARTS/		
- 1	402151H	• STUD /REPLACES EXISTING STUD P/N 402042/. . . . .	1	
	AN936A516	• WASHER,LOCK . . . . .	1	
	2439	• NUT . . . . .	1	
- 2	535728	• BOLT /REPLACES EXISTING BOLT P/N 535709/. . . . .	1	
	AN936A516	• WASHER,LOCK . . . . .	1	
- 3	538969	• NUT,FLANGED /EXISTING THRU BOLT NUT/. . . . .	1	
	356-820	• NUT,PAL /EXISTING THRU BOLT NUT/. . . . .	1	
		*-----*		
- 4	33-910012-47	• WELD ASSY . . . . .	1	1
- 5	J2005-2	• MOUNT . . . . .	1	1
- 6	35-369018-17	• BRACE,LOWER ALTERNATOR. . . . .	1	1
		/ATTACHING PARTS/		
- 7	AN75A15	• BOLT /EXISTING ENGINE BOLT/ . . . . .	1	
		*-----*		
	35-369018-15	• ARM ASSY,ALTERNATOR BELT ADJUSTING. . . . .	1	1
		/ATTACHING PARTS/		
- 8	628730	• BOLT /REPLACES EXISTING ENGINE BOLT . . . . .	1	
		*-----*		
		P/N AN75A15/		
- 9	35-369018-11	• ARM . . . . .	1	1
- 10	35-369018-13	• PIN . . . . .	1	1
- 11	539547	• BELT,ALTERNATOR DRIVE /FURNISHED WITH ENGINE/	1	1
- 12	35-369018-23	• WELD ASSY,ALTERNATOR BLAST TUBE . . . . .	1	1
		/ATTACHING PARTS/		
- 13	AN515-8R8	• SCREW . . . . .	4	
	AN960-8	• WASHER. . . . .	4	
	MS20365-832	• NUT . . . . .	4	
		*-----*		
- 14	35-364168-1	• ANGLE,REGULATOR SUPPORT . . . . .	1	1
- 15	33-380010	• VOLTAGE REGULATOR /14 VOLT NEGATIVE GROUND/ . . . . .	1	1
		/ATTACHING PARTS/		
- 16	AN476A/M/	• BOLT. . . . .	2	
	MK1000-4	• NUT,ANCHOR. . . . .	2	
		*-----*		
- 17	33-369109	• PLACARD,VOLTAGE REGULATOR IDENTIFICATION. . . . .	1	1
- 18	33-369111	• PLUG & HARNESS ASSY . . . . .	1	1
- 19	121P60501RV1	• CAPACITOR . . . . .	2	3
	AN743D12	• BRACKET . . . . .	3	3
- 19A	A742D12	• CLAMP . . . . .	2	3
		/ATTACHING PARTS/		
- 19B	AN520-10R8	• SCREW,GROUND WIRE . . . . .	1	1
	AN960C10	• WASHER. . . . .	1	1
	MS20365-1032C	• NUT . . . . .	1	1
		*-----*		
- 20	MS25036-8	• TERMINAL. . . . .	1	2
	E71	• TERMINAL. . . . .	1	3
	33-380009-1	• ALTERNATOR ASSY . . . . .	1	1
		/ATTACHING PARTS/		
- 21	33-910013	• BOLT. . . . .	1	
	AN960-616	• WASHER. . . . .	1	
	AN5H54A	• BOLT. . . . .	1	
- 22	100951X063YK	• WASHER. . . . .	3	
- 23	J9534-20	• MOUNT . . . . .	2	
- 24	102933S6ZP3000	• SPACER. . . . .	1	
	AN960-516	• WASHER. . . . .	1	
	MS20365-524	• NUT . . . . .	1	
		*-----*		
- 25	33-369108	• PLACARD,ALTERNATOR IDENTIFICATION . . . . .	1	1
- 26	359553S8	• NUT,PULLEY / 5/8-18 / . . . . .	1	1
	C6FF10344A	• PULLEY ASSY . . . . .	1	1
- 27	C6FF10A352A	• PULLEY. . . . .	1	1
- 28	C4FF10380A	• FAN . . . . .	1	1
	C5AF10355A	• HOUSING ASSY,FRONT. . . . .	1	1
- 29	C5AF10A351A	• HOUSING . . . . .	1	1

BEECHCRAFT  
BONANZA 33  
ILLUSTRATED PARTS CATALOG



33-241-9

B E E C H C R A F T  
B O N A N Z A 3 3  
I L L U S T R A T E D P A R T S C A T A L O G

FIG. & ITEM NO.	PART NO.	1	2	3	4	5	6	7	DESCRIPTION	UNITS PER ASSY	USABLE ON CODE
359A - 30	C3NF10094A	.	.	.	.	.	.	.	BEARING . . . . .	1	1
	C5AF10A303A	.	.	.	.	.	.	.	BEARING /ALTERNATE FOR C3NF10094A/. . . . .	1	1
- 31	C5AF10A355A	.	.	.	.	.	.	.	RETAINER,FRONT BEARING. . . . .	1	1
- 32	379201S100	.	.	.	.	.	.	.	SCREW,RETAINER. . . . .	3	1
- 33	C6FF10335A	.	.	.	.	.	.	.	ROTOR ASSY. . . . .	1	1
	C5AF10327A	.	.	.	.	.	.	.	COIL ASSY. . . . .	1	1
	C6FF10330A	.	.	.	.	.	.	.	SHAFT,ROTOR . . . . .	1	1
	C3XF10328A1	.	.	.	.	.	.	.	RING ASSY . . . . .	1	1
	C3XF10370A	.	.	.	.	.	.	.	RING,ROTOR STOP . . . . .	1	1
	C5AF10A360A	.	.	.	.	.	.	.	STOP,ROTOR. . . . .	1	1
	C3TF10379B	.	.	.	.	.	.	.	POLE,MAGNETIC . . . . .	2	1
	C5AF10B302A	.	.	.	.	.	.	.	SHIELD,WATER. . . . .	1	1
- 34	378466S7	.	.	.	.	.	.	.	BOLT /#10 24 X 2.12/. . . . .	3	1
- 35	C5AF10329C	.	.	.	.	.	.	.	INSULATOR,TERMINAL. . . . .	1	1
- 36	C5AF10320A	.	.	.	.	.	.	.	HOLDER ASSY,BRUSH . . . . .	1	1
	377282S8B	.	.	.	.	.	.	.	HOLDER,SCREW BRUSH. . . . .	2	1
	C5AF10351A	.	.	.	.	.	.	.	HOLDER,BRUSH. . . . .	1	1
- 37	C5AF10349A	.	.	.	.	.	.	.	SPRING,BRUSH. . . . .	2	1
	C6FF10B341A	.	.	.	.	.	.	.	BRUSH KIT,ALTERNATOR. . . . .	1	1
- 38	C6FF10A367A	.	.	.	.	.	.	.	TERMINAL & BRUSH /NEGATIVE/. . . . .	1	1
- 39	C6FF10A367B	.	.	.	.	.	.	.	TERMINAL & BRUSH /POSITIVE/. . . . .	1	1
- 40	C6AF10A383A	.	.	.	.	.	.	.	INSULATOR,DIODE PLATE /BATTERY/. . . . .	1	1
	C5TF10304B	.	.	.	.	.	.	.	RECTIFIER ASSY. . . . .	1	1
- 41	C5AF10B338A	.	.	.	.	.	.	.	PLATE & DIODE KIT /POSITIVE/. . . . .	1	1
	C5AF10373A	.	.	.	.	.	.	.	PLATE & DIODE ASSY. . . . .	1	1
	C5AF10A377A	.	.	.	.	.	.	.	PLATE . . . . .	1	1
	C5SF10374A1	.	.	.	.	.	.	.	DIODE . . . . .	3	1
- 42	378463S8B	.	.	.	.	.	.	.	SCREW . . . . .	1	1
	C5AF10B306B	.	.	.	.	.	.	.	RING,SOLDER . . . . .	3	1
	379920S100	.	.	.	.	.	.	.	WASHER,FLAT / 3/64 / . . . . .	3	1
- 43	C5AF10B339A	.	.	.	.	.	.	.	PLATE & DIODE KIT /NEGATIVE/. . . . .	1	1
	C5AF10377A	.	.	.	.	.	.	.	PLATE & DIODE ASSY. . . . .	1	1
	C5AF10A378A	.	.	.	.	.	.	.	PLATE . . . . .	1	1
	C5SF10378A1	.	.	.	.	.	.	.	DIODE . . . . .	3	1
- 44	380056S8B	.	.	.	.	.	.	.	SCREW . . . . .	1	1
	C5AF10B306B	.	.	.	.	.	.	.	RING,SOLDER . . . . .	3	1
- 45	C5AF10A383C	.	.	.	.	.	.	.	INSULATOR,DIODE PLATE . . . . .	2	1
- 46	C5AF10B301C	.	.	.	.	.	.	.	PRINTED CIRCUIT BOARD . . . . .	1	1
	C5AF10B308C	.	.	.	.	.	.	.	BOARD . . . . .	1	1
	C5AF10392A	.	.	.	.	.	.	.	TERMINAL. . . . .	3	1
- 47	379608S	.	.	.	.	.	.	.	PIN,ROLL. . . . .	4	1
- 48	C6FF10A366B	.	.	.	.	.	.	.	STATOR & COIL ASSY. . . . .	1	1
- 49	C5AF14443A	.	.	.	.	.	.	.	TERMINAL,SNAP-ON. . . . .	1	1
- 50	378462S8B	.	.	.	.	.	.	.	SCREW . . . . .	2	1
- 51	378658S	.	.	.	.	.	.	.	WASHER. . . . .	2	1
- 52	C5AF10A383B	.	.	.	.	.	.	.	INSULATOR . . . . .	1	1
- 53	C6AF18827A1	.	.	.	.	.	.	.	CONDENSER ASSY,RADIO. . . . .	1	1
- 54	C6FF10334A	.	.	.	.	.	.	.	HOUSING ASSY,REAR . . . . .	1	1
- 55	C5AF10A304A	.	.	.	.	.	.	.	BEARING,REAR. . . . .	1	1
- 56	C5AF10329B	.	.	.	.	.	.	.	INSULATOR . . . . .	1	1
- 57	379618S8	.	.	.	.	.	.	.	NUT & WASHER. . . . .	3	1
- 58	C5AF10329A	.	.	.	.	.	.	.	INSULATOR . . . . .	1	1
- 59	379616S8	.	.	.	.	.	.	.	NUT & WASHER. . . . .	1	1
- 60	C5AF10329D	.	.	.	.	.	.	.	INSULATOR . . . . .	1	1
	MS35649-225ST	.	.	.	.	.	.	.	NUT /BATTERY/. . . . .	1	3
	MS35649-205T	.	.	.	.	.	.	.	NUT /STATOR,FIELD & GROUND/. . . . .	3	3
	AN960-10	.	.	.	.	.	.	.	WASHER /STATOR,FIELD & GROUND/. . . . .	3	3
	AN935-10	.	.	.	.	.	.	.	WASHER /STATOR,FIELD & GROUND/. . . . .	3	3
	RNF100-3/4	.	.	.	.	.	.	.	TUBE /3.5/. . . . .	1	3
	33-360001-602	.	.	.	.	.	.	.	HARNESS ASSY,ALTERNATOR WIRING. . . . .	1	1

C O D E S O F E F F E C T I V I T Y

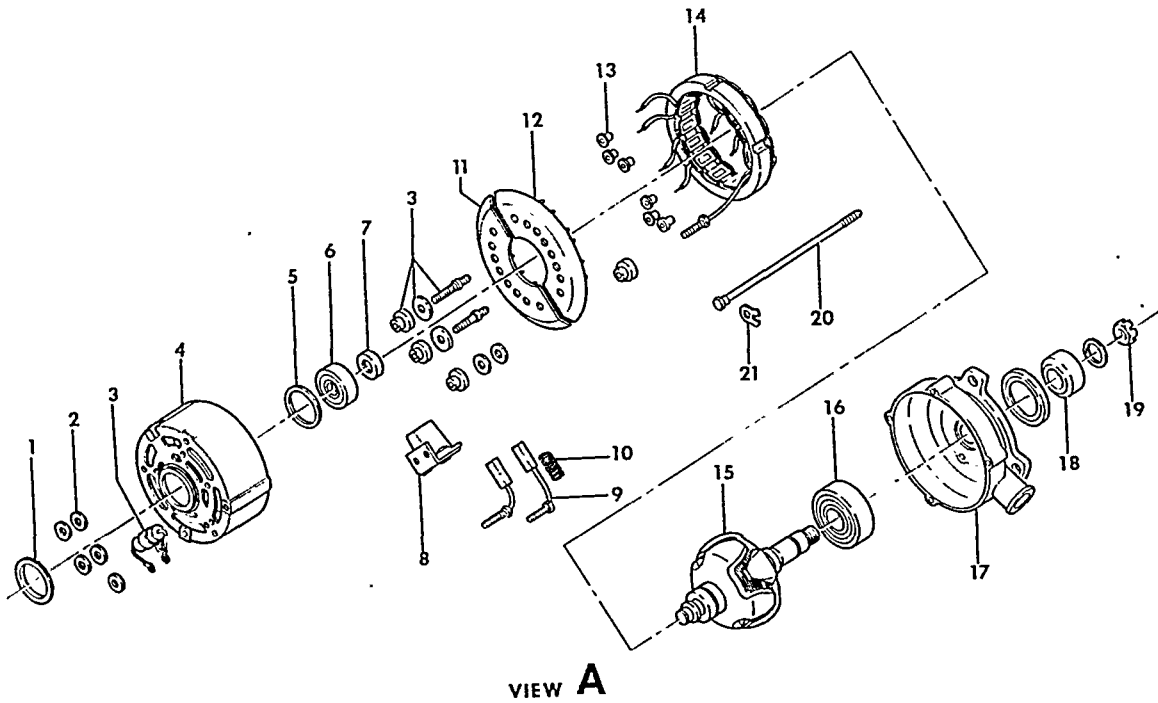
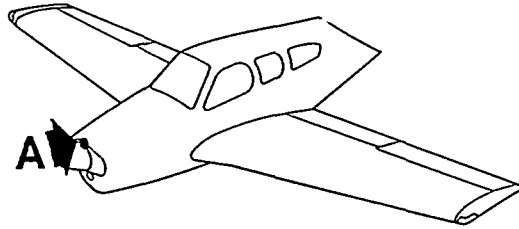
1 CD-1235 THRU CD-1304 2 CD-1235 THRU CD-1254  
3 CD-1255 THRU CD-1304



B E E C H C R A F T  
B O N A N Z A 3 3  
I L L U S T R A T E D P A R T S C A T A L O G

FIGURE 359B  
ALTERNATOR/100 AMP/28 VOLT/  
CE-748, CE-772 THRU CE-861  
CJ-149 ONLY

BEECHCRAFT  
BONANZA 33  
ILLUSTRATED PARTS CATALOG



33-3598-3

B E E C H C R A F T  
B O N A N Z A 3 3  
I L L U S T R A T E D P A R T S C A T A L O G

FIG. & ITEM NO.	PART NO.	DESCRIPTION	1 2 3 4 5 6 7							UNITS PER ASSY	USABLE ON CODE
			1	2	3	4	5	6	7		
359B	640789	ALTERNATOR,100 AMP/28 VOLT/ALT FOR ALV9407/ . .								1	1
- 1	GJT47	. COVER, S.R.E.BEARING . . . . .								1	1
- 2	90-2046	. STUD,TERMINAL/PKG/. . . . .								1	1
- 3	ALV1038S	. CAPACITOR AND TERMINAL ASSY . . . . .								1	1
- 4	ALV1002AS	. HEAD ASSY,S.R.E.. . . . .								1	1
- 5	XA744AB	. O RING,B.S. . . . .								1	1
- 6	X4087	. BEARING,S.R.E.. . . . .								1	1
- 7	GR32	. RETAINER,S.R.E. . . . .								1	1
- 8	ALV1015	. BRUSH HOLDER AND BRACKET ASSY . . . . .								1	1
- 9	ALV1012S	. BRUSH SET . . . . .								1	1
- 10	AMA19S	. SPRING SET,BRUSH. . . . .								1	1
- 11	ALV1004A	. RECTIFIER AND PLATE ASSY,NEGATIVE . . . . .								1	1
- 12	ALV1004	. RECTIFIER AND PLATE ASSY,POSTIVE. . . . .								1	1
- 13	90-818	. EYELET/PKG/ . . . . .								1	1
- 14	ALV20084	. STATOR ASSY . . . . .								1	1
- 15	ALV2006A	. ROTOR ASSY. . . . .								1	1
- 16	X4086	. BEARING,D.E.. . . . .								1	1
- 17	ALV1003	. HEAD ASSY,D.E.. . . . .								1	1
- 18	ALV21	. SPACER,ROTOR SHAFT. . . . .								1	1
- 19	8X4075	. NUT/PKG/. . . . .								1	1
- 20	ALB20AS1	. BOLT,THRU/PKG/. . . . .								1	1
- 21	MES98S	. TAB,LOCK/PKG/ . . . . .								1	1
	121P60501R5V1	FILTER/ALTERNATE FOR 218P60501R5T1/ . . . . .								1	1
	218P60501R5T1	FILTER/ALTERNATE FOR 121P60501R5V1/ . . . . .								1	1

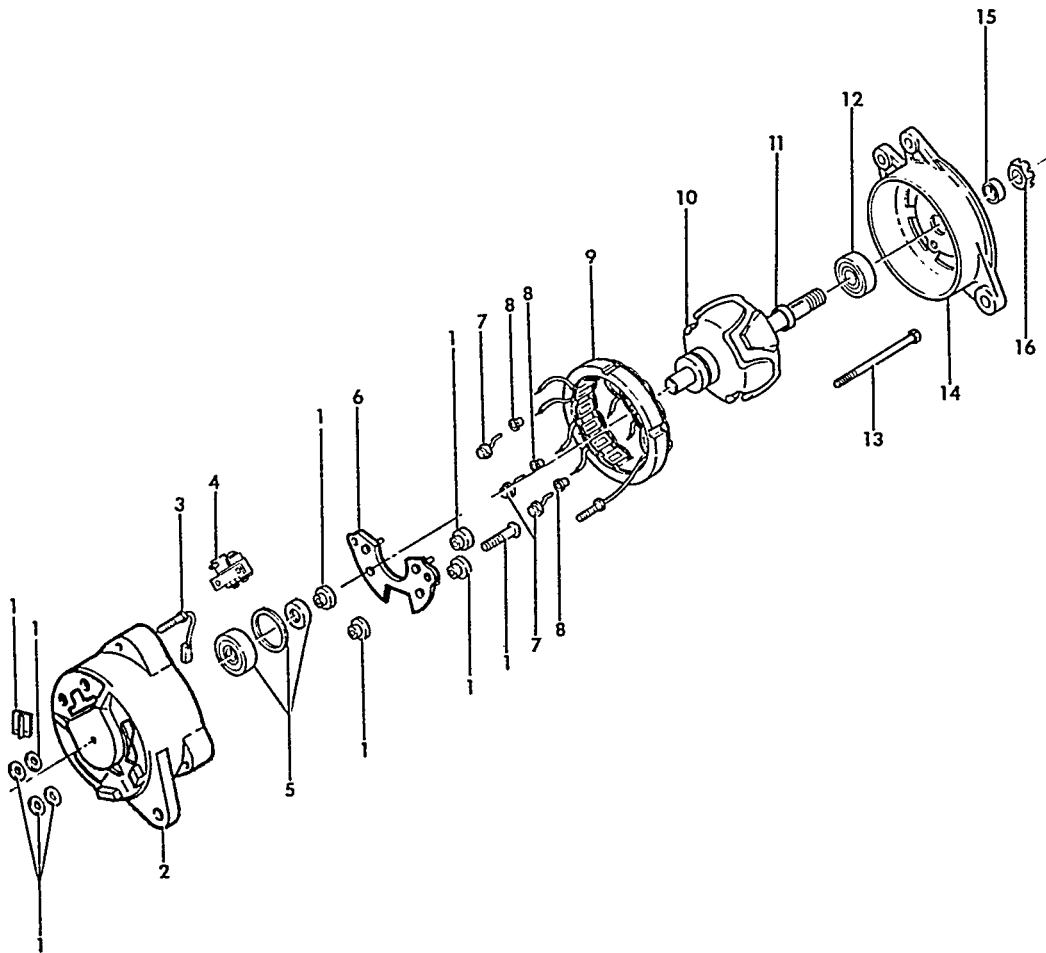
C O D E S O F E F F E C T I V I T Y

- 1 CE-748
- CE-772 THRU CE-861
- CJ-149 ONLY

B E E C H C R A F T  
B O N A N Z A 3 3  
I L L U S T R A T E D P A R T S C A T A L O G

FIGURE 359C  
ALTERNATOR/50 AMP/28 VOLT/  
CE-748,CE-772 THRU CE-928  
CJ-149 THRU CJ-155

BEECHCRAFT  
BONANZA 33  
ILLUSTRATED PARTS CATALOG



35-359-6

B E E C H C R A F T  
B O N A N Z A 3 3  
I L L U S T R A T E D P A R T S C A T A L O G

FIG. & ITEM NO.	PART NO.	DESCRIPTION	1 2 3 4 5 6 7							UNITS PER ASSY	USABLE ON CODE
			1	2	3	4	5	6	7		
359C	641668	ALTERNATOR,50 AMP/28 VOLT/ALT FOR ALT9422/ . . .								1	1
	ALT9422	ALTERNATOR,50 AMP/28 VOLT/ALT FOR 641668/ . . .								1	1
- 1	90-2043	. STUD,TERMINAL/PACKAGE/ . . . . .								3	1
- 2	ALE1142AAS1	. SLIP RING END HEAD ASSY . . . . .								2	1
- 3	ALE1013AS	. BRUSH SET . . . . .								1	1
- 4	ALU1045BS	. BRUSH,HOLDER & SPRING ASSY. . . . .								1	1
- 5	90-2014	. BEARING S.R.E. . . . .								1	1
- 6	ALE1054A	. POS.RECTIFIER & PLATE ASSY. . . . .								1	1
- 7	XA944JS	. NEG.RECTIFIER/PKG.OF 3/ . . . . .								1	1
- 8	90-818	. EYELET/PKG./ . . . . .								1	1
- 9	ALE2008AA	. STATOR ASSY . . . . .								1	1
- 10	ALU2138S1	. ROTOR ASSY. . . . .								1	1
- 11	GR32	. RETAINER,D.E. . . . .								1	1
- 12	X4087	. BEARING,D.E. . . . .								1	1
- 13	ALA20GS	. BOLT,THRU/PKG./ . . . . .								1	1
- 14	ALU1043	. HEAD ASSY,DRIVE END . . . . .								1	1
- 15	ALU23	. SPACER,ROTOR SHAFT. . . . .								1	1
- 16	BX4075	. NUT . . . . .								1	1

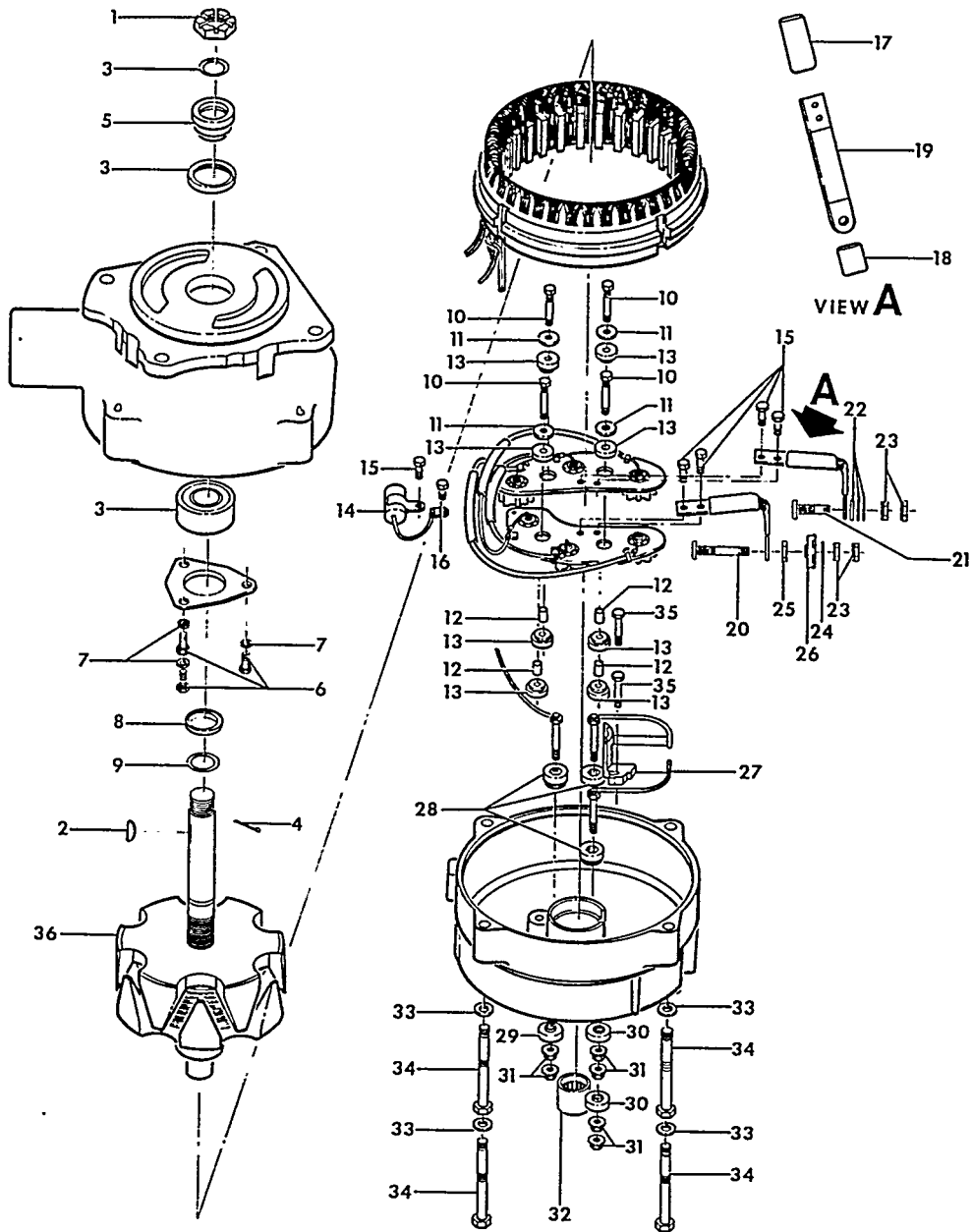
C O D E S O F E F F E C T I V I T Y

- 1 CE-748,
- CE-772 THRU CE-928
- CJ-149 THRU CJ-155

B E E C H C R A F T  
B O N A N Z A 3 3  
I L L U S T R A T E D P A R T S C A T A L O G

FIGURE 359D  
ALTERNATOR/100 AMP/28 VOLT/  
CE-862 THRU CE-1025  
CJ-150 THRU CJ-155

BEECHCRAFT  
 BONANZA 33  
 ILLUSTRATED PARTS CATALOG.



36-359-8

FIGURE 359D. ALTERNATOR/100 AMP/28 VOLT/



B E E C H C R A F T  
B O N A N Z A 33  
I L L U S T R A T E D P A R T S C A T A L O G

FIG. & ITEM NO.	PART NO.	DESCRIPTION	UNITS PER ASSY	USABLE ON CODE
		1 2 3 4 5 6 7		
359D	642056A2	ALTERNATOR AND HUB ASSEMBLY . . . . .	1	1
	642362	. HUB ASSY. . . . .	1	1
	630691	. WASHER. . . . .	1	1
	642056	. ALTERNATOR/100 AMP/28 VOLT/ . . . . .	1	1
- 1	642589	. NUT, SLOTTED . . . . .	1	1
- 2	633342-10	. . KEY, WOODRUFF. . . . .	1	1
- 3	643700A1	. . BEARING ASSY, DRIVE END. . . . .	1	1
- 4	MS24665-302	. . PIN, COTTER. . . . .	1	1
- 5	642413	. . COLLAR, SEAL . . . . .	1	1
- 6	642457-1	. . SCREW . . . . .	3	1
- 7	AN960-10	. . WASHER. . . . .	3	1
- 8	643703	. . SPACER, SHAFT. . . . .	1	1
- 9	643702	. . RING, SNAP . . . . .	1	1
- 10	642439-3	. . SCREW . . . . .	4	1
- 11	642436	. . WASHER, PLAIN. . . . .	4	1
- 12	642615-1	. . SLEEVE, SPACER . . . . .	4	1
- 13	642614	. . INSULATOR, RUBBER. . . . .	8	1
- 14	642454	. . CAPACITOR . . . . .	1	1
- 15	642439-2	. . SCREW . . . . .	5	1
- 16	642456	. . SCREW . . . . .	1	1
- 17	642620-1	. . INSULATION SLEEVE/1.56 LONG/. . . . .	2	1
- 18	642620-2	. . INSULATION SLEEVE/0.75 LONG/. . . . .	2	1
- 19	642616	. . STRAP, CONNECTOR . . . . .	2	1
- 20	642617	. . STUD, POSITIVE TERMINAL. . . . .	1	1
- 21	642617-1	. . STUD, NEGATIVE TERMINAL. . . . .	1	1
- 22	642462	. . WASHER, PLAIN. . . . .	3	1
- 23	642452	. . NUT . . . . .	4	1
- 24	520014	. . WASHER, PLAIN. . . . .	1	1
- 25	642444	. . SPACER, INSULATOR. . . . .	1	1
- 26	642441	. . INSULATOR, BATTERY TERMINAL. . . . .	1	1
- 27	642424	. . BRUSH HOLDER ASSY . . . . .	1	1
- 28	642443	. . INSULATOR, INTERNAL. . . . .	3	1
- 29	642448	. . INSULATOR, AUX TERMINAL. . . . .	1	1
- 30	642448-1	. . INSULATOR, FIELD TERMINAL. . . . .	2	1
- 31	642451	. . NUT . . . . .	6	1
- 32	642438	. . BEARING, NEEDLE. . . . .	1	1
- 33	2472	. . WASHER, PLAIN. . . . .	4	1
- 34	642450	. . BOLT, THRU . . . . .	4	1
- 35	642439	. . SCREW . . . . .	2	1
- 36	643704	. . ROTOR ASSEMBLY. . . . .	1	1
	629436	GASKET, MOUNTING . . . . .	1	1
	39D507G050GL4	CAPACITOR . . . . .	1	1
	MS91586-6	SHUNT . . . . .	1	1

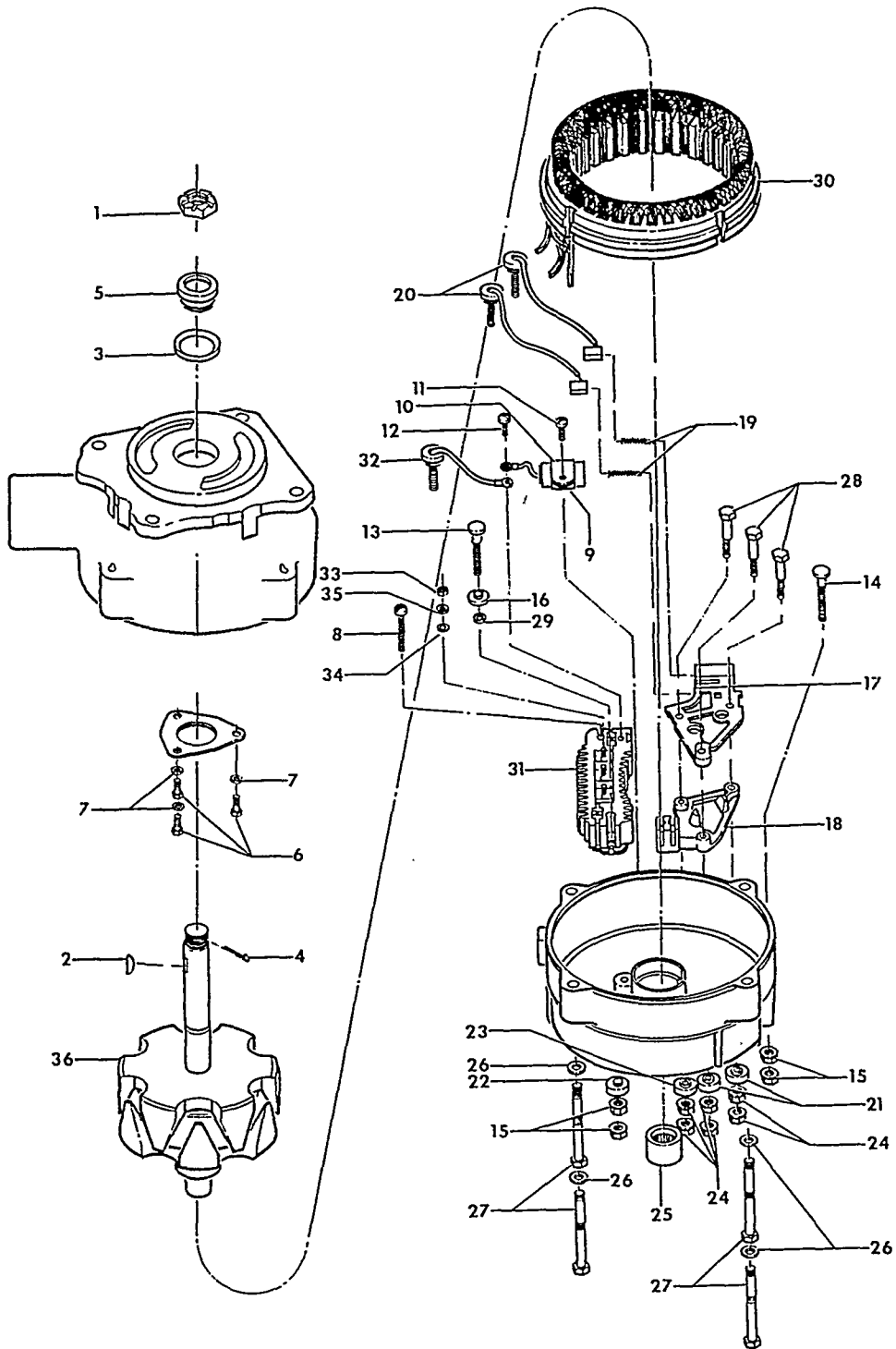
C O D E S O F E F F E C T I V I T Y

- 1 CE-862 THRU CE-1025
- CJ-150 THRU CJ-155

B E E C H C R A F T  
B O N A N Z A 3 3  
I L L U S T R A T E D P A R T S C A T A L O G

FIGURE 359E  
ALTERNATOR/60 AMP/28 VOLT/  
CE-929 THRU CE-1025

BEECHCRAFT  
 BONANZA 33  
 ILLUSTRATED PARTS CATALOG



36-359-7

FIGURE 359E.ALTERNATOR/60 AMP/28 VOLT/

B E E C H C R A F T  
B O N A N Z A 3 3  
I L L U S T R A T E D P A R T S C A T A L O G

FIG. & ITEM NO.	PART NO.	DESCRIPTION						UNITS PER ASSY	USABLE ON CODE	
		1	2	3	4	5	6			7
359E	642055	ALTERNATOR ASSY . . . . .							1	1
- 1	642589	• NUT, SLOTTED . . . . .							1	1
- 2	633342-10	• KEY, WOODRUFF. . . . .							1	1
- 3	642867A2	• BEARING ASSY, DRIVE END. . . . .							1	1
- 4	MS24665-302	• . PIN, COTTER. . . . .							1	1
- 5	642413	• COTTER, SEAL . . . . .							1	1
- 6	642457-1	• SCREW, #10-24X7/16 INCH LONG . . . . .							3	1
- 7	AN960-10	• WASHER, PLAIN. . . . .							3	1
- 8	642439-3	• SCREW, #8-32X1.00 INCH LONG. . . . .							1	1
- 9	642984	• CAPACITOR . . . . .							1	1
- 10	642985	• BRACKET, CAPACITOR . . . . .							1	1
- 11	642439-2	• SCREW, #8-32X3/8 INCH LONG . . . . .							1	1
- 12	642986	• SCREW, #8-32X5/16 INCH LONG. . . . .							1	1
- 13	642617-2	• STUD, POSITIVE TERMINAL. . . . .							1	1
- 14	641617	• STUD, NEGATIVE TERMINAL. . . . .							1	1
- 15	642452	• NUT, 1/4-28. . . . .							4	1
- 16	642441	• INSULATOR, BATTERY TERMINAL. . . . .							1	1
	642969	• BRUSH HOLDER ASSY . . . . .							1	1
- 17	642970	• . BRUSH HOLDER. . . . .							1	1
- 18	642971	• . SPACER, BRUSH HOLDER . . . . .							1	1
- 19	642972	• . SPRING, BRUSH. . . . .							2	1
- 20	642973-1	• . BRUSH ASSY. . . . .							1	1
	642973-2	• . BRUSH ASSY. . . . .							1	1
- 21	642443	• . INSULATOR, INTERNAL. . . . .							3	1
- 22	642448	• INSULATOR, AUX TERMINAL. . . . .							1	1
- 23	642448-1	• INSULATOR, FIELD TERMINAL. . . . .							2	1
- 24	642451	• NUT . . . . .							6	1
- 25	642438	• BEARING, NEEDLE. . . . .							1	1
- 26	AN960-10	• WASHER, PLAIN. . . . .							4	1
- 27	AN500A10-32	• SCREW . . . . .							4	1
- 28	642975	• SCREW, #8-32X1-1/4 INCH LONG . . . . .							3	1
- 29	520014	• WASHER, PLAIN. . . . .							1	1
- 30	642968	• STATOR ASSY . . . . .							1	1
- 31	642978	• RECTIFIER ASSY. . . . .							1	1
- 32	642976	• TERMINAL ASSY, AUX . . . . .							1	1
- 33	642979	• NUT, HEX . . . . .							3	1
- 34	643018	• WASHER. . . . .							3	1
- 35	MS35333-106	• LOCK WASHER . . . . .							3	1
- 36	642962	• ROTOR ASSY. . . . .							1	1

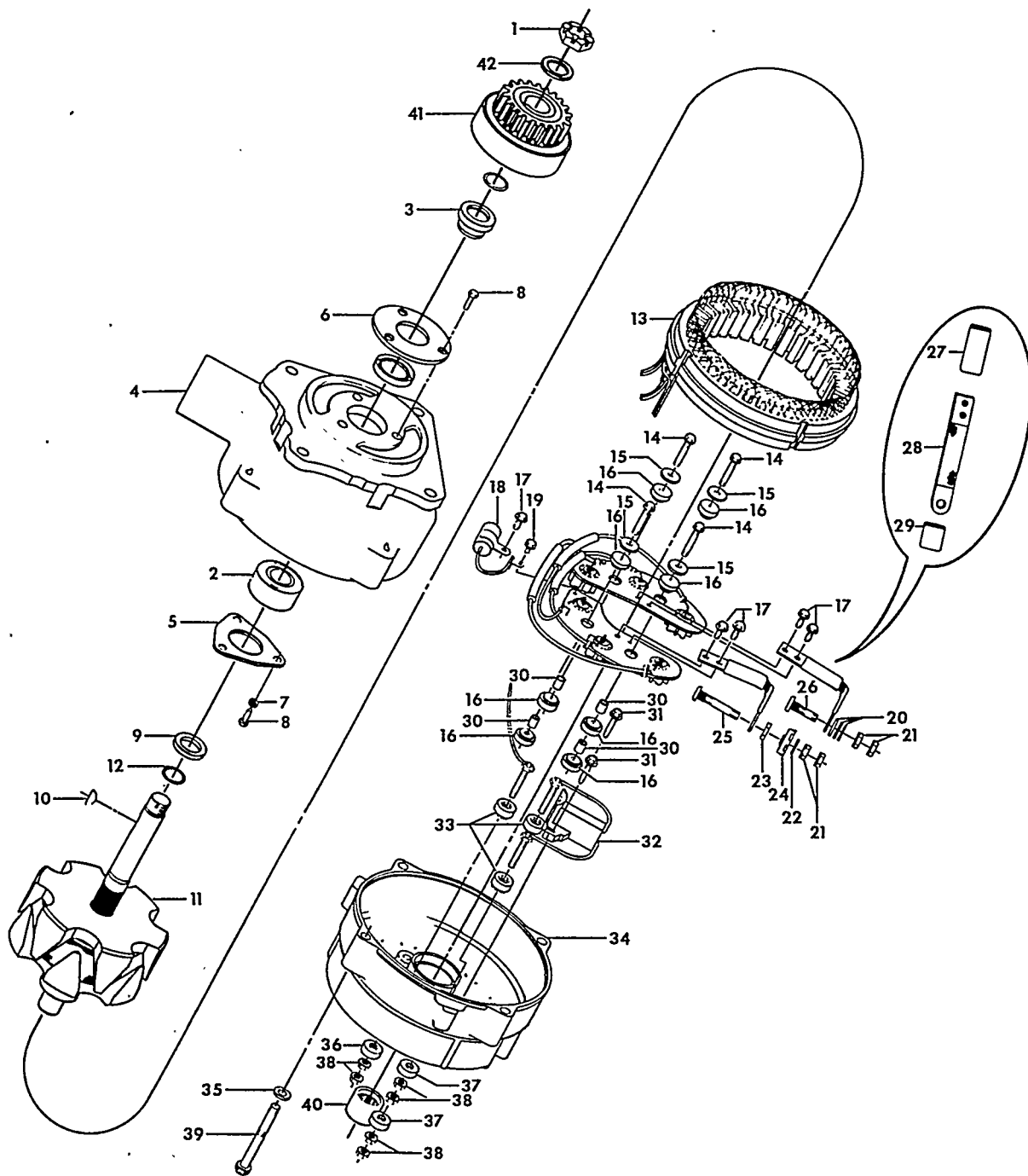
C O D E S O F E F F E C T I V I T Y

1 CE-929 THRU CE-1025

BEECHCRAFT  
BONANZA 33  
ILLUSTRATED PARTS CATALOG

FIGURE 359F  
ALTERNATOR/100 AMP/28 VOLT/  
CE-1026 AND AFTER,CJ-156 AND AFTER

BEECHCRAFT  
BONANZA 33  
ILLUSTRATED PARTS CATALOG



58P-359-12

FIGURE 359F.ALTERNATOR/100 AMP/28 VOLT/

B E E C H C R A F T  
B O N A N Z A 3 3  
I L L U S T R A T E D P A R T S C A T A L O G

FIG. & ITEM NO.	PART NO.	DESCRIPTION	UNITS PER ASSY	USABLE ON CODE
		1 2 3 4 5 6 7		
359F	646491	ALTERNATOR ASSY . . . . .	1	1
- 1	642589	. NUT, HEX . . . . .	1	1
- 2	646495A1	. BEARING SEAL KIT. . . . .	1	1
	646495	. BEARING . . . . .	1	1
- 3	646493	. COLLAR SEAL . . . . .	1	1
- 4	646497	. HOUSING, ALTERNATOR DRIVE END. . . . .	1	1
- 5	642442-1	. RETAINER, BEARING. . . . .	1	1
- 6	646494	. RETAINER, BEARING. . . . .	1	1
- 7	AN960-10	. WASHER. . . . .	3	1
- 8	642457-1	. SCREW, HEX HEAD. . . . .	3	1
- 9	643703	. SPACER. . . . .	1	1
- 10	MS35756-8	. KEY, WOODRUFF. . . . .	1	1
- 11	643704	. ROTOR ASSY. . . . .	1	1
- 12	643702	. RING, SNAP . . . . .	1	1
- 13	642652	. STATOR RECTIFIER ASSY . . . . .	1	1
- 14	642439-3	. SCREW, #8-32X1.00 INCH LONG. . . . .	4	1
- 15	642436	. WASHER, PLAIN. . . . .	4	1
- 16	642614	. INSULATOR, RUBBER. . . . .	8	1
- 17	642455	. SCREW, #8-32X3/8 INCH LONG . . . . .	5	1
- 18	642454	. CAPACITOR . . . . .	1	1
- 19	642456	. SCREW, #6-32X3/16 INCH LONG. . . . .	1	1
- 20	642462	. WASHER, PLAIN. . . . .	3	1
- 21	642452	. NUT, 1/4-28. . . . .	4	1
- 22	520014	. WASHER, PLAIN. . . . .	1	1
- 23	642444	. SPACER, INSULATOR. . . . .	1	1
- 24	642441	. INSULATOR, BATTERY TERMINAL. . . . .	1	1
- 25	642617	. STUD, POSITIVE TERMINAL. . . . .	1	1
- 26	642617-1	. STUD, NEGATIVE TERMINAL. . . . .	1	1
- 27	642620-1	. INSULATOR SLEEVE, 1.56 INCH LONG . . . . .	2	1
- 28	642616	. CONNECTION STRAP. . . . .	2	1
- 29	642620-2	. INSULATION SLEEVE 0.75 INCH LONG. . . . .	2	1
- 30	642615-1	. SLEEVE, SPACER . . . . .	4	1
- 31	642439	. SCREW, #8-32X11/16 INCH LONG . . . . .	2	1
- 32	642424	. BRUSH HOLDER ASSY . . . . .	1	1
- 33	642443	. INSULATOR, INTERNAL. . . . .	3	1
- 34	642415	. HOUSING, ALTERNATOR SLIP RING END. . . . .	1	1
- 35	AN960-416	. WASHER, PLAIN. . . . .	4	1
- 36	642448	. INSULATOR, AUX TERMINAL. . . . .	1	1
- 37	642448-1	. INSULATOR, FIELD TERMINAL. . . . .	2	1
- 38	642451	. NUT . . . . .	6	1
- 39	642450	. BOLT, THRU . . . . .	4	1
- 40	642438	. BEARING, NEEDLE. . . . .	1	1
- 41	646655	HUB-DRIVE GEAR. . . . .	1	1
- 42	630691	WASHER. . . . .	1	1

C O D E S O F E F F E C T I V I T Y

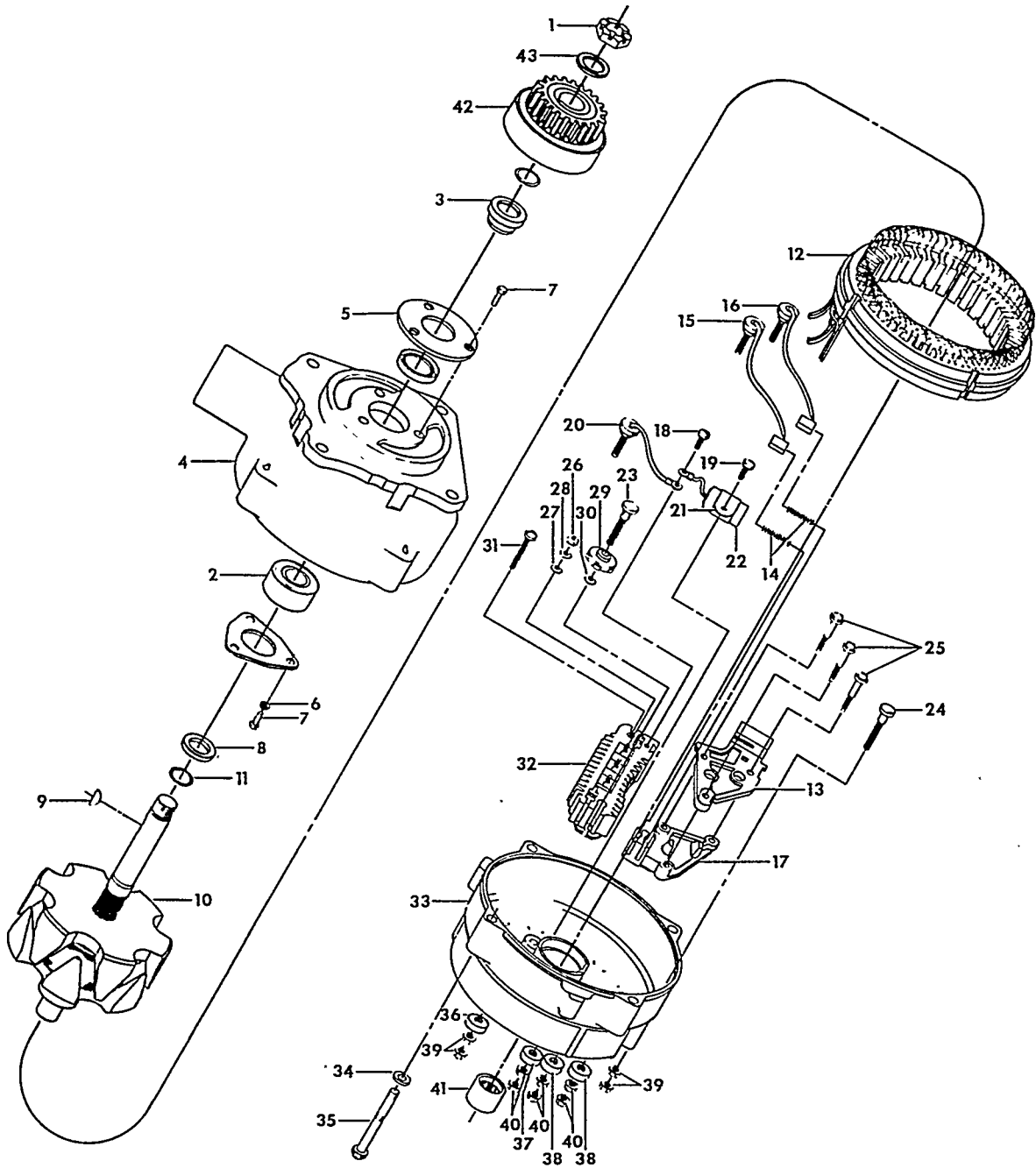
- 1 CE-1026 AND AFTER
- CJ-156 AND AFTER

BEECHCRAFT  
BONANZA 33  
ILLUSTRATED PARTS CATALOG

FIGURE 359G  
ALTERNATOR/60 AMP/28 VOLT/  
CE-1026 AND AFTER,CJ-156 AND AFTER



BEECHCRAFT  
BONANZA 33  
ILLUSTRATED PARTS CATALOG



58P-359-11

FIGURE 359G. ALTERNATOR/60 AMP/28 VOLT/

B E E C H C R A F T  
B O N A N Z A 3 3  
I L L U S T R A T E D P A R T S C A T A L O G

FIG. & ITEM NO.	PART NO.	DESCRIPTION	1 2 3 4 5 6 7							UNITS PER ASSY	USABLE ON CODE
			1	2	3	4	5	6	7		
359G	646490	ALTERNATOR ASSY/60 AMP/SPARES FOR 642055/	.	.	.	.	.	.	.	1	1
- 1	642589	. NUT,HEX	.	.	.	.	.	.	.	1	1
- 2	646492A1	. BEARING AND SEAL KIT/C/O BEARING,O-RING, OIL SEAL AND COTTER PIN/	.	.	.	.	.	.	.	1	1
- 3	646493	. SEAL,COLLAR	.	.	.	.	.	.	.	1	1
- 4	646496	. HOUSING,DRIVE END	.	.	.	.	.	.	.	1	1
- 5	646494	. RETAINER,BEARING.	.	.	.	.	.	.	.	1	1
	642442-1	. RETAINER,BEARING.	.	.	.	.	.	.	.	1	1
- 6	AN960-10	. WASHER.	.	.	.	.	.	.	.	3	1
- 7	642457-1	. SCREW,HEX HEAD.	.	.	.	.	.	.	.	3	1
- 8	643703	. SPACER,SHAFT.	.	.	.	.	.	.	.	1	1
- 9	MS35756-8	. KEY,WOODRUFF.	.	.	.	.	.	.	.	1	1
- 10	642962	. ROTOR ASSY.	.	.	.	.	.	.	.	1	1
- 11	643702	. RING,SNAP	.	.	.	.	.	.	.	1	1
- 12	642968	. STATOR.	.	.	.	.	.	.	.	1	1
- 13	642962	. BRUSH HOLDER ASSY	.	.	.	.	.	.	.	1	1
- 14	642972	. SPRING,BRUSH.	.	.	.	.	.	.	.	2	1
- 15	642973-1	. BRUSH ASSY.	.	.	.	.	.	.	.	1	1
- 16	642973-2	. BRUSH ASSY.	.	.	.	.	.	.	.	1	1
- 17	642971	. SPACER,BRUSH HOLDER	.	.	.	.	.	.	.	1	1
- 18	642986	. SCREW,#8-32X5/16 INCH LONG.	.	.	.	.	.	.	.	1	1
- 19	642455	. SCREW,#8-32X3/8 INCH LONG	.	.	.	.	.	.	.	1	1
- 20	642976	. TERMINAL ASSY,AUX	.	.	.	.	.	.	.	1	1
- 21	642985	. BRACKET,CAPACITOR	.	.	.	.	.	.	.	1	1
- 22	642984	. CAPACITOR	.	.	.	.	.	.	.	1	1
- 23	642617-2	. STUD,POSITIVE TERMINAL.	.	.	.	.	.	.	.	1	1
- 24	642617	. STUD,NEGATIVE TERMINAL.	.	.	.	.	.	.	.	1	1
- 25	642975	. SCREW,#8-32X1-1/4 INCH LONG	.	.	.	.	.	.	.	3	1
- 26	642979	. NUT,HEX	.	.	.	.	.	.	.	3	1
- 27	643018	. WASHER.	.	.	.	.	.	.	.	3	1
- 28	MS35333-106	. WASHER,LOCK	.	.	.	.	.	.	.	3	1
- 29	642441	. INSULATOR,BATTERY TERMINAL.	.	.	.	.	.	.	.	1	1
- 30	520014	. WASHER,PLAIN.	.	.	.	.	.	.	.	1	1
- 31	642439-3	. SCREW,#8-32X1.00 INCH LONG.	.	.	.	.	.	.	.	1	1
- 32	642978	. RECTIFIER ASSY.	.	.	.	.	.	.	.	1	1
- 33	642958	. HOUSING,SLIP RING END	.	.	.	.	.	.	.	1	1
- 34	AN960-10	. WASHER,PLAIN.	.	.	.	.	.	.	.	4	1
- 35	AN500A10-32	. SCREW	.	.	.	.	.	.	.	4	1
- 36	642448	. INSULATOR,AUX TERMINAL.	.	.	.	.	.	.	.	1	1
- 37	642448-1	. INSULATOR,FIELD TERMINAL.	.	.	.	.	.	.	.	2	1
- 38	642443	. INSULATOR,INTERNAL.	.	.	.	.	.	.	.	3	1
- 39	642452	. NUT,1/4-28.	.	.	.	.	.	.	.	4	1
- 40	642451	. NUT	.	.	.	.	.	.	.	6	1
- 41	642438	. BEARING,NEEDLE.	.	.	.	.	.	.	.	1	1
- 42	646655	HUB,DRIVEN GEAR	.	.	.	.	.	.	.	1	1
- 43	630691	WASHER.	.	.	.	.	.	.	.	1	1

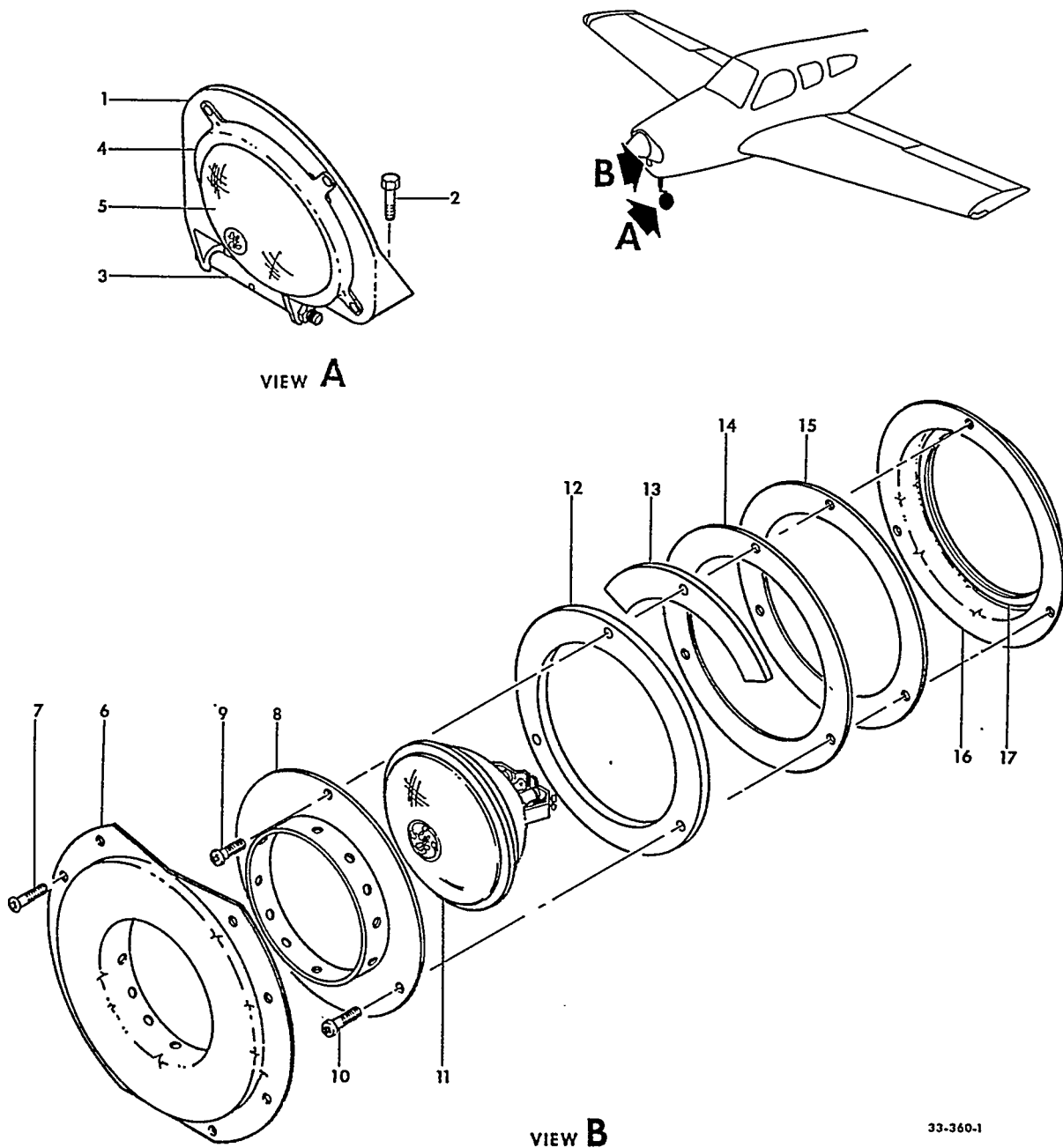
C O D E S O F E F F E C T I V I T Y

- 1 CE-1026 AND AFTER
- CJ-156 AND AFTER

B E E C H C R A F T  
B O N A N Z A 3 3  
I L L U S T R A T E D P A R T S C A T A L O G

FIGURE 360  
TAXI AND LANDING LIGHT

BEECHCRAFT  
BONANZA 33  
ILLUSTRATED PARTS CATALOG



B E E C H C R A F T  
B O N A N Z A 3 3  
I L L U S T R A T E D P A R T S C A T A L O G

FIG. & ITEM NO.	PART NO.	DESCRIPTION							UNITS PER ASSY	USABLE ON CODE
		1	2	3	4	5	6	7		
360	35-364258	LIGHT INSTL,NOSE GEAR TAXI/14 VOLT/	.	.	.	.	.	.	NP	1
	35-364258-3	LIGHT INSTL,NOSE GEAR TAXI/28 VOLT/	.	.	.	.	.	.	NP	2
- 1	35-364259-1	. BRACKET	.	.	.	.	.	.	1	
		/ATTACHING PARTS/								
- 2	AN3-10/M/	. BOLT.	.	.	.	.	.	.	1	
	AN960-10	. WASHER.	.	.	.	.	.	.	AR	
	MS20364-1032	. NUT	.	.	.	.	.	.	1	
- 3	35-825200	. PIN,UPPER NOSE WHEEL TORQUE	.	.	.	.	.	.	1	
	MS20365-428	. NUT	.	.	.	.	.	.	2	
		*-----*								
- 4	96-364012-5	. CLAMP	.	.	.	.	.	.	1	
		/ATTACHING PARTS/								
	AN515-8R6	. SCREW	.	.	.	.	.	.	4	
	MS20364-832	. NUT	.	.	.	.	.	.	4	
		*-----*								
- 5	4313	. BULB,TAXI LIGHT/14 VOLT/	.	.	.	.	.	.	1	1
	4596	. BULB,TAXI LIGHT/28 VOLT/	.	.	.	.	.	.	1	2
	36-364022-1	. PLATE,TOW INSTRUCTION	.	.	.	.	.	.	1	
	002-410000-67	COVER ASSY,LANDING LIGHT/14 VOLT/	.	.	.	.	.	.	1	1
	002-410000-165	COVER ASSY,LANDING LIGHT/28 VOLT/	.	.	.	.	.	.	1	2
- 6	002-410000-69	. COVER	.	.	.	.	.	.	1	
		/ATTACHING PARTS/								
- 7	NAS387-632	. SCREW	.	.	.	.	.	.	8	
		*-----*								
- 8	002-410000-71	. COVER	.	.	.	.	.	.	1	
		/ATTACHING PARTS/								
- 9	MS35206-248	. SCREW	.	.	.	.	.	.	1	
- 10	MS35206-246	. SCREW	.	.	.	.	.	.	2	
		*-----*								
- 11	4313	. LAMP,LANDING LIGHT/14 VOLT/	.	.	.	.	.	.	1	1
	4596	. LAMP,LANDING LIGHT/28 VOLT/	.	.	.	.	.	.	1	2
	002-410000-127	. RETAINER ASSY	.	.	.	.	.	.	1	
- 12	002-410000-133	. SEAL	.	.	.	.	.	.	1	
- 13	002-410000-135	. SPACER	.	.	.	.	.	.	1	
- 14	002-410000-131	. RING	.	.	.	.	.	.	1	
- 15	002-410000-129	. SEAL	.	.	.	.	.	.	1	
	002-410000-147	. RETAINER ASSY	.	.	.	.	.	.	1	
- 16	002-410000-143	. RETAINER	.	.	.	.	.	.	1	
- 17	002-410000-145	. SEAL	.	.	.	.	.	.	1	

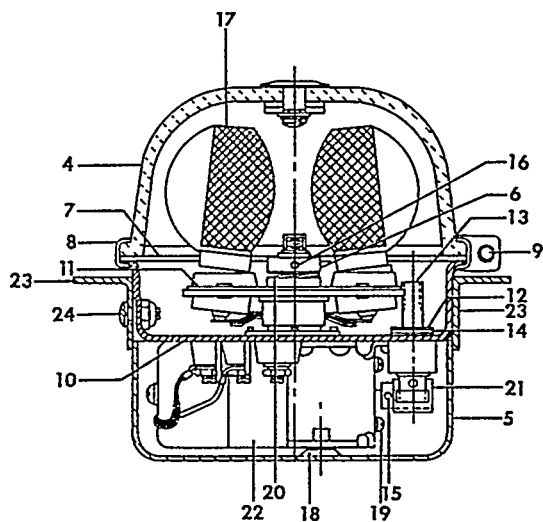
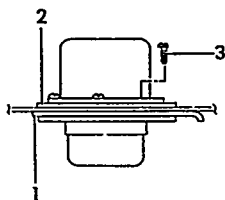
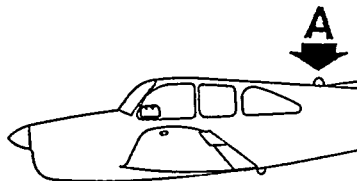
C O D E S O F E F F E C T I V I T Y

1 CD-1235 THRU CD-1304 2 CE-748,  
CE-290 THRU CE-771, CE-772 AND AFTER  
EXCEPT CE-748 CJ-149 AND AFTER  
CJ-26 THRU CJ-148

B E E C H C R A F T  
B O N A N Z A 3 3  
I L L U S T R A T E D P A R T S C A T A L O G

FIGURE 361  
ROTATING BEACON/14 VOLT SYSTEM/  
CD-1235 THRU CD-1304  
CE-290 THRU CE-771, EXCEPT CE-748  
CJ-26 THRU CJ-148

BEECHCRAFT  
BONANZA 33  
ILLUSTRATED PARTS CATALOG



VIEW A

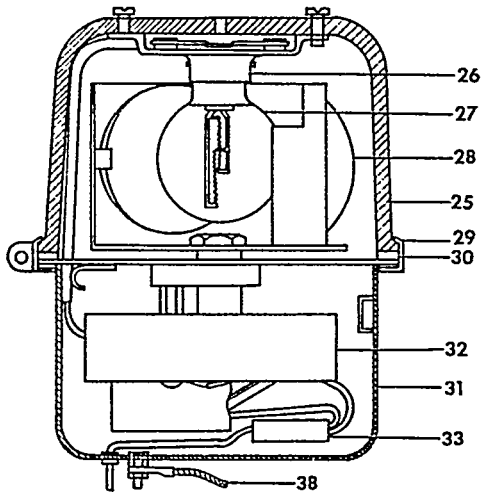
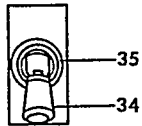
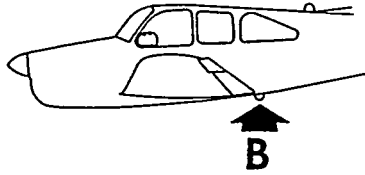
33-361-1

B E E C H C R A F T  
B O N A N Z A 3 3  
I L L U S T R A T E D P A R T S C A T A L O G

FIG. & ITEM NO.	PART NO.	DESCRIPTION	UNITS PER ASSY	USABLE ON CODE
		1 2 3 4 5 6 7		
361	35-364161-1	BEACON INSTL,UPPER ROTATING/GRIMES/ . . . . .	NP	1
	35-364161-3	BEACON INSTL,UPPER ROTATING/WHELEN/ . . . . .	NP	1
	35-364161-5	BEACON INSTL,DUAL ROTATING/GRIMES/ . . . . .	NP	1
	35-364161-17	BEACON INSTL,DUAL ROTATING/GRIMES/ . . . . . /USE -17 INSTL WITH AIR CONDITIONING/	NP	2
	35-364161-7	BEACON INSTL,DUAL ROTATING/WHELEN/ . . . . .	NP	1
- 1	95-364013-1	. DOUBLER,UPPER BEACON . . . . .	1	1
	95-364027-21	. DOUBLER,LOWER BEACON . . . . .	1	1
	36-360011-23	. FLANGE,LOWER ROTATING BEACON MOUNTING . . . . .	1	2
- 2	95-364027-31	. SEAL,BEACON /UPPER & LOWER/ . . . . .	1	1
	D7080A1-12	. BEACON ASSY,UPPER /CLOCKWISE ROTATING/ . . . . . /USED ON -1,-5 & -17 INSTALLATIONS/	1	1
	D7080A6-12	. BEACON ASSY,LOWER/COUNTER CLOCKWISE ROTATING/ /USED ON -5 & -17 INSTALLATIONS/ /ATTACHING PARTS/	1	1
- 3	AN515-6R7	. SCREW,UPPER BEACON . . . . .	5	1
	AN515-6R8	. SCREW,LOWER BEACON . . . . .	5	1
	AN366F632	. NUTPLATE,BEACON /UPPER & LOWER/ . . . . .	3	1
	NAS696A06	. NUTPLATE,BEACON /UPPER & LOWER/ . . . . .	2	1
		*-----*		
- 4	A7942	. LENS & PLUG ASSY . . . . .	1	1
- 5	A8107-1	. COVER ASSY . . . . .	1	1
- 6	A7631	. COLLAR . . . . .	1	1
- 7	A7632	. GASKET . . . . .	1	1
- 8	A7635A	. BAND ASSY,RETAINER . . . . . /ATTACHING PARTS/	1	1
- 9	A7634	. SCREW . . . . .	1	1
		*-----*		
- 10	B7605A	. PLATE,MECHANISM . . . . .	1	1
- 11	B7620A	. GEAR ASSY . . . . .	1	1
- 12	5555-25	. RING,GRIP . . . . .	1	1
- 13	A7615	. WORM,WHEEL & PINION . . . . .	1	1
- 14	A7613	. WASHER,THRUST . . . . .	1	1
- 15	AN565D4H2	. SCREW,SET . . . . .	2	1
- 16	AN565B6H2	. SCREW,SET . . . . .	2	1
- 17	A7079B12	. BULB,ROTATING BEACON REFLECTOR . . . . .	2	1
- 18	MS35223-28	. SCREW . . . . .	1	1
- 19	AN515-4-4	. SCREW . . . . .	4	1
	AN935-4	. WASHER,LOCK . . . . .	4	1
- 20	167B1	. WASHER . . . . .	1	1
- 21	21067-12	. GEAR,WORM . . . . .	1	1
- 22	41-0190	. MOTOR ASSY,UPPER ROTATING BEACON . . . . .	1	1
	41-0190-3	. MOTOR ASSY,LOWER ROTATING BEACON . . . . .	1	1
- 23	B7640-1	. FLANGE,MOUNTING UPPER ROTATING BEACON . . . . . /ATTACHING PARTS/	1	1
- 24	MS35223-28	. SCREW . . . . .	3	1
		*-----*		



BEECHCRAFT  
BONANZA 33  
ILLUSTRATED PARTS CATALOG



VIEW B

33-361-2

B E E C H C R A F T  
B O N A N Z A 3 3  
I L L U S T R A T E D P A R T S C A T A L O G

FIG. & ITEM NO.	PART NO.	DESCRIPTION							UNITS PER ASSY	USABLE ON CODE	
		1	2	3	4	5	6	7			
361	33-380003-1	.	.	.	.	.	.	.	1	1	
		BEACON ASSY,UPPER /CLOCKWISE ROTATING/ . . . .									
		/USED ON 35-364161-3 & -7 INSTL/									
	33-380003-3	.	.	.	.	.	.	.	1	1	
		BEACON ASSY,LOWER/COUNTER CLOCKWISE ROTATING/									
		/USED ON 35-364161-7 INSTL/									
		/ATTACHING PARTS/									
		AN515-6R8	.	.	.	.	.	.	.	5	1
		AN515-6R8	.	.	.	.	.	.	.	5	1
		AN366F632	.	.	.	.	.	.	.	5	1
	-----*										
- 25	WRM10	.	.	.	.	.	.	.	1	1	
- 26	WRM15	.	.	.	.	.	.	.	1	1	
- 27	WRM44	.	.	.	.	.	.	.	1	1	
- 28	WRM20	.	.	.	.	.	.	.	1	1	
- 29	WRM25	.	.	.	.	.	.	.	1	1	
- 30	WRM30	.	.	.	.	.	.	.	1	1	
- 31	WRM35	.	.	.	.	.	.	.	1	1	
- 32	WRM39	.	.	.	.	.	.	.	1	1	
- 33	WRM50	.	.	.	.	.	.	.	1	1	
	WRM65	.	.	.	.	.	.	.	1	1	
- 34	CB3115A	.	.	.	.	.	.	.	1	1	
	/ATTACHING PARTS/										
- 35	6050C	.	.	.	.	.	.	.	1	1	
	100951X031XB	.	.	.	.	.	.	.	1	1	
	-----*										
- 36	49245	.	.	.	.	.	.	.	3	1	
	49249	.	.	.	.	.	.	.	3	1	
- 37	130608-00100	.	.	.	.	.	.	.	1	1	
- 38	L46-18	.	.	.	.	.	.	.	AR	1	
	/ATTACHING PARTS/										
	AN515-6R6	.	.	.	.	.	.	.	1	1	
	AN960-6R6	.	.	.	.	.	.	.	1	1	
	MS20365-632	.	.	.	.	.	.	.	1	1	
	-----*										

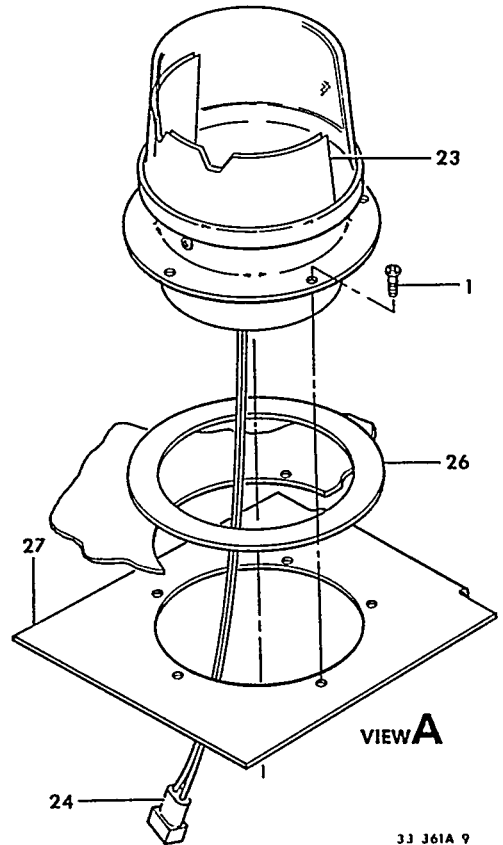
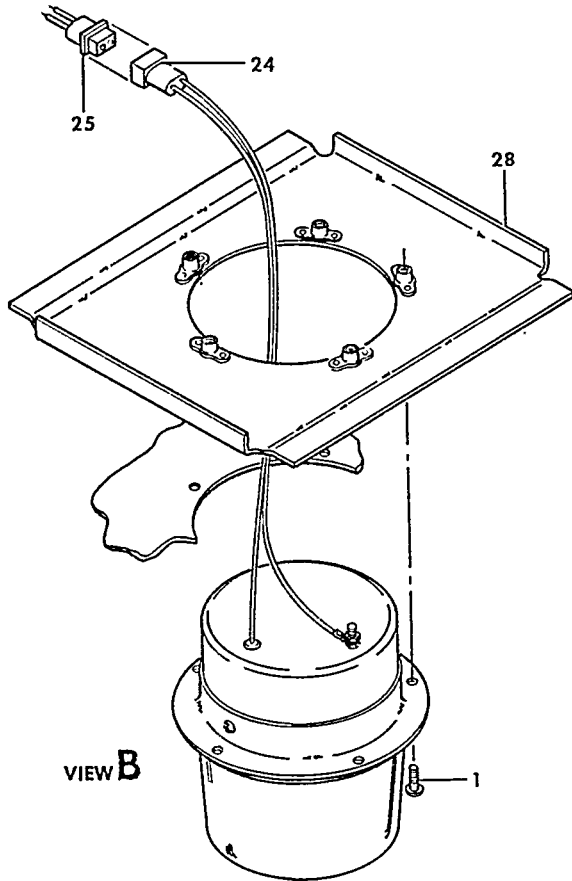
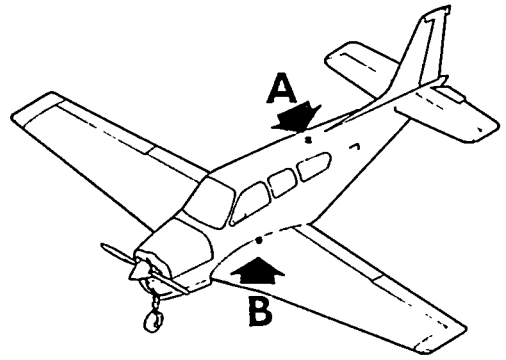
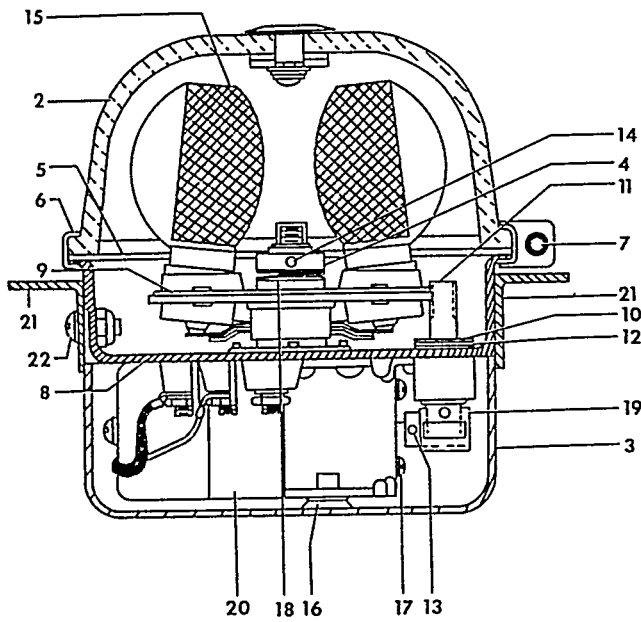
C O D E S O F E F F E C T I V I T Y

1 CD-1235 THRU CD-1304 2 CE-602 THRU CE-771,  
CE-290 THRU CE-771, EXCEPT CE-748  
EXCEPT CE-748  
CJ-26 THRU CJ-148

B E E C H C R A F T  
B O N A N Z A 3 3  
I L L U S T R A T E D P A R T S C A T A L O G

FIGURE 361A  
ROTATING BEACON/28 VOLT/  
CE-748,CE-772 THRU CE-1349,CE-1351  
CJ-149 THRU CJ-179

BEECHCRAFT  
 BONANZA 33  
 ILLUSTRATED PARTS CATALOG

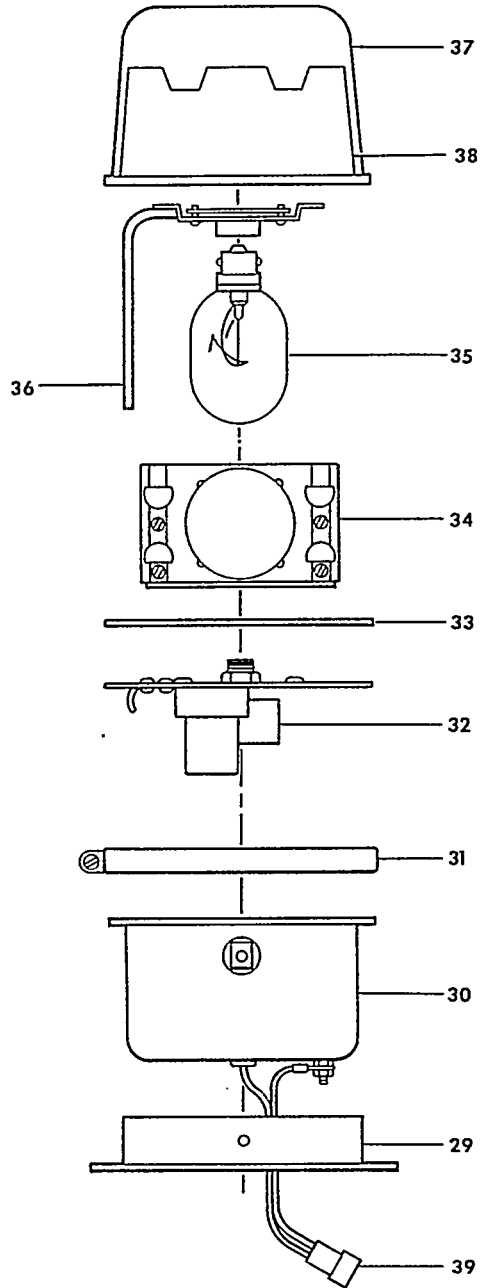
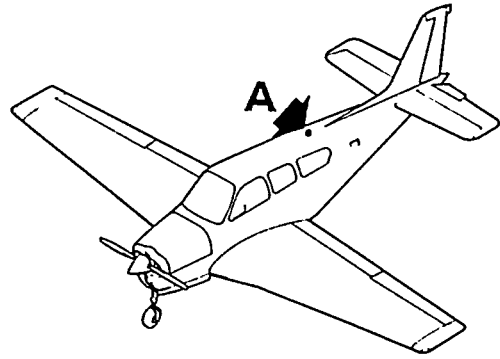


33 J61A 9

B E E C H C R A F T  
B O N A N Z A 3 3  
I L L U S T R A T E D P A R T S C A T A L O G

FIG. & ITEM NO.	PART NO.	DESCRIPTION							UNITS PER ASSY	USABLE ON CODE	
		1	2	3	4	5	6	7			
361A	36-364030-5	BEACON INSTL,ROTATING/UPPER/	.	.	.	.	.	.	NP	1	
	36-364030-39	BEACON INSTL,ROTATING/UPPER/	.	.	.	.	.	.	NP	2	
	36-364030-43	BEACON INSTL,ROTATING/UPPER/	.	.	.	.	.	.	NP	3	
	36-364030-7	BEACON INSTL,ROTATING/LOWER/	.	.	.	.	.	.	NP	4	
	36-364030-45	BEACON INSTL,ROTATING/LOWER/	.	.	.	.	.	.	NP	5	
	36-364030-37	BEACON INSTL,ROTATING/LOWER/WITH AIR COND/	.	.	.	.	.	.	NP	6	
	36-364030-15	. LIGHT ASSY,UPPER.	.	.	.	.	.	.	1	4	
	36-364030-11	. LIGHT ASSY,LOWER/WITH & WITHOUT AIR COND/	.	.	.	.	.	.	1	7	
	36-364030-41	. LIGHT ASSY,LOWER/WITH & WITHOUT AIR COND/	.	.	.	.	.	.	1	8	
			/ATTACHING PARTS/								
	- 1	MS35206-229	. SCREW/UPPER & LOWER BEACON/	.	.	.	.	.	.	5	
		MS35206-230	. SCREW/WITH AIR COND/LOWER BEACON/	.	.	.	.	.	.	5	
		AN960-6L	. WASHER/WITH AIR COND/LOWER BEACON/	.	.	.	.	.	.	5	
			*-----*								
		D7080A1-24	. . ROTATING ANTI-COLLISION LIGHT/UPPER/	.	.	.	.	.	.	1	4
		D7080A5-24	. . ROTATING ANTI-COLLISION LIGHT/LOWER/	.	.	.	.	.	.	1	4
	- 2	A7942	. . LENS & PLUG ASSY.	.	.	.	.	.	.	1	4
	- 3	A8107-1	. . COVER ASSY.	.	.	.	.	.	.	1	4
	- 4	A7631	. . COLLAR.	.	.	.	.	.	.	1	4
	- 5	A7632	. . GASKET.	.	.	.	.	.	.	1	4
	- 6	A7635A	. . BAND ASSY,LENS RETAINER	.	.	.	.	.	.	1	4
	- 7	A7634	. . SCREW,RETAINER BAND	.	.	.	.	.	.	1	4
	- 8	B7605A	. . PLATE,MECHANISM	.	.	.	.	.	.	1	4
- 9	B7620A	. . GEAR ASSY	.	.	.	.	.	.	1	4	
- 10	5555-25	. . RING,GRIP	.	.	.	.	.	.	1	4	
- 11	A7615	. . WORM,WHEEL AND PINION	.	.	.	.	.	.	1	4	
- 12	A7614	. . WASHER,THRUST	.	.	.	.	.	.	1	4	
- 13	AN565D4H2	. . SCREW,SET	.	.	.	.	.	.	2	4	
- 14	AN565B6H2	. . SCREW,SET	.	.	.	.	.	.	2	4	
- 15	A7079B24	. . BULB,ROTATING BEACON REFLECTOR.	.	.	.	.	.	.	2	4	
- 16	MS35223-28	. . SCREW	.	.	.	.	.	.	2	4	
- 17	AN515-4-4	. . SCREW	.	.	.	.	.	.	2	4	
	AN935-4	. . WASHER,LOCK	.	.	.	.	.	.	2	4	
- 18	16781	. . WASHER.	.	.	.	.	.	.	1	4	
- 19	A7613-1	. . WORM GEAR	.	.	.	.	.	.	1	4	
- 20	41-0190-1	. . MOTOR ASSY,UPPER BEACON	.	.	.	.	.	.	1	4	
	41-0190-3	. . MOTOR ASSY,LOWER BEACON	.	.	.	.	.	.	1	4	
- 21	B7640-1	. . FLANGE,MOUNTING LOWER BEACON.	.	.	.	.	.	.	1	4	
- 22	MS35223-28	. . SCREW	.	.	.	.	.	.	3	4	
- 23	36-364030-31	. . PATTERN,SCOTCHCAL/UPPER BEACON/	.	.	.	.	.	.	1	4	
- 24	1-480319-0	. . CONNECTOR	.	.	.	.	.	.	1	4	
	1-480350-0	. . CONNECTOR	.	.	.	.	.	.	1	7	
- 25	1-480318-0	. . CONNECTOR	.	.	.	.	.	.	1	4	
	60618-1	. . PIN	.	.	.	.	.	.	1	4	
	60617-1	. . SOCKET.	.	.	.	.	.	.	2	4	
- 26	36-364030-25	. SEAL,UPPER BEACON	.	.	.	.	.	.	1	11	
- 27	36-364030-21	. DOUBLER ASSY,UPPER BEACON	.	.	.	.	.	.	1	12	
	36-364030-27	. DOUBLER	.	.	.	.	.	.	1	12	
	MS21047-06	. NUTPLATE.	.	.	.	.	.	.	3	12	
	NAS696A06	. NUTPLATE.	.	.	.	.	.	.	2	12	
- 28	36-364030-23	. DOUBLER,LOWER BEACON.	.	.	.	.	.	.	1	13	
	36-364030-29	. DOUBLER	.	.	.	.	.	.	1	13	
	MS21047-06	. NUTPLATE.	.	.	.	.	.	.	1	13	
	36-555010-15	. BRACKET ASSY,LOWER BEACON/WITH AIR COND/	.	.	.	.	.	.	1	10	
	MS21069L06K	. NUTPLATE/WITH AIR COND/	.	.	.	.	.	.	5	9	
	MS21069L06K	. NUTPLATE/WITH AIR COND/	.	.	.	.	.	.	4	10	
	36-364030-35	. FLANGE,MOUNTING/WITH AIR COND/	.	.	.	.	.	.	1	9	

BEECHCRAFT  
BONANZA 33  
ILLUSTRATED PARTS CATALOG



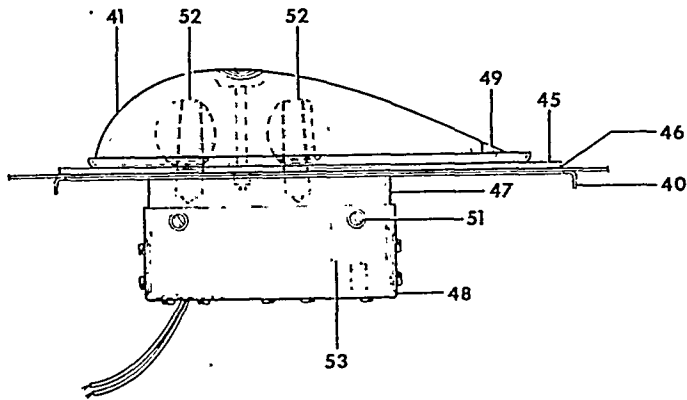
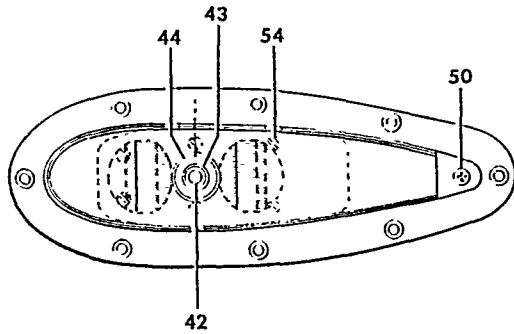
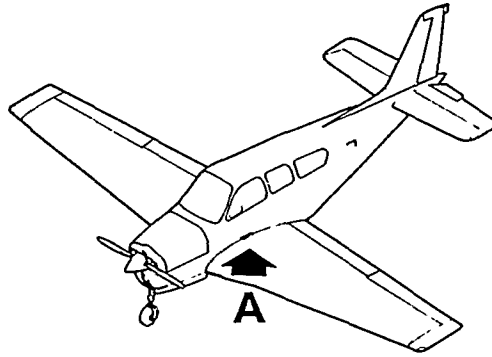
VIEW A

33-361A-10

B E E C H C R A F T  
B O N A N Z A 3 3  
I L L U S T R A T E D P A R T S C A T A L O G

FIG. & ITEM NO.	PART NO.	DESCRIPTION	UNITS PER ASSY	USABLE ON CODE
		1 2 3 4 5 6 7		
361A	36-364036-3	• BEACON ASSY,UPPER . . . . .	1	3
	36-364036-7	• BEACON ASSY,LOWER/WITH & WITHOUT AIR COND/. . . . .	1	5
	36-364036-7	• BEACON ASSY,LOWER/WITH AIR COND/. . . . .	1	14
NOTE 36-364030-15 MAY BE USED AS ALTERNATE FOR 36-364036-3. 36-364030-41 MAY BE USED AS ALTERNATE FOR 36-364036-7. 36-364030-41 MUST BE USED IN CONJUNCTION WITH 36-364030-15.				
/ATTACHING PARTS/				
	MS35206-229	• SCREW . . . . .	5	
	MS35206-230	• SCREW,LWR BEACON/WITH AIR COND/ . . . . .	5	
	AN960-6L	• WASHER,LWR BEACON/WITH AIR COND/. . . . .	5	
	WRML24CH	• • BEACON,UPPER. . . . .	1	3
	WRML24CCW	• • BEACON,LOWER. . . . .	1	3
- 29	WRM65	• • ADAPTOR RING,LOWER BEACON . . . . .	1	3
/ATTACHING PARTS/				
	MS35206-230	• • SCREW . . . . .	3	
- 30	WRM35	• • • BOTTOM COVER ASSY . . . . .	1	3
- 31	WRM25	• • • CLAMP RING. . . . .	1	3
- 32	WRM40	• • • DC MOTOR,24 VOLT. . . . .	1	3
- 33	WRM30	• • • GASKET. . . . .	1	3
- 34	WRM20L	• • • LENS ASSY . . . . .	1	3
- 35	WRM1939	• • • BULB,24 VOLT DC . . . . .	1	3
- 36	WRM15	• • • SOCKET ASSY . . . . .	1	3
- 37	WRM10	• • • DOME,LEXAN/ORDER 36-364036-11 OR -15/ . . . . .	1	3
- 38	36-364036-19	• • MASK,UPPER BEACON . . . . .	1	3
	36-364036-11	• • DOME ASSY,UPPER BEACON/DOME & MASK/ . . . . .	1	3
	36-364036-15	• • DOME. . . . .	1	3
	36-364036-19	• • MASK. . . . .	1	3
	36-364036-15	• • DOME,LWR BEACON . . . . .	1	3
- 39	1-480319-0	• • CONNECTOR,UPPER & LWR BEACON. . . . .	1	3
	60618-1	• • PIN,UPPER & LWR BEACON. . . . .	2	3
	35-380132-43	• CIRCUIT BREAKER/BEACON/ . . . . .	1	11
	MS35206-228	• SCREW/GROUND WIRE/. . . . .	1	11
	AN960-6	• WASHER/GROUND WIRE/ . . . . .	1	11
	MS20365-632	• NUT/GROUND WIRE/. . . . .	1	11

BEECHCRAFT  
BONANZA 33  
ILLUSTRATED PARTS CATALOG



VIEW A

33-361A-11



B E E C H C R A F T  
B O N A N Z A 3 3  
I L L U S T R A T E D P A R T S C A T A L O G

FIG. & ITEM NO.	PART NO.	1 2 3 4 5 6 7	DESCRIPTION	UNITS PER ASSY	USABLE ON CODE
361A	96-364078-9		BEACON INSTL,ROTATING/LOWER/	NP	14
- 40	96-364078-1		. REINFORCEMENT ASSY.	1	14
	96-364078-3		. . REINFORCEMENT	1	14
	AN366F1032		. . NUTPLATE.	1	14
	102-364031-9		. LIGHT ASSY.	1	14
			/ATTACHING PARTS/		
	AN509-10R8		. SCREW	8	14
			-----X-----		
	40-0100-3C		. . LIGHT ASSY.	1	14
- 41	R D9961-12		. . COVER ASSY.	1	14
- 42	AN565D6H4		. . SET SCREW	1	14
- 43	13731-3		. . SCREW	1	14
- 44	13737		. . WASHER.	1	14
- 45	34300-9		. . MOUNTING PLATE ASSY	1	14
- 46	36112		. . MOUNTING PLATE GASKET	1	14
- 47	33793-11		. . COVER	1	14
- 48	41-0832-9		. . MECHANISM ASSY.	1	14
- 49	12613-1		. . CLIP,LENS RETAINER.	1	14
- 50	LP507-10-32		. . LONG-LOC.	1	14
- 51	6-32 X 5/16		. . SCREW	4	14
- 52	A7079B24		. . LAMP.	2	14
- 53	55-0069-1		. . MOTOR	1	14
- 54	MS35223-28		. . SCREW	6	14

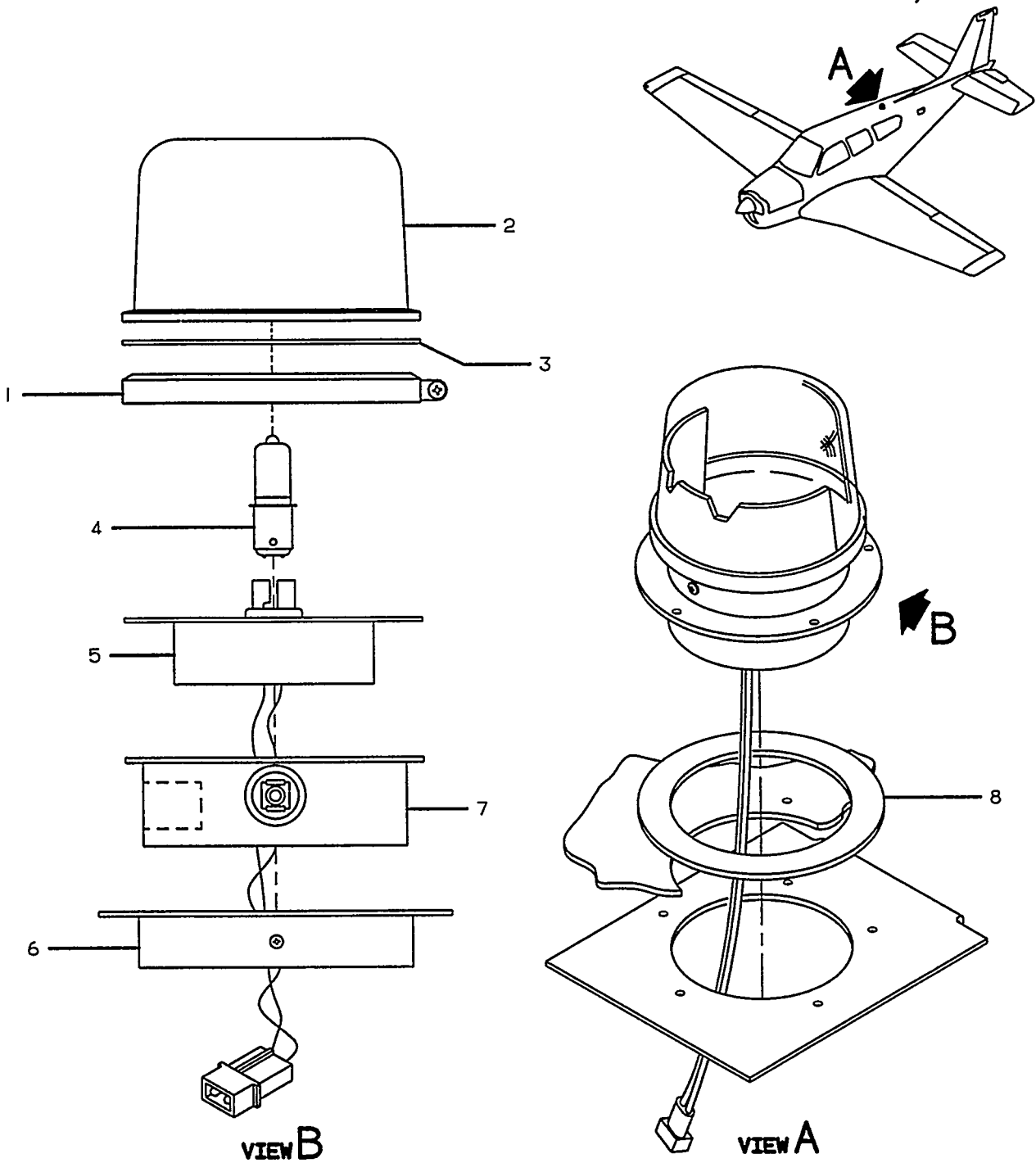
C O D E S O F E F F E C T I V I T Y

1	CE-748, CE-772 THRU CE-918, CE-920 THRU CE-922, CE-924,CE-926, CE-928 ONLY CJ-149 THRU CJ-155	2	CE-919,CE-923, CE-925,CE-927, CE-929 THRU CE-973
3	CE-974 THRU CE-1349 CE-1351 CJ-156 THRU CJ-179	4	CE-748, CE-772 THRU CE-973 CJ-149 THRU CJ-155
5	CE-974 THRU CE-1013 CJ-156 THRU CJ-179	6	CE-748, CE-772 THRU CE-1349 CE-1351
7	CE-748, CE-772 THRU CE-871 CJ-149 AND CJ-150	8	CE-872 THRU CE-973 CJ-151 THRU CJ-155
9	CE-872 THRU CE-973	10	CE-872 THRU CE-1349 CE-1351
11	CE-748, CE-772 THRU CE-1349 CE-1351 CJ-149 THRU CJ-179	12	CE-919,CE-923, CE-925,CE-927, CE-929 THRU CE-1349 CE-1351 CJ-156 THRU CJ-179
13	CE-748, CE-772 THRU CE-1013 CJ-149 THRU CJ-179	14	CE-1014 THRU CE-1349 CE-1351

BEECHCRAFT  
BONANZA 33  
ILLUSTRATED PARTS CATALOG

FIGURE 361B  
UPPER BEACON  
CE-1350, CE-1352 AND AFTER  
CJ-180 AND AFTER

BEECHCRAFT  
BONANZA 33  
ILLUSTRATED PARTS CATALOG



C94CE33A2027 C

B E E C H C R A F T  
B O N A N Z A 3 3  
I L L U S T R A T E D P A R T S C A T A L O G

FIG. & ITEM NO.	PART NO.	DESCRIPTION	UNITS PER ASSY	USABLE ON CODE
361B	R 36-364030-57	BEACON INSTL/UPPER/ . . . . .	NP	1
	R 01-0790081-01	. BEACON ASSY . . . . .	1	1
	R MS35206-229	. SCREW . . . . .	5	
		-----*-----		
	R 14-0050503-31	. . SCREW/CLAMP RING/ . . . . .	1	1
- 1	R 19-250094-000	. . CLAMP RING. . . . .	1	1
- 2	R 02-0370360-01	. . DOME ASSY . . . . .	1	1
- 3	R 38-0230109-00	. . GASKET. . . . .	1	1
- 4	R 34-0226010-91	. . LAMP. . . . .	1	1
- 5	R 02-0370361-00	. . ELECTRONIC PACKAGE. . . . .	1	1
- 6	R 19-130074-009	. . ADAPTER RING. . . . .	1	1
		/ATTACHING PARTS/		
	R 14-0050503-26	. . SCREW . . . . .	3	
	R 13-062621-054	. . NUT,CAGE. . . . .	3	
		-----*-----		
- 7	R 11-350336-000	. . HOUSING . . . . .	1	1
- 8	R 36-364030-25	. SEAL. . . . .	1	1
	R 35-380132-43	. CIRCUIT BREAKER . . . . .	1	1

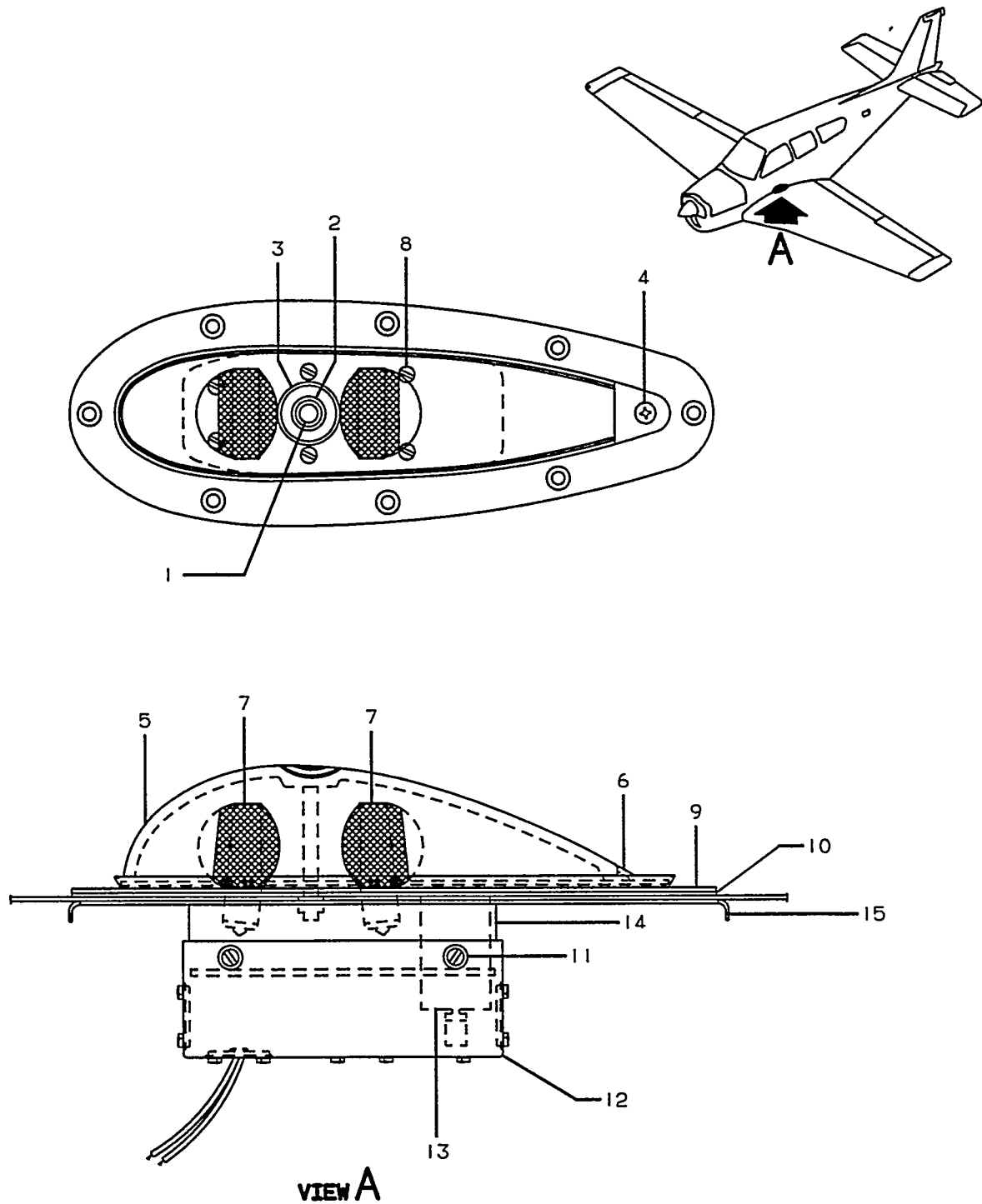
C O D E S O F E F F E C T I V I T Y

- 1 CE-1350,
- CE-1352 AND AFTER
- CJ-180 AND AFTER

BEECHCRAFT  
BONANZA 33  
ILLUSTRATED PARTS CATALOG

FIGURE 361C  
LOWER BEACON  
CE-1350, CE-1352 AND AFTER  
CJ-180 AND AFTER

BEECHCRAFT  
BONANZA 33  
ILLUSTRATED PARTS CATALOG

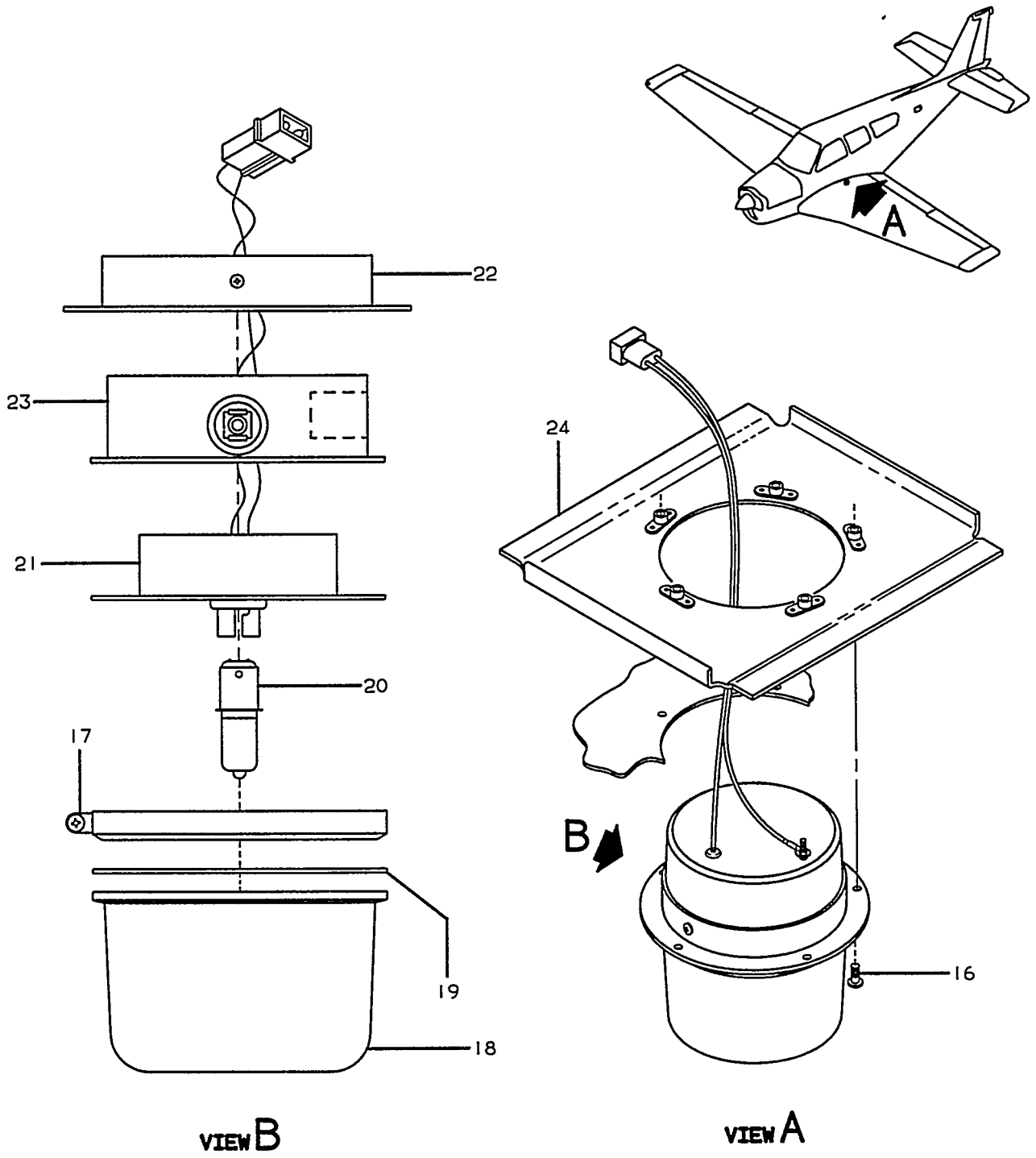


C94CE33A2028 1 c

B E E C H C R A F T  
B O N A N Z A 3 3  
I L L U S T R A T E D P A R T S C A T A L O G

FIG. & ITEM NO.	PART NO.	DESCRIPTION							UNITS PER ASSY	USABLE ON CODE	
		1	2	3	4	5	6	7			
361C	R 96-364078-9	BEACON INSTL./LOWER/WITHOUT AIR COND/ . . . . .							NP	1	
	R 102-364031-9	. LIGHT ASSY. . . . .							1	1	
		/ATTACHING PARTS/									
	R AN509-10R8	. SCREW . . . . .							8		
		-----*									
		R 40-0100-3C	. . . LIGHT ASSY. . . . .							1	1
	- 1	R AN565D6H4	. . . SCREW,SET . . . . .							1	1
	- 2	R 13731-3	. . . SCREW . . . . .							1	1
	- 3	R 13737	. . . WASHER. . . . .							1	1
	- 4	R LP507-10-32	. . . LONG-LOC. . . . .							1	1
	- 5	R D9961-12	. . . COVER ASSY. . . . .							1	1
	- 6	R 12613-1	. . . CLIP,LENS RETAINER. . . . .							1	1
	- 7	R A7079B24	. . . LAMP. . . . .							2	1
	- 8	R MS35223-28	. . . SCREW . . . . .							6	1
	- 9	R 34300-9	. . . PLATE ASSY,MOUNTING . . . . .							1	1
- 10	R 36112	. . . GASKET. . . . .							1	1	
- 11	R 6-32 X 5/16	. . . SCREW . . . . .							4	1	
- 12	R 41-0832-9	. . . MECHANISM ASSY. . . . .							1	1	
- 13	R 55-0069-1	. . . . MOTOR . . . . .							1	1	
- 14	R 33793-11	. . . COVER . . . . .							1	1	
- 15	R 96-364078-1	. REINFORCEMENT ASSY. . . . .							1	1	
	R AN366F1032	. . . NUTPLATE. . . . .							8		

BEECHCRAFT  
BONANZA 33  
ILLUSTRATED PARTS CATALOG



C94CE33A2029 C



B E E C H C R A F T  
B O N A N Z A 3 3  
I L L U S T R A T E D P A R T S C A T A L O G

FIG. & ITEM NO.	PART NO.	DESCRIPTION	1 2 3 4 5 6 7							UNITS PER ASSY	USABLE ON CODE
			1	2	3	4	5	6	7		
361C	R 36-364030-59	BEACON INSTL/LOWER/ . . . . .							NP	2	
	R 36-364030-55	BEACON INSTL/LOWER/WITH AIR COND/ . . . . .							NP	1	
	R 01-0790081-02	. BEACON ASSY . . . . . /ATTACHING PARTS/							1	3	
- 16	R MS35206-229	. SCREW . . . . .							5	2	
	R MS35206-230	. SCREW . . . . .							5	1	
	R AN960-6L	. WASHER. . . . .							5	1	
	R MS21069L06K	. NUTPLATE. . . . .							5	1	
		-----*									
	R 14-0050503-31	. . SCREW/CLAMP RING/ . . . . .							1	3	
- 17	R 19-250094-000	. . CLAMP RING. . . . .							1	3	
- 18	R 02-0370360-02	. . DOME ASSY . . . . .							1	3	
- 19	R 38-0230109-00	. . GASKET. . . . .							1	3	
- 20	R 34-0226010-91	. . LAMP. . . . .							1	3	
- 21	R 02-0370361-00	. . ELECTRONIC PACKAGE. . . . .							1	3	
- 22	R 19-130074-009	. . ADAPTER RING. . . . . /ATTACHING PARTS/							1	3	
		. . SCREW . . . . .							3		
	R 13-062621-054	. . NUT,CAGE. . . . .							3		
		-----*									
- 23	R 11-350336-000	. . HOUSING . . . . .							1	3	
- 24	R 36-364030-23	. DOUBLER ASSY. . . . .							1	2	
	R MS21047-06	. . NUTPLATE. . . . .							5	2	
	R 35-380132-43	. CIRCUIT BREAKER . . . . .							1	1	

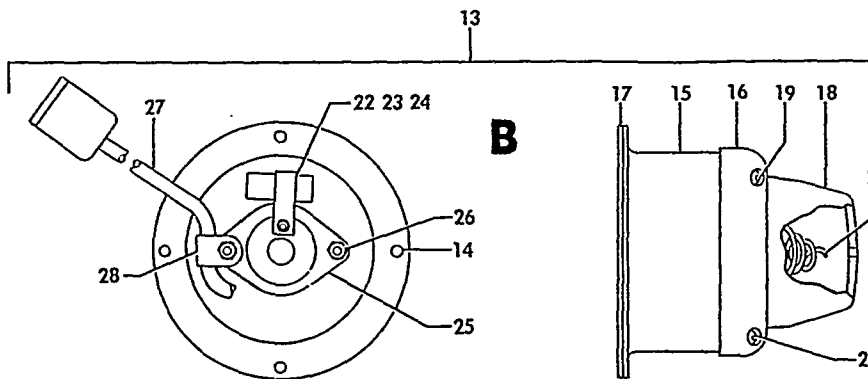
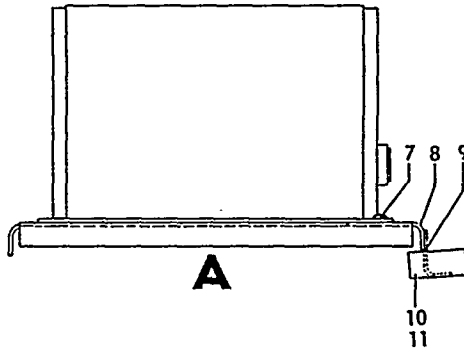
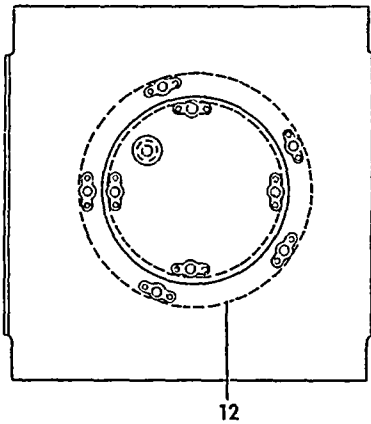
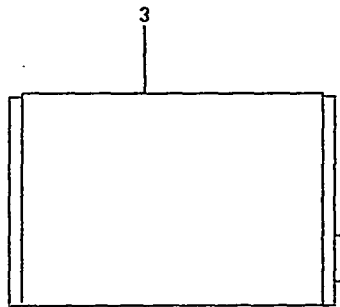
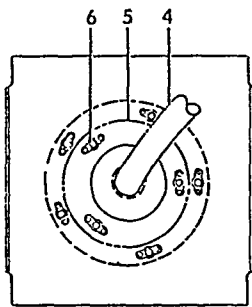
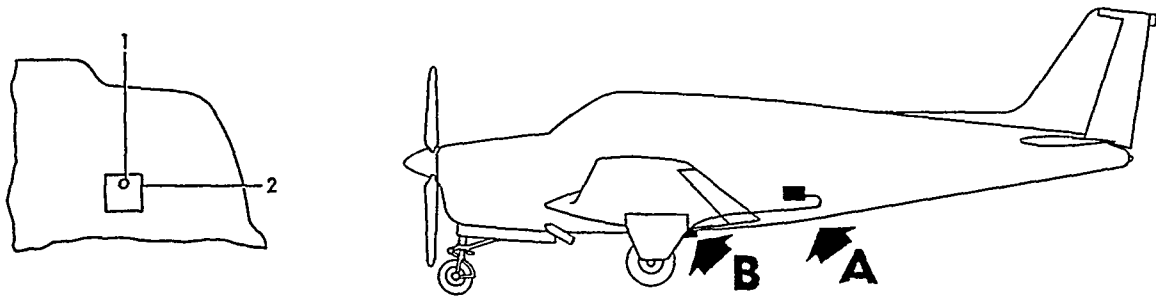
C O D E S O F E F F E C T I V I T Y

- |   |   |   |                  |
|---|---|---|------------------|
| 1 | CE-1350,<br>CE-1352 AND AFTER                     | 2 | CJ-180 AND AFTER |
| 3 | CE-1350,<br>CE-1352 AND AFTER<br>CJ-180 AND AFTER |   |                  |

B E E C H C R A F T  
B O N A N Z A 3 3  
I L L U S T R A T E D P A R T S C A T A L O G

FIGURE 362  
STROBE LIGHT  
CD-1235 THRU CD-1261, CE-290 THRU CE-370

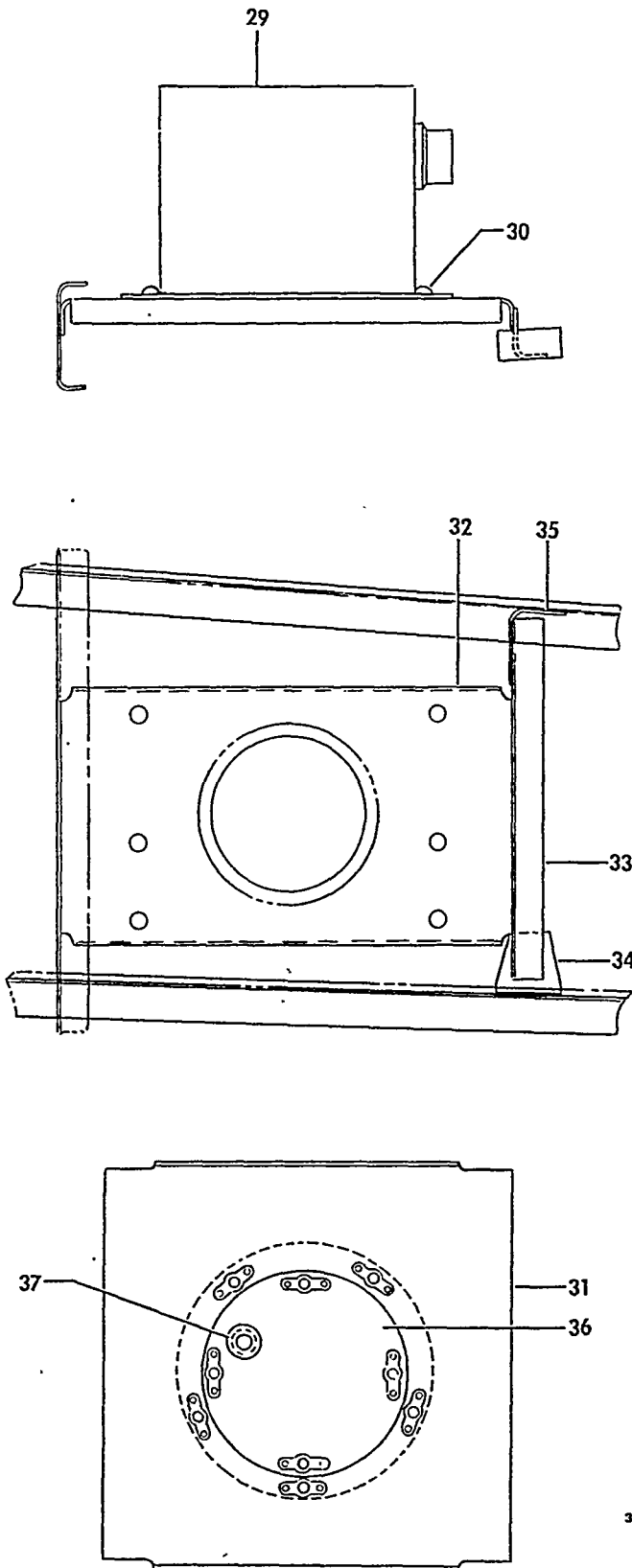
BEECHCRAFT  
 BONANZA 33  
 ILLUSTRATED PARTS CATALOG



B E E C H C R A F T  
B O N A N Z A 3 3  
I L L U S T R A T E D P A R T S C A T A L O G

FIG. & ITEM NO.	PART NO.	DESCRIPTION	UNITS PER ASSY	USABLE ON CODE
		1 2 3 4 5 6 7		
362	33-364020-1	STROBE LIGHT INSTL /HOSKINS/ . . . . .	NP	1
- 1	113-205-102	. SWITCH,CIRCUIT BREAKER. . . . .	1	1
- 2	35-364174-1	. PLACARD . . . . .	1	1
	65-0001-014	. KIT,STROBE LIGHT. . . . .	1	1
- 3	60-0863-1	. POWER SUPPLY. . . . .	1	1
- 4	55-0050H	. WIRE HARNESS. . . . .	1	1
- 5	30-0291-3	. LIGHT ASSY,LOWER STROBE . . . . .	1	1
		/ATTACHING PARTS/		
- 6	AN515-8R10	. SCREW . . . . .	3	
		*-----*		
	30-0291A	. . . BASE ASSY . . . . .	1	1
	30-0291B3	. . . GLASS,CLEAR FILTER. . . . .	1	1
	30-0291C	. . . GASKET. . . . .	1	1
	31-0265-3	. . . FLASHTUBE ASSY. . . . .	1	1
	35-364176-1	. SUPPORT ASSY,POWER SUPPLY . . . . .	1	1
		/ATTACHING PARTS/		
- 7	AN515-8R6	. SCREW . . . . .	4	
		*-----*		
- 8	35-364176-3	. . SUPPORT,POWER SUPPLY. . . . .	1	1
	130007A832BC	. . NUTPLATE. . . . .	4	1
- 9	33-364020-3	. ANGLE,POWER SUPPLY SUPPORT. . . . .	1	1
- 10	33-364020-5	. CLIP. . . . .	1	1
- 11	108424-2	. CLIP,POWER SUPPLY SUPPORT . . . . .	1	1
	35-364173-1	. REINFORCEMENT ASSY,LOWER STROBE LIGHT . . . . .	1	1
- 12	35-364173-3	. . ADAPTER,STROBE LIGHT. . . . .	1	1
	33-364020-7	LIGHT INSTL,STROBE /BULLOCK/. . . . .	NP	2
	35-364175-3	LIGHT INSTL,STROBE /BULLOCK/. . . . .	NP	4
	113-205-102	. SWITCH,CIRCUIT BREAKER. . . . .	1	3
	35-364174-1	. PLACARD,INSTRUCTION . . . . .	1	3
- 13	1425-1M	. LIGHT ASSY,STROBE /BULLOCK/ . . . . .	1	3
		/ATTACHING PARTS/		
- 14	AN515-6R8	. SCREW . . . . .	4	
		*-----*		
- 15	264-84-48	. . BASE. . . . .	1	3
- 16	SR0336	. . COVER . . . . .	1	3
	SR0332	. . GASKET,COVER. . . . .	1	3
- 17	SR0337	. . GASKET. . . . .	1	3
- 18	4701	. . LENS,COVER. . . . .	1	3
		/ATTACHING PARTS/		
- 19	632 X 1/2	. . SCREW,OVAL HEAD . . . . .	3	
- 20	A6-76	. . RIVNUT. . . . .	3	
		*-----*		
- 21	R4316	. . LAMP. . . . .	1	3
- 22	ATC3	. . COIL. . . . .	1	3
		/ATTACHING PARTS/		
- 23	1/2	. . CLAMP . . . . .	1	
- 24	632 X 3/4	. . SCREW,FLAT HEAD . . . . .	1	
	632	. . NUT,LOCK. . . . .	1	
		*-----*		
- 25	78RS8	. . SOCKET,FEMALE . . . . .	1	3
		/ATTACHING PARTS/		
- 26	632 X 1-3/4	. . SCREW,ROUND HEAD. . . . .	2	
	1-1/4	. . SPACER. . . . .	2	
	632	. . NUT,LOCK. . . . .	2	
		*-----*		
- 27	8791-500	. . WIRE. . . . .	1	3
		/ATTACHING PARTS/		
- 28	#6	. . CLAMP . . . . .	1	
		*-----*		

BEECHCRAFT  
BONANZA 33  
ILLUSTRATED PARTS CATALOG



33-362-5

B E E C H C R A F T  
B O N A N Z A 3 3  
I L L U S T R A T E D P A R T S C A T A L O G

FIG. & ITEM NO.	PART NO.	DESCRIPTION							UNITS PER ASSY	USABLE ON CODE
		1	2	3	4	5	6	7		
362 - 29	1000	.	.	.	.	.	.	.	1	3
		POWER SUPPLY,STROBE LIGHT /ATTACHING PARTS/								
- 30	AN515-8R6	.	.	.	.	.	.	.	4	
		*-----*								
	95-364027-21	.	.	.	.	.	.	.	1	3
- 31	95-364027-19	.	.	.	.	.	.	.	1	3
	NAS680A06	.	.	.	.	.	.	.	5	3
	35-364269-1	.	.	.	.	.	.	.	1	3
- 32	35-364269-3	.	.	.	.	.	.	.	1	3
	130006A832DBC	.	.	.	.	.	.	.	6	3
- 33	33-364020-3	.	.	.	.	.	.	.	1	2
- 34	33-364020-5	.	.	.	.	.	.	.	1	2
- 35	108424-2	.	.	.	.	.	.	.	1	2
	35-364268-1	.	.	.	.	.	.	.	1	3
		ADAPTER ASSY,STROBE LIGHT /ATTACHING PARTS/								
	AN515-6R7	.	.	.	.	.	.	.	5	
		*-----*								
- 36	35-364268-3	.	.	.	.	.	.	.	1	3
	130006A632DBC	.	.	.	.	.	.	.	4	3
- 37	MS35489-6S	.	.	.	.	.	.	.	1	3
		GROMMET								

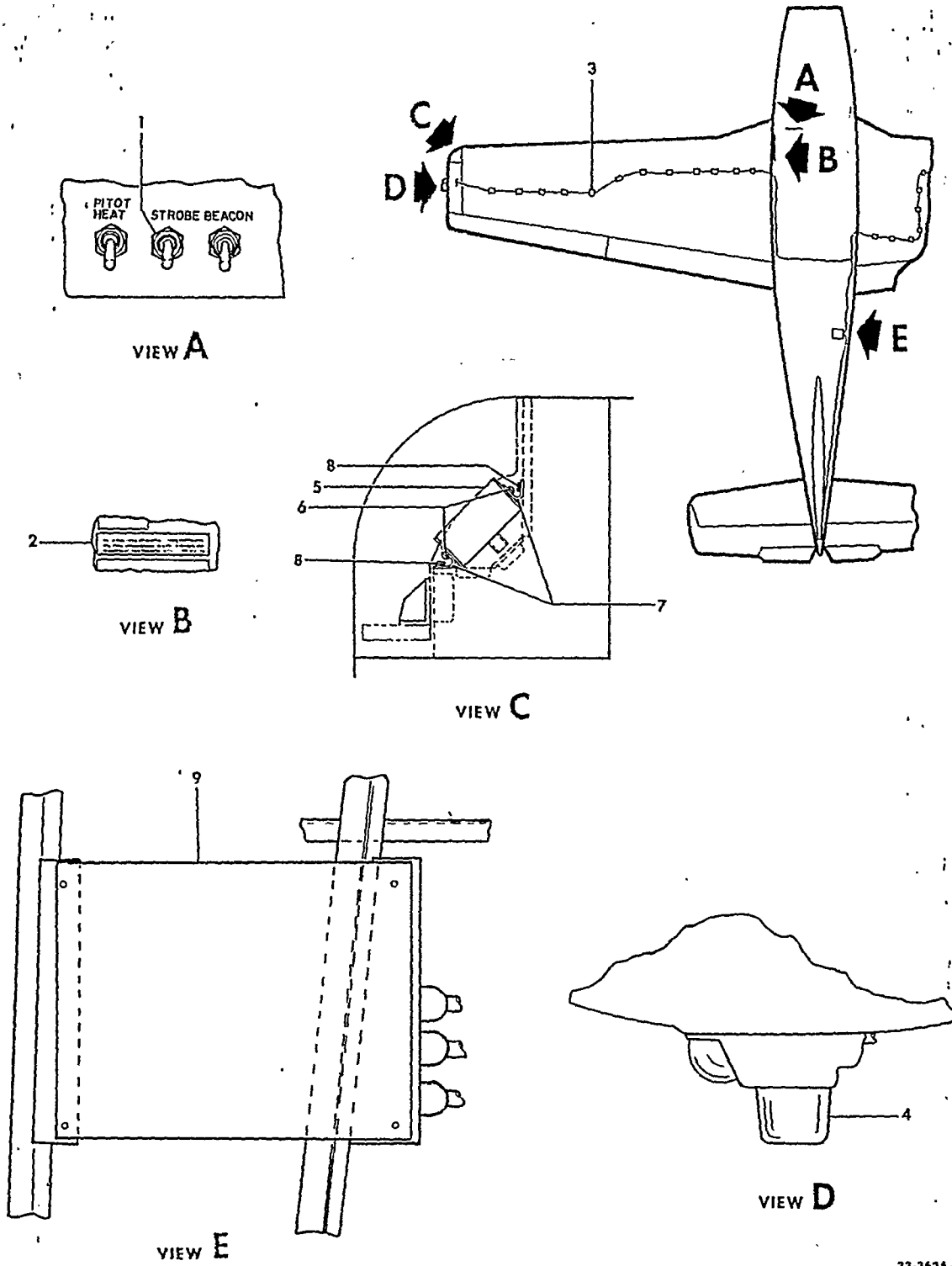
C O D E S O F E F F E C T I V I T Y

- 1 CD-1235 THRU CD-1261 2 CD-1235 THRU CD-1261  
CE-290 THRU CE-315
- 3 CD-1235 THRU CD-1261 4 CE-316 THRU CE-370  
CE-290 THRU CE-370

BEECHCRAFT  
BONANZA 33  
ILLUSTRATED PARTS CATALOG

FIGURE 362A  
STROBE LIGHT  
CD-1262 THRU CD-1304, CE-371 AND AFTER  
CJ-26 AND AFTER

BEECHCRAFT  
BONANZA 33  
ILLUSTRATED PARTS CATALOG



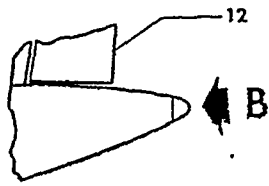
33-362A-6



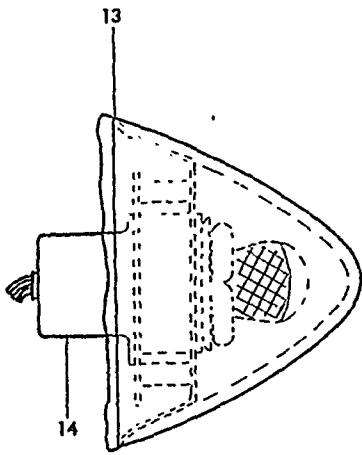
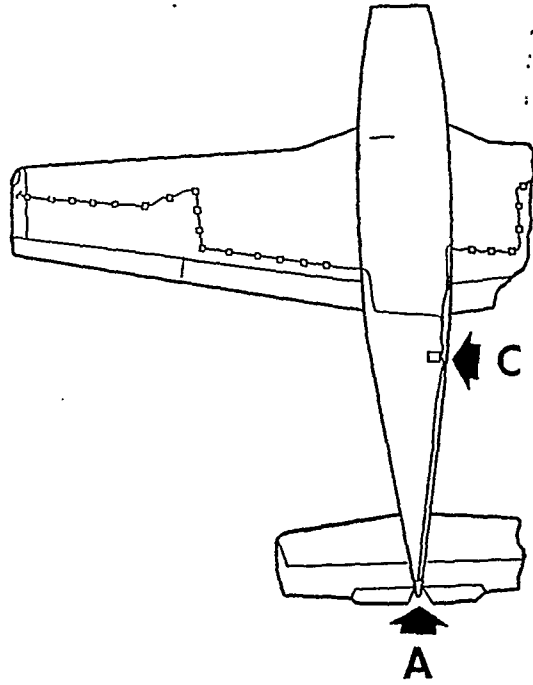
B E E C H C R A F T  
B O N A N Z A 3 3  
I L L U S T R A T E D P A R T S C A T A L O G

FIG. & ITEM NO.	PART NO.	DESCRIPTION	UNITS PER ASSY	USABLE ON CODE
		1 2 3 4 5 6 7		
362A	36-360016-1	STROBE LIGHT INSTL/14 VOLT/GRIMES/ . . . . .	NP	2
	36-360016-5	STROBE LIGHT INSTL/14 VOLT/GRIMES/ . . . . .	NP	3
	36-360016-19	STROBE LIGHT INSTL/14 VOLT/GRIMES/ . . . . .	NP	4
	36-360016-41	STROBE LIGHT INSTL/28 VOLT/GRIMES/ . . . . .	NP	5
	36-360016-51	STROBE LIGHT INSTL/28 VOLT/GRIMES/ . . . . .	NP	6
	36-360016-53	STROBE LIGHT INSTL/28 VOLT/ . . . . .	NP	7
	36-360016-59	STROBE LIGHT INSTL/28 VOLT/ . . . . .	NP	8
- 1	35-380132-43	. CIRCUIT BREAKER,STROBE LIGHT. . . . .	1	1
- 2	96-364087-3	. PLACARD,STROBE LIGHT INSTRUCTIONS . . . . .	1	1
		/ATTACHING PARTS/		
	NAS384-6-10	. SCREW . . . . .	2	
	A1181-6Z1	. NUT . . . . .	2	
		-----*		
- 3	MS17821-1-9	. TIE,CABLE . . . . .	29	1
	MS18034-1	. TIE,CABLE /ALTERNATE FOR MS17821-1-9/ . . . . .	29	1
	SCMS-P	. CLIP MOUNT,SWIVEL . . . . .	29	1
	S40555	. CLIP MOUNT,SWIVEL /ALTERNATE FOR SCMS-P/. . . . .	29	1
	49184	. CLIP,MOUNTING . . . . .	29	1
	49296	. CLIP,MOUNTING /ALTERNATE FOR 49184/ . . . . .	29	1
	115005-2	. GROMMET . . . . .	6	1
	115005-1	. GROMMET . . . . .	1	1
- 4	30-0538-1	. LIGHT ASSY,LH WING TIP STROBE & NAV . . . . .	1	3
	30-0538-2	. LIGHT ASSY,RH WING TIP STROBE & NAV . . . . .	1	3
		/ATTACHING PARTS/		
	AN507-632R20	. SCREW . . . . .	2	
	AN507-632R16	. SCREW . . . . .	2	
		-----*		
- 5	30-0531-1	. LIGHT ASSY,WING TIP STROBE & NAV. . . . .	2	9
	30-0467-5	. LIGHT ASSY,WING TIP STROBE & NAV. . . . .	2	10
	30-1331-3	. LIGHT ASSY,WING TIP STROBE & NAV. . . . .	2	11
		/ALTERNATE FOR 701148-7-2/		
	701148-7-2	. LIGHT ASSY,WING TIP STROBE & NAV. . . . .	2	11
		/ALTERNATE FOR 30-1331-3/		
		/ATTACHING PARTS/		
- 6	MS35206-228	. SCREW . . . . .	4	12
	AN960-6L	. WASHER. . . . .	4	12
	MS21042L06	. NUT . . . . .	4	12
		-----*		
- 7	31-1188-1	. ADAPTER,WING TIP STROBE LIGHT . . . . .	4	10
	31-3908L	. BRACKET,WING TIP STROBE LIGHT . . . . .	4	11
		/ATTACHING PARTS/		
- 8	NAS1096-2-6	. SCREW . . . . .	2	12
	AN960-8L	. WASHER. . . . .	2	12
		-----*		
- 9	60-1750-1	. POWER SUPPLY,STROBE LIGHT . . . . .	1	13
R	60-1750-3	. POWER SUPPLY,STROBE LIGHT/ORDER 01-0790079-4/	NP	14
		/ALTERNATE FOR 701571/		
R	701571	. POWER SUPPLY,STROBE LIGHT/ORDER 01-0790079-4/	NP	14
		/ALTERNATE FOR 60-1750-3/		
R	01-0790079-01	. POWER SUPPLY,STROBE LIGHT/ORDER 01-0790079-4/	NP	26
R	01-0790079-03	. POWER SUPPLY,STROBE LIGHT/ORDER 01-0790079-4/	NP	27
R	01-0790079-04	. POWER SUPPLY,STROBE LIGHT . . . . .	1	28
		/ATTACHING PARTS/		
	130909B14	. BOLT. . . . .	4	
	AN960-10	. WASHER. . . . .	2	
	AN960PD10	. WASHER. . . . .	2	
	294618L	. CLIPNUT . . . . .	2	
		-----*		

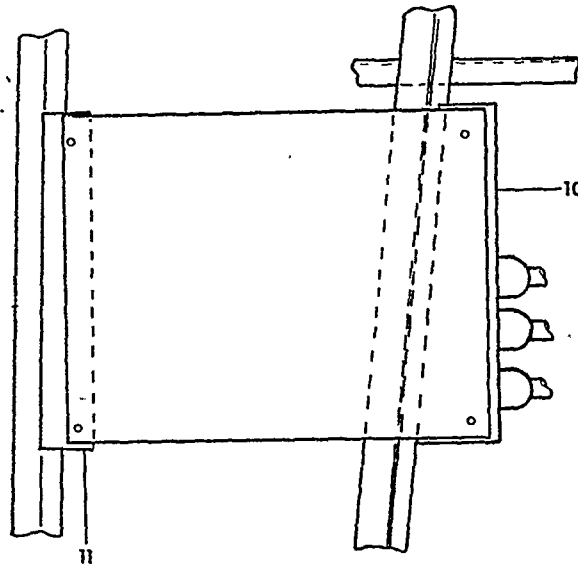
BEECHCRAFT  
BONANZA 33  
ILLUSTRATED PARTS CATALOG



VIEW A



VIEW B



VIEW C

33-362A-10

B E E C H C R A F T  
B O N A N Z A 3 3  
I L L U S T R A T E D P A R T S C A T A L O G

FIG. & ITEM NO.	PART NO.	DESCRIPTION	UNITS PER ASSY	USABLE ON CODE
362A - 10	102-360020-17	. BRACKET, POWER SUPPLY MOUNTING . . . . .	1	1
- 11	102-360020-2	. BRACKET, POWER SUPPLY MOUNTING . . . . . /ATTACHING PARTS/	1	1
	130909B15	. BOLT. . . . .	4	
	AN960-10	. WASHER. . . . .	4	
	294618L	. CLIPNUT . . . . .	4	
		-----X-----		
- 12	36-360016-9	. RUDDER ASSY /SEE FIG. 135/. . . . .	1	15
	33-630000-87	. RUDDER ASSY /SEE FIG. 135/. . . . .	1	16
- 13	36-360016-7	. CONE ASSY, TAIL/SEE FIG. 109/. . . . .	1	18
	36-360016-29	. CONE ASSY, TAIL/SEE FIG. 109/. . . . .	1	19
	36-360016-35	. CONE ASSY, TAIL/SEE FIG. 109/. . . . .	1	20
	36-360016-39	. CONE ASSY, TAIL/SEE FIG. 109/. . . . .	1	21
	002-440039-37	. CONE ASSY, TAIL/SEE FIG. 109A/ . . . . .	1	25
- 14	30-0815-3	. LIGHT ASSY, TAIL CONE STROBE/NAV/14 VOLT/. . . . .	1	13
	30-0815-1	. LIGHT ASSY, TAIL CONE STROBE/NAV/28 VOLT/. . . . .	1	23
	30-0815-5	. LIGHT ASSY, TAIL CONE STROBE/NAV/28 VOLT/. . . . . /ATTACHING PARTS/	1	24
	AN515-6R8	. SCREW . . . . .	2	
	AN935-6L	. WASHER. . . . .	2	
		-----X-----		
	701557-8	. LIGHT ASSY, TAIL CONE STROBE/NAV/28 VOLT/. . . . . /ATTACHING PARTS/	1	22
	MS35206-233	. SCREW . . . . .	2	
		-----X-----		

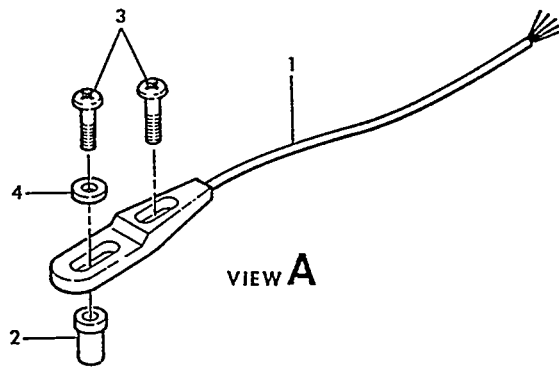
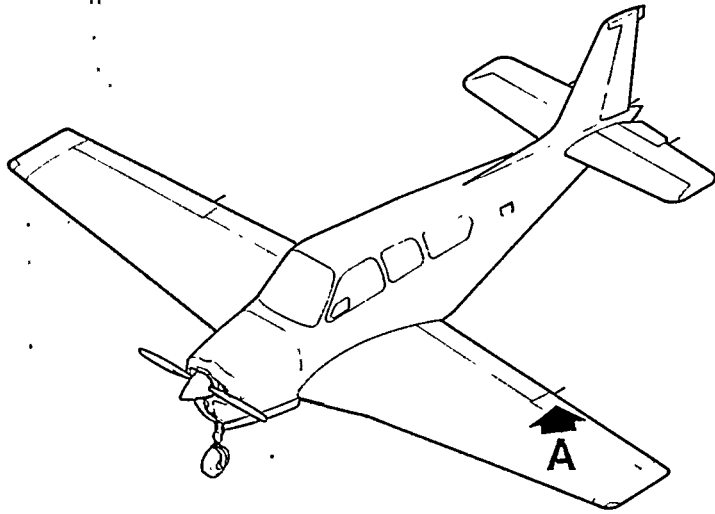
C O D E S O F E F F E C T I V I T Y

1	CD-1262 THRU CD-1304	2	CE-371 THRU CE-435
	CE-371 AND AFTER		CJ-26 THRU CJ-148
	CJ-26 AND AFTER		
3	CD-1262 THRU CD-1304	4	CE-436 THRU CE-747,
			CE-749 THRU CE-771
5	CE-748,	6	CJ-149 THRU CJ-155
	CE-772 THRU CE-985		
7	CJ-156 AND AFTER	8	CE-986 AND AFTER
9	CE-371 THRU CE-435	10	CE-436 THRU CE-666
	CJ-26 AND AFTER		
11	CE-667 AND AFTER	12	CE-436 AND AFTER
13	CD-1262 THRU CD-1304	14	CE-748,
	CE-371 THRU CE-747,		CE-772 THRU CE-1164
	CE-749 THRU CE-771		CJ-149 THRU CJ-179
	CJ-26 THRU CJ-148		
15	CD-1262 THRU CD-1304	16	CJ-26 AND AFTER
	CE-371 AND AFTER		
17	DELETED	18	CD-1262 THRU CD-1304
			CE-371 THRU CE-489
			CJ-26 THRU CJ-148
19	CE-490 THRU CE-675	20	CE-676 THRU CE-747,
			CE-749 THRU CE-771
21	CE-748,	22	CE-851 THRU CE-940
	CE-772 THRU CE-986		CJ-150 THRU CJ-155
	CJ-149 THRU CJ-155		
23	CE-748,	24	CE-851 AND AFTER
	CE-772 THRU CE-850		CJ-150 AND AFTER
	CJ-149 ONLY		
25	CE-987 AND AFTER	26	CE-1165 THRU CE-1512
	CJ-156 AND AFTER		
27	CE-1513 THRU CE-1785	28	CE-1786 AND AFTER
			CJ-180 AND AFTER

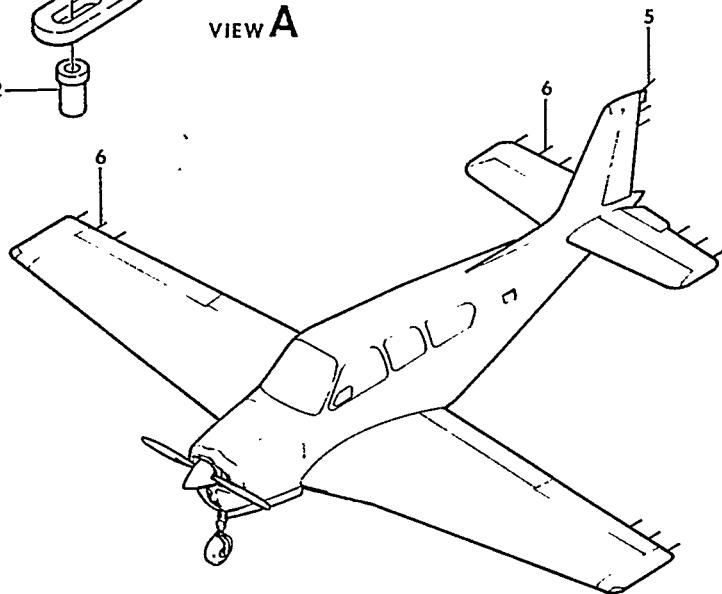
BEECHCRAFT  
BONANZA 33  
ILLUSTRATED PARTS CATALOG

FIGURE 363  
STATIC DISCHARGE WICK

BEECHCRAFT  
BONANZA 33  
ILLUSTRATED PARTS CATALOG



VIEW A



33-363-1

B E E C H C R A F T  
B O N A N Z A 3 3  
I L L U S T R A T E D P A R T S C A T A L O G

FIG. & ITEM NO.	PART NO.	DESCRIPTION	UNITS PER ASSY	USABLE ON CODE
		1 2 3 4 5 6 7		
363	36-360019-1	WICK INSTL,STATIC ELIMINATOR. . . . .	NP	1
- 1	35-5010-3	. DISCHARGER,STATIC . . . . .	5	1
		/ATTACHING PARTS/		
- 2	MS21083C06	. NUT,LOCK . . . . .	2	1
- 3	MS35206-220	. SCREW . . . . .	2	1
- 4	105090D032-1M	. WASHER. . . . .	2	1
	36-360024-1	WICK INSTL,STATIC ELIMINATOR. . . . .	NP	3
	36-360024-17	WICK INSTL,STATIC ELIMINATOR. . . . .	NP	4
- 5	36-360024-7	. WICK ASSY,STATIC/RUDDER/. . . . .	3	2
	B3	. . . BASE,MOUNTING . . . . .	1	2
	DD1W	. . . DISCHARGER,STATIC . . . . .	1	2
- 6	58-360032-3	. WICK ASSY,STATIC/WING & ELEVATOR/ . . . . .	12	2
	B1	. . . BASE,MOUNTING . . . . .	1	2
	DD1W	. . . DISCHARGER,STATIC . . . . .	1	2
	36-360024-11	WICK INSTL,STATIC ELIMINATOR. . . . .	NP	5
	36-360024-21	WICK INSTL,STATIC ELIMINATOR. . . . .	NP	6
	36-360024-9	. WICK ASSY,STATIC/RUDDER/. . . . .	1	7
	82B002-01	. . . BASE,MOUNTING . . . . .	1	7
	DD1W	. . . DISCHARGER,STATIC . . . . .	1	7
	58-360032-7	. WICK ASSY,STATIC/WING & ELEVATOR/LH/. . . . .	1	7
	58-360032-8	. WICK ASSY,STATIC/WING & ELEVATOR/RH/. . . . .	1	7
	82B001-21	. . . BASE,MOUNTING LH. . . . .	1	7
	82B001-31	. . . BASE,MOUNTING RH. . . . .	1	7
	DD1W	. . . DISCHARGER,STATIC . . . . .	1	7

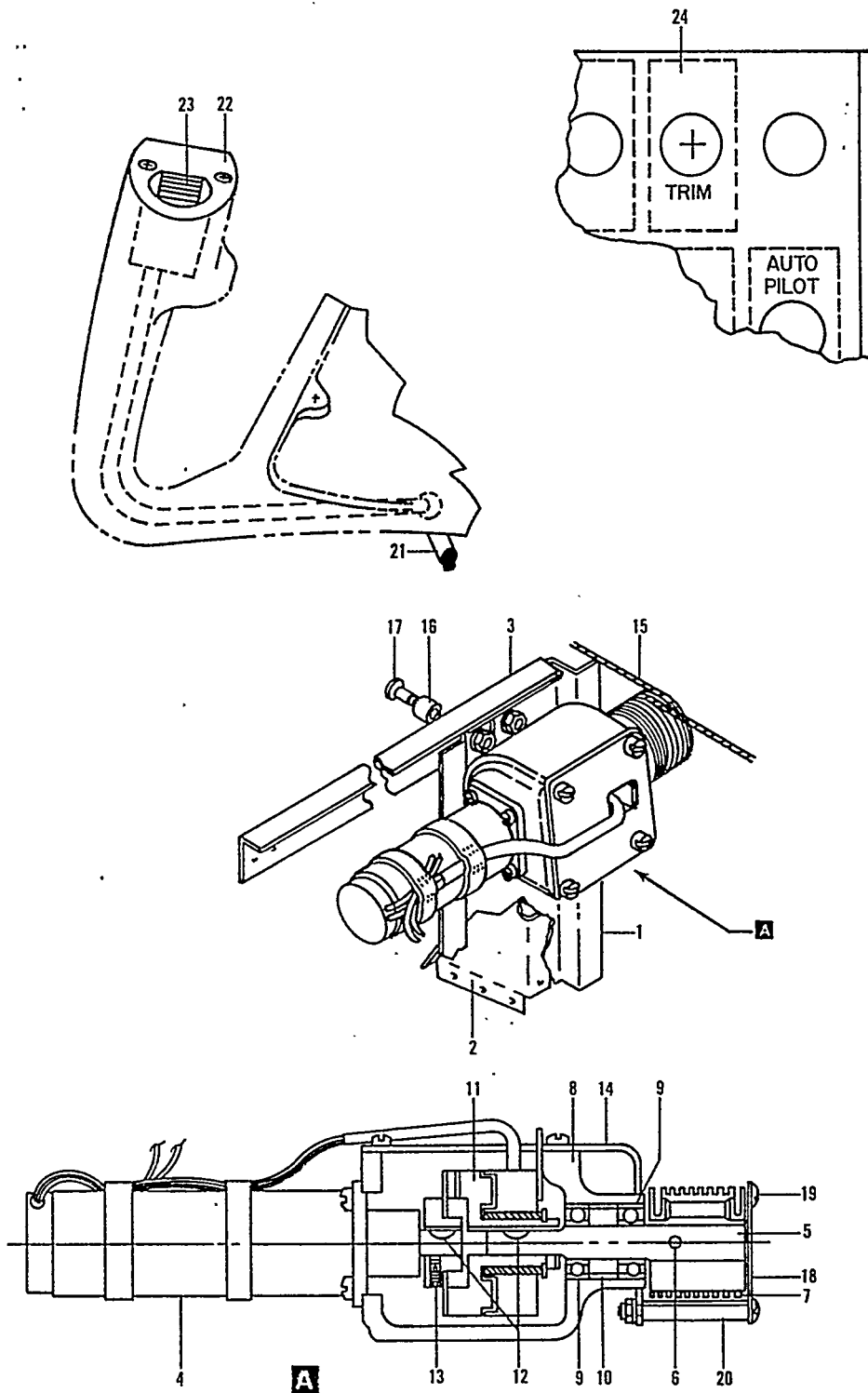
C O D E S O F E F F E C T I V I T Y

- |   |                      |   |                      |
|---|----------------------|---|----------------------|
| 1 | CD-1235 THRU CD-1304 | 2 | CE-978 THRU CE-1025  |
|   | CE-290 THRU CE-977   |   |                      |
|   | CJ-26 THRU CJ-155    |   |                      |
| 3 | CE-978 THRU CE-1022  | 4 | CE-1023 THRU CE-1025 |
| 5 | CE-1026 AND AFTER    | 6 | CJ-156 AND AFTER     |
| 7 | CE-1026 AND AFTER    |   |                      |
|   | CJ-156 AND AFTER     |   |                      |

BEECHCRAFT  
BONANZA 33  
ILLUSTRATED PARTS CATALOG

FIGURE 364  
ELECTRIC TRIM

BEECHCRAFT  
BONANZA 33  
ILLUSTRATED PARTS CATALOG



33-364-1

FIGURE 364. ELECTRIC TRIM



B E E C H C R A F T  
B O N A N Z A 3 3  
I L L U S T R A T E D P A R T S C A T A L O G

FIG. & ITEM NO.	PART NO.	DESCRIPTION	UNITS PER ASSY	USABLE ON CODE
		1 2 3 4 5 6 7		
364	33-524022	TRIM CONTROL INSTL,ELEVATOR ELECTRIC. . . . .	NP	1
	36-524013	TRIM CONTROL INSTL,ELEVATOR ELECTRIC. . . . .	NP	2
	96-524031-41	TRIM CONTROL INSTL,ELEVATOR ELECTRIC. . . . .	NP	5
- 1	33-524022-1	. SUPPORT . . . . .	1	1
	36-524013-3	. SUPPORT . . . . .	1	2
- 2	33-524022-3	. BRACKET . . . . .	1	1
	36-524013-1	. BRACKET . . . . .	1	2
- 3	33-524022-19	. ANGLE . . . . .	1	1
	36-524013-5	. CLIP. . . . .	1	2
	33-524023-21	. ACTUATOR,ELEVATOR TRIM ELECTRIC/14 VOLT/. . . . .	1	3
R	33-524023-31	. ACTUATOR,ELEVATOR TRIM ELECTRIC/28 VOLT/. . . . .	1	8
R	33-524023-33	. ACTUATOR,ELEVATOR TRIM ELECTRIC/28 VOLT/. . . . .	1	9
R	33-524023-61	. ACTUATOR,ELEVATOR TRIM ELECTRIC/28 VOLT/. . . . .	1	10
- 4	319A208-4	. MOTOR ASSY/14 VOLT/ . . . . .	1	3
R	319A209-4	. MOTOR ASSY/28 VOLT/ . . . . .	1	8
R	319A209-1	. MOTOR ASSY/28 VOLT/ . . . . .	1	9
		/ATTACHING PARTS/		
	AN5000A8-6	. . SCREW . . . . .	4	
		----*----		
	33-524023-65	. . WASHER. . . . .	4	
- 5	33-524025	. . SHAFT . . . . .	1	
- 6	NAS561PF4-15	. . PIN . . . . .	1	
- 7	50-524587	. . DRUM. . . . .	1	
- 8	50-524497-1	. . BODY,ACTUATOR . . . . .	1	
- 9	MS20201KP6A	. . BEARING . . . . .	2	
- 10	33-524023-11	. . SPACER. . . . .	1	
- 11	R 39SBEC17CC5-5-*	12V . . CLUTCH ASSY/14 VOLT/. . . . .	1	3
R	50-380125	. . CLUTCH ASSY/28 VOLT/. . . . .	1	11
R	50-380125-3	. . CLUTCH ASSY/28 VOLT/. . . . .	1	10
- 12	206	. . KEY,WOODRUFF. . . . .	2	
- 13	AN565A6H4	. . SCREW,SET . . . . .	1	
- 14	R 33-524024	. . COVER,ACTUATOR. . . . .	1	11
R	33-524024-7	. . COVER ASSY,ACTUATOR . . . . .	1	10
- 15	33-524022-15	. CABLE ASSY. . . . .	1	1
	36-524013-7	. CABLE ASSY. . . . .	1	2
- 16	0363	. RESISTOR. . . . .	1	3
	0366	. RESISTOR. . . . .	1	4
	6000	. WASHER,CENTERING. . . . .	1	4
	6011	. WASHER,MICA . . . . .	1	4
		/ATTACHING PARTS/		
- 17	AN520-10R40	. SCREW . . . . .	1	
	AN960-10	. WASHER. . . . .	3	
	130909N49	. NUT . . . . .	1	
		----*----		
	4765	. RESISTOR. . . . .	1	3
	4587	. RESISTOR. . . . .	1	4
	1804	. RESISTOR. . . . .	1	
- 18	96-524033	. PLATE,CABLE GUARD . . . . .	1	
		/ATTACHING PARTS/		
- 19	AN515-6R25	. SCREW,CABLE GUARD . . . . .	4	
	AN960-6L	. WASHER. . . . .	4	
- 20	100696P-ZB114	. SPACER. . . . .	4	
	MS21042-06	. NUT . . . . .	4	
		----*----		
- 21	36-500004-51	. CORD,COILED . . . . .	1	
- 22	35-524669-5	. PLATE,LH GRIP /PILOTS CONTROL WHEEL/. . . . .	1	
- 23	26006	. SWITCH,ELECTRIC TRIM CONTROL. . . . .	1	
- 24	435-205-104	. CIRCUIT BREAKER . . . . .	1	6
	7277-2-5	. CIRCUIT BREAKER . . . . .	1	7
	58-524027	. PLACARD,ELECTRIC PITCH TRIM . . . . .	1	

SEE NEXT PAGE FOR CODES OF EFFECTIVITY

B E E C H C R A F T  
B O N A N Z A 3 3  
I L L U S T R A T E D P A R T S C A T A L O G

FIG. & ITEM NO.	PART NO.	1 2 3 4 5 6 7	DESCRIPTION	UNITS PER ASSY	USABLE ON CODE
-----------------------	-------------	---------------	-------------	----------------------	----------------------

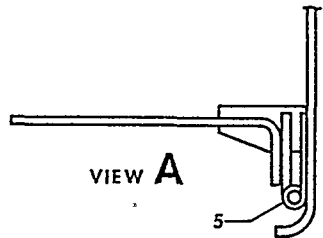
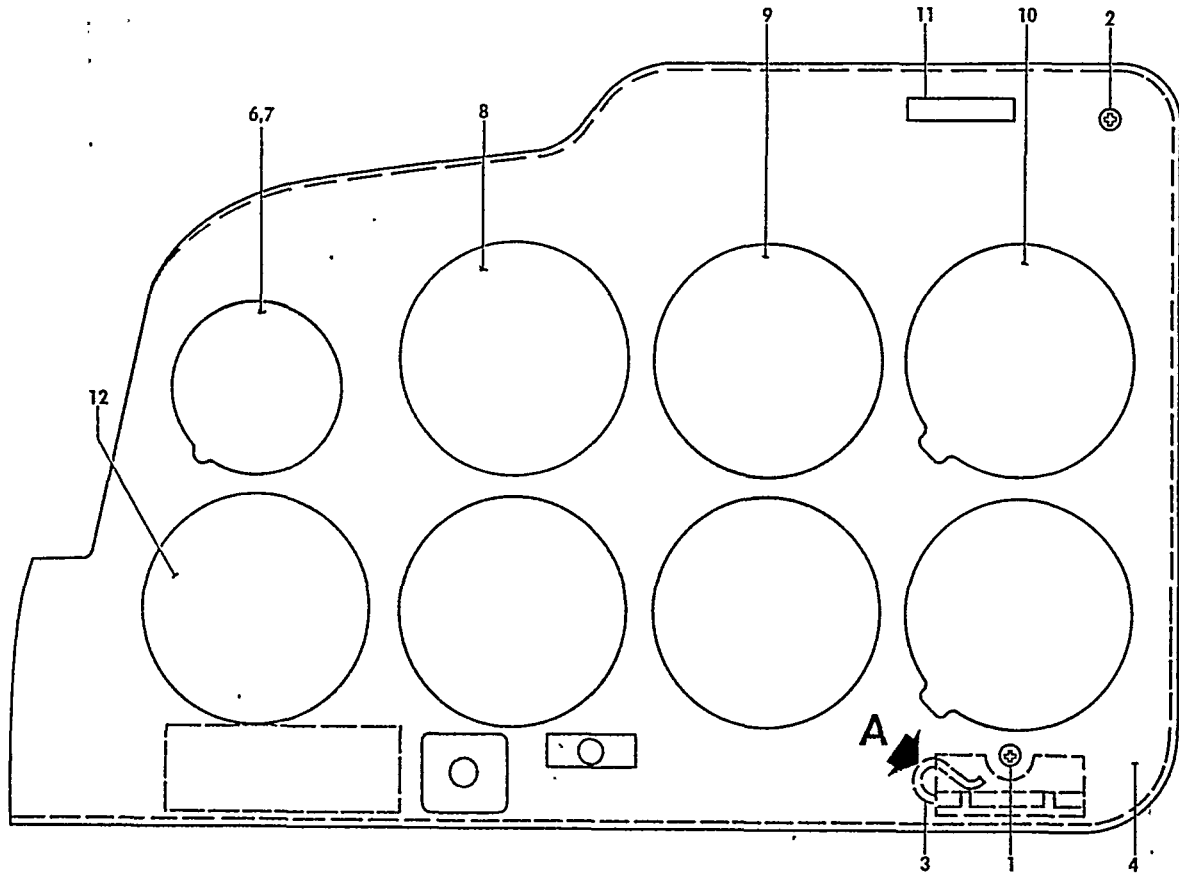
C O D E S O F E F F E C T I V I T Y

1	CD-1235 THRU CD-1304 CE-290 THRU CE-315 CJ-26 AND AFTER	2	CE-316 THRU CE-510
3	CD-1235 THRU CD-1304 CE-290 THRU CE-747, CE-749 AND AFTER CJ-26 THRU CJ-148	4	CE-748, CE-772 AND AFTER CJ-149 AND AFTER
5	CE-511 AND AFTER	6	CD-1235 THRU CD-1304 CE-290 THRU CE-918 CE-920 THRU CE-928 CJ-26 THRU CJ-155
7	CE-919, CE-929 AND AFTER CJ-156 AND AFTER	8	CE-748, CE-772 THRU CE-878 CJ-149 THRU CJ-155
9	CE-879 THRU CE-1236 CJ-156 AND AFTER	10	CE-1237 AND AFTER
11	CE-748, CE-772 THRU CE-1236 CJ-149 AND AFTER		

BEECHCRAFT  
BONANZA 33  
ILLUSTRATED PARTS CATALOG

FIGURE 391  
FLOATING INSTRUMENT PANEL  
CD-1235 THRU CD-1304,  
CE-290 THRU CE-408  
CJ-26 THRU CJ-51

BEECHCRAFT  
BONANZA 33  
ILLUSTRATED PARTS CATALOG

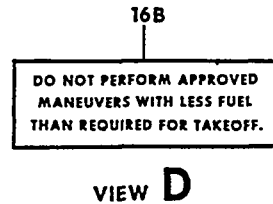
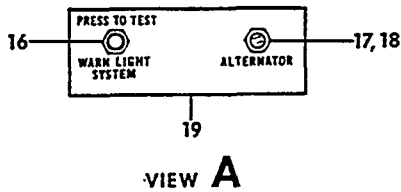
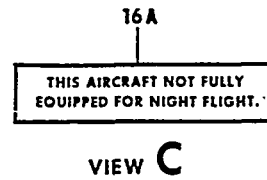
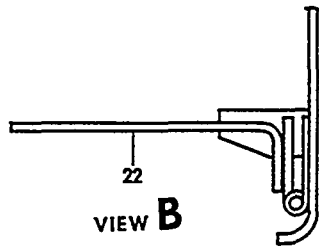
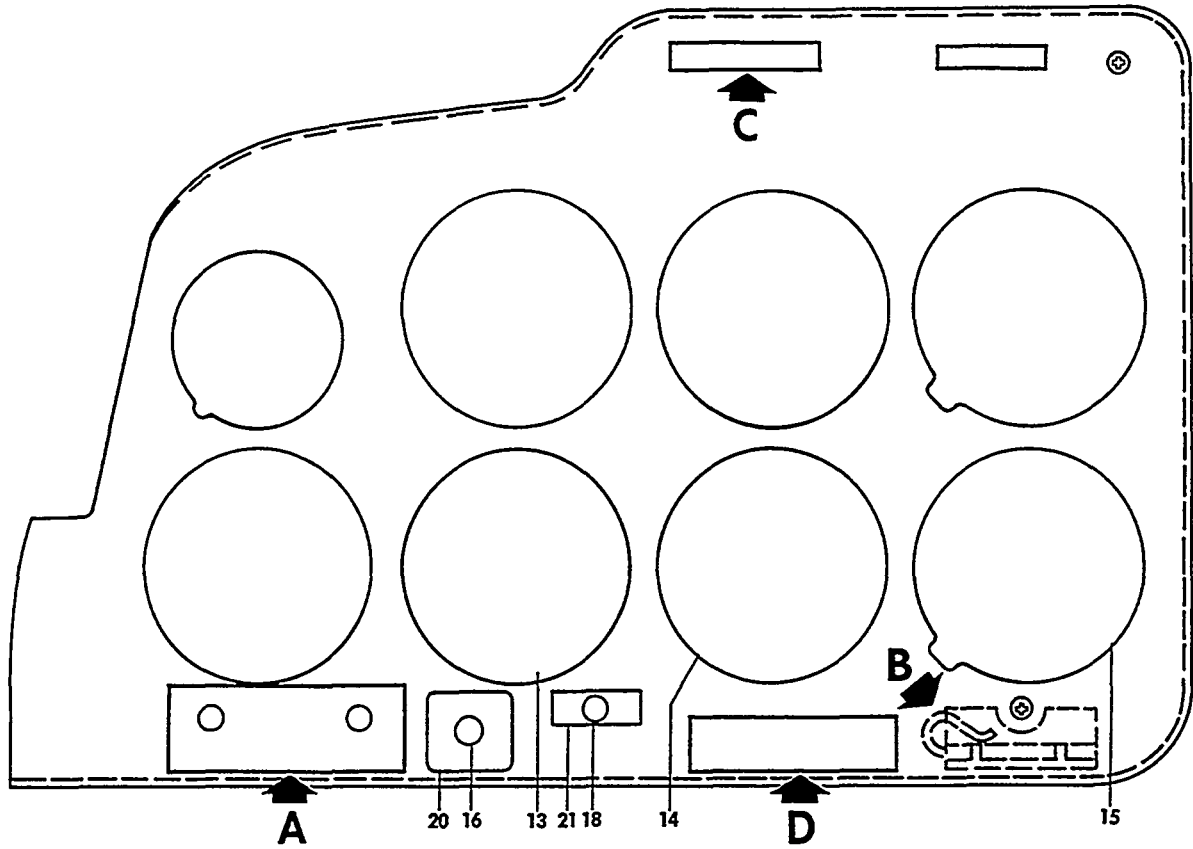


33-391-1

B E E C H C R A F T  
B O N A N Z A 3 3  
I L L U S T R A T E D P A R T S C A T A L O G

FIG. & ITEM NO.	PART NO.	DESCRIPTION	UNITS	USABLE
			PER ASSY	ON CODE
391	35-324449-601	PANEL ASSY,FLOATING INSTRUMENT. . . . . /WITH ALL OPTIONAL INSTRUMENTS/	1	3
	33-324053-601	PANEL ASSY,FLOATING INSTRUMENT. . . . . /WITH ALL OPTIONAL INSTRUMENTS/	1	4
	33-324002-601	PANEL ASSY,FLOATING INSTRUMENT. . . . . /WITH ALL OPTIONAL INSTRUMENTS/	1	5
	33-324054-3	PANEL ASSY,FLOATING INSTRUMENT. . . . .	1	6
	33-324054-5	PANEL ASSY,FLOATING INSTRUMENT. . . . .	1	6
	33-324054-9	PANEL ASSY,FLOATING INSTRUMENT. . . . .	1	9
	33-324054-11	PANEL ASSY,FLOATING INSTRUMENT. . . . .	1	9
	33-324002-603	PANEL ASSY,FLOATING INSTRUMENT. . . . . /WITH ALL OPTIONAL INSTRUMENTS/ /ATTACHING PARTS/	1	7
- 1	AN509-10R9	SCREW,LOWER . . . . .	2	
- 2	NAS387-1032	SCREW,UPPER . . . . .	1	
- 3	102361-00128	PIN,HINGE . . . . .	2	
		-----x-----		
	35-324451-627	. PANEL ASSY,FLOATING INSTRUMENT. . . . .	1	1
	35-324451-629	. PANEL ASSY,FLOATING INSTRUMENT. . . . .	1	7
	35-324451-623	. PANEL ASSY,FLOATING INSTRUMENT. . . . .	1	5
	35-324451-57	. PANEL ASSY,FLOATING INSTRUMENT. . . . .	1	10
	35-324451-49	. PANEL ASSY,BLANK. . . . .	1	11
	35-324451-51	. . . PANEL,BLANK . . . . .	1	11
	35-324451-617	. . . PANEL ASSY,FLOATING INSTRUMENT. . . . .	1	1
	35-324451-615	. . . PANEL ASSY,FLOATING INSTRUMENT. . . . .	1	7
	35-324451-613	. . . PANEL ASSY,FLOATING INSTRUMENT. . . . .	1	5
	35-324451-49	. . . PANEL ASSY,BLANK. . . . .	1	11
	35-324451-51	. . . PANEL,BLANK . . . . .	1	11
- 4	35-324451-39	. . . PANEL,FLOATING INSTRUMENT . . . . .	1	3
	35-324451-27	. . . PANEL,FLOATING INSTRUMENT . . . . .	1	4
	35-324451-31	. . . PANEL,FLOATING INSTRUMENT . . . . .	1	7
	35-324451-41	. . . PANEL,FLOATING INSTRUMENT . . . . .	1	5
- 5	414-183761-5	. . . HINGE,HALF. . . . .	2	11
- 6	R 50-380013-5	. CLOCK/ORDER KIT 55-3029-1 OR -3 FOR SPARES/ .	NP	8
	R 58-380015-1	. CLOCK/ORDER KIT 55-3029-1 OR -3 FOR SPARES/ .	NP	8
	R 55-3029-1	. KIT,INSTRUMENT PANEL CLOCK/14 VOLT/ . . . . .	1	8
	R 55-3029-3	. KIT,INSTRUMENT PANEL CLOCK/28 VOLT/ . . . . .	1	8
	3419-5A	. ACCELEROMETER . . . . .	1	7
- 7	50-324104	. BEZEL,CLOCK . . . . .	1	5
- 8	35-380036-15	. INDICATOR,AIR SPEED . . . . .	1	3
	36-380011-3	. INDICATOR,AIR SPEED . . . . .	1	4
	35-380036-13	. INDICATOR,AIR SPEED . . . . .	1	2
	58-380019-3	. INDICATOR,AIR SPEED /OPTIONAL WEDGELIT PANEL/	1	3
	58-380019-13	. INDICATOR,AIR SPEED /OPTIONAL WEDGELIT PANEL/	1	4
	58-380019-1	. INDICATOR,AIR SPEED /OPTIONAL WEDGELIT PANEL/	1	2
- 9	50-384202-3	. GYRO,HORIZON/ALTERNATE FOR 50-384203-3/ . . . . .	1	11
	50-384203-3	. GYRO,HORIZON/ALTERNATE FOR 50-384202-3/ . . . . .	1	11
	58-380013-1	. GYRO,HORIZON /OPTIONAL WEDGELIT PANEL/ . . . . .	1	11
- 10	58-380041-1	. ALTIMETER /30,000 FT MAX/ . . . . .	1	11
	58-380041-3	. ALTIMETER /OPTIONAL WEDGELIT PANEL/ . . . . .	1	11
- 11	35-344073-16	. PLACARD,RADIO CALL. . . . .	1	5
- 12	50-324103-1	. BEZEL . . . . .	AR	11

BEECHCRAFT  
 BONANZA 33  
 ILLUSTRATED PARTS CATALOG



33-391-5

B E E C H C R A F T  
B O N A N Z A 3 3  
I L L U S T R A T E D P A R T S C A T A L O G

FIG. & ITEM NO.	PART NO.	DESCRIPTION	UNITS PER ASSY							USABLE ON CODE
			1	2	3	4	5	6	7	
391 - 13	600-009-930	. TURN COORDINATOR /SUPERSEDES 1679/ . . . . .							1	11
	58-380020-1	. TURN COORDINATOR /OPTIONAL WEDGELIT PANEL/ . .							1	11
- 14	50-384204	. GYRO,DIRECTIONAL . . . . .							1	11
	50-384205	. GYRO,DIRECTIONAL /ALTERNATE FOR 50-384204/ . .							1	11
	58-380014-1	. GYRO,DIRECTIONAL /OPTIONAL WEDGELIT PANEL/ . .							1	11
- 15	50-384073	. INDICATOR,VERTICAL AIR SPEED. . . . .							1	11
	58-380018-1	. INDICATOR,VERTICAL AIR SPEED. . . . . /OPTIONAL WEDGELIT PANEL/							1	11
	58-380022-9	. TRAY ASSY,WEDGE LIGHT . . . . .							AR	11
	248	. . LAMP,WEDGE LIGHT. . . . .							AR	11
- 16	30-15	. SWITCH,PUSH TO TEST . . . . .							1	11
- 16A	35-2002-57	. PLACARD,INSTRUCTION FUEL LIMITATIONS. . . . .							1	11
- 16B	36-324025-1	. PLACARD,INSTRUCTION FLIGHT LIMITATIONS. . . . .							1	11
	30C1023	. NUT . . . . .							1	11
- 17	1919-3	. LIGHT,ALTERNATOR OUT. . . . .							1	5
- 18	R 855291S1R2DS-P6	. HOLDER,ALTERNATOR OUT LIGHT BULB. . . . .							1	6
	5101A2C1D2L3N1	. HOLDER,ALTERNATOR OUT LIGHT BULB. . . . .							1	9
	330	. BULB,ALTERNATOR OUT LIGHT . . . . .							1	11
	5101A2C1D2L3D1	. HOLDER,FUEL PRESSURE. . . . .							1	9
- 19	35-324483-1	. PLACARD,PRESS TO TEST & ALT OUT . . . . .							1	10
	96-324075	. SUPPORT . . . . .							2	4
- 20	35-324470	PLACARD,PUSH TO TEST. . . . .							1	1
- 21	35-324447-1	PLACARD,ALTERNATOR OUT. . . . .							1	1
- 22	414-183802-3	BRACKET ASSY,PANEL MOUNTING . . . . .							1	11

C O D E S O F E F F E C T I V I T Y

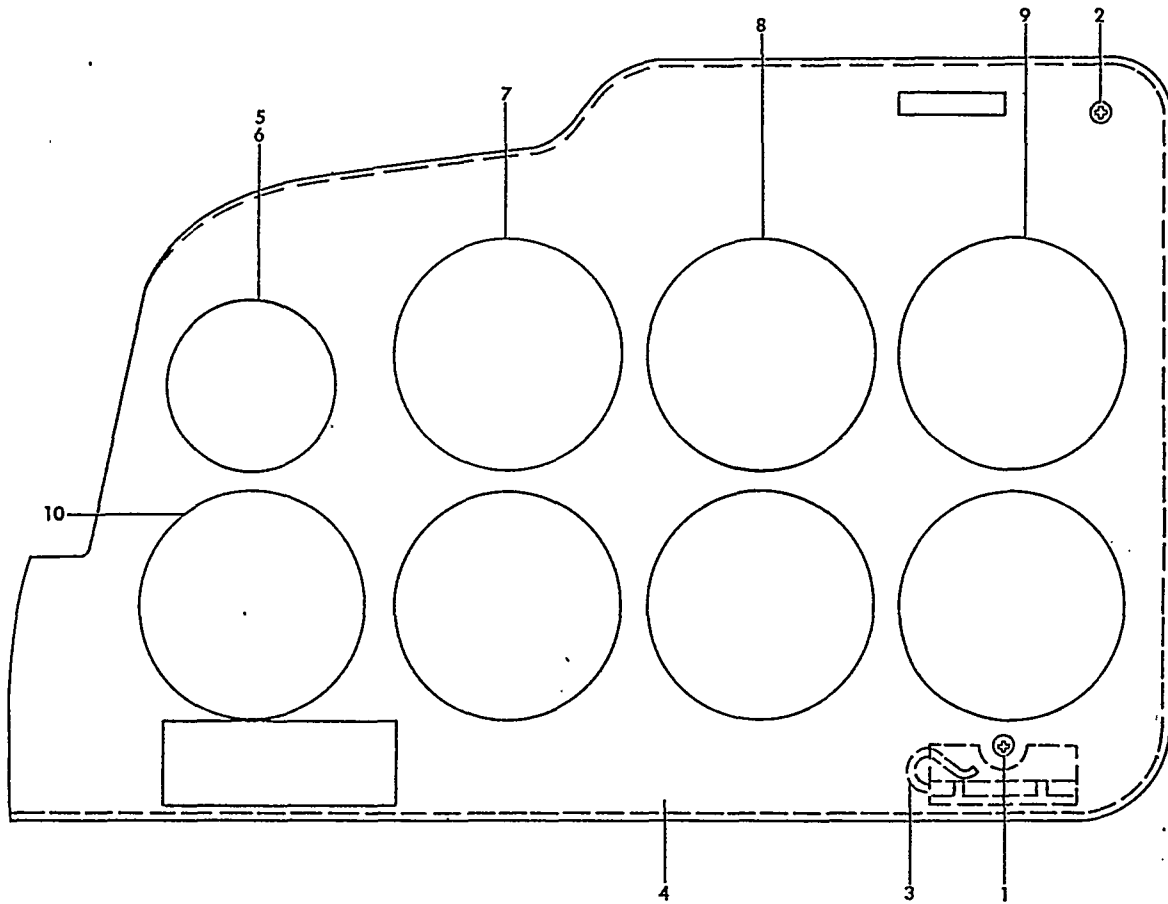
1	CD-1235 THRU CD-1304	2	CE-290 THRU CE-411
			CJ-26 THRU CJ-30
3	CD-1235 THRU CD-1254	4	CD-1255 THRU CD-1304
5	CD-1235 THRU CD-1254	6	CE-350 THRU CE-408
	CE-290 THRU CE-349,		CJ-26 THRU CJ-39
	CJ-26 THRU CJ-51		
7	CJ-26 THRU CJ-51	8	CD-1235 THRU CD-1304
			CE-290 THRU CE-408
9	CJ-40 THRU CJ-51	10	CE-350 THRU CE-408
			CJ-26 THRU CJ-51
11	CD-1235 THRU CD-1304		
	CE-290 THRU CE-408		
	CJ-26 THRU CJ-51		

BEECHCRAFT  
BONANZA 33  
ILLUSTRATED PARTS CATALOG

FIGURE 391A  
FLOATING INSTRUMENT PANEL  
CE-409 AND AFTER  
CJ-52 AND AFTER



BEECHCRAFT  
BONANZA 33  
ILLUSTRATED PARTS CATALOG

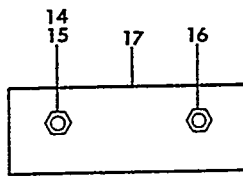
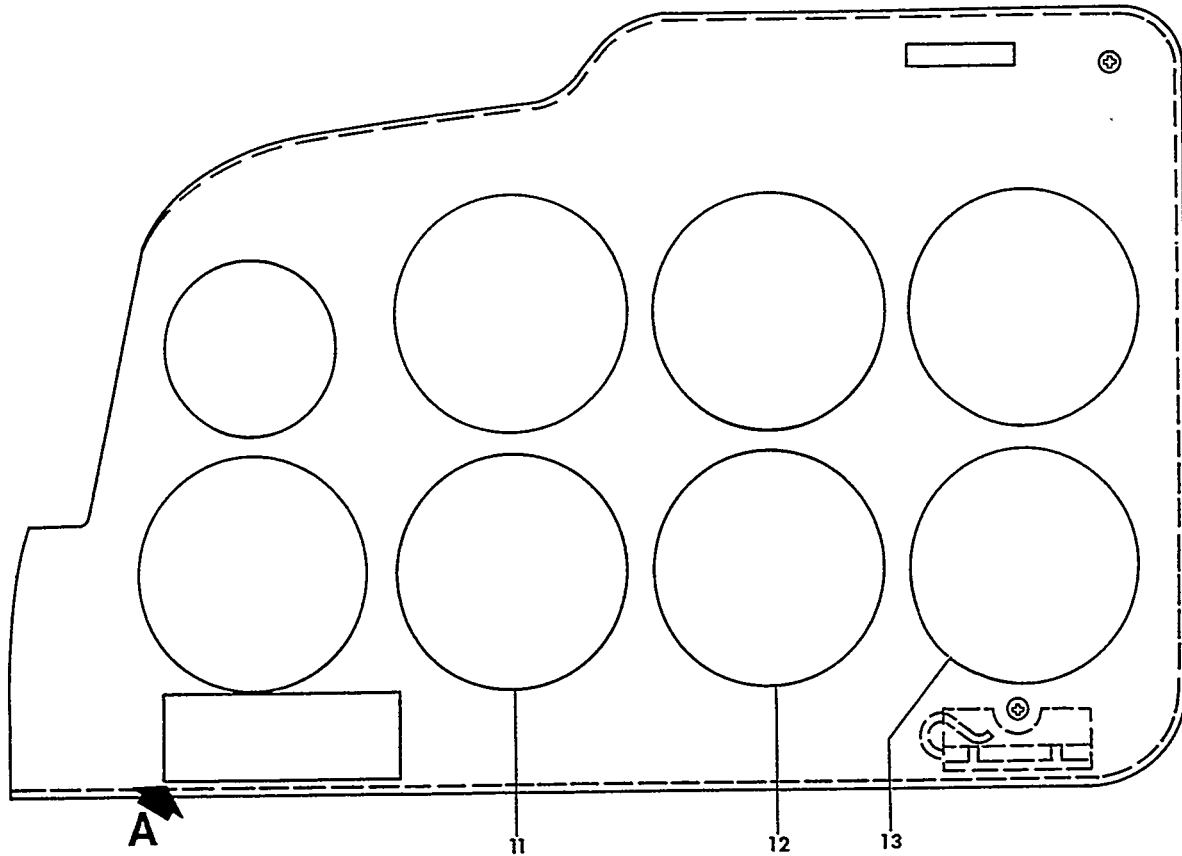


33-391A-8

B E E C H C R A F T  
B O N A N Z A 3 3  
I L L U S T R A T E D P A R T S C A T A L O G

FIG. & ITEM NO.	PART NO.	DESCRIPTION	UNITS							USABLE ON CODE
			1	2	3	4	5	6	7	
391A	36-324020-1	PANEL ASSY,FLOATING INSTRUMENT/WITH GYROS/ . . .	1							1
	36-324020-11	PANEL ASSY,FLOATING INSTRUMENT/WITH GYROS/ . . .	1							6
	36-324020-19	PANEL ASSY,FLOATING INSTRUMENT/WITHOUT GYROS/ . . .	1							5
	36-324020-27	PANEL ASSY,FLOATING INSTRUMENT/WITHOUT GYROS/ . . .	1							16
	33-324054-13	PANEL ASSY,FLOATING INSTRUMENT/WITHOUT GYROS/ . . .	1							4
	33-324054-17	PANEL ASSY,FLOATING INSTRUMENT/WITHOUT GYROS/ . . .	1							7
	36-324020-3	PANEL ASSY,FLOATING INSTRUMENT/WITHOUT GYROS/ . . .	1							1
	36-324020-13	PANEL ASSY,FLOATING INSTRUMENT/WITHOUT GYROS/ . . .	1							6
	36-324020-21	PANEL ASSY,FLOATING INSTRUMENT/WITH GYROS/ . . .	1							5
	36-324020-29	PANEL ASSY,FLOATING INSTRUMENT/WITH GYROS/ . . .	1							16
	33-324054-15	PANEL ASSY,FLOATING INSTRUMENT/WITH GYROS/ . . .	1							4
	33-324054-19	PANEL ASSY,FLOATING INSTRUMENT/WITH GYROS/ . . .	1							7
	33-524054-21	PANEL ASSY,FLOATING INSTRUMENT/WITHOUT GYROS/ . . .	1							17
	33-524054-23	PANEL ASSY,FLOATING INSTRUMENT/WITH GYROS/ . . .	1							17
	36-324020-31	PANEL ASSY,FLOATING INSTRUMENT/WITH GYROS/ . . .	1							16
	36-324020-33	PANEL ASSY,FLOATING INSTRUMENT/WITHOUT GYROS/ . . .	1							16
		/ATTACHING PARTS/								
- 1	AN509-10R9	SCREW,LOWER . . . . .	2							
- 2	NAS387-1032	SCREW,UPPER . . . . .	1							
- 3	102361-00128	PIN,HINGE . . . . .	2							
		-----*-----								
	35-324451-57	. PANEL,FLOATING INSTRUMENT . . . . .	1							1
- 4	35-324451-75	. PANEL,FLOATING INSTRUMENT . . . . .	1							2
	35-324451-127	. PANEL,FLOATING INSTRUMENT . . . . .	1							21
	35-324451-135	. PANEL,FLOATING INSTRUMENT . . . . .	1							16
	35-324451-79	. PANEL,FLOATING INSTRUMENT . . . . .	1							8
	35-324451-147	. PANEL,FLOATING INSTRUMENT . . . . .	1							24
	35-324451-149	. PANEL,FLOATING INSTRUMENT . . . . .	1							25
- 5	R 50-380013-5	. CLOCK/ORDER KIT 55-3029-1 OR -3 FOR SPARES/ . . . . .	NP							9
	R 58-380077-1	. CLOCK/ORDER KIT 55-3029-1 FOR SPARES/ . . . . .	NP							10
	R 58-380077-3	. CLOCK/ORDER KIT 55-3029-3 FOR SPARES/ . . . . .	NP							19
	R 58-380015-1	. CLOCK/ORDER KIT 55-3029-1 FOR SPARES/ . . . . .	NP							9
	R 58-380077-5	. CLOCK/ORDER KIT 55-3029-1 FOR SPARES/ . . . . .	NP							10
	R 55-3029-1	. KIT,INSTRUMENT PANEL COLCK/14 VOLT/ . . . . .	1							3
	R 55-3029-3	. KIT,INSTRUMENT PANEL COLCK/28 VOLT/ . . . . .	1							3
	R AT422002	. CLOCK,28 VOLT . . . . .	1							20
	50-324104	. BEZEL,CLOCK . . . . .	1							3
- 6	3419-SA	. ACCELEROMETER . . . . .	1							3
	10-102	. ACCELEROMETER/WEDGE LIGHTED/ . . . . .	1							3
- 7	35-380036-13	. INDICATOR,AIRSPPEED . . . . .	1							11
	36-380033-5	. INDICATOR,AIRSPPEED . . . . .	1							23
	36-380033-9	. INDICATOR,AIRSPPEED . . . . .	1							22
	36-380015-15	. INDICATOR,AIRSPPEED/KNOTS ONLY/ . . . . .	1							17
	36-380067-1	. INDICATOR,TRUE AIRSPPEED/CALCULATOR/ . . . . .	1							18
	58-380019-1	. INDICATOR,AIRSPPEED/WEDGE LIGHTED/ . . . . .	1							11
	36-380046-3	. INDICATOR,AIRSPPEED/WEDGE LIGHTED/ . . . . .	1							23
		/SPR REPL 36-380034-5/								
	36-380046-5	. INDICATOR,AIRSPPEED/WEDGE LIGHTED/ . . . . .	1							22
	58-380038-13	. INDICATOR,AIRSPPEED/KNOTS ONLY/WEDGE LIGHTED/ . . . . .	1							17
	36-380068-1	. INDICATOR,TRUE AIRSPPEED/CALCULATOR/W/L/ . . . . .	1							18
- 8	R 50-384202-3	. GYRO,HORIZON/ALTERNATE FOR 50-384203/ . . . . .	1							3
	R 50-384203-3	. GYRO,HORIZON/ALTERNATE FOR 50-384202/ . . . . .	1							3
	58-380013-1	. GYRO,HORIZON/WEDGE LIGHTED/ . . . . .	1							3
- 9	58-380069-1	. ALTIMETER/SPARES FOR 58-380041 & 50-380094-1/ . . . . .	1							3
	58-380069-3	. ALTIMETER/OPTIONAL WEDGE TYPE LIGHT/SPARES . . . . .	1							3
		FOR 58-380041-3/								
- 10	50-324103-1	. BEZEL . . . . .	AR							3

BEECHCRAFT  
BONANZA 33  
ILLUSTRATED PARTS CATALOG



VIEW A

33-391A-9

B E E C H C R A F T  
B O N A N Z A 3 3  
I L L U S T R A T E D P A R T S C A T A L O G

FIG. & ITEM NO.	PART NO.	DESCRIPTION							UNITS PER ASSY	USABLE ON CODE
		1	2	3	4	5	6	7		
391A - 11	58-380085-1	.	TURN	COORDINATOR/14	VOLT/	.	.	.	1	14
	58-380085-3	.	TURN	COORDINATOR/28	VOLT/	.	.	.	1	15
	50-380094-1	.	TURN	COORDINATOR/14	VOLT/WEDGE	LIT/	.	.	1	14
- 12	50-380094-3	.	TURN	COORDINATOR/28	VOLT/WEDGE	LIT/	.	.	1	15
	50-384204	.	GYRO,	DIRECTIONAL.	.	.	.	.	1	3
- 13	58-380014-1	.	GYRO,	DIRECTIONAL/OPTIONAL	WEDGE	LIT/.	.	.	1	3
	50-384073	.	INDICATOR,	VERTICAL	AIRSPD	.	.	.	1	3
	58-380018-1	.	INDICATOR,	VERTICAL	AIRSPD/WEDGE	LIT/.	.	.	1	3
- 14	58-380022-9	.	TRAY	ASSY,14V	WEDGE	LIT	.	.	AR	14
	58-380022-11	.	TRAY	ASSY,28V	WEDGE	LIT	.	.	AR	15
	30-15	.	SWITCH,	PRESS	TO	TEST.	.	.	1	11
- 15	MST205T	.	SWITCH,	PRESS	TO	TEST.	.	.	1	12
	30C1023	.	NUT	.	.	.	.	.	1	11
- 16	A8970B2-330	.	POST	LIGHT,14V.	.	.	.	.	2	14
	A8970B2-327	.	POST	LIGHT,28V.	.	.	.	.	2	15
- 17	855291SI-R2DS-P6	.	LAMP	HOLDER,TEST	LIGHT	.	.	.	1	3
	327	.	BULB,	TEST	LIGHT	.	.	.	1	3
- 17	35-324483-1	.	PLACARD,	TEST	AND	ALTERNATOR	OUT	.	1	9
	35-324486-1	.	PLACARD,	TEST	AND	ALTERNATOR	OUT	.	1	5
	35-324070-5	.	PLACARD,	TEST	AND	ALTERNATOR	OUT	.	1	16
	33-324055-1	.	PLACARD,	TEST	AND	ALTERNATOR	OUT	.	1	4
	33-324051-1	.	PLACARD,	TEST	AND	ALTERNATOR	OUT	.	1	7

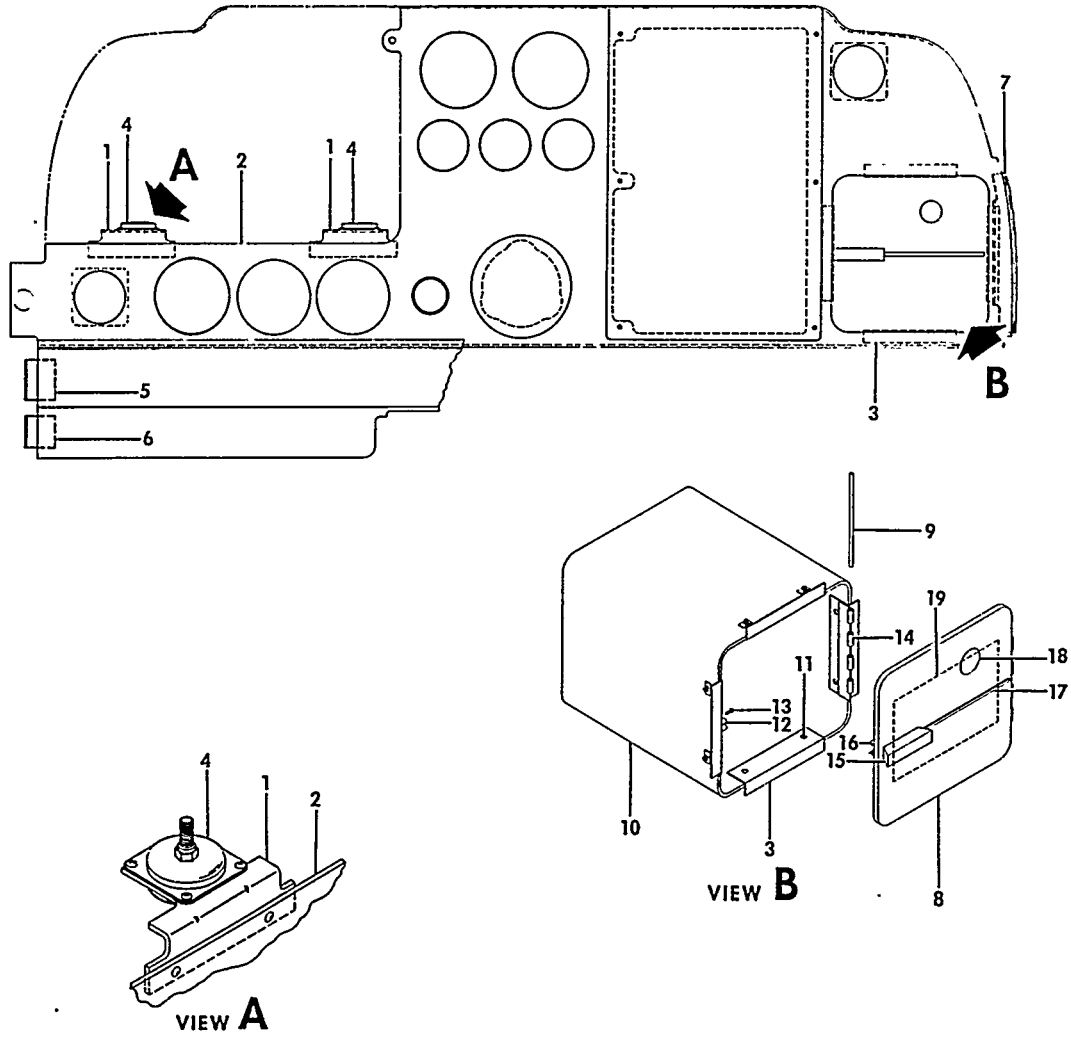
C O D E S O F E F F E C T I V I T Y

1	CE-409 THRU CE-481	2	CE-482 THRU CE-912
3	CE-409 AND AFTER	4	CJ-52 THRU CJ-128
	CJ-52 AND AFTER		
5	CE-674 THRU CE-918	6	CE-482 THRU CE-673
	CE-920 THRU CE-922		
	CE-924,CE-926,CE-928		
7	CJ-129 THRU CJ-155	8	CJ-52 THRU CJ-155
9	CE-409 THRU CE-673	10	CE-674 THRU CE-747
			CE-749 THRU CE-771
11	CE-409 THRU CE-673	12	CE-674 AND AFTER
	CJ-52 THRU CJ-128		CJ-129 AND AFTER
13	DELETED	14	CE-409 THRU CE-747
			CE-749 THRU CE-771
			CJ-52 THRU CJ-148
15	CE-748,	16	CE-919,CE-923
	CE-772 AND AFTER		CE-925,CE-927,
	CJ-149 AND AFTER		CE-929 AND AFTER
17	CE-919,	18	CE-884 AND AFTER
	CE-929 AND AFTER		CJ-156 AND AFTER
	CJ-156 AND AFTER		
19	CE-748	20	CE-913 AND AFTER
	CE-772 THRU CE-912		
21	CE-913 THRU CE-918	22	CE-884 THRU CE-918
	CE-920 THRU CE-922		CE-920 THRU CE-928
	CE-924,CE-926,CE-928		
23	CE-674 THRU CE-883	24	CE-919
	CJ-129 THRU CJ-155		CE-929 THRU CE-1055
25	CE-1056 AND AFTER		
	CJ-156 AND AFTER		

BEECHCRAFT  
BONANZA 33  
ILLUSTRATED PARTS CATALOG

FIGURE 392  
INSTRUMENT PANEL  
CD-1235 THRU CD-1304, CE-290 THRU CE-349,  
CJ-26 THRU CJ-51

BEECHCRAFT  
 BONANZA 33  
 ILLUSTRATED PARTS CATALOG .

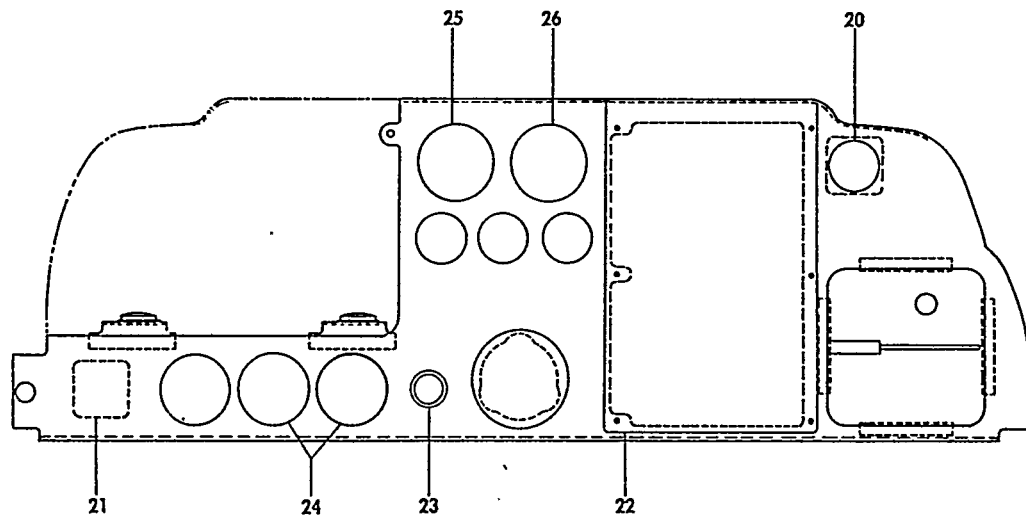


35-392-1

B E E C H C R A F T  
B O N A N Z A 3 3  
I L L U S T R A T E D P A R T S C A T A L O G

FIG. & ITEM NO.	PART NO.	DESCRIPTION	UNITS PER ASSY	USABLE ON CODE
		1 2 3 4 5 6 7		
392	35-324386-75	STRUCTURE INSTL, FIXED MAIN INSTRUMENT PANEL . . . . .	NP	11
	35-324386-67S	STRUCTURE INSTL, FIXED MAIN INSTRUMENT PANEL . . . . .	NP	12
	35-324386-624	. . . PANEL ASSY, INSTRUMENT . . . . .	1	11
	35-324386-626	. . . PANEL ASSY, INSTRUMENT . . . . .	1	2
	35-324386-636	. . . PANEL ASSY, INSTRUMENT . . . . .	1	8
- 1	35-324456-5	. . . BRACKET, SUBPANEL MOUNTING . . . . .	2	7
	35-324456-7	. . . BRACKET, SUBPANEL MOUNTING . . . . .	2	5
- 2	35-324481-1	. . . PANEL, FIXED INSTRUMENT . . . . .	1	7
	35-324481-13	. . . PANEL, FIXED INSTRUMENT . . . . .	1	10
	35-324481-17	. . . PANEL, FIXED INSTRUMENT . . . . .	1	14
- 3	35-324387-5	. . . ANGLE, GLOVE BOX SUPPORT . . . . .	3	6
- 4	150PL14	. . . MOUNT, INSTRUMENT PANEL SHOCK . . . . .	2	6
		/ATTACHING PARTS/		
	AN525-8R9	. . . SCREW . . . . .	4	
	MS20365-832	. . . NUT . . . . .	4	
		-----*		
	J6984-121	. . . MOUNT, UPPER SHOCK . . . . .	1	6
	AN8013D2	. . . WASHER, INBD SHOCK MOUNT . . . . .	1	6
- 5	35-324386-69	. . . BRACKET, SUBPANEL MOUNTING UPPER LH. . . . .	1	6
- 6	35-324386-71	. . . BRACKET, SUBPANEL MOUNTING LOWER . . . . .	1	6
- 7	35-324458-1	. . . BRACKET, INSTRUMENT PANEL MOUNTING RH. . . . .	1	6
	36-530034	. . . GLOVE COMPARTMENT INSTL . . . . .	NP	15
	58-530125-1	. . . GLOVE COMPARTMENT INSTL . . . . .	NP	14
- 8	36-530034-601	. . . DOOR ASSY, GLOVE BOX . . . . .	1	6
		/ATTACHING PARTS/		
- 9	105774C-ZE00328	. . . PIN, HINGE . . . . .	1	
		-----*		
	36-530034-7	. . . DOOR, GLOVE BOX . . . . .	1	6
	35-534410-13	. . . HINGE, GLOVE BOX DOOR . . . . .	1	6
- 10	35-534410-7	. . . BOX ASSY, GLOVE COMPARTMENT . . . . .	1	6
		/ATTACHING PARTS/		
- 11	AN530-6R6	. . . SCREW . . . . .	8	
	A1181-6Z1	. . . NUT . . . . .	8	
		-----*		
- 12	#5 ROLLER	. . . ROLLER, DOOR LATCH . . . . .	1	6
		/ATTACHING PARTS/		
- 13	AN530-6R6	. . . SCREW . . . . .	2	
	A1181-6Z1	. . . NUT . . . . .	2	
		-----*		
- 14	35-534410-5	. . . HINGE, GLOVE BOX HALF. . . . .	1	6
- 15	36-530034-5	. . . KNOB, GLOVE BOX DOOR . . . . .	1	6
- 16	#5 STRIKER	. . . STRIKER, DOOR LATCH . . . . .	1	
		/ATTACHING PARTS/		
	AN515-6R4	. . . SCREW . . . . .	2	
	MS35333-37	. . . WASHER /INSTALL BETWEEN SCREW & STRIKER/. . . . .	1	
	MS35335-30	. . . WASHER /INSTALL BETWEEN STRIKER & DOOR/. . . . .	1	
	AN936B6	. . . WASHER . . . . .	1	
		-----*		
- 17	36-530034-9	. . . TRIM ASSY, GLOVE BOX DOOR. . . . .	1	6
		/ATTACHING PARTS/		
	AN340-3	. . . NUT . . . . .	2	
	AN936A3	. . . WASHER . . . . .	2	
		-----*		
- 18	130030	. . . MEDALLION, BEECHCRAFT B. . . . .	1	6
- 19	58-530220-1	. . . PLACARD, CLEANING INSTRUCTION. . . . .	1	6

BEECHCRAFT  
BONANZA 33  
ILLUSTRATED PARTS CATALOG



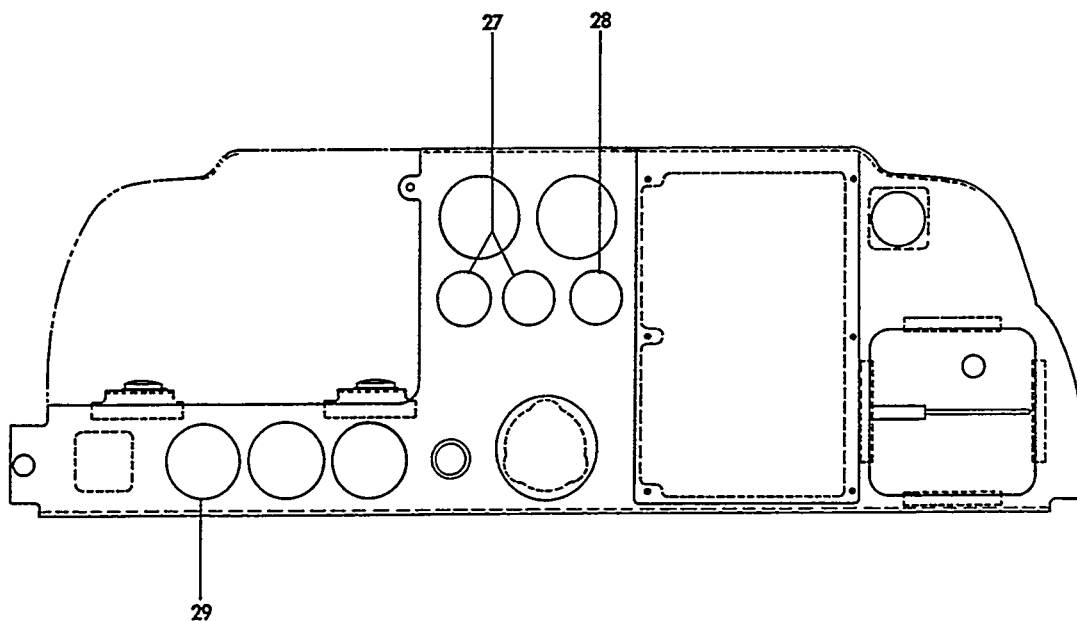
33-392-8



B E E C H C R A F T  
B O N A N Z A 3 3  
I L L U S T R A T E D P A R T S C A T A L O G

FIG. & ITEM NO.	PART NO.	DESCRIPTION	UNITS						USABLE ON CODE		
			1	2	3	4	5	6		PER ASSY	
392	R 35-324449-15	INSTRUMENT INSTL. . . . .							NP	3	
	R 33-324005-7	INSTRUMENT INSTL. . . . .							NP	5	
	R 33-324003-21	INSTRUMENT INSTL. . . . .							NP	13	
	R 33-324003-3	INSTRUMENT INSTL. . . . .							NP	2	
	R 33-324003-9	INSTRUMENT INSTL. . . . .							NP	8	
	R 33-324046-3	INSTRUMENT INSTL/OPTIONAL WEDGE LIT/. . . . .							NP	3	
	R 33-324051-1	INSTRUMENT INSTL/OPTIONAL INTERNALLY LIT/. . . . .							NP	5	
	R 33-324050-1	INSTRUMENT INSTL/OPTIONAL WEDGE LIT/. . . . .							NP	8	
	R 33-324048-1	INSTRUMENT INSTL/OPTIONAL WEDGE LIT/. . . . .							NP	2	
	R 33-324050-11	INSTRUMENT INSTL/OPTIONAL WEDGE LIT/. . . . .							NP	13	
	- 20	115-384018	. GAGE,PRESSURE . . . . .							1	3
		115-384018-1	. GAGE,PRESSURE . . . . .							1	4
		58-380017-1	. GAGE,PRESSURE/OPTIONAL WEDGE LIT/ . . . . .							1	3
		58-380017-3	. GAGE,PRESSURE/OPTIONAL WEDGE LIT/ . . . . .							1	4
	- 21	50-324104	. BEZEL . . . . .							1	6
	- 22	35-344234	. PANEL ASSY,BLANK RADIO. . . . .							1	6
			/ATTACHING PARTS/								
		NAS387-832P	. SCREW . . . . .							6	
		NAS390-6P	. WASHER. . . . .							6	
			-----*								
	- 23	50-384001-33	. INDICATOR,FLAP POSITION . . . . .							1	6
		35-324432-601	. PRINTED CIRCUIT BOARD/FLAP POSITION INDICATOR							1	6
		A8970B2-330	. LIGHT,INDICATOR POST. . . . .							3	6
	- 24	50-324103-1	. BEZEL,INSTRUMENT. . . . .							1	6
	- 25	33-380016-5	. INDICATOR,MANIFOLD & FUEL PRESSURE. . . . .							1	3
		33-380006-5	. INDICATOR,MANIFOLD & FUEL PRESSURE. . . . .							1	5
		35-380054-3	. INDICATOR,MANIFOLD & FUEL PRESSURE. . . . .							1	4
		33-380016-1	. INDICATOR,MANIFOLD & FUEL PRESSURE. . . . .							1	3
			/OPTIONAL WEDGE LIT/								
		36-380006-1	. INDICATOR,MANIFOLD & FUEL PRESSURE. . . . .							1	8
			/OPTIONAL WEDGE LIT/								
		33-380017-3	. INDICATOR,MANIFOLD & FUEL PRESSURE. . . . .							1	5
			/OPTIONAL WEDGE LIT/								
- 26	35-324365-3	. TACHOMETER/ORDER 35-324365-39 FOR SPARES/ . . . . .							NP	3	
	35-324365-39	. TACHOMETER. . . . .							1	3	
	35-324365-5	. TACHOMETER/ORDER 35-324365-41 FOR SPARES/ . . . . .							NP	5	
	35-324365-41	. TACHOMETER. . . . .							1	5	
	35-324365-11	. TACHOMETER/ALTERNATE FOR 35-324365-35/. . . . .							NP	11	
		/ORDER 35-324365-47 FOR SPARES/									
	35-324365-35	. TACHOMETER/ALTERNATE FOR 35-324365-11/. . . . .							NP	11	
		/ORDER 35-324365-47 FOR SPARES/									
	35-324365-47	. TACHOMETER. . . . .							1	11	
	36-380007-1	. TACHOMETER/OPTIONAL WEDGE LIT/. . . . .							NP	3	
		/ORDER 36-380007-25 FOR SPARES/									
	36-380007-25	. TACHOMETER. . . . .							1	3	
	36-380007-5	. TACHOMETER/OPTIONAL WEDGE LIT/. . . . .							NP	5	
		/ORDER 36-380007-29 FOR SPARES/									
	36-380007-29	. TACHOMETER. . . . .							1	5	
	36-380007-3	. TACHOMETER/OPTIONAL WEDGE LIT/. . . . .							NP	11	
		/ORDER 36-380007-27 FOR SPARES/									
	36-380007-15	. TACHOMETER/ORDER 36-380007-27 FOR SPARES/ . . . . .							NP	11	
	36-380007-27	. TACHOMETER. . . . .							1	11	

BEECHCRAFT  
BONANZA 33  
ILLUSTRATED PARTS CATALOG



33-392-9

B E E C H C R A F T  
B O N A N Z A 3 3  
I L L U S T R A T E D P A R T S C A T A L O G

FIG. & ITEM NO.	PART NO.	DESCRIPTION	UNITS PER ASSY	USABLE ON CODE	
		1 2 3 4 5 6 7			
392 - 27	58-380050-11	. INDICATOR, FUEL QUANTITY . . . . .	2	6	
	58-380051-11	. INDICATOR, FUEL QUANTITY . . . . . /OPTIONAL WEDGE LIT/	2	1	
	58-380051-7	. INDICATOR, FUEL QUANTITY . . . . . /OPTIONAL WEDGE LIT/	2	9	
	58-380050-7	. INDICATOR, FUEL QUANTITY . . . . .	2	13	
	58-324041	. PRINTED CIRCUIT BOARD /FUEL QUANTITY GAGE/ . . . . .	2	6	
	- 28	33-380018-1	. AMMETER . . . . .	1	6
		33-380018-3	. AMMETER/OPTIONAL WEDGE LIT/ . . . . .	1	9
	- 29	96-380016	. INDICATOR /CYLINDER HEAD TEMPERATURE, OIL . . . . . TEMPERATURE & OIL PRESSURE/	1	3
		96-380016-7	. INDICATOR /CYLINDER HEAD TEMPERATURE, OIL . . . . . TEMPERATURE & OIL PRESSURE/	1	5
		96-380016-5	. INDICATOR /CYLINDER HEAD TEMPERATURE, OIL . . . . . TEMPERATURE & OIL PRESSURE/	1	11
96-384058-5		. INDICATOR /CYLINDER HEAD TEMPERATURE, OIL . . . . . TEMPERATURE & OIL PRESSURE/ /OPTIONAL WEDGE LIT/	1	3	
96-384058-9		. INDICATOR /CYLINDER HEAD TEMPERATURE, OIL . . . . . TEMPERATURE & OIL PRESSURE/ /OPTIONAL WEDGE TYPE LIT/	1	5	
96-384058-7		. INDICATOR /CYLINDER HEAD TEMPERATURE, OIL . . . . . TEMPERATURE & OIL PRESSURE/ /OPTIONAL WEDGE LIT/ /ATTACHING PARTS/	1	11	
AN507B632R		. SCREW . . . . .	4		
36-530031-1		. TRIM, LH PANEL . . . . .	1	6	
36-530031-3		. TRIM, RH PANEL . . . . .	1	6	
58-380022-9		. LIGHT TRAY ASSY/OPTIONAL WEDGE LIT/ . . . . .	1	6	
35-324479-3	. INDICATOR INSTL, EXHAUST GAS TEMPERATURE . . . . .	NP	1		
35-324479-1	. INDICATOR INSTL, EXHAUST GAS TEMPERATURE . . . . .	NP	6		
35-380117-1	. . INDICATOR, EXHAUST GAS TEMPERATURE . . . . .	1	6		
35-380117-3	. . INDICATOR, EXHAUST GAS TEMPERATURE . . . . .	1	6		
35-380019-5	INDICATOR, OUTSIDE AIR TEMPERATURE . . . . .	1	6		
C2400LP4-1B	COMPASS, MAGNETIC . . . . .	1	6		

NOTE FOR BALANCE OF INSTRUMENT PANEL  
PARTS, SEE FIGURE 391 /FLOATING PANEL/  
AND FIGURE 395 /SUBPANEL/.

C O D E S O F E F F E C T I V I T Y

- |   |  |
|---|--|
| 1 CD-1235 THRU CD-1304  | 2 CE-290 THRU CE-349   |
| 3 CD-1237 THRU CD-1254  | 4 CD-1255 THRU CD-1304<br>CE-290 THRU CE-349<br>CJ-26 THRU CJ-51 |
| 5 CD-1255 THRU CD-1304  | 6 CD-1235 THRU CD-1304<br>CE-290 THRU CE-349<br>CJ-26 THRU CJ-51 |
| 7 CD-1235 THRU CD-1254  | 8 CJ-26 THRU CJ-30   |
| CE-290 THRU CE-349<br>CJ-31 THRU CJ-51                            |  |
| 9 CD-1235 THRU CD-1304  | 10 CD-1255 ONLY<br>CE-290 THRU CE-349<br>CJ-31 THRU CJ-51        |
| 11 CD-1235 THRU CD-1304   | 12 CE-290 THRU CE-349<br>CJ-31 THRU CJ-51<br>CJ-26 THRU CJ-30    |
| 13 CJ-31 THRU CJ-51   | 14 CD-1256 THRU CD-1304  |
| 15 CD-1235 THRU CD-1255<br>CE-290 THRU CE-349<br>CJ-26 THRU CJ-51 |  |

BEECHCRAFT  
BONANZA 33  
ILLUSTRATED PARTS CATALOG

FIGURE 392A  
INSTRUMENT PANEL  
CE-350 THRU CE-408

BEECHCRAFT  
 BONANZA 33  
 ILLUSTRATED PARTS CATALOG

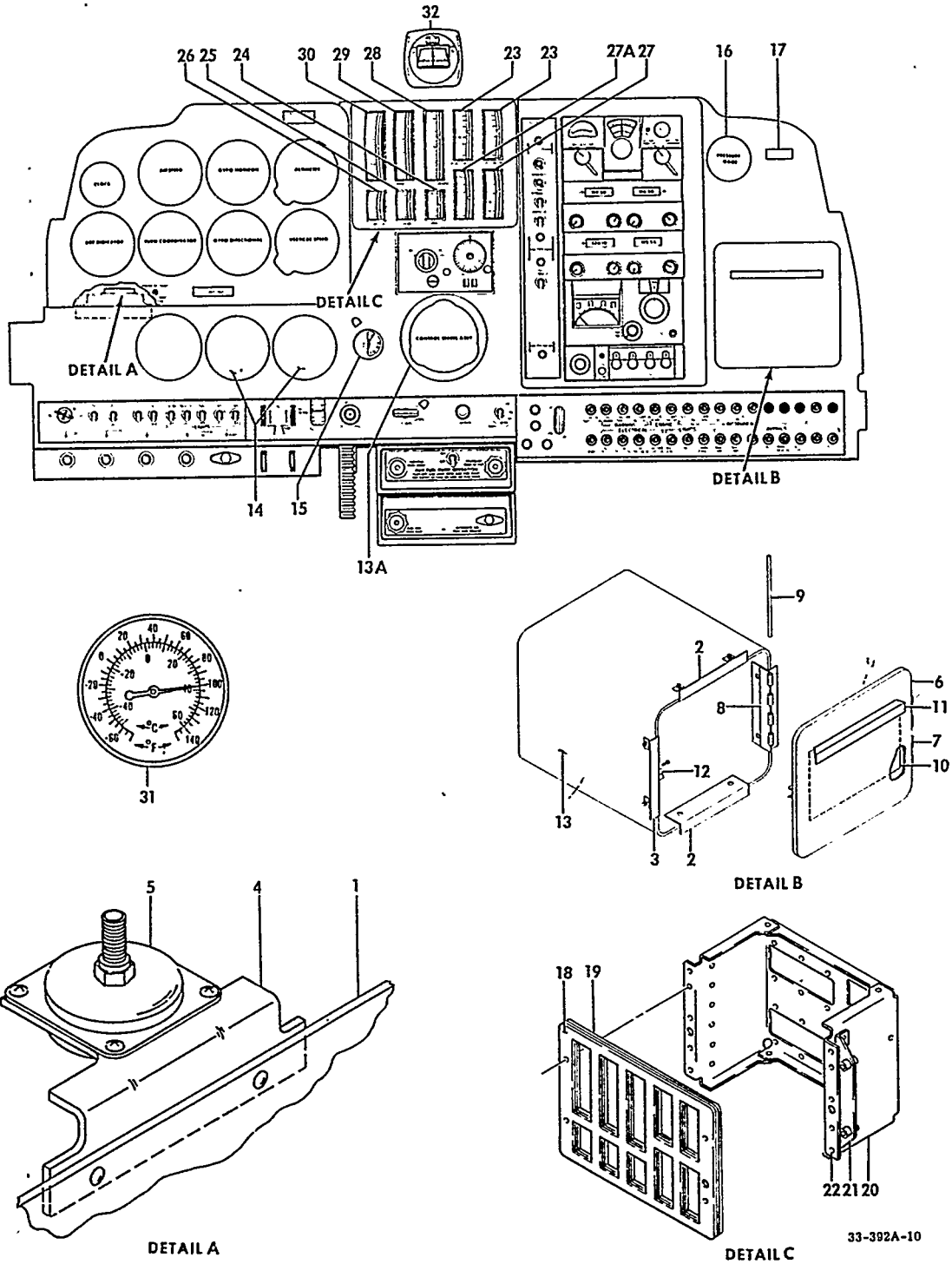


FIGURE 392A. INSTRUMENT PANEL

B E E C H C R A F T  
B O N A N Z A 3 3  
I L L U S T R A T E D P A R T S C A T A L O G

FIG. & ITEM NO.	PART NO.	DESCRIPTION	UNITS PER ASSY	USABLE ON CODE
392A	35-324386-67S	STRUCTURE INSTL, FIXED MAIN INSTRUMENT PANEL . . . . .	NP	1
	35-324456-13	. . . PANEL ASSY, INSTRUMENT . . . . .	1	1
- 1	35-324456-11	. . . PANEL, INSTRUMENT . . . . .	1	1
- 2	95-324035-13	. . . ANGLE, GLOVE COMPARTMENT SUPPORT . . . . .	2	1
- 3	35-324387-5	. . . ANGLE, GLOVE COMPARTMENT SUPPORT . . . . .	3	1
- 4	35-324456-5	. . . BRACKET, FLOATING PANEL MOUNTING . . . . .	2	1
- 5	150PL14	. . . MOUNT, FLOATING PANEL . . . . .	2	1
		/ATTACHING PARTS/		
	MS27039	. . . SCREW . . . . .	8	
		-----*		
	58-530125-1	. . . GLOVE COMPARTMENT INSTL . . . . .	NP	1
	58-530125-5	. . . DOOR ASSY, GLOVE COMPARTMENT . . . . .	1	1
- 6	58-530125-9	. . . DOOR . . . . .	1	1
- 7	35-534410-13	. . . HINGE HALF . . . . .	1	1
- 8	58-530125-15	. . . HINGE HALF . . . . .	1	1
- 9	105774C-ZE00328	. . . PIN, HINGE . . . . .	1	1
- 10	35-324408	. . . DECAL, FLIGHT PROCEDURE INSTRUCTION . . . . .	1	1
- 11	2A12175	. . . HANDLE . . . . .	1	1
- 12	5	. . . CATCH ASSY . . . . .	1	1
	58-530125-11	. . . BOX ASSY, GLOVE COMPARTMENT . . . . .	1	1
- 13	58-530125-13	. . . BODY . . . . .	1	1
	35-324033-4	. . . END . . . . .	1	1
- 13A	35-524125-4	. . . HANGER ASSY, CONTROL COLUMN . . . . .	1	1
		/ATTACHING PARTS/		
	NAS387-832-12	. . . SCREW . . . . .	3	
		-----*		
	33-324002-3	INSTRUMENT INSTL /STANDARD/ . . . . .	NP	1
	33-324044-3	INSTRUMENT INSTL/OPTIONAL WEDGE LIT/ . . . . .	NP	1
- 14	50-324103-1	. . . BEZEL /OMIT WHEN RADIO INSTRUMENT INSTALLED/. . . . .	2	1
- 15	50-384001-33	. . . INDICATOR, FLAP POSITION . . . . .	1	1
	35-324432-601	. . . PRINTED CIRCUIT BOARD, FLAP POSITION . . . . .	1	1
- 16	115-384018	. . . GAGE, PRESSURE . . . . .	1	1
	58-380017-1	. . . GAGE, PRESSURE/WEDGE LIT/ . . . . .	1	1
	58-380022-9	. . . LIGHT TRAY ASSY/WEDGE LIT/ . . . . .	1	1
- 17	35-380138-3	. . . HOURMETER . . . . .	1	1
	35-324454-3	. . . PANEL INSTL, VERTICAL INSTRUMENT . . . . .	NP	1
- 18	35-380127-7	. . . PANEL, ELECTROLUMINESCENT . . . . .	1	1
- 19	35-324455-1	. . . PANEL ASSY, VERTICAL INSTRUMENT . . . . .	1	1
	35-324455-3	. . . PANEL . . . . .	1	1
	35-324475	. . . PLATE, SPACER . . . . .	1	1
	35-324474-1	. . . BOX ASSY, VERTICAL INSTRUMENT . . . . .	1	1
- 20	35-324474-3	. . . BOX . . . . .	1	1
- 21	35-324474-5	. . . ANGLE . . . . .	2	1
- 22	NAS697A06	. . . NUTPLATE . . . . .	10	1
- 23	36-380018-3	. . . INDICATOR, FUEL QUANTITY . . . . .	2	1
- 24	35-380121-1	. . . INDICATOR, AMPMETER . . . . .	1	1
- 25	35-380112-5	. . . INDICATOR, OIL PRESSURE . . . . .	1	1
- 26	35-380113-5	. . . INDICATOR, OIL TEMPERATURE . . . . .	1	1
- 27	35-380111-3	. . . INDICATOR, CYLINDER HEAD TEMPERATURE . . . . .	1	1
- 27A	214-2A	. . . INDICATOR, EXHAUST GAS TEMP . . . . .	1	1
	214-2AB5A	. . . ALCOR MIXTURE KIT, VERTICAL INSTRUMENT . . . . .	1	1
- 28	35-380116-3	. . . INDICATOR, FUEL FLOW . . . . .	1	1
- 29	35-380115-5	. . . INDICATOR, TACHOMETER . . . . .	1	1
- 30	35-380114-3	. . . INDICATOR, MANIFOLD PRESSURE . . . . .	1	1
	96-384020-3	TRANSDUCER, MANIFOLD PRESSURE . . . . .	1	1
	96-384021-3	TRANSDUCER, OIL PRESSURE . . . . .	1	1
	96-384022-1	TRANSDUCER, FUEL PRESSURE . . . . .	1	1
- 31	35-380019-5	INDICATOR, OUTSIDE AIR TEMPERATURE . . . . .	1	1
- 32	C2400LP4-18	COMPASS, MAGNETIC . . . . .	1	1
	36-3002-1	KIT, ROUND INSTRUMENTS/H/O E.G.T./ . . . . .	1	1
	36-3002-3	KIT, ROUND INSTRUMENTS/WITH E.G.T./ . . . . .	1	1

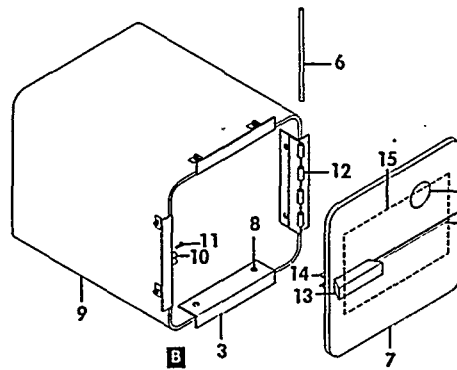
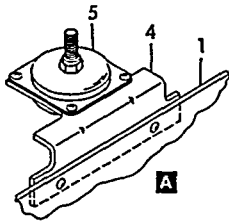
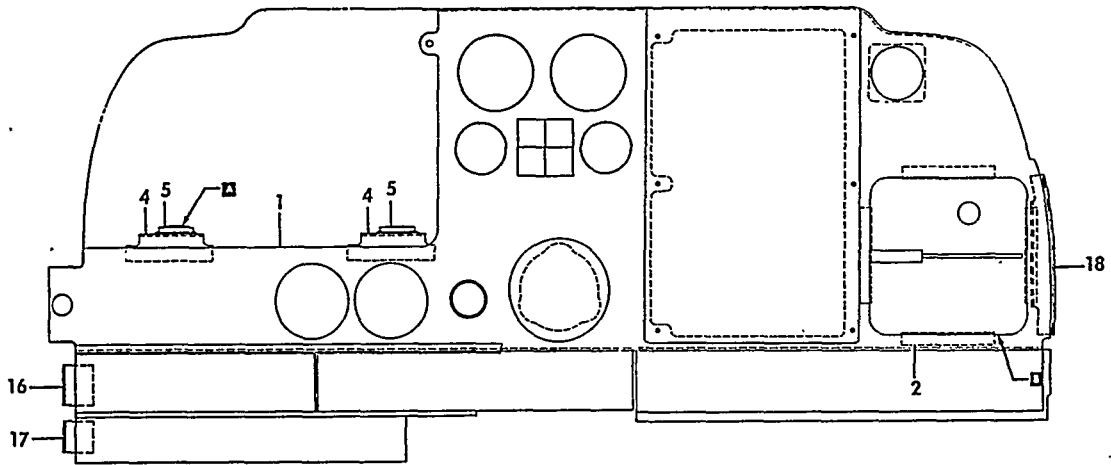
C O D E S O F E F F E C T I V I T Y

1 CE-350 THRU CE-408

BEECHCRAFT  
BONANZA 33  
ILLUSTRATED PARTS CATALOG

FIGURE 392B  
INSTRUMENT PANEL  
CE-409 AND AFTER, CJ-52 AND AFTER

BEECHCRAFT  
 BONANZA 33  
 ILLUSTRATED PARTS CATALOG



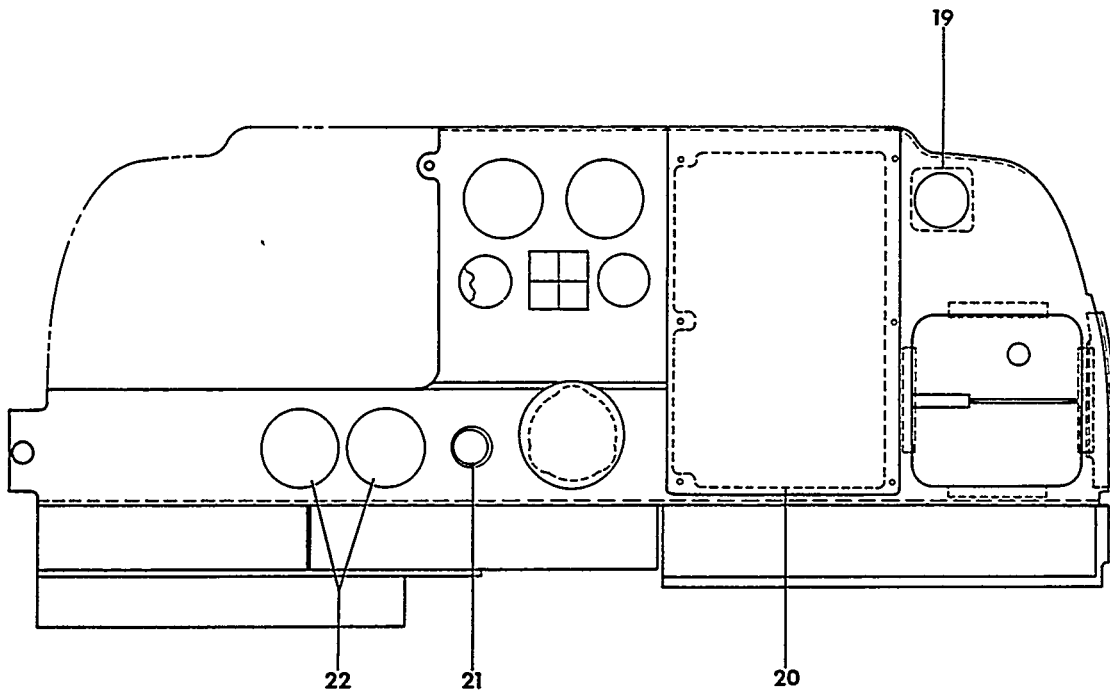
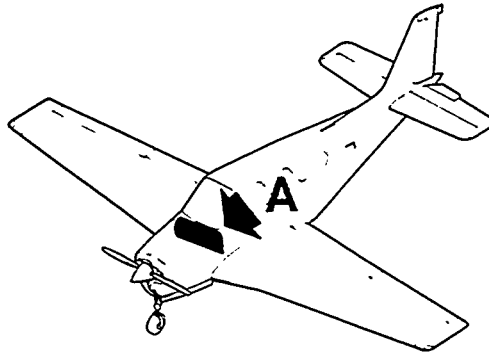
V35B-392A-17



BEECHCRAFT  
BONANZA 33  
ILLUSTRATED PARTS CATALOG

FIG. & ITEM NO.	PART NO.	DESCRIPTION	UNITS PER ASSY	USABLE ON CODE
392B	35-324386-67S	STRUCTURE INSTL, FIXED MAIN INSTRUMENT PANEL . .	NP	19
	58-530254-1	STRUCTURE INSTL, FIXED MAIN INSTRUMENT PANEL . .	NP	20
	36-324022-1	. PANEL ASSY, INSTRUMENT . . . . .	1	2
	36-324022-5	. PANEL ASSY, INSTRUMENT . . . . .	1	3
- 1	36-324022-3	. . PANEL, INSTRUMENT . . . . .	1	2
	36-324022-7	. . PANEL, INSTRUMENT . . . . .	1	21
	58-530253-7	. . PANEL, INSTRUMENT/WOODGRAIN/ . . . . .	1	20
	36-324022-45	. . PANEL, INSTRUMENT/BLANK/ . . . . .	1	20
- 2	95-324035-13	. . ANGLE, GLOVE COMPARTMENT SUPPORT . . . . .	2	2
- 3	35-324387-5	. . ANGLE, GLOVE COMPARTMENT SUPPORT . . . . .	1	2
- 4	35-324481-7	. . BRACKET, FLOATING PANEL MOUNTING . . . . .	2	1
- 5	150PL14	. . MOUNT, FLOATING PANEL . . . . .	2	1
		/ATTACHING PARTS/		
	MS27039-0809	. . SCREW . . . . .	8	
	MS20365-832	. . NUT . . . . .	8	
		-----*		
	J6984-121	. . MOUNT, UPPER SHOCK . . . . .	1	1
	58-530125-1	. . GLOVE COMPARTMENT INSTL . . . . .	NP	2
	58-530199-1	. . GLOVE COMPARTMENT INSTL . . . . .	NP	3
	58-530125-5	. . DOOR ASSY, GLOVE BOX . . . . .	1	2
	58-530200-1	. . DOOR ASSY, GLOVE BOX . . . . .	1	3
		/ATTACHING PARTS/		
- 6	105774C-ZE00328	. . PIN, HINGE . . . . .	1	
		-----*		
- 7	58-530125-9	. . . DOOR, GLOVE BOX . . . . .	1	2
	58-530200-3	. . . DOOR, GLOVE BOX . . . . .	1	3
	H2622-1-090	. . . LATCH, DOOR GLOVE BOX . . . . .	1	3
	35-534410-13	. . . HINGE, GLOVE BOX DOOR . . . . .	1	2
	58-530200-13	. . . HINGE, GLOVE BOX DOOR . . . . .	1	3
	58-530125-11	. . . BOX ASSY, GLOVE COMPARTMENT . . . . .	1	2
	58-530201-5	. . . BOX ASSY, GLOVE COMPARTMENT . . . . .	1	22
	58-530201-21	. . . BOX ASSY, GLOVE COMPARTMENT . . . . .	1	23
		/ATTACHING PARTS/		
	MS24693BB29	. . . SCREW . . . . .	6	22
	MS21207-6-10	. . . SCREW . . . . .	6	23
	MS35214-27	. . . SCREW . . . . .	2	3
- 8	R NAS384-6-6P	. . . SCREW . . . . .	6	2
	R NAS391B6P	. . . WASHER . . . . .	6	2
	R AN530-6R6	. . . SCREW . . . . .	3	2
	NAS1329A06K75	. . . RIVNUT . . . . .	8	3
	A1181-6Z1	. . . NUT . . . . .	8	2
		-----*		
- 9	58-530125-13	. . . BODY . . . . .	1	2
	58-530201-15	. . . STRIKER . . . . .	1	3
	MS35206-229	. . . SCREW, STRIKER ATTACHING . . . . .	2	3
	35-324033-4	. . . END . . . . .	1	2
	58-530201-7	. . . DOUBLER . . . . .	2	3
	MS21051L06	. . . NUT PLATE . . . . .	6	22
	58-530201-25	. . . DOUBLER . . . . .	6	23
- 10	NO. 5 ROLLER	. . . ROLLER, DOOR LATCH . . . . .	1	2
		/ATTACHING PARTS/		
- 11	AN530-6R6	. . . SCREW . . . . .	2	
	A1181-6Z1	. . . NUT . . . . .	2	
		-----*		
- 12	58-530125-15	. . . HINGE, GLOVE BOX HALF . . . . .	1	2
- 13	2A12715	. . . HANDLE, GLOVE BOX DOOR . . . . .	1	2
- 14	NO.5 STRIKER	. . . STRIKER, DOOR LATCH . . . . .	1	2
- 15	58-530220-1	. . . DECAL, CLEANING INSTRUCTION . . . . .	1	1
- 16	35-324386-91	. . BRACKET, SUBPANEL MOUNTING LH UPPER . . . . .	1	1
- 17	35-324386-71	. . BRACKET, SUBPANEL MOUNTING LOWER . . . . .	1	1
- 18	35-324458-3	. . BRACKET, INSTRUMENT MOUNTING RH . . . . .	1	2
	35-324458-5	. . BRACKET, INSTRUMENT MOUNTING RH . . . . .	1	3

BEECHCRAFT  
BONANZA 33  
ILLUSTRATED PARTS CATALOG



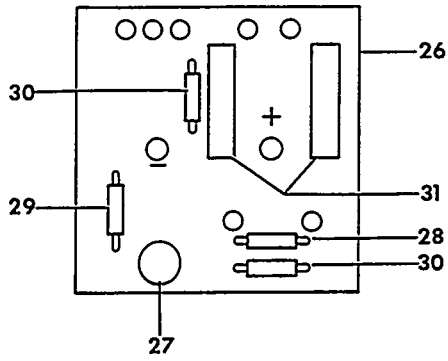
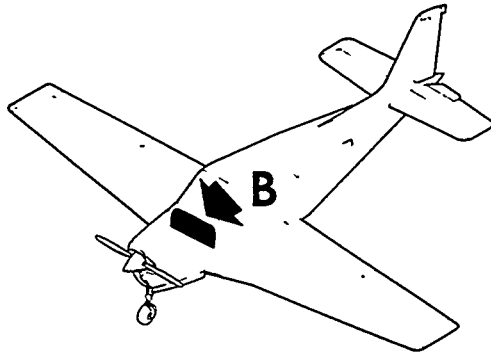
VIEW A

33-392A-30

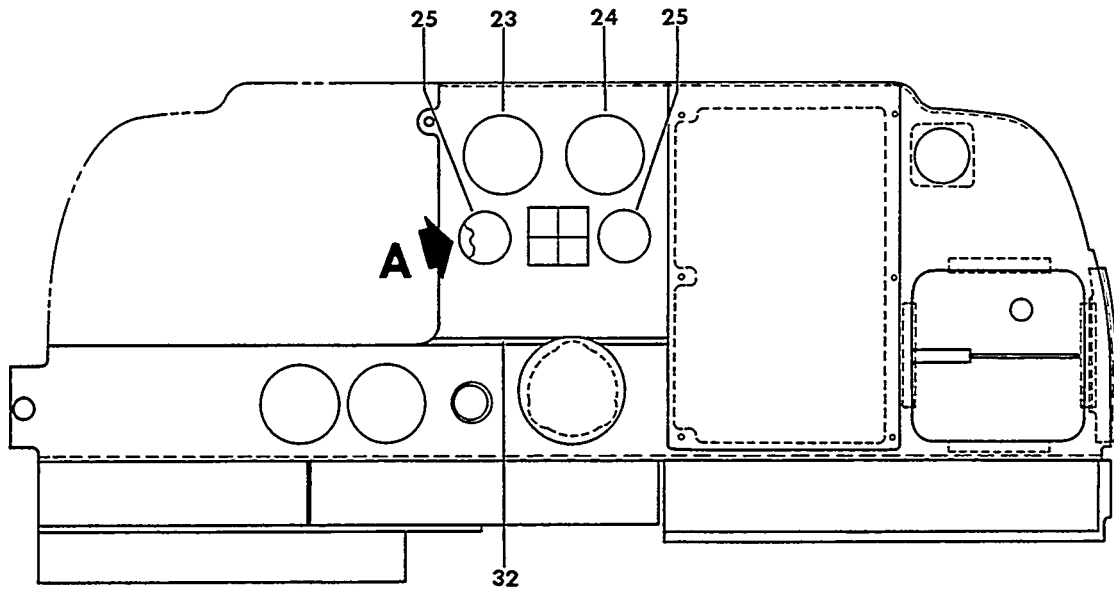
B E E C H C R A F T  
B O N A N Z A 3 3  
I L L U S T R A T E D P A R T S C A T A L O G

FIG. & ITEM NO.	PART NO.	DESCRIPTION	UNITS							USABLE ON CODE
			1	2	3	4	5	6	7	
392B	R 36-324003-1	PANEL INSTL, INSTR/WITH GYROS & PRESSURE GAGE/							NP	26
	36-324003-11	PANEL INSTL, INSTR/WITH GYROS & PRESSURE GAGE/							NP	6
	36-324003-3	PANEL INSTL, INSTR/LESS GYROS & PRESSURE GAGE/							NP	10
	R 36-324003-9	PANEL INSTL, INSTR/LESS GYROS & PRESSURE GAGE/							NP	35
	R 36-324023-1	INSTRUMENT INSTL/WEDGE LIT/							NP	34
		/WITH GYROS & PRESSURE GAGE/								
	36-324023-9	INSTRUMENT INSTL/WEDGE LIT/							NP	6
		/LESS GYROS & PRESSURE GAGE/								
	36-324023-3	INSTRUMENT INSTL/WEDGE LIT/							NP	10
		/LESS GYROS & PRESSURE GAGE/								
	36-324023-11	INSTRUMENT INSTL/WEDGE LIT/							NP	6
		/WITH GYROS & PRESSURE GAGE/								
	36-324020-1	. PANEL ASSY, INSTR/WITH GYROS & PRESSURE GAGE/							1	4
	36-324020-11	. PANEL ASSY, INSTR/WITH GYROS & PRESSURE GAGE/							1	5
	33-324054-15	. PANEL ASSY, INSTR/WITH GYROS & PRESSURE GAGE/							1	9
	R 36-324024-19	. PANEL ASSY, INSTR/WITH GYROS & PRESSURE GAGE/							1	27
	36-324020-3	. PANEL ASSY, INSTR/LESS GYROS & PRESSURE GAGE/							1	4
	36-324020-13	. PANEL ASSY, INSTR/LESS GYROS & PRESSURE GAGE/							1	5
	33-324054-13	. PANEL ASSY, INSTR/LESS GYROS & PRESSURE GAGE/							1	9
	36-324020-21	. PANEL ASSY, INSTR/LESS GYROS & PRESSURE GAGE/							1	27
	36-324020-27	. PANEL ASSY, INSTR/WITH STARTER ENERGIZER . . .							1	28
		LIGHT/GYROS & PRESSURE GAGE/								
	36-324020-29	. PANEL ASSY, INSTR/WITH STARTER ENERGIZER . . .							1	28
		LIGHT/LESS GYROS & PRESSURE GAG. PANEL AS								
	33-324054-17	. PANEL ASSY, INSTR/LESS GYROS & PRESSURE GAGE/							1	15
	33-324054-19	. PANEL ASSY, INSTR/WITH GYROS & PRESSURE GAGE/							1	15
	33-324054-21	. PANEL ASSY, INSTR/WITH STARTER ENERGIZER . . .							1	29
		LIGHT/LESS GYROS & PRESSURE GAGE/								
	33-324054-23	. PANEL ASSY, INSTR/WITH STARTER ENERGIZER . . .							1	29
		LIGHT/WITH GYROS & PRESSURE GAGE/								
	58-380022-9	. LIGHT TRAY ASSY/WEDGE LIT/14 VOLT/ . . . . .							13	13
	58-380022-11	. LIGHT TRAY ASSY/WEDGE LIT/28 VOLT/ . . . . .							13	14
	- 19	115-384018-1	. GAGE, PRESSURE . . . . .						1	1
	58-380017-3	. GAGE, PRESSURE/WEDGE LIT/ . . . . .						1	1	
		/ATTACHING PARTS/								
	R MS24693BB30	. SCREW . . . . .						4		
	R MS33737-15	. NUT . . . . .						4		
		-----*								
- 20	35-344234	. PANEL ASSY, BLANK RADIO. . . . .						1	1	
		/ATTACHING PARTS/								
	NAS387-832P	. SCREW . . . . .						6		
		-----*								
- 21	50-384001-33	. INDICATOR, FLAP POSITION . . . . .						1	11	
	50-384001-35	. INDICATOR, FLAP POSITION . . . . .						1	12	
		/ATTACHING PARTS/								
	R MS24693BB30	. SCREW . . . . .						4		
	R MS33737-12	. NUT . . . . .						4		
		-----*								
	A8970B330	. POST LIGHT/14 VOLT/ . . . . .						1	13	
	A8970B327	. POST LIGHT/28 VOLT/ . . . . .						1	14	
	35-324432-601	. PC BOARD ASSY, FLAP POSITION INDICATOR . . . . .						1	1	
	002-364038-3	. PC BOARD ASSY/28 VOLT/ . . . . .						1	14	
- 22	50-324103-1	. BEZEL, INSTRUMENT. . . . .						2	1	
		/ATTACHING PARTS/								
	R MS24693BB30	. SCREW . . . . .						4		
	R MS21044B06	. WASHER. . . . .						4		
		-----*								

BEECHCRAFT  
BONANZA 33  
ILLUSTRATED PARTS CATALOG



VIEW A



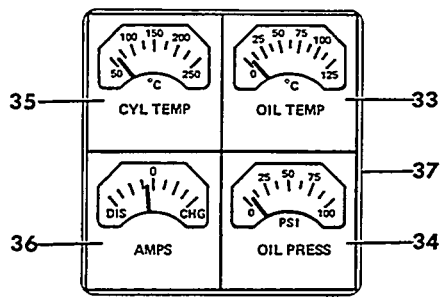
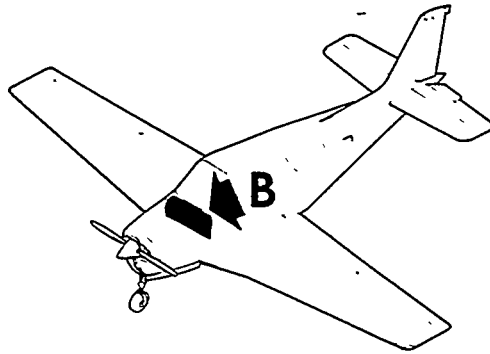
VIEW B

33-392A-31

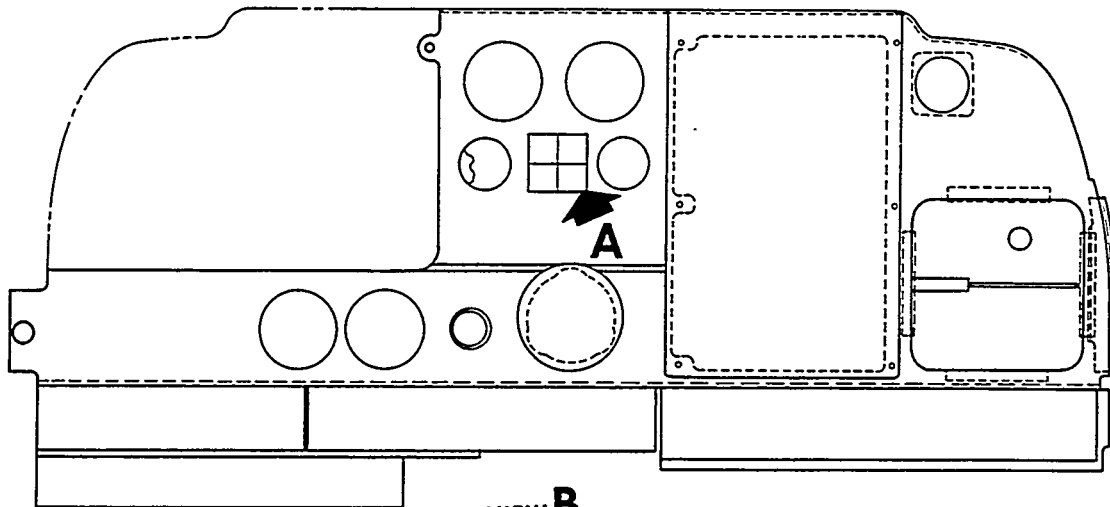
B E E C H C R A F T  
B O N A N Z A 3 3  
I L L U S T R A T E D P A R T S C A T A L O G

FIG. & ITEM NO.	PART NO.	DESCRIPTION	UNITS							USABLE ON CODE	
			1	2	3	4	5	6	7		
392B - 23	35-380054-3	. INDICATOR,MANIFOLD & FUEL PRESSURE. . . . .							1	17	
	36-380071-3	. INDICATOR,MANIFOLD & FUEL PRESSURE. . . . .							1	18	
	36-380006-1	. INDICATOR,MANIFOLD & FUEL PRESSURE/WEDGE LIT/							1	17	
	36-380070-3	. INDICATOR,MANIFOLD & FUEL PRESSURE/WEDGE LIT/							1	18	
	- 24	35-324365-11	. TACHOMETER/THREE BLADED PROP/ALTERNATE FOR. .							1	1
			35-324365-35 OR 35-324365-47/								
		35-324365-35	. TACHOMETER/THREE BLADED PROP/ALTERNATE FOR. .						1	1	
			35-324365-11 OR 35-324365-47/								
	R	35-324365-47	. TACHOMETER/THREE BLADED PROP/ALTERNATE FOR. .						1	1	
			35-324365-11 OR 35-324365-35/								
	36-380007-3	. TACHOMETER/WEDGE LIT/THREE BLADED PROP/ . . .						1	1		
NOTE AIRPLANE SERIALS PRIOR TO CE-891 AND CJ-156 USE 35-324365-11 UNLIGHTED TACH AND 36-380007-3 WEDGE LIGHTED TACH FOR TWO BLADED PROP.											
	35-324365-31	. TACHOMETER/TWO BLADED PROP/ALTERNATE FOR. . .							1	16	
		35-324365-33 OR 35-324365-67/									
	35-324365-33	. TACHOMETER/TWO BLADED PROP/ALTERNATE FOR. . .							1	1	
		35-324365-31 OR 35-324365-67/									
R	35-324365-67	. TACHOMETER/TWO BLADED PROP/ALTERNATE FOR. . .							1	16	
		35-324365-31 OR 35-324365-33/									
	36-380007-11	. TACHOMETER/WEDGE LIT/TWO BLADED PROP. . . . .							1	16	
- 25	58-380050-11	. INDICATOR,FUEL QUANTITY . . . . .							2	1	
	58-380051-11	. INDICATOR,FUEL QUANTITY/WEDGE LIT/ . . . . .							2	1	
	58-324041	. PC BOARD ASSY,FUEL QUANTITY INDICATOR . . . . .							2	7	
- 26	58-324042	. . PC BOARD. . . . .							1	7	
- 27	2N4036	. . TRANSISTOR. . . . .							1	7	
- 28	IN752A	. . DIODE,ZENER . . . . .							1	7	
- 29	RC07GF302J	. . RESISTOR. . . . .							1	7	
- 30	RC07GF4471J	. . RESISTOR. . . . .							2	7	
- 31	3810P502	. . POTENTIOMETER,TRIM/5,000 OHM/ . . . . .							2	7	
	58-364041-1	. PC BOARD ASSY,FUEL QUANTITY INDICATOR . . . . .							2	8	
	50-364041-9	. PC BOARD ASSY,FUEL QUANTITY INDICATOR . . . . .							NP	30	
		/ORDER 58-364057-3 SUPPORT ASSY/									
	36-530090-1	. TRIM INSTL,INSTRUMENT PANEL . . . . .							NP	25	
- 32	36-530090-5	. . TRIM,INSTRUMENT PANEL/LH/FOR -1 INSTL ONLY/							1	25	
	36-530090-3	. . TRIM,INSTRUMENT PANEL/RH/ . . . . .							1	25	
	NO.136	. . CLIP,TRIM . . . . .							4	1	
	36-810021-1	. BRACKET ASSY,GUARD. . . . .							1	24	
	35-344073-16	. PLACARD,RADIO CALL. . . . .							1	1	
	36-380020-13	. CLUSTER ASSY,INSTRUMENT /STANDARD/. . . . .							1	13	
	36-380021-13	. CLUSTER ASSY,INSTRUMENT /INTERNALLY LIT/. . . .							1	13	

BEECHCRAFT  
BONANZA 33  
ILLUSTRATED PARTS CATALOG



VIEW A



VIEW B

33-392A-34

B E E C H C R A F T  
B O N A N Z A 3 3  
I L L U S T R A T E D P A R T S C A T A L O G

FIG. & ITEM NO.	PART NO.	1	2	3	4	5	6	7	DESCRIPTION	UNITS PER ASSY	USABLE ON CODE
392B	36-380044-1	.	.	.	.	.	.	.	CLUSTER ASSY, INSTRUMENT/INTERNALLY LIT/ . . .	1	14
- 33	36-380020-15	.	.	.	.	.	.	.	INDICATOR, OIL TEMP. . . . .	1	14
	36-380021-15	.	.	.	.	.	.	.	INDICATOR, OIL TEMP/INTERNALLY LIT/. . . . .	1	13
	36-380044-3	.	.	.	.	.	.	.	INDICATOR, OIL TEMP. . . . .	1	14
- 34	36-380020-5	.	.	.	.	.	.	.	INDICATOR, OIL PRESSURE. . . . .	1	13
	36-380021-5	.	.	.	.	.	.	.	INDICATOR, OIL PRESSURE/INTERNALLY LIT/. . . . .	1	13
	36-380044-5	.	.	.	.	.	.	.	INDICATOR, OIL PRESSURE. . . . .	1	14
- 35	36-380020-17	.	.	.	.	.	.	.	INDICATOR, CYL TEMP. . . . .	1	13
	36-380021-17	.	.	.	.	.	.	.	INDICATOR, CYL TEMP/INTERNALLY LIT/. . . . .	1	13
	36-380044-7	.	.	.	.	.	.	.	INDICATOR, CYL TEMP. . . . .	1	14
- 36	36-380020-9	.	.	.	.	.	.	.	INDICATOR, AMMETER . . . . .	1	13
	36-380021-9	.	.	.	.	.	.	.	INDICATOR, AMMETER/INTERNALLY LIT/ . . . . .	1	13
	36-380044-9	.	.	.	.	.	.	.	INDICATOR, AMMETER . . . . .	1	14
- 37	36-380020-11	.	.	.	.	.	.	.	BOX, INSTR CLUSTER . . . . .	1	13
	36-380021-11	.	.	.	.	.	.	.	BOX, INSTR CLUSTER/FOR INTERNALLY LIT/ . . . . .	1	13
	36-380044-11	.	.	.	.	.	.	.	BOX, INSTR CLUSTER . . . . .	1	14
R	36-3002-1	.	.	.	.	.	.	.	KIT, ROUND INSTRUMENTS/W/O E.G.T./ . . . . .	1	34
R	36-3002-3	.	.	.	.	.	.	.	KIT, ROUND INSTRUMENTS/WITH E.G.T./ . . . . .	1	34

C O D E S O F E F F E C T I V I T Y

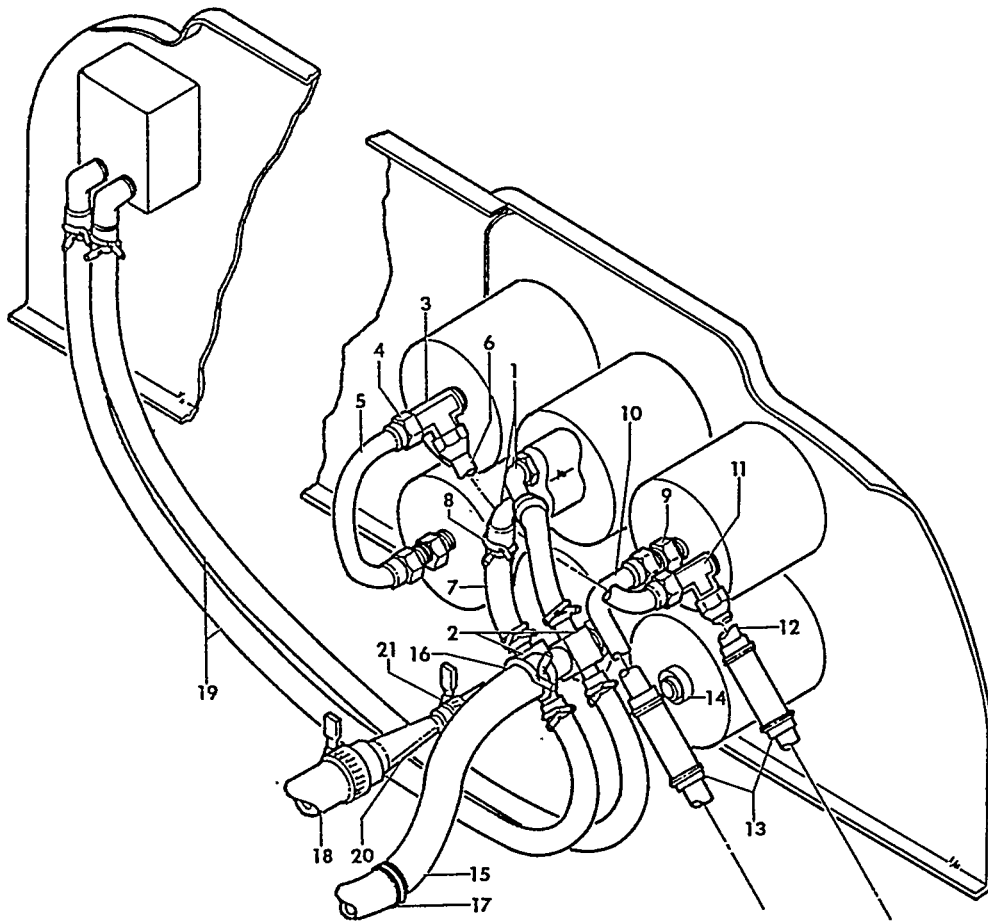
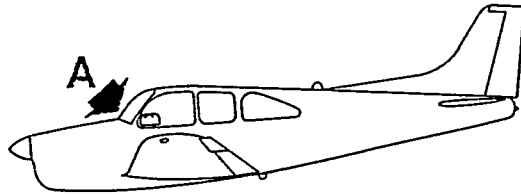
1	CE-409 AND AFTER	2	CE-409 THRU CE-543'
	CJ-52 AND AFTER		CJ-52 THRU CJ-74
3	CE-544 AND AFTER	4	CE-409 THRU CE-481
	CJ-75 AND AFTER		
5	CE-482 THRU CE-673	6	CJ-52 AND AFTER
7	CE-409 THRU CE-479	8	CE-480 THRU CE-747
			CE-749 THRU CE-771
			CJ-52 THRU CJ-148
9	CJ-52 THRU CJ-128	10	CE-409 THRU CE-1023
11	CE-409 THRU CE-815	12	CE-816 AND AFTER
	CJ-52 THRU CJ-149		CJ-150 AND AFTER
13	CE-409 THRU CE-747	14	CE-748
	CE-749 THRU CE-771		CE-772 AND AFTER
	CJ-52 THRU CJ-148		CJ-149 AND AFTER
15	CJ-129 THRU CJ-155	16	CE-891 AND AFTER
			CJ-156 AND AFTER
17	CE-409 THRU CE-928	18	CE-929 AND AFTER
	CJ-52 THRU CJ-155		CJ-156 AND AFTER
19	CE-409 THRU CE-977	20	CE-978 THRU CE-1011
	CE-1012 AND AFTER		
	CJ-52 AND AFTER		
21	CE-554 THRU CE-977	22	CE-554 THRU CE-967
	CJ-75 AND AFTER		CJ-75 THRU CJ-155
23	CE-968 AND AFTER	24	CE-996 AND AFTER
	CJ-156 AND AFTER		CJ-156 AND AFTER
25	CE-409 THRU CE-977	26	CE-1024 AND AFTER
	CJ-52 THRU CJ-155		
27	CE-674 THRU CE-918	28	CE-919, CE-923, CE-925
	CE-920 THRU CE-922		CE-927
	CE-924, CE-926, CE-928		CE-929 AND AFTER
29	CJ-156 AND AFTER	30	CE-748
			CE-772 THRU CE-946
			CJ-149 THRU CJ-155
31	CE-947 THRU CE-1009	32	CE-1010 THRU CE-1042
	CJ-156 AND AFTER		
33	CE-947 AND AFTER	34	CE-409 AND AFTER
	CJ-156 AND AFTER		
35	CJ-52 THRU CJ-155		

BEECHCRAFT  
BONANZA 33  
ILLUSTRATED PARTS CATALOG

FIGURE 393  
INSTRUMENT PANEL PLUMBING



BEECHCRAFT  
BONANZA 33  
ILLUSTRATED PARTS CATALOG



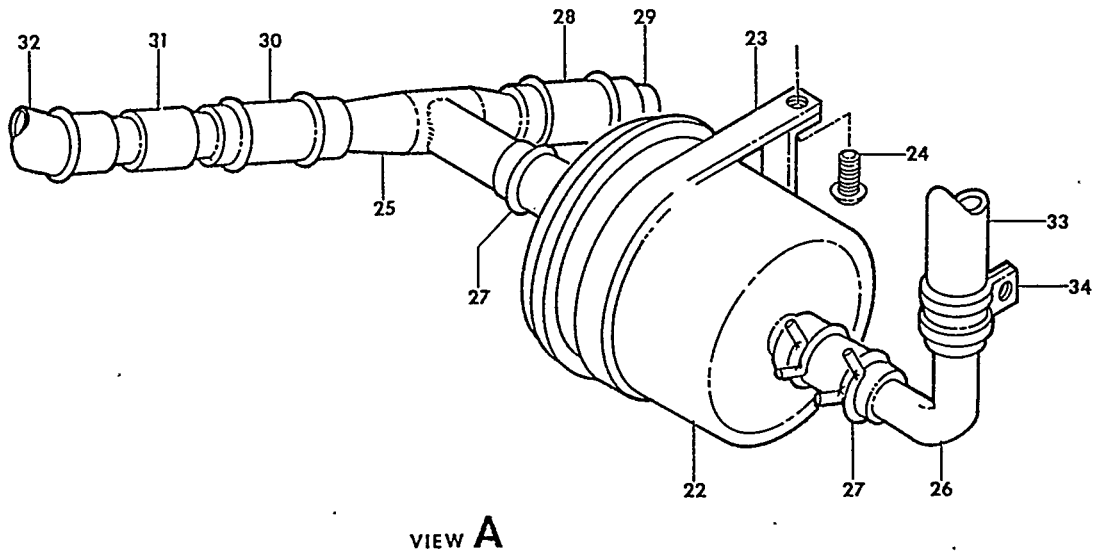
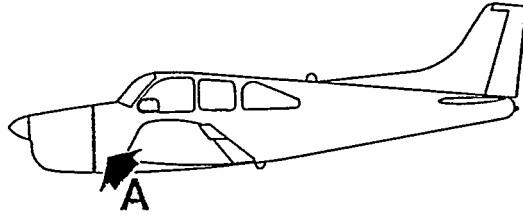
VIEW A

33-393-4

B E E C H C R A F T  
B O N A N Z A 3 3  
I L L U S T R A T E D P A R T S C A T A L O G

FIG. & ITEM NO.	PART NO.	DESCRIPTION	UNITS PER ASSY	USABLE ON CODE
		1 2 3 4 5 6 7		
393	35-324471-1	INSTRUMENT PANEL PLUMBING INSTL/WITH GYROS/	NP	
	35-324471-5	INSTRUMENT PANEL PLUMBING INSTL/W/O GYROS/	NP	
	1K9-4-6	• ELBOW	2	3
- 1	1K9-4-8	• ELBOW	2	4
	1K17-1	• FITTING	2	3
- 2	1K31-4-8-4	• FITTING	2	4
- 3	271P 1/4 X 1/8	• TEE /ALTIMETER/	1	
- 4	268P 1/4 X 1/8	• CONNECTOR/ALTIMETER/WITHOUT VERTICAL SPEED/	1	
- 5	35-324471-45	• TUBE,ALTIMETER TO VERTICAL SPEED.	1	
- 6	35-324471-11	• TUBE,ALTIMETER TO AIRSPEED.	1	
	106200H-6	• TUBING/GYRO CONNECT/	2	1
- 7	114693-4-00408	• TUBING/GYRO CONNECT/	2	2
	35-324471-31	• COILED WIRE INSERT.	2	2
	36-500005-43	• TUBING/GYRO CONNECT/	1	4
	36-500005-41	• TUBING/GYRO CONNECT/	1	4
	36-500005-45	• TUBING.	1	4
	64017	• CONNECTOR	1	4
	35-324471-29	• TUBING.	1	
	35-324471-27	• ELBOW	1	
- 8	A8	• CLAMP	4	1
	A10	• CLAMP	10	2
- 9	268P 1/4 X 1/8	• CONNECTOR /AIRSPEED/	1	
- 10	35-324471-13	• TUBE /AIRSPEED/	1	
- 11	271P 1/4 X 1/8	• TEE,CONNECTING AIRSPEED TO ALTIMETER.	1	
- 12	35-324471-15	• TUBE.	1	
- 13	35-324471-17	• TUBE.	2	
- 14	MS3106A/B10SL3S	• PLUG.	1	
- 15	114693-6	• TUBING.	1	1
	35-324471-25	• TUBING.	1	3
	36-500005-49	• TUBING.	1	4
- 16	A10	• CLAMP	2	
- 17	MS35489-20	• GROMMET	1	
- 18	106200H8	• HOSE.	1	1
	35-324471-23	• TUBING.	1	2
	36-500005-47	• TUBING.	1	4
	36-500016-63	• TUBE.	1	3
	36-500016-61	• ELBOW	1	2
	35-329012-27	• TUBE.	1	2
	A12	• CLAMP	2	2
	AN737TW26	• CLAMP,HOSE.	2	1
	A10	• CLAMP	2	2
- 19	114693-2	• TUBING.	2	
	A6	• CLAMP	4	
- 20	35-324471-19	• ADAPTER/WITH PRESSURE GAGE WITHOUT GYROS/	2	
- 21	AN737TW22	• CLAMP/USE WITH -19 ADAPTER/	2	

BEECHCRAFT  
BONANZA 33  
ILLUSTRATED PARTS CATALOG



33-393-5

B E E C H C R A F T  
B O N A N Z A 3 3  
I L L U S T R A T E D P A R T S C A T A L O G

FIG. & ITEM NO.	PART NO.	DESCRIPTION							UNITS PER ASSY	USABLE ON CODE
		1	2	3	4	5	6	7		
393										
- 22	35-324443-1	•	•	•	•	•	•	•	NP	.1
	EBD03-0012	•	•	•	•	•	•	•	1	1
	202563	•	•	•	•	•	•	•	1	1
		/ATTACHING PARTS/								
- 23	MS21919DG52	•	•	•	•	•	•	•	1	1
	MS21919DG44	•	•	•	•	•	•	•	1	1
- 24	AN525-10R11	•	•	•	•	•	•	•	1	1
	100696D-ZG008	•	•	•	•	•	•	•	1	1
	AN960D10	•	•	•	•	•	•	•	1	1
	MS20365-1032	•	•	•	•	•	•	•	1	1
		*-----*								
- 25	35-324443-9	•	•	•	•	•	•	•	1	
	35-324443-11	•	•	•	•	•	•	•	1	
	35-324443-5	•	•	•	•	•	•	•	1	
- 26	35-324443-3	•	•	•	•	•	•	•	1	1
- 27	106200H10-7	•	•	•	•	•	•	•	2	1
		/ATTACHING PARTS/								
	A16	•	•	•	•	•	•	•	2	1
		*-----*								
- 28	106200H6-7	•	•	•	•	•	•	•	1	
- 29	35-324443-13	•	•	•	•	•	•	•	1	
		106200H6-7 HOSE, A8 CLAMP AND -13 PLUG/								
	A8	•	•	•	•	•	•	•	2	
- 30	106200H8-7	•	•	•	•	•	•	•	1	
- 31	1K39-8-8	•	•	•	•	•	•	•	1	
	35-324471-41	•	•	•	•	•	•	•	1	
	114693-9-00500	•	•	•	•	•	•	•	1	
	A12	•	•	•	•	•	•	•	2	
- 32	106200H8-92	•	•	•	•	•	•	•	1	
	A14	•	•	•	•	•	•	•	2	
- 33	106200H10-72	•	•	•	•	•	•	•	1	
		/ATTACHING PARTS/								
- 34	MS21919DG12	•	•	•	•	•	•	•	1	
	AN520-10R6	•	•	•	•	•	•	•	1	
	MS20364-1032	•	•	•	•	•	•	•	1	
		*-----*								

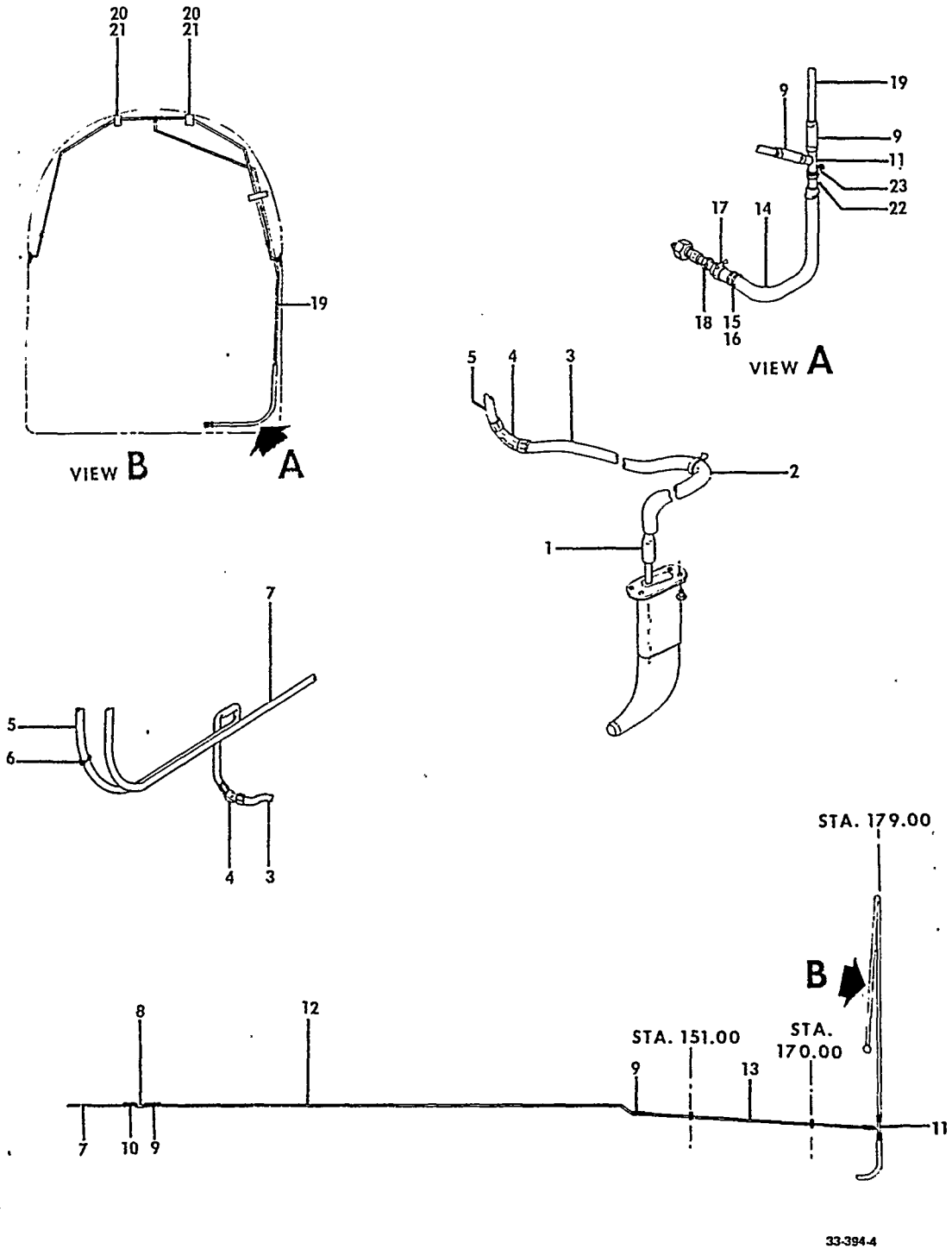
C O D E S O F E F F E C T I V I T Y

1	CD-1235 THRU CD-1255	2	CD-1256 THRU CD-1304
	CE-290 THRU CE-349		CE-350 AND AFTER
			CJ-26 AND AFTER
3	CD-1235 THRU CD-1304	4	CE-662 AND AFTER
	CE-290 THRU CE-661		CJ-129 AND AFTER
	CJ-26 THRU CJ-128		

BEECHCRAFT  
BONANZA 33  
ILLUSTRATED PARTS CATALOG

FIGURE 394  
PITOT AND STATIC SYSTEM  
CD-1235 THRU CD-1304, CE-290 THRU CE-315,  
CJ-26 AND AFTER

BEECHCRAFT  
 BONANZA 33  
 ILLUSTRATED PARTS CATALOG

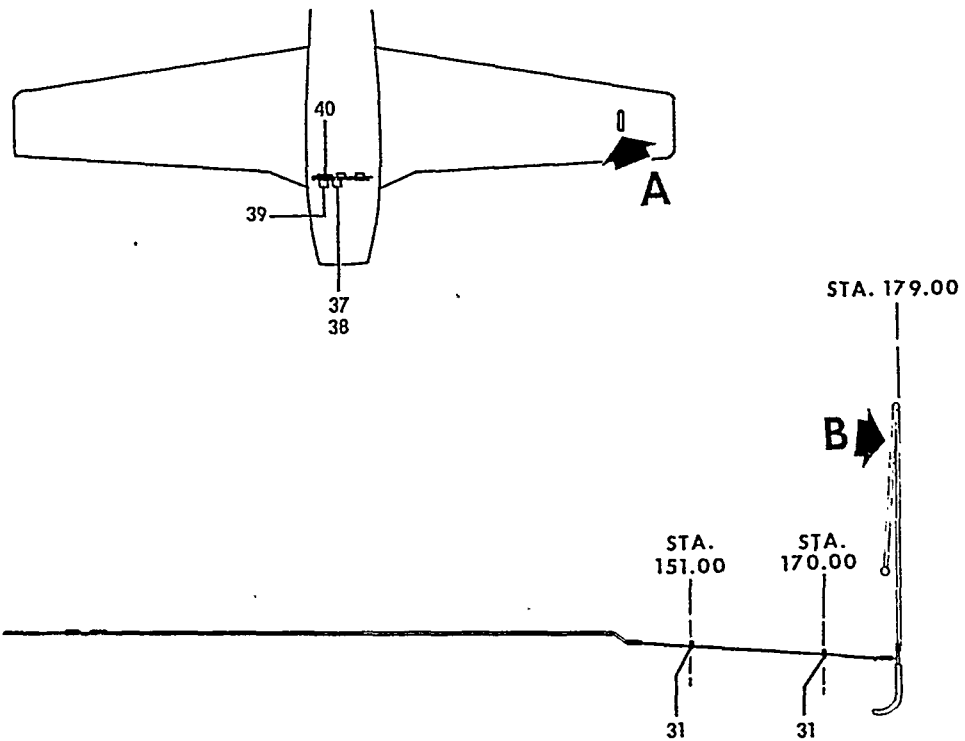
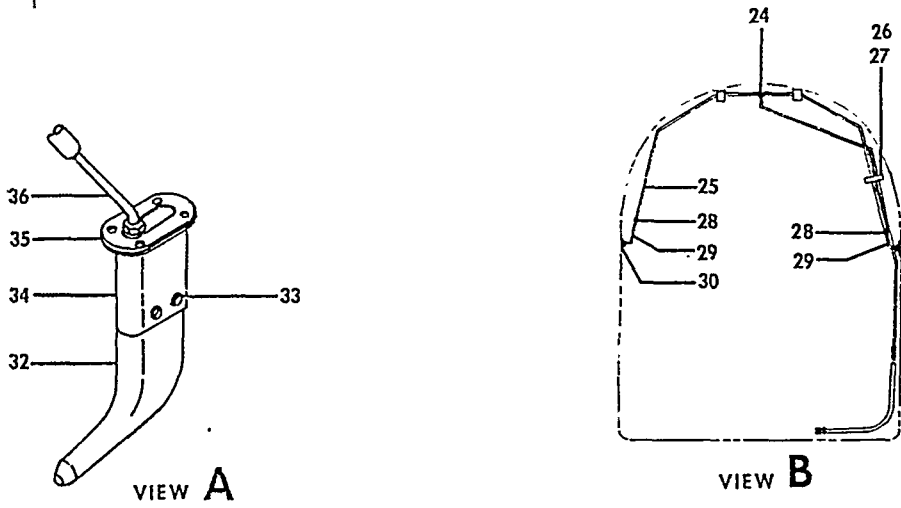


33-394-4

B E E C H C R A F T  
B O N A N Z A 3 3  
I L L U S T R A T E D P A R T S C A T A L O G

FIG. & ITEM NO.	PART NO.	DESCRIPTION							UNITS PER ASSY	USABLE ON CODE	
		1	2	3	4	5	6	7			
394	- 1	35-324002-137	PITOT & STATIC PLUMBING INSTL . . . . .							NP	.1
		35-321117-12	. TUBE ASSY,PITOT . . . . .							1	1
			/ATTACHING PARTS/								
		AN509-8R8	. SCREW . . . . .							4	
	- 2	50-320010-6	. HOSE,FLEX /PITOT TUBE/. . . . .							1	1
			/ATTACHING PARTS/								
		AN995C41-6	. WIRE,PITOT MAST ATTACHING . . . . .							AR	
		AN737RM22	. CLAMP,HOSE . . . . .							2	
			*-----*								
	- 3	35-324002-37	. TUBE ASSY . . . . .							1	1
		35-324002-39	. TUBE . . . . .							1	1
		AN818-4D	. NUT . . . . .							1	1
		AN819-4Z	. SLEEVE . . . . .							1	1
		49246	. BAND,TUBE SUPPORT . . . . .							1	1
		49196	. CLIP,BAND ATTACHING . . . . .							1	1
	- 4	AN821-4D	. ELBOW,PITOT PRESSURE . . . . .							1	1
	- 5	35-324002-9	. TUBE ASSY,PITOT PRESSURE . . . . .							1	1
		35-324002-15	. TUBE . . . . .							1	1
		AN818-4D	. NUT . . . . .							1	1
		AN819-4Z	. SLEEVE . . . . .							1	1
	- 6	MS35489-6	. GROMMET . . . . .							4	1
- 7	35-324002-107	. TUBE . . . . .							1	1	
- 8	35-324002-83	. REDUCER . . . . .							1	1	
- 9	106200G6-12	. HOSE . . . . .							4	1	
- 10	106200G4-12	. HOSE . . . . .							4	1	
- 11	35-324002-87	. WELD ASSY . . . . .							1	2	
	62065	. TEE . . . . .							1	3	
- 12	35-324002-105	. TUBE . . . . .							1	2	
	35-324002-155	. TUBE . . . . .							1	3	
- 13	35-324002-103	. TUBE . . . . .							1	1	
- 14	35-324002-89	. TUBE,DRAIN . . . . .							1	1	
- 15	49245	. BAND,TUBE SUPPORT . . . . .							1	1	
- 16	49266	. CLIP,BAND ATTACHING . . . . .							1	1	
- 17	AN737RM24	. CLAMP . . . . .							1	2	
	A8	. CLAMP . . . . .							1	3	
- 18	AN807-6D	. ADAPTER . . . . .							1	2	
	AN929-6	. CAP . . . . .							1	2	
	AN6-10A/M/	. BOLT . . . . .							1	3	
- 19	35-324002-133	. TUBE ASSY,STATIC PRESSURE . . . . .							1	2	
	35-324002-163	. TUBE ASSY,STATIC PRESSURE . . . . .							1	3	
- 20	108424-2	. ANGLE . . . . .							2	1	
- 21	MS21919DG6	. CLAMP . . . . .							2	1	
		/ATTACHING PARTS/									
	AN515-8R8	. SCREW . . . . .							2		
	MS20365-832	. NUT . . . . .							2		
		*-----*									
- 22	MS21919DG6	. CLAMP . . . . .							1	1	
- 23	AN743-12	. BRACKET . . . . .							1	1	
		/ATTACHING PARTS/									
	AN520-10R12	. SCREW . . . . .							1		
	AN960-10	. WASHER . . . . .							1		
	MS20365-1032	. NUT . . . . .							1		
		*-----*									

BEECHCRAFT  
 BONANZA 33  
 ILLUSTRATED PARTS CATALOG



33-394-5



B E E C H C R A F T  
B O N A N Z A 3 3  
I L L U S T R A T E D P A R T S C A T A L O G

FIG. & ITEM NO.	PART NO.	DESCRIPTION	UNITS PER ASSY	USABLE ON CODE		
					1	2
394 - 24	AN824D6	. TEE . . . . .	1	2		
	264P X 1/2	. TEE . . . . .	1	3		
- 25	35-324002-129	. TUBE ASSY, STATIC PRESSURE /LH & RH/ . . . . .	2	2		
	35-324002-165	. TUBE ASSY, STATIC PRESSURE /LH & RH/ . . . . .	2	3		
- 26	MS21919DG6	. CLAMP . . . . .	2	1		
		/ATTACHING PARTS/				
- 27	AN515-10R10	. SCREW . . . . .	2			
	MS20365-1032	. NUT . . . . .	2			
		*				
	A12	. CLAMP . . . . .	4	3		
- 28	AN919-6D	. REDUCER . . . . .	2	2		
- 29	35-324002-125	. TUBE ASSY, STATIC PRESSURE /LH & RH/ . . . . .	2	2		
	106200H6-20	. HOSE . . . . .	2	3		
- 30	35-400212	. FITTING, STATIC PRESSURE . . . . .	2	2		
	96-440012-1	. FITTING, STATIC PRESSURE . . . . .	2	3		
- 31	49246	. BAND, TUBE SUPPORT . . . . .	2	1		
	49266	. CLIP, BAND ATTACHING . . . . .	2	1		
	MS35490-11	. GROMMET . . . . .	2	1		
- 32	35-361159	HEAD INSTL, HEATED PITOT . . . . .	NP	1		
	50-384040-1	. TUBE ASSY, HEATED PITOT/14 VOLT/ . . . . .	1	4		
- 33	50-384040	. TUBE ASSY, HEATED PITOT . . . . .	1	5		
		/ATTACHING PARTS/				
- 34	AN507-640R4	. SCREW . . . . .	4			
		*				
- 35	35-361108-8	. MAST ASSY, HEATED PITOT . . . . .	1	1		
		/ATTACHING PARTS/				
- 36	AN509-8R8	. SCREW . . . . .	4			
		*				
- 37	35-361109	. TUBE ASSY, HEATED PITOT . . . . .	1	1		
- 38	35-380132-3	. CIRCUIT BREAKER . . . . .	1	1		
- 39	MS25082-8	. NUT . . . . .	1	1		
	AN936A716B	. WASHER . . . . .	1	1		
- 40	CM10	. CIRCUIT BREAKER, HEATED PITOT POWER . . . . .	1	1		
	35-324192-12	. PLACARD, PITOT HEAT CIRCUIT BREAKER . . . . .	1	1		

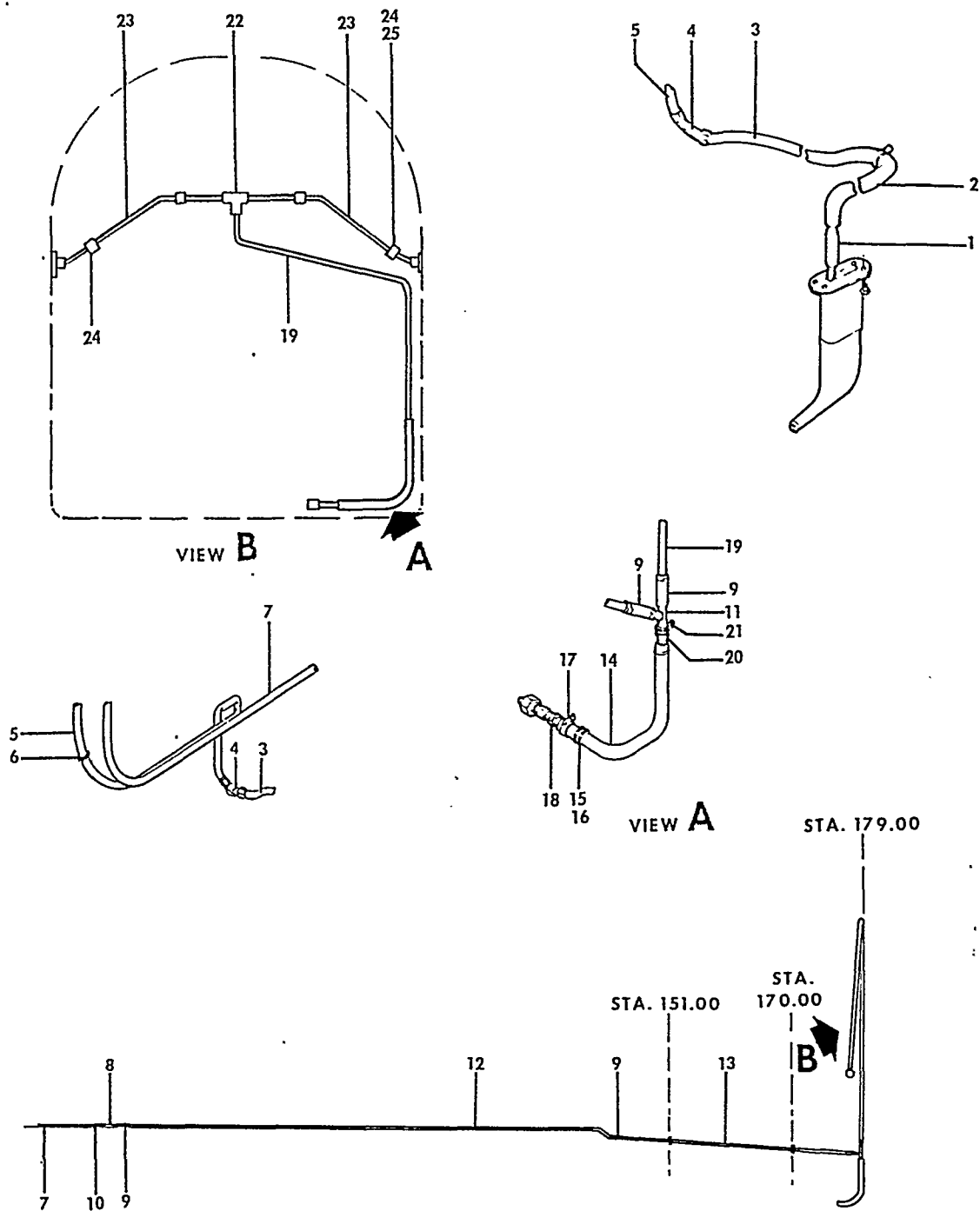
C O D E S O F E F F E C T I V I T Y

- 1 CD-1235 THRU CD-1304 2 CD-1235 THRU CD-1255  
CE-290 THRU CE-315, CE-290 THRU CE-315,  
CJ-26 AND AFTER
- 3 CD-1256 THRU CD-1304 4 CJ-26 THRU CJ-148  
CJ-26 AND AFTER
- 5 CJ-149 AND AFTER

BEECHCRAFT  
BONANZA 33  
ILLUSTRATED PARTS CATALOG

FIGURE 394A  
PITOT AND STATIC SYSTEM  
CE-316 AND AFTER

BEECHCRAFT  
 BONANZA 33  
 ILLUSTRATED PARTS CATALOG



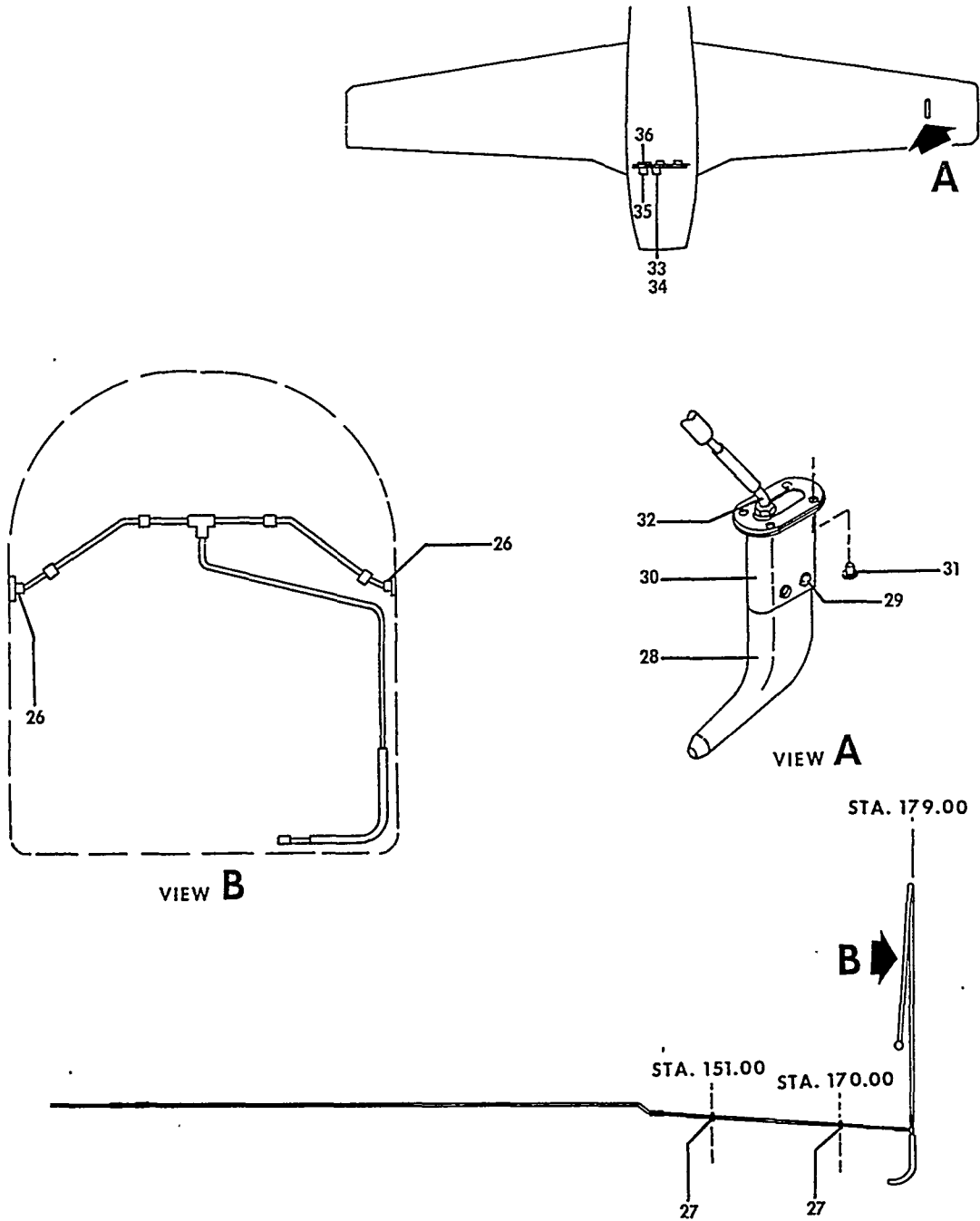
G33-394-1

FIGURE 394A. PITOT AND STATIC SYSTEM  
 /SHEET 1 OF 2 SHEETS/

B E E C H C R A F T  
B O N A N Z A 3 3  
I L L U S T R A T E D P A R T S C A T A L O G

FIG. & ITEM NO.	PART NO.	DESCRIPTION	UNITS							USABLE ON CODE	
			1	2	3	4	5	6	7		
394A		PITOT & STATIC PLUMBING INSTL . . . . .								NP	1
- 1	35-324002-81	. TUBE ASSY,PITOT . . . . .								1	1
	35-321117-12	/ATTACHING PARTS/									
	AN509-8R8	. SCREW . . . . .								4	
		*-----*									
- 2	50-320010-6	. HOSE,FLEX /PITOT TUBE/. . . . .								1	1
		/ATTACHING PARTS/									
	AN995041-6	. WIRE,PITOT MAST ATTACHING . . . . .								AR	
	AN737RM22	. CLAMP,HOSE . . . . .								2	
		*-----*									
- 3	35-324002-37	. TUBE ASSY . . . . .								1	1
	49246	. BAND,TUBE SUPPORT . . . . .								1	1
	49196	. CLIP,BAND ATTACHING . . . . .								1	1
- 4	AN821-4D	. ELBOW,PITOT PRESSURE . . . . .								1	1
- 5	35-324002-9	. TUBE ASSY,PITOT PRESSURE . . . . .								1	1
- 6	MS35489-6	. GROMMET . . . . .								4	1
- 7	35-324002-107	. TUBE . . . . .								1	1
- 8	35-324002-83	. REDUCER . . . . .								1	1
- 9	106200G6-12	. HOSE . . . . .								1	1
- 10	106200G4-12	. HOSE . . . . .								1	1
- 11	35-324002-87	. WELD ASSY . . . . .								1	2
	62065	. TEE . . . . .								1	3
- 12	35-324002-105	. TUBE . . . . .								1	2
	35-324002-155	. TUBE . . . . .								1	3
- 13	35-324002-103	. TUBE . . . . .								1	1
- 14	35-324002-89	. TUBE,DRAIN . . . . .								1	1
- 15	49245	. BAND,TUBE SUPPORT . . . . .								1	1
- 16	49184	. CLIP,BAND ATTACHING . . . . .								1	1
- 17	A8	. CLAMP . . . . .								1	1
- 18	AN6-10A/M/ MS20819-6D	. BOLT . . . . .								1	1
		. SLEEVE . . . . .								1	1
- 19	35-324002-99	. TUBE ASSY,STATIC PRESSURE . . . . .								1	2
	35-324002-159	. TUBE . . . . .								1	3
	35-324002-7	. HOSE . . . . .								1	1
- 20	MS21919DG6	. CLAMP . . . . .								1	1
- 21	AN743-13	. BRACKET . . . . .								1	1
		/ATTACHING PARTS/									
	AN520-10R12	. SCREW . . . . .								1	
	AN960-10	. WASHER . . . . .								1	
	MS20365-1032	. NUT . . . . .								1	
		*-----*									
- 22	AN824D6	. TEE . . . . .								1	2
	264P X 1/2	. TEE . . . . .								1	3
- 23	35-324002-151	. TUBE ASSY,STATIC PRESSURE /LH & RH/ . . . . .								2	2
	35-324002-161	. TUBE . . . . .								2	3
- 24	106200G6-20	. HOSE . . . . .								2	1
- 25	A12	. CLAMP . . . . .								4	1

BEECHCRAFT  
 BONANZA 33  
 ILLUSTRATED PARTS CATALOG



G33-394-2

FIGURE 394A. PITOT AND STATIC SYSTEM  
 /SHEET 2 OF 2 SHEETS/

B E E C H C R A F T  
B O N A N Z A 3 3  
I L L U S T R A T E D P A R T S C A T A L O G

FIG. & ITEM NO.	PART NO.	DESCRIPTION							UNITS PER ASSY	USABLE ON CODE
		1	2	3	4	5	6	7		
394A - 26	35-400212	•							2	4
	96-440012-1	•							2	5
	35-324002-125	•							2	3
	49245	•							2	1
	49266	•							2	1
- 27	MS35490-11	•							2	1
	35-361159								NP	1
- 28	50-384040-1	•							1	6
	50-384040	•							1	7
- 29	AN507-640R4	•							4	
- 30	35-361108-8	•							1	1
- 31	AN509-8R8	•							4	
- 32	35-361109	•							1	1
- 33	35-380132-3	•							1	1
- 34	MS25082-8	•							2	1
		•							1	1
- 35	AN936A716B	•							1	1
- 35	CM10	•							1	1
- 36	35-324192-12	•							1	1

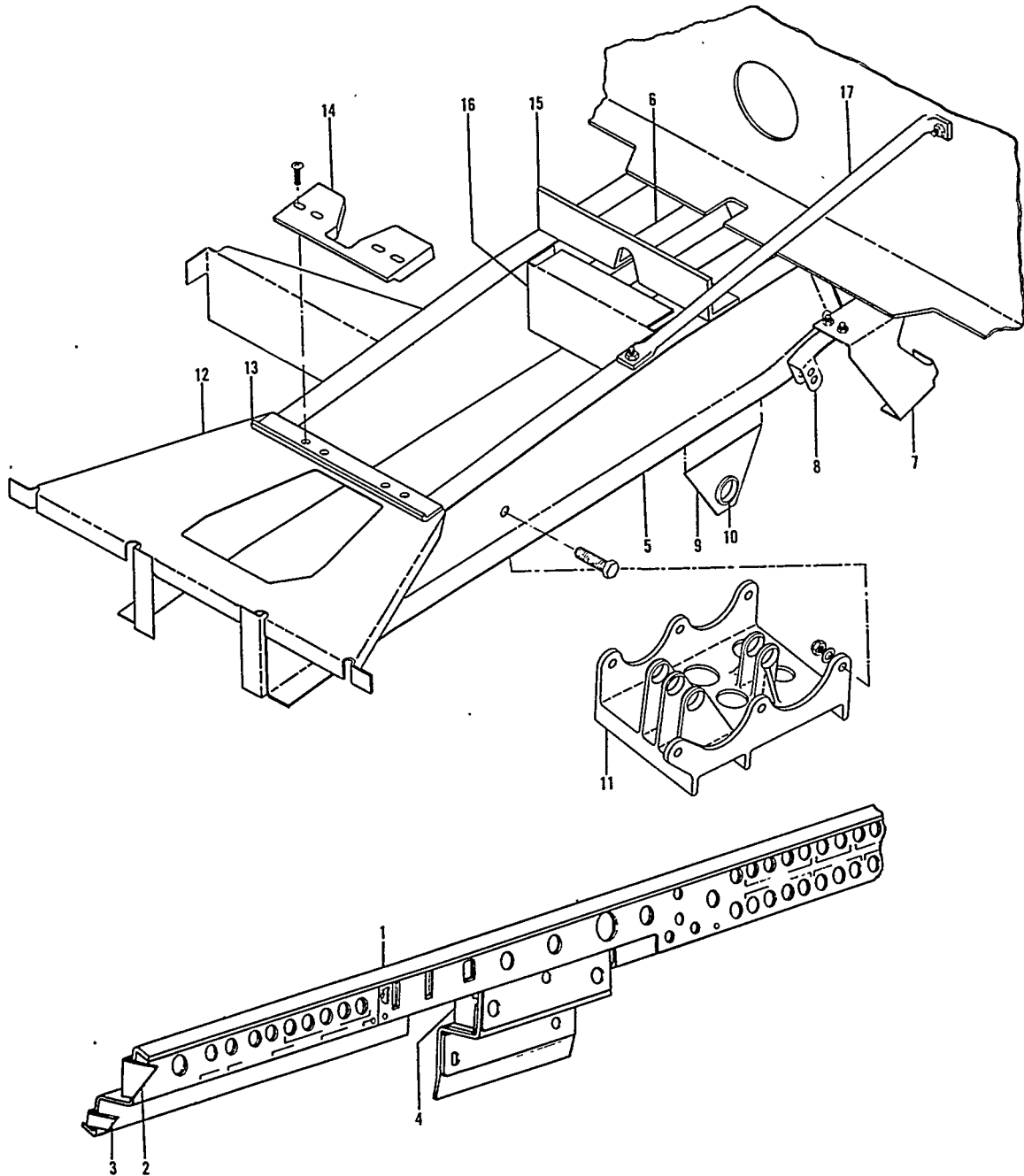
C O D E S O F E F F E C T I V I T Y

- |   |                             |   |                                     |
|---|-----------------------------|---|-------------------------------------|
| 1 | CE-316 AND AFTER            | 2 | CE-316 THRU CE-346                  |
| 3 | CE-347 AND AFTER            | 4 | CE-316 THRU CE-377                  |
| 5 | CE-378 AND AFTER            | 6 | CE-316 THRU CE-771<br>EXCEPT CE-748 |
| 7 | CE-748,<br>CE-772 AND AFTER |   |                                     |

BEECHCRAFT  
BONANZA 33  
ILLUSTRATED PARTS CATALOG

FIGURE 395  
SUBPANEL

BEECHCRAFT  
BONANZA 33  
ILLUSTRATED PARTS CATALOG



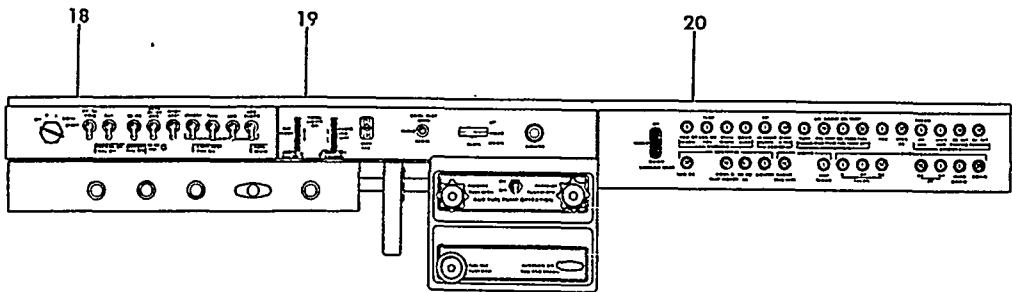
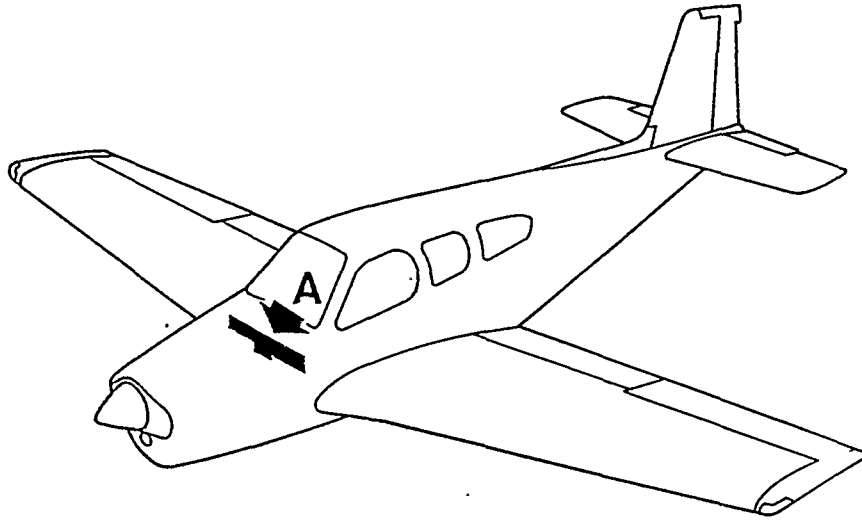
33-395-5



B E E C H C R A F T  
B O N A N Z A 3 3  
I L L U S T R A T E D P A R T S C A T A L O G

FIG. & ITEM NO.	PART NO.	1 2 3 4 5 6 7	DESCRIPTION	UNITS PER ASSY	USABLE ON CODE
395	35-324471-1		INSTRUMENT PANEL PLUMBING INSTL/WITH GYROS/	NP	9
	35-324471-5		INSTRUMENT PANEL PLUMBING INSTL/W/O GYROS/	NP	
	35-324386-67S		PANEL INSTL, FIXED MAIN INSTRUMENT	NP	10
	35-324465-3		• SUBPANEL ASSY	1	2
	35-324465-5		• SUBPANEL ASSY	1	31
	35-324386-39		• SUBPANEL ASSY	1	32
- 1	35-324465-1		• SUBPANEL	1	27
	35-324465-29		• SUBPANEL	1	33
	35-324465-45		• SUBPANEL	1	32
	35-324465-7		• PANEL, ENGINE CONTROLS	1	2
	35-324465-23		• PANEL, ENGINE CONTROLS	1	8
	35-324467		• BRACKET, RHEOSTAT MOUNTING	4	18
	35-324465-17		• BRACKET, RHEOSTAT MOUNTING	4	19
	35-324465-21		• BRACKET, ALTERNATOR CIRCUIT BREAKER	1	23
	K1000-6		• NUTPLATE	12	
- 2	35-324386-91		• BRACKET, LH UPPER	1	
- 3	35-324386-71		• BRACKET, LH LOWER	1	
- 4	35-324386-85		• BRACKET, COLUMN SUPPORT CHANNEL	2	
	35-324386-77		• CHANNEL ASSY, CONTROL COLUMN SUPPORT LH	1	
	35-324386-78		• CHANNEL ASSY, CONTROL COLUMN SUPPORT RH	1	
- 5	35-324386-79		• CHANNEL, LH	1	
- 6	35-324386-80		• CHANNEL, RH	1	
	130006A1032		• NUTPLATE	3	
	36-524072-1		• BEARING ASSY	2	30
	36-524072-3		• RETAINER	1	30
	MS27645-6A		• BEARING	1	30
	35-324386-81		• BRACKET, ELEVATOR CONTROL CABLE PULLEY	1	27
	35-324386-109		• BRACKET, ELEVATOR CONTROL CABLE PULLEY	1	25
- 7	35-324386-73		• BRACKET, SUBPANEL SUPPORT LH	1	
- 8	35-524554		• BRACKET, SUBPANEL SUPPORT LH	1	
- 9	35-324386-83		• BRACKET, COLUMN SUPPORT SUBPANEL	1	29
- 10	115005-2		• GROMMET	1	29
- 11	35-524126		• BRACKET, ELEVATOR CABLE PULLEY UPPER	1	
			/ATTACHING PARTS/		
	AN3-4A/M/		• BOLT	6	
	AN960-10L		• WASHER	6	
	MS20365-1032		• NUT	6	
			*-----*		
- 12	35-410265-1		• STIFFENER, COLUMN SUPPORT CHANNEL	1	
- 13	35-524234		• STOP, CONTROL COLUMN FWD	1	
- 14	35-524347-1		• GUIDE, CONTROL COLUMN FWD LH	1	
	35-524347-2		• GUIDE, CONTROL COLUMN FWD RH	1	
- 15	35-324386-107		• STOP, CONTROL COLUMN AFT/ORDER 36-324072-1/	NP	29
	36-324072-1		• STOP, CONTROL COLUMN AFT/REPL 35-324386-107/	1	30
- 16	35-324386-23		• STIFFENER, COLUMN SUPPORT CHANNEL	1	
- 17	35-324386-35		• TUBE, LH COLUMN SUPPORT CHANNEL	1	
			/ATTACHING PARTS/		
	AN525-10A/M/		• SCREW	2	
	AN960-10		• WASHER	2	
	MS20365-1032		• NUT	2	
			*-----*		

BEECHCRAFT  
BONANZA 33  
ILLUSTRATED PARTS CATALOG



VIEW A

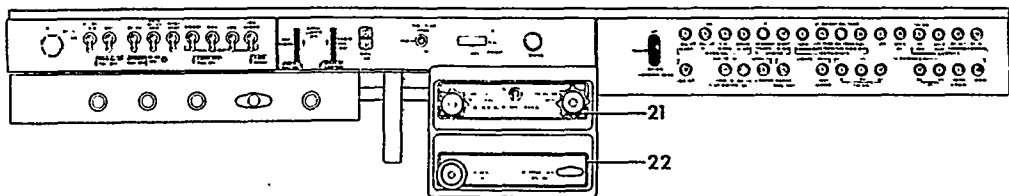
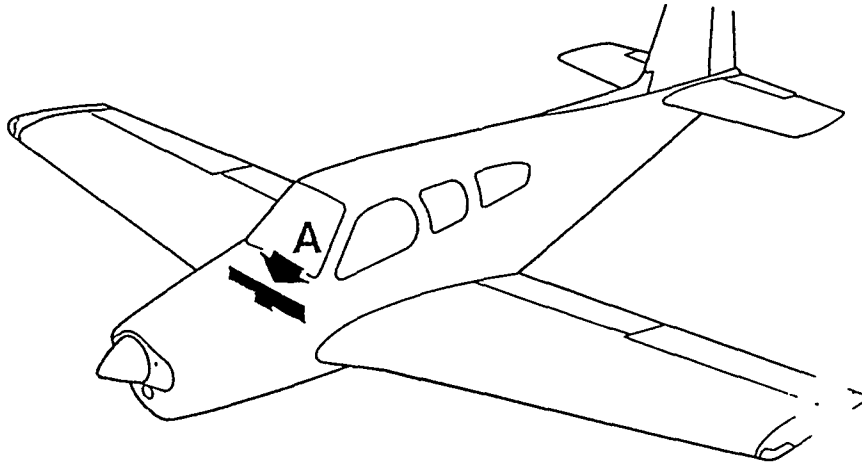
33-395-6

B E E C H C R A F T  
B O N A N Z A 3 3  
I L L U S T R A T E D P A R T S C A T A L O G

FIG. & ITEM NO.	PART NO.	DESCRIPTION							UNITS PER ASSY	USABLE ON CODE	
		1	2	3	4	5	6	7			
395	33-324004-7	PANEL INSTL, INSTRUMENT/STANDARD/	.	.	.	.	.	.	NP	3	
	35-324449-15	PANEL INSTL, INSTRUMENT/STANDARD/	.	.	.	.	.	.	NP	24	
	33-324003-9	PANEL INSTL, INSTRUMENT/STANDARD/	.	.	.	.	.	.	NP	11	
	33-324003-21	PANEL INSTL, INSTRUMENT/STANDARD/	.	.	.	.	.	.	NP	12	
	36-324003-9	PANEL INSTL, INSTRUMENT/STANDARD/	.	.	.	.	.	.	NP	17	
	36-324023-9	PANEL INSTL, INSTRUMENT/OPTIONAL WEDGE LIT/	.	.	.	.	.	.	NP	17	
	33-324005-7	PANEL INSTL, INSTRUMENT/STANDARD/	.	.	.	.	.	.	NP	4	
	33-324003-17	PANEL INSTL, INSTRUMENT/STANDARD/	.	.	.	.	.	.	NP	5	
	33-324002-5	PANEL INSTL, INSTRUMENT/STANDARD/	.	.	.	.	.	.	NP	6	
	36-324003-3	PANEL INSTL, INSTRUMENT/STANDARD/	.	.	.	.	.	.	NP	7	
	36-324023-3	PANEL INSTL, INSTRUMENT/OPTIONAL WEDGE LIT/	.	.	.	.	.	.	NP	7	
	- 18	35-380126-3	• PANEL, SWITCH/LH/	.	.	.	.	.	.	1	42
		36-380057	• PANEL, SWITCH/LH/	.	.	.	.	.	.	1	43
	- 19	35-380133-21	• PANEL, CENTER/EL/	.	.	.	.	.	.	1	1
	35-380133-19	• PANEL, CENTER/EL/	.	.	.	.	.	.	1	28	
	35-380133-55	• PANEL, CENTER/EL/	.	.	.	.	.	.	1	34	
	35-380133-65	• PANEL, CENTER/EL/	.	.	.	.	.	.	1	35	
	35-380133-71	• PANEL, CENTER/EL/FRESH AIR BLOWER/	.	.	.	.	.	.	1	36	
	35-380133-3	• PANEL CENTER/EL/USE WITH WEDGE LIT/	.	.	.	.	.	.	1	26	
	35-380133-53	• PANEL, CENTER/USE WITH WEDGE LIT/	.	.	.	.	.	.	1	34	
	35-380133-63	• PANEL, CENTER/EL/USE WITH WEDGE LIT/	.	.	.	.	.	.	1	35	
- 20	35-380133-13	• PANEL, CIRCUIT BREAKER/EL/RH/	.	.	.	.	.	.	1	3	
	35-380133-25	• PANEL, CIRCUIT BREAKER/EL/RH/	.	.	.	.	.	.	1	13	
	35-380133-1	• PANEL, CIRCUIT BREAKER/EL/RH/	.	.	.	.	.	.	1	6	
	36-380019-1	• PANEL, CIRCUIT BREAKER/EL/RH/	.	.	.	.	.	.	1	20	
	36-380019-5	• PANEL, CIRCUIT BREAKER/EL/RH/	.	.	.	.	.	.	1	21	
	36-380019-9	• PANEL, CIRCUIT BREAKER/EL/RH/	.	.	.	.	.	.	1	22	
	36-380019-15	• PANEL, CIRCUIT BREAKER/EL/RH/	.	.	.	.	.	.	1	37	
	36-380019-25	• PANEL, CIRCUIT BREAKER/EL/RH/	.	.	.	.	.	.	1	38	
	36-380019-35	• PANEL, CIRCUIT BREAKER/EL/RH/	.	.	.	.	.	.	1	41	
	36-380074-3	• PANEL, CIRCUIT BREAKER/EL/RH/	.	.	.	.	.	.	1	42	
	36-380019-23	• PANEL, CIRCUIT BREAKER/EL/RH/	.	.	.	.	.	.	1	39	
	36-380019-33	• PANEL, CIRCUIT BREAKER/EL/RH/	.	.	.	.	.	.	1	40	
	36-380074-1	• PANEL, CIRCUIT BREAKER/EL/RH/	.	.	.	.	.	.	1	16	

NOTE DO NOT ORDER EL PANELS WITHOUT SPECIFYING AIRPLANE SERIAL NUMBER OR P/N MARKED ON EXISTING PANEL. OPTIONAL PANELS NOT LISTED ARE INSTALLED ON SOME AIRPLANES.

BEECHCRAFT  
BONANZA 33  
ILLUSTRATED PARTS CATALOG



33-395-9

B E E C H C R A F T  
B O N A N Z A 33  
I L L U S T R A T E D P A R T S C A T A L O G

FIG. & ITEM NO.	PART NO.	DESCRIPTION	UNITS PER ASSY	USABLE ON CODE
		1 2 3 4 5 6 7		
395	35-944056	CONTROL INSTL,ENGINE. . . . .	NP	
- 21	35-944065	. PLACARD,UPPER . . . . .	1	14
	33-940011	. PLACARD,UPPER . . . . .	1	15
- 22	35-944064-1	. PLACARD,LOWER . . . . .	1	

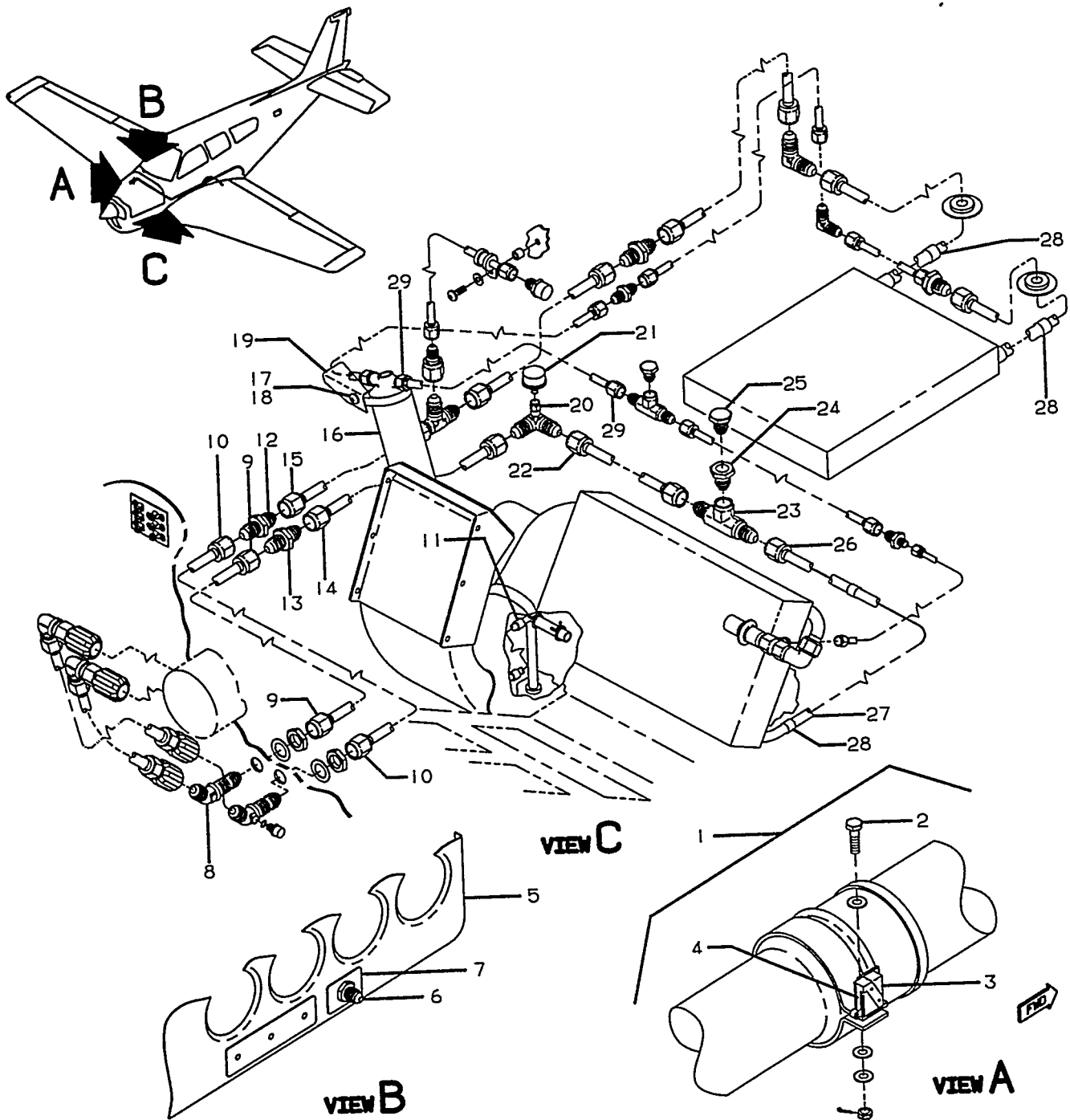
C O D E S O F E F F E C T I V I T Y

1	CD-1235 THRU CD-1304	2	CD-1235 THRU CD-1254 CJ-31 THRU CJ-51
3	CD-1235 THRU CD-1236	4	CD-1255 THRU CD-1304
5	CE-290 THRU CE-349	6	CE-350 THRU CE-408
7	CE-409 AND AFTER	8	CD-1255 THRU CD-1304 CE-290 AND AFTER CJ-26 THRU CJ-30 CJ-52 AND AFTER
9	CD-1235 THRU CD-1304 CJ-31 THRU CJ-51	10	CE-290 AND AFTER CJ-26 THRU CJ-30 CJ-52 AND AFTER
11	CJ-26 THRU CJ-30	12	CJ-31 THRU CJ-51
13	CD-1235 THRU CD-1254 CE-290 THRU CE-349 CJ-26 THRU CJ-30	14	CD-1235 THRU CD-1304 CE-290 AND AFTER
15	CJ-26 AND AFTER	16	CE-929 AND AFTER
17	CJ-52 AND AFTER	18	CE-290 THRU CE-469 CJ-26 AND AFTER
19	CE-470 AND AFTER	20	CE-409 THRU CE-469 CJ-52 THRU CJ-128
21	CE-680 THRU CE-721	22	CE-722 THRU CE-989 CJ-129 THRU CJ-148
23	CE-465 THRU CE-612 CJ-52 THRU CJ-104	24	CD-1237 THRU CD-1254
25	CE-816 AND AFTER CJ-150 AND AFTER	26	CE-409 THRU CE-815 CJ-52 THRU CJ-149
27	CD-1235 THRU CD-1304 CE-290 THRU CE-815 CJ-26 THRU CJ-149	28	CE-290 THRU CE-815 CJ-52 THRU CJ-149
29	CD-1235 THRU CD-1304 CE-290 THRU CE-959 CJ-26 THRU CJ-155	30	CE-960 AND AFTER CJ-156 AND AFTER
31	CD-1255 THRU CD-1304 CE-290 THRU CE-918 CJ-26 THRU CJ-30 CJ-52 THRU CJ-155	32	CE-919 AND AFTER CJ-156 AND AFTER
33	CE-816 THRU CE-918 CJ-150 THRU CJ-155	34	CE-816 THRU CE-977 CJ-150 THRU CJ-155
35	CE-978 AND AFTER CJ-156 AND AFTER	36	CE-941 AND AFTER CJ-156 AND AFTER
37	CE-772 THRU CE-833	38	CJ-149 ONLY
39	CE-834 THRU CE-912	40	CE-913 THRU CE-928
41	CJ-150 THRU CJ-155	42	CE-929 AND AFTER CJ-156 AND AFTER
43	CE-290 THRU CE-928 CJ-26 THRU CJ-155		

BEECHCRAFT  
BONANZA 33  
ILLUSTRATED PARTS CATALOG

FIGURE 411  
AIR CONDITIONING  
CE-602 AND AFTER

BEECHCRAFT  
 BONANZA 33  
 ILLUSTRATED PARTS CATALOG



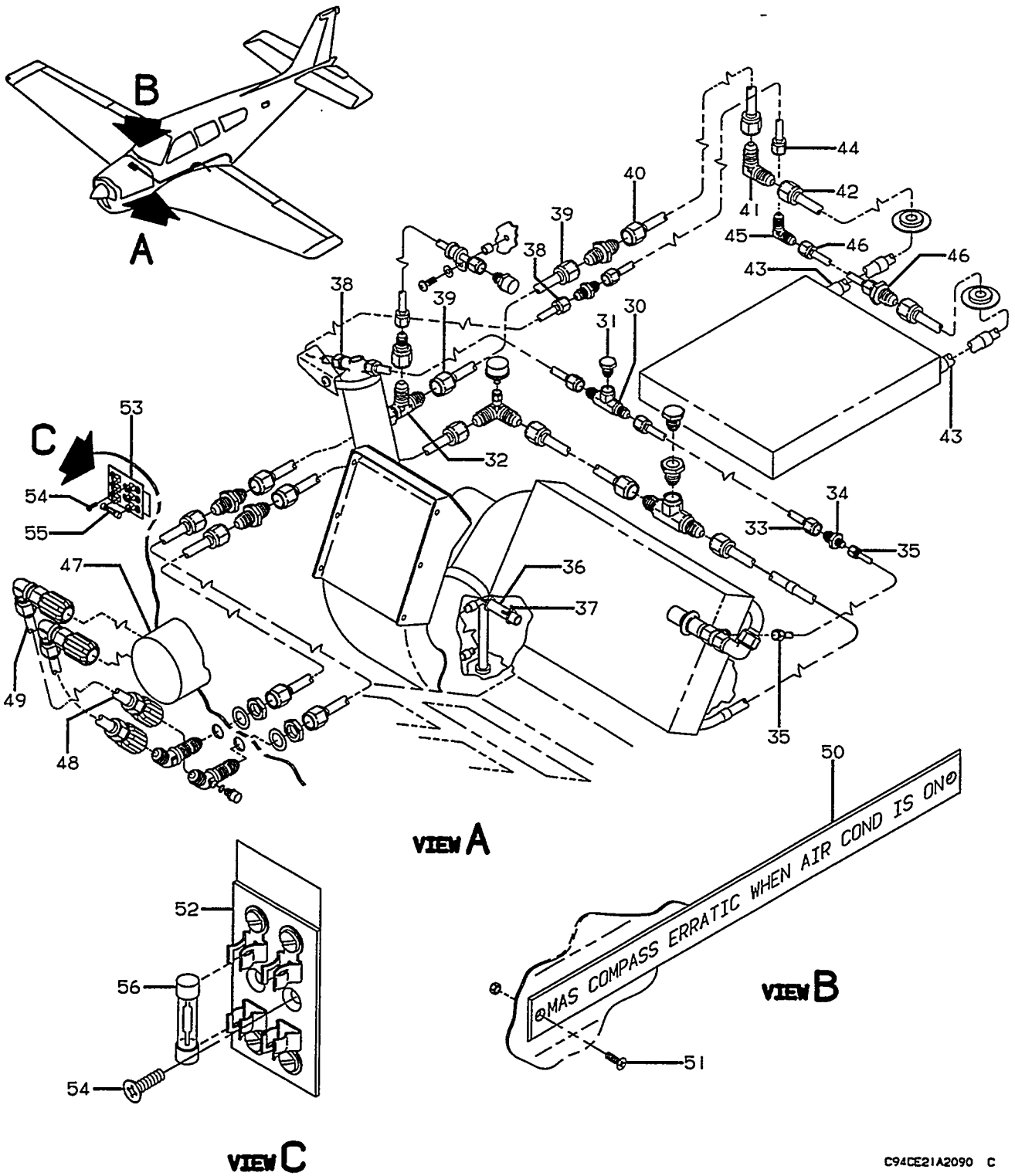
C94CE21A2069 C

B E E C H C R A F T  
B O N A N Z A 3 3  
I L L U S T R A T E D P A R T S C A T A L O G

FIG. & ITEM NO.	PART NO.	DESCRIPTION	UNITS							USABLE ON CODE
			1	2	3	4	5	6	7	
411	36-555000-3	AIR CONDITIONING INSTALLATION . . . . .							NP	25
	36-555000-183	AIR CONDITIONING INSTALLATION . . . . .							NP	26
- 1	36-555000-95	. CLAMP ASSY, THROTTLE LIMIT SWITCH. . . . . /ATTACHING PARTS/							1	1
- 2	130909B16	. BOLT . . . . .							1	
	AN960-10L	. WASHER /INSTALL UNDER HEAD OF BOLT/ . . . . .							1	
	130909N45	. NUT . . . . .							1	
	MS24665-69	. PIN, COTTER . . . . .							1	
		-----x-----								
	36-555000-97	. . CLAMP . . . . .							1	1
- 3	JV5	. . ACTUATOR . . . . .							1	1
- 4	V3-1	. . SWITCH . . . . .							1	1
	36-555000-91	. PANEL ASSY, INSTRUMENT . . . . .							1	14
	36-555000-163	. PANEL ASSY, INSTRUMENT . . . . .							1	15
- 5	36-555000-87	. . PANEL . . . . .							1	14
	36-555000-161	. . PANEL . . . . .							1	15
- 6	855291S1R2DSP6	. . LAMP ASSY, INSTRUMENT PANEL . . . . .							1	1
	330	. . BULB, LAMP/14VOLT/ . . . . .							1	3
	327	. . BULB, LAMP/28 VOLT/ . . . . .							1	4
- 7	36-555030-1	. PLACARD, IDENTIFICATION . . . . .							1	1
- 8	AN837-10	. ELBOW . . . . .							1	1
	AN960-1416	. WASHER . . . . .							1	1
	AN924-10D	. NUT . . . . .							1	1
- 9	36-555000-37	. TUBE ASSY . . . . .							1	1
- 10	36-555000-5	. TUBE ASSY . . . . .							1	1
- 11	36-555000-75	. TUBING . . . . .							1	1
	130292A6	. CLAMP . . . . .							2	1
- 12	AN815-8D	. UNION . . . . .							1	1
- 13	AN815-10D	. UNION . . . . .							1	1
- 14	36-555000-33	. TUBE ASSY . . . . .							1	1
- 15	36-555000-53	. TUBE ASSY . . . . .							1	1
	36-555022-1	. DEHYDRATOR INSTL, AIR CONDITIONING . . . . .							NP	25
	36-555022-5	. DEHYDRATOR INSTL, AIR CONDITIONING . . . . .							NP	26
- 16	90-384019-1	. . DRYER AND SIGHT GAGE RECEIVER . . . . .							1	25
	90-384019-3	. . DRYER AND SIGHT GAGE RECEIVER . . . . . /ATTACHING PARTS/							1	26
- 17	MS21919WDG40	. . CLAMP . . . . .							2	
- 18	MS35207-263	. . SCREW . . . . .							3	
	AN960-10L	. . WASHER . . . . .							4	
	130909N29	. . NUT . . . . .							2	
	108424-4	. . CLIP . . . . .							1	
	MS21047L3K	. . NUTPLATE . . . . .							1	
		-----x-----								
- 19	36-555022-3	. . BRACKET . . . . .							1	1
- 20	36-555027-5	. ADAPTER ASSY, LOW PRESSURE LIMIT . . . . . /SPARES FOR 36-555027-1/							1	1
- 21	M4006-7	. SWITCH, LOW PRESSURE LIMIT . . . . .							1	1
- 22	36-555000-31	. TUBE ASSY . . . . .							1	1
- 23	8-0TX-S	. TEE . . . . .							1	25
	AN824-8D	. TEE . . . . .							1	26
- 24	AN912-2D	. REDUCER . . . . .							1	25
R	36-555053-11	. TUBE ASSY . . . . .							1	26
- 25	AVU45	. VALVE, SERVICE . . . . .							1	25
R	JD13-1019-04-04	. PORT, CHARGE . . . . .							1	26
R	JD13-1011-04	. CAP . . . . .							1	26
- 26	36-555000-115	. TUBE ASSY . . . . .							1	1
- 27	R 36-555000-117	. HOSE ASSY . . . . .							1	25
	R 36-555000-201	. HOSE ASSY . . . . .							1	26
	R 36-555000-119	. . HOSE . . . . .							1	25
	R 36-555000-203	. . HOSE . . . . .							1	26
	MS28740-10	. . FITTING, END . . . . .							1	1
- 28	AN737TW30	. CLAMP . . . . .							6	1
- 29	36-555000-25	. TUBE ASSY . . . . .							1	1



BEECHCRAFT  
 BONANZA 33  
 ILLUSTRATED PARTS CATALOG

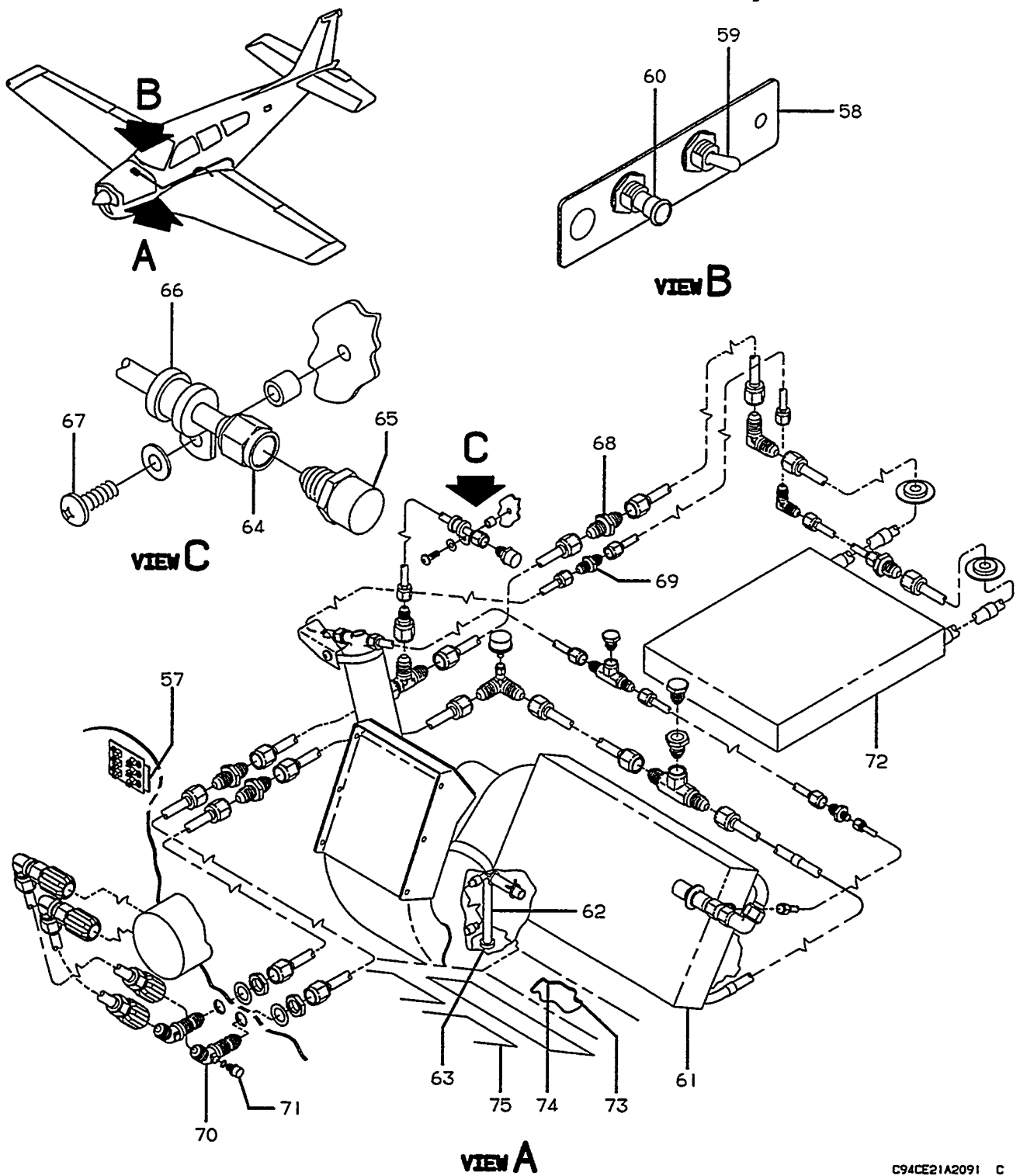


C94CE21A2090 C

BEECHCRAFT  
 BONANZA 33  
 ILLUSTRATED PARTS CATALOG

FIG. & ITEM NO.	PART NO.	DESCRIPTION	UNITS PER ASSY	USABLE ON CODE
		1 2 3 4 5 6 7		
411 - 30	6-0TX-S	. TEE . . . . .	1	25
	AN8246D	. TEE . . . . .	1	26
	R 36-555053-9	. TUBE ASSY . . . . .	1	26
- 31	AVU45	. VALVE, SERVICE . . . . .	1	25
	R JD13-1019-05-05	. PORT, CHARGE . . . . .	1	26
	R JD13-1011-05	. CAP . . . . .	1	26
- 32	AN8248D	. TEE . . . . .	1	1
- 33	R 330996-6-0202	. HOSE ASSY/ORDER 330996-6-0186 FOR SPARES/ . . . . .	NP	35
	R 330996-6-0186	. HOSE ASSY . . . . .	1	36
	R 36-555000-205	. HOSE ASSY . . . . .	1	26
	R 36-555000-207	. HOSE . . . . .	1	26
	R MS24587-6	. FITTING . . . . .	2	26
- 34	AN919-6D	. REDUCER . . . . .	1	21
	AN815-6D	. UNION . . . . .	1	22
- 35	36-555000-63	. TUBE ASSY . . . . .	1	21
	36-555002-15	. TUBE ASSY . . . . .	1	22
	R 36-380091-1	. VALVE, EXPANSION/ORDER 36-555052-1 FOR SPARES/ . . . . .	NP	32
	36-555052-1	. VALVE, EXPANSION . . . . .	1	33
	8-4CTX-S	. ELBOW . . . . .	1	29
- 36	131152-7-00-02	. TUBING . . . . .	1	1
- 37	130292A10	. CLAMP . . . . .	2	1
	AN919-15D	. REDUCER . . . . .	1	1
	MS28740-10	. FITTING, END . . . . .	1	1
- 38	36-555000-21	. TUBE ASSY . . . . .	1	1
- 39	36-555000-11	. TUBE ASSY . . . . .	1	1
- 40	36-555000-13	. TUBE ASSY . . . . .	1	1
- 41	AN821-8D	. ELBOW . . . . .	1	1
- 42	R 36-555000-109	. TUBE ASSY/ORDER 35-555000-179 FOR SPARES/ . . . . .	NP	19
- 43	R 36-555000-179	. HOSE ASSY . . . . .	2	20
	R 36-555000-111	. HOSE/ORDER 36-555000-181 FOR SPARES/ . . . . .	NP	19
	R 36-555000-181	. HOSE . . . . .	1	20
	MS28740-10	. FITTING, END . . . . .	1	1
	AN919-15D	. REDUCER . . . . .	1	1
	AN919-14D	. REDUCER . . . . .	1	1
- 44	36-555000-19	. TUBE ASSY . . . . .	1	1
- 45	AN821-6D	. ELBOW . . . . .	1	1
- 46	36-555000-113	. TUBE ASSY . . . . .	1	1
	36-555012-1	. COMPRESSOR INSTL, AIR CONDITIONING . . . . .	NP	25
	36-555012-7	. COMPRESSOR INSTL, AIR CONDITIONING . . . . .	NP	26
- 47	102-389006-3	. COMPRESSOR ASSY/14 VOLT/ . . . . .	1	3
		/SEE FIGURE 425 FOR BREAKDOWN/ . . . . .		
	102-389006-9	. COMPRESSOR ASSY/28 VOLT/ . . . . .	1	34
		/NO BREAKDOWN FOR 102-389006-9/ . . . . .		
	36-555003-1	. COMPRESSOR ASSY/28 VOLT/ . . . . .	1	26
		/NO BREAKDOWN FOR 36-555003-1/ . . . . .		
- 48	36-555000-157	. HOSE ASSY . . . . .	1	3
	36-555000-147	. HOSE ASSY . . . . .	1	34
	36-555000-189	. HOSE ASSY . . . . .	1	26
- 49	36-555000-153	. HOSE ASSY . . . . .	1	3
	36-555000-143	. HOSE ASSY . . . . .	1	34
	36-555000-185	. HOSE ASSY . . . . .	1	26
- 50	36-530107-5	. PLATE, STANDBY COMPASS INSTRUCTION . . . . .	1	1
- 51	MS24693BB28	. SCREW . . . . .	2	
	MS20365D632	. NUT . . . . .	2	
	1N1199A	. DIODE . . . . .	1	19
	1N202A	. DIODE . . . . .	1	20
	36-555000-151	. SUPPORT . . . . .	1	4
- 52	4522	. FUSE BLOCK . . . . .	1	30
- 53	4532	. FUSE BLOCK . . . . .	1	2
- 54	MS24693S27	. SCREW . . . . .	2	
	MS21047L06K	. NUTPLATE . . . . .	3	
- 55	AGC5	. FUSE . . . . .	3	4
	AGC10	. FUSE . . . . .	3	31
- 56	AGC10	. FUSE . . . . .	2	30

BEECHCRAFT  
BONANZA 33  
ILLUSTRATED PARTS CATALOG

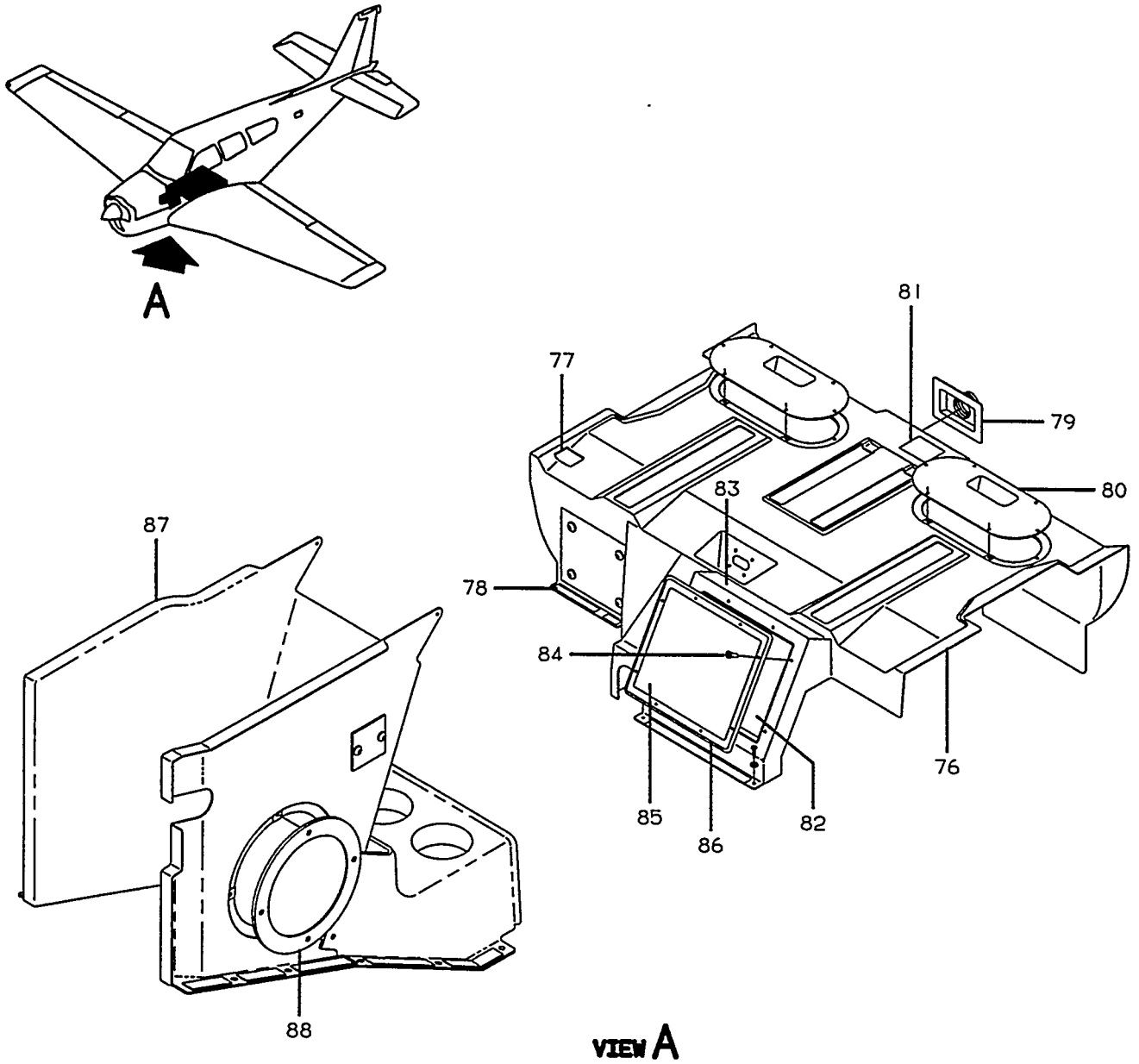


C94CE21A2091 C

B E E C H C R A F T  
B O N A N Z A 3 3  
I L L U S T R A T E D P A R T S C A T A L O G

FIG. & ITEM NO.	PART NO.	DESCRIPTION	UNITS							USABLE ON CODE	
			1	2	3	4	5	6	7		
411	- 57 R	36-364028-11	. PLACARD,AIR COND,SPARE AND COURTESY LT. . . . .							1	1
	- 58 R	36-555023-1	. PLACARD,ENGINE CONTROLS & A/C IDENTIFICATION.							1	3
		36-555023-9	. PLACARD,ENGINE CONTROLS & A/C IDENTIFICATION.							1	4
	- 59 R	MS27406-1	. SWITCH/14 VOLT/ . . . . .							1	3
		MS27407-1	. SWITCH/28 VOLT/ . . . . .							1	4
	- 60 R	MS24510-30	. CIRCUIT BREAKER/14 VOLT/ . . . . .							1	3
		435-210-104	. CIRCUIT BREAKER/28 VOLT/ . . . . .							1	16
		435-215-104	. CIRCUIT BREAKER/28 VOLT/ . . . . .							1	17
		7271-8-15	. CIRCUIT BREAKER/28 VOLT/ . . . . .							1	18
		36-555033-1	. CABLE GUIDE ASSY. . . . .							1	15
		AN818-8D	. NUT . . . . .							1	1
		8-6TRTX-D	. REDUCER . . . . .							1	1
	- 61 R	36-555013-1	. EVAPORATOR INSTL,AIR CONDITIONING . . . . .							NP	1
			SEE FIGURE 427 FOR BREAKDOWN								
	- 62 R	36-555000-67	. TUBE ASSY,DRAIN /WELDED/ . . . . .							1	1
	- 63 R	MS35489-14	. GROMMET . . . . .							1	1
	- 64 R	36-555000-81	. TUBE ASSY . . . . .							1	1
	- 65 R	101-380002-9	. SWITCH,HIGH PRESSURE SAFETY . . . . .							1	1
	- 66 R	MS21919WDG6	. CLAMP . . . . .							1	1
			/ATTACHING PARTS/								
	- 67 R	MS35207-261	. SCREW . . . . .							1	
		AN960-10	. WASHER. . . . .							1	
		NAS1329H3K08L	. RIVNUT. . . . .							1	
		NAS43DD3-20	. SPACER. . . . .							1	
			-----*								
		102-555000-5	. BRACKET . . . . .							1	22
	R	TNR/D11720S	. RELAY/ORDER KIT 36-3011-1 FOR SPARES/ . . . . .							1	28
	R	76400-200Y	. RELAY . . . . .							1	27
	R	MS35206-233	. SCREW . . . . .							2	22
		AN960PD06L	. WASHER. . . . .							2	22
		MS21042L06	. NUT . . . . .							2	22
	- 68 R	AN815-8D	. UNION . . . . .							4	1
	- 69 R	AN815-6D	. UNION . . . . .							2	1
	- 70 R	36-555026-1	. ADAPTER ASSY,PRESSURE RELIEF VALVE. . . . .							1	6
		36-555000-121	. ADAPTER ASSY,PRESSURE RELIEF VALVE. . . . .							1	7
		AN924-8	. NUT . . . . .							1	1
		AN960-1216	. WASHER. . . . .							1	1
	- 71 R	P25-349A450	. VALVE,PRESSURE RELIEF . . . . .							1	7
			/USE WITH 36-555000-121 ADAPTER ASSY/								
	R	MS28775-011	. PACKING,PREFORMED . . . . .							1	6
	- 72 R	36-555010-1	. CONDENSER INSTL,AIR CONDITIONING. . . . .							NP	1
			/SEE FIGURE 426 FOR BREAKDOWN/								
		36-555000-65	. DOUBLER . . . . .							2	1
		MS35489-15	. GROMMET . . . . .							2	1
		35-415417-133	. FLOORBOARD ASSY/SPARES FOR 35-415417-131/ . . . . .							1	12
		36-530106-1	. SPAR COVER & CARPET INSTL,CABIN FLOOR A/C . . . . .							NP	1
		36-530106-5	. . CARPET ASSY,FWD LH. . . . .							1	8
	- 73 R	36-530106-17	. . CARPET ASSY,LH. . . . .							1	9
		36-530106-9	. . CARPET ASSY,FWD RH. . . . .							1	8
		36-530106-19	. . CARPET ASSY,RH. . . . .							1	9
	- 74 R	36-530106-7	. . BOOT ASSY . . . . .							1	8
		36-530106-11	. . COVER INSTL . . . . .							1	8
	- 75 R	35-534305-55	. . . COVER ASSY. . . . .							8	1
		35-534470-5	. . . COVER . . . . .							1	1
		35-534470-21	. . . DOOR. . . . .							1	1
		35-534470-15	. . . FRAME . . . . .							1	1
		35-534470-17	. . . SCREEN. . . . .							1	1
		35-534470-19	. . . FILTER. . . . .							1	1
		35-534470-37	. . . COVER ASSY,FUEL SELECTOR VALVE. . . . .							1	1
		36-530142-9	. . . PANEL . . . . .							1	1
		36-530142-11	. . . COVER . . . . .							1	1

BEECHCRAFT  
BONANZA 33  
ILLUSTRATED PARTS CATALOG

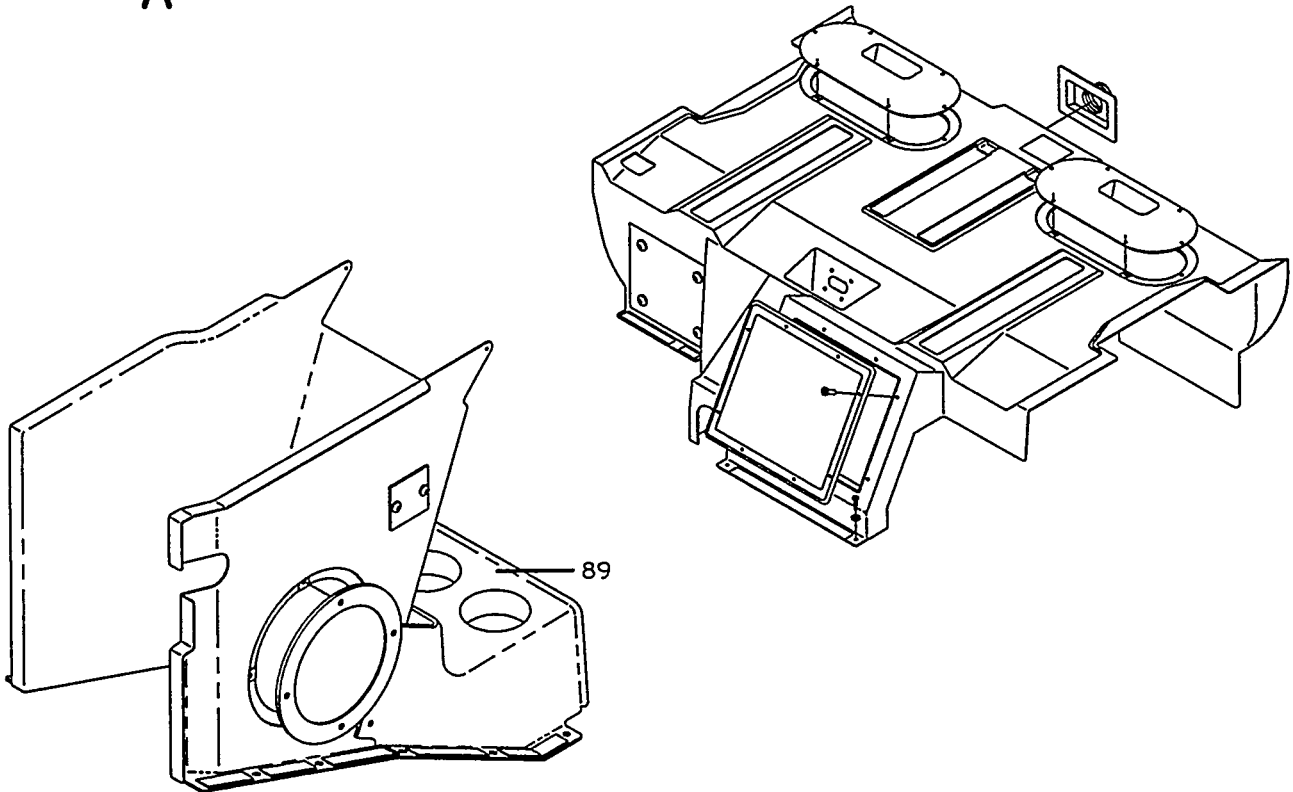
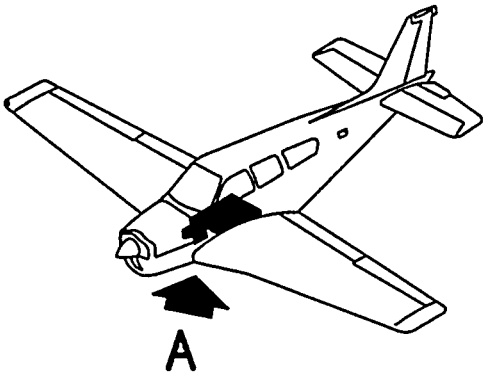


C94CE21A2092 C

B E E C H C R A F T  
B O N A N Z A 3 3  
I L L U S T R A T E D P A R T S C A T A L O G

FIG. & ITEM NO.	PART NO.	1	2	3	4	5	6	7	DESCRIPTION	UNITS PER ASSY	USABLE ON CODE
411	36-530142-9	.	.	.	.	.	.	.	PANEL . . . . .	1	1
	36-530142-11	.	.	.	.	.	.	.	COVER . . . . .	1	1
	36-530145-1	.	.	.	.	.	.	.	CONSOLE FLOOR COVER INSTL . . . . .	1	1
	36-530145-3	.	.	.	.	.	.	.	COVER . . . . .	1	1
	35-534470-1	.	.	.	.	.	.	.	COVER INSTL,FRONT SPAR CARRY THRU WITH A/C. . . . .	NP	13
	35-534470-27	.	.	.	.	.	.	.	COVER INSTL,FRONT SPAR CARRY THRU WITH A/C. . . . .	NP	23
	35-534470-35	.	.	.	.	.	.	.	COVER INSTL,FRONT SPAR CARRY THRU WITH A/C. . . . .	NP	24
- 76 R	35-534470-3	.	.	.	.	.	.	.	COVER ASSY. . . . .	1	10
	35-534470-23	.	.	.	.	.	.	.	COVER ASSY. . . . .	1	11
	35-534470-29	.	.	.	.	.	.	.	COVER ASSY. . . . .	1	23
	35-534470-37	.	.	.	.	.	.	.	COVER ASSY. . . . .	1	24
									/ATTACHING PARTS/		
	NAS384-6-12P	.	.	.	.	.	.	.	SCREW . . . . .	12	
	NAS391B6P	.	.	.	.	.	.	.	WASHER . . . . .	12	
									-----*		
	35-534470-5	.	.	.	.	.	.	.	COVER . . . . .	1	10
	35-534470-25	.	.	.	.	.	.	.	COVER . . . . .	1	11
	35-534470-31	.	.	.	.	.	.	.	COVER . . . . .	1	23
	35-534470-39	.	.	.	.	.	.	.	COVER . . . . .	1	24
- 77 R	35-534470-11	.	.	.	.	.	.	.	WINDOW,FRONT SPAR CARRY THRU. . . . .	1	1
	35-534470-9	.	.	.	.	.	.	.	SEAL. . . . .	4	1
- 78 R	35-534470-21	.	.	.	.	.	.	.	DOOR,FRONT SPAR CARRY THRU ACCESS . . . . .	1	1
									/ATTACHING PARTS/		
	NAS384-6-12P	.	.	.	.	.	.	.	SCREW . . . . .	4	
	A1793-6Z3	.	.	.	.	.	.	.	U NUT . . . . .	4	
									-----*		
- 79 R	58-530157-1	.	.	.	.	.	.	.	COVER,PLENUM HEAT DUCT /RH SIDE ONLY/ . . . . .	1	1
- 80 R	58-530158-1	.	.	.	.	.	.	.	COVER ASSY,FRONT SPAR ACCESS/LH & RH/ . . . . .	2	1
	58-530158-3	.	.	.	.	.	.	.	COVER . . . . .	1	1
- 81 R	58-530191-1	.	.	.	.	.	.	.	PLACARD,EMERGENCY LDG GR INSTRUCTION. . . . .	1	1
- 82 R	35-534470-19	.	.	.	.	.	.	.	FILTER. . . . .	1	1
- 83 R	35-534470-13	.	.	.	.	.	.	.	GRILL ASSY,COVER FRONT SPAR CARRY THRU. . . . .	1	1
									/ATTACHING PARTS/		
- 84 R	MS24693BB30	.	.	.	.	.	.	.	SCREW/ALTERNATE FOR NAS384-6-8P/. . . . .	8	
	R NAS384-6-8P	.	.	.	.	.	.	.	SCREW/ALTERNATE FOR MS24693BB30/. . . . .	8	
	R 6S	.	.	.	.	.	.	.	WELLNUT/ALTERNATE FOR 132326-7-1/ . . . . .	8	
	R 132326-7-1	.	.	.	.	.	.	.	CLIPNUT/ALTERNATE FOR 6S/ . . . . .	8	
									-----*		
- 85 R	35-534470-17	.	.	.	.	.	.	.	SCREEN. . . . .	1	1
- 86 R	35-534470-15	.	.	.	.	.	.	.	FRAME . . . . .	1	1
	35-534470-33	.	.	.	.	.	.	.	WINDLACE. . . . .	1	1
	36-530098-17	.	.	.	.	.	.	.	COVER INSTL,CENTER CONSOLE. . . . .	NP	1
- 87 R	36-530098-19	.	.	.	.	.	.	.	COVER ASSY. . . . .	1	1
	36-530098-5	.	.	.	.	.	.	.	COVER . . . . .	1	1
									/ATTACHING PARTS/		
	NAS384-6-16P	.	.	.	.	.	.	.	SCREW . . . . .	4	
	NAS384-6-12P	.	.	.	.	.	.	.	SCREW . . . . .	5	
	NAS384-6-6P	.	.	.	.	.	.	.	SCREW . . . . .	2	
	NAS391B6P	.	.	.	.	.	.	.	WASHER . . . . .	9	
	A1784-6Z1	.	.	.	.	.	.	.	CLIPNUT . . . . .	4	
									-----*		
- 88 R	36-530098-7	.	.	.	.	.	.	.	DOOR,CENTER CONSOLE ACCESS. . . . .	1	1
									/ATTACHING PARTS/		
	NAS384-6-6P	.	.	.	.	.	.	.	SCREW . . . . .	4	
	A1793-6Z3	.	.	.	.	.	.	.	CLIPNUT . . . . .	4	
									-----*		
	36-530098-21	.	.	.	.	.	.	.	STRAP . . . . .	2	1

BEECHCRAFT  
BONANZA 33  
ILLUSTRATED PARTS CATALOG



**VIEW A**

C94CE21A2093 C

B E E C H C R A F T  
B O N A N Z A 3 3  
I L L U S T R A T E D P A R T S C A T A L O G

FIG. & ITEM NO.	PART NO.	DESCRIPTION							UNITS PER ASSY	USABLE ON CODE	
		1	2	3	4	5	6	7			
411 - 89	35-534472-1	.	.	COVER INSTL, PILOT FLOOR/WITH A/C/	.	.	.	.	NP	1	
	35-534472-3	.	.	COVER ASSY.	.	.	.	.	1	1	
					/ATTACHING PARTS/						
		NAS384-6-12P	.	.	SCREW	.	.	.	.	4	
		NAS384-8-12P	.	.	SCREW	.	.	.	.	6	
		NAS391-8P	.	.	WASHER	.	.	.	.	6	
		A8580-823	.	.	NUTPLATE	.	.	.	.	6	
			-----*								
		35-534472-5	.	.	COVER	.	.	.	.	1	1
		35-534472-7	.	.	WINDLACE	.	.	.	.	AR	1
		35-534472-9	.	.	WINDLACE	.	.	.	.	AR	1
		36-810015-5	.	.	KNEE ASSY	.	.	.	.	1	4
		002-361013-53	.	.	LINK ASSY	.	.	.	.	1	4

C O D E S O F E F F E C T I V I T Y

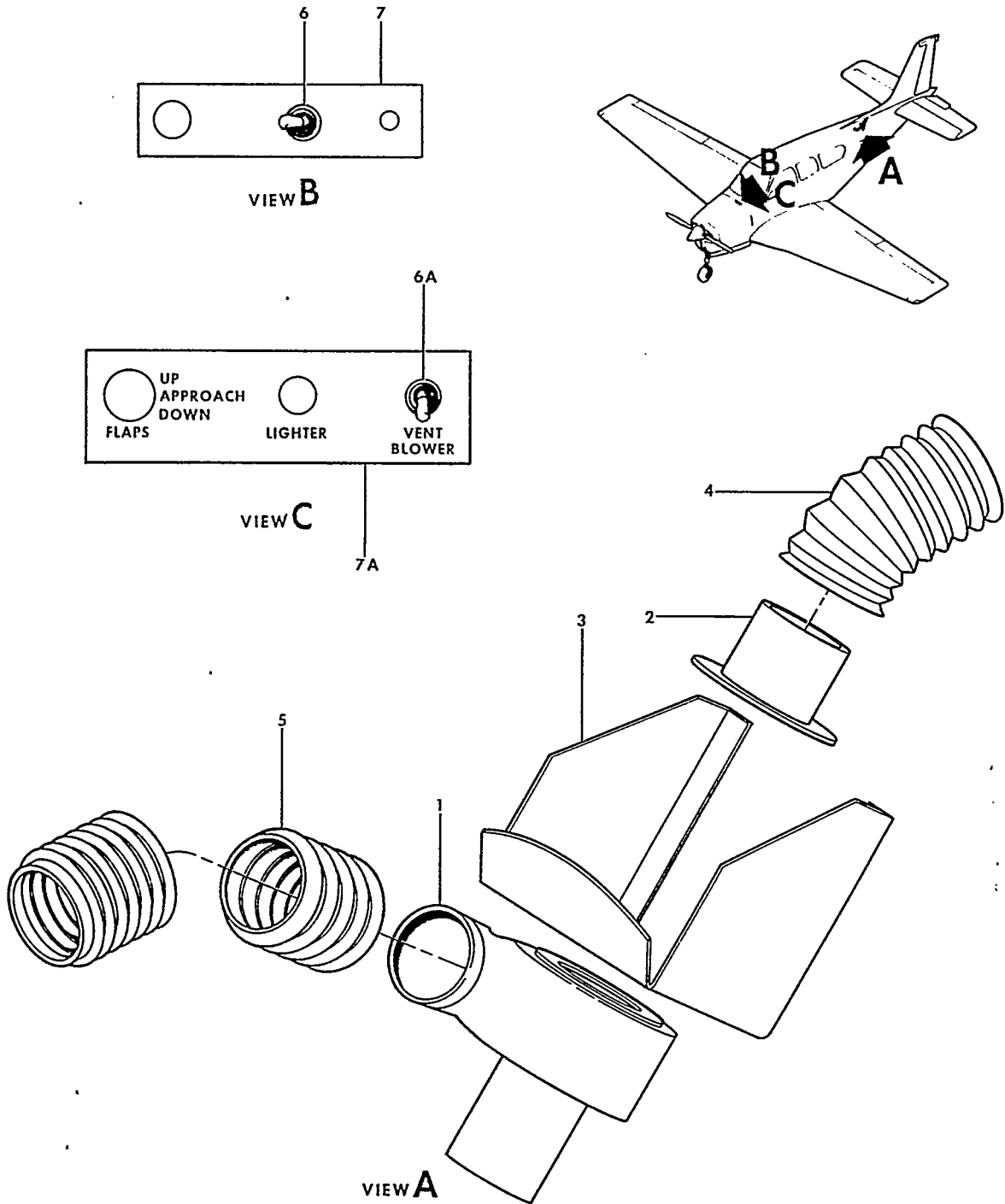
1	CE-602 AND AFTER	2	CE-613 AND AFTER
3	CE-602 THRU CE-747,	4	CE-748,
	CE-749 THRU CE-771		CE-772 AND AFTER
5	CE-660,	6	CE-602 THRU CE-685
	CE-667 THRU CE-747		
	CE-749 THRU CE-771		
7	CE-686 AND AFTER	8	CE-622 THRU CE-611
9	CE-612 AND AFTER	10	CE-602 THRU CE-682
11	CE-683 THRU CE-768	12	CE-769 THRU CE-864
13	CE-602 THRU CE-768	14	CE-602 THRU CE-918
			CE-920 THRU CE-922
			CE-924, CE-926, CE-928
15	CE-919, CE-923,	16	CE-748,
	CE-925, CE-927,		CE-772 THRU CE-897
	CE-929 AND AFTER		
17	CE-898 THRU CE-918	18	CE-919,
	CE-920 THRU CE-928		CE-929 AND AFTER
19	CE-602 THRU CE-1755	20	CE-1756 AND AFTER
21	CE-602 THRU CE-1036	22	CE-1037 AND AFTER
23	CE-769 THRU CE-1013	24	CE-1014 AND AFTER
25	CE-602 THRU CE-1791	26	CE-1792 AND AFTER
27	CE-1457 AND AFTER	28	CE-1037 THRU CE-1456
29	CE-1767 AND AFTER	30	CE-602 THRU CE-612
31	CE-613 THRU CE-747	32	CE-1037 THRU CE-1707
	CE-749 THRU CE-771		
33	CE-1708 AND AFTER	34	CE-748,
			CE-772 THRU CE-1791
35	CE-602 THRU CE-1729	36	CE-1730 THRU CE-1791



BEECHCRAFT  
BONANZA 33  
ILLUSTRATED PARTS CATALOG

FIGURE 415  
FRESH AIR BLOWER  
CE-941 AND AFTER  
CJ-156 AND AFTER

BEECHCRAFT  
BONANZA 33  
ILLUSTRATED PARTS CATALOG



33-415-1

B E E C H C R A F T  
B O N A N Z A 3 3  
I L L U S T R A T E D P A R T S C A T A L O G

FIG. & ITEM NO.	PART NO.	DESCRIPTION	UNITS PER ASSY							USABLE ON CODE
			1	2	3	4	5	6	7	
415	36-550054-7	BLOWER INSTL,FRESH AIR. . . . .							NP	1
	36-550054-11	BLOWER INSTL,FRESH AIR. . . . .							NP	2
	36-550054-15	BLOWER INSTL,FRESH AIR. . . . .							NP	3
- 1	169-380096-5	. BLOWER ASSY/FOR SPARES ORDER KIT 36-4009-1/ .							1	4
	58-380108-1	. BLOWER ASSY/FOR SPARES ORDER KIT 36-4009-1/ .							1	5
	58-380108-5	. BLOWER ASSY/WITH KIT 36-4009-1 INSTALLED/ . .							1	1
	58-380108-3	. BLOWER ASSY/FOR SPARES ORDER 58-380108-5/ . .							1	2
	58-380108-5	. BLOWER ASSY . . . . .							1	3
		/ATTACHING PARTS/								
	AN3-34A	. BOLT/WITH KIT 36-4009-1 INSTALLED/ . . . . .							1	1
	MS35207-272	. SCREW . . . . .							1	6
	AN3-34A	. BOLT. . . . .							3	2
	AN3-34A	. BOLT. . . . .							1	3
	NAS43DD3-88	. SPACER/WITH KIT 36-4009-1 INSTALLED/ . . . . .							2	1
	NAS43DD3-88	. SPACER. . . . .							1	6
	NAS43DD3-88	. SPACER. . . . .							6	2
	NAS43DD3-88	. SPACER. . . . .							2	3
	AN960-10L	. WASHER/WITH KIT 36-4009-1 INSTALLED/ . . . . .							3	1
	AN960-10L	. WASHER. . . . .							3	6
	AN960-10L	. WASHER. . . . .							9	2
R	AN960-10L	. WASHER. . . . .							AR	3
	130909N29	. NUT/WITH KIT 36-4009-1 INSTALLED/ . . . . .							1	1
	130909N29	. NUT . . . . .							1	6
	130909N29	. NUT . . . . .							1	3
		-----*								
- 2	169-554021-5	. ADAPTER/FOR SPARES ORDER 169-554021-15/ . . . .							1	7
	169-554021-15	. ADAPTER . . . . .							1	8
- 3	36-550056-1	. BRACKET/ORDER 36-550056-3 FOR SPARES/ . . . . .							1	7
R	36-550056-3	. BRACKET . . . . .							1	9
R	36-550056-17	. STRIP,RUB . . . . .							1	9
	36-550056-5	. BRACKET ASSY. . . . .							1	2
	MS21047L3	. NUTPLATE/36-550056-5 ASSY/. . . . .							3	2
- 4	111716AY6XX54	. DUCT. . . . .							1	10
		/ATTACHING PARTS/								
	AN737TW107	. CLAMP . . . . .							2	
		-----*								
- 5	111716AY6XX33	. DUCT. . . . .							1	10
		/ATTACHING PARTS/								
	AN737TW107	. CLAMP . . . . .							2	
		-----*								
-	7270-5-10	. SWITCH,CIRCUIT BREAKER. . . . .							1	11
- 6A	35-380132-33	. SWITCH,CIRCUIT BREAKER. . . . .							1	12
- 7	36-555023-13	. PLACARD . . . . .							1	11
- 7A	35-380133-71	. PANEL,EL. . . . .							1	12
	35-380133-61	. PANEL,EL/WEDGE LIT/ . . . . .							1	12

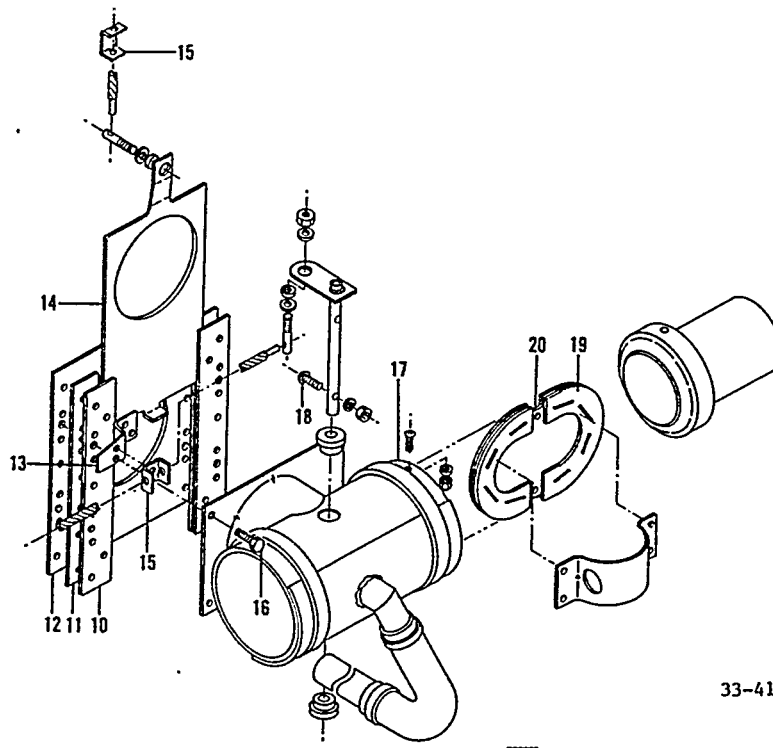
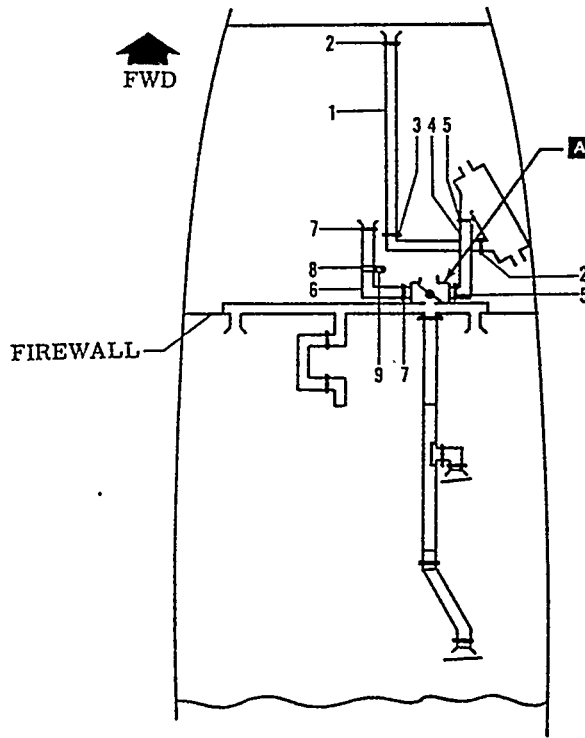
C O D E S O F E F F E C T I V I T Y

1	CE-941 THRU CE-1555	2	CE-1556 THRU CE-1584
	CJ-156 THRU CJ-179		
3	CE-1585 AND AFTER	4	CE-941 THRU CE-1017
	CJ-180 AND AFTER		
5	CE-1018 THRU CE-1555	6	CE-1457 THRU CE-1555
	CJ-156 THRU CJ-179		
7	CE-941 THRU CE-1456	8	CE-1457 AND AFTER
	CJ-156 THRU CJ-179		CJ-180 AND AFTER
9	CE-1457 THRU CE-1555	10	CE-941 AND AFTER
	CE-1585 AND AFTER		CJ-156 AND AFTER
	CJ-180 AND AFTER		
11	CE-941 THRU CE-989	12	CE-990 AND AFTER
			CJ-156 AND AFTER

BEECHCRAFT  
BONANZA 33  
ILLUSTRATED PARTS CATALOG

FIGURE 417  
AIR DUCTS

BEECHCRAFT  
 BONANZA 33  
 ILLUSTRATED PARTS CATALOG



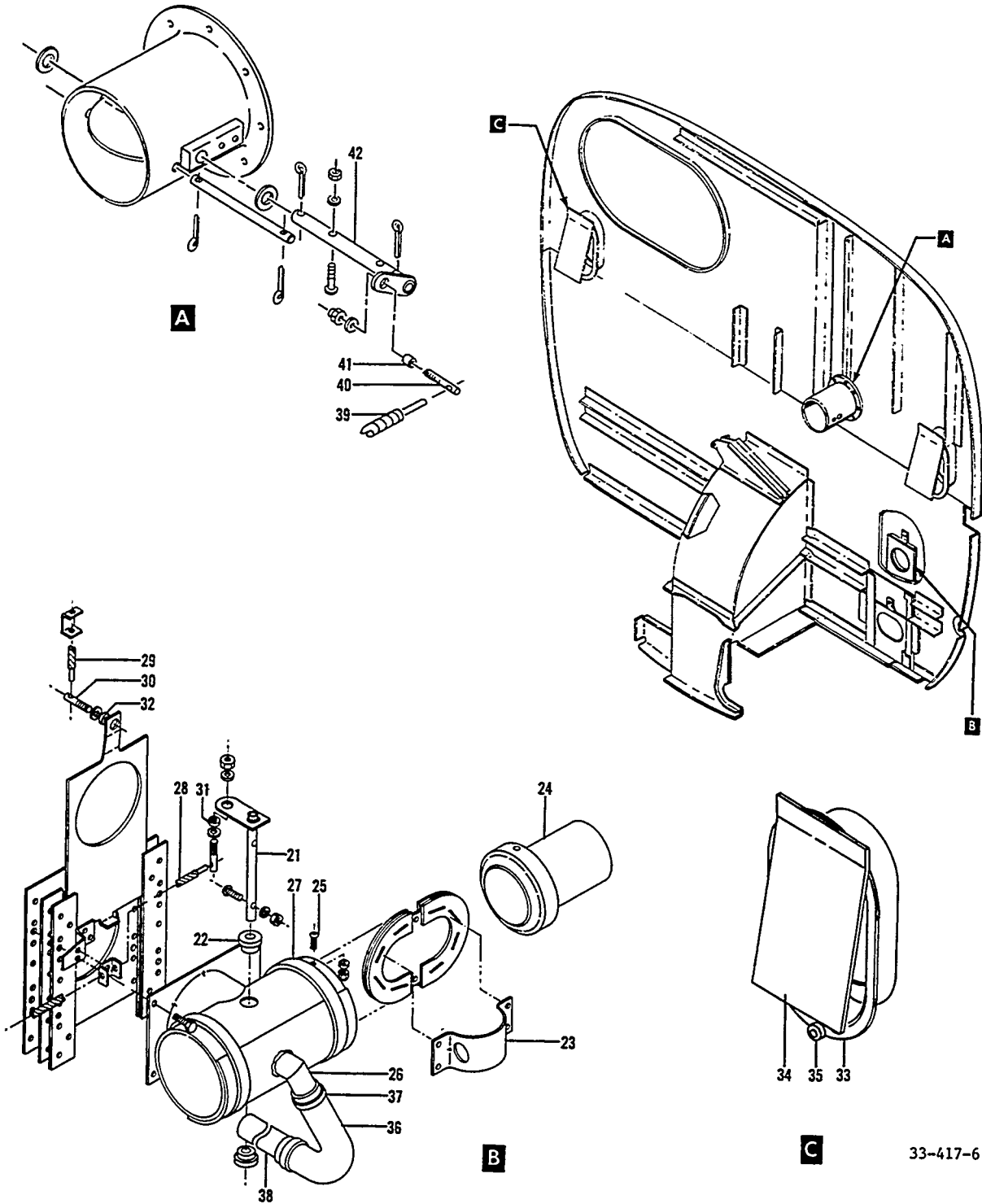
33-417-5

**A**

B E E C H C R A F T  
B O N A N Z A 3 3  
I L L U S T R A T E D P A R T S C A T A L O G

FIG. & ITEM NO.	PART NO.	DESCRIPTION							UNITS PER ASSY	USABLE ON CODE
		1	2	3	4	5	6	7		
417	35-550115-43	HEAT & VENT INSTL . . . . .							NP	1
	35-550115-69	HEAT & VENT INSTL . . . . .							NP	2
	35-550115	HEAT & VENT INSTL . . . . .							NP	9
- 1	115167DXX121323	. DUCT,HEATER . . . . .							1	2
	115167DXX121203	. DUCT,HEATER . . . . .							1	1
- 2	AN737TW66	. CLAMP . . . . .							2	
- 3	MS21919-48	. CLAMP . . . . .							1	
	/ATTACHING PARTS/									
	AN3-4A/M/	. BOLT . . . . .							1	
	100696D-ZL016	. BUSHING . . . . .							1	
	AN960-10L	. WASHER . . . . .							1	
	MS20365-1032	. NUT . . . . .							1	
	-----*									
R	35-550115-99	. DUCT,HEATER TO MIXER VALVE . . . . .							NP	13
	/ORDER 35-550115-153 FOR SPARES/									
- 4	R 35-550115-153	. DUCT,HEATER TO MIXER VALVE . . . . .							1	14
	R 35-550115-101	. DUCT,HEATER TO MIXER VALVE . . . . .							NP	13
	/ORDER 35-550115-149 FOR SPARES/									
R	35-550115-149	. DUCT,HEATER TO MIXER VALVE . . . . .							1	14
- 5	AN737TW98	. CLAMP . . . . .							4	
- 6	115167DXX081343	. DUCT,COLD AIR . . . . .							1	
- 7	105798-12	. CLAMP . . . . .							2	
- 8	MS21919-48	. CLAMP . . . . .							1	
- 9	35-550115-37	. BRACKET,CLAMP ATTACHING . . . . .							1	2
	35-550115-129	. BRACKET,CLAMP ATTACHING . . . . .							1	1
	/ATTACHING PARTS/									
	AN520-10R	. SCREW . . . . .							1	
	AN960-10L	. WASHER . . . . .							1	
	MS20365-1032	. NUT . . . . .							1	
	-----*									
- 10	35-550115-1	. PLATE ASSY,FIREWALL SHUT OFF VALVE . . . . .							1	
- 11	35-550115-3	. . . GUIDE,SHUT OFF VALVE . . . . .							2	
- 12	35-550115-5	. . . SPACER . . . . .							2	
- 13	35-550115-7	. . . PLATE . . . . .							1	
- 14	35-550115-67	. . . BRACKET . . . . .							1	
- 15	35-550115-55	. VALVE,FIREWALL SHUT OFF . . . . .							1	
- 16	169-910028-13	. CLIP . . . . .							2	
	35-550115-85	. VALVE ASSY,MIXER . . . . .							1	
	/ATTACHING PARTS/									
- 16	AN3	. BOLT . . . . .							4	
	AN960-10	. WASHER . . . . .							4	
	-----*									
- 17	35-550115-143	. . . GASKET,MIXER VALVE . . . . .							1	
	35-550115-87	. . . BODY,MIXER VALVE . . . . .							1	
	35-550115-97	. . . BUTTERFLY ASSY . . . . .							1	
	/ATTACHING PARTS/									
- 18	AN515-440	. . . SCREW . . . . .							2	
	AN960-4L	. . . WASHER . . . . .							2	
	MS20365-440	. . . NUT . . . . .							2	
	-----*									
- 19	35-550115-39	. . . SEAL . . . . .							4	
- 20	35-550115-107	. . . BUTTERFLY . . . . .							1	

BEECHCRAFT  
 BONANZA 33  
 ILLUSTRATED PARTS CATALOG



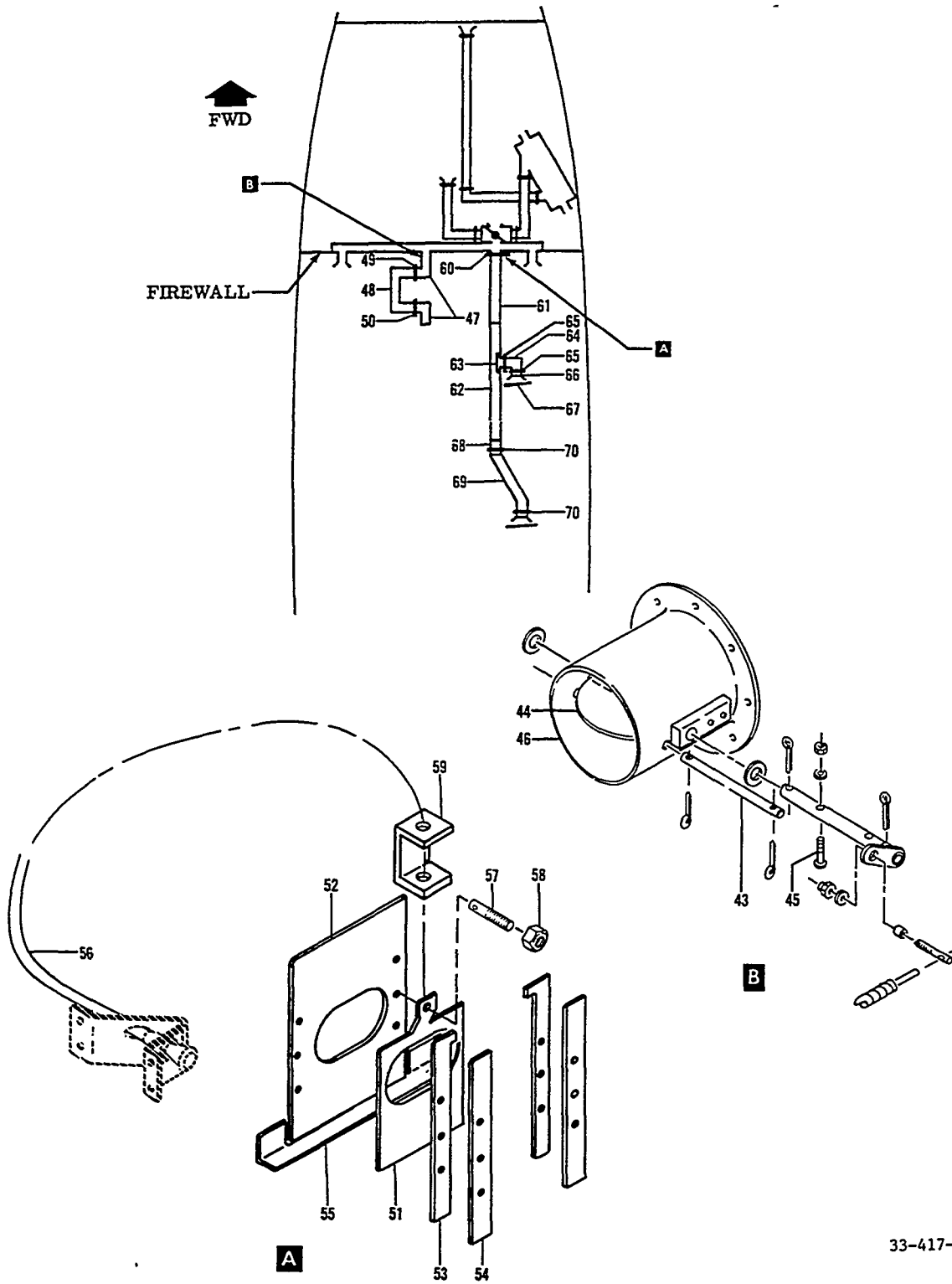
33-417-6

B E E C H C R A F T  
B O N A N Z A 3 3  
I L L U S T R A T E D P A R T S C A T A L O G

FIG. & ITEM NO.	PART NO.	1	2	3	4	5	6	7	DESCRIPTION	UNITS PER ASSY	USABLE ON CODE
417 - 21	35-550115-23	.	.						SHAFT ASSY,BUTTERFLY VALVE.	1	
- 22	NAS557-4A	.	.						GROMMET	2	
- 23	35-554039	.	.						VALVE,BLEED AIR SHUT OFF.	1	
- 24	35-550115-89	.	.						END ASSY. /ATTACHING PARTS/	1	
- 25	AN515-8	.	.						SCREW	3	
	AN960-8	.	.						WASHER.	3	
	MS20365-832	.	.						NUT	3	
		----	----	----	----	----	----	----	*-----		
- 26	35-550115-83	.	.						TUBE ASSY,BLEED AIR	1	
- 27	AN737TW98	.	.						CLAMP	2	
- 28	35-380051-25	.	.						CONTROL,MIXER VALVE	1	
- 29	169-380005-11	.	.						CONTROL,FIREWALL SHUT OFF VALVE /ATTACHING PARTS/	1	
- 30	35-550520	.	.						PIN	1	
- 31	102933S4ZJ0093	.	.						SPACER.	1	
- 32	102933S4ZJ0040	.	.						SPACER.	1	
	AN960-10	.	.						WASHER.	2	
	MS20364-1032	.	.						NUT	1	
		----	----	----	----	----	----	----	*-----		
- 33	35-550024-2	.	.						FRAME ASSY,PILOT AIR.	2	
- 34	35-550565-13	.	.						COVER,AIR OUTLET.	1	
- 35	100951DD091ZD	.	.						SPACER,LH AIR OUTLET.	1	
	100951B091YA	.	.						SPACER,RH AIR OUTLET.	1	
- 36 R	115167DXX04-0363	.	.						DUCT,BLEED AIR. /ORDER 115167DXX04-0303 FOR SPARES/	NP	15
	R 115167DXX04-0303	.	.						DUCT,BLEED AIR.	1	16
- 37	AN737RM46	.	.						CLAMP	2	
- 38	35-550115-111	.	.						TUBE,BLEED AIR.	1	
- 39	35-380051-23	.	.						CONTROL,DEFROSTER /ATTACHING PARTS/	1	
- 40	35-550520	.	.						PIN	1	
- 41	102933S4ZJ0095	.	.						SPACER.	1	
	AN960-10L	.	.						WASHER.	1	
	MS20365-1032	.	.						NUT	1	
		----	----	----	----	----	----	----	*-----		
	AN742-3	.	.						CLAMP,DEFROSTER CONTROL /ATTACHING PARTS/	2	
	AN515-8R7	.	.						SCREW	1	
	AN960-8	.	.						WASHER.	1	
		----	----	----	----	----	----	----	*-----		
	35-550566-9	.	.						VALVE ASSY,DEFROSTER.	1	
- 42	35-550566-7	.	.						SHAFT ASSY,BUTTERFLY. /ATTACHING PARTS/	1	
	AN380-2-3	.	.						PIN,COTTER.	2	
	AN960-516L	.	.						WASHER.	2	
		----	----	----	----	----	----	----	*-----		



BEECHCRAFT  
 BONANZA 33  
 ILLUSTRATED PARTS CATALOG

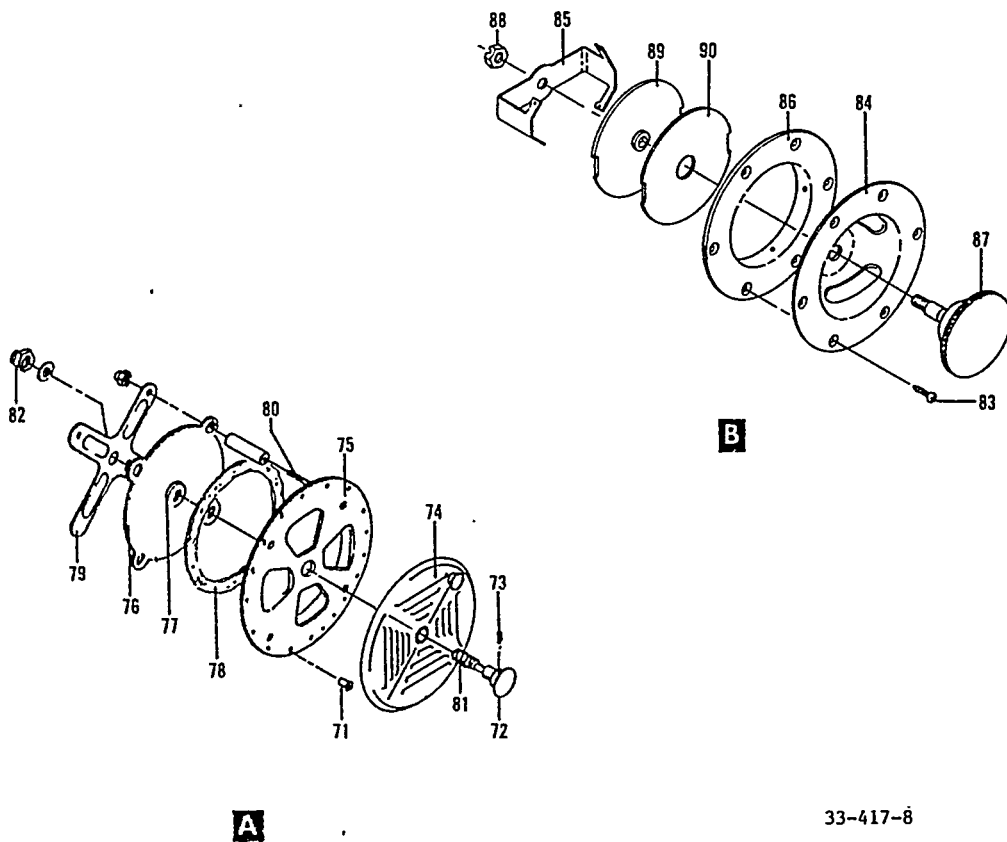
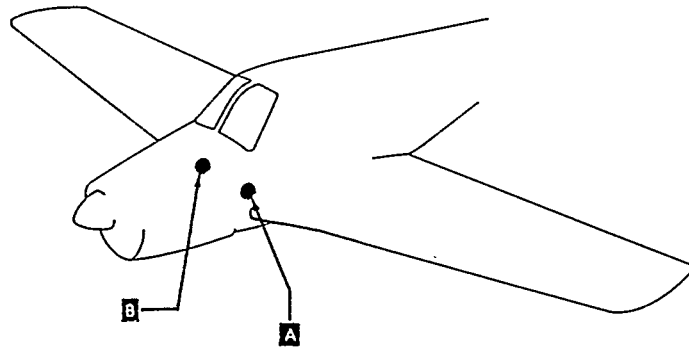


33-417-7

B E E C H C R A F T  
B O N A N Z A 3 3  
I L L U S T R A T E D P A R T S C A T A L O G

FIG. & ITEM NO.	PART NO.	1	2	3	4	5	6	7	DESCRIPTION	UNITS PER ASSY	USABLE ON CODE
417 - 43	414-183955-111	.	.	.	.	.	.	.	PIN, STOP . . . . . /ATTACHING PARTS/	1	
	MS24665-132	.	.	.	.	.	.	.	PIN, COTTER . . . . .	2	
		*-----*									
- 44	35-550501-20	.	.	.	.	.	.	.	BUTTERFLY . . . . . /ATTACHING PARTS/	1	
- 45	AN515-6R10	.	.	.	.	.	.	.	SCREW . . . . .	2	
	AN960-6	.	.	.	.	.	.	.	WASHER . . . . .	2	
	MS20365-1032	.	.	.	.	.	.	.	NUT . . . . .	2	
		*-----*									
- 46	35-550566-3	.	.	.	.	.	.	.	BODY, VALVE . . . . .	1	
- 47	95-554041-7	.	.	.	.	.	.	.	ELBOW, DEFROSTER . . . . .	2	
- 48	111716AX5XX44	.	.	.	.	.	.	.	DUCT, DEFROSTER . . . . .	1	
- 49	105798-9	.	.	.	.	.	.	.	CLAMP . . . . .	1	
- 50	AN737TH82	.	.	.	.	.	.	.	CLAMP . . . . .	1	
	35-420013-19	.	.	.	.	.	.	.	SHUT OFF INSTL, AFT CABIN AIR . . . . .	NP	
	35-420013-23	.	.	.	.	.	.	.	DOOR ASSY, AIR SHUT OFF . . . . .	1	
- 51	35-420013-21	.	.	.	.	.	.	.	DOOR, AIR SHUT OFF . . . . .	1	
- 52	35-420013-5	.	.	.	.	.	.	.	PLATE . . . . .	1	
- 53	35-420013-7	.	.	.	.	.	.	.	SPACER . . . . .	2	
- 54	35-420013-9	.	.	.	.	.	.	.	STRIP, DOOR GUIDE . . . . .	2	
- 55	35-420013-15	.	.	.	.	.	.	.	ANGLE . . . . .	1	
- 56	35-380051-27	.	.	.	.	.	.	.	CONTROL, AFT CABIN HEAT . . . . . /ATTACHING PARTS/	1	
- 57	35-550520	.	.	.	.	.	.	.	PIN . . . . .	1	
- 58	10293354ZJ0040	.	.	.	.	.	.	.	SPACER . . . . .	1	
	AN960-10	.	.	.	.	.	.	.	WASHER . . . . .	2	
	MS20364-1032	.	.	.	.	.	.	.	NUT . . . . .	1	
		*-----*									
- 59	169-910028-13	.	.	.	.	.	.	.	CLIP . . . . .	1	
	35-550567-33	.	.	.	.	.	.	.	DUCT INSTL, FUSELAGE HEAT & VENT . . . . .	NP	
- 60	35-550567-35	.	.	.	.	.	.	.	SHIM, SHUT OFF VALVE . . . . .	2	
- 61	35-550567-27	.	.	.	.	.	.	.	DUCT . . . . .	1	5
	35-550567-61	.	.	.	.	.	.	.	DUCT . . . . .	1	6
	35-550567-69	.	.	.	.	.	.	.	DUCT . . . . .	1	6
- 62	35-550567-29	.	.	.	.	.	.	.	DUCT . . . . .	1	
	95-550001-57	.	.	.	.	.	.	.	OUTLET ASSY . . . . .	1	8
- 63	95-550001-33	.	.	.	.	.	.	.	OUTLET, DUCT . . . . .	1	8
	95-550001-59	.	.	.	.	.	.	.	VANE . . . . .	1	8
- 64	111716AX4XX15	.	.	.	.	.	.	.	DUCT . . . . .	1	
- 65	AN737TH66	.	.	.	.	.	.	.	CLAMP . . . . .	2	
- 66	95-550000-9	.	.	.	.	.	.	.	OUTLET ASSY, AIR . . . . .	1	7
- 67	35-550565-9	.	.	.	.	.	.	.	DEFLECTOR . . . . . /ATTACHING PARTS/	1	7
	AN515-8R	.	.	.	.	.	.	.	SCREW . . . . .	2	
	AN960-8	.	.	.	.	.	.	.	WASHER . . . . .	2	
		*-----*									
- 68	95-550001-31	.	.	.	.	.	.	.	ADAPTER . . . . .	1	
- 69	111716AX5XX34	.	.	.	.	.	.	.	DUCT . . . . .	1	
- 70	AN737TH74-91	.	.	.	.	.	.	.	CLAMP . . . . .	2	
	35-344347	.	.	.	.	.	.	.	RADIO COOLING VENT INSTALLATION . . . . .	NP	
	35-344347-1	.	.	.	.	.	.	.	ELBOW, AIR INLET/FS 58.50/ . . . . .	1	
	MS35489-23	.	.	.	.	.	.	.	GROMMET . . . . .	1	
	111728A48	.	.	.	.	.	.	.	TUBE, VENT . . . . .	1	
	131067-6	.	.	.	.	.	.	.	Y FITTING . . . . .	1	
	111728J16	.	.	.	.	.	.	.	TUBE, VENT . . . . .	2	
	96-340071-37	.	.	.	.	.	.	.	PAN . . . . .	1	
	96-340071-35	.	.	.	.	.	.	.	COVER, RADIO COMPARTMENT . . . . .	1	

BEECHCRAFT  
BONANZA 33  
ILLUSTRATED PARTS CATALOG

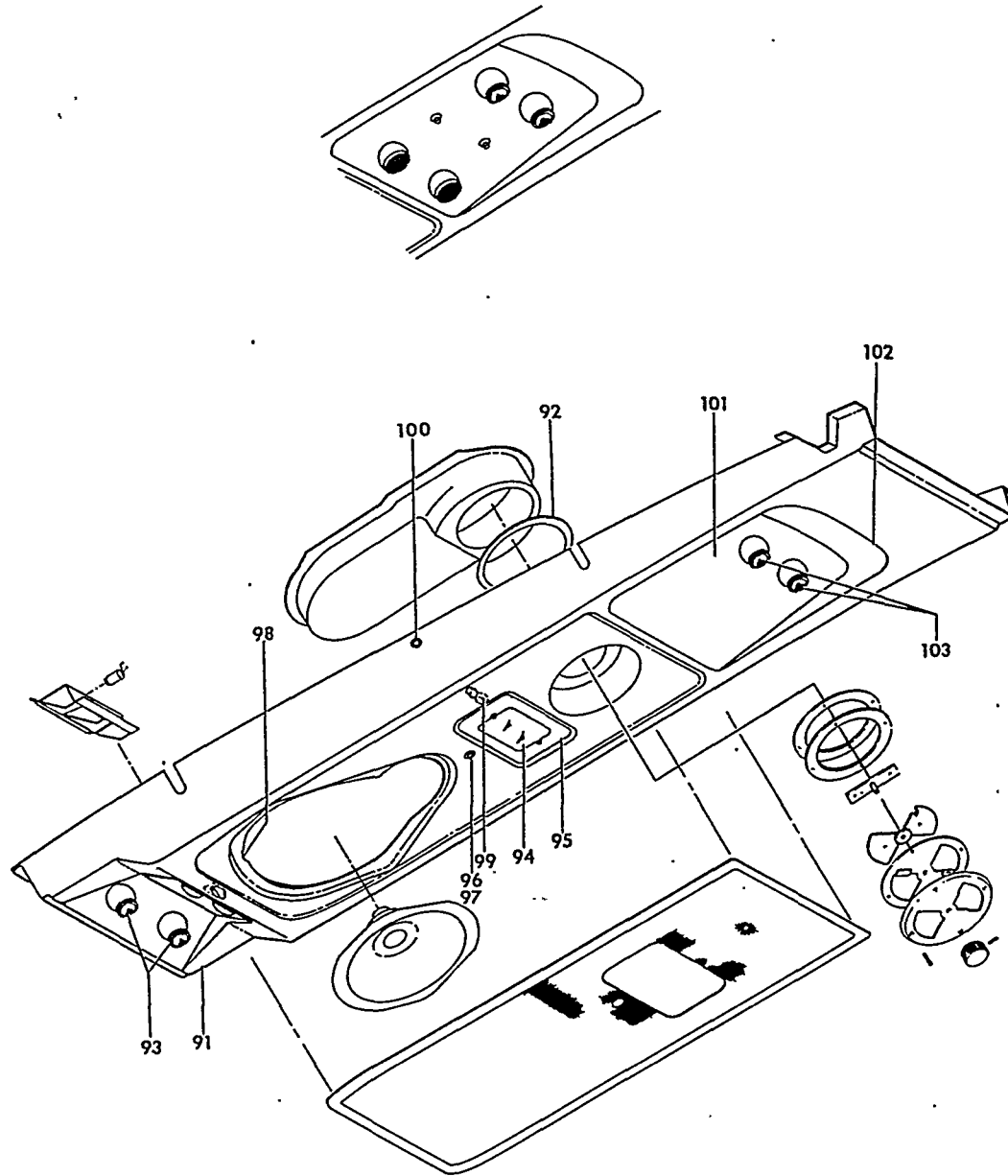


33-417-8

B E E C H C R A F T  
B O N A N Z A 3 3  
I L L U S T R A T E D P A R T S C A T A L O G

FIG. & ITEM NO.	PART NO.	1 2 3 4 5 6 7	DESCRIPTION	UNITS PER ASSY	USABLE ON CODE
417	.35-550050		VENTILATION INSTL,CABIN . . . . .	NP	
	35-550054		. VALVE ASSY,PILOTS COLD AIR. . . . .	1	
			/ATTACHING PARTS/		
- 71	NAS384-6-8P		. SCREW . . . . .	12	
			*-----*		
- 72	35-550057		. . KNOB,PILOTS COLD AIR VALVE. . . . .	1	
			/ATTACHING PARTS/		
- 73	AN565D6H4		. . SCREW . . . . .	1	
			*-----*		
	102808-4D012		. . WASHER. . . . .	1	
	35-550082		. . DIFFUSER ASSY,PILOTS COLD AIR VALVE . . . . .	1	
- 74	35-550082-2		. . . DIFFUSER. . . . .	1	
	102808-4F516		. . . WASHER. . . . .	1	
	L1148 KNOB		. . . KNOB. . . . .	1	
			/ATTACHING PARTS/		
	AN530-6R6		. . . SCREW . . . . .	1	
	AN936B6		. . . WASHER. . . . .	1	
			*-----*		
	102808-4G012		. . WASHER. . . . .	1	
- 75	35-550084		. . PLATE,PILOTS COLD AIR VALVE . . . . .	1	
	35-550078		. . COLLAR,PILOTS COLD AIR VALVE. . . . .	1	
	35-550079		. . DISC ASSY,PILOTS COLD AIR VALVE . . . . .	1	
- 76	35-550079-2		. . . DISC,PILOTS COLD AIR VALVE. . . . .	1	
- 77	35-550075		. . . NUT,PILOTS COLD AIR VALVE . . . . .	1	
- 78	102808-4E324		. . . SPACER. . . . .	1	
- 79	35-550080		. . SPIDER,PILOTS COLD AIR VALVE. . . . .	1	
			/ATTACHING PARTS/		
- 80	AN507-632R20		. . SCREW . . . . .	4	
	102933D2ZK0875		. . SPACER. . . . .	4	
	MS20364-632		. . NUT . . . . .	4	
			*-----*		
	35-550058-10		. . SCREW ASSY,PILOTS COLD AIR VALVE. . . . .	1	
- 81	35-550058-4		. . . SCREW,PILOTS COLD AIR VALVE . . . . .	1	
	35-550058-6		. . . COLLAR,PILOTS COLD AIR VALVE SCREW. . . . .	1	
			/ATTACHING PARTS/		
- 82	130909N16		. . NUT . . . . .	1	
	AN960-416L		. . WASHER. . . . .	1	
	MS24665-132		. . PIN,COTTER. . . . .	1	
			*-----*		
	35-550050-13		. SEAL,PILOTS COLD AIR VALVE. . . . .	1	
	35-550055		. VALVE ASSY,COPILOTS COLD AIR. . . . .	1	
			/ATTACHING PARTS/		
- 83	NAS384-6-16P		. SCREW . . . . .	12	
			*-----*		
- 84	35-550059		. . CUP,COPILOTS COLD AIR VALVE . . . . .	1	
- 85	35-550061		. . BRACKET,COPILOTS COLD AIR VALVE . . . . .	1	
- 86	35-550060		. . COLLAR,COPILOTS COLD AIR VALVE. . . . .	1	
- 87	35-550056		. . KNOB ASSY,COPILOTS COLD AIR VALVE . . . . .	1	
			/ATTACHING PARTS/		
- 88	130909N16		. . NUT . . . . .	1	
	AN960-416L		. . WASHER. . . . .	1	
	MS24665-132		. . PIN,COTTER. . . . .	1	
			*-----*		
	35-550057		. . . KNOB,COPILOTS COLD AIR VALVE. . . . .	1	
			/ATTACHING PARTS/		
	AN565A6H4		. . . SCREW,SET . . . . .	1	
			*-----*		
	35-550058-8		. . . SCREW,COPILOTS COLD AIR VALVE . . . . .	1	
	102808-4D012		. . WASHER. . . . .	1	
	35-550062		. . DISC ASSY,COPILOTS COLD AIR VALVE . . . . .	1	
- 89	35-550062-2		. . . DISC,COPILOTS COLD AIR VALVE. . . . .	1	
	35-550075		. . . NUT,COPILOTS COLD AIR VALVE . . . . .	1	
- 90	35-550063		. . SEAL,COPILOTS COLD AIR VALVE. . . . .	1	
	AN960-416		. . WASHER. . . . .	1	
	35-550050-15		. SEAL,COPILOTS COLD AIR VALVE. . . . .	1	

BEECHCRAFT  
BONANZA 33  
ILLUSTRATED PARTS CATALOG

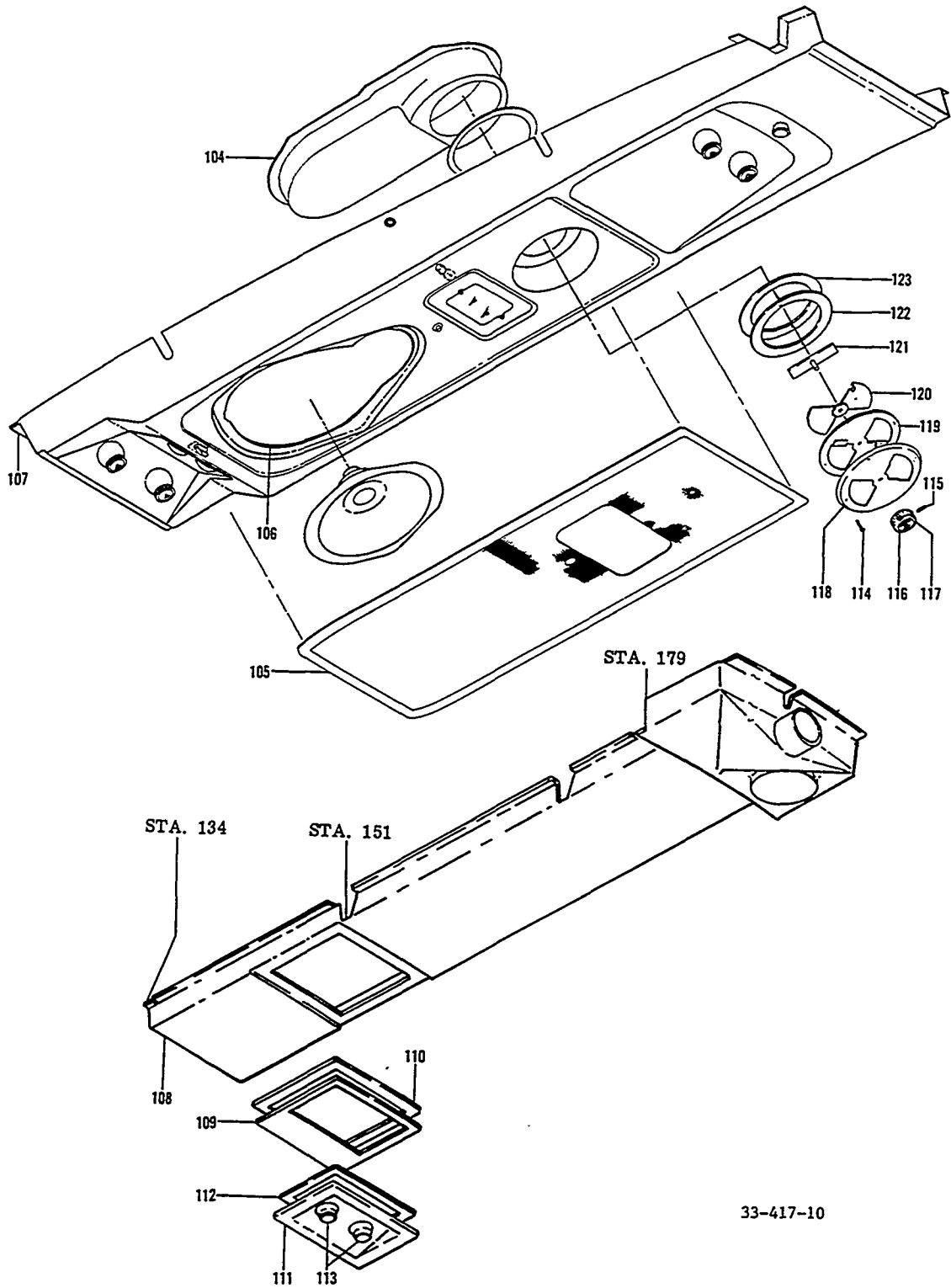


33-417-9

B E E C H C R A F T  
B O N A N Z A 3 3  
I L L U S T R A T E D P A R T S C A T A L O G

FIG. & ITEM NO.	PART NO.	DESCRIPTION	UNITS	USABLE
			PER ASSY	ON CODE
		1 2 3 4 5 6 7		
417	96-550013-105	PANEL INSTL,OVERHEAD FRESH AIR. . . . . /4 AIR VALVES,2 READING LIGHTS/	NP	3
	96-550013-107	PANEL INSTL,OVERHEAD FRESH AIR. . . . . /4 AIR VALVES,NO READING LIGHTS/	NP	3
	96-550013-109	PANEL INSTL,OVERHEAD FRESH AIR. . . . . /5 AIR VALVES,2 READING LIGHTS/	NP	3
	96-550013-111	PANEL INSTL,OVERHEAD FRESH AIR. . . . . /5 AIR VALVES,NO READING LIGHTS/	NP	3
NOTE FOR OVERHEAD DUCTS & CONSOLE,SERIALS CD-1256 THRU CD-1304,CE-350 THRU CE-928, CE-920 THRU CE-922,924,926,928,CJ-31 THRU CJ-155 SEE FIG.417A. FOR SERIALS CE-919, CE-923,CE-925,CE-927,CJ-156 AND AFTER SEE FIG.311B.				
- 91	96-550013-145	. PANEL ASSY,OVERHEAD FRESH AIR . . . . .	1	3
	96-550013-147	. . SHELL,OVERHEAD PANEL FWD. . . . . /ATTACHING PARTS/	1	3
	AN531-6R8	. . SCREW . . . . .	9	
	NAS395-31-1	. . NUT . . . . .	9	
		-----x-----		
- 92	96-550013-37	. . GASKET,EXHAUST VENT PAN . . . . .	1	3
- 93	2373	. VALVE,PILOT & COPILOT AIR . . . . . /ATTACHING PARTS/	2	3
	NAS384-6-8P	. SCREW . . . . .	4	
	A1181-2-1	. NUT . . . . .	4	
		-----x-----		
- 94	B3550-1	. LIGHT,DOME. . . . . /ATTACHING PARTS/	1	3
	NAS387-632-8P	. SCREW . . . . .	4	
	NAS697A06	. NUTPLATE. . . . .	4	
		-----x-----		
- 95	96-550013-53	. GASKET,DOME LIGHT . . . . .	1	3
- 96	L18366-1	. SWITCH,LIGHT /DOME OR READING/. . . . .	AR	3
- 97	96-550013-51	. GASKET,SWITCH /DOME OR READING LIGHT/ . . . . .	AR	3
- 98	96-550013-33	. GASKET,SPEAKER. . . . .	1	3
- 99	89	. BULB,DOME LIGHT . . . . .	1	3
-100	MS35489-9	. GROMMET,DOME LIGHT WIRING . . . . .	1	3
	96-550013-607	. PANEL ASSY,3RD & 4TH SEAT FRESH AIR . . . . . /USE WITH NO READING LIGHTS/	1	3
	96-550013-610	. PANEL ASSY,3RD & 4TH SEAT FRESH AIR . . . . . /USE WITH 2 READING LIGHTS/	1	3
-101	96-550013-97	. . PAN,3RD & 4TH SEAT FRESH AIR. . . . . /USE WITH 2 READING LIGHTS/	1	3
	96-550013-95	. . PAN,3RD & 4TH SEAT FRESH AIR. . . . . /USE WITH NO READING LIGHTS/	1	3
	NAS387-632-8P	. . SCREW . . . . .	8	
	NAS697A06	. . NUTPLATE. . . . .	8	
		-----x-----		
	1870	. . LIGHT ASSY,READING. . . . .	2	3
	1816	. . BULB,READING LIGHT. . . . .	2	3
-102	96-550013-83	. . GASKET,3RD & 4TH SEAT FRESH AIR PAN . . . . .	1	3
-103	2373	. . VALVE,3RD & 4TH SEAT AIR. . . . . /ATTACHING PARTS/	2	3
	NAS384-6-8P	. . SCREW . . . . .	4	
	A1181-2-1	. . NUT . . . . .	4	
		-----x-----		

BEECHCRAFT  
BONANZA 33  
ILLUSTRATED PARTS CATALOG

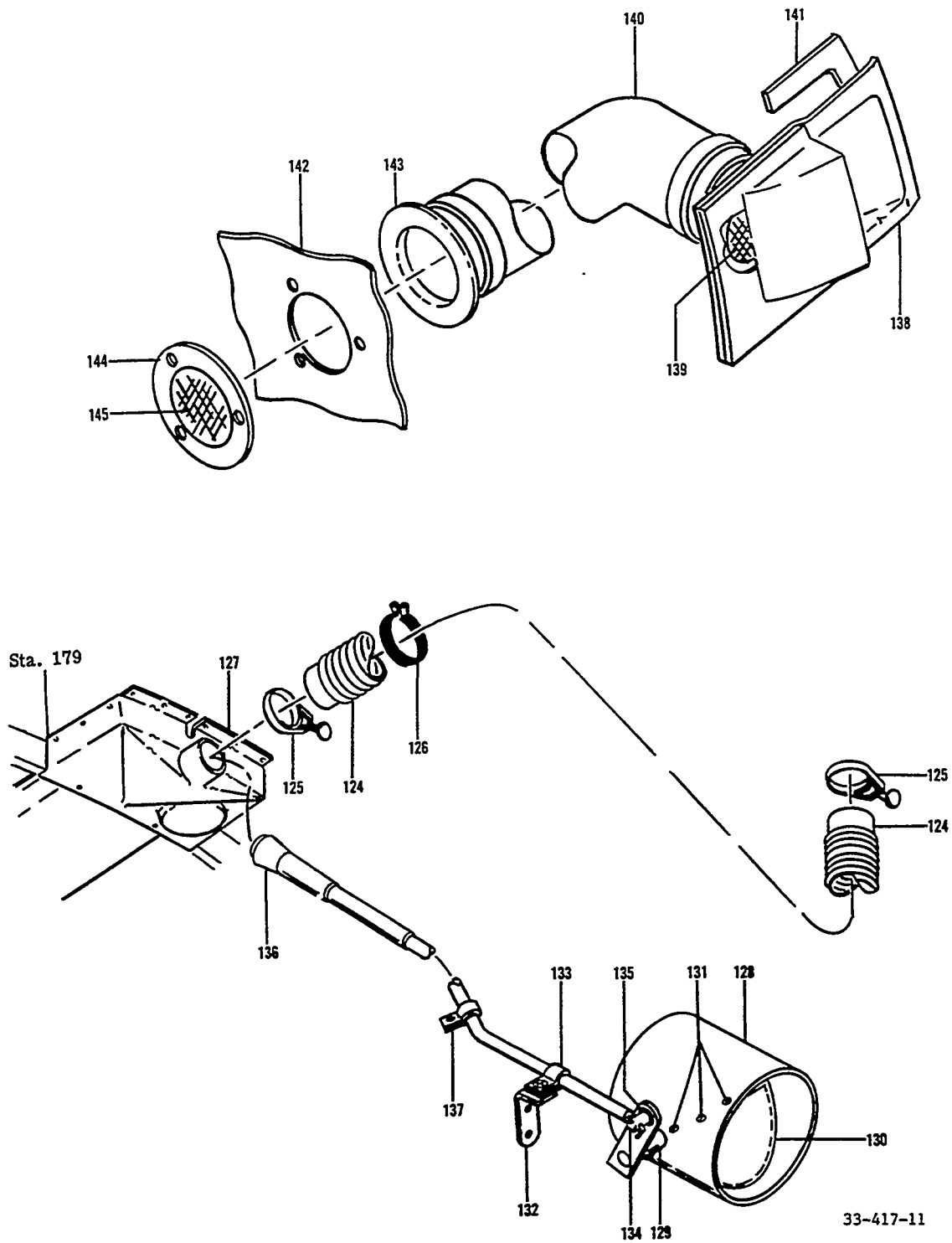


BEECHCRAFT  
BONANZA 33  
ILLUSTRATED PARTS CATALOG

FIG. & ITEM NO.	PART NO.	DESCRIPTION	UNITS PER ASSY	USABLE ON CODE
417 -104	96-550013-35	. PAN, EXHAUST VENT. . . . .	1	3
		/ATTACHING PARTS/		
	AN515C6R8	. SCREW . . . . .	3	
	NAS697A06	. NUTPLATE. . . . .	3	
		-----*		
-105	96-554011	. GRILL, OVERHEAD SPEAKER. . . . .	1	3
		/ATTACHING PARTS/		
	NAS387-632-8P	. SCREW . . . . .	8	
	MF1000-632	. NUTPLATE. . . . .	8	
		-----*		
-106	96-550013-49	. DOME, OVERHEAD SPEAKER . . . . .	1	3
-107	96-550013-39	. DOUBLER, FWD SHELL . . . . .	1	3
-108	96-550013-117	. SHELL, OVERHEAD PANEL AFT. . . . .	1	3
		/ATTACHING PARTS/		
	AN504-6R	. SCREW, AFT . . . . .	3	
	AN531-6R8	. SCREW, FWD . . . . .	9	
	NAS395-31-1	. NUT, FWD . . . . .	9	
		-----*		
	96-550013-125	. STRIP, FWD SHELL FLANGE. . . . .	2	3
	96-550013-127	. STRIP, CENTER SHELL FLANGE . . . . .	2	3
	96-550013-129	. STRIP, AFT SHELL FLANGE. . . . .	2	3
-109	96-550013-85	. DOOR, AFT OVERHEAD PANEL . . . . .	1	3
		/USE WITH 5 AIR OUTLETS/		
	96-550013-75	. DOOR, AFT OVERHEAD PANEL . . . . .	1	3
		/USE WITH 4 AIR OUTLETS/		
		/ATTACHING PARTS/		
	NAS384-6P	. SCREW . . . . .	11	
	NAS395-6-1	. NUT . . . . .	11	
		-----*		
-110	96-550013-77	. GASKET, OVERHEAD PANEL DOOR. . . . .	1	3
-111	96-550013-99	. PAN, 5TH SEAT FRESH AIR. . . . .	1	3
		/WITH 1 AIR OUTLET/		
-112	96-550013-91	. GASKET, 5TH SEAT FRESH AIR PAN . . . . .	1	3
-113	2373	. VALVE, 5TH SEAT AIR. . . . .	1	3
		/ATTACHING PARTS/		
	NAS384-6-8P	. SCREW . . . . .	4	
	A1181-2-1	. NUT . . . . .	4	
		-----*		
	96-550015	. VALVE ASSY, OVERHEAD CABIN EXHAUST . . . . .	1	3
		/ATTACHING PARTS/		
-114	NAS387-832P	. SCREW . . . . .	4	
	MK2000-08	. NUTPLATE. . . . .	4	
		-----*		
	96-550015-23	. . . KNOB ASSY, EXHAUST VALVE . . . . .	1	3
		/ATTACHING PARTS/		
-115	AN565D8H8	. . . SCREW, SET . . . . .	1	
		-----*		
-116	96-550015-17	. . . KNOB, EXHAUST VALVE. . . . .	NP	3
		/ORDER 96-550015-23 FOR SPARES/		
	R 96-550015-23	. . . KNOB, EXHAUST VALVE. . . . .	1	3
-117	96-554013-1	. . . DECAL, EXHAUST AIR VALVE . . . . .	1	3
	96-550015-21	. . . PLATE ASSY, EXHAUST VALVE. . . . .	1	3
-118	96-550015-13	. . . PLATE, EXHAUST VALVE . . . . .	1	3
-119	35-410455-1	. . . COVER, EXHAUST VALVE . . . . .	1	3
	96-550015-1	. . . SHUTTER ASSY, EXHAUST VALVE. . . . .	1	3
-120	96-550015-9	. . . SHUTTER, EXHAUST VALVE . . . . .	1	3
-121	96-550015-3	. . . WELD ASSY, SHAFT & ARM . . . . .	1	3
	96-550015-19	. . . RING ASSY, EXHAUST VALVE . . . . .	1	3
-122	96-550015-15	. . . SHIM, EXHAUST VALVE RING . . . . .	1	3
-123	96-550015-11	. . . RING, EXHAUST VALVE BACKUP . . . . .	1	3



BEECHCRAFT  
 BONANZA 33  
 ILLUSTRATED PARTS CATALOG



B E E C H C R A F T  
B O N A N Z A 3 3  
I L L U S T R A T E D P A R T S C A T A L O G

FIG. & ITEM NO.	PART NO.	DESCRIPTION	UNITS PER ASSY	USABLE ON CODE
		1 2 3 4 5 6 7		
417	95-554043	DUCT INSTL,OVERHEAD FRESH AIR . . . . .	NP	12
-124	111716AZ6X110	. DUCT,OVERHEAD FRESH AIR . . . . .	1	12
-125	AN737RM107	. CLAMP,OVERHEAD FRESH AIR DUCT . . . . .	3	12
-126	MS21919DG48	. CLAMP,OVERHEAD FRESH AIR DUCT . . . . .	1	12
-127	95-554043-1	. DUCT,OVERHEAD AIR ADAPTER . . . . .	1	12
	95-554043-603	. VALVE ASSY,FRESH AIR SHUT OFF . . . . .	1	12
-128	95-554043-5	. TUBE,FRESH AIR ADAPTER. . . . .	1	12
-129	95-554043-25	. SHAFT & ARM ASSY,FRESH AIR SHUT OFF VALVE . . . . .	1	12
-130	95-554043-23	. PLATE ASSY,FRESH AIR SHUT OFF VALVE . . . . .	1	12
		/ATTACHING PARTS/		
-131	AN515-440	. . . . . SCREW . . . . .	3	
		----*----		
	95-554043-19	. . . . . SEAL . . . . .	1	12
	95-554043-21	. . . . . PLATE . . . . .	1	12
-132	AN743-13	. ANGLE . . . . .	1	12
-133	AN742-4	. CLAMP . . . . .	1	12
		/ATTACHING PARTS/		
	MS20365-832	. NUT . . . . .	1	
		----*----		
-134	35-550520	. PIN,FRESH AIR VALVE . . . . .	1	12
-135	102933S4ZJ0093	. SPACER,FRESH AIR VALVE. . . . .	1	12
	AN960-10	. WASHER. . . . .	2	12
	MS20365-1032	. NUT . . . . .	1	12
-136	35-380051-13	. CONTROL,FRESH AIR INLET SHUT OFF VALVE. . . . .	1	12
-137	AN742-3	. CLAMP . . . . .	1	12
	35-554035-27	DUCT INSTL,CABIN AIR EXHAUST. . . . .	NP	10
	35-554035-1	DUCT INSTL,CABIN AIR EXHAUST. . . . .	NP	11
-138	35-554035-37	. SCOOP ASSY,AIR EXHAUST. . . . .	1	
-139	35-554035-35	. SCREEN,SCOOP ASSY . . . . .	1	
-140	115167DXX120846	. DUCT. . . . .	1	
		/ATTACHING PARTS/		
	AN737TW107	. CLAMP . . . . .	2	
		----*----		
-141	35-554035-33	. RETAINER,SCOOP. . . . .	1	
	35-554035-31	WEB ASSY. . . . .	1	
-142	35-554035-29	. WEB . . . . .	1	3
	35-554035-39	. WEB . . . . .	1	4
-143	35-910067-135	. FLANGE ASSY . . . . .	1	
	33-534054-1	COVER INSTL,CABIN AIR EXHAUST . . . . .	NP	
	33-534054-3	. COVER ASSY. . . . .	1	
-144	33-534054-5	. FRAME . . . . .	1	
-145	33-534054-7	. GRILL . . . . .	1	

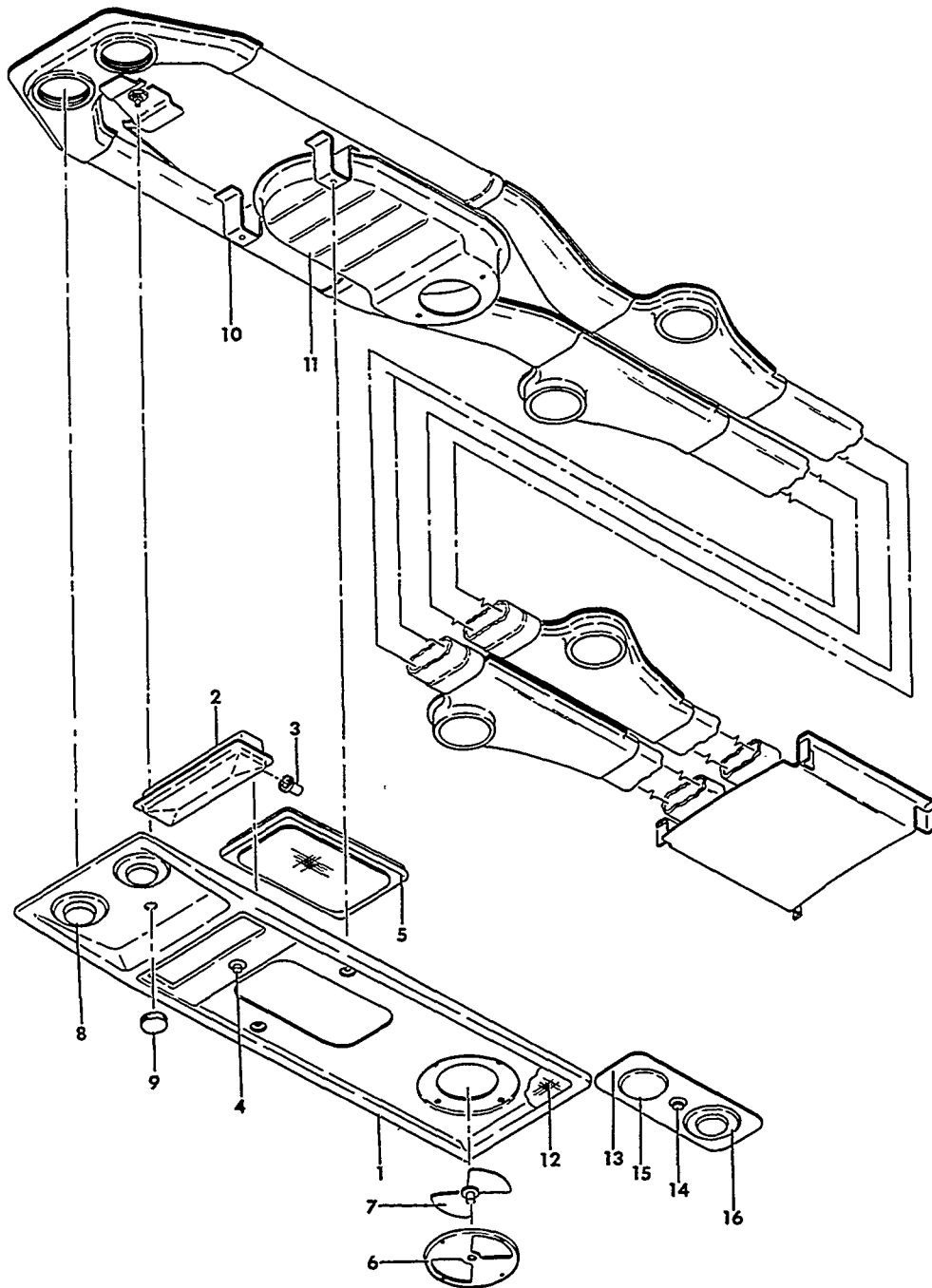
C O D E S O F E F F E C T I V I T Y

1	CD-1235 THRU CD-1254	2	CD-1255 THRU CD-1304 CE-290 THRU CE-315 CJ-26 AND AFTER
3	CD-1235 THRU CD-1255 CE-290 THRU CE-349 CJ-26 THRU CJ-30	4	CD-1256 THRU CD-1304 CE-350 AND AFTER
5	CD-1235 THRU CD-1304 CE-290 THRU CE-518 CJ-26 THRU CJ-51	6	CE-519 AND AFTER CJ-52 AND AFTER
7	CE-290 THRU CE-465	8	CE-517 AND AFTER CJ-52 AND AFTER
9	CE-316 AND AFTER	10	CD-1235 THRU CD-130 CE-290 THRU CE-315 CJ-26 THRU CJ-51
11	CE-316 THRU CE-510	12	CD-1235 THRU CD-1304 CE-290 THRU CE-918 CE-920 THRU CE-922 CE-924,CE-926,CE-928 CJ-26 THRU CJ-155
13	CD-1235 AND AFTER CE-290 THRU CE-838 CJ-26 THRU CJ-149	14	CE-839 AND AFTER CJ-150 AND AFTER
15	CD-1200 AND AFTER CE-290 THRU CE-1708 CJ-26 THRU CJ-179	16	CE-1709 AND AFTER CJ-180 AND AFTER

B E E C H C R A F T  
B O N A N Z A 3 3  
I L L U S T R A T E D P A R T S C A T A L O G

FIGURE 417A  
AIR DUCTS  
CD-1256 THRU CD-1304  
CE-350 THRU CE-918, CE-920 THRU CE-922  
CE-924, CE-926, CE-928  
CJ-31 THRU CJ-155

BEECHCRAFT  
BONANZA 33  
ILLUSTRATED PARTS CATALOG

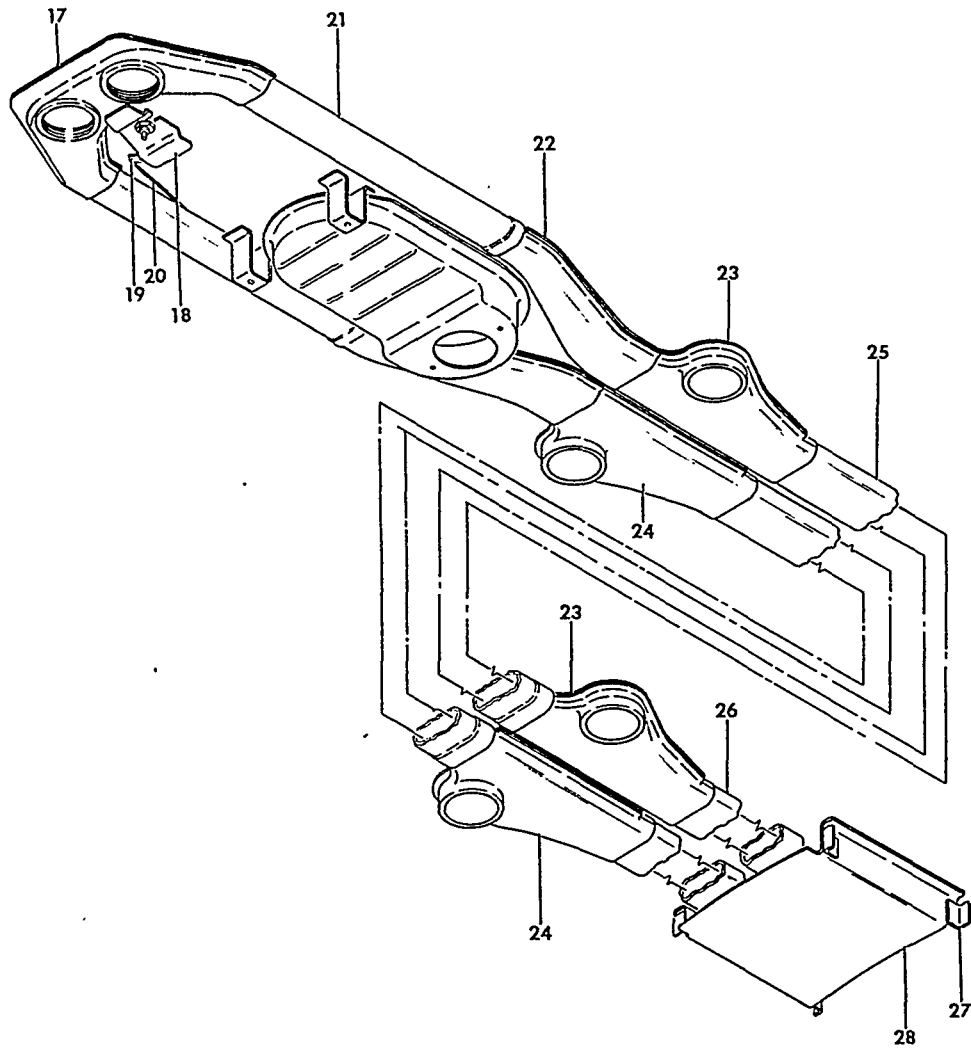


33-417A-23

B E E C H C R A F T  
B O N A N Z A 3 3  
I L L U S T R A T E D P A R T S C A T A L O G

FIG. & ITEM NO.	PART NO.	DESCRIPTION	UNITS PER ASSY	USABLE ON CODE
		1 2 3 4 5 6 7		
417A	58-530096-1	HEAT AND VENT SYSTEM INSTL. . . . .	NP	1
	58-530096-5	CONSOLE INSTL,OVERHEAD. . . . .	NP	3
	58-530097-1	CONSOLE ASSY,OVERHEAD . . . . .	1	2
	58-530097-9	. CONSOLE ASSY,OVERHEAD . . . . .	1	4
	58-530097-11	. CONSOLE ASSY,OVERHEAD . . . . .	1	3
- 1	58-530098-1	. . ESCUTCHEON. . . . .	1	2
	58-530098-5	. . ESCUTCHEON. . . . .	1	4
	58-530098-11	. . ESCUTCHEON. . . . .	1	3
- 2	58-530106-7	. BOX ASSY,LIGHT. . . . .	1	6
- 3	2506	. . SOCKET,LIGHT. . . . .	2	6
- 4	L18366-3	. . SWITCH,LIGHT/ALTERNATE FOR J20125-03/ . . . . .	1	6
	J20125-03	. . SWITCH,LIGHT/ALTERNATE FOR L18366-3/. . . . .	1	6
- 5	P5	. . SPEAKER . . . . .	1	2
	A46F3	. . SPEAKER/ALTERNATE FOR T5712/. . . . .	1	5
	T5712	. . SPEAKER/ALTERNATE FOR A46F3/. . . . .	1	5
	D54353-1	. . PLATE,SPEAKER MOUNTING. . . . .	1	5
		/ATTACHING PARTS/		
	MS24693S9	. . SCREW . . . . .	4	1
	MS24693S30	. . SCREW . . . . .	4	3
	100696DZL008	. . SPACER. . . . .	4	
	MS20365-440	. . NUT . . . . .	4	1
	MS20365-632	. . NUT . . . . .	4	3
		*-----*		
- 6	96-550015-21	. . PLATE ASSY,CABIN EXHAUST. . . . .	1	1
		/ATTACHING PARTS/		
	95-550015-15	. . SHIM. . . . .	1	3
		*-----*		
- 7	96-550015-29	. . SHUTTER ASSY,CABIN EXHAUST. . . . .	1	1
	NAS384-6-8P	. . SCREW . . . . .	2	1
	NAS446-2-1	. . NUT . . . . .	2	1
- 8	2515	. VALVE,FRESH AIR . . . . .	2	6
- 9	58-530110-3	. PUSH PULL CONTROL/AFT CABIN HEAT/ . . . . .	1	6
	100951NY025ZZ	. PIN . . . . .	1	6
- 10	58-530105-1	. WASHER. . . . .	2	6
	AN515-8R8	. . SPACER. . . . .	2	6
	AN960-8	. . NUT . . . . .	2	6
	58-530096-7	. SUPPORT . . . . .	1	3
	MS24693S52	. SCREW,CONSOLE ATTACHING . . . . .	2	3
- 11	58-530109-1	. PLENUM ASSY,EXHAUST AIR . . . . .	1	6
- 12	58-530101-1	. GRILL ASSY,SPEAKER AND AIR EXHAUST. . . . .	1	1
	58-530101-5	. GRILL ASSY,SPEAKER AND AIR EXHAUST. . . . .	1	3
	58-530103-3	FACEPLATE ASSY,LIGHT. . . . .	2	6
		/ATTACHING PARTS/		
	NAS389-8-10P	SCREW . . . . .	2	
	130290-3	CLIPNUT . . . . .	2	
		*-----*		
- 13	58-530104-1	. FACEPLATE . . . . .	1	6
- 14	L18366-3	. SWITCH,LIGHT/ALTERNATE FOR J20125-03/ . . . . .	1	6
	J20125-03	. SWITCH,LIGHT/ALTERNATE FOR L18366-3/. . . . .	1	6
- 15	2565-1	. LIGHT ASSY. . . . .	1	6
- 16	2515	. VALVE ASSY,AIR CIRCUIT. . . . .	2	6

BEECHCRAFT  
BONANZA 33  
ILLUSTRATED PARTS CATALOG



33-417A-24

B E E C H C R A F T  
B O N A N Z A 3 3  
I L L U S T R A T E D P A R T S C A T A L O G

FIG. & ITEM NO.	PART NO.	DESCRIPTION	UNITS							USABLE ON CODE
			1	2	3	4	5	6	7	
417A	58-550011-7	DUCT INSTL,OVERHEAD FRESH AIR FWD . . . . .							NP	1
	58-550011-33	DUCT INSTL,OVERHEAD FRESH AIR FWD . . . . .							NP	3
- 17	58-530095-1	. ADAPTER ASSY,FWD AIR DUCT . . . . .							1	6
- 18	58-530100-1	. BRACKET . . . . .							1	1
		/ATTACHING PARTS/								
	ANS26-832R6	. SCREW . . . . .							2	
	ANS26-1032R8	. SCREW . . . . .							1	
	130290-2	. CLIPNUT . . . . .							1	
		-----*								
- 19	361-000	. CONTROL . . . . .							1	1
		/ATTACHING PARTS/								
	ANS26-1032R14	. SCREW . . . . .							1	
	1006962G011	. SPACER . . . . .							1	
	130290-2	. CLIPNUT . . . . .							1	
		-----*								
- 20	130-032-332	. CABLE ASSY,CONTROL . . . . .							1	1
	MS35490-5	. GROMMET . . . . .							2	1
- 21	130907C-AC182	. DUCT,FWD . . . . .							2	6
- 22	58-550013-1	. DUCT ASSY . . . . .							2	6
- 23	58-550012-9	. ADAPTER ASSY,LH . . . . .							2	6
- 24	58-550012-10	. ADAPTER ASSY,RH . . . . .							2	6
	58-530126-1	. SUPPORT ASSY. . . . .							2	6
- 25	58-530016-3	. DUCT. . . . .							2	1
	58-530026-3	. DUCT. . . . .							2	3
- 26	130907TC-DAB84	. DUCT,AFT . . . . .							2	6
- 27	58-550011-9	. CLIP. . . . .							4	1
- 28	58-550014-3	. PLENUM ASSY . . . . .							1	1

C O D E S O F E F F E C T I V I T Y

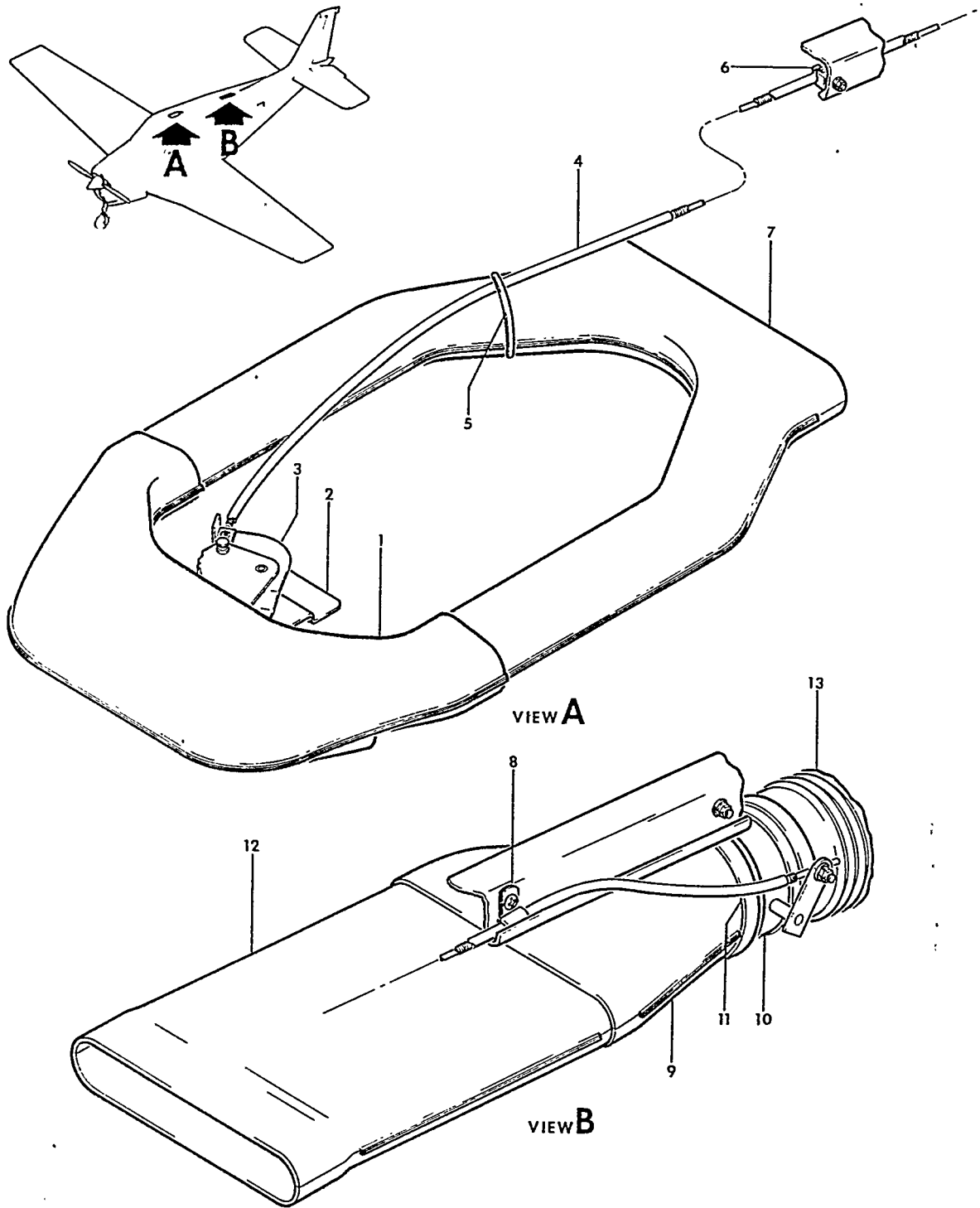
1	CD-1256 THRU CD-1304	2	CD-1256 THRU CD-1304
	CE-350 THRU CE-678		CE-350 THRU CE-543
	CJ-31 THRU CJ-128		CJ-31 THRU CJ-74
3	CE-679 THRU CE-918	4	CE-544 THRU CE-678
	CE-920 THRU CE-922		CJ-75 THRU CJ-128
	CE-924,CE-926,CE-928		
	CJ-129 THRU CJ-155		
5	CE-544 THRU CE-918,	6	CD-1256 THRU CD-1304
	CE-920 THRU CE-922		CE-350 THRU CE-918,
	CE-924,CE-926,CE-928		CE-920 THRU CE-922
	CJ-75 THRU CJ-155		CE-924,CE-926,CE-928
			CJ-31 THRU CJ-155

B E E C H C R A F T  
B O N A N Z A 3 3  
I L L U S T R A T E D P A R T S C A T A L O G

FIGURE 417B  
FRESH AIR DUCTS  
CE-919, CE-923, CE-925, CE-927, CE-929 AND AFTER  
CJ-156 AND AFTER



BEECHCRAFT  
BONANZA 33  
ILLUSTRATED PARTS CATALOG



33-417-40

B E E C H C R A F T  
B O N A N Z A 3 3  
I L L U S T R A T E D P A R T S C A T A L O G

FIG. & ITEM NO.	PART NO.	DESCRIPTION							UNITS PER ASSY	USABLE ON CODE
		1	2	3	4	5	6	7		
417B	58-550028-9	DUCT INSTL,FRESH AIR. . . . .							NP	2
	58-550028-11	DUCT INSTL,FRESH AIR. . . . .							NP	3
- 1	58-530095-1	. DUCT. . . . .							1	1
- 2	58-530100-1	. BRACKET . . . . .							1	1
		/ATTACHING PARTS/								
	AN526-832R6	. SCREW . . . . .							2	
	AN526-1032R8	. SCREW . . . . .							1	
	130290-2	. CLIPNUT . . . . .							1	
		*-----*								
- 3	361-000-11	. CONTROL ASSY. . . . .							1	1
		/ATTACHING PARTS/								
	AN526-1032R14	. SCREW . . . . .							1	
	100696A-ZG011	. SPACER. . . . .							1	
	130290-2	. CLIPNUT . . . . .							1	
		*-----*								
- 4	130-032-332	. CABLE, CONTROL . . . . .							1	1
		/ATTACHING PARTS/								
	002-550011-1	. PIN . . . . .							2	
	NAS43HT3-6	. SPACER. . . . .							2	
	AN960-10L	. WASHER. . . . .							2	
	130909N29	. NUT . . . . .							2	
		*-----*								
- 5	TY23M	. TIE,CABLE . . . . .							1	1
	AN931-4-7	. GROMMET . . . . .							2	1
- 6	MS3367-4	. TIE,CABLE . . . . .							4	1
	TM2S6	. MOUNT,TIE . . . . .							4	1
- 7	106-530046-5	. DUCT. . . . .							1	1
- 8	MS21919DG3	. CLAMP,CABLE . . . . .							1	1
		/ATTACHING PARTS/								
	MS35207-263	. SCREW . . . . .							1	
	AN960-10L	. WASHER. . . . .							1	
	130909N29	. NUT . . . . .							1	
		*-----*								
- 9	36-550050-1	. DUCT. . . . .							1	1
- 10	002-440000-99	. VALVE ASSY. . . . .							1	1
- 11	36-550032-3	. CLAMP ASSY. . . . .							1	1
		/ATTACHING PARTS/								
	MS35207-263	. SCREW . . . . .							2	
	AN960-10L	. WASHER. . . . .							2	
	130909N29	. NUT . . . . .							2	
		*-----*								
- 12	36-550051-1	. DUCT. . . . .							1	3
- 13	111716A26X110	DUCT. . . . .							1	1
		/ATTACHING PARTS/								
	AN737RM107	CLAMP . . . . .							2	
	AN743-13	CLIP. . . . .							1	
	MS21919DG48	CLAMP . . . . .							2	
	AN520-10R10	SCREW . . . . .							2	
	AN960-10L	WASHER. . . . .							2	
	MS20365-1032	NUT . . . . .							2	
		*-----*								

C O D E S O F E F F E C T I V I T Y

- |   |   |
|---|---|
| <p>1 CE-919,CE-923,<br/>CE-925,CE-927,<br/>CE-929 AND AFTER<br/>CJ-156 AND AFTER<br/>3 CJ-156 AND AFTER</p> | <p>2 CE-919,CE-923,<br/>CE-925,CE-927,<br/>CE-929 AND AFTER</p> |
|---|---|

B E E C H C R A F T  
B O N A N Z A 3 3  
I L L U S T R A T E D P A R T S C A T A L O G

FIGURE 425  
AIR CONDITIONING COMPRESSOR  
CE-602 AND AFTER

BEECHCRAFT  
 BONANZA 33  
 ILLUSTRATED PARTS CATALOG

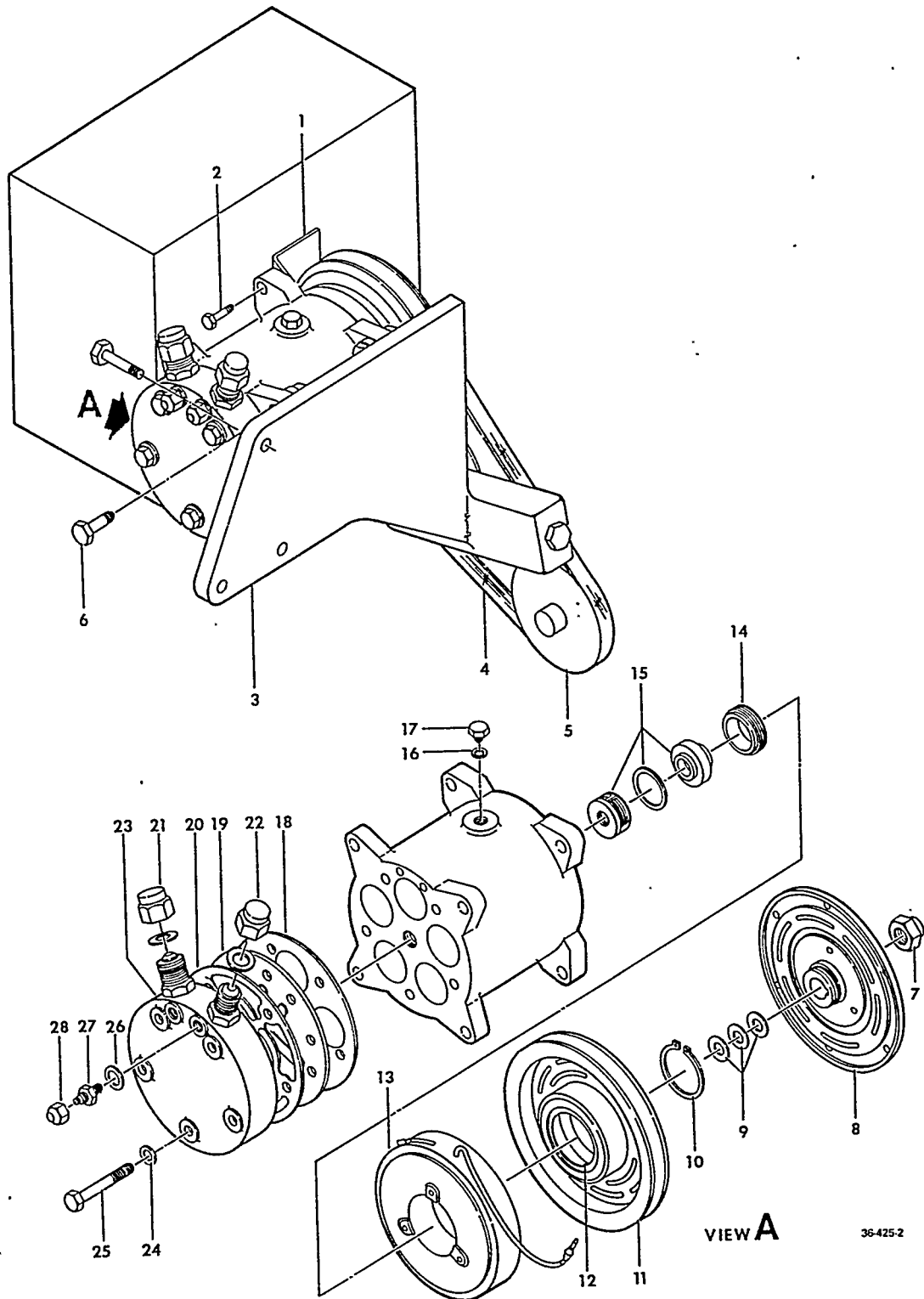


FIGURE 425.AIR CONDITIONING COMPRESSOR

B E E C H C R A F T  
B O N A Z Z A 3 3  
I L L U S T R A T E D P A R T S C A T A L O G

FIG. & ITEM NO.	PART NO.	DESCRIPTION	UNITS PER ASSY	USABLE ON CODE
425	R 36-555012-1	COMPRESSOR INSTL,AIR CONDITIONER. . . . .	NP	10
	R 36-555012-7	COMPRESSOR INSTL,AIR CONDITIONER. . . . .	NP	11
- 1	R 36-555029-1	. GUARD,COMPRESSOR PULLEY . . . . .	1	2
		/ORDER 36-555048-3 FOR SPARES/		
	R 36-555029-3	. GUARD,COMPRESSOR PULLEY . . . . .	1	8
		/ORDER 36-555048-3 FOR SPARES/		
	R 36-555048-3	. GUARD,COMPRESSOR PULLEY . . . . .	1	9
		/ATTACHING PARTS/		
- 2	130909B20	. BOLT. . . . .	2	
	AN970-3	. WASHER. . . . .	2	
	AN960-10L	. WASHER. . . . .	2	
	100696A-ZL016	. SPACER. . . . .	2	
	130909N29	. NUT . . . . .	2	
		-----*		
	EQ6544	. COMPRESSOR DRIVE KIT/ORDER EQ6576 FOR SPARES/	NP	4
	EQ6566	. COMPRESSOR DRIVE KIT/ORDER EQ6576 FOR SPARES/	NP	5
	EQ6576	. COMPRESSOR DRIVE KIT. . . . .	1	6
- 3	640778	. . BRACKET ASSY. . . . .	1	4
	646096	. . BRACKET ASSY. . . . .	1	5
	640778	. . BRACKET ASSY. . . . .	1	6
- 4	642759	. . BELT. . . . .	1	7
	646293	. . BELT. . . . .	1	6
- 5	640801	. . PULLEY,DRIVE. . . . .	1	7
	646296	. . PULLEY,DRIVE. . . . .	1	6
	646391	. . IDLER PULLEY ASSY . . . . .	1	6
	102-389006-3	. COMPRESSOR ASSY,14 VOLT . . . . .	1	1
		/ATTACHING PARTS/		
- 6	AN6-14A	. BOLT. . . . .	4	
	MS21043-6	. NUT . . . . .	4	
		-----*		
- 7	52554	. . NUT,SHAFT . . . . .	1	1
- 8	52567	. . PLATE,CLUTCH/6 INCH/. . . . .	1	1
- 9	52563	. . SHIM. . . . .	3	1
- 10	52564	. . RING,ROTOR SNAP . . . . .	1	1
- 11	52568	. . ROTOR/WITH BEARINGS/. . . . .	1	1
- 12	52560	. . BEARING/SET OF 2/ . . . . .	1	1
- 13	52569	. . COIL,FIELD/6 INCH CLUTCH/. . . . .	1	1
- 14	52544	. . RETAINER,SEAL SEAT. . . . .	1	1
- 15	52552	. . KIT,SEAL. . . . .	1	1
- 16	52548	. . PACKING,PREFORMED/OIL FILLER PLUG/. . . . .	1	1
- 17	52547	. . PLUG,OIL FILLER . . . . .	1	1
- 18	52519	. . GASKET,CYLINDER . . . . .	1	1
- 19	52511	. . PLATE ASSY,VALVE/WITH GASKETS/. . . . .	1	1
- 20	52512	. . GASKET,CYLINDER HEAD. . . . .	1	1
- 21	52510	. . CAP,PROTECTIVE/SUCTION PORT/. . . . .	1	1
- 22	52509	. . CAP,PROTECTIVE/DISCHARGE PORT/. . . . .	1	1
- 23	52506	. . HEAD,FLARE TYPE . . . . .	1	1
- 24	41039	. . WASHER. . . . .	5	1
- 25	41038	. . SCREW . . . . .	5	1
- 26	52508	. . GASKET. . . . .	2	1
- 27	R 52507	. . FITTING . . . . .	2	1
- 28	52133	. . CAP,QUICK SEAL. . . . .	2	1
	102-389006-9	. COMPRESSOR ASSY,28 VOLT . . . . .	1	3
		/NO BREAKDOWN AVAILABLE/		

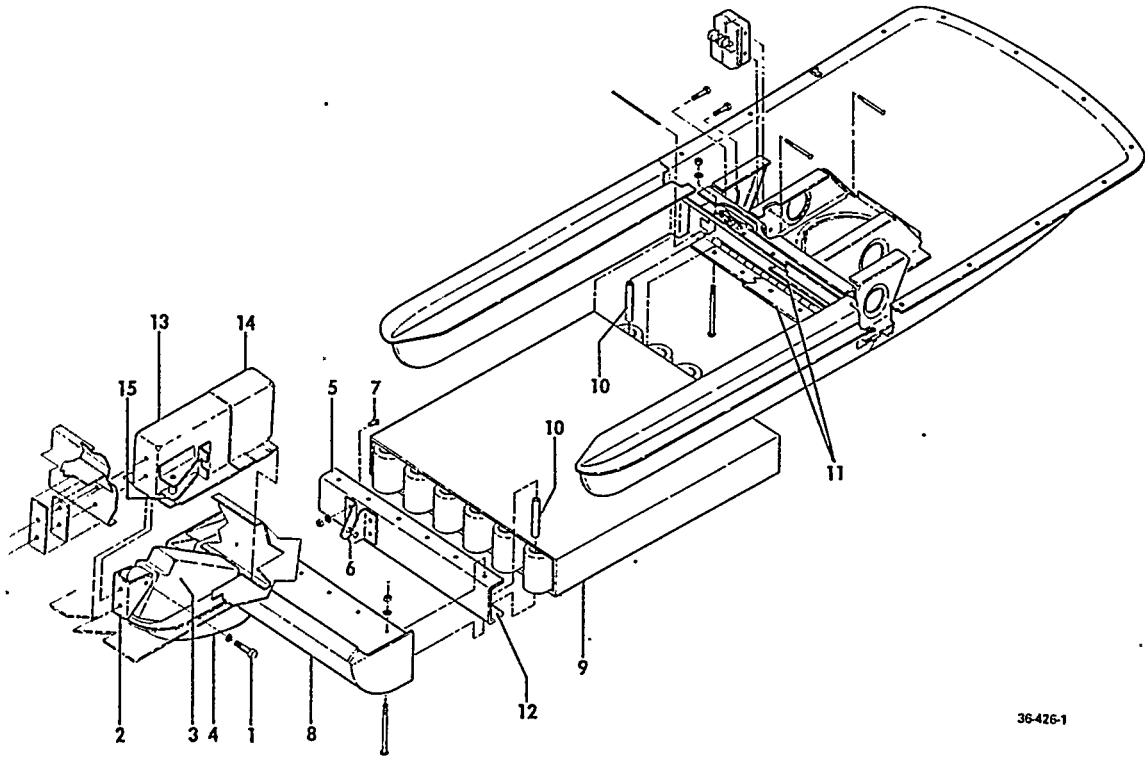
C O D E S O F E F F E C T I V I T Y

1	CE-602 THRU CE-747,	2	CE-602 THRU CE-908
	CE-749 THRU CE-771		
3	CE-748	4	CE-602 THRU CE-998
	CE-772 THRU CE-1794		
5	CE-999 THRU CE-1013	6	CE-1014 AND AFTER
7	CE-602 THRU CE-1013	8	CE-909 THRU CE-1755
9	CE-1756 AND AFTER	10	CE-602 THRU CE-1791
11	CE-1792 AND AFTER		

BEECHCRAFT  
BOEING 737  
ILLUSTRATED PARTS CATALOG

FIGURE 426  
AIR CONDITIONING CONDENSER  
CE-602 AND AFTER

BEECHCRAFT  
BONANZA 33  
ILLUSTRATED PARTS CATALOG



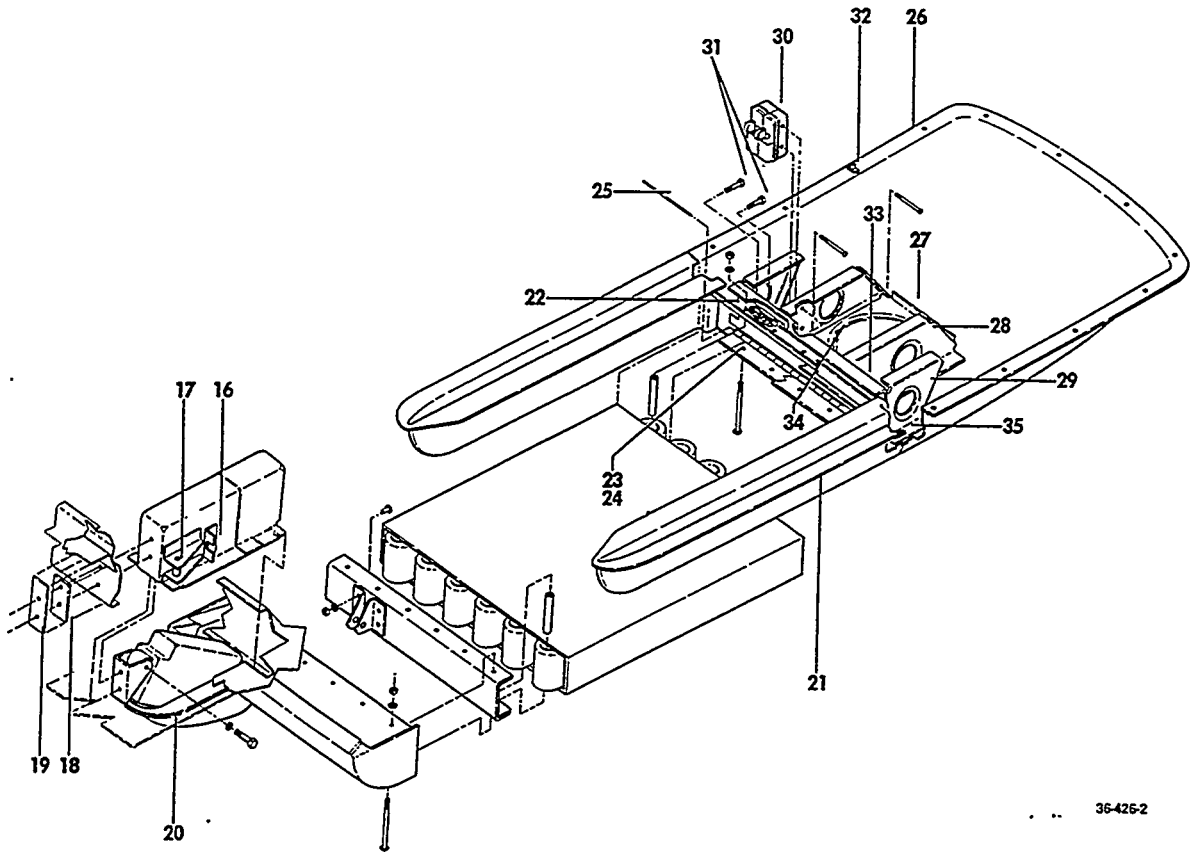
36-426-1

BEECHCRAFT  
BONANZA 33  
ILLUSTRATED PARTS CATALOG

FIG. & ITEM NO.	PART NO.	DESCRIPTION	UNITS PER ASSY	USABLE ON CODE
426	36-555010-1	CONDENSER INSTALLATION, AIR CONDITIONER. . . . .	NP	1
	36-555010-55	. BRACKET ASSY. . . . .	1	1
		/ATTACHING PARTS/		
- 1	130909B17	. BOLT. . . . .	2	
	AN960-10L	. WASHER. . . . .	2	
		-----*		
- 2	36-555010-57	. . BRACKET . . . . .	1	1
	MS21069L3K	. . NUTPLATE. . . . .	2	1
- 3	96-380021-21	. ACTUATOR ASSY/14 VOLT/. . . . .	1	2
	96-380021-27	. ACTUATOR ASSY/28 VOLT/. . . . .	NP	3
		/ORDER 96-380021-33 FOR SPARES/		
	96-380021-33	. ACTUATOR ASSY/28 VOLT/. . . . .	1	8
		/ATTACHING PARTS/		
	AN3-13	. BOLT, FWD. . . . .	1	
	130909B18	. BOLT, AFT. . . . .	1	
	AN960-10	. WASHER. . . . .	2	
	130909N6	. NUT, FWD. . . . .	1	
	130909N15	. NUT, AFT. . . . .	1	
	MS24665-132	. COTTER PIN. . . . .	2	
		-----*		
- 4	36-555010-93	. COVER . . . . .	1	1
		/ATTACHING PARTS/		
	MS35206-244	. SCREW . . . . .	6	
	AN960-8L	. WASHER. . . . .	6	
		-----*		
- 5	36-555010-19	. BRACKET ASSY. . . . .	1	1
	36-555010-21	. . CHANNEL . . . . .	1	1
- 6	36-555010-77	. . BRACKET ASSY, LH . . . . .	1	1
	36-555010-78	. . BRACKET ASSY, RH . . . . .	1	1
		/ATTACHING PARTS/		
- 7	MS35207-261	. . SCREW . . . . .	4	
	AN960-10L	. . WASHER. . . . .	4	
	130909N49	. . NUT . . . . .	4	
		-----*		
	36-555010-23	. . . CLIP, LH . . . . .	1	1
	36-555010-24	. . . CLIP, RH . . . . .	1	1
	NAS77A3-12	. . . BUSHING/PRESS FIT/. . . . .	2	1
- 8	36-555010-41	. NOSE ASSY . . . . .	1	1
R	36-555010-43	. . NOSE. . . . .	1	9
R	36-555010-113	. . NOSE. . . . .	1	10
- 9	102-384016-5	. CONDENSER/ORDER KIT 36-5022-1 FOR SPARES/ . . . . .	1	6
	36-380010-1	. CONDENSER . . . . .	1	7
		/ATTACHING PARTS/		
	MS27039-1-39	. SCREW . . . . .	11	
	AN960-10L	. WASHER. . . . .	11	
	130909N49	. NUT . . . . .	11	
		-----*		
- 10	36-555010-31	. TUBING. . . . .	11	6
	36-555010-111	. TUBING. . . . .	11	7
- 11	36-555010-33	. PAD, RUBBER. . . . .	2	6
	36-555010-33	. PAD, RUBBER. . . . .	1	7
	36-555010-103	. CLOSURE ASSY. . . . .	1	7
- 12	36-555010-35	. PAD, RUBBER. . . . .	1	1
	36-555010-109	. PAD, RUBBER. . . . .	1	7
- 13	36-555010-49	. HOUSING ASSY. . . . .	1	1
	36-555010-51	. . HOUSING . . . . .	1	1
	MS21071L08K	. . NUTPLATE. . . . .	4	1
	MS35489-1	. . GROMMET . . . . .	1	1
- 14	36-555010-53	. HOUSING . . . . .	1	1
- 15	36-555010-11	. BRACKET ASSY. . . . .	1	1
		/ATTACHING PARTS/		
	NAS1096-2-6	. SCREW . . . . .	2	1
	AN960-8L	. WASHER. . . . .	2	
	MS27039-1-17	. SCREW . . . . .	1	
	NAS43DD3-39	. SPACER. . . . .	1	
	AN960-10L	. WASHER. . . . .	1	
		-----*		
	36-555010-61	. . BRACKET . . . . .	1	1
	MS21069L08K	. . NUTPLATE. . . . .	2	1
	MS21073L3K	. . NUTPLATE. . . . .	1	1



BEECHCRAFT  
BONANZA 33  
ILLUSTRATED PARTS CATALOG



36-426-2

FIGURE 426.AIR CONDITIONING CONDENSER  
/SHEET 2 OF 2 SHEETS/

B E E C H C R A F T  
B O N A N Z A 3 3  
I L L U S T R A T E D P A R T S C A T A L O G

FIG. & ITEM NO.	PART NO.	1 2 3 4 5 6 7	DESCRIPTION	UNITS PER ASSY	USABLE ON CODE
426 - 16	36-555010-63	.	BRACKET . . . . .	1	1
- 17	36-555010-65	.	BRACKET . . . . .	1	1
- 18	36-555010-73	.	SPACER . . . . .	1	1
- 19	36-555010-75	.	DOUBLER . . . . .	1	1
- 20	36-555010-79	.	DOUBLER . . . . .	1	1
- 21	36-555010-95	.	FAIRING, LH. . . . .	1	4
	36-555010-101	.	FAIRING, LH. . . . .	1	5
	36-555010-96	.	FAIRING, RH. . . . .	1	4
	36-555010-102	.	FAIRING, RH. . . . .	1	5
	36-555010-81	.	DOUBLER . . . . .	2	1
- 22	36-555010-25	.	BAFFLE ASSY . . . . .	1	1
	36-555010-27	.	BAFFLE . . . . .	1	1
	36-555010-29	.	SEAL . . . . .	1	1
	36-555010-59	.	STRIP . . . . .	1	1
	MS21069L3K	.	NUTPLATE . . . . .	2	1
- 23	36-555010-69	.	HINGE HALF, FWD. . . . .	1	1
- 24	36-555010-67	.	HINGE HALF, AFT. . . . .	1	1
- 25	36-555010-5	.	PIN, HINGE . . . . .	1	1
- 26	36-555010-89	.	FAIRING . . . . .	1	4
	36-555010-97	.	FAIRING . . . . .	1	5
	36-555010-83	.	DOUBLER . . . . .	1	1
- 27	36-555010-15	.	BRACKET ASSY. . . . .	1	1
	36-555010-17	.	BRACKET . . . . .	1	1
	MS21069L06K	.	NUTPLATE . . . . .	1	1
	MS21069L08K	.	NUTPLATE . . . . .	2	1
	NAS697A08K	.	NUTPLATE/ALTERNATE FOR MS21069L08K/ . . . . .	2	
- 28	36-555010-13	.	BRACKET, LH. . . . .	1	1
	36-555010-14	.	BRACKET, RH. . . . .	1	1
- 29	36-555010-7	.	BRACKET ASSY, LH . . . . .	1	1
	36-555010-8	.	BRACKET ASSY, RH . . . . .	1	1
	36-555010-9	.	BRACKET, LH. . . . .	1	1
	36-555010-10	.	BRACKET, RH. . . . .	1	1
	MS21069L08K	.	NUTPLATE . . . . .	1	1
	NAS697A08K	.	NUTPLATE/ALTERNATE FOR MS21069L08K/ . . . . .	1	1
- 30	BZ7RWT822	.	SWITCH, MICRO. . . . .	2	1
			/ATTACHING PARTS/		
	MS35206-237	.	SCREW . . . . .	2	
	AN960-6L	.	WASHER . . . . .	2	
	100951CR040ZDNC	.	WASHER . . . . .	2	
	MS21083N06	.	NUT . . . . .	2	
			-----*		
- 31	130909B15	.	BOLT . . . . .	2	1
- 32	MS21069L08K	.	NUTPLATE . . . . .	12	1
	NAS697A08K	.	NUTPLATE/ALTERNATE FOR MS21069L08K/ . . . . .	12	1
	MS35206-244	.	SCREW . . . . .	12	1
	AN960-8L	.	WASHER . . . . .	12	1
- 33	36-555010-3	.	BRACKET . . . . .	1	1
- 34	MS35206-229	.	SCREW . . . . .	1	1
	AN960-6L	.	WASHER . . . . .	1	1
- 35	MS35206-244	.	SCREW . . . . .	4	1
	AN960-8L	.	WASHER . . . . .	4	1
	36-555010-71	.	JACK PAD EXTENSION. . . . .	1	1

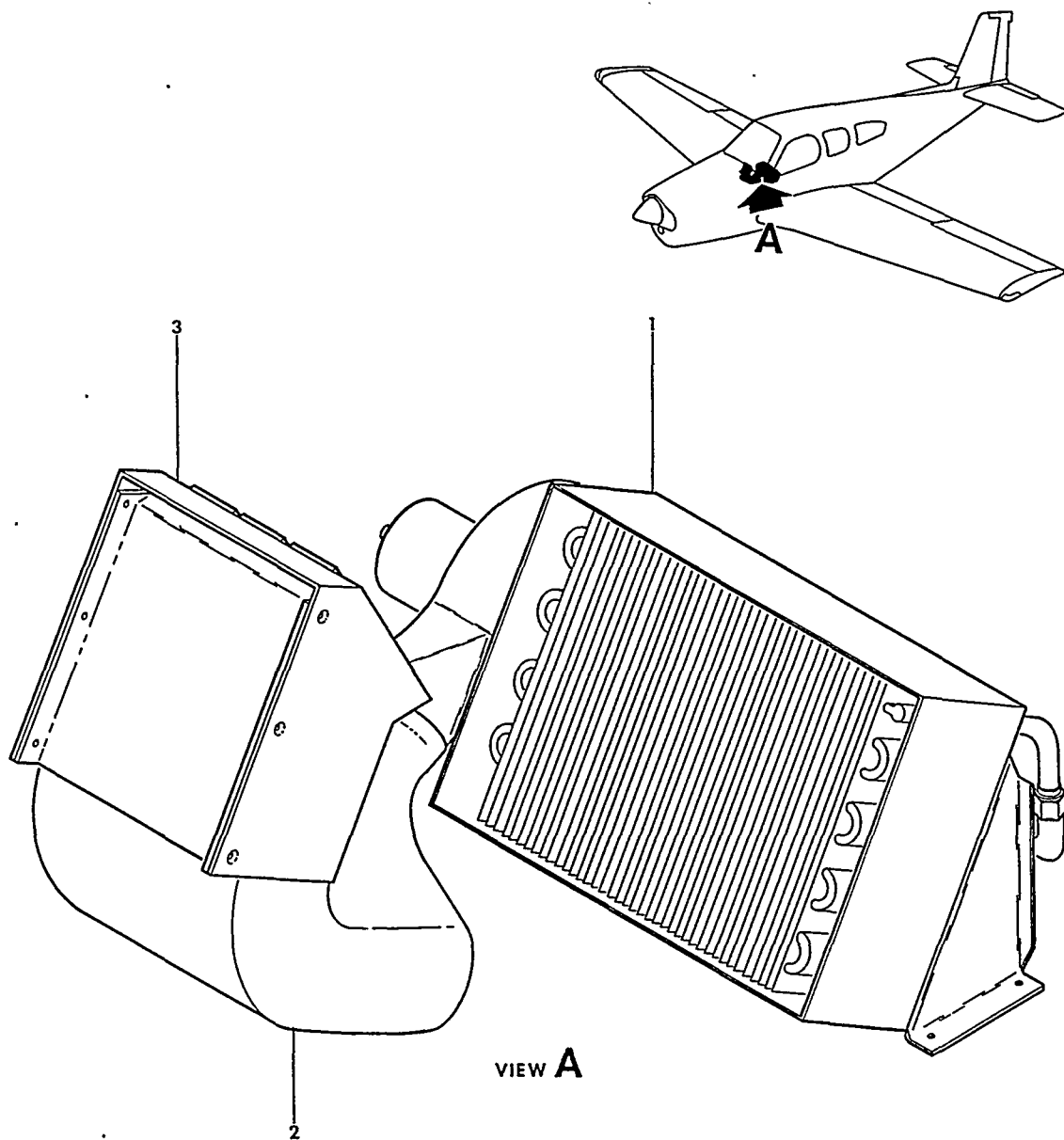
C O D E S O F E F F E C T I V I T Y

1	CE-602 AND AFTER	2	CE-602 THRU CE-771, EXCET CE-748
3	CE-748, CE-772 THRU CE-1762	4	CE-602 THRU CE-1710
5	CE-1711 AND AFTER	6	CE-602 THRU CE-1751
7	CE-1752 AND AFTER	8	CE-1763 AND AFTER
9	CE-602 THRU CE-1791	10	CE-1792 AND AFTER

B E E C H C R A F T  
B O N A N Z A 3 3  
I L L U S T R A T E D P A R T S C A T A L O G

FIGURE 427  
AIR CONDITIONING EVAPORATOR  
CE-602 AND AFTER

BEECHCRAFT  
BOJANZA 33  
ILLUSTRATED PARTS CATALOG



33-427-3

FIGURE 427 AIR CONDITIONING EVAPORATOR

B E E C H C R A F T  
B O N A N Z A 3 3  
I L L U S T R A T E D P A R T S C A T A L O G

FIG. & ITEM NO.	PART NO.	DESCRIPTION	UNITS PER ASSY	USABLE ON CODE
		1 2 3 4 5 6 7		
427	36-555013-1	EVAPORATOR INSTALLATION,AIR CONDITIONER . . . . .	NP	1
	36-380027-1	. MODULE ASSY, EVAPORATOR. . . . .	1	2
	36-380027-29	. MODULE ASSY, EVAPORATOR. . . . .	1	3
	R 36-380027-37	. MODULE ASSY, EVAPORATOR. . . . . /ATTACHING PARTS/	1	5
	ANS30-10-R10	. SCREW . . . . .	8	
	NAS384-6-8P	. SCREW . . . . .	6	
	NAS391-6P	. WASHER. . . . .	6	
	A8580-10Z-3	. NUTPLATE. . . . .	8	
		-----x-----		
- 1	36-380027-3	. . . MODULE, EVAPORATOR . . . . .	1	2
	36-380027-31	. . . MODULE, EVAPORATOR . . . . .	1	3
	R 36-380027-39	. . . MODULE, EVAPORATOR . . . . .	1	5
	1523215-2	. . . VALVE, EXPANSION . . . . .	1	4
- 2	36-380027-15	. . . DUCT ASSY . . . . .	1	1
	36-380027-17	. . . DUCT. . . . .	1	1
	36-380027-19	. . . SCREEN, WATER. . . . .	1	1
	36-380027-21	. . . NIPPLE, DRAIN. . . . .	1	1
	36-380027-23	. . . SPLITTER, WATER. . . . .	1	1
- 3	36-380027-25	. . . DUCT ASSY . . . . .	1	1
	36-380027-27	. . . DUCT. . . . .	1	1
	100-1-2B	. . . LOUVER. . . . .	3	1
	172B	. . . ESCUTCHEON, LOUVER . . . . .	3	1

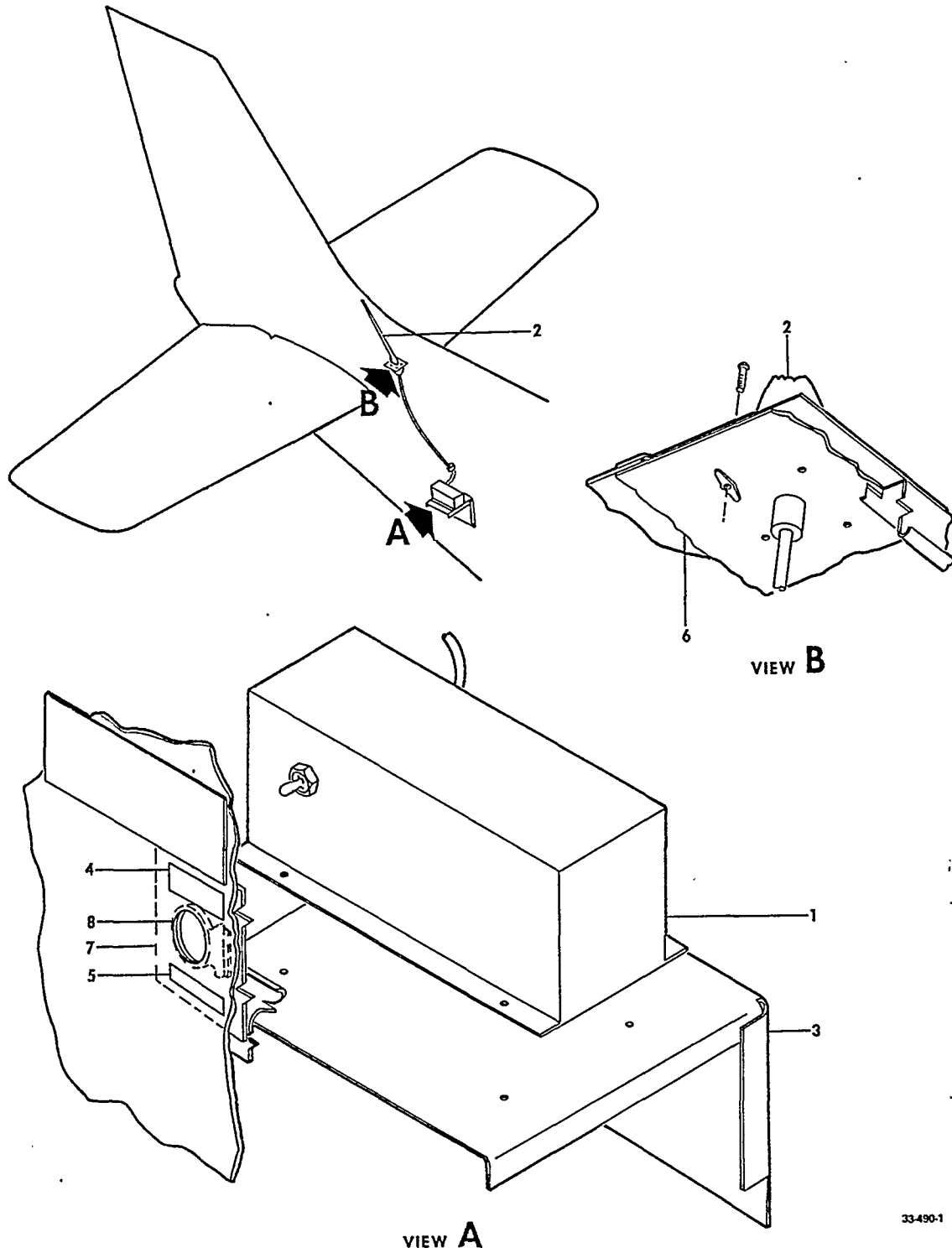
C O D E S O F E F F E C T I V I T Y

- |   |                                |   |                                     |
|---|--------------------------------|---|-------------------------------------|
| 1 | CE-602 AND AFTER               | 2 | CE-602 THRU CE-771<br>EXCEPT CE-748 |
| 3 | CE-748,<br>CE-772 THRU CE-1766 | 4 | CE-602 THRU CE-1036                 |
| 5 | CE-1767 AND AFTER              |   |                                     |

B E E C H C R A F T  
B O N A N Z A 3 3  
I L L U S T R A T E D P A R T S C A T A L O G

FIGURE 490  
EMERGENCY LOCATOR TRANSMITTER  
CD-1271 THRU CD-1304, CE-290 THRU CE-828  
CJ-26 THRU CJ-149

BEECHCRAFT  
BONANZA 33  
ILLUSTRATED PARTS CATALOG



33-490-1

FIGURE 490. EMERGENCY LOCATOR TRANSMITTER

B E E C H C R A F T  
B O N A N Z A 3 3  
I L L U S T R A T E D P A R T S C A T A L O G

FIG. & ITEM NO.	PART NO.	DESCRIPTION	UNITS PER ASSY	USABLE ON CODE
		1 2 3 4 5 6 7		
490	36-340081-1	TRANSMITTER INSTL, EMERGENCY LOCATOR . . . . .	NP	1
	36-340081-27	TRANSMITTER INSTL, EMERGENCY LOCATOR . . . . .	NP	2
	36-340180-1	TRANSMITTER INSTL, EMERGENCY LOCATOR . . . . .	NP	6
- 1	TR70-17	• TRANSMITTER/SUPERSEDES TR70-09/ . . . . .	1	3
		ORDER KIT 101-3039-1 TO REPLACE TR70-17 EMERGENCY LOCATOR TRANSMITTER.		
	BP60	• BATTERY . . . . .	1	3
	ELT10-158	• ANTENNA, EMERGENCY LOCATOR . . . . .	1	1
- 2	ELT10-218	• ANTENNA, EMERGENCY LOCATOR . . . . .	1	2
	ELT10-214-2	• ANTENNA, EMERGENCY LOCATOR . . . . .	1	6
		/ATTACHING PARTS/		
	MS35206-231	• SCREW . . . . .	3	7
	MS24963S51	• SCREW . . . . .	4	6
	AN960-6	• WASHER . . . . .	3	2
	AN960-916	• WASHER . . . . .	2	1
	MS35338-50	• WASHER . . . . .	1	1
	AN924-6D	• NUT/FURNISHED WITH ANTENNA/ . . . . .	2	7
	MS21069L06	• NUTPLATE . . . . .	4	6
		*-----*		
	SCMS-P	• BLOCK, SWIVEL /ANTENNA CABLE SUPPORT/ . . . . .	AR	3
	MS18034-1	• TIE /ANTENNA CABLE SUPPORT/ . . . . .	AR	3
- 3	36-340081-11	• BRACKET ASSY /SUPERSEDES 36-340081-5/ . . . . .	1	7
	002-440000-33	• BRACKET ASSY, SUPPORT. . . . .	1	6
	36-340082-5	• DECAL/BLACK/ . . . . .	1	9
	36-340082-7	• DECAL/WHITE/ . . . . .	1	9
- 4	36-340083-13	• DECAL/WHITE/ . . . . .	1	8
	36-340083-23	• DECAL/BLACK/ . . . . .	1	8
- 5	36-340083-17	• DECAL/WHITE/ . . . . .	1	8
	36-380083-15	• DECAL/BLACK/ . . . . .	1	8
	36-340083-19	• DECAL/BLACK/ . . . . .	1	8
	36-340083-21	• DECAL/WHITE/ . . . . .	1	8
- 6	36-340081-9	• DOUBLER . . . . .	1	4
	36-340081-15	• DOUBLER . . . . .	1	5
	33-440011-5	• DOUBLER . . . . .	1	2
- 7	36-340081-7	• DOUBLER . . . . .	1	7
	002-440000-95	• DOUBLER . . . . .	1	6
	002-440012-11	• DOUBLER . . . . .	1	6
- 8	KM713-16-064	• DOOR, ACCESS . . . . .	1	3
	101-3039-1	KIT, EMERGENCY LOCATOR TRANSMITTER . . . . .	1	3
	TR70-13	• TRANSMITTER, EMERGENCY LOCATOR . . . . .	1	3
	BR60-08	• BRACKET, ELT MOUNTING. . . . .	1	3
		/ATTACHING PARTS/		
	MS24693S51	• SCREW . . . . .	6	
	AN960-8	• WASHER . . . . .	6	
	130909N28	• NUT . . . . .	6	
		*-----*		
	BP60-11	• BATTERY PACK. . . . .	1	3
	101-340830-13	• BRACKET ASSY, REMOTE SWITCH MOUNTING . . . . .	1	3
	101-340009-351	• PLACARD . . . . .	2	3

C O D E S O F E F F E C T I V I T Y

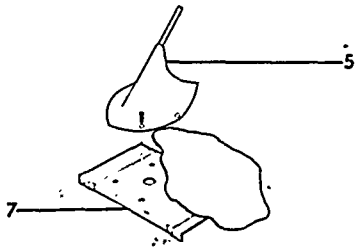
- |   |                      |   |                      |
|---|----------------------|---|----------------------|
| 1 | CD-1271 THRU CD-1304 | 2 | CE-412 THRU CE-594   |
|   | CE-290 THRU CE-411   |   | CJ-31 THRU CJ-93     |
|   | CJ-26 THRU CJ-30     |   |                      |
| 3 | CD-1271 THRU CD-1304 | 4 | CD-1271 THRU CD-1295 |
|   | CE-290 THRU CE-828   |   |                      |
|   | CJ-26 THRU CJ-149    |   |                      |
| 5 | CD-1296 THRU CD-1304 | 6 | CE-595 THRU CE-828   |
|   |                      |   | CJ-94 THRU CJ-149    |
| 7 | CD-1271 THRU CD-1304 | 8 | CD-1271 THRU CD-1304 |
|   | CE-290 THRU CE-594   |   | CE-290 THRU CE-469,  |
|   | CJ-26 THRU CJ-93     |   | CE-595 THRU CE-828   |
|   |                      |   | CJ-94 THRU CJ-149    |
| 9 | CE-470 THRU CE-594   |   |                      |
|   | CJ-26 THRU CJ-93     |   |                      |



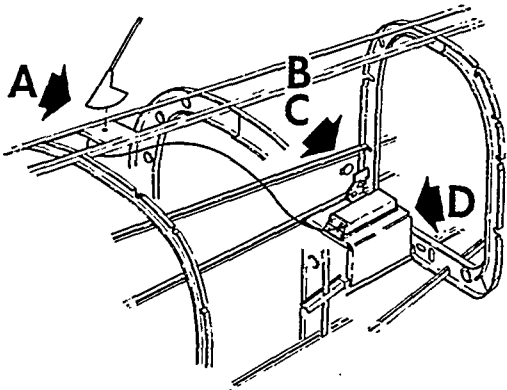
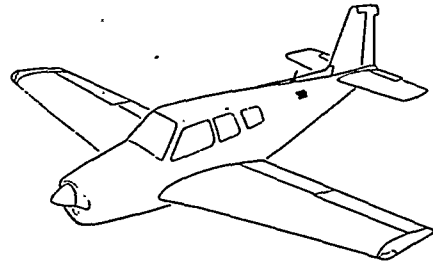
BEECHCRAFT  
BONANZA 33  
ILLUSTRATED PARTS CATALOG

FIGURE 490A  
EMERGENCY LOCATOR TRANSMITTER  
CE-829 THRU CE-1032, CJ-150 THRU CJ-155

BEECHCRAFT  
 BONANZA 33  
 ILLUSTRATED PARTS CATALOG



VIEW A

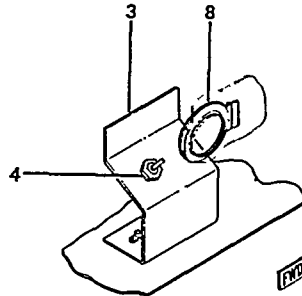


REARM-ARM-XMIT ——— 9

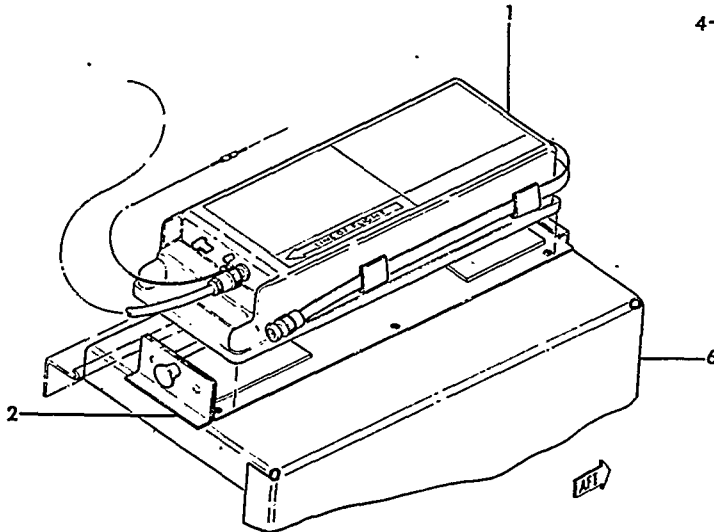
EMERGENCY LOCATOR  
 TRANSMITTER SWITCH ——— 10

FOR AVIATION EMERGENCY USE ONLY.  
 UNLICENSED OPERATION UNLAWFUL.  
 OPERATION IN VIOLATION OF FCC  
 RULES SUBJECT TO FINE OR LICENSE  
 REVOCATION. ——— 11

VIEW B



VIEW C



VIEW D

36-490-3

FIGURE 490A. EMERGENCY LOCATOR TRANSMITTER

B E E C H C R A F T  
B O N A N Z A 3 3  
I L L U S T R A T E D P A R T S C A T A L O G

FIG. & ITEM NO.	PART NO.	DESCRIPTION	UNITS PER ASSY	USABLE ON CODE
		1 2 3 4 5 6 7		
490A	36-340314-1	TRANSMITTER INSTL,EMERGENCY LOCATOR . . . . .	NP	1
	36-340373-1	TRANSMITTER INSTL,EMERGENCY LOCATOR . . . . .	NP	2
- 1	TR70-13	. TRANSMITTER,EMERGENCY LOCATOR . . . . .	NP	1
		/ORDER KIT 101-3046/		
	03716-0300	. TRANSMITTER,EMERGENCY LOCATOR . . . . .	1	2
	BP60-11	. BATTERY PACK ASSY . . . . .	NP	1
	57674-0001	. BATTERY PACK . . . . .	1	2
	70-18	. KIT,CONNECTOR . . . . .	1	1
- 2	BR60-08	. BRACKET,XMTR MOUNTING . . . . .	1	1
	57666-0001	. BRACKET,MOUNTING . . . . .	1	2
	57682-0101	. STRAP,MOUNTING BRACKET . . . . .	1	2
	04476-0001	. BRACKET LABEL,MOUNTING . . . . .	1	2
		/ATTACHING PARTS/		
	MS24693S51	. SCREW . . . . .	6	
		*-----*		
	101-340830-13	. BRACKET ASSY,SWITCH MOUNTING . . . . .	1	1
	36-340373-11	. BRACKET ASSY,SWITCH MOUNTING . . . . .	1	2
		/ATTACHING PARTS/		
	MS35026-243	. SCREW . . . . .	2	
	MS35333-38	. WASHER . . . . .	2	
		*-----*		
- 3	101-340830-17	. BRACKET . . . . .	1	1
	36-340373-13	. BRACKET . . . . .	1	2
- 4	MST205T	. SWITCH,REMOTE RESET . . . . .	1	1
	MST105F	. SWITCH,REMOTE RESET . . . . .	1	2
	SCMS-P	. BLOCK,SWIVAL/ALTERNATE FOR S40555/. . . . .	AR	3
	S40555	. BLOCK,SWIVAL/ALTERNATE FOR SCMS-P/. . . . .	AR	3
	MS18034-1	. CABLE TIE/ALTERNATE FOR MS17821-1-9/. . . . .	AR	3
	MS17821-1-9	. CABLE TIE/ALTERNATE FOR MS18034-1/. . . . .	AR	3
	49296	. CLIP,ANTENNA SUPPORT . . . . .	AR	3
- 5	ELT10-214-2	. ANTENNA . . . . .	1	3
		/ATTACHING PARTS/		
	MS24693S51	. SCREW . . . . .	4	
		*-----*		
- 6	002-440000-119	BRACKET ASSY,XMTR SUPPORT . . . . .	1	1
	002-440000-129	BRACKET ASSY,XMTR SUPPORT . . . . .	1	2
- 7	002-440000-95	DOUBLER,ANTENNA SUPPORT/F S 195.0/. . . . .	1	3
- 8	KM713-16-064	DOOR,SWITCH ACCESS . . . . .	1	3
- 9	36-340324-5	PLACARD/BLACK/. . . . .	1	1
	36-340324-7	PLACARD/WHITE/. . . . .	1	1
- 10	36-340083-15	PLACARD/BLACK/. . . . .	1	1
	36-340083-17	PLACARD/WHITE/. . . . .	1	1
- 11	36-340083-19	PLACARD/BLACK/. . . . .	1	1
	36-340083-21	PLACARD/WHITE/. . . . .	1	1
	101-341101-71	PLACARD,SWITCH POSITION . . . . .	1	2

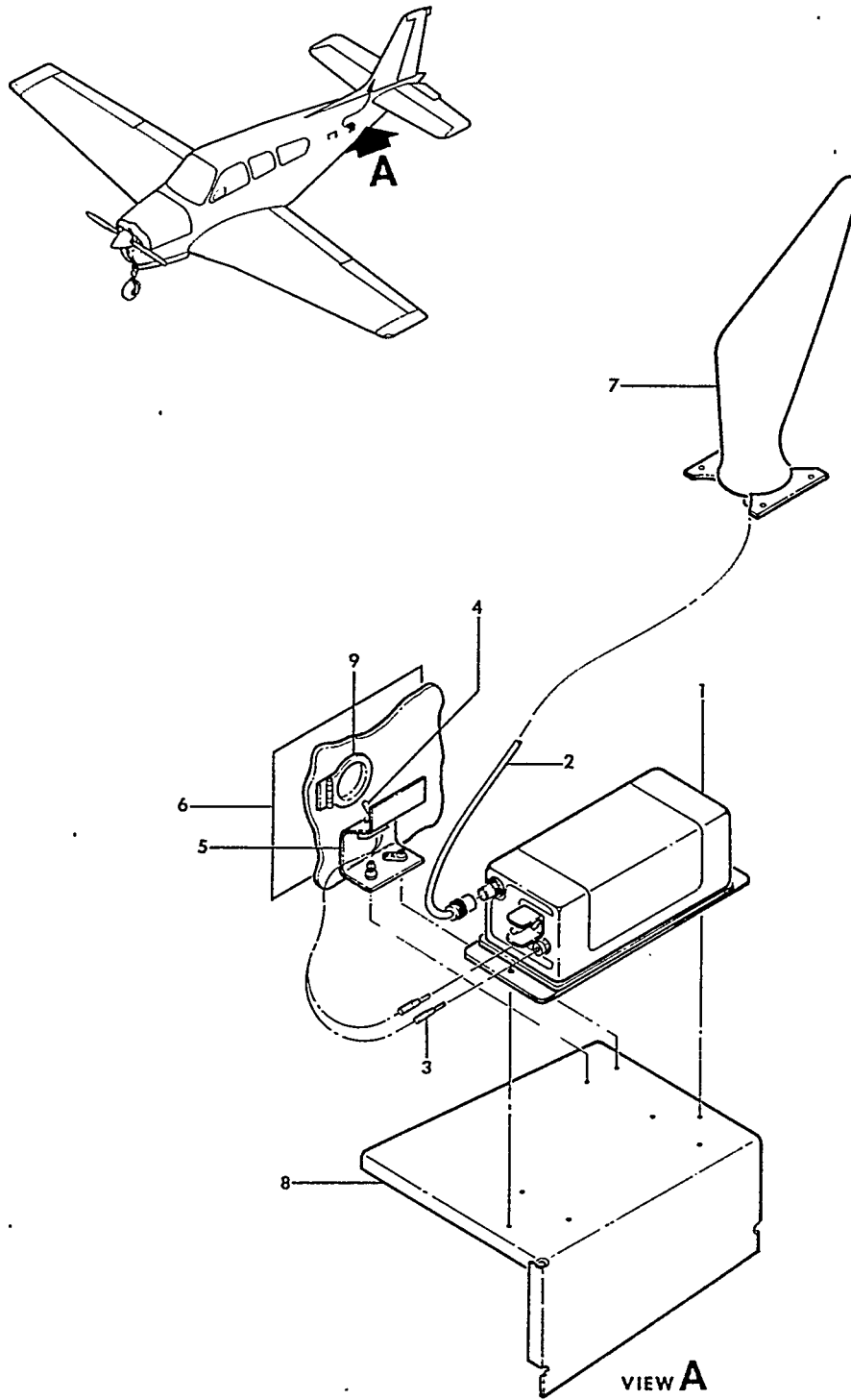
C O D E S O F E F F E C T I V I T Y

1 CE-829 THRU CE-905    2 CE-906 THRU CE-1032  
 CJ-150 THRU CJ-155  
 3 CE-829 THRU CE-1032  
 CJ-150 THRU CJ-155

BEECHCRAFT  
BONANZA 33  
ILLUSTRATED PARTS CATALOG

FIGURE 490B  
EMERGENCY LOCATOR TRANSMITTER  
CE-1033 THRU CE-1466, CJ-156 THRU CJ-179

BEECHCRAFT  
BONANZA 33  
ILLUSTRATED PARTS CATALOG



33-490-4

BEECHCRAFT  
BONANZA 33  
ILLUSTRATED PARTS CATALOG

FIG. & ITEM NO.	PART NO.	DESCRIPTION	UNITS PER ASSY	USABLE ON CODE
490B	R 36-340373-15	TRANSMITTER INSTL, EMERGENCY LOCATOR . . . . .	NP	2
	R 36-340373-17	TRANSMITTER INSTL, EMERGENCY LOCATOR . . . . .	NP	3
- 1	R 261D1389-001	. TRANSMITTER/ORDER KIT 101-3127-1 FOR SPARES/.	1	2
	R 03716-0300	. TRANSMITTER/ORDER KIT 101-3127-1 FOR SPARES/.	1	3
		/ATTACHING PARTS/		
	R MS27039-0807	. SCREW . . . . .	2	2
	R AN960-8	. WASHER . . . . .	2	2
	R MS35206-231	. SCREW . . . . .	4	3
	R AN960-6L	. WASHER . . . . .	4	3
		-----*-----		
	R 261C1399	. ADAPTER PLATE, TRANSMITTER . . . . .	1	2
- 2	R 101-342008-9	. CABLE ASSY. . . . .	1	2
	R 100-340240-27	. CABLE ASSY. . . . .	1	3
- 3	R 105-0303-001	. PLUG, TIP. . . . .	2	2
- 4	R 7107	. SWITCH. . . . .	1	1
- 5	36-340373-11	. BRACKET, SWITCH. . . . .	1	1
		/ATTACHING PARTS/		
	MS35206-243	. SCREW . . . . .	2	
	MS35333-38	. WASHER. . . . .	2	
		-----*-----		
- 6	R 101-341782-29	. PLACARD . . . . .	1	2
	R 101-341782-531	. PLACARD . . . . .	1	3
- 7	58-380117-1	. ANTENNA . . . . .	1	1
		/ATTACHING PARTS/		
	MS27039-0808	. SCREW . . . . .	4	
	AN960-8	. WASHER. . . . .	4	
	AN960JD8	. WASHER. . . . .	AR	
	MS21061L08	. NUTPLATE, FLOATING . . . . .	3	
	MS21051L08	. NUTPLATE. . . . .	1	
		-----*-----		
- 8	R 002-440000-133	BRACKET ASSY, TRANSMITTER SUPPORT. . . . .	1	2
	R 002-440000-129	BRACKET ASSY, TRANSMITTER SUPPORT. . . . .	1	3
	R MS21047L08	. NUTPLATE. . . . .	2	2
	R MS21047L06	. NUTPLATE. . . . .	4	3
- 9	KM713-16-064	DOOR, SWITCH ACCESS. . . . .	1	1

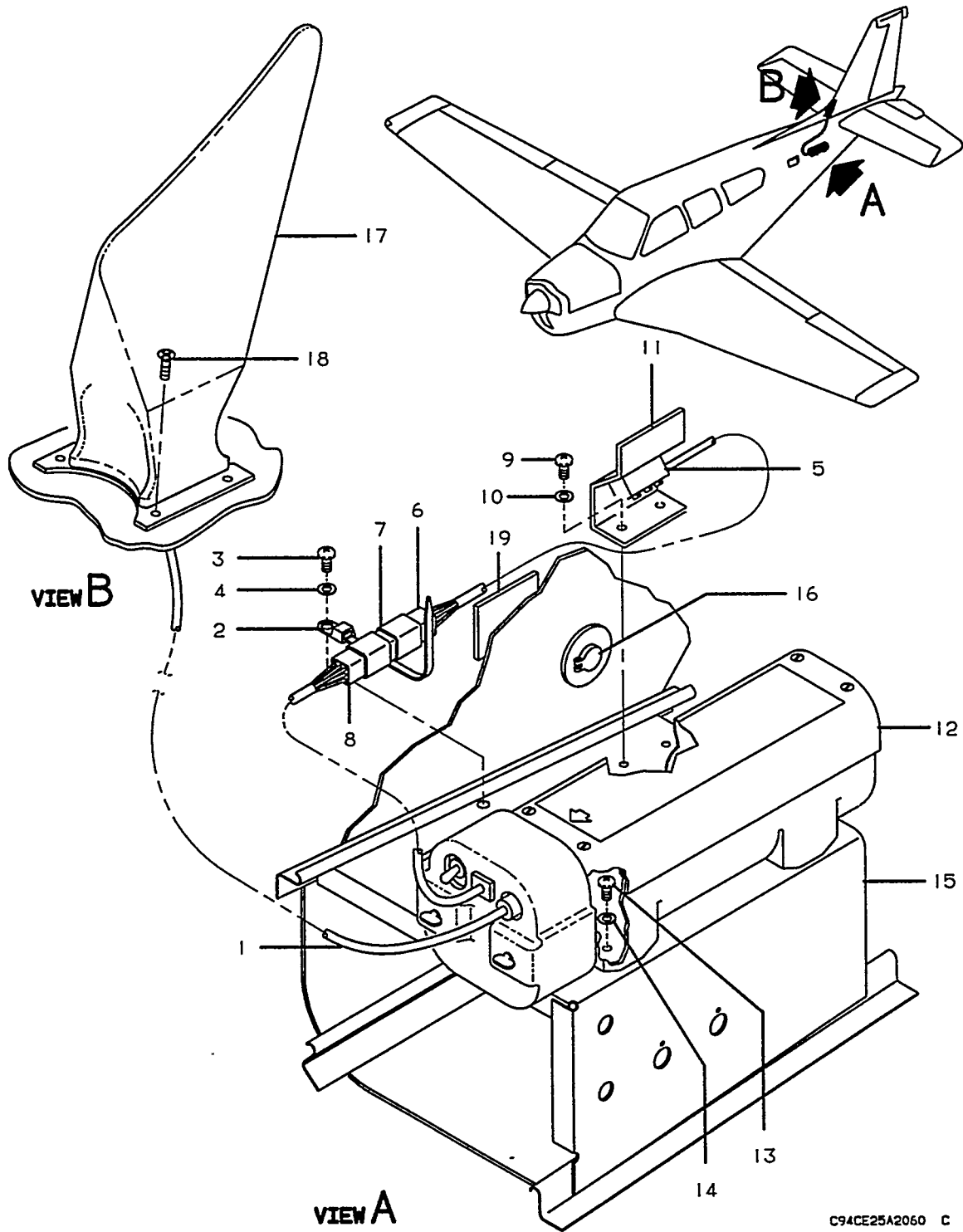
CODES OF EFFECTIVITY

1 CE-1033 THRU CE-1466 2 CE-1033 THRU CE-1240  
CJ-156 THRU CJ-179 CJ-156 THRU CJ-179  
3 CE-1241 THRU CE-1466

B E E C H C R A F T  
B O N A N Z A 3 3  
I L L U S T R A T E D P A R T S C A T A L O G

FIGURE 490C  
EMERGENCY LOCATOR TRANSMITTER  
CE-1467 THRU CE-1646

BEECHCRAFT  
BONANZA 33  
ILLUSTRATED PARTS CATALOG



C94CE25A2060 C



B E E C H C R A F T  
B O N A N Z A 3 3  
I L L U S T R A T E D P A R T S C A T A L O G

FIG. & ITEM NO.	PART NO.	DESCRIPTION	1 2 3 4 5 6 7							UNITS PER ASSY	USABLE ON CODE
			1	2	3	4	5	6	7		
490C	R MOD000102-1	TRANSMITTER INSTL,EMERGENCY LOCATOR . . . . .								NP	1
- 1	R 101-342008-9	. CABLE ASSY,EMERGENCY LOCATOR ANTENNA. . . . .								1	1
- 2	R SSC2S-S10M	. TIE,CABLE . . . . .								1	1
		/ATTACHING PARTS/									
- 3	R MS35206-245	. SCREW . . . . .								1	
- 4	R AN960-10L	. WASHER. . . . .								1	
		-----x-----									
	R 36-340464-1	. HARNESS ASSY/EMERG.LOC.TRANSMITTER SWITCH/. . . . .								1	1
- 5	R MST205N	. . SWITCH,REMOTE/EMERG.LOCATOR TRANSMITTER/. . . . .								1	1
	R 1N914	. . DIODE . . . . .								2	1
- 6	R 101-342277-21	. . CONNECTOR ASSY,SPLICE/ELT SWITCH/ . . . . .								1	1
- 7	R LMS01T-TL	. . HOUSING,IN-LINE SPLICE. . . . .								1	1
- 8	R 101-342277-23	. . CONNECTOR ASSY,SPLICE/ELT TRANSMITTER/. . . . .								1	1
	R 101-344082-19	. BRACKET ASSY,SWITCH . . . . .								1	1
		/ATTACHING PARTS/									
- 9	R MS35206-243	. SCREW . . . . .								2	
- 10	R MS35333-38	. WASHER. . . . .								2	
		-----x-----									
- 11	R 101-344082-21	. . BRACKET . . . . .								1	1
	R MS21071L08	. . NUTPLATE. . . . .								2	1
- 12	R ELT110-4-002	. TRANSMITTER ASSY. . . . .								1	1
		/ATTACHING PARTS/									
- 13	R MS27039C1-08	. SCREW . . . . .								4	
- 14	R AN960C10L	. WASHER. . . . .								4	
		-----x-----									
	R 452-0130	. . BATTERY PACK. . . . .								1	1
- 15	R MOD000102-3	. BRACKET ASSY. . . . .								1	1
	R MS21060L08	. . NUTPLATE. . . . .								4	1
	R MS21047L08	. . NUTPLATE. . . . .								1	1
- 16	R KM713-16-064	. DOOR,ELT SWITCH ACCESS. . . . .								1	1
- 17	R 50-380117-1	. ANTENNA . . . . .								1	1
		/ATTACHING PARTS/									
- 18	R MS27039-0808	. SCREW . . . . .								4	
	R AN960-8	. WASHER. . . . .								4	
	R AN960J08	. WASHER/USE UNDER ANTENNA TO LEVEL/. . . . .								AR	
		-----x-----									
- 19	R 101-342659-127	. PLACARD . . . . .								1	1

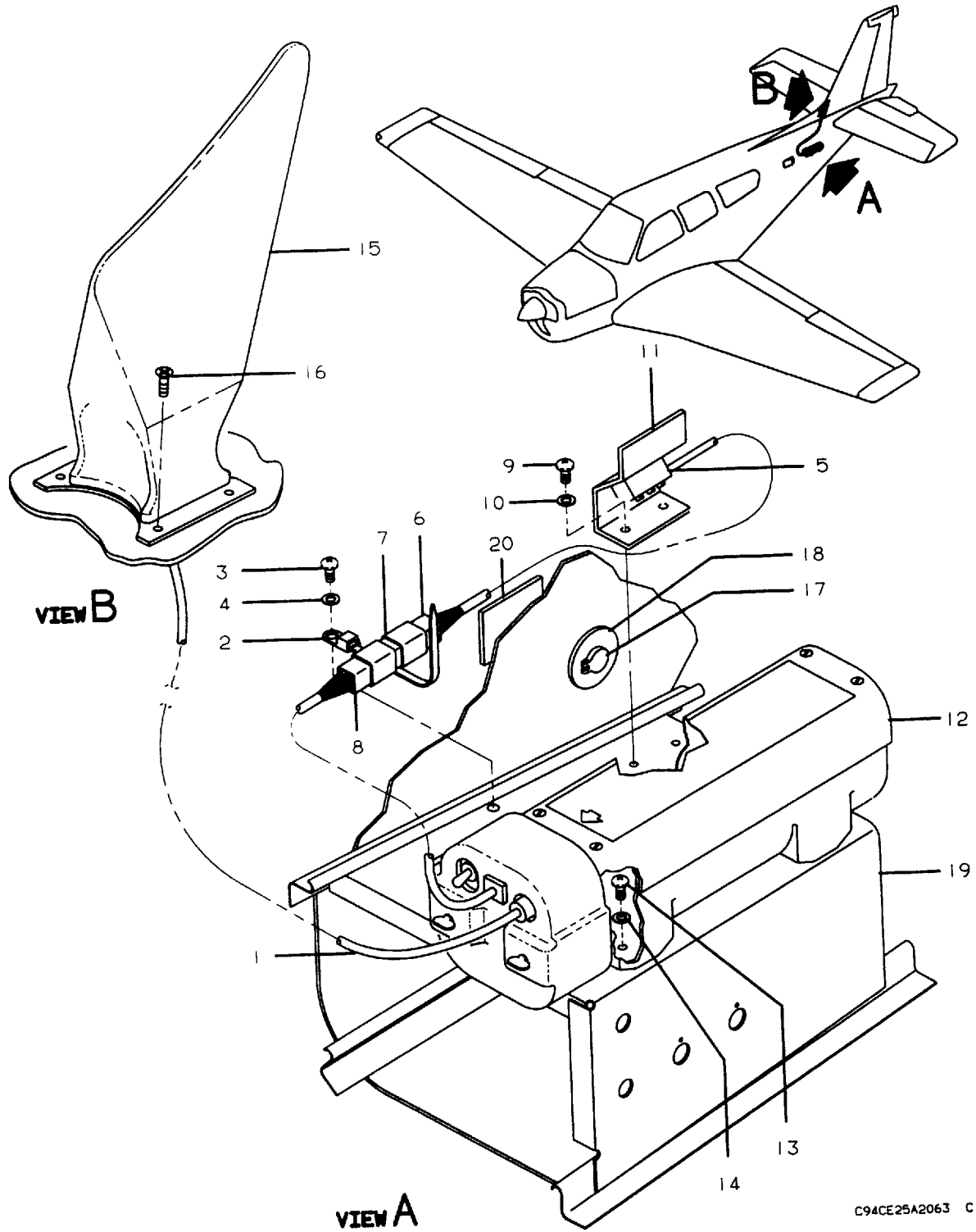
C O D E S O F E F F E C T I V I T Y

1 CE-1467 THRU CE-1646

B E E C H C R A F T  
B O N A N Z A 3 3  
I L L U S T R A T E D P A R T S C A T A L O G

FIGURE 490D  
EMERGENCY LOCATOR TRANSMITTER  
CE-1647 AND AFTER, CJ-180 AND AFTER

BEECHCRAFT  
BONANZA 33  
ILLUSTRATED PARTS CATALOG



C94CE25A2063 C

B E E C H C R A F T  
B O N A N Z A 3 3  
I L L U S T R A T E D P A R T S C A T A L O G

FIG. & ITEM NO.	PART NO.	DESCRIPTION	UNITS PER ASSY	USABLE ON CODE		
					1	2
490D	R 36-340463-1	TRANSMITTER INSTL, EMERGENCY LOCATOR . . . . .	NP	1		
- 1	R 101-344082-13	. CABLE ASSY, EMERGENCY LOCATOR ANTENNA . . . . .	1	1		
	R 2-329444-2	. . CONNECTOR . . . . .	2	1		
- 2	R SSC2S-S10M	. TIE, CABLE . . . . .	1	1		
		/ATTACHING PARTS/				
- 3	R MS27039-1-07	. SCREW . . . . .	1			
- 4	R AN960-10L	. WASHER . . . . .	1			
		-----X-----				
	R 36-340464-1	. HARNESS ASSY/EMERG LOC TRANSMITTER SWITCH/. . . . .	1	1		
- 5	R MST205N	. . SWITCH, REMOTE/EMERG LOCATOR TRANSMITTER/. . . . .	1	1		
	R 1N914	. . DIODE . . . . .	2	1		
- 6	R 101-342277-21	. . CONNECTOR ASSY, SPLICE/ELT SWITCH/. . . . .	1	1		
- 7	R LMS01T-TL	. . HOUSING, IN-LINE SPLICE. . . . .	1	1		
- 8	R 101-342277-23	. . CONNECTOR ASSY, SPLICE/ELT TRANSMITTER/. . . . .	1	1		
	R 101-344082-19	. BRACKET ASSY, SWITCH . . . . .	1	1		
		/ATTACHING PARTS/				
- 9	R MS35206-243	. SCREW . . . . .	2			
- 10	R AN960-8	. WASHER . . . . .	2			
		-----X-----				
- 11	R 101-344082-21	. . BRACKET . . . . .	1	1		
	R MS21071L08	. . NUTPLATE. . . . .	2	1		
- 12	R ELT110-4-002	. TRANSMITTER ASSY. . . . .	1	1		
		/ATTACHING PARTS/				
- 13	R MS27039C1-08	. SCREW . . . . .	4			
- 14	R AN960C10L	. WASHER . . . . .	4			
		-----X-----				
	R 452-0130	. . BATTERY PACK. . . . .	1	1		
- 15	R 58-380117-1	. ANTENNA, ELT . . . . .	NP	1		
		/ATTACHING PARTS/				
- 16	R MS27039-0808	. SCREW . . . . .	4			
	R AN960-8	. WASHER . . . . .	4			
	R AN960JD8	. WASHER/USE UNDER ANTENNA TO LEVEL/. . . . .	AR			
		-----X-----				
- 17	R KM713-16-064	DOOR, ELT SWITCH ACCESS. . . . .	1	1		
- 18	R 100-340240-25	DOUBLER . . . . .	1	1		
- 19	R 002-440000-129	BRACKET ASSY, TRANSMITTER SUPPORT. . . . .	1	1		
	R MS21047L06	. NUTPLATE. . . . .	4	1		
- 20	R 101-342659-127	PLACARD . . . . .	1	1		

C O D E S O F E F F E C T I V I T Y

1 CE-1647 AND AFTER  
CJ-180 AND AFTER