

RECEIVED SEP 15 1997

R 9 7 1 2 5 3

PARTS CATALOG TITLE MODEL 180 & 185 SERIES (THRU 1973)
PARTS CATALOG NUMBER P527-12 DATED 15 JUNE 1974

TEMPORARY REVISION NO. 1

DATED: 20 FEBRUARY 1978

This revision consists of the following pages, which replace existing pages in printed catalog:

page 25D

File this page following "List of Effective Pages" in the front of your catalog as a record of pages affected by this temporary revision.

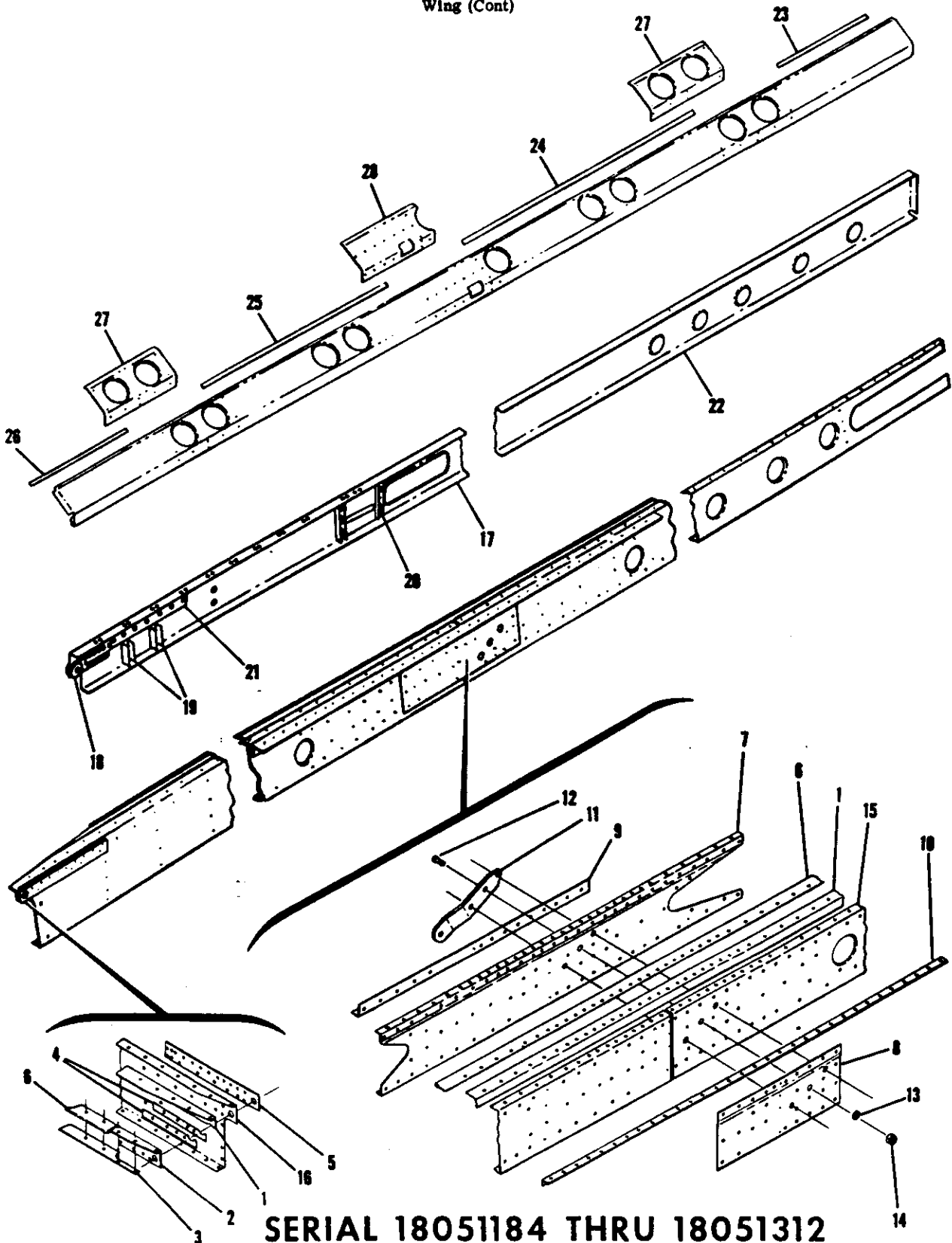
FIGURE AND INDEX NO.	PART NUMBER	DESCRIPTION							UNITS PER ASSY	USABLE ON CODE
		1	2	3	4	5	6	7		
8A-	0722180-29	LEADING EDGE ASSY-WING INBOARD LH STANDARD RANGE -----							1	A
	0722180-30	LEADING EDGE ASSY-WING INBOARD RH STANDARD RANGE -----							1	A
	0722180-31	LEADING EDGE ASSY-WING INBOARD LH EXTENDED RANGE -----							1	A
	0722180-32	LEADING EDGE ASSY-WING INBOARD RH EXTENDED RANGE -----							1	A
- 1	0722180-37	SKIN-LEADING EDGE INBOARD LH STANDARD RANGE -----							1	
	0722180-39	SKIN-LEADING EDGE INBOARD LH EXTENDED RANGE -----							1	
- 2	0722180-38	SKIN-LEADING EDGE INBOARD RH STANDARD RANGE -----							1	
	0722180-40	SKIN-LEADING EDGE INBOARD RH EXTENDED RANGE -----							1	
- 3	0722183-1	RIB ASSEMBLY-NOSE LH STA 24.375 -----							1	
	0722183-2	RIB ASSEMBLY-NOSE RH STA 24.375 -----							1	
- 4	S1863-3	NUTPLATE -----							2	
- 5	0422291	BRACKET-PITOT LH ONLY -----							1	
- 6	S1291-8	GROMMET -----							1	
- 7	S1860-2A	NUTPLATE UPPER -----							1	
	A6204-RZ3	NUTPLATE LOWER -----							1	
- 8	0722203-1	SCOOP-CABIN AIR VENT -----							1	
- 9	0450314-1	FITTING ASSEMBLY-CABIN AIR VENT -----							1	
		ATTACHING PARTS -----								
	S10212R-R	SCREW -----							1	
	NAS446-4-3	NUT -----							1	

-10	1200637-5	SCOOP ASSEMBLY-AIR -----							1	
	0700697-1	CAP-AIR INLET -----							1	
		ATTACHING PARTS -----								
	NAS397-22	CLAMP -----							1	
	AN960-4	WASHER -----							4	

-11	0722184-2	RIB-NOSE STA 32.75 -----							1	
-12	0722185-5	RIB ASSEMBLY-NOSE LH STA 40.125 -----							1	
-13	0422292	BRACKET -----							1	
-14	0722185-1	RIB-NOSE RH STA 40.125 -----							1	
-15	0722185-2	RIB-NOSE STA 49.00 E STA 57.37 -----							2	
-16	0722185-6	RIB ASSEMBLY-NOSE LH STA 64.25 -----							1	
-17	0422292	BRACKET -----							1	
-18	0722185-2	RIB-NOSE RH STA 64.25 -----							1	
-19	0722186-1	RIB-NOSE STA 72.392 -----							1	
-20	0722186-3	RIB ASSEMBLY-NOSE LH STA 85.375 -----							1	
-21	0422292	BRACKET -----							1	
-22	0722186-1	RIB-NOSE RH STA 85.375 -----							1	
-23	S226-2	DOUBLER ASSEMBLY-ACCESS -----							4	
	NAS444-14-3	NUT -----							3	
-24	0721114-3	DOUBLER-PITOT REINFORCEMENT LH ONLY -----							1	
-25	0721115-1	CONNECTOR ASSEMBLY-PITOT TUBE LH ONLY -----							1	
	0722180-7	LEADING EDGE ASSY-WING OUTBOARD LH WEU 0722180-51 -----							1	B
	0722180-51	LEADING EDGE ASSY-WING OUTBOARD LH -----							1	C
	0722180-8	LEADING EDGE ASSY-WING OUTBOARD RH WEU 0722180-52 -----							1	C
	0722180-52	LEADING EDGE ASSY-WING OUTBOARD RH -----							1	C
-26	0722180-23	SKIN-LEADING EDGE LH WEU 0722180-49 -----							1	C
	0722180-49	SKIN-LEADING EDGE LH -----							1	C
-27	0722180-24	SKIN-LEADING EDGE RH WEU 0722180-50 -----							1	C
	0722180-50	SKIN-LEADING EDGE RH -----							1	C
-28	S226-2	DOUBLER ASSEMBLY-ACCESS -----							2	
	NAS444-14-3	NUT -----							3	
-29	0722188-1	RIB-NOSE LH STA 118.00 -----							1	
-30	0722188-2	RIB-NOSE RH STA 118.00 -----							1	
-31	0722189-1	RIB-NOSE LH STA 136.00 -----							1	
-32	0722189-2	RIB-NOSE RH STA 136.00 -----							1	
-33	0722190-1	RIB-NOSE LH STA 154.00 -----							1	
-34	0722190-2	RIB-NOSE RH STA 154.00 -----							1	
-35	0722191-1	RIB-NOSE LH STA 172.00 -----							1	
-36	0722191-2	RIB-NOSE RH STA 172.00 -----							1	
-37	0722192-1	RIB-NOSE LH STA 190.00 -----							1	
-38	0722192-2	RIB-NOSE RH STA 190.00 -----							1	
-39	0722193-1	RIB ASSEMBLY-NOSE LH STA 208.00 -----							1	
-40	0722193-2	RIB ASSEMBLY-NOSE RH STA 208.00 -----							1	
	NAS696A08	NUTPLATE -----							2	
-41	S1291-8	GROMMET -----							6	

A---SERIAL 18502091 THRU 18502310
 SERIAL 18052285 THRU 18052384
 B---SERIAL 18502091 THRU 18502271
 SERIAL 18052285 THRU 18052373
 C---SERIAL 18502272 THRU 18502310
 SERIAL 18052374 THRU 18052384

Wing (Cont)



SERIAL 18051184 THRU 18051312

Figure 9. Wing Spars Assemblies

TEMPORARY REVISION NUMBER 2

DATED 1 MARCH 1995

MANUAL TITLE MODEL 180 & 185 SERIES PARTS CATALOG (1961 THRU 1973)

MANUAL NUMBER - PAPER COPY P527-12 AEROFICHE P527-12AF

TEMPORARY REVISION NUMBER - PAPER COPY P527TR2-12 AEROFICHE NA

MANUAL DATE 15 JUNE 1974 REVISION NUMBER NA DATE NA

This Temporary Revision consists of changes to the subject Parts Catalog and replaces all previously issued Revision Sheets. Pen and ink changes should be made to the paper copy of the manual and supersede the aerofiche information.

NOTE

The "R" located in the first column, of the revision sheet(s), indicates changes that have occurred since the issuance of the previous Revision Sheets and/or Temporary Revision text pages.

PAGE

FICHE/FRAME

1
2
3

None
None
None

REASON FOR TEMPORARY REVISION

To incorporate later parts information changes to the Parts Catalog.

FILING INSTRUCTIONS FOR THIS TEMPORARY REVISION

For paper publications:

After making pen and ink changes to the Parts Catalog Pages as noted on the attached revision sheet(s) and/or Temporary Revision Text pages; file this cover sheet and the revision sheets behind the publications title page to identify the inclusion of the Temporary Revision into the manual.

For aerofiche publications:

Draw a line through any aerofiche frame (page) affected by the Temporary Revision with a permanent red ink marker. This will be a visual identifier that information in the frame (page) is no longer valid and the Temporary Revision should be referenced. Temporary Revisions should be collected and maintained in a notebook near the aerofiche library for quick reference.

CESSNA AIRCRAFT COMPANY
MODEL 180 & 185 SERIES (1961 THRU 1973)
PARTS CATALOG REVISION SHEET

	Page No.	Fig. No.	Index No.	CHANGE		REMARKS
				FROM	TO	
R	7D	2B	18	0716113-2	0716113-4	
R	7D	2B	28	0705019-3	No Change	In Desc, Delete "& Selector"
R	7D	2B	28	075019-4	Delete Line	No Longer Used
R	7F	2B	-	-----	-----	Refer to Notes, Page 3
R	13	4	16	0523510-6	No Change	Refer to Notes, Page 3
	25D	8A	2	0722180-30	0722180-38	
R	39	14	19	0760111-2	0760011-2	
R	50	19	66	0332136-6	S1938-3-68.00	
R	71	28	-	0791303-4	No Change	In Desc, Add "185"
R	71	28	-	0791303-5	No Change	In Desc, Add "185"
R	71	28	-	0791303-7	No Change	Refer to Notes, Page 3
R	71	28	-	0791309-9	0791303-9	Refer to Notes, Page 3
R	71	28	-	0791303-3	No Change	In Desc, Add "180"
R	71	28	-	0791303-6	No Change	In Desc, Add "180"
R	71	28	-	0791303-8	No Change	Refer to Notes, Page 3
R	71	28	-	0791309-10	0791303-10	Refer to Notes, Page 3
R	81B	32A	28	0711698-5	S2382-1	
R	83	33	14	0753000-28	0753000-29	
R	83	33	14	0753000-29	0753000-28	
R	88C	35A	26	0712013-51	0712013-52	
R	108	44	47	Not Listed	9510971	Desc: Cylinder Head; Qty (1)
R	115	47	49	MS35692-522	AN310-5	
R	117	48	20	0742401	5940-901	
R	121	50	12	MS20392-2C9	0711039-2	
R	131	54	1	1414082-20	0514078-5	When Exhausted Use
R	137	57	12	0711133-32	Delete Line	No Longer Used
R	137	57	12	0711133-41	Delete Line	No Longer Used
R	137	57	12	0413484-5	No Change	Change Code V to L
R	137	57	12	0711133-6	0711133-83	
R	157D	64A	-	-----	-----	Refer to Notes, Page 3
R	171B	68A	25	S2077-5	1670056-2	
R	171Q	68C	65	Not Listed (Indent 3)	NAS1593-012	Desc, O Ring Qty (2)
R	171K	68B	62	Not Listed (Indent 3)	NAS1593-012	Desc, O Ring Qty (2)
R	173	69	8	0713514-13-279	0713514-200-279	
R	177	70	14	Not Listed	0700122-13 #	Visor-Sun LH Qty (1) Code R
R	177	70	14	Not Listed	0700122-12 #	Visor-Sun RH Qty (1) Code R
R	177A	70	14	-----	-----	Refer To Notes, Page 3
R	177A	70	45	D4023X.375	D4023X3/8	
R	187A	74	99B	0750341-1	0750234-1	
R	197	78	10	MS1652-16	MS16562-16	
R	197B	78A	11	NAS561P6-12	MS16562-16	

Please update your parts catalog as shown above.

CESSNA AIRCRAFT COMPANY
MODEL 180 & 185 SERIES (1961 THRU 1973)
PARTS CATALOG REVISION SHEET

	Page No.	Fig. No.	Index No.	CHANGE		REMARKS
				FROM	TO	
R	219	89	10	NAS397-50-1	S1891-48	
R	223	91	32	0411564	0411564-3	
R	223	91	33	0411564-3	0411564	
R	225	92	18	0411302-203	0411306-203	
R	233	96	51	Not Listed (Indent 2)	S338-6	Desc: Fairlead Half Qty (2)
R	233	96	51	Not Listed (Indent 2)	S339-2	Desc: Clip-Fairlead Qty (1)
R	236	97	56	MS16624-43	MS16624-1043	
R	255	104	30D	0850375-1	S2218-2	
R	259	105	28D	0850375-1	S2218-2	
R	259B	105	65	0716632-2	0716632-1	
R	262	106	45	Not Listed (Indent 3)	NAS1593-012	Desc: O Ring Qty (2)
R	271	110	2	0750032-1	S2384-1	
R	271	110	16	MS20822-2D	MS20822-8D	
R	275A	113	41	MS28773-4	MS28778-4	
R	287B	118A	2	Not Listed (Indent 3)	NAS1593-012	Desc: O Ring Qty (2)
R	291B	120A	16A	Z651-1	Delete line	
R	291B	120A	16B	Z651-3	Delete line	
R	291B	120A	16C	Z651-13	Delete line	
R	291B	120A	16D	C166006-0108	No Change	Change Index No. to read <u>16A</u>
R	291D	120B	3	Z651-13	Delete line	
R	291D	120B	5	Z651-1	Delete line	
R	291D	120B	6	Z651-3	Delete line	
R	291H	120C	3	Z651-13	Delete line	
R	291H	120C	4	C166006-0108	No Change	Add: Code B
R	291H	120C	5	Z651-1	Delete line	
R	291H	120C	6	Z651-3	Delete line	
R	301B	123A	4	0713029	No Change	Refer To Notes, Page 3
R	301B	123A	4A	Not Listed (Indent 3)	S1831-1	Refer To Notes, Page 3
R	301B	123A	5	S1021Z4-6	No Change	Refer To Notes, Page 3
R	301B	123A	5	Not Listed (Indent 3)	AN515-4R4	Refer To Notes, Page 3
R	301B	123A	7	NAS446-1-3	No Change	Refer To Notes, Page 3
R	307	126	6	0711086-1	No Change	Change: Code T to AC
R	307	126	20	0711088-1	No Change	Change: Code T to AC
R	307	126	20	0711088-2	No Change	Change: Code T to AC
R	307	126	22	0711086-2	No Change	Change: Code T to AC
R	308	126	52	0512107-39	No Change	Change: Code T to AC
R	309	126	-	-----	-----	Refer To Notes, Page 3
R	308	126	48	0710010-15	No Change	Change: Code T to AC
R	317	129	29	0700069-1	0700070-1	

Please update your parts catalog as shown above.



Cessna Aircraft Company
Wichita, Kansas

**SERIAL APPLICABILITY FOR MODELS COVERED
IN THIS CATALOG ARE SHOWN AS FOLLOWS:**

18051184 THRU 18051993 FOR THE MODEL 180

18051994 THRU 18052384 FOR THE MODEL SKYWAGON 180

**185-0001 THRU 185-1447 FOR THE MODEL 185 SKYWAGON
(260 HP ENGINE 185 AND 300 HP ENGINE A185)**

**185-1448 THRU 18502310 FOR THE MODEL SKYWAGON 185
(300 HP ENGINE A185)**

18501935 THRU 18502310 FOR THE MODEL AG CARRYALL

**ALL INFORMATION APPLICABLE TO SERIALS 185-0968
AND HIGHER IS APPLICABLE TO AIRCRAFT WITH
EITHER ENGINE UNLESS SPECIFICALLY NOTED.**

**THIS CATALOG SUPERSEDES ALL 1963 THRU 1973 180F, G, H & J
& ALL 1961 THRU 1973 185 SERIES PARTS CATALOGS**

15 JUNE 1974

INSERT LATEST CHANGED PAGES. DESTROY SUPERSEDED PAGES.

LIST OF EFFECTIVE PAGES

Dates of issue for original and changed pages are:

Original . . . 0 . . . 15 June 1974

TOTAL NUMBER OF PAGES IN THIS PUBLICATION IS 748 CONSISTING OF THE FOLLOWING:

Page No.	Change No.	Page No.	Change No.	Page No.	Change No.
Title	0	33B blank	0	98 thru 100.	0
A	0	33C	0	101 blank	0
B	0	33D	0	102	0
C blank	0	34 thru 36	0	103	0
i thru vi	0	36A blank	0	103A thru 103C.	0
vii blank	0	36B	0	103D blank	0
viii thru x	0	37 thru 47	0	103E thru 103H.	0
x-a thru x-e	0	47A	0	104 thru 108	0
x-f blank	0	47B blank	0	109 blank	0
xi thru xviii	0	48 thru 57	0	110 thru 113	0
1 thru 3	0	57A	0	113A thru 113C.	0
3A thru 3C.	0	57B blank	0	113D blank	0
3D blank	0	58 thru 62	0	113E thru 113H.	0
4	0	62A	0	114 thru 117	0
4A	0	62B	0	117A thru 117E.	0
4B	0	63 thru 68	0	117F blank	0
5	0	69 blank	0	118 thru 125	0
6	0	70	0	125A	0
6A	0	71	0	125B	0
6B	0	71A	0	126 thru 133	0
7	0	71B	0	133A	0
7A thru 7H	0	72 thru 78	0	133B blank	0
7J.	0	79 blank	0	134 thru 138	0
7K	0	80	0	138A thru 138D.	0
8 thru 11.	0	81	0	139 thru 143	0
11A thru 11C.	0	81A thru 81C.	0	143A thru 143C.	0
11D blank	0	81D blank	0	143D blank	0
12 thru 17	0	82	0	144 thru 149	0
17A	0	83	0	149A thru 149C.	0
17B blank	0	83A	0	149D blank	0
18 thru 21	0	83B blank	0	150 thru 155	0
21A thru 21C.	0	84	0	155A	0
21D blank	0	85	0	155B	0
22 thru 25	0	85A	0	155C blank	0
25A	0	85B	0	155D thru 155H.	0
25B blank	0	86 thru 88	0	155J thru 155N.	0
25C	0	88A blank	0	155P blank	0
25D	0	88B thru 88G.	0	156	0
26 thru 29	0	88H blank	0	157	0
29A	0	89.	0	157A	0
29B blank	0	90.	0	157B blank	0
29C	0	91 blank	0	157C	0
29D	0	92 thru 97	0	157D	0
30 thru 33	0	97A thru 97C.	0	158	0
33A	0	97D blank	0	159	0

Upon receipt of the second and subsequent changes to this book, personnel responsible for maintaining this publication in current status should ascertain that all previous changes have been received and incorporated.

* The asterisk indicates pages changed, added, or deleted by the current change.

INSERT LATEST CHANGED PAGES. DESTROY SUPERSEDED PAGES.
LIST OF EFFECTIVE PAGES

Dates of issue for original and changed pages are:

Original . . . 0 . . . 15 June 1974

Page No.	Change No.	Page No.	Change No.	Page No.	Change No.
159A	0	204 thru 209	0	259A	0
159B blank	0	209A	0	259B	0
159C thru 159F	0	209B blank	0	260 thru 262	0
160 thru 171	0	210 thru 215	0	263 blank	0
171A thru 171H	0	215A	0	264 thru 271	0
171J thru 171N	0	215B	0	271A	0
171P	0	216	0	271B	0
171Q	0	217	0	272 thru 275	0
171R blank	0	217A thru 217C	0	275A	0
171S thru 171V	0	217D blank	0	275B blank	0
172 thru 177	0	218	0	275C	0
177A	0	219	0	275D	0
177B blank	0	219A	0	276 thru 285	0
177C thru 177F	0	219B blank	0	285A thru 285H	0
178	0	220	0	285J thru 285M	0
179	0	221	0	286	0
179A	0	221A	0	287	0
179B blank	0	221B blank	0	287A	0
180	0	222 thru 225	0	287B	0
181	0	225A	0	288 thru 291	0
181A thru 181H	0	225B	0	291A thru 291H	0
181J	0	226 thru 228	0	291J	0
181K	0	228A	0	291K	0
182 thru 184	0	228B	0	292 thru 294	0
184A thru 184D	0	229	0	294A	0
185	0	229A	0	294B	0
186	0	229B	0	295 thru 297	0
186A	0	230	0	297A	0
186B	0	230A	0	297B	0
187	0	230B	0	298 thru 300	0
187A	0	230C blank	0	301 blank	0
187B	0	230D thru 230H	0	301A thru 301D	0
188 thru 193	0	231 thru 239	0	302	0
193A thru 193D	0	239A	0	303	0
194 thru 196	0	239B blank	0	303A	0
196A thru 196C	0	240	0	303B	0
196D blank	0	241	0	304	0
196E	0	241A	0	304A	0
196F	0	241B	0	304B	0
197	0	242 thru 244	0	305 thru 308	0
197A	0	244A blank	0	308A thru 308C	0
197B	0	244B	0	308D blank	0
198	0	245 thru 247	0	309 thru 326	0
199	0	247A	0	327 blank	0
199A	0	247B blank	0	328 thru 339	0
199B	0	248 thru 250	0	340 blank	0
200 thru 203	0	250A thru 250D	0	341 thru 403	0
203A thru 203H	0	251 thru 259	0	404 blank	0

Upon receipt of the second and subsequent changes to this book, personnel responsible for maintaining this publication in current status should ascertain that all previous changes have been received and incorporated.

* The asterisk indicates pages changed, added, or deleted by the current change.

INTRODUCTION.

This illustrated parts catalog has been prepared to aid you in easily and quickly identifying parts of the models covered herein.

This catalog features an index system consisting of:

1. An alphabetical index located in the front of the catalog.
2. A numerical index located in the back of the catalog, which lists all parts and figures in which they appear.

STANDARD PARTS.

Many parts having standard usage have been incorporated into the Cessna Standard System. Parts in this group are designated with the part number prefix "S".

For standard hardware items such as Tinnerman nuts, clamps, etc., "AN" and "NAS" numbers have been used.

USABLE ON CODES. . . . Serial listings in this catalog are noted by a letter code located in the usable on code column which is the extreme right hand column of the parts list page. Usable on codes are applicable only to the figure on which they appear. The code letters and the serials to which they apply are listed at the end of the figure.

If no usable on code appears opposite a first column listing of the figure, the usage is applicable to all models and serials covered by this catalog. If no usable on code appears opposite any indented listing, the usage is applicable to all models and serials covered by the figure on which it appears.

Bold face type serials appearing on certain figures are for quick reference to large blocks of airplanes.

NON-INTERCHANGEABLE PARTS. . . . When parts are not interchangeable with earlier models, all parts applicable to the particular usage are listed. The letter code for the individual part usage is listed in the usable on column opposite each part. Care should be exercised in determining proper serial when ordering to insure receipt of correct part.

INTERCHANGEABLE PARTS. . . . When a later design part is completely interchangeable with the part it replaces, both parts will be serialized and the notation "when exhausted use ___", or the abbreviation, "WEU ___" will be entered following the listing of the earlier design part. This means that the earlier design part should be used on airplanes to which they apply until the supply of these parts is exhausted---after which time the later design part must be used. This is done to simplify stocking of parts by our distributors and dealers. The earlier part is as good, physically and functionally, as the later design part---the difference being the later design part can be used on more than one block of airplane serials.

SYMBOLS & PART NUMBER TERMS.

NP - The symbol "NP" appearing in the units per assembly column denotes that the item it appears opposite is not procurable.

AR - The symbol "AR" appearing in the units per assembly column denotes "As Required" and is used to indicate bulk quantity where an indefinite amount is used.

The following is a list of abbreviations that may appear in the description nomenclature:

ALT - Alternate part	INSTL - Installation
ASSY - Assembly	LH - Left hand
BKI - Bulk item	RH - Right hand
FSO - For spares order	WEU - When exhausted use

Other key letter symbols spaced apart from and following the part nomenclature are for cataloging and manufacturing purposes only and are not to be considered by the customer.

A blank entry in the part number column appears before an unprocurable part or installation which is also denoted in the "Units Per Assembly" column by the use of the symbol NP.

GROUP ASSEMBLY PARTS LIST ARRANGEMENT.

This section lists all replaceable items in the airplane and these items are detailed on illustrations throughout the section. The index numbers on the illustration are keyed to each accompanying parts list. The purpose of the index numbers is to provide complete and positive identification of the article, but should not be used for procurement purposes.

- a. The figure and index number column of the parts list shows the figure number once at the beginning of the list. The figure number is followed by a dash and the indexed number. The remaining index numbers are preceded by dash only.
- b. The part number column identifies the item by part number.
- c. In the description column, relationship of items covered is shown by the degree of indention of each item, for example: The wing assembly (Figure 3) is listed in column (1) of the description column. The wing structure, is the next lower assembly and is therefore listed in column (2).
- d. If two or more assemblies contain a majority of identical parts or the assemblies are left or right hand, the assemblies are listed together and the next lower assemblies or detail parts are listed as common for both assemblies, with the differing parts coded for usage on the correct major assembly.



- e. Attaching parts are listed immediately beneath the item to be attached and preceding any detail parts of the item. They are listed in the same column as the item they attach and are preceded by the caption "Attaching Parts." The end of the attaching parts listing is followed by a separating symbol ---*---
- f. The quantity listed in the "Units Per Assembly" column for attaching parts denotes the quantity necessary to attach only one part. Total quantity necessary to attach more than one part is obtained by multiplying the attaching parts quantity by the number of parts attached.
- g. Component parts of the complete airplane which are not included in any assembly, but which are used in conjunction with, or attach to certain assemblies, are listed either preceding the first detail or following the last detail of the assembly or installation, and in the same column as the major assembly or installation.
- h. The quantities listed in the "Units Per Assembly" column are the quantity used per figure.

prefers not to make C. O. D. shipments for the distributor and all billing will be made to the distributor in the case of direct shipments.

DEALER ORDERS.

Dealers will place all of their parts order requirements with their distributor. The factory will not honor orders received directly from a dealer. It will be necessary for us to forward it to the distributor for his action. Therefore, dealer orders sent direct to the distributor will result in much faster delivery on any parts that are required.

RETAIL ORDERS.

Retail orders will not be honored by the factory. They are to be placed with the dealer or distributor in the owner's territory and when received directly by the factory will be forwarded to the distributor from whose territory it was received. Considerable saving in time will result to the owner if his orders are placed with his dealer or distributor.

ACCESSORY KITS.

For accessory kit listings, refer to separate Accessory Kit Catalog.

BULK ITEMS.

Certain items such as flexible air hose, rubber mouldings and channels, windshield sealing strips etc., are noted in the catalog listings as bulk items. These listings also note the cut length of these materials for one installation. When an item is listed as a bulk item, it will be supplied to the dealer in the most convenient bulk length or quantity. Reference to the cut length or quantity per installation provides for the most satisfactory disbursement to the customer.

HOW TO ORDER.

USE YOUR CATALOG TO ORDER PARTS. Use parts and Accessories Order Form, which will be supplied by Cessna on request. Give complete information on addresses and make sure the part number and part name are as shown in the catalog. Be sure to specify quantities. Specify how the order is to be shipped, otherwise it will be sent out in the manner that seems best to the shipper.

SERIAL, COLOR, & CORROSION PROOFING.

Be sure to indicate model and serial number of the airplane. Serial number is very important to properly identify parts used on each airplane. When color is involved refer to "Upholstery & Interior Trim" section for example. If corrosion proofing is desired add the letters "CP" following the part number.

DISTRIBUTOR ORDERS.

Distributors will send all orders to the factory with instructions as to the shipping destination. The factory



Cessna Aircraft Company reserves the right to cancel, add or change the parts and assemblies described in this catalog without notice.



"All aircraft, regardless of manufacturer, are certificated under model number designations. However, popular names are often used for marketing purposes. To provide a consistent method of referring to the various aircraft, model numbers will be used in this publication unless names are required to differentiate between versions of the same basic model. The following table provides a cross reference listing of popular name vs. model numbers."

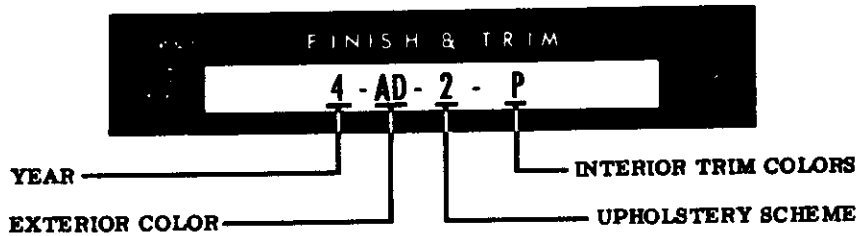
NAME	MODEL YEAR	MODEL	SERIALS	
			BEGINNING	ENDING
180	1963	180F	18051184	18051312
	1964	180G	18051313	18051445
	1965	180K	18051448	18051697
	1966	180H	18051608	18051774
	1967	180H	18051775	18051875
	1968	180H	18051876	18051993
SKYWAGON 180	1969	180H	18051994	18052103
	1970 THRU 1972	180H	18052104	18052284
	1973	180J	18052285	18052384
185 SKYWAGON (200 HP ENGINE)	1961	185	185-0001	185-0237
	1962	185A	185-0238	185-0512
	1963	185B	185-0513	185-0653
	1964	185C	185-0654	185-0776
	1965	185D	185-0777	185-0967
	1966	185E	185-0968	185-1149
185 SKYWAGON (300 HP ENGINE)	1966	A185E	185-0968	185-1149
	1967	A185E	185-1150	185-1300
	1968	A185E	185-1301	185-1447
SKYWAGON 185	1969	A 185E	185-1448	185-1599
	1970 THRU 1972	A 185E	18501600	18502090
	1973	A 185F	18502091	18502310
AGrannyl	1972	A 185E	18501935	18502090
	1973	A 185F	18502091	18502310

FINISH & TRIM PLATE

The "FINISH AND TRIM" plate is located on the left side of the airplane on the lower door jamb directly above the M.A.A. name plate.

This plate indicates the model year, exterior paint color, upholstery scheme and interior trim colors.

The following diagram is an example showing the sequence and definition of each code symbol on the "FINISH AND TRIM" plate.



FINISH & TRIM NUMBER (4-AD-2-P)

- "4" = 1964 Model
- "AD" = Emerald Green Met. & Mint Green
- "2" = Sorrel Brown Upholstery
- "P" = Black Semi-Gloss, Sand & Fawn

1961 THRU 1965

SEE PAGE VIII FOR 1966 & ON

CODE CHART PAINT & UPHOLSTERY COMBINATIONS Model 185							Serial Listing
CODE	CODE	COLOR	CODE	COLOR	CODE	COLOR	
1	O	CLASSIC IVORY CES 1054-325	2	PINE FROST (GREEN)	Z	BLACK (SEMI-GLOSS) CES 1054-156	
	P	STARGLO YELLOW CES 1054-326					
	Q	RANGOON RED CES 1054-327					
	R	NOCTURNAL GREEN CES 1054-328					
	S	SPRING GREEN CES 1054-329					
	T	ORCHID CES 1054-330	1	COPPER COTTA	NATURAL CES 1054-259		
	V	DUSK BLUE CES 1054-333					
	W	CELESTIAL BLUE CES 1054-334					
	X	WINCHESTER GRAY CES 1054-335					
	Y	COPPERTONE BROWN CES 1054-336					
SP	SPECIAL COLORS	1	SPECIAL UPHOLSTERY	SP	SPECIAL COLORS		

185-0001
THRU
185-0237

CODE CHART PAINT & UPHOLSTERY COMBINATIONS Model 185							Serial Listing
CODE	CODE	COLOR	CODE	COLOR	CODE	COLOR	
2	A	MUTED BEIGE CES 1054-439 or -399*	2	SHADOW FAWN (UTILITY)	Q	BLACK (SEMI-GLOSS) CES 1054-156	
	B	VESTAL WHITE CES 1054-398 or -170*					
	C	JONQUIL YELLOW CES 1054-402 or -418*					
	D	MINT GREEN CES 1054-238 or -412*					
	E	TURQUOISE TINGE CES 1054-406 or -393*	3	PALMETTO GREEN			
	F	VALOR RED CES 1054-409 or -417*					
	G	CHEVRON RED CES 1054-401					
	H	GINGER CES 1054-403	4	POMPEII RUST			
	J	REGAL GREEN MET. CES 1054-404					
	K	TAHOE BLUE MET. CES 1054-407					
	L	HERMOSA TURQUOISE CES 1054-408					
	M	DEEP MAHOGANY CES 1054-413	1	SPECIAL UPHOLSTERY		SP	SPECIAL COLORS
	N	EXECUTIVE GRAY MET. CES 1054-411					
	SP	SPECIAL COLORS					

**185-0238
THRU
185-0512**

NOTE: WHEN ORDERING PAINT SPECIFY CES 1054 DASH NUMBER. EXAMPLE: CES1054-439

*On all over painted airplanes, base color will be vinyl. All other colors will be lacquer.

CODE CHART							Serial Listing
PAINT & UPHOLSTERY COMBINATIONS							
Model 180 & 185							
YEAR	EXTERIOR PAINT		UPHOLSTERY		INTERIOR TRIM		
CODE	CODE	COLOR	CODE	COLOR	CODE	COLOR	
1963	3	A	ADOBE BEIGE CES-1054-446 or -458*	2	JADE (A)	Q	BLACK (SEMI-GLOSS) CES-1054-158
		B	VESTAL WHITE CES-1054-398 or -170*				
		C	GOLDENROD CES-1054-448	3	CRIMSON FLAME (B)		SAND CES-1054-435
		D	MINT GREEN CES-1054-238 or -412*				
		E	PLATINUM BLUE CES-1054-443 or -392*				
		F	VALOR RED CES-1054-409	4	BLUE CRANE (C)		FAWN CES-1054-419
		G	MATADOR RED CES-1054-465				
		K	TAROE BLUE METALLIC CES-1054-407	5	FRECKLE BROWN (D)		SPECIAL COLORS
		N	EXECUTIVE GREY METALLIC CES-1054-411				
		R	COCOA BROWN CES-1054-459	6	NORTH STAR (E)		
U	EMERALD CES-1054-350 or -461*						
SP	SPECIAL COLORS	1	SPECIAL UPHOLSTERY	SP	SPECIAL COLORS		
1964	4	A	EMERALD GREEN MET CES-1054-350	2	SORREL BROWN	P	BLACK SEMI-GLOSS CES-1054-156
		B	GOLDENROD CES-1054-448				
		C	VESTAL WHITE CES-1054-398 or -170*	3	MUTED BLUE		SAND CES-1054-435
		D	MINT GREEN CES-1054-238 or -412*				
		E	CORK BROWN CES-1054-463				
		G	MUTED BEIGE CES-1054-439 or -399*	4	COPPERICA RED		FAWN CES-1054-419
		J	ITALIAN GOLD CES-1054-265				
		K	VELVET BLACK CES-1054-151	5	PRIMITIVE GREEN		SPECIAL COLORS
		L	SUN GLOW RED CES-1054-493				
		T	HAWAIIAN RED CES-1054-509	6	GOLDEN FAWN (UTILITY)		
		X	SKY BLUE CES-1054-513 or -512*				
		Z	ARGENT BLUE MET. CES-1054-487	1	SPECIAL UPHOLSTERY		
SP	SPECIAL COLORS						

NOTE: WHEN ORDERING PAINT SPECIFY CES-1054 DASH NUMBER. EXAMPLE CES-1054-350.

*DENOTES VINYL PAINT.
VINYL IS USED AS BASE COLOR ON OVER-ALL PAINTED AIRPLANES.
ALL OTHER COLORS ARE LACQUER.

CODE CHART							Serial Listing		
PAINT & UPHOLSTERY COMBINATIONS									
Model 180 & 185									
YEAR	EXTERIOR PAINT		UPHOLSTERY		INTERIOR TRIM				
CODE	CODE	COLOR	CODE	COLOR	CODE	COLOR			
1965	5	A	EMERALD GREEN CES-1054-350	22	SABLE TAN (STANDARD)	P	BLACK SEMI-GLOSS CES-1054-156	18051446 THRU 18051607	
		B	GOLDENROD CES-1054-448						
		C	VESTAL WHITE CES-1054-398 or -170*						
		D	ICE BLUE CES-1054-564 or -546*						
		F	YUMA YELLOW CES-1054-542						
		H	PLATINUM CES-1054-550 or -565*						
		J	SUNSHINE YELLOW CES-1054-561 or 547*	23	TAWNY MIST (DELUXE)	P	CLOUD GRAY CES-1054-531		185-0777 THRU 185-0967
		K	VELVET BLACK CES-1054-151						
		L	SUN GLOW RED CES-1054-493						
		M	Venice Blue Metallic CES-1054-572						
		N	AUTUMN RUSSET MET CES-1054-571						
		R	ARISTO BLUE MET CES-1054-487						
		T	HAWAIIAN RED CES-1054-509						
SP	SPECIAL COLORS	1	SPECIAL UPHOLSTERY	SP	SPECIAL COLORS				

NOTE: WHEN ORDERING PAINT SPECIFY CES-1054 DASH NUMBER. EXAMPLE CES-1054-350.
 *DENOTES VINYL PAINT.
 VINYL IS USED AS BASE COLOR ON OVER-ALL PAINTED AIRPLANES.
 ALL OTHER COLORS ARE LACQUER.

FINISH & TRIM PLATE

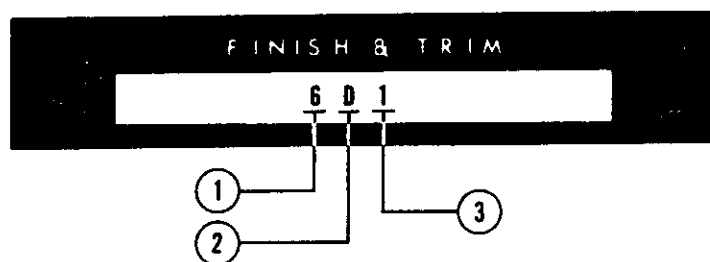
The "FINISH AND TRIM" plate is located on the left side of the airplane on the lower forward door opening above the M. A. A. nameplate.

This plate indicates model year, interior color scheme and the exterior color combination.

Interpretation of information stamped on the Finish and Trim Plate is obtained by use of the Color Code Chart for the respective year.

Color Code Charts for yearly models appear on pages immediately following this page.

The Finish and Trim Plate is explained below. Explanatory remarks are keyed to the illustrated example.



- ① First column number indicates year.
- ② Second column letter or letters indicate interior color code of aircraft. Refer to Color Code Chart for respective year to obtain color.
- ③ Third column number or numbers indicate exterior trim. The basic number is found on the Color Code Chart and indicates colors and type paint used on the aircraft.

200, 2000 or 4000 series numbers in column 3 denote an optional overall paint scheme.

300, 3000 or 30000 series numbers in column 3 denote paint scheme reversal for arctic usage.

Interpretation of the example Finish and Trim Code 6-D-1 that is obtained from 1966 Color Code Chart is:

6 = 1966 Model Year
 D = Bronze & Sable Tan Interior
 1 = Vestal White & Goldenrod Exterior

1966 & ON

SEE PAGE III FOR 1961 THRU 1965

MODEL 180 & 185		PAINT CODE CHART		MODEL 180 & 185	
YEAR	INTERIOR PAINT		SERIAL LISTING	EXTERIOR PAINT	
	CODE	INTERIOR COLOR CODE		CODE	COLOR COMBINATIONS
1 9 6 6	D	BLACK (SEMI - GLOSS) CES1054-158	18051608 THRU 18051774	1	VESTAL WHITE CES1054-398 or 170*
		DULL BLACK CES1054-193		2	VESTAL WHITE CES1054-398 or 170*
	K	CLOUD GRAY CES1054-531	185-0968 THRU 185-1149	3	VESTAL WHITE CES1054-398 or 170*
		BRONZE CES1054-T19		4	VESTAL WHITE CES1054-398 or 170*
		BLACK (SEMI - GLOSS) CES1054-156	5	VESTAL WHITE CES1054-398 or 170*	
		DULL BLACK CES1054-193	6	VESTAL WHITE CES1054-398 or 170*	
		CLOUD GRAY CES1054-531	7	VESTAL WHITE CES1054-398 or 170*	
		BRONZE CES1054-T19	8	VESTAL WHITE CES1054-398 or 170*	

NOTE: WHEN ORDERING PAINT SPECIFY CES-1054 DASH NUMBER. EXAMPLE: CES1054-439

*On all over painted airplanes, base color will be vinyl. All other colors will be lacquer.

MODEL 180 & 185		PAINT CODE CHART		MODEL 180 & 185			
YEAR	INTERIOR COLOR	INTERIOR PAINT		SERIAL LISTING	EXTERIOR PAINT		
		AF	INTERIOR COLOR CODE				
CODE	COLOR			CODE	COLOR COMBINATIONS		
1	BLACK (SEMI GLOSS LACQUER) CES1054-156	AF		18051775 THRU 18051875	1	VESTAL WHITE CES1054-398 (LACQUER)	GOLDEN ROD CES1054-448 (LACQUER)
					201	CES1054-170 (VINYL)	CES1054-448 (LACQUER)
					301	CES1054-802 (ACRYLIC)	CES1054-803 (ACRYLIC)
9	DULL BLACK (LACQUER) CES1054-183	AF		185-1150 THRU 185-1300	2	VESTAL WHITE CES1054-398 (LACQUER)	VALOR RED CES1054-408 (LACQUER)
					202	CES1054-170 (VINYL)	CES1054-408 (LACQUER)
					302	CES1054-802 (ACRYLIC)	CES1054-806 (ACRYLIC)
7	BRONZE FABRIC	AF	CLOUD GRAY (LACQUER) CES1054-531		3	VESTAL WHITE CES1054-398 (LACQUER)	IMPERIAL BURGUNDY MET. CES1054-847 (LACQUER)
					203	CES1054-170 (VINYL)	CES1054-847 (LACQUER)
					303	CES1054-802 (ACRYLIC)	CES1054-767 (ACRYLIC)
6		AF			4	VESTAL WHITE CES1054-398 (LACQUER)	VELVET BLACK CES1054-151 (LACQUER)
					204	CES1054-170 (VINYL)	CES1054-151 (LACQUER)
					304	CES1054-802 (ACRYLIC)	CES1054-807 (ACRYLIC)
7		AF	BRONZE (LACQUER) CES1054-719		5	VESTAL WHITE CES1054-398 (LACQUER)	BELFAST BROWN CES1054-773 (ACRYLIC)
					205	CES1054-170 (VINYL)	CES1054-773 (ACRYLIC)
					305	CES1054-802 (ACRYLIC)	CES1054-773 (ACRYLIC)
7		AF	BRONZE (VINYL) CES1054-751		6	VESTAL WHITE CES1054-398 (LACQUER)	EMPRESS BLUE CES1054-804 (LACQUER)
					206	CES1054-170 (VINYL)	CES1054-804 (LACQUER)
					306	CES1054-802 (ACRYLIC)	CES1054-832 (ACRYLIC)
7		AF			7	VESTAL WHITE CES1054-398 (LACQUER)	VENICE BLUE MET. CES1054-572 (LACQUER)
					207	CES1054-170 (VINYL)	CES1054-572 (LACQUER)
					307	CES1054-802 (ACRYLIC)	CES1054-833 (ACRYLIC)
7		AF			8	VESTAL WHITE CES1054-398 (LACQUER)	RACING GREEN CES1054-892 (LACQUER)
					208	CES1054-170 (VINYL)	CES1054-892 (LACQUER)
					308	CES1054-802 (ACRYLIC)	CES1054-805 (ACRYLIC)

NOTE: WHEN ORDERING PAINT SPECIFY CES-1054 DASH NUMBER. EXAMPLE: CES1054-170

NOTE: Finish & trim plates on which the fourth column color code numbers are preceded by the letter "A" denotes that the airplane is painted with all Acrylic paint colors. To order paint for these airplanes use the equivalent 300 Series Code No. for the desired color as called out on this paint chart.

EXAMPLE:

A5 - Refer to 305 for the correct Acrylic paint color part number.

A207 - Refer to 307 for the correct Acrylic paint color part number.

MODEL 180 & 185		PAINT CODE CHART		MODEL 180 & 185			
YEAR	INTERIOR COLOR	INTERIOR PAINT		SERIAL LISTING	EXTERIOR PAINT		
		AF	INTERIOR COLOR CODE		CODE	COLOR COMBINATIONS	
1 9 6 8	Bronze Fabric	AF	BLACK (SEMI GLOSS LACQUER) CES1054-196	18051876 THRU 18051993	10	VESTAL WHITE CES1054-802 (ACRYLIC)	TROPICAL ORANGE CES1054-774 (ACRYLIC)
					210	VESTAL WHITE CES1054-802 (ACRYLIC)	
					310	VESTAL WHITE CES1054-802 (ACRYLIC)	
					11	VESTAL WHITE CES1054-802 (ACRYLIC)	VALOR RED CES1054-806 (ACRYLIC)
					211	VESTAL WHITE CES1054-802 (ACRYLIC)	
					311	VESTAL WHITE CES1054-802 (ACRYLIC)	
					12	VESTAL WHITE CES1054-802 (ACRYLIC)	CRANBERRY CES1054-875 (ACRYLIC)
					212	VESTAL WHITE CES1054-802 (ACRYLIC)	
					312	VESTAL WHITE CES1054-802 (ACRYLIC)	
					13	VESTAL WHITE CES1054-802 (ACRYLIC)	EMPRESS BLUE CES1054-832 (ACRYLIC)
					213	VESTAL WHITE CES1054-802 (ACRYLIC)	
					313	VESTAL WHITE CES1054-802 (ACRYLIC)	
14	VESTAL WHITE CES1054-802 (ACRYLIC)	VENICE BLUE MET. CES1054-833 (ACRYLIC)					
214	VESTAL WHITE CES1054-802 (ACRYLIC)						
314	VESTAL WHITE CES1054-802 (ACRYLIC)						
15	VESTAL WHITE CES1054-802 (ACRYLIC)	VELVET BLACK CES1054-807 (ACRYLIC)					
215	VESTAL WHITE CES1054-802 (ACRYLIC)						
315	VESTAL WHITE CES1054-802 (ACRYLIC)						
16	VESTAL WHITE CES1054-802 (ACRYLIC)	RACING GREEN CES1054-805 (ACRYLIC)					
216	VESTAL WHITE CES1054-802 (ACRYLIC)						
316	VESTAL WHITE CES1054-802 (ACRYLIC)						
17	VESTAL WHITE CES1054-802 (ACRYLIC)	GOLDEN ROD CES1054-803 (ACRYLIC)					
217	VESTAL WHITE CES1054-802 (ACRYLIC)						
317	VESTAL WHITE CES1054-802 (ACRYLIC)						

NOTE: WHEN ORDERING PAINT SPECIFY CES-1054 DASH NUMBER. EXAMPLE: CES1054-802



MODEL 180 & 185		PAINT CODE CHART				MODEL 180 & 185		
YEAR	INTERIOR COLOR		INTERIOR PAINT		SERIAL LISTING	EXTERIOR PAINT		
	CODE	COLOR	AF	BF		KF	CODE	COLOR COMBINATIONS
1969	AF	Bronze & Tan	BLACK (SEMI GLOSS LACQUER) CES1054-156	BLACK (SEMI GLOSS LACQUER) CES1054-156	BLACK (SEMI GLOSS LACQUER) CES1054-156	901 2901 3901	VESTAL WHITE (ACRYLIC) CES1054-802 (ACRYLIC)	VALOR RED CES1054-806 (ACRYLIC)
			DULL BLACK (LACQUER) CES1054-193	DULL BLACK (LACQUER) CES1054-193	DULL BLACK (LACQUER) CES1054-193	902 2902 3902	VESTAL WHITE (ACRYLIC) CES1054-802 (ACRYLIC)	BAROQUE GOLD MET. CES1054-913 (ACRYLIC)
			LIGHT GRAY (LACQUER) CES1054-531	LIGHT GRAY (LACQUER) CES1054-531	LIGHT GRAY (LACQUER) CES1054-531	903 2903 3903	VESTAL WHITE (ACRYLIC) CES1054-802 (ACRYLIC)	GOLDEN ROD CES1054-803 (ACRYLIC)
	BF	Royal Blue	LIGHT GRAY (LACQUER) CES1054-531	LIGHT GRAY (LACQUER) CES1054-531	LIGHT GRAY (LACQUER) CES1054-531	904 2904 3904	VESTAL WHITE (ACRYLIC) CES1054-802 (ACRYLIC)	BELFAST BROWN CES1054-773 (ACRYLIC)
			TAN (VINYL) CES1054-749	TAN (VINYL) CES1054-749	TAN (VINYL) CES1054-749	905 2905 3905	VESTAL WHITE (ACRYLIC) CES1054-802 (ACRYLIC)	NORDIC BLUE MET. CES1054-778 (ACRYLIC)
			TAN (LACQUER) CES1054-717	TAN (LACQUER) CES1054-717	TAN (LACQUER) CES1054-717	906 2906 3906	VESTAL WHITE (ACRYLIC) CES1054-802 (ACRYLIC)	CATALINA BLUE MET. CES1054-914 (ACRYLIC)
	KF	Apple Red	TAN (LACQUER) CES1054-717	TAN (LACQUER) CES1054-717	TAN (LACQUER) CES1054-717	907 2907 3907	VESTAL WHITE (ACRYLIC) CES1054-802 (ACRYLIC)	IMPERIAL BURGUNDY MET. CES1054-767 (ACRYLIC)
			TAN (LACQUER) CES1054-717	TAN (LACQUER) CES1054-717	TAN (LACQUER) CES1054-717	908 2908 3908	VESTAL WHITE (ACRYLIC) CES1054-802 (ACRYLIC)	EMERALD GREEN MET. CES1054-846 (ACRYLIC)

NOTE: WHEN ORDERING PAINT SPECIFY CES-1054 DASH NUMBER. EXAMPLE: CES1054-802

MODELS 180 & 185		PAINT CODE CHART				MODELS 180 & 185			
YEAR	INTERIOR COLOR		INTERIOR PAINT			SERIAL LISTING	EXTERIOR PAINT		
	CODE	CODE	COLOR	INTERIOR COLOR CODE			CODE	COLOR COMBINATIONS	
			AP	BP	MP				
1 9 7 0	AP	Clove Brown	BLACK SEMI-GLOSS CES1054-154 LACQUER	BLACK SEMI-GLOSS CES1054-156 LACQUER	BLACK SEMI-GLOSS CES1054-155 LACQUER	18052104 THRU 18052175	760 2760 32760	VESTAL WHITE CES1054-802	PROVINCIAL RED MET CES1054-963
			5760 4760 34760	LUSTER WHITE CES1054-967					
			761 2761 32761	VESTAL WHITE CES1054-802	BLACK CHERRY MET CES1054-964				
			5761 4761 32761	LUSTER WHITE CES1054-967					
			762 2762 32762	VESTAL WHITE CES1054-802	VALOR RED CES1054-806				
			5762 4762 34762	LUSTER WHITE CES1054-967					
	BP	Silver Teal Blue	LIGHT GRAY CES1054-531 LACQUER	LIGHT GRAY CES1054-531 LACQUER	LIGHT GRAY CES1054-531 LACQUER	18501600 THRU 18501832	763 2763 32763	VESTAL WHITE CES1054-802	ITALIAN GOLD CES1054-834
			5763 4763 32763	LUSTER WHITE CES1054-967					
			764 2764 32764	VESTAL WHITE CES1054-802	OLIVE CES1054-944				
			5764 4764 34764	LUSTER WHITE CES1054-967					
			765 2765 32765	VESTAL WHITE CES1054-802	GLENWOOD GREEN MET CES1054-768				
			5765 4765 34765	LUSTER WHITE CES1054-967					
MP	Marigold	CLOVE BROWN CES1054-970 LACQUER	CLOVE BROWN CES1054-970 LACQUER	CLOVE BROWN CES1054-970 LACQUER	18501600 THRU 18501832	766 2766 32766	VESTAL WHITE CES1054-802	BLUE WING MET CES1054-968	
		5766 4766 34766	LUSTER WHITE CES1054-967						
		767 2767 32767	VESTAL WHITE CES1054-802	VENICE BLUE MET CES1054-832					
		5767 4767 34767	LUSTER WHITE CES1054-967						
		768 2768 32768	VESTAL WHITE CES1054-802	VELVET BLACK CES1054-907					
		5768 4768 34768	LUSTER WHITE CES1054-967						
769 2769 32769	VESTAL WHITE CES1054-802	TIGER YELLOW CES1054-966							
5769 4769 34769	LUSTER WHITE CES1054-967								

NOTE WHEN ORDERING PAINT SPECIFY CES-1054 DASH NUMBER EXAMPLE CES1054-802

YEAR		INTERIOR COLOR		INTERIOR PAINT			SERIAL LISTING	EXTERIOR PAINT			
CODE	CODE	COLOR	INTERIOR COLOR CODE			CODE		COLOR COMBINATIONS			
			AP	BH	BP						
1 9 7 1	AP	Clove Brown	BLACK SEMI-GLOSS CES1054-156 LACQUER	BLACK SEMI-GLOSS CES1054-156 LACQUER	BLACK SEMI-GLOSS CES1054-156 LACQUER	18052176 THRU 18052284 18501833 THRU 18502090	141V V141V	VESTAL WHITE CES1054-802	PROVINCIAL RED MET CES1054-863		
			LIGHT GRAY CES1054-531 LACQUER	LIGHT GRAY CES1054-531 LACQUER	LIGHT GRAY CES1054-531 LACQUER		147L L147L	LUSTER WHITE CES1054-967		BLACK CHERRY MET CES1054-964	
			CLOVE BROWN CES1054-970 LACQUER	CLOVE BROWN CES1054-970 LACQUER	CLOVE BROWN CES1054-970 LACQUER		142V V142V	VESTAL WHITE CES1054-802	VALOR RED CES1054-806		
		BH	Holiday Blue	CLOVE BROWN CES1054-985 VINYL	CLOVE BROWN CES1054-985 VINYL		CLOVE BROWN CES1054-985 VINYL	142L L142L		LUSTER WHITE CES1054-967	ITALIAN GOLD CES1054-834
				CLOVE BROWN CES1054-970 LACQUER	CLOVE BROWN CES1054-970 LACQUER		CLOVE BROWN CES1054-970 LACQUER	143V V143V	VESTAL WHITE CES1054-802	OLIVE CES1054-944	
				CLOVE BROWN CES1054-985 VINYL	CLOVE BROWN CES1054-985 VINYL		CLOVE BROWN CES1054-985 VINYL	143L V143L	LUSTER WHITE CES1054-967		GLENWOOD GREEN MET CES1054-768
	BP	Silver Teal Blue	INTERIOR PAINT				18501833 THRU 18502090	144V V144V	VESTAL WHITE CES1054-802	BLUE WING MET CES1054-866	
			INTERIOR COLOR CODE					144L L144L	LUSTER WHITE CES1054-967		
			DP					148V V148V	VESTAL WHITE CES1054-802	VENICE BLUE MET CES1054-833	
		MP			148L L148L			LUSTER WHITE CES1054-967			
		DP	Fiesta Red	BLACK SEMI-GLOSS CES1054-156 LACQUER	BLACK SEMI-GLOSS CES1054-156 LACQUER			BLACK SEMI-GLOSS CES1054-156 LACQUER	149V V149V	VESTAL WHITE CES1054-802	VELVET BLACK CES1054-807
				LIGHT GRAY CES1054-531 LACQUER	LIGHT GRAY CES1054-531 LACQUER			LIGHT GRAY CES1054-531 LACQUER	149L L149L	LUSTER WHITE CES1054-967	
CLOVE BROWN CES1054-970 LACQUER	CLOVE BROWN CES1054-970 LACQUER			CLOVE BROWN CES1054-970 LACQUER	145V V145V	VESTAL WHITE CES1054-802		TIGER YELLOW CES1054-966			
MP	Marigold	CLOVE BROWN CES1054-985 VINYL	CLOVE BROWN CES1054-985 VINYL	CLOVE BROWN CES1054-985 VINYL	145L L145L	LUSTER WHITE CES1054-967			SUNSET RED CES1054-806 VELVET BLACK CES1054-807		
		CLOVE BROWN CES1054-970 LACQUER	CLOVE BROWN CES1054-970 LACQUER	CLOVE BROWN CES1054-970 LACQUER	150V V150V	VESTAL WHITE CES1054-802		HORIZON BLUE CES1054-832 VELVET BLACK CES1054-807			
		CLOVE BROWN CES1054-985 VINYL	CLOVE BROWN CES1054-985 VINYL	CLOVE BROWN CES1054-985 VINYL	150L L150L	LUSTER WHITE CES1054-967			TIGER ORANGE CES1054-774 VELVET BLACK CES1054-807		
			240A *	VESTAL WHITE CES1054-802	SUNSET RED CES1054-A67 VELVET BLACK CES1054-A77						
			241A *	VESTAL WHITE CES1054-802		HORIZON BLUE CES1054-A75 VELVET BLACK CES1054-A77					
			242A *	VESTAL WHITE CES1054-802	TIGER ORANGE CES1054-A65 VELVET BLACK CES1054-A77						
			240P %	VESTAL WHITE CES1054-A64		WILDCAT YELLOW CES1054-A75 VELVET BLACK CES1054-A77					
			241P %	VESTAL WHITE CES1054-A64							
			242P %	VESTAL WHITE CES1054-A64							
			243P %	VESTAL WHITE CES1054-A64							

NOTE: WHEN ORDERING PAINT SPECIFY CES1054 DASH NUMBER EXAMPLE CES1054-802

* Acrylic Combinations. Used on AGCarryl.
% Urethane Combinations. Used on AGCarryl.

MODELS 180 & 185			PAINT CODE CHART			MODELS 180 & 185			
YEAR	INTERIOR COLOR		INTERIOR PAINT			SERIAL LISTING	EXTERIOR PAINT		
	CODE	COLOR	AP	BP	DP		CODE	COLOR COMBINATIONS	
1 9 7 3	3	AP Clove Brown	BLACK SEMI-GLOSS CES1054-157 LACQUER	BLACK SEMI-GLOSS CES1054-157 LACQUER	BLACK SEMI-GLOSS CES1054-157 LACQUER	18052285 THRU 18052384 18502091 THRU 18502310	302	FLAG RED CES1054-A93	
			LIGHT GRAY CES1054-531 LACQUER	LIGHT GRAY CES1054-531 LACQUER	LIGHT GRAY CES1054-531 LACQUER		302A 3302A	VESTAL WHITE CES1054-802	FLAG RED CES1054-A93
			CLOVE BROWN CES1054-970 LACQUER	CLOVE BROWN CES1054-970 LACQUER	CLOVE BROWN CES1054-970 LACQUER		334	VESTAL WHITE CES1054-802	NUTMEG CES1054-A95
		BP Holiday Blue	CLOVE BROWN CES1054-970 LACQUER	CLOVE BROWN CES1054-970 LACQUER	CLOVE BROWN CES1054-970 LACQUER		354A 3354A	VESTAL WHITE CES1054-802	NUTMEG CES1054-A95
			CLOVE BROWN CES1054-970 LACQUER	CLOVE BROWN CES1054-970 LACQUER	CLOVE BROWN CES1054-970 LACQUER		335	VESTAL WHITE CES1054-802	TIGER YELLOW CES1054-986
			CLOVE BROWN CES1054-970 LACQUER	CLOVE BROWN CES1054-970 LACQUER	CLOVE BROWN CES1054-970 LACQUER		355A 3355A	VESTAL WHITE CES1054-802	TIGER YELLOW CES1054-986
	DP Fiash Red	CLOVE BROWN CES1054-970 LACQUER	CLOVE BROWN CES1054-970 LACQUER	CLOVE BROWN CES1054-970 LACQUER	306		VESTAL WHITE CES1054-802	GRANADA GREEN CES1054-A87	
		CLOVE BROWN CES1054-970 LACQUER	CLOVE BROWN CES1054-970 LACQUER	CLOVE BROWN CES1054-970 LACQUER	306A 3306A		VESTAL WHITE CES1054-802	GRANADA GREEN CES1054-A87	
		CLOVE BROWN CES1054-970 LACQUER	CLOVE BROWN CES1054-970 LACQUER	CLOVE BROWN CES1054-970 LACQUER	305		VESTAL WHITE CES1054-802	EMPRESS BLUE CES1054-832	
		CLOVE BROWN CES1054-970 LACQUER	CLOVE BROWN CES1054-970 LACQUER	CLOVE BROWN CES1054-970 LACQUER	305A 3305A		VESTAL WHITE CES1054-802	EMPRESS BLUE CES1054-832	
		CLOVE BROWN CES1054-970 LACQUER	CLOVE BROWN CES1054-970 LACQUER	CLOVE BROWN CES1054-970 LACQUER	303		VESTAL WHITE CES1054-802	TROPICAL ORANGE CES1054-774	
		CLOVE BROWN CES1054-970 LACQUER	CLOVE BROWN CES1054-970 LACQUER	CLOVE BROWN CES1054-970 LACQUER	303A 3303A		VESTAL WHITE CES1054-802	TROPICAL ORANGE CES1054-774	
CLOVE BROWN CES1054-970 LACQUER	CLOVE BROWN CES1054-970 LACQUER	CLOVE BROWN CES1054-970 LACQUER	343 3343	VESTAL WHITE CES1054-802 (ACRYLIC)	HORIZON BLUE CES1054-832 (ACRYLIC)				
CLOVE BROWN CES1054-970 LACQUER	CLOVE BROWN CES1054-970 LACQUER	CLOVE BROWN CES1054-970 LACQUER	343P 3343P	VESTAL WHITE CES1054-A64 (URETHANE)	HORIZON BLUE CES1054-A75 (URETHANE)				
CLOVE BROWN CES1054-970 LACQUER	CLOVE BROWN CES1054-970 LACQUER	CLOVE BROWN CES1054-970 LACQUER	344 3344	VESTAL WHITE CES1054-802 (ACRYLIC)	SUNSET RED CES1054-806 (ACRYLIC)				
CLOVE BROWN CES1054-970 LACQUER	CLOVE BROWN CES1054-970 LACQUER	CLOVE BROWN CES1054-970 LACQUER	344P 3344P	VESTAL WHITE CES1054-A64 (URETHANE)	SUNSET RED CES1054-A67 (URETHANE)				
CLOVE BROWN CES1054-970 LACQUER	CLOVE BROWN CES1054-970 LACQUER	CLOVE BROWN CES1054-970 LACQUER	345 3345	VESTAL WHITE CES1054-802 (ACRYLIC)	TIGER ORANGE CES1054-774 (ACRYLIC)				
CLOVE BROWN CES1054-970 LACQUER	CLOVE BROWN CES1054-970 LACQUER	CLOVE BROWN CES1054-970 LACQUER	345P 3345P	VESTAL WHITE CES1054-A64 (URETHANE)	TIGER ORANGE CES1054-A65 (URETHANE)				
CLOVE BROWN CES1054-970 LACQUER	CLOVE BROWN CES1054-970 LACQUER	CLOVE BROWN CES1054-970 LACQUER	346 3346	VESTAL WHITE CES1054-802 (ACRYLIC)	WILDCAT YELLOW CES1054-A15 (ACRYLIC)				
CLOVE BROWN CES1054-970 LACQUER	CLOVE BROWN CES1054-970 LACQUER	CLOVE BROWN CES1054-970 LACQUER	346P 3346P	VESTAL WHITE CES1054-A64 (URETHANE)	WILDCAT YELLOW CES1054-A76 (URETHANE)				

NOTE: WHEN ORDERING PAINT SPECIFY CES1054 DASH NUMBER. EXAMPLE CES1054-802



**UPHOLSTERY &
INTERIOR TRIM**

UPHOLSTERED PARTS - HOW TO ORDER

1961 THRU 1965 MODELS

SERIAL NUMBER OF AIRCRAFT MUST BE GIVEN WITH PARTS ORDER

1966 MODEL & ON

PARTS MARKED WITH A # FOLLOWING PART NUMBER REQUIRE A SECOND DASH NUMBER FOR COLOR & MATERIAL

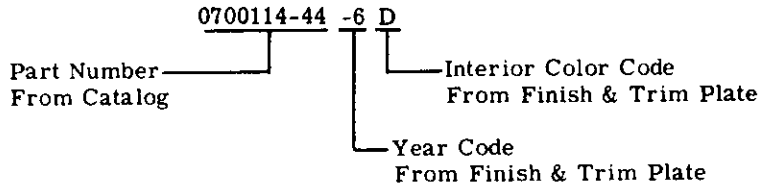
HOW TO DETERMINE 2nd DASH NUMBER

1. Find part number of desired part in catalog.
2. Refer to "FINISH & TRIM" plate, in the airplane, for your "Year Code" and "Interior Color Code."



3. Add the "Year Code" and "Interior Color Code," to the part number from catalog.

EXAMPLE OF COMPLETE NUMBER



INTERIOR PAINTED OR PLASTIC PARTS HOW TO ORDER

1961 THRU 1964 MODELS

No special handling is required when ordering parts for 1963 and 1964 aircraft. In this group, the second dash number appears, when required, as a part of the part number.

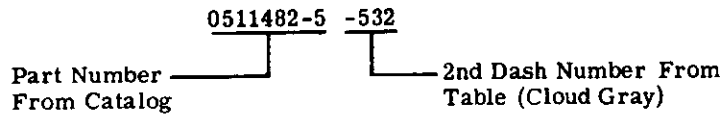
1965 MODEL

PARTS MARKED WITH A = FOLLOWING PART NUMBER REQUIRE A SECOND DASH NUMBER FOR PROPER COLOR

To obtain second dash number use table "1965 MODEL YEAR."

To use table, "1965 MODEL YEAR," first find number from catalog then find same number in table and add number of color required.

EXAMPLE OF COMPLETE NUMBER



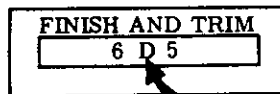
1966 MODEL & ON

PARTS MARKED WITH A = FOLLOWING PART NUMBER REQUIRE A SECOND DASH NUMBER FOR PROPER COLOR.

To obtain second dash number use of correct table, for your model year, is required.

To use table,

1. Find part number of desired part in catalog.
2. Refer to the "Finish and Trim" plate, in the airplane, for your "Interior Color Code."



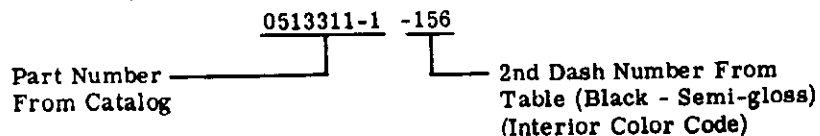
3. Locate part number from catalog in table.
4. Add dash number for color that appears under your "Interior Color Code."

INTERIOR PAINTED OR PLASTIC PARTS 1966 MODEL YEAR <small>1801400 & OH 182 0948 & OH</small>		INTERIOR COLOR CODE <small>(From Finish and Trim Plate)</small>	
PART NUMBER	PART NAME	D	K
0511482-5	SHIELD - INSTRUMENT LIGHT CONSOLE	532	532
0511482-8	COVER ASSEMBLY	532	532
0511482-1	SHIELD - CONTROL ASSEMBLY	156	156
0513311-1	SUPPORT ASSEMBLY - CONTROL TUBE	156	156
0700114-10	LH DOOR PANEL	726	726
0700114-20	RH DOOR PANEL	726	726
0700114-30	FABRIC	726	726
0700114-35	PANEL - BAGGAGE DOOR	726	726
0700114-47	PANEL - LH CENTER	726	726
0700114-48	PANEL - RH CENTER	726	726

STEP "3" points to the part number 0513311-1 in the catalog table.

STEP "4" points to the color code '156' in the 'D' column of the color code table.

EXAMPLES OF COMPLETE NUMBER



INTERIOR PAINTED OR PLASTIC PARTS
1965 MODEL YEAR ONLY

185-0777 THRU 185-0967
18051446 THRU 18051607

PART NUMBER	PART NAME	532	279
0511482-5	SHIELD		
0511482-9	COVER ASSEMBLY-DOME LIGHT	532	
0700114-9	PANEL UPHOLSTERY DOOR LH	532	
0700114-10	PANEL UPHOLSTERY DOOR RH	532	
0700114-11	PANEL - SIDEWALL FRONT LH	532	
0700114-12	PANEL - SIDEWALL FRONT RH	532	
0700114-35	PANEL ASSEMBLY - BAGGAGE	532	
0700114-47	PANEL - AFT LH	532	
0700114-48	PANEL - AFT RH	532	
0700114-53	TUNNEL	532	
0700114-54	TUNNEL	532	
0700646-1	SKIRT - SEAT BOTTOM LH	532	
0700646-2	SKIRT - SEAT BOTTOM RH	532	
0700646-3	SKIRT - SEAT BOTTOM LH	532	
0700646-4	SKIRT - SEAT BOTTOM RH	532	
0710646-1	COVER PLATE LH	532	
0710647-1	COVER PLATE RH	532	
0710652-1	ESCUTCHEON - GAGE	532	
0711079-1	TRAY ASSEMBLY	532	
0711133-22	SHIELD ASSEMBLY - FRONT DOOR POST RH	532	
0711133-29	SHIELD ASSEMBLY - FRONT DOOR POST LH	532	
0711133-32	SHIELD ASSEMBLY - FRONT DOOR POST LH	532	
0713756-1	COVER ASSEMBLY - UPPER	532	
0713756-7	COVER ASSEMBLY - LOWER	532	
0713756-8	COVER ASSEMBLY - LOWER	532	
0713758-4	DOOR ASSEMBLY - GLOVE BOX	532	
0713764-12	COVER - RH	532	
0713764-14	COVER - RH	532	
0713764-8	COVER - SHOCK PANEL	532	
0713765-1	COVER - RADIO	532	
0716114-1	COVER - FUEL TANK SELECTOR	532	
0716114-3	COVER - FUEL TANK SELECTOR	532	
1200415-7	ESCUTCHEON - OXYGEN PORT	532	
1414110-1	TRIM - SEAT BACK	532	
1414110-3	POCKET ASSEMBLY - MAGAZINE	532	
1414264-5	POCKET ASSEMBLY - MAGAZINE	532	
1414264-13	TRIM ASSEMBLY - SEAT BACK	532	

BLACK

CLOUD GRAY



INTERIOR PAINTED OR PLASTIC PARTS

1966 MODEL YEAR

18051608 THRU 18051774
185-0968 THRU 185-1149

PART NUMBER	PART NAME	INTERIOR COLOR CODE	
		D (From Finish and Trim Plate)	K
0511482-5	SHIELD - INSTRUMENT LIGHT CONSOLE	532	532
0511482-9	COVER ASSEMBLY	532	532
0512046-1	SHIELD - CONTROL ASSEMBLY	156	156
0513311-1	SUPPORT ASSEMBLY - CONTROL TUBE	156	156
0700114-9	LH DOOR PANEL	726	726
0700114-10	RH DOOR PANEL	726	726
0700114-20	FAIRING	726	726
0700114-35	PANEL - BAGGAGE DOOR	726	726
0700114-47	PANEL - LH CENTER	726	726
0700114-48	PANEL - RH CENTER	726	726
0700114-53	TUNNEL	726	726
0700114-54	TUNNEL	726	726
0700114-56	PANEL - FWD RH	726	726
0700114-59	PANEL ASSEMBLY - FWD LH	726	726
0700148-1	HOOD - MAP LIGHT	193	193
0700631-5	FRAME ASSEMBLY - SEAT BOTTOM LH	751	751
0700631-6	FRAME ASSEMBLY - SEAT BOTTOM RH	751	751
0700646-1	SEAT SKIRT	726	726
0700646-2	SEAT SKIRT	726	726
0700646-3	SEAT SKIRT	726	726
0700646-4	SEAT SKIRT	726	726
0710646-1	COVER PLATE	532	532
0710647-1	COVER PLATE	532	532
0710652-1	ESCUTCHEON - GAGE	532	532
0711079-1	PANEL - TRAY ASSEMBLY	726	726
0711133-40	SHIELD ASSEMBLY - RH DOORPOST	726	726
0711133-39	SHIELD ASSEMBLY - LH DOORPOST	726	726
0711133-41	SHIELD ASSEMBLY - LH DOORPOST	726	726
0713025-6	COVER ASSEMBLY - TRIM WHEEL	726	726
0713093-2	COVER - RUDDER TRIM WHEEL	726	726
0713756-1	COVER - UPPER	279	279
0713756-7	COVER ASSEMBLY - LOWER	279	279
0713756-8	COVER ASSEMBLY - LOWER	279	279
0713758-4	DOOR ASSEMBLY - GLOVE BOX	279	279
0713764-12	COVER - RH	279	279
0713764-14	COVER - RH	279	279
0713764-8	COVER - SHOCK	279	279
0713765-1	COVER - RADIO CUTOFF	279	279
0716114-1	COVER ASSEMBLY - FUEL TANK SELECTOR	726	726
0716114-3	COVER ASSEMBLY - FUEL TANK SELECTOR	726	726
1200415-7	ESCUTCHEON - OXYGEN PORT	532	532
1414110-1	TRIM ASSEMBLY - SEAT BACK	726	726
1414110-3	POCKET ASSEMBLY - MAGAZINE	726	726
1414240-3	POWER SEAT BOTTOM ASSEMBLY - PILOT	751	751
1414240-4	POWER SEAT BOTTOM ASSEMBLY - COPILOT	751	751

INTERIOR PAINTED OR PLASTIC PARTS

1967 MODEL YEAR

18051775 THRU 18051875

185-1150 THRU 185-1300

PART NUMBER	PART NAME	INTERIOR COLOR CODE (From Finish and Trim Plate)
0413484-3	SHIELD ASSEMBLY - LH DOORPOST	AF
0413484-5	SHIELD ASSEMBLY - RH DOORPOST	726
0511482-5	SHIELD - INSTRUMENT LIGHT CONSOLE	726
0511482-9	COVER ASSEMBLY	532
0512046-1	SHIELD - CONTROL ASSEMBLY	532
0513311-1	SUPPORT ASSEMBLY - CONTROL TUBE	156
0700114-9	LH DOOR PANEL	156
0700114-10	RH DOOR PANEL	726
0700114-20	FAIRING	726
0700114-35	PANEL - BAGGAGE DOOR	726
0700114-47	PANEL - LH AFT	726
0700114-48	PANEL - RH AFT	726
0700114-53	TUNNEL	726
0700114-54	TUNNEL	726
0700114-56	PANEL - FWD RH	726
0700114-59	PANEL ASSEMBLY - FWD LH	726
0700148-1	HOOD - MAP LIGHT	726
0700631-5	FRAME ASSEMBLY - SEAT BOTTOM LH	193
0700631-6	FRAME ASSEMBLY - SEAT BOTTOM RH	751
0700846-1	SEAT SKIRT	751
0700646-2	SEAT SKIRT	726
0710846-1	COVER PLATE LH	726
0710647-1	COVER PLATE RH	726
0710652-1	ESCUTCHEON - GAGE	532
0711079-1	PANEL - TRAY ASSEMBLY	532
0711133-39	SHIELD - LH DOORPOST	726
0711133-40	SHIELD - RH DOORPOST	726
0711133-41	SHIELD - LH DOORPOST	726
0711702-5	FRAME ASSEMBLY - SEAT BOTTOM LH	726
0711702-6	FRAME ASSEMBLY - SEAT BOTTOM RH	751
0711702-20	FRAME ASSEMBLY - SEAT BACK	751
0713025-6	COVER ASSEMBLY - TRIM WHEEL	726
0713093-2	COVER - RUDDER TRIM WHEEL	726
0713764-12	COVER - INSTRUMENT PANEL RH	279
0713764-13	COVER - SHOCK PANEL	279
0713764-14	COVER - INSTRUMENT PANEL RH	279
0713871-1	COVER - RADIO CUTOUT	279
0713872-1	COVER ASSEMBLY - INSTRUMENT PANEL UPPER	279
0713872-3	COVER - INSTRUMENT PANEL LOWER	279
0713872-4	COVER - INSTRUMENT PANEL LOWER	726
0713875-1	DOOR ASSEMBLY - GLOVE BOX	726
0716114-1	COVER ASSEMBLY - FUEL TANK SELECTOR	726
0716114-3	COVER ASSEMBLY - FUEL TANK SELECTOR	726
1200415-7	ESCUTCHEON - OXYGEN PORT	532
1414110-1	TRIM - SEAT BACK	726
1414110-3	POCKET ASSEMBLY - MAGAZINE	726

INTERIOR PAINTED OR PLASTIC PARTS 1968 MODEL YEAR 18051876 THRU 18051993 185.1301 THRU 185.1447		INTERIOR COLOR CODE (From Finish and Trim Plate)
PART NUMBER	PART NAME	AF
0413484-3	SHIELD ASSEMBLY - DOORPOST LH	721
0413484-5	SHIELD ASSEMBLY - DOORPOST RH	721
0511482-5	SHIELD - INSTRUMENT LIGHT CONSOLE	532
0511482-9	COVER ASSEMBLY	532
0513311-1	SUPPORT ASSEMBLY - CONTROL TUBE	156
0700114-9	DOOR PANEL - LH	721
0700114-10	DOOR PANEL - RH	721
0700114-20	FAIRING	721
0700114-47	PANEL - AFT LH	721
0700114-48	PANEL - AFT RH	721
0700114-56	PANEL - FWD RH	721
0700114-59	PANEL ASSEMBLY - FWD LH	721
0700114-62	COVER - COWL DECK	425
0700148-1	HOOD - MAP LIGHT	193
0700191-1	COVER - TUNNEL	721
0700191-2	COVER - TUNNEL	721
0700195-1	COVER - INSTRUMENT PANEL LOWER	721
0700195-3	COVER - INSTRUMENT PANEL LOWER	721
0700631-5	FRAME ASSEMBLY - SEAT BOTTOM LH	745
0700631-6	FRAME ASSEMBLY - SEAT BOTTOM RH	749
0700646-1	SEAT SKIRT	739
0700646-2	SEAT SKIRT	721
0710646-1	COVER PLATE - LH	532
0710647-1	COVER PLATE - RH	532
0710652-1	ESCUTCHEON - GAGE	532
0711079-1	PANEL - TRAY ASSEMBLY	721
0711133-40	SHIELD - DOORPOST RH	721
0711702-5	FRAME ASSEMBLY - SEAT BOTTOM LH	749
0711702-6	FRAME ASSEMBLY - SEAT BOTTOM RH	749
0711702-20	FRAME ASSEMBLY - SEAT BACK	749
0713025-6	COVER ASSEMBLY - TRIM WHEEL	721
0713257-1	COVER - RUDDER TRIM WHEEL	721
0713764-12	COVER - INSTRUMENT PANEL RH	279
0713764-14	COVER - INSTRUMENT PANEL RH	279
0713764-16	COVER - SHOCK PANEL	279
0713871-1	COVER - RADIO CUTOFF	279
0713875-3	DOOR ASSEMBLY - GLOVE BOX	721
0713889-1	RETAINER - EYEBROW	156
0713907-1	COVER - BRACKET	721
0715001-1	TRIM - SEAT BACK	721
0716114-1	COVER ASSEMBLY - FUEL TANK SELECTOR	721
0716114-3	COVER ASSEMBLY - FUEL TANK SELECTOR	721
0717000-4	PANEL - BAGGAGE DOOR	721
0760006-1	SHIELD - CONTROL YOKE	721
1200415-7	ESCUTCHEON - OXYGEN PORT	532
1470089-14	MAPLIGHT ASSEMBLY	279
1715023-3	POCKET ASSEMBLY - MAGAZINE	721



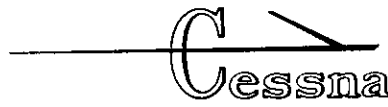
INTERIOR PAINTED OR PLASTIC PARTS

1969 MODEL YEAR

18051994 THRU 18052103

185-1448 THRU 185-1599

PART NUMBER	PART NAME	INTERIOR COLOR CODE (From Finish and Trim Plate)		
		AF	BF	KF
0413484-3	SHIELD ASSEMBLY - DOORPOST LH	721	721	721
0413484-5	SHIELD ASSEMBLY - DOORPOST RH	721	721	721
0511482-5	SHIELD - INSTRUMENT LIGHT CONSOLE	532	532	532
0511482-9	COVER ASSEMBLY	532	532	532
0513311-1	SUPPORT ASSEMBLY - CONTROL TUBE	156	156	156
0513311-2	SUPPORT ASSEMBLY - CONTROL TUBE	156	156	156
0700114-9	DOOR PANEL - LH	721	721	721
0700114-10	DOOR PANEL - RH	721	721	721
0700114-20	FAIRING	721	721	721
0700114-47	PANEL - AFT LH	721	721	721
0700114-48	PANEL - AFT RH	721	721	721
0700114-56	PANEL - FWD RH	721	721	721
0700114-59	PANEL ASSEMBLY - FWD LH	721	721	721
0700114-62	COVER - COWL DECK	825	825	825
0700148-1	HOOD - MAP LIGHT	193	193	193
0700191-1	COVER - TUNNEL	721	721	721
0700191-2	COVER - TUNNEL	721	721	721
0700191-3	COVER - TUNNEL	721	721	721
0700195-1	COVER - INSTRUMENT PANEL LOWER	721	721	721
0700195-3	COVER - INSTRUMENT PANEL LOWER	721	721	721
0700631-5	FRAME ASSEMBLY - SEAT BOTTOM LH	749	749	749
0700631-6	FRAME ASSEMBLY - SEAT BOTTOM RH	749	749	749
0700646-1	SEAT SKIRT	721	721	721
0700646-2	SEAT SKIRT	721	721	721
0710646-1	COVER PLATE - LH	532	532	532
0710647-1	COVER PLATE - RH	532	532	532
0710652-1	ESCUTCHEON - GAGE	532	532	532
0711079-1	PANEL - TRAY ASSEMBLY	721	721	721
0711079-6	PANEL - TRAY ASSEMBLY	721	721	721
0711133-40	SHIELD - DOORPOST RH	721	721	721
0711702-5	FRAME ASSEMBLY - SEAT BOTTOM LH	749	749	749
0711702-6	FRAME ASSEMBLY - SEAT BOTTOM RH	749	749	749
0711702-20	FRAME ASSEMBLY - SEAT BACK	749	749	749
0713025-6	COVER ASSEMBLY - TRIM WHEEL	721	749	749
0713257-1	COVER - RUDDER TRIM WHEEL	721	721	721
0713764-12	COVER - INSTRUMENT PANEL RH	279	279	279
0713764-14	COVER - INSTRUMENT PANEL RH	279	279	279
0713764-16	COVER - SHOCK PANEL	279	279	279
0713871-1	COVER - RADIO CUTOUT	279	279	279
0713872-9	COVER ASSEMBLY - INSTRUMENT PANEL UPPER	279	279	279
0713875-3	DOOR ASSEMBLY - GLOVE BOX	279	279	279
0713907-1	COVER - BRACKET	721	721	721
0716114-1	COVER ASSEMBLY - FUEL TANK SELECTOR	721	721	721
0716114-3	COVER ASSEMBLY - FUEL TANK SELECTOR	721	721	721
0717000-4	PANEL - BAGGAGE DOOR	721	721	721
0760008-1	SHIELD - CONTROL YOKE	721	721	721
1200415-7	ESCUTCHEON - OXYGEN PORT	532	532	532
1470089-14	MAPLIGHT ASSEMBLY	279	279	279



INTERIOR PAINTED OR PLASTIC PARTS
1970 MODEL YEAR

18052104 THRU 18052175
18501600 THRU 18501632

PART NUMBER	PART NAME	INTERIOR COLOR CODE (From Finish and Trim Plate)		
		AP	BP	MP
0413484-3	SHIELD ASSEMBLY - DOORPOST LH	978	978	978
0413484-5	SHIELD ASSEMBLY - DOORPOST RH	978	978	978
0511130	SHIELD - FRONT SPAR	531	531	531
0511482-5	SHIELD - INSTRUMENT LIGHT CONSOLE	532	532	532
0511482-9	COVER ASSEMBLY	532	532	532
0513311-1	SUPPORT ASSEMBLY - CONTROL TUBE	156	156	156
0513311-2	SUPPORT ASSEMBLY - CONTROL TUBE	156	156	156
0514017-1	TRIM - LH	978	978	978
0514017-2	TRIM - RH	978	978	978
0514017-3	TRIM	978	978	978
0514018-1	TRIM ASSEMBLY - SEAT BACK	978	978	978
0514018-3	POCKET ASSEMBLY - MAGAZINE	978	978	978
0514055-1	TRIM ASSEMBLY - SEAT BACK	978	978	978
0514055-3	POCKET ASSEMBLY - MAGAZINE	978	978	978
0700114-20	FAIRING	978	978	978
0700114-62	COVER - COWL DECK	825	825	825
0700148-1	HOOD - MAP LIGHT	193	193	193
0700191-1	COVER - TUNNEL	978	978	978
0700191-2	COVER - TUNNEL	978	978	978
0700191-3	COVER - TUNNEL	978	978	978
0700195-4	COVER - INSTRUMENT PANEL LOWER	978	978	978
0700195-6	COVER - INSTRUMENT PANEL LOWER	978	978	978
0710646-1	COVER PLATE - LH	532	532	532
0710647-1	COVER PLATE - RH	532	532	532
0710652-1	ESCUTCHEON - GAGE	532	532	532
0711079-1	PANEL - TRAY ASSEMBLY	978	978	978
0711079-6	PANEL - TRAY ASSEMBLY	978	978	978
0711133-40	SHIELD - DOORPOST RH	978	978	978
0711702-5	FRAME ASSEMBLY - SEAT BOTTOM LH	985	985	985
0711702-6	FRAME ASSEMBLY - SEAT BOTTOM RH	985	985	985
0711702-20	FRAME ASSEMBLY - SEAT BACK	985	985	985
0713025-6	COVER ASSEMBLY - TRIM WHEEL	978	978	978
0713257-1	COVER - RUDDER TRIM WHEEL	978	978	978
0713764-12	COVER - INSTRUMENT PANEL RH	279	279	279
0713764-14	COVER - INSTRUMENT PANEL RH	279	279	279
0713764-16	COVER - SHOCK PANEL	279	279	279
0713871-1	COVER - RADIO CUTOUT	279	279	279
0713872-9	COVER ASSEMBLY - INSTRUMENT PANEL UPPER	279	279	279
0713875-3	DOOR ASSEMBLY - GLOVE BOX	978	978	978
0713907-1	COVER - BRACKET	978	978	978
0714010-1	TRIM - LH	978	978	978
0714010-2	TRIM - RH	978	978	978
0715015-9	DOOR PANEL - LH	978	978	978
0715015-10	DOOR PANEL - RH	978	978	978
0715015-11	PANEL - AFT LH	978	978	978
0715015-12	PANEL - AFT RH	978	978	978
0715015-13	PANEL ASSEMBLY - BAGGAGE DOOR	978	978	978

INTERIOR PAINTED OR PLASTIC PARTS 1970 MODEL YEAR 18052104 THRU 18052175 18501600 THRU 18501832		INTERIOR COLOR CODE (From Finish and Trim Plate)		
		AP	BP	MP
PART NAME	PART NUMBER			
0716114-1	COVER ASSEMBLY - FUEL TANK SELECTOR	978	978	978
0716114-3	COVER ASSEMBLY - FUEL TANK SELECTOR	978	978	978
0760006-1	SHIELD - CONTROL YOKE	978	978	978
1200415-7	ESCUTCHEON - OXYGEN PORT	532	532	532
1470089-14	MAPLIGHT ASSEMBLY	279	279	279

INTERIOR PAINTED OR PLASTIC PARTS 1971 MODEL YEAR 18052176 THRU 18052284 18501833 THRU 18502090		INTERIOR COLOR CODE (From Finish and Trim Plate)				
		AP	BH	BP	DP	MP
PART NUMBER	PART NAME	AP	BH	BP	DP	MP
0413484-3	SHIELD ASSEMBLY - DOORPOST LH	978	978	978	978	978
0413484-5	SHIELD ASSEMBLY - DOORPOST RH	978	978	978	978	978
0511130	SHIELD - FRONT SPAR	531	531	531	531	531
0511482-5	SHIELD - INSTRUMENT LIGHT CONSOLE	532	532	532	532	532
0511482-9	COVER ASSEMBLY	532	532	532	532	532
0513013-12	BAGGAGE SHELF	978	978	978	978	978
0513311-1	SUPPORT ASSEMBLY - CONTROL TUBE	156	156	156	156	156
0513311-2	SUPPORT ASSEMBLY - CONTROL TUBE	156	156	156	156	156
0513311-7	SUPPORT ASSEMBLY - CONTROL TUBE	156	156	156	156	156
0514017-1	TRIM - LH	978	978	978	978	978
0514017-2	TRIM - RH	978	978	978	978	978
0514017-3	TRIM	978	978	978	978	978
0514018-3	POCKET ASSEMBLY - MAGAZINE	978	978	978	978	978
0514018-15	TRIM ASSEMBLY - SEAT BACK	978	978	978	978	978
0514055-11	TRIM ASSEMBLY - SEAT BACK	978	978	978	978	978
0514055-3	POCKET ASSEMBLY - MAGAZINE	978	978	978	978	978
0700114-20	FAIRING	825	825	825	825	825
0700114-62	COVER - COWL DECK	193	193	193	193	193
0700148-1	HOOD - MAP LIGHT	978	978	978	978	978
0700191-1	COVER - TUNNEL	978	978	978	978	978
0700191-2	COVER - TUNNEL	978	978	978	978	978
0700191-3	COVER - TUNNEL	978	978	978	978	978
0700195-11	COVER - INSTRUMENT PANEL LOWER	978	978	978	978	978
0700195-12	COVER - INSTRUMENT PANEL LOWER	978	978	978	978	978
0700631-5	FRAME ASSEMBLY - SEAT BOTTOM LH	985	985	985	985	985
0700631-6	FRAME ASSEMBLY - SEAT BOTTOM RH	985	985	985	985	985
0700646-1	SKIRT - SEAT BOTTOM LH	978	978	978	978	978
0700646-2	SKIRT - SEAT BOTTOM RH	978	978	978	978	978
0710646-1	COVER PLATE - LH	532	532	532	532	532
0710647-1	COVER PLATE - RH	532	532	532	532	532
0710652-1	ESCUTCHEON - GAGE	532	532	532	532	532
0711079-1	PANEL - TRAY ASSEMBLY	978	978	978	978	978
0711079-6	PANEL - TRAY ASSEMBLY	978	978	978	978	978
0711133-40	SHIELD - DOORPOST RH	978	978	978	978	978
0711702-5	FRAME ASSEMBLY - SEAT BOTTOM LH	985	985	985	985	985
0711702-6	FRAME ASSEMBLY - SEAT BOTTOM RH	985	985	985	985	985
0711702-20	FRAME ASSEMBLY - SEAT BACK	985	985	985	985	985
0713025-6	COVER ASSEMBLY - TRIM WHEEL	978	978	978	978	978
0713257-1	COVER - RUDDER TRIM WHEEL	978	978	978	978	978
0713764-12	COVER - INSTRUMENT PANEL RH	279	279	279	279	279
0713764-14	COVER - INSTRUMENT PANEL RH	279	279	279	279	279
0713764-16	COVER - SHOCK PANEL	279	279	279	279	279
0713764-22	COVER - SHOCK PANEL	279	279	279	279	279
0713764-23	COVER - INSTRUMENT PANEL RH	279	279	279	279	279

INTERIOR PAINTED OR PLASTIC PARTS 1971 MODEL YEAR 18052176 THRU 18052284 18501833 THRU 18502090		INTERIOR COLOR CODE (From Finish and Trim Plate)				
PART NUMBER	PART NAME	AP	BH	BP	DP	MP
0713871-1	COVER - RADIO CUTOUT	279	279	279	279	279
0713875-3	DOOR ASSEMBLY - GLOVE BOX	978	978	978	978	978
0713907-1	COVER - BRACKET	978	978	978	978	978
0713958-1	COVER - SWITCH PANEL	279	279	279	279	279
0714010-1	TRIM - LH	978	978	978	978	978
0714010-2	TRIM - RH	978	978	978	978	978
0715015-9	DOOR PANEL - LH	978	978	978	978	978
0715015-10	DOOR PANEL - RH	978	978	978	978	978
0715015-11	PANEL - AFT LH	978	978	978	978	978
0715015-12	PANEL - AFT RH	978	978	978	978	978
0715015-14	PANEL ASSEMBLY - BAGGAGE DOOR	978	978	978	978	978
0715020-1	TRIM - SEAT BOTTOM	532	532	532	532	532
0716114-1	COVER ASSEMBLY - FUEL TANK SELECTOR	978	978	978	978	978
0716114-3	COVER ASSEMBLY - FUEL TANK SELECTOR	978	978	978	978	978
0760006-1	SHIELD - CONTROL YOKE	978	978	978	978	978
1200415-7	ESCUTCHEON - OXYGEN PORT	532	532	532	532	532
1470089-14	MAPLIGHT ASSEMBLY	279	279	279	279	279



INTERIOR PAINTED OR PLASTIC PARTS 1973 MODEL YEAR 18052285 THRU 18052384 18502091 THRU 18502310		INTERIOR COLOR CODE (From Finish and Trim Plate)		
		AP	BP	DP
PART NUMBER	PART NAME	AP	BP	DP
0413484-15	SHIELD ASSEMBLY - DOORPOST LH	978	978	978
0413484-16	SHIELD ASSEMBLY - DOORPOST RH	978	978	978
0511130	SHIELD - FRONT SPAR	531	531	531
0511482-5	SHEILD - INSTRUMENT LIGHT CONSOLE	532	532	532
0511482-9	COVER ASSEMBLY	532	532	532
0513013-12	BAGGAGE SHELF	978	978	978
0513311-2	SUPPORT ASSEMBLY - CONTROL TUBE	156	156	156
0513311-7	SUPPORT ASSEMBLY - CONTROL TUBE	156	156	156
0514017-3	TRIM	978	978	978
0514018-3	POCKET ASSEMBLY - MAGAZINE	978	978	978
0514018-15	TRIM ASSEMBLY - SEAT BACK	978	978	978
0514055-11	TRIM ASSEMBLY - SEAT BACK	978	978	978
0514055-3	POCKET ASSEMBLY - MAGAZINE	978	978	978
0700114-20	FAIRING	978	978	978
0700114-62	COVER - COWL DECK	825	825	825
0700148-1	HOOD - MAP LIGHT	193	193	193
0700191-1	COVER - TUNNEL	978	978	978
0700191-2	COVER - TUNNEL	978	978	978
0700191-3	COVER - TUNNEL	978	978	978
0710646-1	COVER PLATE - LH	532	532	532
0710647-1	COVER PLATE - RH	532	532	532
0710652-1	ESCUTCHEON - GAGE	532	532	532
0711079-1	PANEL - TRAY ASSEMBLY	978	978	978
0711079-6	PANEL - TRAY ASSEMBLY	978	978	978
0711133-72	SHIELD - DOORPOST RH	978	978	978
0711702-5	FRAME ASSEMBLY - SEAT BOTTOM LH	985	985	985
0711702-6	FRAME ASSEMBLY - SEAT BOTTOM RH	985	985	985
0711702-20	FRAME ASSEMBLY - SEAT BACK	985	985	985
0713025-6	COVER ASSEMBLY - TRIM WHEEL	978	978	978
0713257-1	COVER - RUDDER TRIM WHEEL	978	978	978
0713871-1	COVER - RADIO CUTOUT	A59	A59	A59
0713875-1	DOOR ASSEMBLY - GLOVE BOX	978	978	978
0713907-1	COVER - BRACKET	279	279	279
0713958-5	COVER - SWITCH PANEL	A59	A59	A59
0713966-1	COVER - INSTRUMENT PANEL LOWER	978	978	978
0713966-2	COVER - INSTRUMENT PANEL LOWER	978	978	978
0713968-1	COVER - SHOCK PANEL	A59	A59	A59
0713968-2	COVER - INSTRUMENT PANEL	A59	A59	A59
0714010-1	TRIM LH	978	978	978
0714010-2	TRIM RH	978	978	978
0715015-9	DOOR PANEL - LH	978	978	978
0715015-10	DOOR PANEL - RH	978	978	978
0715015-11	PANEL - AFT LH	978	978	978

INTERIOR PAINTED OR PLASTIC PARTS 1973 MODEL YEAR 18052285 THRU 18052384 18502091 THRU 18502310		INTERIOR COLOR CODE (From Finish and Trim Plate)		
		AP	BP	DP
PART NUMBER	PART NAME	978	978	978
0715015-12	PANEL - AFT RH	978	978	978
0715015-14	PANEL ASSEMBLY - B BAGGAGE DOOR	978	978	978
0716114-1	COVER ASSEMBLY - FUEL TANK SELECTOR	978	978	978
0716114-3	COVER ASSEMBLY - FUEL TANK SELECTOR	978	978	978
0760006-1	SHIELD - CONTROL YOKE	978	978	978
1200415-7	ESCUTCHEON - OXYGEN PORT	532	532	532
1470089-14	MAPLIGHT ASSEMBLY	279	279	279



ALPHABETICAL INDEX

ALPHABETICAL INDEX

NOMENCLATURE	FIGURE	NOMENCLATURE	FIGURE
A		A (cont)	
ABRASION BOOT	19	AIR SPEED INDICATOR	67
ACCESS DOOR-COWL	73	AIR SPEED INDICATOR	68
ACCESS DOOR-COWL	73A	AIR SPEED INDICATOR	68A
ACCESSORY KITS-SEE ACC KITS CATALOG.		AIR SPEED INDICATOR	68B
ACCUMULATOR TANK-FUEL	105	AIR SPEED INDICATOR	68C
ACCUMULATOR TANK-FUEL	103	AIR SPEED INDICATOR-AMPHIBIAN	128
ACCUMULATOR TANK-FUEL	104	AIR SPEED INDICATOR-TRUE	68A
ACTUATOR HINGE-STABILIZER	100	AIR SPEED INDICATOR-TRUE	68B
ACTUATOR-POWER SEAT BACK	63A	AIR SPEED INDICATOR-TRUE	68C
ACTUATOR-STABILIZER	100	AIR SPEED INDICATOR-TRUE	101
ADAPTER-FUEL TANK DRAIN	13	AIR SPEED INDICATOR-TRUE	102
ADAPTER-OIL FILTER	113	ALIGHTING GEAR	40
ADAPTER-OIL FILTER	113A	ALIGHTING GEAR-CROSSWIND	40A
ADAPTER-OIL FILTER	115	ALIGHTING GEAR-CROSSWIND	41
ADAPTER-OIL TEMPERATURE	74	ALIGHTING GEAR-MAIN	41
ADAPTER-REAR AIR VENT	88A	ALTERNATE STATIC SOURCE INSTL	102A
ADAPTER-REAR AIR VENT	88	ALTERNATOR	76A
ADAPTER-ROTATING SEACON	24	ALTERNATOR	77A
ADJUSTER-SENSITIVITY-TACTAIR	135	ALTERNATOR	121
AFT SECTION	22	ALTERNATOR	122
AFT SECTION	23	ALTERNATOR DRIVE BELT	123B
AFT SECTION-FUSELAGE	35	ALTERNATOR-SHOCK MOUNTED	123B
AFT SECTION-FUSELAGE	35A	ALTIMETER	67
AILERON	14	ALTIMETER	68
AILERON AMPLIFIER-TACTAIR	135	ALTIMETER	68A
AILERON BELLCRANK	14	ALTIMETER	68B
AILERON CARRY THRU TUBE	95	ALTIMETER	68C
AILERON CHAIN	95	ALTIMETER	101
AILERON CHAIN SPROCKET	94	ALTIMETER	102
AILERON CONTROL SYSTEM	95	ALTITUDE HOLD-TACTAIR	134
AILERON CONTROL CABLE	95	ANMETER	57
AILERON HINGE	14	ANMETER	68
AILERON INTERCONNECT	126A	ANMETER	68A
AILERON PUSH PULL ROD	14	ANMETER	68B
AILERON PUSH-PULL ROD	95	ANMETER	68C
AILERON SERVO	95A	AMPHIBIAN FITTINGS	128
AILERON SERVO-TACTAIR	134	AMPLIFIER-AILERON-TACTAIR	135
AILERON SERVO-TACTAIR	135	AMPLIFIER-ELEVATOR-TACTAIR	134
AILERON WEIGHT	14	ANNIVERSARY MODEL MEDALLION	2
AILERON-SPAP	14	ARM-GOVERNOR CONTROL	74
AIR BOX	76	ARM-TAILWHEEL	47
AIR BOX DRAIN TUBE	76	ARMREST	54
AIR BOX DRAIN	78	ASH RECEIVER	60
AIR BOX FILTER	73	ASH RECEIVER	63A
AIR BOX FILTER	73A	ASH TRAY	57
AIR BOX-ENGINE	77	ASH TRAY	57A
AIR BOX-INDUCTION	78	ASH TRAY	58
AIR BOX-INDUCTION	78A	ASH TRAY-FRONT SEAT	63
AIR CONTROL-CABIN	67	ASH TRAY-FRONT SEAT	63C
AIR CONTROL-CABIN	68	AUTO PILOT-TACTAIR T-3	134
AIR CONTROL-CABIN	68A	AUTO PILOT-TACTAIR T-2	135
AIR CONTROL-CABIN	68B	AUXILIARY FUEL PUMP & STRAINER	108
AIR CONTROL-CABIN	68C	AUXILIARY FUEL PUMP & STRAINER	103
AIR CONTROL-INDUCTION	68	AUXILIARY FUEL PUMP & STRAINER	105
AIR CONTROL-INDUCTION	68A	AUXILIARY FUEL PUMP & STRAINER	104
AIR FILTER-CARBURETOR	77B	AUXILIARY FUEL GAGE	67
AIR FILTER-VACUUM	117B	AUXILIARY FUEL SWITCH	67
AIR FILTER-VACUUM	117C	AUXILIARY FUEL SWITCH	68
AIR FILTER-VACUUM	117E	AUXILIARY FUEL SWITCH	68D
AIR INLET-ALTERNATE	78	AUXILIARY FUEL SWITCH	68E
AIR INTAKE HOSE	77	AUXILIARY FUEL PUMPS & STRAINER	107
AIR THROTTLE	76A	AUXILIARY REFUELING EQUIPMENT	70B
AIR VALVE-WARM	89	AUXILIARY SEAT	66
AIR VENT DOOR-SIDE	88	AXLE BOOT-CROSSWIND GEAR	44
AIR VENT VALVE-REAR CABIN	88	AXLE-CROSSWIND GEAR	40A
AIR-INDUCTION CONTROL	74	AXLE-CROSSWIND GEAR	44
AIR SPEED INDICATOR	102	AXLE-MAIN GEAR	41
AIR SPEED INDICATOR	101	AXLE-MAIN GEAR	40



ALPHABETICAL INDEX

NOMENCLATURE	FIGURE	NOMENCLATURE	FIGURE
B (cont)		C (cont)	
BOX-MAP.	58	CABIN DOOR LH.	49
BOX-MAP.	69	CABIN DOOR RM.	50
BRACKET-FUEL STRAINER.	33	CABIN HEAT CONTROL	57
BRACKET-COMPASS.	31	CABIN HEAT CONTROL	68
BRAKE.	41	CABIN HEAT CONTROL	68A
BRAKE.	40	CABIN HEAT CONTROL	68B
BRAKE & RUDDER PEDAL	91	CABIN HEAT CONTROL	68C
BRAKE & RUDDER PEDAL	92	CABIN HEAT CONTROL	89
BRAKE HANDLE-PARKING	70	CABIN HEAT CONTROL	89
BRAKE HOSE	90	CABIN HEATER DUCT.	89
BRAKE LINE	40	CABIN HEATER-MANIFOLD.	89
BRAKE LINE	40A	CABIN LIGHTS	121
BRAKE LINE	41	CABIN LIGHTS	123
BRAKE LINE	90	CABIN LIGHTS	122
BRAKE LINING-CROSSWIND GEAR.	44	CABIN STEP	22
BRAKE LINK-DUAL.	91	CABIN STEP	23
BRAKE LINK-DUAL.	92	CABIN TOP.	24
BRAKE MASTER CYLINDER.	93	CABIN TOP.	25
BRAKE MASTER CYLINDER PISTON	93	CABIN TOP-REAR	26
BRAKE MASTER CYLINDER.	91	CABIN VENTILATION SYSTEM	98
BRAKE MASTER CYLINDER.	90	CABIN VENTILATION SYSTEM	88A
BRAKE MASTER CYLINDER.	92	CABLE DEFLECTOR INSTL.	70A
BRAKE SYSTEM	90	CABLE-AILERON CONTROL.	95
BRAKE-CROSSWIND GEAR	42C	CABLE-AILERON INTERCONNECT	126A
BRAKE-CROSSWIND GEAR	44	CABLE-AILERON SERVO.	95A
BRAKE-MAIN WHEEL	42	CABLE-BATTERY.	121
BRAKE-MAIN WHEEL	42A	CABLE-BATTERY.	122
BRAKE-MAIN WHEEL	42B	CABLE-CAMERA	132
BRAKE-MAIN WHEEL	43	CABLE-ELEVATOR CONTROL	96
BRAKE-PARKING.	90	CABLE-FLAP CONTROL	97
BREAKER-CIRCUIT.	67	CABLE-RUDDER CENTERING	126A
BREAKER-CIRCUIT.	68	CABLE-RUDDER CONTROL	98
BREAKER-CIRCUIT.	69D	CABLE-RUDDER CONTROL	99
BREAKER-CIRCUIT.	69E	CABLE-STABILIZER TRIM.	100
BREATHER TUBE.	76	CABLE-TACTAIR.	134
BREATHER TUBE.	77	CABLE-TACTAIR.	135
BULB-CHARGE INDICATOR.	67	CABLE-TAILWHEEL.	46
BULB-CHARGE INDICATOR.	68	CABLE-TAILWHEEL.	45
BULB-CYLINDER HEAD TEMP.	76	CABLES-CAMERA.	131
BULB-DOME LIGHT.	123	CAM-DOOR LOCK.	49
BULB-INSTRUMENT PANEL LIGHT.	123	CAMERA CUT-OUT SEAL.	133
BULB-LANDING LIGHT	3	CAMERA FLOORBOARD.	131
BULB-LANDING LIGHT	125C	CAMERA FLOORBOARD.	132
BULB-NAVIGATION LIGHT.	3	CAMERA GAS DEFLECTOR	132
BULB-NAVIGATION LIGHT.	3A	CAMERA PROVISIONS-CENTERLINE	131
BULB-MAP LIGHT	123A	CAMERA PROVISIONS-OFF CENTER	133
BULB-MAP LIGHT	94B	CAMERA PROVISIONS-CENTER-LINE	132
BULKHEAD ASSEMBLY-LANDING GEAR	30	CAMERA SEAT.	132
BULKHEAD STA 65.33	32	CAMERA WINDOW.	131
BULKHEAD STA 65.33	32A	CAMERA WINDOW.	131
BULKHEAD-SPINNER	71	CAMERA WINDOW.	133
BUNGEE-RUDDER.	98	CAMERA WINDOW.	132
BUSS BAR	68D	CAP-AIR OUTLET	88
BUSS BAR	68C	CAP-AIR OUTLET	88A
		CAP-FUEL	13
		CAP-GAS.	13
		CAP-HUB.	41
		CARBURETOR	77B
		CARBURETOR AIR FILTER.	77B
		CARBURETOR AIR TEMP. GAGE.	67
		CARBURETOR AIR TEMP. GAGE.	68A
		CARBURETOR AIR TEMP. GAGE.	68B
		CARBURETOR AIR TEMP. GAGE.	68C
		CARBURETOR AIR TEMP. PROBE	77
		CARBURETOR AIR INTAKE DUCT	73
		CARBURETOR AIR INTAKE DUCT	73A
		CARBURETOR HEAT CONTROL.	67
		CARBURETOR HEAT CONTROL.	68A
		CARBURETOR HEAT CONTROL.	68B
C			
CABIN AIR CONTROL.	67		
CABIN AIR CONTROL.	68		
CABIN AIR CONTROL.	68A		
CABIN AIR CONTROL.	68B		
CABIN AIR CONTROL.	68C		
CABIN AIR VENT SCOOP	8		
CABIN AIR VENT SCOOP	8A		
CABIN AIR VENT SCOOP	7		
CABIN DOOR FRAME	25		

ALPHABETICAL INDEX

NOMENCLATURE	FIGURE	NOMENCLATURE	FIGURE
C (cont)		C (cont)	
CARBURETOR HEAT CONTROL	69C	CONTROL BELLCRANK-THROTTLE	78
CARBURETOR HEAT CONTROL	75	CONTROL BELLCRANK-MIXTURE	78
CARBURETOR HEAT HOSE	77	CONTROL CABLE-AILERON	95
CARD COVER-CORRECTION	67	CONTROL CABLE-ELEVATOR	96
CARD COVER-CORRECTION	68	CONTROL CABLE-FLAP	97
CARD COVER-CORRECTION	68A	CONTROL CABLE-RUDDER	98
CARD COVER-CORRECTION	68B	CONTROL CABLE-RUDDER	97
CARD-CORRECTION	67	CONTROL CABLE-STABILIZER TRIM	100
CARD-CORRECTION	68	CONTROL LEVER-COWL FLAP	87
CARD-CORRECTION	69A	CONTROL LOCK	70
CARD-CORRECTION	68B	CONTROL SYSTEM-PUDDER	98
CARD-CORRECTION RETAINER	67	CONTROL SYSTEM-AILERON	95
CARD-CORRECTION RETAINER	68	CONTROL SYSTEM-COWL FLAP	87
CARD-CORRECTION RETAINER	68A	CONTROL SYSTEM-ELEVATOR	96
CARD-CORRECTION RETAINER	68B	CONTROL SYSTEM-FLAP	97
CARD-CORRECTION RETAINER	69B	CONTROL SYSTEM-RUDDER	99
CARGO PACK	129	CONTROL SYSTEM-STABILIZER TRIM	100
CARGO PACK DOOR	129	CONTROL TEE	94
CARPET	56	CONTROL TEE SHIELD	56
CASE-GLOVE & MAP	69	CONTROL TUBE COLLAR	68
CASE-MAP	67	CONTROL TUBE SOCKET	68
CASE-MAP	68	CONTROL TUBE SUPPORT	68A
CASE-OXYGEN MASK	119	CONTROL TUBE SUPPORT	68B
CASTING-TAILGEAR MOUNTING	39	CONTROL TUBE SUPPORT	68C
CATALOG-HOW TO USE	PAGE I	CONTROL TUBE-CONTROL TEE	94
CATCH-GLOVEBOX MAGNETIC	69A	CONTROL UNIT-TACTAIR	135
CENTER STOWABLE SEAT	65	CONTROL WHEEL	94
CENTER-LINE CAMERA PROVISIONS	131	CONTROL WHEEL	94A
CENTER-LINE CAMERA PROVISIONS	132	CONTROL WHEEL	94B
CHAIN-AILERON	95	CONTROL WHEEL	948
CHAIN-STABILIZER TRIM	100	CONTROL WHEEL & SWITCHES INSTL	948
CHARGE INDICATOR LIGHT	67	CONTROL WHEEL EMBLEM	94
CHARGE INDICATOR LIGHT	68	CONTROL WHEEL EMBLEM	2
CHECK VALVE	108	CONTROL WHEEL EMBLEM	2A
CHECK VALVE	107	CONTROL WHEEL MAP LIGHT	948
CHILD SEAT	65B	CONTROL YOKE	94A
CIGAR LIGHTER	67	CONTROL YOKE SHIELD	56
CIGAR LIGHTER	68	CONTROL-CABIN AIR	57
CIGAR LIGHTER	68A	CONTROL-CABIN AIR	68
CIGAR LIGHTER	68B	CONTROL-CABIN AIR	68A
CIGAR LIGHTER	68C	CONTROL-CABIN AIR	68B
CIGAR LIGHTER	67	CONTROL-CABIN AIR	68C
CIRCUIT BREAKER	67	CONTROL-CABIN HEAT	67
CIRCUIT BREAKER	68	CONTROL-CABIN HEAT	68
CIRCUIT BREAKER	68D	CONTROL-CABIN HEAT	68A
CIRCUIT BREAKER	68E	CONTROL-CABIN HEAT	68B
CIRCUIT BREAKER	113	CONTROL-CABIN HEAT	68C
CIRCUIT BREAKER	114	CONTROL-CABIN HEAT	89
CLOCK	67	CONTROL-CARBURETOR HEAT	67
CLOCK	68	CONTROL-CARBURETOR HEAT	68A
CLOCK	68A	CONTROL-CARBURETOR HEAT	68B
CLOCK	68B	CONTROL-CARBURETOR HEAT	68C
CLOCK	68C	CONTROL-CARBURETOR HEAT	75
CLUTCH ASSEMBLY-DOOR LATCH	32A	CONTROL-CARBURETOR HEAT	68A
CLUSTER-INSTRUMENT	68A	CONTROL-FUEL SHUT OFF	68B
CLUSTER-INSTRUMENT	68B	CONTROL-FUEL SHUT OFF	68B
CLUSTER-INSTRUMENT	68C	CONTROL-FUEL VALVE	105
COAT HANGER HOOK	53	CONTROL-FUEL VALVE	104
COLLAR-CONTROL TUBE	67	CONTROL-INDUCTION AIR	68
COLLAR-CONTROL TUBE	68	CONTROL-INDUCTION AIR	68A
COLLECTOR-EXHAUST STACKS	83	CONTROL-INDUCTION AIR	74
COMMAND CONTROL-TACTAIR	134	CONTROL-MIXTURE	67
COMPASS	70	CONTROL-MIXTURE	68
COMPASS BRACKET	31	CONTROL-MIXTURE	68A
CONTACTOR-MASTER SOLENOID	121	CONTROL-MIXTURE	68B
CONTACTOR-MASTER SOLENOID	122	CONTROL-MIXTURE	68C
CONTINENTAL ENGINE	76	CONTROL-MIXTURE	74
CONTINENTAL ENGINE	77	CONTROL-MIXTURE	75
CONTROL ARM-GOVERNOR	74	CONTROL-PROPELLER	74
CONTROL BELLCRANK-FLAP	97	CONTROL-PROPELLER	75

ALPHABETICAL INDEX

NOMENCLATURE	FIGURE	NOMENCLATURE	FIGURE
C (cont)		C (cont)	
CONTROL-PROPELLER PITCH	57	COWL FLAP	73
CONTROL-PROPELLER PITCH	58	COWL FLAP	73A
CONTROL-PROPELLER PITCH	68A	COWL FLAP CONTROL LEVER	97
CONTROL-PROPELLER PITCH	68B	COWL FLAP CONTROL SYSTEM	97
CONTROL-PROPELLER PITCH	68C	COWL FLAP EXTENSION-AG CARRYALL	87A
CONTROL-STRAINER DRAIN	67	COWL FLAP EXTENSIONS-CARGO PACK	129
CONTROL-STRAINER DRAIN	68	COWL NOSE CAP	73
CONTROL-STRAINER DRAIN	69A	COWL NOSE CAP	73A
CONTROL-STRAINER DRAIN	74	COWL OPENING COVER	86
CONTROL-STRAINER DRAIN	75	COWL-ENGINE	73
CONTROL-STRAINER DRAIN	109	COWL-ENGINE	73A
CONTROL-STRAINER DRAIN	110	CROSSWIND AXLE & HUB	44
CONTROL-TACTAIR COMMAND	134	CROSSWIND BRAKE LINING	44
CONTROL-THROTTLE	67	CROSSWIND GEAR	41
CONTROL-THROTTLE	58	CROSSWIND GEAR	40A
CONTROL-THROTTLE	58A	CROSSWIND GEAR WHEEL & BRAKE	44
CONTROL-THROTTLE	58B	CROSSWIND GEAR WHEEL & BRAKE	42C
CONTROL-THROTTLE	58C	CUP-FUEL SAMPLER	13A
CONTROL-THROTTLE	74	CUTTER-WIRE	79A
CONTROL-THROTTLE	75	CYLINDER HEAD TEMP. BULB	76
COOLER-ENGINE OIL	76	CYLINDER HEAD TEMP. GAGE	67
COOLER-ENGINE OIL	76A	CYLINDER HEAD TEMP. GAGE	68
COOLER-ENGINE OIL	77A	CYLINDER HEAD TEMP. GAGE	68A
COOLER-LARGE OIL	77	CYLINDER HEAD TEMP. GAGE	68B
COOLER-NON CONGEALING	77A	CYLINDER HEAD TEMP. GAGE	68C
CORRECTION CARD	57	CYLINDER-BRAKE MASTER	93
CORRECTION CARD	68	CYLINDER-BRAKE MASTER	91
CORRECTION CARD	68A	CYLINDER-BRAKE MASTER	90
CORRECTION CARD	68B	CYLINDER-BRAKE MASTER	92
CORRECTION CARD RETAINER	67	CYLINDER-OXYGEN	119
CORRECTION CARD RETAINER	68	CYLINDER-OXYGEN	120
CORRECTION CARD RETAINER	68A	CYLINDER-OXYGEN	120A
CORRECTION CARD RETAINER	68B	CYLINDER-OXYGEN	120B
COURTESY LIGHTS	123	CYLINDER-OXYGEN	120C
COVER-BALANCE TUBE	96	CYLINDER-PROPELLER	72
COVER-CORRECTION CARD	67	CYLINDER-PROPELLER	72A
COVER-CORRECTION CARD	68		
COVER-CORRECTION CARD	68A	D	
COVER-CORRECTION CARD	68B	DECALS & PLACARDS	2
COVER-COWL DECK	53	DECK COVER-COWL	53
COVER-COWL OPENING	86	DEFLECTOR-EXHAUST HEAT	76
COVER-FLOOR	55	DEFLECTOR-EXHAUST HEAT	77
COVER-FUEL TANK SELECTOR	135	DEFLECTOR-GAS-CAMERA	131
COVER-INSTRUMENT PANEL	67	DEFLECTOR-GAS-CAMERA	132
COVER-RADIO	68A	DEFROST OUTLET	89
COVER-RADIO	68B	DEFROST VALVE GUIDE	99
COVER-RADIO	68C	DEFROST VALVE	89
COVER-RUDDER TRIM WHEEL	56	DETECTOR-NAVIGATION LIGHT FLASHER	122
COVER-RUDDER TRIM WHEEL	98	DETECTOR-NAVIGATION LIGHT	3
COVER-RUDDER TRIM WHEEL	99A	DETECTOR-NAVIGATION LIGHT	3A
COVER-SHOCK PANEL	67	DILUTION SWITCH-OIL	113
COVER-SHOCK PANEL	68	DILUTION SWITCH-OIL	67
COVER-SHOCK PANEL	68A	DILUTION SWITCH-OIL	68
COVER-SHOCK PANEL	68B	DILUTION SWITCH-OIL	68D
COVER-SHOCK PANEL	68C	DILUTION SWITCH-OIL	68E
COVER-STABILIZER TRIM WHEEL	100	DILUTION-OIL	114
COVER-STATIONARY PANEL	58	DIP STICK-ENGINE OIL	76
COVER-STATIONARY PANEL	68A	DIRECTIONAL GYRO	67
COVER-STATIONARY PANEL	68B	DIRECTIONAL GYRO	68
COVER-STATIONARY PANEL	68C	DIRECTIONAL GYRO	68A
COVER-TUNNEL	55	DIRECTIONAL GYRO	68B
COVER-TUNNEL AFT	28	DIRECTIONAL GYRO	68C
COVER-TUNNEL AFT	29	DIRECTIONAL GYRO	116
COWL ACCESS DOOR	73	DIRECTIONAL GYRO	117
COWL ACCESS DOOR	73A	DIRECTIONAL GYRO	117A
COWL DECK COVER	53		
COWL DOOR-OIL	73		
COWL DOOR-OIL	73A		

ALPHABETICAL INDEX

NOMENCLATURE	FIGURE	NOMENCLATURE	FIGURE
D(cont)		D(cont)	
DIRECTIONAL GYRO	1178	DOOR-COWL	73
DIRECTIONAL GYRO	117C	DOOR-COWL	73A
DIRECTIONAL GYRO	117E	DOOR-GLOVE BOX	69
DIRECTIONAL GYRO	134	DOOR-GLOVE BOX	69A
DIRECTIONAL GYRO	135	DOOR-GROUND SERVICE PLUG	125
DISCHARGE HOSE	117	DOOR-GROUND SERVICE PLUG	125A
DISCHARGE HOSE	117A	DOOR-LITTER	358
DISCHARGER-STATIC	14	DOOR-MAP CASE	69
DISCHARGER-STATIC	20	DOOR-SIDE AIR VENT	88
DISCHARGER-STATIC	21	DOOR-SIDE AIR VENT	88A
DISENGAGING RUDDER PEDALS	72	DOORPOST-FRONT	30
DISTRIBUTOR-FUEL	118	DORSAL	14
DIVIDED MIDDLE SEAT ASSEMBLY	65A	DORSAL	17
DOME LIGHT	123	DORSAL FITTING	35
DOME-FLASHING BEACON	124A	DORSAL FITTING	35A
DOME-ROTATING BEACON	124	DORSAL RIB	19
DOME-SPINNER	71	DORSAL RIB	17
DOOR FRAME	24	DRAIN ADAPTER-FUEL TANK	13
DOOR FRAME-CABIN	25	DRAIN CONTROL-FUEL STRAINER	109
DOOR HANDLE	49	DRAIN CONTROL-FUEL STRAINER	110
DOOR HANDLE	50	DRAIN CONTROL-STRAINER	67
DOOR HANDLE	50	DRAIN CONTROL-STRAINER	68
DOOR HANDLE	49	DRAIN CONTROL-STRAINER	68A
DOOR HANDLE ESCUTCHEON	50	DRAIN CONTROL-STRAINER	74
DOOR HANDLE ESCUTCHEON	50	DRAIN CONTROL-STRAINER	75
DOOR HANDLE-BAGGAGE	58	DRAIN CONTROL-STRAINER	76
DOOR HANDLE-BAGGAGE	57	DRAIN INSTALLATION-OIL SUMP	76
DOOR HANDLE-BAGGAGE	57A	DRAIN LINE-ENGINE PUMP	76
DOOR HINGE-BAGGAGE	52	DRAIN TUBE-AIR BOX	76
DOOR HINGE-CABIN	49	DRAIN TUBE-FLOATPLANE	125
DOOR HINGE-CABIN	50	DRAIN VALVE	120
DOOR JAMB-BAGGAGE	24	DRAIN VALVE-FUEL	125
DOOR JAMB-LITTER	358	DRAIN VALVE-FUEL	104
DOOR LATCH-LITTER	358	DRAIN VALVE-FUEL	110
DOOR JAMB-BAGGAGE	25	DRAIN VALVE-FUEL TANK	13A
DOOR LATCH HANDLE	51	DRAIN VALVE-QUICK OIL	77
DOOR LATCH HANDLE	51A	DRAIN-AIR BOX	78
DOOR LATCH STRIKE PLATE	32	DRAIN-FUEL	109
DOOR LATCH STOP	51	DRAIN-FUEL STRAINER	110
DOOR LATCH-BAGGAGE	52	DRAIN-FUEL VALVE	103
DOOR LATCH-CABIN	49	DRIVE BELT-ALTERNATOR	76A
DOOR LATCH-CABIN	50	DRIVE BELT-ALTERNATOR	77B
DOOR LATCH CLUTCH ASSEMBLY	32A	DRIVE BELT-ALTERNATOR	123A
DOOR LOCK-BAGGAGE	52	DRIVE BELT-GENERATOR	76A
DOOR LOCK CAM	49	DRIVE BELT-GENERATOR	77A
DOOR PULL	54	DUAL BRAKE LINK	91
DOOR SEAL	49	DUAL BRAKE LINK	92
DOOR SEAL	50	DUAL BRAKES	91
DOOR SEAL	52	DUAL BRAKES	92
DOOR SEAL-BAGGAGE	358	DUAL CONTROL-RUDDER PEDAL	71
DOOR SEAL-LITTER	24	DUAL CONTROL-RUDDER PEDAL	92
DOOR SILL	54	DUCT-CABIN HEATER	89
DOOR SOUNDPROOFING	49	DUCT-CARBURETOR AIR INTAKE	73
DOOR STOP	50	DUCT-CARBURETOR AIR INTAKE	73A
DOOR STOP-CABIN	50	DUST COVER-OXYGEN OUTLET	119
DOOR STRUCTURE-RH CABIN	54		
DOOR UPHOLSTERY	54		
DOOR WINDLACE-CABIN	58		
DOOR WINDLACE-CABIN	57		
DOOR WINDLACE-CABIN	57A		
DOOR WINDOW-CABIN	49		
DOOR WINDOW-CABIN	50		
DOOR-BAGGAGE	22		
DOOR-BAGGAGE	23		
DOOR-BAGGAGE	52		
DOOR-BAGGAGE	49		
DOOR-CABIN LH	50		
DOOR-CABIN RH	50		
DOOR-CARGO PACK	129		
DOOR-COLD AIR	28		
DOOR-COLD AIR	29		
		E	
		ELECTRICAL EQUIPMENT	121
		ELECTRICAL EQUIPMENT	122
		ELEMENT-OIL FILTER	113
		ELEMENT-OIL FILTER	115
		ELEMENT-VACUUM AIR FILTER	1179
		ELEMENT-VACUUM AIR FILTER	117C
		ELEMENT-VACUUM AIR FILTER	117E
		ELEVATOR	21
		ELEVATOR AMPLIFIER-TACTAIR	134



ALPHABETICAL INDEX

NOMENCLATURE	FIGURE	NOMENCLATURE	FIGURE
E (cont)		E (cont)	
ELEVATOR BALANCE WEIGHT	21	EYEBOLT-HOISTING	70
ELEVATOR BELLCRANK	76	EYEBROW-INSTRUMENT PANEL	63A
ELEVATOR CONTROL SYSTEM	76	EYEBROW-INSTRUMENT PANEL	63B
ELEVATOR CONTROL CABLE	76	EYEBROW-INSTRUMENT PANEL	64C
ELEVATOR HINGE	21		
ELEVATOR PYLON	21	F	
ELEVATOR SERVO-TACTAIR	134	FAIRING-EMPENNAGE	17
ELEVATOR SPAR	21	FAIRING-WING	3
ELEVATOR STOP-AFT	33	FAIRING-WING	3A
ELEVATOR STOP-FWD	30	FAIRING-WING	5
ELEVATOR TIP	21	FAIRING-WING	6
EMBLEM-CONTROL WHEEL	94	FAIRING-WING	6A
EMBLEM-CONTROL WHEEL	2	FAIRING-WING STRUT	16
EMBLEM-CONTROL WHEEL	2A	FILLER VALVE-OXYGEN	120
EMBLEM-CONTROL WHEEL	2B	FILLET-WING	27
EMBLEM-CONTROL WHEEL	2C	FILTER ADAPTER-OIL	113
EMBLEMS	2	FILTER ADAPTER-OIL	113A
EMBLEMS	2A	FILTER ADAPTER-OIL	115
EMPENNAGE FAIRING	19	FILTER ELEMENT-OIL	113
ENGINE	74	FILTER ELEMENT-OIL	113A
ENGINE	75	FILTER ELEMENT-OIL	115
ENGINE AIR BOX	77	FILTER ELEMENT-VACUUM AIR	117B
ENGINE BAFFLES	84	FILTER ELEMENT-VACUUM AIR	117C
ENGINE BAFFLE	77	FILTER-AIR BOX	73
ENGINE BAFFLES	95	FILTER-AIR BOX	73A
ENGINE BAFFLES	76	FILTER-CARBURETOR AIR	77A
ENGINE COMPONENTS & ACCESSORIES	74A	FILTER-FUEL PUMP	127
ENGINE COMPONENTS & ACCESSORIES	77A	FILTER-FUEL STRAINER	110A
ENGINE COWL	73	FILTER-FULL FLOW OIL	113
ENGINE COWL	73A	FILTER-FULL FLOW OIL	113A
ENGINE EXHAUST STACKS	83	FILTER-FULL FLOW OIL	115
ENGINE EXHAUST STACKS	82	FILTER-OIL	114
ENGINE MOUNT	76	FILTER-VACUUM AIR	117A
ENGINE MOUNT	77	FILTER-VACUUM AIR	117C
ENGINE MOUNT LUG	76	FIN & DORSAL	13
ENGINE MOUNT-FLOATPLANE	126	FIN & DORSAL	17
ENGINE MOUNT-FLOATPLANE	127	FIN SPAR	16
ENGINE MUFFLER	83	FIN SPAR	17
ENGINE OIL COOLER	75	FIN-VENTRAL	126A
ENGINE OIL DIP STICK	76	FIRE EXTINGUISHER	70
ENGINE PRIMER	97	FIREWALL	33
ENGINE PRIMER	63A	FIREWALL	28
ENGINE PRIMER	63B	FIREWALL	27
ENGINE PRIMER	63C	FIREWALL GROMMETS	33
ENGINE PRIMER	107	FIREWALL GROMMETS	34
ENGINE SHOCK MOUNT	76	FIREWALL GROMMETS	34A
ENGINE SHOCK MOUNT	77	FIREWALL UPHOLSTERY	53
ENGINE-CONTINENTAL	76	FITTING-DORSAL	15
ENGINE-ONTINENTAL	77	FITTING-WING STRUT	16
ESCUTCHEON-DOOR HANDLE	43	FLAP BELLCRANK	15
ESCUTCHEON-DOOR HANDLE	50	FLAP CONTROL BELLCRANK	97
EXHAUST HEAT DEFLECTOR	75	FLAP CONTROL CABLE	97
EXHAUST HEAT DEFLECTOR	77	FLAP CONTROL SYSTEM	27
EXHAUST MUFFLER	32	FLAP CONTROL SYSTEM-COWL	87
EXHAUST PIPE	82	FLAP EXTENSIONS-AG CARRYALL	87A
EXHAUST STACKS	76	FLAP EXTENSIONS-CARGO PACK COWL	129
EXHAUST STACKS	77	FLAP HINGE-COWL	73
EXHAUST STACKS-ENGINE	82	FLAP HINGE-COWL	73A
EXHAUST STACKS-ENGINE	83	FLAP LEVER	97
EXPANDER-AIR INTAKE	73	FLAP LEVER LATCH	97
EXPANDER-TIRE	70	FLAP LEVER RATCHET	97
EXTENDED RANGE STRUCTURE-WING	6	FLAP PUSH-PULL ROD	15
EXTENDED RANGE STRUCTURE-WING	6A	FLAP ROLLER	15
EXTERNAL POWER RECEPTACLE	121	FLAP-COWL	73
EXTERNAL POWER RECEPTACLE	122	FLAP-COWL	73A
EXTERNAL POWER RECEPTACLE	125		
EXTERNAL POWER RECEPTACLE	125A		
EXTINGUISHER-FIRE	70		

ALPHABETICAL INDEX

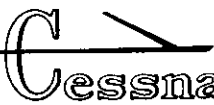
NOMENCLATURE	FIGURE	NOMENCLATURE	FIGURE
F (cont)		F (cont)	
FLAP-WING	15	FUEL DRAIN VALVE	110
FLASHER-BEACON LIGHT	124A	FUEL FLOW GAGE	69
FLASHER-NAVIGATION LIGHTS	122	FUEL FLOW GAGE	64A
FLASHING BEACON	124A	FUEL FLOW GAGE	688
FLOAT-FUEL TRANSMITTER	13	FUEL FLOW GAGE	63C
FLOATPLANE COMPONENTS	126A	FUEL FLOW GAGE	74
FLOATPLANE ENGINE MOUNT	126	FUEL FLOW LINE	57
FLOATPLANE FITTINGS	126	FUEL GAGE	5A
FLOATPLANE FITTINGS	127	FUEL GAGE	68A
FLOOR COVER	55	FUEL GAGE	68B
FLOORBOARD	24	FUEL GAGE	68C
FLOORBOARD	23	FUEL GAGE-AUXILIARY	57
FLOORBOARD-AFT SECTION	35A	FUEL HOSE	104
FLOORBOARD-CAMERA	131	FUEL JET	118
FLOORBOARD-CAMERA	132	FUEL LINE	104
FLOORBOARD-FLOATPLANE	125	FUEL LINE	103
FLOORBOARD-FRONT SECTION	28	FUEL LINE	105
FLOORBOARD-FRONT SECTION	27	FUEL LINE	104
FLOORBOARD-FRONT SECTION	27	FUEL LINE	109
FLOORBOARD-FRONT SECTION	27	FUEL LINE	107
FLOORBOARD-LANDING GEAR SUPPORT	30	FUEL LINE	70A
FLUSH VALVE	13	FUEL METERING UNIT	76
FORK-TAILWHEEL	46	FUEL PRESSURE HOSE	74
FORK-TAILWHEEL	48	FUEL PRESSURE HOSE	118
FORK-TAILWHEEL	47	FUEL PRIMER SYSTEM	119A
FORK-TAILWHEEL	44A	FUEL PRIMER SYSTEM	76A
FORK-TAILWHEEL	49B	FUEL PUMP	103
FRAME-ADJUSTABLE FRONT SEAT	52	FUEL PUMP & STRAINER-AUXILIARY	105
FRAME-CABIN DOOR	25	FUEL PUMP & STRAINER-AUXILIARY	104
FRAME-DIVIDED MIDDLE SEAT	65A	FUEL PUMP & STRAINER-AUXILIARY	107
FRAME-DOOR	24	FUEL PUMP FILTER	63A
FRAME-DOOR WINDOW	50	FUEL PUMP SWITCH	63D
FRAME-FRONT SEAT	63	FUEL PUMP SWITCH	68E
FRAME-WINDOW	47	FUEL PUMP SWITCH	108
FRONT & CENTER SECTION	24	FUEL PUMP RESISTOR	121
FRONT & CENTER SECTION	22	FUEL PUMP RESISTOR	109
FRONT & CENTER SECTION	23	FUEL PUMP-AUXILIARY	107
FRONT & CENTER SECTION	25	FUEL PUMP-AUXILIARY	13A
FRONT SEAT	59	FUEL SAMPLER CUP	105
FRONT SEAT	57A	FUEL SELECTOR VALVE	112
FRONT SEAT	50	FUEL SELECTOR VALVE	105
FRONT SEAT	61	FUEL SELECTOR VALVE HANDLE	106
FRONT SEAT	61A	FUEL SELECTOR VALVE HANDLE	107
FRONT SEAT	63C	FUEL STRAINER	103
FRONT SEAT	57A	FUEL STRAINER	109
FRONT SEAT BACK	61	FUEL STRAINER	110A
FRONT SEAT BACK	61A	FUEL STRAINER & DRAIN	109
FRONT SEAT BACK	63C	FUEL STRAINER & DRAIN	110
FRONT SEAT BACK	63	FUEL STRAINER & DRAIN	110A
FRONT SEAT BELLCRANK	62	FUEL STRAINER BRACKET	33
FRONT SEAT BELLCRANK	63	FUEL STRAINER FILTER	110A
FRONT SEAT FRAME	62	FUEL SWITCH-AUXILIARY	67
FRONT SEAT FRAME-ADJUSTABLE	63	FUEL SWITCH-AUXILIARY	68
FRONT SEAT ROLLER	63	FUEL SYSTEM	103
FRONT SEAT-ADJUSTABLE	62	FUEL SYSTEM	104
FRONT SEAT-INFINITE ADJUST	63C	FUEL SYSTEM	109
FRONT SEAT-RECLINING	59A	FUEL SYSTEM-SELECTABLE TANK	105
FRONT SEAT-VERTICALLY ADJUSTABLE	63	FUEL TANK	13
FRONT SECTION FLOORBOARD	28	FUEL TANK DRAIN VALVE	13A
FRONT SECTION FLOORBOARD	27	FUEL TANK SELECTOR COVER	105
FRONT SECTION FLOORBOARD	29	FUEL TANK SELECTOR VALVE	105
FRONT SECTION STRUCTURE	24	FUEL TANK STRAINER	13
FRONT SECTION STRUCTURE	25	FUEL TRANSMITTER	13
FRONT SECTION STRUCTURE	28	FUEL VALVE	103
FUEL ACCUMULATOR TANK	103	FUEL VALVE	105
FUEL ACCUMULATOR TANK	104	FUEL VALVE	111
FUEL CAP	13	FUEL VALVE CONTROL	105
FUEL DISTRIBUTOR	118	FUEL VALVE CONTROL	104
FUEL DRAIN	109		
FUEL DRAIN VALVE	103		

ALPHABETICAL INDEX

NOMENCLATURE	FIGURE	NOMENCLATURE	FIGURE
G (cont)		H (cont)	
GYRO-DIRECTIONAL	68A	HEADREST	59
GYRO-DIRECTIONAL	68B	HEAT CONTROL-CABIN	67
GYRO-DIRECTIONAL	68C	HEAT CONTROL-CABIN	58
GYRO-DIRECTIONAL	116	HEAT CONTROL-CABIN	68A
GYRO-DIRECTIONAL	117	HEAT CONTROL-CABIN	68B
GYRO-DIRECTIONAL	117A	HEAT CONTROL-CABIN	68C
GYRO-DIRECTIONAL	117B	HEAT CONTROL-CABIN	97
GYRO-DIRECTIONAL	117C	HEAT CONTROL-CARBURETOR	67
GYRO-DIRECTIONAL	117E	HEAT CONTROL-CARBURETOR	68A
GYRO-DIRECTIONAL	134	HEAT CONTROL-CARBURETOR	68B
GYRO-DIRECTIONAL	135	HEAT CONTROL-CARBURETOR	68C
GYRO-HORIZON	57	HEAT CONTROL-CARBURETOR	75
GYRO-HORIZON	68	HEAT DEFLECTOR-EXHAUST	76
GYRO-HORIZON	68A	HEAT DEFLECTOR-EXHAUST	77
GYRO-HORIZON	68B	HEAT SWITCH-PITOT	67
GYRO-HORIZON	68C	HEAT SWITCH-PITOT	68
GYRO-HORIZON	116	HEAT SWITCH-PITOT	68D
GYRO-HORIZON	117	HEAT SWITCH-PITOT	68E
GYRO-HORIZON	117A	HEATED PITOT TUBE	101
GYRO-HORIZON	117B	HEATER DUCT-CABIN	39
GYRO-HORIZON	117C	HEATER-CABIN MANIFOLD	89
GYRO-HORIZON	117E	HEATER-PITOT	102
GYRO-HORIZON	134	HEATER-PITOT	101
GYRO-HORIZON	135	HINGE WINDOW	49
H		HINGE-AILERON	14
HANDLE ESCUTCHEON-DOOR	50	HINGE-AUXILIARY SEAT	55
HANDLE-AUXILIARY REFUELING	70B	HINGE-BAGGAGE DOOR	52
HANDLE-BAGGAGE DOOR PULL	58	HINGE-CABIN DOOR	49
HANDLE-BAGGAGE DOOR PULL	57	HINGE-CABIN DOOR	50
HANDLE-BAGGAGE DOOR PULL	57A	HINGE-CARGO PACK DOOR	129
HANDLE-DOOR	49	HINGE-COWL DOOR	73
HANDLE-DOOR	50	HINGE-COWL DOOR	73A
HANDLE-DOOR	50	HINGE-COWL FLAP	73
HANDLE-DOOR LATCH	51	HINGE-COWL FLAP	73A
HANDLE-FRONT SEAT ADJUSTMENT	63	HINGE-ELEVATOR	21
HANDLE-FRONT SEAT ADJUSTMENT	63C	HINGE-GLOVE BOX	69
HANDLE-FUEL SELECTOR VALVE	107	HINGE-MAP CASE	69
HANDLE-FUEL VALVE	103	HINGE-REAR SEAT BOTTOM	65
HANDLE-FUEL VALVE	105	HINGE-STABILIZER	19
HANDLE-PARKING BRAKE	90	HINGE-STABILIZER ACTUATOR	100
HANDLE-SEAT	59A	HOISTING EYEBOLT	70
HANDLE-SEAT ADJUSTMENT	61	HOOK-COAT HANGER	53
HANDLE-SEAT ADJUSTMENT	61A	HOOK-SHOULDER HARNESS	70
HANDLE-SEAT ADJUSTMENT	62	HORIZON GYRO	67
HANGER HOOK-COAT	53	HORIZON GYRO	68
HARNESS HOOK-SHOULDER	70	HORIZON GYRO	68B
HARNESS-IGNITION	76A	HORIZON GYRO	68C
HARNESS-IGNITION	77B	HORIZON GYRO	116
HARNESS-SHOULDER	70	HORIZON GYRO	117
HEAD TEMPERATURE GAGE-CYLINDER	67	HORIZON GYRO	117A
HEAD TEMPERATURE GAGE-CYLINDER	68	HORIZON GYRO	117C
HEAD TEMPERATURE GAGE-CYLINDER	68A	HORIZON GYRO	117E
HEAD TEMPERATURE GAGE-CYLINDER	68B	HORIZON GYRO	134
HEAD TEMPERATURE GAGE-CYLINDER	68C	HORIZON GYRO	135
HEADLINER	53	HORN-STALL WARNING	68A
HEADLINER WIRE	53	HORN-STALL WARNING	69
HEADREST	60	HORN-STALL WARNING	102B
HEADREST	63	HOSE-AIR INTAKE	77
HEADREST	63C	HOSE-BRAKE	90
HEADREST	62	HOSE-CARBURETOR HEAT	77
HEADREST	64	HOSE-DISCHARGE	117
HEADREST	64A	HOSE-DISCHARGE	117A
HEADREST	61	HOSE-FUEL	109
HEADREST	61A	HOSE-FUEL PRESSURE	76
HEADREST	61A	HOSE-FUEL PRESSURE	74
HEADREST	61A	HOSE-OIL DILUTION	114
HEADREST	61A	HOSE-OIL FILTER	114
HEADREST	61A	HOSE-OIL PRESSURE	113

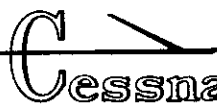
ALPHABETICAL INDEX

NOMENCLATURE	FIGURE	NOMENCLATURE	FIGURE
H (cont)		I (cont)	
HOSE-OIL PRESSURE	75	INDICATOR-HORIZONTAL GYRO	115
HOSE-OIL PRESSURE	77	INDICATOR-HORIZONTAL GYRO	117
HOSE-OIL RETURN	116	INDICATOR-HORIZONTAL GYRO	117A
HOSE-OIL RETURN	117	INDICATOR-HORIZONTAL GYRO	117B
HOSE-SUCTION	116	INDICATOR-HORIZONTAL GYRO	117C
HOSE-SUCTION	117	INDICATOR-HORIZONTAL GYRO	117E
HOSE-SUCTION	117A	INDICATOR-HORIZONTAL GYRO	134
HOSE-SUCTION	136	INDICATOR-HORIZONTAL GYRO	135
HOSE-TACTAIR	134	INDICATOR-POWER ECONOMY	58
HOSE-TACTAIR	135	INDICATOR-POWER ECONOMY	58A
HOSE-VENT	117	INDICATOR-POWER ECONOMY	58R
HOSE-VENT	117A	INDICATOR-POWER ECONOMY	69C
HOURLY METER	688	INDICATOR-TRIM CONTROL	100
HOURLY METER	68C	INDICATOR-TRUE AIRSPEED	63A
HOW TO ORDER INT PARTS	PAGE XII	INDICATOR-TRUE AIRSPEED	63B
HOW TO ORDER UPHL PARTS	PAGE XIII	INDICATOR-TRUE AIRSPEED	68C
HOW TO USE CATALOG	PAGE I	INDICATOR-TRUE AIRSPEED	101
HUB & AXLE-CROSSWIND GEAR	44	INDICATOR-TRUE AIRSPEED	102
HUB CAP	40	INDICATOR-TURN & BANK	57
HUB CAP	42A	INDICATOR-TURN & BANK	58
HUB CAP	41	INDICATOR-TURN & BANK	68A
HUB CAP	42B	INDICATOR-TURN & BANK	68B
HUB-DUAL BRAKES	71	INDICATOR-TURN & BANK	69C
HUB-DUAL BRAKES	92	INDICATOR-TURN COORDINATOR	633
HUB-PROPELLER	72	INDICATOR-TURN COORDINATOR	68C
HUB-PROPELLER	72A	INDICATOR-TURN COORDINATOR	75B
HUB-PROPELLER	72B	INDICATOR-VERTICAL SPEED	57
HUB-PROPELLER	72C	INDICATOR-VERTICAL SPEED	68
HUB-TAILWHEEL	47	INDICATOR-VERTICAL SPEED	63A
		INDICATOR-VERTICAL SPEED	68B
		INDICATOR-VERTICAL SPEED	69C
		INDICATOR-VERTICAL SPEED	101
		INDICATOR-VERTICAL SPEED	102
		INDUCTION AIR CONTROL	58
		INDUCTION AIR CONTROL	64A
		INDUCTION AIR CONTROL	74
		INDUCTION AIR BOX	78
		INFINITELY ADJUSTABLE FRONT SEAT	61C
		INITIALS-SKYWAGON	2
		INLET-ALTERNATE AIR	73
		INSTRUMENT CLUSTER	63A
		INSTRUMENT CLUSTER	68B
		INSTRUMENT CLUSTER	68C
		INSTRUMENT PANEL EQUIPMENT	57
		INSTRUMENT PANEL EQUIPMENT	58
		INSTRUMENT PANEL EQUIPMENT	68A
		INSTRUMENT PANEL EQUIPMENT	68B
		INSTRUMENT PANEL EQUIPMENT	68C
		INSTRUMENT PANEL LIGHT	123
		INSTRUMENT PANEL LIGHT-POST	68C
		INSTRUMENT PANEL-SHOCK MOUNTED	57
		INSTRUMENT PANEL-SHOCK MOUNTED	69
		INSTRUMENT PANEL-SHOCK MOUNTED	68A
		INSTRUMENT PANEL-SHOCK MOUNTED	63B
		INSTRUMENT PANEL-SHOCK MOUNTED	68C
		INSTRUMENT PANEL-STATIONARY	28
		INSTRUMENT PANEL-STATIONARY	23
		INSTRUMENT PANEL-STATIONARY	53
		INSTRUMENT PANEL-STATIONARY	68A
		INSTRUMENT PANEL-STATIONARY	68B
		INSTRUMENT PANEL-STATIONARY	68C
		INTAKE HOSE-AIR	77
		J	
		JACK POINT	70



ALPHABETICAL INDEX

NOMENCLATURE	FIGURE	NOMENCLATURE	FIGURE
J (cont)		L (cont)	
JACK-MICROPHONE	57	LEAD-CYLINDER HEAD TEMP. GAGE	68A
JACK-MICROPHONE	68	LEAD-CYLINDER HEAD TEMP. GAGE	68B
JAMB-BAGGAGE DOOR	24	LEAD-CYLINDER HEAD TEMP. GAGE	68C
JAMB-BAGGAGE DOOR	25	LEAD-THERMOCOUPLE-POWER ECONOMY	68A
JAMB-LITTER DOOR	35B	LEAD-THERMOCOUPLE-POWER ECONOMY	68B
JET-FUEL	118	LEAD-THERMOCOUPLE-POWER ECONOMY	68C
JOINT-UNIVERSAL	74	LEADING EDGE-WING	7
K		LEADING EDGE-WING	9
KICK PLATE	56	LEADING EDGE-WING	3A
KICK PLATE	55	LENS-DOME LIGHT	123
KIT-SEAT ROLLER	60	LENS-NAVIGATION LIGHT	3
KIT-SEAT ROLLER	61	LENS-NAVIGATION LIGHT	3A
KIT-SEAT ROLLER	61A	LENS-TAIL LIGHT	39
KIT-SEAT ROLLER	63	LETTERING-GLOVE BOX	69
KIT-SEAT ROLLER	63C	LETTERING-SKYWAGON	2
KNOB-SEAT ADJUSTMENT	60	LEVELER INSTALLATION-WING	65A
KNOB-SEAT ADJUSTMENT	57	LEVER LATCH-FLAP	77
KNOB-SEAT HANDLE	61	LEVER RATCHET-FLAP	77
KNOB-SEAT HANDLE	61A	LEVER-COWL FLAP CONTROL	47
KITS-SEE ACCESSORY KITS CATALOG		LEVER-FLAP	77
KNOBS	57	LIGHT RHEOSTAT	63
KNOBS	68	LIGHT SWITCH-MAP	123A
KNOBS	68A	LIGHT SWITCH-LANDING	67
KNOBS	68B	LIGHT SWITCH-LANDING	68
KNOBS	68C	LIGHT SWITCH-LANDING	68D
KNOBS	68D	LIGHT SWITCH-LANDING	68E
KNOBS	68E	LIGHT-CHARGE INDICATOR	67
L		LIGHT-CHARGE INDICATOR	68
LANDING GEAR-CROSSWIND	40A	LIGHT-CONTROL WHEEL MAP	74A
LANDING GEAR-CROSSWIND	41	LIGHT-DOME	123
LANDING GEAR-MAIN	40	LIGHT-FLASHING BEACON	124A
LANDING GEAR-MAIN	41	LIGHT-INSTRUMENT PANEL	123
LANDING GEAR SPRING-CROSSWIND	40A	LIGHT-LANDING	3
LANDING GEAR SPRING-MAIN	40	LIGHT-LANDING	125C
LANDING GEAR TIRE	43	LIGHT-NAVIGATION	3
LANDING GEAR TUBE	43	LIGHT-NAVIGATION	3A
LANDING GEAR WHEEL & BRAKE	42	LIGHT-MAP	123A
LANDING GEAR WHEEL & BRAKE	42A	LIGHT-OVERVOLTAGE	68B
LANDING GEAR WHEEL & BRAKE	42B	LIGHT-OVERVOLTAGE	68C
LANDING GEAR WHEEL & BRAKE	42C	LIGHT-POST	68C
LANDING LIGHT INSTL-WING	7	LIGHT-SPOT	123A
LANDING LIGHT INSTL-COWL	125C	LIGHT-STROBE	3
LANDING LIGHT SWITCH	67	LIGHT-STROBE	3A
LANDING LIGHT SWITCH	54	LIGHT-TAIL	37
LANDING LIGHT SWITCH	68D	LIGHTER KNOB	67
LANDING LIGHT SWITCH	68E	LIGHTER KNOB	68
LATCH STOP-DOOR	51	LIGHTER KNOB	68A
LATCH-BAGGAGE DOOR	52	LIGHTER KNOB	68B
LATCH-CABIN DOOR	47	LIGHTER KNOB	68C
LATCH-CABIN DOOR	50	LIGHTER-CIGAR	67
LATCH-CABIN DOOR	51	LIGHTER-CIGAR	68
LATCH-CABIN DOOR	51A	LIGHTER-CIGAR	68A
LATCH-FLAP LEVER	97	LIGHTER-CIGAR	68B
LATCH-LITTER DOOR	35B	LIGHTER-CIGAR	68C
LATCH-REAR SEAT	64	LIGHTS RHEOSTAT	67
LATCH-REAR SEAT	64A	LIGHTS SWITCH-NAVIGATION	67
LATCH-REAR SEAT BACK	66	LIGHTS SWITCH-NAVIGATION	68
LEAD-CYLINDER HEAD TEMP. GAGE	67	LIGHTS SWITCH-NAVIGATION	68D
LEAD-CYLINDER HEAD TEMP. GAGE	68	LIGHTS SWITCH-NAVIGATION	68E
		LIGHTS-CABIN	123
		LIGHTS-CABIN	122
		LIGHTS-COURTESY	123
		LIMITATIONS PLACARD-OPERATIONAL	2
		LIMITATIONS PLACARD-OPERATIONAL	7A
		LIMITATIONS PLACARD-OPERATIONAL	2B
		LIMITATIONS PLACARD-OPERATIONAL	2C
		LIMITATIONS PLACARD-OPERATIONAL	5B
		LINE-BRAKE	41



ALPHABETICAL INDEX

NOMENCLATURE	FIGURE	NOMENCLATURE	FIGURE
N (cont)		O (cont)	
NAVIGATION LIGHTS SWITCH	69E	OPERATIONAL LIMITATIONS PLACARD.	2A
NET-BAGGAGE.	70	OPERATIONAL LIMITATIONS PLACARD.	2B
NOSE CAP-COWL.	73	OPERATIONAL LIMITATIONS PLACARD.	2C
NOSE CAP-COWL.	73A	OPERATIONAL LIMITATIONS PLACARD.	58
NUMERICAL INDEX	PAGE 341	OUTLET-DEFROST	99
O		OUTSIDE AIR TEMP. GAGE	70
OFF CENTER CAMERA PROVISIONS	133	OVERVOLTAGE LIGHT.	68B
OIL COOLER BAFFLE.	77	OVERVOLTAGE LIGHT.	68C
OIL COOLER BAFFLE-NON CONGEALING	77A	OVERVOLTAGE SENSOR	68B
OIL COOLER-ENGINE.	76	OVERVOLTAGE SENSOR	68C
OIL COOLER-ENGINE.	76A	OXYGEN CONTROL PANEL	120A
OIL COOLER-ENGINE.	77B	OXYGEN CONTROL PANEL	120B
OIL COOLER-LARGE	77	OXYGEN CONTROL PANEL	120C
OIL COOLER-NON CONGEALING.	77A	OXYGEN CYLINDER.	119
OIL DILUTION	114	OXYGEN CYLINDER.	120
OIL DILUTION SWITCH.	67	OXYGEN CYLINDER.	120A
OIL DILUTION SWITCH.	68	OXYGEN CYLINDER.	120B
OIL DILUTION SWITCH.	68D	OXYGEN CYLINDER.	120C
OIL DILUTION SWITCH.	68E	OXYGEN CYLINDER.	120D
OIL DILUTION SWITCH.	113	OXYGEN CYLINDER.	120E
OIL DILUTION SWITCH.	114	OXYGEN FILLER VALVE.	120
OIL DILUTION SWITCH.	114	OXYGEN LINE.	119
OIL DILUTION SYSTEM.	113	OXYGEN LINE.	120
OIL DIP STICK.	76	OXYGEN LINE.	120A
OIL DOOR-COWL.	73	OXYGEN LINE.	120B
OIL FILTER	114	OXYGEN LINE.	120C
OIL FILTER ELEMENT	113	OXYGEN MANIFOLD.	119
OIL FILTER ELEMENT	113A	OXYGEN MASK.	119
OIL FILTER HOSE.	114	OXYGEN MASK.	120
OIL FILTER-FULL FLOW	113	OXYGEN MASK.	120A
OIL FILTER-FULL FLOW	113A	OXYGEN MASK.	120B
OIL FILTER-FULL FLOW	115	OXYGEN MASK.	120C
OIL PRESSURE GAGE.	67	OXYGEN MASK.	120D
OIL PRESSURE GAGE.	68	OXYGEN MASK CASE	119
OIL PRESSURE GAGE.	68A	OXYGEN PRESSURE GAGE	119
OIL PRESSURE GAGE.	68B	OXYGEN PRESSURE GAGE	120A
OIL PRESSURE GAGE.	68C	OXYGEN PRESSURE GAGE	120B
OIL PRESSURE GAGE.	113	OXYGEN PRESSURE GAGE	120C
OIL PRESSURE GAGE.	114	OXYGEN PRESSURE GAGE	120D
OIL PRESSURE HOSE.	76	OXYGEN REGULATOR	119
OIL PRESSURE HOSE.	77	OXYGEN REGULATOR	120A
OIL PRESSURE LINE.	74	OXYGEN REGULATOR	120B
OIL PRESSURE LINE.	113	OXYGEN REGULATOR	120C
OIL PRESSURE LINE.	114	OXYGEN SYSTEM.	119
OIL RETURN HOSE.	116	OXYGEN SYSTEM.	120
OIL RETURN HOSE.	117	OXYGEN SYSTEM.	120A
OIL RETURN HOSE.	117A	OXYGEN SYSTEM.	120B
OIL SEPARATOR.	116	OXYGEN SYSTEM.	120C
OIL SEPARATOR.	117	OXYGEN VALVE	119
OIL SEPARATOR.	117A	OXYGEN VALVE	120
OIL SEPARATOR.	117D	OXYGEN VALVE	120A
OIL SEPARATOR.	136	OXYGEN VALVE	120B
OIL SUMP DRAIN INSTALLATION.	76	OXYGEN VALVE	120C
OIL SYSTEM	114	P	
OIL SYSTEM	113	PAD-ENGINE MOUNT	75
OIL TEMPERATURE ADAPTER.	74	PAIN CHART	PAGE 111
OIL TEMPERATURE GAGE	67	PANEL COVER-SHOCK.	67
OIL TEMPERATURE GAGE	68	PANEL COVER-SHOCK.	68
OIL TEMPERATURE GAGE	68A	PANEL COVER-SHOCK.	68A
OIL TEMPERATURE GAGE	68B	PANEL COVER-SHOCK.	68B
OIL TEMPERATURE GAGE	68C	PANEL COVER-SHOCK.	68C
OIL TEMPERATURE GAGE	113	PANEL EQUIPMENT-INSTRUMENT	67
OIL TEMPERATURE GAGE	114	PANEL EQUIPMENT-INSTRUMENT	68
OIL VALVE-QUICK DRAIN.	77	PANEL EQUIPMENT-INSTRUMENT	68A
OPERATIONAL LIMITATIONS PLACARD.	2	PANEL EQUIPMENT-INSTRUMENT	68B
		PANEL EQUIPMENT-INSTRUMENT	68C
		PANEL-SHOCK MOUNTED INSTRUMENT	68
		PANEL-SHOCK MOUNTED INSTRUMENT	68A

ALPHABETICAL INDEX

NOMENCLATURE	FIGURE	NOMENCLATURE	FIGURE
P (cont)		P (cont)	
PANEL-SHOCK MOUNTED INSTRUMENT	638	POWER ECONOMY INDICATOR	688
PANEL-SHOCK MOUNTED INSTRUMENT	68C	POWER ECONOMY INDICATOR	68C
PANEL-STATIONARY INSTRUMENT	28	POWER ECONOMY-INDICATOR PROBE	74
PANEL-STATIONARY INSTRUMENT	29	POWER ECONOMY-INDICATOR PROBE	75
PANEL-STATIONARY INSTRUMENT	67	POWER SEAT	63A
PANEL-STATIONARY INSTRUMENT	68	POWER SEAT BOTTOM	63B
PANEL-STATIONARY INSTRUMENT	68A	POWER SEAT SWITCH	63A
PANEL-STATIONARY INSTRUMENT	68B	POWER SEAT MOTOR	63B
PANEL-STATIONARY INSTRUMENT	68C	POWER SUPPLY-STROBE LIGHT	3
PARKING BRAKE	90	POWER SUPPLY-STROBE LIGHT	3A
PARKING BRAKE BELLCRANK	90	PRESSURE GAGE-MANIFOLD	68
PARKING BRAKE HANDLE	70	PRESSURE GAGE-MANIFOLD	68A
PARKING BRAKE SPRING	90	PRESSURE GAGE-MANIFOLD	68B
PAWL-TAILWHEEL	49	PRESSURE GAGE-MANIFOLD	68C
PAWL-TAILWHEEL	47	PRESSURE GAGE-OIL	67
PAWL-TAILWHEEL	48A	PRESSURE GAGE-OIL	68
PAWL-TAILWHEEL	48B	PRESSURE GAGE-OIL	68A
PEDAL CONTROL BELLCRANK	71	PRESSURE GAGE-OIL	68B
PEDAL CONTROL BELLCRANK	72	PRESSURE GAGE-OIL	68C
PEDAL DUAL CONTROL-RUDDER	71	PRESSURE GAGE-OIL	113
PEDAL DUAL CONTROL	92	PRESSURE GAGE-OIL	114
PEDAL RETURN SPRING	71	PRESSURE GAGE-OXYGEN	119
PEDAL-BRAKE & RUDDER	71	PRESSURE GAGE-OXYGEN	120A
PEDAL-BRAKE & RUDDER	92	PRESSURE GAGE-OXYGEN	120B
PIPE-EXHAUST	82	PRESSURE GAGE-OXYGEN	120C
PISTON-MASTER CYLINDER	73	PRESSURE HOSE-FUEL	76
PISTON-PROPELLER	72	PRESSURE HOSE-OIL	76
PISTON-PROPELLER	72A	PRESSURE HOSE-OIL	77
PISTON-PROPELLER	72B	PRESSURE LINE-OIL	114
PISTON-PROPELLER	72C	PRESSURE LINE-OIL	113
PITCH CONTROL-PROPELLER	67	PRIMER LINE	77
PITOT HEAT SWITCH	57	PRIMER LINE	106
PITOT HEAT SWITCH	68	PRIMER SYSTEM-FUEL	11A
PITOT HEAT SWITCH	68D	PRIMER SYSTEM-FUEL	11A
PITOT HEAT SWITCH	68E	PRIMER-ENGINE	67
PITOT HEAT SWITCH	101	PRIMER-ENGINE	68A
PITOT HEATER	102	PRIMER-ENGINE	68B
PITOT HEATER	101	PRIMER-ENGINE	68C
PITOT LINE	102	PRIMER-ENGINE	119A
PITOT LINE	101	PROBE-POWER ECONOMY INDICATOR	74
PITOT STATIC SOURCE SUMP	102	PROBE-POWER ECONOMY INDICATOR	75
PITOT SYSTEM	102	PROPELLER	71
PITOT SYSTEM	101	PROPELLER	72
PITOT TUBE	102	PROPELLER	72A
PITOT TUBE	101	PROPELLER	72B
PITOT TUBE	4	PROPELLER	72C
PITOT TUBE-HEATED	102	PROPELLER BLADE	72
PITOT TUBE-HEATED	101	PROPELLER BLADE	72A
PLACARD-FUEL SELECT	56	PROPELLER BLADE	72B
PLACARD-OPERATIONAL LIMITATIONS	2	PROPELLER BLADE	72C
PLACARD-OPERATIONAL LIMITATIONS	2A	PROPELLER CONTROL	74
PLACARD-OPERATIONAL LIMITATIONS	2B	PROPELLER CONTROL	75
PLACARD-OPERATIONAL LIMITATIONS	2C	PROPELLER GOVERNOR	76
PLACARD-OPERATIONAL LIMITATIONS	58	PROPELLER GOVERNOR	77
PLACARD & NAMEPLATES	2	PROPELLER GOVERNOR	79
PLACARD & NAMEPLATES	2A	PROPELLER GOVERNOR	79A
PLACARD & NAMEPLATES	2B	PROPELLER GOVERNOR	81A
PLACARD & NAMEPLATES	2C	PROPELLER GOVERNOR	81C
PLATE-REGISTRATION NUMBER	67	PROPELLER GOVERNOR	81D
PLATE-REGISTRATION NUMBER	6A	PROPELLER GOVERNOR-HOOF	80
PLUG-SPARK	76A	PROPELLER GOVERNOR-GARWIN	81
PLUG-SPARK	77B	PROPELLER GOVERNOR-GARWIN	81B
POINT-JACK	70	PROPELLER PITCH CONTROL	67
POINTER-STABILIZER TRIM	100	PROPELLER PITCH CONTROL	68
POSITIONING RACK-PARKING BRAKE	70	PROPELLER PITCH CONTROL	68A
POST LIGHT-INSTRUMENT	68C	PROPELLER PITCH CONTROL	68B
POWER ECONOMY INDICATOR	68	PROPELLER PITCH CONTROL	68C
POWER ECONOMY INDICATOR	68A	PROPELLER SPINNER	71

ALPHABETICAL INDEX

NOMENCLATURE	FIGURE	NOMENCLATURE	FIGURE
P (cont)		R (cont)	
PROPELLER WEIGHT	72	RETAINER CORRECTION CARD	67
PROPELLER WEIGHT	72A	RETAINER CORRECTION CARD	68
PULL-DOOR	54	RETAINER CORRECTION CARD	68A
PUMP COOLING SCOOP	73	RETAINER CORRECTION CARD	68B
PUMP COOLING SCOOP	73A	RETAINER-WINDSHIELD	31
PUMP DRAIN LINE-ENGINE	76	RETAINER-WINDOW	26
PUMP-AUXILIARY FUEL	109	RHEOSTAT-LIGHTS	67
PUMP-AUXILIARY FUEL	103	RHEOSTAT-LIGHT	68
PUMP-AUXILIARY FUEL	105	RHEOSTAT-MAP LIGHT	94B
PUMP-AUXILIARY FUEL	104	RIB-DORSAL	18
PUMP-AUXILIARY FUEL	107	RIB-DORSAL	17
PUMP-VACUUM	116	RIB-RUDDER	20
PUMP-VACUUM	117	RIB-STABILIZER	19
PUMP-VACUUM	136	RIB-WING	4
PUMP-VACUUM	117A	RIB-WING	6
PUMP-VACUUM	117D	RIB-WING	6A
PUMP-VACUUM	117E	RIB-WING	5
PUSH-PULL ROD-AILERON	14	RING-TIE DOWN	70
PYLON-ELEVATOR	21	ROD END-THROTTLE CONTROL	75
		ROD-AILERON PUSH-PULL	75
R		ROLLER-FLAP	15
RACK-PARKING BRAKE POSITIONING	40	ROLLER-FRONT SEAT	63
RADIO COVER	68A	ROLLER-FRONT SEAT	63C
RADIO COVER	68B	ROLLER-SEAT	57A
RADIO COVER	68C	ROLLER-SEAT	60
RAIL-SEAT	22	ROLLER-SEAT	62
RAIL-SEAT	23	ROLLER-SEAT	61
RATCHET-FLAP LEVER	97	ROLLER-SEAT	61A
REAR CABIN TOP	26	ROLLER-SEAT	59
REAR SEAT	64	ROTATING BEACON	121
REAR SEAT BACK	64	ROTATING BEACON	122
REAR SEAT LATCH	64	ROTATING BEACON	124
REAR SPAR-FUSELAGE	32	ROTATING BEACON ADAPTER	24
REAR SPAR-FUSELAGE	32A	ROTATING BEACON SOCKET	124
REAR STOWABLE SEAT	55	ROTATING BEACON SWITCH	67
REAR WINDOW	26	ROTATING BEACON SWITCH	68
RECEIVER-ASH	60	ROTATING BEACON SWITCH	124
RECEIVER-ASH	63A	RUDDER	20
RECEPTACLE-ASH	58	RUDDER BALANCE WEIGHT	20
RECEPTACLE-ASH	57	RUDDER BAR	91
RECEPTACLE-ASH	57A	RUDDER BAR	92
RECEPTACLE-EXTERNAL POWER	125	RUDDER BAR BEARING	91
RECEPTACLE-EXTERNAL POWER	125A	RUDDER BAR BEARING	92
RECEPTACLE-EXTERNAL POWER	125B	RUDDER BAR SHIELD	55
RECLINING FRONT SEAT	59A	RUDDER BAR SHIELD	56
REFUELING EQUIPMENT INSTL	70B	RUDDER BELLCRANK	20
REFLECTOR-DOME LIGHT	123	RUDDER BUNGEES	78
REGISTRATION NUMBER PLATE	57	RUDDER CONTROL SYSTEM	98
REGISTRATION NUMBER PLATE	68	RUDDER CONTROL CABLE	78
REGULATOR-OXYGEN	119	RUDDER CONTROL SYSTEM	99
REGULATOR-OXYGEN	120A	RUDDER CONTROL CABLE	99
REGULATOR-OXYGEN	120B	RUDDER PEDAL	91
REGULATOR-OXYGEN	120C	RUDDER PEDAL	92
REGULATOR-VOLTAGE	76A	RUDDER PEDAL DUAL CONTROL	91
REGULATOR-VOLTAGE	77B	RUDDER PEDAL DUAL CONTROL	92
REGULATOR-VOLTAGE	121	RUDDER PEDAL-DISENGAGING	92
REGULATOR-VOLTAGE	122	RUDDER RIB	20
RELIEF VALVE-SUCTION	116	RUDDER SPAR	20
RELIEF VALVE-SUCTION	117	RUDDER TAB	20
RELIEF VALVE-SUCTION	117A	RUDDER TIP	20
RELIEF VALVE-SUCTION	117D	RUDDER TRIM INSTALLATION	99A
RELIEF VALVE-SUCTION	117E	RUDDER TRIM WHEEL	98
RELIEF VALVE-SUCTION	136	RUDDER TRIM WHEEL	98A
RESISTOR-FUEL PUMP	108	RUDDER TRIM WHEEL COVER	55
RESISTOR-FUEL PUMP	121	RUDDER TRIM WHEEL COVER	56
		RUDDER TRIM WHEEL COVER	98
		RUDDER TRIM WHEEL COVER	99A
		RUG-GLOVE BOX & MAPCASE	69

ALPHABETICAL INDEX

NOMENCLATURE	FIGURE	NOMENCLATURE	FIGURE
S		S (cont)	
SAMPLER CUP-FUEL	13A	SEAT ROLLER	61A
SAMPLER VALVE-FUEL	13A	SEAT ROLLER	62
SCOOP-CABIN AIR VENT	7	SEAT ROLLER KIT	60
SCOOP-CABIN AIR VENT	8	SEAT ROLLER KIT	63
SCOOP-CABIN AIR VENT	9A	SEAT ROLLER KIT	63C
SCOOP-PUMP COOLING	73	SEAT STOP	57
SCOOP-PUMP COOLING	73A	SEAT STOP	57A
SCUFF PLATE-BAGGAGE COMPARTMENT	58	SEAT STOP	60
SCUFF PLATE-BAGGAGE COMPARTMENT	57	SEAT STOP	61
SCUFF PLATE-BAGGAGE COMPARTMENT	57A	SEAT STOP	61A
SEAL-BAGGAGE DOOR	52	SEAT STOP	62
SEAL-CAMERA CUT-OUT	133	SEAT STOP	63
SEAL-DOOR	49	SEAT STOP	63C
SEAL-DOOR	50	SEAT STOP	63A
SEAL-LITTER DOOR	353	SEAT-ADJUSTABLE FRONT	59
SEAL-WINDOW	49	SEAT-ADJUSTABLE FRONT	57A
SEALS-FLOATPLANE CARGO PACK	129	SEAT-ADJUSTABLE FRONT	60
SEAT ADJUSTMENT KNOB	60	SEAT-ADJUSTABLE FRONT	61
SEAT ADJUSTMENT KNOB	59	SEAT-ADJUSTABLE FRONT	61A
SEAT ASH TRAY	63	SEAT-ADJUSTABLE FRONT	62
SEAT ASH TRAY	63C	SEAT-AUXILIARY	66
SEAT BACK	59	SEAT-CAMERA	131
SEAT BACK ACTUATOR-POWER	63A	SEAT-CAMERA	132
SEAT BACK LATCH	66	SEAT-CHILD	65B
SEAT BACK-FRONT	59	SEAT-DIVIDED MIDDLE	65A
SEAT BACK-FRONT	57A	SEAT-FRONT	60
SEAT BACK-FRONT	60	SEAT-FRONT	59
SEAT BACK-FRONT	51	SEAT-INFINITE ADJUST	63C
SEAT BACK-FRONT	61A	SEAT-POWER	63A
SEAT BACK-FRONT	63C	SEAT-REAR	64
SEAT BACK-REAR	64	SEAT-REAR	64A
SEAT BACK-REAR	64A	SEAT-RECLINING FRONT	61
SEAT BELT	60	SEAT-RECLINING FRONT	61A
SEAT BELT	61	SEAT-STOWABLE REAR	65
SEAT BELT	61A	SEAT-VERTICALLY ADJUSTABLE FRONT	63
SEAT BELT	65	SELECTOR VALVE-FUEL TANK	105
SEAT BELT	65B	SELECTOR VALVE-FUEL	112
SEAT BELT	66	SELECTOR VALVE-FUEL	109
SEAT BELT	63	SENSITIVITY ADJUST-FP-TACTAIR	135
SEAT BELT	63C	SENSOR-OVERVOLTAGE	68B
SEAT BELT	64	SENSOR-OVERVOLTAGE	68C
SEAT BELT	64A	SEPARATOR-OIL	116
SEAT BELT	59	SEPARATOR-OIL	117
SEAT BELT-STRETCHER	130	SEPARATOR-OIL	117A
SEAT BOTTOM-POWER	63B	SEPARATOR-OIL	1170
SEAT FRAME-DIVIDED MIDDLE	65A	SEPARATOR-OIL	136
SEAT FRAME-FRONT	63	SERVO-AILERON-TACTAIR	134
SEAT HANDLE	59	SERVO-AILERON-TACTAIR	135
SEAT HANDLE	57A	SERVO-ELEVATOR-TACTAIR	134
SEAT HANDLE	60	SERVO-WING LEVELER	95A
SEAT HANDLE	61	SHAFT-DOOR LATCH	51
SEAT HANDLE	61A	SHAFT-TACHOMETER	67
SEAT HANDLE KNOB	59	SHAFT-TACHOMETER	68
SEAT HANDLE KNOB	57A	SHAFT-TACHOMETER	68A
SEAT HANDLE KNOB	60	SHAFT-TACHOMETER	68B
SEAT HANDLE KNOB	61	SHAFT-TACHOMETER	68C
SEAT HANDLE KNOB	61A	SHELF-BAGGAGE	58
SEAT HANDLE-FRONT ADJUSTMENT	63	SHELF-BAGGAGE	57
SEAT HANDLE-FRONT ADJUSTMENT	63C	SHELF-BAGGAGE	57A
SEAT LATCH-REAR	54	SHIELD-AUXILIARY PUMP	107
SEAT LATCH-REAR	64A	SHIELD-CONTROL TEE	56
SEAT RAIL	22	SHIELD-FUEL PUMP	108
SEAT RAIL	23	SHIELD-RUDDER BAR	56
SEAT ROLLER	59	SHIELD-RUDDER BAR	55
SEAT ROLLER	59A	SHIM-MAIN LANDING GEAR	41
SEAT ROLLER	61		

ALPHABETICAL INDEX

NOMENCLATURE	FIGURE	NOMENCLATURE	FIGURE
S (cont)		S (cont)	
SHIM-MAIN LANDING GEAR	43	SPOTLIGHT	123
SHOCK MOUNT	57	SPRING-AILERON INTERCONNECT	126A
SHOCK MOUNT	58	SPRING-CROSSWIND GEAR	40A
SHOCK MOUNT	68A	SPRING-LANDING GEAR MAIN	40
SHOCK MOUNT	68B	SPRING-MAIN LANDING GEAR	41
SHOCK MOUNT	69C	SPRING-PARKING BRAKE	90
SHOCK MOUNT-ENGINE	76	SPRING-PEDAL RETURN	91
SHOCK MOUNT-ENGINE	77	SPRING-RUDDER CENTERING	126A
SHOCK MOUNTED ALTERNATOR	123B	SPROCKET-AILERON CHAIN	74
SHOCK MOUNTED INSTRUMENT PANEL	67	SPROCKET-TRIM CHAIN	100
SHOCK MOUNTED INSTRUMENT PANEL	68	STABILIZER	19
SHOCK MOUNTED INSTRUMENT PANEL	68A	STABILIZER ACTUATOR	100
SHOCK MOUNTED INSTRUMENT PANEL	69B	STABILIZER ACTUATOR HINGE	100
SHOCK MOUNTED INSTRUMENT PANEL	69C	STABILIZER STOP	17
SHOCK MOUNTED INSTRUMENT PANEL	67	STABILIZER STOP	18
SHOCK PANEL COVER	68	STABILIZER WING	19
SHOCK PANEL COVER	68A	STABILIZER RIB	19
SHOCK PANEL COVER	68B	STABILIZER SPAP	19
SHOCK PANEL COVER	68C	STABILIZER TIP	19
SHOULDER HARNESS	70	STABILIZER TRIM CONTROL SYSTEM	100
SHROUD-MUFFLER	83	STABILIZER TRIM WHEEL	100
SHROUD-MUFFLER	92	STABILIZER TRIM WHEEL	100A
SHUT OFF VALVE-TACTAIR	134	STABILIZER TRIM WHEEL COVER	100
SILENCER-REAR AIR VENT	89A	STABILIZER TRIM CHAIN	100
SILL-DOOR	24	STABILIZER TRIM CHAIN SPROCKET	100
SILL-DOOR	25	STABILIZER TRIM CHAIN SPROCKET	100A
SKI PLANE COMPONENTS	126A	STABILIZER TRIM CONTROL CABLE	100
SKINS & STRINGERS-WING	11	STACK-EXHAUST	76
SKINS & STRINGERS-WING	12	STACK-EXHAUST	77
SKINS & STRINGERS-WING	12A	STACKS-ENGINE EXHAUST	93
SKYSWAGON LETTERING	2	STACKS-ENGINE EXHAUST	82
SLIDE-UP DOWN	70	STALL WARNING UNIT-WING	3
SOCKET-CONTROL TUBE	67	STALL WARNING HORN	68A
SOCKET-CONTROL TUBE	68	STALL WARNING HORN	69
SOCKET-DOME LIGHT	123	STALL WARNING HORN INSTL	102B
SOCKET-FLASHING BEACON	124A	STARTER	76A
SOCKET-INSTRUMENT PANEL LIGHT	123	STARTER	77B
SOCKET-ROTATING BEACON	124	STARTER & LOCK	67
SOLENOID VALVE	114	STARTER CIRCUIT SWITCH	68
SOLENOID VALVE	113	STARTER SWITCH	68
SOLENOID VALVE	107	STARTER SWITCH	68D
SOUNDPROOFING-COWL DECK	53	STARTER SWITCH	68E
SOUNDPROOFING-DOOR	54	STARTING VIBRATOR	121
SOUNDPROOFING-FLOOR	55	STATIC DISCHARGER	14
SPAR BEARING BLOCK	30	STATIC DISCHARGER	20
SPAR BEARING BLOCK	32	STATIC DISCHARGER	21
SPAR BEARING BLOCK	32A	STATIC SOURCE-ALTERNATE	101
SPAR-AILERON	14	STATIC SOURCE-ALTERNATE	102
SPAR-ELEVATOR	21	STATIC SOURCE-ALTERNATE	102A
SPAR-FIN	18	STATIC SOURCE SUMP	101
SPAR-FIN	17	STATIC SOURCE SUMP	102
SPAR-FUSELAGE REAR	32	STATIONARY INSTRUMENT PANEL	28
SPAR-FUSELAGE REAR	32A	STATIONARY INSTRUMENT PANEL	29
SPAR-FUSELAGE FORWARD	30	STATIONARY INSTRUMENT PANEL	67
SPAR-RUDDER	20	STATIONARY INSTRUMENT PANEL	68
SPAR-STABILIZER	19	STATIONARY INSTRUMENT PANEL	68A
SPAR-WING	9	STATIONARY INSTRUMENT PANEL	68B
SPAR-WING	10	STATIONARY INSTRUMENT PANEL	68C
SPAR-WING	10A	STATIONARY INSTRUMENT PANEL COVER	68
SPARK PLUG	76A	STATIONARY INSTRUMENT PANEL COVER	68A
SPARK PLUG	77B	STATIONARY INSTRUMENT PANEL COVER	68B
SPEED INDICATOR-VERTICAL	102	STATIONARY INSTRUMENT PANEL COVER	68C
SPEED INDICATOR-VERTICAL	101	STATIONARY PANEL-FLOATPLANE	126
SPEED INDICATOR-VERTICAL	67	STENCILS-EXTERIOR MARKINGS	2B
SPEED INDICATOR-VERTICAL	68	STEP-AUXILIARY REFUELING	70B
SPINNER BULKHEAD	71	STEP-CABIN	22
SPINNER DOME	71	STEP-CABIN	23
SPINNER-PROPELLER	71	STEP-FLOATPLANE	127

ALPHABETICAL INDEX

NOMENCLATURE	FIGURE	NOMENCLATURE	FIGURE
S (cont)		S (cont)	
STINGER	39	SUCTION GAGE	116
STOP-CABIN DOOR	50	SUCTION GAGE	117
STOP-COWL FLAP-AMPHIBIAN	128	SUCTION GAGE	117A
STOP-DOOR	49	SUCTION GAGE	117B
STOP-DOOR LATCH	51	SUCTION GAGE	117C
STOP-ELEVATOR	39	SUCTION GAGE	117E
STOP-SEAT	59	SUCTION GAGE	134
STOP-SEAT	59A	SUCTION GAGE	135
STOP-SEAT	60	SUCTION HOSE	116
STOP-SEAT	61	SUCTION HOSE	117
STOP-SEAT	61A	SUCTION HOSE	136
STOP-SFAT	52	SUCTION HOSE	117A
STOP-SEAT	53	SUCTION RELIEF VALVE	116
STOP-SEAT	63C	SUCTION RELIEF VALVE	117
STOP-SEAT	63A	SUCTION RELIEF VALVE	117A
STOP-STABILIZER	17	SUCTION RELIEF VALVE	1170
STOP-STABILIZER	18	SUCTION RELIEF VALVE	117E
STOWABLE SEAT	65	SUCTION RELIEF VALVE	136
STRAINER DRAIN CONTROL-FUEL	67	SUMP INSTALLATION-OIL DRAIN	76
STRAINER DRAIN CONTROL-FUEL	68	SUMP-PITOT STATIC SOURCE	102
STRAINER DRAIN CONTROL-FUEL	69A	SUMP-PITOT STATIC SOURCE	101
STRAINER DRAIN CONTROL-FUEL	74	SUN VISOR	70
STRAINER DRAIN CONTROL-FUEL	75	SUPPORT-CONTROL TUBE	69A
STRAINER DRAIN CONTROL-FUEL	109	SUPPORT-CONTROL TUBE	69B
STRAINER DRAIN CONTROL-FUEL	110	SUPPORT-CONTROL TUBE	69C
STRAINER-FUEL	103	SWITCH & CIRCUIT BREAKER INSTL	69D
STRAINER-FUEL	104	SWITCH & CIRCUIT BREAKER INSTL	69E
STRAINER-FUEL	105	SWITCH-AUXILIARY FUEL	67
STRAINER-FUEL	107	SWITCH-AUXILIARY FUEL	68
STRAINER-FUEL	109	SWITCH-FLASHING BEACON	68D
STRAINER-FUEL	109	SWITCH-FLASHING BEACON	69E
STRAINER-FUEL	110	SWITCH-FUEL PUMP	68D
STRAINER-FUEL	110A	SWITCH-FUEL PUMP	69E
STRAINER-FUEL TANK	13	SWITCH-IGNITION	69D
STRAP BONDING	77	SWITCH-IGNITION	68E
STRAP BONDING	76	SWITCH-INSTRUMENT PANEL LIGHT	123
STRAP-GROUND	75	SWITCH-LANDING LIGHT	67
STRETCHER	130	SWITCH-LANDING LIGHT	68
STRIKE PLATE-DOOR LATCH	32	SWITCH-LANDING LIGHT	69D
STRIKE PLATE-BAGGAGE DOOR	52	SWITCH-LANDING LIGHT	69E
STRIKE PLATE-LITTER DOOR	35B	SWITCH-MAP LIGHT	123A
STRINGERS & SKINS-WING	11	SWITCH-MASTER	67
STRINGERS & SKINS-WING	12	SWITCH-MASTER	68
STRINGERS & SKINS-WING	12A	SWITCH-MASTER	69D
STROBE LIGHT	3	SWITCH-MASTER	68E
STROBE LIGHT	3A	SWITCH-MICROPHONE	94B
STROBE LIGHT POWER SUPPLY	3	SWITCH-NAVIGATION LIGHTS	67
STROBE LIGHT POWER SUPPLY	3A	SWITCH-NAVIGATION LIGHTS	68
STRUCTURE-CABIN DOOR LH	49	SWITCH-NAVIGATION LIGHTS	69D
STRUCTURE-CABIN DOOR RH	50	SWITCH-NAVIGATION LIGHTS	69E
STRUCTURE-FRONT SECTION	28	SWITCH-OIL DILUTION	67
STRUCTURE-FRONT SECTION	24	SWITCH-OIL DILUTION	68
STRUCTURE-FRONT SECTION	29	SWITCH-OIL DILUTION	68D
STRUCTURE-FRONT SECTION	25	SWITCH-OIL DILUTION	68E
STRUCTURE-WING	4	SWITCH-OIL DILUTION	113
STRUCTURE-WING	5	SWITCH-OIL DILUTION	114
STRUCTURE-WING	5A	SWITCH-PITOT HEAT	67
STRUCTURE-WING EXTENDED RANGE	6	SWITCH-PITOT HEAT	68
STRUCTURE-WING EXTENDED RANGE	6A	SWITCH-PITOT HEAT	68D
STRUT FAIRING-WING	16	SWITCH-PITOT HEAT	68E
STRUT FITTING-WING	16	SWITCH-PITOT HEAT	102
STRUT-WING	16	SWITCH-PITOT HEATER	101
SUCTION GAGE	57	SWITCH-POWER SEAT	63A
SUCTION GAGE	68	SWITCH-ROTATING BEACON	67
SUCTION GAGE	69A	SWITCH-ROTATING BEACON	68
SUCTION GAGE	69B	SWITCH-ROTATING BEACON	124
SUCTION GAGE	68C	SWITCH-STARTER & LOCK	67
SUCTION GAGE	95B	SWITCH-STARTER & LOCK	68

ALPHABETICAL INDEX

NOMENCLATURE	FIGURE	NOMENCLATURE	FIGURE
S (cont)		T (cont)	
SWITCH-STARTER & LOCK	639	TAIL LIGHT	39
SWITCH-STARTER & LOCK	68E	TAILCONE-FUSELAGE	15
SWITCH-STARTER CIRCUIT	58	TAILCONE-FUSELAGE	35A
SWITCH-THROTTLE	105	TAILCONE-FUSELAGE	38
SWITCH-THROTTLE	74	TAILCONE-FUSELAGE	39
SWITCH-VACUUM PRESS TO TEST	57	TAILGEAR MOUNTING CASTING	45
SWITCH-VACUUM PRESS TO TEST	58	TAILWHEEL	48
SYSTEM-AILERON CONTROL	95	TAILWHEEL	47
SYSTEM-ELEVATOR CONTROL	76	TAILWHEEL	48A
SYSTEM-FLAP CONTROL	77	TAILWHEEL	48H
SYSTEM-FUEL	103	TAILWHEEL	47
SYSTEM-FUEL	104	TAILWHEEL ARM	48
SYSTEM-FUEL	104	TAILWHEEL AXLE	47
SYSTEM-FUEL	109	TAILWHEEL AXLE	49A
SYSTEM-FUEL PRIMER	119	TAILWHEEL AXLE	493
SYSTEM-FUEL PRIMER	119A	TAILWHEEL AXLE	45
SYSTEM-OIL	113	TAILWHEEL AXLE	493
SYSTEM-OIL	114	TAILWHEEL CABLE	45
SYSTEM-OIL DILUTION	113	TAILWHEEL FORK	48
SYSTEM-OXYGEN	117	TAILWHEEL FORK	47
SYSTEM-OXYGEN	120	TAILWHEEL FORK	48A
SYSTEM-PITOT	102	TAILWHEEL FORK	483
SYSTEM-PITOT	101	TAILWHEEL FORK	47
SYSTEM-RUDDER CONTROL	78	TAILWHEEL HUB	459
SYSTEM-RUDDER CONTROL	79	TAILWHEEL LOCK SYSTEM	46
SYSTEM-SELECTABLE TANK FUEL	105	TAILWHEEL MOUNTING SPRING	45
SYSTEM-STABILIZER TRIM CONTROL	100	TAILWHEEL MOUNTING TURE	47
SYSTEM-TACTAIR VACUUM	136	TAILWHEEL PAWL	48
SYSTEM-VACUUM	76	TAILWHEEL PAWL	48A
SYSTEM-VACUUM	77	TAILWHEEL PAWL	48A
SYSTEM-VACUUM	116	TAILWHEEL PAWL	78
SYSTEM-VACUUM	117	TAILWHEEL STEERING BELLCRANK	97
SYSTEM-VACUUM	117A	TAILWHEEL STEERING BELLCRANK	48
SYSTEM-VACUUM	117B	TAILWHEEL TIRE	43A
SYSTEM-VACUUM	117C	TAILWHEEL TIRE	48
SYSTEM-VACUUM-FWD OF FIREWALL	117D	TAILWHEEL TIRE	48
SYSTEM-WING LEVELER	95A	TAILWHEEL TUBE	48A
		TAILWHEEL TUBE	49B
		TAILWHEEL TUBE	46
		TAILWHEEL-ANTI-SWIVEL	175
		TANK SELECTOR VALVE-FUEL	175
		TANK SELECTOR COVER-FUEL	17
		TANK-FUEL	117
		TANK-OXYGEN	120
		TANK-OXYGEN	173
		TANK-VAPOR SEP & FUEL ACCUMULATOR	174
		TANK-VAPOR SEP & FUEL ACCUMULATOR	175
		TANK-VAPOR SEP & FUEL ACCUMULATOR	76
		TEMPERATURE BULB-CYLINDER HEAD	68
		TEMPERATURE GAGE-OIL	68A
		TEMPERATURE GAGE-OIL	68B
		TEMPERATURE GAGE-OIL	68C
		TEMPERATURE GAGE-OIL	114
		TEMPERATURE GAGE-OIL	113
		TEMPERATURE GAGE-OIL	58
		TEMPERATURE GAGE-CYLINDER HEAD	68A
		TEMPERATURE GAGE-CYLINDER HEAD	68B
		TEMPERATURE GAGE-CYLINDER HEAD	68C
		TEMPERATURE GAGE-CYLINDER HEAD	70
		TEMPERATURE GAGE-OUTSIDE AIR	77
		THERMOCOUPLE-ENGINE	69A
		THERMOCOUPLE-POWER ECONOMY LEAD	68B
		THERMOCOUPLE-POWER ECONOMY LEAD	68C
		THERMOCOUPLE-POWER ECONOMY LEAD	67
		THROTTLE CONTROL	68
		THROTTLE CONTROL	68A
		THROTTLE CONTROL	68B
		THROTTLE CONTROL	68C
		THROTTLE CONTROL	74
		THROTTLE CONTROL	75
T			
T-2 TACTAIR AUTO PILOT	135		
T-3 TACTAIR AUTO PILOT	134		
TAB-RUDDER	20		
TACHOMETER	57		
TACHOMETER	68		
TACHOMETER	68A		
TACHOMETER	68B		
TACHOMETER	68C		
TACHOMETER	67		
TACHOMETER SHAFT	58		
TACHOMETER SHAFT	58		
TACHOMETER SHAFT	68A		
TACHOMETER SHAFT	68B		
TACHOMETER SHAFT	68C		
TACTAIR AILERON SERVO	134		
TACTAIR AILERON AMPLIFIER	135		
TACTAIR AILERON SERVO	135		
TACTAIR ALTITUDE HOLD	134		
TACTAIR AUTO PILOT-T-2	134		
TACTAIR AUTO PILOT-T-3	134		
TACTAIR CABLE	135		
TACTAIR CABLE	135		
TACTAIR COMMAND CONTROL	134		
TACTAIR CONTROL UNIT	135		
TACTAIR ELEVATOR AMPLIFIER	134		
TACTAIR HOSE	135		
TACTAIR MOUNTING BASE	135		
TACTAIR VACUUM SYSTEM	136		

ALPHABETICAL INDEX

NOMENCLATURE	FIGURE	NOMENCLATURE	FIGURE
T (cont)		T (cont)	
THROTTLE CONTROL BELLCRANK	78	TURN & BANK INDICATOR.	68A
TIE DOWN SLIDE & RING.	70	TURN & BANK INDICATOR.	69C
TIP-ELEVATOR	21	TURN & BANK INDICATOR.	699
TIP-RUDDER	20	TURN COORDINATOR INDICATOR	68C
TIP-STABILIZER	19	TURN COORDINATOR INDICATOR	68B
TIP-VERTICAL FIN-ROTATING BEACON	124	TURN COORDINATOR INDICATOR	95B
TIP-VERTICAL FIN-FLASHING BEACON	124A		
TIP-WING	3A	U	
TIP-WING	4	UNIVERSAL JOINT.	94
TIP-WING	5	UPHOLSTERY-BAGGAGE COMPARTMENT	57
TIP-WING	6	UPHOLSTERY-BAGGAGE COMPARTMENT	57A
TIRE	41	UPHOLSTERY-BAGGAGE COMPARTMENT	58
TIRE EXPANDER.	70	UPHOLSTERY-CABIN TOP & FIREWALL.	53
TIRE-MAIN GEAR	40	UPHOLSTERY-CABIN DOORS	54
TIRE-MAIN GEAR	40A	UPHOLSTERY-CABIN SIDE PANELS	58
TIRE-MAIN GEAR	41	UPHOLSTERY-CABIN SIDE PANELS	57
TIRE-MAIN GEAR	42	UPHOLSTERY-CABIN SIDE PANELS	57A
TIRE-MAIN GEAR	42A	UPHOLSTERY-FLOORBOARD & BAG COMPT.	55
TIRE-MAIN GEAR	42B	UPHOLSTERY-FLOORBOARD DELUXE	56
TIRE-MAIN GEAR	43	UPHOLSTERY-HOW TO ORDER	PAGE XII
TIRE-TAILWHEEL	49		
TIRE-TAILWHEEL	47	V	
TOP UPHOLSTERY	53	VACUUM AIR FILTER.	1179
TOP-CABIN.	24	VACUUM AIR FILTER.	117C
TOP-CABIN.	25	VACUUM AIR FILTER.	117E
TOP-REAR CABIN	25	VACUUM PUMP.	116
TRANSMITTER FLOAT-FUEL	13	VACUUM PUMP.	117
TRANSMITTER-FUEL	13	VACUUM PUMP.	117A
TRAY-ASH	60	VACUUM PUMP.	117D
TRAY-ASH	61	VACUUM PUMP.	117E
TRAY-ASH	61A	VACUUM PUMP.	135
TRAY-ASH	58	VACUUM SWITCH-PRESS TO TEST.	67
TRAY-ASH	57	VACUUM SWITCH-PRESS TO TEST.	68
TRAY-ASH	57A	VACUUM SYSTEM.	76
TRIM CONTROL SYSTEM-STABILIZER	100	VACUUM SYSTEM.	77
TRIM CONTROL INDICATOR	100	VACUUM SYSTEM.	116
TRIM CONTROL INDICATOR	100A	VACUUM SYSTEM.	117
TRIM WHEEL COVER-RUDDER.	56	VACUUM SYSTEM.	117A
TRIM WHEEL COVER-RUDDER.	55	VACUUM SYSTEM.	117B
TRIM WHEEL-RUDDER.	98	VACUUM SYSTEM.	117C
TRIM WHEEL-STABILIZER.	100	VACUUM SYSTEM.	117E
TRIM WHEEL-STABILIZER.	100A	VACUUM SYSTEM-FWD OF FIREWALL.	117D
TRUE AIRSPEED INDICATOR	68A	VACUUM SYSTEM-TACTAIR.	136
TRUE AIRSPEED INDICATOR	689	VALVE CHECK.	107
TRUE AIRSPEED INDICATOR	68C	VALVE CONTROL-FUEL	105
TRUE AIRSPEED INDICATOR	101	VALVE CONTROL-FUEL	104
TRUE AIRSPEED INDICATOR	102	VALVE GUIDE-DEFROST.	89
TUBE-AILERON CARRY THRU.	95	VALVE HANDLE-FUEL	103
TUBE-ATR BOX DRAIN	76	VALVE HANDLE-FUEL	105
TUBE-BREATHER.	76	VALVE-AIR VENT REAR.	99
TUBE-BREATHER.	77	VALVE-AIR VENT REAR.	89A
TUBE-CONTROL	94	VALVE-CHECK.	108
TUBE-GENERATOR BLAST	76	VALVE-DEFROST.	89
TUBE-GENERATOR BLAST	77	VALVE-DRAIN.	13A
TUBE-LANDING GEAR.	43	VALVE-DRAIN.	109
TUBE-PITOT	102	VALVE-FUEL	103
TUBE-PITOT	101	VALVE-FUEL	104
TUBE-PITOT	4	VALVE-FUEL	105
TUBE-TAILWHEEL SPRING MOUNTING	46	VALVE-FUEL	111
TUBE-TAILWHEEL MOUNTING.	45	VALVE-FUEL DRAIN	13A
TUBE-TAILWHEEL	48	VALVE-FUEL DRAIN	105
TUBE-TAILWHEEL	47	VALVE-FUEL DRAIN	103
TUBELESS TIRE VALVE.	70		
TUNNEL COVER	55		
TUNNEL COVER-AFT	28		
TUNNEL COVER-AFT	29		
TURN & BANK INDICATOR.	67		
TURN & BANK INDICATOR.	68		

ALPHABETICAL INDEX

NOMENCLATURE	FIGURE	NOMENCLATURE	FIGURE
V (cont)		W (cont)	
VALVE-FUEL DRAIN	104	WARNING HORN-STALL	69
VALVE-FUEL DRAIN	110	WARNING HORN-STALL	102B
VALVE-FUEL SAMPLER	13A	WARNING UNIT-STALL	3
VALVE-FUEL SELECTOR	112	WEIGHT-AILERON	14
VALVE-FUEL SELECTOR	109	WEIGHT-ELEVATOR BALANCE	21
VALVE-FUEL TANK SELECTOR	105	WEIGHT-PROPELLER	72
VALVE-FUEL VENT	13	WEIGHT-PROPELLER	72A
VALVE-QUICK DRAIN OIL	77	WEIGHT-RUDDER BALANCE	20
VALVE-OXYGEN	119	WHEEL & BRAKE-MAIN GEAR	43
VALVE-OXYGEN	120	WHEEL & BRAKE-MAIN GEAR	42
VALVE-OXYGEN	120A	WHEEL & BRAKE-MAIN GEAR	42A
VALVE-OXYGEN	120B	WHEEL & BRAKE-MAIN GEAR	42B
VALVE-OXYGEN	120C	WHEEL & BRAKE	41
VALVE-SHUT OFF-TACTAIR	134	WHEEL & BRAKE	40
VALVE-SOLENOID	114	WHEEL & BRAKE-CROSSWIND GEAR	42C
VALVE-SOLENOID	113	WHEEL & BRAKE-CROSSWIND GEAR	44
VALVE-SOLENOID	107	WHEEL & TIRE-TAILWHEEL	48
VALVE-SUCTION RELIEF	116	WHEEL & TIRE-TAILWHEEL	47
VALVE-SUCTION RELIEF	117	WHEEL & TIRE-TAILWHEEL	48A
VALVE-SUCTION RELIEF	117A	WHEEL & TIRE-TAILWHEEL	48B
VALVE-SUCTION RELIEF	117D	WHEEL COVER-RUDDER TRIM	95
VALVE-SUCTION RELIEF	117E	WHEEL COVER-RUDDER TRIM	55
VALVE-SUCTION RELIEF	136	WHEEL COVER-STABILIZER TRIM	100
VALVE-TUBELESS TIRE	70	WHEEL EMBLEM-CONTROL	94
VALVE-WARM AIR	89	WHEEL EMBLEM-CONTROL	94A
VALVE-WING LEVELER	69B	WHEEL-CONTROL	94
VALVE-WING LEVELER	69C	WHEEL-CONTROL	94A
VALVE-WING LEVELER	99B	WHEEL-CONTROL	04B
VALVE-WING LEVELER	105	WHEEL-CONTROL	98
VAPOR SEPARATOR TANK	103	WHEEL-RUDDER TRIM	100
VAPOR SEPARATOR TANK	104	WHEEL-STABILIZER TRIM	100A
VAPOR SEPARATOR TANK	120	WHEEL-STABILIZER TRIM	58
VALVE-OXYGEN FILLER	117	WINDLACE-CABIN DOOR	57
VENT HOSE	116	WINDLACE-CABIN DOOR	57A
VENT LINE	136	WINDOW FRAME-DOOR	50
VENT LINE	13	WINDOW HINGE	47
VENT LINE-FUEL	109	WINDOW RETAINER	26
VENT LINE-FUEL	7	WINDOW SEAL	41
VENT SCOOP-CABIN AIR	9	WINDOW-CABIN DOOR	49
VENT SCOOP-CABIN AIR	8A	WINDOW-CABIN DOOR	50
VENT TUBE	117D	WINDOW-CAMERA	131
VENT TUBE	117E	WINDOW-CAMERA	133
VENT-FUEL VALVE	13	WINDOW-CAMERA	132
VENTILATION SYSTEM-CABIN	98	WINDOW-REAR SIDE	26
VENTILATION SYSTEM-CABIN	83A	WINDSHIELD	31
VENTRAL FIN	126A	WINDSHIELD	22
VERTICAL SPEED INDICATOR	67	WINDSHIELD	23
VERTICAL SPEED INDICATOR	69	WINDSHIELD RETAINER	31
VERTICAL SPEED INDICATOR	69A	WING	3
VERTICAL SPEED INDICATOR	69B	WING	3A
VERTICAL SPEED INDICATOR	69C	WING FAIRING	3
VERTICAL SPEED INDICATOR	101	WING FAIRING	3A
VERTICAL SPEED INDICATOR	102	WING FAIRING	5
VERTICALLY ADJUSTABLE FRONT SEAT	63	WING FAIRING	6
VIBRATOR-STARTING	121	WING FAIRING	6A
VISOR-SUN	70	WING FAIRING	27
VOLTAGE REGULATOR	76A	WING FILLET	15
VOLTAGE REGULATOR	77B	WING FLAP	8
VOLTAGE REGULATOR	121	WING LEADING EDGE	8A
VOLTAGE REGULATOR	122	WING LEADING EDGE	7
VOLTAGE REGULATOR	121	WING LEADING EDGE	95B
VOLTAGE REGULATOR-ALTERNATOR	122	WING LEVELER COMPONENTS	95A
VOLTAGE REGULATOR-ALTERNATOR	122	WING LEVELER INSTALLATION	95A
		WING LEVELER SERVO	68B
		WING LEVELER VALVE	95B
		WING LEVELER VALVE	3
		WING NAVIGATION LIGHT	3A
		WING NAVIGATION LIGHT	4
		WING RIB	4
W			
WARNING HORN-STALL	69A		



ALPHABETICAL INDEX

NOMENCLATURE	FIGURE	NOMENCLATURE	FIGURE
W (cont)			
WING RIB	5		
WING RIB	5		
WING RIB	5A		
WING SKINS & STRINGERS	11		
WING SKINS & STRINGERS	12		
WING SKINS & STRINGERS	12A		
WING SPAR	9		
WING SPAR	10		
WING SPAR	10A		
WING STALL WARNING UNIT	3		
WING STRUCTURE	4		
WING STRUCTURE	5		
WING STRUCTURE	5A		
WING STRUCTURE-EXTENDED RANGE	6		
WING STRUCTURE-EXTENDED RANGE	5A		
WING STRUT	16		
WING STRUT FAIRING	16		
WING STRUT FITTING	16		
WING TIP	1A		
WING TIP	4		
WING TIP	6		
WING TIP	5		
WINTERIZATION EQUIPMENT	86		
WIRE CUTTER & DEFLECTOR INSTL.	70A		
WIRE-HEADLINER	53		



PARTS LISTING

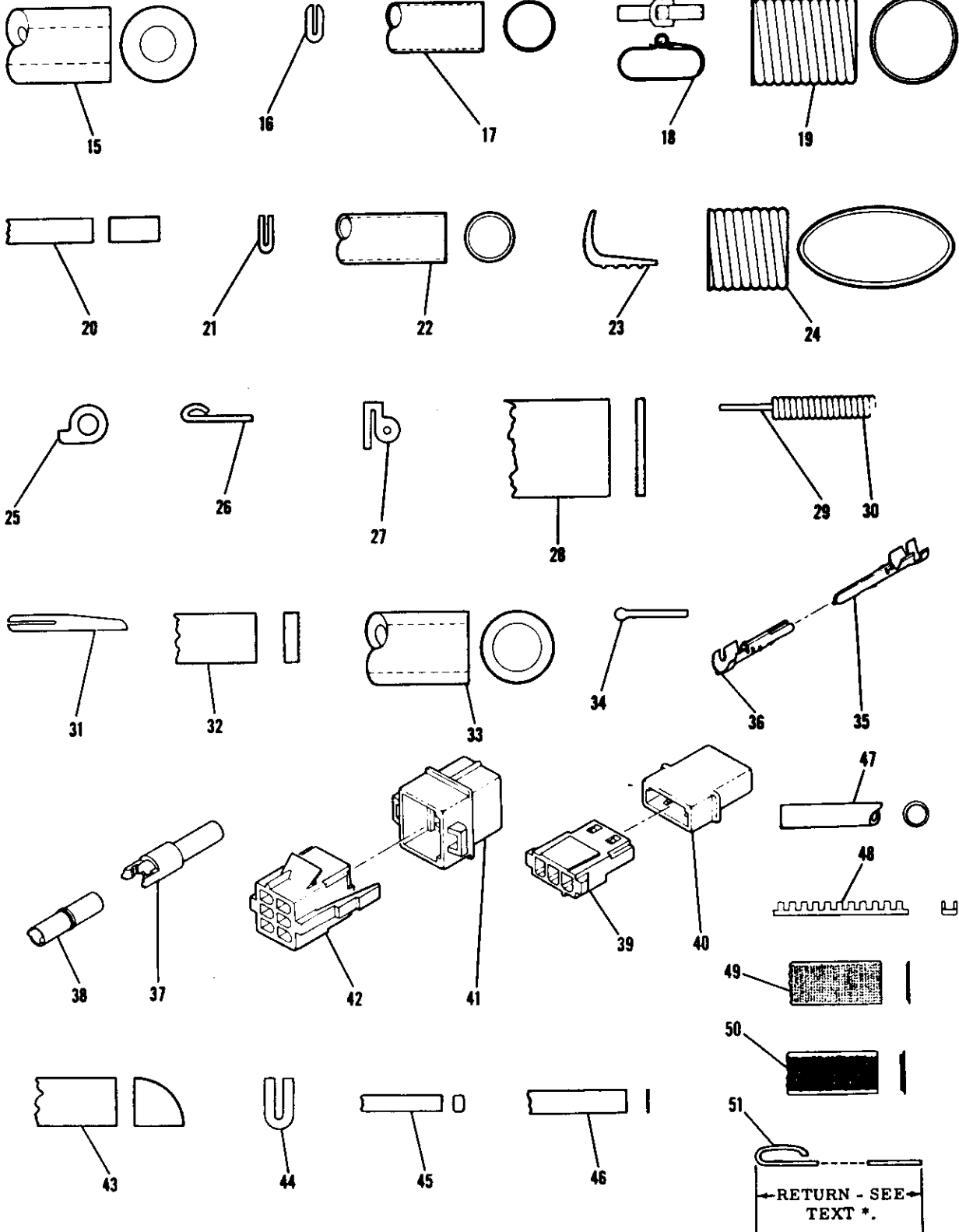
FIGURE AND INDEX NO.	PART NUMBER	DESCRIPTION							UNITS PER ASSY	USABLE ON CODE
		1	2	3	4	5	6	7		
1 - - 1	C1C2	MISCELLANEOUS BULK ITEMS ----- CONLEY-WELD EPOXY BASE ADHESIVE.							AR	
- 2	EC880	ADHESIVE--SYNTHETIC RUBBER BASE OIL RESISTANT								
- 3	1024A-B	CEMENT PARTS A & B								
- 4	1007	PRIMER								
- 5	576.1	SEALANT-EXTRUDED PERMAGUM								
- 6	579.6	SEALANT-EXTRUDED ZINC CHROMATE								
- 7	S1078-1	SEALANT--SYNTHETIC RUBBER--FABRIC REINFORCED .06 THICK .50 WIDE								
- 8	S1078-2	SEALANT--SYNTHETIC RUBBER--FABRIC REINFORCED .12 THICK .50 WIDE								
- 9	S1078-3	SEALANT--SYNTHETIC RUBBER--FABRIC REINFORCED 2 MIL MYLAR TAPE BACKING. .06 THICK 1.50 WIDE								
-10	EC1239AB	SEALANT--CATALYTIC								
-11	700	SEALANT--FIREWALL								
-12	EC776	ADHESIVE--GASKET FUEL RESISTANT SYNTHETIC RUBBER BASE.								
-13	550	SOUND DEADENER-- LIQUID VIBRATION DAMPENER								
-14	MIL-P-8585	PRIMER--ZINC CHROMATE-- GREEN								

CONTINUED ON NEXT PAGE

FIGURE AND INDEX NO.	PART NUMBER	DESCRIPTION	UNITS PER ASSY	USABLE ON CODE
		1 2 3 4 5 6 7		
1 -14A	EC1675A-B	SEALANT-CATALYTIC		
		HOPPER ADAPTER TO HOPPER-CANTILEVER WING FUEL BAY		
-14B	PRO890	SEALANT-CATALYTIC ALTERNATE FOR EC1675A-B		
		HOPPER ADAPTER TO HOPPER-CANTILEVER WING FUEL BAY		
-14C	LOCTITE5381	EPOXY MIXER CUP		AR
		URETHANE TO URETHANE URETHANE TO METAL POLYCARBONATE TO METAL ABS TO METAL		
-14D	EC2216A-B	ADHESIVE PARTS A&B		AR
		METAL TO METAL		
-14E	LOCTITE87	LOCKING & RETAINING COMPOUND		AR
		METAL TO METAL		
-15	S51-4	HOSE-FUEL & OIL-1/4 ID		AR
	S51-6	HOSE-FUEL & OIL-3/8 ID		AR
	S51-8	HOSE-FUEL & OIL-1/2 ID		AR
	S51-10	HOSE-FUEL & OIL-5/8 ID		AR
	S51-12	HOSE-FUEL & OIL-3/4 ID		AR
	S51-16	HOSE-FUEL & OIL-1.00 ID		AR
	S51-32	HOSE-FUEL & OIL-2.00 ID		AR
-16	S202RB	CHANNEL-EXTRUDED BLACK		AR
	S202VW	CHANNEL-EXTRUDED WHITE		AR
-17	S292-1	INSULATION SLEEVING-ELEC-.118 ID		AR
	S292-2	INSULATION SLEEVING-ELEC-.133 ID		AR
	S292-3	INSULATION SLEEVING-ELEC-.148 ID		AR
	S292-4	INSULATION SLEEVING-ELEC-.166 ID		AR
	S292-5	INSULATION SLEEVING-ELEC-.186 ID		AR
	S292-6	INSULATION SLEEVING-ELEC-.208 ID		AR
	S292-8	INSULATION SLEEVING-ELEC-.263 ID		AR
	S292-11	INSULATION SLEEVING-ELEC-5/16 ID		AR
	S292-12	INSULATION SLEEVING-ELEC-3/8 ID		AR
	S292-14	INSULATION SLEEVING-ELEC-1/2 ID		AR
	S292-16	INSULATION SLEEVING-ELEC-3/4 ID		AR
	S292-28	INSULATION SLEEVING-ELEC-2-1/2 ID		AR
-18	S10268G	CLAMP-WRAP TYPE		AR
		AVAILABLE IN 100 FOOT ROLL		
-19	S1053E7T	DUCT-FLEXIBLE-NEOPRENE IMPREGNATED		AR
		7/8 DIA		
		AVAILABLE IN 10 FOOT LENGTHS ONLY		
	S1053E8T	DUCT-FLEXIBLE-NEOPRENE IMPREGNATED		AR
		1.00 DIA		
		AVAILABLE IN 10 FOOT LENGTHS ONLY		
	S1053E10T	DUCT-FLEXIBLE-NEOPRENE IMPREGNATED		AR
		1-1/4 DIA		
	S1053K10T	DUCT-FLEXIBLE-SILICONE IMPREGNATED		AR
		1-1/4 DIA		
		AVAILABLE IN 10 FOOT LENGTHS ONLY		
	S1053E12T	DUCT-FLEXIBLE-NEOPRENE IMPREGNATED		AR
		1-1 1/2 DIA		
	S1053K12T	DUCT-FLEXIBLE-SILICONE IMPREGNATED		AR
		1-1/2 DIA		
		AVAILABLE IN 10 FOOT LENGTHS ONLY		
	S1053E20T	DUCT-FLEXIBLE-NEOPRENE IMPREGNATED		AR
		2-1/2 DIA		
	S1053K20T	DUCT-FLEXIBLE-SILICONE IMPREGNATED		AR
		2-1/2 DIA		
		AVAILABLE IN 10 FOOT LENGTHS ONLY		
	S1053E24T	DUCT-FLEXIBLE-NEOPRENE IMPREGNATED		AR
		3.00 DIA		
	S1053K24T	DUCT-FLEXIBLE-SILICONE IMPREGNATED		AR
		3.00 DIA		
	S1053K24W	DUCT-FLEXIBLE-SILICONE IMPREGNATED		AR
		2 PLY 3.00 DIA		
		AVAILABLE IN 10 FOOT LENGTHS ONLY		
	S1053E28T	DUCT-FLEXIBLE-NEOPRENE IMPREGNATED		AR
		3-1/2 DIA		
	S1053K28W	DUCT-FLEXIBLE-SILICONE IMPREGNATED		AR
		2 PLY 3-1/2 DIA		
		AVAILABLE IN 10 FOOT LENGTHS ONLY		
	S1053E32T	DUCT-FLEXIBLE-NEOPRENE IMPREGNATED		AR
		4.00 DIA		
	S1053K32T	DUCT-FLEXIBLE-SILICONE IMPREGNATED		AR
		4.00 DIA		
		AVAILABLE IN 10 FOOT LENGTHS ONLY		
-20	S1047-1	SEAL-SPONGE RUBBER-1/4 THICK		AR
	S1047-2	SEAL-SPONGE RUBBER-5/16 THICK		AR
-21	S1055-1	CHANNEL-EXTRUDED RUBBER		AR
-22	S1071-1	TUBE-POLYETHYLENE-1/4 DIA		AR
	S1071-3	TUBE-POLYETHYLENE-3/8 DIA		AR
	S1071-4	TUBE-POLYETHYLENE-1/2 DIA		AR
	S1071-5	TUBE-POLYETHYLENE-5/8 DIA		AR

CONTINUED ON NEXT PAGE

Bulk Items



←RETURN - SEE TEXT *.

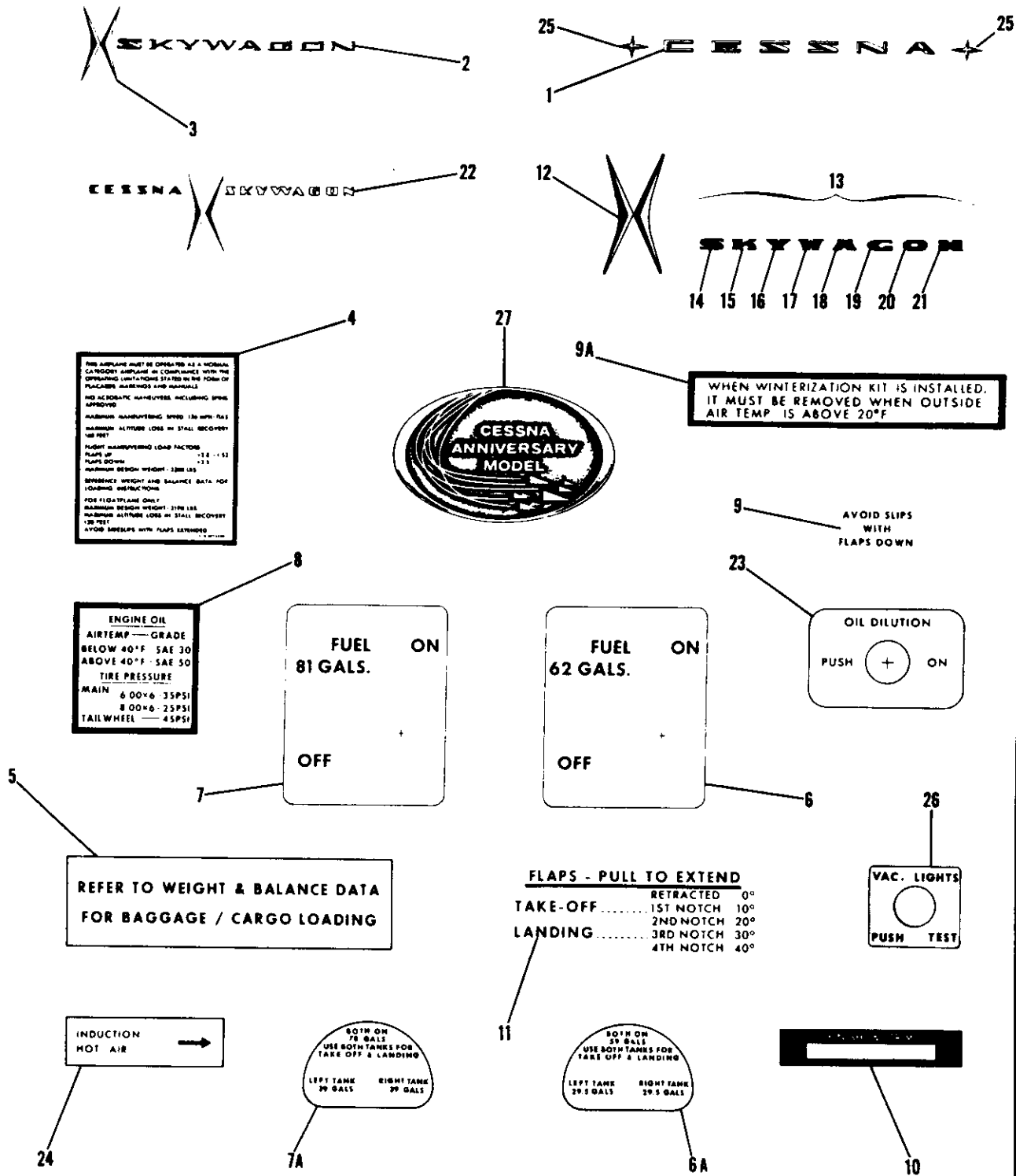
Figure 1. Miscellaneous Bulk Items

FIGURE AND INDEX NO.	PART NUMBER	DESCRIPTION	UNITS PER ASSY	USABLE ON CODE
		1 2 3 4 5 6 7		
1 -23	S1084-1	SEAL-EXTRUDED RUBBER AVAILABLE BY THE FOOT -----	AR	
-24	S1110ET	DUCT-OVAL-FLEXIBLE-NEOPRENE IMPREGNATED ----- AVAILABLE IN 10 FOOT LENGTHS ONLY	AR	
-25	S1346-1	SEAL-SPONGE RUBBER AVAILABLE IN 12 FT LENGTHS ONLY -----	AR	
-26	S1366-1	MOULDING-EXTRUDED PLASTIC-SAND AVAILABLE BY THE FOOT ----	AR	
	S1366-2	MOULDING-EXTRUDED PLASTIC-FAWN AVAILABLE BY THE FOOT ----	AR	
	S1366-3	MOULDING-EXTRUDED PLASTIC-BLACK AVAILABLE BY THE FOOT ---	AR	
-27	S1378-1	SEAL-SPONGE RUBBER-BEIGE AVAILABLE IN 7 FT LENGTHS ONLY -	AR	
	S1378-2	SEAL-SPONGE RUBBER-CLOUD GRAY ----- AVAILABLE IN 7 FT LENGTHS ONLY	AR	
-28	S1389-1	SEALER STRIP-FELT-1.00 WIDE AVAILABLE BY THE FOOT -----	AR	
	S1389-2	SEALER STRIP-FELT-1-1/2 WIDE AVAILABLE BY THE FOOT -----	AR	
	S1389-3	SEALER STRIP-FELT-2.00 WIDE AVAILABLE BY THE FOOT -----	AR	
	S1389-4	SEALER STRIP-FELT-1-3/4 WIDE AVAILABLE BY THE FOOT -----	AR	
	S1389-5	SEALER STRIP-FELT-1-1/4 WIDE AVAILABLE BY THE FOOT -----	AR	
	S1389-6	SEALER STRIP-FELT-2-1/4 WIDE AVAILABLE BY THE FOOT -----	AR	
	S1389-7	SEALER STRIP-FELT-1-3/8 WIDE AVAILABLE BY THE FOOT -----	AR	
-29	S1398-1	CONTROL-PUSH PULL-WIRE AVAILABLE BY THE FOOT -----	AR	
-30	S1398-2	CONTROL-PUSH PULL-CASING AVAILABLE BY THE FOOT -----	AR	
-31	S1415-1	MOULDING-EXTRUDED VINYL -----	AR	
-32	S1441-1	SEAL-SPONGE RUBBER-3/8 WIDE AVAILABLE BY THE FOOT -----	AR	
	S1441-2	SEAL-SPONGE RUBBER-1/4 WIDE AVAILABLE BY THE FOOT -----	AR	
	S1441-3	SEAL-SPONGE RUBBER-1/2 WIDE AVAILABLE BY THE FOOT -----	AR	
-33	S1495-4	HOSE-RUBBER-1/4 ID AVAILABLE BY THE FOOT -----	AR	
	S1495-6	HOSE-RUBBER-3/8 ID AVAILABLE BY THE FOOT -----	AR	
	S1495-8	HOSE-RUBBER-1/2 ID AVAILABLE BY THE FOOT -----	AR	
	S1495-10	HOSE-RUBBER-5/8 ID AVAILABLE BY THE FOOT -----	AR	
-34	S1611-1	SEAL-EXTRUDED VINYL AVAILABLE BY THE FOOT -----	AR	
-35	S1635-1	ELECTRICAL PIN WIRE SIZE 22-18 -----	AR	
	S1635-2	ELECTRICAL PIN WIRE SIZE 18-14 -----	AR	
	S1635-3	ELECTRICAL PIN WIRE SIZE 18 GA-2 WIRE -----	AR	
-36	S1636-1	ELECTRICAL SOCKET WIRE SIZE 22-18 -----	AR	
	S1636-2	ELECTRICAL SOCKET WIRE SIZE 18-14 -----	AR	
	S1636-3	ELECTRICAL SOCKET WIRE SIZE 18 GA-2 WIRE -----	AR	
-37	S1637-1	HOUSING-ELECTRICAL PIN -----	AR	
-38	S1637-2	HOUSING-ELECTRICAL SOCKET -----	AR	
-39	S1638-1	HOUSING-ELECTRICAL SOCKET-3 CIRCUIT -----	AR	
-40	S1638-2	HOUSING-ELECTRICAL PIN-3 CIRCUIT -----	AR	
-41	S1640-6	HOUSING-ELECTRICAL PIN-6 CAVITY -----	AR	
	S1640-9	HOUSING-ELECTRICAL PIN-9 CAVITY -----	AR	
	S1640-12	HOUSING-ELECTRICAL PIN-12 CAVITY -----	AR	
	S1640-15	HOUSING-ELECTRICAL PIN-15 CAVITY -----	AR	
-42	S1641-6	HOUSING-ELECTRICAL SOCKET-6 CAVITY -----	AR	
	S1641-9	HOUSING-ELECTRICAL SOCKET-9 CAVITY -----	AR	
	S1641-12	HOUSING-ELECTRICAL SOCKET-12 CAVITY -----	AR	
	S1641-15	HOUSING-ELECTRICAL SOCKET-15 CAVITY -----	AR	
-43	S1116	SEAL-NEOPRENE AVAILABLE IN 12 FOOT LENGTHS ONLY -----	AR	
-44	S1356	SEAL-EXTRUDED RUBBER AVAILABLE BY THE FOOT -----	AR	
-45	S1614	LACING-KORROSEAL AVAILABLE BY THE FOOT -----	AR	
-46	3690-1/8	FILM-BLACK VINYL-1/8 IN WIDE AVAILABLE BY THE ROLL -----	AR	
	3690-1/4	FILM-BLACK VINYL-1/4 IN WIDE AVAILABLE BY THE ROLL -----	AR	
	3690-1/2	FILM-BLACK VINYL-1/2 IN WIDE AVAILABLE BY THE ROLL -----	AR	
-47	110691	WIRE-TFFLON AVAILABLE BY THE FOOT -----	AR	
-48	S1050-1	GROMMET-CATERPILLAR .056 WIDE -----	AR	
	S1050-2	GROMMET-CATERPILLAR .090 WIDE -----	AR	
	S1050-3	GROMMET-CATERPILLAR .131 WIDE -----	AR	
-49	S2092-3	FABRIC FASTENER-HOOK AVAILABLE BY THE FOOT -----	AR	
-50	S2092-4	FABRIC FASTENER-PILE AVAILABLE BY THE FOOT -----	AR	
-51	S1948-2-1	* TRIM-EXTRUDED CLOUD GRAY AVAILABLE BY THE FOOT -----	AR	
	S1948-2-2	* TRIM-EXTRUDED EBONY AVAILABLE BY THE FOOT -----	AR	
	S1948-2-3	* TRIM-EXTRUDED SILVER TEAL BLUE AVAILABLE BY THE FOOT -----	AR	
	S1948-2-4	* TRIM-EXTRUDED MARIGOLD AVAILABLE BY THE FOOT -----	AR	
	S1948-2-5	* TRIM-EXTRUDED SUN GOLD AVAILABLE BY THE FOOT -----	AR	
	S1948-2-6	* TRIM-EXTRUDED LIGHT OLIVE AVAILABLE BY THE FOOT -----	AR	
	S1948-2-7	* TRIM-EXTRUDED CLOVE BROWN AVAILABLE BY THE FOOT -----	AR	

CONTINUED ON NEXT PAGE

FIGURE AND INDEX NO.	PART NUMBER	DESCRIPTION						UNITS PER ASSY	USABLE ON CODE
		1	2	3	4	5	6		
1 -	S1948-2-8 *	TRIM-EXTRUDED	HOLIDAY BLUE	AVAILABLE BY THE FOOT	----			AR	
	S1948-2-9 *	TRIM-EXTRUDED	FIESTA RED	AVAILABLE BY THE FOOT	-----			AR	
	S1948-2-10 *	TRIM-EXTRUDED	PICNIC GREEN	AVAILABLE BY THE FOOT	----			AR	
	S1948-2-11 *	TRIM-EXTRUDED	BOGOTA BLUE	AVAILABLE BY THE FOOT	-----			AR	
	S1948-2-12 *	TRIM-EXTRUDED	TAHITIAN RED	AVAILABLE BY THE FOOT	----			AR	
	S1948-2-13 *	TRIM-EXTRUDED	CYPRUS GREEN	AVAILABLE BY THE FOOT	-----			AR	
	S1948-2-14 *	TRIM-EXTRUDED	PEACOCK BLUE	AVAILABLE BY THE FOOT	----			AR	
	S1948-2-15 *	TRIM-EXTRUDED	POPPY RED	AVAILABLE BY THE FOOT	-----			AR	
	S1948-2-16 *	TRIM-EXTRUDED	GOLDEN OLIVE & OLIVE GREEN	-----				AR	
			AVAILABLE BY THE FOOT						
	S1948-2-17 *	TRIM-EXTRUDED	SUNSET RED	AVAILABLE BY THE FOOT	-----			AR	
	S1948-2-18 *	TRIM-EXTRUDED	COPEN BLUE	AVAILABLE BY THE FOOT	-----			AR	
	S1948-2-19 *	TRIM-EXTRUDED	CHESTNUT BROWN	AVAILABLE BY THE FOOT	--			AR	
	S1948-2-20 *	TRIM-EXTRUDED	OLD GOLD	AVAILABLE BY THE FOOT	-----			AR	
	<p>NOTE. *PART NUMBER LISTED IN TEXT HAS A 1/2 INCH RETURN. FOR A 7/8 INCH RETURN CHANGE FIRST DASH NUMBER TO -1. EXAMPLE-S1948-1-4.</p>								

Placards



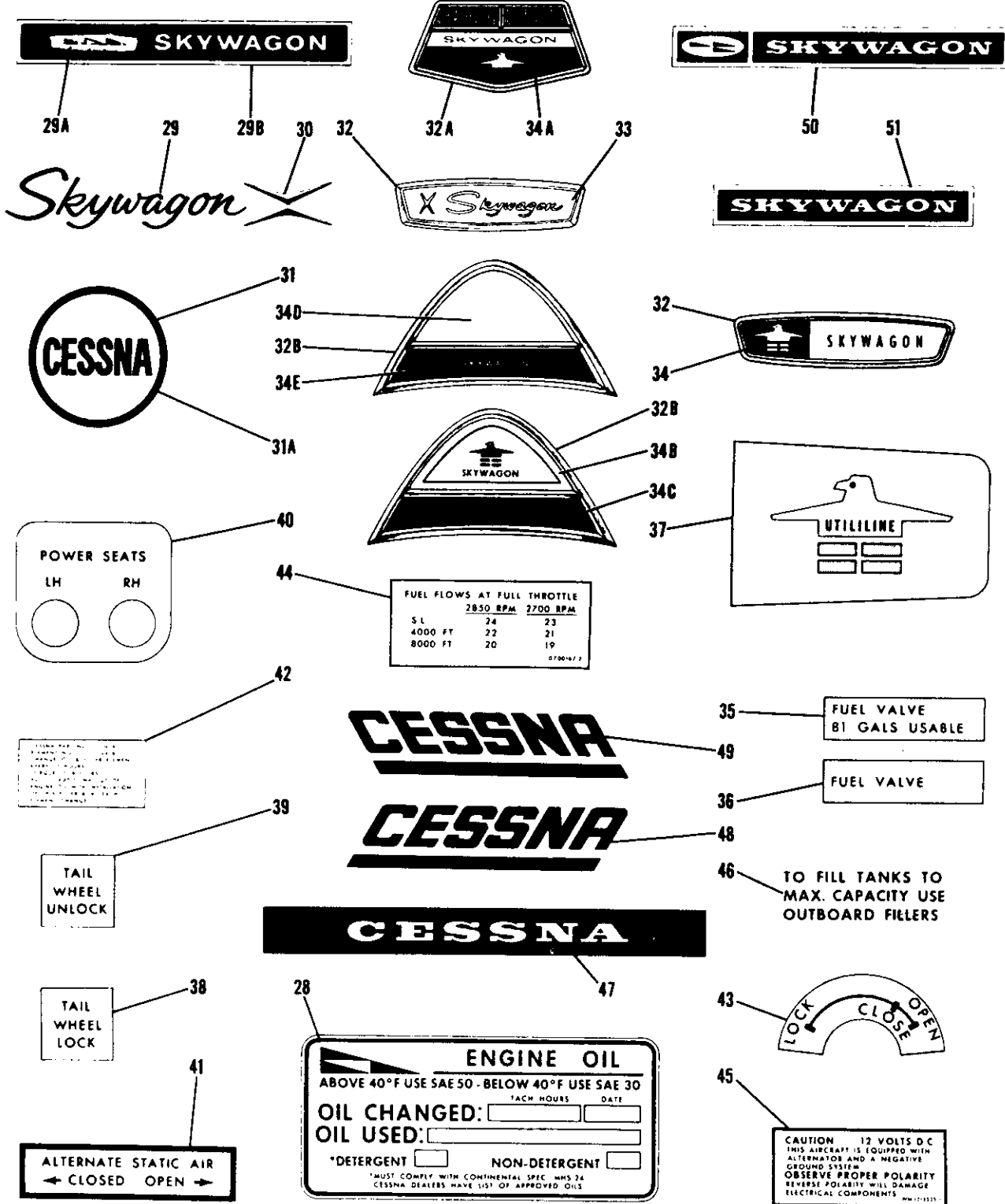
SERIAL 185-0001 THRU 185-1447

Figure 2. (Sheet 1 of 2) Placards, Nameplates & Exterior Markings

FIGURE AND INDEX NO.	PART NUMBER	DESCRIPTION	UNITS PER ASSY	USABLE ON CODE
		1 2 3 4 5 6 7		
2 -		PLACARDS, NAMEPLATES & EXTERIOR MARKINGS -----	NP	E
- 1	0500085-1	INSIGNIA CESSNA ON FUSELAGE -----	2	G
- 2	0700061-1	PLACARD SKYWAGON ON VERTICAL FIN -----	2	G
- 3	0700061-2	PLACARD EMBLEM ON VERTICAL FIN -----	2	A
- 4	0713228-2	PLACARD-OPERATIONAL LIMITATIONS -----	1	U
	0700167-3	PLACARD-OPERATIONAL LIMITATIONS -----	1	W
	1205001-56	PLACARD-OPERATIONAL LIMITATIONS -----	1	AA
	1205001-59	PLACARD-OPERATIONAL LIMITATIONS -----	1	AB
- 5	0713224-1	PLACARD-BAGGAGE LOAD LIMIT WHEN EXHAUSTED ----- USE 1205015-1	1	
- 6	0716106-1	PLACARD-FUEL SELECTION 62 GALLONS -----	1	J
- 6A	0716113-1	PLACARD-FUEL VALVE -----	1	D
- 7	0716106-2	PLACARD-FUEL SELECTION 81 GALLONS -----	1	J
- 7A	0716113-2	PLACARD-FUEL VALVE -----	1	D
- 8	0713210-16	PLACARD-TIRE & OIL PRESSURE -----	1	K
- 9	0510188	PLACARD-FLAP LEVER USED ON FLOATPLANE & AMPHIBIAN -----	1	
- 9A	0700319-13	PLACARD-WINTERIZATION -----	1	
-10	0713047	PLACARD-FINISH & TRIM -----	1	
-11	0510191	PLACARD-FLAP INSTRUCTIONS WHEN EXHAUSTED USE 0705004-1 --	1	
-12	0700064-1	PLACARD-EMBLEM ON GLOVE BOX DOOR -----	1	K
-13	0513220-14	LETTERING-SKYWAGON ON GLOVE BOX DOOR -----	1	K
-14	0513220-2	INITIAL S -----	1	
-15	0513220-3	INITIAL K -----	1	
-16	0513220-4	INITIAL Y -----	1	
-17	0513220-9	INITIAL W -----	1	
-18	0513220-6	INITIAL A -----	1	
-19	0513220-11	INITIAL G -----	1	
-20	0513220-12	INITIAL O -----	1	
-21	0513220-13	INITIAL N -----	1	
-22	0700065-1	EMBLEM-CONTROL WHEEL -----	1	G
-23	0713222-1	PLACARD-OIL DILUTION -----	1	K
-24	0713176-1	PLACARD-HOT AIR INDUCTION -----	1	G
-25	0500085-2	EMBLEM-STAR -----	2	B
-26	0713705-4	PLACARD-VACUUM LIGHTS PUSH TO TEST -----	1	B
-27	0713724-1	MEDALLION-CESSNA ANNIVERSARY MODEL -----	1	C

CONTINUED ON NEXT PAGE

Placards (Cont)

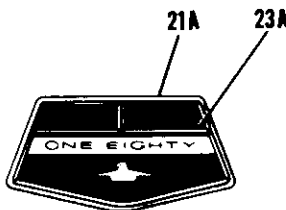
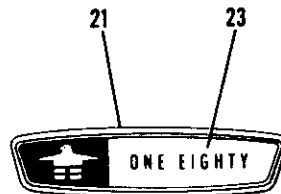
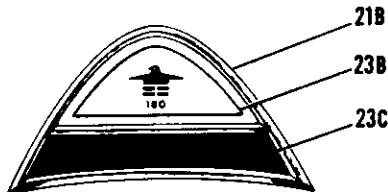
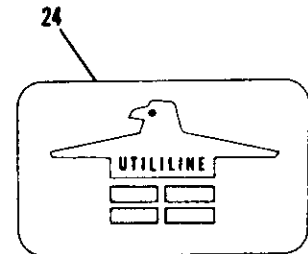
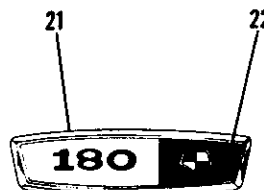
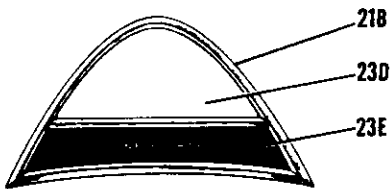
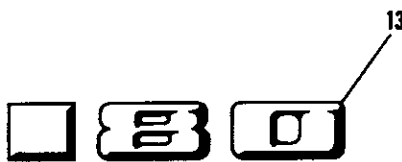


SERIAL 185-0001 THRU 185-1447

Figure 2. (Sheet 2 of 2) Placards, Nameplates & Exterior Markings

FIGURE AND INDEX NO.	PART NUMBER	DESCRIPTION	UNITS PER ASSY	USABLE ON CODE
		1 2 3 4 5 6 7		
2 -28	51397-1	PLACARD-ENGINE OIL -----	1	Z
	51397-4	PLACARD-ENGINE OIL -----	1	X
-29	1200661-2	LETTERING SKYWAGON -----	2	M
	0700721-1	PLACARD -----	2	L
-29A	0700752-1	PLACARD -----	2	W
-29B	0500125-1	PLATE -----	2	W
	0700748-1	PLACARD -----	2	W
-30	0700061-2	PLACARD EMBLEM -----	2	M
-31	1400014-1	NAMEPLATE CESSNA -----	2	M
-31A	0400135-1	NAMEPLATE-CESSNA -----	2	W
-32	0500125-1	PLATE-CONTROL WHEEL INSIGNIA -----	1	F
-32A	0500125-44	PLATE-CONTROL WHEEL INSIGNIA -----	1	W
-32B	0700742-1	PLATE-CONTROL WHEEL INSIGNIA -----	1	X
-33	0500125-11	INSIGNIA-CONTROL WHEEL -----	1	M
-34	0700153-1	INSIGNIA-CONTROL WHEEL -----	1	L
-34A	0700740-1	INSIGNIA-CONTROL WHEEL -----	1	W
-34B	0700175-1	PLACARD-CONTROL WHEEL -----	1	AC
-34C	0700745-1	EMBLEM-CONTROL WHEEL -----	1	AC
-34D	0700197-1	PLACARD-CONTROL WHEEL -----	1	AD
-34E	0713255-8	EMBLEM-CONTROL WHEEL -----	1	AD
-35	0716112-1	PLACARD-FUEL -----	1	P
	0716135-1	PLACARD-FUEL -----	1	AE
-36	0716112-2	PLACARD-FUEL -----	1	P
-37	0700152-1	PLACARD-LH -----	1	L
	0700152-2	PLACARD-RH -----	1	L
	1200713-1	PLACARD -----	2	W
-38	0713190-1	PLACARD-TAILWHEEL LOCK -----	1	H
-39	0713190-2	PLACARD-TAILWHEEL LOCK -----	1	H
-40	0700143-1	PLACARD-POWER SEATS -----	1	N
-41	1200678-2	PLACARD-ALTERNATE STATIC SOURCE WHEN EXHAUSTED USE 0505005-1 -----	1	S
-42	1250410-3	PLACARD-OIL FILTER -----	1	T
-43	0700166-1	PLACARD-DOOR HANDLE LH -----	1	S
	0700166-2	PLACARD-DOOR HANDLE RH -----	1	S
-44	0700167-2	PLACARD-FUEL FLOW WHEN EXHAUSTED USE 0705005-1 -----	1	V
-45	1213535-1	PLACARD-BATTERY BDX WHEN EXHAUSTED USE 1205024-1 -----	1	X
-46	0721205-1	PLACARD-WING -----	2	Y
-47	0500248-1	NAMEPLATE -----	2	Q
-48	1205010-1	NAMEPLATE-LH CESSNA -----	1	AD
-49	1205010-2	NAMEPLATE-RH CESSNA -----	1	AD
-50	0700173-1	PLACARD -----	2	AC
-51	1205013-6	PLACARD -----	2	AD
	51500	STENCILS-SLANT LETTERS & NUMERALS SEE SHT 1 & 2 FIG 2B --	AR	
	51600	STENCILS-VERTICAL LETTERS & NUMERALS SEE -----	AR	
		SHEETS 1 & 2 FIG 2B		
		A---SERIAL 185-0001 THRU 185-0237		
		B---SERIAL 185-0238 THRU 185-0653		
		C---SERIAL 185-0238 THRU 185-0917		
		D---SERIAL 185-0513 THRU 185-1447		
		E---SERIAL 185-0001 THRU 185-1447		
		F---SERIAL 185-0654 THRU 185-1447		
		G---SERIAL 185-0001 THRU 185-0653		
		H---SERIAL 185-0577 THRU 185-0655		
		J---SERIAL 185-0001 THRU 185-0414		
		K---SERIAL 185-0001 THRU 185-0776		
		L---SERIAL 185-0777 THRU 185-0967		
		M---SERIAL 185-0654 THRU 185-0776		
		N---SERIAL 185-0001 THRU 185-0512		
		P---SERIAL 185-0513 THRU 185-0776		
		Q---SERIAL 185-0777 THRU 185-0967,		
		185-1150 THRU 185-1300		
		R---SERIAL 185-0415 THRU 185-0776		
		S---SERIAL 185-0968 THRU 185-1447		
		T---SERIAL 185-0932 THRU 185-1447		
		U---SERIAL 185-0001 THRU 185-0967		
		V---SERIAL 185-0968 THRU 185-1447 300 HP ONLY		
		W---SERIAL 185-0968 THRU 185-1149		
		X---SERIAL 185-1150 THRU 185-1447		
		Y---SERIAL 185-0966 THRU 185-1447		
		Z---SERIAL 185-0513 THRU 185-1149		
		AA---SERIAL 185-1150 THRU 185-1242		
		AB---SERIAL 185-1243 THRU 185-1447		
		AC---SERIAL 185-1150 THRU 185-1300		
		AD---SERIAL 185-1301 THRU 185-1447		
		AE---SERIAL 185-0777 THRU 185-1447		

Placards (Cont)



SERIAL 18051184 THRU 18051993

Figure 2A. (Sheet 2 of 2) Placards, Nameplates & Exterior Markings

FIGURE AND INDEX NO.	PART NUMBER	DESCRIPTION	UNITS PER ASSY	USABLE ON CODE
2A-		PLACARDS, NAMEPLATES & EXTERIOR MARKINGS -----	NP	A
- 1	0713207-1	PLACARD-OPERATIONAL LIMITATIONS -----	1	B
	0713233-1	PLACARD-OPERATIONAL LIMITATIONS WEU 1205001-200 OR -201 -	1	R
	S1656-6	PLACARD-OPERATIONAL LIMITATIONS WEU 1205001-200 OR -201 -	1	Q
	1205001-201	PLACARD-OPERATIONAL LIMITATIONS DAY NIGHT VFR ONLY -----	1	C
	1205001-200	PLACARD-OPERATIONAL LIMITATIONS DAY NIGHT VFR & IFR -----	1	C
- 2	0512166-3	PLACARD-BAGGAGE & OR AUXILIARY PASSENGER -----	1	B
- 2A	0713224-1	PLACARD-BAGGAGE LOAD LIMITS WHEN EXHAUSTED USE 1205015-1-	1	C
- 3	0713210-4	PLACARD-MAP LIGHT -----	1	S
- 4	0511168	PLACARD-FUEL SELECTOR BOTH TANKS ON -----	1	
- 5	0713210-11	PLACARD-TIRE & OIL PRESSURE -----	1	B
- 6	0713705-4	PLACARD-VACUUM LIGHTS TEST -----	1	
- 7		DELETED, NOT AVAILABLE -----		
- 8	0713047	PLACARD-FINISH & TRIM -----	1	
- 9	0510191	PLACARD-FLAP INSTRUCTIONS WHEN EXHAUSTED USE 0705004-1 --	1	
-10	S1286-3	PLATE ASSEMBLY-FUEL SELECTOR 60 GAL BLACK -----	1	
	S1286-1	PLATE ASSEMBLY-FUEL SELECTOR 60 GAL BROWN -----	1	
-10A	S1286-4	PLATE ASSEMBLY-FUEL SELECTOR 79 GAL BLACK -----	1	
	S1286-2	PLATE ASSEMBLY-FUEL SELECTOR 79 GAL BROWN -----	1	
-11	0700319-13	PLACARD-WINTERIZATION -----	1	

CONTINUED ON NEXT PAGE

FIGURE AND INDEX NO.	PART NUMBER	DESCRIPTION	UNITS PER ASSY	USABLE ON CODE
		1 2 3 4 5 6 7		
2A-12	0700053-1	PLACARD-TAIL & FUSELAGE -----	2	B
	0700029-1	INSIGNIA -----	2	D
-13	0500091-5	PLACARD-180 -----	2	B
-14	0500085-1	NAMEPLATE-CESSNA -----	2	B
-15	0500085-2	PLACARD-STAR -----	4	B
-16	0700720-1	PLACARD -----	1	E
-16A	0700750-1	PLACARD -----	2	J
-16B	0500125-1	PLATE -----	2	J
	0700748-1	PLACARD -----	2	J
-17	51397-1	PLACARD-ENGINE OIL -----	1	M
	51397-4	PLACARD-ENGINE OIL -----	1	K
-18	0700128-2	LETTERING ONE EIGHTY -----	2	D
-19	1400014-1	NAMEPLATE CESSNA -----	2	D
-20	0500244-1	NAMEPLATE-CESSNA -----	2	N
-20A	0400135-1	NAMEPLATE-CESSNA -----	2	J
-20B	1205010-1	NAMEPLATE-LH CESSNA -----	1	Q
-20C	1205010-2	NAMEPLATE-RH CESSNA -----	1	Q
-21	0500125-1	PLATE-CONTROL WHEEL INSIGNIA -----	1	F
-21A	0500125-44	PLATE-CONTROL WHEEL INSIGNIA -----	1	J
-21B	0700742-1	PLATE-CONTROL WHEEL INSIGNIA -----	1	K
-22	0500125-8	INSIGNIA-CONTROL WHEEL -----	1	D
-23	0700154-1	INSIGNIA-CONTROL WHEEL -----	1	E
-23A	0700739-1	INSIGNIA-CONTROL WHEEL -----	1	J
-23B	0700174-1	PLACARD-CONTROL WHEEL -----	1	P
-23C	0700745-1	EMBLEM-CONTROL WHEEL -----	1	P
-23D	0700197-1	PLACARD-CONTROL WHEEL -----	1	Q
-23E	0713255-5	EMBLEM-CONTROL WHEEL -----	1	Q
-24	0700151-1	PLACARD -----	2	E
	1200713-1	PLACARD -----	2	J
-25	1250410-3	PLACARD-OIL FILTER -----	1	H
-26	1200678-2	PLACARD-ALTERNATE STATIC SOURCE WHEN EXHAUSTED USE 0505005-1 -----	1	G
-27	0700166-1	PLACARD-DOOR HANDLE LH -----	1	G
	0700166-2	PLACARD-DOOR HANDLE RH -----	1	K
-28	1213535-1	PLACARD-BATTERY BOX WHEN EXHAUSTED USE 1205024-1 -----	1	L
-29	0721205-1	PLACARD-WING -----	2	L
-30	0700173-2	PLACARD -----	2	P
-31	1205013-4	PLACARD -----	2	P
	51500	STENCILS-SLANT LETTERS & NUMERALS SEE SHT 1 & 2 FIG 28 --	AR	AR
	51600	STENCILS-VERTICAL LETTERS & NUMERALS SEE SHEETS 1 & 2 FIG 28	AR	AR
		A---SERIAL 18051184 THRU 18051993		
		B---SERIAL 18051184 THRU 18051312		
		C---SERIAL 18051313 THRU 18051993		
		D---SERIAL 18051313 THRU 18051445		
		E---SERIAL 18051446 THRU 18051607		
		F---SERIAL 18051313 THRU 18051607		
		G---SERIAL 18051608 THRU 18051993		
		H---SERIAL 18051604 THRU 18051993		
		J---SERIAL 18051608 THRU 18051774		
		K---SERIAL 18051775 THRU 18051993		
		L---SERIAL 18051640 THRU 18051993		
		M---SERIAL 18051313 THRU 18051774		
		N---SERIAL 18051446 THRU 18051607, 18051775 THRU 18051875		
		P---SERIAL 18051775 THRU 18051875		
		Q---SERIAL 18051876 THRU 18051993		
		R---SERIAL 18051313 THRU 18051875		
		S---SERIAL 18051184 THRU 18051445		

Placards (Cont)

***ABCDEFGHIJKLMN
OPQRSTUVWXYZ
-1234567890***

**ABCDEFGHIJKLMN
OPQRSTUVWXYZ
-1234567890**

**ABCDEFGHIJKLMN
OPQRSTUVWXYZ
-1234567890**

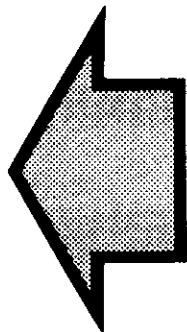
Figure 2B. (Sheet 1 of 4) Placards, Nameplates & Exterior Markings

Placards (Cont)

S1500 TYPE STENCILS * FOR SLANT GOTHIC LETTERS & NUMERALS

LETTERS AND NUMERALS ARE AVAILABLE IN 10 INCH AND 12 INCH HEIGHTS IN EITHER LEFT HAND OR RIGHT HAND SLANT.

LETTERS AVAILABLE ARE A THRU Z.
NUMERALS AVAILABLE ARE 0 THRU 9.



TO ORDER:

EACH LETTER OR NUMERAL WANTED MUST BE ORDERED BY GIVING BASIC PART NUMBER, FOLLOWED BY HEIGHT DESIRED, FOLLOWED BY SPECIFIC LETTER OR NUMERAL AND THE DESIGNATOR L OR R TO INDICATE LEFT OR RIGHT HAND SLANT.

EXAMPLE:

S1500 - 10 - M L

BASIC PART NO. | | |
 | | |
 HEIGHT WANTED | | |
 | | |
 DIRECTION OF SLANT
 LETTER WANTED

S1600 TYPE STENCILS * FOR VERTICAL GOTHIC LETTERS & NUMERALS

LETTERS AND NUMERALS ARE AVAILABLE IN 6 INCH, 12 INCH AND 20 INCH HEIGHTS. LETTERS AVAILABLE ARE A THRU Z. NUMERALS AVAILABLE ARE 0 THRU 9.

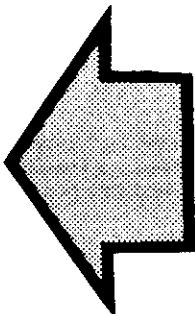
TO ORDER:

EACH LETTER OR NUMERAL WANTED MUST BE ORDERED BY GIVING BASIC PART NUMBER, FOLLOWED BY HEIGHT DESIRED, FOLLOWED BY SPECIFIC LETTER OR NUMERAL WANTED.

EXAMPLE:

S1600 - 20 - N

BASIC PART NO. | | |
 | | |
 HEIGHT WANTED | | |
 | | |
 LETTER WANTED



* EACH STENCIL PROVIDES FOR EITHER
BACKGROUND OR CENTER MASK.

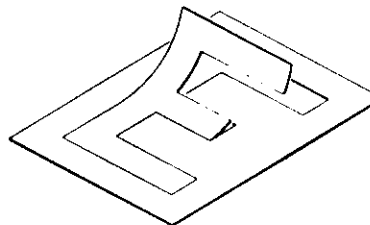
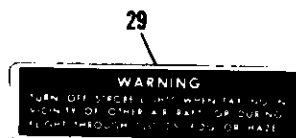
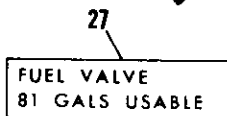
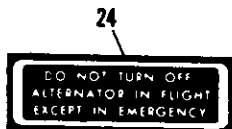
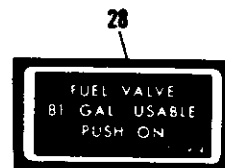
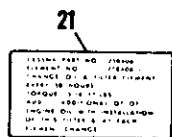
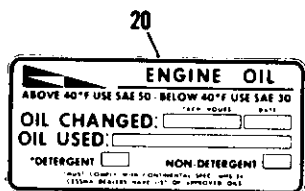
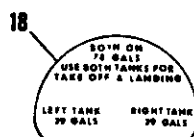
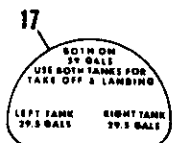
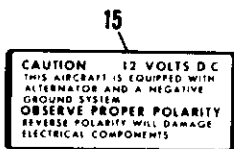
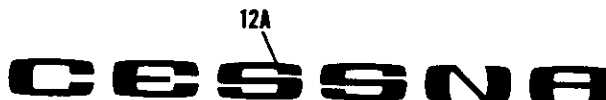
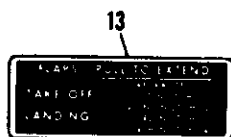
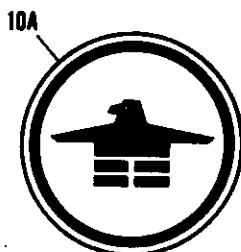
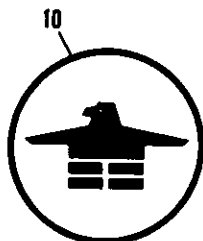
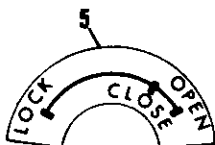
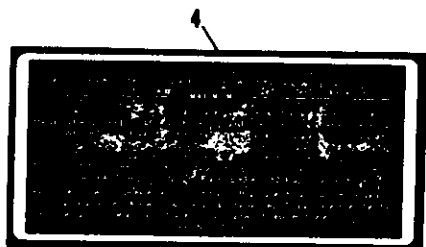
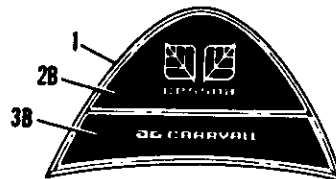
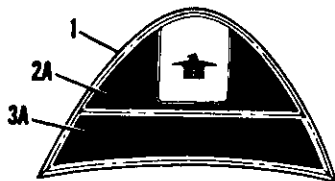
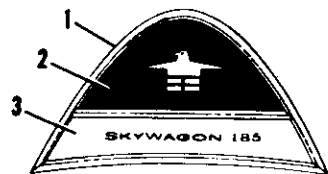


Figure 2B. (Sheet 2 of 4) Placards, Nameplates & Exterior Markings

Placards (Cont)



SERIAL 185-1448 THRU 18502310

Figure 2B. (Sheet 3 of 4) Placards, Nameplates & Exterior Markings

FIGURE AND INDEX NO.	PART NUMBER	DESCRIPTION	UNITS PER ASSY	USABLE ON CODE
		1 2 3 4 5 6 7		
28-		PLACARDS, NAMEPLATES & EXTERIOR MARKINGS -----	NP	A
- 1	0700742-1	PLATE-CONTROL WHEEL PLACARD -----	1	R
- 2	1205030-7	PLACARD-CONTROL WHEEL -----	1	B
- 2A	0705015-1	PLACARD-CONTROL WHEEL -----	1	C
- 2B	0705029-1	PLACARD-CONTROL WHEEL AG CARRYALL -----	1	Q
- 3	1205030-17	EMBLEM-CONTROL WHEEL -----	1	B
- 3A	0705015-3	EMBLEM-CONTROL WHEEL -----	1	C
- 3B	0705029-2	EMBLEM-CONTROL WHEEL AG CARRYALL -----	1	Q
- 4	1205001-59	PLACARD-OPERATIONAL LIMITATIONS VFR ONLY -----	1	R
	1205001-60	PLACARD-OPERATIONAL LIMITATIONS VFR & IFR -----	1	R
- 5	0700166-1	PLACARD-DOOR HANDLE LH -----	1	B
	0700166-2	PLACARD-DOOR HANDLE RH -----	1	B
- 6	1205013-15	NAMEPLATE-SKYWAGON 185 -----	2	B
- 7	1505015-17	NAMEPLATE-SKYWAGON 185 -----	2	C
	1505015-31	NAMEPLATE-SKYWAGON 185 REVERSE ALASKAIN AIRCRAFT -----	2	C
- 8	0505009-2	PLACARD-WINTERIZATION -----	1	
- 9	0705005-1	PLACARD-FUEL FLOW -----	1	R
	0705005-2	PLACARD-FUEL FLOW -----	1	N
-10	0705006-1	PLACARD-UTILILINE LH -----	1	B
	0705006-2	PLACARD UTILILINE RH -----	1	B
-10A	0705014-1	PLACARD UTILILINE LH -----	1	C
	0705014-2	PLACARD UTILILINE RH -----	1	C
-11	1205010-3	NAMEPLATE LH -----	1	B
-12	1205010-4	NAMEPLATE RH -----	1	B
-12A	1505014-1	NAMEPLATE-CESSNA -----	2	C
	1505014-2	NAMEPLATE-CESSNA REVERSE ALASKAIN AIRCRAFT -----	2	C
-13	0705004-1	PLACARD-FLAP INSTRUCTIONS -----	1	
-14	1205015-1	PLACARD-BAGGAGE LOAD LIMIT -----	1	
-15	1205024-1	PLACARD-BATTERY BOX -----	1	
-16	0505005-1	PLACARD-ALTERNATE STATIC AIR -----	1	K
	0705021-2	PLACARD-ALTERNATE STATIC AIR -----	1	F
-17	0716113-1	PLACARD-FUEL VALVE -----	1	
-18	0716113-2	PLACARD-FUEL VALVE -----	1	
-19	0713047	PLACARD-FINISH & TRIM -----	1	
-20	S1397-4	PLACARD-ENGINE OIL -----	1	
-21	1250410-3	PLACARD-OIL FILTER -----	1	
-22	0721205-1	PLACARD-WING -----	2	
-23	0510188	PLACARD-FLAP LEVER USED ON FLOATPLANE & AMPHIBIAN ONLY -----	1	
-24	0505020-2	PLACARD-MASTER SWITCH -----	1	C
-25	S1714-1	PLACARD-ALLIANCE FOR PROGRESS -----	1	
-26	S1713-1	PLACARD-HANDS OF FRIENDSHIP -----	1	
-27	0716135-1	PLACARD-FUEL -----	1	D
-28	0705019-1	PLACARD-FUEL 59 GAL STD RANGE TANK & SELECTOR -----	1	E
	0705019-2	PLACARD-FUEL 62 GAL STD RANGE TANK W/O SELECTOR -----	1	E
	0705019-3	PLACARD-FUEL 78 GAL EXT RANGE TANK & SELECTOR -----	1	E
	0705019-4	PLACARD-FUEL 81 GAL EXT RANGE TANK W/O SELECTOR -----	1	S
-29	C622003-0103	PLACARD-STROBE LIGHT -----	1	Y
	C622003-0105	PLACARD-STROBE LIGHT -----	1	N

CONTINUED ON NEXT PAGE

FIGURE AND INDEX NO.	PART NUMBER	DESCRIPTION	UNITS PER ASSY	USABLE ON CODE
28-30	0705022-1	PLACARD-OXYGEN -----	1	G
-31	0700214-1	PLACARD-AUXILIARY SEAT -----	1	H
-32	0705023-4	PLACARD-FUEL FILL 32.5 GAL 185 STD RANGE -----	AR	
	0705023-5	PLACARD-FUEL FILL 37.0 GAL 185 EXT RANGE INBOARD -----	AR	
	0705023-6	PLACARD-FUEL FILL 42.0 GAL 185 EXT RANGE OUTBOARD -----	AR	
-33	1205043-1	PLACARD-WINTERIZATION -----	2	
-34	1205085-1	PLACARD-EMERGENCY LOCATOR TRANSMITTER -----	1	L
-35	0705030-1	PLACARD-MAXIMUM SPEED AG CARRYALL -----	1	J
-36	0705030-2	PLACARD-CERTIFICATION AG CARRYALL -----	1	J
-37	0705031-1	PLACARD-RESTRICTED AG CARRYALL -----	2	J
-38	1605029-1	PLACARD-SPRAY TANK AG CARRYALL -----	1	J
-39	1605022-3	PLACARD-AG CARRYALL -----	2	J
-40	1605034-1	PLACARD-AG CARRYALL -----	2	J
-41	0405020-1	PLACARD-WING -----	2	M
-42	0705033-2	PLACARD-SKYWAGON 185 -----	2	N
-43	1205088-1	PLACARD-CONTROL WHEEL AG CARRYALL -----	1	P
-44	1205088-16	PLACARD-CONTROL WHEEL -----	1	N
-45	1205001-160	PLACARD-OPERATIONAL LIMITATIONS VFR ONLY -----	1	N
	1205001-161	PLACARD-OPERATIONAL LIMITATIONS VFR & IFR -----	1	N
-46	0505009-3	PLACARD-WINTERIZATION -----	1	N
-47	0705028-1	PLACARD-MAPLIGHT -----	1	N
-48	0716132-1	PLACARD-FUEL -----	1	N
	1205047-1	PLACARD-FUEL -----	1	N
-49	0705034-2	PLACARD-TIRE PRESSURE -----	1	N
-50	0705032-2	PLACARD-PILOTS CHECK LIST -----	1	N
-51	0400213-6	PLACARD-COMPASS CORRECTION -----	1	N
	3690	TAPE-VINYL BULK ITEM SEE FIG 1 -----	AR	
	S1500	STENCILS-SLANT LETTERS & NUMERALS SEE SHEETS 1&2 -----	AR	
	S1600	STENCILS-VERTICAL LETTERS & NUMERALS SEE SHEETS 1&2 -----	AR	
<p>A---SERIAL 185-1448 THRU 18502310</p> <p>B---SERIAL 185-1448 THRU 185-1599</p> <p>C---SERIAL 18501600 THRU 18502090</p> <p>D---SERIAL 185-1448 THRU 18501679</p> <p>E---SERIAL 18501680 THRU 18502310</p> <p>F---SERIAL 18501833 THRU 18502310</p> <p>G---SERIAL 18501818 THRU 18502310</p> <p>H---SERIAL 18501872 THRU 18502310</p> <p>J---SERIAL 18501935 THRU 18502310 AG CARRYALL</p> <p>K---SERIAL 185-1448 THRU 18501832</p> <p>L---SERIAL 18501935 THRU 18502310</p> <p>M---SERIAL 18501935 THRU 18502310 AG CARRYALL</p> <p style="padding-left: 20px;">SERIAL 18502091 THRU 18502310</p> <p>N---SERIAL 18502091 THRU 18502310</p> <p>P---SERIAL 18502091 THRU 18502310 AG CARRYALL</p> <p>O---SERIAL 18501935 THRU 18502090 AG CARRYALL</p> <p>R---SERIAL 185-1448 THRU 18502090</p> <p>S---SERIAL 18501680 THRU 18502090</p> <p>T---SERIAL 18501833 THRU 18502090</p>				

Placards (Cont)



SERIAL 18051994 THRU 18052384

Figure 2C. (Sheet 1 of 2) Placards, Nameplates & Exterior Markings

FIGURE AND INDEX NO.	PART NUMBER	DESCRIPTION	UNITS PER ASSY	USABLE ON CODE		
					1	2
2C-		PLACARDS, NAMEPLATES & EXTERIOR MARKINGS -----	NP	A		
- 1	1205030-7	PLACARD-CONTROL WHEEL -----	1	B		
- 1A	0705015-1	PLACARD-CONTROL WHEEL -----	1	C		
- 2	1205030-16	EMBLEM-CONTROL WHEEL -----	1	B		
- 2A	0705015-2	EMBLEM-CONTROL WHEEL -----	1	C		
- 3	0700742-1	PLATE-CONTROL WHEEL -----	1	H		
- 4	1205001-61	PLACARD-OPERATIONAL LIMITATIONS VFR ONLY -----	1	H		
	1205001-201	WEU 1205001-201				
	1205001-62	PLACARD-OPERATIONAL LIMITATIONS DAY NIGHT VFR ONLY -----	1	H		
		WEU 1205001-200				
	1205001-200	PLACARD-OPERATIONAL LIMITATIONS DAY NIGHT VFR & IFR -----	1	H		
- 5	0700166-1	PLACARD-DOOR HANDLE LH -----	1	B		
	0700166-2	PLACARD-DOOR HANDLE RH -----	1	B		
- 6	1205013-14	NAMEPLATE-SKYWAGON 180 -----	2	B		
- 7	1505015-16	NAMEPLATE-SKYWAGON 180 -----	2	C		
	1505015-30	NAMEPLATE-SKYWAGON 180 REVERSE ALASKAIN AIRCRAFT -----	2	C		
- 8	1205010-3	NAMEPLATE-LH -----	1	B		
- 9	1205010-4	NAMEPLATE-RH -----	1	B		
- 9A	1505014-1	NAMEPLATE-CESSNA -----	2	C		
	1505014-2	NAMEPLATE-CESSNA REVERSE ALASKAIN AIRCRAFT -----	2	C		
-10	0705004-1	PLACARD-FLAP INSTRUCTION -----	1			
-11	1205015-1	PLACARD-BAGGAGE LOAD LIMIT -----	1			
-12	1205024-1	PLACARD-BATTERY BOX -----	1			
-13	0505005-1	PLACARD-ALTERNATE STATIC SOURCE -----	1	K		
	0705021-2	PLACARD-ALTERNATE STATIC SOURCE -----	1	D		
-14	0505009-2	PLACARD-WINTERIZATION -----	1			
-15	0505020-2	PLACARD-MASTER SWITCH -----	1	C		
-16	0511168	PLACARD-FUEL SELECTOR BOTH TANKS ON -----	1	H		
-17	0713047	PLACARD-FINISH & TRIM -----	1			
-18	51286-3	PLATE ASSEMBLY-FUEL SELECTOR 60 GAL -----	1			
-19	51286-4	PLATE ASSEMBLY-FUEL SELECTOR 79 GAL -----	1			
-20	51397-4	PLACARD-ENGINE OIL -----	1			
-21	1250410-3	PLACARD-OIL FILTER -----	1			
-22	0721205-1	PLACARD-WING -----	2			
-23	0705006-1	PLACARD-UTILILINE LH -----	1	B		
	0705006-2	PLACARD-UTILILINE RH -----	1	B		
-24	0705014-1	PLACARD-UTILILINE LH -----	1	C		
	0705014-2	PLACARD-UTILILINE RH -----	1	C		
-25	51714-1	PLACARD-ALLIANCE FOR PROGRESS -----	1			
-26	51713-1	PLACARD-HANDS OF FRIENDSHIP -----	1			

CONTINUED ON NEXT PAGE

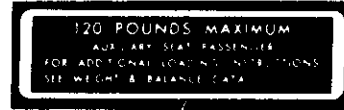
Placards (Cont)



27



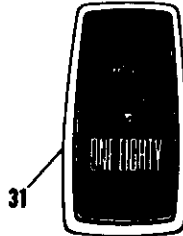
28



29



30



31



32

SKYWAGON 180

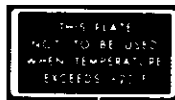
33

CESSNA

34



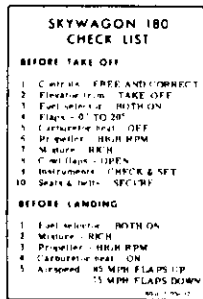
35



36



37



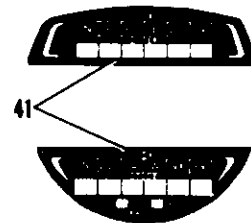
38



39



40



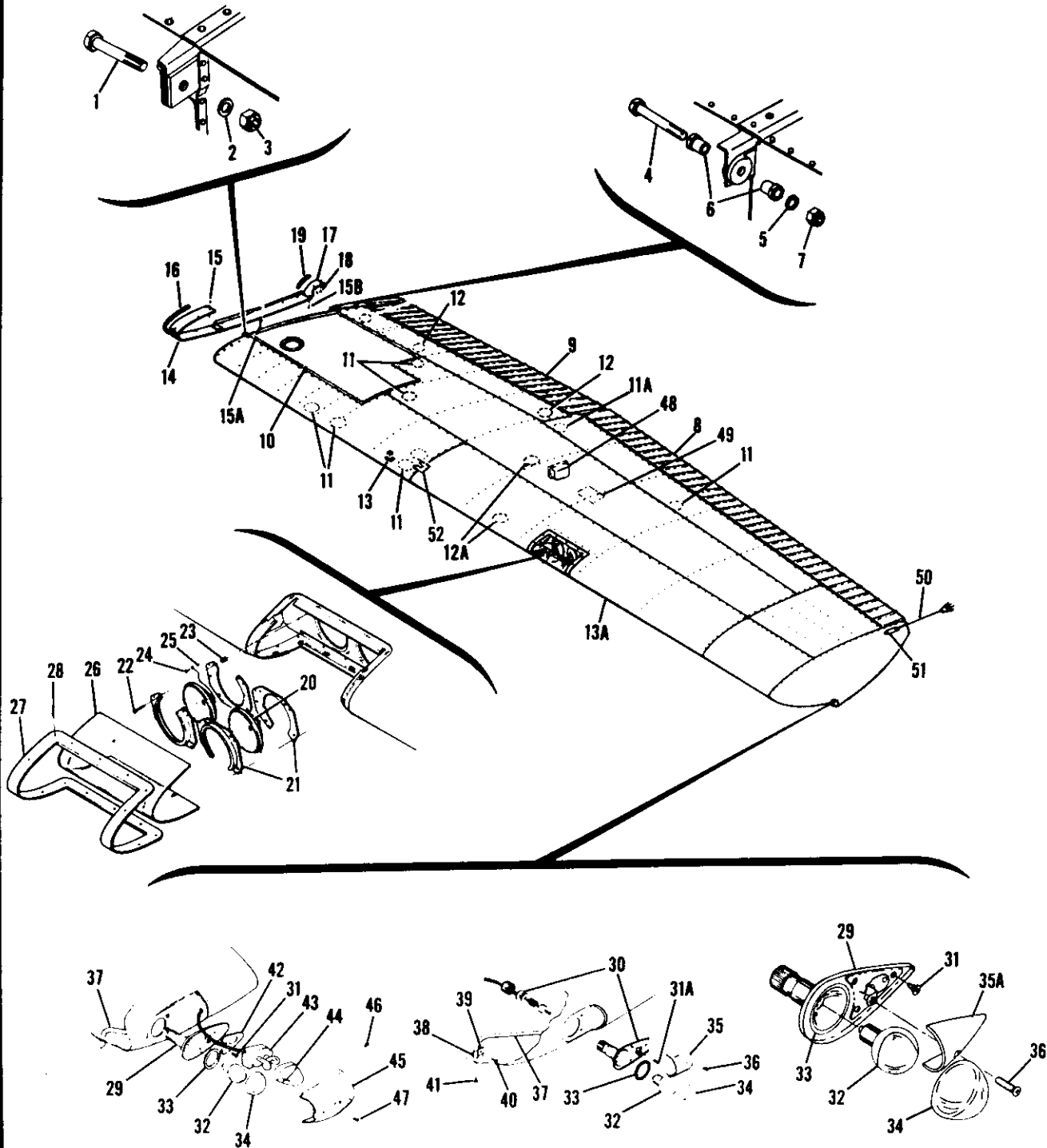
41

SERIAL 18051994 THRU 18052384

Figure 2C. (Sheet 2 of 2) Placards, Nameplates & Exterior Markings

FIGURE AND INDEX NO.	PART NUMBER	DESCRIPTION	UNITS PER ASSY	USABLE ON CODE
2C-27	C622003-0103	PLACARD-STROBE LIGHT -----	1	J
	C622003-0105	PLACARD-STROBE LIGHT -----	1	G
-28	0705022-1	PLACARD-OXYGEN -----	1	E
-29	0700214-1	PLACARD-AUXILIARY SEAT -----	1	F
-30	0705023-1	PLACARD-FUEL FILL 32.5 GAL 180 STD RANGE -----	AR	
	0705023-2	PLACARD-FUEL FILL 42.0 GAL 180 EXT RANGE -----	AR	
	0705023-7	PLACARD-FUEL FILL 37.0 GAL 180 EXT RANGE FLATPLANE -----	AR	
-31	1205088-15	PLACARD-CONTROL WHEEL -----	1	G
-32	1205001-157	PLACARD-OPERATIONAL LIMITATIONS DAY VFR ONLY -----	1	G
	1205001-158	PLACARD-OPERATIONAL LIMITATIONS DAY NIGHT VFR ONLY -----	1	G
	1205001-159	PLACARD-OPERATIONAL LIMITATIONS DAY NIGHT VFR & IFR -----	1	G
-33	0705033-1	PLACARD-SKYWAGON 180 -----	2	G
-34	0405020-1	PLACARD-WING -----	2	G
-35	0505009-3	PLACARD-WINTERIZATION -----	1	G
-36	1205043-1	PLACARD-WINTERIZATION -----	2	
-37	0705028-1	PLACARD-MAP LIGHT -----	1	G
-38	0705032-1	PLACARD-PILOTS CHECK LIST -----	1	G
-39	0705034-1	PLACARD-TIRE PRESSURE -----	1	G
-40	1205085-1	PLACARD-EMERGENCY LOCATOR TRANSMITTER -----	1	G
-41	0400213-6	PLACARD-COMPASS CORRECTION -----	1	G
	3690	TAPE-VINYL BULK ITEM SEE FIG 1 -----	AR	
	51500	STENCILS-SLANT LETTERS & NUMERALS SEE SMT 1&2 FIG 28 -----	AR	
	51600	STENCILS-VERTICAL LETTERS & NUMERALS SEE -----	AR	
		SHEETS 1&2 FIG 28		
		A---SERIAL 18051994 THRU 18052384		
		B---SERIAL 18051994 THRU 18052103		
		C---SERIAL 18052104 THRU 18052284		
		D---SERIAL 18052176 THRU 18052384		
		E---SERIAL 18052170 THRU 18052384		
		F---SERIAL 18052192 THRU 18052384		
		G---SERIAL 18052285 THRU 18052384		
		H---SERIAL 18051994 THRU 18052284		
		J---SERIAL 18052176 THRU 18052284		
		K---SERIAL 18051994 THRU 18052175		

Wing



SERIAL 18501833 THRU 18502090
SERIAL 18052176 THRU 18052284

SERIAL 185-0238 THRU 18501832
SERIAL 18051184 THRU 18052175

SERIAL 185-0001 THRU 185-0237

SERIAL 185-0001 THRU 18502090
SERIAL 18051184 THRU 18052284

Figure 3. Wing Assembly Complete

FIGURE AND INDEX NO.	PART NUMBER	DESCRIPTION	UNITS PER ASSY	USABLE ON CODE
3 -		WING ASSEMBLY-COMplete LH -----	NP	Z
		WING ASSEMBLY-COMplete LH EXTENDED RANGE -----	NP	Z
		WING ASSEMBLY-COMplete RH -----	NP	Z
		WING ASSEMBLY-COMplete RH EXTENDED RANGE -----	NP	Z
		ATTACHING PARTS		
- 1	AN8-23A	BOLT -----	1	
- 2	AN960-816	WASHER -----	3	
- 3	MS20365-820C	NUT -----	1	
- 4	AN7-24A	BOLT -----	1	
- 5	AN960-716	WASHER -----	3	
- 6	0512123	BUSHING -----	2	
- 7	MS20365-720C	NUT -----	1	
- 8	SEE FIG 14	AILERON INSTALLATION -----	1	
- 9	SEE FIG 15	FLAP INSTALLATION -----	1	
-10	SEE FIG 13	TANK INSTALLATION -----	1	
-11	S225-4F	PLATE-INSPECTION -----	7	
	S225-4F	PLATE-INSPECTION -----	6	
-11A	S225-4F	PLATE-INSPECTION -----	1	H
	1222022-1	PLATE-COVER -----	1	J
		ATTACHING PARTS		
	S1022Z8-8	SCREW -----	6	H
	S1022Z8-6	SCREW -----	6	J
-12	S225-5	PLATE-INSPECTION -----	3	
		ATTACHING PARTS		
	S1021Z8-8	SCREW -----	6	
-12A	S225-4F	PLATE-INSPECTION -----	2	P
		ATTACHING PARTS		
	S1022Z8-8	SCREW -----	6	P
-13	0511062-4	WING UNIT-STALL WARNING LH WING ONLY -----	1	F
	0511062-11	WING UNIT-STALL WARNING LH WING ONLY -----	1	G
	0511062-5	WING UNIT-STALL WARNING HEATED LH WING ONLY -----	1	F
	0511062-12	WING UNIT-STALL WARNING HEATED LH WING ONLY -----	1	G
		ATTACHING PARTS		
	S1021Z8-6	SCREW -----	4	
	NAS395-17-3	NUT -----	4	
-13A	SEE FIG 4	STRUCTURE ASSEMBLY-WING -----	1	A
	SEE FIG 5	STRUCTURE ASSEMBLY-WING -----	1	B
	SEE FIG 6	STRUCTURE ASSEMBLY-WING EXTENDED RANGE -----	1	
-14	0720002-11	FAIRING ASSEMBLY-LH -----	1	
	0720002-12	FAIRING ASSEMBLY-RH -----	1	
		ATTACHING PARTS		
-15	S1022Z8-8	SCREW -----	2	T
	AN507-832-6	SCREW -----	2	U
-15A	S1022Z8-8	SCREW -----	7	
	S2900832	WASHER -----	7	
-15B	S1021Z8-8	SCREW -----	2	
	NAS395-18-3	NUT -----	2	
-16	0520005-3	RUB STRIP -----	1	
-17	0520008	FAIRING ASSEMBLY LH -----	1	
	0520008-1	FAIRING ASSEMBLY RH -----	1	
		ATTACHING PARTS		
-18	S1021Z8-6	SCREW -----	1	
	S1022Z8-6	SCREW -----	1	
-19	S202RB	MOULDING-10.50 IN LG BULK ITEM REF S202R10.50B -----	AR	

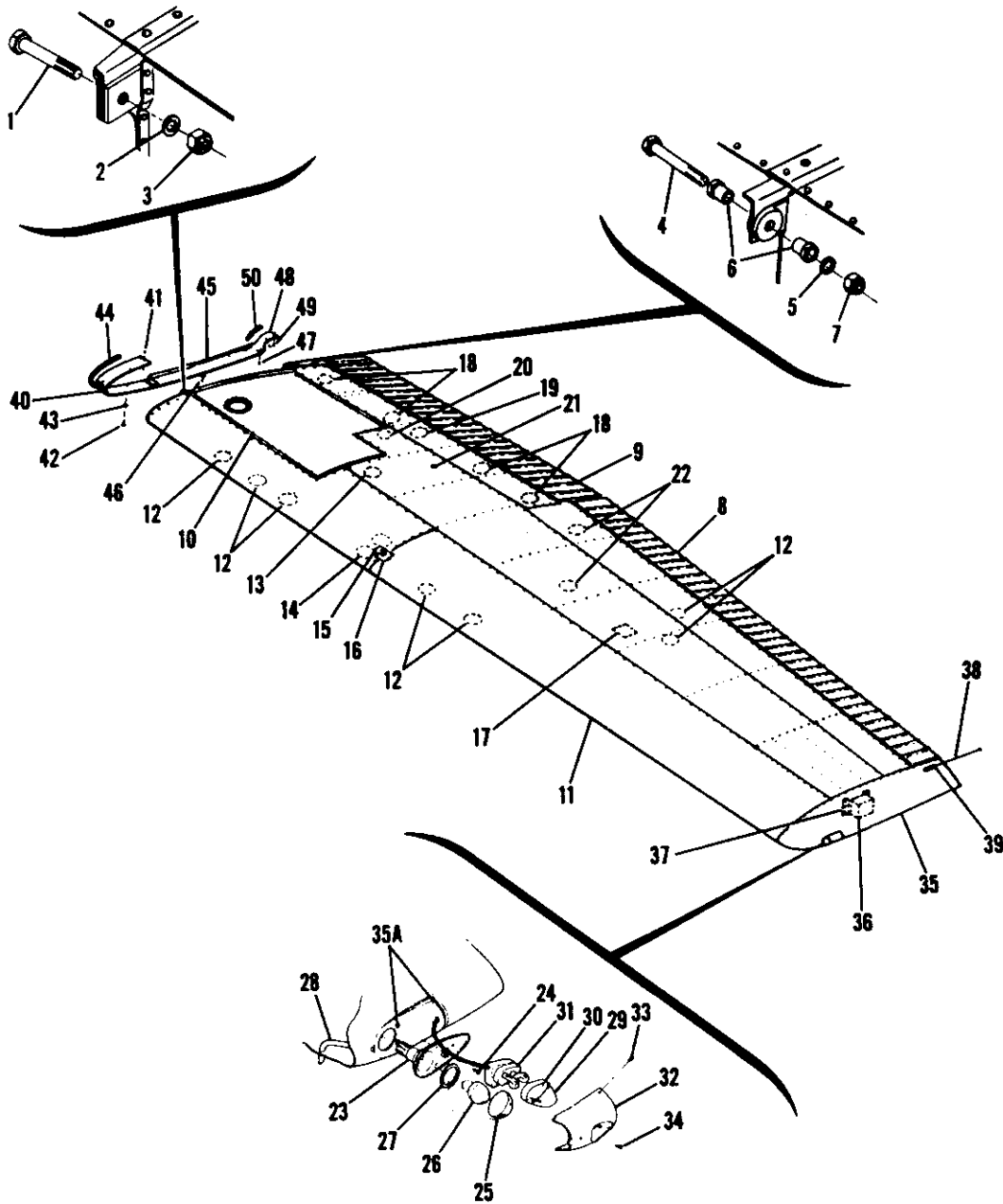
CONTINUED ON NEXT PAGE

FIGURE AND INDEX NO.	PART NUMBER	DESCRIPTION	UNITS PER ASSY	USABLE ON CODE
3 -20	0523118-1	LIGHT-LANDING LH WING ONLY ----- ATTACHING PARTS -----	2	
-21	0423542-6	BRACKET ASSEMBLY -----	2	
-22	AN515-8R24	SCREW -----	6	
-23	0713124-1	SPRING -----	6	
-24	AN515-8R7	SCREW-GROUNDING LH WING ONLY -----	1	
-25	NAS679A08	NUT-GROUNDING LH WING ONLY -----	1	
-26	0722100-4	WINDOW-LANDING LIGHT LH WING ONLY ----- ATTACHING PARTS -----	1	
-27	0722100-3	RETAINER-WINDOW -----	1	
-28	S1022Z8-8	SCREW -----	14	
-29	C622001-0201	BASE ASSEMBLY-WING POSITION -----	1	V
-30	C622001-0202	BASE ASSEMBLY-WING POSITION ----- ATTACHING PARTS -----	1	O
-31	S1021Z8-6	SCREW -----	3	C
-31A	S1021Z8-8	SCREW -----	2	L
	AN507-632R8	SCREW -----	2	M
	NAS446-4-3	NUT -----	2	L
	NAS1329A08K120	RIVNUT -----	2	M
-31B	AN507-632R8	SCREW -----	3	X
-32	A7512-12	RULB-NAVIGATION LIGHT 12 VOLT GMC -----	1	
-33	A1257A	GASKET-NAVIGATION LIGHT GMC -----	1	
-34	A1280-2	LENS-NAVIGATION LIGHT LH RED GMC -----	1	
	A1280-3	LENS-NAVIGATION LIGHT RH GREEN GMC -----	1	
-35	0423007-1	SHIELD-NAVIGATION LIGHT -----	1	O
	0423564-1	SHIELD-NAVIGATION LIGHT LH -----	1	W
	0423564-2	SHIELD-NAVIGATION LIGHT RH -----	1	W
-35A	A1104	FAIRING-NAVIGATION LIGHT GMC ----- ATTACHING PARTS -----	1	C
-36	AN507-632R12	SCREW -----	1	R
	AN507-632R14	SCREW -----	1	W
-37	0523702-3	DETECTOR-NAVIGATION LIGHT LH -----	1	O
	0523702-4	DETECTOR-NAVIGATION LIGHT RH -----	1	O
	1221201-3	DETECTOR-NAVIGATION LIGHT LH -----	1	S
	1221201-4	DETECTOR-NAVIGATION LIGHT RH ----- ATTACHING PARTS -----	1	S
-38	S1153-1	BRACKET -----	1	O
-39	M521919DG4	CLAMP -----	1	O
-40	S1021Z8-8	SCREW -----	1	O
-41	S1021Z8-6	SCREW -----	1	O
-42	1520006-1	SPACER-STROBE LIGHT -----	1	X
-43	C622003-0101	LIGHT-STROBE -----	1	X
-44	C622003-0104	LENS-STROBE LIGHT -----	1	X
-45	0523566-5	SHIELD-WING POSITION LIGHT LH WITH STROBE LIGHT -----	1	X
	0523566-6	SHIELD-WING POSITION LIGHT RH WITH STROBE LIGHT -----	1	X
	0523566-1	SHIELD-WING POSITION LIGHT LH W/O STROBE LIGHT -----	1	X
	0523566-2	SHIELD-WING POSITION LIGHT RH W/O STROBE LIGHT ----- ATTACHING PARTS -----	1	X
-46	AN507-632R8	SCREW -----	2	X
-47	AN507-632R14	SCREW -----	1	X

CONTINUED ON NEXT PAGE

FIGURE AND INDEX NO.	PART NUMBER	DESCRIPTION	UNITS PER ASSY	USABLE ON CODE
3 -48	C622004-0101	POWER SUPPLY-STROBE LIGHT RH WING ONLY ----- ATTACHING PARTS -----	1	Y
	AN9-3A AN960-10L	BOLT ----- WASHER ----- -----*	4 4	Y Y
-49	1220094-2	COVER-ACCESS ----- ATTACHING PARTS -----	1	Y
	S102278-8	SCREW ----- -----*	8	Y
-50	5169 C592001-0101	STATIC DISCHARGER WHEN EXHAUSTED USE C5920001-0101 ----- STATIC DISCHARGER ----- ATTACHING PARTS -----	2 2	E N
	S1021A8-8 S1021A6-8	SCREW ----- SCREW ----- -----*	1 1	E N
-52	0522101-1	COVERPLATE ----- ATTACHING PARTS -----	2	K
	S102178-8	SCREW ----- -----*	2	K
NOTE. *DENOTES PARTS USED ON EXTENDED RANGE WING				
A---SERIAL 18051184 THRU 18051312				
B---SERIAL 185-0001 THRU 18502090				
SERIAL 18051313 THRU 18052284				
C---SERIAL 185-0001 THRU 185-0237				
D---SERIAL 185-0238 THRU 18501832				
SERIAL 18051184 THRU 18052175				
E---SERIAL 185-0777 THRU 185-1335				
SERIAL 18051446 THRU 18051906				
F---SERIAL 185-0001 THRU 185-0967				
SERIAL 18051184 THRU 18051607				
G---SERIAL 185-0968 THRU 185-1197 E 185-1200				
SERIAL 18051608 THRU 18051823				
H---SERIAL 185-0001 THRU 185-1300				
SERIAL 18051184 THRU 18051875				
J---SERIAL 185-1301 THRU 18502090				
SERIAL 18051876 THRU 18052284				
K---SERIAL 185-1274 THRU 18502090				
SERIAL 18051867 THRU 18052284				
L---SERIAL 185-0238 THRU 185-1149				
SERIAL 18051184 THRU 18051774				
M---SERIAL 185-1150 THRU 18501832				
SERIAL 18051775 THRU 18052175				
N---SERIAL 185-1336 THRU 18502090				
SERIAL 18051907 THRU 18052284				
P---SERIAL 185-1437 THRU 18502090 E				
AIRCRAFT EQUIPPED WITH WING LEVELER				
SERIAL 18051986 THRU 18052284 E				
AIRCRAFT EQUIPPED WITH WING LEVELER				
Q---SERIAL 185-0238 THRU 185-1599				
SERIAL 18051184 THRU 18052103				
R---SERIAL 185-0001 THRU 185-1599				
SERIAL 18051184 THRU 18052103				
S---SERIAL 18501600 THRU 18502090				
SERIAL 18052104 THRU 18052284				
T---SERIAL 185-0001 THRU 185-1565				
SERIAL 18051184 THRU 18052084				
U---SERIAL 185-1566 THRU 18502090				
SERIAL 18052085 THRU 18052284				
V---SERIAL 185-0001 THRU 185-0237 E				
18501833 THRU 18502090				
SERIAL 18052176 THRU 18052284				
W---SERIAL 18501600 THRU 18501832				
SERIAL 18052104 THRU 18052175				
X---SERIAL 18501833 THRU 18502090				
SERIAL 18052176 THRU 18052284				
Y---SERIAL 18501887 THRU 18502090				
SERIAL 18052206 THRU 18052284				
Z---SERIAL 185-0001 THRU 18502090				
SERIAL 18051184 THRU 18052284				

Wing (Cont)



SERIAL 18502091 THRU 18502310
SERIAL 18052285 THRU 18052384

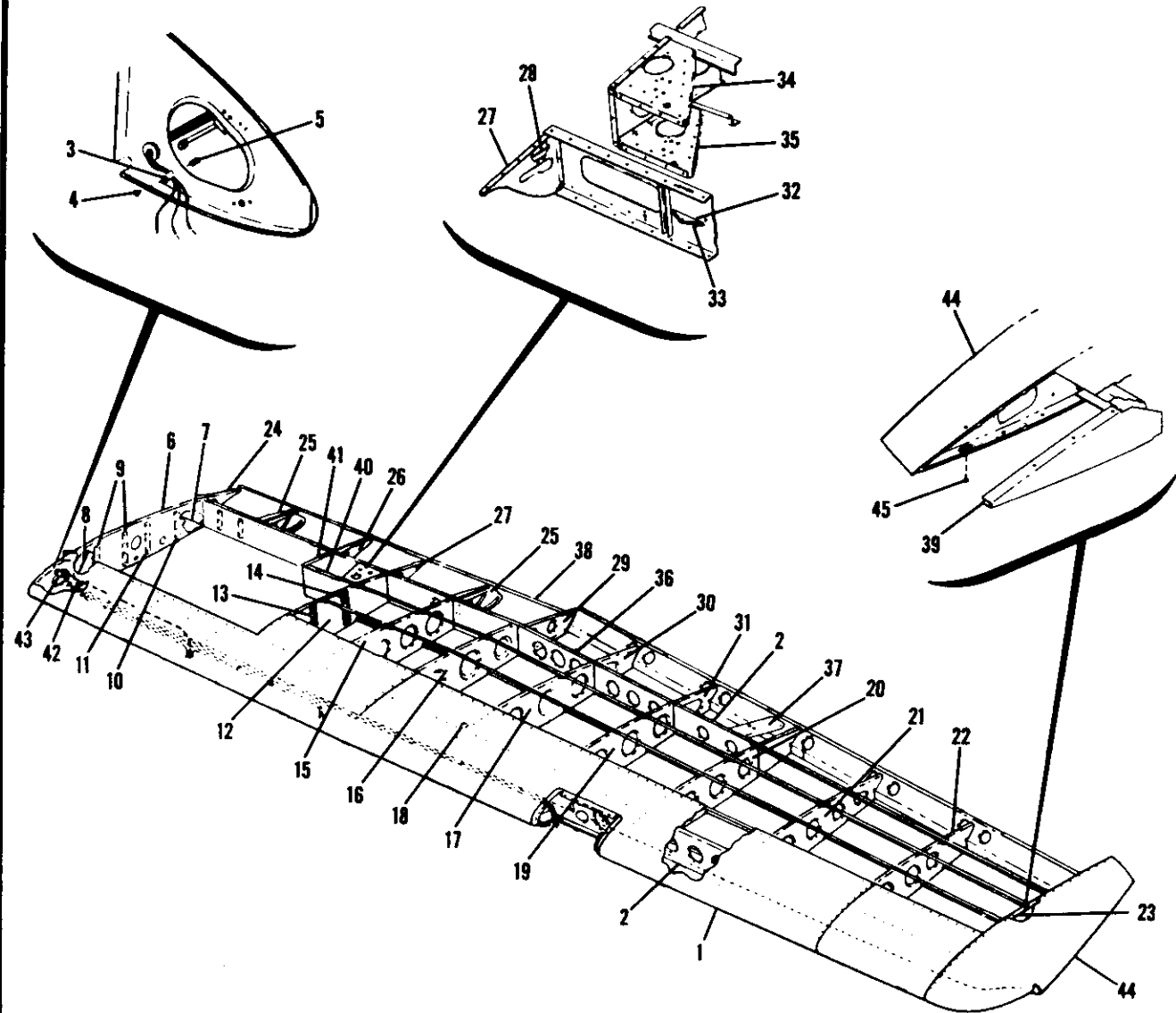
Figure 3A. Wing Assembly Complete

FIGURE AND INDEX NO.	PART NUMBER	DESCRIPTION							UNITS PER ASSY	USABLE ON CODE
		1	2	3	4	5	6	7		
3A-		WING ASSEMBLY-COMplete LH	STANDARD RANGE	-----					NP	A
		WING ASSEMBLY-COMplete RH	STANDARD RANGE	-----					NP	A
		WING ASSEMBLY-COMplete LH	EXTENDED RANGE	-----					NP	A
		WING ASSEMBLY-COMplete RH	EXTENDED RANGE	-----					NP	A
		ATTACHING PARTS								
- 1	AN8-23A	BOLT	-----						1	
- 2	AN960-816	WASHER	-----						3	
- 3	MS20365-820C	NUT	-----						1	
- 4	AN7-24A	BOLT	-----						1	
- 5	AN960-716	WASHER	-----						3	
- 6	OS12123	BUSHING	-----						2	
- 7	MS20365-720C	NUT	-----						1	
		-----*								
- 8	SEE FIG 14	AILERON INSTALLATION							1	
- 9	SEE FIG 15	FLAP INSTALLATION							1	
-10	SEE FIG 13	TANK INSTALLATION							1	
-11	SEE FIG 6A	STRUCTURE ASSEMBLY-WING							1	
-12	S225-2	PLATE-INSPECTION							7	
-13	S225-2	PLATE-INSPECTION STANDARD RANGE ONLY							1	
		ATTACHING PARTS								
	S102228-8	SCREW	-----						3	
		-----*								
-14	0723605-8	PLATE ASSEMBLY-LH							1	
	0723605-6	PLATE ASSEMBLY-RH							1	
		ATTACHING PARTS								
	S102228-8	SCREW	-----						3	
		-----*								
-15	0723605-9	PLATE ASSEMBLY-LH							1	
	0723605-7	PLATE ASSEMBLY-RH							1	
		ATTACHING PARTS								
		SCREW								
		-----*								
-16	0522101-1	PLATE-COVER							1	
		ATTACHING PARTS								
	S102128-8	SCREW	-----						2	
		-----*								
-17	1220094-2	COVER-ACCESS LH ONLY							1	
		ATTACHING PARTS								
	S102228-8	SCREW	-----						8	
		-----*								
-18	S225-1	PLATE-INSPECTION							4	
-19	S225-1	PLATE-INSPECTION RH ONLY							1	
		ATTACHING PARTS								
	S102128-8	SCREW	-----						3	
		-----*								
-20	1222012-1	PLATE-COVER							1	
		ATTACHING PARTS								
	S102128-8	SCREW	-----						6	
		-----*								
-21	S1908-7	PLUG BUTTON RH STANDARD RANGE ONLY							2	
-22	1222022-1	PLATE-COVER							2	
		ATTACHING PARTS								
	S102228-8	SCREW	-----						6	
		-----*								
-23	C622001-0201	BASE ASSEMBLY-WING POSITION							1	
		ATTACHING PARTS								
-24	AN507-632R8	SCREW							3	
		-----*								
-25	A1280-2	LENS-NAVIGATION LIGHT LH		RED	GMC	-----			1	
	A1280-3	LENS-NAVIGATION LIGHT RH		GREEN	GMC	-----			1	
-26	A7512-12	BULB-NAVIGATION LIGHT		12 VOLT	GMC	-----			1	
-27	A1257A	GASKET-NAVIGATION LIGHT		GMC	-----				1	
-28	1221201-3	DETECTOR-NAVIGATION LIGHT LH		-----					1	
	1221201-4	DETECTOR-NAVIGATION LIGHT RH		-----					1	
-29	C622006-0103	LENS-STROBE LIGHT		-----					1	
-30	C622006-0105	GASKET		-----					1	
-31	C622006-0102	STROBE TUBE ASSEMBLY		-----					1	

CONTINUED ON NEXT PAGE

FIGURE AND INDEX NO.	PART NUMBER	DESCRIPTION							UNITS PER ASSY	USABLE ON CODE
		1	2	3	4	5	6	7		
3A-32	0723201-3	SHIELD-WING LIGHT LH	WITH STROBE LIGHT CUTOUT	-----					1	
	0723201-4	SHIELD-WING LIGHT RH	WITH STROBE LIGHT CUTOUT	-----					1	
	0723201-1	SHIELD-WING LIGHT LH	W/O STROBE LIGHT CUTOUT	-----					1	
	0723201-2	SHIELD-WING LIGHT RH	W/O STROBE LIGHT CUTOUT	-----					1	
		ATTACHING PARTS								
-33	AN507-632R8	SCREW	-----						2	
-34	AN507-632R12	SCREW	-----						1	
		-----*								
-35	0723200-5	TIP ASSEMBLY-WING LH	-----						1	
	0723200-6	TIP ASSEMBLY-WING RH	-----						1	
		ATTACHING PARTS								
	AN515-8R8	SCREW	-----						12	
	0723200-9	STIFFENER-UPPER LH	-----						1	
	0723200-10	STIFFENER-UPPER RH	-----						1	
	0723200-11	STIFFENER-LOWER LH	-----						1	
	0723200-12	STIFFENER-LOWER RH	-----						1	
		-----*								
-35A	NAS1329A06K120	RIVNUT	-----						5	
-36	C622007-0101	POWER SUPPLY-STROBE LIGHT	-----						1	
		ATTACHING PARTS								
	AN520-10R7	SCREW	-----						4	
-37	1620075-3	BRACKET ASSEMBLY	-----						2	
		-----*								
-38	C592001-0101	STATIC DISCHARGER	-----						1	
		ATTACHING PARTS								
-39	S1021A6-8	SCREW	-----						1	
		-----*								
-40	0720618-9	FILLET ASSEMBLY-LH	-----						1	
	0720618-10	FILLET ASSEMBLY-RH	-----						1	
		ATTACHING PARTS								
-41	AN507-832R6	SCREW	-----						2	
-42	S1022Z8-8	SCREW	-----						2	
-43	S290D832	WASHER	-----						1	
		-----*								
-44	0520005-3	RUB STRIP	-----						1	
-45	0720016-1	FAIRING-LH	-----						1	
	0720016-2	FAIRING-RH	-----						1	
		ATTACHING PARTS								
-46	S1022Z8-8	SCREW	-----						5	
	S290D832	WASHER	-----						5	
-47	S1021Z8-8	SCREW	-----						2	
	NAS395-18-3	NUT	-----						2	
		-----*								
-48	0520008	FAIRING ASSEMBLY-LH	-----						1	
	0520008-1	FAIRING ASSEMBLY-RH	-----						1	
		ATTACHING PARTS								
-49	S1021Z8-6	SCREW	-----						1	
	S1022Z8-6	SCREW	-----						1	
		-----*								
-50	S202RB	MOULDING-10.50 IN LG	BKI	REF S202R10.5B	-----				1	
		A---SERIAL 18502091 THRU 18502310								
		SERIAL 18052285 THRU 18052384								

Wing (Cont)



SERIAL 18051184 THRU 18051312

Figure 4. Wing Structure Assembly

FIGURE AND INDEX NO.	PART NUMBER	DESCRIPTION	UNITS PER ASSY	USABLE ON CODE
		1 2 3 4 5 6 7		
4 -	0792000-23	STRUCTURE ASSEMBLY-WING LH -----	1	A
	0792000-22	STRUCTURE ASSEMBLY-WING RH -----	1	A
	0792000-25	STRUCTURE ASSEMBLY-WING LH CORROSION PROOF -----	1	A
	0792000-24	STRUCTURE ASSEMBLY-WING RH CORROSION PROOF -----	1	A
- 1	SEE FIG 7	LEADING EDGE ASSEMBLIES-WING -----	1	
	SEE FIG 11	SKINS & STRINGERS INSTALLATION -----	1	
- 2	SEE FIG 9	SPARS-WING -----	1	
- 3	MS21919DG6	CLAMP -----	1	
- 4	S1021ZR-8	SCREW -----	1	
- 5	NAS446-4-3	NUT -----	1	
	0721100-23	RIB ASSEMBLY-WING ROOT LH -----	1	
	0721100-24	RIB ASSEMBLY-WING ROOT RH -----	1	
- 6	0721100-25	RIB ASSEMBLY-WING ROOT LH -----	1	
	0721100-26	RIB ASSEMBLY-WING ROOT RH -----	1	
- 7	1221101-1	REINFORCEMENT-ROOT RIB LH -----	1	
	1221101-2	REINFORCEMENT-ROOT RIB RH -----	1	
- 8	0721116-1	REINFORCEMENT-ROOT RIB LH -----	1	
	0721116-2	REINFORCEMENT-ROOT RIB RH -----	1	
- 9	0721100-7	ANGLE-STIFFENER -----	2	
-10	0721100-6	ANGLE-STIFFENER -----	1	
-11	0721100-5	ANGLE-STIFFENER -----	1	
	0721111-1	RIB ASSEMBLY-WING FUEL BAY LH WHEN EXHAUSTED -----	1	
		USE 0721111-21		
	0721111-21	RIB ASSEMBLY-WING FUEL BAY LH -----	1	
	0721111-16	RIB ASSEMBLY-WING FUEL BAY RH -----	1	
-12	0721111-7	RIB-WING FUEL BAY LH -----	1	
	0721111-8	RIB-WING FUEL BAY RH -----	1	
-13	0721100-7	ANGLE-STIFFENER -----	2	
-14	0721100-6	ANGLE-STIFFENER -----	1	
-15	0722201-1	RIB-CENTER STA 85.625 -----	1	
-16	0523510	RIB-CENTER LH STA 100.00 WHEN EXHAUSTED -----	1	
		USE 0523510-7		
	0523510-7	RIB-CENTER LH STA 100.00 -----	1	
	0523510-1	RIB-CENTER RH STA 100.00 WHEN EXHAUSTED -----	1	
		USE 0523510-6		
	0523510-6	RIB ASSEMBLY-WING FUEL BAY LH -----	1	
-17	0523511-7	RIB-CENTER STA 118.00 -----	1	
-18	0523511-6	SPACER -----	1	
-19	0523512-3	RIB-CENTER STA 136.00 -----	1	
-20	0523513-3	RIB-CENTER LH STA 154.00 WHEN EXHAUSTED -----	1	
		USE 0523513-9		
	0523513-9	RIB-CENTER LH STA 154.00 -----	1	
	0523513-6	RIB-CENTER RH STA 154.00 WHEN EXHAUSTED -----	1	
		USE 0523513-10		
	0523513-10	RIB-CENTER RH STA 154.00 -----	1	
-21	0523514-3	RIB-CENTER STA 172.00 -----	1	
-22	0523515-3	RIB-CENTER STA 190.00 -----	1	
-23	0720608-1	RIB ASSEMBLY-CENTER STA 208.00 -----	1	
	NAS444-4	NUTPLATE -----	10	
-24	0523232	RIB-TRAILING EDGE ROOT STA 23.625 -----	1	
-25	1221010-7	RIB ASSEMBLY-FLAP TRACK STA 39.00 & 85.875 -----	2	
	1221010-13	BRACKET-LH -----	1	
	1221010-14	BRACKET-RH -----	1	
-26	0523233-2	RIB-TRAILING EDGE STA 56.531 -----	1	
-27	0523233	RIB ASSEMBLY-TRAILING EDGE STA 71.375 -----	1	
-28	0523233-3	RUB STRIP -----	1	
-29	0523230	RIB ASSEMBLY-TRAILING EDGE LH STA 100.5 -----	1	
	0523230-1	RIB ASSEMBLY-TRAILING EDGE RH STA 100.5 -----	1	
	05232304	ANGLE-LH -----	1	
	05232305	ANGLE-RH -----	1	
-30	0523511-4	RIB-TRAILING EDGE STA 118.00 -----	1	
-31	0523512-4	RIB-TRAILING EDGE STA 136.00 -----	1	
-32	0523407	BRACKET-FLAP PULLEY UPPER -----	1	
-33	0523407-1	BRACKET-FLAP PULLEY LOWER -----	1	
-34	0721112-3	BRACKET-FLAP BELLCRANK SUPPORT UPPER LH -----	1	
	0721112-4	BRACKET-FLAP BELLCRANK SUPPORT UPPER RH -----	1	
-35	0721112-1	BRACKET-FLAP BELLCRANK SUPPORT LOWER LH -----	1	
	0721112-2	BRACKET-FLAP BELLCRANK SUPPORT UPPER RH -----	1	
-36	0523408	BRACKET-AILERON PULLEY -----	1	

CONTINUED ON NEXT PAGE

FIGURE AND INDEX NO.	PART NUMBER	DESCRIPTION	UNITS PER ASSY	USABLE ON CODE
4 -37	0523219-2	CHANNEL-AILERON BELLCRANK -----	1	
	0523219-3	CHANNEL-AILERON BELLCRANK SUPPORT UPPER RH -----	1	
	0523219-4	CHANNEL-AILERON BELLCRANK SUPPORT LOWER LH -----	1	
	0523219-5	CHANNEL-AILERON BELLCRANK SUPPORT LOWER RH -----	1	
-38	0720005-1	STIFFENER-TRAILING EDGE INBOARD -----	1	
-39	0721107-1	FAIRING-RIB LH STA 208.00 -----	1	
	0721107-2	FAIRING-RIB RH STA 208.00 -----	1	
-40	0721111-5	BULKHEAD ASSEMBLY -----	1	
-41	0721111-3	RIB-LH STA 56.531 -----	1	
	0721111-4	RIB-RH STA 56.531 -----	1	
-42		TUBE ASSEMBLY-PITOT LH WING ONLY -----	NP	
		ATTACHING PARTS -----		
-43	AN74204	CLAMP TIN -----	1	
	AN515-6R8	SCREW -----	1	
	NAS679A06	NUT -----	1	
	S1071-1	TUBE-POLYETHYLENE-52 IN. LG. BULK ITEM -----	AR	
		REF S-1071-1-52.0 -----		
	S1131-1	INSERT -----	2	
	S1130-1	NUT -----	2	
-44	0523701-4	TIP ASSEMBLY-WING WHEN EXHAUSTED USE 0723615-200-791 -----	2	
		ATTACHING PARTS -----		
-45	S102128-8	SCREW -----	10	

<p>NOTE. WING STRUCTURE ASSEMBLIES INCLUDE ALL WIRING NECESSARY FOR INSTALLATION.</p> <p>A---SERIAL 18091184 THRU 18051312</p>				

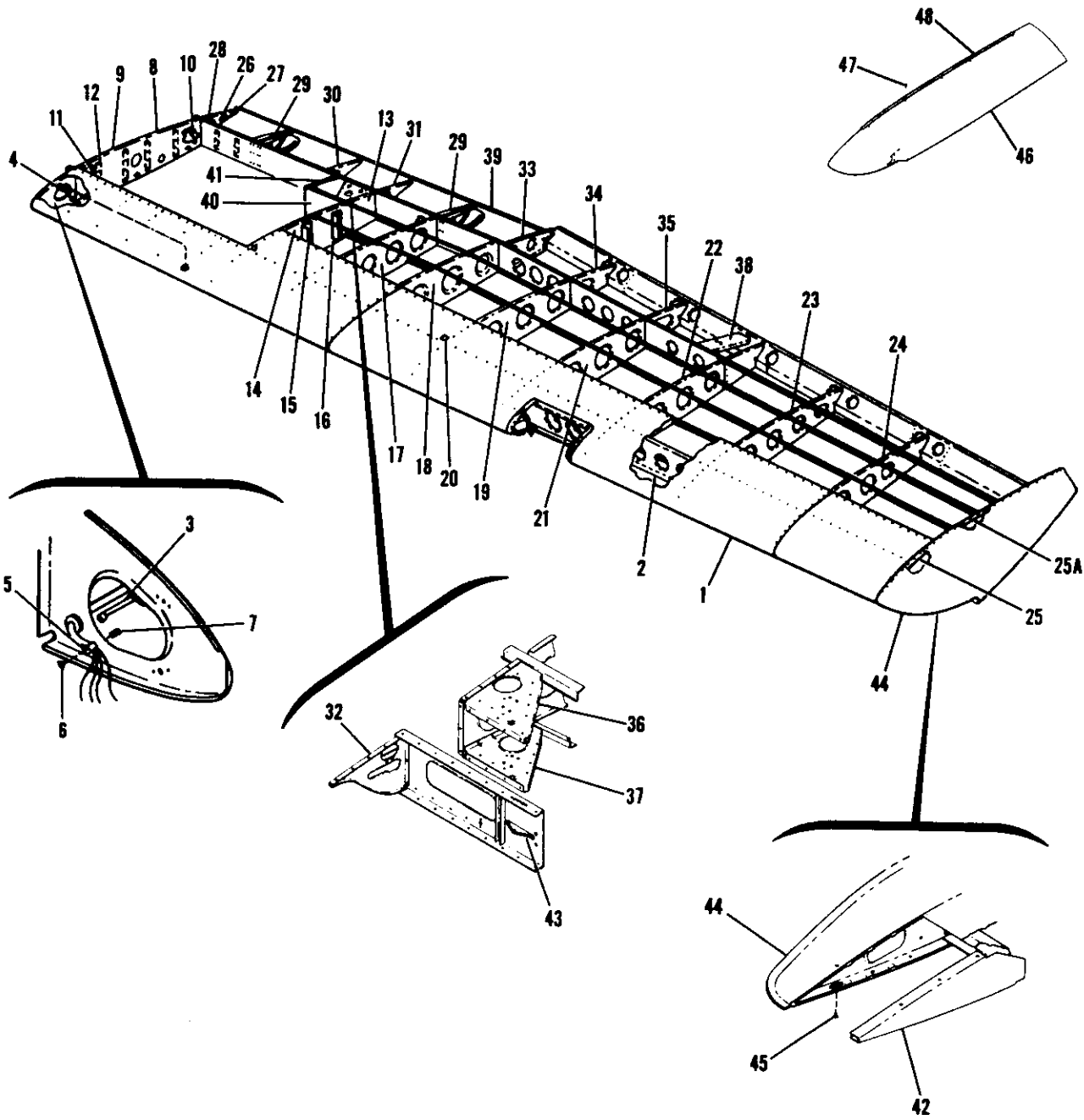
FIGURE AND INDEX NO.	PART NUMBER	DESCRIPTION	UNITS PER ASSY	USABLE ON CODE	
					1 2 3 4 5 6 7
5 -	1220002-201	STRUCTURE ASSEMBLY-WING LH -----	1	G	
	1220002-209	STRUCTURE ASSEMBLY-WING LH WHEN EXHAUSTED USE 1220002-211 -	1	H	
	1220002-211	STRUCTURE ASSEMBLY-WING LH WHEN EXHAUSTED USE 1220002-213 -	1	K	
	1220002-213	STRUCTURE ASSEMBLY-WING LH -----	1	L	
	1220002-91	STRUCTURE ASSEMBLY-WING LH -----	1	Z	
	1220002-202	STRUCTURE ASSEMBLY-WING RH WHEN EXHAUSTED USE 1220002-210 -	1	J	
	1220002-210	STRUCTURE ASSEMBLY-WING RH WHEN EXHAUSTED USE 1220002-212 -	1	K	
	1220002-212	STRUCTURE ASSEMBLY-WING RH -----	1	L	
	1220002-90	STRUCTURE ASSEMBLY-WING RH -----	1	Z	
	- 1	SEE FIG 8	LEADING EDGE ASSEMBLIES-WING -----	1	
		SEE FIG 12	SKINS & STRINGERS INSTALLATION -----	1	
	- 2	SEE FIG 10	SPARS ASSEMBLIES -----	1	
- 3	S1131-1	INSERT -----	2		
	S1130-1	NUT -----	1		
	S1132-1	UNION -----	1		
	S1071-1	TUBE-52.0 IN LG BULK ITEM REF S-1071-1-52.0 -----	1		
		ATTACHING PARTS -----			
- 4	AN742D4	CLAMP -----	1		
	S102128-8	SCREW -----	1		
	NAS395-16-3	NUT -----	1		

- 5	MS21919DG6	CLAMP-LH -----	1		
	S1155-3	PLASTIC CLAMP RH -----	1		
		ATTACHING PARTS -----			
- 6	S102128-8	SCREW -----	1		
- 7	NAS446-4-3	NUT -----	1		

- 8	0721100-23	RIB ASSEMBLY-WING ROOT LH -----	1		
	0721100-24	RIB ASSEMBLY-WING ROOT RH -----	1		
- 9	0721100-25	RIB-WING ROOT LH -----	1		
	0721100-26	RIB-WING ROOT RH -----	1		
-10	1221101-1	REINFORCEMENT-WING ROOT RIB LH -----	1		
	1221101-2	REINFORCEMENT-WING ROOT RIB RH -----	1		
-11	0721116-1	REINFORCEMENT-WING ROOT RIB LH -----	1		
	0721116-2	REINFORCEMENT-WING ROOT RIB RH -----	1		
-12	0721100-7	ANGLE-STIFFENER -----	2		
	0721100-6	ANGLE-STIFFENER -----	1		
	0721100-5	ANGLE-STIFFENER -----	1		

CONTINUED ON NEXT PAGE

Wing (Cont)



SERIAL 185-0001 THRU 18502090
SERIAL 18051313 THRU 18052284

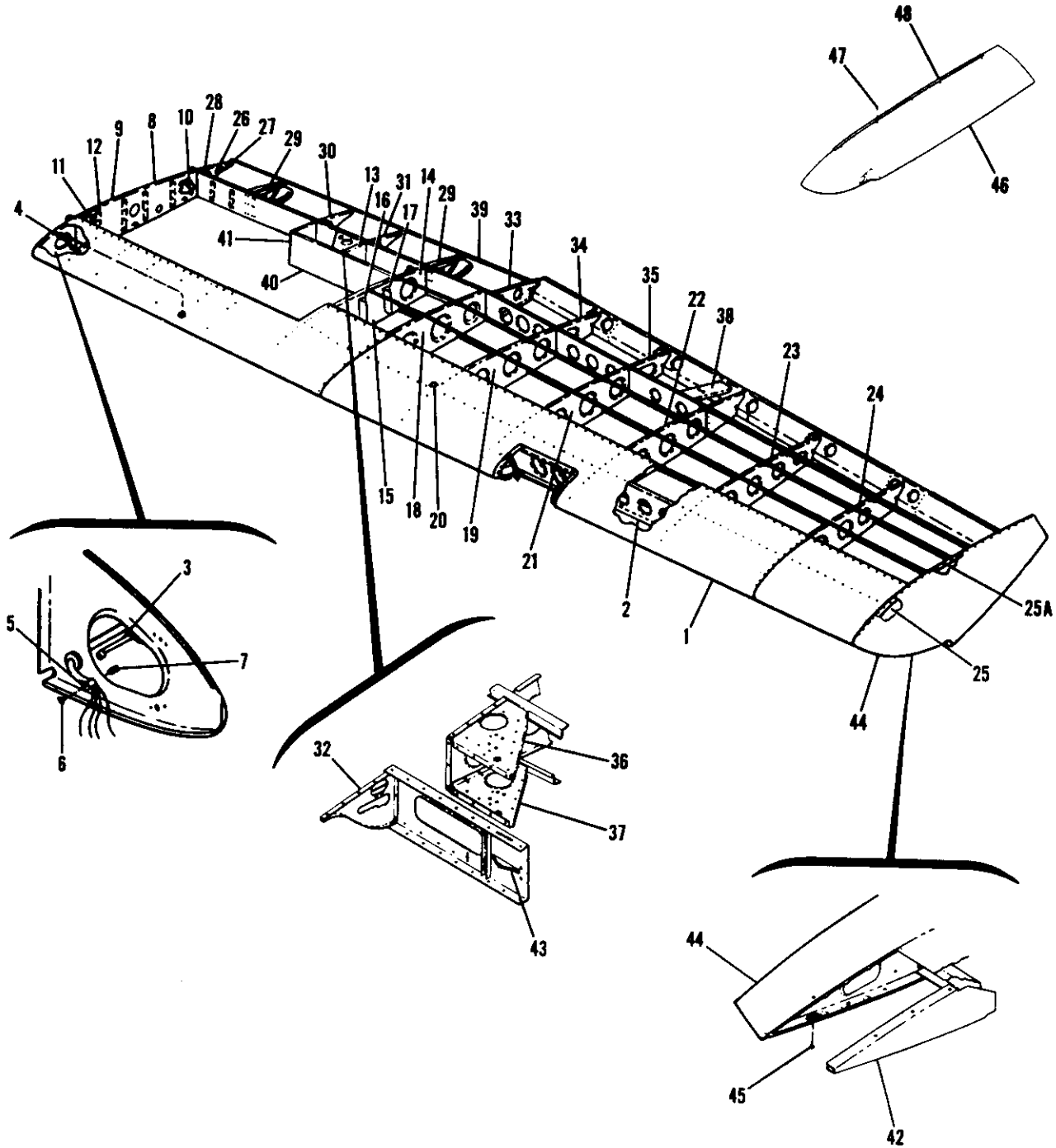
Figure 5. Wing Structure Assembly

FIGURE AND INDEX NO.	PART NUMBER	DESCRIPTION	UNITS PER ASSY	USABLE ON CODE
		1 2 3 4 5 6 7		
5 -13	0721111-1	RIB ASSEMBLY-WING FUEL BAY LH WEU 0721111-21	1	
	0721111-21	RIB ASSEMBLY-WING FUEL BAY LH	1	
	0721111-16	RIB ASSEMBLY-WING FUEL BAY RH	1	
-14	0721111-7	RIB-WING FUEL BAY LH	1	
	0721111-15	RIB-WING FUEL BAY RH	1	
-15	0721100-7	ANGLE-STIFFENER	2	
-16	0721100-6	ANGLE-STIFFENER	1	
-17	0523509-2	RIB-CENTER STA 85.875 WEU 0722201-1	1	W
	0722201-1	RIB-CENTER STA 85.875	1	X
-18	0523510-7	RIB-CENTER WING LH STA 100.0	1	Y
	0722194-1	RIB-CENTER WING LH STA 100.0	1	Z
	0523510-6	RIB-CENTER WING RH STA 100.0	1	Y
	0722194-2	RIB-CENTER WING RH STA 100.0	1	Z
-19	0523511-8	RIB-CENTER STA 118.0	1	U
	0523511-21	RIB ASSEMBLY-CENTER STA 118.0	1	V
-20	0523511-6	SPACER	1	
-21	0523512-7	RIB-CENTER STA 136.0	1	
-22	0523513-7	RIB-CENTER WING LH STA 154.0 WEU 0722197-3	1	W
	0722197-3	RIB-CENTER WING LH STA 154.0	1	X
	0523513-8	RIB-CENTER WING RH STA 154.0 WEU 0722197-4	1	W
	0722197-4	RIB-CENTER WING RH STA 154.0	1	X
-23	0720607-1	RIB-CENTER STA 172.0 WEU 0722198-1	1	W
	0722198-1	RIB-CENTER STA 172.0	1	X
-24	0720607-2	RIB-CENTER STA 190.0 WEU 0722199-1	1	W
	0722199-1	RIB-CENTER STA 190.0	1	X
-25	0720608-23	RIB ASSEMBLY-NOSE STA 208.0	1	
	MS20230A2	GROMMET	1	
	NAS696A08K	NUTPLATE	2	
-25A	0720608-7	RIB ASSEMBLY-TRAILING STA 208.0 WEU 0720608-15	1	M
	0720608-15	RIB ASSEMBLY-TRAILING STA 208.0	1	N
	NAS444-4-3	NUTPLATE	10	M
	NAS686A08K	NUTPLATE	10	N
-26	NAS395-14-3	NUT	3	
-27	AN6328-823	NUT	1	
-28	0523232	RIB-TRAILING EDGE ROOT STA 23.625	1	E
	0523232-2	RIB-TRAILING EDGE ROOT STA 23.625	1	F
-29	1221010-7	RIB ASSEMBLY-FLAP TRACK STA 39.0 & 85.875	2	
	1221010-13	BRACKET	1	
	1221010-14	BRACKET	1	
-30	0523233-6	RIB-TRAILING EDGE STA 56.415	1	
-31	0523233-7	RIB ASSEMBLY-TRAILING EDGE STA 71.977	1	
-32	0523233-3	RUB STRIP	1	
-33	0523230	RIB ASSEMBLY-TRAILING EDGE WING LH STA 100.5	1	
	0523230-1	RIB ASSEMBLY-TRAILING EDGE WING RH STA 100.5	1	
	0523230-4	ANGLE-WING LH	1	
	0523230-5	ANGLE-WING RH	1	
-34	0523511-4	RIB-TRAILING EDGE STA 118.0	1	
-35	0523512-4	RIB-TRAILING EDGE STA 136.0	1	
-36	0721117-3	BRACKET-FLAP BELLCRANK UPPER LH	1	
	0721117-4	BRACKET-FLAP BELLCRANK UPPER RH	1	
-37	0721117-1	BRACKET-FLAP BELLCRANK LOWER LH	1	
	0721117-2	BRACKET-FLAP BELLCRANK LOWER RH	1	
-38	0523219-2	CHANNEL-AILERON BELLCRANK SUPPORT UPPER LH	1	
	0523219-3	CHANNEL-AILERON BELLCRANK SUPPORT UPPER RH	1	
	0523219-4	CHANNEL-AILERON BELLCRANK SUPPORT LOWER LH	1	
	0523219-5	CHANNEL-AILERON BELLCRANK SUPPORT LOWER RH	1	
-39	0720005-1	STIFFENER-TRAILING EDGE INBOARD	1	
-40	0722012-1	BULKHEAD ASSEMBLY	1	
-41	0721111-3	RIB-WING LH STA 56.415	1	
	0721111-4	RIB-WING RH STA 56.415	1	
-42	0721107-1	FAIRING-LH	1	
	0721107-2	FAIRING-RH	1	
-43	0523407-1	BRACKET ASSEMBLY-PULLEY LOWER	1	A
	0760618-2	BRACKET ASSEMBLY-PULLEY LOWER	1	B
	0523407	BRACKET ASSEMBLY-PULLEY UPPER	1	A
	0760618-1	BRACKET ASSEMBLY-PULLEY UPPER	1	B

CONTINUED ON NEXT PAGE

FIGURE AND INDEX NO.	PART NUMBER	DESCRIPTION	UNITS PER ASSY	USABLE ON CODE
5 -44	0523700	TIP ASSEMBLY-WING -----	2	B
	0523701-4	TIP ASSEMBLY-WING WHEN EXHAUSTED USE 0723615-200-791 -----	2	C
	0723615-200-791	TIP ASSEMBLY-WING ----- ATTACHING PARTS	2	D
-45	S102128-8	SCREW -----	10	M
	AN515-8R8	SCREW -----	10	Q
	0423008-8	STIFFENER USE ON UPPER SIDE RH TIP & LOWER SIDE LH TIP ----	1	D
	0423008-9	STIFFENER USE ON UPPER SIDE LH TIP & LOWER SIDE RH TIP ----	1	D
-46	S1863-3	NUTPLATE -----	3	B
	0523565-201-791	TIP-WING LH -----	1	S
	0523565-200-791	TIP-WING RH -----	1	S
	0523565-29-791	TIP ASSEMBLY-WING LH -----	1	T
	0523565-30-791	TIP ASSEMBLY-WING RH ----- ATTACHING PARTS	1	T
-47	AN515-8R8	SCREW -----	12	R
-48	0523565-21	STIFFENER USE ON UPPER SIDE LH TIP & LOWER SIDE RH TIP ----	1	R
	0523565-22	STIFFENER USE ON LOWER SIDE LH TIP & UPPER SIDE RH TIP ----	1	R
	NAS1329A06K120	NUT -----	5	T
NOTE. WING STRUCTURE ASSEMBLIES INCLUDE ALL WIRING NECESSARY FOR INSTALLATION.				
<p>A---SERIAL 185-0001 THRU 18502090 SERIAL 18051313 THRU 18052284 B---SERIAL 185-0001 THRU 185-0237 C---SERIAL 185-0238 THRU 185-1149 SERIAL 18051313 THRU 18051774 D---SERIAL 185-1150 THRU 185-1599 SERIAL 18051775 THRU 18052103 E---SERIAL 185-0001 THRU 185-1277 SERIAL 18051313 THRU 18051873 F---SERIAL 185-1278 THRU 18502090 SERIAL 18051874 THRU 18052284 G---SERIAL 185-0001 THRU 185-1197 & 185-1200 SERIAL 18051313 THRU 18051823 H---SERIAL 185-1198, 185-1199, 185-1201 THRU 185-1300 SERIAL 18051824 THRU 18051875 J---SERIAL 185-0001 THRU 185-1300 SERIAL 18051313 THRU 18051875 K---SERIAL 185-1301 THRU 185-1401 SERIAL 18051876 THRU 18051954 L---SERIAL 185-1402 THRU 18501930, 18501932 THRU 18501934 SERIAL 18051955 THRU 18052222 M---SERIAL 185-0001 THRU 185-1447 SERIAL 18051313 THRU 18051993 N---SERIAL 185-1448 THRU 18502090 SERIAL 18051994 THRU 18052284 P---SERIAL 185-0001 THRU 185-1599 SERIAL 18051313 THRU 18052103 O---SERIAL 185-1448 THRU 185-1599 SERIAL 18051994 THRU 18052103 R---SERIAL 18501600 THRU 18502090 SERIAL 18052104 THRU 18052284 S---SERIAL 18501600 THRU 18501832 SERIAL 18052104 THRU 18052175 T---SERIAL 18501833 THRU 18502090 SERIAL 18052176 THRU 18052284 U---SERIAL 185-0001 THRU 18501886 SERIAL 18051313 THRU 18052205 V---SERIAL 18501887 THRU 18502090 SERIAL 18052206 THRU 18052284 W---SERIAL 185-0001 THRU 18501991 SERIAL 18051313 THRU 18052243 X---SERIAL 18501992 THRU 18502090 SERIAL 18052244 THRU 18052284 Y---SERIAL 185-0001 THRU 18501930, 18501932 THRU 18501934 SERIAL 18051313 THRU 18052222 Z---SERIAL 18501931, 18501935 THRU 18502090 SERIAL 18052223 THRU 18052284</p>				

Wing (Cont)



SERIAL 185-0001 THRU 18502090
SERIAL 18051184 THRU 18052284

Figure 6. Wing Structure Assembly Extended Range

FIGURE AND INDEX NO.	PART NUMBER	DESCRIPTION	UNITS PER ASSY							USABLE ON CODE	
			1	2	3	4	5	6	7		
6 -	1220003-201	STRUCTURE ASSEMBLY-WING LH	EXTENDED RANGE	-----	-----	-----	-----	-----	-----	1	G
	1220003-211	STRUCTURE ASSEMBLY-WING LH	EXTENDED RANGE	WHEN	-----	-----	-----	-----	-----	1	H
	1220003-213	STRUCTURE ASSEMBLY-WING LH	EXTENDED RANGE	WHEN	-----	-----	-----	-----	-----	1	K
	1220003-215	STRUCTURE ASSEMBLY-WING LH	EXTENDED RANGE	-----	-----	-----	-----	-----	-----	1	L
	1220003-35	STRUCTURE ASSEMBLY-WING LH	EXTENDED RANGE	-----	-----	-----	-----	-----	-----	1	X
	1220004-202	STRUCTURE ASSEMBLY-WING RH	EXTENDED RANGE	WHEN	-----	-----	-----	-----	-----	1	J
	1220004-208	STRUCTURE ASSEMBLY-WING RH	EXTENDED RANGE	WHEN	-----	-----	-----	-----	-----	1	K
	1220004-210	STRUCTURE ASSEMBLY-WING RH	EXTENDED RANGE	-----	-----	-----	-----	-----	-----	1	L
	1220004-32	STRUCTURE ASSEMBLY-WING RH	EXTENDED RANGE	-----	-----	-----	-----	-----	-----	1	X
- 1	SEE FIG 8	LEADING EDGE ASSEMBLIES-WING	-----	-----	-----	-----	-----	-----	-----	1	
	SEE FIG 12	SKINS & STRINGERS INSTALLATION	-----	-----	-----	-----	-----	-----	-----	1	
- 2	SEE FIG 10	SPAR ASSEMBLIES	-----	-----	-----	-----	-----	-----	-----	1	
- 3	S1131-1	INSERT	-----	-----	-----	-----	-----	-----	-----	2	
	S1130-1	NUT	-----	-----	-----	-----	-----	-----	-----	1	
	S1132-1	UNION	-----	-----	-----	-----	-----	-----	-----	1	
	S1071-1	TUBE-52.0 IN. LG. BULK ITEM REF S-1071-1-52	-----	-----	-----	-----	-----	-----	-----	1	
- 4	AN74204	CLAMP	-----	-----	-----	-----	-----	-----	-----	1	
	S102128-8	SCREW	-----	-----	-----	-----	-----	-----	-----	1	
	NAS395-16-3	NUT	-----	-----	-----	-----	-----	-----	-----	1	
- 5	MS21919DG6	CLAMP-LH	-----	-----	-----	-----	-----	-----	-----	1	
	S1195-3	PLASTIC CLAMP-RH	-----	-----	-----	-----	-----	-----	-----	1	
- 6	S102128-8	SCREW	-----	-----	-----	-----	-----	-----	-----	1	
- 7	NAS446-4-3	NUT	-----	-----	-----	-----	-----	-----	-----	1	
- 8	0721100-23	RIB ASSEMBLY-ROOT LH	-----	-----	-----	-----	-----	-----	-----	1	
	0721100-24	RIB ASSEMBLY-ROOT RH	-----	-----	-----	-----	-----	-----	-----	1	
- 9	0721100-25	RIB-ROOT LH	-----	-----	-----	-----	-----	-----	-----	1	
	0721100-26	RIB-ROOT RH	-----	-----	-----	-----	-----	-----	-----	1	
-10	1221101-1	REINFORCEMENT-ROOT RIB LH	-----	-----	-----	-----	-----	-----	-----	1	
	1221101-2	REINFORCEMENT-ROOT RIB RH	-----	-----	-----	-----	-----	-----	-----	1	
-11	0721116-1	REINFORCEMENT-ROOT RIB LH	-----	-----	-----	-----	-----	-----	-----	1	
	0721116-2	REINFORCEMENT-ROOT RIB RH	-----	-----	-----	-----	-----	-----	-----	1	
-12	0721100-7	ANGLE-STIFFENER	-----	-----	-----	-----	-----	-----	-----	2	
	0721100-6	ANGLE-STIFFENER	-----	-----	-----	-----	-----	-----	-----	1	
	0721100-5	ANGLE-STIFFENER	-----	-----	-----	-----	-----	-----	-----	1	
-13	1220019-9	RIB-LH WHEN EXHAUSTED USE 1220019-10	-----	-----	-----	-----	-----	-----	-----	1	
	1220019-18	RIB-LH	-----	-----	-----	-----	-----	-----	-----	1	
	1220019-10	RIB-RH	-----	-----	-----	-----	-----	-----	-----	1	
-14	1220019-1	RIB ASSEMBLY-LH STA 85.625 WEU 1220019-19	-----	-----	-----	-----	-----	-----	-----	1	
	1220019-19	RIB ASSEMBLY-LH STA 85.625	-----	-----	-----	-----	-----	-----	-----	1	
	1220019-2	RIB ASSEMBLY-RH STA 85.625 WEU 1220019-20	-----	-----	-----	-----	-----	-----	-----	1	
	1220019-20	RIB ASSEMBLY-RH STA 85.625	-----	-----	-----	-----	-----	-----	-----	1	
-15	1220019-3	RIB-LH STA 85.625	-----	-----	-----	-----	-----	-----	-----	1	
	1220019-4	RIB-RH STA 85.625	-----	-----	-----	-----	-----	-----	-----	1	
-16	0721100-7	ANGLE-STIFFENER	-----	-----	-----	-----	-----	-----	-----	2	
-17	0721100-6	ANGLE-STIFFENER	-----	-----	-----	-----	-----	-----	-----	1	
-18	0523510-7	RIB-CENTER WING LH STA 100.0	-----	-----	-----	-----	-----	-----	-----	1	W
	0722194-1	RIB-CENTER WING LH STA 100.0	-----	-----	-----	-----	-----	-----	-----	1	X
	0523510-6	RIB-CENTER WING RH STA 100.0	-----	-----	-----	-----	-----	-----	-----	1	W
	0722194-2	RIB-CENTER WING RH STA 100.0	-----	-----	-----	-----	-----	-----	-----	1	X
-19	0523511-8	RIB-CENTER STA 118.0	-----	-----	-----	-----	-----	-----	-----	1	U
	0523511-21	RIB ASSEMBLY-CENTER STA 118.0	-----	-----	-----	-----	-----	-----	-----	1	V
-20	0523511-6	SPACER	-----	-----	-----	-----	-----	-----	-----	1	
-21	0523512-7	RIB-CENTER STA 136.0	-----	-----	-----	-----	-----	-----	-----	1	
-22	0523513-7	RIB-CENTER WING LH STA 154.0 WEU 0722197-3	-----	-----	-----	-----	-----	-----	-----	1	Y
	0722197-3	RIB-CENTER WING LH STA 154.0	-----	-----	-----	-----	-----	-----	-----	1	Z
	0523513-8	RIB-CENTER WING RH STA 154.0 WEU 0722197-4	-----	-----	-----	-----	-----	-----	-----	1	Y
	0722197-4	RIB-CENTER WING RH STA 154.0	-----	-----	-----	-----	-----	-----	-----	1	Z
-23	0720607-1	RIB-CENTER STA 172.0 WEU 0722198-1	-----	-----	-----	-----	-----	-----	-----	1	Y
	0722198-1	RIB-CENTER STA 172.0	-----	-----	-----	-----	-----	-----	-----	1	Z
-24	0720607-2	RIB-CENTER STA 190.0 WEU 0722199-1	-----	-----	-----	-----	-----	-----	-----	1	Y
	0722199-1	RIB-CENTER STA 190.0	-----	-----	-----	-----	-----	-----	-----	1	Z

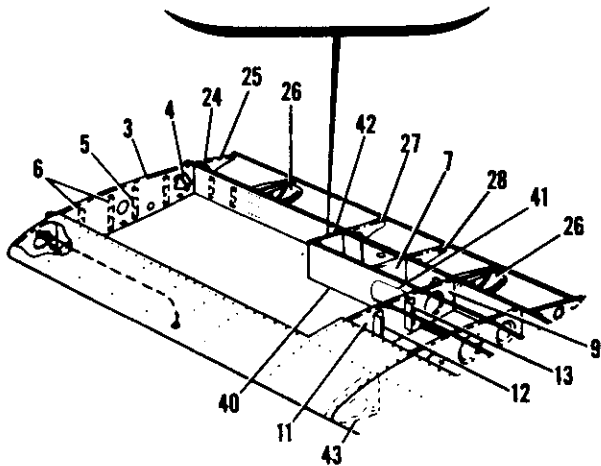
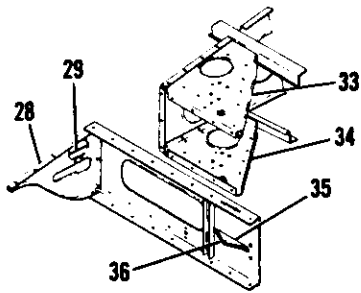
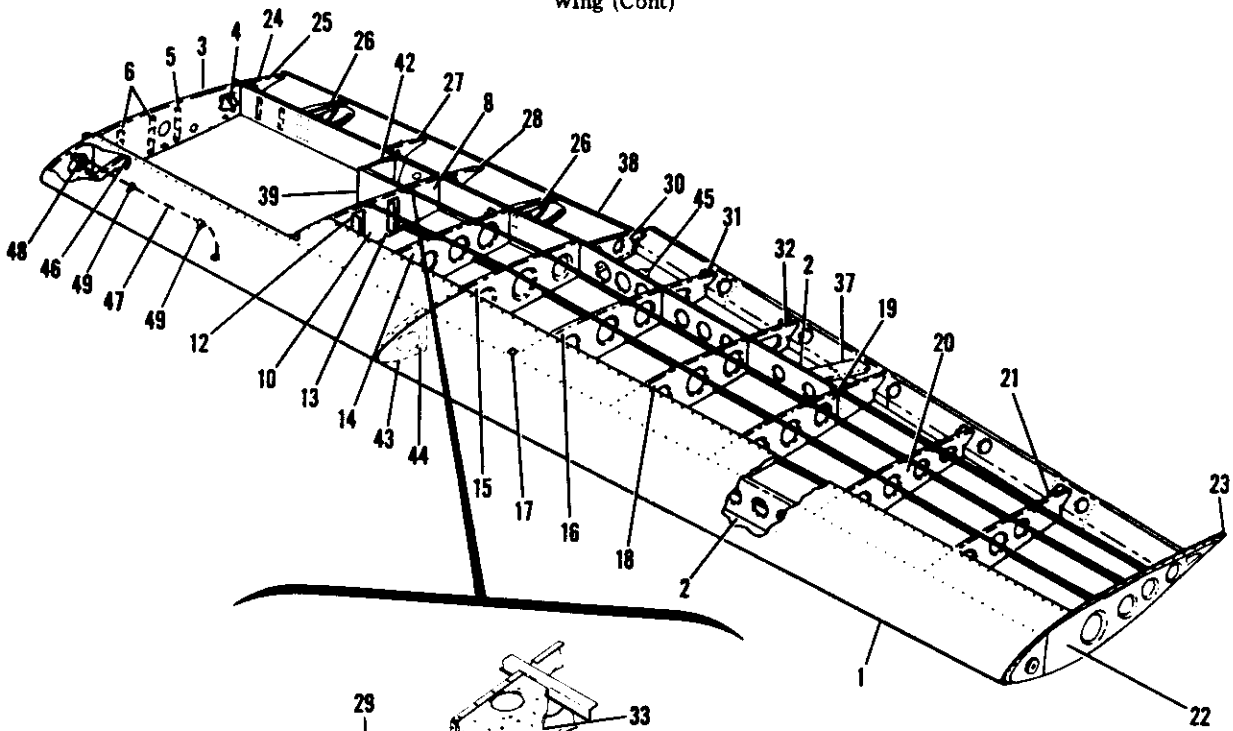
CONTINUED ON NEXT PAGE

FIGURE AND INDEX NO.	PART NUMBER	DESCRIPTION	UNITS PER ASSY	USABLE ON CODE
				1 2 3 4 5 6 7
6 -25	0720608-23	RIB ASSEMBLY-NOSE STA 208.0 -----	1	
	M520230A2	GROMMET -----	1	
	NAS696A08K	NUTPLATE -----	2	
-25A	0720608-7	RIB ASSEMBLY-TRAILING EDGE STA 208.0 WHEN -----	1	M
		EXHAUSTED USE 0720608-15 -----		
	0720608-15	RIB ASSEMBLY-TRAILING EDGE STA 208.0 -----	1	N
	NAS444-4-3	NUTPLATE -----	10	N
	NAS686A08K	NUTPLATE -----	10	N
-26	NAS395-14-3	NUT -----	3	
-27	AN6328-023	NUT -----	1	
-28	0523232	RIB-TRAILING EDGE ROOT STA 23.625 -----	1	E
	0523232-2	RIB-TRAILING EDGE ROOT STA 23.625 -----	1	F
-29	1221010-7	RIB ASSEMBLY-FLAP TRACK STA 39.0 & 85.875 -----	2	
	1221010-13	BRACKET -----	1	
	1221010-14	BRACKET -----	1	
-30	0523233-6	RIB-TRAILING EDGE STA 56.415 -----	1	
-31	0523233-7	RIB ASSEMBLY-TRAILING EDGE STA 71.977 -----	1	
-32	0523233-3	RUB STRIP -----	1	
-33	0523230	RIB ASSEMBLY-TRAILING EDGE WING LH STA 100.5 -----	1	
	0523230-1	RIB ASSEMBLY-TRAILING EDGE WING RH STA 100.5 -----	1	
	0523230-4	ANGLE-WING LH -----	1	
	0523230-5	ANGLE-WING RH -----	1	
-34	0523511-4	RIB-TRAILING EDGE STA 118.0 -----	1	
-35	0523512-4	RIB-TRAILING EDGE STA 136.0 -----	1	
-36	0721112-3	BRACKET-FLAP BELLCRANK UPPER LH -----	1	
	0721112-4	BRACKET-FLAP BELLCRANK UPPER RH -----	1	
-37	0721112-1	BRACKET-FLAP BELLCRANK LOWER LH -----	1	
	0721112-2	BRACKET-FLAP BELLCRANK LOWER RH -----	1	
-38	0523219-2	CHANNEL-AILERON BELLCRANK SUPPORT UPPER LH -----	1	
	0523219-3	CHANNEL-AILERON BELLCRANK SUPPORT UPPER RH -----	1	
	0523219-4	CHANNEL-AILERON BELLCRANK SUPPORT LOWER LH -----	1	
	0523219-5	CHANNEL-AILERON BELLCRANK SUPPORT LOWER RH -----	1	
-39	0720005-1	STIFFENER-TRAILING EDGE INBOARD -----	1	
-40	1220019-13	BULKHEAD ASSEMBLY-LH -----	1	
	1220019-6	BULKHEAD ASSEMBLY-RH -----	1	
-41	0721111-3	RIB-WING LH STA 56.415 -----	1	
	0721111-4	RIB-WING RH STA 56.415 -----	1	
-42	0721107-1	FAIRING LH -----	1	
	0721107-2	FAIRING RH -----	1	
-43	0523407-1	BRACKET ASSEMBLY-PULLEY LOWER -----	1	A
	0760619-2	BRACKET ASSEMBLY-PULLEY LOWER -----	1	B
	0523407	BRACKET ASSEMBLY-PULLEY UPPER -----	1	A
	0760619-1	BRACKET ASSEMBLY-PULLEY UPPER -----	1	B
-44	0523700	TIP ASSEMBLY-WING -----	2	A
	0523701-4	TIP ASSEMBLY-WING WHEN EXHAUSTED USE 0723615-200-791 -----	2	C
	0723615-200-791	TIP ASSEMBLY-WING -----	2	D
		ATTACHING PARTS -----		
-45	S102128-8	SCREW -----	10	M
	AN515-RR8	SCREW -----	10	Q
	0423008-8	STIFFENER USE ON UPPER SIDE RH TIP & LOWER SIDE LH TIP -----	1	D
	0423008-9	STIFFENER USE ON UPPER SIDE LH TIP & LOWER SIDE RH TIP -----	1	D

CONTINUED ON NEXT PAGE

FIGURE AND INDEX NO.	PART NUMBER	DESCRIPTION	UNITS PER ASSY	USABLE ON CODE
6 -46	0523565-201-791	TIP-WING LH -----	1	S
	0523565-200-791	TIP-WING RH -----	1	S
	0523565-29-791	TIP ASSEMBLY-WING LH -----	1	T
	0523565-30-791	TIP ASSEMBLY-WING RH -----	1	T
-47 -48	AN515-8R8	SCREW -----	12	R
	0523565-21 0523565-22	STIFFENER USE ON UPPER SIDE LH TIP & LOWER SIDE RH TIP ----- STIFFENER USE ON LOWER SIDE LH TIP & UPPER SIDE RH TIP -----	1 1	R R
	NAS1329A06K120	NUT -----	5	T
<p>NOTE. WING STRUCTURE ASSEMBLIES INCLUDE ALL WIRING NECESSARY FOR INSTALLATION.</p> <p>A---SERIAL 185-0001 THRU 185-0237 B---SERIAL 185-0238 THRU 18502090 SERIAL 18051184 THRU 18052284 C---SERIAL 185-0238 THRU 185-1149 SERIAL 18051184 THRU 18051774 D---SERIAL 185-1150 THRU 185-1599 SERIAL 18051775 THRU 18052103 E---SERIAL 185-0001 THRU 185-1277 SERIAL 18051184 THRU 18051873 F---SERIAL 185-1278 THRU 18502090 SERIAL 18051874 THRU 18052284 G---SERIAL 185-0001 THRU 185-1197 & 185-1200 SERIAL 18051184 THRU 18051823 H---SERIAL 185-1198, 185-1199, 185-1201 THRU 185-1300 SERIAL 18051824 THRU 18051875 J---SERIAL 185-0001 THRU 185-1300 SERIAL 18051184 THRU 18051875 K---SERIAL 185-1301 THRU 185-1401 SERIAL 18051876 THRU 18051954 L---SERIAL 185-1402 THRU 18501930, 18501932 THRU 1851934 SERIAL 18051955 THRU 18052222 M---SERIAL 185-0001 THRU 185-1447 SERIAL 18051184 THRU 18051993 N---SERIAL 185-1448 THRU 18502090 SERIAL 18051994 THRU 18052284 P---SERIAL 185-0001 THRU 185-1599 SERIAL 18051184 THRU 18052103 Q---SERIAL 185-1448 THRU 185-1599 SERIAL 18051994 THRU 18052103 R---SERIAL 18501600 THRU 18502090 SERIAL 18052104 THRU 18052284 S---SERIAL 18501600 THRU 18501832 SERIAL 18052104 THRU 18052175 T---SERIAL 18501833 THRU 18502090 SERIAL 18052176 THRU 18052284 U---SERIAL 185-0001 THRU 18501886 SERIAL 18051184 THRU 18052205 V---SERIAL 18501887 THRU 18502090 SERIAL 18052206 THRU 18052284 W---SERIAL 185-0001 THRU 18501930, 18501932 THRU 18501934 SERIAL 18051184 THRU 18052222 X---SERIAL 18501931, 18501935 THRU 18502090 SERIAL 18052223 THRU 18052284 Y---SERIAL 185-0001 THRU 18501991 SERIAL 18051184 THRU 18052243 Z---SERIAL 18501992 THRU 18502090 SERIAL 18052243 THRU 18052284</p>				

Wing (Cont)



EXTENDED RANGE FUEL BAY

SERIAL 18502091 THRU 18502310
SERIAL 18052285 THRU 18052384

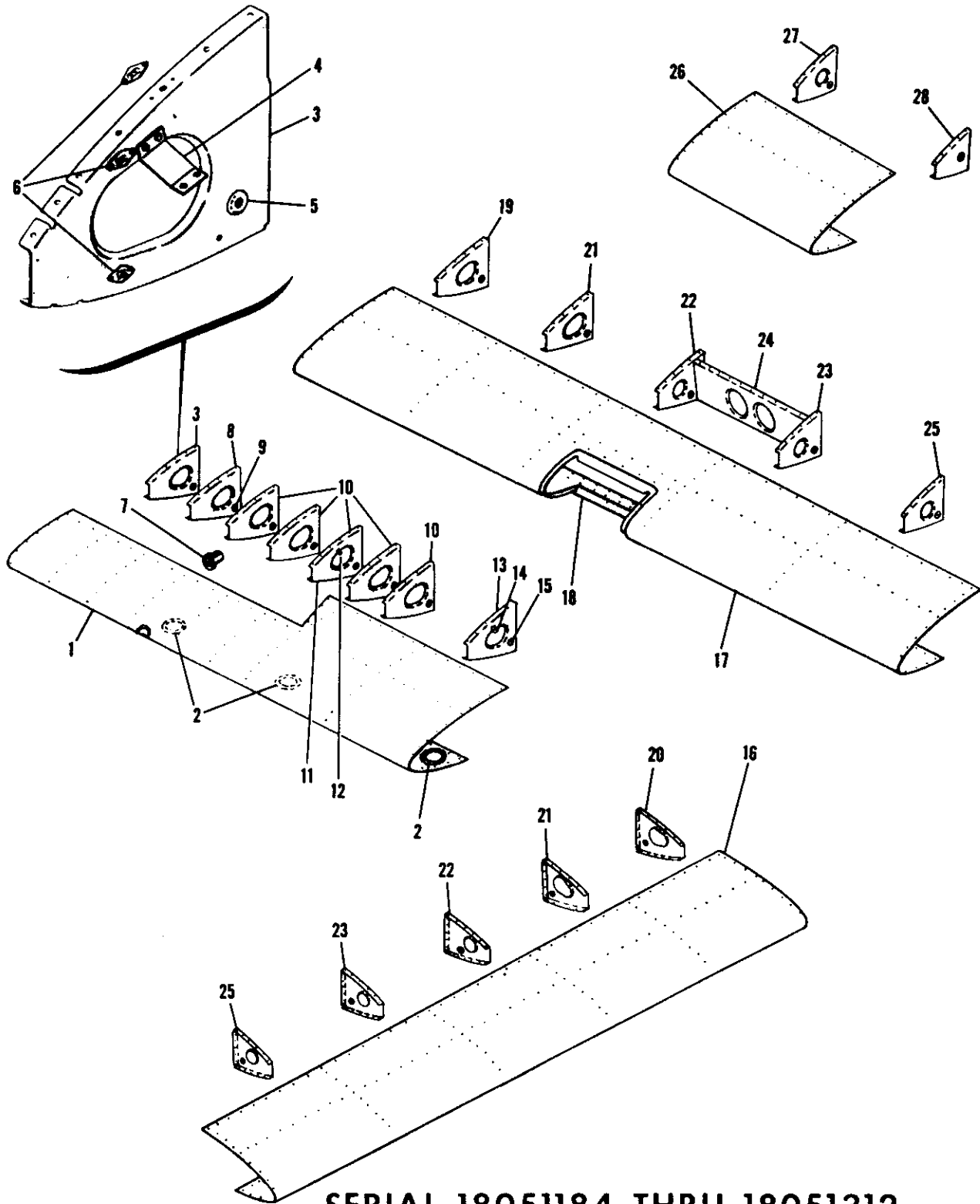
Figure 6A. Wing Structure Assembly

FIGURE AND INDEX NO.	PART NUMBER	DESCRIPTION							UNITS PER ASSY	USABLE ON CODE
		1	2	3	4	5	6	7		
6A-	0722182-21	STRUCTURE ASSEMBLY-WING LH	STANDARD RANGE	-----					1	A
	0722182-23 *	STRUCTURE ASSEMBLY-WING LH	EXTENDED RANGE	-----					1	A
	0722182-20	STRUCTURE ASSEMBLY-WING RH	STANDARD RANGE	-----					1	A
	0722182-22 *	STRUCTURE ASSEMBLY-WING RH	EXTENDED RANGE	-----					1	A
- 1	SEE FIG 8A	LEADING EDGE ASSEMBLIES-WING		-----					1	
	SEE FIG 12A	SKINS & STRINGERS INSTALLATION		-----					1	
- 2	SEE FIG 10A	SPAR ASSEMBLIES		-----					1	
- 3	0722017-1	RIB ASSEMBLY-WING ROOT LH		-----					1	
	0722017-2	RIB ASSEMBLY-WING ROOT RH		-----					1	
- 4	1221101-3	REINFORCEMENT-WING ROOT RIB LH		-----					1	
	1221101-4	REINFORCEMENT-WING ROOT RIB RH		-----					1	
- 5	0721100-6	ANGLE-STIFFENER		-----					1	
- 6	0721100-7	ANGLE-STIFFENER		-----					2	
- 7	1220019-10 *	RIB-LH		-----					1	
	0720617-5 *	RIB-RH		-----					1	
- 8	0721111-21	RIB ASSEMBLY-WING FUEL BAY LH		-----					1	
	0721111-25	RIB ASSEMBLY-WING FUEL BAY RH		-----					1	
- 9	1220019-19 *	RIB ASSEMBLY-LH	STA 85.625	-----					1	
	1220019-20 *	RIB ASSEMBLY-RH	STA 85.625	-----					1	
	NAS697A08	NUTPLATE		-----					2	
-10	0721111-23	RIB-WING FUEL BAY LH		-----					1	
	0721111-24	RIB-WING FUEL BAY RH		-----					1	
-11	1220019-21 *	RIB-LH	STA 85.625	-----					1	
	1220019-22 *	RIB-RH	STA 85.625	-----					1	
-12	0721100-7	ANGLE-STIFFENER		-----					2	
-13	0721100-6	ANGLE-STIFFENER		-----					1	
-14	0722201-1	RIB-CENTER	STA 85.375	-----					1	
-15	0722194-1	RIB ASSEMBLY-CENTER WING LH	STA 100.00	-----					1	
	0722194-2	RIB ASSEMBLY-CENTER WING RH	STA 100.00	-----					1	
-16	0722195-1	RIB-CENTER	STA 118.00	-----					1	
-17	0523911-6	SPACER		-----					1	
-18	0722196-2	RIB-CENTER	STA 136.00	-----					1	
-19	0722197-1	RIB ASSEMBLY-CENTER WING LH	STA 154.00	-----					1	
	0722197-2	RIB ASSEMBLY-CENTER WING RH	STA 154.00	-----					1	
	0724108-1	BRACKET		-----					1	
-20	0722198-1	RIB-CENTER	STA 172.00	-----					1	
-21	0722199-1	RIB-CENTER	STA 190.00	-----					1	
-22	0722200-1	RIB ASSEMBLY-CENTER LH WING	STA 208.00	-----					1	
	0722200-2	RIB ASSEMBLY-CENTER RH WING	STA 208.00	-----					1	
	NAS686A08	NUTPLATE		-----					10	
-23	0721107-1	FAIRING-TRAILING EDGE LH	STA 208.00	-----					1	
	0721107-2	FAIRING-TRAILING EDGE RH	STA 208.00	-----					1	
-24	0523232-2	RIB-TRAILING EDGE ROOT		-----					1	
-25	NAS395-14-3	NUT		-----					2	
-26	1221010-15	RIB ASSEMBLY-FLAP TRACK	STA 39.00 & 85.88	-----					2	
		ATTACHING PARTS		-----						
	NAS221-8	SCREW		-----					2	
	AN960-10	WASHER		-----					2	
	MS21044N3	NUT		-----					2	
-27	0523233-6	RIB-TRAILING EDGE LH	STA 56.53	-----					1	
	0523233-20	RIB-TRAILING EDGE RH	STA 56.53	-----					1	
-28	0523233-7	RIB ASSEMBLY-TRAILING EDGE	STA 72.602	-----					1	
-29	0523233-3	RIP STRIP		-----					1	
-30	0523230	RIB ASSEMBLY-TRAILING EDGE WING LH	STA 100.50	-----					1	
	0523230-1	RIB ASSEMBLY-TRAILING EDGE WING RH	STA 100.50	-----					1	
	0523230-4	ANGLE-WING LH		-----					1	
	0523230-5	ANGLE-WING RH		-----					1	
-31	0523511-4	RIB-TRAILING EDGE	STA 118.00	-----					1	
-32	0523512-4	RIB-TRAILING EDGE	STA 136.00	-----					1	
-33	0721117-3	BRACKET-FLAP BELLCRANK UPPER LH		-----					1	
	0720606-5	DOUBLER-FLAP ACTUATOR UPPER RH	STD RANGE ONLY	-----					1	
	0720606-3 *	DOUBLER-FLAP ACTUATOR UPPER RH		-----					1	
-34	0721117-1	BRACKET-FLAP BELLCRANK LOWER LH		-----					1	
	0720606-8	DOUBLER-FLAP ACTUATOR LOWER RH	STD RANGE ONLY	-----					1	
	0720606-10 *	DOUBLER-FLAP ACTUATOR LOWER RH		-----					1	

CONTINUED ON NEXT PAGE

FIGURE AND INDEX NO.	PART NUMBER	DESCRIPTION	UNITS PER ASSY						USABLE ON CODE	
			1	2	3	4	5	6		
6A-35	0760618-1	BRACKET-FLAP PULLEY UPPER LH ----- ATTACHING PARTS -----							1	
	AN520-10R8	SCREW -----							2	
	MS21044N3	NUT -----							2	
	0523407	-----*								
-36	0760618-2	BRACKET-FLAP PULLEY UPPER RH ----- BRACKET-FLAP PULLEY LOWER LH ----- ATTACHING PARTS -----							1	
	AN520-10R8	SCREW -----							2	
	MS21044N3	NUT -----							2	
	0523407-1	-----*								
-37	0523219-2	BRACKET-FLAP PULLEY LOWER RH ----- CHANNEL-AILERON BELLCRANK SUPPORT UPPER LH -----							1	
	0523219-3	CHANNEL-AILERON BELLCRANK SUPPORT UPPER RH -----							1	
	0523219-7	CHANNEL-AILERON BELLCRANK SUPPORT LOWER LH -----							1	
	0523219-6	CHANNEL-AILERON BELLCRANK SUPPORT LOWER RH -----							1	
-38	0720005-1	STIFFENER-TRAILING EDGE INBOARD -----							1	
-39	0722012-11	BULKHEAD ASSEMBLY-LH -----							1	
	0722012-16	BULKHEAD ASSEMBLY-RH -----							1	
-40	1220019-13	* BULKHEAD ASSEMBLY-LH -----							1	
	1220019-35	* BULKHEAD ASSEMBLY-RH -----							1	
-41	1220019-17	* CUP RH ONLY -----							1	
-42	0721111-3	RIB-LH STA 56.531 -----							1	
	0721111-33	RIB-RH STA 56.531 -----							1	
-43	0722187-1	RIB-LEADING EDGE LH STA 100.00 WEU 0722187-7 -----							1	B
	0722187-7	RIB-LEADING EDGE LH STA 100.00 -----							1	C
	0722187-2	RIB-LEADING EDGE RH STA 100.00 WEU 0722187-8 -----							1	B
	0722187-8	RIB-LEADING EDGE RH STA 100.00 -----							1	C
-44	S1291-8	GROMMET -----							1	
-45	0523408	BRACKET-AILERON PULLEY -----							1	
-46	0722184-3	SHIM BETWEEN LE RIB & SPAR STA 32.75 -----							1	
-47	S1071-1	TUBE-63.7 IN LG BKT REF S1071-1-63.7 ----- ATTACHING PARTS -----							1	
	S1130-1	NUT -----							2	
	S1131-1	INSERT -----							2	
-48	AN742D4	CLAMP -----							1	
	S1021Z8-8	SCREW -----							1	
-49	NAS395-16-3	NUT -----							1	
	0422292	BRACKET -----							2	
	AN742D4	CLAMP -----							2	
	S1021Z8-8	SCREW -----							2	
	NAS395-16-3	NUT -----							2	
		-----*								
<p>NOTE. *DENOTES PARTS USED ON WING WITH EXTENDED RANGE FUEL TANK.</p> <p>A---SERIAL 18502091 THRU 18502310 SERIAL 18052285 THRU 18052384</p> <p>B---SERIAL 18502091 THRU 18502271 SERIAL 18052285 THRU 18052373</p> <p>C---SERIAL 18502272 THRU 18502310 SERIAL 18052373 THRU 18052384</p>										

Wing (Cont)

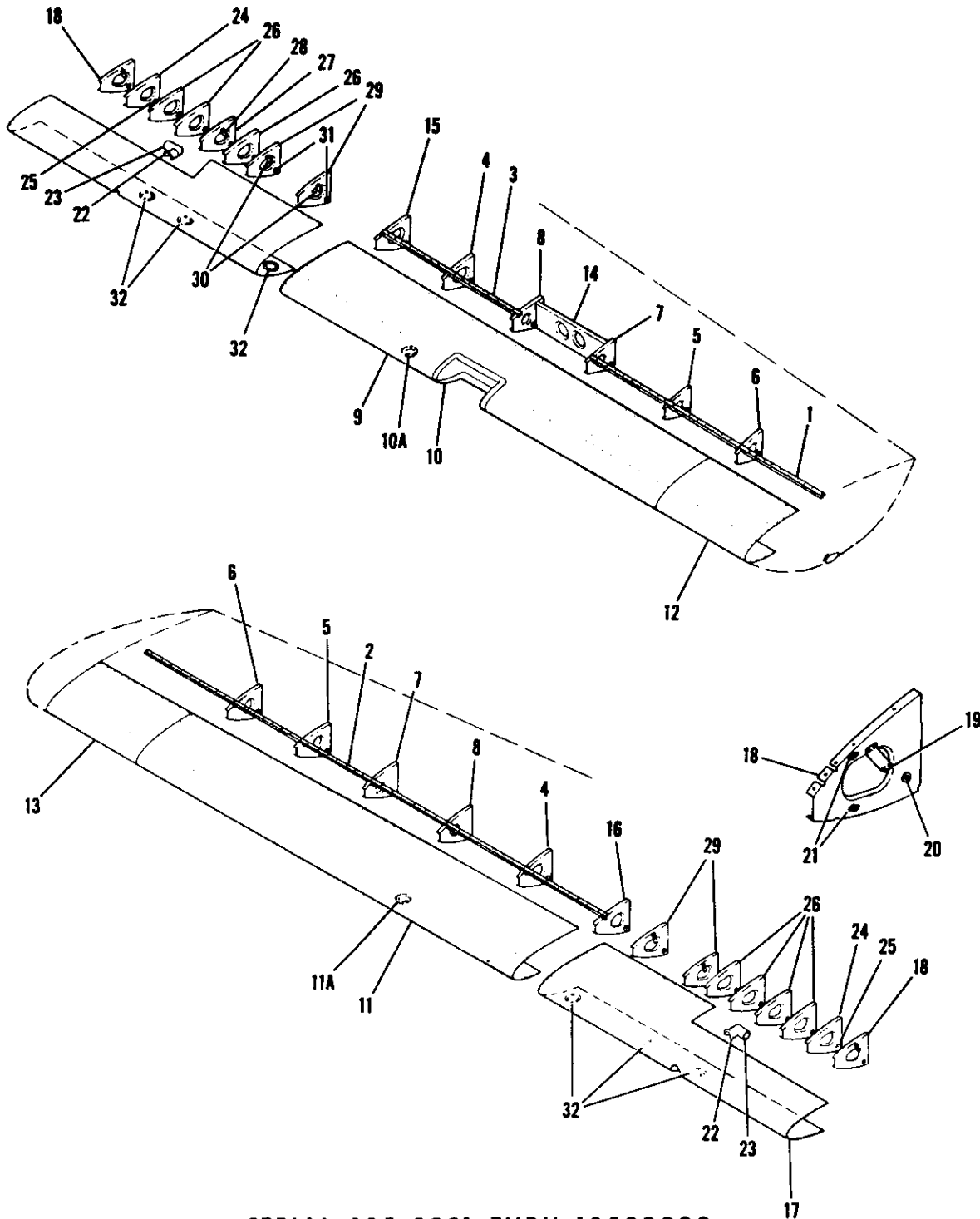


SERIAL 18051184 THRU 18051312

Figure 7. Wing Leading Edge Assembly

FIGURE AND INDEX NO.	PART NUMBER	DESCRIPTION	UNITS PER ASSY	USABLE ON CODE
		1 2 3 4 5 6 7		
7 -		LEADING EDGE ASSEMBLIES -----	NP	A
	0792000-9	LEADING EDGE ASSEMBLY-INBOARD LH STA 23.625 TO 100.0 ----	1	
	0792000-8	LEADING EDGE ASSEMBLY-INBOARD LH STA 23.625 TO 100.0 ----	1	
- 1	0720001-43	SKIN-LEADING EDGE INBOARD LH STA 23.625 TO 100.0 ----	1	
	0720001-42	SKIN-LEADING EDGE INBOARD RH STA 23.625 TO 100.0 ----	1	
- 2	S226-2	DOUBLER-INSPECTION OPENING -----	3	
	NAS444-14	NUTPLATE TIN A6162-8Z-3 -----	9	
- 3	0523107-2	RIB ASSEMBLY-LEADING EDGE NOSE LH STA 23.625 -----	1	
	0523107-3	RIB ASSEMBLY-LEADING EDGE NOSE RH STA 23.625 -----	1	
- 4	0422291	BRACKET LH WING ONLY -----	1	
- 5	MS20230A2	GROMMET -----	2	
- 6	NAS444-14	NUTPLATE TIN A6162-8Z-3 -----	2	
- 7	0413157	SCOOP-CABIN AIR VENT -----	1	
- 8	0523107	RIB ASSEMBLY-NOSE STA 32.5 -----	1	
- 9	MS20230A2	GROMMET -----	1	
-10	0523108	RIB ASSEMBLY-WING NOSE LH STA 40.375, 48.75 & 64.5 ----	3	
	0523108	RIB ASSEMBLY-WING NOSE RH STA 40.375, 48.75, 57.125 & 64.5 ----	4	
	0523111-2	RIB ASSEMBLY-NOSE STA 71.97 -----	1	
	MS20230A2	GROMMET -----	1	
-11	0523108-3	RIB ASSEMBLY-WING LEADING EDGE LH STA 57.125 -----	1	
-12	0422292	BRACKET LH WING ONLY -----	1	
	MS20230A2	GROMMET -----	1	
-13	0523111-2	RIB ASSEMBLY-LEADING EDGE STA 85.625 -----	1	
-14	0422292	BRACKET LH WING ONLY -----	1	
-15	MS20230A2	GROMMET -----	1	
	0720001-51	LEADING EDGE ASSEMBLY-WING CENTER LH STA 100.0 TO 190.0 -	1	
	0720001-54	LEADING EDGE ASSEMBLY-WING CENTER RH STA 100.0 TO 190.0 -	1	
-16	0720001-12	SKIN-LEADING EDGE RH STA 100.0 TO 190.0 -----	1	
-17	0720601-205	SKIN ASSEMBLY-LEADING EDGE LH STA 100.0 TO 190.0 ----	1	
-18	0722100-1	DOUBLER ASSEMBLY-LANDING LIGHT OPENING LH -----	1	
	NAS444-14	NUTPLATE TIN A6162-8Z-3 -----	14	
-19	0523110-5	RIB ASSEMBLY-WING LEADING EDGE LH STA 100.0 -----	1	
-20	0523110-2	RIB ASSEMBLY-WING LEADING EDGE RH STA 100.0 -----	1	
	MS20230A2	GROMMET -----	1	
-21	0523542-1	RIB ASSEMBLY-NOSE STA 118.0 -----	1	
	MS20230A2	GROMMET -----	1	
-22	0523512-5	RIB ASSEMBLY-NOSE STA 136.0 -----	1	
	MS20230A2	GROMMET -----	1	
-23	0523513-4	RIB ASSEMBLY-NOSE STA 154.0 -----	1	
	MS20230A2	GROMMET -----	1	
-24	0523106-4	BRACKET ASSEMBLY-LANDING LIGHT LH WING ONLY -----	1	
	NAS680A08	NUTPLATE -----	10	
-25	0523514-4	RIB ASSEMBLY-NOSE STA 172.0 -----	1	
	MS20230A2	GROMMET -----	1	
	0720001-52	LEADING EDGE ASSEMBLY-WING LH -----	1	
	0720001-55	LEADING EDGE ASSEMBLY-WING RH -----	1	
-26	0720601-15	SKIN-WING LH STA 190.0 TO 205.0 -----	1	
	0720601-16	SKIN-WING RH STA 190.0 TO 205.0 -----	1	
-27	0523515-4	RIB ASSEMBLY-NOSE STA 190.0 -----	1	
	MS20230A2	GROMMET -----	1	
-28	0720608-2	RIB ASSEMBLY-NOSE STA 208.0 -----	1	
	MS20230A2	GROMMET -----	1	
<p>NOTE. *FOR 180 & 185 EXTENDED RANGE & 185 STANDARD WING LEADING EDGE SEE FIGURE 8</p> <p>A---SERIAL 18051184 THRU 18051312 STANDARD WING LEADING EDGE ONLY</p>				

Wing (Cont)



SERIAL 185-0001 THRU 18502090
SERIAL 18051184 THRU 18052284

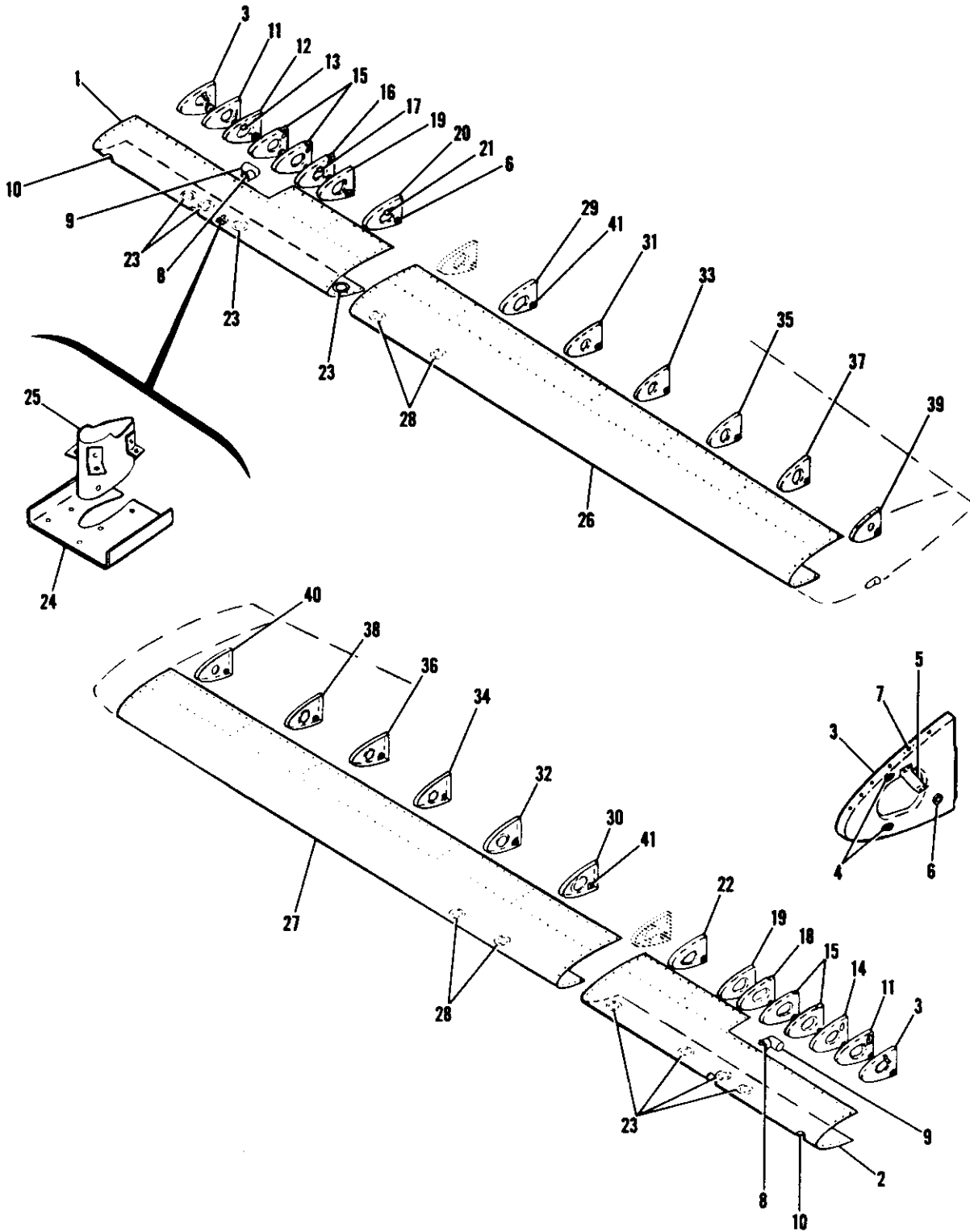
Figure 8. Wing Leading Edge Assembly

FIGURE AND INDEX NO.	PART NUMBER	DESCRIPTION	UNITS PER ASSY	USABLE ON CODE
		1 2 3 4 5 6 7		
8 -		LEADING EDGE ASSEMBLIES -----	NP	A
		LEADING EDGE ASSEMBLIES-EXTENDED RANGE -----	NP	B
	1220002-37	LEADING EDGE ASSEMBLY-CENTER LH STA 100.0 TO 208.0 -----	1	
	1220002-36	LEADING EDGE ASSEMBLY-CENTER RH STA 100.0 TO 208.0 -----	1	
- 1	0523541-61	STRINGER-LH -----	1	
- 2	0523541-62	STRINGER-RH -----	1	
- 3	0523541-63	STRINGER-LH -----	1	
- 4	0720602-1	RIB ASSEMBLY-NOSE STA 118.00 -----	1	
	MS2030A2	GROMMET -----	1	
- 5	0720607-3	RIB ASSEMBLY STA 172.00 -----	1	
	MS20230A2	GROMMET -----	1	
- 6	0720607-4	RIB ASSEMBLY STA 190.00 -----	1	
	MS20230A2	GROMMET -----	1	
- 7	0720608-3	RIB ASSEMBLY STA 154.00 -----	1	
	MS20230A2	GROMMET -----	1	
- 8	0720609-1	RIB ASSEMBLY-NOSE STA 136.00 -----	1	
	MS20230A2	GROMMET -----	1	
- 9	1220002-215	SKIN ASSEMBLY-LEADING EDGE LH -----	1	
-10	0722100-1	DOUBLER ASSEMBLY-LANDING LIGHT -----	1	
-10A	S226-5F	DOUBLER ASSEMBLY-INSPECTION OPENING -----	1	
-11	1220002-38	SKIN-LEADING EDGE RH WHEN EXHAUSTED USE 1220002-84 -----	1	J
	1220002-84	SKIN ASSEMBLY-LEADING EDGE RH -----	1	K
-11A	S226-5F	DOUBLER ASSEMBLY-INSPECTION OPENING -----	1	K
-12	1220002-41	SKIN-LEADING EDGE LH -----	1	
-13	1220002-40	SKIN-LEADING EDGE RH -----	1	
-14	0523106-4	BRACKET ASSEMBLY-LANDING LIGHT LH WING ONLY -----	1	
	NAS680A08	NUTPLATE -----	10	
-15	0720610-1	RIB ASSEMBLY-NOSE LH STA 100.00 -----	1	
-16	0720610-2	RIB ASSEMBLY-NOSE RH STA 100.00 -----	1	
	MS20230A2	GROMMET -----	1	
	1220002-207	LEADING EDGE ASSEMBLY-INBOARD LH -----	1	E
	1220002-51	LEADING EDGE ASSEMBLY-INBOARD LH -----	1	F
	1220003-209	LEADING EDGE ASSEMBLY-INBOARD LH EXTENDED RANGE ONLY -----	1	G
	1220003-18	LEADING EDGE ASSEMBLY-INBOARD LH EXTENDED RANGE ONLY -----	1	H
	1220002-50	LEADING EDGE ASSEMBLY-INBOARD RH -----	1	A
	1220004-18	LEADING EDGE ASSEMBLY-INBOARD RH EXTENDED RANGE ONLY -----	1	B
-17	1220002-53	SKIN-LEADING EDGE INBOARD LH WHEN EXHAUSTED -----	1	C
		USE 1220002-77 -----		
	1220002-77	SKIN-LEADING EDGE INBOARD LH -----	1	D
	1220002-79	SKIN-LEADING EDGE INBOARD LH -----	1	F
	1220003-27	SKIN-LEADING EDGE INBOARD LH EXTENDED RANGE ONLY -----	1	G
	1220003-28	SKIN-LEADING EDGE INBOARD LH EXTENDED RANGE ONLY -----	1	H
	1220002-52	SKIN-LEADING EDGE INBOARD RH -----	1	A
	1220004-17	SKIN-LEADING EDGE INBOARD RH EXTENDED RANGE ONLY -----	1	B
-18	0523107-2	RIB ASSEMBLY-LEADING EDGE NOSE LH STA 23.625 -----	1	
	0523107-3	RIB ASSEMBLY-LEADING EDGE NOSE RH STA 23.625 -----	1	
-19	0422291	BRACKET LH WING ONLY -----	1	
-20	MS20230A2	GROMMET -----	2	
-21	NAS444-14-3	NUTPLATE -----	2	
-22	0413157	SCOPP-CABIN AIR VENT -----	1	
-23	0450314	FITTING-CABIN AIR VENT -----	1	
		ATTACHING PARTS -----		
	S10212A-8	SCREW -----	1	
	NAS446-4-3	NUT -----	1	
-24	0523107	RIB ASSEMBLY-NOSE STA 32.5 -----	1	
-25	MS20230A2	GROMMET -----	1	
-26	052310A	RIB ASSEMBLY-LH STA 40.375, 48.75, & 64.5 -----	3	
	MS20230A2	GROMMET -----	1	
-27	0523108-3	RIB ASSEMBLY-WING LEADING EDGE LH STA 57.125 -----	1	
-28	0422292	BRACKET LH WING ONLY -----	1	
	MS20230A2	GROMMET -----	1	

CONTINUED ON NEXT PAGE

FIGURE AND INDEX NO.	PART NUMBER	DESCRIPTION							UNITS PER ASSY	USABLE ON CODE
		1	2	3	4	5	6	7		
8 -29	0523111-2		R18 ASSEMBLY-NOSE		STA 71.977 & 85.625				2	
-30	0422292		BRACKET						1	
-31	MS20230A2		GROMMET						1	
-32	S226-5F		DOUBLER-INSPECTION OPENING						3	
	S1860-2A		NUT						3	
<p>NOTE. *FOR 180 STANDARD WING LEADING EDGE SERIALS 18051184 THRU 18051312 SEE FIGURE 7</p> <p>A---SERIAL 185-0001 THRU 18502090 STD WING LEADING EDGE SERIAL 18051313 THRU 18052284 STD WING LEADING EDGE</p> <p>B---SERIAL 185-0001 THRU 18502090 EXTENDED RANGE WING LEADING EDGE ONLY SERIAL 18051184 THRU 18052284 EXTENDED RANGE WING LEADING EDGE ONLY</p> <p>C---SERIAL 185-0001 THRU 185-0967 STD WING LEADING EDGE SERIAL 18051313 THRU 18051607 STD WING LEADING EDGE</p> <p>D---SERIAL 185-0968 THRU 185-1197 & 185-1200 STANDARD WING LEADING EDGE SERIAL 18051608 THRU 18051823 STD WING LEADING EDGE</p> <p>E---SERIAL 185-0001 THRU 185-1197 & 185-1200 STANDARD WING LEADING EDGE SERIAL 18051313 THRU 18051823 STD WING LEADING EDGE</p> <p>F---SERIAL 185-1198, 185-1199, 185-1201 THRU 18502090 STANDARD WING LEADING EDGE SERIAL 18051824 THRU 18052284 STD WING LEADING EDGE</p> <p>G---SERIAL 185-0001 THRU 185-1197 & 185-1200 EXTENDED RANGE WING LEADING EDGE ONLY SERIAL 18051184 THRU 18051823 EXTENDED RANGE WING LEADING EDGE ONLY</p> <p>H---SERIAL 185-1198, 185-1199, 185-1201 THRU 18502090 EXTENDED RANGE WING LEADING EDGE ONLY SERIAL 18051824 THRU 18052284 EXTENDED RANGE WING LEADING EDGE ONLY</p> <p>J---SERIAL 185-0001 THRU 185-1300 SERIAL 18051313 THRU 18051875 STD WING LEADING EDGE SERIAL 18051184 THRU 18051875 EXTENDED RANGE LEADING EDGE</p> <p>K---SERIAL 185-1301 THRU 18502090 SERIAL 18051876 THRU 18052284</p>										

Wing (Cont)

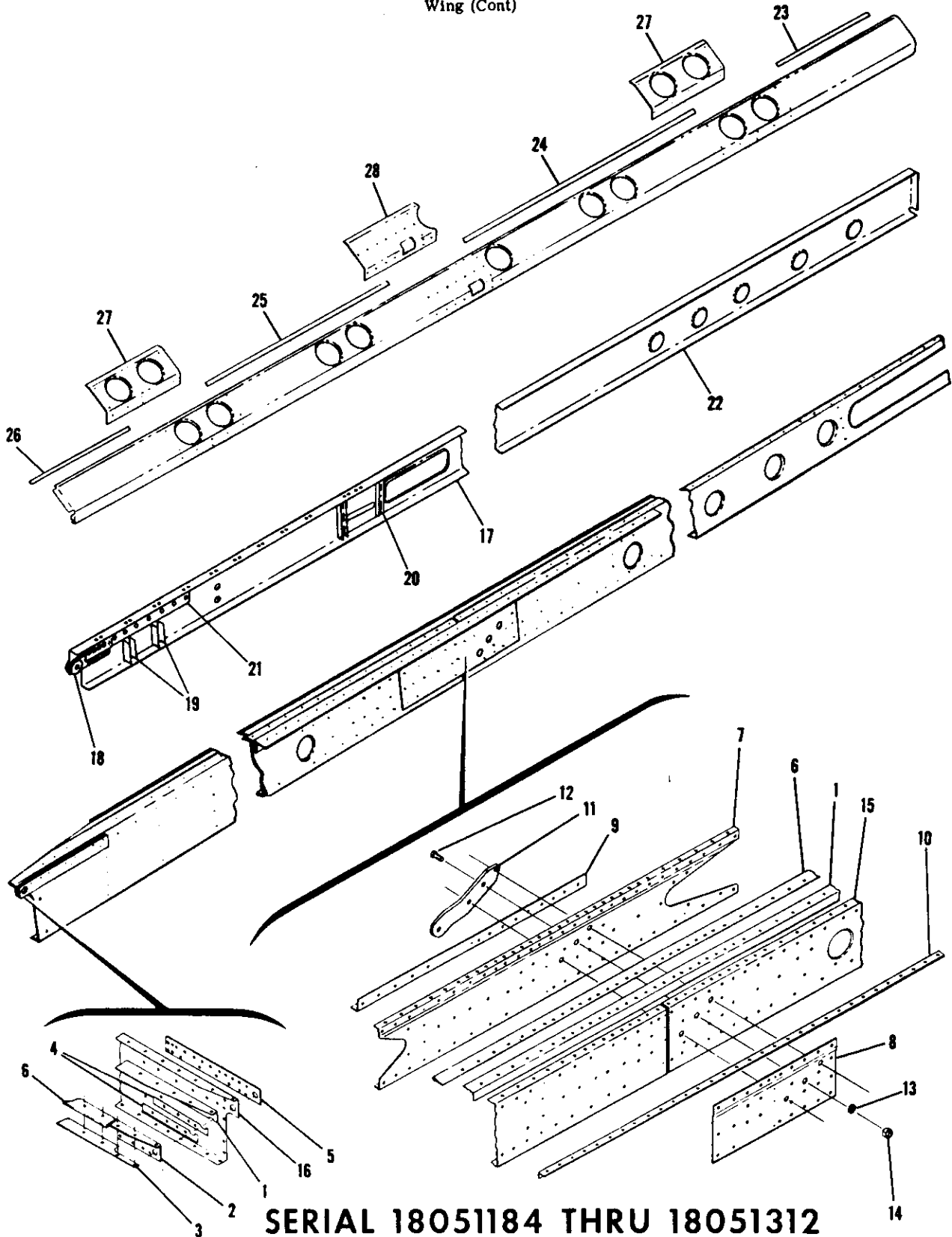


SERIAL 18502091 THRU 18502310
SERIAL 18052285 THRU 18052384

Figure 8A. Wing Leading Edge Assembly

FIGURE AND INDEX NO.	PART NUMBER	DESCRIPTION	UNITS PER ASSY	USABLE ON CODE
		1 2 3 4 5 6 7		
8A-	0722180-29	LEADING EDGE ASSY-WING INBOARD LH STANDARD RANGE -----	1	A
	0722180-30	LEADING EDGE ASSY-WING INBOARD RH STANDARD RANGE -----	1	A
	0722180-31	LEADING EDGE ASSY-WING INBOARD LH EXTENDED RANGE -----	1	A
	0722180-32	LEADING EDGE ASSY-WING INBOARD RH EXTENDED RANGE -----	1	A
- 1	0722180-37	SKIN-LEADING EDGE INBOARD LH STANDARD RANGE -----	1	
	0722180-39	SKIN-LEADING EDGE INBOARD LH EXTENDED RANGE -----	1	
- 2	0722180-30	SKIN-LEADING EDGE INBOARD RH STANDARD RANGE -----	1	
	0722180-40	SKIN-LEADING EDGE INBOARD RH EXTENDED RANGE -----	1	
- 3	0722183-1	RIB ASSEMBLY-NOSE LH STA 24.375 -----	1	
	0722183-2	RIB ASSEMBLY-NOSE RH STA 24.375 -----	1	
- 4	S1863-3	NUTPLATE -----	2	
- 5	0422291	BRACKET-PITOT LH ONLY -----	1	
- 6	S1291-8	GROMMET -----	8	
- 7	S1860-2A	NUTPLATE UPPER -----	1	
	A6204-823	NUTPLATE LOWER -----	1	
- 8	0722203-1	SCOOP-CABIN AIR VENT -----	1	
- 9	0450314-1	FITTING ASSEMBLY-CABIN AIR VENT -----	1	
		ATTACHING PARTS -----		
	S102128-8	SCREW -----	1	
	NAS446-4-3	NUT -----	1	
		-----*		
-10	1200637-5	SCOOP ASSEMBLY-AIR -----	1	
	0700692-1	CAP-AIR INLET -----	1	
		ATTACHING PARTS -----		
	NAS397-22	CLAMP -----	1	
	AN960-4	WASHER -----	4	
		-----*		
-11	0722184-2	RIB-NOSE STA 32.75 -----	1	
-12	0722185-5	RIB ASSEMBLY-NOSE LH STA 40.125 -----	1	
-13	0422292	BRACKET -----	1	
-14	0722189-1	RIB-NOSE RH STA 40.125 -----	1	
-15	0722185-2	RIB-NOSE STA 49.00 & STA 57.37 -----	2	
-16	0722185-6	RIB ASSEMBLY-NOSE LH STA 64.25 -----	1	
-17	0422292	BRACKET -----	1	
-18	0722185-2	RIB-NOSE RH STA 64.25 -----	1	
-19	0722186-1	RIB-NOSE STA 72.352 -----	1	
-20	0722186-3	RIB ASSEMBLY-NOSE LH STA 85.375 -----	1	
-21	0422292	BRACKET -----	1	
-22	0722186-1	RIB-NOSE RH STA 85.375 -----	1	
-23	S226-2	DOUBLER ASSEMBLY-ACCESS -----	4	
	NAS444-14-3	NUT -----	3	
-24	0721114-3	DOUBLER-PITOT REINFORCEMENT LH ONLY -----	1	
-25	0721115-1	CONNECTOR ASSEMBLY-PITOT TUBE LH ONLY -----	1	
	0722180-7	LEADING EDGE ASSY-WING OUTBOARD LH WEU 0722180-51 -----	1	B
	0722180-51	LEADING EDGE ASSY-WING OUTBOARD LH -----	1	C
	0722180-8	LEADING EDGE ASSY-WING OUTBOARD RH WEU 0722180-52 -----	1	B
	0722180-52	LEADING EDGE ASSY-WING OUTBOARD RH -----	1	C
-26	0722180-23	SKIN-LEADING EDGE LH WEU 0722180-49 -----	1	B
	0722180-49	SKIN-LEADING EDGE LH -----	1	C
-27	0722180-24	SKIN-LEADING EDGE RH WEU 0722180-50 -----	1	B
	0722180-50	SKIN-LEADING EDGE RH -----	1	C
-28	S226-2	DOUBLER ASSEMBLY-ACCESS -----	2	
	NAS444-14-3	NUT -----	3	
-29	0722188-1	RIB-NOSE LH STA 118.00 -----	1	
-30	0722188-2	RIB-NOSE RH STA 118.00 -----	1	
-31	0722189-1	RIB-NOSE LH STA 136.00 -----	1	
-32	0722189-2	RIB-NOSE RH STA 136.00 -----	1	
-33	0722190-1	RIB-NOSE LH STA 154.00 -----	1	
-34	0722190-2	RIB-NOSE RH STA 154.00 -----	1	
-35	0722191-1	RIB-NOSE LH STA 172.00 -----	1	
-36	0722191-2	RIB-NOSE RH STA 172.00 -----	1	
-37	0722192-1	RIB-NOSE LH STA 190.00 -----	1	
-38	0722192-2	RIB-NOSE RH STA 190.00 -----	1	
-39	0722193-1	RIB ASSEMBLY-NOSE LH STA 208.00 -----	1	
-40	0722193-2	RIB ASSEMBLY-NOSE RH STA 208.00 -----	1	
	NAS696A08	NUTPLATE -----	2	
-41	S1291-8	GROMMET -----	6	
		A---SERIAL 18502091 THRU 18502310 SERIAL 18052285 THRU 18052384		
		B---SERIAL 18502091 THRU 18502271 SERIAL 18052285 THRU 18052373		
		C---SERIAL 18502272 THRU 18502310 SERIAL 18052374 THRU 18052384		

Wing (Cont)



SERIAL 18051184 THRU 18051312

Figure 9. Wing Spars Assemblies

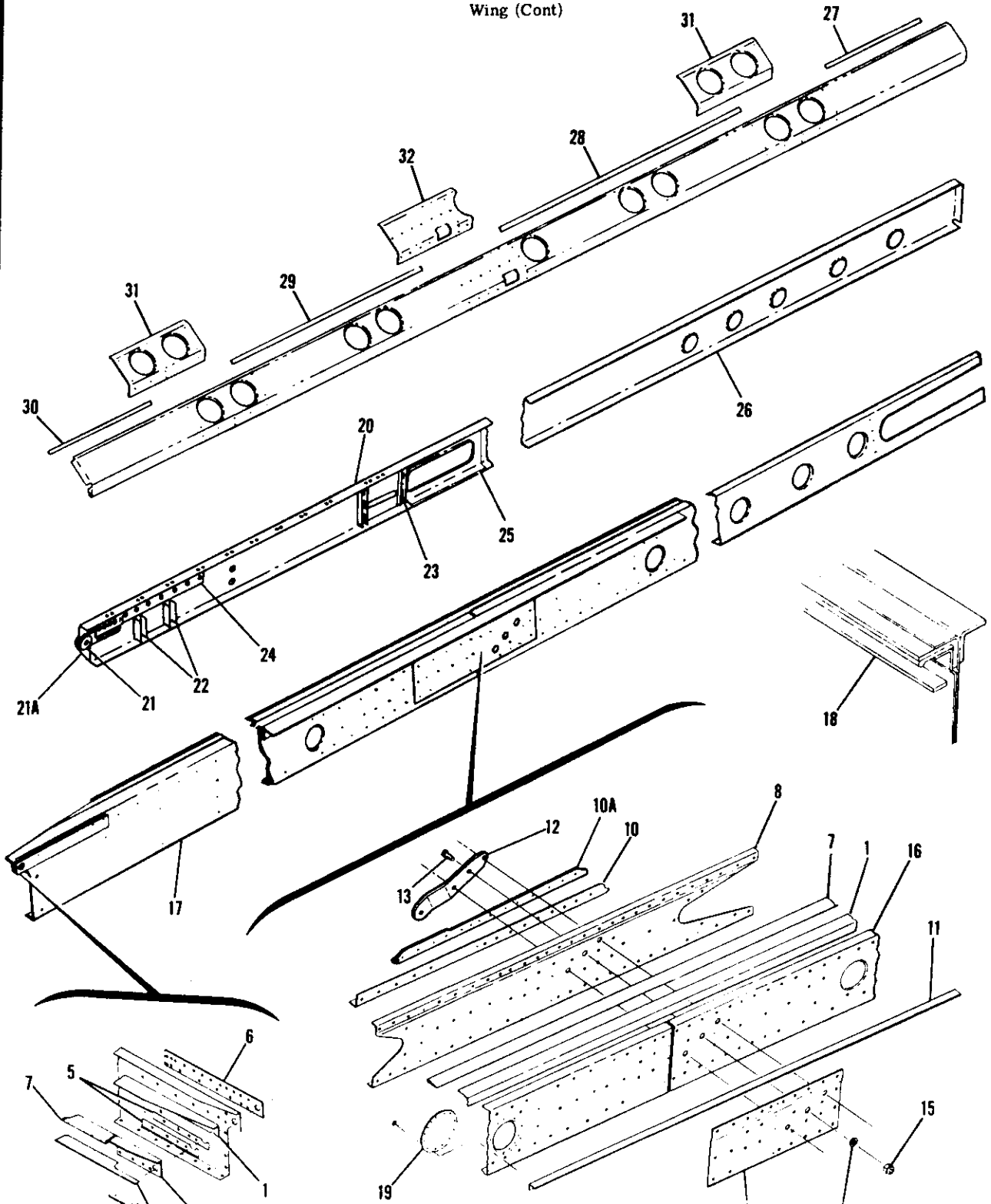
FIGURE AND INDEX NO.	PART NUMBER	DESCRIPTION	UNITS PER ASSY	USABLE ON CODE
		1 2 3 4 5 6 7		
9 -		SPAR ASSEMBLIES-WING -----	NP	A
	0721400-21	SPAR ASSEMBLY-WING FRONT LH -----	1	
	0721400-22	SPAR ASSEMBLY-WING FRONT RH -----	1	
- 1	0721400-3	ANGLE-FRONT SPAR CAP LH -----	1	
	0721400-4	ANGLE-FRONT SPAR CAP RH -----	1	
- 2	0523309	ANGLE-FRONT SPAR LH -----	1	
	0523309-1	ANGLE-FRONT SPAR RH -----	1	
- 3	0721400-10	SPACER-FRONT SPAR -----	1	
- 4	0721400-9	SPACER-FRONT SPAR WHEN EXHAUSTED USE 0721400-35 -----	2	
	0721400-35	SPACER-FRONT SPAR .125 THICK -----	1	
- 5	0523308	PLATE-FRONT SPAR REINFORCEMENT -----	1	
- 6	0523315	PLATE-FRONT SPAR CAP LH -----	1	
	0523315-1	PLATE-FRONT SPAR CAP RH -----	1	
- 7	0721400-13	CHANNEL-FRONT SPAR SPLICE LH -----	1	
	0721400-14	CHANNEL-FRONT SPAR SPLICE RH -----	1	
- 8	0721400-17	PLATE-FRONT SPAR SPLICE CHANNEL LH -----	1	
	0721400-18	PLATE-FRONT SPAR SPLICE CHANNEL RH -----	1	
- 9	0523316	ANGLE-FRONT SPAR SPLICE LH -----	1	
	0523316-1	ANGLE-FRONT SPAR SPLICE RH -----	1	
-10	0523321-3	ANGLE-FRONT SPAR FORWARD CAP STRIP LH -----	1	
	0523321-4	ANGLE-FRONT SPAR FORWARD CAP STRIP RH -----	1	
-11	0523306	FITTING-FRONT SPAR STRUT -----	1	
		ATTACHING PARTS -----		
-12	AN5-7A	BOLT -----	3	
-13	AN960-516	WASHER -----	3	
-14	VA5679A5	NUT -----	3	

-15	0721400-19	CHANNEL-FRONT SPAR OUTBOARD LH -----	1	
	0721400-20	CHANNEL-FRONT SPAR OUTBOARD RH -----	1	
-16	0721400-23	CHANNEL-FRONT SPAR INBOARD LH WHEN EXHAUSTED -----	1	
		USE 0721400-27 -----		
	0721400-27	CHANNEL-FRONT SPAR INBOARD LH -----	1	
	0721400-24	CHANNEL-FRONT SPAR INBOARD RH WHEN EXHAUSTED -----	1	
		USE 0721400-28 -----		
	0721400-28	CHANNEL-FRONT SPAR INBOARD RH -----	1	
	0523400-55	SPAR ASSEMBLY-WING REAR LH -----	1	
	0523400-54	SPAR ASSEMBLY-WING REAR RH -----	1	
-17	0523400-52	SEGMENT ASSEMBLY-REAR SPAR LH STA 23.0 TO 100.0 -----	1	
	0523400-53	SEGMENT ASSEMBLY-REAR SPAR RH STA 23.0 TO 100.0 -----	1	
-18	0422229-3	FITTING-WING SPAR REINFORCEMENT WHEN EXHAUSTED USE 0422229-11 -----	2	
	0422229-11	FITTING-WING SPAR REINFORCEMENT -----	2	
-19	0523409-1	CHANNEL-REINFORCEMENT -----	2	
-20	0523409	CHANNEL-REINFORCEMENT -----	3	
-21	0523400-20	ANGLE-REAR SPAR REINFORCEMENT LH -----	1	
	0523400-21	ANGLE-REAR SPAR REINFORCEMENT RH -----	1	
-22	0523406	SEGMENT-REAR SPAR OUTBOARD LH STA 100.0 TO 154.0 -----	1	
		WHEN EXHAUSTED USE 0523406-3 -----		
	0523406-3	SEGMENT-REAR SPAR OUTBOARD LH STA 100.0 TO 154.0 -----	1	
	0523406-1	SEGMENT-REAR SPAR OUTBOARD RH STA 100.0 TO 154.0 -----	1	
		WHEN EXHAUSTED USE 0523406-2 -----		
	0523406-2	SEGMENT-REAR SPAR OUTBOARD RH STA 100.0 TO 154.0 -----	1	
	0523005-50	SPAR ASSEMBLY-OUTBOARD AUXILIARY LH -----	1	
	0523005-51	SPAR ASSEMBLY-OUTBOARD AUXILIARY RH -----	1	
-23	0523813-3	FILLER-TRAILING EDGE -----	1	
-24	0523813-2	FILLER-TRAILING EDGE -----	1	
-25	0523813-4	FILLER-TRAILING EDGE -----	1	
-26	0523813-5	FILLER-TRAILING EDGE -----	1	
-27	0523216	REINFORCEMENT -----	2	
-28	0523215	REINFORCEMENT-WING LH -----	1	
	0523215-1	REINFORCEMENT-WING RH -----	1	

NOTE. *FOR 180 & 185 EXTENDED RANGE & 185 STANDARD WING SPAR ASSEMBLIES SEE FIGURE 10

A---SERIAL 18051184 THRU 18051312 STANDARD WING SPARS

Wing (Cont)



SERIAL 185-0001 THRU 18502090
SERIAL 18051184 THRU 18052284

Figure 10. Wing Spar Assemblies

FIGURE AND INDEX NO.	PART NUMBER	DESCRIPTION	UNITS PER ASSY							USABLE ON CODE
			1	2	3	4	5	6	7	
10 -		* SPAR ASSEMBLIES-WING -----							NP	A
		* SPAR ASSEMBLIES-WING EXTENDED RANGE -----							NP	B
	0721401-1	SPAR ASSEMBLY-WING FRONT LH -----							1	M
	0721401-19	SPAR ASSEMBLY-WING FRONT LH -----							1	P
	0721401-3	SPAR ASSEMBLY-WING FRONT LH -----							1	N
	0721401-17	SPAR ASSEMBLY-WING FRONT LH EXTENDED RANGE WING -----							1	P
	0721401-2	SPAR ASSEMBLY-WING FRONT RH -----							1	M
	0721401-20	SPAR ASSEMBLY-WING FRONT RH -----							1	P
	0721401-4	SPAR ASSEMBLY-WING FRONT RH -----							1	N
	0721401-18	SPAR ASSEMBLY-WING FRONT RH EXTENDED RANGE WING -----							1	P
- 1	0721400-3	ANGLE-FRONT SPAR CAP LH -----							1	
	0721400-4	ANGLE-FRONT SPAR CAP RH -----							1	
- 2	0523309	ANGLE-FRONT SPAR LH -----							1	
	0523309-1	ANGLE-FRONT SPAR RH -----							1	
- 3	0721400-34	SPACER-FRONT SPAR -----							1	A
	0721400-32	SPACER -----							1	B
- 4	1221024-1	SPACER-UPPER FUEL PANEL -----							1	
- 5	0721400-9	SPACER-FRONT SPAR -----							2	H
	0721400-35	SPACER-FRONT SPAR WHEN EXHAUSTED USE 0721400-35 -----							2	J
- 6	0523308	SPACER-FRONT SPAR .125 THICK -----							1	
- 7	0523315	PLATE-FRONT SPAR ROOT REINFORCEMENT -----							1	
	0523315-1	PLATE-FRONT SPAR CAP LH -----							1	
- 8	0721400-13	PLATE-FRONT SPAR CAP RH -----							1	
	0721400-14	CHANNEL-FRONT SPAR SPLICE LH -----							1	
- 9	0721400-17	CHANNEL-FRONT SPAR SPLICE RH -----							1	
	0721400-18	PLATE-FRONT SPAR SPLICE CHANNEL LH -----							1	
-10	0721402-3	PLATE-FRONT SPAR SPLICE CHANNEL RH -----							1	
	0721402-4	ANGLE-FRONT SPAR SPLICE LH -----							1	
-10A	0721401-13	ANGLE-FRONT SPAR SPLICE RH -----							1	
	0721401-14	STIFFENER-LH -----							1	P
-11	0721402-1	STIFFENER-RH -----							1	
	0721402-2	ANGLE-FRONT SPAR FORWARD CAP STRIP LH -----							1	
-12	0523306	ANGLE-FRONT SPAR FORWARD CAP STRIP RH -----							1	
		FITTING-FRONT SPAR STRUT -----							1	
		ATTACHING PARTS -----								
-13	AN5-7A	BOLT -----							3	
-14	AN960-516	WASHER -----							3	
-15	NAS679A5	NUT -----							3	
		-----*								
-16	0721401-7	CHANNEL-FRONT SPAR OUTBOARD LH -----							1	
	0721401-8	CHANNEL-FRONT SPAR OUTBOARD RH -----							1	
-17	0721401-5	CHANNEL-FRONT SPAR INBOARD LH -----							1	
	0721401-6	CHANNEL-FRONT SPAR INBOARD RH -----							1	
-18	0721400-33	SPACER -----							1	B
-19	0721400-31	COVER -----							1	
		ATTACHING PARTS -----								
	CR163-4-4	RIVET CY -----							13	
		-----*								
-20	0523400-61	SPAR ASSEMBLY-WING REAR LH WHEN EXHAUSTED -----							1	C
	0523400-73	USE 0523400-73 -----							1	D
	0523400-81	SPAR ASSEMBLY-WING REAR LH WHEN EXHAUSTED -----							1	E
	0523400-91	USE 0523400-91 -----							1	L
	0523400-111	SPAR ASSEMBLY-WING REAR LH -----							1	P
	0523400-60	SPAR ASSEMBLY-WING REAR RH WHEN EXHAUSTED -----							1	C
	0523400-72	USE 0523400-72 -----							1	D
	0523400-80	SPAR ASSEMBLY-WING REAR RH WHEN EXHAUSTED -----							1	E
	0523400-90	USE 0523400-90 -----							1	L
	0523400-112	SPAR ASSEMBLY-WING REAR RH -----							1	P
-21	0422229-11	FITTING-WING SPAR REINFORCEMENT -----							2	
-21A	1620058-1	DOUBLER-REAR SPAR -----							1	P
-22	0523409-1	CHANNEL-REINFORCEMENT -----							2	
-23	0523409-2	CHANNEL-REINFORCEMENT -----							2	
-24	0523400-20	ANGLE-REAR SPAR REINFORCEMENT LH -----							1	
	0523400-21	ANGLE-REAR SPAR REINFORCEMENT RH -----							1	

CONTINUED ON NEXT PAGE

FIGURE AND INDEX NO.	PART NUMBER	DESCRIPTION							UNITS PER ASSY	USABLE ON CODE
		1	2	3	4	5	6	7		
10 -25	0523400-59	DOUBLER-LH	WHEN	EXHAUSTED	USE	0523400-79	-----	1	C	
	0523400-79	DOUBLER-LH	WHEN	EXHAUSTED	USE	0523400-87	-----	1	D	
	0523400-87	DOUBLER-LH	WHEN	EXHAUSTED	USE	0523400-97	-----	1	E	
	0523400-97	DOUBLER-LH	-----	-----	-----	-----	-----	1	K	
	0523400-58	DOUBLER-RH	WHEN	EXHAUSTED	USE	0523400-78	-----	1	C	
	0523400-78	DOUBLER-RH	WHEN	EXHAUSTED	USE	0523400-86	-----	1	D	
	0523400-86	DOUBLER-RH	WHEN	EXHAUSTED	USE	0523400-96	-----	1	E	
	0523400-96	DOUBLER-RH	-----	-----	-----	-----	-----	1	K	
	-26	0523406	SEGMENT-REAR SPAR OUTBOARD LH	STA	100.0	TO	154.0	-----	1	F
			WHEN EXHAUSTED USE 0523406-3							
0523406-3		SEGMENT-REAR SPAR OUTBOARD LH	STA	100.0	TO	154.0	-----	1	G	
0523406-1		SEGMENT-REAR SPAR OUTBOARD RH	STA	100.0	TO	154.0	-----	1	F	
		WHEN EXHAUSTED USE 0523406-2								
0523406-2		SEGMENT-REAR SPAR OUTBOARD RH	STA	100.0	TO	154.0	-----	1	G	
0523005-50		SPAR ASSEMBLY-OUTBOARD AUXILIARY LH	-----	-----	-----	-----	-----	1		
0523005-51		SPAR ASSEMBLY-OUTBOARD AUXILIARY RH	-----	-----	-----	-----	-----	1		
-27		0523813-3	FILLER-TRAILING EDGE	-----	-----	-----	-----	-----	1	
		-28	0523813-2	FILLER-TRAILING EDGE	-----	-----	-----	-----	1	
	0523813-4		FILLER-TRAILING EDGE	-----	-----	-----	-----	1		
	-29	0523813-5	FILLER-TRAILING EDGE	-----	-----	-----	-----	1		
		0523216	REINFORCEMENT	-----	-----	-----	-----	2		
	-31	0523215	REINFORCEMENT-WING LH	-----	-----	-----	-----	1		
		0523215-1	REINFORCEMENT-WING RH	-----	-----	-----	-----	1		

NOTE. *FOR 180 STANDARD WING SPAR ASSEMBLIES SERIALS 18051184 THRU 18051312 SEE FIGURE 9

A---SERIAL 185-0001 THRU 18502090 STD WING SPARS
SERIAL 18051313 THRU 18052284 STD WING SPARS

B---SERIAL 185-0001 THRU 18502090 EXTENDED RANGE WING SPARS ONLY
SERIAL 18051184 THRU 18052284 EXTENDED RANGE WING SPARS ONLY

C---SERIAL 185-0001 THRU 185-1300
SERIAL 18051184 THRU 18051875

D---SERIAL 185-1301 THRU 185-1401
SERIAL 18051876 THRU 18051954

E---SERIAL 185-1402 THRU 185-1576
SERIAL 18051955 THRU 18052090

F---SERIAL 185-0001 THRU 185-1335
SERIAL 18051184 THRU 18051910

G---SERIAL 185-1336 THRU 18502090
SERIAL 18051911 THRU 18052284

H---SERIAL 185-0001 THRU 185-1577
SERIAL 18051184 THRU 18052105

J---SERIAL 185-1578 THRU 18502090
SERIAL 18052106 THRU 18052284

K---SERIAL 185-1577 THRU 18502090
SERIAL 18052091 THRU 18052284

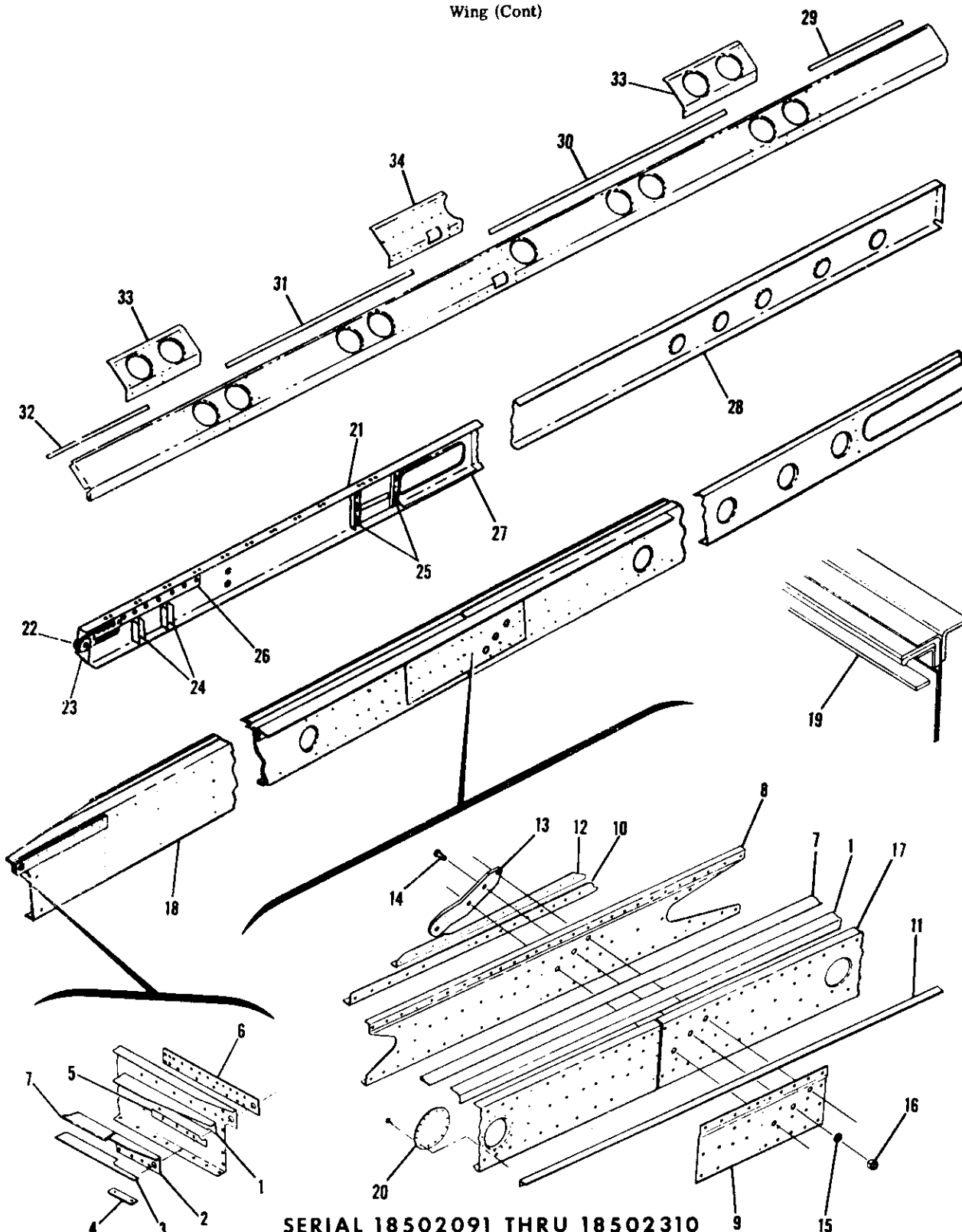
L---SERIAL 185-1577 THRU 18501930,
18501932 THRU 18501934
SERIAL 18052091 THRU 18052222

M---SERIAL 185-0001 THRU 18501930, 18501932 THRU
18501934 STD WING SPARS
SERIAL 18051313 THRU 18052222 STD WING SPARS

N---SERIAL 185-0001 THRU 18501930, 18501932 THRU
18501934 EXTENDED RANGE WING SPARS
SERIAL 18051184 THRU 18052222 EXTENDED RANGE WING SPARS

P---SERIAL 18501931, 18501935 THRU 18502090
SERIAL 18052223 THRU 18052284

Wing (Cont)



SERIAL 18502091 THRU 18502310
SERIAL 18052285 THRU 18052384

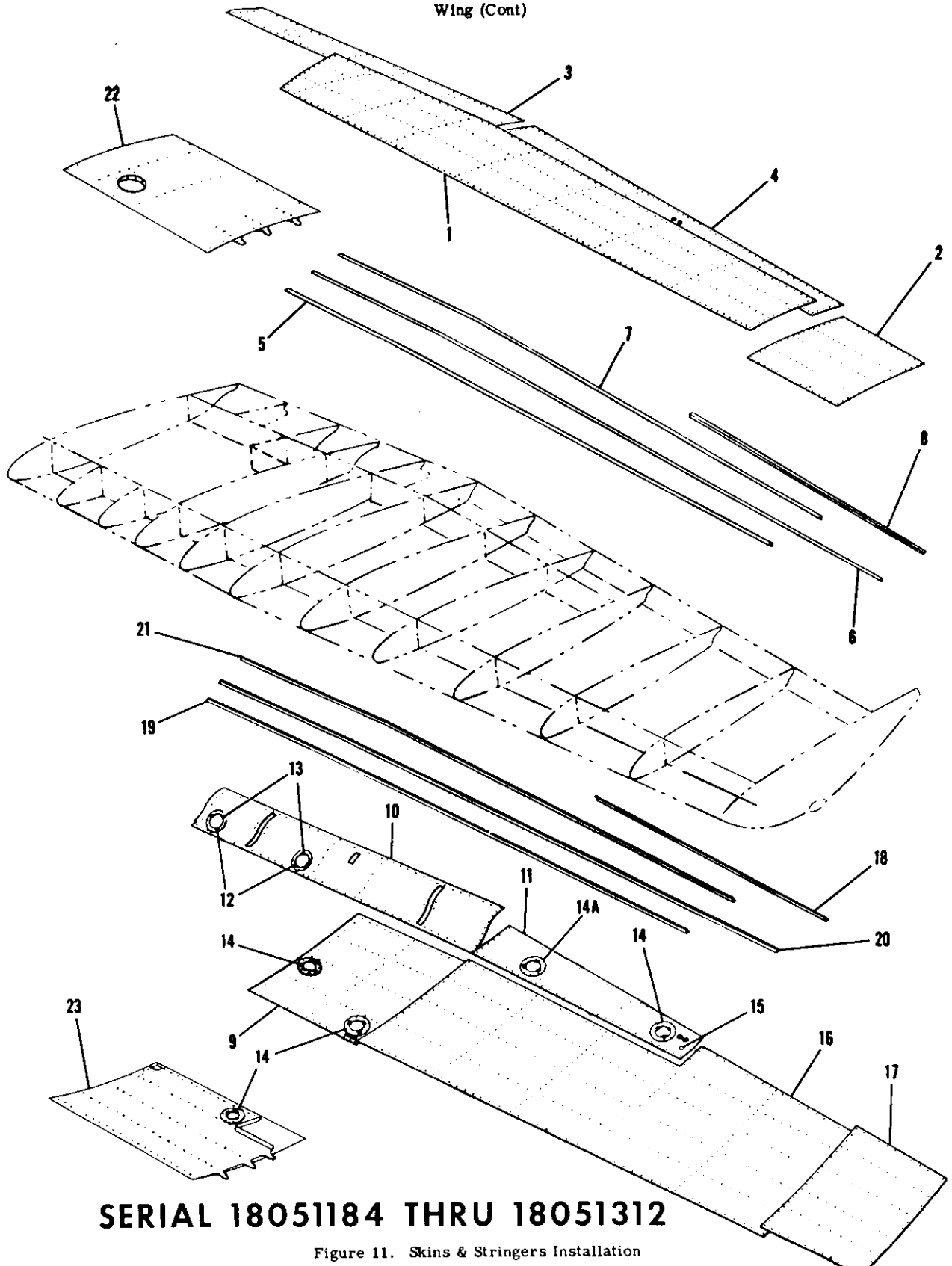
Figure 10A. Wing Spar Assemblies

FIGURE AND INDEX NO.	PART NUMBER	DESCRIPTION	UNITS PER ASSY	USABLE ON CODE
		1 2 3 4 5 6 7		
10A-		SPAR ASSEMBLIES-WING STANDARD & EXTENDED RANGE	NP	A
	0721401-11	SPAR ASSEMBLY-WING FRONT LH	1	
	0721401-12	SPAR ASSEMBLY-WING FRONT RH	1	
- 1	0721400-3	ANGLE-FRONT SPAR CAP LH	1	
	0721400-4	ANGLE-FRONT SPAR CAP RH	1	
- 2	0523309	ANGLE-FRONT SPAR LH	1	
	0523309-1	ANGLE-FRONT SPAR RH	1	
- 3	0721400-32	SPACER	1	
- 4	1221024-1	SPACER-UPPER FUEL PANEL	1	
- 5	0721400-35	SPACER-FRONT SPAR .125 THICK	1	
- 6	0523308	PLATE-FRONT SPAR ROOT REINFORCEMENT	1	
- 7	0523315	PLATE-FRONT SPAR CAP LH	1	
	0523315-1	PLATE-FRONT SPAR CAP RH	1	
- 8	0721400-13	CHANNEL-FRONT SPAR SPLICE LH	1	
	0721400-14	CHANNEL-FRONT SPAR SPLICE RH	1	
- 9	0721400-17	PLATE-FRONT SPAR SPLICE CHANNEL LH	1	
	0721400-18	PLATE-FRONT SPAR SPLICE CHANNEL RH	1	
-10	0721402-3	ANGLE-FRONT SPAR SPLICE LH	1	
	0721402-4	ANGLE-FRONT SPAR SPLICE RH	1	
-11	0721402-1	ANGLE-FRONT SPAR FORWARD CAP STRIP LH	1	
	0721402-2	ANGLE-FRONT SPAR FORWARD CAP STRIP RH	1	
-12	0721401-13	ANGLE-STIFFENER LH	1	
	0721401-14	ANGLE-STIFFENER RH	1	
-13	0523306	FITTING-FRONT SPAR STRUT	1	
		ATTACHING PARTS		
-14	AN5-7A	BOLT	3	
-15	AN960-516	WASHER	3	
-16	NAS679A5	NUT	3	

-17	0721401-15	CHANNEL-FRONT SPAR OUTBOARD LH	1	
	0721401-16	CHANNEL-FRONT SPAR OUTBOARD RH	1	
-18	0721401-5	CHANNEL-FRONT SPAR INBOARD LH	1	
	0721401-6	CHANNEL-FRONT SPAR INBOARD RH	1	
-19	0721400-33	SPACER	1	
-20	0721400-31	COVER	1	
		ATTACHING PARTS		
	CR163-4-4	RIVET	13	

-21	0523400-111	SPAR ASSEMBLY-WING REAR LH	1	
	0523400-112	SPAR ASSEMBLY-WING REAR RH	1	
-22	0422229-11	FITTING-WING SPAR REINFORCEMENT	2	
-23	1620058-1	DOUBLER	1	
-24	0523409-1	CHANNEL-REINFORCEMENT	2	
-25	0523409-2	CHANNEL-REINFORCEMENT	2	
-26	0523400-20	ANGLE-REAR SPAR REINFORCEMENT LH	1	
	0523400-21	ANGLE-REAR SPAR REINFORCEMENT RH	1	
-27	0523400-97	DOUBLER-LH	1	
	0523400-96	DOUBLER-RH	1	
-28	0523406-3	SEGMENT-REAR SPAR OUTBOARD LH STA 100.0 TO 154.0	1	
	0523406-2	SEGMENT-REAR SPAR OUTBOARD RH STA 100.0 TO 154.0	1	
	0523005-50	SPAR ASSEMBLY-OUTBOARD AUXILIARY LH	1	
	0523005-51	SPAR ASSEMBLY-OUTBOARD AUXILIARY RH	1	
-29	0523813-3	FILLER-TRAILING EDGE	1	
-30	0523813-2	FILLER-TRAILING EDGE	1	
-31	0523813-4	FILLER-TRAILING EDGE	1	
-32	0523813-5	FILLER-TRAILING EDGE	1	
-33	0523216	REINFORCEMENT	2	
-34	0523215	REINFORCEMENT-WING LH	1	
	0523215-1	REINFORCEMENT-WING RH	1	
		A---SERIAL 18502091 THRU 18502310 SERIAL 18052285 THRU 18052384		

Wing (Cont)



SERIAL 18051184 THRU 18051312

Figure 11. Skins & Stringers Installation

FIGURE AND INDEX NO.	PART NUMBER	DESCRIPTION	UNITS PER ASSY	USABLE ON CODE
		1 2 3 4 5 6 7		
11 -		SKINS & STRINGERS INSTALLATION LH -----	NP	A
		SKINS & STRINGERS INSTALLATION RH -----	NP	A
- 1	0720001-45	SKIN-UPPER STA 71.375 TO 190.0 -----	1	
- 2	0720601-17	SKIN-UPPER STA 190.0 TO 208.0 -----	1	
- 3	0720001-69	SKIN-UPPER STA 22.875 TO 100.5 -----	1	
- 4	0720601-20	SKIN-UPPER STA 100.5 TO 190.0 -----	1	
- 5	0523541-43	STRINGER-WING UPPER LH -----	1	
	0523541-44	STRINGER-WING UPPER RH -----	1	
- 6	0523541-47	STRINGER-WING UPPER LH -----	1	
	0523541-46	STRINGER-WING UPPER RH -----	1	
- 7	0523541-45	STRINGER-WING UPPER LH -----	1	
	0523541-48	STRINGER-WING UPPER RH -----	1	
- 8	0523003-40	STRINGER-UPPER -----	1	
- 9	0720001-66	SKIN-WING LOWER LH STA 71.375 TO 100.0 -----	1	
	0720001-44	SKIN-WING LOWER RH STA 71.375 TO 100.0 -----	1	
-10	0720001-67	SKIN-WING LOWER LH STA 22.875 TO 100.5 -----	1	
	0720001-68	SKIN-WING LOWER RH STA 22.875 TO 100.5 -----	1	
-11	0720601-24	SKIN-LOWER STA 100.5 TO 154.0 WHEN EXHAUSTED -----	1	
		USE 1220002-80		
	1220003-80 *	SKIN-LOWER STA 100.5 TO 154.0 -----	1	
-12	S237	DOUBLER-INSPECTION OPENING -----	2	
-13	NAS395-14-3	NUT TIN A1274-8Z-3 -----	6	
-14	S226-2	DOUBLER ASSEMBLY -----	4	
	NAS444-14	NUT TIN A6162-8Z-3 -----	3	
-14A	S226-2	DOUBLER ASSEMBLY 4.00 IN ID -----	1	
	1222021-1 #	DOUBLER ASSEMBLY 4.70 IN ID -----	1	
-15	48155	PLUG BUTTON UC -----	1	
-16	0720001-10	SKIN-LOWER STA 100.0 TO 190.0 -----	1	
-17	0720601-18	SKIN-LOWER STA 190.0 TO 208.0 -----	1	
-18	0523003-40	STRINGER-LOWER -----	1	
-19	0523541-50	STRINGER-WING LOWER LH -----	1	
	0523541-49	STRINGER-WING LOWER RH -----	1	
-20	0523541-48	STRINGER-WING LOWER LH -----	1	
	0523541-45	STRINGER-WING LOWER RH -----	1	
-21	0523541-46	STRINGER-WING LOWER LH -----	1	
	0523541-47	STRINGER-WING LOWER RH -----	1	
-22	0721201-51	PANEL ASSEMBLY-WING FUEL BAY UPPER LH -----	1	
	0721201-67	PANEL ASSEMBLY-WING FUEL BAY UPPER RH -----	1	
-23	0721201-1	PANEL ASSEMBLY-WING FUEL BAY LOWER COVER LH -----	1	
	0721201-2	PANEL ASSEMBLY-WING FUEL BAY LOWER COVER RH -----	1	
<p>NOTE. *WHEN INITIALLY ORDERING THIS PART ALSO ORDER PART MARKED #, ONE 1222022-1 COVER & SIX S102228-6 SCREWS.</p> <p>A---SERIAL 18051184 THRU 19051312 STANDARD WING SKINS & STRINGERS ONLY</p>				

Wing (Cont)

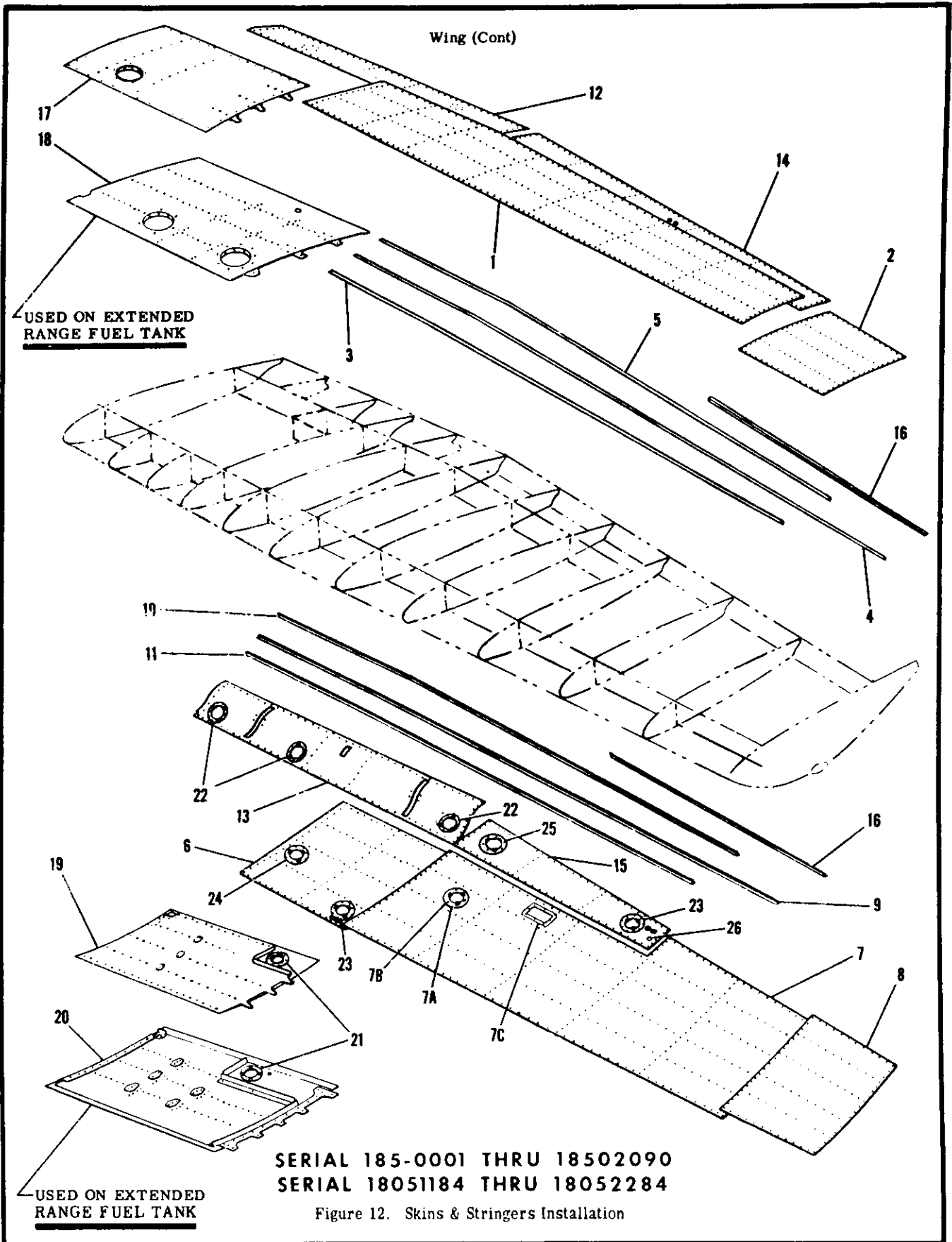
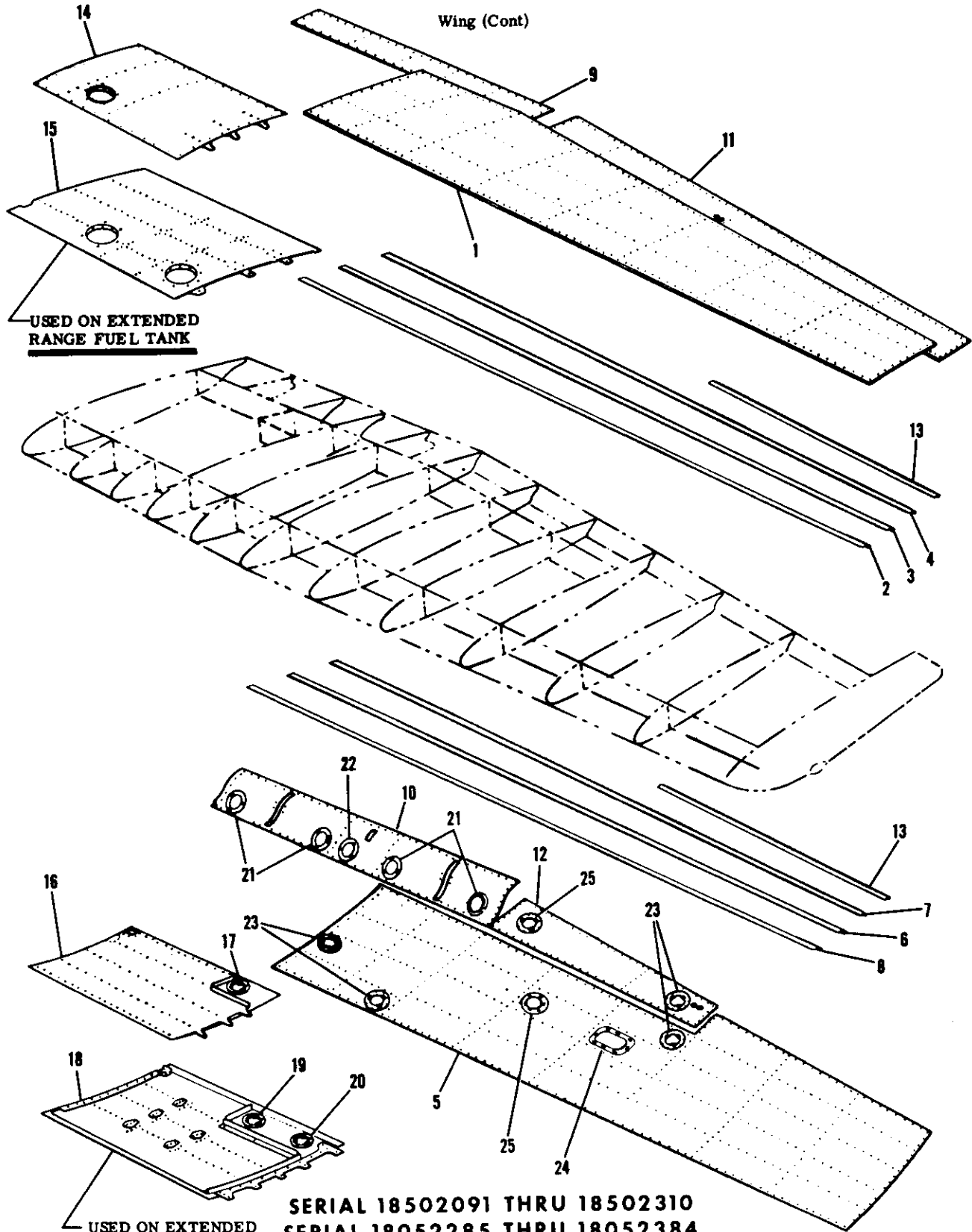


FIGURE AND INDEX NO.	PART NUMBER	DESCRIPTION	UNITS PER ASSY	USABLE ON CODE
		1 2 3 4 5 6 7		
12 -	**	SKINS & STRINGERS INSTALLATION-WING LH -----	NP	A
		SKINS & STRINGERS INSTALLATION-WING LH EXTENDED RANGE -----	NP	B
	**	SKINS & STRINGERS INSTALLATION-WING RH -----	NP	A
		SKINS & STRINGERS INSTALLATION-WING RH EXTENDED RANGE -----	NP	B
- 1	1220002-46	SKIN-UPPER STA 71.977 TO 190.0 -----	1	A
	1220003-15	SKIN-UPPER LH STA 85.625 TO 190.0 -----	1	B
	1220004-15	SKIN-UPPER RH STA 85.625 TO 190.0 -----	1	B
- 2	1220002-21	SKIN-UPPER STA 190.0 TO 208.0 -----	1	
- 3	0523541-43	STRINGER-WING UPPER LH -----	1	A
	0523541-51	STRINGER-WING UPPER LH -----	1	B
	0523541-44	STRINGER-WING UPPER RH -----	1	A
	0523541-52	STRINGER-WING UPPER RH -----	1	B
- 4	0523541-45	STRINGER-WING UPPER LH -----	1	A
	0523541-53	STRINGER-WING UPPER LH -----	1	B
	0523541-46	STRINGER-WING UPPER RH -----	1	A
	0523541-54	STRINGER-WING UPPER RH -----	1	B
- 5	0523541-47	STRINGER-WING UPPER LH -----	1	A
	0523541-59	STRINGER-WING UPPER LH -----	1	B
	0523541-48	STRINGER-WING UPPER RH -----	1	A
	0523541-56	STRINGER-WING UPPER RH -----	1	B
- 6	1220002-49	SKIN-LOWER INBOARD LH -----	1	A
	1220002-48	SKIN-LOWER INBOARD RH -----	1	A
- 7	1220002-85	SKIN-LOWER STA 100.0 TO 190.0 -----	1	A
- 7A	S226-5F	DOUBLER ASSEMBLY -----	1	A
	1220003-16	SKIN-LOWER LH STA 85.625 TO 190.0 WEU 1220003-30 -----	1	E
	1220003-30	SKIN ASSEMBLY-LOWER LH STA 85.625 TO 190.0 -----	1	F
	1220004-27	SKIN ASSEMBLY-LOWER RH STA 85.625 TO 190.0 -----	1	B
- 7B	S226-5F	DOUBLER ASSEMBLY -----	1	B
- 7C	1220095-3	DOUBLER ASSEMBLY -----	1	G
- 8	1220002-22	SKIN-LOWER STA 190.0 TO 208.0 -----	1	
- 9	0523541-46	STRINGER-WING LOWER LH -----	1	A
	0523541-54	STRINGER-WING LOWER LH -----	1	B
	0523541-45	STRINGER-WING LOWER RH -----	1	A
	0523541-53	STRINGER-WING LOWER RH -----	1	B
-10	0523541-48	STRINGER-WING LOWER LH -----	1	A
	0523541-60	STRINGER-WING LOWER LH -----	1	B
	0523541-47	STRINGER-WING LOWER RH -----	1	A
	0523541-55	STRINGER-WING LOWER RH -----	1	B
-11	0523541-50	STRINGER-WING LOWER LH -----	1	A
	0523541-58	STRINGER-WING LOWER LH -----	1	B
	0523541-49	STRINGER-WING LOWER RH -----	1	A
	0523541-57	STRINGER-WING LOWER RH -----	1	B
-12	1220002-27	SKIN-UPPER TRAILING EDGE STA 23.625 TO 100.5 -----	1	
-13	0720001-67	SKIN-LOWER TRAILING EDGE LH STA 23.625 TO 100.5 -----	1	
	0720001-68	SKIN-LOWER TRAILING EDGE RH STA 23.625 TO 100.5 -----	1	
-14	1220002-25	SKIN-UPPER TRAILING EDGE STA 100.5 TO 190.0 -----	1	
-15	1220002-26	SKIN-LOWER TRAILING EDGE STA 100.5 TO 190.0 WHEN -----	1	C
	1220002-80	EXHAUSTED USE 1220002-80		
	1220002-80	SKIN-LOWER TRAILING EDGE STA 100.5 TO 190.0 -----	1	D
-16	0523003-40	STRINGER-WING -----	2	
-17	0722014-1	PANEL ASSEMBLY-WING FUEL WELL UPPER LH -----	1	A
	0722014-2	PANEL ASSEMBLY-WING FUEL WELL UPPER RH -----	1	A
-18	1220006-21	PANEL ASSEMBLY-WING FUEL WELL UPPER LH -----	1	B
	1220006-22	PANEL ASSEMBLY-WING FUEL WELL UPPER RH -----	1	B
-19	0722015-33	PANEL ASSEMBLY-WING FUEL WELL LOWER LH -----	1	A
	0722015-32	PANEL ASSEMBLY-WING FUEL WELL LOWER RH -----	1	A
-20	1220007-37	PANEL ASSEMBLY-WING FUEL WELL LOWER LH -----	1	R
	1220007-20	PANEL ASSEMBLY-WING FUEL WELL LOWER RH -----	1	B
-21	S1443-3	DOUBLER-INSPECTION OPENING -----	1	

CONTINUED ON NEXT PAGE

FIGURE AND INDEX NO.	PART NUMBER	DESCRIPTION							UNITS PER ASSY	USABLE ON CODE
		1	2	3	4	5	6	7		
12 -22	S1048-2	DOUBLER ASSEMBLY -----							3	
-23	S226-5F	DOUBLER ASSEMBLY -----							2	
-24	S226-5F	DOUBLER ASSEMBLY -----							1	A
-25	S226-5F	DOUBLER ASSEMBLY -----							1	C
	1222021-1	z	DOUBLER ASSEMBLY -----					1	D	
	NAS444-14		NUT -----					6		
-26	CM2692-28-15		PLUG BUTTON -----					1		
<p>NOTE. *WHEN INITIALLY ORDERING THIS PART FOR AIRCRAFT PRIOR TO SERIALS 185-1301 & 18051876 ALSO ORDER PART MARKED z, ONE 1222022-1 COVER & SIX 5102228-6 SCREWS.</p> <p>NOTE. **FOR 180 STD RANGE SKINS & STRINGERS SERIAL 18051184 THRU 18051312 SEE FIG 11.</p> <p>A---SERIAL 185-0001 THRU 18502090 STANDARD WING SKINS & STRINGERS SERIAL 18051313 THRU 18052284 STANDARD WING SKINS & STRINGERS</p> <p>B---SERIAL 185-0001 THRU 18502090 EXTENDED RANGE WING SKINS & STRINGERS SERIAL 18051184 THRU 18052284 EXTENDED RANGE WING SKINS & STRINGERS</p> <p>C---SERIAL 185-0001 THRU 185-1300 SERIAL 18051313 THRU 18051875</p> <p>D---SERIAL 185-1301 THRU 18502090 SERIAL 18051876 THRU 18052284</p> <p>E---SERIAL 185-0001 THRU 185-1300 EXTENDED RANGE WING SERIAL 18051184 THRU 18051875 EXTENDED RANGE WING</p> <p>F---SERIAL 185-1301 THRU 18502090 EXTENDED RANGE WING SERIAL 18051876 THRU 18052284 EXTENDED RANGE WING</p> <p>G---SERIAL 18501887 THRU 18502090 SERIAL 18052206 THRU 18052284</p>										

Wing (Cont)



SERIAL 18502091 THRU 18502310
SERIAL 18052285 THRU 18052384

Figure 12A. Skins & Stringers Installation

FIGURE AND INDEX NO.	PART NUMBER	DESCRIPTION	UNITS PER ASSY	USABLE ON CODE
		1 2 3 4 5 6 7		
12A-		SKINS & STRINGERS INSTALLATION-WING LH -----	NP	A
		SKINS & STRINGERS INSTALLATION-WING RH -----	NP	A
- 1	0722182-13	SKIN-UPPER STA 71.98 TO STA 208.00 -----	1	
	0722182-16 *	SKIN-UPPER STA 85.625 TO STA 208.00 -----	1	
- 2	0523541-43	STRINGER-WING UPPER LH -----	1	
	0523541-51 *	STRINGER-WING UPPER LH -----	1	
	0523541-44	STRINGER-WING UPPER RH -----	1	
	0523541-52 *	STRINGER-WING UPPER RH -----	1	
- 3	0523541-45	STRINGER-WING UPPER LH -----	1	
	0523541-53 *	STRINGER-WING UPPER LH -----	1	
	0523541-46	STRINGER-WING UPPER RH -----	1	
	0523541-54 *	STRINGER-WING UPPER RH -----	1	
- 4	0523541-47	STRINGER-WING UPPER LH -----	1	
	0523541-59 *	STRINGER-WING UPPER LH -----	1	
	0720612-2	STRINGER-WING UPPER RH -----	1	
	0523541-56 *	STRINGER-WING UPPER RH -----	1	
- 5	0722182-15	SKIN-LOWER LH STA 71.98 TO STA 208.00 -----	1	
	0722182-14	SKIN-LOWER RH STA 71.98 TO STA 208.00 -----	1	
	0722182-17 *	SKIN-LOWER LH & RH STA 85.625 TO STA 208.00 -----	1	
- 6	0523541-46	STRINGER-WING LOWER LH -----	1	
	0523541-54 *	STRINGER-WING LOWER LH -----	1	
	0523541-45	STRINGER-WING LOWER RH -----	1	
	0523541-53 *	STRINGER-WING LOWER RH -----	1	
- 7	0523541-48	STRINGER-WING LOWER LH -----	1	
	0523541-60 *	STRINGER-WING LOWER LH -----	1	
	0720612-1	STRINGER-WING LOWER RH -----	1	
	0523541-55 *	STRINGER-WING LOWER RH -----	1	
- 8	0523541-50	STRINGER-WING LOWER LH -----	1	
	0523541-58 *	STRINGER-WING LOWER LH -----	1	
	0523541-49	STRINGER-WING LOWER RH -----	1	
	0523541-57 *	STRINGER-WING LOWER RH -----	1	
- 9	0720601-21	SKIN-UPPER TRAILING EDGE STA 23.625 TO STA 100.50 -----	1	
-10	0720601-99	SKIN-LOWER TRAILING EDGE LH STA 23.625 TO STA 100.50 -----	1	
	0720601-98	SKIN-LOWER TRAILING EDGE RH STA 23.625 TO STA 100.50 -----	1	
-11	0722182-19	SKIN-UPPER OUTBD TRAILING EDGE STA 100.50 TO STA 208.00 -----	1	
-12	1220002-92	SKIN-LOWER OUTBD TRAILING EDGE STA 100.50 TO STA 154.00 -----	1	
		WEU 0722182-25		
	0722182-25	SKIN-LOWER OUTBD TRAILING EDGE STA 100.50 TO STA 154.00 -----	1	
-13	0523003-40	STRINGER-WING -----	2	
-14	0722014-1	PANEL ASSEMBLY-WING FUEL WELL UPPER LH -----	1	
	0722014-21	PANEL ASSEMBLY-WING FUEL WELL UPPER RH -----	1	
-15	1220006-21 *	PANEL ASSEMBLY-WING FUEL WELL UPPER LH -----	1	
	1220006-22 *	PANEL ASSEMBLY-WING FUEL WELL UPPER RH -----	1	
-16	0722019-61	PANEL ASSEMBLY-WING FUEL WELL LOWER LH -----	1	
	0722015-60	PANEL ASSEMBLY-WING FUEL WELL LOWER RH -----	1	
-17	1222013-3	DOUBLER ASSEMBLY-ACCESS HOLE LH -----	1	
	1222013-6	DOUBLER ASSEMBLY-ACCESS HOLE RH -----	1	
	S1860-2A	NUTPLATE -----	6	
-18	1220007-63	PANEL ASSEMBLY-WING FUEL WELL LOWER LH -----	1	
	1220007-62 *	PANEL ASSEMBLY-WING FUEL WELL LOWER RH -----	1	
-19	1222013-3	DOUBLER ASSEMBLY-ACCESS HOLE LH -----	1	
	1222013-6	DOUBLER ASSEMBLY-ACCESS HOLE RH -----	1	
	S1860-2A	NUTPLATE -----	6	
-20	1220007-30	DOUBLER ASSEMBLY-ACCESS HOLE -----	1	
	S1860-2A	NUTPLATE -----	6	
-21	S237-2	DOUBLER ASSEMBLY-ACCESS HOLE -----	4	
-22	S237-2	DOUBLER ASSEMBLY-ACCESS HOLE RH ONLY -----	1	
	NAS395-14-3	NUT -----	3	
-23	S226-2	DOUBLER ASSEMBLY-ACCESS HOLE -----	4	
	S1860-2A	NUTPLATE -----	3	
-24	1220095-3	DOUBLER ASSEMBLY LH ONLY -----	1	
	S1860-2	NUTPLATE -----	8	
-25	1222021-1	DOUBLER ASSEMBLY -----	2	
	S1860-2A	NUTPLATE -----	6	

NOTE. *DENOTES PARTS USED ON WING WITH EXTENDED RANGE FUEL TANK.

A---SERIAL 18502091 THRU 18502310
SERIAL 18052295 THRU 18052384

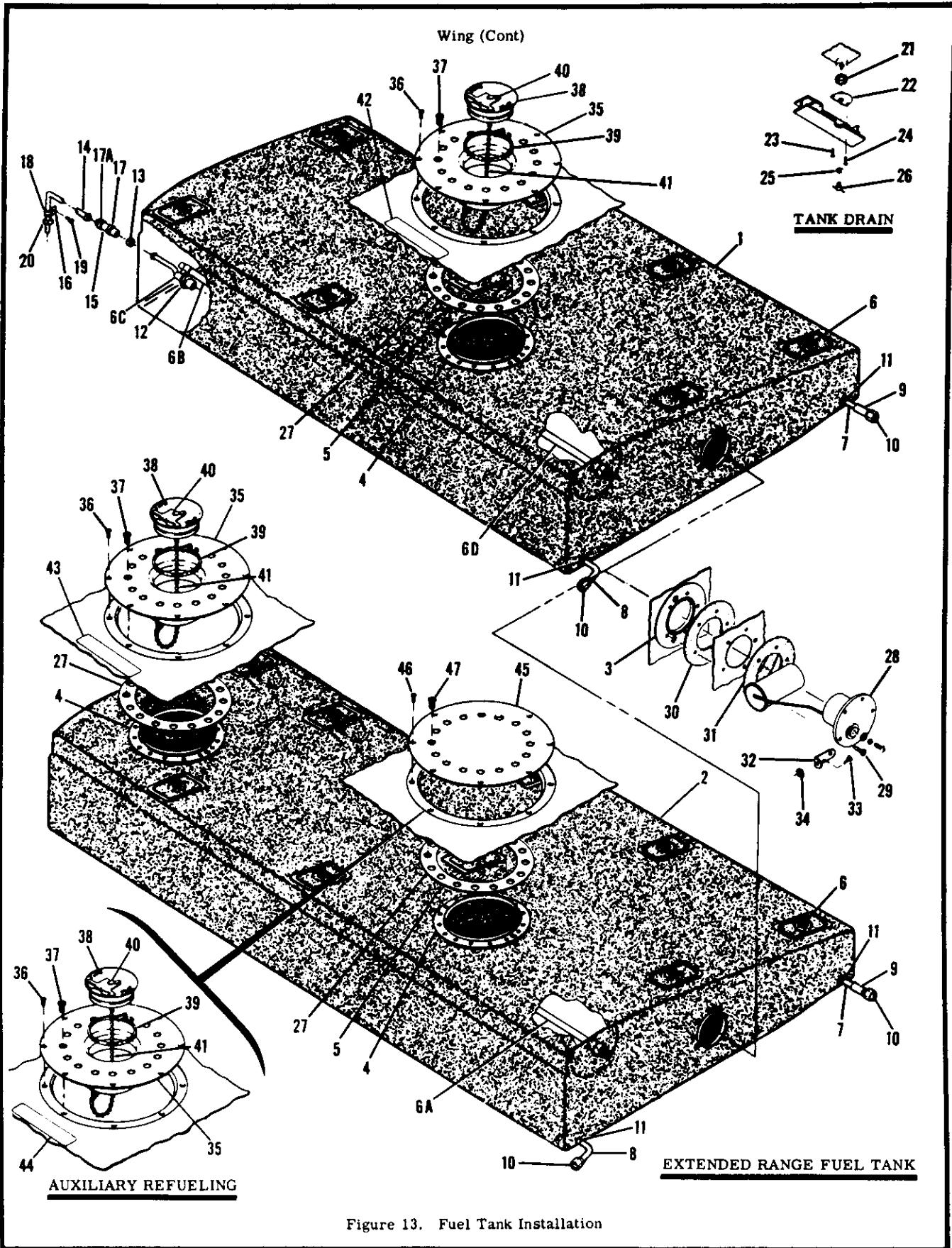


Figure 13. Fuel Tank Installation

FIGURE AND INDEX NO.	PART NUMBER	DESCRIPTION	UNITS PER ASSY	USABLE ON CODE
		1 2 3 4 5 6 7		
13 -		TANK INSTALLATION-FUEL RH -----	NP	
		TANK INSTALLATION-FUEL RH EXTENDED RANGE -----	NP	
		TANK INSTALLATION-FUEL LH -----	NP	
		TANK INSTALLATION-FUEL LH EXTENDED RANGE -----	NP	
- 1	0726001-16	TANK ASSEMBLY-FUEL RH -----	1	
	0726001-15	TANK ASSEMBLY-FUEL LH -----	1	
- 2	1200065-4	TANK ASSEMBLY-FUEL RH EXTENDED RANGE -----	1	
	1200065-3	TANK ASSEMBLY-FUEL LH EXTENDED RANGE -----	1	
- 3	0726001-3	RING ASSEMBLY-FUEL GAGE ADAPTER -----	1	
- 4	FCC20068	FITTING USED ON U.S. RUBBER FUEL CELLS ONLY -----	1	
	FCC20068	FITTING USED ON U.S. RUBBER FUEL CELLS ONLY -----	2	
		ATTACHING PARTS -----		
- 5	AN509-10R4	SCREW -----	2	

		HANGER UC -----	8	
- 6	295055	HANGER UC EXTENDED RANGE -----	10	
	295055	-----		
- 6A	0716614-1	TUBE-VENT INSIDE TANK EXTENDED RANGE WEU 0716614-3 -----	1	E
	0716614-3	TUBE-VENT INSIDE TANK EXTENDED RANGE WEU 0716614-5 -----	1	F
	0716614-5	TUBE-VENT INSIDE TANK EXTENDED RANGE -----	1	H
- 6B	1600010-12	TUBE-VENT INSIDE TANK STANDARD RANGE FLOATPLANE -----	1	G
		ATTACHING PARTS -----		
- 6C	AN742D8	CLAMP -----	1	G
	AN742D6	CLAMP -----	1	G
	AN3-3A	BOLT -----	1	G
	S1450-3-10-000	WASHER -----	1	G
	MS21044N3	NUT -----	1	G

- 6D	0700147-59	TUBE-VENT INSIDE TANK STANDARD RANGE FLOATPLANE -----	1	G
		ATTACHING PARTS -----		
	S1495-8	HOSE-2.00 IN LG BKI REF S1495-8-2.00 -----	1	G
	NAS397-10	CLAMP -----	2	G

- 7	0720007-1	STRAINER ASSEMBLY-FUEL TANK AFT WEU 0720007-7 -----	1	L
	0720007-7	STRAINER ASSEMBLY-FUEL TANK AFT -----	1	M
- 8	0720007-2	STRAINER ASSEMBLY-FUEL TANK FORWARD WEU 0720007-8 -----	1	L
	0720007-8	STRAINER ASSEMBLY-FUEL TANK FORWARD -----	1	M
- 9	S292-12	SLEEVING-1.50 IN LG BKI -----	1	
-10	AN818-6D	NUT -----	1	
-11	S1891-10	CLAMP -----	4	
-12	0716125-2	VALVE ASSEMBLY-VENT -----	1	
	0721118-1	PLUG -----	1	
		ATTACHING PARTS -----		
-13	NAS397-14	CLAMP -----	1	

-14	0716127-2	LINE ASSEMBLY-VENT RH -----	1	
	0716127-1	LINE ASSEMBLY-VENT LH -----	1	
	1200106-52	LINE ASSEMBLY-VENT RH EXTENDED RANGE -----	1	
	1200106-51	LINE ASSEMBLY-VENT LH EXTENDED RANGE -----	1	
		ATTACHING PARTS -----		
-15	S1495-8	HOSE-2.0 IN LG BULK ITEM REF S1495-8-2.0 -----	1	
-16	0512006-1	ANGLE -----	1	
-17	NAS397-14	CLAMP -----	1	
-17A	AN737RM30	CLAMP -----	2	
-18	S1486DG8U	CLAMP -----	1	
	S1486DG8U	CLAMP -----	2	
-19	S1021Z8-8	SCREW -----	1	
	S1021Z8-8	SCREW -----	1	
-20	MS35489-14	GROMMET -----	1	

-21	S1891-10	CLAMP -----	1	C
-22	0322526-6	ADAPTER ASSEMBLY-FUEL TANK DRAIN -----	1	D
	0322526-7	ADAPTER ASSEMBLY-FUEL TANK DRAIN -----	1	
		ATTACHING PARTS -----		
-23	AN515-832R7	SCREW -----	1	
-24	AN500A8-7	SCREW -----	1	

-25	MS28778B3	GASKET-DRAIN PLUG -----	1	
-26	0320105	PLUG-FUEL DRAIN -----	1	
	SEE FIG 13A	VALVE-FUEL DRAIN USED WITH FUEL SAMPLER CUP -----	1	
-27	0726002-1	GASKET -----	1	
	0726002-1	GASKET -----	2	

CONTINUED ON NEXT PAGE

FIGURE AND INDEX NO.	PART NUMBER	DESCRIPTION							UNITS PER ASSY	USABLE ON CODE
		1	2	3	4	5	6	7		
13 -28	0726110-1	TRANSMITTER & FLOAT-FUEL -----							1	
		ATTACHING PARTS -----								
-29	AN520-10R10	SCREW -----							5	

-30	0726001-7	GASKET-FUEL TRANSMITTER -----							1	
-31	S1588-1	GASKET-FUEL TRANSMITTER -----							1	
-32	0413247	GROUND STRAP -----							1	
		ATTACHING PARTS -----								
-33	AN515-8RH	SCREW -----							1	
-34	NAS679A08	NUT -----							1	

-35	0721306-1	2	ADAPTER ASSEMBLY-FUEL -----						1	
			ATTACHING PARTS -----							
-36	AN509-10R6	SCREW -----							8	
-37	AN507-42BR7	SCREW -----							16	

-38	C156001-0102	2	CAP ASSEMBLY-FUEL WEU C156001-0106 -----						1	J
	C156001-0106	2	CAP ASSEMBLY-FUEL -----						1	K
-39	4196	O RING WISO -----						1		
-40	4189	HANDLE WISO -----						1		
	4199	PIN-HANDLE WISO -----						1		
	4197	O RING WISO -----						1		
-41	C156001-0104	2	CHAIN ASSEMBLY -----						1	
-42	0705023-1	PLACARD-FUEL FILL 180 STD RANGE -----						1	A	
	0705023-4	PLACARD-FUEL FILL 185 STD RANGE -----						1	B	
-43	0705023-2	PLACARD-FUEL FILL 180 EXT RANGE -----						1	A	
	0705023-6	PLACARD-FUEL FILL 185 EXT RANGE -----						1	B	
-44	0705023-7	PLACARD-FUEL FILL 180 EXT RANGE FLOATPLANE -----						1	A	
	0705023-5	PLACARD-FUEL FILL 185 EXT RANGE AUXILIARY REFUELING -----						1	B	
-45	1220022-3	*	PLATE-COVER -----						1	
			ATTACHING PARTS -----							
-46	AN509-10R6	SCREW -----							8	
-47	AN507-42BR7	SCREW -----							16	

<p>NOTE. *DENOTES PARTS USED WITH EXTENDED RANGE FUEL TANK</p> <p>NOTE. #THESE PARTS ARE NOT USED WITH 0726001-16 RH STANDARD FUEL TANK FOR THE MODEL 180 SERIAL 18051184 THRU 18051312.</p> <p>NOTE. **THESE PARTS USED WITH 0726001-16 STANDARD FUEL TANK FOR THE MODEL 180 SERIAL 18051184 THRU 18051312.</p> <p>NOTE. %WHEN INITIALLY ORDERING THIS PART FOR AIRCRAFT PRIOR TO SERIALS 18052205 & 18051897 ALSO ORDER OTHER PARTS MARKED WITH % & APPROPRIATE FUEL FILL PLACARD</p> <p>A---SERIAL 18051184 THRU 18052384</p> <p>B---SERIAL 185-0001 THRU 18502310</p> <p>C---SERIAL 18051184 THRU 18051826</p> <p>SERIAL 185-0001 THRU 185-1203</p> <p>D---SERIAL 18051827 THRU 18052384</p> <p>SERIAL 185-1204 THRU 18502310</p> <p>E---SERIAL 18051184 THRU 18051993</p> <p>SERIAL 185-0001 THRU 185-1447</p> <p>F---SERIAL 18051994 THRU 18052205</p> <p>SERIAL 185-1448 THRU 18501895</p> <p>G---SERIAL 18501808 THRU 18501812,</p> <p>18501814, 18501820 THRU 18502310</p> <p>H---SERIAL 18052206 THRU 18052384</p> <p>SERIAL 18501896 THRU 18502310</p> <p>J---SERIAL 185-0001 THRU 18502010</p> <p>SERIAL 18051184 THRU 18052249</p> <p>K---SERIAL 18502011 THRU 18502310</p> <p>SERIAL 18052250 THRU 18052384</p> <p>L---SERIAL 185-0001 THRU 18502107</p> <p>SERIAL 18051184 THRU 18052271</p> <p>M---SERIAL 18502108 THRU 18502310</p> <p>SERIAL 18052272 THRU 18052384</p>										

Wing (Cont)

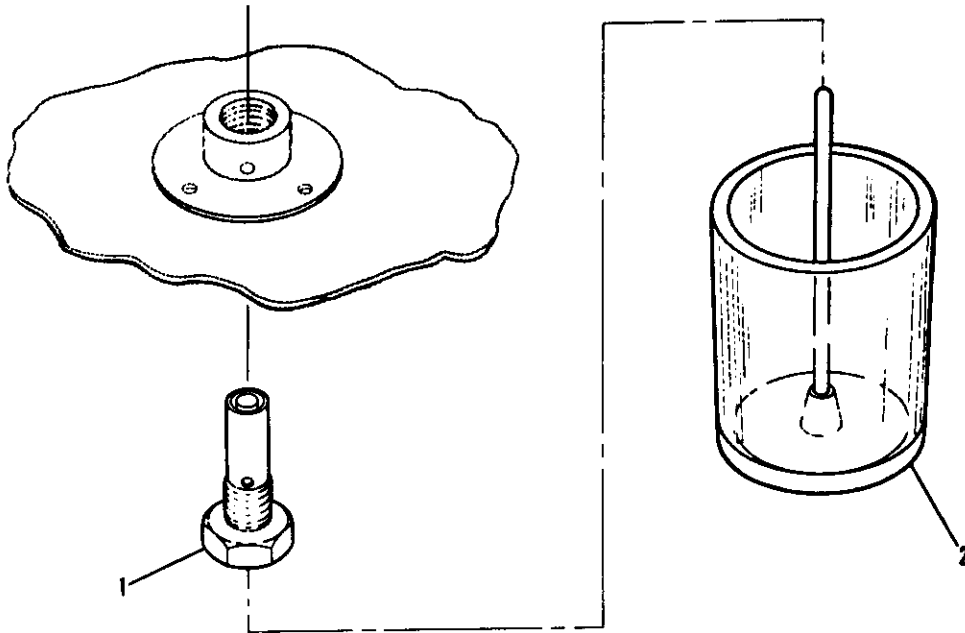


Figure 13A. Fuel Tank Drain Valve Installation

FIGURE AND INDEX NO.	PART NUMBER	DESCRIPTION	UNITS PER ASSY	USABLE ON CODE
13A-		1 2 3 4 5 6 7 FUEL TANK DRAIN VALVE INSTALLATION -----	NP	
- 1	S2106-1	* DRAIN VALVE -----	2	
- 2	S2107-1	* CUP-FUEL SAMPLER -----	1	
NOTE. *THESE PARTS & INSTALLATION INSTRUCTIONS ARE AVAILABLE AS A KIT & MAY BE ORDERED UNDER P/N AK180-77				

FIGURE AND INDEX NO.	PART NUMBER	DESCRIPTION	UNITS PER ASSY	USABLE ON CODE
14 -		1 2 3 4 5 6 7		
- 1	0523223 0523223-1	AILERON INSTALLATION LH ----- AILERON INSTALLATION RH ----- BELLCRANK-AILERON LH ----- BELLCRANK-AILERON RH ----- ATTACHING PARTS -----	NP NP 1 1	
- 2	AN4-42A	BOLT -----	2	
- 3	0522629	WASHER -----	2	
- 4	0523221	BUSHING -----	1	
- 5	0523222	BUSHING -----	1	
- 6	NAS679A4	NUT -----	2	
		----- BUSHING -----	2	
- 7	0422280	BEARING TOR -----	2	
- 8	8610	ROD ASSEMBLY-AILERON PUSH PULL -----	1	
- 9	0523218	ATTACHING PARTS -----	2	
-10	AN3-7A	BOLT -----	2	
-11	MS21044N3	NUT -----	2	
		----- ROD END -----	2	
-12	S1819-3	NUT-CHECK -----	2	
-13	AN316-4R	AILERON ASSEMBLY-LH -----	1	A
	0523800-19	AILERON ASSEMBLY-LH WEU 0523800-25 -----	1	B
	0523800-16	AILERON ASSEMBLY-LH -----	1	B
	0523800-25	AILERON ASSEMBLY-LH -----	1	A
	0523800-18	AILERON ASSEMBLY-RH -----	1	B
	0523800-17	AILERON ASSEMBLY-RH WEU 0523800-24 -----	1	B
	0523800-24	AILERON ASSEMBLY-RH -----	1	B
		ATTACHING PARTS -----		
-13A	NAS221-8	SCREW -----	12	
	MS21044N3	NUT -----	12	
		----- SPAR-AILERON LH -----	1	
-14	0523806	SPAR-AILERON RH -----	1	
	0523806-1	RIB NO. 1-AILERON LH -----	2	
-15	0523808	RIB NO. 1-AILERON RH -----	2	
	0523808-2			

CONTINUED ON NEXT PAGE

Wing (Cont)

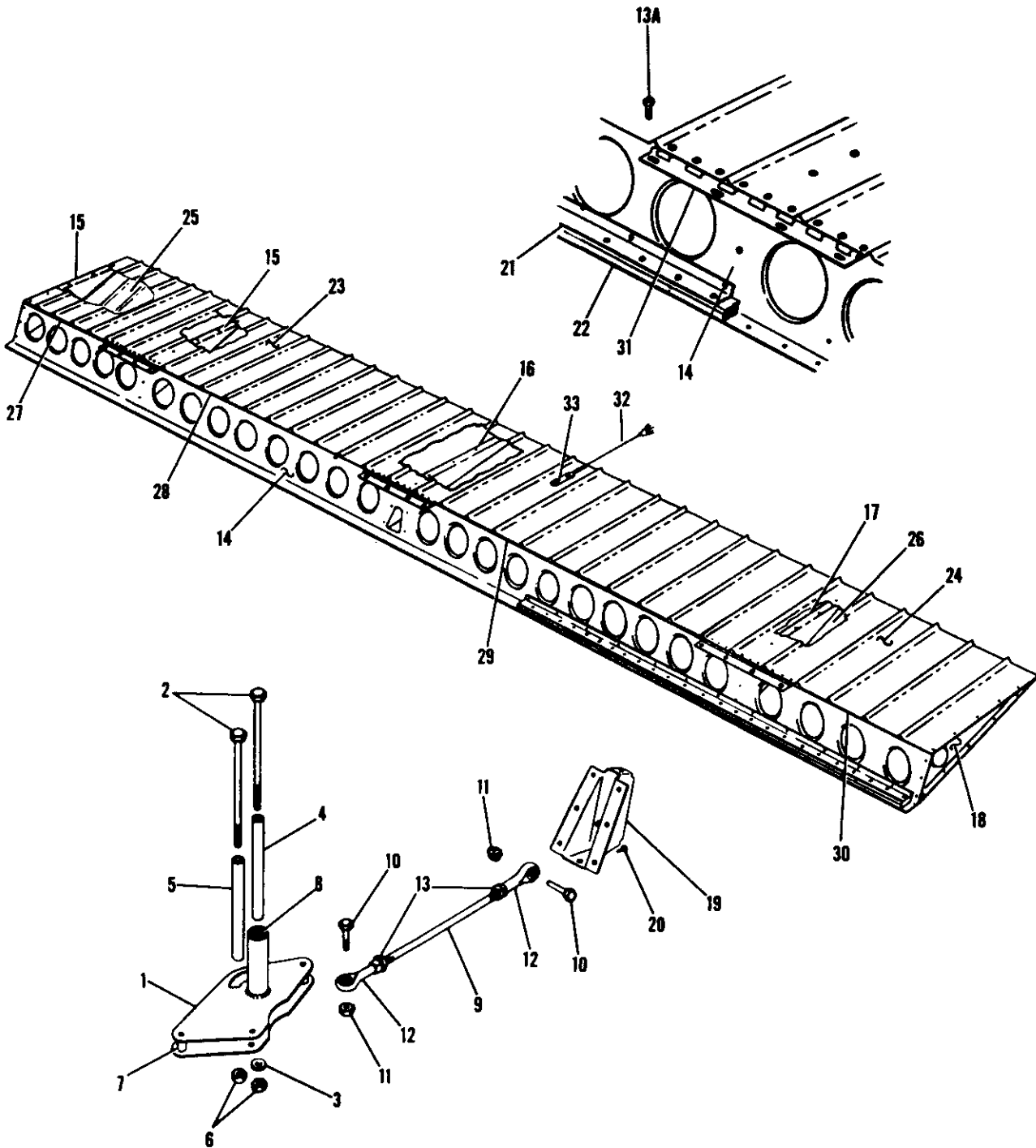


Figure 14. Aileron Installation

FIGURE AND INDEX NO.	PART NUMBER	DESCRIPTION	UNITS PER ASSY	USAGE ON CODE
		1 2 3 4 5 6 7		
14 -16	0523809	RIB NO. 2-AILERON LH -----	1	
	0523809-1	RIB NO. 2-AILERON RH -----	1	
-17	0523810	RIB NO. 3-AILERON -----	1	
-18	0523811	RIB NO. 4-AILERON RH -----	1	
	0523811-1	RIB NO. 4-AILERON LH -----	1	
-19	0523812-2	BRACKET-AILERON CONTROL LH WEU 0760011-2 -----	1	E
	0523812-3	BRACKET-AILERON CONTROL RH WEU 0760011-2 -----	1	E
	0760111-2	BRACKET-AILERON CONTROL -----	1	F
		ATTACHING PARTS -----		
-20	NAS455-163C4-8	RIVET -----	6	

-21	0523814-7	BRACKET-AILERON WEIGHT -----	1	A
	0523814-5	BRACKET-AILERON WEIGHT WEU 0523814-6 -----	1	B
	0523814-8	BRACKET-AILERON WEIGHT -----	1	B
-22	0724115-2	WEIGHT-AILERON BALANCE -----	5	A
	0724115-1	WEIGHT-AILERON BALANCE USED ON 0523800-16 E -17 -----	3	B
	0724115-1	WEIGHT-AILERON BALANCE USED ON 0523800-24 E -25 -----	2	B
	0724115-3	WEIGHT-AILERON BALANCE USED ON 0523800-24 E -25 -----	1	B
	0724115-4	WEIGHT-AILERON BALANCE USED ON 0523800-24 E -25 -----	1	B
-23	0523800-6	SKIN-AILERON UPPER INBOARD LH -----	1	
	0523800-7	SKIN-AILERON UPPER INBOARD RH -----	1	
-24	0523800-8	SKIN-AILERON UPPER OUTBOARD LH -----	1	
	0523800-9	SKIN-AILERON UPPER OUTBOARD RH -----	1	
-25	0523800-10	SKIN-AILERON LOWER INBOARD LH -----	1	
	0523800-11	SKIN-AILERON LOWER INBOARD RH -----	1	
-26	0523800-12	SKIN-AILERON LOWER OUTBOARD LH -----	1	
	0523800-13	SKIN-AILERON LOWER OUTBOARD RH -----	1	
-27	0523813-1	SPACER -----	1	
-28	0523813-8	SPACER -----	1	
-29	0523813-6	SPACER -----	1	
-30	0523813-7	SPACER -----	1	
-31	0523807	HINGE-AILERON -----	3	
-32	5169	STATIC DISCHARGER WHEN EXHAUSTED USE C592001-0101 -----	2	C
	C592001-0101	STATIC DISCHARGER -----	2	D
		ATTACHING PARTS -----		
-33	AN515-8RB	SCREW -----	2	C
	AN515-6RB	SCREW -----	2	C
	NAS1329A08K 75	RIVNUT -----	2	C
	NAS1329A06K 75	PIVNUIT -----	2	D

<p>NOTE. ON LEFT HAND AILERON, IF THE NO. 4 RIB OUTBOARD HAS FLANGES TURNED OUT FROM CENTER OF AILERON ORDER 0523811 RIB, IF RIB HAS FLANGES TURNED INBOARD ORDER 0523811-1 RIB.</p> <p>ON LEFT HAND AILERON, THE NO.1 RIB INBOARD IS AN 0523808 RIB FOR ALL SERIALS.</p> <p>ON RIGHT HAND AILERON, IF THE NO. 4 RIB OUTBOARD HAS FLANGES TURNED OUT FROM CENTER OF AILERON ORDER 0523811-1 RIB. IF RIB HAS FLANGES TURNED INBOARD ORDER 0523811 RIB.</p> <p>ON RIGHT HAND AILERON, IF THE NO. 1 RIB INBOARD HAS FLANGES TURNED OUT FROM CENTER OF AILERON ORDER 0523808 RIB. IF RIB HAS FLANGES TURNED TOWARD CENTER OF AILERON ORDER 0523802-2 RIB.</p>				
<p>A---SERIAL 18051397 THRU 18052384 SERIAL 185-0001 THRU 18502310</p> <p>B---SERIAL 18051184 THRU 18051396</p> <p>C---SERIAL 18051446 THRU 18051906 SERIAL 185-0777 THRU 185-1335</p> <p>D---SERIAL 18051907 THRU 18052384 SERIAL 185-1336 THRU 18502310</p> <p>E---SERIAL 18051184 THRU 18052017 SERIAL 185-0001 THRU 185-1479</p> <p>F---SERIAL 18052018 THRU 18052384 SERIAL 185-1480 THRU 18502310</p>				

Wing (Cont)

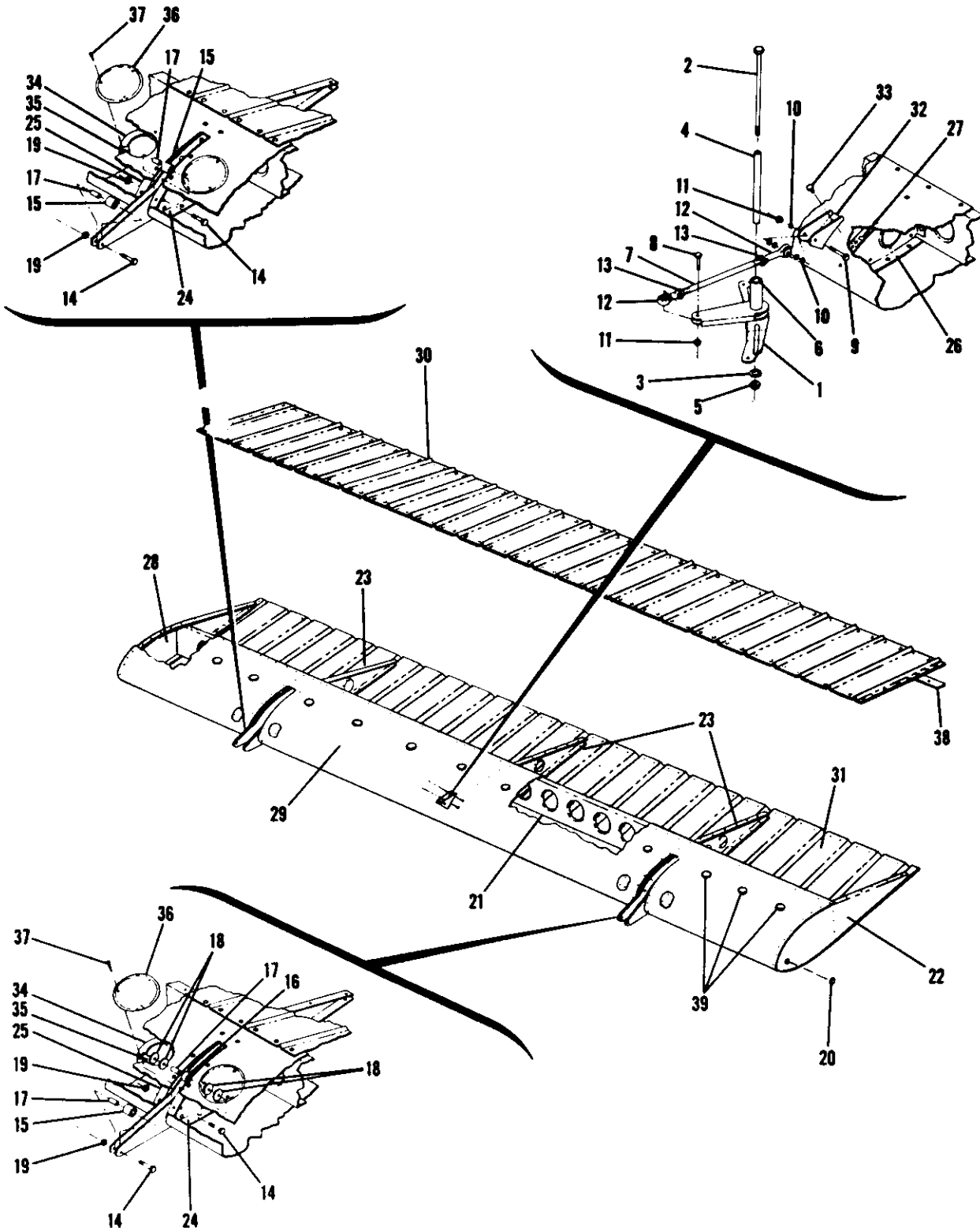


Figure 15. Flap Installation

FIGURE AND INDEX NO.	PART NUMBER	DESCRIPTION						UNITS PER ASSY	USABLE ON CODE
		1	2	3	4	5	6		
15 -		FLAP INSTALLATION LH -----						NP	
		FLAP INSTALLATION RH -----						NP	
- 1	0523535	BELLCRANK ASSEMBLY-FLAP LH -----						1	
	0523535-1	BELLCRANK ASSEMBLY-FLAP RH -----						1	
		ATTACHING PARTS -----							
- 2	AN4-60A	BOLT -----						1	
- 3	0522629	WASHER-FLAP BELLCRANK -----						1	
- 4	0523536	BUSHING -----						1	
- 5	NAS679A4	NUT -----						1	

- 6	B610	BEARING TOR -----						2	
- 7	0523537	ROD ASSEMBLY-FLAP PUSH PULL -----						1	
		ATTACHING PARTS -----							
- 8	AN3-6A	BOLT -----						1	
- 9	AN3-11A	BOLT -----						1	
-10	AN960-10	WASHER -----						5	
-11	MS21044N3	NUT -----						2	

-12	S1106-3	ROD END -----						2	
-13	AN316-4R	NUT-CHECK -----						2	
	0523901	* FLAP ASSEMBLY-WING LH WHEN EXHAUSTED USE 0523901-31 -----						1	A
	0523901-31	* FLAP ASSEMBLY-WING LH WEU 0523901-35 -----						1	B
	0523901-35	* FLAP ASSEMBLY-WING LH -----						1	B
	0523901-1	* FLAP ASSEMBLY-WING RH WHEN EXHAUSTED USE 0523901-32 -----						1	A
	0523901-32	* FLAP ASSEMBLY-WING RH WEU 0523901-38 -----						1	B
	0523901-38	* FLAP ASSEMBLY-WING RH -----						1	B
		ATTACHING PARTS -----							
-14	AN3-10A	BOLT -----						4	
-15	0523921	ROLLER ASSEMBLY -----						3	
-16	0523920	ROLLER ASSEMBLY -----						1	
-17	0523919	RUSHING -----						4	
-18	0523922	SPACER-FLAP OUTBOARD ROLLER ONLY -----						4	
-19	MS21044N3	NUT -----						4	

-20	48172	PLUG BUTTON UC -----						1	
-21	0523911	SPAR-FLAP LH -----						1	
	0523911-1	SPAR-FLAP RH -----						1	
-22	0523912-1	RIB-FLAP LH END -----						1	
-23	0523923	RIB-FLAP TRAILING EDGE -----						3	
-24	0523901-13	RIB ASSEMBLY-FLAP SUPPORT ARM LH -----						2	
-25	0523901-14	RIB ASSEMBLY-FLAP SUPPORT ARM RH -----						2	
-26	0523914	RIB ASSEMBLY-FLAP LEADING EDGE CENTER -----						1	
-27	NAS680A3	NUTPLATE -----						2	
-28	0523912	RIB-FLAP RH END -----						1	
-29	0523901-2	SKIN-FLAP LEADING EDGE LH -----						1	
	0523901-3	SKIN-FLAP LEADING EDGE RH -----						1	
-30	0523901-4	SKIN-FLAP UPPER LH USED ON 0523901-0 & -31 -----						1	
	0523901-36	SKIN-FLAP UPPER LH USED ON 0523901-35 -----						1	
	0523901-5	SKIN-FLAP UPPER RH USED ON 0523901-1 & -32 -----						1	
	0523901-39	SKIN-FLAP UPPER RH USED ON 0523901-38 -----						1	
-31	0523901-6	SKIN-FLAP LOWER LH -----						1	
	0523901-7	SKIN-FLAP LOWER RH -----						1	
-32	0523918	BRACKET-FLAP CONTROL ATTACHMENT -----						1	
		ATTACHING PARTS -----							
-33	AN3-4A	BOLT -----						2	

-34	S237-4	DOUBLER ASSEMBLY-ACCESS OPENING -----						4	
-35	NAS395-14-3	NUT -----						3	
-36	S225-3	PLATE-COVER -----						4	
		ATTACHING PARTS -----							
-37	S102128-8	SCREW -----						3	

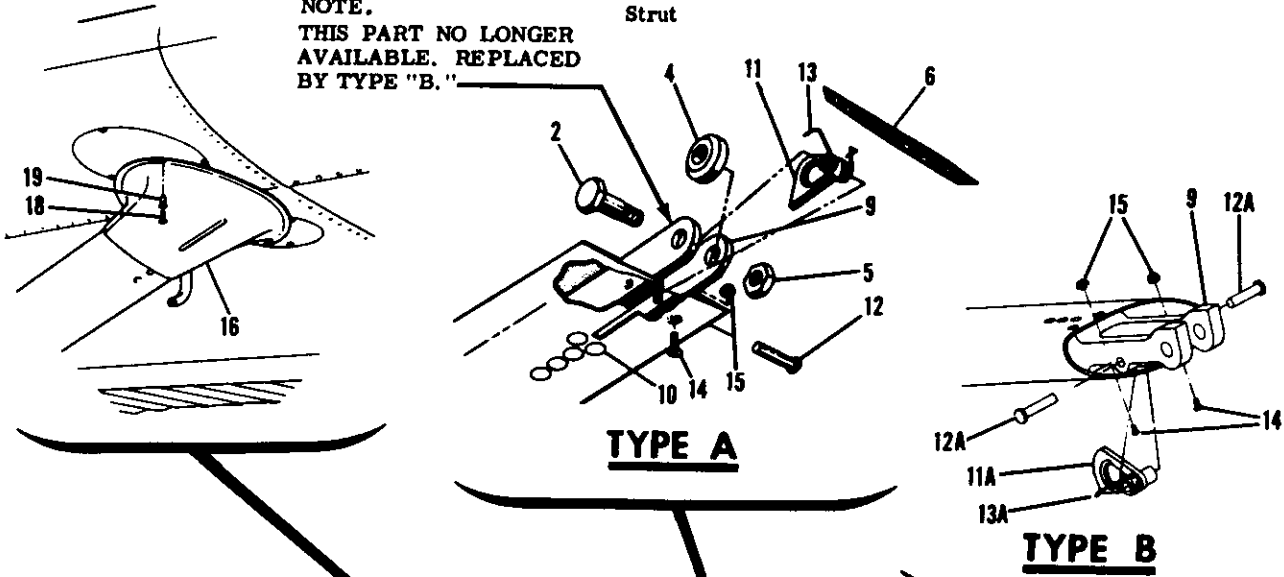
-38	0523901-29	STRIP-REINFORCEMENT WEU 0523901-37 -----						1	B
	0523901-37	STRIP-REINFORCEMENT -----						1	B
-39	S1093-1	PLUG BUTTON-ANTI FRICTION -----						14	

NOTE. *WHEN ORDERING THESE ASSEMBLIES ALSO ORDER PARTS MARKED #.

A---SERIAL 18051184 THRU 18051792
 SERIAL 185-0001 THRU 185-1167
 B---SERIAL 18051793 THRU 18052384
 SERIAL 185-1168 THRU 18502310

NOTE.
THIS PART NO LONGER
AVAILABLE. REPLACED
BY TYPE "B."

Strut



TYPE A

TYPE B

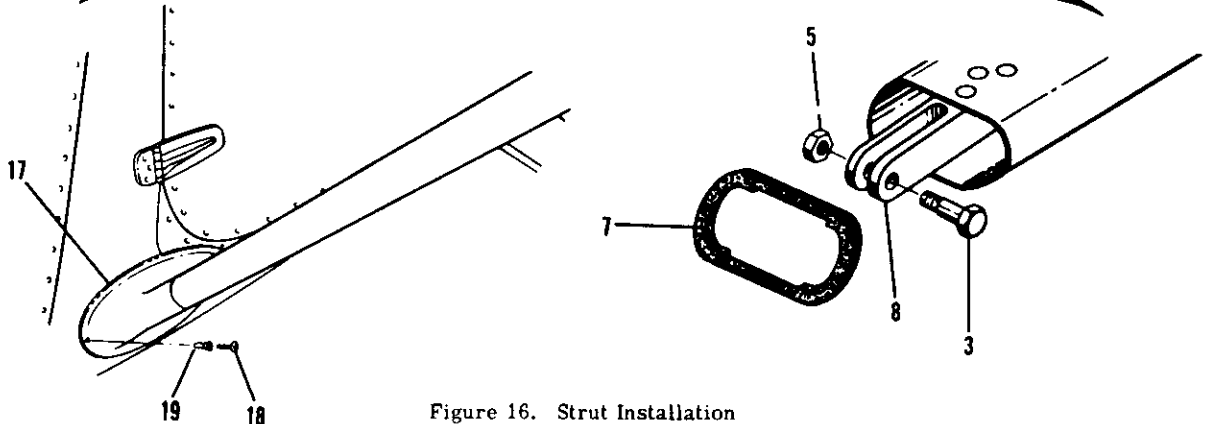
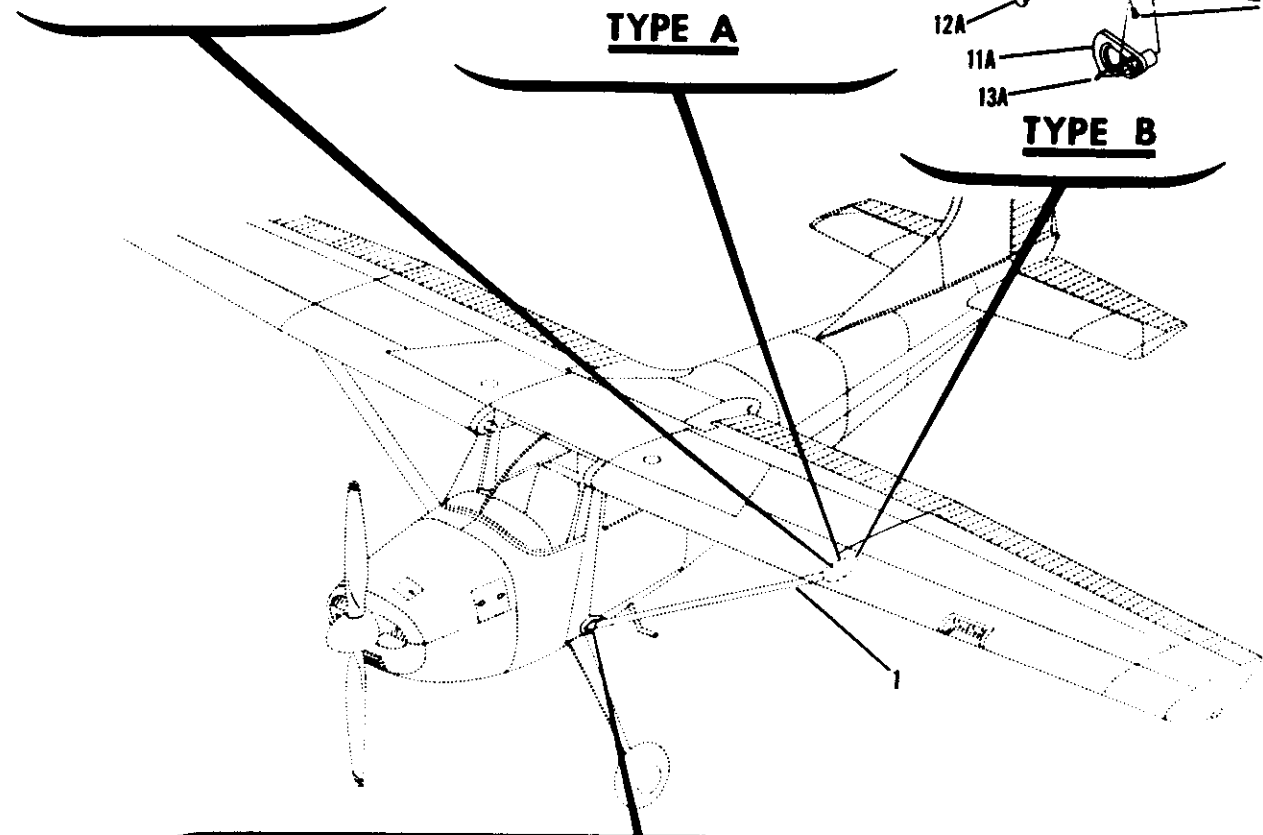


Figure 16. Strut Installation

FIGURE AND INDEX NO.	PART NUMBER	DESCRIPTION	UNITS PER ASSY	USABLE ON CODE
		1 2 3 4 5 6 7		
16 -		STRUT INSTALLATION-WING -----	NP	
- 1	0723600-7	STRUT ASSEMBLY-LH -----	1	A
	0723600-17	STRUT ASSEMBLY-LH -----	1	B
	0723600-8	STRUT ASSEMBLY-RH -----	1	A
	0723600-18	STRUT ASSEMBLY-RH -----	1	B
		ATTACHING PARTS -----		
- 2	AN8-25A	BOLT -----	1	
	AN960-816	WASHER -----	AR	
- 3	AN8-17A	BOLT -----	1	E
- 4	0523307	SPACER -----	1	F
	0523307-2	SPACER -----	2	
- 5	MS20365-820C	NUT -----	1	A
- 6	0713018-1	SEAL -----	1	B
	0713180-1	SEAL -----	1	B
- 7	0713181-1	SEAL -----	1	B

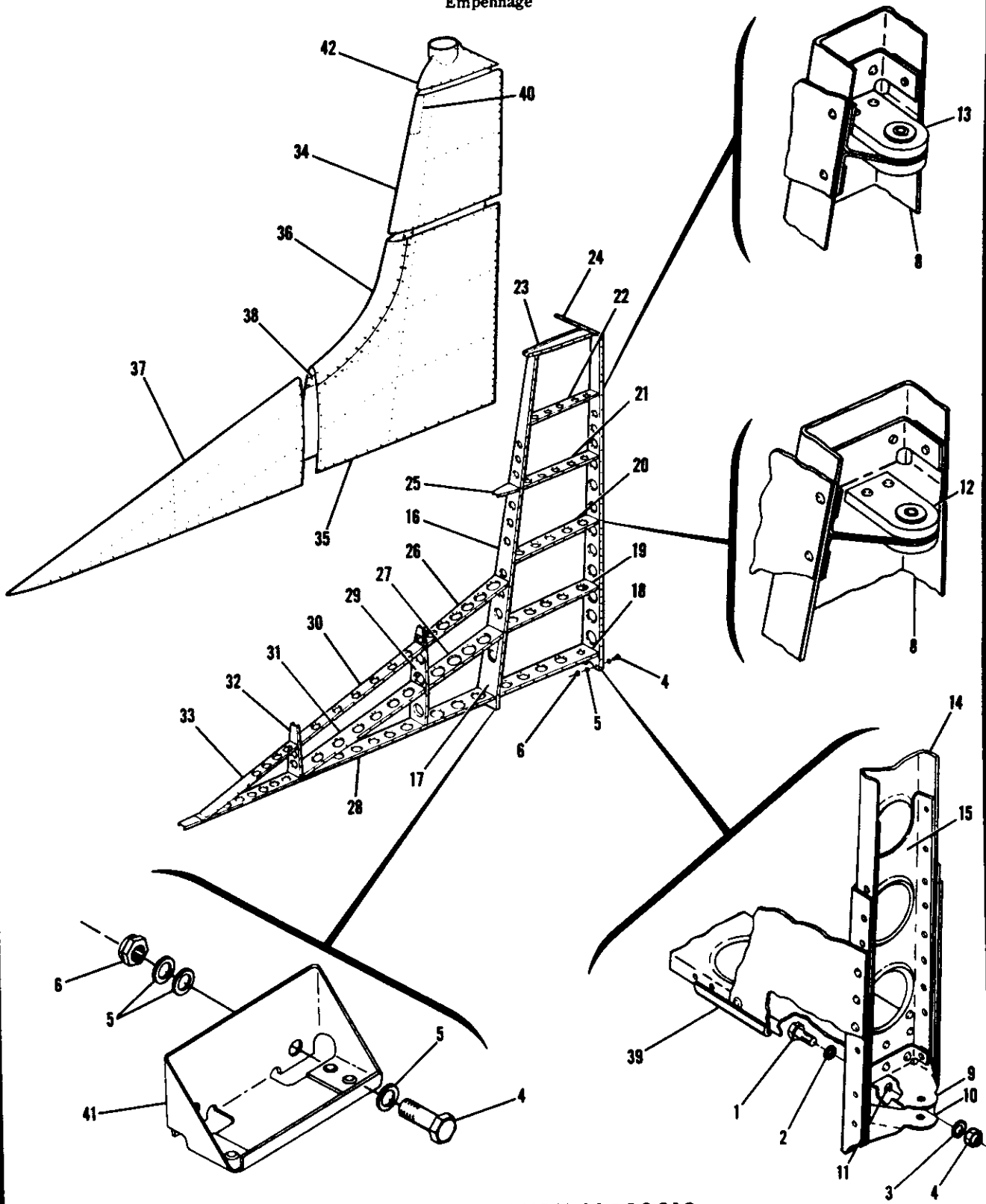
- 8	0523608-2	FITTING-WING STRUT LOWER END -----	1	
- 9	0523614-1	FITTING-WING STRUT UPPER END -----	1	
		ATTACHING PARTS -----		
-10	MS20426AD10-32	RIVET -----	5	
	0723600-6	RIVET ALT -----	5	

-11	0723604-1	RING-MOORING -----	1	C
-11A	0523615-1	RING-MOORING -----	1	D
		ATTACHING PARTS -----		
-12	MS20392-2C53	PIN -----	1	C
-12A	MS20392-2C25	PIN -----	2	D
-13	0723601-2	SPRING -----	1	C
-13A	0523616-1	SPRING -----	1	D
-14	AN507-832R6	SCREW -----	1	C
	AN507-832R6	SCREW -----	2	D
-15	NAS679A08	NUT -----	1	C
	NAS679A08	NUT -----	2	D

		FAIRING INSTALLATION-WING STRUT -----	NP	A
-16	0723605-3-791	FAIRING-UPPER LH -----	1	
	0723605-4-791	FAIRING-UPPER RH -----	1	
-17	0723605-1-791	FAIRING-LOWER LH -----	1	
	0723605-2-791	FAIRING-LOWER RH -----	1	
		ATTACHING PARTS -----		
-18	AN515-8R8	SCREW -----	3	
-19	NAS1329A08K75	RIVNUT -----	1	

NOTE. *DO NOT USE WHEN STRUT FAIRINGS ARE INSTALLED				
NOTE. *WHEN INITIALLY ORDERING THIS PART FOR 180 AIRCRAFT WITH TYPE A TIE DOWN PROVISIONS ALSO ORDER PARTS CODED D.				
WHEN INITIALLY ORDERING THIS PART FOR 185 AIRCRAFT WITH TYPE A TIE DOWN PROVISIONS ALSO ORDER ONE 0523615-1, ONE MS20392-2-53, ONE 0533616-1, ONE AN507-832R6 & ONE MS20365-832C				
A---SERIAL 18051184 THRU 18052384				
B---SERIAL 185-0001 THRU 18502310				
C---USED ON TYPE A. SEE DETAIL				
D---USED ON TYPE B. SEE DETAIL				
E---SERIAL 18051184 THRU 18052284				
SERIAL 185-0001 THRU 18502090				
F---SERIAL 18052285 THRU 18052384				
SERIAL 18502091 THRU 18502310				

Empennage



SERIAL 185-0001 THRU 18502310

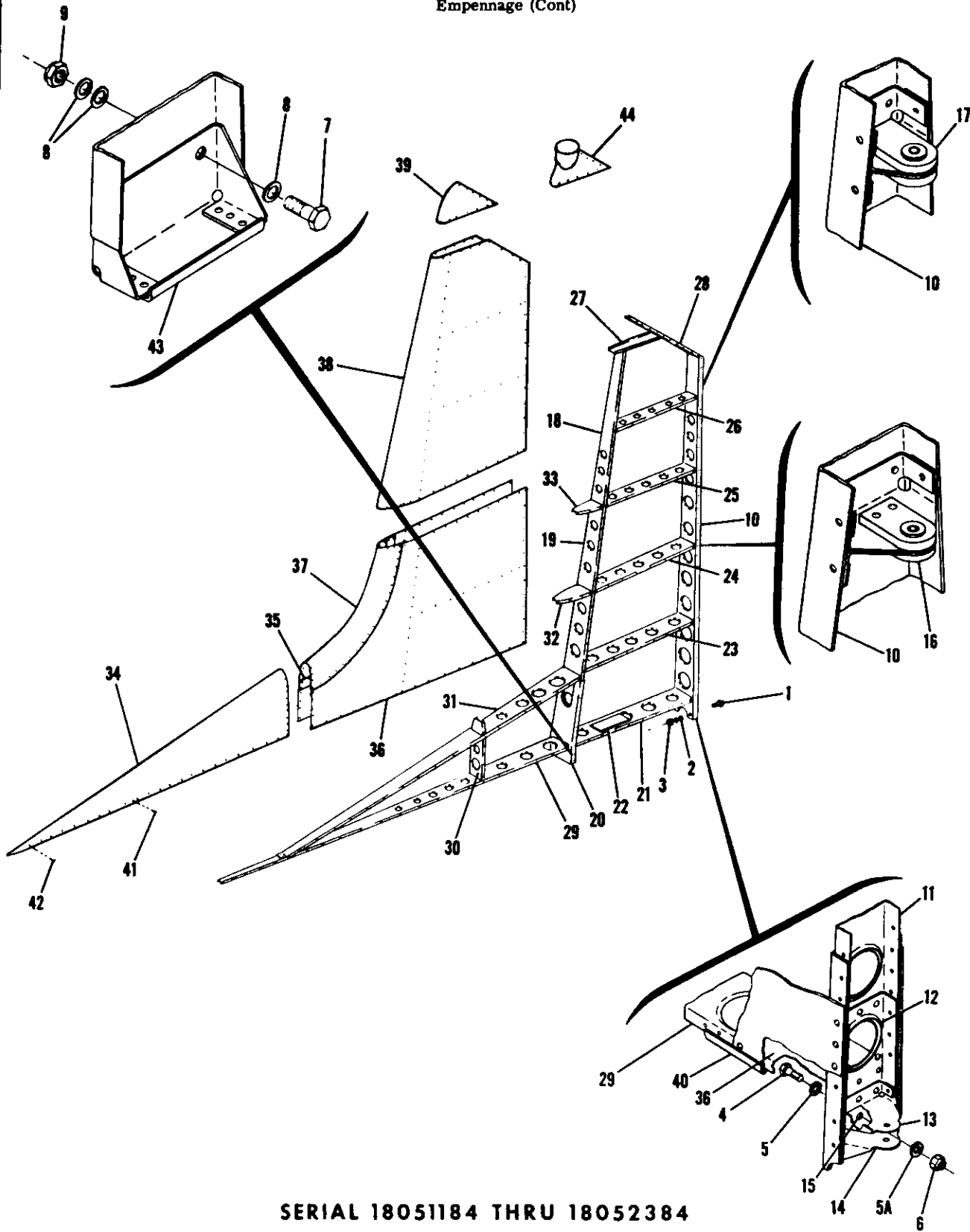
Figure 17. Fin & Dorsal Installation

FIGURE AND INDEX NO.	PART NUMBER	DESCRIPTION	UNITS PER ASSY	USABLE ON CODE
		1 2 3 4 5 6 7		
17 -		FIN & DORSAL INSTALLATION -----	NP	A
	0731001-10 *	FIN ASSEMBLY -----	1	B
	0731001-200 #	FIN ASSEMBLY WHEN EXHAUSTED USE 0731001-200 -----	1	F
	0731001-201	FIN ASSEMBLY -----	1	H
		ATTACHING PARTS -----		
- 1	AN5-6A	BOLT -----	1	D
	NAS145-16	BOLT -----	1	E
- 2	AN960-516	WASHER -----	1	E
	MS20002C5	WASHER -----	1	E
- 3	AN960-516	WASHER -----	1	E
- 4	NAS679A5	NUT -----	4	
- 5	AN6-7A	BOLT -----	12	
- 6	AN960-616	WASHER -----	4	
- 7	NAS679A6	NUT -----		

- 8	0731001-7	SPAR ASSEMBLY-REAR WEU 0731001-14 -----	1	D
	0731001-14	SPAR ASSEMBLY-REAR -----	1	E
- 9	0731100-14	BRACKET-LOWER HINGE -----	1	
-10	0731100-13	BRACKET-LOWER HINGE -----	1	D
-11	NAS680A5	NUTPLATE -----	1	
-12	0731100-9	HINGE ASSEMBLY-CENTER -----	1	
-13	0731100-7	HINGE ASSEMBLY-UPPER -----	1	
-14	0731000-33	CHANNEL-REINFORCEMENT -----	1	
-15	0731013-1	PLATE-REINFORCEMENT -----	1	
	0731001-8	SPAR ASSEMBLY-FRONT -----	1	
-16	0731012-1	SPAR-FRONT -----	1	
-17	0731000-37	CHANNEL -----	1	G
-18	0731000-1	RIB-FIN -----	1	H
	0731024-5	RIB ASSEMBLY-FIN -----	6	
	NAS697A08	NUTPLATE -----	1	
-19	0731000-2	RIB-FIN -----	1	
-20	0731000-3	RIB-FIN -----	1	
-21	0731000-4	RIB-FIN -----	1	
-22	0731000-5	RIB-FIN -----	1	
-23	0731021-1	RIB ASSEMBLY-FIN TIP -----	2	
	A6194-8Z1	NUTPLATE TIN -----	1	
-24	0731010-1	RIB-CANTED -----	1	
-25	0731018-1	RIB-FIN NOSE -----	1	
-26	0731007-1	RIB-DORSAL -----	1	
-27	0731003-1	RIB-DORSAL -----	1	
-28	0731004-1	RIB-DORSAL -----	1	
-29	0731005-1	RIB-DORSAL -----	1	
-30	0731008-1	RIB-DORSAL -----	1	
-31	0731006-1	RIB-DORSAL -----	1	
-32	0731002-1	RIB DORSAL -----	1	
-33	0731009-1	RIB DORSAL -----	1	
-34	0731001-2	SKIN-UPPER FIN -----	1	
-35	0731001-3	SKIN-LOWER FIN LH -----	1	
	0731001-4	SKIN-LOWER FIN RH -----	1	
-36	0731001-5	SKIN-FRONT EDGE -----	1	
-37	0731001-6	SKIN-DORSAL -----	2	
-38	0731001-9	PLATE-SPLICE -----	1	
-39	S202RB	CHANNEL-178.00 IN LG BULK ITEM REF S202R178008 -----	1	
-40	0731000-51	DOUBLER -----	1	
-41	0712213	STOP-STABILIZER -----	1	B
-42	0731015-1	TIP-FIN -----	1	C
	0731019-2-791	TIP ASSEMBLY-FIN -----		
		ATTACHING PARTS -----	24	
	S1021Z8-8	SCREW -----	22	
	NAS395-16-3	NUT -----		

		NOTE. *THIS ASSEMBLY INCLUDES 0731015-1 FIN TIP.		
		NOTE. #WHEN INITIALLY ORDERING THIS ASSY FOR AIRCRAFT PRIOR TO SERIAL 18502028 ALSO ORDER ATTACHING PARTS MARKED %.		
		A---SERIAL 185-0001 THRU 18502310		
		B---SERIAL 185-0001 THRU 185-1149		
		C---SERIAL 185-1150 THRU 18502310		
		D---SERIAL 185-0001 THRU 18502027		
		E---SERIAL 18502028 THRU 18502310		
		F---SERIAL 185-1150 THRU 18502090		
		G---SERIAL 185-0001 THRU 18502090		
		H---SERIAL 18502091 THRU 18502310		

Empennage (Cont)



SERIAL 18051184 THRU 18052384

Figure 18. Fin & Dorsal Installation

FIGURE AND INDEX NO.	PART NUMBER	DESCRIPTION	UNITS PER ASSY	USABLE ON CODE
		1 2 3 4 5 6 7		
18 -		FIN & DORSAL INSTALLATION -----	NP	A
	0731000-41	FIN ASSEMBLY WEU 0731000-83 -----	1	F
	073100-83 *	FIN ASSEMBLY -----	1	H
	0731024-3	FIN ASSEMBLY -----	1	K
		ATTACHING PARTS		
- 1	NAS224-15	SCREW -----	2	D
	AN6-7A	BOLT -----	2	E
- 2	AN960-616	WASHER -----	2	D
	AN960-616L	WASHER -----	2	D
	AN960-616	WASHER -----	6	E
- 3	NAS679A6	NUT -----	2	E
- 4	AN5-6A	BOLT -----	1	F
	NAS145-16	BOLT -----	1	G
- 5	AN960-516	WASHER -----	1	F
	MS20002C5	WASHER -----	1	G
- 5A	AN960-516	WASHER -----	1	G
- 6	NAS697A5	NUT -----	1	G
- 7	AN6-7A	BOLT -----	2	
- 8	AN960-616	WASHER -----	6	
- 9	NAS679A6	NUT -----	2	

	0731000-32	SPAR ASSEMBLY-REAR WEU 0731000-87 -----	1	F
	0731000-87 *	SPAR ASSEMBLY-REAR -----	1	G
-10	0731000-34	SPAR-REAR -----	1	
-11	0731000-33	CHANNEL-REINFORCEMENT -----	1	
-12	0731000-43	PLATE -----	1	
-13	0731100-14	BRACKET-HINGE UPPER -----	1	
-14	0731100-13	BRACKET-HINGE LOWER -----	1	
-15	NAS680A5	NUTPLATE -----	1	F
-16	0731100-9	HINGE ASSEMBLY-CENTER -----	1	
-17	0731100-7	HINGE ASSEMBLY-UPPER -----	1	
-18	0731000-38	SPAR ASSEMBLY-FRONT -----	1	
-19	0731000-11	SPAR-FIN FRONT -----	1	
-20	0731000-37	CHANNEL-REINFORCEMENT -----	1	
-21	0731000-60	RIB ASSEMBLY-FIN -----	1	J
	0731024-5	RIB ASSEMBLY -----	1	K
-22	0770762-1	MOUNTING PLATE-BCN FLASHER -----	1	J
-23	0731000-2	RIB-FIN -----	1	
-24	0731000-3	RIB-FIN -----	1	
-25	0731000-4	RIB-FIN -----	1	
-26	0731000-5	RIB-FIN -----	1	
-27	0731022-2	RIB ASSEMBLY-FIN TIP -----	1	
	A6194-821	NUTPLATE TIN -----	2	
-28	0731022-4	RIB-FIN TIP CANTED -----	1	
-29	0731000-16	RIB-DORSAL LOWER -----	1	
-30	0731000-23	RIB-DORSAL -----	1	
-31	0731000-15	RIB-DORSAL UPPER -----	1	
-32	0731000-12	RIB-FIN LEADING EDGE WEU 1631010-2 -----	1	F
	1631010-2	RIB-FIN LEADING EDGE -----	1	G
-33	0731000-22	RIB-FIN LEADING EDGE WEU 1631010-1 -----	1	F
	1631010-1	RIB-FIN LEADING EDGE -----	1	G
-34	0731000-25	SKIN-DORSAL -----	1	
-35	0731000-17	PLATE-SPLICE -----	2	
-36	0731000-18	SKIN-FIN LOWER -----	2	
-37	0731000-21	SKIN-LEADING EDGE -----	1	
-38	0731000-24	SKIN-FIN UPPER -----	1	
-39	0731000-200-791	TIP-FIN -----	1	
		ATTACHING PARTS		
	S102128-8	SCREW -----	18	
	NAS395-16-3	NUT -----	16	

-40	S202RB	CHANNEL-120.0 IN LG BULK ITEM REF 0411875-24 -----	1	
-41	S102128-8	SCREW -----	2	
-42	S102126-8	SCREW -----	2	

CONTINUED ON NEXT PAGE

FIGURE AND INDEX NO.	PART NUMBER	DESCRIPTION	UNITS PER ASSY	USABLE ON CODE
18 -43 -44	0712213	STDP-STABILIZER -----	1	B
	0700031-2	TIP ASSEMBLY-FIN USED WITH ROTATING BEACON -----	1	B
	0731019-1-791	TIP ASSEMBLY-FIN USED WITH FLASHING BEACON -----	1	C
		NOTE. *WHEN INITIALLY ORDERING THIS ASSY FOR AIRCRAFT PRIOR TO SERIAL 18052259 ALSO ORDER ATTACHING PARTS MARKED X.		
		A---SERIAL 18051184 THRU 18052384		
		B---SERIAL 18051184 THRU 18051774		
		C---SERIAL 18051775 THRU 18052384		
		D---SERIAL 18051184 THRU 18051312		
		E---SERIAL 18051313 THRU 18052384		
		F---SERIAL 18051184 THRU 18052258		
		G---SERIAL 18052259 THRU 18052384		
		H---SERIAL 18052259 THRU 18052284		
		J---SERIAL 18051184 THRU 18052284		
		K---SERIAL 18052285 THRU 18052384		

Empennage (Cont)

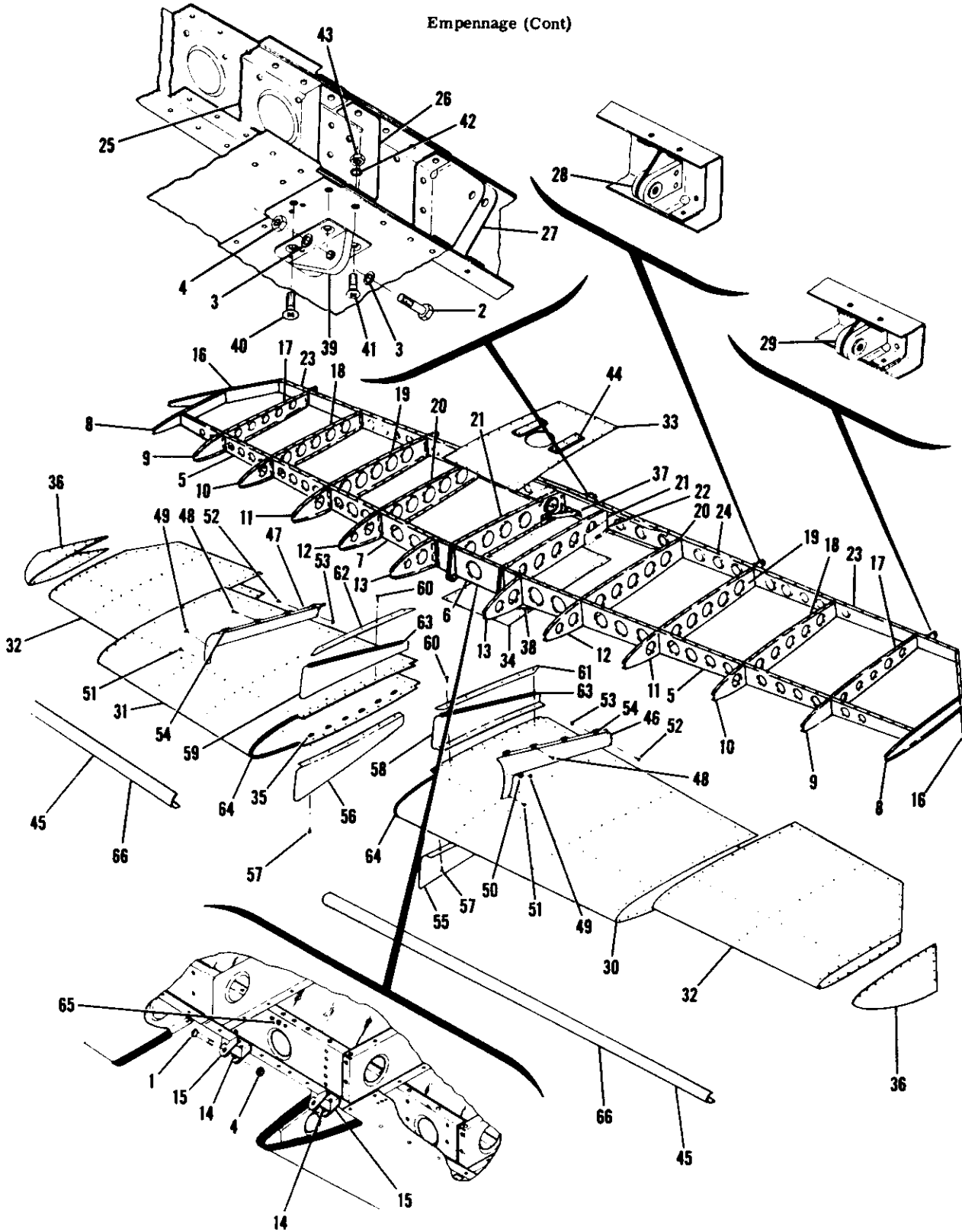


Figure 19. Stabilizer Installation

FIGURE AND INDEX NO.	PART NUMBER	DESCRIPTION	UNITS PER ASSY							USABLE ON CODE	
			1	2	3	4	5	6	7		
19 -		STABILIZER INSTALLATION -----								NP	
	1232000-8	STABILIZER ASSEMBLY -----								1	A
	0732600-4	STABILIZER ASSEMBLY -----								1	B
		ATTACHING PARTS -----								2	
- 1	AN4-15A	BOLT -----								2	
- 2	AN4-11A	BOLT -----								2	
- 3	AN960-416	WASHER -----								4	
- 4	NAS679A4	NUT -----								4	

	1232000-6	SPAR ASSEMBLY-STABILIZER FRONT -----								1	A
	0732605-2	SPAR ASSEMBLY-STABILIZER FRONT -----								1	B
- 5	0732607-1	SPAR-STABILIZER FRONT -----								2	
- 6	1232116	CHANNEL-STABILIZER FRONT -----								1	A
	0732606-3	CHANNEL-STABILIZER FRONT -----								1	B
- 7	1232117	SPLICE-STABILIZER FRONT -----								1	A
- 8	0732609-1	RIB-STABILIZER TIP -----								2	
- 9	0732611-1	RIB-STABILIZER NOSE -----								2	
-10	0732611-2	RIB-STABILIZER NOSE -----								2	
-11	0732611-3	RIB-STABILIZER NOSE -----								2	
-12	0732611-4	RIB-STABILIZER NOSE -----								2	
-13	0732611-6	RIB-STABILIZER CANTED -----								2	
-14	0732101-6	BRACKET-STABILIZER ATTACH UPPER -----								2	
-15	0732101-5	BRACKET-STABILIZER ATTACH LOWER -----								2	
-16	0732608-1	RIB-STABILIZER CANTED -----								2	
-17	0732610-5	RIB-STABILIZER -----								2	
-18	0732610-4	RIB-STABILIZER -----								2	
-19	1232104	RIB-STABILIZER -----								2	A
	0732610-3	RIB-STABILIZER -----								2	B
-20	1232105	RIB-STABILIZER -----								2	A
	0732610-2	RIB-STABILIZER -----								2	B
-21	1232106	RIB-STABILIZER -----								2	A
	0732610-1	RIB-STABILIZER -----								2	B
-22	0732103-1	DOUBLER-STABILIZER LH -----								1	
	0732103-2	DOUBLER-STABILIZER RH -----								1	
	1232000-5	SPAR ASSEMBLY-STABILIZER REAR -----								1	A
	0732602-1	SPAR ASSEMBLY-STABILIZER REAR -----								1	B
-23	0732602-2	SPAR-STABILIZER REAR -----								2	
-24	1232114-1	CHANNEL-STABILIZER REAR SPAR REINFORCEMENT -----								1	A
	0732604-1	CHANNEL-STABILIZER REAR SPAR REINFORCEMENT -----								1	B
-25	0732603-1	CHANNEL-STABILIZER REAR SPAR REINFORCEMENT -----								1	
-26	0732101-4	REINFORCEMENT-STABILIZER HINGE -----								2	
-27	0732100-6	HINGE-STABILIZER CENTER -----								2	
-28	0732100-7	HINGE ASSEMBLY-STABILIZER INBOARD -----								1	
	MS24462-4	BEARING -----								1	
-29	0732100-8	HINGE ASSEMBLY-STABILIZER OUTBOARD -----								1	
	MS24462-4	BEARING -----								1	
-30	0732600-5	SKIN-STABILIZER INBOARD LH -----								1	
-31	0732600-6	SKIN-STABILIZER INBOARD RH -----								1	
-32	0732600-2	SKIN-STABILIZER OUTBOARD -----								2	
-33	0732600-7	SKIN-STABILIZER CENTER UPPER -----								1	
-34	0732600-3	SKIN-STABILIZER CENTER LOWER -----								1	
-35	S1863-3A	NUT -----								24	
-36	0732613-3-791	TIP-STABILIZER -----								2	A
	0732613-1-791	TIP-STABILIZER -----								2	B
-37	0732106	REINFORCEMENT RH -----								1	
	0732106-1	REINFORCEMENT LH -----								1	
-38	1232118-1	DOUBLER-STABILIZER LH LOWER -----								1	A
	1232118-1	DOUBLER-STABILIZER RH UPPER -----								1	A
	1232118-2	DOUBLER-STABILIZER RH LOWER -----								1	A
	1232118-2	DOUBLER-STABILIZER LH UPPER -----								1	A
-39	0732101-11	HINGE ASSEMBLY-LH -----								1	
	0732101-10	HINGE ASSEMBLY-RH -----								1	
		ATTACHING PARTS -----								1	
-40	AN509-416R12	SCREW -----								2	
-41	AN509-416R13	SCREW -----								4	
-42	AN960-416	WASHER -----								4	
-43	NAS679A4	NUT -----								4	

	0760679-2	BUSHING -----								1	
	0732101-7	SPACER -----								1	
-44	0732616-1	RUB STRIP -----								2	C
	0732621-1	RUB STRIP -----								2	D
-45	1232000-7	DOUBLER -----								2	A

CONTINUED ON NEXT PAGE

FIGURE AND INDEX NO.	PART NUMBER	DESCRIPTION	UNITS PER ASSY	USABLE ON CODE
19 -46	0712307-1	FAIRING-EMPENNAGE LH -----	1	
-47	0712307-2	FAIRING-EMPENNAGE RH -----	1	
		ATTACHING PARTS -----		
-48	S102126-8	SCREW -----	4	
-49	AN915-8R8	SCREW -----	2	
-50	AN960-8L	WASHER -----	2	
-51	AN907-832R8	SCREW -----	1	
-52	S102128-8	SCREW -----	2	
-53	NAS395-10-3	NUT -----	2	

-54	NAS395-6-3	NUT -----	4	
-55	0732102-3	SEAL-STABILIZER LOWER LH -----	1	
-56	0732102-4	SEAL-STABILIZER LOWER RH -----	1	
		ATTACHING PARTS -----		
-57	S102126-6	SCREW -----	6	

-58	0732102-7	SEAL ASSEMBLY-STABILIZER UPPER LH -----	1	
-59	0732102-8	SEAL ASSEMBLY-STABILIZER UPPER RH -----	1	
		ATTACHING PARTS -----		
-60	S102126-6	SCREW -----	6	
-61	0732102-5	STIFFENER LH -----	1	
-62	0732102-6	STIFFENER RH -----	1	

-63	S202RB	MOULDING-18.75 IN.LG. BULK ITEM REF S-202R18.75B --	AR	
-64	S202RB	MOULDING BULK ITEM -----	AR	
-65	NAS680A3	NUTPLATE -----	1	A
-66	0332136-6	BOOT-ABRASION -----	2	
		A---SERIAL 185-0001 THRU 18502310		
		B---SERIAL 18051184 THRU 18052384		
		C---SERIAL 189-0001 THRU 18502258		
		SERIAL 18051184 THRU 18052361		
		D---SERIAL 18502259 THRU 18502310		
		SERIAL 18052362 THRU 18052384		

FIGURE AND INDEX NO.	PART NUMBER	DESCRIPTION	UNITS PER ASSY	USABLE ON CODE
		1 2 3 4 5 6 7		
20 -	0733110-1	RUDDER ASSEMBLY -----	1	A
	0731000-40	RUDDER ASSEMBLY -----	1	B
		ATTACHING PARTS -----		
- 1	AN4-11A	BOLT -----	2	
- 2	AN960-416	WASHER -----	3	
- 3	NAS679A4	NUT -----	1	
- 4	AN4-12A	BOLT -----	1	

- 5	0731100-5	BRACKET-UPPER HINGE UPPER -----	1	B
- 6	0733110-2	SPAR ASSEMBLY-RUDDER -----	1	A
- 7	0731100-5	BRACKET-UPPER HINGE UPPER -----	1	A
- 8	0731100-6	BRACKET-UPPER HINGE LOWER -----	1	A
- 9	0731100-12	BRACKET-LOWER HINGE UPPER -----	1	A
-10	0731100-11	BRACKET-LOWER HINGE LOWER -----	1	A
-11	0733100	TUBE ASSEMBLY-TORQUE -----	1	B
	0731000-31	SPAR ASSEMBLY-RUDDER -----	1	B
-12	0733100	TUBE ASSEMBLY-TORQUE -----	1	B
-13	0731100-12	BRACKET-LOWER HINGE UPPER -----	1	B
-14	0731100-6	BRACKET-UPPER HINGE LOWER -----	1	B
CONTINUED ON NEXT PAGE				

Empennage (Cont)

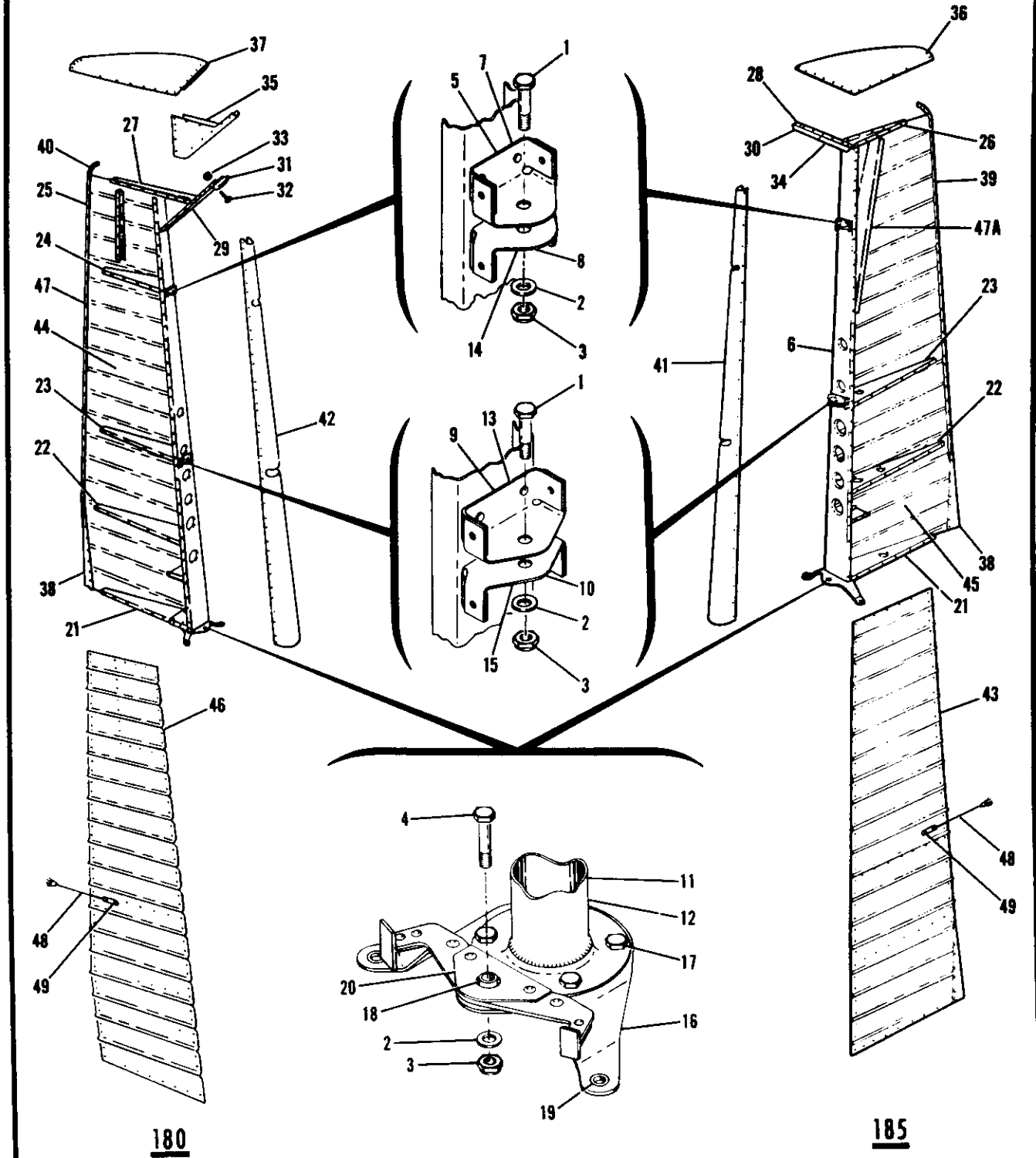


Figure 20. Rudder Assembly



FIGURE AND INDEX NO.	PART NUMBER	DESCRIPTION							UNITS PER ASSY	USABLE ON CODE
		1	2	3	4	5	6	7		
20 -15	0731100-11	BRACKET-LOWER HINGE LOWER -----							1	B
-16	0733102-5	BELLCRANK ASSEMBLY-RUDDER WEU 0733115-1 -----							1	
	0733115-1	BELLCRANK ASSEMBLY-RUDDER -----							1	
		ATTACHING PARTS								
-17	AN3-5A	BOLT -----							4	
	AN960-10L	WASHER -----							8	
	MS21044N3	NUT -----							4	
		-----*								
-18	S1K9	BEARING FAF -----							1	
-19	0733103	BUSHING -----							2	
-20	0733102-3	RETAINER-BEARING -----							1	
-21	0731000-6	RIB-RUDDER -----							1	
-22	0731000-7	RIB-RUDDER -----							1	
-23	0731000-8	RIB-RUDDER -----							1	
-24	0731000-49	RIB-RUDDER -----							1	
-25	0731000-50	STIFFENER -----							1	B
-26	0733107-1	RIB-RUDDER -----							1	B
-27	0731000-27	RIB-RUDDER -----							1	B
-28	0733106-1	RIB-RUDDER CANTED -----							1	A
-29	0731000-36	RIB-RUDDER CANTED -----							1	B
-30	0733108-1	WEIGHT-BALANCE -----							1	A
-31	0733101-1	WEIGHT-BALANCE -----							1	B
		ATTACHING PARTS								
-32	AN520-10R28	SCREW -----							1	
-33	22A21-22-02	NUT-FLOATING EN -----							1	B
		-----*								
-34	0733110-4	SKIN-RUDDER HORN WEU 0733110-6 -----							1	A
	0733110-6	SKIN-RUDDER HORN -----							1	A
-35	0731000-9	SKIN-RUDDER HORN -----							1	B
-36	0733105-2	TIP ASSEMBLY-RUDDER -----							1	A
-37	0731000-19	TIP ASSEMBLY-RUDDER -----							1	B
		ATTACHING PARTS								
	CR163-4-4	RIVET CY -----							6	A
		-----*								
-38	0731000-30	TAB-RUDDER -----							1	
-39	0733110-3	SPACER-RUDDER -----							1	A
-40	0731000-45	SPACER-RUDDER -----							1	B
-41	0733110-5	SKIN-NOSE -----							1	A
-42	0731000-39	SKIN-NOSE -----							1	B
-43	0731000-53	SKIN-RUDDER LH -----							1	A
-44	0731000-13	SKIN-RUDDER LH -----							1	B
-45	0731000-52	SKIN-RUDDER RH -----							1	A
-46	0731000-14	SKIN-RUDDER RH -----							1	B
-47	0731000-35	SPACER -----							1	B
-47A	0733111-1	STIFFENER -----							1	D
-48	5169	STATIC DISCHARGER WHEN EXHAUSTED USE C592001-0101 -----							1	C
	C592001-0101	STATIC DISCHARGER -----							1	E
		ATTACHING PARTS								
-49	AN515-8R8	SCREW -----							2	C
	AN515-6R8	SCREW -----							2	E
	NAS1329A08K75	RIVNUT -----							2	C
	NAS1329A06K75	RIVNUT -----							2	E
		-----*								
		A---SERIAL 185-0001 THRU 18502310								
		B---SERIAL 18051184 THRU 18052384								
		C---SERIAL 18051446 THRU 18051906								
		SERIAL 185-0777 THRU 185-1335								
		D---SERIAL 185-0877 THRU 18502310								
		E---SERIAL 18051907 THRU 18052384								
		SERIAL 185-1336 THRU 18502310								

Empennage (Cont)

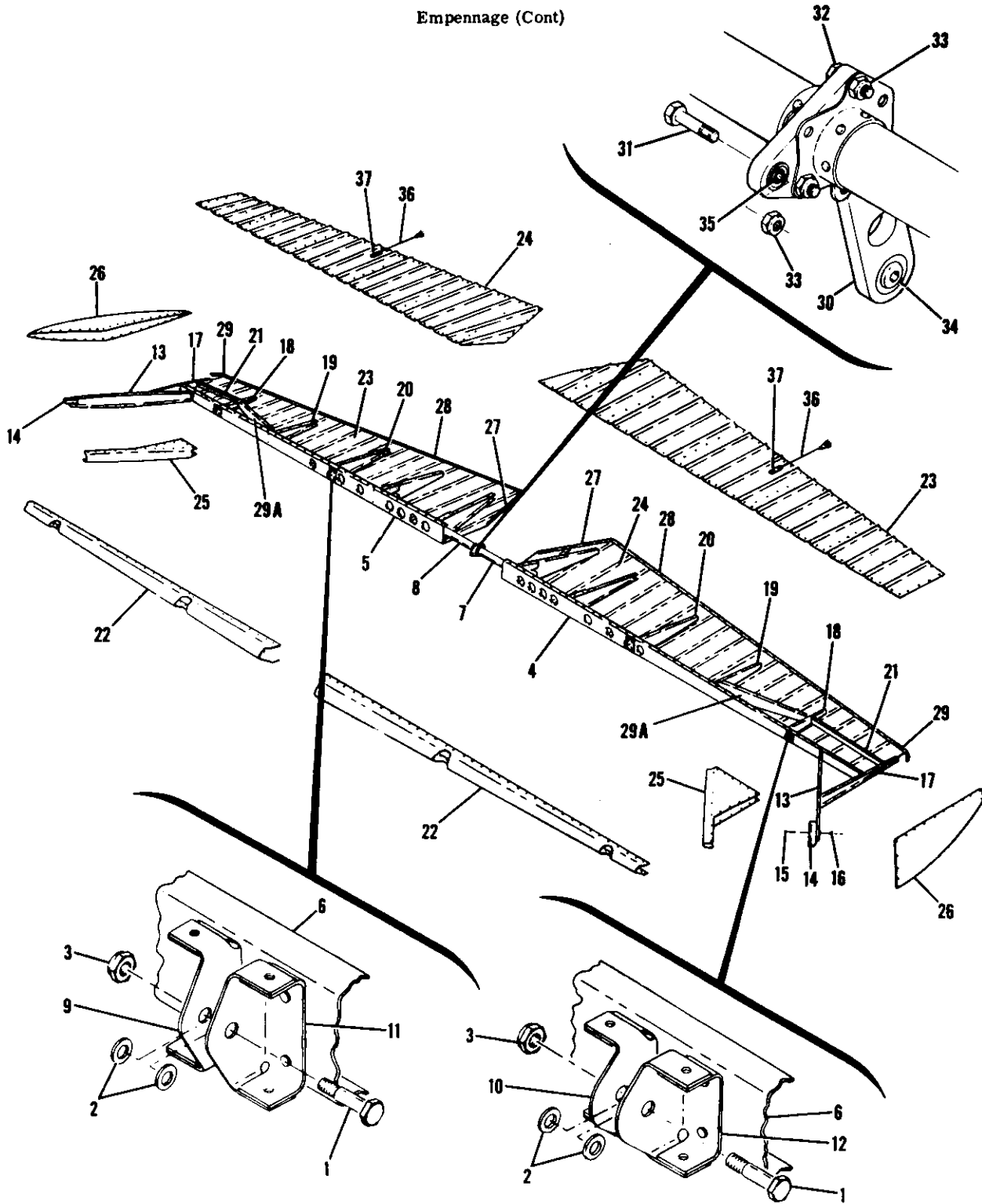


Figure 21. Elevator Installation

FIGURE AND INDEX NO.	PART NUMBER	DESCRIPTION	UNITS PER ASSY	USABLE ON CODE
		1 2 3 4 5 6 7		
21 -		ELEVATOR INSTALLATION -----	NP	
	0734600-1	ELEVATOR ASSEMBLY-LH -----	1	A
	0734600-21	ELEVATOR ASSEMBLY-LH WEU 0734600-33 -----	1	B
	0734600-33	ELEVATOR ASSEMBLY-LH -----	1	B
	0734600-19	ELEVATOR ASSEMBLY-RH -----	1	A
	0734600-23	ELEVATOR ASSEMBLY-RH WEU 0734600-32 -----	1	B
	0734600-32	ELEVATOR ASSEMBLY-RH -----	1	B
		ATTACHING PARTS -----		
- 1	AN4-11A	BOLT -----	2	
- 2	AN960-416L	WASHER -----	4	
- 3	NAS679A4	NUT -----	2	

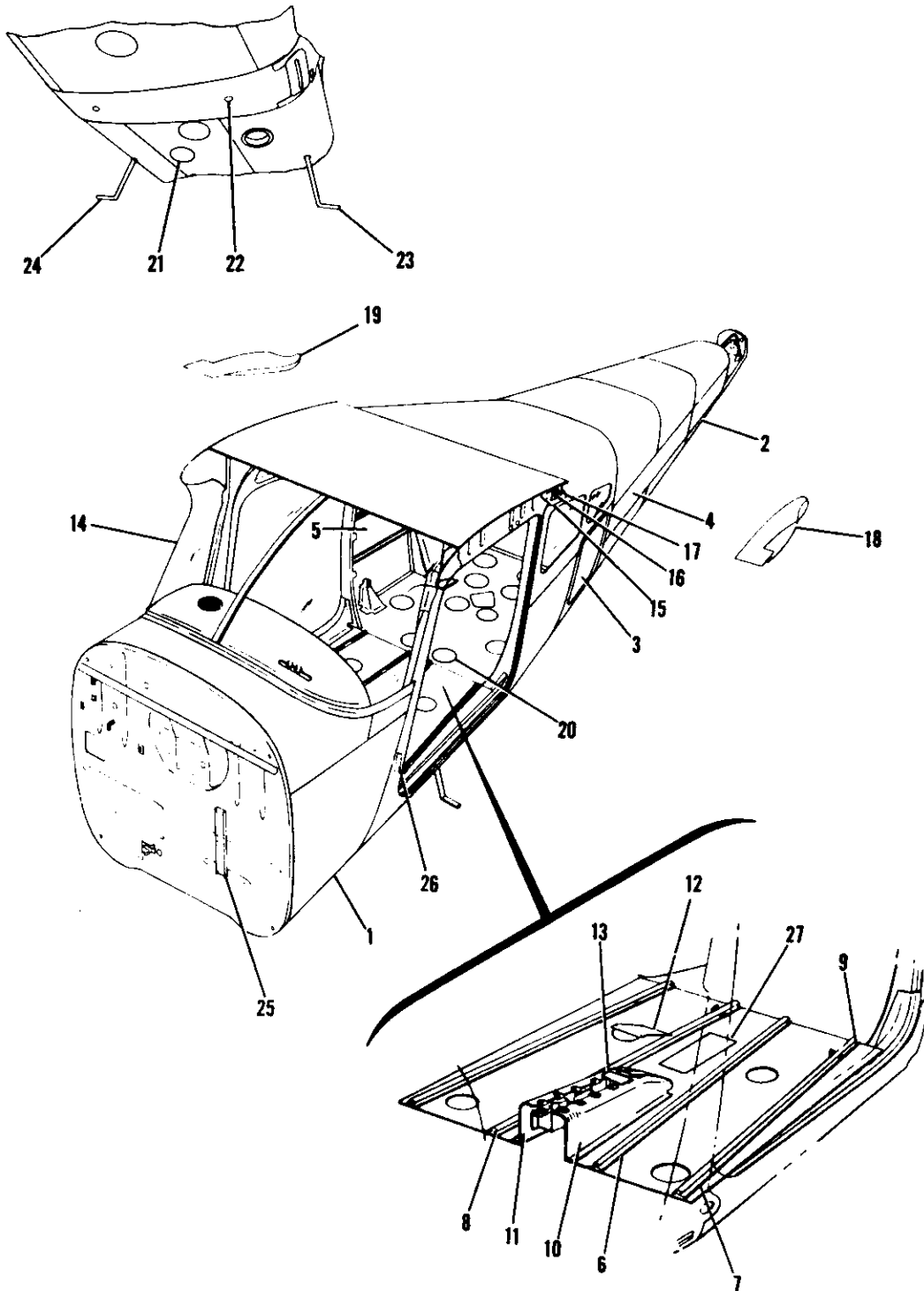
- 4	0734601-1	SPAR ASSEMBLY-LH USED ON 0734600-1 & -21 ONLY -----	1	
	0734601-5	SPAR ASSEMBLY-LH USED ON 0734600-33 ONLY -----	1	
- 5	0734601-2	SPAR ASSEMBLY-RH USED ON 0734600-19 & -23 ONLY -----	1	
	0734601-4	SPAR ASSEMBLY-RH USED ON 0734600-32 ONLY -----	1	
- 6	0734601-3	SPAR-ELEVATOR -----	1	
- 7	0734110-1	TUBE ASSEMBLY-TORQUE LH -----	1	
- 8	0734110-2	TUBE ASSEMBLY-TORQUE RH -----	1	
- 9	0732100-4	HINGE-ELEVATOR INBOARD -----	1	
-10	0732100-11	HINGE-ELEVATOR OUTBOARD -----	1	
-11	0732100-10	HINGE-ELEVATOR INBOARD -----	1	
-12	0732100-3	HINGE-ELEVATOR OUTBOARD -----	1	
-13	0734604-1	RIB-ELEVATOR CANTED OUTBOARD -----	1	
-14	0733101-3	WEIGHT-ELEVATOR BALANCE -----	1	A
	0734610-2	WEIGHT-ELEVATOR BALANCE -----	1	B
		ATTACHING PARTS -----		
-15	AN509-10R29	SCREW -----	1	
-16	NAS686A3	NUTPLATE -----	1	

-17	0734602-1	RIB-ELEVATOR TIP -----	1	
-18	0734602-4	RIB-ELEVATOR USED ON 0734600-1,-19,-21,-23 ONLY -----	1	
	0734602-9	RIB-ELEVATOR USED ON 0734600-32 & -33 ONLY -----	1	
-19	0734602-3	RIB-ELEVATOR -----	1	
-20	0734602-2	RIB-ELEVATOR -----	1	
-21	0734605-1	STIFFENER -----	1	
-22	0734600-5	SKIN-ELEVATOR LEADING EDGE -----	1	
-23	0734600-4	SKIN-ELEVATOR -----	1	
-24	0734600-9	SKIN-ELEVATOR -----	1	
-25	0734600-7	SKIN-ELEVATOR OUTBOARD -----	1	
-26	0734608-1	TIP-ELEVATOR -----	1	A
	0734609-1	TIP-ELEVATOR -----	1	B
-27	0734600-8	SPACER -----	1	
-28	0734600-3	SPACER -----	1	
-29	0734606-1	SPACER -----	1	
-29A	0734611-1	STIFFENER-ELEVATOR -----	1	D
-30	1234029-1	PYLON ASSEMBLY-ELEVATOR -----	1	
		ATTACHING PARTS -----		
-31	AN4-11A	BOLT -----	1	
-32	AN4-7A	BOLT -----	3	
-33	NAS679A4	NUT -----	4	

-34	MS20200KP4	BEARING -----	1	
-35	4NCC910P	BEARING TOR -----	1	
-36	5169	STATIC DISCHARGER WHEN EXHAUSTED USE C592001-0101 -----	2	C
	C592001-0101	STATIC DISCHARGER -----	2	E
		ATTACHING PARTS -----		
-37	AN515-8R8	SCREW -----	2	C
	AN515-6R8	SCREW -----	2	E
	NAS1329A08K75	RIVNUT -----	2	C
	NAS1329A06K75	RIVNUT -----	2	E

		A---SERIAL 185-0001 THRU 185-0338		
		B---SERIAL 185-0339 THRU 18502310		
		SERIAL 18051184 THRU 18052384		
		C---SERIAL 185-0777 THRU 185-1335		
		SERIAL 18051446 THRU 18051906		
		D---SERIAL 185-0800 THRU 18502310		
		SERIAL 18051485 THRU 18052384		
		E---SERIAL 185-1336 THRU 18502310		
		SERIAL 18051907 THRU 18052384		

Fuselage



SERIAL 185-0001 THRU 18502310
SERIAL 18051313 THRU 18052384

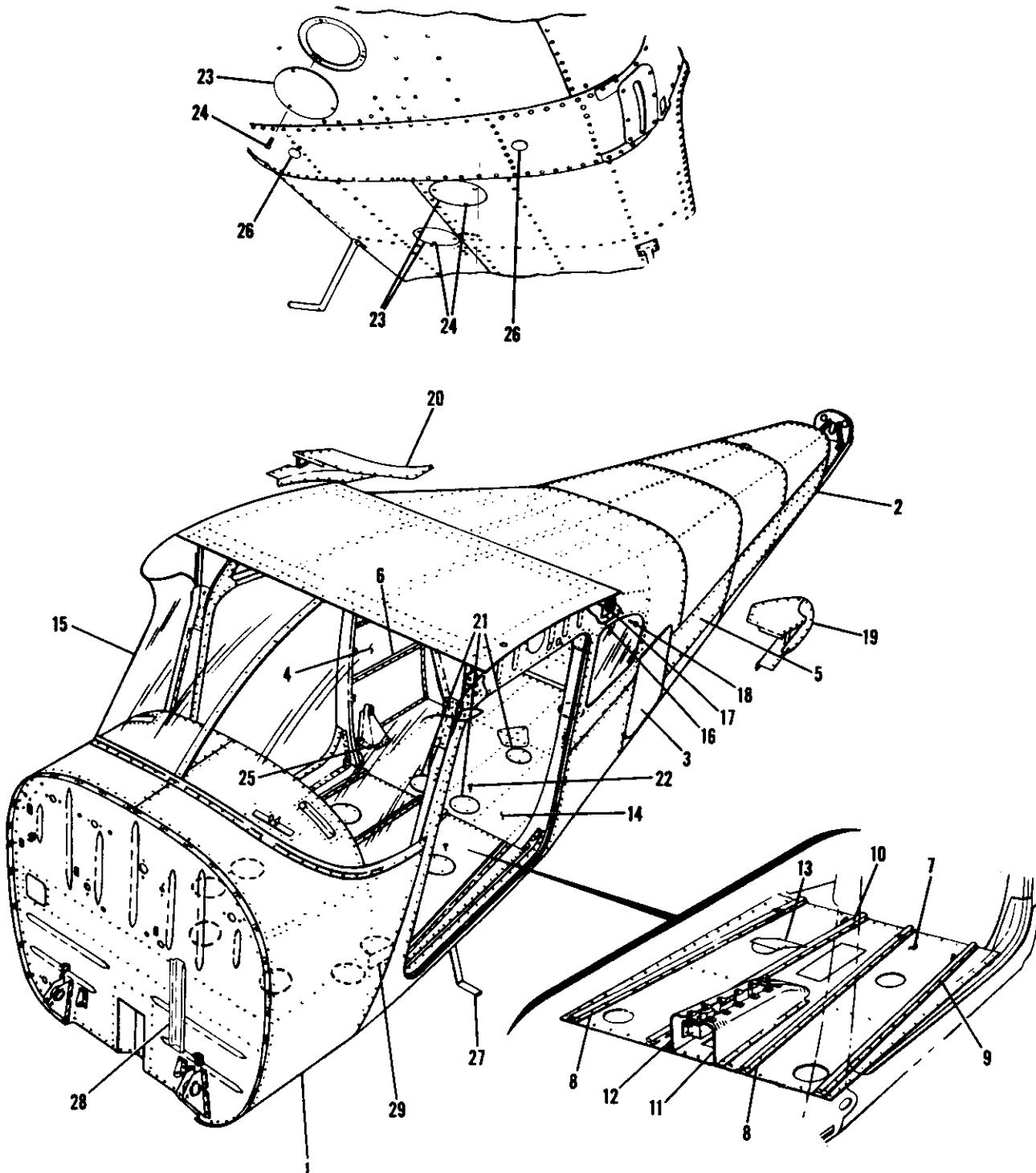
Figure 22. Fuselage Assembly

FIGURE AND INDEX NO.	PART NUMBER	DESCRIPTION	UNITS PER ASSY	USABLE ON CODE
22 -		FUSELAGE ASSEMBLY ----- FUSELAGE ASSEMBLY -----	NP NP	A C
- 1	SEE FIG 24	FRONT & CENTER SECTION ASSEMBLY-FUSELAGE -----	1	
- 2	SEE FIG 35 & 35A	AFT SECTION ASSEMBLY-FUSELAGE -----	1	
- 3	SEE FIG 52	DOOR INSTALLATION-BAGGAGE -----	NP	
- 4	0710003-18	PLATE-FUSELAGE SPLICE LH STA 108.00 TO 209.00 -----	1	
- 5	0710003-16	PLATE-FUSELAGE SPLICE RH STA 69.33 TO 209.00 -----	1	
- 6	0511000-68	RAIL-FRONT SEAT INBOARD LH & OUTBOARD RH -----	2	F
	0711693-1	RAIL-FRONT SEAT INBOARD LH & OUTBOARD RH -----	2	G
	0711693-5	RAIL-FRONT SEAT INBOARD LH & OUTBOARD RH -----	2	Q
- 7	0511000-69	RAIL-FRONT SEAT OUTBOARD LH -----	1	F
	0711693-3	RAIL-FRONT SEAT OUTBOARD LH -----	1	L
	0711693-4	RAIL-FRONT SEAT OUTBOARD LH -----	1	P
	0711693-6	RAIL-FRONT SEAT OUTBOARD LH -----	1	O
- 8	0511000-70	RAIL-FRONT SEAT INBOARD RH -----	1	F
	0711693-2	RAIL-FRONT SEAT INBOARD RH -----	1	L
	0711693-4	RAIL-FRONT SEAT INBOARD RH -----	1	P
	0711693-6	RAIL-FRONT SEAT INBOARD RH -----	1	O
		ATTACHING PARTS -----		
- 9	AN3-4A	BOLT -----	2	
	AN960-10	WASHER -----	2	
	MS21044N3	NUT -----	2	
		-----*		
-10	0510183-2	BULKHEAD-FUSELAGE TUNNEL AFT LH -----	1	D
	0510183-4	BULKHEAD-FUSELAGE TUNNEL AFT LH WEU 0510183-5 -----	1	K
	0510183-5	BULKHEAD ASSEMBLY-FUSELAGE TUNNEL AFT LH -----	1	R
	0510183-9	BULKHEAD ASSEMBLY-FUSELAGE TUNNEL AFT LH -----	1	S
	NAS686A4	NUTPLATE SEAT BELT ATTACH -----	1	M
-11	0510183-3	BULKHEAD-FUSELAGE TUNNEL AFT RH -----	1	D
	0510183-1	BULKHEAD-FUSELAGE TUNNEL AFT RH WEU 0510183-6 -----	1	K
	0510183-6	BULKHEAD ASSEMBLY-FUSELAGE TUNNEL AFT RH -----	1	R
	0510183-10	BULKHEAD ASSEMBLY-FUSELAGE TUNNEL AFT RH -----	1	S
	NAS686A4	NUTPLATE SEAT BELT ATTACH -----	1	M
	NAS395-16-3	NUT -----	10	
-12	0510129-4	PLATE-FUSELAGE TUNNEL AFT -----	1	D
	0510129-3	PLATE-FUSELAGE TUNNEL AFT -----	1	E
	0510129-5	PLATE-FUSELAGE TUNNEL AFT -----	1	S
		ATTACHING PARTS -----		
	NAS395-16-3	NUT -----	8	D
	S1021Z10-8	SCREW -----	8	D
		-----*		
-13	0716107-1	PLATE-FUEL VALVE -----	1	B
	0713947-1	CHANNEL-FUEL SHUT OFF -----	1	N
-14	SEE FIG 31	WINDSHIELD INSTALLATION -----	NP	
-15	0512146	PLATE-REINFORCEMENT LH -----	1	
	0512146-1	PLATE-REINFORCEMENT RH -----	1	
-16	0512149-1	BRACKET-FLAP PULLEY LH -----	1	
	0512149-2	BRACKET-FLAP PULLEY RH -----	1	
		ATTACHING PARTS -----		
-17	AN3-4A	BOLT -----	1	
	MS21044N3	NUT -----	1	
		-----*		
-18	0710109-1	FILLET-WING LH -----	1	
-19	0710109-2	FILLET-WING RH -----	1	
-20	S225-1	PLATE-INSPECTION OPENING COVER -----	13	
		ATTACHING PARTS -----		
	49330	STUD-TRIMOUNT UC -----	3	
		-----*		
-21	S225-1	PLATE-INSPECTION OPENING COVER -----	4	
		ATTACHING PARTS -----		
	S1021Z8-6	SCREW -----	3	
		-----*		
-22	CM2692-32-1S	PLUG BUTTON -----	2	
-23	0711006-1	STEP ASSEMBLY-LH -----	1	H
	0711710-5	STEP ASSEMBLY-LH -----	1	J
-24	0711006-2	STEP ASSEMBLY-RH -----	1	H
	0711710-6	STEP ASSEMBLY-RH -----	1	J
		ATTACHING PARTS -----		
	AN525-416R9	SCREW -----	1	
	NAS679A4	NUT -----	1	
		-----*		
	1510040-5	SAFETY STEP -----	1	J

CONTINUED ON NEXT PAGE

FIGURE AND INDEX NO.	PART NUMBER	DESCRIPTION	UNITS PER ASSY	USABLE ON CODE
22 -25 -26 -27	0713119-1 0311516-4 49330	<p style="text-align: center;">1 2 3 4 5 6 7</p> <p>CHANNEL-PARKING BRAKE STIFFENER ----- NAMEPLATE-M.A.A. ----- PLATE-COVER ----- ATTACHING PARTS ----- STUD UC ----- -----*</p>	1 NP 1 8	
<p>A---SERIAL 185-0001 THRU 18502310 B---SERIAL 185-0001 THRU 185-0419 C---SERIAL 18051313 THRU 18052384 D---SERIAL 185-0001 THRU 185-0653 E---SERIAL 18051313 THRU 18052215 SERIAL 185-0654 THRU 18501943 F---SERIAL 185-0001 THRU 185-0806 SERIAL 18051313 THRU 18051490 G---SERIAL 185-0807 THRU 18501954 SERIAL 18051491 THRU 18052215 H---SERIAL 185-0001 THRU 185-1300 SERIAL 18051313 THRU 18051875 J---SERIAL 185-1301 THRU 18502310 SERIAL 18051876 THRU 18052384 K---SERIAL 185-0654 THRU 185-1599 SERIAL 18051313 THRU 18052103 L---SERIAL 185-0807 THRU 185-1599 SERIAL 18051491 THRU 18052103 M---SERIAL 18501600 THRU 18502310 SERIAL 18052104 THRU 18052384 N---SERIAL 18501680 THRU 18501943 P---SERIAL 18501600 THRU 18501954 SERIAL 18052104 THRU 18052215 Q---SERIAL 18501955 THRU 18502310 SERIAL 18052216 THRU 18052384 R---SERIAL 18501600 THRU 18501943 SERIAL 18052104 THRU 18052215 S---SERIAL 18501944 THRU 18502310 SERIAL 18052216 THRU 18052384</p>				

Fuselage (Cont)



SERIAL 18051184 THRU 18051312

Figure 23. Fuselage Assembly

FIGURE AND INDEX NO.	PART NUMBER	DESCRIPTION	UNITS PER ASSY	USABLE ON CODE
		1 2 3 4 5 6 7		
23 -		FUSELAGE ASSEMBLY -----	NP	A
- 1	0791102-0	FRONT & CENTER SECTION-FUSELAGE SEE FIGURE 25 -----	1	
- 2	0791200-0	AFT SECTION ASSEMBLY-FUSELAGE SEE FIGURE 35 -----	1	
- 3	SEE FIG 52	DOOR INSTALLATION-BAGGAGE -----	1	
- 4	0710003-16	PLATE-FUSELAGE SPLICE RH STA 69.33 TO 209.00 -----	1	
- 5	0710003-18	PLATE-FUSELAGE SPLICE LH STA 108.00 TO 140.00 -----	1	
- 6	0511146	RETAINER-UPHOLSTERY -----	2	
- 7	0511000-41	FLOORBOARD-SHEET -----	1	
- 8	0511000-14	RAIL-FRONT SEAT INBOARD LH & OUTBOARD RH -----	2	
- 9	0511000-15	RAIL-FRONT SEAT OUTBOARD LH -----	1	
-10	0511000-64	RAIL-FRONT SEAT INBOARD RH -----	1	
-11	0510114-50	BULKHEAD ASSEMBLY-FUSELAGE TUNNEL AFT LH -----	1	
-12	0510114-51	BULKHEAD ASSEMBLY-FUSELAGE TUNNEL AFT RH -----	1	
-13	0510129-3	PLATE-FUSELAGE TUNNEL REAR -----	1	
-14	0512107-36	FLOORBOARD ASSEMBLY-FUSELAGE AFT -----	1	
-15	SEE FIG 31	WINDSHIELD INSTALLATION -----	1	
-16	0512146	PLATE-REINFORCEMENT LH -----	1	
	0512146-1	PLATE-REINFORCEMENT RH -----	1	
-17	0512149-1	BRACKET-FLAP PULLEY LH -----	1	
	0512149-2	BRACKET-FLAP PULLEY RH -----	1	
		ATTACHING PARTS -----		
-18	AN3-4A	BOLT -----	2	
	MS21044N3	NUT -----	2	

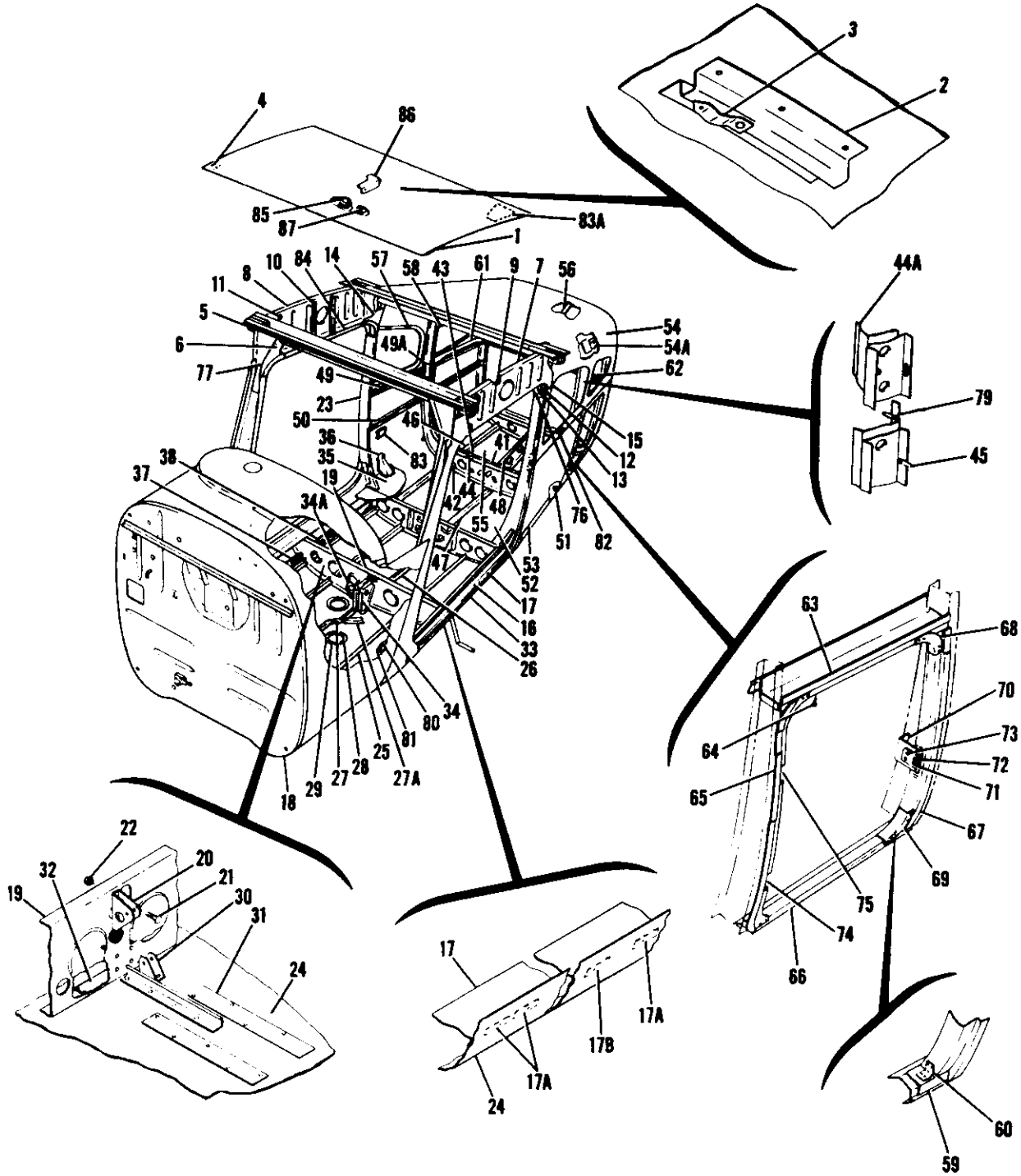
-19	0710109-1	FILLET-WING LH -----	1	
-20	0710109-2	FILLET-WING RH -----	1	
-21	S225-1	PLATE-INSPECTION OPENING COVER -----	3	
		ATTACHING PARTS -----		
-22	49330	STUD-TRIMMOUNT UC -----	3	

-23	S225-1	PLATE-INSPECTION OPENING COVER -----	3	
		ATTACHING PARTS -----		
-24	S102128-0	SCREW -----	3	

-25	0511312-1	BRACKET ASSEMBLY-REAR SEAT ATTACHMENT -----	2	
	NAS680A3	NUTPLATE -----	1	
-26	CM2692-32-15	PLUG BUTTON -----	2	
-27	0711006-1	STEP ASSEMBLY-LH -----	1	
	0711006-2	STEP ASSEMBLY-RH -----	1	
		ATTACHING PARTS -----		
	AN525-416R9	SCREW -----	2	
	NAS679A4	NUT -----	2	

-28	0713119-1	CHANNEL-PARKING BRAKE STIFFENER -----	1	NP
-29		NAMEPLATE-M.A.A. -----		
		A---SERIAL 18051184 THRU 18051312		

Fuselage (Cont)



SERIAL 185-0001 THRU 18502310
SERIAL 18051313 THRU 18052384

Figure 24. Fuselage Front & Center Section

FIGURE AND INDEX NO.	PART NUMBER	DESCRIPTION	UNITS PER ASSY							USABLE ON CODE	
			1	2	3	4	5	6	7		
24 -	0791102-10	FRONT & CENTER SECTION ASSEMBLY-FUSELAGE	1							E	
	0791102-13	FRONT & CENTER SECTION ASSEMBLY-FUSELAGE	1							J	
	0791102-14	FRONT & CENTER SECTION ASSEMBLY-FUSELAGE	1							S	
	0791102-16	FRONT & CENTER SECTION ASSEMBLY-FUSELAGE	1							T	
	0791102-20	FRONT & CENTER SECTION ASSEMBLY-FUSELAGE	1							X	
	0791102-22	FRONT & CENTER SECTION ASSEMBLY-FUSELAGE	1							AD	
		FRONT & CENTER SECTION ASSEMBLY-FUSELAGE	NP								AF
		FRONT & CENTER SECTION ASSEMBLY-FUSELAGE	1								H
		FRONT & CENTER SECTION ASSEMBLY-FUSELAGE	1								U
		FRONT & CENTER SECTION ASSEMBLY-FUSELAGE	1								V
		FRONT & CENTER SECTION ASSEMBLY-FUSELAGE	1								Y
		FRONT & CENTER SECTION ASSEMBLY-FUSELAGE	1								AE
		FRONT & CENTER SECTION ASSEMBLY-FUSELAGE	NP								AG
		1210020-200	TOP ASSEMBLY-CABIN	1							
	- 1	1210020-4	CAP-FRONT SPAR	1							A
		1210020-8	CAP-FRONT SPAR	1							B
	- 2	0411718-5	STIFFENER ASSEMBLY-SKIN	2							
	- 3	0411680	HANGER-HEADLINER	1							A
	- 4	S1860-2A	NUTPLATE	4							B
		NAS680A08	NUTPLATE	4							
	- 5	0511000-63	RETAINER-WINDSHIELD SEE FIGURE 31	1							
	- 6	NAS680A3	NUTPLATE	2							
	- 7	0511000-43	RIB-FUSELAGE FRONT & CENTER SECTION LH	1							
	- 8	0511000-44	RIB-FUSELAGE FRONT & CENTER SECTION RH	1							
- 9	1210030-1	STIFFENER LH	2								
-10	1210030-2	STIFFENER RH	2								
-11	MS39489-16	GROMMET	2								
-12	0511000-6	FRAME-DOOR UPPER OUTBOARD LH	1								
	0511000-7	FRAME-DOOR UPPER OUTBOARD RH	1								
-13	0511000-22	FRAME-DOOR UPPER INBOARD LH	1								
	0511000-23	FRAME-DOOR UPPER INBOARD RH	1								
-14	0511000-8	GUSSET PLATE-REAR UPPER DOOR JAMB LH	1							AH	
	0511000-9	GUSSET PLATE-REAR UPPER DOOR JAMB RH	1							AH	
	0511000-73	GUSSET PLATE ASSEMBLY-REAR UPPER DOOR JAMB LH	1							AJ	
	0511000-74	GUSSET PLATE ASSEMBLY-REAR UPPER DOOR JAMB RH	1							AJ	
		ATTACHING PARTS									
	AN529-832R9	SCREW	7							AJ	
	AN960-8L	WASHER UNDER NUT	7							AJ	
	MS21044N08	NUT	7							AJ	
		NUTPLATE SHOULDER HARNESS ATTACH	1							AJ	
-15	NAS680A4	BRACKET-LH	1								
	0511150	BRACKET-RH	1								
-16	0511150-1	SILL ASSEMBLY-DOOR LOWER LH	1								
	0511116-8	SILL ASSEMBLY-DOOR LOWER RH	1								
	0511116-9	SUPPORT-DOOR SILL LOWER LH	1								
-17	0511000-36	SUPPORT-DOOR SILL LOWER RH	1								
	0511000-37	STRAP RETAINER ASSEMBLY-LH	3							Z	
-17A	0710003-41	STRAP RETAINER ASSEMBLY-RH	3							Z	
	0710003-40	STRAP RETAINER ASSEMBLY-LH	1							Z	
-17B	0710003-40	STRAP RETAINER ASSEMBLY-RH	1							Z	
	0710003-41	STRUCTURE ASSEMBLY-FUSELAGE FRONT SECTION	1								
-18	SEE FIG 28	BULKHEAD ASSEMBLY STA 44.00 WEU 0511290-6	1							K	
-19	0511290-5	BULKHEAD ASSEMBLY STA 44.00	1							L	
	0511290-6	SUPPORT ASSEMBLY-SEAT BELT FITTING OUTBD LH	1							L	
	0710656-1	SUPPORT ASSEMBLY-SEAT BELT FITTING OUTBD RH	1							L	
-20	0710656-2	BRACKET-ELEVATOR PULLEY	1								
	0411447	ATTACHING PARTS									
-21	AN520-10P7	BOLT	1								
-22	MS21044N3	NUT	1								
-23	0512124-41	BULKHEAD ASSEMBLY-FUSELAGE STA 65.33 SEE FIGURE 32 --	1							Q	
	0512124-52	BULKHEAD ASSEMBLY-FUSELAGE STA 65.33 SEE FIGURE 32A --	1							R	
	0512124-73	BULKHEAD ASSEMBLY-FUSELAGE STA 65.33 SEE FIGURE 32A --	1							AJ	

CONTINUED ON NEXT PAGE

FIGURE AND INDEX NO.	PART NUMBER	DESCRIPTION	UNITS PER ASSY	USABLE ON CODE
24 -24	0791102-9	SKIN ASSEMBLY-CENTER SECTION LOWER STA 27.012 TO 65.33 --	1	
-25	0710006-1	STRINGER-CENTER SECTION LH -----	1	
	0710006-2	STRINGER-CENTER SECTION RH -----	1	
-26	0710006-4	STRINGER-CENTER SECTION -----	1	
-27	0511000-35	STRINGER-CENTER SECTION -----	1	
-27A	0710003-19	ANGLE -----	1	
-28	S226-3	DOUBLER -----	2	
-29	NAS395-14-3	NUT -----	6	
-30	0510174	BRACKET -----	1	
-31	0511000-60	RUB STRIP -----	2	
-32	0710034-1	RUB STRIP -----	1	
-33	0710003-3	DOUBLER-LOWER SKIN LH -----	1	
	0710003-4	DOUBLER-LOWER SKIN RH -----	1	
-34	0711003	BRACKET ASSEMBLY-IDLER SPORCKET -----	1	
-34A	0716101	BRACKET-FUEL SELECTOR -----	1	M
-35	SEE FIG 27	FLOORBOARD INSTALLATION-FUSELAGE CENTER SECTION -----	1	
-36	0511312-1	BRACKET ASSEMBLY-REAP SEAT ATTACHMENT -----	2	
	NAS686A4	NUTPLATE -----	1	
-37	0710005-1	STIFFENER -----	2	
-38	0710005-2	STIFFENER -----	2	
-39		DELETED, NOT AVAILABLE -----		
-40		DELETED, NOT AVAILABLE -----		
	0711112-9	BULKHEAD ASSEMBLY-FUSELAGE STA 90.00 WEU 0711112-10 -----	1	AH
	0711112-10	BULKHEAD ASSEMBLY-FUSELAGE STA 90.00 -----	1	AJ
-41	0711112-8	BULKHEAD-FUSELAGE WEU 0711112-14 -----	1	AH
	0711112-14	BULKHEAD-FUSELAGE -----	1	AJ
-42	0512113-7	ANGLE -----	1	
-43	0742111-1	REINFORCEMENT-BULKHEAD WEU 0742111-2 -----	1	AH
	0742111-2	REINFORCEMENT-BULKHEAD -----	1	AJ
-44	0711801-2	DOUBLER ASSEMBLY-CARGO TIE DOWN -----	2	Z
-44A	0711112-3	RETAINER-WINDOW -----	1	AH
	0711112-12	RETAINER-WINDOW -----	1	AJ
-45	0511176	CLIP-UPHOLSTERY RETAINING -----	6	
	NAS697A3	NUT-ANCHOR -----	1	
	NAS697A4	NUT-ANCHOR -----	1	
	NAS395-5-3	NUT -----	4	
	0710008-3	ANGLE ASSEMBLY-SEAT BELT ATTACH -----	1	AJ
	NAS696A4	NUTPLATE -----	2	AJ
	0716128-45	DOUBLER TACTAIR INSTALLATION ONLY -----	1	
-46	0710003-6	STRINGER-FUSELAGE LOWER RH -----	1	
	0710003-5	STRINGER-FUSELAGE LOWER LH -----	1	
-47	0710003-12	STRINGER-FUSELAGE LOWER -----	1	
-48	0710007-1	BULKHEAD ASSEMBLY-LOWER STA 90.00 TO 108.00 -----	1	AH
	0710007-3	BULKHEAD-LOWER STA 90.00 TO 108.00 -----	1	AJ
-49	0711091-5	BULKHEAD-FUSELAGE UPPER LH STA 65.33 TO 90.00 -----	1	
	0711091-6	BULKHEAD-FUSELAGE UPPER RH STA 65.33 TO 90.00 -----	1	
-49A	0712518-2	BRACKET-SHOULDER HARNESS STOWAGE RH -----	1	AJ
	0712518-1	BRACKET-SHOULDER HARNESS STOWAGE LH -----	1	AJ
-50	0711091-3	BULKHEAD-FUSELAGE LOWER LH STA 65.33 TO 90.00 -----	1	
	0711091-4	BULKHEAD-FUSELAGE LOWER RH STA 65.33 TO 90.00 -----	1	
-51	0711084-15	PLATE ASSEMBLY-CENTER SEAT BELT ATTACHMENT LH -----	1	
	0711084-16	PLATE ASSEMBLY-CENTER SEAT BELT ATTACHMENT RH -----	1	
-52	0710003-10	SKIN-FUSELAGE LOWER STA 65.33 TO 90.00 -----	1	
-53	0710003-7	DOUBLER-LOWER SKIN LH -----	1	
	0710003-8	DOUBLER-LOWER SKIN RH -----	1	
	NAS680A3	NUTPLATE -----	2	
-54	0791101-12	SKIN ASSEMBLY-REAR CABIN TOP SEE FIG 26 -----	1	AH
	0791101-17	SKIN ASSEMBLY-REAR CABIN TOP SEE FIG 26 -----	1	AJ
-54A	0712763-1	SUPPORT ASSEMBLY-SHOULDER HARNESS ATTACH LH -----	1	AJ
	0712763-2	SUPPORT ASSEMBLY-SHOULDER HARNESS ATTACH RH -----	1	AJ
	NAS687A4	NUTPLATE -----	1	AJ
-55	0710003-9	SKIN-FUSELAGE LOWER STA 90.00 TO 108.00 -----	1	
-56	0511232-4	STRAP-SHOULDER HARNESS REINFORCEMENT -----	2	AH
-57	0511133	BRACKET-UPHOLSTERY -----	4	
-58	0711116-1	BRACKET-UPHOLSTERY -----	2	
-59	0710004-3	REINFORCEMENT WEU 0711786-1 -----	1	AB
	0711786-1	REINFORCEMENT -----	1	AC
-60	0711101-17	CLIP -----	2	
-61	0711054-2	BULKHEAD-BAGGAGE SHELF -----	1	

CONTINUED ON NEXT PAGE

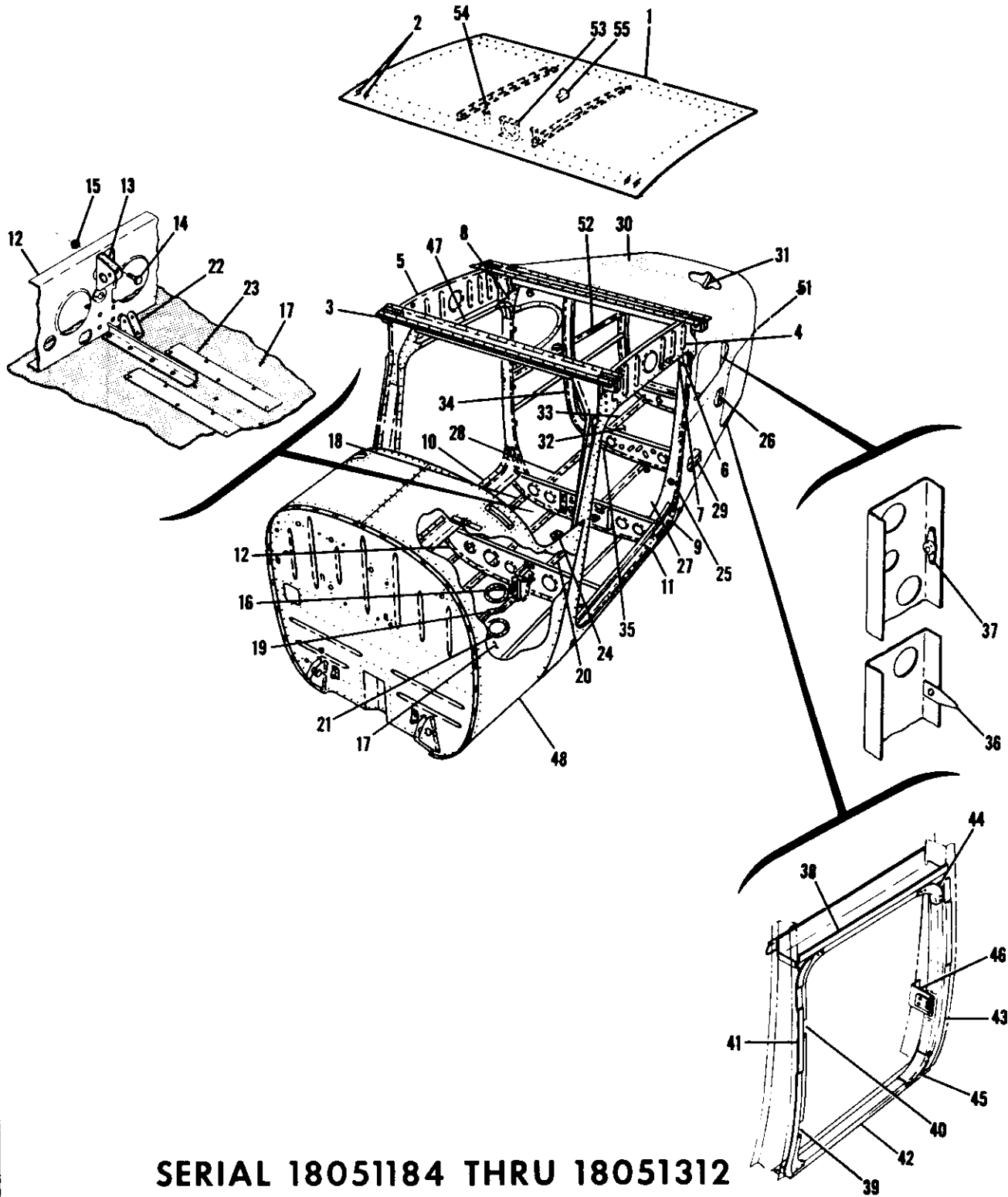
FIGURE AND INDEX NO.	PART NUMBER	DESCRIPTION	UNITS PER ASSY							USABLE ON CODE	
			1	2	3	4	5	6	7		
			1 2 3 4 5 6 7								
24 -62	0710031-1	SUPPORT-BAGGAGE SHELF								1	
	0710031-4	SUPPORT-BAGGAGE SHELF								1	
-63	0711093-1	JAMB ASSEMBLY-BAGGAGE DOOR UPPER								1	
	NAS680A08	NUTPLATE								1	
-64	5102128-8	SCREW								1	
-65	0711101-4	JAMB-BAGGAGE DOOR FORWARD								1	AB
-66	0711101-8	JAMB-BAGGAGE DOOR LOWER								1	AC
	0711101-42	JAMB-BAGGAGE DOOR LOWER								1	
-67	0711101-6	JAMB-BAGGAGE DOOR AFT								1	
-68	0711101-15	GUSSET-BAGGAGE DOOR AFT UPPER								1	AB
-69	0711101-16	GUSSET-BAGGAGE DOOR AFT LOWER								1	AC
	0711101-43	GUSSET-BAGGAGE DOOR AFT LOWER								1	
-70	0711101-7	REINFORCEMENT-BAGGAGE DOOR LATCH								1	
-71	0311319-1	PLATE-BAGGAGE DOOR STRIKER								1	
-72	0311319-2	SHIM-STRIKER PLATE								1	
		ATTACHING PARTS								2	
-73	AN515-8R8	SCREW								2	
		BRACKET-BAGGAGE DOOR LOWER HINGE								1	
-74	0711101-10	BRACKET-BAGGAGE DOOR UPPER HINGE								1	
-75	0711101-11	RIVET								9	
-76	CR163-4-10	RIVET								1	F
-77	0700105-423	GUSSET-UPHOLSTERY RETAINER FWD LH								1	F
	0700105-424	GUSSET-UPHOLSTERY RETAINER FWD RH								1	
		DELETED, NOT AVAILABLE								2	
-78		CLIP-UPHOLSTERY RETAINING								1	G
-79	0413181-2	ADAPTER-ROTATING BEACON								1	
-80	0713165-1	ATTACHING PARTS								5	G
		NUTPLATE								5	G
-81	NAS697A06	SCREW								5	
	AN515-6R8	SCREW								1	
-82	0711090-1	PLATE-ASH RECEIVER REINFORCEMENT LH								1	
	0711090-2	PLATE-ASH RECEIVER REINFORCEMENT RH								2	W
	0711129-5	STIFFENER-SEAT BACK CATCH								2	W
-83	0711129-1	BRACKET								1	N
-83A	1210032-9	VIBRATION DAMPENER LH								1	N
	1210032-8	VIBRATION DAMPENER RH								1	
-84	0711131-3	RETAINER ASSEMBLY-UPHOLSTERY LH								1	
	0711131-4	RETAINER ASSEMBLY-UPHOLSTERY RH								1	C
-85	0710104-1	BRACKET ASSEMBLY-LIGHT CONSOLE								1	D
	0511484-1	BRACKET ASSEMBLY-LIGHT CONSOLE								3	C
	NAS395-6-3	NUT								1	C
-86	0511483-1	BRACKET ASSEMBLY-LIGHT CONSOLE								1	C
-87	0511296-1	ANGLE-LH-SPEAKER								1	C
	0511296-2	ANGLE-RH-SPEAKER								1	C
	0511485-1	BRACKET-SPEAKER								2	P
<p>A---SERIAL 185-0001 THRU 185-1565 SERIAL 18051313 THRU 18052084</p> <p>B---SERIAL 185-1566 THRU 18502310 SERIAL 18052085 THRU 18052384</p> <p>C---SERIAL 185-0001 THRU 185-0512 SERIAL 185-0513 THRU 18502310</p> <p>D---SERIAL 185-0513 THRU 18502310 SERIAL 18051313 THRU 18052384</p> <p>E---SERIAL 185-0001 THRU 185-0653 SERIAL 185-0001 THRU 185-0420</p> <p>F---SERIAL 185-0001 THRU 185-0420 SERIAL 185-0001 THRU 185-0540</p> <p>G---SERIAL 185-0001 THRU 185-0540 SERIAL 18051313 THRU 18051445</p> <p>H---SERIAL 18051313 THRU 18051445 SERIAL 185-0654 THRU 185-0776</p> <p>J---SERIAL 185-0654 THRU 185-0776 SERIAL 185-0001 THRU 18501934</p> <p>K---SERIAL 185-0001 THRU 18501934 SERIAL 18051313 THRU 18052221</p> <p>L---SERIAL 18501935 THRU 18502310 SERIAL 18052222 THRU 18052384</p> <p>M---SERIAL 18051313 THRU 18052384 SERIAL 18051446 THRU 18052384</p> <p>N---SERIAL 18051446 THRU 18052384 SERIAL 185-0777 THRU 18502310</p> <p>P---SERIAL 185-0513 THRU 185-0776 SERIAL 18051313 THRU 18051445</p> <p>Q---SERIAL 185-0001 THRU 185-0967 SERIAL 18051313 THRU 18051607</p>											
CONTINUED ON NEXT PAGE											

FIGURE AND INDEX NO.	PART NUMBER	DESCRIPTION	UNITS PER ASSY	USABLE ON CODE
24 -		<p>1 2 3 4 5 6 7</p> <p>R---SERIAL 185-0968 THRU 18501832 SERIAL 18051608 THRU 18052175 S---SERIAL 185-0777 THRU 185-0967 T---SERIAL 185-0968 THRU 185-1300 U---SERIAL 18051446 THRU 18051607 V---SERIAL 18051608 THRU 18051875 W---SERIAL 185-0001 THRU 185-1149 SERIAL 18051313 THRU 18051774 X---SERIAL 185-1301 THRU 185-1599 Y---SERIAL 18051876 THRU 18052103 Z---SERIAL 18502091 THRU 18502310 SERIAL 18052285 THRU 18052384 AA---SERIAL 18052104 THRU 18052384 AB---SERIAL 185-0001 THRU 18501667 SERIAL 18051313 THRU 18052134 AC---SERIAL 18501668 THRU 18502310 SERIAL 18052135 THRU 18052384 AD---SERIAL 18501600 THRU 18501832 AE---SERIAL 18052104 THRU 18052175 AF---SERIAL 18501833 THRU 18502310 AG---SERIAL 18052176 THRU 18052384 AH---SERIAL 185-0001 THRU 18501832 SERIAL 18051313 THRU 18052175 AJ---SERIAL 18501833 THRU 18502310 SERIAL 18052176 THRU 18052384</p>		

FIGURE AND INDEX NO.	PART NUMBER	DESCRIPTION	UNITS PER ASSY	USABLE ON CODE
		1 2 3 4 5 6 7		
25 -	0791102-11	FRONT & CENTER SECTION ASSEMBLY-FUSELAGE -----	1	A
- 1	1210020-200	TOP ASSEMBLY-CABIN -----	1	
- 2	NAS444-14	NUT -----	4	
- 3	0511000-63	RETAINER-WINDSHIELD SEE FIGURE 31 -----	1	
- 4	0511000-43	RIB-FUSELAGE FRONT & CENTER SECTION LH -----	1	
- 5	0511000-44	RIB-FUSELAGE FRONT & CENTER SECTION RH -----	1	
- 6	0511000-6	FRAME-DOOR UPPER OUTBOARD LH -----	1	
	0511000-7	FRAME-DOOR UPPER OUTBOARD RH -----	1	
- 7	0511000-22	FRAME-DOOR UPPER INBOARD LH -----	1	
	0511000-23	FRAME-DOOR UPPER INBOARD RH -----	1	
- 8	0511000-9	GUSSET PLATE-REAR UPPER DOOR JAMB RH -----	1	
	0511000-8	GUSSET PLATE-REAR UPPER DOOR JAMB LH -----	1	
	0511150	BRACKET -----	1	
	0511150-1	BRACKET -----	1	
- 9	0511116	SILL ASSEMBLY-DOOR LOWER LH -----	1	
-10	0511116-1	SILL ASSEMBLY-DOOR LOWER RH -----	1	
-11	0511000-36	SUPPORT-LOWER DOOR SILL LH -----	1	
	0511000-37	SUPPORT-LOWER DOOR SILL RH -----	1	
-12	0511290-3	BULKHEAD ASSEMBLY STA 44.00 -----	1	
-13	0411447	BRACKET-ELEVATOR PULLEY -----	1	
		ATTACHING PARTS -----	1	
-14	AN520-10R7	BOLT -----	1	
-15	MS21044N3	NUT -----	1	

CONTINUED ON NEXT PAGE				

Fuselage (Cont)



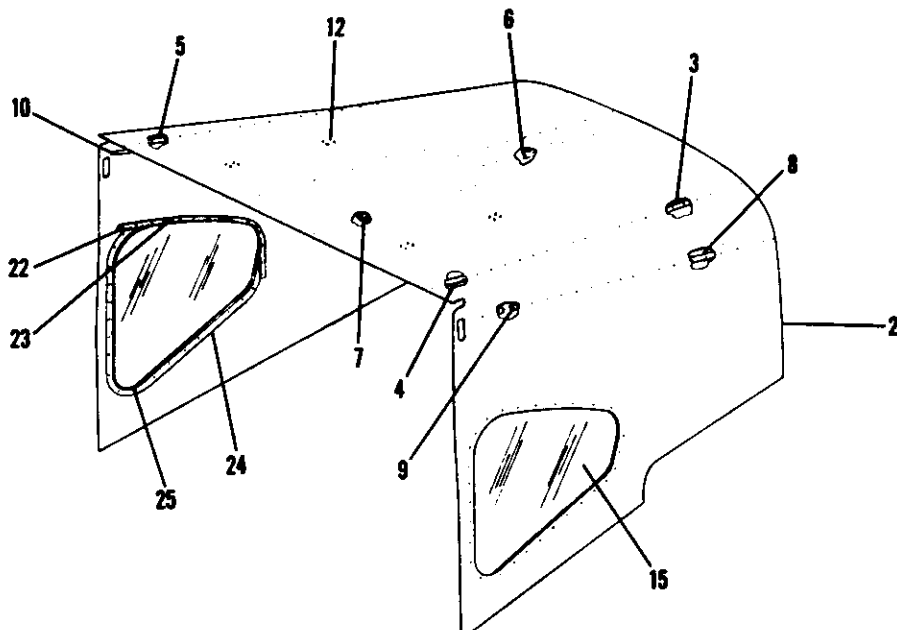
SERIAL 18051184 THRU 18051312

Figure 25. Fuselage Front & Center Section

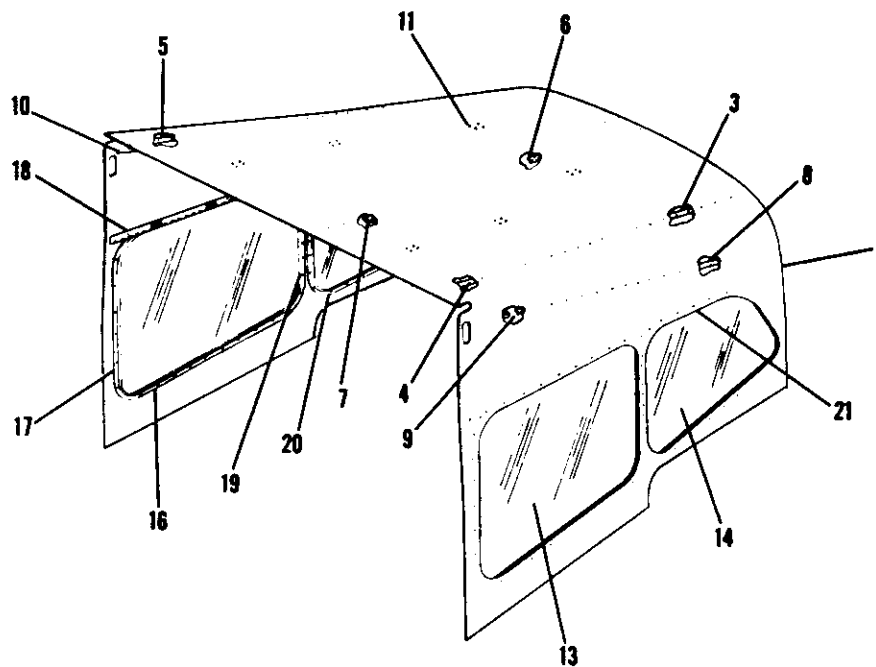
FIGURE AND INDEX NO.	PART NUMBER	DESCRIPTION	UNITS PER ASSY	USABLE ON CODE
		1 2 3 4 5 6 7		
25 -16	0711003	BRACKET ASSEMBLY-IDLER SPROCKET -----	1	
	NAS680A3	NUT -----	1	
-17	0791100-3	SKIN ASSEMBLY-FUSELAGE CENTER SECTION LOWER ----- STA 27.812 TO 65.33	1	
-18	0511000-11	STRINGER-FUSELAGE CENTER SECTION -----	4	
-19	0511000-35	STRINGER-FUSELAGE CENTER -----	1	
-20	0511000-38	STRINGER-FUSELAGE CENTER SECTION -----	1	
-21	S226-3	DOUBLER-INSPECTION OPENING -----	2	
	NAS395-14-3	NUT -----	3	
-22	0510174	BRACKET-TAB PULLEY -----	1	
-23	0511000-60	RUB STRIP -----	2	
	S349	GROMMET-DRAIN -----	2	
-24	0716101	BRACKET-FUEL SELECTOR VALVE -----	1	
-25	0791102-4	BULKHEAD ASSEMBLY-FUSELAGE STA 65.33 SEE FIGURE 32 --	1	
-26	0413181-2	CLIP-UPHOLSTERY RETAINING -----	2	
-27	0791102-2	SKIN ASSEMBLY-FUSELAGE LOWER STA 65.33 TO 90.00 -----	1	
-28	0512000-20	STRINGER-FUSELAGE LOWER -----	3	
-29	0710025-2	STRINGER-FUSELAGE LH ONLY -----	1	
-30	0791102-3	SKIN ASSEMBLY-REAR CABIN TOP STA 65.33 TO 108.00 ----- SEE FIGURE 26	1	
-31	0511232-4	STRAP-SHOULDER HARNESS REINFORCEMENT -----	2	
-32	0710020-14	SKIN-FUSELAGE LOWER STA 90.00 TO 108.00 -----	1	
-33	0710025-1	STIFFENER-SKIN LOWER -----	2	
-34	0791102-6	BULKHEAD ASSEMBLY-FUSELAGE STA 90.00 -----	1	
-35	0512113-7	ANGLE-REINFORCEMENT -----	4	
-36	0511176	CLIP-UPHOLSTERY RETAINING -----	1	
-37	NAS697A3	NUT-ANCHOR -----	4	
	NAS697A4	NUT-ANCHOR -----	1	
	NAS395-5-3	NUT -----	4	
-38	0711101-32	JAMB ASSEMBLY-BAGGAGE DOOR UPPER -----	1	
	NAS680A08	NUTPLATE -----	2	
	MS20366F1032	NUTPLATE -----	1	
-39	0711101-10	BRACKET-BAGGAGE DOOR LOWER HINGE -----	1	
-40	0711101-11	BRACKET-BAGGAGE DOOR UPPER HINGE -----	1	
-41	0711101-4	JAMB-BAGGAGE DOOR FORWARD -----	1	
-42	0711101-8	JAMB-BAGGAGE DOOR LOWER -----	1	
-43	0711101-6	JAMB-BAGGAGE DOOR AFT -----	1	
-44	0711101-15	GUSSET-BAGGAGE DOOR AFT UPPER -----	1	
-45	0711101-16	GUSSET-BAGGAGE DOOR AFT LOWER WEU 0711101-43 -----	1	
-46	0711101-7	REINFORCEMENT-BAGGAGE DOOR LATCH -----	1	
-47	0711131-3	RETAINER ASSEMBLY-HEADLINER LH -----	1	
	0711131-4	RETAINER ASSEMBLY-HEADLINER RH -----	1	
-48	0791302-8	STRUCTURE ASSEMBLY-FUSELAGE FRONT SECTION SEE FIG 29 -----	1	
-49		DELETED, NOT AVAILABLE -----	2	
	0711101-17	CLIP -----	1	
-50		DELETED, NOT AVAILABLE -----	1	
-51	0511145	SUPPORT-BAGGAGE SHELF -----	1	
-52	0511146	RETAINER -----	1	
-53	0511484-1	BRACKET ASSEMBLY-LIGHT CONSOLE -----	2	
-54	0511485-1	ANGLE-SPEAKER -----	1	
-55	0511483-1	BRACKET ASSEMBLY-LIGHT CONSOLE -----	1	

A---SERIAL 18051184 THRU 18051312

Fuselage (Cont)



MODEL 180 SERIAL 18051184 THRU 18051312



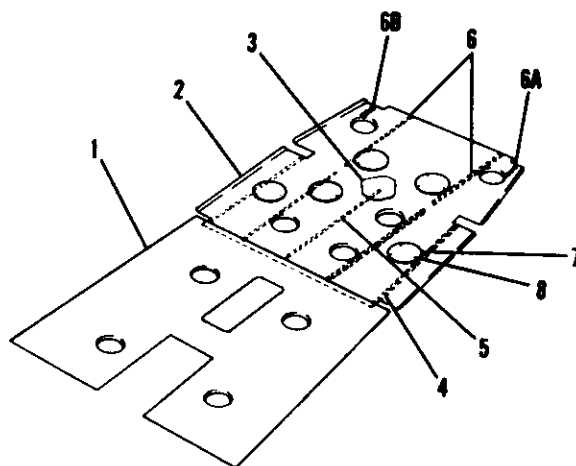
MODEL 185 SERIAL 185-0001 & ON
MODEL 180 SERIAL 18051313 & ON

Figure 26. Rear Cabin Top Skin Assembly

FIGURE AND INDEX NO.	PART NUMBER	DESCRIPTION	UNITS PER ASSY	USABLE ON CODE		
					1	2
26 -	0791101-7	SKIN ASSEMBLY-REAR CABIN TOP STA 65.33 TO 108.00 -----	1	B		
	0791101-15	SKIN ASSEMBLY-REAR CABIN TOP STA 65.33 TO 108.00 -----	1	D		
	0791101-18	SKIN ASSEMBLY-REAR CABIN TOP STA 65.33 TO 108.00 -----	1	G		
	0791101-16	SKIN ASSEMBLY-REAR CABIN TOP STA 65.33 TO 108.00 -----	1	E		
	0791101-19	SKIN ASSEMBLY-REAR CABIN TOP WITH TINTED WINDOWS STA 65.33 TO 108.00 -----	1	G		
- 1	0791101-12	SKIN ASSEMBLY-REAR CABIN TOP LESS WINDOWS -----	1	D		
	0791101-17	SKIN ASSEMBLY-REAR CABIN TOP LESS WINDOWS -----	1	G		
- 2	0791102-3	SKIN ASSEMBLY-REAR CABIN TOP LESS WINDOWS -----	1	B		
- 3	0711114-1	STRINGER-LH -----	1			
	0711114-2	STRINGER-RH -----	1			
- 4	0711113-1	STRINGER-LH -----	1			
- 5	0711113-2	STRINGER-RH -----	1			
- 6	0711115-1	STRINGER-LH -----	1			
	0711115-2	STRINGER-RH -----	2			
- 7	0711118-1	STIFFENER ASSEMBLY -----	2			
	0411680	HANGER -----	2			
- 8	0710024-1	STRINGER-LH -----	1	F		
	0710024-3	STRINGER-LH -----	1	G		
	0710024-2	STRINGER-RH -----	1	F		
	0710024-1	STRINGER-RH -----	1	G		
- 9	0710023-1	ANGLE-LH -----	1			
-10	0710023-2	ANGLE-RH -----	1			
-11	0512000-66	BRACKET ASSEMBLY -----	6	A		
	0411680	HANGER -----	1			
-12	0512000-66	BRACKET ASSEMBLY -----	4	B		
	0411680	HANGER -----	1			
-13	0700112-1	WINDOW-SIDE CLEAR -----	2	A		
	0700112-2	WINDOW-SIDE TINTED -----	2	C		
-14	0700111-1	WINDOW-AFT CLEAR -----	2	C		
	0700111-2	WINDOW-AFT TINTED -----	2	B		
-15	0710108-3	WINDOW-REAR -----	1	A		
-16	0710026-2	RETAINER-SIDE WINDOW LOWER RH -----	1	A		
	0710026-1	RETAINER-SIDE WINDOW LOWER LH -----	1	A		
-17	0710113-6	RETAINER-SIDE WINDOW UPHOLSTERY RH -----	1	A		
	0710113-5	RETAINER-SIDE WINDOW UPHOLSTERY LH -----	1	A		
-18	0710026-4	RETAINER-SIDE WINDOW UPPER RH -----	1	A		
	0710026-3	RETAINER-SIDE WINDOW UPPER LH -----	1	A		
	0710113-4	RETAINER-SIDE WINDOW UPHOLSTERY UPPER RH -----	1	A		
	0710113-3	RETAINER-SIDE WINDOW UPHOLSTERY UPPER LH -----	1	A		
-19	0710026-6	RETAINER-SIDE WINDOW AFT RH -----	1	A		
	0710026-5	RETAINER-SIDE WINDOW AFT LH -----	1	A		
-20	0710110-2	RETAINER-REAR WINDOW RH -----	1	A		
	0710110-1	RETAINER-REAR WINDOW LH -----	1	A		
	0710112-2	RETAINER-REAR WINDOW UPHOLSTERY LOWER RH -----	1	A		
	0710112-1	RETAINER-REAR WINDOW UPHOLSTERY LOWER LH -----	1	A		
-21	0710111-1	RETAINER-REAR WINDOW UPHOLSTERY UPPER LH -----	1	A		
	0710111-2	RETAINER-REAR WINDOW UPHOLSTERY UPPER RH -----	1	B		
-22	0710105-4	RETAINER-UPHOLSTERY RH -----	1	B		
	0710105-3	RETAINER-UPHOLSTERY LH -----	4	B		
-23	0511133	BRACKET -----	1	B		
-24	0710106-4	FAIRING-WINDOW LOWER RH -----	1	B		
	0710106-3	FAIRING-WINDOW LOWER LH -----	1	B		
-25	0710107-4	RETAINER-WINDOW RH -----	1	B		
	0710107-3	RETAINER-WINDOW LH -----	1	B		

A---	SERIAL 185-0001 THRU 18502310	SERIAL 18051313 THRU 18052384
B---	SERIAL 18051184 THRU 18051312	
C---	SERIAL 185-1150 THRU 18502310	
	SERIAL 18051775 THRU 18052384	
D---	SERIAL 185-0001 THRU 18501832	
	SERIAL 18051313 THRU 18052175	
E---	SERIAL 185-1150 THRU 18501832	
	SERIAL 18051775 THRU 18052175	
F---	SERIAL 185-0001 THRU 18501832	
	SERIAL 18051184 THRU 18052175	
G---	SERIAL 18501833 THRU 18502310	
	SERIAL 18052176 THRU 18052384	

Fuselage (Cont)



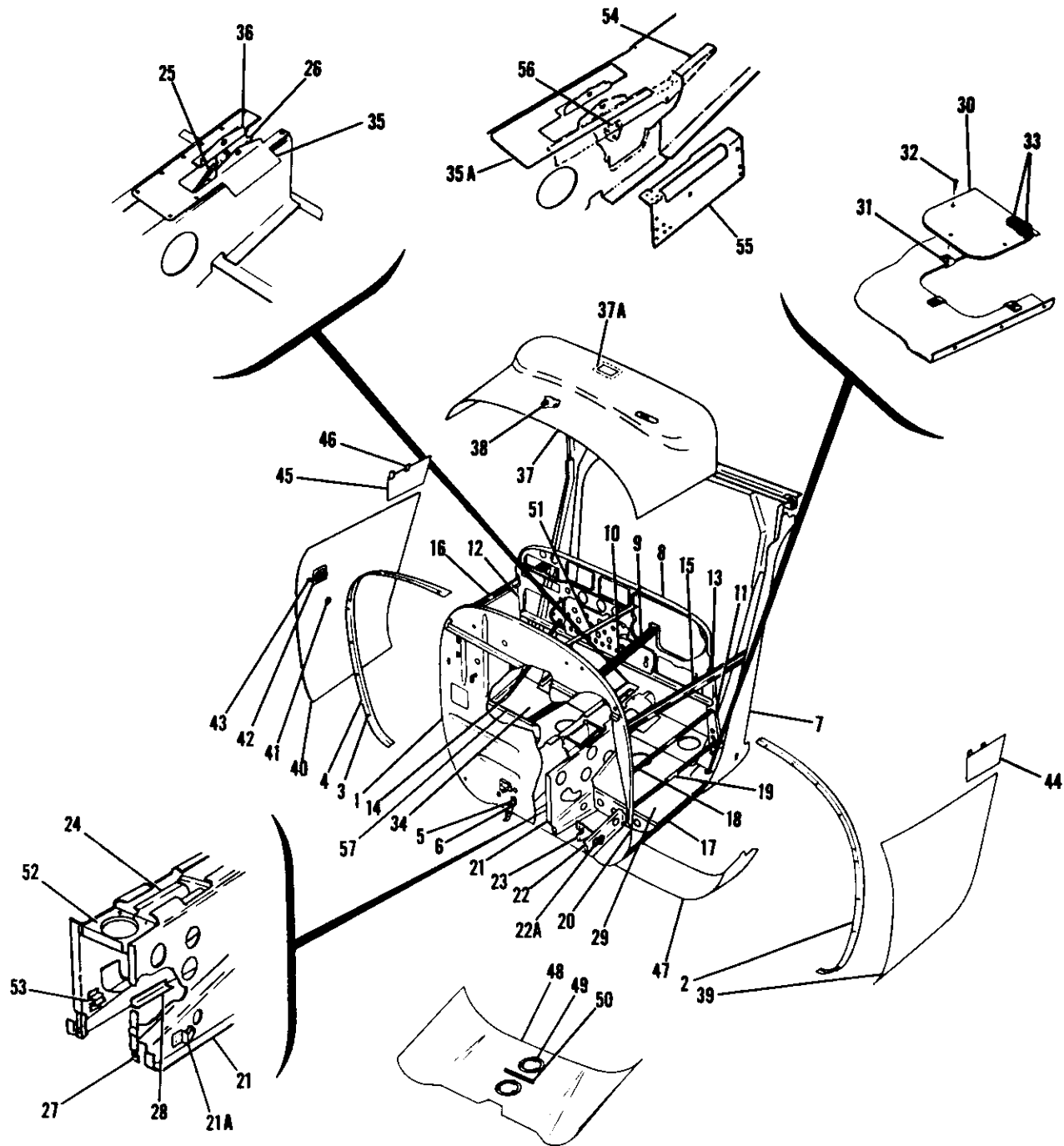
SERIAL 185-0001 THRU 18502310
SERIAL 18051313 THRU 18052384

Figure 27. Fuselage Center Section Floorboards Installation

FIGURE AND INDEX NO.	PART NUMBER	DESCRIPTION	UNITS PER ASSY	USABLE ON CODE
		1 2 3 4 5 6 7		
27 -		FLOORBOARD INSTALLATION-FUSELAGE CENTER SECTION -----	NP	A
- 1	0511000-41	FLOORBOARD-CENTER SECTION FRONT -----	1	
	0512107-39	FLOORBOARD ASSEMBLY-CENTER SECTION AFT -----	1	C
	0512107-43	FLOORBOARD ASSEMBLY-CENTER SECTION AFT -----	1	D
- 2	0512107-40	FLOORBOARD-SHEET -----	1	C
	0512107-44	FLOORBOARD-SHEET -----	1	D
- 3	0512107-41	PLATE-COVER -----	1	C
	0512107-45	PLATE-REINFORCEMENT -----	1	D
- 4	0512107-12	STIFFENER -----	4	
- 5	0512107-28	STIFFENER -----	1	
- 6	0512107-30	STIFFENER -----	2	
- 6A	0713942-1	SUPPORT ASSEMBLY-CHILDS SEAT LH -----	1	9
- 6B	0713942-2	SUPPORT ASSEMBLY-CHILDS SEAT RH -----	1	B
		ATTACHING PARTS		
	AN515-8R8	SCREW -----	2	B
		NUTPLATE -----	2	
	NAS697A08	PLATE-INSPECTION OPENING COVER -----	5	
- 7	5225-1	ATTACHING PARTS		
- 8	49330	STUD-TRIMOUNT UC -----	3	

		A---SERIAL 185-0001 THRU 18502310		
		SERIAL 18051313 THRU 18052384		
		9---SERIAL 18501600 THRU 18502310		
		SERIAL 18052104 THRU 18052384		
		C---SERIAL 185-0001 THRU 18501832		
		SERIAL 18051313 THRU 18052175		
		D---SERIAL 18501833 THRU 18502310		
		SERIAL 18052176 THRU 18052384		

Fuselage (Cont)



SERIAL 185-0001 THRU 18502310
SERIAL 18051313 THRU 18052384
Figure 28. Fuselage Front Section Structure Assembly

FIGURE AND INDEX NO.	PART NUMBER	DESCRIPTION	UNITS PER ASSY	USABLE ON CODE		
					1	2
28 -	0791303-1	STRUCTURE ASSEMBLY-FUSELAGE FRONT SECTION -----	1	C		
	0791303-4	STRUCTURE ASSEMBLY-FUSELAGE FRONT SECTION -----	1	D		
	0791303-5	STRUCTURE ASSEMBLY-FUSELAGE FRONT SECTION -----	1	H		
	0791303-7	STRUCTURE ASSEMBLY-FUSELAGE FRONT SECTION -----	1	W		
	0791309-9	STRUCTURE ASSEMBLY-FUSELAGE FRONT SECTION -----	1	AA		
		STRUCTURE ASSEMBLY-FUSELAGE FRONT SECTION -----	NP	AD		
	0791303-3	STRUCTURE ASSEMBLY-FUSELAGE FRONT SECTION -----	1	J		
	0791303-6	STRUCTURE ASSEMBLY-FUSELAGE FRONT SECTION -----	1	K		
	0791303-8	STRUCTURE ASSEMBLY-FUSELAGE FRONT SECTION -----	1	X		
	0791309-10	STRUCTURE ASSEMBLY-FUSELAGE FRONT SECTION -----	1	AB		
		STRUCTURE ASSEMBLY-FUSELAGE FRONT SECTION -----	NP	AE		
- 1	SEE FIG 33	FIREWALL ASSEMBLY -----	1			
- 2	0753009-1	STRIP-COWLING ATTACHMENT LH -----	1			
- 3	0753009-2	STRIP-COWLING ATTACHMENT RH -----	1			
- 4	4002-244-16	RECEPTACLE CLC -----	18			
- 5	0752033-1	BRACKET ASSEMBLY-LH -----	1			
	0752033-2	BRACKET ASSEMBLY-RH -----	1			
- 6	0713121-1	SPACER -----	2			
- 7	0513006-142	BULKHEAD ASSEMBLY-LANDING GEAR SEE FIGURE 30 -----	1			
- 8	0713185-1	PANEL ASSEMBLY-STATIONARY INSTRUMENT SEE FIGURES 67 & 68 -----	1	M		
	0713755-1	PANEL ASSEMBLY-STATIONARY INSTRUMENT SEE FIGURE 68A -----	1	Y		
	0700193-2	PANEL ASSEMBLY-STATIONARY INSTRUMENT SEE FIGURE 68B -----	1	Z		
	0700193-16	PANEL ASSEMBLY-STATIONARY INSTRUMENT SEE FIGURE 68B -----	1	AC		
	0713965-2	PANEL ASSEMBLY-STATIONARY INSTRUMENT SEE FIGURE 68C -----	1	AF		
- 9	0713506-1	BRACE-INSTRUMENT PANEL -----	1	M		
-10	0713506-2	BRACE-INSTRUMENT PANEL -----	1	M		
	0713236-1	BRACE-INSTRUMENT PANEL LH -----	1	AG		
	0713321-1	BRACE-INSTRUMENT PANEL LH -----	1	AH		
	0713236-2	BRACE-INSTRUMENT PANEL RH -----	1	N		
-11	0713105-1	BULKHEAD-INSTRUMENT PANEL SUPPORT LH -----	1			
-12	0713105-2	BULKHEAD-INSTRUMENT PANEL SUPPORT RH -----	1			
-13	0713145-1	BRACE-INSTRUMENT PANEL LH -----	1			
	0713145-2	BRACE-INSTRUMENT PANEL RH -----	1			
-14	0713161-1	BRACE-INSTRUMENT PANEL -----	1	M		
-15	0713143-1	STRINGER ASSEMBLY-ENGINE MOUNT UPPER LH -----	1			
-16	0713143-2	STRINGER ASSEMBLY-ENGINE MOUNT UPPER RH -----	1			
-17	0713142-1	STRINGER ASSEMBLY-ENGINE MOUNT LOWER -----	2			
-18	0713767-2	ANGLE-UPPER -----	2			
-19	0713767-1	ANGLE-LOWER -----	2			
-20	0713144-1	BULKHEAD-FUSELAGE LOWER LH -----	1			
	0713144-2	BULKHEAD-FUSELAGE LOWER RH -----	1			
-21	0510113-21	BULKHEAD-FRONT SECTION TUNNEL LH -----	1	C		
	0510113-23	BULKHEAD ASSEMBLY-FRONT SECTION TUNNEL LH -----	1	L		
	0510113-25	BULKHEAD ASSEMBLY-FRONT SECTION TUNNEL LH -----	1	U		
-21A	0713624-2	ANCHOR-BRAKE CYLINDER -----	1	G		
	0510113-19	BULKHEAD-FRONT SECTION TUNNEL RH -----	1	V		
	0510113-26	BULKHEAD ASSEMBLY-FRONT SECTION TUNNEL RH -----	1	U		
-22	0713008-1	BULKHEAD-RUDDER PEDAL OUTBOARD LH WHEN EXHAUSTED -----	1	P		
		USE 0713241-1 -----				
-22A	0713241-1	BULKHEAD ASSEMBLY-RUDDER PEDAL OUTBOARD LH -----	1	R		
	0713624-2	ANCHOR-BRAKE CYLINDER -----	1	R		
	0713008-2	BULKHEAD-RUDDER PEDAL OUTBOARD RH WHEN EXHAUSTED -----	1	P		
		USE 0713008-4 -----				
	0713008-4	BULKHEAD-RUDDER PEDAL OUTBOARD RH -----	1	R		
-23	0713070-20	BRACKET-PARKING BRAKE -----	1			
-24	0510135	SUPPORT ASSEMBLY-CONTROL TEE -----	1			
-25	0713115-3	BRACKET-FORWARD -----	1			
-26	0713116-3	BRACKET-AFT -----	1			
-27	0713053-5	ANGLE-TUNNEL REINFORCEMENT LH -----	1			
	0713053-6	ANGLE-TUNNEL REINFORCEMENT RH -----	1			
-28	0513038-5	ANGLE-TUNNEL REINFORCEMENT -----	2			
-29	0713002-10	FLOORBOARD ASSEMBLY-FUSELAGE FRONT SECTION LH -----	1			
-30	0713002-8	COVER -----	1			
		ATTACHING PARTS -----				
-31	NAS395-6-3	NUT -----	3			
-32	S102126-4	SCREW -----	3			

-33	M535489-14	GROMMET -----	2			
-34	0713002-12	FLOORBOARD-FUSELAGE FRONT SECTION RH -----	1			

CONTINUED ON NEXT PAGE

FIGURE AND INDEX NO.	PART NUMBER	DESCRIPTION	UNITS PER ASSY	USABLE ON CODE
28 -35	0713015-8	COVER ASSEMBLY-TUNNEL AFT -----	1	E
-35A	0713015-10	COVER ASSEMBLY-TUNNEL AFT -----	1	F
	0713825-1	COVER ASSEMBLY-TUNNEL AFT -----	1	S
	SEE FIG 100A	STABILIZER TRIM WHEEL INSTALLATION -----	1	T
-36	SEE FIG 100A	BRACKET & LOCK ASSEMBLY-TRIM WHEEL -----	1	
-37	0713151-5	SKIN-DECK -----	1	M
	0713766-3	SKIN-DECK -----	1	N
-37A	0713766-10	DOUBLER -----	1	N
-38	0513112-1	SUPPORT ASSEMBLY -----	1	M
-39	0713766-7	SKIN-FORWARD FUSELAGE LH -----	1	
-40	0713766-8	SKIN-FORWARD FUSELAGE RH -----	2	A
-41	S347-1	FLANGE-PITOT STATIC LINE -----	2	A
	S1141-1	WASHER-PITOT STATIC LINE -----	2	Q
	S1776-3	BUTTON-PITOT STATIC LINE -----	2	AF
	S1776-1	BUTTON-PITOT STATIC LINE -----	1	
-42	0713135-2	DOOR ASSEMBLY-COLD AIR INLET -----	1	
	0713139-1	INLET ASSEMBLY-COLD AIR INLET -----	1	
	0713140-1	SEAL-COLD AIR INLET -----	1	
-43	0450286	CLIP -----	1	
-44	0713766-5	SKIN-RETAINER LH -----	1	
-45	0713766-6	SKIN-RETAINER RH -----	1	
-46	0713107-1	CLIP -----	4	
-47	0713100-25	SKIN-LANDING GEAR BULKHEAD LOWER -----	1	
	CR163-4-4	RIVET CY -----	2	
-48	0791303-2	SKIN ASSEMBLY-FUSELAGE FRONT SECTION LOWER -----	1	
-49	S226-3	DOUBLER -----	2	
	NAS395-14-3	NUT -----	6	
-50	0713168-1	STIFFENER -----	1	
-51	0713182-1	BRACE-INSTRUMENT PANEL STIFFENER -----	1	M
	S1021Z6-8	ATTACHING PARTS	1	M
	NAS446-2-3	SCREW -----	1	M
		NUT -----	1	M
-52	0713052-1	BULKHEAD-TUNNEL -----	1	B
-53	0510128	BRACKET-RUDDER PEDAL SPRING RH -----	1	B
	0510128-1	BRACKET-RUDDER PEDAL SPRING LH -----	1	B
	0713119-1	CHANNEL-PARKING BRAKE STIFFENER -----	1	
-54	0713174-3	ANGLE-INNER -----	1	G
-55	0713198-2	ANGLE ASSEMBLY-OUTER -----	1	G
	NAS697A08	NUTPLATE -----	1	G
	NAS698A08	NUTPLATE -----	1	G
-56	0713199-1	SPACER -----	1	G
-57	SEE FIG 89	HEATER DUCT ASSEMBLY -----	1	

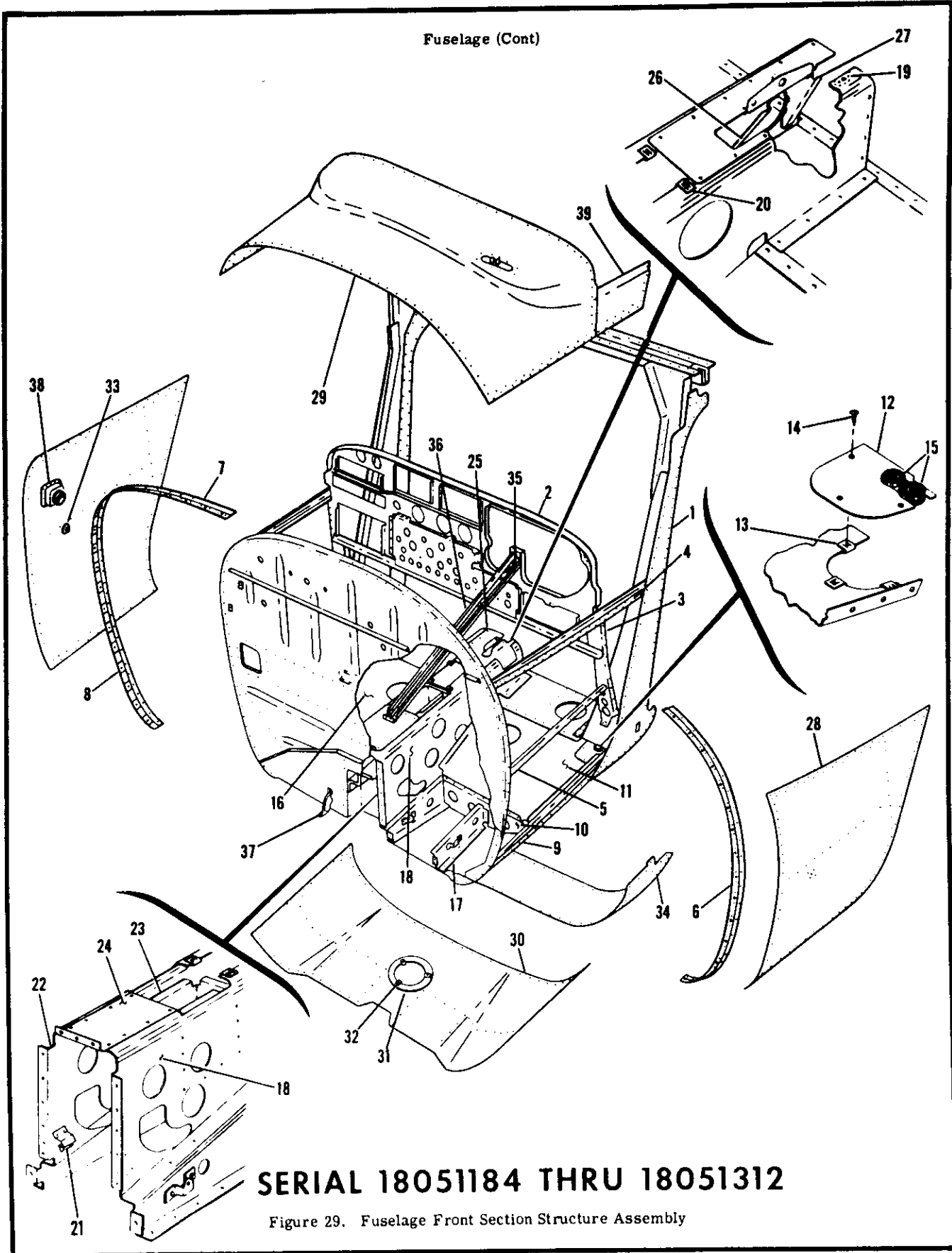
NOTE. *WHEN ORDERING THIS PART FOR AIRCRAFT PRIOR TO SERIAL 185-1239 & 18051845 ALSO ORDER S1776-3 BUTTON.

- A---SERIAL 185-0001 THRU 185-1238
SERIAL 18051313 THRU 18051844
- B---SERIAL 18051313 THRU 18052384
- C---SERIAL 185-0001 THRU 185-0653
- D---SERIAL 185-0654 THRU 185-0776
- E---SERIAL 185-0001 THRU 185-0576
- F---SERIAL 185-0577 THRU 185-0653
- G---SERIAL 185-0654 THRU 18502310
SERIAL 18051313 THRU 18052384
- H---SERIAL 185-0777 THRU 185-1300
- J---SERIAL 18051313 THRU 18051445
- K---SERIAL 18051446 THRU 18051875
- L---SERIAL 185-0654 THRU 185-1149
SERIAL 18051313 THRU 18052384
- M---SERIAL 185-0001 THRU 185-0776
SERIAL 18051313 THRU 18051445
- N---SERIAL 185-0777 THRU 18502310
SERIAL 18051446 THRU 18052384
- P---SERIAL 185-0001 THRU 185-0796
SERIAL 18051313 THRU 18051478
- Q---SERIAL 185-1239 THRU 18502090
SERIAL 18051845 THRU 18052284
- R---SERIAL 185-0797 THRU 18502310
SERIAL 18051479 THRU 18052384
- S---SERIAL 185-0654 THRU 185-0949
SERIAL 18051313 THRU 18051607

CONTINUED ON NEXT PAGE

FIGURE AND INDEX NO.	PART NUMBER	DESCRIPTION	UNITS PER ASSY	USABLE ON CODE
28 -		1 2 3 4 5 6 7		
		T---SERIAL 185-0950 THRU 18502310 SERIAL 18051608 THRU 18052384		
		U---SERIAL 185-1150 THRU 18502310		
		V---SERIAL 185-0001 THRU 185-1149 SERIAL 18051313 THRU 18052384		
		W---SERIAL 18051876 THRU 18052103		
		X---SERIAL 185-1301 THRU 185-1599		
		Y---SERIAL 185-0777 THRU 185-1300 SERIAL 18051446 THRU 18051875		
		Z---SERIAL 185-1301 THRU 185-1599 SERIAL 18051876 THRU 18052103		
		AA---SERIAL 18052104 THRU 18052284		
		AB---SERIAL 18501600 THRU 18502007, 18502026, 18502027		
		AC---SERIAL 18501600 THRU 18502090 SERIAL 18052104 THRU 18052284		
		AD---SERIAL 18052285 THRU 18052384		
		AE---SERIAL 18502008 THRU 18502025 18502028 THRU 18502310		
		AF---SERIAL 18502091 THRU 18502310 SERIAL 18052285 THRU 18052384		
		AG---SERIAL 185-0777 THRU 18502007 SERIAL 18051446 THRU 18052248		
		AH---SERIAL 18502008 THRU 18502310 SERIAL 18052249 THRU 18052384		

Fuselage (Cont)



SERIAL 18051184 THRU 18051312

Figure 29. Fuselage Front Section Structure Assembly

FIGURE AND INDEX NO.	PART NUMBER	DESCRIPTION	UNITS PER ASSY	USABLE ON CODE
			1 2 3 4 5 6 7	A
29 -	0791302-8	STRUCTURE ASSEMBLY-FUSELAGE FRONT SECTION -----	1	A
	0791302-7	FIREWALL ASSEMBLY SEE FIGURE 33 -----	1	
- 1	0791302-4	BULKHEAD ASSEMBLY-LANDING GEAR SEE FIGURE 30 -----	1	
- 2	0713185-1	PANEL ASSEMBLY-STATIONARY SEE FIGURE 67 -----	1	
- 3	0713105-1	BULKHEAD-INSTRUMENT PANEL SUPPORT LH -----	1	
	0713105-2	BULKHEAD-INSTRUMENT PANEL SUPPORT RH -----	1	
- 4	0713007-7	STRINGER ASSEMBLY-ENGINE MOUNT UPPER LH -----	1	
	0713007-8	STRINGER ASSEMBLY-ENGINE MOUNT UPPER RH -----	1	
- 5	0713100-9	ANGLE -----	2	
- 6	0753009-1	STRIP-COWLING ATTACHMENT LH -----	1	
- 7	0753009-2	STRIP-COWLING ATTACHMENT RH -----	1	
- 8	4002-244-16	RECEPTACLE-COWLING ATTACHMENT CLC -----	18	
- 9	0713006	STRINGER ASSEMBLY-ENGINE MOUNT LOWER -----	2	
-10	0713005-3	BULKHEAD-FUSELAGE LOWER LH STA 8.125 -----	1	
	0713005-4	BULKHEAD-FUSELAGE LOWER RH STA 8.125 -----	1	
	0713002-9	FLOORBOARD ASSEMBLY-FUSELAGE FRONT SECTION LH -----	1	
-11	0713002-1	FLOORBOARD -----	1	
-12	0713002-8	COVER -----	1	
		ATTACHING PARTS -----		
-13	NAS395-6-3	NUT -----	3	
-14	S102126-4	SCREW -----	3	

-15	MS35489-14	GROMMET -----	2	
-16	0713002-2	FLOORBOARD-FUSELAGE FRONT SECTION RH -----	1	
-17	0713008-1	BULKHEAD-RUDDER PEDAL OUTBOARD LH -----	1	
	0713008-2	BULKHEAD-RUDDER PEDAL OUTBOARD RH -----	1	
-18	0791300-5	BULKHEAD ASSEMBLY-FRONT SECTION TUNNEL -----	1	
-19	NAS444-2	NUTPLATE -----	1	
-20	NAS395-12-3	NUT -----	1	
-21	0510128	BRACKET-RUDDER PEDAL SPRING -----	1	
	0411342	PLATE-CONTROL -----	1	
-22	0791300-6	BULKHEAD ASSEMBLY-FRONT SECTION TUNNEL RH -----	2	
	NAS395-12-3	NUT -----	1	
	0510128	BRACKET-RUDDER PEDAL SPRING -----	1	
	0411342	PLATE-CONTROL -----	1	
-23	0510135	SUPPORT ASSEMBLY-CONTROL TEE -----	1	
-24	0510139	COVER PLATE-FUSELAGE TUNNEL FORWARD -----	1	
-25	0713015-6	PLATE ASSEMBLY-COVER SEE FIGURE 100 -----	1	
	0713023-7	BRACKET ASSEMBLY SEE FIGURE 100 -----	1	
-26	0713115-1	BRACKET-FORWARD -----	1	
-27	0713116-1	BRACKET-AFT -----	1	
-28	0713100-16	SKIN-FORWARD FUSELAGE LH -----	1	
	0713100-30	SKIN-FORWARD FUSELAGE RH -----	1	
-29	0713100-5	SKIN-DECK -----	1	
-30	0791302-3	SKIN ASSEMBLY-FUSELAGE FRONT SECTION LOWER -----	1	
-31	S226-3	DOUBLER-INSPECTION OPENING -----	1	
-32	NAS395-14-3	NUT -----	3	
-33	S347-1	FLANGE-PITOT STATIC LINE -----	2	
	MS20822-40	ELBOW -----	2	
-34	0713100-25	SKIN-LANDING GEAR BULKHEAD LOWER -----	1	
-35	0713506-1	BRACE-INSTRUMENT PANEL -----	1	
-36	0713506-2	BRACE-INSTRUMENT PANEL -----	1	
-37	0752033-1	BRACKET ASSEMBLY-LH -----	1	
	0752033-2	BRACKET ASSEMBLY-RH -----	1	
-38	0713135-2	DOOR ASSEMBLY-AIR VENT -----	1	
	0713139-1	INLET ASSEMBLY-AIR VENT -----	1	
	0713140-1	SEAL-AIR VENT INLET -----	1	
-39	0713100-3	SKIN-RETAINER LH -----	1	
	0713100-4	SKIN-RETAINER RH -----	1	

A---SERIAL 18051184 THRU 18051312

Fuselage (Cont)

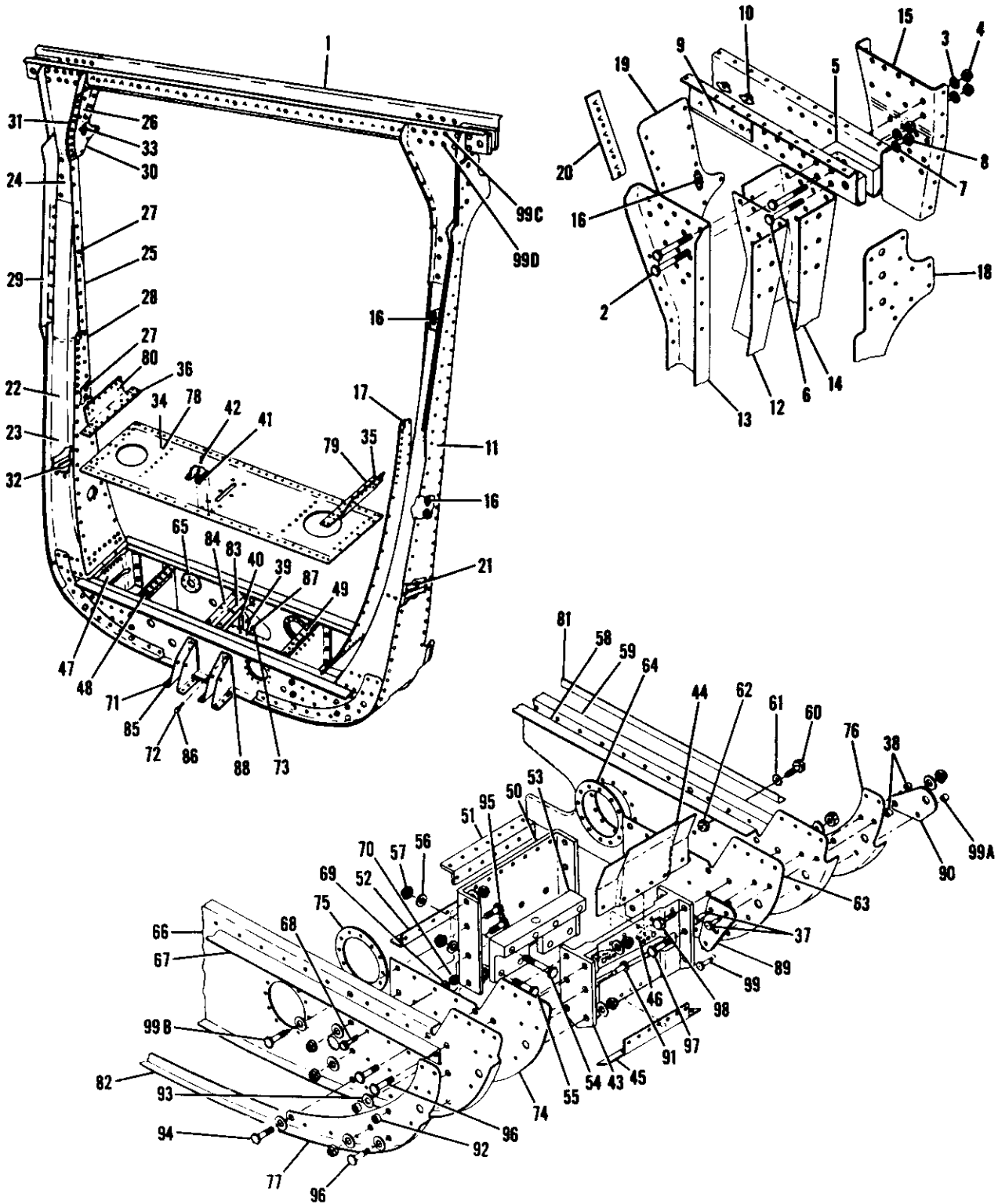


Figure 30. Landing Gear Bulkhead Assembly

FIGURE AND INDEX NO.	PART NUMBER	DESCRIPTION	UNITS PER ASSY	USABLE ON CODE
		1 2 3 4 5 6 7		
30 -	0513006-142	BULKHEAD ASSEMBLY-LANDING GEAR -----	1	A
	0791302-4	BULKHEAD ASSEMBLY-LANDING GEAR -----	1	B
- 1	0711066-1	SPAR ASSEMBLY-FUSELAGE CENTER SECTION FORWARD -----	1	A
	1213127-1	SPAR ASSEMBLY-FUSELAGE CENTER SECTION FORWARD -----	1	B
		ATTACHING PARTS		
- 2	AN3-21A	BOLT -----	4	
- 3	AN960-10	WASHER -----	8	
- 4	MS21044N3	NUT -----	4	
		-----*		
- 5	0411129	BLOCK-FUSELAGE SPAR BEARING -----	2	
		ATTACHING PARTS		
- 6	AN3-20A	BOLT -----	2	
- 7	AN960-10L	WASHER -----	2	
- 8	MS21044N3	NUT -----	2	
		-----*		
- 9	0412496	RETAINER -----	1	
-10	NAS686A3	NUTPLATE -----	4	
	S1863-3	NUTPLATE -----	3	A
-11	0513006-143	DOORPOST ASSEMBLY-FUSELAGE LH -----	1	A
	0791300-9	DOORPOST ASSEMBLY-FUSELAGE LH -----	1	B
	0513006-44	BULKHEAD ASSEMBLY-DOORPOST FORWARD LH -----	1	
-12	0513006-3	BULKHEAD-DOORPOST FORWARD LH -----	1	
-13	0513006-40	BRACKET-DOORPOST UPPER FORWARD LH -----	1	
	0513006-46	BULKHEAD ASSEMBLY-DOORPOST AFT LH -----	1	
-14	0513006-34	BULKHEAD-DOORPOST AFT LH -----	1	
-15	0513006-38	BRACKET-DOORPOST LH -----	1	
-16	NAS680A3	NUTPLATE -----	4	
-17	0513006-8	PLATE-DOOR SPLICE LH -----	1	
-18	0513006-101	SKIN-DOORPOST OUTER LH -----	1	
-19	0513006-42	REINFORCEMENT-DOORPOST INBOARD LH -----	1	
-20	0513006-25	RETAINER-HEADLINER LH -----	1	
-21	0713496-3	BRACKET-STIFFENER LH -----	1	
-22	0513006-144	DOORPOST ASSEMBLY-FUSELAGE RH -----	1	A
	0791300-10	DOORPOST ASSEMBLY-FUSELAGE RH -----	1	B
	0513006-45	BULKHEAD ASSEMBLY-DOORPOST FORWARD RH -----	1	
-23	0513006-21	BULKHEAD-DOORPOST FORWARD RH -----	1	
-24	0513006-41	BRACKET-DOORPOST UPPER FORWARD RH -----	1	
	0513006-47	BULKHEAD ASSEMBLY-DOORPOST AFT RH -----	1	
-25	0513006-35	BULKHEAD-DOORPOST AFT RH -----	1	
-26	0513006-39	BRACKET-DOORPOST UPPER AFT RH -----	1	
-27	NAS680A3	NUTPLATE -----	3	
-28	0513006-22	PLATE-DOORPOST SPLICE RH -----	1	
-29	0513006-102	SKIN-DOORPOST OUTER RH -----	1	
-30	0513006-43	REINFORCEMENT-DOORPOST UPPER INBOARD RH -----	1	
-31	0513006-26	RETAINER-HEADLINER RH -----	1	
-32	0713496-4	BRACKET-STIFFENER -----	1	
-33	NAS680A3	NUTPLATE -----	1	
-34	0513006-11	FLOORBOARD-LANDING GEAR SUPPORT -----	1	B
-35	0713495-53	ANGLE-LANDING GEAR BULKHEAD SPLICE LH -----	1	B
-36	0713495-54	ANGLE-LANDING GEAR BULKHEAD SPLICE RH -----	1	B
-37	NAS178-8-7	RIVET-HI-SHEAR -----	4	
-38	NAS179-8	COLLAR -----	4	
-39	0510163-1	BRACKET-FLAP RETURN FUSELAGE LOWER PULLEY -----	1	A
	0510163	BRACKET-FLAP RETURN FUSELAGE LOWER PULLEY -----	1	B
		ATTACHING PARTS		
	AN520-10R7	SCREW -----	1	
	MS21044N3	NUT -----	1	
		-----*		

CONTINUED ON NEXT PAGE

FIGURE AND INDEX NO.	PART NUMBER	DESCRIPTION	UNITS PER ASSY	USABLE ON CODE
30 -40	0513006-135	SPACER -----	1	A
-41	0713497-3	BRACKET ASSEMBLY-FORWARD ELEVATOR STOP -----	1	
-42	NAS428H3-6	BOLT -----	1	
	0513006-138	BULKHEAD ASSEMBLY-LANDING GEAR SUPPORT -----	1	A
	0513006-151	BULKHEAD ASSEMBLY-LANDING GEAR SUPPORT -----	1	B
	0713495-63	BRACKET ASSEMBLY-LANDING GEAR SUPPORT OUTBOARD LH -----	1	
-43	0713495-61	BRACKET-LANDING GEAR SUPPORT OUTBOARD LH -----	1	
-44	0713495-57	ANGLE-LANDING GEAR SUPPORT OUTBOARD LH -----	1	
-45	0713495-5	ANGLE-LANDING GEAR SUPPORT OUTBOARD -----	1	
-46	NAS682A4	NUTPLATE -----	2	
-47	0713495-64	BRACKET ASSEMBLY-LANDING GEAR SUPPORT OUTBOARD RH -----	1	
	0713495-62	BRACKET-LANDING GEAR SUPPORT OUTBOARD RH -----	1	
	0713495-58	ANGLE-LANDING GEAR SUPPORT UPPER OUTBOARD RH -----	1	
	0713495-5	ANGLE-LANDING GEAR SUPPORT LOWER OUTBOARD RH -----	1	
	NAS682A4	NUTPLATE -----	2	
-48	0713495-22	BRACKET ASSEMBLY-LANDING GEAR SUPPORT INBOARD RH -----	1	
-49	0713495-21	BRACKET ASSEMBLY-LANDING GEAR SUPPORT INBOARD LH -----	1	
-50	0713495-7	BRACKET-LANDING GEAR SUPPORT INBOARD LH -----	1	
	0713495-8	BRACKET-LANDING GEAR SUPPORT INBOARD RH -----	1	
-51	0713495-18	ANGLE-LANDING GEAR SUPPORT UPPER INBOARD -----	1	
-52	0742115-26	ANGLE-LANDING GEAR SUPPORT LOWER INBOARD LH -----	1	
	0742115-25	ANGLE-LANDING GEAR SUPPORT LOWER INBOARD RH -----	1	
-53	0713495-6	ANGLE-LANDING GEAR ATTACHMENT -----	1	
		ATTACHING PARTS		
-54	AN5-15A	BOLT -----	4	
-55	AN5-7A	BOLT -----	6	
-56	AN960-916L	WASHER -----	16	
-57	NAS679A5	NUT -----	10	
	0513006-139	BULKHEAD ASSEMBLY-LANDING GEAR SUPPORT AFT -----	1	A
	0513006-105	BULKHEAD ASSEMBLY-LANDING GEAR SUPPORT AFT -----	1	B
-58	0513006-103	BULKHEAD-LANDING GEAR SUPPORT AFT -----	1	
-59	0513006-141	ANGLE-AFT BULKHEAD REINFORCEMENT -----	1	A
	0513006-24	ANGLE-AFT BULKHEAD REINFORCEMENT -----	1	B
		ATTACHING PARTS		
-60	AN3-5A	BOLT -----	2	
-61	AN960-10	WASHER -----	2	
-62	MS21044N3	NUT -----	2	
-63	0713495-13	PLATE-AFT BULKHEAD REINFORCEMENT LH -----	1	
	0713495-14	PLATE-AFT BULKHEAD REINFORCEMENT RH -----	1	
-64	0513006-61	DOUBLER -----	1	
-65	0513006-62	DOUBLER -----	1	
	0513006-140	BULKHEAD ASSEMBLY-LANDING GEAR SUPPORT FORWARD -----	1	A
	0513006-104	BULKHEAD ASSEMBLY-LANDING GEAR SUPPORT FORWARD -----	1	B
-66	0513006-9	BULKHEAD-LANDING GEAR SUPPORT FORWARD -----	1	
-67	0513006-23	ANGLE-FORWARD BULKHEAD REINFORCEMENT -----	1	
		ATTACHING PARTS		
-68	AN3-5A	BOLT -----	4	
-69	AN960-10	WASHER -----	4	
-70	MS21044N3	NUT -----	4	
-71	0510110	BRACKET-CONTROL PULLEY -----	2	B
		ATTACHING PARTS		
-72	AN3-4A	BOLT -----	2	B
-73	MS21044N3	NUT -----	2	B
-74	0713495-15	PLATE-FORWARD BULKHEAD REINFORCEMENT LH -----	1	
	0713495-16	PLATE-FORWARD BULKHEAD REINFORCEMENT RH -----	1	
-75	0513006-61	DOUBLER -----	1	
	0513006-62	DOUBLER -----	1	
-76	0713495-9	STIFFENER-BULKHEAD AFT LH -----	1	
	0713495-10	STIFFENER-BULKHEAD AFT RH -----	1	
-77	0713495-11	STIFFENER-BULKHEAD FORWARD LH -----	1	
	0713495-12	STIFFENER-BULKHEAD FORWARD RH -----	1	

CONTINUED ON NEXT PAGE

FIGURE AND INDEX NO.	PART NUMBER	DESCRIPTION	UNITS PER ASSY							USABLE ON CODE	
			1	2	3	4	5	6	7		
30 -78	0513006-11	FLOORBOARD-LANDING GEAR SUPPORT -----								1	A
-79	0713495-53	ANGLE-LANDING GEAR BULKHEAD SPLICE LH -----								1	A
-80	0713495-54	ANGLE-LANDING GEAR BULKHEAD SPLICE RH -----								1	A
-81	0713152-1	DOUBLER-REAR -----								1	A
-82	0713153-1	DOUBLER-FRONT -----								1	A
-83	0510112	BRACKET-ELEVATOR BELLCRANK LH -----								1	
-84	0510112-1	BRACKET-ELEVATOR BELLCRANK RH -----								1	
-85	0510110	BRACKET-CONTROL PULLEY -----								2	A
		ATTACHING PARTS									
-86	AN3-4A	BOLT -----								2	A
-87	MS21044N3	NUT -----								2	A

-88	0513006-134	SPACER -----								2	A
-89	0713495-55	SPACER-WING STRUT FITTING FORWARD -----								2	
-90	0713495-17	PLATE-WING STRUT FITTING -----								2	
-91	NAS178-10-6	RIVET-HI-SHEAR -----								4	
-92	NAS179-10	COLLAR -----								4	
-93	AN960-516L	WASHER -----								2	
-94	AN5-6A	BOLT -----								4	
	AN960-516L	WASHER -----								4	
	NAS679A5	NUT -----								4	
-95	AN6-6A	BOLT -----								10	
	AN960-616L	WASHER -----								10	
	NAS679A6	NUT -----								10	
-96	AN5-7A	BOLT -----								8	
	AN960-516L	WASHER -----								8	
	NAS679A5	NUT -----								8	
-97	AN6-10A	BOLT -----								2	
	AN960-616L	WASHER -----								2	
	NAS679A6	NUT -----								2	
-98	AN6-7A	BOLT -----								8	
	AN960-616L	WASHER -----								8	
	NAS679A6	NUT -----								8	
-99	NAS178-8-7	RIVET-HI-SHEAR -----								2	
-99A	NAS179-8	COLLAR -----								2	
-99B	AN5-7A	BOLT -----								4	
	AN960-516L	WASHER -----								8	
	NAS679A5	NUT -----								4	
-99C	R3104T6-5	BOLT HKM -----								8	A
	NAS1080C6	COLLAR HKM -----								8	A
	AN960-10	WASHER -----								8	A
-99D	R3104T6-5	BOLT HKM -----								6	A
	NAS1080C6	COLLAR HKM -----								6	A
	0713172-1	SPACER -----								6	A

A---SERIAL 185-0001 THRU 18502310
 SERIAL 18051313 THRU 18052384
 B---SERIAL 18051184 THRU 18051312

Fuselage (Cont)

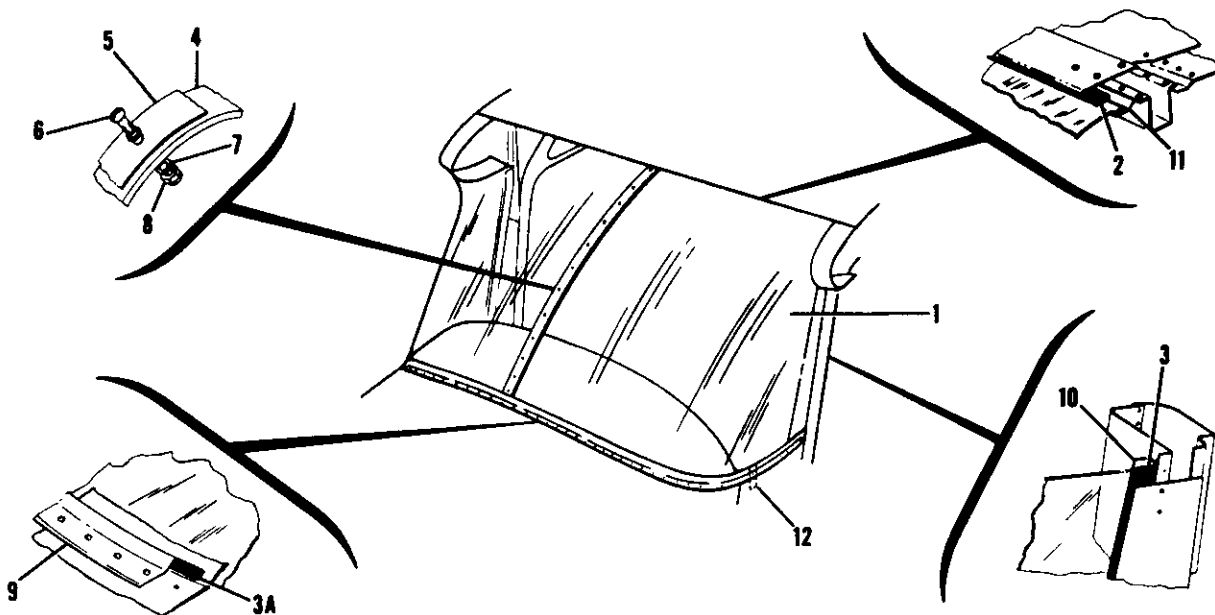
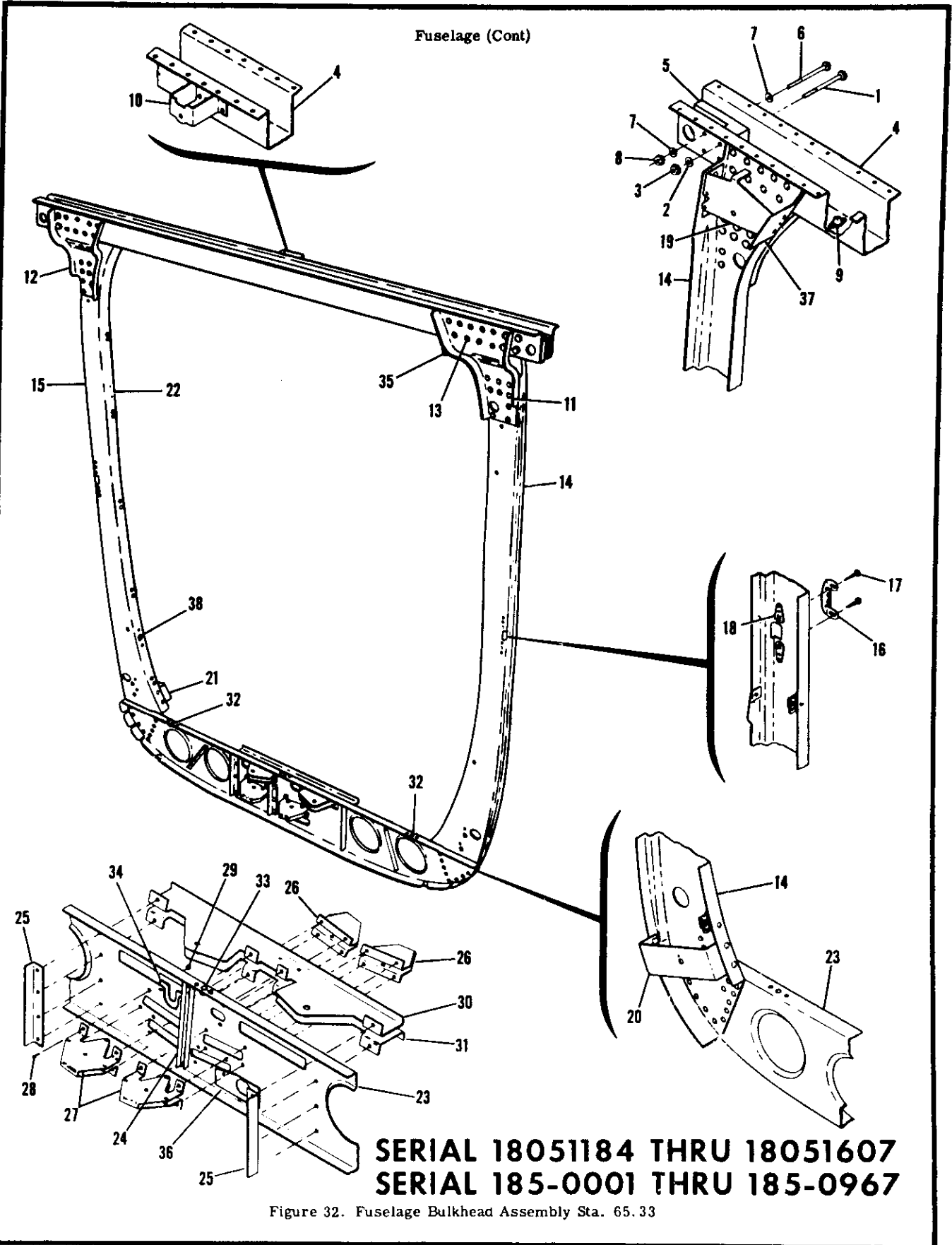


Figure 31. Windshield Installation

FIGURE AND INDEX NO.	PART NUMBER	DESCRIPTION	UNITS PER ASSY	USABLE ON CODE
		1 2 3 4 5 6 7		
31 -		WINDSHIELD INSTALLATION -----	NP	
- 1	0713100-10	WINDSHIELD -----	1	
	0713100-11	WINDSHIELD TINTED -----	1	
- 2	S1389-6	PAD-FELT 46.50 IN LG 8KI REF S1389-6-46.90 -----	1	
- 3	S1389-2	PAD-FELT 20.00 IN LG 8KI REF S1389-2-20.00 -----	2	
- 3A	S1389-5	PAD-FELT 80.00 IN LG 8KI REF S1389-2-80.00 -----	1	
	S1078-3	SEALER-TAPE LOWER 78 IN LG BULK ITEM -----	AR	
- 4	0713100-15	STRIP-WINDSHIELD CENTER INNER -----	1	E
	0713332-1	STRIP ASSEMBLY-WINDSHIELD CENTER INNER -----	1	F
	0713331-1	BRACKET-COMPASS -----	1	F
- 5	0713118-200	STRIP-WINDSHIELD CENTER OUTER -----	1	
		ATTACHING PARTS -----		
- 6	AN520-10P14	SCREW -----	4	
- 7	S350	WASHER -----	12	
- 8	22NKM-02	NUT EN -----	4	
- 9	0713766-4	STRIP-WINDSHIELD RETAINING OUTER -----	1	A
	0713100-13	STRIP-WINDSHIELD RETAINING OUTER -----	1	B
-10	0713106-1	STRIP-WINDSHIELD RETAINING INSIDE LH WHEN -----	1	C
		EXHAUSTED USE 0713248-1 -----		
	0713248-1	RETAINER-WINDSHIELD INNER LH -----	1	D
	0713106-2	STRIP-WINDSHIELD RETAINING INSIDE RH WHEN -----	1	C
		EXHAUSTED USE 0713248-2 -----		
	0713248-2	RETAINER-WINDSHIELD INNER RH -----	1	D
-11	0511000-63	STRIP-WINDSHIELD RETAINING UPPER -----	1	
-12	0713107-1	CLIP-FAIRING RETAINER -----	2	B
		A---SERIAL 185-0001 THRU 18502310 SERIAL 18051313 THRU 18052384		
		B---SERIAL 18051184 THRU 18051312		
		C---SERIAL 185-0001 THRU 185-0967 SERIAL 18051313 THRU 18051607		
		D---SERIAL 185-0968 THRU 18502310 SERIAL 18051608 THRU 18052384		
		E---SERIAL 185-0001 THRU 18502090 SERIAL 18051184 THRU 18052284		
		F---SERIAL 18502091 THRU 18502310 SERIAL 18052285 THRU 18052384		

Fuselage (Cont)



SERIAL 18051184 THRU 18051607
SERIAL 185-0001 THRU 185-0967

Figure 32. Fuselage Bulkhead Assembly Sta. 65.33

FIGURE AND INDEX NO.	PART NUMBER	DESCRIPTION	UNITS PER ASSY	USABLE ON CODE
		1 2 3 4 5 6 7		
32 -	0512124-41	BULKHEAD ASSEMBLY-FUSELAGE STA 65.33 -----	1	A
	0791102-4	BULKHEAD ASSEMBLY-FUSELAGE STA 65.33 -----	1	B
	0791102-5	SPAR ASSEMBLY-FUSELAGE REAR -----	1	
		ATTACHING PARTS -----		
- 1	AN3-20A	BOLT -----	4	
- 2	AN960-10	WASHER -----	4	
- 3	MS21044N3	NUT -----	4	

- 4	1210029-2	SPAR-FUSELAGE REAR -----	1	
- 5	0512122	BLOCK-SPAR BEARING -----	2	
		ATTACHING PARTS -----		
- 6	AN3-20A	BOLT -----	2	
- 7	AN960-10	WASHER -----	4	
- 8	MS21044N3	NUT -----	2	

- 9	NAS680A3	NUTPLATE -----	2	
-10	0512137	BRACKET-PULLEY -----	1	
-11	0512124-79	BRACE-BULKHEAD TO REAR SPAR LH -----	1	
-12	0512124-80	BRACE-BULKHEAD TO REAR SPAR RH -----	1	
-13	R3104T6-3	HUCKBOLT HKM -----	36	A
	NAS1080C6	COLLAR HKM -----	36	A
	2DC-C6	COLLAR ALTERNATE -----	36	
	6DC-C6	COLLAR ALTERNATE -----	36	
	0791100-12	CHANNEL ASSEMBLY-LH -----	1	
	0791100-11	CHANNEL ASSEMBLY-RH -----	1	
-14	0512124-40	CHANNEL-LH -----	1	
-15	0512124-39	CHANNEL-RH -----	1	
-16	0711024-4	STRIKER PLATE-DOOR LATCH -----	1	
		ATTACHING PARTS -----		
-17	AN520-10R8	SCREW -----	2	
-18	NAS687A3	NUT -----	2	

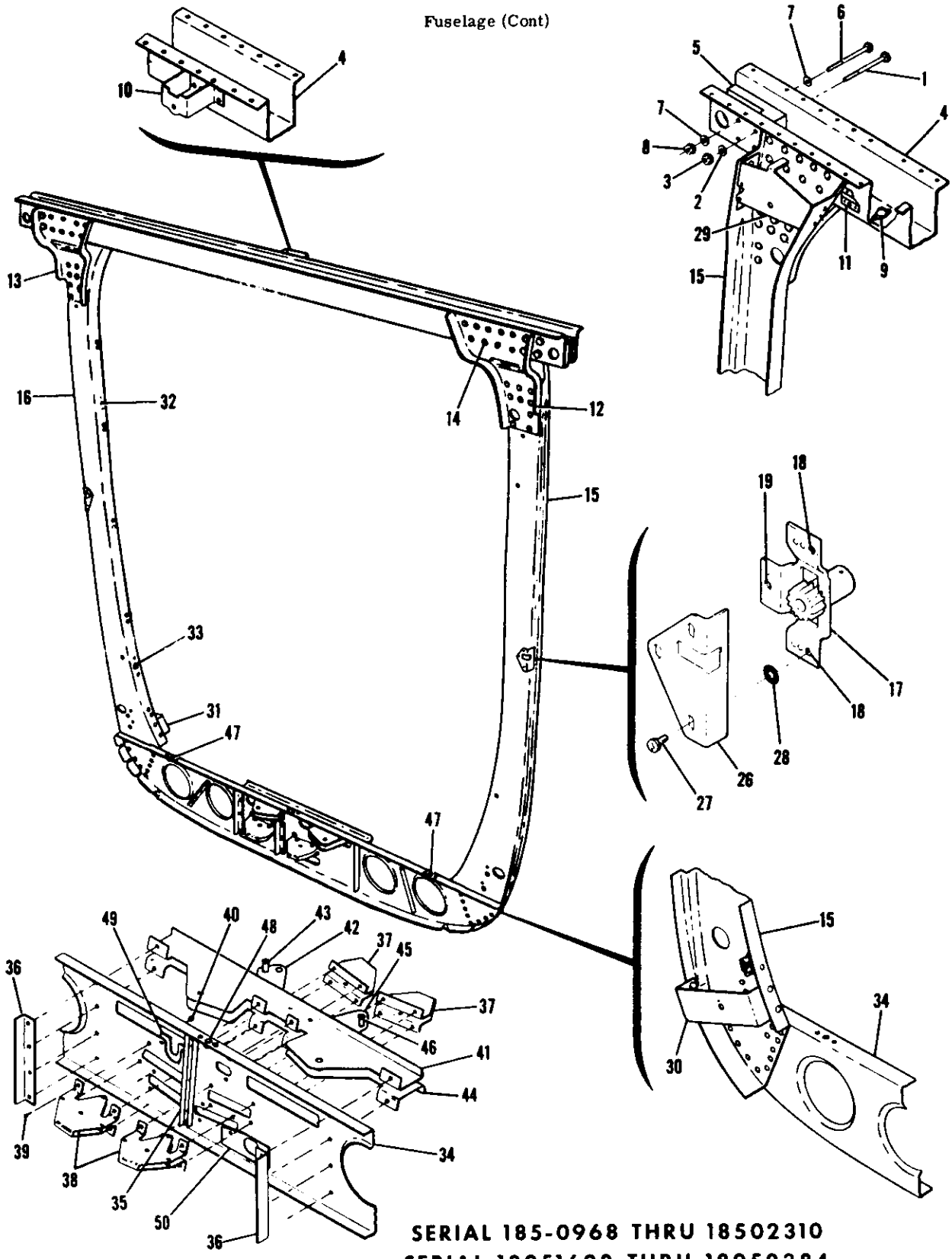
-19	0512139-2	BRACKET-AILERON PULLEY UPPER LH -----	1	
	0512139-3	BRACKET-AILERON PULLEY UPPER RH -----	1	
-20	0512134	BRACKET-PULLEY LH -----	1	
-21	0512134-1	BRACKET-PULLEY RH -----	1	
-22	NAS680A3	NUTPLATE -----	3	A
	0512124-42	BULKHEAD ASSEMBLY-LOWER -----	1	B
	0512124-13	BULKHEAD ASSEMBLY-LOWER -----	1	B
-23	0512133	BULKHEAD LOWER -----	1	C
-24	0512124-5	ANGLE-BULKHEAD CENTER REINFORCEMENT -----	1	D
	0711697-2	STIFFENER-BULKHEAD -----	1	A
-25	0512124-7	ANGLE-BULKHEAD REINFORCEMENT -----	4	B
	0512124-7	ANGLE-BULKHEAD REINFORCEMENT -----	2	
-26	0512129	BRACKET-FLAP RETURN PULLEY -----	2	
-27	0512128	BRACKET-FLAP PULLEY -----	2	
		ATTACHING PARTS -----		
-28	AN520-10R7	SCREW -----	4	
-29	MS21044N3	NUT -----	4	

-30	0512132	BRACKET ASSEMBLY-AILERON PULLEY UPPER WEU 0512132-19 -----	1	
	0512132-19	BRACKET ASSEMBLY-AILERON PULLEY UPPER -----	1	
	0512132-4	FAIRLEAD -----	1	
-31	0512132-1	BRACKET ASSEMBLY-AILERON PULLEY LOWER WEU 0512132-21 -----	1	
	0512132-21	BRACKET ASSEMBLY-AILERON PULLEY LOWER -----	1	
	0512132-22	FAIRLEAD -----	1	
	0512132-5	FAIRLEAD -----	1	
-32	NAS680A4	NUTPLATE -----	2	
-33	NAS680A3	NUTPLATE -----	1	
-34	0512152	RUB STRIP -----	1	
-35	AN742D2	CLAMP -----	1	B
		ATTACHING PARTS -----		
	S102124-6	SCREW -----	1	B

-36	0512124-15	FAIRLEAD -----	1	
-37	0512124-32	RUB STRIP-AILERON CABLE -----	2	
-38	NAS686A4	NUTPLATE -----	2	

A--- SERIAL 185-0001 THRU 185-0967 SERIAL 18051313 THRU 18051607 B--- SERIAL 18051184 THRU 18051312 C--- SERIAL 185-0001 THRU 185-0917 SERIAL 18051184 THRU 18051559 D--- SERIAL 185-0918 THRU 185-0967 SERIAL 18051560 THRU 18051607				

Fuselage (Cont)



SERIAL 185-0968 THRU 18502310
SERIAL 18051608 THRU 18052384

Figure 32A. Fuselage Bulkhead Assembly Sta. 65.33

FIGURE AND INDEX NO.	PART NUMBER	DESCRIPTION	UNITS PER ASSY	USABLE ON CODE		
					1	2
32A-	0512124-52	BULKHEAD ASSEMBLY-FUSELAGE STA 65.33	1	A		
	0512124-73	BULKHEAD ASSEMBLY-FUSELAGE STA 65.33	1	B		
	0791102-5	SPAR ASSEMBLY-FUSELAGE REAR	1			
		ATTACHING PARTS				
- 1	AN3-20A	BOLT	4			
- 2	AN960-10	WASHER	4			
- 3	MS21044N3	NUT	4			

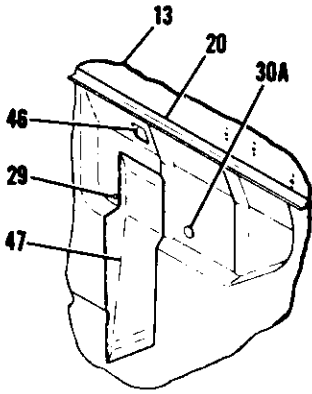
- 4	1210029-2	SPAR-FUSELAGE REAR WEU 1210029-5	1	C		
	1210029-5	SPAR-FUSELAGE REAR	1	D		
- 5	0512122	BLOCK-SPAR BEARING	2			
		ATTACHING PARTS				
- 6	AN3-20A	BOLT	2			
- 7	AN960-10	WASHER	4			
- 8	MS2065-1032C	NUT	2			

- 9	NAS680A3	NUTPLATE	2			
-10	0512137	BRACKET-PULLEY	1			
-11	0711696-1	BRACKET-AILERON CABLE GUIDE	2			
	NAS680A3	NUTPLATE	2			
-12	0512124-79	BRACE-BULKHEAD TO REAR SPAR LH	1			
-13	0512124-80	BRACE-BULKHEAD TO REAR SPAR RH	36			
-14	R3104T6-3	HUCKBOLT HKM	36			
	NAS1080C6	COLLAR HKM	36			
	2DC-C6	COLLAR ALTERNATE	36			
	6DC-C6	COLLAR ALTERNATE	1			
	0791102-19	CHANNEL ASSEMBLY-LH	1			
	0791102-18	CHANNEL ASSEMBLY-RH	1			
-15	0512124-53	CHANNEL-LH	1	A		
	0512124-75	CHANNEL-LH	1	B		
-16	0512124-54	CHANNEL-RH	1	A		
	0512124-74	CHANNEL-RH	1	B		
-17	0711699-1	CLUTCH ASSEMBLY-DOOR LATCH LH	1			
	0711699-2	CLUTCH ASSEMBLY-DOOR LATCH RH	1			
-18	NAS696A4	NUTPLATE	2			
-19	NAS680A4	NUTPLATE	1			
-20		DELETED, NOT AVAILABLE				
-21		DELETED, NOT AVAILABLE				
-22		DELETED, NOT AVAILABLE				
-23		DELETED, NOT AVAILABLE				
-24		DELETED, NOT AVAILABLE				
-25		DELETED, NOT AVAILABLE				
-26	0711698-3	ESCUTCHEON-LH	1			
	0711698-4	ESCUTCHEON-RH	1			
-27	AN525-416R8	SCREW	3			
-28	0711698-5	WASHER-ABRASIVE	1			
-29	0512139-2	BRACKET-AILERON PULLEY UPPER LH	1			
	0512139-3	BRACKET-AILERON PULLEY UPPER RH	1			
-30	0512134	BRACKET-PULLEY LH	1			
-31	0512134-1	BRACKET-PULLEY RH	3			
-32	NAS680A3	NUTPLATE	2			
-33	NAS686A4	NUTPLATE	1	A		
	0512124-42	BULKHEAD ASSEMBLY-LOWER	1	B		
-34	0512133	BULKHEAD-LOWER	1			
-35	0711697-2	STIFFENER-BULKHEAD	1			
-36	0512124-7	ANGLE-BULKHEAD REINFORCEMENT	4			
-37	0512129	BRACKET-FLAP RETURN PULLEY	2			
-38	0512128	BRACKET-FLAP PULLEY	2			
-39	AN520-10R7	SCREW	4			
-40	MS21044N3	NUT	4			
-41	0512132-19	BRACKET ASSEMBLY-AILERON PULLEY UPPER	1	A		
	0712043-1	BRACKET ASSEMBLY-AILERON PULLEY UPPER	1	B		
	0512132-4	FAIRLEAD	1	B		
-42	0742002-2	BRACKET ASSY-AILERON INTERCONNECT	1	B		
-43	AN515-6R10	SCREW	1	B		
	AN960PD6L	WASHER	1	B		
	NAS43000-21	SPACER	1	B		

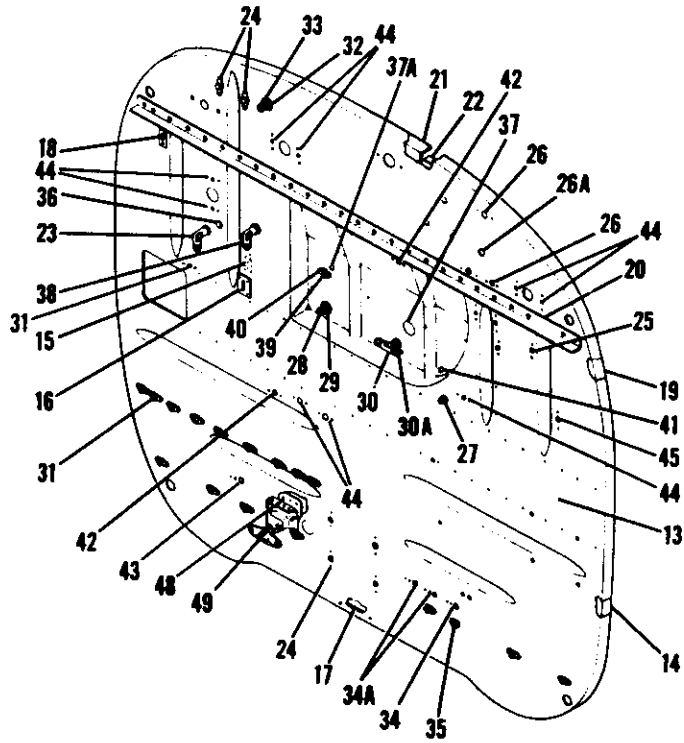
CONTINUED ON NEXT PAGE

FIGURE AND INDEX NO.	PART NUMBER	DESCRIPTION	UNITS PER ASSY	USABLE ON CODE
32A-44	0512132-21	BRACKET ASSEMBLY-AILERON PULLEY LOWER -----	1	A
	0712043-2	BRACKET ASSEMBLY-AILERON PULLEY LOWER -----		B
	0512132-22	FAIRLEAD -----	1	
	0512132-5	FAIRLEAD -----	1	B
-45	0742002-4	BRACKET ASSY-AILERON INTERCONNECT -----	1	B
-46	AN515-6R10	SCREW -----	1	B
	AN960PD6L	WASHER -----	1	B
	NAS43000-21	SPACER -----	1	B
-47	NAS680A4	NUTPLATE -----	2	
-48	NAS680A3	NUTPLATE -----	1	
-49	0512152	RUB STRIP -----	1	
-50	0512124-15	FAIRLEAD -----	1	
<p>A---SERIAL 185-0968 THRU 18501832 SERIAL 18051608 THRU 18052175</p> <p>B---SERIAL 18501833 THRU 18502310 SERIAL 18052176 THRU 18052384</p> <p>C---SERIAL 185-0968 THRU 18501930, 18501932 THRU 1801934 SERIAL 18051608 THRU 18052222</p> <p>D---SERIAL 18501931, 18501935 THRU 18502310 SERIAL 18052223 THRU 18052384</p>				

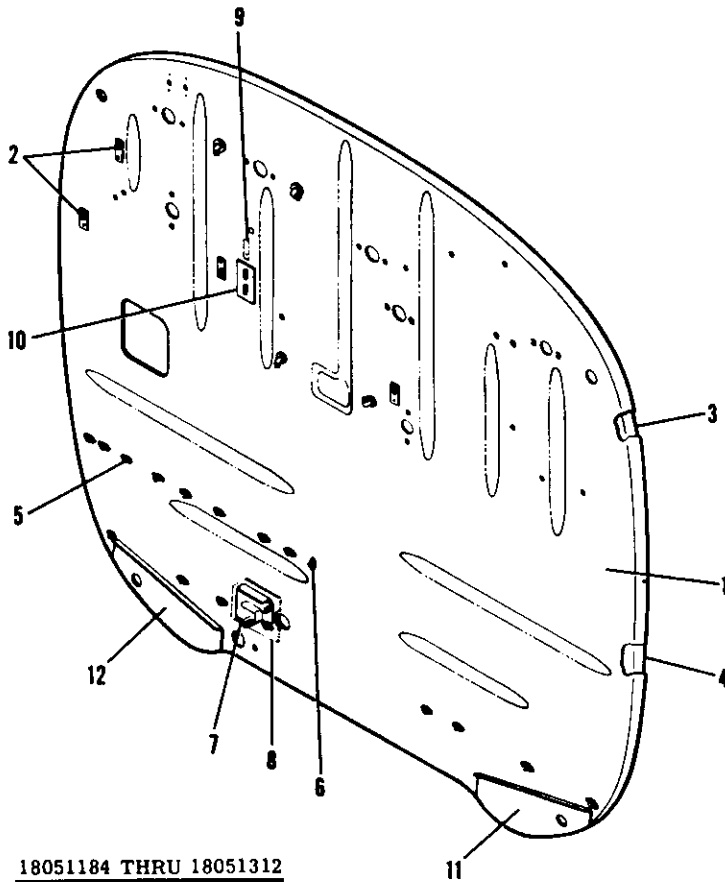
Fuselage (Cont)



18502008 THRU 18502025
18502028 & ON



18051313 & ON
185-0001 & ON



18051184 THRU 18051312

Figure 33. Firewall Assembly

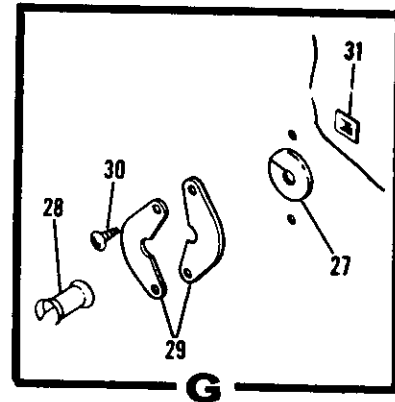
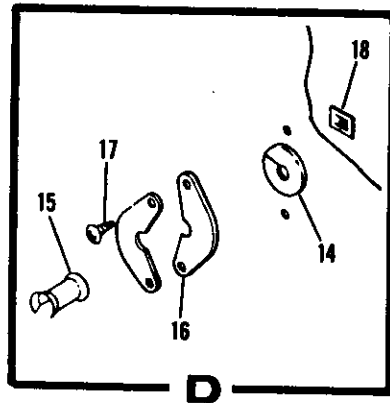
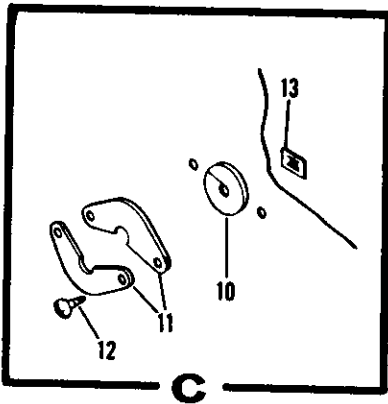
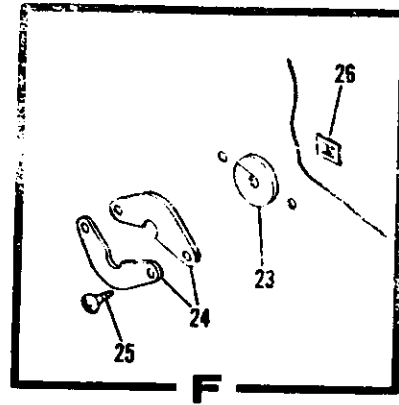
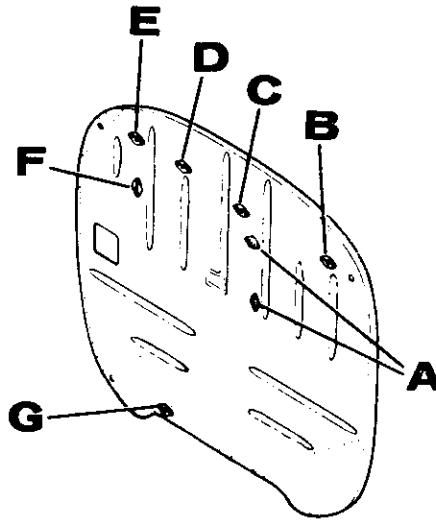
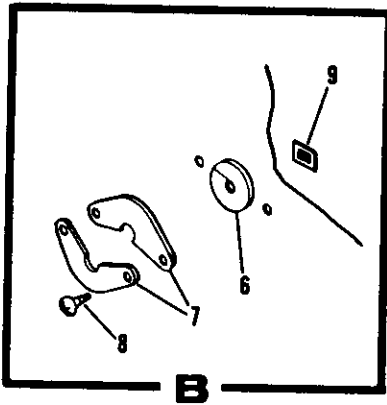
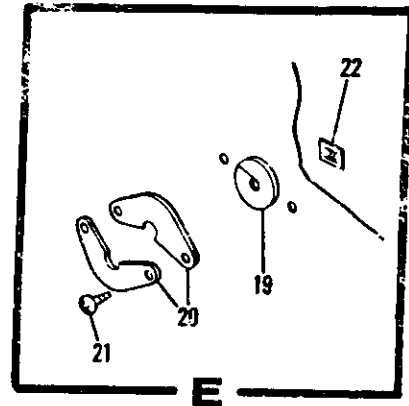
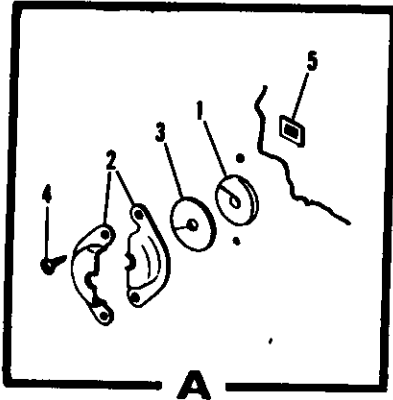
FIGURE AND INDEX NO.	PART NUMBER	DESCRIPTION	UNITS PER ASSY							USABLE ON CODE
			1	2	3	4	5	6	7	
33 -	0791302-7	FIREWALL ASSEMBLY -----	1							A
- 1	0753002-9	SHEET-FIREWALL -----	1							
- 2	0753000-13	DOUBLER -----	4							
- 3	0753000-15	DOUBLER-LH -----	1							
	0753000-14	DOUBLER-RH -----	1							
- 4	0753000-23	DOUBLER-LH -----	1							
	0753000-24	DOUBLER-RH -----	1							
- 5	NAS444-4	NUT -----	16							
- 6	NAS444-4A	NUT -----	2							
- 7	0450111	BRACKET-FUEL STRAINER -----	1							
- 8	0753008-1	DOUBLER -----	1							
- 9	0713149-1	BRACKET -----	1							
-10	0713147-1	DOUBLER -----	1							
-11	0753017-1	REINFORCEMENT-LH -----	1							A
-12	0753017-2	REINFORCEMENT-RH -----	1							A
	0753012-1	FIREWALL ASSEMBLY -----	1							B
	0753018-201	FIREWALL ASSEMBLY -----	1							H
	0753023-200	FIREWALL ASSEMBLY -----	1							L
	0753018-202	FIREWALL ASSEMBLY -----	1							J
	0753023-201	FIREWALL ASSEMBLY -----	1							M
	0753023-202	FIREWALL ASSEMBLY -----	1							P
-13	0753012-7	SHEET-FIREWALL -----	1							B
	0753018-3	SHEET-FIREWALL -----	1							K
	0753023-3	SHEET-FIREWALL -----	1							N
	0753023-4	SHEET-FIREWALL -----	1							P
-14	0753000-28	DOUBLER-LOWER LH -----	1							
	0753000-29	DOUBLER-LOWER RH -----	1							
-15	0713149-1	BRACKET -----	1							
-16	0753013-1	DOUBLER -----	1							
-17	0753021-1	SPACER -----	1							
-18	0753000-13	DOUBLER -----	1							
-19	0753000-27	DOUBLER-UPPER LH -----	1							
	0753000-26	DOUBLER-UPPER RH -----	1							
-20	0753018-4	ANGLE -----	1							
-21	0753018-5	ANGLE -----	1							
-22	0753018-6	DOUBLER -----	2							
-23	AN833-4D	ELBOW OIL PRESSURE -----	1							
	AN924-4D	NUT -----	1							
-24	NAS680A4K	NUTPLATE -----	5							B
	NAS680A4K	NUTPLATE -----	6							E
-25	NAS680A3K	NUTPLATE -----	2							B
-26	NAS680A4	NUTPLATE -----	3							E
-26A	NAS697A4K	NUTPLATE -----	2							E
	NAS697A3K	NUTPLATE -----	2							E
-27	AN833-2D	ELBOW -----	1							B
-28	AN832-2D	UNION STRAINER TO PRIMER -----	1							C
	AN924-2D	NUT -----	3							C
	AN924-2D	NUT -----	2							D
-29	CM2692-10-1S	PLUG BUTTON -----	2							D
-30	AN834-2D	TEE PRIMER -----	1							C
-30A	CM2692-10-1S	PLUG BUTTON -----	1							D
-31	S1863-3	NUTPLATE -----	17							
-32	AN832-3D	UNION -----	1							B
	AN832-2D	UNION FUEL PRESSURE -----	1							D
	AN924-3D	NUT -----	1							B
-33	CM2692-12-1H	PLUG BUTTON -----	1							C
-34	NAS697A06L	NUTPLATE -----	1							O
-34A	NAS697A06L	NUTPLATE -----	2							R
	NAS697A04L	NUTPLATE -----	2							D
-35	S1862-2	NUTPLATE -----	1							
-36	CM2692-15-1S	PLUG BUTTON -----	1							C
-37	CM2692-12-1S	PLUG BUTTON -----	1							C
-37A	CM2692-12-1H	PLUG BUTTON -----	1							C
-38	AN837-2D	ELBOW MANIFOLD PRESSURE -----	1							E
-39	NAS557-4A	GROMMET -----	1							C
-40	S1095-2	SHIELD HALF -----	1							C
		ATTACHING PARTS -----								
	S102128-8	SCREW -----	2							C
	NAS446-4-3	NUT -----	2							C

-41	CM2692-8-1H	PLUG BUTTON -----	1							S

CONTINUED ON NEXT PAGE

FIGURE AND INDEX NO.	PART NUMBER	DESCRIPTION							UNITS PER ASSY	USABLE ON CODE
		1	2	3	4	5	6	7		
33 -42	NAS697A3	NUTPLATE -----							2	L
-43	S1862-2A	NUTPLATE -----							1	F
-44	NAS680A08	NUTPLATE -----							9	F
-45	NAS680A3K	NUTPLATE -----							1	
-46	0753026-1	ADAPTOR-FIREWALL -----							1	P
-47	1653008-1	PAN-FIREWALL -----							1	P
-48	0753008-1	DOUBLER -----							1	F
	0753020-2	PLATE -----							1	G
-49	0450111	BRACKET-FUEL STRAINER -----							1	F
	0753020-1	ANGLE-FUEL STRAINER -----							1	G
<p>A---SERIAL 18051184 THRU 18051312 B---SERIAL 185-0001 THRU 185-0653 C---SERIAL 18051313 THRU 18052384 D---SERIAL 185-0654 THRU 18502310 E---SERIAL 18051313 THRU 18052384 SERIAL 185-0654 THRU 18502310 F---SERIAL 18051184 THRU 18051445 SERIAL 185-0001 THRU 185-0776 G---SERIAL 18051446 THRU 18052384 SERIAL 185-0777 THRU 18502310 H---SERIAL 18051313 THRU 18051607 J---SERIAL 185-0654 THRU 185-0967 K---SERIAL 18051313 THRU 18051607 SERIAL 185-0654 THRU 185-0967 L---SERIAL 18051608 THRU 18052384 M---SERIAL 185-0968 THRU 18502007, 18502026 THRU 18502027 N---SERIAL 18051608 THRU 18052384 SERIAL 185-0968 THRU 18502007, 18502026 THRU 18502027 P---SERIAL 18502008 THRU 18502025, 18502028 THRU 18502310 Q---SERIAL 185-0001 THRU 18502310 R---SERIAL 185-0001 THRU 185-0653 S---SERIAL 18051876 THRU 18052384 SERIAL 185-1301 THRU 18502310</p>										

Fuselage (Cont)

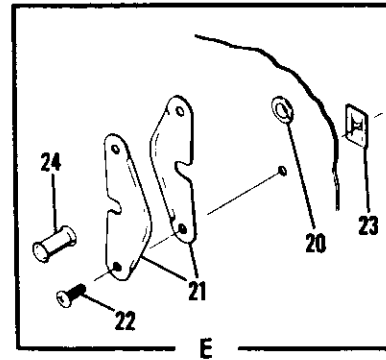
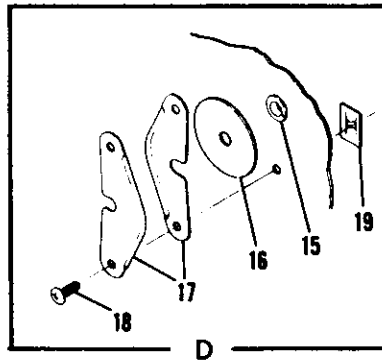
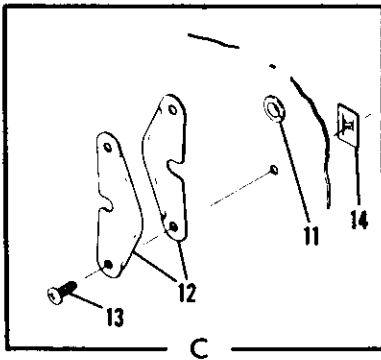
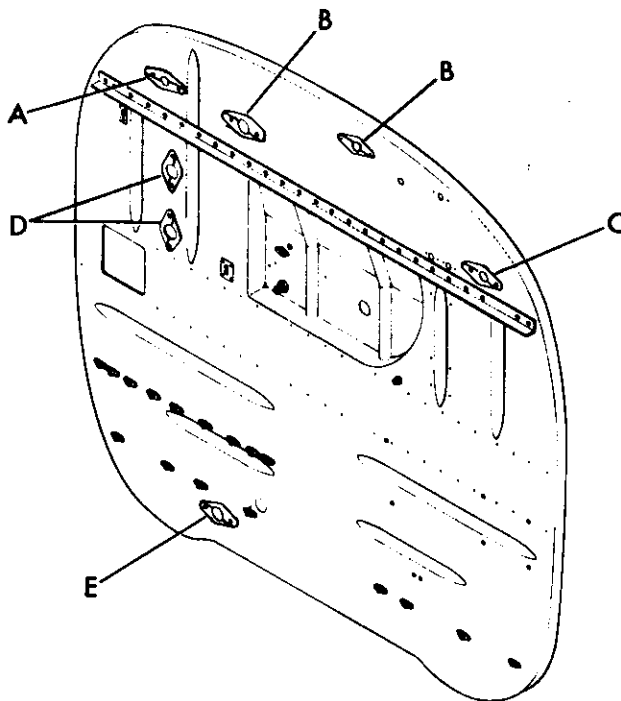
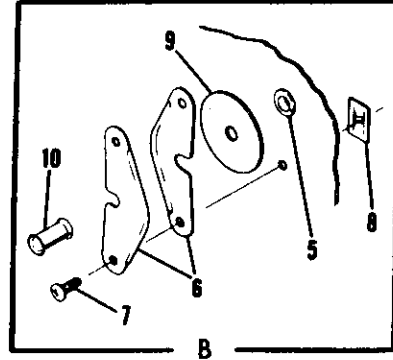
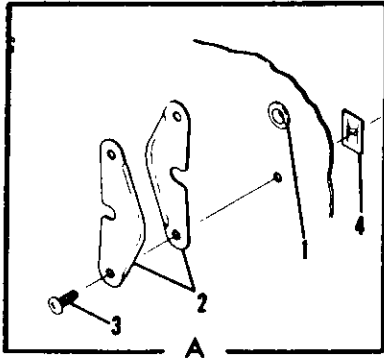


SERIAL 18051184 THRU 18051312

Figure 34. Firewall Grommets Installation

FIGURE AND INDEX NO.	PART NUMBER	DESCRIPTION	UNITS PER ASSY	USABLE ON CODE
				1 2 3 4 5 6 7
34 -		GROMMETS INSTALLATION-FIREWALL -----	NP	A
- 1	MS35489-11	GROMMET PROPELLER & THROTTLE CONTROL -----	2	
- 2	S352	SHIELD-FIREWALL HOLE -----	2	
- 3	S354-1	GROMMET-ASBESTOS -----	2	
		ATTACHING PARTS -----		
- 4	S102128-6	SCREW -----	2	
- 5	NAS446-4-3	NUT -----	2	
		-----*		
- 6	NAS557-8A	GROMMET VOLTAGE REGULATOR LEAD -----	1	
- 7	S1095-4	SHIELD HALF -----	2	
		ATTACHING PARTS -----		
- 8	S102128-8	SCREW -----	2	
- 9	NAS446-4-3	NUT -----	2	
		-----*		
-10	NAS557-6A	GROMMET MAGNETO LEADS -----	1	
-11	S1095-3	SHIELD HALF -----	2	
		ATTACHING PARTS -----		
-12	S102128-8	SCREW -----	2	
-13	NAS446-4-3	NUT -----	2	
		-----*		
-14	NAS557-4A	GROMMET OIL TEMPERATURE LINE -----	1	
-15	0753003-1	BUSHING -----	1	
-16	S1095-2	SHIELD HALF -----	2	
		ATTACHING PARTS -----		
-17	S102128-6	SCREW -----	2	
-18	NAS446-4-3	NUT -----	2	
		-----*		
-19	NAS557-6A	GROMMET THERMOCOUPLE & STARTER RELAY LEADS -----	1	
-20	S1095-3	SHIELD HALF -----	2	
		ATTACHING PARTS -----		
-21	S102128-8	SCREW -----	2	
-22	NAS446-4-3	NUT -----	2	
		-----*		
-23	NAS557-4A	GROMMET TACHOMETER -----	1	
-24	S1095-2	SHIELD HALF -----	2	
		ATTACHING PARTS -----		
-25	S102128-6	SCREW -----	2	
-26	NAS446-4-3	NUT -----	2	
		-----*		
-27	NAS557-8A	GROMMET BATTERY CABLE -----	1	
-28	0713003-74	FAIRLEAD -----	1	
-29	S1095-4	SHIELD HALF -----	2	
		ATTACHING PARTS -----		
-30	S102128-8	SCREW -----	2	
-31	NAS446-4-3	NUT -----	2	
		-----*		
A---SERIAL 18091184 THRU 18051312				

Fuselage (Cont)



SERIAL 185-0001 THRU 18502310
SERIAL 18051313 THRU 18052384

Figure 34A. Firewall Grommets Installation

FIGURE AND INDEX NO.	PART NUMBER	DESCRIPTION	UNITS PER ASSY	USABLE ON CODE
		1 2 3 4 5 6 7		
34A-		GROMMETS INSTALLATION-FIREWALL -----	NP	A
- 1	NAS557-6A	GROMMET -----	1	
- 2	S1095-3	SHIELD HALF -----	2	
		ATTACHING PARTS -----		
- 3	S1021Z8-8	SCREW -----	1	
- 4	NAS446-4-3	NUT -----	1	

- 5	NAS557-4A	GROMMET -----	2	
- 6	S1095-2	SHIELD HALF -----	4	
		ATTACHING PARTS -----		
- 7	S1021Z8-8	SCREW -----	1	
- 8	NAS446-4-3	NUT -----	1	

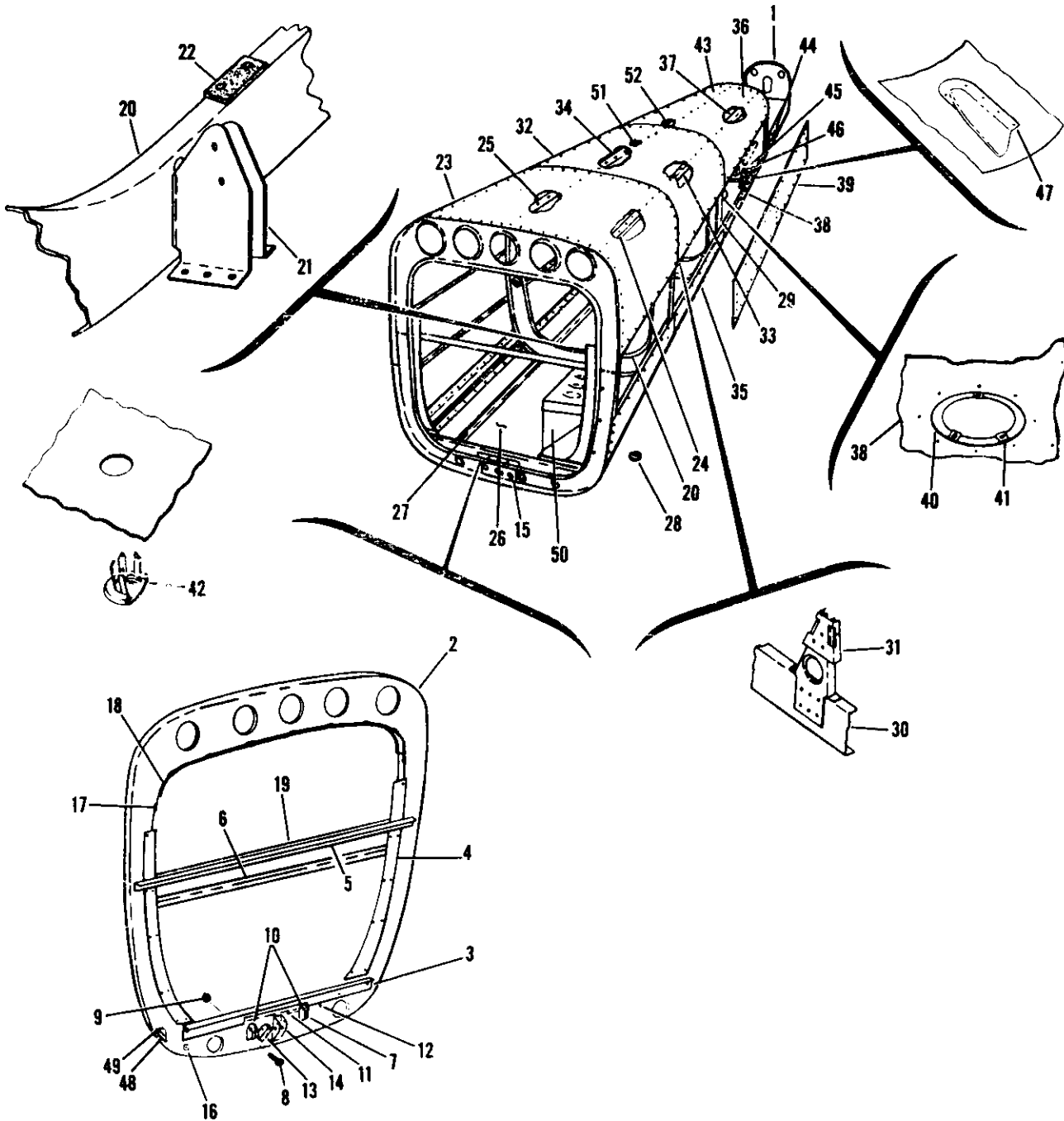
- 9	S354-5	GROMMET-ASBESTOS -----	2	
-10	0753003-1	BUSHING -----	2	
-11	NAS557-12A	GROMMET -----	1	
-12	S1095-6	SHIELD HALF -----	2	
		ATTACHING PARTS -----		
-13	S1021Z8-8	SCREW -----	1	
-14	NAS446-4-3	NUT -----	1	

-15	NAS557-4A	GROMMET -----	1	
-16	S354-5	GROMMET-ASBESTOS -----	1	
-17	S1095-2	SHIELD HALF -----	2	
		ATTACHING PARTS -----		
-18	S1021Z8-8	SCREW -----	1	
-19	NAS446-4-3	NUT -----	1	

-20	NAS557-8A	GROMMET -----	1	
-21	S1095-4	SHIELD HALF -----	2	
		ATTACHING PARTS -----		
-22	S1021Z8-8	SCREW -----	1	
-23	NAS446-4-3	NUT -----	1	

-24	0713003-74	FAIRLEAD -----	1	
		A---SERIAL 18051313 THRU 18052384 SERIAL 185-0001 THRU 18502310		

Fuselage (Cont)



SERIAL 185-0001 THRU 185-1149
SERIAL 18051184 THRU 18051774

Figure 35. Fuselage Aft Section Assembly

FIGURE AND INDEX NO.	PART NUMBER	DESCRIPTION	UNITS PER ASSY	USABLE ON CODE
35 -	0791200-8	AFT SECTION ASSEMBLY-FUSELAGE -----	1	E
- 1	0791200-7	TAILCONE ASSEMBLY-FUSELAGE AFT SECTION SEE FIGURE 38 -----	1	
	0711100-12	BULKHEAD ASSEMBLY-FUSELAGE AFT SECTION STA 108.00 -----	1	
- 2	0711100-11	BULKHEAD-FUSELAGE AFT SECTION STA 108.00 -----	1	
- 3	0511149-1	RETAINER-INTERIOR TRIM LOWER -----	1	
- 4	0512121-6	PLATE-INTERIOR TRIM SIDE -----	2	
- 5	0512148	ANGLE-BAGGAGE SHELF -----	1	
	0712004-1	STIFFENER -----	1	
- 6	0710011-1	ANGLE-SEAT BACK SUPPORT -----	1	
- 7	0512160-2	BRACKET-RUDDER CABLE PULLEY -----	2	
		ATTACHING PARTS -----		
- 8	NAS221-6	SCREW -----	2	
- 9	MS21044N3	NUT -----	2	

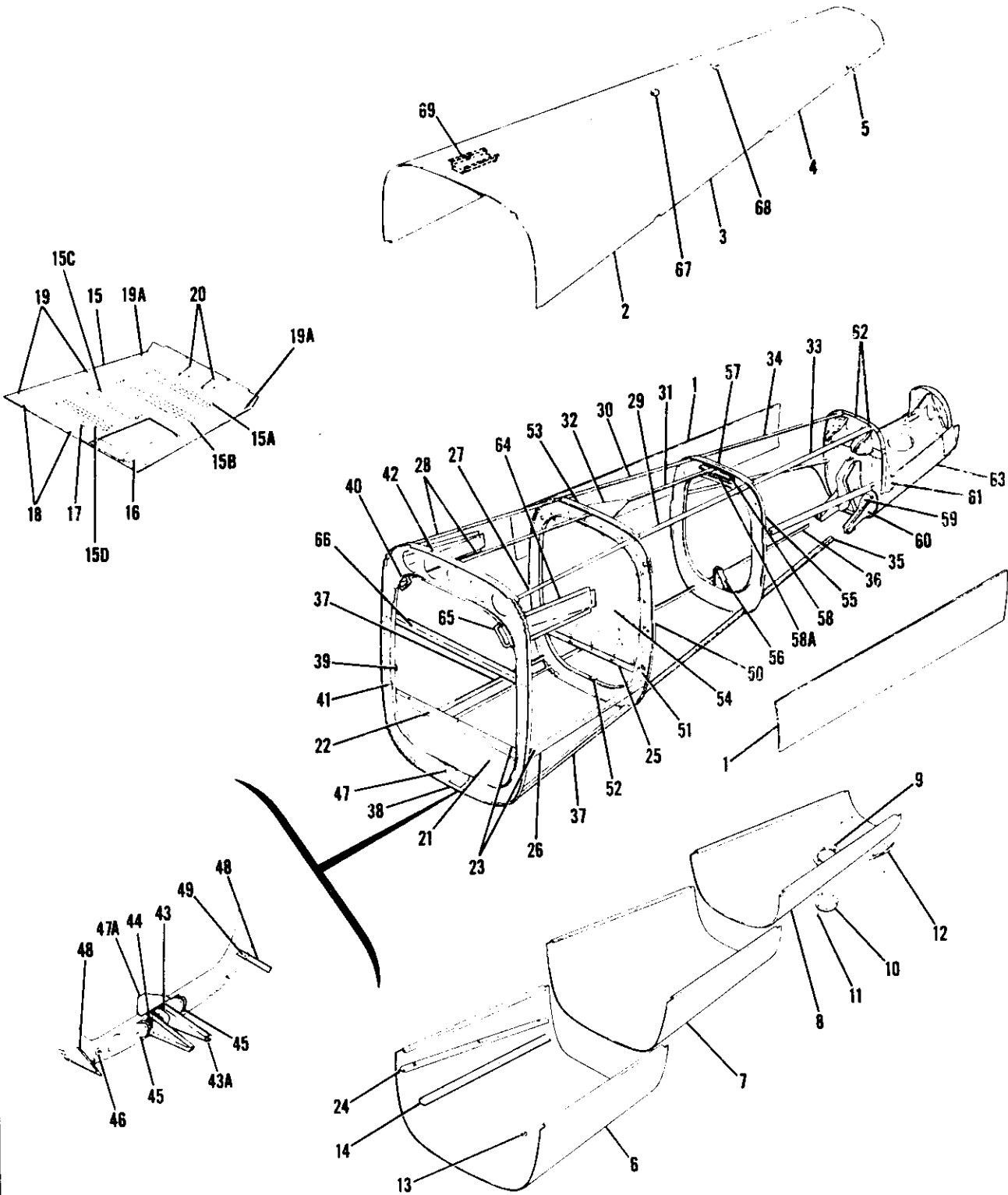
-10	S378-3L	PULLEY-RUDDER CABLE -----	2	
		ATTACHING PARTS -----		
-11	AN4-10A	BOLT -----	2	
-12	NAS679A4	NUT -----	2	

-13	0412467	BRACKET-STABILIZER TRIM CABLE PULLEY -----	1	
-14	0510164	BRACKET-ELEVATOR CABLE PULLEY -----	1	
-15	0710009-1	REINFORCEMENT-BULKHEAD -----	1	
-16	MS35489-14	GROMMET -----	1	
-17	0711117-1	CLIP-UPHOLSTERY -----	12	
-18	S202RB	MOULDING-40.38 IN. LG BULK ITEM REF S-202R40.388 --	AR	
-19	0511145	SUPPORT ASSEMBLY-INTERIOR TRIM -----	1	F
	0712201-5	BULKHEAD ASSEMBLY-FUSELAGE AFT SECTION STA 140.00 -----	1	
-20	0712201-4	BULKHEAD-FUSELAGE AFT SECTION STA 140.00 -----	1	
	0712005-1	STIFFENER -----	1	
-21	0712209	BRACKET-RUDDER CABLE PULLEY -----	1	
-22	0712201-2	RUB STRIP -----	1	
-23	0712000-31	SKIN-FUSELAGE AFT SECTION UPPER STA 108.00 TO 140.00 -----	1	
-24	0712007-1	STIFFENER-UPPER SKIN -----	1	
-25	0712007-4	STIFFENER-UPPER SKIN -----	2	
-26	0712000-34	SKIN-FUSELAGE AFT SECTION LOWER STA 108.00 TO 140.00 -----	1	
-27	0712015-2	ANGLE-STIFFENER RH -----	1	
	0712015-1	ANGLE-STIFFENER LH -----	1	
-28	MS35489-14	GROMMET -----	1	
	MS35489-11	GROMMET -----	1	
-29	0712202-5	BULKHEAD ASSEMBLY-FUSELAGE AFT SECTION STA 172.00 -----	1	
-30	0712202-4	BULKHEAD-FUSELAGE AFT SECTION STA 172.00 -----	1	
	0712006-1	STIFFENER AFT SIDE OF BULKHEAD -----	1	
	0712006-2	STIFFENER FWD SIDE OF BULKHEAD -----	1	
-31	0712212	BRACKET-RUDDER CABLE PULLEY -----	1	
-32	0712000-32	SKIN-FUSELAGE AFT SECTION UPPER STA 140.00 TO 172.00 -----	1	

CONTINUED ON NEXT PAGE

FIGURE AND INDEX NO.	PART NUMBER	DESCRIPTION	UNITS PER ASSY	USABLE ON
				CODE
		1 2 3 4 5 6 7		
35 -33	0712007-5	STIFFENER-UPPER SKIN -----	1	
-34	0712007-6	STIFFENER-UPPER SKIN -----	1	
	0712007-7	STIFFENER-UPPER SKIN -----	1	C
-35	0712000-35	SKIN-FUSELAGE AFT SECTION LOWER STA 140.00 TO 172.00 -----	1	0
-36	0712000-38	SKIN-FUSELAGE AFT SECTION UPPER STA 172.00 TO 209.00 -----	1	
	0712309-11	FAIRING-RH -----	1	
	0712309-12	FAIRING-LH -----	1	
-37	0712007-3	STIFFENER-UPPER SKIN LH -----	1	
	0712007-2	STIFFENER-UPPER SKIN RH -----	1	
-38	0712000-36	SKIN-FUSELAGE AFT SECTION LOWER STA 172.00 TO 209.00 -----	1	
-39	0712000-2	PLATE-FUSELAGE SPLICE STA 140.00 TO 209.00 -----	2	
-40	S226-5	DOUBLER-ACCESS OPENING -----	1	
-41	S1060-2A	NUTPLATE -----	6	
-42	S349	SCOOP-DRAIN -----	7	
-43	NAS680A08	NUTPLATE -----	6	
-44	0712303-1	GUIDE-STABILIZER SEAL LH -----	1	
	0712303-2	GUIDE-STABILIZER SEAL RH -----	1	
-45	0712309-5	BRACKET-PULLEY INBOARD LH SEE FIGURE 98 -----	1	
	0712309-6	BRACKET-PULLEY INBOARD RH SEE FIGURE 98 -----	1	
-46	0712309-7	BRACKET-PULLEY OUTBOARD LH SEE FIGURE 98 -----	1	
	0712309-8	BRACKET-PULLEY OUTBOARD RH SEE FIGURE 98 -----	1	
-47	0712309-9	FAIRING-TAILWHEEL STEERING CABLE LH -----	1	
	0712309-10	FAIRING-TAILWHEEL STEERING CABLE RH -----	1	
-48	0712008-1	BRACKET-SEAT BELT LUG -----	2	
-49	0712009-1	SPACER-LUG BRACKET -----	2	
-50	SEE FIG 37	BOX INSTALLATION-BATTERY -----	NP	
-51	0712002-1	FITTING-DORSAL FORWARD -----	1	A
	0712304-1	FITTING-DORSAL FORWARD -----	1	B
	NAS395-6-3	NUTPLATE -----	2	
-52	0712001-1	FITTING-DORSAL AFT -----	1	A
	0712304-12	FITTING-DORSAL AFT -----	1	B
	NAS395-10-3	NUTPLATE -----	2	
		A---SERIAL 185-0001 THRU 185-1149		
		B---SERIAL 18051184 THRU 18051774		
		C---SERIAL 185-0001 THRU 185-0791		
		SERIAL 18051184 THRU 18051483		
		D---SERIAL 185-0792 THRU 185-1149		
		SERIAL 18051484 THRU 18051774		
		E---SERIAL 185-0001 THRU 185-1149		
		SERIAL 18051184 THRU 18051774		
		F---SERIAL 18051184 THRU 18051312		

Fuselage (Cont)



SERIAL 185-1150 THRU 18502310
SERIAL 18051775 THRU 18052384
Figure 35A. Fuselage Aft Section Assembly



FIGURE AND INDEX NO.	PART NUMBER	DESCRIPTION	UNITS PER ASSY	USABLE ON CODE
35A-	0791200-10	* AFT SECTION ASSEMBLY-FUSELAGE	1	G
		* AFT SECTION ASSEMBLY-FUSELAGE	NP	H
	0791200-11	AFT SECTION ASSEMBLY-FUSELAGE	1	J
		AFT SECTION ASSEMBLY-FUSELAGE	NP	K
- 1	0712000-2	PLATE-FUSELAGE SPLICE STA 140.00 TO 209.00	2	
- 2	0712000-31	* SKIN-UPPER STA 108.00 TO 140.00	1	A
- 3	0712000-32	SKIN-UPPER STA 140.00 TO 172.00	1	
- 4	0712000-38	SKIN-UPPER STA 172.00 TO 209.00	1	
- 5	0712309-12	FAIRING-LH	1	
	0712309-11	FAIRING-RH	1	
- 6	0712000-34	* SKIN-LOWER STA 108.00 TO 140.00	1	A
- 7	0712000-35	SKIN-LOWER STA 140.00 TO 172.00	1	
- 8	0712000-36	SKIN-LOWER STA 172.00 TO 209.00	1	
- 9	S226-5	DOUBLER ASSEMBLY	1	
	S1860-2A	NUTPLATE	6	
-10	S225-4	PLATE-INSPECTION	1	
		ATTACHING PARTS		
-11	S102128-8	SCREW	6	
-12	0712309-9	FAIRING-TAILWHEEL STEERING CABLE LH	1	
	0712309-10	FAIRING-TAILWHEEL STEERING CABLE RH	1	
-13	MS35449-14	GROMMET	1	
-14	0770712-1	ANGLE-RADIO RACK	1	
-15	0712660-2	PAN ASSEMBLY-FLOOR WHEN EXHAUSTED USE 0712660-10	1	E
	0712660-10	PAN ASSEMBLY-FLOOR	1	F
-15A	0712663-1	STIFFENER	1	F
-15B	0712663-2	STIFFENER	1	F
-15C	0712663-3	STIFFENER	1	F
-15D	0712663-4	STIFFENER	1	F
-16	0712661-1	SHIELD-BATTERY	1	
-17	0712662-1	PLACARD	1	
-18	S1115-14	STUD	5	
	S1115-9	RING	5	
-19	S1115-11	STUD	6	
	S1115-9	RING	6	
-19A	S1115-15	STUD	2	
	S1115-9	RING	2	
-20	0712658-1	SHIELD-CABLE	2	
-21	0712660-4	PLATE-STA 108.00	1	
-22	0712013-22	ANGLE-FLOOR SUPPORT STA 108.00	1	
-23	S1115-19	RECEPTACLE	8	
-24	0712660-6	ANGLE ASSEMBLY-FLOOR SUPPORT RH	1	
	S1115-19	RECEPTACLE	3	
-25	0712659-1	SUPPORT ASSEMBLY-FLOORBOARD STA 140.00	1	
	S1115-19	RECEPTACLE	2	
-26	0712013-51	SUPPORT-FLOORBOARD LH	1	
-27	0712007-1	STIFFENER-UPPER LH	1	
-28	0712007-4	STIFFENER-UPPER CENTER & RH	2	
-29	0712007-5	STIFFENER-UPPER LH	1	
-30	0712007-6	STIFFENER-UPPER RH	1	
-31	0712007-7	STIFFENER-UPPER CENTER	1	
-32	0712016-1	GUSSET	1	
-33	0712007-2	STIFFENER-UPPER LH	1	
-34	0712007-3	STIFFENER-UPPER RH	1	
-35	0712015-1	ANGLE-LOWER LH	1	
-36	0712015-2	ANGLE-LOWER RH	1	
-37	0712000-13	ANGLE-LOWER	2	
	0711100-16	* BULKHEAD ASSEMBLY-FUSELAGE AFT SECTION STA 108.00	1	G
	0711100-19	* BULKHEAD ASSEMBLY-FUSELAGE AFT SECTION STA 108.00	1	H
	0711100-14	BULKHEAD ASSEMBLY-FUSELAGE AFT SECTION STA 108.00	1	J
	0711100-20	BULKHEAD ASSEMBLY-FUSELAGE AFT SECTION STA 108.00	1	K
-38	0711100-17	* BULKHEAD-STA 108.00	1	G
	0711100-18	* BULKHEAD-STA 108.00	1	H
	0711100-15	BULKHEAD-STA 108.00	1	J
	0711100-21	BULKHEAD-STA 108.00	1	K
-39	0711704-1	TAB	1	
-40	S202VM	MOULDING-40.38 IN LG BULK ITEM REF S202V40.38W	1	
-41	NAS680A3	NUTPLATE	2	
-42	0712004-1	STIFFENER	1	
-43	0510164	BRACKET-ELEVATOR CABLE PULLEY	1	
-43A	0711794-1	SUPPORT-SHEAR PLATE	1	H
-44	0412467	BRACKET-STABILIZER TRIM CABLE PULLEY	1	

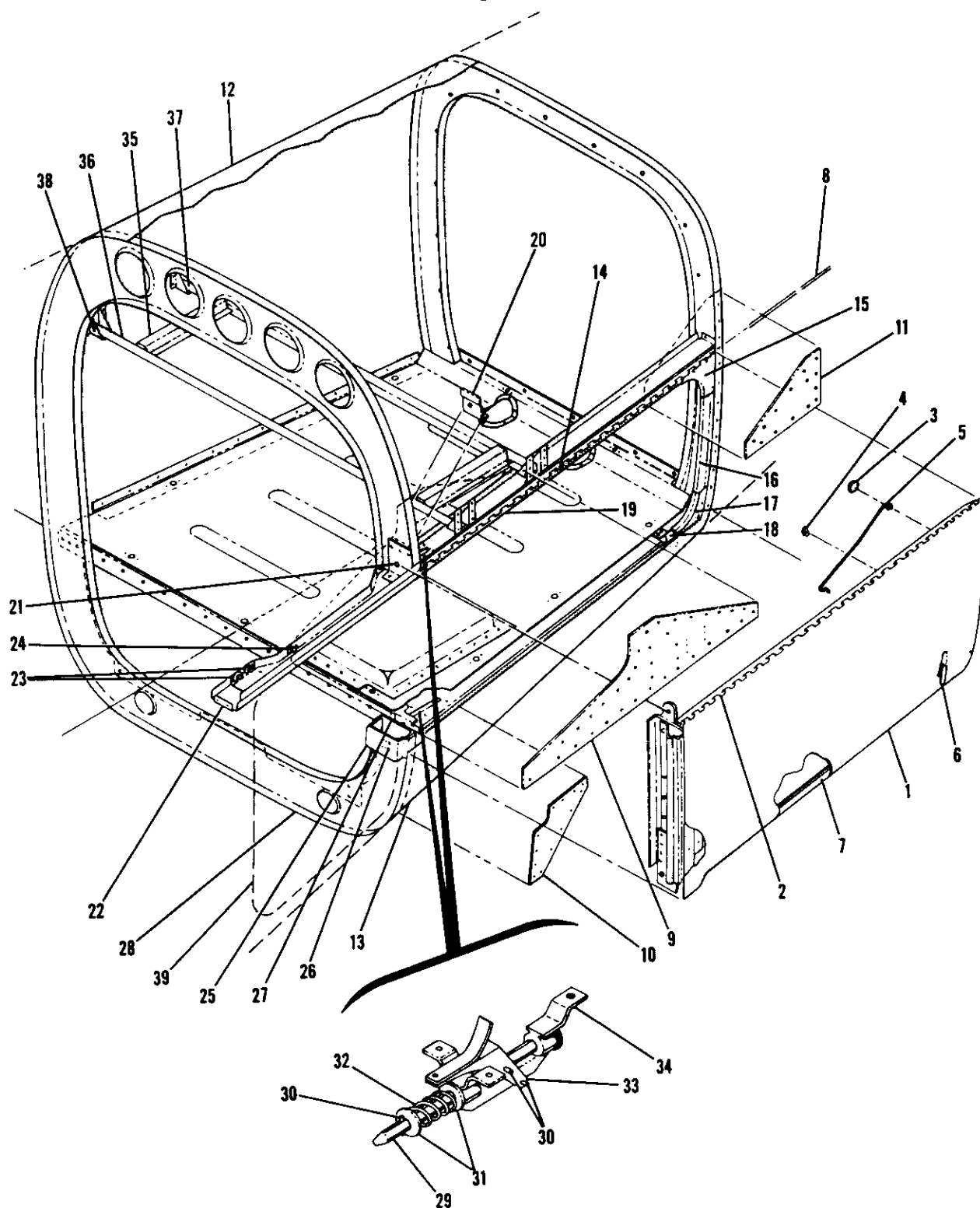
CONTINUED ON NEXT PAGE

FIGURE AND INDEX NO.	PART NUMBER	DESCRIPTION	UNITS PER ASSY	USABLE ON CODE
35A-45	0512160-2	BRACKET-RUDDER CABLE PULLEY ----- ATTACHING PARTS -----	2	
	NAS221-6	SCREW -----	2	
	MS21044N3	NUT -----	2	
-46	MS35489-14	GROMMET -----	1	
-47	0710009-1	REINFORCEMENT PLATE-BULKHEAD -----	1	G
	0710009-3	REINFORCEMENT PLATE ASSEMBLY-BULKHEAD -----	1	H
	NAS696A4	NUTPLATE -----	2	H
-47	0711795-1	SHEAR PLATE -----	1	H
-48	0712008-1	BRACKET-SEAT BELT LUG -----	2	H
	0712008-2	BRACKET-SEAT BELT LUG -----	2	G
-49	0712009-1	SPACER-LUG BRACKET -----	2	H
	0712201-5	BULKHEAD ASSEMBLY-STA 140.00 -----	1	
-50	0712201-4	BULKHEAD-STA 140.00 -----	1	
-51	NAS680A3	NUTPLATE -----	2	
-52	0712201-2	RUB STRIP -----	1	
-53	0712005-1	STIFFENER -----	1	
-54	071266C-8	PANEL ASSEMBLY-STA 140.00 ----- ATTACHING PARTS -----	1	
	AN227-8B	STUD -----	21	
	AN227-9B	EYELET -----	21	
	AN227-6B	BUTTON -----	21	
	AN227-7B	SOCKET -----	21	
	0712202-5	BULKHEAD ASSEMBLY-STA 172.00 -----	1	M
	0712202-7	BULKHEAD ASSEMBLY-STA 172.00 -----	1	N
-55	0712202-4	BULKHEAD-STA 172.00 -----	1	
-56	0712212	BRACKET-RUDDER CABLE PULLEY -----	1	
-57	0712006-1	STIFFENER -----	1	
-58	0712006-2	STIFFENER -----	1	
-58A	0710010-16	ANGLE -----	1	N
-59	0712309-5	BRACKET-PULLEY INBOARD LH SEE FIGURE 98 -----	1	
	0712309-6	BRACKET-PULLEY INBOARD RH SEE FIGURE 98 -----	1	
-60	0712309-7	BRACKET-PULLEY OUTBOARD LH SEE FIGURE 98 -----	1	
	0712309-8	BRACKET-PULLEY OUTBOARD RH SEE FIGURE 98 -----	1	
-61	0712303-1	GUIDE-STABILIZER SEAL LH -----	1	
	0712303-2	GUIDE-STABILIZER SEAL RH -----	1	
-62	NAS680A08	NUTPLATE -----	6	
-63	0791200-7	TAILCONE ASSEMBLY-FUSELAGE SEE FIGURE 38 -----	1	
	0712010-2	BATTERY BOX ASSEMBLY SEE FIGURE 37 -----	1	
		LITTER DOOR INSTALLATION SEE FIGURE 358 -----	1	B
-64	0712760-1	BRACKET ASSEMBLY-SHOULDER HARNESS ATTACH LH -----	1	H
	0712760-2	BRACKET ASSEMBLY-SHOULDER HARNESS ATTACH RH -----	1	H
	NAS698A4	NUTPLATE -----	1	H
-65	0712762-1	SUPPORT-LH -----	1	H
	0712762-2	SUPPORT-RH -----	1	H

CONTINUED ON NEXT PAGE

FIGURE AND INDEX NO.	PART NUMBER	DESCRIPTION	UNITS PER ASSY	USABLE ON CODE
		1 2 3 4 5 6 7		
35A-66	0710031-4	SUPPORT ASSEMBLY-BAGGAGE SHELF -----	1	
-67	0712002-1	FITTING-DORSAL FORWARD -----	1	C
	0712304-1	FITTING-DORSAL FORWARD -----	1	D
	NAS395-6-3	NUT -----	2	
-68	0712001-1	FITTING-DORSAL AFT -----	1	C
	0712304-12	FITTING-DORSAL AFT -----	1	D
	NAS395-18-3	NUT -----	2	
-69	1260474-1	BRACKET-EMERGENCY LOCATOR TRANSMITTER -----	1	L
<p>NOTE. *THESE PARTS ARE NOT USED ON AIRCRAFT EQUIPPED WITH LITTER DOOR INSTALLATION.</p> <p>A---SERIAL 185-1150 THRU 18502310 SERIAL 18051775 THRU 18052384</p> <p>B---SERIAL 185-1150 THRU 18502310-LITTER DOOR ONLY SERIAL 18051775 THRU 18052384-LITTER DOOR ONLY</p> <p>C---SERIAL 185-1150 THRU 18502310</p> <p>D---SERIAL 18051775 THRU 18052384</p> <p>E---SERIAL 185-1150 THRU 185-1526 SERIAL 18051775 THRU 18052064</p> <p>F---SERIAL 185-1527 THRU 18502310 SERIAL 18052065 THRU 18052384</p> <p>G---SERIAL 185-1150 THRU 18501832 SERIAL 18051775 THRU 18052175</p> <p>H---SERIAL 18501833 THRU 18502310 SERIAL 18052176 THRU 18052384</p> <p>J---SERIAL 185-1150 THRU 18501832-LITTER DOOR ONLY SERIAL 18051775 THRU 18052175-LITTER DOOR ONLY</p> <p>K---SERIAL 18501833 THRU 18502310-LITTER DOOR ONLY SERIAL 18052176 THRU 18052384-LITTER DOOR ONLY</p> <p>L---SERIAL 18501935 THRU 18502310 SERIAL 18052231 THRU 18052384</p> <p>M---SERIAL 185-1150 THRU 18502139 SERIAL 18051175 THRU 18052309</p> <p>N---SERIAL 18502140 THRU 18502310 SERIAL 18052310 THRU 18052384</p>				

Fuselage (Cont)



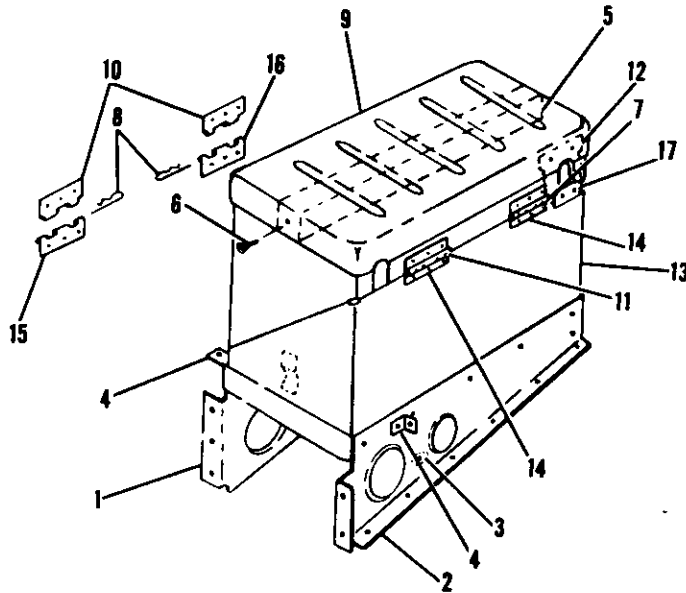
SERIAL 185-1150 THRU 18502310
SERIAL 18051775 THRU 18052384

Figure 35B. Litter Door Components Installation

FIGURE AND INDEX NO.	PART NUMBER	DESCRIPTION	UNITS PER ASSY	USABLE ON CODE
		1 2 3 4 5 6 7		
358-		LITTER DOOR COMPONENTS INSTALLATION -----	NP	A
- 1	0712013-10	DOOR ASSEMBLY-LITTER -----	1	
- 2	0712013-37	HINGE HALF -----	1	
- 3	CM2692-16-25	PLUG BUTTON -----	1	
- 4	C23150-017-4	CLIP TIN -----	1	
- 5	0712022-1	SUPPORT ASSEMBLY-LITTER DOOR -----	1	
- 6	0712013-27	LATCH ASSEMBLY-DOOR -----	1	
- 7	S1441-1	SEAL-* IN LG BULK ITEM REF S1441-1-* -----	2	
- 8	MS20253-2-3115	PIN-HINGE -----	1	
- 9	0712013-26	DOUBLER-UPPER STA 108.00 -----	1	
-10	0712013-23	DOUBLER-LOWER STA 108.00 -----	1	
-11	0712013-25	DOUBLER-UPPER STA 140.00 -----	1	
-12	0712013-28	SKIN-UPPER -----	1	
-13	0712013-29	SKIN-LOWER -----	1	
-14	0712013-38	HINGE HALF -----	1	
-15	0712013-31	GUSSET-DOOR JAMB UPPER -----	1	
-16	0712013-9	JAMB ASSEMBLY-DOOR STA 140.00 -----	1	
-17	0712013-30	GUSSET-DOOR JAMB LOWER -----	1	
-18	0311319-1	PLATE-STRIKE -----	1	
		ATTACHING PARTS -----		
	AN520-10R7	SCREW -----	2	
	0311319-2	SHIM-STRIKE PLATE -----	AR	
	MS21044N3	NUT -----	2	

-19	S1047-1	SEAL-42.0 IN LG BULK ITEM REF S1047-1-42.00 -----	1	
-20	0712013-20	DOUBLER-STA 108.00 -----	1	
-21	0712026-1	DOUBLER-STA 108.00 -----	1	
-22	0712013-16	SUPPORT ASSEMBLY-UPPER -----	1	
-23	NAS680A08	NUTPLATE -----	2	B
	NAS680A3	NUTPLATE -----	2	C
	S1863-3	NUTPLATE -----	1	
-24	0712020-1	ANGLE-STRIKER PLATE -----	1	
-25	NAS696A3	NUTPLATE -----	2	
-26	0712013-24	BRACE -----	1	
-27	0711100-14	BULKHEAD ASSEMBLY-STA 108.00 SEE FIGURE 35A -----	1	D
-28	0711100-20	BULKHEAD ASSEMBLY-STA 108.00 SEE FIGURE 35A -----	1	E
	0712027-1	LATCH ASSEMBLY-LITTER DOOR -----	2	
-29	0712013-3	LOCKPIN -----	1	
-30	NAS561-3-10	PIN -----	3	
-31	AN960-416	WASHER -----	2	
-32	0742130-1	SPRING -----	1	
-33	0712030-1	HANDLE -----	1	
-34	0712028-1	GUIDE ASSEMBLY -----	1	
-35	0712013-36	SUPPORT-RADIO -----	2	
-36	0712013-34	ANGLE-RADIO SUPPORT FORWARD -----	1	F
	0712013-49	ANGLE-RADIO SUPPORT FORWARD -----	1	G
-37	0712013-35	ANGLE-RADIO SUPPORT AFT -----	1	F
	0712013-50	ANGLE-RADIO SUPPORT AFT -----	1	G
-38	0712013-33	BRACKET-RADIO SUPPORT -----	4	
-39	SEE FIG 52	BAGGAGE DOOR INSTALLATION -----	NP	
NOTE. FOR PARTS SHOWN BUT NOT CALLED OUT ON THIS FIGURE SEE FIGURE 35A.				
NOTE. *LENGTH TO BE DETERMINED LATER				
<p>A---SERIAL 185-1150 THRU 18502310 SERIAL 18051775 THRU 18052384</p> <p>B---SERIAL 185-1150 THRU 18501923 SERIAL 18051775 THRU 18052173</p> <p>C---SERIAL 18501824 THRU 18502310 SERIAL 18052174 THRU 18052384</p> <p>D---SERIAL 185-1150 THRU 18501832 SERIAL 18051775 THRU 18052175</p> <p>E---SERIAL 18501833 THRU 18502310 SERIAL 18052176 THRU 18052384</p> <p>F---SERIAL 185-1150 THRU 18502100 SERIAL 18051775 THRU 18052293</p> <p>G---SERIAL 18502101 THRU 18502310 SERIAL 18052294 THRU 18052384</p>				

Fuselage (Cont)



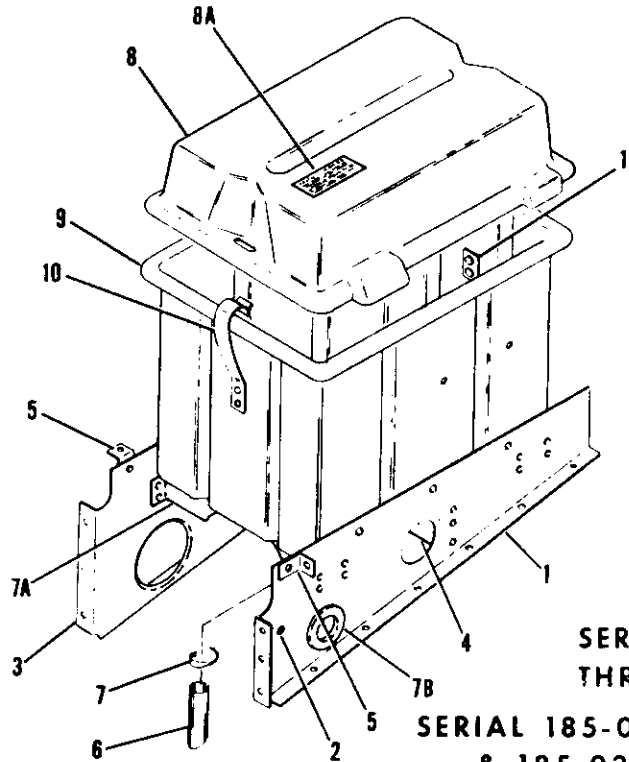
SERIAL 185-0001 THRU 185-0363 & 185-0389

Figure 36. Battery Box Assembly

FIGURE AND INDEX NO.	PART NUMBER	DESCRIPTION	UNITS PER ASSY	USABLE ON CODE
		1 2 3 4 5 6 7		
36 -	0712601	BOX ASSEMBLY-BATTERY -----	1	A
- 1	0712601-2	BRACKET-MOUNTING WHEN EXHAUSTED USE 0712601-6 -----	1	
	0712601-6	BRACKET-MOUNTING -----	1	
- 2	0712601-3	BRACKET ASSEMBLY-MOUNTING WHEN EXHAUSTED USE 0712601-8 --	1	
	0712601-8	BRACKET ASSEMBLY-MOUNTING -----	1	
- 3	NAS680A4	NUTPLATE -----	1	
- 4	0712601-4	BRACKET-CABLE SUPPORT -----	2	
- 5	0413279	SPACER -----	1	
		ATTACHING PARTS		
- 6	0712010-3	TUBE-DRAIN -----	1	

	0412146-1	BOX ASSEMBLY-BATTERY -----	1	
- 7	0412151-5	PIN-HINGE -----	2	
- 8	AN415-2	PIN-LOCK -----	2	
- 9	0412147	BOX ASSEMBLY-UPPER -----	1	
-10	0412151-1	HINGE HALF-LOWER -----	2	
-11	0412151-4	HINGE HALF-UPPER -----	2	
-12	0412470	INSULATOR -----	2	
-13	0412148-1	BOX ASSEMBLY-LOWER -----	1	
-14	0412151-1	HINGE HALF-UPPER -----	2	
-15	0412151-2	HINGE HALF-LOWER RH -----	1	
-16	0412151-3	HINGE HALF-LOWER LH -----	1	
-17	0412471-3	INSULATOR -----	2	
	NAS397-B	CLAMP TIN -----	1	
	51071-4	TUBE-6.50 IN LG BULK ITEM REF 51071-4-6.50 -----	1	
A---SERIAL 185-0001 THRU 185-0363 & 185-0389				

Fuselage (Cont)



SERIAL 18051184
THRU 18052384

SERIAL 185-0364 THRU 185-0388
& 185-0390 THRU 18502310

Figure 37. Battery Box Assembly

FIGURE AND INDEX NO.	PART NUMBER	DESCRIPTION	UNITS PER ASSY							USABLE ON CODE
			1	2	3	4	5	6	7	
37 -	0712010-1	BOX ASSEMBLY-BATTERY WHEN EXHAUSTED USE 0712010-2	1							A
	0712010-2	BOX ASSEMBLY-BATTERY	1							A
- 1	0712601-3	BRACKET ASSEMBLY WHEN EXHAUSTED USE 0712601-4	1							A
	0712601-4	BRACKET ASSEMBLY	1							B
- 2	NAS680A4K	NUTPLATE	1							
- 3	0712601-2	BRACKET WHEN EXHAUSTED USE 0712601-6	1							A
	0712601-6	BRACKET	1							B
- 4	0512171-1	BRACKET	1							
- 5	0712601-4	BRACKET	2							
- 6	51071-4	TUBE-2.40 IN LG BULK ITEM REF 51071-4-2.40	1							
		ATTACHING PARTS								
- 7	NAS397-8	CLAMP	1							
- 7A	0712655-1	BRACKET	2							B
- 7B	MS35489-22	GROMMET	1							B
	0512167-19	BOX ASSEMBLY-BATTERY	1							
- 8	0512167-27	COVER ASSEMBLY-BATTERY BOX	1							
- 8A	1213535-1	PLACARD	1							
- 9	0512167-25	BASE ASSEMBLY-BATTERY BOX	1							
-10	0512167-10	LATCH SPRING	2							
-11	0512167-17	PLATE-LATCH BACKING	2							
		A---SERIAL 185-0364 THRU 185-0388 & 185-0390 THRU 185-0739 SERIAL 18051184 THRU 18051397								
		B---SERIAL 185-0740 THRU 18502310 SERIAL 18051398 THRU 18052384								

Fuselage (Cont)

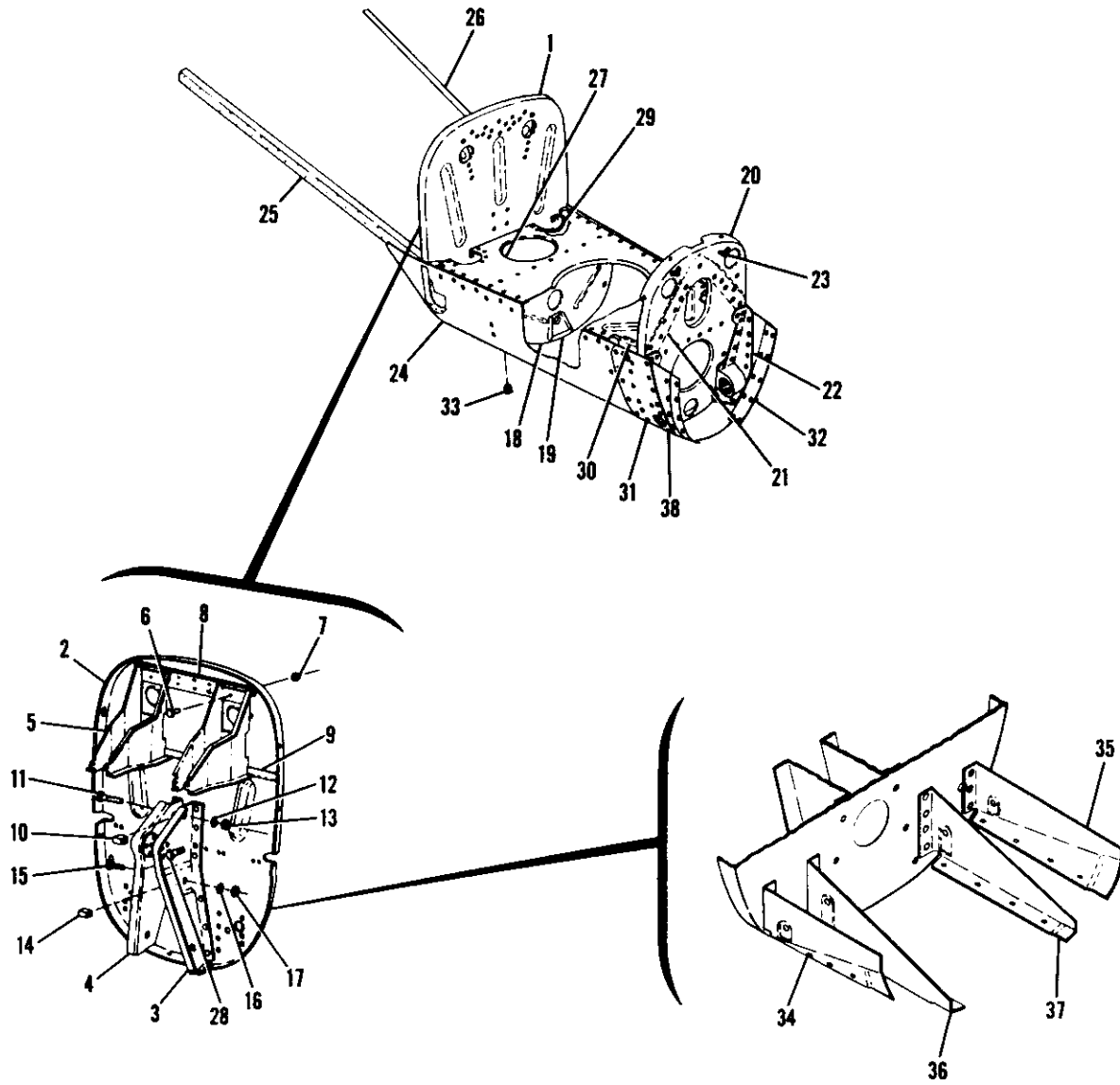


Figure 38. Fuselage Tailcone Assembly

FIGURE AND INDEX NO.	PART NUMBER	DESCRIPTION	UNITS PER ASSY						USABLE ON CODE	
			1	2	3	4	5	6		7
38 -	0791200-7	TAILCONE ASSEMBLY-FUSELAGE STA 209.00 TO 230.187 -----							1	
- 1	0712311-15	BULKHEAD ASSEMBLY-TAILCONE STA 209.00 -----							1	
- 2	0712311-7	BULKHEAD-TAILCONE STA 209.00 -----							1	
- 3	0712306-9	BRACKET ASSEMBLY-ELEVATOR BELLCRANK REAR LH -----							1	
- 4	0712306-10	BRACKET ASSEMBLY-ELEVATOR BELLCRANK REAR RH -----							1	
- 5	0712309-4	BRACKET-RUDDER BELLCRANK WEU 0712309-15 -----							2	A
	0712309-15	BRACKET-RUDDER BELLCRANK -----							2	D
		ATTACHING PARTS -----								
- 6	AN3-3A	BOLT -----							2	
- 7	MS21044N3	NUT -----							2	
		DOUBLER -----							1	
- 8	0712311-14	ANGLE -----							1	
- 9	0712311-3	STOP-ELEVATOR UPPER -----							1	
-10	0510146	ATTACHING PARTS -----								
-11	AN4-12A	BOLT -----							1	
-12	AN960-416	WASHER -----							1	
-13	NAS679A4	NUT -----							1	
		STOP-ELEVATOR LOWER -----							1	
-14	0510146-9	ATTACHING PARTS -----								
-15	AN4-14A	BOLT -----							1	
-16	AN960-416	WASHER -----							1	
-17	NAS679A4	NUT -----							1	
		BULKHEAD ASSEMBLY-TAILCONE STA 215.687 -----							1	
-18	0712204-5	BRACKET ASSEMBLY-TAILGEAR STA 215.687 -----							1	
-19	0712205-13	BULKHEAD ASSY-TAILCONE STA 230.187 WEU 0712205-14 ---							1	E
	0712205-14	BULKHEAD ASSY-TAILCONE STA 230.187 -----							1	F
-20	0712205-10	BULKHEAD-TAILCONE STA 230.187 -----							1	
-21	1212011-1	STIFFENER -----							1	
	1212012-1	DOUBLER-INNER -----							1	
-22	0712305-3	CASTING-TAILGEAR MOUNTING LH -----							1	
	0712305-4	CASTING-TAILGEAR MOUNTING RH -----							1	
-23	NAS680A3	NUTPLATE -----							2	
	AN3-4A	BOLT-STOP -----							2	B
	NAS428H3-10	BOLT -----							2	C
	AN315-3R	NUT -----							2	C
-24	0712000-7	SKIN-TAILCONE -----							1	
-25	0712207-1	ANGLE-TAILCONE REINFORCEMENT LH -----							1	
-26	0712207-2	ANGLE-TAILCONE REINFORCEMENT RH -----							1	
-27	0712206	BULKHEAD ASSEMBLY-TAILCONE HORIZONTAL -----							1	
		ATTACHING PARTS -----								
-28	AN3-5A	BOLT -----							2	
	AN960-10	WASHER -----							2	
	MS21044N3	NUT -----							2	
		DOUBLER -----							1	
-29	0712206-2	BRACKET-STABILIZER HINGE LH -----							1	
-30	0712302-1	BRACKET-STABILIZER HINGE RH -----							1	
	0712302-2	FITTING-TAILCONE REINFORCEMENT LH -----							1	
-31	0712304-3	FITTING-TAILCONE REINFORCEMENT RH -----							1	
	0712304-4	FITTING-STINGER ATTACHMENT -----							2	
-32	0712304-10	SCOOP-DRAIN -----							2	
-33	5349	BRACKET-ACTUATOR HINGE OUTBOARD LH -----							1	
-34	0712301-1	BRACKET-ACTUATOR HINGE OUTBOARD RH -----							1	
-35	0712301-2	BRACKET-ACTUATOR HINGE INBOARD LH -----							1	
-36	0712301-3	BRACKET-ACTUATOR HINGE INBOARD RH -----							1	
-37	0712301-4	PLUG BUTTON UC -----							1	
-38	46143									

A---SERIAL 185-0001 THRU 18501636
 SERIAL 18051184 THRU 18052119
 B---SERIAL 185-0001 THRU 185-0743
 SERIAL 18051184 THRU 18051398
 C---SERIAL 185-0744 THRU 18502310
 SERIAL 18051399 THRU 18052384
 D---SERIAL 18501637 THRU 18502310
 SERIAL 18052120 THRU 18052384
 E---SERIAL 185-0001 THRU 18502027
 SERIAL 18051184 THRU 18052258
 F---SERIAL 18502028 THRU 18502310
 SERIAL 18052259 THRU 18052384

Fuselage (Cont)

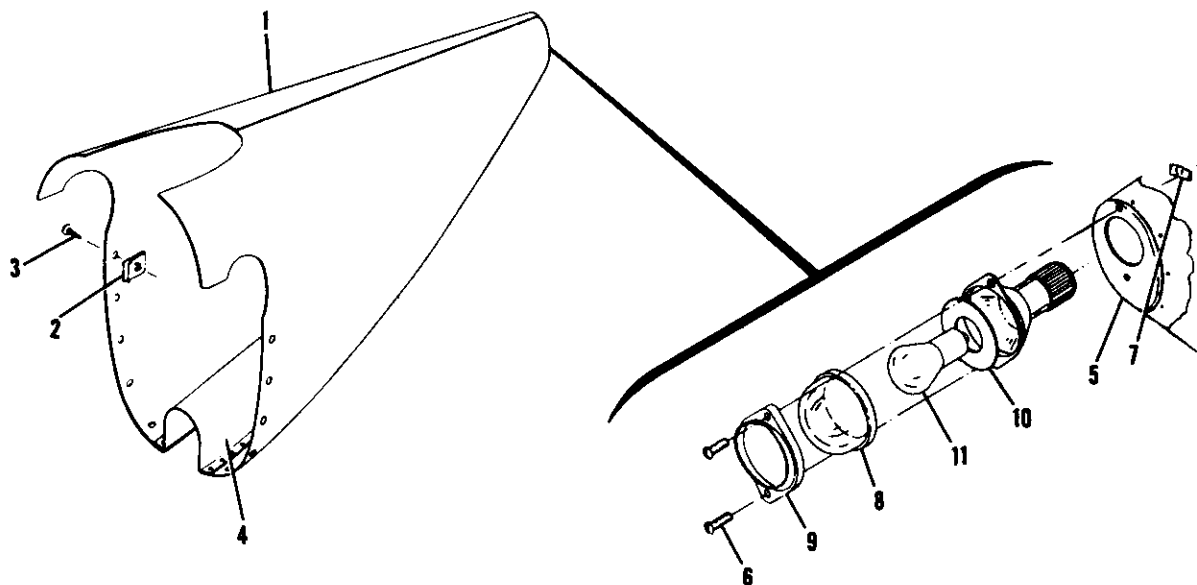


Figure 39. Stinger Installation

FIGURE AND INDEX NO.	PART NUMBER	DESCRIPTION	UNITS PER ASSY	USABLE ON CODE
39 -		STINGER INSTALLATION	NP	
- 1	0712400-11	STINGER ASSEMBLY	1	A
	0712400-13	STINGER ASSEMBLY WHEN EXHAUSTED USE 0712400-13	1	C
	0712400-9	STINGER ASSEMBLY WHEN EXHAUSTED USE 0712400-13	1	B
		ATTACHING PARTS		
- 2	NAS395-17-3	NUTPLATE	10	
- 3	S102128-8	SCREW	10	
		ATTACHING PARTS		
- 4	0712400-12	PAN-STINGER	1	
- 5	0712400-4	PAN-TAIL LIGHT	1	
	0712400-15	PAN-TAIL LIGHT WEU 0712400-15	1	
	0433006-7	LIGHT ASSEMBLY-TAIL	1	D
	C622001-0102	LIGHT ASSEMBLY-TAIL WHEN EXHAUSTED USE C622001-0102	1	E
		ATTACHING PARTS		
- 6	S102124-8	SCREW	2	
- 7	NAS395-1-3	NUT	2	
		ATTACHING PARTS		
- 8	A4513-1	LENS-CLEAR GMC	1	
- 9	C622001-0104	RETAINER-LENS	1	
- 10	A2109-3	GASKET GMC	1	
- 11	1777	LAMP	1	D
	1777	LAMP GMC	1	E
		A---SERIAL 185-0238 THRU 185-0502		
		B---SERIAL 18051184 THRU 18051471		
		SERIAL 185-0001 THRU 185-0237		
		C---SERIAL 18051472 THRU 18052384		
		SERIAL 185-0903 THRU 18502310		
		D---SERIAL 18051184 THRU 18051911		
		SERIAL 185-0001 THRU 185-1340		
		E---SERIAL 18051912 THRU 18052384		
		SERIAL 185-1341 THRU 18502310		

FIGURE AND INDEX NO.	PART NUMBER	DESCRIPTION	UNITS PER ASSY	USABLE ON CODE
		1 2 3 4 5 6 7		
40 -		LANDING GEAR INSTALLATION-MAIN -----	NP	A
- 1	0713018-5	PLATE-LANDING GEAR FILLET LH -----	1	
	0713018-4	PLATE-LANDING GEAR FILLET RH -----	1	
		ATTACHING PARTS -----		
- 2	S102128-8	SCREW -----	7	
		*-----		
- 3	0713018-3	SEAL-LANDING GEAR -----	2	
- 4	0441115-3	WEDGE-LANDING GEAR SUPPORT -----	4	
	0441023-2	WEDGE-LANDING GEAR SUPPORT -----	4	
		ATTACHING PARTS -----		
- 5	AN4-11A	BOLT -----	2	
	AN960-416	WASHER -----	1	
		*-----		
- 6	0741007-1	SHIM-SPRING ALIGNMENT -----	AR	
	0741022-1	SHIM-SPRING ALIGNMENT .036 THICK -----	AR	
	0741022-2	SHIM-SPRING ALIGNMENT .050 THICK -----	AR	
- 7	0541105	SHIM-SPRING ADJUSTMENT -----	AR	
CONTINUED ON NEXT PAGE				

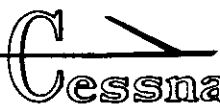


FIGURE AND INDEX NO.	PART NUMBER	DESCRIPTION	UNITS PER ASSY	USABLE ON CODE		
					1	2
40 - 8	0741001-5	SPRING-LANDING GEAR LH WHEN EXHAUSTED USE 0741001-7 -----	1	D		
	0741001-7	SPRING ASSEMBLY-LANDING GEAR LH -----	1	E		
	0741001-6	SPRING-LANDING GEAR RH WHEN EXHAUSTED USE 0741001-8 -----	1	D		
	0741001-8	SPRING ASSEMBLY-LANDING GEAR RH -----	1	E		
		ATTACHING PARTS				
- 9	AN7-20A	BOLT -----	1			
-10	MS20365-720C	NUT -----	1			
		-----*				
-10A	1441001-2	CLIP-BRAKE LINE -----	2	E		
-11	0500106-317	LINE-BRAKE -----	2	D		
	0700147-28	LINE-BRAKE WHEN EXHAUSTED USE 0700147-43 -----	2	F		
	0700147-43	LINE-BRAKE -----	2	G		
-12	0441119	HOSE-BRAKE LINE PROTECTOR -----	2	D		
-12A	S1495-3	HOSE-0.50 IN LG BULK ITEM REF S1495-3-0.50 -----	4	E		
-13	0741000-7	BRACKET-BRAKE LINE RETAINING -----	2	D		
-14	AN815-4D	UNION -----	2	D		
-15	S1167-4-0120	HOSE ASSEMBLY-BRAKE LINE -----	2	D		
	S1810-800	HOSE ASSEMBLY-BRAKE LINE -----	2	E		
-15A	AN816-4D	NIPPLE -----	2	D		
	AN915-1D	ELBOW USED WITH C163030 BRAKE ASSYS ONLY -----	2	E		
-15B	AN910-1D	COUPLING USED WITH C163032 BRAKE ASSYS ONLY -----	2			
-15C	AN816-3D	NIPPLE USED WITH C163032 BRAKE ASSYS ONLY -----	2			
-15D	MS28778-3	O RING USED WITH C163032 BRAKE ASSYS ONLY -----	2			
-16	1441003-1	AXLE-LANDING GEAR -----	2			
		ATTACHING PARTS				
-17	NAS146-41	BOLT-LOWER -----	2			
	NAS146-39	BOLT-LOWER ALT -----	2			
-18	NAS145-38	BOLT -----	2			
-19	MS20002C6	WASHER-COUNTERSINK -----	2			
-20	MS20002C5	WASHER-COUNTERSINK -----	2			
-21	MS20002-6	WASHER -----	AR			
-22	MS20002-5	WASHER -----	AR			
-23	NAS679A5	NUT UPPER -----	2			
-23A	NAS679A6	NUT LOWER -----	2			
		-----*				
-24	S1117-24	NUT-AXLE -----	2			
-25	MS24665-351	PIN-COTTER -----	4			
-26	0441139-5	SHIM-LANDING GEAR -----	AR			
	0441139-6	SHIM-LANDING GEAR -----	AR			
	0541111-2	SHIM-LANDING GEAR -----	AR			
-27		WHEEL & BRAKE ASSEMBLIES-FIXED GEAR SEE FIGURES 42, 42A & 42B -----	1			
	0741008-5	AXLE ASSEMBLY-SKI LANDING GEAR SKI ONLY -----	1			
-28	0741103	AXLE-SKI LANDING GEAR -----	1			
		ATTACHING PARTS				
-29	NAS146-36	BOLT -----	6			
-30	NAS679A6	NUT -----	6			
-31	NAS145-35	BOLT -----	2			
-32	NAS679A5	NUT -----	2			
-33	MS20002C5	WASHER -----	2			
-34	0741008-1	SHOE -----	1			
		-----*				
-35	0741008-2	WASHER -----	1			
-36	0741008-4	BUSHING -----	1			
-37	0741008-3	WASHER -----	1			
-38	1241063-2	HUB CAP -----	2	B		
	0741048-8	HUB CAP -----	2	C		
		ATTACHING PARTS				
-39	AN515-8R4	SCREW -----	3			
-40	AN936A6	WASHER -----	3			
		-----*				
<p>A---SERIAL 185-0001 THRU 18502310 SERIAL 18051313 THRU 18052384 B---SERIAL 185-0001 THRU 185-1300 SERIAL 18051313 THRU 18051875 C---SERIAL 185-1301 THRU 18502310 SERIAL 18051876 THRU 18052384 D---SERIAL 185-0001 THRU 185-1341 SERIAL 18051313 THRU 18051909 E---SERIAL 185-1342 THRU 18502310 SERIAL 18051910 THRU 18052384 F---SERIAL 185-1342 THRU 185-1539 SERIAL 18051910 THRU 18052076 G---SERIAL 185-1540 THRU 18502310 SERIAL 18052077 THRU 18052384</p>						

FIGURE AND INDEX NO.	PART NUMBER	DESCRIPTION	UNITS PER ASSY	USABLE ON
				CODE
		1 2 3 4 5 6 7		
40A-		LANDING GEAR INSTALLATION-MAIN CROSSWIND -----	NP	A
- 1	0713018-4	PLATE-LANDING GEAR FILLET RH -----	1	
	0713018-5	PLATE-LANDING GEAR FILLET LH -----	1	
		ATTACHING PARTS -----	6	
- 2	S1021Z8-8	SCREW -----	2	
		-----	4	
- 3	0713018-3	SEAL-LANDING GEAR -----	1	
- 4	0441023-2	WEDGE-LANDING GEAR SUPPORT -----	1	
		ATTACHING PARTS -----	1	
- 5	AN4-11A	BOLT -----	1	
	AN960-416	WASHER -----	1	

- 6	0741022-1	SHIM-SPRING ALIGNMENT -----	AR	
- 7	0541105	SHIM-SPRING ADJUSTMENT -----	AR	
- 8	0741001-6	SPRING-LANDING GEAR RH WHEN EXHAUSTED USE 0741001-8 -----	1	D
	0741001-8	SPRING ASSEMBLY-LANDING GEAR RH -----	1	E
	0741001-5	SPRING-LANDING GEAR LH WHEN EXHAUSTED USE 0741001-7 -----	1	D
	0741001-7	SPRING ASSEMBLY-LANDING GEAR LH -----	1	E
		ATTACHING PARTS -----	1	
- 9	AN7-20A	BOLT -----	1	
-10	MS20365-720C	NUT -----	1	

-10A	1441001-2	CLIP-BRAKE LINE -----	2	E
-11	0500106-317	LINE-BRAKE -----	2	D
	0700147-28	LINE-BRAKE WHEN EXHAUSTED USE 0700147-43 -----	2	E
-12	0441119	HOSE-BRAKE LINE PROTECTOR -----	2	D
-12A	S1495-3	HOSE-0.50 IN LG BULK ITEM REF S1495-3-0.50 -----	4	E
-13	0741000-7	BRACKET-BRAKE LINE RETAINING -----	2	D
-14	AN815-4D	UNION -----	2	D
-15	S1167-4-0100	HOSE ASSEMBLY-BRAKE LINE -----	2	D
	S1810-550	HOSE ASSEMBLY-BRAKE LINE -----	2	D
-15A	MS20823-4D	ELBOW -----	2	D
	AN915-1D	ELBOW -----	2	D
-16	0741636-2	AXLE ASSEMBLY-CROSSWIND RH -----	1	
	0741636-3	AXLE ASSEMBLY-CROSSWIND LH -----	1	
		ATTACHING PARTS -----	2	
-17	0741637-1	STUD-UPPER -----	2	
-18	0741637-2	STUD-UPPER -----	2	
-19	AN960-516	WASHER-UPPER -----	AR	
-20	AN960-616	WASHER-LOWER -----	AR	
-20A	NAS679C5M	NUT-UPPER -----	2	
-20B	NAS679C6M	NUT-LOWER -----	2	

-21	0741105-1	AXLE -----	1	
-22	0742143-1	SPRING -----	1	
-23	0742141-4	PISTON -----	1	
-24	AN6227-15	PACKING -----	1	
-25	0742141-3	ORIFICE -----	1	
-26	MS16625-1112	RING-SNAP -----	1	
-27	0742141-5	PLUNGER -----	1	
-28	AN6227-17	PACKING -----	1	
-29	AN503-8-6	SCREW -----	1	
-30	AN960-RL	WASHER -----	1	
-31	600-015-8	STAT-O-SEAL PKSC -----	1	
-32	0742141-2	ADAPTER-RH -----	1	
	0742141-1	ADAPTER-LH -----	1	
		ATTACHING PARTS -----	1	
-33	0742141-6	PIN -----	2	
-34	MS15001-1	FITTING-ZERK -----	1	
-35	0742141-8	STOP -----	1	
-36	NAS1303-23H	BOLT -----	1	
-37	AN960-10L	WASHER -----	1	
-38	AN500A8-5	SCREW -----	1	

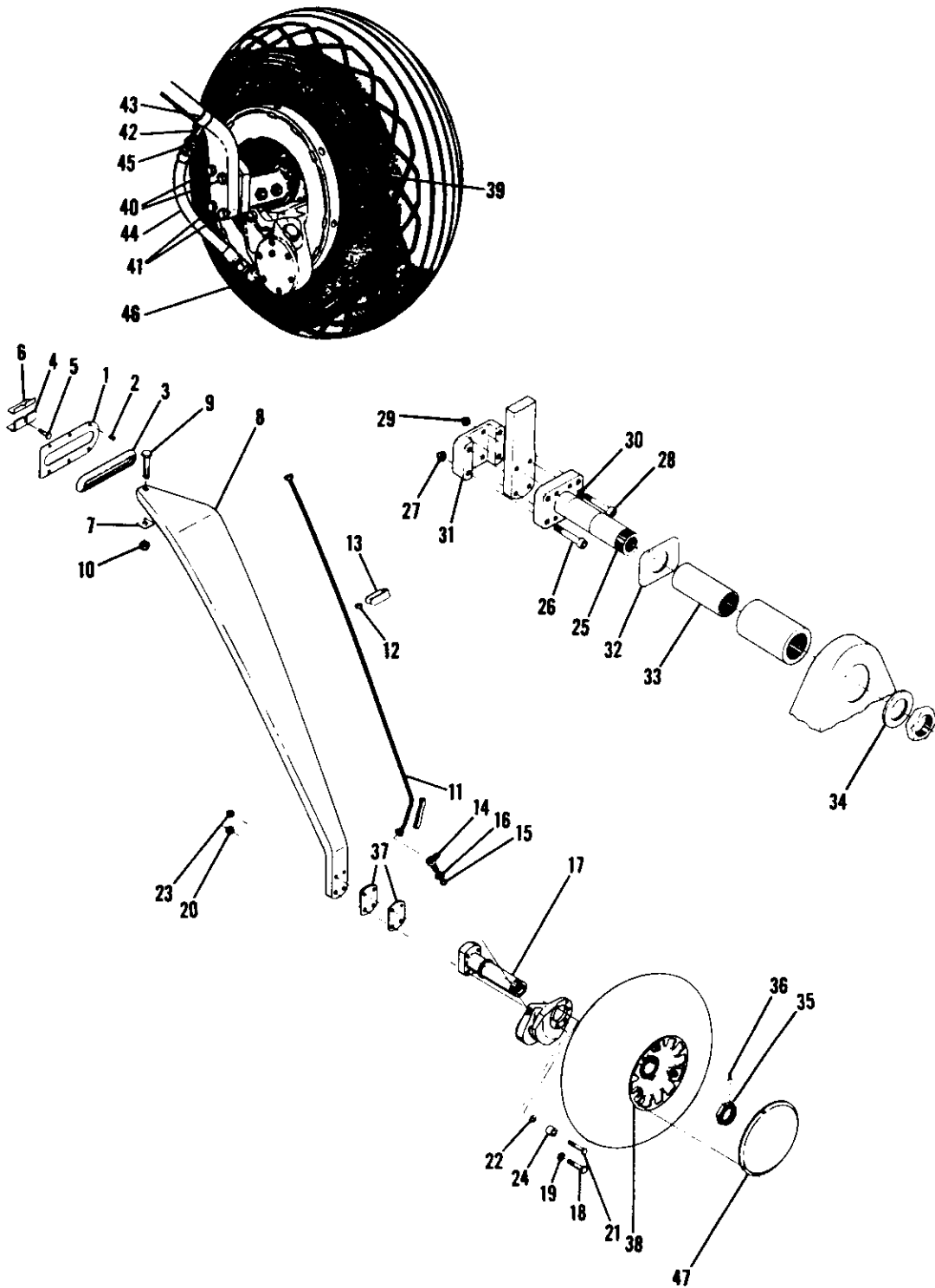
-39	S1117-24	NUT-AXLE -----	2	
-40	MS24665-351	PIN-COTTER -----	4	

CONTINUED ON NEXT PAGE

FIGURE AND INDEX NO.	PART NUMBER	DESCRIPTION	UNITS PER ASSY	USABLE ON CODE
40A-41	0441139-5	SHIM-MAIN LANDING GEAR -----	AR	
	0441139-6	SHIM-MAIN LANDING GEAR -----	AR	
	0541111-2	SHIM-MAIN LANDING GEAR -----	AR	
-42	SEE FIG 42C	WHEEL & BRAKE ASSEMBLIES -----	NP	
-43	1241063-2	HUB CAP -----	2	B
	0741048-8	HUB CAP -----	2	C
		ATTACHING PARTS		
-44	AN515-8R4	SCREW -----	3	
-45	AN936A8	WASHER -----	3	

-46	AN5H5A	BOLT -----	4	
-47	AN960-516	WASHER -----	4	
-48	S2180-1	BUSHING -----	4	
		A---SERIAL 185-1150 THRU 185-1447		
		SERIAL 18051775 THRU 18051993		
		B---SERIAL 185-1150 THRU 185-1300		
		SERIAL 18051775 THRU 18051875		
		C---SERIAL 185-1301 THRU 185-1447		
		SERIAL 18051876 THRU 18051993		
		D---SERIAL 185-1150 THRU 185-1341		
		SERIAL 18051775 THRU 18051909		
		E---SERIAL 185-1342 THRU 185-1447		
		SERIAL 18051910 THRU 18051993		

Aligning Gear



SERIAL 18051184 THRU 18051312

Figure 41. Landing Gear Installation

FIGURE AND INDEX NO.	PART NUMBER	DESCRIPTION	UNITS PER ASSY	USABLE ON CODE
41 -		LANDING GEAR INSTALLATION-MAIN -----	NP	A
- 1	0713018-5	PLATE-LANDING GEAR FILLET LH -----	1	
	0713018-4	PLATE-LANDING GEAR FILLET RH -----	1	
		ATTACHING PARTS -----		
- 2	S102128-8	SCREW -----	7	

- 3	0713018-3	SEAL-LANDING GEAR -----	2	
- 4	0441115-4	WEDGE-LANDING GEAR SUPPORT WHEN EXHAUSTED USE 0441023-2 -	4	
	0441115-3	WEDGE-LANDING GEAR SUPPORT HEAVY DUTY WHEN -----	4	
	0441023-2	EXHAUSTED USE 0441023-2 -----		
		WEDGE-LANDING GEAR SUPPORT -----	4	
		ATTACHING PARTS -----		
- 5	AN4-11A	BOLT -----	1	
	AN960-416	WASHER -----	1	

- 6	0741007-1	SHIM-SPRING ALIGNMENT WHEN EXHAUSTED USE 0741022-1 -----	AR	
	0741022-1	SHIM-SPRING ALIGNMENT -----	AR	
- 7	0541105	SHIM-SPRING ADJUSTMENT -----	AR	
- 8	0741001-3	SPRING-LANDING GEAR LH -----	1	
	0741001-4	SPRING-LANDING GEAR RH -----	1	
	0741001-5	SPRING-LANDING GEAR LH HEAVY DUTY -----	1	
	0741001-6	SPRING-LANDING GEAR RH HEAVY DUTY -----	1	
		ATTACHING PARTS -----		
- 9	AN7-20A	BOLT -----	1	
-10	MS20365-720C	NUT -----	1	

-11	0500106-165	LINE-BRAKE LH -----	1	
	0500106-166	LINE-BRAKE RH -----	1	
-12	0441119	HOSE-BRAKE LINE PROTECTOR -----	2	
-13	0741000-7	BRACKET-BRAKE LINE RETAINING -----	2	
-14	AN833-4D	ELBOW -----	2	
-15	MS28778B4	GASKET -----	2	
-16	AN924-4D	NUT -----	2	
-17	0541124-1	AXLE-LANDING GEAR -----	2	
	1441003-1	AXLE LANDING GEAR HEAVY DUTY -----	2	
		ATTACHING PARTS -----		
-18	AN6-25A	BOLT-LOWER -----	2	
	NAS146-47	BOLT-LOWER HEAVY DUTY -----	2	
-19	AN960-616	WASHER -----	AR	
	MS20002C6	WASHER HEAVY DUTY -----	AR	
-20	NAS679A6	NUT -----	2	
-21	AN5-25A	BOLT -----	2	
	NAS145-45	BOLT HEAVY DUTY -----	2	
-22	AN960-516	WASHER -----	AR	
	MS20002C5	WASHER HEAVY DUTY -----	AR	
-23	NAS679A5	NUT -----	2	
-24	0541103-16	BUSHING -----	1	

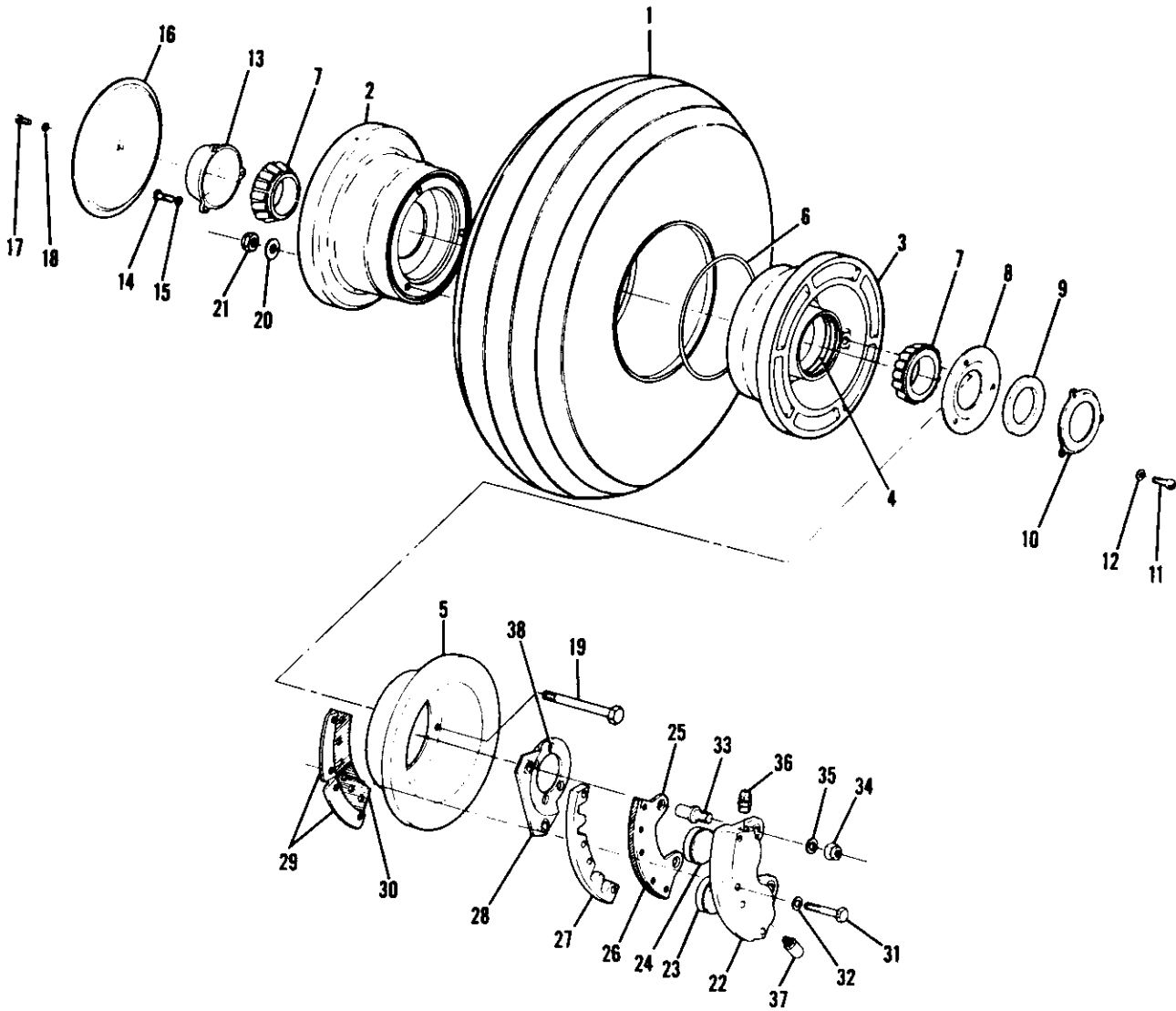
-25	0741008-5	AXLE ASSEMBLY-SKI LANDING GEAR SKI ONLY -----	2	
	0741103	AXLE-SKI LANDING GEAR -----	1	
		ATTACHING PARTS -----		
-26	NAS146-35	BOLT -----	6	
-27	NAS679A6	NUT -----	6	
-28	NAS145-35	BOLT -----	2	
-29	NAS679A5	NUT -----	2	
-30	MS20002C5	WASHER -----	2	
-31	0741008-1	SHOE -----	1	

-32	0741008-2	WASHER -----	1	
-33	0741008-4	BUSHING -----	1	
-34	0741008-3	WASHER -----	1	
-35	S1117-24	NUT-AXLE -----	2	
-36	MS24665-351	PIN-COTTER -----	2	
-37	0441139-5	SHIM-LANDING GEAR -----	AR	
	0441139-6	SHIM-LANDING GEAR -----	AR	
	0541111-2	SHIM-LANDING GEAR -----	AR	

CONTINUED ON NEXT PAGE

FIGURE AND INDEX NO.	PART NUMBER	DESCRIPTION	UNITS PER ASSY	USABLE ON CODE
41 -38	SEE FIG 42A & 43	WHEEL & BRAKE ASSEMBLIES-FIXED GEAR ----- CROSSWIND GEAR INSTALLATION -----	1 1	
-39	SEE FIG 44 0441150-8 0441150-9	WHEEL & BRAKE ASSEMBLIES-CROSSWIND GEAR ----- WHEEL BRAKE & COLLAR ASSEMBLY-CROSSWIND LH ----- WHEEL BRAKE & COLLAR ASSEMBLY-CROSSWIND RH -----	1 1 1	
-40	AN5H12	ATTACHING PARTS ----- BOLT -----	2	
	AN960-516	WASHER -----	2	
-41	AN76-11	BOLT -----	2	
	AN960-616L	WASHER ----- -----	2	
-42	0500106-169	LINE-BRAKE ----- ATTACHING PARTS -----	1	
-43	0741004 0441119 NAS679A08 AN515-8R10	CLAMP ----- HOSE-BRAKE LINE PROTECTOR ----- NUT ----- SCREW -----	1 1 1 1	
-44	S1167-4-0100	HOSE ASSEMBLY-BRAKE LINE -----	1	
-45	AN815-4D	UNION -----	1	
-46	AN775-4 AN776-4D AN901-4C	BOLT ----- ELBOW ----- GASKET -----	1 1 2	
-47	1241063-2	HUB CAP ----- ATTACHING PARTS -----	2	
	AN515-8R4 AN936A8	SCREW ----- WASHER ----- -----	3 3	
<p>NOTE. *USE 0441115-3 WEDGE WITH HEAVY DUTY LANDING GEAR SPRINGS 0741001-5 C-6 ONLY</p> <p>A---SERIAL 18051184 THRU 18051312</p>				

Alighting Gear (Cont)



SERIAL 185-0001 THRU 185-0653

Figure 42. Main Landing Gear Wheel & Brake Assembly

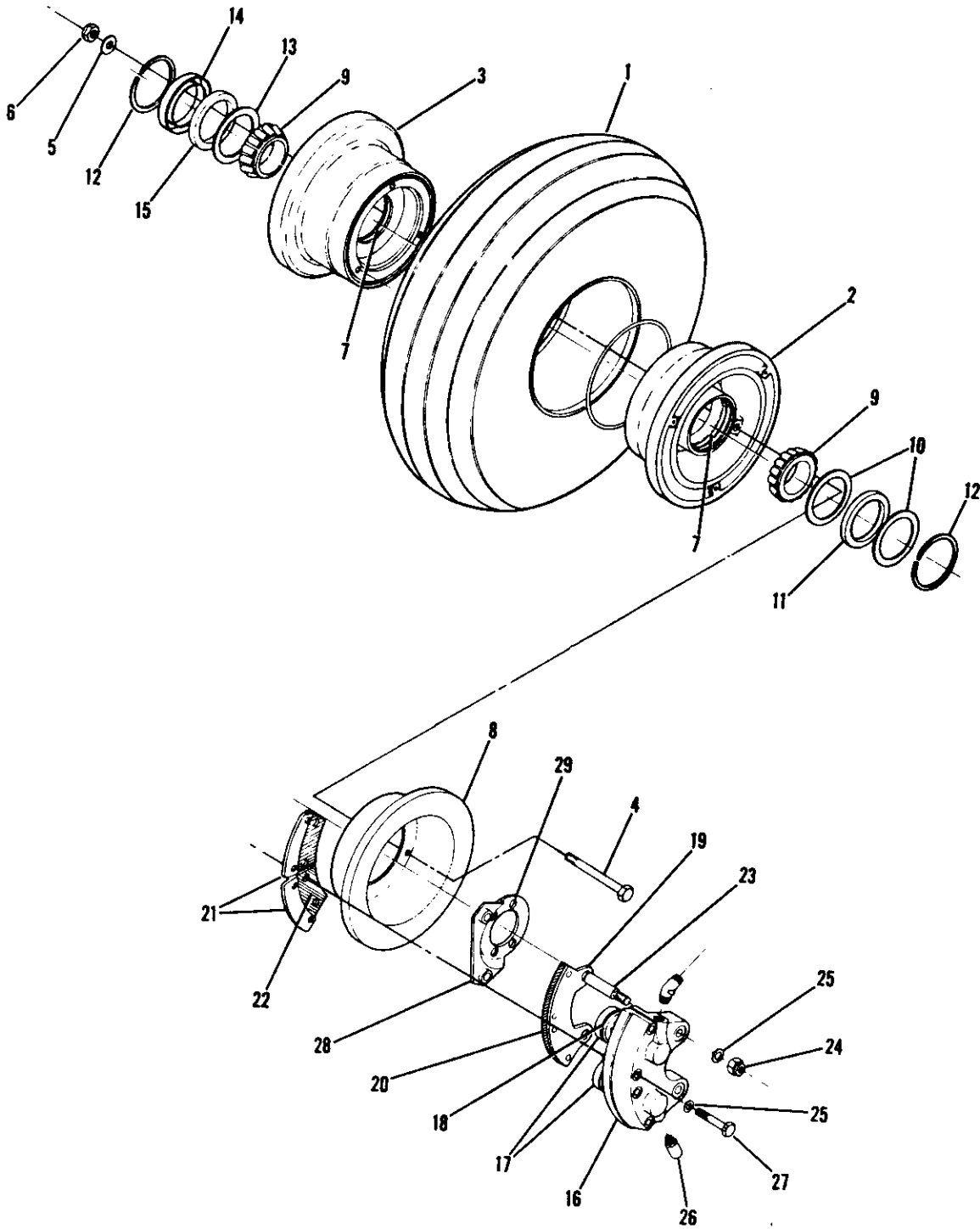
FIGURE AND INDEX NO.	PART NUMBER	DESCRIPTION	UNITS PER ASSY	USABLE ON CODE
		1 2 3 4 5 6 7		
42 -		WHEEL & BRAKE ASSEMBLY-MAIN LANDING GEAR -----	NP	C
- 1	C262003-0304	TIRE-TUBELESS 6.00X6 6 PLY -----	1	A
	C262003-0308	TIRE-TUBELESS 8.00X6 6 PLY -----	1	B
	C262003-0204	TIRE 6.00X6 6 PLY -----	1	B
	C262003-0207	TIRE 8.00X6 6 PLY -----	1	B
	C262023-0102	TUBE 6.00X6 -----	1	B
	C262023-0104	TUBE 8.00X6 -----	1	B
	0741026-3	WHEEL ASSEMBLY CFP 40-32 -----	1	A
	0441156-18	WHEEL ASSEMBLY CFP 40-66 -----	1	A
- 2	162-4	WHEEL HALF ASSEMBLY-OUTER CFP -----	1	A
	162-10	WHEEL HALF ASSEMBLY-OUTER CFP -----	1	B
- 3	161-4	WHEEL HALF ASSEMBLY-INNER CFP -----	1	A
	161-25	WHEEL HALF ASSEMBLY-INNER CFP -----	1	B
- 4	13836	CUP-BEARING CFP -----	1	
- 5	164-7	BRAKE DISC ASSEMBLY CFP -----	1	
- 6	1866-30	O RING CFP -----	1	A
- 7	13889	BEARING-CONE CFP -----	2	
- 8	156-1	PLATE-GREASE SEAL CFP -----	1	
- 9	39091	FELT-GREASE SEAL CFP -----	1	
-10	B39094	RING-GREASE SEAL CFP -----	1	
		ATTACHING PARTS		
-11	8-32X1/2	SCREW CFP -----	3	
-12	1208	WASHER-LOCK CFP -----	3	

-13	38520A	HUB CAP CFP -----	1	
		ATTACHING PARTS		
-14	8-32X1/2	SCREW CFP -----	3	
-15	1208	WASHER CFP -----	3	

-16	27-121	DUST-SHIELD CFP -----	1	
		ATTACHING PARTS		
-17	10-24X1/2	SCREW CFP -----	1	
-18	1210	WASHER CFP -----	1	

-19	AN4-40A	BOLT -----	3	
-20	AN960-416	WASHER -----	3	
-21	NAS679A4	NUT -----	3	
	0741027-2	BRAKE ASSEMBLY-MAIN LANDING GEAR -----	1	
-22	61-7	CYLINDER-BRAKE CFP -----	1	
-23	3002	PISTON CFP -----	2	
-24	AN6227823	O RING CFP -----	2	
-25	73-4	PLATE ASSEMBLY-PRESSURE CFP -----	1	
-26	66-3	LINING CFP -----	1	
	561	RIVET CFP -----	6	
-27	68-7	SHIM CFP -----	1	
-28	75-15	PLATE ASSEMBLY-TORQUE CFP -----	1	
-29	74-2	PLATE ASSEMBLY-BACK CFP -----	2	
-30	66-2	LINING CFP -----	1	
	561	RIVET CFP -----	3	
-31	AN4H16A	BOLT -----	4	
-32	AN960-416L	WASHER -----	4	
-33	3013	BOLT-ANCHOR CFP -----	2	
-34	NAS679A6	NUT -----	2	
-35	AN960-616L	WASHER -----	2	
-36	AN816-4D	FITTING -----	1	
-37	183-1	CAP-BLEEDER CFP -----	1	
	FC6446	SCREW-BLEEDER CFP -----	1	
	37206	SEAT-BLEEDER CFP -----	1	
-38	145-10	BUSHING-TORQUE PLATE CFP -----	2	
	R561	RIVET SET KIT CFP -----	1	
		A---SERIAL 185-0001 THRU 185-0512		
		B---SERIAL 185-0513 THRU 185-0653		
		C---SERIAL 185-0001 THRU 185-0653		

Landing Gear (Cont)



SERIAL 185-0654 THRU 18502310
SERIAL 18051313 THRU 18052384

Figure 42A. Main Landing Gear Wheel and Brake Installation

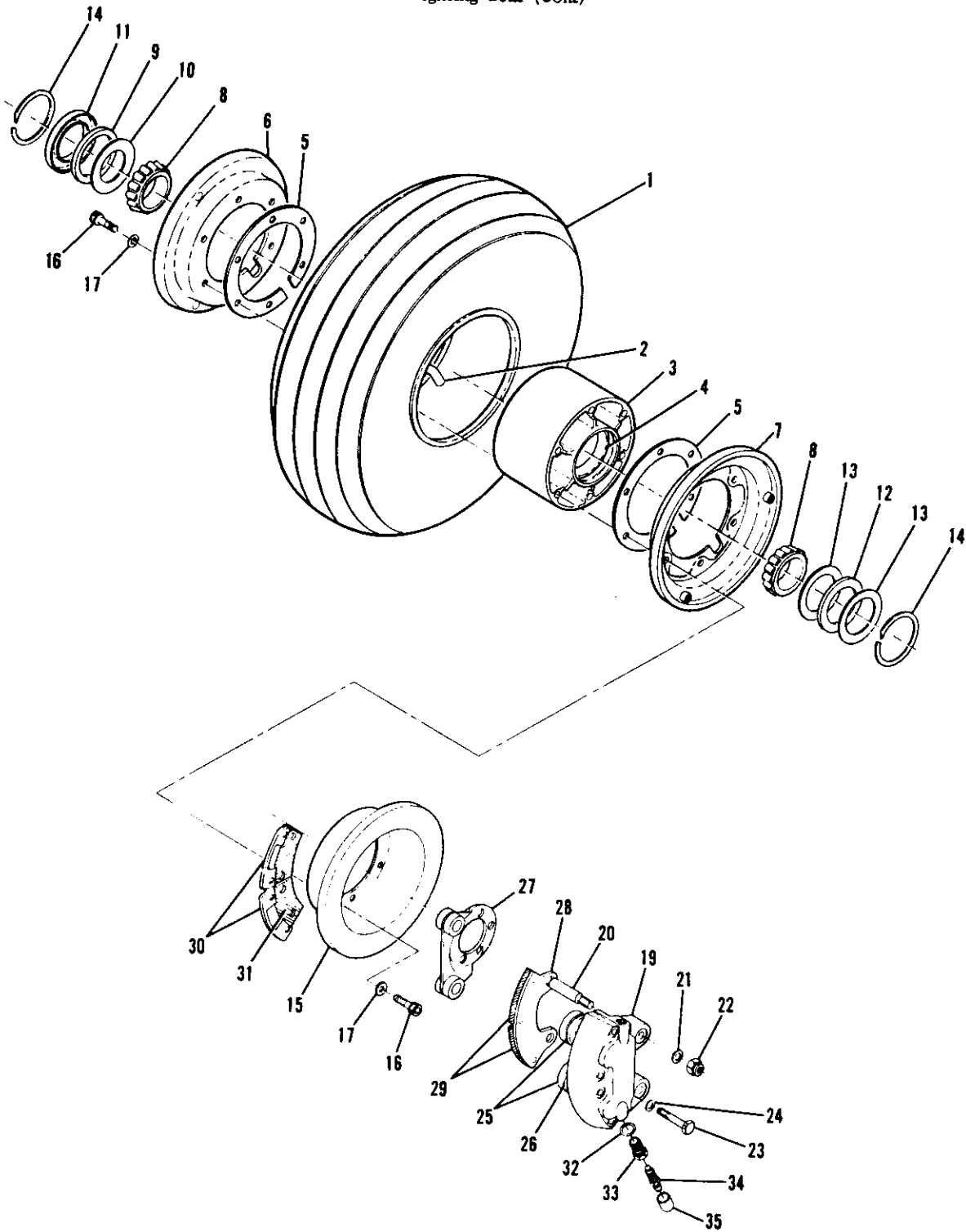
FIGURE AND INDEX NO.	PART NUMBER	DESCRIPTION							UNITS PER ASSY	USABLE ON CODE
		1	2	3	4	5	6	7		
42A-		MAIN LANDING GEAR WHEEL AND BRAKE INSTALLATION -----							NP	A
- 1	C262003-0204	TIRE 6.00X6 6 PLY RATED -----							1	
	C262003-0207	TIRE 8.00X6 6 PLY RATED -----							1	
	C262023-0102	TUBE 6.00X6 -----							1	
	C262023-0104	TUBE 8.00X6 -----							1	
	1241156-10	WHEEL ASSEMBLY CFP 40-75 WHEN EXHAUSTED -----							1	B
		USE C163001-0301								
	C163001-0301	WHEEL ASSEMBLY CFP 40-75B -----							1	C
	C163001-0302	WHEEL ASSEMBLY CFP 40-75D -----							1	F
- 2	161-30	WHEEL HALF ASSEMBLY-INNER CFP -----							1	
- 3	162-27	WHEEL HALF ASSEMBLY-OUTER CFP -----							1	
		ATTACHING PARTS								
- 4	AN5-35A	BOLT -----							3	
- 5	AN960-516	WASHER -----							3	
- 6	NAS679A5	NUT -----							3	

- 7	13836	CUP-BEARING CFP -----							1	
- 8	164-15K	BRAKE DISC ASSEMBLY CFP WHEN EXHAUSTED -----							1	B
		USE 164-15A								
	164-15A	BRAKE DISC ASSEMBLY CFP USED WITH -----							1	C
		C163001-0301 WHEEL ASSY ONLY								
	164-03600	BRAKE DISC ASSEMBLY CFP USED WITH -----							1	F
		C163001-0302 WHEEL ASSY ONLY								
- 9	13889	CONE-BEARING CFP -----							2	
-10	3022	RING-GREASE SEAL CFP -----							2	
-11	3021	FELT-GREASE SEAL CFP -----							1	
-12	3023	RING-SNAP CFP -----							2	
-13	A39070	RING-GREASE SEAL CFP -----							1	
-14	153-15	RING-GREASE SEAL CFP -----							1	
-15	154-13	FELT-GREASE SEAL CFP -----							1	
	1241157-1	BRAKE ASSEMBLY CFP 30-52 WHEN EXHAUSTED -----							1	D
		USE C163030-0303								
	C163030-0303	BRAKE ASSEMBLY CFP 30-52 -----							1	E
	C163030-0305	BRAKE ASSEMBLY CFP 30-52D WEU C163030-0313 -----							1	G
	C163030-0313	BRAKE ASSEMBLY CFP 30-52N -----							1	H
-16	61-18	CYLINDER-BRAKE CFP -----							1	
-17	62-15	PISTON CFP -----							2	
-18	AN6227827	O RING -----							2	
-19	73-10	PLATE ASSEMBLY-PRESSURE CFP -----							1	
-20	66-30	LINING CFP -----							2	
	561	RIVET CFP -----							4	
-21	74-10	PLATE ASSEMBLY-BACK CFP -----							2	
-22	66-30	LINING CFP -----							1	
	561	RIVET CFP -----							2	
-23	69-4	BOLT-ANCHOR CFP -----							2	
-24	NAS679A4	NUT -----							2	
-25	AN960-416L	WASHER -----							6	
-26	183-1	CAP-BLEEDER CFP -----							1	
	FC6446	SCREW-BLEEDER CFP -----							1	
	37-206	SEAT-BLEEDER CFP -----							1	
-27	LP4-20AM	BOLT CFP -----							4	

CONTINUED ON NEXT PAGE

FIGURE AND INDEX NO.	PART NUMBER	DESCRIPTION							UNITS PER ASSY	USABLE ON CODE
		1	2	3	4	5	6	7		
42A-28	75-15	PLATE ASSEMBLY-TORQUE CFP USED -----							1	
	075-05400	WITH 1241157-1 & C163030-0303 ASSY ONLY							1	G
-29	075-05401	PLATE ASSEMBLY-TORQUE CFP USED -----							1	H
	145-10 R561	WITH C163030-0305 ASSY ONLY WEU 075-05401 PLATE ASSEMBLY-TORQUE CFP USED ----- WITH C163030-0305 & C163030-0313 ASSY ONLY BUSHING-TORQUE PLATE CFP ----- RIVET SET KIT CFP -----							2 1	
<p>NOTE. XTHESE ASSYS ARE NOT USED ON AIRCRAFT EQUIPPED WITH 8.00X6 TIRES SERIALS 185-1471 & ON & 18052011 & ON.</p> <p>NOTE. #THESE ASSYS ARE USED ONLY ON AIRCRAFT EQUIPPED WITH 8.00X6 TIRES SERIALS 185-1471 & ON & 18052011 & ON.</p> <p>NOTE. *BRAKE ASSY DESCRIBED IS NORMALLY LH, REVERSE FITTINGS & TORQUE PLATE BUSHINGS FOR RH INSTALLATION.</p> <p>NOTE. **WHEELS & BRAKES SHOWN ON THIS FIGURE MUST NOT BE INTERMIXED WITH WHEELS & BRAKES SHOWN ON FIGURE 42B.</p> <p>A---SERIAL 185-0654 THRU 18502310 SERIAL 18051313 THRU 18052384 B---SERIAL 185-0654 THRU 185-1095 SERIAL 18051313 THRU 18051752 C---SERIAL 185-1096 THRU 18502310 SERIAL 18051753 THRU 18052384 D---SERIAL 185-0654 THRU 185-1336 SERIAL 18051313 THRU 18051907 E---SERIAL 185-1337 THRU 18502310 SERIAL 18051908 THRU 18052384 F---SERIAL 185-1471 THRU 18502310 SERIAL 18052011 THRU 18052384 G---SERIAL 185-1471 THRU 18501878 SERIAL 18052011 THRU 18052195 H---SERIAL 18501879 THRU 18502310 SERIAL 18052196 THRU 18052384</p>										

Aligning Gear (Cont)



SERIAL 18502091 THRU 18502310
SERIAL 18052285 THRU 18052384

Figure 42B. Main Landing Gear Wheel & Brake Assembly

FIGURE AND INDEX NO.	PART NUMBER	DESCRIPTION						UNITS PER ASSY	USABLE ON CODE
		1	2	3	4	5	6		
42B-		* MAIN GEAR WHEEL & BRAKE ASSEMBLIES ALT MCCAULEY -----						NP	A
- 1	C262003-0204	TIRE	6.00X6	6	PLY RATED	-----	1		
	C242003-0207	TIRE	8.00X6	6	PLY RATED	-----	1		
- 2	C262023-0102	TUBE	6.00X6	-----	-----	-----	1		
	C262023-0104	TUBE	8.00X6	-----	-----	-----	1		
	C163004-0103	** WHEEL ASSEMBLY-MAIN GEAR	MCL	D30291-3	-----	-----	NP		
	C163004-0101	% WHEEL ASSEMBLY-MAIN GEAR	MCL	D30291-1	-----	-----	1		
- 3	C30259	HUB ASSEMBLY	MCL	-----	-----	-----	1		
- 4	A30079-1	CUP-BEARING	MCL	-----	-----	-----	2		
- 5	B30076	SPACER	MCL	-----	-----	-----	2		
- 6	D30222-3	FLANGE-WHEEL	MCL	USED WITH C163004-0103**	-----	-----	1		
	D30222-2	FLANGE-WHEEL	MCL	USED WITH C163004-0101	-----	-----	1		
- 7	D30210	FLANGE-WHEEL	MCL	-----	-----	-----	1		
- 8	A30079-2	CONE-BEARING	MCL	-----	-----	-----	2		
- 9	A30010	GREASE SEAL-FELT	MCL	-----	-----	-----	1		
-10	A30015	RETAINER-GREASE SEAL	MCL	-----	-----	-----	1		
-11	A30014	RETAINER-GREASE SEAL	MCL	-----	-----	-----	1		
-12	A30011	GREASE SEAL-FELT	MCL	-----	-----	-----	1		
-13	A30013	RETAINER-GREASE SEAL	MCL	-----	-----	-----	2		
-14	A1636-24	RING-RETAINER	MCL	-----	-----	-----	2		
-15	C30414	DISC ASSEMBLY	MCL	USED WITH C163004-0103**	-----	-----	1		
	C30398	DISC ASSEMBLY	MCL	USED WITH C163004-0101	-----	-----	1		
-16	A1635-79	SOCKET HEAD CAP SCREW	MCL	-----	-----	-----	12		
-17	A1638-1	WASHER	MCL	-----	-----	-----	12		
-18		DELETED	-----	-----	-----	-----			
	C163032-0205	BRAKE ASSEMBLY-LH	USED WITH C163004-0103**	WHEEL	-----	-----	1		
	C163032-0207	BRAKE ASSEMBLY-LH	USED WITH C163004-0101	WHEEL	-----	-----	1		
	C163032-0206	BRAKE ASSEMBLY-RH	USED WITH C163004-0103**	WHEEL	-----	-----	1		
	C163032-0208	BRAKE ASSEMBLY-RH	USED WITH C163004-0101	WHEEL	-----	-----	1		
-19	D30119	CYLINDER ASSEMBLY-BRAKE	MCL	-----	-----	-----	1		
-20	A30023	BOLT-ANCHOR	MCL	-----	-----	-----	2		
-21	A1638-15	WASHER	MCL	-----	-----	-----	2		
-22	A1639-26	NUT	MCL	-----	-----	-----	2		
-23	A2913-49	BOLT	MCL	-----	-----	-----	4		
-24	A1638-15	WASHER	MCL	-----	-----	-----	4		
-25	B30161	PISTON	MCL	-----	-----	-----	2		
-26	A1633-48	O RING	MCL	-----	-----	-----	2		
-27	B30107-1	TORQUE PLATE ASSY-LH	MCL	USED WITH C163032-0205	---	---	1		
	B30278-1	TORQUE PLATE ASSY-LH	MCL	USED WITH C163032-0207	---	---	1		
	B30107-2	TORQUE PLATE ASSY-RH	MCL	USED WITH C163032-0206	---	---	1		
	B30278-2	TORQUE PLATE ASSY-RH	MCL	USED WITH C163032-0208	---	---	1		
-28	B30113	PLATE ASSEMBLY-PRESSURE	MCL	-----	-----	-----	1		
-29	B30026	LINING	MCL	-----	-----	-----	2		
	A30087	RIVET	MCL	-----	-----	-----	4		
-30	B30027	PLATE ASSEMBLY-BACK	MCL	-----	-----	-----	2		
-31	B30026	LINING	MCL	-----	-----	-----	1		
	A30087	RIVET	MCL	-----	-----	-----	2		
-32	A1633-47	GASKET	MCL	-----	-----	-----	1		
-33	A30169	FITTING-BLEEDER	MCL	-----	-----	-----	1		
-34	A30085	FITTING-BLEEDER	MCL	-----	-----	-----	1		
-35	A30040	CAP-DLST	MCL	-----	-----	-----	1		

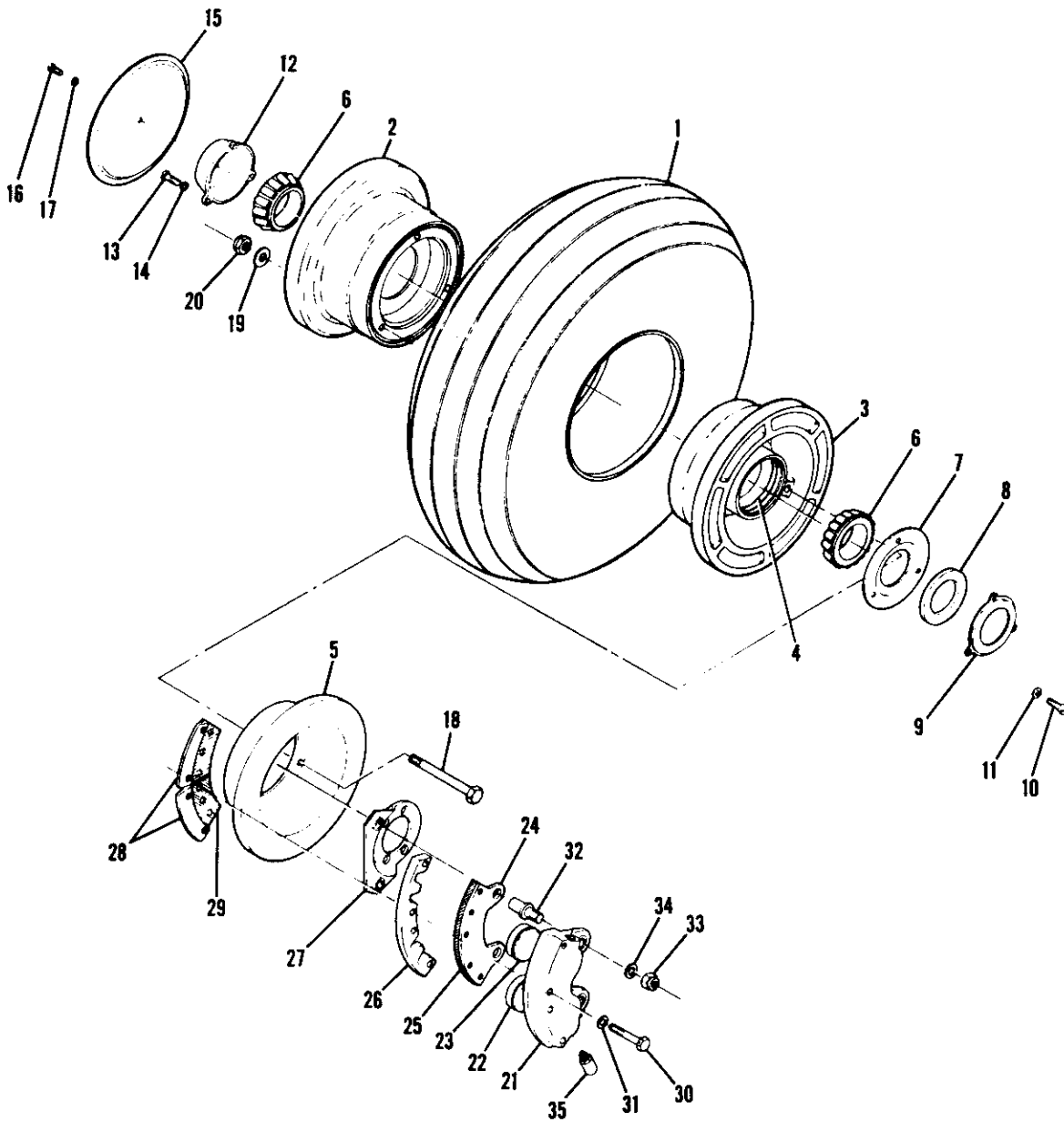
NOTE. *WHEELS & BRAKES SHOWN ON THIS FIGURE MUST NOT BE INTERMIXED WITH WHEELS & BRAKES SHOWN ON FIGURE 42A.

NOTE. %WHEN INITIALLY ORDERING THIS WHEEL ALSO ORDER ONE B30278-1 TORQUE PLATE FOR LH INSTL OR ONE B30278-2 TORQUE PLATE FOR RH INSTL.

NOTE. **PART NO. DESIGNATED FOR WHEELS MODIFIED IN FIELD TO MCCAULEY SERVICE BULLETIN W3-1, DATED 15 MAY 1974. WHEN ORDERING NEW WHEEL ASSEMBLY ORDER C163004-0101, OBSERVE NOTE %.

A---SERIAL 18502091 THRU 18502310
SERIAL 18052285 THRU 18052384

Alighting Gear (Cont)



SERIAL 185-1150 THRU 185-1447
SERIAL 18051775 THRU 18051993

Figure 42C. Main Landing Gear Wheel & Brake Assembly-Crosswind

FIGURE AND INDEX NO.	PART NUMBER	DESCRIPTION	UNITS PER ASSY	USABLE ON CODE		
					1	2
42C-		WHEEL & BRAKE ASSEMBLY-MAIN LANDING GEAR CROSSWIND -----	NP	A		
- 1	C262003-0204	TIRE 6.00X6 6 PLY -----	1			
	C262003-0207	TIRE 8.00X6 6 PLY -----	1			
	C262023-0102	TUBE 6.00X6 -----	1			
	C262023-0104	TUBE 8.00X6 -----	1			
	0441156-18	WHEEL ASSEMBLY CFP 40-66 -----	1			
- 2	162-10	WHEEL HALF ASSEMBLY-OUTER CFP -----	1			
- 3	161-25	WHEEL HALF ASSEMBLY-INNER CFP -----	1			
- 4	13836	CUP-BEARING -----	1			
- 5	164-7	BRAKE DISK ASSEMBLY CFP -----	1			
- 6	13889	BEARING-CONE CFP -----	1			
- 7	156-1	PLATE-GREASE SEAL CFP -----	1			
- 8	39091	SEAL-FELT GREASE CFP -----	1			
- 9	B39094	RING-GREASE SEAL CFP -----	1			
		ATTACHING PARTS				
-10	8-32X1/2	SCREW CFP -----	3			
-11	1208	WASHER-LOCK CFP -----	3			

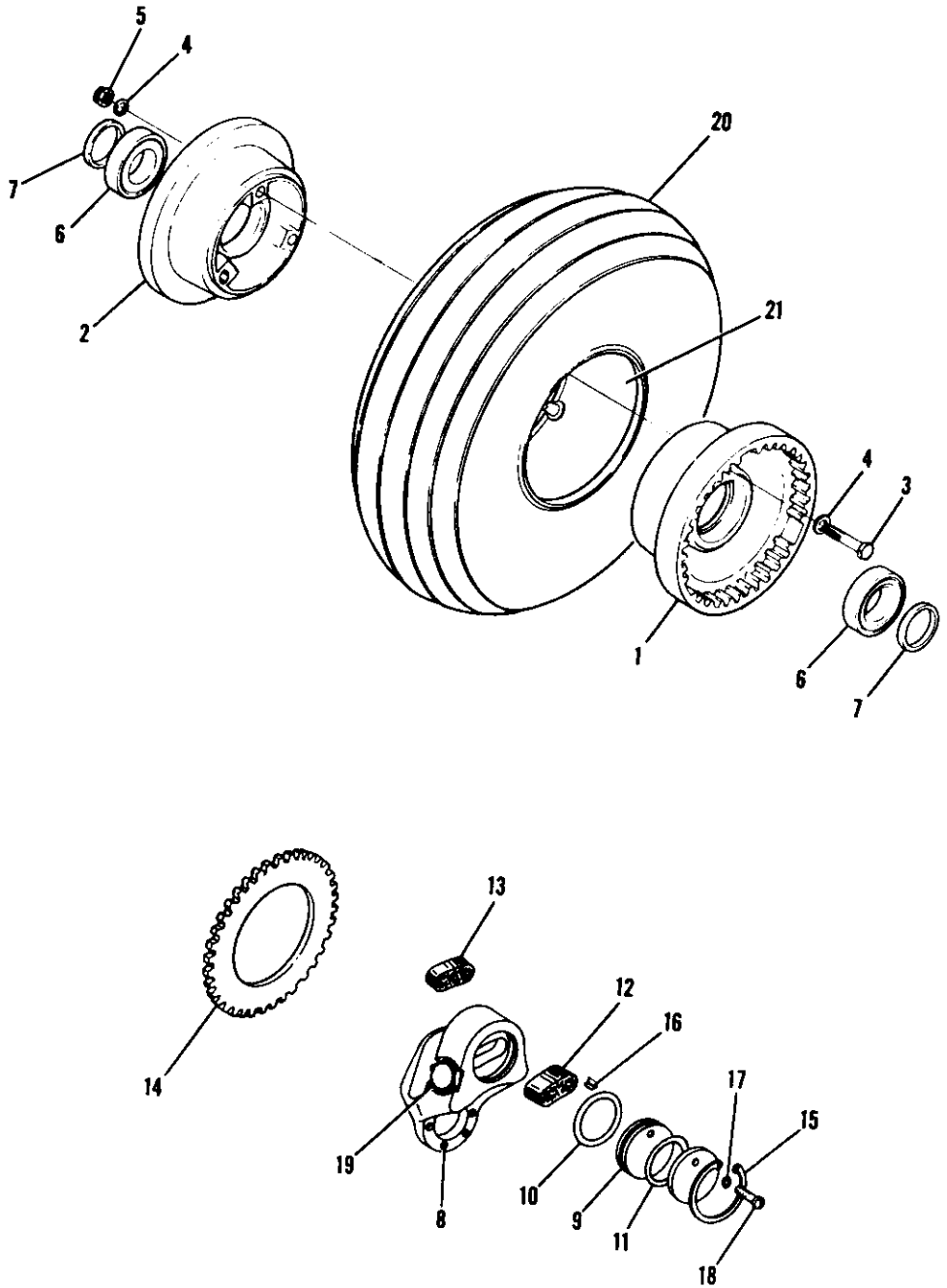
-12	38520A	HUB CAP CFP -----	1			
		ATTACHING PARTS				
-13	8-32X1/2	SCREW CFP -----	3			
-14	1208	WASHER-LOCK CFP -----	3			

-15	27-121	DUST SHIELD CFP -----	1			
		ATTACHING PARTS				
-16	10-24X1/2	SCREW CFP -----	1			
-17	1210	WASHER CFP -----	1			

-18	AN4-40A	BOLT -----	3			
-19	AN960-416	WASHER -----	3			
-20	NAS679A4	NUT -----	3			
	0741027-201	BRAKE ASSEMBLY-MAIN LANDING GEAR LH -----	1			
	0741027-200	BRAKE ASSEMBLY-MAIN LANDING GEAR RH -----	1			
-21	61-7	CYLINDER-BRAKE CFP -----	1			
-22	3002	PISTON CFP -----	2			
-23	AN6227B23	O-RING CFP -----	2			
-24	73-4	PLATE ASSEMBLY-PRESSURE CFP -----	1			
-25	3007	LINING CFP -----	1			
	561	RIVET CFP -----	6			
-26	68-7	SHIM CFP -----	1			
-27	0742144-1	TORQUE PLATE ASSEMBLY-LH -----	1			
	0742144-2	TORQUE PLATE ASSEMBLY-RH -----	1			
-28	74-2	PLATE ASSEMBLY-BACK CFP -----	2			
-29	3006	LINING CFP -----	1			
	561	RIVET CFP -----	3			
-30	AN4H16A	BOLT -----	4			
-31	AN960-416L	WASHER -----	4			
-32	3013	BOLT-ANCHOR CFP -----	2			
-33	NAS679A6	NUT -----	2			
-34	AN960-616L	WASHER -----	2			
-35	183-1	CAP-BLEEDER CFP -----	1			
	FC6446	SCREW-BLEEDER CFP -----	1			
	37206	SEAT-BLEEDER CFP -----	1			
	R561	RIVET SET KIT CFP -----	1			

A---SERIAL 185-1150 THRU 185-1447
SERIAL 18051775 THRU 18051993

Alighting Gear (Cont)



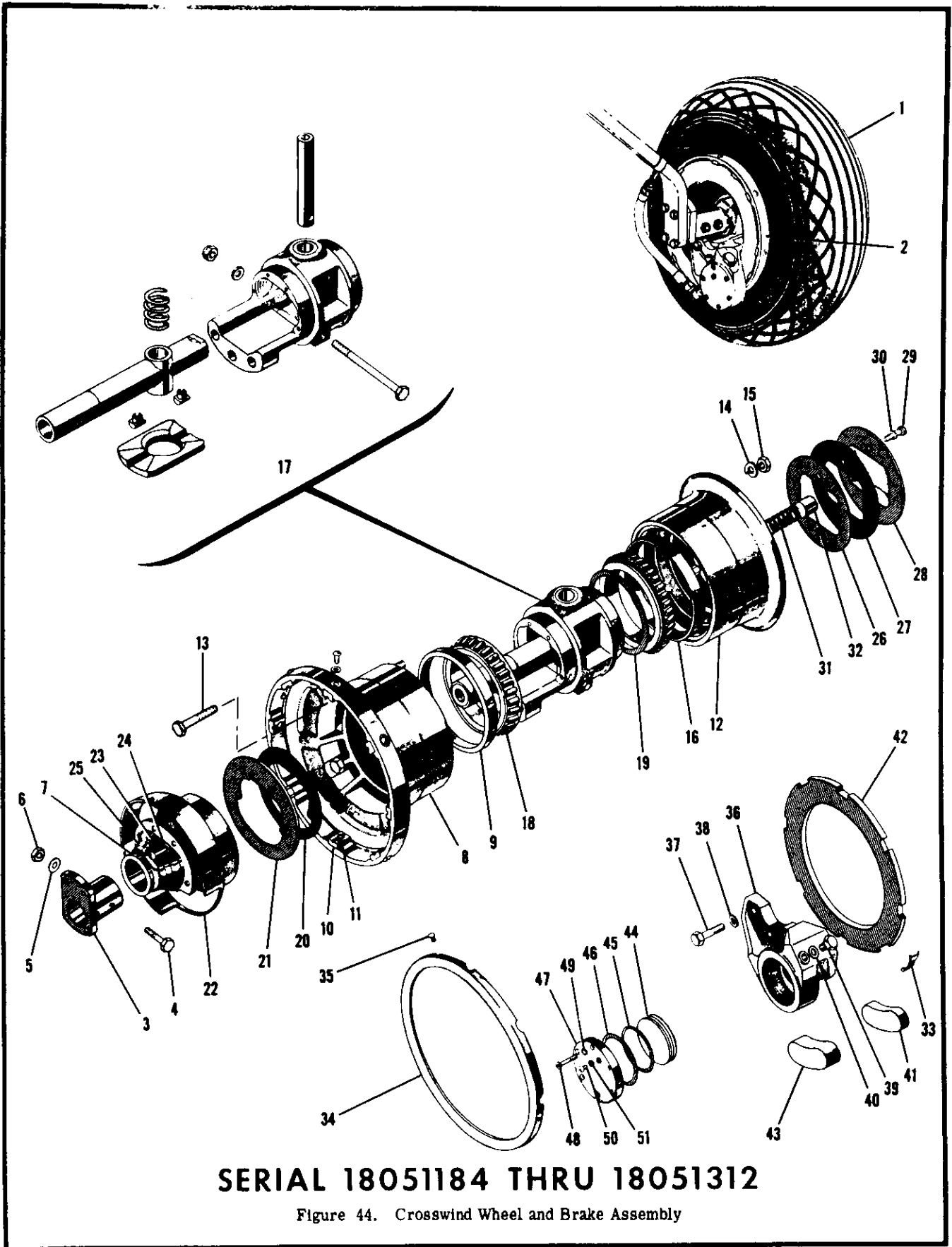
SERIAL 18051184 THRU 18051312

Figure 43. Main Landing Gear Wheel & Brake Assembly

FIGURE AND INDEX NO.	PART NUMBER	DESCRIPTION	UNITS PER ASSY	USABLE ON CODE
43 -		WHEEL & BRAKE ASSEMBLY-MAIN LANDING GEAR -----	NP	A
- 1	0541183-9	WHEEL ASSEMBLY-MAIN LANDING GEAR GY9532522 -----	1	
- 2	9524201	WHEEL SUB ASSEMBLY-INBOARD HALF GY -----	1	
- 3	9524318	WHEEL SUB ASSEMBLY-OUTBOARD HALF GY -----	1	
		ATTACHING PARTS -----		
- 3	AN4-13A	BOLT -----	3	
- 4	AN960-416	WASHER -----	6	
- 5	22FH428	NUT SPS -----	3	

- 6	13889	CONE-BEARING TIMKEN -----	2	
	13830	CUP-BEARING TIMKEN -----	1	
- 7	9524218	SEAL-BEARING GY -----	2	
	0541161-2	BRAKE ASSEMBLY GY9532181 -----	1	
- 8	9541450	HOUSING-BRAKE GY -----	1	
	9521184	BUSHING GY -----	1	
- 9	9524223	PISTON GY -----	1	
-10	AN623082	O RING -----	1	
-11	AN623083	O RING -----	1	
-12	9511269	LINING-PISTON GY -----	1	
-13	9511271	LINING-PISTON GY -----	1	
-14	9532277	DISC-BRAKE GY -----	1	
	9524343	CYLINDER HEAD GY -----	1	
		ATTACHING PARTS -----		
-15	MS16625-212	RING-SNAP -----	1	

-16	9524463	CLIP-BRAKE GY -----	3	
-17	511846-4	SEAL-BLEEDER -----	1	
-18	AN502-10-6	SCREW -----	1	
-19	9520448	PLUG-DRAIN GY -----	1	
	MS28778-4	GASKET-DRAIN PLUG -----	1	
-20	C262003-0204	TIRE 6.00 X 6 6 PLY -----	1	
	C262003-0205	TIRE 7.00 X 6 4 PLY OPT -----	1	
	C262003-0207	TIRE 8.00X6 6 PLY OPT -----	1	
-21	C262023-0102	TUBE 6.00X6 -----	1	
	C262023-0103	TUBE 7.00X6 OPT -----	1	
	C262023-0104	TUBE 8.00X6 OPT -----	1	
<p>NOTE. *WHEN ORDERING THIS PART ALSO ORDER 9521184 BUSHING</p> <p>NOTE. #13830 CUP-BEARING IS INCLUDED IN 9524201 & 9524318 WHEEL HALF SUB ASSEMBLIES</p> <p>A---SERIAL 18051184 THRU 18051312</p>				



SERIAL 18051184 THRU 18051312

Figure 44. Crosswind Wheel and Brake Assembly

FIGURE AND INDEX NO.	PART NUMBER	DESCRIPTION	UNITS PER ASSY	USABLE ON CODE
		1 2 3 4 5 6 7		
44		WHEEL & BRAKE ASSEMBLIES-CROSSWIND LANDING GEAR	NP	A
- 1	0441016-24	TIRE 6.00 X 6 6 PLY	1	
	0441016-13	TUBE 6.00 X 6	1	
- 2	0441150-8	WHEEL, BRAKE & COLLAR ASSEMBLY-CROSSWIND LANDING GEAR LH	1	
	0441150-9	WHEEL, BRAKE & COLLAR ASSEMBLY-CROSSWIND LANDING GEAR RH	1	
- 3	0441150-2	COLLAR-CROSSWIND WHEEL AXLE LH	1	
	0441150-3	COLLAR-CROSSWIND WHEEL AXLE RH	1	
		ATTACHING PARTS		
- 4	0441151	BOLT	2	
- 5	AN960-616L	WASHER	2	
- 6	NAS679A6	NUT	2	

- 7	95-5242	CLAMP GY	1	
	0541116-2	WHEEL ASSEMBLY-CROSSWIND LH	1	
	0541116-3	WHEEL ASSEMBLY-CROSSWIND RH	1	
- 8	9510816	WHEEL SUB ASSEMBLY-INBOARD HALF	1	
- 9	95-5216	CUP-BEARING GY	1	
-10	9510871	KEY-DISC DRIVE GY	8	
		ATTACHING PARTS		
-11	9520644	SCREW	8	
	AN960-416L	WASHER	8	

-12	9510993	WHEEL SUB ASSEMBLY-OUTBOARD HALF GY	1	
		ATTACHING PARTS		
-13	AN4-45A	BOLT	4	
-14	AN960-416	WASHER	4	
-15	NAS679A4	NUT	4	

-16	95-5216	CUP-BEARING GY	1	
-17	9520061	HUB & AXLE ASSEMBLY GY	1	
-18	95-5217	CONE-BEARING GY	1	
-19	9510983	SHIM-PACK GY	1	
-20	9510978	PLATE-INBOARD BEARING SEAL GY	1	
-21	9510977	GASKET-BEARING SEAL GY	1	
-22	9530373	PLATE-DEFLECTOR LH GY	1	
	9530374	PLATE-DEFLECTOR RH GY	1	
		ATTACHING PARTS		
-23	AN515-6-8	SCREW	3	
-24	AN936A6	WASHER-LOCK	3	

-25	9520424	BOOT-AXLE GY	1	
-26	9510966	PLATE-STABILIZER CAP GASKET GY	1	
-27	9510965	GASKET-STABILIZER CAP GY	1	
-28	9521246	CAP-STABILIZER GY	1	
		ATTACHING PARTS		
-29	MS20074-04-5	BOLT	2	
-30	AN935-416	WASHER-LOCK	2	

-31	9511005	SPRING-STABILIZER BRAKE GY	1	
-32	9510988	LINING-STABILIZER BRAKE GY	1	
-33	9520675	CLIP-ANTI RATTLE WITHOUT RETAINING RING GY	4	
	9511103	CLIP-ANTI RATTLE WITH RETAINING RING GY	4	
-34	9530593	RING-DISC RETAINING GY	1	
		ATTACHING PARTS		
-35	95-5383	FASTENER UC	4	

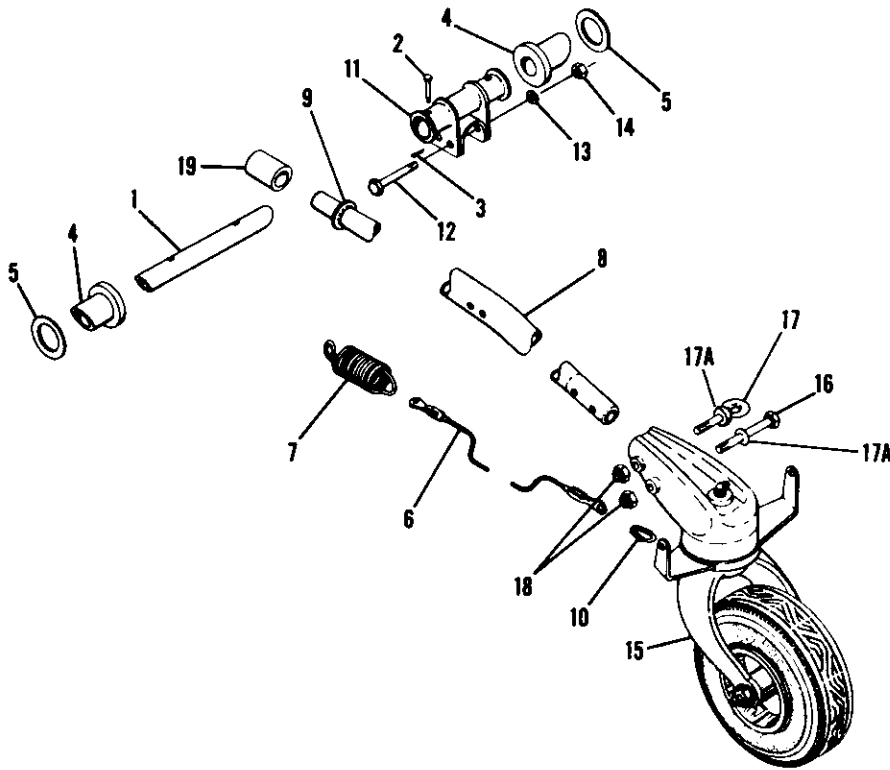
	0541116-26	BRAKE ASSEMBLY-LH	1	
	0541116-25	BRAKE ASSEMBLY-RH	1	
-36	0541116-28	HOUSING-LH	1	
	0541116-27	HOUSING-RH	1	
		ATTACHING PARTS		
-37	AN75A10	BOLT	3	
-38	AN960-516	WASHER	3	

CONTINUED ON NEXT PAGE

FIGURE AND INDEX NO.	PART NUMBER	DESCRIPTION	UNITS PER ASSY	USABLE ON CODE
44 -39	9520448	PLUG-INLET GY -----	1	
-40	MS28778B4	GASKET-INLET -----	2	
-41	9511271	LINING-BRAKE STATIONARY GY -----	1	
-42	9530084	DISC-ROTATING BRAKE GY -----	1	
-43	9510734	LINING-BRAKE PISTON SIDE GY -----	1	
-44	9510155	PISTON-BRAKE GY -----	1	
-45	AN6230B2	SEAL-PISTON -----	1	
-46	AN6230B3	SEAL-CYLINDER HEAD -----	1	
		ATTACHING PARTS		
-48	95-5163	SCREW GY -----	6	
-49	AN936C10	WASHER -----	6	

-50	AN505-8R5	SCREW-BLEEDER -----	1	
-51	9510957	SEAL-BLEEDER SCREW GY -----	1	
A---SERIAL 18051184 THRU 18051312				

Alighting Gear (Cont)

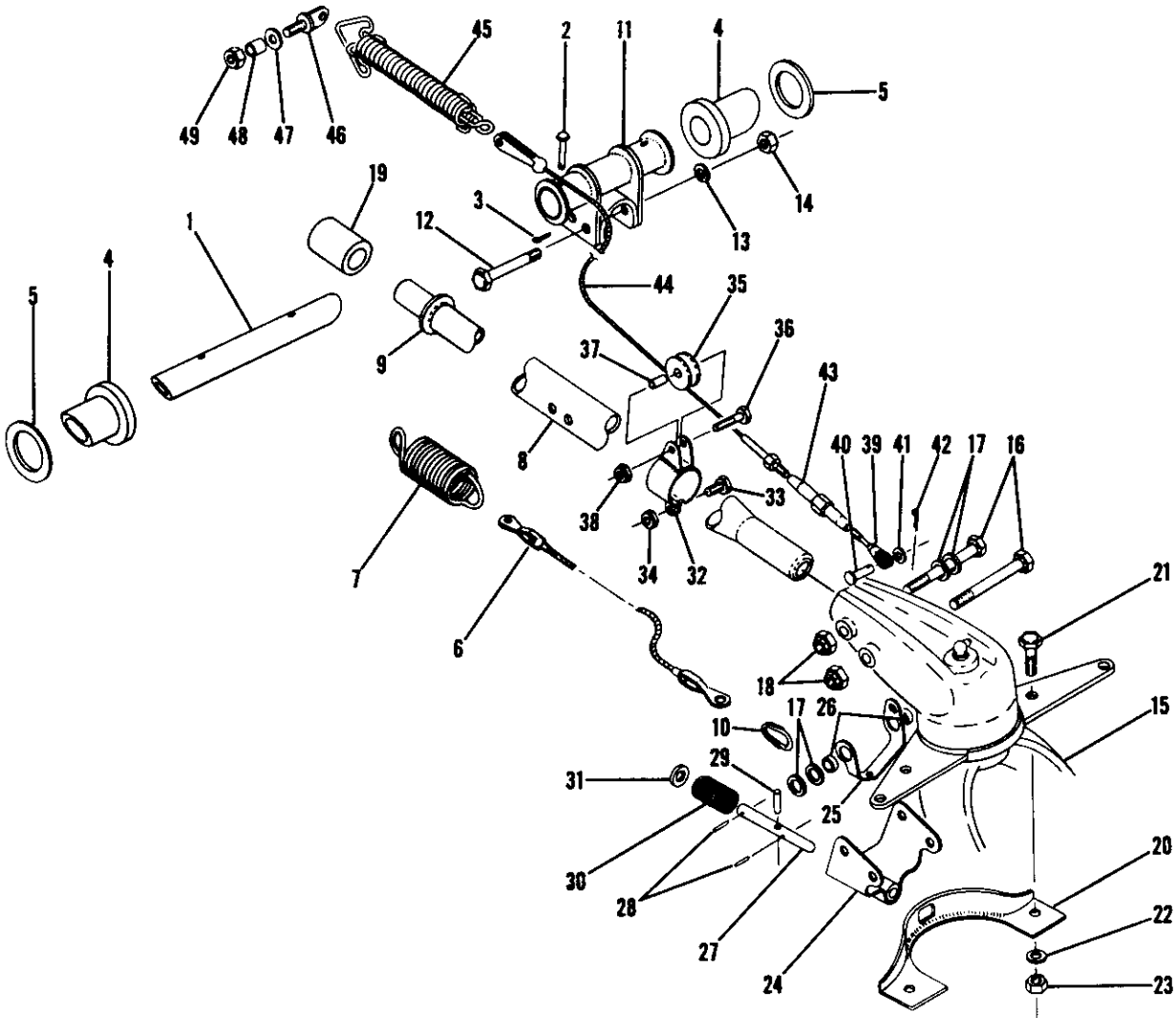


SERIAL 185-0001 THRU 185-0237
SERIAL 18051184 THRU 18052384

Figure 45. Tail Wheel Installation

FIGURE AND INDEX NO.	PART NUMBER	DESCRIPTION	UNITS PER ASSY	USABLE ON CODE
45 -		TAILWHEEL INSTALLATION -----	NP	A
- 1	0742100-5	TUBE-TAILWHEEL MOUNTING -----	1	
		ATTACHING PARTS -----		
- 2	MS20392-1C33	PIN-CLEVIS -----	2	
- 3	MS24665-132	PIN-COTTER -----	2	
		-----*		
- 4	0742112	BUSHING -----	2	
- 5	0742100-6	WASHER -----	AR	
- 6	0510105-196	CABLE ASSEMBLY SEE FIGURE 98 -----	2	B
	0510105-153	CABLE ASSEMBLY SEE FIGURE 99 -----	2	G
	0510105-323	CABLE ASSEMBLY SEE FIGURE 99 -----	2	H
- 7	0742200-5	SPRING -----	2	
- 8	0742100-11	SUB ASSEMBLY-SPRING WEU 0742100-19 -----	1	B
	0742100-19	SPRING -----	1	B
	0742100-9	SUB ASSEMBLY-SPRING WEU 0742100-18 -----	1	C
	0742100-18	SPRING -----	1	C
	0742100-15	SUB ASSEMBLY-SPRING WEU 0742100-20 -----	1	F
	0742100-20	SPRING -----	1	F
	1642000-4	SPRING ASSY WEU 1642000-18 -----	1	O
	1642000-18	SPRING ASSY -----	1	R
	13-8760	STOPPER-RUBBER -----	1	N
- 9	0742100-8	RETAINER-HOSE -----	1	M
	0742147-3	RETAINER-HOSE -----	1	P
-10	0742200-6	LINK -----	2	
-11	0742102	FITTING-SPRING -----	1	M
	0742146-1	FITTING-SPRING -----	1	N
		ATTACHING PARTS -----		
-12	AN5-21A	BOLT -----	2	
-13	AN960-516	WASHER -----	2	
-14	NAS679A5	NUT -----	2	
		-----*		
-15	0742122-4	TAILWHEEL ASSEMBLY SEE FIGURE 47 -----	1	B
	0742400	TAILWHEEL ASSEMBLY SEE FIGURE 48 -----	1	D
	0742400-13	TAILWHEEL ASSEMBLY SEE FIGURE 48A -----	1	E
	0742101-4	TAILWHEEL ASSEMBLY SEE FIGURE 48B -----	1	F
	0742147-5	TAILWHEEL ASSEMBLY SEE FIGURE 48B -----	1	N
		ATTACHING PARTS -----		
-16	AN5-27A	BOLT -----	1	
-17	AN5-22A	ROLT -----	1	K
	0742145-1	RING-TIE DOWN -----	1	L
-17A	AN960-516	WASHER -----	4	
-18	NAS679A5	NUT -----	2	
		-----*		
-19	S51-12	HOSE-1.75 IN LG BULK ITEM REF S51-12-7 -----	1	
<p>A---SERIAL 185-0001 THRU 185-0237 SERIAL 18051184 THRU 18052384 B---SERIAL 185-0001 THRU 185-0237 C---SERIAL 18051184 THRU 18051312 D---SERIAL 18051184 THRU 18051262 E---SERIAL 18051263 THRU 18051312 F---SERIAL 18051313 THRU 18051847 G---SERIAL 18051184 THRU 18051410 H---SERIAL 18051411 THRU 18052384 K---SERIAL 185-0001 THRU 185-0237 SERIAL 18051184 THRU 18051530 L---SERIAL 18051531 THRU 18052384 M---SERIAL 185-0001 THRU 185-0237 SERIAL 18051184 THRU 18051847 N---SERIAL 18051848 THRU 18052384 P---SERIAL 18051848 THRU 18052137 Q---SERIAL 18051848 THRU 18052335 R---SERIAL 18052336 THRU 18052384</p>				

Aligning Gear (Cont)



SERIAL 185-0238 THRU 185-0502

Figure 46. Tail Wheel Installation-Anti-Swivel



FIGURE AND INDEX NO.	PART NUMBER	DESCRIPTION	UNITS PER ASSY	USABLE ON CODE		
					1	2
46 -		TAILWHEEL INSTALLATION-ANTI-SWIVEL -----	NP	A		
- 1	0742100-5	TUBE-TAILWHEEL SPRING MOUNTING -----	1			
		ATTACHING PARTS -----				
- 2	MS20392-1C33	PIN-CLEVIS -----	2			
- 3	MS24665-132	PIN-COTTER -----	2			

- 4	0742112	BUSHING -----	2			
- 5	0742100-6	WASHER -----	AR			
- 6	0510105-199	CABLE ASSEMBLY SEE FIGURE 98 -----	2			
- 7	0310280	SPRING -----	2			
- 8	0742100-15	SUB ASSEMBLY-SPRING WEU 0742100-20 -----	1			
	0742100-20	SPRING -----	1			
- 9	0742100-8	RETAINER-HOSE USED WITH 0742100-15 ONLY -----	1			
-10	0742200-6	LINK -----	2			
-11	0742102	FITTING-SPRING -----	1			
		ATTACHING PARTS -----				
-12	AN5-21A	BOLT -----	2			
-13	AN960-516	WASHER -----	2			
-14	NAS679A5	NUT -----	2			

-15	0742122-4	TAILWHEEL ASSEMBLY SEE FIGURE 47 -----	1			
		ATTACHING PARTS -----				
-16	AN5-31A	BOLT -----	2			
-17	AN960-516	WASHER -----	4			
-18	NAS679A5	NUT -----	2			

-19	S51-12	HOSE-1.75 IN LG BULK ITEM REF S51-12-7 -----	1			
-20	0742125-5	COLLAR ASSEMBLY -----	1			
		ATTACHING PARTS -----				
-21	AN4-6A	BOLT -----	2			
-22	AN960-416	WASHER -----	2			
-23	NAS679A4	NUT -----	2			

-24	0742126-1	BRACKET ASSEMBLY -----	1			
-25	0742127-1	BELLCRANK -----	1			
-26	0742128-1	SPACER -----	2			
-27	0742129-1	PIN-LOCK -----	1			
-28	NAS561P4-8	PIN -----	2			
-29	NAS561P4-10	PIN -----	1			
-30	0742130-1	SPRING -----	1			
-31	AN960-516	WASHER -----	1			
-32	0742131-1	CLAMP ASSEMBLY -----	1			
		ATTACHING PARTS -----				
-33	AN4-6A	BOLT -----	1			
-34	NAS679A4	NUT -----	1			

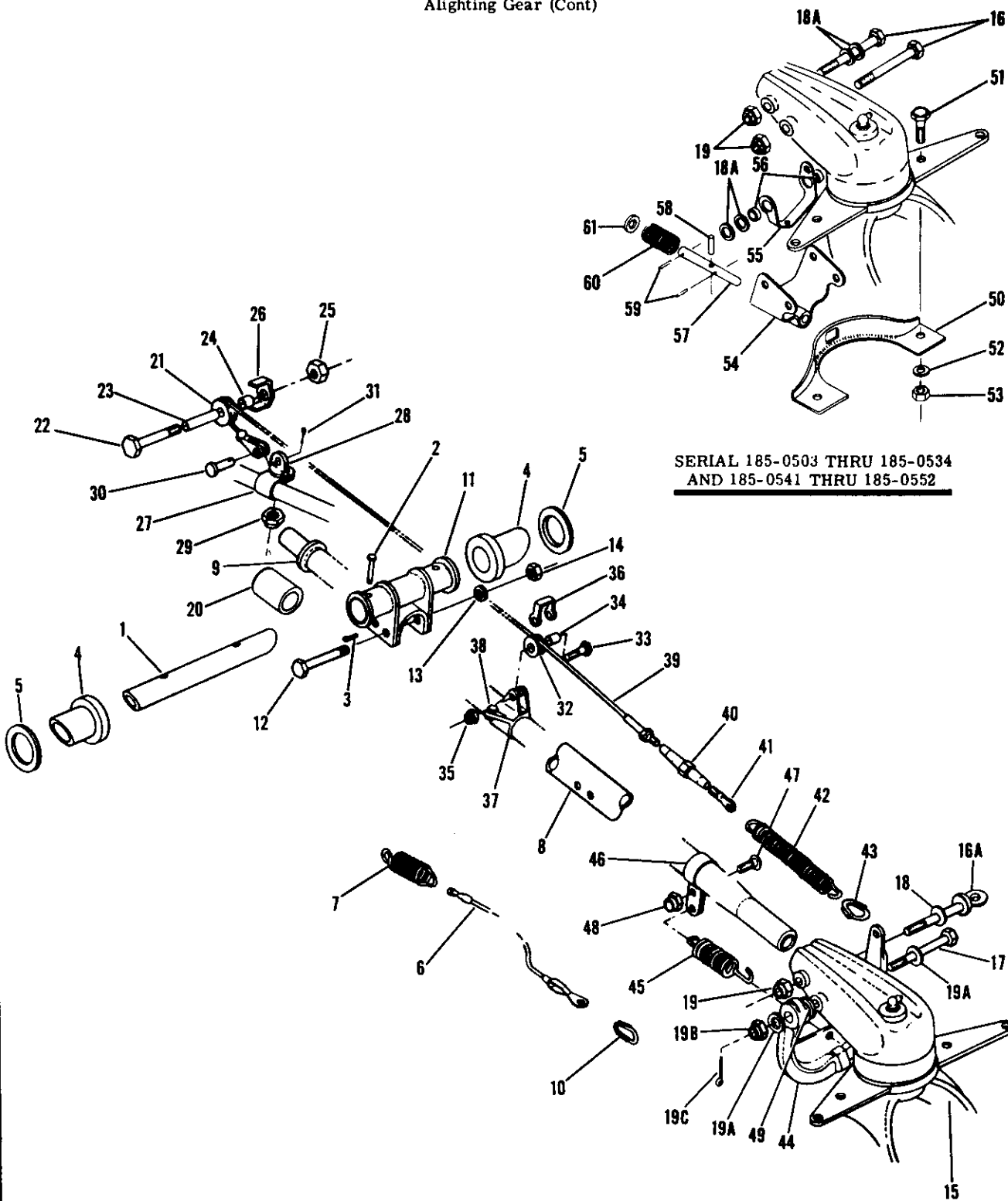
-35	S394	PULLEY -----	1			
		ATTACHING PARTS -----				
-36	AN3-7A	BOLT -----	1			
-37	0512138-1	RUSHING -----	1			
-38	MS21044N3	NUT -----	1			

-39	AN161-8LS	FORK -----	1			
		ATTACHING PARTS -----				
-40	MS20392-2C11	PIN -----	1			
-41	AN960-10L	WASHER -----	1			
-42	MS24665-132	PIN-COTTER -----	1			

-43	AN155B85	BARREL-TURNBUCKLE -----	1			
-44	0742132-1	CABLE ASSEMBLY -----	1			
-45	0742134-1	SPRING -----	1			
		ATTACHING PARTS -----				
-46	AN43810A	BOLT-EYE -----	1			
-47	AN960-416	WASHER -----	1			
-48	NAS43HT4-24	SPACER -----	1			
-49	NAS679A4	NUT -----	1			

A---SERIAL 185-0238 THPU 185-0502

Alighting Gear (Cont)



SERIAL 185-0503 THRU 185-0534
AND 185-0541 THRU 185-0552

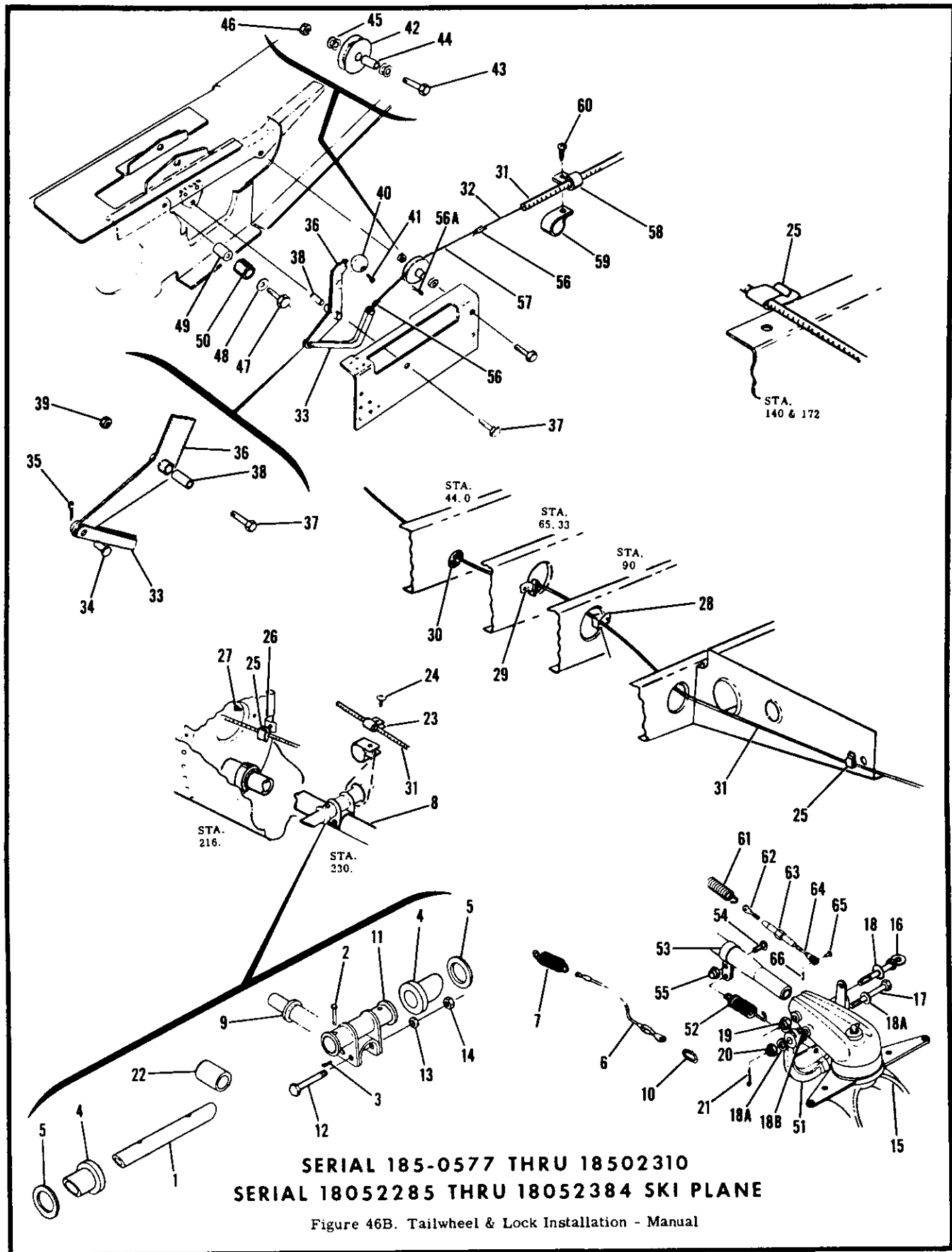
SERIAL 185-0503 THRU 185-0653

Figure 46A. Tailwheel Installation - Anti - Swivel

FIGURE AND INDEX NO.	PART NUMBER	DESCRIPTION	UNITS PER ASSY	USABLE ON CODE
46A-		TAIL WHEEL INSTALLATION-ANTI-SWIVEL -----	NP	A
- 1	0742100-5	TUBE-TAILWHEEL SPRING MOUNTING -----	1	
		ATTACHING PARTS -----		
- 2	MS20392-1C33	PIN-CLEVIS -----	2	
- 3	MS24665-132	PIN-COTTER -----	2	
		-----*		
- 4	0742112	BUSHING -----	2	
- 5	0742100-6	WASHER -----	AR	
- 6	0510105-199	CABLE ASSEMBLY SEE FIGURE 98 -----	2	
- 7	0742200-5	SPRING -----	2	
- 8	0742100-15	SUB ASSEMBLY-SPRING WEU 0742100-20 -----	1	
	0742100-20	SPRING -----	1	
- 9	0742100-8	RETAINER-HOSE USED WITH 0742100-15 ONLY -----	1	
-10	0742200-6	LINK -----	2	
-11	0742102	FITTING-SPRING -----	1	
		ATTACHING PARTS -----		
-12	AN5-21A	BOLT -----	2	
-13	AN960-516	WASHER -----	2	
-14	NAS679A5	NUT -----	2	
		-----*		
-15	0742122-4	TAILWHEEL ASSEMBLY SEE FIGURE 47 -----	1	B
	0742122-5	TAILWHEEL ASSEMBLY SEE FIGURE 47 -----	1	C
		ATTACHING PARTS -----		
-16	AN5-31A	BOLT -----	2	B
-16A	0742145-1	RING-TIE DOWN -----	1	C
-17	AN5-36	BOLT -----	1	C
-18	AN960-516	WASHER -----	2	C
-18A	AN960-516	WASHER -----	4	B
-19	NAS679A5	NUT -----	2	B
	NAS679A5	NUT -----	1	C
-19A	AN960-516L	WASHER -----	2	C
-19B	MS35692-522	NUT -----	1	C
-19C	MS24665-134	PIN-COTTER -----	1	C
		-----*		
-20	S51-12	HOSE-1.75 IN LG BULK ITEM REF S-51-12-7 -----	1	
-21	S394	PULLEY -----	1	
		ATTACHING PARTS -----		
-22	AN3-15A	BOLT -----	1	
-23	0512138-2	BUSHING -----	1	
-24	NAS43HT4-12	SPACER -----	1	
-25	MS21044N3	NUT -----	1	
		-----*		
-26	0742138-1	GUARD -----	1	
-27	0742137-4	CLAMP -----	1	
		ATTACHING PARTS -----		
-28	AN4284A	BOLT -----	1	
-29	MS21044N3	NUT -----	1	
		-----*		
-30	MS24665-132	PIN -----	1	
-31	MS20392-2C7	PIN-COTTER -----	1	
-32	S394	PULLEY -----	1	
		ATTACHING PARTS -----		
-33	AN3-7A	BOLT -----	1	
-34	0512138-1	BUSHING -----	1	
-35	MS21044N3	NUT -----	1	
		-----*		
-36	0742138-3	GUARD -----	1	
-37	0742137-1	CLAMP ASSEMBLY -----	1	
		ATTACHING PARTS -----		
-38	AN4-10A	BOLT -----	1	
	NAS679A4	NUT -----	1	
		-----*		
-39	0742139-1	CABLE ASSEMBLY -----	1	B
	0742139-4	CABLE ASSEMBLY -----	1	C
-40	AN155B85	BARREL -----	1	
-41	AN165-8L5	EYE -----	1	
-42	0742136-1	SPRING -----	1	
-43	0742200-6	LINK -----	1	

CONTINUED ON NEXT PAGE

FIGURE AND INDEX NO.	PART NUMBER	DESCRIPTION	1 2 3 4 5 6 7							UNITS PER ASSY	USABLE ON CODE
46A-44	3426	* BELLCRANK SCA -----								1	C
-45	3477	* SPRING SCA -----								1	C
-46	3478	* CLAMP SCA -----								1	C
		ATTACHING PARTS									
-47	AN515-6R5	* SCREW -----								1	C
-48	NAS679A06	NUT -----								1	C
		-----*									
-49	3476	* BUSHING SCA -----								2	C
-50	0742125-5	COLLAR ASSEMBLY -----								1	B
		ATTACHING PARTS									
-51	AN4-6A	BOLT -----								2	B
-52	AN960-416	WASHER -----								2	B
-53	NAS679A4	NUT -----								2	B
		-----*									
-54	0742126-1	BRACKET ASSEMBLY -----								1	B
-55	0742127-1	BELLCRANK -----								1	B
-56	0742128-1	SPACER -----								1	B
-57	0742129-1	PIN-LOCK -----								1	B
-58	NAS561P4-10	PIN -----								1	B
-59	NAS561P4-8	PIN -----								2	B
-60	0742130-1	PIN -----								1	B
-61	AN960-516	WASHER -----								1	B
<p>NOTE. *THESE PARTS ARE PART OF 0742122-5 TAILWHEEL ASSEMBLY. SEE FIGURE 47.</p> <p>A---SERIAL 185-0503 THRU 185-0653 B---SERIAL 185-0503 THRU 185-0534 & 185-0541 THRU 185-0552 C---SERIAL 185-0535 THRU 185-0540 & 185-0553 THRU 185-0653</p>											



SERIAL 185-0577 THRU 18502310
SERIAL 18052285 THRU 18052384 SKI PLANE

Figure 46B. Tailwheel & Lock Installation - Manual

FIGURE AND INDEX NO.	PART NUMBER	DESCRIPTION	UNITS PER ASSY	USABLE ON CODE
			1 2 3 4 5 6 7	
468-		TAILWHEEL AND LOCK INSTALLATION-MANUAL	NP	A
- 1	0742100-5	TUBE-TAILWHEEL SPRING MOUNTING	1	
- 2	MS20392-1C33	ATTACHING PARTS	2	
- 3	MS24665-132	PIN-CLEVIS	2	
		PIN-COTTER	2	
- 4	0742112	BUSHING	2	
- 5	0742100-6	WASHER	AR	
- 6	0510105-199	CABLE ASSEMBLY SEE FIGURE 98	2	D
	0510105-323	CABLE ASSEMBLY SEE FIGURE 98 & 99	2	E
- 7	0742200-5	SPRING	2	
- 8	0742100-15	SUB ASSEMBLY-SPRING WEU 0742100-20	1	F
	0742100-20	SPRING	1	F
	1642000-4	SPRING ASSY WEU 1642000-18	1	J
	1642000-18	SPRING ASSY	1	K
	13-8760	STOPPER-RUBBER	1	G
- 9	0742100-8	RETAINER-HOSE USED WITH 0742100-15 ONLY	1	F
	0742147-3	RETAINER-HOSE USED WITH 0742147-4	1	H
-10	0742200-6	LINK	2	
-11	0742102	FITTING-SPRING	1	F
	0742146-1	FITTING-SPRING	1	G
		ATTACHING PARTS	2	
-12	AN5-21A	BOLT	2	
-13	AN960-516	WASHER	2	
-14	NAS679A5	NUT	2	
-15	0742122-5	TAILWHEEL ASSEMBLY SEE FIGURE 47	1	B
	0742101-3	TAILWHEEL ASSEMBLY SEE FIGURE 488	1	C
	0742147-6	TAILWHEEL ASSEMBLY SEE FIGURE 488	1	G
		ATTACHING PARTS	1	
-16	0742145-1	RING-TIE DOWN	1	
-17	AN5-36	BOLT	1	
-18	AN960-516	WASHER	2	
-18A	AN960-516L	WASHER	2	
-18B	3476	BUSHING SCA	2	
-19	NAS679A5	NUT	1	
-20	MS35692-522	NUT	1	
-21	MS24665-134	PIN-COTTER	1	
-22	S51-12	HOSE-1.75 IN LG BULK ITEM REF S51-12-7	1	
-23	MS21919DG3	CLAMP	1	
	MS21919DG5	CLAMP	1	
-24	S1021Z10-6	SCREW	1	
-25	C23150-017-4	CLIP TIN	1	
-26	S1154-1	BRACKET	1	
-27	S1021Z8-6	SCREW	1	
-28	S1592-18	HARNES BAND	1	
	S1021Z6-8	SCREW	1	
-29	MS21919DG3	CLAMP	1	
	S1153-1	BRACKET	1	
	S1021Z8-6	SCREW	2	
-30	MS35489-8	GROMMET	1	
-31	S1398-2-218.00	CASING-CONTROL WIRE	1	
-32	0710639-5	CONTROL WIRE	1	
-33	0711687-2	CONNECTOR ASSEMBLY	1	
		ATTACHING PARTS	1	
-34	MS20392-2C7	PIN-FLATHEAD	1	
-35	MS24665-132	PIN-COTTER	1	
-36	0711687-3	LEVER ASSEMBLY	1	
		ATTACHING PARTS	1	
-37	AN4-12	BOLT	1	
-38	NAS76A4-024	BUSHING	1	
-39	NAS679A4	NUT	1	
-40	S1249-1	KNOB	1	
		ATTACHING PARTS	1	
-41	AN507-1032R12	SCREW	1	
-42	0711687-6	PULLEY	1	
		ATTACHING PARTS	1	
-43	AN4-12	BOLT	1	

CONTINUED ON NEXT PAGE

FIGURE AND INDEX NO.	PART NUMBER	DESCRIPTION							UNITS PER ASSY	USABLE ON CODE
		1	2	3	4	5	6	7		
468-44	NAS43HT4-41	SPACER							1	
-45	AN960-616	WASHER							2	
	AN960-616L	WASHER							1	
-46	NAS679A4	NUT							1	

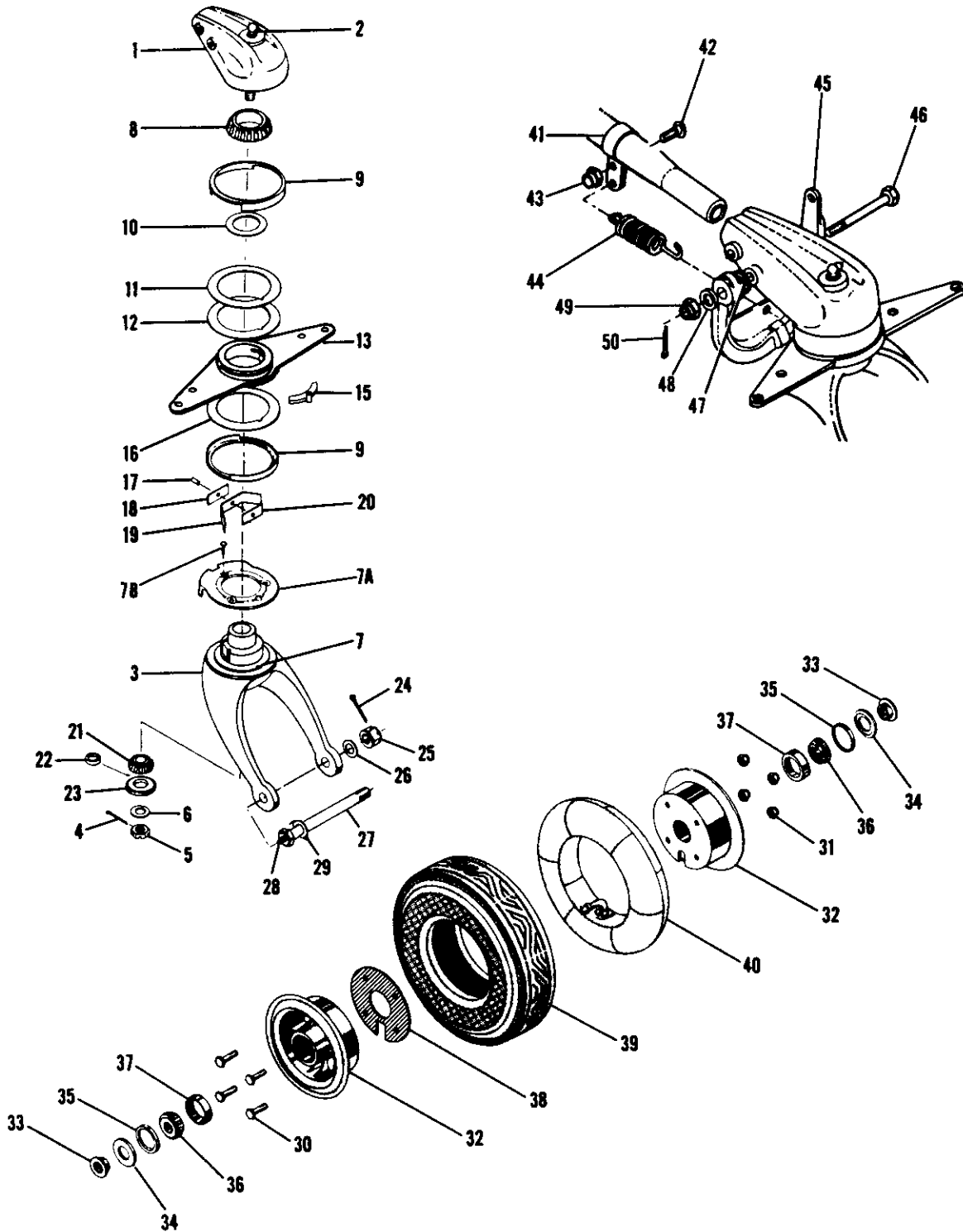
-47	AN3-7A	BOLT-STOP							1	
-48	AN960PD10L	WASHER							1	
-49	NAS43HT4-41	SPACER							1	
-50	S1495-6	HOSE-00.50 IN LG BULK ITEM REF S1495-6-00.50							1	
	MS21044N3	NUT							1	
-51	3426	BELLCRANK SCA							1	
-52	3477	SPRING SCA							1	
-53	3478	CLAMP SCA							1	F
	3478-1	CLAMP SCA							1	G
		ATTACHING PARTS								
-54	AN515-6R5	SCREW							1	
-55	NAS679A06	NUT							1	

-56	S1958-1	SLEEVE							2	
-56A	MS24665-287	PIN-COTTER CABLE GUARD							1	
-57	0710639-2	CABLE							1	
-58	MS21919DG3	CLAMP							1	
-59	S1485D9U	CLAMP							1	
-60	S102128-6	SCREW							1	
-61	0742136-1	SPRING							1	
-62	AN165-8L5	EYE							1	
-63	AN155B8S	BARREL							1	
-64	AN161-8RS	FORK							1	
		ATTACHING PARTS								
-65	MS20392-2C9	PIN							1	
-66	MS24665-132	PIN-COTTER							1	

<p>NOTE. *THESE PARTS ARE PART OF 0742122-5, 0742147-6, & 0742101-3 TAILWHEEL ASSEMBLIES. SEE FIGURES 47 & 488.</p> <p>A---SERIAL 185-0577 THRU 18502310 SERIAL 18052285 THRU 18052384 SKI PLANE B---SERIAL 185-0577 THRU 185-0653 C---SERIAL 185-0654 THRU 185-1206 D---SERIAL 185-0577 THRU 185-0768 E---SERIAL 185-0769 THRU 18502310 SERIAL 18052285 THRU 18052384 SKI PLANE F---SERIAL 185-0577 THRU 185-1206 G---SERIAL 185-1207 THRU 18502310 SERIAL 18052285 THRU 18052384 SKI PLANE H---SERIAL 185-1207 THRU 18501684 J---SERIAL 185-1207 THRU 18502202 K---SERIAL 18502203 THRU 18502310</p>										

FIGURE AND INDEX NO.	PART NUMBER	DESCRIPTION	UNITS PER ASSY	USABLE ON CODE
		1 2 3 4 5 6 7		
47 -	0742122-4	TAIL WHEEL ASSEMBLY-10 IN. PNEUMATIC -----	1	A
	0742122-5	TAIL WHEEL ASSEMBLY-10 IN. PNEUMATIC -----	1	B
- 1	3412-1	BRACKET ASSEMBLY SCA -----	1	
- 2	19118	FITTING-LUBRICATION AL -----	1	
	08231 *	CUP-BEARING TI -----	1	
- 3	3423-1	FORK ASSEMBLY SCA -----	1	A
	3423-3	FORK ASSEMBLY SCA -----	1	B
		ATTACHING PARTS -----		
- 4	MS24665-283	PIN-COTTER -----	1	
- 5	AN320-8	NUT -----	1	
- 6	AN960-816	WASHER -----	1	
		-----*		
	A4138 #	CUP-BEARING TI -----	1	
- 7	3226	PIN SCA -----	1	
	52-048-250-0375	PIN-ROLL EN -----	1	A
- 7A	3427	COLLER-LOCKING SCA -----	1	B
- 7B	AN510-10R7	SCREW -----	3	B
- 8	08118 *	CONE-BEARING TI -----	1	
- 8	3411	DUST CAP SET SCA -----	1	A
- 9	3411-3	DUST CAP SET SCA -----	1	B
CONTINUED ON PAGE 115				

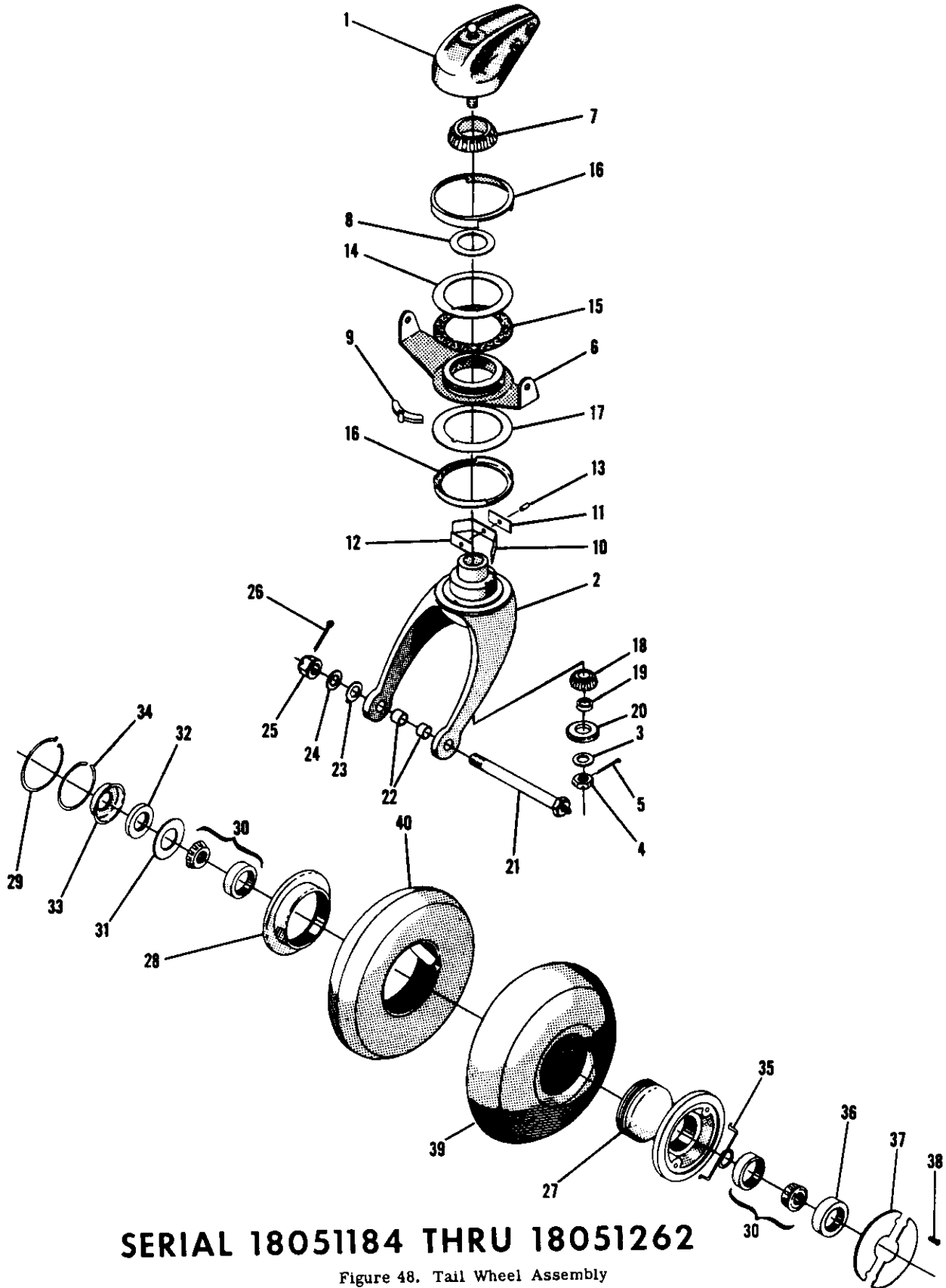
Aligning Gear (Cont)



SERIAL 185-0001 THRU 185-0653

Figure 47. Tailwheel Assembly

FIGURE AND INDEX NO.	PART NUMBER	DESCRIPTION							UNITS PER ASSY	USABLE ON CODE
		1	2	3	4	5	6	7		
47 -10	3407	SPACER SCA -----							AR	
-11	3408	WASHER-STEEL SCA -----							1	
-12	3408-1	WASHER-PHENOLITE SCA -----							AR	
	3408-2	WASHER-PHENOLITE SCA -----							AR	
-13	3410-5	ARM ASSEMBLY SCA -----							1	
-14		DELETED, NEVER USED -----								
-15	3219	PAWL SCA -----							1	
-16	3408-2	WASHER SCA -----							AR	
-17	3257	PIN-STAKING SCA -----							1	
-18	3433	SPACER-SPRING SCA -----							1	
-19	3432	SPRING SCA -----							1	
-20	3433-1	SPACER-SPRING SCA -----							1	A
	3258	SPACER SCA -----							AR	B
	3258-1	SPACER SCA -----							AR	B
-21	A4050	CONE-BEARING TI -----							1	
-22	2504-1	SPACER SCA -----							1	
-23	1863	RETAINER-GREASE SCA -----							1	
	3245-1	WHEEL & TIRE ASSEMBLY 10 INCH SCA -----							1	
		ATTACHING PARTS -----								
-24	MS24665-283	PIN-COTTER -----							1	
-25	AN310-8	NUT -----							1	
-26	AN960-816L	WASHER -----							1	
-27	3236C2	AXLE ASSEMBLY SCA -----							1	
-28	MS15001-1	FITTING-LUBRICATION -----							1	
-29	3225	WASHER-LOCK SCA -----							1	
		*-----								
-30	AN4-7A	BOLT -----							4	
-31	NAS679A4	NUT -----							4	
-32	2598	HUB-WHEEL SCA -----							2	
-33	3227	SPACER SCA -----							2	
-34	1863	RETAINER-GREASE SCA -----							2	
-35	1862	SPACER-GREASE RETAINER SCA -----							2	
	0442006-11	BEARING SET ASSEMBLY -----							2	
-36	A4050	CONE-BEARING TI -----							1	
-37	A4138	CUP-BEARING TI -----							1	
-38	2602	GASKET SCA -----							1	
-39	3246	TIRE-PNEUMATIC 10 X 3.50-4 SCA -----							1	
-40	3247	TUBE-PNEUMATIC 10 X 3.50 SCA -----							1	
-41	3478	CLAMP SCA -----							1	B
		ATTACHING PARTS -----								
-42	AN515-6R5	SCREW -----							1	B
-43	NAS679A06	NUT -----							1	B
		*-----								
-44	3477	SPRING SCA -----							1	B
-45	3426	BELLCRANK SCA -----							1	B
-46	AN5-36	BOLT -----							1	B
-47	3476	BUSHING SCA -----							2	B
-48	AN960-516L	WASHER -----							2	B
-49	MS35692-522	NUT -----							1	B
-50	MS24665-134	PIN-COTTER -----							1	B
<p>NOTE. *FOR COMPLETE BEARING SET CONSISTING OF 08118 CONE AND 08231 CUP, ORDER 0742400-12.</p> <p>NOTE. #FOR COMPLETE BEARING SET CONSISTING OF A4050 CONE AND A4138 CUP, ORDER 0442006-11.</p> <p>A---SERIAL 185-0001 THRU 185-0534 & 185-0541 THRU 185-0552</p> <p>B---SERIAL 185-0535 THRU 185-0540 & 185-0553 THRU 185-0653</p>										



SERIAL 18051184 THRU 18051262

Figure 48. Tail Wheel Assembly

FIGURE AND INDEX NO.	PART NUMBER	DESCRIPTION	UNITS PER ASSY	USABLE ON CODE
		1 2 3 4 5 6 7		
48 -	0742400	TAIL WHEEL ASSEMBLY -----	1	A
- 1	0742400-10	FORK & BRACKET ASSEMBLY-TAIL WHEEL -----	1	
	3412	BRACKET ASSEMBLY SCA -----	1	
	19118	FITTING-LUBRICATION AL -----	1	
	08231	CUP-BEARING TI -----	1	
- 2	3413	FORK ASSEMBLY SCA -----	1	
		ATTACHING PARTS -----		
- 3	AN960-816	WASHER -----	1	
- 4	AN320-8	NUT -----	1	
- 5	MS24665-283	PIN-COTTER -----	1	

	A4138	CUP-BEARING TI -----	1	
	3226	PIN SCA -----	1	
- 6	3410-3	ARM ASSEMBLY SCA -----	1	
- 7	08118	CONE-BEARING TI -----	1	AR
- 8	3407	SPACER SCA -----	1	
- 9	3219	PAWL SCA -----	1	
- 10	3222	SPRING SCA -----	1	
- 11	3258	SPACER-SPRING SCA -----	1	
- 12	3258-1	SPACER-SPRING SCA -----	1	
- 13	3257	PIN-STAKING SCA -----	1	
- 14	3408	WASHER-STEEL SCA -----	1	
- 15	3408-1	WASHER-FORMICA SCA -----	1	
- 16	3411	DUST CAP SET SCA -----	1	
- 17	3408-2	WASHER SCA -----	1	
- 18	A4050	CONE-BEARING TI -----	1	
- 19	2504-1	SPACER SCA -----	1	
- 20	1863	RETAINER-GREASE -----	1	
	0742401	WHEEL & TIRE ASSEMBLY WHEN EXHAUSTED USE 2600 -----	1	
	2600	WHEEL & TIRE ASSEMBLY SCA SEE FIGURE 48A -----	1	
		ATTACHING PARTS -----		
- 21	3236C2	AXLE ASSEMBLY -----	1	
- 22	0742400-11	BUSHING -----	2	
- 23	3225	WASHER-LOCK SCA -----	1	
- 24	AN960-816	WASHER -----	1	
- 25	AN310-8	NUT -----	1	
- 26	MS24665-283	PIN-COTTER -----	1	
	AN960-816	WASHER USE WITH 2600 WHEEL & TIRE ASSEMBLY ONLY -----	4	

- 27	0742401-1	WHEEL ASSEMBLY -----	1	
- 28	0742401-10	SUB ASSEMBLY-WHEEL -----	1	
- 29	0742401-4	FLANGE -----	1	
- 30	0742401-5	RING-FLANGE RETAINING -----	1	
- 31	0442006-11	BEARING SET INCLUDES CONE & CUP -----	2	
- 32	0742401-6	PLATE-GREASE RETAINER INNER -----	1	
- 33	0742401-7	RING-GREASE RETAINER FELT -----	1	
- 34	0742401-8	PLATE-GREASE RETAINER OUTER -----	1	
- 35	0742401-9	RING-GREASE RETAINER RETAINING -----	1	
- 36	0742401-11	SPRING-VALVE STEM RETAINING -----	1	
- 37	0742401-13	RETAINER-GREASE -----	2	
- 38	0742401-12	PLATE-FAIRING -----	2	
		ATTACHING PARTS -----		
- 39	AN520-10-6	SCREW -----	1	

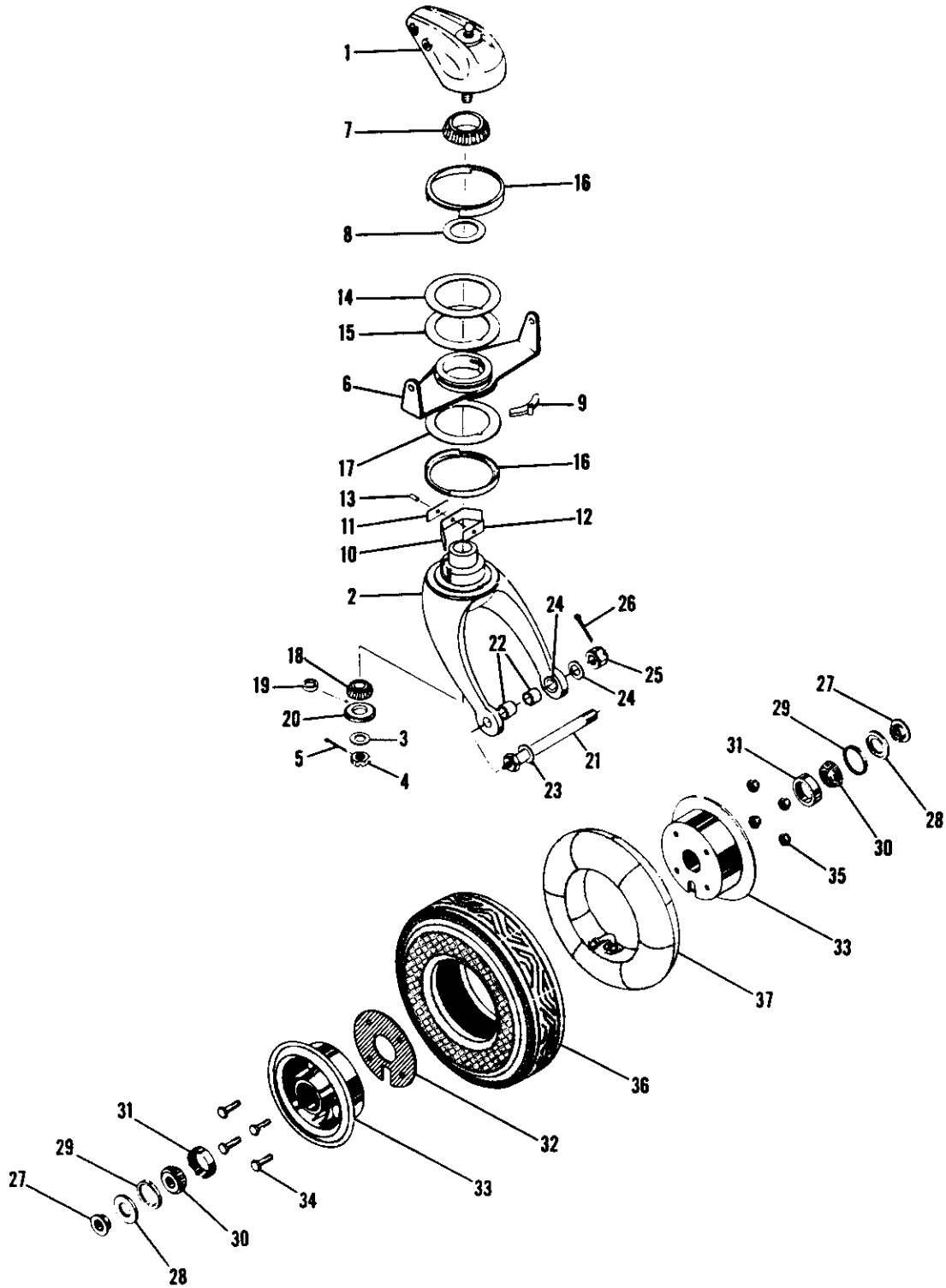
- 40	0742401-3	TIRE-8 INCHES S.C. -----	1	
	0742401-14	TUBE-8 INCHES X 3-1/4 INCHES S.C. -----	1	

NOTE. # FOR COMPLETE BEARING SET CONSISTING OF 08118 CONE & 08231 CUP ORDER 0742400-12.

NOTE. * FOR COMPLETE BEARING SET CONSISTING OF A4050 CONE & A4138 CUP ORDER 0442006-11.

A---SERIAL 18051184 THRU 18051262

Aligning Gear (Cont)



SERIAL 18051263 THRU 18051312

Figure 48A. Tail Wheel Assembly

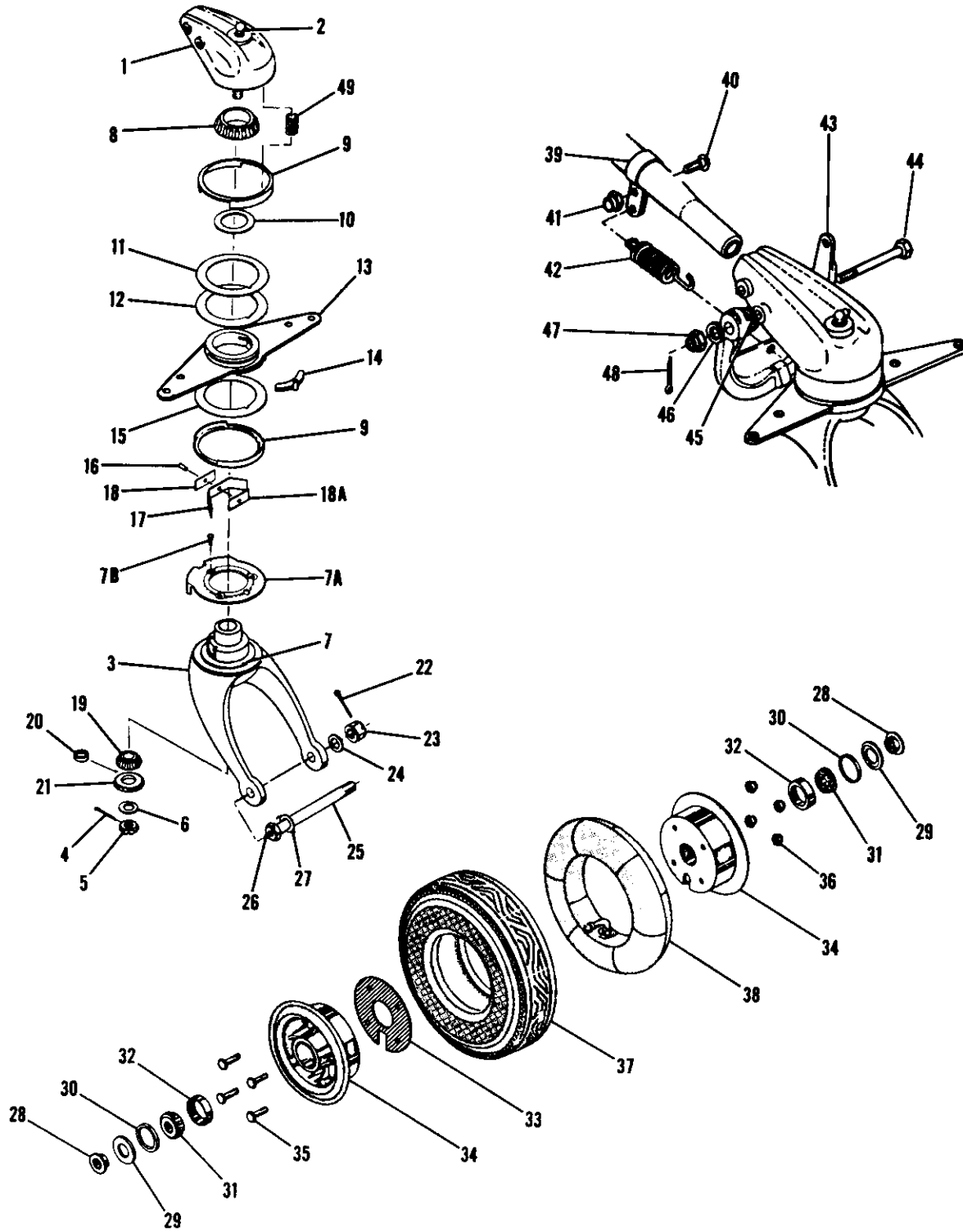
FIGURE AND INDEX NO.	PART NUMBER	DESCRIPTION	UNITS PER ASSY	USABLE ON CODE
		1 2 3 4 5 6 7		
48A-	0742400-13	TAILWHEEL ASSEMBLY-8 IN. PNEUMATIC -----	1	A
	0742400-10	FORK AND BRACKET ASSEMBLY-TAILWHEEL -----	1	
- 1	3412	BRACKET ASSEMBLY SCA -----	1	
	19118	FITTING-LUBRICATION AL -----	1	
	08231	CUP TI -----	1	
- 2	3413	FORK ASSEMBLY SCA -----	1	
		ATTACHING -----		
- 3	AN960-816	WASHER -----	1	
- 4	AN320-8	NUT -----	1	
- 5	MS24665-283	PIN-COTTER -----	1	

	A4138	CUP-BEARING TI -----	1	
	3226	PIN SCA -----	1	
- 6	3410-3	ARM ASSEMBLY SCA -----	1	
- 7	08118	CONE-BEARING TA -----	1	AR
- 8	3407	SPACER -----	1	
- 9	3219	PAWL SCA -----	1	
-10	3222	SPRING SCA -----	1	
-11	3258	SPACER-SPRING SCA -----	1	
-12	3258-1	SPACER-SPRING SCA -----	1	
-13	3257	PIN-STAKING SCA -----	1	
-14	3408	WASHER-STEEL SCA -----	1	
-15	3408-1	WASHER-FORMICA SCA -----	1	
-16	3411	DUST CAP SCA -----	1	
-17	3408-2	WASHER SCA -----	1	
-18	A4050	CONE-BEARING TI -----	1	
-19	2904-1	SPACER SCA -----	1	
-20	1863	RETAINER-GREASE -----	1	
	2600	WHEEL AND TIRE ASSEMBLY SCA -----	1	
		ATTACHING PARTS -----		
-21	3236C2	AXLE ASSEMBLY SCA -----	1	
-22	0742400-11	BUSHING -----	2	
-23	3225	WASHER-LOCK SCA -----	1	
-24	AN960-816	WASHER -----	3	
-25	AN310-8	NUT -----	1	
-26	MS24665-283	PIN-COTTER -----	1	

	3244	WHEEL ASSEMBLY SCA -----	1	
-27	3227	SPACER SCA -----	2	
-28	1863	RETAINER-GREASE SCA -----	2	
-29	1862	SPACER-GREASE RETAINING SCA -----	2	
-30	A4050	CONE-BEARING TI -----	2	
-31	A4138	CUP-BEARING TI -----	1	
-32	2602	GASKET SCA -----	2	
-33	2598	HUB-WHEEL SCA -----	2	
		ATTACHING PARTS -----		
-34	AN4-7A	BOLT -----	4	
-35	NAS679A4	NUT -----	4	

-36	3228	TIRE-8X2.80 4 PLY SCA -----	1	
-37	3223	TUBE 8X2.80 SCA -----	1	
		NOTE.# FOR COMPLETE BEARING SET CONSISTING OF 08118 CONE AND 08231 CUP, ORDER 0742400-12.		
		NOTE.* FOR COMPLETE BEARING SET CONSISTING OF A4050 CONE AND A4138 CUP ORDER 0442006-11.		
		A---SERIAL 18051263 THRU 18051312		

Aligning Gear (Cont)



SERIAL 185-0654 THRU 18502310
SERIAL 18051313 THRU 18052384

Figure 48B. Tailwheel Assembly

FIGURE AND INDEX NO.	PART NUMBER	DESCRIPTION	UNITS PER ASSY	USABLE ON CODE
		1 2 3 4 5 6 7		
488-	0742101-3	TAILWHEEL ASSEMBLY- 8 IN. PNEUMATIC -----	1	C
	0742147-6	TAILWHEEL ASSEMBLY- 8 IN. PNEUMATIC -----	1	D
	0742101-4	TAILWHEEL ASSEMBLY-8 IN. PNEUMATIC -----	1	E
	0742147-5	TAILWHEEL ASSEMBLY-8 IN. PNEUMATIC -----	1	F
- 1	3412-1	BRACKET ASSEMBLY SCA -----	1	G
	3412-2	BRACKET ASSEMBLY SCA -----	1	H
- 2	19118	FITTING-LUBRICATION AL -----	1	
	08231	CUP-BEARING TI FSD 0742400-12 -----	NP	
- 3	3413-1	FORK ASSEMBLY SCA -----	1	
		ATTACHING PARTS -----		
- 4	MS24665-283	PIN-COTTER -----	1	
- 5	AN320-8	NUT -----	1	
- 6	AN960-816	WASHER -----	1	
	A4138	CUP-BEARING TI FSD 0442006-11 -----	NP	
- 7	92-048-250-0375	PIN-ROLL EN -----	1	
- 7A	3427	COLLAR-LOCKING SCA -----	1	
- 7B	AN510-10R7	SCREW -----	3	
- 8	08118	CONE-BEARING TI FSD 0742400-12 -----	NP	
- 9	3411-3	DUST CAP SET SCA -----	1	
-10	3407	SPACER SCA -----	AR	
-11	3408	WASHER-STEEL SCA -----	1	
-12	3408-1	WASHER-PHENOLITE SCA -----	AR	
	3408-2	WASHER-PHENOLITE SCA -----	AR	
-13	3410-5	ARM ASSEMBLY SCA -----	1	
-14	3219	PAWL SCA -----	1	
-15	3479-1	WASHER SCA -----	AR	
-16	3257	PIN-STAKING SCA -----	1	
-17	3432	SPRING SCA -----	1	
-18	3433	SPACER-SPRING SCA -----	AR	
-18A	3258	SPACER SCA -----	AR	
	3258-1	SPACER SCA -----	AR	
-19	A4050	CONE-BEARING TI FSD 0442006-11 -----	NP	
-20	2504-1	SPACER SCA -----	1	
-21	1863	RETAINER-GREASE SCA -----	1	
	2600	WHEEL AND TIRE ASSEMBLY 8 INCH SCA -----	1	
		ATTACHING PARTS -----		
-22	MS24665-283	PIN-COTTER -----	1	
-23	AN310-8	NUT -----	1	
-24	AN960-816L	WASHER -----	1	
-25	3236C2	AXLE ASSEMBLY SCA -----	1	
-26	MS15001-1	FITTING-LUBRICATION -----	1	
-27	3225	WASHER-LOCK SCA -----	1	
	3244	WHEEL ASSEMBLY SCA -----	1	
-28	3227	SPACER SCA -----	2	
-29	1863	RETAINER-GREASE SCA -----	2	
-30	1862	SPACER-GREASE RETAINING SCA -----	2	
-31	A4050	CONE-BEARING TI FSD 0442006-11 -----	NP	
-32	A4138	CUP-BEARING TI FSD 0442006-11 -----	NP	
-33	2602	GASKET SCA -----	1	
-34	2598	HUB-WHEEL SCA -----	2	
		ATTACHING PARTS -----		
-35	AN4-7A	BOLT -----	4	
-36	NAS679A4	NUT -----	1	
	3228	TIRE- BX2.80 4 PLY SCA -----	1	
-37	3223	TUBE- BX2.80 SCA -----	1	
-38	3478	CLAMP SCA -----	1	C
-39	3478-1	CLAMP SCA -----	1	D
		ATTACHING PARTS -----		
-40	AN515-6R5	SCREW -----	1	A
-41	NAS679A06	NUT -----	1	A

CONTINUED ON NEXT PAGE

FIGURE AND INDEX NO.	PART NUMBER	DESCRIPTION	UNITS PER ASSY	USABLE ON CODE
48B-42	3477	SPRING SCA -----	1	A
-43	3426	BELLCRANK SCA -----	1	A
-44	AN5-36	BOLT -----	1	A
-45	AN5-27	BOLT NOT USED ON 180 SKI PLANE -----	1	B
-46	3476	BUSHING SCA -----	2	A
-46	AN960-516L	WASHER -----	2	
-47	MS33692-522	NUT -----	1	
-48	MS24665-134	PIN-COTTER -----	1	
-49	3233	SPRING -----	2	J
<p>NOTE. #FOR COMPLETE BEARING SET CONSISTING OF 08118 CONE AND 08231 CUP, ORDER 0742400-12.</p> <p>NOTE. #FOR COMPLETE BEARING SET CONSISTING OF A4050 CONE AND A4138 CUP, ORDER 0442006-11.</p> <p>A---SERIAL 185-0654 THRU 18502310 SERIAL 18052285 THRU 18052384 SKI PLANE</p> <p>B---SERIAL 18051313 E ON</p> <p>C---SERIAL 185-0654 THRU 185-1206</p> <p>D---SERIAL 185-1207 THRU 18502310 SERIAL 18052285 THRU 18052384 SKI PLANE</p> <p>E---SERIAL 18051313 THRU 18051847</p> <p>F---SERIAL 18051848 THRU 18052384</p> <p>G---SERIAL 185-0654 THRU 185-1206 SERIAL 18051313 THRU 18051847</p> <p>H---SERIAL 185-1207 THRU 18502310 SERIAL 18051848 THRU 18052384</p> <p>J---SERIAL 18052138 THRU 18052384 SERIAL 18501677 THRU 18502310</p>				

Door & Window

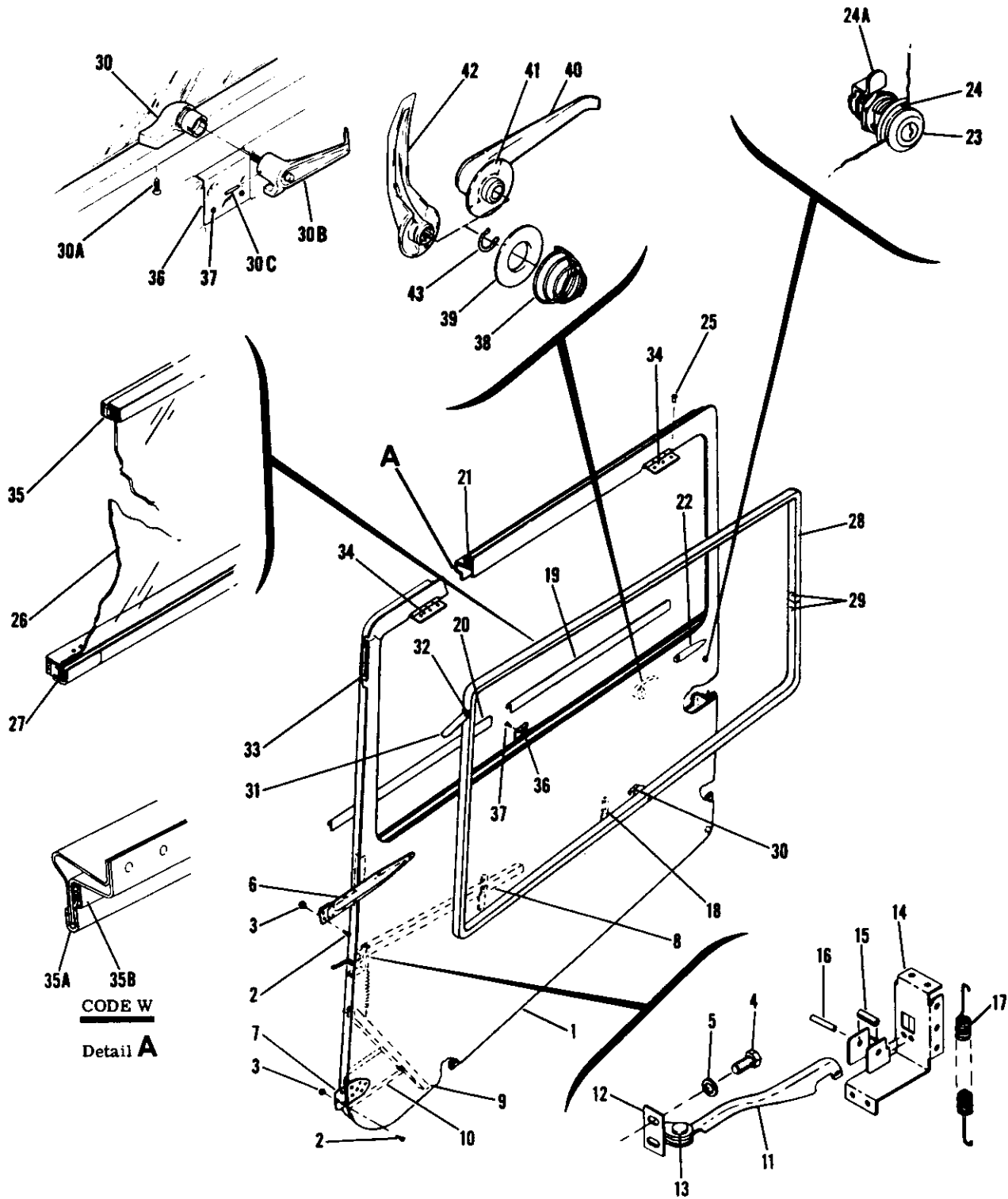


Figure 49. Left Cabin Door Installation

FIGURE AND INDEX NO.	PART NUMBER	DESCRIPTION	UNITS PER ASSY	USABLE ON CODE
		1 2 3 4 5 6 7		
49 -		CABIN DOOR INSTALLATION-LH -----	NP	
- 1	0711023-61	STRUCTURE ASSEMBLY-CABIN DOOR LH -----	1	A
	0711023-75	STRUCTURE ASSEMBLY-CABIN DOOR LH -----	1	B
	0711023-85	STRUCTURE ASSEMBLY-CABIN DOOR LH CLEAR WINDOW -----	1	J
	0711023-201	STRUCTURE ASSEMBLY-CABIN DOOR LH TINTED WINDOW -----	1	K
	0711023-95	STRUCTURE ASSEMBLY-CABIN DOOR LH CLEAR WINDOW -----	1	P
	0711023-203	STRUCTURE ASSEMBLY-CABIN DOOR LH TINTED WINDOW -----	1	P
	0711023-101	STRUCTURE ASSEMBLY-CABIN DOOR LH CLEAR WINDOW -----	1	R
	0711023-205	STRUCTURE ASSEMBLY-CABIN DOOR LH TINTED WINDOW -----	1	R
	0711023-105	STRUCTURE ASSEMBLY-CABIN DOOR LH CLEAR WINDOW -----	1	S
		ATTACHING PARTS -----		
- 2	AN507-1032R12	SCREW -----	4	
- 3	MS21044N3	NUT -----	4	
- 4	AN3-JA	BOLT -----	2	
- 5	AN960-10L	WASHER -----	2	

- 6	0711037-1	HINGE-UPPER LH REAR -----	1	
	0711037-5	HINGE-UPPER LH FORWARD -----	1	
		ATTACHING PARTS -----		
	0711038-1	PIN-HINGE -----	1	

- 7	0711037-3	HINGE-LOWER LH REAR -----	1	
	0711037-10	HINGE-LOWER LH FORWARD -----	1	
		ATTACHING PARTS -----		
	0711038-1	PIN-HINGE -----	1	

- 8	0711001-25	STIFFENER-DOOR UPPER -----	1	
- 9	0711001-45	STIFFENER-DOOR LOWER -----	1	
-10	0711001-43	BRACKET-LOWER HINGE REINFORCEMENT -----	1	
-11	0711040-1	STOP ASSEMBLY-DOOR -----	1	
-12	0711039-1	HINGE ASSEMBLY LH -----	1	
-13	MS20450C12-12	RIVET -----	1	
-14	0711001-35	BRACKET ASSEMBLY-DOOR STOP -----	1	
-15	0711001-52	SPACER -----	1	
-16	NAS561-3-18	ROLL PIN -----	1	
-17	0711001-29	SPRING-DOOR STOP -----	1	
-18	0511463-1	CLIP-DOOR PANEL -----	2	
		ATTACHING PARTS -----		
	S102124-4	SCREW -----	4	

-19	0711023-14	CHANNEL-UPHOLSTERY RETAINER -----	1	
-20	0711023-15	CHANNEL-UPHOLSTERY RETAINER -----	1	
-21	S1116-1	SEAL-144.0 IN LG BULK ITEM REF S1116-1-144.0 -----	1	
-22	0711061-1	LATCH ASSEMBLY-DOOR LH SEE FIGURE 51 -----	1	F
	1511205-7	LATCH ASSEMBLY-DOOR LH SEE FIGURE 51A -----	1	J
	1511205-13	LATCH ASSEMBLY-DOOR LH SEE FIGURE 51A -----	1	P
	1511205-16	LATCH ASSEMBLY-DOOR LH SEE FIGURE 51A -----	1	Q
		ATTACHING PARTS -----		
	NAS220-5	SCREW -----	12	F
	NAS220-5	SCREW -----	2	C
	AN925-832R7	SCREW -----	8	C

-23	0413323-5	LOCK ASSEMBLY-DOOR WHEN EXHAUSTED -----	1	
		USE C253001-0101 LOCK & 0711033-1 CAM -----		
	C253001-0101	LOCK ASSEMBLY-DOOR -----	1	
		ATTACHING PARTS -----		
-24	0411851	WASHER -----	1	

-24A	0711033-1	CAM -----	1	
	0711050-19	WINDOW ASSEMBLY-DOOR LH CLEAR -----	1	
	0711050-203	WINDOW ASSEMBLY-DOOR LH TINTED -----	1	G
		ATTACHING PARTS -----		
-25	CR163-4-4	RIVET CY -----	8	

-26	0711051-1	GLASS ASSEMBLY-WINDOW CLEAR -----	1	
	0711051-2	GLASS ASSEMBLY-WINDOW TINTED -----	1	G
-27	S1082-1	SEAL-83.75 IN LG BULK ITEM REF S-1082-1-83.75 -----	1	
-28	0711050-5	FRAME-WINDOW -----	1	
		ATTACHING PARTS -----		
-29	CR763-4-4	RIVET CY -----	6	

CONTINUED ON NEXT PAGE

FIGURE AND INDEX NO.	PART NUMBER	DESCRIPTION	UNITS PER ASSY	USABLE ON CODE
49 -30	1411202-201	BRACKET ASSEMBLY-WINDOW LATCH ----- ATTACHING PARTS -----	1	
-30A	NAS514P1032-14 NAS43HT3-34	SCREW ----- SPACER -----	2 2	
-30B	S1483-2	HANDLE ASSEMBLY-WINDOW LH ----- ATTACHING PARTS -----	1	
-30C	NAS561P3-8	PIN-ROLL -----	1	
-31	0711021-4	ARM ASSEMBLY-WINDOW ----- ATTACHING PARTS -----	1	
-32	AN525-10R8	SCREW -----	1	
-33	0711021-9	SPRING-WINDOW ARM -----	1	
-34	0411185-7	HINGE ASSEMBLY-WINDOW -----	2	
-35	S1378-2	SEAL-WINDOW 84.00 IN.LG. BULK ITEM -----	1	V
-35A	S2195-2	TRIM-84.00 IN LG BKI -----	1	W
-35B	S2108-1	SEAL-84.00 IN LG BKI -----	1	W
-36	0711093-1 0711021-7	PLATE-WINDOW LATCH ----- PLATE-WINDOW LATCH ----- ATTACHING PARTS -----	1 1	D E
-37	AN515-6R5	SCREW -----	2	
-38	0413317-1	SPRING-DOOR HANDLE -----	1	
-39	0511189-2 1211836-1	ESCUTCHEON-DOOR HANDLE WHEN EXHAUSTED USE 1211836-1 ----- WASHER -----	1 1	M Q
-40	0711027-1 1211250-1 1211250-7 1211251-1	HANDLE-DOOR INSIDE ----- HANDLE ASSEMBLY-DOOR INSIDE LH ----- HANDLE ASSEMBLY-DOOR INSIDE ----- INSERT-DOOR HANDLE -----	1 1 1 1	H P T L
-41	0700166-1	PLACARD-DOOR HANDLE LH -----	1	N
-42	0517006-2	HANDLE-DOOR INSIDE -----	1	U
-43	0511189-1	CLIP-DOOR HANDLE RETAINING -----	1	
<p>A---SERIAL 185-0001 THRU 185-0512 B---SERIAL 185-0513 THRU 185-0967 SERIAL 18051184 THRU 18051607 C---SERIAL 185-0968 THRU 18502310 SERIAL 18051608 THRU 18052384 D---SERIAL 185-0517 THRU 185-0786 SERIAL 18051184 THRU 18051464 E---SERIAL 185-0001 THRU 185-0516 185-0787 THRU 18502310 SERIAL 18051465 THRU 18052384 F---SERIAL 185-0001 THRU 185-0967 SERIAL 18051184 THRU 18051607 G---SERIAL 185-1150 THRU 18502310 SERIAL 18051775 THRU 18052384 H---SERIAL 185-0001 THRU 185-1300 SERIAL 18051184 THRU 18051875 J---SERIAL 185-0968 THRU 185-1300 SERIAL 18051608 THRU 18051875 K---SERIAL 185-1150 THRU 185-1300 SERIAL 18051775 THRU 18051875 L---SERIAL 185-1301 THRU 18502090 SERIAL 18051876 THRU 18052284 M---SERIAL 185-0001 THRU 185-1599 SERIAL 18051184 THRU 18052103 N---SERIAL 185-0968 THRU 185-1599 SERIAL 18051608 THRU 18052103 P---SERIAL 185-1301 THRU 185-1599 SERIAL 18051876 THRU 18052103 Q---SERIAL 18501600 THRU 18502310 SERIAL 18052104 THRU 18052384 R---SERIAL 18501600 THRU 18501876 SERIAL 18052104 THRU 18052194 S---SERIAL 18501877 THRU 18502310 SERIAL 18052195 THRU 18052384 T---SERIAL 18501600 THRU 18502090 SERIAL 18052104 THRU 18052284 U---SERIAL 18502091 THRU 18502310 SERIAL 18052285 THRU 18052384 V---SERIAL 185-0001 THRU 18502217 SERIAL 18051184 THRU 18052340 W---SERIAL 18502218 THRU 18502310 SERIAL 18052341 THRU 18052384</p>				

FIGURE AND INDEX NO.	PART NUMBER	DESCRIPTION	UNITS PER ASSY	USABLE ON CODE
		1 2 3 4 5 6 7		
50 -		CABIN DOOR INSTALLATION-RH -----	NP	
- 1	0711023-72	STRUCTURE ASSEMBLY-CABIN DOOR RH -----	1	A
	0711023-76	STRUCTURE ASSEMBLY-CABIN DOOR RH WEU 0711023-77 -----	1	C
	0711023-77	STRUCTURE ASSEMBLY-CABIN DOOR RH -----	1	D
	0711023-86	STRUCTURE ASSEMBLY-CABIN DOOR RH CLEAR WINDOW -----	1	L
	0711023-200	STRUCTURE ASSEMBLY-CABIN DOOR RH TINTED WINDOW -----	1	M
	0711023-94	STRUCTURE ASSEMBLY-CABIN DOOR RH CLEAR WINDOW -----	1	R
	0711023-202	STRUCTURE ASSEMBLY-CABIN DOOR RH TINTED WINDOW -----	1	R
	0711023-100	STRUCTURE ASSEMBLY-CABIN DOOR RH CLEAR WINDOW -----	1	T
	0711023-204	STRUCTURE ASSEMBLY-CABIN DOOR RH TINTED WINDOW -----	1	T
	0711023-104	STRUCTURE ASSEMBLY-CABIN DOOR RH CLEAR WINDOW -----	1	U
		ATTACHING PARTS -----		
- 2	AN507-1032R12	SCREW -----	4	
- 3	MS21044N3	NUT -----	4	
- 4	AN3-3A	BOLT -----	2	
- 5	AN960-10L	WASHER -----	2	
		-----*		
- 6	0711037-2	HINGE-UPPER RH REAR -----	1	
	0711037-6	HINGE-UPPER RH FORWARD -----	1	
		ATTACHING PARTS -----		
- 7	S1426-1	PIN-REMOVABLE HINGE -----	1	B
	0711038-1	PIN-HINGE -----	1	C
		-----*		
- 8	0711037-4	HINGE-LOWER RH REAR -----	1	
	0711037-11	HINGE-LOWER RH FORWARD -----	1	
		ATTACHING PARTS -----		
- 9	S1426-1	PIN-REMOVABLE HINGE -----	1	B
	0711038-1	PIN-HINGE -----	1	C
		-----*		
-10	0711001-26	STIFFENER-DOOR UPPER -----	1	
-11	0711040-14	STOP ASSEMBLY-DOOR -----	1	B
	0711040-2	STOP ASSEMBLY-DOOR -----	1	C
-12	MS20392-2C9	PIN -----	1	B
-13	MS24665-132	PIN-COTTER -----	1	B
-14	0711001-36	BRACKET ASSEMBLY-DOOR STOP -----	1	
-15	0711001-52	SPACER -----	1	
-16	NAS561-3-18	ROLL PIN EN -----	1	
-17	0711001-29	SPRING-DOOR STOP -----	1	
-18	0511463-1	CLIP-DOOR PANEL -----	2	
		ATTACHING PARTS -----		
	S102124-4	SCREW -----	4	
		-----*		
-19	0711023-14	CHANNEL-UPHOLSTERY RETAINER -----	1	
-20	0711023-15	CHANNEL-UPHOLSTERY RETAINER -----	1	
-21	S1116-1	SEAL-144.00 IN LG BULK ITEM REF S1116-1-144.0 -----	1	
-22	0711061-2	LATCH ASSEMBLY-DOOR RH SEE FIGURE 51 -----	1	H
	1511205-6	LATCH ASSEMBLY-DOOR RH SEE FIGURE 51A -----	1	L
	1511205-14	LATCH ASSEMBLY-DOOR RH SEE FIGURE 51A -----	1	R
	1511205-17	LATCH ASSEMBLY-DOOR RH SEE FIGURE 51A -----	1	S
		ATTACHING PARTS -----		
	NAS220-5	SCREW -----	12	H
	NAS220-5	SCREW -----	2	E
	AN525-832R7	SCREW -----	8	E
		-----*		
	0711050-20	WINDOW ASSEMBLY-DOOR RH CLEAR -----	1	
	0711050-202	WINDOW ASSEMBLY-DOOR RH TINTED -----	1	J
		ATTACHING PARTS -----		
-23	CR163-4-4	RIVET CY -----	6	
		-----*		
-24	0711051-1	GLASS ASSEMBLY-WINDOW CLEAR -----	1	
	0711051-2	GLASS ASSEMBLY-WINDOW TINTED -----	1	J
-25	S1082-1	SEAL-83.75 IN LG BULK ITEM REF S-1082-1-83.75 -----	1	
-26	0711050-6	FRAME-WINDOW -----	1	
		ATTACHING PARTS -----		
-27	CR763-4-4	RIVET CY -----	6	
		-----*		
-28	1411202-201	BRACKET ASSEMBLY-WINDOW LATCH -----	1	
		ATTACHING PARTS -----		
-28A	NAS514P1032-14	SCREW -----	2	
	NAS43HT3-34	SPACER -----	2	
		-----*		

CONTINUED ON NEXT PAGE

Door & Window (Cont)

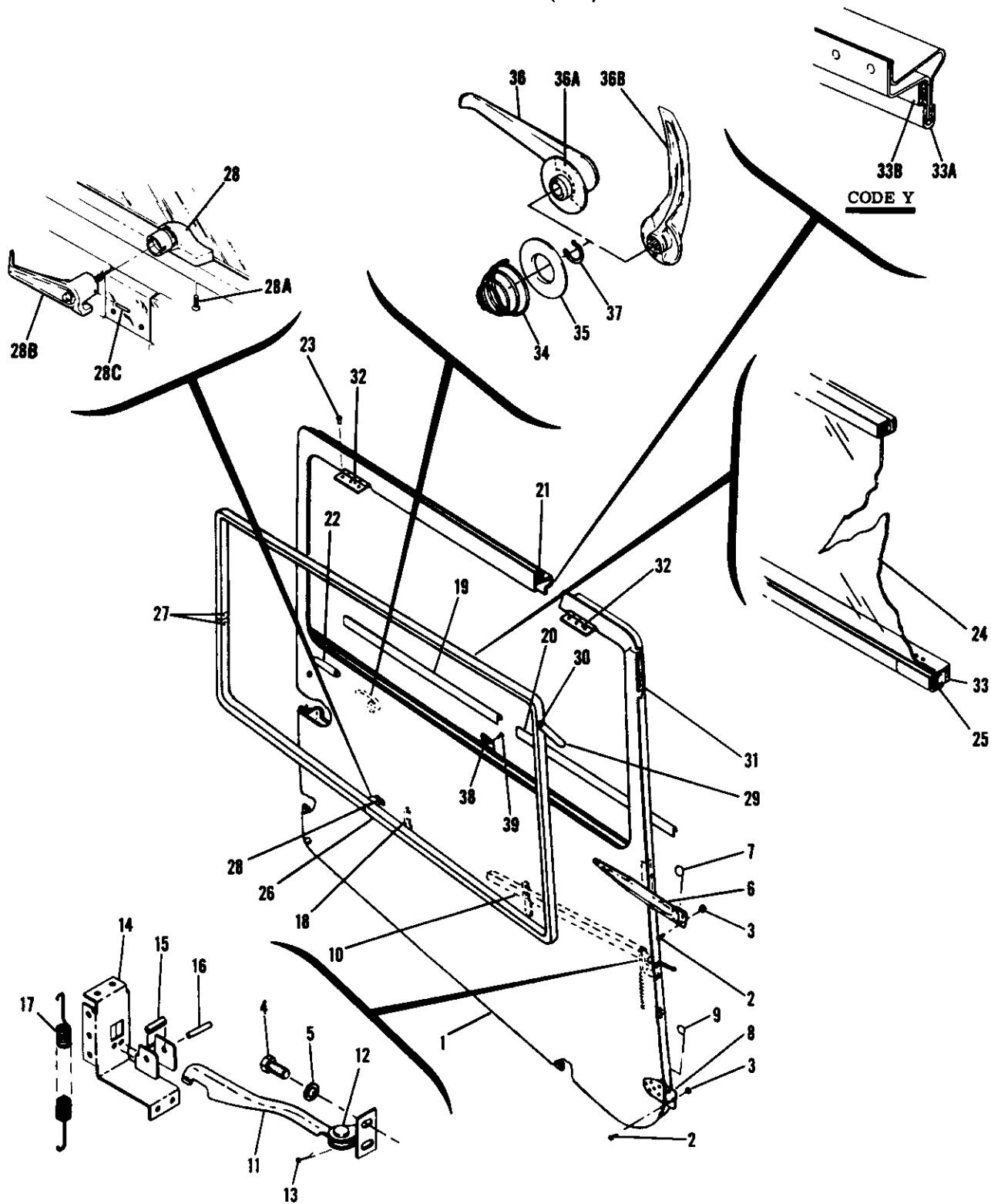
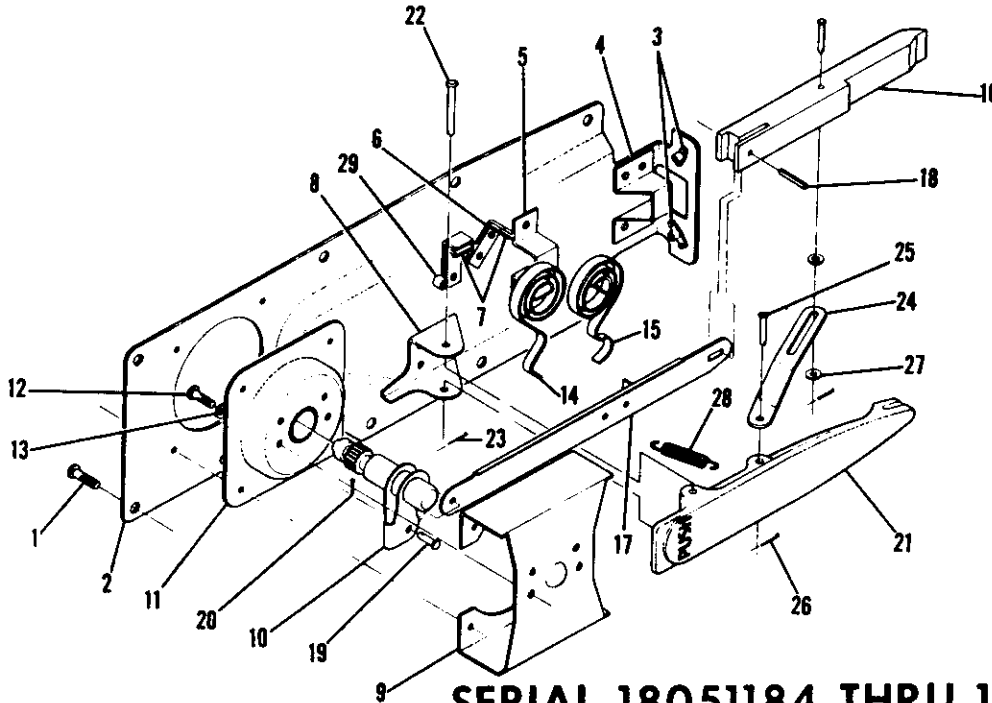


Figure 50. Right Cabin Door Installation

FIGURE AND INDEX NO.	PART NUMBER	DESCRIPTION	UNITS PER ASSY	USABLE ON CODE
		1 2 3 4 5 6 7		
50 -288	S1483-1	HANDLE ASSEMBLY-WINDOW RH ----- ATTACHING PARTS -----	1	
-28C	NAS561P3-8	PIN-ROLL ----- -----*	1	
-29	0711021-4	ARM ASSEMBLY-WINDOW ----- ATTACHING PARTS -----	1	
-30	AN525-10R8	SCREW ----- -----*	1	
-31	0711021-9	SPRING-WINDOW ARM -----	2	
-32	0411185-7	HINGE ASSEMBLY-WINDOW -----	1	
-33	S1378-2	SEAL-84.00 IN LG BULK ITEM REF S1378-2-84.00 -----	1	X
-33A	S2195-2	TRIM-84.00 IN LG BKI -----	1	Y
-33B	S2108-2	SEAL-84.00 IN LG BKI -----	1	Y
-34	0413317-1	SPRING-DOOR HANDLE -----	1	P
-35	0511189-2	ESCUTCHEON-DOOR HANDLE WHEN EXHAUSTED USE 1211836-1 -----	1	S
	1211836-1	WASHER -----	1	K
-36	0711027-1	HANDLE-DOOR INSIDE -----	1	R
	1211250-2	HANDLE ASSEMBLY-DOOR INSIDE RH -----	1	V
	1211250-7	HANDLE ASSEMBLY-DOOR INSIDE -----	1	N
	1211251-1	INSERT-DOOR HANDLE -----	1	Q
-36A	0700166-2	PLACARD-DOOR HANDLE RH -----	1	W
-36B	0517006-2	HANDLE-DOOR INSIDE -----	1	
-37	0511189-1	CLIP-DOOR HANDLE RETAINING -----	1	F
-38	0711093-1	PLATE-WINDOW LATCH -----	1	G
	0711021-7	PLATE-WINDOW LATCH ----- ATTACHING PARTS -----	1	
-39	AN515-6R5	SCREW ----- -----*	2	
<p>A---SERIAL 185-0001 THRU 185-0512 B---SERIAL 185-0001 THRU 18502310 SERIAL 18051313 THRU 18052384 C---SERIAL 18051184 THRU 18051312 D---SERIAL 185-0513 THRU 185-0967 SERIAL 18051313 THRU 18051608 E---SERIAL 185-0968 THRU 18502310 SERIAL 18051608 THRU 18052384 F---SERIAL 185-0517 THRU 185-0786 SERIAL 18051184 THRU 18051464 G---SERIAL 185-0001 THRU 185-0516 185-0787 THRU 18502310 SERIAL 18051465 THRU 18052384 H---SERIAL 185-0001 THRU 185-0967 SERIAL 18051184 THRU 18051607 J---SERIAL 185-1150 THRU 18502310 SERIAL 18051775 THRU 18052384 K---SERIAL 185-0001 THRU 185-1300 SERIAL 18051184 THRU 18051875 L---SERIAL 185-0968 THRU 185-1300 SERIAL 18051608 THRU 18051875 M---SERIAL 185-1150 THRU 185-1300 SERIAL 18051775 THRU 18051875 N---SERIAL 185-1301 THRU 18502090 SERIAL 18051876 THRU 18052284 P---SERIAL 185-0001 THRU 185-1599 SERIAL 18051184 THRU 18052103 Q---SERIAL 185-0968 THRU 185-1599 SERIAL 18051608 THRU 18052103 R---SERIAL 185-1301 THRU 185-1599 SERIAL 18051876 THRU 18052103 S---SERIAL 18501600 THRU 18502310 SERIAL 18052104 THRU 18052384 T---SERIAL 18501600 THRU 18501876 SERIAL 18052104 THRU 18052194 U---SERIAL 18501877 THRU 18502310 SERIAL 18052195 THRU 18052384 V---SERIAL 18501600 THRU 18502090 SERIAL 18052104 THRU 18052284 W---SERIAL 18502091 THRU 18502310 SERIAL 18052285 THRU 18052384 X---SERIAL 185-0001 THRU 18502217 SERIAL 18051184 THRU 18052340 Y---SERIAL 18502218 THRU 18502310 SERIAL 18052341 THRU 18052384</p>				

Door & Window (Cont)



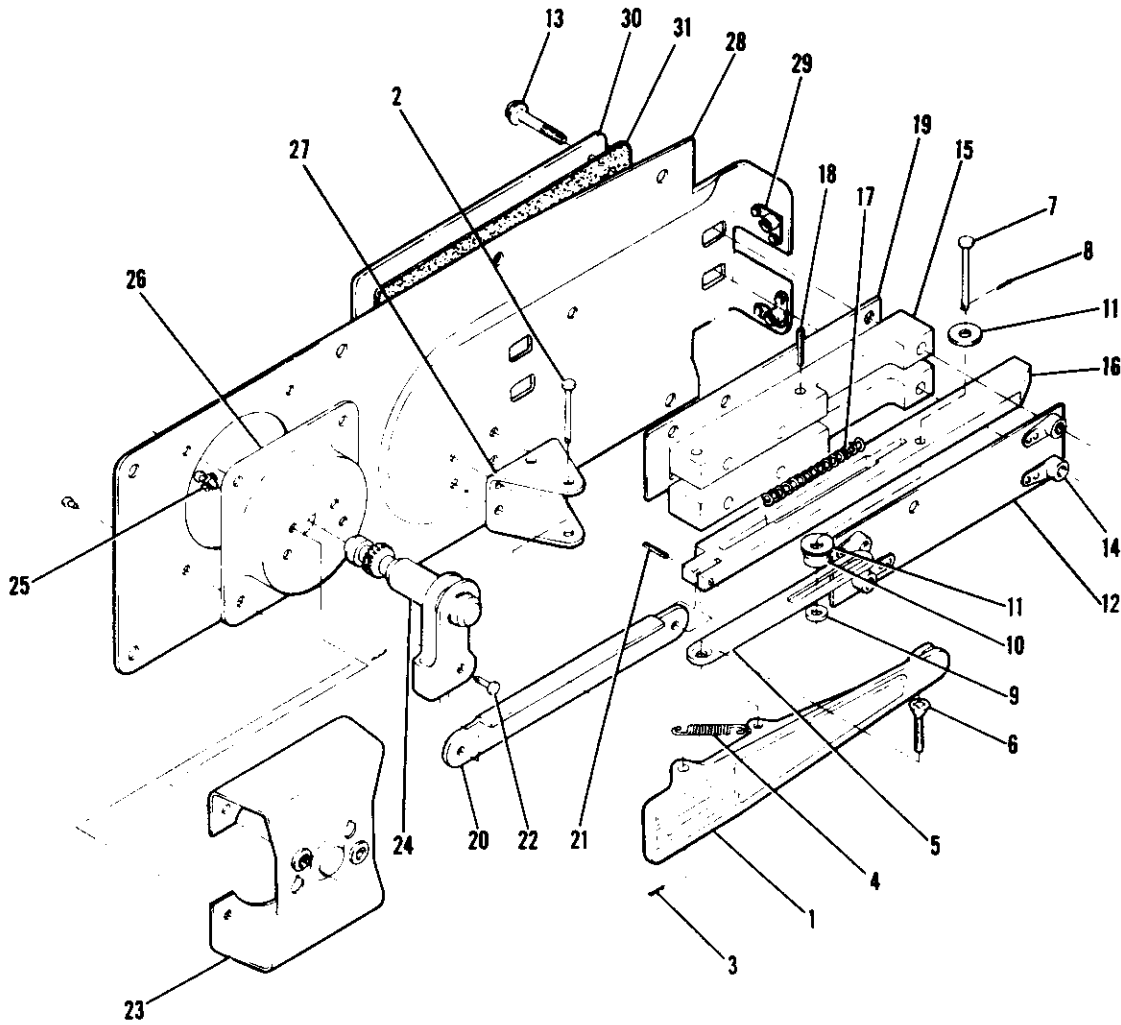
SERIAL 18051184 THRU 18051607
SERIAL 185-0001 THRU 185-0967

Figure 51. Removable Latch Assembly

FIGURE AND INDEX NO.	PART NUMBER	DESCRIPTION	UNITS PER ASSY	USABLE ON CODE
		1 2 3 4 5 6 7		
51 -		LATCH INSTALLATION-CABIN DOOR REMOVABLE -----	NP	A
	0711061-1	LATCH ASSEMBLY-CABIN DOOR LH -----	1	
	0711061-2	LATCH ASSEMBLY-CABIN DOOR RH -----	1	
		ATTACHING PARTS -----		
- 1	NAS220-5	SCREW -----	12	
		-----*		
- 2	0711062-1	BASE PLATE-LATCH LH -----	1	
	0711062-2	BASE PLATE-LATCH RH -----	1	
- 3	NAS697A08	NUTPLATE -----	2	
- 4	0711018-27	BRACKET -----	1	
- 5	0711132-1	BRACKET-LH -----	1	
	0711132-2	BRACKET-RH -----	1	
- 6	0711018-19	BRACKET-SPRING -----	2	
- 7	0711018-20	BRACKET-SPRING -----	2	
- 8	0711018-25	BRACKET-HANDLE -----	1	
- 9	0711063-1	BRACKET ASSEMBLY-DOOR LATCH LH -----	1	
	0711063-2	BRACKET ASSEMBLY-DOOR LATCH RH -----	1	
-10	0711029-1	SHAFT ASSEMBLY-DOOR LATCH LH -----	1	
	0711029-2	SHAFT ASSEMBLY-DOOR LATCH RH -----	1	
-11	0413195-5	PLATE ASSEMBLY-BEARING -----	1	
		ATTACHING PARTS -----		
-12	AN520-10R9	SCREW -----	2	
-13	AN936B10	WASHER -----	2	
		-----*		
CONTINUED ON NEXT PAGE				

FIGURE AND INDEX NO.	PART NUMBER	DESCRIPTION	UNITS PER ASSY	USABLE ON CODE
		1 2 3 4 5 6 7		
51 -14	0711060-1	SPRING-DOOR LATCH -----	1	
-15	0711019-1	SPRING-DOOR LATCH -----	1	
-16	0711017-1	BOLT-DOOR LATCH -----	1	
-17	0711018-36	STRAP ASSEMBLY-LATCH LH -----	1	
	0711018-37	STRAP ASSEMBLY-LATCH RH -----	1	
		ATTACHING PARTS -----		
-18	NAS961-4-9	ROLLPIN -----	1	
-19	MS20392-1C7	PIN -----	1	
-20	MS24665-132	PIN-COTTER -----	1	
		-----*		
-21	0711032-2	HANDLE-LATCH -----	1	
		ATTACHING PARTS -----		
-22	MS20392-1C33	PIN -----	1	
-23	MS24665-132	PIN-COTTER -----	1	
		-----*		
-24	0711018-32	PULL BAR-LATCH LH -----	1	
	0711018-33	PULL BAR-LATCH RH -----	1	
		ATTACHING PARTS -----		
-25	MS20392-1C23	PIN -----	2	
-26	MS24665-132	PIN-COTTER -----	2	
-27	NAS70A128-313	WASHER -----	3	
		-----*		
-28	0711016-1	SPRING-HANDLE -----	1	
-29	0711018-27	STOP -----	1	
		A---SERIAL 185-0001 THRU 185-0967 SERIAL 18051184 THRU 18051607		

Door & Window (Cont)



SERIAL 18051608 THRU 18052384
SERIAL 185-0968 THRU 18502310

Figure 51A. Cabin Door Latch Assembly

FIGURE AND INDEX NO.	PART NUMBER	DESCRIPTION	UNITS PER ASSY	USABLE ON CODE	
51A-	1511205-6	LATCH ASSEMBLY-CABIN DOOR RH -----	1	A	
	1511205-14	LATCH ASSEMBLY-CABIN DOOR RH -----	1	C	
	1511205-17	LATCH ASSEMBLY-CABIN DOOR RH -----	1	O	
		1511205-7	LATCH ASSEMBLY-CABIN DOOR LH -----	1	A
		1511205-13	LATCH ASSEMBLY-CABIN DOOR LH -----	1	C
		1511205-16	LATCH ASSEMBLY-CABIN DOOR LH -----	1	D
	- 1	0711653-3	HANDLE-DOOR OUTSIDE -----	1	A
		1217005-2	HANDLE-DOOR OUTSIDE -----	1	C
		0517003-2	HANDLE-DOOR OUTSIDE -----	1	D
			ATTACHING PARTS -----		
	- 2	MS20392-1C33	PIN -----	1	
	- 3	MS24665-132	COTTER PIN -----	1	

	- 4	0711016-1	SPRING-DOOR HANDLE -----	1	E
		0711788-1	SPRING-DOOR HANDLE -----	1	F
	- 5	1511209-12	PULL BAR-DOOR HANDLE -----	1	
			ATTACHING PARTS -----		
	- 6	AN507-632R6	SCREW -----	1	
	- 7	MS20392-2C45	PIN -----	1	
	- 8	MS24665-132	COTTER PIN -----	1	
	- 9	AN960D10L	WASHER -----	1	
	-10	NAS43003-12	SPACER -----	1	
	-11	1511209-8	WASHER -----	2	

	-12	1511206-20	BOLT GUIDE-TOP -----	1	
			ATTACHING PARTS -----		
	-13	AN525-10R18	SCREW -----	4	

	-14	NAS682A3	NUTPLATE -----	3	
		NAS698A3	NUTPLATE -----	1	
	-15	1511206-11	BOLT GUIDE-SIDE -----	2	
-16	1511206-13	BOLT ASSEMBLY-LH -----	1		
	1511206-14	BOLT ASSEMBLY-RH -----	1		
		ATTACHING PARTS -----			
-17	1511207-1	SPRING -----	1		
-18	NAS561P4-15	ROLL PIN -----	2		

-19	1511206-4	BOLT GUIDE-BASE -----	1		
-20	1511209-10	PUSH ROD-LH -----	1		
	1511209-11	PUSH ROD-RH -----	1		
		ATTACHING PARTS -----			
-21	NAS561P4-6	ROLL PIN -----	1		
-22	MS20392-1C7	PIN -----	1		
	MS24665-132	COTTER PIN -----	1		

-23	0711063-6	BRACKET ASSEMBLY -----	1		
-24	1511212-3	SHAFT ASSEMBLY-LH WEU 1511212-5 -----	1		
	1511212-5	SHAFT ASSEMBLY-LH -----	1		
	1511212-1	SHAFT ASSEMBLY-RH WEU 1511212-6 -----	1		
	1511212-6	SHAFT ASSEMBLY-RH -----	1		
-25	AN520-10R9	SCREW -----	2		
-26	0413195-5	PLATE ASSEMBLY -----	1		
-27	1511209-1	BRACKET -----	1		
-28	1511208-4	PLATE ASSEMBLY-LH -----	1	A	
	1511208-13	PLATE ASSEMBLY-LH -----	1	B	
	1511208-3	PLATE ASSEMBLY-RH -----	1	A	
	1511208-12	PLATE ASSEMBLY-RH -----	1	B	
-29	NAS697A00K	NUTPLATE -----	2		
-30	1511208-16	SHIM -----	1	B	
-31	1511208-17	BACKING-SHIM -----	1	B	

A---SERIAL 18051608 THRU 18051875
 SERIAL 185-0968 THRU 185-1300

B---SERIAL 18051876 THRU 18052384
 SERIAL 185-1301 THRU 18502310

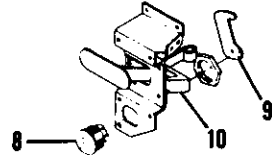
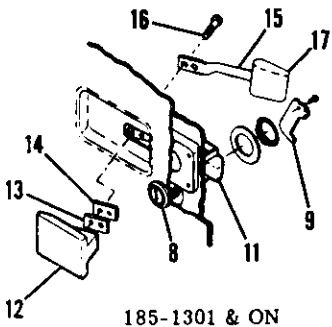
C---SERIAL 18051876 THRU 18052103
 SERIAL 185-1301 THRU 185-1599

D---SERIAL 18052104 THRU 18052384
 SERIAL 18501600 THRU 18502310

E---SERIAL 18051608 THRU 18052141
 SERIAL 185-0968 THRU 18501691 &
 18501695 THRU 18501699

F---SERIAL 18052141 THRU 18052384
 SERIAL 18501692, 18501693, 18501694 &
 18501700 THRU 18502310

Baggage Door



185-1301 & ON
18051876 & ON

185-0001 THRU 185-1300
18051184 THRU 18051875

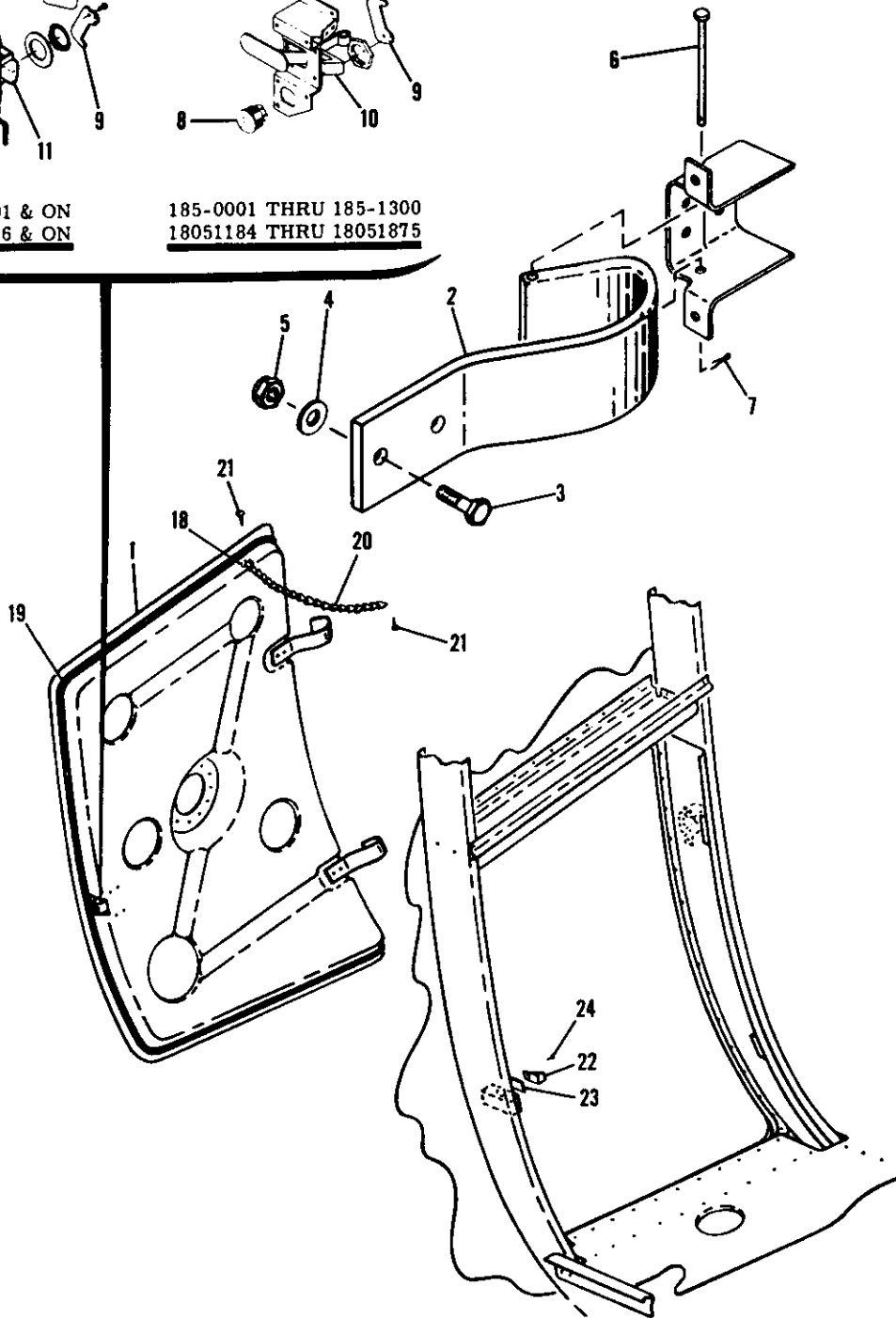


Figure 52. Baggage Door Installation

FIGURE AND INDEX NO.	PART NUMBER	DESCRIPTION	UNITS PER ASSY	USABLE ON CODE
		1 2 3 4 5 6 7		
52 -		BAGGAGE DOOR INSTALLATION-FUSELAGE -----	NP	
- 1	0711101-29	DOOR ASSEMBLY-BAGGAGE WEU 0711101-33 -----	1	A
	0711101-33	DOOR ASSEMBLY-BAGGAGE -----	1	D
	0711101-40	DOOR ASSEMBLY-BAGGAGE USED WITH LITTER DOOR ONLY -----	1	C
	0717000-1	DOOR ASSEMBLY-BAGGAGE WHEN EXHAUSTED USE 0717000-13 -----	1	F
	0717000-13	DOOR ASSEMBLY-BAGGAGE -----	1	H
	0717000-5	DOOR ASSEMBLY-BAGGAGE USED WITH LITTER DOOR ONLY -----	1	F
		WEU 071700-15 -----		
	0717000-15	DOOR ASSEMBLY-BAGGAGE USED WITH LITTER DOOR ONLY -----	1	H
		ATTACHING PARTS -----		
- 2	0711102	HINGE-BAGGAGE DOOR -----	2	
- 3	AN520-10R10	SCREW -----	4	
- 4	AN960-10	WASHER -----	4	
- 5	MS21044N3	NUT -----	4	
- 6	MS20392-1049	PIN-CLEVIS -----	2	
- 7	MS24665-132	PIN-COTTER -----	2	

- 8	0413323-3	LOCK ASSEMBLY-BAGGAGE DOOR WHEN EXHAUSTED -----	1	A
		USE C253001-0101 LOCK & 0711111-1 CAM -----		
	0413323-7	LOCK ASSEMBLY-BAGGAGE DOOR WHEN EXHAUSTED -----	1	B
		USE C253001-0101 LOCK & 0711134-1 CAM -----		
	C253001-0101	LOCK ASSEMBLY -----	1	G
- 9	0711111-1	CAM-BAGGAGE DOOR LOCK -----	1	L
	0711134-1	CAM-BAGGAGE DOOR LOCK -----	1	D
-10	S1189-1	LATCH ASSEMBLY-BAGGAGE DOOR -----	1	A
	S1189-2	LATCH ASSEMBLY-BAGGAGE DOOR 2 WAY -----	1	D
-11	S1359-8	LATCH ASSEMBLY-BAGGAGE DOOR -----	1	E
-12	0711705-1	HANDLE-OUTSIDE -----	1	E
-13	0711709-1	SPACER -----	1	E
-14	0711709-2	SHIM -----	1	E
-15	1211252-1	HANDLE-INSIDE -----	1	J
-16	S1931-8	SCREW -----	2	J
	M31ASR32R6C	SCREW -----	2	K
-17	0813526-6	KNOR -----	1	J
-18	NAS680A08	NUTPLATE -----	1	
-19	S1084-1	SEAL-80.00 IN LG BULK ITEM REF S1084-1-80.00 -----	1	
-20	S1194-1-17	CHAIN -----	1	
		ATTACHING PARTS -----		
-21	AN515-8R6	SCREW -----	2	

-22	0311319-1	PLATE-STRIKE -----	1	
		ATTACHING PARTS -----		
-23	0311319-2	SHIM-STRIKE PLATE -----	1	
-24	AN515-8R8	SCREW -----	2	

		A---SERIAL 185-0001 THRU 185-0237		
		B---SERIAL 185-0238 THRU 185-1149		
		SERIAL 18051184 THRU 18051774		
		C---SERIAL 185-1150 THRU 185-1300		
		SERIAL 18051775 THRU 18051875		
		D---SERIAL 185-0238 THRU 185-1300		
		SERIAL 18051184 THRU 18051875		
		E---SERIAL 185-1301 THRU 18502310		
		SERIAL 18051876 THRU 18052384		
		F---SERIAL 185-1301 THRU 18501819		
		SERIAL 18051876 THRU 18052170		
		G---SERIAL 185-1150 THRU 18502310		
		SERIAL 18051775 THRU 18052384		
		H---SERIAL 18501820 THRU 18502310		
		SERIAL 18052171 THRU 18052384		
		J---SERIAL 185-1301 THRU 18501832		
		SERIAL 18051876 THRU 18052175		
		K---SERIAL 18501833 THRU 18502310		
		SERIAL 18052176 THRU 18052384		
		L---SERIAL 185-0001 THRU 185-0237 &		
		185-1301 THRU 18502310		
		SERIAL 18051876 THRU 18052384		

Upholstery

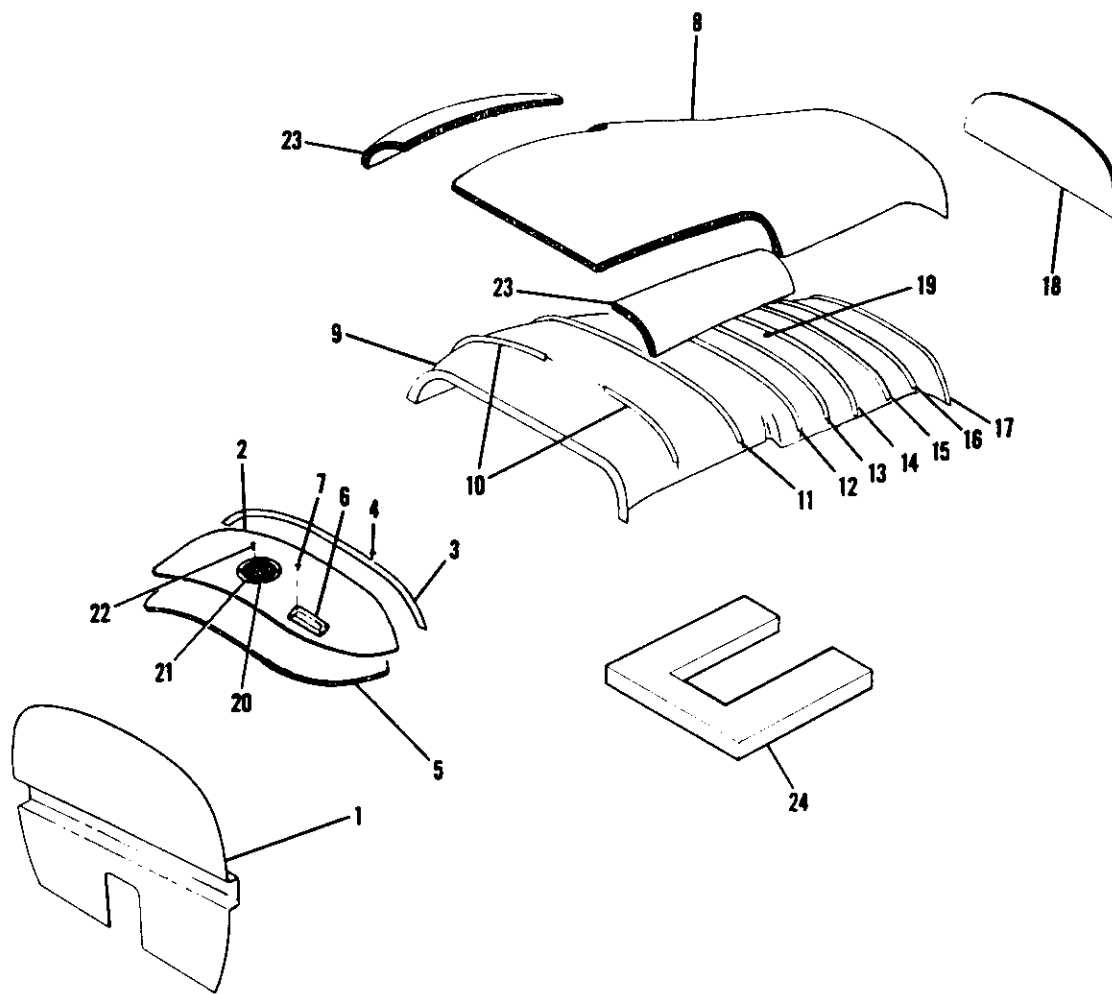


Figure 53. Cabin Top and Firewall Upholstery Installation

FIGURE AND INDEX NO.	PART NUMBER		DESCRIPTION	UNITS PER ASSY	USABLE ON CODE
53 -			UPHOLSTERY INSTALLATION-CABIN TOP & FIREWALL -----	NP	
- 1	0700105-247	#	PANEL ASSEMBLY-FIREWALL -----	1	
	0400123-1		DISC-UPHOLSTERY RETAINER -----	2	
			ATTACHING PARTS -----		
	S1021Z10-10		SCREW -----	2	
	NAS446-5-3		NUT -----	2	

- 2	0700105-226	#	COVER-COWL DECK -----	1	F
	0700114-62	#	COVER-COWL DECK -----	1	G
- 3	0700058-1		RETAINER-COVER PANEL -----	1	D
			ATTACHING PARTS -----		
- 4	S102244-6B		SCREW -----	7	O

- 5	0511001-131		SOUNDPROOFING-COWL DECK -----	1	F
- 6	0713046		RETAINER-UPHOLSTERY -----	1	
			ATTACHING PARTS -----		
- 7	S1021Z4-6		SCREW -----	4	

- 8	0511001-186		PANEL ASSEMBLY-CABIN TOP SOUNDPROOFING -----	1	
- 9	0700105-317		HEADLINER ASSEMBLY-CABIN TOP -----	1	C
	0715037-1	#	HEADLINER ASSEMBLY-CABIN TOP -----	1	A
	0700105-478	#	HEADLINER ASSEMBLY-CABIN TOP -----	1	B
-10	0715037-10	X	WIRE-HEADLINER -----	1	
-11	0715037-9	X	WIRE-HEADLINER -----	1	
-12	0715037-8	X	WIRE-HEADLINER -----	1	
-13	0715037-7	X	WIRE-HEADLINER -----	1	
-14	0715037-6	X	WIRE-HEADLINER -----	1	A
	0700105-323		WIRE-HEADLINER -----	1	B
-15	0715037-5	X	WIRE-HEADLINER -----	1	A
-16	0715037-4	X	WIRE-HEADLINER -----	1	A
	0700105-322		WIRE-HEADLINER -----	1	B
-17	0715037-3	X	WIRE-HEADLINER -----	1	A
	0700105-321		WIRE-HEADLINER -----	1	B
-18	0700105-282	#	PANEL ASSEMBLY-CABIN REAR UPPER SOUNDPROOF -----	1	
-19	S1430-1		HOOK-COAT HANGER -----	1	
-20	0713155-2		SCREEN -----	1	D
	0500210-69		SCREEN -----	1	E
-21	0713155-3		RETAINER -----	1	D
	0513348-1		RETAINER -----	1	E
			ATTACHING PARTS -----		
-22	S1021Z6-8		SCREW -----	4	
	NAS395-6-3		NUT -----	4	

	B1	*	SOUNDPROOFING-FIBERGLASS MAT 1 IN. THICK BULK ITEM --	AR	
-23	0700105-396		PANEL-CABIN TOP SIDE SOUNDPROOFING -----	2	
-24	0400129-64		LIGHT SEAL WEU 0414029-1 -----	1	H
	0414029-1		LIGHT SEAL -----	1	J

NOTE. *GIVE DIMENSIONS WHEN ORDERING

NOTE. #THIS PART NUMBER MUST HAVE A SECOND DASH NUMBER ADDED TO DENOTE COLOR. REFER TO HOW TO ORDER UPHOLSTERED PARTS-PAGE XII.

NOTE. #THIS PART NUMBER MUST HAVE A SECOND DASH NUMBER ADDED TO DENOTE COLOR. REFER TO HOW TO ORDER INTERIOR PARTS-PAGE XIII.

NOTE. XTHESE ITEMS ARE INCLUDED IN 0715037-1 HEADLINER ASSY.

A---SERIAL 185-0513 THRU 18502310
SERIAL 18051313 THRU 18052384

B---SERIAL 18051184 THRU 18051312

C---SERIAL 185-0001 THRU 185-0512

D---SERIAL 185-0001 THRU 185-0776
SERIAL 18051184 THRU 18051445

E---SERIAL 185-0777 THRU 18502310
SERIAL 18051446 THRU 18052384

F---SERIAL 185-0001 THRU 185-1149
SERIAL 18051184 THRU 18051774

G---SERIAL 185-1150 THRU 18502310
SERIAL 18051775 THRU 18052384

H---SERIAL 185-0001 THRU 18501832
SERIAL 18051184 THRU 18052175

J---SERIAL 18501833 THRU 18502310
SERIAL 18052176 THRU 18052384

Upholstery (Cont)

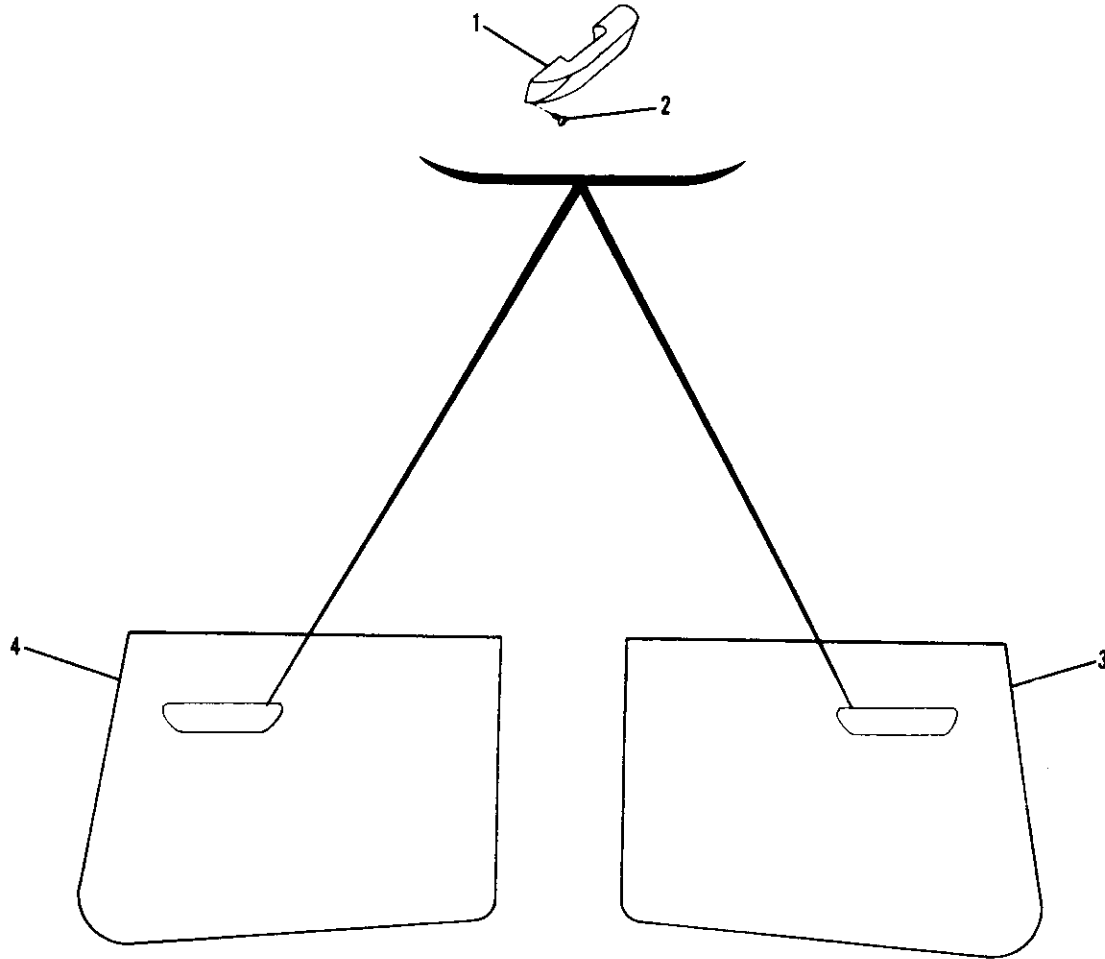


Figure 54. Cabin Doors Upholstery Installation

FIGURE AND INDEX NO.	PART NUMBER	DESCRIPTION	UNITS PER ASSY	USABLE ON CODE
		1 2 3 4 5 6 7		
54 -		UPHOLSTERY INSTALLATION-CABIN DOORS -----	NP	
- 1		DOOR PULL ASSEMBLY ORDER 1414082-20 & SEE NOTE Z -----	NP	A
	1414082-7	ARMREST ASSEMBLY -----	2	B
	1414082-14	ARMREST ASSEMBLY -----	2	C
	1414082-18	ARMREST ASSEMBLY -----	2	D
	1414082-20 Z	ARMREST ASSEMBLY -----	2	J
	0514078-5 #	ARMREST ASSEMBLY -----	2	K
		ATTACHING PARTS -----		
- 2	AN520-416R20	SCREW -----	2	A
	AN960C416L	WASHER -----	2	A
	1210054-1	SPACER -----	2	A
	S1021210-16	SCREW -----	2	E
		-----*		
	1414082-6	PAD ASSEMBLY-ARMREST PEARL BEIGE -----	1	B
	1414082-13	PAD ASSEMBLY-ARMREST CLOUD GRAY WEU 1414082-22 -----	1	G
	1414082-22	PAD ASSEMBLY-ARMREST CLOUD GRAY -----	1	G
	1414082-21	PAD ASSEMBLY-ARMREST BLACK -----	1	J
		ATTACHING PARTS -----		
	S102128-8	SCREW -----	2	E
		-----*		
- 3	0700105-273	PANEL-UPHOLSTERY DOOR LH DELUXE 185 ONLY -----	1	A
	0700114-9	PANEL-UPHOLSTERY DOOR LH UTILITY -----	1	F
	0715015-9	PANEL-UPHOLSTERY DOOR LH -----	1	H
- 4	0700105-274	PANEL-UPHOLSTERY DOOR RH DELUXE 185 ONLY -----	1	A
	0700114-10	PANEL-UPHOLSTERY DOOR RH UTILITY -----	1	F
	0715015-10	PANEL-UPHOLSTERY DOOR RH -----	1	H
		ATTACHING PARTS -----		
	807	CLIP AU-VE-CO -----	13	A
	49265F938	STUD UC -----	AR	E
		-----*		
	B1	SOUNDPROOFING-FIBERGLASS MAT 1 IN THICK BULK ITEM -----	AR	
		NOTE. *GIVE DIMENSIONS WHEN ORDERING		
		NOTE. ZWHEN INITIALLY ORDERING THIS PART FOR AIRCRAFT SERIALS 185-0001 THRU 185-0512 ALSO ORDER 1 0711774-1 BKT ASSY, 1 0711774-2 BKT ASSY & 2 S1021210-16 SCREWS.		
		NOTE. #THIS PART NUMBER MUST HAVE A SECOND DASH NUMBER ADDED TO DENOTE COLOR. REFER TO HOW TO ORDER INTERIOR PARTS-PAGE XIII.		
		NOTE. #THIS PART NUMBER MUST HAVE A SECOND DASH NUMBER ADD TO DENOTE COLOR. REFER TO HOW TO ORDER UPHOLSTERED PARTS-SEE PAGE XII.		
		A---SERIAL 185-0001 THRU 185-0512		
		B---SERIAL 185-0513 THRU 1850776		
		SERIAL 18051184 THRU 18051445		
		C---SERIAL 185-0777 THRU 185-0967		
		SERIAL 18051446 THRU 18051607		
		D---SERIAL 185-0968 THRU 185-1599		
		SERIAL 18051608 THRU 18052103		
		E---SERIAL 185-0513 THRU 18502310		
		SERIAL 18051184 THRU 18052384		
		F---SERIAL 185-0001 THRU 185-1599		
		SERIAL 18051184 THRU 18052103		
		G---SERIAL 185-0777 THRU 185-1599		
		SERIAL 18051446 THRU 18052103		
		H---SERIAL 18501600 THRU 18502310		
		SERIAL 18052104 THRU 18052384		
		J---SERIAL 18501600 THRU 18502277		
		SERIAL 18052104 THRU 18052374		
		K---SERIAL 18502278 THRU 18502310		
		SERIAL 18052375 THRU 18052384		

Upholstery (Cont)

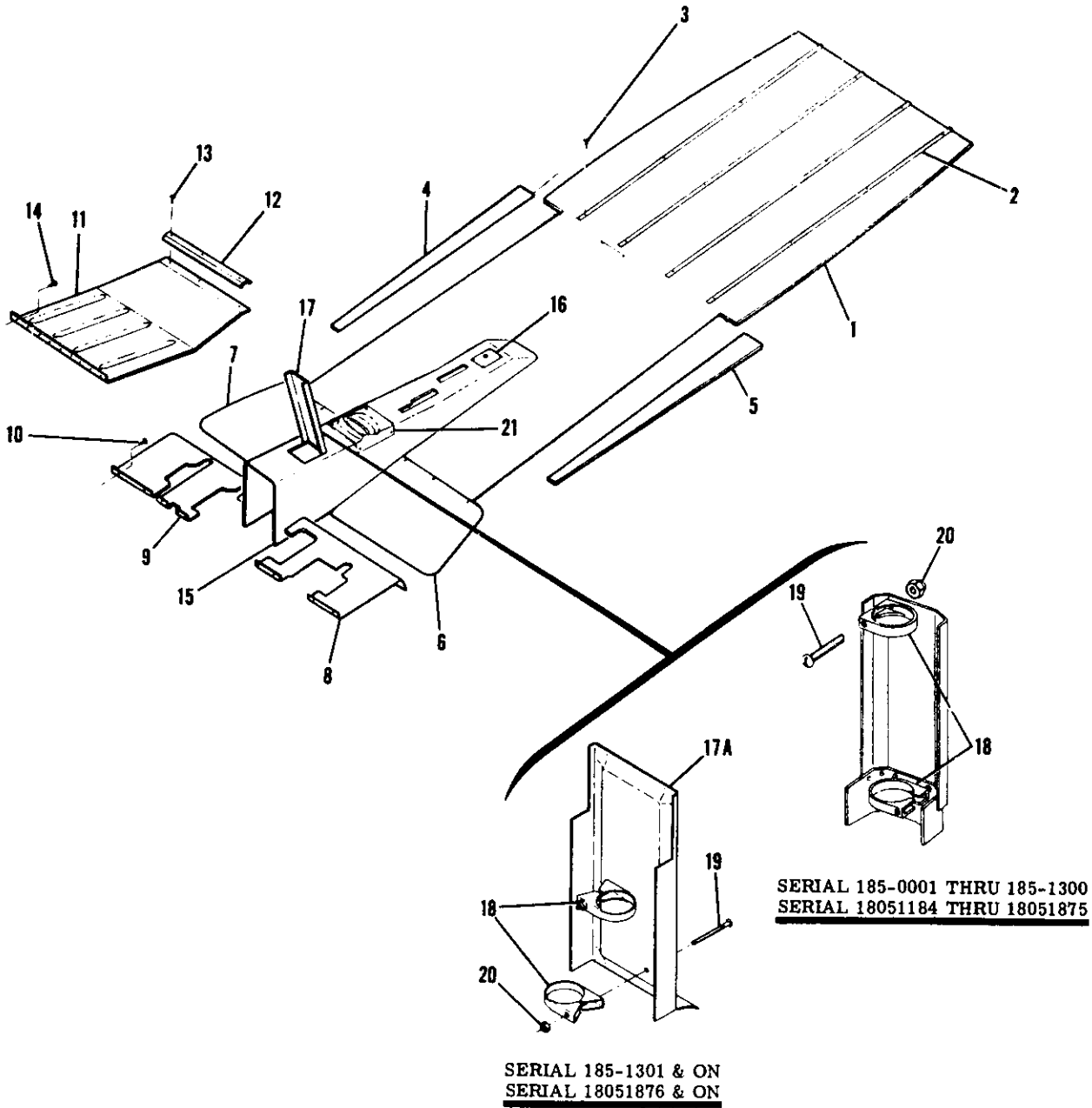


Figure 55. Floorboard Upholstery Installation

FIGURE AND INDEX NO.	PART NUMBER	DESCRIPTION	UNITS PER ASSY	USABLE ON CODE
			1 2 3 4 5 6 7	
		UPHOLSTERY INSTALLATION-FLOORBOARD & BAGGAGE COMPARTMENT	NP	A
55 -		FLOOR COVERING	1	F
- 1	0700114-29	FLOOR COVERING	1	S
	0700114-49	FLOOR COVERING	1	T
	0700114-61	FLOOR COVERING ASSEMBLY	4	H
- 2	0711085-1	RUNNER		
		ATTACHING PARTS		
- 3	5102128-10	SCREW	4	H

- 4	0700114-50	PANEL-OUTER RH	1	G
	0700114-8	PANEL-OUTER RH	1	F
- 5	0700114-51	PANEL-OUTER LH	1	G
	0700114-7	PANEL-OUTER LH	1	F
- 6	0511475-1	KICKPLATE-LH	1	Q
	0511475-7	KICKPLATE-LH	1	R
- 7	0700101-144	KICKPLATE-RH USED WITH DUAL CONTROLS	1	D
	0511475-2	KICKPLATE-RH USED WITH DUAL CONTROLS	1	E
	0511475-8	KICKPLATE-RH USED WITH DUAL CONTROLS	1	R
		ATTACHING PARTS		
	5102126-8	SCREW	4	

- 8	0713001-3	SHIELD-RUDDER BAR LH	1	
- 9	0713001-2	SHIELD-RUDDER BAR RH USED WITH DUAL CONTROLS	1	
		ATTACHING PARTS		
-10	5102128-8	SCREW	8	

-11	0713049-2	SHIELD-RUDDER BAR RH	1	
		ATTACHING PARTS		
-12	0713049-7	RETAINER	1	
-13	5102128-14	SCREW	3	
-14	5102128-6	SCREW	7	

-15	0700105-433	TUNNEL ASSEMBLY	1	B
	0511168	PLACARD	1	J
	0700114-53	TUNNEL	1	U
	0700191-1	COVER-TUNNEL	1	X
	0700191-3	COVER-TUNNEL USED WITH RUDDER TRIM ONLY	1	K
	0700114-27	TUNNEL	1	L
	0700114-54-434	TUNNEL	1	M
	0700114-54	TUNNEL	1	V
	0700191-2	COVER-TUNNEL		
		ATTACHING PARTS		
	51021210-6	SCREW	2	

-16	0716106-1	PLACARD-FUEL INDICATOR	1	F
	0716106-2	PLACARD-FUEL INDICATOR USED WITH EXTENDED RANGE	1	F
		FUEL TANK		
		ATTACHING PARTS		
	5102128-10	SCREW	2	
	5102128-6	SCREW	2	

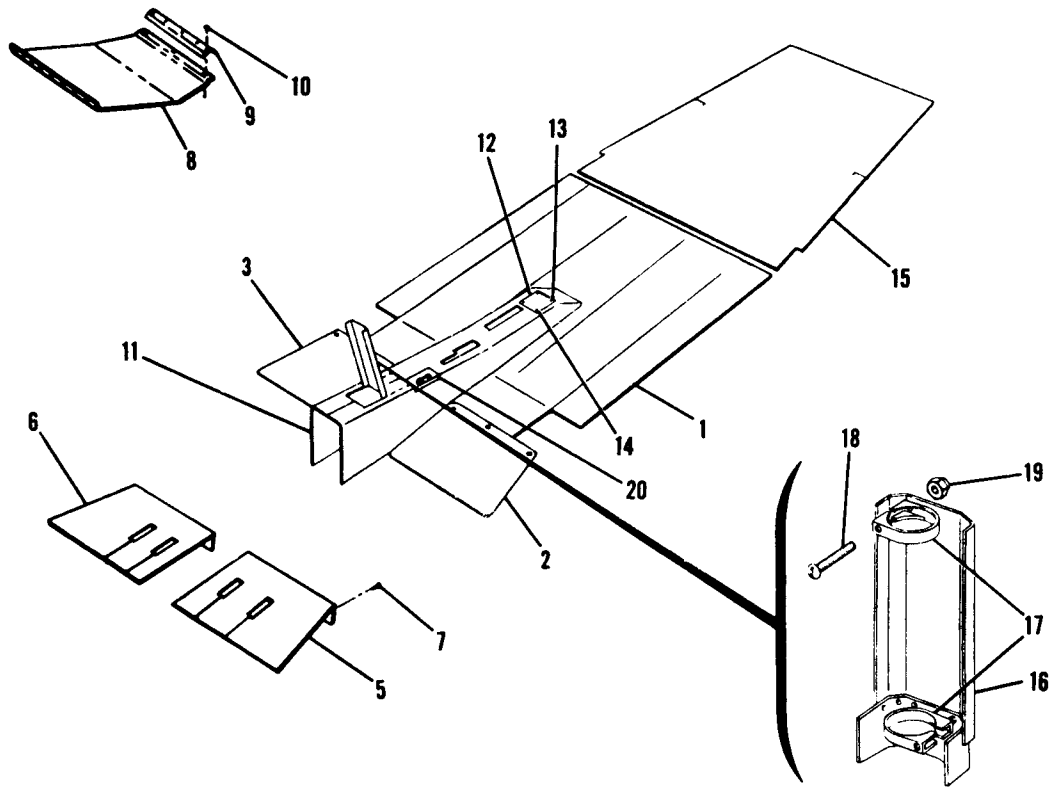
-17	0700105-266	SHIELD ASSEMBLY	1	N
	0512046-1	SHIELD ASSEMBLY	1	P
-17A	0760006-1	SHIELD-CONTROL YOKE	1	W
		ATTACHING PARTS		
-18	0411840	CLAMP	2	
-19	AN515-6R36	SCREW	2	
-20	NAS679A06	NUT	2	

	B1	SOUNDPROOFING-FIBERGLASS MAT 1 IN. THICK BULK ITEM	AR	

CONTINUED ON NEXT PAGE

FIGURE AND INDEX NO.	PART NUMBER	DESCRIPTION	UNITS PER ASSY	USABLE ON CODE
55 -21	0713093-2-243	COVER-RUDDER TRIM WHEEL -----	1	C
	0713093-2	COVER-RUDDER TRIM WHEEL -----	1	M
	0713257-1	COVER-RUDDER TRIM WHEEL -----	1	V
	S102126-8	ATTACHING PARTS SCREW ----- -----*	4	
<p>NOTE. *GIVE DIMENSIONS WHEN ORDERING</p> <p>NOTE. #THIS PART NUMBER MUST HAVE A SECOND DASH NUMBER ADDED TO DENOTE COLOR. REFER TO HOW TO ORDER UPHOLSTERED PARTS-PAGE XII.</p> <p>NOTE. #THIS PART NUMBER MUST HAVE A SECOND DASH NUMBER ADDED TO DENOTE COLOR. REFER TO HOW TO ORDER INTERIOR PARTS-PAGE XIII.</p> <p>A---SERIAL 185-0001 THRU 18502310 SERIAL 18051184 THRU 18052384 FOR 185-0001 THRU 185-0512 DELUXE UPHOLSTERY SEE FIGURE 56.</p> <p>B---SERIAL 18051184 THRU 18051312</p> <p>C---SERIAL 185-0001 THRU 185-0776</p> <p>D---SERIAL 185-0001 THRU 185-0237</p> <p>E---SERIAL 185-0238 THRU 185-0967 SERIAL 18051184 THRU 18051607</p> <p>F---SERIAL 185-0001 THRU 185-0512</p> <p>G---SERIAL 185-0513 THRU 18502310 SERIAL 18051184 THRU 18052384</p> <p>H---SERIAL 185-0001 THRU 18502310 SERIAL 18051313 THRU 18052384</p> <p>J---SERIAL 18051313 THRU 18051875</p> <p>K---SERIAL 185-0001 THRU 185-0655</p> <p>L---SERIAL 185-0656 THRU 185-0776</p> <p>M---SERIAL 185-0777 THRU 185-1300</p> <p>N---SERIAL 185-0001 THRU 185-0776 SERIAL 18051184 THRU 18051445</p> <p>P---SERIAL 185-0777 THRU 185-1300 SERIAL 18051446 THRU 18051875</p> <p>Q---SERIAL 185-0001 THRU 185-0967 SERIAL 18051184 THRU 18051607</p> <p>R---SERIAL 185-0968 THRU 185-1149 SERIAL 18051608 THRU 18051774</p> <p>S---SERIAL 185-0513 THRU 185-1149 SERIAL 18051184 THRU 18051774</p> <p>T---SERIAL 185-1150 THRU 18502310 SERIAL 18051775 THRU 18052384</p> <p>U---SERIAL 18051876 THRU 18052384</p> <p>V---SERIAL 185-1301 THRU 18502310 SERIAL 18051994 THRU 18052384</p> <p>W---SERIAL 185-1301 THRU 18502310 SERIAL 18051876 THRU 18052384</p> <p>X---SERIAL 18051994 THRU 18052384</p>				

Upholstery (Cont)



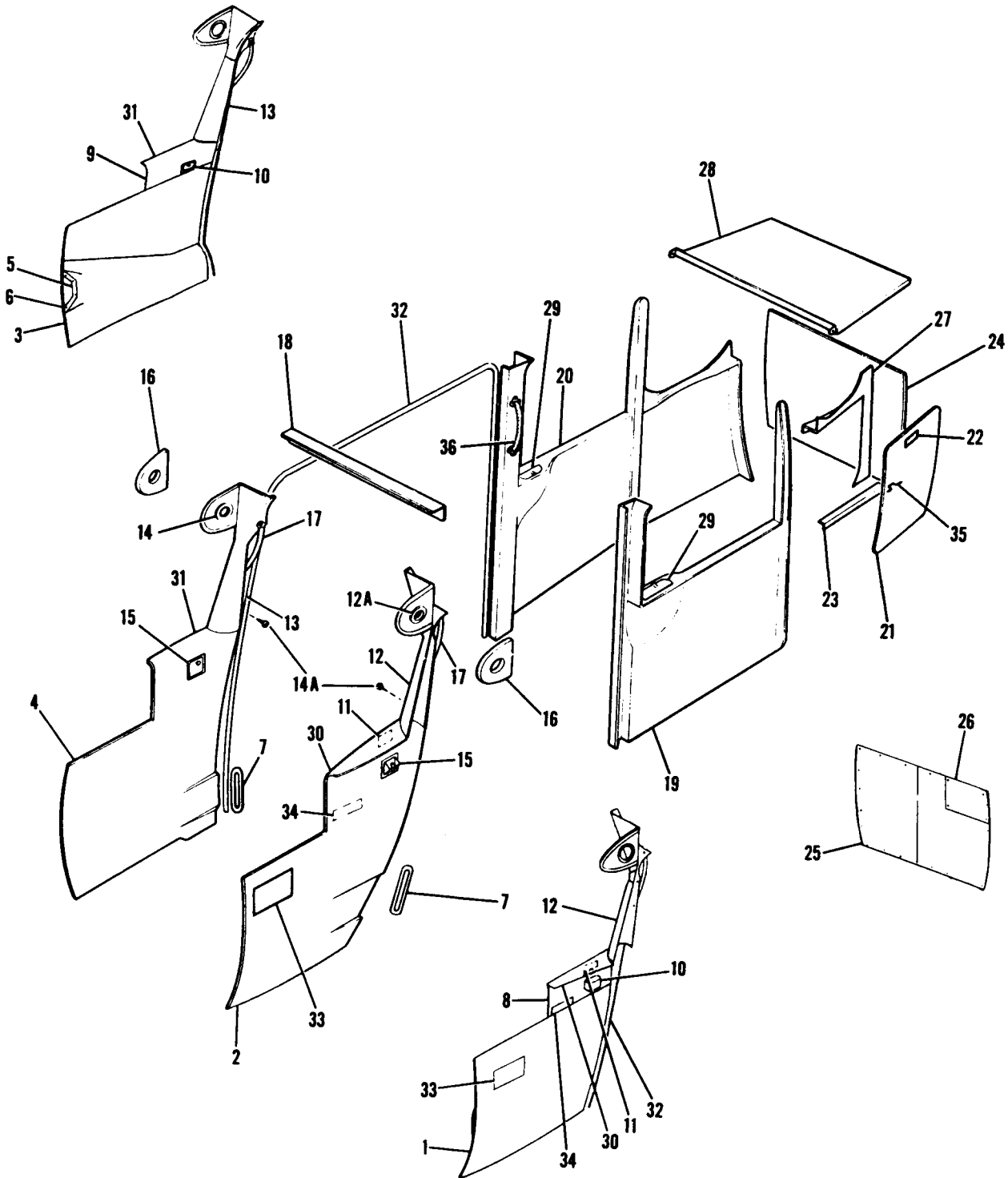
SERIAL 185-0001 THRU 185-0512 DELUXE

Figure 56. Floorboards Upholstery Installation (DeLuxe)

FIGURE AND INDEX NO.	PART NUMBER	DESCRIPTION	UNITS PER ASSY	USABLE ON CODE
		1 2 3 4 5 6 7		
56 -	0700105-243	UPHOLSTERY INSTALLATION-FLOORBOARD DELUXE -----	NP	C
	0700105-203	CARPET ASSEMBLY-CABIN FLOOR CENTER -----	1	
		CARPET ASSEMBLY-CABIN FLOOR CENTER USED WITH -----	1	
		DUAL CONTROLS -----	1	
- 1	0700105-201	CARPET-CABIN FLOOR CENTER -----	11	
		ATTACHING PARTS -----	11	
	S1023A4-6	SCREW -----	1	
	S1066C1	WASHER -----	1	A
		KICK PLATE-CARPET CENTER LH -----	1	B
- 2	0700101-143	KICK PLATE-CARPET CENTER LH -----	1	
	0511475-1	KICK PLATE-CARPET CENTER RH -----	1	
- 3	0700101-144	KICK PLATE-CARPET CENTER RH USED WITH DUAL CONTROLS ---	1	
- 4		DELETED, NEVER USED -----	1	
- 5	0700105-261	SHIELD ASSEMBLY-RUDDER BAR LH -----	1	
- 6	0700105-262	SHIELD ASSEMBLY-RUDDER BAR RH USED WITH DUAL CONTROLS ---	1	
		ATTACHING PARTS -----	8	
- 7	S1021Z8-8	SCREW -----	1	
		SHIELD ASSEMBLY-RUDDER BAR RH -----	1	
- 8	0713049-10	ATTACHING PARTS -----	1	
- 9	0713049-7	RETAINER-SHIELD -----	3	
-10	S1021Z8-14	SCREW -----	8	
	S1021Z8-8	SCREW -----	5	
	S1021Z8-6	SCREW -----	1	
-11	0700114-27	TUNNEL -----	1	
-12	0716106-1	PLACARD-FUEL SELECTOR VALVE -----	1	
	0716106-2	PLACARD-FUEL SELECTOR VALVE USED WITH -----	1	
		EXTENDED RANGE FUEL TANK -----	1	
		ATTACHING PARTS -----	2	
-13	S1021Z8-10	SCREW -----	2	
-14	S1021Z8-6	SCREW -----	1	
-15	0700100-34	CARPET ASSEMBLY-BAGGAGE COMPARTMENT -----	3	
		ATTACHING PARTS -----	3	
	99608	STUD UC -----	1	
-16	0700105-266	SHIELD ASSEMBLY-CONTROL TEE -----	2	
		ATTACHING PARTS -----	2	
-17	0411840	CLAMP -----	2	
-18	AN515-6R36	SCREW -----	2	
-19	NAS679A06	NUT -----	1	
-20	0713093-2-243	COVER-RUDDER TRIM WHEEL -----	4	
		ATTACHING PARTS -----	4	
	S1021Z6-8	SCREW -----		

		NOTE. * THIS ITEM NOT INCLUDED IN 0700105-243		
		CARPET ASSEMBLY.		
		A---SERIAL 185-0001 THRU 185-0237		
		B---SERIAL 185-0238 THRU 185-0512		
		C---SERIAL 185-0001 THRU 185-0512		

Upholstery (Cont)



SERIAL 185-0001 THRU 185-1599
SERIAL 18051313 THRU 18052103

Figure 57. Cabin Side Panels & Baggage Compartment Upholstery Installation

FIGURE AND INDEX NO.	PART NUMBER	DESCRIPTION	UNITS PER ASSY	USABLE ON CODE
57 -		UPHOLSTERY INSTALLATION-CABIN SIDE PANELS & BAGGAGE COMPARTMENT DELUXE	NP	D
		UPHOLSTERY INSTALLATION-CABIN SIDE PANELS & BAGGAGE COMPARTMENT UTILITY	NP	C
- 1	0700105-253	PANEL ASSEMBLY-SIDEWALL LOWER FRONT LH DELUXE	1	A
- 2	0700105-455	PANEL ASSEMBLY-SIDEWALL FRONT LH DELUXE	1	F
	0700114-11	PANEL-SIDEWALL FRONT LH	1	P
	0700114-59	PANEL ASSEMBLY-SIDEWALL FRONT LH	1	Q
- 3	0700105-254	PANEL ASSEMBLY-SIDEWALL LOWER FRONT RH DELUXE	1	A
- 4	0700105-456	PANEL ASSEMBLY-SIDEWALL FRONT RH DELUXE	1	F
	0700114-12	PANEL-SIDEWALL FRONT RH	1	P
	0700114-56	PANEL-SIDEWALL FRONT RH	1	Q
- 5	0700100-192	RETAINER-UPHOLSTERY FORWARD DELUXE	1	B
- 6	S1023A4-6	SCREW	2	
- 7	0519020-1	RETAINER-UPHOLSTERY ATTACHING PARTS	2	
	S102174-6	SCREW	3	
- 8	0713520-1	PANEL ASSEMBLY-SIDEWALL UPPER FRONT LH DELUXE	1	A
- 9	0713520-2	PANEL ASSEMBLY-SIDEWALL UPPER FRONT RH DELUXE	1	A
	S102178-68	SCREW	AR	
-10	0411030-6	TRAY-ASH RECEPTACLE WHEN EXHAUSTED USE S1762-2	1	
	S1762-2	TRAY-ASH RECEPTACLE	1	
	0411030-5	RETAINER-ASH RECEPTACLE ATTACHING PARTS	1	
	S102174-8	SCREW	2	
	NAS446-1-3	NUT	2	
-11		PLACARD-OPERATIONAL LIMITATIONS SEE FIGURES 2 & 2A	1	
-12	0711133-11	SHIELD ASSEMBLY-FRONT DOORPOST LH CONTAINS SWITCH	1	G
	0711133-21	SHIELD ASSEMBLY-FRONT DOORPOST LH CONTAINS SWITCH	1	H
	0711133-32	SHIELD ASSEMBLY-FRONT DOORPOST LH CUTOUT FOR SWITCH	1	R
	0711133-41	SHIELD-FRONT DOORPOST LH CUTOUT FOR SWITCH	1	U
	0413484-5	SHIELD ASSEMBLY-FRONT DOORPOST LH CUTOUT FOR SWITCH	1	V
	0711133-29	SHIELD ASSEMBLY-FRONT DOORPOST LH NO SWITCH CUTOUT	1	M
	0711133-39	SHIELD-FRONT DOORPOST LH NO SWITCH CUTOUT	1	U
	0413484-3	SHIELD ASSEMBLY-FRONT DOORPOST LH NO SWITCH CUTOUT	1	V
	0711133-6	SHIELD-FRONT DOORPOST LH CUTOUT FOR SWITCH	1	G
	0711133-23	SHIELD-FRONT DOORPOST LH CUTOUT FOR SWITCH	1	H
-12A	0413235	GROMMET	1	P
-13	0711133-2	SHIELD ASSEMBLY-FRONT DOORPOST RH	1	G
	0711133-22	SHIELD ASSEMBLY-FRONT DOORPOST RH	1	M
	0711133-40	SHIELD-FRONT DOORPOST RH	1	Q
-14	0413235	GROMMET	1	P
-14A	S1021A4-6	SCREW	3	
-15	0411030-6	TRAY-ASH RECEPTACLE WHEN EXHAUSTED USE S1762-2	2	Y
	S1762-2	TRAY-ASH RECEPTACLE	2	X
	0411030-5	RETAINER-ASH RECEPTACLE ATTACHING PARTS	2	
	S102174-8	SCREW	2	
	NAS446-1-3	NUT	2	
-16	0511001-133	SOUNDPROOFING SHIELD	2	B
-17	S1362-22	STRAP-ASSIST	2	E
	S1362-5	HANDLE ASSEMBLY-ASSIST	2	L
	S1362-6	HANDLE ASSEMBLY-ASSIST ATTACHING PARTS	2	
	AN507-1032-16	SCREW	2	
-18	0511130	SHIELD-FRONT SPAR	1	
	49265F938	ATTACHING PARTS STUD UC	3	
-19	0700114-33	PANEL ASSEMBLY-AFT LH DELUXE	1	B
	0700114-13	PANEL AFT LH UTILITY	1	B
	0700114-47	PANEL-AFT LH	1	J
-20	0700114-32	PANEL ASSEMBLY-AFT RH DELUXE	1	B
	0700114-14	PANEL AFT RH UTILITY	1	B
	0700114-48	PANEL-AFT RH	1	J

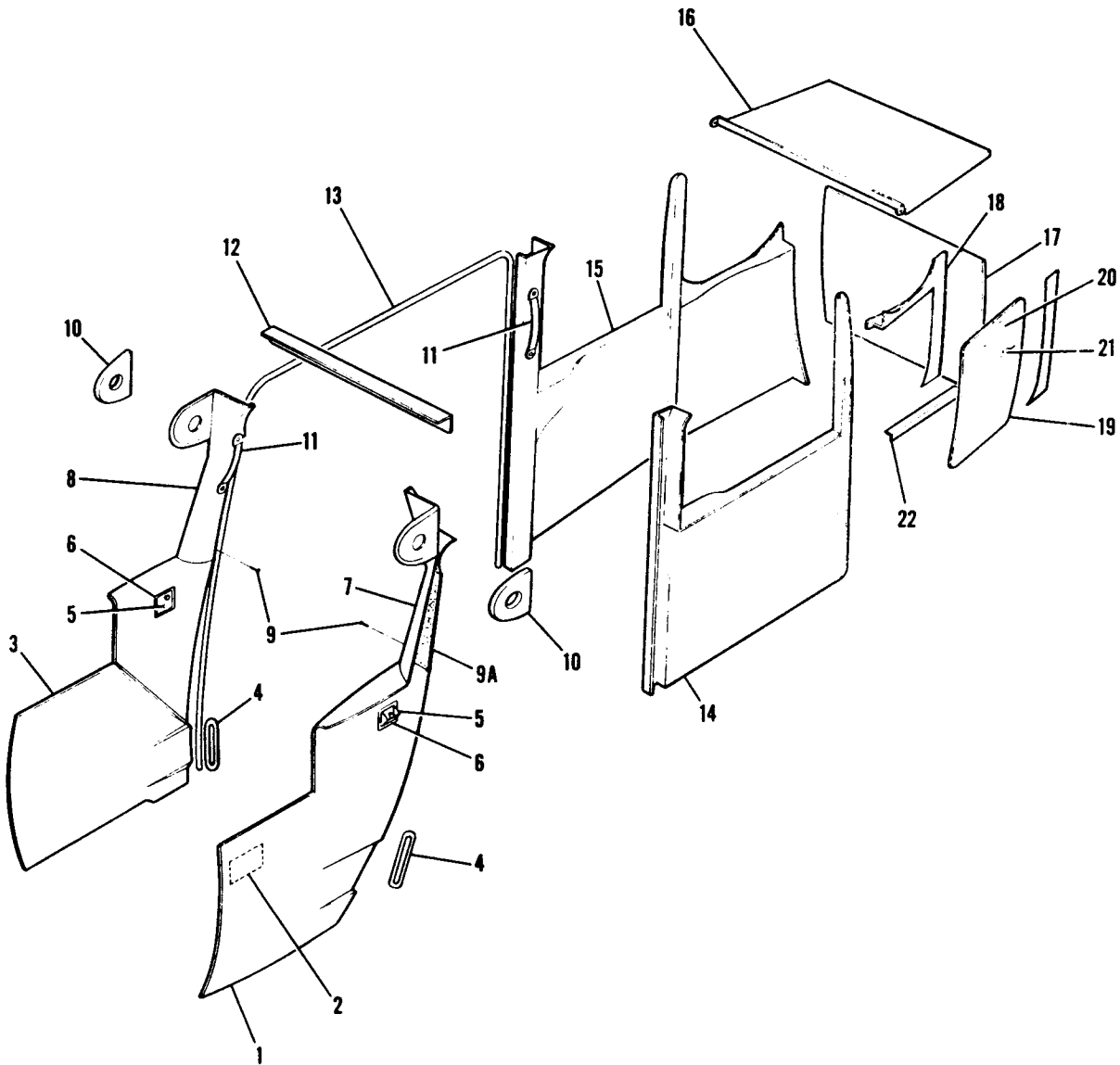
CONTINUED ON NEXT PAGE

FIGURE AND INDEX NO.	PART NUMBER	DESCRIPTION	UNITS PER ASSY	USABLE ON CODE
57 -21	0700114-35-273	PANEL ASSEMBLY-BAGGAGE DOOR -----	1	B
	0700114-35-434	PANEL ASSEMBLY-BAGGAGE DOOR -----	1	E
	0700114-35	PANEL ASSEMBLY-BAGGAGE DOOR -----	1	W
	0717000-4	PANEL ASSEMBLY-BAGGAGE DOOR -----	1	X
	XH99608-F1099	ATTACHING PARTS STUD -----	8	
-22	0713224-1	PLACARD-BAGGAGE DOOR WHEN EXHAUSTED USE 1205015-1 -----	1	Z
	1205015-1	PLACARD-BAGGAGE DOOR -----	1	AA
	S102124-6	ATTACHING PARTS SCREW -----	2	
-23	0311623-1	SCUFF PLATE-BAGGAGE COMPARTMENT FLOOR -----	1	
	S102124-4	ATTACHING PARTS SCREW -----	3	
-24	0711079-1	TRAY ASSEMBLY USE ON ALL EXCEPT FOUR PLACE -----	1	S
	0700105-202	PANEL ASSEMBLY FOUR PLACE ONLY -----	1	T
-25	0711079-6	PANEL ASSEMBLY FOUR PLACE ONLY -----	1	N
	0700105-418	PANEL ASSEMBLY USE WHEN OXYGEN SYSTEM IS INSTALLED -----	1	
	49265F938	ATTACHING PARTS STUD UC -----	18	
	49265F938	STUD UC USE WHEN OXYGEN SYSTEM IS INSTALLED -----	19	N
-26	0700105-419	COVER ASSEMBLY USE WHEN OXYGEN SYSTEM IS INSTALLED -----	1	N
-27	0700114-20	FAIRING-LH STA 108.0 -----	1	
-28	0513013-12	BAGGAGE SHELF -----	1	
	AN3-3A	ATTACHING PARTS BOLT -----	4	
	S102126-6	SCREW -----	9	
-29	0411030-6	TRAY-ASH RECEPTACLE WHEN EXHAUSTED USE S1762-2 -----	2	B
	S1762-2	TRAY-ASH RECEPTACLE -----	1	B
	0411030-5	RETAINER-ASH RECEPTACLE -----	7	B
	S102124-8	ATTACHING PARTS SCREW -----	2	B
	NAS446-1-3	NUT -----	2	B
-30	0700105-463	CHANNEL-UPHOLSTERY LH -----	1	
-31	0700105-464	CHANNEL-UPHOLSTERY RH -----	1	
-32	0700105-407	WINDLACE ASSEMBLY-UPHOLSTERY -----	2	
	S102124-4	ATTACHING PARTS SCREW -----	44	
-33	0500103-133	HOLDER-PLACARD -----	1	
-34	S1273-1	PLACARD-HOT AIR INDUCTION SEE FIGURE 2 -----	1	
-35	AN515-8R8	HANDLE-BAGGAGE DOOR PULL -----	1	
	B1	ATTACHING PARTS SCREW -----	2	
		SOUNDPROOFING-FIBERGLASS MAT 1 IN. THICK BULK ITEM -----	AR	

CONTINUED ON NEXT PAGE

FIGURE AND INDEX NO.	PART NUMBER	DESCRIPTION	UNITS PER ASSY	USABLE ON CODE
57 -36	S1362-5	1 2 3 4 5 6 7 HANDLE ASSEMBLY-ASSIST -----	2	K
	S1362-6	HANDLE ASSEMBLY-ASSIST -----	2	L
	AN507-1032R10	ATTACHING PARTS SCREW ----- ---*---	2	
		<p>NOTE. *GIVE DIMENSIONS WHEN ORDERING</p> <p>NOTE. †THESE PARTS ARE USED ON UTILITY UPHOLSTERY INSTALLATIONS 185-0001 THRU 185-0967 & 18051313 THRU 18051607. THEY ARE ALSO USED ON DELUXE UPHOLSTERY INSTALLATION 185-0513 THRU 185-0967 & 18051313 THRU 18051607.</p> <p>NOTE. ‡THIS PART NUMBER MUST HAVE A SECOND DASH NUMBER ADDED TO DENOTE COLOR. REFER TO HOW TO ORDER INTERIOR PARTS-PAGE XIII.</p> <p>NOTE. §THIS PART NUMBER MUST HAVE A SECOND DASH NUMBER ADDED TO DENOTE COLOR. REFER TO HOW TO ORDER UPHOLSTERED PARTS-PAGE XII.</p> <p>NOTE. ¶WHEN INITIALLY ORDERING THIS PART A QUANTITY OF 2 SHOULD BE ORDERED.</p> <p>A---SERIAL 185-0001 THRU 185-0237 B---SERIAL 185-0001 THRU 185-0512 C---SERIAL 185-0001 THRU 185-1599 SERIAL 18051313 THRU 18052103 D---SERIAL 185-0001 THRU 185-0512 SERIAL 18051313 THRU 18052103 E---SERIAL 185-0513 THRU 185-0776 SERIAL 18051313 THRU 18051445 F---SERIAL 185-0238 THRU 185-0512 G---SERIAL 185-0001 THRU 185-0538 H---SERIAL 185-0539 THRU 185-0776 SERIAL 18051313 THRU 18051445 J---SERIAL 185-0513 THRU 185-1599 SERIAL 18051313 THRU 18052103 K---SERIAL 185-0654 THRU 185-0776 SERIAL 18051313 THRU 18051445 L---SERIAL 185-0777 THRU 185-1599 SERIAL 18051446 THRU 18052103 M---SERIAL 185-0539 THRU 185-0967 SERIAL 18051313 THRU 18051607 N---SERIAL 185-0001 THRU 185-0776 SERIAL 18051313 THRU 18051445 P---SERIAL 185-0001 THRU 185-0967 SERIAL 18051313 THRU 18051607 Q---SERIAL 185-0968 THRU 185-1599 SERIAL 18051608 THRU 18052103 R---SERIAL 185-0777 THRU 185-0967 SERIAL 18051446 THRU 18051607 S---SERIAL 185-0001 THRU 185-1149 SERIAL 18051313 THRU 18051774 T---SERIAL 185-1150 THRU 185-1599 SERIAL 18051775 THRU 18052103 U---SERIAL 185-0968 THRU 185-1197 & 185-1200 SERIAL 18051608 THRU 18051823 V---SERIAL 185-1198, 185-1199, 185-1201 THRU 185-1599 SERIAL 18051824 THRU 18052103 W---SERIAL 185-0777 THRU 185-1300 SERIAL 18051446 THRU 18051875 X---SERIAL 185-1301 THRU 185-1599 SERIAL 18051876 THRU 18052103 Y---SERIAL 185-0001 THRU 185-1300 SERIAL 18051313 THRU 18051875 Z---SERIAL 185-0001 THRU 185-1447 SERIAL 18051313 THRU 18051993 AA---SERIAL 185-1448 THRU 185-1599 SERIAL 18051994 THRU 18052103</p>		

Upholstery (Cont)



SERIAL 18501600 THRU 18502310
SERIAL 18052104 THRU 18052384

Figure 57A. Cabin Side Panel & Baggage Compartment Upholstery Installation

FIGURE AND INDEX NO.	PART NUMBER	DESCRIPTION	UNITS PER ASSY	USABLE ON CODE
		1 2 3 4 5 6 7		
57A-		UPHOLSTERY INSTALLATION-CABIN SIDE PANELS & -----	NP	A
		BAGGAGE COMPARTMENT -----	1	
- 1	0715015-3	# PANEL ASSEMBLY-FRONT LH -----	1	
- 2	0500103-133	# HOLDER-PLACARD -----	1	
- 3	0715015-6	# PANEL ASSEMBLY-FRONT RH -----	2	
- 4	0515020-1	# RETAINER-UPHOLSTERY -----		
		ATTACHING PARTS -----	3	
	S1021Z4-6	SCREW -----		

		TRAY-ASH RECEPTACLE -----	2	
- 5	S1762-2	RETAINER-ASH RECEPTACLE -----	2	
- 6	0411030-5	ATTACHING PARTS -----		
		SCREW -----	2	
	S1021Z4-8	NUT -----		
	NAS446-1-3	-----		
		SHIELD ASSEMBLY-FRONT DOORPOST LH NO SWITCH CUTOUT -----	1	D
- 7	0413484-3	SHIELD ASSEMBLY-FRONT DOORPOST LH NO SWITCH CUTOUT -----	1	E
	0413484-15	SHIELD ASSEMBLY-FRONT DOORPOST LH NO SWITCH CUTOUT -----	1	D
	0413484-5	SHIELD ASSEMBLY-FRONT DOORPOST LH CUTOUT FOR SWITCH -----	1	E
	0413484-16	SHIELD ASSEMBLY-FRONT DOORPOST LH CUTOUT FOR SWITCH -----	1	E
- 8	0711133-40	SHIELD-FRONT DOORPOST RH -----	1	E
	0711133-72	SHIELD-FRONT DOORPOST RH -----		
		ATTACHING PARTS -----	4	
- 9	S1021A4-6	SCREW -----		

		PAD-DOORPOST SHIELD -----	2	C
- 9A	0513425-1	SOUNDPROOFING-SHIELD -----	2	
-10	0511001-133	HANDLE ASSEMBLY-ASSIST -----	4	
-11	S1362-12	ATTACHING PARTS -----		
		SCREW -----	2	
	AN507-1032R10	-----		
		SHIELD-FRONT SPAR -----	1	
-12	0511130	ATTACHING PARTS -----		
	S1898-2	STUD -----	3	

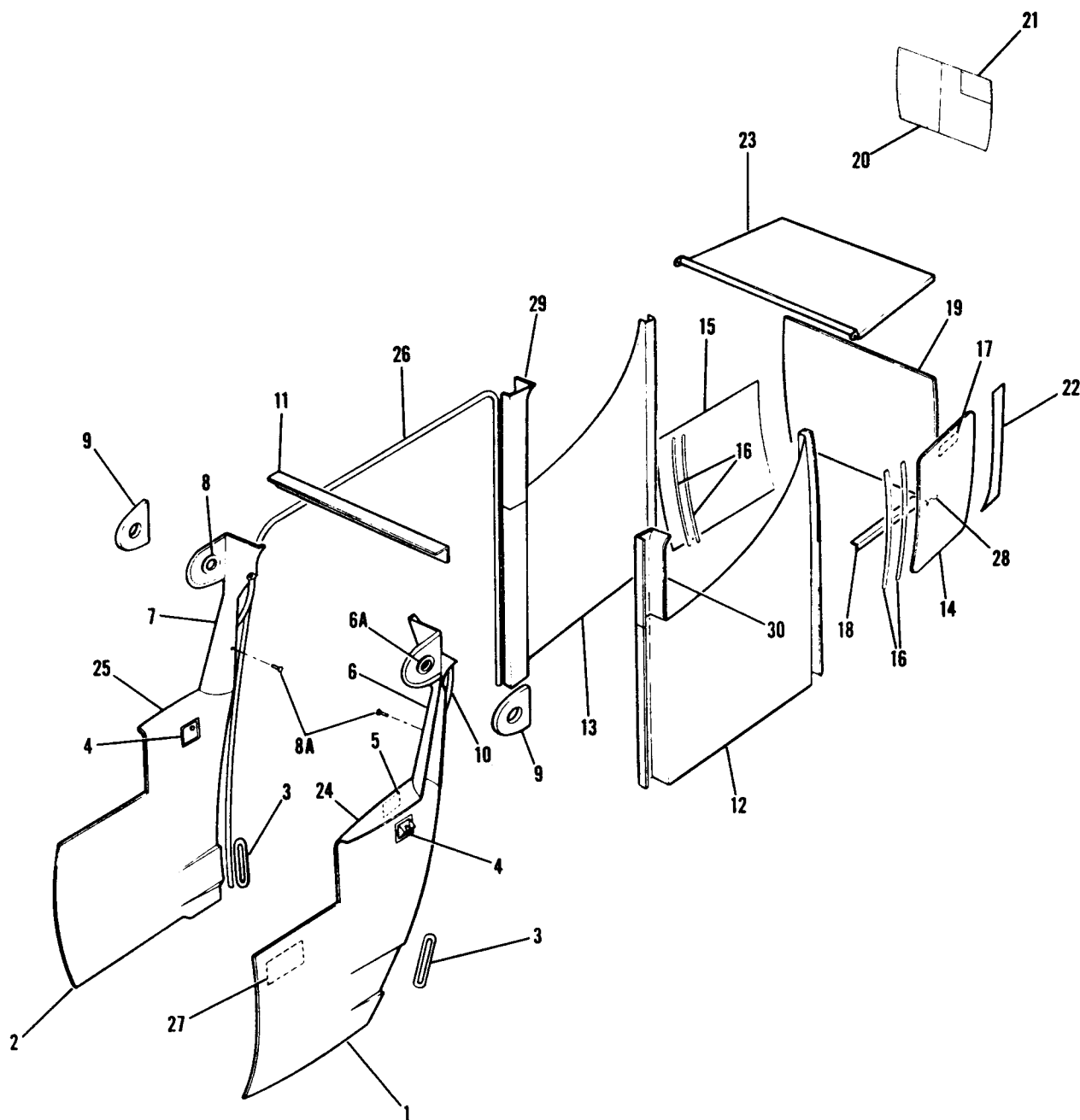
		WINDLACE ASSEMBLY -----	2	
-13	0700105-407	ATTACHING PARTS -----		
		SCREW -----	44	
	S1021Z4-4	-----		
		PANEL-AFT LH -----	1	
-14	0715015-11	PANEL-AFT RH -----	1	
-15	0715015-12	BAGGAGE SHELF -----		
-16	0513013-12	ATTACHING PARTS -----	4	
		BOLT -----	9	
	AN3-3A	SCREW -----		
	S1021Z6-6	-----		
		TRAY ASSEMBLY -----	1	
-17	0711079-1	TRAY ASSEMBLY USED WITH BAGGAGE SHELF ONLY -----	1	
	0711079-6	ATTACHING PARTS -----		
		STUD UC -----	AR	
	49265F938	-----		
		FAIRING-LH -----	1	B
-18	0700114-20	PANEL ASSEMBLY-BAGGAGE DOOR -----	1	C
-19	0715015-13	PANEL ASSEMBLY-BAGGAGE DOOR -----		
	0715015-14	ATTACHING PARTS -----	AR	
		SCREW -----		
	S1950-4	-----		
		PLACARD-BAGGAGE DOOR -----	1	
-20	SEE FIG 28 & 2C	HANDLE-BAGGAGE DOOR PULL -----	1	
-21	S1273-1	ATTACHING PARTS -----		
		SCREW -----	2	
	AN515-8R8	-----		

CONTINUED ON NEXT PAGE

FIGURE AND INDEX NO.	PART NUMBER	DESCRIPTION	UNITS PER ASSY	USABLE ON CODE
57A-22	0311623-1 S1021Z4-4	<p style="text-align: center;">1 2 3 4 5 6 7</p> <p>SCUFF PLATE-BAGGAGE COMPARTMENT FLOOR ----- ATTACHING PARTS SCREW ----- -----*</p> <p>NOTE. #THIS PART NUMBER MUST HAVE A SECOND DASH NUMBER ADDED TO DENOTE COLOR. REFER TO HOW TO ORDER UPHOLSTERED PARTS-PAGE XII.</p> <p>NOTE. #THIS PART NUMBER MUST HAVE A SECOND DASH NUMBER ADDED TO DENOTE COLOR. REFER TO HOW TO ORDER UPHOLSTERED PARTS-PAGE XIII.</p> <p>A---SERIAL 18052104 THRU 18052384 SERIAL 18501600 THRU 18502310 B---SERIAL 18052104 THRU 18052175 SERIAL 18501600 THRU 18501832 C---SERIAL 18052176 THRU 18052384 SERIAL 18501833 THRU 18502310 D---SERIAL 18052104 THRU 18052284 SERIAL 18501600 THRU 18502090 E---SERIAL 18052285 THRU 18052384 SERIAL 18502091 THRU 18502310</p>	1 3	

FIGURE AND INDEX NO.	PART NUMBER	DESCRIPTION	UNITS PER ASSY	USABLE ON CODE
		1 2 3 4 5 6 7		
58 -		UPHOLSTERY INSTALLATION-CABIN SIDE PANELS & -----	NP	A
		BAGGAGE COMPARTMENT -----	1	
- 1	0700114-11	PANEL-SIDEWALL FRONT LH -----	1	
- 2	0700114-12	PANEL-SIDEWALL FRONT RH -----	2	
- 3	0515020-1	RETAINER-UPHOLSTERY -----		
		ATTACHING PARTS -----	4	
	S102124-6	SCREW -----		
		-----*	2	
- 4	0411030-6	TRAY-ASH RECEPTACLE -----	2	
	0411030-5	RETAINER-ASH RECEPTACLE -----		
		ATTACHING PARTS -----	2	
	S102124-8	SCREW -----	2	
	NAS446-1-3	NUT -----		
		-----*	1	
- 5	0713207-1	PLACARD-OPERATIONAL LIMITATIONS -----		
		CONTINUED ON NEXT PAGE		

Upholstery (Cont)



SERIAL 18051184 THRU 18051312

Figure 58. Cabin Side Panels & Baggage Compartment Upholstery Installation

FIGURE AND INDEX NO.	PART NUMBER	DESCRIPTION	UNITS PER ASSY	USABLE ON CODE
58 - 6	0711133-11	SHIELD ASSEMBLY-DOORPOST UPPER LH CONTAINS SWITCH -----	1	B
	0711133-21	SHIELD ASSEMBLY-DOORPOST UPPER LH CONTAINS SWITCH -----	1	C
	0711133-29	SHIELD ASSEMBLY-DOORPOST UPPER LH NO SWITCH CUTOUT -----	1	B
	0711133-6	SHIELD-DOORPOST UPPER LH CUTOUT FOR SWITCH -----	1	C
	0711133-23	SHIELD-DOORPOST UPPER LH CUTOUT FOR SWITCH -----	1	
- 6A	0413235	GROMMET -----	1	B
- 7	0711133-2	SHIELD-DOOR POST UPPER RH -----	1	C
	0711133-22	SHIELD-DOORPOST UPPER RH -----	1	
- 8	0413235	GROMMET -----	1	
- 8A	S1021Z4-6	SCREW -----	6	
- 9	0511001-133	SOUNDPROOFING SHIELD -----	2	
-10	S1362-5	STRAP-ASSIST -----	2	
	AN507-1032-10	ATTACHING PARTS -----	2	
		SCREW -----	1	
-11	0511130	SHIELD-FRONT SPAR -----	1	
	49265F938	ATTACHING PARTS -----	3	
		STUD -----	1	
-12	0700105-479	PANEL-AFT LH -----	1	
-13	0700105-480	PANEL-AFT RH -----	1	
-14	0700114-35-273	PANEL ASSEMBLY-BAGGAGE DOOR -----	1	
	99608K2215	ATTACHING PARTS -----	8	
		STUD UC -----	1	AR
-15	0700105-204	PANEL ASSEMBLY-BAGGAGE COMPARTMENT RH -----	1	
-16	S202RB	CHANNEL-RUBBER MOULDING BULK ITEM -----	1	
-17	0512166-1	PLACARD-LOAD LIMITS -----	1	
	S1021Z4-6	ATTACHING PARTS -----	2	
		SCREW -----	1	
-18	0311623-1	SCUFF PLATE -----	1	
	S1021Z4-4	ATTACHING PARTS -----	3	
		SCREW -----	1	
-19	0711079-1	TRAY ASSEMBLY USE ON ALL EXCEPT FOUR PLACE -----	1	
	0700105-207	PANEL ASSEMBLY FOUR PLACE ONLY -----	1	
-20	0700105-418	PANEL ASSEMBLY USE WHEN OXYGEN SYSTEM IS INSTALLED -----	1	
	49265F938	ATTACHING PARTS -----	18	
	49265F938	STUD UC -----	19	
		STUD UC USE WHEN OXYGEN SYSTEM IS INSTALLED -----	1	
-21	0700105-419	COVER ASSEMBLY USE WHEN OXYGEN SYSTEM IS INSTALLED -----	1	
-22	0700105-265	FAIRING-LH STA 108.0 -----	1	
-23	0513013-12	BAGGAGE SHELF -----	1	
	AN3-3A	ATTACHING PARTS -----	4	
	S1021Z4-4	BOLT -----	10	
		SCREW -----	1	
-24	0700105-463	CHANNEL-UPHOLSTERY LH -----	1	
-25	0700105-464	CHANNEL-UPHOLSTERY RH -----	1	
-26	0700105-407	WINDLACE ASSEMBLY-UPHOLSTERY -----	2	
	S1021Z4-4	ATTACHING PARTS -----	44	
		SCREW -----	1	
-27	0500103-133	HOLDER-PLACARD -----	1	
-28	S1273-1	HANDLE-BAGGAGE DOOR PULL -----	1	
	AN515-8R8	ATTACHING PARTS -----	2	
		SCREW -----	1	
-29	B1	SOUNDPROOFING-FIBERGLASS MAT 1 IN. THICK BULK ITEM -----	1	AR
-30	1200084-6	FAIRING-REAR DOORPOST RH -----	1	
	1200084-7	FAIRING-REAR DOORPOST LH -----	1	

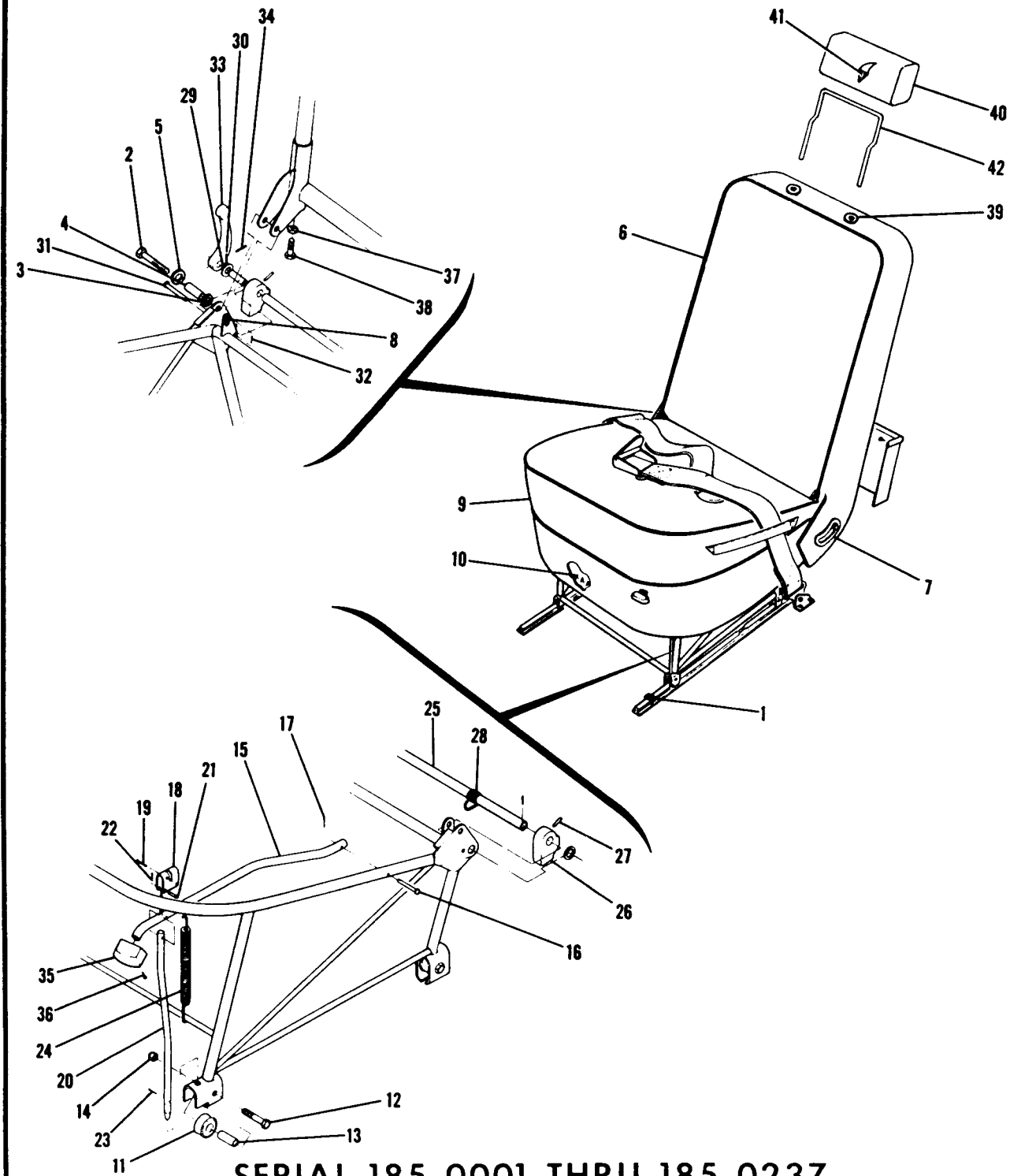
NOTE. * GIVE DIMENSIONS WHEN ORDERING

A---SERIAL 18051184 THRU 18051312
 B---SERIAL 18051184 THRU 18051208
 C---SERIAL 18051209 THRU 18051312

FIGURE AND INDEX NO.	PART NUMBER	DESCRIPTION	UNITS PER ASSY	USABLE ON CODE
		1 2 3 4 5 6 7		
59 -	0700105-408 0700105-369	SEAT INSTALLATION-FRONT ----- SEAT ASSEMBLY-FRONT UTILITY UPHOLSTERY ----- SEAT ASSEMBLY-FRONT DELUXE UPHOLSTERY ----- ATTACHING PARTS -----	NP 2 2	A
- 1	0713074-1	STOP-SEAT -----	2	
- 2	MS20392-1C21	PIN-CLEVIS -----	2	
- 3	MS24665-151	PIN-COTTER -----		
- 4	0700105-413 0700105-361	BACK ASSEMBLY-SEAT UPHOLSTERED UTILITY UPHOLSTERY ----- BACK ASSEMBLY-SEAT UPHOLSTERY DELUXE UPHOLSTERY ----- ATTACHING PARTS -----	1 1 2	
- 5	AN4-13A	BOLT -----		
	0700105-415	COVER ASSEMBLY-SEAT BACK UTILITY UPHOLSTERY -----	1	
	0700105-20	COVER ASSEMBLY-SEAT BACK DELUXE UPHOLSTERY -----	1	
- 6	0700105-414	CUSHION ASSEMBLY-SEAT UPHOLSTERED UTILITY UPHOLSTERY -----	1	
	0700105-359	CUSHION ASSEMBLY-SEAT UPHOLSTERED DELUXE UPHOLSTERY -----	1	
	0700105-416	COVER ASSEMBLY-SEAT CUSHION UTILITY UPHOLSTERY -----	1	
	0700105-21	COVER ASSEMBLY-SEAT CUSHION DELUXE UPHOLSTERY -----	1	
- 7	0710316-1	TUBE-SEAT ADJUSTMENT ----- ATTACHING PARTS -----	1	
- 8	MS20392-2C31	PIN-FLATHEAD -----	1	
- 9	MS24665-134	PIN-COTTER -----		
-10	0311644	CLEVIS -----	1	
-11	0710304-2	TUBE-SEAT LOCK ----- ATTACHING PARTS -----	1	
-12	MS20392-1C15	PIN-FLATHEAD -----	1	
-13	MS24665-285	PIN-COTTER -----	1	
-14	MS24665-134	PIN-COTTER -----	1	
-15	MS24665-132	PIN-COTTER -----		
-16	0310196-2	SPRING-SEAT HANDLE -----	1	
-17	NAS682A4	NUT -----	2	
-18	0311310	ROLLER-SEAT ----- ATTACHING PARTS -----	4	
-19	0311586	BUSHING -----	1	
-20	AN3-11A	BOLT -----	1	
-21	MS21044N3	NUT -----		
-22	0700106-1	KNOB-SEAT ADJUSTMENT ----- ATTACHING PARTS -----	1	
-23	S1021Z6-8	SCREW -----		
-24	0511301-19	FITTING-SEAT BELT LH OUTBOARD & RH INBOARD ----- WHEN EXHAUSTED USE 0510205-6	2	
	0510205-5	FITTING-SEAT BELT LH OUTBOARD & RH INBOARD ----- ATTACHING PARTS -----	2	
-25	AN3-5A	BOLT -----	1	
-26	AN970-3	WASHER UNDER FORWARD NUT ONLY -----	2	
-27	MS21044N3	NUT -----		
-28	0511301-18	FITTING-SEAT BELT LH INBOARD & RH OUTBOARD ----- WHEN EXHAUSTED USE 0510205-6	2	
	0510205-6	FITTING-SEAT BELT LH INBOARD & RH OUTBOARD ----- ATTACHING PARTS -----	2	
-29	AN3-5A	BOLT -----	1	
-30	AN970-3	WASHER UNDER FORWARD NUT ONLY -----	2	
-31	MS21044N3	NUT -----		
-32	S1060-3 S1060-15	BELT ASSEMBLY-SEAT BLACK ----- BELT ASSEMBLY-SEAT BEIGE ----- ATTACHING PARTS -----	2 1	B C
-33	AN4-6A	BOLT -----	2	
-34	NAS43HT4-20	SPACER -----	2	
-35	MS21044N3	NUT -----		
-36	0700320-1	RETAINER-FRONT SEAT HEADREST -----	4	
	0800023-5	HEADREST ASSEMBLY-FRONT SEAT -----	2	
	0800023-3	COVER ASSEMBLY-HEADREST -----	1	
-37	1200134-1	CUSHION-FDAM FILLER -----	1	
-38	1200134-1	FRAME-FRONT SEAT HEADREST -----	1	
-39	1200108-1			

A---SERIAL 185-0001 THRU 185-0512
B---SERIAL 185-0001 THRU 185-0237
C---SERIAL 185-0238 THRU 185-0512

Front Seat (Cont)



SERIAL 185-0001 THRU 185-0237

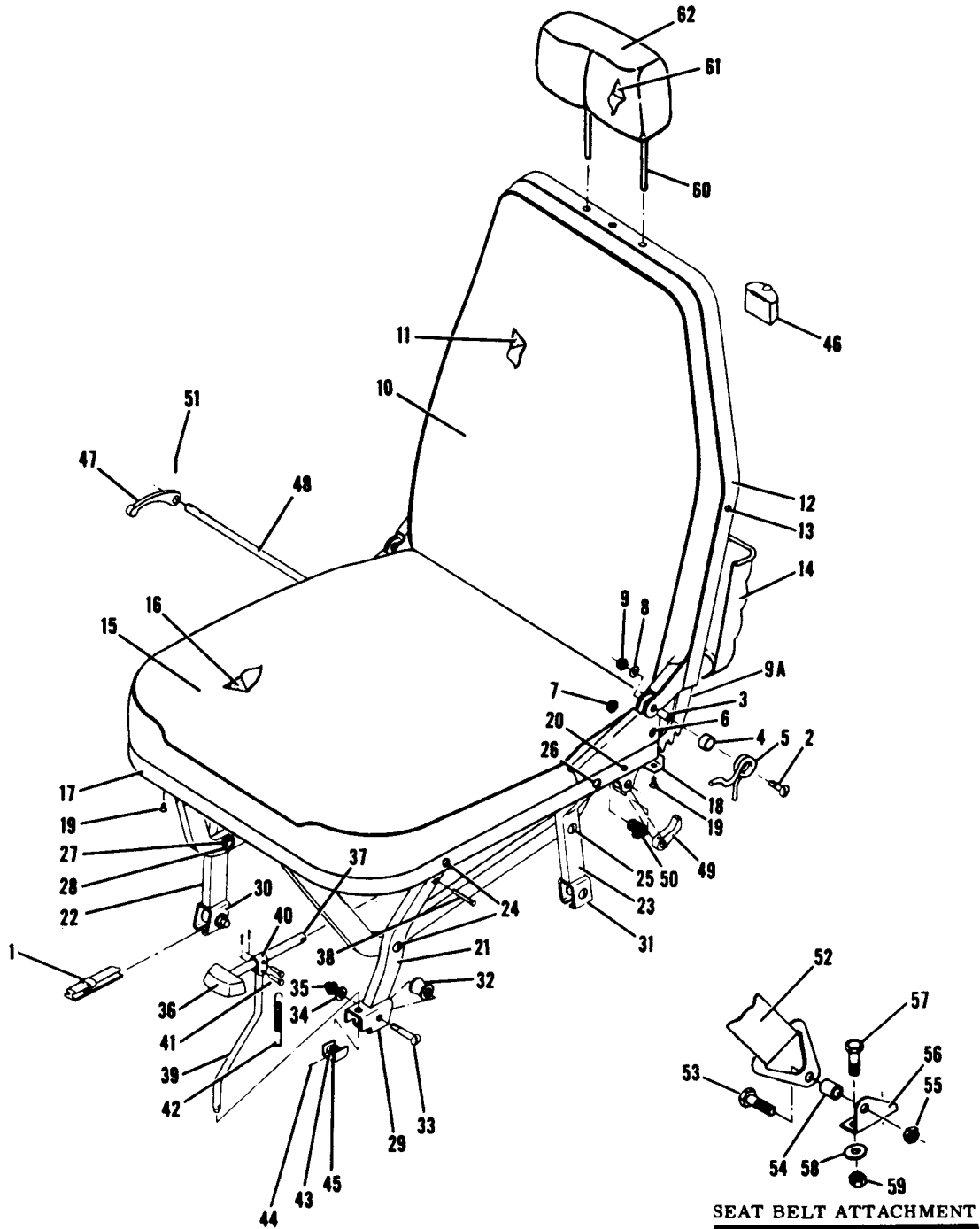
Figure 59A. Reclining Front Seat

FIGURE AND INDEX NO.	PART NUMBER	DESCRIPTION	UNITS PER ASSY	USABLE ON CODE
		1 2 3 4 5 6 7		
59A-		SEAT INSTALLATION-RECLINING BACK FRONT -----	NP	A
	0700105-385	SEAT ASSEMBLY-RECLINING BACK FRONT LH DELUXE -----	1	
	0700105-390	SEAT ASSEMBLY-RECLINING BACK FRONT RH DELUXE -----	1	
	0700105-427	SEAT ASSEMBLY-RECLINING BACK FRONT LH UTILITY -----	1	
	0700105-432	SEAT ASSEMBLY-RECLINING BACK FRONT RH UTILITY -----	1	
		ATTACHING PARTS -----		
- 1	0713074-1	STOP-SEAT -----	2	
	MS20392-1C21	PIN-CLEVIS -----	2	
	MS24665-151	PIN-COTTER -----	2	
		-----*		
	0700105-399	BACK ASSEMBLY-SEAT UPHOLSTERED LH DELUXE -----	1	
	0700105-398	BACK ASSEMBLY-SEAT UPHOLSTERED RH DELUXE -----	1	
	0700105-452	BACK ASSEMBLY-SEAT UPHOLSTERED LH UTILITY -----	1	
	0700105-451	BACK ASSEMBLY-SEAT UPHOLSTERED RH UTILITY -----	1	
		ATTACHING PARTS -----		
- 2	AN24-29A	BOLT -----	2	
- 3	AN960-416L	WASHER -----	2	
- 4	0710313-2	BUSHING -----	2	
- 5	S1074-1	WASHER -----	2	
		-----*		
- 6	0700105-20	COVER ASSEMBLY-SEAT BACK DELUXE -----	1	
	0700105-430	COVER ASSEMBLY-SEAT BACK -----	1	
- 7	0700105-397	PLATE ASSEMBLY-RECLINING LEVER TRIM -----	1	
	0700105-425	PANEL ASSEMBLY-REAR -----	1	
	0700105-400	CUSHION ASSEMBLY-SEAT UPHOLSTERED DELUXE -----	1	
	0700105-453	CUSHION ASSEMBLY-SEAT UPHOLSTERED UTILITY -----	1	
- 8	NAS696A4	NUTPLATE -----	2	
- 9	0700105-2	COVER ASSEMBLY-SEAT CUSHION DELUXE -----	1	
	0700105-431	COVER ASSEMBLY-SEAT CUSHION UTILITY -----	1	
-10	0700104-89	SKIRT-SEAT CUSHION -----	1	
-11	0311310	ROLLER-SEAT -----	4	
		ATTACHING PARTS -----		
-12	AN3-11A	BOLT -----	1	
-13	0311586	BUSHING -----	1	
-14	MS21044N3	NUT -----	1	
		-----*		
-15	0710316-1	HANDLE -----	1	
		ATTACHING PARTS -----		
-16	MS20392-2C31	PIN-FLATHEAD -----	1	
-17	MS24665-134	PIN-COTTER -----	1	
		-----*		
-18	0311644	CLEVIS -----	1	
		ATTACHING PARTS -----		
-19	MS24665-285	PIN-COTTER -----	1	
		-----*		
-20	0710304-2	PIN-SEAT ADJUSTMENT LATCH -----	1	
		ATTACHING PARTS -----		
-21	MS20392-1C15	PIN-FLATHEAD -----	1	
-22	MS24665-134	PIN-COTTER -----	1	
-23	MS24665-132	PIN-COTTER -----	1	
		-----*		
-24	0310196-15	SPRING-SEAT ADJUSTMENT LATCH -----	1	
-25	0710302-1	TUBE-RECLINER -----	2	
-26	0710317-1	CAM-RECLINER -----	2	
		ATTACHING PARTS -----		
-27	NAS561C3-12	ROLLPIN -----	1	
		-----*		
-28	0710308-1	SPRING-RECLINER CAM RETURN -----	1	
-29	AN960C616L	WASHER -----	2	
		ATTACHING PARTS -----		
-30	NAS561C2-10	ROLLPIN -----	2	
		-----*		

CONTINUED ON NEXT PAGE

FIGURE AND INDEX NO.	PART NUMBER	DESCRIPTION	UNITS PER ASSY	USABLE ON CODE
59A-31	MS20392-1C37	PIN-FLATHEAD ----- ATTACHING PARTS -----	2	
-32	MS24665-132	PIN-COTTER ----- -----*	1	
-33	0710312-2	HANDLE-RECLINING SEAT BACK ADJUSTMENT ----- ATTACHING PARTS -----	1	
-34	NAS561C2-10	ROLLPIN ----- -----*	1	
-35	0700113-1	KNOB-SEAT ADJUSTMENT HANDLE ----- ATTACHING PARTS -----	1	
-36	S1021Z6-8	SCREW ----- -----*	1	
-37	0710306-1	PLUG-STOP ----- ATTACHING PARTS -----	2	
-38	NAS603-16	SCREW-STOP -----	2	
	AN345-10	NUT -----	2	
	AN960D10	WASHER ----- -----*	AR	
-39	0700320-1	RETAINER-FRONT SEAT HEADREST -----	4	
	0800023-5	HEADREST ASSEMBLY-FRONT SEAT -----	2	
-40	0800023-3	COVER ASSEMBLY-HEADREST -----	1	
-41	1200134-1	CUSHION-FOAM FILLER -----	1	
-42	1200108-1	FRAME ASSEMBLY -----	1	
A---SERIAL 185-0001 THRU 185-0237				

Front Seat



SERIAL 18051184 THRU 18051875
SERIAL 185-0513 THRU 185-1300

Figure 60. Front Seat Installation

FIGURE AND INDEX NO.	PART NUMBER	DESCRIPTION	UNITS PER ASSY	USABLE ON CODE
			1 2 3 4 5 6 7	NP A
60 -	0700114-40 # 0700114-43 #	SEAT INSTALLATION-FRONT -----	2	A
		SEAT ASSEMBLY-FRONT UTILITY -----	2	B
		SEAT ASSEMBLY-FRONT DELUXE -----	2	B
- 1	0713074-1 MS20392-1C21 MS24665-151	ATTACHING PARTS -----	2	
		STOP-SEAT -----	2	
		PIN -----	2	
		PIN-COTTER -----	2	

		BACK ASSEMBLY-UPHOLSTERED SEAT UTILITY -----	1	B
		BACK ASSEMBLY-UPHOLSTERED SEAT DELUXE -----	1	B
		ATTACHING PARTS -----	2	
		BOLT -----	2	
		BUSHING -----	2	
- 2	AN23-16	BUSHING -----	2	
		BUSHING -----	2	
- 3	1414104-4	BUSHING -----	2	
- 4	0711668-1	SPRING -----	2	
- 5	0711667-1	SCREW -----	2	
- 6	AN507-832R14	NUT -----	2	
- 7	NAS679A08	WASHER -----	2	
- 8	AN960-10L	NUT -----	2	
- 9	S1914-8	NUT -----	2	
- 9A	1414230-1	CAM-SEAT BACK ADJUST -----	1	
-10	0700114-44 # 0700114-46 #	COVER-SEAT BACK UTILITY -----	1	B
		COVER-SEAT BACK DELUXE -----	1	B
-11	1414100-9	CUSHION-SEAT BACK -----	1	
-12	1414110-1	TRIM-SEAT BACK -----	1	
-13	S1021Z8-6C	ATTACHING PARTS -----	3	
		SCREW -----	1	
-14	1414110-3 # 0700114-202 #	POCKET ASSEMBLY-MAGAZINE -----	1	
		BOTTOM ASSEMBLY-UPHOLSTERED SEAT UTILITY -----	1	B
-15	0700114-203 # 0700114-42 #	BOTTOM ASSEMBLY-UPHOLSTERED SEAT DELUXE -----	1	B
		COVER-SEAT BOTTOM UTILITY -----	1	B
-16	0700114-45 # 1414100-8	COVER-SEAT BOTTOM DELUXE -----	1	B
		CUSHION-SEAT BOTTOM -----	1	E
-17	1414217-2	RETAINER-SEAT BOTTOM -----	1	F
-18	1414217-7 1414217-3	RETAINER-SEAT BOTTOM -----	1	
		RETAINER-SEAT BOTTOM -----	14	
-19	S1021Z6-4	SCREW -----	2	
-20	AN23-15A AN23-19A	BOLT LH SIDE ONLY -----	1	
		BOLT RH SIDE ONLY -----	1	
-21	NAS43HT3-16 MS21044N3	SPACER RH SIDE ONLY -----	2	
		NUT -----	1	
-22	1414103-2	LEG ASSEMBLY-FORWARD LH -----	1	
-23	1414103-12	LEG ASSEMBLY-FORWARD RH -----	2	
-24	1414103-6	LEG-SEAT AFT -----	2	
		ATTACHING PARTS -----	1	
-25	AN24-13	BOLT-FORWARD LEG -----	1	
-26	AN24-13	BOLT-AFT LEG -----	1	
-27	AN24-16	BOLT-AFT LEG -----	2	
-28	AN936A416	WASHER -----	2	
-29	AN936A616	WASHER -----	2	
-30	1414112-1	NUT -----	2	
-31	1414104-39	HOUSING-SEAT ROLLER FORWARD LH -----	1	
-32	1414104-40	HOUSING-SEAT ROLLER FORWARD RH -----	1	
-33	1414104-41	HOUSING-SEAT ROLLER AFT LH -----	1	
-34	1414104-42	HOUSING-SEAT ROLLER AFT RH -----	1	
-35	1414100-212	SEAT ROLLER KIT -----	4	
-36	AN23-19A	ATTACHING PARTS -----	1	
		BOLT -----	1	
-37	AN950-10L	WASHER -----	1	
-38	S1914-8	NUT -----	1	
-39	0700113-1 S1021Z6-8	KNOB FORE & AFT SEAT ADJUSTMENT -----	1	
		SCREW -----	1	
-40	1414104-45	ARM-SEAT ADJUSTMENT -----	1	
-41	MS20392-2C47 MS24665-132	ATTACHING PARTS -----	1	
		PIN -----	1	
-42		PIN-COTTER -----	1	

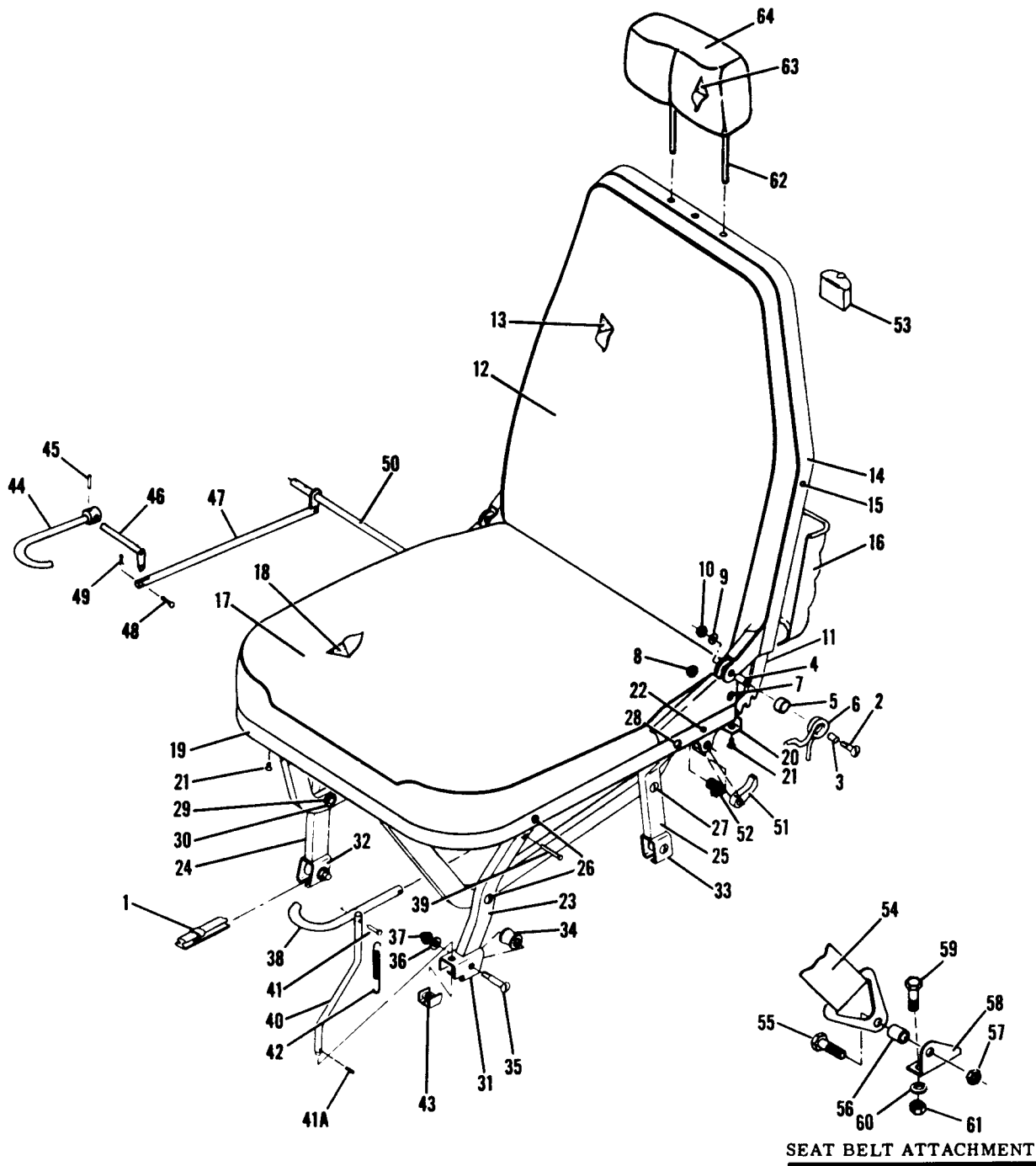
CONTINUED ON NEXT PAGE

FIGURE AND INDEX NO.	PART NUMBER	DESCRIPTION							UNITS PER ASSY	USABLE ON CODE
		1	2	3	4	5	6	7		
60 -39	1414104-46								1	
-40	1414104-56								1	
-41	MS20392-1C15								2	
	MS24665-132								2	
-42	1414116-1								1	
-43	AN960C416L								1	
-44	NAS561-2-12								1	
-45	1414104-8								1	
-46	S1957-2								1	
-47	0710312-2								1	
-48	1414104-1								1	
-49	1414231-4								2	
-50	1414107-1								1	
-51	NAS561C3-10								3	
-52	S1060-15								2	
	S161883								2	E
	S161803								2	G
										H
-53	AN4-5A								2	
-54	NAS43HT4-20								2	
-55	NAS679A4								2	
-56	0511301-18								2	
	0510205-6								2	
	0511301-19								2	
	0510205-5								2	
-57	AN3-4A								2	
	AN3-5A								2	
-58	AN970-3								1	
-59	MS21044N3								2	
	1414252-1	#							2	
-60	1414252-2								1	
-61	1414252-7								1	
-62	1414252-6	#							1	
<p>NOTE. #THIS PART NUMBER MUST HAVE A SECOND DASH NUMBER ADDED TO DENOTE COLOR. REFER TO HOW TO ORDER UPHOLSTERED PARTS-PAGE XII.</p> <p>NOTE. #THIS PART NUMBER MUST HAVE A SECOND DASH NUMBER ADDED TO DENOTE COLOR. REFER TO HOW TO ORDER INTERIOR PARTS-PAGE XIII.</p> <p>A---SERIAL 185-0513 THRU 185-1300 SERIAL 18051184 THRU 18051875 B---SERIAL 185-0654 THRU 185-1300 SERIAL 18051184 THRU 18051875 E---SERIAL 185-0513 THRU 185-0776 SERIAL 18051184 THRU 18051445 F---SERIAL 185-0777 THRU 185-1300 SERIAL 18051446 THRU 18051875 G---SERIAL 185-0777 THRU 185-0967 SERIAL 18051446 THRU 18051607 H---SERIAL 185-0968 THRU 185-1300 SERIAL 18051608 THRU 18051875</p>										

FIGURE AND INDEX NO.	PART NUMBER		DESCRIPTION	UNITS PER ASSY	USABLE ON CODE
			1 2 3 4 5 6 7		
61 -	0700114-63	#	SEAT INSTALLATION-FRONT -----	NP	A
	0700114-64	#	SEAT ASSEMBLY-FRONT UTILITY -----	2	B
	1200605-34	#	SEAT ASSEMBLY-FRONT DELUXE -----	2	C
			SEAT ASSEMBLY-FRONT -----		
			ATTACHING PARTS -----	2	
- 1	0713074-1		STOP-SEAT -----	2	
	MS20392-1C21		PIN -----	2	
	MS24665-151		PIN-COTTER -----	2	
			-----*		
	0700114-206	#	BACK ASSEMBLY-UPHOLSTERED SEAT UTILITY -----	1	B
	0700114-207	#	BACK ASSEMBLY-UPHOLSTERED SEAT DELUXE -----	1	B
	1200605-222	#	BACK ASSEMBLY-UPHOLSTERED SEAT -----	1	C
			ATTACHING PARTS -----	2	
- 2	AN23-19A		BOLT -----	2	
- 3	NAS43HT3-12		SPACER -----	2	
- 4	1414104-4		BUSHING -----	2	
- 5	0711668-1		BUSHING -----	2	
- 6	0711667-1		SPRING -----	2	
- 7	AN507-832R14		SCREW -----	2	
- 8	NAS679A08		NUT -----	2	
- 9	AN960-10L		WASHER -----	2	
-10	S1914-8		NUT -----	2	
			-----*		
-11	1414230-1		CAM-SEAT BACK ADJUST -----	2	
-12	0700114-44	#	COVER-SEAT BACK UTILITY -----	1	B
	0700114-46	#	COVER-SEAT BACK DELUXE -----	1	B
	1200605-12	#	COVER-SEAT BACK -----	1	C
-13	1414100-9		CUSHION-SEAT BACK -----	1	B
	1200605-33		CUSHION-SEAT BACK -----	1	C
-14	0715001-1	#	TRIM ASSEMBLY-SEAT BACK -----	1	B
	1215034-200	#	TRIM ASSEMBLY-SEAT BACK -----	1	C
			ATTACHING PARTS -----	3	B
-15	S102128-6C		SCREW -----	1	
			-----*		
-16	1715023-3	#	POCKET ASSEMBLY-MAGAZINE -----	1	B
	1414045-2		SPRING -----	1	B
	0700114-204	#	BOTTOM ASSEMBLY-UPHOLSTERED SEAT UTILITY -----	1	B
	0700114-205	#	BOTTOM ASSEMBLY-UPHOLSTERED SEAT DELUXE -----	1	B
	1200605-221	#	BOTTOM ASSEMBLY-UPHOLSTERED SEAT -----	1	C
-17	0700114-42	#	COVER-SEAT BOTTOM UTILITY -----	1	B
	0700114-45	#	COVER-SEAT BOTTOM DELUXE -----	1	B
	1200605-11	#	COVER-SEAT BOTTOM -----	1	C
-18	1414100-8		CUSHION-SEAT BOTTOM -----	1	
-19	1414217-7		RETAINER-SEAT BOTTOM -----	1	
-20	1414217-3		RETAINER-SEAT BOTTOM -----	1	
-21	S102126-4		SCREW -----	14	
-22	AN23-15A		BOLT-SEAT BACK STOP -----	2	
	MS21044N3		NUT -----	2	
-23	1414103-2		LEG ASSEMBLY-FORWARD LH -----	1	
-24	1414103-45		LEG ASSEMBLY-FORWARD RH -----	1	
-25	1414103-6		LEG-AFT -----	2	
			ATTACHING PARTS -----	2	
-26	AN24-13A		BOLT-FORWARD LEG -----	1	
-27	AN24-13A		BOLT-AFT LEG -----	1	
-28	AN24-16A		BOLT-AFT LEG -----	1	
	AN936A416		WASHER -----	2	
-29	AN936A616		WASHER -----	2	
-30	1414112-1		NUT -----	2	
			-----*		
-31	1414104-39		HOUSING-SEAT ROLLER FWD LH -----	1	
-32	1414104-40		HOUSING-SEAT ROLLER FWD RH -----	1	
-33	1414104-41		HOUSING-SEAT ROLLER AFT LH -----	1	
	1414104-42		HOUSING-SEAT ROLLER AFT RH -----	1	
-34	1414100-212		KIT-SEAT ROLLER -----	4	
			ATTACHING PARTS -----	1	
-35	AN23-19A		BOLT -----	1	
-36	AN960-10L		WASHER -----	1	
-37	S1914-8		NUT -----	1	
			-----*		

CONTINUED ON NEXT PAGE

Front Seat (Cont)

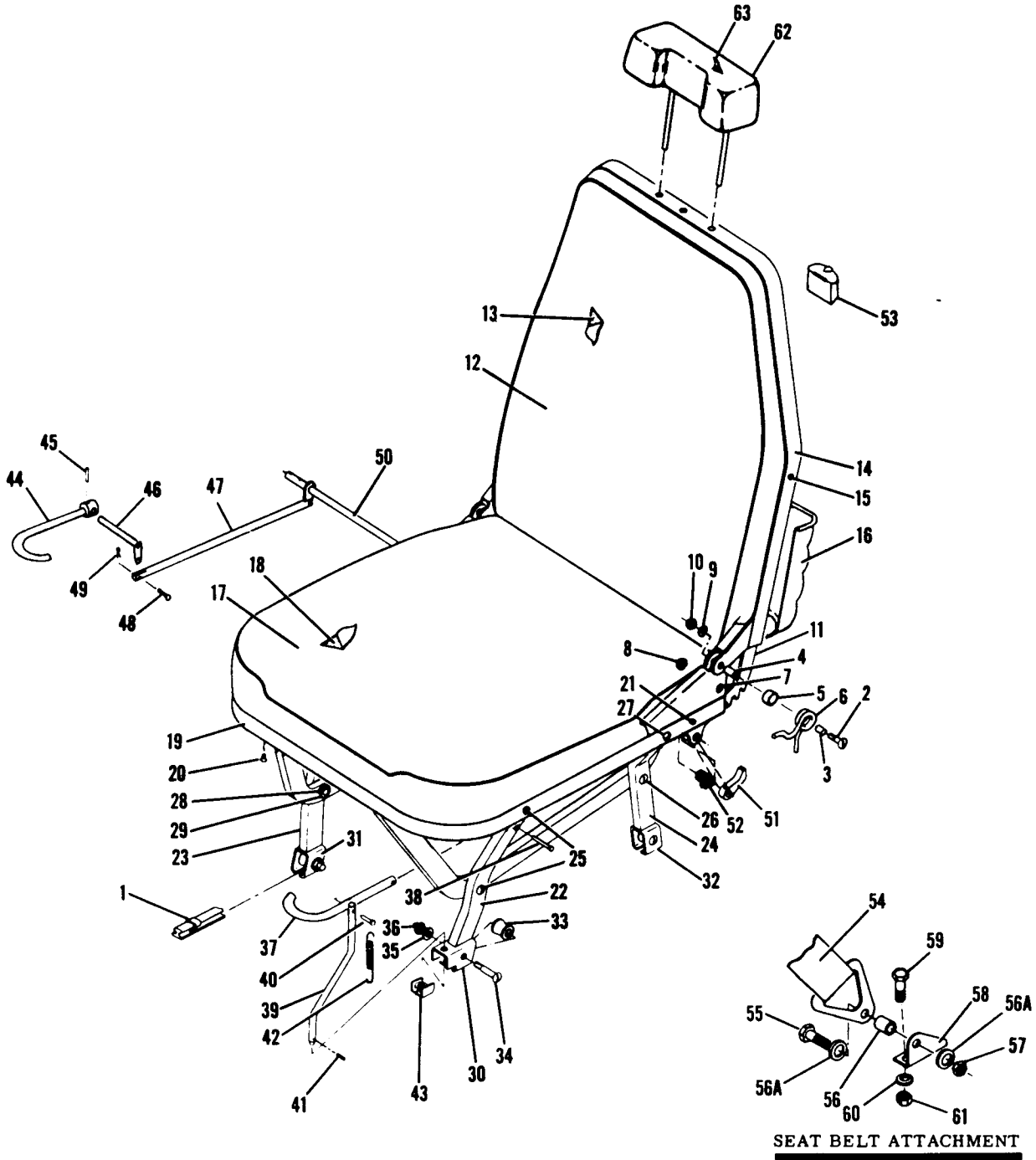


SERIAL 185-1301 THRU 185-1599
SERIAL 18051876 THRU 18052103

Figure 61. Front Seat Installation

FIGURE AND INDEX NO.	PART NUMBER	DESCRIPTION							UNITS PER ASSY	USABLE ON CODE
		1	2	3	4	5	6	7		
61 -38	1200504-1								1	
		HANDLE-SEAT ADJUSTMENT -----							1	
		ATTACHING PARTS -----							1	
-39	MS20392-2C34 MS24665-132								1	
		PIN -----							1	
		PIN-COTTER -----							1	
-40	1200505-1								1	
		PIN-SEAT ADJUSTMENT -----							1	
		ATTACHING PARTS -----							1	
-41	MS20392-1C21 MS24665-132								1	
		PIN -----							1	
		PIN-COTTER -----							1	
-41A	NAS961-2-12								1	
		ROLL PIN -----							1	
-42	1414116-1								1	
		SPRING-SEAT ADJUSTMENT -----							1	
-43	1414104-8								1	
		BRACKET-SEAT ADJUSTMENT -----							1	
-44	1200504-3								1	
		HANDLE ASSEMBLY-RECLINING ADJUSTMENT -----							1	
		ATTACHING PARTS -----							1	
-45	NAS561-3-8								1	
		ROLL PIN -----							1	
-46	1200503-1								1	
		ARM ASSEMBLY-SEAT BACK ADJUST -----							1	
-47	1514223-28								1	
		LINK-SEAT BACK ADJUST -----							1	
		ATTACHING PARTS -----							2	
-48	MS20392-1C9								2	
		PIN -----							2	
-49	MS24665-132								2	
		PIN-COTTER -----							2	
-50	1414223-34								1	
		TUBE ASSEMBLY-TORQUE -----							2	
-51	1414231-4								2	
		PAWL-SEAT BACK ADJUST REPLACE IN PAIRS ONLY -----							2	
		ATTACHING PARTS -----							1	
		ROLL PIN -----							1	
	NAS561C3-10								1	
		SPRING-SEAT ADJUSTMENT -----							1	
-52	1414107-1								1	
		ASH RECEIVER-SEAT BACK -----							1	
-53	S1957-2 1A1001								1	C
		RETAINER-ASH RECEIVER GDR -----							2	C
		ATTACHING PARTS -----							2	C
		SCREW -----							2	C
	S102126-8 NAS395-5								2	C
		NUT -----							2	C
-54	S174602								2	
		BELT ASSEMBLY-FRONT SEAT TAN -----							2	
		ATTACHING PARTS -----							2	
-55	AN4-5A								2	
		BOLT -----							2	
-56	NAS43HT4-20								2	
		SPACER -----							2	
-57	NAS679A4								2	
		NUT -----							2	D
-58	0511301-18								2	D
		FITTING-SEAT BELT INBOARD LH & OUTBOARD RH -----							2	E
		WHEN EXHAUSTED USE 0510205-6 -----							2	D
	0510205-6								2	D
		FITTING-SEAT BELT INBOARD LH & OUTBOARD RH -----							2	E
	0511301-19								2	E
		FITTING-SEAT BELT OUTBOARD LH & INBOARD RH -----							2	E
		WHEN EXHAUSTED USE 0510205-51 -----							2	E
	0510205-5								2	E
		FITTING-SEAT BELT OUTBOARD LH & INBOARD RH -----							2	E
		ATTACHING PARTS -----							2	
-59	AN3-4A AN3-5A								2	
		BOLT INBOARD FITTINGS ONLY -----							2	
		BOLT OUTBOARD FITTINGS ONLY -----							1	
-60	AN970-3								1	
		WASHER UNDER FORWARD NUT ONLY -----							2	
-61	MS21044N3								2	
		NUT -----							2	
-62	1714040-1	#							1	
		HEADREST ASSEMBLY -----							1	
-63	1414292-2								1	
		FRAME ASSEMBLY-HEADREST -----							1	
-64	1714035-1								1	
		CUSHION-HEADREST -----							1	
	1714040-2	#							1	
		COVER-HEADREST -----							1	
<p>NOTE. #THIS PART NUMBER MUST HAVE A SECOND DASH NUMBER ADDED TO DENOTE COLOR. REFER TO HOW TO ORDER UPHOLSTERED PARTS-PAGE XII.</p> <p>NOTE. #THIS PART NUMBER MUST HAVE A SECOND DASH NUMBER ADDED TO DENOTE COLOR. REFER TO HOW TO ORDER INTERIOR PARTS-PAGE XIII.</p>										
<p>A---SERIAL 185-1301 THRU 185-1599 SERIAL 18051876 THRU 18052103</p> <p>B---SERIAL 185-1301 THRU 185-1447 SERIAL 18051876 THRU 18051993</p> <p>C---SERIAL 185-1448 THRU 185-1599 SERIAL 18051994 THRU 18052103</p> <p>D---SERIAL 185-1301 THRU 185-1563 SERIAL 18051876 THRU 18052085</p> <p>E---SERIAL 185-1564 THRU 185-1599 SERIAL 18052086 THRU 18052103</p>										

Front Seat (Cont)



SERIAL 18501600 THRU 18502310
SERIAL 18052104 THRU 18052384

Figure 61A. Front Seat Installation

FIGURE AND INDEX NO.	PART NUMBER	DESCRIPTION	UNITS PER ASSY	USABLE ON CODE
		1 2 3 4 5 6 7		
61A-		SEAT INSTALLATION-FRONT -----	NP	A
	1200605-35 #	SEAT ASSEMBLY-FRONT -----	2	B
	1200605-40 #	SEAT ASSEMBLY-FRONT -----	2	C
		ATTACHING PARTS -----		
- 1	0713074-1	STOP-SEAT -----	2	
	MS20392-1C21	PIN -----	2	
	MS24665-151	PIN-COTTER -----		
	1200605-223 #	BACK ASSEMBLY-UPHOLSTERED SEAT -----	1	B
		BACK ASSEMBLY-UPHOLSTERED SEAT -----	NP	C
		ATTACHING PARTS -----		
- 2	AN23-19A	BOLT -----	2	
- 3	NAS43HT3-12	SPACER -----	2	
- 4	1414104-4	BUSHING -----	2	
- 5	0711668-1	BUSHING -----	2	
- 6	0711667-1	SPRING -----	2	
- 7	AN507-832R14	SCREW -----	2	
- 8	NAS679A08	NUT -----	2	
- 9	AN960-10L	WASHER -----	2	
-10	S1914-8	NUT -----		

-11	1414230-1	CAM-SEAT BACK ADJUST -----	2	
-12	1200605-12 #	COVER-SEAT BACK -----	1	
-13	1200605-33	CUSHION-SEAT BACK -----	1	B
-14	0514055-1 #	TRIM ASSEMBLY-SEAT BACK -----	1	C
	0514055-11 #	TRIM ASSEMBLY-SEAT BACK -----		
		ATTACHING PARTS -----		
-15	S1021Z8-6C	SCREW -----	3	

-16	0514055-3 #	POCKET ASSEMBLY-MAGAZINE -----	1	
	1200605-224 #	BOTTOM ASSEMBLY-UPHOLSTERED SEAT -----	1	
-17	1200605-11 #	COVER-SEAT BOTTOM -----	1	
-18	1414100-8	CUSHION-SEAT BOTTOM -----	1	
-19	0514058-1	RETAINER-SEAT BOTTOM -----	5	
-20	S1021A4-6	SCREW -----	2	
-21	AN23-15A	BOLT-SEAT BACK STOP -----	2	
	4S21044N3	NUT -----	1	
-22	1414103-2	LEG ASSEMBLY-FORWARD LH -----	1	
-23	1414103-45	LEG ASSEMBLY-FORWARD RH -----	2	
-24	1414103-6	LEG-AFT -----		
		ATTACHING PARTS -----		
-25	AN24-13A	BOLT-FORWARD LEG -----	2	
-26	AN24-13A	BOLT-AFT LEG -----	1	
-27	AN24-16A	BOLT-AFT LEG -----	1	
-28	AN936A416	WASHER -----	2	
	AN936A616	WASHER -----	2	
-29	1414112-1	NUT -----	2	

-30	1414104-39	HOUSING-SEAT ROLLER FWD LH -----	1	
-31	1414104-40	HOUSING-SEAT ROLLER FWD RH -----	1	
-32	1414104-41	HOUSING-SEAT ROLLER AFT LH -----	1	
	1414104-42	HOUSING-SEAT ROLLER AFT RH -----	1	
-33	1414100-212	KIT-SEAT ROLLER -----	4	
		ATTACHING PARTS -----		
-34	AN23-19A	BOLT -----	1	
-35	AN960-10L	WASHER -----	1	
-36	S1914-8	NUT -----	1	

-37	1200504-1	HANDLE-SEAT ADJUSTMENT -----	1	
		ATTACHING PARTS -----		
-38	MS20392-2C34	PIN -----	1	
	MS24665-132	PIN-COTTER -----		

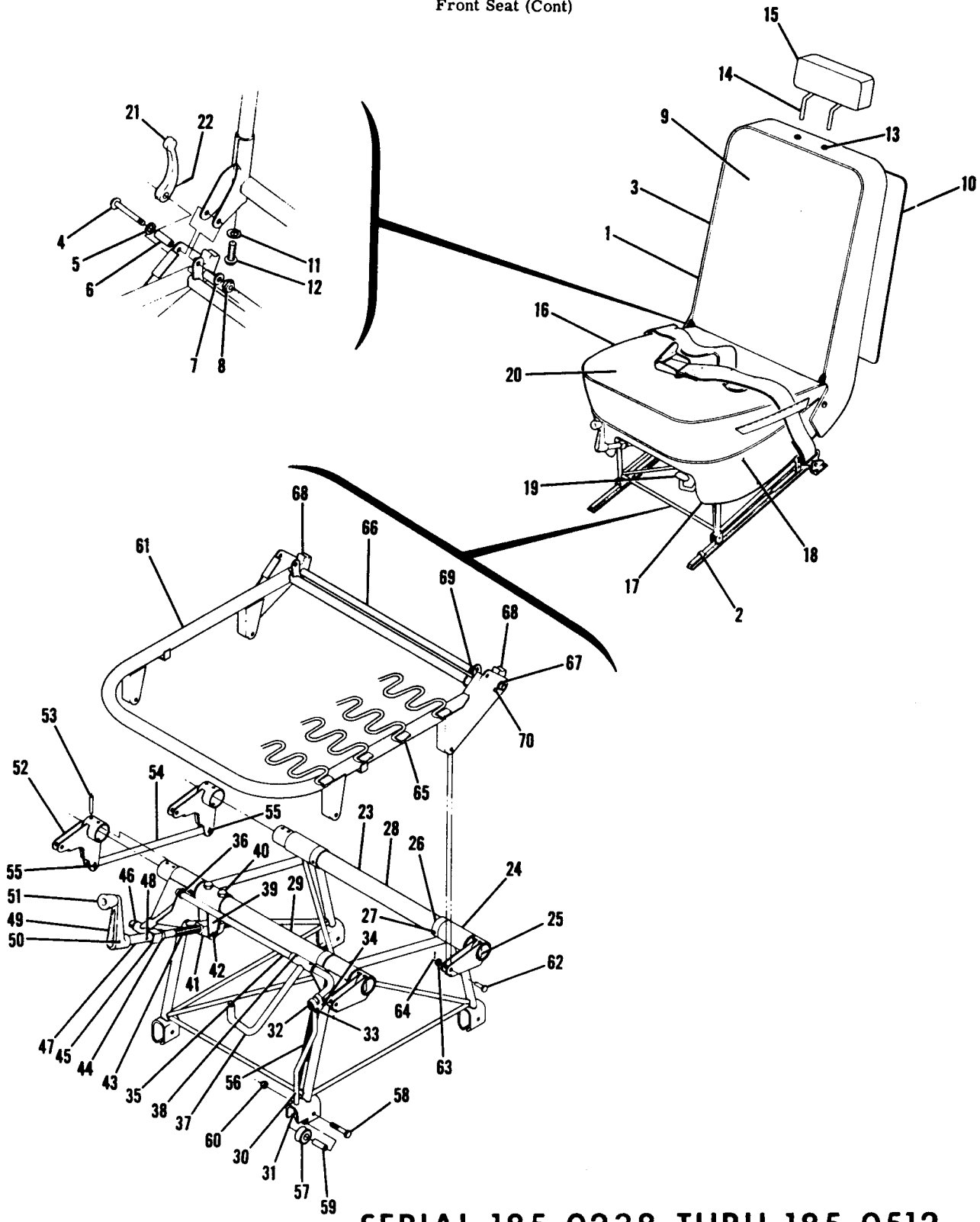
-39	1200505-1	PIN-SEAT ADJUSTMENT -----	1	
		ATTACHING PARTS -----		
-40	MS20392-1C21	PIN -----	1	
	MS24665-132	PIN-COTTER -----	1	
-41	NAS561-2-12	ROLL PIN -----	1	

-42	1414116-1	SPRING-SEAT ADJUSTMENT -----	1	

CONTINUED ON NEXT PAGE

FIGURE AND INDEX NO.	PART NUMBER	DESCRIPTION						UNITS PER ASSY	USABLE ON CODE
		1	2	3	4	5	6		
61A-43	1414104-8							1	
-44	1200504-3							1	
-45	NAS561-3-8							1	
-46	1200503-1							1	
-47	1514223-28							1	
-48	MS20392-1C9							2	
-49	MS24665-132							2	
-50	1414223-34							1	
-51	0514043-1							2	
	NAS561C3-10							1	
-52	1414107-1							1	
-53	S1957-2							1	
-54	S1746W2							2	B
	S2070W103	x*						2	C
-55	AN4-5A							2	
-56	NAS43HT4-12							2	
-56A	AN960-416							3	
-57	NAS679A4							1	
-58	0510205-5							2	
	0510205-6							2	
-59	AN3-4A							2	
-60	AN970-3							1	
-61	MS21044N3							2	
-62	0514048-1	#						2	
-63	0514048-9	#						1	
<p>NOTE. #THIS PART NUMBER MUST HAVE A SECOND DASH NUMBER ADDED TO DENOTE COLOR. REFER TO HOW TO ORDER UPHOLSTERED PARTS-PAGE XII.</p> <p>NOTE. #THIS PART NUMBER MUST HAVE A SECOND DASH NUMBER ADDED TO DENOTE COLOR. REFER TO HOW TO ORDER INTERIOR PARTS-PAGE XIII.</p> <p>NOTE. *SEE FIGURE 70 FOR SHOULDER HARNESS INSTL.</p> <p>NOTE. %WHEN ORDERING SEAT BELT FOR AUSTRALIAN AIRCRAFT ADD VH TO PART NUMBER. EXAMPLE S2070W103VH.</p> <p>A---SERIAL 18501600 THRU 18502310 SERIAL 18052104 THRU 18052384</p> <p>B---SERIAL 18501600 THRU 18501832 SERIAL 18052104 THRU 18052175</p> <p>C---SERIAL 18501833 THRU 18502310 SERIAL 18052176 THRU 18052384</p>									

Front Seat (Cont)



SERIAL 185-0238 THRU 185-0512

Figure 62. Adjustable Front Seat Installation

FIGURE AND INDEX NO.	PART NUMBER	DESCRIPTION	UNITS PER ASSY	USABLE ON CODE
		1 2 3 4 5 6 7		
62 -		SEAT INSTALLATION-ADJUSTABLE FRONT -----	NP	A
- 1	1200162-21	SEAT ASSEMBLY-ADJUSTABLE FRONT LH -----	1	
	1200162-22	SEAT ASSEMBLY-ADJUSTABLE FRONT RH -----	1	
		ATTACHING PARTS -----	2	
- 2	0713074-1	STOP-SEAT -----	2	
	MS20392-1C21	PIN-CLEVIS -----	2	
	MS24665-151	PIN-COTTER -----		
		-----*		
- 3	1200162-25	BACK ASSEMBLY-SEAT UPHOLSTERED LH -----	1	
	1200162-26	BACK ASSEMBLY-SEAT UPHOLSTERED RH -----	1	
		ATTACHING PARTS -----	2	
- 4	AN24-28A	BOLT -----	2	
- 5	AN960-416L	WASHER -----	2	
- 6	0710313-2	BUSHING -----	2	
- 7	S1074-1	WASHER -----	2	
- 8	NAS679A4	NUT -----		
		-----*		
- 9	1200162-28	COVER ASSEMBLY-SEAT BACK -----	1	
-10	0700105-425	PANEL ASSEMBLY-REAR -----	1	
	0700105-397	PLATE ASSEMBLY-ACTUATOR LEVER TRIM -----	1	
-11	AN960D10	WASHER -----	1	
-12	NAS603-10	SCREW -----	2	
-13	0700320-1	RETAINER-HEADREST -----	1	
	0800023-5	HEADREST ASSEMBLY-SEAT -----	1	
-14	1200108-1	FRAME-HEADREST -----	1	
-15	1200134-1	CUSHION-FOAM FILLER -----	1	
	0800023-3	COVER ASSEMBLY-HEADREST -----	1	
-16	1200162-23	CUSHION ASSEMBLY-SEAT UPHOLSTERED LH -----	1	
	1200162-24	CUSHION ASSEMBLY-SEAT UPHOLSTERED RH -----	1	
-17	1200161-1	SKIRT-FRONT SEAT -----	1	
		ATTACHING PARTS -----	11	
-18	S102124-6	SCREW -----		
		-----*		
-19	1200164-1	KNOB-FRONT SEAT LATCH -----	1	
		ATTACHING PARTS -----	1	
	S102226-10	SCREW -----		
		-----*		
-20	1200162-27	COVER-SEAT BOTTOM -----	1	
-21	0710312-2	HANDLE-SEAT BACK ACTUATOR -----	1	
		ATTACHING PARTS -----	1	
-22	NAS561C3-10	ROLLPIN -----		
		-----*		
-23	1200163-1	SEAT BOTTOM MECHANISM INSTALLATION-ADJUSTABLE -----	NP	
	1200163-2	BOTTOM ASSEMBLY-SEAT LH -----	1	
-24	1200142-1	BOTTOM ASSEMBLY-SEAT RH -----	2	
	1200142-2	ARM ASSEMBLY-LH SEAT -----	2	
		ARM ASSEMBLY-RH SEAT -----		
		ATTACHING PARTS -----	2	
-25	NAS561-6-18	ROLLPIN -----		
		-----*		
-26	1200136-1	COLLAR-TORQUE TUBE -----	3	
		ATTACHING PARTS -----	1	
-27	NAS561-6-18	ROLLPIN -----		
		-----*		
-28	1200147-1	TORQUE TUBE-AFT -----	1	
-29	1200147-2	TORQUE TUBE-FORWARD -----	1	
-30	1200152-1	LATCH PIN -----	1	
		ATTACHING PARTS -----	1	
-31	MS24665-132	PIN-COTTER -----	1	
-32	0311644	CLEVIS -----	1	
-33	MS20392-1C15	PIN-FLATHEAD -----	1	
	MS24665-134	PIN-COTTER -----	1	
-34	MS24665-285	PIN-COTTER -----		
		-----*		
-35	1200146-1	TORQUE TUBE-LATCH PIN -----	1	
		ATTACHING PARTS -----	1	
-36	AN960C616L	WASHER -----	1	
	MS24665-134	PIN-COTTER -----		
		-----*		
-37	1200157-1	ARM ASSEMBLY-SEAT CATCH PIN -----	1	
		ATTACHING PARTS -----	2	
-38	NAS561P3-8	ROLLPIN -----		
		-----*		

CONTINUED ON NEXT PAGE

FIGURE AND INDEX NO.	PART NUMBER	DESCRIPTION							UNITS PER ASSY	USABLE ON CODE
		1	2	3	4	5	6	7		
62 -39	1200141-1 1200141-2	BELLCRANK ASSEMBLY-LH SEAT SCREW							1	
		BELLCRANK ASSEMBLY-RH SEAT SCREW							1	
		ATTACHING PARTS							2	
-40	AN4-14A NAS679A4	BOLT							2	
		NUT							2	
-41	1200139-1	NUT-SEAT ADJUST SCREW							1	
		ATTACHING PARTS							1	
-42	MS20392-2C20 AN960-10 MS24665-132	PIN-FLATHEAD							1	
		WASHER							1	
		PIN-COTTER							1	
-43	1200186-1	SCREW-ADJUSTABLE FRONT SEAT							1	
-44	1200138-1	COLLAR-ADJUSTABLE FRONT SEAT SCREW							1	
		ATTACHING PARTS							1	
	NAS561P4-10	ROLLPIN							1	
-45	1200154-1	BEARING BLOCK-SCREW							1	
		ATTACHING PARTS							1	
-46	AN960-716 MS24665-351	WASHER							1	
		PIN							1	
-47	1200156-1	SPACER-SCREW HANDLE							1	
		ATTACHING PARTS							1	
-48	NAS561P4-8	ROLLPIN							1	
-49	1200159-1	HANDLE ASSEMBLY-ADJUSTABLE FRONT SEAT							1	
		ATTACHING PARTS							1	
-50	NAS561P4-12	ROLLPIN							1	
-51	1200092-1	KNOB-SCREW HANDLE							1	
-52	1200143-1 1200143-2	ARM ASSEMBLY-SEAT LH							2	
		ARM ASSEMBLY-SEAT RH							2	
		ATTACHING PARTS							2	
-53	NAS561-6-18	ROLLPIN							1	
-54	1200137-1	ROD-SEAT ACTUATOR							1	
		ATTACHING PARTS							2	
-55	MS20392-2C17 AN960-10 MS24665-132	PIN-FLATHEAD							2	
		WASHER							2	
		PIN-COTTER							2	
-56	0310196-15	SPRING-SEAT LATCH PIN							1	
-57	0311310	ROLLER-SEAT							4	
		ATTACHING PARTS							1	
-58	AN3-11A	BOLT							1	
-59	0311586	BUSHING-ROLLER							1	
-60	MS21044N3	NUT							1	
-61	1200158-1 1200158-5	FRAME ASSEMBLY-SEAT LH							1	
		FRAME ASSEMBLY-SEAT RH							1	
		ATTACHING PARTS							4	
-62	MS20392-2C17	PIN							4	
-63	AN960-10	WASHER							4	
-64	MS24665-132	PIN-COTTER							4	
-65	S1146-1	CLIP-UPHOLSTERY SPRING							8	
-66	0710302-1	TUBE-SEAT BACK RECLINER							1	
		ATTACHING PARTS							2	
-67	AN960C616L NAS561C3-10	WASHER							2	
		ROLLPIN							2	
-68	0710317-1	RECLINER CAM-SEAT BACK							2	
		ATTACHING PARTS							1	
	NAS561C3-12	ROLLPIN							1	
-69	0710308-1	SPRING-CAM RETURN							1	
-70	MS20392-1C39	PIN-FLATHEAD							2	
		ATTACHING PARTS							1	
	MS24665-132	PIN-COTTER							1	

A---SERIAL 185-0238 THRU 185-0512

FIGURE AND INDEX NO.	PART NUMBER	DESCRIPTION	UNITS PER ASSY	USABLE ON CODE
63 -		SEAT INSTALLATION-VERTICALLY ADJUSTABLE FRONT -----	NP	B
		SEAT ASSEMBLY-VERTICALLY ADJUSTABLE LH UTILITY -----	1	N
		SEAT ASSEMBLY-VERTICALLY ADJUSTABLE LH DELUXE -----	1	A
		SEAT ASSEMBLY-VERTICALLY ADJUSTABLE LH -----	1	S
		SEAT ASSEMBLY-VERTICALLY ADJUSTABLE LH AG CARRYALL -----	1	U
		SEAT ASSEMBLY-VERTICALLY ADJUSTABLE RH UTILITY -----	1	N
		SEAT ASSEMBLY-VERTICALLY ADJUSTABLE RH DELUXE -----	1	A
		SEAT ASSEMBLY-VERTICALLY ADJUSTABLE RH -----	1	S
		SEAT ASSEMBLY-VERTICALLY ADJUSTABLE RH AG CARRYALL -----	1	U
		ATTACHING PARTS -----		
		STOP-SEAT -----	2	
		PIN -----	2	
		PIN-COTTER -----	2	

		BACK ASSEMBLY-UPHOLSTERED SEAT DELUXE -----	1	W
		BACK ASSEMBLY-UPHOLSTERED SEAT DELUXE -----	1	X
		BACK ASSEMBLY-UPHOLSTERED SEAT UTILITY -----	1	L
		BACK ASSEMBLY-UPHOLSTERED SEAT UTILITY -----	1	X
		BACK ASSEMBLY-UPHOLSTERED SEAT -----	1	P
		ATTACHING PARTS -----		
		BOLT -----	2	
		BUSHING -----	2	
		BUSHING -----	2	
		SPRING -----	2	
	SCREW -----	2		
	NUT -----	2		
	WASHER -----	2		
	NUT -----	2		

	CAM-SEAT BACK ADJUST WHEN EXHAUSTED USE 1414111-5 ---	2	G	
	CAM-SEAT BACK ADJUST -----	2	H	
	COVER-SEAT BACK DELUXE -----	1	A	
	COVER-SEAT BACK UTILITY -----	1	N	
	COVER-SEAT BACK -----	1	P	
	CUSHION-SEAT BACK -----	1	N	
	CUSHION-SEAT BACK -----	1	P	
	CUSHION-SEAT BACK -----	1	L	
	TRIM ASSEMBLY-SEAT BACK -----	1	X	
	TRIM ASSEMBLY-SEAT BACK -----	1	P	
	TRIM ASSEMBLY-SEAT BACK -----	1		
	ATTACHING PARTS -----			
	SCREW -----	3	N	

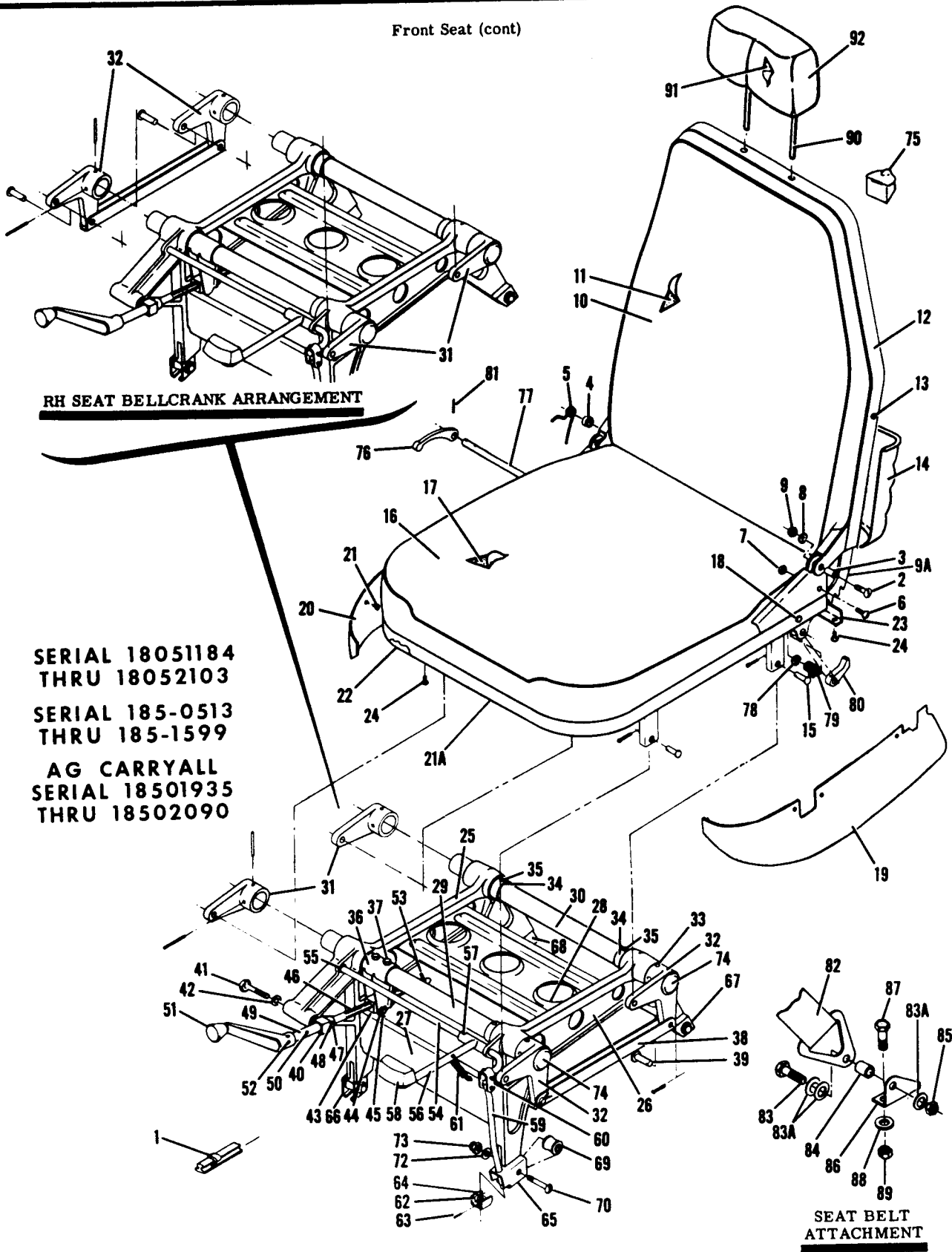
	POCKET ASSEMBLY-MAGAZINE -----	1	L	
	POCKET ASSEMBLY-MAGAZINE -----	1	X	
	SPRING -----	1	X	
	CUSHION ASSEMBLY-UPHOLSTERED SEAT BOTTOM DELUXE -----	1	A	
	CUSHION ASSEMBLY-UPHOLSTERED SEAT BOTTOM UTILITY -----	1	N	
	CUSHION ASSEMBLY-UPHOLSTERED SEAT BOTTOM -----	1	S	
	CUSHION ASSEMBLY-UPHOLSTERED SEAT BOTTOM -----	NP	U	
	ATTACHING PARTS -----			
	PIN -----	4		
	PIN-COTTER -----	4		

	COVER-SEAT BOTTOM DELUXE -----	1	A	
	COVER-SEAT BOTTOM UTILITY -----	1	N	
	COVER-SEAT BOTTOM -----	1	P	
	COVER-SEAT BOTTOM -----	1		
	CUSHION-SEAT BOTTOM -----	1		
	BOLT LH SIDE ONLY -----	2		
	BOLT RH SIDE ONLY -----	1		
	SPACER RH SIDE ONLY -----	1		
	NUT -----	2		
	SKIRT-SEAT BOTTOM LH -----	1	T	
	SKIRT-SEAT BOTTOM RH -----	1	T	
	ATTACHING PARTS -----			
	SCREW -----	4	T	

	TRIM-SEAT BOTTOM AG CARRYALL -----	1	U	
	RETAINER -----	1		
	RETAINER -----	1		
	SCREW -----	14		

CONTINUED ON NEXT PAGE

Front Seat (cont)



SERIAL 18051184
 THRU 18052103
 SERIAL 185-0513
 THRU 185-1599
 AG CARRYALL
 SERIAL 18501935
 THRU 18502090

Figure 63. Vertically Adjustable Front Seat

FIGURE AND INDEX NO.	PART NUMBER	DESCRIPTION	UNITS PER ASSY	USABLE ON CODE
		1 2 3 4 5 6 7		
63 -	0700631-5	FRAME ASSEMBLY-SEAT BOTTOM LH -----	1	K
	0700631-5	FRAME ASSEMBLY-SEAT BOTTOM LH -----	1	F
	0700631-6	FRAME ASSEMBLY-SEAT BOTTOM RH -----	1	K
	0700631-6	FRAME ASSEMBLY-SEAT BOTTOM RH -----	1	F
-25	0700640-1	LEG-SEAT INBOARD LH -----	1	
	0700640-2	LEG-SEAT INBOARD RH -----	1	
-26	0700640-5	LEG-SEAT OUTBOARD LH -----	1	
	0700640-6	LEG-SEAT OUTBOARD RH -----	1	
-27	0700641-1	BRACE-FORWARD BULKHEAD -----	1	
	0700641-5	BRACE-FORWARD BULKHEAD -----	1	
-28	0700641-2	BRACE-UPPER BULKHEAD -----	1	
-29	0700639-1	TUBE-FORWARD TORQUE -----	1	
-30	0700639-2	TUBE-AFT TORQUE -----	2	
-31	0700633-2	BELLCRANK -----	2	
-32	0700633-4	BELLCRANK LH SEAT ONLY -----	2	
	0700633-1	BELLCRANK RH SEAT ONLY -----	8	
-33	NAS561P6-22	ROLLPIN -----	3	
-34	1200136-1	COLLAR -----	3	
-35	NAS561P6-18	ROLLPIN -----	1	
-36	1200141-1	BELLCRANK-LH -----	1	
	1200141-2	BELLCRANK-RH -----	1	
		ATTACHING PARTS		
-37	AN4-14A	BOLT -----	2	
	NAS679A4	NUT -----	2	
		---*---		
-38	0700634-1	CHANNEL-PUSH PULL -----	1	
		ATTACHING PARTS		
-39	MS20392-2C17	PIN -----	2	
	MS24665-132	PIN-COTTER -----	2	
		---*---		
-40	0700638-1	BLOCK-BEARING -----	1	
-41	AN520-10R8	SCREW -----	1	
-42	AN960-10L	WASHER -----	1	
-43	1200139-1	NUT -----	1	
-44	AN960-10	WASHER -----	1	
-45	MS20392-2C27	PIN -----	1	
	MS24665-132	PIN-COTTER -----	1	
-46	1200186-1	SCREW-SEAT ADJUSTMENT -----	1	
-47	1200138-1	COLLAR -----	1	
-48	NAS561P4-10	ROLLPIN -----	1	
-49	1200156-1	SPACER -----	1	
-50	NAS561P4-8	ROLLPIN -----	1	
-51	1200159-1	HANDLE ASSEMBLY-VERTICAL ADJUSTMENT -----	2	
-52	NAS561P4-12	ROLLPIN -----	1	
-53	NAS561P4-10	ROLLPIN -----	1	
-54	0700642-1	TUBE-SEAT ADJUSTMENT TORQUE -----	1	
-55	AN960-616L	WASHER -----	1	
	MS24665-5	PIN-COTTER -----	1	
-56	0700643-1	ARM-SEAT ADJUSTMENT -----	2	
-57	NAS561P3-8	ROLLPIN -----	1	
-58	1200164-1	KNOB-FORE & AFT ADJUSTMENT -----	1	
		ATTACHING PARTS		
	51022Z6-10	SCREW -----	1	
		---*---		
-59	0700644-1	PIN-SEAT ADJUSTMENT -----	1	
-60	1414104-56	CLAMP -----	2	
	MS24665-134	PIN-COTTER -----	1	
-61	1414116-1	SPRING -----	1	
-62	AN960-416	WASHER -----	1	
-63	MS24665-132	PIN-COTTER -----	1	
-64	1414104-8	BRACKET-SEAT ADJUSTMENT -----	1	
-65	0700645-1	HOUSING-ROLLER -----	1	
-66	0700645-2	HOUSING-ROLLER -----	1	
-67	0700645-3	HOUSING-ROLLER -----	1	
-68	0700645-4	HOUSING-ROLLER -----	1	
-69	1414100-212	SEAT ROLLER KIT -----	4	
		ATTACHING PARTS		
-70	AN23-19A	BOLT -----	1	
-71		DELETED, NOT AVAILABLE -----		
-72	AN960-10L	WASHER -----	1	
-73	S1914-8	NUT -----	1	
		---*---		
-74	51045	PLUG BUTTON UC -----	2	

CONTINUED ON NEXT PAGE

FIGURE AND INDEX NO.	PART NUMBER	DESCRIPTION	UNITS PER ASSY	USABLE ON CODE		
					1	2
63 -75	S1957-2	ASH RECEIVER-SFAT BACK	1	P		
	1A1001	RETAINER-ASH RECEIVER GDR	1			
		ATTACHING PARTS				
	S1021Z6-8	SCREW	2	P		
	NAS395-5	NUT	2			
		-----*				
-76	0710312-2	HANDLE-RECLINING ADJUSTMENT	1			
-77	1414104-1	TUBE-SEAT ADJUSTMENT TORQUE	1			
-78	AN960D616	WASHER	2			
-79	1414107-1	SPRING-SEAT ADJUSTMENT	1			
-80	0700636-1	PAWL-SEAT ADJUSTMENT	2			
-81	NAS561C3-10	PIN	3			
-82	S1060-15	BELT ASSEMBLY-FRONT SEAT BEIGE	2	D E V U		
	S161883	BELT ASSEMBLY-FRONT SEAT BLACK	2			
	S161803	BELT ASSEMBLY-FRONT SEAT TAN	2			
	S2070W103	BELT ASSEMBLY-FRONT SEAT CLOVE BROWN	2			
		ATTACHING PARTS				
-83	AN4-5A	BOLT	2	U T		
-83A	AN960-416	WASHER	3			
-84	NAS43HT4-20	SPACER	2	U T		
	NAS43HT4-12	SPACER	2			
-85	NAS679A4	NUT	2	U		
	NAS679A4	NUT OUTBOARD FITTINGS ONLY	1			
		-----*				
-86	0511301-18	FITTING-SEAT BELT INBOARD LH & OUTBOARD RH	2	Q		
		WHEN EXHAUSTED USE 0510205-6				
	0510205-6	FITTING-SEAT BELT INBOARD LH & OUTBOARD RH	2	R Q		
	0511301-19	FITTING-SEAT BELT OUTBOARD LH & INBOARD RH	2			
		WHEN EXHAUSTED USE 0510205-5				
	0510205-5	FITTING-SEAT BELT OUTBOARD LH & INBOARD RH	2	R		
		ATTACHING PARTS				
-87	AN3-4A	BOLT INBOARD FITTINGS ONLY	2			
	AN3-5A	BOLT OUTBOARD FITTINGS ONLY	2			
-88	AN970-3	WASHER UNDER FORWARD NUT ONLY	1			
-89	MS21044N3	NUT	2			
		-----*				
	1414252-1	# HEADREST ASSEMBLY	2	L M U T		
	1714040-1	# HEADREST ASSEMBLY	2			
	0514048-1	# HEADREST ASSEMBLY	2			
-90	1414252-2	FRAME-HEADREST	1	L M L		
-91	1414252-7	CUSHION-HEADREST	1			
	1714035-1	CUSHION-HEADREST	1	L M U		
-92	1414252-6	# COVER-HEADREST	1			
	1714040-2	# COVER-HEADREST	1			
	0514048-9	# COVER-HEADREST	1			
		NOTE. #THIS PART NUMBER MUST HAVE A SECOND DASH NUMBER ADDED TO DENOTE COLOR. REFER TO HOW TO ORDER UPHOLSTERED PARTS-PAGE XII.				
		NOTE. #THIS PART NUMBER MUST HAVE A SECOND DASH NUMBER ADDED TO DENOTE COLOR. REFER TO HOW TO ORDER INTERIOR PARTS-PAGE XIII.				
		NOTE. *SEE FIGURE 70 FOR SHOULDER HARNESS INSTL.				
		NOTE. %WHEN ORDERING SEAT BELT FOR AUSTRALIAN AIRCRAFT ADD VH TO PART NUMBER. EXAMPLE S2070W103VH.				
		A---SERIAL 185-0654 THRU 185-1447 SERIAL 18051184 THRU 18051993				
		B---SERIAL 185-0513 THRU 185-1599 SERIAL 18501935 THRU 18502090 AG CARRYALL SERIAL 18051184 THRU 18052103				
		C---SERIAL 185-0777 THRU 185-1599 SERIAL 18051446 THRU 18052103				
		CONTINUED ON NEXT PAGE				

FIGURE AND INDEX NO.	PART NUMBER	DESCRIPTION	UNITS PER ASSY	USABLE ON CODE
		1 2 3 4 5 6 7		
63 -		D---SERIAL 185-0513 THRU 185-0776		
		SERIAL 18051184 THRU 18051445		
		E---SERIAL 185-0777 THRU 185-0967		
		SERIAL 18051446 THRU 18051607		
		F---SERIAL 185-0968 THRU 185-1599		
		SERIAL 18501935 THRU 18502090 AG CARRYALL		
		SERIAL 18051608 THRU 18052103		
		G---SERIAL 185-0513 THRU 185-0926		
		SERIAL 18051184 THRU 18051573		
		H---SERIAL 185-0927 THRU 185-1599		
		SERIAL 18501935 THRU 18502090 AG CARRYALL		
		SERIAL 18051574 THRU 18052103		
		K---SERIAL 185-0513 THRU 185-0967		
		SERIAL 18051184 THRU 18051607		
		L---SERIAL 185-0513 THRU 185-1300		
		SERIAL 18051184 THRU 18051875		
		M---SERIAL 185-1301 THRU 185-1599		
		SERIAL 18051876 THRU 18052103		
		N---SERIAL 185-0513 THRU 185-1447		
		SERIAL 18051184 THRU 18051993		
		P---SERIAL 185-1448 THRU 185-1599		
		SERIAL 18501935 THRU 18502090 AG CARRYALL		
		SERIAL 18051994 THRU 18052103		
		Q---SERIAL 185-0513 THRU 185-1563		
		SERIAL 18051184 THRU 18052085		
		R---SERIAL 185-1564 THRU 185-1599		
		SERIAL 18501935 THRU 18502090 AG CARRYALL		
		SERIAL 18052086 THRU 18052103		
		S---SERIAL 185-1448 THRU 185-1599		
		SERIAL 18051994 THRU 18052103		
	T---SERIAL 185-0513 THRU 185-1599			
	SERIAL 18051184 THRU 18052103			
	U---SERIAL 18501935 THRU 18502090 AG CARRYALL			
	V---SERIAL 185-0968 THRU 185-1599			
	SERIAL 18051608 THRU 18052103			
	W---SERIAL 185-0654 THRU 185-1300			
	SERIAL 18051184 THRU 18051875			
	X---SERIAL 185-1301 THRU 185-1447			
	SERIAL 18051876 THRU 18051993			

FIGURE AND INDEX NO.	PART NUMBER	DESCRIPTION	UNITS PER ASSY	USABLE ON CODE
		1 2 3 4 5 6 7		
63A-		PILOT & CO-PILOT POWER ADJUSTABLE SEAT INSTL. -----	NP	A
	1414265-11 #	SEAT ASSEMBLY-PILOT POWER VERTICALLY ADJUSTABLE -----	1	
	1414265-12 #	SEAT ASSEMBLY-CO-PILOT POWER VERTICALLY ADJUSTABLE -----	1	
		ATTACHING PARTS -----		
- 1	0911242-1	STOP-SEAT -----	4	
- 2	AN500A8-4	SCREW -----	4	

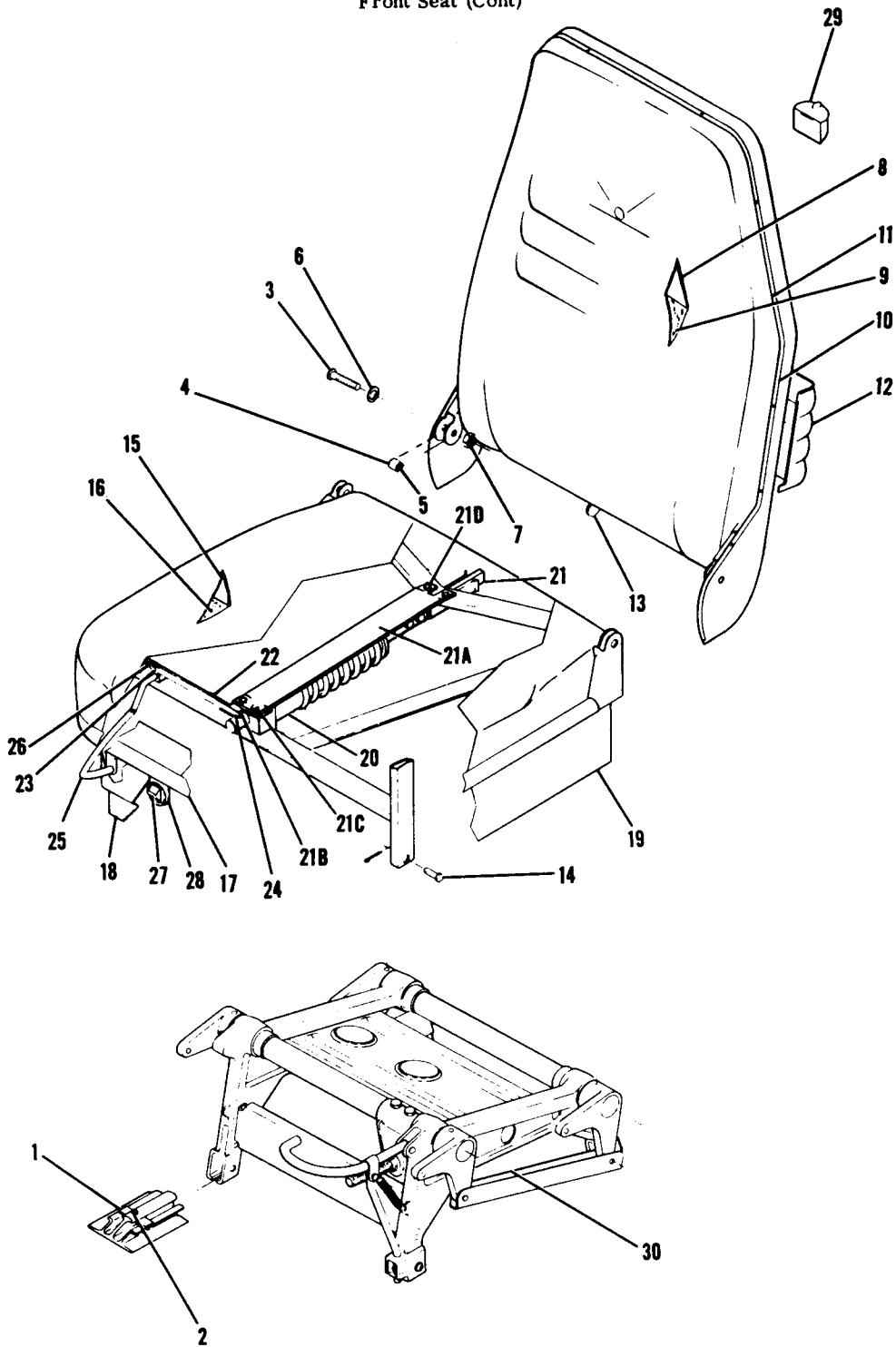
	1414265-212 #	BACK ASSEMBLY-UPHOLSTERED SEAT -----	1	
		ATTACHING PARTS -----		
- 3	AN23-16A	BOLT -----	2	
- 4	NAS43HT4-18	SPACER -----	2	
- 5	1414104-4	BUSHING -----	2	
- 6	AN960-10L	WASHER -----	2	
- 7	S1914-8	NUT -----	2	

- 8	0700114-44 #	COVER-SEAT BACK -----	1	
- 9	1414100-9	CUSHION-SEAT BACK -----	1	
-10	1414264-13 #	TRIM ASSEMBLY-SEAT BACK -----	1	
		ATTACHING PARTS -----		
-11	S102178-6C	SCREW -----	AR	

-12	1414264-5 #	POCKET ASSEMBLY MAGAZINE -----	1	

CONTINUED ON NEXT PAGE

Front Seat (Cont)

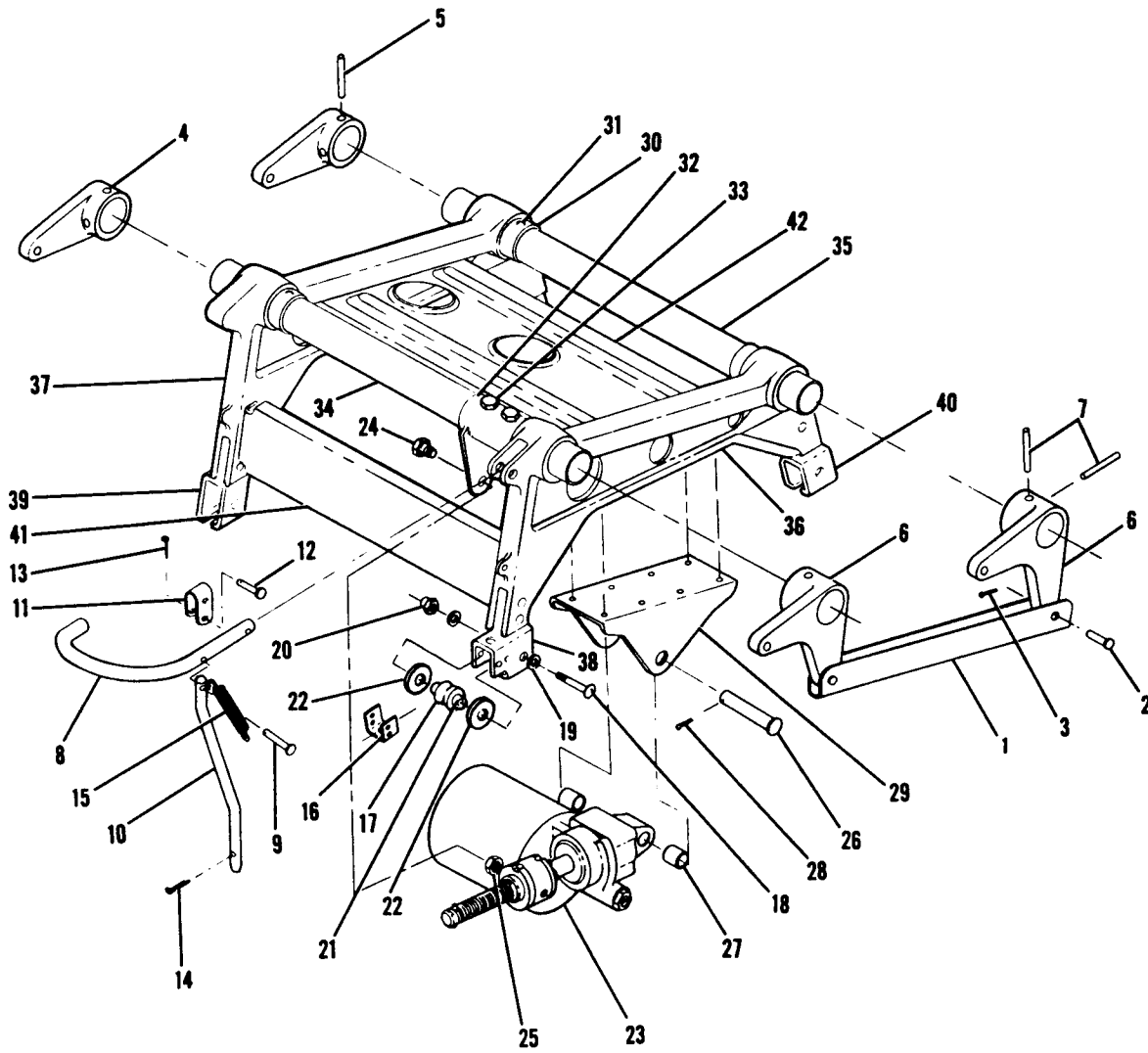


SERIAL 185-0691 THRU 185-1149
SERIAL 18051347 THRU 18051774

Figure 63A. Pilot & Co-Pilot Power Adjustable Seat Installation

FIGURE AND INDEX NO.	PART NUMBER	DESCRIPTION	UNITS PER ASSY	USABLE ON CODE
		1 2 3 4 5 6 7		
63A-13	1414262-1	CAM-SEAT BACK RECLINE ----- ATTACHING PARTS -----	1 3	
	AN3-10A AN960-10L MS21044N3	BOLT ----- WASHER ----- NUT -----	3 3	
	1414265-213	CUSHION ASSEMBLY-UPHOLSTERED SEAT BOTTOM ----- ATTACHING PARTS -----	1 4	
-14	MS20392-2C17 MS24665-132	PIN ----- COTTER PIN -----	4 4	
-15	0700114-42	COVER-SEAT BOTTOM -----	1	
-16	1414265-8	CUSHION-SEAT BOTTOM -----	1	
-17	1414217-7 1414217-3	RETAINER-SEAT BOTTOM ----- RETAINER-SEAT BOTTOM ----- ATTACHING PARTS -----	1 1 12	
	S1021Z6-4	SCREW -----	1	
-18	0700646-3	SKIRT-SEAT LH -----	1	
-19	0700646-4	SKIRT-SEAT RH ----- ATTACHING PARTS -----	1 AR	
	S1021Z6-4	SCREW -----	1	
-20	1414266-1	ACTUATOR-SEAT BACK -----	1	
-21	1414261-1	STOP-SEAT BACK ----- ATTACHING PARTS -----	1 2	
	AN3-10A AN960-10L MS21044N3	BOLT ----- WASHER ----- NUT -----	2 2 2	
-21A	1514059-1	STIFFENER ----- ATTACHING PARTS -----	1	B
-21B	1414269-1	SEAT STOP -----	1	B
-21C	AN3-17A AN960-10L MS21044N3 NAS43DD3-12 NAS43DD3-3 AN3-13A	BOLT ----- WASHER ----- NUT ----- SPACER UNDER STIFFENER ----- SPACER BETWEEN ACTUATOR & FRAME ----- BOLT -----	2 4 4 2 2 2	B B B B B B
-21D	1414258-1	LINK -----	1	
-22	1414258-1	LINK ----- ATTACHING PARTS -----	1 2	
-23	MS20392-1C9 MS24665-132	PIN ----- COTTER PIN -----	2 2	
-24	1414259-1	SCREW -----	1	
-25	1414257-5	HANDLE ASSEMBLY ----- ATTACHING PARTS -----	1 2	
	MS24665-283	COTTER PIN -----	2	
-26	1200478-2	SPRING-HANDLE RETURN -----	1	
-27	1414268-1	SWITCH ASSEMBLY -----	1	
-28	1414267-1	BRACKET-SWITCH ----- ATTACHING PARTS -----	1 2	
	S1021Z6-6	SCREW -----	2	
-29	0700719-1	COVER-FLOORBOARD TERMINAL -----	1	
-30	S1957-2	ASH RECEIVER ----- POWER SEAT BOTTOM ASSEMBLY SEE FIGURE 63B -----	1 1	
<p>NOTE. #THIS PART NUMBER MUST HAVE A SECOND DASH NUMBER ADDED TO DENOTE COLOR. REFER TO HOW TO ORDER UPHOLSTERED PARTS-PAGE XII.</p> <p>NOTE. #THIS PART NUMBER MUST HAVE A SECOND DASH NUMBER ADDED TO DENOTE COLOR. REFER TO HOW TO ORDER INTERIOR PARTS-PAGE XIII.</p> <p>A---SERIAL 18051347 THRU 18051774 SERIAL 185-0691 THRU 185-1149 B---SERIAL 18051504 THRU 18051774 SERIAL 185-0828 THRU 185-1149</p>				

Front Seat (Cont)



SERIAL 185-0691 THRU 185-1149
SERIAL 18051347 THRU 18051774

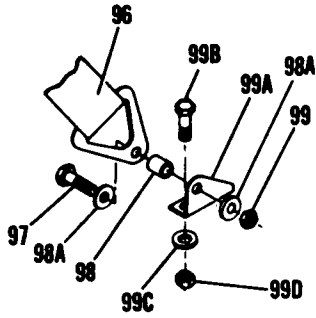
Figure 63B. Power Seat Bottom Assembly - Pilot & Co-Pilot

FIGURE AND INDEX NO.	PART NUMBER	DESCRIPTION	UNITS PER ASSY	USABLE ON CODE
		1 2 3 4 5 6 7		
63B-	1414240-3	POWER SEAT BOTTOM ASSEMBLY-PILOTS -----	1	A
	1414240-3	POWER SEAT BOTTOM ASSEMBLY-PILOTS -----	1	B
	1414240-4	POWER SEAT BOTTOM ASSEMBLY-CO-PILOTS -----	1	A
	1414240-4	POWER SEAT BOTTOM ASSEMBLY-CO-PILOTS -----	1	B
- 1	0700634-1	CHANNEL OUTBOARD SIDE ONLY ----- ATTACHING PARTS -----	2	
- 2	MS20392-2C17	PIN -----	2	
- 3	MS24665-132	COTTER PIN -----	2	
- 4	0700633-2	BELLCRANK-INBOARD ----- ATTACHING PARTS -----	4	
- 5	NAS961P6-22	ROLL PIN -----	2	
- 6	0700633-4	BELLCRANK-OUTBOARD PILOTS SEAT -----	2	
	0700633-1	BELLCRANK-OUTBOARD CO-PILOTS SEAT ----- ATTACHING PARTS -----	4	
- 7	NAS961P6-22	ROLL PIN -----	1	
- 8	1414248-1	HANDLE-SEAT ADJUSTMENT ----- ATTACHING PARTS -----	1	
- 9	MS20392-2C21	PIN -----	1	
	MS24665-132	COTTER PIN -----	1	
-10	1414245-2	ROD-SEAT ADJUSTMENT ----- ATTACHING PARTS -----	1	
-11	1414104-56	CLAMP -----	2	
-12	MS20392-1C15	PIN -----	2	
-13	MS24665-132	COTTER PIN -----	1	
-14	MS24665-132	COTTER PIN -----	1	
-15	1414116-1	SPRING -----	1	
-16	1414104-8	BRACKET-SEAT ADJUSTMENT ROD -----	4	
-17	S1551-1	ROLLER-SEAT ----- ATTACHING PARTS -----	1	
-18	AN23-19A	BOLT -----	2	
-19	AN960-10L	WASHER -----	1	
-20	S1914-8	NUT -----	1	
-21	1414104-54	BUSHING-SEAT ROLLER -----	2	
-22	S1554-1	WASHER -----	1	
-23	1414249-2	MOTOR ASSEMBLY ----- ATTACHING PARTS -----	1	
-24	1414247-1	BOLT -----	1	
-25	AN316C5R	NUT -----	1	
-26	MS20392-5C65	PIN -----	2	
-27	NAS43DD6-33	SPACER -----	1	
-28	MS24665-283	COTTER PIN -----	1	
-29	1414242-1	BRACKET-MOTOR ASSEMBLY -----	3	
-30	1200136-1	COLLAR-TORQUE TUBE ----- ATTACHING PARTS -----	3	
-31	NAS961P6-18	ROLL PIN -----	1	
-32	1414243-1	BELLCRANK ----- ATTACHING PARTS -----	2	
-33	AN4-14A	BOLT -----	2	
	NAS679A4	NUT -----	1	
-34	0700639-3	TORQUE TUBE-FORWARD -----	1	
-35	0700639-2	TORQUE TUBE-AFT -----	1	
-36	1414241-3	LEG-LH -----	1	
-37	1414241-4	LEG-RH -----	1	
-38	0700645-1	HOUSING-SEAT ROLLER FWD LH -----	1	
-39	0700645-2	HOUSING-SEAT ROLLER FWD RH -----	1	
-40	0700645-3	HOUSING-SEAT ROLLER AFT LH -----	1	
	0700645-4	HOUSING-SEAT ROLLER AFT RH -----	1	
-41	0700641-3	BRACE-SEAT -----	1	
-42	0700641-4	BRACE-SEAT -----	1	

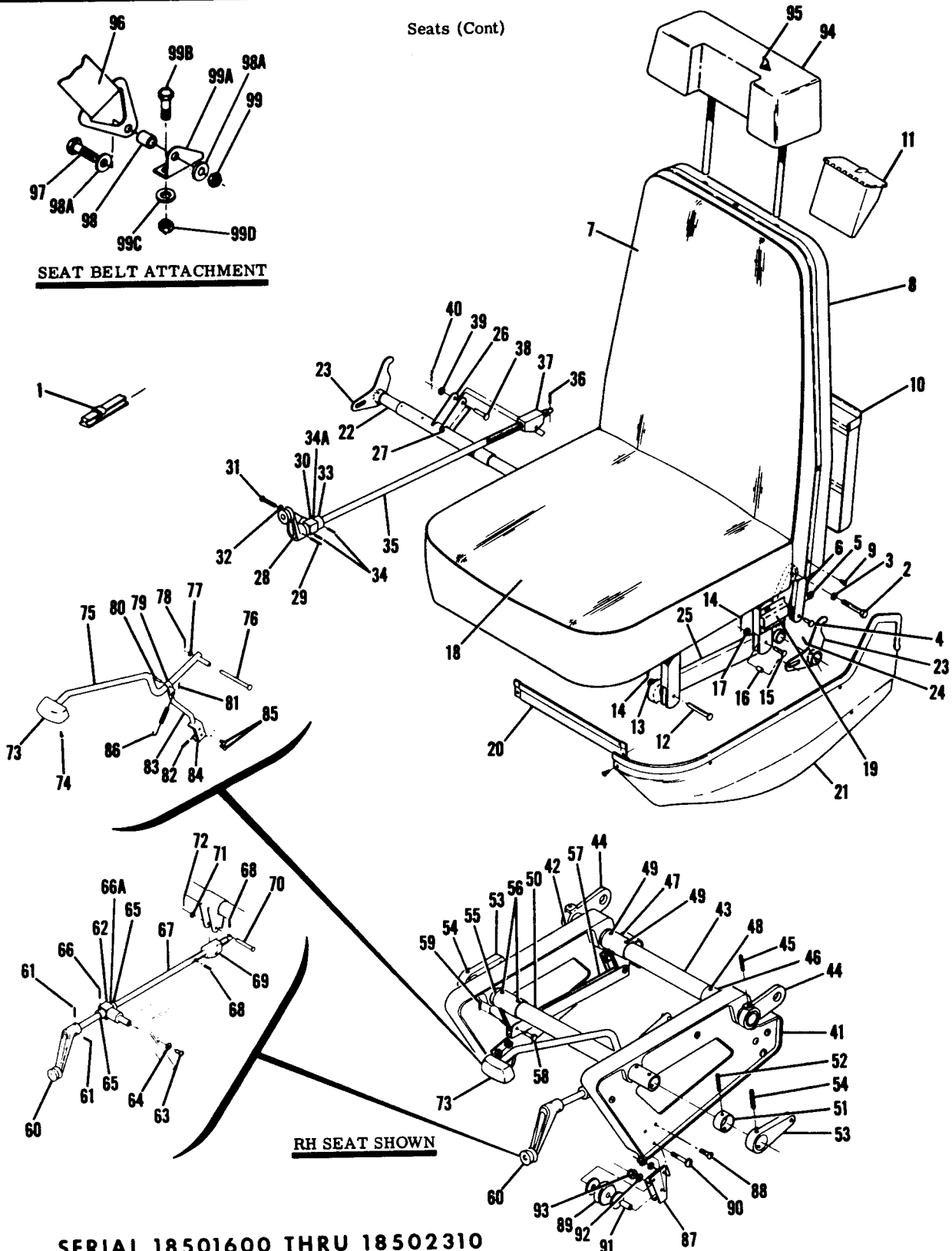
NOTE. THIS PART NUMBER MUST HAVE A SECOND DASH NUMBER ADDED TO DENOTE COLOR. REFER TO HOW TO ORDER INTERIOR PARTS-PAGE XIII.

A---SERIAL 18051347 THRU 18051607
 SERIAL 185-0691 THRU 185-0967
 B---SERIAL 18051608 THRU 18051774
 SERIAL 185-0968 THRU 185-1149

Seats (Cont)



SEAT BELT ATTACHMENT



RH SEAT SHOWN

SERIAL 18501600 THRU 18502310
SERIAL 18052104 THRU 18052384

Figure 63C. Infinitely Adjustable Front Seat Installation

FIGURE AND INDEX NO.	PART NUMBER	DESCRIPTION	UNITS PER ASSY	USABLE ON CODE
		1 2 3 4 5 6 7		
63C-		FRONT SEAT INSTALLATION-INFINITE ADJUST	NP	A
	0515001-1 #	FRONT SEAT ASSEMBLY-INFINITE ADJUST CO-PILOT	1	B
	0515001-26 #	FRONT SEAT ASSEMBLY-INFINITE ADJUST CO-PILOT	1	C
	0515001-20 #	FRONT SEAT ASSEMBLY-INFINITE ADJUST PILOT	1	B
	0515001-25 #	FRONT SEAT ASSEMBLY-INFINITE ADJUST PILOT	1	C
		ATTACHING PARTS	2	
- 1	0713074-1	STOP-SEAT	2	
	MS20392-1C21	PIN	2	
	MS24665-151	PIN-COTTER	2	
		BACK ASSEMBLY-UPHOLSTERED SEAT	1	B
	0515001-200 #	BACK ASSEMBLY-UPHOLSTERED SEAT	NP	C
		ATTACHING PARTS	2	
- 2	AN3-17A	BOLT	4	
- 3	AN960-10L	WASHER	2	
	0514029-2	SPACER	2	
	MS21044N3	NUT	2	
- 4	MS20392-2C11	PIN	2	
- 5	AN960-10L	WASHER	2	
- 6	MS24665-132	PIN-COTTER	2	
		COVER ASSEMBLY-SEAT BACK	1	B
- 7	0515001-7 #	COVER ASSEMBLY-SEAT BACK	1	C
	0515001-42 #	TRIM ASSEMBLY-SEAT BACK	1	B
- 8	0514018-1 #	TRIM ASSEMBLY-SEAT BACK	1	C
	0514018-15 #	ATTACHING PARTS	3	
- 9	S1021A4-6	SCREW	1	
		POCKET ASSEMBLY-MAGAZINE	1	
-10	0514018-3 #	ASH RECEIVER	1	
-11	S1957-2	BOTTOM ASSEMBLY-UPHOLSTERED SEAT CO-PILOT	1	B
	0515001-201 #	BOTTOM ASSEMBLY-UPHOLSTERED SEAT PILOT	1	B
	0515001-210 #	BOTTOM ASSEMBLY-UPHOLSTERED SEAT	NP	C
		ATTACHING PARTS	2	
-12	MS20392-3C49	PIN	2	
-13	AN960-416L	WASHER	4	
-14	MS24665-134	PIN-COTTER	2	
-15	MS20392-3C17	PIN	2	
-16	0514029-1	SPACER	2	
-17	AN960-416L	WASHER	2	
		COVER ASSEMBLY-SEAT BOTTOM	1	B
-18	0515001-10 #	COVER ASSEMBLY-SEAT BOTTOM	1	C
	0515001-38 #	SUPPORT-SEAT TRIM LH	1	
-19	0514101-1 #	SUPPORT-SEAT TRIM RH	1	
	0514101-2 #	ATTACHING PARTS	2	
	S1021A4-6	SCREW	1	
		TRIM	1	
-20	0514017-3 #	TRIM-LH WEU 0714010-1	1	J
-21	0514017-1 #	TRIM-RH WEU 0714010-2	1	J
	0514017-2 #	TRIM-LH	1	K
	0714010-1 #	TRIM-RH	1	K
	0714010-2 #	ATTACHING PARTS	4	
	S1021A4-6	SCREW	1	
		TURE-TORQUE	2	
-22	0514026-11	BELLCRANK ASSEMBLY-SEAT BACK ADJUST	2	
-23	0514030-4	ATTACHING PARTS	2	
-24	NAS561P4-12	ROLL PIN	2	
		BRACKET-SEAT PIVOT	1	F
-25	0514060-5	BELLCRANK ASSEMBLY-SEAT ADJUST	1	H
-26	0514028-10	BELLCRANK ASSEMBLY-SEAT ADJUST PILOT	1	H
	0514028-15	BELLCRANK ASSEMBLY-SEAT ADJUST CO-PILOT	1	H
	0514028-16	ATTACHING PARTS	5	
-27	NAS561P6-12	ROLL PIN	5	

CONTINUED ON NEXT PAGE

FIGURE AND INDEX NO.	PART NUMBER	DESCRIPTION							UNITS PER ASSY	USABLE ON CODE
		1	2	3	4	5	6	7		
63C-28	0514036-1	HANDLE ASSEMBLY-SEAT BACK ADJUST -----							1	E D G H
-29	NAS561P4-12	ATTACHING PARTS -----							1	
-30	0514033-1	ROLL PIN -----							1	
-31	AN520-10P8	BEARING BLOCK -----							1	
-32	AN960-10L	ATTACHING PARTS -----							1	
-33	1200138-2	SCREW -----							1	
-34	NAS561P4-12	WASHER -----							2	
-34A	S2013-2	COLLAR -----							1	
-35	S2014-2	ATTACHING PARTS -----							1	
-35	0514027-2	ROLL PIN -----							1	
-35	0514027-6	BEARING -----							1	
-35	0514027-9	RACE -----							2	
-36	NAS561P4-10	SCREW ASSEMBLY WEU 0514027-6 -----							1	
-37	1200139-1	SCREW ASSEMBLY -----							1	
-38	MS20392-2C37	SCREW ASSEMBLY -----							1	
-39	AN960-10	ROLL PIN -----							1	
-40	MS24665-132	NUT-SEAT ADJUST -----							1	
-41	0514024-1	ATTACHING PARTS -----							1	
-42	0514035-1	PIN -----							1	
-43	0514035-2	WASHER -----							1	
-44	0514026-2	PIN-COTTER -----							1	
-45	0514034-1	PEDESTAL ASSEMBLY-CO-PILOT SEAT -----							1	
-46	NAS561P6-28	PEDESTAL ASSEMBLY-PILOT SEAT -----							1	
-47	0514028-6	PEDESTAL-LH -----							1	
-48	0514028-5	PEDESTAL-RH -----							1	
-49	NAS561P8-18	TORQUE TUBE-REAR -----							1	
-50	NAS561P6-18	BELLCRANK-VERTICAL ADJUSTMENT REAR -----							2	
-51	0514026-4	ATTACHING PARTS -----							1	
-52	1200136-1	ROLL PIN -----							1	
-53	0700633-5	BELLCRANK ASSEMBLY-REAR TORQUE TUBE -----							1	
-54	NAS561P6-22	BELLCRANK ASSEMBLY-REAR TORQUE TUBE -----							1	
-55	0514028-5	ATTACHING PARTS -----							2	
-56	NAS561P6-18	ROLL PIN -----							2	
-57	0514032-1	TORQUE TUBE-FORWARD -----							1	
-58	MS20392-2C37	COLLAR-FRONT TORQUE TUBE -----							3	
-59	MS24665-132	ATTACHING PARTS -----							1	
-60	1200159-3	ROLL PIN -----							1	
-61	NAS561P4-12	BELLCRANK ASSEMBLY-VERTICAL ADJUSTMENT FRONT -----							2	
-62	0514033-1	ATTACHING PARTS -----							1	
-63	AN520-10P8	ROLL PIN -----							1	
-64	AN960-10L	WASHER -----							1	

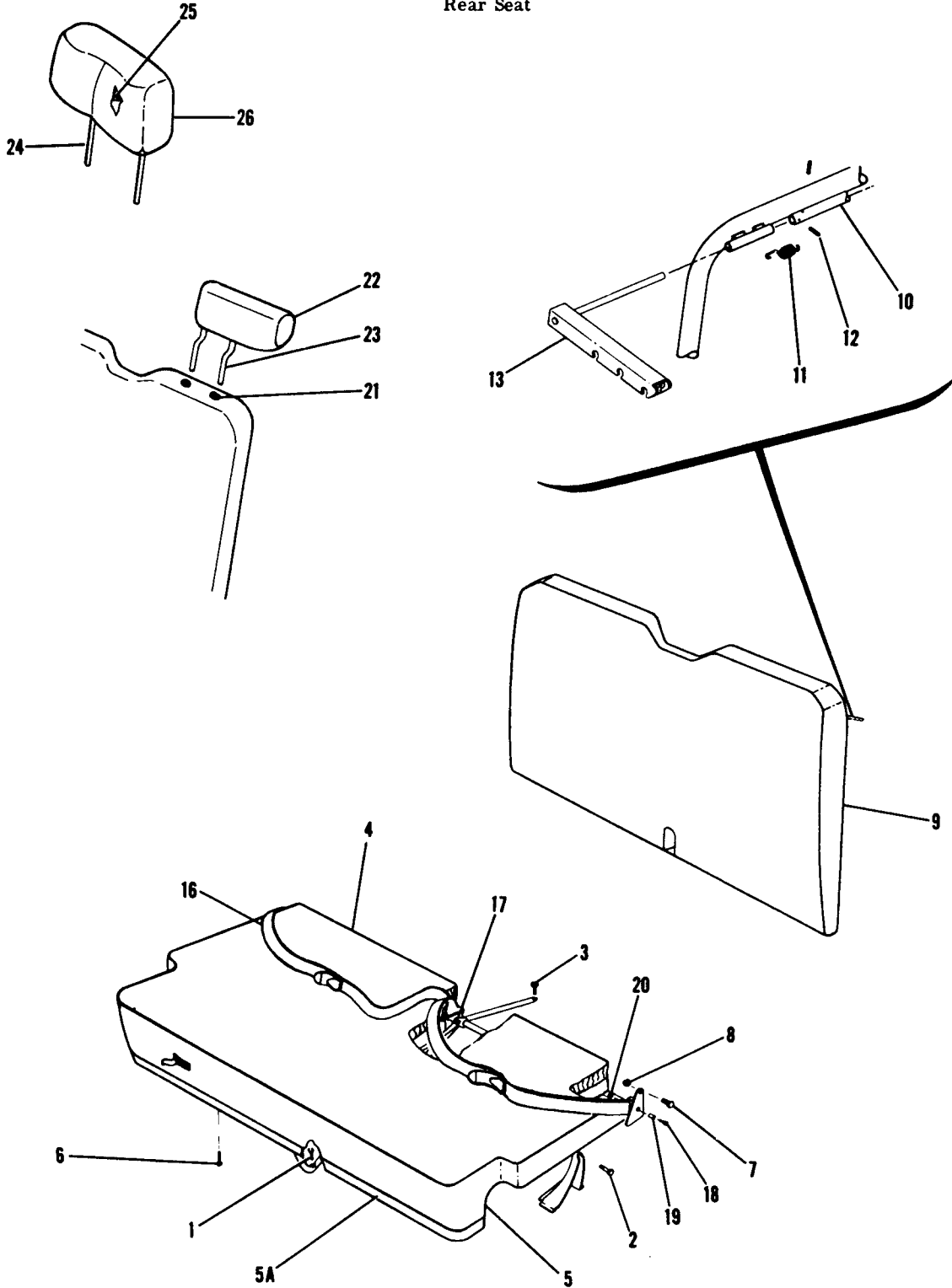
CONTINUED ON NEXT PAGE

FIGURE AND INDEX NO.	PART NUMBER	DESCRIPTION							UNITS PER ASSY	USABLE ON CODE
		1	2	3	4	5	6	7		
63C-65	1200138-1								2	
-66	NAS561P4-12								1	
-66A	S2013-2								1	E E D E
	S2014-2								2	
-67	0514027-1	**							1	
	0514027-5						WEU 0514027-5		1	
-68	NAS561P4-10								1	
	NAS561P4-10								2	
-69	0514037-1								1	
-70	MS20392-2C37								1	
-71	AN960-10								1	
-72	MS24665-132								1	
-73	0700113-1								1	
-74	S102126-8								1	
-75	0514047-1								1	
	0514047-9								1	
-76	MS20392-2C83								1	
	MS20392-2C45								1	
-77	AN960-10L								1	
-78	MS24665-132								1	
-79	1414104-56								2	
-80	MS20392-1C15								1	
	MS20392-1C15								1	
-81	MS24665-132								1	
-82	NAS561-3-16								1	
-83	1714067-2								1	
	1714067-4								1	
-84	1714061-1								1	
-85	AN515-8R6								2	
	NAS679A08								2	
-86	1414116-1								1	
-87	1714000-33								4	
-88	NAS220-11								2	
	AN960-8								2	
	NAS679A08								2	
-89	1714000-200								4	
-90	AN23-20A								1	
-91	1414104-54								1	
-92	AN960-10L								1	
-93	S1914-8								1	
-94	0514048-1	#							2	
-95	0514048-9	#							1	
-96	S1746W2								2	B C
	S2070W103	*Z							2	
-97	AN4-5A								2	
-98	NAS43HT4-12								2	
-98A	AN960-416								3	
-99	NAS679A4								1	

CONTINUED ON NEXT PAGE

FIGURE AND INDEX NO.	PART NUMBER	DESCRIPTION							UNITS PER ASSY	USABLE ON CODE
		1	2	3	4	5	6	7		
63C-99A	0510205-5	FITTING-SEAT BELT	LH	OUTBOARD	&	RH	INBOARD	----	2	
	0510205-6	FITTING-SEAT BELT	RH	OUTBOARD	&	LH	INBOARD	----	2	
		ATTACHING PARTS								
-99B	AN3-4A	BOLT	INBOARD	FITTINGS	ONLY	----			2	
	AN3-5A	BOLT	OUTBOARD	FITTINGS	ONLY	----			2	
-99C	AN970-3	WASHER	UNDER	FORWARD	NUT	ONLY	----		1	
-99D	MS21044N3	NUT	----						2	
		-----*								
		NOTE. #THIS PART NUMBER MUST HAVE A SECOND DASH NUMBER ADDED TO DENOTE COLOR. REFER TO HOW TO ORDER UPHOLSTERED PARTS-PAGE XII.								
		NOTE. #THIS PART NUMBER MUST HAVE A SECOND DASH NUMBER ADDED TO DENOTE COLOR. REFER TO HOW TO ORDER INTERIOR PARTS-PAGE XIII.								
		NOTE. **WHEN INITIALLY ORDERING THIS PART FOR AIRCRAFT PRIOR TO SERIALS 18052195 & 18051876 ALSO ORDER ONE S2013-2 BEARING & TWO S2014-2 RACE.								
		NOTE. %SEE FIGURE 70 FOR SHOULDER HARNESS INSTL.								
		NOTE. *WHEN ORDERING SEAT BELT FOR AUSTRALIAN AIRCRAFT ADD VH TO PART NUMBER. EXAMPLE S2070W103VH.								
		A---SERIAL 18051600 THRU 18052310 SERIAL 18052104 THRU 18052384								
		B---SERIAL 18051600 THRU 18051832 SERIAL 18052104 THRU 18052175								
		C---SERIAL 18051833 THRU 18052310 SERIAL 18052176 THRU 18052384								
		D---SERIAL 18051600 THRU 18051875 SERIAL 18052104 THRU 18052194								
		E---SERIAL 18051876 THRU 18052310 SERIAL 18052195 THRU 18052195								
		F---SERIAL 18051600 THRU 18051934 SERIAL 18052104 THRU 18052222								
		G---SERIAL 18051876 THRU 18051934 SERIAL 18052195 THRU 18052222								
		H---SERIAL 18051935 THRU 18052310 SERIAL 18052223 THRU 18052195								
		J---SERIAL 18051600 THRU 18052090 SERIAL 18052104 THRU 18052284								
		K---SERIAL 18052091 THRU 18052310 SERIAL 18052285 THRU 18052195								

Rear Seat



SERIAL 185-0001 THRU 185-1599
SERIAL 18051184 THRU 18052103

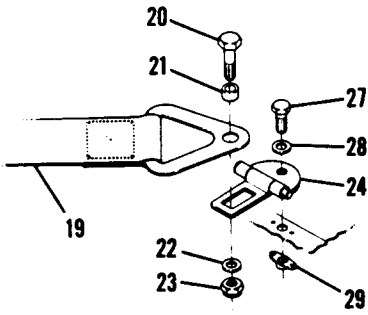
Figure 64. Rear Seat Installation

FIGURE AND INDEX NO.	PART NUMBER	DESCRIPTION	UNITS PER ASSY	USABLE ON CODE
64 -		SEAT INSTALLATION-REAR ----- CUSHION ASSEMBLY-REAR SEAT FSO 0719018-2 SEE FIG 64A- ATTACHING PARTS -----	NP 1	K
- 1	AN3-11A	BOLT -----	1	
- 2	AN4-11A	BOLT -----	2	
- 3	AN4-6A	BOLT -----	1	
- 4	0700105-11 #	COVER ASSEMBLY-REAR SEAT CUSHION DELUXE UPHOLSTERY -----	1	
	0700105-465 #	COVER ASSEMBLY-REAR SEAT CUSHION UTILITY UPHOLSTERY -----	1	
- 5	0511174-1	RETAINER-REAR SEAT UPHOLSTERY -----	1	E
- 5A	0700126-1	RETAINER-REAR SEAT UPHOLSTERY -----	1	
		ATTACHING PARTS -----		
- 6	S102126-4	SCREW -----	6	
		BACK ASSEMBLY-REAR SEAT FSO 0719018-1 SEE FIG 64A -----	1	C
	0700105-462 #	BACK ASSEMBLY-REAR SEAT UTILITY UPHOLSTERY -----	1	D
	0700105-351 #	BACK ASSEMBLY-REAR SEAT DELUXE UPHOLSTERY -----	1	D
		ATTACHING PARTS -----		
- 7	AN4-26A	BOLT -----	2	
- 8	NAS679A4	NUT -----	2	
- 9	0700105-457 #	COVER ASSEMBLY-REAR SEAT BACK DELUXE UPHOLSTERY -----	1	C
	0700105-417 #	COVER ASSEMBLY-REAR SEAT BACK UTILITY UPHOLSTERY -----	1	D
	0700105-10 #	COVER ASSEMBLY-REAR SEAT BACK -----	1	
-10	0411623-1	LATCH-SEAT BACK -----	1	
-11	0511049	SPRING-LATCH LH -----	1	
	0511049-1	SPRING-LATCH RH -----	1	
		ATTACHING PARTS -----		
-12	59-022-044-375	PIN-ROLL EN -----	1	
-13	0511284-3	LATCH ASSEMBLY-REAR SEAT LH -----	1	
	0511284-4	LATCH ASSEMBLY-REAR SEAT RH -----	1	
-14		DELETED, NOT AVAILABLE -----		
-15		DELETED, NOT AVAILABLE -----		
-16	S1060-1	BELT ASSEMBLY-SEAT BLACK -----	2	A
	S1060-14	BELT ASSEMBLY-SEAT BEIGE -----	2	B
	S1618D1	BELT ASSEMBLY-SEAT TAN -----	2	F
	S1746D1	BELT ASSEMBLY-SEAT TAN -----	2	J
		ATTACHING PARTS -----		
-17	AN4-12A	BOLT -----	1	C
	AN4-11A	BOLT -----	1	
	NAS43HT4-47	SPACER -----	1	
	NAS679A4	NUT -----	1	C
	AN960-416	WASHER -----	1	
-18	AN4-6A	BOLT -----	1	
-19	NAS43HT4-20	SPACER -----	1	
-20	NAS679A4	NUT -----	1	
		RETAINER-REAR SEAT HEADREST -----	4	

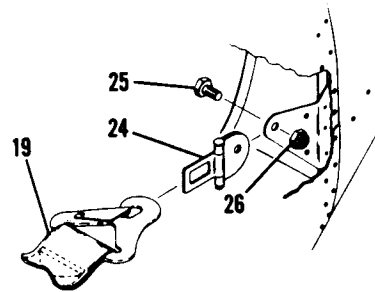
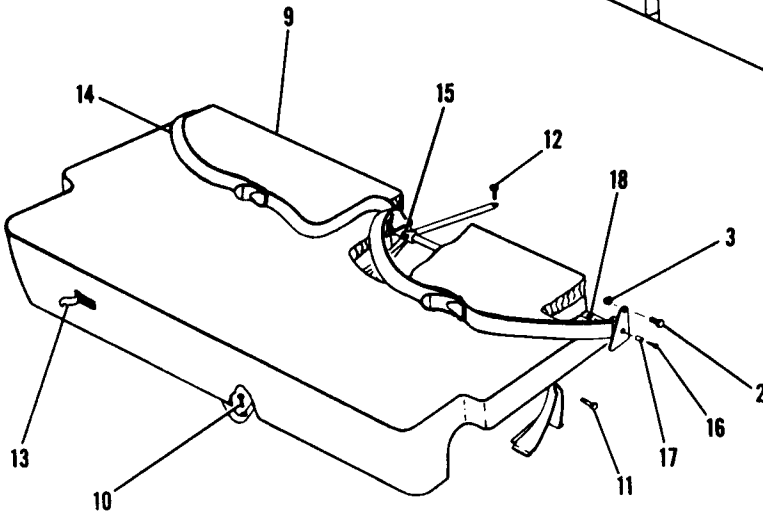
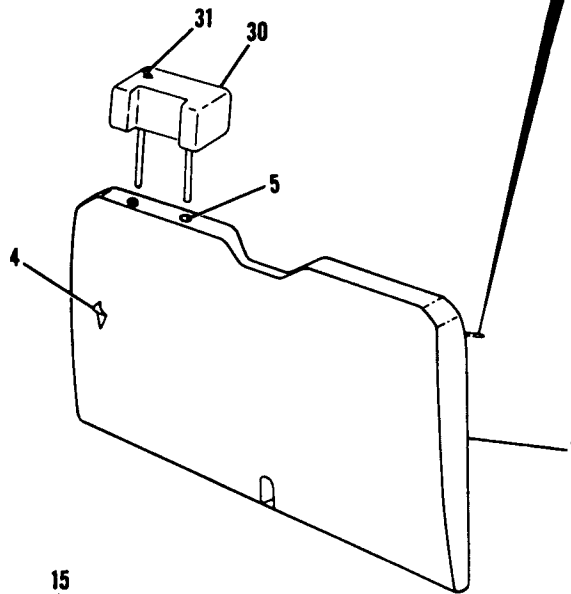
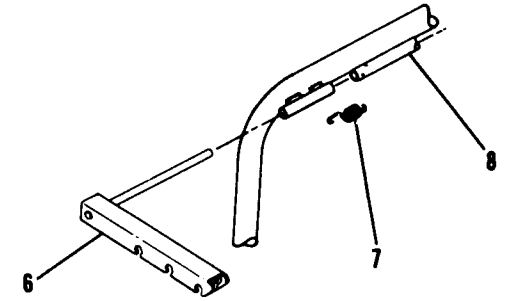
CONTINUED ON NEXT PAGE

FIGURE AND INDEX NO.	PART NUMBER	DESCRIPTION	UNITS PER ASSY	USABLE ON CODE
64 -22	1200103-3	HEADREST ASSEMBLY-REAR SEAT LH -----	1	G
	1200103-4	HEADREST ASSEMBLY-REAR SEAT RH -----	1	G
-23	1200103-5	FRAME-REAR SEAT HEADREST -----	2	G
	1414252-1	HEADREST ASSEMBLY -----	2	H
-24	1714040-1	HEADREST ASSEMBLY -----	2	J
	1414252-2	FRAME-HEADREST -----	1	E
-25	1414252-7	CUSHION-HEADREST -----	1	H
	1714035-1	CUSHION-HEADREST -----	1	J
-26	1414252-6	COVER-HEADREST -----	1	H
	1714040-2	COVER-HEADREST -----	1	J
<p>NOTE. #THIS PART NUMBER MUST HAVE A SECONND DASH NUMBER ADDED TO DENOTE COLOR. REFER TO HOW TO ORDER UPHOLSTERED PARTS-PAGE XII.</p> <p>A---SERIAL 185-0001 THRU 185-0237, SERIAL 185-0777 THRU 185-0967 SERIAL 18051446 THRU 18051607 B---SERIAL 185-0238 THRU 185-0776 SERIAL 18051184 THRU 18051445 C---SERIAL 185-0001 THRU 185-1599 D---SERIAL 18051184 THRU 18052103 E---SERIAL 185-0513 THRU 185-1599 SERIAL 18051184 THRU 18052103 F---SERIAL 185-0968 THRU 185-1300 SERIAL 18051608 THRU 18051875 G---SERIAL 185-0001 THRU 185-0512 H---SERIAL 185-0513 THRU 185-1300 SERIAL 18051184 THRU 18051875 J---SERIAL 185-1301 THRU 185-1599 SERIAL 18051876 THRU 18052103 K---SERIAL 185-0001 THRU 185-1599 SERIAL 18051184 THRU 18052103</p>				

Seat (Cont)



**CODES B & D
INB'D SEAT BELT ATTACH**



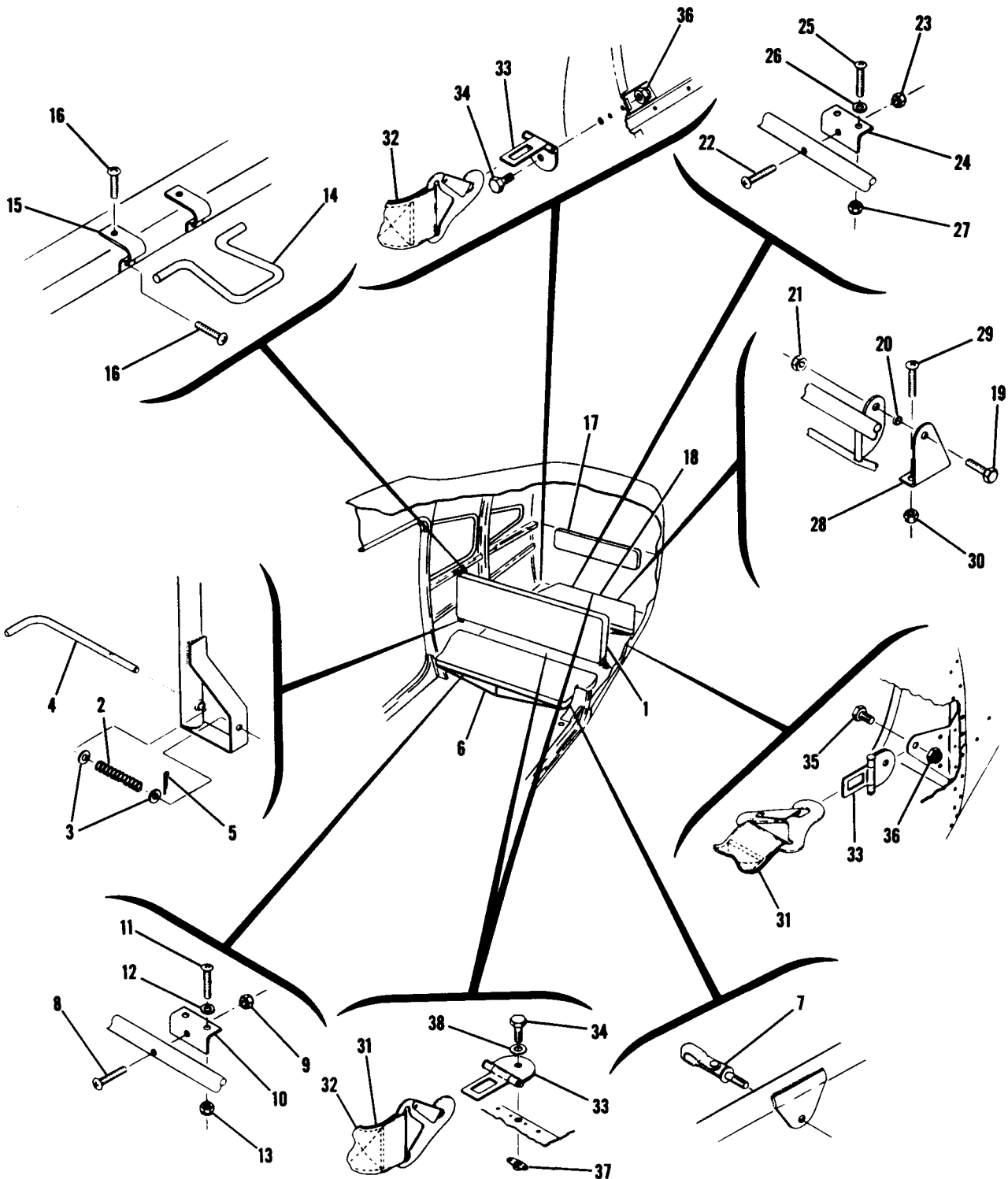
**CODES B & D
OUTB'D SEAT BELT ATTACH**

**SERIAL 18501600 THRU 18502310
SERIAL 18052104 THRU 18052384**

Figure 64A. Rear Seat Installation

FIGURE AND INDEX NO.	PART NUMBER	DESCRIPTION	UNITS PER ASSY	USABLE ON CODE
		1 2 3 4 5 6 7		
64A-		SEAT INSTALLATION-REAR	NP	A
- 1	0715018-1	SEAT BACK ASSEMBLY-UPHOLSTERED	1	
		ATTACHING PARTS	2	
- 2	AN4-26A	BOLT	2	
- 3	NAS679A4	NUT		
		COVER ASSEMBLY-SEAT BACK	1	
- 4	0715018-7	RETAINER-HEADREST	4	
- 5	0700320-1	LATCH ASSEMBLY-LH	1	
- 6	0911284-3	LATCH ASSEMBLY-RH	1	
	0511284-4	SPRING-LATCH LH	1	
- 7	0511049	SPRING-LATCH RH	1	
	0511049-1	LATCH-SEAT BACK	1	
- 8	0411623-1	SEAT BOTTOM ASSEMBLY-UPHOLSTERED	1	
- 9	0715018-2	ATTACHING PARTS		
		BOLT	1	
-10	AN3-11A	BOLT	2	
-11	AN4-11A	BOLT	1	
-12	AN4-6A	BOLT		
		COVER ASSEMBLY-SEAT BOTTOM	1	
-13	0715018-10	BELT ASSEMBLY-SEAT	2	C
-14	S1746W1	ATTACHING PARTS		
		BOLT	1	C
-15	AN4-11A	SPACER	1	C
	NAS43HT4-47	NUT	1	C
	NAS679A4	BOLT	1	C
-16	AN4-6A	SPACER	1	C
-17	NAS43HT4-20	NUT	1	C
-18	NAS679A4			
		BELT ASSEMBLY-SEAT	2	D
-19	S1746W35	BELT ASSEMBLY-SEAT	2	B
	S2070W112	ATTACHING PARTS		
		BOLT	1	
-20	AN4-6A	SPACER	1	
-21	NAS43HT4-11	WASHER	1	
-22	AN960-416L	NUT	1	
-23	NAS679A4			
		LATCH ASSEMBLY-SEAT BELT	4	B
-24	0711083-1	ATTACHING PARTS		
		BOLT	1	B
-25	AN4-5A	NUT	1	B
-26	NAS679A4	BOLT	1	B
-27	AN4-6A	WASHER	1	B
-28	S1074-1	NUTPLATE	1	B
-29	NAS696A4			
		HEADREST ASSEMBLY	2	
-30	0514048-1	COVER-HEADREST	1	
-31	0514048-9			
<p>NOTE. #THIS PART NUMBER MUST HAVE A SECOND DASH NUMBER ADDED TO DENOTE COLOR. REFER TO HOW TO ORDER UPHOLSTERED PARTS-PAGE XII.</p> <p>NOTE. *USED ON AIRCRAFT EQUIPPED WITH SHOULDER HARNESS. SEE FIGURE 70 FOR SHOULDER HARNESS.</p> <p>NOTE. ZWHEN ORDERING SEAT BELT FOR AUSTRALIAN AIRCRAFT ADD VH TO PART NUMBER. EXAMPLE S2070W112VH.</p> <p>A---SERIAL 18501600 THRU 18502310 SERIAL 18052104 THRU 18052384</p> <p>B---SERIAL 18501833 THRU 18502310 SERIAL 18052176 THRU 18052384</p> <p>C---SERIAL 18501600 THRU 18507870 SERIAL 18052104 THRU 18052197</p> <p>D---SERIAL 18501871 THRU 18502310 SERIAL 18052198 THRU 18052384</p>				

Stowable Seats



SERIAL 185-0001 THRU 18502310
SERIAL 18051313 THRU 18052384

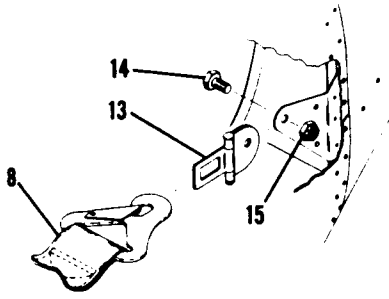
Figure 65. Stowable Rear Seats Installation

FIGURE AND INDEX NO.	PART NUMBER	DESCRIPTION	UNITS PER ASSY	USABLE ON CODE
		1 2 3 4 5 6 7		
65 -		SEATS INSTALLATION-STOWABLE REAR -----	NP	C
- 1	0711094-4 #	BACK ASSEMBLY-CENTER SEAT -----	1	E
	0711094-11 #	CUSHION ASSEMBLY-CENTER SEAT BACK -----	1	E
	AN520-10R22	ATTACHING PARTS -----	2	E
	AN520-10R16	SCREW -----	2	E
		SCREW -----	2	E
		-----	1	E
- 2	0711129-3	SPRING -----	2	E
- 3	AN960-10	WASHER -----	1	E
- 4	0711129-2	HANDLE -----	1	E
- 5	MS24665-132	PIN-COTTER -----	1	E
- 6	0711094-3 #	BOTTOM ASSEMBLY-CENTER SEAT -----	1	E
		ATTACHING PARTS -----	4	E
- 7	0711122-1	EYEBOLT -----	4	E
		-----	1	E
	0711094-5 #	CUSHION ASSEMBLY-CENTER SEAT BOTTOM -----	1	E
		ATTACHING PARTS -----	4	E
- 8	AN515-8R18	SCREW -----	4	E
- 9	NAS679A08	NUT -----	4	E
		-----	4	E
-10	0711098-2	CLIP -----	4	E
		ATTACHING PARTS -----	2	E
-11	AN515-8R10	SCREW -----	2	E
-12	AN960-8	WASHER -----	2	E
-13	NAS679A08	NUT -----	2	E
		-----	2	E
-14	0711128-1	SUPPORT-CENTER SEAT BACK -----	4	E
-15	0711129-4	CLAMP -----	2	E
-16	AN520-10R7	SCREW -----	2	F
	SEE FIG 65A	SEAT ASSEMBLY-DIVIDED MIDDLE -----	1	F
-17	0711080-1 #	BACK REST ASSEMBLY-REAR SEAT -----	1	H
-18	0711097-5 #	BOTTOM ASSEMBLY-REAR SEAT -----	1	J
	0711097-28 #	BOTTOM ASSEMBLY-REAR SEAT -----	1	J
		ATTACHING PARTS -----	2	J
-19	AN3-4A	BOLT -----	2	J
-20	NAS43HT3-6	SPACER -----	2	J
-21	MS21044N3	NUT -----	2	J
		-----	1	J
	0711097-21	STRAP ASSEMBLY-UP POSITION -----	1	J
		ATTACHING PARTS -----	1	J
	AN545-6R3	SCREW -----	1	J
		-----	1	J
	0711097-4 #	CUSHION ASSEMBLY -----	1	J
	0711097-25 #	CUSHION ASSEMBLY -----	1	J
		ATTACHING PARTS -----	4	J
-22	AN516-8R14	SCREW -----	4	J
-23	NAS679A08	NUT -----	4	J
		-----	4	J
-24	0711098-2	CLIP -----	4	J
		ATTACHING PARTS -----	2	J
-25	AN515-8R10	SCREW -----	2	J
-26	AN960-8	WASHER -----	2	J
-27	NAS679A08	NUT -----	2	J
		-----	1	J
-28	0711098-3	HINGE-REAR SEAT BOTTOM LH -----	1	K
	0711098-5	HINGE-REAR SEAT BOTTOM LH -----	1	K
	0711098-4	HINGE-REAR SEAT BOTTOM RH -----	1	K
	0711098-6	HINGE-REAR SEAT BOTTOM RH -----	1	L
		ATTACHING PARTS -----	2	L
-29	AN515-8R8	SCREW -----	2	L
-30	NAS679A08	NUT -----	2	L
		-----	2	L
-31	S1620B5	BELT ASSEMBLY-CENTER SEAT BLACK -----	2	A
	S1243-5	BELT ASSEMBLY-CENTER SEAT BEIGE -----	2	B
	S1620D5	BELT ASSEMBLY-CENTER SEAT TAN -----	2	M
	SEE FIG 65A	BELT ASSEMBLY-CENTER SEAT -----	2	F
-32	S1620B2	BELT ASSEMBLY-REAR SEAT BLACK -----	2	A
	S1243-4	BELT ASSEMBLY-REAR SEAT BEIGE -----	2	B
	S1620D2	BELT ASSEMBLY-REAR SEAT TAN -----	2	D
	S1746D36	BELT ASSEMBLY-REAR SEAT TAN -----	2	G
	S1746H36	BELT ASSEMBLY-REAR SEAT CLOVE BROWN -----	2	R
	S2070W118	BELT ASSEMBLY-REAR SEAT CLOVE BROWN -----	2	O

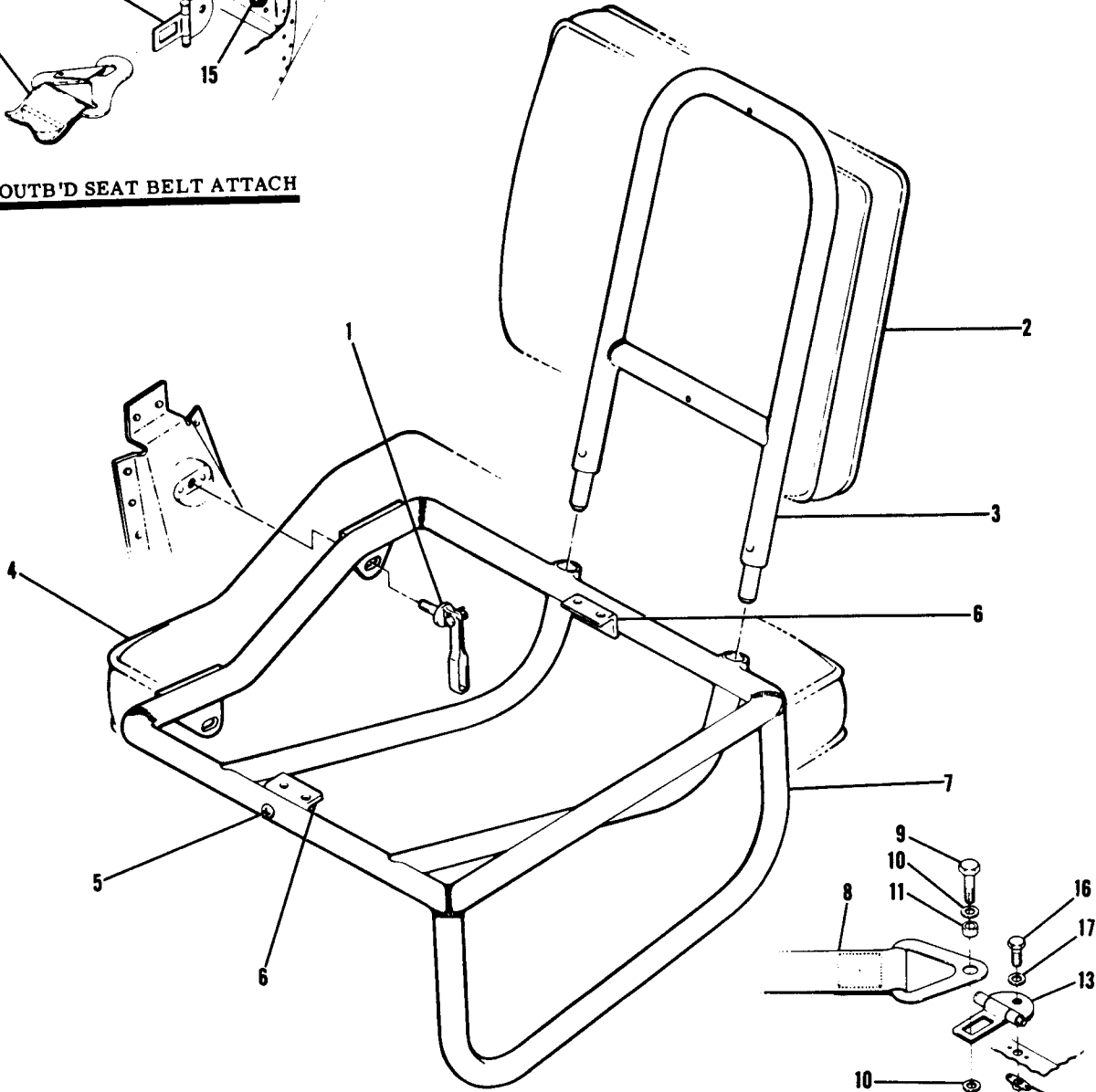
CONTINUED ON NEXT PAGE

FIGURE AND INDEX NO.	PART NUMBER	DESCRIPTION	UNITS PER ASSY	USABLE ON CODE
65 -33	0711083-1	LATCH ASSEMBLY-SEAT BELT -----	6	E
	0711083-1	LATCH ASSEMBLY-SEAT BELT -----	3	P
	0711083-1	LATCH ASSEMBLY-SEAT BELT -----	4	O
		ATTACHING PARTS		
-34	AN4-6A	BOLT -----	1	
-35	AN4-5A	BOLT -----	1	
-36	NAS679A4	NUT -----	1	
-37	NAS697A4	NUTPLATE -----	1	N
	NAS696A4	NUTPLATE -----	1	O
-38	S1074-1	WASHER -----	1	
		-----*		
		NOTE. #THIS PART NUMBER MUST HAVE A SECOND DASH NUMBER ADDED TO DENOTE COLOR. REFER TO HOW TO ORDER UPHOLSTERED PARTS;-PAGE XII.		
		NOTE. *USED ON AIRCRAFT EQUIPPED WITH SHOULDER HARNESS. SEE FIGURE 70 FOR SHOULDER HARNESS.		
		NOTE. #WHEN ORDERING SEAT BELT FOR AUSTRALIAN AIRCRAFT ADD VH TO PART NUMBER. EXAMPLE S2070W118VH.		
		A---SERIAL 185-0001 THRU 185-0237, SERIAL 185-0777 THRU 185-0967 SERIAL 18051446 THRU 18051607		
		B---SERIAL 185-0238 THRU 185-0776 SERIAL 18051313 THRU 18051449		
		C---SERIAL 185-0001 THRU 18502310 SERIAL 18051313 THRU 18052384		
		D---SERIAL 185-0968 THRU 185-1300 SERIAL 18051608 THRU 18051875		
		E---SERIAL 185-0001 THRU 185-1149 SERIAL 18051313 THRU 18051774		
		F---SERIAL 185-1150 THRU 18502310 SERIAL 18051775 THRU 18052384		
		G---SERIAL 185-1301 THRU 185-1599 SERIAL 18051876 THRU 18052103		
		H---SERIAL 185-0001 THRU 185-1447 SERIAL 18051313 THRU 18051993		
		J---SERIAL 185-1448 THRU 18502310 SERIAL 18051994 THRU 18052384		
		K---SERIAL 185-0001 THRU 185-0004, 185-0006, 185-0008 & 185-0009		
		L---SERIAL 185-0005, 185-0007, 185-0010 THRU 18502310 SERIAL 18051313 THRU 18052384		
		M---SERIAL 185-0968 THRU 185-1149 SERIAL 18051608 THRU 18051774		
		N---SERIAL 185-0001 THRU 18501832 SERIAL 18051313 THRU 18052175		
		P---SERIAL 185-1150 THRU 18501832 SERIAL 18051775 THRU 18052175		
		Q---SERIAL 18501833 THRU 18502310 SERIAL 18052176 THRU 18052384		
		R---SERIAL 18501600 THRU 18502310 SERIAL 18052104 THRU 18052384		

Stowable Seats (Cont)



OUTB'D SEAT BELT ATTACH



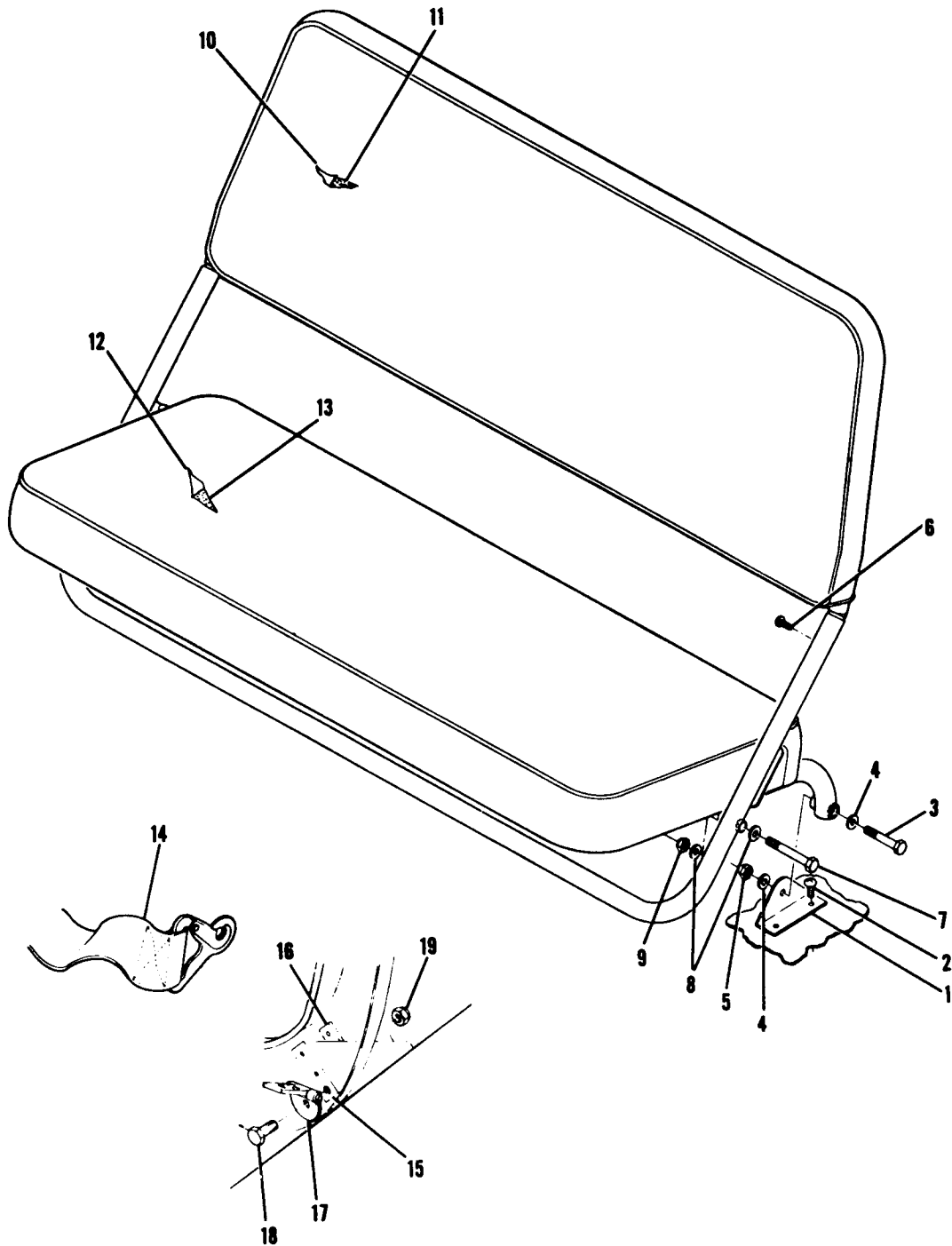
INB'D SEAT BELT ATTACH

SERIAL 185-1150 THRU 18502310
SERIAL 18051775 THRU 18052384

Figure 65A. Divided Middle Seat Assembly

FIGURE AND INDEX NO.	PART NUMBER	DESCRIPTION							UNITS PER ASSY	USABLE ON CODE	
		1	2	3	4	5	6	7			
65A-		DIVIDED MIDDLE SEAT ASSEMBLY -----							NP	A	
- 1	0711122-1	ATTACHING PARTS -----							2		
		EYEBOLT -----							2		
- 2	0711702-16	#	CUSHION ASSEMBLY-SEAT BACK -----					2	B		
	0711702-29	#	CUSHION ASSEMBLY-SEAT BACK -----					2	C		
	AN520-10R16		ATTACHING PARTS -----					2			
	SS58310		SCREW -----					2			
			NUT UC -----					2			
- 3	0711702-20	#	FRAME ASSEMBLY-SEAT BACK -----					2			
- 4	0711702-8	#	CUSHION ASSEMBLY-SEAT BOTTOM RH -----					1			
	0711702-7	#	CUSHION ASSEMBLY-SEAT BOTTOM LH -----					1			
			ATTACHING PARTS -----					2			
- 5	AN515-8R18		SCREW -----					2			
	AN960-8L		WASHER -----					2			
	NAS679A08		NUT -----					2			
- 6	0711098-2		CLIP-SEAT CUSHION -----					2			
			ATTACHING PARTS -----					2			
	AN515-8R10		SCREW -----					2			
	AN960-8L		WASHER -----					2			
	NAS679A08		NUT -----					2			
- 7	0711702-6	#	FRAME ASSEMBLY-SEAT BOTTOM RH -----					1			
	0711702-5	#	FRAME ASSEMBLY-SEAT BOTTOM LH -----					1			
- 8	S1620D5		BELT ASSEMBLY-MIDDLE SEAT TAN -----					2	B		
	S1746D8		BELT ASSEMBLY-MIDDLE SEAT TAN -----					2	D		
	S1746W27		BELT ASSEMBLY-MIDDLE SEAT CLOVE BROWN -----					2	E		
	S2070W112	*	BELT ASSEMBLY-MIDDLE SEAT CLOVE BROWN -----					2	F		
- 9	AN4-7A		BOLT -----					1	G		
	AN4-6A		BOLT -----					2	G		
-10	A960-416L		WASHER -----					2	E		
-11	NAS43HT4-11		SPACER -----					2	E		
-12	NAS679A4		NUT -----					1	F		
	NAS679A4		NUT -----					2	F		
-13	0711083-1		LATCH ASSEMBLY-SEAT BELT -----					3	H		
	0711083-1		LATCH ASSEMBLY-SEAT BELT -----					4	G		
			ATTACHING PARTS -----					1			
-14	AN4-5A		BOLT -----					1			
-15	NAS679A4		NUT -----					1			
-16	AN4-6A		BOLT -----					1			
-17	S1074-1		WASHER -----					1	H		
-18	NAS697A4		NUTPLATE -----					1	G		
	NAS696A4		NUTPLATE -----					1	G		
			-----*								
			NOTE. #THIS PART NUMBER MUST HAVE A SECOND DASH NUMBER ADDED TO DENOTE COLOR. REFER TO HOW TO ORDER UPHOLSTERED PARTS-PAGE XII.								
			NOTE. #THIS PART NUMBER MUST HAVE A SECOND DASH NUMBER ADDED TO DENOTE COLOR. REFER TO HOW TO ORDER INTERIOR PARTS-PAGE XIII.								
			NOTE. *USED ON AIRCRAFT EQUIPPED WITH SHOULDER HARNESS. SEE FIGURE 70 FOR SHOULDER HARNESS. WHEN ORDERING SEAT BELT FOR AUSTRALIAN AIRCRAFT ADD VH TO PART NUMBER. EXAMPLE S2070W112VH.								
			A---SERIAL 185-1150 THRU 18502310								
			SERIAL 18051775 THRU 18052384								
			B---SERIAL 185-1150 THRU 185-1300								
			SERIAL 18051775 THRU 18051875								
			C---SERIAL 185-1301 THRU 18502310								
			SERIAL 18051876 THRU 18052384								
			D---SERIAL 185-1301 THRU 185-1599								
			SERIAL 18051876 THRU 18052103								
			E---SERIAL 18501600 THRU 18502310								
			SERIAL 18052104 THRU 18052384								
			F---SERIAL 18501600 THRU 18501832								
			SERIAL 18052104 THRU 18052175								
			G---SERIAL 18501833 THRU 18502310								
			SERIAL 18052176 THRU 18052384								
			H---SERIAL 185-1150 THRU 18501832								
			SERIAL 18051775 THRU 18052175								

Seat (Cont)

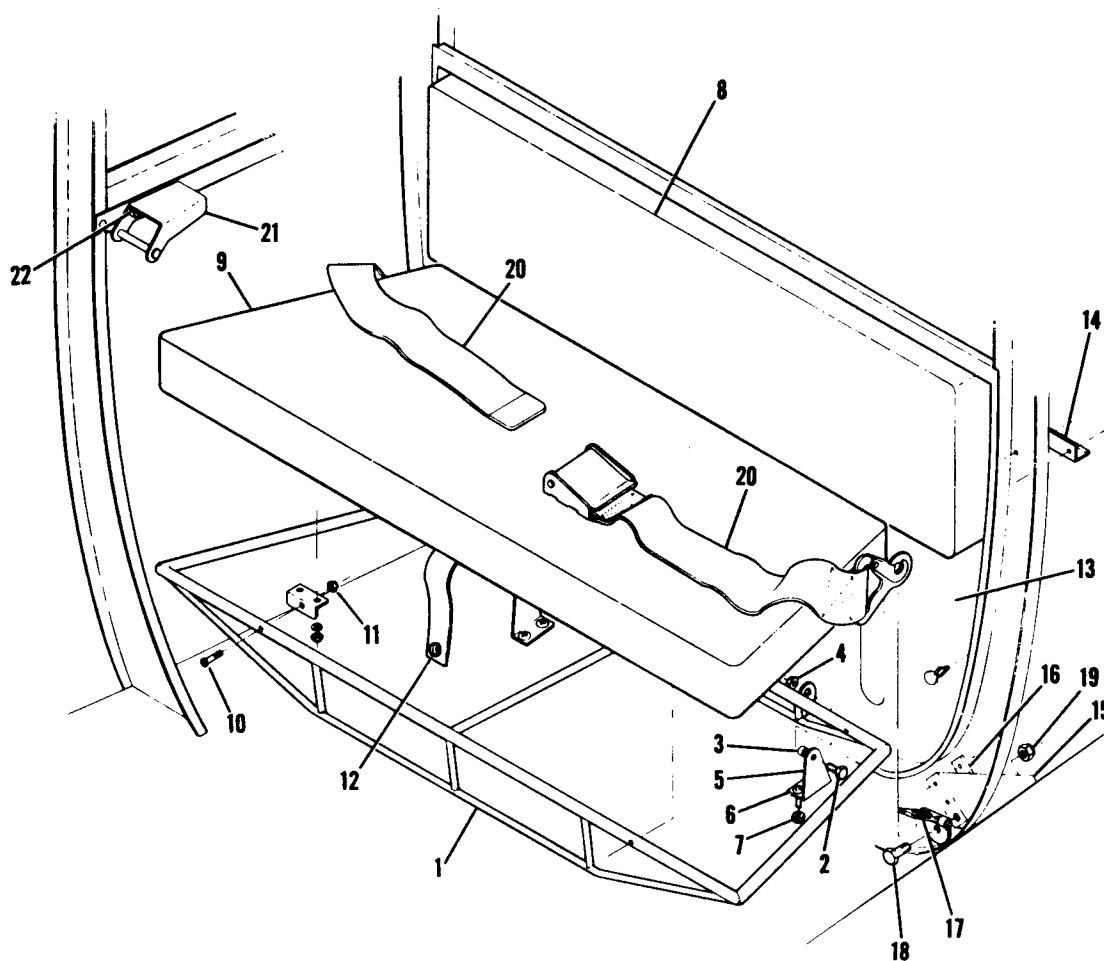


SERIAL 18501600 THRU 18502310
SERIAL 18052104 THRU 18052384

Figure 65B. Child Seat Installation

FIGURE AND INDEX NO.	PART NUMBER		DESCRIPTION	UNITS PER ASSY	USABLE ON CODE
			1 2 3 4 5 6 7		
658-	0515002-2	#	CHILD SEAT INSTALLATION -----	NP	A
			SEAT ASSEMBLY-CHILD -----	1	
			ATTACHING PARTS -----		
- 1	0514042-1		BRACKET-SEAT MOUNTING -----	2	
- 2	AN515-8R8		SCREW -----	4	
- 3	AN4-13A		BOLT -----	2	
- 4	AN960-416		WASHER -----	4	
- 5	NAS679A4		NUT -----	2	
			-----#-----		
- 6	S102178-8C		SCREW -----	2	
- 7	AN4-17A		BOLT -----	2	
- 8	AN960-416		WASHER -----	4	
- 8	NAS679A4		NUT -----	2	
- 9	0515002-3	#	COVER ASSEMBLY-SEAT BACK -----	1	
-10	0515002-9		CUSHION-SEAT BACK -----	1	
-11	0515002-5	#	COVER ASSEMBLY-SEAT BOTTOM -----	1	
-12	0515002-10		CUSHION-SEAT BOTTOM -----	1	
-13	S1746W5		BELT ASSEMBLY-SAFETY -----	1	
-14	0712008-1		BRACKET-SEAT BELT -----	2	B
-15	0712008-2		BRACKET-SEAT BELT -----	2	C
	0712009-1		SPACER-SUPPORT -----	2	
-16	0711083-1		LATCH ASSEMBLY -----	2	
			ATTACHING PARTS -----		
-18	AN4-6A		BOLT -----	1	
-19	NAS679A4		NUT -----	1	
			-----#-----		
<p>NOTE. #THIS PART NUMBER MUST HAVE A SECOND DASH NUMBER ADDED TO DENOTE COLOR. REFER TO HOW TO ORDER UPHOLSTERED PARTS-PAGE XII.</p> <p>A---SERIAL 18501600 THRU 18502310 SERIAL 18052104 THRU 18052384 B---SERIAL 18501600 THRU 18501832 SERIAL 18052104 THRU 18052175 C---SERIAL 18501833 THRU 18502310 SERIAL 18052176 THRU 18052384</p>					

Auxiliary Seat

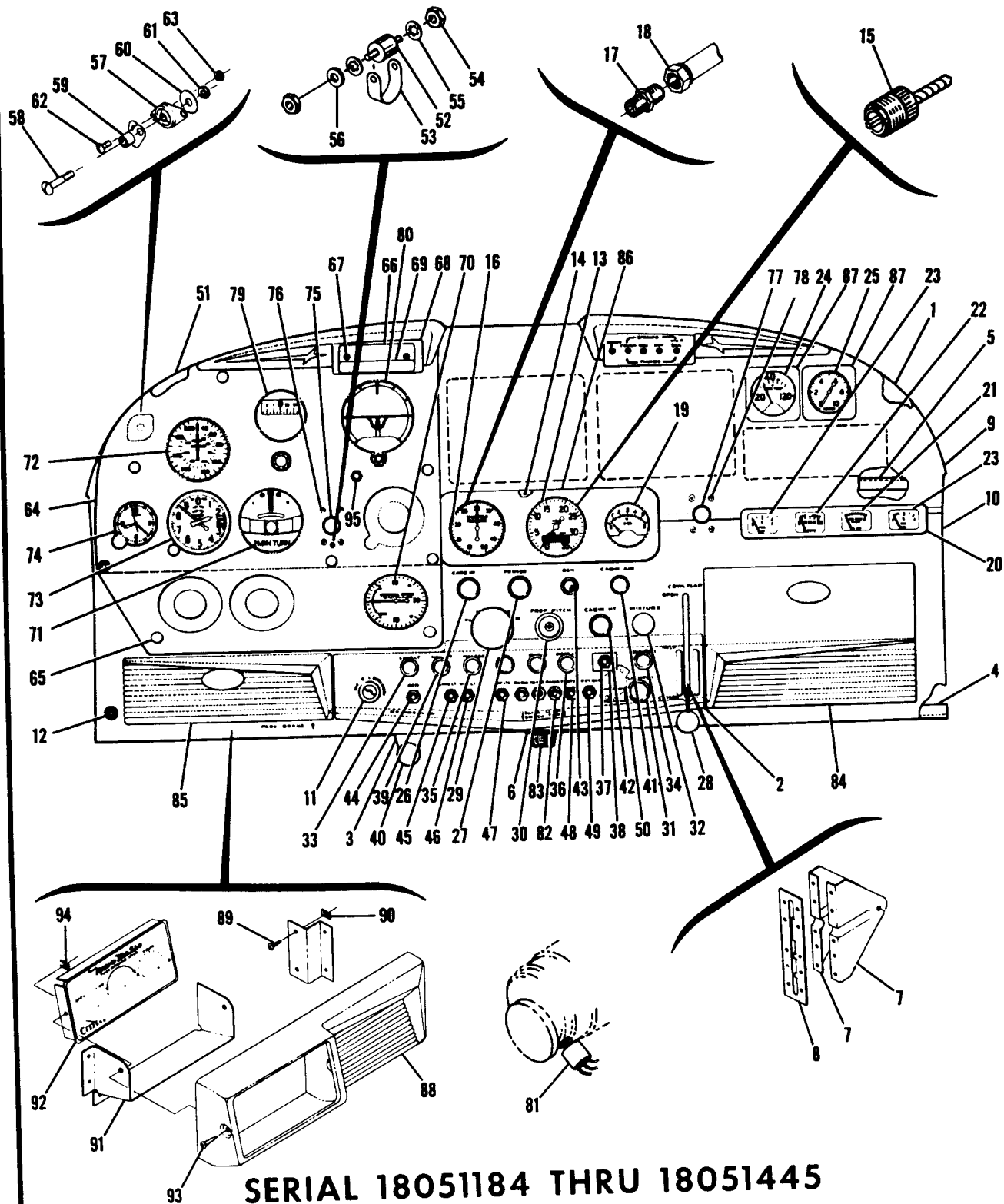


SERIAL 18051184 THRU 18051312

Figure 66. Auxilliary Seat Installation

FIGURE AND INDEX NO.	PART NUMBER	DESCRIPTION	UNITS PER ASSY	USABLE ON CODE
66 -		1 2 3 4 5 6 7		
- 1	0711097-2	SEAT INSTALLATION-AUXILIARY ----- FRAME ASSEMBLY ----- ATTACHING PARTS -----	NP 1	A
- 2	AN3-4A	BOLT -----	2	
- 3	NAS43HT3-6	SPACER -----	2	
- 4	NAS679A4	NUT ----- -----*-----	2	
- 5	0711098-3	HINGE-FLOOR FITTING LH -----	1	
	0711098-4	HINGE-FLOOR FITTING RH ----- ATTACHING PARTS -----	1	
- 6	AN515-8R8	SCREW -----	2	
- 7	NAS679A08	NUT ----- -----*-----	2	
- 8	0711080-1	BACKREST ASSEMBLY -----	1	
	AN227-7	SOCKET -----	5	
	AN227-6	BUTTON -----	5	
- 9	0711097-4	CUSHION ASSEMBLY ----- ATTACHING PARTS -----	1	
-10	AN515-8R14	SCREW -----	4	
-11	NAS679A08	NUT ----- -----*-----	4	
-12	0711097-21	STRAP ASSEMBLY -----	1	
-13	0711079-1	TRAY ASSEMBLY ----- ATTACHING PARTS -----	1	
	49265F938	STUD UC ----- -----*-----	4	
-14	0710011-1	ANGLE -----	1	
-15	0712008-1	BRACKET -----	2	
-16	0712009-1	SPACER -----	2	
-17	0711083-1	LATCH ASSEMBLY ----- ATTACHING PARTS -----	2	
-18	AN4-6A	BOLT -----	1	
-19	NAS679A4	NUT ----- -----*-----	1	
-20	S1243-6	BELT ASSEMBLY-SAFETY -----	1	
-21	0511286	LATCH ASSEMBLY-REAR SEAT BACK ----- ATTACHING PARTS -----	1	
-22	AN3-3A	BOLT ----- -----*-----	2	
A---SERIAL 18051184 THRU 18051312				

Instruments (Cont)



SERIAL 18051184 THRU 18051445

Figure 67. Instrument Panel Equipment Installation and Assembly

FIGURE AND INDEX NO.	PART NUMBER	DESCRIPTION	UNITS PER ASSY	USABLE ON CODE
		1 2 3 4 5 6 7		
		EQUIPMENT INSTALLATION & ASSEMBLY-INSTRUMENT PANEL -----	NP	A
67 -		PANEL ASSEMBLY-STATIONARY -----	1	
- 1	0713185-1	PAN -----	1	
- 2	0713126-1	SUPPORT-STRAINER DRAIN CONTROL -----	1	
- 3	0756001-13	STIFFENER -----	1	
- 4	0713501-4	STIFFENER -----	1	
- 5	0713501-5	BRACKET-RHEOSTAT -----	2	
- 6	0413131-3	BRACKET-FLAP CONTROL -----	1	
- 7	0713127-1	PLATE ASSEMBLY -----	1	
- 8	1213035-4	COVER-STATIONARY PANEL UPPER -----	1	
- 9	0713187-3-418	COVER-STATIONARY PANEL LOWER -----	1	
-10	0713518-18-418	ATTACHING PARTS -----	5	
	S1021Z4-6B	SCREW -----	1	
		SWITCH, STARTER & LOCK KIT -----	1	
-11	S1255-3	JACK-MICROPHONE -----	1	
-12	S1102-1	TACHOMETER WHEN EXHAUSTED USE S-1305N8 -----	1	
-13	S1305N3 S1305N8	TACHOMETER -----	1	
		ATTACHING PARTS -----	4	
-14	AN5078632R12 MS203658632C	SCREW -----	4	
		NUT -----	1	
-15	S1605-3	SHAFT-TACHOMETER -----	1	
		ATTACHING PARTS -----	1	
	2981A4-27	CLAMP TIN -----	1	
	S1021Z8-6	SCREW -----	1	
-16	S1301N1	GAGE-MANIFOLD PRESSURE -----	4	
		ATTACHING PARTS -----	4	
	AN5078632R12 MS203658632C	SCREW -----	1	
		NUT -----	1	
-17	AN816-2D	NIPPLE -----	1	
-18	0500106-273 0500118-96	LINE ASSEMBLY-MANIFOLD PRESSURE WEU 0500118-96 -----	1	
-19	S1307N2	LINE ASSEMBLY-MANIFOLD PRESSURE -----	1	
		GAGE-CYLINDER HEAD TEMPERATURE -----	4	
		ATTACHING PARTS -----	4	
	AN5078632R12 MS203658632C	SCREW -----	1	
		NUT -----	1	
-20	0311018-10 0513144-16	LEAD-CYLINDER HEAD TEMPERATURE GAGE -----	1	
		PANEL ASSEMBLY -----	2	
		ATTACHING PARTS -----	2	
	AN5078632R12 AN936A6B AN34086	SCREW -----	2	
		WASHER -----	1	
		NUT -----	1	
-21	0513144-2	GAGE-OIL TEMPERATURE -----	1	
-22	0513144-10	GAGE-OIL PRESSURE -----	2	
-23	0513144-14 0716128-30	GAGE-FUEL -----	1	
-24	S1311N1	GAGE-AUXILIARY FUEL -----	1	
		GAGE-CARBURETOR AIR TEMPERATURE -----	1	
		ATTACHING PARTS -----	4	
	0713208-1 AN5078632R12	ESCUTCHEON -----	1	
		SCREW -----	1	
-25	0713209-1 S1414N1	PLACARD-CARBURETOR AIR TEMPERATURE GAGE -----	1	
		GAGE-SUCTION -----	4	
		ATTACHING PARTS -----	4	
	AN5078632R12 MS203658632C	SCREW -----	1	
		NUT -----	1	
-26	S1230-2	CONTROL-CARBURETOR HEAT -----	1	
-27	0311538-12 S1240-5	PRIMER ASSEMBLY WHEN EXHAUSTED USE C291502-0101 -----	1	
-28	SEE FIG 87	KNOB -----	1	
-29	S1222-1 0713192-2	CONTROL SYSTEM INSTALLATION-COWL FLAPS -----	1	
-30	S1223-4	CONTROL-THROTTLE -----	1	
-31	0513039-7 L4858-1 S1240-6	REDUCER-THROTTLE CONTROL -----	1	
		CONTROL-PROPELLER PITCH -----	1	
		LIGHTER-CIGAR CUNO -----	1	
		HEATING ELEMENT CUNO -----	1	
		KNOB-CIGAR LIGHTER -----	1	C

CONTINUED ON NEXT PAGE

FIGURE AND INDEX NO.	PART NUMBER	DESCRIPTION	UNITS PER ASSY	USABLE ON CODE
67 -32	S1234-1	CONTROL-MIXTURE -----	1	
	0713192-1	REDUCER-MIXTURE CONTROL -----	1	C
-33	0713303-5	SWITCH-LANDING LIGHT -----	1	
	0713303-2	KNOB -----	1	
-34	0713026-9	SWITCH-ROTATING BEACON -----	1	
	0713303-2	KNOB-ROTATING BEACON SWITCH -----	1	
-35	0713026-5	SWITCH-MASTER -----	1	
	0713303-2	KNOB-MASTER SWITCH -----	1	
	0716128-28	SWITCH-AUXILIARY FUEL -----	1	
-36	0713026-4	SWITCH-PITOT HEAT -----	1	
	0713303-2	KNOB-PITOT HEAT SWITCH -----	1	
-37	0511063	SWITCH-OIL DILUTION -----	1	B
	0511063-2	NUT -----	1	B
-38	0713222-1	PLACARD-OIL DILUTION -----	1	B
-39	0713026-4	SWITCH-NAVIGATION LIGHTS SINGLE POLE -----	1	
	0713026-9	SWITCH-NAVIGATION LIGHTS DOUBLE POLE -----	1	
	0713171-1	SHIELD-NAVIGATION LIGHT SWITCH -----	1	
	0713303-2	KNOB-NAVIGATION LIGHT SWITCH -----	1	
-40	S1239-4	CONTROL-STRAINER DRAIN REF S1239-12 -----	1	
	S1239-13	CONTROL-STRAINER DRAIN FLDATPLANE CP -----	1	
-41	S1239-6	CONTROL-CABIN AIR -----	1	
-42	S1241-7	CONTROL-CABIN HEAT -----	1	
-43	0513051-8	LIGHT ASSEMBLY-CHARGE INDICATOR -----	1	
	S1876-1	BULB -----	1	
	S1320-1	AMMETER -----	1	
		ATTACHING PARTS		
	0700036-2	ADAPTER -----	1	
	AN515-6R6	SCREW -----	4	
	NAS679A06	NUT -----	4	
		-----*		
-44	S1360-50	CIRCUIT BREAKER SPT -----	1	
-45	S1360-20	CIRCUIT BREAKER SPT -----	1	
-46	S1360-10	CIRCUIT BREAKER SPT -----	1	
-47	S1360-10	CIRCUIT BREAKER SPT -----	1	
-48	S1360-10	CIRCUIT BREAKER SPT -----	1	
-49	S1360-10	CIRCUIT BREAKER SPT -----	1	
-50	CA2	CIRCUIT BREAKER SPT -----	1	
	PA2	CIRCUIT BREAKER SPT ALT -----	1	
		ATTACHING PARTS		
	AN507-832R12	SCREW -----	2	
	AN936A8	WASHER -----	2	
	AN340-8	NUT -----	2	
		-----*		
-51	0713504-3	PANEL-SHOCK MOUNTED INSTRUMENT -----	1	
		ATTACHING PARTS		
-52	0411059-1	MOUNT-SHOCK -----	3	
-53	0413247	STRAP-GROUND -----	1	
-54	AN34088	NUT -----	6	
-55	AN936A8	WASHER -----	6	
-56	S355	SPACER -----	3	
-57	102PDLN4	MOUNT-SHOCK LO -----	2	
-58	AN5078832R12	SCREW -----	2	
-59	NAS43003-14	SPACER -----	2	
-60	J2049-1D	WASHER LO -----	2	
-61	MS203658832C	NUT -----	2	
-62	AN51586R6	SCREW -----	4	
-63	MS203658632C	NUT -----	4	
		-----*		
-64	0713522-1-418	COVER-SHOCK PANEL -----	1	
		ATTACHING PARTS		
-65	49265K2215	FASTENER UC -----	4	
		-----*		
-66	0713028-8	CARD-CORRECTION -----	1	
	0713028-3	COVER-CORRECTION CARD -----	1	
		RETAINER ASSEMBLY-CORRECTION CARD -----	NP	
		ATTACHING PARTS		
-67	S102224-12B	SCREW -----	2	
	NAS43001-18	SPACER -----	2	
		-----*		

CONTINUED ON NEXT PAGE

FIGURE AND INDEX NO.	PART NUMBER	DESCRIPTION	UNITS PER ASSY	USABLE ON CODE
		1 2 3 4 5 6 7		
67 -68	0813569-2	RETAINER-CORRECTION CARD -----	1	
-69		PLATE-REGISTRATION NUMBER -----	NP	
-70	S1304N2	INDICATOR-VERTICAL SPEED -----	1	
	S1392N1	INDICATOR-VERTICAL SPEED ALT -----	1	
	CM2647N1	INDICATOR-VERTICAL SPEED 10 METER PER MIN. -----	1	
	S1385N1	INDICATOR-VERTICAL SPEED ALT 10 METERS PER. MIN. -----	1	
		ATTACHING PARTS -----		
	AN51586R12	SCREW -----	4	
	AN34086	NUT -----	4	
	AN936868	WASHER -----	4	
		-----*		
	MS20825-40	ELBOW -----	1	
-71	S1302N1	INDICATOR-TURN & BANK -----	1	
		ATTACHING PARTS -----		
	AN51586R12	SCREW -----	4	
	AN34086	NUT -----	4	
	AN936868	WASHER -----	4	
		-----*		
-72	S1324N3	INDICATOR-AIRSPEED -----	1	D
	S1470N3	INDICATOR-AIRSPEED ALTERNATE -----	1	D
	S1324N6	INDICATOR-AIRSPEED -----	1	C
	S1470N6	INDICATOR-AIRSPEED ALTERNATE -----	1	C
	S1387N3	INDICATOR-AIRSPEED KILOMETERS PER HOUR & MPH -----	1	D
	S1324N2	INDICATOR-AIRSPEED-AMPHIBIAN -----	1	C
	S1470N2	INDICATOR-AIRSPEED-AMPHIBIAN -----	1	
	S1387N2	INDICATOR-AIRSPEED-AMPHIBIAN KILOMETERS PER HOUR & MPH -----	1	
		ATTACHING PARTS -----		
	AN51586R12	SCREW -----	4	
	MS203658632C	NUT -----	4	
		-----*		
-73	S1314N1	ALTIMETER-20,000 FT FOR VFR APPLICATIONS ONLY -----	1	
		WHEN EXHAUSTED USE C661011-0105 -----		
	S1313N1	ALTIMETER-35,000 FT SENSITIVE FOR VFR APPLICATIONS --	1	
		ONLY WHEN EXHAUSTED USE C661011-0105 -----		
	C661011-0105	ALTIMETER-20,000 FT SENSITIVE -----	1	
	S1432N1	ALTIMETER-35,000 FT FEET/MILLIBARS FOR VFR -----	1	
		APPLICATIONS ONLY WHEN EXHAUSTED USE C661011-0106 -----		
	C661011-0106	ALTIMETER-20,000 FT FEET/MILLIBARS -----	1	
	S1384N1	ALTIMETER-METERS/MILLIBARS FOR VFR APPLICATIONS ONLY -----	1	
		ATTACHING PARTS -----		
	AN51586R12	SCREW -----	4	
		-----*		
-74	CM2629N1	CLOCK 8 DAY -----	1	
	S1317N1	CLOCK ELECTRIC -----	1	
		ATTACHING PARTS -----		
	AN51586R12	SCREW -----	4	
	MS203658632C	NUT -----	4	
		-----*		
-75	0513146-11	COLLAR-CONTROL TUBE LH -----	1	
	0411224	BALL-CONTROL TUBE LH -----	1	
	0713099-1	SOCKET-CONTROL TUBE LH -----	1	
		ATTACHING PARTS -----		
-76	AN515-6R8	SCREW -----	4	
	NAS679A06	NUT -----	4	
	AN960-6L	WASHER -----	AR	
		-----*		
-77	0713099-1	SOCKET-CONTROL TUBE RH -----	1	
	0411224	BALL-CONTROL TUBE RH -----	1	
		ATTACHING PARTS -----		
-78	AN5156R8	SCREW -----	4	
	NAS679A06	NUT -----	4	
	AN960-6L	WASHER -----	AR	
		-----*		

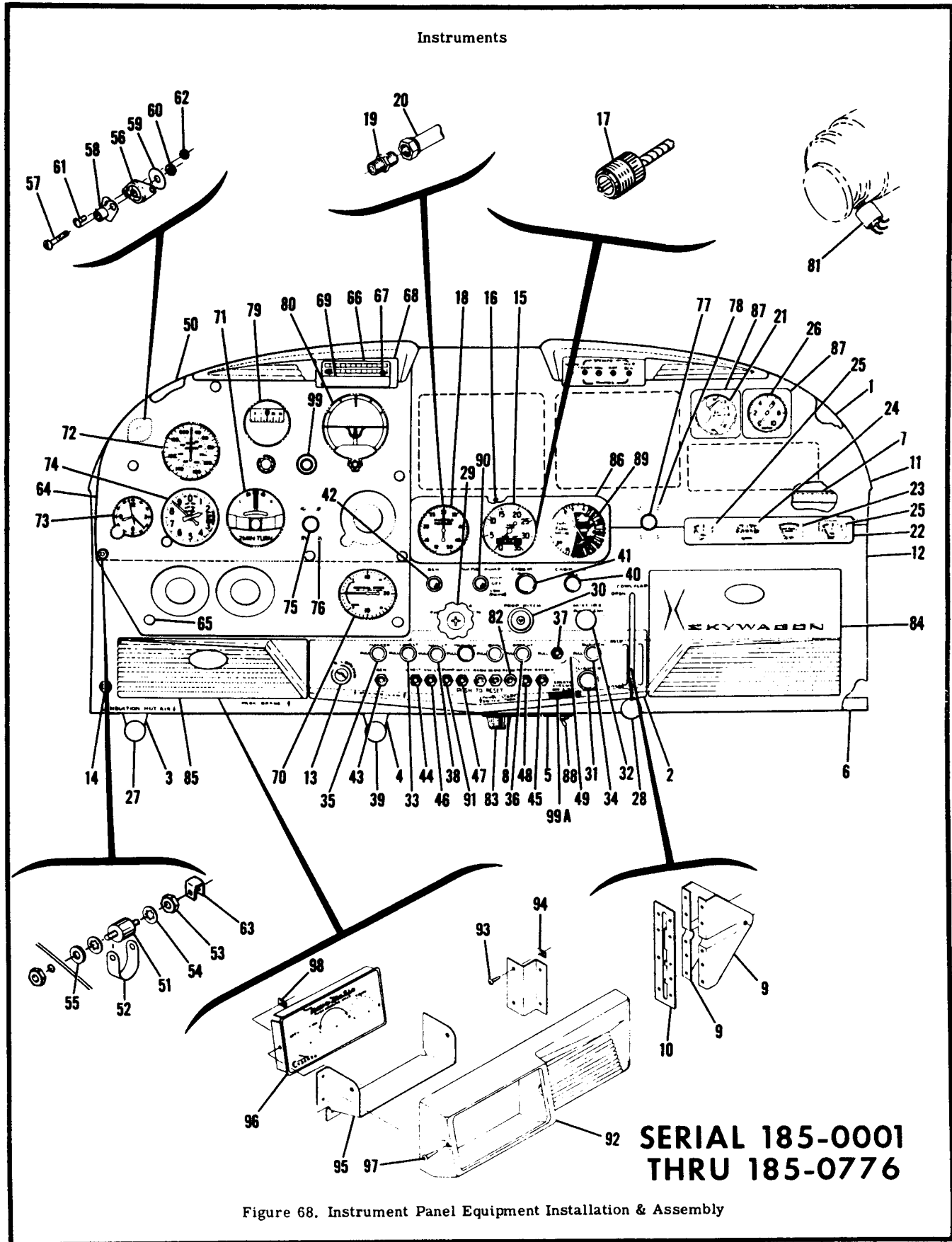
CONTINUED ON NEXT PAGE

FIGURE AND INDEX NO.	PART NUMBER	DESCRIPTION	UNITS PER ASSY	USABLE ON CODE
		1 2 3 4 5 6 7		
67 -79	S1316N1	GYRO-DIRECTIONAL-REBUILT WHEN EXHAUSTED ----- USE C661002-0101	1	
	C661002-0101	GYRO-DIRECTIONAL-REMANUFACTURED WHEN EXHAUSTED ----- ORDER AK172-116 KIT	1	
	0311056-5	GYRO-DIRECTIONAL-NEW WHEN EXHAUSTED ORDER AK172-116 KIT -	1	
	S1327N1	INDICATOR-DIRECTIONAL GYRO-AZIMUTH-PICTORIAL-TYPE 34B ----- WITH VACUUM WARNING LIGHTS WHEN EXHAUSTED ORDER AK172-116 KIT	1	
	ANS15810R14	ATTACHING PARTS	4	
	MS20365B632C	SCREW ----- NUT -----	4	
-80	S1309N1	GYRO-HORIZON-REBUILT WEU C661001-0101 -----	1	
	C661001-0101	GYRO-HORIZON-REMANUFACTURED WHEN EXHAUSTED ----- ORDER AK172-116 KIT	1	
	0311058-4	GYRO-HORIZON-NEW WHEN EXHAUSTED ORDER AK172-116 KIT -----	1	
	S1326N1	INDICATOR-GYRO HORIZON-PICTORIAL-TYPE 34B ----- WITH VACUUM WARNING LIGHTS WHEN EXHAUSTED ORDER AK172-116 KIT	1	
	ANS15810R16	ATTACHING PARTS	4	
	ANS20810R14	SCREW -----	4	
	MS20365B632C	SCREW ----- NUT -----	4	
	330R	BULB -----	2	
-81	S1365-1	SWITCH -----	1	
-82	49265	STUD-TRI MOUNT UC -----	AR	
	S2900832	WASHER -----	AR	
-83	0413126-7	RHEOSTAT ASSEMBLY -----	1	
-84	SEE FIG 69	GLOVE BOX INSTALLATION -----	1	
-85	SEE FIG 69	MAP CASE INSTALLATION -----	1	
-86	0713189-1	ESCUTCHEON -----	1	
-87	0713208-1	ESCUTCHEON -----	2	
-88	0770056-1	COVER ASSEMBLY ----- ATTACHING PARTS	1	
-89	S1021Z6-6	SCREW -----	2	
-90	NAS446-2-3	NUT -----	2	
-91	0770057-1	BRACKET -----	1	
-92	0713721-1	FACEPLATE & BRACKET ASSEMBLY ----- ATTACHING PARTS	1	
-93	S1021Z4-6	SCREW -----	2	
-94	NAS446-1-3	NUT -----	2	
-95	S1284-1	SWITCH-PUSH BUTTON VACUUM PRESS TO TEST -----	1	
		NOTE. *THIS KIT ALSO INCLUDES 2 DOOR LOCKS & KEYS.		
		NOTE. **CASCO PARTS ARE NO LONGER AVAILABLE. FOR REPLACEMENT ORDER COMPLETE CUND ASSEMBLY, 0513039-7 & RESPECTIVE KNOB.		
		NOTE. #WHEN ORDERING THIS PART FOR AIRCRAFT SERIALS 18051184 THRU 18051312 ALSO ORDER 0411897-1.		
		A---SERIAL 18051184 THRU 18051445		
		B---SERIAL 18051184 THRU 18051237		
		C---SERIAL 18051313 THRU 18051445		
		D---SERIAL 18051184 THRU 18051312		

FIGURE AND INDEX NO.	PART NUMBER	DESCRIPTION	UNITS PER ASSY	USABLE ON CODE
68 -		EQUIPMENT INSTALLATION & ASSEMBLY-INSTRUMENT PANEL -----	1	A
- 1	0713185-1	PANEL ASSEMBLY-STATIONARY -----	1	B
	0713125-8	PANEL ASSEMBLY-STATIONARY -----	1	
- 2	0713126-1	PAN -----	1	
- 3	0756001-4	BRACKET-INDUCTION HOT AIR -----	1	
- 4	0756001-13	BRACKET-STRAINER DRAIN CONTROL -----	1	B
- 5	0713159-1	BRACKET-STARTER SWITCH CUTOUT -----	1	
		ATTACHING PARTS		
	S102126-8	SCREW -----	2	B
	NAS446-2-3	NUT -----	2	B
		-----*		
- 6	0713501-4	STIFFENER -----	1	
- 7	0713501-5	STIFFENER -----	1	
- 8	0413131-3	BRACKET-RHEOSTAT -----	2	
- 9	0713127-1	BRACKET-FLAP CONTROL -----	1	
- 10	1213035-4	PLATE ASSEMBLY-FLAP CONTROL -----	1	B
- 11	0713518-10	COVER-STATIONARY PANEL UPPER -----	1	C
	0713188-3	COVER-STATIONARY PANEL UPPER -----	1	B
- 12	0713518-8-279	COVER-STATIONARY PANEL LOWER -----	1	D
	0713518-12-279	COVER-STATIONARY PANEL LOWER -----	1	K
	0713518-20-418	COVER-STATIONARY PANEL LOWER -----	1	J
	0713188-1-418	COVER-STATIONARY PANEL LOWER -----	1	
		ATTACHING PARTS		
	S102124-68	SCREW -----	5	
		-----*		
- 13	0713129-4	KIT-IGNITION SWITCH WHEN EXHAUSTED USE C292501-0102 -----	1	F
	C292501-0102	KIT-IGNITION SWITCH -----	1	F
	S1255-3	KIT-IGNITION SWITCH WHEN EXHAUSTED USE S1255-6 -----	1	D
	S1255-6	KIT-IGNITION SWITCH -----	1	D
- 14	S1102-1	JACK-MICROPHONE -----	1	
	CM2692-12-35	PLUG BUTTON UC USED WHEN PHONE JACK NOT INSTALLED -----	1	G
- 15	0511035-5	TACHOMETER WHEN EXHAUSTED USE S-1305N9 -----	1	E
	S1305N9	TACHOMETER -----	1	
		ATTACHING PARTS		
- 16	AN5078632R12	SCREW -----	4	
	MS203658632C	NUT -----	4	
		-----*		
- 17	S1605-3	SHAFT-TACHOMETER -----	1	
		ATTACHING PARTS		
	S1485D4U	CLAMP TIN -----	1	G
	NAS434F4	CLAMP -----	1	E
	S102128-6	SCREW -----	1	
		-----*		
- 18	0311029-6	GAGE-MANIFOLD PRESSURE WHEN EXHAUSTED USE S-1301N2 -----	1	
	S1301N2	GAGE-MANIFOLD PRESSURE -----	1	
		ATTACHING PARTS		
	AN5078632R12	SCREW -----	4	
	MS203658632C	NUT -----	4	
		-----*		
- 19	AN816-2D	NIPPLE -----	1	
- 20	0500106-273	LINE ASSEMBLY-MANIFOLD PRESSURE WEU 0500118-96 -----	1	
	0500118-96	LINE ASSEMBLY-MANIFOLD PRESSURE -----	1	
- 21	0813601-9	GAGE-CYLINDER HEAD TEMP WHEN EXHAUSTED USE S-1310N1 -----	1	
	S1310N1	GAGE-CYLINDER HEAD TEMP -----	1	
		ATTACHING PARTS		
	AN5078632R12	SCREW -----	4	
	MS203658632C	NUT -----	4	
		-----*		
- 22	0311018-10	LEAD-CYLINDER HEAD TEMPERATURE GAGE -----	1	
	0513144-16	PANEL ASSEMBLY -----	1	
		ATTACHING PARTS		
	AN5078632R12	SCREW -----	2	
	AN936A68	WASHER -----	2	
	AN34086	NUT -----	2	
		-----*		
- 23	0513144-2	GAGE-OIL TEMPERATURE -----	1	
- 24	0513144-10	GAGE-OIL PRESSURE -----	1	
- 25	0513144-14	GAGE-FUEL -----	2	
- 26	0311057-1	GAGE-SUCTION WHEN EXHAUSTED USE S1414N1 -----	1	
	S1414N1	GAGE-SUCTION -----	1	
		ATTACHING PARTS		
	AN5078632R12	SCREW -----	4	
	MS203658632C	NUT -----	4	
		-----*		

CONTINUED ON NEXT PAGE

Instruments



**SERIAL 185-0001
THRU 185-0776**

Figure 68. Instrument Panel Equipment Installation & Assembly

FIGURE AND INDEX NO.	PART NUMBER	DESCRIPTION	UNITS PER ASSY	USABLE ON CODE
			1	
68 -27	S1230-2	CONTROL-INDUCTION AIR ----- ATTACHING PARTS -----	1	
	S1485D4U	CLAMP -----	1	
	AN742D3	CLAMP -----	1	
	S1021Z8-8	SCREW -----	1	
		-----*-----		
		CONTROL SYSTEM INSTALLATION-COWL FLAPS -----	NP	
-28	SEE FIG 87	CONTROL-THROTTLE -----	1	B
-29	1213228-3	CONTROL-THROTTLE -----	1	C
	S1294-1	CONTROL-THROTTLE -----	1	
-30	S1223-5	CONTROL-PROPELLER PITCH -----	1	
-31	0513039-7	LIGHTER ASSEMBLY CUND -----	1	
	L4858-1	HEATING ELEMENT CUND -----	1	
	S1240-6	KNOB-CIGAR LIGHTER -----	1	B
-32	1213229-2	CONTROL-MIXTURE -----	1	C
	S1220-4	CONTROL-MIXTURE -----	1	
-33	0713035	SWITCH-LANDING LIGHT -----	1	
	0713303-2	KNOB-LANDING LIGHT SWITCH -----	1	
-34	0713026-4	SWITCH-ROTATING BEACON -----	1	
	0713303-2	KNOB-ROTATING BEACON SWITCH -----	1	
-35	0713026-5	SWITCH-MASTER -----	1	
	0713303-2	KNOB-MASTER SWITCH -----	1	
-36	0713026-4	SWITCH-PITOT HEAT -----	1	
	0713303-2	KNOB-PITOT HEAT SWITCH -----	1	
-37	0511063	SWITCH-OIL DILUTION -----	1	
-38	0713026-4	SWITCH-NAVIGATION LIGHTS SINGLE POLE -----	1	
	0713026-9	SWITCH-NAVIGATION LIGHTS DOUBLE POLE -----	1	
	0713303-2	KNOB-NAVIGATION LIGHT SWITCH -----	1	
-39	S1239-4	CONTROL-STRAINER DRAIN REF S1239-12 -----	1	
	S1239-13	CONTROL-STRAINER DRAIN FLOATPLANE CP -----	1	
-40	S1239-6	CONTROL-CABIN AIR -----	1	
-41	S1241-7	CONTROL-CABIN HEAT REF 0713141-5 -----	1	
-42	0513051-8	LIGHT ASSEMBLY-CHARGE INDICATOR -----	1	
	S1876-1	BULB -----	1	
	0713038	AMMETER WHEN EXHAUSTED USE S-1320-1 -----	1	
	S1320-1	AMMETER -----	1	
		ATTACHING PARTS -----		
	0700036-2	ADAPTER -----	1	
	AN515-6R6	SCREW -----	4	
	NAS679A06	NUT -----	4	
		-----*-----		
-43	S1360-50	CIRCUIT BREAKER SPT -----	1	
-44	S1360-20	CIRCUIT BREAKER SPT -----	1	
-45	S1360-15	CIRCUIT BREAKER SPT -----	1	
-46	S1360-10	CIRCUIT BREAKER SPT -----	1	
-47	S1360-10	CIRCUIT BREAKER SPT -----	1	
-48	S1360-10	CIRCUIT BREAKER SPT -----	1	
-49	CA2	CIRCUIT BREAKER SPT -----	1	
	PA2	CIRCUIT BREAKER SPT ALT -----	1	
		ATTACHING PARTS -----		
	AN507-832R12	SCREW -----	2	
		-----*-----		
-50	0713504-2	PANEL-SHOCK MOUNTED INSTRUMENT -----	1	G
	0713504-3	PANEL-SHOCK MOUNTED INSTRUMENT -----	1	E
		ATTACHING PARTS -----		
-51	0411059-1	MOUNT-SHOCK -----	3	
-52	0413247	STRAP-GROUND -----	1	
-53	AN34088	NUT -----	6	
-54	AN936C8	WASHER -----	6	
-55	S355	SPACER -----	3	
-56	102PDLN4	MOUNT-SHOCK LO -----	2	
-57	AN5078R32R12	SCREW -----	2	
-58	NAS430D3-14	SPACER -----	2	
-59	J2049-10	WASHER LO -----	2	
-60	MS20365B832C	NUT -----	4	
-61	AN51586R6	SCREW -----	4	
-62	MS20365B832C	NUT -----	4	
		-----*-----		
-63	0713308-1	BRACKET -----	1	G
-64	0713522-1-279	COVER-SHOCK PANEL -----	1	E
	0713522-1-418	COVER-SHOCK PANEL -----	1	
		ATTACHING PARTS -----		
-65	49265K2215	FASTENER UC -----	5	

CONTINUED ON NEXT PAGE

FIGURE AND INDEX NO.	PART NUMBER	DESCRIPTION	UNITS PER ASSY							USABLE ON CODE
			1	2	3	4	5	6	7	
68 -66	0713028-8	CARD-CORRECTION -----							1	
	0713028-3	COVER-CORRECTION CARD -----							1	
		RETAINER ASSEMBLY-CORRECTION CARD -----							NP	
		ATTACHING PARTS								
-67	S1022Z4-12B	SCREW -----							2	
	NAS43DD1-18	SPACER -----							2	
		-----*								
-68	0813569-2	RETAINER-CORRECTION CARD -----							1	
-69		PLATE-REGISTRATION NUMBER -----							NP	
-70	0411069-1	INDICATOR-VERTICAL SPEED WHEN EXHAUSTED USE S-1304N2 ---							1	B
	S1304N2	INDICATOR-VERTICAL SPEED -----							1	C
	S1392N1	INDICATOR-VERTICAL SPEED ALT -----							1	
	0411069-3	INDICATOR-VERTICAL SPEED-ALT WHEN EXHAUSTED USE S-1304N1-							1	B
	S1304N1	INDICATOR-VERTICAL SPEED -----							1	C
	CM2647N1	INDICATOR-VERTICAL SPEED 10 METERS PER MIN. -----							1	
	S1385N1	INDICATOR-VERTICAL SPEED ALT 10 METERS PER MIN. -----							1	
		ATTACHING PARTS								
	AN51586R12	SCREW -----							4	
	MS203658632C	NUT -----							4	
		-----*								
	MS20825-4D	TEE -----							1	
-71	0411009-6	INDICATOR-TURN & BANK WHEN EXHAUSTED USE S-1302N1 -----							1	
	S1302N1	INDICATOR-TURN & BANK -----							1	
		ATTACHING PARTS								
	AN51586R12	SCREW -----							4	
	MS203658632C	NUT -----							4	
		-----*								
-72	0713163-1	INDICATOR-AIRSPD WHEN EXHAUSTED USE S-1321N2 -----							1	B
	S1321N2	INDICATOR-AIRSPD -----							1	C
	S1471N2	INDICATOR-AIRSPD ALT -----							1	
	S1388N2	INDICATOR-AIRSPD KILOMETERS PER HOUR & MPH -----							1	
		ATTACHING PARTS								
	AN51586R	SCREW -----							4	
	MS203658632C	NUT -----							4	
		-----*								
-73	CM2629N1	CLOCK-8 DAY -----							1	
	0713131-1	CLOCK-ELECTRIC WHEN EXHAUSTED USE S-1317N1 -----							1	
	S1317N1	CLOCK-ELECTRIC -----							1	
		ATTACHING PARTS								
	AN51586R	SCREW -----							4	
	MS203658632C	NUT -----							4	
		-----*								
-74	0411007-7	ALTIMETER-20,000 FT FOR VFR APPLICATIONS ONLY -----							1	B
		WHEN EXHAUSTED USE C661011-0105 -----								
	S1314N1	ALTIMETER-20,000 FT FOR VFR APPLICATIONS ONLY -----							1	C
		WHEN EXHAUSTED USE C661011-0105 -----								
	0411007-8	ALTIMETER-SENSITIVE FOR VFR APPLICATIONS ONLY -----							1	B
		WHEN EXHAUSTED USE C661011-0105 -----								
	S1313N1	ALTIMETER-35,000 FT SENSITIVE FOR VFR APPLICATIONS ---							1	C
		ONLY WHEN EXHAUSTED USE C661011-0105 -----								
	C661011-0105	ALTIMETER-20,000 FT SENSITIVE -----							1	
	S1432N1	ALTIMETER-35,000 FT FEET/MILLIBARS FOR VFR -----							1	C
		APPLICATIONS ONLY WHEN EXHAUSTED USE C661011-0106 -----								
	C661011-0106	ALTIMETER-20,000 FT FEET/MILLIBARS -----							1	
	S1384N1	ALTIMETER-METERS/MILLIBARS FOR VFR APPLICATIONS ONLY ---							1	
		ATTACHING PARTS								
	AN51586R12	SCREW -----							4	
	MS203658632C	NUT -----							4	
		-----*								
-75	0513146-11	COLLAR-CONTROL TUBE LH -----							1	
	0411224	BALL-CONTROL TUBE LH -----							1	
	0713099-1	SOCKET-CONTROL TUBE LH -----							1	
		ATTACHING PARTS								
	AN515-6R8	SCREW -----							4	
	NAS679A06	NUT -----							4	
	AN960-6L	WASHER -----							AR	
		-----*								
-77	0713099-1	SOCKET-CONTROL TUBE RH -----							1	
	0411224	BALL-CONTROL TUBE RH -----							1	
		ATTACHING PARTS								
	AN515-6R8	SCREW -----							4	
	NAS679A06	NUT -----							4	
	AN960-6L	WASHER -----							AR	
		-----*								

CONTINUED ON NEXT PAGE

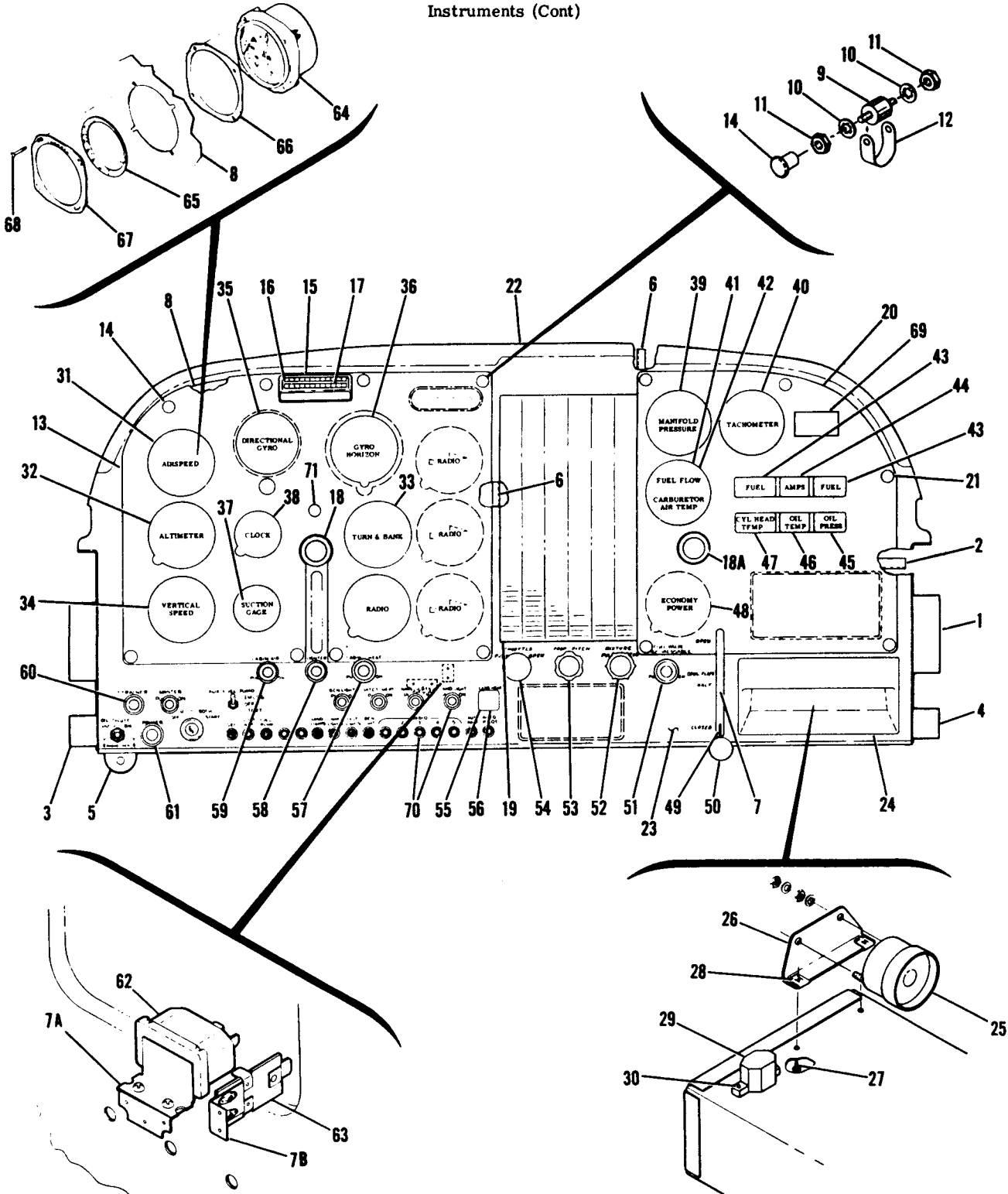
FIGURE AND INDEX NO.	PART NUMBER	DESCRIPTION							UNITS PER ASSY	USABLE ON CODE
		1	2	3	4	5	6	7		
68 -79	0311056-4	GYRO-DIRECTIONAL-REBUILT WHEN EXHAUSTED USE S-1316N1 -----							1	
	S1316N1	GYRO-DIRECTIONAL-REBUILT WHEN EXHAUSTED -----							1	
	C661002-0101	USE C661002-0101 GYRO-DIRECTIONAL-REMANUFACTURED WHEN EXHAUSTED -----							1	
		ORDER AK172-116 KIT -----								
	0311056-5	GYRO-DIRECTIONAL-NEW WHEN EXHAUSTED ORDER AK172-116 KIT -							1	
	S1327N1	INDICATOR-DIRECTIONAL GYRO-AZIMUTH-PICTORIAL-TYPE 34B -----							1	C
		WITH VACUUM WARNING LIGHTS WHEN EXHAUSTED								
		ORDER AK172-116 KIT								
		ATTACHING PARTS								
		AN51586R	SCREW -----							4
	MS203698632C	NUT -----							4	
-80	0311058-5	GYRO-HORIZON-REBUILT WHEN EXHAUSTED USE S-1309N1 -----							1	
	S1309N1	GYRO-HORIZON-REBUILT WEU C661001-0101 -----							1	
	C661001-0101	GYRO-HORIZON-REMANUFACTURED WHEN EXHAUSTED -----							1	
		ORDER AK172-116 KIT -----								
	0311058-4	GYRO-HORIZON-NEW WHEN EXHAUSTED ORDER AK172-116 KIT -----							1	
	S1326N1	INDICATOR-GYRO HORIZON-PICTORIAL-TYPE 34B -----							1	C
		WITH VACUUM WARNING LIGHTS WHEN EXHAUSTED								
		ORDER AK172-116 KIT								
		ATTACHING PARTS								
		AN51586R	SCREW -----							4
	AN520B10R14	SCREW -----							4	C
	MS203698632C	NUT -----							4	
	330R	BULB -----							2	C
-81	S1365-1	SWITCH -----							1	C
-82	49265	STUD-TRI MOUNT UC -----							AR	
	S2900832	WASHER -----							AR	
-83	0413126-7	RHEOSTAT ASSEMBLY -----							1	
-84	SEE FIG 69	GLOVE BOX INSTALLATION -----							1	
-85	SEE FIG 69	MAP CASE INSTALLATION -----							1	
-86	0713157-1	ESCUTCHEON -----							1	
-87	0713208-1	ESCUTCHEON -----							2	
-88	S302-2	SWITCH-STARTER CIRCUIT -----							1	B
-89	S1393N1	GAGE-FUEL FLOW WHEN EXHAUSTED USE C662010-0102 -----							1	
	AN816-3D	NIPPLE -----							1	
-90	S392-1	SWITCH-AUXILIARY FUEL -----							1	J
	0713192-3	REDUCER-AUXILIARY FUEL PUMP SWITCH -----							1	
-91	PSM10N	CIRCUIT BREAKER-FUEL PUMP SPT -----							1	C
-92	0770056-1	COVER ASSEMBLY -----							1	
		ATTACHING PARTS								
-93	S102126-6	SCREW -----							2	
-94	NAS446-2-3	NUT -----							2	
		BRACKET -----							1	C
-95	0770057-1	FACEPLATE & BRACKET ASSEMBLY -----							1	C
-96	0713721-1	ATTACHING PARTS								
		SCREW -----							2	
-97	S102124-6	NUT -----							2	
-98	NAS446-1-3	SCREW -----							2	
		NUT -----							2	
-99	S1284-1	SWITCH-PUSH TO TEST-VACUUM PRESS TO TEST -----							1	C
-99A	0716112-1	PLACARD-FUEL 81 GALS. -----							1	H

NOTE. *THIS KIT ALSO INCLUDES 2 DOOR LOCKS & KEYS

NOTE. **CASCO PARTS ARE NO LONGER AVAILABLE.
FOR REPLACEMENT ORDER COMPLETE CUNO
ASSEMBLY, 0913039-7 & RESPECTIVE KNOB.

- A---SERIAL 185-0001 THRU 185-0776
- B---SERIAL 185-0001 THRU 185-0237
- C---SERIAL 185-0238 THRU 185-0776
- D---SERIAL 185-0238 THRU 185-0512
- E---SERIAL 185-0513 THRU 185-0776
- F---SERIAL 185-0001 THRU 185-0237 &
185-0513 THRU 185-0776
- G---SERIAL 185-0001 THRU 185-0512
- H---SERIAL 185-0414 THRU 185-0776
- J---SERIAL 185-0654 THRU 185-0776
- K---SERIAL 185-0513 THRU 185-0653

Instruments (Cont)



SERIAL 18051446 THRU 18051875
SERIAL 185-0777 THRU 185-1300

Figure 68A, Instrument Panel Equipment Installation

FIGURE AND INDEX NO.	PART NUMBER	DESCRIPTION	UNITS PER ASSY	USABLE ON CODE
		1 2 3 4 5 6 7		
68A-		INSTRUMENT PANEL EQUIPMENT INSTALLATION -----	NP	A
- 1	0713755-1	PANEL ASSEMBLY-STATIONARY -----	1	
- 2	0713755-7	ANGLE -----	1	
- 3	0713755-8	SUPPORT-LH -----	1	
- 4	0713755-9	SUPPORT-RH -----	1	
- 5	0513316-9	MOUNT-PHONE JACK -----	1	
- 6	0713755-10	ANGLE-LH -----	1	
	0713755-11	ANGLE-RH -----	1	
- 7	0713755-4	PLATE ASSEMBLY -----	2	
	0713127-1	BRACKET-COWL FLAP CONTROL -----	1	T
- 7A	0713249-1	BRACKET ASSEMBLY-RELAY -----	1	T
- 7B	0713249-2	BRACKET ASSEMBLY-DIODEBOARD -----	2	T
	NAS697A08K	NUTPLATE -----	1	S
- 8	0713755-12	PANEL-SHOCK -----	1	T
	0713755-15	PANEL-SHOCK -----		
		ATTACHING PARTS -----		
- 9	0411059-3	FLEX MOUNT -----	8	
-10	AN936A8	WASHER -----	16	
-11	AN34088	NUT -----	16	
-12	0413247	STRAP-GROUND -----	2	
		-----*		
-13	0713764-8	COVER-SHOCK PANEL -----	1	S
	0713764-13	COVER-SHOCK PANEL -----	1	T
		ATTACHING PARTS -----		
-14	0513351-1	SCREW POST -----	8	
		-----*		
-15	0813569-1	RETAINER-COMPASS CARD -----	1	
		ATTACHING PARTS -----		
-16	S102274-6B	SCREW -----	2	
	NAS446-1-3	NUT -----	2	
		-----*		
-17	0713028-8	CORRECTION CARD -----	1	
	0713028-3	COVER-CORRECTION CARD -----	1	
-18	0513311-1	SUPPORT ASSEMBLY-CONTROL TUBE LH -----	1	
-18A	0513311-2	SUPPORT ASSEMBLY-CONTROL TUBE RH -----	1	
		ATTACHING PARTS -----		
	AN515B6R8	SCREW -----	4	
	AN34086	NUT -----	4	
		-----*		
	0513056-3	GROMMET -----	2	
-19	0713765-1	COVER-RADIO -----	1	S
	0713871-1	COVER-RADIO -----	1	T
-20	0713764-12	COVER-RH -----	1	B
	0713764-14	COVER-RH -----	1	C
		ATTACHING PARTS -----		
-21	0513351-1	SCREW POST -----	5	
	AN515-8R7	SCREW -----	5	
	AN936A8	WASHER -----	5	
	AN34088	NUT -----	5	
		-----*		
-22	0713756-1	COVER ASSEMBLY-UPPER -----	1	S
	0713872-1	COVER ASSEMBLY-UPPER -----	1	T
-23	0713756-8	COVER-LOWER -----	1	U
	0713872-3	COVER-LOWER -----	1	W
	0713756-7	COVER-LOWER -----	1	V
	0713872-4	COVER-LOWER -----	1	X
-24	SEE FIG 69A	GLOVE BOX INSTALLATION -----	NP	
-25	S2077-5	HORN ASSEMBLY-STALL WARNING -----	1	Z
-26	0713738-3	BRACKET ASSEMBLY-HORN -----	1	Z
		ATTACHING PARTS -----		
-27	S1021Z8-6	SCREW -----	2	Z
		-----*		
-28	NAS395-12-3	NUT -----	2	Z
-29	CA2	CIRCUIT BREAKER MTCC -----	1	
		ATTACHING PARTS -----		
-30	AN515-6R8	SCREW -----	2	
	AN936A6	WASHER -----	2	
		-----*		
-31	S1470N6	INDICATOR-AIRSPPEED -----	1	B
	S1471N2	INDICATOR-AIRSPPEED -----	1	L
	S1471N9	INDICATOR-AIRSPPEED -----	1	E
		ATTACHING PARTS -----		
	AN515B6R12	SCREW -----	4	
		-----*		

CONTINUED ON NEXT PAGE

FIGURE AND INDEX NO.	PART NUMBER	DESCRIPTION	UNITS PER ASSY							USABLE ON CODE
			1	2	3	4	5	6	7	
68A-32	S1314N1	ALTIMETER-20,000 FT FOR VFR APPLICATIONS ONLY ----- WHEN EXHAUSTED USE C661011-0105							1	
	S1313N1	ALTIMETER-35,000 FT SENSITIVE FOR VFR APPLICATIONS -- ONLY WHEN EXHAUSTED USE C661011-0105							1	Y
	C661011-0105	ALTIMETER-20,000 FT SENSITIVE -----							1	G
	S1432N1	ALTIMETER-35,000 FT FEET/MILLIBARS FOR VFR ----- APPLICATIONS ONLY WHEN EXHAUSTED USE C661011-0106							1	Y
	C661011-0106	ALTIMETER-20,000 FT FEET/MILLIBARS -----							1	G
	S1302N1	INDICATOR-TURN & BANK -----							1	
-33	S1413N1	INDICATOR-TURN & BANK ALTERNATE -----							1	
	S1304N2	INDICATOR-VERTICAL SPEED -----							1	
	S1392N1	INDICATOR-VERTICAL SPEED ALTERNATE -----							1	
	AN51586R12	ATTACHING PARTS SCREW -----							4	
	C661002-0101	GYRO-DIRECTIONAL-REMANUFACTURED WHEN EXHAUSTED ----- ORDER AK172-116 KIT							1	S
	C661002-0201	GYRO-DIRECTIONAL -----							1	T
	C661002-0201R	GYRO-DIRECTIONAL RECONDITIONED -----							1	T
	30370-0100	GYRO-DIRECTIONAL USED WITH NAVO-MATIC ARC -----							1	
	C661001-0101	GYRO-HORIZON WHEN EXHAUSTED ORDER AK172-116 KIT -----							1	S
	C661001-0201	GYRO-HORIZON -----							1	T
	C661001-0201R	GYRO-HORIZON RECONDITIONED -----							1	T
	30475-0000	GYRO-HORIZON USED WITH NAVO-MATIC ARC -----							1	
-37	S1414N1	GAGE-SUCTION -----							1	
	S1317N1	CLOCK-ELECTRIC -----							1	
	AN51586R12	ATTACHING PARTS SCREW -----							2	
	S1301-1	GAGE-MANIFOLD PRESSURE -----							1	B
	S1301-2	GAGE-MANIFOLD PRESSURE 260 HP -----							1	M
	C662001-0104	GAGE-MANIFOLD PRESSURE & FUEL FLOW 300 HP -----							1	N
	AN5078632R12	ATTACHING PARTS SCREW -----							4	
	AN936A6B	WASHER -----							4	
	AN34086	NUT -----							4	
	S1305-8	TACHOMETER -----							1	B
	S1305-9	TACHOMETER 260 HP -----							1	M
	S1305-11	TACHOMETER 300 HP -----							1	N
	S102126-12	ATTACHING PARTS SCREW -----							4	
	NAS430D1-20	SPACER -----							4	
	AN936A6B	WASHER -----							4	
	AN340-6	NUT -----							4	
	S1605-3	SHAFT-TACHOMETER -----							1	
	S148504U	ATTACHING PARTS CLAMP ATTACH SHAFT AT FIREWALL -----							1	
	S102128-6	SCREW -----							1	
	S1393-1	GAGE-FUEL FLOW 260 HP WHEN EXHAUSTED USE C662010-0102 --- ATTACHING PARTS							1	M
	S102126-12	SCREW -----							4	C
	NAS395-4-3	NUT -----							4	C
	S1311-1	CARBURETOR AIR TEMPERATURE GAGE INSTALLATION ----- GAGE-CARBURETOR AIR							NP	B
	0411897-3	ATTACHING PARTS COVER-ADAPTOR -----							1	B
	AN5078632R12	SCREW -----							8	B
	AN936A6B	WASHER -----							8	B
	AN34086	NUT -----							8	B
	0550209-1	PROBE -----							1	B

CONTINUED ON NEXT PAGE

FIGURE AND INDEX NO.	PART NUMBER	DESCRIPTION	UNITS PER ASSY	USABLE ON CODE
		1 2 3 4 5 6 7		
68A-	1213505-8	CLUSTER-INSTRUMENT WHEN EXHAUSTED USE C669502-0201 -----	1	H
	C669502-0103	CLUSTER-INSTRUMENT WHEN EXHAUSTED USE C669502-0201 -----	1	J
	C669502-0201	CLUSTER-INSTRUMENT SEE FIG 688 FOR BREAKDOWN -----	1	J
	C669502-0104	CLUSTER-INSTRUMENT 300 HP WHEN -----	1	N
	C669502-0202	CLUSTER-INSTRUMENT 300 HP SEE FIG 688 FOR BREAKDOWN - EXHAUSTED USE C669502-0202 ATTACHING PARTS -----	1	N
	S102128-20	SCREW -----	2	
	NAS395-13-3	NUT -----	2	
	0713762-1	SUPPORT -----	2	
	G815825	COVER & LENS ASSEMBLY SW -----	1	
	2182D-R	BULB GE -----	6	
	G441304	GAGE-FUEL SW WHEN EXHAUSTED USE G441344 -----	2	
-43	G440404	AMMETER SW WHEN EXHAUSTED USE G440437 -----	1	
-44	G444619	GAGE-OIL PRESSURE SW WHEN EXHAUSTED USE G444627 ---	1	P
-45	G442697	GAGE-OIL TEMP SW WHEN EXHAUSTED USE G442785 -----	1	N
-46	G442698	GAGE-OIL TEMP SW 300 HP WHEN -----	1	
	G442702	EXHAUSTED USE G442786 GAGE-CYL HEAD TEMP SW -----	1	
-47	811542	POTENTIOMETER SW -----	1	
	S1372-1	SENDING UNIT-CYL HEAD TEMP -----	1	
	110691	WIRE-CYL HEAD TEMP GAGE TO SENDING UNIT -----	AR	
	1270479-1	50 IN LG BULK ITEM LIGHT ASSEMBLY-INST CLUSTER INCLUDES BULB, BASE & WIRE -- USED WITH C669502-0201 & C669502-0202 ONLY -----	1	
	S1894-3	BULB RED -----	4	
-48	C668501-0101	INDICATOR-POWER ECONOMY -----	1	O
	C668501-0201	INDICATOR-POWER ECONOMY -----	1	R
	0411897-3	ADAPTER -----	1	
	AN5078632R12	SCREW -----	4	
	AN5078632R6	SCREW -----	4	
	AN34086	NUT -----	8	
	C668501-0104	LEAD-THERMOCOUPLE POWER ECONOMY INDICATOR -----	1	O
	C668501-0206	LEAD-THERMOCOUPLE POWER ECONOMY INDICATOR -----	1	R
	AN742D12	ATTACHING PARTS -----	1	C
	S1486DG2U	CLAMP -----	1	C
	S102128-8	CLAMP -----	1	C
	S102128-8	SCREW -----	1	
-49	0713128-1	LEVER ASSEMBLY -----	1	
-50	S1249-1	KNOB -----	1	
-51	S1241-9	CONTROL ASSEMBLY-FUEL SHUT OFF -----	1	C
-52	S1234-1	CONTROL ASSEMBLY-MIXTURE -----	1	B
	S1220-4	CONTROL ASSEMBLY-MIXTURE -----	1	C
-53	S1223-5	CONTROL ASSEMBLY-PROP PITCH -----	1	
-54	S1222-13	CONTROL ASSEMBLY-THROTTLE -----	1	B
	S1294-1	CONTROL ASSEMBLY-THROTTLE -----	1	C
-55	S1230-6	CONTROL ASSEMBLY-CARBURETOR HEAT -----	1	B
-56	S1230-6	CONTROL ASSEMBLY-INDUCTION AIR -----	1	C
-57	S1241-3	CONTROL ASSEMBLY-CABIN HEAT -----	1	
-58	0513039-7	LIGHTER ASSEMBLY-CIGAR -----	1	
	L4858-1	PLUG-HEATING CUE -----	1	
	S1240-6	KNOB-CIGAR LIGHTER -----	1	
	60232-1	CIRCUIT BREAKER-CIGAR LIGHTER CUE -----	1	F
-59	S1239-25	CONTROL ASSEMBLY-CABIN AIR -----	1	
-60	S1239-4	CONTROL ASSEMBLY-STRAINER DRAIN REF S1239-19 -----	1	
	S1239-24	CONTROL ASSEMBLY-STRAINER DRAIN FLOATPLANE -----	1	
-61	0311538-12	PRIMER ASSEMBLY WHEN EXHAUSTED USE C291502-0101 -----	1	
	S1240-5	KNOB-PRIMER -----	1	
-62	S1668-1	RELAY -----	1	T

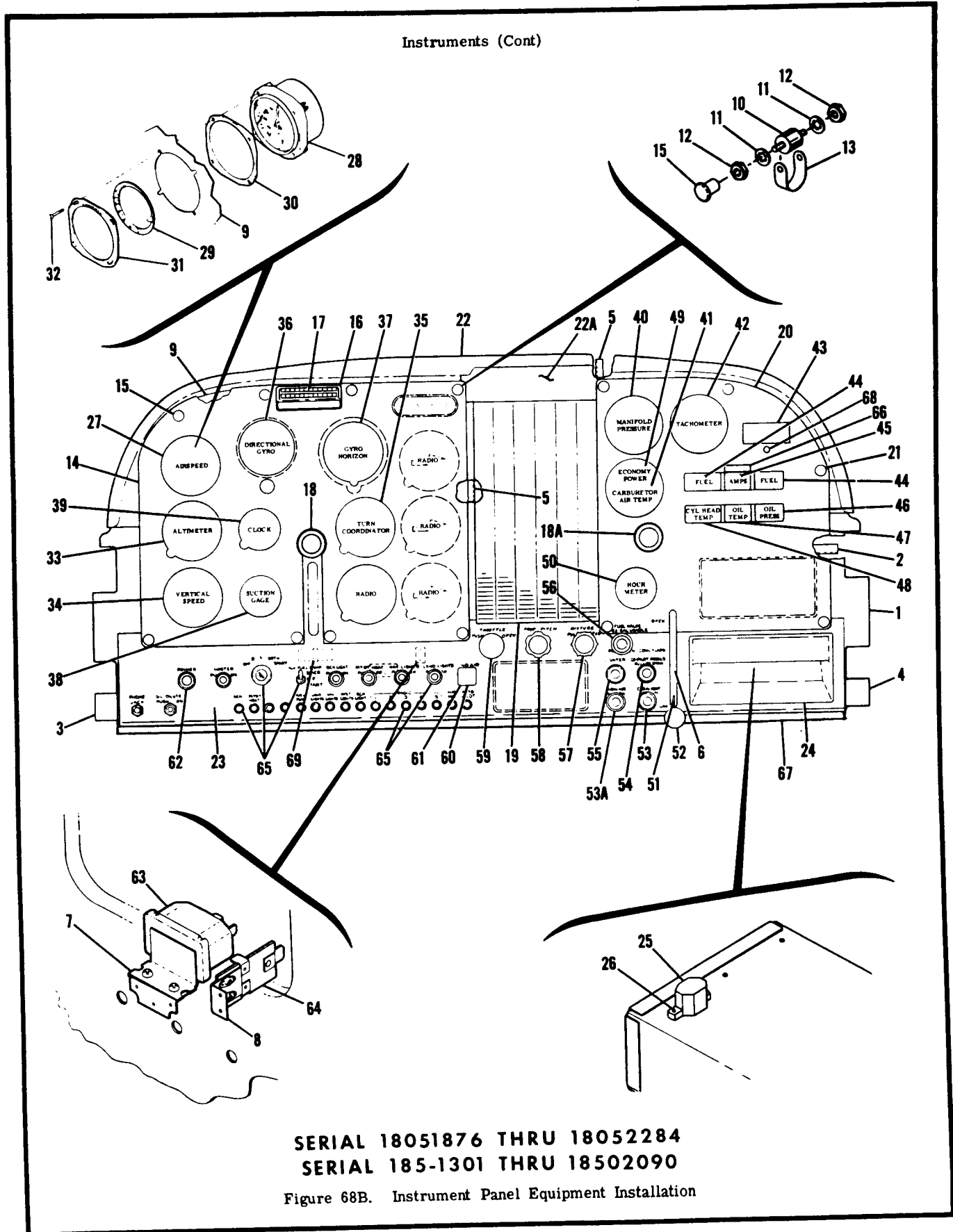
CONTINUED ON NEXT PAGE

FIGURE AND INDEX NO.	PART NUMBER	DESCRIPTION	UNITS PER ASSY	USABLE ON CODE
68A-63	1570043-1	DIODE BOARD ASSEMBLY ----- TRUE AIRSPEED INSTALLATION -----	1 NP	T F
-64	C661010-0201	INDICATOR-AIRSPEED -----	1	D
	C661010-0207	INDICATOR-AIRSPEED -----	1	E
-65	0700189-2	RING ASSEMBLY-T.A.S. WEU 0700189-9 -----	1	F
-66	0700162-3	SPACEP .051 THICK -----	AR	F
	0700162-4	SPACEP .063 THICK -----	AR	F
	0700162-6	SPACER .071 THICK -----	AR	F
	0700162-7	SPACER .040 THICK -----	1	F
-67	0700162-1	RETAINER ASSEMBLY-T.A.S. ----- ATTACHING PARTS -----	4	F
-68	AN51586R16	SCREW ----- -----*	1	N
-69	0700167-2	PLACARD-FUEL FLOW 300 HP -----	1	
-70	SEE FIG 68D	SWITCH & CIRCUIT BREAKER INSTALLATION -----	1	
-71	XH99608F1099	PLUG BUTTON UC -----	1	
<p>NOTE. *THIS PART NUMBER MUST HAVE A SECOND DASH NUMBER ADDED TO DENOTE COLOR. REFER TO HOW TO ORDER INTERIOR PARTS-PAGE XIII.</p>				
<p>A---SERIAL 18051446 THRU 18051875 SERIAL 185-0777 THRU 185-1300 B---SERIAL 18051446 THRU 18051875 C---SERIAL 185-0777 THRU 185-1300 D---SERIAL 18051608 THRU 18051875 E---SERIAL 185-0968 THRU 185-1300 F---SERIAL 18051608 THRU 18051875 SERIAL 185-0968 THRU 185-1300 G---SERIAL 18051764 THRU 18051875 SERIAL 185-1113 THRU 185-1300 H---SERIAL 18051446 THRU 18051484 SERIAL 185-0777 THRU 185-0800 J---SERIAL 18051485 THRU 18051875 SERIAL 185-0801 THRU 185-1149 260 HP ONLY K---SERIAL 18051446 THRU 18051607 L---SERIAL 185-0777 THRU 185-0967 M---SERIAL 185-0777 THRU 185-1149 260 HP ONLY N---SERIAL 185-0968 THRU 185-1300 300 HP ONLY P---SERIAL 18051446 THRU 18051875 SERIAL 185-0777 THRU 185-1149 260 HP ONLY Q---SERIAL 18051446 THRU 18051771 SERIAL 185-0777 THRU 185-1116 R---SERIAL 18051772 THRU 18051875 SERIAL 185-1117 THRU 185-1300 S---SERIAL 18051446 THRU 18051774 SERIAL 185-0777 THRU 185-1149 T---SERIAL 18051775 THRU 18051875 SERIAL 185-1150 THRU 185-1300 U---SERIAL 18051446 THRU 18051774 V---SERIAL 185-0777 THRU 185-1149 W---SERIAL 18051775 THRU 18051875 X---SERIAL 185-1150 THRU 185-1300 Y---SERIAL 18051446 THRU 18051763 SERIAL 185-0777 THRU 185-1112 Z---SERIAL 18051446 THRU 18051823 SERIAL 185-0777 THRU 185-1197 & 185-1200</p>				

FIGURE AND INDEX NO.	PART NUMBER	DESCRIPTION	UNITS PER ASSY	USABLE ON CODE
			NP	A M N
		1 2 3 4 5 6 7		
688-		INSTRUMENT PANEL EQUIPMENT INSTALLATION -----	1	A
- 1	0700193-2	PANEL ASSEMBLY-STATIONARY -----	1	M
	0700193-16	PANEL ASSEMBLY-STATIONARY -----	1	N
- 2	0713755-7	ANGLE -----	1	
- 3	0713755-8	SUPPORT-LH -----	1	
- 4	0713755-9	SUPPORT-RH -----	1	
- 5	0713755-10	ANGLE-LH -----	1	
	0713755-11	ANGLE-RH -----	1	
- 6	0713755-4	PLATE ASSEMBLY -----	2	
	0713127-1	BRACKET-COWL FLAP CONTROL -----	1	
- 7	0713249-1	BRACKET ASSEMBLY-RELAY -----	1	
- 8	0713249-2	BRACKET ASSEMBLY-DIODEBOARD -----	2	
	NAS697A08K	NUTPLATE -----	1	
- 9	0713755-15	PANEL-SHOCK -----		
		ATTACHING PARTS -----	8	
-10	0411059-3	FLEX MOUNT -----	16	
-11	AN936A8	WASHER -----	16	
-12	AN340B8	NUT -----	2	
-13	0413247	STRAP-GROUND -----		
		-----*	1	
-14	0713764-16	COVER-SHOCK PANEL -----		
		ATTACHING PARTS -----	8	
-15	0513351-1	SCREW POST -----		
		-----*	1	
-16	0813569-1	RETAINER-COMPASS CARD -----	2	
		ATTACHING PARTS -----	2	
	5102274-6B	SCREW -----	2	
	NAS446-1-3	NUT -----		
		-----*	1	
-17	0713028-8	CORRECTION CARD -----	1	
	0713028-3	COVER-CORRECTION CARD -----	1	
-18	0513311-1	SUPPORT ASSEMBLY-CONTROL TUBE LH -----	1	AE
	0513311-7	SUPPORT ASSEMBLY-CONTROL TUBE LH -----	1	AF
-18A	0513311-2	SUPPORT ASSEMBLY-CONTROL TUBE RH -----	1	
		ATTACHING PARTS -----	4	
	AN51586R8	SCREW -----	4	
	AN340B6	NUT -----		
		-----*	2	
	0513056-3	GROMMET -----	1	
-19	0713871-1	COVER-RADIO -----	1	AJ
-20	0713764-12	COVER-INSTRUMENT PANEL RH 180 -----	1	AA
	0713764-14	COVER-INSTRUMENT PANEL RH 185 -----	1	AB
	0713764-22	COVER-INSTRUMENT PANEL RH 185 -----	1	AH
	0713764-23	COVER-INSTRUMENT PANEL RH 180 & 185 -----	1	
		ATTACHING PARTS -----	5	
-21	0513351-1	SCREW POST -----	5	
	AN515-8R7	SCREW -----	5	
	AN936A8	WASHER -----	5	
	AN340B8	NUT -----		
		-----*	1	E
-22	0713887-1	EYEBROW-INSTRUMENT PANEL -----	1	E
	0713888-1	SUPPORT-EYEBROW -----	1	AC
	0713872-9	COVER ASSEMBLY-UPPER -----	1	AD
	0713957-2	EYEBROW ASSEMBLY-INSTRUMENT PANEL -----		
		ATTACHING PARTS -----	1	E
	0713889-1	RETAINER-EYEBROW -----	11	
	51023A4-8B	SCREW -----		
		-----*	1	AD
-22A	0713958-1	COVER-SWITCH PANEL -----	1	H
-23	0700195-3	COVER-STATIONARY PANEL LOWER 180 -----	1	K
	0700195-6	COVER-STATIONARY PANEL LOWER 180 -----	1	Z
	0700195-12	COVER-STATIONARY PANEL LOWER 180 -----	1	J
	0700195-1	COVER-STATIONARY PANEL LOWER 185 -----	1	L
	0700195-4	COVER-STATIONARY PANEL LOWER 185 -----	1	X
	0700195-8	COVER-STATIONARY PANEL LOWER 185 -----	1	Y
	0700195-11	COVER-STATIONARY PANEL LOWER 185 -----		
-24	SEE FIG 69A	GLOVE BOX INSTALLATION -----	NP	
-25	CA2	CIRCUIT BREAKER MTCC -----	1	
		ATTACHING PARTS -----	2	
-26	AN515-6R8	SCREW -----	2	
	AN936A6	WASHER -----		
		-----*		

CONTINUED ON NEXT PAGE

Instruments (Cont)



SERIAL 18051876 THRU 18052284
 SERIAL 185-1301 THRU 18502090
 Figure 68B. Instrument Panel Equipment Installation

FIGURE AND INDEX NO.	PART NUMBER	DESCRIPTION	UNITS PER ASSY							USABLE ON CODE	
			1	2	3	4	5	6	7		
688-27	S1470N6	INDICATOR-AIRSPEED WEU C661060-0105							1	AJ	
	C661060-0105	INDICATOR-AIRSPEED							1	AK	
	S1471N9	INDICATOR-AIRSPEED WEU C661060-0202							1	AL	
	C661060-0202	INDICATOR-AIRSPEED							1	AM	
	S1388N2	INDICATOR-AIRSPEED METRIC MARKINGS 185							1	C	
	S1387N2	INDICATOR-AIRSPEED METRIC MARKINGS 180							1	B	
	S1387N3	INDICATOR-AIRSPEED METRIC MARKINGS 180							1	B	
		TRUE AIRSPEED INSTALLATION								NP	
		INDICATOR-AIRSPEED WEU C661061-0206								1	AJ
		INDICATOR-AIRSPEED								1	AK
-28	C661010-0201	INDICATOR-AIRSPEED WEU C661061-0202							1	AL	
	C661061-0206	INDICATOR-AIRSPEED							1	AM	
	C661010-0207	INDICATOR-AIRSPEED							1		
	C661061-0202	INDICATOR-AIRSPEED							1		
-29	0700189-9	RING ASSEMBLY-T.A.S.								AR	
	0700162-3	SPACER .051 THICK								AR	
-30	0700162-4	SPACER .063 THICK								AR	
	0700162-6	SPACER .071 THICK								AR	
-31	0700162-7	SPACER .040 THICK								1	
	0700162-1	RETAINER ASSEMBLY-T.A.S.								1	
-32		ATTACHING PARTS								4	
	AN51586R16	SCREW									
-33	C661012-0101	ALTIMETER-18,000 FT FOR VFR APPLICATIONS ONLY							1		
	C661011-0105	SENSITIVE WEU C661071-0101							1	AG	
	C661071-0101	SENSITIVE							1	AH	
	C661011-0106	FEET-MILLIBARS WEU C661071-0102							1	AG	
	C661071-0102	FEET/MILLIBARS							1	AH	
	S1384N1	ALTIMETER METRIC MARKINGS							1		
	S1304N2	INDICATOR-VERTICAL SPEED WEU C661080-0101							1	AG	
	S1392N2	INDICATOR-VERTICAL SPEED ALT WEU C661080-0101							1	AG	
	C661080-0101	INDICATOR-VERTICAL SPEED							1	AH	
	CM2647N2	INDICATOR-VERTICAL SPEED METRIC MARKINGS 185							1	C	
CM2647N1	INDICATOR-VERTICAL SPEED METRIC MARKINGS 180							1	B		
	ATTACHING PARTS								4		
	AN51586R12	SCREW									
-35	C661003-0201	INDICATOR-TURN COORDINATOR WEU C661003-0501							1	D	
	C661003-0501	INDICATOR-TURN COORDINATOR WEU C661003-0504							1	G	
	C661003-0504	INDICATOR-TURN COORDINATOR							1	AH	
	TVA-1315	CAPACITOR INSTALLED ACROSS POWER PLUG							1		
	2904-1	INDICATOR-TURN COORDINATOR 8TID USED WITH							1	AG	
		WING LEVELER INSTALLATION ONLY									
	604-200-200	INDICATOR-TURN COORDINATOR 8TID USED WITH							1	AH	
		WING LEVELER INSTALLATION ONLY									
	S1413N1	INDICATOR-TURN & BANK WEU S1413N2							1	AG	
	S1413N2	INDICATOR-TURN & BANK							1	AH	
-36	C661002-0501	GYRO-DIRECTIONAL WEU C661002-0505							1	V	
	C661002-0505	GYRO-DIRECTIONAL WEU C661075-0102							1	W	
	C661075-0102	GYRO-DIRECTIONAL							1	AH	
	C661002-0301	GYRO-DIRECTIONAL WEU C661075-0104							1	AG	
	C661075-0104	GYRO-DIRECTIONAL							1	AH	
	C661002-0503	GYRO-DIRECTIONAL WEU C661002-0506							1	V	
	C661002-0506	GYRO-DIRECTIONAL WEU C661075-0103							1	W	
	C661075-0103	GYRO-DIRECTIONAL							1	AH	
	C661002-0504	GYRO-DIRECTIONAL WEU C661075-0101							1	AG	
	C661075-0101	GYRO-DIRECTIONAL							1	AH	
	30370-0100	GYRO-DIRECTIONAL USED WITH NAVO-MATIC 300 & 400 ARC							1	AG	
		WEU 30370-0102									
		GYRO-DIRECTIONAL USED WITH NAVO-MATIC 300 ARC							1	AH	
		GYRO-HORIZON WEU C661001-0505							1	V	
-37	C661001-0501	GYRO-HORIZON WEU C661076-0104							1	W	
	C661001-0505	GYRO-HORIZON							1	AH	
	C661076-0104	GYRO-HORIZON							1	AH	
	C661001-0502	GYRO-HORIZON WEU C661076-0101							1	AG	
	C661076-0101	GYRO-HORIZON							1	AH	
	C661001-0503	GYRO-HORIZON WEU C661076-0102							1	AG	
	C661076-0102	GYRO-HORIZON							1	AH	
	C661001-0504	GYRO-HORIZON WEU C661076-0103							1	AG	
	C661076-0103	GYRO-HORIZON							1	AH	
	37570-0001	GYRO-HORIZON USED WITH NAVO-MATIC 400 ARC							1	E	
	ATTACHING PARTS								4		
	AN507-632R8	SCREW									

CONTINUED ON NEXT PAGE

FIGURE AND INDEX NO.	PART NUMBER	DESCRIPTION	1 2 3 4 5 6 7							UNITS PER ASSY	USABLE ON CODE
			1	2	3	4	5	6	7		
68B-38	S1414N1	GAGE-SUCTION WEU C668540-0101								1	AG
	C668540-0101	GAGE-SUCTION								1	AH
	AN5078632R12	ATTACHING PARTS SCREW								4	
-39	S1317N2	CLOCK-ELECTRIC WEU C664508-0101								1	AG
	C664508-0101	CLOCK-ELECTRIC								1	AH
	AN51586R12	ATTACHING PARTS SCREW								2	
-40	S1301-1	GAGE-MANIFOLD PRESSURE WEU C662035-0101								1	AJ
	C662035-0101	GAGE-MANIFOLD PRESSURE								1	AK
	C662001-0104	GAGE-MANIFOLD PRESSURE & FUEL FLOW WEU C662001-0204								1	D
	C662001-0204	GAGE-MANIFOLD PRESSURE & FUEL FLOW WEU C662037-0103								1	AN
	C662037-0103	GAGE-MANIFOLD PRESSURE & FUEL FLOW								1	AM
	AN5078632R12	ATTACHING PARTS SCREW								4	
-41	AN936A68	WASHER								4	
	AN34086	NUT								4	
	S1311-1	CARBURETOR AIR TEMPERATURE GAGE INSTALLATION								NP	B
	S1311-3	GAGE-CARBURETOR AIR TEMP WEU S1311-3								1	AJ
	0411897-3	GAGE-CARBURETOR AIR TEMP								1	AK
	AN5078632R12	ATTACHING PARTS COVER-ADAPTOR								1	B
	AN936A68	SCREW								8	B
	AN34086	WASHER								8	B
	0550209-1	NUT								8	B
	-42	S1305-8	PROBE								1
C668020-0104		TACHOMETER WEU C668020-0104								1	AJ
S1305-11		TACHOMETER								1	AK
C668020-0107		TACHOMETER WEU C668020-0107								1	AL
C668020-0107		TACHOMETER								1	AM
AN5078632R12		ATTACHING PARTS SCREW								4	
NAS43DD1-20		SPACER								4	
AN936A68		WASHER								4	
AN34086		NUT								4	
S1605-3		SHAFT-TACHOMETER								1	
-43	S1485D4U	CLAMP ATTACH SHAFT AT FIREWALL								1	
	S1021Z8-6	SCREW								1	
	0700167-2	PLACARD-FUEL FLOW WHEN EXHAUSTED USE 0705005-1								1	D
-44	0705005-1	PLACARD-FUEL FLOW								1	F
	C669502-0201	CLUSTER-INSTRUMENT WITHOUT LIGHTS								1	B
	C669502-0202	CLUSTER-INSTRUMENT WITHOUT LIGHTS								1	C
	S1021Z8-20	ATTACHING PARTS SCREW								2	
	NAS395-13-3	NUT								2	
	0713762-1	SUPPORT								2	
	G818827	COVER & LENS ASSEMBLY SW								1	
	G441344	GAGE-FUEL SW								2	
	G440437	AMMETER SW								1	
	G444627	GAGE-OIL PRESSURE SW								1	
-46	G442785	GAGE-OIL TEMPERATURE SW								1	B
	G442786	GAGE-OIL TEMPERATURE SW								1	C
-48	G442702	GAGE-CYL HEAD TEMP SW								1	
	811542	POTENTIOMETER SW								1	
	S1372-1	SENDING UNIT-CYL HEAD TEMP								1	
-48	110691	WIRE-CYL HEAD TEMP GAGE TO SENDING UNIT								1	AR
	1270479-1	50 IN LG BULK ITEM LIGHT ASSEMBLY-INST CLUSTER INCLUDES BULB, BASE & WIRE								1	
	S1894-3	BULB RED								4	

CONTINUED ON NEXT PAGE

FIGURE AND INDEX NO.	PART NUMBER	DESCRIPTION	UNITS PER ASSY	USABLE ON CODE
688-49	C668501-0207	INDICATOR-POWER ECONOMY WEU C668501-0211	1	AG
	C668501-0211	INDICATOR-POWER ECONOMY	1	AH
		ATTACHING PARTS		
	0411897-3	ADAPTER	1	
	AN5078632R12	SCREW	4	
	AN5078632R6	SCREW	4	
	AN34086	NUT	8	

	C668501-0206	LEAD-THERMOCOUPLE POWER ECONOMY INDICATOR	1	
		ATTACHING PARTS		
	AN742012	CLAMP	1	C
	S1486DG2U	CLAMP	1	C
	S1021Z8-8	SCREW	1	C

-50	C664501-0101	HOURMETER WEU C664501-0103	1	AG
	C664501-0103	HOURMETER	1	AH
		ATTACHING PARTS		
	0411897-3	ADAPTOR	1	
	AN515-6R6	SCREW	8	
	NAS679A06	NUT	8	

-51	0713128-1	LEVER ASSEMBLY	1	
-52	S1249-1	KNOB	1	M
-53	S1239-31	CONTROL ASSEMBLY-CABIN HEAT	1	N
	S1239-48	CONTROL ASSEMBLY-CABIN HEAT	1	M
-53A	S1239-37	CONTROL ASSEMBLY-CABIN AIR	1	N
	S1239-46	CONTROL ASSEMBLY-CABIN AIR	1	M
-54	1260458-6	CONTROL ASSEMBLY-DISENGAGING RUDDER PEDALS	1	M
	1260458-7	CONTROL ASSEMBLY-DISENGAGING RUDDER PEDALS	1	N
-55	0513039-7	LIGHTER ASSEMBLY-CIGAR	1	
	L4858-1	PLUG-HEATING CUE	1	M
	S1752-2	KNOB	1	N
	S1982-1	KNOB	1	
	60232-1	CIRCUIT BREAKER-CIGAR LIGHTER	1	J
-56	S1241-17	CONTROL ASSEMBLY-FUEL SHUT OFF	1	L
	S1241-38	CONTROL ASSEMBLY-FUEL SHUT OFF	1	B
-57	S1234-6	CONTROL ASSEMBLY-MIXTURE	1	R
	S1220-9	CONTROL ASSEMBLY-MIXTURE WEU C299507-0201	1	S
	C299507-0201	CONTROL ASSEMBLY-MIXTURE	1	AP
	C299507-0401	CONTROL ASSEMBLY-MIXTURE	1	T
-58	S1223-8	CONTROL ASSEMBLY-PROP PITCH WEU C299506-0103	1	U
	C299506-0103	CONTROL ASSEMBLY-PROP PITCH	1	AP
	C299506-0201	CONTROL ASSEMBLY-PROP PITCH	1	P
-59	S1222-16	CONTROL ASSEMBLY-THROTTLE WEU C299505-0201S	1	Q
	C299505-0201S	CONTROL ASSEMBLY-THROTTLE	1	R
	S1294-2	CONTROL ASSEMBLY-THROTTLE WEU C299505-0301	1	S
	C299505-0301	CONTROL ASSEMBLY-THROTTLE	1	AP
	C299505-0501	CONTROL ASSEMBLY-THROTTLE	1	B
-60	S1230-11	CONTROL ASSEMBLY-CARBURETOR HEAT	1	
-61	S1791-1	VALVE-WING LEVELER	1	
		ATTACHING PARTS		
	0713026-6	NUT	1	

	S1760-1	KNOB	1	M
-62	C291502-0101	PRIMER ASSEMBLY	1	N
	C291502-0103	PRIMER ASSEMBLY	1	M
	S1752-1	KNOB-PRIMER	1	N
	S1974-1	KNOB-PRIMER	1	
-63	S1668-1	RELAY	1	
-64	1570043-1	DIODE BOARD ASSEMBLY	1	
-65		SWITCH & CIRCUIT BREAKER INSTALLATION SEE FIG 68C & 68D	1	N
-66	0505020-2	PLACARD-MASTER SWITCH	1	AD
-67	0715019-1	PAD-LOWER INSTRUMENT PANEL	1	
		ATTACHING PARTS		
	S1021Z6-10	SCREW	6	AD
	S1066-1	WASHER	6	AD

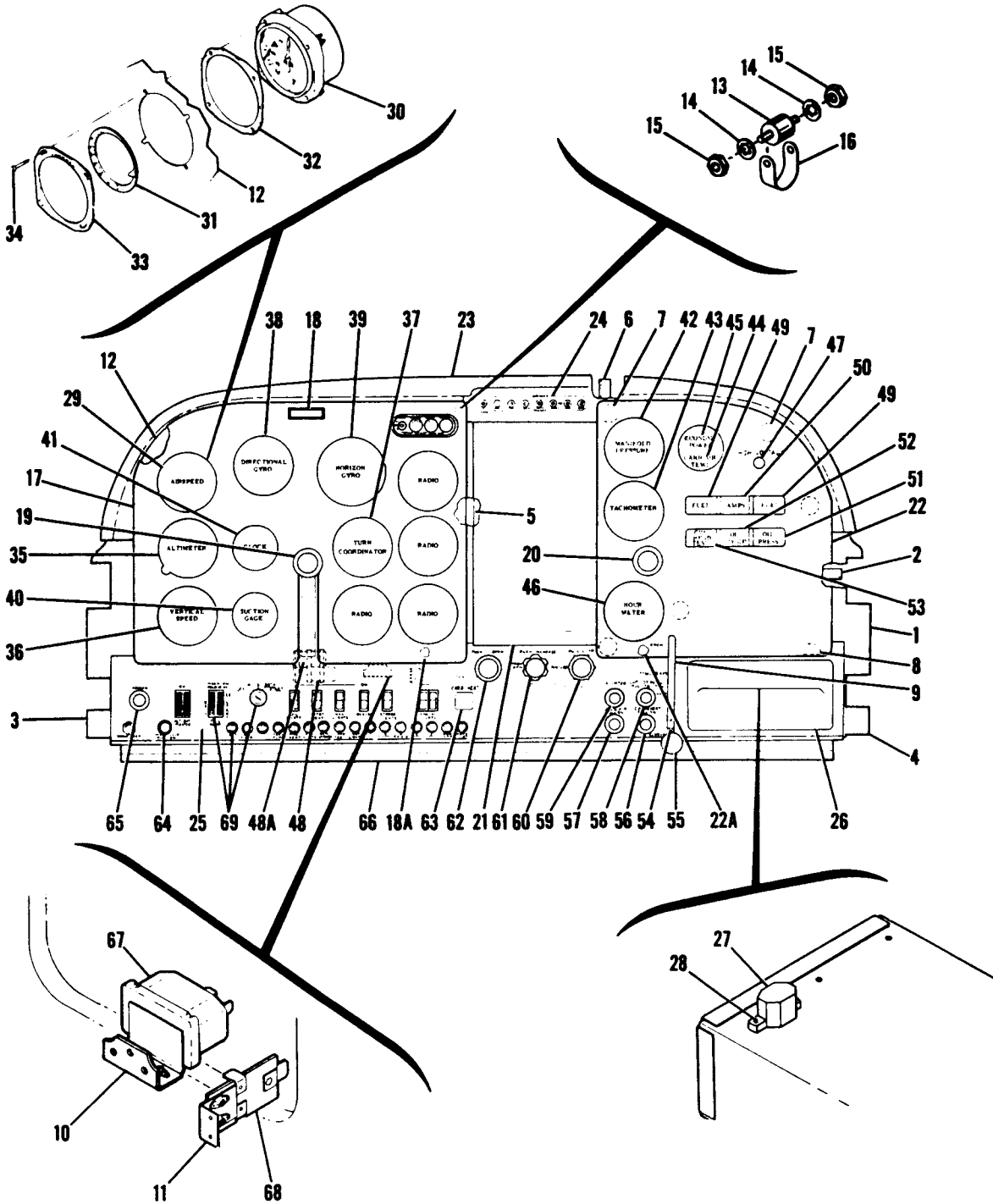
CONTINUED ON NEXT PAGE

FIGURE AND INDEX NO.	PART NUMBER	DESCRIPTION							UNITS PER ASSY	USABLE ON CODE
		1	2	3	4	5	6	7		
688-68 -69	S2135-1	LIGHT ASSEMBLY-OVERVOLTAGE -----							1	AH
	C593001-0101	SENSOR-OVERVOLTAGE -----							1	AH
	S1693-2	ATTACHING PARTS STA STRAP -----							1	AH
		<p>NOTE. *THIS PART NUMBER MUST HAVE A SECOND DASH NUMBER ADDED TO DENOTE COLOR. REFER TO HOW TO ORDER INTERIOR PARTS-PAGE XIII.</p> <p>NOTE. *THESE GYROS ARE PHYSICALLY & FUNCTIONALLY INTERCHANGABLE.</p> <p>NOTE. **THESE GYROS ARE PHYSICALLY & FUNCTIONALLY INTERCHANGABLE.</p> <p>A---SERIAL 18051876 THRU 18052284 SERIAL 185-1301 THRU 18502090</p> <p>B---SERIAL 18051876 THRU 18052284</p> <p>C---SERIAL 185-1301 THRU 18502090</p> <p>D---SERIAL 185-1301 THRU 185-1447</p> <p>E---SERIAL 18051876 THRU 18051993 SERIAL 185-1301 THRU 185-1447</p> <p>F---SERIAL 185-1448 THRU 18502090</p> <p>G---SERIAL 18051994 THRU 18501934 SERIAL 185-1448 THRU 18052221</p> <p>H---SERIAL 18051876 THRU 18052103</p> <p>J---SERIAL 185-1301 THRU 185-1599</p> <p>K---SERIAL 18052104 THRU 18052175</p> <p>L---SERIAL 18501600 THRU 18501679</p> <p>M---SERIAL 18051876 THRU 18052103 SERIAL 185-1301 THRU 185-1599</p> <p>N---SERIAL 18052104 THRU 18052284 SERIAL 18501600 THRU 1850290</p> <p>P---SERIAL 18051876 THRU 18052155</p> <p>Q---SERIAL 18052156 THRU 18052284</p> <p>R---SERIAL 185-1301 THRU 18501766</p> <p>S---SERIAL 18501767 THRU 18502007, 18502026, 18502027</p> <p>T---SERIAL 18051876 THRU 18052155 SERIAL 185-1301 THRU 18501766</p> <p>U---SERIAL 18052156 THRU 18052284 SERIAL 18501767 THRU 18502007, 18502026, 18502027</p> <p>V---SERIAL 18051876 THRU 18052163 SERIAL 185-1301 THRU 18501797</p> <p>W---SERIAL 18052164 THRU 18052221 SERIAL 18501798 THRU 18501934</p> <p>X---SERIAL 18501680 THRU 18501733</p> <p>Y---SERIAL 18501733 THRU 18502090</p> <p>Z---SERIAL 18052176 THRU 18052284</p> <p>AA---SERIAL 185-1301 THRU 18501679</p> <p>AB---SERIAL 18501680 THRU 18501934</p> <p>AC---SERIAL 18051994 THRU 18052175 SERIAL 185-1448 THRU 18501832</p> <p>AD---SERIAL 18052176 THRU 18052284 SERIAL 18501833 THRU 18502090</p> <p>AE---SERIAL 18051876 THRU 18052196 SERIAL 185-1301 THRU 18501877</p> <p>AF---SERIAL 18052197 THRU 18052284 SERIAL 18501878 THRU 18502090</p> <p>AG---SERIAL 18051876 THRU 18052221 SERIAL 185-1301 THRU 18501934</p> <p>AH---SERIAL 18052222 THRU 18052284 SERIAL 18501935 THRU 18502090</p> <p>AJ---SERIAL 18051876 THRU 18052221</p> <p>AK---SERIAL 18052222 THRU 18052284</p> <p>AL---SERIAL 185-1301 THRU 18501934</p> <p>AM---SERIAL 18501935 THRU 18502090</p> <p>AN---SERIAL 185-1448 THRU 18501934</p> <p>AP---SERIAL 18502008 THRU 18502025, 18502028 THRU 18502090</p>								

FIGURE AND INDEX NO.	PART NUMBER	DESCRIPTION	UNITS PER ASSY	USABLE ON CODE
			NP	A
		1 2 3 4 5 6 7		
68C-		INSTRUMENT PANEL EQUIPMENT INSTALLATION -----	1	
- 1	0713965-2	PANEL ASSEMBLY-STATIONARY -----	1	
- 2	0713755-7	ANGLE -----	1	
- 3	0713755-8	SUPPORT-LH -----	1	
- 4	0713755-9	SUPPORT-RH -----	1	
- 5	0713755-10	ANGLE-LH -----	1	
- 6	0713755-11	ANGLE-RH -----	5	
- 7	S2163-1	FASTENER-VELCRO -----	1	
- 8	S2163-3	FASTENER-VELCRO -----	1	
- 9	0713755-4	PLATE ASSEMBLY -----	2	
	0713127-1	BRACKET-COWL FLAP CONTROL -----	1	
-10	0713249-1	BRACKET ASSEMBLY-RELAY -----	1	
-11	0713249-2	BRACKET ASSEMBLY-DIODEBOARD -----	2	
	NAS697A08K	NUTPLATE -----	1	
-12	0713967-1	PANEL ASSEMBLY-SHOCK -----		
		ATTACHING PARTS -----	8	
-13	1213645-1	SHOCKMOUNT -----	16	
-14	AN936A8	WASHER -----	16	
-15	AN34088	NUT -----	2	
-16	0413247	STRAP-GROUND -----		
		-----*		
-17	0713968-1	COVER ASSEMBLY-SHOCK PANEL -----	1	
-18	1213004-2	RETAINER-AIRCRAFT IDENTIFICATION PLACARD -----		
		ATTACHING PARTS -----	2	
	S1022Z6-8B	SCREW -----	2	
	NAS446-2-1	NUT -----		
		-----*		
		POST LIGHT ASSY -----	1	
-18A	1213379-4	SUPPORT ASSEMBLY-CONTROL TUBE LH -----	1	
-19	0513311-7	SUPPORT ASSEMBLY-CONTROL TUBE RH -----		
-20	0513311-2	ATTACHING PARTS -----	4	
	AN51586R8	SCREW -----	4	
	AN34086	NUT -----		
		-----*		
	0513056-3	GROMMET -----	2	
-21	0713871-1	COVER-RADIO -----	1	
-22	0713968-2	COVER ASSEMBLY-INSTRUMENT PANEL RH -----	1	
-22A	1213379-4	POST LIGHT ASSY -----	1	
-23	0713957-2	EYEBROW ASSEMBLY-INSTRUMENT PANEL -----	1	
-24	0713958-5	COVER-SWITCH PANEL -----	1	
-25	0713966-1	COVER-STATIONARY PANEL LOWER 185 -----	1	C
	0713966-3	COVER-STATIONARY PANEL LOWER 180 -----	1	B
-26	SEE FIGURE 69A	GLOVE BOX INSTALLATION -----	NP	
-27	CA2	CIRCUIT BREAKER MTCC -----	1	
		ATTACHING PARTS -----	2	
-28	AN515-6R8	SCREW -----	2	
	AN936A6	WASHER -----		
		-----*		
-29	C661060-0111	INDICATOR-AIRSPD 180 -----	1	B
	C661060-0210	INDICATOR-AIRSPD 185 -----	1	C
	S1388N2	INDICATOR-AIRSPD METRIC MARKINGS 185 -----	1	C
	S1387N2	INDICATOR-AIRSPD METRIC MARKINGS 180 -----	1	B
	S1387N3	INDICATOR-AIRSPD METRIC MARKINGS 180 -----	1	B
		TRUE AIRSPEED INSTALLATION -----	NP	
-30	C661061-0211	INDICATOR-AIRSPD 180 -----	1	B
	C661061-0210	INDICATOR-AIRSPD 185 -----	1	C
-31	0700189-9	RING ASSEMBLY-T.A.S. -----	AR	
-32	0700162-3	SPACER .051 THICK -----	AR	
	0700162-4	SPACER .063 THICK -----	AR	
	0700162-6	SPACER .071 THICK -----	AR	
	0700162-7	SPACER .040 THICK -----	AR	
-33	0700162-1	RETAINER ASSEMBLY-T.A.S. -----	1	
		ATTACHING PARTS -----	4	
-34	AN51586R16	SCREW -----		
		-----*		
-35	C661012-0101	ALTIMETER-18,000 FT FOR VFR APPLICATIONS ONLY -----	1	
	C661071-0101	ALTIMETER-20,000 FT SENSITIVE -----	1	
	C661071-0102	ALTIMETER-20,000 FT FEET/MILLIBARS -----	1	D
	C661025-0102	ALTIMETER-39,000 FT FEET/MILLIBARS -----	1	
	S1384N1	ALTIMETER METRIC MARKINGS -----	1	

CONTINUED ON NEXT PAGE

Instruments (Cont)



SERIAL 18502091 THRU 18502310
SERIAL 18052285 THRU 18052384

Figure 68C. Instrument Panel Equipment Installation

FIGURE AND INDEX NO.	PART NUMBER	DESCRIPTION	UNITS PER ASSY	USABLE ON CODE
			1	
68C-36	C661080-0101	INDICATOR-VERTICAL SPEED	1	
	CM2647N1	INDICATOR-VERTICAL SPEED METRIC MARKINGS 185	1	C
	CM2647N2	INDICATOR-VERTICAL SPEED METRIC MARKINGS 180	1	B
	AN51586R12	ATTACHING PARTS	4	
-37	C661003-0504	INDICATOR-TURN COORDINATOR	1	
	604-200-200	INDICATOR-TURN COORDINATOR BTID USED WITH WING LEVELER INSTALLATION ONLY	1	
-38	S1413N2	INDICATOR-TURN & BANK	1	
	C661075-0102 *	GYRO-DIRECTIONAL	1	
	C661075-0104 *	GYRO-DIRECTIONAL	1	
	C661075-0103 *	GYRO-DIRECTIONAL	1	
-39	C661075-0101 *	GYRO-DIRECTIONAL	1	
	40760-0104	GYRO-DIRECTIONAL USED WITH NAVO-MATIC 300 ARC	1	
	C661076-0104 **	GYRO-HORIZON	1	
	C661076-0101 **	GYRO-HORIZON	1	
-40	C661076-0102 **	GYRO-HORIZON	1	
	C661076-0103 **	GYRO-HORIZON	1	
	AN507-632R8	ATTACHING PARTS	4	
		SCREW	1	
-41	C668540-0101	GAGE-SUCTION	1	
	AN507B632R12	ATTACHING PARTS	4	
-42	C664508-0101	CLOCK-ELECTRIC	1	
	AN51586R12	ATTACHING PARTS	2	
-43	C662035-0101	GAGE-MANIFOLD PRESSURE 180	1	B
	C662037-0103	GAGE-MANIFOLD PRESSURE & FUEL FLOW 185	1	C
	AN51586R16	ATTACHING PARTS	4	
		SCREW	1	
-44	C668020-0104	TACHOMETER	1	B
	C668020-0107	TACHOMETER	1	C
	AN507B632R12	ATTACHING PARTS	4	
	NAS43DD1-20	SCREW	4	
	AN936A6B	SPACER	4	
	AN340B6	WASHER	4	
	S1605-3	NUT	4	
	S1485D4U	SHAFT-TACHOMETER	1	
	S1021Z8-6	ATTACHING PARTS	1	
		CLAMP ATTACH SHAFT AT FIREWALL	1	
-45	S1311-3	GAGE-CARBURETOR AIR TEMP	1	B
	AN507B632R12	ATTACHING PARTS	4	
	AN936A6B	SCREW	4	B
	AN340B6	WASHER	4	B
-46	O550209-1	NUT	4	B
	C668501-0211	PROBE	1	
	AN507B632R12	INDICATOR-POWER ECONOMY	4	
	AN340B6	ATTACHING PARTS	4	
-47	C668501-0206	LEAD-THERMOCOUPLE POWER ECONOMY INDICATOR	1	
	AN742D12	ATTACHING PARTS	1	C
	S1486DG2U	CLAMP	1	C
	S1021Z8-8	CLAMP	1	C
-48	C664501-0103	SCREW	1	
	O411897-3	HOURLY	1	
	AN515-6R6	ATTACHING PARTS	8	
	NAS679A06	ADAPTOR	8	

CONTINUED ON NEXT PAGE

FIGURE AND INDEX NO.	PART NUMBER	DESCRIPTION	UNITS PER ASSY							USABLE ON CODE	
			1	2	3	4	5	6	7		
68C-47 -48 -48A	S2135-1	LIGHT ASSEMBLY-OVERVOLTAGE								1	
	C593001-0101	SENSOR-OVERVOLTAGE								1	
	TVA-1315	CAPACITOR								1	
		ATTACHING PARTS									
	S1693-2	STA STRAP								1	
		CLUSTER-INSTRUMENT WITHOUT LIGHTS								1	B
	C669502-0201	CLUSTER-INSTRUMENT WITHOUT LIGHTS								1	C
	C669502-0202	ATTACHING PARTS									
	S102128-20	SCREW								2	
	NAS395-13-3	NUT								2	
	0713762-1	SUPPORT								2	
		COVER & LENS ASSEMBLY SW								1	
	G818827	GAGE-FUEL SW								2	
	-49 G441344	AMMETER SW								1	
	-50 G440437	GAGE-OIL PRESSURE SW								1	
-51 G444627	GAGE-OIL TEMPERATURE SW								1	B	
-52 G442785	GAGE-OIL TEMPERATURE SW								1	C	
G442786	GAGE-CYL HEAD TEMP SW								1		
-53 G442702	POTENTIOMETER SW								1		
811542	SENDING UNIT-CYL HEAD TEMP								1		
S1372-1	WIRE-CYL HEAD TEMP GAGE TO SENDING UNIT 50 IN LG BKI-								AR		
110691	LIGHT ASSEMBLY-INST CLUSTER INCLUDES BULB, BASE & WIRE								1		
1270479-1	BULB RED								4		
S1894-3	LEVER ASSEMBLY-COWL FLAPS								1		
-54 0713128-1	KNOB								1		
-55 S1249-1	CONTROL ASSEMBLY-CABIN HEAT								1		
-56 S1239-48	CONTROL ASSEMBLY-CABIN AIR								1		
-57 S1239-46	CONTROL ASSEMBLY-DISENGAGING RUDDER PEDALS								1		
-58 1260458-7	LIGHTER ASSEMBLY-CIGAR								1		
-59 0513039-7	PLUG-HEATING CUE								1		
L4858-1	KNOB-CIGAR LIGHTER								1		
S1982-1	CIRCUIT BREAKER-CIGAR LIGHTER								1		
60232-1	CONTROL ASSEMBLY-MIXTURE 180								1	B	
-60 S1234-6	CONTROL ASSEMBLY-MIXTURE 185								1	C	
C299507-0401	CONTROL ASSEMBLY-PROP PITCH 180								1	B	
-61 C299506-0103	CONTROL ASSEMBLY-PROP PITCH 185								1	C	
C299506-0201	CONTROL ASSEMBLY-THROTTLE 180								1	B	
-62 C299505-0201S	CONTROL ASSEMBLY-THROTTLE 185								1	C	
C299505-0501	CONTROL ASSEMBLY-CARBURETOR HEAT								1	B	
-63 S1230-11	VALVE-WING LEVELER								1		
-64 S1791-1	ATTACHING PARTS										
	NUT								1		
	KNOB								1		
-65 S1760-1	PRIMER ASSEMBLY								1		
C291502-0103	KNOB-PRIMER								1		
S1974-1	KNEE PADDING-INSTRUMENT PANEL								1		
-66 0715029-2	ATTACHING PARTS										
	SCREW								5		
S1021A6-10	WASHER								5		
S1066-1	POST LIGHT ASSY								1		
S1899-6G	BULB								1		
-67 MS25237-330	RELAY								1		
S1668-1	DIODE BOARD ASSEMBLY								1		
-68 1570043-1	SWITCH & CIRCUIT BREAKER INSTALLATION								1		
-69 SEE FIG											

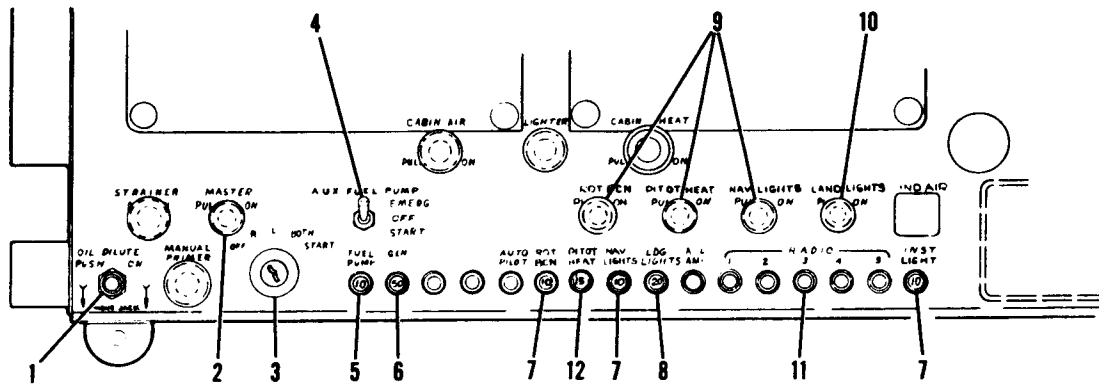
NOTE. #THIS PART NUMBER MUST HAVE A SECOND DASH NUMBER ADDED TO DENOTE COLOR. REFER TO HOW TO ORDER INTERIOR PARTS-PAGE XIII.

NOTE. *THESE GYROS ARE PHYSICALLY & FUNCTIONALLY INTERCHANGABLE.

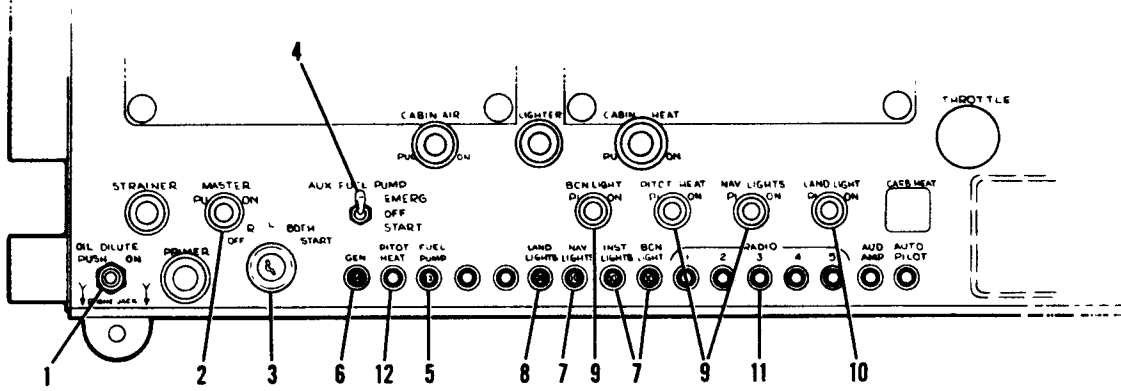
NOTE. **THESE GYROS ARE PHYSICALLY & FUNCTIONALLY INTERCHANGABLE.

A---SERIAL 18052285 THRU 18052384
 SERIAL 18502091 THRU 18502310
 B---SERIAL 18052285 THRU 18052384
 C---SERIAL 18502091 THRU 18502310
 D---SERIAL 18502181 THRU 18502310
 SERIAL 18052329 THRU 18052384

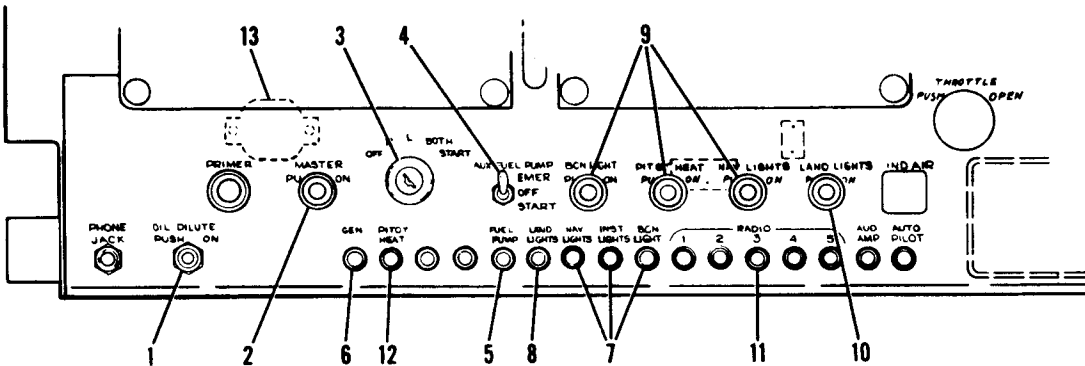
Instruments (Cont)



SERIAL 18051446 THRU 18051774
SERIAL 185-0777 THRU 185-1149



SERIAL 18051775 THRU 18051875
SERIAL 185-1150 THRU 185-1300



SERIAL 18051876 THRU 18052103
SERIAL 185-1301 THRU 185-1599

SERIAL 18051446 THRU 18052103
SERIAL 185-0777 THRU 185-1599

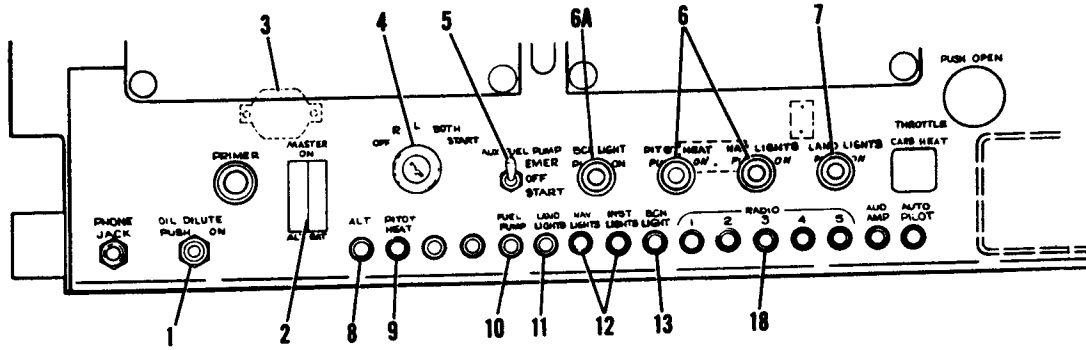
Figure 68D. Switch & Circuit Breaker Installation

FIGURE AND INDEX NO.	PART NUMBER	DESCRIPTION	UNITS PER ASSY	USABLE ON CODE
		1 2 3 4 5 6 7		
68D-		SWITCH & CIRCUIT BREAKER INSTALLATION -----	NP	A
- 1	0511063	SWITCH-OIL DILUTION -----	1	
	0511063-2	NUT-OIL DILUTION SWITCH -----	1	
- 2	0713026-5	SWITCH-MASTER -----	1	M
	S1416-1	KNOB-MASTER SWITCH -----	1	N
	S1760-3	KNOB-MASTER SWITCH -----	1	B
	0770719-1	DIODE ASSEMBLY MOUNTED ON BACK OF MASTER SWITCH -----	1	C
- 3	0713129-4	KIT-IGNITION SWITCH WHEN EXHAUSTED USE C292501-0102 -----	1	D
	C292501-0102	KIT-IGNITION SWITCH -----	1	E
- 4	S392-1	SWITCH-FUEL PUMP -----	1	F
- 5	S1360-10	CIRCUIT BREAKER 10 AMP -----	1	G
	S1232-10	CIRCUIT BREAKER 10 AMP -----	1	H
	054624-3	BUSHING USED WITH S1232 CIRCUIT BREAKER ONLY -----	1	H
- 6	S1360-50	CIRCUIT BREAKER 50 AMP -----	1	B
	S1596-60	CIRCUIT BREAKER 60 AMP -----	3	K
- 7	S1360-10	CIRCUIT BREAKER 10 AMP -----	3	L
	S1232-10	CIRCUIT BREAKER 10 AMP -----	1	K
- 8	S1360-20	CIRCUIT BREAKER 20 AMP -----	1	L
	S1232-20	CIRCUIT BREAKER 20 AMP -----	5	L
	054624-3	BUSHING USED WITH S1232 CIRCUIT BREAKERS ONLY -----	3	
- 9	0713026-4	SWITCH-BCN LIGHT, NAV LIGHTS, & PITOT HEAT -----	3	M
	0713303-2	KNOB-SWITCH -----	3	N
	S1760-1	KNOB-SWITCH -----	1	
-10	0713035	SWITCH-LANDING LIGHTS -----	1	M
	0713303-2	KNOB-SWITCH -----	1	N
	S1760-1	KNOB-SWITCH -----	1	H
	0713751-1	BUS BAR -----	1	J
	0770102-1	BUS BAR -----	1	D
	0770104-1	BUS BAR-INBOARD AUTO PILOT & RADIOS -----	1	D
	0770104-2	BUS BAR-OUTBOARD -----	1	D
-11		RADIO INSTALLATIONS SEE ELECTRONICS MANUAL -----	NP	
-12	S1360-15	CIRCUIT BREAKER 15 AMP -----	1	K
	S1232-15	CIRCUIT BREAKER 15 AMP -----	1	L
-13	CA2	CIRCUIT BREAKER MTCC -----	1	N
	AN507-832R8	ATTACHING PARTS -----	2	N
		SCREW -----		
		-----*		

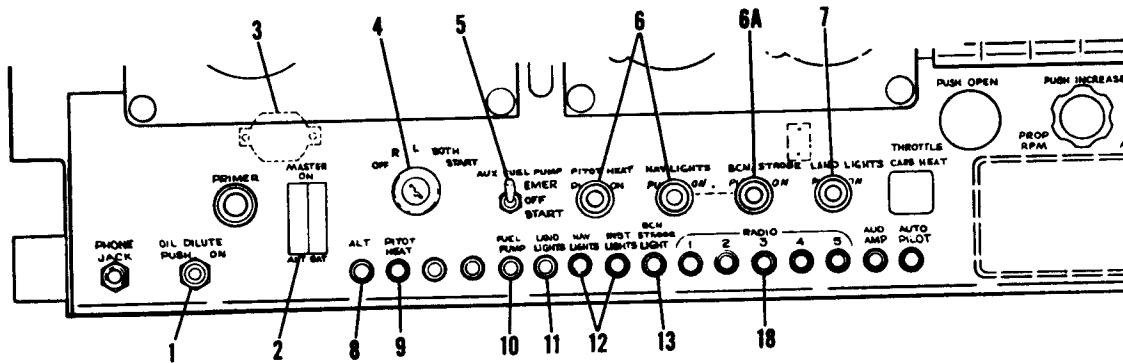
NOTE. *THIS KIT ALSO INCLUDES TWO DOOR LOCKS & KEYS

- A---SERIAL 18051446 THRU 18052103
SERIAL 185-0777 THRU 185-1599
- B---SERIAL 18051608 THRU 18052103
SERIAL 185-0968 THRU 185-1599
- C---SERIAL 18051446 THRU 18051774
SERIAL 185-0777 THRU 185-1149
- D---SERIAL 18051775 THRU 18052103
SERIAL 185-1150 THRU 185-1599
- E---SERIAL 185-0777 THRU 185-1599
- F---SERIAL 185-0777 THRU 185-1073,
185-1111 THRU 185-1599
- G---SERIAL 185-1074 THRU 185-1110
- H---SERIAL 18051446 THRU 18051607
SERIAL 185-0777 THRU 185-0967
- J---SERIAL 18051608 THRU 18051774
SERIAL 185-0968 THRU 185-1149
- K---SERIAL 18051446 THRU 18051716,
18051751 THRU 18052103
SERIAL 185-0777 THRU 185-1073,
185-1111 THRU 185-1599
- L---SERIAL 18051717 THRU 18051750
SERIAL 185-1074 THRU 185-1110
- M---SERIAL 18051446 THRU 18051875
SERIAL 185-0777 THRU 185-1300
- N---SERIAL 18051876 THRU 18052103
SERIAL 185-1301 THRU 185-1599

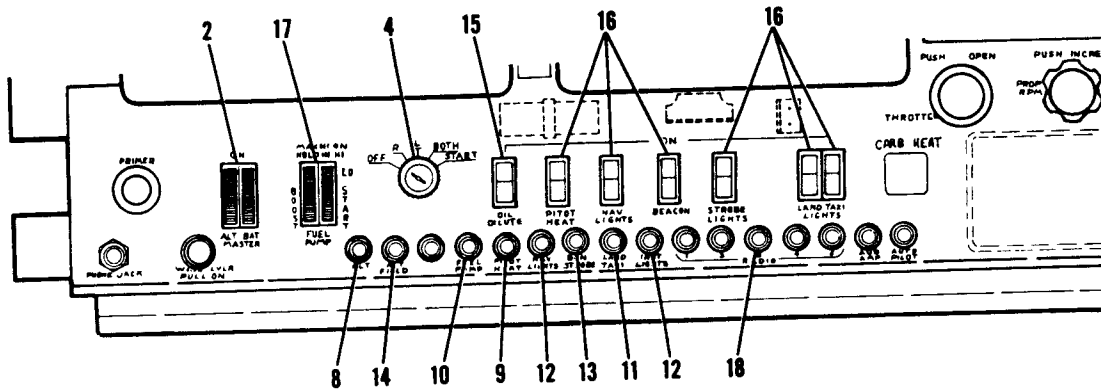
Instruments (Cont)



SERIAL 18052104 THRU 18052175
SERIAL 18501600 THRU 18501832



SERIAL 18052176 THRU 18052284
SERIAL 18501833 THRU 18502090



SERIAL 18052285 THRU 18052384
SERIAL 18502091 THRU 18502310

SERIAL 18052104 THRU 18052384
SERIAL 18501600 THRU 18502310

Figure 68E. Switch & Circuit Breaker Installation

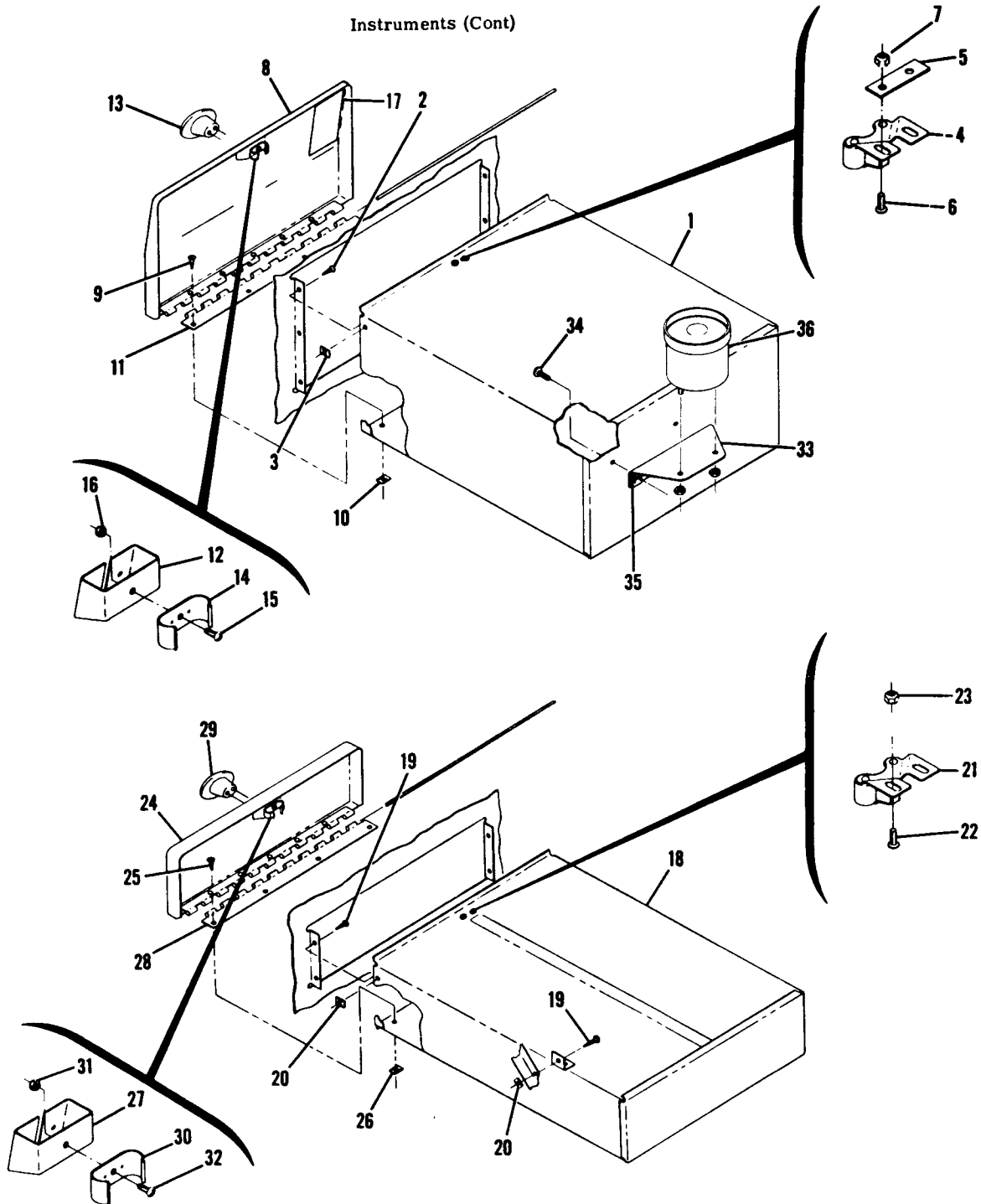
FIGURE AND INDEX NO.	PART NUMBER	DESCRIPTION	UNITS PER ASSY	USABLE ON CODE
		1 2 3 4 5 6 7		
68E-		SWITCH & CIRCUIT BREAKER INSTALLATION -----	NP	A
- 1	0511063	SWITCH-OIL DILUTION -----	1	F
	0511063-2	NUT-OIL DILUTION SWITCH -----	1	F
- 2	S1994-1-1	SWITCH-MASTER -----	1	
	0770719-2	DIODE ASSEMBLY MOUNTED ON BACK OF MASTER SWITCH -----	1	F
- 3	CA2	CIRCUIT BREAKER MTC -----	1	
		ATTACHING PARTS -----		
	AN507-832R8	SCREW -----	2	F

- 4	C292501-0102 *	KIT-IGNITION SWITCH WEU C292501-0104 -----	1	K
	C292501-0104 *	KIT-IGNITION SWITCH -----	1	L
	3A4F	DIODE MOUNTED ON BACK OF IGNITION SWITCH -----	1	E
- 5	S392-1	SWITCH-FUEL PUMP -----	1	G
- 6	0713026-4	SWITCH-NAV LIGHTS & PITOT HEAT -----	2	F
	S1981-1	SWITCH-NAV LIGHTS & PITOT HEAT -----	2	F
- 6A	0713026-4	KNOB-SWITCH -----	1	F
	0713035	SWITCH-BEACON LIGHT ONLY -----	1	H
	S1981-1	SWITCH-BEACON/STROBE LIGHT -----	1	F
	0713035	KNOB-SWITCH -----	1	F
	S1981-1	SWITCH-LANDING LIGHTS -----	1	F
- 7	S1596-60L	KNOB-SWITCH -----	1	
- 8	S1360-15L	CIRCUIT BREAKER 60 AMP -----	1	
- 9	S1360-10L	CIRCUIT BREAKER 15 AMP -----	1	B
- 10	S1360-20L	CIRCUIT BREAKER 10 AMP -----	1	
- 11	S1360-10L	CIRCUIT BREAKER 20 AMP -----	1	
- 12	S1360-10L	CIRCUIT BREAKER 10 AMP -----	2	
- 13	S1360-5L	CIRCUIT BREAKER 10 AMP BCN LIGHT ONLY -----	1	
	S1360-15L	CIRCUIT BREAKER 5 AMP STROBE LIGHT ONLY -----	1	D
	S1360-5L	CIRCUIT BREAKER 15 AMP BCN/STROBE LIGHT -----	1	C
- 14	S2122-1	CIRCUIT BREAKER 5 AMP -----	1	E
	S2122-2	CIRCUIT BREAKER 5 AMP -----	1	
- 15	S2160-3	NUT-CIRCUIT BREAKER BLACK -----	AR	
- 16	S2160-1	NUT-CIRCUIT BREAKER BRIGHT -----	AR	
- 17	S2055-1-1	SWITCH-OIL DILUTE -----	1	E
	0770104-1	SWITCH -----	6	J
	0770104-3	SWITCH-FUEL BOOST -----	1	F
	0770104-2	BUS BAR-INBOARD AUTOPILOT & RADIOS -----	1	F
	0770104-4	BUS BAR-INBOARD AUTOPILOT & RADIOS -----	1	F
		BUS BAR-OUTBOARD -----	1	F
		BUS BAR-OUTBOARD -----	1	E
- 18		RADIO INSTALLATIONS SEE ELECTRONICS MANUAL -----	NP	

NOTE. *THIS KIT ALSO INCLUDES TWO DOOR LOCKS & KEYS

- A---SERIAL 18052104 THRU 18052384
- SERIAL 18501600 THRU 18502310
- B---SERIAL 18051600 THRU 18502310
- C---SERIAL 18052176 THRU 18052384
- SERIAL 18501833 THRU 18502310
- D---SERIAL 18052176 THRU 18052384
- E---SERIAL 18052285 THRU 18052384
- SERIAL 18502091 THRU 18502310
- F---SERIAL 18052104 THRU 18052284
- SERIAL 18501600 THRU 18502090
- G---SERIAL 18501600 THRU 18502090
- H---SERIAL 18052176 THRU 18052284
- SERIAL 18501833 THRU 18502090
- J---SERIAL 18502091 THRU 18502310
- K---SERIAL 18052104 THRU 18052316
- SERIAL 18501600 THRU 18502153
- L---SERIAL 18052317 THRU 18052384
- SERIAL 18502154 THRU 18502310

Instruments (Cont)



SERIAL 185-0001 THRU 185-0776
SERIAL 18051184 THRU 18051445

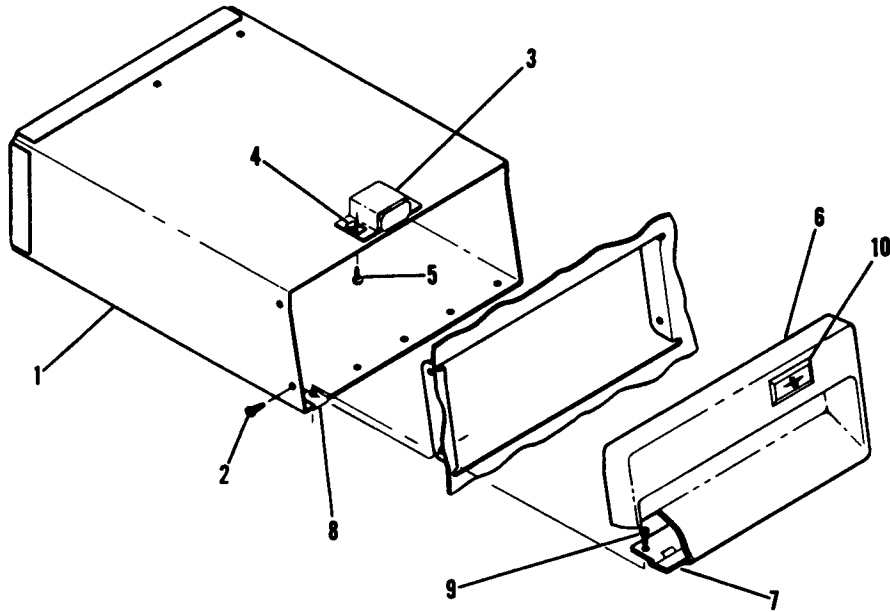
Figure 69. Glove Box & Map Case Installation

FIGURE AND INDEX NO.	PART NUMBER	DESCRIPTION	UNITS PER ASSY	USABLE ON CODE
		1 2 3 4 5 6 7		
69 -		GLOVE BOX & MAP CASE INSTALLATION -----	NP	G
- 1	0713514-1	BOX ASSEMBLY-GLOVE -----	1	
		ATTACHING PARTS -----		
- 2	S1021Z6-6	SCREW -----	4	
- 3	NAS446-3-3	NUT -----	4	
		-----*		
- 4	0713009-2	CATCH-DOOR -----	1	
		ATTACHING PARTS -----		
- 5	0713517-1	SPACER -----	1	
- 6	AN515-6R8	SCREW -----	2	
- 7	NAS679A06	NUT -----	2	
		-----*		
- 8	0713514-13-279	DOOR ASSEMBLY-GLOVE BOX -----	1	A
	0713514-19-279	DOOR ASSEMBLY-GLOVE BOX -----	1	B
	0713514-16-418	DOOR ASSEMBLY-GLOVE BOX -----	1	J
	0713514-6-418	DOOR ASSEMBLY-GLOVE BOX -----	1	H
		ATTACHING PARTS -----		
- 9	S1021Z6-6	SCREW -----	5	
-10	NAS446-3-3	NUT -----	5	
		-----*		
-11	0713515-1	HINGE ASSEMBLY -----	1	
-12	0713516-1	BRACKET-DOOR CATCH -----	1	
-13	0713303-7	KNOB -----	1	
		ATTACHING PARTS -----		
	AN515-6R6	SCREW -----	1	
		-----*		
-14	0713009-1	CLIP-DOOR CATCH -----	1	
		ATTACHING PARTS -----		
-15	AN515-6R4	SCREW -----	1	
-16	NAS679A06	NUT -----	1	
		-----*		
	0700064-1	PLACARD -----	1	C
	0513220-14	LETTERING-SKYWAGON -----	1	
	0513220-2	INITIAL-S -----	1	
	0513220-3	INITIAL-K -----	1	
	0513220-4	INITIAL-Y -----	1	
	0513220-9	INITIAL-W -----	1	
	0513220-6	INITIAL-A -----	1	
	0513220-11	INITIAL-G -----	1	
	0513220-12	INITIAL-D -----	1	
	0513220-13	INITIAL-N -----	1	
	0713724-1	MEDALLION-CESSNA ANNIVERSARY MODEL -----	1	B
-17	0713210-16	PLACARD-TIRE & OIL -----	1	C
	0713210-11	PLACARD-TIRE & OIL -----	1	E
-18	0713503-25	CASE ASSEMBLY-MAP -----	1	
		ATTACHING PARTS -----		
-19	S1021Z6-6	SCREW -----	5	
-20	NAS446-3-3	NUT -----	5	
		-----*		
-21	0713009-2	CATCH-DOOR -----	1	
		ATTACHING PARTS -----		
-22	AN515-6R4	SCREW -----	2	
-23	NAS679A06	NUT -----	2	
		-----*		
-24	0713521-6-279	DOOR ASSEMBLY-MAP CASE -----	1	A
	0713521-7-279	DOOR ASSEMBLY-MAP CASE -----	1	B
	0713521-7-418	DOOR ASSEMBLY-MAP CASE -----	1	D
		ATTACHING PARTS -----		
-25	S1021Z6-6	SCREW -----	5	
-26	NAS446-3-3	NUT -----	5	
		-----*		

CONTINUED ON NEXT PAGE

FIGURE AND INDEX NO.	PART NUMBER	DESCRIPTION							UNITS PER ASSY	USABLE ON CODE
		1	2	3	4	5	6	7		
69 -27	0713503-7	BRACKET-DOOR CATCH -----							1	
-28	0713503-16	HINGE ASSEMBLY -----							1	
-29	0713303-7	KNOR -----							1	
		ATTACHING PARTS -----							2	
	AN515-6R6	SCREW -----							1	
-30	0713009-1	CLIP-DOOR CATCH -----							1	
		ATTACHING PARTS -----							1	
-31	NAS679A06	NUT -----							1	
-32	AN515-6R4	SCREW -----							1	
	0700104-24	RUG-GLOVE BOX SOUNDPROOFING -----							1	F
	0700104-25	RUG-MAP CASE SOUNDPROOFING -----							1	F
-33	0713738-3	* BRACKET ASSEMBLY-STALL WARNING -----							1	
		ATTACHING PARTS -----							2	
-34	S1021Z8-6	SCREW -----							2	
-35	NAS395-12-3	NUT -----							1	
-36	S2077-5	HORN ASSEMBLY-STALL WARNING -----							1	
<p>NOTE. #WHEN ORDERING THIS PART FOR AIRCRAFT SERIALS 185-0001 THRU 185-0725 & 18051184 THRU 18051390 ALSO ORDER BRACKET MARKED#.</p> <p>A---SERIAL 185-0001 THRU 185-0237 B---SERIAL 185-0238 THRU 185-0512 C---SERIAL 185-0001 THRU 185-0776 D---SERIAL 185-0513 THRU 185-0776 SERIAL 18051184 THRU 18051445 E---SERIAL 18051184 THRU 18051312 F---SERIAL 185-0654 THRU 185-0776 SERIAL 18051184 THRU 18051445 G---SERIAL 185-0001 THRU 185-0776 SERIAL 18051184 THRU 18051445 H---SERIAL 18051184 THRU 18051445 J---SERIAL 185-0513 THRU 185-0776</p>										

Instruments (Cont)



SERIAL 18051446 THRU 18052384
SERIAL 185-0777 THRU 18502310

Figure 69A. Glove Box Installation

FIGURE AND INDEX NO.	PART NUMBER	DESCRIPTION	UNITS PER ASSY	USABLE ON CODE
69A-		1 2 3 4 5 6 7		
- 1	0713758-12	GLOVE BOX INSTALLATION -----	NP	A
- 2	S102126-6	BOX ASSEMBLY-GLOVE -----	1	
- 3	S1895-1	ATTACHING PARTS -----	4	
- 4	S102126-8	SCREW -----	1	
- 5	NAS446-2-3	MAGNETIC CATCH -----	2	
- 6	0713758-4	SCREW -----	2	
	0713875-1	NUT -----	1	B
	0713875-3	DOOR ASSEMBLY-GLOVE BOX -----	1	C
- 7	S102128-6	DOOR ASSEMBLY-GLOVE BOX -----	1	D
- 8	NAS395-17-3	DOOR ASSEMBLY-GLOVE BOX -----	1	
- 9	0713758-8	ATTACHING PARTS -----	5	
-10	0713254-4	SCREW -----	5	
	0700756-1	NUT -----	1	
	S1874-1C	HINGE ASSEMBLY -----	1	D
	0700114-55	EMBLEM -----	1	D
		BASE -----	2	
		NUT -----	1	
		RUG-GLOVE BOX SOUNDPROOFING -----	1	
<p>NOTE. #THIS PART NUMBER MUST HAVE A SECOND DASH NUMBER ADDED TO DENOTE COLOR. REFER TO HOW TO ORDER INTERIOR PARTS-PAGE XIII.</p> <p>A---SERIAL 18051446 THRU 18052384 SERIAL 185-0777 THRU 18502310 B---SERIAL 18051446 THRU 18051774 SERIAL 185-0777 THRU 185-1149 C---SERIAL 18051775 THRU 18051875 18052285 THRU 18052384 SERIAL 185-1150 THRU 185-1300, 18502091 THRU 18502310 D---SERIAL 18051876 THRU 18052284 SERIAL 185-1301 THRU 18502090</p>				

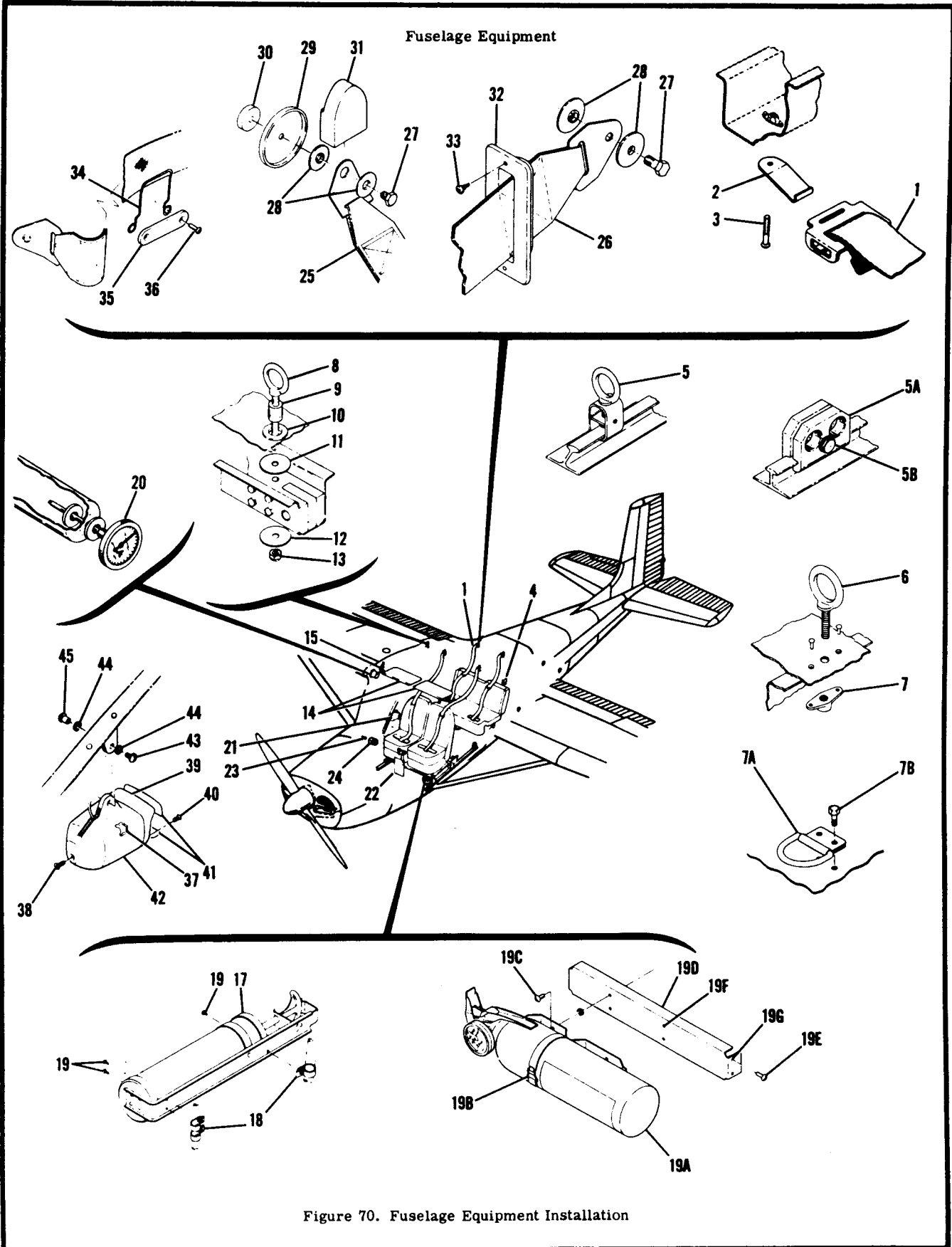


Figure 70. Fuselage Equipment Installation

FIGURE AND INDEX NO.	PART NUMBER	DESCRIPTION	UNITS PER ASSY	USABLE ON CODE
			1 2 3 4 5 6 7	
70 -		FUSELAGE EQUIPMENT INSTALLATION -----	NP	
- 1	S2029-1	HARNESS-SHOULDER -----	4	J
- 2	0511232-3	HOOK-SHOULDER HARNESS ----- ATTACHING PARTS -----	4	J
- 3	NAS221-10	SCREW -----	1	J
- 4	10004-98	JACK POINT-UNIVERSAL -----	1	
- 5	0511166	SLIDE ASSEMBLY-TIE DOWN WHEN EXHAUSTED USE 0711121-2 -----	2	
	0711121-2	SLIDE ASSEMBLY-TIE DOWN -----	6	L
- 5A	1201039-1	TIE DOWN ASSEMBLY-SEAT RAIL -----	6	M
- 5B	AN4-7A	BOLT -----	1	M
	AN960-416	WASHER -----	1	M
- 6	0511165	RING-TIE DOWN ----- ATTACHING PARTS -----	6	
- 7	NAS680A4	NUTPLATE -----	6	
- 7A	S1939-1	CLIP & RING ASSEMBLY -----	2	Q
- 7B	AN3-4A	BOLT -----	4	Q
- 8	0541115-3	EYEBOLT-HOISTING -----	4	
- 9	0541115-2	SPACER -----	4	
-10	MS35489-17	GROMMET -----	4	
-11	0541115-4	PLATE -----	4	L
-12	AN970-5	WASHER -----	4	M
	0541115-4	PLATE -----	4	M
-13	NAS679A5	NUT -----	1	A
-14	1200116-2	VISOR-SUN RH -----	1	A
	1200116-1	VISOR-SUN LH -----	1	B
	0700122-1	VISOR-SUN LH -----	1	B
	0700122-2	VISOR-SUN RH ----- ATTACHING PARTS -----	1	
-15	0713011-12	BRACKET -----	2	
	AN507-1032R14	SCREW -----	2	
-16		DELETED -----	1	G
-17	0800111-2	FIRE EXTINGUISHER & BRACKET -----	1	G
	CP2 3/4	FIRE EXTINGUISHER & BRACKET GFET ALTERNATE ----- ATTACHING PARTS -----	2	G
-18	S1485D4U	CLAMP -----	2	G
	S1485DRU	CLAMP -----	2	G
-19	S1021Z8-8	SCREW -----	4	G
-19A	C421001-0101	FIRE EXTINGUISHER -----	1	H
-19B	C421001-0102	BRACKET ASSEMBLY-FIRE EXTINGUISHER ----- ATTACHING PARTS -----	1	H
-19C	AN520-10R10	SCREW -----	4	H
	NAS43DD3-8	SPACER -----	4	H
-19D	0713945-11	BRACKET ASSEMBLY-FIRE EXTINGUISHER ----- ATTACHING PARTS -----	1	H
-19E	AN520-10R8	SCREW -----	4	H
-19F	NAS680A3	NUTPLATE -----	4	H
-19G	NAS696A3	NUTPLATE -----	4	H
-20	C668507-0101	GAGE-OUTSIDE AIR TEMP -----	1	P
-21	C660501-0201	COMPASS ASSEMBLY ----- ATTACHING PARTS -----	1	P
	0713065	BRACKET -----	4	P
	AN5158632R12	SCREW -----	4	P
-22	0713227-2	LOCK-CONTROL -----	1	C
	0713237-3	LOCK-CONTROL -----	1	D
	0513385-3	LOCK-CONTROL -----	1	E
-23	0541162-1	VALVE-TUBELESS TIRE INFLATION -----	1	
	10004-101	EXPANDER ASSEMBLY-TIRE -----	1	
-24	SEE FIG 13A	CUP-FUEL SAMPLER -----	1	N
	2015009-3	BAGGAGE NET -----	2	Q
	2015009-3	BAGGAGE NET ----- ATTACHING PARTS -----	2	Q
	1211203-1	EYEBOLT ONLY 2 USED WITH LITTER DOOR INSTL -----	4	F
	0711083-1	LATCH ASSEMBLY USED WITH LITTER DOOR INSTL ONLY -----	2	F

CONTINUED ON NEXT PAGE



FIGURE AND INDEX NO.	PART NUMBER		DESCRIPTION							UNITS PER ASSY	USABLE ON CODE
			1	2	3	4	5	6	7		
70 -25	S2070W201	%	HARNES ASSEMBLY-SHOULDER PILOT & COPILOT -----							2	K
	S2070W207	%	HARNES ASSEMBLY-SHOULDER MIDDLE SEATS -----							2	K
-26	S2070W204	%	HARNES ASSEMBLY-SHOULDER REAR SEAT -----							2	K
			ATTACHING PARTS -----								
-27	NAS464P4A10		BOLT PILOT & COPILOT SEATS ONLY -----							1	K
	NAS464P4A6		BOLT MIDDLE & REAR SEATS ONLY -----							1	K
-28	S2074-1		SPACER -----							1	K
-29	1215056-2		CUP PILOT, COPILOT & MIDDLE SEATS -----							1	K
-30	2013131-1		SPACER PILOT, COPILOT & MIDDLE SEATS -----							1	K

-31	S2076-1		COVER-SHOULDER HARNES PILOT, COPILOT & MIDDLE SEATS -----							4	K
-32	0712761-1		CUP-SHOULDER HARNES REAR SEAT -----							2	K
			ATTACHING PARTS -----								
-33	S102124-6		SCREW -----							2	K

-34	S2081-1		CLIP-HARNES STOWAGE -----							6	K
-35	S2081-2		COVER-HARNES CLIP -----							6	K
			ATTACHING PARTS -----								
-36	S1023A6-8C		SCREW -----							4	K

-37	C660501-0101		COMPASS -----							1	Q
			ATTACHING PARTS -----								
-38	AN5078832R14		SCREW -----							1	Q

-39	0413517-15		BEZEL-COMPASS -----							1	Q
			ATTACHING PARTS -----								
-40	AN51084R8		SCREW -----							2	Q

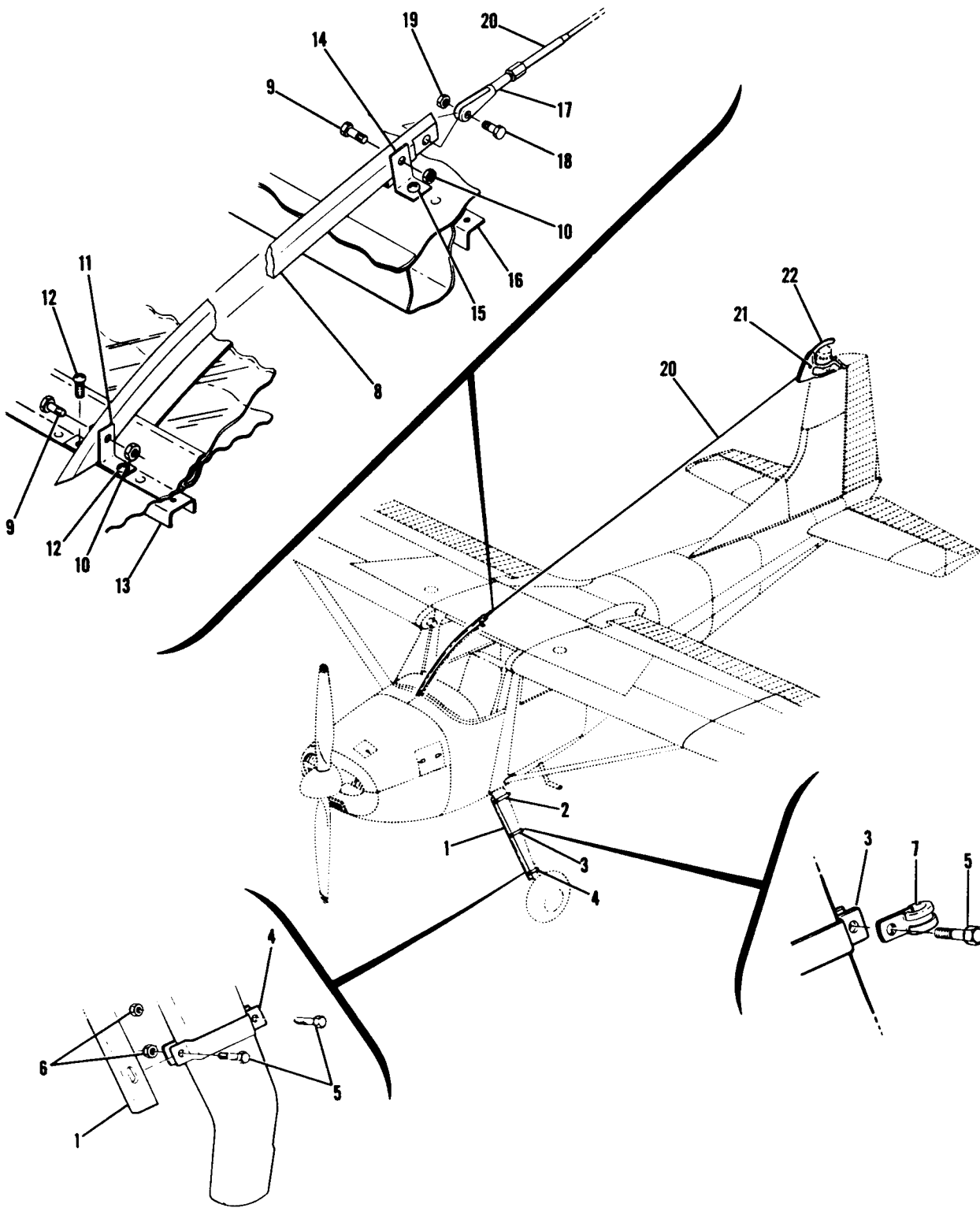
-41	0400213-6		PLACARD SET-COMPASS CORRECTION -----							1	Q
-42	0413517-5		CUP -----							1	Q
			ATTACHING PARTS -----								
-43	D366		SCREW -----							1	Q
-44	AN960D10		WASHER -----							2	Q
-45	D4023X.375		POST-SCREW -----							1	Q

NOTE. #THIS PART MUST HAVE A SECOND DASH NUMBER ADDED TO DENOTE COLOR. REFER TO HOW TO ORDER UPHOLSTERED PARTS-PAGE XII.

NOTE. %WHEN ORDERING SHOULDER HARNES FOR AUSTRALIAN AIRCRAFT ADD VH TO PART NUMBER. EXAMPLE S2070W201VH.

- A---SERIAL 185-0001 THRU 185-0512
- B---SERIAL 185-0513 THRU 18502310
- SERIAL 18051184 THRU 18052384
- C---SERIAL 185-0001 THRU 185-0776
- SERIAL 18051184 THRU 18051445
- D---SERIAL 185-0777 THRU 185-0967
- SERIAL 18051446 THRU 18051607
- E---SERIAL 185-0968 THRU 18502310
- SERIAL 18051608 THRU 18052384
- F---SERIAL 185-1150 THRU 18502310
- SERIAL 18051775 THRU 18052384
- G---SERIAL 185-0001 THRU 185-1599
- SERIAL 18051184 THRU 18052103
- H---SERIAL 18501600 THRU 18502310
- SERIAL 18052104 THRU 18052384
- J---SERIAL 185-0001 THRU 18501832
- SERIAL 18051184 THRU 18052175
- K---SERIAL 18501833 THRU 18502310
- SERIAL 18052176 THRU 18052384
- L---SERIAL 185-0001 THRU 18501934
- SERIAL 18051184 THRU 18052221
- M---SERIAL 18501935 THRU 18502310
- SERIAL 18052222 THRU 18052384
- N---SERIAL 185-1150 THRU 18502090
- SERIAL 18051175 THRU 18052284
- P---SERIAL 185-0001 THRU 18502090
- SERIAL 18051184 THRU 18052284
- O---SERIAL 18502091 THRU 18502310
- SERIAL 18052285 THRU 18052384

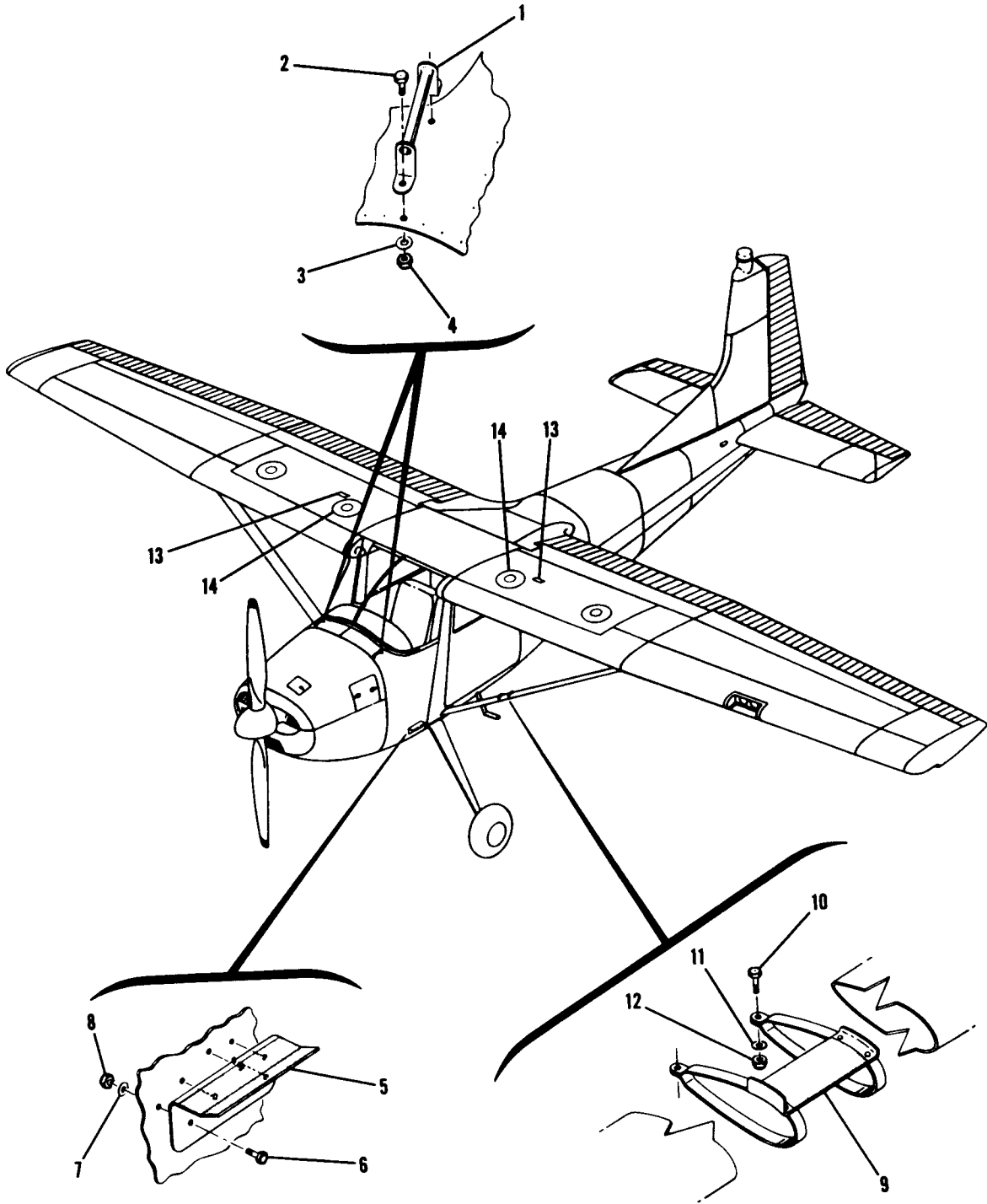
Fuselage Equipment (Cont)



AG CARRYALL
SERIAL 18501935 THRU 18502310
Figure 70A. Wire Cutter & Cable Deflector Installation

FIGURE AND INDEX NO.	PART NUMBER	DESCRIPTION	UNITS PER ASSY	USABLE ON CODE
		1 2 3 4 5 6 7		
		WIRE CUTTER & CABLE DEFLECTOR INSTALLATION -----	NP	A
70A-		CUTTER BLADE-MAIN GEAR LH -----	1	
- 1	1600069-2	CUTTER BLADE-MAIN GEAR RH -----	1	
	1600069-1	BRACKET-MAIN GEAR UPPER OUTBD LH & INBD RH -----	2	
- 2	0741061-2	BRACKET-MAIN GEAR UPPER INBD LH & OUTBD RH -----	2	
	0741061-1	BRACKET-MAIN GEAR CENTER OUTBD LH & INBD RH -----	2	
- 3	0741061-4	BRACKET-MAIN GEAR CENTER INBD LH & OUTBD RH -----	2	
	0741061-3	BRACKET-MAIN GEAR LOWER OUTBD LH & INBD RH -----	2	
- 4	0741061-6	BRACKET-MAIN GEAR LOWER INBD LH & OUTBD RH -----	2	
	0741061-5	ATTACHING PARTS -----	2	
- 5	AN3-6A	BOLT -----	2	
- 6	MS21044N3	NUT -----	2	
		-----*	2	
- 7	MS21919D2	CLAMP-BRAKE LINE -----	1	
- 8	0713961-1	CUTTER BLADE-WINDSHIELD -----	2	
		ATTACHING PARTS -----	2	
- 9	AN3-10A	BOLT -----	2	
-10	MS21044N3	NUT -----	2	
		-----*	2	
-11	0713962-2	CLIP-BRACE -----	1	
		ATTACHING PARTS -----	1	
-12	NAS220-6	SCREW -----	1	
	NAS679A08	NUT -----	1	
		-----*	1	
-13	0713962-1	CHANNEL SUPPORT -----	2	
-14	0713962-3	CLIP-BRACE -----	1	
		ATTACHING PARTS -----	1	
-15	NAS220-6	SCREW -----	1	
	NAS679A08	NUT -----	1	
		-----*	1	
-16	0713962-4	ANGLE SUPPORT -----	1	
-17	AN665-34R	CLEVIS -----	1	
		ATTACHING PARTS -----	1	
-18	AN4-4A	BOLT -----	1	
-19	NAS679A4	NUT -----	1	
		-----*	1	
-20	1660300-40	CABLE ASSEMBLY-DEFLECTOR -----	1	
		ATTACHING PARTS -----	1	
-21	AN3-4A	BOLT -----	1	
	NAS679A4	NUT -----	1	
		-----*	1	
-22	0731608-1	SUPPORT-CABLE DEFLECTOR LH -----	1	
	0731608-2	SUPPORT-CABLE DEFLECTOR RH -----	1	
		ATTACHING PARTS -----	8	
	S1021210-8	SCREW -----	8	
	A8818-10Z1	NUT -----	3	
	NAS420D5-17	SPACER -----	2	
	NAS420D5-39	SPACER -----	2	
		-----*		
A---SERIAL 18501935 THRU 18502310 AG CARRYALL				

Fuselage Equipment (Cont)



SERIAL 185-0986 THRU 18502310
SERIAL 18051640 THRU 18052384

Figure 70B. Auxiliary Refueling Equipment Installation

FIGURE AND INDEX NO.	PART NUMBER	DESCRIPTION	UNITS PER ASSY	USABLE ON CODE
		1 2 3 4 5 6 7		
708-		AUXILIARY REFUELING EQUIPMENT INSTALLATION -----	NP	A
- 1	0713191-1	HANDLE ASSEMBLY -----	2	
		ATTACHING PARTS -----		
- 2	AN3-4A	BOLT-FRONT -----	1	
	AN3-3A	BOLT-REAR -----	1	
- 3	AN960D10L	WASHER -----	2	
- 4	MS21044N3	NUT -----	2	
		-----*		
- 5	0713194-1	STEP-FUSELAGE MOUNTED LH -----	1	
	0713194-2	STEP-FUSELAGE MOUNTED RH -----	1	
		ATTACHING PARTS -----		
- 6	AN3-4A	BOLT -----	4	D
	AN3-5A	BOLT -----	3	E
	AN3-6A	BOLT -----	2	E
- 7	AN960D10L	WASHER -----	4	D
	AN960D10L	WASHER -----	5	E
- 8	MS21044N3	NUT -----	4	D
	MS21044N3	NUT -----	5	E
		-----*		
- 9	0721203-1	STEP ASSEMBLY-STRUT MOUNTED LH -----	1	B
	0721207-1	STEP ASSEMBLY-STRUT MOUNTED LH -----	1	C
	0721203-2	STEP ASSEMBLY-STRUT MOUNTED RH -----	1	B
	0721207-2	STEP ASSEMBLY-STRUT MOUNTED RH -----	1	C
		ATTACHING PARTS -----		
-10	AN3-3A	BOLT -----	2	
-11	AN960D10L	WASHER -----	2	
-12	MS21044N3	NUT -----	2	
		-----*		
-13	0721205-1	PLACARD-WING -----	2	
-14	SEE FIG 13	CAP & ADAPTOR ASSEMBLY -----	2	
		A---SERIAL 185-0986 THRU 18502310 SERIAL 18051640 THRU 18052384 B---SERIAL 185-0986 THRU 18502310 C---SERIAL 18051640 THRU 18052384 D---SERIAL 185-0968 THRU 18502090 SERIAL 18051640 THRU 18052284 E---SERIAL 18502091 THRU 18502310 SERIAL 18052285 THRU 18052384		

Propeller

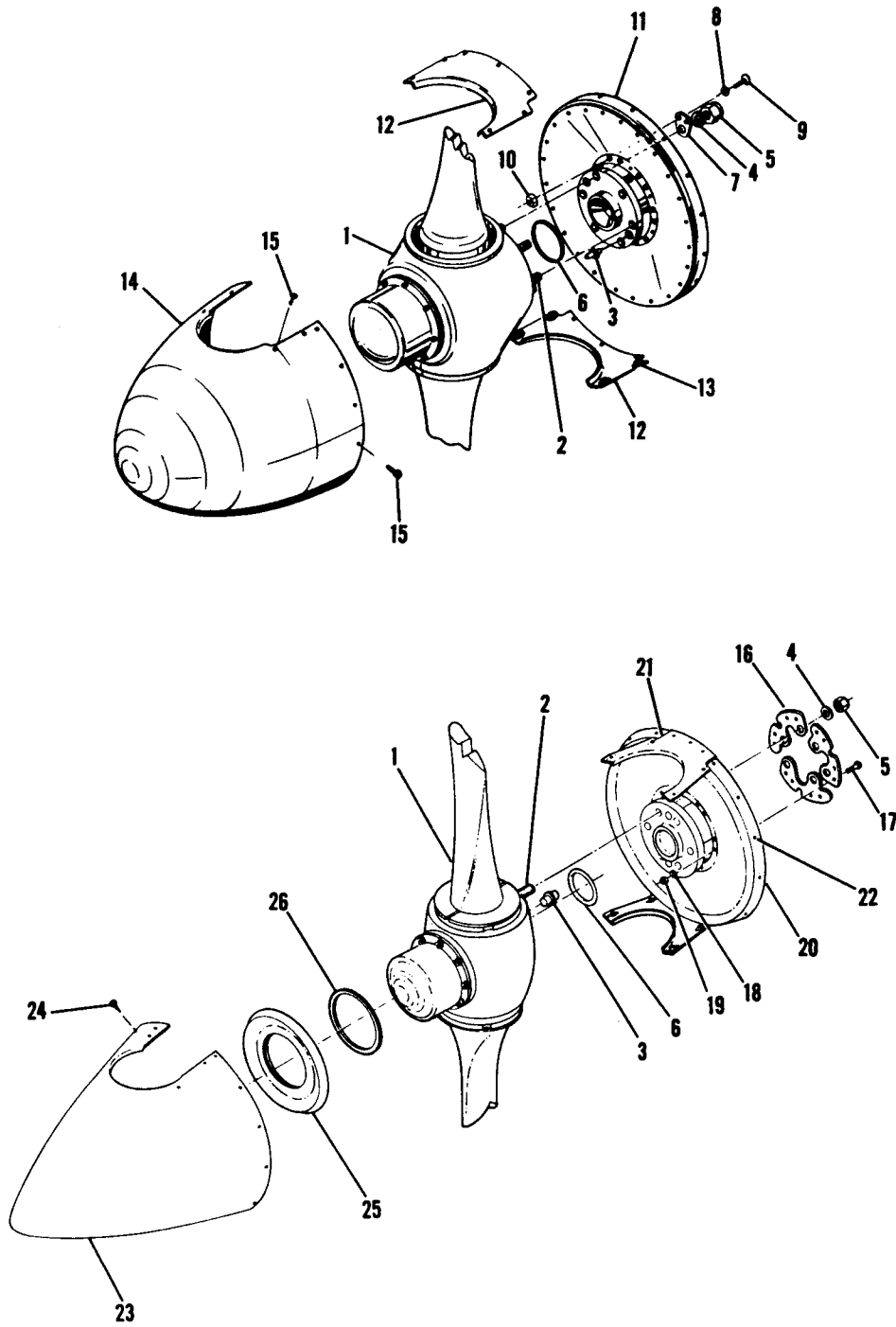


Figure 71. Propeller Installation

FIGURE AND INDEX NO.	PART NUMBER	DESCRIPTION	UNITS PER ASSY	USABLE ON CODE
		1 2 3 4 5 6 7		
71 -		PROPELLER INSTALLATION -----	NP	
- 1	0752024-12	PROPELLER ASSEMBLY-MCCAULEY 2A34C50/90A-8 -----	1	A
	C161002-0202	SEE FIGURE 72A WHEN EXHAUSTED USE C161002-0202 -----	1	L
	C161002-0201	PROPELLER ASSEMBLY-MCCAULEY 2A34C50/90A-8 -----	1	P
	SEE FIG 72C	SEE FIGURE 72A WHEN EXHAUSTED USE C161002-0201 -----	1	T
	0752024-15	PROPELLER ASSEMBLY-MCCAULEY 2A34C50/90A-2 -----	1	C
	C161002-0203	SEE FIGURE 72A WHEN EXHAUSTED USE C161002-0203 -----	1	M
	C161002-0204	PROPELLER ASSEMBLY-MCCAULEY 2A34C50/90A-2 -----	1	Q
	SEE FIG 72C	SEE FIGURE 72A WHEN EXHAUSTED USE C161002-0204 -----	1	U
	0752024-5	PROPELLER ASSEMBLY-MCCAULEY 2A34C66/90AT-8 -----	1	D
	0752024-11	PROPELLER ASSEMBLY-MCCAULEY D2A36C33/90M-2 -----	1	E
	C161004-0105	SEE FIGURE 72 WHEN EXHAUSTED USE C161004-0105 -----	1	R
	C161004-0106	PROPELLER ASSEMBLY-MCCAULEY D2A34C49/90A-2 -----	1	F
	C161004-0107	SEE FIGURE 72A WHEN EXHAUSTED USE C161004-0105 -----	1	G
		PROPELLER ASSEMBLY-MCCAULEY D2A34C58/90A-8 -----	1	G
		SEE FIGURE 72B -----	1	G
		PROPELLER ASSEMBLY-MCCAULEY D2A34C58/90AT-4 -----	1	G
		SEE FIGURE 72B -----	1	G
		ATTACHING PARTS -----		
- 2	A1561-2	BOLT MCL -----	6	D
	B3099	STUD MCL -----	6	H
- 3	A3047	PIN-DOWEL MCL -----	2	N
- 4	A1638-2	WASHER MCL -----	6	N
- 5	A1639-2	NUT MCL -----	6	N
- 6	A1633-3	O RING MCL -----	1	N

		SPINNER INSTALLATION-PROPELLER -----	1	J
		ATTACHING PARTS -----		
- 7	0752005-4	LUG -----	6	J
- 8	AN525-10R14	SCREW -----	12	J
- 9	AN960PD10	WASHER -----	12	J
-10	MS21044N3	NUT -----	12	J

-11	0752004-6	BULKHEAD ASSEMBLY-SPINNER -----	1	N
	0752004-7	BULKHEAD ASSEMBLY-SPINNER -----	1	B
-12	0752004-1	FILLET ASSEMBLY-SPINNER -----	2	N
-13	NAS680A3	NUTPLATE -----	4	N
-14	0752004-2	DOME-SPINNER -----	1	N
		ATTACHING PARTS -----		
-15	NAS221-8	SCREW -----	22	N

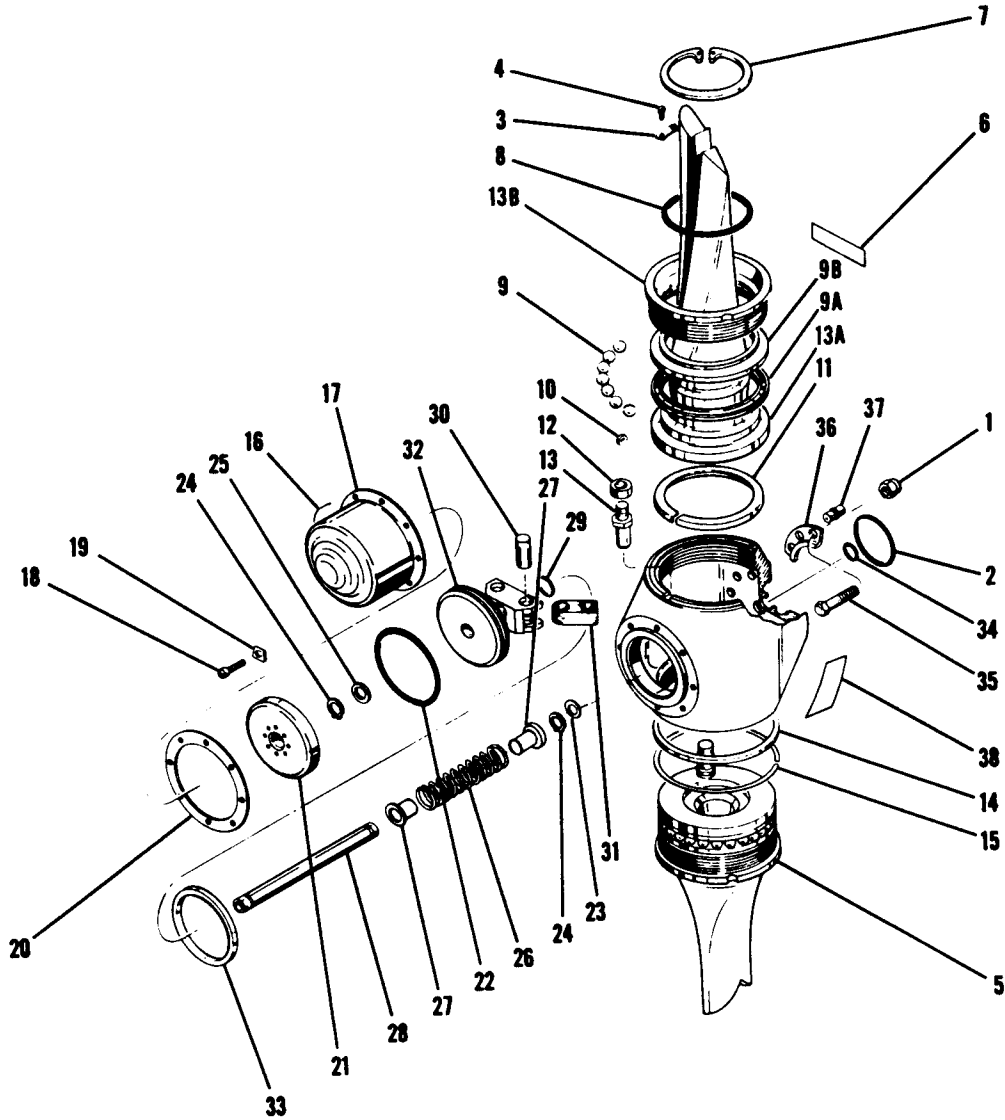
		SPINNER INSTALLATION-PROPELLER -----	1	K
		ATTACHING PARTS -----		
-16	0752043-1	LUG -----	3	K
-17	AN525-10R14	SCREW INSTALL WITH HEAD FWD ON MODEL 180 -----	12	K
-18	AN960PD10	WASHER -----	12	K
-19	MS21044N3	NUT -----	12	K

-20	0752041-1	BULKHEAD ASSEMBLY-SPINNER -----	1	S
	0752041-3	BULKHEAD ASSEMBLY-SPINNER -----	1	T
-21	0752044-1	FILLET ASSEMBLY -----	2	S
	0752044-3	FILLET ASSEMBLY -----	1	T
	NAS697A3	NUTPLATE -----	4	S
-22	NAS680A3	NUTPLATE -----	14	S
-23	0752042-1	SPINNER ASSEMBLY -----	1	T
	0752042-5	SPINNER ASSEMBLY -----	1	T

CONTINUED ON NEXT PAGE

FIGURE AND INDEX NO.	PART NUMBER	DESCRIPTION	UNITS PER ASSY	USABLE ON CODE
71 -24 -25 -26	NAS221-8 1290412-1 0752620-1	<p style="text-align: center;">1 2 3 4 5 6 7</p> <p>SCREW ----- SUPPORT ----- SPACER -----</p> <p>NOTE. *THESE PARTS ARE PART OF THE PROPELLER ASSEMBLIES SHOWN ON FIG 72, 72A, 72B & 72C.</p> <p>A---SERIAL 18051184 THRU 18051761 B---SERIAL 185-0001 THRU 185-1149 C---SERIAL 180 AMPHIBIAN & 180 FLOATPLANE 18051184 THRU 18051761 D---SERIAL 185-0001 THRU 185-0512 E---SERIAL 185-0513 THRU 185-1109 260 HP F---SERIAL 185-0968 THRU 18502310 300 HP G---SERIAL 185 AMPHIBIAN & 185 FLOATPLANE 185-0968 THRU 18502310 300 HP H---SERIAL 185-0513 THRU 18502310 J---SERIAL 18051184 THRU 18051774 SERIAL 185-0001 THRU 185-1149 K---SERIAL 18051775 THRU 18052384 SERIAL 185-1150 THRU 18502310 L---SERIAL 18051762 THRU 18051789 M---SERIAL 180 AMPHIBIAN & 180 FLOATPLANE 18051762 THRU 18051789 N---SERIAL 18051184 THRU 18051774 P---SERIAL 18051790 THRU 18052067 Q---SERIAL 180 AMPHIBIAN & 180 FLOATPLANE 18051790 THRU 18052067 R---SERIAL 185-1110 THRU 185-1149 260 HP S---SERIAL 18051775 THRU 18052067 SERIAL 185-1150 THRU 18502310 T---SERIAL 18052068 THRU 18052384 U---SERIAL 180 AMPHIBIAN & 180 FLOATPLANE 18052068 THRU 18052384</p>	1 1 AR	

Propeller (Cont)

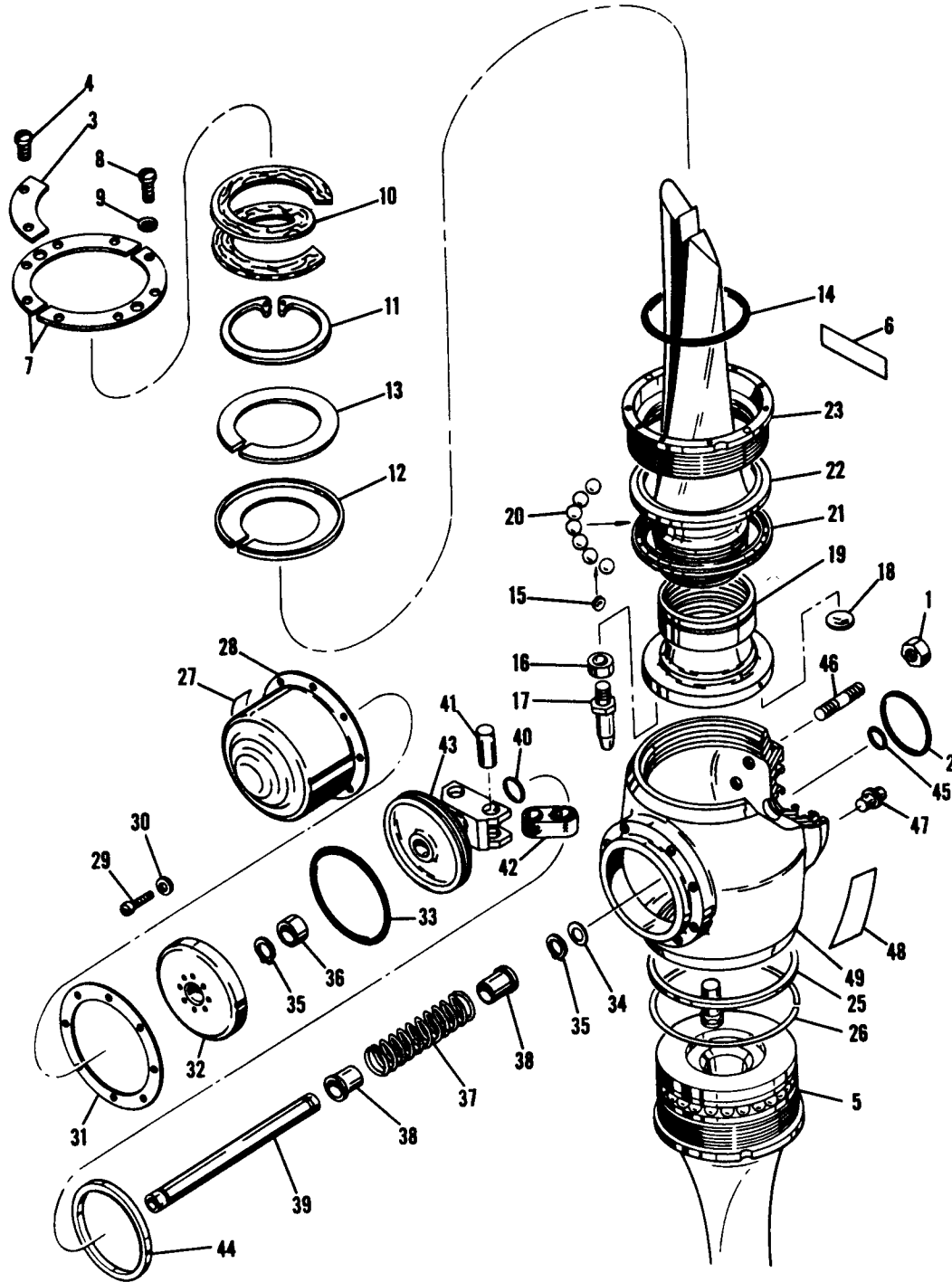


SERIAL 185-0001 THRU 185-0512

Figure 72. McCauley Propeller Assembly

FIGURE AND INDEX NO.	PART NUMBER	DESCRIPTION	UNITS PER ASSY	USABLE ON CODE
72 -	0752024-5	PROPELLER ASSEMBLY-MODEL D2A36C33/90M-2 88 IN. DIA. MCL WHEN EXHAUSTED USE C161004-0105 SEE FIGURE 72A	1	A
		1 2 3 4 5 6 7		
		ATTACHING PARTS		
- 1	A1639-2	NUT MCL	6	
- 2	A1633-3	PACKING-O RING MCL	1	
		WEIGHT-BALANCE MCL		AR
- 3	A2104	ATTACHING PARTS		
- 4	A1635-16	SCREW-ATTACH ONE WEIGHT MCL		AR
	A1635-17	SCREW-ATTACH TWO WEIGHTS MCL		AR
	A1635-18	SCREW-ATTACH THREE WEIGHTS MCL		AR
	A1635-19	SCREW-ATTACH FOUR WEIGHTS MCL		AR
	A1635-21	SCREW-ATTACH FIVE WEIGHTS MCL		AR
	A1635-22	SCREW-ATTACH SIX WEIGHTS MCL		AR
		BLADE ASSEMBLY-88 INCH DIA. MCL	2	
- 5	D2341/90M2	DECAL MCL	1	
- 6	A1958	RING-EXTEPNAL RETAINING MCL	1	
- 7	A1636-6	PACKING-O RING MCL	1	
- 8	A1633-13	BEARING-BLADE RETENTION MCL	1	
	C1587	BALL BEARING MCL	22	
- 9	A1634-4	RACE-INNER MCL	1	
- 9A	C1587-1	RACE-OUTER MCL	1	
- 9B	C1587-2	SEPERATOR-BALL MCL	22	
-10	A1742	SHIM-FERRULE 0.005 IN. MCL		AR
-11	B2289-1	SHIM-FERRULE 0.010 IN. MCL		AR
	B2289-2	SHIM-FERRULE 0.015 IN. MCL		AR
	B2289-3	WASHER-ACTUATING PIN MCL	1	
-12	A1883	PIN-BLADE ACTUATING MCL	1	
-13	A1882	FERRULE-BLADE RETENTION	1	
-13A	C2464	NUT-BLADE RETENTION	1	
-13B	C2463	RING-RETENTION NUT LOCK MCL	2	
-14	B3216	SHIM-BALANCING MCL	2	
-15	A3217	DECAL-SPRING KIT INSTALLATION MCL	1	
-16	A2356	CYLINDER MCL	1	
-17	C1904	ATTACHING PARTS		
-18	A1635-65	SCREW MCL	8	
-19	A1638-9	WASHER MCL	8	
-20	A1938	GASKET-CYLINDER MCL	1	
		SUPPORT-SPACER MCL		1
-21	B1965	PACKING- O RING MCL	1	
-22	A1633-12	WASHER-FIBER MCL	1	
-23	A2351	RING-EXTERNAL RETAINING MCL	2	
-24	A1636-7	SPACER STOCK-LOW PITCH PROP STOP MCL		AR
-25	A2108	SPRING-LOW PITCH RETURN BOOST MCL	1	
-26	A3125	GUIDE-SPRING MCL	2	
-27	A3124	TUBE-PISTON ROD MCL	1	
-28	B2345	PACKING-O RING MCL	1	
-29	A1633-9	PISTON ASSEMBLY MCL	1	
	A1934	PIN-PISTON MCL	2	
-30	A1936	LINK-BLADE ACTUATING MCL	2	
-31	A1935	PISTON-BLADE ACTUATING MCL	1	
-32	C1939	SPACER STOCK-HIGH PITCH STOP MCL		AR
-33	A1937	PACKING-O RING MCL	1	
-34	A1633-9	HUB ASSEMBLY MCL	1	
	C2715	BOLT-HUB MOUNTING MCL		4
-35	A1561-2	BOLT-HUB MOUNTING 0.002 IN. OVERSIZE MCL		AR
	A1561-4	BOLT-HUB MOUNTING 0.004 IN. OVERSIZE MCL		AR
	A1561-6	BOLT-HUB MOUNTING MCL	2	
	A2713-2	BOLT-HUB MOUNTING 0.002 IN. OVERSIZE MCL		AR
	A2713-4	BOLT-HUB MOUNTING 0.004 IN. OVERSIZE MCL		AR
	A2713-6	BOLT-HUB MOUNTING MCL	3	
-36	A2714	WASHER-FLANGE MCL	2	
-37	A3047	DOWEL-HUB ALIGNMENT MCL		AR
	A3047-30	DOWEL-HUB ALIGNMENT 0.0015 IN. OVERSIZE MCL		AR
	A3047-45	DOWEL-HUB ALIGNMENT 0.0030 IN. OVERSIZE MCL		AR
-38	A2230	DECAL-PROP INSTALLATION INSTRUCTIONS MCL	1	
	S1433-2	DECAL-CESSNA	1	
		NOTE. *FURNISHED IN 3-1/2 IN. STOCK LENGTHS. PROPER THICKNESS TO BE DETERMINED & CUT AT RE-ASSEMBLY.		
		A---SERIAL 185-0001 THRU 185-0512		

Propeller (Cont)



SERIAL 18051184 THRU 18052067
SERIAL 185-0513 THRU 185-1149 (260 HP)

Figure 72A. McCauley Propeller Assembly

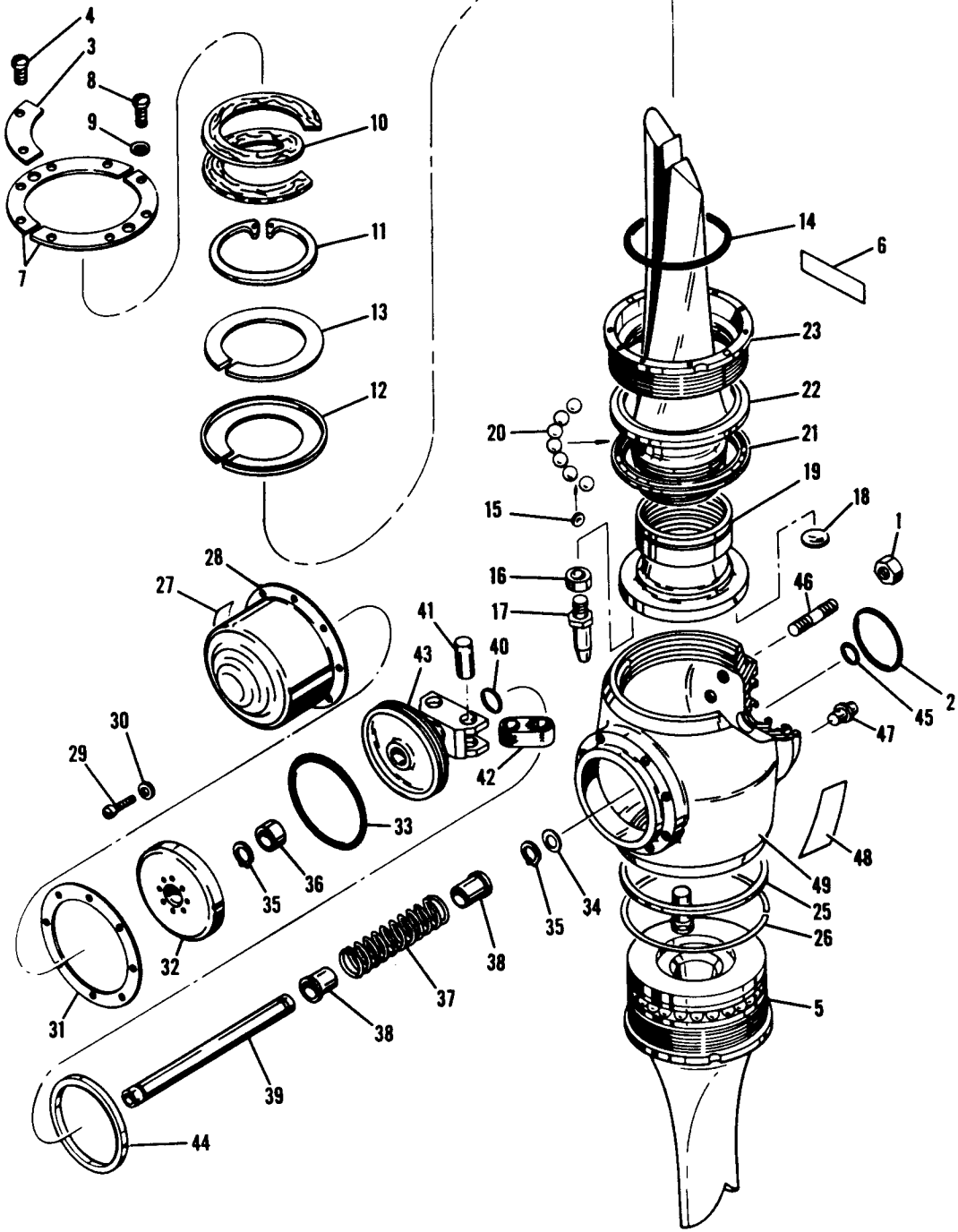
FIGURE AND INDEX NO.	PART NUMBER	DESCRIPTION	UNITS PER ASSY	USABLE ON CODE
		1 2 3 4 5 6 7		
72A-	0752024-12	PROPELLER ASSEMBLY-MCCAULEY 2A34C50/90A8 82 IN DIA -----	1	A
	C161002-0202	WHEN EXHAUSTED USE C161002-0202 PROPELLER ASSEMBLY-MCCAULEY 2A34C50/90A8 82 IN DIA -----	1	D
	C161002-0201	WHEN EXHAUSTED USE C161002-0201 PROPELLER ASSEMBLY-MCCAULEY 2A34C66/90AT8 82 IN DIA -----	1	J
	0752024-15	PROPELLER ASSEMBLY-MCCAULEY 2A34C50/90A2 88 IN DIA -----	1	C
	C161002-0203	WHEN EXHAUSTED USE C161002-0203 PROPELLER ASSEMBLY-MCCAULEY 2A34C50/90A2 88 IN DIA -----	1	F
	C161002-0204	WHEN EXHAUSTED USE C161002-0204 PROPELLER ASSEMBLY-MCCAULEY 2A34C66/90AT2 88 IN DIA -----	1	K
	0752024-11	PROPELLER ASSEMBLY-MCCAULEY D2A34C49/90A2 88 IN DIA -----	1	B
	C161004-0105	WHEN EXHAUSTED USE C161004-0105 PROPELLER ASSEMBLY-MCCAULEY D2A34C49/90A2 88 IN DIA -----	1	E
- 1	A1639-2	ATTACHING PARTS	6	
- 2	A1633-3	NUT MCL ----- PACKING-O RING MCL -----	1	
- 3	A2423	WEIGHT-BALANCE MCL ----- ATTACHING PARTS	AR	
- 4	A1635-16	SCREW-ATTACH ONE WEIGHT MCL -----	2	
	A1635-17	SCREW-ATTACH TWO WEIGHTS MCL -----	2	
	A1635-18	SCREW-ATTACH THREE WEIGHTS MCL -----	2	
	A1635-19	SCREW-ATTACH FOUR WEIGHTS MCL -----	2	
	A1635-21	SCREW-ATTACH FIVE WEIGHTS MCL -----	2	
	A1635-22	SCREW-ATTACH SIX WEIGHTS MCL -----	2	
- 5	D3108/90A8	BLADE ASSEMBLY MCL -----	1	G
	D3223/90AT8	BLADE ASSEMBLY MCL -----	1	J
	D3108/90A2	BLADE ASSEMBLY MCL -----	1	H
	D3223/90AT2	BLADE ASSEMBLY MCL -----	1	K
- 6	A1958	DECAL MCL -----	1	
- 7	B2417	PLATE-SPLIT COVER MCL ----- ATTACHING PARTS	AR	
- 8	A1635-27	SCREW MCL -----	AR	
- 9	A1638-5	WASHER-FIBER MCL -----	AR	
-10	B2422-1	PACKING-FELT MCL -----	1	
-11	A1636-6	RING-EXTERNAL RETAINING MCL -----	1	
-12	B2420-4	SHIM-0.004 IN. MCL -----	AR	
	B2420-6	SHIM-0.006 IN. MCL -----	AR	
-13	B2421-8	SHIM-0.008 IN. MCL -----	AR	
	B2421-10	SHIM-0.010 IN. MCL -----	AR	
	B2421-12	SHIM-0.012 IN. MCL -----	AR	
	B2421-14	SHIM-0.014 IN. MCL -----	AR	
	B2421-16	SHIM-0.016 IN. MCL -----	AR	
	B2421-18	SHIM-0.018 IN. MCL -----	AR	
	B2421-20	SHIM-0.020 IN. MCL -----	AR	
-14	A1633-13	PACKING- O RING MCL -----	1	
-15	A3110	SEPARATOR-BALL MCL -----	30	
-16	A3100	WASHER-ACTUATING PIN MCL -----	1	
-17	A3149	PIN-BLADE ACTUATING MCL -----	1	
-18	A1580	PLUG-FERRULE STAKING MCL -----	1	
-19	C3054	FERRULE-BLADE RETENTION MCL -----	1	
	C2987	BEARING-BLADE RETENTION MCL -----	30	
-20	A1634-5	BALL BEARING MCL -----	1	
-21	C2987-1	RACE-INNER MCL -----	1	
-22	C2987-2	RACE-OUTER MCL -----	1	
-23	C3092	NUT-BLADE RETENTION MCL -----	1	
-24		DELETED, NOT PROCURABLE		
-25	B3216	RING-RETENTION NUT LOCK MCL -----	2	
-26	A3217	SHIM-BALANCING MCL -----	2	
-27	A2356	DECAL MCL -----	1	
-28	C1904	CYLINDER MCL ----- ATTACHING PARTS	8	
-29	A1635-65	SCREW MCL -----	8	
-30	A1638-9	WASHER-BRASS MCL -----	1	
-31	A1938	GASKET-CYLINDER MCL -----	1	
-32	B1965	SUPPORT-SPACER MCL -----	1	
-33	A1633-12	PACKING-O RING MCL -----	1	
-34	A2351	WASHER-FIBER MCL -----	2	
-35	A1636-7	RING-EXTERNAL RETAINING MCL -----	AR	
-36	A2108	SPACER STOCK-LOW PITCH STOP MCL -----	AR	

CONTINUED ON NEXT PAGE

FIGURE AND INDEX NO.	PART NUMBER	DESCRIPTION	UNITS PER ASSY	USABLE ON CODE		
					1	2
72A-37	A3125	SPRING-LOW PITCH RETURN BOOST MCL -----	1			
-38	A3124	GUIDE-SPRING MCL -----	2			
-39	B2345	TUBE-PISTON ROD MCL -----	1			
-40	A1633-9	PACKING- O RING MCL -----	1			
	A1934	PISTON ASSEMBLY MCL -----	2			
-41	A1936	PIN-PISTON MCL -----	2			
-42	A1935	LINK-BLADE ACTUATING MCL -----	1			
-43	C1939	PISTON-BLADE ACTUATING MCL -----	AR			
-44	A1937	SPACER STOCK-HIGH PITCH STOP MCL -----	1			
-45	A1633-9	PACKING- O RING MCL -----	1	M		
	C3105	HUB ASSEMBLY MCL -----	1	L		
	C3103	HUB ASSEMBLY MCL -----	6			
-46	B3099	STUD-HUB MOUNTING MCL -----	2			
-47	A3047	DOWEL-HUB ALIGNMENT MCL -----	AR			
	A3047-30	DOWEL-HUB ALIGNMENT 0.0015 IN. OVERSIZE MCL -----	AR			
	A3047-45	DOWEL-HUB ALIGNMENT 0.0030 IN. OVERSIZE MCL -----	1			
-48	A2230	DECAL-PROP INSTALLATION INSTRUCTIONS MCL -----	1	M		
-49	D3102	HUB-PROPELLER MCL -----	1	L		
	D3098	HUB-PROPELLER MCL -----	1			
<p>NOTE. *FURNISHED IN 3-1/2 IN. STOCK LENGTHS. PROPER THICKNESS TO BE DETERMINED AND CUT AT RE-ASSEMBLY.</p> <p>A---SERIAL 18051184 THRU 18051761 B---SERIAL 185-0513 THRU 185-1109 260 HP C---SERIAL 180 FLOATPLANE & AMPHIBIAN 18051184 THRU 18051761 D---SERIAL 18051762 THRU 18051789 E---SERIAL 185-1109 THRU 185-1149 260 HP F---SERIAL 180 FLOATPLANE & AMPHIBIAN 18051762 THRU 18051789 G---SERIAL 18051184 THRU 18051789 H---SERIAL 185-0513 THRU 185-1149 260 HP SERIAL 180 FLOATPLANE & AMPHIBIAN 18051184 THRU 18051789 J---SERIAL 18051790 THRU 18052067 K---SERIAL 180 FLOATPLANE & AMPHIBIAN 18051790 THRU 18052067 L---SERIAL 185-0513 THRU 185-1149 260 HP M---SERIAL 18051184 THRU 18052067 SERIAL 180 FLOATPLANE & AMPHIBIAN 18051184 THRU 18052067</p>						

FIGURE AND INDEX NO.	PART NUMBER	DESCRIPTION	UNITS PER ASSY	USABLE ON CODE
		1 2 3 4 5 6 7		
728-	C161004-0106 C161004-0107	PROPELLER ASSEMBLY-MCCAULEY D2A34C58/90AT-8 82 IN DIA - PROPELLER ASSEMBLY-MCCAULEY D2A34C58/90AT-4 86 IN DIA -	1 1	A B
		ATTACHING PARTS	6	
- 1	A1639-2	NUT MCL -----	1	
- 2	A1633-3	PACKING-D RING MCL -----		
		-----*		
- 3	A2423	WEIGHT-BALANCE MCL -----	AR	
		ATTACHING PARTS		
- 4	A1635-16	SCREW-ATTACH ONE WEIGHT MCL -----	2	
	A1635-17	SCREW-ATTACH TWO WEIGHT MCL -----	2	
	A1635-18	SCREW-ATTACH THREE WEIGHTS MCL -----	2	
	A1635-19	SCREW-ATTACH FOUR WEIGHTS MCL -----	2	
	A1635-21	SCREW-ATTACH FIVE WEIGHTS MCL -----	2	
	A1635-22	SCREW-ATTACH SIX WEIGHTS MCL -----	2	
		-----*		
CONTINUED ON NEXT PAGE				

Propeller (Cont)



SERIAL 185-0968 THRU 18502310 (300 HP)

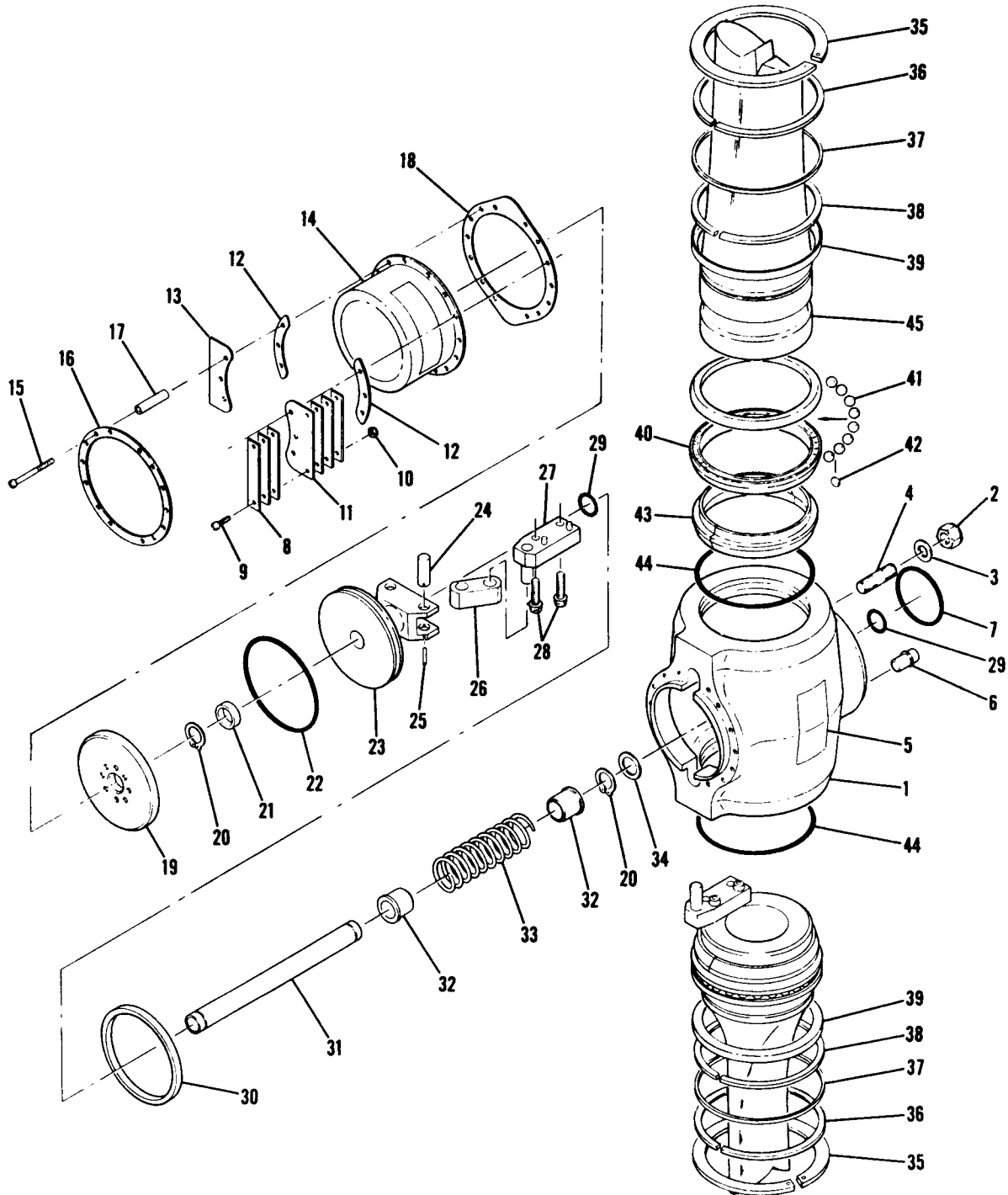
Figure 72B. McCauley Propeller Assembly

FIGURE AND INDEX NO.	PART NUMBER	DESCRIPTION							UNITS PER ASSY	USABLE ON CODE
		1	2	3	4	5	6	7		
728- 5	D3223/90AT8	BLADE ASSEMBLY	MCL	-----	-----	-----	-----	-----	2	A
	D3223/90AT4	BLADE ASSEMBLY	MCL	-----	-----	-----	-----	-----	2	B
- 6	A1958	DECAL	MCL	-----	-----	-----	-----	-----	1	
- 7	B2417	PLATE-SPLIT COVER	MCL	-----	-----	-----	-----	-----	1	
		ATTACHING PARTS		-----	-----	-----	-----	-----		
- 8	A1635-27	SCREW	MCL	-----	-----	-----	-----	-----	AR	
- 9	A1638-5	WASHER-FIBER	MCL	-----	-----	-----	-----	-----	AR	
		-----*		-----	-----	-----	-----	-----		
-10	B2422-1	PACKING-FELT	MCL	-----	-----	-----	-----	-----	1	
-11	A1636-6	RING-EXTERNAL RETAINING	MCL	-----	-----	-----	-----	-----	AR	
-12	B2420-4	SHIM-0.004 IN	MCL	-----	-----	-----	-----	-----	AR	
	B2420-6	SHIM-0.006 IN	MCL	-----	-----	-----	-----	-----	AR	
-13	B2421-8	SHIM-0.008 IN	MCL	-----	-----	-----	-----	-----	AR	
	B2421-10	SHIM-0.010 IN	MCL	-----	-----	-----	-----	-----	AR	
	B2421-12	SHIM-0.012 IN	MCL	-----	-----	-----	-----	-----	AR	
	B2421-14	SHIM-0.014 IN	MCL	-----	-----	-----	-----	-----	AR	
	B2421-16	SHIM-0.016 IN	MCL	-----	-----	-----	-----	-----	AR	
	B2421-18	SHIM-0.018 IN	MCL	-----	-----	-----	-----	-----	AR	
	B2421-20	SHIM-0.020 IN	MCL	-----	-----	-----	-----	-----	1	
-14	A1633-13	PACKING-O RING	MCL	-----	-----	-----	-----	-----	30	
-15	A3110	SEPARATOR-BALL	MCL	-----	-----	-----	-----	-----	1	
-16	A3100	WASHER-ACTUATING PIN	MCL	-----	-----	-----	-----	-----	1	
-17	A3149	PIN-BLADE ACTUATING	MCL	-----	-----	-----	-----	-----	1	
-18	A1580	PLUG-FERRULE STAKING	MCL	-----	-----	-----	-----	-----	1	
-19	C3054	FERRULE-BLADE RETENTION	MCL	-----	-----	-----	-----	-----	1	
	C2987	BEARING-BLADE RETENTION	MCL	-----	-----	-----	-----	-----	30	
-20	A1634-5	BALL BEARING	MCL	-----	-----	-----	-----	-----	1	
-21	C2987-1	RACE-INNER	MCL	-----	-----	-----	-----	-----	1	
-22	C2987-2	RACE-OUTER	MCL	-----	-----	-----	-----	-----	1	
-23	C3092	NUT-BLADE RETENTION	MCL	-----	-----	-----	-----	-----	1	
-24		DELETED-NOT PROCURABLE		-----	-----	-----	-----	-----	2	
-25	B3216	RING-RETENTION NUT LOCK	MCL	-----	-----	-----	-----	-----	2	
-26	A3217	SHIM-BALANCING	MCL	-----	-----	-----	-----	-----	1	
-27	A2356	DECAL	MCL	-----	-----	-----	-----	-----	1	
-28	C1904	CYLINDER	MCL	-----	-----	-----	-----	-----	1	
		ATTACHING PARTS		-----	-----	-----	-----	-----		
-29	A1635-65	SCREW	MCL	-----	-----	-----	-----	-----	8	
-30	A1638-9	WASHER-BRASS	MCL	-----	-----	-----	-----	-----	8	
-31	A1938	GASKET-CYLINDER	MCL	-----	-----	-----	-----	-----	1	
		-----*		-----	-----	-----	-----	-----		
-32	B1965	SUPPORT-SPACER	MCL	-----	-----	-----	-----	-----	1	
-33	A1633-12	PACKING-O RING	MCL	-----	-----	-----	-----	-----	1	
-34	A2351	WASHER-FIBER	MCL	-----	-----	-----	-----	-----	2	
-35	A1636-7	RING-EXTERNAL RETAINING	MCL	-----	-----	-----	-----	-----	AR	
-36	A2108	SPACER STOCK-LOW PITCH STOP	MCL	-----	-----	-----	-----	-----	1	
-37	A3125	SPRING-LOW PITCH RETURN BOOST	MCL	-----	-----	-----	-----	-----	2	
-38	A3124	GUIDE-SPRING	MCL	-----	-----	-----	-----	-----	1	
-39	B2345	TUBE-PISTON ROD	MCL	-----	-----	-----	-----	-----	1	
-40	A1633-9	PACKING-O RING	MCL	-----	-----	-----	-----	-----	1	
	A1934	PISTON ASSEMBLY	MCL	-----	-----	-----	-----	-----	2	
-41	A1936	PIN-PISTON	MCL	-----	-----	-----	-----	-----	2	
-42	A1935	LINK-BLADE ACTUATING	MCL	-----	-----	-----	-----	-----	1	
-43	C1939	PISTON-BLADE ACTUATING	MCL	-----	-----	-----	-----	-----	AR	
-44	A1937	SPACER STOCK-HIGH PITCH STOP	MCL	-----	-----	-----	-----	-----	1	
-45	A1633-9	PACKING-O RING	MCL	-----	-----	-----	-----	-----	1	
	C3103	HUB ASSEMBLY	MCL	-----	-----	-----	-----	-----	6	
-46	B3099	STUD-HUB MOUNTING	MCL	-----	-----	-----	-----	-----	2	
-47	A3047	DOWEL-HUB ALIGNMENT	MCL	-----	-----	-----	-----	-----	AR	
	A3047-30	DOWEL-HUB ALIGNMENT	0.0015 IN OVERSIZE	-----	-----	-----	-----	-----	AR	
	A3047-45	DOWEL-HUB ALIGNMENT	0.0030 IN OVERSIZE	-----	-----	-----	-----	-----	1	
-48	A2230	DECAL-PROP INSTALLATION INSTRUCTIONS	MCL	-----	-----	-----	-----	-----	1	
-49	D3098	HUB-PROPELLER	MCL	-----	-----	-----	-----	-----	1	

NOTE. *FURNISHED IN 3-1/2 IN STOCK LENGTHS. PROPER THICKNESS TO BE DETERMINED AND CUT AT REASSEMBLY.

A---SERIAL 185-0968 THRU 18502310 300 HP
 B---SERIAL 185 FLOATPLANE & AMPHIBIAN 185-0968 THRU 18502310 300 HP

Propeller (Cont)



SERIAL 18052068 THRU 18052384

Figure 72C. Propeller Assembly

FIGURE AND INDEX NO.	PART NUMBER	DESCRIPTION						UNITS PER ASSY	USABLE ON CODE
		1	2	3	4	5	6		
72C-	C161009-0101	PROPELLER ASSEMBLY	MCCAULEY 2A34C201/90DA-8	82 IN DIA -			1	A	
		WEU C161009-0104							
	C161009-0104 *	PROPELLER ASSEMBLY	MCCAULEY 2A34C203/90DCA-8	82 IN DIA-			1	A	
	C161009-0102	PROPELLER ASSEMBLY	MCCAULEY 2A34C201/90DA-2	88 IN DIA -			1	B	
		WEU C161009-0105							
	C161009-0105 *	PROPELLER ASSEMBLY	MCCAULEY 2A34C203/90DCA-2	88 IN DIA-			1	B	
- 1	C3910/C201	HUB ASSEMBLY	MCL				NP		
		ATTACHING PARTS							
- 2	A1639-2	NUT-HUB MOUNTING	MCL				6		
- 3	A1638-2	WASHER	MCL				6		
		STUD	MCL				6		
- 4	B3920	PLACARD	MCL				1		
- 5	A2230	DOWN-HUB ALIGNMENT	MCL				2		
- 6	A4001	O-RING	MCL				1		
- 7	A1633-3	WEIGHT-BALANCE	MCL				AR		
- 8	A3906	SCREW ATTACH ONE WEIGHT	MCL				2		
- 9	A1635-36	SCREW ATTACH TWO WEIGHTS	MCL				2		
	A1635-37	SCREW ATTACH THREE WEIGHTS	MCL				2		
	A1635-40	SCREW ATTACH FOUR WEIGHTS	MCL				2		
	A1635-67	SCREW ATTACH FIVE WEIGHTS	MCL				2		
	A1635-56	SCREW ATTACH SIX WEIGHTS	MCL				2		
	A1635-68	NUT	MCL				2		
-10	A1639-23	BRACKET-BALANCE WEIGHT	MCL				AR		
-11	B3908	CASKET-BRACKET	MCL				AR		
-12	B4016	WEIGHT-BALANCE 2 MAX	MCL				AR		
-13	B4026	CYLINDER	MCL				1		
-14	C4129	ATTACHING PARTS							
		SCREW	MCL				14		
-15	A1635-70	RING-CYLINDER	MCL				1		
-16	B4342	TUBE-CYLINDER MOUNT LONG	MCL				AR		
-17	B4354-2	TUBE-CYLINDER MOUNT SHORT	MCL				AR		
	B4354-3	GASKET-CYLINDER	MCL				1		
-18	B4138	SUPPORT SPACER	MCL				1		
-19	B3526	RING-RETAINING	MCL				2		
-20	A1636-7	SPACER-LOW PITCH STOP	MCL				1		
-21	A2108	O-RING	MCL				1		
-22	A1633-12	PISTON-BLADE ACTUATING	MCL				1		
-23	C3418	ROLL PIN	MCL				2		
-24	B3414	ROLL PIN	MCL				2		
-25	A3150-5	LINK-BLADE ACTUATOR	MCL				2		
-26	A3902	ACTUATING PIN & BASE ASSEMBLY	MCL				2		
-27	B3905	ATTACHING PARTS							
		CAP SCREW	MCL				2		
-28	A1635-66	O-RING	MCL				2		
-29	A1633-9	SPACER-HIGH PITCH STOP	MCL				1		
-30	A1937	TUBE-PISTON ROD	MCL				1		
-31	B2345	GUIDE-SPRING	MCL				2		
-32	A3124	SPRING-PITCH RETURN	MCL				1		
-33	A3125	WASHER-FIBER	MCL				1		
-34	A2351	RING-RETAINING	MCL				2		
-35	B4426	RING-WIRE	MCL				2		
-36	A4427	SHIM-.032	MCL				AR		
-37	B4407	SHIM-.065	MCL				AR		
	B4407-1	SHIM-.051	MCL				AR		
	B4407-2	SHIM-ANTI BLADE SHAKE .003 IN.	MCL				AR		
-38	B4277-3	SHIM-ANTI BLADE SHAKE .004 IN.	MCL				AR		
	B4277-4	SHIM-ANTI BLADE SHAKE .005 IN.	MCL				AR		
	B4277-5	SHIM-ANTI BLADE SHAKE .006 IN.	MCL				AR		
	B4277-6	SHIM-ANTI BLADE SHAKE .007 IN.	MCL				AR		
	B4277-7	SHIM-ANTI BLADE SHAKE .008 IN.	MCL				AR		
	B4277-8	SHIM-ANTI BLADE SHAKE .010 IN.	MCL				AR		
	B4277-10	SHIM-ANTI BLADE SHAKE .012 IN.	MCL				AR		
	B4277-12	SHIM-ANTI BLADE SHAKE .014 IN.	MCL				AR		
	B4277-14	SHIM-ANTI BLADE SHAKE .016 IN.	MCL				AR		
	B4277-16	SHIM-ANTI BLADE SHAKE .018 IN.	MCL				AR		
	B4277-18	SHIM-ANTI BLADE SHAKE .020 IN.	MCL				AR		
	B4277-20								

CONTINUED ON NEXT PAGE

FIGURE AND INDEX NO.	PART NUMBER	DESCRIPTION							UNITS PER ASSY	USABLE ON CODE
		1	2	3	4	5	6	7		
72C-39	B4408	CARRIER-SHM	MCL	-----					2	
-40	C3411	BEARING RACE	MATCHED SET	MCL	-----				2	
-41	A1634-6	BALL BEARING	MCL	-----					80	
-42	B4014	BALL SEPERATOR	MCL	-----					80	
-43	C3903	RETAINER-SPLIT	MATCHED SET	MCL	-----				1	
-44	A1633-37	O-RING	MCL	-----					2	A
-45	900A-8	BLADE	MCL	-----					2	B
	900A-2	BLADE	MCL	-----					2	B
<p>NOTE. *PARTS BREAKDOWN SHOWN ON THIS FIGURE IS NOT APPLICABLE TO C161009-0104 & C161009-0105. SEE APPLICABLE MCCAULEY MANUAL FOR PARTS BREAKDOWN OF THESE ASSEMBLIES.</p> <p>A---SERIAL 18052068 THRU 18052384 B---SERIAL 18052068 THRU 18052384 FLOATPLANE</p>										

FIGURE AND INDEX NO.	PART NUMBER	DESCRIPTION	UNITS PER ASSY	USABLE ON CODE
			NP	AS
		1 2 3 4 5 6 7		
73 -		COWL INSTALLATION-ENGINE -----	1	L
- 1	0752031-201	COWL ASSEMBLY-UPPER -----	1	AA
	0752031-205	COWL ASSEMBLY-UPPER -----	1	AB
	0752031-208	COWL ASSEMBLY-UPPER -----	1	
- 2	0752031-19	STRIP-PARTING LH -----	1	
	0752031-20	STRIP-PARTING RH -----	9	
- 3	4002-244-16	RECEPTACLE CLC -----	1	M
	0752031-24	SKIN ASSEMBLY-UPPER -----	1	N
	0752031-50	SKIN ASSEMBLY-UPPER -----	2	
- 4	0752031-26	ANGLE-UPPER COWL -----	3	M
- 5	0752000-64	SPACER-LATCH -----	1	
- 6	0752031-22	STRIP-SPLICE -----	10	
- 7	CM2791	SNAP RING CLC -----	10	
	4002H	GROMMET CLC -----	10	
	4002-4	STUD-SLOTTED HEAD CLC -----	10	
	4055-4	STUD-PHILLIPS HEAD CLC -----	1	M
- 8	0752000-56	DOOR ASSEMBLY-OIL -----	1	N
	0752626-1	DOOR ASSEMBLY-OIL -----	1	M
- 9	S1188-1	LATCH-DOOR -----	1	N
	KM610-64	LATCH-DOOR -----	1	N
-10	MS24665-134	PIN-COTTER -----	1	
-11	0752000-117	HINGE-DOOR -----	1	N
-11A	0752627-1	SPRING-OIL FILLER DOOR ASSIST -----	1	N
	0752031-51	LATCH PLATE-OIL FILLER DOOR -----	1	C
-12	0752031-29	NOSE CAP ASSEMBLY-UPPER COWL WHEN EXHAUSTED -----	1	
		USE 0752031-200 -----	1	D
	0752031-200	NOSE CAP ASSEMBLY-UPPER COWL -----	1	AB
	0752031-206	NOSE CAP ASSEMBLY-UPPER COWL -----	1	
-13	0752030-9	DOUBLER-CAP SPLICE LH -----	1	
	0752030-8	DOUBLER-CAP SPLICE RH -----	1	
-14	0752019-10	STRAP-REINFORCING -----	1	
	0752019-11	STRAP-REINFORCING -----	2	AF
-15	0752032-1	RECEPTACLE -----	1	AB
	0752032-1	RECEPTACLE LH SIDE ONLY -----	1	AB
	59A200	SPRING DZ RH SIDE ONLY -----	1	C
-16	0752031-37	COWL ASSEMBLY-LOWER LESS FLAPS & DOORS WHEN -----	1	
		EXHAUSTED USE 0752031-204 -----	1	E
	0752031-204	COWL ASSEMBLY-LOWER LESS FLAPS & DOORS -----	1	AC
	0752031-210	COWL ASSEMBLY-LOWER LESS FLAPS & DOORS -----	1	V
	0752031-211	COWL ASSEMBLY-LOWER LESS FLAPS & DOORS -----	1	AL
	0752031-212	COWL ASSEMBLY-LOWER LESS FLAPS & DOORS -----	1	AD
	0752031-203	COWL ASSEMBLY-LOWER LESS FLAPS & DOORS -----	1	AE
	0752031-209	COWL ASSEMBLY-LOWER LESS FLAPS & DOORS -----	1	
-17	0752015-10	DOUBLER-LOWER NOSE CAP -----	2	
-18	0752015-31	DOUBLER-COWL SPLICE LOWER LH -----	1	
-19	0752015-19	BRACKET-HINGE LH -----	1	
-20	0752015-39	BRACKET-HINGE RH -----	1	
-21	0752015-21	BRACKET-HINGE LH -----	1	
-22	0752015-22	BRACKET-HINGE RH -----	1	
-23	0752022-1	STIFFENER -----	1	
-24	0752031-7	SKIN ASSEMBLY-LOWER COWL SIDE LH -----	1	
-25	0752031-8	SKIN ASSEMBLY-LOWER COWL SIDE RH -----	1	
-26	0752031-16	DOUBLER-AFT RH -----	1	S
	0752031-15	DOUBLER-AFT LH WHEN EXHAUSTED USE 0752031-56 -----	1	T
	0752031-56	DOUBLER-AFT LH -----	1	
-27	0752031-18	DOUBLER-LOWER PARTING RH -----	1	
	0752031-17	DOUBLER-LOWER PARTING LH -----	1	F
-28	0752031-9	SKIN ASSEMBLY-LOWER COWL CENTER -----	1	G
	0752031-36	SKIN ASSEMBLY-LOWER COWL CENTER -----	1	
-29	0752015-23	DOUBLER-STRUT OPENING -----	8	
-30	CM2791	SNAP RING LOWER REAR SIDE -----	8	
	4002H	GROMMET CLC LOWER REAR SIDE -----	8	
	4002-4	STUD-SLOTTED HEAD CLC LOWER REAR SIDE -----	8	
	4055-4	STUD-PHILLIPS HEAD CLC LOWER REAR SIDE -----	2	
-31	CM2791	SNAP RING BOTTOM -----	2	
	4002G	GROMMET CLC BOTTOM -----	2	
	4002-3	STUD-SLOTTED HEAD CLC BOTTOM -----	2	
	4055-3	STUD-PHILLIPS HEAD CLC BOTTOM -----	9	
-32	CM2791	SNAP RING LOWER PARTING -----	9	
	4002H	GROMMET CLC LOWER PARTING -----	9	
	4002-4	STUD-SLOTTED HEAD CLC LOWER PARTING -----	9	
	4055-4	STUD-PHILLIPS HEAD CLC LOWER PARTING -----		

CONTINUED ON NEXT PAGE

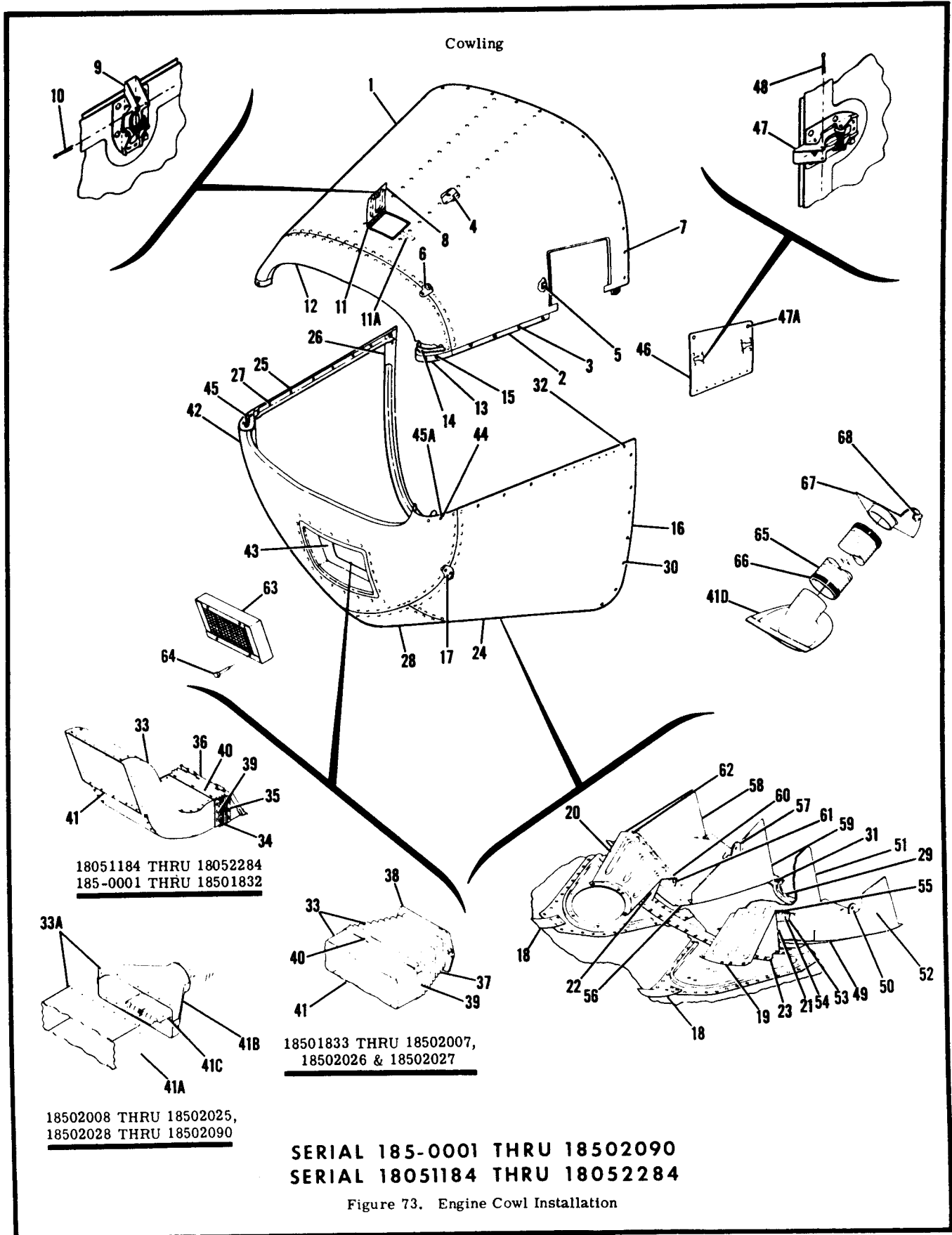


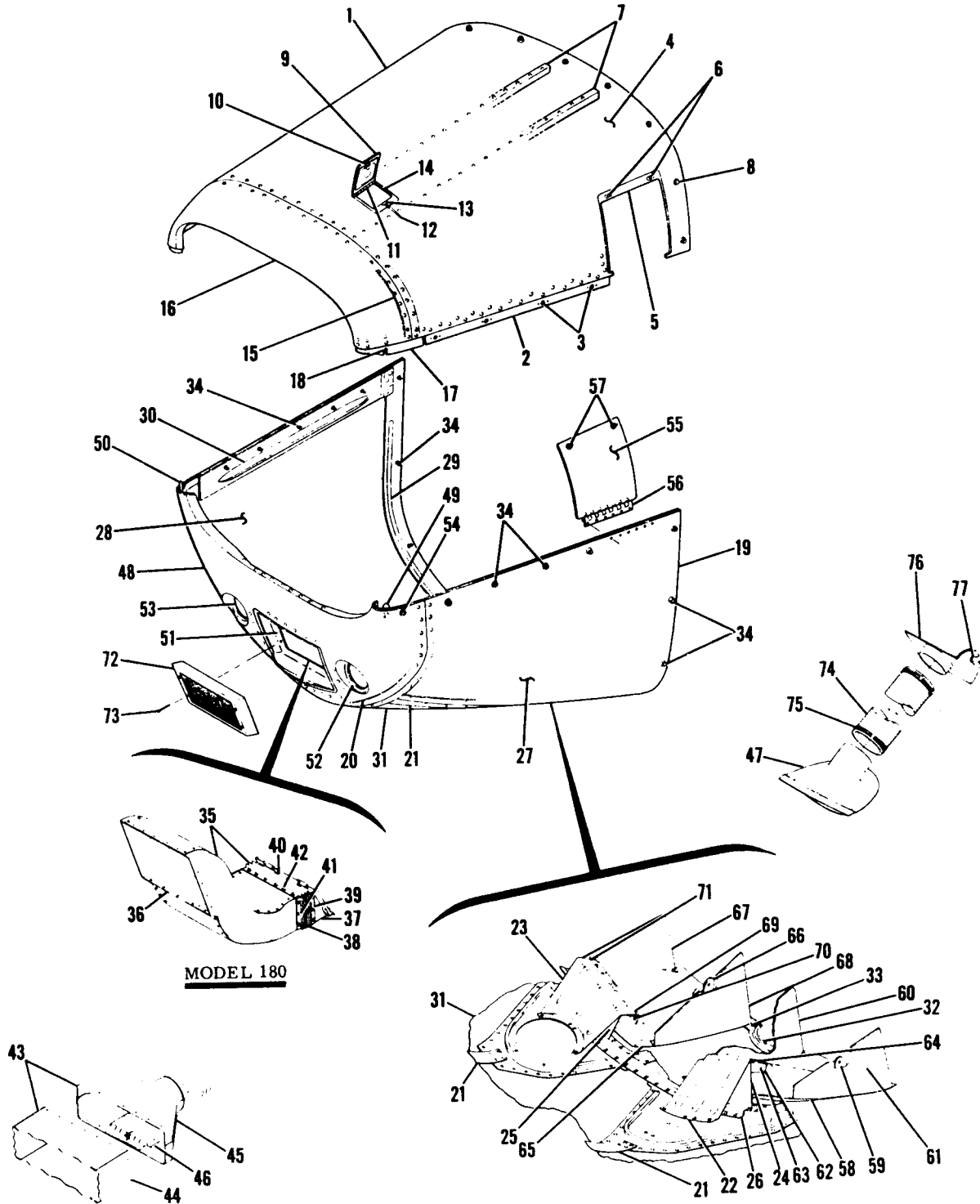
FIGURE AND INDEX NO.	PART NUMBER	DESCRIPTION	UNITS PER ASSY	USABLE ON CODE
73 -33	0752018-8	DUCT ASSEMBLY-CARBURETOR AIR INTAKE -----	1	F
	0752018-200	DUCT ASSEMBLY-CARBURETOR AIR INTAKE -----	1	U
-33A	0752018-9	DUCT ASSEMBLY-CARBURETOR AIR INTAKE -----	1	V
	0752018-18	DUCT ASSEMBLY-CARBURETOR AIR INTAKE -----	1	AM
-34	0752018-23	DUCT ASSEMBLY-CARBURETOR AIR INTAKE -----	1	AN
	0752016-13	EXPANDER ASSEMBLY -----	1	U
-35	0752016-12	EXPANDER ASSEMBLY WEU 0752016-14 -----	1	F
	0752016-6	BOOT-EXPANDER -----	1	F
-36	0752016-7	BOOT-EXPANDER -----	1	F
	0752016-10	SEAL-TOP & BOTTOM -----	2	
-37	0752016-11	SEAL-SIDE -----	2	
	S1853-3	RECEPTACLE -----	2	
-38	0752021-1	CLIP -----	2	
	0752023-1	STRIP-SIDE -----	2	W
-39	0752023-3	STRIP-TOP & BOTTOM -----	2	X
	0752023-5	STRIP-TOP & BOTTOM -----	1	X
-40	0752047-1	STIFFENER-TOP -----	1	AJ
	0750192-2	EXPANDER BOOT WEU 07520192-3 -----	1	AK
-41	0750192-3	EXPANDER BOOT -----	1	V
	1650021-2	PETAINEP ASSEMBLY -----	2	
-41A	0752023-1	STRIP-SIDE -----	2	Y
	0752023-3	STRIP-TOP & BOTTOM -----	2	Z
-41B	0752023-4	STRIP-TOP & BOTTOM -----	1	
	0752018-10	DUCT SUB ASSEMBLY -----	1	AM
-41C	0752018-13	DUCT SUB ASSEMBLY -----	1	AN
	0752018-22	DUCT SUB ASSEMBLY -----	1	AL
-41D	1652013-28	DUCT ADAPTOR ASSEMBLY -----	1	AL
	0752035-1	DOOR ASSEMBLY -----	1	G
-42	AN960-4L	SCOOP-PUMP COOLING -----	12	G
	0752031-30	WASHER -----	1	C
-43	0752031-202	NOSE CAP ASSEMBLY-LOWER WHEN EXHAUSTED USE 0752031-202- -----	1	D
	0752030-15	NOSE CAP ASSEMBLY-LOWER -----	1	AQ
-44	0752020-1	NOSE CAP ASSEMBLY-LOWER -----	1	AN
	0752020-3	NOSE CAP ASSEMBLY-LOWER -----	1	AR
-45	CM2791	MOUNT ASSEMBLY-FILTER -----	1	AN
	4002H	MOUNT ASSEMBLY-FILTER -----	2	AF
-46	4002-4	SNAP RING CLC -----	2	AF
	4055-4	GROMMET CLC -----	2	AF
-47	CM2791	STUD-SLOTTED HEAD CLC -----	2	AF
	4002H	STUD-SLOTTED HEAD CLC -----	1	AQ
-48	4055-4	SNAP RING CLC LH SIDE ONLY -----	1	AQ
	GA5-375	GROMMET CLC LH SIDE ONLY -----	1	AQ
-49	A5-35PP	STUD-PHILLIPS HEAD CLC LH SIDE ONLY -----	1	AQ
	0752013-2	GROMMET DZ RH SIDE ONLY -----	1	AQ
-49A	0752013-1	STUD DZ RH SIDE ONLY -----	1	
	CM2791	CLIP-COWL NOSE RH -----	1	
-50	4002H	CLIP-COWL NOSE LH -----	1	
	4055-4	SNAP RING CLC LH SIDE ONLY -----	1	AN
-51	GA5-375	GROMMET CLC LH SIDE ONLY -----	1	AN
	A5-35PP	STUD CLC LH SIDE ONLY -----	1	AN
-52	0752025-1	GROMMET DZ RH SIDE ONLY -----	1	AN
	0752025-7	STUD DZ RH SIDE ONLY -----	1	M
-53	MS20253-2-695	DOOR ASSEMBLY-COWL ACCESS -----	1	N
	S1188-1	DOOR ASSEMBLY-COWL ACCESS -----	1	
-54	W98292-1-.130	HINGE ASSEMBLY -----	1	
	AN960D516L	PIN-HINGE -----	1	M
-55	99836	LATCH-DOOR -----	2	N
	99874	STUD -----	2	N
-56	MS24665-134	WASHER -----	2	N
	S1397-1	PIN-CROSS -----	2	N
-57	0752014-23	GROMMET -----	2	N
	0752014-1	PIN-COTTER -----	2	M
-58	0752014-17	PLACARD -----	1	J
	0752014-28	FLAP ASSEMBLY-COWL LH WHEN EXHAUSTED USE 0752014-1 -----	1	A
-59	0752014-9	FLAP ASSEMBLY-COWL LH -----	1	B
	0752014-25	BRACKET -----	1	A
-60	0752014-11	BAFFLE-RH -----	1	B
	0752014-28	BAFFLE-RH -----	1	B
-61	0752014-9	BAFFLE-LH -----	1	A
	0752014-25	BAFFLE-LH -----	1	B
-62	0752014-11	BAFFLE-LH -----	1	B

CONTINUED ON NEXT PAGE

FIGURE AND INDEX NO.	PART NUMBER	DESCRIPTION	UNITS PER ASSY	USABLE ON CODE
73 -53	0752014-15	HINGE ASSEMBLY ----- ATTACHING PARTS -----	1	
-54	CR163-4-4	RIVET CY ----- -----	6	
-55	0752609-2	PIN-HINGE WEU 0752609-27 -----	1	AG
	0752609-27	PIN-HINGE -----	1	AH
-56	0752014-24	FLAP ASSEMBLY-COWL RH WHEN EXHAUSTED USE 0752014-2 -----	1	A
	0752014-2	FLAP ASSEMBLY-COWL RH -----	1	B
-57	0752014-17	BRACKET -----	1	A
-58	0752014-26	BAFFLE-RH -----	1	B
	0752014-10	BAFFLE-RH -----	1	A
-59	0752014-27	BAFFLE-LH -----	1	B
	0752014-12	BAFFLE-LH -----	1	
-60	0752014-15	HINGE ASSEMBLY ----- ATTACHING PARTS -----	1	
-61	CR163-4-4	RIVET CY ----- -----	6	
-62	0752609-2	PIN-HINGE WEU 0752609-27 -----	1	AG
	0752609-27	PIN-HINGE -----	1	AH
-63	0750038-1	FILTER ASSEMBLY-AIR BOX WEU 0750038-4 -----	1	P
	0750146-1	FILTER ASSEMBLY-AIR BOX FLOATPLANE ONLY WEU 0750038-4 -----	1	R
	0750038-4	FILTER ASSEMBLY-AIR BOX -----	1	
	121593	FILTER ASSEMBLY-OIL DIPPED FLOATPLANE ONLY -----	1	
	0750038-3	GASKET -----	1	
	0750146-3	GASKET FLOATPLANE ONLY WEU 0750146-4 -----	1	
	0750146-4	GASKET FLOATPLANE ONLY -----	1	
-64	98293-16-2.250	STUD UC -----	4	
	S1853-4	PIN -----	1	G
-65	S1053E20T	DUCT-SCOOP ----- ATTACHING PARTS -----	2	
-66	NAS398-42	CLAMP ----- -----	1	H
-67	0716104-3	INLET ASSEMBLY -----	1	K
	0716131-1	INLET ASSEMBLY -----	1	
-68	2857-4	STUD-CAMLOC -----	1	
	28510-2	WASHER-CAMLOC -----	1	
<p>A---SERIAL 185-0001 THRU 185-0284 B---SERIAL 185-0285 THRU 18502090 SERIAL 18051184 THRU 18052284 C---SERIAL 185-0001 THRU 185-0229 D---SERIAL 185-0230 THRU 185-1431 SERIAL 18051184 THRU 18051980 E---SERIAL 185-0230 THRU 185-1431 F---SERIAL 18051184 THRU 18052284 G---SERIAL 185-0001 THRU 18502090 H---SERIAL 185-0001 THRU 185-0512 J---SERIAL 185-0513 THRU 185-0776 SERIAL 18051184 THRU 18051445 K---SERIAL 185-0513 THRU 18502090 L---SERIAL 185-0001 THRU 185-0776 SERIAL 18051184 THRU 18051445 M---SERIAL 185-0001 THRU 185-0776 SERIAL 18051184 THRU 18051445 N---SERIAL 185-0777 THRU 18502090 SERIAL 18051446 THRU 18052284 P---SERIAL 185-0001 THRU 185-0987 SERIAL 18051184 THRU 18051645 R---SERIAL 185-0988 THRU 18502090 SERIAL 18051646 THRU 18052284 S---SERIAL 185-0001 THRU 185-1149 SERIAL 18051184 THRU 18051774 T---SERIAL 185-1150 THRU 18502090 SERIAL 18051775 THRU 18052284 U---SERIAL 185-0001 THRU 18501832 V---SERIAL 18501833 THRU 18502007, 18502026, 18502027</p>				
CONTINUED ON NEXT PAGE				

FIGURE AND INDEX NO.	PART NUMBER	DESCRIPTION	UNITS PER ASSY	USABLE ON CODE
73 -		<p style="margin: 0;">1 2 3 4 5 6 7</p> <p style="margin: 0;">W---SERIAL 185-0001 THRU 18501759, 18501761, 18501764 THRU 18501778 SERIAL 18051184 THRU 18052154</p> <p style="margin: 0;">X---SERIAL 18501760, 18501762, 18501763, 18501779 THRU 18502090 SERIAL 18052155 THRU 18052284</p> <p style="margin: 0;">Y---SERIAL 185-0001 THRU 185-1577 SERIAL 18051184 THRU 18052093</p> <p style="margin: 0;">Z---SERIAL 185-1578 THRU 18502007, 18502026, 18502027 SERIAL 18052094 THRU 18052284</p> <p style="margin: 0;">AA---SERIAL 185-0777 THRU 185-1431 SERIAL 18051446 THRU 18051980</p> <p style="margin: 0;">AB---SERIAL 185-1432 THRU 18502090 SERIAL 18051981 THRU 18052284</p> <p style="margin: 0;">AC---SERIAL 185-1432 THRU 18501832</p> <p style="margin: 0;">AD---SERIAL 18051184 THRU 18051980</p> <p style="margin: 0;">AE---SERIAL 18051981 THRU 18052284</p> <p style="margin: 0;">AF---SERIAL 185-0001 THRU 185-1431 SERIAL 18051184 THRU 18051980</p> <p style="margin: 0;">AG---SERIAL 185-0001 THRU 18501700 SERIAL 18051184 THRU 18052143</p> <p style="margin: 0;">AH---SERIAL 18501701 THRU 18502090 SERIAL 18052144 THRU 18052284</p> <p style="margin: 0;">AJ---SERIAL 18501833 THRU 18501934</p> <p style="margin: 0;">AK---SERIAL 18501935 THRU 18502007, 18502026, 18502027</p> <p style="margin: 0;">AL---SERIAL 18502008 THRU 18502025, 18502028 THRU 18502090</p> <p style="margin: 0;">AM---SERIAL 18502008 THRU 18502025, 18502028 THRU 18502082</p> <p style="margin: 0;">AN---SERIAL 18502082 THRU 18502090</p> <p style="margin: 0;">AP---SERIAL 185-0001 THRU 18502007, 18502026, 18502027 SERIAL 18051184 THRU 18052284</p> <p style="margin: 0;">AQ---SERIAL 185-1432 THRU 18502082 SERIAL 18051981 THRU 18052284</p> <p style="margin: 0;">AR---SERIAL 185-0001 THRU 18502082 SERIAL 18051184 THRU 18052284</p> <p style="margin: 0;">AS---SERIAL 185-0001 THRU 18502090 SERIAL 18051184 THRU 18052284</p>		

Cowling (Cont)



MODEL 180

MODEL 185

SERIAL 18502091 THRU 18502310
SERIAL 18052285 THRU 18052384

Figure 73A. Engine Cowl Installation

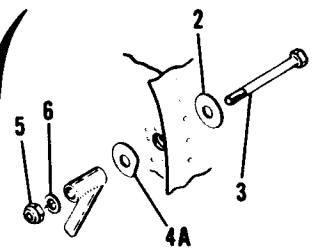
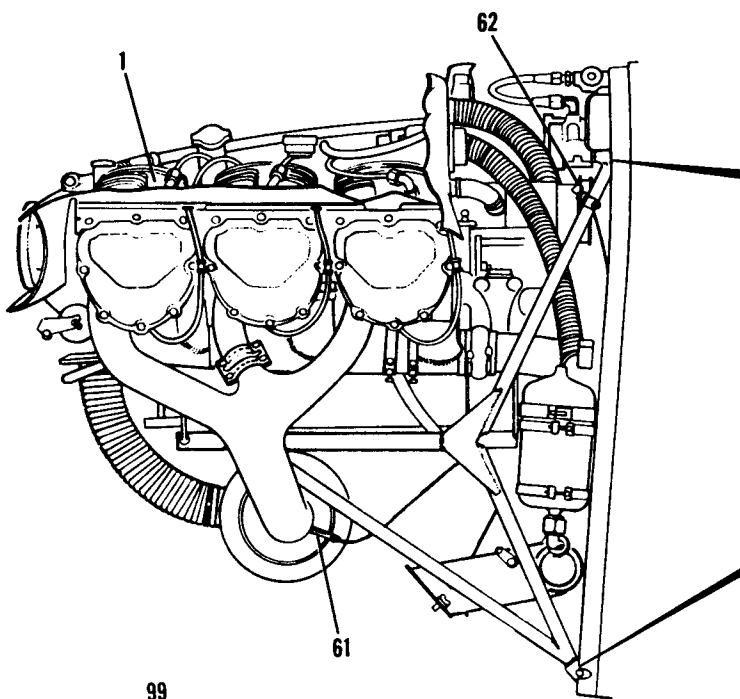
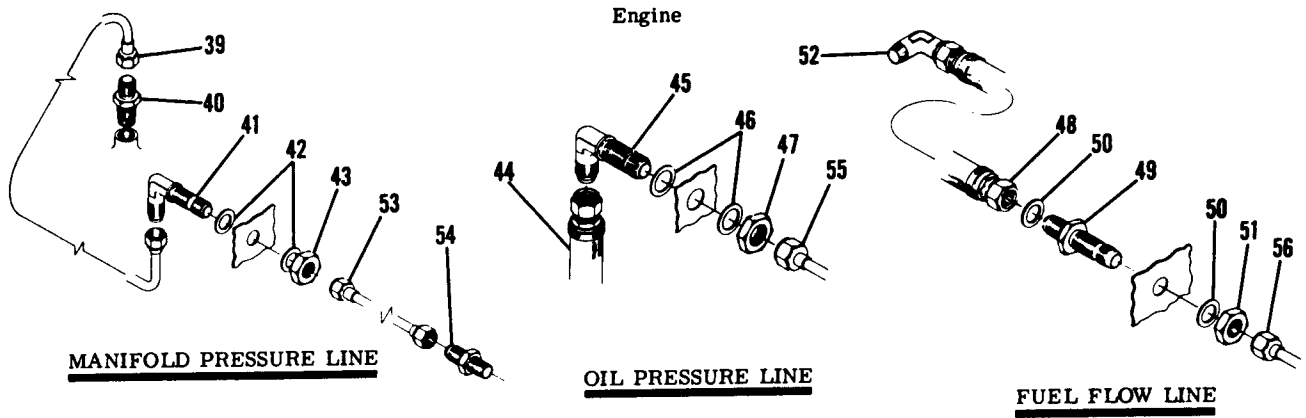
FIGURE AND INDEX NO.	PART NUMBER	DESCRIPTION	UNITS PER ASSY	USABLE ON CODE
		1 2 3 4 5 6 7		
73A-		COWL INSTALLATION-ENGINE -----	NP	A
- 1	0752031-208	COWL ASSEMBLY-UPPER -----	1	
- 2	0752031-19	STRIP-PARTING LH -----	1	
	0752031-20	STRIP-PARTING RH -----	1	
- 3	4002-244-16	RECEPTACLE CLC -----	9	
- 4	0752031-90	SKIN ASSEMBLY -----	1	
- 5	0752031-49	DOUBLER-COWL ACCESS DOOR -----	1	
- 6	99833P.098	RECEPTACLE -----	2	
- 7	0752031-26	ANGLE-UPPER COWL -----	10	
- 8	CM2791	SNAP RING CLC -----	10	
	4002H	GROMMET CLC -----	10	
	4055-4	STUD CLC -----	1	
- 9	0752626-1	DOOR ASSEMBLY-OIL -----	1	
-10	KM610-64	LATCH -----	1	
-11	0752000-117	HINGE ASSEMBLY -----	1	
-12	0752627-1	SPRING-OIL FILLER DOOR ASSIST -----	1	
-13	0752031-51	LATCH PLATE -----	1	
-14	0752031-52	DOUBLER-OIL FILLER DOOR -----	1	
-15	0752031-22	STRIP-SPLICE -----	1	
-16	0752031-206	NOSE CAP ASSEMBLY-UPPER COWL -----	1	
-17	0752030-9	DOUBLER-CAP SPLICE LH -----	1	
	0752030-8	DOUBLER-CAP SPLICE RH -----	1	
	0752019-11	STRAP-REINFORCING LH -----	1	
	0752019-10	STRAP-REINFORCING RH -----	1	
-18	0752032-1	RECEPTACLE LH SIDE ONLY -----	1	
	55A200	SPRING RH SIDE ONLY DZ -----	1	
-19	0752031-213	COWL ASSEMBLY-LOWER LESS FLAPS & DOORS -----	1	B
	0752031-214	COWL ASSEMBLY-LOWER LESS FLAPS & DOORS -----	1	C
-20	0752015-10	DOUBLER-LOWER NOSE CAP -----	2	
-21	0752015-31	DOUBLER-COWL SPLICE LOWER -----	1	
-22	0752015-19	BRACKET-HINGE LH -----	1	
-23	0752015-39	BRACKET-HINGE RH -----	1	
-24	0752015-21	BRACKET-HINGE LH -----	1	
-25	0752015-22	BRACKET-HINGE RH -----	1	
-26	0752022-1	STIFFENER -----	1	
-27	0752031-7	SKIN ASSEMBLY-LOWER COWL SIDE LH -----	1	
-28	0752031-8	SKIN ASSEMBLY-LOWER COWL SIDE RH -----	1	
-29	0752031-16	DOUBLER-AFT RH -----	1	
	0752031-56	DOUBLER-AFT LH -----	1	
-30	0752031-18	DOUBLER-LOWER PARTING RH -----	1	
	0752031-17	DOUBLER-LOWER PARTING LH -----	1	
-31	0752031-9	SKIN ASSEMBLY-LOWER COWL CENTER -----	1	B
	0752031-36	SKIN ASSEMBLY-LOWER COWL CENTER -----	1	C
-32	0752015-23	DOUBLER-LOWER COWL -----	2	
-33	CM2791	SNAP RING CLC -----	2	
	4002G	GROMMET CLC -----	2	
	4055-3	STUD CLC -----	17	
-34	CM2791	SNAP RING CLC -----	17	
	4002H	GROMMET CLC -----	17	
	4055-3	STUD CLC -----	1	
-35	0752018-8	DUCT ASSEMBLY-CARBURETOR AIR INTAKE -----	1	B
-36	0752018-10	DUCT SUB ASSEMBLY -----	1	B
-37	0752016-14	EXPANDER ASSEMBLY -----	1	B
-38	0752016-7	BOOT-EXPANDER -----	2	B
	0752016-10	SEAL-TOP & BOTTOM -----	2	B
	0752016-11	SEAL-SIDE -----	2	B
	51853-3	RECEPTACLE -----	2	B
	0752021-1	CLIP -----	2	B
-39	0752023-1	STRIP-SIDE -----	2	B
-40	0752023-5	STRIP-TOP & BOTTOM -----	1	B
	0752047-1	STIFFENER-TOP -----	2	B
-41	0752023-1	STRIP-SIDE -----	2	B
-42	0752023-4	STRIP-TOP & BOTTOM -----	1	C
-43	0752018-27	DUCT ASSEMBLY-INDUCTION AIR INTAKE -----	1	C
-44	0752018-25	DUCT SUB ASSEMBLY -----	1	C
-45	1652013-35	DUCT ADAPTOR ASSEMBLY -----	1	C
-46	1652013-25	DOOR ASSEMBLY -----	1	C

CONTINUED ON NEXT PAGE

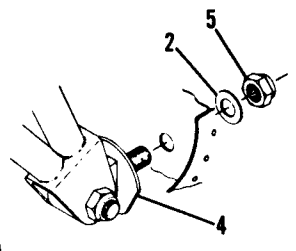
FIGURE AND INDEX NO.	PART NUMBER	DESCRIPTION	UNITS PER ASSY	USABLE ON CODE
73A-47	0752035-1	SCOOP-PUMP COOLING -----	1	C
	AN960-4L	WASHER -----	12	C
-48	0752030-20	NOSE CAP ASSEMBLY-LOWER -----	1	B
	0752030-18	NOSE CAP ASSEMBLY-LOWER -----	1	C
-49	0752013-1	CLIP-COWL NOSE LH -----	1	
-50	0752013-2	CLIP-COWL NOSE RH -----	1	
-51	0752020-1	MOUNT ASSEMBLY-FILTER -----	1	B
	0752020-3	MOUNT ASSEMBLY-FILTER -----	1	C
-52	1652012-9	SUPPORT ASSEMBLY-LANDING LIGHT LH -----	1	
-53	1652012-6	SUPPORT ASSEMBLY-LANDING LIGHT RH -----	1	
	NAS697A08	NUTPLATE -----	3	
-54	CM2791	SNAP RING CLC LH SIDE ONLY -----	1	
	4002H	GROMMET CLC LH SIDE ONLY -----	1	
	4055-4	STUD CLC LH SIDE ONLY -----	1	
	GA5-375	GROMMET DZ RH SIDE ONLY -----	1	
	A5-35PR	STUD DZ RH SIDE ONLY -----	1	
-55	0752628-1	DOOR ASSEMBLY-COWL ACCESS -----	1	
-56	0752025-7	HINGE ASSEMBLY -----	1	
	MS20253-2-695	PIN-HINGE -----	1	
-57	W98292-1-.130	STUD -----	2	
	AN960D516L	WASHER -----	2	
	99R36	PIN-CROSS -----	2	
	99874-1	GROMMET -----	1	
-58	0752014-1	FLAP ASSEMBLY-COWL LH -----	1	
-59	0752014-17	BRACKET -----	1	
-60	0752014-9	BAFFLE-RH -----	1	
-61	0752014-11	BAFFLE-LH -----	1	
-62	0752014-15	HINGE ASSEMBLY -----	1	
		ATTACHING PARTS -----		
-63	CR163-4-4	RIVET CY -----	6	
		-----*		
-64	0752609-27	PIN-HINGE -----	1	
-65	0752014-2	FLAP ASSEMBLY-COWL RH -----	1	
-66	0752014-17	BRACKET -----	1	
-67	0752014-10	BAFFLE-RH -----	1	
-68	0752014-12	BAFFLE-LH -----	1	
-69	0752014-15	HINGE ASSEMBLY -----	1	
		ATTACHING PARTS -----		
-70	CR163-4-4	RIVET CY -----	6	
		-----*		
-71	0752609-27	PIN-HINGE -----	1	
-72	0750038-4	FILTER ASSEMBLY-AIR BOX LANDPLANE & FLOATPLANE -----	1	
	121553	FILTER ASSY-OIL DIPPED FLOATPLANE ONLY -----	1	
	0750038-3	GASKET -----	1	
-73	98293-16-2.250	STUD UC -----	4	
	S1853-4	PIN -----	4	
-74	S1053E20T	DUCT-SCOOP -----	1	C
		ATTACHING PARTS -----		
-75	NAS398-42	CLAMP -----	2	C
		-----*		
-76	0716131-1	INLET ASSEMBLY -----	1	C
-77	2857-4	STUD -----	1	
	28510-2	WASHER -----	1	
		A---SERIAL 18502091 THRU 18502310		
		SERIAL 18052285 THRU 18052384		
		B---SERIAL 18052285 THRU 18052384		
		C---SERIAL 18502091 THRU 18502310		

FIGURE AND INDEX NO.	PART NUMBER	DESCRIPTION	UNITS PER ASSY	USABLE ON CODE
		1 2 3 4 5 6 7		
74 -		ENGINE INSTALLATION -----	NP	M
- 1	SEE FIG 76	ENGINE ASSEMBLY-260 HP -----	1	C
	SEE FIG 76	ENGINE ASSEMBLY-300 HP -----	1	L
		ATTACHING PARTS -----		
- 2	0550153-1	WASHER -----	4	
- 3	AN6-24A	ROLT -----	2	D
- 4	0751005-1	WASHER -----	2	E
	0751005-3	WASHER -----	2	D
- 4A	0751005-2	WASHER -----	2	E
	0751005-4	WASHER -----	4	
- 5	MS20365-624C	NUT -----	2	
- 6	AN960-616	WASHER -----		
		-----*		
- 7	1213228-3	CONTROL-THROTTLE -----	1	A
	S1294-1	CONTROL-THROTTLE -----	1	U
	S1294-2	CONTROL-THROTTLE WEU C299505-0301 -----	1	V
	C299505-0301	CONTROL-THROTTLE -----	1	W
- 8	1213229-2	CONTROL-MIXTURE -----	1	A
	S1220-4	CONTROL-MIXTURE -----	1	U
	S1220-9	CONTROL-MIXTURE WEU C299507-0201 -----	1	V
	C299507-0201	CONTROL-MIXTURE -----	1	W
		ATTACHING PARTS -----		
- 9	S351	CLAMP -----	2	X
-10	AN3-7A	BOLT -----	2	X
-11	AN960-10L	WASHER -----	2	X
-12	MS21044N3	NUT -----	3	X
-13	AN3-7A	BOLT USED ON THROTTLE CONTROL ONLY -----	1	X
-14	NAS43HT3-14	SPACER USED ON THROTTLE CONTROL ONLY -----	1	X
-15	AN3-5A	BOLT USED ON MIXTURE CONTROL ONLY -----	1	X
-15A	S1450-3-10-032	WASHER -----	1	X
-16	HF3	ROD END HEC -----	1	X
-16A	AN315-3R	NUT -----	1	X
	AN356-1032	NUT -----		
		-----*		
-16B	0750166-4	BRACKET ASSEMBLY -----	1	R
-17	S1230-2	CONTROL-INDUCTION AIR -----	1	S
	S1230-6	CONTROL-INDUCTION AIR -----		
		ATTACHING PARTS -----		
-18	0450311-5	CLAMP -----	1	T
-19	AN960-10L	WASHER -----	1	T
-20	MS21044N3	NUT -----	1	T
-21	AN74203	CLAMP -----	1	T
-22	NAS446-4-3	NUT -----	1	T
-23	S102128-6	SCREW -----	1	T
		-----*		

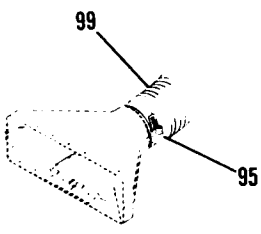
CONTINUED ON NEXT PAGE



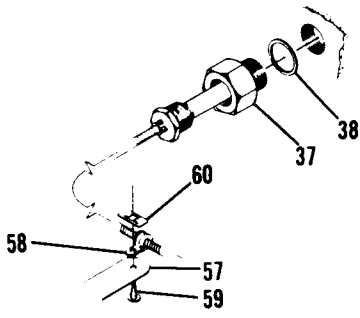
UPPER ENGINE MOUNT



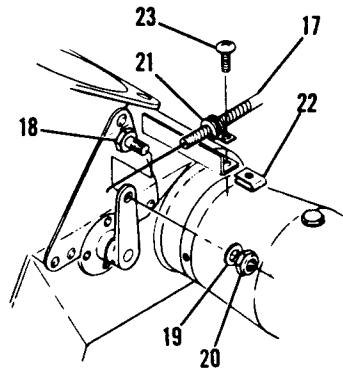
LOWER ENGINE MOUNT



INDUCTION AIR



OIL TEMPERATURE LEAD

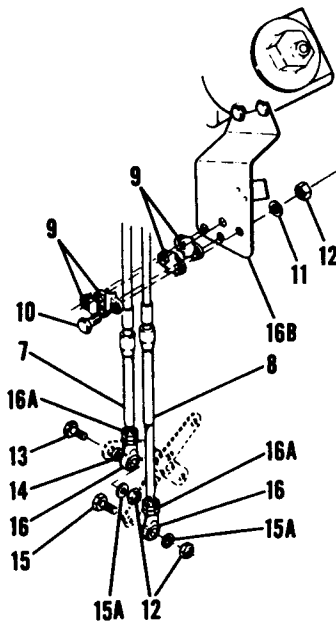


INDUCTION AIR CONTROL

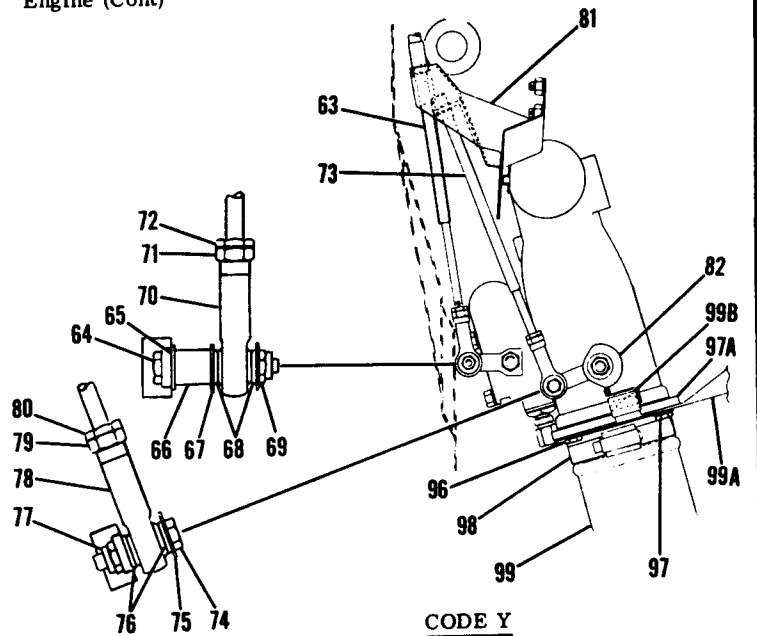
SERIAL 185-0968 THRU 18502310 (300 HP)
SERIAL 185-0001 THRU 185-1149 (260 HP)

Figure 74. (Sheet 1 of 2) Engine Installation

Engine (Cont)

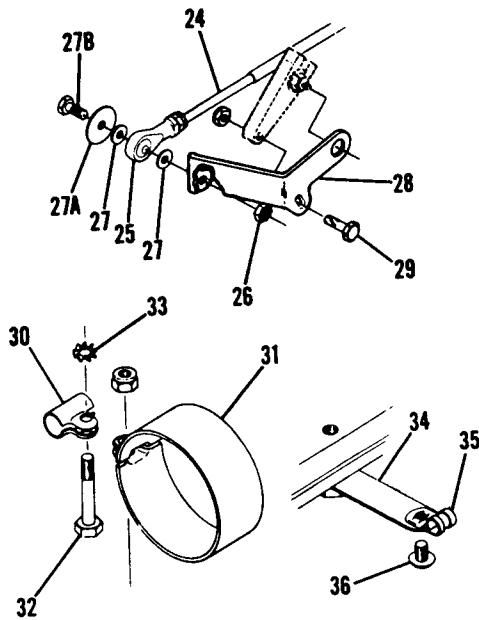


CODE X

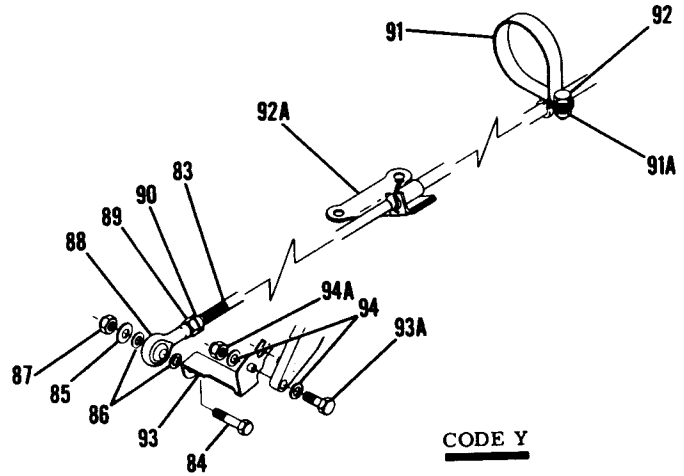


CODE Y

THROTTLE & MIXTURE CONTROLS



CODE X



CODE Y

PROP GOVERNOR CONTROL & CLAMPS

SERIAL 185-0968 THRU 18502310 (300 HP)
 SERIAL 185-0001 THRU 185-1149 (260 HP)

Figure 74. (Sheet 2 of 2) Engine Installation

FIGURE AND INDEX NO.	PART NUMBER	DESCRIPTION	UNITS PER ASSY	USABLE ON CODE		
					1	2
74 -24	S1223-5	CONTROL ASSEMBLY-PROPELLER GOVERNOR	1	T		
	S1223-8	CONTROL ASSEMBLY-PROPELLER GOVERNOR WEU C299506-0103	1	V		
	C299506-0103	CONTROL ASSEMBLY-PROPELLER GOVERNOR	1	W		
		ATTACHING PARTS				
-25	S1104-3	ROD END	1	X		
-26	MS21044N3	NUT	1	X		
-27	AN960D10	WASHER	2	X		
-27A	S1450-3-10-032	WASHER	1	X		
-27B	AN3-7A	BOLT	1	X		
-28	0750138	ARM-GOVERNOR CONTROL USED WITH WOODARD E GARWIN GOVERNORS	1	X		
	0750202-1	ARM-GOVERNOR CONTROL USED WITH HOOFF GOVERNOR	1	X		
	AN520-10R8	SCREW	1	X		
-29	AN3-5A	BOLT USED WITH WOODARD GOVERNOR	1	X		
	AN3-12A	BOLT USED WITH HOOFF GOVERNOR	1	X		
	AN960-10	WASHER USED WITH HOOFF GOVERNOR	2	X		
	NAS43HT3-6	SPACER USED WITH HOOFF GOVERNOR	1	X		
	NAS697A3	NUT	1	X		
		CLAMP	1	X		
-30	0450191-1	CLAMP	1	X		
-31	AN741-18P	CLAMP	1	X		
-32	AN3-12A	BOLT	1	X		
	MS21044N3	NUT	1	X		
-33	AN936B10	WASHER	1	X		
-34	0550100-9	BRACKET	1	X		
-35	S1486DG5L	CLAMP	1	X		
-36	S1021Z8-8	SCREW	1	X		
		ADAPTER-OIL TEMPERATURE	1			
-37	0750139	ADAPTER-OIL TEMPERATURE	1			
-38	AN900-10	GASKET	1	A		
-39	S1168-2-26 3/4	LINE ASSEMBLY-MANIFOLD PRESSURE ENGINE TO FIREWALL	1	B		
	S1168-2-8 1/2	HOSE ASSEMBLY-MANIFOLD PRESSURE	1	B		
		ATTACHING PARTS				
-40	AN816-2D	NIPPLE	1			
-41	AN833-2D	ELBOW	1			
-42	AN960D516	WASHER	2			
-43	AN924-2D	NUT	1			
		HOSE ASSEMBLY-OIL PRESSURE	1			
-44	SEE FIG 76	HOSE ASSEMBLY-OIL PRESSURE	1			
		ATTACHING PARTS				
-45	AN833-4D	ELBOW	1			
-46	AN960D716	WASHER	2			
-47	AN924-4D	NUT	1			
		HOSE ASSEMBLY-FUEL PRESSURE ENGINE TO FIREWALL	1	F		
-48	S1236-3-0294	LINE-FUEL PRESSURE ENGINE TO FIREWALL	1	G		
	0700147-16	WHEN EXHAUSTED USE 0700147-46	1	G		
	0700147-46	LINE-FUEL PRESSURE ENGINE TO FIREWALL	1	G		
		ATTACHING PARTS				
-49	AN832-3D	UNION	1	F		
	AN832-2D	UNION	1	G		
-50	AN960D616	WASHER	2	F		
	AN960D516	WASHER	2	G		
-51	AN924-3D	NUT	1	F		
	AN924-2D	NUT	1	G		
-52	0756003-1	ELBOW-RESTRICTOR	1	F		
	MS20822-2D	ELBOW	1	G		
		LINE ASSEMBLY-MANIFOLD PRESSURE FIREWALL TO PANEL	1	J		
-53	0500106-273	WHEN EXHAUSTED USE 0500118-96	1	J		
	0500118-96	LINE ASSEMBLY-MANIFOLD PRESSURE FIREWALL TO PANEL	1	K		
	0500106-248	LINE ASSEMBLY-MANIFOLD PRESSURE FIREWALL TO PANEL	1	K		
	0500118-114	WHEN EXHAUSTED USE 0500118-114	1	K		
		LINE ASSEMBLY-MANIFOLD PRESSURE FIREWALL TO PANEL	1	K		
		ATTACHING PARTS				
-54	AN816-2D	NIPPLE	1			
		LINE ASSEMBLY-OIL PRESSURE FIREWALL TO PANEL	1			
-55	0500106-292	LINE ASSEMBLY-OIL PRESSURE FIREWALL TO PANEL	1	F		
-56	0500106-341	LINE ASSEMBLY-FUEL FLOW FIREWALL TO PANEL	1	G		
	0700087-18	LINE ASSEMBLY-FUEL FLOW FIREWALL TO PANEL	1	G		
		WHEN EXHAUSTED USE 0700099-84	1	G		
-57	0700099-84	LINE ASSEMBLY-FUEL FLOW FIREWALL TO PANEL	1	G		
	0550100-9	BRACKET OIL TEMPERATURE LEAD	2			

CONTINUED ON NEXT PAGE

FIGURE AND INDEX NO.	PART NUMBER	DESCRIPTION	UNITS PER ASSY							USABLE ON CODE	
			1	2	3	4	5	6	7		
74	-58	S1486DG3U	CLAMP							2	
	-59	S1021Z8-8	SCREW							2	
	-60	NAS446-4-3	NUT							1	H
	-61	C668501-0102	PROBE-ECONOMY POWER INDICATOR WHEN EXHAUSTED USE C668501-0110							1	N
-62	C668501-0110	PROBE-ECONOMY POWER INDICATOR								1	P
	C668501-0204	PROBE-ECONOMY POWER INDICATOR								2	
	AN515-4R4	SCREW								1	Q
	S1517-2	CONTROL ASSEMBLY-STRAINER DRAIN								1	Q
	S1517-4	CONTROL ASSEMBLY-STRAINER DRAIN FLOATPLANE ONLY								1	
		ATTACHING PARTS									
	0750230-1	CLAMP ATTACH TO MOTOR MOUNT								1	Q
	AN741TD7	CLAMP ATTACH TO MOTOR MOUNT								2	Q
	AN4-6A	BOLT								1	Q
	AN960-10L	WASHER								2	Q
	NAS679A4	NUT								2	Q
	AN742D4	CLAMP ATTACH TO FIREWALL								1	Q
S1021Z8-14	SCREW								1	Z	
NAS43DD2-16A	SPACER								1	Y	
NAS43DD2-12A	SPACER								1	Q	
NAS446-4-3	NUT								1		
-63	C299507-0401	CONTROL ASSY-MIXTURE								1	Y
	ATTACHING PARTS										
-64	AN3-13A	BOLT								1	Y
-65	AN960-10L	WASHER								1	Y
-66	1650037-1	SPACER								2	Y
-67	S1450-3-10-032	WASHER								2	Y
-68	AN960-10	WASHER								1	Y
-69	MS20364-1032C	NUT								1	Y
-70	S1104-3	ROD END								1	Y
-71	AN315-3R	NUT								1	Y
-72	AN356-1032	NUT-LOCK								1	Y
-73	C299505-0501	CONTROL ASSEMBLY-THROTTLE								1	Y
	ATTACHING PARTS										
-74	AN3-10A	BOLT								1	Y
-75	S1450-3-10-032	WASHER								2	Y
-76	AN960-10	WASHER								1	Y
-77	MS20364-1032C	NUT								1	Y
-78	S1104-3	ROD END								1	Y
-79	AN315-3R	NUT								1	Y
-80	AN356-1032	NUT-LOCK								1	Y
-81	0750195-7	BRACKET ASSEMBLY								1	Y
-82	1450009-1	CAM								1	Y
	AN960-516	WASHER								1	Y
	AN320-5	NUT								1	Y
-83	C299506-0201	CONTROL ASSEMBLY-PROPELLER GOVERNOR								1	Y
	ATTACHING PARTS										
-84	AN3-10A	BOLT								1	Y
-85	S1450-3-10-032	WASHER								2	Y
-86	AN960-10	WASHER								1	Y
-87	MS20364-1032C	NUT								1	Y
-88	S1104-3	ROD END								1	Y
-89	AN315-3R	NUT								1	Y
-90	AN356-1032	NUT-LOCK								1	Y
-91	AN742D36	CLAMP								1	Y
-91A	MS21919DG6	CLAMP								1	Y
-92	AN3-5A	BOLT								1	Y
	AN960-10L	WASHER								1	Y
	MS20364-1032C	NUT								1	Y

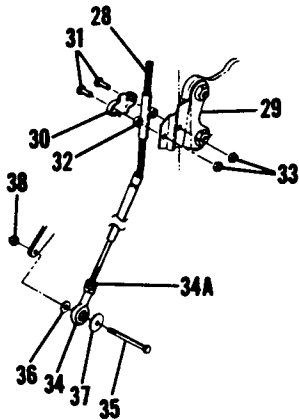
CONTINUED ON NEXT PAGE

FIGURE AND INDEX NO.	PART NUMBER	DESCRIPTION	UNITS PER ASSY	USABLE ON CODE
		1 2 3 4 5 6 7		
74 -92A	1650031-5	SUPPORT ASSEMBLY -----	1	Y
-93	1650031-1	ARM -----	1	Y
		ATTACHING PARTS -----		
-93A	AN3-6A	BOLT -----	1	Y
-94	AN960-10L	WASHER -----	2	Y
-94A	MS20364-1032C	NUT -----	1	Y
		*-----		
	1652013-5	DUCT ASSEMBLY -----	1	Y
		ATTACHING PARTS -----		
-95	S1891-48	CLAMP -----	1	Y
-96	MS20074-04-06	BOLT -----	2	Y
-97	MS20074-04-05	BOLT -----	2	Y
	AN960-416L	WASHER -----	4	
		*-----		
-97A	1652013-3	RETAINER ASSEMBLY -----	1	Y
-98	S1891-48	CLAMP -----	1	Y
-99	SCEETS12-56-4	DUCT -----	1	Y
	A615	EYELET -----	1	Y
	AN960P08L	WASHER -----	1	Y
-99A	639411	SUPPORT BRACKET RH TCM -----	1	Y
	639410	SUPPORT BRACKET LH TCM -----	1	Y
-99B	12SE1-3	SWITCH -----	1	Y
	JE5	ACTUATOR-SWITCH -----	1	Y
	0750341-1	BRACKET -----	1	Y
	1560218-1	PLATE ASSEMBLY -----	1	Y
		A---SERIAL 185-0001 THRU 185-0237		
		B---SERIAL 185-0238 THRU 18502310		
		C---SERIAL 185-0001 THRU 185-1149 260 HP		
		D---SERIAL 185-0001 THRU 185-0579		
		E---SERIAL 185-0580 THRU 18502310		
		F---SERIAL 185-0001 THRU 185-0653		
		G---SERIAL 185-0654 THRU 18502310		
		H---SERIAL 185-0777 THRU 185-0993		
		J---SERIAL 185-0001 THRU 185-0800		
		K---SERIAL 185-0801 THRU 18502310		
		L---SERIAL 185-0968 THRU 18502310 300 HP		
		M---SERIAL 185-0001 THRU 185-1149 260 HP		
		SERIAL 185-0968 THRU 18502310 300 HP		
		N---SERIAL 185-0994 THRU 185-1116		
		P---SERIAL 185-1117 THRU 18502310		
		Q---SERIAL 185-1301 THRU 18502310		
		R---SERIAL 185-0001 THRU 185-0776		
		S---SERIAL 185-0777 THRU 185-1300		
		T---SERIAL 185-0001 THRU 185-1300		
		U---SERIAL 185-0238 THRU 185-1300		
		V---SERIAL 185-1301 THRU 18501741		
		W---SERIAL 18501742 THRU 18502007, 18502026, 18502027		
		X---SERIAL 185-0001 THRU 18502007, 18502026, 18502027		
		Y---SERIAL 18502008 THRU 18502025,		
		18502028 THRU 18502310		
		Z---SERIAL 185-1301 THRU 18502007, 18502026, 18502027		

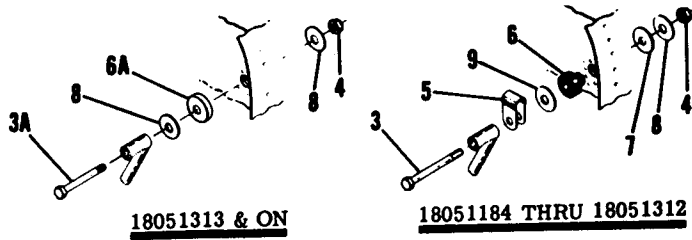
FIGURE AND INDEX NO.	PART NUMBER	DESCRIPTION	UNITS PER ASSY	USABLE ON CODE
		1 2 3 4 5 6 7		
75 -		ENGINE INSTALLATION -----	NP	A
- 1	SEE FIG 77	ENGINE ASSEMBLY -----	1	
		ATTACHING PARTS -----		
- 2	AN6-34A	BOLT -----	2	B
	AN6-35A	BOLT -----	2	C
	AN6-35A	BOLT FLOATPLANE ONLY -----	2	X
- 2A	AN6-33A	BOLT -----	2	Y
- 3	AN6-25A	BOLT -----	2	B
	AN6-26A	BOLT -----	2	C
	AN6-26A	BOLT FLOATPLANE ONLY -----	2	X
- 3A	AN6-24A	BOLT -----	2	Y
- 4	MS20365-624C	NUT -----	4	
- 5	0750031-1	STRAP-GROUND NOT USED ON FLOATPLANE -----	4	B
- 6	0550155	BUSHING-ENGINE MOUNT -----	4	B
	0751004-1	BUSHING-ENGINE MOUNT -----	4	C
	0751004-1	BUSHING-ENGINE MOUNT FLOATPLANE ONLY -----	4	X
- 6A	0750209-1	WASHER-ENGINE MOUNT -----	4	Y
- 7	0550154-2	PAD-ENGINE MOUNT -----	4	B
	0751004-2	PAD-ENGINE MOUNT -----	4	C
	0751004-2	PAD-ENGINE MOUNT FLOATPLANE ONLY -----	4	X
- 8	0550153-1	WASHER-ENGINE MOUNT -----	4	X
	0550153-1	WASHER-ENGINE MOUNT -----	8	Y
- 9	0550156	WASHER-ENGINE MOUNT -----	4	B
	0550153-1	WASHER-ENGINE MOUNT -----	4	C
		-----*		
-10	0500106-202	LINE ASSEMBLY-PRIMER -----	1	H
	0700147-14	LINE ASSEMBLY-PRIMER -----	1	J
	0700147-17	LINE ASSEMBLY-PRIMER -----	1	N
	0700147-47	LINE ASSEMBLY-PRIMER WHEN EXHAUSTED USE 0700147-47 -----	1	N
		ATTACHING PARTS -----		
	MS21919DG2	CLAMP -----	1	
	S1021Z8-6	SCREW -----	1	
	NAS446-4-3	NUT -----	1	
		-----*		
-11	S1230-2	CONTROL ASSEMBLY-CARBURETOR HEAT -----	1	D
	S1230-6	CONTROL ASSEMBLY-CARBURETOR HEAT -----	1	S
	S1230-11	CONTROL ASSEMBLY-CARBURETOR HEAT -----	1	R
		ATTACHING PARTS -----		
-12	AN74203	CLAMP -----	1	
	NAS446-4-3	NUT -----	1	
	S1021Z8-12	SCREW -----	1	
	NAS43003-16	SPACER -----	1	
-13	AN74204	CLAMP -----	1	
-14	AN3-3A	BOLT -----	1	
	MS21044N3	NUT -----	1	
-15	0450311-5	CLAMP-CARBURETOR HEAT -----	1	
-16	AN960-10L	WASHER -----	1	
-17	MS21044N3	NUT -----	1	
		-----*		

CONTINUED ON NEXT PAGE

Engine (Cont)



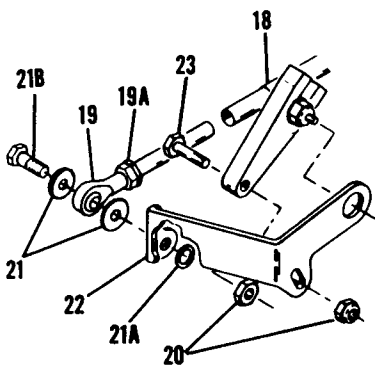
THROTTLE CONTROL



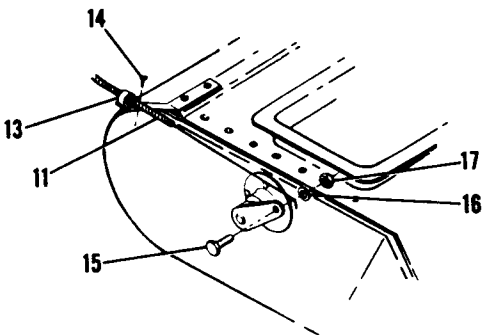
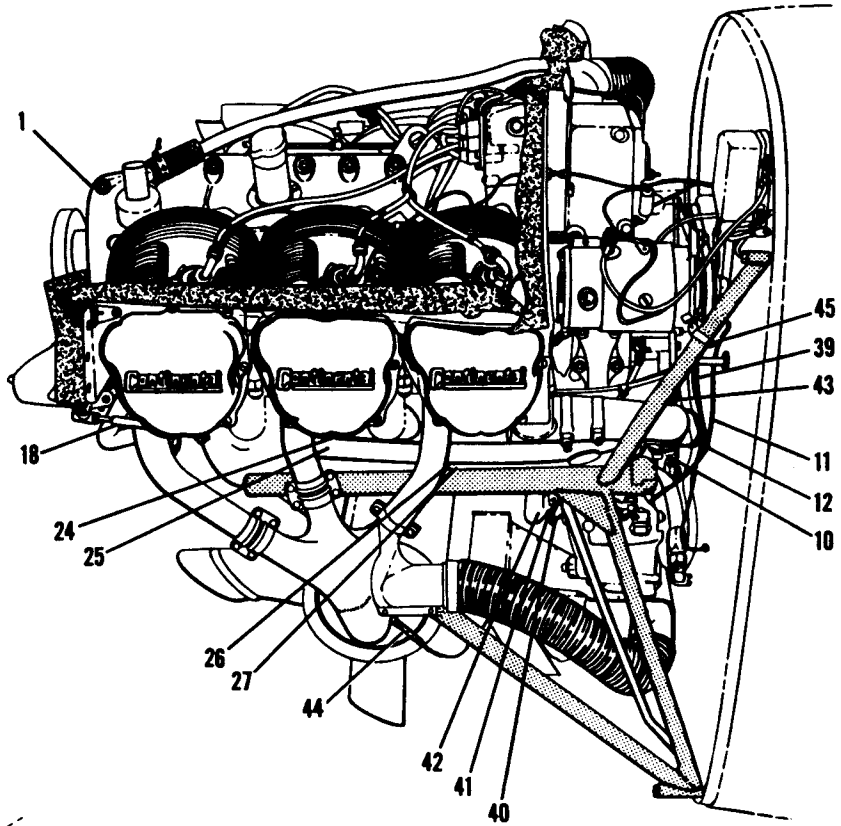
18051313 & ON

18051184 THRU 18051312

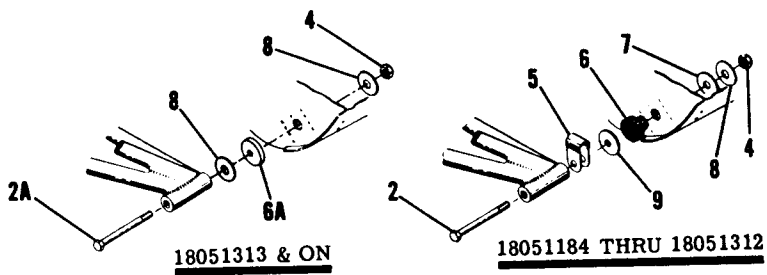
UPPER ENGINE MOUNTS



PROP GOV CONTROL



CARB HEAT CONTROL



18051313 & ON

18051184 THRU 18051312

LOWER ENGINE MOUNTS

SERIAL 18051184 THRU 18052384

Figure 75. Engine Installation

FIGURE AND INDEX NO.	PART NUMBER	DESCRIPTION							UNITS PER ASSY	USABLE ON CODE
		1	2	3	4	5	6	7		
75 -18	S1223-4	CONTROL ASSEMBLY-PROPELLER -----							1	D S U V
	S1223-5	CONTROL ASSEMBLY-PROPELLER -----							1	
	S1223-8	CONTROL ASSEMBLY-PROPELLER WEU C299506-0103 -----							1	
	C299506-0103	CONTROL ASSEMBLY-PROPELLER -----							1	
		ATTACHING PARTS -----								
-19	S1104-3	ROD END -----							1	
-19A	AN356-1032	NUT -----							1	
-20	MS20364-1032C	NUT -----							2	
-21	AN960D10	WASHER -----							2	
-21A	S1450-3-10-032	WASHER UNDER NUT -----							1	
-218	AN3-7A	BOLT -----							1	
-22	0750138	ARM-PROPELLER CONTROL -----							1	
-23	AN3-5A	BOLT -----							1	
-24	0450191-1	CLAMP-PROPELLER CONTROL -----							1	
-25	AN741-18P	CLAMP -----							1	
	AN3-11A	BOLT -----							1	
	AN936810	WASHER -----							2	
-26	0550100-9	BRACKET-PROPELLER CONTROL -----							1	
-27	S1486DG5U	CLAMP -----							1	
	S1021Z8-8	SCREW -----							1	
		-----*								
-28	S1222-1	CONTROL ASSEMBLY-THROTTLE -----							1	D S U V
	S1222-13	CONTROL ASSEMBLY-THROTTLE -----							1	
	S1222-16	CONTROL ASSEMBLY-THROTTLE WEU C299505-02015 -----							1	
	C299505-02015	CONTROL ASSEMBLY-THROTTLE -----							1	
		ATTACHING PARTS -----								
-29	0750119	BRACKET-THROTTLE CONTROL -----							1	D P Q W
	0750223-1	BRACKET-THROTTLE CONTROL -----							1	
	0750228-2	BRACKET-THROTTLE CONTROL WEU 0750233-1 -----							1	
	0750233-1	BRACKET-THROTTLE CONTROL -----							1	
-30	S351	CLAMP-THROTTLE CONTROL -----							1	
-31	AN3-6A	BOLT -----							2	
-32	NAS43HT3-9	SPACER -----							2	
-33	MS21044N3	NUT -----							2	
-34	S1106-4	ROD END-THROTTLE CONTROL -----							1	
-34A	NAS679A4	NUT -----							1	
-35	AN4-11A	BOLT -----							1	
-36	AN960C416L	WASHER -----							1	
-37	AN970-4	WASHER -----							1	
-38	NAS679A4	NUT -----							1	
		-----*								
-39	S1234-1	CONTROL ASSEMBLY-MIXTURE -----							1	T R
	S1234-6	CONTROL ASSEMBLY-MIXTURE -----							1	
		ATTACHING PARTS -----								
-40	0450311-4	CLAMP-MIXTURE CONTROL -----							1	
	NAS679A4	NUT -----							1	
	AN960-416L	WASHER -----							2	
-41	AN742D4	CLAMP -----							1	
-42	0750159-1	CLIP-MIXTURE CONTROL -----							1	
	AN3-3A	BOLT -----							1	
	MS21044N3	NUT -----							1	
	AN742D4	CLAMP -----							1	
	MS21919D6-11	CLAMP -----							1	
	S1021Z8-6	SCREW -----							1	
		-----*								
-43	0700087-19	LINE ASSEMBLY-MANIFOLD PRESSURE					FIREWALL TO ENGINE -----		1	D E
	0700147-10	LINE ASSEMBLY-MANIFOLD PRESSURE					FIREWALL TO ENGINE -----		1	
		WHEN EXHAUSTED USE 0700147-44								
	0700147-44	LINE ASSEMBLY-MANIFOLD PRESSURE					FIREWALL TO ENGINE -----		1	E
		ATTACHING PARTS -----								
	MS21919DG2	CLAMP -----							1	
	S1021Z8-6	SCREW -----							1	
	NAS446-4-3	NUT -----							1	
	0750282-1	ADAPTER -----							1	
		-----*								
	0500106-273	LINE ASSEMBLY-MANIFOLD PRESSURE					FIREWALL TO PANEL -----		1	F
		WHEN EXHAUSTED USE 0500118-96								
	0500118-96	LINE ASSEMBLY-MANIFOLD PRESSURE					FIREWALL TO PANEL -----		1	F
	0500106-248	LINE ASSEMBLY-MANIFOLD PRESSURE					FIREWALL TO PANEL -----		1	G
		WHEN EXHAUSTED USE 0500118-114								
	0500118-114	LINE ASSEMBLY-MANIFOLD PRESSURE					FIREWALL TO PANEL -----		1	G

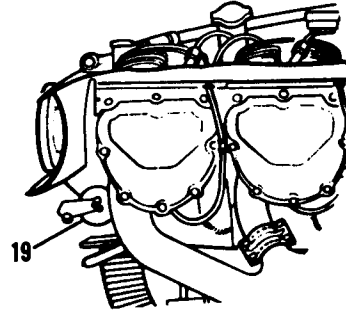
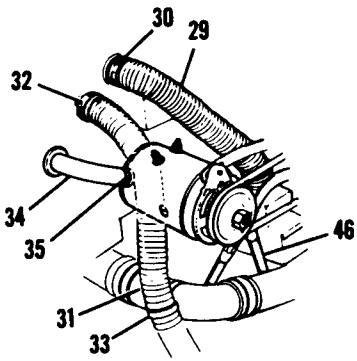
CONTINUED ON NEXT PAGE

FIGURE AND INDEX NO.	PART NUMBER	DESCRIPTION	UNITS PER ASSY	USABLE ON CODE		
					1	2
75 -44	C668501-0102	PROBE-ECONOMY POWER INDICATOR WHEN EXHAUSTED ----- USE C668501-0110	1	K		
	C668501-0110	PROBE-ECONOMY POWER INDICATOR -----	1	L		
-45	C668501-0204	PROBE-ECONOMY POWER INDICATOR -----	1	M		
	AN515-4R4	SCREW -----	2			
	S1517-2	CONTROL ASSEMBLY-STRAINER DRAIN -----	1	R		
	S1517-4	CONTROL ASSEMBLY-STRAINER DRAIN FLOATPLANE ONLY -----	1	R		
	0750230-1	ATTACHING PARTS	1	R		
	AN741TD7	CLAMP ATTACH TO MOTOR MOUNT -----	1	R		
	AN4-6A	CLAMP ATTACH TO MOTOR MOUNT -----	2	R		
	AN960-10L	BOLT -----	2	R		
	NAS679A4	WASHER -----	2	R		
	AN742D4	NUT -----	2	R		
	S1021Z8-14	CLAMP ATTACH TO FIREWALL -----	1	R		
	NAS43D03-16	SCREW -----	1	R		
	NAS446-4-3	SPACER -----	1	R		
		NUT -----	1	R		
		-----*				
		A---SERIAL 18051184 THRU 18052384				
		B---SERIAL 18051184 THRU 18051250				
		C---SERIAL 18051251 THRU 18051312				
	D---SERIAL 18051184 THRU 18051445					
	E---SERIAL 18051446 THRU 18052384					
	F---SERIAL 18051184 THRU 18051486					
	G---SERIAL 18051487 THRU 18052384					
	H---SERIAL 18051184 THRU 18051496					
	J---SERIAL 18051497 THRU 18051774					
	K---SERIAL 18051446 THRU 18051653					
	L---SERIAL 18051654 THRU 18051771					
	M---SERIAL 18051772 THRU 18052384					
	N---SERIAL 18051775 THRU 18052384					
	P---SERIAL 18051446 THRU 18051761					
	Q---SERIAL 18051762 THRU 18052224					
	R---SERIAL 18051876 THRU 18052384					
	S---SERIAL 18051446 THRU 18051875					
	T---SERIAL 18051184 THRU 18051875					
	U---SERIAL 18051876 THRU 18052141					
	V---SERIAL 18052142 THRU 18052384					
	W---SERIAL 18052225 THRU 18052384					
	X---SERIAL 18051184 THRU 18051312					
	Y---SERIAL 18051313 THRU 18052384					

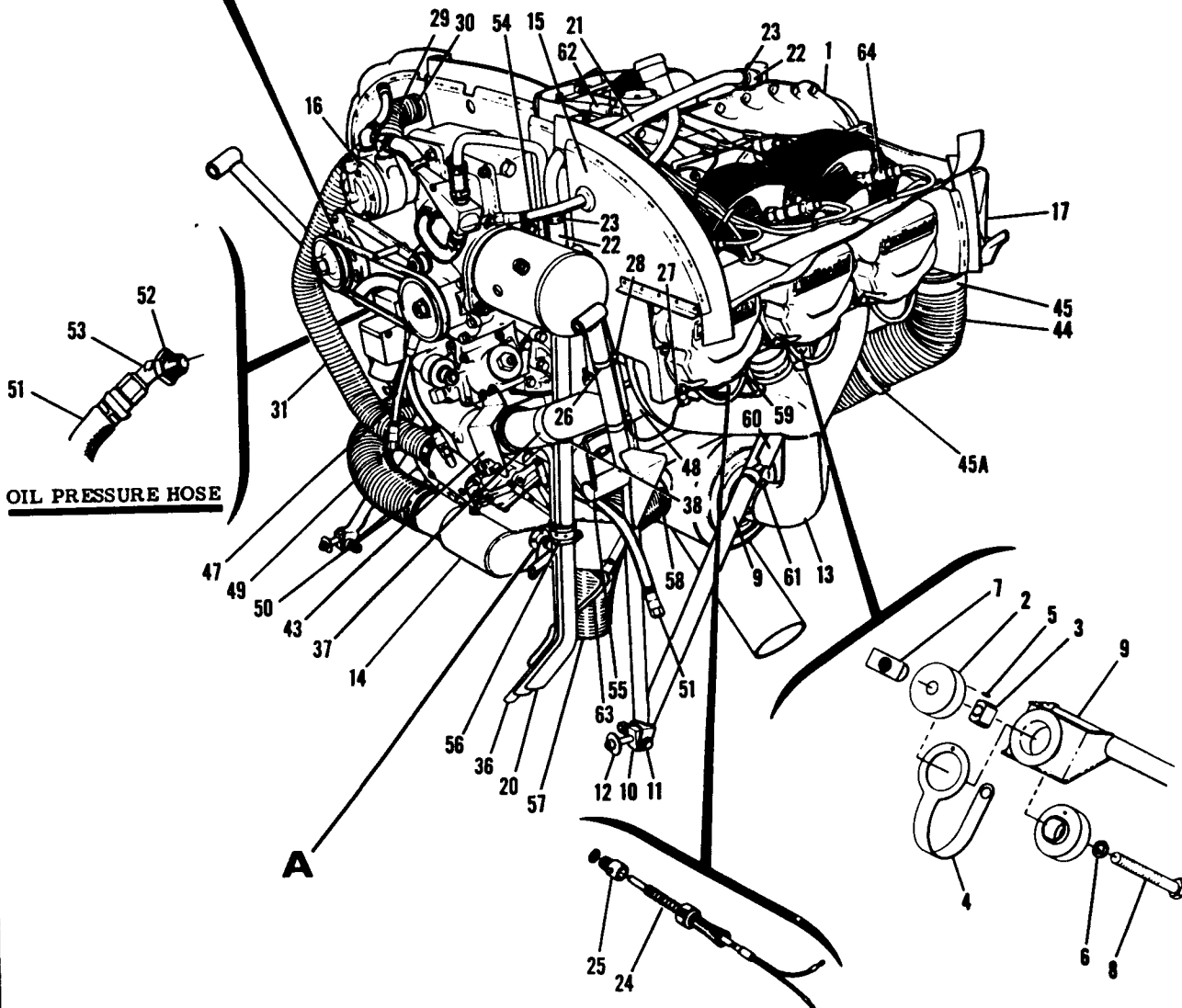
FIGURE AND INDEX NO.	PART NUMBER	DESCRIPTION	UNITS PER ASSY	USABLE ON CODE
76 -		ENGINE ASSEMBLY-CONTINENTAL -----	NP	A
- 1	10-470-F	ENGINE-260 HP CM -----	1	G
	10-520D	ENGINE-300 HP CM -----	1	F
		ATTACHING PARTS -----		
- 2	0750132-1	SHOCK MOUNT ASSEMBLY -----	4	
- 3		SPACER -----	NP	
- 4	0750137	STRAP-BONDING -----	4	
- 5	MS20253-5-100	PIN -----	4	
- 6	0851559-1	LOCK WASHER -----	4	
- 7	539911	NUT-BARREL CM -----	4	
- 8	AN7-33A	BOLT -----	4	
		-----*		
	SEE FIG 76A	ENGINE COMPONENTS AND ACCESSORIES -----	1	
- 9	0751003-30	MOUNT ASSEMBLY-ENGINE -----	1	
	0751003-31	MOUNT ASSEMBLY-ENGINE FLOATPLANE -----	1	
-10	0751006-2	LUG-ENGINE MOUNT -----	2	
		ATTACHING PARTS -----		
-11	AN6-21A	BOLT -----	1	
	AN960-616	WASHER -----	1	
	NAS679A6	NUT -----	1	
		-----*		
-12	0751005-1	WASHER -----	4	
-13	SEE FIG 82	STACK INSTALLATION-EXHAUST -----	NP	
-14	SEE FIG 78 & 78A	BOX INSTALLATION-AIR -----	NP	S
-15	SEE FIG 84	BAFFLES INSTALLATION-ENGINE -----	NP	
-16		VACUUM SYSTEM SEE FIG 116, 117A, 117D & 117E -----	NP	
		LARGE OIL COOLER INSTALLATION -----	NP	
-17	626189A	OIL COOLER-ENGINE CM -----	1	
-17A	537312	PLATE-OIL COOLER END CM -----	1	
	629303	GASKET CRANKCASE TO PLATE CM -----	1	
-17B	537282	GASKET OIL COOLER TO OIL COOLER PLATE CM -----	1	
-18	0700318-2	BAFFLE ASSEMBLY -----	1	
-18A	0700309-2	BAFFLE ASSEMBLY -----	1	
-18B	0750152-2	BAFFLE-OIL COOLER INBOARD -----	1	
-18C	S1021Z10-8	SCREW -----	2	
-18D	NAS446-5-3	NUT -----	2	
-19		GOVERNOR ASSEMBLY-PROPELLER SEE FIG 79, 79A, 80 81 & 81A- -----	1	G
		GOVERNOR ASSEMBLY-PROPELLER SEE FIG 81B, 81C & 81D -----	1	F
-20	0500106-338	TUBE-BREATHING AFT -----	1	B
	0700147-9	TUBE-BREATHING AFT -----	1	C
-21	0500106-164	TUBE-BREATHING FORWARD -----	1	B
	1200106-108	TUBE-BREATHING FWD -----	1	C
		ATTACHING PARTS -----		
-22	551-12	HOSE-3.00 IN LG BKI REF 551-12-12 -----	1	
-23	NAS397-18	CLAMP -----	4	
		-----*		
-24	0813601-4	BULB-CYLINDER HEAD TEMPERATURE -----	1	B
	0813601-6	BULB-CYLINDER HEAD TEMPERATURE ALTERNATE -----	1	B
	S1372-1	SENDING UNIT-CYLINDER HEAD TEMPERATURE -----	1	C
-25	AN4076-1	FITTING -----	1	
-26	AN742D14	CLAMP -----	2	
-27	0750178-1	CLAMP -----	1	S
	S1644-3	CLAMP -----	3	U
-28	MS21919DG2	CLAMP -----	1	
-29	S1053E12T	HOSE-15.00 IN.LG. BULK ITEM REF S-1053E12T-15.00 -----	1	
-30	NAS397-28	CLAMP -----	2	
-31	S1053E12T	HOSE-30.00 IN.LG. BULK ITEM REF S-1053E12T-30.00 -----	1	
		ATTACHING PARTS -----		
-32	NAS397-28	CLAMP -----	2	
-33	AN735D36	CLAMP -----	1	
	MS21919DG24	CLAMP -----	1	
	AN3-4A	BOLT -----	1	
	MS21044N3	NUT -----	1	
		-----*		
-34	0750140-6	BLAST TUBE-GENERATOR -----	1	B
		ATTACHING PARTS -----		
-35	NAS397-16	CLAMP -----	2	B
		-----*		

CONTINUED ON NEXT PAGE

Engine (cont)



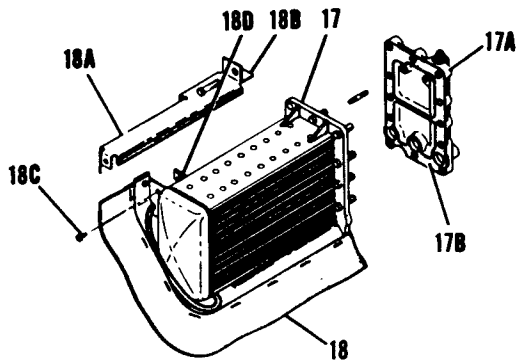
PROPELLER GOVERNOR



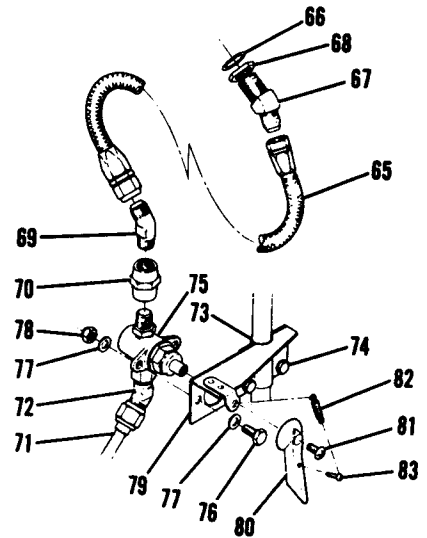
SERIAL 185-0968 THRU 18502310 (300 HP)
SERIAL 185-0001 THRU 185-1149 (260 HP)

Figure 76. (Sheet 1 of 2) Engine Assembly

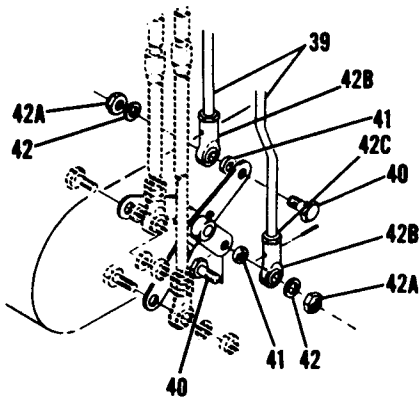
Engine (cont)



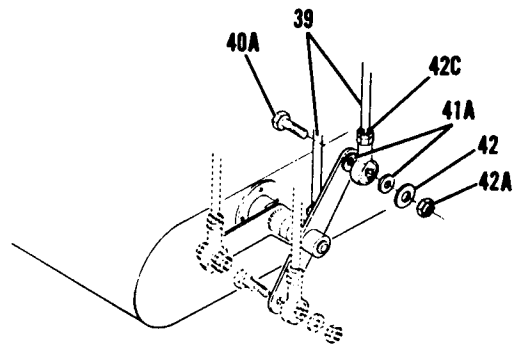
OIL COOLER



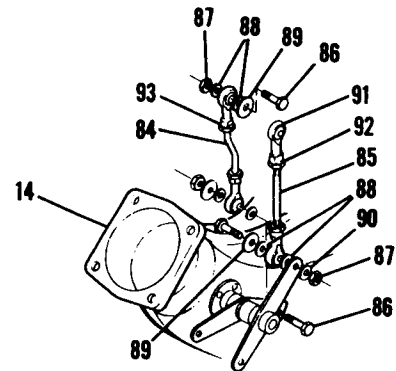
OIL SUMP DRAIN



SERIAL 185-0001 THRU 185-1479



SERIAL 185-1480 THRU 18501832



SERIAL 18501833 THRU 18502007,
18502026, 18502027

Detail **A**

**SERIAL 185-0968 THRU 18502310 (300 HP)
SERIAL 185-0001 THRU 185-1149 (260 HP)**

Figure 76. (Sheet 2 of 2) Engine Assembly

FIGURE AND INDEX NO.	PART NUMBER	DESCRIPTION	UNITS PER ASSY	USABLE ON CODE
76 -36	0500106-343	LINE ASSEMBLY-ENGINE PUMP DRAIN -----	1	
-37	AN742D36	CLAMP -----	1	
-38	AN742D12	CLAMP -----	1	
		ATTACHING PARTS		
	AN3-4A	BOLT -----	1	
	MS21044N3	NUT -----	1	
-39	0750169-6	ROD ASSEMBLY-THROTTLE & MIXTURE CONTROLS -----	2	Q
		ATTACHING PARTS		
	AN3-6A	BOLT UPPER END THROTTLE CONTROL ONLY -----	1	Q
	AN3-12A	BOLT UPPER END MIXTURE CONTROL ONLY -----	1	Q
	NAS43HT3-24	SPACER UPPER END MIXTURE CONTROL ONLY -----	1	Q
	AN960-10L	WASHER UPPER END ONLY -----	1	Q
	S1450-3-10-032	WASHER UPPER END ONLY -----	1	Q
	MS20364-1032C	NUT UPPER END ONLY -----	1	Q
	HF3	ROD END UPPER END ONLY -----	1	Q
	AN315-3R	NUT UPPER END ONLY -----	1	M
-40	AN3-7A	BOLT -----	1	N
-40A	AN3-6A	BOLT -----	1	M
-41	0750171-4	SPACER -----	2	N
-41A	AN960PD10	WASHER -----	1	Q
-42	S1450-3-10-032	WASHER -----	1	Q
-42A	MS21044N3	NUT -----	1	Q
		ROD END -----	1	Q
-42B	S1104-3	ROLL PIN -----	1	Q
	NAS561P2-5	NUT -----	1	Q
-42C	AN345-10	SUPPORT -----	1	
-43	0750166-4	HOSE-20.00 IN.LG. BULK ITEM REF S1053E24T-20.00 -----	1	
-44	S1053E24T	ATTACHING PARTS		
-45	NAS398-50	CLAMP -----	2	T
-45A	AN742D50	CLAMP -----	1	T
	AN742D36	CLAMP AROUND INTAKE MANIFOLD -----	1	T
	S1021Z10-8	SCREW -----	1	T
	NAS438-10	NUT -----	1	
-46	S1167-6-0270	HOSE ASSEMBLY -----	1	H
-47	S1236-4-0144	HOSE ASSEMBLY -----	1	J
	S1236C4-0134	HOSE ASSEMBLY -----	6	
-48	0750121	DEFLECTOR-EXHAUST HEAT -----	1	Q
-49	S1053K24T	HOSE-19 IN LG BULK ITEM REF S1053K24T19.0 -----	1	
		ATTACHING PARTS		
-50	NAS398-50	CLAMP -----	2	Q
		HOSE ASSEMBLY-OIL PRESSURE -----	1	H
-51	S1236-4-0440	HOSE ASSEMBLY-OIL PRESSURE -----	1	J
	S1236-4-0415	ATTACHING PARTS		
	0550100-9	BRACKET ATTACHES TO CRANKCASE -----	1	J
	MS21919DG7	CLAMP -----	1	J
	S1021Z10-10	SCREW -----	1	J
	S1487-4	NUT -----	1	
-52	AN912-3	BUSHING -----	1	
-53	0752037-1	ELBOW-RESTRICTOR 45 DEGREE -----	1	K
-54	S1236-3-0294	HOSE ASSEMBLY-FUEL PRESSURE -----	1	L
	0700147-16	LINE-FUEL PRESSURE WHEN EXHAUSTED USE 0700147-46 -----	1	L
	0700147-46	LINE-FUEL PRESSURE -----	1	L
		ATTACHING PARTS		
	0756003-1	ELBOW-RESTRICTOR -----	1	K
	MS20822-2D	ELBOW -----	1	L
		CLAMP -----	1	H
-55	MS21919DG12	CLAMP -----	1	H
	S1485D12U	CLAMP -----	2	J
	MS21919DG7	CLAMP -----	2	J
	S1485D16U	CLAMP -----	2	J
		ATTACHING PARTS		
	S1021Z10-10	SCREW -----	1	
-56	S1590-4A	HARNESS BAND UC -----	1	

CONTINUED ON NEXT PAGE

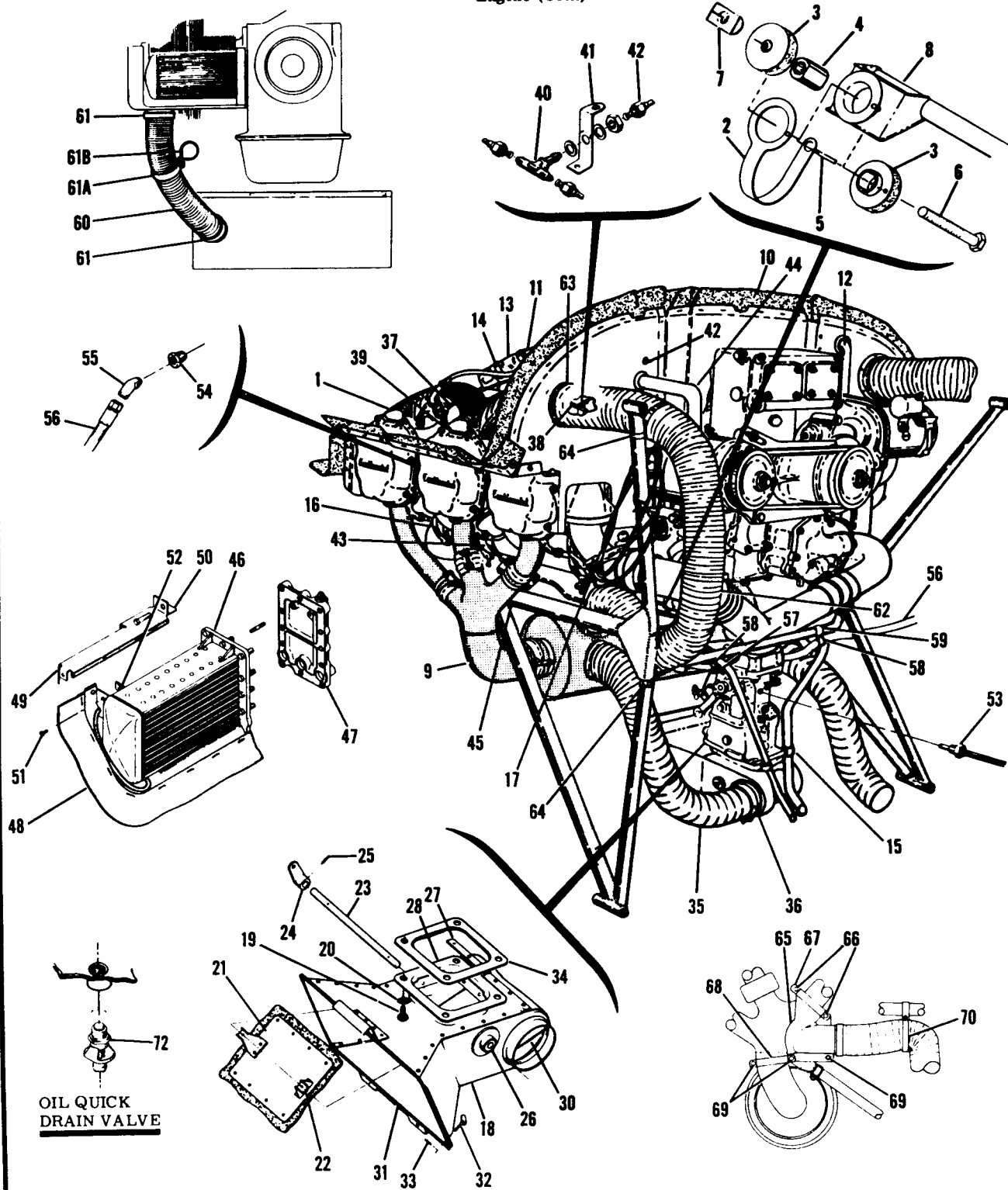
FIGURE AND INDEX NO.	PART NUMBER	DESCRIPTION	UNITS PER ASSY	USABLE ON CODE
76 -57	S1053K24T	HOSE-26.0 IN LG BKI REF S1053K24T26.00 -----	1	
-58	NAS398-50	CLAMP -----	2	
-59	MS21919DG4	CLAMP -----	12	
-60	0750141-1	DEFLECTOR-EXHAUST HEAT -----	2	D
	0750283-1	DEFLECTOR-EXHAUST HEAT -----	2	E
		ATTACHING PARTS		
-61	S1485D16L	CLAMP -----	2	
	S1485D20L	CLAMP -----	2	
	S1021210-10	SCREW -----	2	
		-----*		
	0750204-1	DIP STICK-ENGINE OIL -----	1	B
	0750222-2	DIP STICK-ENGINE OIL -----	1	C
-62	MS21919DG8	CLAMP -----	1	
	AN515-8R8	SCREW -----	1	
	AN960-8L	WASHER -----	1	
	NAS679A08	NUT -----	1	
-63	0750179-5	TUBE-AIR BOX DRAIN -----	1	Q
	1600010-117	TUBE-AIR BOX DRAIN -----	1	R
		ATTACHING PARTS		
	S1495-6	HOSE 1.5 IN LG BULK ITEM REF S1495-6-1.50 -----	1	
	NAS397-10	CLAMP -----	2	
		-----*		
	SEE FIG 77A	OIL COOLER INSTALLATION-NON CONGEALING -----	1	
	SEE FIG 121	ALTERNATOR INSTALLATION -----	1	
-64	SL300A-C	SPARK PLUG SHIELDED SYSTEM 3/4-20 THREADS -----	12	P
		DRAIN INSTALLATION-OIL SUMP -----	NP	
-65	S1236-6-0130	HOSE ASSEMBLY -----	1	
		ATTACHING PARTS		
-66	AN900-10	GASKET -----	1	
-67	1650010-1	FITTING -----	1	
-68	1650010-2	JAMB NUT -----	1	
-69	MS20823-6D	ELBOW -----	1	
-70	AN910-2D	COUPLING -----	1	
		-----*		
-71	1600010-47	LINE ASSEMBLY -----	1	
		ATTACHING PARTS		
-72	MS20823-6D	ELBOW -----	1	
		-----*		
-73	1656003-5	CLAMP -----	1	
		ATTACHING PARTS		
-74	AN3-4A	BOLT -----	4	
	AN960PD10L	WASHER -----	8	
	MS20364-1032C	NUT -----	4	
		-----*		
-75	1656006-1	VALVE ASSEMBLY -----	1	
-76	AN4-4A	BOLT -----	2	
-77	AN960PD416	WASHER -----	4	
-78	NAS679A4	NUT -----	2	
	0411803-7	VALVE -----	1	
-79	1656003-1	SUPPRT BRACKET ASSEMBLY-DRAIN VALVE -----	1	
-80	1656005-1	HANDLE -----	1	
		ATTACHING PARTS		
-81	39014	SCREW 18 -----	1	
		-----*		
-82	0411265-1	SPRING -----	1	
		ATTACHING PARTS		
-83	AN515-6R8	SCREW -----	1	
		-----*		

CONTINUED ON NEXT PAGE

FIGURE AND INDEX NO.	PART NUMBER	DESCRIPTION	UNITS PER ASSY	USABLE ON CODE
		1 2 3 4 5 6 7		
76 -84	1650016-1	ROD ASSEMBLY-THROTTLE	1	R
-85	1650017-1	ROD ASSEMBLY-MIXTURE	1	R
		ATTACHING PARTS		
-86	AN3-6A	BOLT	2	R
-87	MS21044N3	NUT	2	R
-88	AN960PD10	WASHER	4	R
-89	S1450-3-10-32	WASHER	2	R
-90	AN960PD10L	WASHER LOWER MIXTURE ROD ATTACH	1	R
		ROD END	2	R
-91	S1104-3	NUT	2	R
-92	AN315-4R	NUT	2	R
-93	AN315-3R	NUT		
		A---SERIAL 185-0001 THRU 185-1149 260 HP SERIAL 185-0968 THRU 18502310 300 HP		
		B---SERIAL 185-0001 THRU 185-0776		
		C---SERIAL 185-0777 THRU 18502310		
		D---SERIAL 185-0001 THRU 185-0771		
		E---SERIAL 185-0001 THRU 185-0654		
		F---SERIAL 185-0968 THRU 18502310 300 HP		
		G---SERIAL 185-0001 THRU 185-1149 260 HP		
		H---SERIAL 185-0001 THRU 185-1388		
		J---SERIAL 185-1389 THRU 18502310		
		K---SERIAL 185-0001 THRU 185-0653		
		L---SERIAL 185-0654 THRU 18502310		
		M---SERIAL 185-0001 THRU 185-1479		
		N---SERIAL 185-1480 THRU 18501832		
		P---SERIAL 18501600 THRU 18502310		
		Q---SERIAL 185-0001 THRU 18501832		
		R---SERIAL 18501833 THRU 18502007, 18502026, 18502027		
		S---SERIAL 185-0001 THRU 18502007, 18502026, 18502027		
		T---SERIAL 18502091 THRU 18502310		
		U---SERIAL 18502008 THRU 18502025, 18502028 THRU 18502310		

FIGURE AND INDEX NO.	PART NUMBER	DESCRIPTION	UNITS	USABLE
			PER ASSY	ON CODE
76A-		1 2 3 4 5 6 7		
		ENGINE COMPONENTS & ASSOCIATED ACCESSORIES MODEL 185 -----	NP	A
- 1	628472	MAGNETO LH CM SCINTILLA S6RN201 -----	1	J
	628473	MAGNETO RH CM SCINTILLA S6RN205 -----	1	J
	625765	MAGNETO CM SLICK MODEL 662 -----	2	K
- 2	534750	GASKET-MAGNETO TO CRANKCASE CM -----	2	
- 3	629076	MAGNETO DRIVE GEAR CM -----	2	B
	629422	MAGNETO DRIVE GEAR CM -----	2	C
- 4	630948	IGNITION HARNESS-BENDIX LIGHT WEIGHT CM -----	1	J
	633311	IGNITION HARNESS-SLICK MAGNETO CM -----	1	K
- 5	626189A	OIL COOLER CM -----	1	
- 6	537282	GASKET-COOLER TO PLATE CM -----	1	
- 7	625303	GASKET-CRANKCASE TO PLATE CM -----	1	
- 8	SEE FIG 77A	NON CONGEALING OIL COOLER -----	1	
- 9	0750140-5	GENERATOR 627272 CM, DELCO 1101912, 110185 OR 1101909 -----	1	D
-10	539547	GENERATOR DRIVE BELT CM -----	1	D
-11		ALTERNATOR-52 AMP 14 VOLT REFER TO SERVICE LETTER 66-1 --	1	E
	C611501-0102	ALTERNATOR-60 AMP 14 VOLT SEE FIGURES 121 & 123B -----	1	F
-12	0413205-11	VOLTAGE REGULATOR-USED WITH 50 AMP GENERATOR -----	1	D
	0750216-1	VOLTAGE REGULATOR-USED WITH 52 AMP ALTERNATOR WHEN -----	1	G
	C611001-0102	EXHAUSTED USE C611001-0102		
		VOLTAGE REGULATOR-USED WITH 60 AMP ALTERNATOR -----	1	H
-13	51597-1-31.2	ALTERNATOR DRIVE BELT -----	1	E
	51597-1-30.8	ALTERNATOR DRIVE BELT -----	1	F
-14	538076	BEVEL GEAR-GOVERNOR DRIVE CM -----	1	
-15	629176	STARTER-12 VOLT HEAVY DUTY CM DELCO 1108249 -----	1	
-16	MS9021-038	O RING-STARTER TO ENGINE -----	1	
-17	SL300A-C	SPARK PLUG-SHIELDED SYSTEM 3/4-20 -----	12	
-18	0750038-4	INDUCTION AIR FILTER -----	1	
-19	0750038-3	FILTER GASKET LANDPLANES -----	1	
	0750146-4	FILTER GASKET FLOATPLANES -----	1	
-20	0750175-1	GASKET-INDUCTION AIR TO ENGINE -----	1	M
-21	639761A1	AIR THROTTLE ASSY CM -----	1	M
	639596	AIR THROTTLE ASSY CM -----	1	N
-22	625219-2A6	METERING UNIT CM -----	1	B
	625219-2A13	METERING UNIT CM -----	1	L
	639717-2A1	METERING UNIT CM -----	1	N
-23	626062-3A5	FUEL PUMP CM -----	1	B
	638154-1A6	FUEL PUMP CM -----	1	C
-24	631427A3	MANIFOLD VALVE CM ADD P OR M TO P/N-USE -----	1	B
	631351A6	MARKING STAMPED ON EXISTING PART		
		MANIFOLD VALVE CM ADD P OR M TO P/N-USE -----	1	C
		MARKING STAMPED ON EXISTING PART		
-25	627335D12	NOZZLE CM ADD B, C OR D TO P/N-HIGHER LETTER -----	AR	B
	627335D13	DESIGNATES GREATER FLOW		
		NOZZLE CM ADD B OR C TO P/N-HIGHER LETTER -----	AR	C
		DESIGNATES GREATER FLOW		
-26		GOVERNOR SEE FIGURES 79, 79A, 80 81A, -----	1	
		81B, 81C & 81D FOR APPLICABILITY		
<p>NOTE. *THIS LISTING IS COMPILED TO PROVIDE PART NUMBERS OF COMMONLY USED ENGINE COMPONENTS AND ASSOCIATED ACCESSORIES. RELATIONSHIP OF THESE PARTS TO ENGINE OR AIRCRAFT ASSEMBLIES IS NOT INDICATED BY INDENTATION. THIS FIGURE IS NOT ILLUSTRATED. INDEX NUMBERS ARE PROVIDED FOR LOCATION OF LINE ON WHICH PART NUMBER APPEARS.</p>				
<p>A---SERIAL 185-0001 THRU 18502310 B---SERIAL 185-0001 THRU 185-1149 260 HP C---SERIAL 185-0968 THRU 18502310 300 HP D---SERIAL 185-0001 THRU 185-0776 E---SERIAL 185-0777 THRU 185-0967 F---SERIAL 185-0968 THRU 18502310 G---SERIAL 185-0777 THRU 185-1066 H---SERIAL 185-1067 THRU 18502310 J---SERIAL 185-0001 THRU 185-0512 K---SERIAL 185-0513 THRU 18502310 L---SERIAL 185-0968 THRU 18502007, 18502026, 18502027 300 HP M---SERIAL 185-0001 THRU 18502007, 18502026, 18502027 N---SERIAL 18502008 THRU 18502025, 18502028 THRU 18502310</p>				

Engine (Cont)



SERIAL 18051184 THRU 18052384

Figure 77. Engine Assembly

FIGURE AND INDEX NO.	PART NUMBER	DESCRIPTION	UNITS PER ASSY	USABLE ON CODE
			1 2 3 4 5 6 7	
77 -		ENGINE ASSEMBLY-CONTINENTAL -----	NP	A
- 1	O-470-R	ENGINE CM -----	1	
		ATTACHING PARTS -----		
- 2	0750137	BONDING STRAP-ENGINE MOUNT -----	4	
- 3	0750132-1	SHOCK MOUNT ASSEMBLY-ENGINE -----	4	
- 4	0750132-2	SPACER-BONDED -----	NP	
- 5	MS20253-5-100 **	PIN -----	4	
	MS20253-5-112 #	PIN FLOATPLANE & AMPHIBIAN ONLY -----	4	
- 6	AN7-33A	BOLT -----	4	
- 7	627773	NUT-BARREL CM -----	4	
	AN960-716L	WASHER -----	4	
	SEE FIG 77B	ENGINE COMPONENTS AND ACCESSORIES -----	1	
- 8	0751001-13	MOUNT-ENGINE -----	1	
	0751001-27	MOUNT-ENGINE FLOATPLANE & AMPHIBIAN ONLY -----	1	
- 9	SEE FIG 83	STACK INSTALLATION-EXHAUST -----	1	
		VACUUM SYSTEM SEE FIG 117, 117A, 117D & 117E -----	1	
-10	SEE FIG 85	BAFFLE INSTALLATION-ENGINE -----	1	
-11	0500106-164	TUBE-BREATHING LINE FORWARD -----	1	F
	1200106-108	TUBE-BREATHING LINE FORWARD -----	1	G
-12	0500106-250	TUBE-BREATHING LINE REAR -----	1	F
	0700147-8	TUBE-BREATHING LINE REAR -----	1	G
		ATTACHING PARTS -----		
-13	S51-12	HOSE-3.00 IN LG BKI REF S51-12-12 -----	2	
-14	NAS397-18-1	CLAMP -----	4	
-15	0750158-1	STRAP -----	1	
	S1485D12U	CLAMP -----	1	
	S1021210-10	SCREW -----	1	
-16		GOVERNOR-PROPELLER SEE FIGURES 79, 79A, 81 & 81A -----	1	
-17	0311018-11	THERMOCOUPLE-CYLINDER HEAD TEMPERATURE -----	1	H
		ATTACHING PARTS -----		
	AN51586-5	SCREW -----	2	
	AN936A6B	WASHER -----	2	
	S1372-1	SENDING UNIT-CYLINDER HEAD TEMPERATURE -----	1	J
-18	0750144-1	AIR BOX ASSEMBLY-CARBURETOR WEU 0750144-15 -----	1	D
	0750144-15	AIR BOX ASSEMBLY-CARBURETOR WEU 0750144-16 -----	1	E
	0750144-16	AIR BOX ASSEMBLY-CARBURETOR WEU 0750144-21 -----	1	K
	0750144-21	AIR BOX ASSEMBLY-CARBURETOR -----	1	L
		ATTACHING PARTS -----		
-19	MS20074-04-3	BOLT -----	4	
-20	0750131-1	WASHER -----	4	
-21	0750133-7	VALVE ASSEMBLY -----	1	
-22	0750133-9	BRACKET -----	2	
-23	0750133-8	SHAFT-VALVE -----	1	
	0750133-21	SHAFT-VALVE ALT -----	1	
-24	0750111-19	ARM ASSEMBLY -----	1	
-25	MS16562-16	ROLL PIN -----	1	
-26	0750113-1	HOUSING ASSEMBLY -----	2	
-27	0750156-1	STRAP -----	1	
-28	0750126-4	COLLAR -----	1	
-29		DELETED, NEVER USED -----		
-30	0750133-22	DUST BAFFLE -----	1	
-31	0750144-6	SEAL -----	1	D
	0750144-20	SEAL -----	1	
-32	W98293-3-.320	STUD ALIC -----	2	
-33	S1853-4	PIN -----	2	
	AN960-10L	WASHER -----	2	
-34	0750142-1	GASKET-CARBURETOR AIR BOX -----	1	
-35	S1053K20T	HOSE-CARBURETOR HEAT 17.5 IN. LG. BULK ITEM -----	1	B
		REF S-1053K20T17.50 -----		
	S1053K20T	HOSE-CARBURETOR HEAT 30 IN LG BULK ITEM -----	1	C
		REF S1053K20T30.00 -----		
		ATTACHING PARTS -----		
-36	NAS398-42	CLAMP -----	2	

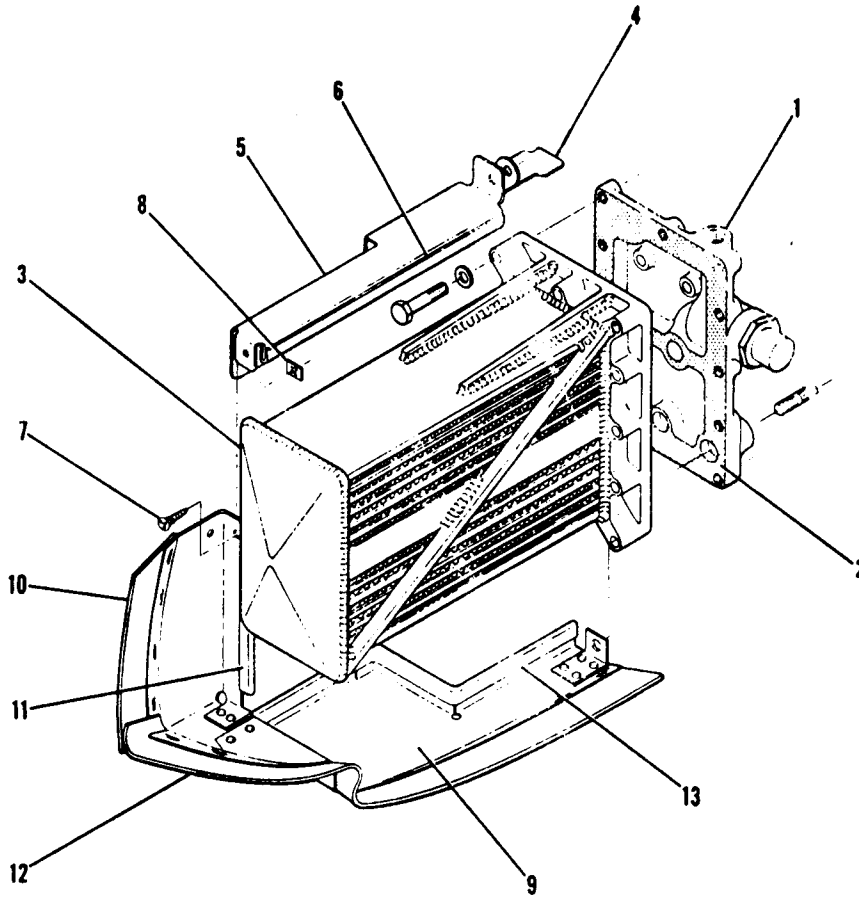
CONTINUED ON NEXT PAGE

FIGURE AND INDEX NO.	PART NUMBER	DESCRIPTION	UNITS PER ASSY	USABLE ON CODE
77 -37	0500106-196	PRIMER LINE-CYLINDER #6 TO TEE -----	1	B
-38	0500106-197	PRIMER LINE-CYLINDER #4 TO TEE -----	1	B
		ATTACHING PARTS -----		
-39	AN4022-1	NIPPLE -----	2	B
-40	AN834-2D	TEE -----	1	B
	AN924-2D	NUT -----	1	B
	AN9600516	WASHER -----	2	B
-41	0750150-1	BRACKET-PRIMER LINE -----	2	B
		-----*		
	MS21919DG8	CLAMP-IGNITION HARNESS FORWARD -----	1	
	MS21919DG10	CLAMP-IGNITION HARNESS REAR -----	1	
		ATTACHING PARTS -----		
	S1021210-8	SCREW -----	1	
	NAS446-5-3	NUT -----	1	
		-----*		
-42	0500106-170	PRIMER LINE-TEE TO BAFFLE -----	1	B
-43	0750121	DEFLECTOR ASSEMBLY -----	6	
	SEE FIG 118	FUEL PRIMER SIX LINE SYSTEM INSTALLATION -----	1	
-44	0750140-6	BLAST TUBE-GENERATOR -----	1	H
		ATTACHING PARTS -----		
	NAS397-16-1	CLAMP -----	1	
		-----*		
-45	0750283-1	DEFLECTOR-EXHAUST HEAT -----	2	D
		ATTACHING PARTS -----		
	S1485014L	CLAMP -----	2	D
	S1021210-10	SCREW -----	2	D
		-----*		
	0750141-1	DEFLECTOR-EXHAUST HEAT -----	2	C
		ATTACHING PARTS -----		
	S1021210-10	SCREW -----	2	C
	S1485020L	CLAMP -----	2	C
		-----*		
	0750160-1	DIP STICK -----	1	B
	0750211-1	DIP STICK -----	1	C
		LARGE OIL COOLER INSTALLATION -----	NP	
-46	626189A	OIL COOLER-ENGINE CM -----	1	B
-47	537312	PLATE-OIL COOLER END CM -----	1	B
	625303	GASKET CRANCASE TO PLATE CM -----	1	B
	537282	GASKET OIL COOLER TO OIL COOLER PLATE CM -----	1	B
-48	0700318-2	BAFFLE ASSEMBLY -----	1	B
-49	0700309-2	BAFFLE ASSEMBLY -----	1	B
-50	0750152-2	BAFFLE-OIL COOLER INBOARD -----	1	B
-51	S1021210-8	SCREW -----	2	B
-52	NAS446-5-3	NUT -----	2	B
-53	0550209-1	PROBE-CARBURETOR AIR TEMP -----	1	
-54	AN912-3	BUSHING -----	1	
-55	0752037-1	ELBOW -----	1	
-56	S1167-4-0388	HOSE-OIL PRESSURE -----	1	
		ATTACHING PARTS -----		
-57	0752038-1	BRACKET -----	1	
-58	MS21919DG9	CLAMP -----	2	
-59	S1485012U	CLAMP -----	1	
	S1021210-10	SCREW -----	2	
	NAS446-4-3	NUT -----	1	
		-----*		
-60	S1053K24T	HOSE-AIR INTAKE 20 IN LG 8K1 REF S1053K24T20.0 --	1	
		ATTACHING PARTS -----		
-61	NAS398-50	CLAMP -----	2	
-61A	AN742050	CLAMP -----	1	N
-61B	AN742036	CLAMP -----	1	N
	S1021210-8	SCREW -----	1	N
	NAS488-10	NUT -----	1	N
		-----*		

CONTINUED ON NEXT PAGE

FIGURE AND INDEX NO.	PART NUMBER	DESCRIPTION	UNITS PER ASSY	USABLE ON CODE
77 -62	S1093K20T	HOSE-AIR INTAKE 50 IN LG BK1 REF S1053K20T50.0 -- ATTACHING PARTS	1	
-63	NAS398-42	CLAMP -----	2	
-64	TA732042	CLAMP THAS -----	2	
	S1485014L	CLAMP -----	1	
	S1485016U	CLAMP -----	1	
	S1021210-12	SCREW -----	2	
		-----*		
-65	0750607-4	SHROUD ASSEMBLY-OUTBOARD -----	1	C
	0750607-5	SHROUD ASSEMBLY-INBOARD -----	1	C
		ATTACHING PARTS		
-66	AN3-5A	BOLT -----	2	C
-67	0750225-1	CLAMP -----	2	C
-68	0750225-2	CLAMP -----	2	C
-69	AN3-4A	BOLT -----	3	C
	MS21044N3	NUT -----	5	C
		-----*		
-70	MS21919DG40	CLAMP -----	1	C
	S1485014U	CLAMP -----	1	C
		ATTACHING PARTS		
	S1021210-8	SCREW -----	1	
		-----*		
	SEE FIG 122	ALTERNATOR INSTALLATION -----	1	J
-71	SEE FIG 778	SPARK PLUG -----	12	
-72	S1964-3	OIL VALVE ASSEMBLY-QUICK DRAIN -----	1	
<p>NOTE. **WHEN REPLACING THIS ITEM FOR FLOATPLANES & AMPHIBIANS ORDER PART MARKED #.</p> <p>A---SERIAL 18051184 THRU 18052384 B---SERIAL 18051184 THRU 18051312 C---SERIAL 18051313 THRU 18052384 D---SERIAL 18051184 THRU 18051336 E---SERIAL 18051337 THRU 18051567 F---SERIAL 18051184 THRU 18051447 G---SERIAL 18051448 THRU 18052384 H---SERIAL 18051184 THRU 18051445 J---SERIAL 18051446 THRU 18052384 K---SERIAL 18051568 THRU 18051755 L---SERIAL 18051756 THRU 18052384 M---SERIAL 18052104 THRU 18052384 N---SERIAL 18052285 THRU 18052384</p>				

Engine (Cont)



SERIAL 18051184 THRU 18052384

SERIAL 185-0513 THRU 18502310

Figure 77A. Non Congealing Cool Cooler Installation



FIGURE AND INDEX NO.	PART NUMBER	DESCRIPTION							UNITS PER ASSY	USABLE ON CODE
		1	2	3	4	5	6	7		
77A-		OIL COOLER INSTALLATION-NON CONGEALING -----							NP	A
- 1	626332	PLATE-OIL COOLER CM -----							1	
- 2	626342	GASKEY-OIL COOLER TO PLATE CM -----							1	
	626341	GASKEY-PLATE TO CRANKCASE CM -----							1	
- 3	639151	COOLER-ENGINE OIL 9 IN CM -----							1	B
	639171	COOLER-ENGINE OIL 8 IN CM -----							1	E
	625966	GASKEY-PLUG -----							1	
- 4	0750152-3	BAFFLE -----							1	
- 5	0700123-4	BAFFLE -----							1	B
	0700123-7	BAFFLE -----							1	C
	0755002-2	BAFFLE -----							1	D
- 6	S202RB	MOULDING-8.50 IN LG BKI REF S202R0850B -----							1	B
	S202RB	MOULDING-7.50 IN LG BKI REF S202R0750B -----							1	C
	S202RB	MOULDING-5.80 IN LG BKI REF S202R0580B -----							1	D
- 7	S102126-6	SCREW -----							2	
- 8	NAS446-2-3	NUT -----							2	
- 9	0700123-2	BAFFLE ASSEMBLY -----							1	B
	0700123-9	BAFFLE ASSEMBLY -----							1	C
	0700123-14	BAFFLE ASSEMBLY -----							1	D
-10	0700318-7	SEAL -----							1	
-11	S202RB	MOULDING-5.00 IN LG BULK ITEM REF S202R0500B -----							1	
-12	0700318-8	SEAL -----							1	
-13	S202RB	MOULDING-11.50 IN LG BULK ITEM REF S202R1150B -----							1	
		A---SERIAL 18051184 THRU 18052384								
		SERIAL 185-0513 THRU 18502310								
		B---SERIAL 18051184 THRU 18052187								
		SERIAL 185-0513 THRU 18501860								
		C---SERIAL 18052188 THRU 18052210								
		SERIAL 18501860 THRU 18501894 & 18501896								
		THRU 18501910, 18501912, 18501913, 18501915,								
		18501917 THRU 18501921, 18501923 THRU								
		18501926								
		D---SERIAL 18052211 THRU 18052384								
		SERIAL 18501895, 18501911, 18501914,								
		18501916, 18501922, 18501927 THRU 18502310								
		E---SERIAL 18052188 THRU 18052384								
		SERIAL 18501861 THRU 18502310								

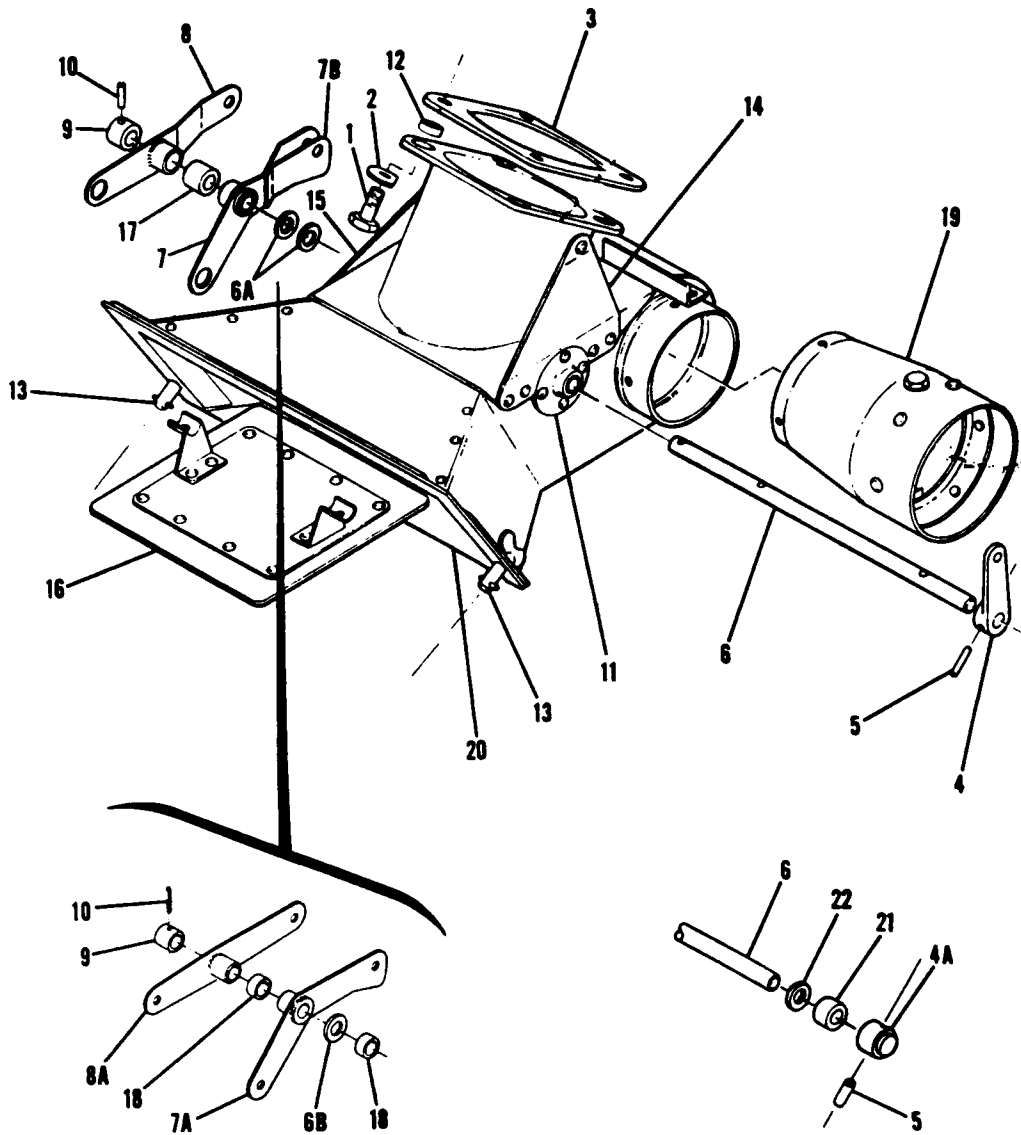
FIGURE AND INDEX NO.	PART NUMBER	DESCRIPTION	UNITS PER ASSY	USABLE ON CODE
778-		ENGINE COMPONENTS & ASSOCIATED ACCESSORIES MODEL 180 -----	NP	A
- 1	631237	MAGNETO CM SCINTILLA S6RN25 -----	2	B
	625765	MAGNETO CM SLICK -----	2	C
- 2	534750	GASKET-MAGNETO TO CRANKCASE CM -----	2	
- 3	629076	MAGNETO DRIVE GEAR CM -----	1	
- 4	633005	IGNITION HARNESS-BENDIX LIGHT WEIGHT COMPLETE ASSEMBLY CM-	1	B
	633006	IGNITION HARNESS-RH BENDIX LIGHT WEIGHT CM -----	1	B
	633007	IGNITION HARNESS-LH BENDIX LIGHT WEIGHT CM -----	1	B
- 5	633311	IGNITION HARNESS COMPLETE CM SLICK -----	1	C
- 6	627392	OIL COOLER CM -----	1	
- 7	625017	GASKET-COOLER TO PLATE CM -----	1	
- 8	625303	GASKET-CRANKCASE TO PLATE CM -----	1	
- 9	SEE FIG 77A	NON CONGEALING OIL COOLER -----	1	
-10	0750140-5	GENERATOR 627272 CM DELCO 1101912, 1101895 OR 1101909 -	1	D
-11	539547	GENERATOR DRIVE BELT CM -----	1	D
		ALTERNATOR-52 AMP 14 VOLT REFER TO SERVICE LETTER 66-1 --	1	E
	C611501-0102	ALTERNATOR-60 AMP 14 VOLT SEE FIGURES 122 & 123B -----	1	F
-13	0413205-11	VOLTAGE REGULATOR-USED WITH 50 AMP GENERATOR -----	1	D
	0750216-1	VOLTAGE REGULATOR-USED WITH 52 AMP ALTERNATOR WHEN -----	1	E
		EXHAUSTED USE C611001-0102 -----		
	C611001-0102	VOLTAGE REGULATOR-USED WITH 60 AMP ALTERNATOR -----	1	F
-14	S1597-1-31.2	ALTERNATOR DRIVE BELT -----	1	E
	S1597-1-30.8	ALTERNATOR DRIVE BELT -----	1	F
-15	538076	BEVEL GEAR-GOVERNOR DRIVE CM -----	1	
-16	629176	STARTER-12 VOLT HEAVY DUTY CM DELCO 1108249 -----	1	
-17	M59021-038	O RING-STARTER TO ENGINE -----	1	
-18	0750142-1	GASKET-CARBURETOR AIR BOX TO CARBURETOR -----	1	
-19	633027	CARBURETOR CM MARVEL SCHEBLER TYPE MA4-5, P/N 10-4893 --	1	
-20	35985	GASKET-CARBURETOR TO ENGINE CM -----	1	
-21	0750038-4	AIR FILTER-CARBURETOR LANDPLANES OR FLOATPLANES -----	1	
	121553	AIR FILTER-CARBURETOR OIL DIPPED FLOATPLANE -----	1	
-22	0750038-3	GASKET-AIR FILTER LANDPLANES -----	1	
	0750146-4	GASKET-AIR FILTER FLOATPLANES -----	1	
-23	SH15C	SPARK PLUG FOR USE IN SHIELDED SYSTEMS -----	12	
		WITH 5-8-24-3A THREADS -----		
	SH20A	SPARK PLUG FOR USE IN SHIELDED SYSTEMS -----	12	
		WITH 5-8-24-3A THREADS -----		
	SH200A-C	SPARK PLUG FOR USE IN SHIELDED SYSTEMS -----	12	
		WITH 3-4-20-3A THREADS -----		
-24		GOVERNOR SEE FIGURES 79, 79A, 81 & 81A FOR APPLICABILITY-	1	

NOTE. *THIS LISTING IS COMPILED TO PROVIDE PART NUMBERS OF COMMONLY USED ENGINE COMPONENTS AND ASSOCIATED ACCESSORIES. RELATIONSHIP OF THESE PARTS TO ENGINE OR AIRCRAFT ASSEMBLIES IS NOT INDICATED BY INDENTATION. THIS FIGURE IS NOT ILLUSTRATED. INDEX NUMBERS ARE PROVIDED FOR LOCATION OF LINE ON WHICH PART NUMBER APPEARS.

NOTE. #SPARK PLUGS ARE LISTED IN ORDER OF HEAT RANGE, PROGRESSIVELY COLDER FROM TOP LISTING TO BOTTOM.

A---SERIAL 18051184 THRU 18052384
 B---SERIAL 18051184 THRU 18051774
 C---SERIAL 18051775 THRU 18052384
 D---SERIAL 18051184 THRU 18051445
 E---SERIAL 18051446 THRU 18051607
 F---SERIAL 18051608 THRU 18052384

Engine (Cont)



SERIAL 185-1480 THRU 18501832

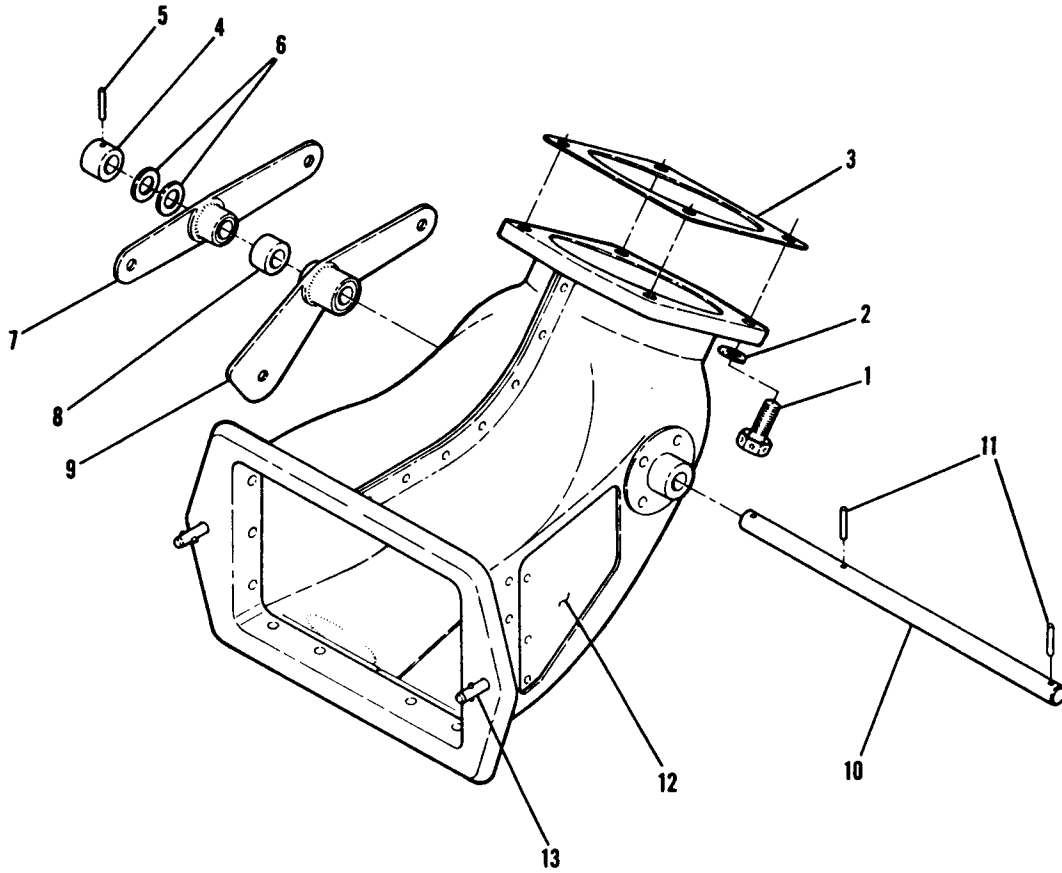
SERIAL 185-1301 THRU 18501832

SERIAL 185-0001 THRU 18501832

Figure 78. Induction System Air Box Assembly

FIGURE AND INDEX NO.	PART NUMBER	DESCRIPTION	UNITS PER ASSY	USABLE ON CODE
78 -	0750162-6	AIR BOX ASSEMBLY-INDUCTION SYSTEM -----	1	A
	0750162-7	AIR BOX ASSEMBLY-INDUCTION SYSTEM -----	1	C
	0750162-9	AIR BOX ASSEMBLY-INDUCTION SYSTEM -----	1	G
	0750162-10	AIR BOX ASSEMBLY-INDUCTION SYSTEM -----	1	H
		ATTACHING PARTS		
- 1	MS20074-04-4	BOLT -----	4	
- 2	0750131-1	WASHER -----	4	
- 3	0750175-1	GASKET -----	1	
		-----*		
- 4	0750111-19	ARM ASSEMBLY -----	1	D
- 4A	0750111-21	BOSS-SHAFT -----	1	E
		ATTACHING PARTS		
- 5	MS16562-16	PIN-ROLL -----	1	
		-----*		
- 6	0750173-1	SHAFT-VALVE -----	1	D
	0750173-2	SHAFT-BELLCRANK -----	1	E
- 6A	AN960-516	WASHER -----	2	F
- 6B	AN960-516	WASHER -----	1	H
- 7	0750163-4	BELLCRANK ASSEMBLY-THROTTLE CONTROL -----	1	F
- 7A	0750182-4	BELLCRANK ASSEMBLY-THROTTLE CONTROL -----	1	H
- 7B	0750207-1	STRIKER-MICRO SWITCH -----	1	B
	0750207-2	BRACKET-MICRO SWITCH -----	1	B
	0750207-3	BRACKET-MICRO SWITCH -----	1	F
- 8	0750164-5	BELLCRANK ASSEMBLY-MIXTURE CONTROL -----	1	F
- 8A	0750181-1	BELLCRANK ASSEMBLY-MIXTURE CONTROL -----	1	H
- 9	0750171-5	SPACER -----	1	
		ATTACHING PARTS		
-10	MS1652-16	PIN-ROLL -----	1	
		-----*		
-11	0750113-1	HOUSING ASSEMBLY -----	2	
-12	0750167-1	BUSHING -----	4	
-13	MS1850-3-320	STUD ALIC -----	1	
	MS1850-3-320	PIN -----	2	
	AN960-10L	WASHER -----	2	
-14	0750162-3	BRACE LH -----	1	
-15	0750162-4	BRACE RH -----	1	
-16	0750133-7	VALVE -----	1	D
-17	0750171-1	SPACER -----	1	F
-18	0750180-1	SPACER -----	2	H
-19	0750174-3	INLET ASSEMBLY-ALTERNATE AIR -----	1	
-20	0750179-8	DRAIN ASSEMBLY -----	1	
-21	0750171-1	SPACER -----	1	E
-22	AN960-516	WASHER .063 THICK -----	AR	E
	AN960-516L	WASHER .032 THICK -----	AR	E
	NAS70CL 328-563	WASHER .016 THICK -----	AR	E
		A---SERIAL 185-0001 THRU 185-0512		
		B---SERIAL 185-0513 THRU 185-1479		
		C---SERIAL 185-0513 THRU 185-1300		
		D---SERIAL 185-0001 THRU 185-1300		
		E---SERIAL 185-1301 THRU 18501832		
		F---SERIAL 185-0001 THRU 185-1479		
		G---SERIAL 185-1301 THRU 185-1479		
		H---SERIAL 185-1480 THRU 18501832		

Engine (Cont)

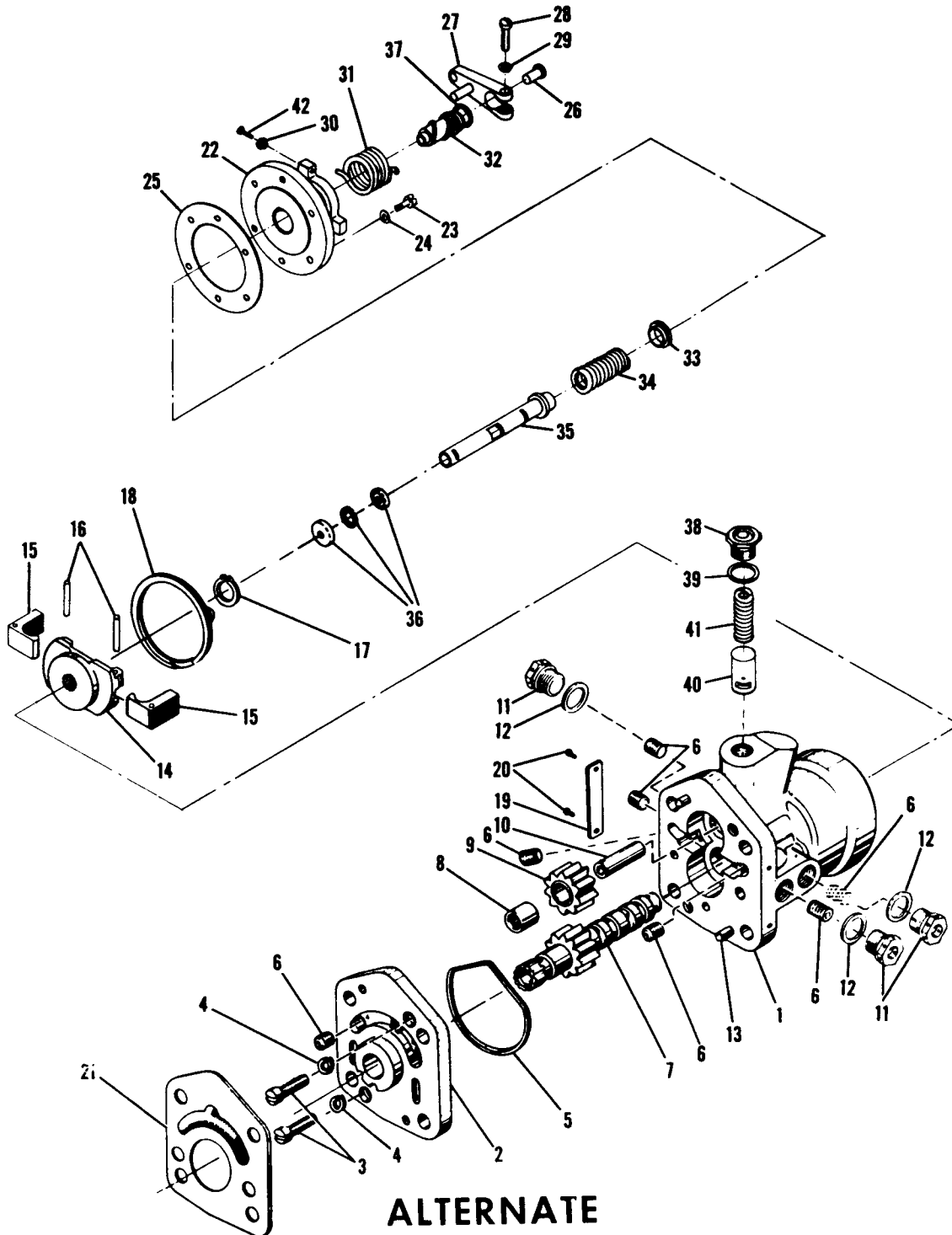


SERIAL 18501833 THRU 18502007,
18502026, 18502027

Figure 78A. Induction Air Box Assembly

FIGURE AND INDEX NO.	PART NUMBER	DESCRIPTION	UNITS PER ASSY	USABLE ON CODE
		1 2 3 4 5 6 7		
78A-	1650012-1	AIR BOX ASSEMBLY-INDUCTION ----- ATTACHING PARTS -----	1	A
- 1	MS20074-04-4	BOLT -----	4	
- 2	0750131-1	WASHER -----	4	
- 3	0750175-1	GASKET ----- -----*	1	
- 4	0750171-5	SPACER ----- ATTACHING PARTS -----	1	
- 5	MS16562-12	ROLL PIN ----- -----*	1	
- 6	NAS70CL 328-563	WASHER .016 THICK -----	AR	
	AN960-516L	WASHER .032 THICK -----	AR	
- 7	0750181-1	BELLCRANK-MIXTURE -----	1	
- 8	0750171-1	SPACER -----	1	
- 9	1650015-1	BELLCRANK-THROTTLE -----	1	
-10	1650014-2	SHAFT ----- ATTACHING PARTS -----	1	
-11	NAS561P6-12	ROLL PIN ----- -----*	2	
-12	1650019-8	DOOR ASSEMBLY-ALTERNATE AIR ----- ATTACHING PARTS -----	1	
	1650020-1	SPACER ----- -----*	1	
-13	W98293-3-320	STUD -----	2	
	S1893-4	PIN -----	2	
	AN960-10L	WASHER -----	2	
A---SERIAL 18501833 THRU 18502007, 18502026, 18502027				

Engine (cont)



ALTERNATE
SERIAL 18051184 THRU 18051993
SERIAL 185-0001 THRU 185-1149 (260 HP)

Figure 79. Propeller Governor Assembly

FIGURE AND INDEX NO.	PART NUMBER	DESCRIPTION	UNITS PER ASSY	USABLE ON CODE
		1 2 3 4 5 6 7		
79 -	0750101-61	GOVERNOR ASSEMBLY-PROPELLER ALT ORDER C161040-0103 ---	NP	A
- 1	210253	BODY-GOVERNOR WGV -----	1	
- 2	210259	BASE-GOVERNOR WGV -----	1	
		ATTACHING PARTS		
- 3	218036	SCREW WGV -----	2	
- 4	AN935-10	WASHER -----	2	
- 5	206336	O RING WGV -----	1	

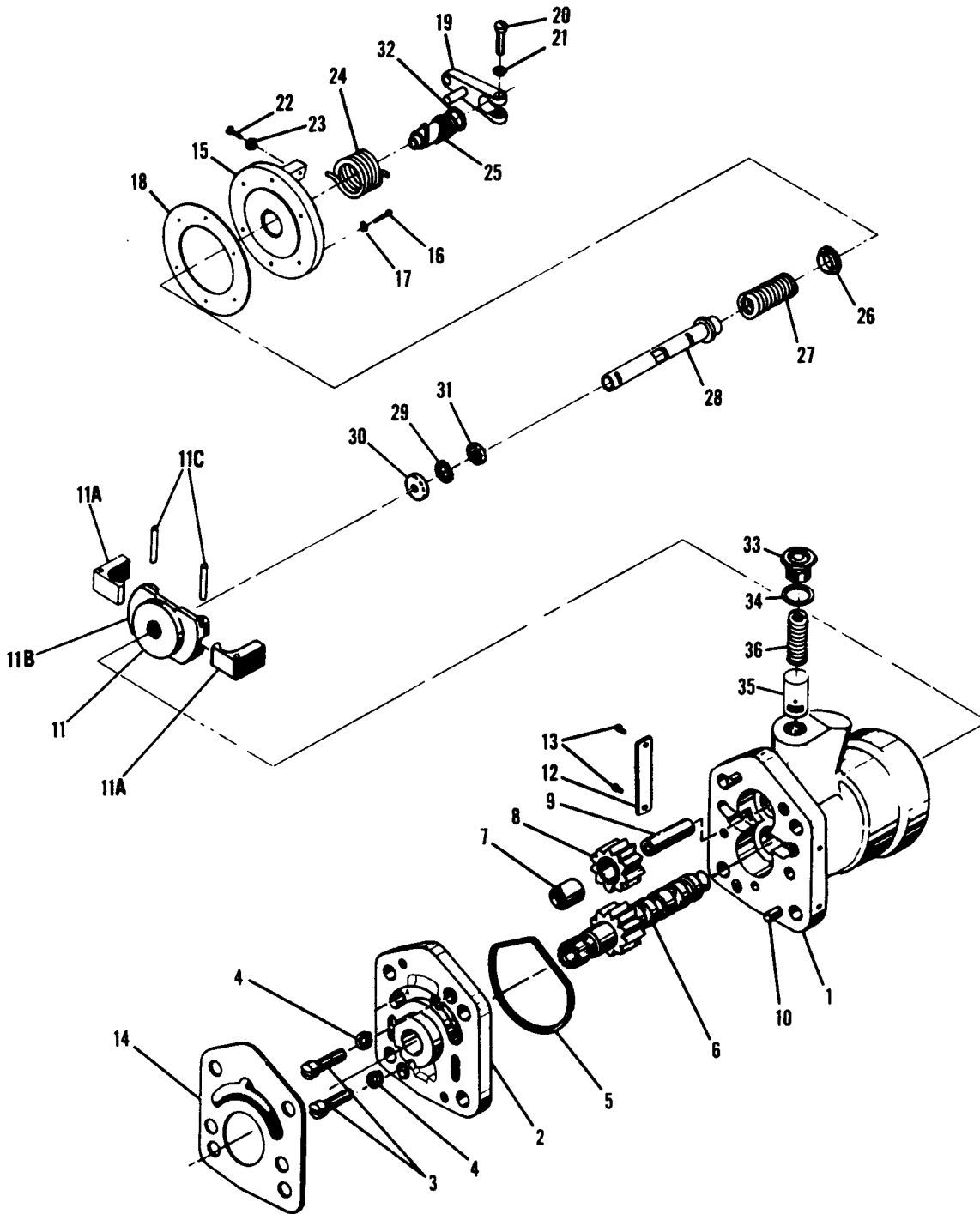
- 6	190734	PLUG-PIPE WGV -----	6	
- 7	210206	GEAR-PUMP DRIVE WGV -----	1	
- 8	210036	BEARING-NEEDLE WGV -----	1	
- 9	204864	GEAR-PUMP IDLER WGV -----	1	
-10	210031	STUD-IDLER GEAR WGV -----	1	
-11	210095	PLUG-SCREW TAPED WGV -----	3	
-12	190733	WASHER WGV -----	3	
-13	184793	PIN-DOWEL WGV -----	2	
-14	210207	HEAD-FLY WEIGHT WGV -----	1	
-15	210209	FLY WEIGHT WGV -----	1	
-16	210112	PIN-FLY WEIGHT WGV -----	2	
-17	190094	RING-RETAINING WGV -----	1	
-18	192103	RING-SPIROLOX RETAINING WGV -----	1	
-19	193385	NAMEPLATE WGV -----	1	
		ATTACHING PARTS		
-20	AN535-0-2	SCREW -----	2	

-21	MS100009	GASKET-MOUNTING -----	1	
-22	210272	COVER-GOVERNOR WGV -----	1	
		ATTACHING PARTS		
-23	AN503-8-10	SCREW -----	4	
-24	AN935-8L	WASHER -----	4	
-25	206337	GASKET-COVER WGV -----	1	

-26	210293	PLUG-SPEED ADJUSTMENT WGV -----	1	
-27	210039	LEVER ASSEMBLY-SPEED ADJUSTMENT WGV -----	1	
-28	188434	SCREW WGV -----	1	
-29	AN935-10	WASHER -----	1	
-30	188302	NUT WGV -----	1	
-31	191869	SPRING-LEVER CONTROL WGV -----	1	
-32	210100	SHAFT & WORM ASSEMBLY-SPEED ADJUSTMENT WGV -----	1	
-33	210214	SEAT-SPEEDER SPRING WGV -----	1	
-34	192528	SPRING-SPEEDER WGV -----	1	
-35	210269	PLUNGER ASSEMBLY-PILOT VALVE WGV -----	1	
-36	180231	BEARING-PILOT VALVE WGV -----	1	
-37	182684	O RING WGV -----	1	
-38	218446	PLUG-RELIEF VALVE WGV -----	1	
-39	186320	GASKET WGV -----	1	
-40	210257	PLUNGER-RELIEF VALVE WGV -----	1	
-41	192558	SPRING-RELIEF VALVE WGV -----	1	
-42	190576	SCREW WGV -----	1	

A---SERIAL 18051184 THRU 18051993
SERIAL 185-0001 THRU 185-1149 260 HP

Engine (Cont)



SERIAL 18051184 THRU 18052384
SERIAL 185-0001 THRU 185-1149 (260 HP)

Figure 79A. Propeller Governor Assembly

FIGURE AND INDEX NO.	PART NUMBER	DESCRIPTION	UNITS PER ASSY	USABLE ON CODE
		1 2 3 4 5 6 7		
79A-	C161040-0103 *	GOVERNOR ASSEMBLY-PROPELLER -----	1	A
- 1	210253	BODY-GOVERNOR WGV -----	1	
- 2	213214	BASE-GOVERNOR WGV -----	1	
		ATTACHING PARTS -----		
- 3	189744	SCREW WGV -----	2	
- 4	218547	WASHER WGV -----	2	
- 5	206336	GASKET-BASE WGV -----	1	

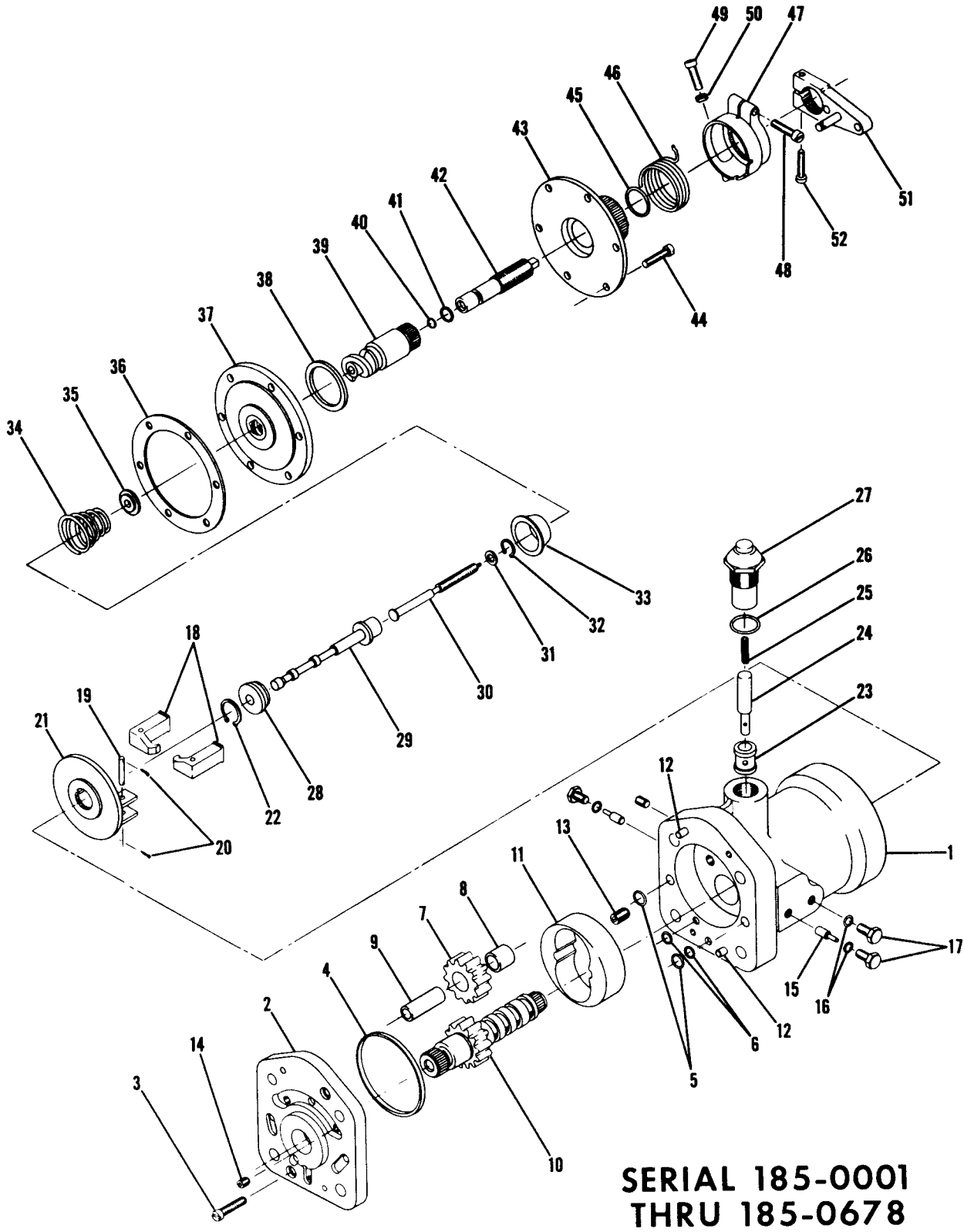
- 6	210396	GEAR-PUMP DRIVE WGV -----	1	
- 7	210036	BEARING-NEEDLE WGV -----	1	
- 8	204864	GEAR-PUMP IDLER WGV -----	1	
- 9	210031	STUD-IDLER GEAR WGB -----	1	
-10	210261	PIN-DOWEL WGV -----	2	
-11	210382	HEAD ASSEMBLY-FLYWEIGHT WGV -----	1	
-11A	196195	FLYWEIGHT -----	2	
-11B	210393	HEAD-FLYWEIGHT WGV -----	1	
	210394	KEEPER -----	1	
-11C	214202	PIN-FLYWEIGHT -----	2	
-12	193385	NAMEPLATE WGV -----	1	
		ATTACHING PARTS -----		
-13	189574	DRIVE PIN WGV -----	2	

-14	MS100009	GASKET-MOUNTING -----	1	
-15	210399	COVER-GOVERNOR WGB -----	1	
		ATTACHING PARTS -----		
-16	189482	SCREW WGB -----	6	
-17	189739	WASHER WGV -----	6	
-18	206337	GASKET-COVER WGV -----	1	

-19	210039	LEVER ASSEMBLY-SPEED ADJUSTMENT WGV -----	1	
		ATTACHING PARTS -----		
-20	188434	SCREW WGV -----	1	
-21	188141	WASHER WGV -----	1	

-22	218537	SCREW-STOP WGV -----	1	
-23	188302	NUT WGB -----	1	
-24	191869	SPRING-LEVER RETURN WGV -----	1	
-25	213232	SHAFT-SPEED ADJUSTMENT WGB -----	1	
-26	210326	SEAT-SPEEDER SPRING WGV -----	1	
-27	192709	SPRING-SPEEDER WGV -----	1	
-28	210398	PLUNGER ASSEMBLY-PILOT -----	1	
-29	180231	BEARING-PILOT VALVE WGV -----	1	
-30	213200	RACE-PILOT VALVE BEARING LOWER WGV -----	1	
-31	210216	RACE-PILOT VALVE BEARING UPPER WGV -----	1	
-32	182747	O RING WGV -----	1	
-33	218446	PLUG-RELIEF VALVE WGV -----	1	
-34	186320	GASKET WGV -----	1	
-35	210257	PLUNGER-RELIEF VALVE WGB -----	1	
-36	192558	SPRING-RELIEF VALVE WGV -----	1	
<p>NOTE. *WHEN THIS GOVERNOR REPLACES 0750203-1 HOOF GOVERNOR ON MODEL 185 ALSO ORDER ONE EACH 0750138 ARM, AN3-5A BOLT & MS20365-1032C NUT.</p> <p>A---SERIAL 18051184 THRU 18052384 SERIAL 185-0001 THRU 185-1149 260 HP</p>				

Engine (Cont)



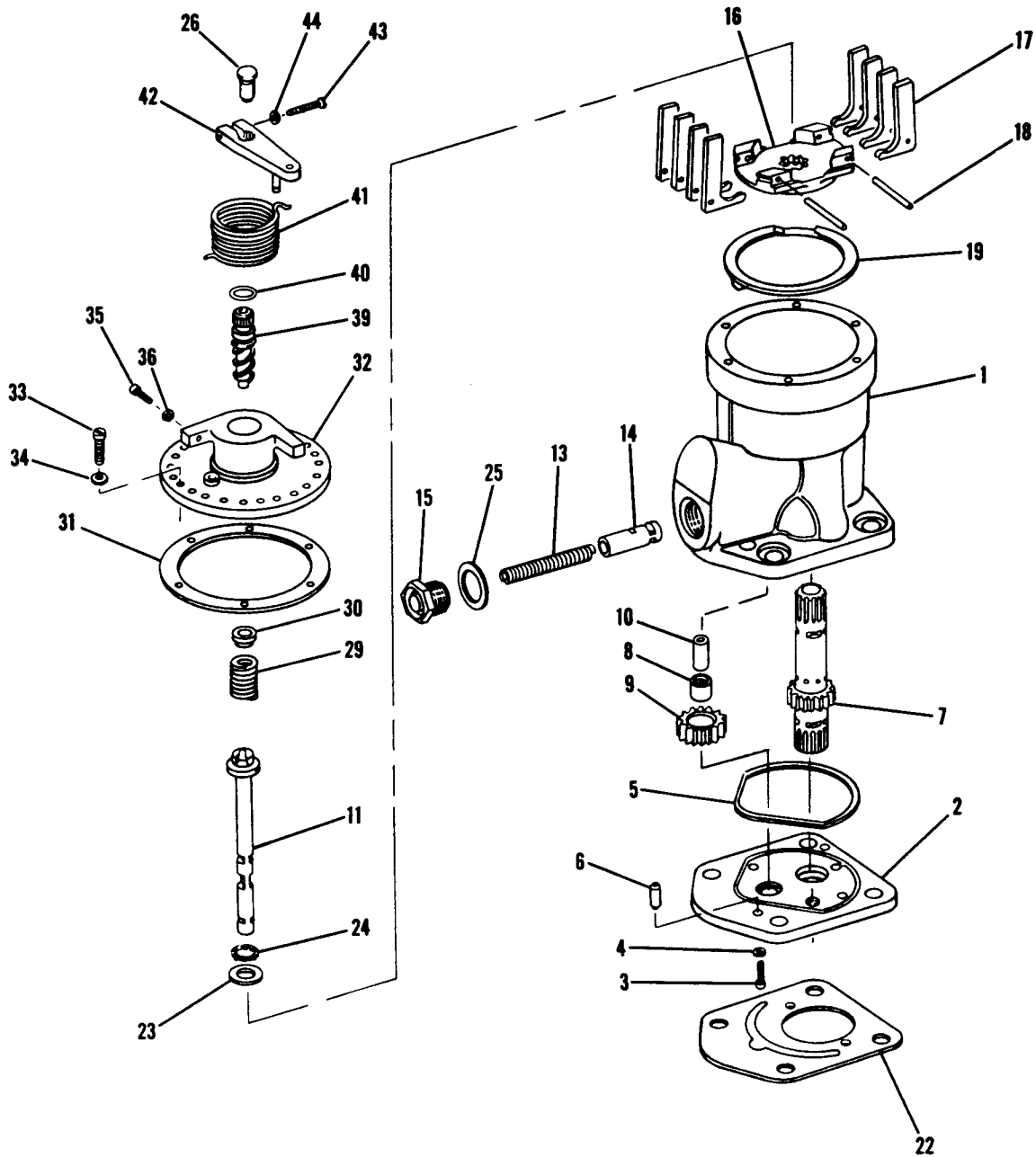
**SERIAL 185-0001
THRU 185-0678**

Figure 80. Propeller Governor Assembly - Hoof

FIGURE AND INDEX NO.	PART NUMBER	DESCRIPTION	UNITS PER ASSY	USABLE ON CODE
80 -	0750203-1	GOVERNOR ASSEMBLY-PROPELLER HOOF WHEN EXHAUSTED USE --- C161040-0103 OR 0550227-2 SEE FIGURES 79A & 81	1	A
- 1	1101-1	BODY-GOVERNOR HFP -----	1	
- 2	1101-3	COVER-PUMP HOUSING HFP -----	1	
		ATTACHING PARTS		
- 3	1114-6	SCREW HFP -----	2	
		*-----		
- 4	MS28775-136	O RING HFP -----	1	
- 5	MS28775-009	O RING HFP -----	2	
- 6	MS28775-008	O RING HFP -----	2	
- 7	1171-2	GEAR-IDLER HFP -----	1	
- 8	1133-3	BEARING-IDLER GEAR HFP -----	1	
- 9	1151-1	STUD-IDLER GEAR HFP -----	1	
-10	1171-9	GEAR-DRIVE HFP -----	1	
-11	1101-4	SEAL-RING HFP -----	1	
-12	1132-3	PIN-DOWEL HFP -----	2	
-13	1140-7	PLUG-PIPE HFP -----	2	
-14	1140-9	PLUG-PIPE HFP -----	1	
-15	1140-3	PLUG-BY PASS HFP -----	1	
-16	MS28775-10	O RING HFP -----	4	
-17	1140-5	PLUG HFP -----	4	
-18	1173-1	FLY WEIGHT HFP -----	2	
-19	1132-1	PIN-FLYWEIGHT HFP -----	2	
		ATTACHING PARTS		
-20	1132-5	PIN-COTTER HFP -----	2	
		*-----		
-21	1231-1	DISC-GOVERNOR DRIVE HFP -----	1	
-22	1165-2	RING-RETAINING HFP -----	1	
-23	1230-1	SEAT HFP -----	1	
-24	1226-3	PISTON HFP -----	1	
-25	1110-4	SPRING-RELIEF VALVE HFP -----	1	
-26	MS28775-014	O RING HFP -----	1	
-27	1140-2	PLUG-RELIEF VALVE HFP -----	1	
-28	1133-4	BEARING-THRUST HFP -----	1	
-29	1226-4	SPOOL HFP -----	1	
-30	1127-2	SHAFT-LIFTING HFP -----	1	
-31	1117-3	WASHER-SPOOL HFP -----	1	
-32	1165-3	RING-RETAINING HFP -----	1	
-33	1131-2	CUP-SPOOL HFP -----	1	
-34	1110-9	SPRING-CONICAL HFP -----	1	
-35	1103-1	END CAP-SPRING HFP -----	1	
-36	1107-1	GASKET-COVER HFP -----	1	
-37	1066-2	NUT-FLANGE HFP -----	1	
-38	MS28775-023	O RING -----	1	
-39	1127-4	SHAFT-CONTROL HFP -----	1	
-40	1106-1	O RING HFP -----	1	
-41	MS28775-008	O RING HFP -----	1	
-42	1104-7	SHAFT-ADJUSTING HFP -----	1	
-43	1104-2	COVER-GOVERNOR ASSEMBLY HFP -----	1	
		ATTACHING PARTS		
-44	AN500A10-10	SCREW HFP -----	6	
		*-----		
-45	MS28775-016	O RING HFP -----	1	
-46	1110-1	SPRING-TORSION HFP -----	1	
-47	1232-4	STOP-TRAVEL HFP -----	1	
		ATTACHING PARTS		
-48	1114-4	SCREW HFP -----	1	
		*-----		
-49	1114-7	SCREW-STOP HFP -----	1	
-50	1115-1	NUT-LOCK HFP -----	1	
-51	1104-4	LEVER-CONTROL HFP -----	1	
		ATTACHING PARTS		
-52	1114-2	SCREW HFP -----	1	
		*-----		

A---SERIAL 185-0001 THRU 185-0678

Engine (Cont)



ALTERNATE
SERIAL 18051184 THRU 18052384
SERIAL 185-0001 THRU 185-1149 (260 HP)

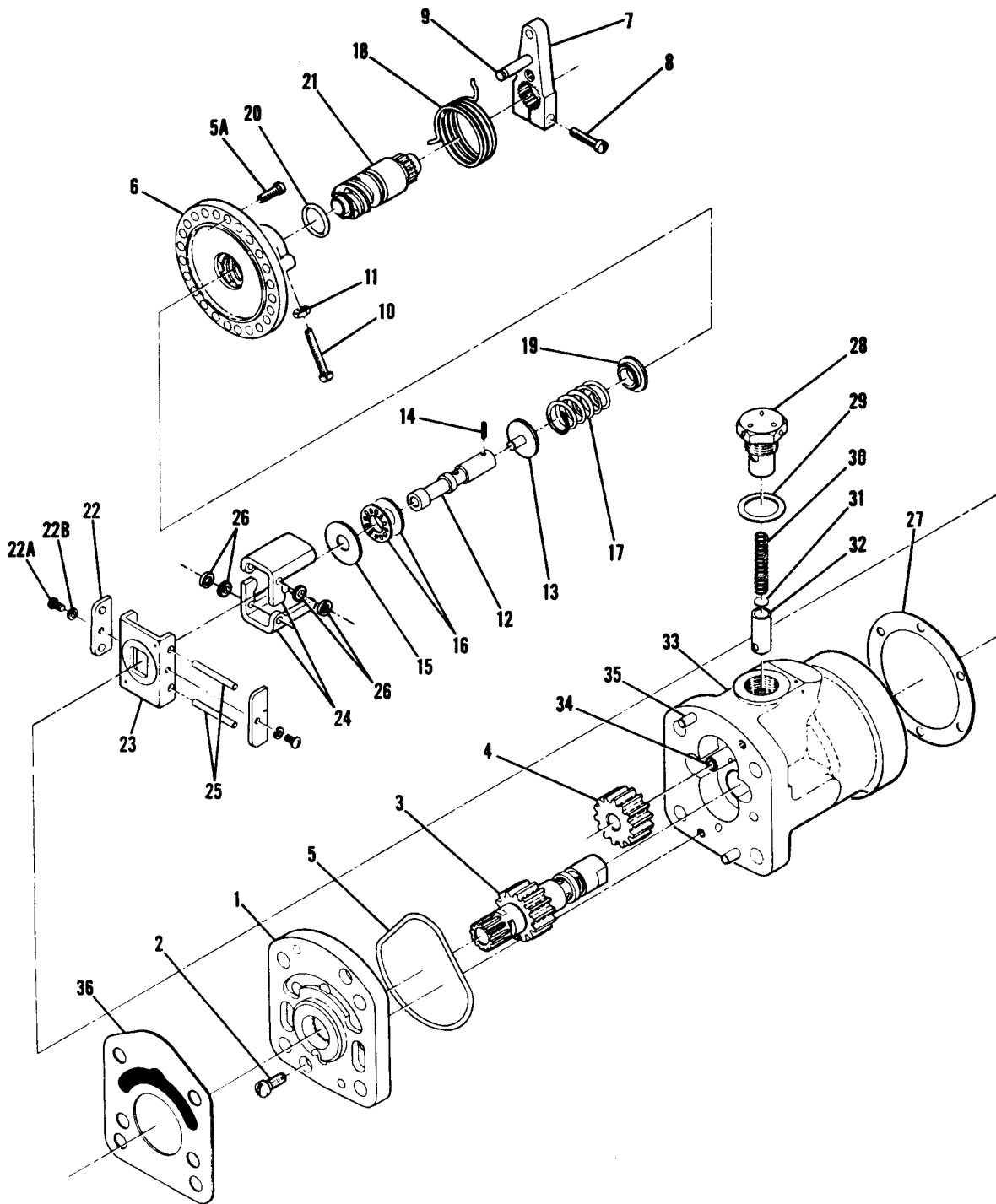
Figure 81. Propeller Governor Assembly-Garwin

FIGURE AND INDEX NO.	PART NUMBER	DESCRIPTION	UNITS PER ASSY							USABLE ON CODE
			1	2	3	4	5	6	7	
81 -	0550227-2 *	GOVERNOR ASSEMBLY-PROPELLER GARWIN ALTERNATE -----	1							A
- 1	34-828-1	BODY GARW -----	1							
- 2	34-828-2	BASE GARW -----	1							
		ATTACHING PARTS								
- 3	AN500-8-8	SCREW -----	2							
- 4	AN936A8	WASHER -----	2							
- 5	34-828-27	GASKET GARW -----	1							
		-----*								
- 6	34-828-34	PIN-DOWEL GARW OVERSIZE -----	2							
- 7	34-828-15	GEAR-DRIVE GARW -----	1							
- 8	G859	BEARING TOR -----	1							
- 9	34-828-19	GEAR-PUMP IDLER GARW -----	1							
-10	34-828-7	STUD-IDLER GEAR -----	1							
-11	34-831-905	VALVE-PILOT PRESSURE TO INCREASE PITCH -----	1							
-12		DELETED-NEVER USED -----								
-13	34-828-20	SPRING-RELIEF VALVE GARW -----	1							
-14	34-828-11	PLUNGER-RELIEF VALVE GARW -----	1							
-15	34-828-24	PLUG GARW -----	1							
-16	34-828-14	BASE-FLY WEIGHT HEAD GARW -----	1							
-17	34-828-9	FLY WEIGHT -----	8							
		ATTACHING PARTS								
-18	81316	PIN-DOWEL TOR -----	2							
		-----*								
-19	34-828-26	RING-SNAP GARW -----	1							
-20		DELETED NOT PROCURABLE -----								
-21		DELETED NOT PROCURABLE -----								
-22	MS100009	GASKET -----	1							
-23	34-828-12	RACE-BEARING GARW -----	1							
-24	R5673	BEARING NICE -----	1							
-25	34-828-25	WASHER-FLAT GARW -----	1							
-26	34-828-31	PLUG GARW -----	1							
-27		DELETED AVAILABLE IN 34-831-905 ASSEMBLY ONLY -----								
-28		DELETED AVAILABLE IN 34-831-905 ASSEMBLY ONLY -----								
-29	34-828-8	SPRING-SPEEDER GARW -----	1							
-30	34-828-10	SEAT-SPEEDER SPRING UPPER GARW -----	1							
-31	34-828-28	SEAL-COVER GARW -----	1							
-32	34-828-903	COVER ASSEMBLY GARW -----	1							
		ATTACHING PARTS								
-33	AN503-8-10	SCREW -----	6							
-34	AN935-8L	WASHER-LOCK -----	6							
		-----*								
-35	AN503-8-16	SCREW -----	1							
-36	AN340-8	NUT -----	1							
-37		DELETED OFFERED IN ASSEMBLY ONLY -----								
-38		DELETED OFFERED IN ASSEMBLY ONLY -----								
-39	34-828-907	SHAFT & GEAR ASSEMBLY GARW -----	1							
-40	AN622789	O RING -----	1							
-41	34-828-13	SPRING-CONTROL LEVER GARW -----	1							
-42	34-828-902	LEVER ASSEMBLY GARW -----	1							
-43	AN502-10-14	SCREW -----	1							
-44	AN935-10L	WASHER -----	1							

NOTE. *WHEN ORDERING THIS PART FOR AIRPLANES ON WHICH THIS PART REPLACES 0750203-1 HOOF GOVERNOR, ORDER UNDER PART NUMBER 0750165-200 GOVERNOR & BRACKET ASSEMBLY.

A---SERIAL 18051184 THRU 18052384
SERIAL 185-0001 THRU 185-1149 260 HP

Engine (Cont)



ALTERNATE
SERIAL 18051313 THRU 18052384
SERIAL 185-0001 THRU 185-1149 (260 HP)

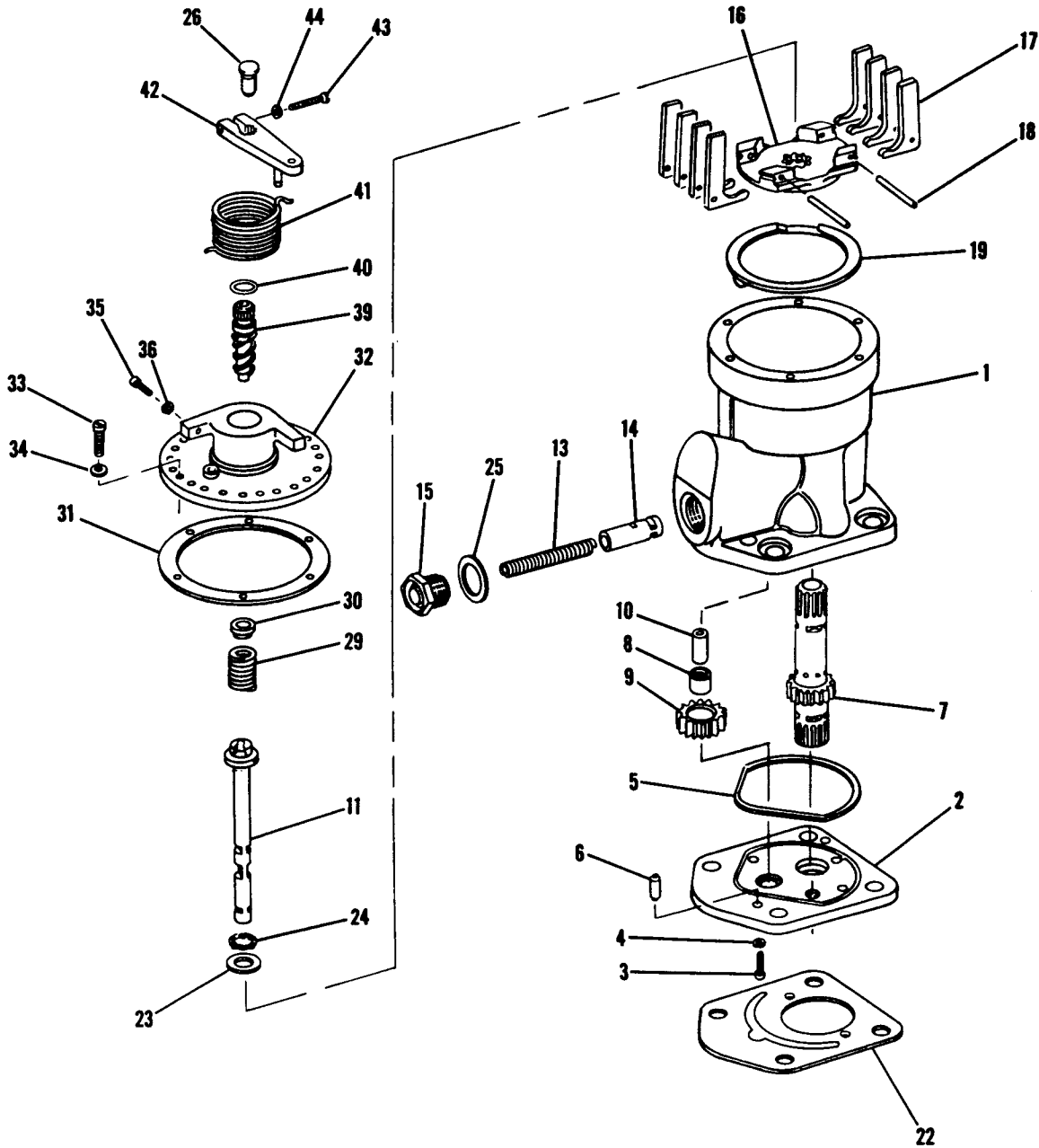
Figure 81A. Governor Assembly

FIGURE AND INDEX NO.	PART NUMBER	DESCRIPTION	UNITS PER ASSY	USABLE ON CODE	
81A-	C161030-0102	GOVERNOR ASSEMBLY	1	A	
	C161031-0101 *	GOVERNOR ASSEMBLY	1	A	
	C20057	COVER-PUMP HOUSING	1		
	- 1		ATTACHING PARTS		
	- 2	AN500A10-8	SCREW	2	
	- 3	C20073	GEAR-DRIVE MCL	1	
	- 4	A20107	GEAR ASSY-IDLER MCL	1	
	- 5	A1633-36	O RING MCL	1	
		B20085-1	HEAD ASSEMBLY-CONTROL MCL	1	
			ATTACHING PARTS		
	- 5A	AN503-8-8	SCREW	6	
	- 6	B20055	HOUSING ASSEMBLY-COVER MCL	1	
	- 7	A20199	LEVER ASSEMBLY-CONTROL MCL	1	
			ATTACHING PARTS		
	- 8	AN503-8-12	SCREW	1	
	- 9	A20034	PIN-TORSION SPRING MCL	2	
	-10	AN503-8-12	SCREW	2	
	-11	AN340-8	NUT	1	
		A20266	PILOT SPOOL & END FITTING ASSEMBLY MCL	1	
	-12	B20066	SPOOL-PILOT MCL	1	
	-13	A20265	END FITTING-SPOOL MCL	1	
			ATTACHING PARTS		
	-14	A3150-8	ROLL PIN MCL	1	
	-15	A20071	RACE-BEARING MCL	1	
	-16	A20086	BEARING-THRUST MCL	1	
	-17	A20069-1	SPRING-SPEEDER MCL	1	
	-18	B20040	SPRING-TORSIONAL MCL	1	
	-19	A20068	SEAT-SPRING	1	
	-20	MS28775-113	O RING MCL	1	
	-21	C20075	SHAFT-CONTROL MCL	1	
		A20084E	DRIVE DISC & FLYWEIGHT ASSEMBLY MCL	1	
	-22	A20238	RETAINER-FLYWEIGHT PIN	2	
			ATTACHING PARTS		
	-22A	AN500A8-4	SCREW	1	
	-22B	AN960-8	WASHER	1	
	-23	A20063B	DISC-DRIVE MCL	1	
-24	A20064A	FLYWEIGHT MCL	2		
		ATTACHING PARTS			
-25	A20239	PIN-FLYWEIGHT MCL	1		
-26	A20072A	SPACER-FLYWEIGHT MCL	2		
-27	A20022	GASKET-COVER MCL	1		
-28	B20076	PLUG-RELIEF VALVE MCL	1		
-29	A20078	WASHER MCL	1		
-30	A20079	SPRING-PRESSURE RELIEF MCL	1	AR	
-31	A20081	SHIM-PRESSURE RELIEF MCL	1		
-32	B20077	PISTON MCL	1		
-33	B20082	BODY ASSEMBLY-GOVERNOR MCL	1		
-34	A20026	STUD-IDLER GEAR MCL	1		
-35	A20027	PIN-DOWEL MCL	2		
-36	MS100009	GASKET-MOUNTING	1		

NOTE. *PARTS BREAKDOWN SHOWN ON THIS FIGURE IS NOT APPLICABLE TO C161031-0101. SEE APPLICABLE MCCAULEY MANUAL FOR PARTS BREAKDOWN OF THIS ASSEMBLY.

A---SERIAL 18051313 THRU 18052384
SERIAL 185-0001 THRU 185-1149 260 HP

Engine (Cont)



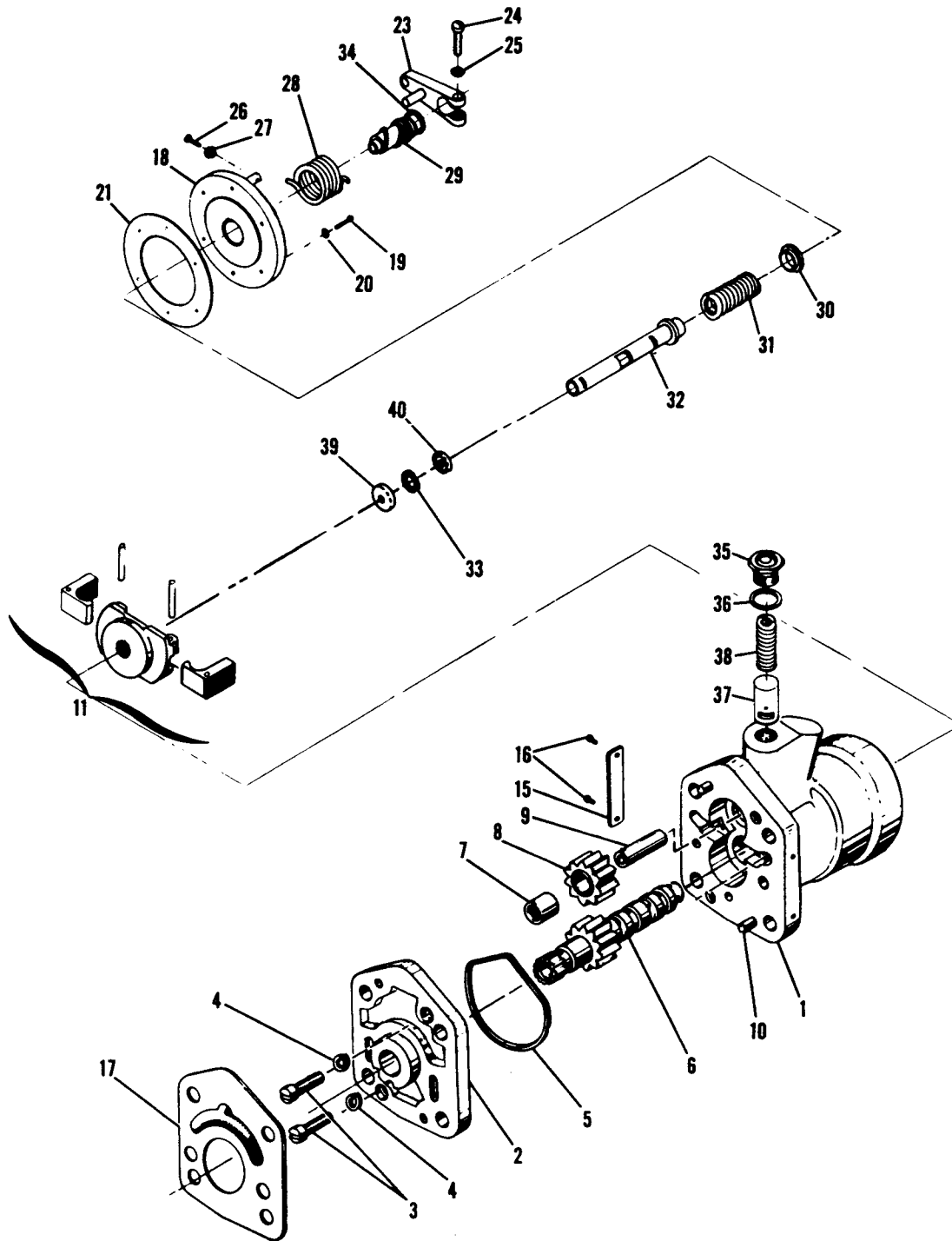
SERIAL 185-0968 THRU 18502310 (300 HP)

Figure 81B. Propeller Governor Assembly-Garwin

FIGURE AND INDEX NO.	PART NUMBER	DESCRIPTION							UNITS PER ASSY	USABLE ON CODE
		1	2	3	4	5	6	7		
818-	0550227-4	GOVERNOR ASSEMBLY-PROPELLER GARWIN -----							1	A
- 1	34-828-1	BODY GARW -----							1	
- 2	34-828-2	BASE GARW -----							1	
		ATTACHING PARTS -----								
- 3	AN500-8-8	SCREW -----							2	
- 4	AN936A8	WASHER -----							2	
- 5	34-828-27	GASKET GARW -----							1	
		-----*								
- 6	34-828-34	PIN-DOWEL GARW OVERSIZE -----							2	
- 7	34-828-15	GEAR-DRIVE GARW -----							1	
- 8	G859	BEARING TOR -----							1	
- 9	34-828-19	GEAR-PUMP IDLER GARW -----							1	
-10	34-828-7	STUD-IDLER GEAR -----							1	
-11	34-831-905	VALVE-PILOT PRESSURE TO INCREASE PITCH -----							1	
-12		DELETED, NEVER USED -----								
-13	34-828-20	SPRING-RELIEF VALVE GARW -----							1	
-14	34-828-11	PLUNGER-RELIEF VALVE GARW -----							1	
-15	34-828-24	PLUG GARW -----							1	
-16	34-828-14	BASE-FLY WEIGHT HEAD GARW -----							1	
-17	34-828-9	FLY WEIGHT -----							8	
		ATTACHING PARTS -----								
-18	B1316	PIN-DOWEL TOR -----							2	
		-----*								
-19	34-828-26	RING-SNAP GARW -----							1	
-20		DELETED NOT PROCURABLE -----								
-21		DELETED NOT PROCURABLE -----								
-22	MS100009	GASKET -----							1	
-23	34-828-12	RACE-BEARING GARW -----							1	
-24	R5673	BEARING NICE -----							1	
-25	34-828-25	WASHER-FLAT GARW -----							1	
-26	34-828-31	PLUG GARW -----							1	
-27		DELETED AVAILABLE IN 34-831-905 ASSEMBLY ONLY -----								
-28		DELETED AVAILABLE IN 34-831-905 ASSEMBLY ONLY -----								
-29	34-828-8	SPRING-SPEEDER GARW -----							1	
-30	34-828-10	SEAT-SPEEDER SPRING UPPER GARW -----							1	
-31	34-828-28	SEAL-COVER GARW -----							1	
-32	34-828-903	COVER ASSEMBLY GARW -----							1	
		ATTACHING PARTS -----								
-33	AN503-8-10	SCREW -----							6	
-34	AN935-8L	WASHER-LOCK -----							6	
		-----*								
-35	AN503-8-16	SCREW -----							1	
-36	AN340-8	NUT -----							1	
-37		DELETED NOT PROCURABLE -----								
-38		DELETED NOT PROCURABLE -----								
-39	34-828-907	SHAFT & GEAR ASSEMBLY GARW -----							1	
-40	AN622789	O RING -----							1	
-41	34-828-13	SPRING-CONTROL LEVER GARW -----							1	
-42	34-828-902	LEVER ASSEMBLY GARW -----							1	
-43	AN502-10-14	SCREW -----							1	
-44	AN935-10L	WASHER -----							1	

A---SERIAL 185-0968 THRU 18502310 300 HP ONLY

Engine (Cont)



ALTERNATE
SERIAL 185-0968 THRU 18502310 (300 HP)

Figure 81C. Propeller Governor Assembly

FIGURE AND INDEX NO.	PART NUMBER	DESCRIPTION	UNITS PER ASSY	USABLE ON CODE
		1 2 3 4 5 6 7		
81C-	C161040-0107	GOVERNOR ASSEMBLY-PROPELLER ALTERNATE -----	1	A
- 1	210253	BODY-GOVERNOR WGV -----	1	
- 2	213214	BASE-GOVERNOR WGV -----	1	
		ATTACHING PARTS -----		
- 3	189744	SCREW WGV -----	2	
- 4	218547	WASHER WGV -----	2	
- 5	206336	O RING WGV -----	1	

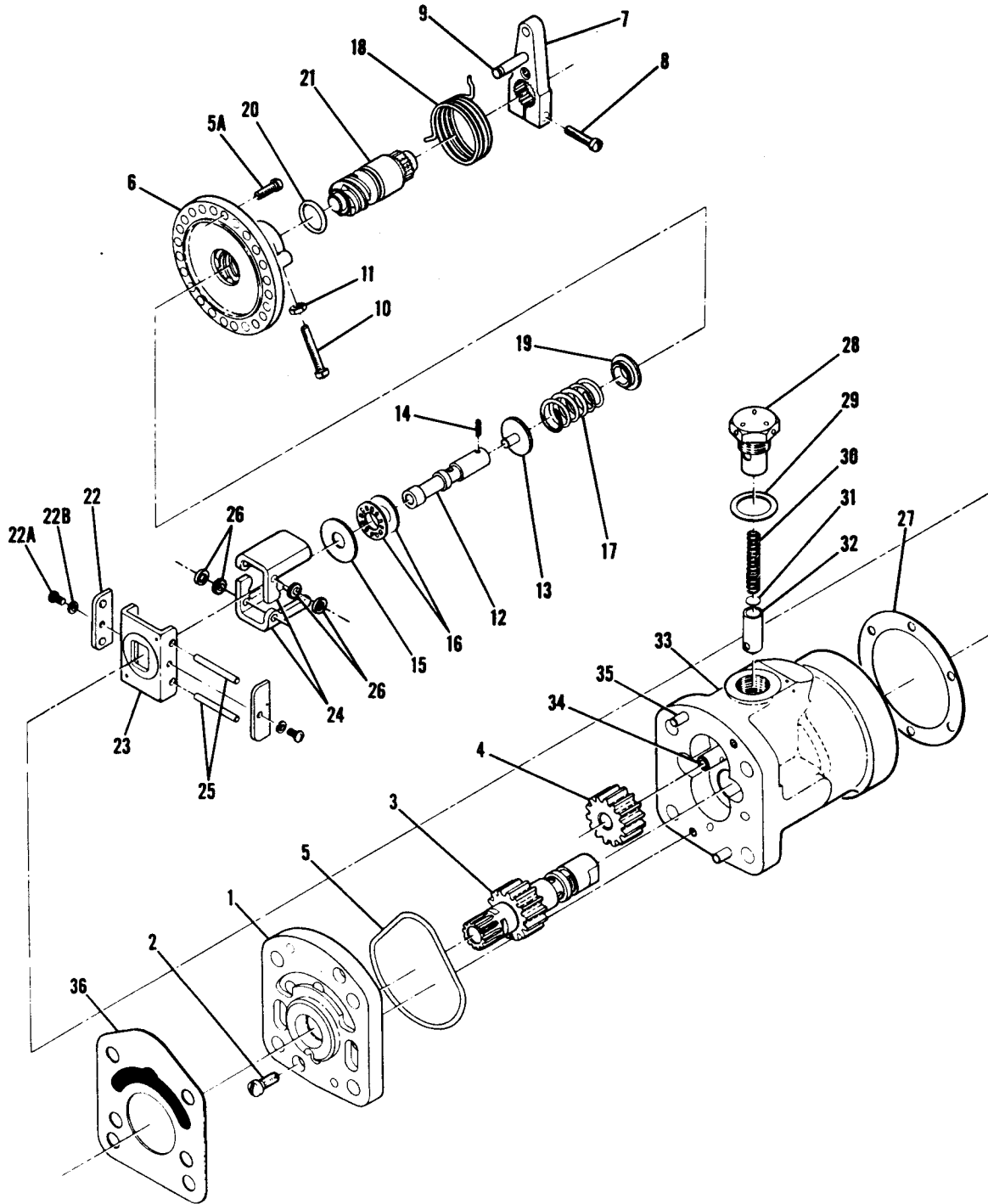
- 6	210396	GEAR-PUMP DRIVE WGV -----	1	
- 7	210036	BEARING-NEEDLE WGV -----	1	
- 8	204864	GEAR-PUMP IDLER WGV -----	1	
- 9	210031	STUD-IDLER GEAR WGV -----	1	
-10	210261	PIN-DOWELL WGV -----	2	
-11	5021-002	HEAD ASSEMBLY-FLYWEIGHT WGV -----	1	
-12		DELETED, NOT AVAILABLE -----		
-13		DELETED, NOT AVAILABLE -----		
-14		DELETED, NOT AVAILABLE -----		
-15	193385	NAMEPLATE WGV -----	1	
		ATTACHING PARTS -----		
-16	189574	PIN-DRIVE WGV -----	2	

-17	MS100009	GASKET-MOUNTING -----	1	
-18	210399	COVER-GOVERNOR WGV -----	1	
		ATTACHING PARTS -----		
-19	189482	SCREW WGV -----	4	
-20	189739	WASHER WGV -----	4	
-21	206337	GASKET COVER WGV -----	1	

-22		DELETED, NEVER USED -----		
-23	210039	LEVER ASSEMBLY-SPEED ADJUSTMENT WGV -----	1	
-24	188434	SCREW WGV -----	1	
-25	188141	WASHER WGV -----	1	
-26	218537	SCREW WGV -----	1	
-27	188302	NUT WGV -----	1	
-28	191869	SPRING-LEVER CONTROL WGV -----	1	
-29	213232	SHAFT & WORM ASSEMBLY-SPEED ADJUSTMENT WGV -----	1	
-30	210326	SEAT-SPEEDER SPRING WGV -----	1	
-31	192707	SPRING-SPEEDER WGV -----	1	
-32	210398	PLUNGER ASSEMBLY-PILOT VALVE WGV -----	1	
-33	180231	BEARING-PILOT VALVE WGV -----	1	
-34	182747	O RING WGV -----	1	
-35	218446	PLUG-RELIEF VALVE WGV -----	1	
-36	186320	GASKET WGV -----	1	
-37	210257	PLUNGER-RELIEF VALVE WGV -----	1	
-38	192558	SPRING RELIEF VALVE WGV -----	1	
-39	213200	RACE-PILOT VALVE BEARING LOWER WGV -----	1	
-40	210216	RACE-PILOT VALVE BEARING UPPER WGV -----	1	

A---SERIAL 185-0968 THRU 18502310 300 HP ONLY

Engine (Cont)



ALTERNATE
SERIAL 185-0968 THRU 18502310 (300 HP)

Figure 81D. Governor Assembly

FIGURE AND INDEX NO.	PART NUMBER	DESCRIPTION	UNITS PER ASSY	USABLE ON CODE
		1 2 3 4 5 6 7		
81D-	C161030-0107	GOVERNOR ASSEMBLY	1	A
	C161031-0104 *	GOVERNOR ASSEMBLY ALTERNATE WEU C161031-0104 -----	1	A
	C20057	GOVERNOR ASSEMBLY MCCAULEY C290D3/T9 -----	1	
- 1		COVER-PUMP HOUSING MCL -----	1	
		ATTACHING PARTS -----		
- 2	AN500A10-8	SCREW -----	2	

- 3	C20073	GEAR-DRIVE MCL -----	1	
- 4	A20107	GEAR ASSEMBLY-IDLER MCL -----	1	
- 5	A1633-36	O RING MCL -----	1	
	B20085-4	HEAD ASSEMBLY-CONTROL MCL -----	1	
		ATTACHING PARTS -----		
- 5A	AN503-8-8	SCREW -----	6	

- 6	B20055	HOUSING ASSEMBLY-COVER MCL -----	1	
- 7	A20199	LEVER ASSEMBLY-CONTROL MCL -----	1	
		ATTACHING PARTS -----		
- 8	AN503-8-12	SCREW -----	1	

- 9	A20034	PIN-TORSION SPRING MCL -----	1	
-10	AN503-8-12	SCREW -----	2	
-11	AN340-8	NUT -----	1	
	A20266	PILOT SPOOL & END FITTING ASSEMBLY MCL -----	1	
-12	B20066	SPOOL-PILOT MCL -----	1	
-13	A20265	END FITTING-SPOOL MCL -----	1	
		ATTACHING PARTS -----		
-14	A3150-8	ROLL PIN MCL -----	1	

-15	A20071	RACE-BEARING MCL -----	1	
-16	A20086	BEARING-THRUST MCL -----	1	
-17	A20069-4	SPRING-SPEEDER MCL -----	1	
-18	B20040	SPRING-TORSIONAL MCL -----	1	
-19	A20068	SEAT-SPRING -----	1	
-20	MS28775-113	O RING MCL -----	1	
-21	C20075	SHAFT-CONTROL MCL -----	1	
-22	A20084E	DRIVE DISC & FLYWEIGHT ASSEMBLY MCL -----	1	
	A20238	RETAINER-FLYWEIGHT PIN -----	2	
		ATTACHING PARTS -----		
-22A	AN500A8-4	SCREW -----	1	
-22B	AN960-8	WASHER -----	1	

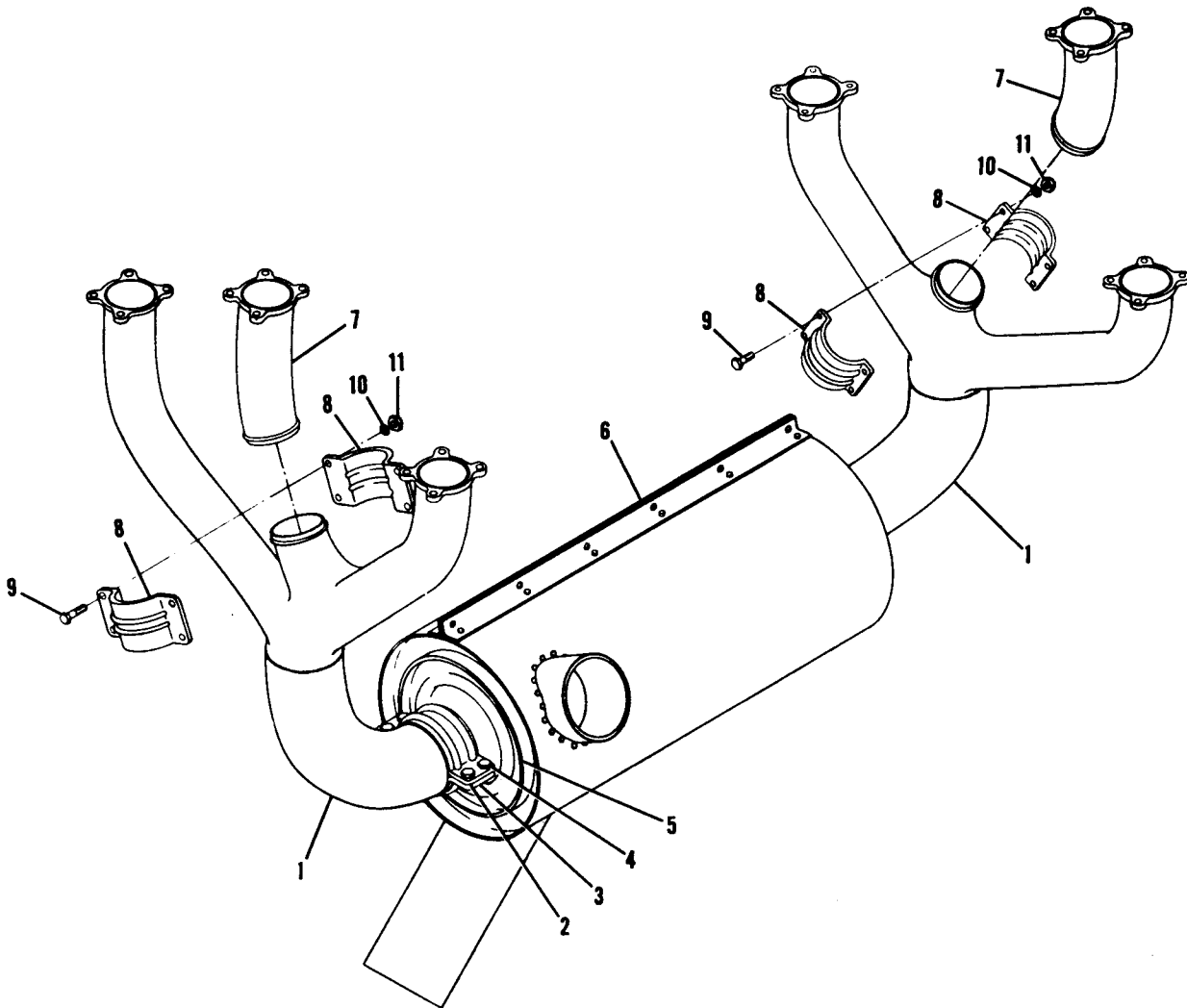
-23	A200638	DISC-DRIVE MCL -----	1	
-24	A20064A	FLYWEIGHT MCL -----	2	
		ATTACHING PARTS -----		
-25	A20239	PIN-FLYWEIGHT MCL -----	1	
-26	A20072A	SPACER-FLYWEIGHT MCL -----	2	

-27	A20022	GASKET-COVER MCL -----	1	
-28	B20076	PLUG-RELIEF VALVE MCL -----	1	
-29	A20078	WASHER MCL -----	1	
-30	A20079	SPRING-PRESSURE RELIEF MCL -----	1	
-31	A20081	SHIM-PRESSURE RELIEF MCL -----	AR	
-32	B20077	PISTON MCL -----	1	
-33	B20082	BODY ASSEMBLY-GOVERNOR MCL -----	1	
-34	A20026	STUD-IDLER GEAR MCL -----	1	
-35	A20027	PIN-DOWEL MCL -----	2	
-36	MS100009	GASKET-MOUNTING -----	1	

NOTE. *PARTS BREAKDOWN SHOWN ON THIS FIGURE IS NOT APPLICABLE TO C161031-0104. SEE APPLICABLE MCCAULEY MANUAL FOR PARTS BREAKDOWN OF THIS ASSEMBLY.

A---SERIAL 185-0968 THRU 18502310 300 HP ONLY

Engine (Cont)

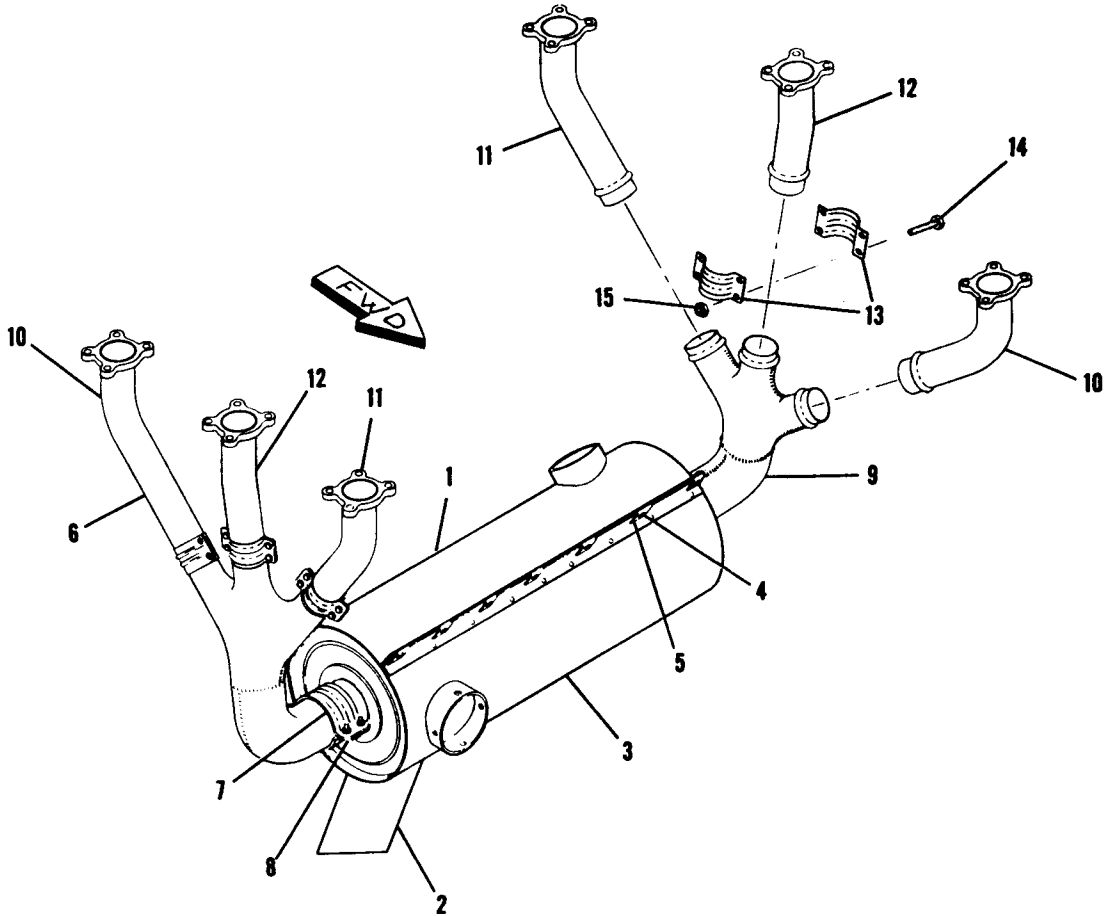


SERIAL 185-0001 THRU 18502310
SERIAL 18051313 THRU 18052384

Figure 82. Exhaust Stacks Installation

FIGURE AND INDEX NO.	PART NUMBER	DESCRIPTION	UNITS PER ASSY	USABLE ON CODE
		1 2 3 4 5 6 7		
82 -		EXHAUST SYSTEM INSTALLATION-ENGINE -----	NP	A
- 1	0750161-31 *	EXHAUST ASSEMBLY-ENGINE -----	NP	
	0750161-64	STACK ASSEMBLY-EXHAUST -----	2	E
	0750161-67	STACK ASSEMBLY-EXHAUST WEU 0750161-67 -----	2	F
		STACK ASSEMBLY-EXHAUST -----	2	G
		ATTACHING PARTS -----		
- 2	0750161-24	CLAMP HALF -----	1	
- 3	0750161-22	CLAMP HALF -----	1	
- 4	AN3-4A	BOLT -----	4	
	AN960-10	WASHER -----	4	
	MS21044N3	NUT -----	4	
		-----*		
- 5	0750161-28	MUFFLER WELD ASSEMBLY-EXHAUST WEU 0750161-61 -----	1	C
	0750161-61	MUFFLER WELD ASSEMBLY-EXHAUST -----	1	D
- 6	0750161-58	SHROUD ASSEMBLY-EXHAUST MUFFLER -----	1	
		ATTACHING PARTS -----		
	S102128-8	SCREW -----	6	
	NAS395-14-3	NUT -----	6	
		-----*		
- 7	0750161-17 **	PIPE ASSEMBLY-EXHAUST -----	2	B
	0750161-36	PIPE ASSEMBLY-EXHAUST -----	1	
		ATTACHING PARTS -----		
- 8	0750161-25	CLAMP HALF -----	2	
- 9	AN3-4A	BOLT -----	4	
-10	AN960-10	WASHER -----	4	
-11	MS21044N3	NUT -----	4	
		-----*		
<p>NOTE. *WHEN ORDERING THIS PART FOR MODEL 185 AIRPLANES PRIOR TO 185-0654 ALSO ORDER ONE 0750161-36 EXHAUST PIPE ASSEMBLY. WHEN ORDERING THIS PART TO BE USED ON THE LH SIDE OF 180 AIRPLANES SERIAL 18051313 THRU 18051551 ALSO ORDER TWO 0750225-2 CLAMPS, TWO 0750225-1 CLAMPS, TWO AN3-5A BOLTS, TWO AN3-4A BOLTS AND FOUR AN960-10L WASHER. SEE FIGURE 77 FOR INSTALLATION OF THESE PARTS.</p> <p>NOTE. **USED ONLY ON MODEL 185 AIRPLANES SERIAL 185-0001 THRU 185-0653 THAT HAVE ORIGINAL STACKS.</p> <p>A---SERIAL 185-0001 THRU 18502310 SERIAL 18051313 THRU 18052384 B---SERIAL 185-0001 THRU 185-0653 C---SERIAL 185-0001 THRU 18501922 SERIAL 18051313 THRU 18052214 D---SERIAL 18501923 THRU 18502310 SERIAL 18052215 THRU 18052384 E---SERIAL 185-0001 THRU 18502068 SERIAL 18051313 THRU 18052273 F---SERIAL 18502069 THRU 18502156 SERIAL 18052274 THRU 18052317 G---SERIAL 18502157 THRU 18502310 SERIAL 18052318 THRU 18052384</p>				

Engine (Cont)

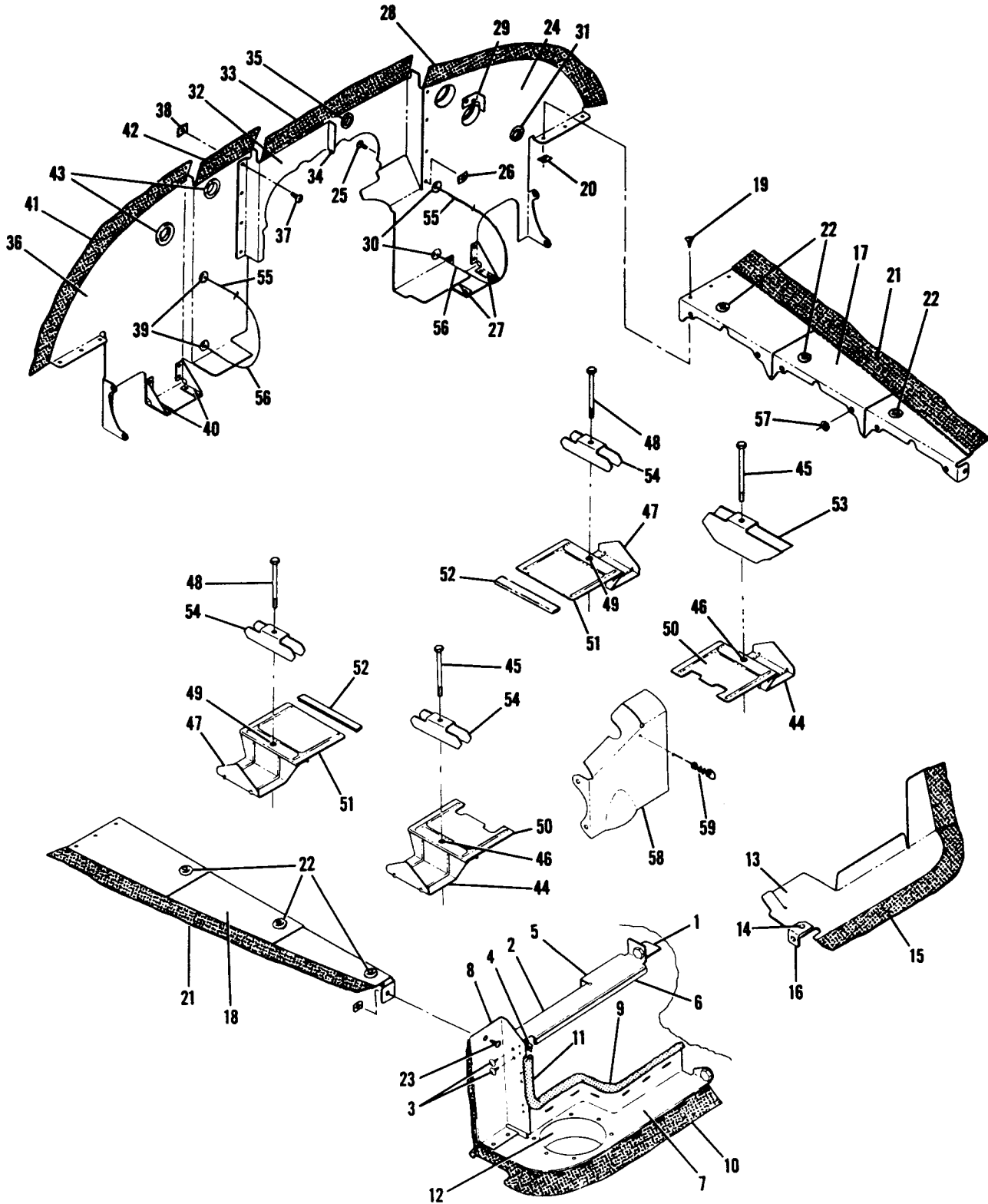


SERIAL 18051184 THRU 18051312

Figure 83. Engine Exhaust Stack

FIGURE AND INDEX NO.	PART NUMBER	DESCRIPTION	UNITS PER ASSY	USABLE ON CODE
		1 2 3 4 5 6 7		
83 -		EXHAUST STACK INSTALLATION -----	NP	A
- 1		STACK ASSEMBLY-EXHAUST ORDER DETAIL PARTS -----	NP	
- 2	0750130-44	MUFFLER ASSEMBLY -----	1	
- 3	0750130-46	SHROUD ASSEMBLY -----	1	
		ATTACHING PARTS -----		
- 4	S102128-8	SCREW -----	2	
- 5	NAS446-4-3	NUTPLATE TIN A1778-8Z-3 -----	7	
		-----*		
- 6	0750130-6	COLLECTOR ASSEMBLY -----	2	
		ATTACHING PARTS -----		
- 7	0750130-42	CLAMP ASSEMBLY -----	2	
- 8	AN3-4A	BOLT -----	4	
	MS21044N3	NUT -----	4	
		-----*		
- 9	0750130-48	COLLECTOR-EXHAUST -----	1	
-10	0750130-3	TUBE ASSEMBLY-REAR -----	1	
-11	0750130-4	TUBE ASSEMBLY-FORWARD -----	1	
-12	0750130-5	TUBE ASSEMBLY-CENTER -----	1	
		ATTACHING PARTS -----		
-13	0750130-31	CLAMP-TUBE -----	2	
-14	AN3-4A	BOLT -----	4	
-15	MS21044N3	NUT -----	4	
		-----*		
A---SERIAL 18051184 THRU 18051312				

Engine (cont)



SERIAL 185-0001 THRU 18502310

Figure 84. Engine Baffles Installation

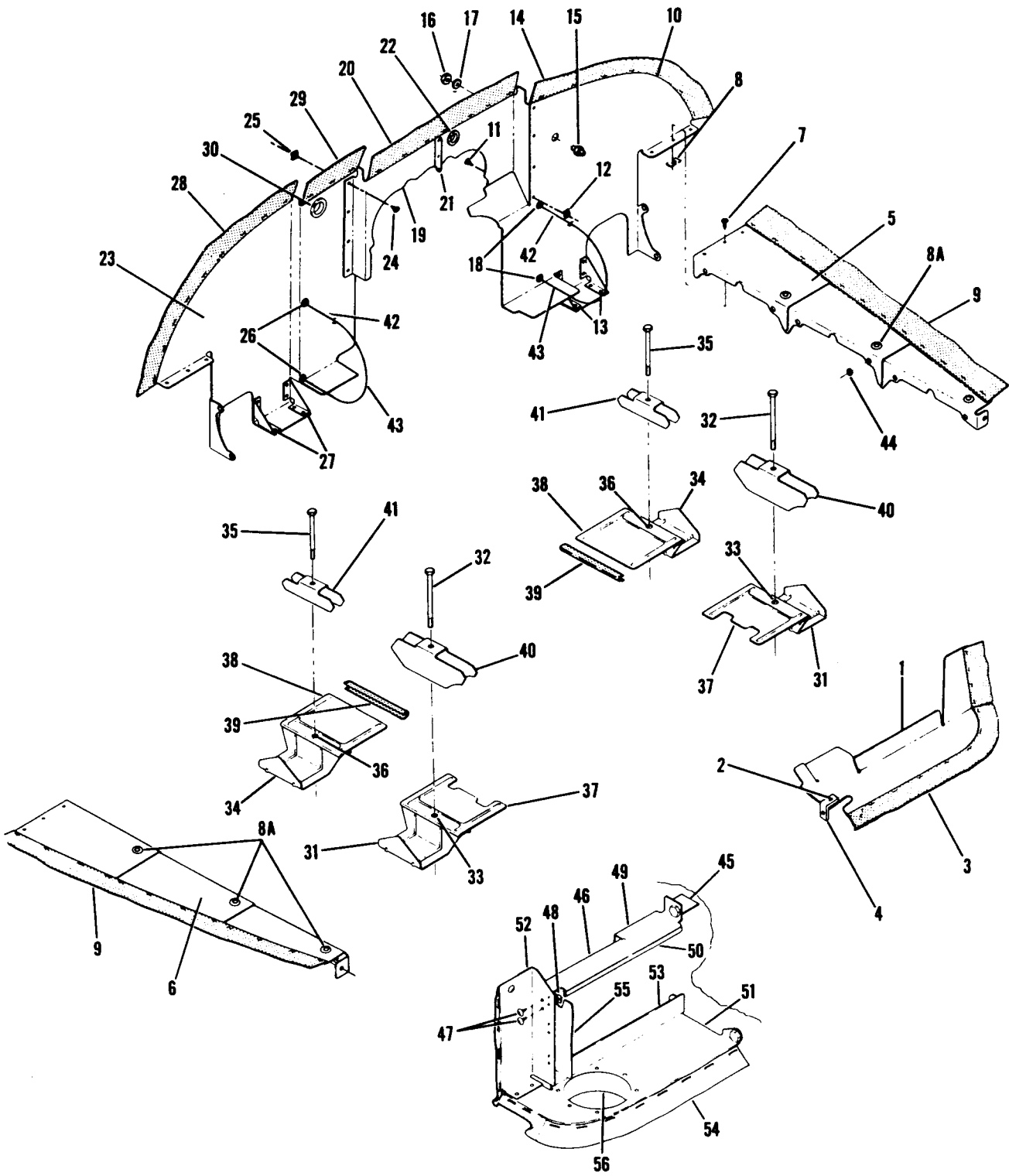
FIGURE AND INDEX NO.	PART NUMBER	DESCRIPTION	UNITS PER ASSY	USABLE ON CODE
		1 2 3 4 5 6 7		
84 -		BAFFLES INSTALLATION-ENGINE -----	NP	A
- 1	0750152-2	BAFFLE-OIL COOLER INBOARD -----	1	
- 2	0700309-2	BAFFLE ASSEMBLY-OIL COOLER -----	1	
	SEE FIG 77A	BAFFLE-NON CONGEALING OIL COOLER -----	1	
		ATTACHING PARTS -----		
- 3	S102126-6	SCREW -----	2	
- 4	NAS446-2-3	NUT -----	2	
		-----*		
- 5	0700309-5	BAFFLE-OIL COOLER -----	1	
- 6	S202RB	CHANNEL-7.30 IN LG BULK ITEM REF S-202R7.30B -----	1	
- 7	0700318-2	BAFFLE ASSEMBLY-OIL COOLER -----	1	
	SEE FIG 77A	BAFFLE ASSEMBLY-NON CONGEALING OIL COOLER -----	1	
- 8	0700318-4	BAFFLE-VERTICAL -----	1	
- 9	0700318-3	BAFFLE-HORIZONTAL -----	1	
-10	0700318-7	SEAL-HORIZONTAL BAFFLE -----	1	
-11	S202RB	CHANNEL BULK ITEM -----	AR	
-12	0713019-33	UNION -----	1	
-13	0750128-38	BAFFLE ASSEMBLY-FRONT LH -----	1	
		ATTACHING PARTS -----		
-14	S102126-6	SCREW -----	1	
	NAS446-2-3	NUT -----	1	
		-----*		
-15	0750128-37	SEAL -----	1	
-16	0750128-42	BRACKET ASSEMBLY -----	1	
	NAS680A3	NUTPLATE -----	1	
-17	0750128-58	BAFFLE ASSEMBLY-HORIZONTAL LH -----	1	B
	0750128-93	BAFFLE ASSEMBLY-HORIZONTAL LH -----	1	C
-18	0750128-57	BAFFLE ASSEMBLY-HORIZONTAL RH -----	1	B
	0750128-94	BAFFLE ASSEMBLY-HORIZONTAL RH -----	1	C
		ATTACHING PARTS -----		
-19	S102126-6	SCREW -----	3	
-20	NAS446-2-3	NUT -----	3	
		-----*		
-21	0750128-13	SEAL -----	1	
-22	MS35489-12	GROMMET -----	3	
-23	S102126-6	SCREW -----	1	
-24	0750128-55	BAFFLE ASSEMBLY-VERTICAL LH -----	1	F
	0750128-97	BAFFLE ASSEMBLY-VERTICAL LH -----	1	G
		-----*		
-25	S102126-6	SCREW -----	4	
-26	NAS446-2-3	NUT -----	4	
		-----*		
-27	0750128-1	GUSSET-BAFFLE -----	2	
-28	0750128-17	SEAL-BAFFLE -----	1	
-29	1250106-1	CLIP-FUEL HOSE ATTACH -----	1	
-30	MS20230B20	GROMMET -----	2	
-31	MS35489-110	GROMMET -----	1	
-32	0750128-21	BAFFLE ASSEMBLY-REAR -----	1	
-33	0750128-16	SEAL-BAFFLE -----	1	
-34	0750117-21	BRACKET-BAFFLE -----	1	
-35	MS35489-118	GROMMET -----	1	
-36	0750128-66	BAFFLE ASSEMBLY-VERTICAL RH -----	1	
		ATTACHING PARTS -----		
-37	S102126-6	SCREW -----	4	
-38	NAS446-2-3	NUT -----	4	
-39	MS20230B20	GROMMET -----	2	
		-----*		
-40	0750128-11	GUSSET-BAFFLE -----	2	
-41	0750128-14	SEAL-BAFFLE -----	1	
-42	0750128-15	SEAL-BAFFLE -----	1	
-43	MS35489-11	GROMMET -----	2	D
	MS35489-5	GROMMET -----	2	E
-44	0750135-1	BAFFLE ASSEMBLY-INTERCYLINDER -----	2	
		ATTACHING PARTS -----		
-45	AN3-67A	BOLT -----	1	
		-----*		

CONTINUED ON NEXT PAGE

FIGURE AND INDEX NO.	PART NUMBER	DESCRIPTION	UNITS PER ASSY	USABLE ON CODE		
					1	2
84 -46	NAS680A3	NUTPLATE -----	1			
-47	0750135-1	BAFFLE ASSEMBLY-INTERCYLINDER -----	2			
		ATTACHING PARTS -----				
-48	AN3-60A	BDLT -----	1			

-49	NAS680A3	NUTPLATE -----	1			
-50	0750135-3	BAFFLE-INTERCYLINDER -----	3			
-51	0750135-8	BAFFLE ASSEMBLY -----	2	B		
	0750135-4	BAFFLE ASSEMBLY -----	2	C		
-52	0750135-11	SEAL -----	1			
-53	0851700-96	SUPPORT-BAFFLE FRONT LH -----	1			
-54	0750117-31	SUPPORT-BAFFLE -----	3			
-55	0450277-3	FASTENER-REAR BAFFLE TO CYLINDER UPPER -----	2			
-56	0450277-2	FASTENER-REAR BAFFLE TO CYLINDER LOWER -----	2			
-57	AN9600416	WASHER -----	32			
-58	1250134-1	BAFFLE-NO. 5 CYLINDER -----	1			
-59	0450277-10	FASTENER -----	1			
<p>A---SERIAL 185-0001 THRU 18502310 B---SERIAL 185-0001 THRU 185-0512 C---SERIAL 185-0513 THRU 18502310 D---SERIAL 185-0001 THRU 185-0653 E---SERIAL 185-0654 THRU 18502310 F---SERIAL 185-0001 THRU 185-0776 G---SERIAL 185-0777 THRU 18502310</p>						

Engine (Cont)



SERIAL 18051184 THRU 18052384

Figure 85. Engine Baffles Installation

FIGURE AND INDEX NO.	PART NUMBER	DESCRIPTION	UNITS PER ASSY	USABLE ON CODE
			NP	A
85 -		BAFFLES INSTALLATION-ENGINE -----	1	A
- 1	0750128-38	BAFFLE ASSEMBLY-FRONT LH -----	1	
		ATTACHING PARTS -----		
- 2	S102126-6	SCREW -----	1	
	NAS446-2-3	NUT -----	1	
		-----*		
- 3	0750128-37	SEAL-BAFFLE -----	1	
- 4	0750128-42	BRACKET ASSEMBLY -----	1	
	NAS680A3	NUTPLATE -----	1	
- 5	0750128-93	BAFFLE ASSEMBLY-HORIZONTAL LH -----	1	
- 6	0750128-94	BAFFLE ASSEMBLY-HORIZONTAL RH -----	1	
		ATTACHING PARTS -----		
- 7	S102126-6	SCREW -----	3	
- 8	NAS446-2-3	NUT -----	3	
		-----*		
- 8A	MS35489-12	GROMMET -----	3	
- 9	0750128-13	SEAL-BAFFLE -----	2	
-10	0750128-44	BAFFLE ASSEMBLY-VERTICAL LH -----	1	B
	0750128-100	BAFFLE ASSEMBLY-VERTICAL LH -----	1	C
		ATTACHING PARTS -----		
-11	S102126-6	SCREW -----	4	
-12	NAS446-2-3	NUT -----	4	
		-----*		
-13	0750128-11	GUSSET-BAFFLE -----	2	
-14	0750128-17	SEAL-BAFFLE -----	1	B
-15	AN832-20	UNION-BAFFLE -----	1	
		ATTACHING PARTS -----		
-16	AN924-2D	NUT -----	1	B
-17	AN960D516	WASHER -----	1	B
		-----*		
-18	MS20230820	GROMMET -----	2	
-19	0750128-21	BAFFLE ASSEMBLY-REAR -----	1	
-20	0750128-16	SEAL-BAFFLE -----	1	
-21	0750117-21	BRACKET-BAFFLE -----	1	
-22	MS35489-118	GROMMET -----	1	
-23	0750128-93	BAFFLE ASSEMBLY-VERTICAL RH -----	1	
		ATTACHING PARTS -----		
-24	S102126-6	SCREW -----	4	
-25	NAS446-2-3	NUT -----	4	
-26	MS20230820	GROMMET -----	2	
		-----*		
-27	0750128-11	GUSSET-BAFFLE -----	2	
-28	0750128-14	SEAL-BAFFLE -----	1	
-29	0750128-15	SEAL-BAFFLE -----	1	
-30	MS35489-20	GROMMET -----	1	
-31	0750135-1	BAFFLE ASSEMBLY-INNER CYLINDER FORWARD -----	2	
		ATTACHING PARTS -----		
-32	AN3-67A	BOLT -----	1	
		-----*		
-33	NAS680A3	NUTPLATE -----	1	
-34	0750135-1	BAFFLE ASSEMBLY-INNER CYLINDER REAR -----	2	
		ATTACHING PARTS -----		
-35	AN3-60A	BOLT -----	1	
		-----*		
-36	NAS680A3	NUTPLATE -----	1	
-37	0750135-3	BAFFLE-INNER CYLINDER -----	3	
-38	0750135-4	BAFFLE ASSEMBLY -----	2	
-39	0750135-11	SEAL-BAFFLE -----	1	
-40	0851700-96	SUPPORT-BAFFLE FRONT -----	2	
-41	0750117-31	SUPPORT-BAFFLE REAR -----	2	
-42	0450277-3	FASTENER-REAR BAFFLE TO CYLINDER UPPER -----	2	
-43	0450277-2	FASTENER-REAR BAFFLE TO CYLINDER LOWER -----	2	
-44	AN960D416	WASHER -----	32	
-45	0750152-1	BAFFLE-OIL COOLER INBOARD -----	1	
-46	0750148-2	BAFFLE ASSEMBLY-OIL COOLER -----	1	
	SEE FIG 77A	BAFFLE ASSEMBLY-NON CONGEALING OIL COOLER -----	1	
		ATTACHING PARTS -----		
-47	S102126-6	SCREW -----	2	
-48	NAS446-2-3	NUT -----	2	
		-----*		

CONTINUED ON NEXT PAGE

FIGURE AND INDEX NO.	PART NUMBER	DESCRIPTION	UNITS PER ASSY	USABLE ON CODE
		1 2 3 4 5 6 7		
85 -49	0750148-1	BAFFLE-OIL COOLER -----	1	
-50	5202RB	CHANNEL-BAFFLE -----	AR	
-51	0750149-1	BAFFLE ASSEMBLY-OIL COOLER -----	1	
	SEE FIG 77A	BAFFLE ASSEMBLY-NON CONGEALING OIL COOLER -----	1	
-52	0750149-2	BAFFLE-VERTICAL -----	1	
-53	0750149-3	BAFFLE-HORIZONTAL -----	1	
-54	0750149-4	SEAL-HORIZONTAL BAFFLE -----	1	
-55	0750149-5	SEAL-VERTICAL BAFFLE -----	1	
-56	0713019-33	UNION-BAFFLE -----	1	
		A---SERIAL 18051184 THRU 18052384		
		B---SERIAL 18051184 THRU 18051445		
		C---SERIAL 18051446 THRU 18052384		

Engine (Cont)

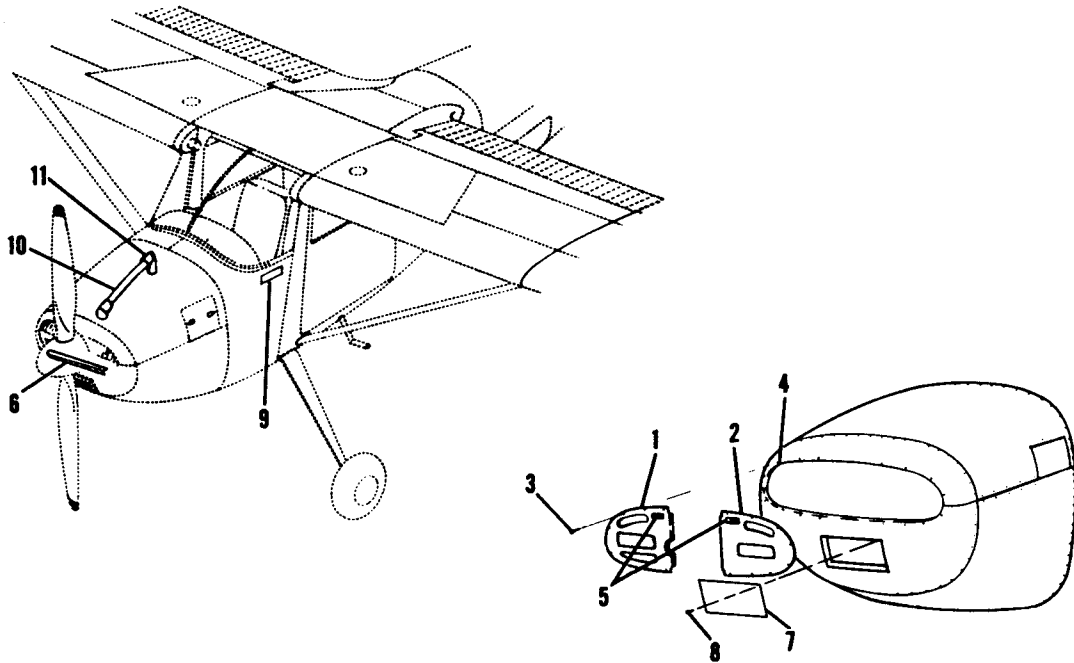


Figure 86. Winterization Equipment Installation

FIGURE AND INDEX NO.	PART NUMBER	DESCRIPTION	UNITS PER ASSY	USABLE ON CODE
		1 2 3 4 5 6 7		
86 -		WINTERIZATION EQUIPMENT INSTALLATION -----	NP	
- 1	0700319-6	COVER-COWL OPENING RH -----	1	D
	0700329-200	COVER ASSEMBLY-COWL OPENING-RH -----	1	C
- 2	0700319-5	COVER-COWL OPENING LH -----	1	D
	0700329-5	COVER-COWL OPENING LH -----	1	C
- 3	AN525-823R8	SCREW -----	8	
- 4	NAS1329A08K 75	RIVNUT GD -----	8	
- 5	0700319-12	PLACARD-REMOVAL INSTRUCTIONS -----	2	E
	1205043-1	PLACARD-REMOVAL INSTRUCTIONS -----	2	F
- 6	0700313-25	COVER-BALANCE TUBE -----	1	B
- 7	0700313-64	COVER ASSEMBLY - CARBURETOR AIR BOX -----	1	B
	0700313-74	COVER ASSEMBLY-INDUCTION AIR BOX -----	1	C
- 8	S102178-6	ATTACHING PARTS		
	A1049-823	SCREW -----	4	B
	C1049-8Z67	NUT TIN -----	4	B
	NAS395-12-3	NUT TIN ALTERNATE -----	4	C
- 9	0700319-13	PLACARD-WINTERIZATION -----	1	E
	0505009-2	PLACARD-WINTERIZATION -----	1	F
-10	1200191-200	TUBE ASSEMBLY-INSULATING FWD OF BAFFLE -----	1	
-11	1200191-201	TUBE ASSEMBLY-INSULATING AFT OF BAFFLE -----	1	
		A---SERIAL 185-0001 THRU 185-1149 260 HP		
		B---SERIAL 18051184 THRU 18052384		
		C---SERIAL 185-0968 THRU 18502310 300 HP		
		D---SERIAL 185-0001 THRU 185-1149 260 HP		
		SERIAL 18051184 THRU 18052384		
		E---SERIAL 185-0001 THRU 185-1447		
		SERIAL 18051184 THRU 18051993		
		F---SERIAL 185-1448 THRU 18502310		
		SERIAL 18051994 THRU 18052384		

Cowl Flaps Control System

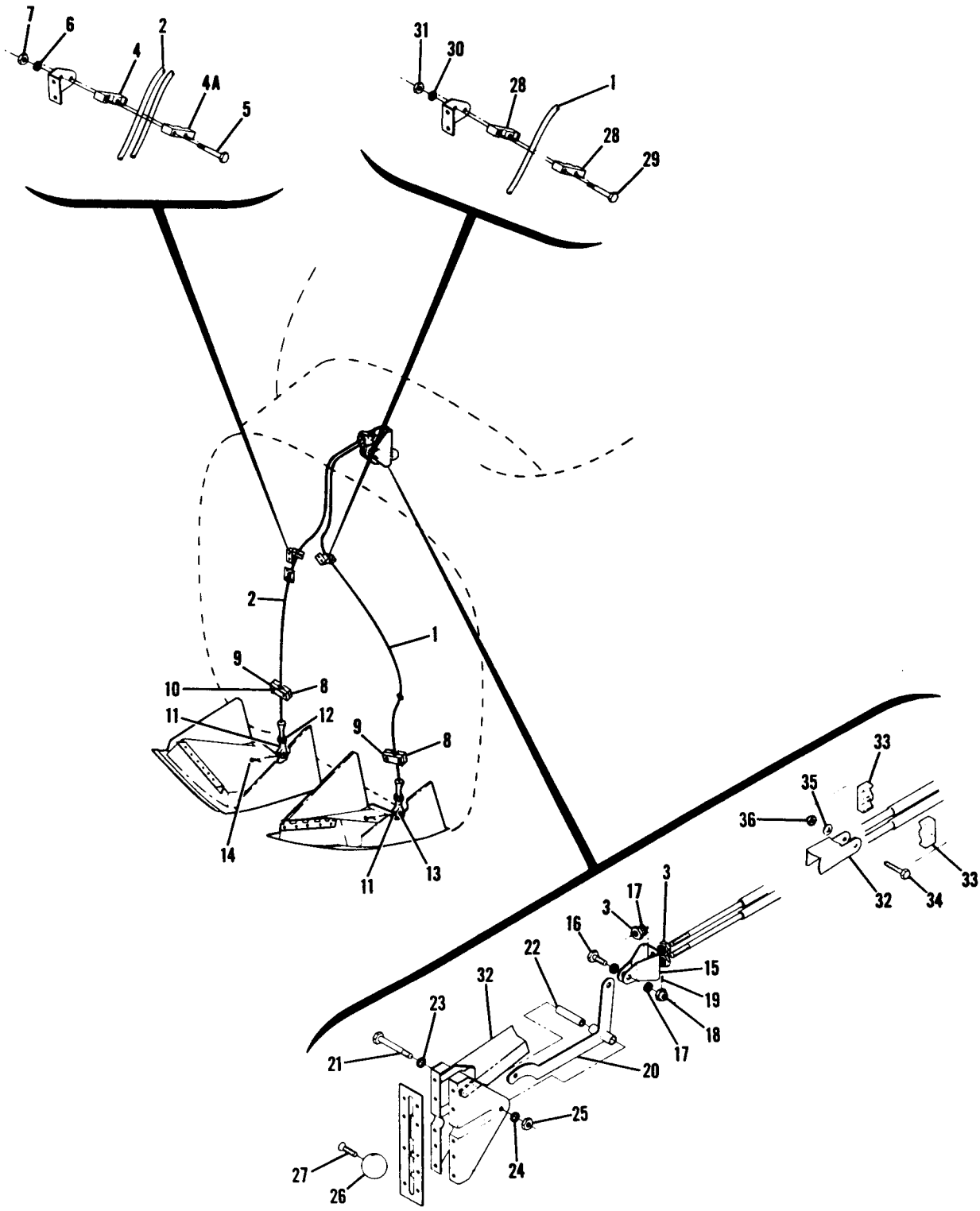


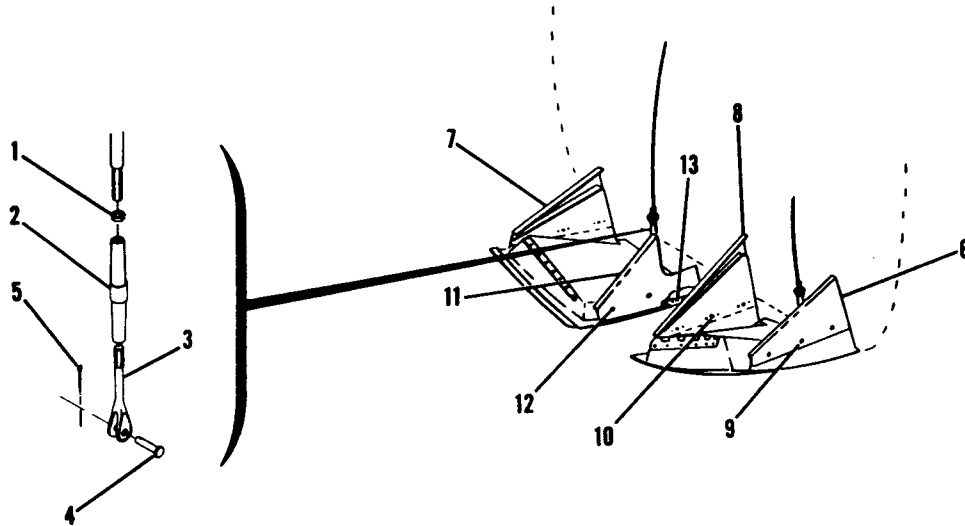
Figure 87. Cowl Flaps Control System Installation

FIGURE AND INDEX NO.	PART NUMBER	DESCRIPTION	UNITS PER ASSY	USABLE ON CODE
		1 2 3 4 5 6 7		
87 -		COWL FLAPS CONTROL SYSTEM INSTALLATION -----	NP	
- 1	S1245-3	CONTROL ASSEMBLY-COWL FLAPS LH -----	1	A
	S1245-1	CONTROL ASSEMBLY-COWL FLAPS LH -----	1	B
	S1572-1	CONTROL ASSEMBLY-COWL FLAPS LH -----	1	C
- 2	S1245-2	CONTROL ASSEMBLY-COWL FLAPS RH -----	1	
		ATTACHING PARTS		
- 3	AN316-4R	NUT -----	4	
	AN936B416	WASHER -----	4	
		-----*		
- 4	0713148-1	CLAMP -----	1	D
	0713307-1	MOUNT -----	1	C
- 4A	0713148-1	CLAMP -----	1	D
	0713307-2	CLAMP -----	1	C
		ATTACHING PARTS		
- 5	AN3-13A	BOLT -----	2	D
	AN520-10-R30	BOLT -----	2	C
- 6	AN960-10L	WASHER -----	2	
- 7	MS21044N3	NUT -----	2	
		-----*		
- 8	0713307-1	MOUNT-COWL FLAP CONTROL -----	2	
- 9	0713307-2	CLAMP-COWL FLAP CONTROL -----	2	
		ATTACHING PARTS		
-10	AN3-15A	BOLT -----	2	
	AN960-10L	WASHER -----	2	
	MS21044N3	NUT -----	2	
		-----*		
-11	AN486-4	CLEVIS -----	2	
		ATTACHING PARTS		
-12	AN316-4R	NUT -----	1	
	0742007-1	STOP-COWL FLAP 180 FLOATPLANE ONLY -----	1	G
-13	MS20392-2C13	PIN -----	1	
-14	MS24665-132	PIN-COTTER -----	1	
	AN960D10	WASHER -----	1	
		-----*		
-15	0713701-2	CLEVIS -----	1	
		ATTACHING PARTS		
-16	AN4-5	BOLT -----	1	
-17	AN960-416L	WASHER -----	2	
-18	AN310-4	NUT -----	1	
-19	MS24665-134	PIN-COTTER -----	1	
		-----*		
-20	0713128-1	LEVER ASSEMBLY-COWL FLAP CONTROL WEU 0713128-3 -----	1	E
	0713128-3	LEVER ASSEMBLY-COWL FLAP CONTROL -----	1	F
		ATTACHING PARTS		
-21	AN3-16A	BOLT -----	1	
-22	NAS43HT3-88	SPACER -----	1	
-23	AN960-516	WASHER -----	1	
-24	AN960-10	WASHER -----	1	
-25	MS21044N3	NUT -----	1	
		-----*		
-26	S1249-1	KNOB-LEVER ASSEMBLY -----	1	
		ATTACHING PARTS		
-27	AN507-1032R12	SCREW -----	1	
		-----*		
-28	1250401-3	CLAMP -----	2	C
		ATTACHING PARTS		
-29	AN3-10A	BOLT -----	2	C
-30	AN960-10L	WASHER -----	2	C
-31	MS21044N3	NUT -----	2	C
		-----*		
-32	0713826-1	BRACKET -----	1	C

CONTINUED ON NEXT PAGE

FIGURE AND INDEX NO.	PART NUMBER	DESCRIPTION	UNITS PER ASSY	USABLE ON CODE
87 -33	1213037-2	CLAMP ----- ATTACHING PARTS	2	C
-34	AN3-11A	BOLT -----	1	C
-35	AN960-10L	WASHER -----	1	C
-36	MS21044N3	NUT ----- -----*	1	C
<p>NOTE. *THESE PARTS ARE NOT USED ON AG CARRYALL SERIAL 18902037 & ON, SEE FIG 87A.</p> <p>A---SERIAL 185-0001 THRU 185-0776 SERIAL 18051313 THRU 18051445</p> <p>B---SERIAL 18051184 THRU 18051312</p> <p>C---SERIAL 185-0777 THRU 18502310 SERIAL 18051446 THRU 18052384</p> <p>D---SERIAL 185-0001 THRU 185-0776 SERIAL 18051184 THRU 18051445</p> <p>E---SERIAL 185-0001 THRU 18502279 SERIAL 18051184 THRU 18052379</p> <p>F---SERIAL 18502280 THRU 18502310 SERIAL 18052380 THRU 18052384</p> <p>G---SERIAL 18052285 THRU 18052384</p>				

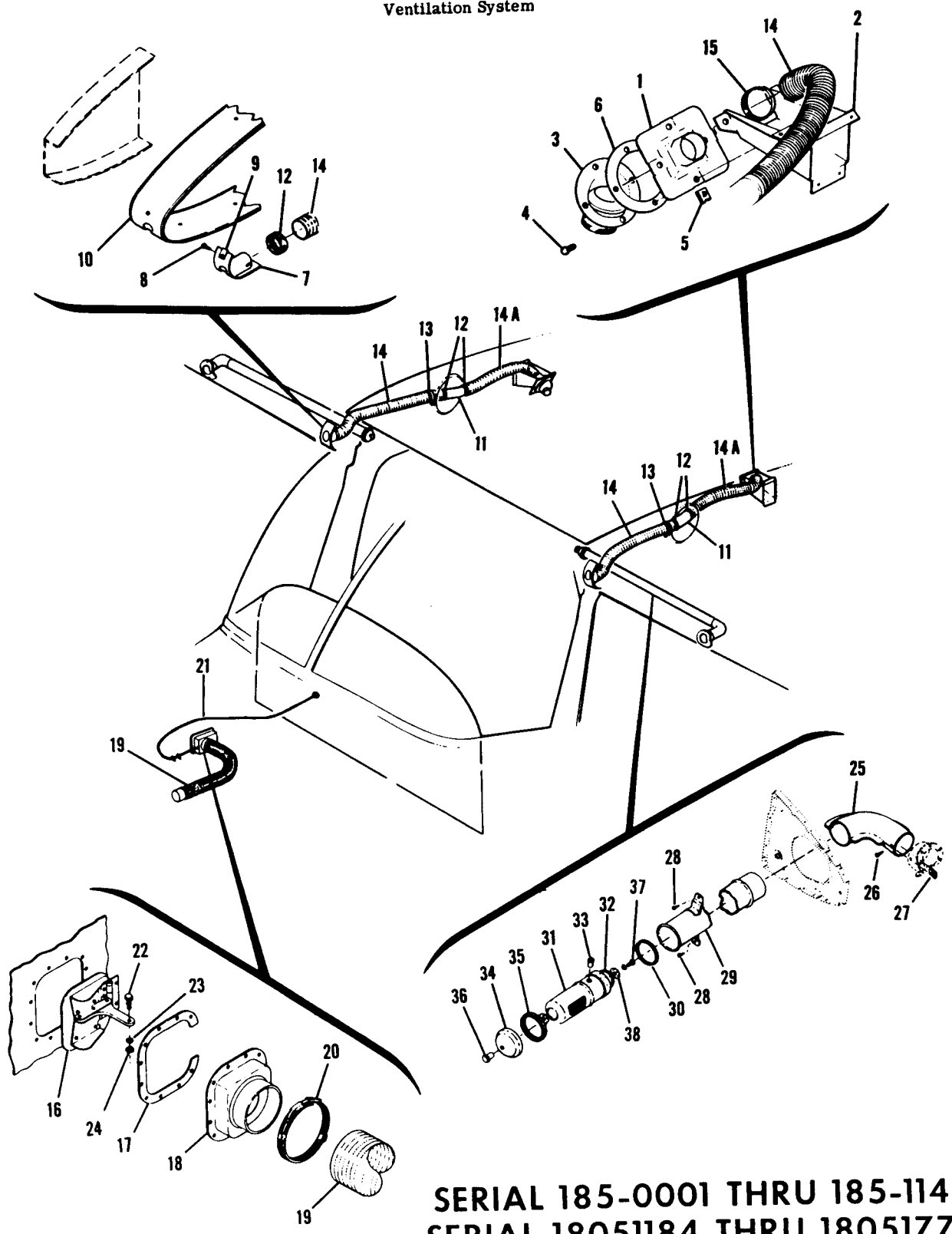
Cowl Flaps Control System (Cont)



AG CARRYALL
SERIAL 18502037 THRU 18502310
 Figure 87A. Cowl Flaps Extension Installation - AGcarryall

FIGURE AND INDEX NO.	PART NUMBER	DESCRIPTION	UNITS PER ASSY	USABLE ON CODE
		1 2 3 4 5 6 7		
87A-		COWL FLAPS EXTENSION INSTALLATION-AG CARRYALL -----	NP	A
- 1	AN316-4	NUT -----	2	
- 2	AN155832S	BARREL -----	2	
- 3	AN161-22LL	FORK -----	2	
		ATTACHING PARTS -----		
- 4	MS20392-2C13	PIN -----	1	
- 5	MS24665-132	PIN-COTTER -----	1	
		-----*		
- 6	0752036-2	BAFFLE-OUTBOARD LH FLAP -----	1	
- 7	0752036-3	BAFFLE-OUTBOARD RH FLAP -----	1	
- 8	0752036-4	BAFFLE-INBOARD LH FLAP -----	1	
		ATTACHING PARTS -----		
- 9	AN520-10R8	SCREW -----	3	
-10	MS20365-1032C	NUT -----	3	
-11	0752036-6	BAFFLE ASSEMBLY-INBOARD RH FLAP -----	1	
		ATTACHING PARTS -----		
-12	AN520-10R12	SCREW -----	3	
	MS20365-1032C	NUT -----	2	
		-----*		
-13	NAS697A3	NUTPLATE -----	1	
		A---SERIAL 18502037 THRU 18502310 AG CARRYALL		

Ventilation System

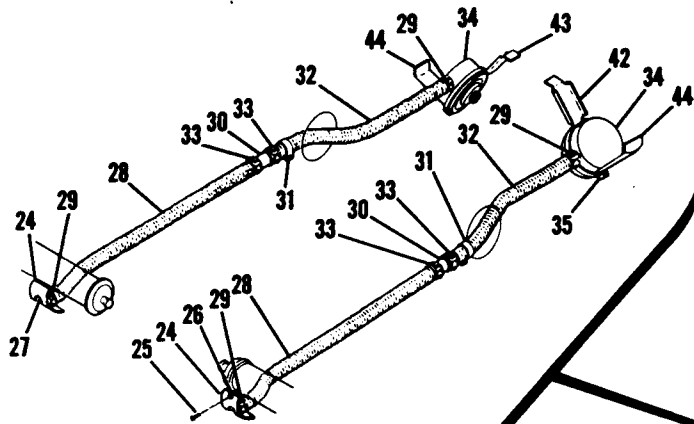


SERIAL 185-0001 THRU 185-1149
SERIAL 18051184 THRU 18051774

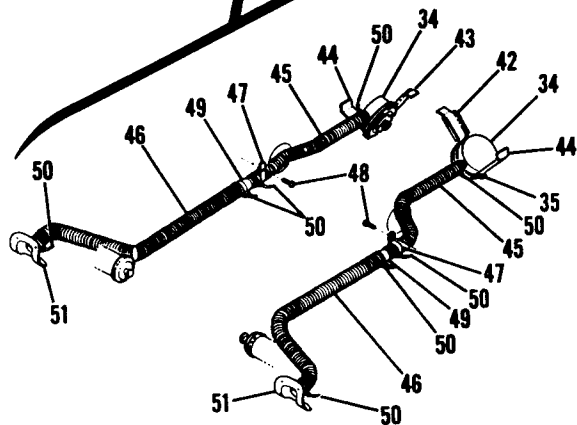
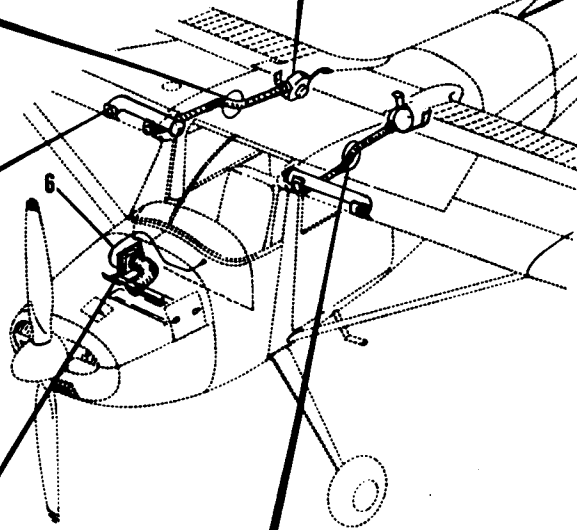
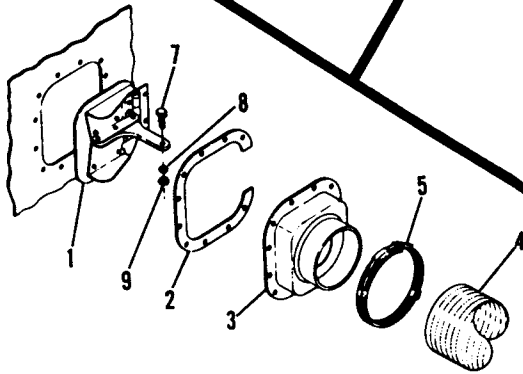
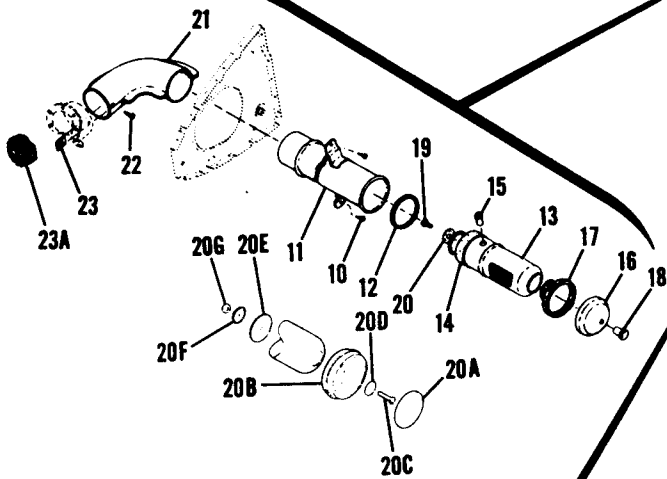
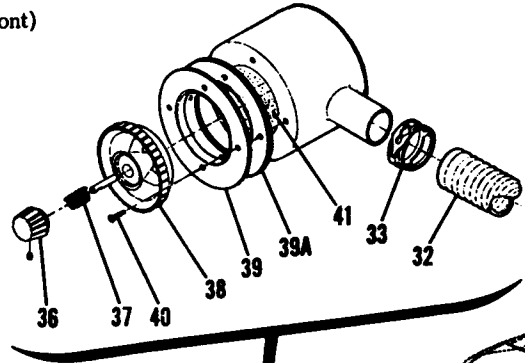
Figure 88. Cabin Ventilation System Installation

FIGURE AND INDEX NO.	PART NUMBER	DESCRIPTION	UNITS PER ASSY	USABLE ON CODE
		1 2 3 4 5 6 7		
88 -		CABIN VENTILATION SYSTEM -----	NP	E
- 1	0700327-1	ADAPTER-REAR AIR VENT -----	2	
- 2	0700326-1	BRACKET ASSEMBLY-REAR AIR VENT -----	2	
- 3	0813610-3	VALVE-AIR VENT REAR -----	2	B
	0813610-6	VALVE-AIR VENT REAR WHEN EXHAUSTED USE S1646-1 -----	2	C
	S1646-1	VALVE-AIR VENT REAR -----	2	D
		ATTACHING PARTS -----		
- 4	S102126-8C	SCREW -----	4	
- 5	A1793-6Z3	NUT -----	4	
- 6	1213043-1	GASKET -----	1	
		-----*		
- 7	0700325-2	ADAPTER-REAR AIR VENT -----	2	
- 8	S102228-8	SCREW -----	2	
- 9	NAS396-6-3	NUT -----	2	
-10	0700322-4	SEAL-AIR VENT -----	2	
-11	0700626-1	TUBE-REAR AIR VENT -----	2	
		ATTACHING PARTS -----		
-12	NAS397-18	CLAMP -----	1	
-13	AN742D16	CLAMP TIN -----	1	
	NAS446-4-3	NUT -----	1	
	S102128-8	SCREW -----	1	
		-----*		
-14	S1053E8T	HOSE-18.5 IN LG BULK ITEM REF S1053E8T18.5 -----	2	
-14A	S1053E8T	HOSE-21.5 IN LG BULK ITEM REF S1053E8T21.50 -----	2	
		ATTACHING PARTS -----		
-15	NAS397-18	CLAMP -----	2	
		-----*		
-16	0713135-2	DOOR ASSEMBLY-SIDE AIR VENT -----	1	
-17	0713140-1	SEAL -----	1	
-18	0713139-1	INLET ASSEMBLY-SIDE AIR VENT -----	1	
-19	S1053E24T	HOSE-14.0 IN LG BULK ITEM REF S-1053E24T14.0 -----	1	
		ATTACHING PARTS -----		
-20	NAS398-50	CLAMP TIN -----	2	
		-----*		
-21	S1239-25	CONTROL-SIDE AIR VENT REF 0713302-10 & S1239-6 -----	1	
		ATTACHING PARTS -----		
-22	0450311-5	CLAMP -----	1	
-23	AN960-10L	WASHER -----	1	
-24	MS21044N3	NUT -----	1	
		-----*		
-25	0450314	ELBOW ASSEMBLY-CABIN VENTILATION FORWARD -----	2	
		ATTACHING PARTS -----		
-26	S102128-8	SCREW -----	1	
-27	NAS446-4-3	NUT -----	1	
		-----*		
	0413163-25 **	OUTLET ASSEMBLY-RH LESS KNOB -----	1	
	0413163-26 **	OUTLET ASSEMBLY-LH LESS KNOB -----	1	
		ATTACHING PARTS -----		
-28	S102128-6	SCREW -----	2	
		-----*		
-29	0413163-17	TUBE ASSEMBLY-LH -----	1	
	0413163-16	TUBE ASSEMBLY-RH -----	1	
-30	0413163-7	SEAL-FELT -----	1	
-31	0413163-18 **	OUTLET-CABIN VENTILATION -----	1	
-32	0413163-5	SEAL -----	1	
-33	S2024-1	CATCH-BULLET -----	1	
-34	0413163-11	CAP ASSEMBLY-OUTLET -----	1	
-35	S1441-2-5.56	SEAL-CAP -----	1	
-36	0713303-2	KNOB-CAP -----	1	
		ATTACHING PARTS -----		
-37	AN515-8R8	SCREW -----	1	
-38	0413228	WASHER -----	1	
	0413347-1 *	WASHER -----	1	
	NAS430D3-5 *	SPACER -----	1	A
		-----*		
NOTE. **WHEN ORDERING THIS PART FOR AIRCRAFT PRIOR TO SERIAL 185-0311 ALSO ORDER PARTS MARKED *.				
A---SERIAL 185-0001 THRU 185-1149				
B---SERIAL 185-0001 THRU 185-0512				
C---SERIAL 185-0513 THRU 185-0963				
SERIAL 18051184 THRU 18051618				
D---SERIAL 185-0964 THRU 185-1149				
SERIAL 18051619 THRU 18051774				
E---SERIAL 185-0001 THRU 185-1149				
SERIAL 18051184 THRU 18051774				

Ventilation System (Cont)



185-1150 THRU 18502090
18051775 THRU 18052284



18502091 THRU 18502310
18052285 THRU 18052384

SERIAL 185-1150 THRU 18502310
SERIAL 18051775 THRU 18052384

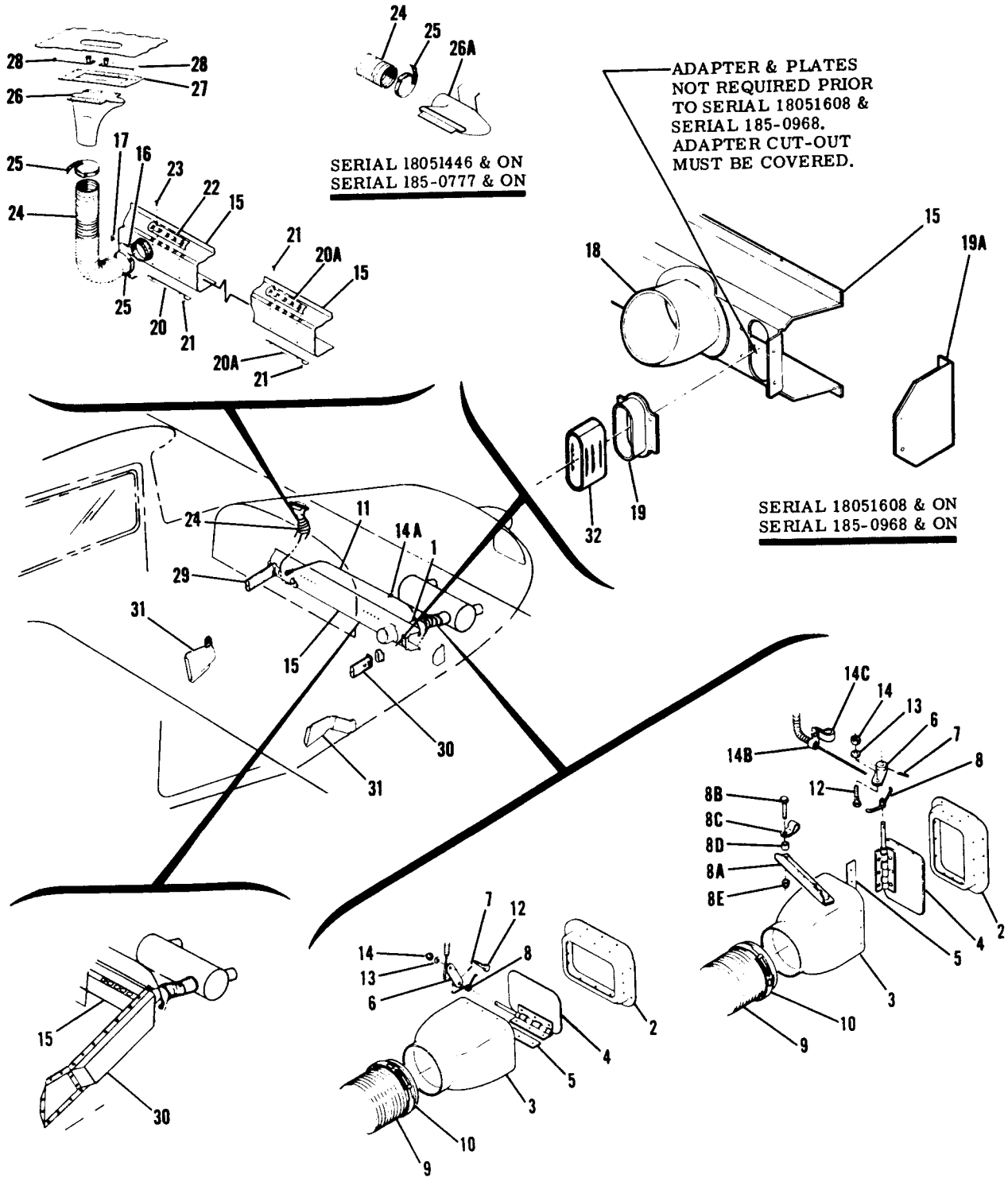
Figure 88A. Cabin Ventilation System Installation

FIGURE AND INDEX NO.	PART NUMBER	DESCRIPTION	UNITS PER ASSY	USABLE ON CODE
		1 2 3 4 5 6 7		
		CABIN VENTILATION SYSTEM INSTALLATION -----	NP	A
88A-		DOOR ASSEMBLY-SIDE AIR VENT -----	1	
- 1	0713135-2	SEAL-SIDE AIR VENT -----	1	
- 2	0713140-1	INLET ASSEMBLY-SIDE AIR VENT -----	1	
- 3	0713139-1	HOSE-14.0 IN LG BULK ITEM REF S-1053E24T14.0 -----	1	
- 4	S1053E24T	ATTACHING PARTS -----	2	
- 5	NAS398-50	CLAMP TIN -----	1	B
		-----	1	H
- 6	S1239-25	CONTROL-SIDE AIR VENT -----	1	J
	S1239-37	CONTROL-SIDE AIR VENT -----	1	
	S1239-46	CONTROL-SIDE AIR VENT -----	1	
		ATTACHING PARTS -----	1	
- 7	0450311-5	CLAMP -----	1	
- 8	AN960-10L	WASHER -----	1	
- 9	MS21044N3	NUT -----	1	D
	0413163-26	OUTLET ASSEMBLY-LH LESS KNOB -----	1	N
	0413163-205	OUTLET ASSEMBLY-LH LESS CAP & KNOB -----	1	L
	0413163-203	OUTLET ASSEMBLY-LH LESS CAP & KNOB -----	1	D
	0413163-25	OUTLET ASSEMBLY-RH LESS KNOB -----	1	N
	0413163-206	OUTLET ASSEMBLY-RH LESS CAP & KNOB -----	1	L
	0413163-204	OUTLET ASSEMBLY-RH LESS CAP & KNOB -----	1	L
		ATTACHING PARTS -----	2	
-10	S1021Z8-6	SCREW -----	1	K
		-----	1	L
-11	0413163-17	TUBE ASSEMBLY-LH -----	1	K
	0413163-27	TUBE ASSEMBLY-LH -----	1	L
	0413163-16	TUBE ASSEMBLY-RH -----	1	L
	0413163-28	TUBE ASSEMBLY-RH -----	1	L
-12	0413163-7	SEAL FELT -----	1	
-13	0413163-18	OUTLET ASSEMBLY-CABIN VENTILATION -----	1	
-14	0413163-5	SEAL FELT -----	2	
-15	0413203	CATCH-OUTLET WEU S2024-1 -----	2	
	S2024-1	CATCH-OUTLET -----	1	D
-16	0413163-11	CAP ASSEMBLY-OUTLET -----	1	D
-17	S1441-2-5.56	SEAL-CAP -----	2	D
-18	0713303-2	KNOB-OUTLET ASSEMBLY CAP -----	1	D
		ATTACHING PARTS -----	1	D
-19	AN515-8R8	SCREW -----	1	D
-20	0413228	WASHER -----	1	D
	0413347-1	WASHER -----	1	D
	NAS43DD3-5	SPACER -----	1	D
		-----	2	E
-20A	S1780-8	INSERT -----	2	E
-20B	S1834-1	KNOB -----	2	E
		ATTACHING PARTS -----	1	E
-20C	AN507-1032R12	SCREW -----	1	E
-20D	S29001032	WASHER -----	1	E
-20E	S1450-5A24-040	WASHER -----	1	E
-20F	0413228	WASHER -----	1	E
-20G	MS21044N3	NUT -----	1	E
		-----	2	K
-21	0450314	ELBOW ASSEMBLY-FORWARD CABIN VENTILATION -----	2	L
	0450314-1	ELBOW ASSEMBLY-FORWARD CABIN VENTILATION -----	2	L
		ATTACHING PARTS -----	1	
-22	S1021Z8-8	SCREW -----	1	
-23	NAS446-4-3	NUT -----	1	
		-----	2	M
-23A	1200018-1	ELEMENT-AIR FILTER -----	2	M
	1200018-2	ELEMENT-AIR FILTER ALTERNATE -----	2	K
-24	0700325-2	ADAPTOR ASSEMBLY-REAR AIR VENT -----	2	K
		ATTACHING PARTS -----	2	K
-25	S1022Z8-8	SCREW -----	2	K
-26	NAS396-6-3	NUT -----	2	K
		-----	2	K
-27	0700322-4	SEAL-AIR VENT -----	2	F
-28	S1053E8T	DUCT-18.50 IN LG BULK ITEM REF S1053E8T-18.5 -----	2	G
	0700322-9	TUBE-AIR VENT -----	4	K
-29	NAS397-18	CLAMP TIN -----	2	F
-30	0700626-1	TUBE-REAR AIR VENT -----	2	F

CONTINUED ON NEXT PAGE

FIGURE AND INDEX NO.	PART NUMBER	DESCRIPTION	UNITS PER ASSY	USABLE ON CODE
88A-31	AN742D16	CLAMP TIN ----- ATTACHING PARTS -----	2	K
	S102128-10	SCREW -----	2	K
	NAS395-19-3	NUT ----- -----*	2	K
-32	S1053E8T	DUCT-16.00 IN LG BULK ITEM REF S1053E8T-16.00 -----	2	F
-33	NAS397-18	CLAMP -----	4	F
-34	0710013-5	SILENCER ASSEMBLY-REAR AIR VENT ----- ATTACHING PARTS -----	2	
-35	AN515-8R10	SCREW -----	1	
	AN960-8	WASHER -----	2	
	NAS679A08	NUT ----- -----*	1	
-36	S1728-1	KNOB -----	1	
-37	0710015-13	SPRING -----	1	
-38	0713250-1	KNOB -----	1	
-39	0710014-8	ESCUTCHEON -----	1	
-39A	0710022-2	GASKET ----- ATTACHING PARTS -----	1	
-40	S1023A6-6C	SCREW ----- -----*	4	
-41	0710015-6	INSULATOR -----	1	
-42	0710014-3	BRACKET ASSEMBLY-LH -----	1	
-43	0710014-4	BRACKET ASSEMBLY-RH -----	1	
-44	0700322-8	BRACKET -----	2	
-45	S1053E8T	DUCT-16.0 IN LG BKI REF S1053E8T16.00 -----	2	L
-46	S1053E10T	DUCT-31.0 IN LG BKI REF S1053E10T31.00 -----	2	L
-47	S1485D17U	CLAMP ----- ATTACHING PARTS -----	2	L
-48	S102128-10	SCREW ----- -----*	1	L
-49	1200691-1	DRAIN FITTING-REAR SEAT VENT -----	2	L
-50	S1693-2	STA STRAP -----	8	L
-51	1200637-5	ADAPTOR ASSEMBLY-REAR SEAT VENT -----	2	L
<p>A---SERIAL 185-1150 THRU 18502310 SERIAL 18051775 THRU 18052384</p> <p>B---SERIAL 185-1150 THRU 185-1300 SERIAL 18051775 THRU 18051875</p> <p>C---SERIAL 185-1301 THRU 18502310 SERIAL 18051876 THRU 18052384</p> <p>D---SERIAL 185-1150 THRU 185-1447 SERIAL 18051775 THRU 18051993</p> <p>E---SERIAL 185-1448 THRU 18502310 SERIAL 18051994 THRU 18052384</p> <p>F---SERIAL 185-1150 THRU 185-1455 SERIAL 18051775 THRU 18051999</p> <p>G---SERIAL 185-1456 THRU 18502090 SERIAL 18052000 THRU 18052284</p> <p>H---SERIAL 185-1301 THRU 185-1599 SERIAL 18051876 THRU 18052103</p> <p>J---SERIAL 18501600 THRU 18502310 SERIAL 18052104 THRU 18052384</p> <p>K---SERIAL 185-1150 THRU 18502090 SERIAL 18051775 THRU 18052284</p> <p>L---SERIAL 18502091 THRU 18502310 SERIAL 18052285 THRU 18052384</p> <p>M---SERIAL 18501985 THRU 18502310 SERIAL 18052242 THRU 18052384</p> <p>N---SERIAL 185-1448 THRU 18502090 SERIAL 18051994 THRU 18052284</p>				

Heating System



SERIAL 18051184 THRU 18051607
SERIAL 185-0001 THRU 185-0967

Figure 89. Manifold Cabin Heater Installation

FIGURE AND INDEX NO.	PART NUMBER	DESCRIPTION	UNITS PER ASSY	USABLE ON CODE
		1 2 3 4 5 6 7		
89 -		CABIN HEATER INSTALLATION-MANIFOLD -----	NP	
- 1	0753011-1	VALVE ASSEMBLY-WARM AIR -----	1	Q
	0753011-3	VALVE ASSEMBLY-WARM AIR -----	1	S
- 2	0753010-1	SEAT-WARM AIR VALVE -----	1	Q
- 3	1253032-1	BODY ASSEMBLY-VALVE -----	1	S
	1253032-4	BODY ASSEMBLY-VALVE -----	1	
- 4	1253034-1	PLATE ASSEMBLY-VALVE -----	1	
- 5	1253040-1	SHIM -----	1	
	1253033-2	REINFORCEMENT -----	1	
- 6	1253037-1	ARM-CONTROL -----	1	
		ATTACHING PARTS -----		
- 7	NAS561C2-8	ROLL PIN -----	1	
- 8	1253041-1	SPRING-WARM AIR VALVE -----	1	
		SUPPORT -----	1	S
- 8A	0713295-1	REINFORCEMENT -----	1	S
	0713953-1	BOLT -----	1	S
- 8B	AN3-5A	CLAMP -----	1	S
- 8C	AN742D3	SPACER -----	1	S
- 8D	NAS430D3-16	NUT -----	1	S
- 8E	MS21044N3	HOSE-26.0 IN. LG. BULK ITEM REF S-1053K24T26.0 -----	1	
- 9	S1053K24T	ATTACHING PARTS -----	1	
-10	NAS397-50-1	CLAMP -----	1	E
-11	S1241-7	CONTROL-CABIN HEAT -----	1	K
	S1241-3	CONTROL-CABIN HEAT -----	1	N
	S1239-31	CONTROL-CABIN HEAT -----	1	P
	S1239-48	ATTACHING PARTS -----	1	
-12	0450311-5	CLAMP -----	1	
-13	AN960-10L	WASHER -----	1	
-14	MS21044N3	NUT -----	1	
	AN742D3	CLAMP -----	1	G
-14A	S1485D4U	CLAMP -----	1	G
	S1021Z8-8	SCREW -----	1	R
	NAS446-4-3	NUT -----	1	R
-14B	AN742D3	CLAMP -----	1	R
-14C	AN742D12	CLAMP -----	1	R
	AN520-10R8	SCREW -----	1	R
	MS21044N3	NUT -----	1	
-15	0713019-102	DUCT ASSEMBLY-CABIN HEATER -----	1	D
	0713019-105	DUCT ASSEMBLY-CABIN HEATER -----	1	C
	0713322-1	DUCT ASSEMBLY-CABIN HEATER -----	1	T
		ATTACHING PARTS -----	2	
-16	S1021Z8-8	SCREW -----	2	
-17	NAS395-14-3	NUT -----	2	
-18	0713133-3	UNION-COLD AIR -----	1	C
	0713505-1	BRACKET -----	1	T
	0713761-1	BRACKET -----	2	G
-19	1253031-3	ADAPTER -----	2	G
-19A	0713246-1	END PLATE -----	1	
-20	0713019-86	RETAINER-UPHOLSTERY -----	2	U
-20A	0713019-86	RETAINER-UPHOLSTERY -----	2	T
	0713322-6	RETAINER-UPHOLSTERY -----	2	
		ATTACHING PARTS -----	4	
-21	S1021Z8-8	SCREW -----	4	
-22	0713019-91	RETAINER-UPHOLSTERY -----	1	
		ATTACHING PARTS -----	4	
-23	S1021Z8-8	SCREW -----	4	
-24	S1053E16T	HOSE-24.0 IN LG BKT REF S1053E16T24.0 -----	1	E
	S1053E16T	HOSE-32.0 IN LG BULK ITEM REF S1053E16T32.0 -----	1	F
		ATTACHING PARTS -----	2	
-25	NAS397-32	CLAMP -----	2	
-26	0713003-45	NOZZLE -----	1	E
-26A	0513345-4	NOZZLE ASSEMBLY WHEN EXHAUSTED USE 0513386-1 -----	1	H
	0513386-1	NOZZLE ASSEMBLY -----	1	J
-27	0713019-7	VALVE GUIDE-DEFROST -----	1	

CONTINUED ON NEXT PAGE

FIGURE AND INDEX NO.	PART NUMBER	DESCRIPTION							UNITS PER ASSY	USABLE ON CODE	
		1	2	3	4	5	6	7			
89 -28	0713019-94	VALVE ASSEMBLY-DEFROST -----							2		
	0713303-2	KNOB-DEFROST VALVE -----							1	M	
	S1760-1	KNOB-DEFROST VALVE -----							1	L	
	S1760-7	KNOB-DEFROST VALVE -----							1	W	
	AN515-8R4 AN936A8	ATTACHING PARTS SCREW ----- WASHER -----							1 1		
-29	0713164-1	DUCT ASSEMBLY-CABIN HEAT LH -----							1	A	
	S1110ET	DUCT-CABIN LH * IN LG BULK ITEM REF S1110ET-* ---							1	G	
-30	0713164-4	DUCT ASSEMBLY-CABIN HEAT RH -----							1	B	
	0713164-2 S1110ET	DUCT ASSEMBLY-CABIN HEAT RH ----- DUCT-CABIN RH * IN LG BULK ITEM REF S1110ET-* ---							1 1	V G	
	S1021Z8-8 S10268G	ATTACHING PARTS SCREW ----- CLAMP-10.90 IN LG BULK ITEM REF S10268G10.90X ---							8 2	G G	
	-31	0513309-1	OUTLET ASSEMBLY-HEATER DUCT -----							2	G
		S1021Z6-6	ATTACHING PARTS SCREW -----							4	G
-32	0513238-1	UNION -----							2	G	
<p>NOTE. *HOSE LENGTH TO BE ADDED LATER</p> <p>NOTE. #HEATER DUCTS ARE INCLUDED WITH UPHOLSTERY SIDE PANEL ON THE DELUXE MODEL SERIAL 185-0001 THRU 185-0237, SEE FIGURE 57.</p> <p>A---SERIAL 185-0001 THRU 185-0967 SERIAL 18051184 THRU 18051607 B---SERIAL 18051184 THRU 18051312 C---SERIAL 185-0001 THRU 18502007, 18502026, 18502027 SERIAL 18051313 THRU 18052384 D---SERIAL 18051184 THRU 18051312 E---SERIAL 185-0001 THRU 185-0776 SERIAL 18051184 THRU 18051445 F---SERIAL 185-0777 THRU 1850231 SERIAL 18051446 THRU 18052384 G---SERIAL 185-0968 THRU 18502310 SERIAL 18051608 THRU 18052384 H---SERIAL 185-0777 THRU 185-0912 SERIAL 18051446 THRU 18051552 J---SERIAL 185-0913 THRU 18502310 SERIAL 18051553 THRU 18052384 K---SERIAL 185-0777 THRU 185-1300 SERIAL 18051446 THRU 18051875 L---SERIAL 185-1301 THRU 18502234 SERIAL 18051876 THRU 18052346 M---SERIAL 185-0001 THRU 185-1300 SERIAL 18051184 THRU 18051875 N---SERIAL 185-1301 THRU 185-1599 SERIAL 18051876 THRU 18052103 P---SERIAL 18501600 THRU 18502310 SERIAL 18052104 THRU 18052384 Q---SERIAL 185-0001 THRU 185-1583 SERIAL 18051184 THRU 18052093 R---SERIAL 185-1301 THRU 185-1583 SERIAL 18051876 THRU 18052093 S---SERIAL 185-1584 THRU 18502310 SERIAL 18052094 THRU 18052384 T---SERIAL 18502008 THRU 18502025 18502028 THRU 18502310 U---SERIAL 185-0001 THRU 18502007, 18502026, 18502027 SERIAL 18051184 THRU 18052384 V---SERIAL 185-0001 THRU 185-0967 SERIAL 18051313 THRU 18051607 W---SERIAL 18502235 THRU 18502310 SERIAL 18052347 THRU 18052384</p>											

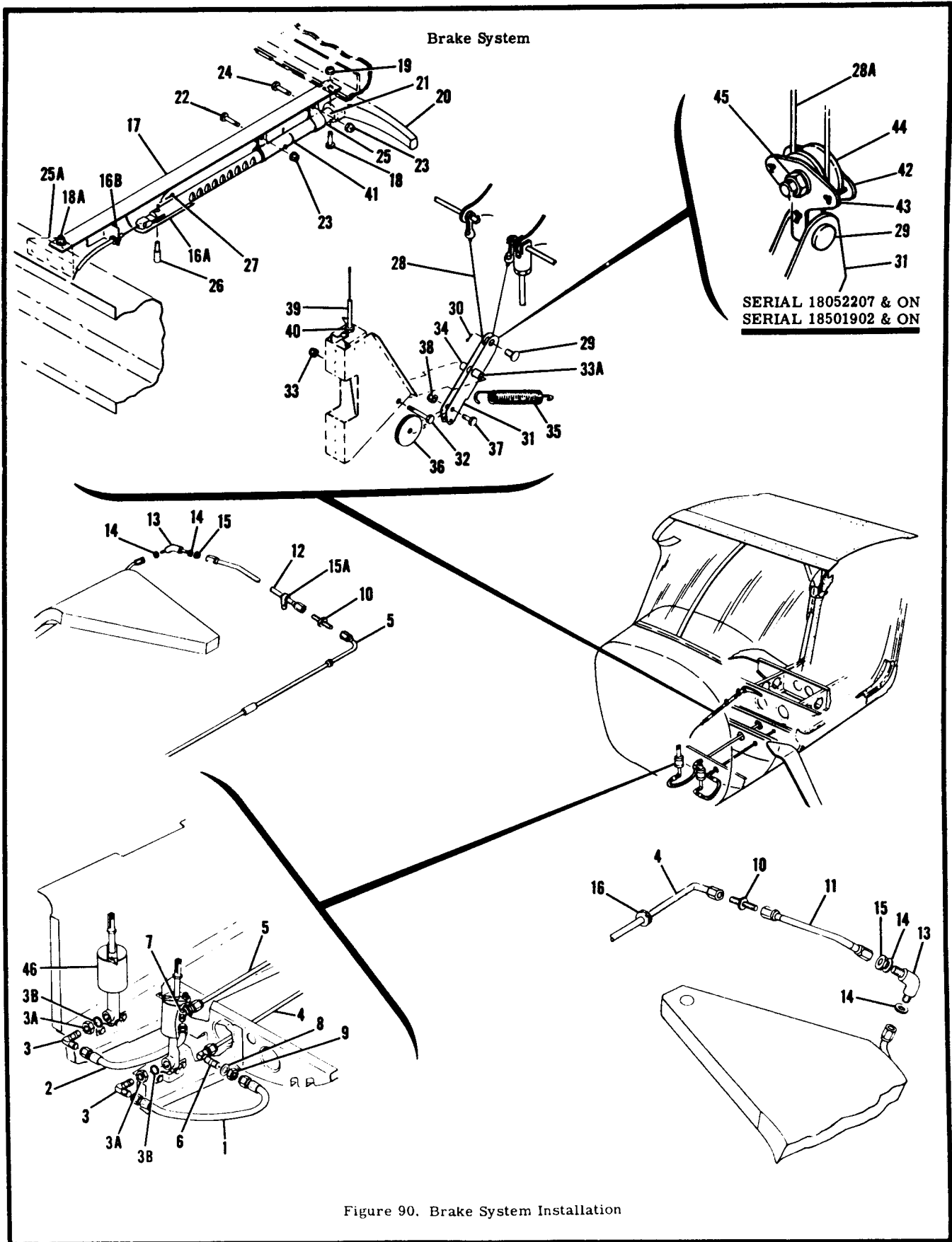


FIGURE AND INDEX NO.	PART NUMBER	DESCRIPTION	UNITS PER ASSY	USABLE ON CODE
		1 2 3 4 5 6 7		
90 -		BRAKE SYSTEM INSTALLATION -----	NP	
- 1	S1167-4-0100	HOSE ASSEMBLY-MASTER CYLINDER TO ELBOW LH -----	1	D
	S1167-3-0100	HOSE ASSEMBLY-MASTER CYLINDER TO ELBOW LH -----	1	E
- 2	S1167-4-0080	HOSE ASSEMBLY-MASTER CYLINDER TO ELBOW RH -----	1	D
	S1167-3-0080	HOSE ASSEMBLY-MASTER CYLINDER TO ELBOW RH WEU S1167-3-0085 -----	1	H
	S1167-3-0085	HOSE ASSEMBLY-MASTER CYLINDER TO ELBOW RH -----	1	J
		ATTACHING PARTS -----		
- 3	AN921-4D	ELBOW -----	1	D
	AN921-3D	ELBOW -----	1	E
- 3A	AN924-4D	NUT -----	1	D
	AN924-3D	NUT -----	1	E
- 3B	MS28778-4	GASKET -----	1	D
	MS28778-3	GASKET -----	1	E

- 4	0500106-35	LINE ASSEMBLY-BRAKE LH -----	1	D
	0700147-19	LINE ASSEMBLY-BRAKE LH WHEN EXHAUSTED USE 0700147-39 -----	1	F
	0700147-39	LINE ASSEMBLY-BRAKE LH -----	1	G
- 5	0500106-14	LINE ASSEMBLY-BRAKE RH -----	1	D
	0700147-20	LINE ASSEMBLY-BRAKE RH WHEN EXHAUSTED USE 0700147-40 -----	1	F
	0700147-40	LINE ASSEMBLY-BRAKE RH -----	1	G
		ATTACHING PARTS -----		
- 6	AN833-4D	ELBOW-LH -----	1	D
	AN833-3D	ELBOW-LH -----	1	E
- 7	AN837-4D	ELBOW-RH -----	1	D
	AN837-3D	ELBOW RH -----	1	E
- 8	AN960-716L	WASHER -----	1	D
	AN960-616L	WASHER -----	1	E
- 9	AN924-4D	NUT -----	1	D
	AN924-3D	NUT -----	1	E
-10	AN815-4D	UNION -----	1	D
	AN815-3D	UNION -----	1	E

-11	0500106-12	LINE ASSEMBLY-BRAKE LH -----	1	D
	0700147-21	LINE ASSEMBLY-BRAKE LH WHEN EXHAUSTED USE 0700147-41 -----	1	F
	0700147-41	LINE ASSEMBLY-BRAKE LH -----	1	G
-12	0500106-13	LINE ASSEMBLY-BRAKE RH -----	1	D
	0700147-22	LINE ASSEMBLY-BRAKE RH WHEN EXHAUSTED USE 0700147-42 -----	1	F
	0700147-42	LINE ASSEMBLY-BRAKE RH -----	1	G
		ATTACHING PARTS -----		
-13	AN833-4D	ELBOW -----	1	D
	AN833-3D	ELBOW -----	2	E
-14	AN960-716L	WASHER -----	2	D
	AN960-616L	WASHER -----	1	E
-15	AN924-4D	NUT -----	1	D
	AN924-3D	NUT -----	1	E

-15A	AN742D3	CLAMP -----	1	E
		ATTACHING PARTS -----		
	AN515-8R22	SCREW -----	1	E
	NAS43DD3-56	SPACER -----	1	E
	NAS679A08	NUT -----	1	E

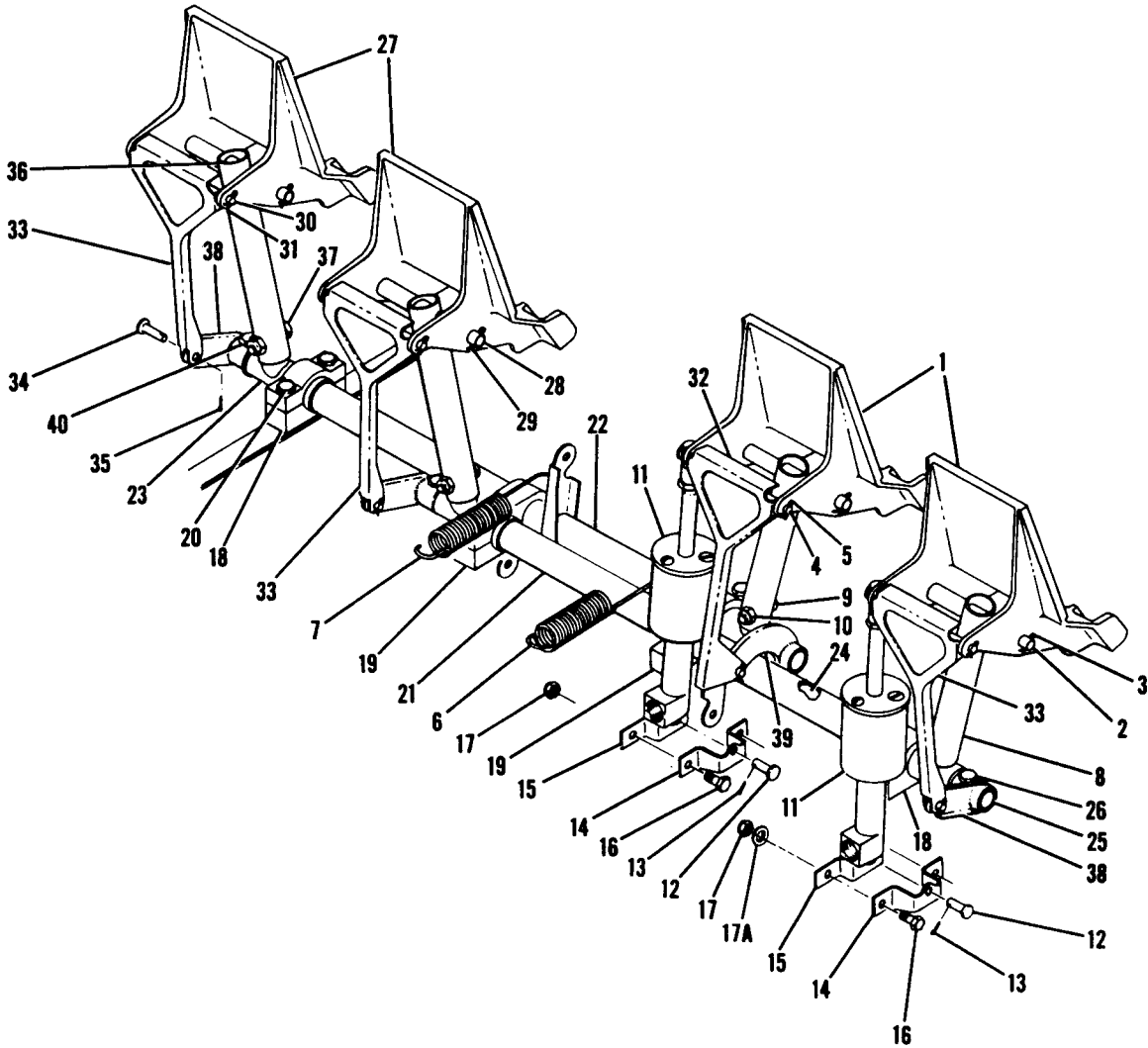
-16	MS35489-7	GROMMET -----	2	D
	MS35489-5	GROMMET -----	1	E
		PARKING BRAKE INSTALLATION -----	NP	
-16A	0713070-4	RACK-POSITIONING -----	1	
-16B	0713070-5	ANGLE-PARKING BRAKE -----	1	A
-17	0713070-33	ANGLE-PARKING BRAKE -----	1	B
	0713070-23	ANGLE-PARKING BRAKE -----	1	
		ATTACHING PARTS -----		
-18	AN3-6A	BOLT -----	1	A
	AN3-5A	BOLT -----	1	K
	AN3-7A	BOLT -----	1	L
	NAS43DD3-16	SPACER -----	1	L
	NAS43DD3-23	SPACER BETWEEN INSTRUMENT PANEL & ANGLE -----	1	
-18A	AN3-3A	BOLT -----	1	
-19	MS21044N3	NUT -----	2	

-20	0813150-55	HANDLE ASSEMBLY-PARKING BRAKE -----	1	
	0811490-6	HANDLE-PARKING BRAKE -----	1	
	0813150-54	TUBE-PARKING BRAKE -----	1	
	NAS561-5-12	ROLL PIN -----	1	

CONTINUED ON NEXT PAGE

FIGURE AND INDEX NO.	PART NUMBER	DESCRIPTION	UNITS PER ASSY							USABLE ON CODE	
			1	2	3	4	5	6	7		
90 -21	0813156-4	HOUSING ASSEMBLY-HANDLE								1	
		ATTACHING PARTS								1	
-22	AN3-6A	BOLT								1	
	0713070-15	SPACER								1	
-23	MS21044N3	NUT								2	
-24	AN3-6A	BOLT								1	
	0713070-32	SPACER BETWEEN CLAMP & ANGLE								1	
-25	0713070-25	CLAMP								1	
	AN960C10L	WASHER BETWEEN EARS OF CLAMP								1	
	AN960C10	WASHER BETWEEN EARS OF CLAMP								1	
-25A	0713070-12	ANGLE-PARKING BRAKE								1	A
	0713761-1	ANGLE-PARKING BRAKE								1	B
-26	0713070-6	PIN-POSITIONING								1	
-27	MS24665-132	PIN-COTTER								1	M
-28	0510105-70	CABLE ASSEMBLY								1	N
-28A	0510105-232	CABLE ASSEMBLY								1	
-29	MS20392-4C13	PIN								1	
-30	MS24665-281	PIN-COTTER								1	
-31	0713070-9	BELLCRANK ASSEMBLY								1	
		ATTACHING PARTS								1	
-32	AN3-13A	BOLT								1	
-33	MS21044N3	NUT								1	
-33A	0713070-19	SPACER INSIDE OF 0713070-11 BUSHING								1	
-34	0713070-11	BUSHING-BELLCRANK								1	
-35	0713063	SPRING-PARKING BRAKE								1	
-36	S378-1L	PULLEY								1	
		ATTACHING PARTS								1	
-37	AN3-5A	BOLT								1	
-38	MS21044N3	NUT								1	
-39	0713070-28	TUBE ASSEMBLY INCLUDES CABLE								1	A
	0713070-31	TUBE ASSEMBLY INCLUDES CABLE STAINLESS STEEL								1	A
	0713070-16	TUBE ASSEMBLY INCLUDES CABLE								1	B
-40	AN315-3R	NUT								4	
-41	0713070-24	CATCH-PARKING BRAKE								1	
		ATTACHING PARTS								1	
	AN960-4	WASHER								1	
-42	0713959-4	BRACKET ASSEMBLY								1	N
-43	MS24665-134	COTTER PIN								3	N
-44	S1710-1	PULLEY								1	N
		ATTACHING PARTS								1	N
-45	AN3-6A	BOLTS								1	N
	0411783	BUSHING								1	N
	AN960-10L	WASHER								1	N
	MS21044N3	NUT								1	N
-46		MASTER BRAKE CYLINDER ASSEMBLY SEE FIGURE 93								1	
		A---SERIAL 18051184 THRU 18051445									
		SERIAL 185-0001 THRU 185-0776									
		B---SERIAL 18051446 THRU 18052384									
		SERIAL 185-0777 THRU 18502310									
		D---SERIAL 18051184 THRU 18051909									
		SERIAL 185-0001 THRU 185-1341									
		E---SERIAL 18051910 THRU 18052384									
		SERIAL 185-1342 THRU 18502310									
		F---SERIAL 18051910 THRU 18052076									
		SERIAL 185-1342 THRU 185-1539									
		G---SERIAL 18052077 THRU 18052384									
		SERIAL 185-1540 THRU 18502310									
		H---SERIAL 18051910 THRU 18052177									
		SERIAL 185-1342 THRU 18501812									
		J---SERIAL 18052178 THRU 18052384									
		SERIAL 18501813 THRU 18502310									
		K---SERIAL 18051446 THRU 18052175									
		SERIAL 185-0777 THRU 18501832									
		L---SERIAL 18052176 THRU 18052384									
		SERIAL 18501833 THRU 18502310									
		M---SERIAL 18051184 THRU 18052206									
		SERIAL 185-0001 THRU 18501901									
		N---SERIAL 18052207 THRU 18052384									
		SERIAL 18501902 THRU 18502310									

Flight Controls



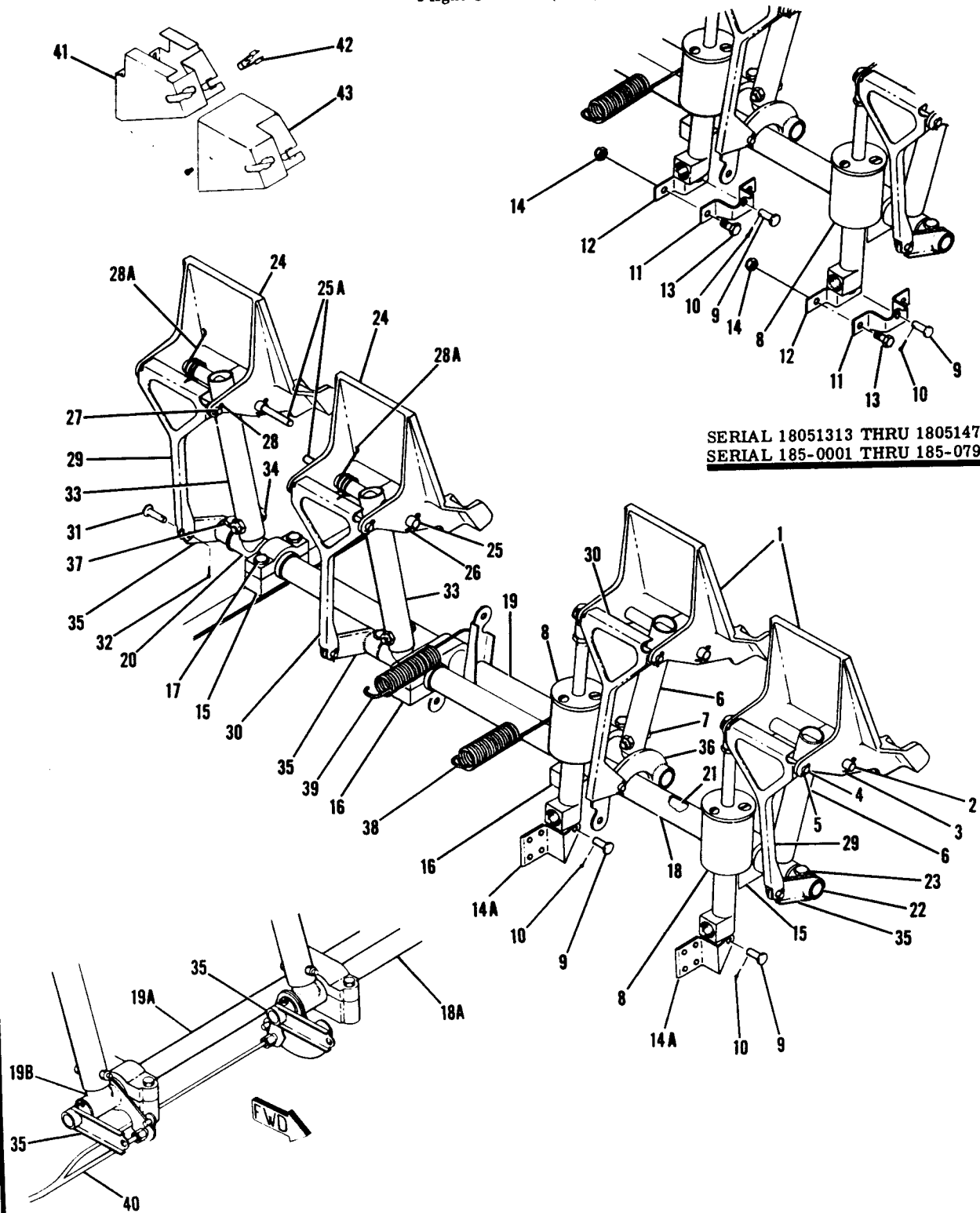
SERIAL 18051184 THRU 18051312

Figure 91. Rudder and Brake Pedal Installation

FIGURE AND INDEX NO.	PART NUMBER	DESCRIPTION	UNITS PER ASSY	USABLE ON CODE
		1 2 3 4 5 6 7		
91 -		PEDAL INSTALLATION-BRAKE & RUDDER LH -----	NP	A
- 1	1460320-1	PEDAL-BRAKE & RUDDER -----	2	
		ATTACHING PARTS -----		
- 2	1460501-21	SHAFT -----	1	
- 3	MS24665-285	PIN-COTTER -----	2	
- 4	0411778-2	SHAFT -----	1	
- 5	MS24665-132	PIN-COTTER -----	2	
		-----*		
- 6	0310196-5	SPRING-BRAKE & RUDDER RETURN LH -----	1	
- 7	0310196-12	SPRING-BRAKE & RUDDER RETURN RH -----	1	
- 8	0411307	ARM-RUDDER BAR -----	2	
		ATTACHING PARTS -----		
- 9	AN3-11A	BOLT -----	1	
-10	MS21044N3	NUT -----	1	
		-----*		
-11	0541138-16	MASTER CYLINDER ASSEMBLY-BRAKE SEE FIGURE 93 -----	2	
		ATTACHING PARTS -----		
-12	MS20392-2C15	PIN -----	1	
-13	MS24665-132	PIN-COTTER -----	1	
		-----*		
-14	0411550	BRACKET-BRAKE CYLINDER OUTSIDE -----	2	
-15	0411549	BRACKET-BRAKE CYLINDER INSIDE -----	2	
		ATTACHING PARTS -----		
-16	AN3-4A	BOLT -----	4	
-17	MS21044N3	NUT -----	4	
-17A	AN960-10L	WASHER -----	2	
		-----*		
-18	0411263-5	BEARING HALF-UPPER OUTBOARD -----	2	
	0411263-6	BEARING HALF-LOWER OUTBOARD -----	2	
-19	0411264-5	BEARING HALF-UPPER INBOARD -----	2	
	0411264-6	BEARING HALF-LOWER INBOARD -----	2	
		ATTACHING PARTS -----		
-20	AN3-14A	BOLT -----	2	
	AN960-10	WASHER -----	2	
	MS21044N3	NUT -----	2	
		-----*		
-21	0411306-5	WELD ASSEMBLY LH LANDPLANE ONLY -----	1	
	0411306-205	WELD ASSEMBLY LH FLOATPLANE ONLY -----	1	
-22	0411306-6	WELD ASSEMBLY RH LANDPLANE ONLY -----	1	
	0411306-206	WELD ASSEMBLY RH FLOATPLANE ONLY -----	4	
-23	S1003-43A	BEARING -----	2	
-24	0411565	TUBE-DUAL BRAKE -----	4	
-25	0411562	HUB-DUAL BRAKE -----	4	
		ATTACHING PARTS -----		
-26	AN3-10A	BOLT -----	1	
	MS21044N3	NUT -----	1	
		-----*		
-27	1460320-1	PEDAL INSTALLATION-BRAKE & RUDDER RH -----	1	
		PEDAL-BRAKE & RUDDER -----	2	
		ATTACHING PARTS -----		
-28	1460501-21	SHAFT -----	1	
-29	MS24665-285	PIN-COTTER -----	2	
-30	0411778-2	SHAFT -----	1	
-31	MS24665-132	PIN-COTTER -----	2	
	NAS42HT6-8	SPACER -----	1	
		-----*		
-32	0411564	LINK-DUAL BRAKES -----	3	
-33	0411564-3	LINK-DUAL BRAKES -----	1	
		ATTACHING PARTS -----		
-34	MS20392-2C15	PIN -----	1	
-35	MS24665-132	PIN-COTTER -----	1	
	NAS43HT3-12	SPACER -----	1	
		-----*		
-36	0411307	ARM-RUDDER BAR -----	2	
		ATTACHING PARTS -----		
-37	AN3-11A	BOLT -----	1	
	MS21044N3	NUT -----	1	
		-----*		
-38	0411563	BELLCRANK -----	3	
-39	0411573-1	BELLCRANK -----	1	
		ATTACHING PARTS -----		
-40	AN3-10A	BOLT -----	1	
	MS21044N3	NUT -----	1	
		-----*		

A---SERIAL 18051184 THRU 18051312

Flight Controls (Cont)



SERIAL 18051313 THRU 18051478
SERIAL 185-0001 THRU 185-0796

SERIAL 185-0001 THRU 18502310
SERIAL 18051313 THRU 18052384

Figure 92. Rudder and Brake Pedal Installation

FIGURE AND INDEX NO.	PART NUMBER	DESCRIPTION	UNITS PER ASSY	USABLE ON CODE
92 -		PEDAL INSTALLATION-BRAKE & RUDDER -----	NP	C
- 1	0310453	PEDAL-BRAKE & RUDDER -----	2	A
	1460320-1	PEDAL-BRAKE & RUDDER -----	2	B
		ATTACHING PARTS -----		
- 2	0411369-2	SHAFT -----	1	A
	1460501-21	SHAFT -----	1	B
- 3	MS24665-285	PIN-COTTER -----	2	
- 4	0411778-3	SHAFT -----	1	A
	0411778-2	SHAFT -----	1	B
- 5	MS24665-132	PIN-COTTER -----	2	
		-----*		
- 6	0411307	ARM-RUDDER BAR -----	2	
		ATTACHING PARTS -----		
- 7	AN3-11A	BOLT -----	1	
	MS21044N3	NUT -----	1	
		-----*		
- 8		MASTER CYLINDER ASSEMBLY-BRAKE SEE FIGURE 93 -----	2	
		ATTACHING PARTS -----		
- 9	MS20392-2C15	PIN -----	1	
-10	MS24665-132	PIN-COTTER -----	1	
		-----*		
-11	0411550	BRACKET-BRAKE CYLINDER OUTSIDE -----	2	E
-12	0411549	BRACKET-BRAKE CYLINDER INSIDE -----	2	E
		ATTACHING PARTS -----		
-13	AN3-4A	BOLT -----	2	E
-14	MS21044N3	NUT -----	2	E
		-----*		
-14A	0713624-2	ANCHOR-BRAKE CYLINDER -----	2	F
-15	0411263-5	BEARING HALF-UPPER OUTBOARD WHEN EXHAUSTED USE S1674-1 --	2	G
	0411263-6	BEARING HALF-LOWER OUTBOARD WHEN EXHAUSTED USE S1674-1 --	2	H
	S1674-1	BEARING HALF-OUTBOARD -----	4	G
-16	0411264-5	BEARING HALF-UPPER INBOARD WHEN EXHAUSTED USE S1675-1 --	2	G
	0411264-6	BEARING HALF-LOWER INBOARD WHEN EXHAUSTED USE S1675-1 --	2	H
	S1675-1	BEARING HALF-INBOARD -----	4	H
		ATTACHING PARTS -----		
-17	AN3-16A	BOLT -----	2	
	AN960-10	WASHER -----	2	
	MS21044N3	NUT -----	2	
		-----*		
-18	0411306-9	WELD ASSEMBLY-LH LANDPLANE -----	1	J
	0411302-203	WELD ASSEMBLY-LH FLOATPLANE -----	1	T
	0411306-15	WELD ASSEMBLY-LH LANDPLANE -----	1	K
	0411306-201	WELD ASSEMBLY-LH FLOATPLANE -----	1	U
-18A	0760012-3	RUDDER BAR ASSEMBLY-DISENGAGING PEDALS LH LANDPLANE -----	1	N
	0760012-7	RUDDER BAR ASSEMBLY-DISENGAGING PEDALS, LH -----	1	P
-19	0411306-10	WELD ASSEMBLY-RH LANDPLANE -----	1	J
	0411306-204	WELD ASSEMBLY-RH FLOATPLANE -----	1	T
	0411306-16	WELD ASSEMBLY-RH LANDPLANE -----	1	K
	0411306-202	WELD ASSEMBLY-RH FLOATPLANE -----	1	U
-19A	0760012-4	RUDDER BAR ASSEMBLY-DISENGAGING PEDALS RH LANDPLANE -----	1	N
	0760012-6	RUDDER BAR ASSEMBLY-DISENGAGING PEDALS RH -----	1	P
-19B	1260460-4	STUB ASSEMBLY-DISENGAGING PEDALS RH -----	1	M
-20	S1003-43A	BEARING -----	4	
-21	0411565	TUBE-DUAL BRAKE -----	2	
-22	0411562	HUB USED WITH SINGLE CONTROLS -----	4	
		ATTACHING PARTS -----		
-23	AN3-10A	BOLT -----	1	
	MS21044N3	NUT -----	1	
		-----*		

CONTINUED ON NEXT PAGE



FIGURE AND INDEX NO.	PART NUMBER	DESCRIPTION	UNITS PER ASSY							USABLE ON CODE
			1	2	3	4	5	6	7	
92 -24	0310453 1460320-1	PEDAL-BRAKE & RUDDER PEDAL-BRAKE & RUDDER ATTACHING PARTS		2						A B
-25	0411369-2 1460501-21 1460501-36	SHAFT SHAFT SHAFT		1						A Q M M
-25A	0713914-1	PIN		1						L M
-26	MS24665-285	PIN-COTTER		1						L
-27	0411778-2 0411778-4	SHAFT SHAFT		2						L
-28	MS24665-132 NAS42HT6-8 S1438-2	PIN-COTTER SPACER WASHER		1					AR	
-28A	1460505-1	SPRING		2						
-29	0411564	LINK-DUAL BRAKES		3						
-30	0411564-3	LINK-DUAL BRAKES ATTACHING PARTS		1						
-31	MS20392-2C15	PIN		1						
-32	MS24665-132 NAS43HT3-12	PIN-COTTER SPACER		1						
-33	0411307	ARM-RUDDER BAR ATTACHING PARTS		2						
-34	AN3-11A MS21044N3	BOLT NUT		1						
-35	0411563 1260021-1	BELLCRANK ASSEMBLY BELLCRANK ASSEMBLY	USED WITH DUAL CONTROLS USED WITH DUAL CONTROLS	3 3						L M
-36	0411573-1	BELLCRANK ASSEMBLY ATTACHING PARTS	USED WITH DUAL CONTROLS	1						
-37	AN3-10A MS21044N3	BOLT NUT		1						D D R S
-38	0713313-1	SPRING-BRAKE & RUDDER RETURN LH		1						
-39	0713313-2	SPRING-BRAKE & RUDDER RETURN RH		1						
-40	1260458-6 1260458-7	CONTROL ASSEMBLY-DISENGAGING RUDDER PEDALS CONTROL ASSEMBLY-DISENGAGING RUDDER PEDALS ATTACHING PARTS		1						
	AN742D3 AN520-10-8 MS21044N3 S1613-3-75	CLAMP SCREW NUT RIVNUT		3 2 1 1						M M M M
-41	0713906-1	BRACKET-DISENGAGING RUDDER PEDALS ATTACHING PARTS		1						M
	AN3-3A MS21044N3	BOLT NUT		4 4						M M
-42	S1213-1	CATCH		2						M M
-43	0713907-1 S1021A8-6	COVER-BRACKET ATTACHING PARTS SCREW		1 4						M M

NOTE. *THESE PARTS MUST BE PURCHASED IN PAIRS WHEN INITIALLY ORDERING FOR AIRCRAFT SERIALS 18051313 THRU 18051812 & 185-0001 THRU 185-1185.

NOTE. #THIS PART NUMBER MUST HAVE A SECOND DASH NUMBER ADDED TO DENOTE COLOR. REFER TO HOW TO ORDER INTERIOR PARTS-PAGE XIII.

- A---SERIAL 185-0001 THRU 185-0512
- B---SERIAL 185-0513 THRU 18502310
SERIAL 18051313 THRU 18052384
- C---SERIAL 185-0001 THRU 18502310
SERIAL 18051313 THRU 18052384
- D---SERIAL 18051313 THRU 18052384
- E---SERIAL 185-0001 THRU 185-0796
SERIAL 18051313 THRU 18051478

CONTINUED ON NEXT PAGE

FIGURE AND INDEX NO.	PART NUMBER	DESCRIPTION	UNITS PER ASSY	USABLE ON CODE
92 -		1 2 3 4 5 6 7 F---SERIAL 185-0797 THRU 18502310 SERIAL 18051479 THRU 18052384 G---SERIAL 185-0001 THRU 185-1185 SERIAL 18051313 THRU 18051812 H---SERIAL 185-1186 THRU 18502310 SERIAL 18051813 THRU 18052384 J---SERIAL 185-0001 THRU 185-1149 SERIAL 18051313 THRU 18051875 K---SERIAL 185-1150 THRU 185-1300 L---SERIAL 185-0001 THRU 185-1300 SERIAL 18051313 THRU 18051875 M---SERIAL 185-1301 THRU 18502310 SERIAL 18051876 THRU 18052384 N---SERIAL 18051876 THRU 18051993 P---SERIAL 185-1301 THRU 18502310 SERIAL 18051994 THRU 18052384 Q---SERIAL 185-0513 THRU 185-1300 SERIAL 18051313 THRU 18051875 R---SERIAL 185-1301 THRU 185-1599 SERIAL 18051876 THRU 18052103 S---SERIAL 18501600 THRU 18502310 SERIAL 18052104 THRU 18052384 T---SERIAL 185-0001 THRU 185-0967 FLOATPLANE ONLY SERIAL 18051313 THRU 18051875 U---SERIAL 185-0968 THRU 185-1300 FLOATPLANE ONLY		

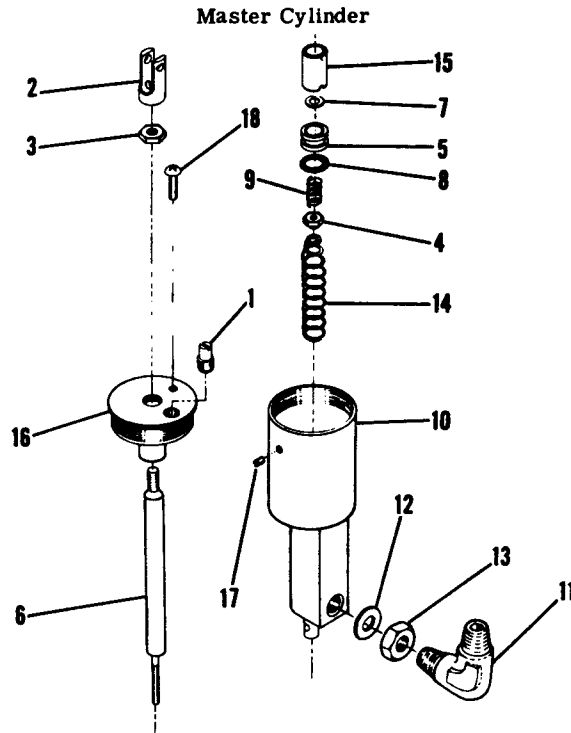
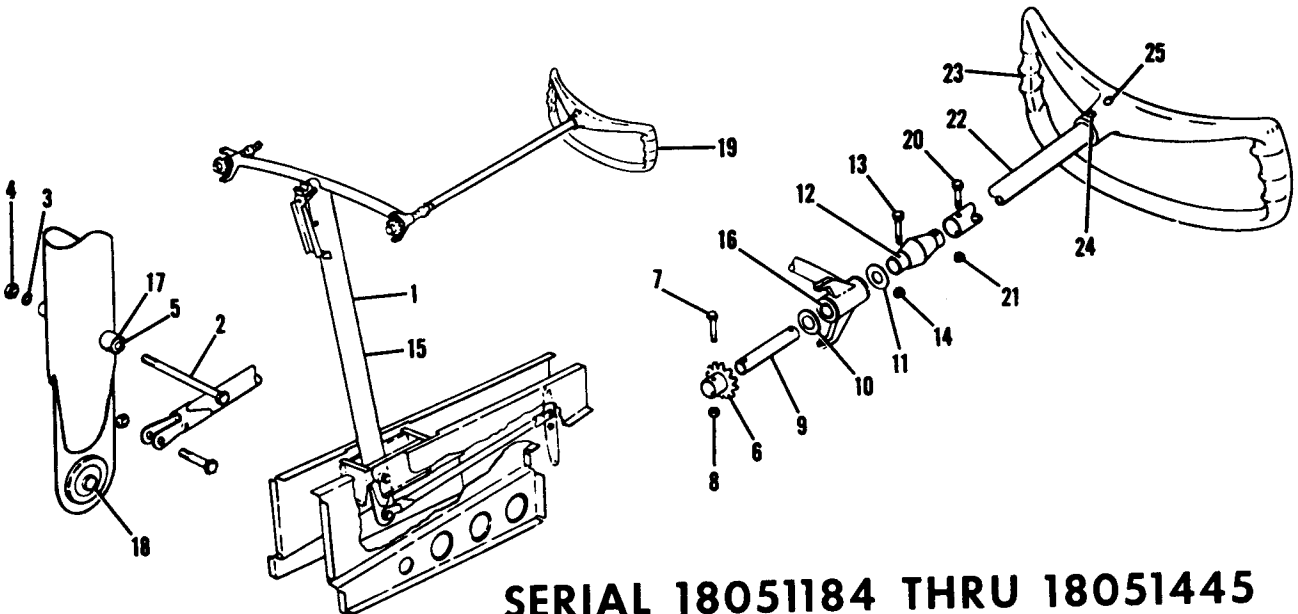


Figure 93. Brake Master Cylinder Assembly

FIGURE AND INDEX NO.	PART NUMBER	DESCRIPTION	UNITS PER ASSY	USABLE ON CODE
93 -	0541138-16	1 CYLINDER ASSEMBLY-BRAKE MASTER -----	2	A
	0541138-22	2 CYLINDER ASSEMBLY-BRAKE MASTER -----	2	B
- 1	0541139	3 PLUG -----	1	
- 2	0541140	4 CLEVIS -----	1	
- 3	AN316-4R	5 NUT-CHECK -----	1	
	0541138-5	6 PISTON ASSEMBLY-MASTER CYLINDER -----	1	
- 4	22FH632	7 NUT SPS -----	1	
- 5	0541143	8 PISTON-MASTER CYLINDER -----	1	
- 6	0541144	9 ROD-PISTON -----	1	
- 7	800-001-6	10 LOCK-O-SEAL PKSC -----	1	
- 8	MS28775-110	11 O RING -----	1	
- 9	0541148-1	12 SPRING-PISTON -----	1	
-10	0541147-2	13 BODY-MASTER CYLINDER WHEN EXHAUSTED USE 0541184-200 -----	1	
	0541184-200	14 BODY ASSEMBLY-MASTER CYLINDER -----	1	A
	0541184-2	15 BODY-MASTER CYLINDER -----	1	B
-11	AN921-4D	16 ELBOW -----	1	A
-12	MS28778-4	17 GASKET -----	1	A
-13	AN924-4D	18 NUT -----	1	A
-14	0541148	19 SPRING -----	1	
-15	0541149	20 SLEEVE -----	1	
-16	0541151	21 COVER -----	1	
-17	AN565D6H3	22 SET SCREW -----	1	
-18	AN515-10R8	23 SCREW -----	1	
		A---SERIAL 185-0001 THRU 185-1341 SERIAL 18051184 THRU 18051909		
		B---SERIAL 185-1342 THRU 18502310 SERIAL 18051910 THRU 18052385		

Flight Controls (Cont)



SERIAL 18051184 THRU 18051445
SERIAL 185-0001 THRU 185-0776

Figure 94. Control Tee Installation

FIGURE AND INDEX NO.	PART NUMBER	DESCRIPTION	UNITS PER ASSY	USABLE ON CODE
94 -		1 2 3 4 5 6 7 CONTROL TEE INSTALLATION -----	NP	G
- 1	0411221-3	CONTROL TEE ASSEMBLY -----	1	
		ATTACHING PARTS -----		
- 2	AN4-31A	BOLT -----	1	
- 3	AN960-416L	WASHER -----	1	
- 4	NA5679A4	NUT -----	2	
- 5	S18-30	BUSHING -----	1	

- 6	0411047	SPROCKET-AILERON CHAIN -----	2	
		ATTACHING PARTS -----		
- 7	AN3-11A	BOLT -----	1	
- 8	MS21044N3	NUT -----	1	

- 9	0411255	SHAFT -----	2	
-10	AN960-816	WASHER -----	2	
-11	AN960A816L	WASHER -----	AR	
-12	0411257	UNIVERSAL JOINT -----	2	
		ATTACHING PARTS -----		
-13	AN3-10A	BOLT -----	1	
-14	MS21044N3	NUT -----	1	

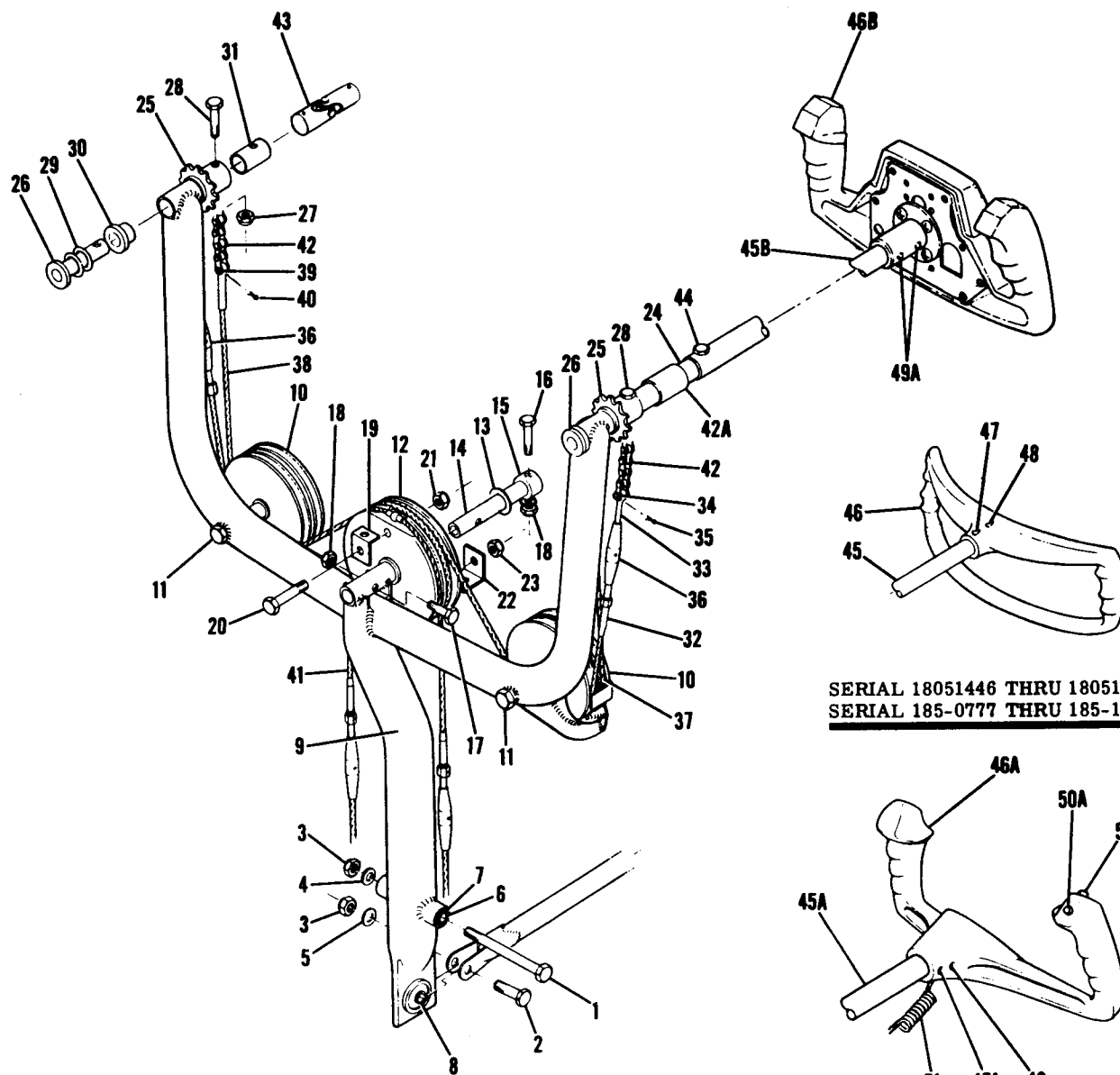
CONTINUED ON NEXT PAGE				

FIGURE AND INDEX NO.	PART NUMBER	DESCRIPTION	UNITS PER ASSY	USABLE ON CODE		
					1	2
94 -15	0411326-3	MACHINE ASSEMBLY-CONTROL TEE -----	1			
-16	F620	BUSHING AXD -----	4			
-17	B610	BEARING TOR -----	2			
-18	MS20200KP4	BEARING -----	1			
-19	0513167-7	CONTROL WHEEL ASSEMBLY LH -----	1	A		
	0513167-13	CONTROL WHEEL ASSEMBLY-LH -----	1	B		
	0513332-204	CONTROL WHEEL ASSEMBLY LH -----	1	C		
	0513167-7	CONTROL WHEEL ASSEMBLY RH -----	1	A		
	0513167-13	CONTROL WHEEL ASSEMBLY-RH -----	1	B		
	0513332-204	CONTROL WHEEL ASSEMBLY RH -----	1	C		
		ATTACHING PARTS				
-20	AN3-11A	BOLT -----	1			
-21	MS21044N3	NUT -----	1			
		-----*				
-22	0413213-7	TUBE-CONTROL -----	1	D		
-23	0513166-1	WHEEL-CONTROL -----	1	C		
	0513166-3	WHEEL-CONTROL -----	1			
		ATTACHING PARTS				
-24	0413216	RIVET -----	1			
-25	0413216-4	RIVET -----	1			
		-----*				
	0713217-2	EMBLEM-CONTROL WHEEL -----	1	A		
	0700065-1	EMBLEM-CONTROL WHEEL -----	1	B		
	0500125-1	PLATE-CONTROL WHEEL INSIGNIA -----	2	C		
	0500125-8	INSIGNIA-CONTROL WHEEL -----	2	E		
	0500125-11	INSIGNIA-CONTROL WHEEL -----	2	F		
<p>A---SERIAL 18051184 THRU 18051312 B---SERIAL 185-0001 THRU 185-0653 C---SERIAL 18051313 THRU 18051445 SERIAL 185-0654 THRU 185-0776 D---SERIAL 18051184 THRU 18051312 SERIAL 185-0001 THRU 185-0653 E---SERIAL 18051313 THRU 18051445 F---SERIAL 185-0654 THRU 185-0776 G---SERIAL 18051184 THRU 18051445 SERIAL 185-0001 THRU 185-0776</p>						

FIGURE AND INDEX NO.	PART NUMBER	DESCRIPTION	UNITS PER ASSY	USABLE ON CODE
94A-	0560006-1	CONTROL YOKE INSTALLATION ----- YOKE ASSEMBLY-CONTROL ----- ATTACHING PARTS -----	NP 1	A
- 1	AN4-31A	BOLT -----	1	
- 2	AN4-10A	BOLT -----	1	
- 3	NAS679A4	NUT -----	2	
- 4	AN960-416L	WASHER -----	1	
- 5	AN960-416	WASHER -----	1	
- 6	S18-30	BUSHING -----	1	
- 7	B610	BEARING TOR -----	1	
- 8	AN200K54	BEARING -----	1	
- 9	0511782-1	WELD ASSEMBLY -----	4	
-10	S378-4	PULLEY -----	2	
-11	AN4-30A	BOLT -----	2	
-12	NAS679A4	NUT -----	1	
-13	0511783-1	DRUM ASSEMBLY ----- ATTACHING PARTS -----	2	
-14	AN960-816L	WASHER -----	1	
-15	0511784-1	SHAFT -----	1	
-16	0511787-1	RETAINER -----	1	
-17	AN3-11A	BOLT -----	1	
-18	AN960-10	WASHER -----	1	
-19	AN3-10A	BOLT -----	2	
-20	MS21044N3	NUT -----	1	
-21	0511786-1	CLAMP ----- ATTACHING PARTS -----	1	
-22	AN3-13A	BOLT -----	1	
-23	MS21044N3	NUT -----	1	
-24	0511786-2	CLAMP ----- ATTACHING PARTS -----	1	
-25	AN3-12A	BOLT -----	1	
-26	MS21044N3	NUT -----	1	
-27	0411257	JOINT-UNIVERSAL LH ONLY -----	2	
-28	0511785-1	SPROCKET ----- ATTACHING PARTS -----	1	
-29	0511788-1	SHAFT -----	1	
-30	MS21044N3	NUT -----	1	
-31	AN3-11A	BOLT -----	2	
-32	AN960-816L	WASHER -----	2	
-33	S1004-43A	BEARING -----	1	
-34	0511789-1	SPACER USE ONLY WHEN RH CONTROLS ARE NOT INSTALLED -----	1	
-35	0510105-213	CABLE ASSEMBLY -----	1	
-36	0510105-313	CABLE ASSEMBLY STAINLESS STEEL ----- ATTACHING PARTS -----	2	
-37	NAS288-35	TERMINAL -----	2	
-38	AN21-10	BOLT -----	2	
-39	AN960PD6L	WASHER -----	2	
-40	AN320-1	NUT -----	2	
-41	MS24665-5	PIN-COTTER -----	2	
-42	AN155832S	BARREL -----	1	
-43	0510105-215	CABLE ASSEMBLY-LH -----	1	
-44	0510105-315	CABLE ASSEMBLY-LH STAINLESS STEEL -----	1	
-45	0510105-214	CABLE ASSEMBLY-RH -----	1	
-46	0510105-314	CABLE ASSEMBLY-RH STAINLESS STEEL ----- ATTACHING PARTS -----	1	
-47	AN21-10	BOLT -----	1	
-48	AN960PD6L	WASHER -----	1	
-49	AN320-1	NUT -----	1	
-50	MS24665-5	PIN-COTTER -----	1	
-51	AN155832S	BARREL -----	1	

CONTINUED ON NEXT PAGE

Flight Controls (Cont)



SERIAL 18051446 THRU 18051774
SERIAL 185-0777 THRU 185-1149

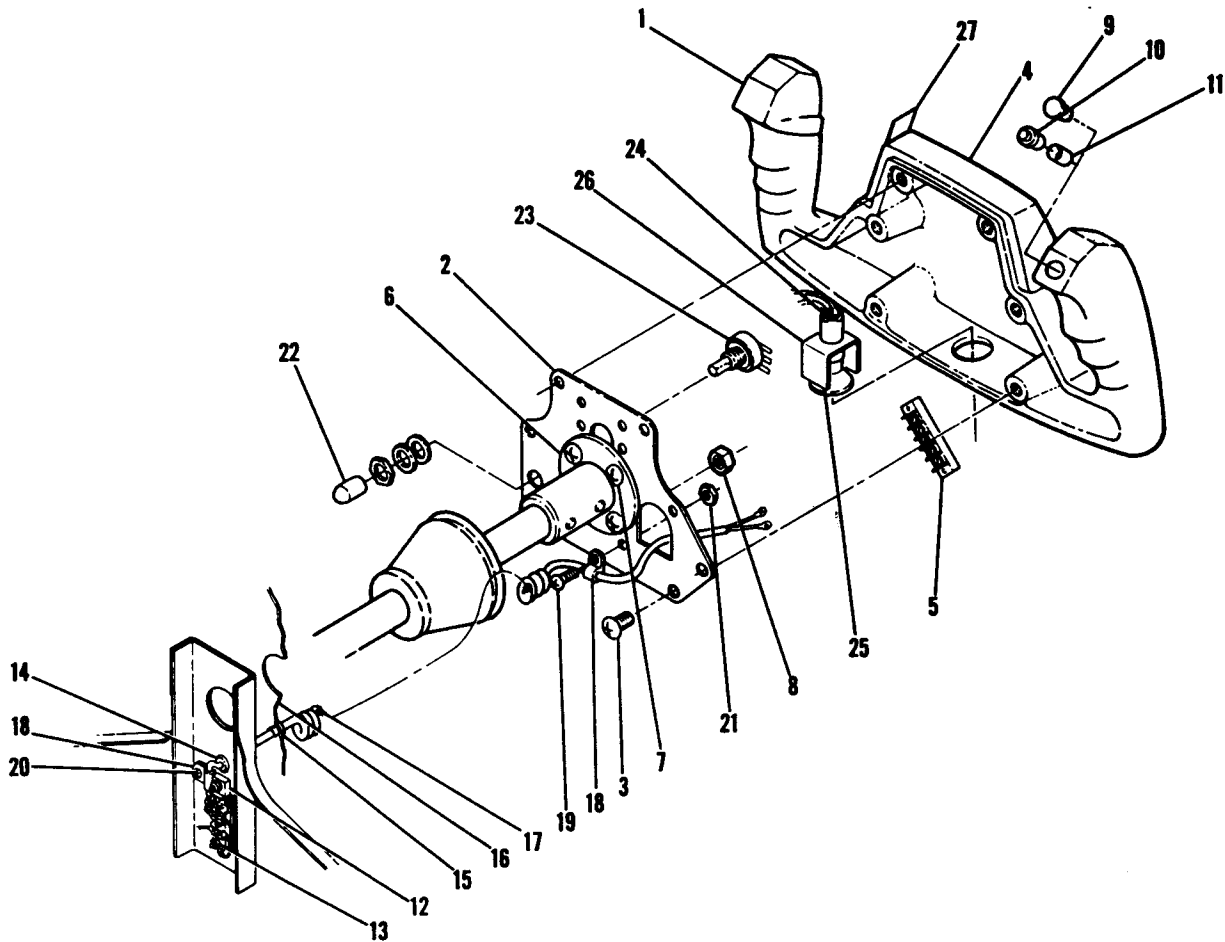
SERIAL 18051775 THRU 18052284
SERIAL 185-1150 THRU 18502090

SERIAL 185-0777 THRU 18502310
SERIAL 18051446 THRU 18052384

Figure 94A. Control Yoke Installation

FIGURE AND INDEX NO.	PART NUMBER	DESCRIPTION	UNITS PER ASSY	USABLE ON CODE
		1 2 3 4 5 6 7		
94A-41	0510105-216	CABLE ASSEMBLY -----	1	
	0510105-316	CABLE ASSEMBLY STAINLESS STEEL -----	1	
-42	0413372-5	CHAIN -----	2	
-42A	S1495-10	HOSE-1.12 IN LG BULK ITEM REF S1495-10-1.12 -----	1	G
-43	0411257	JOINT-UNIVERSAL RH CONTROLS ONLY -----	1	
	0513332-205	CONTROL WHEEL ASSEMBLY-LH&RH NOT DRILLED FOR MIC SWITCH -	2	B
	0761000-4	CONTROL WHEEL ASSEMBLY-LH&RH NOT DRILLED FOR MIC SWITCH -	2	E
	1570149-200	CONTROL WHEEL ASSEMBLY-LH DRILLED FOR MIC SWITCH -----	1	J
		CONTROL WHEEL ASSEMBLY-LH DRILLED FOR MIC SWITCH -----	NP	K
		CONTROL WHEEL ASSEMBLY-RH NOT DRILLED FOR MIC SWITCH -----	1	F
	0761000-4	CONTROL WHEEL ASSEMBLY-LH & RH -----	NP	L
		ATTACHING PARTS -----		
-44	AN3-11A	BOLT -----	1	
	MS21044N3	NUT -----	1	
-45	0413213-7	TUBE-CONTROL -----	1	B
-45A	0413213-14	TUBE-CONTROL WEU 0413213-18 -----	1	D
	0413213-18	TUBE-CONTROL -----	1	H
-45B	0413213-24	TUBE-CONTROL -----	1	L
-46	0513166-7	WHEEL-CONTROL-LH&RH NOT DRILLED FOR MIC SWITCH -	1	B
-46A	1560001-13	WHEEL-CONTROL USE WITH 0761000-4 NOT DRILLED -----	1	C
		FOR MIC SWITCH -----		
	1570149-201	WHEEL ASSEMBLY-CONTROL-LH DRILLED FOR MIC SWITCH -----	1	J
		WEU 1570149-202 -----		
	1570149-202	WHEEL ASSEMBLY-CONTROL-LH DRILLED FOR MIC SWITCH -----	1	K
-46B	SEE FIG 94B	WHEEL ASSEMBLY-CONTROL -----	1	L
		ATTACHING PARTS -----		
-47	0413216	RIVET -----	1	B
-47A	0413216-2	RIVET -----	1	C
-48	0413216-4	RIVET -----	1	B
-49	0413216-5	RIVET -----	1	C
-49A	0413216-6	RIVET -----	2	L
		PLUG-MIKE SWITCH HOLE -----	1	J
	1560110-3	SCREW ATTACH PLUG OR ADAPTOR -----	1	J
	AN56584-2	RIVET-PLASTIC -----	1	K
	S1822-1	PLUG -----	1	J
	1270682-1	INSERT -----	4	F
	S1959-1	INSERT -----	1	F
	S1959-2	INSERT -----	1	F
-50	A8002	SWITCH-MICROPHONE CSDC USED WITH 1570149-201 -----	1	J
	1560110-1	ADAPTOR-MIKE SWITCH USED WITH A8002 SWITCH -----	1	J
-50A	S1985-1	SWITCH-MICROPHONE USED WITH 1570149-202 -----	1	K
-51	8409	CABLE-MIKE SWITCH OR MAP LIGHT BDN -----	1	F
	1570142-2	CIRCUIT BOARD ASSEMBLY-MAP LIGHT INCLUDES LAMP -----	1	F
	1570150-1	SHIELD-MAP LIGHT -----	1	F
		ATTACHING PARTS -----		
	AN515-2R10	SCREW -----	4	F
		INSIGNA ASSEMBLY-CONTROL WHEEL SEE FIG 2, 2A, 2B & 2C -----	2	
<p>A---SERIAL 18051446 THRU 18052384 SERIAL 185-0777 THRU 18502310 B---SERIAL 18051446 THRU 18051774 SERIAL 185-0777 THRU 185-1149 C---SERIAL 18051775 THRU 18052284 SERIAL 185-1150 THRU 18502090 D---SERIAL 18051775 THRU 18052179 SERIAL 185-1150 THRU 18501843 E---SERIAL 18051775 THRU 18051875 SERIAL 185-1150 THRU 185-1300 F---SERIAL 18051876 THRU 18052284 SERIAL 185-1301 THRU 18502090 G---SERIAL 18052090 THRU 18052284 SERIAL 185-1571 THRU 18502090 H---SERIAL 18052180 THRU 18052284 SERIAL 18501844 THRU 18502090 J---SERIAL 18051876 THRU 18052196 SERIAL 185-1301 THRU 18501889 K---SERIAL 18052197 THRU 18052284 SERIAL 18501890 THRU 18502090 L---SERIAL 18052285 THRU 18052384 SERIAL 18502091 THRU 18502310</p>				

Flight Controls (Cont)



SERIAL 18502091 THRU 18502310
SERIAL 18052285 THRU 18052384

Figure 94B. Control Wheel & Switches Installation

FIGURE AND INDEX NO.	PART NUMBER	DESCRIPTION	UNITS PER ASSY	USABLE ON CODE
		1 2 3 4 5 6 7		
948-		CONTROL WHEEL & SWITCHES INSTALLATION -----	NP	A
- 1	0760019-7	CONTROL WHEEL ASSEMBLY-PADDED PILOT -----	1	
	0760019-5	CONTROL WHEEL ASSEMBLY-PADDED CO-PILOT -----	1	
- 2	0760016-1	PLATE -----	1	
		ATTACHING PARTS -----		
- 3	NAS221-9	SCREW -----	6	

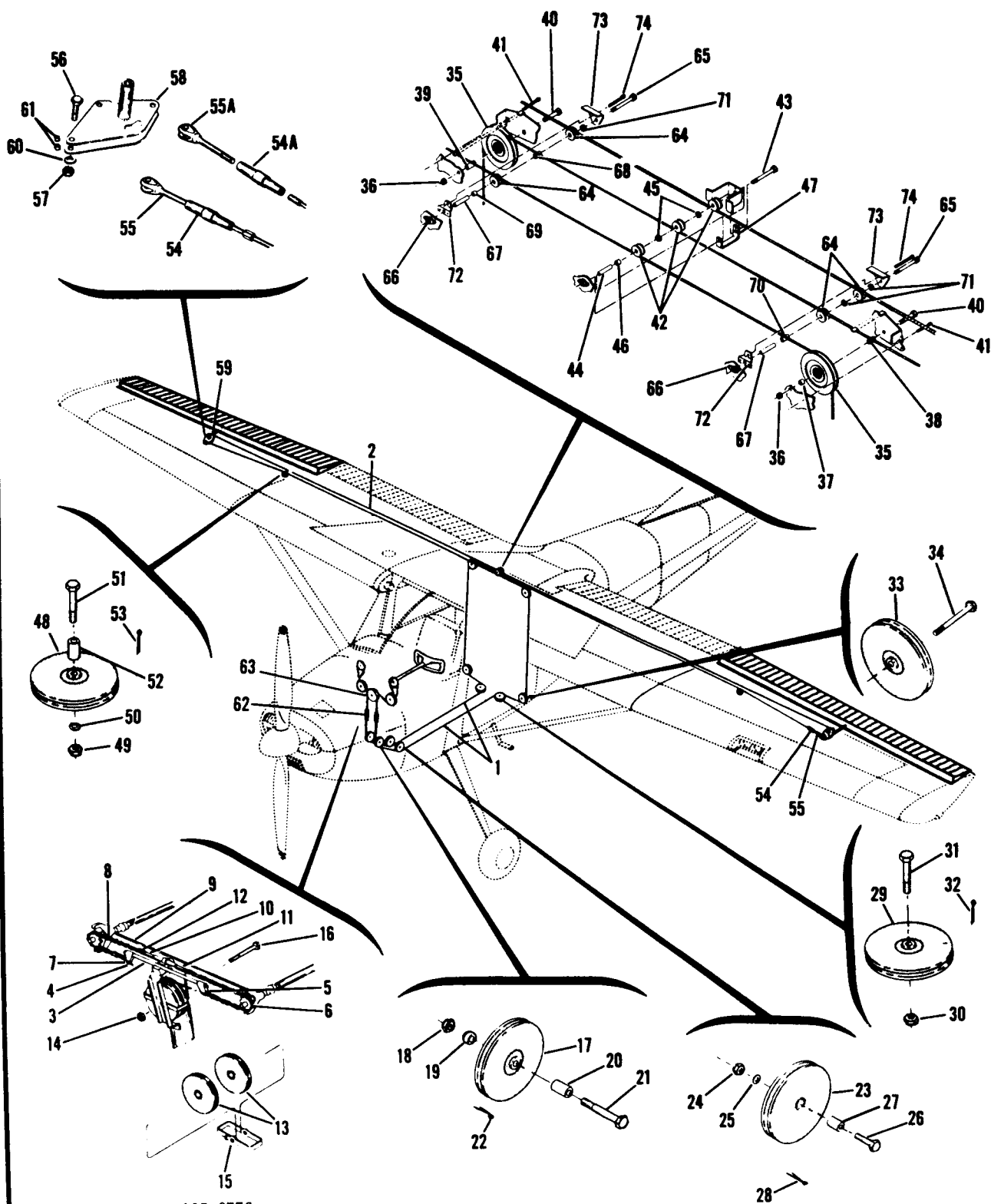
	MS21209F1-20	INSERT -----	6	
- 4	0760018-1	PAD-CONTROL WHEEL -----		
- 5	351-11-05-001	TERMINAL BLOCK PILOT ONLY CIN -----	1	
- 6	0760017-3	ADAPTER -----	1	
		ATTACHING PARTS -----		
- 7	NAS221-11	SCREW -----	4	
- 8	MS21044N3	NUT -----	4	

- 9	1270682-1	PLUG PILOT ONLY -----	1	
-10	S1985-1	SWITCH-MIKE -----	1	
-11	1270683-1	INSULATOR -----	1	
-12	351-11-05-001	TERMINAL BLOCK CIN -----	1	
		ATTACHING PARTS -----		
-13	AN515-4R10	SCREW -----	2	
	AN936A4	WASHER -----	2	
	AN340-4	NUT -----	2	
	NAS430D0-6	SPACER -----	2	

-14	MS35489-335	GROMMET -----	1	
-15	K375-125	BUSHING-SNUB HEMA -----	1	
-16	SEE FIG	SPLICE PLATE-SHOCK PANEL -----	1	
-17	8409	CABLE-RETRACTILE BDN -----	1	
		ATTACHING PARTS -----		
-18	S1155-3	CLAMP -----	2	
-19	AN515-8R8	SCREW -----	1	
-20	AN515-8R6	SCREW -----	1	
-21	AN340-8	NUT -----	2	
	AN936A8	WASHER -----	1	

-22	S2093-1	COVER -----	1	
-23	3859A282-251A	RHEOSTAT BITD -----	1	
-24	4157-001	SOCKET DMC -----	1	
-25	12R8	LAMP -----	1	
-26	0760023-1	BRACKET-SOCKET -----	1	
-27	0705028-1	PLACARD -----	1	
		A---SERIAL 18502091 THRU 18502310 SERIAL 18052285 THRU 18052384		

Flight Controls (Cont)



185-0001 THRU 185-0776
18051184 THRU 18051445

Figure 95. Aileron Control System Installation

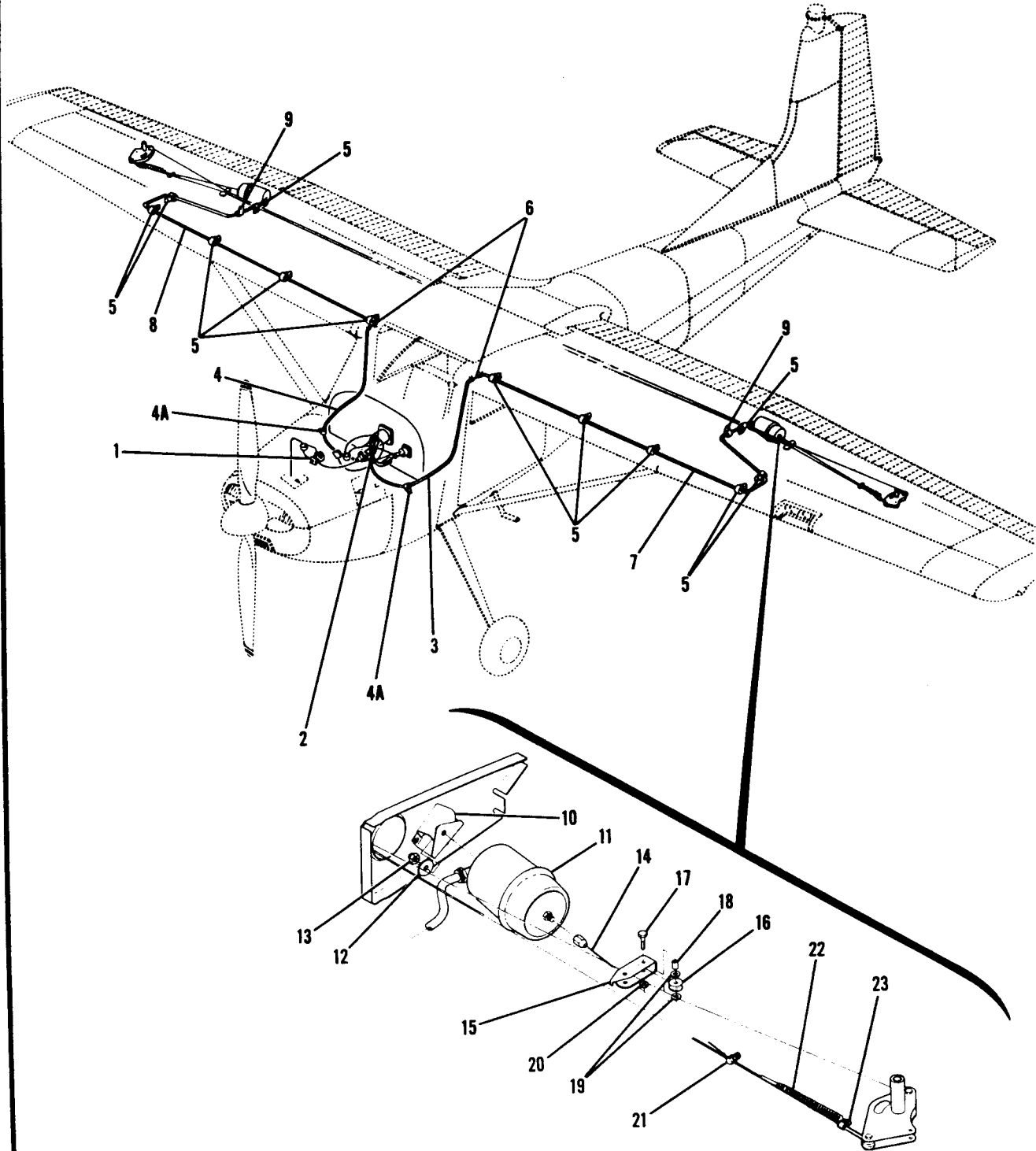
FIGURE AND INDEX NO.	PART NUMBER	DESCRIPTION	UNITS PER ASSY	USABLE ON CODE
			NP	
		1 2 3 4 5 6 7		
95 -		AILERON CONTROL SYSTEM INSTALLATION -----	2	C
- 1	0510105-16	CABLE-AILERON DIRECT -----	2	C
	0510105-116	CABLE-AILERON DIRECT STAINLESS STEEL -----	2	D
	0510105-222	CABLE-AILERON DIRECT -----	2	D
	0510105-322	CABLE-AILERON DIRECT STAINLESS STEEL -----	1	
- 2	0510105-13	CABLE-AILERON CARRY THRU -----	1	C
	0510105-113	CABLE-AILERON CARRY THRU STAINLESS STEEL -----	1	C
- 3	0411880	BAR ASSEMBLY-AILERON CARRY THRU -----	1	
- 4	0411881	TUBE ASSEMBLY-AILERON CARRY THRU -----	1	C
		ATTACHING PARTS -----	1	C
- 5	NAS679A4	NUT -----	1	C
- 6	0411051	CHAIN ASSEMBLY -----	2	C
		ATTACHING PARTS -----	2	C
- 7	AN21-13	BOLT -----	2	C
	AN320-1	NUT -----	2	C
	MS24665-5	PIN-COTTER -----	2	C
- 8	0411051-4	CHAIN-AILERON CONTROL -----	1	C
- 9	AN159832S	BARREL-TURNBUCKLE -----	1	C
-10	NAS288-35LH	TERMINAL -----	1	C
-11	NAS228-35RH	TERMINAL -----	2	C
-12	MS20392-1C13	PIN-CLEVIS -----	2	C
	MS24665-132	PIN-COTTER -----	2	C
-13	S378-4	PULLEY -----	1	C
		ATTACHING PARTS -----	1	C
-14	NAS679A4	NUT -----	1	C
-15	0411232	GUARD-CABLE -----	1	
-16	AN4-33A	BOLT -----	2	
-17	S378-4	PULLEY -----	1	
		ATTACHING PARTS -----	1	
-18	NAS679A4	NUT -----	1	
-19	0510136	SPACER -----	1	
-20	0510137	SPACER -----	1	
-21	AN4-21A	BOLT -----	2	
-22	MS20392-1C57	PIN -----	2	
	MS24665-132	PIN-COTTER -----	2	
-23	S378-4	PULLEY -----	1	
		ATTACHING PARTS -----	2	
-24	NAS679A4	NUT -----	1	
-25	AN960-416L	WASHER -----	1	B
-26	AN4-14A	BOLT -----	1	
-27	0411489	BUSHING-PULLEY -----	2	
-28	MS24665-355	PIN-COTTER -----	2	
-29	S378-4	PULLEY -----	1	
		ATTACHING PARTS -----	1	
-30	NAS679A4	NUT -----	1	
-31	AN4-10A	BOLT -----		

CONTINUED ON NEXT PAGE

FIGURE AND INDEX NO.	PART NUMBER	DESCRIPTION	UNITS PER ASSY	USABLE ON CODE
				1 2 3 4 5 6 7
95 -32	MS24665-140	PIN-COTTER -----	2	
-33	S378-4	PULLEY -----	2	
		ATTACHING PARTS		
-34	AN4-21A	BOLT -----	1	
		-----*		
-35	S378-4	PULLEY -----	2	
		ATTACHING PARTS		
-36	NAS679A4	NUT -----	1	
-37	NAS43HT4-16	SPACER LH ONLY -----	1	
-38	NAS43HT4-28	SPACER LH ONLY -----	1	
-39	NAS43HT4-20	SPACER RH ONLY -----	1	A
	NAS43HT4-42	SPACER RH ONLY -----	1	B
-40	AN4-16A	BOLT -----	1	
		-----*		
-41	MS24665-140	PIN-COTTER -----	2	
-42	S394	PULLEY -----	3	
		ATTACHING PARTS		
-43	AN3-21A	BOLT -----	1	
-44	0512138	BUSHING -----	1	
-45	AN960-416	WASHER -----	1	
-46	NAS43HT4-12	SPACER -----	2	
-47	0512136	GUARD-CABLE -----	1	
		-----*		
-48	S378-3L	PULLEY -----	2	
		ATTACHING PARTS		
-49	NAS679A4	NUT -----	1	
-50	AN960-416L	WASHER -----	1	
-51	AN4-10A	BOLT -----	1	
-52	NAS382-2	BUSHING -----	1	B
		-----*		
-53	MS24665-134	PIN-COTTER -----	2	
-54	AN155B32L	BARREL-TURNBUCKLE -----	2	C
-54A	AN155B32L	BARREL-TURNBUCKLE R H WING ONLY -----	1	D
-55	AN161-32LL	FORK -----	2	C
-55A	AN161-32LL	FORK RH WING ONLY -----	1	D
-56	AN3-7A	BOLT -----	4	
-57	MS21044N3	NUT -----	4	
-58	0523223-1	BELLCRANK ASSEMBLY-AILERON RH SEE FIGURE 14 -----	1	
	0523223	BELLCRANK ASSEMBLY-AILERON LH SEE FIGURE 14 -----	1	
-59	0523218	ROD ASSEMBLY-AILERON PUSH PULL SEE FIGURE 14 -----	2	
-60	AN960-10L	WASHER -----	4	
-61	NAS43HT4-10	SPACER LH WING ONLY -----	2	E
	NAS43HT4-10	SPACER LH WING -----	4	D
	NAS43HT4-10	SPACER RH WING -----	2	D
-62	AN155B32L	BARREL -----	2	D
-63	0560006-1	CONTROL YOKE ASSEMBLY SEE FIGURE 94A -----	1	D
-64	S394	PULLEY -----	4	F
		ATTACHING PARTS		
-65	AN3-21A	BOLT -----	1	
-66	NAS680A3	NUTPLATE -----	1	
-67	0512138	BUSHING -----	1	
-68	NAS43HT4-24	SPACER RH ONLY -----	1	
-69	NAS43HT4-20	SPACER RH ONLY -----	1	
-70	NAS43HT4-40	SPACER LH ONLY -----	1	
-71	AN960-416	WASHER RH ONLY -----	2	
	AN960-416	WASHER LH ONLY -----	1	
		-----*		
-72	0711696-1	BRACKET-AILERON GUIDE PULLEY -----	2	F
-73	0711696-2	BRACKET-AILERON GUIDE PULLEY -----	2	F
-74	MS24665-21	PIN-COTTER CABLE GUARD -----	2	F

A---SERIAL 185-0001 THRU 18502310
 B---SERIAL 18051184 THRU 18052384
 C---SERIAL 18051184 THRU 18051445
 SERIAL 185-0001 THRU 185-0776
 D---SERIAL 18051446 THRU 18052384
 SERIAL 185-0777 THRU 18502310
 E---SERIAL 18051402 THRU 18051445
 SERIAL 185-0750 THRU 185-0776
 F---SERIAL 18051608 THRU 18052384
 SERIAL 185-0968 THRU 18502310

Flight Controls (Cont)



SERIAL 185-1301 THRU 18502310
SERIAL 18051876 THRU 18052384

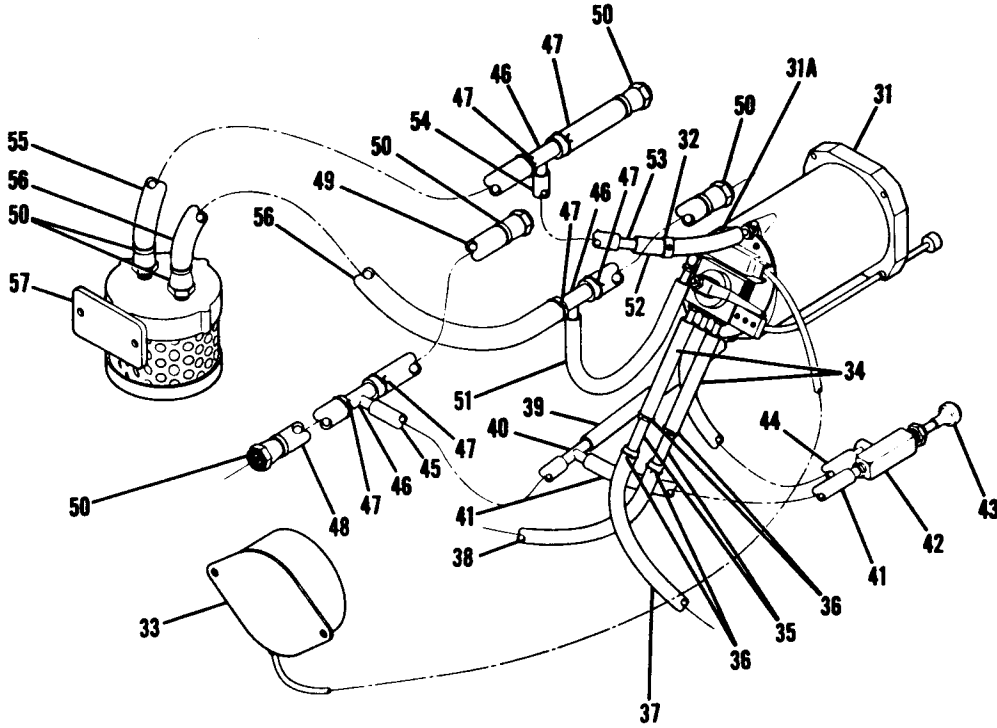
Figure 95A. Wing Leveler Installation

FIGURE AND INDEX NO.	PART NUMBER	DESCRIPTION	UNITS PER ASSY	USABLE ON CODE
		1 2 3 4 5 6 7		
95A-		WING LEVELER INSTALLATION -----	NP	A
- 1	SEE FIG 117D	VACUUM SYSTEM -----	1	
- 2	SEE FIG 95B	WING LEVELER COMPONENTS -----	1	
- 3	S1071R3	TUBE-RED * IN LG BULK ITEM REF S1071R3-* -----	1	
- 4	S1071G3	TUBE-GREEN * IN LG BULK ITEM REF S1071G3-* -----	1	
- 4A	AN742D6	CLAMP -----	2	
		ATTACHING PARTS -----		
	AN520-10-8	SCREW -----	1	
	S1613-3-75	NUT -----	1	
		-----*		
	S1592-2A	CLAMP -----	12	
- 5	S1021Z6-8	ATTACHING PARTS -----	1	
		SCREW -----		
		-----*		
	S1794-1	FITTING -----	2	
- 6	S1494-6	CLAMP -----	4	
	S1071R3	TUBE-RED * IN LG BULK ITEM REF S1071R3-* -----	1	
- 7	S1071G3	TUBE-GREEN * IN LG BULK ITEM REF S1071G3-* -----	1	
- 8	S1071G3	CLAMP -----	2	
- 9	AN742D6	ATTACHING PARTS -----	1	
	AN3-4A	BOLT -----	1	
	MS21044N3	NUT -----	1	
		-----*		
-10	0422356-1	MOUNTING BRACKET ASSEMBLY-SERVO LH -----	1	
	0422356-2	MOUNTING BRACKET ASSEMBLY-SERVO RH -----	1	
		ATTACHING PARTS -----	3	
	AN515-8R8	SCREW -----		
		-----*		
	NAS69808	NUTPLATE -----	3	
-11	1220-1-0	SERVO ASSEMBLY-AILERON BTID -----	2	
		ATTACHING PARTS -----		
-12	AN970-5	WASHER -----	1	
-13	NAS679A5	NUT -----	1	
		-----*		
-14	0422358-1	CABLE ASSEMBLY-AILERON SERVO -----	2	
-15	0422357-1	BRACKET-PULLEY -----	2	
-16	S1710-1	PULLEY -----	2	
		ATTACHING PARTS -----		
-17	AN3-10A	BOLT -----	1	
-18	0411783-1	BUSHING -----	2	
-19	AN960-10	WASHER -----	1	
-20	MS21044N3	NUT -----	1	
		-----*		
-21	S85	CONNECTOR PEUN -----	2	
	SEL85	CONNECTOR PEUN ALTERNATE -----	2	
-22	0413416-4	SPRING -----	2	
-23	AN742D2	CLAMP -----	2	
		ATTACHING PARTS -----		
	AN515-10R6	SCREW -----	1	
	MS21044N3	NUT -----	1	
		-----*		

NOTE. *LENGTH TO BE DETERMINED LATER.

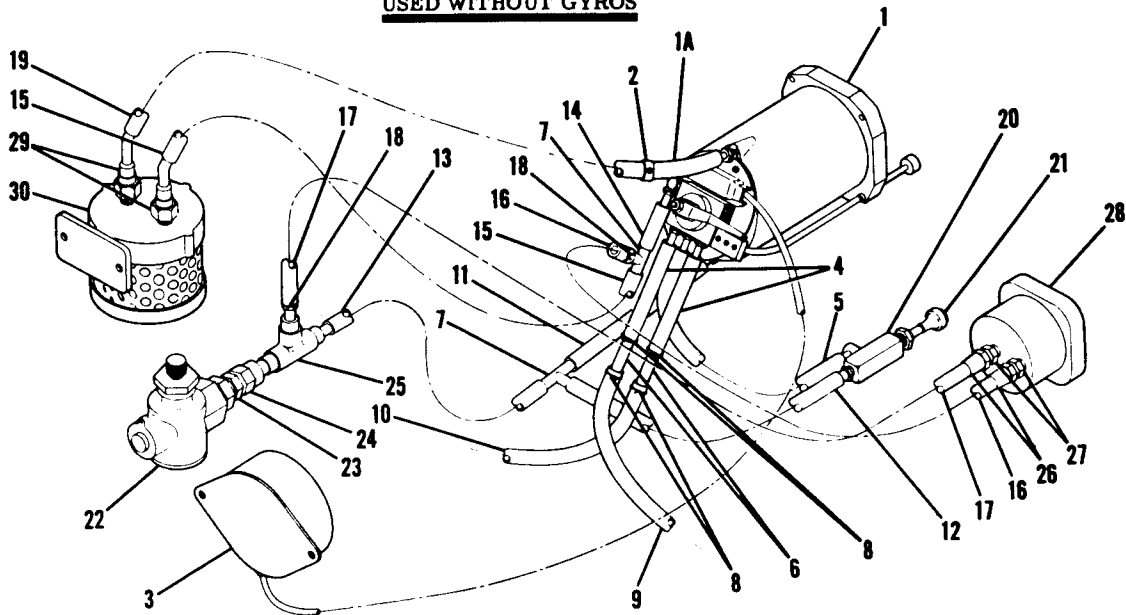
A---SERIAL 185-1301 THRU 18502310
SERIAL 18051876 THRU 18052384

Flight Controls (Cont)



USED WITH GYROS

USED WITHOUT GYROS



SERIAL 185-1301 THRU 18502310
SERIAL 18051876 THRU 18052384

Figure 95B. Wing Leveler Components

FIGURE AND INDEX NO.	PART NUMBER	DESCRIPTION							UNITS PER ASSY	USABLE ON CODE
		1	2	3	4	5	6	7		
958-		WING LEVELER COMPONENTS USED WITHOUT GYROS -----							NP	A
- 1	2904-1	INDICATOR-TURN COORDINATOR BTID WHEN -----							1	B
		EXHAUSTED USE 20351-4 -----								
	20351-4	INDICATOR-TURN COORDINATOR BTID -----							1	C
		ATTACHING PARTS -----								
	AN51586R16	SCREW -----							3	
	AN34086	NUT -----							3	
	AN936A6B	WASHER -----							3	

	S1800-1	TUBE-# IN LG BULK ITEM REF S1800-1-# -----							1	
- 1A		VALVE-RESTRICTOR -----							NP	
- 2		INVERTER -----							NP	
- 3		ATTACHING PARTS -----								
	AN515-8R8	SCREW -----							2	
	NAS679A08	NUT -----							2	

	S1800-1	TUBE-# IN LG BULK ITEM REF S1800-1-# -----							2	
- 4		TUBE-# IN LG BULK ITEM REF S1800-1-# -----							1	
- 5	S1800-1	FITTING -----							2	
- 6	S1794-1	TEE -----							2	
- 7	S1793-1	CLAMP -----							4	
- 8	S1494-6	TUBE-RED * IN LG BULK ITEM REF S1071R3-# -----							1	
- 9	S1071R3	TUBE-GREEN * IN LG BULK ITEM REF S1071G3-# -----							1	
-10	S1071G3	TUBE-# IN LG BULK ITEM REF S1800-1-# -----							1	
-11	S1800-1	TUBE-# IN LG BULK ITEM REF S1800-1-# -----							1	
-12	S1800-1	TUBE-# IN LG BULK ITEM REF S1800-1-# -----							1	
-13	S1800-1	TUBE-# IN LG BULK ITEM REF S1800-1-# -----							1	
-14	S1800-1	TUBE-# IN LG BULK ITEM REF S1800-1-# -----							1	
-15	S1800-1	TUBE-# IN LG BULK ITEM REF S1800-1-# -----							1	
-16	S1495-4	HOSE-# IN LG BULK ITEM REF S1499-4J-# -----							1	
-17	S1495-4	HOSE-# IN LG BULK ITEM REF S1499-4J-# -----							2	
-18	S1494-7	CLAMP -----							1	
-19	S1800-1	TUBE-# IN LG BULK ITEM REF S1800-1-# -----							1	
-20	S1791-1	VALVE-WING LEVELER -----								
		ATTACHING PARTS -----								
	0713026-6	NUT -----							1	

	S1760-1	KNOB -----							1	
-21		VALVE-RELIEF -----							1	
-22	C482001-0101	BUSHING -----							1	
-23	AN912-2D	CONNECTOR -----							1	
-24	S1802-2	TEE -----							2	
-25	S1801-1	FITTING-SOCKETLESS -----							2	
-26	S1497-4	NIPPLE -----							1	
-27	AN816-4D	GAGE-SUCTION WEU C668540-0101 -----							1	B
-28	S1414N1	GAGE-SUCTION -----							1	C
	C668540-0101	ATTACHING PARTS -----								
	AN5158632R12	SCREW -----							4	

	1713039-1	FITTING -----							2	
-29		FILTER ASSEMBLY-AIR SEE FIGURE 117C & 117E -----							1	
-30	C294501-0101	WING LEVELER COMPONENTS USED WITH GYROS -----							NP	
		INDICATOR-TURN COORDINATOR BTID WEU 604-200-200 -----							1	A
-31	2904-1	INDICATOR-TURN COORDINATOR BTID -----							1	B
	604-200-200	ATTACHING PARTS -----								C
	AN51586R16	SCREW -----							3	
	AN34086	NUT -----							3	
	AN936A6B	WASHER -----							3	

	S1800-1	TUBE-# IN LG BULK ITEM REF S1800-1-# -----							1	
-31A		VALVE-RESTRICTOR -----							NP	
-32		INVERTER -----							NP	
-33		ATTACHING PARTS -----								
	AN515-8R8	SCREW -----							2	
	NAS679A08	NUT -----							2	

	S1800-1	TUBE-# IN LG BULK ITEM REF S1800-1-# -----							2	
-34		FITTING -----							2	
-35	S1794-1	CLAMP -----							4	
-36	S1494-6									

CONTINUED ON NEXT PAGE

FIGURE AND INDEX NO.	PART NUMBER	DESCRIPTION	UNITS PER ASSY	USABLE ON CODE
95B-37	S1071R3	TUBE-RED * IN LG BULK ITEM REF S1071R3-* -----	1	
-38	S1071G3	TUBE-GREEN * IN LG BULK ITEM REF S1071G3-* -----	1	
-39	S1800-1	TUBE-* IN LG BULK ITEM REF S1800-1-* -----	1	
-40	S1793-1	TEE -----	1	
-41	S1800-1	TUBE-* IN LG BULK ITEM REF S1800-1-* -----	1	
-42	S1791-1	VALVE-WING LEVELER -----	1	
		ATTACHING PARTS		
	0713026-6	NUT -----	1	

-43	S1760-1	KNOB -----	1	
-44	S1800-1	TUBE-* IN LG BULK ITEM REF S1800-1-* -----	1	
-45	S1800-1	TUBE-* IN LG BULK ITEM REF S1800-1-* -----	1	
-46	S1793-2	TEE -----	3	
-47	S1494-9	CLAMP -----	6	
-48	S1495-6	HOSE-* IN LG BULK ITEM REF S1499-6L-* -----	1	
-49	S1495-6	HOSE-* IN LG BULK ITEM REF S1499-6L-* -----	1	
-50	S1497-6	FITTING-SOCKETLESS -----	6	
-51	S1800-1	TUBE-* IN LG BULK ITEM REF S1800-1-* -----	1	
-52	S1800-1	TUBE-* IN LG BULK ITEM REF S1800-1-* -----	1	
-53	S1794-1	FITTING -----	1	
-54	S1800-1	TUBE-* IN LG BULK ITEM REF S1800-1-* -----	1	
-55	S1495-6	HOSE-* IN LG BULK ITEM REF S1499-6L-* -----	1	
-56	S1495-6	HOSE-* IN LG BULK ITEM REF S1499-6L-* -----	1	
-57	C294501-0101	FILTER ASSEMBLY-AIR SEE FIGURE 117C & 117E -----	1	
<p>NOTE. *LENGTH TO BE DETERMINED LATER</p> <p>NOTE. XINVERTER, RESTRICTOR VALVE & TURN COORDINATOR MUST BE ORDERED AS A MATCHED SET.</p> <p>A---SERIAL 185-1301 THRU 18502310 SERIAL 18051876 THRU 18052384</p> <p>B---SERIAL 185-1301 THRU 18501934 SERIAL 18051876 THRU 18052221</p> <p>C---SERIAL 18501935 THRU 18502310 SERIAL 18052222 THRU 18052384</p>				

FIGURE AND INDEX NO.	PART NUMBER	DESCRIPTION	UNITS PER ASSY	USABLE ON CODE
		1 2 3 4 5 6 7		
96 -		ELEVATOR CONTROL SYSTEM INSTALLATION -----	NP	
- 1	0510159	BELLCRANK-ELEVATOR FORWARD -----	1	
		ATTACHING PARTS -----		
- 2	AN4-10A	BOLT -----	1	
- 3	NAS679A4	NUT -----	1	

- 4	0510161	TUBE ASSEMBLY-BELLCRANK TO CONTROL TEE -----	1	B
	0760005-1	TUBE ASSEMBLY-BELLCRANK TO CONTROL YOKE -----	1	C
		ATTACHING PARTS -----		
- 5	AN4-10A	BOLT -----	2	
- 6	AN960-416	WASHER -----	2	
- 7	NAS679A4	NUT -----	2	

CONTINUED ON NEXT PAGE				

Flight Controls (Cont)

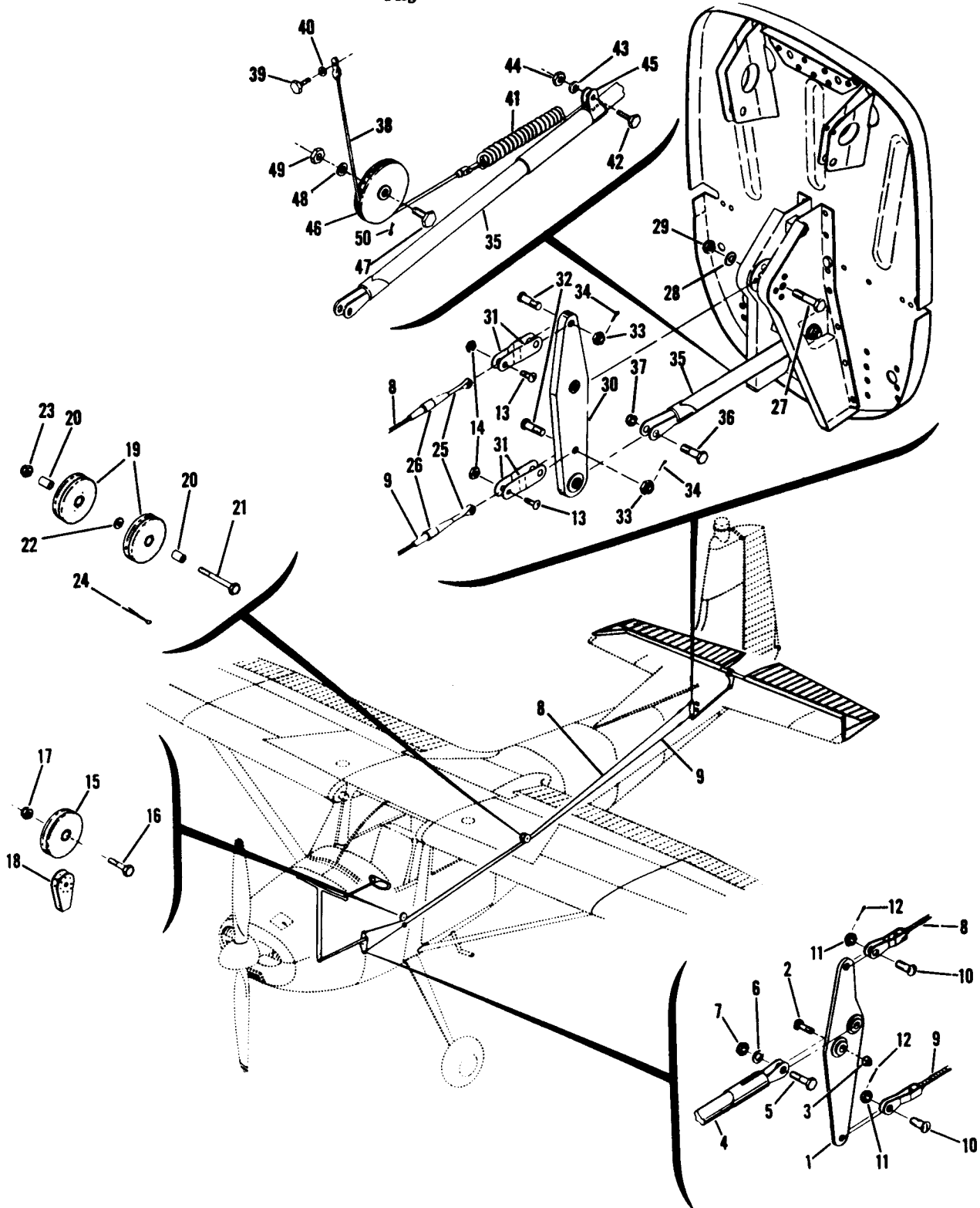


Figure 96. Elevator Control System Installation

FIGURE AND INDEX NO.	PART NUMBER	DESCRIPTION							UNITS PER ASSY	USABLE ON CODE
		1	2	3	4	5	6	7		
96 - 8	0510105-24	CABLE-ELEVATOR CONTROL UPPER -----							1	
	0510105-124	CABLE-ELEVATOR CONTROL UPPER STAINLESS STEEL -----							1	
- 9	0510105-25	CABLE-ELEVATOR CONTROL LOWER -----							1	
	0510105-125	CABLE-ELEVATOR CONTROL LOWER STAINLESS STEEL -----							1	
		ATTACHING PARTS -----							2	
-10	AN23-10	BOLT -----							2	
-11	AN310-3	NUT -----							2	
-12	MS24665-134	PIN-COTTER -----							2	
-13	AN23-10	BOLT -----							2	
-14	AN310-3	NUT -----							2	
	MS24665-132	PIN-COTTER -----							1	
-15	S378-3L	PULLEY-CABLE -----							1	
		ATTACHING PARTS -----							1	
-16	AN4-10A	BOLT -----							1	
-17	NAS679A4	NUT -----							1	
-18	0411421-2	GUARD-CABLE -----							2	
-19	S378-3L	PULLEY-CABLE -----							1	A
		ATTACHING PARTS -----							1	
-20	0411489	BUSHING -----							1	
-21	AN4-14A	BOLT -----							1	
-22	AN960-416	WASHER -----							1	
-23	NAS679A4	NUT -----							1	
-24	MS24665-140	PIN-COTTER -----							2	
-25	AN165-22RS	EYE -----							2	
-26	AN155832S	BARREL-TURNBUCKLE -----							1	
	0761202	BELLCRANK ASSEMBLY-ELEVATOR REAR -----							1	
		ATTACHING PARTS -----							1	
-27	AN4-12A	BOLT -----							1	
-28	AN960-416	WASHER -----							1	
-29	NAS679A4	NUT -----							1	
-30	0761202-50	BELLCRANK ASSEMBLY-ELEVATOR REAR -----							4	
-31	0761202-2	LINK -----							1	
		ATTACHING PARTS -----							1	
-32	AN24-13	BOLT -----							1	
-33	AN310-4	NUT -----							1	
-34	MS24665-134	PIN-COTTER -----							1	
-35	0510111-10	TUBE-BELLCRANK TO ELEVATOR PYLON -----							2	
		ATTACHING PARTS -----							2	
-36	AN4-10A	BOLT -----							1	
-37	NAS679A4	NUT -----							1	
-38	0510105-82	CABLE-ELEVATOR TRIM -----							1	
	0510105-182	CABLE-ELEVATOR TRIM STAINLESS STEEL -----							1	
		ATTACHING PARTS -----							1	
-39	AN3-4A	BOLT -----							1	
-40	AN960-10	WASHER -----							1	
	NAS680A3	NUTPLATE -----							1	
-41	1260016-1	SPRING -----							2	
-42	AN4-6A	BOLT -----							4	
-43	AN960-416	WASHER -----							2	
-44	NAS679A4	NUT -----							2	
-45	AN741T5	CLAMP -----							1	
-46	S378-2	PULLEY -----							1	
		ATTACHING PARTS -----							1	
-47	AN3-6A	BOLT -----							1	
-48	AN960-10	WASHER -----							1	
-49	MS21044N3	NUT -----							2	
-50	MS24665-134	PIN-COTTER -----								

A---SERIAL 18051184 THRU 18051312
 B---SERIAL 18051184 THRU 18051445
 SERIAL 185-0001 THRU 185-0776
 C---SERIAL 18051446 THRU 18052384
 SERIAL 185-0777 THRU 18502310

Flight Controls (Cont)

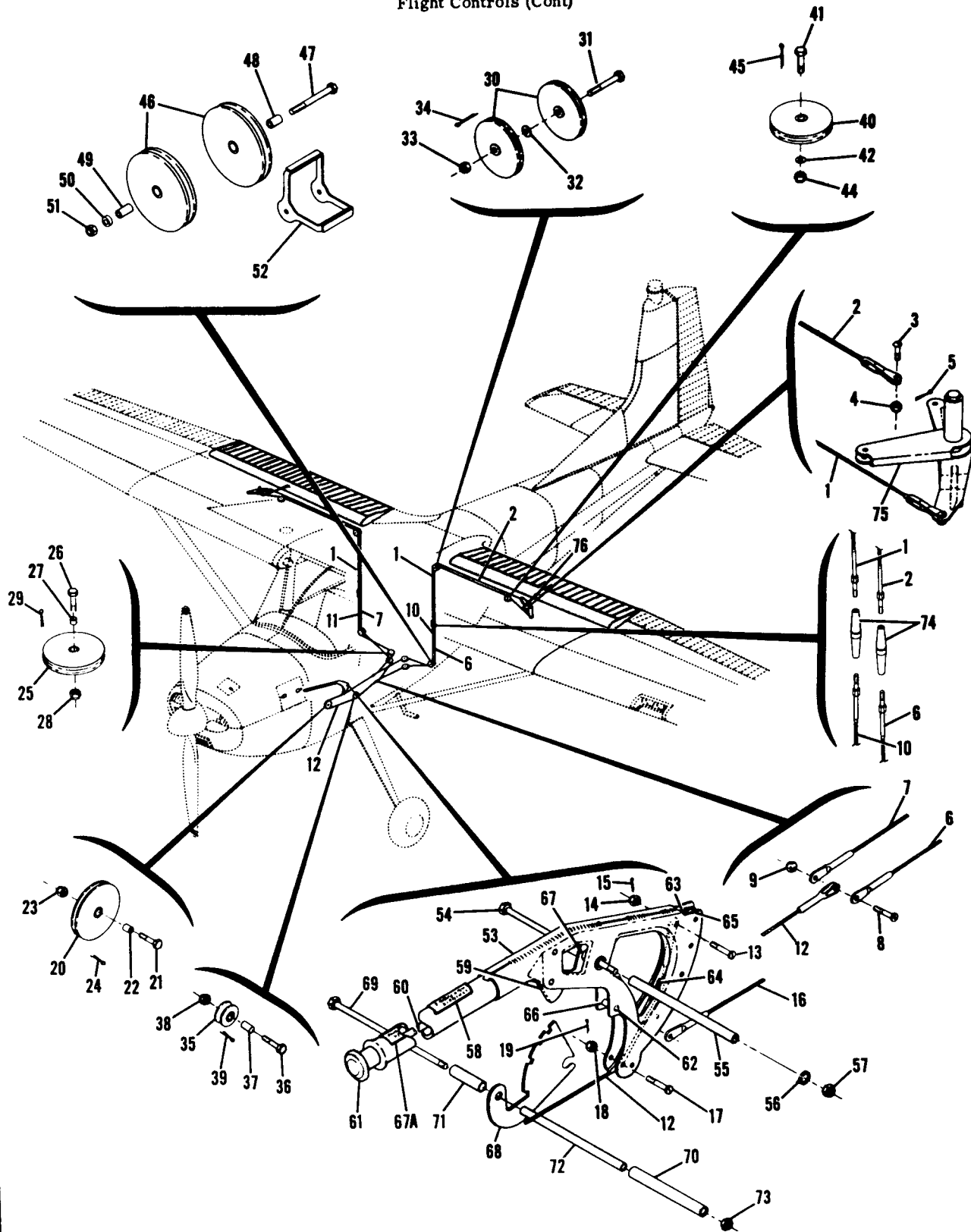


Figure 97. Flap Control System Installation

FIGURE AND INDEX NO.	PART NUMBER	DESCRIPTION	UNITS PER ASSY	USABLE ON CODE
		1 2 3 4 5 6 7		
		FLAP CONTROL SYSTEM INSTALLATION -----	NP	
97 -			2	C
- 1	0510105-59	CABLE-FLAP DIRECT OUTBOARD -----	2	C
	0510105-159	CABLE-FLAP DIRECT OUTBOARD STAINLESS STEEL -----	2	D
	0510105-225	CABLE-FLAP DIRECT OUTBOARD -----	2	D
	0510105-325	CABLE-FLAP DIRECT OUTBOARD STAINLESS STEEL -----	2	D
- 2	0510105-60	CABLE-FLAP RETURN OUTBOARD -----	2	
	0510105-160	CABLE-FLAP RETURN OUTBOARD STAINLESS STEEL -----	2	
		ATTACHING PARTS -----	1	
- 3	AN23-9	BOLT -----	1	
- 4	AN310-3	NUT -----	1	
- 5	MS24665-134	PIN-COTTER -----	1	
		-----*		
- 6	0510105-63	CABLE-FLAP RETURN INBOARD LH -----	1	
	0510105-163	CABLE-FLAP RETURN INBOARD LH STAINLESS STEEL -----	1	
- 7	0510105-64	CABLE-FLAP RETURN INBOARD RH -----	1	
	0510105-164	CABLE-FLAP RETURN INBOARD RH STAINLESS STEEL -----	1	
		ATTACHING PARTS -----	1	
- 8	AN23-12	BOLT -----	1	
- 9	AN310-3	NUT -----	1	
		-----*		
-10	0510105-61	CABLE-FLAP DIRECT INBOARD LH -----	1	C
	0510105-161	CABLE-FLAP DIRECT INBOARD LH STAINLESS STEEL -----	1	D
	0510105-227	CABLE-FLAP DIRECT INBOARD LH -----	1	D
	0510105-327	CABLE-FLAP DIRECT INBOARD LH STAINLESS STEEL -----	1	C
-11	0510105-62	CABLE-FLAP DIRECT INBOARD RH -----	1	C
	0510105-162	CABLE-FLAP DIRECT INBOARD RH STAINLESS STEEL -----	1	D
	0510105-226	CABLE-FLAP DIRECT INBOARD RH -----	1	D
	0510105-326	CABLE-FLAP DIRECT INBOARD RH STAINLESS STEEL -----	1	D
		ATTACHING PARTS -----	1	
	AN23-12	BOLT -----	1	
	AN310-3	NUT -----	1	
		-----*		
-12	0510105-21	CABLE-FLAP RETURN FORWARD -----	1	
	0510105-121	CABLE-FLAP RETURN FORWARD STAINLESS STEEL -----	1	
		ATTACHING PARTS -----	1	
-13	AN23-16	BOLT -----	1	
-14	AN310-3	NUT -----	1	
-15	MS24665-134	PIN-COTTER -----	1	
		-----*		
-16	0510105-22	CABLE-FLAP DIRECT FORWARD -----	1	
	0510105-122	CABLE-FLAP DIRECT FORWARD STAINLESS STEEL -----	1	
		ATTACHING PARTS -----	1	
-17	AN23-16	BOLT -----	1	
-18	AN310-3	NUT -----	1	
-19	MS24665-134	PIN-COTTER -----	1	
		-----*		
-20	S378-2	PULLEY -----	1	
		ATTACHING PARTS -----	1	
-21	AN3-6A	BOLT -----	1	A
-22	NAS382-1	BUSHING -----	1	
-23	MS21044N3	NUT -----	1	
		-----*		
-24	MS24665-134	PIN-COTTER -----	4	
-25	S378-2	PULLEY -----	1	
		ATTACHING PARTS -----	1	
-26	AN3-6A	BOLT -----	1	A
-27	NAS382-1	BUSHING -----	1	
-28	MS21044N3	NUT -----	1	
		-----*		
-29	MS24665-132	PIN-COTTER -----	4	
-30	S378-2	PULLEY -----	4	
		ATTACHING PARTS -----	1	
-31	AN3-10A	BOLT -----	1	
-32	AN960-416	WASHER -----	1	
-33	MS21044N3	NUT -----	1	
		-----*		
-34	MS24665-136	PIN-COTTER -----	2	
-35	S394	PULLEY -----	1	
		ATTACHING PARTS -----	1	
-36	AN3-6A	BOLT -----	1	
-37	0411783	BUSHING -----	1	
-38	MS21044N3	NUT -----	1	
		-----*		

CONTINUED ON NEXT PAGE

FIGURE AND INDEX NO.	PART NUMBER	DESCRIPTION	UNITS PER ASSY	USABLE ON CODE
97 -39	MS24665-134	PIN-COTTER -----	1	
-40	S378-2	PULLEY -----	2	
	MS20220-2	PULLEY -----	1	
		ATTACHING PARTS -----		
-41	AN3-6A	BOLT -----	1	
	AN5-11A	BOLT -----	1	
-42	AN960-10	WASHER -----	1	
	AN960-516	WASHER -----	1	
-43		DELETED, NEVER USED -----	1	
-44	MS21044N3	NUT -----	1	
	NAS679A5	NUT -----	1	
		-----*		
-45	MS24665-134	PIN-COTTER -----	2	
-46	S378-4	PULLEY -----	4	
		ATTACHING PARTS -----		
-47	AN4-21A	BOLT -----	1	
-48	NAS382-2	BUSHING -----	1	A
-49	0512140	BUSHING -----	1	A
-50	NAS43HT4-10	SPACER -----	1	
-51	MS21044N3	NUT -----	1	
		-----*		
-52	0512135	GUARD-CABLE -----	2	
-53	0510166-4	LEVER ASSEMBLY-FLAP -----	1	B
	0510166-5	LEVER ASSEMBLY-FLAP -----	1	
		ATTACHING PARTS -----		
-54	AN4-62A	BOLT -----	1	
-55	0510178-1	BUSHING -----	1	
-56	MS16624-43	SNAP RING -----	1	
-57	NAS679A4	NUT -----	1	
		-----*		
-58	0510191	PLACARD-FLAP INSTRUCTIONS -----	1	E
	0705004-1	PLACARD-FLAP INSTRUCTIONS -----	1	F
-59	0510167	LATCH ASSEMBLY-FLAP LEVER -----	1	
-60	0510169-3	ROD-LATCH -----	1	
-61	0510203-1	BUTTON-RELEASE -----	1	
	0510177	BUSHING-LATCH -----	2	
-62	AN960-4	WASHER -----	1	
	0510176	SPRING-LATCH RETURN -----	1	
-63	0510172-3	CAM-FLAP LEVER -----	1	
-64	0510172-4	CAM-FLAP LEVER -----	2	
-65	0510173	SPACER-FLAP LEVER -----	2	
-66	NAS42HT5-36	SPACER-FLAP LEVER -----	4	
-67	NAS42HT4-16	SPACER-FLAP LEVER -----	1	B
-67A	0510188	PLACARD -----	1	
-68	0510171-1	RATCHET-FLAP LEVER -----	1	
		ATTACHING PARTS -----		
-69	AN4-62A	BOLT -----	1	
-70	0510181	SPACER-FLAP LEVER ATTACHMENT -----	1	
-71	0510181-1	SPACER-FLAP LEVER ATTACHMENT -----	1	
-72	0510184	BUSHING-FLAP LEVER ATTACHMENT -----	1	
-73	NAS679A4	NUT -----	1	
		-----*		
-74	AN1558165	BARREL-TURNBUCKLE -----	4	
-75	0523535	BELLCRANK-LH SEE FIGURE 15 -----	1	
	0523535-1	BELLCRANK-RH SEE FIGURE 15 -----	1	
-76	0523537	ROD ASSEMBLY SEE FIGURE 15 -----	2	
		NOTE. *USED ON 185 LH & RH WINGS THRU 185-0237 & ALL RH WINGS ONLY SERIAL 185-0238 & ON. ALSO USED ON 180 LH & RH STANDARD WINGS AND ON 180 RH EXTENDED RANGE WING ONLY		
		NOTE. #USED ON ALL LH WINGS ON 185 SERIAL 185-0238 & ON & ALL 180 LH EXTENDED RANGE WINGS.		
		A---SERIAL 18051184 THRU 18052384		
		B---SERIAL 185-0001 THRU 18502310		
		C---SERIAL 185-0001 THRU 185-0967 SERIAL 18051184 THRU 18051607		
		D---SERIAL 185-0968 THRU 18502310 SERIAL 18051608 THRU 18052384		
		E---SERIAL 185-0001 THRU 185-1447 SERIAL 18051184 THRU 18051993		
		F---SERIAL 185-1448 THRU 18502310 SERIAL 18051994 THRU 18052384		

FIGURE AND INDEX NO.	PART NUMBER	DESCRIPTION	UNITS PER ASSY	USABLE ON CODE
		1 2 3 4 5 6 7		
98 -		RUDDER CONTROL SYSTEM INSTALLATION -----	NP	A
- 1	0510105-51	CABLE-FORWARD RUDDER CONTROL LH -----	1	
	0510105-151	CABLE-FORWARD RUDDER CONTROL LH STAINLESS STEEL -----	1	
- 2	0510105-71	CABLE-FORWARD RUDDER CONTROL RH -----	1	N
	0510105-237	CABLE-FORWARD RUDDER CONTROL RH -----	1	P
	0510105-171	CABLE-FORWARD RUDDER CONTROL RH STAINLESS STEEL -----	1	N
	0510105-337	CABLE-FORWARD RUDDER CONTROL RH STAINLESS STEEL -----	1	P
- 3	AN155832S	BARREL-CABLE -----	2	
- 4	AN161-22RS	FORK-CABLE -----	2	
		ATTACHING PARTS -----		
- 5	AN23-10	BOLT -----	1	
- 6	AN310-3	NUT -----	1	
- 7	MS24665-134	PIN-COTTER -----	1	
- 8	AN23-11	BOLT -----	1	
- 9	AN310-3	NUT -----	1	
- 10	MS24665-132	PIN-COTTER -----	1	

- 11	0510105-52	CABLE-AFT RUDDER CONTROL -----	2	
	0510105-152	CABLE-AFT RUDDER CONTROL STAINLESS STEEL -----	2	
		ATTACHING PARTS -----		
- 12	AN23-10	BOLT -----	1	
- 13	AN310-3	NUT -----	1	
- 14	MS24665-134	PIN-COTTER -----	1	
- 15	AN23-11	BOLT -----	1	
- 16	AN310-3	NUT -----	1	
- 17	MS24665-134	PIN-COTTER -----	1	

- 18	S378-4	PULLEY -----	2	
		ATTACHING PARTS -----		
- 19	AN4-14A	BOLT -----	1	
- 20	AN960-416L	WASHER -----	1	
- 21	NAS679A4	NUT -----	1	

- 22	S378-3L	PULLEY -----	2	
		ATTACHING PARTS -----		
- 23	AN4-10A	BOLT -----	1	
- 24	NAS679A4	NUT -----	1	

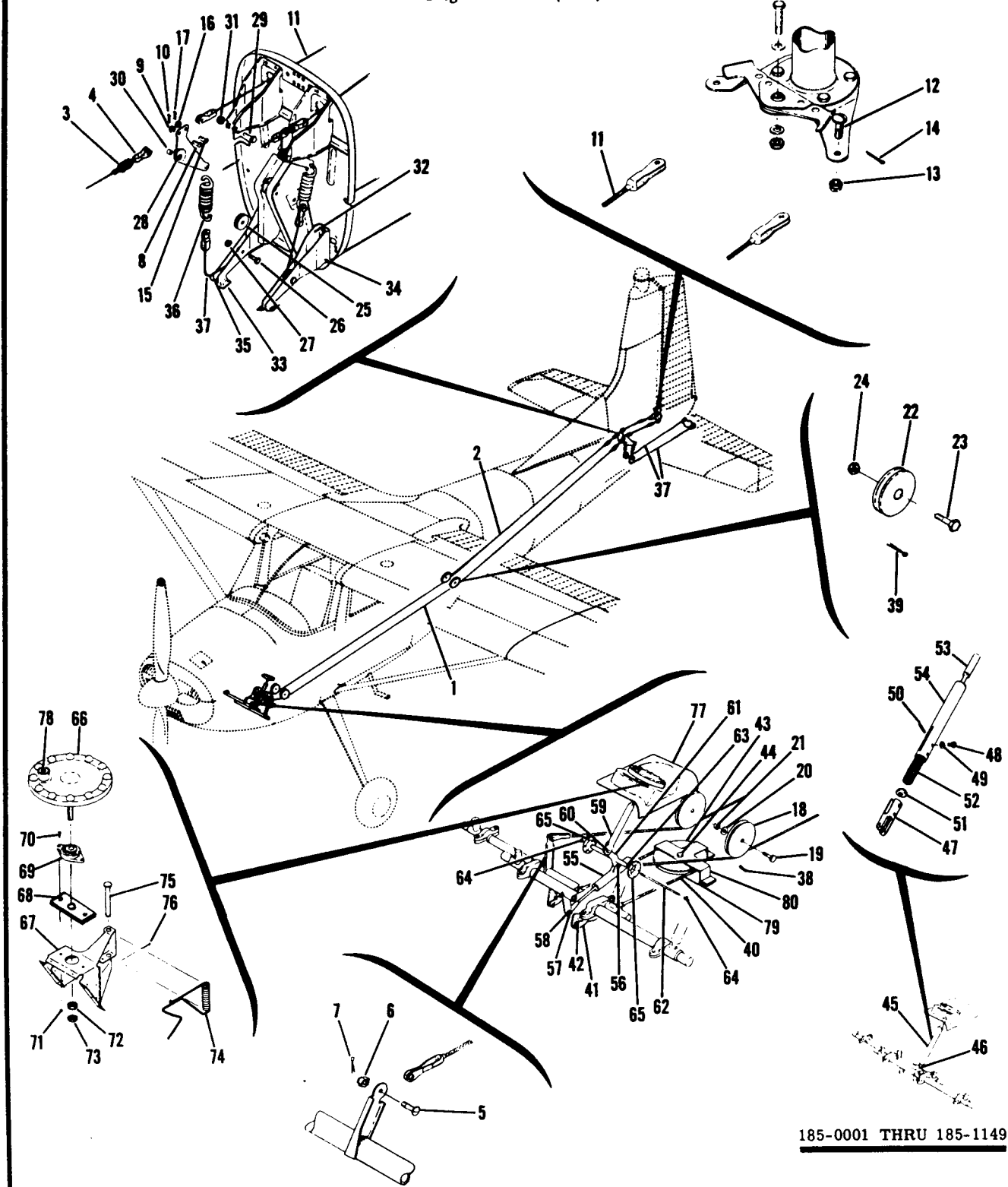
- 25	S378-4	PULLEY -----	2	
		ATTACHING PARTS -----		
- 26	AN4-10A	BOLT -----	1	
- 27	NAS679A4	NUT -----	1	

- 28	0712309-1	BELLCRANK ASSEMBLY-TAIL WHEEL STEERING -----	2	
		ATTACHING PARTS -----		
- 29	AN4-10A	BOLT -----	1	
- 30	NAS382-2	BUSHING -----	1	
- 31	NAS679A4	NUT -----	1	

- 32	0712309-5	BRACKET-INBOARD LH -----	1	
- 33	0712309-6	BRACKET-INBOARD RH -----	1	
- 34	0712309-7	BRACKET-OUTBOARD LH -----	1	
- 35	0712309-8	BRACKET-OUTBOARD RH -----	1	
- 36	0310280	SPRING-TAILWHEEL STEERING -----	2	B
- 37	0510105-196	CABLE-TAILWHEEL STEERING -----	2	C
	0510105-199	CABLE-TAILWHEEL STEERING -----	2	D
	0510105-323	CABLE-TAILWHEEL STEERING -----	2	
- 38	MS24665-136	PIN-COTTER -----	2	

CONTINUED ON NEXT PAGE

Flight Controls (Cont)



185-0001 THRU 185-1149

SERIAL 185-0001 THRU 18502310

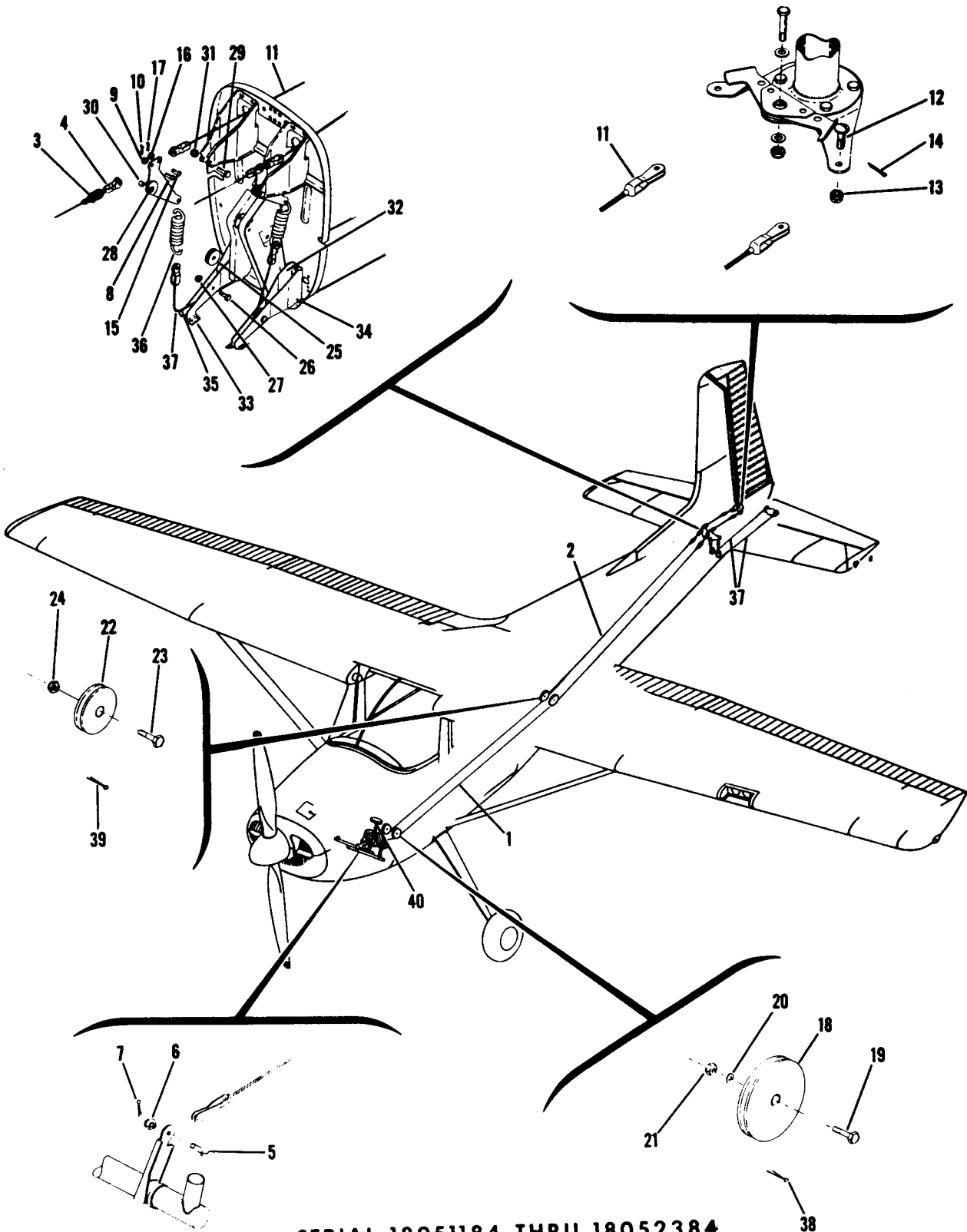
Figure 98. Rudder Control System Installation

FIGURE AND INDEX NO.	PART NUMBER	DESCRIPTION	UNITS PER ASSY	USABLE ON CODE
			1 2 3 4 5 6 7	
98 -39	MS24665-355	PIN-COTTER -----	1	
		SYSTEM INSTALLATION-RUDDER TRIM -----	NP	
-40	0510105-73	CABLE-FORWARD RUDDER CONTROL -----	1	
	0510105-173	CABLE-FORWARD RUDDER CONTROL STAINLESS STEEL -----	1	
		ATTACHING PARTS -----	1	
-41	AN161-22RS	FORK-CABLE -----	1	
	AN155832S	BARREL-CABLE -----	2	
-42	AN23-11	BOLT -----	2	
	AN310-3	NUT -----	2	
	AN960-10L	WASHER -----	2	
	MS24665-134	PIN-COTTER -----	1	
		PULLEY -----	1	
-43	S378-5	ATTACHING PARTS -----	1	
-44	AN6-11A	BOLT -----	1	
	NAS679A6	NUT -----	1	
		BUNGEE ASSEMBLY -----	1	G
-45	0713096-1	BUNGEE ASSEMBLY USED WITH FLOATS ONLY -----	1	H
	0713096-2	ATTACHING PARTS -----	1	G
-46	AN3-10A	BOLT -----	1	G
	AN960D10	WASHER -----	1	G
	MS21044N3	NUT -----	1	G
-47	0713081-1	CLEVIS -----	4	G
		ATTACHING PARTS -----	AR	G
-48	AN502-10-4	SCREW -----	1	G
-49	AN960-10L	WASHER -----	1	G
		ROLL PIN -----	1	G
-50	NAS561-3-16	RETAINER -----	1	G
-51	0713080-1	SPRING -----	1	G
-52	0713084-2	ROD -----	1	G
-53	0713085-1	TUBE -----	1	J
-54	0713082-1	BUNGEE ASSEMBLY -----	1	J
-55	0713849-1	ATTACHING PARTS -----	1	J
-56	AN23-9	BOLT -----	1	J
-57	AN23-11	BOLT -----	2	J
-58	AN960-10L	WASHER -----	2	J
	AN320-3	NUT -----	2	J
	MS24665-134	PIN-COTTER -----	1	J
-59	0713851-1	LINK ASSEMBLY -----	1	J
		ATTACHING PARTS -----	1	J
-60	MS20392-2C9	PIN -----	1	J
	AN960-10L	WASHER -----	1	J
	MS24665-132	PIN-COTTER -----	1	J
-61	0713851-5	SHAFT ASSEMBLY -----	1	J
		ATTACHING PARTS -----	1	J
-62	0713851-8	TIE ROD -----	1	J
-63	0713851-9	SPACER -----	AR	J
	AN960-516L	WASHER -----	2	J
-64	MS21044N3	NUT -----	2	J
		BRACKET -----	1	
-65	0713851-12	WHEEL ASSEMBLY -----	1	
-66	0713088-3	BRACKET -----	1	
-67	0713092-1	SPACER -----	1	
-68	0713868-4	RETAINER ASSY INCLUDES BEARING -----	1	
-69	0713537-1	ATTACHING PARTS -----	2	
-70	AN3-4A	BOLT -----	2	
-71	MS21044N3	NUT -----	1	
		NUT -----	1	
-72	AN340-416	NUT-LOCK -----	1	
-73	AN356-420	ARM -----	1	
-74	0713531-1	ATTACHING PARTS -----	1	
-75	MS20392-2C53	PIN -----	1	
-76	MS24665-132	PIN-COTTER -----		

CONTINUED ON NEXT PAGE

FIGURE AND INDEX NO.	PART NUMBER	DESCRIPTION							UNITS PER ASSY	USABLE ON CODE
		1	2	3	4	5	6	7		
98 -77	0713093-2-243								1	E
	0713093-2	#							1	F
	0713257-1	#							1	K
	S1021Z8-10								4	
-78	0713087-1								1	
	AN525-10R6								1	
-79	0713086-1								1	
-80	0713086-2								1	
<p>NOTE. #THIS PART NUMBER MUST HAVE A SECOND DASH NUMBER ADDED TO DENOTE COLOR. REFER TO HOW TO ORDER INTERIOR PARTS-PAGE XIII.</p> <p>NOTE. *WHEN INITIALLY ORDERING THIS PART ALSO ORDER ONE 0713868-4 SPACER</p> <p>A---SERIAL 185-0001 THRU 18502310 B---SERIAL 185-0001 THRU 185-0237 C---SERIAL 185-0238 THRU 185-0768 D---SERIAL 185-0769 THRU 18502310 E---SERIAL 185-0001 THRU 185-0776 F---SERIAL 185-0777 THRU 185-1300 G---SERIAL 185-0001 THRU 185-1149 H---SERIAL 185-0001 THRU 185-0967 J---SERIAL 185-0968 THRU 18502310 FLOATPLANE SERIAL 185-1150 THRU 18502310 K---SERIAL 185-1301 THRU 18502310 L---SERIAL 185-0001 THRU 185-1425 M---SERIAL 185-1426 THRU 18502310 N---SERIAL 185-0001 THRU 18502206 P---SERIAL 18502207 THRU 18502310</p>										

Flight Controls (Cont)



SERIAL 18051184 THRU 18052384

Figure 99. Rudder Control System Installation

FIGURE AND INDEX NO.	PART NUMBER	DESCRIPTION	UNITS PER ASSY	USABLE ON CODE
		1 2 3 4 5 6 7		
99 -		RUDDER CONTROL SYSTEM INSTALLATION -----	NP	A
- 1	0510105-51	CABLE-FORWARD RUDDER CONTROL LH -----	1	E
	0510105-71	CABLE-FORWARD RUDDER CONTROL LH -----	1	F
	0510105-151	CABLE-FORWARD RUDDER CONTROL LH STAINLESS STEEL -----	1	F
	0510105-171	CABLE-FORWARD RUDDER CONTROL LH STAINLESS STEEL -----	1	F
- 2	0510105-71	CABLE-FORWARD RUDDER CONTROL RH -----	1	F
	0510105-237	CABLE-FORWARD RUDDER CONTROL RH -----	1	F
	0510105-171	CABLE-FORWARD RUDDER CONTROL RH STAINLESS STEEL -----	1	F
	0510105-337	CABLE-FORWARD RUDDER CONTROL RH STAINLESS STEEL -----	1	F
- 3	AN155832S	BARREL-CABLE -----	2	
- 4	AN161-22RS	FORK-CABLE -----	2	
		ATTACHING PARTS -----		
- 5	AN23-10	BOLT -----	1	
- 6	AN310-3	NUT -----	1	
- 7	MS24665-134	PIN-COTTER -----	1	
- 8	AN23-11	BOLT -----	1	
- 9	AN310-3	NUT -----	1	
-10	MS24665-132	PIN-COTTER -----	1	

-11	0510105-52	CABLE-AFT RUDDER CONTROL -----	2	
	0510105-152	CABLE-AFT RUDDER CONTROL STAINLESS STEEL -----	2	
		ATTACHING PARTS -----		
-12	AN23-10	BOLT -----	1	
-13	AN310-3	NUT -----	1	
-14	MS24665-132	PIN-COTTER -----	1	
-15	AN23-11	BOLT -----	1	
-16	AN310-3	NUT -----	1	
-17	MS24665-134	PIN-COTTER -----	1	

-18	S378-4	PULLEY -----	2	
		ATTACHING PARTS -----		
-19	AN4-14A	BOLT -----	1	
-20	AN960-416L	WASHER -----	1	
-21	NAS679A4	NUT -----	1	

-22	S378-3L	PULLEY -----	2	
		ATTACHING PARTS -----		
-23	AN4-10A	BOLT -----	1	
-24	NAS679A4	NUT -----	1	

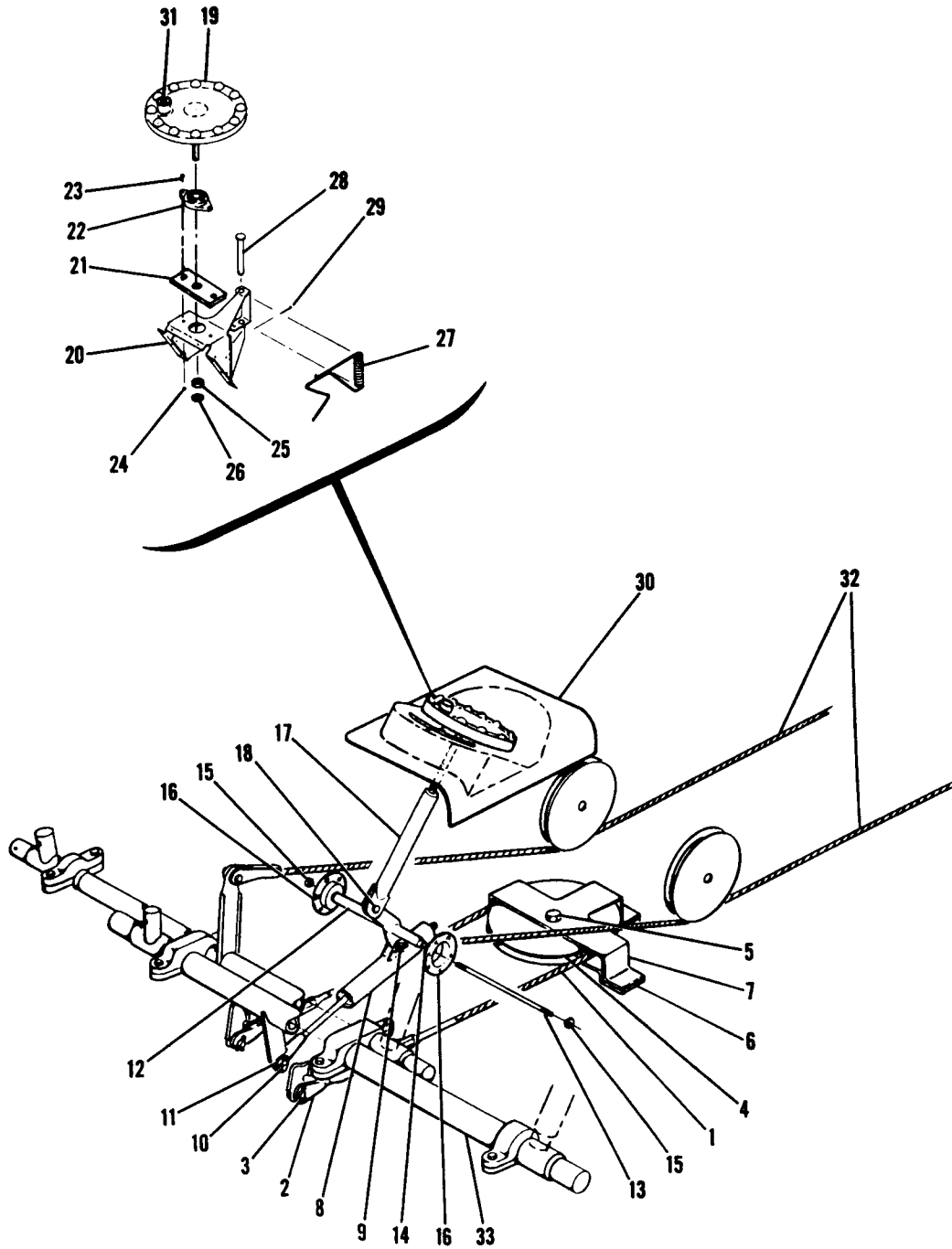
-25	S378-4	PULLEY -----	2	
		ATTACHING PARTS -----		
-26	AN4-10A	BOLT -----	1	
-27	NAS679A4	NUT -----	1	

-28	0712309-1	BELLCRANK ASSEMBLY-TAILWHEEL STEERING -----	2	
		ATTACHING PARTS -----		
-29	AN4-10A	BOLT -----	1	
-30	NAS382-2	BUSHING -----	1	
-31	NAS679A4	NUT -----	1	

-32	0712309-5	BRACKET-INBOARD LH -----	1	
-33	0712309-6	BRACKET-INBOARD RH -----	1	
-34	0712309-7	BRACKET-OUTBOARD LH -----	1	
-35	0712309-8	BRACKET-OUTBOARD RH -----	1	
-36	0742200-5	SPRING-TAILWHEEL STEERING -----	2	
-37	0510105-153	CABLE-TAILWHEEL STEERING -----	2	B
	0510105-323	CABLE-TAILWHEEL STEERING -----	2	C
-38	MS24665-136	PIN-COTTER -----	2	
-39	MS24665-355	PIN-COTTER -----	1	
-40	SEE FIG 99A	RUDDER TRIM INSTL -----	1	D

		A---SERIAL 18051184 THRU 18052384		
		B---SERIAL 18051184 THRU 18051410		
		C---SERIAL 18051411 THRU 18052384		
		D---SERIAL 18051994 THRU 18052384		
		E---SERIAL 18051184 THRU 18052331		
		F---SERIAL 18052332 THRU 18052384		

Flight Controls (Cont)



SERIAL 18051994 THRU 18052384

Figure 99A. Rudder Trim Installation

FIGURE AND INDEX NO.	PART NUMBER	DESCRIPTION	UNITS PER ASSY	USABLE ON CODE
		1 2 3 4 5 6 7		
99A-		RUDDER TRIM INSTALLATION -----	NP	A
- 1	0510105-73 0510105-173	CABLE-FORWARD RUDDER CONTROL ----- CABLE-FORWARD RUDDER CONTROL STAINLESS STEEL -----	1 1	
		ATTACHING PARTS -----		
- 2	AN161-22RS AN155832S	FORK-CABLE ----- BARREL-CABLE -----	1 2	
- 3	AN23-11 AN310-3 AN960-10L MS24665-134	BOLT ----- NUT ----- WASHER ----- PIN-COTTER -----	2 2 2 2	
- 4	S378-5	PULLEY ----- ATTACHING PARTS -----	1 1	
- 5	AN6-11A NAS679A6	BOLT ----- NUT -----	1 1	
- 6	0713086-1	BRACKET-LOWER -----	1	
- 7	0713086-2	BRACKET-UPPER -----	1	
- 8	0713849-1	BUNGEE ASSEMBLY ----- ATTACHING PARTS -----	1 1	
- 9	AN23-9	BOLT -----	1	
-10	AN23-11	BOLT -----	2	
-11	AN960-10L AN320-3 MS24665-134	WASHER ----- NUT ----- PIN-COTTER -----	2 2 2	
-12	0713851-5	SHAFT ASSEMBLY ----- ATTACHING PARTS -----	1 1	
-13	0713851-8	TIE ROD -----	1	
-14	0713851-9	SPACER -----	AR	
-15	AN960-516L MS21044N3	WASHER ----- NUT -----	2 1	
-16	0713851-12	BRACKET -----	1	
-17	0713851-1	LINK ASSEMBLY ----- ATTACHING PARTS -----	1 1	
-18	MS20392-2C9 AN960-10L MS24665-132	PIN ----- WASHER ----- PIN-COTTER -----	1 1 1	
-19	0713088-3	WHEEL ASSEMBLY -----	1	
-20	0713092-1	BRACKET -----	1	
-21	0713868-4	SPACER -----	1	
-22	0713537-1	RETAINER ASSY INCLUDES BEARING ----- ATTACHING PARTS -----	2 2	
-23	AN3-4A	BOLT -----	2	
-24	MS21044N3	NUT -----	1	
-25	AN340-416	NUT -----	1	
-26	AN356-420	NUT-LOCK -----	1	
-27	0713531-1	ARM ----- ATTACHING PARTS -----	1 1	
-28	MS20392-2C53	PIN -----	1	
-29	MS24665-132	PIN-COTTER -----	1	
-30	0713257-1	COVER-RUDDER TRIM SYSTEM ----- ATTACHING PARTS -----	1 4	
	5102178-10	SCREW -----	1	
-31	0713087-1	KNOB ----- ATTACHING PARTS -----	1 1	
	AN525-10R6	SCREW -----	1	
-32	SEE FIG 99	RUDDER CONTROL CABLES INSTALLATION -----	NP	
-33	SEE FIG 92	RUDDER PEDAL INSTALLATION -----	NP	

NOTE. #THIS PART NUMBER MUST HAVE A SECOND DASH NUMBER ADDED TO DENOTE COLOR. REFER TO HOW TO ORDER INTERIOR PARTS-PAGE XIII.

NOTE.*WHEN INITIALLY ORDERING THIS PART ALSO ORDER ONE 0713868-4 SPACER.

A---SERIAL 18051994 THRU 18052384

Flight Controls (Cont)

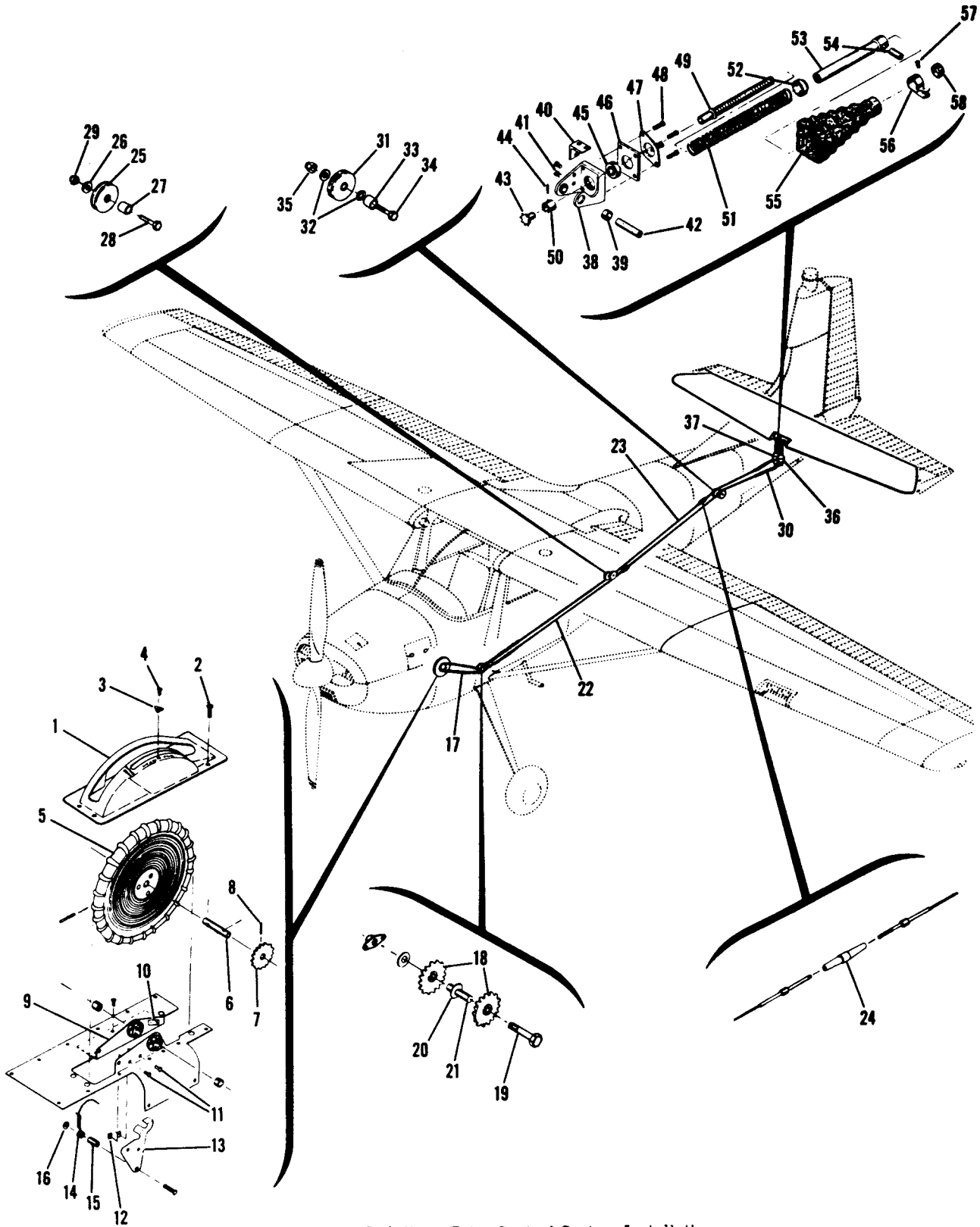


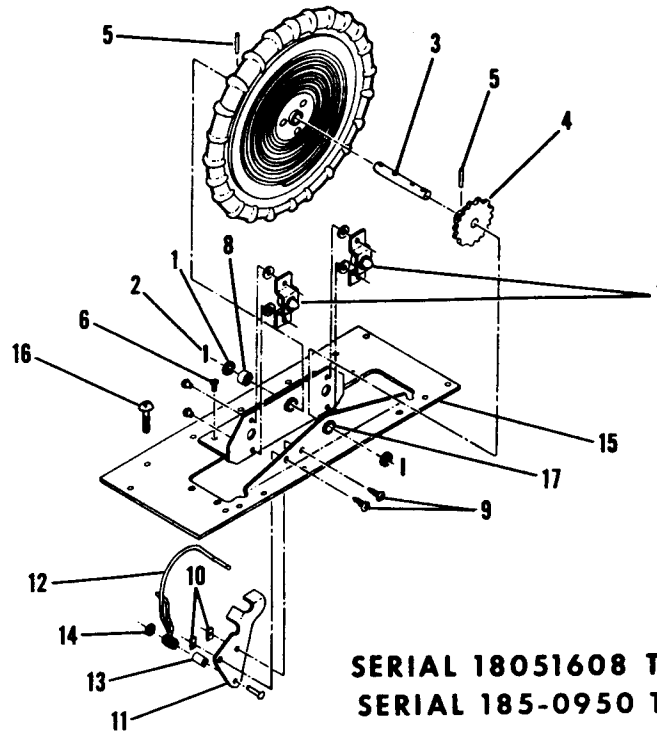
Figure 100. Stabilizer Trim Control System Installation

FIGURE AND INDEX NO.	PART NUMBER	DESCRIPTION	UNITS PER ASSY	USABLE ON CODE
		1 2 3 4 5 6 7		
100 -		STABILIZER TRIM CONTROL SYSTEM INSTALLATION -----	NP	
- 1	0713025-6	COVER ASSEMBLY-TRIM CONTROL WHEEL -----	1	
		ATTACHING PARTS -----	4	
- 2	S102126-8	SCREW -----	1	
- 3	0713025-1	POINTER-COVER ASSEMBLY -----	1	
		ATTACHING PARTS -----	1	
- 4	S102124-4	SCREW -----	1	
- 5	0761205	WHEEL ASSEMBLY-STABILIZER TRIM -----	1	E
- 6	0761205-2	SHAFT-TRIM WHEEL -----	1	E
- 7	0761210-1	SPROCKET-TRIM WHEEL -----	1	E
		ATTACHING PARTS -----	2	
- 8	0761205-3	ROLL PIN -----	2	
	NAS561-3-8	ROLL PIN -----	2	
		WHEN EXHAUSTED USE NAS561-3-8 -----		
		TRIM WHEEL INSTALLATION-STABILIZER -----	1	D
- 9	SEE FIG 100A	BRACKET ASSEMBLY -----	1	B
	0713023-7	BRACKET & LOCK ASSEMBLY -----	1	C
	0713824-1	STOP ASSEMBLY -----	2	C
-10	0713023-3	CATCH ASSEMBLY -----	2	C
	0713827-1	BEARING -----	1	E
	NAS295M4	INDICATOR ASSEMBLY-TRIM CONTROL -----	1	E
	0713032	ATTACHING PARTS -----	2	E
-11	S102126-6	SCREW -----	2	E
-12	NAS446-2-3	NUT -----	2	E
		GUARD-CHAIN -----	1	E
-13	0713032-4	INDICATOR -----	1	E
-14	0713032-3	BUSHING -----	1	E
-15	0713032-1	BUSHING -----	1	E
-16	0713032-2	COLLAR -----	1	E
-17	0432138-2	CHAIN-STABILIZER TRIM FORWARD -----	2	
-18	0761210-4	SPROCKET ASSEMBLY -----	2	
		ATTACHING PARTS -----	1	
-19	AN3-12A	BOLT -----	1	
-20	AN960-416	WASHER -----	1	
-21	0411491-1	BUSHING -----	1	
		CABLE-STABILIZER TRIM CONTROL FORWARD -----	2	
-22	0510105-28	CABLE-STABILIZER TRIM CONTROL FORWARD-STAINLESS STEEL -----	2	
	0510105-128	CABLE-STABILIZER TRIM CONTROL AFT -----	2	
-23	0510105-29	CABLE-STABILIZER TRIM CONTROL AFT-STAINLESS STEEL -----	2	
	0510105-129	ATTACHING PARTS -----	1	
-24	AN15588S	BARREL -----	1	
		PULLEY -----	2	
-25	S378-1L	ATTACHING PARTS -----	1	
-26	AN960-416L	WASHER -----	1	A
-27	0411491	BUSHING -----	1	
-28	AN3-10A	BOLT -----	1	
-29	MS21044N3	NUT -----	1	
		CHAIN-STABILIZER TRIM AFT -----	1	
-30	0432138-3	PULLEY -----	2	
-31	S378-1L	ATTACHING PARTS -----	2	
-32	AN960-10L	WASHER -----	1	A
-33	NAS382-1	SPACER -----	1	
-34	AN3-6A	BOLT -----	1	
-35	MS21044N3	NUT -----	1	
		ACTUATOR ASSEMBLY-STABILIZER LH -----	1	
-36	0712500-1	ACTUATOR ASSEMBLY-STABILIZER RH -----	1	
-37	0712500-2	ATTACHING PARTS -----	1	
	AN4-15A	BOLT-UPPER -----	1	
	AN4-20A	BOLT-LOWER -----	1	
	NAS679A4	NUT -----	1	

CONTINUED ON NEXT PAGE

FIGURE AND INDEX NO.	PART NUMBER	DESCRIPTION	UNITS PER ASSY	USABLE ON CODE
		1 2 3 4 5 6 7		
100 -38	0712500-5	HINGE ASSEMBLY-ACTUATOR LH -----	1	
	0712500-6	HINGE ASSEMBLY-ACTUATOR RH -----	1	
-39	0712500-14	BUSHING -----	2	
-40	0712500-8	GUARD-CABLE -----	1	
		ATTACHING PARTS -----		
-41	AN500A8-4	SCREW -----	2	
		-----*		
-42	0712500-10	BUSHING -----	1	
-43	0310332	SPROCKET -----	1	
-44	NAS561-3-8	ROLL PIN -----	1	
-45	MS20201KP6A	BEARING -----	1	
-46	0712500-9	CAP -----	1	
-47	0712500-16	PLATE -----	1	
		ATTACHING PARTS -----		
-48	AN500A8-8	SCREW -----	4	
		-----*		
-49	0712500-11	SCREW-BAR -----	1	
-50	0712500-7	COLLAR-RETAINER -----	1	
-51	0712501	SPRING-ACTUATOR -----	1	
-52	0712500-17	COLLAR -----	1	
-53	0712500-13	BARREL -----	1	
-54	0712502	BUSHING-ECCENTRIC -----	1	
-55	0712500-18	BOOT-ACTUATOR -----	1	
		ATTACHING PARTS -----		
-56	A3053-14-27	CLAMP TIN -----	1	
-57	S1021Z8-6	SCREW -----	1	
		-----*		
-58	0712500-19	PLUG -----	1	
<p>NOTE. *THIS PART NUMBER MUST HAVE A SECOND DASH NUMBER ADDED TO DENOTE COLOR. REFER TO HOW TO ORDER INTERIOR PARTS-PAGE XIII.</p> <p>A---SERIAL 18051184 THRU 18051312 B---SERIAL 18051184 THRU 18051312 SERIAL 185-0001 THRU 185-0653 C---SERIAL 18051313 THRU 18051607 SERIAL 185-0654 THRU 185-0949 D---SERIAL 18051608 THRU 18052384 SERIAL 185-0950 THRU 18502310 E---SERIAL 18051184 THRU 18051607 SERIAL 185-0001 THRU 185-0949</p>				

Flight Controls (Cont)



SERIAL 18051608 THRU 18052384
SERIAL 185-0950 THRU 18502310

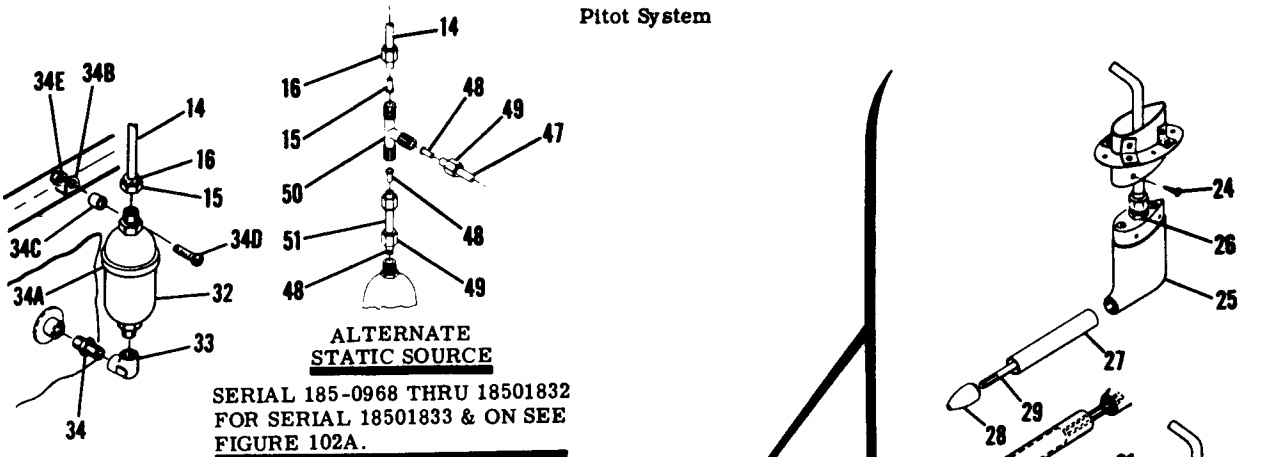
Figure 100A. Stabilizer Trim Wheel Assembly Installation

FIGURE AND INDEX NO.	PART NUMBER	DESCRIPTION	UNITS PER ASSY	USABLE ON CODE
100A-		1 2 3 4 5 6 7 STABILIZER TRIM WHEEL ASSEMBLY INSTALLATION -----	NP	A
	0761205-8	WHEEL ASSEMBLY-STABILIZER TRIM -----	1	
		ATTACHING PARTS -----		
- 1	AN960C416L	WASHER -----	2	
- 2	NAS561-2-8	ROLLPIN -----	2	
		-----*		
- 3	0761205-9	SHAFT-TRIM WHEEL -----	1	
- 4	0761210-1	SPROCKET-TRIM WHEEL -----	1	
- 5	0761205-3	ROLL PIN WHEN EXHAUSTED USE NAS561-3-8 -----	2	B
	NAS561-3-8	ROLL PIN -----	2	C
	0713824-3	BRACKET & LOCK ASSEMBLY -----	1	
		ATTACHING PARTS -----		
- 6	AN515-8R10	SCREW -----	3	
		-----*		
- 7	0713827-1	CATCH ASSEMBLY -----	1	
- 8	B45	BEARING TOR -----	1	
	0713032	INDICATOR ASSEMBLY-TRIM CONTROL -----	1	
		ATTACHING PARTS -----		
- 9	S1021Z6-6	SCREW -----	2	
-10	NAS446-2-3	NUT -----	2	
		-----*		
-11	0713032-4	GUARD-CHAIN -----	1	
-12	0713032-3	INDICATOR POINTER -----	1	
-13	0713032-1	BUSHING -----	1	
-14	0713032-2	COLLAR -----	1	
-15	0713825-3	PLATE ASSEMBLY-TRIM WHEEL -----	1	
		ATTACHING PARTS -----		
-16	AN515-8R10	SCREW -----	10	
		-----*		
-17	B45	BEARING TOR -----	1	
		A---SERIAL 18051608 THRU 18052384 SERIAL 185-0950 THRU 18502310		
		B---SERIAL 18051608 THRU 18052104 SERIAL 185-0950 THRU 18501604		
		C---SERIAL 18052105 THRU 18052384 SERIAL 18501605 THRU 18502310		

FIGURE AND INDEX NO.	PART NUMBER	DESCRIPTION	UNITS PER ASSY	USABLE ON CODE
		1 2 3 4 5 6 7		
101 -		SYSTEM INSTALLATION-PITOT	NP	A
- 1	0713163-1	INDICATOR-AIRSPEED WHEN EXHAUSTED USE S-1321N2	1	B
	S1321N2	INDICATOR-AIRSPEED	1	C
	S1471N2	INDICATOR-AIRSPEED	1	D
	S1471N9	INDICATOR-AIRSPEED WEU C661060-0202	1	G
	C661010-0202	INDICATOR-AIRSPEED	1	Y
	C661010-0210	INDICATOR-AIRSPEED	1	X
	C661010-0207	INDICATOR-TRUE AIRSPEED SEE FIGURE 68A & 68B	1	G
	C661061-0202	WEU C661061-0202	1	Y
	C661061-0202	INDICATOR-TRUE AIRSPEED SEE FIG 68B	1	X
	C661061-0210	INDICATOR-TRUE AIRSPEED SEE FIG 68C	1	
	AN51586R12	ATTACHING PARTS	4	
		SCREW		
- 2	0411007-7	ALTIMETER FOR VFR APPLICATIONS ONLY WHEN EXHAUSTED USE C661011-0105	1	B
	S1314N1	ALTIMETER-20,000 FT FOR VFR APPLICATIONS ONLY	1	H
	0411007-8	ALTIMETER-SENSITIVE FOR VFR APPLICATIONS ONLY WHEN EXHAUSTED USE C661011-0105	1	B
	S1313N1	ALTIMETER-35,000 FT SENSITIVE FOR VFR APPLICATIONS ONLY WHEN EXHAUSTED USE C661011-0105	1	H
	C661011-0105	ALTIMETER-20,000 FT SENSITIVE WEU C661071-0101	1	K
	C661071-0101	ALTIMETER-20,000 FT SENSITIVE	1	V
	S1432N1	ALTIMETER-35,000 FT FEET/MILLIBARS FOR VFR APPLICATIONS ONLY WHEN EXHAUSTED USE C661011-0106	1	J
	C661011-0106	ALTIMETER-20,000 FT FEET/MILLIBARS WEU C661071-0102	1	K
	C661071-0102	ALTIMETER-20,000 FT FEET/MILLIBARS	1	V
	AN51586R12	ATTACHING PARTS	AR	
	AN34086	SCREW	AR	
	AN93686B	NUT	AR	
		WASHER		
- 3	0411069-1	INDICATOR-VERTICAL SPEED WEU S1304N2	1	B
	S1304N2	INDICATOR-VERTICAL SPEED WEU C661080-0101	1	E
	S1392N1	INDICATOR-VERTICAL SPEED ALT WEU C661080-0101	1	U
	C661080-0101	INDICATOR-VERTICAL SPEED	1	V
	AN51586R12	ATTACHING PARTS	4	
	MS203658632C	SCREW	4	
		NUT		
- 4		LINE ASSEMBLY-RIGHT STATIC SOURCE TO TEE	1	
		ATTACHING PARTS		
- 5	S1138-1	TEE-NYLON	1	
	S1130-1	NUT	2	
	S1071-1	TUBE-POLYETHYLENE 36 IN LG BULK ITEM	AR	
		REF S-1071-1-36		
	S1131-1	INSERT-NYLON	2	
- 6		LINE ASSEMBLY-TEE TO ALTIMETER	1	
		ATTACHING PARTS		
- 7	S1138-1	TEE-NYLON	1	
	S1130-1	NUT	2	
	S1071-1	TUBE-POLYETHYLENE 9 IN LG BULK ITEM	AR	
		REF S-1071-1-9		
	S1131-1	INSERT-NYLON	2	
- 8		LINE ASSEMBLY-RIGHT STATIC TO VERTICAL SPEED	1	
		ATTACHING PARTS		
- 9	S1138-1	TEE-NYLON	1	
	S1130-1	NUT	2	
	S1071-1	TUBE-POLYETHYLENE 43 IN LG BULK ITEM	AR	
		REF S-1071-1-43		
	S1131-1	INSERT-NYLON	2	

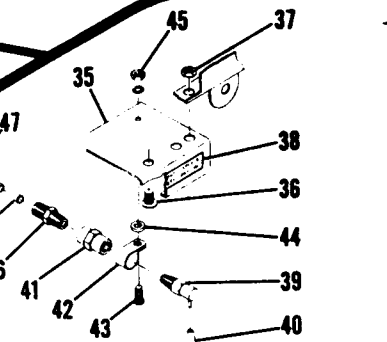
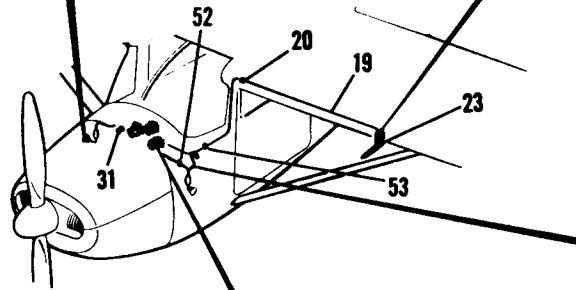
CONTINUED ON NEXT PAGE

Pitot System

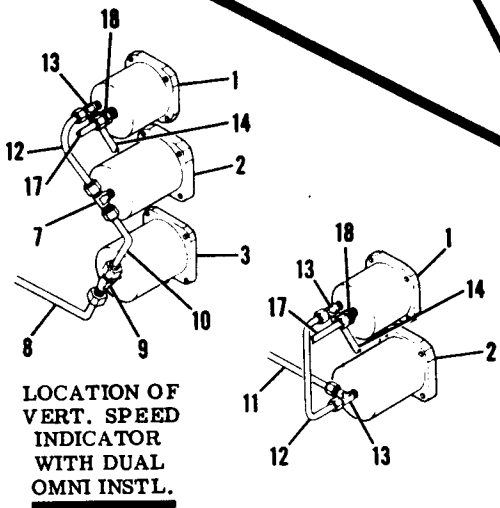


**ALTERNATE
STATIC SOURCE**

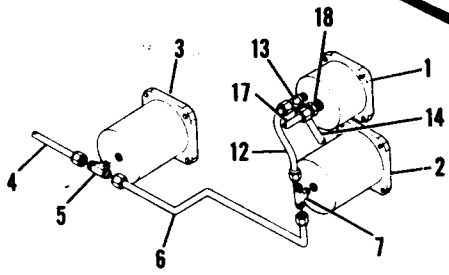
SERIAL 185-0968 THRU 18501832
FOR SERIAL 18501833 & ON SEE
FIGURE 102A.



SERIAL 185-0968 THRU 18501832
FOR SERIAL 18501833 & ON SEE
FIGURE 102A.



**LOCATION OF
VERT. SPEED
INDICATOR
WITH DUAL
OMNI INSTL.**



SERIAL 185-0001 THRU 18502310

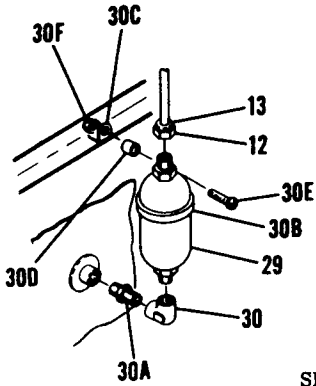
Figure 101. Pitot System Installation

FIGURE AND INDEX NO.	PART NUMBER	DESCRIPTION	UNITS PER ASSY	USABLE ON CODE
101 -10	S1071-1	LINE ASSEMBLY-VERTICAL SPEED TO ALTIMETER TUBE-POLYETHYLENE 9 IN LG BULK ITEM REF S-1071-1-9	1 AR	
-11	S1131-1	LINE ASSEMBLY-RIGHT STATIC SOURCE TO ALTIMETER TUBE-POLYETHYLENE 67 IN LG BULK ITEM REF S-1071-1-67 INSERT-NYLON	1 AR	
-12	S1139-1	LINE ASSEMBLY-AIRSPD INDICATOR TO ALTIMETER ATTACHING PARTS	2 1	
-13	S1135-1	TEE-NYLON	1	T
	S1130-1	ELBOW USED WITH ALT STATIC SOURCE	1	
	S1071-1	NUT	2	
	S1071-1	TUBE-POLYETHYLENE 7.5 IN LG BULK ITEM REF S-1071-1-7.5	AR	
	S1131-1	INSERT-NYLON	2	
-14	S1071-1	LINE ASSEMBLY-AIRSPD INDICATOR-LEFT STATIC SOURCE TUBE-POLYETHYLENE 12 IN LG BULK ITEM REF S1071-1-12	1 AR	
-15	S1131-1	INSERT	1	
-16	S1130-1	NUT	1	
-17		LINE ASSEMBLY-AIRSPD INDICATOR TO UNION IN WING ATTACHING PARTS	1	
-18	S1133-1	CONNECTOR	1	
	S1130-1	NUT	1	
	S1071-1	TUBE-POLYETHYLENE 38 IN LG BULK ITEM REF S-1071-1-38	AR	
	S1131-1	INSERT-NYLON	2	
-19		LINE ASSEMBLY-UNION IN WING TO PITOT TUBE ATTACHING PARTS	1	
-20	S1132-1	UNION-NYLON	1	
	S1130-1	NUT	2	
	S1071-1	TUBE-52 IN LG BKT REF S1071-1-52	AR	W
	S1071-1	TUBE-63.7 IN LG BKT REF S1071-1-63.7	AR	X
	S1131-1	INSERT-NYLON	2	
-21	0721115-1	CONNECTOR ASSEMBLY-PITOT TUBE	1	
-22	0721114-1	DOUBLER	1	W
	0721114-3	DOUBLER	1	X
-23	0721105-14	TUBE ASSEMBLY-L SHAPED PITOT	1	W
	0721105-15	TUBE ASSEMBLY-L SHAPED PITOT HEATED	1	X
	0721105-39	TUBE ASSEMBLY-L SHAPED PITOT	1	X
	0721105-40	TUBE ASSEMBLY-L SHAPED PITOT HEATED	1	X
		ATTACHING PARTS	4	
-24	AN507-640R4	SCREW	1	W
-25	0721105-13	BODY-PITOT TUBE	1	X
	0721105-38	BODY-PITOT TUBE	1	
-26	S1133-2	CONNECTOR-NYLON	1	
	S1130-1	NUT	1	
-27	0721105-3	TUBE-PITOT	1	
-28	0721105-4	NOSE FITTING PITOT TUBE	1	
-29	0721105-8	STEM-PITOT TUBE	1	
-30	0721105-5	HEATER ASSEMBLY-PITOT HECA A357-3	1	
-31	0713026-4	SWITCH-PITOT HEATER	1	W
	S2160-1	SWITCH-PITOT HEATER	1	X
	0713303-2	SWITCH-PITOT HEATER	1	L
	S1760-1	SWITCH-PITOT HEATER	1	M
	S1981-1	SWITCH-PITOT HEATER	1	Q
-32	S1258-1	SUMP ASSEMBLY-PITOT STATIC SOURCE ATTACHING PARTS	2	
-33	AN916-1D	ELBOW	1	
-34	AN911-1D	NIPPLE	1	
-34A	MS21919DG26	CLAMP	1	R
-348	AN743-12	BRACKET	1	R
-34C	NAS43DD4-19	SPACER	1	R
-34D	NAS603-10	SCREW	1	R
-34E	MS21044N3	NUT	1	R

CONTINUED ON NEXT PAGE

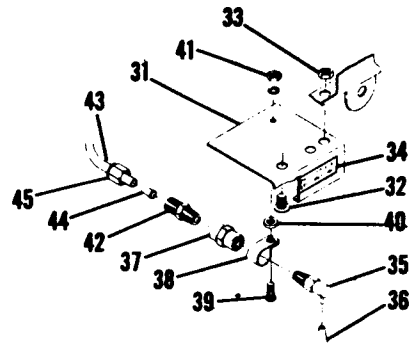
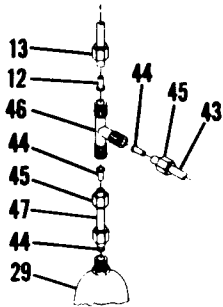
FIGURE AND INDEX NO.	PART NUMBER	DESCRIPTION	UNITS PER ASSY	USABLE ON CODE
			1 2 3 4 5 6 7	
101 -		STATIC SOURCE INSTALLATION-ALTERNATE -----	NP	S
-35	0713244-1	BRACKET -----	1	
		ATTACHING PARTS -----		
-36	AN515-8R6	SCREW -----	2	
-37	NAS679A08	NUT -----	2	
		-----*		
-38	1200678-2	PLACARD WHEN EXHAUSTED USE 0505005-1 -----	1	N
	0505005-1	PLACARD -----	1	P
-39	0511199-20	VALVE -----	1	
-40	S430-1	KNOB -----	1	
-41	AN910-1D	COUPLING -----	1	
-42	MS21919DG9	CLAMP -----	1	
-43	AN520-10P8	SCREW -----	1	
-44	AN960D10	WASHER -----	1	
-45	MS21044N3	NUT -----	1	
-46	S1133-1	CONNECTOR -----	1	
-47	S1071-1	TUBE-POLYETHYLENE * IN LG BULK ITEM ----- REF S1071-1-*	4	
-48	S1131-1	INSERT-NYLON -----	4	
-49	S1130-1	NUT-NYLON -----	1	
-50	S1137-1	TEE-NYLON -----	1	
-51	S1071-1	TUBE-POLYETHYLENE 2.00 IN LG BULK ITEM ----- REF S1071-1-2.00	1	T
	SEE FIG 102A	STATIC SOURCE INSTALLATION-ALTERNATE -----	1	R
-52	MS21919DG4	CLAMP -----	1	
		ATTACHING PARTS -----		
	AN525-10R6	SCREW -----	1	R
		-----*		
-53	MS35489-65	GROMMET -----	1	
<p>NOTE. **USED ON THESE AIRPLANES WHEN VERTICAL SPEED INDICATOR IS INSTALLED.</p> <p>NOTE. *LENGTH TO BE ADDED LATER</p> <p>A---SERIAL 185-0001 THRU 18502310 B---SERIAL 185-0001 THRU 185-0237 C---SERIAL 185-0238 THRU 185-0776 D---SERIAL 185-0777 THRU 185-0967 & ALSO ALTERNATE FOR S-1321N2 E---SERIAL 185-0238 THRU 18501934 F---SERIAL 185-0001 THRU 185-0967 G---SERIAL 185-0968 THRU 18501934 H---SERIAL 185-0238 THRU 185-1112 J---SERIAL 185-0001 THRU 185-1112 K---SERIAL 185-1113 THRU 18501934 L---SERIAL 185-0001 THRU 185-1300 M---SERIAL 185-1301 THRU 185-1599 N---SERIAL 185-0001 THRU 185-1447 P---SERIAL 185-1448 THRU 18501832 Q---SERIAL 18501600 THRU 18501934 R---SERIAL 18501890 THRU 18502310 S---SERIAL 185-0968 THRU 18501832 T---SERIAL 18501833 THRU 18502310 U---SERIAL 185-0001 THRU 18501934 V---SERIAL 18501935 THRU 18502310 W---SERIAL 185-0001 THRU 18502090 X---SERIAL 18502091 THRU 18502310 Y---SERIAL 18501935 THRU 18502090</p>				

Pitot System

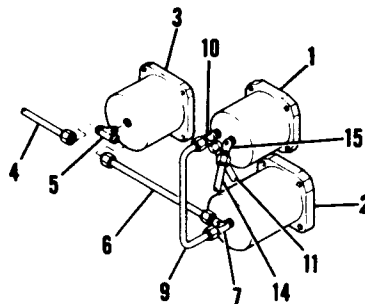
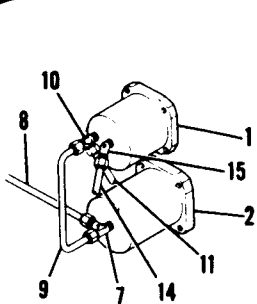
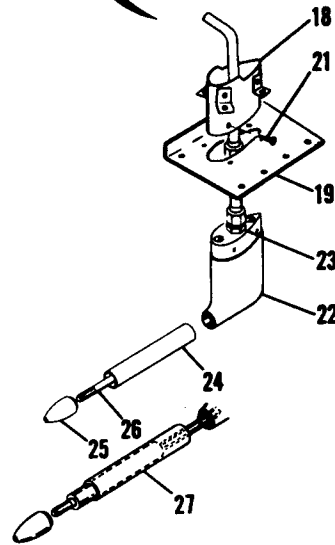
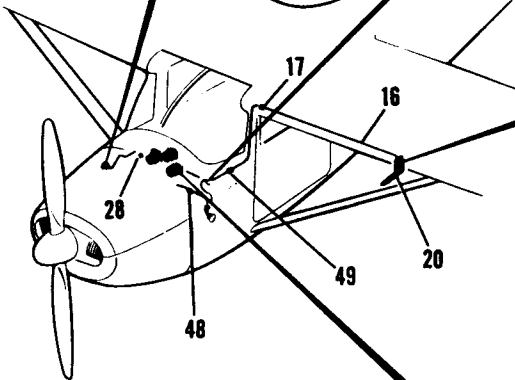


ALTERNATE STATIC SOURCE

SERIAL 18051608 THRU 18052175.
FOR SERIAL 18052176 & ON SEE
FIGURE 102A.



SERIAL 18051608 THRU 18052175.
FOR SERIAL 18052176 & ON SEE
FIGURE 102A.



SERIAL 18051184 THRU 18052384

Figure 102. Pitot System Installation

FIGURE AND INDEX NO.	PART NUMBER	DESCRIPTION	UNITS PER ASSY	USABLE ON CODE
		1 2 3 4 5 6 7		
102 -		SYSTEM INSTALLATION-PITOT -----	NP	A
- 1	S1324N3	INDICATOR-AIRSPEED -----	1	B
	S1470N3	INDICATOR-AIRSPEED ALTERNATE -----	1	B
	S1324N6	INDICATOR-AIRSPEED -----	1	C
	S1470N6	INDICATOR-AIRSPEED WEU C661060-0105 -----	1	D
	C661060-0105	INDICATOR-AIRSPEED -----	1	V
	C661060-0111	INDICATOR-AIRSPEED -----	1	S
	C661010-0201	INDICATOR-TRUE AIRSPEED SEE FIGURES 68A & 68B -----	1	E
	C661061-0206	INDICATOR-TRUE AIRSPEED WEU C661061-0206 -----	1	V
	C661061-0211	INDICATOR-TRUE AIRSPEED SEE FIG 68B -----	1	S
		INDICATOR-TRUE AIRSPEED SEE FIG 68C -----		
		ATTACHING PARTS -----	4	
	AN51586R12	SCREW -----		
- 2	S1314N1	ALTIMETER-20,000 FT FOR VFR APPLICATIONS ONLY -----	1	
		WHEN EXHAUSTED USE C661011-0105 -----		
	S1313N1	ALTIMETER-35,000 FT SENSITIVE FOR VFR APPLICATIONS -----	1	F
		ONLY WHEN EXHAUSTED USE C661011-0105 -----		
	C661011-0105	ALTIMETER-20,000 FT SENSITIVE WEU C661071-0101 -----	1	G
	C661071-0101	ALTIMETER-20,000 FT SENSITIVE -----	1	U
	S1432N1	ALTIMETER-35,000 FT FEET/MILLIBARS FOR VFR -----	1	F
		APPLICATIONS ONLY WHEN EXHAUSTED USE C661011-0106 -----		
	C661011-0106	ALTIMETER-20,000 FT FEET/MILLIBARS WEU C661071-0102 -----	1	G
	C661071-0102	ALTIMETER-20,000 FT FEET/MILLIBARS -----	1	U
		ATTACHING PARTS -----	3	
	AN51586R12	SCREW -----		
- 3	S1304N2	INDICATOR-VERTICAL SPEED WEU C661080-0101 -----	1	T
	S1392N1	INDICATOR-VERTICAL SPEED ALT WEU C661080-0101 -----	1	U
	C661080-0101	INDICATOR-VERTICAL SPEED -----	1	
		ATTACHING PARTS -----	4	
	AN51586R12	SCREW -----	4	
	MS20365B632C	NUT -----		
- 4		LINE ASSEMBLY-RIGHT STATIC SOURCE TO TEE -----	1	
		ATTACHING PARTS -----		
- 5	S1138-1	TEE-NYLON -----	1	
	S1130-1	NUT -----	2	
		TUBE-POLYETHYLENE 36 IN. LG. BULK ITEM -----	AR	
	S1071-1	REF S-1071-1-36 -----		
	S1131-1	INSERT-NYLON -----	2	
- 6		LINE ASSEMBLY-TEE TO ALTIMETER -----	1	
		ATTACHING PARTS -----		
- 7	S1138-1	TEE-NYLON -----	1	
	S1130-1	NUT -----	2	
		TUBE-POLYETHYLENE 9 IN. LG. BULK ITEM -----	AR	
	S1071-1	REF S-1071-1-9 -----		
	S1131-1	INSERT-NYLON -----	2	
- 8		LINE ASSEMBLY-RIGHT STATIC SOURCE TO ALTIMETER -----	1	
	S1071-1	TUBE-POLYETHYLENE 67 IN. LG. BULK ITEM -----	AR	
		REF S-1071-1-67 -----		
	S1131-1	INSERT-NYLON -----	2	
- 9		LINE ASSEMBLY-AIRSPEED INDICATOR TO ALTIMETER -----	1	
		ATTACHING PARTS -----		
-10	S1139-1	TEE-NYLON -----	1	
	S1135-1	ELBOW USED WITH ALT STATIC SOURCE -----	1	Q
	S1130-1	NUT -----	2	
		TUBE-POLYETHYLENE 7.5 IN. LG. BULK ITEM -----	AR	
	S1071-1	REF S-1071-1-7.5 -----		
	S1131-1	INSERT-NYLON -----	2	
-11		LINE ASSEMBLY-AIRSPEED INDICATOR TO LEFT STATIC SOURCE -----	1	
	S1071-1	TUBE-POLYETHYLENE 12 IN LG BULK ITEM -----	AR	
		REF S1071-1-12 -----		
		INSERT-NYLON -----	2	
-12	S1131-1	NUT -----	2	
-13	S1130-1			

CONTINUED ON NEXT PAGE

FIGURE AND INDEX NO.	PART NUMBER	DESCRIPTION	UNITS PER ASSY	USABLE ON CODE		
					1	2
102 -14		LINE ASSEMBLY-AIRSPD INDICATOR TO UNION IN WING	1			
		ATTACHING PARTS				
-15	S1133-1	CONNECTOR	1			
	S1130-1	NUT	2			
	S1071-1	TUBE-POLYETHYLENE 38 IN. LG. BULK ITEM	AR			
		REF S-1071-1-38				
	S1131-1	INSERT-NYLON	2			
-16		LINE ASSEMBLY-UNION IN WING TO PITOT TUBE	1			
		ATTACHING PARTS				
-17	S1132-1	UNION-NYLON	1			
	S1130-1	NUT	1			
	S1071-1	TUBE-52 IN LG BKI REF S1071-1-52	AR	R		
	S1071-1	TUBE-63.7 IN LG BKI S1071-1-63.7	AR	S		
	S1131-1	INSERT NYLON	2			
-18	0721115-1	CONNECTOR ASSEMBLY-PITOT TUBE	1			
-19	0721114-1	DOUBLER	1	R		
	0721114-3	DOUBLER	1	S		
-20	0721105-14	TUBE ASSEMBLY-L SHAPED PITOT	1	R		
	0721105-15	TUBE ASSEMBLY-L SHAPED PITOT HEATED	1	R		
	0721105-39	TUBE ASSEMBLY-L SHAPED PITOT HEATED	1	S		
	0721105-40	TUBE ASSEMBLY-L SHAPED PITOT HEATED	1	S		
		ATTACHING PARTS				
-21	AN507-640R4	SCREW	4			
-22	0721105-13	BODY-PITOT TUBE	1	R		
	0721105-38	BODY-PITOT TUBE	1	S		
-23	S1133-2	CONNECTOR-NYLON	1			
	S1130-1	NUT	1			
-24	0721105-3	TUBE-PITOT	1			
-25	0721105-4	NOSE FITTING-PITOT TUBE	1			
-26	0721105-8	STEM-PITOT TUBE	1			
-27	0721105-5	HEATER ASSEMBLY-PITOT MECA A357-3	1			
-28	0713026-4	SWITCH-PITOT HEATER	1	R		
	S1260-1	SWITCH-PITOT HEATER	1	S		
	0713303-2	KNOB	1	H		
	S1760-1	KNOB	1	J		
	S1918-1	KNOB	1	M		
-29	S1258-1	SUMP ASSEMBLY-PITOT STATIC SOURCE	1			
		ATTACHING PARTS				
-30	AN916-10	ELBOW	1			
-30A	AN911-10	NIPPLE	1			
-30B	MS21919DG26	CLAMP	1	N		
-30C	NAS743-12	BRACKET	1	N		
-30D	NAS43004-19	SPACER	1	N		
-30E	NAS603-10	SCREW	1	N		
-30F	MS21044N3	NUT	1	N		
		STATIC SOURCE INSTALLATION-ALTERNATE	NP	P		
-31	0713244-1	BRACKET	1			
		ATTACHING PARTS				
-32	AN515-8R6	SCREW	2			
-33	NAS679A08	NUT	2			
-34	1200678-2	PLACARD WHEN EXHAUSTED USE 0505005-1	1	K		
	0505005-1	PLACARD	1	L		
-35	0511199-20	VALVE	1			
-36	S430-1	KNOB	1			
-37	AN910-10	COUPLING	1			
-38	MS21919DG9	CLAMP	1			
-39	AN520-10R8	SCREW	1			

CONTINUED ON NEXT PAGE

FIGURE AND INDEX NO.	PART NUMBER	DESCRIPTION	UNITS PER ASSY	USABLE ON CODE
		1 2 3 4 5 6 7		
102 -40	AN960D10	WASHER -----	1	
-41	MS21044N3	NUT -----	1	
-42	S1133-1	CONNECTOR -----	1	
-43	S1071-1	TUBE-POLYETHYLENE 0 IN LG BULK ITEM ----- REF S1071-1-0	1	
-44	S1131-1	INSERT-NYLON -----	4	
-45	S1130-1	NUT-NYLON -----	4	
-46	S1137-1	TEE-NYLON -----	1	
-47	1071-1	TUBE-POLYETHYLENE 2.00 IN LG BULK ITEM ----- REF S1071-1-2.00	1	
	SEE FIG 102A	STATIC SOURCE INSTALLATION-ALTERNATE SEE FIG 102A -----	1	Q
-48	MS21919DG4	CLAMP -----	1	N
	AN525-10R6	ATTACHING PARTS -----	1	N
-49	MS35489-6S	SCREW -----	1	
		GROMMET -----	1	
<p>NOTE. *USED ON THESE AIRPLANES WHEN VERTICAL SPEED INDICATOR IS INSTALLED.</p> <p>NOTE. #LENGTH TO BE ADDED LATER</p> <p>A---SERIAL 18051184 THRU 18052384 B---SERIAL 18051184 THRU 18051312 C---SERIAL 18051313 THRU 18051445 D---SERIAL 18051446 THRU 18052221 & ALSO ALTERNATE FOR S1324N6 E---SERIAL 18051608 THRU 18052221 F---SERIAL 18051184 THRU 18051763 G---SERIAL 18051764 THRU 18052221 H---SERIAL 18051184 THRU 18051875 J---SERIAL 18051876 THRU 18052103 K---SERIAL 18051608 THRU 18051993 L---SERIAL 18051994 THRU 18052175 M---SERIAL 18052104 THRU 18052284 N---SERIAL 18052203 THRU 18052384 P---SERIAL 18051608 THRU 18052175 Q---SERIAL 18052176 THRU 18052384 R---SERIAL 18051184 THRU 18052284 S---SERIAL 18052285 THRU 18052384 T---SERIAL 18051184 THRU 18052221 U---SERIAL 18052222 THRU 18052384 V---SERIAL 18052222 THRU 18052284</p>				

FIGURE AND INDEX NO.	PART NUMBER	DESCRIPTION	UNITS PER ASSY	USABLE ON CODE
		1 2 3 4 5 6 7		
102A-		ALTERNATE STATIC SOURCE INSTALLATION -----	NP	A
- 1	0701028-2	BRACKET-ALTERNATE STATIC SOURCE VALVE -----	2	
- 2	AN515-8R6	ATTACHING PARTS -----	2	
- 3	NAS679A08	SCREW -----	2	
		NUT -----		
- 4	S2116-1	VALVE-ALTERNATE STATIC SOURCE WEU 2013142-1 -----	1	B
	2013142-1	ATTACHING PARTS -----	1	C
- 5	AN509-8R6	SCREW -----	2	
- 6	NAS679A08	NUT -----	2	

- 7	S1981-5	KNOB -----	1	
- 8	S1071-1-6	TUBE-ALTERNATE SOURCE -----	1	
		ATTACHING PARTS -----		
- 9	S2071-1	ELBOW -----	1	
-10	S1130-1	NUT -----	1	
	S1131-1	INSERT -----	1	

-11	S1071-1	TUBE-STANDARD SOURCE * IN LG BKI REF S1071-1-* -----	1	
		ATTACHING PARTS -----		
-12	S1130-1	NUT -----	2	
-13	S1131-1	INSERT -----	2	

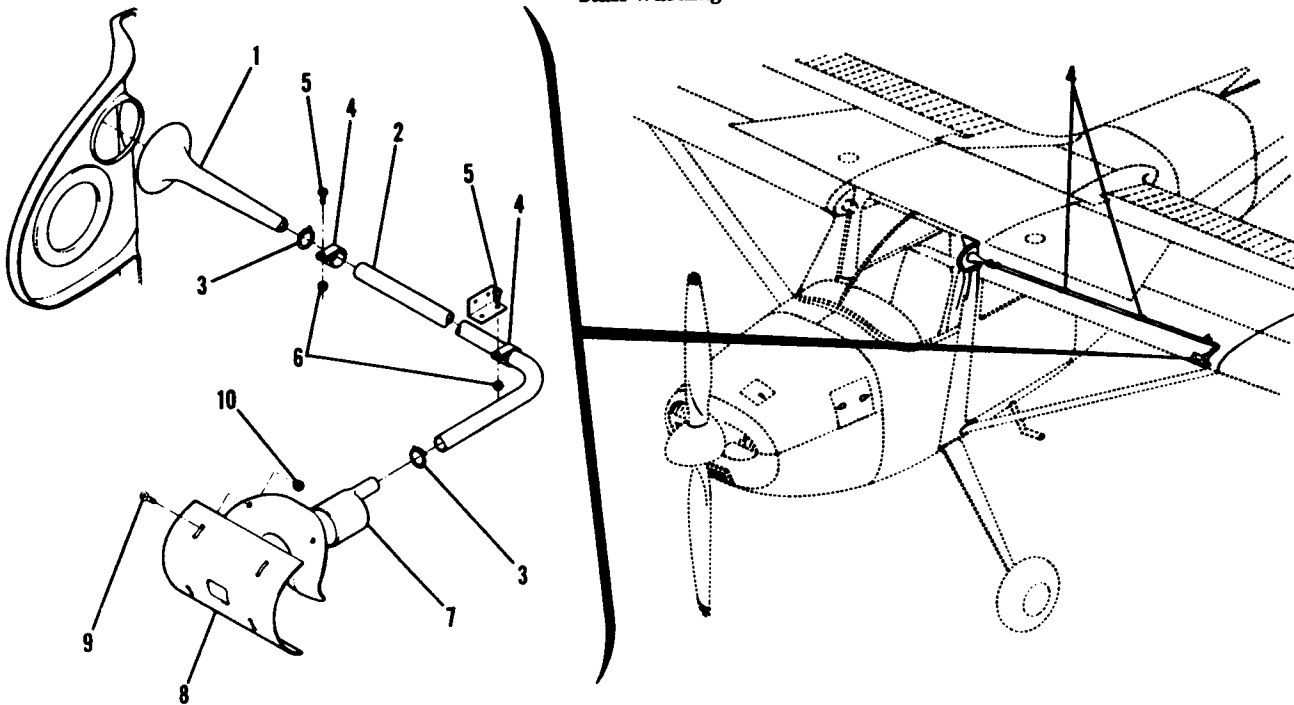
-14	S1137-1	TEE -----	1	
-15	S1071-1	TUBE-LH SUMP * IN LG BKI REF S1071-1-* -----	1	
		ATTACHING PARTS -----		
-16	S1130-1	NUT -----	2	
	S1131-1	INSERT -----	2	

-17	S1071-1	TUBE-RH SUMP * IN LG BKI REF S1071-1-* -----	1	
		ATTACHING PARTS -----		
-18	S1130-1	NUT -----	2	
	S1131-1	INSERT -----	2	

-19	S1071-1	TUBE-VALVE TO VERTICAL SPEED INDICATOR * IN LG -----	1	
		BKI REF S1071-1-* -----		
		ATTACHING PARTS -----		
-20	S1130-1	NUT -----	1	
	S1131-1	INSERT -----	1	

<p>NOTE. *LENGTH TO BE DETERMINED LATER</p> <p>A---SERIAL 18052176 THRU 18052384 SERIAL 18501833 THRU 18502310</p> <p>B---SERIAL 18052176 THRU 18052213 SERIAL 18501833 THRU 18501925</p> <p>C---SERIAL 18052214 THRU 18052384 SERIAL 18501926 THRU 18502310</p>				

Stall Warning



SERIAL 185-1198, 185-1199, 185-1201 THRU 18502310
 SERIAL 18051824 THRU 18052384

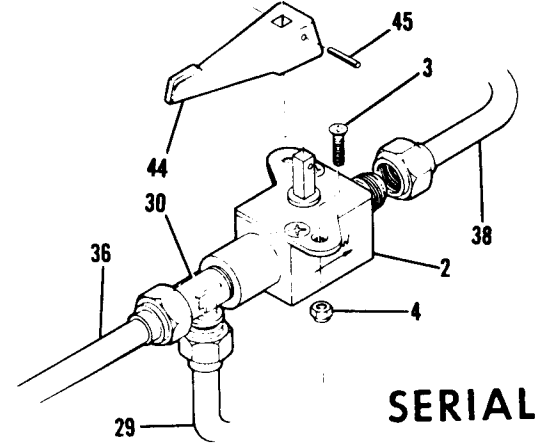
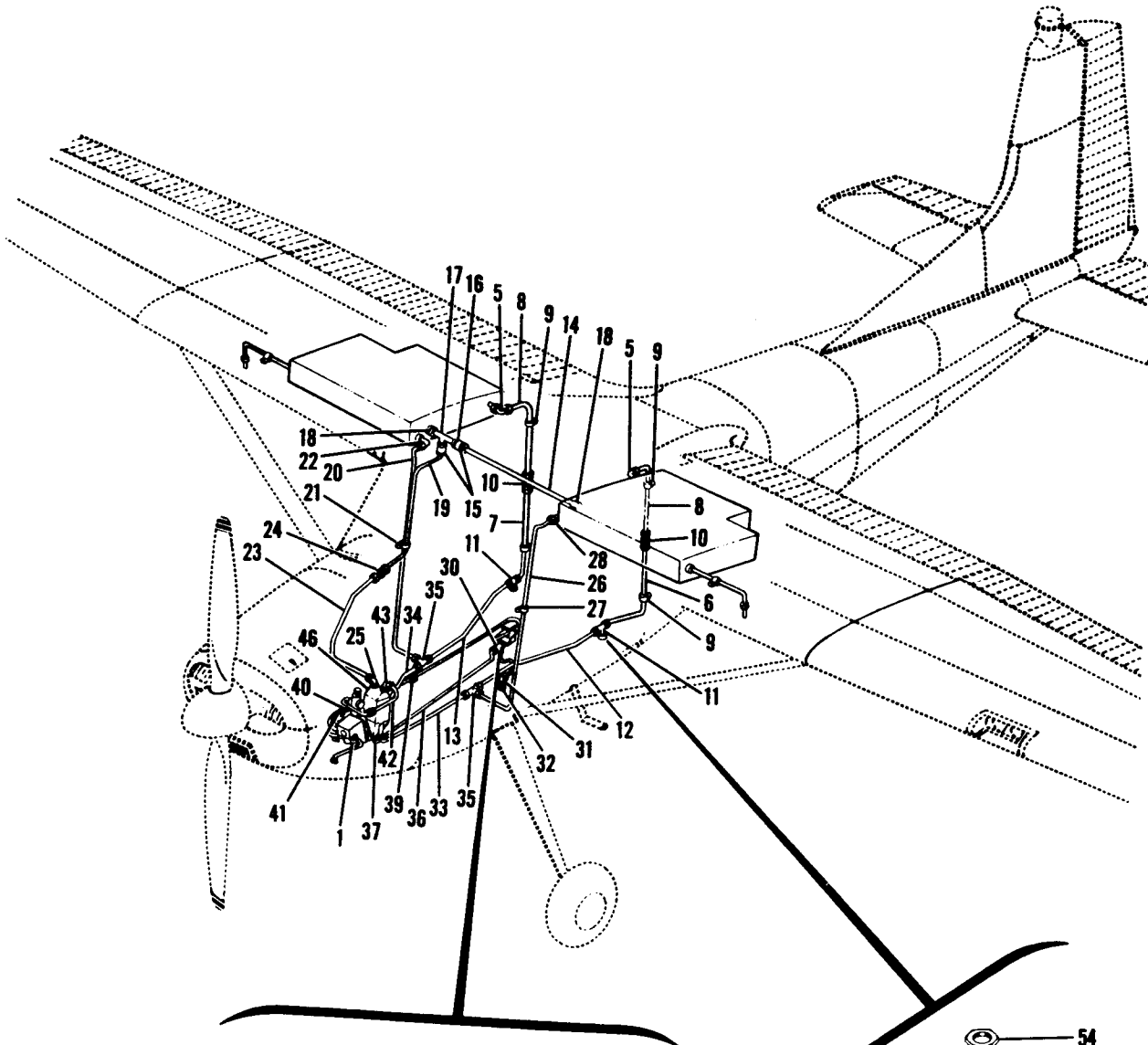
Figure 102B. Stall Warning Horn Installation

FIGURE AND INDEX NO.	PART NUMBER	DESCRIPTION	UNITS PER ASSY	USABLE ON CODE
		1 2 3 4 5 6 7		
102B-		STALL WARNING HORN INSTALLATION -----	NP	A
- 1	0413483-1	HORN ASSEMBLY-STALL WARNING -----	1	
- 2	S1071-4	TUBE BKI -----	AR	
		ATTACHING PARTS -----		
- 3	S1494-8	CLAMP -----	2	
- 4	AN74208	CLAMP -----	4	
- 5	S102126-6	SCREW -----	4	
- 6	NAS395-5-3	NUT -----	4	
		-----*		
- 7	0413485-1	SCOOP ASSEMBLY-STALL WARNING -----	1	D
	0413028-10	SCOOP ASSEMBLY-STALL WARNING -----	1	E
	0413485-2	SCREEN -----	1	
	0413028-5	SEAL-FELT -----	1	
- 8	0413028-4	SCOOP PLATE-STALL WARNING -----	1	B
	0413028-8	SCOOP PLATE-STALL WARNING -----	1	C
	0413028-9	SCOOP PLATE-STALL WARNING -----	1	E
		ATTACHING PARTS -----		
- 9	S102128-8	SCREW -----	4	
-10	NAS395-18-1	NUT -----	4	
		-----*		
		A---SERIAL 185-1189, 185-1199, 185-1201 THRU 18502310 SERIAL 18051824 THRU 18052384		
		B---SERIAL 185-1189, 185-1199, 185-1201 THRU 18501969 SERIAL 18051824 THRU 18052233		
		C---SERIAL 18501970 THRU 18502090 SERIAL 18052234 THRU 18052284		
		D---SERIAL 185-1189, 185-1199, 185-1201 THRU 18502090 SERIAL 18051824 THRU 18052284		
		E---SERIAL 18502091 THRU 18502310 SERIAL 18052285 THRU 18052384		

FIGURE AND INDEX NO.	PART NUMBER	DESCRIPTION	UNITS PER ASSY	USABLE ON CODE
		1 2 3 4 5 6 7		
103 -		FUEL SYSTEM INSTALLATION -----	NP	G
- 1	SEE FIG 107	AUXILIARY FUEL PUMPS & STRAINER INSTALLATION -----	1	
- 2	0716109-1	VALVE-FUEL SEE FIGURE 111 -----	1	
		ATTACHING PARTS -----		
- 3	AN525-832R8	SCREW -----	2	
- 4	NAS679A08	NUT -----	2	
		-----*		
- 5	AN821-6D	ELBOW -----	2	
- 6	0500106-326	LINE ASSEMBLY-FUEL LH LOWER -----	1	
- 7	0500106-322	LINE ASSEMBLY-FUEL RH LOWER -----	1	
- 8	0500106-346	LINE ASSEMBLY-FUEL UPPER -----	2	
		ATTACHING PARTS -----		
- 9	S1485D6U	CLAMP -----	2	
	S1021Z8-10	SCREW -----	2	
-10	AN815-6D	UNION -----	2	
		-----*		
-11	AN834-6D	TEE -----	2	C
	AN924-6D	NUT -----	4	C
	AN929-6	PLUG -----	2	C
-12	0500106-324	LINE ASSEMBLY-FUEL LH -----	1	
-13	0500106-320	LINE ASSEMBLY-FUEL RH -----	1	
-14	0500106-331	LINE-FUEL -----	1	
-15	S51-6	HOSE-2.50 IN LG BULK ITEM REF S-51-6-10 -----	2	
		ATTACHING PARTS -----		
-16	NAS397-12	CLAMP -----	2	
		-----*		
-17	0716108-1	TEE -----	2	A
-19	0500106-328	LINE ASSEMBLY-FUEL -----	1	B
	0500106-354	LINE ASSEMBLY-FUEL -----	1	
-20	0500106-321	LINE ASSEMBLY-FUEL -----	1	
		ATTACHING PARTS -----		
-21	AN742D6	CLAMP -----	2	
	S1021Z8-10	SCREW -----	1	
-22	AN815-6D	UNION -----	1	
		-----*		
-23	0500106-327	LINE ASSEMBLY-FUEL -----	1	A
	0500106-353	LINE ASSEMBLY-FUEL -----	1	B
		ATTACHING PARTS -----		
-24	AN815-6D	UNION -----	1	
-25	MS20822-6D	ELBOW -----	1	
		-----*		
-26	0500106-325	LINE ASSEMBLY-FUEL -----	1	
		ATTACHING PARTS -----		
-27	AN742D6	CLAMP -----	1	
	S1021Z8-10	SCREW -----	1	
-28	AN815-6D	UNION -----	1	
		-----*		
-29	0500106-333	LINE ASSEMBLY-FUEL DRAIN -----	1	E
	0500106-357	LINE ASSEMBLY-FUEL DRAIN -----	1	F
		ATTACHING PARTS -----		
-30	AN834-6D	TEE -----	1	E
-31	AN833-6D	ELBOW -----	1	F
	AN837-6D	ELBOW -----	1	
	AN924-6D	NUT -----	2	
		-----*		

CONTINUED ON NEXT PAGE

Fuel System



- 54
- 53
- 52
- 51
- 50
- 49
- 48
- 47

SERIAL 185-0001 THRU 185-0413

Figure 103. Fuel System

FIGURE AND INDEX NO.	PART NUMBER	DESCRIPTION	UNITS PER ASSY	USABLE ON CODE
		1 2 3 4 5 6 7		
103 -32	AN929-6	PLUG -----	1	
-33	0500106-323	LINE ASSEMBLY-FUEL LH -----	1	
-34	0500106-319	LINE ASSEMBLY-FUEL RH -----	1	
		ATTACHING PARTS -----		
-35	AN824-6D	TEE -----	1	

-36	0500106-329	LINE ASSEMBLY-FUEL -----	1	
		ATTACHING PARTS -----		
-37	MS20823-6D	ELBOW -----	1	

-38	0500106-330	LINE ASSEMBLY-FUEL -----	1	
		ATTACHING PARTS -----		
-39	AN815-6D	UNION -----	1	

-40	0500106-340	LINE ASSEMBLY-FUEL -----	1	
		ATTACHING PARTS -----		
-41	AN816-6D	NIPPLE -----	1	
	AN960-416L	WASHER -----	1	

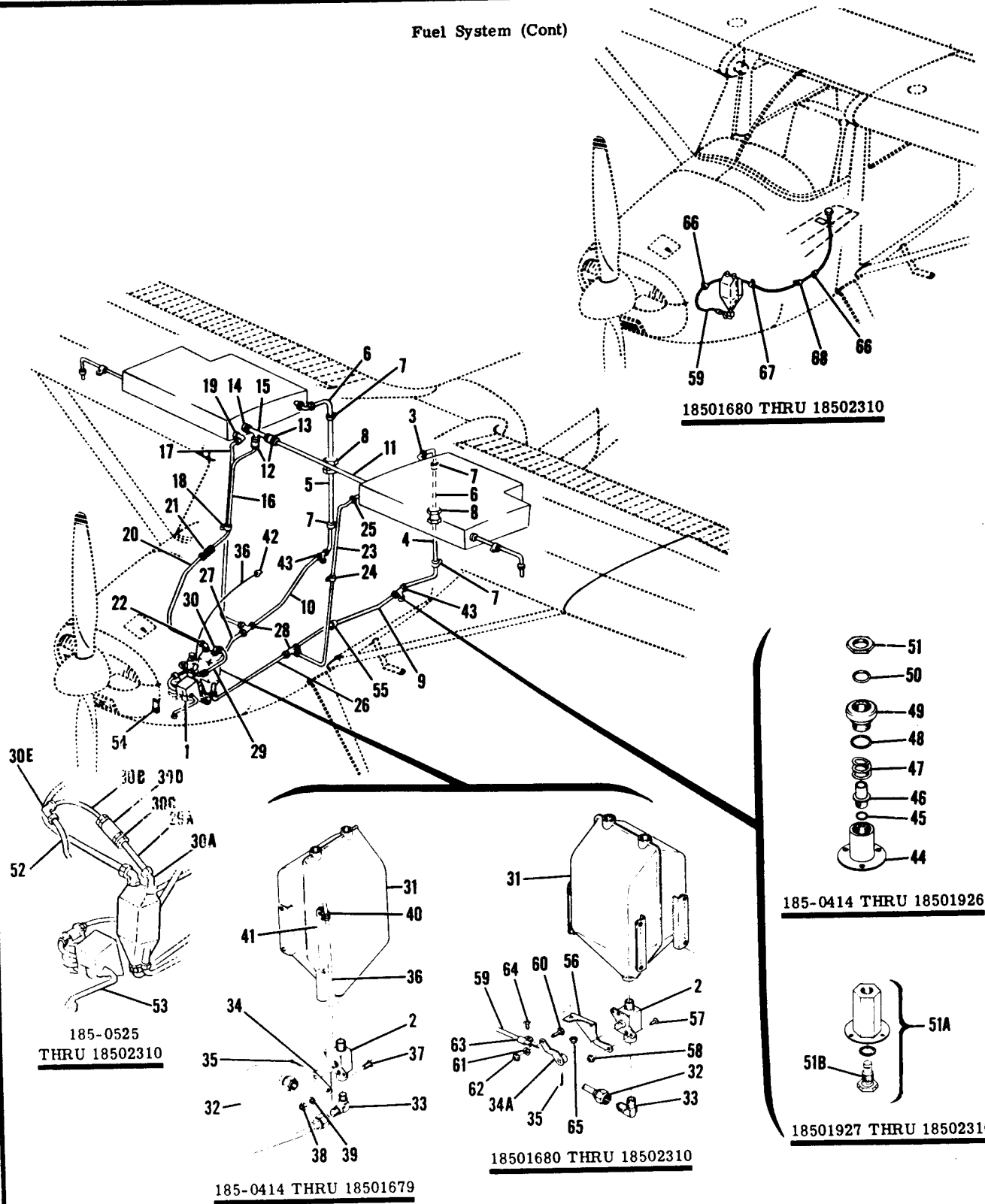
-42	0500106-332	LINE ASSEMBLY-FUEL -----	1	
		ATTACHING PARTS -----		
-43	MS20822-4-4D	ELBOW -----	1	
	AN924-4D	NUT -----	1	
	AN960-416L	WASHER -----	1	

-44	0716612-2	HANDLE-FUEL VALVE -----	1	
		ATTACHING PARTS -----		
-45	NAS561C2-10	PIN-SLOTTED -----	1	

-46	0713158-1	TANK ASSEMBLY-VAPOR SEPARATOR & FUEL ACCUMULATOR -----	1	
		ATTACHING PARTS -----		
	AN4-3A	BOLT -----	8	
	AN960-10L	WASHER -----	8	

	NAS687A3	NUTPLATE -----	8	
	0716110-1	VALVE ASSEMBLY-DRAIN -----	1	D
-47		BODY-VALVE ASSEMBLY -----	NP	
-48	MS29513-10	O RING -----	1	
-49	209AC	POPPET VALVE AADC -----	1	
-50	723A	SPRING AADC -----	1	
-51	MS29513-18	O RING -----	1	
-52	721A7	FITTING AADC -----	1	
-53	MS29513-16	O RING -----	1	
-54	721A8	NUT AADC -----	1	
		A---SERIAL 185-0001 THRU 185-0146		
		B---SERIAL 185-0417 THRU 185-0413		
		C---SERIAL 185-0001 THRU 185-0244		
		D---SERIAL 185-0245 THRU 185-0413		
		E---SERIAL 185-0001 THRU 185-0157		
		F---SERIAL 185-0158 THRU 185-0413		
		G---SERIAL 185-0001 THRU 185-0413		

Fuel System (Cont)



18501680 THRU 18502310

185-0414 THRU 18501926

185-0525
THRU 18502310

18501680 THRU 18502310

18501927 THRU 18502310

SERIAL 185-0414 THRU 18502310

Figure 104. Fuel System Installation

FIGURE AND INDEX NO.	PART NUMBER	DESCRIPTION	UNITS PER ASSY	USABLE ON CODE
			NP	A
104 -		FUEL SYSTEM INSTALLATION -----	1	
- 1	SEE FIG 108	AUXILIARY FUEL PUMPS & STRAINER INSTALLATION -----	1	
- 2	0716111-1	VALVE-FUEL AVAILABLE AS AN ASSY ONLY -----	2	
- 3	AN821-6D	ELBOW -----	1	
- 4	0500106-326	LINE ASSEMBLY-FUEL LH LOWER -----	1	
- 5	0500106-322	LINE ASSEMBLY-FUEL RH LOWER -----	2	
- 6	0500106-346	LINE ASSEMBLY-FUEL UPPER -----	2	
		ATTACHING PARTS -----	2	
- 7	S1485D6U	CLAMP -----	2	
	S1021Z8-10	SCREW -----	2	
- 8	AN815-6D	UNION -----	1	
		-----*	1	
- 9	0500106-324	LINE ASSEMBLY-FUEL LH -----	1	
-10	0500106-320	LINE ASSEMBLY-FUEL RH -----	1	B
-11	0500106-331	LINE-FUEL VENT -----	1	C
	0700087-10	LINE-FUEL VENT -----	1	
		ATTACHING PARTS -----	2	
-12	S1495-6	HOSE-3.00 IN LG BULK ITEM REF S1495-6-3.00 -----	4	
-13	NAS397-12	CLAMP -----	2	
-14	S1891-10	CLAMP -----	1	
		-----*	1	
-15	0716108-1	TEE -----	1	
-16	0500106-354	LINE ASSEMBLY-FUEL -----	1	
-17	0500106-321	LINE ASSEMBLY-FUEL -----	1	
		ATTACHING PARTS -----	2	
-18	AN742D6	CLAMP -----	2	
	S1021Z8-10	SCREW -----	1	
-19	AN815-6D	UNION -----	1	
		-----*	1	
-20	0500106-353	LINE ASSEMBLY-FUEL -----	1	
		ATTACHING PARTS -----	1	
-21	AN815-6D	UNION -----	1	
-22	MS20822-6D	ELBOW -----	1	
		-----*	1	
-23	0500106-325	LINE ASSEMBLY-FUEL -----	1	
		ATTACHING PARTS -----	1	
-24	AN742D6	CLAMP -----	1	
	S1021Z8-10	SCREW -----	1	
-25	AN815-6D	UNION -----	1	
		-----*	1	
-26	0500106-363	LINE-FUEL -----	1	
-27	0500106-362	LINE-FUEL -----	1	
		ATTACHING PARTS -----	1	
-28	AN824-6D	TEE -----	1	
		-----*	1	
-29	0500106-332	LINE ASSEMBLY-FUEL -----	1	D
-29A	0700087-15	LINE ASSEMBLY-FUEL -----	1	K
	0700147-11	LINE ASSEMBLY-FUEL -----	1	L
		ATTACHING PARTS -----	1	
-30	MS20822-4-4D	ELBOW -----	1	D
	AN924-4D	NUT -----	1	D
	AN960-416L	WASHER -----	1	D
-30A	MS20823-4D	ELBOW -----	1	D
	AN912-1	ADAPTER -----	1	E
		-----*	1	
-30B	0700087-16	LINE ASSEMBLY-FUEL -----	1	K
	0700147-12	LINE ASSEMBLY-FUEL -----	1	L
-30C	AN818-4D	NIPPLE -----	1	E
-30D	0850375-1	SWING CHECK VALVE -----	1	F
-30E	AN833-4D	ELBOW -----	1	F
	AN924-4D	NUT -----	1	E
-31	0713158-8	TANK ASSEMBLY-VAPOR SEPARATOR & FUEL ACCUMULATOR -----	1	
		ATTACHING PARTS -----	8	
	AN4-3A	BOLT -----	8	
	AN960-10L	WASHER -----	8	
		-----*	8	
	NAS687A3	NUTPLATE -----	1	M
-32	0500106-361	LINE-FUEL -----	1	N
	0700147-13	LINE-FUEL -----	1	
		ATTACHING PARTS -----	1	
-33	MS20822-6D	ELBOW -----	1	
		-----*		

CONTINUED ON NEXT PAGE

FIGURE AND INDEX NO.	PART NUMBER	DESCRIPTION	UNITS PER ASSY	USABLE ON CODE
104 -34	0716606-1	ARM-FUEL VALVE -----	1	T
	0716606-6	ARM-FUEL VALVE -----	1	U
-34A		ATTACHING PARTS -----		
		PIN-COTTER -----	1	
-35	MS24665-134	-----		
-36	S1241-8	CONTROL-FUEL VALVE -----	1	F
	S1241-9	CONTROL-FUEL VALVE -----	1	G
	S1241-17	CONTROL-FUEL VALVE -----	1	P
	S1241-38	CONTROL-FUEL VALVE -----	1	S
		ATTACHING PARTS -----		
-37	0450311-5	CLAMP -----	1	
-38	MS21044N3	NUT -----	1	
-39	AN960-10	WASHER -----	1	
-40	MS21919DG4	CLAMP -----	1	
-41	0550100-6	BRACKET -----	1	

-42	0756001-13	BRACKET-FUEL VALVE CONTROL SUPPORT -----	1	F
-43	MS20825-6D	TEE -----	2	
	0716110-1	VALVE ASSEMBLY-DRAIN MEU 0716169-1 -----	2	V
-44		BODY-VALVE ASSEMBLY -----	NP 1	V
-45	MS29513-10	O RING -----	1	V
-46	209AC	POPPET VALVE AADC -----	1	V
-47	723A	SPRING AADC -----	1	V
-48	MS29513-18	O RING -----	1	V
-49	721A7	FITTING AADC -----	1	V
-50	MS29513-16	O RING -----	1	V
-51	721A8	NUT AADC -----	2	W
-51A	0716169-1	VALVE ASSEMBLY-FUEL DRAIN -----	NP 1	W
		BODY-VALVE -----	1	W
-51B	S2020-1	VALVE-FUEL DRAIN INCLUDES GASKET -----	1	
-52	S1236-4-0144	HOSE ASSEMBLY -----	1	
-53	S1167-6-0270	HOSE ASSEMBLY -----	1	H
-54	MS25253-1	SWITCH-THROTTLE -----	1	H
	S1913-1	ACTUATOR -----	1	J
	E33-10K	SWITCH & ACTUATOR-THROTTLE GYRE -----	1	
		ATTACHING PARTS -----		
	AN515-4R10	SCREW -----	2	J
	NAS679A04	NUT -----	2	J
	0750232-1	ARM RETAINER-MICROSWITCH -----	1	X

-55	S1592-2A	CLAMP -----	1	O
		ATTACHING PARTS -----		
	S102126-8	SCREW -----	1	O

	CH2679-2	TIE STRAP -----	2	R
	S1930-1	BRACKET -----	1	R
		ATTACHING PARTS -----		
	AN525-832RB	SCREW -----	1	R
	NAS679A08	NUT -----	1	R

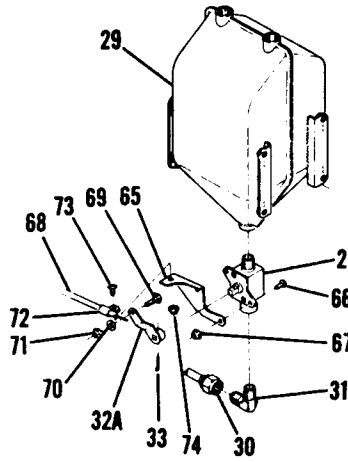
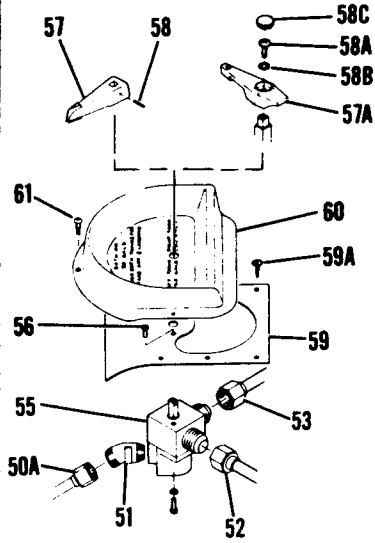
-56	0716632-1	CLAMP BRACKET -----	1	U
		ATTACHING PARTS -----		
-57	AN520-10R6	SCREW -----	2	U
-58	MS21044N3	NUT -----	2	U

CONTINUED ON NEXT PAGE

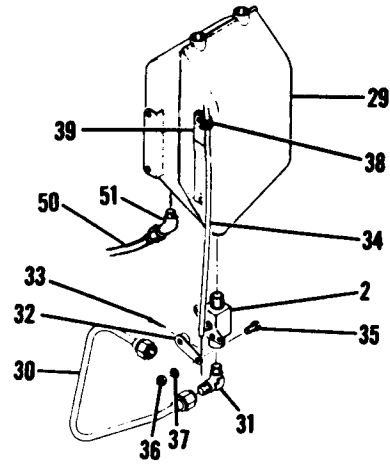
FIGURE AND INDEX NO.	PART NUMBER	DESCRIPTION	UNITS PER ASSY	USABLE ON CODE
		1 2 3 4 5 6 7		
104 -59	S1241-40	CONTROL-FUEL VALVE ----- ATTACHING PARTS -----	1	U
-60	0450311	CLAMP -----	1	U
-61	AN960-10L	WASHER -----	1	U
-62	MS21044N3	NUT -----	1	U
-63	AN742D4	CLAMP -----	1	U
-64	AN520-10R5	SCREW -----	1	U
-65	MS21044N3	NUT -----	2	U
-66	AN742D4	CLAMP -----	2	U
	S1021 Z8-8	SCREW -----	2	U
	NAS446-4	NUTPLATE -----	1	U
-67	AN742D4	CLAMP -----	1	U
	S1021 Z8-8	SCREW -----	1	U
	S1153-1	NUTPLATE -----	1	U
-68	MS21919DG3	CLAMP -----	1	U
	AN520-10R6	SCREW -----	1	U
	MS21044N3	NUT -----	1	U

		A---SERIAL 185-0414 THRU 18502310		
		B---SERIAL 185-0414 THRU 185-0512		
		C---SERIAL 185-0513 THRU 18502310		
		D---SERIAL 185-0414 THRU 185-0524		
		E---SERIAL 185-0525 THRU 18502310		
		F---SERIAL 185-0414 THRU 185-0776		
		G---SERIAL 185-0777 THRU 185-1300		
		H---SERIAL 185-0414 THRU 185-0967		
		J---SERIAL 185-0968 THRU 18502007, 18502026, 18502027		
		K---SERIAL 185-0525 THRU 185-0788		
		L---SERIAL 185-0789 THRU 18502310		
		M---SERIAL 185-0414 THRU 185-0843		
		N---SERIAL 185-0844 THRU 18502310		
		P---SERIAL 185-1301 THRU 185-1599		
		Q---SERIAL 185-0414 THRU 185-1441		
		R---SERIAL 185-1442 THRU 18502310		
		S---SERIAL 18501600 THRU 18501679		
		T---SERIAL 185-0414 THRU 18501679		
		U---SERIAL 18501680 THRU 18502310		
		V---SERIAL 185-0414 THRU 18501926		
		W---SERIAL 18501927 THRU 18502310		
		X---SERIAL 18501916 THRU 18502007, 18502026, 18502027		

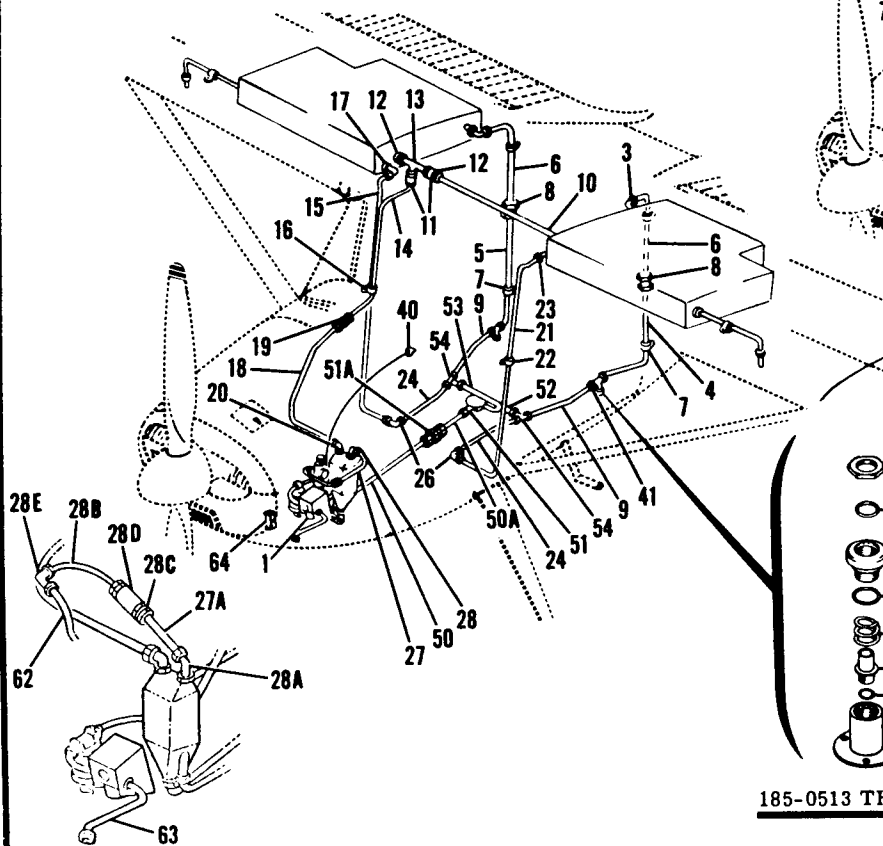
Fuel System (Cont)



18501680 THRU 18502310



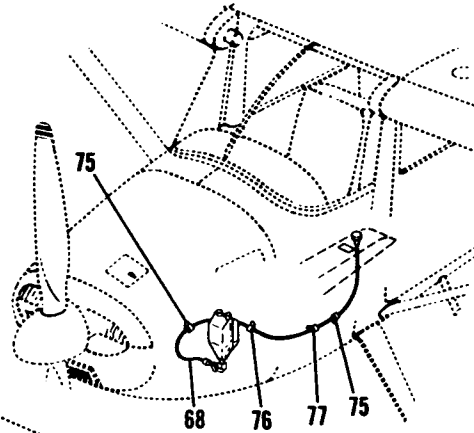
185-0513 THRU 18501679



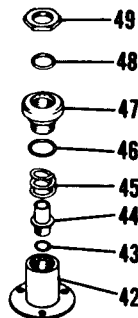
185-0525 THRU 18502310

SERIAL 185-0513 THRU 18502310

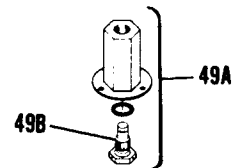
Figure 105. Fuel System - Selectable Tank



18501680 THRU 18502310



185-0513 THRU 18501926



18501927 THRU 18502310

FIGURE AND INDEX NO.	PART NUMBER	DESCRIPTION	UNITS PER ASSY	USABLE ON CODE
		1 2 3 4 5 6 7		
109 -		FUEL SYSTEM INSTALLATION-SELECTABLE TANK -----	NP	A
- 1	SEE FIG 108	AUXILIARY FUEL PUMPS & STRAINER INSTALLATION -----	1	
- 2	0716111-1	VALVE-FUEL AVAILABLE AS AN ASSY ONLY -----	1	
- 3	AN821-6D	ELBOW -----	2	
- 4	0500106-326	LINE ASSEMBLY-FUEL LH LOWER -----	1	
- 5	0500106-322	LINE ASSEMBLY-FUEL RH LOWER -----	1	
- 6	0500106-346	LINE ASSEMBLY-FUEL UPPER -----	2	
		ATTACHING PARTS -----		
- 7	S1485D6U	CLAMP -----	2	
	S1021Z8-10	SCREW -----	2	
- 8	AN815-6D	UNION -----	2	

- 9	0700087-1	LINE ASSEMBLY-FUEL LH -----	1	
-10	0700087-10	LINE-FUEL VENT -----	1	
		ATTACHING PARTS -----		
-11	S1495-6	HOSE-3.00 IN LG BULK ITEM REF S1495-6-3.00 -----	2	
-12	NAS397-12	CLAMP -----	6	

-13	0716108-1	TEE -----	1	
-14	0500106-354	LINE ASSEMBLY-FUEL -----	1	
-15	0500106-321	LINE ASSEMBLY-FUEL -----	1	
		ATTACHING PARTS -----		
-16	AN742D6	CLAMP -----	2	
	S1021Z8-10	SCREW -----	1	
-17	AN815-6D	UNION -----	1	

-18	0500106-353	LINE ASSEMBLY-FUEL -----	1	
		ATTACHING PARTS -----		
-19	AN815-6D	UNION -----	1	
-20	MS20822-6D	ELBOW -----	1	

-21	0500106-325	LINE ASSEMBLY-FUEL -----	1	
		ATTACHING PARTS -----		
-22	AN742D6	CLAMP -----	1	
	S1021Z8-10	SCREW -----	1	
-23	AN815-6D	UNION -----	1	

-24	0700087-2	LINE ASSEMBLY-FUEL -----	2	
-25		DELETED, NEVER USED -----		
		ATTACHING PARTS -----		
-26	AN821-6D	ELBOW -----	1	

-27	0500106-332	LINE ASSEMBLY-FUEL -----	1	B
-27A	0700087-15	LINE ASSEMBLY-FUEL -----	1	F
	0700147-11	LINE ASSEMBLY-FUEL -----	1	G
		ATTACHING PARTS -----		
-28	MS20822-4-4D	ELBOW -----	1	B
	AN924-4D	NUT -----	1	B
	AN960-416L	WASHER -----	1	C
-28A	MS20823-4D	ELBOW -----	1	C
	AN912-1	ADAPTER -----	1	C

-28B	0700087-16	LINE ASSEMBLY-FUEL -----	1	F
	0700147-12	LINE ASSEMBLY-FUEL -----	1	G
-28C	AN816-4D	NIPPLE -----	1	C
-28D	0850375-1	SWING CHECK VALVE -----	1	C
-28E	AN833-4D	ELBOW -----	1	C
	AN924-4D	NUT -----	1	C
-29	0713158-9	TANK ASSEMBLY-VAPOR SEPARATOR & FUEL ACCUMULATOR -----	1	
		ATTACHING PARTS -----		
	AN3-3A	ROLT -----	8	
	AN960-10L	WASHER -----	8	

	NAS682A3	NUTPLATE -----	8	
-30	0500106-361	LINE-FUEL -----	1	H
	0700147-13	LINE-FUEL -----	1	J
-31	MS20822-6D	ELBOW -----	1	
-32	0716606-1	ARM-FUEL VALVE -----	1	R
-32A	0716606-6	ARM-FUEL VALVE -----	1	S
		ATTACHING PARTS -----		
-33	MS24665-145	PIN-COTTER -----	1	

CONTINUED ON NEXT PAGE

FIGURE AND INDEX NO.	PART NUMBER	DESCRIPTION	UNITS PER ASSY	USABLE ON CODE
		1 2 3 4 5 6 7		
105 -34	S1241-8 S1241-9 S1241-17 S1241-38	CONTROL-FUEL VALVE ----- CONTROL-FUEL VALVE ----- CONTROL-FUEL VALVE ----- CONTROL-FUEL VALVE -----	1 1 1 1	D N O E
		ATTACHING PARTS		
-35	0450311	CLAMP -----	1	
-36	MS21044N3	NUT -----	1	
-37	AN960-10L	WASHER -----	1	
-38	MS21919DG4	CLAMP -----	1	
-39	0550100-6	BRACKET -----	1	
		-----*		
-40	0756001-13	BRACKET-FUEL VALVE CONTROL SUPPORT -----	1	D
-41	MS20825-6D 0716110-1	TEE ----- VALVE ASSEMBLY-DRAIN WEU 0716169-1 -----	2 2	T T
		BODY-VALVE ASSEMBLY -----	NP	T
-42		O RING -----	1	T
-43	MS29513-10	POPPET VALVE AADC -----	1	T
-44	209AC	SPRING AADC -----	1	T
-45	723A	O RING -----	1	T
-46	MS29513-18	FITTING AADC -----	1	T
-47	721A7	O RING -----	1	T
-48	MS29513-16	NUT AADC -----	1	T
-49	721A8	VALVE ASSEMBLY-FUEL DRAIN -----	2	U
-49A	0716169-1	VALVE ASSEMBLY-FUEL DRAIN -----	NP	U
		BODY-VALVE -----	1	
-49B	S2020-1	VALVE-FUEL DRAIN INCLUDES GASKET -----	1	
-50	0700087-13	LINE-FUEL -----	1	
-50A	0700087-14	LINE-FUEL -----	2	
-51	MS20823-8D	ELBOW -----	1	
-51A	AN815-8D	UNION -----	1	
-52	0700087-4	LINE-FUEL LH -----	1	
-53	0700087-5	LINE-FUEL RH -----	1	
		ATTACHING PARTS		
-54	AN917-3D AN816-6-6D AN816-8D	TEE ----- NIPPLE ----- NIPPLE -----	1 2 1	
		-----*		
-55	0716613-3 0716613-4	VALVE-FUEL TANK SELECTOR ----- VALVE-FUEL TANK SELECTOR -----	1 1	M P
		ATTACHING PARTS		
-56	AN515-10R5 AN960PD10L	SCREW ----- WASHER -----	2 2	
		-----*		
-57	0716612-204	HANDLE-FUEL VALVE -----	1	M
-57A	0716623-2	HANDLE-FUEL VALVE -----	1	P
		ATTACHING PARTS		
-58	NAS561P2-10	ROLL PIN -----	1	M
-58A	AN525-8R7	SCREW -----	1	P
-58B	AN936A8	WASHER -----	1	P
		-----*		
-58C	0716624-1	COVER-FUEL SELECTOR HANDLE -----	1	P
-59	0716115-1 0716115-2	COVER PLATE ----- COVER PLATE -----	1 1	V W
		ATTACHING PARTS		
-59A	S1021Z8-6 S1021Z8-6 NAS395-16-3 NAS395-16-3	SCREW ----- SCREW ----- NUT ----- NUT -----	6 8 6 8	V V V W

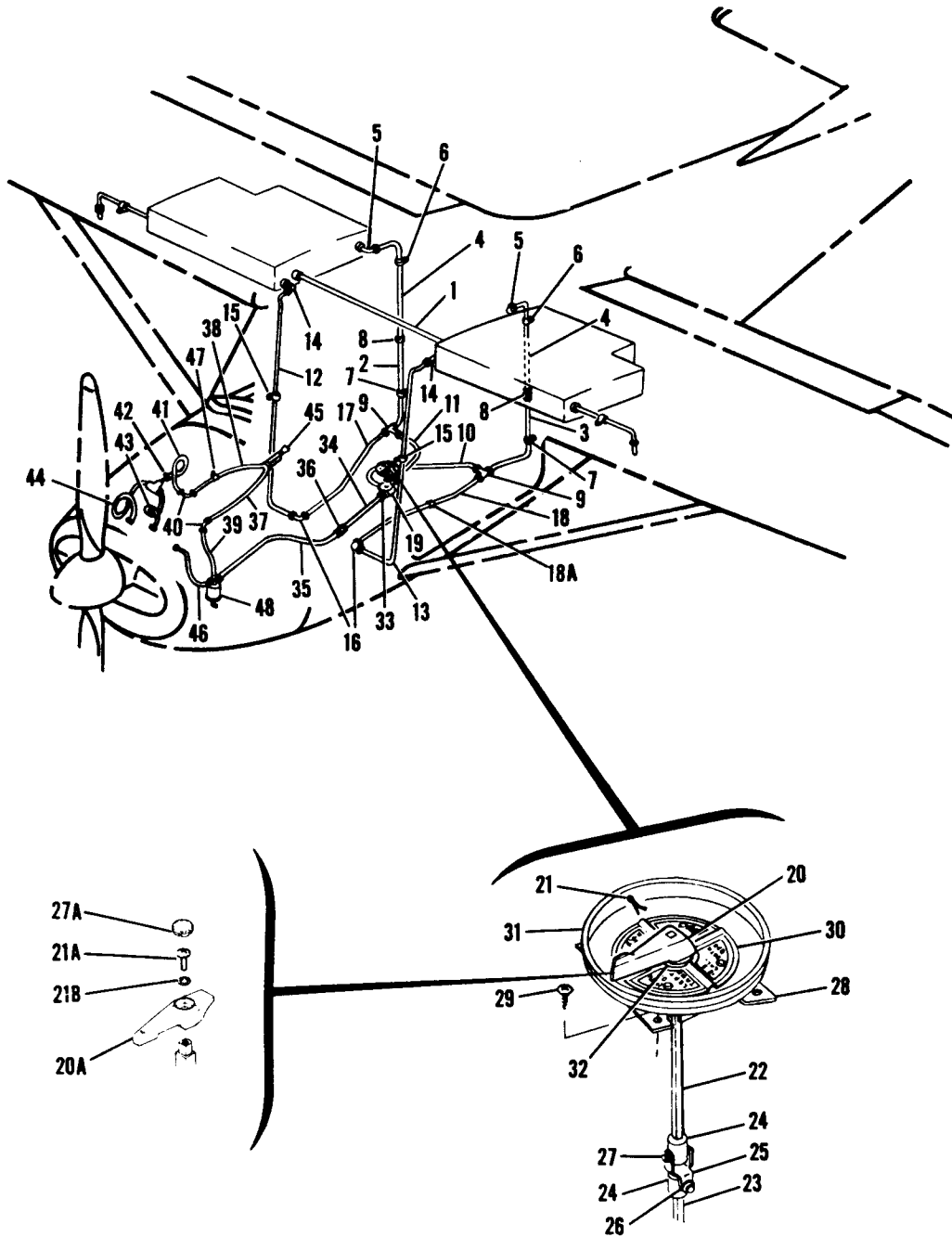
CONTINUED ON NEXT PAGE

FIGURE AND INDEX NO.	PART NUMBER	DESCRIPTION	UNITS PER ASSY	USABLE ON CODE
105 -60	0716114-1	COVER-FUEL TANK SELECTOR	1	
	0716114-3	COVER-FUEL TANK SELECTOR	1	
		ATTACHING PARTS	3	
-61	S1021Z8-8C	SCREW	1	
-62	S1236-4-0144	HOSE ASSEMBLY	1	
-63	S1167-6-0270	HOSE ASSEMBLY	1	
-64	MS25253-1	SWITCH-THROTTLE	1	K
	S1913-1	ACTUATOR	1	L
	E33-10K	SWITCH & ACTUATOR-THROTTLE	1	
		ATTACHING PARTS	2	L
	AN515-4R10	SCREW	2	L
	NAS679A04	NUT	1	X
	0750232-1	ARM RETAINER-MICROSWITCH	1	S
-65	0716632-2	CLAMP BRACKET	2	S
		ATTACHING PARTS	2	S
-66	AN520-10R6	SCREW	2	S
-67	MS21044N3	NUT	1	S
-68	S1241-40	CONTROL-FUEL VALVE	1	S
		ATTACHING PARTS	1	S
-69	0450311	CLAMP	1	S
-70	AN960-10L	WASHER	1	S
-71	MS21044N3	NUT	1	S
-72	AN742D4	CLAMP	1	S
-73	AN520-10R5	SCREW	1	S
-74	MS21044N3	NUT	2	S
-75	AN742D4	CLAMP	2	S
	S1021Z8-8	SCREW	2	S
	NAS446-4	NUTPLATE	1	S
-76	AN742D4	CLAMP	1	S
	S1021Z8-8	SCREW	1	S
	S1153-1	NUTPLATE	1	S
-77	MS21919DG3	CLAMP	1	S
	AN520-10R6	SCREW	1	S
	MS21044N3	NUT	1	S

NOTE. #THIS PART NUMBER MUST HAVE A SECOND DASH NUMBER ADDED TO DENOTE COLOR. REFER TO HOW TO ORDER INTERIOR PARTS-PAGE XIII.

- A---SERIAL 185-0513 THRU 18502310
- B---SERIAL 185-0513 THRU 185-0524
- C---SERIAL 185-0525 THRU 18502310
- D---SERIAL 185-0513 THRU 185-0776
- E---SERIAL 18501600 THRU 18501679
- F---SERIAL 185-0525 THRU 185-0788
- G---SERIAL 185-0789 THRU 18502310
- H---SERIAL 185-0414 THRU 185-0843
- J---SERIAL 185-0844 THRU 18502310
- K---SERIAL 185-0414 THRU 185-0967
- L---SERIAL 185-0968 THRU 18502007, 18502026, 18502027
- M---SERIAL 185-0513 THRU 185-1300
- N---SERIAL 185-0777 THRU 185-1300
- P---SERIAL 185-1301 THRU 18502310
- Q---SERIAL 185-1301 THRU 185-1599
- R---SERIAL 185-0513 THRU 18501679
- S---SERIAL 18501680 THRU 18502310
- T---SERIAL 185-0513 THRU 18501926
- U---SERIAL 18501927 THRU 18502310
- V---SERIAL 185-0513 THRU 18501943
- W---SERIAL 18501944 THRU 18502310
- X---SERIAL 18501916 THRU 18502007, 18502026, 18502027

Fuel System (Cont)



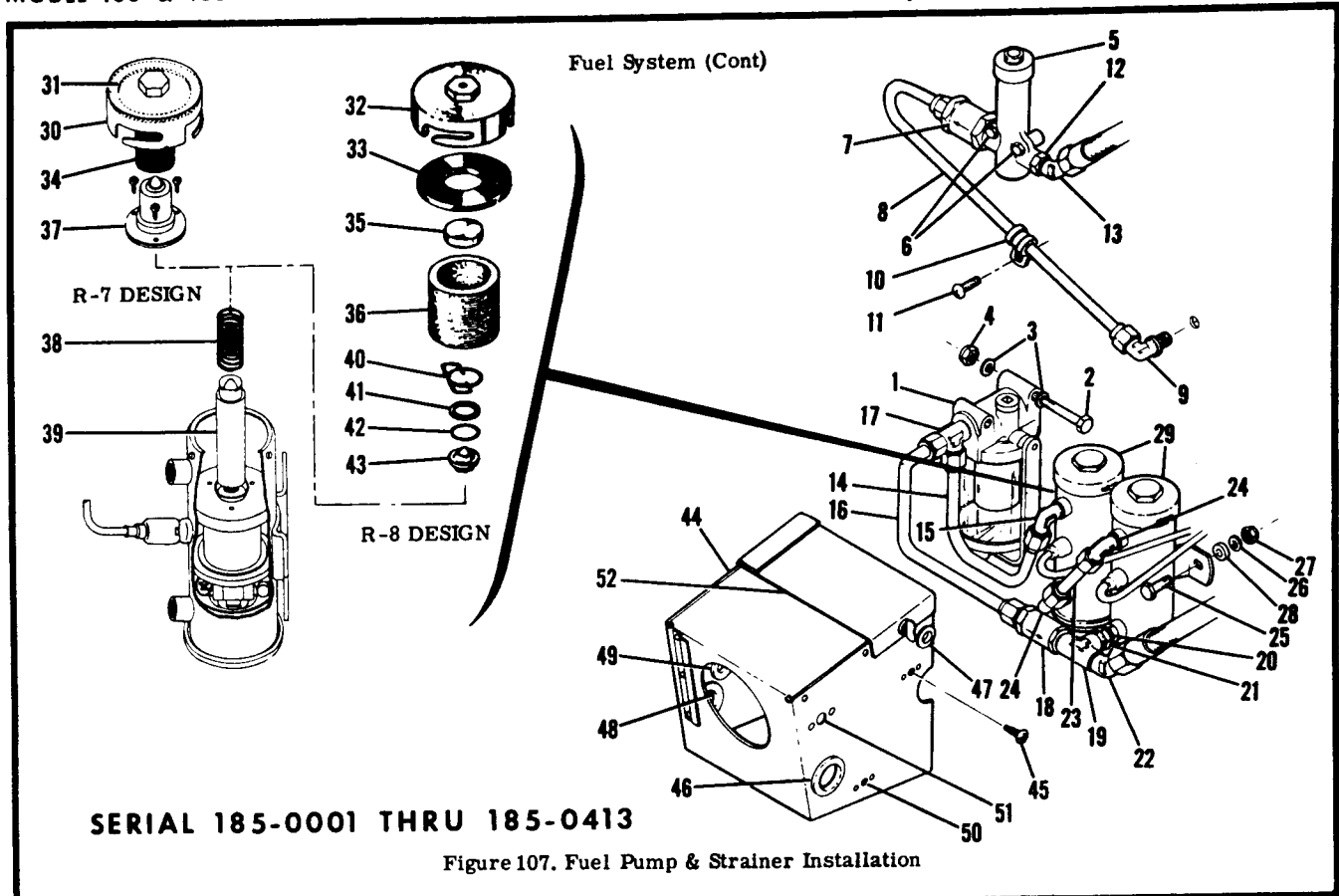
SERIAL 18051184 THRU 18052384

Figure 106. Fuel System Installation

FIGURE AND INDEX NO.	PART NUMBER	DESCRIPTION	UNITS PER ASSY	USABLE ON CODE
		1 2 3 4 5 6 7		
106 -		FUEL SYSTEM INSTALLATION -----	NP	A
- 1	0700087-9	LINE-LEFT TANK TO RIGHT TANK VENT -----	1	
	S1891-10	ATTACHING PARTS -----	2	
- 2	0500106-322	CLAMP -----	1	
- 3	0500106-326	LINE ASSEMBLY-FUEL RH LOWER AFT -----	1	
- 4	0500106-346	LINE ASSEMBLY-FUEL LH LOWER AFT -----	2	
		LINE ASSEMBLY-FUEL UPPER AFT -----		
		ATTACHING PARTS -----		
- 5	AN821-6D	ELBOW -----	1	
	S1489D6U	CLAMP -----	2	
- 6	S102126-6	SCREW UPPER CLAMP -----	2	
- 7	S102128-8	SCREW LOWER CLAMP -----	2	
- 8	AN815-6D	UNION -----	2	
- 9	AN824-6D	TEE -----	1	
-10	0500106-359	LINE-FUEL LH TEE TO FUEL SELECTOR -----	1	
	0700087-12	LINE-FUEL LH TEE TO FUEL SELECTOR USED WITH -----	1	
		CENTER LINE CAMERA INSTALLATION ONLY		
-11	0500106-358	LINE-FUEL RH TEE TO FUEL SELECTOR -----	1	
-12	0500106-321	LINE-FUEL RH TANK TO ELBOW FORWARD -----	1	
-13	0500106-325	LINE-FUEL LH TANK TO ELBOW FORWARD -----	1	
		ATTACHING PARTS -----		
-14	AN815-6D	UNION -----	1	
-15	AN742D6	CLAMP TIN -----	1	
	S102128-8	SCREW -----	1	
-16	AN821-6D	ELBOW -----	2	
-17	0500106-320	LINE-FUEL RH ELBOW TO TEE -----	1	
-18	0500106-324	LINE-FUEL LH ELBOW TO TEE -----	1	
		ATTACHING PARTS -----		
-18A	S1592-2A	CLAMP UC -----	1	
	S102126-8	SCREW -----	1	
-19	0311070-1	VALVE ASSEMBLY-FUEL SELECTOR SEE FIGURE 112 -----	1	
	AN515-8R8	ATTACHING PARTS -----	2	
		SCREW -----		
	0511157-20	HANDLE ASSEMBLY-FUEL SELECTOR -----	1	J
	0713316-1	HANDLE ASSEMBLY-FUEL SELECTOR -----	1	K
-20	0716612-202	HANDLE-FUEL SELECTOR -----	1	J
-20A	0716623-2	HANDLE-FUEL SELECTOR -----	1	K
		ATTACHING PARTS -----		
-21	NAS561-2-10	PIN-SLOTTED -----	1	J
-21A	AN525-8R7	SCREW -----	1	K
-21B	AN936A8	WASHER -----	1	K
-22	0511157-18	SHAFT-UPPER -----	1	J
	0713316-2	SHAFT-UPPER -----	1	K
-23	0511157-17	SHAFT-LOWER -----	1	
-24	0511194-4	PIVOT -----	2	
		ATTACHING PARTS -----		
-25	0511127	SPACER -----	1	
-26	AN960-6	WASHER -----	2	
-27	0425134	PIN -----	1	
-27A	0716624-1	COVER-FUEL SELECTOR HANDLE -----	1	K
-28	0716102	BRACKET-FUEL SELECTOR -----	1	
		ATTACHING PARTS -----		
-29	AN515-8R8	SCREW -----	4	
-30	S1286-3	PLATE ASSEMBLY-FUEL SELECTOR 60 GAL BLACK -----	1	
	S1286-1	PLATE ASSEMBLY-FUEL SELECTOR 60 GAL BROWN -----	1	
	S1286-4	PLATE ASSEMBLY-FUEL SELECTOR 79 GAL BLACK -----	1	
	S1286-2	PLATE ASSEMBLY-FUEL SELECTOR 79 GAL BROWN -----	1	
-31	0511198	CUP -----	1	J
-32	0511195	GUIDE-SHAFT -----	1	
-33	0511196-1	ADAPTER-FUEL SELECTOR VALVE -----	3	
	MS20913-1	PLUG -----	1	
-34	0500106-99	LINE-FUEL SELECTOR VALVE TO UNION -----	1	
-35	0500106-205	LINE-FUEL UNION TO FUEL STRAINER -----	1	

CONTINUED ON NEXT PAGE

FIGURE AND INDEX NO.	PART NUMBER	DESCRIPTION	UNITS PER ASSY	USABLE ON CODE
106 -36	AN815-8D	UNION -----	1	
-37	0500106-121	LINE PRIMER TO FIREWALL LH -----	1	B
	0700087-29	LINE-PRIMER TO FIREWALL LH WHEN -----	1	C
		EXHAUSTED USE 0700147-51 -----		
	0700147-51	LINE-PRIMER TO FIREWALL LH -----	1	C
-38	0500106-122	LINE PRIMER TO FIREWALL RH -----	1	B
	0700087-30	LINE-PRIMER TO FIREWALL RH WHEN -----	1	C
		EXHAUSTED USE 0700147-52 -----		
	0700147-52	LINE-PRIMER TO FIREWALL RH -----	1	C
-39	0500106-202	LINE-PRIMER STRAINER TO FIREWALL FITTING -----	1	F
	0700147-14	LINE-PRIMER STRAINER TO FIREWALL FITTING -----	1	G
	0700147-17	LINE-PRIMER STRAINER TO FIREWALL FITTING -----	1	H
		WHEN EXHAUSTED USE 0700147-47 -----		
	0700147-47	LINE-PRIMER STRAINER TO FIREWALL FITTING -----	1	H
		ATTACHING PARTS -----		
-40	AN833-2D	ELBOW -----	2	
	AN960D516	WASHER -----	2	
	AN924-2D	NUT -----	2	
-41	0500106-133	LINE-PRIMER FIREWALL TO BAFFLES WHEN -----	1	D
		EXHAUSTED USE 0700099-82 -----		
	0700099-82	LINE-PRIMER FIREWALL TO BAFFLES -----	1	D
		ATTACHING PARTS -----		
-42	MS21919DG2	CLAMP -----	1	
	S1021Z8-6	SCREW -----	1	
	NAS446-4-3	NUT -----	1	
-43	0500106-196	LINE-PRIMER -----	1	D
-44	0500106-197	LINE-PRIMER -----	NP	E
	SEE FIG 118A	PRIMER LINES -----		
-45	0311538-12	PRIMER ASSEMBLY WHEN EXHAUSTED USE C291502-0101 -----	1	J
	C291502-0101	PRIMER ASSEMBLY-ENGINE -----	1	L
	C291502-0103	PRIMER ASSEMBLY-ENGINE -----	1	M
	S1240-5	KNOB-PRIMER -----	1	J
	S1752-1	KNOB -----	1	L
	S1974-1	KNOB -----	1	M
-46	S1167-8-0120	HOSE ASSEMBLY FUEL STRAINER TO CARBURETOR -----	1	
		ATTACHING PARTS -----		
	AN915-2	ELBOW -----	1	
-47	MS21919DG2	CLAMP -----	1	B
	S1155-2	CLAMP -----	2	C
		ATTACHING PARTS -----		
	NAS446-4-3	NUT -----	1	
	S1021Z8-6	SCREW -----	1	
-48		STRAINER INSTALLATION SEE FIGURES 110 & 110A -----	1	
		A---SERIAL 18051184 THRU 18052384		
		B---SERIAL 18051184 THRU 18051445		
		C---SERIAL 18051446 THRU 18052384		
		D---SERIAL 18051184 THRU 18051312		
		E---SERIAL 18051313 THRU 18052384		
		F---SERIAL 18051184 THRU 18051496		
		G---SERIAL 18051497 THRU 18051774		
		H---SERIAL 18051775 THRU 18052384		
		J---SERIAL 18051184 THRU 18051875		
		K---SERIAL 18051876 THRU 18052384		
		L---SERIAL 18051876 THRU 18052103		
		M---SERIAL 18052104 THRU 18052384		



SERIAL 185-0001 THRU 185-0413

Figure 107. Fuel Pump & Strainer Installation

FIGURE AND INDEX NO.	PART NUMBER	DESCRIPTION	UNITS PER ASSY	USABLE ON CODE
107 -		AUXILIARY FUEL PUMPS & STRAINER INSTALLATION	NP	A
- 1	0511199-45	STRAINER ASSEMBLY-FUEL SEE FIGURE 109	1	
		ATTACHING PARTS		
- 2	AN4-13A	BOLT	2	
- 3	AN960-416L	WASHER	4	
- 4	NAS679A4	NUT	2	
		-----*		
- 5	AV281371 A76	VALVE-SOLENOID GCD	1	
		VALVE-SOLENOID HFP ALT	1	
		ATTACHING PARTS		
- 6	AN3-14A NAS43003-24 NAS679AA3	BOLT	2	
		SPACER	2	
		NUT	2	
		-----*		
- 7	1111-517700 MS29512-4	VALVE-CHECK PAET	1	
		GASKET	1	
- 8	0500106-337	LINE ASSEMBLY-FUEL	1	
		ATTACHING PARTS		
- 9	AN833-4D	ELBOW	1	
-10	AN74204	CLAMP	1	
-11	S102128-10 NAS446-4-3	SCREW	1	
		NUT	1	
		-----*		
CONTINUED ON NEXT PAGE				

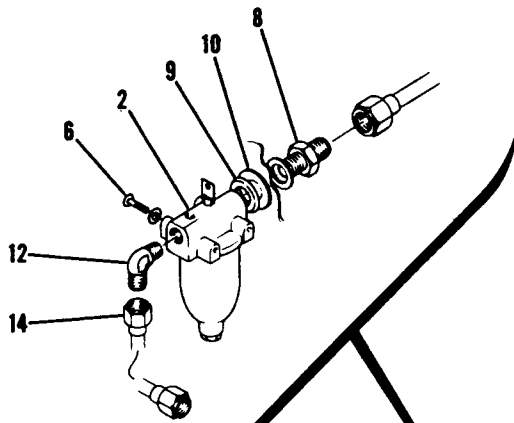
FIGURE AND INDEX NO.	PART NUMBER	DESCRIPTION	UNITS PER ASSY	USABLE ON CODE
		1 2 3 4 5 6 7		
107 -12	AN924-4D	NUT -----	1	
-13	AN833-4D	ELBOW -----	1	
-14	0500106-335	LINE ASSEMBLY-FUEL ----- ATTACHING PARTS	1	
-15	MS20822-6-2D	ELBOW ----- ---*---	1	
-16	0500106-334	LINE ASSEMBLY-FUEL ----- ATTACHING PARTS	1	
-17	MS20826-6D	TEE ----- ---*---	1	
-18	485-6D	VALVE-CHECK PEPH -----	1	
-19	AN917-2D	TEE -----	1	
-20	AN911-1D	NIPPLE -----	1	
-21	AN912-1D	BUSHING -----	1	
-22	MS20823-6D	ELBOW -----	1	
-23	0500106-336	LINE ASSEMBLY-FUEL ----- ATTACHING PARTS	1	
-24	MS20822-6-2D	ELBOW ----- ---*---	2	
-25	AN4-5A	BOLT -----	3	
-26	AN960-416L	WASHER -----	3	
-27	NAS679A4	NUT -----	3	
-28	S355-1	SPACER -----	1	
-29	1216012-1	PUMP-FUEL -----	2	
-30	ECM476563	* COVER & GASKET ASSEMBLY ECM -----	1	
-31	ECM475594	* GASKET-COVER ECM -----	1	
-32	ECM479130	# COVER ECM -----	1	
-33	ECM479136	# GASKET-COVER ECM -----	1	
-34	ECM479634	* SCREEN ECM -----	1	
-35	ECM479012	# MAGNET ECM -----	1	
-36	ECM479135	# FILTER ECM -----	1	
-37	ECM476364	* CUP-PLUNGER SPRING ECM -----	1	
-38	ECM475127	* SPRING-PLUNGER ECM -----	1	
-39	ECM476474	* PLUNGER ASSEMBLY ECM -----	1	
-40	ECM479137	# RETAINER ECM -----	1	
-41	ECM479138	# WASHER ECM -----	1	
-42	ECM479139	# O RING ECM -----	1	
-43	ECM479132	# CUP VALVE ECM -----	1	
-44	0716104-1	SHIELD ASSEMBLY-AUXILIARY PUMP ----- ATTACHING PARTS	1	
-45	51021210-10	SCREW ----- ---*---	4	
-46	MS35489-17	GROMMET -----	1	
-47	MS35489-6	GROMMET -----	1	
-48	MS35489-20	GROMMET -----	1	
-49	MS35489-14S	GROMMET -----	3	
-50	NAS444-8-3	NUTPLATE -----	2	
-51	312-12	RECEPTACLE CAMLOC -----	1	
-52	0716104-2	COVER ASSEMBLY -----	1	
	2857-4	STUD CAMLOC -----	1	
	26R8-2	SHIM-RECEPTACLE -----	1	

NOTE. *PARTS MARKED WITH ASTERISK ARE BENDIX R-7 DESIGN.

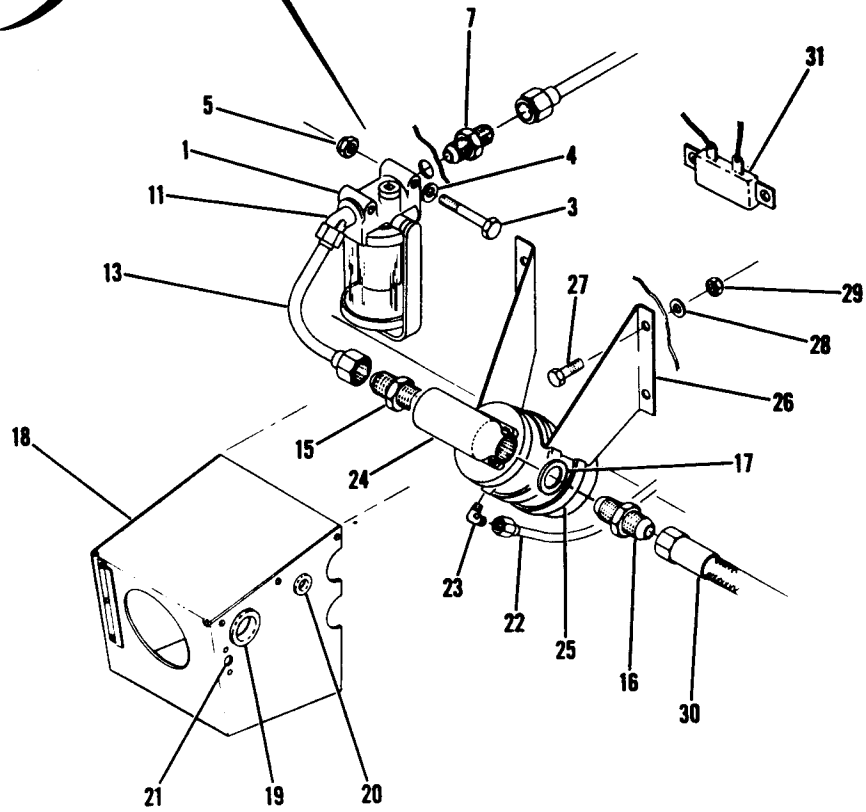
NOTE. #PARTS MARKED WITH POUND SIGN ARE BENDIX R-8 DESIGN.

A---SERIAL 185-0001 THRU 185-0413

Fuel System (Cont)



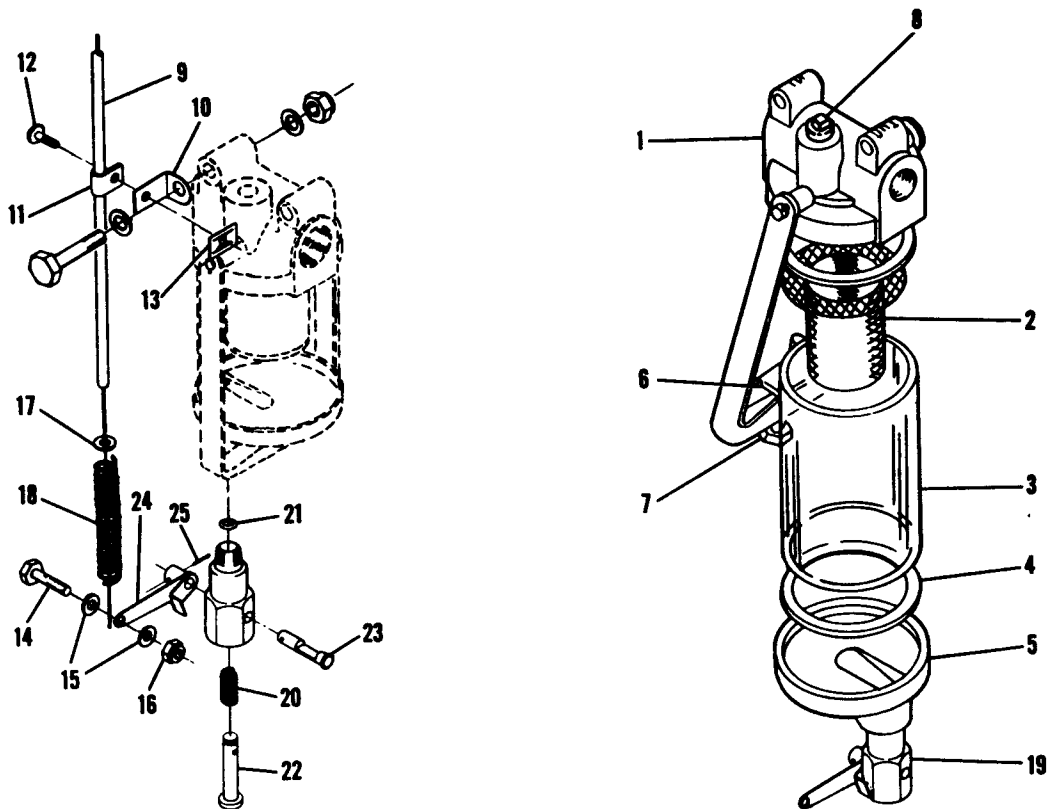
185-0844 THRU 18502310



SERIAL 185-0414 THRU 18502310
Figure 108. Auxillary Fuel Pump & Strainer Installation

FIGURE AND INDEX NO.	PART NUMBER	DESCRIPTION	UNITS PER ASSY	USABLE ON CODE
108 -		AUXILLARY FUEL PUMP & STRAINER INSTALLATION -----	NP	A
- 1	0511199-45	STRAINER ASSEMBLY-FUEL SEE FIGURE 109 -----	1	B
- 2	0756005-3	STRAINER ASSEMBLY-FUEL SEE FIGURE 110A -----	1	C
		ATTACHING PARTS -----		
- 3	AN4-13A	BOLT -----	2	B
- 4	AN960-416L	WASHER -----	2	B
- 5	NAS679A4	NUT -----	2	B
- 6	MS20074-03-3	BOLT -----	2	C
	AN936A10	WASHER -----	2	C
		-----*-----		
- 7	AN816-6D	NIPPLE -----	1	B
- 8	AN816-6-6D	NIPPLE -----	1	C
	0513186-1	SHIELD -----	1	B
- 9	0750032-1	SHIELD -----	1	C
	AN960-616L	WASHER -----	1	B
	S354-2	GROMMET -----	1	B
-10	S354-3	GROMMET -----	1	C
-11	MS20823-6D	ELBOW -----	1	C
-12	MS20822-6-6D	ELBOW -----	1	B
-13	0700087-7	LINE ASSEMBLY-FUEL -----	1	C
-14	0700147-15	LINE ASSEMBLY-FUEL -----	1	C
-15	AN815-6D	UNION -----	1	
-16	AN832-6D	UNION -----	1	
-17	MS29512-6	GASKET -----	2	
-18	0716130-1	SHIELD ASSEMBLY -----	1	
		ATTACHING PARTS -----		
	S1021210-10	SCREW -----	3	
		-----*-----		
-19	MS35489-17	GROMMET -----	2	
-20	MS35489-6	GROMMET -----	2	
-21	312-12	RECEPTACLE CLC -----	1	
	26R8-2	SHIM-RECEPTACLE CLC -----	1	
-22	0700087-8	LINE ASSEMBLY-FUEL -----	1	
-23	TF10052	ELBOW -----	1	
-24	4140-00-17	PUMP-FUEL DUKA -----	1	
		ATTACHING PARTS -----		
-25	AN737TW91	CLAMP -----	2	
-26	0716129-1	BRACKET -----	1	
-27	AN4-5A	BOLT -----	4	
-28	AN960-416L	WASHER -----	4	
-29	NAS679A4	NUT -----	4	
		-----*-----		
-30	S1167-6-0270	HOSE ASSEMBLY-FUEL TO ENGINE PUMP -----	1	
-31	MOR20-2	RESISTOR FUEL PUMP -----	1	D
	MZ0020-31AV	RESISTOR FUEL PUMP -----	2	E
		ATTACHING PARTS -----		
	AN515-6R8	SCREW -----	2	D
	AN515-4R12	SCREW -----	2	E
		-----*-----		
		A---SERIAL 185-0414 THRU 18502310		
		B---SERIAL 185-0414 THRU 185-0843		
		C---SERIAL 185-0844 THRU 18502310		
		D---SERIAL 185-0414 THRU 18502090		
		E---SERIAL 18502091 THRU 18502310		

Fuel System (Cont)

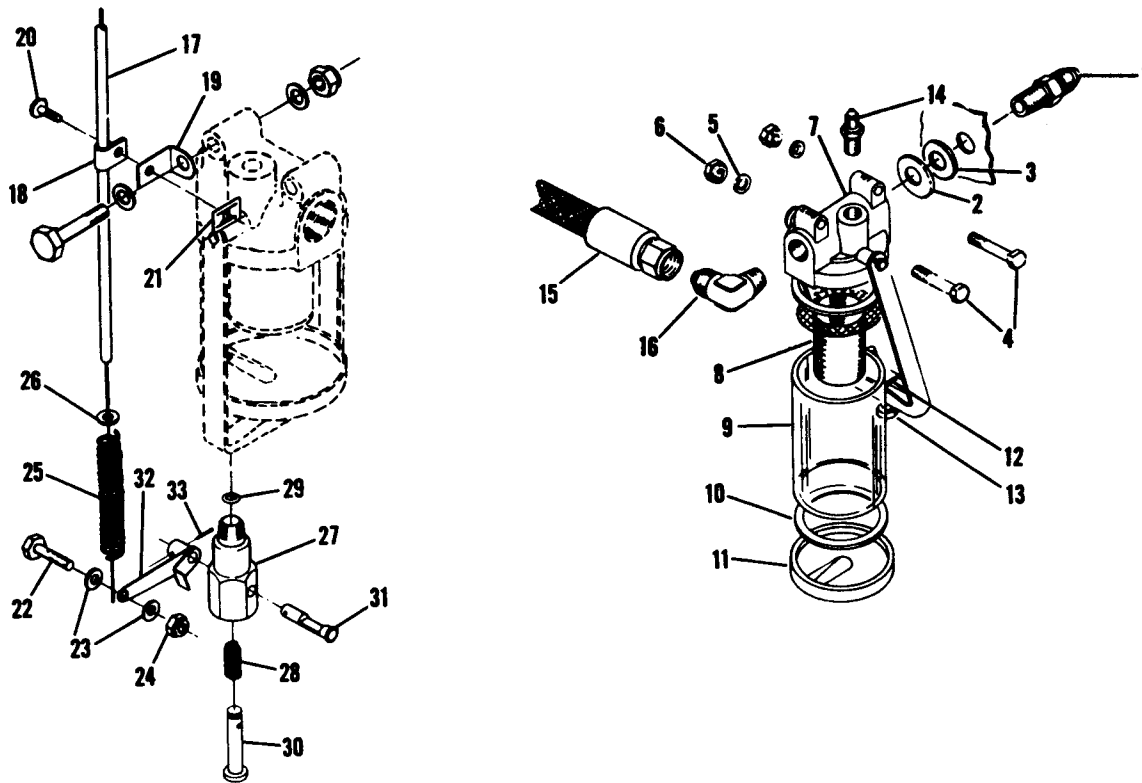


SERIAL 185-0001 THRU 185-0843

Figure 109. Fuel Strainer Assembly & Drain Installation.

FIGURE AND INDEX NO.	PART NUMBER	DESCRIPTION	UNITS PER ASSY	USABLE ON CODE
		1 2 3 4 5 6 7		
109 -		FUEL STRAINER ASSEMBLY & DRAIN INSTALLATION -----	NP	A
		STRAINER ASSEMBLY -----	1	
- 1	0511199-45	BODY ASSEMBLY-FUEL STRAINER GAW -----	1	
- 2	33-199-901	SCREEN ASSEMBLY GAW -----	1	
- 3	33-199-71	GLASS BOWL GAW -----	1	
- 4	33-199-5	GASKET GAW -----	2	
- 5	33-199-6	CAP GAW -----	1	
- 6	33-199-1	NUT GAW -----	1	
- 7	33-199-8	SCREW-SET GAW -----	1	
- 8	33-199-458	PLUG -----	1	
- 9	MS20913-1D	CONTROL ASSEMBLY-STRAINER DRAIN REF S1239-12 -----	1	
	S1239-4	CONTROL ASSEMBLY-STRAINER DRAIN FLOATPLANE CP -----	1	
	S1239-13	ATTACHING PARTS -----	1	
-10	0756001-3	SUPPORT -----	1	
-11	AN742D3	CLAMP -----	1	
-12	S102128-6	SCREW -----	1	
-13	NAS446-4-3	NUT -----	1	
-14	0450311	CLAMP -----	2	
-15	AN960-10	WASHER -----	1	
-16	MS21044N3	NUT -----	1	
		-----*		
-17	AN960-2	WASHER -----	1	
-18	0756002	SPRING -----	1	
-19	0511199-41	VALVE-DRAIN -----	1	
-20	0851583-3	SPRING -----	1	
-21	MS29513-7	O RING -----	1	
-22	0851583-2	PLUNGER -----	1	
-23	0851592-1	SHAFT -----	1	
-24	0756001-8	LEVER -----	1	
-25	MS24665-281	PIN-COTTER -----	1	
		A---SERIAL 185-0001 THRU 185-0843		

Fuel System (Cont)



SERIAL 18051184 THRU 18051496

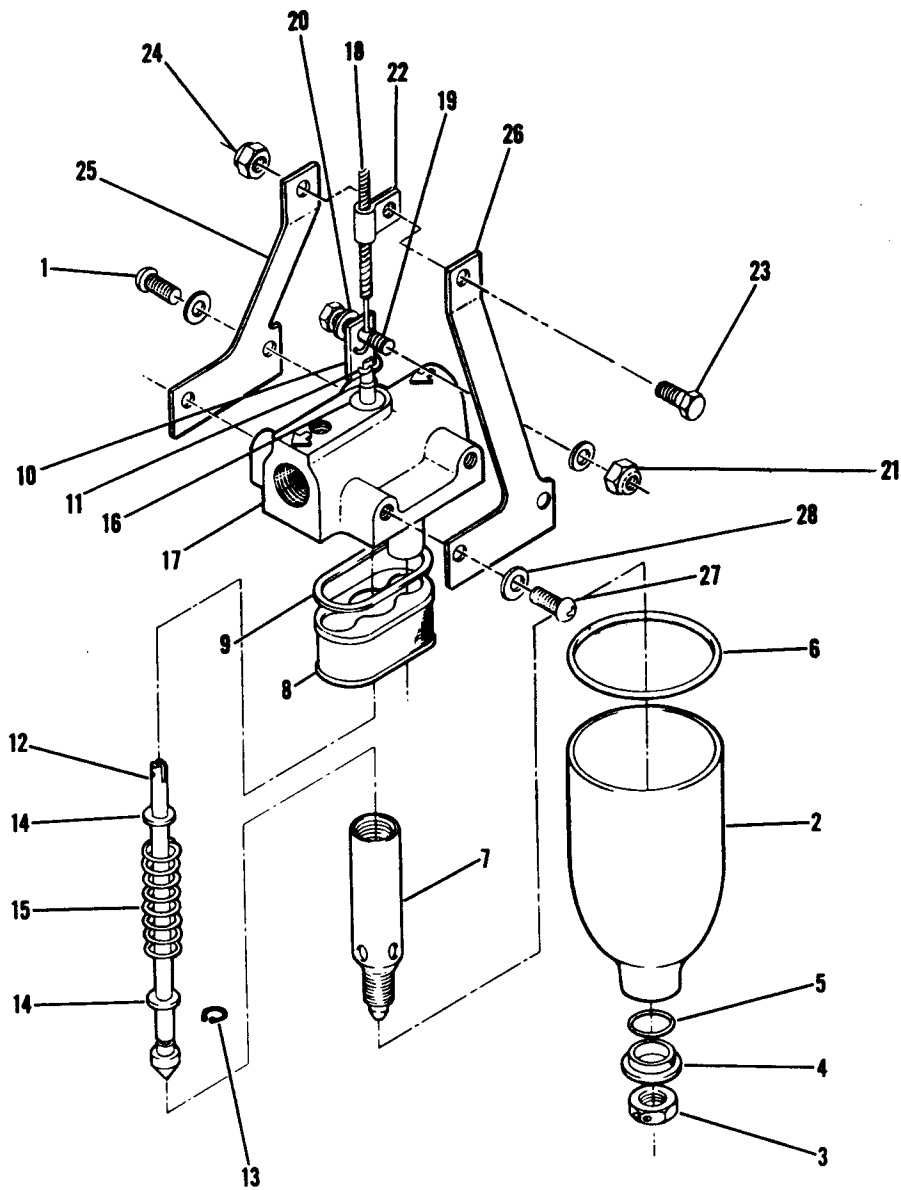
Figure 110. Fuel Strainer & Drain Installation

FIGURE AND INDEX NO.	PART NUMBER	DESCRIPTION	UNITS PER ASSY	USABLE ON CODE
		1 2 3 4 5 6 7		
110 -		FUEL STRAINER ASSEMBLY & DRAIN INSTALLATION -----	NP	A
- 1	AN816-8D	NIPPLE -----	1	
- 2	0750032-1	SHIELD -----	2	
- 3	S354-3	GROMMET -----	1	
	0511199-22	STRAINER ASSEMBLY-FUEL GARWIN 33-199 -----	1	
		ATTACHING PARTS -----		
- 4	AN4-13A	BOLT -----	2	
- 5	AN960-416L	WASHER -----	2	
- 6	NAS679A4	NUT -----	2	

- 7	33-199-902	BODY ASSEMBLY-FUEL STRAINER -----	1	
- 8	33-199-4	SCREEN ASSEMBLY GARM -----	1	
- 9	33-199-5	BOWL-GLASS GARM -----	1	
-10	33-199-6	GASKET GARM -----	2	
-11	33-199-1	CAP GARM -----	1	
-12	33-199-8	NUT GARM -----	1	
-13	33-199-45B	SCREW-SET GARM -----	1	
-14	AN816-2D	NIPPLE -----	1	
-15	S1167-8-0120	HOSE -----	1	
-16	MS20822-2D	ELBOW -----	1	
-17	S1239-4	CONTROL-STRAINER DRAIN VALVE REF S1239-12 -----	1	
	S1239-24	CONTROL ASSEMBLY-STRAINER DRAIN FLOATPLANE CP -----	1	
		ATTACHING PARTS -----		
-18	AN742D3	CLAMP -----	1	
-19	0756001-3	ANGLE -----	1	
-20	S102178-8	SCREW -----	1	
-21	NAS446-4-3	NUT -----	1	
	AN742D3	CLAMP -----	1	
	NAS446-4-3	NUT -----	1	

-22	0450311	CLAMP -----	1	
-23	AN960-10	WASHER -----	3	
-24	MS21044N3	NUT -----	3	
-25	0756002	SPRING -----	1	
-26	AN960-2	WASHER -----	2	
-27	0511199-41	DRAIN VALVE ASSEMBLY -----	1	
-28	0851583-3	SPRING -----	1	
-29	MS29513-7	O RING -----	1	
-30	0851583-2	PLUNGER -----	1	
-31	0851592-1	SHAFT -----	1	
-32	0756001-8	LEVER -----	1	
-33	MS24665-281	PIN-COTTER -----	1	
		 A---SERIAL 18051184 THRU 18051496		

Fuel System (Cont)



SERIAL 185-0844 THRU 18502310
SERIAL 18051497 THRU 18052384

Figure 110A. Fuel Strainer & Drain Control Installation

FIGURE AND INDEX NO.	PART NUMBER	DESCRIPTION	UNITS	USABLE ON CODE
			PER ASSY	
		1 2 3 4 5 6 7		
110A-		FUEL STRAINER & DRAIN CONTROL INSTALLATION -----	NP	A
	0756005-1	STRAINER ASSEMBLY-FUEL -----	1	B
	0756005-3	STRAINER ASSEMBLY-FUEL -----	1	C
		ATTACHING PARTS -----		
- 1	MS20074-03-3	BOLT -----	2	
	AN936A10	WASHER -----	2	

- 2	0756008-1	BOWL-FUEL STRAINER -----	1	
		ATTACHING PARTS -----		
- 3	S1573-3	NUT -----	1	
- 4	0756015-1	WASHER -----	1	
- 5	MS29513-111	O RING -----	1	
- 6	MS29513-138	O RING -----	1	

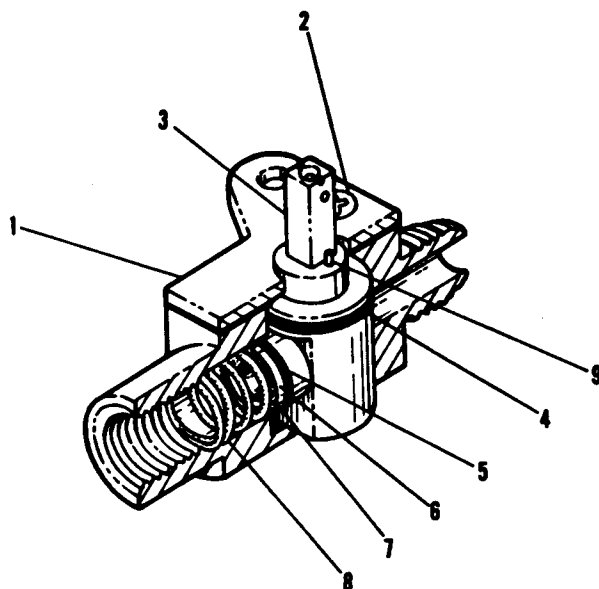
- 7	0756011-1	STANDPIPE -----	1	
- 8	0756009-1	FILTER ASSEMBLY-FUEL STRAINER -----	1	B
	0756009-7	FILTER ASSEMBLY-FUEL STRAINER -----	1	C
- 9	0756009-5	GASKET -----	1	
-10	0756014-1	PLATE -----	1	
		ATTACHING PARTS -----		
-11	MS24665-132	COTTER PIN -----	1	

-12	0756010-1	PLUNGER ASSEMBLY-DRAIN -----	1	
-13	MS16624-1025	SNAP RING -----	1	
-14	0756014-2	WASHER -----	2	
-15	0756012-1	SPRING -----	1	
-16	MS29513-10	O RING -----	1	
-17	0756005-2	TOP ASSEMBLY-FUEL STRAINER -----	1	D
-18	SEE FIG 68A	CONTROL ASSEMBLY-STRAINER DRAIN SEE FIG 68A -----	1	E
	SEE FIG 74 & 75	CONTROL ASSEMBLY-STRAINER DRAIN -----	1	
		ATTACHING PARTS -----		
-19	0450311-3	CLAMP -----	1	
-20	AN960-416	WASHER -----	1	
-21	NAS679A4	NUT -----	1	
-22	AN742D3	CLAMP -----	1	
-23	AN515-10R10	SCREW -----	1	
-24	MS21044N3	NUT -----	1	

-25	0500315-2	BRACKET-CONTROL WIRE STABILIZER -----	1	
-26	0500315-1	BRACKET-CONTROL WIRE STABILIZER -----	1	
		ATTACHING PARTS -----		
-27	MS20074-03-3	BOLT -----	2	
-28	AN936A10	WASHER -----	2	

		A---SERIAL 185-0844 THRU 18502310		
		SERIAL 18051497 THRU 18052384		
		B---SERIAL 18051497 THRU 18052384		
		C---SERIAL 185-0844 THRU 18502310		
		D---SERIAL 185-0844 THRU 185-1300		
		SERIAL 18051497 THRU 18051875		
		E---SERIAL 185-1301 THRU 18502310		
		SERIAL 18051876 THRU 18052384		

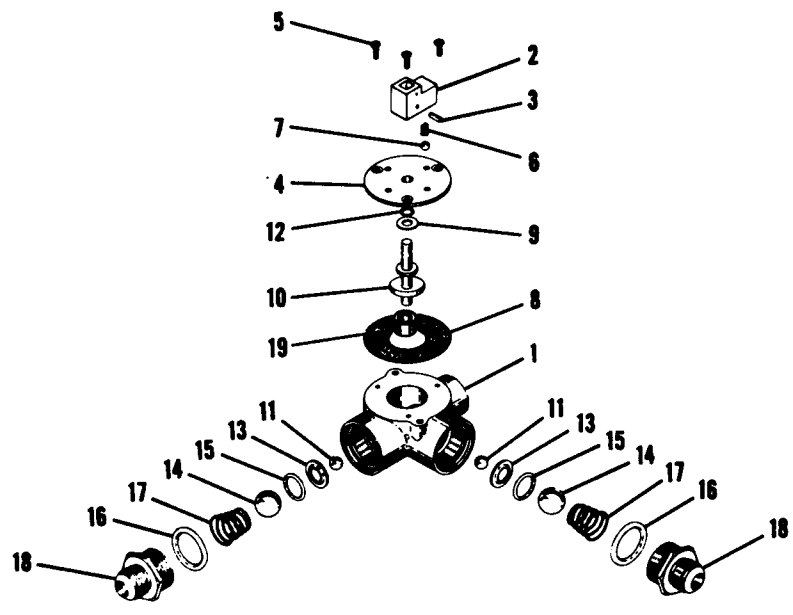
Fuel System (Cont)



SERIAL 185-0001 THRU 185-0413

Figure 111. Fuel Valve Assembly

FIGURE AND INDEX NO.	PART NUMBER	DESCRIPTION	UNITS PER ASSY	USABLE ON CODE
111 -	0716109-1	VALVE ASSEMBLY-FUEL	1	A
- 1	HE1367	COVER HEAC	1	
- 2	AN507-832-6R	ATTACHING PARTS SCREW	2	
- 3	HE1366-1	ROTOR HEAC	1	
- 4	MS29513-16	O RING	1	
- 5	HE1372-1	SEAL HEAC	1	
- 6	MS29513-13	O RING	1	
- 7	HE1373	WASHER HEAC	1	
- 8	HE1251	SPRING HEAC	1	
- 9	79-022-094-0375	PIN-ROLL EN	1	
		A---SERIAL 185-0001 THRU 185-0413		



SERIAL 18051184 THRU 18052384

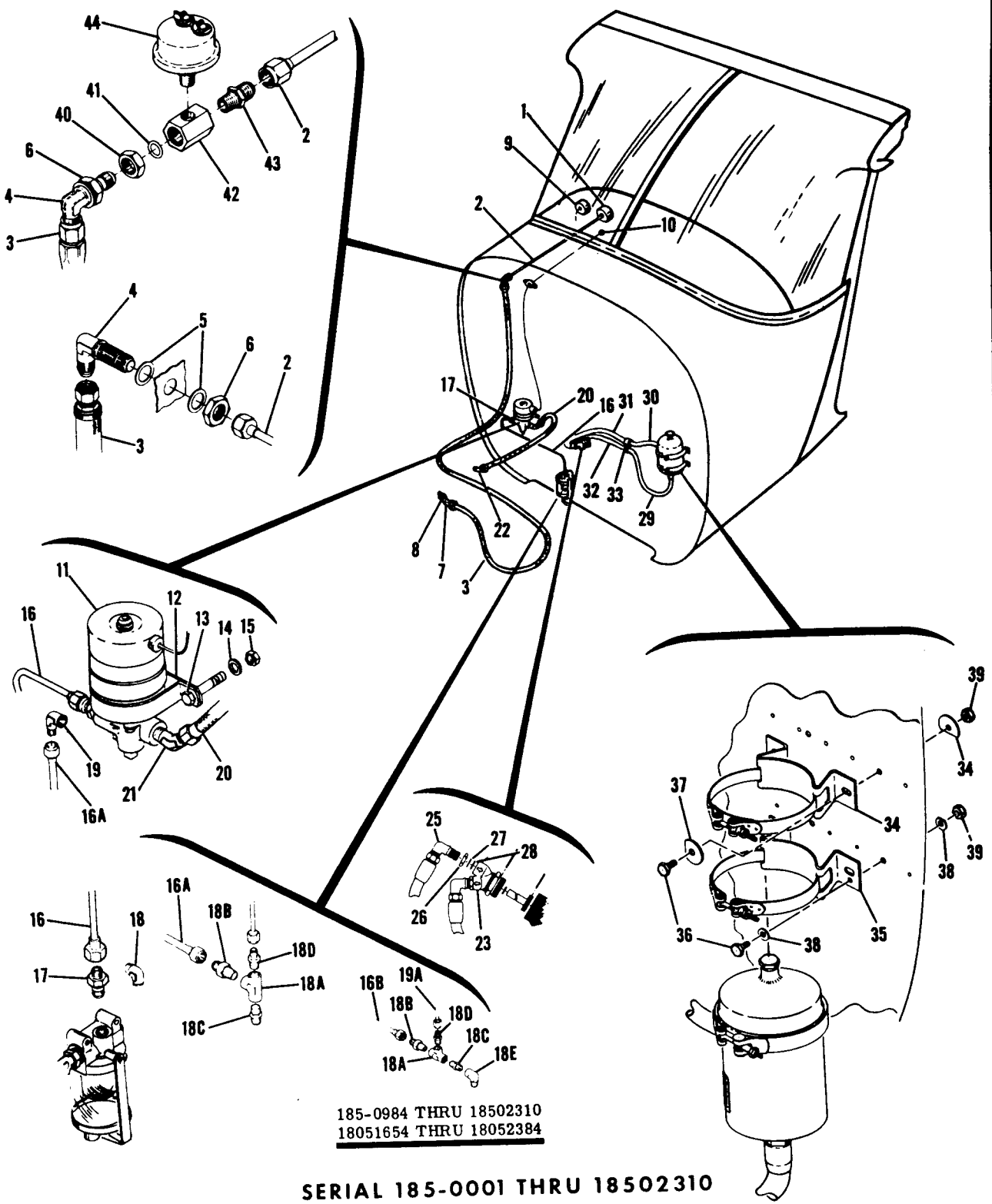
Figure 112. Fuel Selector Valve Assembly

FIGURE AND INDEX NO.	PART NUMBER	DESCRIPTION	UNITS PER ASSY	USABLE ON CODE
		1 2 3 4 5 6 7		
112 -	0311070-1	VALVE ASSEMBLY-FUEL SELECTOR -----	1	A
- 1	0311071	BASE-FUEL VALVE -----	1	
- 2	0513124-1	HOUSING -----	1	
		ATTACHING PARTS -----		
- 3	NA59611P4-8	ROLLPIN EN -----	1	

- 4	0311073	PLATE-FUEL VALVE -----	1	
		ATTACHING PARTS -----		
- 5	AN507-632R5	SCREW -----	3	

- 6	0311070-2	SPRING-HANDLE LOCK -----	1	
- 7	S272-207	BALL-HANDLE LOCK -----	1	
- 8	0311076	GASKET-VALVE PLATE -----	1	
- 9	AN960C416L	WASHER -----	1	
-10	0311072	CAM-FUEL VALVE -----	2	
-11	S272-211	BALL-FUEL VALVE -----	1	
-12	MS29513-10	O RING -----	2	
-13	0311077	RETAINER-O RING -----	2	
-14	S272-220	BALL-FUEL VALVE -----	2	
-15	MS29513-112	O RING -----	2	
-16	MS29513-116	O RING -----	2	
-17	0311079	SPRING-FUEL VALVE -----	2	
-18	0311075-1	RETAINER-FUEL VALVE -----	2	
-19	S1003-9A	BEARING -----	1	
A---SERIAL 18051184 THRU 18052384				

Oil System



185-0984 THRU 18502310
18051654 THRU 18052384

SERIAL 185-0001 THRU 18502310
SERIAL 18051238 THRU 18052384

Figure 113. Oil System Installation

FIGURE AND INDEX NO.	PART NUMBER	DESCRIPTION	UNITS PER ASSY	USABLE ON CODE
		1 2 3 4 5 6 7		
113 -		OIL SYSTEM INSTALLATION -----	NP	C
- 1	0513144-10	GAGE-OIL PRESSURE -----	1	H
	G444619	GAGE-OIL PRESSURE SW -----	1	N
	G444627	GAGE-OIL PRESSURE SW -----	1	P
- 2	0500106-292	LINE ASSEMBLY-OIL PRESSURE FIREWALL TO PANEL -----	1	
- 3	S1236-4-0440	HOSE ASSEMBLY-OIL PRESSURE FIREWALL TO ENGINE -----	1	G
	S1167-4-0388	HOSE ASSEMBLY-OIL PRESSURE FIREWALL TO ENGINE -----	1	F
		ATTACHING PARTS -----		
- 4	AN833-4D	ELBOW -----	1	
- 5	AN960D716	WASHER -----	2	
- 6	AN924-4D	NUT -----	1	
- 7	0752037-1	ELBOW -----	1	
- 8	AN912-3	BUSHING -----	1	

- 9	0513144-2	GAGE-OIL TEMPERATURE -----	1	H
	G442697	GAGE-OIL TEMPERATURE SW -----	1	J
	G442698	GAGE-OIL TEMPERATURE SW 300 HP ONLY -----	1	K
	G442785	GAGE-OIL TEMPERATURE SW -----	1	O
	G442786	GAGE-OIL TEMPERATURE SW -----	1	R
		OIL DILUTION INSTALLATION -----	NP	
	0713222-1	PLACARD -----	1	H
-10	0511063	SWITCH -----	1	T
	S2160-3	SWITCH -----	1	U
		ATTACHING PARTS -----		
	0511063-2	NUT -----	1	T

-11	PSM15N	CIRCUIT BREAKER SPT -----	1	
	AN4078-1	VALVE-SOLENOID -----	1	
		ATTACHING PARTS -----		
-12	AN742032	CLAMP -----	2	
-13	AN3-4A	BOLT -----	2	
-14	AN960-10L	WASHER -----	2	
-15	MS21044N3	NUT -----	2	

-16	0500106-347	LINE ASSEMBLY VALVE TO STRAINER -----	1	A
-16A	0700087-20	LINE ASSEMBLY VALVE TO STRAINER -----	1	B
	0700147-1	LINE ASSEMBLY-VALVE TO STRAINER -----	1	L
-16B	0700147-18	LINE ASSEMBLY-VALVE TO STRAINER -----	1	M
		ATTACHING PARTS -----		
-17	AN816-4D	NIPPLE -----	2	A
-18	MS20823-4D	ELBOW WHEN PRIMER IS NOT USED -----	1	B
-18A	AN917-1D	TEE -----	1	
-18B	AN816-4D	NIPPLE -----	1	
-18C	AN911-1D	NIPPLE -----	1	
-18D	AN816-2D	NIPPLE -----	1	
-18E	AN914-1D	ELBOW -----	1	M
-19	MS20822-4D	ELBOW -----	1	B

-19A	0700147-45	LINE ASSEMBLY-PRIMER -----	1	M
-20	S1236-4-0194	HOSE ASSEMBLY VALVE TO ENGINE -----	1	V
	S1236C4-0290	HOSE ASSEMBLY VALVE TO ENGINE -----	1	W
		ATTACHING PARTS -----		
-21	MS20823-4D	ELBOW -----	1	V
	AN816-4D	NIPPLE -----	1	W
	MS21919DG12	CLAMP ATTACH HOSE TO FIREWALL -----	1	W
-22	MS20823-4B	ELBOW -----	1	

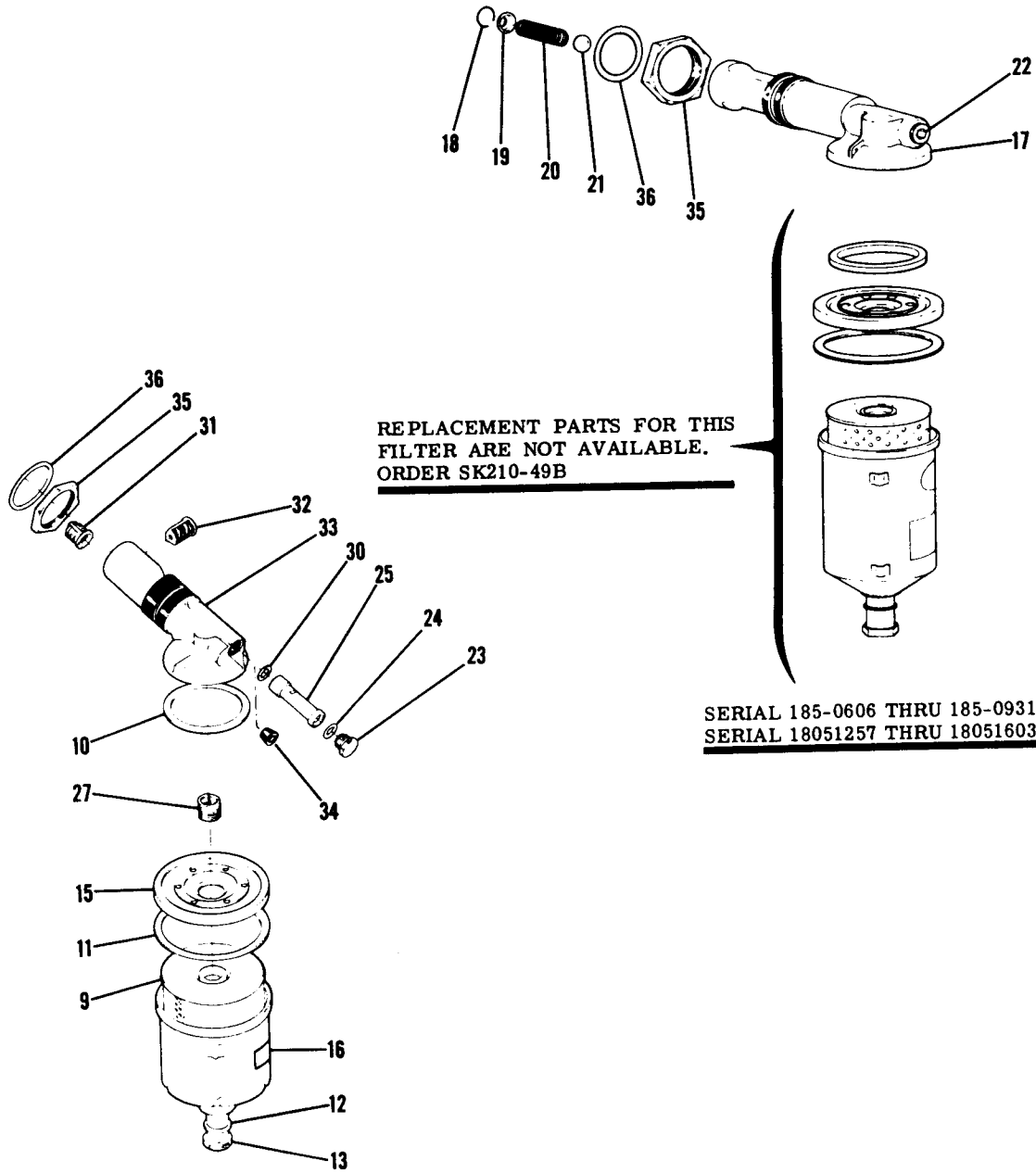
		FULL FLOW OIL FILTER INSTALLATION -----	NP	D
-23	0750153-8	ADAPTER KIT -----	1	
-24		DELETED, NOT AVAILABLE -----		
-25	AN833-10D	ELBOW -----	2	
-26	AN6289D10	NUT -----	2	
-27	MS28778B10	GASKET -----	2	
-28	MS28777-10	O RING -----	2	
-29	0750177-6	HOSE -----	1	
-30	0750177-5	HOSE -----	1	
-31	0500106-348	TUBE ASSEMBLY -----	1	
-32	0500106-349	TUBE ASSEMBLY -----	1	
		ATTACHING PARTS -----		
-33	AN815-10D	UNION -----	1	

	0750153-10	FILTER & BRACKET ASSEMBLY -----	1	
	1A0235	ELEMENT-REPLACEMENT WNL -----	1	
	1A0218	SEAL RING-COVER WNL -----	1	

CONTINUED ON NEXT PAGE

FIGURE AND INDEX NO.	PART NUMBER	DESCRIPTION	UNITS PER ASSY	USABLE ON CODE
			1 2 3 4 5 6 7	
113 -34 -35 -37 -38 -39	1A0233	BRACKET-UPPER WNL -----	1	
	0790153-3	BRACKET-LOWER -----	1	
		ATTACHING PARTS -----		
	AN4-5A	ROLT -----	2	
	AN960-4	WASHER -----	4	
	AN960-416	WASHER -----	4	
	NAS679A4	NUT -----	2	
		NUT -----		
	SEE FIG 113A	OIL FILTER INSTALLATION -----	NP	E
		NUT USED WITH HOURMETER -----	1	S
-40	AN924-4D	O RING USED WITH HOURMETER -----	1	S
-41	MS28773-4	ADAPTOR USED WITH HOURMETER -----	1	S
-42	1213158-1	NIPPLE USED WITH HOURMETER -----	1	S
-43	AN816-4	SWITCH USED WITH HOURMETER -----	1	S
-44	S1711-1			
<p>NOTE. *THESE PARTS REPLACE MS20823-4D ELBOW & 0700147-47 PRIMER LINE WHEN OIL DILUTION IS USED IN CONJUNCTION WITH MANUAL PRIMER.</p> <p>NOTE. #FOR FRAM OIL FILTER INSTALLATION 180 SERIAL 18051238 THRU 18051256 SEE FIGURE 114, ITEMS 23 THRU 39.</p> <p>A---SERIAL 185-0001 THRU 185-0179 B---SERIAL 185-0180 THRU 18502310 SERIAL 18051238 THRU 18052384 C---SERIAL 185-0001 THRU 18502310 SERIAL 18051238 THRU 18052384 D---SERIAL 185-0001 THRU 185-0605 E---SERIAL 185-0606 THRU 18502310 SERIAL 18051257 THRU 18052384 F---SERIAL 18051238 THRU 18052384 G---SERIAL 185-0001 THRU 18502310 H---SERIAL 185-0001 THRU 185-0776 SERIAL 18051238 THRU 18051445 J---SERIAL 185-0777 THRU 185-1149 260 HP ONLY SERIAL 18051446 THRU 18051875 K---SERIAL 185-0968 THRU 185-1300 300 HP ONLY L---SERIAL 185-0180 THRU 185-0983 SERIAL 18051238 THRU 18051653 M---SERIAL 185-0984 THRU 18502310 SERIAL 18051654 THRU 18052384 N---SERIAL 185-0777 THRU 185-1300 SERIAL 18051446 THRU 18051875 P---SERIAL 185-1301 THRU 18502310 SERIAL 18051876 THRU 18052384 Q---SERIAL 18051876 THRU 18052384 R---SERIAL 185-1301 THRU 18502310 S---SERIAL 185-1272 THRU 18502310 SERIAL 18051866 THRU 18052384 T---SERIAL 185-0001 THRU 18502090 SERIAL 18051238 THRU 18052284 U---SERIAL 18502091 THRU 18502310 SERIAL 18052285 THRU 18052384 V---SERIAL 185-0001 THRU 18502007, 18502026, 18502027 SERIAL 18051238 THRU 18052248 W---SERIAL 18502008 THRU 18502025, 18502028 THRU 18502310 SERIAL 18052249 THRU 18052384</p>				

Oil System (Cont)



**REPLACEMENT PARTS FOR THIS
FILTER ARE NOT AVAILABLE.
ORDER SK210-49B**

**SERIAL 185-0606 THRU 185-0931
SERIAL 18051257 THRU 18051603**

**SERIAL 185-0932 THRU 18502310
SERIAL 18051604 THRU 18052384**

**SERIAL 185-0606 THRU 18502310
SERIAL 18051257 THRU 18052384**

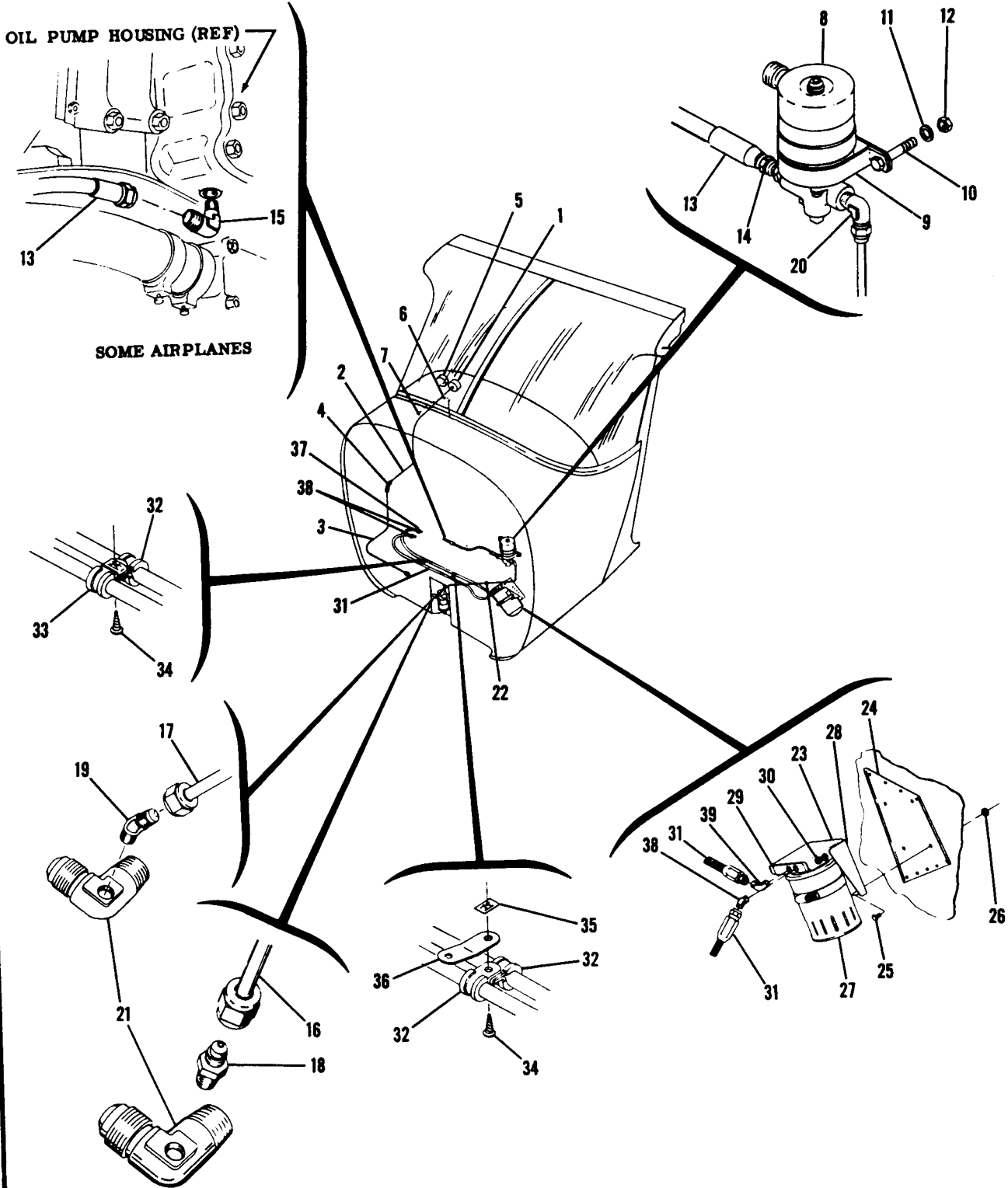
Figure 113A. Oil Filter Installation

FIGURE AND INDEX NO.	PART NUMBER	DESCRIPTION	UNITS PER ASSY	USABLE ON CODE
113A-		OIL FILTER INSTALLATION -----	NP	A
		OIL FILTER ASSEMBLY ORDER SK210-49B -----	1	B
- 1		DELETED, NOT AVAILABLE -----		
- 2		DELETED, NOT AVAILABLE -----		
- 3		DELETED, NOT AVAILABLE -----		
- 4		DELETED, NOT AVAILABLE -----		
- 5		DELETED, NOT AVAILABLE -----		
- 6		DELETED, NOT AVAILABLE -----		
- 7		DELETED, NOT AVAILABLE -----		
- 8		DELETED, NOT AVAILABLE -----		
	C294505-0101	OIL FILTER ASSEMBLY -----	1	C
- 9	C294505-0102 *	FILTER ELEMENT KIT -----	1	C
-10	6436635	GASKET AC -----	1	C
-11	6436637	GASKET AC -----	1	C
-12	5579654	WASHER AC -----	1	C
-13	6436916 *	STUD-CENTER AC -----		
-14		DELETED, NOT AVAILABLE -----		
-15	6436989 *	LID-OIL FILTER AC -----	1	C
-16	1250410-3 *	PLACARD-OIL FILTER -----	1	C
-17		ADAPTER ASSEMBLY-OIL FILTER ORDER AK185-40 -----	1	D
-18	1250407-1	SNAP RING -----	1	D
-19	1250408-1	CAP RETAINER -----	1	D
-20	1250409-1	SPRING -----	1	D
-21	S272-17	BALL -----	1	D
-22	AN932C4	PLUG-PIPE -----	1	E
	0756024-1	ADAPTER ASSEMBLY-OIL FILTER WHEN EXHAUSTED -----	1	E
		USE 1250922-2 -----		
	1250922-2	ADAPTER ASSEMBLY-OIL FILTER -----	1	F
-23	074415-2	PLUG -----	1	E
-24	AN6227-11	O RING -----	1	E
-25	0756019-1	SLEEVE -----	1	E
-26		DELETED BY SERVICE LETTER 66-61 -----		
-27	MS124663	INSERT -----	1	G
-28		DELETED BY SERVICE LETTER 66-61 -----		
-29		DELETED BY SERVICE LETTER 66-61 -----		
-30	MS20002C6	WASHER -----	1	E
-31	0756022-2	VALVE-OUTLET -----	1	E
-32	0756022-1	VALVE-BY PASS -----	1	G
-33	0756023-1	ADAPTER WHEN EXHAUSTED USE 1250922-2 -----	1	F
	1250921-2	ADAPTER -----	1	F
-34	AN932C4	PLUG-PIPE -----	1	F
-35	1250405-1	NUT-ADAPTER -----	1	
-36	AN123883	PACKING-ADAPTER NUT -----	1	
	SE709	WRENCH-OIL FILTER ADAPTER -----	1	

NOTE. *THESE ARE ALSO REPLACEMENT PARTS FOR SK210-49B.

- A---SERIAL 185-0606 THRU 18502310
SERIAL 18051257 THRU 18052384
- B---SERIAL 185-0606 THRU 185-0931
SERIAL 18051257 THRU 18051603
- C---SERIAL 185-0932 THRU 18502310
SERIAL 18051604 THRU 18052384
- D---SERIAL 185-0606 THRU 185-0949
SERIAL 18051257 THRU 18051607
- E---SERIAL 185-0950 THRU 185-1231
SERIAL 18051608 THRU 18051835
- F---SERIAL 185-1232 THRU 18502310
SERIAL 18051836 THRU 18052384
- G---SERIAL 185-0950 THRU 18502310
SERIAL 18051608 THRU 18052384

Oil System



SERIAL 18051184 THRU 18051237

Figure 114. Oil System Installation

FIGURE AND INDEX NO.	PART NUMBER	DESCRIPTION	UNITS PER ASSY	USABLE ON CODE
		1 2 3 4 5 6 7		
114 -		OIL SYSTEM INSTALLATION -----	NP	A
- 1	0513144-10	GAGE-OIL PRESSURE -----	1	
- 2	0900106-292	LINE-OIL PRESSURE GAGE TO FIREWALL -----	1	
- 3	S1167-4-0388	LINE-OIL PRESSURE FIREWALL TO ENGINE -----	1	
		ATTACHING PARTS -----		
- 4	AN837-4D	ELBOW -----	1	
	AN9600716	WASHER -----	1	
	AN924-4D	NUT -----	1	

- 5	0513144-2	GAGE-OIL TEMPERATURE -----	1	
		OIL DILUTION INSTALLATION -----	NP	
- 6	0511063	SWITCH-OIL DILUTION -----	1	
		ATTACHING PARTS -----		
	0511063-2	NUT -----	1	

- 7	PSM15N	CIRCUIT BREAKER -----	1	
- 8	AN4078-1	VALVE-SOLENOID -----	1	
		ATTACHING PARTS -----		
- 9	AN742032	CLAMP -----	2	
-10	AN3-5A	BOLT -----	2	
-11	AN960-10L	WASHER -----	2	
-12	MS21044N3	NUT -----	2	

-13	S1168-4-11	HOSE ASSEMBLY VALVE TO ENGINE OIL PUMP -----	1	
		WHEN EXHAUSTED USE S1495-4 & S1497-4 -----		
	S1495-4	HOSE-11.00 IN LG BULK ITEM REF S1499-4JJ-11 -----	1	
	S1497-4	FITTING-SOCKETLESS USED WITH S1495-4 HOSE -----	2	
-14	AN816-4D	UNION -----	1	
-15	MS20823-4B	ELBOW -----	1	
-16	0500106-144	FUEL LINE VALVE TO STRAINER -----	1	
-17	0500106-220	FUEL LINE VALVE TO STRAINER -----	1	
-18	AN816-4D	NIPPLE -----	1	
-19	MS20823-4D	ELBOW -----	1	
-20	MS20822-4D	ELBOW -----	1	
-21	0750035-1	ELBOW -----	1	
-22	AN74204	CLAMP -----	1	
	S102128-6	SCREW -----	1	
	NAS446-4-3	NUT -----	1	

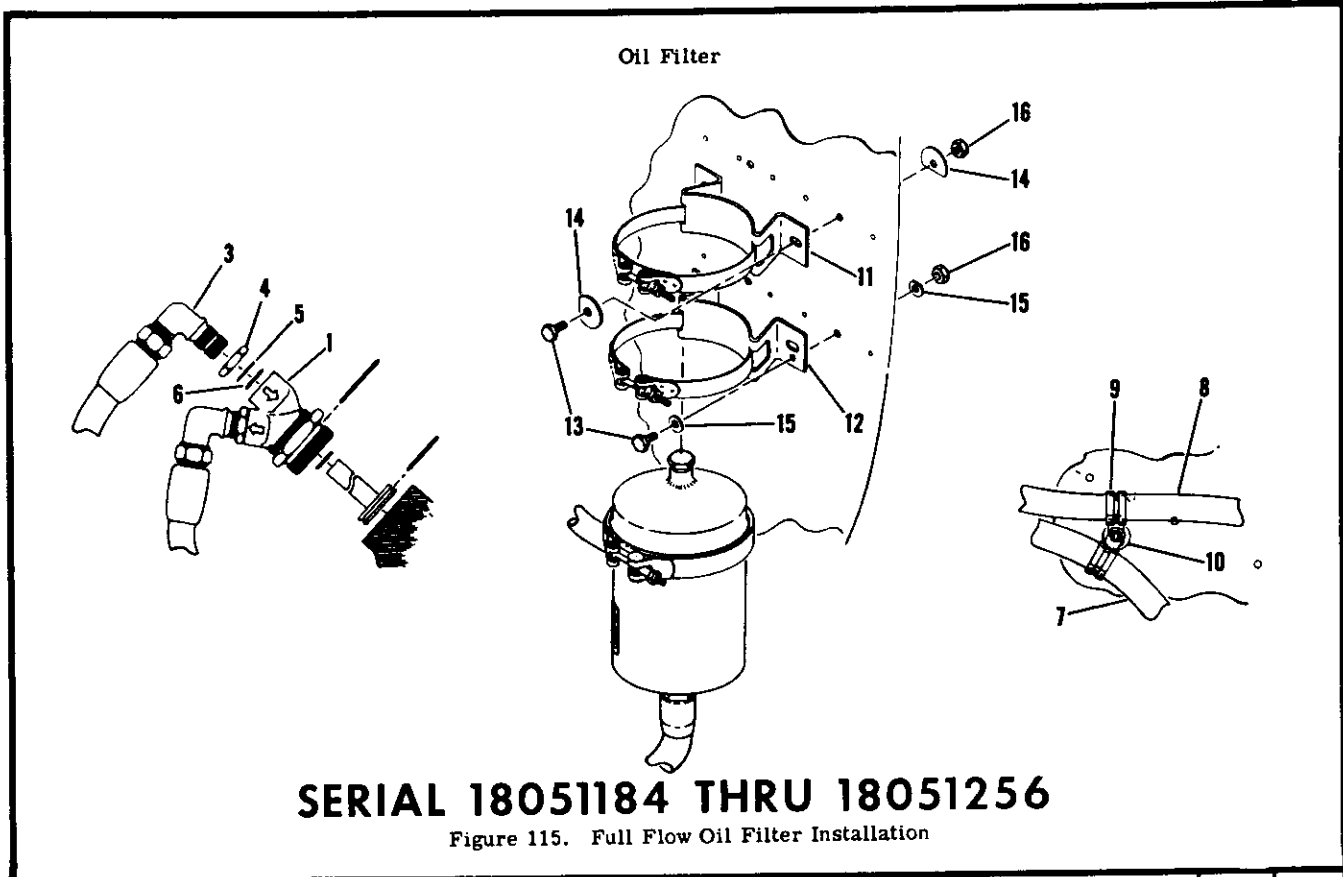
-23	0750147-5	INSTALLATION-OIL FILTER -----	NP	
		BRACKET & FILTER ASSEMBLY -----	1	
		ATTACHING PARTS -----		
-24	0750028-2	DOUBLER -----	1	
-25	AN4-3A	BOLT -----	4	
-26	NAS679A4	NUT -----	4	

-27	P855	FILTER ASSEMBLY FCD -----	1	
-28	X109488	BRACKET FCD -----	1	
-29	109450	ADAPTER FCD -----	1	
		ATTACHING PARTS -----		
-30	109532	SCREW FCD -----	4	
	109531	WASHER FCD -----	4	

-31	S1167-4-0300	HOSE ASSEMBLY-OIL FILTER -----	2	
		ATTACHING PARTS -----		
-32	MS219190G8	CLAMP -----	3	
-33	S14860G8L	CLAMP -----	1	
-34	S102128-10	SCREW -----	2	
-35	NAS446-4-3	NUT -----	1	
-36	0550100-6	CLIP-MOUNTING -----	1	

-37	0750147-3	BUSHING -----	1	
	AN900-10	WASHER -----	1	
-38	MS20823-4D	ELBOW -----	3	
-39	MS20822-4D	ELBOW -----	1	

		A---SERIAL 18051184 THRU 18051237		



SERIAL 18051184 THRU 18051256

Figure 115. Full Flow Oil Filter Installation

FIGURE AND INDEX NO.	PART NUMBER	DESCRIPTION	UNITS PER ASSY	USABLE ON CODE
115 -		1 2 3 4 5 6 7 FULL FLOW OIL FILTER INSTALLATION -----		A
- 1	0750153-8	ADAPTER KIT -----	1	
- 2		DELETED, NOT AVAILABLE -----		
- 3	AN833-10D	ELBOW -----	2	
- 4	AN6289D10	NUT -----	2	
- 5	MS28778-10	GASKET -----	2	
- 6	MS28777-10	O RING -----	2	
- 7	S1167-10-0404	HOSE -----	1	
- 8	S1167-10-0404	HOSE -----	1	
		ATTACHING PARTS -----		
- 9	MS21919DG15	CLAMP -----	2	
-10	NAS43DD3-56	SPACER -----	1	
	AN520-10R22	SCREW -----	1	
	MS21044N3	NUT -----	1	
	AN970-3	WASHER -----	2	

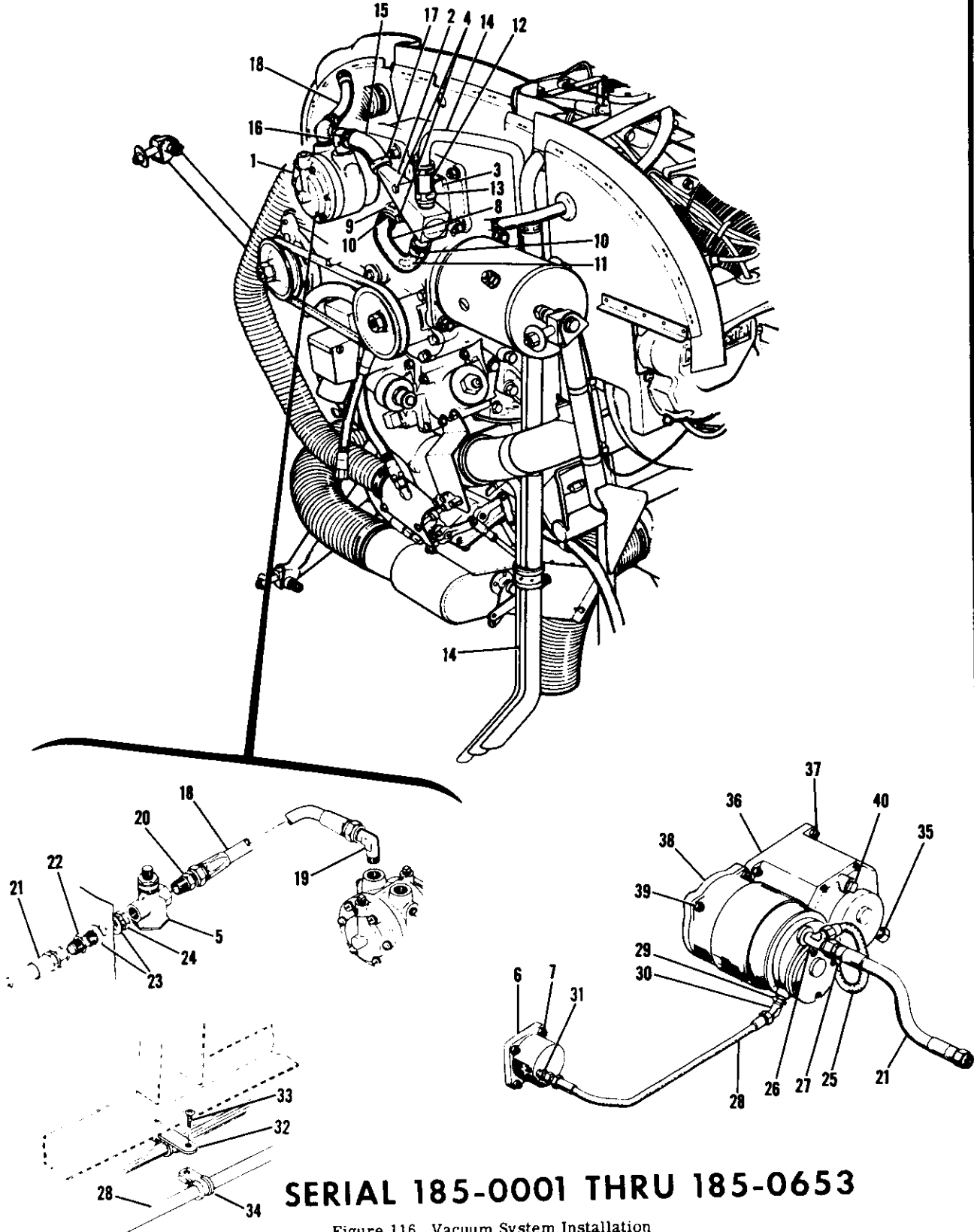
	0750153-10	FILTER & BRACKET ASSEMBLY -----	1	
	1A0235	ELEMENT-REPLACEMENT WNL -----	1	
	1A0218	SEAL RING-COVER WNL -----	1	
-11	1A0233	BRACKET-UPPER WNL -----	1	
-12	0750153-3	BRACKET-LOWER -----	1	
		ATTACHING PARTS -----		
-13	AN4-5A	BOLT -----	4	
-14	AN960-4	WASHER -----	4	
-15	AN960-416	WASHER -----	4	
-16	NAS679A4	NUT -----	2	

		A---SERIAL 18051184 THRU 18051256		

FIGURE AND INDEX NO.	PART NUMBER	DESCRIPTION	UNITS PER ASSY	USABLE ON CODE
		1 2 3 4 5 6 7		
116 -		VACUUM SYSTEM INSTALLATION-ENGINE DRIVEN -----	NP	A
- 1	C431001-0101	PUMP-VACUUM -----	1	
- 2	0750103-1	SEPARATOR-OIL ----- ATTACHING PARTS	1	
- 3	0750036-1	BRACKET -----	1	
- 4	AN3-15A	BOLT -----	2	
	AN960010L	WASHER -----	2	
	MS21044N3	NUT ----- -----*	2	
- 5	C482001-0101	VALVE-SUCTION RELIEF -----	1	
- 6	J311057-1	GAGE-SUCTION WHEN EXHAUSTED USE S1414N1 -----	1	
	S1414N1	GAGE-SUCTION ----- ATTACHING PARTS	1	
- 7	AN5078632R12	SCREW ----- -----*	4	
- 8	S51-8	HOSE-OIL RETURN 9.00 IN LG BULK ITEM ----- REF S-51-8-36	1	
		ATTACHING PARTS		
- 9	AN844-8	ELBOW -----	1	
-10	NAS397-14-1	CLAMP ----- -----*	2	
-11	0750037-1	LINE-OIL RETURN -----	1	
-12	S51-8	HOSE-VENT 2.00 IN.LG. BULK ITEM REF S-51-8-8 -----	1	
		ATTACHING PARTS		
-13	NAS397-14-1	CLAMP ----- -----*	2	

CONTINUED ON NEXT PAGE

Vacuum System

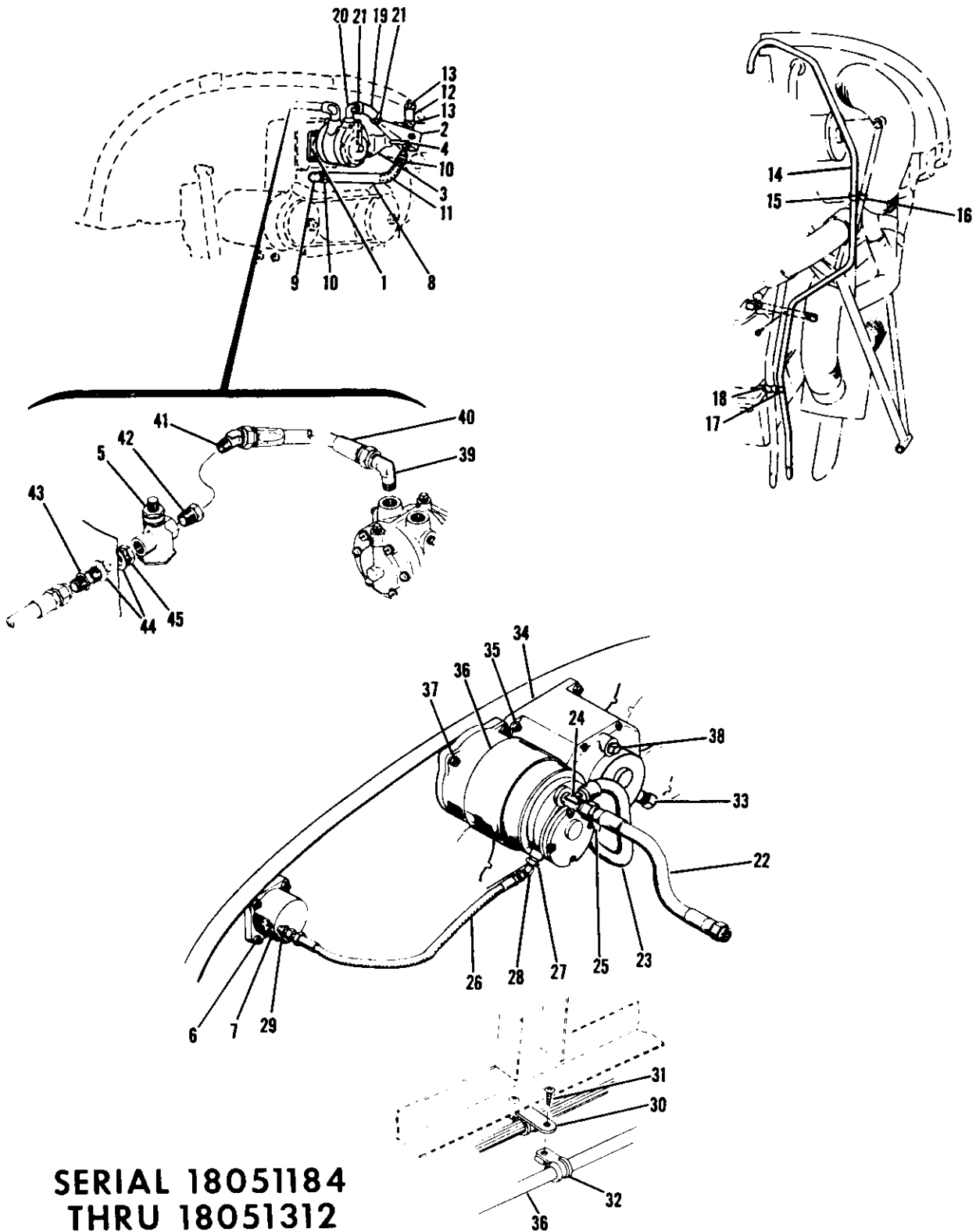


SERIAL 185-0001 THRU 185-0653

Figure 116. Vacuum System Installation

FIGURE AND INDEX NO.	PART NUMBER	DESCRIPTION	UNITS PER ASSY	USABLE ON CODE
		1 2 3 4 5 6 7		
116 -14	0500106-339	LINE-VENT -----	1	
-15	S51-8	HOSE-DISCHARGE 3.25 IN LG BULK ITEM ----- REF S-51-8-13	1	
		ATTACHING PARTS -----		
-16	AN842-8	ELBOW -----	1	
-17	NAS397-14-1	CLAMP -----	2	
		-----*		
-18	S1168-6-10 1/2	HOSE-SUCTION WHEN EXHAUSTED USE S1495-6 & 1497-6 -----	1	
	S1495-6 *	HOSE-10.50 IN LG BULK ITEM REF S1499-6-10.50 -----	1	
	S1497-6	FITTING-SOCKETLESS USED WITH 1495-6 HOSE -----	2	
-19	MS20822-6-6	ELBOW -----	1	
-20	AN816-6-8D	UNION -----	1	
-21	S1168-6-12	HOSE-SUCTION FIREWALL TO HORIZONTAL GYRO WHEN ----- EXHAUSTED USE S1495-6 & 1497-6	1	
	S1495-6 *	HOSE-12.00 IN LG BULK ITEM REF S1499-6-12.00 -----	1	
	S1497-6	FITTING-SOCKETLESS USED WITH S1495-6 HOSE -----	2	
-22	S1988-1	UNION -----	1	
-23	AN960D916	WASHER -----	2	
-24	AN924-6D	NUT -----	1	
-25	0500106-221	LINE-DIRECTIONAL GYRO TO HORIZONTAL GYRO ----- ATTACHING PARTS	1	
-26	MS20826-6D	TEE -----	1	
-27	MS20822-6D	ELBOW -----	1	
		-----*		
-28	S1168-2-25	HOSE-HORIZONTAL GYRO TO SUCTION GAGE ----- ATTACHING PARTS	1	
-29	AN912-1D	BUSHING-REDUCER -----	1	
-30	MS20823-2D	ELBOW -----	1	
-31	AN816-2D	NIPPLE -----	1	
-32	1260043-2	STRAP -----	1	
-33	S1021Z8-8	SCREW -----	1	
-34	S14860G6L	CLAMP -----	1	
		-----*		
-35	MS20913-2D	PLUG -----	2	
-36	0311056-5	GYRO-DIRECTIONAL-NEW WHEN EXHAUSTED ORDER AK172-116 KIT -	1	
	0311056-4	GYRO-DIRECTIONAL-REBUILT WHEN EXHAUSTED USE S1316N1 -----	1	
	S1316N1	GYRO-DIRECTIONAL WHEN EXHAUSTED USE C661002-0101 -----	1	
	C661002-0101	GYRO-DIRECTIONAL-REMANUFACTURED WHEN EXHAUSTED ----- ORDER AK172-116 KIT	1	
		ATTACHING PARTS -----		
-37	AN51581014	SCREW -----	4	
		-----*		
-38	0311058-4	GYRO-HORIZON-NEW WHEN EXHAUSTED ORDER AK172-116 KIT -----	1	
	0311058-5	GYRO-HORIZON-REBUILT WHEN EXHAUSTED USE S1309N1 -----	1	
	S1309N1	GYRO-HORIZON-REBUILT WHEN EXHAUSTED USE C661001-0101 -----	1	
	C661001-0101	GYRO-HORIZON-REMANUFACTURED WHEN EXHAUSTED ----- ORDER AK172-116 KIT	1	
		ATTACHING PARTS -----		
-39	AN520810R16	SCREW -----	4	
		-----*		
-40	MS20913-2D	PLUG -----	1	
		NOTE. *WHEN INITIALLY ORDERING THIS PART ALSO ORDER TWO S1497 SOCKETLESS FITTINGS		
		A---SERIAL 185-0001 THRU 185-0653		

Vacuum System (Cont)



**SERIAL 18051184
THRU 18051312**

Figure I17. Vacuum System Installation

FIGURE AND INDEX NO.	PART NUMBER	DESCRIPTION	UNITS PER ASSY	USABLE ON CODE
			NP	A
		1 2 3 4 5 6 7		
117 -		VACUUM SYSTEM INSTALLATION-ENGINE DRIVEN -----	1	
- 1	C431001-0101	PUMP-VACUUM -----	1	
- 2	0750103-1	SEPARATOR-OIL -----		
		ATTACHING PARTS -----	1	
- 3	0750100-11	BRACKET -----	2	
- 4	AN3-15A	BOLT -----	2	
	AN960D10L	WASHER -----	2	
	MS21044N3	NUT -----		
		-----	1	
- 5	C482001-0101	VALVE-SUCTION RELIEF -----	1	
- 6	0311057-1	GAGE-SUCTION WHEN EXHAUSTED USE S1414N1 -----	1	
	S1414N1	GAGE-SUCTION -----		
		ATTACHING PARTS -----	4	
- 7	AN507B632R12	SCREW -----		
		-----	1	
- 8	S51-8	HOSE-OIL RETURN 9.00 IN. LG. BULK ITEM -----		
		REF S-51-8-36 -----		
		ATTACHING PARTS -----	1	
- 9	AN844-8	ELBOW -----	2	
-10	NAS397-14-1	CLAMP TYN A3122-14-1 -----		
		-----	1	
-11	0750100-12	LINE-OIL RETURN -----	1	
-12	S51-8	HOSE-VENT 2.00 IN. LG. BULK ITEM REF S-51-8-8 -----		
		ATTACHING PARTS -----	2	
-13	NAS397-14-1	CLAMP -----		
		-----	1	
-14	0500106-251	LINE-VENT -----		
		ATTACHING PARTS -----	1	
-15	AN742D8	CLAMP -----	1	
-16	0761202-3	LINK -----	1	
	S1021210-10	SCREW -----	1	
-17	AN742D8	CLAMP -----	1	
-18	AN742D12	CLAMP -----	1	
	S1021210-8	SCREW -----		
		-----	1	
-19	S51-8	HOSE-DISCHARGE 3.25 IN. LG. BULK ITEM -----		
		REF S-51-8-13 -----		
		ATTACHING PARTS -----	1	
-20	AN842-8	ELBOW -----	2	
-21	NAS397-14-1	CLAMP -----		
		-----	1	
-22	S1168-6-12	HOSE-SUCTION FIREWALL TO HORIZONTAL GYRO WHEN -----		
		EXHAUSTED USE S1495-6 & S1497-6 -----	1	
	S1495-6	HOSE-12.00 IN LG BULK ITEM REF S1499-6-12.00 -----	2	
	S1497-6	FITTING-SOCKETLESS USED WITH S1495-6 HOSE -----	1	
-23	0500106-221	LINE-DIRECTIONAL GYRO TO HORIZONTAL GYRO -----		
		ATTACHING PARTS -----	1	
-24	MS20826-6D	TEE -----	1	
-25	MS20822-6D	ELBOW -----		
		-----	1	
-26	S1168-2-15	HOSE-HORIZONTAL GYRO TO SUCTION GAGE -----		
		ATTACHING PARTS -----	1	
-27	AN912-1D	BUSHING-REDUCER -----	1	
-28	MS20823-2D	ELBOW -----	1	
-29	AN816-2D	NIPPLE -----	1	
-30	1260043-2	STRAP -----	1	
-31	S102128-8	SCREW -----	1	
-32	S14860G6L	CLAMP -----		
		-----	2	
-33	MS20913-2D	PLUG -----	1	
-34	0311056-5	GYRO-DIRECTIONAL-NEW WHEN EXHAUSTED ORDER AK172-116 KIT -----	1	
	0311056-4	GYRO-DIRECTIONAL-REBUILT WHEN EXHAUSTED USE S1316N1 -----	1	
	S1316N1	GYRO-DIRECTIONAL-REBUILT WHEN EXHAUSTED -----		
	C661002-0101	GYRO-DIRECTIONAL-REMANUFACTURED WHEN EXHAUSTED -----	1	
		ORDER AK172-116 KIT -----		
		ATTACHING PARTS -----	4	
-35	AN520810R16	SCREW -----		

CONTINUED ON NEXT PAGE

FIGURE AND INDEX NO.	PART NUMBER	DESCRIPTION							UNITS PER ASSY	USABLE ON CODE
		1	2	3	4	5	6	7		
117 -36	0311058-4 0311058-5 S1309N1 C661001-0101	GYRO-HORIZON-NEW	WHEN EXHAUSTED ORDER AK172-116 KIT -----						1	
		GYRO-HORIZON-REBUILT	WHEN EXHAUSTED USE S1309N1 -----						1	
		GYRO-HORIZON-REBUILT	WHEN EXHAUSTED USE C661001-0101 -----						1	
		GYRO-HORIZON-REMANUFACTURED	WHEN EXHAUSTED -----						1	
		ORDER AK172-116 KIT								
		ATTACHING PARTS								
-37	AN520B10R16	SCREW -----							4	
-38	MS20913-2D	PLUG -----							1	
-39	MS20822-6-68	ELBOW -----							1	
-40	S1168-6-6 1/2	HOSE ASSEMBLY	WHEN EXHAUSTED USE S1495-6 & S1497-6 -----						1	
	S1495-6	HOSE-6.50 IN LG	BULK ITEM REF S1499-6-6.50 -----						1	
	S1497-6	FITTING-SOCKETLESS	USED WITH 1495-6 HOSE -----						2	
-41	AN912-2	BUSHING-REDUCER -----							1	
-42	MS20823-68	ELBOW -----							1	
-43	S1988-1	FITTING -----							1	
-44	AN960D916	WASHER -----							2	
-45	AN924-6D	NUT -----							1	
<p>NOTE. *WHEN INITIALLY ORDERING THIS PART ALSO ORDER TWO S1497-6 SOCKETLESS FITTINGS.</p> <p>A---SERIAL 18051184 THRU 18051312</p>										

FIGURE AND INDEX NO.	PART NUMBER	DESCRIPTION	UNITS PER ASSY	USABLE ON CODE
		1 2 3 4 5 6 7		
117A-		VACUUM SYSTEM INSTALLATION-ENGINE DRIVEN -----	NP	A
- 1	C431001-0101	PUMP-VACUUM -----	1	
- 2	0750103-1	SEPARATOR-OIL -----	1	
		ATTACHING PARTS -----		
- 3	0750036-1	BRACKET -----	1	
- 4	AN3-15A	BOLT -----	2	
	AN960D10L	WASHER -----	2	
	MS21044N3	NUT -----	2	

- 5	133A3	VALVE-SUCTION RELIEF RAMF -----	1	
- 6	S1414N1	GAGE-SUCTION -----	1	
		ATTACHING PARTS -----		
- 7	AN5078632R12	SCREW -----	4	

- 8	S1495-8	HOSE-OIL RETURN 9.00 IN LG BULK ITEM -----	1	
		REF S1431-8-9.00 -----		
		ATTACHING PARTS -----		
- 9	AN844-8	ELBOW -----	1	
-10	NAS397-14	CLAMP -----	2	

-11	0750037-1	TUBE-INSERT -----	1	
-12	S1495-8	HOSE-VENT 2.00 IN LG BULK ITEM S1431-8-2.00 -----	1	
		ATTACHING PARTS -----		
-13	NAS397-14	CLAMP -----	2	

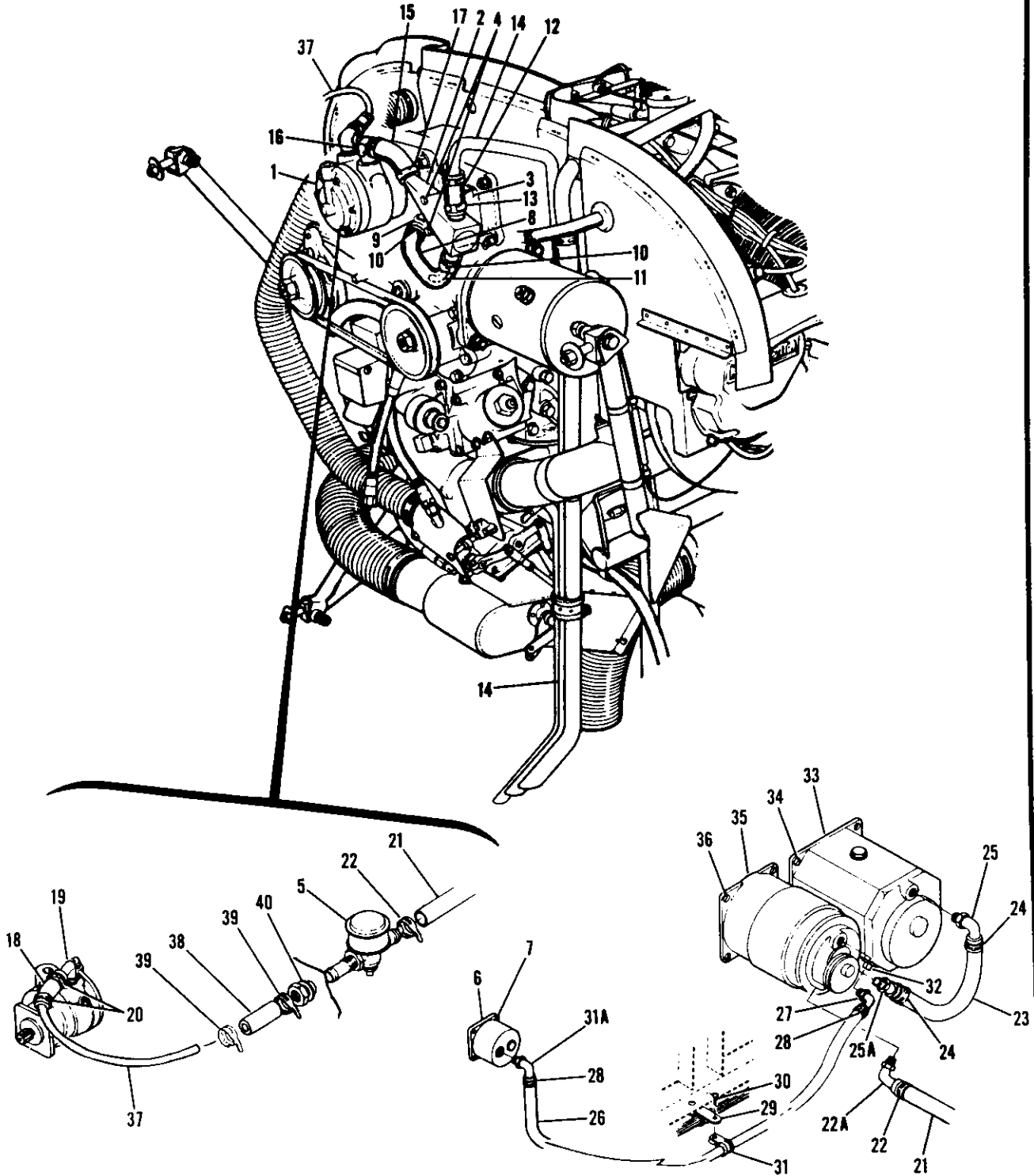
-14	0500106-339	LINE-VENT -----	1	
-15	S1495-8	HOSE-DISCHARGE 3.25 IN LG BULK ITEM -----	1	
		REF S1431-8-3.25 -----		
		ATTACHING PARTS -----		
-16	IKI6-8	ELBOW RAMF -----	1	
-17	NAS397-14	CLAMP -----	2	

-18	S1495-10	HOSE-SUCTION 2.50 IN LG BULK ITEM -----	1	
		REF S1431-10-0250 -----		
-19	IKI6-10	ELBOW RAMF -----	1	
-20	NAS397-16	CLAMP -----	2	

-21	S1495-8	HOSE-SUCTION-FIREWALL TO HORIZONTAL GYRD 14.5 IN LG -----	1	
		BULK ITEM REF S1431-8-1450 -----		
		ATTACHING PARTS -----		
-22	NAS397-14	CLAMP -----	2	
-22A	IKI4-8	ELBOW RAMF -----	1	

CONTINUED ON NEXT PAGE

Vacuum System (Cont)



SERIAL 185-0654 THRU 185-0776
SERIAL 18051313 THRU 18051445

Figure 117A. Vacuum System Installation

FIGURE AND INDEX NO.	PART NUMBER	DESCRIPTION	UNITS PER ASSY	USABLE ON CODE
		1 2 3 4 5 6 7		
117A-23	S1495-6	HOSE-DIRECTIONAL GYRO TO HORIZONTAL GYRO 7.50 IN LG ----- BULK ITEM REF S1431-6-0750	1	
		ATTACHING PARTS -----		
-24	NAS397-12	CLAMP -----	2	
-25	IK14-6	ELBOW RAMF -----	1	
	IK110-4-6	ADAPTER RAMF -----	1	

-26	S1495-4	HOSE-HORIZONTAL GYRO TO SUCTION GAGE 43.00 IN LG ----- BULK ITEM REF S1431-4-4300	1	
		ATTACHING PARTS -----		
-27	IK14-4	ELBOW RAMF -----	1	
-28	NAS397-8	CLAMP -----	2	
-29	1260043-2	STRAP -----	1	
-30	S102128-5	SCREW -----	1	
-31	S1486DG8L	CLAMP -----	1	
-31A	IK12-4	ELBOW RAMF -----	1	

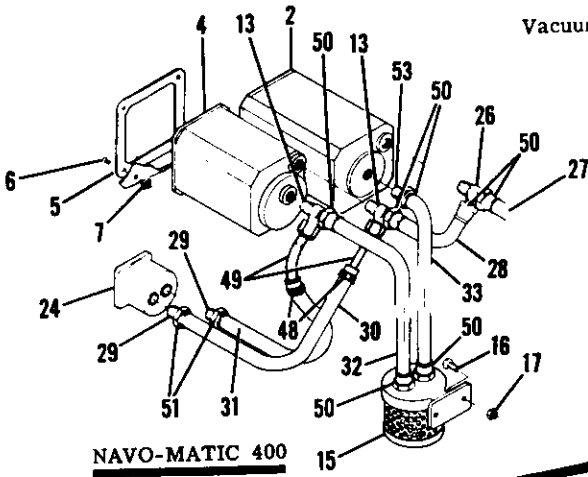
-32	MS20913-20	PLUG -----	2	
-33	0311056-5	GYRO-DIRECTIONAL-NEW WHEN EXHAUSTED ORDER AK172-116 KIT -	1	
	S1316N1	GYRO-DIRECTIONAL-REBUILT WHEN EXHAUSTED USE C661002-0101-	1	
	S1476N1	GYRO-DIRECTIONAL ALTERNATE FOR S1316N1 WHEN -----	1	
	C661002-0101	EXHAUSTED USE C661002-0101		
		GYRO-DIRECTIONAL-REMANUFACTURED WHEN EXHAUSTED -----	1	
		ORDER AK172-116 KIT		
		ATTACHING PARTS -----		
-34	AN515B10R14	SCREW -----	4	
	AN50781032R16	SCREW USED WITH C661002-0101 -----	3	

-35	0311058-4	GYRO-HORIZON-NEW WHEN EXHAUSTED ORDER AK172-116 KIT -----	1	
	S1309N1	GYRO-HORIZON-REBUILT WHEN EXHAUSTED USE C661001-0101 -----	1	
	S1472N1	GYRO-HORIZON ALTERNATE FOR S1309N1 WHEN -----	1	
		EXHAUSTED USE C661001-0101		
	S1473N1	GYRO-HORIZON ALTERNATE FOR S1309N1 WHEN -----	1	
		EXHAUSTED USE C661001-0101		
	C661001-0101	GYRO-HORIZON-REMANUFACTURED WHEN EXHAUSTED -----	1	
		ORDER AK172-116 KIT		
		ATTACHING PARTS -----		
-36	AN520B10R16	SCREW -----	4	
	2103	PLATE AIM USED WITH C661001-0101 -----	1	
	AN507-1032RB	SCREW USED WITH C661001-0101 -----	4	
	MS21044N3	NUT USED WITH C661001-0101 -----	4	

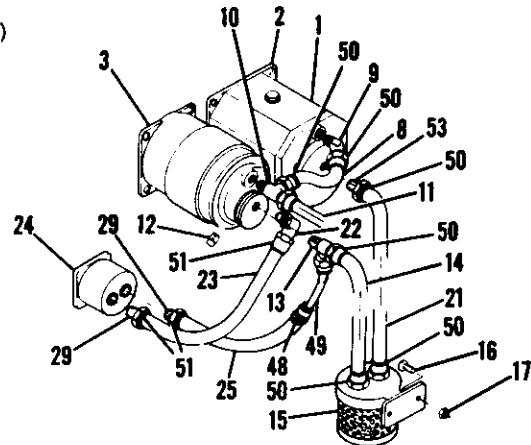
-37	0700087-28	TUBE-SUCTION -----	1	
-38	S1495-10	HOSE-SUCTION 3.75 IN LG BULK ITEM ----- REF S1431-10-0375	1	
		ATTACHING PARTS -----		
-39	NAS397-16	CLAMP -----	2	

-40	AN960-1416L	WASHER -----	2	
		A---SERIAL 185-0654 THRU 185-0776 SERIAL 18051313 THRU 18051445		

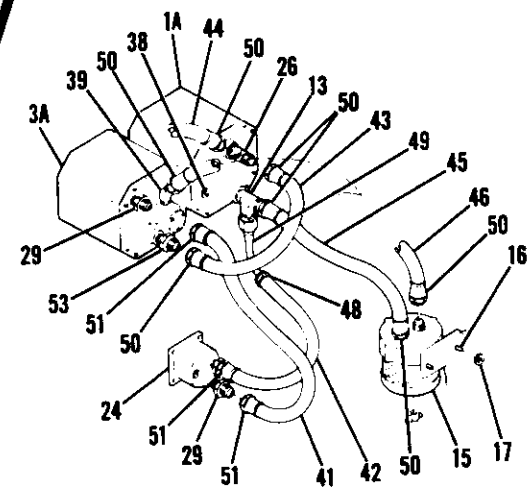
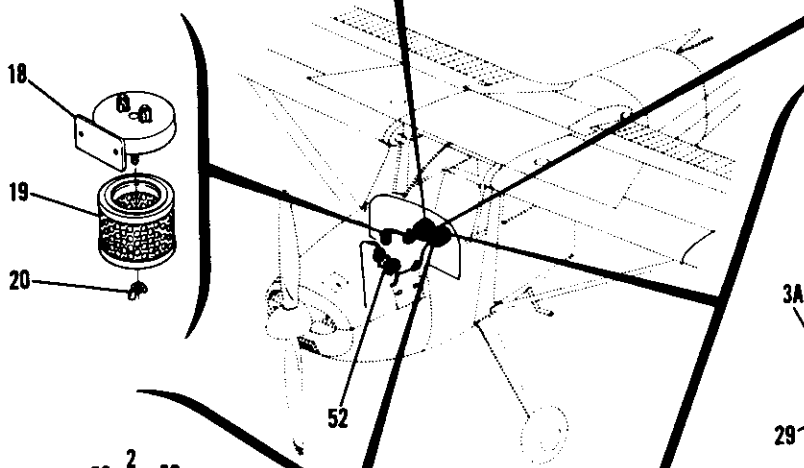
Vacuum System (Cont)



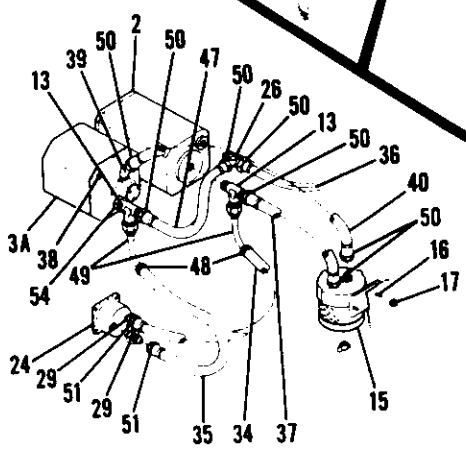
NAVO-MATIC 400



**STANDARD & NAVO-MATIC 300
SERIAL 18051446 THRU 18051774
SERIAL 185-0777 THRU 185-1149**



**STANDARD SYSTEM
SERIAL 18051775 THRU 18051875
SERIAL 185-1150 THRU 185-1300**



**NAVO-MATIC 300
SERIAL 18051775 THRU 18051875
SERIAL 185-1150 THRU 185-1300**

**SERIAL 18051446 THRU 18051875
SERIAL 185-0777 THRU 185-1300**

Figure 117B. Vacuum System Installation

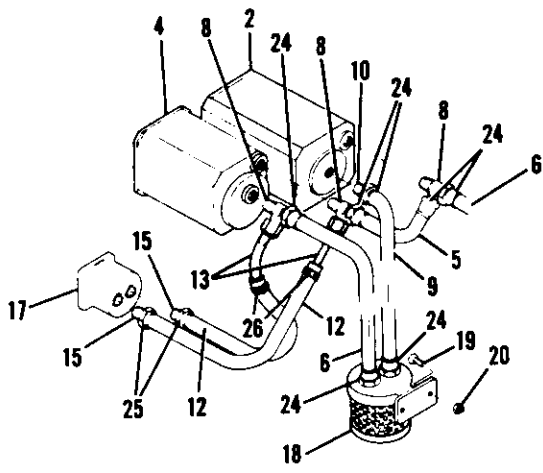
FIGURE AND INDEX NO.	PART NUMBER	DESCRIPTION	UNITS PER ASSY	USABLE ON CODE
		1 2 3 4 5 6 7		
117B-		VACUUM SYSTEM INSTALLATION-ENGINE DRIVEN	NP	A
- 1	C661002-0101	GYRO-DIRECTIONAL REMANUFACTURED WHEN	1	B
		EXHAUSTED ORDER AK172-116 KIT	1	C
- 1A	C661002-0201	GYRO-DIRECTIONAL RECONDITIONED	1	C
	C661002-0201R	GYRO-DIRECTIONAL ARC USED WITH NAVO-MATIC 300 & 400	1	B
- 2	30370-0100	GYRO-DIRECTIONAL REMANUFACTURED WHEN	1	C
- 3	C661001-0101	GYRO-HORIZON RECONDITIONED	1	C
		EXHAUSTED ORDER AK172-116 KIT	1	C
- 3A	C661001-0201	GYRO-HORIZON ARC USED WITH NAV-O-MATIC 400	1	
	C661001-0201R	GYRO-HORIZON RECONDITIONED	1	
- 4	30475-0000	ATTACHING PARTS	1	
- 5	2103	PLATE AIM	4	
- 6	AN507-1032R8	SCREW	4	
- 7	MS21044N3	NUT	1	B
- 8	S1616-6LL-3.62	HOSE ASSEMBLY	1	B
- 9	AN323-6D	ELBOW	1	B
	MS20822-6D	ELBOW USED ON NAVO-MATIC 300 ONLY	1	B
	MS20826-6D	TEE	1	B
-10	S1616-6LL-10.00	HOSE ASSEMBLY	3	B
-11	MS20913-2D	PLUG	2	
-12	MS20826-6D	TEE	1	B
-13	S1495-6	HOSE-9.50 IN LG BULK ITEM REF S1499-6LL-9.50	1	
-14	S1495-6	AIR FILTER ASSEMBLY	1	
-15	C294501-0101	ATTACHING PARTS	2	
-16	AN3-4A	BOLT	2	
-17	MS21044N3	NUT	1	
-18	C294501-0102	BRACKET	1	
-19	C294501-0103	FILTER ELEMENT	1	
-20	P2274	ATTACHING PARTS	1	
		NUT-WING DCI	1	B
-21	S1495-6	HOSE-13.50 IN LG BULK ITEM REF S1499-6LL-13.50	1	B
-22	MS20822-4-4D	ELBOW	1	B
-23	S1495-4	HOSE-12.00 IN LG BULK ITEM REF S1499-4JJ-12.00	1	B
-24	S1414N1	GAGE-SUCTION	1	B
-25	S1495-4	HOSE-11.50 IN LG BULK ITEM REF S1499-4JJ-11.50	1	
-26	MS20826-6D	TEE	2	
-27	S1495-6	HOSE-11.00 IN LG BULK ITEM REF S-1499-6LL-11.00	1	
-28	S1495-6	HOSE-5.50 IN LG BULK ITEM REF S1499-6LL-5.50	1	
-29	AN816-4D	NIPPLE	3	
-30	S1495-4	HOSE-9.50 IN LG BULK ITEM REF S1499-4JJ-9.50	1	
-31	S1495-4	HOSE-12.00 IN LG BULK ITEM REF S1499-4JJ-12.00	1	
-32	S1495-6	HOSE-9.50 IN LG BULK ITEM REF S1499-6LL-9.50	1	
-33	S1495-6	HOSE-13.50 IN LG BULK ITEM REF S1499-6LL-13.50	1	
-34	S1495-4	HOSE-# IN LG BULK ITEM REF S1691-1-#	1	C
-35	S1495-4	HOSE-# IN LG BULK ITEM REF S1691-1-#	1	C
-36	S1495-6	HOSE-# IN LG BULK ITEM REF S1499-6LL-#	1	C
-37	S1495-6	HOSE-# IN LG BULK ITEM REF S1499-6LL-#	1	C
-38	MS20913-1D	PLUG	1	C
-39	MS20823-6D	ELBOW	1	C
-40	S1495-6	HOSE-# IN LG BULK ITEM REF S1499-6LL-#	1	C
-41	S1495-4	HOSE-# IN LG BULK ITEM REF S1499-4JJ-#	1	C
-42	S1495-4	HOSE-# IN LG BULK ITEM REF S1691-1-#	1	C
-43	S1616-6LL-*	HOSE ASSEMBLY	1	C
-44	S1495-6	HOSE-# IN LG BULK ITEM REF S1499-6LL-#	1	C
-45	S1495-6	HOSE-# IN LG BULK ITEM REF S1499-6LL-#	1	C
-46	S1495-6	HOSE-# IN LG BULK ITEM REF S1499-6LL-#	1	C
-47	S1616-6LL-*	HOSE ASSEMBLY	1	C

CONTINUED ON NEXT PAGE

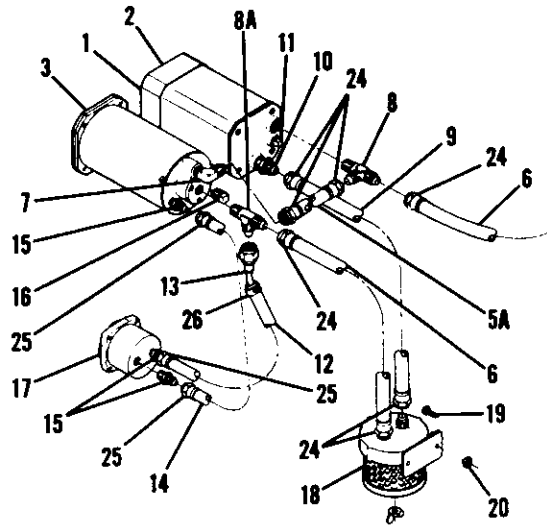
FIGURE AND INDEX NO.	PART NUMBER	DESCRIPTION							UNITS PER ASSY	USABLE ON CODE	
		1	2	3	4	5	6	7			
1178-48	NAS397-8	#								2	
-49	1713039-1	#								2	
-50	S1497-6									5	
-51	S1497-4									3	
-52	SEE FIG 117D									1	
-53	AN816-6D									1	
-54	0713837-1									1	
<p>NOTE. *WHEN ORDERING THIS PART FOR AIRCRAFT SERIAL 18051446 THRU 18051740 & SERIAL 185-0777 THRU 185-1088, ALSO ORDER PARTS MARKED #.</p> <p>NOTE. *LENGTH TO BE DETERMINED LATER</p> <p>A---SERIAL 18051446 THRU 18051875 SERIAL 185-0777 THRU 185-1300</p> <p>B---SERIAL 18051446 THRU 18051774 SERIAL 185-0777 THRU 185-1149</p> <p>C---SERIAL 18051775 THRU 18051875 SERIAL 185-1150 THRU 185-1300</p>											

FIGURE AND INDEX NO.	PART NUMBER	DESCRIPTION	UNITS PER ASSY	USABLE ON CODE
		1 2 3 4 5 6 7		
117C-		VACUUM SYSTEM INSTALLATION-ENGINE DRIVEN -----	NP	A
- 1	C661002-0501 **	GYRO-DIRECTIONAL WEU C661075-0101 -----	1	C
	C661002-0505 **	GYRO-DIRECTIONAL WEU C661075-0101 -----	1	D
	C661075-0102 **	GYRO-DIRECTIONAL WEU C661075-0101 -----	1	F
	C661002-0301 **	GYRO-DIRECTIONAL WEU C661075-0104 -----	1	E
	C661075-0104 **	GYRO-DIRECTIONAL -----	1	F
	C661002-0503 **	GYRO-DIRECTIONAL WEU C661002-0506 -----	1	C
	C661002-0506 **	GYRO-DIRECTIONAL WEU C661075-0103 -----	1	D
	C661075-0103 **	GYRO-DIRECTIONAL -----	1	F
	C661002-0504 **	GYRO-DIRECTIONAL WEU C661075-0101 -----	1	E
	C661075-0101 **	GYRO-DIRECTIONAL -----	1	F
	C661075-0106 **	GYRO-DIRECTIONAL -----	1	F
- 2	30370-0100	GYRO-DIRECTIONAL ARC USED WITH NAVO-MATIC 300 & 400 -	1	
		WEU 30370-0102		
	30370-0102	GYRO-DIRECTIONAL ARC USED WITH NAVO-MATIC 300 & 400 -	1	G
	40760-0104	GYRO-DIRECTIONAL ARC USED WITH NAVO-MATIC 300 -----	1	H
CONTINUED ON NEXT PAGE				

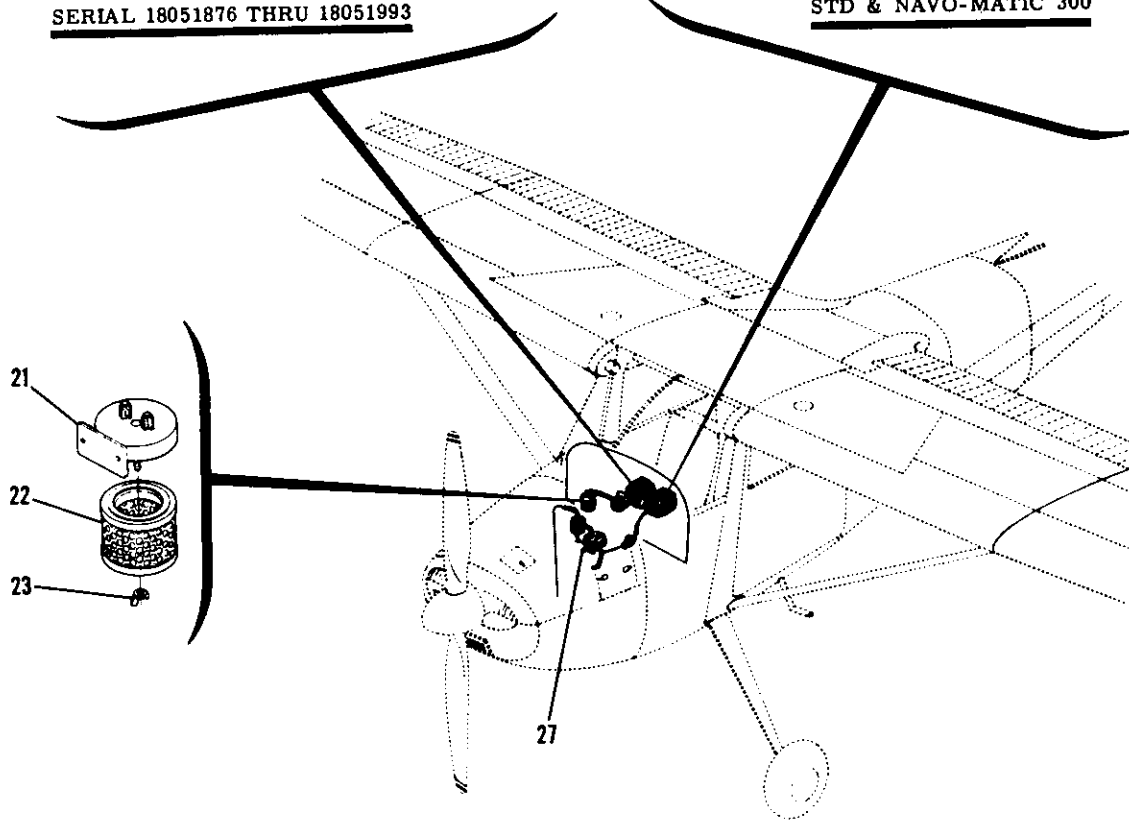
Vacuum System (Cont)



NAVO-MATIC 400
SERIAL 185-1301 THRU 185-1447
SERIAL 18051876 THRU 18051993



STD & NAVO-MATIC 300



SERIAL 185-1301 THRU 18502142
SERIAL 18051876 THRU 18052309

Figure 117C. Vacuum System Installation

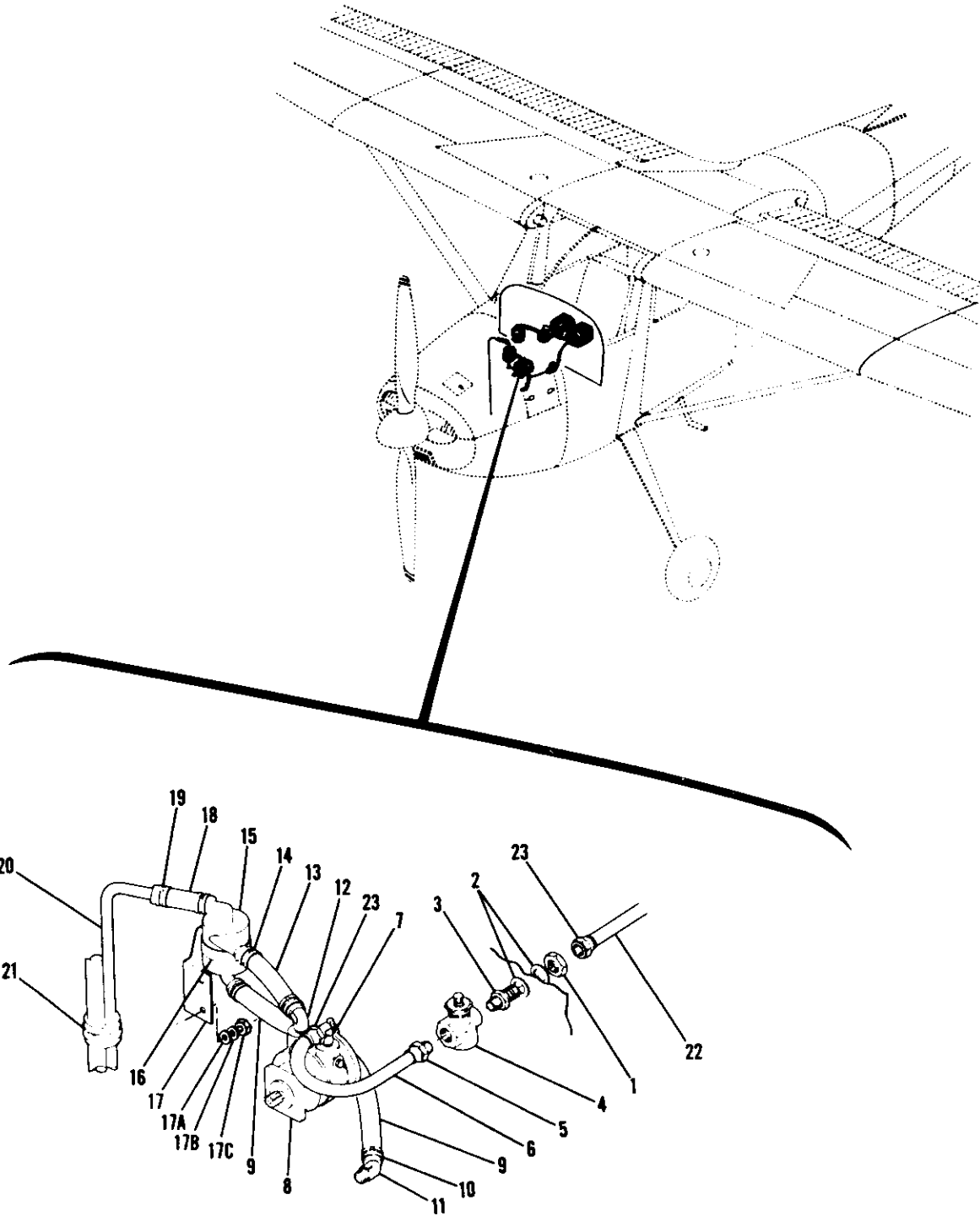
FIGURE AND INDEX NO.	PART NUMBER	DESCRIPTION							UNITS PER ASSY	USABLE ON CODE
		1	2	3	4	5	6	7		
117C- 3	C661001-0501 *	GYRO-HORIZON	WEU	C661001-0505	-----	-----	-----	-----	1	C
	C661001-0505 *	GYRO-HORIZON	WEU	C661076-0104	-----	-----	-----	-----	1	D
	C661076-0104 *	GYRO-HORIZON	WEU	C661076-0103	-----	-----	-----	-----	1	F
	C661001-0502 *	GYRO-HORIZON	WEU	C661076-0101	-----	-----	-----	-----	1	E
	C661076-0101 *	GYRO-HORIZON	-----	-----	-----	-----	-----	-----	1	F
	C661001-0503 *	GYRO-HORIZON	WEU	C661076-0102	-----	-----	-----	-----	1	E
	C661076-0102 *	GYRO-HORIZON	-----	-----	-----	-----	-----	-----	1	F
	C661001-0504 *	GYRO-HORIZON	WEU	C661076-0103	-----	-----	-----	-----	1	E
	C661076-0103 *	GYRO-HORIZON	-----	-----	-----	-----	-----	-----	1	F
	C661076-0105 *	GYRO-HORIZON	-----	-----	-----	-----	-----	-----	1	F
	C661076-0105 *	GYRO-HORIZON	-----	-----	-----	-----	-----	-----	1	A
	- 4	37570-0001	GYRO-HORIZON	ARC	USED WITH NAVD-MATIC 400	-----	-----	-----	-----	1
- 5	S1495-6	HOSE-10.00 IN LG	BULK ITEM	REF S1499-6LL-10.00	-----	-----	-----	-----	1	
- 5A	S1495-6	HOSE-10.00 IN LG	BKI	REF S1499-6LL-10.00	-----	-----	-----	-----	1	
	S1495-6	HOSE-10.50 IN LG	BKI	REF S1499-6LL-10.50	-----	-----	-----	-----	1	
- 6	S1495-6	HOSE-14.75 IN LG	BULK ITEM	REF S1499-6LL-14.75	-----	-----	-----	-----	2	
- 7	MS20822-6D	ELBOW-90 DEG	-----	-----	-----	-----	-----	-----	1	
	MS20823-6D	ELBOW-45 DEG	USED WITH C661001-0504 OR C661076-0105	-----	-----	-----	-----	-----	1	
- 8	AN816-6D	NIPPLE	USED WHEN C661076-0103 IS INSTALLED	-----	-----	-----	-----	-----	1	
- 8A	MS20826-6D	TEE	-----	-----	-----	-----	-----	-----	3	
	MS20825-6D	TEE	USED WHEN C661076-0105 IS INSTALLED	-----	-----	-----	-----	-----	1	
- 9	S1495-6	HOSE-19.75 IN LG	BULK ITEM	REF S1499-6LL-19.75	-----	-----	-----	-----	1	
-10	AN816-6D	NIPPLE	-----	-----	-----	-----	-----	-----	1	
-11	MS20913-1D	PLUG	-----	-----	-----	-----	-----	-----	1	
-12	S1495-4	HOSE-12.00 IN LG	BULK ITEM	REF S1691-1-12.00	-----	-----	-----	-----	2	
-13	1713039-1	ELBOW ASSEMBLY	-----	-----	-----	-----	-----	-----	2	
-14	S1495-4	HOSE-16.00 IN LG	BULK ITEM	REF S1499-4JJ-16.00	-----	-----	-----	-----	1	
-15	AN816-4D	NIPPLE	-----	-----	-----	-----	-----	-----	3	
-16	MS20913-2D	PLUG	-----	-----	-----	-----	-----	-----	1	
-17	S1414N1	GAGE-SUCTION	WEU	C668540-0101	-----	-----	-----	-----	1	E
-18	C668540-0101	GAGE-SUCTION	-----	-----	-----	-----	-----	-----	1	F
	C294501-0101	AIR FILTER ASSEMBLY	-----	-----	-----	-----	-----	-----	1	
-19	AN3-4A	ATTACHING PARTS	-----	-----	-----	-----	-----	-----	2	
-20	MS21044N3	BOLT	-----	-----	-----	-----	-----	-----	2	
-21	C294501-0102	NUT	-----	-----	-----	-----	-----	-----	1	
-22	C294501-0103	BRACKET	-----	-----	-----	-----	-----	-----	1	
-23	P2274	FILTER ELEMENT	-----	-----	-----	-----	-----	-----	1	
-24	S1497-6	ATTACHING PARTS	-----	-----	-----	-----	-----	-----	1	
-25	S1497-4	NUT-WING	DCT	-----	-----	-----	-----	-----	1	
-26	NAS397-8	END FITTING	-----	-----	-----	-----	-----	-----	8	
-27		END FITTING	-----	-----	-----	-----	-----	-----	3	
		CLAMP	-----	-----	-----	-----	-----	-----	2	
		VACUUM SYSTEM-FORWARD OF FIREWALL	SEE FIGURE 117D	-----	-----	-----	-----	-----	1	

NOTE. *THESE GYROS ARE PHYSICALLY & FUNCTIONALLY INTERCHANGEABLE.

NOTE. **THESE GYROS ARE PHYSICALLY & FUNCTIONALLY INTERCHANGEABLE.

- A---SERIAL 185-1301 THRU 18502142
- SERIAL 18051876 THRU 18052309
- B---SERIAL 185-1301 THRU 185-1447
- SERIAL 18051876 THRU 18051993
- C---SERIAL 185-1301 THRU 18501797
- SERIAL 18051876 THRU 18052163
- D---SERIAL 18501798 THRU 18501934
- SERIAL 18052164 THRU 18052221
- E---SERIAL 185-1301 THRU 18501934
- SERIAL 18051876 THRU 18052221
- F---SERIAL 18501935 THRU 18502142
- SERIAL 18052222 THRU 18052309
- G---SERIAL 18501935 THRU 18502090
- SERIAL 18052222 THRU 18052284
- H---SERIAL 18502091 THRU 18502142
- SERIAL 18052285 THRU 18052309

Vacuum System (Cont)



SERIAL 185-0777 THRU 18502142
SERIAL 18051446 THRU 18052309
Figure 117D. Vacuum System Installation-Forward Of Firewall

FIGURE AND INDEX NO.	PART NUMBER	DESCRIPTION	UNITS PER ASSY	USABLE ON CODE
		1 2 3 4 5 6 7		
117D-		VACUUM SYSTEM INSTALLATION-FWD OF FIREWALL -----	NP	A
- 1	AN924-6D	NUT -----	1	
- 2	AN960D916	WASHER -----	2	
- 3	S1988-1	FITTING -----	1	
- 4	C482001-0101	VALVE-VACUUM RELIEF -----	1	
- 5	S1496-6A	FITTING-SOCKETLESS MALE PIPE THREAD & HOSE -----	1	
- 6	S1495-6	HOSE-10.00 IN LG BULK ITEM REF S1499-6DL-10.00 -----	1	
- 7	MS20822-6-68	ELBOW -----	1	
- 8	C431001-0101	PUMP-VACUUM -----	1	
- 9	S1495-8	HOSE-7.00 IN LG BULK ITEM REF S1495-8-7.00 -----	1	
		ATTACHING PARTS -----		
-10	NAS397-14	CLAMP -----	2	

-11	AN844-8D	ELBOW -----	1	
-12	AN842-8	ELBOW -----	1	
-13	S1495-8	HOSE-4.00 IN LG BULK ITEM REF S1495-8-4.00 -----	1	
		ATTACHING PARTS -----		
-14	NAS397-14	CLAMP -----	2	

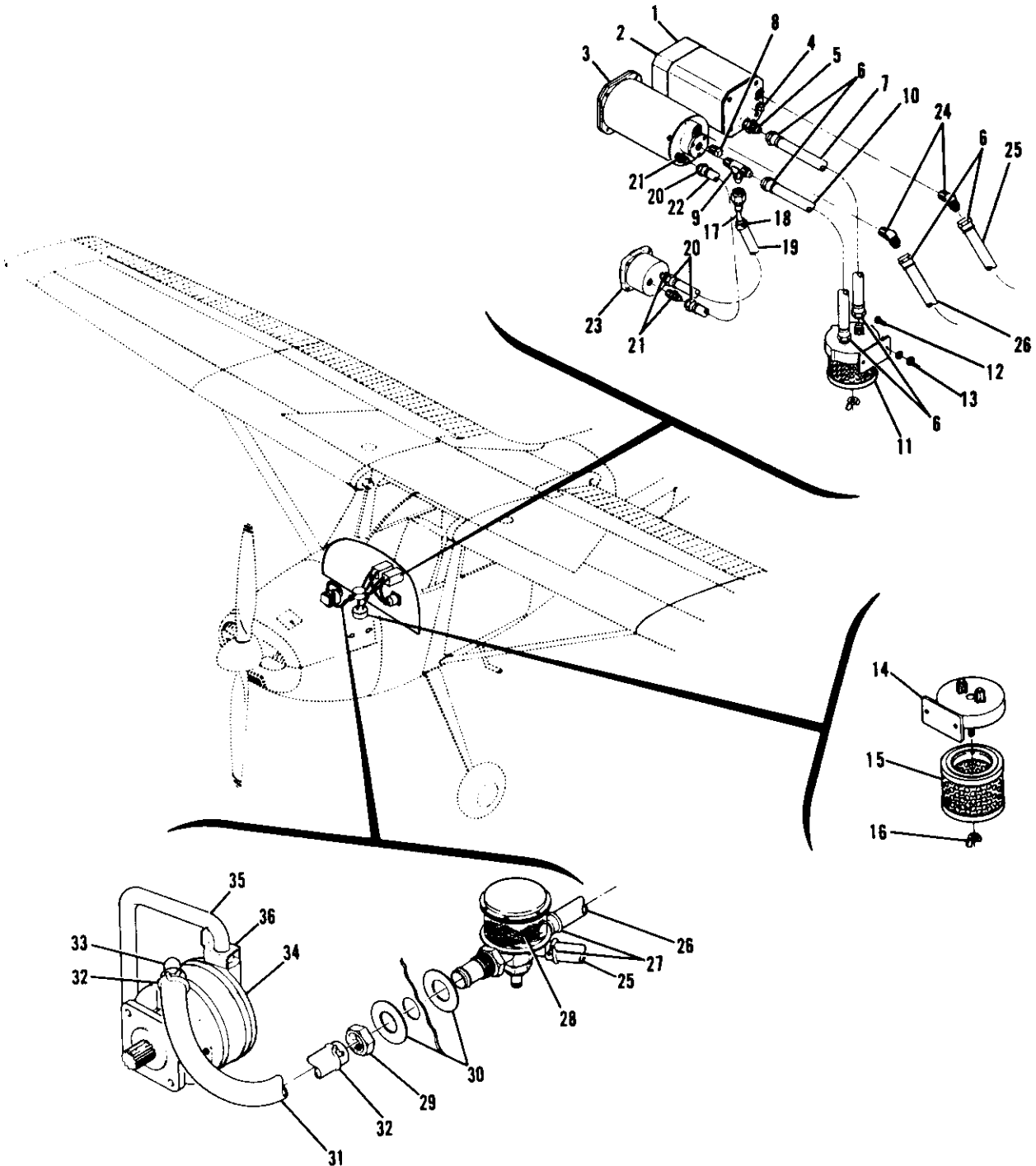
-15	C165001-0102	SEPARATOR -----	1	
		ATTACHING PARTS -----		
-16	AN735D36	CLAMP -----	1	
	AN520-10R12	SCREW -----	1	
	MS21044N3	NUT -----	1	

-17	0750025-1	BRACKET -----	1	
		ATTACHING PARTS -----		
-17A	AN936A416	WASHER -----	2	
-17B	AN960-416	WASHER -----	2	
-17C	AN315-4R	NUT -----	2	

-18	S1495-8	HOSE-2.00 IN LG BULK ITEM REF S1495-8-2.00 -----	1	
		ATTACHING PARTS -----		
-19	NAS397-14	CLAMP -----	2	

-20	0700147-2	VENT TUBE -----	1	
-21	S1590-4A	CLAMP UC -----	1	
-22	S1495-6	HOSE-GYRO TO FIREWALL SEE FIGURE 117B -----	1	
-23	S1497-6	FITTING-SOCKETLESS SWIVEL AND HOSE -----	1	
A---SERIAL 185-0777 THRU 18502142 SERIAL 18051446 THRU 18052309				

Vacuum System (Cont)

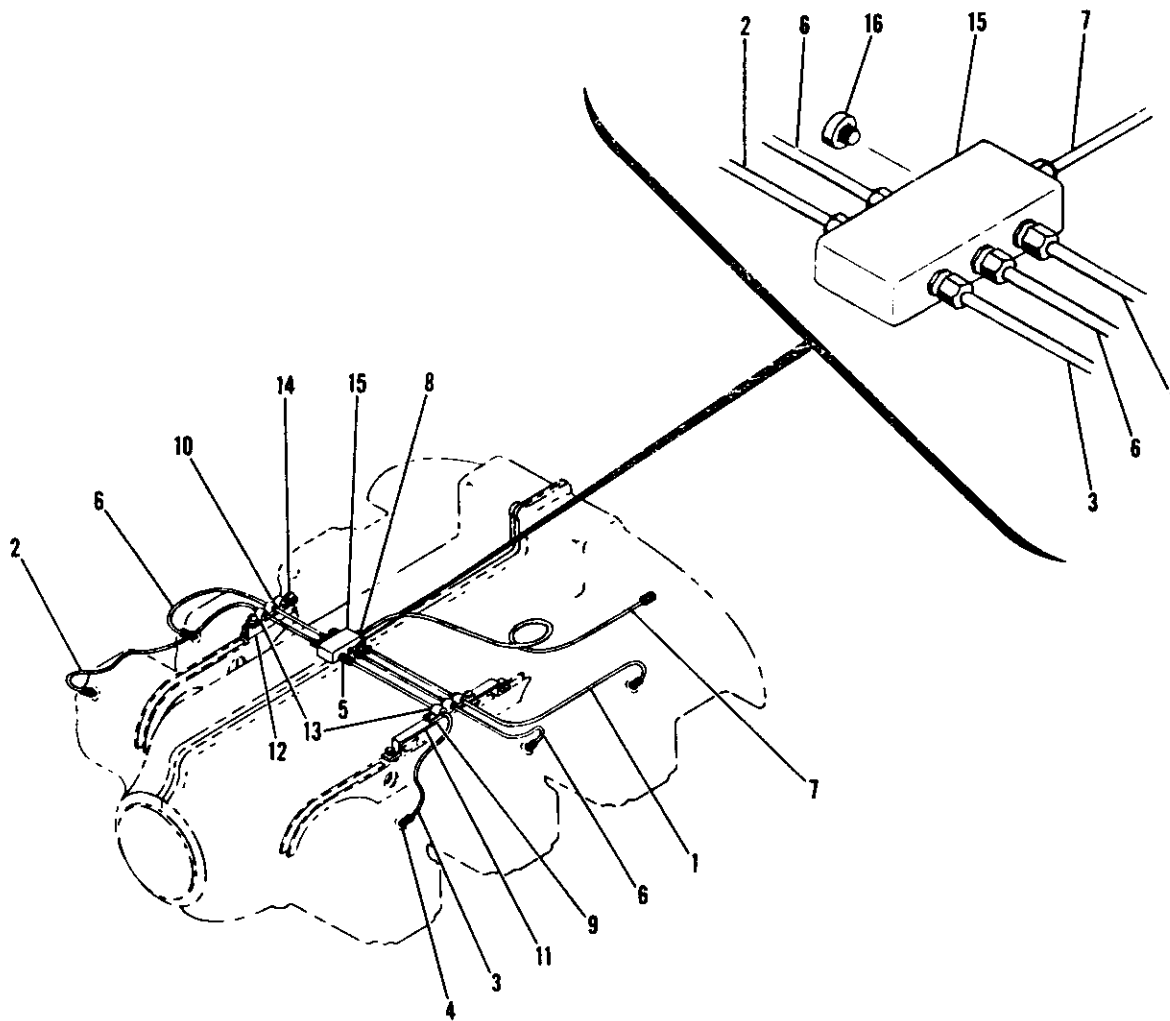


SERIAL 18502143 THRU 18502310
SERIAL 18052310 THRU 18052384

Figure 117E. Vacuum System

FIGURE AND INDEX NO.	PART NUMBER	DESCRIPTION	UNITS PER ASSY	USABLE ON CODE
		1 2 3 4 5 6 7		
117E-		VACUUM SYSTEM -----	NP	A
- 1	C661075-0101 **	GYRO-DIRECTIONAL -----	1	
	C661075-0103 **	GYRO-DIRECTIONAL -----	1	
	C661075-0104 **	GYRO-DIRECTIONAL -----	1	
	C661075-0106 **	GYRO-DIRECTIONAL -----	1	
- 2	40760-0104	GYRO-DIRECTIONAL ARC USED WITH NAV-O-MATIC 300 -----	1	
- 3	C661076-0101 *	GYRO-HORIZON -----	1	
	C661076-0102 *	GYRO-HORIZON -----	1	
	C661076-0103 *	GYRO-HORIZON -----	1	
	C661076-0105 *	GYRO-HORIZON -----	1	
		ATTACHING PARTS -----		
	AN507-632R8	SCREW -----	4	
		-----*		
- 4	MS20913-10	PLUG -----	1	
- 5	AN816-6D	NIPPLE -----	1	
- 6	S1497-6	END FITTING -----	6	
- 7	S1495-6	HOSE-19.75 IN LG BULK ITEM REF S1499-6LL-19.75 -----	1	
- 8	MS20913-2D	PLUG -----	1	
- 9	MS20826-6D	TEE -----	1	
	MS20825-6D	TEE USED WHEN C661076-0105 IS INSTALLED -----	1	
-10	S1495-6	HOSE-14.75 IN LG BULK ITEM REF S1499-6LL-14.75 -----	1	
-11	C294501-0101	AIR FILTER ASSEMBLY -----	1	
		ATTACHING PARTS -----		
-12	AN3-4A	BOLT -----	2	
-13	MS21044N3	NUT -----	2	
		-----*		
-14	C294501-0102	BRACKET -----	1	
-15	C294501-0103	FILTER ELEMENT -----	1	
		ATTACHING PARTS -----		
-16	P2274	NUT-WING DC1 -----	1	
		-----*		
-17	1713039-1	ELBOW ASSEMBLY -----	1	
-18	NAS397-8	CLAMP -----	1	
-19	S1495-4	HOSE-12.00 IN LG BULK ITEM REF S1691-1-12.00 -----	1	
-20	S1497-4	END FITTING -----	3	
-21	AN816-4D	NIPPLE -----	3	
-22	S1495-4	HOSE-16.00 IN LG BULK ITEM REF S1499-4JJ-16.00 -----	1	
-23	C668540-0101	GAGE-SUCTION -----	1	
-24	MS20823-6D	ELBOW-45 DEG -----	2	
-25	S1495-6	HOSE-12.00 IN LG BULK ITEM REF S1499-6L-12.00 -----	1	
-26	S1495-6	HOSE-10.50 IN LG BULK ITEM REF S1499-6L-10.50 -----	1	
		ATTACHING PARTS -----		
-27	S1494-6	CLAMP -----	1	
		-----*		
-28	C482001-0401	VALVE-RELIEF -----	1	
		ATTACHING PARTS -----		
-29	AN924-10D	NUT -----	1	
-30	AN960D1416L	WASHER -----	2	
		-----*		
-31	S1495-10	HOSE-15.50 IN LG BULK ITEM REF S1495-10-15.50 -----	1	
		ATTACHING PARTS -----		
-32	S1494-16	CLAMP -----	2	
		-----*		
-33	1K1-6-10	FITTING AMSA -----	1	
-34	C431003-0102	PUMP-VACUUM -----	1	
	C431003-0302	PUMP-VACUUM ALT -----	1	
-35	1K66-1	TUBE ABNE -----	1	
-36	1250319-1	LOCATOR -----	1	
		-----*		
		NOTE. *THESE GYROS ARE PHYSICALLY & FUNCTIONALLY INTERCHANGEABLE.		
		NOTE. **THESE GYROS ARE PHYSICALLY & FUNCTIONALLY INTERCHANGEABLE.		
		A---SERIAL 18502143 THRU 18502310 SERIAL 18052310 THRU 18052384		

Fuel System (Cont)



SERIAL 18051184 THRU 18052384

Figure 118. Fuel Primer System Installation

FIGURE AND INDEX NO.	PART NUMBER	DESCRIPTION	UNITS PER ASSY	USABLE ON CODE
118 -		FUEL PRIMER FIVE LINE SYSTEM INSTALLATION -----	NP	A
- 1	0750125-1	LINE ASSEMBLY-CYLINDER 2 TO DISTRIBUTOR -----	1	
		ATTACHING PARTS -----		
	AN4022-1	JET-FUEL -----	1	
	AN780-2	NIPPLE -----	1	

- 2	0750125-2	LINE ASSEMBLY-CYLINDER 5 TO DISTRIBUTOR -----	1	
		ATTACHING PARTS -----		
	AN4022-1	JET-FUEL -----	1	
	AN780-2	NIPPLE -----	1	

- 3	0750125-3	LINE ASSEMBLY-CYLINDER 6 TO DISTRIBUTOR -----	1	
		ATTACHING PARTS -----		
- 4	AN4022-1	JET-FUEL -----	1	
- 5	AN780-2	NIPPLE -----	1	

- 6	0750125-4	LINE ASSEMBLY-CYLINDER 3 AND 4 TO DISTRIBUTOR -----	2	
		ATTACHING PARTS -----		
	AN4022-1	JET-FUEL -----	1	
	AN780-2	NIPPLE -----	1	

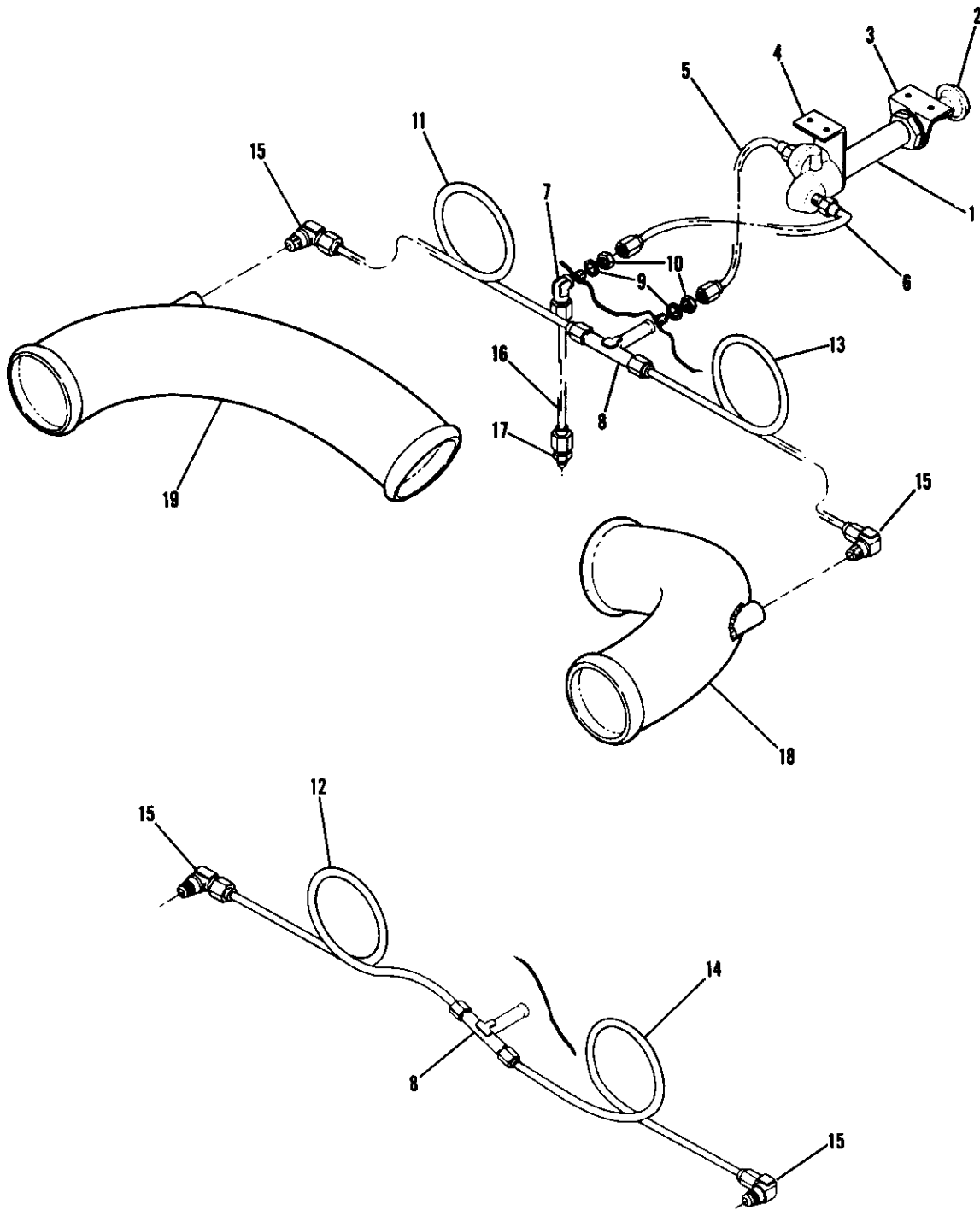
- 7	0500106-173	LINE ASSEMBLY-DISTRIBUTOR TO BAFFLE WHEN -----	1	
		EXHAUSTED USE 0700099-23 -----		
	0700099-83	LINE ASSEMBLY-DISTRIBUTOR TO BAFFLE -----	1	
		ATTACHING PARTS -----		
- 8	AN816-20	NIPPLE -----	1	

- 9	0750125-5	CLAMP ASSEMBLY-LH -----	1	
- 10	0750125-6	CLAMP ASSEMBLY-RH -----	1	
- 11	0750125-7	BRACKET-MOUNTING LH -----	1	
- 12	0750125-8	BRACKET-MOUNTING RH -----	1	
- 13	0750125-9	CLAMP -----	2	
		ATTACHING PARTS -----		
- 14	S1021710-6	SCREW -----	4	
	0750125-11	NUT -----	4	

- 15	0750125-10	DISTRIBUTOR-FUEL -----	1	
		ATTACHING PARTS -----		
	AN5-15A	BOLT -----	1	

- 16	4520913-10	PLUG-DISTRIBUTOR -----	1	
		A---SERIAL 18051184 THRU 18052384		

Fuel System (Cont)



SERIAL 18051313 THRU 18052384
SERIAL 185-0654 THRU 18502310

Figure 118A. Fuel Primer System Installation

FIGURE AND INDEX NO.	PART NUMBER	DESCRIPTION	UNITS PER ASSY	USABLE ON CODE
			1 2 3 4 5 6 7	
118A-		FUEL PRIMER SYSTEM INSTALLATION -----	NP	A
- 1	0311538-12	PRIMER ASSEMBLY-HAND WHEN EXHAUSTED USE C291502-0101 -----	1	M
	C291502-0101	PRIMER ASSEMBLY-HAND -----	1	P
	C291502-0103	PRIMER ASSEMBLY-HAND -----	1	Q
- 2	S1240-5	KNOB -----	1	M
	S1752-1	KNOB -----	1	P
	S1974-1	KNOB -----	1	O
- 3	0713234-2	BRACKET-PRIMER -----	1	C
- 4	0713234-1	BRACKET-PRIMER -----	1	C
- 5	0700087-23	LINE-PRIMER -----	1	D
	0700087-29	LINE-PRIMER WHEN EXHAUSTED USE 0700147-51 -----	1	E
	0700147-51	LINE-PRIMER -----	1	E
- 6	0700087-24	LINE-PRIMER -----	1	D
	0700087-30	LINE-PRIMER WHEN EXHAUSTED USE 0700147-52 -----	1	E
	0700147-52	LINE-PRIMER -----	1	E
- 7	AN833-2D	ELBOW -----	1	K
	AN832-2D	UNION -----	1	L
- 8	AN834-2D	TEE -----	1	
		ATTACHING PARTS		
- 9	AN960-516L	WASHER -----	1	
-10	AN924-2D	NUT -----	1	

-11	0700087-26	LINE-PRIMER RH WHEN EXHAUSTED USE 0700147-53 -----	1	C
	0700147-53	LINE-PRIMER RH -----	1	C
-12	0700087-22	LINE-PRIMER RH WHEN EXHAUSTED USE 0700147-50 -----	1	B
	0700147-50	LINE-PRIMER RH -----	1	B
-13	0700087-27	LINE-PRIMER LH WHEN EXHAUSTED USE 0700147-48 -----	1	C
	0700147-48	LINE-PRIMER LH -----	1	C
-14	0700087-21	LINE-PRIMER LH WHEN EXHAUSTED USE 0700147-49 -----	1	B
	0700147-49	LINE-PRIMER LH -----	1	B
		ATTACHING PARTS		
-15	AN4023-1	ELBOW-PRIMING JET -----	1	

-16	0500106-202	LINE-PRIMER -----	1	F
	0700147-14	LINE-PRIMER -----	1	G
	0700147-17	LINE-PRIMER WHEN EXHAUSTED USE 0700147-47 -----	1	H
	0700147-47	LINE-PRIMER -----	1	H
	0700147-45	LINE-PRIMER USED WITH OIL DILUTION ONLY -----	1	H
		ATTACHING PARTS		
-17	AN816-2D	NIPPLE -----	1	J
	MS20823-2D	ELBOW -----	1	H

-18	0716134-2	MANIFOLD-LH -----	1	C
-19	0716134-3	MANIFOLD-RH -----	1	C
		A---SERIAL 18051313 THRU 18052384		
		SERIAL 185-0654 THRU 18502310		
		B---SERIAL 18051313 THRU 18052384		
		C---SERIAL 185-0654 THRU 18502310		
		D---SERIAL 18051313 THRU 18051445		
		SERIAL 185-0654 THRU 185-0776		
		E---SERIAL 18051446 THRU 18052384		
		SERIAL 185-0777 THRU 18502310		
		F---SERIAL 18051313 THRU 18051496		
		SERIAL 185-0654 THRU 185-0843		
		G---SERIAL 18051497 THRU 18051655		
		SERIAL 185-0844 THRU 185-0983		
		H---SERIAL 18051656 THRU 18052384		
		SERIAL 185-0984 THRU 18502310		
		J---SERIAL 18051313 THRU 18051655		
		SERIAL 185-0654 THRU 185-0983		
		K---SERIAL 185-0654 THRU 185-0983		
		L---SERIAL 185-0984 THRU 18502310		
		M---SERIAL 18051313 THRU 18051875		
		SERIAL 185-0654 THRU 185-1300		
		N---SERIAL 18051876 THRU 18052384		
		SERIAL 185-1301 THRU 18502310		
		P---SERIAL 18051876 THRU 18052103		
		SERIAL 185-1301 THRU 185-1599		
		Q---SERIAL 18052104 THRU 18052384		
		SERIAL 18501600 THRU 18502310		

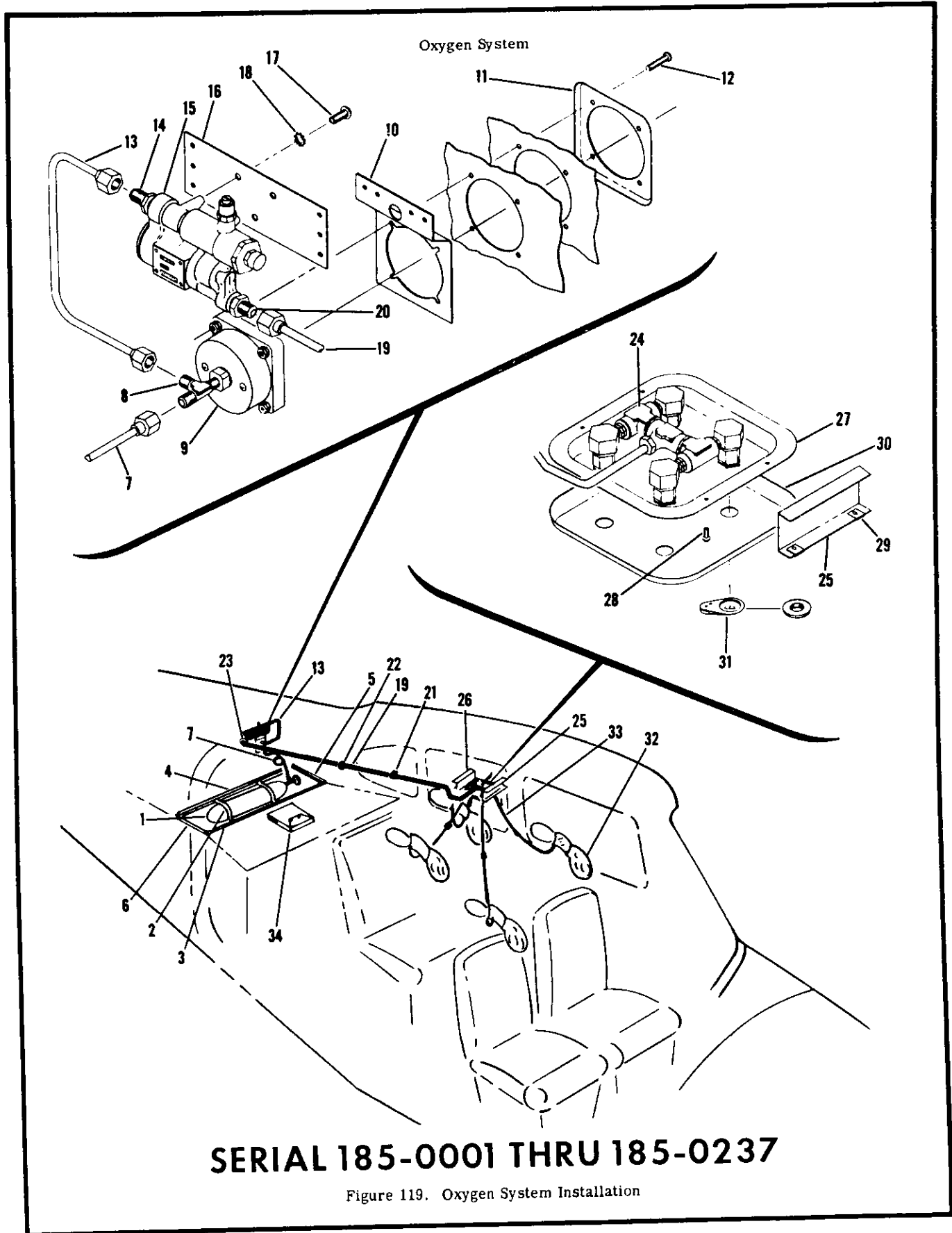


FIGURE AND INDEX NO.	PART NUMBER	DESCRIPTION	UNITS PER ASSY	USABLE ON CODE
119 -		OXYGEN SYSTEM INSTALLATION -----	NP	A
- 1	1200058-1	CYLINDER AND VALVE ASSEMBLY -----	1	
- 2	1200057-1	MOUNTING BRACKET-CYLINDER -----	2	
		ATTACHING PARTS -----		
	AN4-5A	BOLT -----	2	
	NAS679A4	NUT -----	2	

- 3	0700030-8	ANGLE-TANK SUPPORT FORWARD -----	1	
- 4	0700030-9	ANGLE-TANK SUPPORT AFT -----	1	
- 5	0700030-1	ANGLE-TANK SUPPORT LH -----	1	
- 6	0700030-2	ANGLE-TANK SUPPORT RH -----	1	
- 7	0500106-184	TUBE H.P.-TANK TO GAGE -----	1	
		ATTACHING PARTS -----		
- 8	MS20826-30	TEE -----	1	

- 9	0812362-1	GAGE-OXYGEN PRESSURE WHEN EXHAUSTED USE S-1325N1 -----	1	
	S1325N1	GAGE-OXYGEN PRESSURE MEU C668522-0101 -----	1	
-10	0700030-4	BRACKET-GAGE -----	1	
-11	0700030-3	BEZEL-GAGE -----	1	
		ATTACHING PARTS -----		
-12	AN51586R	SCREW -----	4	

-13	0500106-185	TUBE H.P.-GAGE TO REGULATOR -----	1	
		ATTACHING PARTS -----		
-14	AN816-30	NIPPLE -----	1	

-15	0812363-1	REGULATOR-OXYGEN -----	1	
-16	0700030-5	BRACKET-REGULATOR -----	1	
		ATTACHING PARTS -----		
-17	NAS222-5	SCREW -----	3	
-18	AN936B416	WASHER -----	3	

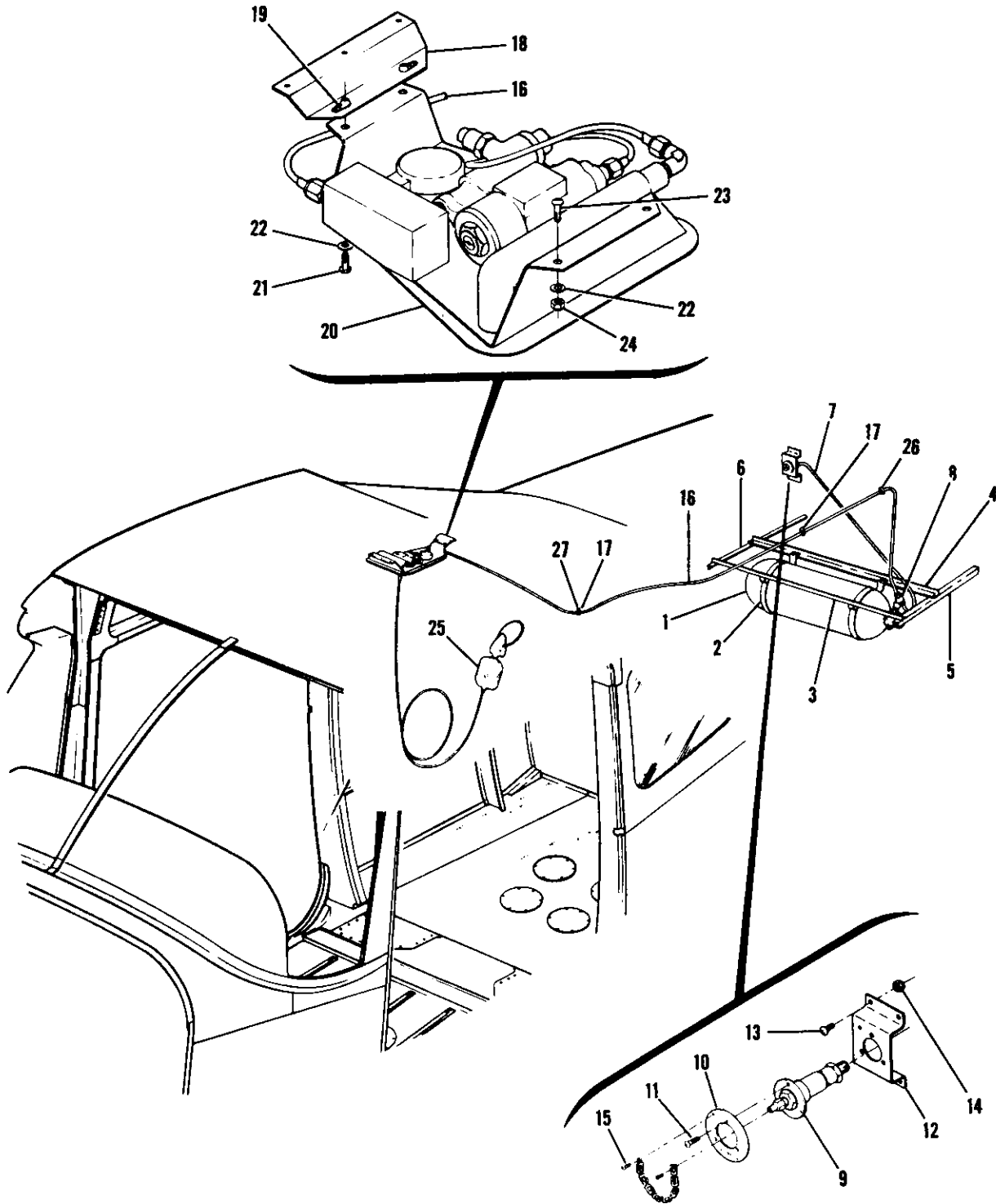
-19	0500106-299	TUBE L.P.-REGULATOR TO MANIFOLD -----	1	
		ATTACHING PARTS -----		
-20	AN816-50	NIPPLE -----	1	
-21	S148505U	CLAMP -----	1	
	S102128-6	SCREW -----	1	
	S350	WASHER-CORK -----	1	
	AN960-10L	WASHER -----	1	
-22	MS21919DG5	CLAMP -----	1	
	NAS446-4-3	NUT -----	1	
	S102128-8	SCREW -----	1	

-23	MS35489-118	GROMMET -----	1	
-24	0800030-2	MANIFOLD-OXYGEN -----	1	
-25	0700030-7	BRACKET-MANIFOLD SUPPORT FORWARD -----	1	
-26	0700030-6	BRACKET-MANIFOLD SUPPORT AFT -----	1	
-27	0800030-14	PAN-MANIFOLD SUPPORT -----	1	
		ATTACHING PARTS -----		
-28	S102126-6	SCREW -----	4	
-29	A1804-6Z3	NUT TIN -----	4	

-30	0800030-5	COVER -----	1	
-31	0812366-1	DUST COVER -----	4	
-32	0812369-1	MASK-OXYGEN WHEN EXHAUSTED USE C166009-0203 -----	4	
	C166009-0203	MASK-OXYGEN -----	4	
-33	0800030-4	LINE ASSEMBLY-MASK -----	4	
-34	0800030-19	CASE-OXYGEN MASK -----	1	

A---SERIAL 185-0001 THRU 185-0237

Oxygen System



SERIAL 18051184 THRU 18051445
SERIAL 185-0238 THRU 185-0776

Figure 120. Oxygen System Installation

FIGURE AND INDEX NO.	PART NUMBER	DESCRIPTION	UNITS PER ASSY	USABLE ON CODE
		1 2 3 4 5 6 7		
120 -		OXYGEN SYSTEM INSTALLATION -----	NP	A
- 1	1200058-1	CYLINDER & VALVE ASSEMBLY -----	1	
- 2	1200057-1	MOUNTING BRACKET-CYLINDER -----	1	
		ATTACHING PARTS -----		
	AN4-5A	BOLT -----	2	
	NAS679A4	NUT -----	2	

- 3	0700030-8	ANGLE-TANK SUPPORT FORWARD -----	1	
- 4	0700030-9	ANGLE-TANK SUPPORT AFT -----	1	
- 5	0700030-1	ANGLE-TANK SUPPORT LH -----	1	
- 6	0700030-2	ANGLE-TANK SUPPORT RH -----	1	
- 7	0800045-24	LINE ASSEMBLY-OXYGEN -----	1	
- 8	0800045-15	TEE -----	1	
- 9	0800045-6	FILLER VALVE ASSEMBLY-OXYGEN -----	1	
-10	1200054-2	PETAINER-UPHOLSTERY -----	1	
		ATTACHING PARTS -----		
-11	NAS220-8	SCREW -----	3	

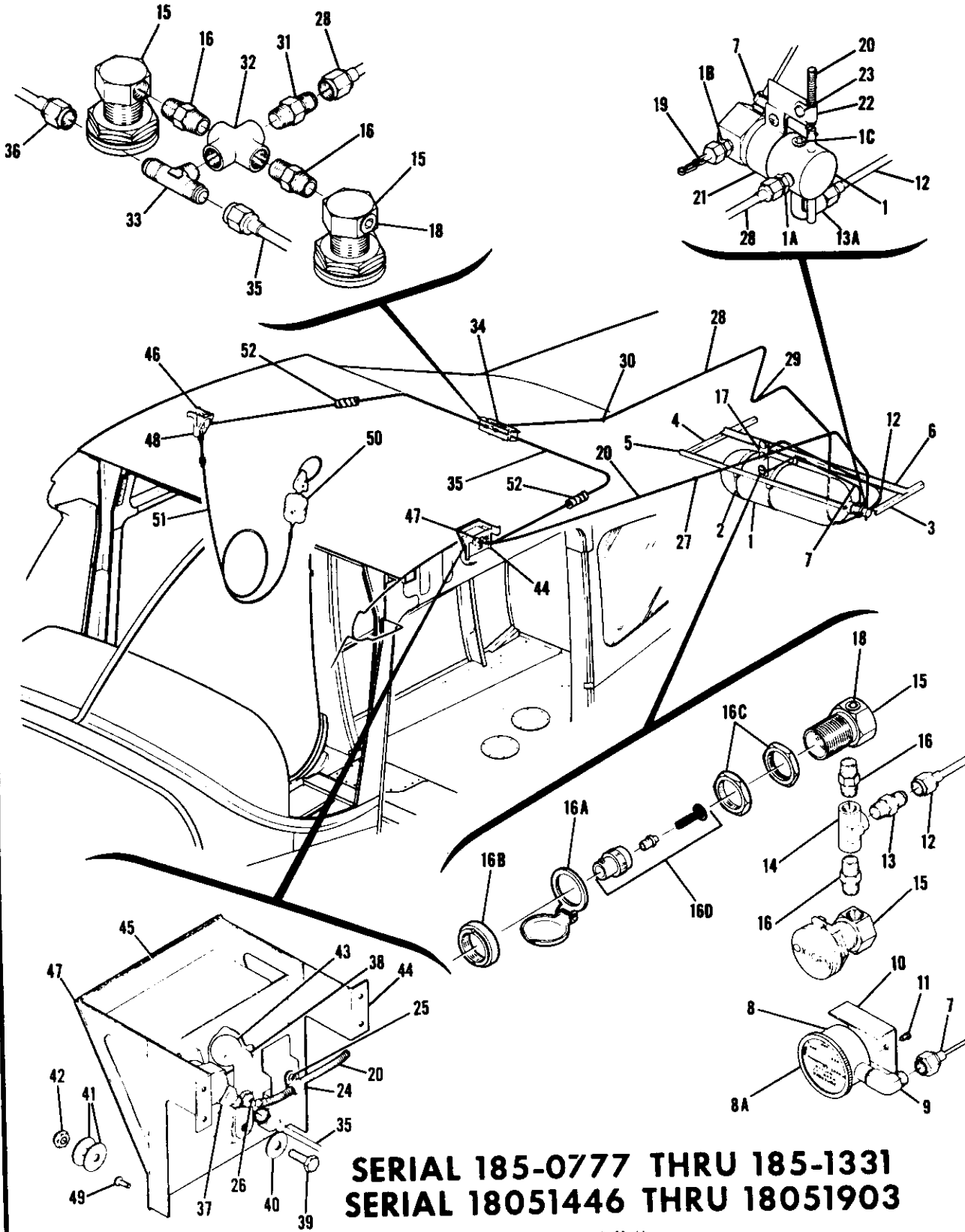
-12	0700076-2	BRACKET ASSEMBLY-FILLER VALVE SUPPORT -----	1	B
	0700076-1	BRACKET-FILLER VALVE SUPPORT -----	1	C
		ATTACHING PARTS -----		
-13	AN515-8R8	SCREW -----	4	
-14	NAS679A08	NUT -----	4	

	NAS680A08	NUTPLATE -----	3	B
-15	S102124-6	SCREW-FILLER CAP CHAIN -----	1	
-16	0800045-23	LINE ASSEMBLY-OXYGEN -----	1	
		ATTACHING PARTS -----		
-17	MS21919DG3	CLAMP -----	2	
	S102128-8	SCREW -----	2	
	NAS446-4-3	NUT -----	2	

-18	1200052-1	SUPPORT-AUTOMATIC OXYGEN SYSTEM ASSEMBLY -----	1	
-19	NAS696A3K	NUT-ANCHOR -----	2	
-20	1200055-1	OXYGEN SYSTEM ASSEMBLY-AUTOMATIC -----	1	
		ATTACHING PARTS -----		
-21	AN520-10R7	SCREW -----	2	
-22	AN960D10	WASHER -----	4	
-23	NAS221C-6	SCREW -----	2	
-24	MS21044N3	NUT -----	2	

-25	1200059-1	MASK ASSEMBLY-OXYGEN -----	5	
	7	MASK-OXYGEN ZEP -----	1	
-26	MS35489-11	GROMMET -----	1	B
-27	0511299-1	BRACKET -----	1	B
		A---SERIAL 185-0238 THRU 185-0776		
		SERIAL 18051184 THRU 18051445		
		B---SERIAL 185-0238 THRU 185-0776		
		C---SERIAL 18051184 THRU 18051445		

Oxygen System (Cont)



SERIAL 185-0777 THRU 185-1331
SERIAL 18051446 THRU 18051903

Figure 120A. Oxygen System Installation

FIGURE AND INDEX NO.	PART NUMBER	DESCRIPTION	UNITS PER ASSY	USABLE ON CODE
		1 2 3 4 5 6 7		
120A-		OXYGEN SYSTEM INSTALLATION -----	NP	A
- 1	C166001-0104	CYLINDER & REGULATOR ASSEMBLY -----	1	
	C166002-0101	REGULATOR ASSEMBLY -----	1	
- 1A	C166002-0104	RELIEF VALVE-LOW PRESSURE -----	1	
- 1B	C166002-0103	RELIEF VALVE-HIGH PRESSURE -----	1	
- 1C	AN93252	PLUG -----	1	
- 2	C166007-0102	BRACKET-MOUNTING -----	2	
		ATTACHING PARTS -----		
	AN4-4A	BOLT -----	2	
	NAS679A4	NUT -----	2	

- 3	0712014-1	ANGLE-TANK SUPPORT LH -----	1	
- 4	0712014-2	ANGLE-TANK SUPPORT RH -----	1	
- 5	0712014-6	ANGLE-TANK SUPPORT FORWARD -----	1	
- 6	0712014-7	ANGLE-TANK SUPPORT AFT -----	1	
- 7	C166010-0105	LINE ASSEMBLY-OXYGEN -----	1	
	C166010-0101	GAGE ASSEMBLY-OXYGEN PRESSURE -----	1	
- 8	C166010-0102	GAGE -----	1	
- 8A	C166010-0103	BEZEL -----	1	
- 9	S1529-1	ELBOW -----	1	
	0710652-1	ESCUTCHEON NOT ILLUSTRATED -----	1	
-10	0710650-2	BRACKET-GAGE -----	1	
-11	AN515-6R5	SCREW -----	1	
-12	0700147-7	LINE ASSEMBLY WHEN EXHAUSTED USE 0700147-3R -----	1	
	0700147-3R	LINE ASSEMBLY -----	1	
		ATTACHING PARTS -----		
-13	AN816-3D	NIPPLE -----	1	
-13A	MS20822-3D	ELBOW -----	1	

-14	AN917-1D	TEE -----	1	
-15	C166006-0101	VALVE ASSEMBLY WHEN EXHAUSTED USE C166006-0104 -----	6	
	C166006-0104	VALVE ASSEMBLY -----	6	
		ATTACHING PARTS -----		
-16	AN911-1D	NIPPLE -----	4	

-16A	Z651-1	COVER ASSEMBLY ZEPA -----	1	
-16B	Z651-3	LOCK RING ZEPA -----	1	
-16C	Z651-13	NUT-JAM ZEPA -----	2	
-16D	C166006-0108	KIT-VALVE -----	1	
-17	0710650-1	BRACKET-AFT -----	1	
	1200415-7	ESCUTCHEON INSTALLED ON OXYGEN PORTS -----	2	
-18	AN932D2	PLUG -----	6	
-19	S1526-1	FILLER VALVE ASSEMBLY -----	1	
	S1520-1	CAP & CHAIN ASSEMBLY -----	1	
-20	S1489-2	CONTROL-REGULATOR -----	1	
		ATTACHING PARTS -----		
-21	1200415-5	CLAMP -----	1	
	AN520-10R8	SCREW -----	1	
-22	S148505U	CLAMP -----	1	
-23	S102126-6	SCREW -----	1	
-24	AN742D5	CLAMP -----	1	
-25	AN520-10R7	SCREW -----	1	
-26	0450311-5	CLAMP -----	1	
	AN960-10	WASHER -----	AR	
	MS21044N3	NUT -----	3	
-27	S1592-1A	CLAMP -----	1	
	S102126-6	SCREW -----	1	

-28	0700147-6	LINE ASSEMBLY WHEN EXHAUSTED USE 0700147-37 -----	1	
	0700147-37	LINE ASSEMBLY -----	1	
		ATTACHING PARTS -----		
-29	S1592-1A	CLAMP -----	1	
	S102126-6	SCREW -----	1	
-30	S1486DG5U	CLAMP -----	1	
	S102126-10	SCREW -----	1	
-31	AN816-3D	NIPPLE -----	1	

-32	AN918-1D	CROSS -----	1	
-33	MS20825-6D	TEE -----	1	
-34	0710648-1	BRACKET-CENTER -----	1	
	1200415-7	ESCUTCHEON INSTALLED ON OXYGEN PORTS -----	2	

CONTINUED ON NEXT PAGE

FIGURE AND INDEX NO.	PART NUMBER	DESCRIPTION							UNITS PER ASSY	USABLE ON CODE
		1	2	3	4	5	6	7		
120A-35	0700147-4	LINE ASSEMBLY-PILOT OUTLET WHEN -----							1	
		EXHAUSTED USE 0700147-35 -----							1	
-36	0700147-35	LINE ASSEMBLY-PILOT OUTLET -----							1	
	0700147-5	LINE ASSEMBLY-COPILOT OUTLET WHEN -----							1	
		EXHAUSTED USE 0700147-36 -----							1	
	0700147-36	LINE ASSEMBLY-COPILOT OUTLET -----							1	
		ATTACHING PARTS -----							1	
-37	AN816-3D	NIPPLE -----							1	
		-----							1	
-38	0710642-1	ARM-OXYGEN CONTROL -----							1	
		ATTACHING PARTS -----							1	
-39	AN3-5A	BOLT -----							2	
-40	AN970-3	WASHER -----							2	
-41	S1438-2	WASHER -----							1	
-42	MS21044N3	NUT -----							1	
		-----							1	
-43	S1249-1	KNOB-CONTROL ARM -----							1	
		ATTACHING PARTS -----							1	
	AN507-1032R14	SCREW -----							1	
		-----							1	
-44	0710641-1	BRACKET-LH FORWARD -----							1	
-45	0710644-1	ANGLE-LH FORWARD -----							1	
-46	0710643-1	BRACKET-RH FORWARD -----							1	
	0710645-1	ANGLE-RH FORWARD -----							1	
-47	0710646-1	COVER-PLATE LH -----							1	
-48	0710647-1	COVER-PLATE RH -----							1	
		ATTACHING PARTS -----							4	
-49	S102126-6	SCREW -----							5	B
		-----							5	C
	C166005-0101	MASK ASSEMBLY WHEN EXHAUSTED USE C166005-0501 -----							1	
	C166005-0501	MASK & LINE ASSEMBLY -----							1	
-50	C166009-0501	* MASK ASSEMBLY -----							1	
	C166005-0504	* LINE & FITTING ASSEMBLY 8,000-14,000 FT -----							1	B
-51	C166005-0102	* MASK ASSEMBLY-PILOT WHEN EXHAUSTED USE C166005-0502 -----							1	C
	C166005-0502	* MASK & LINE ASSEMBLY-PILOT -----							1	
	C166009-0501	* MASK ASSEMBLY -----							1	
	C166005-0505	* LINE & FITTING ASSEMBLY 14,000-22,000 FT -----							1	
-52	S1399-1	SLEEVE-8.00 IN LG BULK ITEM REF S1399-1-8.00 -----							2	
<p>NOTE. *THIS PART NUMBER MUST HAVE A SECOND DASH NUMBER ADDED TO DENOTE COLOR. REFER TO HOW TO ORDER INTERIOR PARTS-PAGE XIII.</p> <p>NOTE. *THESE PARTS ARE APPLICABLE TO THE SUPPORT OF C166005-0501 & C166005-0502 ONLY.</p> <p>A---SERIAL 18051446 THRU 18051903 SERIAL 185-0777 THRU 185-1331</p> <p>B---SERIAL 18051446 THRU 18051637 SERIAL 185-0777 THRU 185-0984</p> <p>C---SERIAL 18051638 THRU 18051903 SERIAL 185-0985 THRU 185-1331</p>										



FIGURE AND INDEX NO.	PART NUMBER	DESCRIPTION	UNITS PER ASSY	USABLE
				ON CODE
1208-		OXYGEN SYSTEM INSTALLATION -----	NP	A
- 1	C166006-0101	VALVE ASSEMBLY WHEN EXHAUSTED USE C166006-0104 -----	6	
	C166006-0104	VALVE ASSEMBLY -----	6	
		ATTACHING PARTS -----		
- 2	AN911-10	NIPPLE -----	4	

- 3	Z651-13	NUT-JAM ZEPA -----	2	
- 4	C166006-0108	KIT-VALVE REPAIR -----	1	
- 5	Z651-1	COVER ASSEMBLY ZEPA -----	1	
- 6	Z651-3	LOCK RING ZEPA -----	1	
- 7	AN932D2	PLUG -----	6	
- 8	1200415-7	ESCUTCHEON -----	2	
- 9	0710648-1	BRACKET-CENTER -----	1	
-10	AN918-10	CROSS -----	1	
-11	MS20825-60	TEE -----	1	
-12	0700147-4	TUBE ASSEMBLY-PILOT OUTLET WHEN EXHAUSTED USE 0700147-35 -----	1	B
	0700147-35	TUBE ASSEMBLY-PILOT OUTLET -----	1	C
-13	0700147-5	TUBE ASSEMBLY-COPILOT OUTLET WHEN EXHAUSTED USE 0700147-36 -----	1	B
	0700147-36	TUBE ASSEMBLY-COPILOT OUTLET -----	1	C
		ATTACHING PARTS -----		
-14	AN816-3D	NIPPLE -----	1	

-15	S1399-1	SLEEVE-8.00 IN LG BULK ITEM REF S1399-1-8.00 -----	2	
-16	C166001-0104	CYLINDER & REGULATOR ASSEMBLY -----	1	
	C166002-0101	REGULATOR ASSEMBLY -----	1	
-17	C166002-0103	RELIEF VALVE-HIGH PRESSURE -----	1	
-18	C166002-0104	RELIEF VALVE-LOW PRESSURE -----	1	
-19	AN932-52	PLUG -----	1	
-20	ZF604	ADAPTOR ZEPA -----	1	
-21	0700147-6	TUBE ASSEMBLY WHEN EXHAUSTED USE 0700147-37 -----	1	B
	0700147-37	TUBE ASSEMBLY -----	1	C
		ATTACHING PARTS -----		
-22	AN816-3B	NIPPLE -----	1	
	S1486DG9U	CLAMP -----	1	
	S1021Z8-10	SCREW -----	1	
	S1592-1A	CLAMP -----	1	
	S1021Z6-6	SCREW -----	1	

-23	0700147-7	TUBE ASSEMBLY WHEN EXHAUSTED USE 0700147-38 -----	1	B
	0700147-38	TUBE ASSEMBLY -----	1	C
		ATTACHING PARTS -----		
-24	AN816-3D	NIPPLE -----	2	

-25	AN917-10	TEE -----	1	
-26	S1489-2	CONTROL-OXYGEN -----	1	
		ATTACHING PARTS -----		
-27	1200415-5	CLAMP -----	1	
-28	AN520-10R8	SCREW -----	1	
	MS21044N3	NUT -----	1	
-29	S1485D5U	CLAMP -----	1	
	S1021Z8-6	SCREW -----	1	
-30	AN742D5	CLAMP -----	1	
	AN520-10R8	SCREW -----	1	
	MS21044N3	NUT -----	1	
-31	0450311-5	CLAMP -----	1	
	AN960-10	WASHER -----	AR	
-32	MS21044N3	NUT -----	1	
-33	S1592-1A	CLAMP -----	1	
	S1021Z6-6	SCREW -----	1	

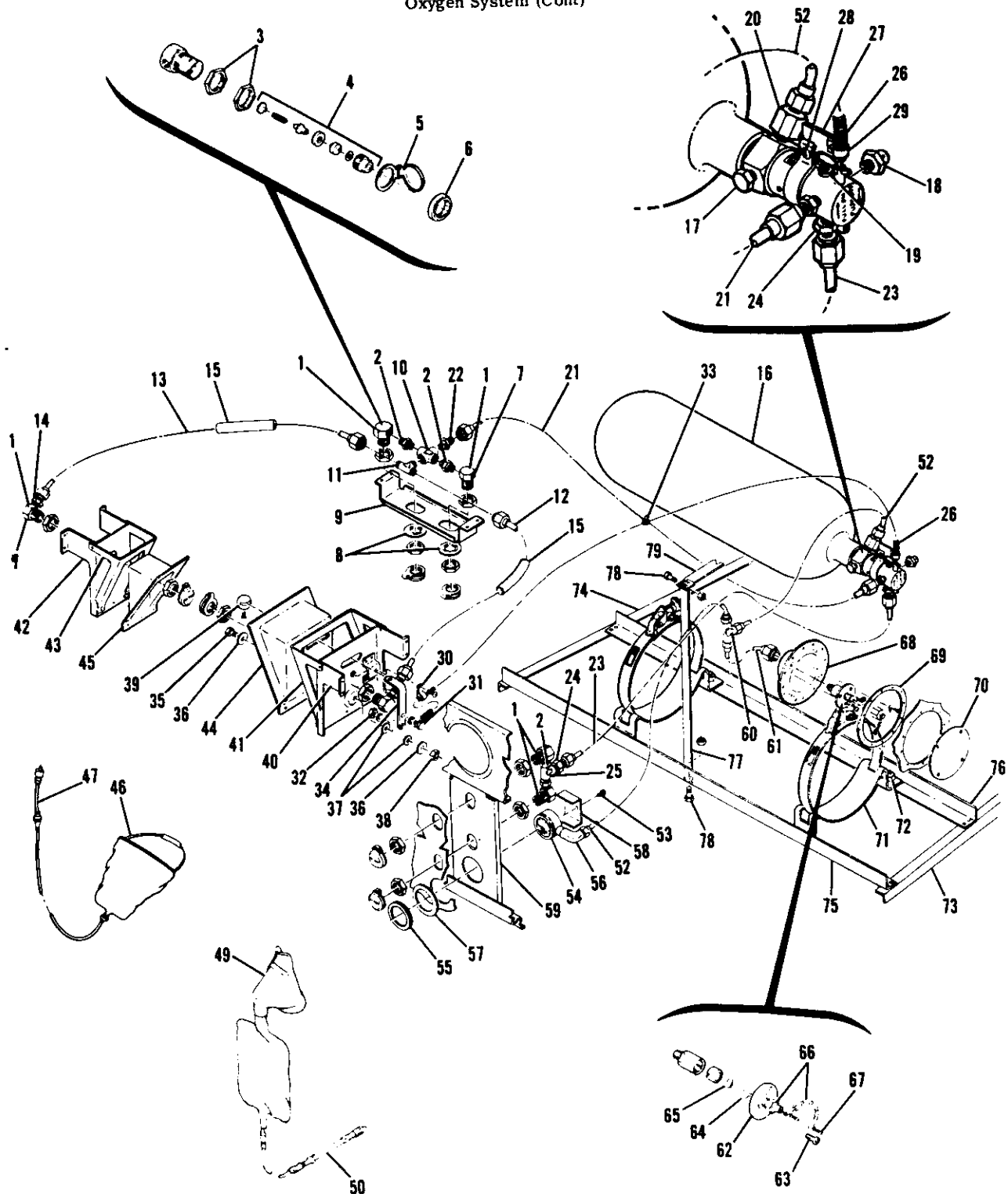
-34	0710642-1	ARM-OXYGEN CONTROL -----	1	
		ATTACHING PARTS -----		
-35	AN3-5A	BOLT -----	1	
-36	AN970-3	WASHER -----	2	
-37	S1438-2	WASHER -----	2	
-38	MS21044N3	NUT -----	1	

-39	S1249-1	KNOB -----	1	
		ATTACHING PARTS -----		
	AN507-1032R14	SCREW -----	1	

-40	0710641-1	BRACKET-LH FORWARD OXYGEN OUTLET -----	1	
-41	0710644-1	ANGLE-LH FORWARD -----	1	
-42	0710643-1	BRACKET-RH FORWARD OXYGEN OUTLET -----	1	
-43	0710645-1	ANGLE-RH FORWARD -----	1	

CONTINUED ON NEXT PAGE

Oxygen System (Cont)



SERIAL 18051904 THRU 18052103
SERIAL 185-1332 THRU 185-1599

Figure 120B. Oxygen System Installation

FIGURE AND INDEX NO.	PART NUMBER	DESCRIPTION	UNITS PER ASSY	USABLE ON CODE
1208-44	0710646-1	COVER PLATE-LH -----	1	
-45	0710647-1	COVER PLATE-RH -----	1	
	S102126-6	ATTACHING PARTS		
		SCREW -----	4	
	C166005-0501	MASK & LINE ASSEMBLY-PASSENGER -----	5	D E E D
	C166005-0204	MASK & LINE ASSEMBLY-PASSENGER -----	5	
-46	C166005-0205	MASK ASSEMBLY -----	1	
	C166009-0501	MASK ASSEMBLY -----	1	
-47	C166005-0504	LINE & FITTING ASSEMBLY 8,000-14,000 FT -----	1	
-48		DELETED -----		
	C166005-0502	MASK & LINE ASSEMBLY-PILOT -----	1	
-49	C166009-0501	MASK ASSEMBLY -----	1	
-50	C166005-0505	LINE & FITTING ASSEMBLY 14,000-22,000 FT -----	1	
-51		DELETED -----		
-52	C166010-0105	LINE ASSEMBLY-OXYGEN -----	2	
	C166010-0101	GAGE ASSEMBLY-OXYGEN PRESSURE -----	1	
		ATTACHING PARTS		
-53	AN515-6R5	SCREW -----	1	

-54	C166010-0102	GAGE -----	1	
-55	C166010-0103	BEZEL -----	1	
-56	S1529-1	ELBOW -----	1	
-57	0710652-1	ESCUTCHEON -----	1	
-58	0710650-2	BRACKET-GAGE -----	1	
-59	0710650-1	BRACKET-AFT -----	1	
-60	S1724-1	TEE -----	1	
-61	S1721-12	LINE ASSEMBLY-OXYGEN TEE TO FILLER -----	1	
-62	C166008-0101	VALVE ASSEMBLY-OXYGEN FILLER -----	1	
		ATTACHING PARTS		
-63	AN515-8R8	SCREW -----	3	

-64	2-15	O RING PKSC -----	1	
-65	2-11	O RING PKSC -----	1	
-66	S1520-1	CAP & CHAIN ASSEMBLY -----	1	
-67	S102124-6	SCREW -----	1	
-68	1200429-15	VALVE ADAPTOR ASSEMBLY -----	1	
	NAS697A08	NUTPLATE -----	3	
	NAS697A06L	NUTPLATE -----	4	
-69	1200429-13	SPACER -----	1	
-70	1200429-12	COVER-VALVE -----	1	
		ATTACHING PARTS		
	AN515-6R6	SCREW -----	4	

-71	C166007-0102	MOUNTING BRACKET-OXYGEN BOTTLE -----	2	
		ATTACHING PARTS		
-72	AN4-4A	BOLT -----	2	
	NAS679A4	NUT -----	2	

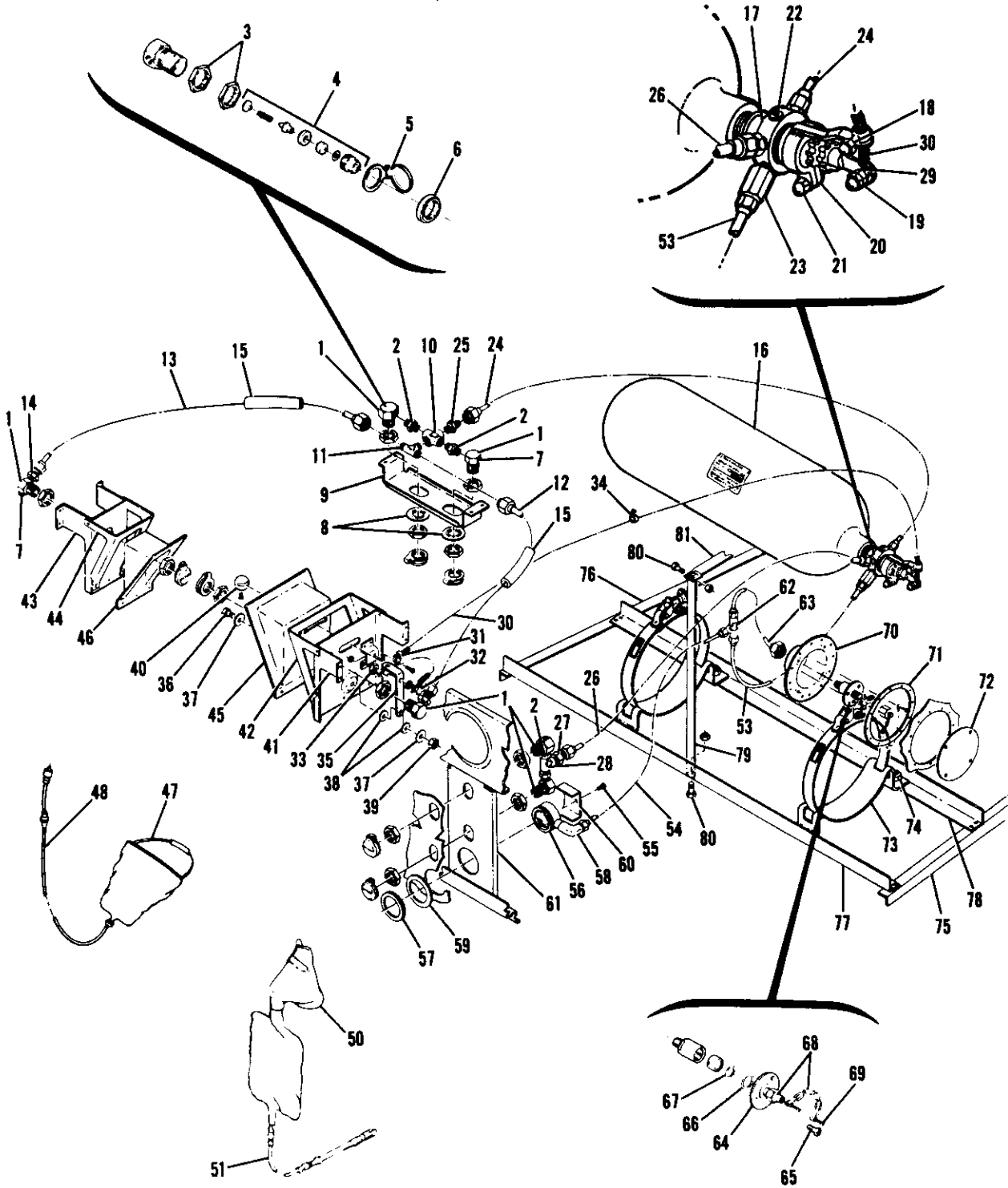
-73	0712014-1	ANGLE-TANK SUPPORT LH -----	1	
-74	0712014-2	ANGLE-TANK SUPPORT RH -----	1	
-75	0712014-6	ANGLE-TANK SUPPORT FORWARD -----	1	
-76	0712014-7	ANGLE-TANK SUPPORT AFT -----	1	
-77	0713916-1	SUPPORT -----	1	
		ATTACHING PARTS		
-78	AN3-3A	BOLT -----	2	
	MS21044N3	NUT -----	2	

-79	0712007-4	STIFFENER -----	1	

NOTE. #THIS PART NUMBER MUST HAVE A SECOND DASH NUMBER ADDED TO DENOTE COLOR. REFER TO HOW TO ORDER INTERIOR PARTS-PAGE XIII.

- A---SERIAL 18051904 THRU 18052103
SERIAL 185-1332 THRU 185-1599
- B---SERIAL 18051904 THRU 18052076
SERIAL 185-1332 THRU 185-1539
- C---SERIAL 18052077 THRU 18052103
SERIAL 185-1540 THRU 185-1599
- D---SERIAL 18051904 THRU 18051946
SERIAL 185-1332 THRU 185-1392
- E---SERIAL 18051947 THRU 18052103
SERIAL 185-1393 THRU 185-1599

Oxygen System (Cont)



SERIAL 18052104 THRU 18052384
SERIAL 18501600 THRU 18502310

Figure 120C. Oxygen System Installation

FIGURE AND INDEX NO.	PART NUMBER	DESCRIPTION	UNITS	USABLE
			PER ASSY	ON CODE
		1 2 3 4 5 6 7		
120C-		OXYGEN SYSTEM INSTALLATION -----	NP	A
- 1	C166006-0104	VALVE ASSEMBLY-OXYGEN OUTLET -----	6	B
	C166006-0109	VALVE ASSEMBLY-OXYGEN OUTLET -----	6	C
		ATTACHING PARTS -----		
- 2	AN911-1D	NIPPLE -----	4	

- 3	Z651-13	NUT-JAM ZEPa -----	2	
- 4	C166006-0108	KIT-VALVE REPAIR -----	1	
- 5	Z651-1	COVER ASSEMBLY ZEPa -----	1	
- 6	Z651-3	LOCK RING ZEPa -----	1	
- 7	AN932C2	PLUG -----	6	
- 8	1200415-7	ESCUTCHEON -----	2	
- 9	0710648-1	BRACKET-CENTER -----	1	
-10	AN918-1D	CROSS -----	1	
-11	MS20825-6D	TEE -----	1	
-12	0700147-35	TUBE ASSEMBLY-PILOT OUTLET -----	1	
-13	0700147-36	TUBE ASSEMBLY-COPILOT OUTLET -----	1	
		ATTACHING PARTS -----		
-14	AN816-3D	NIPPLE -----	1	

-15	S1399-1	SLEEVE-8.00 IN LG BULK ITEM REF S1399-1-8.00 -----	2	
-16	C166001-0601	CYLINDER & REGULATOR ASSEMBLY -----	1	
-17	C166002-0401	REGULATOR ASSEMBLY -----	1	
-18	10-8001C	NUT ZEPa -----	1	
	16-8900C	SETSCREW ZEPa -----	1	
-19	10-8001C	NUT ZEPa -----	1	
	16-8375C	SET SCREW ZEPa -----	1	
-20	91-8000AC	CLAMP ZEPa -----	1	
		ATTACHING PARTS -----		
-21	16-2000C	BOLT ZEPa -----	1	
	97NT3-048	NUT ZEPa -----	1	

-22	12-4862	PLUG-SAFETY ZEPa -----	1	
	AN932C2	PLUG -----	1	
-23	ZF604	ADAPTOR ASSEMBLY -----	1	
-24	0700147-54	TUBE ASSEMBLY -----	1	
		ATTACHING PARTS -----		
-25	AN816-3B	NIPPLE -----	1	
	S1486DG5U	CLAMP -----	1	
	S1021Z8-10	SCREW -----	1	
	S1592-1A	CLAMP -----	1	
	S1021Z6-6	SCREW -----	1	

-26	0700147-55	TUBE ASSEMBLY -----	1	
		ATTACHING PARTS -----		
-27	AN816-3D	NIPPLE -----	1	

-28	AN917-1D	TEE -----	1	
-29	S1398-1	WIRE-86.00 IN LG BULK ITEM REF S1398-1-86.00 -----	1	
-30	S1398-2	CASING-80.00 IN LG BULK ITEM REF S1398-2-80.00 -----	1	
		ATTACHING PARTS -----		
-31	AN74205	CLAMP -----	1	
	AN520-10R8	SCREW -----	1	
	MS21044N3	NUT -----	1	
-32	0450311-5	CLAMP -----	1	AR
	AN960-10	WASHER -----	1	
-33	MS21044N3	NUT -----	1	
-34	S1592-1A	CLAMP -----	1	
	S1021Z6-6	SCREW -----	1	

-35	0710642-2	ARM-OXYGEN CONTROL -----	1	
		ATTACHING PARTS -----		
-36	AN3-5A	BOLT -----	1	
-37	AN970-3	WASHER -----	2	
-38	S1438-2	WASHER -----	2	
-39	MS21044N3	NUT -----	1	

-40	S1249-1	KNOB -----	1	
		ATTACHING PARTS -----		
	AN507-1032R14	SCREW -----	4	

-41	0710641-1	BRACKET-LH FORWARD OXYGEN OUTLET -----	1	
-42	0710644-1	ANGLE-LH FORWARD -----	1	
-43	0710643-1	BRACKET-RH FORWARD OXYGEN OUTLET -----	1	
-44	0710645-1	ANGLE-RH FORWARD -----	1	

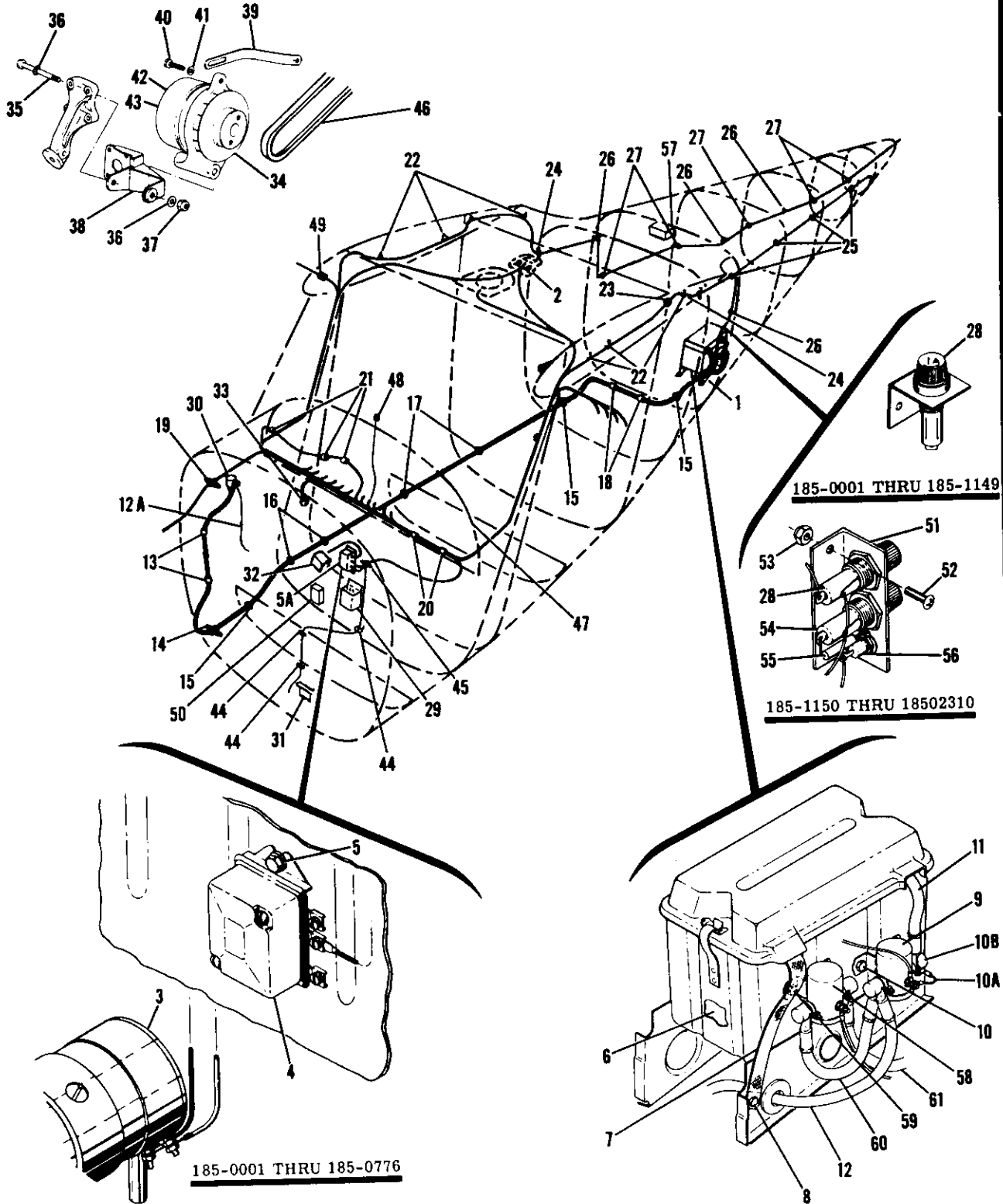
CONTINUED ON NEXT PAGE

FIGURE AND INDEX NO.	PART NUMBER	DESCRIPTION	UNITS PER ASSY	USABLE ON CODE		
					1	2
120C-45 -46	0710646-1	COVER PLATE-LH -----	1			
	0710647-1	COVER PLATE-RH -----	1			
	S102126-6	ATTACHING PARTS -----	4			
	C166005-0204	SCREW -----	5			
-47	C166005-0205	MASK & LINE ASSEMBLY-PASSENGER -----	1			
-48	C166005-0504	MASK ASSEMBLY -----	1			
-49		LINE & FITTING ASSEMBLY 8,000-14,000 FT -----	1			
	C166005-0202	DELETED -----	1			
-50	C166005-0205	MASK & LINE ASSEMBLY-PILOT -----	1			
-51	C166005-0505	MASK ASSEMBLY -----	1			
-52		LINE & FITTING ASSEMBLY 14,000-22,000 FT -----	1			
-53	0700147-56	DELETED -----	1			
	S1723-5	LINE ASSEMBLY-OXYGEN REGULATOR TO TEE -----	1	D		
	C166010-0105	LINE ASSEMBLY-OXYGEN REGULATOR TO TEE -----	1	E		
	S1722-15	LINE ASSEMBLY-OXYGEN TEE TO GAGE -----	1	D		
	C166010-0101	LINE ASSEMBLY-OXYGEN TEE TO GAGE -----	1	E		
-54		GAGE ASSEMBLY-OXYGEN PRESSURE -----	1			
		ATTACHING PARTS -----	1			
-55	AN515-6R5	SCREW -----	1			
		GAGE -----	1			
-56	C166010-0102	BEZEL -----	1			
-57	C166010-0103	ELBOW -----	1			
-58	S1529-1	ESCUTCHEON -----	1			
-59	0710652-1	BRACKET-GAGE -----	1			
-60	0710650-1	BRACKET-AFT -----	1			
-61	0710650-1	TEE -----	1			
-62	S1724-1	LINE ASSEMBLY-OXYGEN TEE TO FILLER VALVE -----	1	D		
-63	S1721-12	LINE ASSEMBLY-OXYGEN TEE TO FILLER VALVE -----	1	E		
	S1721-16	VALVE ASSEMBLY-OXYGEN FILLER -----	1			
-64	C166008-0101	ATTACHING PARTS -----	3			
-65	AN515-8R8	SCREW -----	1			
-66	2-15	O RING PKSC -----	1			
-67	2-11	O RING PKSC -----	1			
-68	S1520-1	CAP & CHAIN ASSEMBLY -----	1			
-69	S102124-6	SCREW -----	1			
-70	1200429-15	VALVE ADAPTOR ASSEMBLY -----	3			
	NAS697A08	NUTPLATE -----	4			
	NAS697A06L	NUTPLATE -----	1			
-71	1200429-13	SPACER -----	1			
-72	1200429-12	COVER-VALVE -----	1			
		ATTACHING PARTS -----	4			
	AN515-6R6	SCREW -----	2			
-73	C166007-0102	MOUNTING BRACKET-OXYGEN BOTTLE -----	2			
		ATTACHING PARTS -----	2			
-74	AN4-4A	BOLT -----	2			
	NAS679A4	NUT -----	1			
-75	0712014-1	ANGLE-TANK SUPPORT LH -----	1			
-76	0712014-2	ANGLE-TANK SUPPORT RH NOT USED WITH LITTER DOOR -----	1	E		
	0712014-10	ANGLE-TANK SUPPORT RH USED WITH LITTER DOOR -----	1			
-77	0712014-6	ANGLE-TANK SUPPORT FWD NOT USED WITH LITTER DOOR -----	1	E		
	0712014-8	ANGLE-TANK SUPPORT FWD USED WITH LITTER DOOR -----	1			
-78	0712014-7	ANGLE-TANK SUPPORT AFT NOT USED WITH LITTER DOOR -----	1	E		
	0712014-9	ANGLE-TANK SUPPORT AFT USED WITH LITTER DOOR -----	1			

CONTINUED ON NEXT PAGE

FIGURE AND INDEX NO.	PART NUMBER	DESCRIPTION	UNITS PER ASSY	USABLE ON CODE
		1 2 3 4 5 6 7		
120C-79	0713916-1 0713916-5	SUPPORT NOT USED WITH LITTER DOOR ----- SUPPORT USED WITH LITTER DOOR ----- ATTACHING PARTS -----	1 1	
-80	AN3-3A MS21044N3	BOLT ----- NUT ----- -----*	2 2	
-81	0712007-4	STIFFENER -----	1	
<p>NOTE. THIS PART NUMBER MUST HAVE A SECOND DASH NUMBER ADDED TO DENOTE COLOR. REFER TO HOW TO ORDER INTERIOR PARTS-PAGE XIII.</p> <p>A---SERIAL 18052104 THRU 18052384 SERIAL 18501600 THRU 18502310 B---SERIAL 18052104 THRU 18052110 SERIAL 18501600 THRU 18501621 C---SERIAL 18052111 THRU 18052384 SERIAL 18501622 THRU 18502310 D---SERIAL 18052104 THRU 18052293 SERIAL 18501600 THRU 18502100 E---SERIAL 18052294 THRU 18052384 SERIAL 18502101 THRU 18502310</p>				

Electrical Equipment



SERIAL 185-0001 THRU 18502310

Figure 121. Fuselage Electrical Equipment Installation

FIGURE AND INDEX NO.	PART NUMBER	DESCRIPTION	UNITS PER ASSY	USABLE ON CODE
121 -		ELECTRICAL EQUIPMENT INSTALLATION -----	NP	A
- 1		GROUND SERVICE PLUG INSTL SEE FIG 125, 125A & 125B -----	1	
- 2	SEE FIG 123	CABIN LIGHTS INSTALLATION -----	1	
	PDM50	50 AMP GENERATOR INSTALLATION -----	1	C
	AN507-632R12	CIRCUIT BREAKER SPT -----	1	
		ATTACHING PARTS -----		
		SCREW -----	2	

- 3	0750140-5	GENERATOR-50 AMP -----	1	
- 4	0413205-11	REGULATOR-VOLTAGE 50 AMP -----	1	
		ATTACHING PARTS -----		
- 5	AN4-6A	BOLT -----	3	

	627377	PULLEY-V BELT CM -----	1	
- 5A	0750216-1	REGULATOR-VOLTAGE USED WITH ALTERNATOR -----	1	H
		WHEN EXHAUSTED USE C611001-0101 -----		
	C611001-0101	REGULATOR-VOLTAGE USED WITH ALTERNATOR -----	1	J
		WEU C611001-0102 -----		
	C611001-0102	REGULATOR-VOLTAGE USED WITH ALTERNATOR -----	1	J
		ATTACHING PARTS -----		
	AN4-6A	BOLT -----	2	H
	AN520-416R8	SCREW -----	2	J

	C5FF10A560A	PLUG ASSEMBLY FOR -----	1	H
	1250211-4	PLUG ASSEMBLY -----	1	J
- 6	0712605-201 *	BATTERY-AIRCRAFT -----	1	
- 7	0412007-1	STRAP-BATTERY GROUND -----	1	
		ATTACHING PARTS -----		
- 8	AN4-4A	BOLT -----	1	
	AN960-416	WASHER -----	1	

- 9	0712603-2	CONTACTOR ASSEMBLY-MASTER SOLENOID -----	1	G
	S1579-1	CONTACTOR-MASTER SOLENOID WEU S1579-2 -----	1	W
	S1579-2	CONTACTOR-MASTER SOLENOID -----	1	X
		ATTACHING PARTS -----		
-10	AN3-3A	BOLT -----	2	
	MS21044N3	NUT -----	2	

	0770657-1	DIODE ASSEMBLY -----	1	G
-10A	0770728-1	DIODE ASSEMBLY -----	1	F
-10B	S1807-1	COVER-CONTACTOR TERMINAL -----	2	S
	S2209-2	STA-STRAP -----	2	S
-11	0700092-PA1	CABLE BATTERY TO BATTERY SOLENOID -----	1	G
	0700092-PA6	CABLE-BATTERY TO SOLENOID -----	1	F
-12	0700092-PA4	CABLE BATTERY SOLENOID TO STARTER SOLENOID -----	1	G
	0700092-PA8	CABLE-BATTERY SOLENOID TO STARTER SOLENOID -----	1	F
-12A	0700092-KA2	CABLE-STARTER CONTACTOR TO STARTER -----	2	
	MS25171-3S	NIPPLE -----	2	
	SEE FIG 124	ROTATING BEACON INSTALLATION -----	1	L
	SEE FIG 124A	FLASHING BEACON INSTALLATION -----	1	M
-13	MS21919DG7	CLAMP -----	4	
		ATTACHING PARTS -----		
	NAS446-4-3	NUT -----	1	
	S102128-8	SCREW -----	1	

-14	NAS557-8A	GROMMET -----	1	
	0713003-74	FATLEAD -----	1	
	S1095-4	SHIELD-HALF -----	2	
		ATTACHING PARTS -----		
	S102128-8	SCREW -----	1	
	NAS446-4-3	NUT -----	1	

-15	MS35489-19	GROMMET -----	3	
-16	MS35489-48	GROMMET -----	2	
-17	MS35489-17	GROMMET -----	2	
-18	S1486DG7U	CLAMP -----	2	
		ATTACHING PARTS -----		
	S102128-8	SCREW -----	1	

CONTINUED ON NEXT PAGE

FIGURE AND INDEX NO.	PART NUMBER	DESCRIPTION	UNITS PER ASSY	USABLE ON CODE		
					1	2
121 -19	NAS557-6A	GROMMET	1			
	S1095-3	SHIELD-HALF ATTACHING PARTS	2			
-20	S1021Z8-8	SCREW	1			
	NAS446-4-3	NUT	1			
-20	S1592-3B	HARNESS BAND UC ATTACHING PARTS	2			
	S1021Z6-8	SCREW	1			
-21	S14860G5U	CLAMP ATTACHING PARTS	3			
	S1021Z8-8	SCREW	1			
-22	CM2679-2	STRAP ATTACHING PARTS	6			
	S1021Z8-8	SCREW	1			
-23	NAS446-4-3	NUT	1			
	S1155-4	CLAMP ATTACHING PARTS	1			
-24	S1021Z8-8	SCREW	1			
	NAS446-4-3	NUT	1			
-25	1270015-1	STRAP ASSEMBLY ATTACHING PARTS	2			
	S1021Z6-8	SCREW	2			
-26	NAS446-2-3	NUT	2			
	MS35489-116	GROMMET	4			
-27	A3493-012-1	CLIP TIN	3			
	MS35489-4	GROMMET	5			
-28	S1090-22	FUSE HOLDER-ELECTRIC CLOCK	1			
	S1091-1	FUSE-1 AMP	1	B		
-29	0713130-1	VIBRATOR-STARTING ATTACHING PARTS	1	B		
	AN520-10R8	SCREW	2	B		
-30	0750027-1	CONTACTOR-STARTER	1	L		
	S1673-1	CONTACTOR-STARTER WHEN EXHAUSTED USE S1991-1	1	T		
-31	S1991-1	CONTACTOR-STARTER ATTACHING PARTS	1	U		
	AN4-4A	BOLT	2			
-32	AN960-416	WASHER	2			
	MS25171-3S	NIPPLE-TERMINAL COVER	2	R		
-33	S1807-1	COVER-CONTACTOR TERMINAL	1	S		
	S1807-2	COVER-CONTACTOR TERMINAL BATTERY CABLE	1	S		
-34	S2209-2	STA-STRAP	2	S		
	SEE FIG 108	RESISTOR-FUEL PUMP	1	G		
-35	MS25253-1	SWITCH-THROTTLE SEE FIG 104 & 105	1	G		
	S1931-1	ACTUATOR-THROTTLE SEE FIG 104 & 105	1	Z		
-36	E33-10K	SWITCH & ACTUATOR ASSY-THROTTLE SEE FIG 104 & 105	1	D		
	0770038-2	FILTER	1	D		
-37	AN515-10R6	ATTACHING PARTS	2	D		
	S550B	SCREW	1	L		
-38	SEE FIG 123B	SUPPRESSOR SATA	1	P		
	0750217-1	ALTERNATOR INSTALLATION-SHOCK MOUNTED SEE FIGURE 123B	1	K		
-39	C611501-0102	ALTERNATOR INSTALLATION	1	E		
	AN7-40A	ALTERNATOR ASSEMBLY-52 AMP WHEN EXHAUSTED SEE SERVICE LETTER 66-1 FOR CONVERTING TO 60 AMP ALTERNATOR	1	N		
-40	AN960-716	ALTERNATOR ASSEMBLY-60 AMP ATTACHING PARTS	1			
	MS20365-720C	BOLT	1			
-41	0750213-1	WASHER	2			
	0750221-1	NUT	1			
-42	0750220-1	SUPPORT ASSEMBLY	1			
	S1450-6-14-080	ARM-ADJUSTING ATTACHING PARTS	1			
-43		BOLT	1			
		WASHER	1			

CONTINUED ON NEXT PAGE

FIGURE AND INDEX NO.	PART NUMBER	DESCRIPTION	UNITS	USABLE
			PER ASSY	ON CODE
		1 2 3 4 5 6 7		
121 -42	0770038-2	NOISE FILTER ----- ATTACHING PARTS -----	1	E
	AN515-8R6	SCREW -----	2	
	NAS679A08	NUT -----	2	
-43	1250208-1	STRAP-FILTER MOUNT ----- ATTACHING PARTS -----	1	E
	AN520-10R5	SCREW -----	2	
	1250207-1	SPACER -----	2	
	AN936A10	WASHER -----	2	
-44	MS21919DG2	CLAMP -----	3	
-45	NAS557-12A	GROMMET -----	1	
	S1095-6	SHIELD HALF ----- ATTACHING PARTS -----	2	
	S1021Z8-8	SCREW -----	2	
	NAS446-4-3	NUT -----	2	
-46	S1597-1-30.8	BELT-ALTERNATOR DRIVE -----	1	F
	S1597-1-31.2	BELT-ALTERNATOR DRIVE -----	1	E
-47		INSTRUMENT PANEL ELECTRICAL COMPONENTS FOR SWITCHES ----- CIRCUIT BREAKERS-DIODE BOARD-BUS BAR RELAY-ELECTRIC ----- CLOCK-WARNING HORN SEE FIGURES 66, 68A, 68B, 68C&68D -----	1	
-48	S1637-2	HOUSING COMPASS DISCONNECT -----	2	M
	S1367-1	HOUSING COMPASS DISCONNECT -----	2	M
-49	S1638-1	HOUSING RH ROOT RIB DISCONNECT -----	1	M
	S1638-2	HOUSING CAP RH ROOT RIB DISCONNECT -----	1	M
	S1640-9	HOUSING PIN LH ROOT RIB DISCONNECT -----	1	M
	S1640-9	HOUSING SOCKET LH ROOT RIB DISCONNECT -----	1	M
-50	S1660-1	CONTACTOR-REVERSE POLARITY EXTERNAL POWER ----- ATTACHING PARTS -----	2	Q
	AN520-416R8	SCREW -----	2	
	NAS679A4	NUT -----	2	
	0700092PC4	CABLE REVERSE POLARITY CONTACTOR TO STARTER CONTACTOR -----	1	M
	MS25171-35	NIPPLE-TERMINAL COVER -----	2	Q
	S1807-1	COVER-CONTACTOR TERMINAL -----	2	S
	S1693-2	STA-STRAP -----	2	S
	MS21919DG7	CLAMP CLAMP 0700092PC4 CABLE ----- ATTACHING PARTS -----	2	M
	S1021Z8-8	SCREW -----	1	
	NAS446-4-3	NUT -----	1	
-51	0712031-1	MOUNTING BRACKET-FUSE & DIODE-EXT POWER & CLOCK ----- ATTACHING PARTS -----	1	M
-52	AN515-8R10	SCREW -----	2	M
-53	NAS679A08	NUT -----	2	M
-54	S1090-2	FUSE HOLDER-EXTERNAL POWER -----	1	M
	S1090-5	FUSE-EXTERNAL POWER 5 AMP -----	1	M
-55	X26263	RESISTOR-.75 OHMS TRTA -----	1	M
-56	20H3P	DIODE-EXTERNAL POWER SATA -----	1	M
	6F20-D	DIODE-EXTERNAL POWER ALTERNATE AFE -----	1	M
	43-1761	INSULATING HARDWARE SPD USED WITH 6F20-D -----	1	M
	1N1344A	DIODE-EXTERNAL POWER ALTERNATE SPD -----	1	M
		ATTACHING PARTS -----		
	S1438-2	WASHER-NYLON -----	1	N
	LN1032X	NUT-NYLON WECK -----	1	M

CONTINUED ON NEXT PAGE

FIGURE AND INDEX NO.	PART NUMBER	DESCRIPTION	UNITS PER ASSY	USABLE ON CODE
		1 2 3 4 5 6 7		
121 -57	C622004-0101	POWER SUPPLY-STROBE LIGHT ----- ATTACHING PARTS -----	1	V
	AN3-3A	BOLT -----	4	V
	AN960-10L	WASHER -----	4	V
-58	S1660-1	CONTACTOR-EXTERNAL POWER ----- ATTACHING PARTS -----	1	Y
-59	AN3-3A	BOLT -----	2	Y
	AN960-10L	WASHER -----	2	Y
	MS21044N3	NUT -----	2	Y
-60	0700092-PC11	CABLE ASSY BATTERY CONTACTOR TO EXTERNAL POWER CONTACTOR -	1	Y
-61	SEE FIG 125B	CABLE ASSY -----	1	Y
		NOTE. *THIS KIT INCLUDES DRY BATTERY AND ELECTROLYTE.		
		A---SERIAL 185-0001 THRU 18502310		
		B---SERIAL 185-0001 THRU 185-0512		
		C---SERIAL 185-0001 THRU 185-0776		
		D---SERIAL 185-0777 THRU 18502310		
		E---SERIAL 185-0777 THRU 185-0967		
		F---SERIAL 185-0968 THRU 18502310		
		G---SERIAL 185-0001 THRU 185-0967		
		H---SERIAL 185-0777 THRU 185-1066		
		J---SERIAL 185-1067 THRU 18502310		
		K---SERIAL 185-0777 THRU 185-1095		
		L---SERIAL 185-0001 THRU 185-1149		
		M---SERIAL 185-1150 THRU 18502310		
		N---SERIAL 185-0968 THRU 185-1095		
		P---SERIAL 185-1096 THRU 18502310		
		Q---SERIAL 185-1150 THRU 185-1343		
		R---SERIAL 185-0001 THRU 185-1343		
		S---SERIAL 185-1344 THRU 18502310		
		T---SERIAL 185-1150 THRU 185-1533		
		U---SERIAL 185-1534 THRU 18502310		
		V---SERIAL 18501833 THRU 18501886		
		W---SERIAL 185-0968 THRU 18502100		
		X---SERIAL 18502101 THRU 18502310		
		Y---SERIAL 18501833 THRU 18502310 FLDATPLANE		
		Z---SERIAL 185-0968 THRU 18502007, 18502026, 18502027		



FIGURE AND INDEX NO.	PART NUMBER	DESCRIPTION	UNITS PER ASSY							USABLE ON CODE
			1	2	3	4	5	6	7	
122 -		ELECTRICAL EQUIPMENT INSTALLATION -----							NP	A
- 1		GROUND SERVICE PLUG INSTL SEE FIG 125, 125A & 125B -----							1	
- 2	0713511-1	FLASHER ASSEMBLY-NAVIGATION LIGHTS -----							1	B
		ATTACHING PARTS -----								
	S1021Z6-6	SCREW -----							4	
	NAS446-2-3	NUT -----							4	

	ZN441	TRANSISTOR DRC -----							2	
- 3	SEE FIG 123	CABIN LIGHTS INSTALLATION -----							1	
	PDM50	50 AMP GENERATOR INSTALLATION -----							1	B
		CIRCUIT BREAKER SPT -----							1	
		ATTACHING PARTS -----								
	AN507-632R12	SCREW -----							2	

- 4	0750140-5	GENERATOR-50 AMP -----							1	
- 5	0413205-11	REGULATOR-VOLTAGE 50 AMP -----							1	
		ATTACHING PARTS -----								
- 6	AN4-6A	BOLT -----							3	

	627377	PULLEY-V BELT CM -----							1	
- 6A	0750216-1	REGULATOR-VOLTAGE USED WITH ALTERNATOR -----							1	G
		WHEN EXHAUSTED USE C611001-0101 -----								
	C611001-0101	REGULATOR-VOLTAGE USED WITH ALTERNATOR -----							1	H
		WEU C611001-0102 -----								
	C611001-0102	REGULATOR-VOLTAGE USED WITH ALTERNATOR -----							1	H
		ATTACHING PARTS -----								
	AN4-6A	BOLT -----							2	G
	AN520-416R8	SCREW -----							2	H

	C5FF10A568A	PLUG ASSEMBLY FOR -----							1	G
	1250211-4	PLUG ASSEMBLY -----							1	H
- 7	0712605-201	BATTERY-AIRCRAFT -----							1	
- 8	0412007-1	CABLE-BATTERY GROUND -----							1	
		ATTACHING PARTS -----								
- 9	AN4-4A	BOLT -----							1	
	AN960-416	WASHER -----							1	

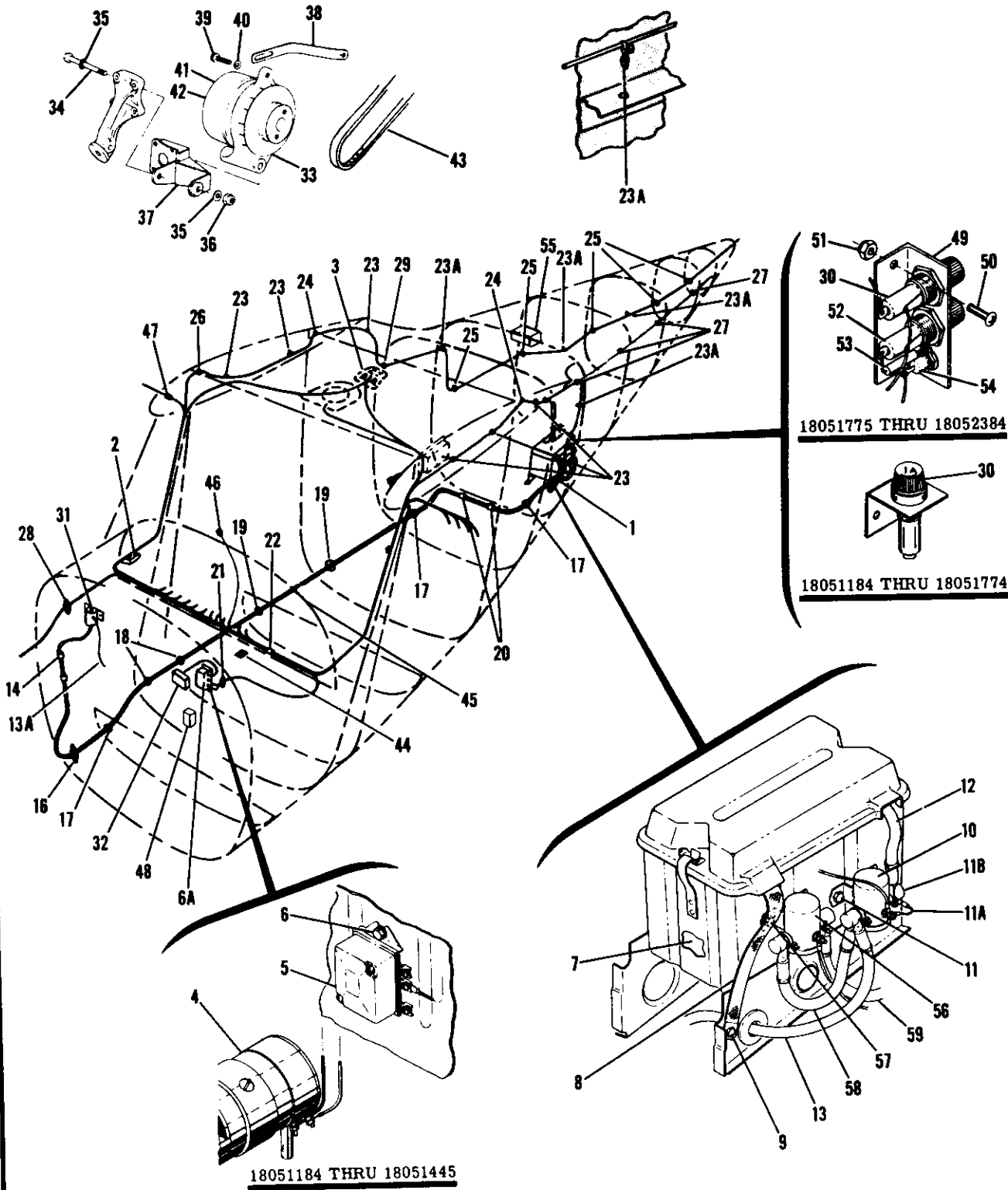
-10	0712603-2	CONTACTOR ASSEMBLY-MASTER SOLENOID -----							1	D
	S1579-1	CONTACTOR ASSEMBLY-MASTER SOLENOID WEU S1579-2 -----							1	V
	S1579-2	CONTACTOR ASSEMBLY-MASTER SOLENOID -----							1	W
		ATTACHING PARTS -----								
-11	AN3-3A	BOLT -----							2	
	MS21044N3	NUT -----							2	

	0770657-1	DIODE ASSEMBLY-MASTER SOLENOID -----							1	D
-11A	0770728-1	DIODE ASSEMBLY-MASTER SOLENOID -----							1	E
-11B	S1807-1	COVER-CONTACTOR TERMINAL -----							2	R
	S2209-2	STA-STRAP -----							2	R
-12	0700092-PA1	CABLE BATTERY TO BATTERY SOLENOID -----							1	D
	0700092-PA6	CABLE BATTERY TO BATTERY SOLENOID -----							1	E
-13	0700092-PA4	CABLE BATTERY SOLENOID TO STARTER SOLENOID -----							1	D
	0700092-PA8	CABLE BATTERY SOLENOID TO STARTER SOLENOID -----							1	E
-13A	0700092-KA2	CABLE STARTER SOLENOID TO STARTER -----							1	E
	SEE FIG 124	ROTATING BEACON INSTALLATION -----							1	K
	SEE FIG 124A	FLASHING BEACON INSTALLATION -----							1	L
-14	MS21919DG7	CLAMP -----							2	
		ATTACHING PARTS -----								
	NAS446-4-3	NUT -----							1	
	S1021Z8-8	SCREW -----							1	

-15	NAS557-8A	DELETED, NEVER USED -----							1	
-16	0713003-74	GROMMET -----							1	
	S1095-4	FAIRLEAD -----							2	
		SHIELD -----							2	
		ATTACHING PARTS -----								
	NAS446-4-3	NUT -----							1	
	S1021Z8-8	SCREW -----							1	

CONTINUED ON NEXT PAGE

Electrical Equipment



SERIAL 18051184 THRU 18052384

Figure 122. Fuselage Electrical Equipment Installation

FIGURE AND INDEX NO.	PART NUMBER	DESCRIPTION	UNITS PER ASSY	USABLE ON CODE
122 -17	MS35489-19	GROMMET -----	3	
	MS35489-48	GROMMET -----	2	
-18	MS35489-17	GROMMET -----	2	
-19	S1486DG7U	CLAMP -----	2	
-20		ATTACHING PARTS -----		
	S1021Z8-6	SCREW -----	1	
		-----*		
-21	NAS557-12A	GROMMET -----	1	
	S1095-6	SHIELD -----	2	
		ATTACHING PARTS -----		
	S1021Z8-8	SCREW -----	1	
	NAS446-4-3	NUT -----	1	
		-----*		
-22	S1486DG8U	CLAMP -----	1	
		ATTACHING PARTS -----		
	S1021Z8-8	SCREW -----	1	
		-----*		
-23	CM2679-2	STRAP -----	6	
-23A	A3493-012-1	CLIP TIN -----	3	
-24	S1155-4	CLAMP -----	2	
-25	MS35489-4	GROMMET -----	5	
-26	MS35489-4	GROMMET -----	1	
-27	MS35489-118	GROMMET -----	4	
-28	NAS557-6A	GROMMET -----	1	
	S1095-3	SHIELD HALF -----	2	
		ATTACHING PARTS -----		
	S1021Z8-6	SCREW -----	2	
	NAS446-4-3	NUT -----	2	
		-----*		
-29	1270015-1	STRAP ASSEMBLY -----	2	
		ATTACHING PARTS -----		
	S1021Z6-8	SCREW -----	2	
	NAS446-2-3	NUT -----	2	
		-----*		
-30	S1090-22	FUSE HOLDER-ELECTRIC CLOCK -----	1	
	S1091-1	FUSE-1 AMP -----	1	
-31	0750027-1	CONTACTOR-STARTER -----	1	K
	S1673-1	CONTACTOR-STARTER WHEN EXHAUSTED USE S1991-1 -----	1	S
	S1991-1	CONTACTOR-STARTER -----	1	T
		ATTACHING PARTS -----		
	AN4-4A	BOLT -----	2	
	AN960-416	WASHER -----	2	
		-----*		
	MS25171-35	NIPPLE-TERMINAL COVER -----	2	Q
	S1807-1	COVER-CONTACTOR TERMINAL -----	1	R
	S1808-2	COVER-CONTACTOR TERMINAL BATTERY CABLE -----	1	R
	S2209-2	STA-STRAP -----	2	R
-32	0770038-2	FILTER -----	1	C
		ATTACHING PARTS -----		
	AN515-1096	SCREW -----	2	C
		-----*		
	SEE FIG 123B	ALTERNATOR INSTALLATION-SHOCK MOUNTED -----	1	N
		ALTERNATOR INSTALLATION -----	1	J
-33	0750217-1	ALTERNATOR ASSEMBLY-52 AMP WHEN EXHAUSTED SEE SERVICE -	1	F
		LETTER 66-1 FOR CONVERTING TO 60 AMP ALTERNATOR -----		
	C611501-0102	ALTERNATOR ASSEMBLY-60 AMP -----	1	M
		ATTACHING PARTS -----		
-34	AN7-40A	BOLT -----	1	
-35	AN960-716	WASHER -----	2	
-36	MS20365-720C	NUT -----	1	
-37	0750213-1	SUPPORT ASSEMBLY -----	1	
		-----*		
-38	0750221-1	ARN-ADJUSTING -----	1	
		ATTACHING PARTS -----		
-39	0750220-1	BOLT -----	1	
-40	S1450-6-14-080	WASHER -----	1	
		-----*		

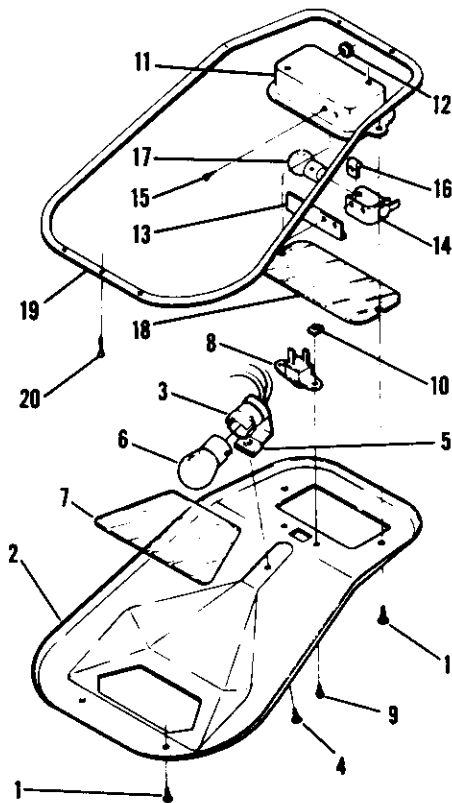
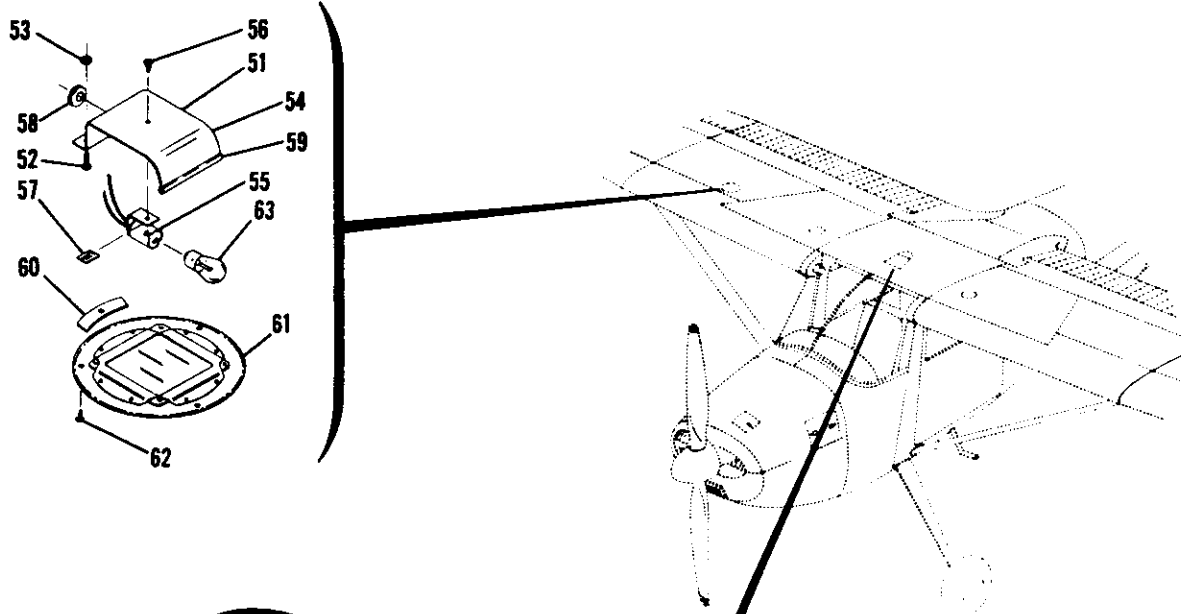
CONTINUED ON NEXT PAGE

FIGURE AND INDEX NO.	PART NUMBER	DESCRIPTION	UNITS PER ASSY							USABLE ON CODE
			1	2	3	4	5	6	7	
122 -41	0770038-2	NOISE FILTER ----- ATTACHING PARTS -----							1	F
	AN515-8R6 NAS679A08	SCREW ----- NUT -----							2 2	
-42	1250208-1	STRAP-FILTER MOUNT ----- ATTACHING PARTS -----							1	F
	AN520-10R5 1250207-1	SCREW ----- SPACER -----							2 2	
-43	S1597-1-30.8	BELT-ALTERNATOR DRIVE -----							1	M
-44	S1597-1-31.2	BELT-ALTERNATOR DRIVE -----							1	F
-44	S5508	SUPPRESSOR SATA -----							1	K
-45		INSTRUMENT PANEL ELECTRICAL COMPONENTS FOR SWITCHES ----- CIRCUIT BREAKERS-DIODE BOARD-BUS BAR RELAY-ELECTRIC CLOCK-WARNING HORN SEE FIG 67, 68A, 68B, 68CE&8D							1	
-45	S1637-2	HOUSING COMPASS DISCONNECT -----							2	L
	S1637-1	HOUSING COMPASS DISCONNECT -----							2	L
-47	S1638-1	HOUSING RH ROOT RIB DISCONNECT -----							1	L
	S1638-2	HOUSING CAP RH ROOT RIB DISCONNECT -----							1	L
-48	S1640-9	HOUSING PIN LH ROOT RIB DISCONNECT -----							1	L
	S1641-9	HOUSING SOCKET LH ROOT RIB DISCONNECT -----							1	L
-48	S1660-1	CONTACTOR-REVERSE POLARITY EXTERNAL POWER ----- ATTACHING PARTS -----							1	L
	AN520-416R8 MS20365-428	SCREW ----- NUT -----							2 2	
	0700092PC4	CABLE REVERSE POLARITY CONTACTOR TO STARTER CONTACTOR -----							1	L
	MS25171-35	NIPPLE-TERMINAL COVER -----							2	P
	S1807-1	COVER-CONTACTOR TERMINAL -----							2	R
	S1693-2	STA-STRAP -----							2	R
	MS21919DG7	CLAMP CLAMP 0700092PC4 CABLE ----- ATTACHING PARTS -----							2	L
	S1021Z8-8	SCREW -----							1	
	NAS446-4-3	NUT -----							1	
-49	0712031-1	MOUNTING BRACKET-FUSE & DIODE-EXT POWER & CLOCK ----- ATTACHING PARTS -----							1	L
-50	AN515-8R10	SCREW -----							2	L
-51	NAS679A08	NUT -----							2	L
-52	S1090-2	FUSE HOLDER-EXTERNAL POWER -----							1	L
	S1091-5	FUSE-EXTERNAL POWER 5 AMP -----							1	L
-53	X26263	RESISTOR-.75 OHMS TRTA -----							1	L
-54	20H3P	DIODE-EXTERNAL POWER SATA -----							1	L
	6F20D	DIODE-EXTERNAL POWER ALTERNATE AFE -----							1	L
	43-1761	INSULATING HARDWARE SPD USED WITH 6F20-D -----							1	L
	IN1344A	DIODE-EXTERNAL POWER ALTERNATE SPD ----- ATTACHING PARTS -----							1	L
	S1438-2	WASHER-NYLON -----							1	L
	LN1032X	NUT-NYLON WECK -----							1	L
-55	C622004-0101	POWER SUPPLY-STROBE LIGHT ----- ATTACHING PARTS -----							1	U
	AN3-3A	BOLT -----							4	U
	AN960-10L	WASHER -----							4	U

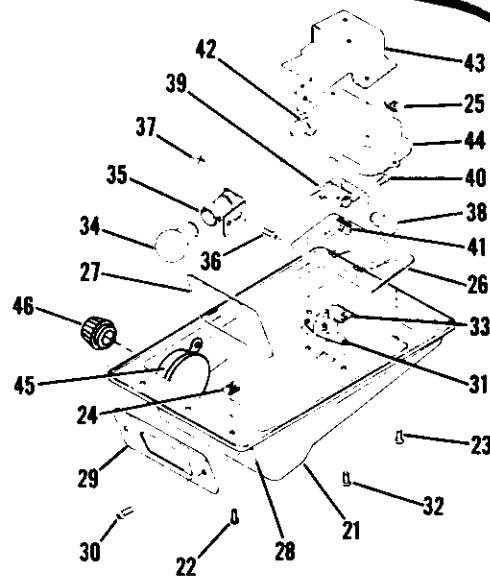
CONTINUED ON NEXT PAGE

FIGURE AND INDEX NO.	PART NUMBER	DESCRIPTION	UNITS PER ASSY	USABLE ON CODE
		1 2 3 4 5 6 7		
122 -56	S1660-1	CONTACTOR-EXTEPNAL POWER ----- ATTACHING PARTS -----	1	X
-57	AN3-3A AN960-10L MS21044N3	BOLT ----- WASHER ----- NUT -----	2 2 2	X X X
-58 -59	0700092-PC11 SEE FIG 125B	CABLE ASSY BATTERY CONTACTOR TO EXTERNAL POWER CONTACTOR - CABLE ASSY -----	1 1	X X
<p>NOTE. *THIS KIT INCLUDES DRY BATTERY AND ELECTROLYTE.</p> <p>A---SERIAL 18051184 THRU 18052384 B---SERIAL 18051184 THRU 18051445 C---SERIAL 18051446 THRU 18052384 D---SERIAL 18051184 THRU 18051607 E---SERIAL 18051608 THRU 18052384 F---SERIAL 18051446 THRU 18051607 G---SERIAL 18051446 THRU 18051709 H---SERIAL 18051710 THRU 18052384 J---SERIAL 18051446 THRU 18051761 K---SERIAL 18051184 THRU 18051774 L---SERIAL 18051775 THRU 18052384 M---SERIAL 18051608 THRU 18051761 N---SERIAL 18051762 THRU 18052384 P---SERIAL 18051775 THRU 18051913 Q---SERIAL 18051184 THRU 18051913 R---SERIAL 18051914 THRU 18052384 S---SERIAL 18051775 THRU 18052073 T---SERIAL 18052074 THRU 18052384 U---SERIAL 18052176 THRU 18052205 V---SERIAL 18051608 THRU 18052293 W---SERIAL 18052294 THRU 18052384 X---SERIAL 18052176 THRU 18052384 FLOATPLANE</p>				

Electrical Equipment (Cont)



185-0001 THRU 185-0512



185-0513 & ON
18051184 & ON

Figure 123. Cabin Lights & Courtesy Light Installation

FIGURE AND INDEX NO.	PART NUMBER	DESCRIPTION	UNITS PER ASSY	USABLE ON CODE
123 -		CABIN LIGHTS & COURTESY LIGHT INSTALLATION -----	NP	
	0710103-3	LIGHT ASSEMBLY-INSTRUMENT PANEL -----	1	A
		ATTACHING PARTS -----		
- 1	S102124-8	SCREW -----	2	

- 2	0710103-5	PLATE-COVER -----	1	
- 3	0513208-1	SOCKET -----	1	
		ATTACHING PARTS -----		
- 4	S102126-6	SCREW -----	1	
- 5	NAS446-2-3	NUT -----	1	

- 6	MS15584-2	BULB -----	1	
- 7	0710103-2	LENS -----	1	
- 8	0713029	SWITCH WEU S1831-1 -----	1	
	S1831-1	SWITCH -----	1	
		ATTACHING PARTS -----		
- 9	S102126-6	SCREW USED WITH 0713029 -----	2	
	AN515-4R4	SCREW USED WITH S1831-1 -----	2	
-10	NAS446-2-3	NUT USED WITH 0713029 -----	2	

	0413142-5	LIGHT ASSEMBLY-DOME -----	1	A
-11	0413140	REFLECTOR -----	1	
-12	MS35489-4	GROMMET -----	1	
-13	0413140-2	RETAINER -----	1	
-14	0413138	SOCKET -----	1	
		ATTACHING PARTS -----		
-15	S102124-4	SCREW -----	2	
-16	NAS395-1-3	NUT -----	2	

-17	S1876-1	BULB -----	1	
-18	0413141-1	LENS -----	1	
-19	1200130-1	PLATE-HEADLINER RETAINER -----	1	A
		ATTACHING PARTS -----		
-20	S102126-6	SCREW -----	1	

-21	0511482-1	COVER ASSEMBLY -----	1	C
	0511482-9	COVER ASSEMBLY -----	1	D
		ATTACHING PARTS -----		
-22	S102126-6	SCREW -----	2	
-23	S102124-8	SCREW -----	2	
-24	NAS395-3-3	NUT -----	2	
-25	NAS395-1-3	NUT -----	2	

-26	0413141-1	LENS -----	1	
-27	0511482-3	LENS -----	1	
-28	NAS680A06K	NUTPLATE -----	1	
-29	0511482-5	SHIELD -----	1	
		ATTACHING PARTS -----		
-30	AN515-6R10	SCREW -----	2	
	AN960-6L	WASHER -----	2	

-31	0713029	SWITCH WEU S1831-1 -----	1	5
	S1831-1	SWITCH -----	1	B
		ATTACHING PARTS -----		
-32	S102126-6	SCREW USED WITH 0713029 -----	2	
	AN515-4R4	SCREW USED WITH S1831-1 -----	2	
-33	NAS446-2-3	NUT USED WITH 0713029 -----	2	

-34	MS15584-2	LAMP -----	1	3
-35	0513208-1	SOCKET -----	1	E
		ATTACHING PARTS -----		
-36	S102126-6	SCREW -----	1	
-37	NAS446-2-3	NUT -----	1	

-38	S1876-1	LAMP -----	1	B

CONTINUED ON NEXT PAGE

FIGURE AND INDEX NO.	PART NUMBER	DESCRIPTION	UNITS PER ASSY	USABLE ON CODE
123 -39	0413138	SOCKET ----- ATTACHING PARTS -----	1	B
-40	S102124-6	SCREW -----	1	
-41	NAS395-1-3	NUT ----- -----*	1	
-42	MS35489-4	GROMMET -----	1	B
-43	0511483-2	BRACKET -----	1	B
-44	0413140-5	REFLECTOR -----	1	B
-45	0713247-200	RHEOSTAT ASSEMBLY INCLUDES RHEOSTAT, KNOB & 2 WASHERS -----	1	E
	XR6085	RHEOSTAT TRTA -----	1	F
-46	S1390-5	KNOB ASSEMBLY -----	1	F
-47		DELETED -----		
-48		DELETED -----		
-49		DELETED -----		
-50		DELETED -----		
		COURTESY LIGHT INSTALLATION -----	NP	
-51	0700616-1	SHIELD ASSEMBLY ----- ATTACHING PARTS -----	1	
-52	S102126-8	SCREW -----	2	
-53	NAS446-2-3	NUT ----- -----*	2	
-54	0700616-2	SHIELD -----	1	
-55	0513208-1	SOCKET ----- ATTACHING PARTS -----	1	
-56	S102126-8	SCREW -----	1	
-57	NAS446-2-3	NUT ----- -----*	1	
-58	MS35489-134	GROMMET -----	1	
-59	S1055-1-2.25	CHANNEL -----	1	
-60	0700617-1	SPACER -----	1	
-61	1270432-2	COVER ASSEMBLY ----- ATTACHING PARTS -----	1	
-62	S102128-8	SCREW ----- -----*	6	
-63	MS15584-2	LAMP -----	1	
	SEE FIG 123A	MAP LIGHT INSTALLATION -----	NP	
<p>NOTE. *THIS PART NUMBER MUST HAVE A SECOND DASH NUMBER ADDED TO DENOTE COLOR. REFER TO HOW TO ORDER INTERIOR PARTS-PAGE XIII.</p> <p>A---SERIAL 185-0001 THRU 185-0512 B---SERIAL 185-0513 THRU 18502310 SERIAL 18051184 THRU 18052384 C---SERIAL 185-0513 THRU 185-0776 SERIAL 18051184 THRU 18051445 D---SERIAL 185-0777 THRU 18502310 SERIAL 18051446 THRU 18052384 E---SERIAL 185-0777 THRU 185-0981 SERIAL 18051446 THRU 18051625 F---SERIAL 185-0982 THRU 18502310 SERIAL 18051626 THRU 18052384</p>				

Electrical Equipment (Cont)

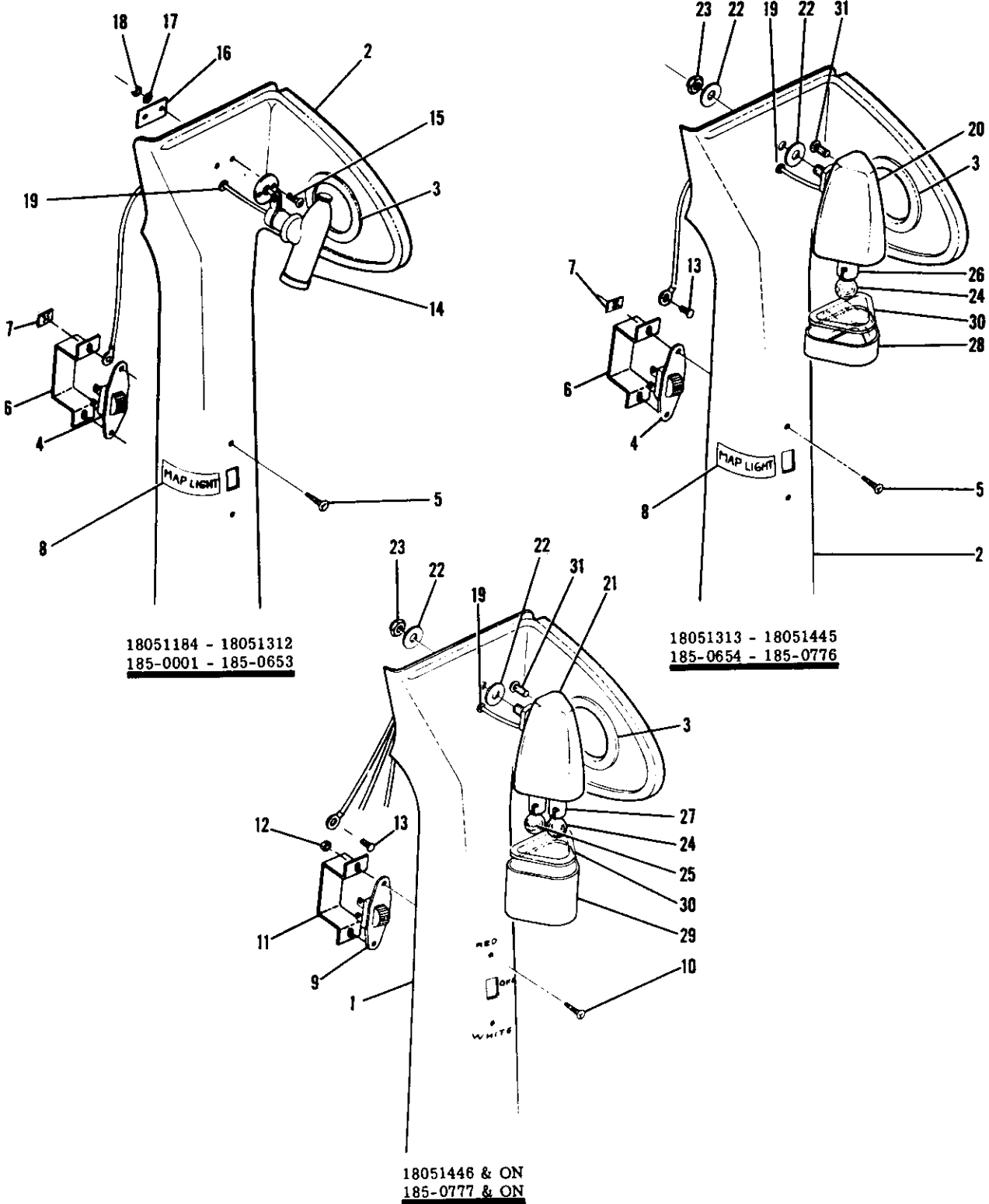
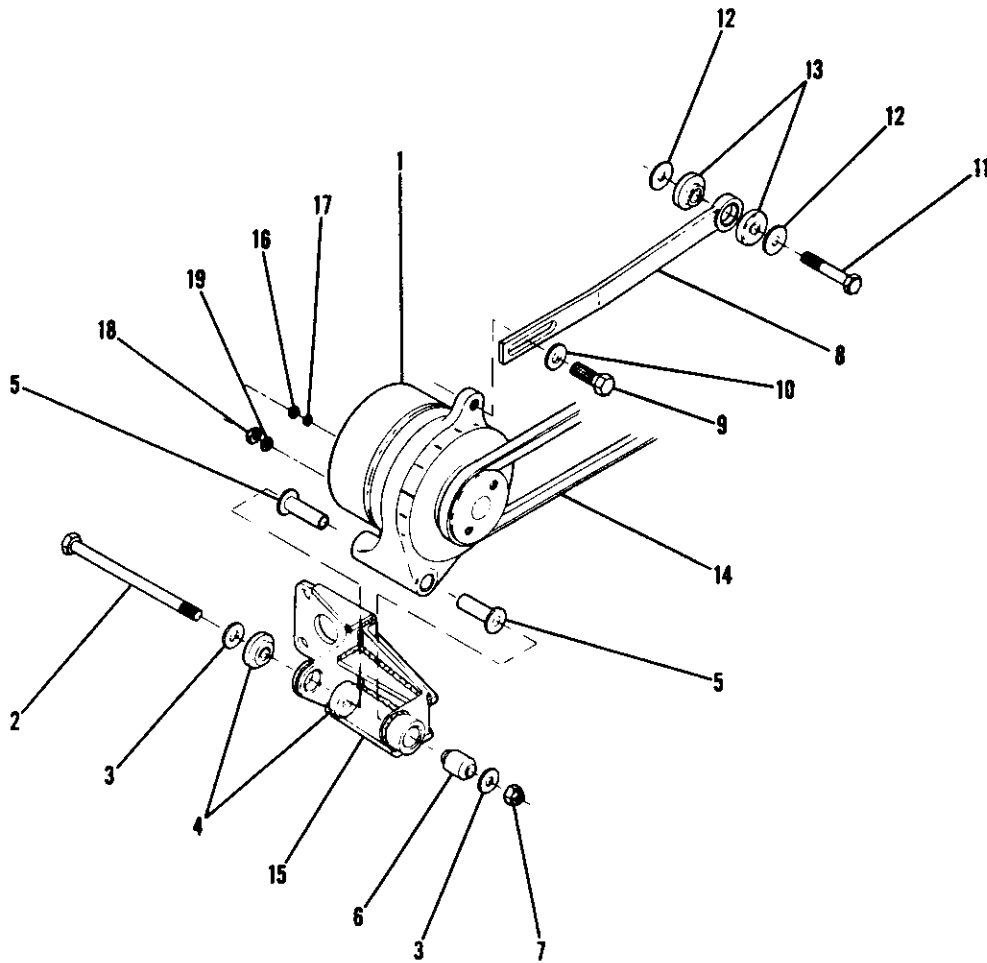


Figure 123A. Map Light Installation

FIGURE AND INDEX NO.	PART NUMBER	DESCRIPTION							UNITS PER ASSY	USABLE ON CODE
		1	2	3	4	5	6	7		
123A-		MAP LIGHT INSTALLATION -----							NP	
	0711133-11							1	A	
	0711133-21							1	B	
- 1	0711133-32	■						1	H	
	0711133-41	■						1	J	
	0413484-5	■						1	L	
	0413484-16	■						1	M	
- 2	0711133-6							1	A	
	0711133-23							1	B	
- 3	0413235							1	K	
- 4	0713029							1	D	
- 5	S102174-6							2	D	
- 6	0711691-1							1	D	
- 7	NAS446-1-3							2	D	
- 8	0713210-4							1	D	
- 9	S1501-1							1	C	
-10	AN515-3R6							2	C	
-11	0711691-1							1	C	
-12	AN340-3							2	C	
-13	S102174-4							1	G	
-14	0713017-22							1	E	
-15	AN515-6R8							2	E	
-16	0511311-5							1	E	
-17	AN960-6							2	E	
-18	NAS679A06							2	E	
-19	MS35489-4							1		
-20	1470089-10							1	F	
-21	1470089-14	■						1	C	
-22	AN970-3							2	G	
-23	MS21044N3							1	G	
-24	S1876-1							1	G	
-25	1816TR							1	C	
-26	1924							1	F	
-27	ID1757							1	C	
-28	1470089-6							1	F	
-29	0700148-1	■						1	C	
-30	1470089-8							1	G	
-31	AN520-6-8							1	G	
<p>NOTE. ■THIS PART NUMBER MUST HAVE A SECOND DASH NUMBER ADDED TO DENOTE COLOR. REFER TO HOW TO ORDER INTERIOR PARTS-PAGE XIII.</p>										
<p>A---SERIAL 18051184 THRU 18051208 SERIAL 185-0001 THRU 185-0538</p> <p>B---SERIAL 18051209 THRU 18051445 SERIAL 185-0539 THRU 185-0776</p> <p>C---SERIAL 18051446 THRU 18052384 SERIAL 185-0777 THRU 18502310</p> <p>D---SERIAL 18051184 THRU 18051445 SERIAL 185-0001 THRU 185-0776</p> <p>E---SERIAL 18051184 THRU 18051312 SERIAL 185-0001 THRU 185-0653</p> <p>F---SERIAL 18051313 THRU 18051445 SERIAL 185-0654 THRU 185-0776</p> <p>G---SERIAL 18051313 THRU 18052384 SERIAL 185-0654 THRU 18502310</p> <p>H---SERIAL 18051446 THRU 18051607 SERIAL 185-0777 THRU 185-0967</p> <p>J---SERIAL 18051608 THRU 18051823 SERIAL 185-0968 THRU 185-1197 C 185-1200</p> <p>K---SERIAL 18051184 THRU 18051607 SERIAL 185-0001 THRU 185-0967</p> <p>L---SERIAL 18051824 THRU 18052284 SERIAL 185-1198, 185-1199, 185-1201 THRU 18502090</p> <p>M---SERIAL 18052285 THRU 18052384 SERIAL 18502091 THRU 18502310</p>										

Electrical Equipment (Cont)

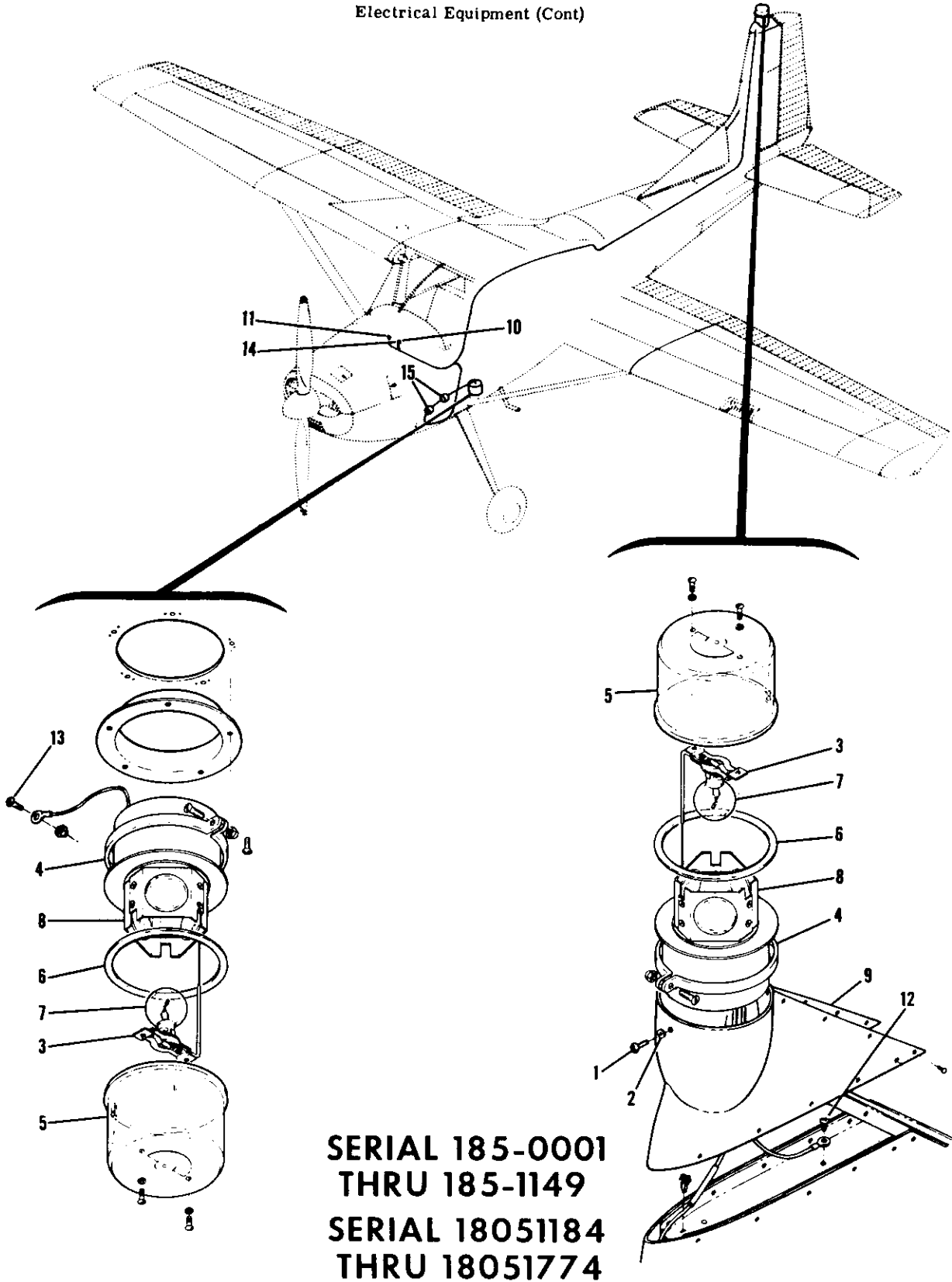


SERIAL 18051762 THRU 18052384
SERIAL 185-1096 THRU 18502310

Figure 123B. Shock Mounted Alternator

FIGURE AND INDEX NO.	PART NUMBER	DESCRIPTION	UNITS PER ASSY	USABLE ON CODE
		1 2 3 4 5 6 7		
1238-		SHOCK MOUNTED ALTERNATOR INSTALLATION -----	NP	A
- 1	C611501-0101	ALTERNATOR ASSEMBLY-60 AMP 14 VOLT WEU C611501-0102 -----	1	B
	C611501-0102	ALTERNATOR ASSEMBLY-60 AMP 14 VOLT -----	1	C
		ATTACHING PARTS -----		
- 2	AN5-52A	BOLT -----	1	
- 3	S1450-5H14-063	WASHER -----	2	
- 4	J9534-20	BUSHING-RUBBER LO -----	2	
- 5	1250214-1	BUSHING -----	2	
- 6	J2005-2	BONDED MOUNT LO -----	1	
- 7	NAS679A5	NUT -----	1	
		-----*		
- 8	1250215-1	ARM-ALTERNATOR ADJUSTING -----	1	
		ATTACHING PARTS -----		
- 9	0750220-1	BOLT -----	1	
-10	S1450-6-14-080	WASHER -----	1	
-11	MS20074-05-14	BOLT -----	1	
-12	S1450-5H14-040	WASHER -----	2	
-13	J9534-20	BUSHING-RUBBER LO -----	2	
		-----*		
-14	S1597-1-30.8	BELT-ALTERNATOR DRIVE -----	1	
-15	1250213-15	SUPPORT ASSEMBLY-ALTERNATOR -----	1	
-16	S1505-3	NUT ON FIELD TERMINAL USED ON C611501-0101 -----	1	B
	AN340-10	NUT ON FIELD TERMINAL USED ON C611501-0102 -----	1	C
-17	AN935-10	WASHER -----	1	
-18	AN316C4R	NUT ON BATTERY TERMINAL USED ON C611501-0101 -----	1	B
	AN340-416	NUT ON BATTERY TERMINAL USED ON C611501-0102 -----	1	C
-19	AN936A416	WASHER -----	1	
		NOTE. *WHEN INITIALLY ORDERING THIS PART FOR MODEL 180 AIRCRAFT PRIOR TO SERIAL 18052225 ALSO ORDER ONE 0750233-1 THROTTLE CONTROL BRACKET.		
		A---SERIAL 18051762 THRU 18052384 SERIAL 185-1096 THRU 18502310		
		B---SERIAL 18051762 THRU 18052142 SERIAL 185-1096 THRU 18501710		
		C---SERIAL 18052143 THRU 18052384 SERIAL 18501711 THRU 18502310		

Electrical Equipment (Cont)

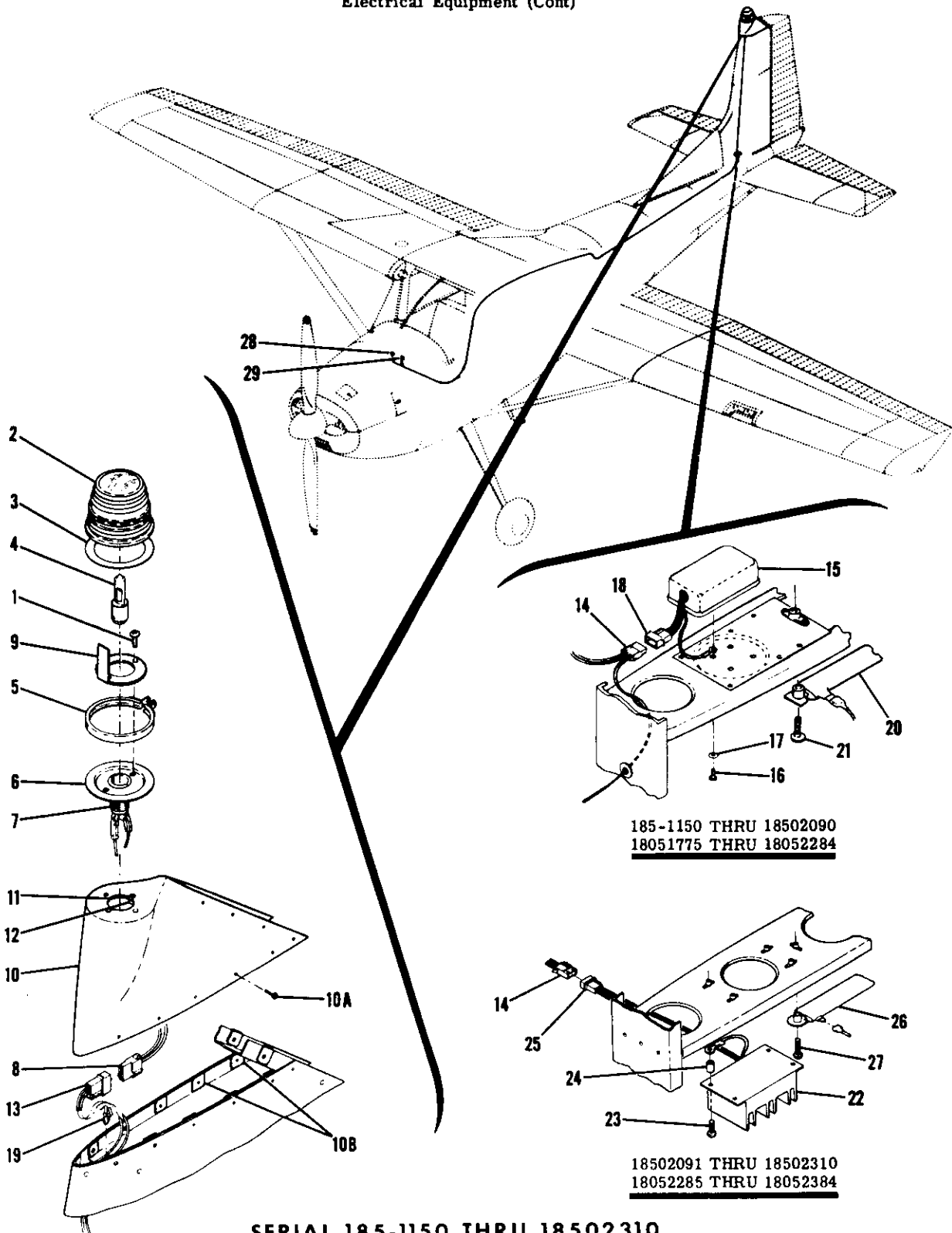


**SERIAL 185-0001
THRU 185-1149
SERIAL 18051184
THRU 18051774**

Figure 124. Rotating Beacon Installation

FIGURE AND INDEX NO.	PART NUMBER	DESCRIPTION	UNITS PER ASSY	USABLE ON CODE
		1 2 3 4 5 6 7		
124 -	0700120-1	ROTATING BEACON INSTALLATION ----- BEACON ASSEMBLY-ROTATING ----- ATTACHING PARTS -----	NP 1	C
- 1	AN515-6R6	SCREW -----	6	
- 2	AN960-6L	WASHER -----	3	
- 3	WRM-15	SOCKET ASSEMBLY WHEL -----	1	
- 4	WRM-25	CLAMP ASSEMBLY WHEL -----	1	
- 5	WRM-10	DOME ASSEMBLY WHEL -----	1	
- 6	WRM-30	GASKET-DOME WHEL -----	1	
- 7	WRM-44-12	BULB WHEL -----	1	
- 8	WRM-20	LENS ASSEMBLY WHEL -----	1	
	WRM-39-12	MOTOR WHEL -----	1	
	S1433-1	PLACARD -----	1	
- 9	0731015-1	TIP-COVER -----	1	A
	0700031-2	TIP-COVER -----	1	B
-10	0713303-2	KNDB -----	1	
-11	PSM10N	CIRCUIT BREAKER MTCC -----	1	
-12	AN515-8R6	SCREW -----	1	
-13	AN515-6R8	SCREW -----	1	D
	NAS679A06	NUT -----	1	
-14	0713026-4	SWITCH -----	1	D
-15	S1592-1A	HARNES BAND UC -----	2	D
		ATTACHING PARTS -----	1	D
	S102126-8	SCREW ----- -----*		
<p>A---SERIAL 185-0001 THRU 185-1149 B---SERIAL 18051184 THRU 18051774 C---SERIAL 185-0001 THRU 185-1149 SERIAL 18051184 THRU 18051774 D---SERIAL 185-0001 THRU 185-0540</p>				

Electrical Equipment (Cont)



185-1150 THRU 18502090
18051775 THRU 18052284

18502091 THRU 18502310
18052285 THRU 18052384

SERIAL 185-1150 THRU 18502310
SERIAL 18051775 THRU 18052384

Figure 124A. Flashing Beacon Installation

FIGURE AND INDEX NO.	PART NUMBER	DESCRIPTION	UNITS PER ASSY	USABLE ON CODE
		1 2 3 4 5 6 7		
124A-	C621001-0103 C621001-0106	FLASHING BEACON INSTALLATION ----- LIGHT ASSEMBLY-FLASHING BEACON WEU C621001-0106 ----- LIGHT ASSEMBLY-FLASHING BEACON ----- ATTACHING PARTS -----	NP 1 1	A L M
- 1	AN515-8R8	SCREW -----	2	
- 2	C17325	DOME AEFS -----	1	
- 3	C17330	GASKET AEFS -----	1	L
- 4	C17312-3 40-14	LAMP AEFS WEU 40-14 -----	1	M
- 5	C17326	LAMP-125 WATT -----	1	
- 6	C17331-3 C17331-6	CLAMP ASSEMBLY AEFS ----- PLATE-MOUNTING AEFS WEU C17331-6 -----	1 1	L M
- 7	C17313	PLATE-MOUNTING AEFS -----	1	
- 8	S1638-1	SOCKET ASSEMBLY AEFS -----	1	
- 9	O731607-1	HOUSING-PLUG -----	1	
-10	O731019-2-791 O731019-1-791	BAFFLE-FLASHING BEACON ----- TIP ASSEMBLY-FIN ----- TIP ASSEMBLY-FIN ----- ATTACHING PARTS -----	1 1 1	B C
-10A	S102128-8	SCREW -----	18	
-10B	NAS395-16-3	NUT -----	16	
-11	O431017-2	PLATE ASSEMBLY-MOUNTING -----	1	
-12	NAS680A08	NUTPLATE -----	2	
-13	S1638-2	HOUSING-CAP -----	1	
-14	S1638-1	HOUSING-PLUG -----	1	D
-15	C594501-0201 C594501-0203	FLASHER ASSEMBLY-BEACON LIGHT WEU C594501-0203 ----- FLASHER ASSEMBLY-BEACON LIGHT ----- ATTACHING PARTS -----	1 1	E
-16	AN515-8R6	SCREW -----	4	G
-17	AN936A8	WASHER -----	4	G
-18	S1638-2	HOUSING-CAP -----	1	D
-19	A3493-012-1 MS35489-13	HOUSING-CAP ----- CLIP TIN -----	2 1	E H
-20	DR95-1.5	GROMMET -----	1	K
-21	AN515-8R11	RESISTOR -----	1	F
-22	C594502-0101	ATTACHING PARTS ----- SCREW -----	2 1	
-23	AN515-8R10	FLASHER ASSEMBLY-BEACON LIGHT -----	1	J
-24	NAS43HT3-16	ATTACHING PARTS -----	4	J
-25	S1638-2	SCREW -----	4	J
-26	OR95-1.5	SPACER -----	1	J
-27	AN515-8R12	HOUSING-CAP -----	1	J
-28	SEE FIG 68D	RESISTOR -----	1	J
-29	SEE FIG 68D	ATTACHING PARTS ----- SCREW -----	2 1	J
		CIRCUIT BREAKER -----	1	
		SWITCH -----	1	
		A---SERIAL 185-1150 THRU 18502310 SERIAL 18051775 THRU 18052384 B---SERIAL 185-1150 THRU 18502310 C---SERIAL 18051775 THRU 18052384 D---SERIAL 185-1150 THRU 185-1586 SERIAL 18051775 THRU 18052099 E---SERIAL 185-1587 THRU 18502090 SERIAL 18052100 THRU 18052284 F---SERIAL 18052174 THRU 18052284 G---SERIAL 185-1150 THRU 18502090 SERIAL 18051775 THRU 18052284 H---SERIAL 18051775 THRU 18052284 J---SERIAL 18502091 THRU 18502310 SERIAL 18052285 THRU 18052384 K---SERIAL 18052285 THRU 18052384 L---SERIAL 185-1150 THRU 18502146 SERIAL 18051775 THRU 18052313 M---SERIAL 18502147 THRU 18502310 SERIAL 18052314 THRU 18052384		

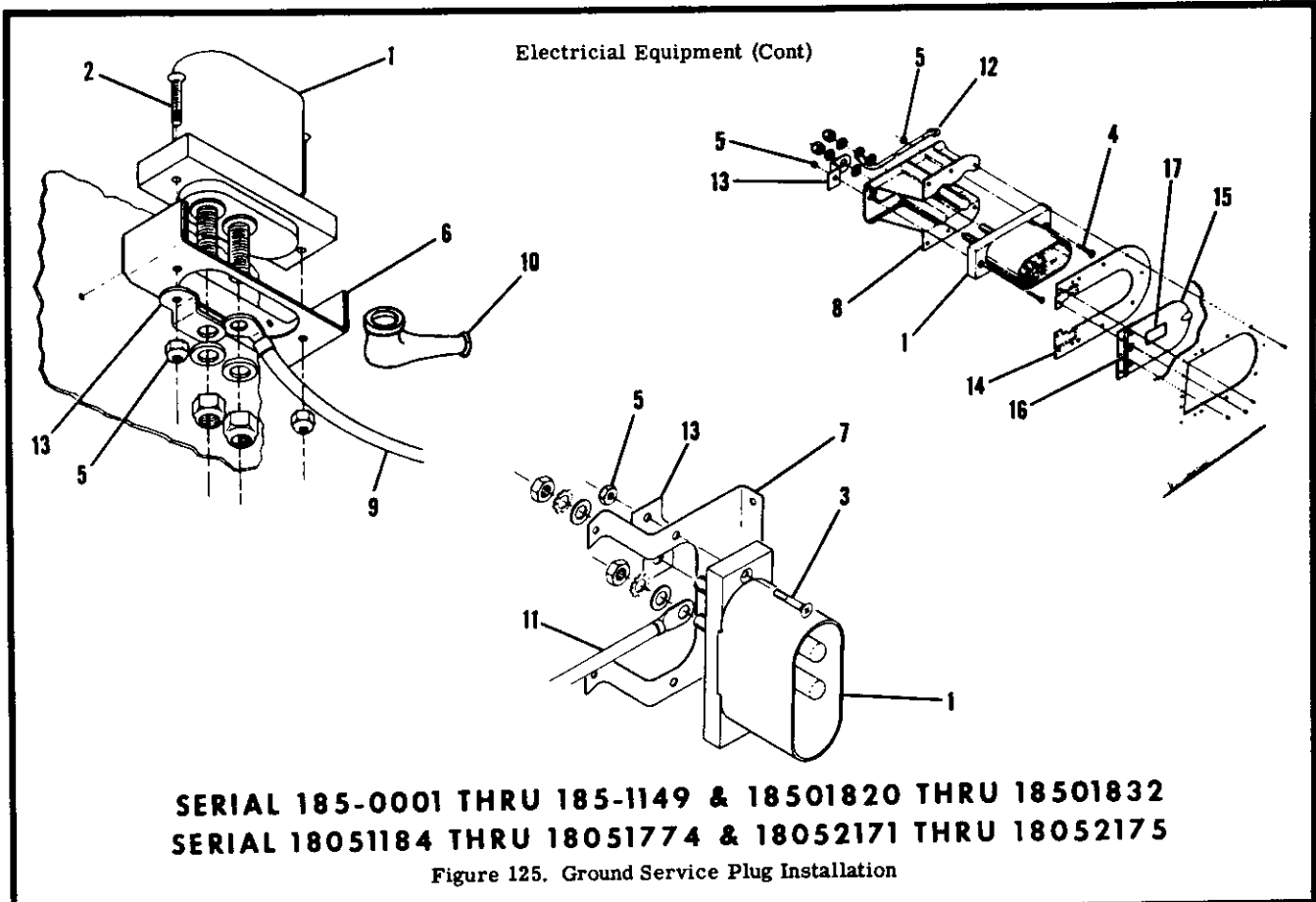
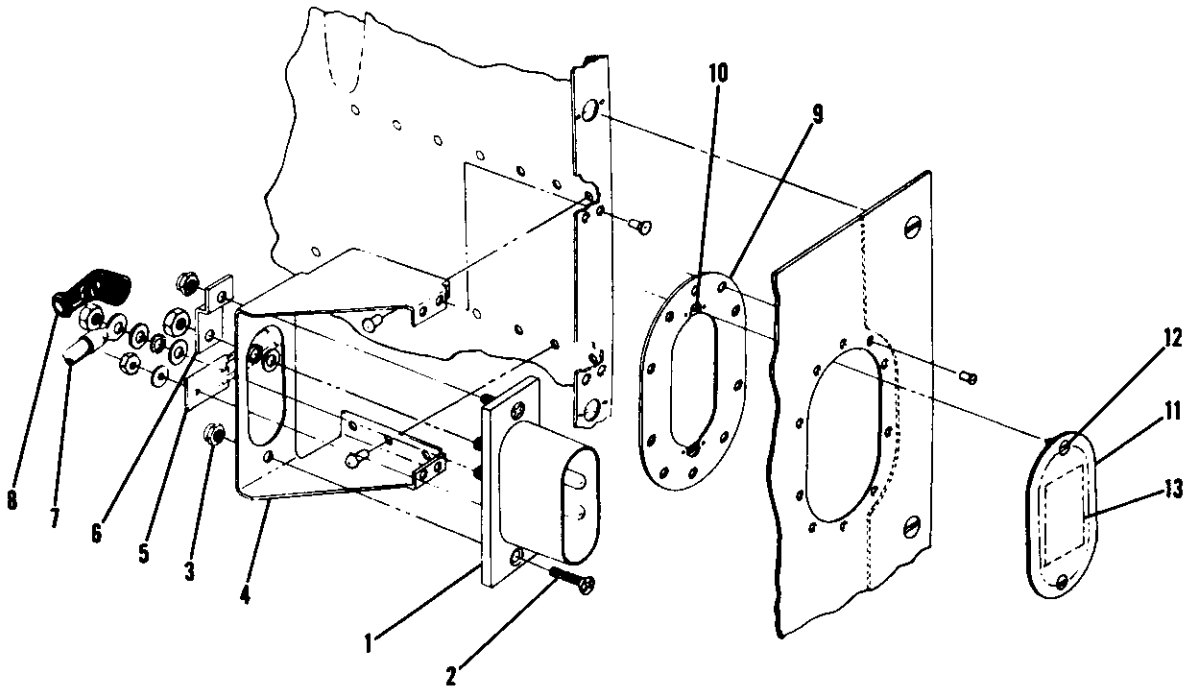


FIGURE AND INDEX NO.	PART NUMBER	DESCRIPTION	UNITS PER ASSY							USABLE ON CODE	
			1	2	3	4	5	6	7		
125 -		GROUND SERVICE PLUG INSTALLATION								NP	C
- 1	AN2552-3A	RECEPTACLE-GROUND SERVICE PLUG								1	
		ATTACHING PARTS									
- 2	AN510-1032R14	SCREW								2	A
- 3	AN509-10R14	SCREW								2	B
- 4	AN510-10R16	SCREW								2	
- 5	MS21044N3	NUT								2	
		BRACKET ASSEMBLY								1	A
- 6	0713036-2	BRACKET								1	B
- 7	0713123-1	BRACKET								1	A
- 8	0312155-3	BRACKET								1	A
- 9	0700005-90	CABLE								1	A
-10	MS25171-35	NIPPLE								1	A
-11	0700039-PC2	CABLE								1	B
-12	0709085-PC2	CABLE								1	
-13	0312155-10	STRAP-GROUND								1	B
-14	0312155-6	DOUBLER-DOOR								1	B
-15	0312155-4	DOOR ASSEMBLY-ACCESS								1	
-16	S147	SPRING-DOOR ASSEMBLY								1	B
-17	0500130-1	PLACARD-12 VOLT DC ONLY								1	
		NOTE. *USED ONLY WHEN WINSLOW OIL FILTER IS INSTALLED.									
		A---SERIAL 185-0001 THRU 185-0079									
		B---SERIAL 185-0080 THRU 185-1149 & FLOATPLANES 18501820 THRU 18501832 SERIAL 18051184 THRU 18051774 & FLOATPLANES 18052171 THRU 18052175									
		C---SERIAL 185-0001 THRU 185-1149 & FLOATPLANES 18501820 THRU 18501832 SERIAL 18051184 THRU 18051774 & FLOATPLANES 18052171 THRU 18052175									

Electrical Equipment (Cont)

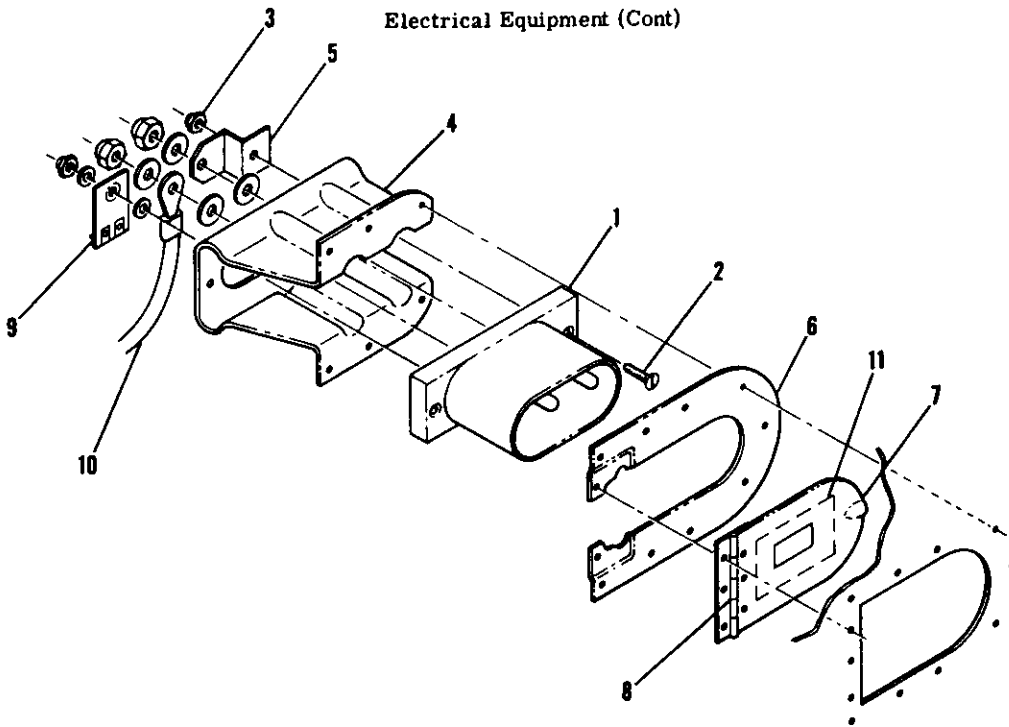


**SERIAL 185-1150 THRU 18502310
SERIAL 18051775 THRU 18052384**

Figure 125A. Ground Service Plug Installation

FIGURE AND INDEX NO.	PART NUMBER	DESCRIPTION	UNITS PER ASSY	USABLE ON CODE
1 2 3 4 5 6 7				
125A-		* GROUND SERVICE PLUG INSTALLATION -----	NP	A
- 1	AN2552-3A	RECEPTACLE-GROUND SERVICE PLUG -----	1	
ATTACHING PARTS				
- 2	AN509-10R14	SCREW -----	2	
- 3	MS20365-1032	NUT -----	2	

- 4	0713711-1	BRACKET-GROUND SERVICE PLUG SUPPORT -----	1	
- 5	1570043-3	BOARD ASSEMBLY-DIODE -----	1	
- 6	0312155-10	GROUND STRAP -----	1	
- 7	0700092-PC3	CABLE EXTERNAL POWER TO REVERSE POLARITY CONTACTOR -----	1	
- 8	MS25171-35	NIPPLE -----	1	
	S292-14	SLEEVE -----	1	
- 9	0752610-1	DOUBLER ASSEMBLY -----	1	
-10	S1115-19	RECEPTACLE-STUD -----	2	
-11	0752611-1	DOOR ASSEMBLY -----	1	
-12	S1115-10	STUD SLOTTED HEAD -----	2	
	S1150-30	STUD PHILLIPS HEAD -----	2	
	S1115-9	RING -----	2	
-13	1213535-1	PLACARD -----	1	B
	1205024-1	PLACARD -----	1	C
		FUSE & DIODE ASSEMBLY-EXTERNAL POWER SEE FIG 121 & 122 --	1	
NOTE. *THIS INSTALLATION IS NOT USED ON FLOATPLANES SERIAL 18052171 & ON & 18501820 & ON. SEE FIGURE 125 & 125B FOR FLOATPLANE INSTL.				
A---SERIAL 185-1150 THRU 18502310 SERIAL 18051775 THRU 18052384				
B---SERIAL 185-1150 THRU 185-1447 SERIAL 18051775 THRU 18051993				
C---SERIAL 185-1448 THRU 18502310 SERIAL 18051994 THRU 18052384				

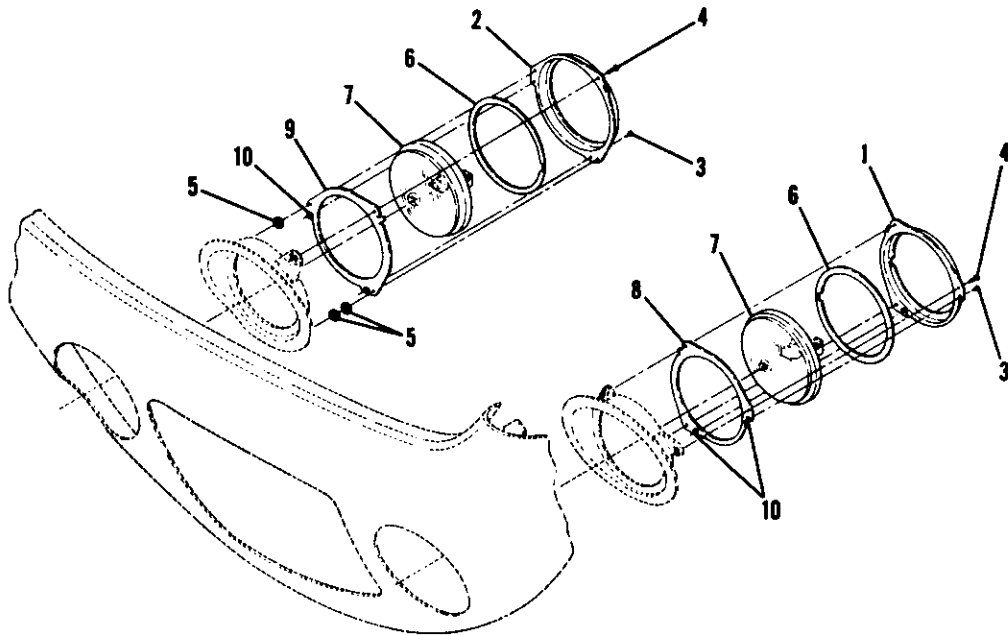


SERIAL 18501833 THRU 18502310
 SERIAL 18052176 THRU 18052384

Figure 125B. Ground Service Plug Installation

FIGURE AND INDEX NO.	PART NUMBER	DESCRIPTION	UNITS PER ASSY	USABLE ON CODE
1258-		1 2 3 4 5 6 7		
- 1	AN2552-3A	GROUND SERVICE PLUG INSTALLATION -----	NP	A
- 2	AN510-10R14	RECEPTACLE-GROUND SERVICE PLUG -----	1	
- 3	MS21044N3	ATTACHING PARTS -----	2	
		SCREW -----	2	
		NUT -----		
- 4	0312155-3	BRACKET -----	1	
- 5	0312155-10	STRAP-GROUND -----	1	
- 6	0312155-6	DOUBLER -----	1	
- 7	0312155-4	DOOR ASSY-ACCESS -----	1	
- 8	S147	SPRING -----	1	
- 9	1570043-3	DIODE BOARD ASSY -----	1	
-10	0700092PC3	CABLE ASSY RECEPTACLE TO CONTACTOR -----	1	
-11	1205024-1	PLACARD-12 VOLT DC ONLY -----	1	
		A---SERIAL 18501833 THRU 18502310 FLOATPLANE SERIAL 18052176 THRU 18052384 FLOATPLANE		

Electrical Equipment (Cont)



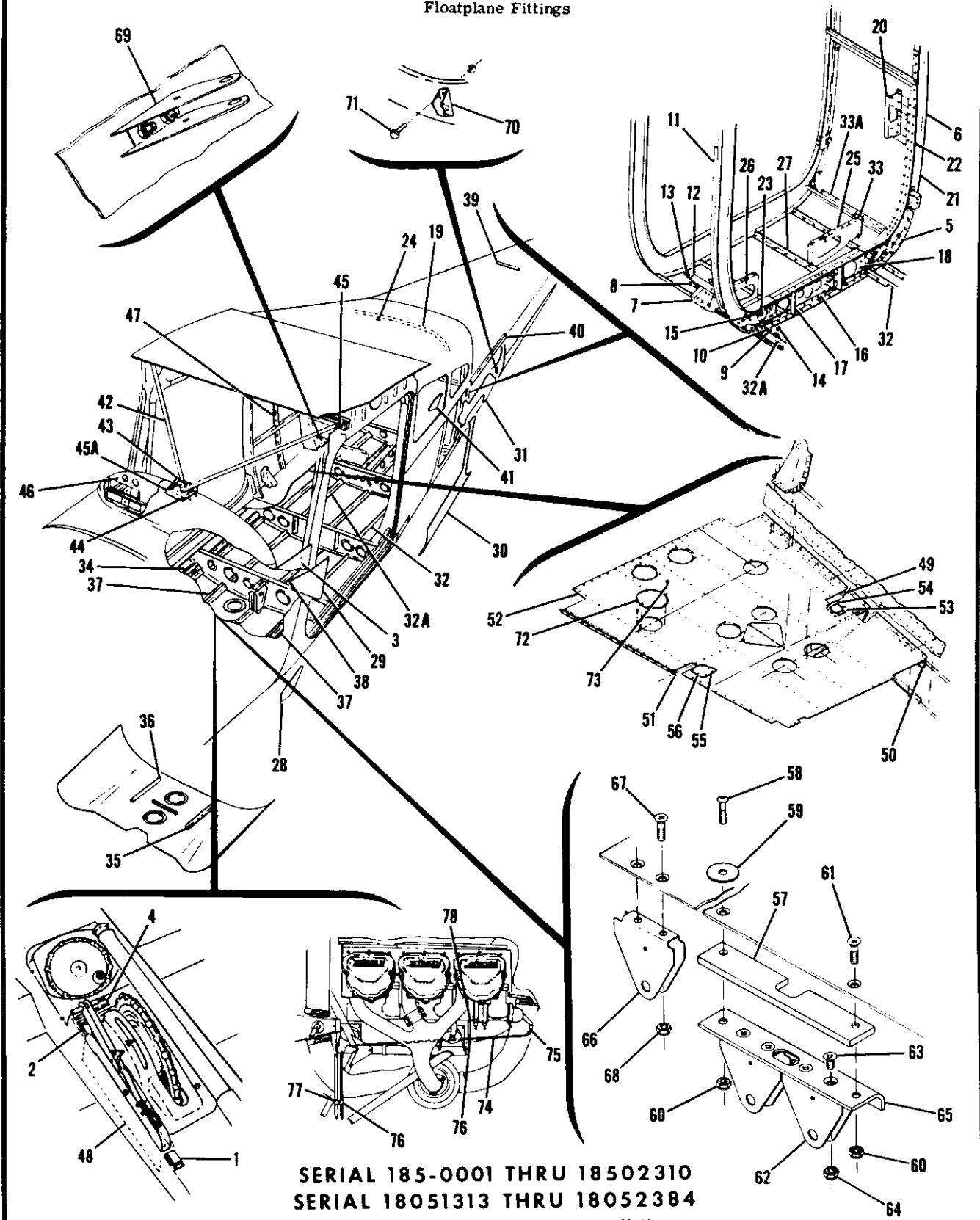
**SERIAL 18502091 THRU 18502310
SERIAL 18052285 THRU 18052384**

Figure 125C. Landing Light Installation-Cowl

FIGURE AND INDEX NO.	PART NUMBER	DESCRIPTION	UNITS PER ASSY	USABLE ON CODE
		1 2 3 4 5 6 7		
125C-		LANDING LIGHT INSTALLATION-COWL -----	1	A
- 1	0752644-1	BRACKET-LH -----	1	
- 2	0752644-2	BRACKET-RH -----	1	
		ATTACHING PARTS -----		
- 3	S102126-8	SCREW -----	2	
- 4	AN515-8R8	SCREW -----	3	
- 5	NAS620-10	WASHER RH ONLY -----	3	

- 6	0752646-1	GASKET -----	AR	
- 7	4509	LIGHT-LANDING 12 VOLT -----	2	
- 8	0752644-5	PLATE ASSEMBLY-LH -----	1	
- 9	0752644-6	PLATE ASSEMBLY-RH -----	1	
-10	NAS488-1-3	NUT -----	2	
		A---SERIAL 18502091 THRU 18502310 SERIAL 18052285 THRU 18052384		

Floatplane Fittings



SERIAL 185-0001 THRU 18502310
SERIAL 18051313 THRU 18052384

Figure 126. Floatplane Fittings Installation

FIGURE AND INDEX NO.	PART NUMBER	DESCRIPTION	UNITS	USABLE
			PER ASSY	ON CODE
126 -		FLOATPLANE & AMPHIBIAN FITTINGS INSTALLATION ----- EDD 249-2870A, EDD 628-2960 & EDD 597-2790	NP	D
- 1	0713226-2	PLACARD-WATER RUDDER RETRACT -----	1	V
- 2	0713226-1	PLACARD-WATER RUDDER EXTEND -----	1	V
- 3		PLACARD-OPERATIONAL LIMITATIONS SEE FIG 2, 2A, 2B & 2C --	1	V
- 4	0341007-6	PLACARD-WATER RUDDER INSTRUCTIONS -----	2	
- 5	0541128	BLOCK-STRUT ATTACHMENT FORWARD -----	1	T
- 6	0711086-1	BULKHEAD ASSEMBLY-STA. 90.00 -----	1	U
	0711086-6	BULKHEAD ASSEMBLY-STA. 90.00 -----	1	
- 7	0541129	BLOCK-STRUT ATTACHMENT AFT ----- ATTACHING PARTS	2	
- 8	AN4-12A	BOLT -----	5	
- 9	NAS679A4	NUT -----	5	
-10	AN960-416	WASHER -----	5	
-11	0742111-1	REINFORCEMENT-BULKHEAD STA. 90.00 -----	1	
-12	0742120-2	ANGLE-REINFORCEMENT-RH -----	1	
	0742120-1	ANGLE-REINFORCEMENT-LH ----- ATTACHING PARTS	1	
-13	AN3-4A	BOLT -----	1	
-14	MS21044N3	NUT -----	1	
-15	0711089-1	ANGLE-BULKHEAD REINFORCEMENT UPPER FORWARD -----	1	V
	0711089-2	ANGLE ASSY-BULKHEAD REINFORCEMENT UPPER FORWARD -----	1	W
	NAS698A3	NUTPLATE -----	4	W
	0710008-1	ANGLE-BULKHEAD REINFORCEMENT UPPER AFT -----	1	
-16	0711087-1	ANGLE-BULKHEAD REINFORCEMENT LOWER FORWARD -----	1	
	0711087-2	ANGLE-BULKHEAD REINFORCEMENT LOWER AFT -----	1	
-17	0742110-7	ANGLE-FORWARD SIDE -----	2	
-18	0742115-28	ANGLE-AFT SIDE -----	2	
-19	0711112-4	RETAINER -----	1	
-20	0711088-1	REINFORCEMENT-LH -----	1	T
	0711088-3	REINFORCEMENT-LH -----	1	U
	0711088-2	REINFORCEMENT-RH -----	1	T
	0711088-4	REINFORCEMENT-RH -----	1	U
-21	0711112-8	BULKHEAD -----	1	T
-22	0711086-2	SPLICE PLATE -----	2	U
	0711086-5	SPLICE PLATE -----	2	
-23	NAS697A4	NUTPLATE -----	1	
-24	NAS697A3	NUTPLATE -----	1	
-25	0742115-5	BULKHEAD-LH -----	1	
-26	0742115-6	BULKHEAD-RH -----	1	
-27	0710025-1	ANGLE -----	2	
-28	0710010-3	DOUBLER-FORWARD LOWER LH -----	1	
	0710010-4	DOUBLER-FORWARD LOWER RH -----	1	
-29	0710010-5	DOUBLER-FORWARD UPPER LH -----	1	
	0710010-6	DOUBLER-FORWARD UPPER RH -----	1	
-30	0710010-7	DOUBLER-LOWER AFT LH -----	1	
	0710010-8	DOUBLER-LOWER AFT RH -----	1	
-31	0710010-9	DOUBLER-UPPER AFT LH -----	1	
	0710010-10	DOUBLER-UPPER AFT RH -----	1	
-32	0742115-21	ANGLE-STIFFENER LH -----	1	
-32A	0742115-22	ANGLE-STIFFENER RH -----	1	
-33	0742115-7	CLIP-BAGGAGE DOOR JAMB -----	1	
-33A	0711101-20	JAMB-BAGGAGE DOOR LWR WEU 0711101-44 -----	1	R
	0711101-44	JAMB-BAGGAGE DOOR LWR -----	1	S
-34	0710010-17	ANGLE -----	2	
	0710010-18	ANGLE -----	2	
-35	0713170-1	ANGLE-LH -----	1	
-36	0713170-2	ANGLE-RH -----	1	
-37	0710010-11	ANGLE -----	2	
-38	0710010-22	ANGLE -----	1	
	0742123-2	BRACKET -----	1	
-39	0710010-16	ANGLE -----	1	
-40	0712014-1	ANGLE-SIDE LH -----	1	
	0712014-2	ANGLE-SIDE RH -----	1	
-41	0711095-1	DOUBLER-STA. 90.00 -----	2	

CONTINUED ON NEXT PAGE

FIGURE AND INDEX NO.	PART NUMBER	DESCRIPTION	UNITS PER ASSY							USABLE ON CODE
			1	2	3	4	5	6	7	
126 -42	0513003-19	BRACE ASSEMBLY -----							1	K
	0713238-2	BRACE ASSEMBLY -----							1	M
	0713878-2	BRACE ASSEMBLY -----							1	T
	0713878-5	BRACE ASSEMBLY -----							1	U
		ATTACHING PARTS								
-43	AN4-13A	BOLT -----							1	K
	NAS1304-14	BOLT -----							1	J
	NAS1304-3	BOLT -----							2	N
	NAS679A4	NUT -----							1	K
	NAS680A4	NUTPLATE -----							1	J
-44	0713156-1	DOUBLER -----							1	K
	0713239-3	DOUBLER ASSEMBLY WHEN EXHAUSTED USE 0713239-6 -----							1	M
	0713239-6	DOUBLER ASSEMBLY -----							1	N
-45	AN3-20A	BOLT -----							4	
	MS21044N3	NUT -----							4	

-45A	0713878-9	COVER -----							1	U
	S102124-6	ATTACHING PARTS SCREW -----							3	U

-46	0713125-6	STATIONARY PANEL ASSEMBLY HEAVY DUTY -----							1	A
	0713125-9	STATIONARY PANEL ASSEMBLY HEAVY DUTY -----							1	B
	0713185-3	STATIONARY PANEL ASSEMBLY HEAVY DUTY -----							1	E
		STATIONARY PANEL ASSEMBLY SEE FIG 68A, 68B & 68C -----							1	J
-47	0711096-2	REINFORCEMENT -----							1	
	0711096-1	REINFORCEMENT -----							1	
-48	0713175-1	ANGLE-OUTER -----							1	AB
	0713174-1	ANGLE-INNER -----							1	AB
	0710010-15	FLOORBOARD ASSEMBLY-FLOATPLANE -----							1	T
	0710010-23	FLOORBOARD ASSEMBLY-FLOATPLANE -----							1	U
-49	0742115-31	ANGLE-FLOORBOARD RH FORWARD -----							1	
-50	0742115-12	ANGLE-FLOORBOARD RH REAR -----							1	
-51	0742115-11	ANGLE-FLOORBOARD LH FORWARD -----							1	
-52	0512107-39	FLOORBOARD ASSEMBLY -----							1	T
	0512107-43	FLOORBOARD ASSEMBLY -----							1	U
-53	0713173-2	DOUBLER RH -----							1	
	0713173-1	DOUBLER LH -----							1	
-54	NAS444-5-3	NUTPLATE -----							6	
-55	0713173-5	ACCESS PLATE LH -----							1	
	0713173-6	ACCESS PLATE RH -----							1	
		ATTACHING PARTS SCREW -----							6	

-56	S102128-8	SCREW -----							6	

-57	0742124-3	SPACER -----							1	
	0742124-2	PULLEY BRACKET ASSEMBLY -----							1	AA
		ATTACHING PARTS SCREW -----							1	AA
-58	AN520-10R12	WASHER -----							1	AA
-59	AN970-3	NUT -----							2	AA
-60	MS21044N3	SCREW -----							1	AA
-61	AN507-1032R12	SCREW -----							1	AA

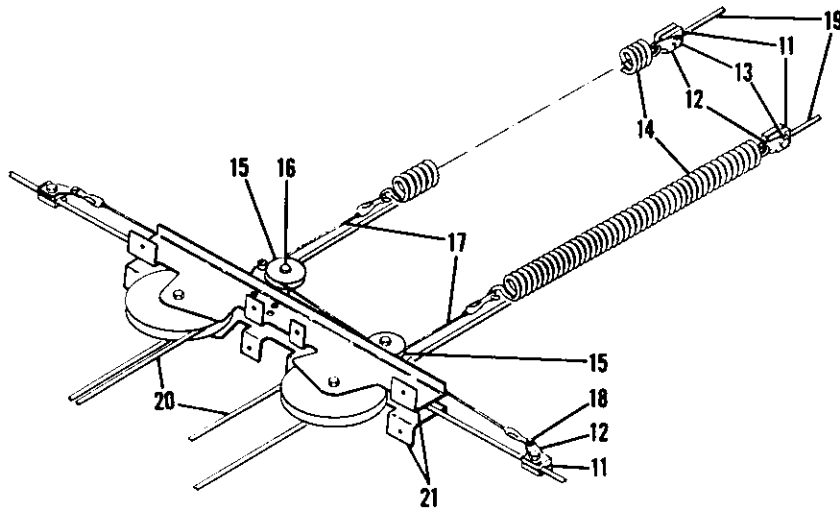
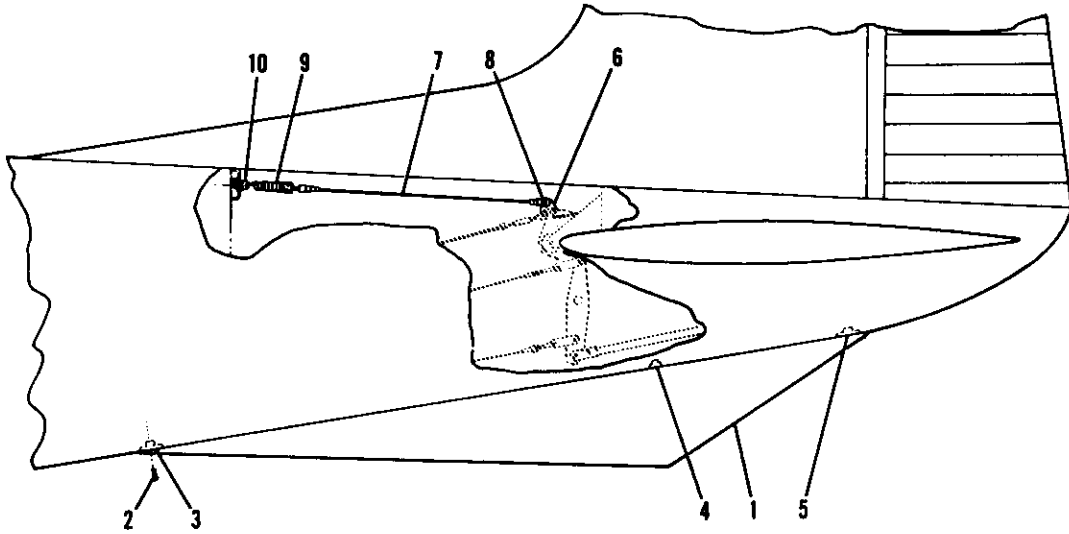
-62	0711059-1	BRACKET-PULLEY -----							2	AA
		ATTACHING PARTS SCREW -----							4	AA
-63	AN507-1032R6	NUT -----							4	AA
-64	MS21044N3	-----								
-65	0742124-1	MOUNT -----							1	AA
-66	0711059-1	BRACKET-PULLEY -----							2	AA
		ATTACHING PARTS SCREW -----							2	AA
-67	AN507-1032R8	NUT -----							2	AA
-68	MS21044N3	-----								
-69	0711059-1	BRACKET-PULLEY -----							2	AA
	AN520-10R6	ATTACHING PARTS SCREW -----							2	AA
	MS21044N3	NUT -----							2	AA

-70	0512160-2	BRACKET-PULLEY -----							2	AA
		ATTACHING PARTS SCREW -----							2	AA
-71	AN520-10R6	NUT -----							2	AA
	MS21044N3	-----								

CONTINUED ON NEXT PAGE

FIGURE AND INDEX NO.	PART NUMBER	DESCRIPTION	UNITS PER ASSY	USABLE ON CODE
126 -72	5225-1	COVER-INSPECTION OPENING ----- ATTACHING PARTS -----	5	
-73	49330	TRIMOUNT STUD UC ----- -----	3	
	0751003-31	ENGINE MOUNT ASSEMBLY-FLOATPLANE SEE FIGURE 76 -----	1	F
	0751001-27	ENGINE MOUNT ASSEMBLY-FLOATPLANE SEE FIGURE 77 -----	1	G
-74	0500106-360	DRAIN TUBE ----- ATTACHING PARTS -----	1	C
-75	MS20823-40	ELBOW -----	1	
-76	S148504L	CLAMP -----	2	
	S102128-8C	SCREW -----	2	
-77	AN74204	CLAMP -----	1	
-78	0750205-1	STRAP ----- -----	1	
	MS20392-1C55	PIN-HINGE LH DOOR HINGE ONLY -----	2	H
	MS24665-132	PIN-COTTER LH DOOR HINGE ONLY -----	2	H
	0711135-1	DIAL-AIRPEED STD AMPHIBIAN & 628-2960 FLOATS ONLY --	1	X
	0711138-1	DIAL-AIRPEED STD AMPHIBIAN & 628-2960 FLOATS ONLY --	1	Y
	0711138-3	DIAL-TRUE AIRSPEED AMPHIBIAN & 628-2960 FLOATS ONLY -----	1	Y
	0711138-2	DIAL-AIRPEED STD ALL AMPHIBIAN & FLOATPLANES -----	1	Z
	0711138-4	DIAL-TRUE AIRSPEED ALL AMPHIBIAN & FLOATPLANES -----	1	Z
	SEE FIG 9A	BUNGEE ASSEMBLY -----	1	F
	S1239-13	CONTROL-STRAINER DRAIN -----	1	K
	S1239-24	CONTROL-STRAINER DRAIN -----	1	P
	S1517-4	CONTROL-STRAINER DRAIN -----	1	O
	SEE FIG 70B	AUXILIARY REFUELING EQUIPMENT INSTALLATION -----	1	L
<p>A---SERIAL 185-0001 THRU 185-0237</p> <p>B---SERIAL 185-0238 THRU 185-0653</p> <p>C---SERIAL 185-0256 THRU 18502310</p> <p>D---SERIAL 185-0001 THRU 18502310</p> <p style="padding-left: 40px;">SERIAL 18051313 THRU 18052384</p> <p>E---SERIAL 185-0654 THRU 185-0776</p> <p style="padding-left: 40px;">SERIAL 18051313 THRU 18051445</p> <p>F---SERIAL 185-0001 THRU 18502310</p> <p>G---SERIAL 18051313 THRU 18052384</p> <p>H---SERIAL 185-0762 THRU 18502310</p> <p style="padding-left: 40px;">SERIAL 18051408 THRU 18052384</p> <p>J---SERIAL 185-0777 THRU 18502310</p> <p style="padding-left: 40px;">SERIAL 18051446 THRU 18052384</p> <p>K---SERIAL 185-0001 THRU 185-0776</p> <p style="padding-left: 40px;">SERIAL 18051313 THRU 18051445</p> <p>L---SERIAL 185-0968 THRU 18502310</p> <p style="padding-left: 40px;">SERIAL 18051640 THRU 18052384</p> <p>M---SERIAL 185-0777 THRU 185-1199</p> <p style="padding-left: 40px;">SERIAL 18051446 THRU 18051826</p> <p>N---SERIAL 185-1200 THRU 18502310</p> <p style="padding-left: 40px;">SERIAL 18051827 THRU 18052384</p> <p>P---SERIAL 185-0777 THRU 185-1300</p> <p style="padding-left: 40px;">SERIAL 18051446 THRU 18051875</p> <p>Q---SERIAL 185-1301 THRU 18502310</p> <p style="padding-left: 40px;">SERIAL 18051876 THRU 18052384</p> <p>R---SERIAL 185-0001 THRU 18501667</p> <p style="padding-left: 40px;">SERIAL 18051313 THRU 18052134</p> <p>S---SERIAL 18501668 THRU 18502310</p> <p style="padding-left: 40px;">SERIAL 18052135 THRU 18052384</p> <p>T---SERIAL 185-1200 THRU 18501832</p> <p style="padding-left: 40px;">SERIAL 18051827 THRU 18052175</p> <p>U---SERIAL 18501833 THRU 18502310</p> <p style="padding-left: 40px;">SERIAL 18052176 THRU 18052384</p> <p>V---SERIAL 185-0001 THRU 18502090</p> <p style="padding-left: 40px;">SERIAL 18051313 THRU 18052284</p> <p>W---SERIAL 18502091 THRU 18502310</p> <p style="padding-left: 40px;">SERIAL 18052285 THRU 18052384</p> <p>X---SERIAL 18051313 THRU 18052220</p> <p>Y---SERIAL 18052221 THRU 18052284</p> <p>Z---SERIAL 185-0001 THRU 18502090</p> <p>AA---SERIAL 185-0001 THRU 18502112</p> <p style="padding-left: 40px;">SERIAL 18051513 THRU 18052297</p> <p>AB---SERIAL 185-0001 THRU 185-0653</p>				

Floatplane (Cont)



AILERON-RUDDER INTERCONNECT

SERIAL 18502091 THRU 18502310
SERIAL 18052285 THRU 18052384

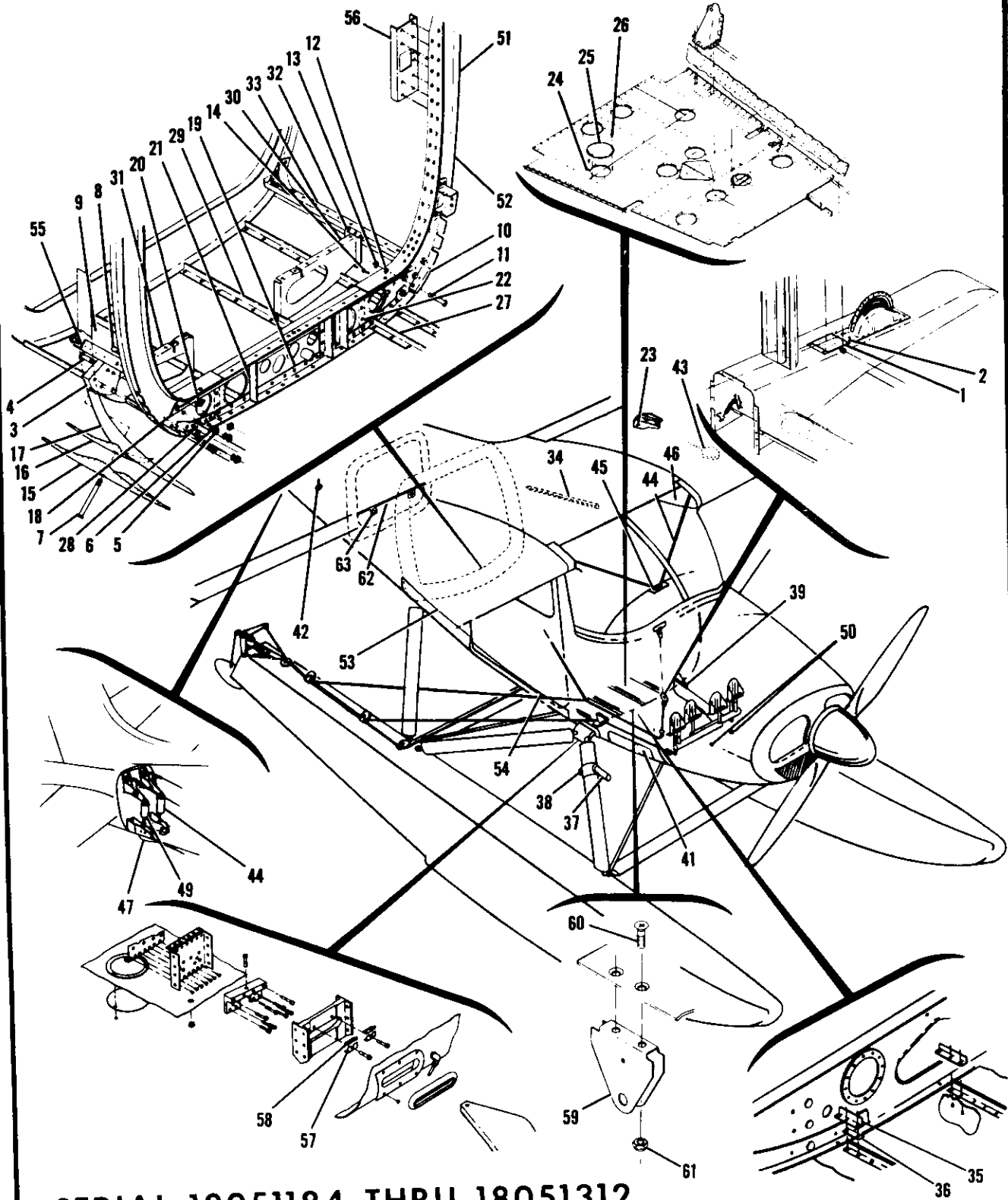
Figure 126A. Floatplane & Ski Plane Components

FIGURE AND INDEX NO.	PART NUMBER	DESCRIPTION	UNITS PER ASSY	USABLE ON CODE
126A-		1 2 3 4 5 6 7		
- 1	0712764-2	FLOATPLANE & SKI PLANE COMPONENTS ----- VENTRAL FIN ASSY-FLOATPLANE ----- ATTACHING PARTS -----	NP 1	A
- 2	AN525-832R8	SCREW ----- -----*	22	
- 3	NAS1023A08K	NUTPLATE -----	18	
- 4	NAS697A08K	NUTPLATE -----	2	
- 5	NAS696A08K	NUTPLATE -----	2	
- 6	0742006-1	BELLCRANK-RUDDER CENTERING SPRING -----	2	
- 7	0742006-2	CABLE ASSY-RUDDER CENTERING ----- ATTACHING PARTS -----	2	
- 8	MS20392-2C9 AN960-10 MS24665-151	PIN ----- WASHER ----- COTTER PIN ----- -----*	2 2 2	
- 9	0742005-1	SPRING-RUDDER CENTERING -----	2	
-10	AN4385A AN960PD416 NAS679A4	EYEBOLT ----- ATTACHING PARTS ----- WASHER ----- NUT ----- -----*	2 2 1	
-11	0742002-5	CLAMP -----	8	
-12	0742002-6	LINK ----- ATTACHING PARTS -----	4	
-13	AN3-6A MS21044N3	BOLT ----- NUT ----- -----*	1 1	
-14	0742003-2 S292-18	SPRING ASSY ----- SLEEVING 10.50 IN LG BKT -----	2 1	
-15	S378-1	PULLEY ----- ATTACHING PARTS -----	2	
-16	AN3-6A AN960PD10 MS21044N3	BOLT ----- WASHER ONE EACH SIDE OF BRACKET ----- NUT ----- -----*	1 2 1	
-17	0510105-334	CABLE ASSY-RUDDER-AILERON INTERCONNECT ----- ATTACHING PARTS -----	2	
-18	AN3-4A MS21044N3	BOLT ----- NUT ----- -----*	1 1	
-19	SEE FIG 98 E 99	RUDDER CONTROL CABLE -----	1	
-20	SEE FIG 95	AILERON CONTROL CABLE -----	1	
-21	SEE FIG 32A	PULLEY BRACKETS -----	2	
		A---SERIAL 18502091 THRU 18502310 SERIAL 18052285 THRU 18052384		

FIGURE AND INDEX NO.	PART NUMBER	DESCRIPTION							UNITS PER ASSY	USABLE ON CODE
		1	2	3	4	5	6	7		
127 -		FLOATPLANE FITTINGS INSTALLATION EDO249-2870 -----							NP	A
- 1	0341007-5	PLACARD-WATER RUDDER -----							1	
		ATTACHING PARTS -----								
- 2	5102124-5	SCREW -----							2	
		-----*								
- 3	0541129	BLOCK-STRUT ATTACHMENT AFT -----							2	
		ATTACHING PARTS -----								
- 4	AN4-12A	BOLT -----							5	
- 5	NAS679A4	NUT -----							5	
- 6	AN960-416	WASHER -----							5	
- 7	AN5-32A	BOLT -----							2	
- 8	22NA17A-054	NUT EN -----							2	
- 9	5102128-4	SCREW -----							2	
		-----*								
-10	0541128	BLOCK-STRUT ATTACHMENT FORWARD -----							2	
		ATTACHING PARTS -----								
-11	AN5-15A	BOLT -----							2	
-12	AN960-516	WASHER -----							2	
-13	22NA17A-054	NUT EN -----							2	
-14	5102128-4	SCREW -----							2	
		-----*								
-15	0341118	DOUBLER RH -----							1	
	0341118-1	DOUBLER LH -----							1	
-16	0541126	SPACER-FUSELAGE SKIN LAP RH -----							1	
	0541126-1	SPACER-FUSELAGE SKIN LAP LH -----							1	
-17	0742115-51	PLATE-OUTER SPLICE RH -----							1	
	0742115-50	PLATE-OUTER SPLICE LH -----							1	
-18	0742115-16	ANGLE-REINFORCEMENT UPPER -----							1	
	0742115-19	ANGLE-REINFORCEMENT LOWER AFT -----							1	
-19	0742115-20	ANGLE-REINFORCEMENT LOWER FORWARD -----							1	
-20	NAS680A4	NUTPLATE -----							3	
-21	0742110-7	ANGLE-FORWARD SIDE -----							2	
-22	0742115-28	ANGLE-AFT SIDE -----							2	
-23	S349	GROMMET-DRAIN -----							10	
-24	S237-1	DOUBLER-INSPECTION OPENING -----							5	
-25	S225-1	COVER-INSPECTION OPENING -----							5	
		ATTACHING PARTS -----								
-26	49330	TRIMMOUNT STUD UC -----							3	
		-----*								
-27	0742115-21	ANGLE-STIFFENER -----							1	
-28	0742115-22	ANGLE-STIFFENER -----							1	
-29	0710025-1	ANGLE-STIFFENER -----							2	
-30	0742115-5	BULKHEAD-REINFORCEMENT LH -----							1	
-31	0742115-6	BULKHEAD-REINFORCEMENT RH -----							1	

CONTINUED ON NEXT PAGE

Floatplane (Cont)



SERIAL 18051184 THRU 18051312

Figure 127. Floatplane Fittings (Edo No. 249-2870)

FIGURE AND INDEX NO.	PART NUMBER	DESCRIPTION	UNITS PER ASSY	USABLE ON CODE
		1 2 3 4 5 6 7		
127 -32	0742115-7	CLIP-BAGGAGE DOOR JAMB -----	1	
-33	0711101-20	JAMB-BAGGAGE DOOR LOWER -----	1	
-34	0742115-4	ANGLE -----	1	
-35	0742110-19	SPLICE-ANGLE -----	5	
-36	0742110-20	SHIM-SPLICE ANGLE -----	4	
-37	0541137-11	STEP ASSEMBLY -----	2	
		ATTACHING PARTS		
-38	AN3-7A	BOLT -----	2	
	AN960-10	WASHER -----	2	
	MS21044N3	NUT -----	2	

-39	AN837-4D	ELBOW-45 DEGREE -----	1	
	AN960D716L	WASHER -----	1	
	AN924-4D	NUT -----	1	
-40		DELETED, NOT PROCUABLE -----		
-41	0742116-2	REINFORCEMENT LH ONLY -----	1	
	0742116-3	REINFORCEMENT RH -----	1	
-42	0422344	EYEBOLT -----	1	
		ATTACHING PARTS		
	NAS679A5	NUT -----	1	

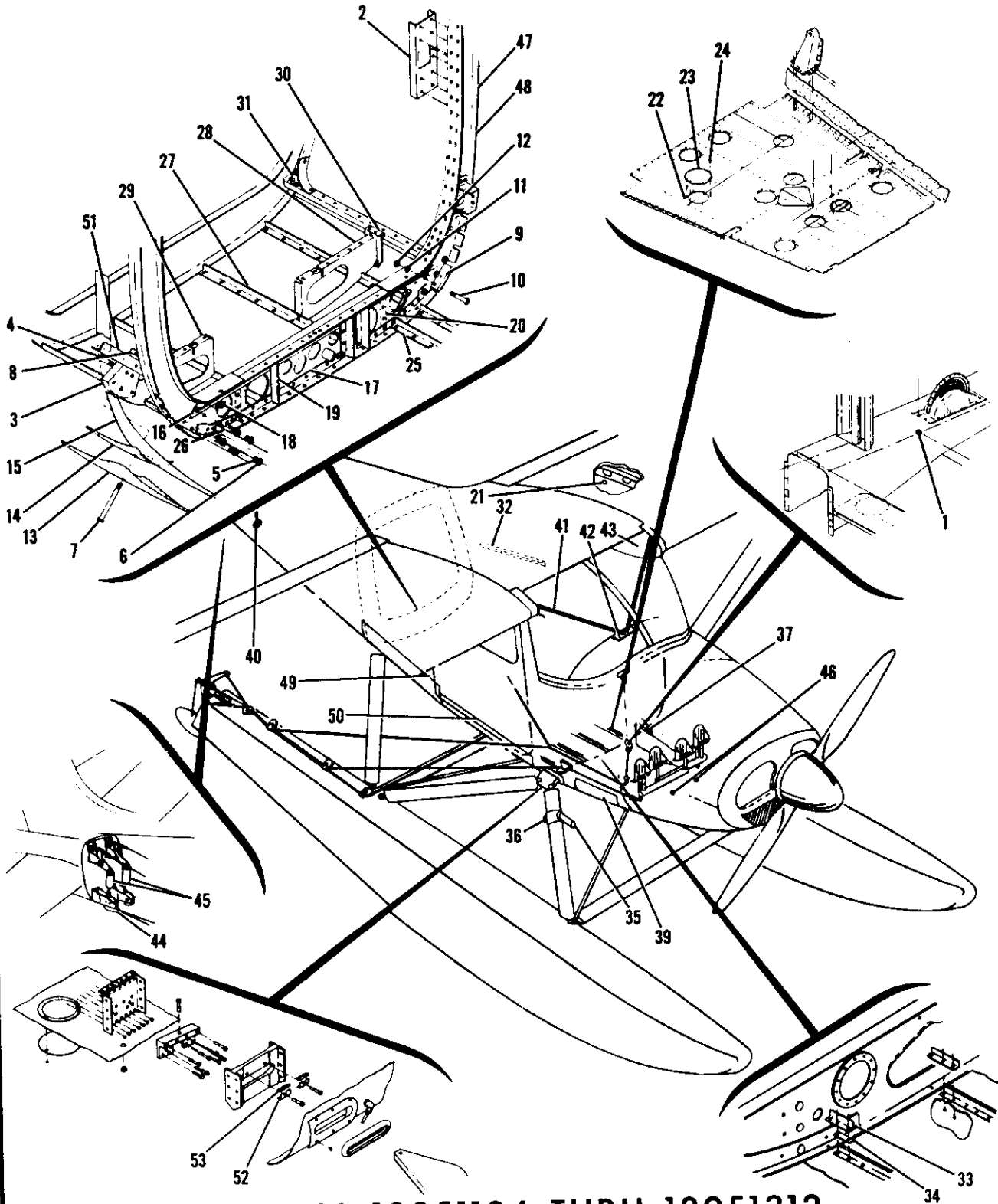
-43	0720004	DRAIN INSTALLATION-FUEL TANK FILLER NECK WELL -----	1	
	0742110-5	SEAL-FUSELAGE -----	2	
	0742110-6	PLATE-COVER SEAL -----	2	
	AN924-4	SEAL -----	6	
-44	0513003-19	BRACE ASSEMBLY -----	1	
		ATTACHING PARTS		
-45	0713156-1	DOUBLER -----	1	
	AN4-6A	BOLT -----	2	
	NAS679A4	NUT -----	2	

-46	0711133-1	SHIELD ASSY-LH -----	1	
	0711133-2	SHIELD ASSY-RH -----	1	
	0413235	GROMMET -----	1	
-47	0742115-44	FAIRING LH -----	1	
	0742115-45	FAIRING RH -----	1	
-48	0742119-1	SPRING & CABLE ASSEMBLY-FLOATPLANE -----	2	
		ATTACHING PARTS		
-49	AN23-11	BOLT -----	2	
	AN310-3	NUT -----	2	
	AN960-10	WASHER -----	2	
	MS24665-134	PIN-COTTER -----	2	

-50	0742373	STOP-COWL FLAP -----	2	
-51	0742115-37	SPLICE -----	2	
-52	0711112-5	BULKHEAD ASSY STA 90.0 WFU 0711112-11 -----	1	
	0711112-11	BULKHEAD ASSY STA 90.0 -----	1	
-53	0742117-4	DOUBLER-RH REAR -----	1	
	0742117-5	DOUBLER-LH REAR -----	1	
-54	0742117-2	DOUBLER-RH FORWARD -----	1	
	0742117-3	DOUBLER-LH FORWARD -----	1	
-55	0742115-18	ANGLE ASSEMBLY-RH -----	1	
	0742115-17	ANGLE ASSEMBLY-LH -----	1	
	0751001-25	MOUNT-ENGINE SEE FIGURE 77 -----	1	
-56	0742115-15	REINFORCEMENT-BULKHEAD -----	1	
-57	0441115-3	WEDGE -----	4	
-58	0741007-1	SHIM -----	AR	
-59	0711059-1	BRACKET-PULLEY -----	2	
		ATTACHING PARTS		
-60	AN507-1032R8	SCREW -----	2	
-61	MS21044N3	NUT -----	2	

-62	0742109-1	ANGLE -----	1	
-63	0742108-1	PLATE -----	2	
	S1050-1-3.15	GROMMET -----	2	
A---SERIAL 18051184 THRU 18051312				

Floatplane (Cont)



SERIAL 18051184 THRU 18051312

Figure 128. Amphibian Fittings

FIGURE AND INDEX NO.	PART NUMBER	DESCRIPTION	UNITS PER ASSY	USABLE ON CODE
		1 2 3 4 5 6 7		
128 -		AMPHIBIAN FITTINGS -----	NP	A
- 1	5338-7	FAIRLEAD-RETRACT CABLE -----	1	
	5339-2	CLIP-FAIRLEAD RETAINING -----	1	
- 2	0742115-15	REINFORCEMENT-BULKHEAD LH ONLY -----	1	
- 3	0541129	BLOCK-STRUT ATTACHMENT AFT -----	2	
		ATTACHING PARTS -----		
- 4	AN4-12A	BOLT -----	5	
- 5	AN960-416	WASHER -----	5	
- 6	NAS679A4	NUT -----	5	
- 7	AN5-32A	BOLT -----	2	
- 8	22NA17A-054	NUTPLATE EN -----	2	

- 9	0541128	BLOCK-STRUT ATTACHMENT FORWARD -----	2	
		ATTACHING PARTS -----		
-10	AN5-15A	BOLT -----	2	
-11	AN960D516	WASHER -----	2	
-12	NAS679A4	NUT -----	2	

-13	0341118	DOUBLER-FUSELAGE RH -----	1	
	0341118-1	DOUBLER-FUSELAGE LH -----	1	
-14	0541126	SPACER-FUSELAGE SKIN LAP RH -----	1	
	0541126-1	SPACER-FUSELAGE SKIN LAP LH -----	1	
-15	0742115-51	PLATE-OUTER SPLICE RH -----	1	
	0742115-50	PLATE-OUTER SPLICE LH -----	1	
-16	0742115-16	ANGLE-REINFORCEMENT UPPER -----	1	
	0742115-19	ANGLE-REINFORCEMENT LOWER AFT -----	1	
-17	0742115-20	ANGLE-REINFORCEMENT FORWARD -----	1	
-18	NAS680A4	NUTPLATE -----	3	
-19	0742110-7	ANGLE-FORWARD SIDE -----	3	
-20	0742115-28	ANGLE-AFT SIDE -----	2	
-21	S349	GROMMET-DRAIN -----	10	
-22	S237-1	DOUBLER-INSPECTION OPENING -----	5	
-23	S225-1	COVER-INSPECTION OPENING -----	5	
		ATTACHING PARTS -----		
-24	49330	TRIMOUNT STUD UC -----	3	

-25	0742115-21	ANGLE-STIFFENER -----	1	
-26	0742115-22	ANGLE-STIFFENER -----	1	
-27	0710025-1	ANGLE-STIFFENER -----	2	
-28	0742115-5	BULKHEAD REINFORCEMENT LH -----	1	
-29	0742115-6	BULKHEAD REINFORCEMENT RH -----	1	
-30	0742115-7	CLIP-BAGGAGE DOOR JAMB -----	1	
-31	0711101-20	JAMB-BAGGAGE DOOR LOWER -----	1	
-32	0742115-4	ANGLE-FUSELAGE SIDE STIFFENER -----	4	
-33	0742110-19	SPLICE-ANGLE -----	5	
-34	0742110-20	SHIM-SPLICE ANGLE -----	4	
-35	0541137-11	STEP ASSEMBLY -----	2	
		ATTACHING PARTS -----		
-36	AN3-7A	BOLT -----	2	
	AN960-10	WASHER -----	2	
	MS21044N3	NUT -----	2	

-37	AN837-4D	ELBOW-45 DEGREES -----	1	
	AN960D716L	WASHER -----	1	
	AN924-4D	NUT -----	1	
-38		DELETED, NOT PROCURABLE -----		
-39	0742116-2	REINFORCEMENT-LH -----	1	
	0742116-3	REINFORCEMENT-RH -----	1	
-40	0422349	EYEBOLT -----	1	
		ATTACHING PARTS -----		
	NAS679A5	NUT -----	1	

CONTINUED ON NEXT PAGE

FIGURE AND INDEX NO.	PART NUMBER	DESCRIPTION	UNITS PER ASSY	USABLE ON CODE
128 -41	0513003-6	BRACE ASSEMBLY ----- ATTACHING PARTS -----	1	
-42	0713156-1 AN4-6A NAS679A4	DOUBLER ----- BOLT ----- NUT ----- -----*	1 2 2	
-43	0511311-11 0511311-12 0413235	SHIELD ASSEMBLY LH ----- SHIELD ASSEMBLY RH ----- GROMMET -----	1 1 1	
-44	0742115-44 0742115-45	FAIRING LH ----- FAIRING RH -----	1 2	
-45	0742119-1 AN23-11 AN310-3 AN960-10 MS24665-134	SPRING & CABLE ASSEMBLY-FLOATPLANE ----- ATTACHING PARTS ----- BOLT ----- NUT ----- WASHER ----- PIN-CUTTER ----- -----*	2 2 2 2	
-46	0742373	STOP-COWL FLAP -----	2	
-47	0742115-37	SPLICE -----	2	
-48	0711112-5 0711112-11	BULKHEAD ASSEMBLY STA 90.0 WEU 0711112-11 ----- BULKHEAD ASSEMBLY STA 90.0 -----	1 1	
-49	0742117-4 0742117-5	DOUBLER-RH REAR ----- DOUBLER-LH REAR -----	1 1	
-50	0742117-2 0742117-3	DOUBLER-RH FORWARD ----- DOUBLER-LH FORWARD -----	1 1	
-51	0742115-18 0742115-17 0751001-25 0411086-17 0411086-23 S1324N2	ANGLE ASSEMBLY RH ----- ANGLE ASSEMBLY LH ----- MOUNT-ENGINE SEE FIGURE 77 ----- INDICATOR-AIRSPEED WHEN EXHAUSTED USE S-1324N2 ----- INDICATOR-AIRSPEED-ALT-WHEN EXHAUSTED USE S-1324N2 ----- INDICATOR-AIRSPEED -----	1 1 1 1 1	
-52	0441115-3	WEDGE -----	4	AR
-53	0741007-1 36837 AN520-10R72 AN970-3 MS21044N3	SHIM ----- BALLAST-BULKHEAD STA 230.187 ----- ATTACHING PARTS ----- SCREW ----- WASHER ----- NUT ----- -----*	1 4 4 4	
		A---SERIAL 18051184 THRU 18051312		

FIGURE AND INDEX NO.	PART NUMBER	DESCRIPTION	UNITS PER ASSY							USABLE ON CODE
			1	2	3	4	5	6	7	
129 -		CARGO PACK INSTALLATION -----							NP	C
- 1	0700067-2	CARGO PACK ASSEMBLY -----							1	
	0700067-43	CARGO PACK ASSEMBLY FLOATPLANE -----							1	
		ATTACHING PARTS -----								
- 2	NAS221-13	SCREW -----							32	
- 3	AN936810	WASHER -----							32	
- 4	AN960-10L	WASHER -----							32	
	S10K140	RIVNUT -----							28	
	S10K230	RIVNUT -----							2	
	NAS697A3	NUTPLATE -----							2	
- 5	S1042-1-275	SEAL -----							AR	

- 6	0700067-3	DOOR ASSEMBLY-SIDE -----							1	A
	0700067-45	DOOR ASSEMBLY-SIDE -----							1	B
- 7	0713229-1	PLACARD -----							1	
- 8	WL98293-2-.190	STUD-AIRLOC -----							5	A
	4002-4	STUD-CAMLOC -----							3	B
		ATTACHING PARTS -----								
	S1853-4	PIN -----							1	A
	4002G	GROMMET-CAMLOC -----							1	B

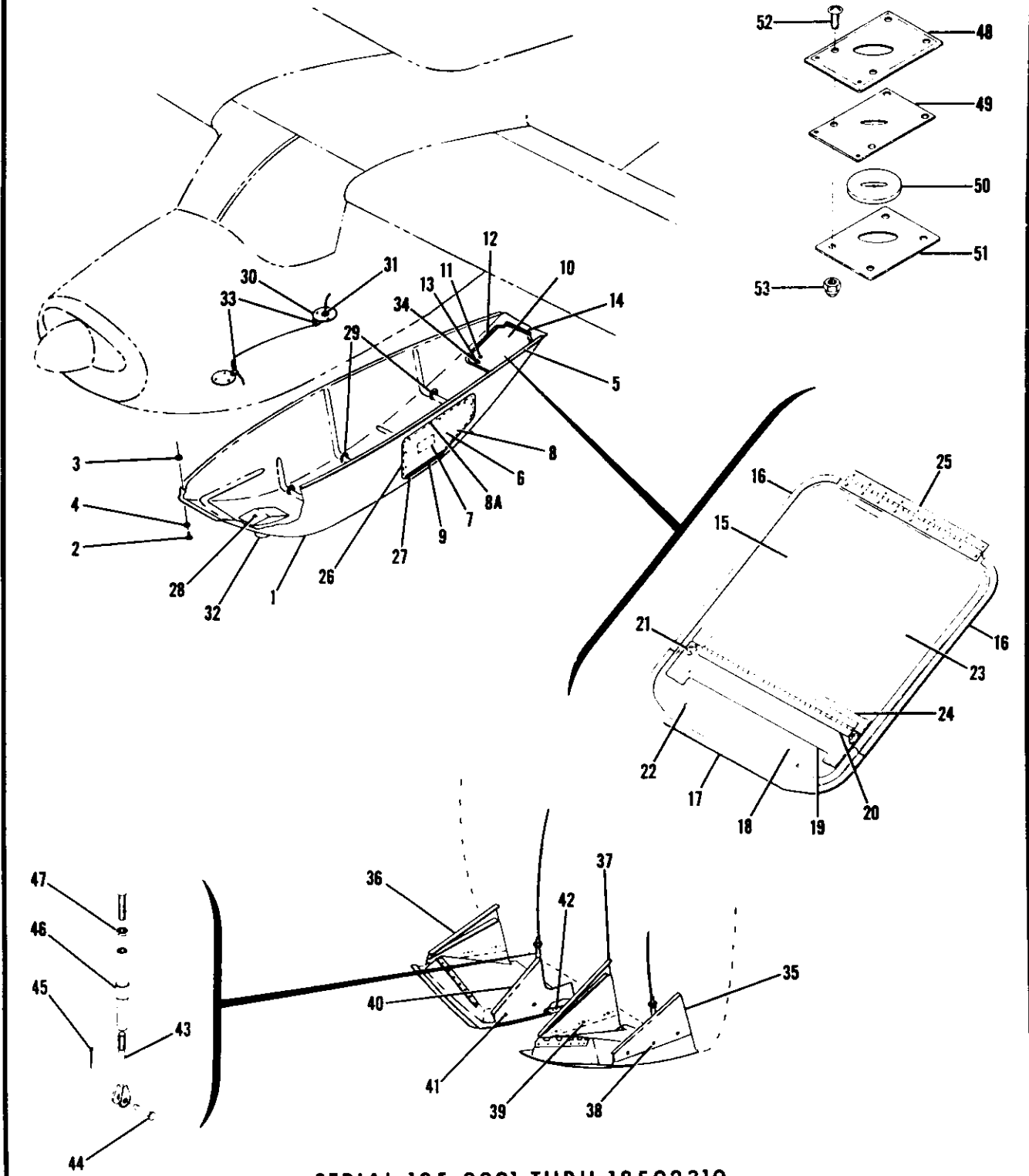
	0413323-6	LOCK ASSEMBLY-DOOR WHEN EXHAUSTED -----							1	B
		USE C253001-0101 LOCK & 0413322-4 CAM								
	C253001-0101	LOCK ASSEMBLY-DOOR -----							1	
	0413322-4	CAM-DOOR LOCK -----							1	
- 8A	S1082-1	SEAL-70.0 IN LG BULK ITEM REF S1082-1-70.00 -----							1	
	S1853-1	RECEPTACLE -----							8	A
- 9	0700067-23	HINGE ASSEMBLY -----							1	
	0700067-26	HINGE HALF-UPPER -----							1	
	0700067-25	HINGE HALF-LOWER -----							1	
	0700067-29	PIN-HINGE -----							1	
-10	0700067-4	DOOR ASSEMBLY-REAR -----							1	A
	0700067-51	DOOR ASSEMBLY-REAR -----							1	B
-11	0813503-8	KNOB -----							2	
		ATTACHING PARTS -----								
	AN515-8R8	SCREW -----							1	
	AN960-8	WASHER -----							1	

-12	S1082-1-62	SEAL -----							AR	A
	S1055-1-62	SEAL -----							AR	B
-13	S1853-1	RECEPTACLE -----							2	A
	4002-244-16	RECEPTACLE-CALMOC -----							2	B
-14	0700067-24	HINGE ASSEMBLY -----							1	
	0700067-27	HINGE HALF UPPER -----							1	
	0700067-28	HINGE HALF LOWER -----							1	
	0700067-30	PIN-HINGE -----							1	
-15	0700067-35	DOOR ASSEMBLY-REAR FLOATPLANE ONLY -----							1	
-16	S1082-1-18	SEAL-UPPER FLOATPLANE ONLY -----							2	
-17	S1082-1-26	SEAL-LOWER FLOATPLANE ONLY -----							1	
-18	0700067-41	DOOR HALF LOWER FLOATPLANE ONLY -----							1	
-19	0700067-38	REINFORCEMENT ASSEMBLY -----							1	
-20	0700067-31	HINGE ASSEMBLY -----							1	
	0700067-32	HINGE HALF -----							1	
	0700067-33	HINGE HALF -----							1	
	0700067-34	PIN-HINGE -----							1	
-21	S1853-1	RECEPTACLE -----							2	
-22	0813503-8	KNOB -----							2	
		ATTACHING PARTS -----								
	AN515-8R8	SCREW -----							1	
	AN960-8	WASHER -----							1	

-23	0700067-42	DOOR HALF UPPER FLOATPLANE ONLY -----							1	
-24	0700067-37	REINFORCEMENT -----							1	
	WL98293-2-.200	STUD-AIRLOC -----							2	
		ATTACHING PARTS -----								
	S1853-4	PIN -----							1	
	AN960-8L	WASHER -----							1	

CONTINUED ON NEXT PAGE

Cargo Pod



SERIAL 185-0001 THRU 18502310

Figure 129. Cargo Pod Installation

FIGURE AND INDEX NO.	PART NUMBER	DESCRIPTION	UNITS PER ASSY	USABLE ON CODE
129 -25	0700067-24	HINGE ASSEMBLY -----	1	
	0700067-27	HINGE HALF UPPER -----	1	
	0700067-28	HINGE HALF LOWER -----	1	
	0700067-30	PIN-HINGE -----	1	
-26	S202RB	SEAL-SIDE DOOR -----	AR	
-27	0700067-22	DOUBLER -----	1	
	0700083-1	ANGLE -----	1	
-28	MS35489-9	GROMMET -----	1	
-29	0700069-1	LUG-CARGO TIE DOWN -----	6	
		ATTACHING PARTS		
	AN3-14A	BOLT -----	1	
	AN960-10L	WASHER -----	2	
	MS21044N3	NUT -----	1	
		-----*		
-30	0713230-1	COVER PLATE ASSEMBLY -----	1	
-31	MS35489-33	GROMMET -----	1	
-32	AN515-6R8	SCREW -----	5	
	NAS680A06	NUTPLATE -----	5	
-33	S1155-2	CLAMP -----	2	
-34	WL98293-3-.310	STUD-AIRLOC -----	2	
		COWL FLAP EXTENSIONS INSTALLATION -----	NP	
-35	0752036-2	BAFFLE-OUTBOARD LH FLAP -----	1	
-36	0752036-3	BAFFLE-OUTBOARD RH FLAP -----	1	
-37	0752036-4	BAFFLE-INBOARD LH FLAP -----	1	
		ATTACHING PARTS		
-38	AN520-10R8	SCREW -----	3	
-39	MS20365-1032C	NUT -----	3	
		-----*		
-40	0752036-6	BAFFLE ASSEMBLY-INBOARD RH FLAP -----	1	
		ATTACHING PARTS		
-41	AN520-10R8	SCREW -----	3	
	MS20365-1032	NUT -----	2	
		-----*		
-42	NAS697-A3	NUTPLATE -----	1	
-43	AN161-22LL	FORK -----	2	
		ATTACHING PARTS		
-44	MS20392-2C13	PIN-FLATHEAD -----	1	
-45	MS24665-132	PIN-COTTER -----	1	
		-----*		
-46	AN155832S	BARREL -----	2	
-47	AN316-4	NUT -----	2	
		SEAL INSTALLATION-FLOATPLANE CARGO PACK -----	NP	
-48	0700072-3	PLATE-LOWER FORWARD RH & LOWER AFT LH -----	2	
	0700072-4	PLATE-LOWER FORWARD RH & LOWER AFT RH -----	2	
-49	0700072-5	SEAL -----	4	
-50	0700072-6	SEAL -----	4	
-51	0700072-7	PLATE -----	4	
		ATTACHING PARTS		
-52	AN520-10R8	SCREW -----	4	
-53	22NKM-02	NUT EN -----	4	
		-----*		
		A---SERIAL 185-0001 THRU 185-0274		
		B---SERIAL 185-0275 THRU 18502310		
		C---SERIAL 185-0001 THRU 18502310		

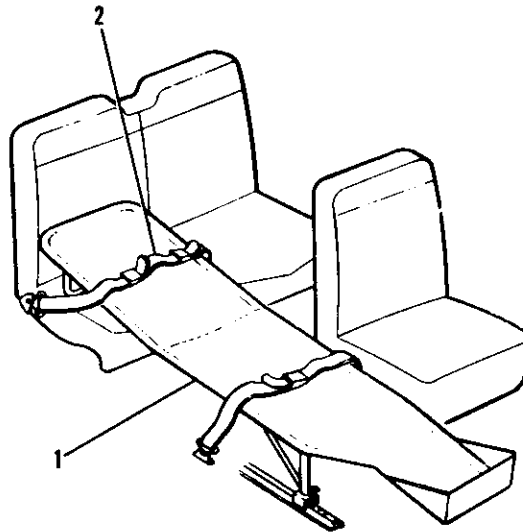


Figure 130. Stretcher Installation

FIGURE AND INDEX NO.	PART NUMBER	DESCRIPTION	UNITS PER ASSY	USABLE ON CODE
130 - - 1 - 2	0700164-6 FDC2475-50 S1809-1	<p>1 2 3 4 5 6 7</p> <p>STRETCHER INSTALLATION ----- STRETCHER ASSEMBLY ----- 9 BELT-EXTENSION ----- 8 BELT-EXTENSION -----</p> <p>A---SERIAL 18051184 THRU 18051875 SERIAL 185-0001 THRU 185-1300 B---SERIAL 18051876 THRU 18052384 SERIAL 185-1301 THRU 18502310</p>	NP 1 1 1	A B

FIGURE AND INDEX NO.	PART NUMBER	DESCRIPTION	UNITS PER ASSY	USABLE ON CODE
		1 2 3 4 5 6 7		
131 -		CENTER-LINE CAMERA PROVISIONS INSTALLATION -----	NP	A
- 1	0710001-23	BRACKET ASSEMBLY-SHAFT INBOARD -----	1	
- 2	0761210-1	SPROCKET -----	1	
		ATTACHING PARTS -----		
- 3	0761205-3 NAS561-3-8	PIN WHEN EXHAUSTED USE NAS561-3-8 -----	1	B
		ROLL PIN -----	1	C

- 4	0710001-16	BRACKET ASSEMBLY-SHAFT -----	1	
		ATTACHING PARTS -----		
	AN507-632R10	SCREW -----	4	
	NAS679A06	NUT -----	4	

- 5	0710001-25	SPROCKET GUARD -----	1	
		ATTACHING PARTS -----		
	AN507-632R8	SCREW -----	1	
	NAS679A06	NUT -----	1	

- 6	0710001-17	SHAFT -----	1	
- 7	0710001-3	BRACKET-RUDDER FORWARD RIGHT -----	1	
- 8	0710001-62	BRACKET-PULLEY -----	4	
- 9	0710001-5	BRACKET-RUDDER & ELEVATOR LEFT -----	1	
-10	0710001-6	BRACKET-RUDDER & ELEVATOR RIGHT -----	1	
-11	0710001-54	BRACKET-RUDDER AFT LEFT -----	1	
-12	0710001-8	BRACKET-ELEVATOR AFT -----	1	
-12A	MS20220-1	PULLEY REPLACES MS20220-2 ON AIRPLANES THAT USE -----	1	
		2 PULLEYS ON INDEXED ITEM 16 -----		
-13	MS20220-2	PULLEY -----	3	
		ATTACHING PARTS -----		
	AN5-11A	BOLT -----	4	
	NAS679A5	NUT -----	4	
	AN960-516L	WASHER -----	4	
	MS24665-136	PIN-COTTER CABLE GUARD -----	4	
	MS20392-3C55	PIN-FLATHEAD -----	4	
	MS24665-132	PIN-COTTER -----	4	

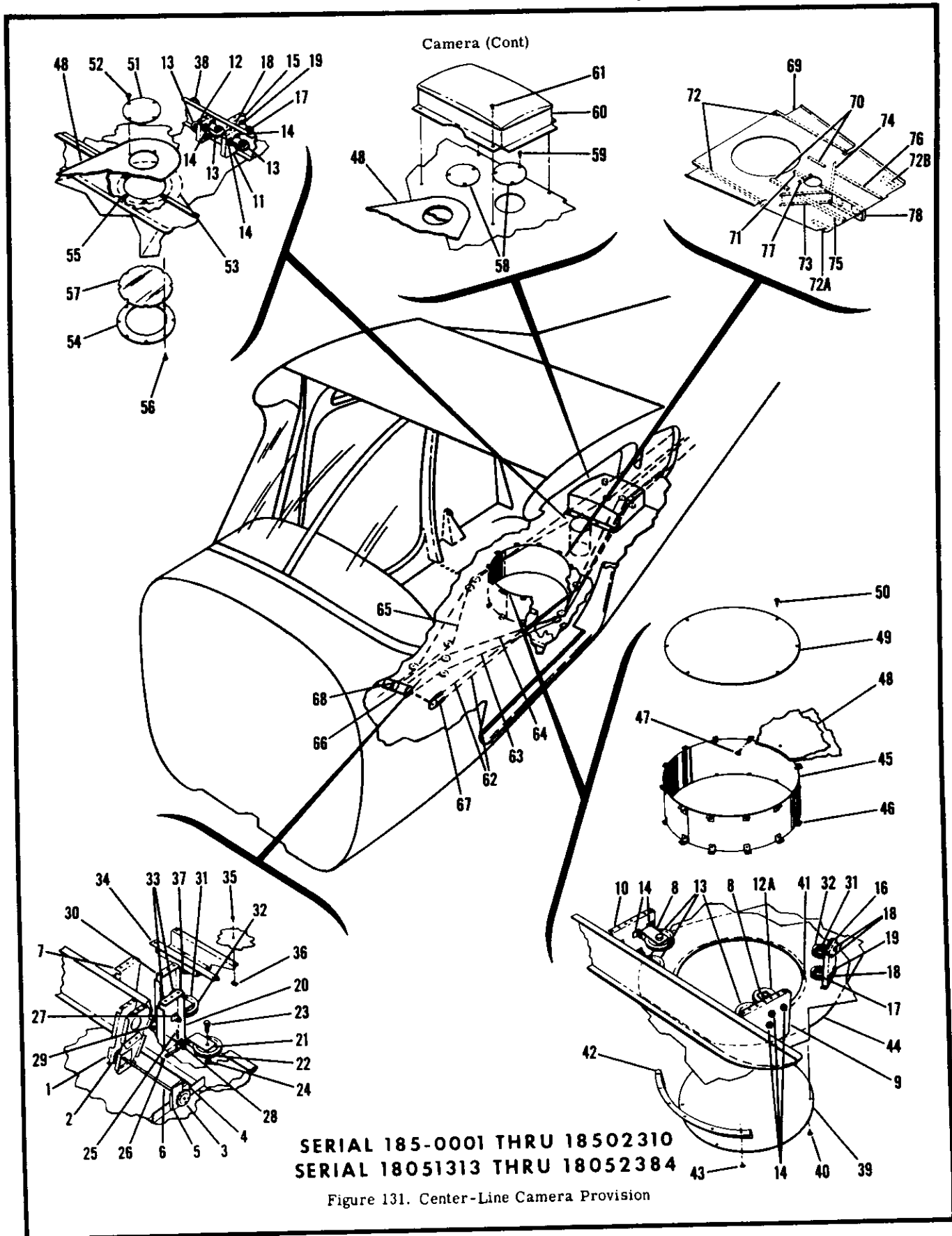
-14	AN44-4A	BOLT-EYE -----	16	
		ATTACHING PARTS -----		
	NAS679A5	NUT -----	1	
	AN960-516L	WASHER -----	1	

-15	0710001-1	BRACKET-STABILIZER AFT -----	1	
-16	0710001-10	BRACKET-STABILIZER FORWARD -----	1	
-17	0710001-19	BRACKET-PULLEY -----	2	
	S378-1L	PULLEY -----	4	
		ATTACHING PARTS -----		
	AN3-10A	BOLT -----	2	
	MS21044N3	NUT -----	2	
	AN960-416	WASHER -----	2	
	MS24665-132	PIN-COTTER -----	2	
	MS24665-136	PIN-COTTER CABLE GUARD -----	2	
	MS20392-3C47	PIN-FLAT HEAD -----	2	

-18	AN44-4A	BOLT-EYE -----	4	
-19	0710001-46	BOLT-EYE -----	1	
		ATTACHING PARTS -----		
	NAS679A5	NUT -----	1	
	AN960-516L	WASHER -----	1	

-19A	0710001-46	BOLT-EYE -----	1	F
	AN44-10A	BOLT-EYE -----	2	C
		ATTACHING PARTS -----		
	NAS679A5	NUT -----	1	
	AN960-516L	WASHER -----	1	
	0710001-46	SPACER -----	1	G

CONTINUED ON NEXT PAGE



SERIAL 185-0001 THRU 18502310
SERIAL 18051313 THRU 18052384

Figure 131. Center-Line Camera Provision



FIGURE AND INDEX NO.	PART NUMBER	DESCRIPTION							UNITS PER ASSY	USABLE ON CODE	
		1	2	3	4	5	6	7			
131	-20	0710001-2	BRACKET-RUDDER FORWARD LEFT							1	
	-21	0710001-62	BRACKET-PULLEY							1	
	-22	MS20220-2	PULLEY							1	
			ATTACHING PARTS								
	-23	AN5-11A	BOLT							1	
	-24	NAS679A5	NUT							1	
		AN960-516L	WASHER							1	
		MS24665-132	PIN-COTTER							1	
	-25	MS24665-136	PIN-COTTER CABLE GUARD							1	
	-26	MS20392-3C55	PIN-FLAT HEAD							1	
			ATTACHING PARTS								
	-27	AN44-4A	BOLT-EYE							1	
	-28	0710001-46	BOLT-EYE							1	
			ATTACHING PARTS								
	-29	NAS679A5	NUT							1	
		AN960-516L	WASHER							1	
			ATTACHING PARTS								
	-30	0710001-4	BRACKET-ELEVATOR FORWARD LOWER							1	
	-31	0710001-20	BRACKET-PULLEY							2	
	-32	S378-3	PULLEY							2	
			ATTACHING PARTS								
		AN4-7A	BOLT							1	
		NAS679A4	NUT							1	
		AN960-416	WASHER							1	
		MS24665-132	PIN-COTTER							1	
		MS24665-136	PIN-COTTER CABLE GUARD							1	
		MS20392-3C55	PIN-FLAT HEAD							1	
			ATTACHING PARTS								
	-33	0710001-46	BOLT-EYE							2	
			ATTACHING PARTS								
		NAS679A5	NUT							1	
		AN960-516L	WASHER							1	
			ATTACHING PARTS								
	-34	0710001-26	BRACKET ASSEMBLY-ELEVATOR FORWARD UP CABLE							1	
			ATTACHING PARTS								
	-35	AN515-8R9	SCREW							4	
	-36	NAS679A08	NUT							4	
			ATTACHING PARTS								
		0710001-26	BRACKET-FAIRLEAD							1	
	-37	MS20220-2	PULLEY							1	
			ATTACHING PARTS								
		AN5-11A	BOLT							1	
		NAS679A5	NUT							1	
		AN960D516L	WASHER							1	
		MS24665-136	PIN-COTTER							1	
			ATTACHING PARTS								
	-38	S378-3	PULLEY							1	
			ATTACHING PARTS								
		AN4-10A	BOLT							1	
		NAS679A4	NUT							1	
			ATTACHING PARTS								
	-39	0710001-14	COVER PLATE-FUSELAGE							1	D
		0710001-73	COVER PLATE-FUSELAGE							1	E
			ATTACHING PARTS								
	-40	S1021Z8-8	SCREW							8	D
		S1021Z8-6	SCREW							12	E
	-41	S1863-3	NUTPLATE							8	D
		S1863-3	NUTPLATE							12	E
			ATTACHING PARTS								
	-42	0710001-42	DEFLECTOR-GAS							1	
			ATTACHING PARTS								
	-43	S1021Z8-8	SCREW							6	
		NAS444-4	NUTPLATE							6	
			ATTACHING PARTS								
	-44	0710001-13	DOUBLER-FUSELAGE							1	D
		0710001-72	DOUBLER-FUSELAGE							1	E
			ATTACHING PARTS								
	-45	0710001-15	BULKHEAD-CIRCULAR							1	
	-46	0710001-45	ANGLE ASSEMBLY							24	
		NAS680A08	NUTPLATE							1	
	-47	NAS220-8	SCREW							24	
			ATTACHING PARTS								
	-48	0710001-12	DOUBLER-FLOORBOARD							1	

CONTINUED ON NEXT PAGE

FIGURE AND INDEX NO.	PART NUMBER	DESCRIPTION	UNITS PER ASSY							USABLE ON CODE	
			1	2	3	4	5	6	7		
131 -49	0710001-11	COVER PLATE-FLOORBOARD ATTACHING PARTS								1	
	NAS680A3	NUT								4	
-50	AN520-10R9	SCREW								4	
		-----*									
-51	0710001-34	COVER PLATE-VIEW FINDER FLOORBOARD ATTACHING PARTS								1	
	NAS680A06	NUT								4	
-52	AN515-6R5	SCREW								4	
		-----*									
-53	0710001-30	DOUBLER-VIEW FINDER LOWER								1	
-54	0710001-31	RING-RETAINER ATTACHING PARTS								1	
	NAS444-4	NUT								8	
-55	5102128-8	SCREW								8	
		-----*									
-57	0710001-32	WINDOW-VIEW FINDER PLEXIGLASS								1	
-58	5225-1	PLATE-INSPECTION COVER ATTACHING PARTS								2	
	49330	STUD-TRI-MOUNT UC								3	
		-----*									
-60	0710001-36	SEAT ASSEMBLY-CAMERA ATTACHING PARTS								1	
	AN520-10P9	SCREW								4	
-61	NAS680A3	NUTPLATE								4	
		-----*									
-62	0510105-28	CABLE-STABILIZER TRIM								2	
-63	0510105-167	CABLE-RUDDER LEFT								1	
	0510105-168	CABLE-RUDDER RIGHT								1	
-64	0510105-132	CABLE-ELEVATOR LOWER								1	
-65	0510105-131	CABLE-ELEVATOR UPPER								1	
-66	0432138-5	CHAIN-STABILIZER								1	
-67	0432138-4	CHAIN-STABILIZER								1	
-68	0432134-4	SPROCKET-IDLER ATTACHING PARTS								1	
	AN3-62A	BOLT								1	
	NAS43HT3-256	SPACER								1	
	NAS43HT3-92	SPACER								1	
	MS21044N3	NUT								1	
		-----*									
-69	0710001-64	FLOORBOARD ASSEMBLY								1	
-70	0710001-50	STIFFENER								2	
-71	0710001-51	STIFFENER								1	
-72	0512107-12	STIFFENER								2	
-72A	0713942-1	SUPPORT ASSEMBLY-LH								1	
-72B	0713942-2	SUPPORT ASSEMBLY-RH ATTACHING PARTS								1	
	AN515-8R8	SCREW								2	
		-----*									
-73	0710001-56	BULKHEAD-LH								1	
-74	0710001-57	BULKHEAD-RH								1	
-75	0710001-58	ANGLE-LH								1	
-76	0710001-59	ANGLE-RH								1	
-77	0710001-60	ANGLE-BULKHEAD								1	F
	0710001-74	ANGLE-BULKHEAD								1	G
-78	0710001-61	BULKHEAD								1	
		A---SERIAL 185-0001 THRU 18502310 SERIAL 18051313 THRU 18052384									
		B---SERIAL 185-0001 THRU 18501604 SERIAL 18051313 THRU 18052104									
		C---SERIAL 18501605 THRU 18502310 SERIAL 18052105 THRU 18052384									
		D---SERIAL 185-0001 THRU 18501643 SERIAL 18051313 THRU 18052121									
		E---SERIAL 18501644 THRU 18502310 SERIAL 18052122 THRU 18052384									
		F---SERIAL 185-0001 THRU 18501832 SERIAL 18051313 THRU 18052175									
		G---SERIAL 18501833 THRU 18502310 SERIAL 18052176 THRU 18052384									

FIGURE AND INDEX NO.	PART NUMBER	DESCRIPTION	UNITS PER ASSY	USABLE ON CODE
		1 2 3 4 5 6 7		
132 -		CENTER-LINE CAMERA PROVISIONS INSTALLATION -----	NP	A
- 1	0710001-23	BRACKET ASSEMBLY-SHAFT INBOARD -----	1	
- 2	0761210-1	SPROCKET -----	1	
		ATTACHING PARTS -----		
- 3	0761205-3	PIN WHEN EXHAUSTED USE NAS561-3-8 -----	1	
	NAS561-3-8	POLL PIN -----	1	

- 4	0710001-16	BRACKET ASSEMBLY-SHAFT -----	1	
		ATTACHING PARTS -----		
	AN507-632R10	SCREW -----	4	
	NAS679A06	NUT -----	4	

- 5	0710001-25	SPROCKET GUARD -----	1	
		ATTACHING PARTS -----		
	AN507-632R8	SCREW -----	1	
	NAS679A06	NUT -----	1	

- 6	0710001-17	SHAFT -----	1	
- 7	0710001-3	BRACKET-RUDDER FORWARD RIGHT -----	1	
- 8	0710001-62	BRACKET-PULLEY -----	4	
- 9	0710001-5	BRACKET-RUDDER & ELEVATOR LEFT -----	1	
-10	0710001-6	BRACKET-RUDDER & ELEVATOR RIGHT -----	1	
-11	0710001-54	BRACKET-RUDDER AFT LEFT -----	1	
-12	0710001-8	BRACKET-ELEVATOR AFT -----	1	
-13	MS20220-2	PULLEY -----	4	
		ATTACHING PARTS -----		
	AN5-11A	BOLT -----	4	
	NAS679A5	NUT -----	4	
	AN960-516L	WASHER -----	4	
	MS24665-136	PIN-COTTER -----	4	
	MS20392-3C55	PIN-FLAT HEAD -----	4	
	MS24665-132	PIN-COTTER -----	4	

-14	AN44-4A	BOLT-EYE -----	16	
		ATTACHING PARTS -----		
	NAS679A5	NUT -----	1	
	AN960-516L	WASHER -----	1	

-15	0710001-1	BRACKET-STABILIZER AFT -----	1	
-16	0710001-10	BRACKET-STABILIZER FORWARD -----	1	
-17	0710001-19	BRACKET-PULLEY -----	2	
	S378-1L	PULLEY -----	4	
		ATTACHING PARTS -----		
	AN3-10A	BOLT -----	2	
	MS21044N3	NUT -----	2	
	AN960-416	WASHER -----	2	
	MS24665-132	PIN-COTTER -----	2	
	MS24665-136	PIN-COTTER CABLE GUARD -----	2	
	MS20392-3C47	PIN-FLAT HEAD -----	2	

-18	AN44-4A	BOLT-EYE -----	2	
-19	0710001-46	BOLT-EYE -----	2	
		ATTACHING PARTS -----		
	NAS679A5	NUT -----	1	
	AN960-516L	WASHER -----	1	

CONTINUED ON NEXT PAGE

Camera (Cont)

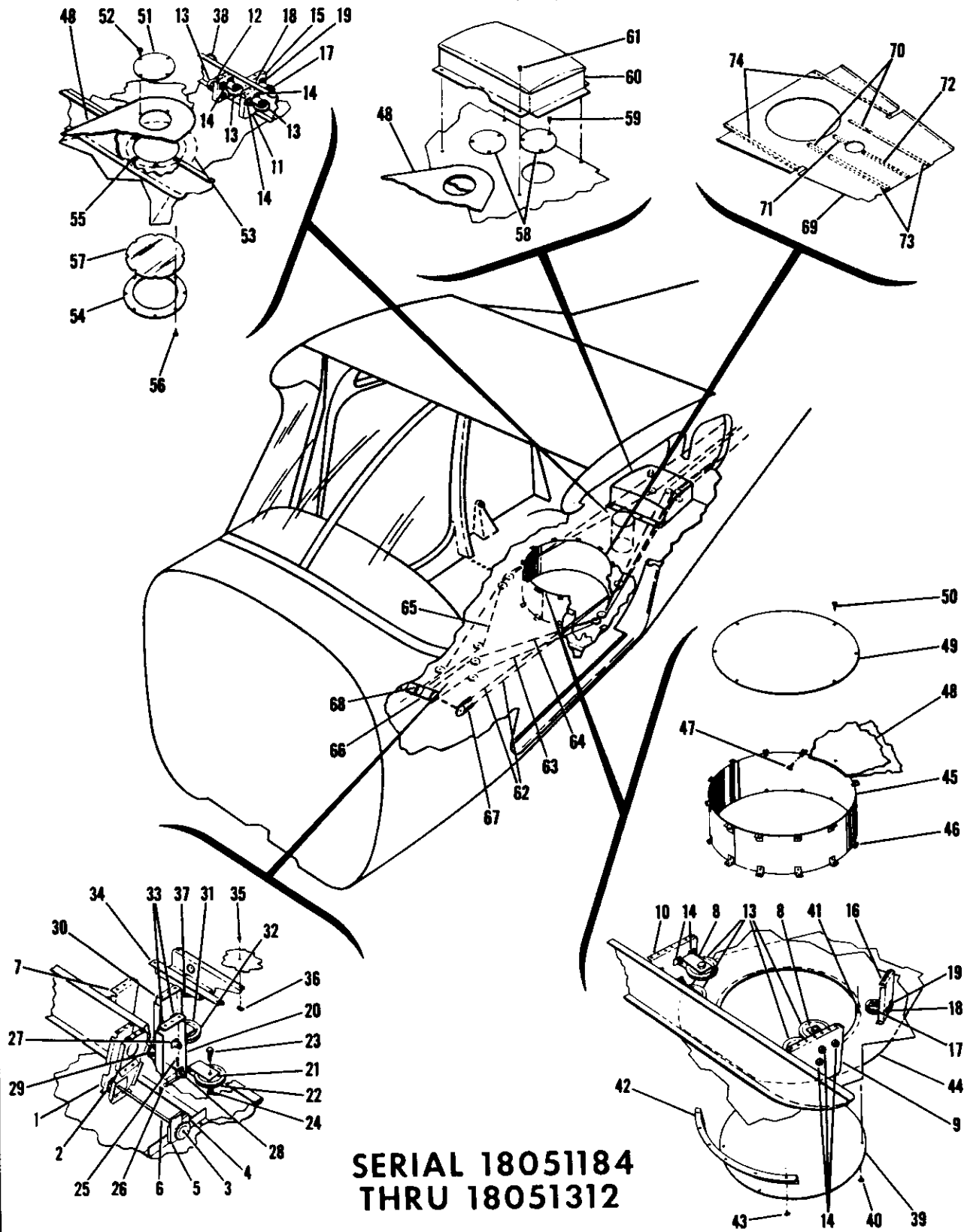


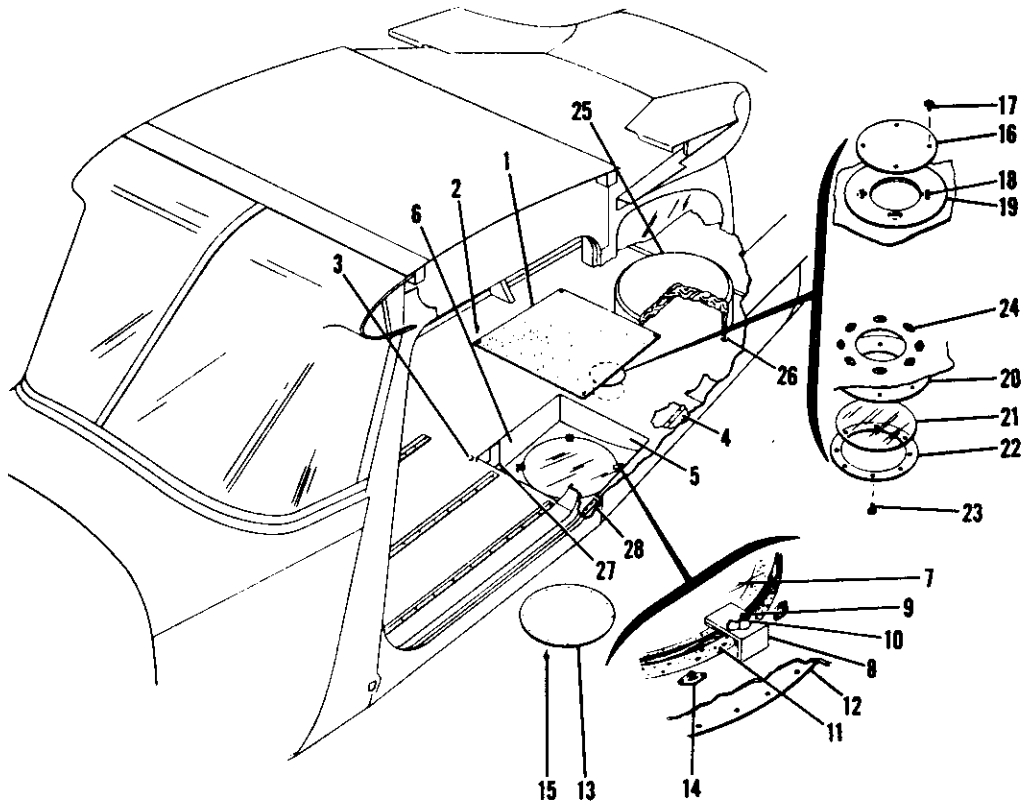
Figure 132. Center-Line Camera Provision

FIGURE AND INDEX NO.	PART NUMBER	DESCRIPTION	UNITS PER ASSY	USABLE ON CODE
		1 2 3 4 5 6 7		
132 -20	0710001-2	BRACKET-RUDDER FORWARD LEFT -----	1	
-21	0710001-62	BRACKET-PULLEY -----	1	
-22	PS20220-2	PULLEY -----	1	
		ATTACHING PARTS -----		
-23	AN5-11A	BOLT -----	1	
-24	NAS679A5	NUT -----	1	
	AN960-516L	WASHER -----	1	
	MS24665-132	PIN-COTTER -----	1	
-25	MS24665-136	PIN-COTTER CABLE GUARD -----	1	
-26	MS20392-3C55	PIN-FLAT HEAD -----	1	
		-----*		
-27	AN44-4A	BOLT-EYE -----	1	
-28	0710001-46	BOLT-EYE -----	1	
		ATTACHING PARTS -----		
-29	NAS679A5	NUT -----	1	
	AN960-516L	WASHER -----	1	
		-----*		
-30	0710001-4	BRACKET-ELEVATOR FORWARD LOWER -----	1	
-31	0710001-20	BRACKET-PULLEY -----	1	
-32	S378-3	PULLEY -----	1	
		ATTACHING PARTS -----		
	AN4-7A	BOLT -----	1	
	NAS679A4	NUT -----	1	
	AN960-416	WASHER -----	1	
	MS24665-132	PIN-COTTER -----	1	
	MS24665-136	PIN-COTTER CABLE GUARD -----	1	
	MS20392-3C55	PIN-FLATHEAD -----	1	
		-----*		
-33	0710001-46	BOLT-EYE -----	2	
		ATTACHING PARTS -----		
	NAS679A5	NUT -----	1	
	AN960-516L	WASHER -----	1	
		-----*		
-34	0710001-26	BRACKET ASSEMBLY-ELEVATOR FORWARD UP CABLE -----	1	
		ATTACHING PARTS -----		
-35	AN515-8R9	SCREW -----	4	
-36	NAS679A08	NUT -----	4	
		-----*		
-37	0710001-26	BRACKET-FAIRLEAD -----	1	
	MS20220-2	PULLEY -----	1	
		ATTACHING PARTS -----		
	AN5-11A	BOLT -----	1	
	NAS679A5	NUT -----	1	
	AN960D516L	WASHER -----	1	
	MS24665-136	PIN-COTTER -----	1	
		-----*		
-38	S378-3	PULLEY -----	1	
		ATTACHING PARTS -----		
	AN4-10A	BOLT -----	1	
	NAS679A4	NUT -----	1	
		-----*		
-39	0710001-14	COVER PLATE-FUSELAGE -----	1	
		ATTACHING PARTS -----		
-40	S1021Z8-8	SCREW -----	8	
-41	NAS444-4	NUTPLATE -----	8	
		-----*		
-42	0710001-42	DEFLECTOR-GAS -----	1	
		ATTACHING PARTS -----		
-43	S1021Z8-8	SCREW -----	6	
	NAS444-4	NUTPLATE -----	6	
		-----*		
-44	0710001-13	DOUBLER-FUSELAGE -----	1	
		ATTACHING PARTS -----		
-45	0710001-15	BULKHEAD-CIRCULAR -----	1	
-46	0710001-45	ANGLE ASSEMBLY -----	24	
	NAS680A08	NUTPLATE -----	1	
-47	NAS220-8	SCREW -----	24	
		-----*		

CONTINUED ON NEXT PAGE

FIGURE AND INDEX NO.	PART NUMBER	DESCRIPTION	UNITS PER ASSY	USABLE ON CODE
132 -48	0710001-12	DOUBLER-FLOORBOARD -----	1	
-49	0710001-11	COVER PLATE-FLOORBOARD ----- ATTACHING PARTS -----	1	
	NAS680A3	NUT -----	4	
-50	AN520-10R9	SCREW -----	4	
-51	0710001-34	COVER PLATE-VIEW FINDER FLOORBOARD ----- ATTACHING PARTS -----	1	
	NAS680A06	NUT -----	4	
-52	AN515-6P5	SCREW -----	4	
-53	0710001-30	DOUBLER-VIEW FINDER LOWER -----	1	
-54	0710001-31	RING-RETAINER ----- ATTACHING PARTS -----	1	
-55	NAS444-4	NUT -----	8	
-56	S1021Z8-8	SCREW -----	8	
-57	0710001-32	WINDOW-VIEW FINDER PLEXIGLASS -----	1	
-58	S225-1	PLATE-INSPECTION COVER ----- ATTACHING PARTS -----	2	
-59	49330	STUD-TRI-MOUNT UC -----	3	
-60	0710001-36	SEAT ASSEMBLY-CAMERA ----- ATTACHING PARTS -----	1	
-61	AN520-10R9	SCREW -----	4	
	NAS680A3	NUTPLATE -----	4	
-62	0510105-28	CABLE-STABILIZER TRIM -----	2	
-63	0510105-167	CABLE-RUDDER LEFT -----	1	
	0510105-168	CABLE-RUDDER RIGHT -----	1	
-64	0510105-132	CABLE-ELEVATOR LOWER -----	1	
-65	0510105-131	CABLE-ELEVATOR UPPER -----	1	
-66	0432138-5	CHAIN-STABILIZER -----	1	
-67	0432138-4	CHAIN-STABILIZER -----	1	
-68	0432134-4	SPROCKET-IDLER ----- ATTACHING PARTS -----	1	
	AN3-62A	BOLT -----	1	
	NAS43HT3-256	SPACER -----	1	
	NAS43HT3-92	SPACER -----	1	
	MS21044N3	NUT -----	1	
-69	0710001-49	FLOORBOARD ASSEMBLY -----	1	
-70	0710001-50	STIFFENER -----	2	
-71	0710001-51	STIFFENER -----	1	
-72	0710001-52	STIFFENER -----	1	
-73	0512107-30	STIFFENER -----	2	
-74	0512107-12	STIFFENER -----	2	
A---SERIAL 18051184 THRU 18051312				

Camera (Cont)

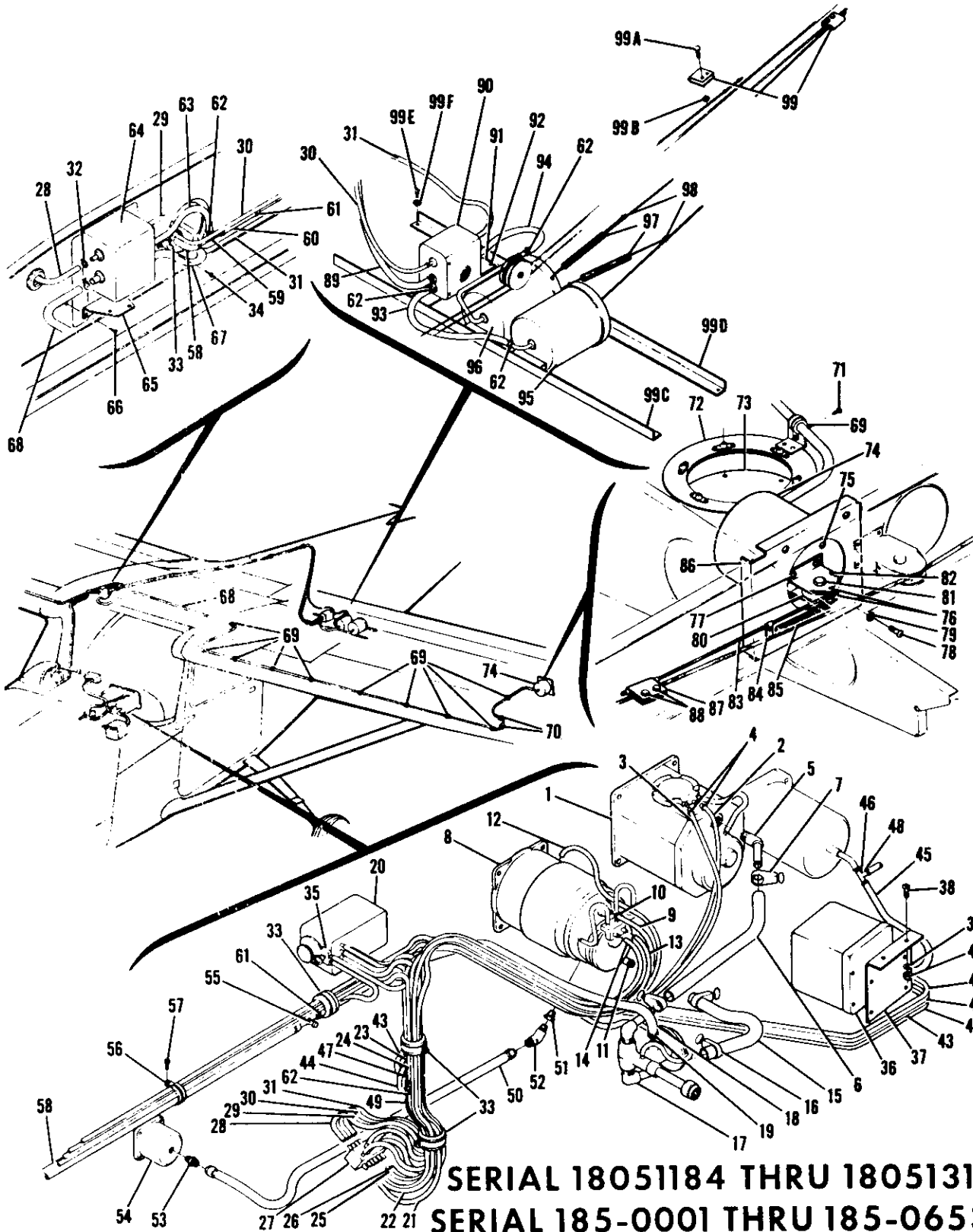


SERIAL 18051184 THRU 18051312

Figure 133. Off-Center Camera Provisions

FIGURE AND INDEX NO.	PART NUMBER	DESCRIPTION	UNITS PER ASSY	USABLE ON CODE
133 -		OFF CENTER CAMERA PROVISIONS INSTALLATION -----	NP	A
- 1	0510010-18	COVER ASSEMBLY-CAMERA BAY -----	1	
		ATTACHING PARTS -----		
- 2	AN520-10R9	SCREW -----	4	
- 3	NAS680A3	NUTPLATE -----	4	
		-----*		
- 4	0510010-32	BULKHEAD ASSEMBLY-CAMERA STRUCTURE OUTBOARD -----	1	
- 5	0510010-3	BULKHEAD-CAMERA STRUCTURE AFT -----	1	
- 6	0510010-31	BULKHEAD ASSEMBLY-CAMERA STRUCTURE INBOARD -----	1	
- 7	0510010-11	WINDOW-CAMERA GLASS -----	1	
		ATTACHING PARTS -----		
- 8	0510010-16	CLAMP ASSEMBLY -----	4	
- 9	AN520-10R16	SCREW -----	4	
	MS21044N3	NUT -----	4	
	AN935-10	LOCKWASHER -----	4	
-10	AN350-1032	WINGNUT -----	4	
		-----*		
-11	0510010-12	SEAL-CAMERA CUTOUT -----	1	
-12	0510010-4	DOUBLER-CAMERA CUTOUT -----	1	
-13	0510010-2	COVER-CAMERA WINDOW -----	1	
		ATTACHING PARTS -----		
-14	NAS444-4	NUTPLATE -----	12	
-15	S1021Z8-8	SCREW -----	12	
		-----*		
-16	0510010-30	COVER ASSEMBLY-OBSERVATION WINDOW -----	1	
		ATTACHING PARTS -----		
-17	S1021Z8-8	SCREW -----	4	
-18	NAS444-4	NUTPLATE -----	4	
		-----*		
-19	0510010-15	DOUBLER-OBSERVATION WINDOW -----	1	
-20	0510010-5	DOUBLER-OBSERVATION WINDOW -----	1	
-21	0510010-6	PLATE-PLXIGLASS -----	1	
-22	0510010-7	RING-SUPPORT -----	1	
		ATTACHING PARTS -----		
-23	S1021Z8-8	SCREW -----	8	
-24	NAS444-4	NUTPLATE -----	8	
		-----*		
-25	0510190	SEAT-CAMERA -----	1	
		ATTACHING PARTS -----		
-26	AN520-10R9	SCREW -----	4	
	NAS680A3	NUTPLATE -----	4	
		-----*		
-27	0510010-19	DOUBLER -----	1	
-28	0510010-21	ANGLE -----	1	
A---SERIAL 18051184 THRU 18051312				

Autopilot



SERIAL 18051184 THRU 18051312
SERIAL 185-0001 THRU 185-0653

Figure 134. Tactair T-3 Autopilot Installation

FIGURE AND INDEX NO.	PART NUMBER	DESCRIPTION	UNITS PER ASSY	USABLE ON CODE
134 -		AUTO PILOT INSTALLATION-TACTAIR T-3 -----	NP	A
- 1	0770012-7	GYRO-DIRECTIONAL -----	1	
		ATTACHING PARTS -----		
	AN520C10P16	SCREW -----	4	

- 2	B296-59	HOSE-GYRO TO TEE BLOCK BROWN TCTA -----	1	
- 3	B296-58	HOSE-GYRO TO TEE BLOCK PINK TCTA -----	1	
- 4	A482	CLAMP TCTA -----	2	
- 5	AN844-6D	ELBOW -----	1	
- 6	1200077-17	HOSE-DIRECTIONAL GYRO TO SHUT-OFF VALVE -----	1	
		ATTACHING PARTS -----		
- 7	AN737RM22	CLAMP -----	2	

- 8	0770011-24	GYRO-HORIZON -----	1	
		ATTACHING PARTS -----		
	AN520C10P16	SCREW -----	4	

- 9	B296-61	HOSE-GYRO TO TEE BLOCK GREEN TCTA -----	1	
-10	A482	CLAMP TCTA -----	1	
-11	AN842-6D	ELBOW -----	1	
-12	1200077-22	HOSE-HORIZONTAL GYRO TO TEE BLOCK RED -----	1	
-13	1200077-18	HOSE-HORIZONTAL GYRO TO TEE BLOCK YELLOW -----	1	
-14	1200077-23	HOSE-HORIZONTAL GYRO TO TEE BLOCK BLUE -----	1	
-15	1200077-16	HOSE-HORIZONTAL GYRO TO SHUT-OFF VALVE -----	1	
		ATTACHING PARTS -----		
-16	AN737RM22	CLAMP -----	2	

-17	1200077-2	VALVE-SHUT-OFF -----	1	
-18	A979	HOSE-SHUT-OFF VALVE TO TEST TEE 25 IN. LG. -----	AR	
		BULK ITEM TCTA REF 1200077-20 -----		
-19	C53	CLAMP TCTA -----	10	
-20	0770011-19	COMMAND CONTROL ASSEMBLY -----	1	
-21	B296-50	HOSE-COMMAND CONTROL TO TEE BLOCK BLUE TCTA -----	1	
-22	B296-51	HOSE-COMMAND CONTROL TO TEE BLOCK YELLOW TCTA -----	1	
-23	A654-5	HOSE-COMMAND CONTROL TO TEE BLOCK RED TCTA -----	1	
-24	A654-6	HOSE-COMMAND CONTROL TO TEE BLOCK GREEN TCTA -----	1	
-25	B296-52	HOSE-COMMAND CONTROL TO TEE BLOCK PINK TCTA -----	1	
-26	B296-53	HOSE-COMMAND CONTROL TO TEE BLOCK BROWN TCTA -----	1	
	0770012-13	CLAMP -----	6	
-27	0770011-37	TEE BLOCK ASSEMBLY -----	1	
		ATTACHING PARTS -----		
	AN515-6R22	SCREW -----	1	
	AN960-6L	WASHER -----	1	
	NAS679A06	NUT -----	1	

-28	1200077-27	HOSE-TEE BLOCK TO AILERON AMPLIFIER BLUE -----	1	
-29	1200077-28	HOSE-TEE BLOCK TO AILERON AMPLIFIER YELLOW -----	1	
-30	1200077-31	HOSE-TEE BLOCK TO ELEVATOR AMPLIFIER GREEN -----	1	
-31	1200077-34	HOSE-TEE BLOCK TO ELEVATOR AMPLIFIER RED -----	1	
-32	0770012-13	CLAMP -----	3	
-33	A9167-21	HARNES BAND UC -----	3	
		ATTACHING PARTS -----		
-34	S1021Z6-8	SCREW -----	1	

		ALTITUDE HOLD INSTALLATION -----	NP	
-35	1200079-2	SHUT OFF VALVE-ALTITUDE HOLD -----	1	
-36	1200079-3	ALTITUDE HOLD ASSEMBLY -----	1	
		ATTACHING PARTS -----		
-37	1200079-10	BRACKET-MOUNTING -----	1	
-38	AN507-832R8	SCREW -----	2	
-39	AN960-8	WASHER -----	2	
-40	NAS679A08	NUT -----	2	

-41	B804-2	HOSE-SHUT-OFF VALVE TO ALTITUDE HOLD CLEAR TCTA -----	1	
-42	B804-3	HOSE-SHUT-OFF VALVE TO ALTITUDE HOLD ORANGE TCTA -----	1	
-43	A654-5	HOSE-ALTITUDE HOLD TO TEE RED TCTA -----	1	
-44	A654-6	HOSE-ALTITUDE HOLD TO TEE GREEN TCTA -----	1	
-45	B296-20	HOSE-ALTITUDE HOLD TO ALTIMETER CLEAR TCTA -----	1	
-46	1200079-9	TEE -----	1	
-47	1200079-8	TEE -----	1	
-48	0770012-13	CLAMP -----	9	

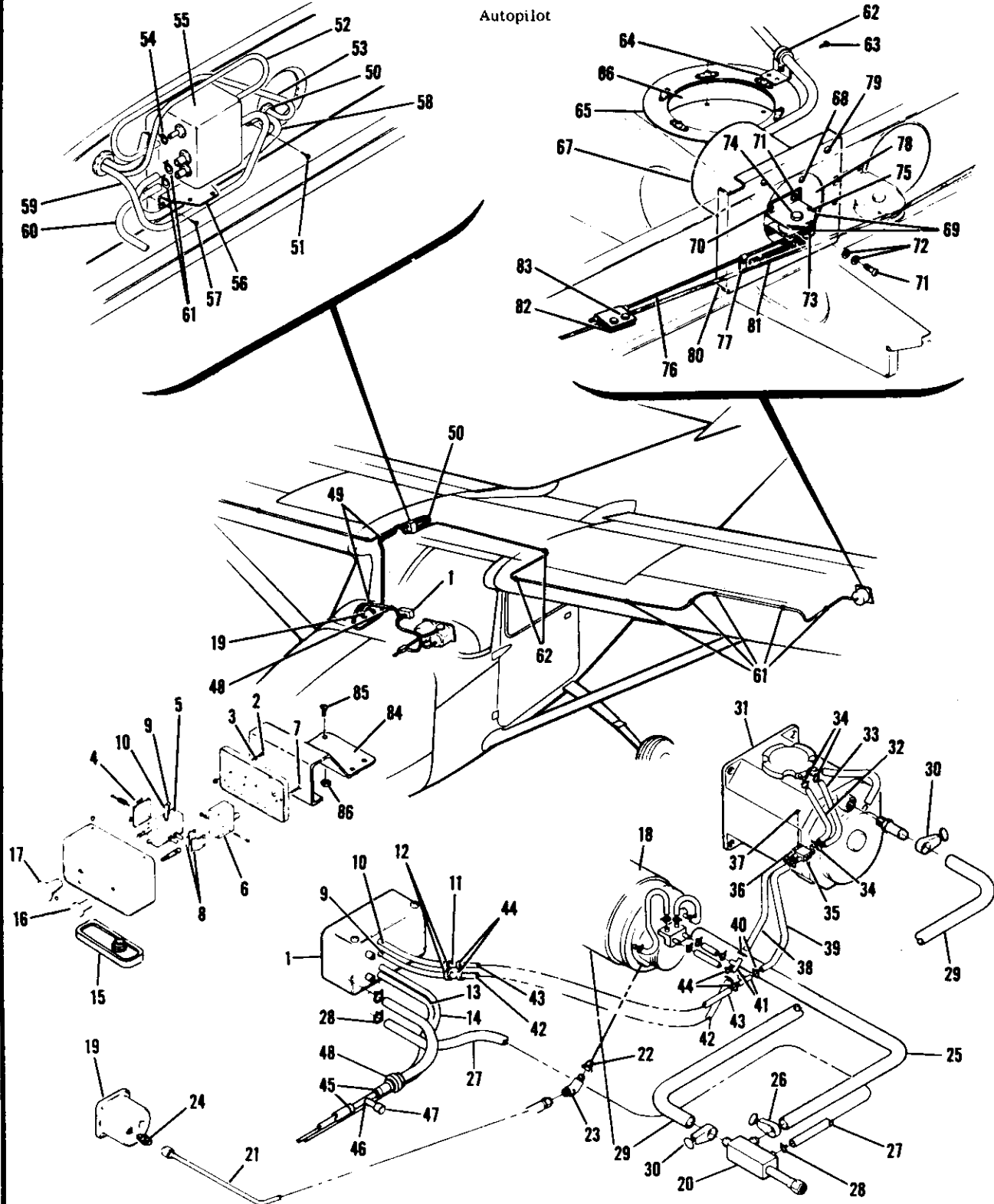
CONTINUED ON NEXT PAGE

FIGURE AND INDEX NO.	PART NUMBER	DESCRIPTION	UNITS PER ASSY							USABLE ON CODE	
			1	2	3	4	5	6	7		
134 -49	1200079-4	HOSE-TEE TO TEE BLOCK RED -----								1	
	1200079-6	HOSE-TEE TO TEE BLOCK GREEN -----								1	
-50	S1168-2-22	HOSE ASSEMBLY-HORIZONTAL GYRO TO SUCTION GAGE ----- ATTACHING PARTS								1	
-51	AN912-1D	BUSHING-REDUCER -----								1	
-52	MS20822-2D	ELBOW -----								1	
-53	AN816-2D	NIPPLE -----								1	
-54	0311057-2	GAGE-SUCTION WHEN EXHAUSTED USE S1414N1 -----								1	
	S1414N1	GAGE-SUCTION ----- ATTACHING PARTS								1	
	AN507BG632R12	SCREW -----								4	
-55	0770011-30	TEE TEST -----								1	
-56	MS21919WDG12	CLAMP ----- ATTACHING PARTS								1	
-57	NAS221-5	SCREW -----								1	
	MS21044N3	NUT -----								1	
-58	A979	HOSE-TEST TEE TO ROOT RIB TEE 66 IN. LG. ----- BULK ITEM TCTA REF 1200077-14								AR	
-59	0770011-29	TEE-FITTING -----								1	
-60	A979	HOSE-SPLICE 4 IN. LG. BULK ITEM TCTA ----- REF 1200077-30								AR	
-61	CS8	CLAMP TCTA -----								6	
-62	CS6	CLAMP TCTA -----								10	
-63	A978	HOSE-TEE TO AILERON AMPLIFIER 11 IN. LG. BULK ITEM -- TCTA REF 1200077-29								AR	
-64	0770012-45	AMPLIFIER-AILERON ----- ATTACHING PARTS								1	
-65	1200077-10	BRACKET-AILERON AMPLIFIER -----								1	
-66	AN515-8R8	SCREW -----								2	
	AN960-8	WASHER -----								2	
	NAS679A08	NUT -----								2	
-67	A978	HOSE-AILERON AMPLIFIER TO RIGHT WING SERVO 159 IN. LG. -- BULK ITEM TCTA REF 1200077-25								AR	
-68	A978	HOSE-AILERON AMPLIFIER TO LEFT WING SERVO 196.5 IN. LG. -- BULK ITEM TCTA REF 1200077-26								AR	
-69	S1592-2A	HARNES BAND UC -----								9	
-70	49165-22	HARNES BAND UC -----								2	
-71	S1021Z6-8	SCREW -----								11	
-72	S1072-1	DOUBLER ASSEMBLY -----								2	
-73	5225-6	PLATE-ACCESS ----- ATTACHING PARTS								2	
	S1021Z8-8	SCREW -----								6	
-74	1200077-5	SERVO ASSEMBLY-AILERON ----- ATTACHING PARTS								2	
-75	1200077-9	MOUNTING PLATE -----								1	
	AN515-8R8	SCREW -----								8	
	AN960-8	WASHER -----								8	
	NAS679A08	NUT -----								4	
-76	A1272	BRACKET-PULLEY TCTA ----- ATTACHING PARTS								2	
-77	AN515-8-14	SCREW -----								2	
-78	AN515-8-7	SCREW -----								2	
-79	AN960-8	WASHER -----								4	
-80	G37	PULLEY ATPU ----- ATTACHING PARTS								1	
-81	AN3-6A	BOLT -----								1	
	AN960-10L	WASHER -----								1	
	MS21044N3	NUT -----								1	
	A1396	BEARING TCTA -----								1	

CONTINUED ON NEXT PAGE

FIGURE AND INDEX NO.	PART NUMBER	DESCRIPTION	UNITS PER ASSY	USABLE ON CODE
134 -82	4524665-134	PIN-COTTER -----	2	
-83	81341-8	CABLE ASSEMBLY TCTA -----	1	
-84	A427	CLAMP-CABLE TCTA -----	1	
		ATTACHING PARTS -----		
	AN500A4-4	SCREW -----	1	
	AN960-4	WASHER -----	1	
	NAS679A04	NUT -----	1	
		-----*		
-85	1200077-7	SPRING-TAKE-UP -----	2	
-86	1200077-3	DOUBLER-REAR SPAR LH -----	1	
	1200077-4	DOUBLER-REAR SPAR RH -----	1	
-87	1200077-8	CLAMP-CABLE -----	2	
		ATTACHING PARTS -----		
-88	AN3-3A	BOLT -----	2	
	AN960-10	WASHER -----	2	
	MS21044N3	NUT -----	2	
		-----*		
-89	A978	HOSE-SPLICE TO ELEVATOR AMPLIFIER 100 IN. LG. -----	AR	
		BULK ITEM TCTA REF 1200077-32 -----		
-90	0770012-45	AMPLIFIER-ELEVATOR -----	1	
		ATTACHING PARTS -----		
-91	1200077-37	BRACKET-ELEVATOR AMPLIFIER -----	1	
-92	AN3-3A	BOLT -----	4	
	AN960-10	WASHER -----	4	
	MS21044N3	NUT -----	4	
		-----*		
-93	A978	HOSE-ELEVATOR AMPLIFIER TO UP SERVO 12 IN. LG. -----	AR	
		BULK ITEM TCTA REF 1200077-33 -----		
-94	A978	HOSE-ELEVATOR AMPLIFIER TO DOWN SERVO 12 IN. LG. -----	AR	
		BULK ITEM TCTA REF 1200077-35 -----		
-95	0770028-5	SERVO ASSEMBLY-ELEVATOR UP -----	1	
-96	0770028-6	SERVO ASSEMBLY-ELEVATOR DOWN -----	1	
		ATTACHING PARTS -----		
	AN3-3A	BOLT -----	4	
	AN960-10	WASHER -----	4	
	MS21044N3	NUT -----	4	
		-----*		
-97	1200077-13	SPRING-TAKE UP -----	2	
		ATTACHING PARTS -----		
-98	0770011-33	CLAMP -----	1	
	AN500A4-4	SCREW -----	1	
	AN960-4	WASHER -----	1	
	NAS679A04	NUT -----	1	
		-----*		
-99	0770012-15	CLAMP-CABLE -----	2	
		ATTACHING PARTS -----		
-99A	AN3-4A	BOLT -----	2	
-99B	MS21044N3	NUT -----	2	
		-----*		
-99C	0770028-3	ANGLE-FORWARD -----	1	
-99D	0770028-4	ANGLE-AFT -----	1	
		ATTACHING PARTS -----		
-99E	AN3-3A	BOLT -----	2	
-99F	AN960-10	WASHER -----	2	
	MS21044N3	NUT -----	2	
		-----*		
A---SERIAL 18051184 THRU 18051312 SERIAL 185-0001 THRU 185-0653				

Autopilot



SERIAL 18051184 THRU 18051312
SERIAL 185-0001 THRU 185-0653

Figure 135. Tactair T-2 Autopilot Installation

FIGURE AND INDEX NO.	PART NUMBER	DESCRIPTION	UNITS PER ASSY	USABLE ON CODE
135 -		AUTO PILOT INSTALLATION-TACTAIR T-2	NP	A
- 1	0770012-5	UNIT ASSEMBLY-CONTROL	1	
		ATTACHING PARTS		
- 2	AN500C4-7	SCREW	3	
- 3	AN960-4L	WASHER	3	

- 4	A1106	FILTER TCTA	1	
	A1108	DISC-PAPER TCTA	1	
	A1105	GASTET TCTA	1	
- 5	C915	TRIM ASSEMBLY-ROLL TCTA	1	
		ATTACHING PARTS		
	AN507-440-5	SCREW	2	

- 6	C914	BODY ASSEMBLY TCTA	1	
		ATTACHING PARTS		
- 7	AN507-440-5	SCREW	2	

	AN6227B1	O RING	1	
- 8	A911	SPRING TCTA	2	
- 9	B296-7	HOSE .09 ID BLUE 6.76 IN. LG. TCTA	1	
-10	B296-8	HOSE .09 ID YELLOW 6.1875 IN. LG. TCTA	1	
-11	A1213	CONNECTOR-HOSE TCTA	2	
-12	A482	CLAMP TCTA	2	
-13	B296-17	HOSE .09 ID YELLOW 18 IN. LG. TCTA	1	
-14	B296-18	HOSE .09 ID BLUE 18 IN. LG. TCTA	1	
-15	B1610	FILTER TCTA	1	
-16	0713303-9	KNOB	1	
-17	0713303-11	KNOB	1	
-18	0770012-6	GYRO-HORIZONTAL	1	
		ATTACHING PARTS		
	AN520C10R16	SCREW	4	

-19	0311057-2	GAGE-SUCTION WHEN EXHAUSTED USE S1414N1	1	
	S1414N1	GAGE-SUCTION	1	
		ATTACHING PARTS		
	AN5078G32R12	SCREW	4	

-20	0770012-8	TEE ASSEMBLY-RESTRICTOR	1	
	M74C524-12E	SET SCREW FLN	1	
-21	S1168-2-22	HOSE ASSEMBLY	1	
		ATTACHING PARTS		
-22	AN912-1D	BUSHING	1	
-23	MS20823-2D	ELBOW	1	
-24	AN816-2D	NIPPLE	1	

-25	1200078-7	HOSE	1	
-26	AN737RM22	CLAMP	2	
-27	A978	TUBE-RESTRICTOR TEE TO CONTROL UNIT IN. LG.	AR	
		BULK ITEM TCTA REF 1200078-13		
		ATTACHING PARTS		
-28	CR6	CLAMP CRB	2	

-29	1200078-2	HOSE	1	
-30	AN737RM22	CLAMP	2	

CONTINUED ON NEXT PAGE

FIGURE AND INDEX NO.	PART NUMBER	DESCRIPTION	UNITS PER ASSY	USABLE ON CODE
135 -31	1200077-39	GYRO-DIRECTIONAL -----	1	
	AN520C10P16	ATTACHING PARTS -----		
		SCREW -----	8	
-32	B296-58	HOSE .09 ID PINK 24 IN. LG. TCTA -----	1	
-33	B296-59	HOSE .09 ID BROWN 24 IN. LG. TCTA -----	1	
		ATTACHING PARTS -----		
-34	0770012-13	CLAMP -----	4	
-35	0770012-9	ADJUSTER ASSEMBLY-SENSITIVITY -----	1	
		ATTACHING PARTS -----		
-36	0770012-39	CLAMP -----	1	
-37	S102226-8	SCREW -----	2	
	NAS395-5-3	NUT -----	2	
-38	B296-5	HOSE .09 ID BLUE 4 IN. LG. TCTA -----	1	
-39	B296-4	HOSE .09 ID YELLOW 4 IN. LG. TCTA -----	1	
		ATTACHING PARTS -----		
-40	0770012-13	CLAMP -----	4	
-41	0770012-17	TEE -----	2	
-42	1200078-12	HOSE -----	1	
-43	1200078-11	HOSE -----	1	
		ATTACHING PARTS -----		
-44	A482	CLAMP TCTA -----	4	
-45	CS6	CLAMP CRB -----	2	
-46	0770012-43	TEE-TEST -----	1	
-47	1200077-15	CAP-TEST TEE -----	1	
-48	S1592-4A	HARNES BAND UC -----	1	
		ATTACHING PARTS -----		
	S102126-8	SCREW -----	1	
-49	MS21919WDG9	CLAMP -----	2	
		ATTACHING PARTS -----		
	NAS221-5	SCREW -----	1	
	MS21044N3	NUT -----	1	
-50	S1592-3A	HARNES BAND UC -----	1	
		ATTACHING PARTS -----		
-51	S102126-8	SCREW -----	1	
-52	1200078-10	HOSE-CONTROL UNIT TO AMPLIFIER BLUE -----	1	
-53	1200078-15	HOSE-CONTROL UNIT TO AMPLIFIER YELLOW -----	1	
		ATTACHING PARTS -----		
-54	0770012-13	CLAMP -----	2	
-55	0770012-45	AMPLIFIER-AILERON -----	1	
-56	1200077-10	BRACKET-AMPLIFIER -----	1	
		ATTACHING PARTS -----		
-57	AN515-8R8	SCREW -----	2	
	AN960-8	WASHER -----	2	
	NAS679A08	NUT -----	2	

CONTINUED ON NEXT PAGE

FIGURE AND INDEX NO.	PART NUMBER	DESCRIPTION	UNITS PER ASSY	USABLE ON CODE
		1 2 3 4 5 6 7		
135 -58	1200077-8	HOSE-AILERON AMPLIFIER TO TEST TEE -----	1	
-59	1200077-25	HOSE-AILERON AMPLIFIER TO RH AILERON SERVO -----	1	
-60	1200077-26	HOSE-AILERON AMPLIFIER TO LH AILERON SERVO -----	1	
-61	CS6	CLAMP CRB -----	9	
-62	S1592-2A	HARNES BAND UC -----	7	
		ATTACHING PARTS		
-63	S1021Z6-8	SCREW -----	1	

-64	1200077-12	CLIP -----	2	
-65	S1072-1	DOUBLER ASSEMBLY -----	1	
-66	S225-6	PLATE-INSPECTION -----	1	
		ATTACHING PARTS		
	S1022Z8-8	SCREW -----	6	

-67	1200077-5	SERVO ASSEMBLY-AILERON -----	2	
		ATTACHING PARTS		
-68	AN515-8R8	SCREW -----	4	
	AN960-8	WASHER -----	4	

-69	A1748	BRACKET-PULLEY TCTA -----	2	
		ATTACHING PARTS		
-70	AN515-8-14	SCREW -----	2	
-71	AN515-8-7	SCREW -----	2	
-72	AN960-8	WASHER -----	5	

-73	G37	PULLEY ATPU -----	1	
		ATTACHING PARTS		
-74	AN3-6A	BOLT -----	1	
	AN960-10L	WASHER -----	1	
	MS21044N3	NUT -----	1	

-75	MS24665-134	PIN-COTTER -----	2	
-76	B1341-8	CABLE ASSEMBLY TCTA -----	1	
-77	A427	CLAMP TCTA -----	1	
		ATTACHING PARTS		
	AN500A4-4	SCREW -----	1	
	AN960-8	WASHER -----	1	
	AN960-4	WASHER -----	1	
	NAS679A04	NUT -----	1	

-78	1200077-9	PLATE-MOUNTING -----	2	
		ATTACHING PARTS		
-79	AN515-8R8	SCREW -----	4	
	AN960-8	WASHER -----	4	
	NAS679A08	NUT -----	4	

-80	1200077-3	DOUBLER-REAR SPAR LH -----	1	
	1200077-4	DOUBLER-REAR SPAR RH -----	1	
-81	1200077-7	SPRING-TAKE-UP -----	1	
-82	1200077-8	CLAMP-CABLE -----	1	
		ATTACHING PARTS		
-83	AN3-3A	BOLT -----	2	
	AN960-10	WASHER -----	2	
	MS21044N3	NUT -----	2	

-84	0513194-1	MOUNTING BASE -----	1	
		ATTACHING PARTS		
-85	S1021Z8-8	SCREW -----	4	
-86	NAS446-4-3	NUT -----	4	

A---SERIAL 18051184 THRU 18051312
SERIAL 185-0001 THRU 185-0653

Cessna illustrated parts catalog

FIGURE AND INDEX NO.	PART NUMBER	DESCRIPTION	UNITS PER ASSY	USABLE ON CODE
136 -		SYSTEM INSTALLATION-TACTAIR VACUUM -----	NP	A
- 1	0750104-1	PUMP-VACUUM -----	1	
	0750104-2	PUMP-VACUUM ALT -----	1	
	0750104-3	PUMP-VACUUM ALT -----	1	
	AN4090-1	BUSHING USED WITH 0750104-1 PUMP ONLY -----	1	
		ATTACHING PARTS -----		
	AN520-10R14	SCREW -----	1	
	AN935-10L	LOCKWASHER -----	1	
- 2	0750103-1	SEPARATOR-OIL -----	1	
		ATTACHING PARTS -----		
- 3	0750100-11	BRACKET -----	1	
- 4	AN3-15A	BOLT -----	2	
	AN960D10L	WASHER -----	2	
	MS21044N3	NUT -----	2	

- 5	0813619-2	VALVE-SUCTION RELIEF -----	1	
- 6	S51-8	HOSE-PUMP TO OIL SEPARATOR 3.25 IN LG BULK ITEM -----	1	
		REF S-51-8-10 -----		
		ATTACHING PARTS -----		
- 7	AN842-8	ELBOW -----	1	
- 8	NAS397-14	CLAMP -----	2	

- 9	0750100-12	TUBE-INSERT -----	1	
-10	S51-8	HOSE-OIL SEPARATOR TO ENGINE 9.00 IN LG BULK ITEM -----	1	
		REF S-51-8-36 -----		
		ATTACHING PARTS -----		
-11	AN844-8	ELBOW -----	1	
-12	NAS397-14	CLAMP -----	2	

-13	S51-8	HOSE-VENT 2.00 IN LG BULK ITEM REF S-51-8-8 -----	1	
		ATTACHING PARTS -----		
-14	NAS397-14	CLAMP -----	1	

-15	0500106-251	LINE-VENT -----	1	
		ATTACHING PARTS -----		
-16	NAS397-14	CLAMP -----	1	
-17	AN742D8	CLAMP -----	1	
	AN742D14	CLAMP -----	1	
	AN3-4A	BOLT -----	1	
	MS21044N3	NUT -----	1	
-18	AN742D8	CLAMP -----	1	
	S1485D12U	CLAMP -----	1	
	S1021Z10-8	SCREW -----	1	
-19	S1486DG12U	CLAMP -----	1	
	MS21919DG8	CLAMP -----	1	
	S1021Z10-10	SCREW -----	1	

-20	MS20822-6-68	ELBOW -----	1	
-21	S1168-6-6 1/2	HOSE ASSEMBLY -----	1	
		ATTACHING PARTS -----		
-22	AN912-2	BUSHING-REDUCER -----	1	
-23	MS20823-68	ELBOW -----	1	

-24	S1988-1	FITTING -----	1	
-25	AN960D916	WASHER -----	2	
-26	AN924-6D	NUT -----	1	

A---SERIAL 18051184 THRU 18051312



NUMERICAL INDEX

PART NUMBER	FIGURE AND INDEX NO.	PART NUMBER	FIGURE AND INDEX NO.	PART NUMBER	FIGURE AND INDEX NO.
AN123883	113A-36	AN23-19A	61A-34	AN3-15A	116 - 4
AN1558165	97 -74	AN23-19A	63 -18	AN3-15A	117 - 4
AN155832L	95 -54	AN23-19A	63 -70	AN3-15A	117A- 4
AN155832L	95 -54A	AN23-19A	63B-18	AN3-15A	136 - 4
AN155832L	95 -62	AN23-20A	63C-90	AN3-16A	87 -21
AN155832S	87A- 7	AN23-9	97 - 3	AN3-16A	92 -17
AN155832S	94A-36	AN23-9	98 -56	AN3-17A	63A-21C
AN155832S	94A-40	AN23-9	99A- 9	AN3-17A	63C- 2
AN155832S	95 - 9	AN24-13	60 -24	AN3-20A	30 - 6
AN155832S	96 -26	AN24-13	60 -25	AN3-20A	32 - 1
AN155832S	98 - 3	AN24-13	96 -32	AN3-20A	32 - 6
AN155832S	98 -41	AN24-13A	61 -26	AN3-20A	32A- 1
AN155832S	99 - 3	AN24-13A	61 -27	AN3-20A	32A- 6
AN155832S	99A- 2	AN24-13A	61A-25	AN3-20A	126 -45
AN155832S	129 -46	AN24-13A	61A-26	AN3-21A	30 - 2
AN155895	46 -43	AN24-16	60 -26	AN3-21A	95 -43
AN155885	46A-40	AN24-16A	61 -28	AN3-21A	95 -65
AN155885	46B-63	AN24-16A	61A-27	AN3-3A	3 -48
AN155885	100 -24	AN24-28A	62 - 4	AN3-3A	13 - 6C
AN161-22LL	87A- 3	AN24-29A	59A- 2	AN3-3A	38 - 6
AN161-22LL	129 -43	AN2552-3A	125 - 1	AN3-3A	49 - 4
AN161-22RS	98 - 4	AN2552-3A	125A- 1	AN3-3A	50 - 4
AN161-22RS	98 -41	AN2552-3A	125B- 1	AN3-3A	57 -28
AN161-22RS	99 - 4	AN3-10A	15 -14	AN3-3A	57A-16
AN161-22RS	99A- 2	AN3-10A	63A-13	AN3-3A	58 -23
AN161-22RS	95 -55	AN3-10A	63A-21	AN3-3A	66 -22
AN161-32LL	95 -55A	AN3-10A	70A- 9	AN3-3A	70B- 2
AN161-32LL	46 -39	AN3-10A	74 -74	AN3-3A	70B-10
AN161-8LS	46B-64	AN3-10A	74 -84	AN3-3A	75 -14
AN161-8RS	96 -25	AN3-10A	87 -29	AN3-3A	75 -42
AN165-22RS	46A-41	AN3-10A	91 -26	AN3-3A	90 -18A
AN165-8LS	46B-62	AN3-10A	91 -40	AN3-3A	92 -41
AN200KS4	94A- 8	AN3-10A	92 -23	AN3-3A	105 -29
AN21-10	94A-34	AN3-10A	92 -37	AN3-3A	120B-78
AN21-10	94A-39	AN3-10A	94 -13	AN3-3A	120C-80
AN21-13	95 - 7	AN3-10A	94A-17	AN3-3A	121 -10
AN227-6	66 - 8	AN3-10A	95A-17	AN3-3A	121 -57
AN227-6B	35A-54	AN3-10A	97 -31	AN3-3A	121 -59
AN227-7	66 - 8	AN3-10A	98 -46	AN3-3A	122 -11
AN227-7B	35A-54	AN3-10A	100 -28	AN3-3A	122 -55
AN227-8B	35A-54	AN3-10A	131 -17	AN3-3A	122 -57
AN227-9B	35A-54	AN3-10A	132 -17	AN3-3A	134 -88
AN23-10	96 -10	AN3-11A	15 - 9	AN3-3A	134 -92
AN23-10	96 -13	AN3-11A	59 -20	AN3-3A	134 -96
AN23-10	98 - 5	AN3-11A	59A-12	AN3-3A	134 -99E
AN23-10	98 -12	AN3-11A	62 -58	AN3-3A	135 -83
AN23-10	99 - 5	AN3-11A	64 - 1	AN3-4A	15 -33
AN23-10	99 -12	AN3-11A	64A-10	AN3-4A	22 - 9
AN23-11	98 - 8	AN3-11A	75 -25	AN3-4A	22 -17
AN23-11	98 -15	AN3-11A	87 -34	AN3-4A	23 -18
AN23-11	98 -42	AN3-11A	91 - 9	AN3-4A	30 -72
AN23-11	98 -57	AN3-11A	91 -37	AN3-4A	30 -86
AN23-11	99 - 8	AN3-11A	92 - 7	AN3-4A	38 -23
AN23-11	99 -15	AN3-11A	92 -34	AN3-4A	60 -57
AN23-11	99A- 3	AN3-11A	94 - 7	AN3-4A	61 -59
AN23-11	99A-10	AN3-11A	94 -20	AN3-4A	61A-59
AN23-11	127 -49	AN3-11A	94A-16	AN3-4A	63 -87
AN23-11	128 -45	AN3-11A	94A-28	AN3-4A	63C-99B
AN23-12	97 - 8	AN3-11A	94A-44	AN3-4A	65 -19
AN23-12	97 -11	AN3-12A	74 -29	AN3-4A	66 - 2
AN23-15A	60 -20	AN3-12A	74 -32	AN3-4A	70 - 7B
AN23-15A	61 -22	AN3-12A	76 -39	AN3-4A	70A-21
AN23-15A	61A-21	AN3-12A	94A-22	AN3-4A	70B- 2
AN23-15A	63 -18	AN3-12A	100 -19	AN3-4A	70B- 6
AN23-16	60 - 2	AN3-13A	63A-21D	AN3-4A	76 -33
AN23-16	97 -13	AN3-13A	74 -64	AN3-4A	76 -38
AN23-16	97 -17	AN3-13A	87 - 5	AN3-4A	76 -74
AN23-16A	63 - 2	AN3-13A	90 -32	AN3-4A	77 -69
AN23-16A	63A- 3	AN3-13A	94A-20	AN3-4A	82 - 4
AN23-19A	60 -20	AN3-14A	91 -20	AN3-4A	82 - 9
AN23-19A	60 -33	AN3-14A	107 - 6	AN3-4A	83 - 8
AN23-19A	61 - 2	AN3-14A	129 -29	AN3-4A	83 -14
AN23-19A	61 -35	AN3-15A	46A-22	AN3-4A	91 -16
AN23-19A	61A- 2	AN3-15A	87 -10	AN3-4A	92 -13

PART NUMBER	FIGURE AND INDEX NO.
AN3-4A	95A-9
AN3-4A	96-39
AN3-4A	98-70
AN3-4A	99A-23
AN3-4A	113-13
AN3-4A	117B-16
AN3-4A	117C-19
AN3-4A	117E-12
AN3-4A	126-13
AN3-4A	126A-18
AN3-4A	134-99A
AN3-4A	136-17
AN3-5A	20-17
AN3-5A	30-60
AN3-5A	30-68
AN3-5A	3R-28
AN3-5A	59-25
AN3-5A	59-29
AN3-5A	60-57
AN3-5A	61-59
AN3-5A	63-87
AN3-5A	63C-99B
AN3-5A	70B-6
AN3-5A	74-15
AN3-5A	74-29
AN3-5A	74-92
AN3-5A	75-23
AN3-5A	77-66
AN3-5A	89-88
AN3-5A	90-18
AN3-5A	90-37
AN3-5A	114-10
AN3-5A	120A-39
AN3-5A	120B-35
AN3-5A	120C-36
AN3-6A	15-8
AN3-6A	70A-5
AN3-6A	70B-6
AN3-6A	74-93A
AN3-6A	75-31
AN3-6A	76-39
AN3-6A	76-40A
AN3-6A	76-86
AN3-6A	90-18
AN3-6A	90-22
AN3-6A	90-24
AN3-6A	90-45
AN3-6A	96-47
AN3-6A	97-21
AN3-6A	97-26
AN3-6A	97-36
AN3-6A	100-34
AN3-6A	126A-13
AN3-6A	126A-16
AN3-6A	134-81
AN3-6A	135-74
AN3-6A	97-41
AN3-60A	84-48
AN3-60A	85-35
AN3-62A	131-68
AN3-62A	132-68
AN3-67A	84-45
AN3-67A	85-32
AN3-7A	14-10
AN3-7A	46-36
AN3-7A	46A-33
AN3-7A	46B-47
AN3-7A	74-10
AN3-7A	74-13
AN3-7A	74-27B
AN3-7A	75-21B
AN3-7A	76-40
AN3-7A	90-18
AN3-7A	95-56

PART NUMBER	FIGURE AND INDEX NO.
AN3-7A	127-38
AN3-7A	128-36
AN310-3	96-11
AN310-3	96-14
AN310-3	97-4
AN310-3	97-9
AN310-3	97-11
AN310-3	97-14
AN310-3	97-18
AN310-3	98-6
AN310-3	98-9
AN310-3	98-13
AN310-3	98-16
AN310-3	98-42
AN310-3	99-6
AN310-3	99-9
AN310-3	99-13
AN310-3	99-16
AN310-3	99A-3
AN310-3	127-49
AN310-3	128-45
AN310-4	87-18
AN310-4	96-33
AN310-8	47-25
AN310-8	48-25
AN310-8	48A-25
AN310-8	48B-23
AN315-3R	38-23
AN315-3R	74-16A
AN315-3R	74-71
AN315-3R	74-79
AN315-3R	74-89
AN315-3R	76-39
AN315-3R	76-93
AN315-3R	90-40
AN315-4R	76-92
AN315-4R	117D-17C
AN316-4	87A-1
AN316-4	129-47
AN316-4R	14-13
AN316-4R	15-13
AN316-4R	87-3
AN316-4R	93-3
AN316-4R	87-12
AN316C4R	123B-18
AN316C5R	63B-25
AN320-1	94A-34
AN320-1	94A-39
AN320-1	95-7
AN320-3	98-58
AN320-3	99A-11
AN320-5	74-82
AN320-8	47-5
AN320-8	48-4
AN320-8	48A-4
AN320-8	48B-5
AN323-60	117B-9
AN340-10	123B-16
AN340-3	123A-12
AN340-4	94B-13
AN340-416	9R-72
AN340-416	99A-25
AN340-416	123B-18
AN340-6	68A-40
AN340-8	67-50
AN340-8	81-36
AN340-8	81A-11
AN340-8	81B-36
AN340-8	81D-11
AN340-8	94B-21
AN340B6	67-20
AN340B6	67-70
AN340B6	67-71
AN340B6	68-22

PART NUMBER	FIGURE AND INDEX NO.
AN340B6	68A-18A
AN340B6	68A-39
AN340B6	68A-42
AN340B6	68A-48
AN340B6	68B-18A
AN340B6	68B-40
AN340B6	68B-41
AN340B6	68B-42
AN340B6	68B-49
AN340B6	68C-20
AN340B6	68C-43
AN340B6	68C-44
AN340B6	68C-45
AN340B6	95B-1
AN340B6	95B-31
AN340B6	101-2
AN340B8	67-54
AN340B8	68-53
AN340B8	68A-11
AN340B8	68A-21
AN340B8	68B-12
AN340B8	68B-21
AN340B8	68C-15
AN345-10	59A-38
AN345-10	76-42C
AN350-1032	133-10
AN356-1032	74-16A
AN356-1032	74-72
AN356-1032	74-80
AN356-1032	74-90
AN356-1032	75-19A
AN356-420	98-73
AN356-420	99A-26
AN4-10A	35-11
AN4-10A	46A-38
AN4-10A	94A-2
AN4-10A	95-31
AN4-10A	95-51
AN4-10A	96-2
AN4-10A	96-5
AN4-10A	96-16
AN4-10A	96-36
AN4-10A	98-23
AN4-10A	98-26
AN4-10A	98-29
AN4-10A	99-23
AN4-10A	99-26
AN4-10A	99-29
AN4-10A	131-38
AN4-10A	132-38
AN4-11A	19-2
AN4-11A	20-1
AN4-11A	21-1
AN4-11A	21-31
AN4-11A	40-5
AN4-11A	40A-5
AN4-11A	41-5
AN4-11A	64-2
AN4-11A	64-17
AN4-11A	64A-11
AN4-11A	64A-15
AN4-11A	75-35
AN4-12	46B-37
AN4-12	46B-43
AN4-12A	20-4
AN4-12A	38-11
AN4-12A	64-17
AN4-12A	96-27
AN4-12A	126-8
AN4-12A	127-4
AN4-12A	128-4
AN4-13A	43-3
AN4-13A	59-5
AN4-13A	65B-3

PART NUMBER	FIGURE AND INDEX NO.
AN4-13A	107 - 2
AN4-13A	108 - 3
AN4-13A	110 - 4
AN4-13A	126 -43
AN4-14A	38 -15
AN4-14A	62 -40
AN4-14A	63 -37
AN4-14A	63B-33
AN4-14A	95 -26
AN4-14A	96 -21
AN4-14A	98 -19
AN4-14A	99 -19
AN4-15A	19 - 1
AN4-15A	100 -37
AN4-16A	95 -40
AN4-17A	65B- 7
AN4-20A	100 -37
AN4-21A	95 -21
AN4-21A	95 -34
AN4-21A	97 -47
AN4-26A	64 - 7
AN4-26A	64A- 2
AN4-3A	103 -46
AN4-3A	104 -31
AN4-3A	114 -25
AN4-30A	94A-11
AN4-31A	94 - 2
AN4-31A	94A- 1
AN4-33A	95 -16
AN4-4A	70A-18
AN4-4A	76 -76
AN4-4A	120A- 2
AN4-4A	120B-72
AN4-4A	120C-74
AN4-4A	121 - 8
AN4-4A	121 -30
AN4-4A	122 - 9
AN4-4A	122 -31
AN4-40A	42 -19
AN4-40A	42C-18
AN4-42A	14 - 2
AN4-45A	44 -13
AN4-5	87 -16
AN4-5A	60 -53
AN4-5A	61 -55
AN4-5A	61A-55
AN4-5A	63 -83
AN4-5A	63C-97
AN4-5A	64A-25
AN4-5A	65 -35
AN4-5A	65A-14
AN4-5A	107 -25
AN4-5A	108 -27
AN4-5A	113 -35
AN4-5A	115 -13
AN4-5A	119 - 2
AN4-5A	120 - 2
AN4-6A	46 -21
AN4-6A	46 -33
AN4-6A	46A-51
AN4-6A	59 -33
AN4-6A	64 - 3
AN4-6A	64 -18
AN4-6A	64A-12
AN4-6A	64A-16
AN4-6A	64A-20
AN4-6A	64A-27
AN4-6A	65 -34
AN4-6A	65A- 9
AN4-6A	65A-16
AN4-6A	65B-18
AN4-6A	66 -18
AN4-6A	74 -62
AN4-6A	75 -45

PART NUMBER	FIGURE AND INDEX NO.
AN4-6A	96 -42
AN4-6A	121 - 5
AN4-6A	121 - 5A
AN4-6A	122 - 6
AN4-6A	122 - 6A
AN4-6A	127 -45
AN4-6A	128 -42
AN4-60A	15 - 2
AN4-62A	97 -54
AN4-62A	97 -69
AN4-7A	21 -32
AN4-7A	47 -30
AN4-7A	48A-34
AN4-7A	48B-35
AN4-7A	65A- 9
AN4-7A	70 - 5B
AN4-7A	131 -32
AN4-7A	132 -32
AN4H16A	42 -31
AN4H16A	42C-30
AN4022-1	77 -39
AN4022-1	110 - 1
AN4022-1	118 - 2
AN4022-1	118 - 4
AN4022-1	118 - 6
AN4023-1	118A-15
AN4050-1	136 - 1
AN4076-1	76 -25
AN4078-1	113 -11
AN4078-1	114 - 8
AN415-2	36 - 8
AN42B4A	46A-28
AN43810A	46 -46
AN4385A	126A-10
AN44-10A	131 -19A
AN44-4A	131 -14
AN44-4A	131 -18
AN44-4A	131 -27
AN44-4A	132 -14
AN44-4A	132 -18
AN44-4A	132 -27
AN486-4	87 -11
AN5-11A	131 -13
AN5-11A	131 -23
AN5-11A	131 -37
AN5-11A	132 -13
AN5-11A	132 -23
AN5-11A	132 -37
AN5-11A	97 -41
AN5-15A	30 -54
AN5-15A	118 -15
AN5-15A	127 -11
AN5-15A	128 -10
AN5-21A	45 -12
AN5-21A	46 -12
AN5-21A	46A-12
AN5-21A	46B-12
AN5-22A	45 -17
AN5-25A	41 -21
AN5-27	48B-44
AN5-27A	45 -16
AN5-31A	46 -16
AN5-31A	46A-16
AN5-32A	127 - 7
AN5-32A	128 - 7
AN5-35A	42A- 4
AN5-36	47 -46
AN5-36	48B-44
AN5-36	46A-17
AN5-36	46B-17
AN5-52A	123B- 2
AN5-6A	17 - 1
AN5-6A	18 - 4
AN5-6A	30 -94

PART NUMBER	FIGURE AND INDEX NO.
AN5-7A	9 -12
AN5-7A	10 -13
AN5-7A	10A-14
AN5-7A	30 -55
AN5-7A	30 -96
AN5-7A	30 -99B
AN5H12	41 -40
AN5H5A	40A-46
AN500-8-8	81 - 3
AN500-8-8	81B- 3
AN500A10-10	80 -44
AN500A10-8	81A- 2
AN500A10-8	81D- 2
AN500A4-4	134 -84
AN500A4-4	134 -98
AN500A4-4	135 -77
AN500A8-4	63A- 2
AN500A8-4	81A-22A
AN500A8-4	81D-22A
AN500A8-4	100 -41
AN500A8-5	40A-38
AN500A8-7	13 -24
AN500A8-8	100 -48
AN500C4-7	135 - 2
AN502-10-14	81 -43
AN502-10-14	81B-43
AN502-10-4	98 -48
AN502-10-6	43 -18
AN503-8-10	79 -23
AN503-8-10	81 -33
AN503-8-10	81B-33
AN503-8-12	81A- 8
AN503-8-12	81A-10
AN503-8-12	81D- 8
AN503-8-12	81D-10
AN503-8-16	81 -35
AN503-8-16	81B-35
AN503-8-6	40A-29
AN503-8-8	81A- 5A
AN503-8-8	81D- 5A
AN505-8R5	44 -50
AN507-1032-10	58 -10
AN507-1032-16	57 -17
AN507-1032R10	57 -36
AN507-1032R10	57A-11
AN507-1032R12	46B-41
AN507-1032R12	49 - 2
AN507-1032R12	50 - 2
AN507-1032R12	87 -27
AN507-1032R12	88A-20C
AN507-1032R12	126 -61
AN507-1032R14	70 -15
AN507-1032R14	120A-43
AN507-1032R14	120B-39
AN507-1032R14	120C-40
AN507-1032R6	126 -63
AN507-1032R8	117A-36
AN507-1032R8	117B- 6
AN507-1032R8	126 -67
AN507-1032R8	127 -60
AN507-428R7	13 -37
AN507-428P7	13 -47
AN507-440-5	135 - 5
AN507-440-5	135 - 7
AN507-632R10	131 - 4
AN507-632R10	132 - 4
AN507-632R12	3 -36
AN507-632R12	3A-34
AN507-632R12	121 - 2
AN507-632R12	122 - 3
AN507-632R14	3 -36
AN507-632R14	3 -47
AN507-632P5	112 - 5
AN507-632R6	51A- 6

PART NUMBER	FIGURE AND INDEX NO.
AN507-632R8	3 -31B
AN507-632R8	3 -46
AN507-632R8	3A-24
AN507-632R8	3A-33
AN507-632R8	68B-37
AN507-632R8	68C-39
AN507-632R8	117E- 3
AN507-632R8	131 - 5
AN507-632R8	132 - 5
AN507-640R4	101 -24
AN507-640R4	102 -21
AN507-832-6	3 -15
AN507-832-6R	111 - 2
AN507-832R12	67 -50
AN507-832R12	68 -49
AN507-832R14	60 - 6
AN507-832R14	61 - 7
AN507-832R14	61A- 7
AN507-832R14	63 - 6
AN507-832R6	3A-41
AN507-832R6	16 -14
AN507-832R6	16 -14
AN507-832R8	3 -31A
AN507-832R8	19 -51
AN507-832R8	68D-13
AN507-832R8	68E- 3
AN507-832R8	134 -38
AN5078632R12	135 -19
AN5078632R12	134 -54
AN50781032R16	117A-34
AN5078632R12	67 -14
AN5078632R12	67 -16
AN5078632R12	67 -19
AN5078632R12	67 -20
AN5078632R12	67 -24
AN5078632R12	67 -25
AN5078632R12	68 -16
AN5078632R12	68 -18
AN5078632R12	68 -21
AN5078632R12	68 -22
AN5078632R12	68 -26
AN5078632R12	68A-39
AN5078632R12	68A-42
AN5078632R12	68A-48
AN5078632R12	68B-38
AN5078632R12	68B-40
AN5078632R12	68B-41
AN5078632R12	68B-42
AN5078632R12	68B-49
AN5078632R12	68C-40
AN5078632R12	68C-43
AN5078632R12	68C-44
AN5078632R12	68C-45
AN5078632R12	116 - 7
AN5078632R12	117 - 7
AN5078632R12	117A- 7
AN5078632R6	68A-48
AN5078632R6	68B-49
AN5078832R12	67 -58
AN5078832R12	68 -57
AN5078832R14	70 -38
AN509-10R14	125A- 2
AN509-10R14	125 - 3
AN509-10R29	21 -15
AN509-10R4	13 - 5
AN509-10R6	13 -36
AN509-10R6	13 -46
AN509-416R12	19 -40
AN509-416R13	19 -41
AN509-8R6	102A- 5
AN510-10R14	125B- 2
AN510-10R16	125 - 4
AN510-10R7	47 - 78
AN510-10R7	48B- 78

PART NUMBER	FIGURE AND INDEX NO.
AN510-1032R14	125 - 2
AN51094R8	70 -40
AN515-10R10	110A-23
AN515-10R5	105 -56
AN515-10R6	95A-23
AN515-10R6	121 -32
AN515-10R6	122 -32
AN515-10PB	93 -18
AN515-2R10	94A-51
AN515-3R6	123A-10
AN515-4R10	94B-13
AN515-4R10	104 -54
AN515-4R10	105 -64
AN515-4R10	108 -31
AN515-4R12	74 -61
AN515-4R4	75 -44
AN515-4R4	123 - 9
AN515-4R4	123 -32
AN515-6-8	44 -23
AN515-6R10	32A-43
AN515-6R10	32A-46
AN515-6R10	123 -30
AN515-6R22	134 -27
AN515-6R36	55 -19
AN515-6R36	56 -18
AN515-6R4	69 -15
AN515-6R4	69 -22
AN515-6R4	69 -32
AN515-6R5	47 -42
AN515-6R5	48B-40
AN515-6R5	49 -37
AN515-6R5	50 -39
AN515-6R5	120A-11
AN515-6R5	120B-53
AN515-6R5	120C-55
AN515-6R5	131 -52
AN515-6R5	132 -52
AN515-6R5	46A-47
AN515-6R5	46B-54
AN515-6R6	67 -43
AN515-6R6	68 -42
AN515-6R6	68B-50
AN515-6R6	68C-46
AN515-6R6	69 -13
AN515-6R6	69 -29
AN515-6R6	120B-70
AN515-6R6	120C-72
AN515-6R6	124 - 1
AN515-6R8	4 -43
AN515-6R8	14 -33
AN515-6R8	20 -49
AN515-6R8	21 -37
AN515-6R8	24 -81
AN515-6R8	67 -76
AN515-6R8	68 -76
AN515-6R8	68 -78
AN515-6R8	68A-30
AN515-6R8	68B-26
AN515-6R8	68C-28
AN515-6R8	69 - 6
AN515-6R8	76 -83
AN515-6R8	108 -31
AN515-6R8	123A-15
AN515-6R8	124 -13
AN515-6R8	129 -32
AN515-8-14	134 -77
AN515-8-14	135 -70
AN515-8-7	134 -78
AN515-8-7	135 -71
AN515-8R10	41 -43
AN515-8R10	65 -11
AN515-8R10	65 -25
AN515-8R10	65A- 6
AN515-8R10	88A-35

PART NUMBER	FIGURE AND INDEX NO.
AN515-8R10	100A- 6
AN515-8R10	100A-16
AN515-8R10	121 -52
AN515-8R10	122 -50
AN515-8R10	124A-23
AN515-8R11	124A-21
AN515-8R12	124A-27
AN515-8R14	66 -10
AN515-8R18	65 - 8
AN515-8R18	65A- 5
AN515-8R22	90 -15A
AN515-8R24	3 -22
AN515-8R4	40 -39
AN515-8R4	40A-44
AN515-8R4	41 -47
AN515-8P4	89 -28
AN515-8R6	52 -21
AN515-8R6	63C-85
AN515-8R6	94B-20
AN515-8R6	101 -36
AN515-8R6	102 -32
AN515-8R6	102A- 2
AN515-8R6	121 -42
AN515-8R6	122 -41
AN515-8R6	124 -12
AN515-8R6	124A-16
AN515-8R6	3 -24
AN515-8R7	68A-21
AN515-8R7	68B-21
AN515-8R8	3A-35
AN515-8R8	5 -45
AN515-8R8	5 -47
AN515-8R8	6 -45
AN515-8R8	6 -47
AN515-8R8	13 -33
AN515-8R8	14 -33
AN515-8R8	16 -18
AN515-8R8	19 -49
AN515-8R8	20 -49
AN515-8R8	21 -37
AN515-8R8	24 -73
AN515-8R8	27 - 68
AN515-8R8	52 -24
AN515-8R8	57 -35
AN515-8R8	57A-21
AN515-8R8	58 -28
AN515-8P8	65 -29
AN515-8R8	65B- 2
AN515-8R8	66 - 6
AN515-8R8	76 -62
AN515-8R8	88 -37
AN515-8R8	88A-19
AN515-8R8	94B-19
AN515-8R8	95A-10
AN515-8R8	95B- 3
AN515-8R8	95B-33
AN515-8R8	106 -19
AN515-8R8	106 -29
AN515-8R8	120 -13
AN515-8R8	120B-63
AN515-8R8	120C-65
AN515-8R8	124A- 1
AN515-8R8	125C- 4
AN515-8R8	129 -11
AN515-8P8	129 -22
AN515-8R8	131 -72B
AN515-8R8	134 -66
AN515-8R8	134 -75
AN515-8R8	135 -57
AN515-8R8	135 -68
AN515-8R8	135 -79
AN515-8R9	131 -35
AN515-8R9	132 -35
AN515-832R7	13 -23

PART NUMBER	FIGURE AND INDEX NO.
AN515810R14	67 -79
AN515810R14	117A-34
AN515810R16	67 -80
AN515810I4	116 -37
AN51586-5	77 -17
AN51586R	68 -72
AN51586R	68 -73
AN51586R	68 -79
AN51586R	68 -80
AN51586R	119 -12
AN51586R12	67 -70
AN51586R12	67 -71
AN51586R12	67 -72
AN51586R12	67 -73
AN51586R12	67 -74
AN51586R12	68 -70
AN51586R12	68 -71
AN51586R12	68 -74
AN51586R12	68A-31
AN51586R12	68A-34
AN51586R12	68A-38
AN51586R12	688-34
AN51586R12	688-39
AN51586R12	68C-36
AN51586R12	68C-41
AN51586R12	101 - 1
AN51586R12	101 - 2
AN51586R12	101 - 3
AN51586R12	102 - 1
AN51586R12	102 - 2
AN51586R12	102 - 3
AN51586R16	68A-68
AN51586R16	688-32
AN51586R16	68C-34
AN51586R16	68C-42
AN51586R16	95B- 1
AN51586R16	95B-31
AN51586R6	67 -62
AN51586R6	68 -61
AN51586R8	68A-18A
AN51586R8	68B-18A
AN51586R8	68C-20
AN5158632R12	70 -21
AN5158632R12	95B-28
AN51586R8	67 -78
AN516-RR14	65 -22
AN520-10-R30	87 - 5
AN520-10-6	48 -30
AN520-10-8	92 -40
AN520-10-8	95A- 4A
AN520-10R10	13 -29
AN520-10R10	52 - 3
AN520-10R10	70 -19C
AN520-10R12	87A-12
AN520-10R12	1170-16
AN520-10R12	126 -58
AN520-10R14	31 - 6
AN520-10R14	136 - 1
AN520-10R16	65 - 1
AN520-10R16	65A- 2
AN520-10R16	133 - 9
AN520-10R22	65 - 1
AN520-10R22	115 -10
AN520-10R28	20 -32
AN520-10R5	104 -64
AN520-10R5	105 -73
AN520-10R5	121 -43
AN520-10R5	122 -42
AN520-10R6	104 -57
AN520-10R6	104 -68
AN520-10R6	105 -66
AN520-10R6	105 -77
AN520-10R6	126 -69
AN520-10R6	126 -71

PART NUMBER	FIGURE AND INDEX NO.
AN520-10R7	3A-36
AN520-10R7	24 -21
AN520-10R7	25 -14
AN520-10R7	30 -39
AN520-10R7	32 -28
AN520-10R7	32A-39
AN520-10R7	35B-18
AN520-10R7	65 -16
AN520-10R7	120 -21
AN520-10R7	120A-25
AN520-10R72	128 -53
AN520-10R8	6A-35
AN520-10R8	6A-36
AN520-10R8	32 -17
AN520-10R8	63 -41
AN520-10R8	63C-31
AN520-10R8	63C-63
AN520-10R8	70 -19E
AN520-10R8	74 -28
AN520-10R8	87A- 9
AN520-10R8	89 -14C
AN520-10R8	101 -43
AN520-10R8	102 -39
AN520-10R8	120A-21
AN520-10R8	120B-29
AN520-10R8	120B-30
AN520-10R8	120C-31
AN520-10R8	121 -29
AN520-10R8	129 -38
AN520-10R8	129 -41
AN520-10R8	129 -52
AN520-10R9	51 -12
AN520-10R9	51A-25
AN520-10R9	131 -50
AN520-10R9	131 -61
AN520-10R9	132 -50
AN520-10R9	132 -61
AN520-10R9	133 - 2
AN520-10R9	133 -26
AN520-416R20	54 - 2
AN520-416R8	121 - 5A
AN520-416R8	121 -50
AN520-416R8	122 - 6A
AN520-416R8	122 -48
AN520-6-R	123A-31
AN520910R14	67 -80
AN520910R14	68 -80
AN520810R16	116 -39
AN520810R16	117 -35
AN520810R16	117 -37
AN520810R16	117A-36
AN520C10R16	134 - 1
AN520C10R16	134 - 8
AN520C10R16	135 -18
AN520C10R16	135 -31
AN525-10R14	71 - 8
AN525-10R14	71 -17
AN525-10R18	51A-13
AN525-10R6	98 -78
AN525-10R6	99A-31
AN525-10R6	101 -52
AN525-10R6	102 -48
AN525-10R8	49 -32
AN525-10R8	50 -30
AN525-416R8	32A-27
AN525-416R9	22 -24
AN525-416R9	23 -27
AN525-8R7	105 -58A
AN525-RR7	106 -21A
AN525-823R8	86 - 3
AN525-832R7	49 -22
AN525-832R7	50 -22
AN525-832R8	103 - 3
AN525-832R8	104 -55

PART NUMBER	FIGURE AND INDEX NO.
AN525-832R8	126A- 2
AN525-832R9	24 -14
AN535-0-2	79 -20
AN545-6R3	65 -21
AN565B4-2	94A-49A
AN565D6H3	93 -17
AN6-10A	30 -97
AN6-11A	98 -44
AN6-11A	99A- 5
AN6-21A	76 -11
AN6-24A	74 - 3
AN6-24A	75 - 3A
AN6-25A	41 -18
AN6-25A	75 - 3
AN6-26A	75 - 3
AN6-26A	75 - 3
AN6-33A	75 - 2A
AN6-34A	75 - 2
AN6-35A	75 - 2
AN6-35A	75 - 2
AN6-6A	30 -95
AN6-7A	17 - 5
AN6-7A	18 - 1
AN6-7A	18 - 7
AN6-7A	30 -98
AN6227-11	113A-24
AN6227-15	40A-24
AN6227-17	40A-28
AN6227B1	135 - 7
AN6227B23	42 -24
AN6227B23	42C-23
AN6227B27	42A-18
AN6227B9	81 -40
AN6227B9	81B-40
AN6230B2	43 -10
AN6230B2	44 -45
AN6230B3	43 -11
AN6230B3	44 -46
AN6289D10	113 -26
AN6289D10	115 - 4
AN6328-823	5 -27
AN6328-823	6 -27
AN665-34R	70A-17
AN7-20A	40 - 9
AN7-20A	40A- 9
AN7-20A	41 - 9
AN7-24A	3 - 4
AN7-24A	3A- 4
AN7-33A	76 - 8
AN7-33A	77 - 6
AN7-40A	121 -35
AN7-40A	122 -34
AN735D36	76 -33
AN735D36	117D-16
AN737RM22	134 - 7
AN737RM22	134 -16
AN737RM22	135 -26
AN737RM22	135 -30
AN737RM30	13 -17A
AN737TW91	108 -25
AN741-18P	74 -31
AN741-18P	75 -25
AN741TD7	74 -62
AN741TD7	75 -45
AN741T5	96 -45
AN742D12	68A-48
AN742D12	688-49
AN742D12	68C-45
AN742D12	76 -38
AN742D12	89 -14C
AN742D12	117 -18
AN742D14	76 -26
AN742D14	136 -17
AN742D16	88 -13

PART NUMBER	FIGURE AND INDEX NO.
AN742D16	88A-31
AN742D2	32-35
AN742D2	95A-23
AN742D3	68-27
AN742D3	74-21
AN742D3	75-12
AN742D3	89-8C
AN742D3	89-14
AN742D3	89-14B
AN742D3	90-15A
AN742D3	92-40
AN742D3	109-11
AN742D3	110-18
AN742D3	110-21
AN742D3	110A-22
AN742D32	113-12
AN742D32	114-9
AN742D32	74-91
AN742D36	76-37
AN742D36	76-45A
AN742D36	77-61B
AN742D4	4-43
AN742D4	5-4
AN742D4	6-4
AN742D4	6A-48
AN742D4	6A-49
AN742D4	74-62
AN742D4	75-13
AN742D4	75-41
AN742D4	75-42
AN742D4	75-45
AN742D4	104-63
AN742D4	104-66
AN742D4	104-67
AN742D4	105-72
AN742D4	105-75
AN742D4	105-76
AN742D4	107-10
AN742D4	114-22
AN742D4	126-77
AN742D5	120A-24
AN742D5	120B-30
AN742D5	120C-31
AN742D5	76-45A
AN742D50	77-61A
AN742D50	13-6C
AN742D6	95A-4A
AN742D6	95A-9
AN742D6	103-21
AN742D6	103-27
AN742D6	104-18
AN742D6	104-24
AN742D6	105-16
AN742D6	105-22
AN742D6	106-15
AN742D8	13-6C
AN742D8	102B-4
AN742D8	117-15
AN742D8	117-17
AN742D8	136-17
AN742D8	136-18
AN743-12	101-34B
AN75A10	44-37
AN76-11	41-41
AN775-4	41-46
AN776-4D	41-46
AN780-2	118-1
AN780-2	118-2
AN780-2	118-5
AN780-2	118-6
AN8-17A	16-3
AN8-23A	3-1
AN8-23A	3A-1
AN8-25A	16-2

PART NUMBER	FIGURE AND INDEX NO.
AN815-10D	113-33
AN815-3D	90-10
AN815-4D	40-14
AN815-4D	40A-14
AN815-4D	41-45
AN815-4D	90-10
AN815-4D	103-10
AN815-6D	103-22
AN815-6D	103-24
AN815-6D	103-28
AN815-6D	103-39
AN815-6D	104-8
AN815-6D	104-19
AN815-6D	104-21
AN815-6D	104-25
AN815-6D	105-8
AN815-6D	105-17
AN815-6D	105-19
AN815-6D	105-23
AN815-6D	106-8
AN815-6D	106-14
AN815-6D	108-15
AN815-8D	105-51A
AN815-8D	106-36
AN816-2D	67-17
AN816-2D	68-19
AN816-2D	74-40
AN816-2D	74-54
AN816-2D	110-14
AN816-2D	116-31
AN816-2D	117-29
AN816-2D	118-8
AN816-2D	118A-17
AN816-2D	134-53
AN816-2D	135-24
AN816-2D	113-18D
AN816-38	1208-22
AN816-38	120C-25
AN816-3D	40-15C
AN816-3D	68-89
AN816-3D	119-14
AN816-3D	120A-13
AN816-3D	120A-31
AN816-3D	120A-37
AN816-3D	1208-14
AN816-3D	1208-24
AN816-3D	120C-14
AN816-3D	120C-27
AN816-4	113-43
AN816-4D	40-15A
AN816-4D	42-36
AN816-4D	95B-27
AN816-4D	105-28C
AN816-4D	113-17
AN816-4D	113-21
AN816-4D	114-14
AN816-4D	114-18
AN816-4D	117B-29
AN816-4D	117C-15
AN816-4D	117E-21
AN816-4D	113-18B
AN816-5D	119-20
AN816-6-6D	105-54
AN816-6-6D	108-8
AN816-6-8D	116-20
AN816-6D	103-41
AN816-6D	108-7
AN816-6D	117B-53
AN816-6D	117C-7
AN816-6D	117C-10
AN816-6D	117E-5
AN816-8D	105-54
AN816-8D	110-1
AN818-4D	104-30C

PART NUMBER	FIGURE AND INDEX NO.
AN818-6D	13-10
AN821-6D	103-5
AN821-6D	104-3
AN821-6D	105-3
AN821-6D	105-26
AN821-6D	106-5
AN821-6D	106-16
AN824-6D	103-35
AN824-6D	104-28
AN824-6D	106-9
AN832-2D	33-28
AN832-2D	33-32
AN832-2D	74-49
AN832-2D	85-15
AN832-2D	118A-7
AN832-3D	33-32
AN832-3D	74-49
AN832-6D	108-16
AN833-10D	113-25
AN833-10D	115-3
AN833-2D	33-27
AN833-2D	74-41
AN833-2D	106-40
AN833-2D	118A-7
AN833-3D	90-6
AN833-3D	90-13
AN833-4D	33-23
AN833-4D	41-14
AN833-4D	74-45
AN833-4D	90-6
AN833-4D	90-13
AN833-4D	104-30E
AN833-4D	105-28E
AN833-4D	107-9
AN833-4D	107-13
AN833-4D	113-4
AN833-6D	103-31
AN834-2D	33-30
AN834-2D	77-40
AN834-2D	118A-8
AN834-6D	103-11
AN834-6D	103-30
AN837-2D	33-38
AN837-3D	90-7
AN837-4D	90-7
AN837-4D	114-4
AN837-4D	127-39
AN837-4D	128-37
AN837-6D	103-31
AN842-6D	134-11
AN842-8	116-16
AN842-8	117-20
AN842-8	117D-12
AN842-8	136-7
AN844-6D	134-5
AN844-8	116-9
AN844-8	117-9
AN844-8	117A-9
AN844-8	136-11
AN844-8D	117D-11
AN900-10	74-38
AN900-10	76-66
AN900-10	114-37
AN901-4C	41-46
AN910-1D	40-15B
AN910-1D	101-41
AN910-1D	102-37
AN910-2D	76-70
AN911-10	101-34
AN911-10	102-30A
AN911-10	107-20
AN911-10	120A-16
AN911-10	1208-2
AN911-10	120C-2

PART NUMBER	FIGURE AND INDEX NO.	PART NUMBER	FIGURE AND INDEX NO.	PART NUMBER	FIGURE AND INDEX NO.
AN911-1D	113 -18C	AN932C2	120C- 7	AN936C10	44 -49
AN912-1	104 -30A	AN932C2	120C-22	AN936C8	68 -54
AN912-1	105 -28A	AN932C4	113A-22	AN960-10	6A-26
AN912-1D	107 -21	AN932C4	113A-34	AN960-10	15 -10
AN912-1D	116 -29	AN932D2	120A-18	AN960-10	22 - 9
AN912-1D	117 -27	AN932D2	120B- 7	AN960-10	30 - 3
AN912-1D	134 -51	AN932S2	120A- 1C	AN960-10	30 -61
AN912-1D	135 -22	AN935-10	79 - 4	AN960-10	30 -69
AN912-2	117 -41	AN935-10	79 -29	AN960-10	30 -99C
AN912-2	136 -22	AN935-10	123B-17	AN960-10	32 - 2
AN912-2D	95B-23	AN935-10	133 - 9	AN960-10	32 - 7
AN912-3	76 -52	AN935-10L	81 -44	AN960-10	32A- 2
AN912-3	77 -54	AN935-10L	81B-44	AN960-10	32A- 7
AN912-3	113 - 8	AN935-10L	136 - 1	AN960-10	38 -28
AN914-1D	113 -18E	AN935-416	44 -30	AN960-10	52 - 4
AN915-1D	40 -15A	AN935-8L	79 -24	AN960-10	62 -42
AN915-1D	40A-15A	AN935-8L	81 -34	AN960-10	62 -55
AN915-2	106 -46	AN935-8L	81B-34	AN960-10	62 -63
AN916-1D	101 -33	AN936A10	108 - 6	AN960-10	63 -44
AN916-1D	102 -30	AN936A10	110A- 1	AN960-10	63C-39
AN917-1D	120A-14	AN936A10	110A-28	AN960-10	63C-71
AN917-1D	120B-25	AN936A10	121 -43	AN960-10	65 - 3
AN917-1D	120C-2E	AN936A4	94B-13	AN960-10	74 -29
AN917-1D	113 -18A	AN936A416	60 -26	AN960-10	74 -68
AN917-2D	107 -19	AN936A416	61 -28	AN960-10	74 -76
AN917-3D	105 -54	AN936A416	61A-28	AN960-10	74 -86
AN919-1D	120A-32	AN936A416	117D-17A	AN960-10	82 - 4
AN918-1D	120B-10	AN936A6	123B-19	AN960-10	82 -10
AN918-1D	120C-10	AN936A6	44 -24	AN960-10	87 -24
AN921-3D	90 - 3	AN936A6	68A-30	AN960-10	91 -20
AN921-4D	90 - 3	AN936A6	68B-26	AN960-10	92 -17
AN921-4D	93 -11	AN936A6	68C-28	AN960-10	94A-16
AN924-10D	117E-29	AN936A6B	67 -20	AN960-10	95A-19
AN924-2D	33 -28	AN936A6B	68 -22	AN960-10	96 -40
AN924-2D	33 -28	AN936A6B	68A-39	AN960-10	96 -48
AN924-2D	74 -43	AN936A6B	68A-40	AN960-10	104 -39
AN924-2D	74 -51	AN936A6B	68A-42	AN960-10	109 -15
AN924-2D	77 -40	AN936A6B	68B-40	AN960-10	110 -23
AN924-2D	85 -16	AN936A6B	68B-41	AN960-10	120A-26
AN924-2D	106 -40	AN936A6B	68B-42	AN960-10	120B-31
AN924-2D	118A-10	AN936A6B	68B-42	AN960-10	120C-32
AN924-3D	33 -32	AN936A6B	68C-43	AN960-10	126A- 8
AN924-3D	74 -51	AN936A6B	68C-44	AN960-10	127 -38
AN924-3D	90 - 3A	AN936A6B	77 -17	AN960-10	127 -49
AN924-3D	90 - 9	AN936A6B	95B- 1	AN960-10	127 -49
AN924-3D	90 -15	AN936A6B	95B-31	AN960-10	128 -36
AN924-4	127 -43	AN936A616	60 -27	AN960-10	128 -45
AN924-4D	33 -23	AN936A616	61 -29	AN960-10	134 -88
AN924-4D	41 -16	AN936A8	61A-28	AN960-10	134 -92
AN924-4D	74 -47	AN936A8	40 -40	AN960-10	134 -96
AN924-4D	90 - 3A	AN936A8	40A-45	AN960-10	134 -99F
AN924-4D	90 - 9	AN936A8	41 -47	AN960-10	135 -83
AN924-4D	90 -15	AN936A8	67 -50	AN960-10	97 -42
AN924-4D	93 -13	AN936A8	67 -55	AN960-10L	3 -48
AN924-4D	103 -43	AN936A8	68A-10	AN960-10L	20 -17
AN924-4D	104 -30	AN936A8	68A-21	AN960-10L	30 - 7
AN924-4D	104 -30E	AN936A8	68B-11	AN960-10L	40A-37
AN924-4D	105 -28	AN936A8	68B-21	AN960-10L	46 -41
AN924-4D	105 -28E	AN936A8	68C-14	AN960-10L	49 - 5
AN924-4D	107 -12	AN936A8	81 - 4	AN960-10L	50 - 5
AN924-4D	113 - 6	AN936A8	81B- 4	AN960-10L	60 - 8
AN924-4D	113 -40	AN936A8	89 -28	AN960-10L	60 -34
AN924-4D	114 - 4	AN936A8	94B-21	AN960-10L	61 - 9
AN924-4D	127 -39	AN936A8	105 -58B	AN960-10L	61 -36
AN924-4D	128 -37	AN936A8	106 -21B	AN960-10L	61A- 9
AN924-6D	103 -11	AN936A8	124A-17	AN960-10L	61A-35
AN924-6D	103 -31	AN936A8	51 -13	AN960-10L	63 - 8
AN924-6D	116 -24	AN936A8	74 -33	AN960-10L	63 -42
AN924-6D	117 -45	AN936A8	75 -25	AN960-10L	63 -72
AN924-6D	117D- 1	AN936A8	129 - 3	AN960-10L	63A- 6
AN924-6D	136 -26	AN936A8	87 - 3	AN960-10L	63A-13
AN929-6	103 -11	AN936A8	119 -18	AN960-10L	63A-21
AN929-6	103 -32	AN936A8	67 -70	AN960-10L	63A-21C
AN932-52	120B-19	AN936A8	67 -71	AN960-10L	63B-19
		AN936A8	101 - 2	AN960-10L	63C- 3

PART NUMBER	FIGURE AND INDEX NO.
AN960-10L	63C-5
AN960-10L	63C-32
AN960-10L	63C-64
AN960-10L	63C-77
AN960-10L	63C-92
AN960-10L	74-11
AN960-10L	74-19
AN960-10L	74-62
AN960-10L	74-65
AN960-10L	74-92
AN960-10L	74-94
AN960-10L	75-16
AN960-10L	75-45
AN960-10L	76-39
AN960-10L	77-33
AN960-10L	78-13
AN960-10L	78A-13
AN960-10L	87-6
AN960-10L	87-10
AN960-10L	87-30
AN960-10L	87-35
AN960-10L	88-23
AN960-10L	88A-8
AN960-10L	89-13
AN960-10L	90-45
AN960-10L	91-17A
AN960-10L	95-60
AN960-10L	98-42
AN960-10L	98-49
AN960-10L	98-58
AN960-10L	98-60
AN960-10L	99A-3
AN960-10L	99A-11
AN960-10L	99A-18
AN960-10L	100-32
AN960-10L	103-46
AN960-10L	104-31
AN960-10L	104-61
AN960-10L	105-29
AN960-10L	105-37
AN960-10L	105-70
AN960-10L	113-14
AN960-10L	114-11
AN960-10L	119-21
AN960-10L	121-57
AN960-10L	121-59
AN960-10L	122-55
AN960-10L	122-57
AN960-10L	129-4
AN960-10L	129-29
AN960-10L	134-81
AN960-10L	135-74
AN960-1416L	117A-40
AN960-2	109-17
AN960-2	110-26
AN960-4	8A-10
AN960-4	90-41
AN960-4	97-62
AN960-4	113-37
AN960-4	115-14
AN960-4	134-84
AN960-4	134-98
AN960-4	135-77
AN960-4L	73-410
AN960-4L	73A-47
AN960-4L	135-3
AN960-416	19-3
AN960-416	19-42
AN960-416	20-2
AN960-416	35B-31
AN960-416	38-12
AN960-416	38-16
AN960-416	40-5
AN960-416	40A-5

PART NUMBER	FIGURE AND INDEX NO.
AN960-416	41-5
AN960-416	42-20
AN960-416	42C-19
AN960-416	43-4
AN960-416	44-14
AN960-416	46-22
AN960-416	46-47
AN960-416	46A-52
AN960-416	61A-56A
AN960-416	63-62
AN960-416	63-83A
AN960-416	63C-98A
AN960-416	64-17
AN960-416	65B-4
AN960-416	65B-8
AN960-416	70-58
AN960-416	94A-5
AN960-416	95-45
AN960-416	95-71
AN960-416	95-71
AN960-416	96-6
AN960-416	96-22
AN960-416	96-28
AN960-416	96-43
AN960-416	97-32
AN960-416	100-20
AN960-416	110A-20
AN960-416	113-38
AN960-416	115-15
AN960-416	1170-17B
AN960-416	121-8
AN960-416	121-30
AN960-416	122-9
AN960-416	122-31
AN960-416	126-10
AN960-416	127-6
AN960-416	128-5
AN960-416	131-17
AN960-416	131-32
AN960-416	132-17
AN960-416	132-32
AN960-416L	21-2
AN960-416L	42-32
AN960-416L	42A-25
AN960-416L	42C-31
AN960-416L	44-11
AN960-416L	59A-3
AN960-416L	62-5
AN960-416L	63C-13
AN960-416L	63C-17
AN960-416L	64A-22
AN960-416L	74-97
AN960-416L	75-40
AN960-416L	87-17
AN960-416L	94-3
AN960-416L	94A-4
AN960-416L	95-25
AN960-416L	95-50
AN960-416L	98-20
AN960-416L	99-20
AN960-416L	100-26
AN960-416L	103-41
AN960-416L	103-43
AN960-416L	104-30
AN960-416L	105-28
AN960-416L	107-3
AN960-416L	107-26
AN960-416L	108-4
AN960-416L	108-28
AN960-416L	110-5
AN960-516	9-13
AN960-516	10-14
AN960-516	10A-15
AN960-516	17-2

PART NUMBER	FIGURE AND INDEX NO.
AN960-516	1R-5
AN960-516	40A-10
AN960-516	40A-47
AN960-516	41-22
AN960-516	41-40
AN960-516	42A-5
AN960-516	44-38
AN960-516	45-13
AN960-516	45-17A
AN960-516	46-13
AN960-516	46-17
AN960-516	46-31
AN960-516	46A-13
AN960-516	46A-18
AN960-516	46A-18A
AN960-516	46A-61
AN960-516	468-13
AN960-516	468-18
AN960-516	74-82
AN960-516	78-6A
AN960-516	78-68
AN960-516	78-22
AN960-516	87-23
AN960-516	127-12
AN960-516	17-3
AN960-516	18-5A
AN960-516	97-42
AN960-516L	30-56
AN960-516L	30-93
AN960-516L	30-94
AN960-516L	30-96
AN960-516L	30-99B
AN960-516L	47-48
AN960-516L	48B-46
AN960-516L	78-22
AN960-516L	78A-6
AN960-516L	98-63
AN960-516L	99A-14
AN960-516L	118A-9
AN960-516L	131-13
AN960-516L	131-14
AN960-516L	131-19
AN960-516L	131-19A
AN960-516L	131-24
AN960-516L	131-29
AN960-516L	131-33
AN960-516L	132-13
AN960-516L	132-14
AN960-516L	132-19
AN960-516L	132-24
AN960-516L	132-29
AN960-516L	132-33
AN960-516L	46A-19A
AN960-516L	46B-18A
AN960-6	106-26
AN960-6	123A-17
AN960-6L	67-76
AN960-6L	67-78
AN960-6L	68-76
AN960-6L	68-78
AN960-6L	123-30
AN960-6L	124-2
AN960-6L	134-27
AN960-616	17-6
AN960-616	18-2
AN960-616	18-2
AN960-616	18-8
AN960-616	40A-20
AN960-616	41-19
AN960-616	468-45
AN960-616	74-6
AN960-616	76-11
AN960-616L	18-2
AN960-616L	30-95

PART NUMBER	FIGURE AND INDEX NO.	PART NUMBER	FIGURE AND INDEX NO.	PART NUMBER	FIGURE AND INDEX NO.
AN960-616L	30 -97	AN960010	98 -46	A1105	135 - 4
AN960-616L	30 -98	AN960010	101 -44	A1106	135 - 4
AN960-616L	41 -41	AN960010	102 -40	A1108	135 - 4
AN960-616L	42 -35	AN960010	120 -22	A1213	135 -11
AN960-616L	42C-34	AN960010	87 -14	A1257A	3 -33
AN960-616L	44 - 5	AN960010L	51A- 9	A1257A	3A-27
AN960-616L	46B-45	AN960010L	70B- 3	A1272	134 -76
AN960-616L	63 -55	AN960010L	70B- 7	A1280-2	3 -34
AN960-616L	90 - 8	AN960010L	70B- 7	A1280-2	3A-25
AN960-616L	90 -14	AN960010L	70B-11	A1280-3	3 -34
AN960-616L	108 - 9	AN960010L	116 - 4	A1280-3	3A-25
AN960-716	3 - 5	AN960010L	117 - 4	A1396	134 -81
AN960-716	3A- 5	AN960010L	117A- 4	A1561-2	72 -35
AN960-716	62 -46	AN960010L	136 - 4	A1561-2	71 - 2
AN960-716	121 -36	AN960010L	117E-30	A1561-4	72 -35
AN960-716	122 -35	AN96001416L	84 -57	A1561-6	72A-18
AN960-716L	77 - 7	AN9600416	85 -44	A1580	72B-18
AN960-716L	90 - 8	AN9600516	74 -42	A1580	72 -22
AN960-716L	90 -14	AN9600516	74 -50	A1633-12	72A-33
AN960-8	63C-88	AN9600516	77 -40	A1633-12	72B-33
AN960-8	65 -12	AN9600516	85 -17	A1633-12	72C-22
AN960-8	65 -26	AN9600516	106 -40	A1633-12	72 - 8
AN960-8	81A-229	AN9600516	128 -11	A1633-13	72A-14
AN960-8	81D-228	AN9600516L	73 -47A	A1633-13	72B-14
AN960-8	89A-35	AN9600516L	73A-57	A1633-13	72 - 2
AN960-8	129 -11	AN9600516L	131 -37	A1633-3	72A - 2
AN960-8	129 -22	AN9600516L	132 -37	A1633-3	72B - 2
AN960-8	134 -39	AN9600616	63 -78	A1633-3	72C - 7
AN960-8	134 -66	AN9600616	74 -50	A1633-3	71 - 6
AN960-8	134 -75	AN9600716	74 -46	A1633-3	81A- 5
AN960-8	134 -79	AN9600716	113 - 5	A1633-36	81D- 5
AN960-8	135 -57	AN9600716	114 - 4	A1633-36	72C-44
AN960-8	135 -68	AN9600716L	127 -39	A1633-37	42B-32
AN960-8	135 -72	AN9600716L	128 -37	A1633-47	42B-26
AN960-8	135 -77	AN9600916	116 -23	A1633-48	72 -29
AN960-8	135 -79	AN9600916	117 -44	A1633-9	72 -34
AN960-8L	19 -50	AN9600916	117D- 2	A1633-9	72A-40
AN960-8L	24 -14	AN9600916	136 -25	A1633-9	72A-45
AN960-8L	40A-30	AN9600D10	71 - 9	A1633-9	72B-40
AN960-8L	65A- 5	AN9600D10	71 -18	A1633-9	72B-45
AN960-8L	65A- 6	AN9600D10	76 -41A	A1633-9	72C-29
AN960-8L	76 -62	AN9600D10	76 -88	A1633-9	72 - 9
AN960-8L	129 -24	AN9600D10	126A-16	A1634-4	72A-20
AN960-816	3 - 2	AN9600D10L	468-48	A1634-5	72B-20
AN960-816	3A- 2	AN9600D10L	76 -74	A1634-5	72C-41
AN960-816	16 - 2	AN9600D10L	76 -90	A1634-6	72 - 4
AN960-816	47 - 6	AN9600D10L	105 -56	A1635-16	72A- 4
AN960-816	48 - 3	AN9600D416	76 -77	A1635-16	72B- 4
AN960-816	48 -24	AN9600D416	126A-10	A1635-16	72 - 4
AN960-816	48 -26	AN9600D6L	32A-43	A1635-17	72A- 4
AN960-816	48A- 3	AN9600D6L	32A-46	A1635-17	72B- 4
AN960-816	48A-24	AN9600D6L	94A-34	A1635-17	72 - 4
AN960-816	48B- 6	AN9600D6L	94A-39	A1635-18	72A- 4
AN960-816	94 -10	AN9600D9L	74 -99	A1635-18	72B- 4
AN960-816L	47 -26	AN970-3	59 -26	A1635-18	72 - 4
AN960-816L	48B-24	AN970-3	59 -30	A1635-19	72A- 4
AN960-816L	94A-13	AN970-3	60 -58	A1635-19	72B- 4
AN960-816L	94A-29	AN970-3	61 -60	A1635-19	72 - 4
AN960A816L	94 -11	AN970-3	61A-60	A1635-21	72A- 4
AN960C10	90 -25	AN970-3	63 -88	A1635-21	72B- 4
AN960C10L	90 -25	AN970-3	63C-99C	A1635-21	72 - 4
AN960C416L	54 - 2	AN970-3	115 -10	A1635-22	72A- 4
AN960C416L	60 -43	AN970-3	120A-40	A1635-22	72B- 4
AN960C416L	75 -36	AN970-3	120B-36	A1635-22	72A- 8
AN960C416L	100A- 1	AN970-3	120C-37	A1635-27	72B- 8
AN960C416L	112 - 9	AN970-3	123A-22	A1635-27	72C- 9
AN960C616L	59A-29	AN970-3	126 -59	A1635-36	72C- 9
AN960C616L	62 -36	AN970-3	128 -53	A1635-37	72C- 9
AN960C616L	62 -67	AN970-4	75 -37	A1635-40	72 -18
AN960D10	59A-38	AN970-5	70 -12	A1635-56	72A-29
AN960D10	62 -11	AN970-5	95A-12	A1635-65	72B-29
AN960D10	70 -44	AV281371	107 - 5	A1635-65	72C-28
AN960D10	74 -27	A1049-873	86 - 8	A1635-66	
AN960D10	75 -21	A1104	3 -35A		

PART NUMBER	FIGURE AND INDEX NO.
A1635-67	72C- 9
A1635-68	72C- 9
A1635-70	72C-15
A1636-24	42B-14
A1636-6	72 - 7
A1636-6	72A-11
A1636-6	72B-11
A1636-7	72 -24
A1636-7	72A-35
A1636-7	72B-35
A1636-7	72C-20
A1638-15	42B-21
A1638-15	42B-24
A1638-15	42B-17
A1638-16	71 - 4
A1638-2	72C- 3
A1638-5	72A- 9
A1638-5	72B- 9
A1638-9	72 -19
A1638-9	72A-30
A1638-9	72B-30
A1639-14	42B-18
A1639-2	72 - 1
A1639-2	72A- 1
A1639-2	72B- 1
A1639-2	72C- 2
A1639-2	71 - 5
A1639-23	72C-10
A1639-26	42B-22
A1742	72 -10
A1748	135 -69
A1793-6Z3	88 - 5
A1804-6Z3	119 -29
A1882	72 -13
A1883	72 -12
A1934	72 -29
A1934	72A-40
A1934	72B-40
A1935	72 -31
A1935	72A-42
A1935	72B-42
A1936	72 -30
A1936	72A-41
A1936	72B-41
A1937	72C-30
A1937	72 -33
A1937	72A-44
A1937	72B-44
A1938	72 -20
A1938	72A-31
A1938	72B-31
A1958	72 - 6
A1958	72A- 6
A1958	72B- 6
A20022	81A-27
A20022	81D-27
A20026	81A-34
A20026	81D-34
A20027	81A-35
A20027	81D-35
A20034	81A- 9
A20034	81D- 9
A20063B	81A-23
A20063B	81D-23
A20064A	81A-24
A20064A	81D-24
A20068	81A-19
A20068	81D-19
A20069-1	81A-17
A20069-4	81D-17
A20071	81A-15
A20071	81D-15
A20072A	81A-26
A20072A	81D-26

PART NUMBER	FIGURE AND INDEX NO.
A20079	81A-29
A20078	81D-29
A20079	81A-30
A20079	81D-30
A20081	81A-31
A20091	81D-31
A20084F	81A-21
A20084F	81D-21
A20086	81A-16
A20086	81D-16
A20107	81A- 4
A20107	81D- 4
A20199	81A- 7
A20199	81D- 7
A20239	81A-22
A20238	81D-22
A20239	81A-25
A20239	81D-25
A20265	81A-13
A20265	81D-13
A20266	81A-11
A20266	81D-11
A2104	72 - 3
A2108	72C-21
A2108	72 -25
A2108	72A-36
A2109	72B-36
A2109-3	39 -10
A2230	72 -38
A2230	72A-48
A2230	72B-48
A2230	72C- 5
A2351	72 -23
A2351	72A-34
A2351	72B-34
A2351	72C-34
A2356	72 -16
A2356	72A-27
A2356	72B-27
A2423	72A- 3
A2423	72B- 3
A2513-49	42B-23
A2513-67	42B-16
A2713-2	72 -35
A2713-4	72 -35
A2713-6	72 -35
A2714	72 -36
A30010	42B- 9
A30011	42B-12
A30013	42B-13
A30014	42B-11
A30015	42B-10
A30023	42B-20
A30040	42B-35
A30079-1	42B- 4
A30079-2	42B- 8
A30085	42B-34
A30087	42B-29
A30087	42B-31
A30169	42B-33
A3047	72 -37
A3047	72A-47
A3047	72B-47
A3047-30	71 - 3
A3047-30	72 -37
A3047-30	72A-47
A3047-30	72B-47
A3047-45	72 -37
A3047-45	72A-47
A3047-45	72B-47
A3053-14-27	100 -56
A3100	72A-16
A3100	72B-16
A3110	72A-15

PART NUMBER	FIGURE AND INDEX NO.
A3110	72B-15
A3124	72 -27
A3124	72A-38
A3124	72B-38
A3124	72C-32
A3125	72 -26
A3125	72A-37
A3125	72B-37
A3125	72C-33
A3149	72A-17
A3149	72B-17
A3150-5	72C-25
A3150-8	81A-14
A3150-8	81D-14
A3150-8	72 -15
A3217	72A-26
A3217	72B-26
A3493-012-1	121 -26
A3493-012-1	122 -23A
A3493-012-1	124A-19
A3902	72C-26
A3906	72C- 8
A39070	42A-13
A4001	72C- 6
A4050	47 -36
A4050	48A-30
A4050	48 -18
A4050	48A-18
A4050	47 -21
A4050	48B-19
A4050	48B-31
A4138	47 -37
A4138	48A-31
A4138	48 - 5
A4138	48A- 5
A4138	47 - 6
A4138	48B- 6
A4138	48B-32
A427	134 -84
A427	135 -77
A4427	72C-36
A4513-1	39 - 8
A482	134 - 4
A482	134 -10
A482	135 -12
A482	135 -44
A5-35PR	73 -44
A5-35PR	73 -45A
A5-35PR	73A-54
A615	74 -99
A6194-8Z1	17 -23
A6194-8Z1	18 -27
A6204-8Z3	8A- 7
A654-5	134 -23
A654-5	134 -43
A654-6	134 -24
A654-6	134 -44
A7512-12	3 -32
A7512-12	3A-26
A76	107 - 5
A8002	94A-50
A8818-10Z1	70A-22
A911	135 - 8
A9167-21	134 -33
A960-416L	65A-10
A978	134 -63
A978	134 -67
A978	134 -68
A978	134 -89
A978	134 -93
A978	134 -94
A978	135 -27
A979	134 -18
A979	134 -58

PART NUMBER	FIGURE AND INDEX NO.
A979	134 -60
81	53 -22
81	54 - 4
81	55 -20
81	57 -35
81	58 -28
81316	81 -18
81316	81B-18
81341-8	134 -83
81341-8	135 -76
81610	135 -15
81965	72 -21
81965	72A-32
81965	72B-32
820040	81A-18
820040	81D-18
820055	81A- 6
820055	81D- 6
820066	81A-12
820066	81D-12
820076	81A-28
820076	81D-28
820077	81A-32
820077	81D-32
820082	81A-33
820082	81D-33
820085-1	81A- 5
820085-4	81D- 5
82289-1	72 -11
82289-2	72 -11
82289-3	72 -11
82345	72 -28
82345	72A-39
82345	72B-39
82345	72C-31
82417	72A- 7
82417	72B- 7
82420-4	72A-12
82420-4	72B-12
82420-6	72A-12
82420-6	72B-12
82421-10	72A-13
82421-10	72B-13
82421-12	72A-13
82421-12	72B-13
82421-14	72A-13
82421-14	72B-13
82421-16	72A-13
82421-16	72B-13
82421-18	72A-13
82421-18	72B-13
82421-20	72A-13
82421-20	72B-13
82421-8	72A-13
82421-8	72B-13
82422-1	72A-10
82422-1	72B-10
8296-17	135 -13
8296-18	135 -14
8296-20	134 -45
8296-4	135 -39
8296-5	135 -38
8296-50	134 -21
8296-51	134 -22
8296-52	134 -25
8296-53	134 -26
8296-59	134 - 3
8296-59	135 -32
8296-59	134 - 2
8296-59	135 -33
8296-61	134 - 9
8296-7	135 - 9
8296-8	135 -10
830026	42B-29

PART NUMBER	FIGURE AND INDEX NO.
830026	42B-31
830027	42B-30
830076	42B- 5
830107-1	42B-27
830107-2	42B-27
830113	42B-28
830151	42B-25
830279-1	42B-27
830279-2	42B-27
83099	72A-46
83099	72B-46
83099	71 - 2
83216	72 -14
83216	72A-25
83216	72B-25
83414	72C-24
83526	72C-19
83905	72C-27
83909	72C-11
83909	42 -10
83909	42C- 9
83920	72C- 4
84014	72C-42
84016	72C-12
84026	72C-13
84139	72C-18
84277-10	72C-38
84277-12	72C-38
84277-14	72C-38
84277-16	72C-38
84277-18	72C-38
84277-20	72C-38
84277-3	72C-38
84277-4	72C-38
84277-5	72C-38
84277-6	72C-38
84277-7	72C-38
84277-8	72C-38
84342	72C-16
84354-2	72C-17
84354-3	72C-17
84407	72C-37
84407-1	72C-37
84407-2	72C-37
84409	72C-39
84426	72C-35
845	100A- 8
845	100A-17
8610	14 - 8
8610	15 - 6
8610	94 -17
8610	94A- 7
8804-2	134 -41
8804-3	134 -42
CA2	67 -50
CA2	68 -49
CA2	68A-29
CA2	68B-25
CA2	68C-27
CA2	68D-13
CA2	68E- 3
CA2	67 -74
CM2629N1	68 -73
CM2629N1	67 -70
CM2647N1	68 -70
CM2647N1	68B-34
CM2647N1	68C-36
CM2647N2	68B-34
CM2647N2	68C-36
CM2679-2	104 -55
CM2679-2	121 -22
CM2679-2	127 -23
CM2692-10-1S	33 -29
CM2692-10-1S	33 -30A

PART NUMBER	FIGURE AND INDEX NO.
CM2692-12-1H	33 -33
CM2692-12-1H	33 -37A
CM2692-12-1S	33 -37
CM2692-12-3S	68 -14
CM2692-15-1S	33 -36
CM2692-16-2S	35B- 3
CM2692-28-1S	12 -26
CM2692-32-1S	22 -22
CM2692-32-1S	23 -26
CM2692-8-1H	33 -41
CM2791	73 - 7
CM2791	73 -30
CM2791	73 -31
CM2791	73 -32
CM2791	73 -44
CM2791	73 -44
CM2791	73 -45A
CM2791	73A- 8
CM2791	73A-33
CM2791	73A-34
CM2791	73A-54
CP2 3/4	70 -17
CR163-4-10	24 -76
CR163-4-4	10 -19
CR163-4-4	10A-20
CR163-4-4	20 -37
CR163-4-4	28 -47
CR163-4-4	49 -25
CR163-4-4	50 -23
CR163-4-4	73 -54
CR163-4-4	73 -61
CR163-4-4	73A-63
CR163-4-4	73A-70
CR6	135 -28
CR763-4-4	49 -29
CR763-4-4	50 -27
CS3	134 -19
CS6	134 -62
CS6	135 -45
CS6	135 -61
CS8	134 -61
C1C2	1 - 1
C1049-8267	86 - 8
C156001-0102	13 -38
C156001-0104	13 -41
C156001-0106	13 -38
C1587	72 - 8
C1587-1	72 - 9A
C1587-2	72 - 9B
C161002-0201	71 - 1
C161002-0201	72A-
C161002-0202	71 - 1
C161002-0202	72A-
C161002-0203	71 - 1
C161002-0203	72A-
C161002-0204	71 - 1
C161002-0204	72A-
C161004-0105	71 - 1
C161004-0105	72A-
C161004-0106	71 - 1
C161004-0106	72B-
C161004-0107	71 - 1
C161004-0107	72B-
C161009-0101	72C-
C161009-0102	72C-
C161009-0104	72C-
C161009-0105	72C-
C161030-0102	81A-
C161030-0107	81D-
C161031-0101	81A-
C161031-0104	81D-
C161040-0103	79A-
C161040-0107	81C-
C163001-0301	42A- 1

PART NUMBER	FIGURE AND INDEX NO.	PART NUMBER	FIGURE AND INDEX NO.	PART NUMBER	FIGURE AND INDEX NO.
C163001-0302	42A- 1	C17330	124A- 3	C2987-1	72B-21
C163002-0102	42B- 2	C17331-3	124A- 6	C2987-2	72A-22
C163002-0104	42B- 2	C17331-6	124A- 6	C2987-2	72B-22
C163030-0303	42A-15	C1904	72 -17	C299505-0201S	68B-59
C163030-0305	42A-15	C1904	72A-28	C299505-0201S	68C-62
C163030-0313	42A-15	C1904	72B-28	C299505-0201S	75 -28
C163032-0205	42B-18	C1939	72 -32	C299505-0301	68B-59
C163032-0206	42B-18	C1939	72A-43	C299505-0301	74 - 7
C163032-0207	42B-18	C1939	72B-43	C299505-0501	68B-59
C163032-0207	42B-18	C20057	81A- 1	C299505-0501	68C-62
C163032-0208	42B-18	C20057	81D- 1	C299505-0501	74 -73
C165001-0102	117D-15	C20073	81A- 3	C299506-0103	68B-58
C166001-0104	120A- 1	C20073	81D- 3	C299506-0103	68C-61
C166001-0104	120B-16	C20073	81A-21	C299506-0103	74 -24
C166001-0601	120C-16	C20075	81D-21	C299506-0103	75 -18
C166002-0101	120A- 1	C20075	35B- 4	C299506-0201	68B-58
C166002-0101	120B-16	C23150-017-4	46B-25	C299506-0201	68C-61
C166002-0103	120A- 1B	C23150-017-4	72 -13B	C299506-0201	74 -83
C166002-0103	120B-17	C2463	72 -13A	C299507-0201	68B-57
C166002-0104	120A- 1A	C2464	49 -23	C299507-0201	74 - 8
C166002-0104	120B-18	C253001-0101	52 - 8	C299507-0401	68B-57
C166002-0401	120C-17	C253001-0101	129 - 8	C299507-0401	68C-60
C166005-0101	120A-49	C262003-0204	42 - 1	C299507-0401	74 -63
C166005-0102	120A-51	C262003-0204	42A- 1	C30117	42B-15
C166005-0202	120C-49	C262003-0204	42B- 1	C30274	42B-15
C166005-0204	120B-45	C262003-0204	42C- 1	C3054	72A-19
C166005-0204	120C-46	C262003-0204	43 -20	C3054	72B-19
C166005-0205	120B-46	C262003-0205	43 -20	C3092	72A-23
C166005-0205	120C-47	C262003-0207	42 - 1	C3092	72B-23
C166005-0205	120C-50	C262003-0207	42A- 1	C3103	72A-45
C166005-0501	120A-49	C262003-0207	42B- 1	C3103	72B-45
C166005-0501	120B-45	C262003-0207	42C- 1	C3105	72A-45
C166005-0502	120A-51	C262003-0207	43 -20	C3411	72C-40
C166005-0502	120B-48	C262003-0207	42 - 1	C3418	72C-23
C166005-0504	120B-47	C262003-0304	42 - 1	C3903	72C-43
C166005-0504	120C-48	C262003-0308	42 - 1	C3910/C201	72C- 1
C166005-0504	120A-51	C262023-0102	42 - 1	C4129	72C-14
C166005-0505	120B-50	C262023-0102	42A- 1	C421001-0101	70 -19A
C166005-0505	120C-51	C262023-0102	42B- 2	C421001-0102	70 -19B
C166005-0505	120A-51	C262023-0102	42C- 1	C431001-0101	116 - 1
C166006-0101	120A-15	C262023-0102	43 -21	C431001-0101	117 - 1
C166006-0101	120B- 1	C262023-0103	43 -21	C431001-0101	117A- 1
C166006-0104	120A-15	C262023-0104	42 - 1	C431001-0101	117D- 8
C166006-0104	120B- 1	C262023-0104	42A- 1	C431003-0102	117E-34
C166006-0104	120C- 1	C262023-0104	42B- 2	C431003-0302	117E-34
C166006-0108	120A-160	C262023-0104	42C- 1	C482001-0101	95B-22
C166006-0108	120B- 4	C262023-0104	43 -21	C482001-0101	116 - 5
C166006-0108	120C- 4	C2715	72 -34	C482001-0101	117 - 5
C166006-0108	120C- 4	C291502-0101	68B-62	C482001-0101	117D- 4
C166006-0109	120C- 1	C291502-0101	106 -45	C482001-0401	117E-28
C166007-0102	120A- 2	C291502-0101	118A- 1	C5FF10A568A	121 - 5A
C166007-0102	120B-71	C291502-0103	68B-62	C5FF10A568A	122 - 6A
C166007-0102	120C-73	C291502-0103	68C-65	C592001-0101	3 -50
C166008-0101	120B-62	C291502-0103	106 -45	C592001-0101	3A-38
C166008-0101	120C-64	C291502-0103	118A- 1	C592001-0101	14 -32
C166009-0203	119 -32	C291502-0103	68 -13	C592001-0101	20 -48
C166009-0501	120B-46	C292501-0102	68D- 3	C592001-0101	21 -36
C166009-0501	120B-49	C292501-0102	68E- 4	C593001-0101	68B-69
C166009-0501	120A-50	C292501-0102	68E- 4	C593001-0101	68C-48
C166009-0501	120A-51	C292501-0104	95B-30	C594501-0201	124A-15
C166010-0101	120A- 7	C294501-0101	95B-57	C594501-0203	124A-15
C166010-0101	120B-52	C294501-0101	117B-15	C594502-0101	124A-22
C166010-0101	120C-54	C294501-0101	117C-18	C611001-0101	121 - 5A
C166010-0102	120A- P	C294501-0101	117E-11	C611001-0101	122 - 6A
C166010-0102	120B-54	C294501-0102	117B-18	C611001-0102	76A-12
C166010-0102	120C-56	C294501-0102	117C-21	C611001-0102	77B-13
C166010-0103	120A- 8A	C294501-0102	117E-14	C611001-0102	121 - 5A
C166010-0103	120B-55	C294501-0102	117B-19	C611001-0102	122 - 6A
C166010-0103	120C-57	C294501-0103	117C-22	C611501-0101	123B- 1
C166010-0105	120A- 7	C294501-0103	117E-15	C611501-0102	76A-11
C166010-0105	120B-52	C294505-0101	113A- 8	C611501-0102	77B-12
C166010-0105	120C-54	C294505-0102	113A- 9	C611501-0102	121 -34
C17312-3	124A- 4	C2987	72A-19	C611501-0102	122 -33
C17313	124A- 7	C2987	72B-19	C611501-0102	123B- 1
C17325	124A- 2	C2987-1	72A-21		
C17326	124A- 5				

PART NUMBER	FIGURE AND INDEX NO.
C621001-0103	124A-
C621001-0106	124A-
C622001-0102	39 - 5
C622001-0104	39 - 9
C622001-0201	3 - 29
C622001-0201	3A-23
C622001-0202	3 - 30
C622003-0101	3 - 43
C622003-0103	28-29
C622003-0103	2C-27
C622003-0104	3 - 44
C622003-0105	28-29
C622003-0105	2C-27
C622004-0101	3 - 48
C622004-0101	121 - 57
C622004-0101	122 - 55
C622006-0102	3A-31
C622006-0103	3A-29
C622006-0105	3A-30
C622007-0101	3A-36
C660501-0101	70 - 37
C660501-0201	70 - 21
C661001-0101	67 - 80
C661001-0101	68 - 80
C661001-0101	68A-36
C661001-0101	116 - 38
C661001-0101	117 - 36
C661001-0101	117A-35
C661001-0101	117B- 3
C661001-0201	68A-36
C661001-0201	117B- 3A
C661001-0201R	68A-36
C661001-0201P	117B- 3A
C661001-0501	117C- 3
C661001-0501	68B-37
C661001-0502	117C- 3
C661001-0502	68B-37
C661001-0503	117C- 3
C661001-0503	68B-37
C661001-0504	117C- 3
C661001-0504	68B-37
C661001-0505	117C- 3
C661001-0505	68B-37
C661002-0101	67 - 79
C661002-0101	68 - 79
C661002-0101	68A-35
C661002-0101	116 - 36
C661002-0101	117 - 34
C661002-0101	117A-33
C661002-0101	117B- 1
C661002-0201	68A-35
C661002-0201	117B- 1A
C661002-0201P	68A-35
C661002-0201R	117B- 1A
C661002-0301	68B-36
C661002-0301	117C- 1
C661002-0501	68B-36
C661002-0501	117C- 1
C661002-0503	68B-36
C661002-0503	117C- 1
C661002-0504	68B-36
C661002-0504	117C- 1
C661002-0505	68B-36
C661002-0505	117C- 1
C661002-0506	68B-36
C661002-0506	117C- 1
C661003-0201	68B-35
C661003-0501	68B-35
C661003-0504	68B-35
C661003-0504	68C-37
C661010-0201	68A-64
C661010-0201	68B-28
C661010-0201	102 - 1
C661010-0202	101 - 1

PART NUMBER	FIGURE AND INDEX NO.
C661010-0207	68A-64
C661010-0207	68B-28
C661010-0207	101 - 1
C661010-0210	101 - 1
C661011-0105	67 - 73
C661011-0105	68 - 74
C661011-0105	68A-32
C661011-0105	68B-33
C661011-0105	101 - 2
C661011-0105	102 - 2
C661011-0106	67 - 73
C661011-0106	68 - 74
C661011-0106	68A-32
C661011-0106	68B-33
C661011-0106	101 - 2
C661011-0106	102 - 2
C661012-0101	68B-33
C661012-0101	68C-35
C661025-0102	68C-35
C661060-0105	68B-27
C661060-0105	102 - 1
C661060-0111	68C-29
C661060-0111	102 - 1
C661060-0202	68B-27
C661060-0210	68C-29
C661061-0202	68B-28
C661061-0202	101 - 1
C661061-0206	68B-28
C661061-0206	102 - 1
C661061-0210	68C-30
C661061-0210	101 - 1
C661061-0211	68C-30
C661061-0211	102 - 1
C661071-0101	68B-33
C661071-0101	68C-35
C661071-0101	101 - 2
C661071-0101	102 - 2
C661071-0102	68B-33
C661071-0102	68C-35
C661071-0102	101 - 2
C661071-0102	102 - 2
C661071-0102	68B-36
C661075-0101	68C-38
C661075-0101	117C- 1
C661075-0101	117E- 1
C661075-0102	68B-36
C661075-0102	68C-38
C661075-0102	117C- 1
C661075-0103	68B-36
C661075-0103	68C-38
C661075-0103	117C- 1
C661075-0103	117E- 1
C661075-0103	117E- 1A
C661075-0104	68B-36
C661075-0104	68C-38
C661075-0104	117C- 1
C661075-0104	117E- 1
C661075-0106	117C- 1
C661075-0106	117E- 1
C661075-0106	117C- 1
C661075-0106	117E- 1
C661076-0101	117C- 3
C661076-0101	117E- 3
C661076-0101	68B-37
C661076-0101	68C-39
C661076-0102	117C- 3
C661076-0102	117E- 3
C661076-0102	68B-37
C661076-0102	68C-39
C661076-0103	117C- 3
C661076-0103	117E- 3
C661076-0103	68B-37
C661076-0103	68C-39
C661076-0104	117C- 3
C661076-0104	68B-37
C661076-0104	68C-39
C661076-0104	117C- 3
C661076-0105	117C- 3

PART NUMBER	FIGURE AND INDEX NO.
C661076-0105	117E- 3
C661080-0101	68B-34
C661080-0101	68C-36
C661080-0101	102 - 3
C661080-0101	101 - 3
C662001-0104	68A-39
C662001-0104	68B-40
C662001-0204	68B-40
C662035-0101	68B-40
C662035-0101	68C-42
C662037-0103	68B-40
C662037-0103	68C-42
C664501-0101	68B-50
C664501-0103	68B-50
C664501-0103	68C-46
C664508-0101	68B-39
C664508-0101	68C-41
C668020-0104	68B-42
C668020-0104	68C-43
C668020-0107	68B-42
C668020-0107	68C-43
C668501-0101	68A-48
C668501-0102	74 - 61
C668501-0102	75 - 44
C668501-0104	68A-48
C668501-0110	74 - 61
C668501-0110	75 - 44
C668501-0201	68A-48
C668501-0204	74 - 61
C668501-0204	75 - 44
C668501-0206	68A-48
C668501-0206	68B-49
C668501-0206	68C-45
C668501-0207	68B-49
C668501-0211	68B-49
C668501-0211	68C-45
C668507-0101	70 - 20
C668540-0101	68B-38
C668540-0101	68C-40
C668540-0101	95B-28
C668540-0101	117C-17
C668540-0101	117E-23
C669502-0103	68A-42
C669502-0104	68A-42
C669502-0201	68A-42
C669502-0201	68B-43
C669502-0201	68C-48A
C669502-0202	68A-42
C669502-0202	68B-43
C669502-0202	68C-48A
C914	135 - 6
C915	135 - 5
D2341/90M2	72 - 5
D30062-2	42B- 6
D30062-6	42B- 6
D30065	42B- 3
D30119	42B-19
D30129	42B- 7
D3098	72A-49
D3098	72B-49
D3102	72A-49
D3108/90A2	72A- 5
D3108/90A8	72A- 5
D3223/90AT2	72A- 5
D3223/90AT4	72B- 5
D3223/90AT8	72A- 5
D3223/90AT8	72B- 5
D366	70 - 43
D4023X.375	70 - 45
ECM475127	107 - 38
ECM475594	107 - 31
ECM475634	107 - 34
ECM476364	107 - 37
ECM476474	107 - 39

PART NUMBER	FIGURE AND INDEX NO.
ECH476563	107 -30
ECH479012	# 107 -35
ECH479130	# 107 -32
ECH479132	# 107 -43
ECH479135	# 107 -36
ECH479136	# 107 -33
ECH479137	# 107 -40
ECH479138	# 107 -41
ECH479139	# 107 -42
EC1239AB	1 -10
EC1675A-B	1 -14A
EC2216A-B	1 -140
EC776	1 -12
EC880	1 -2
E33-10K	104 -54
E33-10K	105 -64
E33-10K	121 -31
FCC20068	13 -4
FCC20068	13 -4
FC6446	42 -37
FC6446	42A-26
FC6446	42C-35
FDC2475-50	130 -2
F620	94 -16
GA5-375	73 -44
GA5-375	73 -45A
GA5-375	73A-54
GB59	81 -8
GB59	81B-8
G37	134 -80
G37	135 -73
G440404	68A-44
G440437	68B-45
G440437	68C-50
G441304	68A-43
G441344	68B-44
G441344	68C-49
G442697	68A-46
G442697	113 -9
G442698	68A-46
G442702	113 -9
G442702	68A-47
G442702	68B-48
G442702	68C-53
G442785	68B-47
G442785	68C-52
G442785	113 -9
G442786	68B-47
G442786	68C-52
G442786	113 -9
G444619	68A-45
G444619	113 -1
G444627	68B-46
G444627	68C-51
G444627	113 -1
G815825	68A-42
G818827	68B-43
G818827	68C-48A
HE1251	111 -8
HE1366-1	111 -3
HE1367	111 -1
HE1372-1	111 -5
HE1373	111 -7
HF3	74 -16
HF3	76 -39
ID1757	123A-27
IK110-4-6	117A-25
IK12-4	117A-31A
IK14-4	117A-27
IK14-8	117A-22A
IK16-10	117A-19
IK16-8	117A-16
IK14-6	117A-25
IO-470-F	76 -1

PART NUMBER	FIGURE AND INDEX NO.
IO-5200	76 -1
JE5	74 -99B
J2005-2	123B-6
J2049-10	67 -60
J2049-10	68 -59
J9534-20	123B-4
J9534-20	123B-13
KN610-64	73 -9
KN610-64	73A-10
K375-125	94B-15
LN1032X	121 -56
LN1032X	122 -54
LOCTITE5381	1 -14C
LOCTITE87	1 -14E
LP4-20AM	42A-27
L4858-1	68A-58
L4858-1	68B-55
L4858-1	68C-59
L4858-1	67 -31
L4858-1	68 -31
MIL-P-8585	1 -14
MQR20-2	108 -31
MS100009	79 -21
MS100009	79A-14
MS100009	81 -22
MS100009	81A-36
MS100009	81B-22
MS100009	81C-17
MS100009	81D-36
MS124663	113A-27
MS15001-1	40A-34
MS15001-1	47 -28
MS15001-1	48B-26
MS15584-2	123 -6
MS15584-2	123 -34
MS15584-2	123 -63
MS1652-16	78 -10
MS16562-12	78A-5
MS16562-16	77 -25
MS16562-16	78 -5
MS16624-1025	110A-13
MS16624-43	97 -56
MS16625-1112	40A-26
MS16625-212	43 -15
MS20002-5	40 -22
MS20002-6	40 -21
MS20002C5	40 -20
MS20002C5	40 -33
MS20002C5	41 -22
MS20002C5	41 -30
MS20002C5	17 -2
MS20002C5	18 -5
MS20002C6	40 -19
MS20002C6	41 -19
MS20002C6	113A-30
MS20074-03-3	108 -6
MS20074-03-3	110A-1
MS20074-03-3	110A-27
MS20074-04-05	74 -97
MS20074-04-06	74 -96
MS20074-04-3	77 -19
MS20074-04-4	78 -1
MS20074-04-4	78A-1
MS20074-04-5	44 -29
MS20074-05-14	123B-11
MS20200KP4	21 -34
MS20200KP4	94 -18
MS20201KP6A	100 -45
MS20220-1	131 -12A
MS20220-2	131 -13
MS20220-2	131 -22
MS20220-2	131 -37
MS20220-2	132 -13
MS20220-2	132 -22

PART NUMBER	FIGURE AND INDEX NO.
MS20220-2	132 -37
MS20220-2	# 97 -40
MS20230A2	5 -25
MS20230A2	6 -25
MS20230A2	7 -5
MS20230A2	7 -9
MS20230A2	7 -10
MS20230A2	7 -12
MS20230A2	7 -15
MS20230A2	7 -20
MS20230A2	7 -21
MS20230A2	7 -22
MS20230A2	7 -23
MS20230A2	7 -25
MS20230A2	7 -27
MS20230A2	7 -28
MS20230A2	8 -5
MS20230A2	8 -6
MS20230A2	8 -7
MS20230A2	8 -8
MS20230A2	8 -16
MS20230A2	8 -20
MS20230A2	8 -25
MS20230A2	8 -26
MS20230A2	8 -28
MS20230A2	8 -31
MS20230820	84 -30
MS20230820	84 -39
MS20230820	85 -18
MS20230820	85 -26
MS20230820	358 -8
MS20253-2-3115	73 -46
MS20253-2-695	73A-56
MS20253-2-695	76 -5
MS20253-5-100	77 -5
MS20253-5-100	77 -5
MS20253-5-112	# 77 -5
MS2030A2	8 -4
MS20364-1032C	74 -69
MS20364-1032C	74 -77
MS20364-1032C	74 -87
MS20364-1032C	74 -92
MS20364-1032C	74 -94A
MS20364-1032C	75 -20
MS20364-1032C	76 -39
MS20364-1032C	76 -74
MS20365-1032	125A-3
MS20365-1032	129 -41
MS20365-1032C	87A-10
MS20365-1032C	87A-12
MS20365-1032C	129 -39
MS20365-428	122 -48
MS20365-624C	74 -5
MS20365-624C	75 -4
MS20365-720C	3 -7
MS20365-720C	3A-7
MS20365-720C	40 -10
MS20365-720C	40A-10
MS20365-720C	41 -10
MS20365-720C	121 -37
MS20365-720C	122 -36
MS20365-820C	3 -3
MS20365-820C	3A-3
MS20365-820C	16 -5
MS203658632C	67 -14
MS203658632C	67 -16
MS203658632C	67 -19
MS203658632C	67 -25
MS203658632C	67 -63
MS203658632C	67 -72
MS203658632C	67 -74
MS203658632C	67 -79
MS203658632C	67 -80
MS203658632C	68 -16
MS203658632C	68 -18

PART NUMBER	FIGURE AND INDEX NO.
MS203658632C	68 -21
MS203658632C	68 -26
MS203658632C	68 -62
MS203658632C	68 -70
MS203658632C	68 -71
MS203658632C	68 -72
MS203658632C	68 -73
MS203658632C	68 -74
MS203658632C	68 -79
MS203658632C	68 -80
MS203658632C	101 - 3
MS203658632C	102 - 3
MS203658832C	67 -61
MS203658832C	68 -60
MS20366F1032	25 -38
MS20392-1C13	95 -12
MS20392-1C15	59 -12
MS20392-1C15	59A-21
MS20392-1C15	60 -41
MS20392-1C15	62 -33
MS20392-1C15	63B-12
MS20392-1C15	63C-80
MS20392-1C15	63C-80
MS20392-1C21	59 - 2
MS20392-1C21	59A- 1
MS20392-1C21	60 - 1
MS20392-1C21	61 - 1
MS20392-1C21	61 -41
MS20392-1C21	61A- 1
MS20392-1C21	61A-40
MS20392-1C21	62 - 2
MS20392-1C21	63 - 1
MS20392-1C21	63C- 1
MS20392-1C23	51 -25
MS20392-1C33	45 - 2
MS20392-1C33	46 - 2
MS20392-1C33	46A- 2
MS20392-1C33	46B- 2
MS20392-1C33	51 -22
MS20392-1C33	51A- 2
MS20392-1C37	59A-31
MS20392-1C39	62 -70
MS20392-1C49	52 - 6
MS20392-1C55	126 -78
MS20392-1C57	95 -22
MS20392-1C7	51 -19
MS20392-1C7	51A-22
MS20392-1C9	61 -48
MS20392-1C9	61A-48
MS20392-1C9	63A-23
MS20392-2C11	46 -40
MS20392-2C11	63C- 4
MS20392-2C13	87A- 4
MS20392-2C13	129 -44
MS20392-2C13	87 -13
MS20392-2C15	91 -12
MS20392-2C15	91 -34
MS20392-2C15	92 - 9
MS20392-2C15	92 -31
MS20392-2C17	62 -55
MS20392-2C17	62 -62
MS20392-2C17	63 -15
MS20392-2C17	63 -39
MS20392-2C17	63A-14
MS20392-2C17	63B- 2
MS20392-2C20	62 -42
MS20392-2C21	63B- 9
MS20392-2C25	16 -12A
MS20392-2C27	63 -45
MS20392-2C31	59 - 8
MS20392-2C31	59A-16
MS20392-2C34	61 -39
MS20392-2C34	61A-38
MS20392-2C37	63C-38

PART NUMBER	FIGURE AND INDEX NO.
MS20392-2C37	63C-58
MS20392-2C37	63C-70
MS20392-2C45	51A- 7
MS20392-2C45	63C-76
MS20392-2C47	60 -38
MS20392-2C53	16 -12
MS20392-2C53	98 -75
MS20392-2C53	99A-28
MS20392-2C7	46A-31
MS20392-2C7	46B-34
MS20392-2C83	63C-76
MS20392-2C9	46B-65
MS20392-2C9	50 -12
MS20392-2C9	98 -60
MS20392-2C9	99A-18
MS20392-2C9	126A- 8
MS20392-3C17	63C-15
MS20392-3C47	131 -17
MS20392-3C47	132 -17
MS20392-3C49	63C-12
MS20392-3C55	131 -13
MS20392-3C55	131 -26
MS20392-3C55	131 -32
MS20392-3C55	132 -13
MS20392-3C55	132 -26
MS20392-3C55	132 -32
MS20392-4C13	90 -29
MS20392-5C65	63B-26
MS20426AD10-32	16 -10
MS20450C12-12	49 -13
MS2065-1032C	32A- 8
MS20822-2D	74 -52
MS20822-2D	76 -54
MS20822-2D	110 -16
MS20822-2D	134 -52
MS20822-3D	120A-13A
MS20822-4-4D	103 -43
MS20822-4-4D	104 -30
MS20822-4-4D	105 -28
MS20822-4-4D	117B-22
MS20822-4D	29 -33
MS20822-4D	113 -19
MS20822-4D	114 -20
MS20822-4D	114 -39
MS20822-6-2D	107 -15
MS20822-6-2D	107 -24
MS20822-6-6	116 -19
MS20822-6-6B	117 -39
MS20822-6-6B	117D- 7
MS20822-6-6B	136 -20
MS20822-6-6D	108 -12
MS20822-6D	103 -25
MS20822-6D	104 -22
MS20822-6D	104 -33
MS20822-6D	105 -20
MS20822-6D	105 -31
MS20822-6D	116 -27
MS20822-6D	117 -25
MS20822-6D	117B- 9
MS20822-6D	117C- 7
MS20823-2D	116 -30
MS20823-2D	117 -28
MS20823-2D	118A-17
MS20823-2D	135 -23
MS20823-4B	113 -22
MS20823-4B	114 -15
MS20823-4D	40A-15A
MS20823-4D	104 -30A
MS20823-4D	105 -28A
MS20823-4D	113 -18
MS20823-4D	113 -21
MS20823-4D	114 -19
MS20823-4D	114 -38
MS20823-4D	126 -75

PART NUMBER	FIGURE AND INDEX NO.
MS20823-6B	117 -42
MS20823-6B	136 -23
MS20823-6D	76 -69
MS20823-6D	76 -72
MS20823-6D	103 -37
MS20823-6D	107 -22
MS20823-6D	108 -11
MS20823-6D	117B-39
MS20823-6D	117C- 7
MS20823-6D	117E-24
MS20823-8D	105 -51
MS20825-4D	67 -70
MS20825-4D	68 -70
MS20825-6D	104 -43
MS20825-6D	105 -41
MS20825-6D	117C- 8A
MS20825-6D	117E- 9
MS20825-6D	120A-33
MS20825-6D	120B-11
MS20825-6D	120C-11
MS20826-3D	119 - 8
MS20826-6D	107 -17
MS20826-6D	116 -26
MS20826-6D	117 -24
MS20826-6D	117B-10
MS20826-6D	117B-13
MS20826-6D	117B-26
MS20826-6D	117C- 8
MS20826-6D	117C- 8A
MS20826-6D	117E- 9
MS20913-1	106 -33
MS20913-1D	109 - 8
MS20913-1D	117B-38
MS20913-1D	117C-11
MS20913-1D	117E- 4
MS20913-1D	118 -16
MS20913-2D	116 -35
MS20913-2D	116 -40
MS20913-2D	117 -33
MS20913-2D	117 -38
MS20913-2D	117A-32
MS20913-2D	117B-12
MS20913-2D	117C-16
MS20913-2D	117E- 8
MS21044N08	24 -14
MS21044N3	6A-26
MS21044N3	6A-35
MS21044N3	6A-36
MS21044N3	13 - 6C
MS21044N3	14 -11
MS21044N3	14 -13A
MS21044N3	15 -11
MS21044N3	15 -19
MS21044N3	20 -17
MS21044N3	22 - 9
MS21044N3	22 -17
MS21044N3	23 -18
MS21044N3	24 -22
MS21044N3	25 -15
MS21044N3	30 - 4
MS21044N3	30 - 8
MS21044N3	30 -39
MS21044N3	30 -62
MS21044N3	30 -70
MS21044N3	30 -73
MS21044N3	30 -87
MS21044N3	32 - 3
MS21044N3	32 - 8
MS21044N3	32 -29
MS21044N3	32A- 3
MS21044N3	32A-40
MS21044N3	35 - 9
MS21044N3	35A-45
MS21044N3	35B-18

PART NUMBER	FIGURE AND INDEX NO.
MS21044N3	38 - 7
MS21044N3	38 - 28
MS21044N3	46 - 38
MS21044N3	46A-25
MS21044N3	46A-29
MS21044N3	46A-35
MS21044N3	46B-50
MS21044N3	49 - 3
MS21044N3	50 - 3
MS21044N3	52 - 5
MS21044N3	59 - 21
MS21044N3	59 - 27
MS21044N3	59 - 31
MS21044N3	59 - 35
MS21044N3	59A-14
MS21044N3	60 - 20
MS21044N3	60 - 59
MS21044N3	61 - 22
MS21044N3	61 - 61
MS21044N3	61A-21
MS21044N3	61A-61
MS21044N3	62 - 60
MS21044N3	63 - 18
MS21044N3	63 - 89
MS21044N3	63A-13
MS21044N3	63A-21
MS21044N3	63A-21C
MS21044N3	63C- 3
MS21044N3	63C-99D
MS21044N3	65 - 21
MS21044N3	70A- 6
MS21044N3	70A-10
MS21044N3	70B- 4
MS21044N3	70B- 8
MS21044N3	70B- 8
MS21044N3	70B-12
MS21044N3	71 - 10
MS21044N3	71 - 19
MS21044N3	74 - 12
MS21044N3	74 - 20
MS21044N3	74 - 26
MS21044N3	74 - 32
MS21044N3	75 - 14
MS21044N3	75 - 17
MS21044N3	75 - 33
MS21044N3	75 - 42
MS21044N3	76 - 33
MS21044N3	76 - 38
MS21044N3	76 - 42A
MS21044N3	76 - 87
MS21044N3	77 - 69
MS21044N3	82 - 4
MS21044N3	82 - 11
MS21044N3	83 - 8
MS21044N3	83 - 15
MS21044N3	87 - 7
MS21044N3	87 - 10
MS21044N3	87 - 25
MS21044N3	87 - 31
MS21044N3	87 - 36
MS21044N3	88 - 24
MS21044N3	88A- 9
MS21044N3	88A-20G
MS21044N3	89 - 8E
MS21044N3	89 - 14
MS21044N3	89 - 14C
MS21044N3	90 - 19
MS21044N3	90 - 23
MS21044N3	90 - 33
MS21044N3	90 - 38
MS21044N3	90 - 45
MS21044N3	91 - 10
MS21044N3	91 - 17
MS21044N3	91 - 20

PART NUMBER	FIGURE AND INDEX NO.
MS21044N3	91 - 26
MS21044N3	91 - 37
MS21044N3	91 - 40
MS21044N3	92 - 7
MS21044N3	92 - 14
MS21044N3	92 - 17
MS21044N3	92 - 23
MS21044N3	92 - 34
MS21044N3	92 - 37
MS21044N3	92 - 40
MS21044N3	92 - 41
MS21044N3	94 - 8
MS21044N3	94 - 14
MS21044N3	94 - 21
MS21044N3	94A-18
MS21044N3	94A-21
MS21044N3	94A-23
MS21044N3	94A-27
MS21044N3	94A-44
MS21044N3	94B- 8
MS21044N3	95 - 57
MS21044N3	95A- 9
MS21044N3	95A-20
MS21044N3	95A-23
MS21044N3	96 - 49
MS21044N3	97 - 23
MS21044N3	97 - 28
MS21044N3	97 - 33
MS21044N3	97 - 38
MS21044N3	97 - 44
MS21044N3	97 - 51
MS21044N3	98 - 46
MS21044N3	98 - 64
MS21044N3	98 - 71
MS21044N3	99A-15
MS21044N3	99A-24
MS21044N3	100 - 29
MS21044N3	100 - 35
MS21044N3	101 - 34E
MS21044N3	101 - 45
MS21044N3	102 - 30F
MS21044N3	102 - 41
MS21044N3	104 - 38
MS21044N3	104 - 58
MS21044N3	104 - 62
MS21044N3	104 - 65
MS21044N3	104 - 68
MS21044N3	105 - 36
MS21044N3	105 - 67
MS21044N3	105 - 71
MS21044N3	105 - 74
MS21044N3	105 - 77
MS21044N3	109 - 16
MS21044N3	110 - 24
MS21044N3	110A-24
MS21044N3	113 - 15
MS21044N3	114 - 12
MS21044N3	115 - 10
MS21044N3	116 - 4
MS21044N3	117 - 4
MS21044N3	117A- 4
MS21044N3	117A-36
MS21044N3	117B- 7
MS21044N3	117B-17
MS21044N3	117C-20
MS21044N3	117D-16
MS21044N3	117E-13
MS21044N3	120 - 24
MS21044N3	120A-26
MS21044N3	120A-42
MS21044N3	120B-28
MS21044N3	120B-30
MS21044N3	120B-32
MS21044N3	120B-38

PART NUMBER	FIGURE AND INDEX NO.
MS21044N3	120B-78
MS21044N3	120C-31
MS21044N3	120C-33
MS21044N3	120C-39
MS21044N3	120C-80
MS21044N3	121 - 10
MS21044N3	121 - 59
MS21044N3	122 - 11
MS21044N3	122 - 57
MS21044N3	123A-23
MS21044N3	125 - 5
MS21044N3	125B- 3
MS21044N3	126 - 14
MS21044N3	126 - 45
MS21044N3	126 - 60
MS21044N3	126 - 64
MS21044N3	126 - 68
MS21044N3	126 - 69
MS21044N3	126 - 71
MS21044N3	126A-13
MS21044N3	126A-16
MS21044N3	126A-18
MS21044N3	127 - 38
MS21044N3	127 - 61
MS21044N3	128 - 36
MS21044N3	128 - 53
MS21044N3	129 - 29
MS21044N3	131 - 17
MS21044N3	131 - 68
MS21044N3	132 - 17
MS21044N3	132 - 68
MS21044N3	133 - 9
MS21044N3	134 - 57
MS21044N3	134 - 81
MS21044N3	134 - 88
MS21044N3	134 - 92
MS21044N3	134 - 96
MS21044N3	134 - 99B
MS21044N3	134 - 99F
MS21044N3	135 - 49
MS21044N3	135 - 74
MS21044N3	135 - 83
MS21044N3	136 - 4
MS21044N3	136 - 17
MS21044N3	94B- 3
MS21919DG10	77 - 41
MS21919DG12	76 - 55
MS21919DG12	113 - 21
MS21919DG15	115 - 9
MS21919DG2	75 - 10
MS21919DG2	75 - 43
MS21919DG2	76 - 28
MS21919DG2	106 - 42
MS21919DG2	106 - 47
MS21919DG2	121 - 44
MS21919DG24	76 - 33
MS21919DG26	101 - 34A
MS21919DG26	102 - 30B
MS21919DG3	46B-23
MS21919DG3	46B-29
MS21919DG3	46B-58
MS21919DG3	104 - 68
MS21919DG3	105 - 77
MS21919DG3	120 - 17
MS21919DG4	3 - 39
MS21919DG4	76 - 59
MS21919DG4	101 - 52
MS21919DG4	102 - 48
MS21919DG4	104 - 40
MS21919DG4	105 - 38
MS21919DG40	77 - 70
MS21919DG5	46B-23
MS21919DG5	119 - 22
MS21919DG6	4 - 3

PART NUMBER	FIGURE AND INDEX NO.
MS21919DG6	5 - 5
MS21919DG6	6 - 5
MS21919DG6	74 -91A
MS21919DG7	76 -51
MS21919DG7	76 -55
MS21919DG7	121 -13
MS21919DG7	121 -50
MS21919DG7	122 -14
MS21919DG7	122 -48
MS21919DG8	76 -62
MS21919DG8	77 -41
MS21919DG8	114 -32
MS21919DG8	136 -19
MS21919DG9	77 -58
MS21919DG9	101 -42
MS21919DG9	102 -38
MS21919D02	70A- 7
MS21919D06-11	75 -42
MS21919WDG12	134 -56
MS21919WDG9	135 -49
MS24462-4	19 -28
MS24462-4	19 -29
MS24665-132	45 - 3
MS24665-132	46 - 3
MS24665-132	46 -42
MS24665-132	46A- 3
MS24665-132	46A-30
MS24665-132	46B- 3
MS24665-132	46B-35
MS24665-132	46B-66
MS24665-132	50 -13
MS24665-132	51 -20
MS24665-132	51 -23
MS24665-132	51 -26
MS24665-132	51A- 3
MS24665-132	51A- 8
MS24665-132	51A-22
MS24665-132	52 - 7
MS24665-132	59 -15
MS24665-132	59A-23
MS24665-132	59A-32
MS24665-132	60 -38
MS24665-132	60 -41
MS24665-132	61 -39
MS24665-132	61 -41
MS24665-132	61 -49
MS24665-132	61A-38
MS24665-132	61A-40
MS24665-132	61A-49
MS24665-132	62 -31
MS24665-132	62 -42
MS24665-132	62 -55
MS24665-132	62 -64
MS24665-132	62 -70
MS24665-132	63 -15
MS24665-132	63 -39
MS24665-132	63 -45
MS24665-132	63 -63
MS24665-132	63A-14
MS24665-132	63A-23
MS24665-132	63B- 3
MS24665-132	63B- 9
MS24665-132	63B-13
MS24665-132	63B-14
MS24665-132	63C- 6
MS24665-132	63C-40
MS24665-132	63C-59
MS24665-132	63C-72
MS24665-132	63C-78
MS24665-132	63C-81
MS24665-132	65 - 5
MS24665-132	87A- 5
MS24665-132	90 -27
MS24665-132	91 - 5

PART NUMBER	FIGURE AND INDEX NO.
MS24665-132	91 -13
MS24665-132	91 -31
MS24665-132	91 -35
MS24665-132	92 - 5
MS24665-132	92 -10
MS24665-132	92 -28
MS24665-132	92 -32
MS24665-132	95 -12
MS24665-132	95 -22
MS24665-132	96 -14
MS24665-132	97 -29
MS24665-132	98 -10
MS24665-132	98 -60
MS24665-132	98 -76
MS24665-132	99 -10
MS24665-132	99 -14
MS24665-132	99A-18
MS24665-132	99A-29
MS24665-132	110A-11
MS24665-132	126 -78
MS24665-132	129 -45
MS24665-132	131 -13
MS24665-132	131 -17
MS24665-132	131 -24
MS24665-132	131 -32
MS24665-132	132 -13
MS24665-132	132 -17
MS24665-132	132 -24
MS24665-132	132 -32
MS24665-132	87 -14
MS24665-134	47 -50
MS24665-134	48B-48
MS24665-134	59 - 9
MS24665-134	59 -14
MS24665-134	59A-17
MS24665-134	59A-22
MS24665-134	62 -33
MS24665-134	62 -36
MS24665-134	63 -60
MS24665-134	63C-14
MS24665-134	73 -10
MS24665-134	73 -48
MS24665-134	87 -19
MS24665-134	90 -43
MS24665-134	95 -53
MS24665-134	96 -12
MS24665-134	96 -34
MS24665-134	96 -50
MS24665-134	97 - 5
MS24665-134	97 -15
MS24665-134	97 -19
MS24665-134	97 -24
MS24665-134	97 -39
MS24665-134	97 -45
MS24665-134	98 - 7
MS24665-134	98 -14
MS24665-134	98 -17
MS24665-134	98 -42
MS24665-134	98 -58
MS24665-134	99 - 7
MS24665-134	99 -17
MS24665-134	99A- 3
MS24665-134	99A-11
MS24665-134	104 -35
MS24665-134	127 -49
MS24665-134	128 -45
MS24665-134	134 -82
MS24665-134	135 -75
MS24665-134	46A-19C
MS24665-134	46B-21
MS24665-136	97 -34
MS24665-136	98 -38
MS24665-136	99 -38
MS24665-136	131 -13

PART NUMBER	FIGURE AND INDEX NO.
MS24665-136	131 -17
MS24665-136	131 -25
MS24665-136	131 -32
MS24665-136	131 -37
MS24665-136	132 -13
MS24665-136	132 -17
MS24665-136	132 -25
MS24665-136	132 -32
MS24665-136	132 -37
MS24665-140	95 -32
MS24665-140	95 -41
MS24665-140	96 -24
MS24665-145	105 -33
MS24665-151	59 - 3
MS24665-151	59A- 1
MS24665-151	60 - 1
MS24665-151	61 - 1
MS24665-151	61A- 1
MS24665-151	62 - 2
MS24665-151	63 - 1
MS24665-151	63C- 1
MS24665-151	126A- 8
MS24665-21	95 -74
MS24665-281	90 -30
MS24665-281	109 -25
MS24665-281	110 -33
MS24665-283	47 - 4
MS24665-283	47 -24
MS24665-283	48 - 5
MS24665-283	48 -26
MS24665-283	48A- 5
MS24665-283	48A-26
MS24665-283	48B- 4
MS24665-283	48B-22
MS24665-283	63A-25
MS24665-285	63B-28
MS24665-285	59 -13
MS24665-285	59A-19
MS24665-285	62 -34
MS24665-285	91 - 3
MS24665-285	91 -29
MS24665-285	92 - 3
MS24665-285	92 -26
MS24665-287	46B-56A
MS24665-351	40 -25
MS24665-351	40A-40
MS24665-351	41 -36
MS24665-351	62 -46
MS24665-355	95 -28
MS24665-355	98 -39
MS24665-355	99 -39
MS24665-5	63 -55
MS24665-5	94A-35
MS24665-5	94A-40
MS24665-5	95 - 7
MS25171-35	121 -12A
MS25171-35	121 -30
MS25171-35	121 -50
MS25171-35	122 -31
MS25171-35	122 -48
MS25171-35	125 -10
MS25171-35	125A- 8
MS25237-330	68C-66
MS25253-1	104 -54
MS25253-1	105 -64
MS25253-1	121 -31
MS28773-4	113 -41
MS28775-008	80 - 6
MS28775-008	80 -41
MS28775-009	80 - 5
MS28775-014	80 -26
MS28775-016	80 -45
MS28775-023	80 -38
MS28775-10	80 -16

PART NUMBER	FIGURE AND INDEX NO.
MS28775-110	93 - 8
MS28775-113	81A-20
MS28775-113	81D-20
MS28775-136	80 - 4
MS28777-10	113 -28
MS28777-10	115 - 6
MS28778-10	115 - 5
MS28778-3	40 -15D
MS28778-3	90 - 38
MS28778-4	43 -19
MS28778-4	90 - 38
MS28778-4	93 -12
MS28778810	113 -27
MS2877883	13 -25
MS2877884	41 -15
MS2877884	44 -40
MS29512-4	107 - 7
MS29512-6	108 -17
MS29513-10	103 -48
MS29513-10	104 -45
MS29513-10	105 -43
MS29513-10	110A-16
MS29513-10	112 -12
MS29513-111	110A- 5
MS29513-112	112 -15
MS29513-116	112 -16
MS29513-13	111 - 6
MS29513-138	110A- 6
MS29513-16	103 -53
MS29513-16	104 -50
MS29513-16	105 -48
MS29513-16	111 - 4
MS29513-18	103 -51
MS29513-18	104 -48
MS29513-18	105 -46
MS29513-7	109 -21
MS29513-7	110 -29
MS35489-11	34 - 1
MS35489-11	35 -28
MS35489-11	84 -43
MS35489-11	120 -26
MS35489-110	84 -31
MS35489-118	84 -35
MS35489-118	85 -22
MS35489-118	119 -23
MS35489-118	121 -25
MS35489-118	122 -27
MS35489-12	84 -22
MS35489-12	85 - 8A
MS35489-13	124A-19
MS35489-134	123 -58
MS35489-14	28 -33
MS35489-14	29 -15
MS35489-14	35 -16
MS35489-14	35 -28
MS35489-14	35A-13
MS35489-14	35A-46
MS35489-14	13 -20
MS35489-145	107 -49
MS35489-16	24 -11
MS35489-17	70 -10
MS35489-17	107 -46
MS35489-17	108 -19
MS35489-17	121 -17
MS35489-17	122 -19
MS35489-19	121 -15
MS35489-19	122 -17
MS35489-20	85 -30
MS35489-20	107 -48
MS35489-22	37 - 78
MS35489-33	129 -31
MS35489-33S	94B-14
MS35489-4	121 -27
MS35489-4	122 -25

PART NUMBER	FIGURE AND INDEX NO.
MS35489-4	122 -26
MS35489-4	123 -12
MS35489-4	123 -42
MS35489-4	123A-19
MS35489-48	121 -16
MS35489-48	122 -18
MS35489-5	84 -43
MS35489-5	90 -16
MS35489-6	107 -47
MS35489-6	108 -20
MS35489-6S	101 -53
MS35489-6S	102 -49
MS35489-7	90 -16
MS35489-8	46B-30
MS35489-9	129 -28
MS35692-522	47 -49
MS35692-522	48B-47
MS35692-522	46A-19B
MS35692-522	46B-20
MS9021-038	76A-16
MS9021-038	77B-17
MZ0020-31AV	108 -31
M31A5932R6C	52 -16
M74C524-12E	135 -20
NAS1023A08K	126A- 3
NAS1080C6	30 -99C
NAS1080C6	30 -99D
NAS1080C6	32 -13
NAS1080C6	32A-14
NAS1303-23H	40A-36
NAS1304-14	126 -43
NAS1304-3	126 -43
NAS1329A06K120	3A-35A
NAS1329A06K120	5 -48
NAS1329A06K120	6 -48
NAS1329A06K120	14 -33
NAS1329A06K75	20 -49
NAS1329A06K75	21 -37
NAS1329A06K75	3 -31A
NAS1329A08K75	14 -33
NAS1329A08K75	16 -19
NAS1329A08K75	20 -49
NAS1329A08K75	21 -37
NAS1329A08K75	86 - 4
NAS145-16	17 - 1
NAS145-16	18 - 4
NAS145-35	40 -31
NAS145-35	41 -28
NAS145-38	40 -18
NAS145-45	41 -21
NAS146-35	41 -26
NAS146-36	40 -29
NAS146-39	40 -17
NAS146-41	40 -17
NAS146-47	41 -18
NAS178-10-6	30 -91
NAS178-8-7	30 -37
NAS178-8-7	30 -99
NAS179-10	30 -92
NAS179-8	30 -38
NAS179-8	30 -99A
NAS220-11	63C-88
NAS220-5	49 -22
NAS220-5	49 -22
NAS220-5	50 -22
NAS220-5	50 -22
NAS220-5	51 - 1
NAS220-6	70A-12
NAS220-6	70A-15
NAS220-8	120 -11
NAS220-8	131 -47
NAS220-8	132 -47
NAS221-10	70 - 3
NAS221-11	94B- 7

PART NUMBER	FIGURE AND INDEX NO.
NAS221-13	129 - 2
NAS221-5	134 -57
NAS221-5	135 -49
NAS221-6	35 - 8
NAS221-6	35A-45
NAS221-8	6A-26
NAS221-8	14 -13A
NAS221-8	71 -15
NAS221-8	71 -24
NAS221-9	94B- 3
NAS221C-6	120 -23
NAS222-5	119 -17
NAS224-15	18 - 1
NAS228-35RH	95 -11
NAS288-35	94A-33
NAS288-35LH	95 -10
NAS295H4	100 -10
NAS382-1	97 -22
NAS382-1	97 -27
NAS382-1	100 -33
NAS382-2	95 -52
NAS382-2	97 -48
NAS382-2	98 -30
NAS382-2	99 -30
NAS395-1-3	39 - 7
NAS395-1-3	123 -16
NAS395-1-3	123 -25
NAS395-1-3	123 -41
NAS395-10-3	19 -53
NAS395-12-3	29 -20
NAS395-12-3	29 -22
NAS395-12-3	68A-28
NAS395-12-3	69 -35
NAS395-12-3	86 - 8
NAS395-13-3	68A-42
NAS395-13-3	68B-43
NAS395-13-3	68C-48A
NAS395-14-3	5 -26
NAS395-14-3	6 -26
NAS395-14-3	6A-25
NAS395-14-3	11 -13
NAS395-14-3	12A-22
NAS395-14-3	15 -35
NAS395-14-3	24 -29
NAS395-14-3	25 -21
NAS395-14-3	28 -49
NAS395-14-3	29 -32
NAS395-14-3	82 - 6
NAS395-14-3	89 -17
NAS395-16-3	5 - 4
NAS395-16-3	6 - 4
NAS395-16-3	6A-48
NAS395-16-3	6A-49
NAS395-16-3	17 -42
NAS395-16-3	18 -39
NAS395-16-3	22 -11
NAS395-16-3	22 -12
NAS395-16-3	105 -59A
NAS395-16-3	105 -59A
NAS395-16-3	124A-10B
NAS395-17-3	3 -13
NAS395-17-3	39 - 2
NAS395-17-3	69A- 8
NAS395-18-1	102B-10
NAS395-18-3	3 -15B
NAS395-18-3	3A-47
NAS395-18-3	35 -52
NAS395-18-3	35A-68
NAS395-19-3	88A-31
NAS395-3-3	123 -24
NAS395-4-3	68A-41
NAS395-5	61 -53
NAS395-5	63 -75
NAS395-5-3	24 -45

PART NUMBER	FIGURE AND INDEX NO.	PART NUMBER	FIGURE AND INDEX NO.	PART NUMBER	FIGURE AND INDEX NO.
NAS395-5-3	25 -37	NAS42RH3-10	38 -23	NAS43HT4-28	95 -38
NAS395-5-3	1028- 6	NAS42RH3-6	30 -42	NAS43HT4-40	95 -70
NAS395-5-3	135 -37	NAS43DD0-21	32A-43	NAS43HT4-41	468-44
NAS395-6-3	19 -54	NAS43DD0-21	32A-46	NAS43HT4-41	468-49
NAS395-6-3	24 -85	NAS43DD0-6	94B-13	NAS43HT4-42	95 -39
NAS395-6-3	28 -31	NAS43DD1-18	67 -67	NAS43HT4-47	64 -17
NAS395-6-3	29 -13	NAS43DD1-18	68 -67	NAS43HT4-47	64A-15
NAS395-6-3	35 -51	NAS43DD1-20	68A-40	NAS43HT4-47	68 -17
NAS395-6-3	35A-67	NAS43DD1-20	68B-42	NAS434F4	76 -45A
NAS395-6-3	53 -22	NAS43DD1-20	68C-43	NAS438-10	7 - 2
NAS396-6-3	88 - 9	NAS43DD2-12A	74 -62	NAS444-14	7 - 6
NAS396-6-3	88A-26	NAS43DD2-16A	74 -62	NAS444-14	7 -18
NAS397-10	13 - 6D	NAS43DD3-12	51A-10	NAS444-14	11 -14
NAS397-10	76 -63	NAS43DD3-12	63A-21C	NAS444-14	12 -25
NAS397-12	103 -16	NAS43DD3-14	67 -59	NAS444-14	25 - 2
NAS397-12	104 -13	NAS43DD3-14	68 -58	NAS444-14-3	8 -21
NAS397-12	105 -12	NAS43DD3-16	75 -12	NAS444-14-3	8A-23
NAS397-12	117A-24	NAS43DD3-16	75 -45	NAS444-14-3	8A-28
NAS397-14	13 -13	NAS43DD3-16	89 - 8D	NAS444-2	29 -19
NAS397-14	117A-10	NAS43DD3-16	90 -18	NAS444-4	4 -23
NAS397-14	117A-13	NAS43DD3-23	90 -18	NAS444-4	33 - 5
NAS397-14	117A-17	NAS43DD3-24	107 - 6	NAS444-4	131 -43
NAS397-14	117A-22	NAS43DD3-3	63A-21C	NAS444-4	131 -55
NAS397-14	117D-10	NAS43DD3-5	88 -38	NAS444-4	132 -41
NAS397-14	117D-14	NAS43DD3-5	88A-20	NAS444-4	132 -43
NAS397-14	117D-19	NAS43DD3-56	90 -15A	NAS444-4	132 -55
NAS397-14	136 - 8	NAS43DD3-56	115 -10	NAS444-4	133 -14
NAS397-14	136 -12	NAS43DD3-8	70 -19C	NAS444-4	133 -18
NAS397-14	136 -14	NAS43DD4-19	101 -34C	NAS444-4	133 -24
NAS397-14	136 -16	NAS43DD4-19	102 -30D	NAS444-4-3	5 -25A
NAS397-14	13 -17	NAS43DD6-33	63B-27	NAS444-4-3	6 -25A
NAS397-14-1	116 -10	NAS43HT3-12	61 - 3	NAS444-4A	33 - 6
NAS397-14-1	116 -13	NAS43HT3-12	61A- 3	NAS444-5-3	126 -54
NAS397-14-1	116 -17	NAS43HT3-12	91 -35	NAS444-8-3	107 -50
NAS397-14-1	117 -10	NAS43HT3-12	92 -32	NAS446-1-3	57 -10
NAS397-14-1	117 -13	NAS43HT3-14	74 -14	NAS446-1-3	57 -15
NAS397-14-1	117 -21	NAS43HT3-16	60 -20	NAS446-1-3	57 -29
NAS397-16	76 -35	NAS43HT3-16	63 -18	NAS446-1-3	57A- 6
NAS397-16	117A-20	NAS43HT3-16	124A-24	NAS446-1-3	58 - 4
NAS397-16	117A-39	NAS43HT3-24	76 -39	NAS446-1-3	67 -94
NAS397-16-1	77 -44	NAS43HT3-256	131 -68	NAS446-1-3	68 -98
NAS397-18	76 -23	NAS43HT3-256	132 -68	NAS446-1-3	68A-16
NAS397-18	88 -12	NAS43HT3-34	49 -30A	NAS446-1-3	688-16
NAS397-18	88 -15	NAS43HT3-34	50 -28A	NAS446-1-3	123A- 7
NAS397-18	88A-29	NAS43HT3-6	65 -20	NAS446-2-1	68C-18
NAS397-18	88A-33	NAS43HT3-6	66 - 3	NAS446-2-3	28 -51
NAS397-18-1	77 -14	NAS43HT3-6	74 -29	NAS446-2-3	67 -90
NAS397-22	8A-10	NAS43HT3-88	87 -22	NAS446-2-3	68 - 5
NAS397-28	76 -30	NAS43HT3-9	75 -32	NAS446-2-3	68 -94
NAS397-28	76 -32	NAS43HT3-92	131 -68	NAS446-2-3	69A- 5
NAS397-32	89 -25	NAS43HT3-92	132 -68	NAS446-2-3	77A- 8
NAS397-50-1	89 -10	NAS43HT4-10	95 -61	NAS446-2-3	84 - 4
NAS397-8	36 -17	NAS43HT4-10	95 -61	NAS446-2-3	84 -14
NAS397-8	37 - 7	NAS43HT4-10	95 -61	NAS446-2-3	84 -20
NAS397-8	117A-28	NAS43HT4-10	97 -50	NAS446-2-3	84 -26
NAS397-8	117C-26	NAS43HT4-11	64A-21	NAS446-2-3	84 -38
NAS397-8	117E-18	NAS43HT4-11	65A-11	NAS446-2-3	85 - 2
NAS397-8	117B-48	NAS43HT4-12	46A-24	NAS446-2-3	85 - 8
NAS398-42	73 -66	NAS43HT4-12	61A-56	NAS446-2-3	85 -12
NAS398-42	73A-75	NAS43HT4-12	63 -84	NAS446-2-3	85 -25
NAS398-42	77 -36	NAS43HT4-12	63C-98	NAS446-2-3	85 -48
NAS398-42	77 -63	NAS43HT4-12	95 -46	NAS446-2-3	100 -12
NAS398-50	76 -45	NAS43HT4-16	95 -37	NAS446-2-3	100A-10
NAS398-50	76 -50	NAS43HT4-18	63A- 4	NAS446-2-3	121 -24
NAS398-50	76 -58	NAS43HT4-20	59 -34	NAS446-2-3	122 - 2
NAS398-50	77 -61	NAS43HT4-20	60 -54	NAS446-2-3	122 -29
NAS398-50	88 -20	NAS43HT4-20	61 -56	NAS446-2-3	123 - 5
NAS398-50	88A- 5	NAS43HT4-20	63 -84	NAS446-2-3	123 -10
NAS42DD5-17	70A-22	NAS43HT4-20	64 -19	NAS446-2-3	123 -33
NAS42DD5-39	70A-22	NAS43HT4-20	64A-17	NAS446-2-3	123 -37
NAS42HT 4-16	97 -67	NAS43HT4-20	95 -39	NAS446-2-3	123 -53
NAS42HT 5-36	97 -66	NAS43HT4-20	95 -69	NAS446-2-3	123 -57
NAS42HT 6-8	91 -31	NAS43HT4-24	46 -48	NAS446-3-3	69 - 3
NAS42HT 6-8	92 -28	NAS43HT4-24	95 -68	NAS446-3-3	69 -10

PART NUMBER	FIGURE AND INDEX NO.
NAS 446-3-3	69 -20
NAS 446-3-3	69 -26
NAS 446-4	104 -66
NAS 446-4	105 -75
NAS 446-4-3	3 -31A
NAS 446-4-3	4 - 5
NAS 446-4-3	5 - 7
NAS 446-4-3	6 - 7
NAS 446-4-3	8 -23
NAS 446-4-3	8A- 9
NAS 446-4-3	33 -40
NAS 446-4-3	34 - 5
NAS 446-4-3	34 - 9
NAS 446-4-3	34 -13
NAS 446-4-3	34 -18
NAS 446-4-3	34 -22
NAS 446-4-3	34 -26
NAS 446-4-3	34 -31
NAS 446-4-3	34A- 4
NAS 446-4-3	34A- 8
NAS 446-4-3	34A-14
NAS 446-4-3	34A-19
NAS 446-4-3	34A-23
NAS 446-4-3	74 -22
NAS 446-4-3	74 -60
NAS 446-4-3	74 -62
NAS 446-4-3	75 -10
NAS 446-4-3	75 -12
NAS 446-4-3	75 -43
NAS 446-4-3	75 -45
NAS 446-4-3	77 -59
NAS 446-4-3	83 - 5
NAS 446-4-3	88 -13
NAS 446-4-3	88 -27
NAS 446-4-3	88A-23
NAS 446-4-3	89 -14A
NAS 446-4-3	106 -42
NAS 446-4-3	106 -47
NAS 446-4-3	107 -11
NAS 446-4-3	109 -13
NAS 446-4-3	110 -21
NAS 446-4-3	110 -21
NAS 446-4-3	114 -22
NAS 446-4-3	114 -35
NAS 446-4-3	119 -22
NAS 446-4-3	120 -17
NAS 446-4-3	121 -13
NAS 446-4-3	121 -14
NAS 446-4-3	121 -19
NAS 446-4-3	121 -22
NAS 446-4-3	121 -23
NAS 446-4-3	121 -45
NAS 446-4-3	121 -50
NAS 446-4-3	122 -14
NAS 446-4-3	122 -16
NAS 446-4-3	122 -21
NAS 446-4-3	122 -28
NAS 446-4-3	122 -4A
NAS 446-4-3	135 -86
NAS 446-5-3	53 - 1
NAS 446-5-3	76 -18D
NAS 446-5-3	77 -41
NAS 446-5-3	77 -52
NAS 455-163C4-8	14 -20
NAS 464P4A10	70 -27
NAS 464P4A6	70 -27
NAS 488-1-3	125C-10
NAS 488-10	77 -61B
NAS 514P1032-14	49 -30A
NAS 514P1032-14	50 -28A
NAS 557-12A	34A-11
NAS 557-12A	121 -45
NAS 557-12A	122 -21
NAS 557-4A	33 -39

PART NUMBER	FIGURE AND INDEX NO.
NAS 557-4A	34 -14
NAS 557-4A	34 -23
NAS 557-4A	34A- 5
NAS 557-4A	34A-15
NAS 557-6A	34 -10
NAS 557-6A	34 -19
NAS 557-6A	34A- 1
NAS 557-6A	121 -19
NAS 557-6A	122 -28
NAS 557-8A	34 - 6
NAS 557-8A	34 -27
NAS 557-8A	34A-20
NAS 557-8A	121 -14
NAS 557-8A	122 -16
NAS 557-8A	106 -21
NAS 561-2-10	60 -44
NAS 561-2-12	61 -41A
NAS 561-2-12	61A-41
NAS 561-2-8	100A- 2
NAS 561-3-10	35B-30
NAS 561-3-16	63C-82
NAS 561-3-16	98 -50
NAS 561-3-18	49 -16
NAS 561-3-18	90 -16
NAS 561-3-8	61 -45
NAS 561-3-8	61A-45
NAS 561-3-8	100 - 8
NAS 561-3-8	100 -44
NAS 561-3-8	100A- 5
NAS 561-3-8	131 - 3
NAS 561-3-8	132 - 3
NAS 561-4-9	51 -18
NAS 561-5-12	90 -20
NAS 561-6-18	62 -25
NAS 561-6-18	62 -27
NAS 561-6-18	62 -53
NAS 561C2-10	59A-30
NAS 561C2-10	59A-34
NAS 561C2-10	103 -45
NAS 561C2-8	89 - 7
NAS 561C3-10	60 -51
NAS 561C3-10	61 -51
NAS 561C3-10	61A-51
NAS 561C3-10	62 -22
NAS 561C3-10	62 -67
NAS 561C3-10	63 -81
NAS 561C3-12	59A-27
NAS 561C3-12	62 -68
NAS 561P2-10	105 -58
NAS 561P2-5	76 -42B
NAS 561P3-8	49 -30C
NAS 561P3-8	50 -28C
NAS 561P3-8	62 -38
NAS 561P3-8	63 -57
NAS 561P4-10	46 -29
NAS 561P4-10	46A-58
NAS 561P4-10	62 -44
NAS 561P4-10	63 -48
NAS 561P4-10	63 -53
NAS 561P4-10	63C-36
NAS 561P4-10	63C-68
NAS 561P4-10	63C-68
NAS 561P4-12	62 -50
NAS 561P4-12	63 -52
NAS 561P4-12	63C-24
NAS 561P4-12	63C-29
NAS 561P4-12	63C-34
NAS 561P4-12	63C-61
NAS 561P4-12	63C-66
NAS 561P4-15	51A-18
NAS 561P4-6	51A-21
NAS 561P4-8	46 -28
NAS 561P4-8	46A-59
NAS 561P4-8	62 -48

PART NUMBER	FIGURE AND INDEX NO.
NAS 561P4-8	63 -50
NAS 561P6-12	63C-27
NAS 561P6-12	78A-11
NAS 561P6-18	63 -35
NAS 561P6-18	63B-31
NAS 561P6-18	63C-49
NAS 561P6-18	63C-52
NAS 561P6-18	63C-56
NAS 561P6-22	63 -33
NAS 561P6-22	63B- 5
NAS 561P6-22	63B- 7
NAS 561P6-22	63C-54
NAS 561P6-28	63C-45
NAS 561P8-18	63C-48
NAS 561P4-8	112 - 3
NAS 603-10	62 -12
NAS 603-10	101 -340
NAS 603-10	102 -30E
NAS 603-16	59A-38
NAS 620-10	125C- 5
NAS 679AA3	107 - 6
NAS 679A04	104 -54
NAS 679A04	105 -64
NAS 679A04	134 -84
NAS 679A04	134 -98
NAS 679A04	135 -77
NAS 679A06	4 -43
NAS 679A06	46A-48
NAS 679A06	46B-55
NAS 679A06	47 -43
NAS 679A06	48B-41
NAS 679A06	55 -20
NAS 679A06	56 -19
NAS 679A06	67 -43
NAS 679A06	67 -76
NAS 679A06	67 -78
NAS 679A06	68 -42
NAS 679A06	68 -76
NAS 679A06	68 -78
NAS 679A06	68B-50
NAS 679A06	68C-46
NAS 679A06	69 - 7
NAS 679A06	69 -16
NAS 679A06	69 -23
NAS 679A06	69 -31
NAS 679A06	123A-18
NAS 679A06	124 -13
NAS 679A06	131 - 4
NAS 679A06	131 - 5
NAS 679A06	132 - 4
NAS 679A06	132 - 5
NAS 679A06	134 -27
NAS 679A08	3 -25
NAS 679A08	13 -34
NAS 679A08	16 -15
NAS 679A08	16 -15
NAS 679A08	41 -43
NAS 679A08	60 - 7
NAS 679A08	61 - 8
NAS 679A08	61A- 8
NAS 679A08	63 - 7
NAS 679A08	63C-85
NAS 679A08	63C-88
NAS 679A08	65 - 9
NAS 679A08	65 -13
NAS 679A08	65 -23
NAS 679A08	65 -27
NAS 679A08	65 -30
NAS 679A08	65A- 5
NAS 679A08	65A- 6
NAS 679A08	66 - 7
NAS 679A08	66 -11
NAS 679A08	70A-12
NAS 679A08	70A-15

PART NUMBER	FIGURE AND INDEX NO.
NAS679A08	76 -62
NAS679A08	88A-35
NAS679A08	90 -15A
NAS679A08	95B- 3
NAS679A08	95B-33
NAS679A08	101 -37
NAS679A08	102 -33
NAS679A08	102A- 3
NAS679A08	102A- 6
NAS679A08	103 - 4
NAS679A08	104 -55
NAS679A08	120 -14
NAS679A08	121 -42
NAS679A08	121 -53
NAS679A08	122 -41
NAS679A08	122 -51
NAS679A08	131 -36
NAS679A08	132 -36
NAS679A08	134 -40
NAS679A08	134 -66
NAS679A08	134 -75
NAS679A08	135 -57
NAS679A08	135 -79
NAS679A4	14 - 6
NAS679A4	15 - 5
NAS679A4	19 - 4
NAS679A4	19 -43
NAS679A4	20 - 3
NAS679A4	21 - 3
NAS679A4	21 -33
NAS679A4	22 -24
NAS679A4	23 -27
NAS679A4	35 -12
NAS679A4	38 -13
NAS679A4	38 -17
NAS679A4	42 -21
NAS679A4	42A-24
NAS679A4	42C-20
NAS679A4	44 -15
NAS679A4	46 -23
NAS679A4	46 -34
NAS679A4	46 -49
NAS679A4	46A-38
NAS679A4	46A-53
NAS679A4	46B-39
NAS679A4	46B-46
NAS679A4	47 -31
NAS679A4	48A-35
NAS679A4	48B-36
NAS679A4	60 -55
NAS679A4	61 -57
NAS679A4	61A-57
NAS679A4	62 - 8
NAS679A4	62 -40
NAS679A4	63 -37
NAS679A4	63 -85
NAS679A4	63 -85
NAS679A4	63B-33
NAS679A4	63C-99
NAS679A4	64 - 8
NAS679A4	64 -17
NAS679A4	64 -20
NAS679A4	64A- 3
NAS679A4	64A-15
NAS679A4	64A-18
NAS679A4	64A-23
NAS679A4	64A-26
NAS679A4	65 -36
NAS679A4	65A-12
NAS679A4	65A-12
NAS679A4	65A-15
NAS679A4	65B- 5
NAS679A4	65B- 9
NAS679A4	65B-19

PART NUMBER	FIGURE AND INDEX NO.
NAS679A4	66 - 4
NAS679A4	66 -19
NAS679A4	70A-19
NAS679A4	70A-21
NAS679A4	74 -62
NAS679A4	75 -34A
NAS679A4	75 -38
NAS679A4	75 -40
NAS679A4	75 -45
NAS679A4	76 -78
NAS679A4	94 - 4
NAS679A4	94A- 3
NAS679A4	94A-11
NAS679A4	95 - 5
NAS679A4	95 -14
NAS679A4	95 -18
NAS679A4	95 -24
NAS679A4	95 -30
NAS679A4	95 -36
NAS679A4	95 -49
NAS679A4	96 - 3
NAS679A4	96 - 7
NAS679A4	96 -17
NAS679A4	96 -23
NAS679A4	96 -29
NAS679A4	96 -37
NAS679A4	96 -44
NAS679A4	97 -57
NAS679A4	97 -73
NAS679A4	98 -21
NAS679A4	98 -24
NAS679A4	98 -27
NAS679A4	98 -31
NAS679A4	99 -21
NAS679A4	99 -24
NAS679A4	99 -27
NAS679A4	99 -31
NAS679A4	100 -37
NAS679A4	107 - 4
NAS679A4	107 -27
NAS679A4	108 - 5
NAS679A4	108 -29
NAS679A4	110 - 6
NAS679A4	110A-21
NAS679A4	113 -39
NAS679A4	114 -26
NAS679A4	115 -16
NAS679A4	119 - 2
NAS679A4	120 - 2
NAS679A4	120A- 2
NAS679A4	120B-72
NAS679A4	120C-74
NAS679A4	121 -50
NAS679A4	126 - 9
NAS679A4	126 -43
NAS679A4	126A-10
NAS679A4	127 - 5
NAS679A4	127 -45
NAS679A4	128 - 6
NAS679A4	128 -12
NAS679A4	128 -42
NAS679A4	131 -32
NAS679A4	131 -38
NAS679A4	132 -32
NAS679A4	132 -38
NAS679A5	9 -14
NAS679A5	10 -15
NAS679A5	10A-16
NAS679A5	30 -57
NAS679A5	30 -94
NAS679A5	30 -96
NAS679A5	30 -99B
NAS679A5	40 -23
NAS679A5	40 -32

PART NUMBER	FIGURE AND INDEX NO.
NAS679A5	41 -23
NAS679A5	41 -29
NAS679A5	42A- 6
NAS679A5	45 -14
NAS679A5	45 -18
NAS679A5	46 -14
NAS679A5	46 -18
NAS679A5	46A-14
NAS679A5	46A-19
NAS679A5	46A-19
NAS679A5	46B-14
NAS679A5	46B-19
NAS679A5	70 -13
NAS679A5	95A-13
NAS679A5	97 -44
NAS679A5	123B- 7
NAS679A5	127 -42
NAS679A5	128 -40
NAS679A5	131 -13
NAS679A5	131 -14
NAS679A5	131 -19
NAS679A5	131 -19A
NAS679A5	131 -24
NAS679A5	131 -29
NAS679A5	131 -33
NAS679A5	131 -37
NAS679A5	132 -13
NAS679A5	132 -14
NAS679A5	132 -19
NAS679A5	132 -24
NAS679A5	132 -29
NAS679A5	132 -33
NAS679A5	132 -37
NAS679A5	17 - 4
NAS679A5	17 - 7
NAS679A6	18 - 3
NAS679A6	18 - 9
NAS679A6	30 -95
NAS679A6	30 -97
NAS679A6	30 -98
NAS679A6	40 -23A
NAS679A6	40 -30
NAS679A6	41 -20
NAS679A6	41 -27
NAS679A6	42 -34
NAS679A6	42C-33
NAS679A6	44 - 6
NAS679A6	76 -11
NAS679A6	98 -44
NAS679A6	99A- 5
NAS679A6	40A-20A
NAS679C5M	40A-20B
NAS679C6M	129 -32
NAS680A06	131 -51
NAS680A06	132 -51
NAS680A06K	123 -28
NAS680A08	7 -24
NAS680A08	8 -14
NAS680A08	24 - 4
NAS680A08	24 -63
NAS680A08	25 -38
NAS680A08	33 -44
NAS680A08	35 -43
NAS680A08	35A-62
NAS680A08	35B-23
NAS680A08	52 -18
NAS680A08	120 -14
NAS680A08	124A-12
NAS680A08	131 -46
NAS680A08	132 -46
NAS680A3	15 -27
NAS680A3	19 -65
NAS680A3	23 -25
NAS680A3	24 - 6



PART NUMBER	FIGURE AND INDEX NO.
NAS680A3	24 -53
NAS680A3	25 -16
NAS680A3	30 -16
NAS680A3	30 -27
NAS680A3	30 -33
NAS680A3	32 - 9
NAS680A3	32 -22
NAS680A3	32 -33
NAS680A3	32A- 9
NAS680A3	32A-11
NAS680A3	32A-32
NAS680A3	32A-48
NAS680A3	35A-41
NAS680A3	35A-51
NAS680A3	35B-23
NAS680A3	38 -23
NAS680A3	70 -19F
NAS680A3	71 -13
NAS680A3	71 -22
NAS680A3	84 -16
NAS680A3	84 -46
NAS680A3	84 -49
NAS680A3	85 - 4
NAS680A3	85 -33
NAS680A3	85 -36
NAS680A3	95 -66
NAS680A3	96 -40
NAS680A3	131 -49
NAS680A3	131 -61
NAS680A3	132 -49
NAS680A3	132 -61
NAS680A3	133 - 3
NAS680A3	133 -26
NAS680A3K	33 -25
NAS680A3K	33 -45
NAS680A4	24 -14
NAS680A4	32 -32
NAS680A4	32A-19
NAS680A4	32A-47
NAS680A4	33 -26
NAS680A4	36 - 3
NAS680A4	70 - 7
NAS680A4	126 -43
NAS680A4	127 -20
NAS680A4	128 -18
NAS680A4K	33 -24
NAS680A4K	33 -24
NAS680A4K	37 - 2
NAS680A5	17 -11
NAS680A5	18 -15
NAS682A3	51A-14
NAS682A3	105 -29
NAS682A4	30 -46
NAS682A4	30 -47
NAS682A4	59 -17
NAS686A08	6A-22
NAS686A08K	5 -25A
NAS686A08K	6 -25A
NAS686A3	21 -16
NAS686A3	30 -10
NAS686A4	22 -10
NAS686A4	22 -11
NAS686A4	24 -36
NAS686A4	32 -38
NAS686A4	32A-33
NAS687A3	32 -18
NAS687A3	103 -46
NAS687A3	104 -31
NAS687A4	24 -54A
NAS696A08	8A-40
NAS696A08K	5 -25
NAS696A08K	6 -25
NAS696A08K	126A- 5
NAS696A3	35B-26

PART NUMBER	FIGURE AND INDEX NO.
NAS696A3	70 -19G
NAS696A3K	120 -19
NAS696A4	24 -45
NAS696A4	32A-18
NAS696A4	35A-47
NAS696A4	59A- 8
NAS696A4	64A-29
NAS696A4	65 -37
NAS696A4	65A-18
NAS696A4	126 -43
NAS697-A3	129 -42
NAS697A04L	33 -34A
NAS697A06	24 -81
NAS697A06L	33 -34
NAS697A06L	33 -34A
NAS697A06L	120B-68
NAS697A06L	120C-70
NAS697A08	6A- 9
NAS697A08	17 -18
NAS697A08	27 - 6B
NAS697A08	28 -55
NAS697A08	51 - 3
NAS697A08	73A-53
NAS697A08	120B-68
NAS697A08	120C-70
NAS697A08K	51A-29
NAS697A08K	68A- 7B
NAS697A08K	68B- 8
NAS697A08K	68C-11
NAS697A08K	126A- 4
NAS697A3	24 -45
NAS697A3	25 -37
NAS697A3	33 -42
NAS697A3	71 -21
NAS697A3	74 -29
NAS697A3	87A-13
NAS697A3	126 -24
NAS697A3	129 - 4
NAS697A3K	33 -26A
NAS697A4	24 -45
NAS697A4	25 -37
NAS697A4	65 -37
NAS697A4	65A-18
NAS697A4	126 -23
NAS697A4K	33 -26A
NAS697A5	18 - 6
NAS698A08	28 -55
NAS698A3	51A-14
NAS698A3	126 -15
NAS698A4	35A-64
NAS69808	95A-10
NAS70A128-313	51 -27
NAS70CL328-563	78 -22
NAS70CL328-563	78A- 6
NAS743-12	102 -30C
NAS76A4-024	46B-38
Q-470-R	77 - 1
QR95-1.5	124A-20
PA2	67 -50
PA2	68 -49
PB55	114 -27
PDM50	121 - 2
PDM50	122 - 3
PRO89D	1 -14B
PSM10N	68 -91
PSM10N	124 -11
PSM15N	113 -10
PSM15N	114 - 7
P2274	117B-20
P2274	117C-23
P2274	117E-16
R3104T6-3	32 -13
R3104T6-3	32A-14
R3104T6-5	30 -99C

PART NUMBER	FIGURE AND INDEX NO.
R3104T6-5	30 -99D
R561	42 -38
R561	42A-29
R561	42C-35
R5673	81 -24
R5673	81B-24
SCEEF512-56-4	74 -99
SEL85	95A-21
SE709	113A-36
SH15C	77B-23
SH20A	77B-23
SH200A-C	77B-23
SL300A-C	76 -64
SL300A-C	76A-17
SS58310	65A- 2
S1K5	20 -18
S10K140	129 - 4
S10K230	129 - 4
S1003-43A	91 -23
S1003-43A	92 -20
S1003-9A	112 -19
S1004-43A	94A-30
S1021A4-6	57 -14A
S1021A4-6	57A- 9
S1021A4-6	61A-20
S1021A4-6	63C- 9
S1021A4-6	63C-19
S1021A4-6	63C-21
S1021A6-10	68C-66
S1021A6-8	3 -51
S1021A6-8	3A-39
S1021A8-6	92 -43
S1021A8-8	3 -51
S1021Z10-10	53 - 1
S1021Z10-10	76 -51
S1021Z10-10	76 -55
S1021Z10-10	76 -61
S1021Z10-10	77 -15
S1021Z10-10	77 -45
S1021Z10-10	77 -45
S1021Z10-10	77 -59
S1021Z10-10	107 -45
S1021Z10-10	108 -18
S1021Z10-10	117 -16
S1021Z10-10	136 -19
S1021Z10-12	77 -64
S1021Z10-16	54 - 2
S1021Z10-6	46B-24
S1021Z10-6	55 -15
S1021Z10-6	118 -14
S1021Z10-8	22 -12
S1021Z10-8	70A-22
S1021Z10-8	76 -18C
S1021Z10-8	76 -45A
S1021Z10-8	77 -41
S1021Z10-8	77 -51
S1021Z10-8	77 -61B
S1021Z10-8	77 -70
S1021Z10-8	117 -18
S1021Z10-8	136 -18
S1021Z4-4	49 -18
S1021Z4-4	50 -18
S1021Z4-4	57 -23
S1021Z4-4	57 -32
S1021Z4-4	57A-13
S1021Z4-4	57A-22
S1021Z4-4	58 -18
S1021Z4-4	58 -23
S1021Z4-4	58 -26
S1021Z4-4	100 - 4
S1021Z4-4	123 -15
S1021Z4-4	123A-13
S1021Z4-5	127 - 2
S1021Z4-6	32 -35

PART NUMBER	FIGURE AND INDEX NO.
S102124-6	53 - 7
S102124-6	57 - 7
S102124-6	57 -22
S102124-6	57A- 4
S102124-6	58 - 3
S102124-6	58 - 8A
S102124-6	58 -17
S102124-6	62 -18
S102124-6	67 -93
S102124-6	68 -97
S102124-6	70 -33
S102124-6	120 -15
S102124-6	120B-67
S102124-6	120C-69
S102124-6	123 -40
S102124-6	123A- 5
S102124-6	126 -45A
S102124-6B	67 -10
S102124-6B	68 -12
S102124-8	39 - 6
S102124-8	57 -10
S102124-8	57 -15
S102124-8	57 -29
S102124-8	57A- 6
S102124-8	58 - 4
S102124-8	123 - 1
S102124-8	123 -23
S102126-10	68B-67
S102126-12	68A-40
S102126-12	68A-41
S102126-4	28 -32
S102126-4	29 -14
S102126-4	60 -19
S102126-4	61 -21
S102126-4	63 -21
S102126-4	63 -24
S102126-4	63A-17
S102126-4	63A-19
S102126-4	64 - 6
S102126-6	19 -57
S102126-6	19 -60
S102126-6	57 -28
S102126-6	57A-16
S102126-6	63A-28
S102126-6	67 -89
S102126-6	68 -93
S102126-6	69 - 2
S102126-6	69 - 9
S102126-6	69 -19
S102126-6	69 -25
S102126-6	69A- 2
S102126-6	77A- 7
S102126-6	84 - 3
S102126-6	84 -14
S102126-6	84 -19
S102126-6	84 -23
S102126-6	84 -25
S102126-6	84 -37
S102126-6	85 - 2
S102126-6	85 - 7
S102126-6	85 -11
S102126-6	85 -24
S102126-6	85 -47
S102126-6	89 -31
S102126-6	100 -11
S102126-6	100A- 9
S102126-6	102B- 5
S102126-6	106 - 6
S102126-6	119 -28
S102126-6	120A-27
S102126-6	120A-29
S102126-6	120A-49
S102126-6	120B-22
S102126-6	120B-33

PART NUMBER	FIGURE AND INDEX NO.
S102126-6	120B-45
S102126-6	120C-25
S102126-6	120C-34
S102126-6	120C-46
S102126-6	122 - 2
S102126-6	123 - 4
S102126-6	123 - 9
S102126-6	123 -20
S102126-6	123 -22
S102126-6	123 -32
S102126-6	123 -36
S102126-8	18 -42
S102126-8	19 -48
S102126-8	28 -51
S102126-8	46B-28
S102126-8	53 -22
S102126-8	55 - 7
S102126-8	55 -21
S102126-8	56 -20
S102126-8	59 -23
S102126-8	59A-36
S102126-8	60 -36
S102126-8	61 -53
S102126-8	63 -75
S102126-8	63C-74
S102126-8	68 - 5
S102126-8	69A- 4
S102126-8	95A- 5
S102126-8	100 - 2
S102126-8	104 -55
S102126-8	106 -18A
S102126-8	121 -20
S102126-8	121 -24
S102126-8	122 -29
S102126-8	123 -52
S102126-8	123 -56
S102126-8	124 -15
S102126-8	125C- 3
S102126-8	134 -34
S102126-8	134 -71
S102126-8	135 -48
S102126-8	135 -51
S102126-8	135 -63
S102126-8	88 - 4
S102126-8	55 - 3
S102126-8	55 -16
S102126-8	56 -13
S102126-8	88A-31
S102126-8	89A-48
S102126-8	98 -77
S102126-8	99A-30
S102126-8	103 - 9
S102126-8	103 -21
S102126-8	103 -27
S102126-8	104 - 7
S102126-8	104 -18
S102126-8	104 -24
S102126-8	105 - 7
S102126-8	105 -16
S102126-8	105 -22
S102126-8	107 -11
S102126-8	114 -34
S102126-8	120A-30
S102126-8	120B-22
S102126-8	120C-25
S102126-8	75 -12
S102126-8	55 -13
S102126-8	56 -10
S102126-8	74 -62
S102126-8	75 -45
S102126-8	68A-42
S102126-8	68B-43
S102126-8	68C-48A
S102126-8	127 - 9

PART NUMBER	FIGURE AND INDEX NO.
S102128-4	127 -14
S102128-5	117A-30
S102128-6	3 -13
S102128-6	3 -18
S102128-6	3 -31
S102128-6	3 -41
S102128-6	3A-49
S102128-6	22 -21
S102128-6	34 - 4
S102128-6	34 -17
S102128-6	34 -25
S102128-6	46B-27
S102128-6	46B-29
S102128-6	46B-60
S102128-6	55 -14
S102128-6	55 -16
S102128-6	56 -10
S102128-6	56 -14
S102128-6	67 -15
S102128-6	68 -17
S102128-6	68A-27
S102128-6	68A-40
S102128-6	68B-42
S102128-6	68C-43
S102128-6	69 -34
S102128-6	69A- 7
S102128-6	74 -23
S102128-6	75 -10
S102128-6	75 -42
S102128-6	75 -43
S102128-6	86 - 8
S102128-6	88 -28
S102128-6	88A-10
S102128-6	100 -57
S102128-6	105 -59A
S102128-6	105 -59A
S102128-6	106 -42
S102128-6	106 -47
S102128-6	109 -12
S102128-6	114 -22
S102128-6	119 -21
S102128-6	120A-23
S102128-6	120B-29
S102128-6	122 -20
S102128-6	122 -28
S102128-6	131 -40
S102128-6B	57 - 9
S102128-6C	60 -13
S102128-6C	61 -15
S102128-6C	61A-15
S102128-6C	63 -13
S102128-6C	63A-11
S102128-8	3 -12
S102128-8	3 -15B
S102128-8	3 -31A
S102128-8	3 -40
S102128-8	3 -52
S102128-8	3A-16
S102128-8	3A-19
S102128-8	3A-20
S102128-8	3A-47
S102128-8	4 - 4
S102128-8	4 -45
S102128-8	5 - 4
S102128-8	5 - 6
S102128-8	5 -45
S102128-8	6 - 4
S102128-8	6 - 6
S102128-8	6 -45
S102128-8	6A-48
S102128-8	6A-49
S102128-8	8 -23
S102128-8	8A- 9
S102128-8	15 -37

PART NUMBER	FIGURE AND INDEX NO.
S1021Z8-8	17 -42
S1021Z8-8	18 -39
S1021Z8-8	18 -41
S1021Z8-8	19 -52
S1021Z8-8	23 -24
S1021Z8-8	24 -64
S1021Z8-8	33 -40
S1021Z8-8	34 - 8
S1021Z8-8	34 -12
S1021Z8-8	34 -21
S1021Z8-8	34 -30
S1021Z8-8	34A- 3
S1021Z8-8	34A- 7
S1021Z8-8	34A-13
S1021Z8-8	34A-18
S1021Z8-8	34A-22
S1021Z8-8	35A-11
S1021Z8-8	39 - 3
S1021Z8-8	40 - 2
S1021Z8-8	40A- 2
S1021Z8-8	41 - 2
S1021Z8-8	54 - 2
S1021Z8-8	55 -10
S1021Z8-8	56 - 7
S1021Z8-8	56 -10
S1021Z8-8	68 -27
S1021Z8-8	68A-48
S1021Z8-8	68B-49
S1021Z8-8	68C-45
S1021Z8-8	70 -19
S1021Z8-8	74 -36
S1021Z8-8	74 -59
S1021Z8-8	75 -27
S1021Z8-8	82 - 6
S1021Z8-8	83 - 4
S1021Z8-8	88 -13
S1021Z8-8	88 -26
S1021Z8-8	88A-22
S1021Z8-8	89 -14A
S1021Z8-8	89 -16
S1021Z8-8	89 -21
S1021Z8-8	89 -23
S1021Z8-8	89 -30
S1021Z8-8	102B- 9
S1021Z8-8	104 -66
S1021Z8-8	104 -67
S1021Z8-8	105 -75
S1021Z8-8	105 -76
S1021Z8-8	106 - 7
S1021Z8-8	106 -15
S1021Z8-8	110 -20
S1021Z8-8	116 -33
S1021Z8-8	117 -31
S1021Z8-8	119 -22
S1021Z8-8	120 -17
S1021Z8-8	121 -13
S1021Z8-8	121 -14
S1021Z8-8	121 -18
S1021Z8-8	121 -19
S1021Z8-8	121 -21
S1021Z8-8	121 -22
S1021Z8-8	121 -23
S1021Z8-8	121 -45
S1021Z8-8	121 -50
S1021Z8-8	122 -14
S1021Z8-8	122 -16
S1021Z8-8	122 -21
S1021Z8-8	122 -22
S1021Z8-8	122 -48
S1021Z8-8	123 -62
S1021Z8-8	124A-10A
S1021Z8-8	126 -56
S1021Z8-8	131 -40
S1021Z8-8	131 -43

PART NUMBER	FIGURE AND INDEX NO.
S1021Z8-8	131 -56
S1021Z8-8	132 -40
S1021Z8-8	132 -43
S1021Z8-8	132 -56
S1021Z8-8	133 -15
S1021Z8-8	133 -17
S1021Z8-8	133 -23
S1021Z8-8	134 -73
S1021Z8-8	135 -85
S1021Z8-8	13 -19
S1021Z8-8	13 -19
S1021Z8-8	65B- 6
S1021Z8-8C	105 -61
S1021Z8-8C	126 -76
S1022Z4-6M	53 - 4
S1022Z4-12B	67 -67
S1022Z4-12B	68 -67
S1022Z4-6B	68A-16
S1022Z4-6B	68B-16
S1022Z6-10	62 -19
S1022Z6-10	63 -58
S1022Z6-8	135 -37
S1022Z6-8B	68C-18
S1022Z8-6	3 -11A
S1022Z8-6	3 -18
S1022Z8-6	3A-49
S1022Z8-8	3 -11A
S1022Z8-8	3 -12A
S1022Z8-8	3 -15
S1022Z8-8	3 -15A
S1022Z8-8	3 -28
S1022Z8-8	3 -49
S1022Z8-8	3A-13
S1022Z8-8	3A-14
S1022Z8-8	3A-17
S1022Z8-8	3A-22
S1022Z8-8	3A-42
S1022Z8-8	3A-46
S1022Z8-8	88 - 8
S1022Z8-8	88A-25
S1022Z8-8	135 -66
S1023A4-6	56 - 1
S1023A4-6	57 - 6
S1023A4-8B	65B-22
S1023A6-6C	88A-40
S1023A6-8C	70 -36
S10268G	1 -18
S10268G	89 -30
S1042-1-275	129 - 5
S1047-1	1 -20
S1047-1	35B-19
S1047-2	1 -20
S1048-2	12 -22
S1050-1	1 -48
S1050-1-3.15	127 -63
S1050-2	1 -48
S1050-3	1 -48
S1053E10T	1 -19
S1053E10T	88A-46
S1053E12T	1 -19
S1053E12T	76 -29
S1053E12T	76 -31
S1053E16T	89 -24
S1053E16T	89 -24
S1053E20T	1 -19
S1053E20T	73 -65
S1053E20T	73A-74
S1053E24T	1 -19
S1053E24T	76 -44
S1053E24T	88 -19
S1053E24T	88A- 4
S1053E28T	1 -19
S1053E32T	1 -19
S1053E7T	1 -19

PART NUMBER	FIGURE AND INDEX NO.
S1053E8T	1 -19
S1053E8T	88 -14
S1053E8T	88 -14A
S1053E8T	88A-28
S1053E8T	88A-32
S1053E8T	88A-45
S1053K10T	1 -19
S1053K12T	1 -19
S1053K20T	1 -19
S1053K20T	77 -35
S1053K20T	77 -35
S1053K20T	77 -62
S1053K24T	1 -19
S1053K24T	76 -49
S1053K24T	76 -57
S1053K24T	77 -60
S1053K24T	89 - 9
S1053K24W	1 -19
S1053K28W	1 -19
S1053K32T	1 -19
S1055-1	1 -21
S1055-1-2.25	123 -59
S1055-1-62	129 -12
S1060-1	64 -16
S1060-14	64 -16
S1060-15	59 -32
S1060-15	60 -52
S1060-15	63 -82
S1060-3	59 -32
S1066-1	68B-67
S1066-1	68C-66
S1066C1	56 - 1
S1071-1	1 -22
S1071-1	4 -43
S1071-1	5 - 3
S1071-1	6 - 3
S1071-1	6A-47
S1071-1	101 - 5
S1071-1	101 - 7
S1071-1	101 - 9
S1071-1	101 -10
S1071-1	101 -13
S1071-1	101 -14
S1071-1	101 -18
S1071-1	101 -20
S1071-1	101 -20
S1071-1	101 -47
S1071-1	101 -51
S1071-1	102 - 5
S1071-1	102 - 7
S1071-1	102 - 8
S1071-1	102 -10
S1071-1	102 -11
S1071-1	102 -15
S1071-1	102 -17
S1071-1	102 -17
S1071-1	102 -43
S1071-1	102A-11
S1071-1	102A-15
S1071-1	102A-17
S1071-1	102A-19
S1071-1-6	102A- 8
S1071-3	1 -22
S1071-4	1 -22
S1071-4	36 -17
S1071-4	37 - 6
S1071-4	102B- 2
S1071-5	1 -22
S1071G3	95A- 4
S1071G3	95A- 8
S1071G3	95B-10
S1071G3	95B-38
S1071R3	95A- 3
S1071R3	95A- 7



PART NUMBER	FIGURE AND INDEX NO.	PART NUMBER	FIGURE AND INDEX NO.	PART NUMBER	FIGURE AND INDEX NO.
S1071R3	95B-9	S1116	1-43	S1138-1	101-7
S1071R3	95B-37	S1116-1	49-21	S1138-1	102-5
S1072-1	134-72	S1116-1	50-21	S1138-1	102-7
S1072-1	135-65	S1117-24	40-24	S1138-1	101-9
S1074-1	59A-5	S1117-24	40A-39	S1139-1	101-13
S1074-1	62-7	S1117-24	41-35	S1139-1	102-10
S1074-1	64A-20	S1130-1	4-43	S1141-1	28-41
S1074-1	65-38	S1130-1	5-3	S1146-1	62-65
S1074-1	65A-17	S1130-1	6-3	S1150-30	125A-12
S1078-1	1-7	S1130-1	6A-47	S1153-1	3-38
S1078-2	1-8	S1130-1	101-5	S1153-1	468-29
S1078-3	1-9	S1130-1	101-7	S1153-1	104-67
S1078-3	31-3A	S1130-1	101-9	S1153-1	105-76
S1082-1	49-27	S1130-1	101-13	S1154-1	468-26
S1082-1	50-25	S1130-1	101-16	S1155-2	106-47
S1082-1	129-8A	S1130-1	101-18	S1155-2	129-33
S1082-1-18	129-16	S1130-1	101-20	S1155-3	5-5
S1082-1-26	129-17	S1130-1	101-26	S1155-3	6-5
S1082-1-62	129-12	S1130-1	101-49	S1155-3	94B-18
S1084-1	1-23	S1130-1	102-5	S1155-4	121-23
S1084-1	52-19	S1130-1	102-7	S1155-4	122-24
S1090-2	121-54	S1130-1	102-10	S1167-10-0404	115-7
S1090-2	122-52	S1130-1	102-13	S1167-10-0404	115-8
S1090-22	121-28	S1130-1	102-15	S1167-3-0080	90-2
S1090-22	122-30	S1130-1	102-17	S1167-3-0085	90-2
S1090-5	121-54	S1130-1	102-23	S1167-3-0100	90-1
S1091-1	121-28	S1130-1	102-45	S1167-4-0080	90-2
S1091-1	122-30	S1130-1	102A-10	S1167-4-0100	40A-15
S1091-5	122-52	S1130-1	102A-12	S1167-4-0100	41-44
S1093-1	15-39	S1130-1	102A-16	S1167-4-0100	90-1
S1095-2	33-40	S1130-1	102A-18	S1167-4-0120	40-15
S1095-2	34-16	S1130-1	102A-20	S1167-4-0300	114-31
S1095-2	34-24	S1131-1	4-43	S1167-4-0388	77-56
S1095-2	34A-6	S1131-1	5-3	S1167-4-0388	113-3
S1095-2	34A-17	S1131-1	6-3	S1167-4-0388	114-3
S1095-3	34-11	S1131-1	6A-47	S1167-6-0270	76-46
S1095-3	34-20	S1131-1	101-5	S1167-6-0270	104-53
S1095-3	34A-2	S1131-1	101-7	S1167-6-0270	105-63
S1095-3	121-19	S1131-1	101-9	S1167-6-0270	108-30
S1095-3	122-28	S1131-1	101-11	S1167-8-0120	106-46
S1095-4	34-7	S1131-1	101-13	S1167-8-0120	110-15
S1095-4	34-29	S1131-1	101-15	S1168-2-15	117-26
S1095-4	34A-21	S1131-1	101-18	S1168-2-22	134-50
S1095-4	121-14	S1131-1	101-20	S1168-2-22	135-21
S1095-4	122-16	S1131-1	101-48	S1168-2-25	116-28
S1095-6	34A-12	S1131-1	102-5	S1168-2-26 3/4	74-39
S1095-6	121-45	S1131-1	102-7	S1168-2-8 1/2	74-39
S1095-6	122-21	S1131-1	102-8	S1168-4-11	114-13
S1102-1	67-12	S1131-1	102-10	S1168-6-10 1/2	116-18
S1102-1	68-14	S1131-1	102-12	S1168-6-12	116-21
S1104-3	74-25	S1131-1	102-15	S1168-6-12	117-22
S1104-3	74-70	S1131-1	102-17	S1168-6-6 1/2	117-40
S1104-3	74-78	S1131-1	102-44	S1168-6-6 1/2	136-21
S1104-3	74-88	S1131-1	102A-10	S1188-1	73-9
S1104-3	75-19	S1131-1	102A-13	S1188-1	73-47
S1104-3	76-42B	S1131-1	102A-16	S1189-1	52-10
S1104-3	76-91	S1131-1	102A-18	S1189-2	52-10
S1106-3	15-12	S1131-1	102A-20	S1194-1-17	52-20
S1106-4	75-34	S1132-1	5-3	S1213-1	92-42
S1110ET	1-24	S1132-1	6-3	S1220-4	68-32
S1110ET	89-29	S1132-1	101-20	S1220-4	68A-52
S1110ET	89-30	S1132-1	102-17	S1220-4	74-8
S1115-10	125A-12	S1133-1	101-18	S1220-9	688-57
S1115-11	35A-19	S1133-1	101-46	S1220-9	74-8
S1115-14	35A-18	S1133-1	102-15	S1222-1	67-29
S1115-15	35A-19A	S1133-1	102-42	S1222-1	75-28
S1115-19	35A-23	S1133-2	101-26	S1222-13	68A-54
S1115-19	35A-24	S1135-1	102-23	S1222-13	75-28
S1115-19	35A-25	S1135-1	101-13	S1222-16	688-59
S1115-19	125A-10	S1137-1	102-10	S1222-16	75-28
S1115-9	35A-18	S1137-1	101-50	S1223-4	67-30
S1115-9	35A-19	S1137-1	102-46	S1223-4	75-18
S1115-9	35A-19A	S1137-1	102A-14	S1223-5	68-30
S1115-9	125A-12	S1138-1	101-5	S1223-5	68A-53

PART NUMBER	FIGURE AND INDEX NO.
S1223-9	74 -24
S1223-5	75 -18
S1223-8	68B-58
S1223-8	74 -24
S1223-8	75 -18
S1230-11	68B-60
S1230-11	68C-63
S1230-11	75 -11
S1230-2	67 -26
S1230-2	68 -27
S1230-2	74 -17
S1230-2	75 -11
S1230-6	68A-55
S1230-6	68A-56
S1230-6	74 -17
S1230-6	75 -11
S1232-10	68D- 5
S1232-10	68D- 7
S1232-15	68D-12
S1232-20	68D- 8
S1234-1	67 -32
S1234-1	68A-52
S1234-1	75 -39
S1234-6	68B-57
S1234-6	68C-60
S1234-6	75 -39
S1236-3-0294	74 -48
S1236-3-0294	76 -54
S1236-4-0144	76 -47
S1236-4-0144	104 -52
S1236-4-0144	105 -62
S1236-4-0194	113 -20
S1236-4-0415	76 -51
S1236-4-0440	76 -51
S1236-4-0440	113 - 3
S1236-6-0130	76 -65
S1236C4-0134	76 -47
S1236C4-0290	113 -20
S1239-13	67 -40
S1239-13	68 -39
S1239-13	109 - 9
S1239-13	126 -78
S1239-24	68A-60
S1239-24	110 -17
S1239-24	126 -78
S1239-25	68A-59
S1239-25	88 -21
S1239-25	88A- 6
S1239-31	68B-53
S1239-31	89 -11
S1239-37	68B-53A
S1239-37	88A- 6
S1239-4	67 -40
S1239-4	68 -39
S1239-4	68A-60
S1239-4	109 - 9
S1239-4	110 -17
S1239-46	68B-53A
S1239-46	68C-57
S1239-46	88A- 6
S1239-48	68B-53
S1239-48	68C-56
S1239-48	89 -11
S1239-6	67 -41
S1239-6	68 -40
S1240-5	67 -27
S1240-5	68A-61
S1240-5	106 -45
S1240-5	118A- 2
S1240-6	67 -31
S1240-6	68 -31
S1240-6	68A-58
S1241-17	68B-56
S1241-17	104 -36

PART NUMBER	FIGURE AND INDEX NO.
S1241-17	105 -34
S1241-3	68A-57
S1241-3	89 -11
S1241-38	68B-56
S1241-38	104 -36
S1241-38	105 -34
S1241-40	104 -59
S1241-40	105 -68
S1241-7	67 -42
S1241-7	68 -41
S1241-7	89 -11
S1241-8	104 -36
S1241-8	105 -34
S1241-9	68A-51
S1241-9	104 -36
S1241-9	105 -34
S1243-4	65 -32
S1243-5	65 -31
S1243-6	66 -20
S1245-1	87 - 1
S1245-2	87 - 2
S1245-3	87 - 1
S1249-1	46B-40
S1249-1	68A-50
S1249-1	68B-52
S1249-1	68C-55
S1249-1	87 -26
S1249-1	120A-43
S1249-1	120B-39
S1249-1	120C-40
S1255-3	67 -11
S1255-3	68 -13
S1255-6	68 -13
S1258-1	101 -32
S1258-1	102 -29
S1260-1	102 -28
S1273-1	57 -35
S1273-1	57A-21
S1273-1	58 -28
S1284-1	67 -95
S1284-1	68 -99
S1286-1	2A-10
S1286-1	106 -30
S1286-2	2A-10A
S1286-2	106 -30
S1286-3	2A-10
S1286-3	2C-18
S1286-3	106 -30
S1286-4	2A-10A
S1286-4	2C-19
S1286-4	106 -30
S1291-8	6A-44
S1291-8	8A- 6
S1291-8	8A-41
S1294-1	68 -29
S1294-1	68A-54
S1294-1	74 - 7
S1294-2	68B-59
S1294-2	74 - 7
S1301-1	68A-39
S1301-1	68B-40
S1301-2	68A-39
S1301N1	67 -16
S1301N2	68 -18
S1302N1	67 -71
S1302N1	68 -71
S1302N1	68A-33
S1304N1	68 -70
S1304N2	67 -70
S1304N2	68 -70
S1304N2	68A-34
S1304N2	68B-34
S1304N2	102 - 3
S1304N2	101 - 3

PART NUMBER	FIGURE AND INDEX NO.
S1305-11	68A-40
S1305-11	68B-42
S1305-8	68A-40
S1305-8	68B-42
S1305-9	68A-40
S1305N3	67 -13
S1305N8	67 -13
S1305N9	68 -15
S1307N2	67 -19
S1309N1	67 -80
S1309N1	68 -80
S1309N1	116 -38
S1309N1	117 -36
S1309N1	117A-35
S1310N1	68 -21
S1311-1	68A-42
S1311-1	68B-41
S1311-3	68B-41
S1311-3	68C-44
S1311N1	67 -24
S1313N1	67 -73
S1313N1	68 -74
S1313N1	68A-32
S1313N1	101 - 2
S1313N1	102 - 2
S1314N1	67 -73
S1314N1	68 -74
S1314N1	68A-32
S1314N1	101 - 2
S1314N1	102 - 2
S1316N1	67 -79
S1316N1	68 -79
S1316N1	116 -36
S1316N1	117 -34
S1316N1	117A-33
S1317N1	67 -74
S1317N1	68 -73
S1317N1	68A-38
S1317N2	68B-39
S1320-1	67 -43
S1320-1	68 -42
S1321N2	68 -72
S1321N2	101 - 1
S1324N2	67 -72
S1324N2	128 -51
S1324N3	67 -72
S1324N3	102 - 1
S1324N6	67 -72
S1324N6	102 - 1
S1325N1	119 - 9
S1326N1	67 -80
S1326N1	68 -80
S1327N1	67 -79
S1327N1	68 -79
S1346-1	1 -25
S1356	1 -44
S1359-8	52 -11
S1360-10	67 -46
S1360-10	67 -47
S1360-10	67 -48
S1360-10	67 -49
S1360-10	68 -46
S1360-10	68 -47
S1360-10	68 -48
S1360-10	68D- 5
S1360-10	68D- 7
S1360-10L	68E-10
S1360-10L	68E-12
S1360-10L	68E-13
S1360-15	68 -45
S1360-15	68D-12
S1360-15L	68E- 9
S1360-15L	68E-13
S1360-20	67 -45

PART NUMBER	FIGURE AND INDEX NO.
S1360-20	6A -44
S1360-20	680- F
S1360-20L	68E-11
S1360-5L	68E-13
S1360-5L	68E-14
S1360-50	67 -44
S1360-50	6A -43
S1360-50	680- 6
S1362-12	57A-11
S1362-22	57 -17
S1362-5	57 -17
S1362-5	57 -36
S1362-5	58 -10
S1362-6	57 -17
S1362-6	57 -36
S1365-1	67 -81
S1365-1	6A -81
S1366-1	1 -26
S1366-2	1 -26
S1366-3	1 -26
S1367-1	121 -48
S1372-1	68A-47
S1372-1	68B-48
S1372-1	68C-53
S1372-1	76 -24
S1372-1	77 -17
S1378-1	1 -27
S1378-2	1 -27
S1378-2	49 -35
S1378-2	50 -33
S1384N1	67 -73
S1384N1	68 -74
S1384N1	68B-33
S1384N1	68C-35
S1385N1	67 -70
S1385N1	68 -70
S1387N2	67 -72
S1387N2	68B-27
S1387N2	68C-29
S1387N3	67 -72
S1387N3	68B-27
S1387N3	68C-29
S1388N2	68 -72
S1388N2	68B-27
S1388N2	68C-29
S1389-1	1 -28
S1389-2	1 -28
S1389-2	31 - 3
S1389-3	1 -28
S1389-4	1 -28
S1389-5	1 -28
S1389-5	31 - 3A
S1389-6	1 -28
S1389-6	31 - 2
S1389-7	1 -28
S1390-5	123 -46
S1392N1	67 -70
S1392N1	68 -70
S1392N1	68A-34
S1392N1	102 - 3
S1392N1	101 - 3
S1392N2	68B-34
S1393-1	68A-41
S1393N1	68 -89
S1397-1	2 -28
S1397-1	2A-17
S1397-1	73 -48
S1397-4	2 -28
S1397-4	2A-17
S1397-4	2B-20
S1397-4	2C-20
S1398-1	1 -29
S1398-1	120C-29
S1398-2	1 -30

PART NUMBER	FIGURE AND INDEX NO.
S139A-2	120C-30
S139B-2-215.00	46B-31
S1399-1	120A-52
S1399-1	120B-15
S1399-1	120C-15
S1413N1	68A-33
S1413N1	68B-35
S1413N2	68B-35
S1413N2	68C-37
S1414N1	67 -25
S1414N1	68 -26
S1414N1	68A-37
S1414N1	68B-38
S1414N1	95B-28
S1414N1	116 - 6
S1414N1	117 - 6
S1414N1	117A- 6
S1414N1	117B-24
S1414N1	117C-17
S1414N1	134 -54
S1414N1	135 -19
S1415-1	1 -31
S1416-1	68D- 2
S1426-1	50 - 7
S1426-1	50 - 9
S1430-1	53 -19
S1432N1	67 -73
S1432N1	68 -74
S1432N1	68A-32
S1432N1	101 - 2
S1432N1	102 - 2
S1433-1	124 - 8
S1433-2	72 -38
S1438-2	92 -28
S1438-2	120A-41
S1438-2	120B-37
S1438-2	120C-38
S1438-2	121 -56
S1438-2	122 -54
S1441-1	1 -32
S1441-1	35B- 7
S1441-2	1 -32
S1441-2-5.56	88 -35
S1441-2-5.56	88A-17
S1441-3	1 -32
S1443-3	12 -21
S1450-3-10-032	13 - 6C
S1450-3-10-032	74 -15A
S1450-3-10-032	74 -27A
S1450-3-10-032	74 -67
S1450-3-10-032	74 -75
S1450-3-10-032	74 -85
S1450-3-10-032	75 -21A
S1450-3-10-032	76 -39
S1450-3-10-032	76 -42
S1450-3-10-32	76 -89
S1450-5A24-040	88A-20E
S1450-5H14-040	123B-12
S1450-5H14-063	123B- 3
S1450-6-14-080	121 -41
S1450-6-14-080	122 -40
S1450-6-14-080	123B-10
S147	125 -16
S147	125B- 8
S1470N2	67 -72
S1470N3	67 -72
S1470N3	102 - 1
S1470N6	67 -72
S1470N6	68A-31
S1470N6	68B-27
S1470N6	102 - 1
S1471N2	68 -72
S1471N2	68A-31
S1471N2	101 - 1

PART NUMBER	FIGURE AND INDEX NO.
S1471N9	68A-31
S1471N9	68B-27
S1471N9	101 - 1
S1472N1	117A-35
S1473N1	117A-35
S1476N1	117A-33
S1483-1	50 -208
S1483-2	49 -308
S1485D12U	76 -55
S1485D12U	77 -15
S1485D12U	77 -59
S1485D12U	136 -18
S1485D14L	77 -45
S1485D14L	77 -64
S1485D14U	77 -70
S1485D16L	76 -61
S1485D16U	76 -55
S1485D16U	77 -64
S1485D17U	88A-47
S1485D20L	76 -61
S1485D20L	77 -45
S1485D4L	126 -76
S1485D4U	68 -17
S1485D4U	68 -27
S1485D4U	68A-40
S1485D4U	68B-42
S1485D4U	68C-43
S1485D4U	70 -18
S1485D4U	89 -14A
S1485D5U	119 -21
S1485D5U	120A-22
S1485D5U	120B-29
S1485D6U	103 - 9
S1485D6U	104 - 7
S1485D6U	105 - 7
S1485D6U	106 - 5
S1485D8U	70 -18
S1485D9U	46B-59
S1486DG12U	136 -19
S1486DG2U	68A-48
S1486DG2U	68B-49
S1486DG2U	68C-45
S1486DG3U	74 -58
S1486DG5L	74 -35
S1486DG5U	75 -27
S1486DG5U	120A-30
S1486DG5U	120B-22
S1486DG5U	120C-25
S1486DG5U	121 -21
S1486DG6L	116 -34
S1486DG6L	117 -32
S1486DG7U	121 -18
S1486DG7U	122 -20
S1486DG8L	114 -33
S1486DG8L	117A-31
S1486DG8U	122 -22
S1486DG8U	13 -18
S1486DG8U	13 -18
S1487-4	76 -51
S1489-2	120A-20
S1489-2	120B-26
S1494-16	117E-32
S1494-6	95A- 6
S1494-6	95B- 8
S1494-6	95B-36
S1494-6	117E-27
S1494-7	95B-18
S1494-8	102B- 3
S1494-9	95B-47
S1495-10	1 -33
S1495-10	94A-42A
S1495-10	117A-18
S1495-10	117A-38
S1495-10	117E-31

PART NUMBER	FIGURE AND INDEX NO.
S1495-3	40 -12A
S1495-3	40A-12A
S1495-4	1 -33
S1495-4	95B-16
S1495-4	95B-17
S1495-4	114 -13
S1495-4	117A-26
S1495-4	117B-23
S1495-4	117B-25
S1495-4	117B-30
S1495-4	117B-31
S1495-4	117B-34
S1495-4	117B-35
S1495-4	117B-41
S1495-4	117B-42
S1495-4	117C-12
S1495-4	117C-14
S1495-4	117E-19
S1495-4	117E-22
S1495-6	1 -33
S1495-6	46B-50
S1495-6	76 -63
S1495-6	95B-48
S1495-6	95B-49
S1495-6	95B-55
S1495-6	95B-56
S1495-6	104 -12
S1495-6	105 -11
S1495-6	117A-23
S1495-6	117B-14
S1495-6	117B-21
S1495-6	117B-27
S1495-6	117B-28
S1495-6	117B-32
S1495-6	117B-33
S1495-6	117B-36
S1495-6	117B-37
S1495-6	117B-40
S1495-6	117B-44
S1495-6	117B-45
S1495-6	117B-46
S1495-6	117C- 5
S1495-6	117C- 5A
S1495-6	117C- 5A
S1495-6	117C- 6
S1495-6	117C- 9
S1495-6	117D- 6
S1495-6	117D-22
S1495-6	117E- 7
S1495-6	117E-10
S1495-6	117E-25
S1495-6	117E-26
S1495-6	116 -18
S1495-6	116 -21
S1495-6	117 -22
S1495-6	117 -40
S1495-8	1 -33
S1495-8	13 - 6D
S1495-8	13 -15
S1495-8	117A- 8
S1495-8	117A-12
S1495-8	117A-15
S1495-8	117A-21
S1495-8	117D- 9
S1495-8	117D-13
S1495-8	117D-18
S1496-6A	117D- 5
S1497-4	95B-26
S1497-4	114 -13
S1497-4	117B-51
S1497-4	117C-25
S1497-4	117E-20
S1497-6	95B-50
S1497-6	116 -18

PART NUMBER	FIGURE AND INDEX NO.
S1497-6	116 -21
S1497-6	117 -22
S1497-6	117 -40
S1497-6	117B-50
S1497-6	117C-24
S1497-6	117D-23
S1497-6	117E- 6
S1500	2 -51
S1500	2A-31
S1500	2B-51
S1500	2C-41
S1501-1	123A- 9
S1505-3	123B-16
S1517-2	74 -62
S1517-2	75 -45
S1517-4	74 -62
S1517-4	75 -45
S1517-4	126 -78
S1517-4	120A-19
S1520-1	120B-66
S1520-1	120C-68
S1526-1	120A-19
S1529-1	120A- 9
S1529-1	120B-36
S1529-1	120C-58
S1551-1	63B-17
S1554-1	63B-22
S1572-1	87 - 1
S1573-3	110A- 3
S1579-1	121 - 9
S1579-1	122 -10
S1579-2	121 - 9
S1579-2	122 -10
S1588-1	13 -31
S1590-4A	76 -56
S1590-4A	117D-21
S1592-1A	120A-27
S1592-1A	120A-29
S1592-1A	120B-22
S1592-1A	120B-33
S1592-1A	120C-25
S1592-1A	120C-34
S1592-1A	124 -15
S1592-1B	46B-28
S1592-2A	95A- 5
S1592-2A	104 -55
S1592-2A	106 -18A
S1592-2A	134 -69
S1592-2A	135 -62
S1592-3A	135 -50
S1592-3B	121 -20
S1592-4A	135 -48
S1596-60	68D- 6
S1596-60L	68E- 8
S1597-1-30.8	76A-13
S1597-1-30.8	77B-14
S1597-1-30.8	121 -46
S1597-1-30.8	122 -43
S1597-1-30.8	123B-14
S1597-1-31.2	76A-13
S1597-1-31.2	77B-14
S1597-1-31.2	121 -46
S1597-1-31.2	122 -43
S1600	2 -51
S1600	2A-31
S1600	2B-51
S1600	2C-41
S1605-3	67 -15
S1605-3	68 -17
S1605-3	68A-40
S1605-3	68B-42
S1605-3	68C-43
S1611-1	1 -34
S1613-3-75	92 -40

PART NUMBER	FIGURE AND INDEX NO.
S1613-3-75	95A- 4A
S1614	1 -45
S1616-6LL-	117B-43
S1616-6LL-	117B-47
S1616-6LL-10.00	117B-11
S1616-6LL-3.62	117B- 8
S161883	60 -52
S161883	63 -82
S1618D1	64 -16
S1618D3	60 -52
S1618D3	63 -82
S162082	65 -32
S162085	65 -31
S1620D2	65 -32
S1620D5	65 -31
S1620D5	65A- 8
S1635-1	1 -35
S1635-2	1 -35
S1635-3	1 -35
S1636-1	1 -36
S1636-2	1 -36
S1636-3	1 -36
S1637-1	1 -37
S1637-1	122 -46
S1637-2	1 -38
S1637-2	121 -48
S1637-2	122 -46
S1638-1	1 -39
S1638-1	121 -49
S1638-1	122 -47
S1638-1	124A- 8
S1638-1	124A-14
S1638-2	1 -40
S1638-2	121 -49
S1638-2	122 -47
S1638-2	124A-13
S1638-2	124A-18
S1638-2	124A-18
S1638-2	124A-25
S1640-12	1 -41
S1640-15	1 -41
S1640-6	1 -41
S1640-9	1 -41
S1640-9	121 -49
S1640-9	121 -49
S1640-9	122 -47
S1641-12	1 -42
S1641-15	1 -42
S1641-6	1 -42
S1641-9	1 -42
S1641-9	122 -47
S1644-3	76 -27
S1646-1	88 - 3
S1656-6	2A- 1
S1660-1	121 -50
S1660-1	121 -58
S1660-1	122 -48
S1660-1	122 -56
S1668-1	68A-62
S1668-1	68B-63
S1668-1	68C-67
S1673-1	121 -30
S1673-1	122 -31
S1674-1	92 -15
S1675-1	92 -16
S1693-2	68B-69
S1693-2	68C-48A
S1693-2	88A-50
S1693-2	121 -50
S1693-2	122 -48
S1710-1	90 -44
S1710-1	95A-16
S1711-1	113 -44
S1713-1	2B-26

PART NUMBER	FIGURE AND INDEX NO.
S1713-1	2C-26
S1714-1	2B-25
S1714-1	2C-25
S1721-12	120B-61
S1721-12	120C-63
S1721-16	120C-63
S1722-15	120C-54
S1723-5	120C-53
S1724-1	120B-60
S1724-1	120C-62
S1728-1	88A-36
S1746D1	64-16
S1746D2	61-54
S1746D36	65-32
S174608	65A-8
S1746W1	64A-14
S1746W2	61A-54
S1746W2	63C-96
S1746W27	65A-8
S1746W35	64A-19
S1746W36	65-32
S1746W5	65B-14
S1752-1	68B-62
S1752-1	106-45
S1752-1	118A-2
S1752-2	68B-55
S1760-1	68B-61
S1760-1	68C-64
S1760-1	68D-9
S1760-1	68D-10
S1760-1	89-28
S1760-1	95B-21
S1760-1	95B-43
S1760-1	101-31
S1760-1	102-28
S1760-3	68D-2
S1760-7	89-28
S1762-2	57-10
S1762-2	57-15
S1762-2	57-29
S1762-2	57A-5
S1776-1	28-41
S1776-3	28-41
S1780-8	88A-20A
S1791-1	68B-61
S1791-1	68C-64
S1791-1	95B-20
S1791-1	95B-42
S1793-1	95B-7
S1793-1	95B-40
S1793-2	95B-46
S1794-1	95A-6
S1794-1	95B-6
S1794-1	95B-35
S1794-1	95B-53
S18-30	94-5
S18-30	94A-6
S1800-1	95B-1A
S1800-1	95B-4
S1800-1	95B-5
S1800-1	95B-11
S1800-1	95B-12
S1800-1	95B-13
S1800-1	95B-14
S1800-1	95B-15
S1800-1	95B-19
S1800-1	95B-31A
S1800-1	95B-34
S1800-1	95B-39
S1800-1	95B-41
S1800-1	95B-44
S1800-1	95B-45
S1800-1	95B-51
S1800-1	95B-52

PART NUMBER	FIGURE AND INDEX NO.
S1800-1	95B-54
S1801-1	95B-25
S1802-2	95B-24
S1807-1	121-10B
S1807-1	121-30
S1807-1	121-50
S1807-1	122-11B
S1807-1	122-31
S1807-1	122-48
S1807-2	121-30
S1808-2	122-31
S1809-1	130-2
S1810-550	40A-15
S1810-800	40-15
S1819-3	14-12
S1822-1	94A-49A
S1831-1	123-8
S1831-1	123-31
S1834-1	88A-20B
S1853-1	129-8A
S1853-1	129-13
S1853-1	129-21
S1853-3	73-34
S1853-3	73A-38
S1853-4	73-64
S1853-4	73A-73
S1853-4	77-33
S1853-4	78-13
S1853-4	78A-13
S1853-4	129-8
S1853-4	129-24
S1860-2	12A-24
S1860-2A	8-32
S1860-2A	8A-7
S1860-2A	12A-17
S1860-2A	12A-19
S1860-2A	12A-20
S1860-2A	12A-23
S1860-2A	12A-25
S1860-2A	24-4
S1860-2A	35-41
S1860-2A	35A-9
S1862-2	33-35
S1862-2A	33-43
S1863-3	5-45
S1863-3	8A-4
S1863-3	30-10
S1863-3	33-31
S1863-3	35B-24
S1863-3	131-41
S1863-3	131-41
S1863-3A	19-35
S1874-1C	69A-10
S1876-1	67-43
S1876-1	68-42
S1876-1	123-17
S1876-1	123-38
S1876-1	123A-24
S1891-10	13-11
S1891-10	13-21
S1891-10	104-14
S1891-10	106-1
S1891-48	74-95
S1891-48	74-98
S1894-3	68A-47
S1894-3	68B-48
S1894-3	68C-53
S1895-1	69A-3
S1898-2	57A-12
S1899-6G	68C-66
S1908-7	3A-21
S1913-1	104-54
S1913-1	105-64
S1914-8	60-9

PART NUMBER	FIGURE AND INDEX NO.
S1914-8	60-35
S1914-8	61-10
S1914-8	61-37
S1914-8	61A-10
S1914-8	61A-36
S1914-8	63-9
S1914-8	63-73
S1914-8	63A-7
S1914-8	63B-20
S1914-8	63C-93
S1918-1	102-28
S1930-1	104-55
S1931-1	121-31
S1931-8	52-16
S1939-1	70-7A
S1948-2-1	1-51
S1948-2-10	1-51
S1948-2-11	1-51
S1948-2-12	1-51
S1948-2-13	1-51
S1948-2-14	1-51
S1948-2-15	1-51
S1948-2-16	1-51
S1948-2-17	1-51
S1948-2-18	1-51
S1948-2-19	1-51
S1948-2-2	1-51
S1948-2-20	1-51
S1948-2-3	1-51
S1948-2-4	1-51
S1948-2-5	1-51
S1948-2-6	1-51
S1948-2-7	1-51
S1948-2-8	1-51
S1948-2-9	1-51
S1950-4	57A-19
S1957-2	60-46
S1957-2	61-53
S1957-2	61A-53
S1957-2	63-75
S1957-2	63A-29
S1957-2	63C-11
S1958-1	46B-56
S1959-1	94A-49A
S1959-2	94A-49A
S1964-3	77-72
S1974-1	68B-62
S1974-1	68C-65
S1974-1	106-45
S1974-1	118A-2
S1981-1	68E-6
S1981-1	68E-6A
S1981-1	68E-7
S1981-1	101-31
S1981-5	102A-7
S1982-1	68B-55
S1982-1	68C-59
S1985-1	94A-50A
S1985-1	94B-10
S1988-1	116-22
S1988-1	117-43
S1988-1	117D-3
S1988-1	136-24
S1991-1	121-30
S1991-1	122-31
S1994-1-1	68E-2
S2013-2	63C-34A
S2013-2	63C-66A
S2014-2	63C-34A
S2014-2	63C-66A
S202RB	1-16
S202RB	3-19
S202RB	3A-50
S202RB	17-39

PART NUMBER	FIGURE AND INDEX NO.
S202RB	18 -40
S202RB	19 -63
S202RB	19 -64
S202RB	35 -18
S202RB	58 -16
S202RB	77A- 6
S202RB	77A- 6
S202RB	77A- 6
S202RB	77A-11
S202RB	77A-13
S202RB	84 - 6
S202RB	84 -11
S202RB	85 -50
S202RB	129 -26
S202VW	1 -16
S202VW	35A-40
S2020-1	104 -91B
S2020-1	105 -49B
S2024-1	88 -33
S2024-1	88A-15
S2029-1	70 - 1
S2055-1-1	68E-17
S2070W103	63C-96
S2070W103	61A-54
S2070W103	63 -82
S2070W112	65A- 8
S2070W112	64A-19
S2070W110	65 -32
S2070W201	70 -25
S2070W204	70 -26
S2070W207	70 -25
S2071-1	102A- 9
S2074-1	70 -28
S2076-1	70 -31
S2077-5	68A-25
S2077-5	69 -36
S2081-1	70 -34
S2081-2	70 -35
S2092-3	1 -49
S2092-4	1 -50
S2093-1	94B-22
S2106-1	13A- 1
S2107-1	13A- 2
S2108-1	49 -35B
S2108-2	50 -33B
S2116-1	102A- 4
S2122-1	68E-14
S2122-2	68E-14
S2135-1	68B-68
S2135-1	68C-47
S2160-1	68E-16
S2160-1	101 -31
S2160-3	68E-15
S2160-3	113 -10
S2163-1	68C- 7
S2163-3	68C- 8
S2180-1	40A-48
S2195-2	49 -35A
S2195-2	50 -33A
S2209-2	121 -10B
S2209-2	121 -30
S2209-2	122 -11B
S2209-2	122 -31
S225-1	3A-18
S225-1	3A-19
S225-1	22 -20
S225-1	22 -21
S225-1	23 -21
S225-1	23 -23
S225-1	27 - 7
S225-1	126 -72
S225-1	127 -25
S225-1	128 -23
S225-1	131 -58

PART NUMBER	FIGURE AND INDEX NO.
S225-1	132 -59
S225-2	3A-12
S225-2	3A-13
S225-3	15 -36
S225-4	35A-10
S225-4F	3 -11
S225-4F	3 -11A
S225-4F	3 -12A
S225-4F	3 -11
S225-5	3 -12
S225-6	134 -73
S225-6	135 -66
S226-2	7 - 2
S226-2	8A-23
S226-2	8A-28
S226-2	11 -14
S226-2	11 -14A
S226-2	12A-23
S226-3	24 -28
S226-3	25 -21
S226-3	28 -49
S226-3	29 -31
S226-5	35 -40
S226-5	35A- 9
S226-5F	8 -10A
S226-5F	8 -11A
S226-5F	8 -32
S226-5F	12 - 7A
S226-5F	12 - 7B
S226-5F	12 -23
S226-5F	12 -24
S226-5F	12 -25
S226-5F	11 -12
S237	127 -24
S237-1	128 -22
S237-2	12A-21
S237-2	12A-22
S237-4	15 -34
S272-17	113A-21
S272-207	112 - 7
S272-211	112 -11
S272-220	112 -14
S29001032	88A-200
S2900832	3 -15A
S2900832	3A-43
S2900832	3A-46
S2900832	67 -82
S2900832	68 -82
S292-1	1 -17
S292-11	1 -17
S292-12	1 -17
S292-12	13 - 9
S292-14	1 -17
S292-14	125A- 8
S292-16	1 -17
S292-18	126A-14
S292-2	1 -17
S292-28	1 -17
S292-3	1 -17
S292-4	1 -17
S292-5	1 -17
S292-6	1 -17
S292-8	1 -17
S338-7	128 - 1
S339-2	128 - 1
S347-1	28 -41
S347-1	29 -33
S349	25 -23
S349	35 -42
S349	38 -33
S349	127 -23
S349	128 -21
S350	31 - 7
S350	119 -21

PART NUMBER	FIGURE AND INDEX NO.
S351	74 - 9
S351	75 -30
S352	34 - 2
S354-1	34 - 3
S354-2	108 - 9
S354-3	108 -10
S354-3	110 - 3
S354-5	34A- 9
S354-5	34A-16
S355	67 -56
S355	68 -55
S355-1	107 -28
S378-1	126A-15
S378-1L	90 -36
S378-1L	100 -25
S378-1L	100 -31
S378-1L	131 -17
S378-1L	132 -17
S378-2	96 -46
S378-2	97 -20
S378-2	97 -25
S378-2	97 -30
S378-2	97 -40
S378-3	131 -32
S378-3	131 -38
S378-3	132 -32
S378-3	132 -38
S378-3L	35 -10
S378-3L	95 -48
S378-3L	96 -15
S378-3L	96 -19
S378-3L	98 -22
S378-3L	99 -22
S378-4	94A-10
S378-4	95 -13
S378-4	95 -17
S378-4	95 -23
S378-4	95 -29
S378-4	95 -33
S378-4	95 -35
S378-4	97 -46
S378-4	98 -18
S378-4	98 -25
S378-4	99 -18
S378-4	99 -25
S378-5	98 -43
S378-5	99A- 4
S382-2	68 -88
S392-1	68 -90
S392-1	68D- 4
S392-1	68E- 5
S394	46 -35
S394	46A-21
S394	46A-32
S394	95 -42
S394	95 -64
S394	97 -35
S430-1	101 -40
S430-1	102 -36
S5A200	73 -15
S5A200	73A-18
S51-10	1 -15
S51-12	1 -15
S51-12	45 -19
S51-12	46 -19
S51-12	46A-20
S51-12	46B-22
S51-12	76 -22
S51-12	77 -13
S51-16	1 -15
S51-32	1 -15
S51-4	1 -15
S51-6	1 -15
S51-6	103 -15

PART NUMBER	FIGURE AND INDEX NO.
S51-8	1 -15
S51-8	116 - 8
S51-8	116 -12
S51-8	116 -15
S51-8	117 - 8
S51-8	117 -12
S51-8	117 -19
S51-8	136 - 6
S51-8	136 -10
S51-8	136 -13
S5508	121 -33
S5508	122 -44
S85	95A-21
TA732042	77 -64
TF10052	108 -23
TVA-1315	688-35
TVA-1315	68C-48A
WL98293-2-.190	129 - 8
WL98293-2-.200	129 -24
WL98293-3-.310	129 -34
WRM-10	124 - 5
WRM-15	124 - 3
WRM-20	124 - 8
WRM-25	124 - 4
WRM-30	124 - 6
WRM-39-12	124 - 8
WRM-44-12	124 - 7
W98292-1-.130	73 -47A
W98292-1-.130	73A-57
W98293-3-.320	77 -32
W98293-3-320	78 -13
W98293-3-320	78A-13
XH99608-F1099	57 -21
XH99608F1099	68A-71
XR6085	123 -45
X109488	114 -28
X26263	121 -55
X26263	122 -53
ZF604	120B-20
ZF604	120C-23
Z651-1	120A-16A
Z651-1	120B- 5
Z651-1	120C- 5
Z651-13	120A-16C
Z651-13	120B- 3
Z651-13	120C- 3
Z651-3	120A-16B
Z651-3	120B- 6
Z651-3	120C- 6
OR95-1.5	124A-26
0310196-12	91 - 7
0310196-15	59A-24
0310196-15	62 -56
0310196-2	59 -16
0310196-5	91 - 6
0310280	46 - 7
0310280	98 -36
0310332	100 -43
0310453	92 - 1
0310453	92 -24
0311018-10	67 -19
0311018-10	68 -21
0311018-11	77 -17
0311029-6	68 -18
0311056-4	68 -79
0311056-4	116 -36
0311056-4	117 -34
0311056-5	67 -79
0311056-5	68 -79
0311056-5	116 -36
0311056-5	117 -34
0311056-5	117A-33
0311057-1	68 -26
0311057-1	116 - 6

PART NUMBER	FIGURE AND INDEX NO.
0311057-1	117 - 6
0311057-2	134 -54
0311057-2	135 -19
0311058-4	67 -80
0311058-4	68 -80
0311058-4	116 -38
0311058-4	117 -36
0311058-4	117A-35
0311058-5	68 -80
0311058-5	116 -38
0311058-5	117 -36
0311070-1	106 -19
0311070-1	112 -
0311070-2	112 - 6
0311071	112 - 1
0311072	112 -10
0311073	112 - 4
0311075-1	112 -18
0311076	112 - 8
0311077	112 -13
0311079	112 -17
0311310	59 -18
0311310	59A-11
0311310	62 -57
0311319-1	24 -71
0311319-1	35B-18
0311319-2	52 -22
0311319-2	24 -72
0311319-2	35B-18
0311319-2	52 -23
0311516-4	22 -27
0311538-12	67 -27
0311538-12	68A-61
0311538-12	106 -45
0311538-12	118A- 1
0311596	59 -19
0311596	59A-13
0311596	62 -59
0311623-1	57 -23
0311623-1	57A-22
0311623-1	58 -18
0311644	59 -10
0311644	59A-18
0311644	62 -32
0312155-10	125 -13
0312155-10	125A- 6
0312155-10	125B- 5
0312155-3	125 - 8
0312155-3	125B- 4
0312155-4	125 -15
0312155-4	125B- 7
0312155-6	125 -14
0320105	13 -26
0322526-6	13 -22
0332136-6	19 -66
0341007-5	127 - 1
0341007-6	126 - 4
0341118	127 -15
0341118	128 -13
0341118-1	127 -15
0341118-1	128 -13
0400123-1	53 - 1
0400129-64	53 -24
0400135-1	2 -31A
0400135-1	7A-20A
0400213-6	2B-51
0400213-6	2C-41
0400213-6	70 -41
0405020-1	2B-41
0405020-1	2C-34
0411007-7	68 -74
0411007-7	101 - 2

PART NUMBER	FIGURE AND INDEX NO.
0411007-8	68 -74
0411007-8	101 - 2
0411009-6	68 -71
0411030-5	57 -10
0411030-5	57 -15
0411030-5	57 -29
0411030-5	57A- 6
0411030-5	58 - 4
0411030-6	57 -10
0411030-6	57 -15
0411030-6	57 -29
0411030-6	58 - 4
0411047	94 - 6
0411051	95 - 6
0411051-4	95 - 8
0411059-1	67 -52
0411059-1	68 -51
0411059-3	68A- 9
0411059-3	68B-10
0411069-1	68 -70
0411069-1	101 - 3
0411069-3	68 -70
0411086-17	128 -51
0411086-23	128 -51
0411129	30 - 5
0411185-7	49 -34
0411185-7	50 -32
0411221-3	94 - 1
0411224	67 -75
0411224	67 -77
0411224	68 -75
0411224	68 -77
0411232	95 -15
0411255	94 - 9
0411257	94 -12
0411257	94A-24
0411257	94A-43
0411263-5	91 -18
0411263-5	92 -15
0411263-6	91 -18
0411263-6	92 -15
0411264-5	91 -19
0411264-5	92 -16
0411264-6	91 -19
0411264-6	92 -16
0411265-1	76 -82
0411302-203	92 -18
0411306-10	92 -19
0411306-15	92 -18
0411306-16	92 -19
0411306-201	92 -18
0411306-202	92 -19
0411306-204	92 -19
0411306-205	91 -21
0411306-206	91 -22
0411306-5	91 -21
0411306-6	91 -22
0411306-9	92 -18
0411307	91 - 8
0411307	91 -36
0411307	92 - 6
0411307	92 -33
0411326-3	94 -15
0411342	29 -21
0411342	29 -22
0411369-2	92 - 2
0411369-2	92 -25
0411421-2	96 -18
0411447	24 -20
0411447	25 -13
0411489	95 -27
0411489	96 -20
0411491	100 -27
0411491-1	100 -21

PART NUMBER	FIGURE AND INDEX NO.
0411549	91 -15
0411549	92 -12
0411550	91 -14
0411550	92 -11
0411562	91 -25
0411562	92 -22
0411563	91 -38
0411563	92 -35
0411564	91 -32
0411564	92 -29
0411564-3	91 -33
0411564-3	92 -30
0411565	91 -24
0411565	92 -21
0411573-1	91 -39
0411573-1	92 -36
0411623-1	64 -10
0411623-1	64A- 8
0411680	24 - 3
0411680	26 - 7
0411680	26 -11
0411680	26 -12
0411718-5	24 - 2
0411778-2	91 - 4
0411778-2	91 -30
0411778-2	92 - 4
0411778-2	92 -27
0411778-3	92 - 4
0411778-4	92 -27
0411783	90 -45
0411783	97 -37
0411783-1	95A-18
0411803-7	76 -78
0411840	55 -18
0411840	56 -17
0411851	49 -24
0411880	95 - 3
0411881	95 - 4
0411897-3	68A-42
0411897-3	68A-48
0411897-3	68B-41
0411897-3	68B-49
0411897-3	68B-50
0411897-3	68C-46
0412007-1	121 - 7
0412007-1	122 - 8
0412146-1	36 - 6
0412147	36 - 9
0412148-1	36 -13
0412151-1	36 -10
0412151-1	36 -14
0412151-2	36 -15
0412151-3	36 -16
0412151-4	36 -11
0412151-5	36 - 7
0412467	35 -13
0412467	35A-44
0412470	36 -12
0412471-3	36 -17
0412496	30 - 9
0413028-10	102B- 7
0413028-4	102B- 8
0413028-5	102B- 7
0413028-8	102B- 8
0413028-9	102B- 8
0413126-7	67 -83
0413126-7	68 -83
0413131-3	67 - 6
0413131-3	68 - 8
0413138	123 -14
0413138	123 -39
0413140	123 -11
0413140-2	123 -13
0413140-5	123 -44

PART NUMBER	FIGURE AND INDEX NO.
0413141-1	123 -18
0413141-1	123 -26
0413142-3	123 -10
0413157	7 - 7
0413157	8 -22
0413163-11	88 -34
0413163-11	88A-16
0413163-16	88 -29
0413163-16	88A-11
0413163-17	88 -29
0413163-17	88A-11
0413163-18	88A-13
0413163-18	88 -31
0413163-203	88A- 9
0413163-204	88A- 9
0413163-205	88A- 9
0413163-206	88A- 9
0413163-25	88A- 9
0413163-25	88 -27
0413163-26	88A- 9
0413163-26	88 -27
0413163-27	88A-11
0413163-28	88A-11
0413163-5	88 -32
0413163-5	88A-14
0413163-7	88 -30
0413163-7	88A-12
0413181-2	24 -79
0413181-2	25 -26
0413195-5	51 -11
0413195-5	51A-26
0413203	88A-15
0413205-11	76A-12
0413205-11	77B-13
0413205-11	121 - 4
0413205-11	122 - 5
0413213-14	94A-45A
0413213-18	94A-45A
0413213-24	94A-45B
0413213-7	94 -22
0413213-7	94A-45
0413216	94 -24
0413216	94A-47
0413216-2	94A-47A
0413216-4	94 -25
0413216-4	94A-48
0413216-5	94A-49
0413216-6	94A-49A
0413228	88A-20
0413228	88A-20F
0413228	88 -38
0413235	57 -12A
0413235	57 -14
0413235	58 - 6A
0413235	58 - 8
0413235	123A- 3
0413235	127 -46
0413235	128 -43
0413247	13 -32
0413247	67 -53
0413247	68 -52
0413247	68A-12
0413247	68B-13
0413247	68C-16
0413279	36 - 5
0413317-1	49 -38
0413317-1	50 -34
0413322-4	129 - 8
0413323-3	52 - 8
0413323-5	49 -23
0413323-6	129 - 8
0413323-7	52 - 8
0413347-1	88A-20
0413347-1	88 -38

PART NUMBER	FIGURE AND INDEX NO.
0413372-5	94A-42
0413416-4	95A-22
0413483-1	102B- 1
0413484-15	57A- 7
0413484-16	57A- 7
0413484-16	123A- 1
0413484-3	57 -12
0413484-3	57A- 7
0413484-5	57 -12
0413484-5	57A- 7
0413484-5	123A- 1
0413485-1	102B- 7
0413485-2	102B- 7
0413517-15	70 -39
0413517-5	70 -42
0414029-1	53 -24
0422229-11	9 -18
0422229-11	10 -21
0422229-11	10A-22
0422229-3	9 -18
0422280	14 - 7
0422291	7 - 4
0422291	8 -19
0422291	8A- 5
0422292	6A-49
0422292	7 -12
0422292	7 -14
0422292	8 -28
0422292	8 -30
0422292	8A-13
0422292	8A-17
0422292	8A-21
0422344	127 -42
0422349	128 -40
0422356-1	95A-10
0422356-2	95A-10
0422357-1	95A-15
0422358-1	95A-14
0423007-1	3 -35
0423008-8	5 -45
0423008-8	6 -45
0423008-9	5 -45
0423008-9	6 -45
0423542-6	3 -21
0423564-1	3 -35
0423564-2	3 -35
0425134	106 -27
0431017-2	124A-11
0432134-4	131 -68
0432134-4	132 -68
0432138-2	100 -17
0432138-3	100 -30
0432138-4	131 -67
0432138-4	132 -67
0432138-5	131 -66
0432138-5	132 -66
0433006-7	39 - 5
0441016-13	44 - 1
0441016-24	44 - 1
0441023-2	40 - 4
0441023-2	40A- 4
0441023-2	41 - 4
0441115-3	40 - 4
0441115-3	127 -57
0441115-3	128 -52
0441115-3	41 - 4
0441115-4	41 - 4
0441119	40 -12
0441119	40A-12
0441119	41 -12
0441119	41 -43
0441139-5	40 -26
0441139-5	40A-41
0441139-5	41 -37

PART NUMBER	FIGURE AND INDEX NO.
0441139-6	40 -26
0441139-6	40A-41
0441139-6	41 -37
0441150-2	44 - 3
0441150-3	44 - 3
0441150-8	41 -39
0441150-8	44 - 2
0441150-9	41 -39
0441150-9	44 - 2
0441151	44 - 4
0441156-18	42 - 1
0441156-18	42C- 1
0442006-11	47 -35
0442006-11	48 -30
0450111	33 - 7
0450111	33 -49
0450191-1	74 -30
0450191-1	75 -24
0450277-10	84 -59
0450277-2	84 -56
0450277-2	85 -43
0450277-3	84 -55
0450277-3	85 -42
0450286	28 -43
0450311	104 -60
0450311	105 -35
0450311	105 -69
0450311	109 -14
0450311	110 -22
0450311-3	110A-19
0450311-4	75 -40
0450311-5	74 -18
0450311-5	75 -15
0450311-5	88 -22
0450311-5	88A- 7
0450311-5	89 -12
0450311-5	104 -37
0450311-5	120A-26
0450311-5	120B-31
0450311-5	120C-32
0450314	8 -23
0450314	88 -25
0450314	88A-21
0450314-1	8A- 9
0450314-1	88A-21
0500085-1	2 - 1
0500085-1	2A-14
0500085-2	2 -25
0500085-2	2A-15
0500091-5	2A-13
0500103-133	57 -33
0500103-133	57A- 2
0500103-133	58 -27
0500106-12	90 -11
0500106-121	106 -37
0500106-122	106 -38
0500106-13	90 -12
0500106-133	106 -41
0500106-14	90 - 5
0500106-144	114 -16
0500106-164	76 -21
0500106-164	77 -11
0500106-165	41 -11
0500106-166	41 -11
0500106-169	41 -42
0500106-170	77 -42
0500106-173	118 - 7
0500106-184	119 - 7
0500106-185	119 -13
0500106-196	77 -37
0500106-196	106 -43
0500106-197	77 -38
0500106-197	106 -44
0500106-202	75 -10

PART NUMBER	FIGURE AND INDEX NO.
0500106-202	106 -39
0500106-202	118A-16
0500106-205	106 -35
0500106-220	114 -17
0500106-221	116 -25
0500106-221	117 -23
0500106-246	74 -53
0500106-248	75 -43
0500106-250	77 -12
0500106-251	117 -14
0500106-251	136 -15
0500106-273	67 -18
0500106-273	68 -20
0500106-273	74 -53
0500106-273	75 -43
0500106-292	74 -55
0500106-292	113 - 2
0500106-292	114 - 2
0500106-299	119 -19
0500106-317	40 -11
0500106-317	40A-11
0500106-319	103 -34
0500106-320	103 -13
0500106-320	104 -10
0500106-320	106 -17
0500106-321	103 -20
0500106-321	104 -17
0500106-321	105 -15
0500106-321	106 -12
0500106-322	103 - 7
0500106-322	104 - 5
0500106-322	105 - 5
0500106-322	106 - 2
0500106-323	103 -33
0500106-324	103 -12
0500106-324	104 - 9
0500106-324	106 -18
0500106-325	103 -26
0500106-325	104 -23
0500106-325	105 -21
0500106-325	106 -13
0500106-326	103 - 6
0500106-326	104 - 4
0500106-326	105 - 4
0500106-326	106 - 3
0500106-327	103 -23
0500106-328	103 -19
0500106-329	103 -36
0500106-330	103 -38
0500106-331	103 -14
0500106-331	104 -11
0500106-332	103 -42
0500106-332	104 -29
0500106-332	105 -27
0500106-333	103 -29
0500106-334	107 -16
0500106-335	107 -14
0500106-336	107 -23
0500106-337	107 - 8
0500106-338	76 -20
0500106-339	116 -14
0500106-339	117A-14
0500106-340	103 -40
0500106-341	74 -56
0500106-343	76 -36
0500106-346	103 - 8
0500106-346	104 - 6
0500106-346	105 - 6
0500106-346	106 - 4
0500106-347	113 -16
0500106-348	113 -31
0500106-349	113 -32
0500106-35	90 - 4
0500106-353	103 -23

PART NUMBER	FIGURE AND INDEX NO.
0500106-353	104 -20
0500106-353	105 -18
0500106-354	103 -19
0500106-354	104 -16
0500106-354	105 -14
0500106-357	103 -29
0500106-358	106 -11
0500106-359	106 -10
0500106-360	126 -74
0500106-361	104 -32
0500106-361	105 -30
0500106-362	104 -27
0500106-363	104 -26
0500106-99	106 -34
0500118-114	74 -53
0500118-114	75 -43
0500118-96	67 -18
0500118-96	68 -20
0500118-96	74 -53
0500118-96	75 -43
0500125-1	2 -29B
0500125-1	2 -32
0500125-1	2A-16B
0500125-1	2A-21
0500125-1	94 -25
0500125-11	2 -33
0500125-11	94 -25
0500125-44	2 -32A
0500125-44	2A-21A
0500125-8	2A-22
0500125-8	94 -25
0500130-1	125 -17
0500210-24	63 -16
0500210-26	63 -10
0500210-69	53 -20
0500248-1	2 -47
0500248-1	2A-20
0500315-1	110A-26
0500315-2	110A-25
0505005-1	28-16
0505005-1	2C-13
0505005-1	101 -38
0505005-1	102 -34
0505009-2	28- 8
0505009-2	2C-14
0505009-2	86 - 9
0505009-3	28-46
0505009-3	2C-35
0505020-2	28-24
0505020-2	2C-15
0505020-2	68B-66
0510010-11	133 - 7
0510010-12	133 -11
0510010-15	133 -19
0510010-16	133 - 8
0510010-18	133 - 1
0510010-19	133 -27
0510010-2	133 -13
0510010-21	133 -28
0510010-3	133 - 5
0510010-30	133 -16
0510010-31	133 - 6
0510010-32	133 - 4
0510010-4	133 -12
0510010-5	133 -20
0510010-6	133 -21
0510010-7	133 -22
0510105-113	95 - 2
0510105-116	95 - 1
0510105-121	97 -12
0510105-122	97 -16
0510105-124	96 - 8
0510105-125	96 - 9
0510105-128	100 -22

PART NUMBER	FIGURE AND INDEX NO.
0510105-129	100 -23
0510105-13	95 - 2
0510105-131	131 -65
0510105-131	132 -65
0510105-132	131 -64
0510105-132	132 -64
0510105-151	98 - 1
0510105-151	99 - 1
0510105-152	98 -11
0510105-152	99 -11
0510105-153	45 - 6
0510105-153	99 -37
0510105-159	97 - 1
0510105-16	99 - 1
0510105-160	97 - 2
0510105-161	97 -10
0510105-162	97 -11
0510105-163	97 - 6
0510105-164	97 - 7
0510105-167	131 -63
0510105-167	132 -63
0510105-168	131 -63
0510105-168	132 -63
0510105-171	98 - 2
0510105-171	99 - 1
0510105-171	99 - 2
0510105-173	98 -40
0510105-173	99A- 1
0510105-182	96 -38
0510105-196	45 - 6
0510105-196	98 -37
0510105-199	46 - 6
0510105-199	46A- 6
0510105-199	46B- 6
0510105-199	98 -37
0510105-21	97 -12
0510105-213	94A-32
0510105-214	94A-38
0510105-215	94A-37
0510105-216	94A-41
0510105-22	97 -16
0510105-222	95 - 1
0510105-225	97 - 1
0510105-226	97 -11
0510105-227	97 -10
0510105-232	90 -28A
0510105-237	98 - 2
0510105-237	99 - 2
0510105-24	96 - 8
0510105-25	96 - 9
0510105-28	100 -22
0510105-28	131 -62
0510105-28	132 -62
0510105-29	100 -23
0510105-313	94A-32
0510105-314	94A-38
0510105-315	94A-37
0510105-316	94A-41
0510105-322	95 - 1
0510105-323	45 - 6
0510105-323	46B- 6
0510105-323	98 -37
0510105-323	99 -37
0510105-325	97 - 1
0510105-326	97 -11
0510105-327	97 -10
0510105-334	126A-17
0510105-337	98 - 2
0510105-337	99 - 2
0510105-51	98 - 1
0510105-51	99 - 1
0510105-52	98 -11
0510105-52	99 -11
0510105-59	97 - 1

PART NUMBER	FIGURE AND INDEX NO.
0510105-60	97 - 2
0510105-61	97 -10
0510105-62	97 -11
0510105-63	97 - 6
0510105-64	97 - 7
0510105-70	90 -28
0510105-71	98 - 2
0510105-71	99 - 1
0510105-71	99 - 2
0510105-73	98 -40
0510105-73	99A- 1
0510105-82	96 -38
0510110	30 -71
0510110	30 -85
0510111-10	96 -35
0510112	30 -83
0510112-1	30 -84
0510113-19	28 -21A
0510113-21	28 -21
0510113-23	28 -21
0510113-25	2A -21
0510113-26	28 -21A
0510114-50	23 -11
0510114-51	23 -12
0510128	28 -53
0510128	29 -21
0510128	29 -22
0510128-1	28 -53
0510129-3	22 -12
0510129-3	23 -13
0510129-4	22 -12
0510129-5	22 -12
0510135	28 -24
0510135	29 -23
0510136	95 -19
0510137	95 -20
0510139	29 -24
0510146	38 -10
0510146-9	38 -14
0510159	96 - 1
0510161	96 - 4
0510163	30 -39
0510163-1	30 -39
0510164	35 -14
0510164	35A-43
0510166-4	97 -53
0510166-5	97 -53
0510167	97 -59
0510169-3	97 -60
0510171-1	97 -68
0510172-3	97 -63
0510172-4	97 -64
0510173	97 -65
0510174	24 -30
0510174	25 -22
0510176	97 -62
0510177	97 -61
0510178-1	97 -55
0510181	97 -70
0510181-1	97 -71
0510183-1	22 -11
0510183-10	22 -11
0510183-2	22 -10
0510183-3	22 -11
0510183-4	22 -10
0510183-5	22 -10
0510183-6	22 -11
0510183-9	22 -10
0510184	97 -72
0510188	2 - 9
0510188	28-23
0510188	97 -67A
0510190	133 -25
0510191	2 -11

PART NUMBER	FIGURE AND INDEX NO.
0510191	2A- 9
0510191	97 -58
0510203-1	97 -61
0510205-5	59 -24
0510205-5	60 -56
0510205-5	61 -58
0510205-5	61A-58
0510205-5	63 -86
0510205-5	63C-99A
0510205-6	59 -28
0510205-6	60 -56
0510205-6	61 -58
0510205-6	61A-58
0510205-6	63 -86
0510205-6	63C-99A
0511000-11	25 -18
0511000-14	23 - 8
0511000-15	23 - 9
0511000-22	24 -13
0511000-22	25 - 7
0511000-23	24 -13
0511000-23	25 - 7
0511000-35	24 -27
0511000-35	25 -19
0511000-36	24 -17
0511000-36	25 -11
0511000-37	24 -17
0511000-37	25 -11
0511000-38	25 -20
0511000-41	23 - 7
0511000-41	27 - 1
0511000-43	24 - 7
0511000-43	25 - 4
0511000-44	24 - 8
0511000-44	25 - 5
0511000-6	24 -12
0511000-6	25 - 6
0511000-60	24 -31
0511000-60	25 -23
0511000-63	24 - 5
0511000-63	25 - 3
0511000-63	31 -11
0511000-64	23 -10
0511000-68	22 - 6
0511000-69	22 - 7
0511000-7	24 -12
0511000-7	25 - 6
0511000-70	22 - 8
0511000-73	24 -14
0511000-74	24 -14
0511000-8	24 -14
0511000-8	25 - 8
0511000-9	24 -14
0511000-9	25 - 8
0511001-131	53 - 5
0511001-133	57 -16
0511001-133	57A-10
0511001-133	58 - 9
0511001-186	53 - 8
0511035-5	68 -15
0511049	64 -11
0511049	64A- 7
0511049-1	64 -11
0511049-1	64A- 7
0511062-11	3 -13
0511062-12	3 -13
0511062-4	3 -13
0511062-5	3 -13
0511063	67 -37
0511063	68 -37
0511063	68D- 1
0511063	68E- 1
0511063	113 -10
0511063	114 - 6

PART NUMBER	FIGURE AND INDEX NO.
0511063-2	67 -37
0511063-2	680- 1
0511063-2	68E- 1
0511063-2	113 -10
0511063-2	114 - 6
0511116	25 - 9
0511116-1	25 -10
0511116-8	24 -16
0511116-9	24 -16
0511127	106 -25
0511130	57 -18
0511130	58 -11
0511130	57A-12
0511133	24 -57
0511133	26 -23
0511145	25 -51
0511145	35 -19
0511146	23 - 6
0511146	25 -52
0511149-1	35 - 3
0511150	24 -15
0511150	25 - 8
0511150-1	24 -15
0511150-1	25 - 8
0511157-17	106 -23
0511157-18	106 -22
0511157-20	106 -19
0511165	70 - 6
0511166	70 - 5
0511168	2A- 4
0511168	2C-16
0511168	55 -15
0511174-1	64 - 5
0511176	24 -45
0511176	25 -36
0511189-1	49 -43
0511189-1	50 -37
0511189-2	49 -39
0511189-2	50 -35
0511194-4	106 -24
0511195	106 -32
0511196-1	106 -33
0511198	106 -31
0511199-20	101 -39
0511199-20	102 -35
0511199-22	110 - 3
0511199-41	109 -19
0511199-41	110 -27
0511199-45	107 - 1
0511199-45	108 - 1
0511199-45	109 -
0511232-3	70 - 2
0511232-4	24 -56
0511232-4	25 -31
0511242-1	63A- 1
0511284-3	64 -13
0511284-3	64A- 6
0511284-4	64 -13
0511284-4	64A- 6
0511286	66 -21
0511290-3	25 -12
0511290-5	24 -19
0511290-6	24 -19
0511296-1	24 -87
0511296-2	24 -87
0511299-1	120 -27
0511301-18	59 -28
0511301-18	60 -56
0511301-18	61 -58
0511301-18	63 -86
0511301-19	59 -24
0511301-19	60 -56
0511301-19	61 -58
0511301-19	63 -86

PART NUMBER	FIGURE AND INDEX NO.
0511311-11	129 -43
0511311-12	128 -43
0511311-5	123A-16
0511312-1	23 -25
0511312-1	24 -36
0511463-1	49 -18
0511463-1	50 -18
0511475-1	55 - 6
0511475-1	56 - 2
0511475-2	55 - 7
0511475-7	55 - 6
0511475-8	55 - 7
0511482-1	123 -21
0511482-3	123 -27
0511482-5	123 -29
0511482-9	123 -21
0511483-1	24 -86
0511483-1	25 -55
0511483-2	123 -43
0511484-1	24 -85
0511484-1	25 -53
0511485-1	24 -87
0511485-1	25 -54
0511782-1	94A- 9
0511783-1	94A-12
0511784-1	94A-14
0511785-1	94A-25
0511786-1	94A-19
0511786-2	94A-22
0511787-1	94A-15
0511788-1	94A-26
0511789-1	94A-31
0512000-20	25 -28
0512000-66	26 -11
0512000-66	26 -12
0512006-1	13 -16
0512046-1	55 -17
0512107-12	27 - 4
0512107-12	131 -72
0512107-12	132 -74
0512107-28	27 - 5
0512107-30	27 - 6
0512107-30	132 -73
0512107-36	23 -14
0512107-39	27 - 1
0512107-39	126 -52
0512107-40	27 - 2
0512107-41	27 - 3
0512107-43	27 - 1
0512107-43	126 -52
0512107-44	27 - 2
0512107-45	27 - 3
0512113-7	24 -42
0512113-7	25 -35
0512121-6	35 - 4
0512122	32 - 5
0512122	32A- 5
0512123	3 - 6
0512123	3A- 6
0512124-13	32 -22
0512124-15	32 -36
0512124-15	32A-50
0512124-32	32 -37
0512124-39	32 -15
0512124-40	32 -14
0512124-41	24 -23
0512124-41	32 -
0512124-42	32 -22
0512124-42	32A-33
0512124-5	32 -24
0512124-52	24 -23
0512124-52	32A-
0512124-53	32A-15
0512124-54	32A-16

PART NUMBER	FIGURE AND INDEX NO.
0512124-7	32 -25
0512124-7	32 -25
0512124-7	32A-36
0512124-73	24 -23
0512124-73	32A-
0512124-74	32A-16
0512124-75	32A-15
0512124-79	32 -11
0512124-79	32A-12
0512124-80	32 -12
0512124-80	32A-13
0512128	32 -27
0512128	32A-38
0512129	32 -26
0512129	32A-37
0512132	32 -30
0512132-1	32 -31
0512132-19	32 -30
0512132-19	32A-41
0512132-21	32 -31
0512132-21	32A-44
0512132-22	32 -31
0512132-22	32A-44
0512132-4	32 -30
0512132-4	32A-41
0512132-5	32 -31
0512132-5	32A-44
0512133	32 -23
0512133	32A-34
0512134	32 -20
0512134	32A-30
0512134-1	32 -21
0512134-1	32A-31
0512135	97 -52
0512136	95 -47
0512137	32 -10
0512137	32A-10
0512138	95 -44
0512138	95 -67
0512138-1	46 -37
0512138-1	46A-34
0512138-2	46A-23
0512139-2	32 -19
0512139-2	32A-29
0512139-3	32 -19
0512139-3	32A-29
0512140	97 -49
0512146	22 -15
0512146	23 -16
0512146-1	22 -15
0512146-1	23 -16
0512148	35 - 5
0512149-1	22 -16
0512149-1	23 -17
0512149-2	22 -16
0512149-2	23 -17
0512152	32 -34
0512152	32A-49
0512160-2	35 - 7
0512160-2	35A-45
0512160-2	126 -70
0512166-1	58 -17
0512166-3	2A- 2
0512167-10	37 -10
0512167-17	37 -11
0512167-19	37 - 8
0512167-25	37 - 9
0512167-27	37 - 8
0512171-1	37 - 4
0513003-19	126 -42
0513003-19	127 -44
0513003-6	128 -41
0513006-101	30 -18
0513006-102	30 -29

PART NUMBER	FIGURE AND INDEX NO.
0513006-103	30 -58
0513006-104	30 -65
0513006-105	30 -57
0513006-11	30 -34
0513006-11	30 -78
0513006-134	30 -88
0513006-135	30 -40
0513006-138	30 -42
0513006-139	30 -57
0513006-140	30 -65
0513006-141	30 -59
0513006-142	28 - 7
0513006-142	30 -
0513006-143	30 -11
0513006-144	30 -22
0513006-151	30 -42
0513006-21	30 -23
0513006-22	30 -28
0513006-23	30 -67
0513006-24	30 -59
0513006-25	30 -20
0513006-26	30 -31
0513006-3	30 -12
0513006-34	30 -14
0513006-35	30 -25
0513006-38	30 -15
0513006-39	30 -26
0513006-40	30 -13
0513006-41	30 -24
0513006-42	30 -19
0513006-43	30 -30
0513006-44	30 -11
0513006-45	30 -22
0513006-46	30 -13
0513006-47	30 -24
0513006-61	30 -64
0513006-61	30 -75
0513006-62	30 -65
0513006-62	30 -75
0513006-8	30 -17
0513006-9	30 -66
0513013-12	57 -28
0513013-12	58 -23
0513013-12	57A-16
0513038-5	28 -28
0513039-7	68A-58
0513039-7	68B-55
0513039-7	68C-59
0513039-7	67 -31
0513039-7	68 -31
0513051-8	67 -43
0513051-8	68 -42
0513056-3	68A-18A
0513056-3	68B-18A
0513056-3	68C-20
0513112-1	28 -38
0513124-1	112 - 2
0513144-10	67 -22
0513144-10	68 -24
0513144-10	113 - 1
0513144-10	114 - 1
0513144-14	67 -23
0513144-14	68 -25
0513144-16	67 -20
0513144-16	68 -22
0513144-16	67 -21
0513144-2	68 -23
0513144-2	113 - 9
0513144-2	114 - 5
0513146-11	67 -75
0513146-11	68 -75
0513166-1	94 -23
0513166-3	94 -23
0513166-7	94A-46

PART NUMBER	FIGURE AND INDEX NO.
0513167-13	94 -19
0513167-13	94 -19
0513167-7	94 -19
0513167-7	94 -19
0513186-1	108 - 8
0513194-1	135 -84
0513208-1	123 - 3
0513208-1	123 -35
0513208-1	123 -55
0513220-11	2 -19
0513220-11	69 -16
0513220-12	2 -20
0513220-12	69 -16
0513220-13	2 -21
0513220-13	69 -16
0513220-14	2 -13
0513220-14	69 -16
0513220-14	2 -14
0513220-2	69 -16
0513220-2	2 -15
0513220-3	69 -16
0513220-3	2 -16
0513220-4	69 -16
0513220-4	2 -18
0513220-6	69 -16
0513220-6	2 -17
0513220-9	69 -16
0513220-9	89 -32
0513238-1	89 -31
0513309-1	68A-18
0513311-1	68B-18
0513311-1	68A-18A
0513311-2	68B-18A
0513311-2	68C-20
0513311-2	68B-18
0513311-7	68C-19
0513311-7	68A- 5
0513316-9	94 -19
0513332-204	94 -19
0513332-204	94A-43
0513332-205	89 -26A
0513345-4	53 -21
0513348-1	68A-14
0513351-1	68A-21
0513351-1	68B-15
0513351-1	68B-21
0513351-1	70 -22
0513385-3	89 -26A
0513386-1	57A- 9A
0513425-1	63C-21
0514017-1	63C-21
0514017-2	63C-20
0514017-3	63C- 8
0514018-1	63C- 8
0514018-15	63C-10
0514018-3	63C-40
0514024-1	63C-40
0514024-2	63C-40
0514026-11	63C-22
0514026-2	63C-43
0514026-4	63C-50
0514027-1	63C-67
0514027-2	63C-35
0514027-5	63C-67
0514027-6	63C-35
0514027-9	63C-35
0514028-10	63C-26
0514028-15	63C-26
0514028-16	63C-26
0514028-5	63C-47
0514028-5	63C-55
0514028-6	63C-46
0514029-1	63C-16
0514029-2	63C- 3
0514030-4	63C-23

PART NUMBER	FIGURE AND INDEX NO.
0514032-1	63C-57
0514033-1	63C-30
0514033-1	63C-62
0514034-1	63C-44
0514035-1	63C-41
0514035-2	63C-42
0514036-1	63C-28
0514037-1	63C-69
0514042-1	65B- 1
0514043-1	61A-51
0514047-1	63C-75
0514047-9	63C-75
0514048-1	61A-62
0514048-1	63 -89
0514048-1	63C-94
0514048-1	64A-30
0514048-9	61A-63
0514048-9	63 -92
0514048-9	63C-95
0514048-9	64A-31
0514055-1	61A-14
0514055-11	61A-14
0514055-3	61A-16
0514058-1	61A-19
0514060-5	63C-25
0514078-5	54 - 1
0514101-1	63C-19
0514101-2	63C-19
0515001-1	63C-
0515001-10	63C-18
0515001-20	63C-
0515001-200	63C- 1
0515001-201	63C-11
0515001-210	63C-11
0515001-25	63C-
0515001-26	63C-
0515001-38	63C-18
0515001-42	63C- 7
0515001-7	63C- 7
0515002-10	65B-13
0515002-2	65B-
0515002-3	65B-10
0515002-5	65B-12
0515002-9	65B-11
0515020-1	57 - 7
0515020-1	57A- 4
0515020-1	58 - 3
0517003-2	51A- 1
0517006-2	49 -42
0520005-3	50 -36B
0520005-3	3 -16
0520008	3A-44
0520008	3 -17
0520008	3A-48
0520008-1	3 -17
0520008-1	3A-48
0522101-1	3 -52
0522101-1	3A-16
0522629	14 - 3
0522629	15 - 3
0523003-40	11 - 8
0523003-40	11 -18
0523003-40	12 -16
0523003-40	12A-13
0523005-50	9 -22
0523005-50	10 -26
0523005-50	10A-28
0523005-51	9 -22
0523005-51	10 -26
0523005-51	10A-28
0523106-4	7 -24
0523106-4	8 -14
0523107	7 - 8
0523107	8 -24

PART NUMBER	FIGURE AND INDEX NO.	PART NUMBER	FIGURE AND INDEX NO.	PART NUMBER	FIGURE AND INDEX NO.
0523107-2	7 - 3	0523233-3	5 -32	0523406-3	10A-28
0523107-2	8 - 18	0523233-3	6 -32	0523407	4 -32
0523107-3	7 - 3	0523233-3	6A-29	0523407	5 -43
0523107-3	8 - 18	0523233-6	5 -30	0523407	6 -43
0523108	7 -10	0523233-6	6 -30	0523407	6A-35
0523108	7 -10	0523233-6	6A-27	0523407-1	4 -33
0523108	8 -26	0523233-7	5 -31	0523407-1	5 -43
0523108-3	7 -11	0523233-7	6 -31	0523407-1	6 -43
0523108-3	8 -27	0523233-7	6A-28	0523407-1	6A-36
0523110-2	7 -20	0523306	9 -11	0523408	4 -36
0523110-5	7 -19	0523306	10 -12	0523408	6A-45
0523111-2	7 -10	0523306	10A-13	0523409	9 -20
0523111-2	7 -13	0523307	16 - 4	0523409-1	9 -19
0523111-2	8 -29	0523307-2	16 - 4	0523409-1	10 -22
0523118-1	3 -20	0523308	9 - 5	0523409-1	10A-24
0523215	9 -28	0523308	10 - 6	0523409-2	10 -23
0523215	10 -32	0523308	10A- 6	0523409-2	10A-25
0523215-1	10A-34	0523309	9 - 2	0523509-2	5 -17
0523215-1	9 -28	0523309	10 - 2	0523510	4 -16
0523215-1	10 -32	0523309	10A- 2	0523510-1	4 -16
0523216	10A-34	0523309-1	9 - 2	0523510-6	4 -16
0523216	9 -27	0523309-1	10 - 2	0523510-6	5 -18
0523216	10 -31	0523309-1	10A- 2	0523510-6	6 -18
0523216	10A-33	0523315	9 - 6	0523510-7	4 -16
0523218	14 - 9	0523315	10 - 7	0523510-7	5 -18
0523218	95 -59	0523315	10A- 7	0523510-7	6 -18
0523219-2	4 -37	0523315-1	9 - 6	0523511-21	5 -19
0523219-2	5 -38	0523315-1	10 - 7	0523511-21	6 -19
0523219-2	6 -38	0523315-1	10A- 7	0523511-4	4 -30
0523219-2	6A-37	0523316	9 - 9	0523511-4	5 -34
0523219-3	4 -37	0523316-1	9 - 9	0523511-4	6 -34
0523219-3	5 -38	0523321-3	9 -10	0523511-4	6A-31
0523219-3	6 -38	0523321-4	9 -10	0523511-6	4 -18
0523219-3	6A-37	0523400-111	10 -20	0523511-6	5 -20
0523219-4	4 -37	0523400-111	10A-21	0523511-6	6 -20
0523219-4	5 -38	0523400-112	10 -20	0523511-6	6A-17
0523219-4	6 -38	0523400-112	10A-21	0523511-7	4 -17
0523219-5	4 -37	0523400-20	9 -21	0523511-8	5 -19
0523219-5	5 -38	0523400-20	10 -24	0523511-8	6 -19
0523219-5	6 -38	0523400-20	10A-26	0523512-3	4 -19
0523219-6	6A-37	0523400-21	9 -21	0523512-4	4 -31
0523219-7	6A-37	0523400-21	10 -24	0523512-4	5 -35
0523221	14 - 4	0523400-21	10A-26	0523512-4	6 -35
0523222	14 - 5	0523400-52	9 -17	0523512-4	6A-32
0523223	14 - 1	0523400-53	9 -17	0523512-5	7 -22
0523223	95 -58	0523400-54	9 -16	0523512-7	5 -21
0523223-1	14 - 1	0523400-55	9 -16	0523512-7	6 -21
0523223-1	95 -58	0523400-58	10 -25	0523513-10	4 -20
0523230	4 -29	0523400-59	10 -25	0523513-3	4 -20
0523230	5 -33	0523400-60	10 -20	0523513-4	7 -23
0523230	6 -33	0523400-61	10 -20	0523513-6	4 -20
0523230	6A-30	0523400-72	10 -20	0523513-7	5 -22
0523230-1	4 -29	0523400-73	10 -20	0523513-7	6 -22
0523230-1	5 -33	0523400-78	10 -25	0523513-8	5 -22
0523230-1	6 -33	0523400-79	10 -25	0523513-8	6 -22
0523230-1	6A-30	0523400-80	10 -20	0523513-9	4 -20
0523230-4	5 -33	0523400-81	10 -20	0523514-3	4 -21
0523230-4	6 -33	0523400-86	10 -25	0523514-4	7 -25
0523230-4	6A-30	0523400-87	10 -25	0523515-3	4 -22
0523230-5	5 -33	0523400-90	10 -20	0523515-4	7 -27
0523230-5	6 -33	0523400-91	10 -20	0523535	15 - 1
0523230-5	6A-30	0523400-96	10 -25	0523535	97 -75
05232304	4 -29	0523400-96	10A-27	0523535-1	15 - 1
05232305	4 -29	0523400-97	10 -25	0523535-1	97 -75
0523232	4 -24	0523400-97	10A-27	0523536	15 - 4
0523232	5 -28	0523406	9 -22	0523537	15 - 7
0523232	6 -28	0523406	10 -26	0523537	97 -76
0523232-2	5 -28	0523406-1	9 -22	0523541-43	11 - 5
0523232-2	6 -28	0523406-1	10 -26	0523541-43	12 - 3
0523232-2	6A-24	0523406-2	9 -22	0523541-43	12A- 2
0523233	4 -27	0523406-2	10 -26	0523541-44	11 - 5
0523233-2	4 -26	0523406-2	10A-28	0523541-44	12 - 3
0523233-20	6A-27	0523406-3	9 -22	0523541-44	12A- 2
0523233-3	4 -28	0523406-3	10 -26	0523541-45	11 - 7

PART NUMBER	FIGURE AND INDEX NO.
0523541-45	11 -20
0523541-45	12 - 4
0523541-45	12 - 9
0523541-45	12A- 3
0523541-45	12A- 6
0523541-46	11 - 6
0523541-46	11 -21
0523541-46	12 - 4
0523541-46	12 - 9
0523541-46	12A- 3
0523541-46	12A- 6
0523541-47	11 - 6
0523541-47	11 -21
0523541-47	12 - 5
0523541-47	12 -10
0523541-47	12A- 4
0523541-48	11 - 7
0523541-48	11 -20
0523541-48	12 - 5
0523541-48	12 -10
0523541-48	12A- 7
0523541-49	11 -19
0523541-49	12 -11
0523541-49	12A- 8
0523541-50	11 -19
0523541-50	12 -11
0523541-50	12A- 8
0523541-51	12 - 3
0523541-51	12A- 2
0523541-51	12A- 2
0523541-52	12 - 3
0523541-52	12A- 2
0523541-53	12 - 4
0523541-53	12 - 9
0523541-53	12A- 3
0523541-53	12A- 6
0523541-54	12 - 4
0523541-54	12 - 9
0523541-54	12A- 3
0523541-54	12A- 6
0523541-55	12 -10
0523541-55	12A- 7
0523541-56	12 - 5
0523541-56	12A- 4
0523541-57	12 -11
0523541-57	12A- 8
0523541-58	12 -11
0523541-58	12A- 8
0523541-59	12 - 5
0523541-59	12A- 4
0523541-60	12 -10
0523541-60	12A- 7
0523541-61	8 - 1
0523541-62	8 - 2
0523541-63	8 - 3
0523542-1	7 -21
0523565-200-791	5 -46
0523565-200-791	6 -46
0523565-201-791	5 -46
0523565-201-791	6 -46
0523565-21	5 -48
0523565-21	6 -48
0523565-22	5 -48
0523565-22	6 -48
0523565-29-791	5 -46
0523565-29-791	6 -46
0523565-30-791	5 -46
0523565-30-791	6 -46
0523566-1	3 -45
0523566-2	3 -45
0523566-5	3 -45
0523566-6	3 -45
0523608-2	16 - 8
0523614-1	16 - 9
0523615-1	16 -11A

PART NUMBER	FIGURE AND INDEX NO.
0523616-1	16 -13A
0523700	5 -44
0523700	6 -44
0523701-4	4 -44
0523701-4	5 -44
0523701-4	6 -44
0523702-3	3 -37
0523702-4	3 -37
0523800-10	14 -25
0523800-11	14 -25
0523800-12	14 -26
0523800-13	14 -26
0523800-16	14 -13
0523800-17	14 -13
0523800-18	14 -13
0523800-19	14 -13
0523800-24	14 -13
0523800-25	14 -13
0523900-6	14 -23
0523900-7	14 -23
0523900-8	14 -24
0523900-9	14 -24
0523906	14 -14
0523906-1	14 -14
0523907	14 -31
0523908	14 -15
0523908-2	14 -15
0523909	14 -16
0523909-1	14 -16
0523910	14 -17
0523911	14 -18
0523911-1	14 -18
0523912-2	14 -19
0523912-3	14 -19
0523913-1	14 -27
0523913-2	9 -24
0523913-2	10 -28
0523913-2	10A-30
0523913-3	9 -23
0523913-3	10 -27
0523913-3	10A-29
0523913-4	9 -25
0523913-4	10 -29
0523913-4	10A-31
0523913-5	9 -26
0523913-5	10 -30
0523913-5	10A-32
0523913-6	14 -29
0523913-7	14 -30
0523913-8	14 -28
0523914-5	14 -21
0523914-7	14 -21
0523914-8	14 -21
0523901	15 -13
0523901-1	15 -13
0523901-13	15 -24
0523901-14	15 -25
0523901-2	15 -29
0523901-29	15 -38
0523901-3	15 -29
0523901-31	15 -13
0523901-32	15 -13
0523901-35	15 -13
0523901-36	15 -30
0523901-37	15 -38
0523901-38	15 -13
0523901-39	15 -30
0523901-4	15 -30
0523901-5	15 -30
0523901-6	15 -31
0523901-7	15 -31
0523911	15 -21
0523911-1	15 -21
0523912	15 -28

PART NUMBER	FIGURE AND INDEX NO.
0523912-1	15 -22
0523914	15 -26
0523918	15 -32
0523919	15 -17
0523920	15 -16
0523921	15 -15
0523922	15 -18
0523923	15 -23
0541103-16	41 -24
0541105	40 - 7
0541105	40A- 7
0541105	41 - 7
0541111-2	40 -26
0541111-2	40A-41
0541111-2	41 -37
0541115-2	70 - 9
0541115-3	70 - 8
0541115-4	70 -11
0541115-4	70 -12
0541116-2	44 - 7
0541116-25	44 -35
0541116-26	44 -35
0541116-27	44 -36
0541116-28	44 -36
0541116-3	44 - 7
0541124-1	41 -17
0541126	127 -16
0541126	128 -14
0541126-1	127 -16
0541126-1	128 -14
0541128	126 - 5
0541128	127 -10
0541128	128 - 9
0541129	126 - 7
0541129	127 - 3
0541129	128 - 3
0541137-11	127 -37
0541137-11	128 -35
0541138-16	91 -11
0541138-16	93 -
0541138-22	93 -
0541138-5	93 - 3
0541139	93 - 1
0541140	93 - 2
0541143	93 - 5
0541144	93 - 6
0541147-2	93 -10
0541148	93 -14
0541148-1	93 - 9
0541149	93 -15
0541151	93 -16
0541161-2	43 - 7
0541162-1	70 -23
0541183-9	43 -
0541184-2	93 -10
0541184-200	93 -10
054624-3	680- 5
054624-3	680- 8
0550100-6	104 -41
0550100-6	105 -39
0550100-6	114 -36
0550100-9	74 -34
0550100-9	74 -57
0550100-9	75 -26
0550100-9	76 -51
0550153-1	74 - 2
0550153-1	75 - 8
0550153-1	75 - 8
0550153-1	75 - 9
0550154-2	75 - 7
0550155	75 - 6
0550156	75 - 9
0550209-1	68A-42
0550209-1	68B-41

PART NUMBER	FIGURE AND INDEX NO.
0550209-1	68C-44
0550209-1	77 -53
0550227-2	81 -
0550227-4	81B-
0560006-1	94A-
0560006-1	95 -63
0700005-90	125 - 9
0700029-1	2A-12
0700030-1	119 - 5
0700030-1	120 - 5
0700030-2	119 - 6
0700030-2	120 - 6
0700030-3	119 -11
0700030-4	119 -10
0700030-5	119 -16
0700030-6	119 -26
0700030-7	119 -25
0700030-8	119 - 3
0700030-8	120 - 3
0700030-9	119 - 4
0700030-9	120 - 4
0700031-2	18 -44
0700031-2	124 - 9
0700036-2	67 -43
0700036-2	68 -42
0700039-PC2	125 -11
0700053-1	2A-12
0700058-1	53 - 3
0700061-1	2 - 2
0700061-2	2 - 3
0700061-2	2 -30
0700064-1	2 -12
0700064-1	69 -16
0700065-1	2 -22
0700065-1	94 -25
0700067-2	129 - 1
0700067-22	129 -27
0700067-23	129 - 9
0700067-24	129 -14
0700067-24	129 -25
0700067-25	129 - 9
0700067-26	129 - 9
0700067-27	129 -14
0700067-27	129 -25
0700067-28	129 -14
0700067-28	129 -25
0700067-29	129 - 9
0700067-3	129 - 6
0700067-30	129 -14
0700067-30	129 -25
0700067-31	129 -20
0700067-32	129 -20
0700067-33	129 -20
0700067-34	129 -20
0700067-35	129 -15
0700067-37	129 -24
0700067-38	129 -19
0700067-4	129 -10
0700067-41	129 -18
0700067-42	129 -23
0700067-43	129 - 1
0700067-45	129 - 6
0700067-51	129 -10
0700069-1	129 -29
0700072-3	129 -48
0700072-4	129 -48
0700072-5	129 -49
0700072-6	129 -50
0700072-7	129 -51
0700076-1	120 -12
0700076-2	120 -12
0700083-1	129 -27
0700085-PC2	125 -12
0700087-1	105 - 9

PART NUMBER	FIGURE AND INDEX NO.
0700087-10	104 -11
0700087-10	105 -10
0700087-12	106 -10
0700087-13	105 -50
0700087-14	105 -50A
0700087-15	104 -29A
0700087-15	105 -27A
0700087-16	104 -30B
0700087-16	105 -28B
0700087-18	74 -56
0700087-19	75 -43
0700097-2	105 -24
0700087-20	113 -16A
0700087-21	118A-14
0700087-22	118A-12
0700087-23	118A- 5
0700087-24	118A- 6
0700087-26	118A-11
0700087-27	118A-13
0700087-28	117A-37
0700087-29	106 -37
0700087-29	118A- 5
0700087-30	106 -38
0700087-30	118A- 6
0700087-4	105 -52
0700087-5	105 -53
0700087-7	108 -13
0700087-8	108 -22
0700087-9	106 - 1
0700092-KA2	121 -12A
0700092-KA2	122 -13A
0700092-PA1	121 -11
0700092-PA1	122 -12
0700092-PA4	121 -12
0700092-PA4	122 -13
0700092-PA6	121 -11
0700092-PA6	122 -12
0700092-PA8	121 -12
0700092-PA8	122 -13
0700092-PC11	121 -60
0700092-PC11	122 -58
0700092-PC3	125A- 7
0700092PC3	125B-10
0700092PC4	121 -50
0700092PC4	122 -48
0700099-82	106 -41
0700099-83	118 - 7
0700099-84	74 -56
0700100-192	57 - 5
0700100-34	56 -15
0700101-143	56 - 2
0700101-144	55 - 7
0700101-144	56 - 3
0700104-24	69 -32
0700104-25	69 -32
0700104-89	59A-10
0700105-10	# 64 - 9
0700105-11	# 64 - 4
0700105-2	59A- 9
0700105-20	59 - 5
0700105-20	59A- 6
0700105-201	56 - 1
0700105-202	57 -24
0700105-202	58 -19
0700105-203	56 -
0700105-204	58 -15
0700105-21	59 - 6
0700105-226	# 53 - 2
0700105-243	56 -
0700105-247	# 53 - 1
0700105-253	57 - 1
0700105-254	57 - 3
0700105-261	56 - 5
0700105-262	56 - 6

PART NUMBER	FIGURE AND INDEX NO.
0700105-265	58 -22
0700105-266	55 -17
0700105-266	56 -16
0700105-273	54 - 3
0700105-274	54 - 4
0700105-282	# 53 -18
0700105-317	53 - 9
0700105-321	53 -17
0700105-322	53 -16
0700105-323	53 -14
0700105-351	# 64 - 6
0700105-359	59 - 6
0700105-361	59 - 4
0700105-369	59 -
0700105-385	59A-
0700105-390	59A-
0700105-396	53 -23
0700105-397	59A- 7
0700105-397	62 -10
0700105-398	59A- 1
0700105-399	59A- 1
0700105-400	59A- 7
0700105-407	58 -26
0700105-407	# 57 -32
0700105-407	# 57A-13
0700105-408	59 -
0700105-413	59 - 4
0700105-414	59 - 6
0700105-415	59 - 5
0700105-416	59 - 6
0700105-417	# 64 - 9
0700105-418	57 -25
0700105-418	58 -20
0700105-419	57 -26
0700105-419	58 -21
0700105-423	24 -77
0700105-424	24 -77
0700105-425	59A- 7
0700105-425	62 -10
0700105-427	59A-
0700105-430	59A- 6
0700105-431	59A- 9
0700105-432	59A-
0700105-433	55 -15
0700105-451	59A- 1
0700105-452	59A- 1
0700105-453	59A- 7
0700105-455	57 - 2
0700105-456	57 - 4
0700105-457	# 64 - 9
0700105-462	# 64 - 6
0700105-463	57 -30
0700105-463	58 -24
0700105-464	57 -31
0700105-464	58 -25
0700105-465	# 64 - 4
0700105-478	# 53 - 9
0700105-479	58 -12
0700105-480	58 -13
0700106-1	59 -22
0700111-1	26 -14
0700111-2	26 -14
0700112-1	26 -13
0700112-2	26 -13
0700113-1	59A-35
0700113-1	60 -36
0700113-1	63C-73
0700114-10	# 54 - 4
0700114-11	58 - 1
0700114-11	# 57 - 2
0700114-12	58 - 2
0700114-12	# 57 - 4
0700114-13	57 -19
0700114-14	57 -20

PART NUMBER	FIGURE AND INDEX NO.
0700114-20	57 -27
0700114-20	57A-18
0700114-200	60 - 1
0700114-201	60 - 1
0700114-202	60 -14
0700114-203	60 -14
0700114-204	61 -16
0700114-205	61 -16
0700114-206	61 - 1
0700114-207	61 - 1
0700114-27	55 -15
0700114-27	56 -11
0700114-29	55 - 1
0700114-32	57 -20
0700114-33	57 -19
0700114-35	57 -21
0700114-35-273	57 -21
0700114-35-273	58 -14
0700114-35-434	57 -21
0700114-40	60 -
0700114-42	60 -15
0700114-42	61 -17
0700114-42	63 -16
0700114-42	63A-15
0700114-43	60 -
0700114-44	60 -10
0700114-44	61 -12
0700114-44	63 -10
0700114-44	63A- 8
0700114-45	60 -15
0700114-45	61 -17
0700114-46	60 -10
0700114-46	61 -12
0700114-47	57 -19
0700114-48	57 -20
0700114-49	55 - 1
0700114-50	55 - 4
0700114-51	55 - 5
0700114-53	55 -15
0700114-54	55 -15
0700114-54-434	55 -15
0700114-55	69A-10
0700114-56	57 - 4
0700114-59	57 - 2
0700114-61	55 - 1
0700114-62	53 - 2
0700114-63	61 -
0700114-64	61 -
0700114-7	55 - 5
0700114-8	55 - 4
0700114-9	54 - 3
0700120-1	124 -
0700122-1	70 -14
0700122-2	70 -14
0700123-14	77A- 9
0700123-2	77A- 9
0700123-4	77A- 5
0700123-7	77A- 5
0700123-9	77A- 9
0700126-1	64 - 5A
0700128-2	2A-18
0700143-1	2 -40
0700147-1	113 -16A
0700147-10	75 -43
0700147-11	104 -29A
0700147-11	105 -27A
0700147-12	104 -30B
0700147-12	105 -28B
0700147-13	104 -32
0700147-13	105 -30
0700147-14	75 -10
0700147-14	106 -39
0700147-14	118A-16
0700147-15	108 -14

PART NUMBER	FIGURE AND INDEX NO.
0700147-16	74 -48
0700147-16	76 -54
0700147-17	75 -10
0700147-17	106 -39
0700147-17	118A-16
0700147-18	113 -16B
0700147-19	90 - 4
0700147-2	117D-20
0700147-20	90 - 5
0700147-21	90 -11
0700147-22	90 -12
0700147-28	40 -11
0700147-28	40A-11
0700147-35	120A-35
0700147-35	120B-12
0700147-35	120C-12
0700147-36	120A-36
0700147-36	120B-13
0700147-36	120C-13
0700147-37	120A-28
0700147-37	120B-21
0700147-38	120A-12
0700147-38	120B-23
0700147-39	90 - 4
0700147-4	120A-35
0700147-4	120B-12
0700147-40	90 - 5
0700147-41	90 -11
0700147-42	90 -12
0700147-43	40 -11
0700147-44	75 -43
0700147-45	118A-16
0700147-45	113 -19A
0700147-46	74 -48
0700147-46	76 -54
0700147-47	75 -10
0700147-47	106 -39
0700147-47	118A-16
0700147-48	118A-13
0700147-49	118A-14
0700147-5	120A-36
0700147-5	120B-13
0700147-50	118A-12
0700147-51	106 -37
0700147-51	118A- 5
0700147-52	106 -38
0700147-52	118A- 6
0700147-53	118A-11
0700147-54	120C-24
0700147-55	120C-26
0700147-56	120C-53
0700147-59	13 - 60
0700147-6	120A-28
0700147-6	120B-21
0700147-7	120A-12
0700147-7	120B-23
0700147-8	77 -12
0700147-9	76 -20
0700148-1	123A-29
0700151-1	2A-24
0700152-1	2 -37
0700152-2	2 -37
0700153-1	2 -34
0700154-1	2A-23
0700162-1	68A-67
0700162-1	68B-31
0700162-1	68C-33
0700162-3	68A-66
0700162-3	68B-30
0700162-3	68C-32
0700162-4	68A-66
0700162-4	68B-30
0700162-4	68C-32
0700162-6	68A-66

PART NUMBER	FIGURE AND INDEX NO.
0700162-6	68B-30
0700162-6	68C-32
0700162-7	68A-66
0700162-7	68B-30
0700162-7	68C-32
0700164-6	130 - 1
0700166-1	2 -43
0700166-1	2A-27
0700166-1	2B- 5
0700166-1	2C- 5
0700166-1	49 -41
0700166-2	2 -43
0700166-2	2A-27
0700166-2	2B- 5
0700166-2	2C- 5
0700166-2	50 -36A
0700167-2	2 -44
0700167-2	68A-69
0700167-2	68B-43
0700167-3	2 - 4
0700173-1	2 -50
0700173-2	2A-30
0700174-1	2A-23B
0700175-1	2 -34B
0700189-2	68A-65
0700189-9	68B-29
0700189-9	68C-31
0700191-1	55 -15
0700191-2	55 -15
0700191-3	55 -15
0700193-16	28 - 8
0700193-16	68B- 1
0700193-2	68B-23
0700193-2	68B-23
0700195-1	68B-23
0700195-11	68B-23
0700195-12	68B-23
0700195-3	68B-23
0700195-4	68B-23
0700195-6	68B-23
0700195-8	68B-23
0700197-1	2 -34D
0700197-1	2A-23D
0700214-1	2B-31
0700214-1	2C-29
0700214-1	76 -18A
0700309-2	77 -49
0700309-2	84 - 2
0700309-5	84 - 5
0700313-25	86 - 6
0700313-64	86 - 7
0700313-74	86 - 7
0700318-2	76 -18
0700318-2	77 -48
0700318-2	84 - 7
0700318-3	84 - 9
0700318-4	84 - 8
0700318-7	77A-10
0700318-7	84 -10
0700318-8	77A-12
0700319-12	86 - 5
0700319-13	2 - 9A
0700319-13	2A-11
0700319-13	86 - 9
0700319-5	86 - 2
0700319-6	86 - 1
0700320-1	59 -36
0700320-1	59A-39
0700320-1	62 -13
0700320-1	64 -21
0700320-1	64A- 5
0700322-4	88 -10
0700322-4	88A-27
0700322-8	88A-44

PART NUMBER	FIGURE AND INDEX NO.	PART NUMBER	FIGURE AND INDEX NO.	PART NUMBER	FIGURE AND INDEX NO.
0700322-9	88A-28	0700721-1	2 -29	0710001-12	132 -48
0700325-2	88 - 7	0700739-1	2A-23A	0710001-13	131 -44
0700325-2	88A-24	0700740-1	2 -34A	0710001-13	132 -44
0700326-1	88 - 2	0700742-1	2 -32B	0710001-14	131 -39
0700327-1	88 - 1	0700742-1	2A-21B	0710001-14	132 -39
0700329-200	86 - 1	0700742-1	2B- 1	0710001-15	131 -45
0700329-5	86 - 2	0700742-1	2C- 3	0710001-15	132 -45
0700616-1	123 -51	0700745-1	2 -34C	0710001-16	131 - 4
0700616-2	123 -54	0700745-1	2A-23C	0710001-16	132 - 4
0700617-1	123 -60	0700748-1	2 -29B	0710001-17	131 - 6
0700626-1	88 -11	0700748-1	2A-16B	0710001-17	132 - 6
0700626-1	88A-30	0700750-1	2A-16A	0710001-19	131 -17
0700630-10	63 -	0700752-1	2 -29A	0710001-19	132 -17
0700630-11	63 -	0700756-1	69A-10	0710001-2	131 -20
0700630-12	63 -	0701028-2	102A- 1	0710001-2	132 -20
0700630-202	63 -14	0705004-1	2B-13	0710001-20	131 -31
0700630-203	63 -14	0705004-1	2C-10	0710001-20	132 -31
0700630-204	63 -14	0705004-1	97 -58	0710001-23	131 - 1
0700630-207	63 - 1	0705005-1	2B- 9	0710001-23	132 - 1
0700630-208	63 - 1	0705005-1	68B-43	0710001-25	131 - 5
0700630-224	63 - 1	0705005-2	2B- 9	0710001-25	132 - 5
0700630-225	63 - 1	0705006-1	2B-10	0710001-26	131 -34
0700630-226	63 - 1	0705006-1	2C-23	0710001-26	131 -36
0700630-41	63 -	0705006-2	2B-10	0710001-26	132 -34
0700630-42	63 -	0705006-2	2C-23	0710001-26	132 -36
0700630-47	63 -	0705014-1	2B-10A	0710001-3	131 - 7
0700630-48	63 -	0705014-1	2C-24	0710001-3	132 - 7
0700630-9	63 -	0705014-2	2B-10A	0710001-30	131 -53
0700631-5	63 -24	0705014-2	2C-24	0710001-30	132 -53
0700631-5	63 -24	0705015-1	2B- 2A	0710001-31	131 -54
0700631-6	63 -24	0705015-1	2C- 1A	0710001-31	132 -54
0700631-6	63 -24	0705015-2	2C- 2A	0710001-32	131 -57
0700633-1	63 -32	0705015-3	2B- 3A	0710001-32	132 -57
0700633-1	63B- 6	0705019-1	2B-28	0710001-34	131 -51
0700633-2	63 -31	0705019-2	2B-28	0710001-34	132 -51
0700633-2	63B- 4	0705019-3	2B-28	0710001-36	131 -60
0700633-4	63 -32	0705019-4	2B-28	0710001-36	132 -60
0700633-4	63B- 6	0705021-2	2B-16	0710001-4	131 -30
0700633-5	63C-53	0705021-2	2C-13	0710001-4	132 -30
0700634-1	63 -38	0705022-1	2B-30	0710001-42	131 -42
0700634-1	63B- 1	0705022-1	2C-28	0710001-42	132 -42
0700636-1	63 -80	0705023-1	2C-30	0710001-45	131 -46
0700638-1	63 -40	0705023-1	13 -42	0710001-45	132 -46
0700639-1	63 -29	0705023-2	2C-30	0710001-46	131 -19
0700639-2	63 -30	0705023-2	13 -43	0710001-46	131 -19A
0700639-2	63B-35	0705023-4	2B-32	0710001-46	131 -19A
0700639-3	63B-34	0705023-4	13 -42	0710001-46	131 -28
0700640-1	63 -25	0705023-5	2B-32	0710001-46	131 -33
0700640-2	63 -25	0705023-5	13 -44	0710001-46	132 -19
0700640-5	63 -26	0705023-6	2B-32	0710001-46	132 -28
0700640-6	63 -26	0705023-6	13 -43	0710001-46	132 -33
0700641-1	63 -27	0705023-7	2C-30	0710001-49	132 -69
0700641-2	63 -28	0705023-7	13 -44	0710001-5	131 - 9
0700641-3	63B-41	0705028-1	2B-47	0710001-5	132 - 9
0700641-4	63B-42	0705028-1	2C-37	0710001-50	131 -70
0700641-5	63 -27	0705028-1	94B-27	0710001-50	132 -70
0700642-1	63 -54	0705029-1	2B- 2B	0710001-51	131 -71
0700643-1	63 -56	0705029-2	2B- 3B	0710001-51	132 -71
0700644-1	63 -59	0705030-1	2B-35	0710001-52	132 -72
0700645-1	63 -65	0705030-2	2B-36	0710001-54	131 -11
0700645-1	63B-38	0705031-1	2B-37	0710001-54	132 -11
0700645-2	63 -66	0705032-1	2C-38	0710001-56	131 -73
0700645-2	63B-39	0705032-2	2B-50	0710001-57	131 -74
0700645-3	63 -67	0705033-1	2C-33	0710001-58	131 -75
0700645-3	63B-40	0705033-2	2B-42	0710001-59	131 -76
0700645-4	63 -68	0705034-1	2C-39	0710001-6	131 -10
0700645-4	63B-40	0705034-2	2B-49	0710001-6	132 -10
0700646-1	63 -19	0710001-1	131 -15	0710001-60	131 -77
0700646-2	63 -20	0710001-1	132 -15	0710001-61	131 -78
0700646-3	63A-18	0710001-10	131 -16	0710001-62	131 - 8
0700646-4	63A-19	0710001-10	132 -16	0710001-62	131 -21
0700692-1	8A-10	0710001-11	131 -49	0710001-62	132 - 8
0700719-1	63A-28	0710001-11	132 -49	0710001-62	132 -21
0700720-1	2A-16	0710001-12	131 -48	0710001-64	131 -69

PART NUMBER	FIGURE AND INDEX NO.
0710001-72	131 -44
0710001-73	131 -39
0710001-74	131 -77
0710001-8	131 -12
0710001-8	132 -12
0710003-10	24 -52
0710003-12	24 -47
0710003-16	22 - 5
0710003-16	23 - 4
0710003-18	22 - 4
0710003-18	23 - 5
0710003-19	24 -27A
0710003-3	24 -33
0710003-4	24 -33
0710003-40	24 -17A
0710003-40	24 -17B
0710003-41	24 -17A
0710003-41	24 -17B
0710003-5	24 -46
0710003-6	24 -46
0710003-7	24 -53
0710003-8	24 -53
0710003-9	24 -55
0710004-3	24 -59
0710005-1	24 -37
0710005-2	24 -38
0710006-1	24 -25
0710006-2	24 -25
0710006-4	24 -26
0710007-1	24 -48
0710007-3	24 -48
0710008-1	126 -15
0710008-3	24 -45
0710009-1	35 -15
0710009-1	35A-47
0710009-3	35A-47
0710010-10	126 -31
0710010-11	126 -37
0710010-15	126 -48
0710010-16	35A-58A
0710010-16	126 -39
0710010-17	126 -34
0710010-18	126 -34
0710010-22	126 -38
0710010-23	126 -48
0710010-3	126 -28
0710010-4	126 -28
0710010-5	126 -29
0710010-6	126 -29
0710010-7	126 -30
0710010-8	126 -30
0710010-9	126 -31
0710011-1	35 - 6
0710011-1	66 -14
0710013-5	88A-34
0710014-3	88A-42
0710014-4	88A-43
0710014-8	88A-39
0710015-13	88A-37
0710015-6	88A-41
0710020-14	25 -32
0710022-2	88A-39A
0710023-1	26 - 9
0710023-2	26 -10
0710024-1	26 - 8
0710024-1	26 - 8
0710024-2	26 - 8
0710024-3	26 - 8
0710025-1	25 -33
0710025-1	126 -27
0710025-1	127 -29
0710025-1	128 -27
0710025-2	25 -29
0710026-1	26 -16

PART NUMBER	FIGURE AND INDEX NO.
0710026-2	26 -16
0710026-3	26 -18
0710026-4	26 -18
0710026-5	26 -19
0710026-6	26 -19
0710031-1	24 -62
0710031-4	24 -62
0710031-4	35A-66
0710034-1	24 -32
0710103-2	123 - 7
0710103-3	123 -
0710103-5	123 - 2
0710104-1	24 -85
0710105-3	26 -22
0710105-4	26 -22
0710106-3	26 -24
0710106-4	26 -24
0710107-3	26 -25
0710107-4	26 -25
0710108-3	26 -15
0710109-1	22 -18
0710109-1	23 -19
0710109-2	22 -19
0710109-2	23 -20
0710110-1	26 -20
0710110-2	26 -20
0710111-1	26 -21
0710111-2	26 -21
0710112-1	26 -20
0710112-2	26 -20
0710113-3	26 -18
0710113-4	26 -18
0710113-5	26 -17
0710113-6	26 -17
0710302-1	59A-25
0710302-1	62 -66
0710304-2	59 -11
0710304-2	59A-20
0710306-1	59A-37
0710308-1	59A-28
0710308-1	62 -69
0710312-2	59A-33
0710312-2	60 -47
0710312-2	62 -21
0710312-2	63 -76
0710313-2	59A- 4
0710313-2	62 - 6
0710316-1	59 - 7
0710316-1	59A-15
0710317-1	59A-26
0710317-1	62 -68
0710639-2	46B-57
0710639-5	46B-32
0710641-1	120A-44
0710641-1	120B-40
0710641-1	120C-41
0710642-1	120A-38
0710642-1	120B-34
0710642-2	120C-35
0710643-1	120A-46
0710643-1	120B-42
0710643-1	120C-43
0710644-1	120A-45
0710644-1	120B-41
0710644-1	120C-42
0710645-1	120A-46
0710645-1	120B-43
0710645-1	120C-44
0710646-1	120A-47
0710646-1	120B-44
0710646-1	120C-45
0710647-1	120A-48
0710647-1	120B-45
0710647-1	120C-46

PART NUMBER	FIGURE AND INDEX NO.
0710648-1	120A-34
0710648-1	120B- 9
0710648-1	120C- 9
0710650-1	120A-17
0710650-1	120B-59
0710650-1	120C-60
0710650-1	120C-61
0710650-2	120A-10
0710650-2	120B-58
0710652-1	120A- 9
0710652-1	120B-57
0710652-1	120C-59
0710656-1	24 -19
0710656-2	24 -19
0711001-25	49 - 8
0711001-26	50 -10
0711001-29	49 -17
0711001-29	50 -17
0711001-35	49 -14
0711001-36	50 -14
0711001-43	49 -10
0711001-45	49 - 9
0711001-52	49 -15
0711001-52	50 -15
0711003	24 -34
0711003	25 -16
0711006-1	22 -23
0711006-1	23 -27
0711006-2	22 -24
0711006-2	23 -27
0711016-1	51 -28
0711016-1	51A- 4
0711017-1	51 -16
0711018-19	51 - 6
0711018-20	51 - 7
0711018-25	51 - 8
0711018-27	51 - 4
0711018-27	51 -29
0711018-32	51 -24
0711018-33	51 -24
0711018-36	51 -17
0711018-37	51 -17
0711019-1	51 -15
0711021-4	49 -31
0711021-4	50 -29
0711021-7	49 -36
0711021-7	50 -38
0711021-9	49 -33
0711021-9	50 -31
0711023-100	50 - 1
0711023-101	49 - 1
0711023-104	50 - 1
0711023-105	49 - 1
0711023-14	49 -19
0711023-14	50 -19
0711023-15	49 -20
0711023-15	50 -20
0711023-200	50 - 1
0711023-201	49 - 1
0711023-202	50 - 1
0711023-203	49 - 1
0711023-204	50 - 1
0711023-205	49 - 1
0711023-61	49 - 1
0711023-72	50 - 1
0711023-75	49 - 1
0711023-76	50 - 1
0711023-77	50 - 1
0711023-85	49 - 1
0711023-86	50 - 1
0711023-94	50 - 1
0711023-95	49 - 1
0711024-4	32 -16
0711027-1	49 -40

PART NUMBER	FIGURE AND INDEX NO.	PART NUMBER	FIGURE AND INDEX NO.	PART NUMBER	FIGURE AND INDEX NO.
0711027-1	50 -36	0711088-1	126 -20	0711101-7	24 -70
0711029-1	51 -10	0711088-2	126 -20	0711101-7	25 -46
0711029-2	51 -10	0711088-3	126 -20	0711101-8	24 -66
0711032-2	51 -21	0711088-4	126 -20	0711101-8	25 -42
0711033-1	49 -24A	0711089-1	126 -15	0711102	52 - 2
0711037-1	49 - 6	0711089-2	126 -15	0711111-1	52 - 9
0711037-10	49 - 7	0711090-1	24 -82	0711112-10	24 -40
0711037-11	50 - 8	0711090-7	24 -82	0711112-11	127 -52
0711037-2	50 - 6	0711091-3	24 -50	0711112-11	128 -48
0711037-3	49 - 7	0711091-4	24 -50	0711112-12	24 -44A
0711037-4	50 - 8	0711091-5	24 -49	0711112-14	24 -41
0711037-5	49 - 6	0711091-6	24 -49	0711112-3	24 -44A
0711037-6	50 - 6	0711093-1	49 -36	0711112-4	126 -19
0711038-1	49 - 6	0711093-1	50 -38	0711112-5	127 -52
0711038-1	49 - 7	0711094-11	65 - 1	0711112-5	128 -48
0711038-1	50 - 7	0711094-3	65 - 6	0711112-8	24 -41
0711038-1	50 - 9	0711094-4	65 - 1	0711112-8	126 -21
0711039-1	49 -12	0711094-5	65 - 7	0711112-9	24 -40
0711040-1	49 -11	0711095-1	126 -41	0711113-1	26 - 4
0711040-14	50 -11	0711096-1	126 -47	0711113-2	26 - 5
0711040-2	50 -11	0711096-2	126 -47	0711114-1	26 - 3
0711050-19	49 -24A	0711097-2	66 - 1	0711114-2	26 - 3
0711050-20	50 -22	0711097-21	65 -21	0711115-1	26 - 6
0711050-202	50 -22	0711097-21	66 -12	0711115-2	26 - 6
0711050-203	49 -24A	0711097-25	65 -21	0711116-1	24 -58
0711050-5	49 -28	0711097-28	65 -18	0711117-1	35 -17
0711050-6	50 -26	0711097-4	66 - 9	0711118-1	26 - 7
0711051-1	49 -26	0711097-4	65 -21	0711121-2	70 - 5
0711051-1	50 -24	0711097-5	65 -18	0711122-1	65 - 7
0711051-2	49 -26	0711098-2	65 -10	0711122-1	65A- 1
0711051-2	50 -24	0711098-2	65 -24	0711128-1	65 -14
0711053-1	24 -63	0711098-2	65A- 6	0711129-1	24 -83
0711054-2	24 -61	0711098-3	65 -28	0711129-2	65 - 4
0711059-1	126 -62	0711098-3	66 - 5	0711129-3	65 - 2
0711059-1	126 -66	0711098-4	65 -28	0711129-4	65 -15
0711059-1	126 -69	0711098-4	66 - 5	0711129-5	24 -82
0711059-1	127 -59	0711098-5	65 -28	0711131-3	24 -84
0711060-1	51 -14	0711098-6	65 -28	0711131-3	25 -47
0711061-1	49 -22	0711100-11	35 - 2	0711131-4	24 -84
0711061-1	51 -	0711100-12	35 - 1	0711131-4	25 -47
0711061-2	50 -22	0711100-14	35A-37	0711132-1	51 - 5
0711061-2	51 -	0711100-14	35B-28	0711132-2	51 - 5
0711062-1	51 - 2	0711100-15	35A-38	0711133-1	127 -46
0711062-2	51 - 2	0711100-16	35A-37	0711133-11	57 -12
0711063-1	51 - 9	0711100-17	35A-38	0711133-11	58 - 6
0711063-2	51 - 9	0711100-18	35A-38	0711133-11	123A-
0711063-2	51A-23	0711100-19	35A-37	0711133-2	57 -13
0711063-6	30 - 1	0711100-20	35A-37	0711133-2	58 - 7
0711066-1	58 -19	0711100-20	35B-28	0711133-2	127 -46
0711079-1	66 -13	0711100-20	35A-38	0711133-21	57 -12
0711079-1	57 -24	0711100-21	24 -74	0711133-21	58 - 6
0711079-1	57A-17	0711101-10	25 -39	0711133-21	123A-
0711079-1	57 -24	0711101-11	24 -75	0711133-22	58 - 7
0711079-6	57A-17	0711101-11	25 -40	0711133-22	57 -13
0711079-6	66 - 8	0711101-15	24 -68	0711133-23	57 -12
0711080-1	65 -17	0711101-15	25 -44	0711133-23	58 - 6
0711080-1	64A-24	0711101-16	24 -69	0711133-23	123A- 2
0711083-1	65 -33	0711101-16	25 -45	0711133-29	58 - 6
0711083-1	65 -33	0711101-17	24 -60	0711133-29	57 -12
0711083-1	65 -33	0711101-17	25 -49	0711133-32	57 -12
0711083-1	65A-13	0711101-20	126 -33A	0711133-32	123A- 1
0711083-1	65A-13	0711101-20	127 -33	0711133-39	57 -12
0711083-1	65B-17	0711101-20	128 -31	0711133-40	57 -13
0711083-1	66 -17	0711101-29	52 - 1	0711133-40	57A- 8
0711083-1	70 -24	0711101-32	25 -38	0711133-41	57 -12
0711084-15	24 -51	0711101-33	52 - 1	0711133-41	123A- 1
0711084-16	24 -51	0711101-4	24 -65	0711133-6	57 -12
0711085-1	55 - 2	0711101-4	25 -41	0711133-6	58 - 6
0711086-1	126 - 6	0711101-40	52 - 1	0711133-6	123A- 2
0711086-2	126 -22	0711101-42	24 -66	0711133-72	57A- 8
0711086-5	126 -22	0711101-43	24 -69	0711134-1	52 - 9
0711086-6	126 - 6	0711101-44	126 -33A	0711135-1	126 -78
0711087-1	126 -16	0711101-6	24 -67	0711138-1	126 -78
0711087-2	126 -16	0711101-6	25 -43	0711138-2	126 -78

PART NUMBER	FIGURE AND INDEX NO.
0711138-3	126 -78
0711138-4	126 -78
0711693-3	51A- 1
0711667-1	60 - 5
0711667-1	61 - 6
0711667-1	61A- 6
0711667-1	63 - 5
0711668-1	60 - 4
0711668-1	61 - 5
0711668-1	61A- 5
0711668-1	63 - 4
0711687-2	468-33
0711687-3	468-36
0711687-6	468-42
0711691-1	123A- 6
0711691-1	123A-11
0711693-1	22 - 6
0711693-2	22 - 8
0711693-3	22 - 7
0711693-4	22 - 7
0711693-4	22 - 8
0711693-5	22 - 6
0711693-6	22 - 7
0711693-6	22 - 8
0711696-1	32A-11
0711696-1	95 -72
0711696-2	95 -73
0711697-2	32 -24
0711697-2	32A-35
0711698-3	32A-26
0711698-4	32A-26
0711698-5	32A-28
0711699-1	32A-17
0711699-2	32A-17
0711702-16	# 65A- 2
0711702-20	# 65A- 3
0711702-29	# 65A- 2
0711702-5	# 65A- 7
0711702-6	# 65A- 7
0711702-7	# 65A- 4
0711702-8	# 65A- 4
0711704-1	35A-39
0711705-1	52 -12
0711709-1	52 -13
0711709-2	52 -14
0711710-5	22 -23
0711710-6	22 -24
0711786-1	24 -59
0711788-1	51A- 4
0711794-1	35A-43A
0711795-1	35A-47A
0711801-2	24 -44
0712000-13	35A-37
0712000-2	35 -39
0712000-2	35A- 1
0712000-31	35 -23
0712000-31	35A- 2
0712000-32	35 -32
0712000-32	35A- 3
0712000-34	35 -26
0712000-34	35A- 6
0712000-35	35 -35
0712000-35	35A- 7
0712000-36	35 -38
0712000-36	35A- 8
0712000-38	35 -36
0712000-38	35A- 4
0712000-7	38 -24
0712001-1	35 -52
0712001-1	35A-68
0712002-1	35 -51
0712002-1	35A-67
0712004-1	35 - 5
0712004-1	35A-42

PART NUMBER	FIGURE AND INDEX NO.
0712005-1	35 -20
0712005-1	35A-53
0712006-1	35 -30
0712006-1	35A-57
0712006-2	35 -30
0712006-2	35A-58
0712007-1	35 -24
0712007-1	35A-27
0712007-2	35 -37
0712007-2	35A-33
0712007-3	35 -37
0712007-3	35A-34
0712007-4	35 -25
0712007-4	35A-28
0712007-4	120B-79
0712007-4	120C-81
0712007-5	35 -33
0712007-5	35A-29
0712007-6	35 -34
0712007-6	35A-30
0712007-7	35 -34
0712007-7	35A-31
0712008-1	35 -48
0712008-1	35A-48
0712008-1	65B-15
0712008-1	66 -15
0712008-2	35A-48
0712008-2	65B-15
0712009-1	35 -49
0712009-1	35A-49
0712009-1	65B-16
0712009-1	66 -16
0712010-1	37 -
0712010-2	35A-63
0712010-2	37 -
0712010-3	36 - 6
0712013-10	35B- 1
0712013-18	35B-22
0712013-20	35B-20
0712013-22	35A-22
0712013-23	35B-10
0712013-24	35B-27
0712013-25	35B-11
0712013-26	35B- 9
0712013-27	35B- 6
0712013-28	35B-12
0712013-29	35B-13
0712013-3	35B-29
0712013-30	35B-17
0712013-31	35B-15
0712013-33	35B-38
0712013-34	35B-36
0712013-35	35B-37
0712013-36	35B-35
0712013-37	35B- 2
0712013-38	35B-14
0712013-49	35B-36
0712013-50	35B-37
0712013-51	35A-26
0712013-9	35B-16
0712014-1	120A- 3
0712014-1	120B-73
0712014-1	120C-75
0712014-1	126 -40
0712014-10	120C-76
0712014-2	120A- 4
0712014-2	120B-74
0712014-2	120C-76
0712014-2	126 -40
0712014-6	120A- 5
0712014-6	120B-75
0712014-6	120C-77
0712014-7	120A- 6
0712014-7	120B-76

PART NUMBER	FIGURE AND INDEX NO.
0712014-7	120C-78
0712014-8	120C-77
0712014-9	120C-78
0712015-1	35 -27
0712015-1	35A-35
0712015-2	35 -27
0712015-2	35A-36
0712016-1	35A-32
0712020-1	35B-25
0712022-1	35B- 5
0712026-1	35B-21
0712027-1	35B-28
0712028-1	35B-34
0712030-1	35B-33
0712031-1	121 -51
0712031-1	122 -49
0712043-1	32A-41
0712043-2	32A-44
0712201-2	35 -22
0712201-2	35A-52
0712201-4	35 -20
0712201-4	35A-50
0712201-5	35 -19
0712201-5	35A-49
0712202-4	35 -30
0712202-4	35A-55
0712202-5	35 -29
0712202-5	35A-54
0712202-7	35A-54
0712204-4	38 -19
0712204-5	38 -18
0712205-10	38 -20
0712205-13	38 -19
0712205-14	38 -19
0712206	38 -27
0712206-2	38 -29
0712207-1	38 -25
0712207-2	38 -26
0712209	35 -21
0712212	35 -31
0712212	35A-56
0712213	17 -41
0712213	18 -43
0712301-1	38 -34
0712301-2	38 -35
0712301-3	38 -36
0712301-4	38 -37
0712302-1	38 -30
0712302-2	38 -30
0712303-1	35 -44
0712303-1	35A-61
0712303-2	35 -44
0712303-2	35A-61
0712303-2	35 -51
0712304-1	35A-67
0712304-1	38 -32
0712304-10	35 -52
0712304-12	35A-68
0712304-12	38 -31
0712304-3	38 -31
0712304-4	38 -22
0712305-3	38 -22
0712305-4	38 - 4
0712306-10	38 - 3
0712306-9	19 -46
0712307-1	19 -47
0712307-2	98 -28
0712309-1	99 -28
0712309-1	35 -47
0712309-10	35A-12
0712309-10	35 -36
0712309-11	35A- 5
0712309-11	35 -36
0712309-12	35 -36
0712309-12	35A- 5

PART NUMBER	FIGURE AND INDEX NO.	PART NUMBER	FIGURE AND INDEX NO.	PART NUMBER	FIGURE AND INDEX NO.
0712309-15	38 - 5	0712663-1	35A-15A	0713026-4	68D- 9
0712309-4	38 - 5	0712663-2	35A-15B	0713026-4	68E- 6
0712309-5	35 -45	0712663-3	35A-15C	0713026-4	68E- 6A
0712309-5	35A-59	0712663-4	35A-150	0713026-4	101 -31
0712309-5	98 -32	0712760-1	35A-64	0713026-4	102 -28
0712309-5	99 -32	0712760-2	35A-64	0713026-4	124 -14
0712309-6	35 -45	0712761-1	70 -32	0713026-5	67 -35
0712309-6	35A-59	0712762-1	35A-65	0713026-5	68 -35
0712309-6	98 -33	0712762-2	35A-65	0713026-5	68D- 2
0712309-6	99 -33	0712763-1	24 -54A	0713026-6	688-61
0712309-7	35 -46	0712763-2	24 -54A	0713026-6	68C-64
0712309-7	35A-60	0712754-2	126A- 1	0713026-6	95B-20
0712309-7	98 -34	0713001-2	55 - 9	0713026-6	95B-42
0712309-7	99 -34	0713001-3	55 - 8	0713026-9	67 -34
0712309-8	35 -46	0713002-1	29 -11	0713026-9	67 -39
0712309-8	35A-60	0713002-10	28 -29	0713026-9	68 -38
0712309-8	98 -35	0713002-12	28 -34	0713028-3	67 -66
0712309-8	99 -35	0713002-2	29 -16	0713028-3	68 -66
0712309-9	35 -47	0713002-8	28 -30	0713028-3	68A-17
0712309-9	35A-12	0713002-8	29 -12	0713028-3	68B-17
0712311-14	38 - 8	0713002-9	29 -10	0713028-8	67 -66
0712311-15	38 - 1	0713003-45	89 -26	0713028-8	68 -66
0712311-3	38 - 9	0713003-74	34 -28	0713028-8	68A-17
0712311-7	38 - 2	0713003-74	34A-24	0713028-8	68B-17
0712400-11	39 - 1	0713003-74	121 -14	0713029	123 - 8
0712400-12	39 - 4	0713003-74	122 -16	0713029	123 -31
0712400-13	39 - 1	0713005-3	29 -10	0713029	123A- 4
0712400-15	39 - 5	0713005-4	29 -10	0713032	100 -10
0712400-4	39 - 5	0713006	29 - 9	0713032	100A- 8
0712400-9	39 - 1	0713007-7	29 - 4	0713032-1	100 -15
0712500-1	100 -36	0713007-8	29 - 4	0713032-1	100A-13
0712500-10	100 -42	0713008-1	28 -22	0713032-2	100 -16
0712500-11	100 -49	0713008-1	29 -17	0713032-2	100A-14
0712500-13	100 -53	0713008-2	28 -22A	0713032-3	100 -14
0712500-14	100 -39	0713008-2	29 -17	0713032-3	100A-12
0712500-16	100 -47	0713008-4	28 -22A	0713032-4	100 -13
0712500-17	100 -52	0713009-1	69 -14	0713032-4	100A-11
0712500-18	100 -55	0713009-1	69 -30	0713035	68 -33
0712500-19	100 -98	0713009-2	69 - 4	0713035	68D-10
0712500-2	100 -37	0713009-2	69 -21	0713035	68E- 6A
0712500-5	100 -38	0713011-12	70 -15	0713035	68E- 7
0712500-6	100 -38	0713015-10	28 -35A	0713036-2	125 - 6
0712500-7	100 -50	0713015-6	29 -25	0713038	68 -42
0712500-8	100 -40	0713015-8	28 -35	0713046	53 - 6
0712500-9	100 -46	0713017-22	123A-14	0713047	2 -10
0712501	100 -51	0713018-1	16 - 6	0713047	2A- 8
0712502	100 -54	0713018-3	40 - 3	0713047	28-19
0712518-1	24 -49A	0713018-3	40A- 3	0713047	2C-17
0712518-2	24 -49A	0713018-3	41 - 3	0713049-10	56 - 8
0712601	36 -	0713018-4	40 - 1	0713049-2	55 -11
0712601-2	36 - 1	0713018-4	40A- 1	0713049-7	55 -12
0712601-2	37 - 3	0713018-4	41 - 1	0713049-7	56 - 9
0712601-3	36 - 2	0713018-5	40 - 1	0713052-1	28 -52
0712601-3	37 - 1	0713018-5	40A- 1	0713053-5	28 -27
0712601-4	36 - 4	0713018-5	41 - 1	0713053-6	28 -27
0712601-4	37 - 5	0713019-102	89 -15	0713063	90 -35
0712601-6	36 - 1	0713019-105	89 -15	0713065	70 -21
0712601-6	37 - 3	0713019-33	84 -12	0713070-11	90 -34
0712601-8	36 - 2	0713019-33	85 -56	0713070-12	90 -25A
0712601-8	37 - 1	0713019-7	89 -27	0713070-15	90 -22
0712603-2	121 - 9	0713019-86	89 -20	0713070-16	90 -39
0712603-2	122 -10	0713019-86	89 -20A	0713070-19	90 -33A
0712605-201	121 - 6	0713019-91	89 -22	0713070-20	28 -23
0712605-201	122 - 7	0713019-94	89 -28	0713070-23	90 -17
0712655-1	37 - 7A	0713023-3	100 -10	0713070-24	90 -41
0712658-1	35A-20	0713023-7	29 -25	0713070-25	90 -25
0712659-1	35A-25	0713023-7	100 - 9	0713070-28	90 -39
0712660-10	35A-15	0713025-1	100 - 3	0713070-31	90 -39
0712660-2	35A-15	0713025-6	100 - 1	0713070-32	90 -24
0712660-4	35A-21	0713026-4	67 -36	0713070-33	90 -17
0712660-6	35A-24	0713026-4	67 -39	0713070-4	90 -16A
0712660-8	35A-54	0713026-4	68 -34	0713070-5	90 -168
0712661-1	35A-16	0713026-4	68 -36	0713070-6	90 -26
0712662-1	35A-17	0713026-4	68 -38	0713070-9	90 -31

PART NUMBER	FIGURE AND INDEX NO.
0713074-1	59 - 1
0713074-1	59A- 1
0713074-1	60 - 1
0713074-1	61 - 1
0713074-1	61A- 1
0713074-1	62 - 2
0713074-1	63 - 1
0713074-1	63C- 1
0713080-1	98 -51
0713081-1	98 -47
0713082-1	98 -54
0713084-2	98 -52
0713085-1	98 -53
0713086-1	98 -79
0713086-1	99A- 6
0713086-2	98 -80
0713086-2	99A- 7
0713087-1	98 -78
0713087-1	99A-31
0713088-3	98 -66
0713088-3	99A-19
0713092-1	98 -67
0713092-1	99A-20
0713093-2	55 -21
0713093-2	98 -77
0713093-2-243	55 -21
0713093-2-243	56 -20
0713093-2-243	98 -77
0713096-1	98 -45
0713096-2	98 -45
0713099-1	67 -75
0713099-1	67 -77
0713099-1	68 -75
0713099-1	68 -77
0713100-10	31 - 1
0713100-11	31 - 1
0713100-13	31 - 9
0713100-15	31 - 4
0713100-16	29 -28
0713100-25	28 -47
0713100-25	29 -34
0713100-3	29 -39
0713100-30	29 -28
0713100-4	29 -39
0713100-5	29 -29
0713100-9	29 - 5
0713105-1	28 -11
0713105-1	29 - 3
0713105-2	28 -12
0713105-2	29 - 3
0713106-1	31 -10
0713106-2	31 -10
0713107-1	28 -46
0713107-1	31 -12
0713115-1	29 -26
0713115-3	28 -25
0713116-1	29 -27
0713116-3	28 -26
0713118-200	31 - 5
0713119-1	22 -25
0713119-1	23 -28
0713119-1	28 -53
0713121-1	28 - 6
0713123-1	125 - 7
0713124-1	3 -23
0713125-6	126 -46
0713125-8	68 - 1
0713125-9	126 -46
0713126-1	67 - 2
0713126-1	68 - 2
0713127-1	67 - 7
0713127-1	68 - 9
0713127-1	68A- 7
0713127-1	68B- 6

PART NUMBER	FIGURE AND INDEX NO.
0713127-1	68C- 9
0713128-1	68A-49
0713128-1	68B-51
0713128-1	68C-54
0713128-1	87 -20
0713128-3	87 -20
0713129-4	68 -13
0713129-4	68D- 3
0713130-1	121 -29
0713131-1	68 -73
0713133-3	89 -18
0713135-2	28 -42
0713135-2	29 -38
0713135-2	88 -16
0713135-2	88A- 1
0713139-1	28 -42
0713139-1	29 -38
0713139-1	88 -18
0713139-1	88A- 3
0713140-1	28 -42
0713140-1	29 -38
0713140-1	88 -17
0713140-1	88A- 2
0713142-1	28 -17
0713143-1	28 -15
0713143-2	28 -16
0713144-1	28 -20
0713144-2	28 -20
0713145-1	28 -13
0713145-2	28 -13
0713147-1	33 -10
0713148-1	87 - 4
0713148-1	87 - 4A
0713149-1	33 - 9
0713149-1	33 -15
0713151-5	28 -37
0713152-1	30 -81
0713153-1	30 -82
0713155-2	53 -20
0713155-3	53 -21
0713156-1	126 -44
0713156-1	127 -45
0713156-1	128 -42
0713157-1	68 -86
0713158-1	103 -46
0713158-8	104 -31
0713158-9	105 -29
0713159-1	68 - 5
0713161-1	28 -14
0713163-1	68 -72
0713163-1	101 - 1
0713164-1	89 -29
0713164-2	89 -30
0713164-4	89 -30
0713165-1	24 -80
0713168-1	28 -50
0713170-1	126 -35
0713170-2	126 -36
0713171-1	67 -39
0713172-1	30 -90D
0713173-1	126 -53
0713173-2	126 -53
0713173-5	126 -55
0713173-6	126 -55
0713174-1	126 -48
0713174-3	28 -54
0713175-1	126 -48
0713176-1	2 -24
0713180-1	16 - 6
0713181-1	16 - 7
0713182-1	28 -51
0713185-1	28 - 8
0713185-1	29 - 2
0713185-1	68 - 1

PART NUMBER	FIGURE AND INDEX NO.
0713185-1	# 67 - 1
0713185-3	126 -46
0713187-3-418	67 - 9
0713188-1-418	68 -12
0713188-3	68 -11
0713189-1	67 -86
0713190-1	2 -38
0713190-2	2 -39
0713191-1	70B- 1
0713192-1	67 -32
0713192-2	67 -29
0713192-3	68 -90
0713194-1	70B- 5
0713194-2	70B- 5
0713198-2	28 -55
0713199-1	28 -56
0713207-1	2A- 1
0713207-1	58 - 5
0713208-1	67 -24
0713208-1	67 -87
0713208-1	68 -87
0713209-1	67 -24
0713210-11	2A- 5
0713210-11	69 -17
0713210-16	2 - 8
0713210-16	69 -17
0713210-4	2A- 3
0713217-2	123A- 8
0713222-1	94 -25
0713222-1	2 -23
0713222-1	67 -38
0713222-1	113 - 9
0713224-1	2 - 5
0713224-1	2A- 2A
0713224-1	57 -22
0713226-1	126 - 2
0713226-2	126 - 1
0713227-2	70 -22
0713228-2	2 - 4
0713229-1	129 - 7
0713230-1	129 -30
0713233-1	2A- 1
0713234-1	118A- 4
0713234-2	118A- 3
0713236-1	28 -10
0713236-2	28 -10
0713237-3	70 -22
0713238-2	126 -42
0713239-3	126 -44
0713239-6	126 -44
0713241-1	28 -22
0713244-1	101 -35
0713244-1	102 -31
0713244-1	89 -19A
0713247-200	123 -45
0713248-1	31 -10
0713248-2	31 -10
0713249-1	68A- 7A
0713249-1	68B- 7
0713249-1	68C-10
0713249-2	68A- 7B
0713249-2	68B- 8
0713249-2	68C-11
0713250-1	88A-38
0713254-4	69A-10
0713255-5	2A-23E
0713255-8	2 -34E
0713257-1	55 -21
0713257-1	98 -77
0713257-1	99A-30
0713295-1	89 - 8A
0713303-11	135 -17
0713303-2	67 -33
0713303-2	67 -34

PART NUMBER	FIGURE AND INDEX NO.	PART NUMBER	FIGURE AND INDEX NO.	PART NUMBER	FIGURE AND INDEX NO.
0713303-2	67 -35	0713504-3	68 -50	0713758-8	69A- 9
0713303-2	67 -36	0713505-1	89 -18	0713761-1	89 -18
0713303-2	67 -39	0713506-1	28 - 9	0713761-1	90 -25A
0713303-2	68 -33	0713506-1	29 -35	0713762-1	68A-42
0713303-2	68 -34	0713506-2	28 -10	0713762-1	68B-43
0713303-2	68 -35	0713506-2	29 -36	0713762-1	68C-48A
0713303-2	68 -36	0713511-1	122 - 2	0713764-12	68A-20
0713303-2	68 -38	0713514-1	69 - 1	0713764-12	68B-20
0713303-2	680- 9	0713514-13-279	69 - 8	0713764-13	68A-13
0713303-2	680-10	0713514-16-418	69 - 8	0713764-14	68A-20
0713303-2	88 -36	0713514-19-279	69 - 8	0713764-14	68B-20
0713303-2	88A-18	0713514-6-418	69 - 8	0713764-16	68B-14
0713303-2	89 -28	0713515-1	69 -11	0713764-22	68B-20
0713303-2	101 -31	0713516-1	69 -12	0713764-23	68B-20
0713303-2	102 -28	0713517-1	69 - 5	0713764-8	68A-13
0713303-2	124 -10	0713518-10	68 -11	0713765-1	68A-19
0713303-5	67 -33	0713518-12-279	68 -12	0713766-10	28 -37A
0713303-7	69 -13	0713518-18-418	67 -10	0713766-3	28 -37
0713303-7	69 -29	0713518-20-418	68 -12	0713766-4	31 - 9
0713303-9	135 -16	0713518-8-279	68 -12	0713766-5	28 -44
0713307-1	87 - 4	0713520-1	57 - 8	0713766-6	28 -45
0713307-1	87 - 8	0713520-2	57 - 9	0713766-7	28 -39
0713307-2	87 -4A	0713521-6-279	69 -24	0713766-8	28 -40
0713307-2	87 - 9	0713521-7-279	69 -24	0713767-1	28 -19
0713308-1	68 -63	0713521-7-418	69 -24	0713767-2	28 -18
0713313-1	92 -38	0713522-1-279	68 -64	0713824-1	100 - 9
0713313-2	92 -39	0713522-1-418	67 -64	0713824-3	100A- 5
0713316-1	106 -19	0713522-1-418	68 -64	0713825-1	28 -35A
0713316-2	106 -22	0713531-1	98 -74	0713825-3	100A-15
0713321-1	28 -10	0713531-1	99A-27	0713826-1	87 -32
0713322-1	89 -15	0713537-1	98 -69	0713827-1	100 -10
0713322-6	89 -20A	0713537-1	99A-22	0713827-1	100A- 7
0713331-1	31 - 4	0713624-2	28 -21A	0713837-1	117B-54
0713332-1	31 - 4	0713624-2	28 -22A	0713849-1	98 -55
0713495-10	30 -76	0713624-2	92 -14A	0713849-1	99A- 8
0713495-11	30 -77	0713701-2	87 -15	0713851-1	98 -59
0713495-12	30 -77	0713705-4	2 -26	0713851-1	99A-17
0713495-13	30 -63	0713705-4	2A- 6	0713851-12	98 -65
0713495-14	30 -63	0713711-1	125A- 4	0713851-12	99A-16
0713495-15	30 -74	0713721-1	67 -92	0713851-5	98 -61
0713495-16	30 -74	0713721-1	68 -96	0713851-5	99A-12
0713495-17	30 -90	0713724-1	2 -27	0713851-8	98 -62
0713495-18	30 -51	0713738-3	69 -16	0713851-8	99A-13
0713495-21	30 -49	0713738-3	68A-26	0713851-9	98 -63
0713495-22	30 -48	0713751-1	69 -33	0713851-9	99A-14
0713495-5	30 -45	0713755-1	68D-10	0713868-4	98 -68
0713495-5	30 -47	0713755-1	28 - 8	0713868-4	99A-21
0713495-53	30 -35	0713755-1	68A- 1	0713871-1	68A-19
0713495-53	30 -79	0713755-10	68A- 6	0713871-1	68B-19
0713495-54	30 -36	0713755-10	68B- 5	0713871-1	68C-21
0713495-54	30 -80	0713755-10	68C- 5	0713872-1	68A-22
0713495-55	30 -89	0713755-11	68A- 5	0713872-3	68A-23
0713495-57	30 -44	0713755-11	68B- 5	0713872-4	68A-23
0713495-58	30 -47	0713755-11	68C- 6	0713872-9	68B-22
0713495-6	30 -53	0713755-12	68A- 8	0713875-1	69A- 6
0713495-61	30 -43	0713755-15	68A- 8	0713875-3	69A- 6
0713495-62	30 -47	0713755-15	68B- 9	0713878-2	126 -42
0713495-63	30 -42	0713755-4	68A- 7	0713878-5	126 -42
0713495-64	30 -47	0713755-4	68B- 6	0713878-9	126 -45A
0713495-7	30 -50	0713755-4	68C- 9	0713887-1	68B-22
0713495-8	30 -50	0713755-7	68A- 2	0713888-1	68B-22
0713495-9	30 -76	0713755-7	68B- 2	0713889-1	68B-22
0713496-3	30 -21	0713755-7	68C- 2	0713906-1	92 -41
0713496-4	30 -32	0713755-8	68A- 3	0713907-1	92 -43
0713497-3	30 -41	0713755-8	68B- 3	0713914-1	92 -25A
0713501-4	67 - 4	0713755-8	68C- 3	0713916-1	120B-77
0713501-4	68 - 6	0713755-9	68A- 4	0713916-1	120C-79
0713501-5	67 - 5	0713755-9	68B- 4	0713916-5	120C-79
0713501-5	68 - 7	0713755-9	68C- 4	0713942-1	27 - 6A
0713503-16	69 -28	0713756-1	68A-22	0713942-1	131 -72A
0713503-25	69 -18	0713756-7	68A-23	0713942-2	27 - 6B
0713503-7	69 -27	0713756-8	68A-23	0713942-2	131 -72B
0713504-2	68 -50	0713758-12	69A- 1	0713945-11	70 -19D
0713504-3	67 -51	0713758-4	69A- 6	0713947-1	22 -13

PART NUMBER	FIGURE AND INDEX NO.
0713953-1	89 - 6A
0713957-2	68B-22
0713957-2	68C-23
0713958-1	68B-22A
0713958-5	68C-24
0713959-4	90 - 42
0713961-1	70A-8
0713962-1	70A-13
0713962-2	70A-11
0713962-3	70A-14
0713962-4	70A-16
0713965-2	28 - 8
0713965-2	68C-1
0713966-1	68C-25
0713966-3	68C-25
0713967-1	68C-12
0713968-1	68C-17
0713968-2	68C-22
0714010-1	63C-21
0714010-2	63C-21
0715001-1	61 - 14
0715001-1	63 - 12
0715015-10	54 - 4
0715015-11	57A-14
0715015-12	57A-15
0715015-13	57A-19
0715015-14	57A-19
0715015-3	57A-1
0715015-6	57A-3
0715015-9	54 - 3
0715018-1	64A-1
0715018-10	64A-13
0715018-2	64A-9
0715018-7	64A-4
0715019-1	68B-67
0715020-1	63 - 21A
0715029-2	68C-66
0715037-1	53 - 9
0715037-10	53 - 10
0715037-3	53 - 17
0715037-4	53 - 16
0715037-5	53 - 15
0715037-6	53 - 14
0715037-7	53 - 13
0715037-8	53 - 12
0715037-9	53 - 11
0716101	24 - 34A
0716101	25 - 24
0716102	106 - 28
0716104-1	107 - 44
0716104-2	107 - 52
0716104-3	73 - 67
0716106-1	2 - 6
0716106-1	55 - 16
0716106-1	56 - 12
0716106-2	2 - 7
0716106-2	55 - 16
0716106-2	56 - 12
0716107-1	22 - 13
0716108-1	103 - 17
0716108-1	104 - 15
0716108-1	105 - 13
0716109-1	103 - 2
0716109-1	111 -
0716110-1	103 - 46
0716110-1	104 - 43
0716110-1	105 - 41
0716111-1	104 - 2
0716111-1	105 - 2
0716112-1	2 - 35
0716112-1	68 - 99A
0716112-2	2 - 36
0716113-1	2 - 6A
0716113-1	28-17

PART NUMBER	FIGURE AND INDEX NO.
0716113-2	2 - 7A
0716113-2	28-18
0716114-1	105 - 60
0716114-3	105 - 60
0716115-1	105 - 59
0716115-2	105 - 59
0716125-2	13 - 12
0716127-1	13 - 14
0716127-2	13 - 14
0716128-28	67 - 35
0716128-30	67 - 23
0716128-45	24 - 45
0716129-1	108 - 26
0716130-1	108 - 18
0716131-1	73 - 67
0716131-1	73A-76
0716132-1	28-48
0716134-2	118A-18
0716134-3	118A-19
0716135-1	2 - 35
0716135-1	28-27
0716169-1	104 - 51A
0716169-1	105 - 49A
0716606-1	104 - 34
0716606-1	105 - 32
0716606-6	104 - 34A
0716606-6	105 - 32A
0716612-2	103 - 44
0716612-202	106 - 20
0716612-204	105 - 57
0716613-3	105 - 55
0716613-4	105 - 55
0716614-1	13 - 6A
0716614-3	13 - 6A
0716614-5	13 - 6A
0716623-2	105 - 57A
0716623-2	106 - 20A
0716624-1	105 - 58C
0716624-1	106 - 27A
0716632-1	104 - 56
0716632-2	105 - 65
0717000-1	52 - 1
0717000-13	52 - 1
0717000-15	52 - 1
0717000-4	57 - 21
0717000-5	52 - 1
0720001-10	11 - 16
0720001-12	7 - 16
0720001-42	7 - 1
0720001-43	7 - 1
0720001-44	11 - 9
0720001-45	11 - 1
0720001-51	7 - 15
0720001-52	7 - 25
0720001-54	7 - 15
0720001-55	7 - 25
0720001-66	11 - 9
0720001-67	11 - 10
0720001-67	12 - 13
0720001-68	11 - 10
0720001-68	12 - 13
0720001-69	11 - 3
0720002-11	3 - 14
0720002-12	3 - 14
0720004	127 - 43
0720005-1	4 - 38
0720005-1	5 - 39
0720005-1	6 - 39
0720005-1	6A-38
0720007-1	13 - 7
0720007-2	13 - 8
0720007-7	13 - 7
0720007-8	13 - 8
0720016-1	3A-45

PART NUMBER	FIGURE AND INDEX NO.
0720016-2	3A-45
0720601-15	7 - 26
0720601-16	7 - 26
0720601-17	11 - 2
0720601-18	11 - 17
0720601-20	11 - 4
0720601-205	7 - 17
0720601-21	12A-9
0720601-24	11 - 11
0720601-98	12A-10
0720601-99	12A-10
0720602-1	8 - 4
0720606-10	6A-34
0720606-3	6A-33
0720606-5	6A-33
0720606-8	6A-34
0720607-1	5 - 23
0720607-1	6 - 23
0720607-2	5 - 24
0720607-2	6 - 24
0720607-3	8 - 5
0720607-4	8 - 6
0720608-1	4 - 23
0720608-15	5 - 25A
0720608-15	6 - 25A
0720608-2	7 - 28
0720608-23	5 - 25
0720608-23	6 - 25
0720608-3	8 - 7
0720608-7	5 - 25A
0720608-7	6 - 25A
0720609-1	8 - 8
0720610-1	8 - 15
0720610-2	8 - 16
0720612-1	12A-7
0720612-2	12A-4
0720617-5	6A-7
0720618-10	3A-40
0720618-9	3A-40
0721100-23	4 - 5
0721100-23	5 - 8
0721100-23	6 - 8
0721100-24	4 - 5
0721100-24	5 - 8
0721100-24	6 - 8
0721100-25	4 - 6
0721100-25	5 - 9
0721100-25	6 - 9
0721100-26	4 - 6
0721100-26	5 - 9
0721100-26	6 - 9
0721100-5	4 - 11
0721100-5	5 - 12
0721100-5	6 - 12
0721100-6	4 - 10
0721100-6	4 - 14
0721100-6	5 - 12
0721100-6	5 - 16
0721100-6	6 - 12
0721100-6	6 - 17
0721100-6	6A-5
0721100-6	6A-13
0721100-7	4 - 9
0721100-7	4 - 13
0721100-7	5 - 12
0721100-7	5 - 15
0721100-7	6 - 12
0721100-7	6 - 16
0721100-7	6A-6
0721100-7	6A-12
0721105-13	101 - 25
0721105-13	102 - 22
0721105-14	101 - 23
0721105-14	102 - 20

PART NUMBER	FIGURE AND INDEX NO.	PART NUMBER	FIGURE AND INDEX NO.	PART NUMBER	FIGURE AND INDEX NO.
0721105-15	101 -23	0721117-4	5 -36	0721401-6	10A-18
0721105-15	102 -20	0721118-1	13 -12	0721401-7	10 -16
0721105-3	101 -27	0721201-1	11 -23	0721401-8	10 -16
0721105-3	102 -24	0721201-2	11 -23	0721402-1	10 -11
0721105-38	101 -25	0721201-51	11 -22	0721402-1	10A-11
0721105-38	102 -22	0721201-67	11 -22	0721402-2	10 -11
0721105-39	101 -23	0721203-1	70B- 9	0721402-2	10A-11
0721105-39	102 -20	0721203-2	70B- 9	0721402-3	10 -10
0721105-4	101 -28	0721205-1	2 -46	0721402-3	10A-10
0721105-4	102 -25	0721205-1	2A-29	0721402-4	10 -10
0721105-40	101 -23	0721205-1	28-22	0721402-4	10A-10
0721105-40	102 -20	0721205-1	2C-22	0722012-1	5 -40
0721105-5	101 -30	0721205-1	70B-13	0722012-11	6A-39
0721105-5	102 -27	0721207-1	70B- 9	0722012-16	6A-39
0721105-8	101 -29	0721207-2	70B- 9	0722014-1	12 -17
0721105-8	102 -26	0721306-1	13 -35	0722014-1	12A-14
0721107-1	4 -39	0721400-10	9 - 3	0722014-2	12 -17
0721107-1	5 -42	0721400-13	9 - 7	0722014-21	12A-14
0721107-1	6 -42	0721400-13	10 - 8	0722015-32	12 -19
0721107-1	6A-23	0721400-13	10A- 8	0722015-33	12 -19
0721107-2	4 -39	0721400-14	9 - 7	0722015-60	12A-16
0721107-2	5 -42	0721400-14	10 - 8	0722015-61	12A-16
0721107-2	6 -42	0721400-14	10A- 8	0722017-1	6A- 3
0721107-2	6A-23	0721400-17	9 - 8	0722017-2	6A- 3
0721111-1	4 -11	0721400-17	10 - 9	0722100-1	7 -18
0721111-1	5 -13	0721400-17	10A- 9	0722100-1	8 -10
0721111-15	5 -14	0721400-18	9 - 8	0722100-3	3 -27
0721111-16	4 -11	0721400-18	10 - 9	0722100-4	3 -26
0721111-16	5 -13	0721400-18	10A- 9	0722180-23	8A-26
0721111-21	4 -11	0721400-19	9 -15	0722180-24	8A-27
0721111-21	5 -13	0721400-20	9 -15	0722180-29	8A-
0721111-21	6A- 8	0721400-21	9 -	0722180-30	8A-
0721111-23	6A-10	0721400-22	9 -	0722180-30	8A- 2
0721111-24	6A-10	0721400-23	9 -16	0722180-31	8A-
0721111-25	6A- 8	0721400-24	9 -16	0722180-32	8A-
0721111-3	4 -41	0721400-27	9 -16	0722180-37	8A- 1
0721111-3	5 -41	0721400-28	9 -16	0722180-39	8A- 1
0721111-3	6 -41	0721400-3	9 - 1	0722180-40	8A- 2
0721111-3	6A-42	0721400-3	10 - 1	0722180-49	8A-26
0721111-33	6A-42	0721400-3	10A- 1	0722180-50	8A-27
0721111-4	4 -41	0721400-31	10 -19	0722180-51	8A-25
0721111-4	5 -41	0721400-31	10A-20	0722180-52	8A-25
0721111-4	6 -41	0721400-32	10 - 3	0722180-7	8A-25
0721111-5	4 -40	0721400-32	10A- 3	0722180-8	8A-25
0721111-7	4 -12	0721400-33	10 -18	0722182-13	12A- 1
0721111-7	5 -14	0721400-33	10A-19	0722182-14	12A- 5
0721111-8	4 -12	0721400-34	10 - 3	0722182-15	12A- 5
0721112-1	4 -35	0721400-35	9 - 4	0722182-16	12A- 1
0721112-1	6 -37	0721400-35	10 - 5	0722182-17	12A- 5
0721112-2	4 -35	0721400-35	10A- 5	0722182-19	12A-11
0721112-2	6 -37	0721400-4	9 - 1	0722182-20	6A-
0721112-3	4 -34	0721400-4	10 - 1	0722182-21	6A-
0721112-3	6 -36	0721400-4	10A- 1	0722182-22	6A-
0721112-4	4 -34	0721400-9	9 - 4	0722182-23	6A-
0721112-4	6 -36	0721400-9	10 - 5	0722182-25	12A-12
0721114-1	101 -22	0721401-1	10 -	0722183-1	8A- 3
0721114-1	102 -19	0721401-11	10A-	0722183-2	8A- 3
0721114-3	RA-24	0721401-12	10A-	0722184-2	8A-11
0721114-3	101 -22	0721401-13	10 -10A	0722184-3	6A-46
0721114-3	102 -19	0721401-13	10A-12	0722185-1	8A-14
0721115-1	8A-25	0721401-14	10 -10A	0722185-2	8A-15
0721115-1	101 -21	0721401-14	10A-12	0722185-2	8A-18
0721115-1	102 -18	0721401-15	10A-17	0722185-5	8A-12
0721116-1	4 - 8	0721401-16	10A-17	0722185-6	8A-16
0721116-1	5 -11	0721401-17	10 -	0722186-1	8A-19
0721116-1	6 -11	0721401-18	10 -	0722186-1	8A-22
0721116-2	4 - 8	0721401-19	10 -	0722186-3	8A-20
0721116-2	5 -11	0721401-2	10 -	0722187-1	6A-43
0721116-2	6 -11	0721401-20	10 -	0722187-2	6A-43
0721117-1	5 -37	0721401-3	10 -	0722187-7	6A-43
0721117-1	6A-34	0721401-4	10 -	0722187-8	6A-43
0721117-2	5 -37	0721401-5	10 -17	0722188-1	8A-29
0721117-3	5 -36	0721401-5	10A-18	0722188-2	8A-30
0721117-3	6A-33	0721401-6	10 -17	0722189-1	8A-31

PART NUMBER	FIGURE AND INDEX NO.
0722189-2	8A-32
0722190-1	8A-33
0722190-2	8A-34
0722191-1	8A-35
0722191-2	8A-36
0722192-1	8A-37
0722192-2	8A-38
0722193-1	8A-39
0722193-2	8A-40
0722194-1	5 -18
0722194-1	6 -18
0722194-1	6A-15
0722194-2	5 -18
0722194-2	6 -18
0722194-2	6A-15
0722195-1	6A-16
0722196-2	6A-18
0722197-1	6A-19
0722197-2	6A-19
0722197-3	5 -22
0722197-3	6 -22
0722197-4	5 -22
0722197-4	6 -22
0722198-1	5 -23
0722198-1	6 -23
0722198-1	6A-20
0722199-1	5 -24
0722199-1	6 -24
0722199-1	6A-21
0722200-1	6A-22
0722200-2	6A-22
0722201-1	4 -15
0722201-1	5 -17
0722201-1	6A-14
0722203-1	8A-8
0723200-10	3A-35
0723200-11	3A-35
0723200-12	3A-35
0723200-5	3A-35
0723200-6	3A-35
0723200-9	3A-35
0723201-1	3A-32
0723201-2	3A-32
0723201-3	3A-32
0723201-4	3A-32
0723600-17	16 - 1
0723600-18	16 - 1
0723600-6	16 -10
0723600-7	16 - 1
0723600-8	16 - 1
0723601-2	16 -13
0723604-1	16 -11
0723605-1-791	16 -17
0723605-2-791	16 -17
0723605-3-791	16 -16
0723605-4-791	16 -16
0723605-6	3A-14
0723605-7	3A-15
0723605-8	3A-14
0723605-9	3A-15
0723615-200-791	5 -44
0723615-200-791	6 -44
0724108-1	6A-19
0724115-1	14 -22
0724115-1	14 -22
0724115-2	14 -22
0724115-3	14 -22
0724115-4	14 -22
0726001-15	13 - 1
0726001-16	13 - 1
0726001-3	13 - 3
0726001-7	13 -30
0726002-1	13 -27
0726002-1	13 -27

PART NUMBER	FIGURE AND INDEX NO.
0726110-1	13 -28
073100-83	18 -
0731000-1	17 -19
0731000-11	18 -19
0731000-12	18 -32
0731000-13	20 -44
0731000-14	20 -46
0731000-15	18 -31
0731000-16	18 -29
0731000-17	18 -35
0731000-18	18 -36
0731000-19	20 -37
0731000-2	17 -19
0731000-2	18 -23
0731000-200-791	18 -39
0731000-21	18 -37
0731000-22	18 -33
0731000-23	18 -30
0731000-24	18 -39
0731000-25	18 -34
0731000-27	20 -27
0731000-3	17 -20
0731000-3	18 -24
0731000-30	20 -38
0731000-31	20 -11
0731000-32	18 - 9
0731000-33	17 -14
0731000-33	18 -11
0731000-34	18 -10
0731000-35	20 -47
0731000-36	20 -29
0731000-37	17 -17
0731000-37	18 -20
0731000-38	18 -18
0731000-39	20 -42
0731000-4	17 -21
0731000-4	18 -25
0731000-40	20 -
0731000-41	18 -
0731000-43	18 -12
0731000-45	20 -40
0731000-49	20 -24
0731000-5	17 -22
0731000-5	18 -26
0731000-50	20 -25
0731000-51	17 -40
0731000-52	20 -45
0731000-53	20 -43
0731000-6	20 -21
0731000-60	18 -21
0731000-7	20 -22
0731000-8	20 -23
0731000-87	18 - 9
0731000-9	20 -35
0731001-10	17 -
0731001-14	17 - 8
0731001-2	17 -34
0731001-200	17 -
0731001-201	17 -
0731001-3	17 -35
0731001-4	17 -35
0731001-5	17 -36
0731001-6	17 -37
0731001-7	17 - 8
0731001-8	17 -15
0731001-9	17 -38
0731002-1	17 -32
0731003-1	17 -27
0731004-1	17 -28
0731005-1	17 -29
0731006-1	17 -31
0731007-1	17 -26
0731008-1	17 -30
0731009-1	17 -33

PART NUMBER	FIGURE AND INDEX NO.
0731010-1	17 -24
0731012-1	17 -16
0731013-1	17 -19
0731015-1	17 -42
0731015-1	124 - 9
0731018-1	17 -25
0731019-1-791	18 -44
0731019-1-791	124A-10
0731019-2-791	17 -42
0731019-2-791	124A-10
0731021-1	17 -23
0731022-2	18 -27
0731022-4	18 -28
0731024-3	18 -
0731024-5	17 -18
0731024-5	18 -21
0731100-11	20 -10
0731100-11	20 -15
0731100-12	20 - 9
0731100-12	20 -13
0731100-13	17 -10
0731100-13	18 -14
0731100-14	17 - 9
0731100-14	18 -13
0731100-5	20 - 5
0731100-5	20 - 7
0731100-6	20 - 8
0731100-6	20 -14
0731100-7	17 -13
0731100-7	18 -17
0731100-9	17 -12
0731100-9	18 -16
0731607-1	124A- 9
0731608-1	70A-22
0731608-2	70A-22
0732100-10	21 -11
0732100-11	21 -10
0732100-3	21 -12
0732100-4	21 - 9
0732100-6	19 -27
0732100-7	19 -28
0732100-8	19 -29
0732101-10	19 -39
0732101-11	19 -39
0732101-4	19 -26
0732101-5	19 -15
0732101-6	19 -14
0732101-7	19 -43
0732102-3	19 -55
0732102-4	19 -56
0732102-5	19 -61
0732102-6	19 -62
0732102-7	19 -58
0732102-8	19 -59
0732103-1	19 -22
0732103-2	19 -22
0732106	19 -37
0732106-1	19 -37
0732600-2	19 -32
0732600-3	19 -34
0732600-4	19 -
0732600-5	19 -30
0732600-6	19 -31
0732600-7	19 -33
0732602-1	19 -22
0732602-2	19 -23
0732603-1	19 -25
0732604-1	19 -24
0732605-2	19 - 4
0732606-3	19 - 6
0732607-1	19 - 5
0732608-1	19 -16
0732609-1	19 - 8
0732610-1	19 -21

PART NUMBER	FIGURE AND INDEX NO.
0732610-2	19 -20
0732610-3	19 -19
0732610-4	19 -18
0732610-5	19 -17
0732611-1	19 - 9
0732611-2	19 -10
0732611-3	19 -11
0732611-4	19 -12
0732611-6	19 -13
0732613-1-791	19 -36
0732613-3-791	19 -36
0732616-1	19 -44
0732621-1	19 -44
0733100	20 -11
0733100	20 -12
0733101-1	20 -31
0733101-3	21 -14
0733102-3	20 -20
0733102-5	20 -16
0733103	20 -19
0733105-2	20 -36
0733106-1	20 -28
0733107-1	20 -26
0733108-1	20 -30
0733110-1	20 -
0733110-2	20 - 6
0733110-3	20 -39
0733110-4	20 -34
0733110-5	20 -41
0733110-6	20 -34
0733111-1	20 -47A
0733115-1	20 -16
0734110-1	21 - 7
0734110-2	21 - 8
0734600-1	21 -
0734600-19	21 -
0734600-21	21 -
0734600-23	21 -
0734600-3	21 -28
0734600-32	21 -
0734600-33	21 -
0734600-4	21 -23
0734600-5	21 -22
0734600-7	21 -25
0734600-8	21 -27
0734600-9	21 -24
0734601-1	21 - 4
0734601-2	21 - 5
0734601-3	21 - 6
0734601-4	21 - 5
0734601-5	21 - 4
0734602-1	21 -17
0734602-2	21 -20
0734602-3	21 -19
0734602-4	21 -18
0734602-9	21 -18
0734604-1	21 -13
0734605-1	21 -21
0734606-1	21 -29
0734608-1	21 -26
0734609-1	21 -26
0734610-2	21 -14
0734611-1	21 -29A
0741000-7	40 -13
0741000-7	40A-13
0741000-7	41 -13
0741001-3	41 - 8
0741001-4	41 - 8
0741001-5	40 - 8
0741001-5	40A- 8
0741001-5	41 - 8
0741001-6	40 - 8
0741001-6	40A- 8
0741001-6	41 - 8

PART NUMBER	FIGURE AND INDEX NO.
0741001-7	40 - 8
0741001-7	40A- 8
0741001-8	40 - 8
0741001-8	40A- 8
0741004	41 -43
0741007-1	40 - 6
0741007-1	41 - 6
0741007-1	127 -58
0741007-1	128 -53
0741008-1	40 -34
0741008-1	41 -31
0741008-2	40 -35
0741008-2	41 -32
0741008-3	40 -37
0741008-3	41 -34
0741008-4	40 -36
0741008-4	41 -33
0741008-5	40 -27
0741008-5	41 -24
0741022-1	40 - 6
0741022-1	40A- 6
0741022-1	41 - 6
0741022-2	40 - 6
0741026-3	42 - 1
0741027-2	42 -21
0741027-200	42C-20
0741027-201	42C-20
0741048-8	40 -38
0741048-8	40A-43
0741061-1	70A- 2
0741061-2	70A- 2
0741061-3	70A- 3
0741061-4	70A- 3
0741061-5	70A- 4
0741061-6	70A- 4
0741103	40 -28
0741103	41 -25
0741105-1	40A-21
0741636-2	40A-16
0741636-3	40A-16
0741637-1	40A-17
0741637-2	40A-18
0742002-2	32A-42
0742002-4	32A-45
0742002-5	126A-11
0742002-6	126A-12
0742003-2	126A-14
0742005-1	126A- 9
0742006-1	126A- 6
0742006-2	126A- 7
0742007-1	87 -12
0742100-11	45 - 8
0742100-15	45 - 8
0742100-15	46 - 8
0742100-15	46A- 8
0742100-15	46B- 8
0742100-18	45 - 8
0742100-19	45 - 8
0742100-20	45 - 8
0742100-20	46 - 8
0742100-20	46A- 8
0742100-20	46B- 8
0742100-5	45 - 1
0742100-5	46 - 1
0742100-5	46A- 1
0742100-5	46B- 1
0742100-6	45 - 5
0742100-6	46 - 5
0742100-6	46A- 5
0742100-6	46B- 5
0742100-8	45 - 9
0742100-8	46 - 9
0742100-8	46A- 9
0742100-8	46B- 9

PART NUMBER	FIGURE AND INDEX NO.
0742100-9	45 - 8
0742101-3	46B-15
0742101-3	48B-
0742101-4	45 -15
0742101-4	48B-
0742102	45 -11
0742102	46 -11
0742102	46A-11
0742102	46B-11
0742108-1	127 -63
0742109-1	127 -62
0742110-19	127 -35
0742110-19	128 -33
0742110-20	127 -36
0742110-20	128 -34
0742110-5	127 -43
0742110-6	127 -43
0742110-7	126 -17
0742110-7	127 -21
0742110-7	128 -19
0742111-1	24 -43
0742111-1	126 -11
0742111-2	24 -43
0742112	45 - 4
0742112	46 - 4
0742112	46A- 4
0742112	46B- 4
0742115-11	126 -51
0742115-12	126 -50
0742115-15	127 -56
0742115-15	128 - 2
0742115-16	127 -18
0742115-16	128 -16
0742115-17	127 -55
0742115-17	128 -51
0742115-18	127 -55
0742115-18	128 -51
0742115-19	127 -18
0742115-19	128 -16
0742115-20	127 -19
0742115-20	128 -17
0742115-21	126 -32
0742115-21	127 -27
0742115-21	128 -25
0742115-22	126 -32A
0742115-22	127 -28
0742115-22	128 -26
0742115-25	30 -52
0742115-26	30 -52
0742115-28	126 -18
0742115-28	127 -22
0742115-28	128 -20
0742115-31	126 -49
0742115-37	127 -51
0742115-37	128 -47
0742115-4	127 -34
0742115-4	128 -32
0742115-44	127 -47
0742115-44	128 -44
0742115-45	127 -47
0742115-45	128 -44
0742115-5	126 -25
0742115-5	127 -30
0742115-5	128 -28
0742115-50	127 -17
0742115-50	128 -15
0742115-51	127 -17
0742115-51	128 -15
0742115-51	126 -26
0742115-51	127 -31
0742115-51	128 -29
0742115-51	126 -33
0742115-51	127 -32
0742115-51	128 -30

PART NUMBER	FIGURE AND INDEX NO.
0742116-2	127 -41
0742116-2	128 -39
0742116-3	127 -41
0742116-3	128 -39
0742117-2	127 -54
0742117-2	128 -50
0742117-3	127 -54
0742117-3	128 -50
0742117-4	127 -53
0742117-4	128 -49
0742117-5	127 -53
0742117-5	128 -49
0742119-1	127 -48
0742119-1	128 -45
0742120-1	126 -12
0742120-2	126 -12
0742122-4	45 -15
0742122-4	46 -15
0742122-4	46A-15
0742122-4	47 -
0742122-5	46A-15
0742122-5	46B-15
0742122-5	47 -
0742123-2	126 -38
0742124-1	126 -65
0742124-2	126 -57
0742124-3	126 -57
0742125-5	46 -20
0742125-5	46A-30
0742126-1	46 -24
0742126-1	46A-54
0742127-1	46 -25
0742127-1	46A-55
0742128-1	46 -26
0742128-1	46A-56
0742129-1	46 -27
0742129-1	46A-57
0742130-1	35B-32
0742130-1	46 -30
0742130-1	46A-60
0742131-1	46 -32
0742132-1	46 -44
0742134-1	46 -45
0742136-1	46A-42
0742136-1	46B-61
0742137-1	46A-37
0742137-4	46A-27
0742138-1	46A-26
0742138-3	46A-36
0742139-1	46A-39
0742139-4	46A-39
0742141-1	40A-32
0742141-2	40A-32
0742141-3	40A-25
0742141-4	40A-23
0742141-5	40A-27
0742141-6	40A-33
0742141-8	40A-35
0742143-1	40A-22
0742144-1	42C-27
0742144-2	42C-27
0742145-1	45 -17
0742145-1	46A-16A
0742145-1	46B-16
0742146-1	45 -11
0742146-1	46B-11
0742147-3	45 - 9
0742147-3	46B- 9
0742147-5	45 -15
0742147-5	48B-
0742147-6	46B-15
0742147-6	48B-
0742200-5	45 - 7
0742200-5	46A- 7

PART NUMBER	FIGURE AND INDEX NO.
0742200-5	46B- 7
0742200-5	99 -36
0742200-6	45 -10
0742200-6	46 -10
0742200-6	46A-10
0742200-6	46A-43
0742200-6	46B-10
0742200-6	127 -50
0742373	128 -46
0742373	45 -15
0742400	48 -
0742400	48 -
0742400-10	48A-
0742400-10	48 -22
0742400-11	48A-22
0742400-11	45 -15
0742400-13	48A-
0742400-13	48 -20
0742401	48 -26
0742401-1	48 -27
0742401-10	48 -35
0742401-11	48 -37
0742401-12	48 -36
0742401-13	48 -40
0742401-14	48 -39
0742401-3	48 -28
0742401-4	48 -29
0742401-5	48 -31
0742401-6	48 -32
0742401-7	48 -33
0742401-8	48 -34
0742401-9	113A-23
074415-2	42A-28
075-05400	42A-28
075-05401	117D-17
0750025-1	121 -30
0750027-1	122 -31
0750027-1	114 -24
0750028-2	75 - 5
0750031-1	108 - 9
0750032-1	110 - 2
0750032-1	114 - 21
0750035-1	116 - 3
0750036-1	117A- 3
0750036-1	116 -11
0750037-1	117A-11
0750037-1	73 -63
0750038-1	73 -63
0750038-3	73A-72
0750038-3	76A-19
0750038-3	77B-22
0750038-3	73 -63
0750038-4	73A-72
0750038-4	76A-18
0750038-4	77B-21
0750100-11	117 - 3
0750100-11	136 - 3
0750100-12	117 -11
0750100-12	136 - 9
0750101-61	79 -
0750103-1	116 - 2
0750103-1	117 - 2
0750103-1	117A- 2
0750103-1	136 - 2
0750104-1	136 - 1
0750104-2	136 - 1
0750104-3	136 - 1
0750111-19	77 -24
0750111-19	78 - 4
0750111-21	78 - 4A
0750113-1	77 -26
0750113-1	78 -11
0750117-21	84 -34
0750117-21	85 -21

PART NUMBER	FIGURE AND INDEX NO.
0750117-31	84 -54
0750117-31	85 -41
0750119	75 -29
0750121	76 -48
0750121	77 -43
0750125-1	118 - 1
0750125-10	118 -15
0750125-11	118 -14
0750125-2	118 - 2
0750125-3	118 - 3
0750125-4	118 - 6
0750125-5	118 - 9
0750125-6	118 -10
0750125-7	118 -11
0750125-8	118 -12
0750125-9	118 -13
0750126-4	77 -28
0750128-1	84 -27
0750128-100	85 -10
0750128-11	84 -40
0750128-11	85 -13
0750128-11	85 -27
0750128-13	84 -21
0750128-13	85 - 9
0750128-14	84 -41
0750128-14	85 -28
0750128-15	84 -42
0750128-15	85 -29
0750128-16	84 -33
0750128-16	85 -20
0750128-17	84 -28
0750128-17	85 -14
0750128-21	84 -32
0750128-21	85 -19
0750128-37	84 -15
0750128-37	85 - 3
0750128-38	84 -13
0750128-38	85 - 1
0750128-42	84 -16
0750128-42	85 - 4
0750128-44	85 -10
0750128-53	85 -23
0750128-55	84 -24
0750128-57	84 -18
0750128-58	84 -17
0750128-66	84 -36
0750128-93	84 -17
0750128-93	85 - 5
0750128-94	84 -18
0750128-94	85 - 6
0750128-97	84 -24
0750130-3	83 -10
0750130-31	83 -13
0750130-4	83 -11
0750130-42	83 - 7
0750130-44	83 - 2
0750130-46	83 - 3
0750130-48	83 - 9
0750130-5	83 -12
0750130-6	83 - 6
0750131-1	77 -20
0750131-1	78 - 2
0750131-1	78A- 2
0750132-1	76 - 2
0750132-1	77 - 3
0750132-2	77 - 4
0750133-21	77 -23
0750133-22	77 -30
0750133-7	77 -21
0750133-7	78 -16
0750133-8	77 -23
0750133-9	77 -22
0750135-1	84 -44
0750135-1	84 -47

PART NUMBER	FIGURE AND INDEX NO.
0750135-1	85 -31
0750135-1	85 -34
0750135-11	84 -52
0750135-11	85 -39
0750135-3	84 -50
0750135-3	85 -37
0750135-4	84 -51
0750135-4	85 -38
0750135-8	84 -51
0750137	76 - 4
0750137	77 - 2
0750138	74 -28
0750138	75 -22
0750139	74 -37
0750140-5	76A- 9
0750140-5	77B-10
0750140-5	121 - 3
0750140-5	122 - 4
0750140-6	76 -34
0750140-6	77 -44
0750141-1	76 -60
0750141-1	77 -45
0750142-1	77 -34
0750142-1	77B-18
0750144-1	77 -18
0750144-15	77 -18
0750144-16	77 -18
0750144-20	77 -31
0750144-21	77 -18
0750144-6	77 -31
0750146-1	73 -63
0750146-3	73 -63
0750146-4	73 -63
0750146-4	76A-19
0750146-4	77B-22
0750147-3	114 -37
0750147-5	114 -23
0750148-1	85 -49
0750148-2	85 -46
0750149-1	85 -51
0750149-2	85 -52
0750149-3	85 -53
0750149-4	85 -54
0750149-5	85 -55
0750150-1	77 -41
0750152-1	85 -45
0750152-2	76 -188
0750152-2	77 -50
0750152-2	84 - 1
0750152-3	77A- 4
0750153-10	113 -33
0750153-10	115 -10
0750153-3	113 -35
0750153-3	115 -12
0750153-8	113 -23
0750153-8	115 - 1
0750156-1	77 -27
0750158-1	77 -15
0750159-1	75 -42
0750160-1	77 -45
0750161-17	82 - 7
0750161-22	82 - 3
0750161-24	82 - 2
0750161-25	82 - 8
0750161-28	82 - 5
0750161-31	82 - 1
0750161-36	82 - 7
0750161-58	82 - 6
0750161-61	82 - 5
0750161-64	82 - 1
0750161-67	82 - 1
0750162-10	78 -
0750162-3	78 -14
0750162-4	78 -15

PART NUMBER	FIGURE AND INDEX NO.
0750162-6	78 -
0750162-7	78 -
0750162-9	78 -
0750163-4	78 - 7
0750164-5	78 - 8
0750166-4	74 -16B
0750166-4	76 -43
0750167-1	78 -12
0750169-6	76 -39
0750171-1	78 -17
0750171-1	78 -21
0750171-1	78A- 8
0750171-4	76 -41
0750171-5	78 - 9
0750171-5	78A- 4
0750173-1	78 - 6
0750173-2	78 - 6
0750174-3	78 -19
0750175-1	76A-20
0750175-1	78 - 3
0750175-1	78A- 3
0750177-5	113 -30
0750177-6	113 -29
0750178-1	76 -27
0750179-5	76 -63
0750179-8	78 -20
0750180-1	78 -18
0750181-1	78 - 8A
0750181-1	78A- 7
0750182-4	78 - 7A
0750192-2	73 -37
0750192-3	73 -37
0750195-7	74 -81
0750202-1	74 -28
0750203-1	80 -
0750204-1	76 -61
0750205-1	126 -78
0750207-1	78 - 78
0750207-2	78 - 78
0750207-3	78 - 78
0750209-1	75 - 6A
0750211-1	77 -45
0750213-1	121 -38
0750213-1	122 -37
0750216-1	76A-12
0750216-1	77B-13
0750216-1	121 - 5A
0750216-1	122 - 6A
0750217-1	121 -34
0750217-1	122 -33
0750220-1	121 -40
0750220-1	122 -39
0750220-1	123B- 9
0750221-1	121 -39
0750221-1	122 -38
0750222-2	76 -61
0750223-1	75 -29
0750225-1	77 -67
0750225-2	77 -68
0750228-2	75 -29
0750230-1	74 -62
0750230-1	75 -45
0750232-1	104 -54
0750232-1	105 -64
0750233-1	75 -29
0750282-1	75 -43
0750283-1	76 -60
0750283-1	77 -45
0750341-1	74 -99B
0750607-4	77 -65
0750607-5	77 -65
0751001-13	77 - 8
0751001-25	127 -55
0751001-25	128 -51

PART NUMBER	FIGURE AND INDEX NO.
0751001-27	77 - 8
0751001-27	126 -73
0751003-30	76 - 9
0751003-31	76 - 9
0751003-31	126 -73
0751004-1	75 - 6
0751004-1	75 - 6
0751004-2	75 - 7
0751004-2	75 - 7
0751005-1	74 - 4
0751005-1	76 -12
0751005-2	74 - 4A
0751005-3	74 - 4
0751005-4	74 - 4A
0751006-2	76 -10
0752000-117	73 -11
0752000-117	73A-11
0752000-56	73 - 8
0752000-64	73 - 5
0752004-1	71 -12
0752004-2	71 -14
0752004-6	71 -11
0752004-7	71 -11
0752005-4	71 - 7
0752013-1	73 -45
0752013-1	73A-49
0752013-2	73 -45
0752013-2	73A-50
0752014-1	73 -49
0752014-1	73A-58
0752014-10	73 -58
0752014-10	73A-67
0752014-11	73 -52
0752014-11	73A-61
0752014-12	73 -59
0752014-12	73A-68
0752014-15	73 -53
0752014-15	73 -60
0752014-15	73A-62
0752014-15	73A-69
0752014-17	73 -50
0752014-17	73 -57
0752014-17	73A-59
0752014-17	73A-66
0752014-2	73 -56
0752014-2	73A-65
0752014-23	73 -49
0752014-24	73 -56
0752014-25	73 -52
0752014-26	73 -58
0752014-27	73 -59
0752014-28	73 -51
0752014-9	73 -51
0752014-9	73A-60
0752015-10	73 -17
0752015-10	73A-20
0752015-19	73 -19
0752015-19	73A-22
0752015-21	73 -21
0752015-21	73A-24
0752015-22	73 -22
0752015-22	73A-25
0752015-23	73 -29
0752015-23	73A-32
0752015-31	73 -18
0752015-31	73A-21
0752015-39	73 -20
0752015-39	73A-23
0752016-10	73 -34
0752016-10	73A-38
0752016-11	73 -34
0752016-11	73A-38
0752016-12	73 -34
0752016-13	73 -34

PART NUMBER	FIGURE AND INDEX NO.	PART NUMBER	FIGURE AND INDEX NO.	PART NUMBER	FIGURE AND INDEX NO.
0752016-14	73A-37	0752031-206	73A-16	0752626-1	73A-9
0752016-6	73-34	0752031-207	73-42	0752627-1	73-11A
0752016-7	73-34	0752031-208	73-1	0752627-1	73A-12
0752016-7	73A-38	0752031-208	73A-1	0752628-1	73-46
0752018-10	73-41	0752031-209	73-16	0752628-1	73A-55
0752018-10	73A-36	0752031-210	73-16	0752644-1	125C-1
0752018-13	73-41A	0752031-211	73-16	0752644-2	125C-2
0752018-18	73-33A	0752031-212	73-16	0752644-5	125C-8
0752018-200	73-33	0752031-213	73A-19	0752644-6	125C-9
0752018-22	73-41A	0752031-214	73A-19	0752646-1	125C-6
0752018-23	73-33A	0752031-22	73-6	0753000-13	33-2
0752018-25	73A-44	0752031-22	73A-15	0753000-13	33-18
0752018-27	73A-43	0752031-24	73-3	0753000-14	33-3
0752018-8	73-33	0752031-26	73-4	0753000-15	33-3
0752018-8	73A-35	0752031-26	73A-7	0753000-23	33-4
0752018-9	73-33	0752031-29	73-12	0753000-24	33-4
0752019-10	73-14	0752031-30	73-42	0753000-26	33-19
0752019-10	73A-17	0752031-36	73-28	0753000-27	33-19
0752019-11	73-14	0752031-36	73A-31	0753000-28	33-14
0752019-11	73A-17	0752031-37	73-16	0753000-29	33-14
0752020-1	73-43	0752031-49	73A-5	0753002-9	33-1
0752020-1	73A-51	0752031-50	73-3	0753003-1	34-15
0752020-3	73-43	0752031-50	73A-4	0753003-1	34A-10
0752020-3	73A-51	0752031-51	73-11A	0753008-1	33-8
0752021-1	73-34	0752031-51	73A-13	0753008-1	33-48
0752021-1	73A-38	0752031-52	73A-14	0753009-1	28-2
0752022-1	73-23	0752031-56	73-26	0753009-1	29-6
0752022-1	73A-26	0752031-56	73A-29	0753009-2	28-3
0752023-1	73-35	0752031-7	73-24	0753009-2	29-7
0752023-1	73-39	0752031-7	73A-27	0753010-1	89-2
0752023-1	73A-39	0752031-8	73-25	0753011-1	89-1
0752023-1	73A-41	0752031-8	73A-28	0753011-3	89-1
0752023-3	73-36	0752031-9	73-28	0753012-1	33-12
0752023-3	73-40	0752031-9	73A-31	0753012-7	33-13
0752023-4	73-40	0752032-1	73-15	0753013-1	33-16
0752023-4	73A-42	0752032-1	73-15	0753017-1	33-11
0752023-5	73-36	0752032-1	73A-18	0753017-2	33-12
0752023-5	73A-40	0752033-1	28-5	0753018-201	33-12
0752024-11	71-1	0752033-1	29-37	0753018-202	33-12
0752024-11	72A-	0752033-2	28-5	0753018-3	33-13
0752024-12	71-1	0752033-2	29-37	0753018-4	33-20
0752024-12	72A-	0752035-1	73-41D	0753018-5	33-21
0752024-15	71-1	0752035-1	73A-47	0753018-6	33-22
0752024-15	72A-	0752036-2	87A-6	0753020-1	33-49
0752024-5	71-1	0752036-2	129-35	0753020-2	33-48
0752024-5	72-	0752036-3	87A-7	0753021-1	33-17
0752025-1	73-46	0752036-3	129-36	0753023-200	33-12
0752025-7	73-46	0752036-4	87A-8	0753023-201	33-12
0752025-7	73A-56	0752036-4	129-37	0753023-202	33-12
0752030-15	73-42	0752036-6	87A-11	0753023-3	33-13
0752030-18	73A-48	0752036-6	129-40	0753023-4	33-13
0752030-20	73A-48	0752037-1	76-53	0753026-1	33-46
0752030-8	73-13	0752037-1	77-55	0755002-2	77A-5
0752030-8	73A-17	0752037-1	113-7	0756001-13	67-3
0752030-9	73-13	0752038-1	77-57	0756001-13	68-4
0752030-9	73A-17	0752041-1	71-20	0756001-13	104-42
0752031-15	73-26	0752041-3	71-20	0756001-13	105-40
0752031-16	73-26	0752042-1	71-23	0756001-3	109-10
0752031-16	73A-29	0752042-5	71-23	0756001-3	110-19
0752031-17	73-27	0752043-1	71-16	0756001-4	68-3
0752031-17	73A-30	0752044-1	71-21	0756001-8	109-24
0752031-18	73-27	0752044-3	71-21	0756001-8	110-32
0752031-18	73A-30	0752047-1	73-36	0756002	109-18
0752031-19	73-2	0752047-1	73A-40	0756002	110-25
0752031-19	73A-2	0752609-2	73-55	0756003-1	74-52
0752031-20	73-2	0752609-2	73-62	0756003-1	76-54
0752031-20	73A-2	0752609-27	73-55	0756005-1	110A-
0752031-200	73-12	0752609-27	73-62	0756005-2	110A-17
0752031-201	73-1	0752609-27	73A-64	0756005-3	108-2
0752031-202	73-42	0752609-27	73A-71	0756005-3	110A-
0752031-203	73-16	0752610-1	125A-9	0756008-1	110A-2
0752031-204	73-16	0752611-1	125A-11	0756009-1	110A-8
0752031-205	73-1	0752620-1	71-26	0756009-5	110A-9
0752031-206	73-12	0752626-1	73-8	0756009-7	110A-8

PART NUMBER	FIGURE AND INDEX NO.	PART NUMBER	FIGURE AND INDEX NO.	PART NUMBER	FIGURE AND INDEX NO.
0756010-1	110A-12	0770028-3	134 -99C	0791302-3	29 -30
0756011-1	110A- 7	0770028-4	134 -99D	0791302-4	29 - 1
0756012-1	110A-15	0770028-5	134 -95	0791302-4	30 -
0756014-1	110A-10	0770028-6	134 -96	0791302-7	29 -
0756014-2	110A-14	0770038-2	121 -32	0791302-7	33 -
0756015-1	110A- 4	0770038-2	121 -42	0791302-8	25 -48
0756019-1	113A-25	0770038-2	122 -32	0791302-8	29 -
0756022-1	113A-32	0770038-2	122 -41	0791303-1	28 -
0756022-2	113A-31	0770056-1	67 -88	0791303-2	28 -48
0756023-1	113A-33	0770056-1	68 -92	0791303-3	28 -
0756024-1	113A-22	0770057-1	67 -91	0791303-4	28 -
0760005-1	96 - 4	0770057-1	68 -95	0791303-5	28 -
0760006-1	55 -17A	0770102-1	68D-10	0791303-6	28 -
0760012-3	92 -18A	0770104-1	68D-10	0791303-7	28 -
0760012-4	92 -19A	0770104-1	68E-17	0791303-8	28 -
0760012-6	92 -19A	0770104-2	68D-10	0791309-10	28 -
0760012-7	92 -18A	0770104-2	68E-17	0791309-9	28 -
0760016-1	94B- 2	0770104-3	68E-17	0792000-22	4 -
0760017-3	94B- 6	0770104-4	68E-17	0792000-23	4 -
0760018-1	94B- 4	0770657-1	121 -10	0792000-24	4 -
0760019-5	94B- 1	0770657-1	122 -11	0792000-25	4 -
0760019-7	94B- 1	0770712-1	35A-14	0792000-8	7 -
0760023-1	94B-26	0770719-1	68D- 2	0792000-9	7 -
0760111-2	14 -19	0770719-2	68E- 2	0800023-3	59 -37
0760618-1	5 -43	0770728-1	121 -10A	0800023-3	59A-40
0760618-1	6 -43	0770728-1	122 -11A	0800023-3	62 -15
0760618-1	6A-35	0770762-1	18 -22	0800023-5	59 -36
0760618-2	5 -43	0791100-11	32 -13	0800023-5	59A-39
0760618-2	6 -43	0791100-12	32 -13	0800023-5	62 -13
0760618-2	6A-36	0791100-3	25 -17	0800030-14	119 -27
0760679-2	19 -43	0791101-12	24 -54	0800030-19	119 -34
0761000-4	94A-43	0791101-12	26 - 1	0800030-2	119 -24
0761000-4	94A-43	0791101-15	26 -	0800030-4	119 -33
0761202	96 -26	0791101-16	26 -	0800030-5	119 -30
0761202-2	96 -31	0791101-17	24 -54	0800045-15	120 - 8
0761202-3	117 -16	0791101-17	26 - 1	0800045-23	120 -16
0761202-50	96 -30	0791101-18	26 -	0800045-24	120 - 7
0761205	100 - 5	0791101-19	26 -	0800045-6	120 - 9
0761205-2	100 - 6	0791101-7	26 -	0800111-2	70 -17
0761205-3	100 - 8	0791102-10	24 -	0811490-6	90 -20
0761205-3	100A- 5	0791102-11	25 -	08118	47 - 8
0761205-3	131 - 3	0791102-12	24 -	08118	48B- 8
0761205-3	132 - 3	0791102-13	24 -	08118	48 - 7
0761205-8	100A-	0791102-14	24 -	08118	48A- 7
0761205-9	100A- 3	0791102-15	24 -	0812362-1	119 - 9
0761210-1	100 - 7	0791102-16	24 -	0812363-1	119 -15
0761210-1	100A- 4	0791102-17	24 -	0812366-1	119 -31
0761210-1	131 - 2	0791102-18	37A-14	0812369-1	119 -32
0761210-1	132 - 2	0791102-19	32A-14	0813150-54	90 -20
0761210-4	100 -18	0791102-2	25 -27	0813150-55	90 -20
0770011-19	134 -20	0791102-20	24 -	0813156-4	90 -21
0770011-24	134 - 8	0791102-21	24 -	0813503-8	129 -11
0770011-29	134 -59	0791102-22	24 -	0813503-8	129 -22
0770011-30	134 -55	0791102-23	24 -	0813526-6	52 -17
0770011-33	134 -98	0791102-3	25 -30	0813569-1	68A-15
0770011-37	134 -27	0791102-3	26 - 2	0813569-1	68B-16
0770012-13	134 -26	0791102-4	25 -25	0813569-2	67 -68
0770012-13	134 -32	0791102-4	32 -	0813569-2	68 -68
0770012-13	134 -48	0791102-5	32 -	0813601-4	76 -24
0770012-13	135 -34	0791102-5	32A-	0813601-6	76 -24
0770012-13	135 -40	0791102-6	25 -34	0813601-9	68 -21
0770012-13	135 -54	0791102-8	23 - 1	0813610-3	88 - 3
0770012-15	134 -99	0791102-9	24 -24	0813610-6	88 - 3
0770012-17	135 -41	0791200-10	35A-	0813619-2	136 - 5
0770012-39	135 -36	0791200-11	35A-	08231	47 - 2
0770012-43	135 -46	0791200-7	35 - 1	08231	48B- 2
0770012-45	134 -64	0791200-7	35A-63	08231	48 - 1
0770012-45	134 -90	0791200-7	38 -	08231	48A- 1
0770012-45	135 -55	0791200-8	23 - 2	0850375-1	104 -300
0770012-5	135 - 1	0791200-8	35 -	0850375-1	105 -280
0770012-6	135 -18	0791300-10	30 -22	0851559-1	76 - 6
0770012-7	134 - 1	0791300-5	29 -18	0851583-2	109 -22
0770012-8	135 -20	0791300-6	29 -22	0851583-2	110 -30
0770012-9	135 -35	0791300-9	30 -11	0851583-3	109 -20

PART NUMBER	FIGURE AND INDEX NO.	PART NUMBER	FIGURE AND INDEX NO.	PART NUMBER	FIGURE AND INDEX NO.
0851583-3	110 -28	12-4862	120C-22	1200116-2	70 -14
0851592-1	109 -23	12R8	94B-25	1200130-1	123 -19
0851592-1	110 -31	12SE1-3	74 -99B	1200134-1	59 -38
0851700-96	84 -53	1200018-1	88A-23A	1200134-1	59A-41
0851700-96	85 -40	1200018-2	88A-23A	1200134-1	62 -15
1A0218	113 -33	1200052-1	120 -18	1200136-1	62 -26
1A0218	115 -10	1200054-2	120 -10	1200136-1	63 -34
1A0233	113 -34	1200055-1	120 -20	1200136-1	63B-30
1A0233	115 -11	1200057-1	119 - 2	1200136-1	63C-51
1A0235	113 -33	1200057-1	120 - 2	1200137-1	62 -54
1A0235	115 -10	1200058-1	119 - 1	1200138-1	62 -44
1A1001	61 -53	1200058-1	120 - 1	1200138-1	63 -47
1A1001	63 -75	1200059-1	120 -25	1200138-1	63C-65
1K1-6-10	117E-33	1200065-3	13 - 2	1200138-2	63C-33
1K66-1	117E-35	1200065-4	13 - 2	1200139-1	62 -41
1N1344A	121 -56	1200077-10	134 -65	1200139-1	63 -43
1N1344A	122 -54	1200077-10	135 -56	1200139-1	63C-37
10-24X1/2	42 -17	1200077-12	135 -64	1200141-1	62 -39
10-24X1/2	42C-16	1200077-13	134 -97	1200141-1	63 -36
10-8001C	120C-18	1200077-15	135 -47	1200141-2	62 -39
10-8001C	120C-19	1200077-16	134 -15	1200141-2	63 -36
10004-101	70 -23	1200077-17	134 - 6	1200142-1	62 -24
10004-98	70 - 4	1200077-18	134 -13	1200142-2	62 -24
1007	1 - 4	1200077-2	134 -17	1200143-1	62 -52
102PDLN4	67 -57	1200077-22	134 -12	1200143-2	62 -52
102PDLN4	68 -56	1200077-23	134 -14	1200146-1	62 -35
1024A-B	1 - 3	1200077-25	135 -59	1200147-1	62 -28
1066-2	80 -37	1200077-26	135 -60	1200147-2	62 -29
1071-1	102 -47	1200077-27	134 -28	1200152-1	62 -30
109450	114 -29	1200077-28	134 -29	1200154-1	62 -45
109531	114 -30	1200077-3	134 -86	1200156-1	62 -47
109532	114 -30	1200077-3	135 -80	1200156-1	63 -49
1101-1	80 - 1	1200077-31	134 -30	1200157-1	62 -37
1101-3	80 - 2	1200077-34	134 -31	1200158-1	62 -61
1101-4	80 -11	1200077-37	134 -91	1200158-5	62 -61
1103-1	80 -35	1200077-39	135 -31	1200159-1	62 -49
1104-2	80 -43	1200077-4	134 -86	1200159-1	63 -51
1104-4	80 -51	1200077-4	135 -80	1200159-3	63C-60
1104-7	80 -42	1200077-5	134 -74	1200161-1	62 -17
1106-1	80 -40	1200077-5	135 -67	1200162-21	62 - 1
110691	1 -47	1200077-7	134 -85	1200162-22	62 - 1
110691	68A-47	1200077-7	135 -81	1200162-23	62 -16
110691	68B-48	1200077-8	134 -87	1200162-24	62 -16
110691	68C-53	1200077-8	135 -58	1200162-25	62 - 3
1107-1	80 -36	1200077-8	135 -82	1200162-26	62 - 3
1110-1	80 -46	1200077-9	134 -74	1200162-27	62 -20
1110-4	80 -25	1200077-9	135 -78	1200162-28	62 - 9
1110-9	80 -34	1200078-10	135 -52	1200163-1	62 -23
1111-517700	107 - 7	1200078-11	135 -43	1200163-2	62 -23
1114-2	80 -52	1200078-12	135 -42	1200164-1	62 -19
1114-4	80 -48	1200078-15	135 -53	1200164-1	63 -58
1114-6	80 - 3	1200078-2	135 -29	1200186-1	62 -43
1114-7	80 -49	1200078-7	135 -25	1200186-1	63 -46
1115-1	80 -50	1200079-10	134 -37	1200191-200	86 -10
1117-3	80 -31	1200079-2	134 -35	1200191-201	86 -11
1127-2	80 -30	1200079-3	134 -36	1200415-5	120A-21
1127-4	80 -39	1200079-4	134 -49	1200415-5	120B-27
1131-2	80 -33	1200079-6	134 -49	1200415-7	120A-17
1132-1	80 -19	1200079-8	134 -47	1200415-7	120A-34
1132-3	80 -12	1200079-9	134 -46	1200415-7	120B- 8
1132-5	80 -20	1200084-6	58 -29	1200415-7	120C- 8
1133-3	80 - 8	1200084-7	58 -30	1200429-12	120B-70
1133-4	80 -28	1200092-1	62 -51	1200429-12	120C-72
1140-2	80 -27	1200103-3	64 -22	1200429-13	120B-69
1140-3	80 -15	1200103-4	64 -22	1200429-15	120C-71
1140-5	80 -17	1200103-5	64 -23	1200429-15	120B-68
1140-7	80 -13	1200106-108	76 -21	1200429-15	120C-70
1140-9	80 -14	1200106-108	77 -11	1200478-2	63A-26
1151-1	80 - 9	1200106-51	13 -14	1200503-1	61 -46
1165-2	80 -22	1200106-52	13 -14	1200503-1	61A-46
1165-3	80 -32	1200108-1	59 -39	1200504-1	61 -38
1171-2	80 - 7	1200108-1	59A-42	1200504-1	61A-37
1171-9	80 -10	1200108-1	62 -14	1200504-3	61 -44
1173-1	80 -18	1200116-1	70 -14	1200504-3	61A-44

PART NUMBER	FIGURE AND INDEX NO.
1200505-1	61 -40
1200505-1	61A-39
1200605-11	# 61 -17
1200605-11	# 61A-17
1200605-11	# 63 -16
1200605-12	# 61 -12
1200605-12	# 61A-12
1200605-12	# 63 -10
1200605-221	# 61 -16
1200605-222	# 61 - 1
1200605-223	# 61A- 1
1200605-224	# 61A-16
1200605-33	61 -13
1200605-33	61A-13
1200605-33	63 -11
1200605-34	# 61 -
1200605-35	# 61A-
1200605-40	# 61A-
1200637-5	6A-10
1200637-5	88A-51
1200661-2	2 -29
1200678-2	2 -41
1200678-2	2A-26
1200678-2	101 -38
1200678-2	102 -34
1200691-1	88A-49
1200713-1	2 -37
1200713-1	2A-24
1201039-1	70 - 5A
1205001-157	2C-32
1205001-158	2C-32
1205001-159	2C-32
1205001-160	2B-45
1205001-161	2B-45
1205001-200	2A- 1
1205001-200	2C- 4
1205001-201	2A- 1
1205001-201	2C- 4
1205001-56	2 - 4
1205001-59	2 - 4
1205001-59	2B- 4
1205001-60	2B- 4
1205001-61	2C- 4
1205001-62	2C- 4
1205010-1	2 -48
1205010-1	2A-208
1205010-2	2 -49
1205010-2	2A-20C
1205010-3	2B-11
1205010-3	2C- 8
1205010-4	2B-12
1205010-4	2C- 9
1205013-14	2C- 6
1205013-15	2B- 6
1205013-4	2A-31
1205013-6	2 -51
1205015-1	2B-14
1205015-1	2C-11
1205015-1	57 -22
1205024-1	2B-15
1205024-1	2C-12
1205024-1	125A-13
1205024-1	125B-11
1205030-16	2C- 2
1205030-17	2B- 3
1205030-7	2B- 2
1205030-7	2C- 1
1205043-1	2B-33
1205043-1	2C-36
1205043-1	86 - 5
1205047-1	2B-48
1205085-1	2B-34
1205085-1	2C-40
1205088-1	2B-43

PART NUMBER	FIGURE AND INDEX NO.
1205088-15	2C-31
1205088-16	2B-44
1208	42 -12
1208	42 -15
1208	42C-11
1208	42C-14
1210	42 -18
1210	42C-17
1210020-200	24 -
1210020-200	25 - 1
1210020-4	24 - 1
1210020-8	24 - 1
1210029-2	32 - 4
1210029-2	32A- 4
1210029-5	32A- 4
1210030-1	24 - 9
1210030-2	24 -10
1210032-8	24 -83A
1210032-9	24 -83A
1210054-1	54 - 2
1211203-1	70 -24
1211250-1	49 -40
1211250-2	50 -36
1211250-7	49 -40
1211250-7	50 -36
1211251-1	49 -40
1211251-1	50 -36
1211252-1	52 -15
1211836-1	49 -39
1211836-1	50 -35
1212011-1	38 -21
1212012-1	38 -21
1213004-2	68C-18
1213035-4	67 - 8
1213035-4	68 -10
1213037-2	87 -33
1213043-1	88 - 6
1213127-1	30 - 1
1213158-1	113 -42
1213228-3	68 -29
1213228-3	74 - 7
1213229-2	68 -32
1213229-2	74 - 8
1213379-4	68C-18A
1213379-4	68C-22A
1213505-8	68A-42
1213535-1	2 -45
1213535-1	2A-28
1213535-1	37 - 8A
1213535-1	125A-13
1213645-1	68C-13
1215034-200	# 61 -14
1215034-200	# 63 -12
1215056-2	70 -29
121553	73 -63
121553	73A-72
121553	77B-21
1216012-1	107 -29
1217005-2	51A- 1
1220-1-0	95A-11
1220002-201	5 -
1220002-202	5 -
1220002-207	8 -16
1220002-209	5 -
1220002-21	12 - 2
1220002-210	5 -
1220002-211	5 -
1220002-212	5 -
1220002-213	5 -
1220002-215	8 - 9
1220002-22	12 - 8
1220002-25	12 -14
1220002-26	12 -15
1220002-27	12 -12

PART NUMBER	FIGURE AND INDEX NO.
1220002-36	8 -
1220002-37	8 -
1220002-38	8 -11
1220002-40	8 -13
1220002-41	8 -12
1220002-46	12 - 1
1220002-48	12 - 6
1220002-49	12 - 6
1220002-50	8 -16
1220002-51	8 -16
1220002-52	8 -17
1220002-53	8 -17
1220002-77	8 -17
1220002-79	8 -17
1220002-80	12 -15
1220002-84	8 -11
1220002-85	12 - 7
1220002-90	5 -
1220002-91	5 -
1220002-92	12A-12
1220003-15	12 - 1
1220003-16	12 - 7A
1220003-18	8 -16
1220003-201	6 -
1220003-209	8 -16
1220003-211	6 -
1220003-213	6 -
1220003-215	6 -
1220003-27	8 -17
1220003-28	8 -17
1220003-30	12 - 7A
1220003-35	6 -
1220003-80	11 -11
1220004-15	12 - 1
1220004-17	8 -17
1220004-18	8 -16
1220004-202	6 -
1220004-208	6 -
1220004-210	6 -
1220004-27	12 - 7A
1220004-32	6 -
1220006-21	12 -18
1220006-21	12A-15
1220006-22	12 -18
1220006-22	12A-15
1220007-20	12 -20
1220007-30	12A-20
1220007-37	12 -20
1220007-62	12A-18
1220007-63	12A-18
1220019-1	6 -14
1220019-10	6 -13
1220019-13	6 -40
1220019-13	6A-40
1220019-17	6A-41
1220019-18	6 -13
1220019-18	6A- 7
1220019-19	6 -14
1220019-19	6A- 9
1220019-2	6 -14
1220019-20	6 -14
1220019-20	6A- 9
1220019-21	6A-11
1220019-22	6A-11
1220019-3	6 -15
1220019-35	6A-40
1220019-4	6 -15
1220019-6	6 -40
1220019-9	6 -13
1220022-3	13 -45
1220094-2	3 -49
1220094-2	3A-17
1220095-3	12 - 7C
1220095-3	12A-24

PART NUMBER	FIGURE AND INDEX NO.
1221010-13	4 -25
1221010-13	5 -29
1221010-13	6 -29
1221010-14	4 -25
1221010-14	5 -29
1221010-14	6 -29
1221010-15	6A-26
1221010-7	4 -25
1221010-7	5 -29
1221010-7	6 -29
1221024-1	10 - 4
1221024-1	10A- 4
1221101-1	4 - 7
1221101-1	5 -10
1221101-1	6 -10
1221101-2	4 - 7
1221101-2	5 -10
1221101-2	6 -10
1221101-3	6A- 4
1221101-4	6A- 4
1221201-3	3 -37
1221201-3	3A-28
1221201-4	3 -37
1221201-4	3A-28
1222012-1	3A-20
1222013-3	12A-17
1222013-3	12A-19
1222013-6	12A-17
1222013-6	12A-19
1222021-1	12A-25
1222021-1	12 -25
1222021-1	11 -14A
1222022-1	3 -11A
1222022-1	3A-22
1226-3	80 -24
1226-4	80 -29
1230-1	80 -23
1231-1	80 -21
1232-4	80 -47
1232000-5	19 -22
1232000-6	19 - 4
1232000-7	19 -45
1232000-8	19 -
1232104	19 -19
1232105	19 -20
1232106	19 -21
1232114-1	19 -24
1232116	19 - 6
1232117	19 - 7
1232118-1	19 -38
1232118-1	19 -38
1232118-2	19 -38
1234029-1	21 -30
1241063-2	40 -38
1241063-2	40A-43
1241063-2	41 -47
1241156-10	42A- 1
1241157-1	42A-15
1250106-1	84 -29
1250134-1	84 -58
1250207-1	121 -43
1250207-1	122 -42
1250208-1	121 -43
1250208-1	122 -42
1250211-4	121 - 5A
1250211-4	122 - 6A
1250213-15	123B-15
1250214-1	123B- 5
1250215-1	123B- 8
1250319-1	117E-36
1250401-3	87 -28
1250405-1	113A-35
1250407-1	113A-18

PART NUMBER	FIGURE AND INDEX NO.
1250408-1	113A-19
1250409-1	113A-20
1250410-3	2 -42
1250410-3	2A-25
1250410-3	2B-21
1250410-3	2C-21
1250410-3	113A-16
1250410-3	71 -25
1250412-1	113A-33
1250921-2	113A-22
1250922-2	89 -19
1253031-3	89 - 3
1253032-1	89 - 3
1253032-4	89 - 5
1253033-2	89 - 4
1253034-1	89 - 6
1253037-1	89 - 5
1253040-1	89 - 8
1253041-1	96 -41
1260016-1	92 -35
1260021-1	116 -32
1260043-2	117 -30
1260043-2	117A-29
1260458-6	68B-54
1260458-6	92 -40
1260458-7	68B-54
1260458-7	68C-58
1260460-4	92 -40
1260474-1	92 -19R
1270015-1	35A-69
1270015-1	121 -24
1270015-1	122 -29
1270432-2	123 -61
1270479-1	68A-47
1270479-1	68B-48
1270479-1	68C-53
1270692-1	94A-49A
1270692-1	94B- 9
1270693-1	94B-11
13-8760	45 - 8
13-8760	46B- 8
133A3	117A- 5
13830	43 - 6
13836	42 - 4
13836	42A- 7
13836	42C- 4
13889	42 - 7
13889	42A- 9
13889	42C- 6
13889	43 - 6
1400014-1	2 -31
1400014-1	2A-19
1411202-201	49 -30
1411202-201	50 -28
1414045-2	61 -16
1414045-2	63 -14
1414082-13	54 - 2
1414082-14	54 - 1
1414082-18	54 - 1
1414082-20	54 - 1
1414082-21	54 - 2
1414082-22	54 - 2
1414082-6	54 - 2
1414082-7	54 - 1
1414100-212	60 -32
1414100-212	61 -34
1414100-212	61A-33
1414100-212	63 -69
1414100-8	60 -16
1414100-8	61 -18
1414100-8	61A-18
1414100-8	63 -17
1414100-9	60 -11
1414100-9	61 -13

PART NUMBER	FIGURE AND INDEX NO.
1414100-9	63 -11
1414100-9	63A- 9
1414103-12	60 -22
1414103-2	60 -21
1414103-2	61 -23
1414103-2	61A-22
1414103-2	61 -24
1414103-45	61A-23
1414103-45	60 -23
1414103-6	61 -25
1414103-6	61A-24
1414103-6	60 -48
1414104-1	63 -77
1414104-1	60 -29
1414104-39	61 -31
1414104-39	61A-30
1414104-4	60 - 3
1414104-4	61 - 4
1414104-4	61A- 4
1414104-4	63 - 3
1414104-4	63A- 5
1414104-40	60 -30
1414104-40	61 -32
1414104-40	61A-31
1414104-41	60 -31
1414104-41	61 -33
1414104-41	61A-32
1414104-42	60 -31
1414104-42	61 -33
1414104-42	61A-32
1414104-42	60 -37
1414104-42	60 -39
1414104-42	63B-21
1414104-42	63C-91
1414104-54	60 -40
1414104-54	63 -60
1414104-56	63B-11
1414104-56	63C-79
1414104-56	60 -45
1414104-8	61 -43
1414104-8	61A-43
1414104-8	63 -64
1414104-8	63B-16
1414107-1	60 -50
1414107-1	61 -52
1414107-1	61A-52
1414107-1	63 -79
1414110-1	60 -12
1414110-1	63 -12
1414110-3	60 -14
1414110-3	63 -14
1414111-2	63 - 9A
1414111-2	63 - 9A
1414111-5	60 -28
1414112-1	61 -30
1414112-1	61A-29
1414112-1	60 -42
1414116-1	61 -42
1414116-1	61A-42
1414116-1	63 -61
1414116-1	63B-15
1414116-1	63C-86
1414217-2	60 -17
1414217-3	60 -18
1414217-3	61 -20
1414217-3	63 -22
1414217-3	63A-17
1414217-7	60 -17
1414217-7	61 -19
1414217-7	63 -23
1414217-7	63A-17
1414223-34	61 -50
1414223-34	61A-50
1414230-1	60 - 9A

PART NUMBER	FIGURE AND INDEX NO.
1414230-1	61 -11
1414230-1	61A-11
1414231-4	60 -49
1414231-4	61 -51
1414240-3	63B-
1414240-3	63B-
1414240-4	63B-
1414240-4	63B-
1414241-3	63B-36
1414241-4	63B-37
1414242-1	63B-29
1414243-1	63B-32
1414245-2	63B-10
1414247-1	63B-24
1414248-1	63B- 8
1414249-2	63B-23
1414252-1	60 -59
1414252-1	63 -89
1414252-1	64 -23
1414252-2	60 -60
1414252-2	61 -62
1414252-2	63 -90
1414252-2	64 -24
1414252-6	60 -62
1414252-6	63 -92
1414252-6	64 -26
1414252-7	60 -61
1414252-7	63 -91
1414252-7	64 -25
1414257-5	63A-25
1414258-1	63A-22
1414259-1	63A-24
1414261-1	63A-21
1414262-1	63A-13
1414264-13	63A-10
1414264-5	63A-12
1414265-11	63A-
1414265-12	63A-
1414265-212	63A- 2
1414265-213	63A-13
1414265-8	63A-16
1414266-1	63A-20
1414267-1	63A-28
1414268-1	63A-27
1414269-1	63A-21B
1441001-2	40 -10A
1441001-2	40A-10A
1441003-1	40 -16
1441003-1	41 -17
145-10	42 -38
145-10	42A-29
1450009-1	74 -82
1460320-1	91 - 1
1460320-1	91 -27
1460320-1	92 - 1
1460320-1	92 -24
1460501-21	91 - 2
1460501-21	91 -28
1460501-21	92 - 2
1460501-21	92 -25
1460501-36	92 -25
1460505-1	92 -28A
1470089-10	123A-20
1470089-14	123A-21
1470089-6	123A-28
1470089-8	123A-30
1505014-1	2B-12A
1505014-1	2C- 9A
1505014-2	2B-12A
1505014-2	2C- 9A
1505015-16	2C- 7
1505015-17	2B- 7
1505015-30	2C- 7
1505015-31	2B- 7

PART NUMBER	FIGURE AND INDEX NO.
15110040-5	22 -24
1511205-13	49 -22
1511205-13	51A-
1511205-14	50 -22
1511205-14	51A-
1511205-16	49 -22
1511205-16	51A-
1511205-17	50 -22
1511205-17	51A-
1511205-6	50 -22
1511205-6	51A-
1511205-7	49 -22
1511205-7	51A-
1511206-11	51A-15
1511206-13	51A-16
1511206-14	51A-16
1511206-20	51A-12
1511206-4	51A-19
1511207-1	51A-17
1511208-12	51A-28
1511208-13	51A-28
1511208-16	51A-30
1511208-17	51A-31
1511208-3	51A-28
1511208-4	51A-28
1511209-1	51A-27
1511209-10	51A-20
1511209-11	51A-20
1511209-12	51A- 5
1511209-8	51A-11
1511212-1	51A-24
1511212-3	51A-24
1511212-5	51A-24
1511212-6	51A-24
1514059-1	63A-21A
1514223-28	61 -47
1514223-28	61A-47
1520006-1	3 -42
153-15	42A-14
154-13	42A-15
156-1	42 - 8
156-1	42C- 7
1560001-13	94A-46A
1560110-1	94A-50
1560110-3	94A-49A
1560218-1	74 -99B
1570043-1	68A-63
1570043-1	68B-64
1570043-1	68C-68
1570043-3	125A- 5
1570043-3	125B- 9
1570142-2	94A-51
1570149-200	94A-43
1570149-201	94A-46A
1570149-202	94A-46A
1570150-1	94A-51
16-2000C	120C-21
16-8375C	120C-19
16-8500C	120C-18
1600010-117	76 -63
1600010-12	13 - 68
1600010-47	76 -71
1600069-1	70A- 1
1600069-2	70A- 1
1605022-3	2B-39
1605029-1	2B-38
1605034-1	2B-40
161-25	42 - 3
161-25	42C- 3
161-30	42A- 2
161-4	42 - 3
162-10	42 - 2
162-10	42C- 2
162-??	42A- 3

PART NUMBER	FIGURE AND INDEX NO.
162-4	42 - 2
1620058-1	10 -21A
1620058-1	10A-23
1620075-3	3A-37
1631010-1	18 -33
1631010-2	18 -32
164-03600	42A- 8
164-15A	42A- 8
164-15K	42A- 8
164-7	42 - 5
164-7	42C- 5
1642000-18	45 - 8
1642000-18	46B- 8
1642000-4	45 - 8
1642000-4	46B- 8
1650010-1	76 -67
1650010-2	76 -68
1650012-1	78A-
1650014-2	78A-10
1650015-1	78A- 9
1650016-1	76 -84
1650017-1	76 -85
1650019-8	78A-12
1650020-1	78A-12
1650021-2	73 -38
1650031-1	74 -93
1650031-5	74 -92A
1650037-1	74 -66
1652012-6	73A-53
1652012-9	73A-52
1652013-25	73 -41C
1652013-25	73A-46
1652013-28	73 -41B
1652013-3	74 -97A
1652013-35	73A-45
1652013-5	74 -94A
1653008-1	33 -47
1656003-1	76 -79
1656003-5	76 -73
1656005-1	76 -80
1656006-1	76 -75
1660300-40	70A-20
1713039-1	95B-29
1713039-1	117C-13
1713039-1	117E-17
1713039-1	117B-49
1714000-200	63C-89
1714000-33	63C-87
1714035-1	61 -63
1714035-1	63 -91
1714035-1	64 -25
1714040-1	61 -61
1714040-1	63 -89
1714040-1	64 -23
1714040-2	61 -64
1714040-2	63 -92
1714040-2	64 -26
1714061-1	63C-84
1714067-2	63C-83
1714067-4	63C-83
1715023-3	61 -16
1715023-3	63 -14
1777	39 -11
1777	39 -11
180231	79 -36
180231	79A-29
180231	81C-33
1816TR	123A-25
182684	79 -37
182747	79A-32
182747	81C-34
183-1	42 -37
183-1	42A-26
183-1	42C-35

PART NUMBER	FIGURE AND INDEX NO.	PART NUMBER	FIGURE AND INDEX NO.	PART NUMBER	FIGURE AND INDEX NO.
184793	79 -13	206337	79 -25	2504-1	48 -19
1862	47 -35	206337	79A-18	2504-1	48A-19
1862	48A-29	206337	81C-21	2504-1	48B-20
1862	48B-30	209AC	103 -49	2598	47 -32
1863	47 -23	209AC	104 -46	2598	48A-33
1863	47 -34	209AC	105 -44	2598	48B-34
1863	48 -20	210031	79 -10	26R8-2	107 -52
1863	48A-20	210031	79A- 9	26R8-2	108 -21
1863	48A-28	210031	81C- 9	2600	48 -20
1863	48B-21	210036	79 - 8	2600	48A-20
1863	48B-29	210036	79A- 7	2600	48B-21
186320	79 -39	210036	81C- 7	2602	47 -38
186320	79A-34	210039	79 -27	2602	48A-32
186320	81C-36	210039	79A-19	2602	48B-33
1866-30	42 - 6	210039	81C-23	27-121	42 -16
188141	79A-21	210095	79 -11	27-121	42C-15
188141	81C-25	210100	79 -32	28510-2	73 -68
188302	79 -30	210112	79 -16	28510-2	73A-77
188302	79A-23	210206	79 - 7	2857-4	73 -68
188302	81C-27	210207	79 -14	2857-4	73A-77
188434	79 -28	210214	79 -33	2857-4	107 -52
188434	79A-20	210216	79A-31	2904-1	68B-35
188434	81C-24	210216	81C-40	2904-1	95B- 1
189482	79A-16	210253	79 - 1	2904-1	95B-31
189482	81C-19	210253	79A- 1	295055	13 - 6
189574	79A-13	210253	81C- 1	295055	13 - 6
189574	81C-16	210257	79 -40	2981A4-27	67 -15
189739	79A-17	210257	79A-35	3A4F	68E- 4
189739	81C-20	210257	81C-37	3002	42 -23
189744	79A- 3	210259	79 - 2	3002	42C-22
189744	81C- 3	210261	79A-10	3006	42C-29
190094	79 -17	210261	81C-10	3007	42C-25
190576	79 -42	210269	79 -35	3013	42 -33
190733	79 -12	210272	79 -22	3013	42C-32
190734	79 - 6	210289	79 -15	3021	42A-11
19118	47 - 2	210293	79 -26	3022	42A-10
19118	48 - 1	2103	117A-36	3023	42A-12
19118	48A- 1	2103	117B- 5	30370-0100	68A-35
19118	48B- 2	210326	79A-26	30370-0100	68B-36
19118	79 -31	210326	81C-30	30370-0100	117B- 2
191869	79A-24	210382	79A-11	30370-0100	117C- 2
191869	81C-28	210393	79A-118	30370-0102	68B-36
191869	79 -18	210394	79A-118	30370-0102	117C- 2
192103	123A-26	210396	79A- 6	30475-0000	68A-36
1924	79 -34	210396	81C- 6	30475-0000	117B- 4
192528	79 -41	210398	79A-28	312-12	107 -51
192558	79A-36	210398	81C-32	312-12	108 -21
192558	81C-38	210399	79A-15	3219	47 -15
192707	81C-31	210399	81C-18	3219	48 - 9
192709	79A-27	213200	79A-30	3219	48A- 9
193385	79 -19	213200	81C-39	3222	48B-14
193385	79A-12	213214	79A- 2	3222	48 -10
193385	81C-15	213214	81C- 2	3222	48A-10
196195	79A-11A	213232	79A-25	3223	48A-37
2-11	120B-65	213232	81C-29	3223	48B-38
2-11	120C-67	214202	79A-11C	3225	47 -29
2-15	120B-64	218036	79 - 3	3225	48 -23
2-15	120C-66	21820-R	68A-42	3225	48A-23
20C-C6	32 -13	218446	79 -38	3225	48B-27
20C-C6	32A-14	218446	79A-33	3226	47 - 7
2N441	122 - 2	218446	81C-35	3226	48 - 5
20H3P	121 -56	218537	79A-22	3226	48A- 5
20H3P	122 -54	218537	81C-26	3227	47 -33
2013131-1	70 -30	218547	79A- 4	3227	48A-27
2013142-1	102A- 4	218547	81C- 4	3227	48B-28
2015009-3	70 -24	22A21-22-02	20 -33	3228	48A-36
2015009-3	70 -24	22FM428	43 - 5	3228	48B-37
20351-4	95B- 1	22FM632	93 - 4	3233	48B-49
204864	79 - 9	22NA17A-054	127 - 8	3236C2	47 -27
204864	79A- 8	22NA17A-054	127 -13	3236C2	48 -21
204864	81C- 8	22NA17A-054	128 - 8	3236C2	48A-21
206336	79 - 5	22NKM-02	31 - 8	3236C2	48B-25
206336	79A- 5	22NKM-02	129 -53	3244	48A-26
206336	81C- 5	2504-1	47 -22	3244	48B-27

PART NUMBER	FIGURE AND INDEX NO.
3245-1	47 -23
3246	47 -39
3247	47 -40
3257	47 -17
3257	48 -13
3257	48A-13
3257	48B-16
3258	47 -20
3258	48 -11
3258	48A-11
3258	48B-18A
3258-1	47 -20
3258-1	48 -12
3258-1	48A-12
3258-1	48B-18A
33-199-1	109 - 5
33-199-1	110 -11
33-199-4	47 -10 - 8
33-199-458	109 - 7
33-199-458	110 -13
33-199-5	109 - 3
33-199-5	110 - 9
33-199-6	109 - 4
33-199-6	110 -10
33-199-71	109 - 2
33-199-8	109 - 6
33-199-8	110 -12
33-199-901	109 - 1
33-199-902	110 - 7
330R	67 -80
330R	68 -80
34-828-1	81 - 1
34-828-1	81B- 1
34-828-10	81 -30
34-828-10	81B-30
34-828-11	81 -14
34-828-11	81B-14
34-828-12	81 -23
34-828-12	81B-23
34-828-13	81 -41
34-828-13	81B-41
34-828-14	81 -16
34-828-14	81B-16
34-828-15	81 - 7
34-828-15	81B- 7
34-828-19	81 - 9
34-828-19	81B- 9
34-828-2	81 - 2
34-828-2	81B- 2
34-828-20	81 -13
34-828-20	81B-13
34-828-24	81 -15
34-828-24	81B-15
34-828-25	81 -25
34-828-25	81B-25
34-828-26	81 -19
34-828-26	81B-19
34-828-27	81 - 5
34-828-27	81B- 5
34-828-28	81 -31
34-828-28	81B-31
34-828-31	81 -26
34-828-31	81B-26
34-828-34	81 - 6
34-828-34	81B- 6
34-828-7	81 -10
34-828-7	81B-10
34-828-8	81 -29
34-828-8	81B-29
34-828-9	81 -17
34-828-9	81B-17
34-828-902	81 -42
34-828-902	81B-42
34-828-903	81 -32

PART NUMBER	FIGURE AND INDEX NO.
34-828-903	918-32
34-828-907	81 -39
34-828-907	81B-39
34-831-905	81 -11
34-831-905	81B-11
3407	47 -10
3407	48 - 8
3407	48A- 8
3407	48B-10
3408	47 -11
3408	48 -14
3408	48A-14
3408	48B-11
3408-1	47 -12
3408-1	48 -15
3408-1	48A-15
3408-1	48B-12
3408-2	47 -12
3408-2	47 -16
3408-2	48 -17
3408-2	48A-17
3408-2	48B-12
3410-3	48 - 6
3410-3	48A- 6
3410-5	47 -13
3410-5	48B-13
3411	47 - 9
3411	48 -16
3411	48A-16
3411-3	47 - 9
3411-3	48B- 9
3412	48 - 1
3412	48A- 1
3412-1	47 - 1
3412-1	48B- 1
3412-2	48B- 1
3413	48 - 2
3413	48A- 2
3413-1	48B- 3
3423-1	47 - 3
3423-3	47 - 3
3426	47 -45
3426	48B-43
3426	46A-44
3426	46B-51
3427	47 - 7A
3427	48B- 7A
3432	47 -19
3432	48B-17
3433	47 -18
3433	48B-18
3433-1	47 -20
3476	47 -47
3476	48B-45
3476	46A-49
3476	46B-188
3477	47 -44
3477	48B-42
3477	46A-45
3477	46B-52
3478	47 -41
3478	48B-39
3478	46A-46
3478	46B-53
3478-1	48B-39
3478-1	46B-53
3479-1	48B-15
351-11-05-001	94B- 5
351-11-05-001	94B-12
35985	77B-20
36837	128 -53
3690	28-51
3690	2C-41
3690-1/2	1 -46

PART NUMBER	FIGURE AND INDEX NO.
3690-1/4	1 -46
3690-1/8	1 -46
37-206	42A-26
37206	42 -37
37206	42C-35
37570-0001	68B-37
37570-0001	117C- 4
38520A	42 -13
38520A	42C-12
3859A282-291A	94B-23
39014	76 -81
39091	42 - 9
39091	42C- 8
4NCC910P	21 -35
40-14	124A- 4
4055-3	73 -31
4055-3	73A-33
4055-3	73A-34
4055-4	73 - 7
4055-4	73 -30
4055-4	73 -32
4055-4	73 -44
4055-4	73 -44
4055-4	73 -45A
4055-4	73A- 8
4055-4	73A-54
4002-244-16	28 - 4
4002-244-16	29 - 8
4002-244-16	73 - 3
4002-244-16	73A- 3
4002-244-16	129 -13
4002-3	73 -31
4002-4	73 - 7
4002-4	73 -30
4002-4	73 -32
4002-4	73 -44
4002-4	129 - 8
4002G	73 -31
4002G	73A-33
4002H	129 - 8
4002H	73 - 7
4002H	73 -30
4002H	73 -32
4002H	73 -44
4002H	73 -44
4002H	73 -45A
4002H	73A- 8
4002H	73A-34
4002H	73A-54
40760-0104	68C-38
40760-0104	117C- 2
40760-0104	117E- 2
4140-00-17	108 -24
4157-001	94B-24
4189	13 -40
4196	13 -39
4197	13 -40
4199	13 -40
43-1761	121 -56
43-1761	122 -54
4509	125C- 7
48143	38 -38
48155	11 -15
48172	15 -20
485-60	107 -18
49165-22	134 -70
49265	67 -82
49265	68 -82
49265F938	54 - 4
49265F938	57 -18
49265F938	57 -25
49265F938	57 -25
49265F938	57A-17
49265F938	58 -11

PART NUMBER	FIGURE AND INDEX NO.	PART NUMBER	FIGURE AND INDEX NO.	PART NUMBER	FIGURE AND INDEX NO.
49265F938	58 -20	626189A	77 -46	911542	68C-53
49265F938	58 -20	626332	77A- 1	8409	94A-51
49265F938	66 -13	626341	77A- 2	8409	94B-17
49265K2215	67 -65	626342	77A- 2	90DA-2	72C-45
49265K2215	68 -65	627335D12	76A-25	90DA-8	72C-45
49330	22 -20	627335D13	76A-25	91-8000AC	120C-20
49330	22 -27	627377	121 - 5	95-5163	44 -48
49330	23 -22	627377	122 - 6	95-5216	44 - 9
49330	27 - 8	627392	77B- 6	95-5216	44 -16
49330	126 -73	627773	77 - 7	95-5217	44 -18
49330	127 -26	628472	76A- 1	95-5242	44 - 7
49330	128 -24	628473	76A- 1	95-5383	44 -35
49330	131 -59	629076	76A- 3	9510155	44 -44
49330	132 -59	629076	77B- 3	9510734	44 -43
5021-002	81C-11	629176	76A-15	9510816	44 - 8
51045	63 -74	629176	77B-16	9510871	44 -10
511846-4	43 -17	629422	76A- 3	9510957	44 -51
5169	3 -50	630948	76A- 4	9510965	44 -27
5169	14 -32	631237	77B- 1	9510966	44 -26
5169	20 -48	631351A6	76A-24	9510977	44 -21
5169	21 -36	631427A3	76A-24	9510978	44 -20
52-048-250-0375	47 - 7	633005	77B- 4	9510983	44 -19
52-048-250-0375	48B- 7	633006	77B- 4	9510988	44 -32
534750	76A- 2	633007	77B- 4	9510993	44 -12
534750	77B- 2	633027	77B-19	9511005	44 -31
537282	76 -17B	633311	76A- 4	9511103	44 -33
537282	76A- 6	633311	77B- 5	9511269	43 -12
537282	77 -47	638154-1A6	76A-23	9511271	43 -13
537312	76 -17A	639151	77A- 3	9511271	44 -41
537312	77 -47	639171	77A- 3	9520061	44 -17
538076	76A-14	639410	74 -99A	9520424	44 -25
538076	77B-15	639411	74 -99A	9520448	43 -19
539547	76A-10	639596	76A-21	9520448	44 -39
539547	77B-11	639717-2A1	76A-22	9520644	44 -11
539911	76 - 7	639761A1	76A-21	9520675	44 -33
550	1 -13	6436635	113A-10	9521184	43 - 8
5579654	113A-12	6436637	113A-11	9521246	44 -28
561	42 -26	6436916	113A-13	9524201	43 - 1
561	42 -30	6436989	42 -30	9524218	43 - 7
561	42A-20	66-2	42 -26	9524223	43 - 9
561	42A-22	66-3	42A-20	9524318	43 - 2
561	42C-25	66-30	42A-22	9524343	43 -14
561	42C-29	66-30	42 -27	9524463	43 -16
576.1	1 - 5	68-7	42C-26	9530084	44 -42
579.6	1 - 6	68-7	42A-23	9530373	44 -22
59-022-044-375	64 -12	69-4	120 -25	9530374	44 -22
60C-C6	32 -13	7	1 -11	9530593	44 -34
60C-C6	32A-14	700	103 -52	9532277	43 -14
6F20-D	121 -56	721A7	104 -49	9541458	43 - 8
6F200	122 -54	721A7	105 -47	97NT3-048	120C-21
600-015-8	40A-31	721A8	103 -54	98293-16-2.250	73 -64
60232-1	68A-58	721A8	104 -51	98293-16-2.250	73A-73
60232-1	68B-55	721A8	105 -49	99608	56 -15
60232-1	68C-59	721A8	103 -50	99608K2215	58 -14
604-200-200	68B-35	723A	104 -47	99833P.098	73A- 6
604-200-200	68C-37	723A	105 -45	99836	73 -47A
604-200-200	95B-31	723A	42A-19	99874	73A-57
61-18	42A-16	73-10	42 -25	99874-1	73 -47A
61-7	42 -22	73-4	42C-24		
61-7	42C-21	73-4	42A-21		
62-15	42A-17	74-10	42 -29		
625017	77B- 7	74-2	42C-28		
625219-2A13	76A-22	74-2	42 -28		
625219-2A6	76A-22	75-15	42A-28		
625303	76 -17A	75-15	111 - 9		
625303	76A- 7	79-022-094-0375	42 -11		
625303	77 -47	8-32X1/2	42 -14		
625303	77B- 8	8-32X1/2	42C-10		
625765	76A- 1	8-32X1/2	42C-13		
625765	77B- 1	800-001-6	93 - 7		
625966	77A- 3	807	54 - 4		
626062-3A5	76A-23	811542	68A-47		
626189A	76 -17	811542	68B-48		
626189A	76A- 5				

