

MICRO SWITCH
 FREEPORT, ILLINOIS U.S.A.
 A DIVISION OF HONEYWELL
 FED MFG CODE 81929

**SWITCH-TOGGLE
 FLUSH KEY**

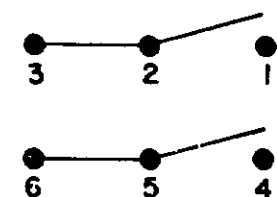
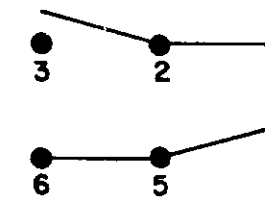
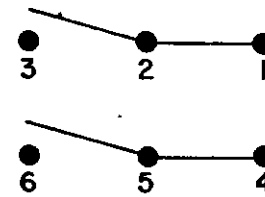
CATALOG LISTING
2TP12-10

CIRCUIT MADE WITH ROCKER DEPRESSED ON

LUG SIDE

CENTER

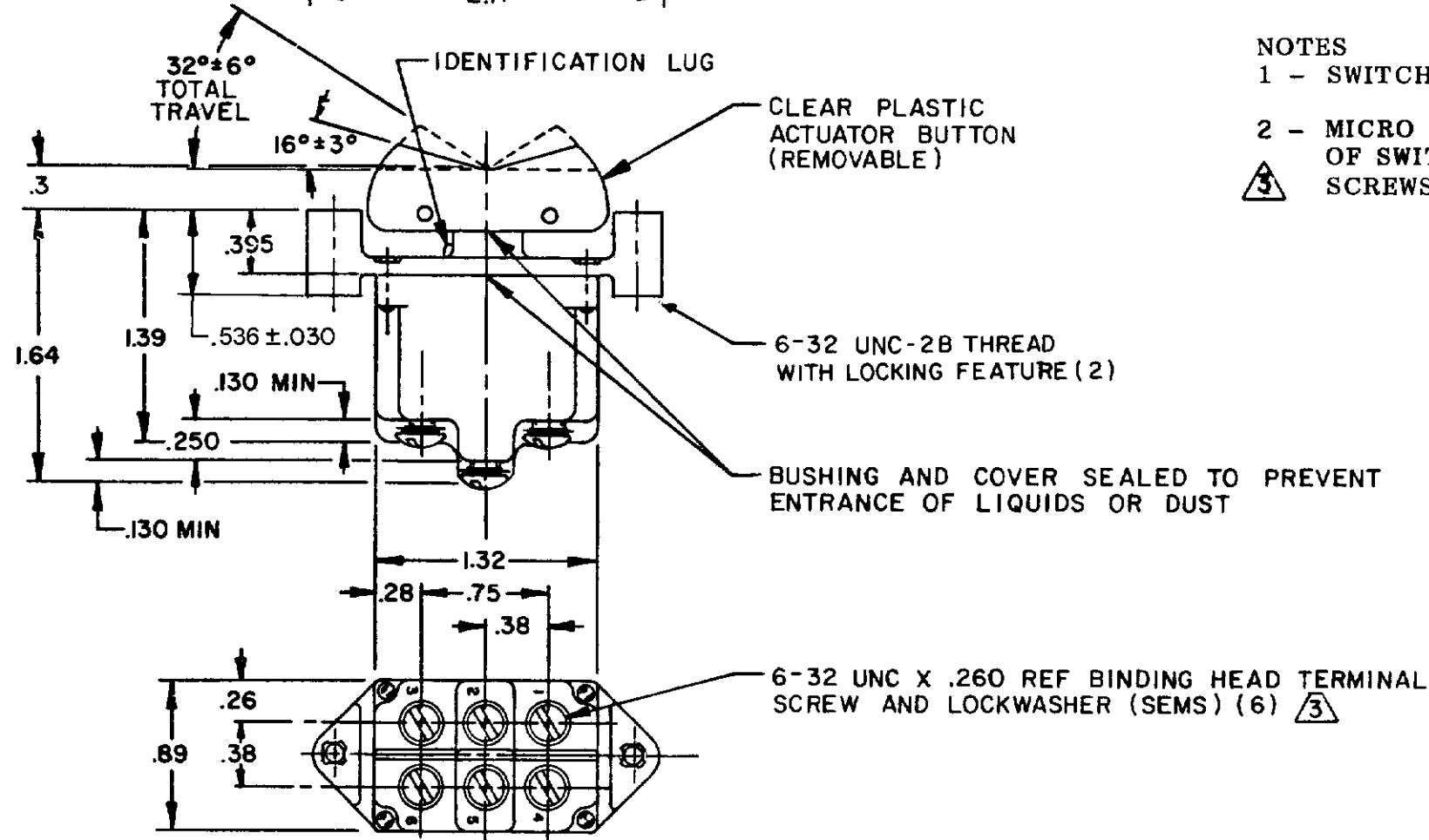
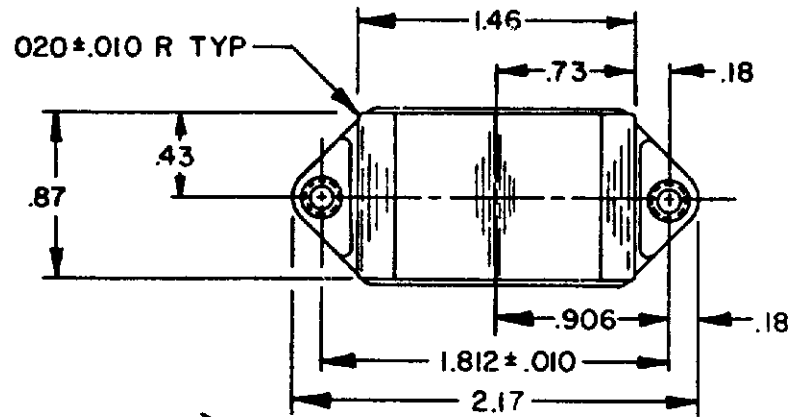
OPPOSITE LUG



(MAINTAINED POSITION)

(MAINTAINED POSITION)

(MAINTAINED POSITION)



NOTES

- 1 - SWITCH WILL WITHSTAND TEMPERATURE OF 160°F
- 2 - MICRO SWITCH CATALOG LISTING MARKED ON SIDE OF SWITCH
- 3 - SCREWS FURNISHED UNASSEMBLED

DRAWING NUMBER: 2TP12-10
 PAGE 1 OF 1
 ISSUE: M
 CHECK: 8
 REVISIONS:
 A: 0049167 J A P 16 JUL 81
 B: 0056164 J A P 6 MAR 85
 C: 0057496 C J H 24 SEP 85
 D: 0058717-B W J K 22 OCT 86
 E: 0077897 T S M 15 JUN 94
 F: 202714 J J A 8 OCT 99
 G: 202714 C S L 3 APR 01
 RASTER: PO-2881-B
 DRAWN: W J M 28 AUG 80
 CHECK: C E B 28 AUG 80
 RELEASE NO. PR-9317

THIS DRAWING COVERS A PROPRIETARY ITEM AND IS THE PROPERTY OF MICRO SWITCH A DIVISION OF HONEYWELL THIS DRAWING IS NOT TO BE COPIED OR USED WITHOUT THE APPROVAL OF MICRO SWITCH

CHARACTERISTICS

ELECTRICAL DATA

L191 15A 125, 250, 277 VAC
 1/2HP 125 VAC
 1HP 250, 277 VAC
 5A 125 VAC "L"



SCALE FULL

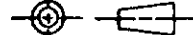
DO NOT SCALE PRINT

TOLERANCES
 APPLY TO DESIGN UNITS CONVERSIONS ARE ONLY FOR REFERENCE UNLESS NOTED TOLERANCES ARE 2

	DM	TOL	DM	TOL
	IN	MILL/IN	IN	MILL/IN
NO PLACES	X	12/100	X	0.01/100
ONE PLACE	X,X	0.4/100	X,X	0.005/100
TWO PLACES	X,X,X	0.16/1000	X,X,X	0.001/1000
THREE PLACES	X,X,X,X		X,X,X,X	

DESIGN UNITS: SI METRIC (), US CUSTOMARY ()

THIRD ANGLE PROJECTION



WEIGHT .14 LB EST