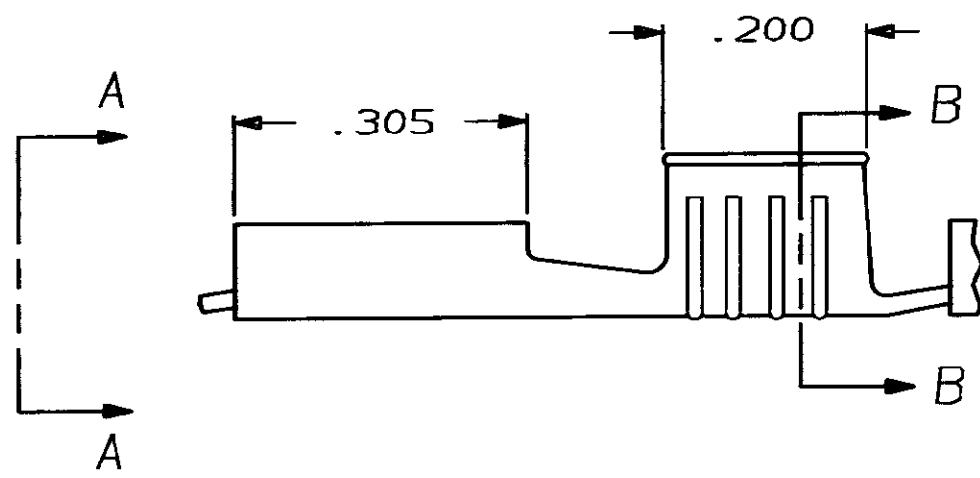
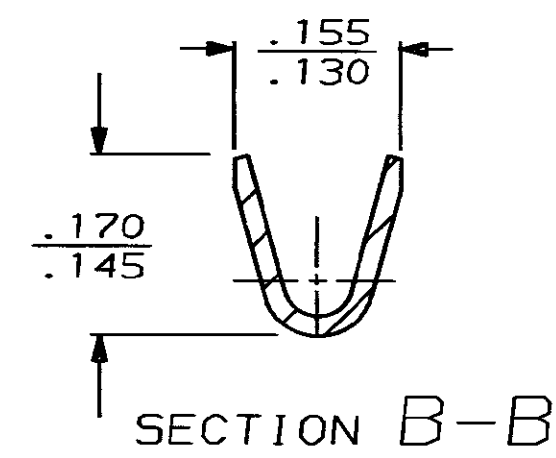
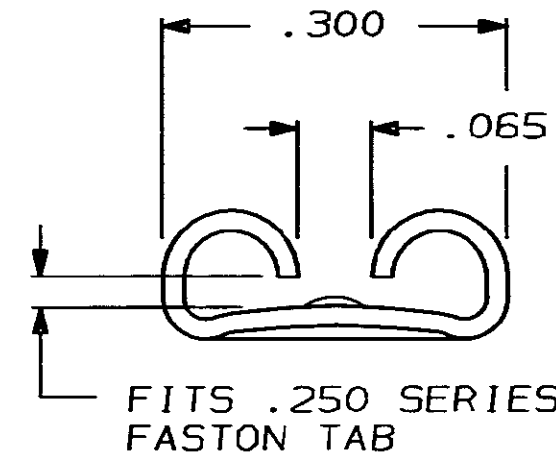
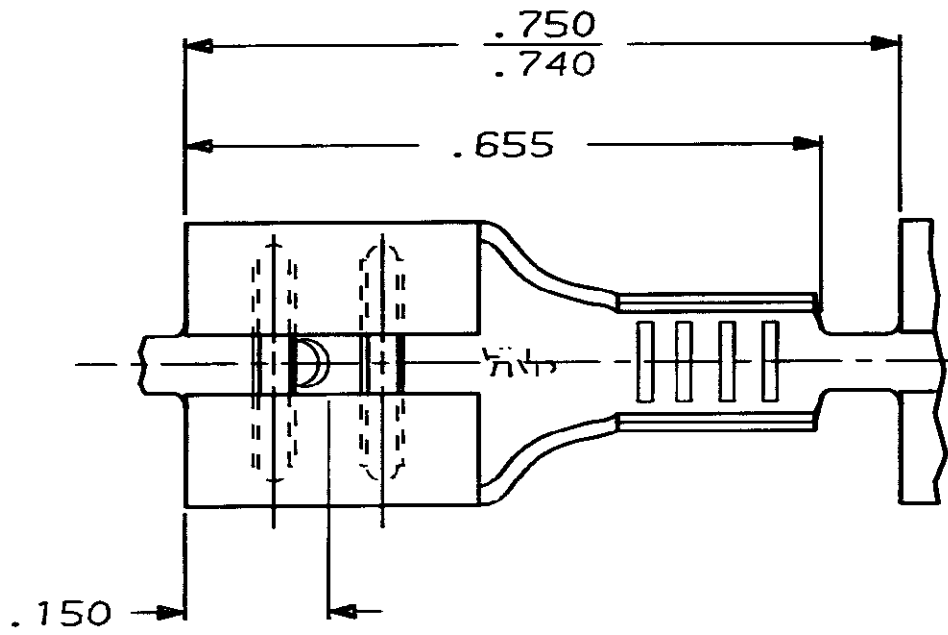


THIS DRAWING IS UNPUBLISHED. RELEASED FOR PUBLICATION ,19 .

© COPYRIGHT 1965 BY AMP INCORPORATED, HARRISBURG, PA. ALL INTERNATIONAL RIGHTS RESERVED. AMP PRODUCTS MAY BE COVERED BY U.S. AND FOREIGN PATENTS AND/OR PATENTS PENDING.

LOC	DIST	P	F	ZONE	LTR	DESCRIPTION	DATE	APPROVED
AF	50				T	REVISED AF-6391	11/28/89	JR/CM



UNLESS OTHERWISE SPECIFIED DIMENSIONS ARE IN INCHES TOLERANCES ON:		DR	5/28/86	18-14	.032 ±.001	41194
2 PL DEC ± -		JR RUTH		WIRE SIZE	TAB THK.	PART NO
3 PL DEC ± .015		CHK	5/30/86	AMP INCORPORATED Harrisburg, Pa. 17105		
ANGLES ± -		MS FEHER				
MATERIAL	.018 BRASS TEMPER 4M	APPD	5/30/86	NAME .250 SERIES FASTON RECEPTACLE		
FINISH	TIN	C MEYERS				
		APPD	6/2/86	SIZE	FSCM NO	DRAWING NO
		PRODUCT SPEC		B	00779	41194
		APPLICATION SPEC		SCALE	5:1	SHEET
		WEIGHT				1 OF 1