



# PARTS CATALOG

CARD 1 OF 3

PA-31-350 T1020

Courtesy of Bomar Flying Service  
[www.bomar.biz](http://www.bomar.biz)

# PIPER AIRCRAFT CORPORATION

# PIPER PARTS CATALOG

## AEROFICHE EXPLANATION AND REVISION STATUS

The Parts Catalog information incorporated in this set of Aerofiche cards has been arranged in accordance with the general specifications of Aerofiche adopted by the General Aircraft Manufacturer's Association.

Conversion of Aerofiche alpha/numeric code numbers:

First number is the Aerofiche card identifier.

Letter is the horizontal line reference per card.

Second number is the vertical line reference per card.

Example: 2J16 = Aerofiche card number two of given set, Grid location J16.

To aid in locating the various sections and related information desired, the following is provided:

A complete Catalog Table of Contents is given at Grid 1A8 of Aerofiche card number 1 of this set. Each additional card in this set will have a Table of Contents for all sections on that particular card. This table will start at Grid A3.

## REVISIONS

The information compiled in this Aerofiche Parts Catalog will be kept current by revisions distributed periodically. These revisions will supersede all previous revisions and will be complete Aerofiche card replacements and shall supersede Aerofiche cards of the same number in the set.

Current Revisions to this PA-31-350 T1020 Parts Catalog issued September 16, 1981 are as follows:

761 775 (PR811214).....	Dated December 1981
761 775 (PR821013).....	Dated October 1982
761 775 (PR830314).....	Dated March 1983
761 775 (PR840111).....	Dated January 1984
761 775 (PR840615).....	Dated June 1984
761 775 (IR860428).....	Dated April 1986 (Interim*)

## **\* INTERIM CHANGE**

**Revisions appear on figure 71 of card 2. There are no other changes included in this parts catalog.**

**Please discard your current card 2 and replace it with this revised one. DO NOT DISCARD CARDS 1 or 3.**

NOTE: Refer to the last card of the Piper - Parts Price List - Aerofiche for a checklist of current revision dates and card effectivities for this parts catalog.

# INTRODUCTION

This illustrated Parts Catalog is designed to provide simple but positive identification of replacement parts for the Piper Model PA-31-350 T1020, manufactured by the Piper Aircraft Corporation of Lakeland, Florida.

**NOTE UNDER NO CIRCUMSTANCES SHALL THIS CATALOG BE USED FOR RIGGING AND INSTALLATION PURPOSES**

It is suggested that this catalog be thoroughly studied to determine its arrangement prior to its utilization.

1. The catalog is divided into fourteen (14) major sections described as follows:
  - a. Sections I to XIII inclusive contain all replacement parts for the complete airplane. Each section is subdivided and each division includes an illustration and a parts listing.
  - b. Section XIV is the Miscellaneous Group. This group includes an illustration and parts list for the Placards and Exterior Stencils and a listing of the Optional Equipment Kits, Repair Kits and Special Tools.
2. The following is a brief explanation of the columns in the parts lists: (Refer to EXAMPLE below).
  - a. The "FIGURE AND INDEX NUMBER" column indicates the illustration figure number and its parts index number. EXAMPLE: (2-1), the 2 is the figure number and the 1 is the index number. The figure number appears only at the top of each parts list page.
  - b. The "PART NUMBER" column contains the identifying number of the replacement part and this number must be shown on all Parts Orders.
  - c. The "CODE" column is for the purpose of indicating special uses of the part. An explanation of the letter code used is shown on the grid (page) preceding each parts listing and pertains to that listing only.
  - d. The "NOMENCLATURE" column indicates the part name. This name must be shown on all Parts Orders.
  - e. The "NO. REQ." (Number Required) column represents the total quantity of parts used per aircraft per figure when the part is not indented and the quantity of parts used per assembly when the part is indented. The symbol "AR" listed in this column means "As Required".
  - f. The "SERIAL NUMBERS AFFECTED" column indicates the part application by airplane serial number.

EXAMPLE					
Figure and Index Number	Part Number	Code	NOMENCLATURE	No. Req.	SERIAL NUMBERS AFFECTED
2-1	XXXXX-XX		DOOR ASSEMBLY - Baggage compartment	X	
-2	XXXXX-XX		* TUBE ASSEMBLY - Baggage door latch	X	
-3	XXXXX-XX		* * CLEVIS - Door latch tube assembly	X	
-4	XXXXX-XX		* * CLIP - Door latch tube assembly	X	

In the Nomenclature column, the next higher assembly relationship of items covered is shown by the degree of indention of each item and is indicated by an asterisk (\*). One asterisk signifies one indention, two signifies two indentions, etc. The example listing above is interpreted as follows:

If the DOOR ASSEMBLY (not indented) is ordered, it will include the three items indented under the Door Assembly.

If the TUBE ASSEMBLY (indented one space) is ordered, it will include the two items indented under the Tube Assembly.

If you want only a CLEVIS or CLIP, you order only that item.

3. The "ATTACHING PARTS" such as nuts, bolts, screws, etc., that are available as commercial hardware items, are not generally supplied by the Piper Aircraft Corporation. This catalog lists for your convenience, those attaching parts required for main assemblies and installations. The identifying number for these parts appears after the part name.

4. All items of Optional Equipment are contained in the parts list in their proper sequences and sections. These items were not marked optional, since they are fully identified by their descriptions.

# PIPER PARTS CATALOG

## HOW TO IDENTIFY A PART IF YOU KNOW WHAT IT LOOKS LIKE AND KNOW WHERE IT IS LOCATED

1. Refer to Figure 1 to determine the section number in which the part is used.
2. Refer to the Table of Contents and locate the section. Note the figure numbers that illustrate the various subgroups of this main section.
  - a. Select the Figure title you think might contain the part you wish to identify and turn to the (grid) page specified.
3. Find the part on the illustration and note the index number.

NOTE: If you don't find the part on this illustration, try another figure in this group.
4. Refer to the "Figure and Index Number" in the Parts Listing for complete description of the part.

## HOW TO ORDER PARTS

In ordering parts for your Piper Airplanes, observe the following instructions which will aid in your getting the right parts required without delay.

- a. Place your order with the distributor or dealer for your territory, since parts are available only through our distributor organization.
- b. Always specify the model and serial number of your airplane.
- c. Always specify part number, name, type and quantity required.
- d. Specify the method of shipment - freight, express, parcel post, air express, air freight or air parcel post. Where the nature of the shipment requires it or when no instructions are given, we reserve the right to ship the most suitable way.

## GENERAL INFORMATION

- a. Shortages  
All orders are checked and rechecked before leaving our Shipping Department. A packing slip is enclosed with the shipment and claims for errors or shortages must be made within three (3) days after receipt of orders.
- b. Returned Goods  
No material should be returned to us without first securing our written permission. Material sent in without notice will be held at the owner's risk for thirty (30) days and will then be disposed of as we see fit.

Transportation charges must be PREPAID on returned goods or the shipment will be refused.

- c. Transportation Liabilities  
The Piper Aircraft Corporation cannot be held liable for damages to parts in transit from the factory. If a shipment is received in a damaged condition, have the delivery man or Transportation Company make a notation of the damage and file your claim with the Carrier. In case of concealed damage, do not attempt to remove the part from the shipping container, or endeavor to repair the damage, but call the Carrier and have his Claim Agent inspect the damage before filing your claim with the Carrier.

# PIPER PARTS CATALOG

## PA-31-350 T1020 SERIAL NUMBER INFORMATION

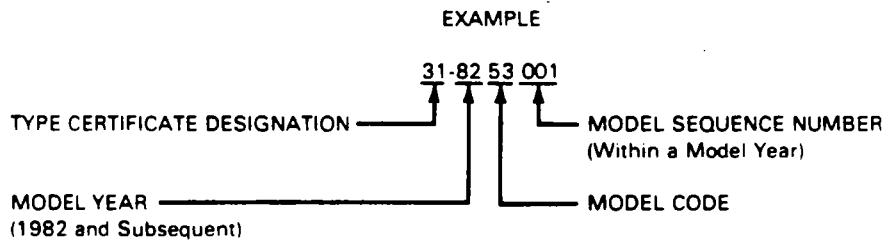
The following information should be kept in mind when ordering from this Catalog:

a. The serial numbers of the aircraft covered by this Parts Catalog are as follows:

- (1) Serial numbers of the 1982 PA-31-350 T1020 Models are 31-8253001 to 31-8253012 inclusive
- (2) Serial numbers of the 1983 PA-31-350 T1020 Models are 31-8353001 to 31-8353007 inclusive
- (3) Serial numbers of the 1984 PA-31-350 T1020 Models are 31-8453001 and up

## SERIAL NUMBER EXPLANATION

The Serial Number on the Manufacturer's Identification Plate is based on a 4-number set system. The first number set defines the Type Certificate Designation, the second set is the Model Year, the third set is the Model Code, while the fourth set is the Model Sequence Number (within a model year).



# PIPER PARTS CATALOG

## STANDARD PAINT CHART

	MFG. NO.	PIPER PART NUMBER	
		QUART	GALLON
<b>EXTERIOR</b>			
<b>ACRYLIC LACQUER</b>			
Madrid Red (base coat)	8276	4175 131	1175 131
Madrid Red (top coat)	8910	4175 589	1175 589
Bahama Blue	8911	4175 442	1175 442
Las Vegas Gold (base coat)	8931	4175 327	1175 327
Las Vegas Gold (top coat)	8929	4175 328	1175 328
Dakota Black	8906	4175 375	1175 375
Ocala Orange (base coat)	8909	4175 503	1175 503
Ocala Orange (top coat)	8907	4175 502	1175 502
Juneau White	L8973	4175 655	1175 655
Baja Yellow (base coat)	8212	4175 704	1175 704
Baja Yellow (top coat)	8209	4175 703	1175 703
Lime Green (base coat)	8211	4175 214	1175 214
Lime Green (top coat)	8210	4175 213	1175 213
Saffron	8228	4175 385	1175 385
Claret	8223	4175 381	1175 381
Firethorn	8246	4175 384	1175 384
Dark Blue	8230	4175 387	1175 387
Buckskin	8229	4175 386	1175 386
Hickory Brown	8231	4175 388	1175 388
Silver	8224	4175 382	1175 382
Sandalwood Tan	8271	4175 215	1175 215
Platinum Gray	8270	4175 216	1175 216
Thinner (fast drying) Titanine	8930	4179 138	1179 138
Thinner (slow drying) Titanine	8970	4179 134	1179 134

# PIPER PARTS CATALOG

## STANDARD PAINT CHART

	MFG. NO.	PIPER PART NUMBER	
		QUART	GALLON
<b>EXTERIOR</b>			
<b>POLYURETHANE ENAMEL (Dupont Imron)</b>			
Baja Yellow	H7850UH	4175 461	1175 461
Juneau White	H7848U	4175 462	1175 462
Ocala Orange	H7857UM	4175 463	1175 463
Madrid Red	H7851UM	4175 464	1175 464
Bahama Blue	H7853U	4175 465	1175 465
Las Vegas Gold	44469UH	4176 139	1176 139
Dakota Black	99U	4175 467	1175 467
Hickory Brown	H7855U	4175 470	1175 470
Silver	45431U	4176 137	1176 137
Lime Green	H7854U	4175 460	1175 460
Firethorn	K7888UW	4176 133	1176 133
Buckskin	K7890U	4176 135	1176 135
Dark Blue	K7891U	4176 136	1176 136
Dark Claret	K7886U	4176 131	1176 131
Medium Saffron	K7889UH	4176 134	1176 134
Platinum Gray	N7819U	4176 126	1176 126
Sandalwood Tan	N7818U	4176 127	1176 127
Catalyst	192S	4179 901	1179 901
Reducer	8485S	4179 480	1179 480
Retarder	8100S	4179 501	1179 501
Accelerator	189S	179 900	
Fisheye Eliminator	259S	179 902 (pint can only)	
<b>POLYURETHANE PRIMER (Dupont Imron)</b>			
Primer	825S	4170 745	1170 745
Catalyst	826S	4170 746	1170 746

# TABLE OF CONTENTS

FIGURE NUMBER	FIGURE TITLE	GRID NUMBER
1	View of Complete Airplane .....	1A14
SECTION I WING GROUP		
2	Wing Installation .....	1A15
3	Wing Panel Inboard Parts Installation .....	1A20
4	Wing Panel Outboard Parts Installation .....	1B1
5	Wing Panel Leading Edge Assembly .....	1B5
6	Leading Edge Spar Assembly .....	1B9
7	Wing Panel Rear Spar Assembly .....	1B13
8	Aileron Assembly .....	1B21
9	Flap Assembly .....	1C1
SECTION II FUSELAGE GROUP		
10	Fuselage Assembly .....	1C5
11	Fuselage Upper Forward Section Assembly .....	1C8
12	Fuselage Upper Cabin Section Assembly .....	1C12
13	Pilot Door Fuselage Frame Installation .....	1C16
14	Fuselage Lower Forward Section Assembly .....	1C19
15	Fuselage Lower Forward Frame Assembly .....	1D1
16	Fuselage Lower Rear Section Assembly .....	1D6
17	Fuselage Lower Center Frame Assembly .....	1D10
18	Fuselage Lower Rear Frame Assembly .....	1D13
19	Cargo Door Fuselage Frame Installation .....	1D16
20	Fuselage Aft Section .....	1D19
21	Floorboard Installation .....	1E1
22	Structure Installation, Sta. 57 to Sta. 215 .....	1E4
23	Structure Installation, Sta. 215 to Sta. 244 .....	1E7
24	Windshield Installation .....	1E10
25	Window Installation .....	1E13
26	Emergency Exit Window Installation .....	1E16
27	Cabin Entrance Door Installation .....	1E20
28	Upper Cabin Entrance Door Assembly .....	1F1
29	Lower Cabin Entrance Door Assembly .....	1F4
30	Forward Baggage Door Installation .....	1F8
31	Cargo Door Assembly and Installation .....	1F12
32	Pilot Door Installation .....	1F16
33	Pilot Door Assembly (Complete) .....	1F19
SECTION III TAIL SURFACES GROUP		
34	Tail Surfaces Installation .....	1G1
35	Fin Assembly .....	1G5
36	Rudder Assembly .....	1G9
37	Stabilizer Assembly .....	1G13
38	Elevator Assembly .....	1G17



# TABLE OF CONTENTS

FIGURE	FIGURE TITLE	GRID NUMBER
SECTION IV LANDING GEAR GROUP		
39	Main Landing Gear Installation .....	1H1
40	Main Gear Strut Assembly .....	1H7
41	Main Wheel Assembly (Cleveland/Heavy Duty) .....	1H11
42	Main Wheel Assembly (Cleveland/Standard) .....	1H14
43	Main Wheel Brake Assembly (Cleveland/Heavy Duty) .....	1H17
44	Main Wheel Brake Assembly (Cleveland/Standard) .....	1H20
45	Nose Landing Gear Installation .....	1I1
46	Nose Gear Strut Assembly .....	1I6
47	Nose Wheel Assembly .....	1I10
48	Nose Gear Steering Mechanism Installation .....	1I13
49	Brake System Installation .....	1I16
50	Dual Brake Installation .....	1I20
51	Master Cylinder and Parking Brake Valve .....	1J1
52	Emergency Gear Extension System Installation .....	1J4
SECTION V CABIN EQUIPMENT GROUP		
53	Cabin Furnishings Installation - Commuter Version .....	1J8
54	Cabin Furnishings Installation - Cargo Version .....	1J11
55	Cabin Interior Finishing Installation .....	1J14
56	Cabin Headliner Installation .....	1J18
57	Cabin Carpet Installation .....	1J21
58	Cabin Privacy Curtain Installation .....	1K1
59	Forward Baggage Compartment Finishing Installation .....	1K4
60	Seat Assembly - Crew .....	1K7
61	Seat Assembly - 3rd and 4th .....	1K11
62	Seat Assembly - 5th, 6th, 7th, 8th and 9th .....	1K15
63	Seat Assembly - 10th and 11th .....	1K20
SECTION VI INSTRUMENTS GROUP		
64	Instrument Panel Installation .....	2A6
65	Dual Instrument Panel Installation .....	2A11
66	Miscellaneous Air and Fluid Lines Installation .....	2A15
67	Dual Instrument Air System Installation .....	2A19
68	Instrument Pressure System Installation .....	2B1
69	Static Pressure System Installation .....	2B5
70	Tachometer Shaft Installation .....	2B8
SECTION VII POWER PLANT GROUP		
71	Power Plant Installation .....	2B11
72	Engine Baffle Installation .....	2B15
73	Oil Cooler and Breather System Installation .....	2B18

# TABLE OF CONTENTS

FIGURE NUMBER	FIGURE TITLE	GRID NUMBER
SECTION VII (cont ) POWER PLANT GROUP		
74	Three Blade Propeller Assembly .....	2C1
75	Propeller Synchrophaser System Installation.....	2C5
76	Engine Controls Installation .....	2C8
77	Engine Cowl Installation .....	2C12
78	Cowl Flap Actuating Mechanism Installation.....	2C15
79	Nacelle Installation .....	2C18
80	Nacelle Locker Door Assembly and Installation.....	2D1
SECTION VIII FUEL SYSTEM GROUP		
81	Left Engine Fuel System Installation .....	2D4
82	Right Engine Fuel System Installation .....	2D9
83	Fuel Flow and Pressure Gauge Installation .....	2D14
84	Fuel System Components .....	2D17
85	Fuel Controls Installation .....	2D20
86	Main Fuel Cell and Liner Installation .....	2E1
87	Auxiliary Fuel Cell and Liner Installation .....	2E5
SECTION IX CONTROL SYSTEM GROUP		
88	Pedestal Installation .....	2E9
89	Pedestal Control Assembly .....	2E13
90	Aileron Control Installation .....	2E17
91	Aileron Trim Installation .....	2E21
92	Rudder Control Installation .....	2F1
93	Rudder Trim Installation .....	2F5
94	Elevator Control Installation .....	2F9
95	Elevator Trim Installation .....	2F13
96	Flap Control Installation .....	2F17
97	Control Wheel Installation .....	2F20
98	Rudder Pedal Installation .....	2G1
SECTION X HYDRAULIC SYSTEM GROUP		
99	Forward Hydraulic System Installation .....	2G5
100	Aft Hydraulic System Installation .....	2G9
101	Hydraulic Pumps Installation .....	2G12
102	Hydraulic System Components (Wiebel) .....	2G16
103	Hydraulic Powerpak Assembly (Wiebel) .....	2G20
104	Hydraulic Powerpak Components (Wiebel) .....	2H1
105	Landing Gear Selector Mechanism Installation.....	2H4

# TABLE OF CONTENTS

FIGURE NUMBER	FIGURE TITLE	GRID NUMBER
SECTION XI ENVIRONMENTAL GROUP		
106	Heater and Defroster System Installation .....	2H7
107	Heater Installation .....	2H10
108	Heater Assembly .....	2H13
109	Heater Components .....	2H16
110	Ventilation System Installation .....	2H19
111	Air Distribution Duct Installation .....	2H22
112	Cabin Exhaust Vent and Blower Installation .....	2I1
113	Air Conditioning Evaporator Installation .....	2I4
114	Air Conditioning Freon System Installation .....	2I7
115	Air Conditioning Condenser and Scoop Installation .....	2I10
116	Forward Pneumatic Deicing System Installation .....	2I13
117	Aft Pneumatic Deicing System Installation .....	2I17
117A	Oxygen System Installation .....	2I20
SECTION XII ELECTRICAL SYSTEM GROUP		
118	Forward Electrical System Installation .....	2J1
119	Aft Electrical System Installation .....	2J5
120	Instrument Panel Electrical Installation .....	2J8
121	Primary and Auxiliary Electrical Power Installation .....	2J11
122	Switch and Circuit Breaker System Installation .....	2J15
123	Overhead Switch Panel Assembly .....	2J18
124	Landing Light Installation .....	2J21
125	Propeller Electrical Deicer Installation .....	2K1
126	Electrical Windshield Wiper Installation .....	2K4
127	Strobe Lights Installation .....	2K7
SECTION XIII ELECTRONICS GROUP		
128	Piper Automatic Locator (ELT) Installation (Narco Avionics) .....	2K10
129	Antenna Cable, Speaker, Static Wick, Ramp Hailer and Mike Installation .....	2K13
129A	Bendix Radar Installation (RDR-230 HP) .....	2K16
130	King AutoPilot (KAP-200) and King AutoPilot F/D (KFC-200) Installations .....	2K19
130A	Century 41 Autopilot and F/D Autopilot Installation .....	2L1
SECTION XIV MISCELLANEOUS GROUP		
131	Placards and Exterior Stencils .....	2L5
	Optional Equipment Kits and Repair Kits .....	2L9
NUMERICAL INDEX		3A4

**1A12 THRU 1A13  
INTENTIONALLY LEFT BLANK**

# PIPER PARTS CATALOG

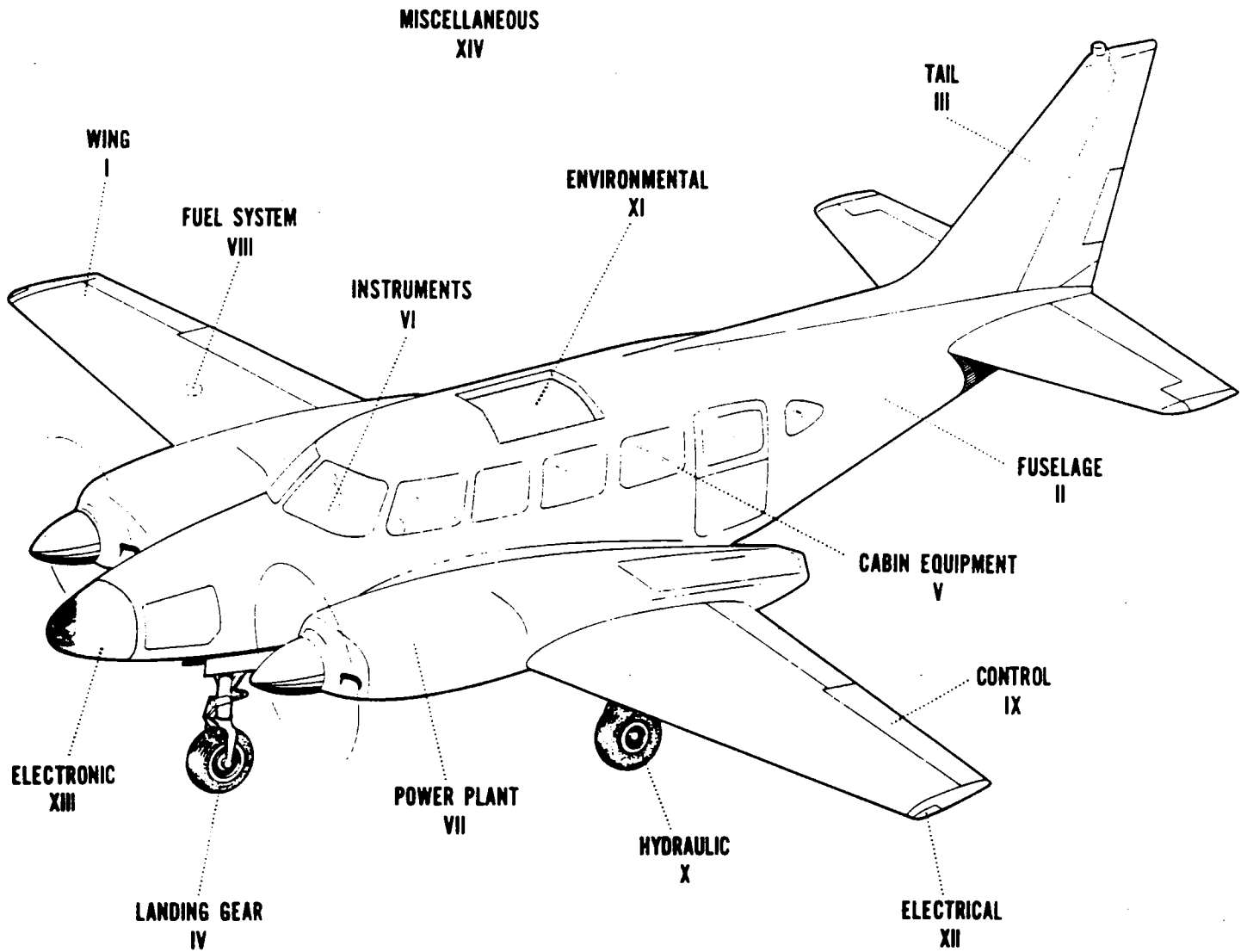


Figure 1. View of Complete Airplane

# PIPER PARTS CATALOG

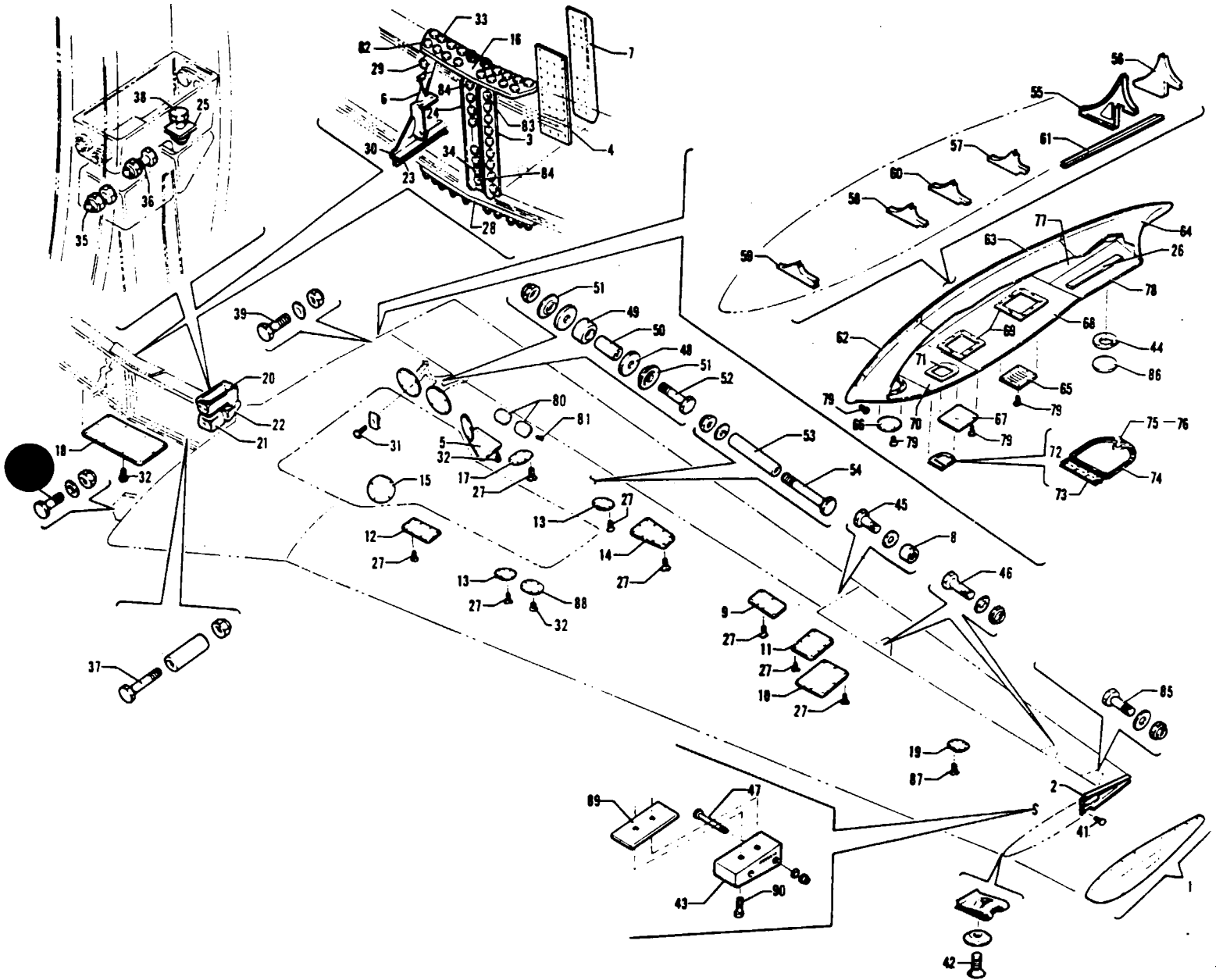


Figure 2. Wing Installation

---

# PIPER PARTS CATALOG

---

## CODE EXPLANATIONS FOR FIGURE 2

- A - See Figure 127 if navigation and strobe lights and/or recognition lights are installed.
- B - Used if pilot door is installed.
- A - See Figure 87 if auxiliary (outboard) fuel cells are installed.

## PIPER PARTS CATALOG

Figure and Index Number	Part Number	Code	NOMENCLATURE	No. Req.	SERIAL NUMBERS AFFECTED
2-	44765 41488 41565		DRAWING - Wing Installation DRAWING - Flap Installation DRAWING - Aileron Installation		
-1	44587-22	A	TIP ASSEMBLY - Wing, left (less navigation and strobe light)	1	
	44587-23	A	TIP ASSEMBLY - Wing, right (less navigation and strobe light)	1	
-2	54331-02		* RIB - Wing tip attachment, Sta. 239, left	1	
	54331-03		* RIB - Wing tip attachment, Sta. 239, right	1	
-3	44872-00		PLATE - Main spar splice, front	1	
-4	44875-00		PLATE - Main spar splice, rear	1	
-5	52054-04		PLATE - Wing access, left	1	
-6	41027-10		BRACE ASSEMBLY - Wing spar	2	
-7	44879-00		CHANNEL - Spar attachment, wing	1	
-8	41413-51		BUSHING - Aileron tab, right	1	
-9	40629-00		COVER - Aileron pulley access, wing, left	1	
	40629-01		COVER - Aileron pulley access, wing, right	1	
-10	40636-00		COVER - Aileron bellcrank access, wing, left	1	
	40636-01		COVER - Aileron bellcrank access, wing, right	1	
-11	42118-00		COVER - Aileron mechanism access, wing, right	1	
	42118-01		COVER - Aileron mechanism access, wing, left	1	
-12	40569-00		PLATE - Wing access	2	
-13	40567-00		PLATE - Wing access, aft	2	
	71139-02		PLATE - Wing access, forward	2	
-14	40587-00		PLATE - Wing access, left	1	
	40587-01		PLATE - Wing access, right	1	
-15	40468-00		PLATE - Wing cover	8	
-16	44654-00		PLATE - Main spar attachment, top	1	
-17	40563-00		PLATE - Wing access	2	
-18	41028-00		PLATE - Fuselage access cover, Sta. 135 to Sta. 140	1	
-19	20370-00		PLATE - Wing, access hole cover	2	
-20	45155-00		FITTING - Main spar attachment, upper	2	
-21	44964-00		FITTING - Main spar attachment, lower, forward	2	
-22	40319-00		FITTING - Main spar attachment, lower, aft	2	
-23	42060-00		ANGLE - Longitudinal beam splice	2	
-24	44879-00		CHANNEL - Spar attachment	1	
-25	44155-00		SHIM - Main spar attachment fitting	AR	
-26	43508-00		STRIP - Chafing	2	
-27	414 779		SCREW - (MS24693-S49)	134	
-28	44655-02		PLATE - Wing, main spar attachment, bottom	1	
-29	400 011		BOLT - (AN4-16A)	2	
	407 565		WASHER - (AN960-416)	2	
	404 888		NUT - (MS20365-428C)	2	
-30	401 266		BOLT - (AN3-5A)	8	
	404 887		NUT - (MS20365-1032C)	8	
-31	415 518		SCREW - (MS35206-228)	32	
	406 434		NUT - (A188-532-1)	32	
-32	415 535		SCREW - (MS35206-245)	23	
-33	401 394		BOLT - (AN6-13A)	10	
	407 567		WASHER - (AN960-616)	10	
	404 890		NUT - (MS20365-624C)	10	
-34	401 269		BOLT - (AN3-10A)	12	
	407 584		WASHER - (AN960-10L)	12	
	404 887		NUT - (MS20365-1032C)	12	
-35	401 186		BOLT - (AN5-6A)	10	
	407 566		WASHER - (AN960-516)	10	
	404 889		NUT - (MS20365-524C)	10	

When ordering, always specify Part Number, Description and Serial Number of Aircraft



**PIPER PARTS CATALOG**

Figure and Index Number	Part Number	Code	NOMENCLATURE	No. Req.	SERIAL NUMBERS AFFECTED
2-36	401 353		BOLT - (AN5-12A)	2	
	407 566		WASHER - (AN960-516)	4	
	404 889		NUT - (MS20365-524C)	2	
-37	401 365		BOLT - (AN5-26A)	2	
	41413-36		BUSHING - Spacer	2	
	404 889		NUT - (MS20365-524C)	2	
-38	401 353		BOLT - (AN5-12A)	2	
	407 566		WASHER - (AN960-516)	2	
	404 889		NUT - (MS20365-524C)	2	
-39	400 621		BOLT - (AN8-12A)	2	
	407 569		WASHER - (AN960-816)	4	
	404 900		NUT - (MS20365-820C)	2	
-40	401 504		BOLT - (AN7-10A)	2	
	407 591		WASHER - (AN960-716L)	4	
	404 891		NUT - (MS20365-720C)	2	
-41	415 533		SCREW - (MS35206-243)	4	
-42	414 748		SCREW - (MS24693-S2B)	44	
	494 071		WASHER - (A3236-012-1)	44	
	406 362		NUT - (C8095-632-1)	44	
-43	54325-02		WEIGHT - Aileron balance, left	1	
	54325-03		WEIGHT - Aileron balance, right	1	
-44	49351-02		PLATE ASSEMBLY - Antenna, left	1	
	49351-03		PLATE ASSEMBLY - Antenna, right	1	
-45	400 440		BOLT - (AN3-6A) right	1	
	81342-09		WASHER - Right	1	
-46	401 311		BOLT - (AN4-11A)	4	
	19513-64		WASHER	4	
	404 888		NUT - (MS20365-428C)	4	
-47	400 453		BOLT - (AN3-21A) left	2	
	400 455		BOLT - (AN3-23A) right	2	
	407 584		WASHER - (AN960-10L)	4	
	404 835		NUT - (MS20365-1032C)	4	
-48	40559-43		WASHER - Flap, outboard track	8	
	40559-42		WASHER - Flap, inboard and center track	16	
-49	86102-104		BUSHING - Flap, outboard track	4	
	86102-105		BUSHING - Flap, center track	4	
	86102-106		BUSHING - Flap, inboard track	4	
-50	41413-05		BUSHING - Flap, outboard, center and inboard track	12	
-51	408 825		WASHER - Flap, outboard and inboard track assembly (3512-20-03-0511)	16	
-52	401 312		BOLT - (AN4-12A)	12	
	407 565		WASHER - (AN960-416)	12	
	404 888		NUT - (MS20365-428C)	12	
-53	41413-37		BUSHING - Transmission bracket spacer, left	1	
-54	400 460		BOLT - Left (AN3-35A)	2	
	407 564		WASHER - (AN960-10)	6	
	404 887		NUT - (MS20365-1032C)	2	
-55	43646-04		BULKHEAD - Wing fillet, Sta. 181, left	1	
	43646-05		BULKHEAD - Wing fillet, Sta. 181, right	1	
-56	43649-04		BULKHEAD - Wing fillet, Sta. 191.70, left	1	
	44582-02	B	BULKHEAD - Wing fillet, Sta. 191.70, left	1	
	43649-05		BULKHEAD - Wing fillet, Sta. 191.70, right	1	
-57	43645-00		BULKHEAD ASSEMBLY - Wing fillet, Sta. 162.60, left	1	
	43645-01		BULKHEAD ASSEMBLY - Wing fillet, Sta. 162.60, right	1	
-58	43648-00		BULKHEAD ASSEMBLY - Wing fillet, Sta. 140, left	1	
	43648-01		BULKHEAD ASSEMBLY - Wing fillet, Sta. 140, right	1	

When ordering, always specify Part Number, Description and Serial Number of Aircraft

**PIPER PARTS CATALOG**

Figure and Index Number	Part Number	Code	NOMENCLATURE	No. Req.	SERIAL NUMBERS AFFECTED
2-59	52370-00		BULKHEAD ASSEMBLY - Wing fillet, Sta. 111.50, left	1	
	52370-01		BULKHEAD ASSEMBLY - Wing fillet, Sta. 111.50, right	1	
-60	43683-00		BULKHEAD ASSEMBLY - Wing fillet, Sta. 151.30, left	1	
	43683-01		BULKHEAD ASSEMBLY - Wing fillet, Sta. 151.30, right	1	
-61	42003-00		CHANNEL - Wing fillet, left	1	
	42003-01		CHANNEL - Wing fillet, right	1	
-62	42224-04		FILLET ASSEMBLY - Wing root, forward, left	1	
	42224-03		FILLET ASSEMBLY - Wing root, forward, right	1	
-63	53130-00		FILLET ASSEMBLY - Wing root, center, left	1	
	53130-01		FILLET ASSEMBLY - Wing root, center, right	1	
-64	42342-00		FILLET - Wing root, rear, left	1	
	42342-01		FILLET - Wing root, rear, right	1	
-65	43004-00		PLATE - Louvered access hole cover	2	
-66	17318-02		PLATE - Access hole cover	2	
-67	41840-03		PLATE ASSEMBLY - Access hole cover	2	
-68	42130-00		PLATE ASSEMBLY - Wing fillet, bottom center, left	1	
	42130-01		PLATE ASSEMBLY - Wing fillet, bottom center, right	1	
-69	17315-00		* PLATE ASSEMBLY - Access hole reinforcement, rear	1	
	17315-06		* PLATE ASSEMBLY - Access hole reinforcement, front	1	
-70	52361-00		PLATE ASSEMBLY - Wing fillet, bottom access, left	1	
	52361-01		PLATE ASSEMBLY - Wing fillet, bottom access, right	1	
-71	19803-04		* PLATE - Wing fillet reinforcement	1	
-72	42173-00		* PLATE ASSEMBLY - Wing fillet access	1	
-73	19799-00		* * HINGE ASSEMBLY - Wing fillet access	1	
-74	42008-00		* * GASKET - Wing fillet access	1	
-75	487 614		* * STUD - (2600-2W)	1	
-76	494 060		* * WASHER - (2600-LW)	1	
-77	42279-04	B	PLATE - Wing fillet, bottom, rear, left	1	
	42279-05		PLATE - Wing fillet, bottom, rear, left	1	
	42279-03		PLATE - Wing fillet, bottom, rear, right	1	
-78	42308-00		SKIN - Wing fillet, inner	2	
-79	414 763		SCREW - (MS24693-S50)	82	
-80	40607-00		PLATE - Wing access	4	
-81	415 533		SCREW - (MS35206-243)	32	
-82	401 395		BOLT - (AN6-14A)	26	
	407 567		WASHER - (AN960-616)	26	
	404 890		NUT - (MS20365-624C)	26	
-83	400 441		BOLT - (AN3-7A)	20	
	407 584		WASHER - (AN960-10L)	20	
	407 564		WASHER - (AN960-10)	20	
	404 887		NUT - (MS20365-1032C)	20	
-84	401 310		BOLT - (AN4-10A)	4	
	404 888		NUT - (MS20365-428C)	4	
-85	400 009		BOLT - (AN4-14A)	2	
	407 585		WASHER - (AN960-416L)	2	
	404 888		NUT - (MS20365-428C)	2	
-86	49352-02		PLATE - Cover	2	
-87	414 425		SCREW - (MS24693-BB50), left	8	
	414 779		SCREW - (MS24693-S49), right	8	
-88	74187-02	C	PLATE - Cover	2	
-89	54395-03		WEIGHT - Aileron balance, trim	AR	
-90	400 478		BOLT - (AN23-26A) (1 21/32 L.)	4	
	400.888		BOLT - (AN23-28A) (1 25/32 L.)	4	

When ordering, always specify Part Number, Description and Serial Number of Aircraft

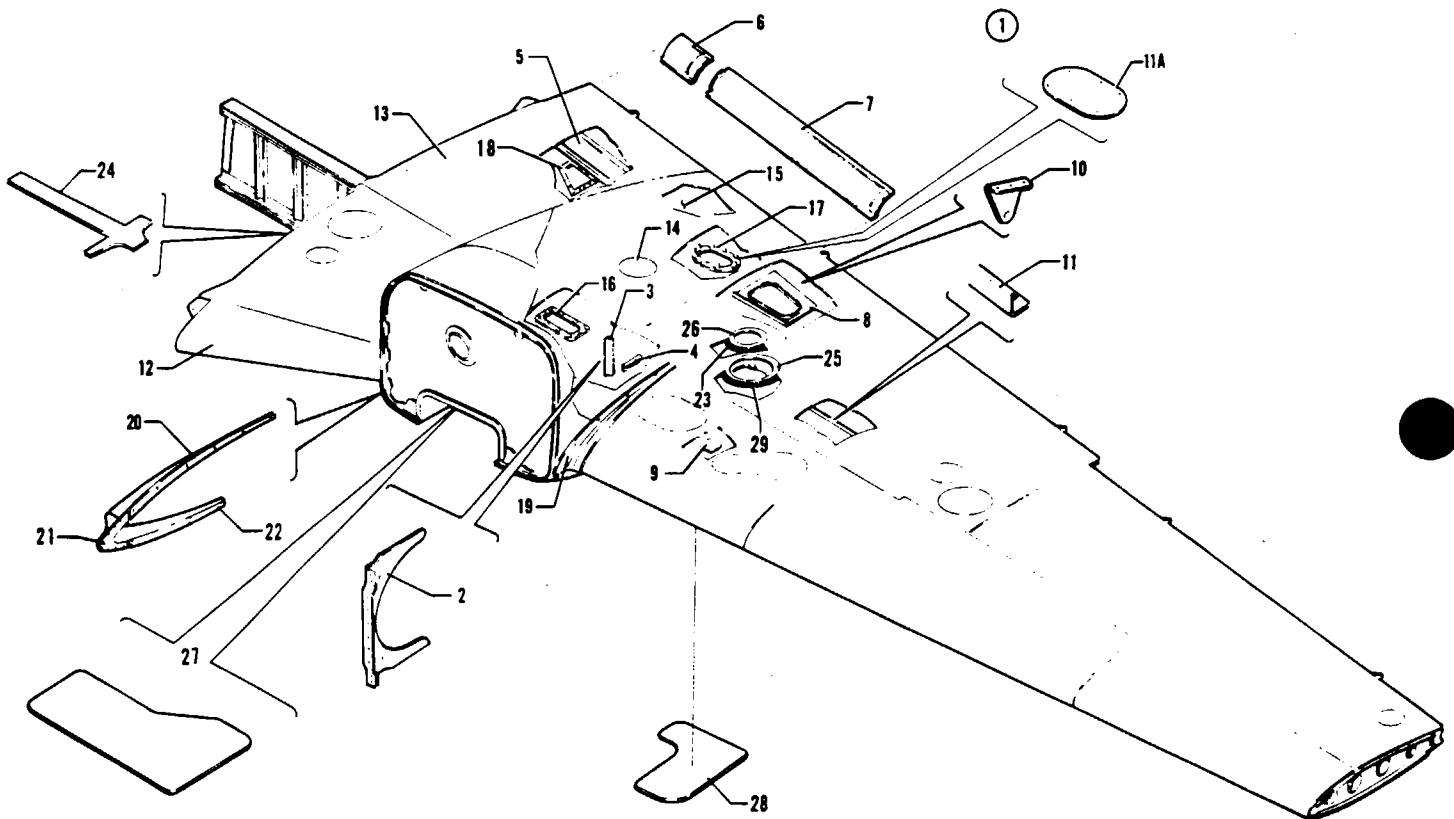


Figure 3. Wing Panel Inboard Parts Installation

---

# PIPER PARTS CATALOG

---

## CODE EXPLANATIONS FOR FIGURE 3

- A - All items on Figures 4, 5, 6, 7, 79, 80, 86 and 87 are components of this assembly.
- B - See Figure 7 for component parts.
- C - See Figure 5 for component parts.

SECTION I  
Wing Group

**PIPER PARTS CATALOG**

Figure and Index Number	Part Number	Code	NOMENCLATURE	No. Req.	SERIAL NUMBERS AFFECTED
3-1	44723-12	A	PANEL ASSEMBLY - Wing, left	1	
	44723-11	A	PANEL ASSEMBLY - Wing, right	1	
-2	40456-02		* PLATE - Wing panel assembly, rib attachment, main spar, left	1	
	40456-03		* PLATE - Wing panel assembly, rib attachment, main spar, right	1	
-3	40460-00		* ANGLE - Wing panel assembly, fuel cell liner support	1	
-4	40464-00		* ANGLE - Wing panel assembly, fuel cell liner support	1	
-5	44740-04	B	* REAR SPAR ASSEMBLY - Wing panel assembly, left	1	
	44740-05	B	* REAR SPAR ASSEMBLY - Wing panel assembly, right	1	
-6	40533-00		* SPAR ASSEMBLY - False, wing panel assembly, Sta. 30 to Sta. 39 5, left	1	
	40533-01		* SPAR ASSEMBLY - False, wing panel assembly, Sta. 30 to Sta. 39 5, right	1	
-7	40534-08		* SPAR ASSEMBLY - False, wing panel assembly, Sta. 39.5 to Sta. 87 5, left	1	
	40534-09		* SPAR ASSEMBLY - False, wing panel assembly, Sta. 39.5 to Sta. 87 5, right	1	
-8	45997-00		* PLATE ASSEMBLY - Wing panel assembly, access hole reinforcement, left	1	
	45997-01		* PLATE ASSEMBLY - Wing panel assembly, access hole reinforcement, right	1	
-9	25597-00		* PAD - Wing panel assembly, jack	1	
-10	41601-00		* BRACKET - Potentiometer mounting, left	1	
	41601-03		* BRACKET - Potentiometer mounting, right	1	
-11	40586-44		* STRINGER - Wing panel assembly (hook type) (6' length)	AR	
	149 205		* STRINGER - Wing panel assembly (bulbed type) (12' length)	AR	
-11a	50128-06		* PLATE ASSEMBLY - Cover, Sta. 92.50	1	
-12	44747-02	C	* LEADING EDGE ASSEMBLY - Wing panel assembly, left	1	
	44747-03	C	* LEADING EDGE ASSEMBLY - Wing panel assembly, right	1	
-13	44723-02		* SKIN ASSEMBLY - Wing panel assembly, top, left	1	
	44723-03		* SKIN ASSEMBLY - Wing panel assembly, top, right	1	
-14	44448-00		* * COVER - Wing panel assembly	1	
-15	44723-06		* SKIN ASSEMBLY - Wing panel assembly, bottom, left	1	
	44723-05		* SKIN ASSEMBLY - Wing panel assembly, bottom, right	1	
-16	40568-00		* * PLATE ASSEMBLY - Wing panel assembly, wing access hole reinforcement	1	
-17	40570-00		* * PLATE ASSEMBLY - Wing panel assembly, wing access hole reinforcement	1	
-18	52054-03		* * PLATE ASSEMBLY - Wing panel assembly, wing access hole reinforcement	1	
-19	42426-00		FAIRING ASSEMBLY - Left nacelle, outboard	1	
	42426-01		FAIRING ASSEMBLY - Right nacelle, outboard	1	
-20	42455-08		FAIRING ASSEMBLY - Left nacelle, top, inboard	1	
	42455-09		FAIRING ASSEMBLY - Right nacelle, top, inboard	1	
-21	42455-10		FAIRING ASSEMBLY - Left nacelle, forward, inboard	1	
	42455-11		FAIRING ASSEMBLY - Right nacelle, forward, inboard	1	
-22	42455-12		FAIRING ASSEMBLY - Left nacelle, bottom, inboard	1	
	42455-13		FAIRING ASSEMBLY - Right nacelle, bottom, inboard	1	
-23	53168-00		SHIM - Gauge support plate	2	
-24	44710-00		PLATE - Wing panel assembly, reinforcement, left	1	
	44710-01		PLATE - Wing panel assembly, reinforcement, right	1	
-25	40532-06		PLATE ASSEMBLY - Wing panel assembly, fuel cell access reinforcement	1	
-26	40378-10		PLATE ASSEMBLY - Wing panel assembly, fuel gauge support, left	1	
	40378-11		PLATE ASSEMBLY - Wing panel assembly, fuel gauge support, right	1	
-27	44711-00		PLATE - Wing reinforcement, left	1	
	44711-01		PLATE - Wing reinforcement, right	1	
-28	50224-02		PLATE - Wheel well reinforcement, left	1	
	50224-03		PLATE - Wheel well reinforcement, right	1	
-29	53171-00		SHIM - Fuel cell support	2	

When ordering, always specify Part Number, Description and Serial Number of Aircraft

1A23 THRU 1A24  
INTENTIONALLY LEFT BLANK

# PIPER PARTS CATALOG

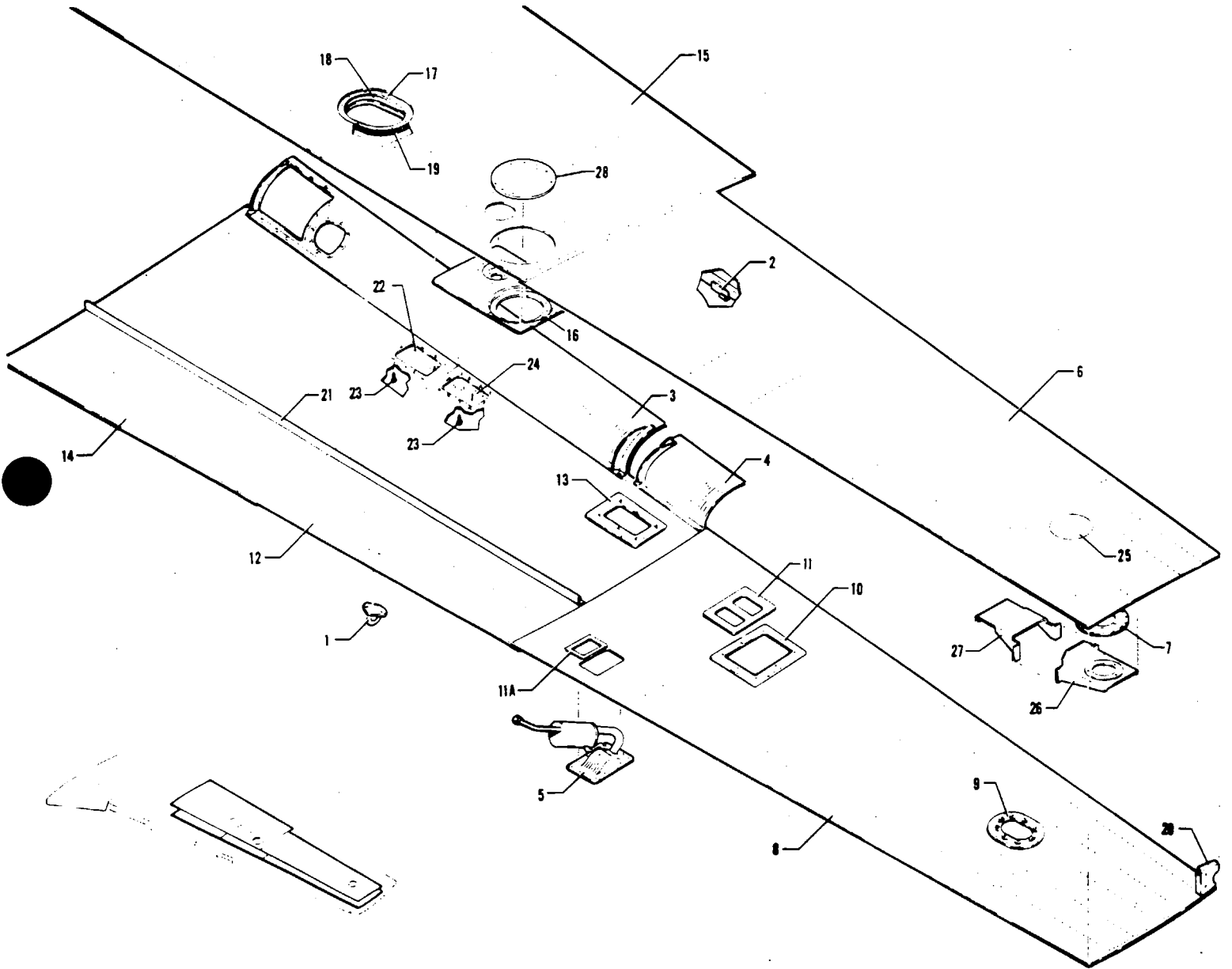


Figure 4. Wing Panel Outboard Parts Installation

---

# PIPER PARTS CATALOG

---

## CODE EXPLANATIONS FOR FIGURE 4

- A - Used if auxiliary (outboard) fuel cells are installed.
- B - See Figure 87 if auxiliary (outboard) fuel cells are installed.



**PIPER PARTS CATALOG**

Figure and Index Number	Part Number	Code	NOMENCLATURE	No. Req.	SERIAL NUMBERS AFFECTED
4-	40722		DRAWING - Wing Panel Outboard Parts Installation		
-1	18457-00		RING - Tie down, wing outboard	2	
-2	40396-00		BRACKET - Mounting, wing outboard, Sta. 166.6, right	1	
-3	40535-12		SPAR ASSEMBLY - False, wing outboard, Sta. 87.5 to Sta. 147.5, left	1	
	40535-13		SPAR ASSEMBLY - False, wing outboard, Sta. 87.5 to Sta. 147.5, right	1	
-4	40536-06		SPAR ASSEMBLY - False, wing outboard, Sta. 147.5 to Sta. 160.5, left	1	
	40536-07		SPAR ASSEMBLY - False, wing outboard, Sta. 147.5 to Sta. 160.5, right	1	
-5	74188-02		PLATE - Cover	2	
	43910-00	A	VENT ASSEMBLY - Wing outboard, fuel cell, left	1	
	43910-01	A	VENT ASSEMBLY - Wing outboard, fuel cell, right	1	
-6	45412-10		SKIN ASSEMBLY - Wing outboard, top, Sta. 160.5 to Sta. 239, left	1	
	40585-13		SKIN - Wing outboard, top, Sta. 160.5 to Sta. 239, right	1	
-7	47744-00		* PLATE ASSEMBLY - Access reinforcement, left	1	
-8	45412-08		SKIN ASSEMBLY - Wing outboard, bottom, Sta. 160.5 to Sta. 239, left	1	
	45412-09		SKIN ASSEMBLY - Wing outboard, bottom, Sta. 160.5 to Sta. 239, right	1	
-9	20372-07		* PLATE ASSEMBLY - Wing outboard, left	1	
	20372-03		* PLATE ASSEMBLY - Wing outboard, right	1	
-10	40635-00		* PLATE ASSEMBLY - Wing outboard, aileron pulley access reinforcement, Sta. 180, bottom left	1	
	40635-01		* PLATE ASSEMBLY - Wing outboard, aileron pulley access reinforcement, Sta. 180, bottom right	1	
-11	42117-00		* PLATE ASSEMBLY - Wing outboard, aileron pulley access reinforcement, Sta. 173, bottom left	1	
	42117-01		* PLATE ASSEMBLY - Wing outboard, aileron pulley access reinforcement, Sta. 173, bottom right	1	
-11a	45545-00		* PLATE ASSEMBLY - Access hole reinforcement, left	1	
	45545-01		* PLATE ASSEMBLY - Access hole reinforcement, right	1	
-12	40722-06		SKIN ASSEMBLY - Wing outboard, bottom left, Sta. 119.5 to Sta. 160.5	1	
	45412-07		SKIN ASSEMBLY - Wing outboard, bottom right, Sta. 119.5 to Sta. 160.5	1	
-13	40628-00		* PLATE ASSEMBLY - Wing outboard, aileron pulley access reinforcement, Sta. 150, bottom left	1	
	40628-01		* PLATE ASSEMBLY - Wing outboard, aileron pulley access reinforcement, Sta. 150, bottom right	1	
-14	40722-04		SKIN ASSEMBLY - Wing outboard, bottom left, Sta. 86.5 to Sta. 119.5	1	
	40722-05		SKIN ASSEMBLY - Wing outboard, bottom right, Sta. 86.5 to Sta. 119.5	1	

When ordering, always specify Part Number, Description and Serial Number of Aircraft

## PIPER PARTS CATALOG

Figure and Index Number	Part Number	Code	NOMENCLATURE	No. Req.	SERIAL NUMBERS AFFECTED
4-15	40722-14		SKIN ASSEMBLY - Wing outboard, top, left, Sta. 86.5 to Sta. 160.5	1	
	40722-15		SKIN ASSEMBLY - Wing outboard, top, right, Sta. 86.5 to Sta. 160.5	1	
-16	40522-09		* BRACKET ASSEMBLY - Wing outboard, left	1	
	40522-08		* BRACKET ASSEMBLY - Wing outboard, right	1	
	40522-04	A	* BRACKET ASSEMBLY - Wing outboard, fuel cell support, left	1	
	40522-05	A	* BRACKET ASSEMBLY - Wing outboard, fuel cell support, right	1	
-17	40526-05		* PLATE ASSEMBLY - Wing outboard, fuel cell access reinforcement	2	
-18	42590-00		* PLATE - Wing outboard, fuel cell standoff	2	
-19	53172-00		* SHIM - Fuel cell access plate	1	
-20	40492-24		RIB ASSEMBLY - Wing outboard, Sta. 239, left	1	
	40492-23		RIB ASSEMBLY - Wing outboard, Sta. 239, right	1	
-21	40586-44		STRINGER - Wing outboard, skin (6' length)	AR	
-22	42638-00		PLATE - Wing outboard, access hole cover	2	
-23	415 533		SCREW - (MS35206-243)	20	
-24	46012-00		PLATE - Wing outboard, Sta. 128, right	1	
-25	47745-00		COVER - Access, left	1	
-26	54540-02		BRACKET ASSEMBLY - Flux detector, left	1	
-27	52072-00		BRACKET ASSEMBLY - Compensator mounting, left	1	
-28	50166-00	B	PLATE - Access	2	

When ordering, always specify Part Number, Description and Serial Number of Aircraft

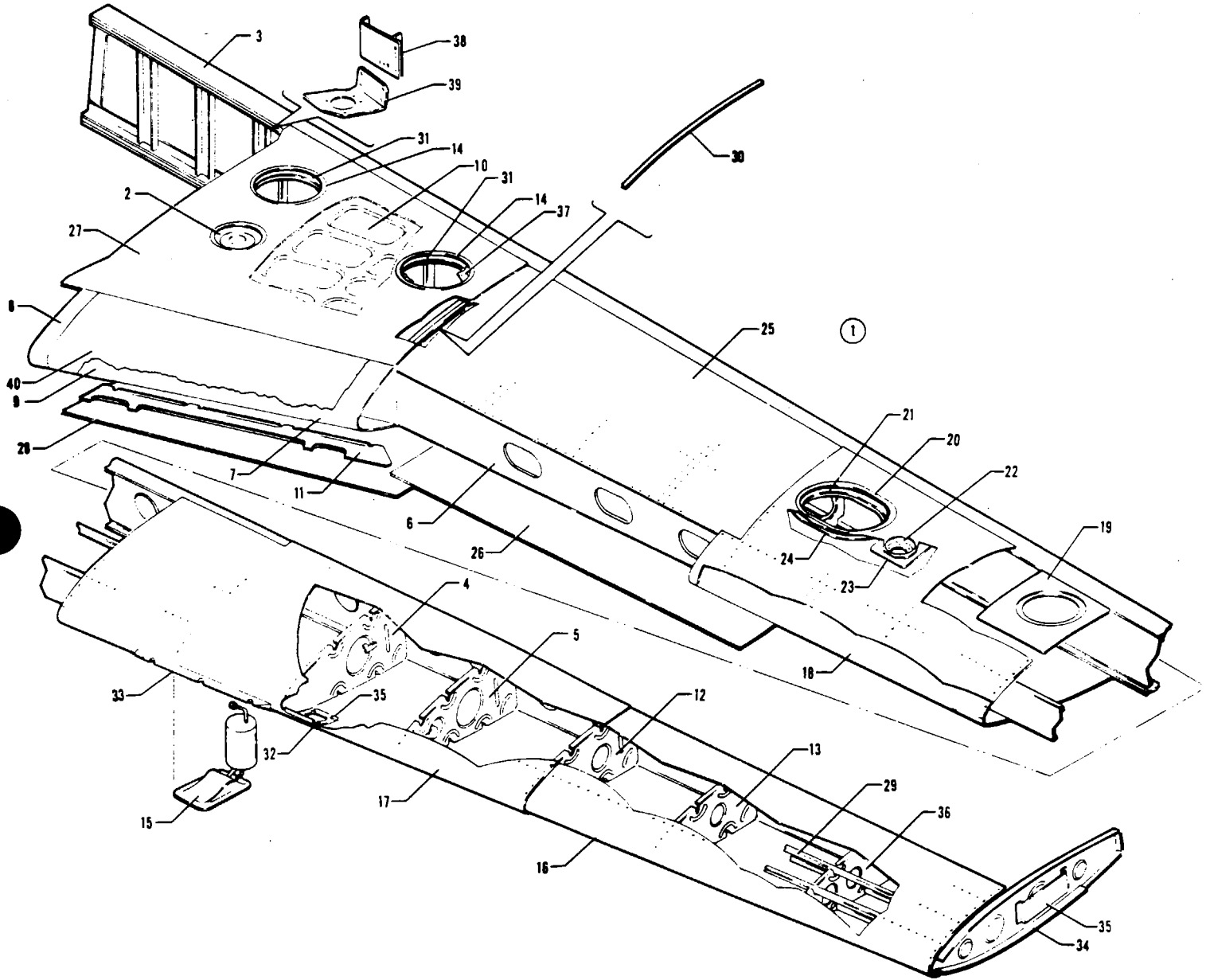


Figure 5. Wing Panel Leading Edge Assembly

---

# PIPER PARTS CATALOG

---

## CODE EXPLANATIONS FOR FIGURE 5

- A - All items on Figures 6 and 86 are components of this assembly.
- B - See Figure 6 for component parts.
- C - Used if Pneumatic De-icer System is installed.
- D - See Figure 116 if Pneumatic De-icer System is installed.

**PIPER PARTS CATALOG**

Figure and Index Number	Part Number	Code	NOMENCLATURE	No. Req.	SERIAL NUMBERS AFFECTED
5-1	44747-02	A	LEADING EDGE ASSEMBLY - Wing, left	1	
	44747-03	A	LEADING EDGE ASSEMBLY - Wing, right	1	
-2	40378-06		* PLATE ASSEMBLY - Fuel cell gauge support, main, left	1	
	40378-07		* PLATE ASSEMBLY - Fuel cell gauge support, main, right	1	
-3	44677-00		* SPAR ASSEMBLY - Wing, main, left	1	
	44677-01		* SPAR ASSEMBLY - Wing, main, right	1	
-4	40475-12		* RIB ASSEMBLY - Wing, leading edge, left, Sta. 160.5	1	
	40475-13		* RIB ASSEMBLY - Wing, leading edge, right, Sta. 160.5	1	
-5	40479-02		* RIB ASSEMBLY - Wing, leading edge, left, Sta. 174.5	1	
	40479-03		* RIB ASSEMBLY - Wing, leading edge, right, Sta. 174.5	1	
-6	40487-06	B	* SPAR ASSEMBLY - Wing, front, left (complete)	1	
	40487-07	B	* SPAR ASSEMBLY - Wing, front, right (complete)	1	
-7	40585-08		* SKIN - Wing leading edge, inboard, center, left	1	
	40585-09		* SKIN - Wing leading edge, inboard, center, right	1	
-8	40585-10		* SKIN - Wing leading edge, inboard, left	1	
	40585-11		* SKIN - Wing leading edge, inboard, right	1	
-9	40626-00		* PANEL - Wing leading edge access, left	1	
	40626-01		* PANEL - Wing leading edge access, right	1	
-10	40506-12		* SKIN ASSEMBLY - Wing, inner, bottom, left	1	
	40506-13		* SKIN ASSEMBLY - Wing, inner, bottom, right	1	
-11	43936-00		* CHANNEL ASSEMBLY - Wing leading edge attachment, left	1	
	43936-01		* CHANNEL ASSEMBLY - Wing leading edge attachment, right	1	
-12	40530-02		* RIB ASSEMBLY - Wing, leading edge, left, Sta. 189.5	1	
	40530-03		* RIB ASSEMBLY - Wing, leading edge, right, Sta. 189.5	1	
-13	40530-08		* RIB ASSEMBLY - Wing, leading edge, left, Sta. 205	1	
	40530-09		* RIB ASSEMBLY - Wing, leading edge, right, Sta. 205	1	
-14	40532-06		* PLATE ASSEMBLY - Fuel cell access reinforcement	2	
-15	43911-00		* VENT ASSEMBLY - Fuel cell, left	1	
	43911-01		* VENT ASSEMBLY - Fuel cell, right	1	
-16	40585-28		* SKIN - Wing leading edge, outboard, left	1	
	40585-29		* SKIN - Wing leading edge, outboard, right	1	
-17	40659-02		* SKIN ASSEMBLY - Wing leading edge, outboard, center, left	1	
	40659-10		* SKIN ASSEMBLY - Wing leading edge, outboard, center, right	1	
-18	40659-16		* SKIN ASSEMBLY - Wing leading edge, center, left	1	
	40659-17		* SKIN ASSEMBLY - Wing leading edge, center, right	1	
-19	42465-00		* BRACKET ASSEMBLY - Fuel cell support, left	1	
	42465-01		* BRACKET ASSEMBLY - Fuel cell support, right	1	
-20	53908-00		* PLATE ASSEMBLY - Fuel cell access reinforcement, left	1	
	53908-01		* PLATE ASSEMBLY - Fuel cell access reinforcement, right	1	
-21	53906-00		* PLATE - Fuel cell standoff, left	1	
	53906-01		* PLATE - Fuel cell standoff, right	1	
-22	53170-00		* PLATE ASSEMBLY - Fuel gauge support, left	1	
	53170-01		* PLATE ASSEMBLY - Fuel gauge support, right	1	
-23	53169-00		* SHIM - Gauge support, plate	1	
-24	53905-00		* SHIM - Fuel cell access plate	1	
-25	40585-16		* SKIN - Wing, top, center	1	
-26	40585-20		* SKIN - Wing, bottom, center	1	
-27	45647-10		* SKIN - Wing, top, inboard	1	

When ordering, always specify Part Number, Description and Serial Number of Aircraft

**PIPER PARTS CATALOG**

Figure and Index Number	Part Number	Code	NOMENCLATURE	No. Req.	SERIAL NUMBERS AFFECTED
5-28	40659-06		* SKIN ASSEMBLY - Wing, bottom, inboard left	1	
	40659-07		* SKIN ASSEMBLY - Wing, bottom, inboard right	1	
-29	40586-44		* STRINGER - Wing skin (6 length)	1	
-30	45539-00		* SHIM - Wing top	1	
-31	42589-00		* PLATE - Fuel cell standoff	2	
-32	27065-02		* PLATE ASSEMBLY - Reinforcement, Sta. 162.3, right	1	
-33	44275-02	D	* STRIP - Flow	1	
-34	40492-06		* RIB ASSEMBLY - Wing tip, left, Sta. 239	1	
	40492-07		* RIB ASSEMBLY - Wing tip, right, Sta. 239	1	
-35	48616-02		* BRACKET ASSEMBLY - Power supply	1	
-36	40492-04		* RIB ASSEMBLY - Wing leading edge, left, Sta. 221.5	1	
	40492-05		* RIB ASSEMBLY - Wing leading edge, right, Sta. 221.5	1	
-37	53358-00		* BRACKET - Fuel cell flange mounting	4	
-38	44767-00		BRACKET ASSEMBLY - Crossfeed valve, left	1	
-39	53914-00		BRACKET - Fuel selector valve, left	1	
	53914-01		BRACKET - Fuel selector valve, right	1	
-40	71063-02	C	SKIN - Leading edge, inboard left, de-icer boot mounting	1	
	71063-03	C	SKIN - Leading edge, inboard right, de-icer boot mounting	1	

When ordering, always specify Part Number, Description and Serial Number of Aircraft

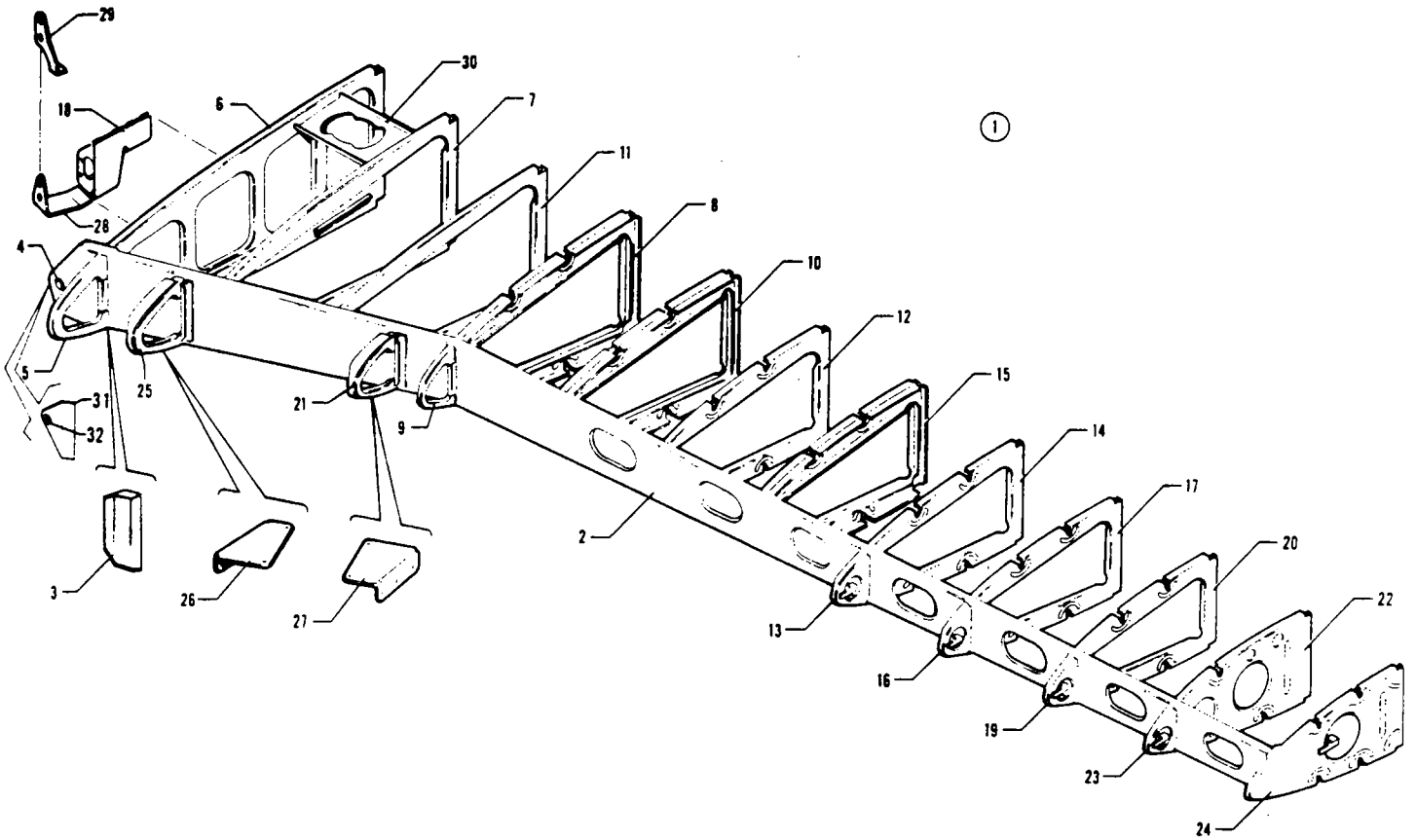


Figure 6 Leading Edge Spar Assembly

---

# PIPER PARTS CATALOG

CODE EXPLANATIONS FOR FIGURE 6



**PIPER PARTS CATALOG**

Figure and Index Number	Part Number	Code	NOMENCLATURE	No. Req.	SERIAL NUMBERS AFFECTED
6-1	40487-06		SPAR ASSEMBLY - Wing front, complete, left	1	
	40487-07		SPAR ASSEMBLY - Wing front, complete, right	1	
-2	40358-20		* SPAR ASSEMBLY - Left	1	
	40358-21		* SPAR ASSEMBLY - Right	1	
-3	44672-08		* * PLATE ASSEMBLY - Leading edge spar reinforcement, left	1	
	44672-09		* * PLATE ASSEMBLY - Leading edge spar reinforcement, right	1	
-4	49999-36		* * BUSHING - Leading edge spar, inboard, Sta. 25.608	1	
-5	40383-02		* RIB ASSEMBLY - Front spar, nose, Sta. 30, left	1	
	40383-03		* RIB ASSEMBLY - Front spar, nose, Sta. 30, right	1	
-6	40383-40		* RIB ASSEMBLY - Front spar, Sta. 30, left	1	
	40383-41		* RIB ASSEMBLY - Front spar, Sta. 30, right	1	
-7	40404-14		* RIB ASSEMBLY - Front spar, Sta. 39.5, left	1	
	40404-15		* RIB ASSEMBLY - Front spar, Sta. 39.5, right	1	
-8	40405-22		* RIB ASSEMBLY - Front spar, Sta. 58.5, left	1	
	40405-23		* RIB ASSEMBLY - Front spar, Sta. 58.5, right	1	
-9	40405-08		* RIB ASSEMBLY - Front spar, nose, Sta. 58.5, left	1	
	40405-09		* RIB ASSEMBLY - Front spar, nose, Sta. 58.5, right	1	
-10	40419-18		* RIB ASSEMBLY - Front spar, Sta. 67.5, left	1	
	40419-19		* RIB ASSEMBLY - Front spar, Sta. 67.5, right	1	
-11	40423-16		* RIB ASSEMBLY - Front spar, Sta. 49, left	1	
	40423-17		* RIB ASSEMBLY - Front spar, Sta. 49, right	1	
-12	40435-18		* RIB ASSEMBLY - Front spar, Sta. 77.5, left	1	
	40435-19		* RIB ASSEMBLY - Front spar, Sta. 77.5, right	1	
-13	40446-04		* RIB ASSEMBLY - Front spar, nose, Sta. 97.5, left	1	
	40446-05		* RIB ASSEMBLY - Front spar, nose, Sta. 97.5, right	1	
-14	40446-08		* RIB ASSEMBLY - Front spar, Sta. 97.5, left	1	
	40446-09		* RIB ASSEMBLY - Front spar, Sta. 97.5, right	1	
-15	40455-18		* RIB ASSEMBLY - Front spar, Sta. 87.5, left	1	
	40455-19		* RIB ASSEMBLY - Front spar, Sta. 87.5, right	1	
-16	50244-00		* RIB ASSEMBLY - Front spar, nose, Sta. 109.5, left	1	
	50244-01		* RIB ASSEMBLY - Front spar, nose, Sta. 109.5, right	1	
-17	40470-10		* RIB ASSEMBLY - Front spar, Sta. 109.5, left	1	
	40470-11		* RIB ASSEMBLY - Front spar, Sta. 109.5, right	1	
-18	41646-16		* BRACKET ASSEMBLY - Fuel filter and pump, left	1	
	41646-17		* BRACKET ASSEMBLY - Fuel filter and pump, right	1	
-19	50243-00		* RIB ASSEMBLY - Front spar, nose, Sta. 121.5, left	1	
	50243-01		* RIB ASSEMBLY - Front spar, nose, Sta. 121.5, right	1	
-20	40486-20		* RIB ASSEMBLY - Front spar, Sta. 121.5, left	1	
	40486-21		* RIB ASSEMBLY - Front spar, Sta. 121.5, right	1	
-21	40488-01		* RIB ASSEMBLY - Front spar, wing nose, Sta. 54, left	1	
	40488-00		* RIB ASSEMBLY - Front spar, wing nose, Sta. 54, right	1	
-22	40489-10		* RIB ASSEMBLY - Front spar, Sta. 134.5, left	1	
	40489-11		* RIB ASSEMBLY - Front spar, Sta. 134.5, right	1	
-23	50242-00		* RIB ASSEMBLY - Front spar, nose, Sta. 134.5, left	1	
	50242-01		* RIB ASSEMBLY - Front spar, nose, Sta. 134.5, right	1	
-24	40490-06		* RIB ASSEMBLY - Front spar, Sta. 147.5, left	1	
	40490-07		* RIB ASSEMBLY - Front spar, Sta. 147.5, right	1	
-25	40450-00		* RIB ASSEMBLY - Front spar, wing nose, Sta. 34.5, left	1	
	40450-01		* RIB ASSEMBLY - Front spar, wing nose, Sta. 34.5, right	1	
-26	41636-04		* BRACKET - Retaining block, Sta. 34.50, left	1	
	41636-05		* BRACKET - Retaining block, Sta. 34.50, right	1	
-27	41636-02		* BRACKET - Retaining block, Sta. 54, left	1	
	41636-03		* BRACKET - Retaining block, Sta. 54, right	1	
-28	54329-02		* BRACKET - Fuel control cable	1	
-29	54343-02		* BRACKET - Fuel pump, left	1	
	54343-03		* BRACKET - Fuel pump, right	1	

When ordering, always specify Part Number, Description and Serial Number of Aircraft

## PIPER PARTS CATALOG

Figure and Index Number	Part Number	Code	NOMENCLATURE	No. Req.	SERIAL NUMBERS AFFECTED
6-30	40484-00		BRACKET - Front spar fuel cell support, Sta. 30 to Sta. 39.5	1	
-31	72962-04		SHIM - Forward wing spar, left (.080 thick)	AR	
	72962-05		SHIM - Forward wing spar, right (.080 thick)	AR	
	72962-06		SHIM - Forward wing spar, left (1.00 thick)	AR	
	72962-07		SHIM - Forward wing spar, right (1.00 thick)	AR	
-32	49999-57		BUSHING - Forward wing spar (.382 L.)	2	
	49999-58		BUSHING - Forward wing spar (.402 L.)	2	

When ordering, always specify Part Number, Description and Serial Number of Aircraft

PIPER PARTS CATALOG

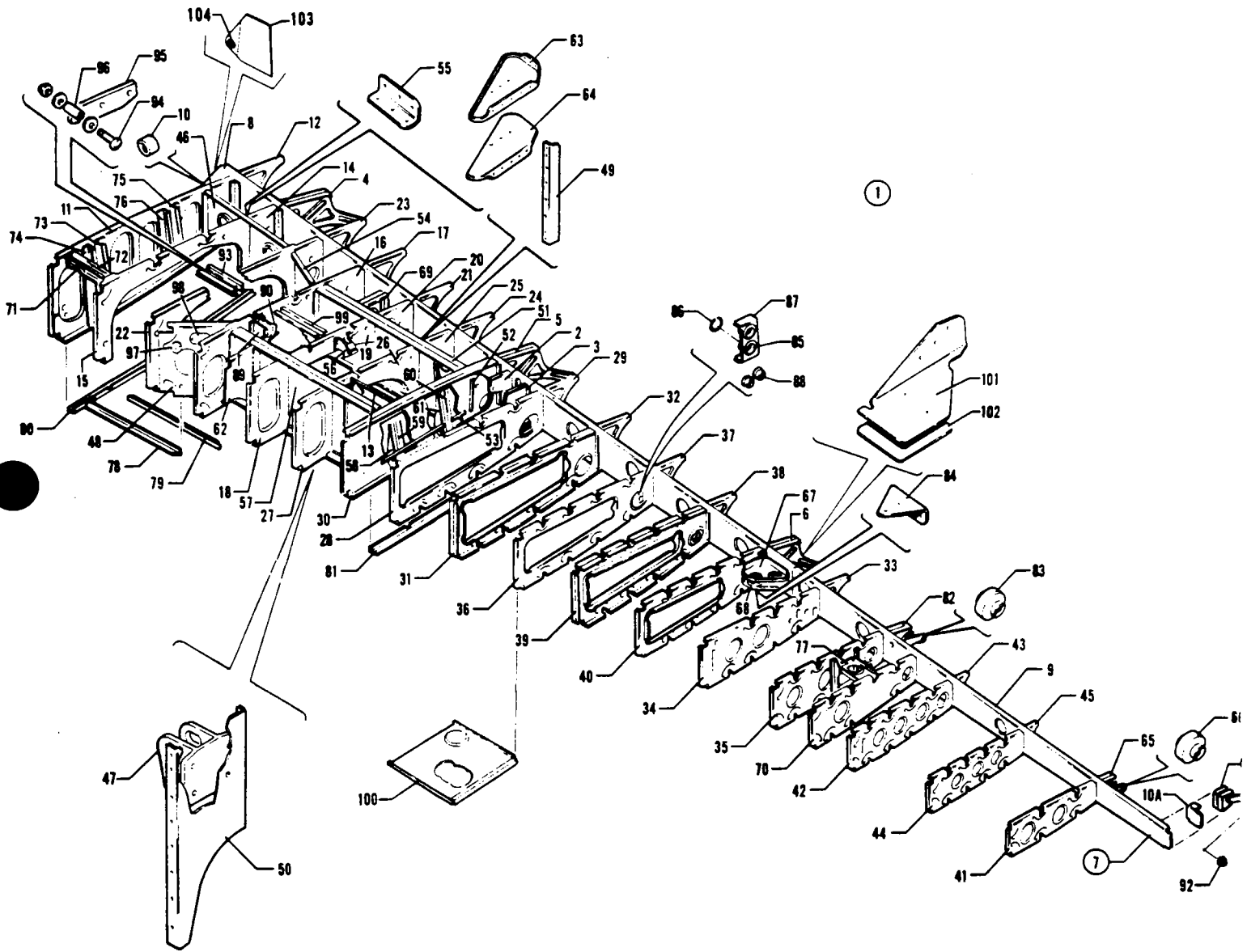


Figure 7. Wing Panel Rear Spar Assembly

---

# PIPER PARTS CATALOG

CODE EXPLANATIONS FOR FIGURE 7

## PIPER PARTS CATALOG

Figure and Index Number	Part Number	Code	NOMENCLATURE	No. Req.	SERIAL NUMBERS AFFECTED
7-1	44740-04		REAR SPAR ASSEMBLY - Left	1	
	44740-05		REAR SPAR ASSEMBLY - Right	1	
-2	45968-13		* BRACKET ASSEMBLY - Rear spar, flap actuator mounting, inboard, left	1	
	45968-12		* BRACKET ASSEMBLY - Rear spar, flap actuator mounting, inboard, right	1	
-3	45968-14		* BRACKET ASSEMBLY - Rear spar, flap actuator mounting, outboard, left	1	
	45968-15		* BRACKET ASSEMBLY - Rear spar, flap actuator mounting, outboard, right	1	
-4	45379-07		* TRACK ASSEMBLY - Flap, inboard, Sta. 39.5	1	
-5	45809-10		* TRACK ASSEMBLY - Flap, inboard, Sta. 87.5	1	
-6	45381-14		* TRACK ASSEMBLY - Flap, outboard, Sta. 147.5 left	1	
	45381-15		* TRACK ASSEMBLY - Flap, outboard, Sta. 147.5 right	1	
-7	45165-18		* SPAR ASSEMBLY - Wing, rear, left	1	
	45165-19		* SPAR ASSEMBLY - Wing, rear, right	1	
-8	45165-02		* * INBOARD SPAR ASSEMBLY - Wing, rear, left	1	
	45165-03		* * INBOARD SPAR ASSEMBLY - Wing, rear, right	1	
-9	40362-30		* * OUTBOARD SPAR ASSEMBLY - Wing, rear, left	1	
	40362-31		* * OUTBOARD SPAR ASSEMBLY - Wing, rear, right	1	
-10	49999-04		* * BUSHING	1	
-10a	54344-02		* * REINFORCEMENT - Outboard rear spar, left	1	
	54344-03		* * REINFORCEMENT - Outboard rear spar, right	1	
-11	40383-34		* RIB ASSEMBLY - Rear spar assembly, Sta. 30, left	1	
	40383-35		* RIB ASSEMBLY - Rear spar assembly, Sta. 30, right	1	
-12	40383-08		* RIB ASSEMBLY - Rear spar assembly, trailing edge, Sta. 30, left	1	
	40383-09		* RIB ASSEMBLY - Rear spar assembly, trailing edge, Sta. 30, right	1	
-13	40389-00		* BRACKET - Rear spar, main landing gear actuator support, left	1	
	40389-01		* BRACKET - Rear spar, main landing gear actuator support, right	1	
-14	45439-02		* RIB ASSEMBLY - Rear spar assembly, trailing edge, Sta. 39.5, left	1	
	45439-03		* RIB ASSEMBLY - Rear spar assembly, trailing edge, Sta. 39.5, right	1	
-15	74099-06		* RIB ASSEMBLY - Rear spar assembly, Sta. 39.5, left	1	
	74099-07		* RIB ASSEMBLY - Rear spar assembly, Sta. 39.5, right	1	
-16	44691-00		* RIB ASSEMBLY - Rear spar assembly, Sta. 58.5, left	1	
	44691-01		* RIB ASSEMBLY - Rear spar assembly, Sta. 58.5, right	1	
-17	45458-02		* RIB ASSEMBLY - Rear spar assembly, trailing edge, Sta. 58.5, left	1	
	45458-03		* RIB ASSEMBLY - Rear spar assembly, trailing edge, Sta. 58.5, right	1	
-18	40419-24		* RIB ASSEMBLY - Rear spar assembly, Sta. 67.5, left	1	
	40419-25		* RIB ASSEMBLY - Rear spar assembly, Sta. 67.5, right	1	
-19	45467-16		* RIB ASSEMBLY - Rear spar assembly, Sta. 67.5, left	1	
	45467-17		* RIB ASSEMBLY - Rear spar assembly, Sta. 67.5, right	1	
-20	45467-12		* RIB ASSEMBLY - Rear spar assembly, Sta. 67.5, left	1	
	45467-13		* RIB ASSEMBLY - Rear spar assembly, Sta. 67.5, right	1	
-21	45467-14		* RIB ASSEMBLY - Rear spar assembly, trailing edge, Sta. 67.5, left	1	
	45467-15		* RIB ASSEMBLY - Rear spar assembly, trailing edge, Sta. 67.5, right	1	
-22	40423-22		* RIB ASSEMBLY - Rear spar assembly, Sta. 49, left	1	
	40423-23		* RIB ASSEMBLY - Rear spar assembly, Sta. 49, right	1	

When ordering, always specify Part Number, Description and Serial Number of Aircraft

**PIPER PARTS CATALOG**

Figure and Index Number	Part Number	Code	NOMENCLATURE	No. Req.	SERIAL NUMBERS AFFECTED
7-23	45449-08		* RIB ASSEMBLY - Rear spar assembly, trailing edge, Sta. 49, left	1	
	45449-09		* RIB ASSEMBLY - Rear spar assembly, trailing edge, Sta. 49, right	1	
-24	45477-02		* RIB ASSEMBLY - Rear spar assembly, trailing edge, Sta. 77.5, left	1	
	45477-03		* RIB ASSEMBLY - Rear spar assembly, trailing edge, Sta. 77.5, right	1	
-25	45477-04		* RIB ASSEMBLY - Rear spar assembly, Sta. 77.5, left	1	
	45477-05		* RIB ASSEMBLY - Rear spar assembly, Sta. 77.5, right	1	
-26	45477-06		* RIB ASSEMBLY - Rear spar assembly, Sta. 77.5, left	1	
	45477-07		* RIB ASSEMBLY - Rear spar assembly, Sta. 77.5, right	1	
-27	40435-20		* RIB ASSEMBLY - Rear spar assembly, Sta. 77.5, left	1	
	40435-21		* RIB ASSEMBLY - Rear spar assembly, Sta. 77.5, right	1	
-28	40446-20		* RIB ASSEMBLY - Rear spar assembly, Sta. 97.5, left	1	
	40446-21		* RIB ASSEMBLY - Rear spar assembly, Sta. 97.5, right	1	
-29	45497-34		* RIB ASSEMBLY - Rear spar assembly, trailing edge, Sta. 97.5, left	1	
	45497-33		* RIB ASSEMBLY - Rear spar assembly, trailing edge, Sta. 97.5, right	1	
-30	40455-24		* RIB ASSEMBLY - Rear spar assembly, Sta. 87.5, left	1	
	40455-25		* RIB ASSEMBLY - Rear spar assembly, Sta. 87.5, right	1	
-31	40470-24		* RIB ASSEMBLY - Rear spar assembly, Sta. 109.5, left	1	
	40470-25		* RIB ASSEMBLY - Rear spar assembly, Sta. 109.5, right	1	
-32	45409-02		* RIB ASSEMBLY - Rear spar assembly, trailing edge, Sta. 109.5, left	1	
	45409-03		* RIB ASSEMBLY - Rear spar assembly, trailing edge, Sta. 109.5, right	1	
-33	45460-02		* RIB ASSEMBLY - Rear spar assembly, trailing edge, Sta. 160.5, left	1	
	45460-03		* RIB ASSEMBLY - Rear spar assembly, trailing edge, Sta. 160.5, right	1	
-34	40475-06		* RIB ASSEMBLY - Rear spar assembly, Sta. 160.5, left	1	
	40475-07		* RIB ASSEMBLY - Rear spar assembly, Sta. 160.5, right	1	
-35	40480-00		* RIB ASSEMBLY - Rear spar assembly, Sta. 174.5, left	1	
	40480-01		* RIB ASSEMBLY - Rear spar assembly, Sta. 174.5, right	1	
-36	40486-16		* RIB ASSEMBLY - Rear spar assembly, Sta. 121.5, left	1	
	40486-17		* RIB ASSEMBLY - Rear spar assembly, Sta. 121.5, right	1	
-37	45421-02		* RIB ASSEMBLY - Rear spar assembly, trailing edge, Sta. 121.5, left	1	
	45421-03		* RIB ASSEMBLY - Rear spar assembly, trailing edge, Sta. 121.5, right	1	
-38	45434-02		* RIB ASSEMBLY - Rear spar assembly, trailing edge, Sta. 134.5, left	1	
	45434-03		* RIB ASSEMBLY - Rear spar assembly, trailing edge, Sta. 134.5, right	1	
-39	40489-22		* RIB ASSEMBLY - Rear spar assembly, Sta. 134.5, left	1	
	40489-23		* RIB ASSEMBLY - Rear spar assembly, Sta. 134.5, right	1	
-40	40490-12		* RIB ASSEMBLY - Rear spar assembly, Sta. 147.5, left	1	
	40490-13		* RIB ASSEMBLY - Rear spar assembly, Sta. 147.5, right	1	
-41	40492-22		* RIB ASSEMBLY - Rear spar assembly, Sta. 221.5, left	1	
	40492-03		* RIB ASSEMBLY - Rear spar assembly, Sta. 221.5, right	1	

When ordering, always specify Part Number, Description and Serial Number of Aircraft

**PIPER PARTS CATALOG**

Figure and Index Number	Part Number	Code	NOMENCLATURE	No. Req.	SERIAL NUMBERS AFFECTED
7-42	40530-04		* RIB ASSEMBLY - Rear spar assembly, Sta. 189.50, left	1	
	40530-05		* RIB ASSEMBLY - Rear spar assembly, Sta. 189.50, right	1	
-43	40530-14		* RIB ASSEMBLY - Rear spar assembly, trailing edge, Sta. 189.5, left	1	
	40530-15		* RIB ASSEMBLY - Rear spar assembly, trailing edge, Sta. 189.5, right	1	
-44	40530-10		* RIB ASSEMBLY - Rear spar assembly, Sta. 205, left	1	
	40530-11		* RIB ASSEMBLY - Rear spar assembly, Sta. 205, right	1	
-45	40530-16		* RIB ASSEMBLY - Rear spar assembly, trailing edge, Sta. 205, left	1	
	40530-17		* RIB ASSEMBLY - Rear spar assembly, trailing edge, Sta. 205, right	1	
-46	40474-02		* BULKHEAD - Rear spar assembly, wheel well rear, inboard, left	1	
	40474-03		* BULKHEAD - Rear spar assembly, wheel well rear, inboard, right	1	
-47	40652-00		* BRACKET - Rear spar assembly, main gear actuator	1	
-48	40434-00		* BULKHEAD ASSEMBLY - Rear spar assembly, wheel well front, left	1	
	40434-01		* BULKHEAD ASSEMBLY - Rear spar assembly, wheel well front, right	1	
-49	40438-00		* ANGLE - Rear spar assembly, wing rib rear attachment, left	1	
	40438-01		* ANGLE - Rear spar assembly, wing rib rear attachment, right	1	
-50	40439-00		* CHANNEL - Rear spar assembly, actuator bracket support, left	1	
	40439-01		* CHANNEL - Rear spar assembly, actuator bracket support, right	1	
-51	45501-00		* BULKHEAD ASSEMBLY - Rear spar assembly, main gear support, rear, left	1	
	45501-01		* BULKHEAD ASSEMBLY - Rear spar assembly, main gear support, rear, right	1	
-52	40776-00		* BRACKET - Rear spar assembly, main gear actuator reinforcement	1	
-53	40465-00		* ANGLE - Rear spar assembly, fuel cell liner support	1	
-54	40466-00		* BULKHEAD - Rear spar assembly, wheel well rear outboard, left	1	
	40466-01		* BULKHEAD - Rear spar assembly, wheel well rear outboard, right	1	
-55	40485-00		* ANGLE - Rear spar assembly, pulley bracket attachment, right	1	
-56	40658-00		* BRACKET ASSEMBLY - Rear spar assembly, main gear up switch	1	
-57	40500-00		* BULKHEAD ASSEMBLY - Rear spar assembly, main gear support, forward, left	1	
	40500-01		* BULKHEAD ASSEMBLY - Rear spar assembly, main gear support, forward, right	1	
-58	40502-02		* BRACKET ASSEMBLY - Rear spar assembly, main gear door outboard hinge, forward, left	1	
	40502-03		* BRACKET ASSEMBLY - Rear spar assembly, main gear door outboard hinge, forward, right	1	
-59	40502-05		* BRACKET ASSEMBLY - Rear spar assembly, main gear door outboard hinge, forward, left	1	
	40502-04		* BRACKET ASSEMBLY - Rear spar assembly, main gear door outboard hinge, forward, right	1	
-60	45691-03		* BRACKET ASSEMBLY - Rear spar assembly, main gear door outboard hinge, aft, left	1	
	45691-02		* BRACKET ASSEMBLY - Rear spar assembly, main gear door outboard hinge, aft, right	1	

When ordering, always specify Part Number, Description and Serial Number of Aircraft

## PIPER PARTS CATALOG

Figure and Index Number	Part Number	Code	NOMENCLATURE	No. Req.	SERIAL NUMBERS AFFECTED
7-61	45691-04		* BRACKET ASSEMBLY - Rear spar assembly, main gear door outboard hinge, forward, left	1	
	45961-05		* BRACKET ASSEMBLY - Rear spar assembly, main gear door outboard hinge, forward, right	1	
-62	40507-02		* BULKHEAD - Wing rear spar assembly, Sta. 62.81, left	1	
	40507-03		* BULKHEAD - Wing rear spar assembly, Sta. 62.81, right	1	
-63	40509-02		* BRACKET - Rear spar assembly, aileron pulley, upper left	1	
	40509-03		* BRACKET - Rear spar assembly, aileron pulley, upper right	1	
-64	40509-05		* BRACKET - Rear spar assembly, aileron pulley, lower left	1	
	40509-04		* BRACKET - Rear spar assembly, aileron pulley, lower right	1	
-65	45380-00		* BRACKET ASSEMBLY - Rear spar assembly, aileron hinge, Sta. 221.624, left	1	
	45380-01		* BRACKET ASSEMBLY - Rear spar assembly, aileron hinge, Sta. 221.624, right	1	
-66	452 386		* * BEARING - Aileron hinge (NAS506-4)	1	
-67	40513-00		* BRACKET - Rear spar assembly, aileron pulley, Sta. 147.5, top, left	1	
	40513-01		* BRACKET - Rear spar assembly, aileron pulley, Sta. 147.5, top, right	1	
-68	40513-01		* BRACKET - Rear spar assembly, aileron pulley, Sta. 147.5, bottom, left	1	
	40513-00		* BRACKET - Rear spar assembly, aileron pulley, Sta. 147.5, bottom, right	1	
-69	45385-00		* BULKHEAD ASSEMBLY - Wing rear spar assembly, Sta. 62.81, left	1	
	45385-01		* BULKHEAD ASSEMBLY - Wing rear spar assembly, Sta. 62.81, right	1	
-70	40550-00		* RIB - Wing rear spar assembly, Sta. 182, left	1	
	40550-01		* RIB - Wing rear spar assembly, Sta. 182, right	1	
-71	46357-01		* BRACKET ASSEMBLY - Rear spar assembly, landing gear door cylinder support, forward, left	1	
	46357-00		* BRACKET ASSEMBLY - Rear spar assembly, landing gear door cylinder support, forward, right	1	
-72	46357-00		* BRACKET ASSEMBLY - Rear spar assembly, landing gear door cylinder support, aft, left	1	
	46357-01		* BRACKET ASSEMBLY - Rear spar assembly, landing gear door cylinder support, aft, right	1	
-73	40560-03		* BRACKET - Rear spar assembly, main gear door hinge, aft, left	1	
	40560-02		* BRACKET - Rear spar assembly, main gear door hinge, aft, right	1	
-74	40560-12		* BRACKET - Rear spar assembly, main gear door hinge, forward, left	1	
	40560-11		* BRACKET - Rear spar assembly, main gear door hinge, forward, right	1	
-75	40560-05		* BRACKET - Rear spar assembly, main gear door hinge, aft, left	1	
	40560-04		* BRACKET - Rear spar assembly, main gear door hinge, aft, right	1	
-76	40560-04		* BRACKET - Rear spar assembly, main gear door hinge, forward, left	1	
	40560-05		* BRACKET - Rear spar assembly, main gear door hinge, forward, right	1	
-77	40561-00		* BRACKET ASSEMBLY - Rear spar assembly, aileron bellcrank, left	1	
	40561-01		* BRACKET ASSEMBLY - Rear spar assembly, aileron bellcrank, right	1	
-78	45824-00		* ANGLE - Wing bottom, rear spar assembly, forward, left	1	
	45824-01		* ANGLE - Wing bottom, rear spar assembly, forward, right	1	

When ordering, always specify Part Number, Description and Serial Number of Aircraft



**PIPER PARTS CATALOG**

Figure and Index Number	Part Number	Code	NOMENCLATURE	No. Req.	SERIAL NUMBERS AFFECTED
7-79	45838-00		* ANGLE - Wing bottom, rear spar assembly, aft, left	1	
	45838-01		* ANGLE - Wing bottom, rear spar assembly, aft, right	1	
-80	45955-00		* ANGLE - Rear spar assembly, main gear door cutout, Sta. 32, left	1	
	45955-01		* ANGLE - Rear spar assembly, main gear door cutout, Sta. 32, right	1	
-81	45825-00		* ANGLE - Rear spar assembly, main gear door cutout, Sta. 85, left	1	
	45825-01		* ANGLE - Rear spar assembly, main gear door cutout, Sta. 85, right	1	
-82	45384-00		* BRACKET ASSEMBLY - Rear spar assembly, aileron hinge, inboard, left	1	
	45384-01		* BRACKET ASSEMBLY - Rear spar assembly, aileron hinge, inboard, right	1	
-83	452 386		* * BEARING - (NAS506-4)	1	
-84	40515-00		* BRACKET - Rear spar assembly, aileron tab pulley, Sta. 147.50, right	1	
-85	40071-00		* SEGMENT - Cable fairlead	8	
-86	40081-00		* RING - Fairlead snap	4	
-87	41669-00		* BRACKET - Fairlead	2	
-88	453 732		* BUSHING - (SB-375-4)	4	
-89	40616-16		* BRACKET ASSEMBLY - Rear spar assembly, main landing gear uplock, left	1	
	40616-17		* BRACKET ASSEMBLY - Rear spar assembly, main landing gear uplock, right	1	
-90	40616-19		* BRACKET ASSEMBLY - Rear spar assembly, main landing gear uplock, left	1	
	40616-18		* BRACKET ASSEMBLY - Rear spar assembly, main landing gear uplock, right	1	
-91	54332-02		* BRACKET ASSEMBLY - Rear spar assembly, aileron hinge, Sta. 239, left	1	
	54332-03		* BRACKET ASSEMBLY - Rear spar assembly, aileron hinge, Sta. 239, right	1	
-92	452 386		* * BEARING - Aileron hinge (NAS506-4)	1	
-93	49457-04		BUMPER ASSEMBLY - Landing gear, left	1	
	49457-05		BUMPER ASSEMBLY - Landing gear, right	1	
-94	411 538		* SCREW - (MS35207-269)	4	
	407 564		* WASHER - (AN960-10)	8	
	404 887		* NUT - (MS20365-1032C)	4	
-95	49456-03		* BUMPER - Landing gear	4	
-96	41413-57		* BUSHING - Landing gear bumper	4	
-97	481 096		PLATE - Patch (A6914-1024-1)	4	
-98	44744-00		PLATE - Cover	2	
-99	40625-00		ANGLE - Rear spar assembly, main landing gear uplock	2	
-100	43961-00		BRACKET - Rear spar assembly, fuel cell upper support, left	1	
	43961-01		BRACKET - Rear spar assembly, fuel cell upper support, right	1	
-101	71132-02		GUSSET - Flap track reinforcement, inboard, left	1	
	71132-03		GUSSET - Flap track reinforcement, inboard, right	1	
	71132-04		GUSSET - Flap track reinforcement, outboard, right	1	
	71132-05		GUSSET - Flap track reinforcement, outboard, left	1	
-102	56956-14		PLATE - Filler, outboard, left and right	2	
	56956-15		PLATE - Filler, inboard, left and right	2	

When ordering, always specify Part Number, Description and Serial Number of Aircraft

## PIPER PARTS CATALOG

Figure and Index Number	Part Number	Code	NOMENCLATURE	No. Req.	SERIAL NUMBERS AFFECTED
7-103	72962-08		SHIM - Aft wing spar. left (.080 thick)	AR	
	72962-09		SHIM - Aft wing spar. right (.080 thick)	AR	
	72962-10		SHIM - Aft wing spar. left (1.00 thick)	AR	
	72962-11		SHIM - Aft wing spar. right (1.00 thick)	AR	
-104	49999-57		BUSHING - Aft wing spar (.382 L.)	2	
	49999-58		BUSHING - Aft wing spar (.402 L.)	2	

When ordering, always specify Part Number, Description and Serial Number of Aircraft

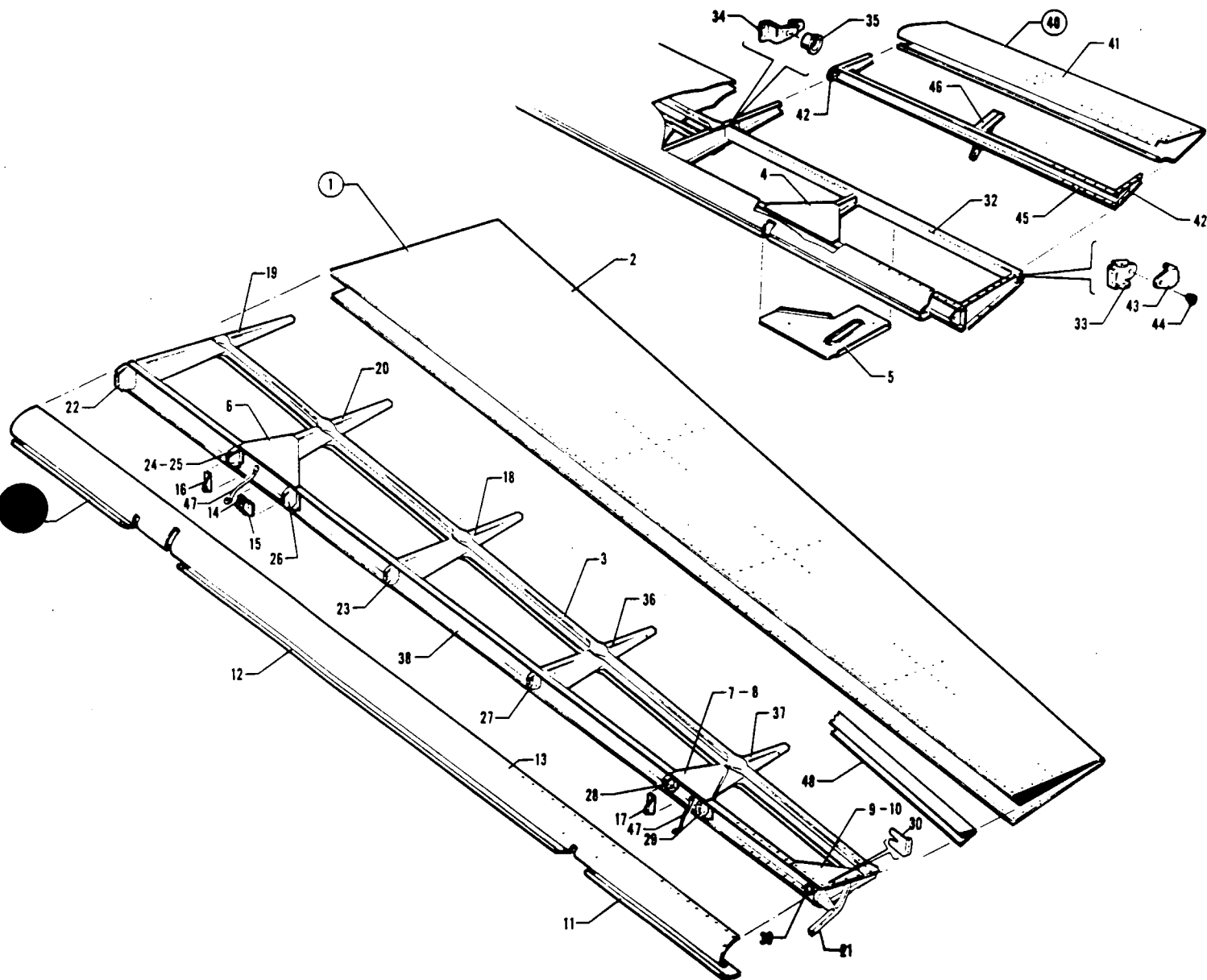


Figure 8. Aileron Assembly

---

# PIPER PARTS CATALOG

CODE EXPLANATIONS FOR FIGURE 8

## PIPER PARTS CATALOG

Figure and Index Number	Part Number	Code	NOMENCLATURE	No. Req.	SERIAL NUMBERS AFFECTED
8-1	40200-42		AILERON ASSEMBLY - Left	1	
	40200-43		AILERON ASSEMBLY - Right	1	
-2	40200-28		* SKIN ASSEMBLY - Aileron, left	1	
	40200-29		* SKIN ASSEMBLY - Aileron, right	1	
-3	40200-16		* * CHANNEL - Aileron skin assembly, left	2	
	40200-17		* * CHANNEL - Aileron skin assembly, right	2	
-4	40135-00		* * GUSSET - Aileron, top, right, Sta. 175	1	
-5	40138-00		* * PLATE - Aileron tab skin reinforcement, bottom, right	1	
-6	40113-00		* * GUSSET - Aileron, inboard, left, top	1	
	40113-01		* * GUSSET - Aileron, inboard, left, bottom	1	
-7	40114-00		* * GUSSET - Aileron, Sta. 222, left, top	1	
	40114-01		* * GUSSET - Aileron, Sta. 222, left, bottom	1	
-8	40114-01		* * GUSSET - Aileron, Sta. 222, right, top	1	
	40114-00		* * GUSSET - Aileron, Sta. 222, right, bottom	1	
-9	40200-19		* GUSSET - Aileron, outboard, bottom, left	1	
	40200-18		* GUSSET - Aileron, outboard, bottom, right	1	
-10	40200-18		* GUSSET - Aileron, outboard, top, left	1	
	40200-19		* GUSSET - Aileron, outboard, top, right	1	
-11	40200-48		* SKIN - Aileron, front bottom outboard, left	1	
	40200-47		* SKIN - Aileron, front bottom outboard, right	1	
-12	40200-08		* SKIN - Aileron, front bottom center, left	1	
	40200-09		* SKIN - Aileron, front bottom center, right	1	
-13	40200-50		* SKIN - Aileron, front top, left	1	
	40200-51		* SKIN - Aileron, front top, right	1	
-14	40109-00		* HORN - Aileron, front, inboard, left	1	
	40109-01		* HORN - Aileron, front, inboard, right	1	
-15	40109-01		* HORN - Aileron, front, outboard, left	1	
	40109-00		* HORN - Aileron, front, outboard, right	1	
-16	40110-02		* BRACKET - Aileron, front, Sta. 174.5, left	1	
	40110-03		* BRACKET - Aileron, front, Sta. 174.5, right	1	
-17	40112-02		* BRACKET - Aileron, front, Sta. 221.5, left	1	
	40112-03		* BRACKET - Aileron, front, Sta. 221.5, right	1	
-18	40115-00		* RIB - Aileron, Sta. 189.5, left	1	
	40115-01		* RIB - Aileron, Sta. 189.5, right	1	
-19	40182-00		* RIB - Aileron, Sta. 161.38, left	1	
	40116-00		* RIB - Aileron, Sta. 161.38, right	1	
-20	40117-00		* RIB - Aileron, Sta. 175.12, left	1	
	40118-00		* RIB - Aileron, Sta. 175.12, right	1	
-21	54336-02		* RIB ASSEMBLY - Aileron balance weight, left	1	
	54336-07		* RIB ASSEMBLY - Aileron balance weight, right	1	
-22	40127-02		* BULKHEAD - Aileron nose, Sta. 161.38, left	1	
	40127-03		* BULKHEAD - Aileron nose, Sta. 161.38, right	1	
-23	40127-04		* BULKHEAD - Aileron nose, Sta. 189.5, left	1	
	40127-05		* BULKHEAD - Aileron nose, Sta. 189.5, right	1	
-24	40128-02		* BULKHEAD - Aileron nose, Sta. 171, right	1	
-25	40128-03		* BULKHEAD - Aileron nose, Sta. 173, left	1	
-26	40129-02		* BULKHEAD - Aileron nose, Sta. 179, left	1	
	40129-03		* BULKHEAD - Aileron nose, Sta. 179, right	1	
-27	40130-00		* BULKHEAD - Aileron nose, Sta. 205, left	1	
	40130-01		* BULKHEAD - Aileron nose, Sta. 205, right	1	
-28	40132-02		* BULKHEAD - Aileron nose, Sta. 218.4, left	1	
	40132-03		* BULKHEAD - Aileron nose, Sta. 218.4, right	1	
-29	40132-04		* BULKHEAD - Aileron nose, Sta. 222, left	1	
	40132-05		* BULKHEAD - Aileron nose, Sta. 222, right	1	
-30	54339-02		* REINFORCEMENT - Outboard aileron spar, left	1	
	54339-03		* REINFORCEMENT - Outboard aileron spar, right	1	
-31	40200-06		* SKIN - Aileron, front bottom inboard, left	1	
	40200-07		* SKIN - Aileron, front bottom inboard, right	1	

When ordering, always specify Part Number, Description and Serial Number of Aircraft

## PIPER PARTS CATALOG

Figure and Index Number	Part Number	Code	NOMENCLATURE	No. Req.	SERIAL NUMBERS AFFECTED
8-32	40145-00		* SPAR - Aileron, stub, Sta. 161 to Sta. 189, right	1	
-33	40152-00		* BRACKET ASSEMBLY - Aileron tab attachment, right	1	
-34	40163-00		* BEARING ASSEMBLY - Aileron tab attachment, right	1	
-35	452 331		* * BEARING - Aileron bearing assembly (FF-310-3)	1	
-36	40183-00		* RIB - Aileron, Sta. 205, left	1	
	40183-01		* RIB - Aileron, Sta. 205, right	1	
-37	40184-00		* RIB - Aileron, Sta. 222, left	1	
	40184-01		* RIB - Aileron, Sta. 222, right	1	
-38	40190-16		* SPAR ASSEMBLY - Aileron, left	1	
	40190-17		* SPAR ASSEMBLY - Aileron, right	1	
-39	54340-02		* BULKHEAD - Aileron nose, left	1	
	54340-03		* BULKHEAD - Aileron nose, right	1	
-40	40178-00		* TAB ASSEMBLY - Aileron, right	1	
-41	40178-02		* * SKIN - Aileron tab	1	
-42	40172-00		* * RIB - Aileron tab, Sta. 188.6, outboard	1	
	40149-00		* * RIB - Aileron tab, Sta. 161, inboard	1	
-43	40153-00		* * HINGE ASSEMBLY - Aileron tab assembly, Sta. 161	1	
-44	453 787		* * * BEARING - Aileron tab, hinge assembly (NAS77A5-19P)	1	
-45	40142-00		* * SPAR - Aileron tab assembly, Sta. 161 to Sta. 189	1	
-46	41860-00		* * HORN ASSEMBLY - Aileron tab, Sta. 172	1	
-47	49972-02		* STRAP ASSEMBLY - Lightning protector	3	
-48	40200-44		* CHANNEL - Aileron	1	

When ordering, always specify Part Number, Description and Serial Number of Aircraft

# PIPER PARTS CATALOG

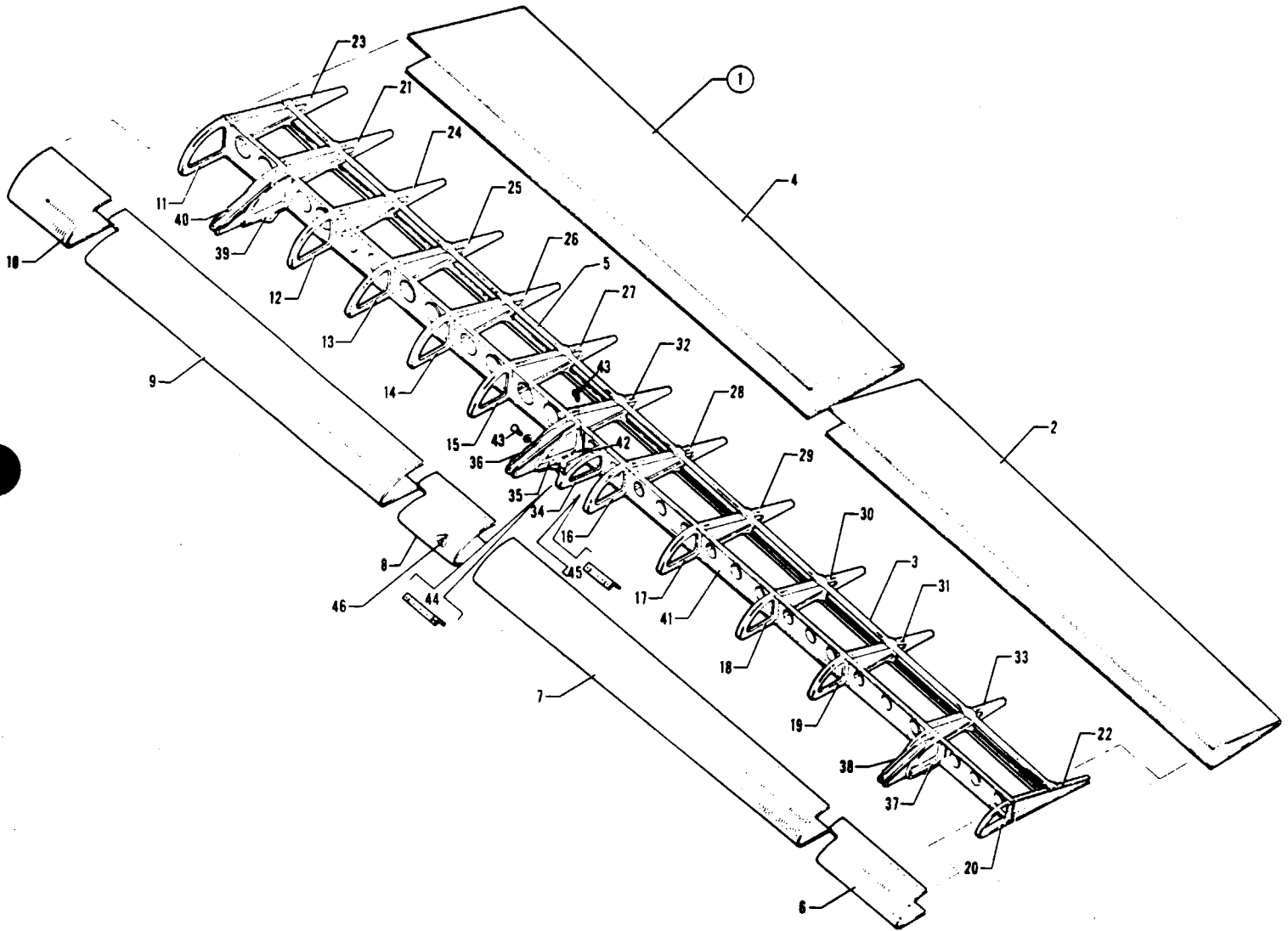


Figure 9. Flap Assembly

---

# PIPER PARTS CATALOG

CODE EXPLANATIONS FOR FIGURE 9



## PIPER PARTS CATALOG

Figure and Index Number	Part Number	Code	NOMENCLATURE	No. Req.	SERIAL NUMBERS AFFECTED
9-1	40185-42		FLAP ASSEMBLY - Left	1	
	40185-43		FLAP ASSEMBLY - Right	1	
-2	40185-18		* SKIN ASSEMBLY - Flap, trailing edge, outboard, left	1	
	40185-19		* SKIN ASSEMBLY - Flap, trailing edge, outboard, right	1	
-3	40185-17		* CHANNEL - Flap, trailing edge, outboard	2	
-4	40185-20		* SKIN ASSEMBLY - Flap, trailing edge, inboard, left	1	
	40185-21		* SKIN ASSEMBLY - Flap, trailing edge, inboard, right	1	
-5	40185-16		* CHANNEL - Flap, trailing edge, inboard	2	
-6	40185-06		* SKIN - Flap, leading edge, outboard, left	1	
	40185-07		* SKIN - Flap, leading edge, outboard, right	1	
-7	40185-08		* SKIN - Flap, leading edge, Sta. 97.5 to Sta. 147.5, left	1	
	40185-09		* SKIN - Flap, leading edge, Sta. 97.5 to Sta. 147.5, right	1	
-8	40185-38		* SKIN - Flap, leading edge, center, left	1	
	40185-39		* SKIN - Flap, leading edge, center, right	1	
-9	40185-36		* SKIN - Flap, leading edge, Sta. 40 to Sta. 87.5, left	1	
	40185-37		* SKIN - Flap, leading edge, Sta. 40 to Sta. 87.5, right	1	
-10	40185-14		* SKIN - Flap, leading edge, inboard, left	1	
	40185-15		* SKIN - Flap, leading edge, inboard, right	1	
-11	40137-02		* BULKHEAD - Flap nose, Sta. 30, left	1	
	40137-03		* BULKHEAD - Flap nose, Sta. 30, right	1	
-12	40137-04		* BULKHEAD - Flap nose, Sta. 49, left	1	
	40137-05		* BULKHEAD - Flap nose, Sta. 49, right	1	
-13	40144-02		* BULKHEAD - Flap nose, Sta. 58.5, left	1	
	40144-03		* BULKHEAD - Flap nose, Sta. 58.5, right	1	
-14	40144-04		* BULKHEAD - Flap nose, Sta. 67.5, left	1	
	40144-05		* BULKHEAD - Flap nose, Sta. 67.5, right	1	
-15	40144-06		* BULKHEAD - Flap nose, Sta. 77.5, left	1	
	40144-07		* BULKHEAD - Flap nose, Sta. 77.5, right	1	
-16	40147-02		* BULKHEAD - Flap nose, Sta. 97.5, left	1	
	40147-03		* BULKHEAD - Flap nose, Sta. 97.5, right	1	
-17	40147-04		* BULKHEAD - Flap nose, Sta. 109.5, left	1	
	40147-05		* BULKHEAD - Flap nose, Sta. 109.5, right	1	
-18	40147-06		* BULKHEAD - Flap nose, Sta. 121.5, left	1	
	40147-07		* BULKHEAD - Flap nose, Sta. 121.5, right	1	
-19	40147-08		* BULKHEAD - Flap nose, Sta. 134.5, left	1	
	40147-09		* BULKHEAD - Flap nose, Sta. 134.5, right	1	
-20	40147-10		* BULKHEAD - Flap nose, Sta. 160.5, left	1	
	40147-11		* BULKHEAD - Flap nose, Sta. 160.5, right	1	
-21	40157-00		* RIB - Flap, Sta. 39.5, left	1	
	40157-01		* RIB - Flap, Sta. 39.5, right	1	
-22	40165-00		* RIB - Flap, Sta. 160.5, left	1	
	40165-01		* RIB - Flap, Sta. 160.5, right	1	
-23	40166-00		* RIB - Flap, Sta. 30, left	1	
	40166-01		* RIB - Flap, Sta. 30, right	1	
-24	40166-02		* RIB - Flap, Sta. 49, left	1	
	40166-03		* RIB - Flap, Sta. 49, right	1	
-25	40167-00		* RIB - Flap, Sta. 58.5, left	1	
	40167-01		* RIB - Flap, Sta. 58.5, right	1	
-26	40167-02		* RIB - Flap, Sta. 67.5, left	1	
	40167-03		* RIB - Flap, Sta. 67.5, right	1	
-27	40167-04		* RIB - Flap, Sta. 77.5, left	1	
	40167-05		* RIB - Flap, Sta. 77.5, right	1	
-28	40167-06		* RIB - Flap, Sta. 97.5, left	1	
	40167-07		* RIB - Flap, Sta. 97.5, right	1	
-29	40167-08		* RIB - Flap, Sta. 109.5, left	1	
	40167-09		* RIB - Flap, Sta. 109.5, right	1	
-30	40167-10		* RIB - Flap, Sta. 121.5, left	1	
	40167-11		* RIB - Flap, Sta. 121.5, right	1	

When ordering, always specify Part Number, Description and Serial Number of Aircraft

**PIPER PARTS CATALOG**

Figure and Index Number	Part Number	Code	NOMENCLATURE	No. Req.	SERIAL NUMBERS AFFECTED
9-31	40167-12		* RIB - Flap, Sta. 134.5, left	1	
	40167-13		* RIB - Flap, Sta. 134.5, right	1	
-32	40168-00		* RIB - Flap, Sta. 87.5, left	1	
	40168-01		* RIB - Flap, Sta. 87.5, right	1	
-33	40168-02		* RIB - Flap, Sta. 147.5, left	1	
	40168-03		* RIB - Flap, Sta. 147.5, right	1	
-34	42078-04		* BULKHEAD ASSEMBLY - Flap nose, Sta. 92.94, left	1	
	42078-05		* BULKHEAD ASSEMBLY - Flap nose, Sta. 92.94, right	1	
-35	71109-02		* BRACKET ASSEMBLY - Flap roller, Sta. 87.5, outboard, left	1	
	71109-03		* BRACKET ASSEMBLY - Flap roller, Sta. 87.5, outboard, right	1	
-36	71109-04		* BRACKET ASSEMBLY - Flap roller, Sta. 87.5, inboard, left	1	
	71109-05		* BRACKET ASSEMBLY - Flap roller, Sta. 87.5, inboard, right	1	
-37	72781-02		* BRACKET ASSEMBLY - Flap roller, Sta. 147.5, outboard, left	1	
	72781-03		* BRACKET ASSEMBLY - Flap roller, Sta. 147.5, outboard, right	1	
-38	72781-04		* BRACKET ASSEMBLY - Flap roller, Sta. 147.5, inboard, left	1	
	72781-05		* BRACKET ASSEMBLY - Flap roller, Sta. 147.5, inboard, right	1	
-39	40177-02		* BRACKET ASSEMBLY - Flap roller, Sta. 39.5, outboard, left	1	
	40177-03		* BRACKET ASSEMBLY - Flap roller, Sta. 39.5, outboard, right	1	
-40	40177-04		* BRACKET ASSEMBLY - Flap roller, Sta. 39.5, inboard, left	1	
	40177-05		* BRACKET ASSEMBLY - Flap roller, Sta. 39.5, inboard, right	1	
-41	40162-10		* SPAR - Flap, left	1	
	40162-11		* SPAR - Flap, right	1	
-42	74120-02		* HORN ASSEMBLY - Flap control, Sta. 92.94	1	
-43	400 003		* BOLT - (AN4-6A)	2	
	407 565		* WASHER - (AN960-416)	2	
-44	71118-04		* ANGLE - Flap reinforcement, left	1	
	71118-05		* ANGLE - Flap reinforcement, right	1	
-45	42037-00		* ANGLE - Flap reinforcement, left	1	
	42037-01		* ANGLE - Flap reinforcement, right	1	
-46	41458-00		* ANGLE - Flap indicator arm attachment, left	1	

When ordering, always specify Part Number, Description and Serial Number of Aircraft

# PIPER PARTS CATALOG

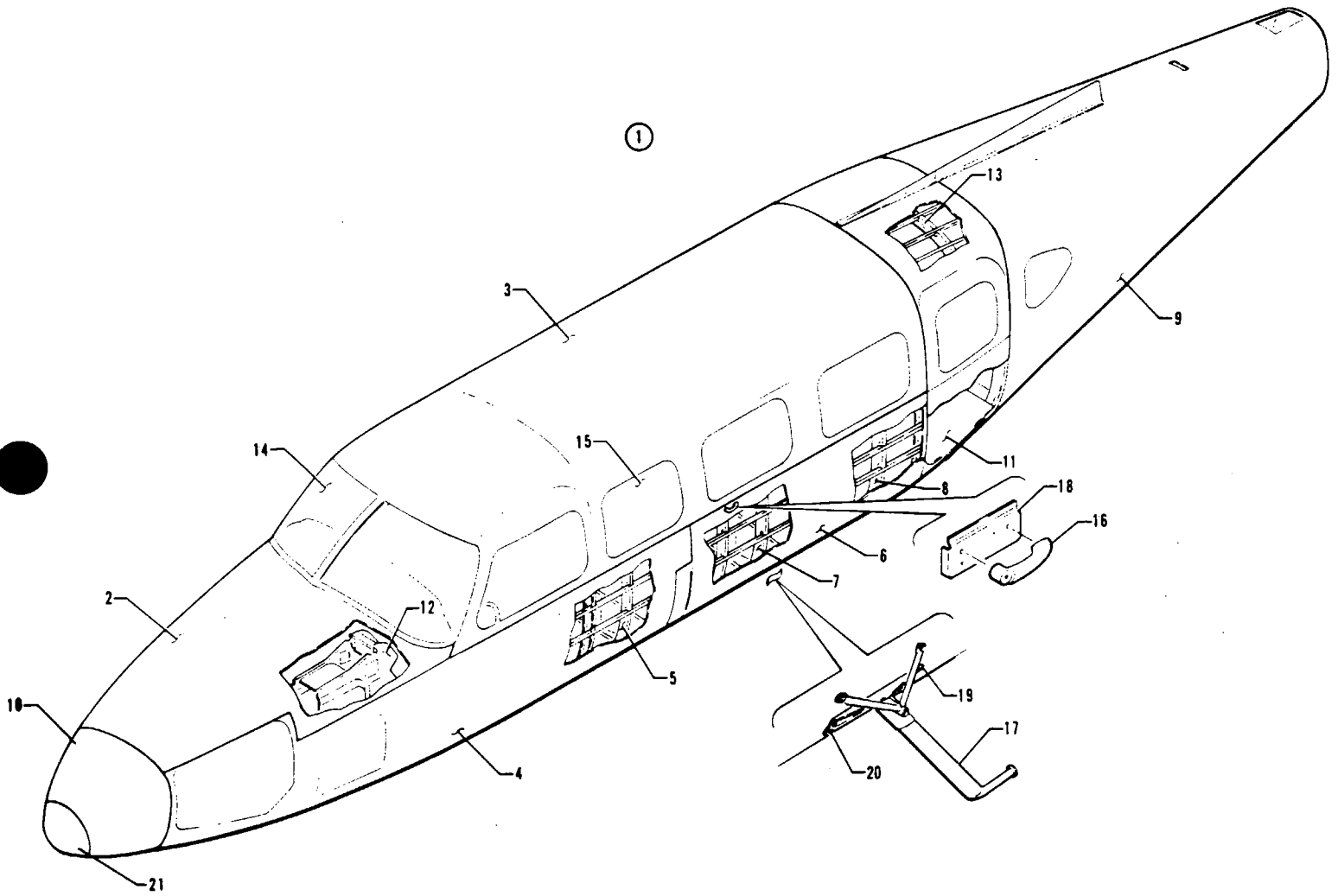


Figure 10 Fuselage Assembly

---

# PIPER PARTS CATALOG

---

## CODE EXPLANATIONS FOR FIGURE 10

- A - See Figure 11 for component parts.
- B - See Figure 12 for component parts.
- C - See Figure 14 for component parts.
- D - See Figure 15 for component parts.
- E - See Figure 16 for component parts.
- F - See Figure 17 for component parts.
- G - See Figure 18 for component parts.
- H - See Figure 20 for component parts.
- J - See Figure 21 for component parts.
- K - See Figure 22 for component parts.
- L - See Figure 23 for component parts.
- M - See Figure 24 for component parts.
- N - See Figure 25 for component parts.
- O - Used if pilot door is installed.

PIPER PARTS CATALOG

Figure and Index Number	Part Number	Code	NOMENCLATURE	No. Req.	SERIAL NUMBERS AFFECTED
10-	52501 52500		DRAWING - Fuselage Assembly (Complete) DRAWING - Fuselage Assembly		
-1	52500-03		FUSELAGE ASSEMBLY	1	
-2	41118-00	A	* UPPER FORWARD SECTION ASSEMBLY - Fuselage	1	
-3	55393-02	B	* UPPER CABIN SECTION ASSEMBLY - Fuselage	1	
-4	52146-03	C	* LOWER FORWARD SECTION ASSEMBLY - Fuselage	1	
-5	52137-00	D	* * LOWER FORWARD FRAME ASSEMBLY - Fuselage	1	
-6	44852-00	E	* LOWER REAR SECTION ASSEMBLY - Fuselage	1	
-7	41300-02	F	* * LOWER CENTER FRAME ASSEMBLY - Fuselage	1	
-8	41360-02	G	* * LOWER REAR FRAME ASSEMBLY - Fuselage	1	
-9	44566-04	H	* AFT SECTION - Fuselage	1	
-10	44277-05		* CONE ASSEMBLY - Fuselage nose	1	
-11		J	* FLOORBOARD INSTALLATION - Fuselage	1	
-12		K	* STRUCTURE INSTALLATION - Sta. 57 to Sta. 215	1	
-13		L	* STRUCTURE INSTALLATION - Sta. 215 to Sta. 244	1	
-14		M	WINDSHIELD INSTALLATION	1	
-15		N	WINDOWS INSTALLATION	1	
-16	17413-03	O	HANDLE - Cabin assist	1	
-17	44644-00	O	STEP ASSEMBLY - Pilot door	1	
-18	44646-00	O	REINFORCEMENT - Assist handle	1	
-19	44645-00	O	BRACKET ASSEMBLY - Pilot door step	1	
-20	401 266	O	BOLT - (AN3-5A)	8	
	407 564	O	WASHER - (AN960-10)	16	
	404 887	O	NUT - (MS20365-1032C)	8	
-21	486 685		RADOME BOOT - (SJ8665-FP23)	1	31-8353001 and up

When ordering, always specify Part Number, Description and Serial Number of Aircraft

# PIPER PARTS CATALOG

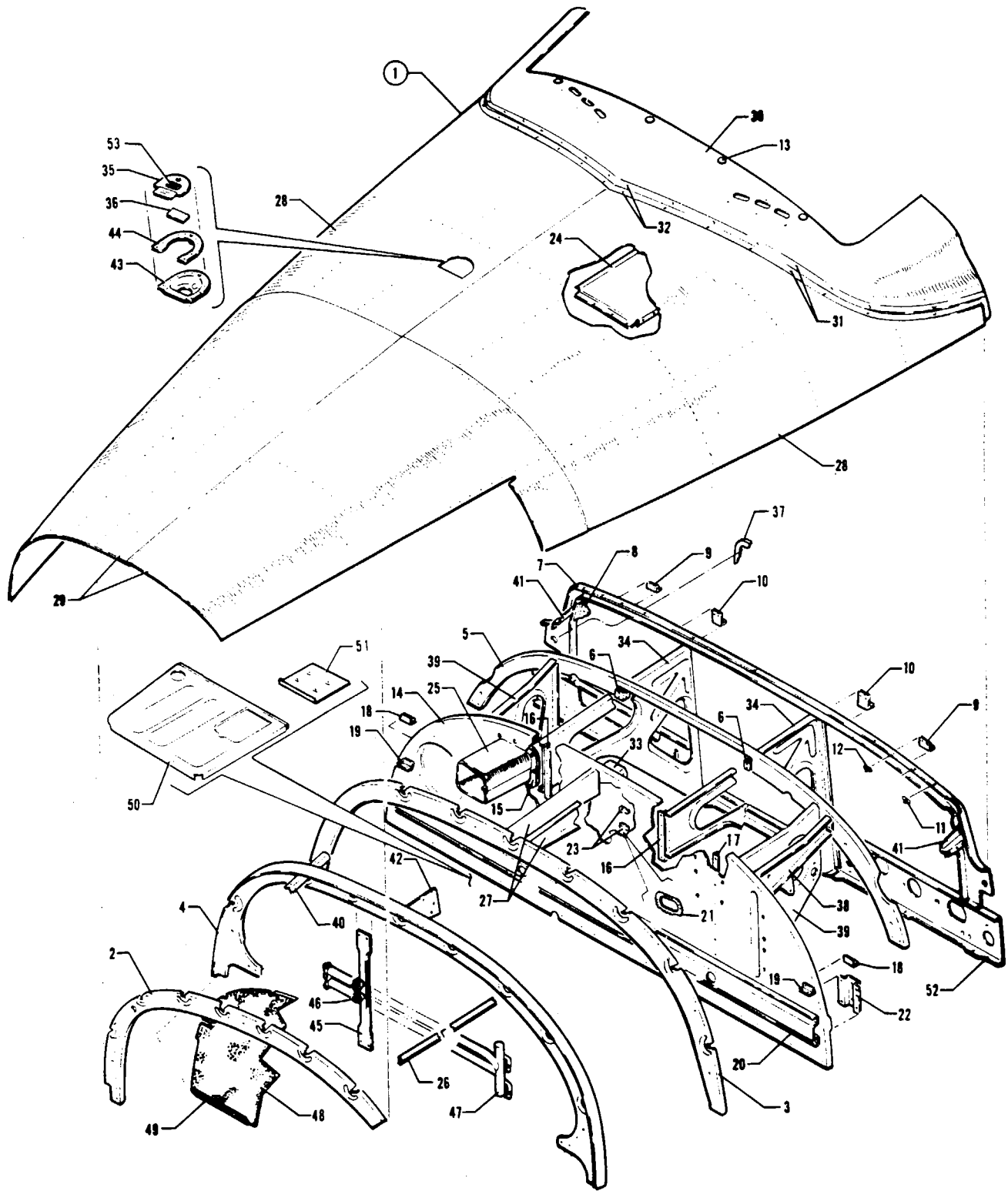


Figure 11. Fuselage Upper Forward Section Assembly

---

# PIPER PARTS CATALOG

---

CODE EXPLANATIONS FOR FIGURE 11

## PIPER PARTS CATALOG

Figure and Index Number	Part Number	Code	NOMENCLATURE	No. Req.	SERIAL NUMBERS AFFECTED
11-1	41118-00		SECTION ASSEMBLY - Upper forward fuselage	1	
-2	40769-08		* BULKHEAD - Fuselage, Sta. 18	1	
-3	40774-00		* BULKHEAD - Fuselage, upper, Sta. 46	1	
-4	40867-06		* BULKHEAD ASSEMBLY - Fuselage, upper, Sta. 35	1	
-5	41075-00		* BULKHEAD ASSEMBLY - Fuselage, upper, Sta. 66 50	1	
-6	41073-00		* ANGLE - Radio support bracket	2	
-7	41170-03		* BULKHEAD ASSEMBLY - Instrument panel support	1	
-8	49235-02		* * BRACKET - Shock mount, left	1	
	49235-03		* * BRACKET - Shock mount, right	1	
-9	41169-00		* * ANGLE ASSEMBLY - Eyebrow attachment, left	1	
	41169-01		* * ANGLE ASSEMBLY - Eyebrow attachment, right	1	
-10	41172-00		* * ANGLE ASSEMBLY - Eyebrow attachment	2	
-11	406 826		* * NUT - Anchor (NAS686A08K)	4	
-12	406 810		* * NUT - Anchor (NAS687A08K)	2	
-13	460 006		* SOCKET - (XB-10224)	4	
-14	41267-04		* BULKHEAD ASSEMBLY - Fuselage, upper, Sta. 57	1	
-15	43506-04		* * PLATE - Reinforcement	1	
-16	40717-00		* * ANGLE - Radio support bracket	2	
-17	41272-00		* * ANGLE - Bulkhead reinforcement	1	
-18	41268-00		* * CLIP - Fuselage channel, left	1	
	41268-01		* * CLIP - Fuselage channel, right	1	
-19	40764-00		* * CLIP - Stringer, left	1	
	40764-01		* * CLIP - Stringer, right	1	
-20	41045-00		* * CHANNEL ASSEMBLY - Bulkhead reinforcement	1	
-21	54516-04		* * PLATE - Reinforcement	1	
-22	41568-00		* * BRACKET - Parking brake valve mounting	1	
-23	406 809		* * NUT - Anchor (NAS687A06K)	10	
-24	44109-02		* PLATE - Windshield wiper reinforcement	1	
-25	43569-00		* SHROUD ASSEMBLY - Fuselage harness	1	
-26	41331-28		* STRINGER - Fuselage, upper forward (6' length)	1	
-27	41040-00		* CHANNEL - Fuselage, left	1	
	41040-01		* CHANNEL - Fuselage, right	1	
-28	40887-20		* SKIN - Fuselage, top left	1	
	40887-19		* SKIN - Fuselage, top right	1	
-29	40887-26		* SKIN - Fuselage, top left	1	
	40887-27		* SKIN - Fuselage, top right	1	
-30	41211-00		* SKIN - Fuselage, fiberglass	1	
-31	406 834		* * NUT - Anchor (NAS686A08)	28	
-32	406 820		* * NUT - Anchor (NAS687A08)	8	
-33	40908-00		* BRACKET - Windshield channel	1	
-34	40724-00		* BRACKET ASSEMBLY - Radio support, left	1	
	40724-01		* BRACKET ASSEMBLY - Radio support, right	1	
-35	42912-05		* PLATE - Access	1	
-36	48023-00		* * PLACARD - Brake reservoir	1	
-37	42461-00		* PLATE - Front window moulding trim, left	1	
	42461-01		* PLATE - Front window moulding trim, right	1	
-38	42887-00		* BRACKET ASSEMBLY - Elevator pulley	1	
-39	42884-02		* BRACKET - Elevator forward control mounting, left	1	
	42884-03		* BRACKET - Elevator forward control mounting, right	1	
-40	41603-00		* ANGLE - Stringer splice	7	
-41	41670-00		* REINFORCEMENT - Shock mount attachment, left	1	
	41670-01		* REINFORCEMENT - Shock mount attachment, right	1	
-42	43689-00		* PLATE ASSEMBLY - Diplexer mounting	1	
-43	43831-00		* PLATE ASSEMBLY - Hydraulic reservoir	1	
-44	43833-00		* PLATE ASSEMBLY - Hydraulic reservoir door reinforcement	1	
-45	42135-00		CHANNEL ASSEMBLY - Tow bar attachment	2	
-46	454 982		* CLIP - Tow bar (C-4956-020-16)	2	

When ordering, always specify Part Number, Description and Serial Number of Aircraft



**PIPER PARTS CATALOG**

Figure and Index Number	Part Number	Code	NOMENCLATURE	No. Req.	SERIAL NUMBERS AFFECTED
11-47	30762-00		TOW BAR ASSEMBLY	1	
-48	72954-02		SCREEN ASSEMBLY - Forward baggage compartment	1	
-49	149 111		* EXTRUSION - Nylon (40-101)	27"	
-50	41097-08		SHELF ASSEMBLY - Radio	1	
-51	55770-02		PLATE ASSEMBLY - Gyro mounting	1	
-52	41170-22		BULKHEAD ASSEMBLY - Instrument panel support, Sta 76 (Collar and straps are components of this assembly)	1	
-53	48022-00		DECAL - Brake reservoir	1	

When ordering, always specify Part Number, Description and Serial Number of Aircraft

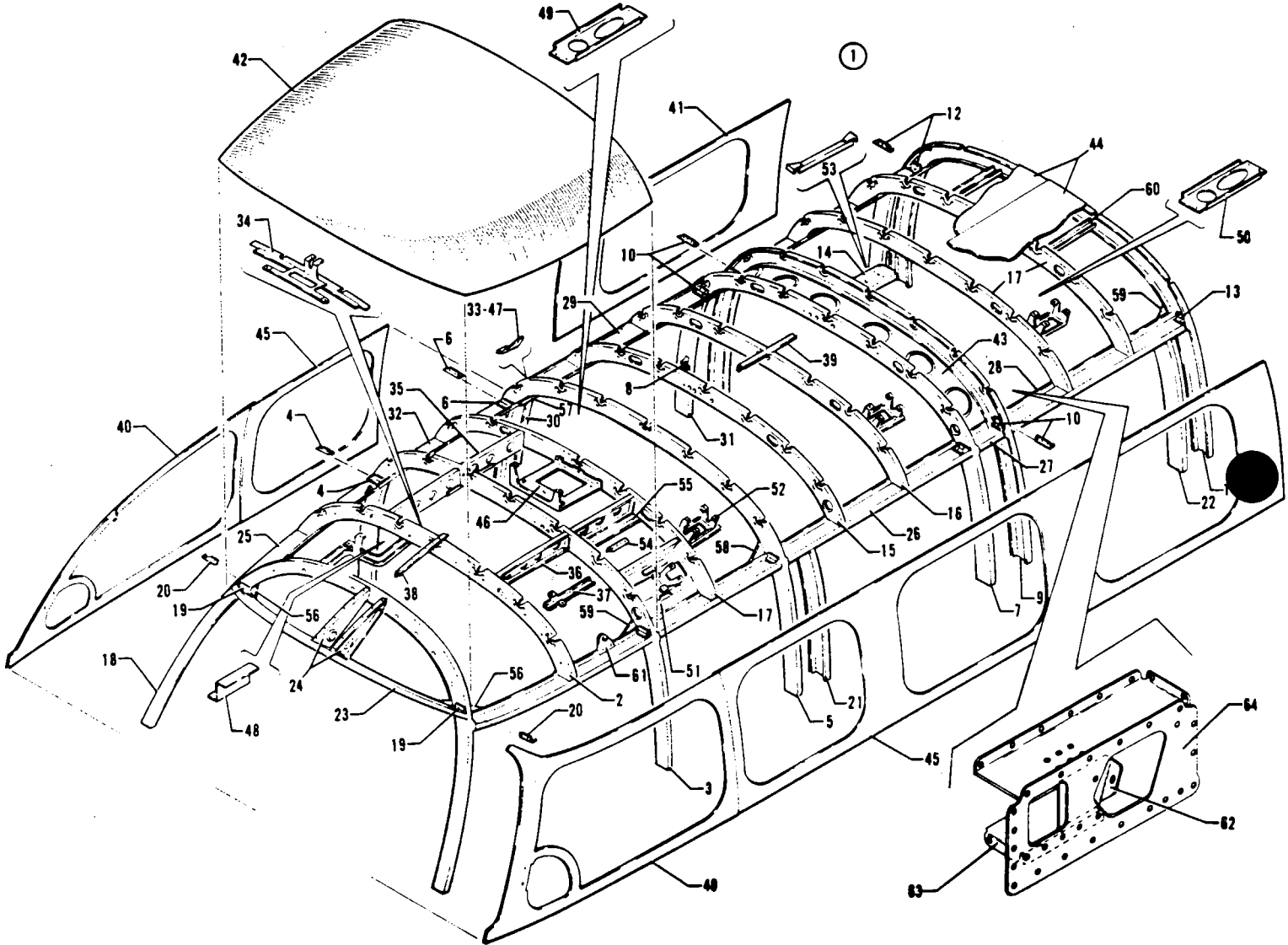


Figure 12. Fuselage Upper Cabin Section Assembly

---

# PIPER PARTS CATALOG

---

## CODE EXPLANATIONS FOR FIGURE 12

A - See Figure 13 if pilot door is installed.

**PIPER PARTS CATALOG**

Figure and Index Number	Part Number	Code	NOMENCLATURE	No. Req.	SERIAL NUMBERS AFFECTED
12-1	55393-02		SECTION ASSEMBLY - Fuselage upper cabin	1	
-2	40798-00	A	* BULKHEAD ASSEMBLY - Fuselage, Sta. 102	1	
-3	44790-03		* BULKHEAD ASSEMBLY - Fuselage, top, Sta. 116	1	
-4	52775-00		* * ANGLE - Fuselage, rear	2	
	52775-01		* * ANGLE - Fuselage, front	2	
-5	40971-11		* BULKHEAD ASSEMBLY - Fuselage, top, Sta. 140	1	
-6	52775-00		* * ANGLE - Fuselage, rear	2	
	52775-01		* * ANGLE - Fuselage, front	2	
-7	40971-10		* BULKHEAD ASSEMBLY - Fuselage, top, Sta. 174	1	
-8	41047-00		* * BEARING - Emergency exit handle	1	
-9	41078-03		* BULKHEAD ASSEMBLY - Fuselage, top, Sta. 181	1	
-10	40738-00		* * ANGLE - Fuselage, rear	2	
	40738-01		* * ANGLE - Fuselage, front	2	
-11	41099-00		* BULKHEAD ASSEMBLY - Fuselage, top, Sta. 215	1	
-12	40738-00		* * ANGLE - Fuselage, right, front	1	
	40738-01		* * ANGLE - Fuselage, right, rear	1	
-13	40896-00		* * ANGLE - Attachment, left, front	1	
-14	71635-02		* PLATE - Antenna mounting	1	
-15	41104-05		* BULKHEAD ASSEMBLY - Fuselage, top, Sta. 151.3	1	
-16	41104-06		* BULKHEAD ASSEMBLY - Fuselage, top, Sta. 162.6	1	
-17	41104-07		* BULKHEAD ASSEMBLY - Fuselage, top, Sta. 127.3, Sta. 191.7 and Sta. 203	3	
-18	41173-00		* BULKHEAD ASSEMBLY - Fuselage, canted, Sta. 100 to Sta. 115	11	
-19	41115-00		* * ANGLE - Attachment	2	
-20	41116-00		* * ANGLE - Attachment, left	1	
	41116-01		* * ANGLE - Attachment, right	1	
-21	40897-03		* BULKHEAD ASSEMBLY - Fuselage, Sta. 145.5, left	1	
-22	40900-04		* BULKHEAD ASSEMBLY - Fuselage, Sta. 209.5, left	1	
	40900-05		* BULKHEAD ASSEMBLY - Fuselage, Sta. 209.5, right	1	
-23	42367-00		* BULKHEAD - Windshield, upper support	1	
-24	40899-00		* BULKHEAD - Windshield channel attachment, left	1	
	40899-01		* BULKHEAD - Windshield channel attachment, right	1	
-25	40715-06	A	* CHANNEL - Window upper, left	1	
	40715-07		* CHANNEL - Window upper, right	1	
-26	40715-10		* CHANNEL - Window upper, left	1	
-27	40715-14		* CHANNEL - Window upper, left	1	
	40715-15		* CHANNEL - Window upper, right	1	
-28	40715-50		* CHANNEL ASSEMBLY - Window upper, left	1	
	40715-19		* CHANNEL ASSEMBLY - Window upper, right	1	
-29	40715-23		* CHANNEL - Window upper, right	1	
-30	41207-00		* CHANNEL - Window, Sta. 143	1	
-31	41208-00		* CHANNEL - Window, Sta. 173.37	1	
-32	44946-04		* CHANNEL - Window, Sta. 116, left	1	
	44946-05		* CHANNEL - Window, Sta. 116, right	1	
-33	40894-02		* BRACKET - Emergency exit cable pulley	1	
-34	54467-02		* BRACKET ASSEMBLY - Light mounting	1	
-35	44958-02		* CHANNEL - Cargo barrier reinforcement, left	1	
	44958-03		* CHANNEL - Cargo barrier reinforcement, right	1	
-36	44959-02		* CHANNEL - Cargo barrier reinforcement, left	1	
	44959-03		* CHANNEL - Cargo barrier reinforcement, right	1	
-37	74165-02		* CHANNEL - Cargo barrier reinforcement	2	
-38	41331-28		* STRINGER - Fuselage, upper cabin, forward, (6' length)	AR	
-39	52080-09		* STRINGER - Fuselage, upper cabin, aft, (6' length)	AR	
-40	40887-14	A	* SKIN - Upper side, left	1	
	40887-35		* SKIN - Upper side, right	1	

When ordering, always specify Part Number, Description and Serial Number of Aircraft

**PIPER PARTS CATALOG**

Figure and Index Number	Part Number	Code	NOMENCLATURE	No. Req.	SERIAL NUMBERS AFFECTED
12-41	40887-05		* SKIN - Upper side, right	1	
-42	40887-21	A	* SKIN - Top	1	
-43	41234-00		* SKIN - Fuselage, inner top	1	
-44	52085-00		* SKIN - Fuselage, upper left	1	
	52088-00		* SKIN - Fuselage, upper right	1	
-45	52092-00		* SKIN - Fuselage, left	1	
	52094-00		* SKIN - Fuselage, right	1	
-46	55260-02		* BRACKET ASSEMBLY - No smoking sign	1	
-47	40894-03		* BRACKET - Emergency exit cable pulley	1	
-48	54820-02		* BRACKET - Speaker, left	1	
	54820-03		* BRACKET - Speaker, right	1	
-49	71673-03		* BRACKET - Overhead speaker, Sta. 127.30 to Sta 140	1	
-50	71673-02		* BRACKET - Overhead speaker, Sta. 191.7 to Sta 203	1	
-51	44774-14		* BRACKET ASSEMBLY - Shoulder harness and cargo barrier outboard, left	1	
	44774-13		* BRACKET ASSEMBLY - Shoulder harness and cargo barrier outboard, right	1	
-52	44746-05		* BRACKET ASSEMBLY - Reading light mounting	6	
-53	43594-04		* ANGLE ASSEMBLY - Antenna mounting plate	1	
-54	40859-00		* ANGLE - Stringer splice	7	
-55	42324-00		* CHANNEL ASSEMBLY - Panel support	2	
-56	40752-00		* GUSSET - Bulkhead	2	
-57	41183-00		* GUSSET - Fuselage, Sta. 140, right	1	
-58	41192-00		* GUSSET - Fuselage, Sta. 140, left	2	
-59	44773-00		* GUSSET - Fuselage, Sta. 116	2	
-60	52713-00		* CHANNEL - Support	2	
-61	53687-00		* PLATE ASSEMBLY - Curtain track attachment	2	
-62	44774-08		BRACKET - Shoulder harness, 6th seat	1	
	44774-09		BRACKET - Shoulder harness, 5th seat	1	
-63	74206-04		BRACE - Shoulder harness, 6th seat	1	
	74206-05		BRACE - Shoulder harness, 5th seat	1	
-64	74206-02		BRACKET - Shoulder harness, 6th seat	1	
	74206-03		BRACKET - Shoulder harness, 5th seat	1	

When ordering, always specify Part Number, Description and Serial Number of Aircraft

# PIPER PARTS CATALOG

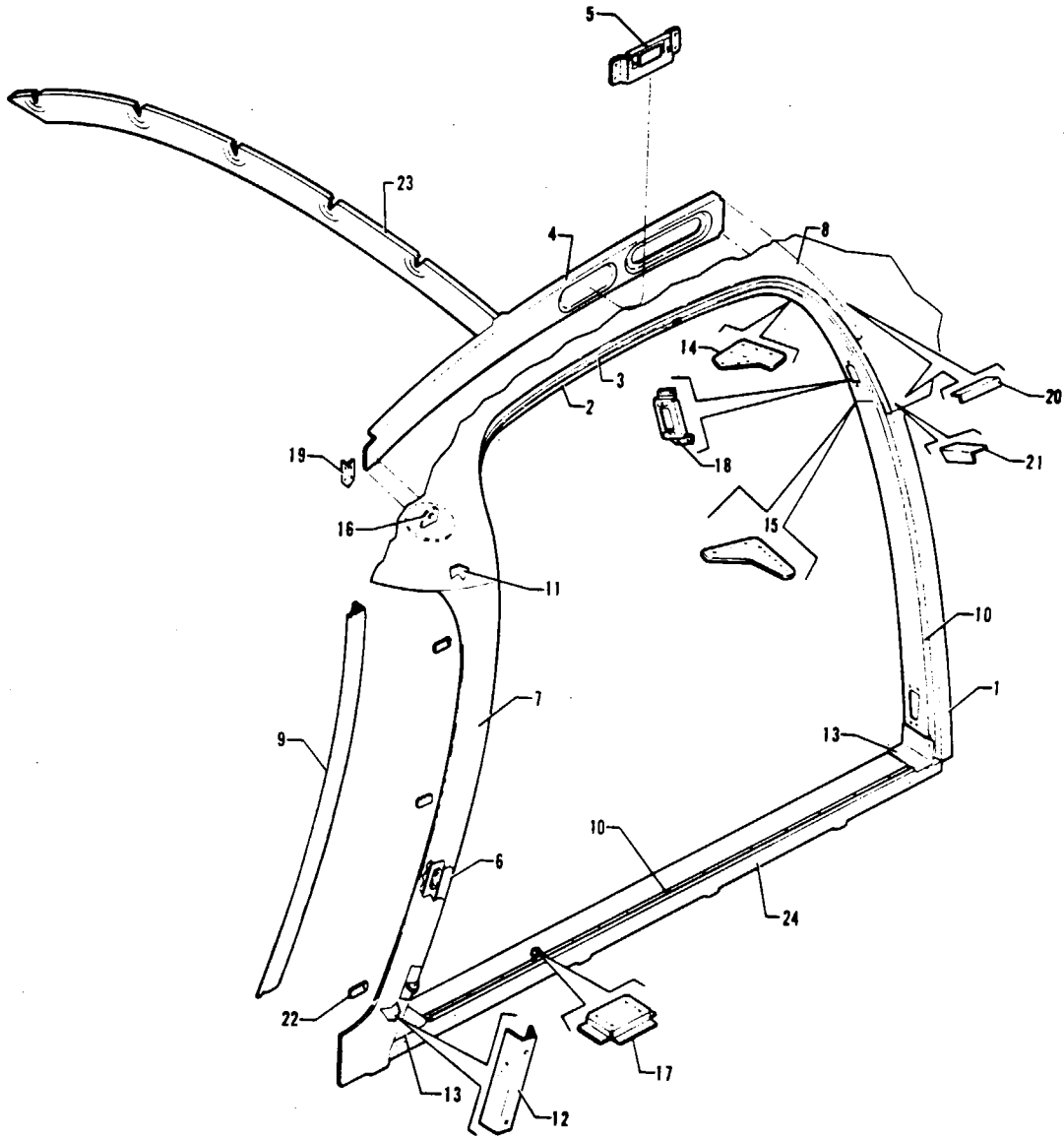


Figure 13. Pilot Door Fuselage Frame Installation

---

# PIPER PARTS CATALOG

CODE EXPLANATIONS FOR FIGURE 13

**PIPER PARTS CATALOG**

Figure and Index Number	Part Number	Code	NOMENCLATURE	No. Req.	SERIAL NUMBERS AFFECTED
13-	44743		DRAWING - Pilot Door Frame Installation		
-1	44666-00		FRAME ASSEMBLY - Pilot door, Sta. 140	1	
-2	44743-08		CHANNEL ASSEMBLY - Pilot door, Sta. 126	1	
-3	44743-04		* STRIKER - Pilot door frame, top	1	
-4	53657-00		CHANNEL ASSEMBLY - Fuselage, pilot door	1	
-5	44667-00		* BRACKET ASSEMBLY - Latch support, lower	1	
-6	44743-02		CHANNEL - Fuselage, pilot door	1	
-7	44743-11		SKIN - Windshield retainer	1	
-8	44743-09		SKIN - Top	1	
-9	44743-10		RETAINER - Windshield	1	
-10	44743-03		STRIKER - Pilot door frame, forward	1	
	44743-14		STRIKER - Pilot door frame, bottom	1	
-11	44743-07		REINFORCEMENT - Hinge bracket, upper	1	
-12	44589-00		REINFORCEMENT - Hinge bracket, lower	1	
-13	54376-02		GUSSET - Door frame, lower front	1	
	54375-02		GUSSET - Door frame, lower rear	1	
-14	54188-02		GUSSET - Bulkhead	1	
-15	52175-00		GUSSET - Fuselage	1	
-16	44572-00		BRACKET ASSEMBLY - Pilot door hinge, upper	1	
	44573-00		BRACKET ASSEMBLY - Pilot door hinge, lower	1	
-17	44600-00		BRACKET ASSEMBLY - Pilot door support, lower	1	
-18	44670-00		BRACKET ASSEMBLY - Latch support, rear	1	
-19	44696-00		ANGLE - Canted bulkhead	1	
-20	44791-00		ANGLE - Stringer	2	
-21	40738-00		ANGLE - Bulkhead, Sta. 140	1	
-22	43519-00		CLIP - Fuselage harness attachment	3	
-23	44558-00		BULKHEAD - Fuselage, Sta. 126	1	
-24	44687-04		CHANNEL ASSEMBLY - Pilot door frame, lower	1	

When ordering, always specify Part Number, Description and Serial Number of Aircraft



PIPER PARTS CATALOG

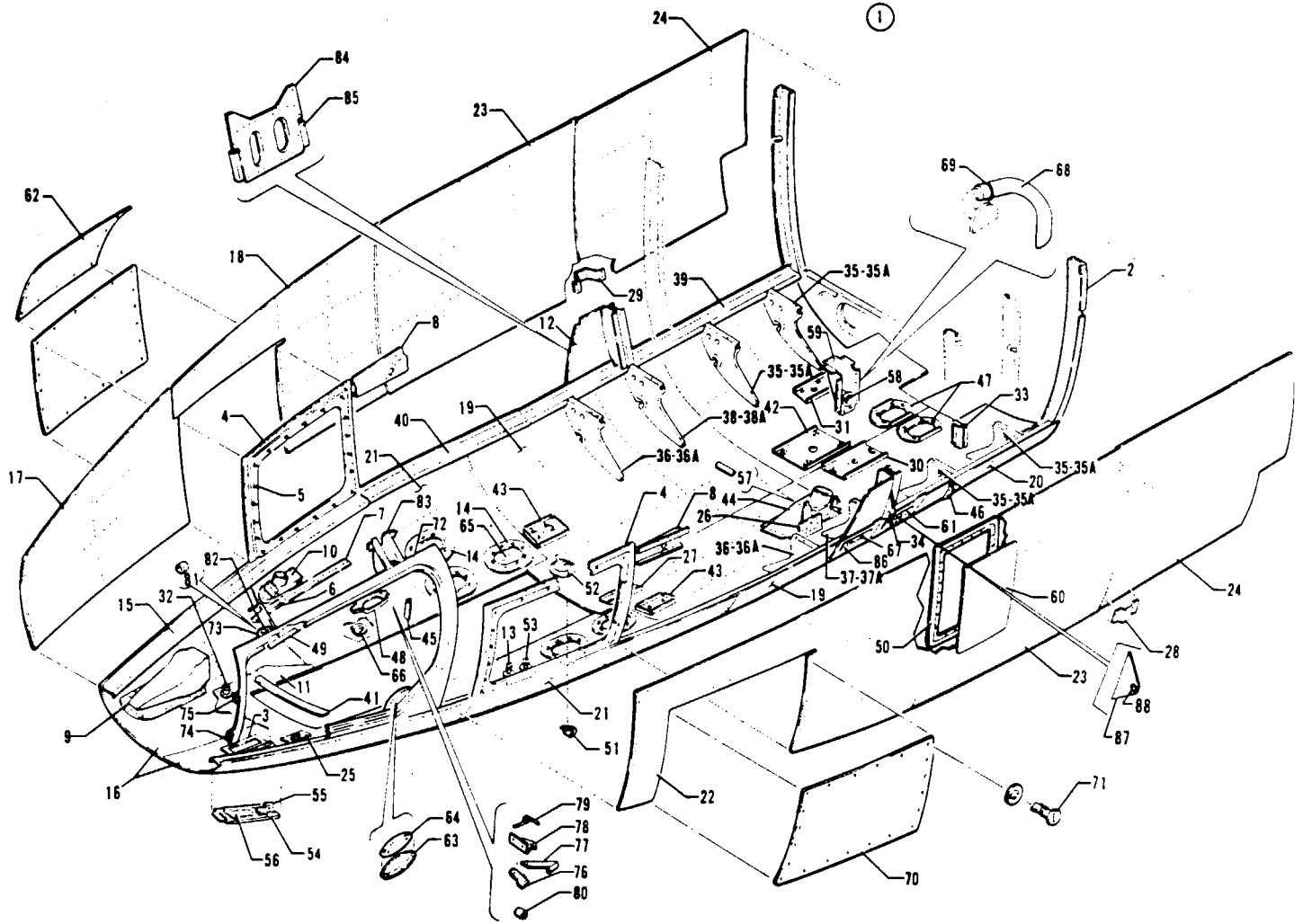


Figure 14 Fuselage Lower Forward Section Assembly

---

# PIPER PARTS CATALOG

---

## CODE EXPLANATIONS FOR FIGURE 14

- A - See Figure 15 for component parts.
- B - Used if propeller ice shield is not installed.
- C - Used if propeller ice shield is installed.

**PIPER PARTS CATALOG**

Figure and Index Number	Part Number	Code	NOMENCLATURE	No. Req.	SERIAL NUMBERS AFFECTED
14-1	52146-03	A	SECTION ASSEMBLY - Lower forward fuselage	1	
-2	52137-00		* FRAME ASSEMBLY - Lower forward fuselage	1	
-3	42512-00		* DOOR FRAME ASSEMBLY - Power receptacle, lower forward fuselage	1	
-4	43899-04		* FRAME ASSEMBLY - Forward access, lower fuselage, Sta. 35 to Sta. 57, left	1	
	43899-05		* FRAME ASSEMBLY - Forward access, lower fuselage, Sta. 35 to Sta. 57, right	1	
-5	484 293		* * RECEPTACLE - (214-16D) forward access frame	17	
-6	41603-00		* ANGLE - Stringer splice, lower forward fuselage, right	1	
-7	52080-09		* STRINGER - Lower forward fuselage (6' length)	AR	
-8	41269-00		* BRACKET ASSEMBLY - Torque tube, lower forward fuselage, Sta. 57, left	1	
	41269-01		* BRACKET ASSEMBLY - Torque tube, lower forward fuselage, Sta. 57, right	1	
-9	71099-02		* SCOOP ASSEMBLY - Heater air, lower forward fuselage	1	
-10	71116-02		* BOX ASSEMBLY - Air inlet, lower forward fuselage, Sta. 37	1	
-11	41278-00		* GUSSET - Fuselage, lower forward section, Sta. 18 to Sta. 35	1	
-12	52135-00		* GUSSET - Fuselage, front spar fitting, Sta. 104.31	2	
-13	17758-08		* TUBE ASSEMBLY - Battery box ventilating, lower forward fuselage	1	
-14	20372-03		* PLATE ASSEMBLY - Access hole reinforcement, lower forward fuselage	5	
-15	40868-16		* CHANNEL ASSEMBLY - Floorboard support, lower forward fuselage, Sta. 26 to Sta. 81, left	1	
	40868-15		* CHANNEL ASSEMBLY - Floorboard support, lower forward fuselage, Sta. 26 to Sta. 81, right	1	
-16	40887-06		* SKIN - Lower forward fuselage, side, left	1	
	40887-07		* SKIN - Lower forward fuselage, side, right	1	
-17	40887-28		* SKIN - Lower forward fuselage, side, right	1	
-18	52118-00		* SKIN - Fuselage, right side, Sta. 35 to Sta. 76	1	
-19	52129-00		* SKIN - Fuselage, bottom, Sta. 72.25 to Sta. 111, left	1	
	52129-01		* SKIN - Fuselage, bottom, Sta. 72.25 to Sta. 111, right	1	
-20	52127-00		* SKIN - Fuselage, bottom, Sta. 111 to Sta. 140, left	1	
	52127-01		* SKIN - Fuselage, bottom, Sta. 111 to Sta. 140, right	1	
-21	52124-00		* SKIN - Fuselage, bottom, Sta. 35 to Sta. 76, left	1	
	52124-01		* SKIN - Fuselage, bottom, Sta. 35 to Sta. 76, right	1	
-22	52107-00		* SKIN - Fuselage, left, Sta. 30 to Sta. 76	1	
-23	52111-02		* SKIN - Fuselage, side, Sta. 76 to Sta. 111, left	1	
	52111-01		* SKIN - Fuselage, side, Sta. 76 to Sta. 111, right	1	
-24	52114-00		* SKIN - Fuselage, side, Sta. 111 to Sta. 140, left	1	
	52114-01		* SKIN - Fuselage, side, Sta. 111 to Sta. 140, right	1	
-25	41466-00		* MAST ASSEMBLY - Pitot tube	1	
-26	41585-00		* BRACKET - Line support	1	
-27	71948-02	* BRACKET - Antenna mounting	1		
-28	42639-00	* BRACKET - Support, Sta. 111.50, left	1		
-29	44940-00	* BRACKET - Support, Sta. 111.50, right	1		
-30	30304-00	* BRACKET ASSEMBLY - Antenna mounting	1		
-31	42345-00	* BRACKET ASSEMBLY - Marker beacon mounting	1		
-32	54932-02	* TUBE ASSEMBLY - Battery drain	1		
-33	52132-00	* BRACKET - Heat duct support	1		
-34	44758-00	* BULKHEAD ASSEMBLY - Front spar attachment, left	1		
	44758-01	* BULKHEAD ASSEMBLY - Front spar attachment, right	1		
-35	52119-02	* BULKHEAD ASSEMBLY - Seat track support, outboard, left	2		
	52119-03	* BULKHEAD ASSEMBLY - Seat track support, outboard, right	1		
-35a	406 789	* * NUT - Anchor, seat track (136R-02)	1		

When ordering, always specify Part Number, Description and Serial Number of Aircraft

**PIPER PARTS CATALOG**

Figure and Index Number	Part Number	Code	NOMENCLATURE	No. Req.	SERIAL NUMBERS AFFECTED
14-36	52119-06		* BULKHEAD ASSEMBLY - Seat track support, outboard, left	1	
	52119-07		* BULKHEAD ASSEMBLY - Seat track support, outboard, right	1	
-36a	406 789		* * NUT - Anchor, seat track (136R-02)	1	
-37	52119-10		* BULKHEAD ASSEMBLY - Seat track support, outboard, left	1	
-37a	406 789		* * NUT - Anchor, seat track (136R-02)	1	
-38	52119-11		* BULKHEAD ASSEMBLY - Seat track support, outboard, right	1	
-38a	406 789		* * NUT - Anchor, seat track (136R-02)	1	
-39	44801-00		* CHANNEL - Floorboard support, left	1	
	44801-01		* CHANNEL - Floorboard support, right	1	
-40	44804-00		* CHANNEL - Floorboard support, left	1	
	44804-01		* CHANNEL - Floorboard support, right	1	
-41	41841-00		* PLATE - Gear door stop	1	
-42	44215-00		* PLATE ASSEMBLY - Antenna	1	
-43	53910-00		* PLATE ASSEMBLY - Reinforcement, left	1	
	53910-01		* PLATE ASSEMBLY - Reinforcement, right	1	
-44	52203-00		* BOX ASSEMBLY - Outside air inlet	1	
-45	41070-00		* ANGLE - Longitudinal beam	2	
-46	52372-00		* ANGLE - Wing fillet bulkhead, left	1	
	52372-01		* ANGLE - Wing fillet bulkhead, right	1	
-47	41427-00		* PLATE ASSEMBLY - Access hole reinforcement	2	
-48	44821-00		* REINFORCEMENT - Heater exhaust tube	1	
-49	41603-02		* ANGLE - Stringer splice, lower forward fuselage	2	
-50	54305-02		* FRAME ASSEMBLY - Circuit breaker access	1	
-51	22482-00		* SCOOP - Radio cooling	1	
-52	54490-02		* BOX ASSEMBLY - Radio cooling	1	
-53	44107-00		* TUBE ASSEMBLY - Powerpak vent	1	
-54	42513-00		* DOOR ASSEMBLY - Power receptacle	1	
-55	472 017		* * LATCH - Push button (KM610-32)	1	
-56	43809-00		* * PLACARD - Starting procedure, external power	1	
-57	52202-00		* STRIP - Outside air inlet	1	
-58	52247-00		* TUBE ASSEMBLY - Air take-off	1	
-59	52249-00		* DUCT - Outside air	1	
-60	54305-05		COVER - Circuit breaker access	1	
-61	52275-00		PLATE - Tube support, left, rear	1	
	52275-01		PLATE - Tube support, right, rear	1	
-62	53865-02		SHIELD ASSEMBLY - Propeller ice, left	1	
	53865-03		SHIELD ASSEMBLY - Propeller ice, right	1	
-63	40346-00		ANGLE - Floorboard support	1	
-64	40347-00		ANGLE ASSEMBLY - Floorboard support	1	
-65	20370-00		PLATE - Cover	7	
-66	22482-00		SCOOP - Air	2	
-67	406 863		RIVNUT - (A8K-75)	4	
-68	22369-11		TUBE - Plastic, right	1	
-69	454 983		CLAMP - (SAE TY-E8)	1	
-70	43898-00	B	PANEL ASSEMBLY - Forward access, left	1	
	43898-08	C	PANEL ASSEMBLY - Forward access, left	1	
	43898-01	B	PANEL ASSEMBLY - Forward access, right	1	
	43898-09	C	PANEL ASSEMBLY - Forward access, right	1	
-71	487 733		* STUD - (4002-5)	17	
	484 755		* RING - Snap (R46)	17	
	463 400		* GROMMET - (4002-0)	17	
-72	40210-06		FRAME ASSEMBLY - Forward baggage compartment door	1	
-73	40206-00		BRACKET ASSEMBLY - Baggage compartment door hinge, rear	1	
	40206-01		BRACKET ASSEMBLY - Baggage compartment door hinge, front	1	
-74	40208-00		BRACKET - Baggage compartment door lock plate, front	1	
-75	44379-00		BRACKET - Baggage compartment door lock plate	2	

When ordering, always specify Part Number, Description and Serial Number of Aircraft

**PIPER PARTS CATALOG**

Figure and Index Number	Part Number	Code	NOMENCLATURE	No. Req.	SERIAL NUMBERS AFFECTED
14-76	42531-00		STOP - Baggage door latch	1	
-77	42533-00		LATCH - Baggage door	1	
-78	42534-00		ANGLE - Baggage door latch	1	
-79	42539-00		SPRING - Baggage door latch	1	
-80	41413-46		BUSHING - Baggage door latch	1	
-81	43133-00		BUSHING - Baggage door stop	2	
-82	40209-00		ANGLE - Baggage door hinge reinforcement, front	1	
-83	42546-00		BRACKET - Forward baggage door, left, forward	1	
	42546-01		BRACKET - Forward baggage door, right, forward	1	
-84	44807-00		PLATE - Fuselage reinforcement, Sta. 99 to Sta. 111, left	1	
	44807-01		PLATE - Fuselage reinforcement, Sta. 99 to Sta. 111, right	1	
-85	44802-00		ANGLE - Fuselage reinforcement, Sta. 99	4	
-86	41145-04		PLATE - Tube support, left, front	1	
	41145-05		PLATE - Tube support, right, front	1	
-87	72962-12		SHIM - Front spar attachment, left and right (.060 thick)	AR	
-88	49999-56		BUSHING - Front spar attachment (.365 L.)	2	

When ordering, always specify Part Number, Description and Serial Number of Aircraft

**1C24**

**INTENTIONALLY LEFT BLANK**

# PIPER PARTS CATALOG

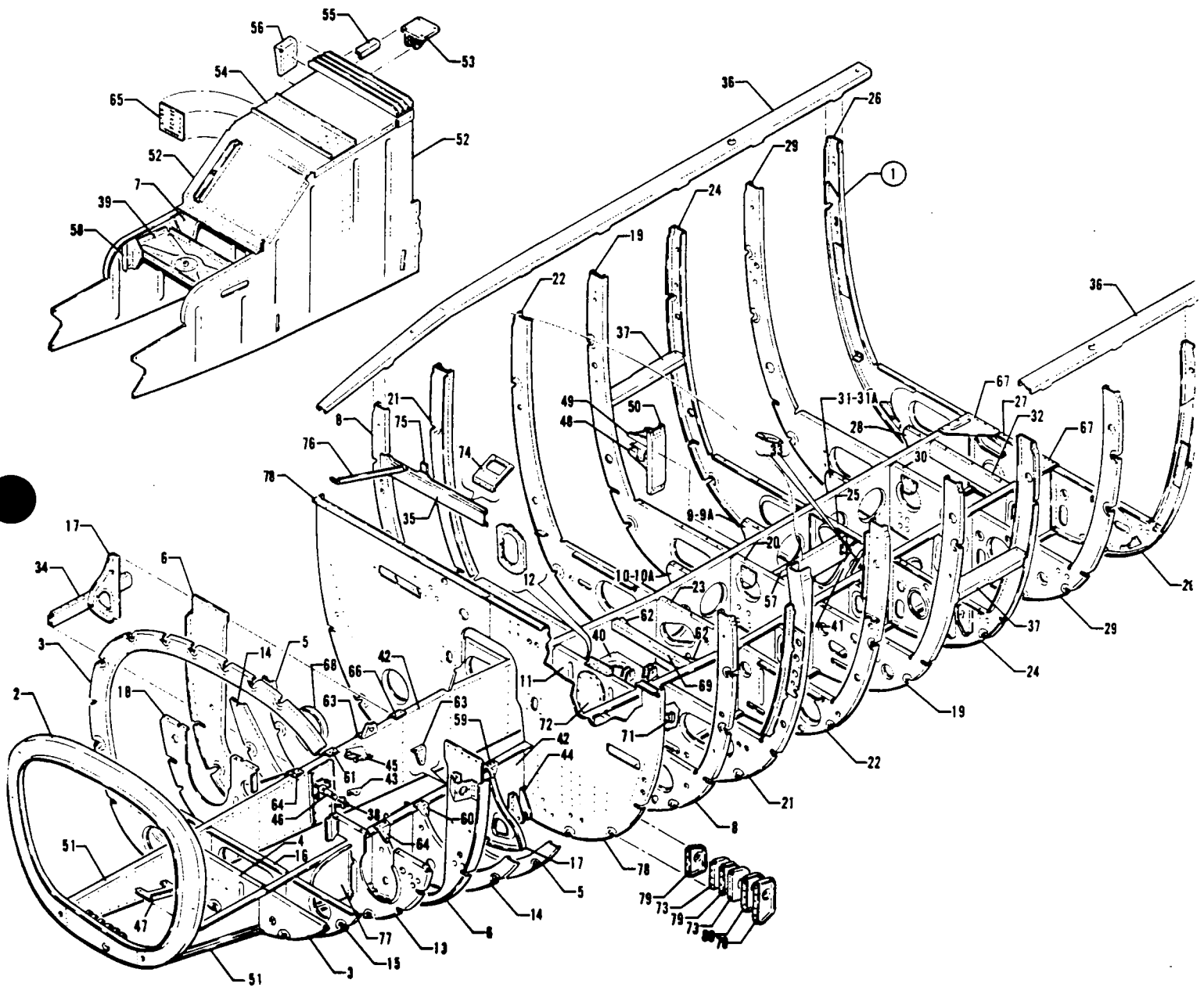


Figure 15. Fuselage Lower Forward Frame Assembly

---

# PIPER PARTS CATALOG

CODE EXPLANATIONS FOR FIGURE 15



PIPER PARTS CATALOG

Figure and Index Number	Part Number	Code	NOMENCLATURE	No. Req.	SERIAL NUMBERS AFFECTED
15-1	52137-00		FRAME ASSEMBLY - Lower forward fuselage	1	
-2	71790-02		* BULKHEAD ASSEMBLY - Lower forward frame, Sta. 2	1	
-3	40769-02		* BULKHEAD ASSEMBLY - Lower forward frame, Sta. 18, left	1	
	40769-03		* BULKHEAD ASSEMBLY - Lower forward frame, Sta. 18, right	1	
-4	40769-10		* BULKHEAD ASSEMBLY - Lower forward frame, Sta. 18, center	1	
-5	40772-00		* BULKHEAD - Lower forward frame, Sta. 46, left	1	
	40772-01		* BULKHEAD - Lower forward frame, Sta. 46, right	1	
-6	40863-08		* BULKHEAD ASSEMBLY - Lower forward frame, Sta. 35, left	1	
	40866-00		* BULKHEAD ASSEMBLY - Lower forward frame, Sta. 35, right	1	
-7	40865-00		* BULKHEAD ASSEMBLY - Lower forward frame, Sta. 35, center	1	
-8	40962-02		* BULKHEAD ASSEMBLY - Lower forward frame, Sta. 66.50, left	1	
	40962-03		* BULKHEAD ASSEMBLY - Lower forward frame, Sta. 66.50, right	1	
-9	52031-00		* BULKHEAD ASSEMBLY - Seat track support, right, inboard, Sta. 104.68	1	
	52029-00		* BULKHEAD ASSEMBLY - Seat track support, left, inboard, Sta. 104.68	1	
-9a	406 789		* * NUT - Anchor, seat track (136R-02)	1	
-10	41005-02		* BULKHEAD ASSEMBLY - Seat track support, inboard, left, Sta. 93.26	1	
	41003-00		* BULKHEAD ASSEMBLY - Seat track support, inboard, right, Sta. 93.26	1	
-10a	406 812		* * NUT - Anchor, seat track (NAS687A3K)	1	
-11	41102-00		* BULKHEAD ASSEMBLY - Lower forward frame, Sta. 72.25, center	1	
-12	41427-00		* * PLATE ASSEMBLY - Access hole reinforcement	1	
-13	41095-00		* BULKHEAD ASSEMBLY - Lower forward frame, Sta. 28.62, left	1	
-14	41125-00		* BULKHEAD ASSEMBLY - Lower forward frame, Sta. 40.62, left	1	
	41126-00		* BULKHEAD ASSEMBLY - Lower forward frame, Sta. 40.62, right	1	
-15	41166-04		* BULKHEAD ASSEMBLY - Lower forward frame, Sta. 22, left	1	
	44827-00		* BULKHEAD ASSEMBLY - Lower forward frame, Sta. 22, right	1	
-16	41166-13		* BULKHEAD ASSEMBLY - Lower forward frame, Sta. 22, center	1	
-17	41209-00		* BULKHEAD ASSEMBLY - Lower forward frame, Sta. 51, right	1	
	41222-00		* BULKHEAD ASSEMBLY - Lower forward frame, Sta. 51, left	1	
-18	44883-05		* BULKHEAD ASSEMBLY - Lower forward frame, Sta. 28.62, right	1	
-19	44890-06		* BULKHEAD ASSEMBLY - Lower forward frame, Sta. 99, left	1	
	44890-05		* BULKHEAD ASSEMBLY - Lower forward frame, Sta. 99, right	1	
-20	44890-07		* BULKHEAD ASSEMBLY - Lower forward frame, Sta. 99, center	1	

When ordering, always specify Part Number, Description and Serial Number of Aircraft

**PIPER PARTS CATALOG**

Figure and Index Number	Part Number	Code	NOMENCLATURE	No. Req.	SERIAL NUMBERS AFFECTED
15-21	52060-02		* BULKHEAD ASSEMBLY - Lower forward frame, Sta 76, left	1	
	52060-03		* BULKHEAD ASSEMBLY - Lower forward frame, Sta. 76, right	1	
-22	52157-06		* BULKHEAD ASSEMBLY - Lower forward frame, Sta. 87 50, left	1	
	52157-07		* BULKHEAD ASSEMBLY - Lower forward frame, Sta. 87 50, right	1	
-23	52157-05		* BULKHEAD ASSEMBLY - Lower forward frame, Sta. 87.50, center	1	
-24	52190-07		* BULKHEAD ASSEMBLY - Lower forward frame, Sta. 111, left	1	
	52190-06		* BULKHEAD ASSEMBLY - Lower forward frame, Sta. 111, right	1	
-25	52190-05		* BULKHEAD ASSEMBLY - Lower forward frame, Sta. 111, center	1	
-26	52289-07		* BULKHEAD ASSEMBLY - Lower forward frame, Sta. 135, right	1	
	52289-06		* BULKHEAD ASSEMBLY - Lower forward frame, Sta. 135, left	1	
-27	52289-05		* BULKHEAD ASSEMBLY - Lower forward frame, Sta. 135, center	1	
-28	52030-06		* BULKHEAD ASSEMBLY - Seat track support, left, inboard, Sta. 128.68	1	
	52683-00		* BULKHEAD ASSEMBLY - Seat track support, right, inboard, Sta. 128.68	1	
-29	52084-07		* BULKHEAD ASSEMBLY - Lower forward frame, Sta. 123, right	1	
	52084-06		* BULKHEAD ASSEMBLY - Lower forward frame, Sta. 123, left	1	
-30	52084-05		* BULKHEAD ASSEMBLY - Lower forward frame, Sta. 123, center	1	
-31	52030-00		* BULKHEAD ASSEMBLY - Seat track support, left, inboard, Sta. 117.28	1	
	52034-00		* BULKHEAD ASSEMBLY - Seat track support, right, inboard, Sta. 117.28	1	
-31a	406 789		* * NUT - Anchor, seat track (136R-02)	1	
-32	41010-03		* CHANNEL ASSEMBLY - Floorboard support, lower forward frame, Sta. 128.68	1	
-33	40964-00		* CHANNEL - Guide, lower forward frame, Sta. 111	1	
-34	41238-00		* CHANNEL - Fuselage reinforcement, Sta. 46 to Sta. 57	1	
-35	41945-02		* CHANNEL - Brake fitting support	1	
-36	44946-02		* CHANNEL - Window, Sta. 57 to Sta. 140, left	1	
	44946-03		* CHANNEL - Window, Sta. 57 to Sta. 140, right	1	
-37	52028-02		* CHANNEL - Front spar attachment, Sta. 99 to 111, left	1	
	52028-03		* CHANNEL - Front spar attachment, Sta. 99 to Sta. 111, right	1	
-38	40617-00		* BRACKET ASSEMBLY - Stop, lower forward frame, Sta. 40.62	2	
-39	40913-00		* BRACKET ASSEMBLY - Nose gear steering support	1	
-40	41316-00		* BRACKET ASSEMBLY - Trim pulley mounting, lower forward frame	1	
-41	52068-00		* BRACKET ASSEMBLY - Hydraulic hand pump, left	1	
	74223-02		* BRACKET ASSEMBLY - Hydraulic hand pump, right	1	
-42	44877-00		* BEAM ASSEMBLY - Longitudinal, lower forward frame, Sta. 2 to Sta. 140, left	1	
	44877-01		* BEAM ASSEMBLY - Longitudinal, lower forward frame, Sta. 2 to Sta. 140, right	1	

When ordering, always specify Part Number, Description and Serial Number of Aircraft

**PIPER PARTS CATALOG**

Figure and Index Number	Part Number	Code	NOMENCLATURE	No. Req.	SERIAL NUMBERS AFFECTED
15-43	40620-00		* * BRACKET - Spring attachment longitudinal beam, left	1	
	40620-01		* * BRACKET - Spring attachment longitudinal beam, right	1	
-44	40990-00		* * BRACKET ASSEMBLY - Nose gear door hinge, aft	2	
	40990-01		* * BRACKET ASSEMBLY - Nose gear door hinge, forward	2	
-45	40998-00		* * STOP ASSEMBLY - Nose gear downlock, right	1	
-46	41033-00		* * FITTING ASSEMBLY - Nose gear door actuator, Sta. 39 188	1	
-47	41439-00		* * BRACKET - Power receptacle mounting, longitudinal beam Sta. 12, left	1	
-48	42594-02		* * BRACKET - Pulley, longitudinal beam, right, bottom	1	
-49	41555-00		* * BRACKET - Pulley, longitudinal beam, right, top	1	
	41555-01		* * BRACKET - Pulley, longitudinal beam, right, bottom	1	
-50	44870-00		* * CHANNEL - Longitudinal beam reinforcement	1	
-51	41090-02		* * WEB - Beam assembly, Sta. 2 to Sta. 18, left	1	
	41090-03		* * WEB - Beam assembly, Sta. 2 to Sta. 18, right	1	
-52	40959-07		* COVER ASSEMBLY - Nose gear, lower forward frame	1	
-53	40985-00		* * BRACKET - Nose gear actuator, nose gear cover	1	
-54	42997-00		* * PLATE - Ramp hailer reinforcement	1	
-55	40988-00		* * ANGLE - Nose gear cover, lower forward frame	2	
-56	40986-00		* * BRACKET - Nose gear cover, lower forward frame	1	
-57	74222-02		* BULKHEAD ASSEMBLY - Longitudinal, Sta. 99 to Sta. 111	1	
-58	41264-00		* BLOCK - Steering support bracket, lower forward frame	2	
-59	54000-00		* CLIP - Bulkhead attachment, lower forward frame, Sta. 51	1	
-60	41123-00		* CLIP - Bulkhead attachment, lower forward frame, Sta. 40.62 left	1	
-61	41124-00		* CLIP - Bulkhead attachment, lower forward frame, Sta. 40.62 right	1	
-62	41014-00		* CLIP - Floorboard support, forward frame, Sta. 80.58, left	1	
	41014-01		* CLIP - Floorboard support, forward frame, Sta. 80.58, right	1	
-63	54000-00		* CLIP - Bulkhead attachment, lower forward frame	2	
-64	40862-00		* CLIP - Bulkhead attachment, lower forward frame, Sta. 35, left	1	
	40862-01		* CLIP - Bulkhead attachment, lower forward frame, Sta. 35, right	1	
-65	40843-00		* PLACARD - Hydraulic line routing, Sta. 57	1	
-66	40775-00		* PLATE - Bulkhead attachment	1	
-67	52299-00		* PLATE ASSEMBLY - Floor gusset, left	1	
	52299-01		* PLATE ASSEMBLY - Floor gusset, right	1	
-68	30679-04		* CLAMP - Heater	1	
-69	41013-00		* ANGLE ASSEMBLY - Floorboard support, Sta. 80.58	1	
-70	40953-00		BRACKET - Pulley, Sta. 57	1	
-71	44188-00		BLOCK - Rudder cable deflector	1	
-72	20370-00		PLATE - Cover	1	
-73	40999-00		BRACKET - Pulley, Sta. 57	2	
-74	44000-00		BRACKET - Altitude selector mounting, right	1	
-75	43908-00		PLATE ASSEMBLY - Glide slope amplifier support, right	1	
-76	42108-00		ANGLE - Parking brake support, left	1	
-77	42259-00		PLATE ASSEMBLY - Lower fuselage	1	
-78	40656-12		BULKHEAD ASSEMBLY - Lower forward frame, Sta. 57, left	1	
	40656-10		BULKHEAD ASSEMBLY - Lower forward frame, Sta. 57, right	1	
-79	40999-01		BRACKET - Pulley, Sta. 57	2	
-80	40999-03		BRACKET - Pulley, Sta. 57	1	

When ordering, always specify Part Number, Description and Serial Number of Aircraft

PIPER PARTS CATALOG

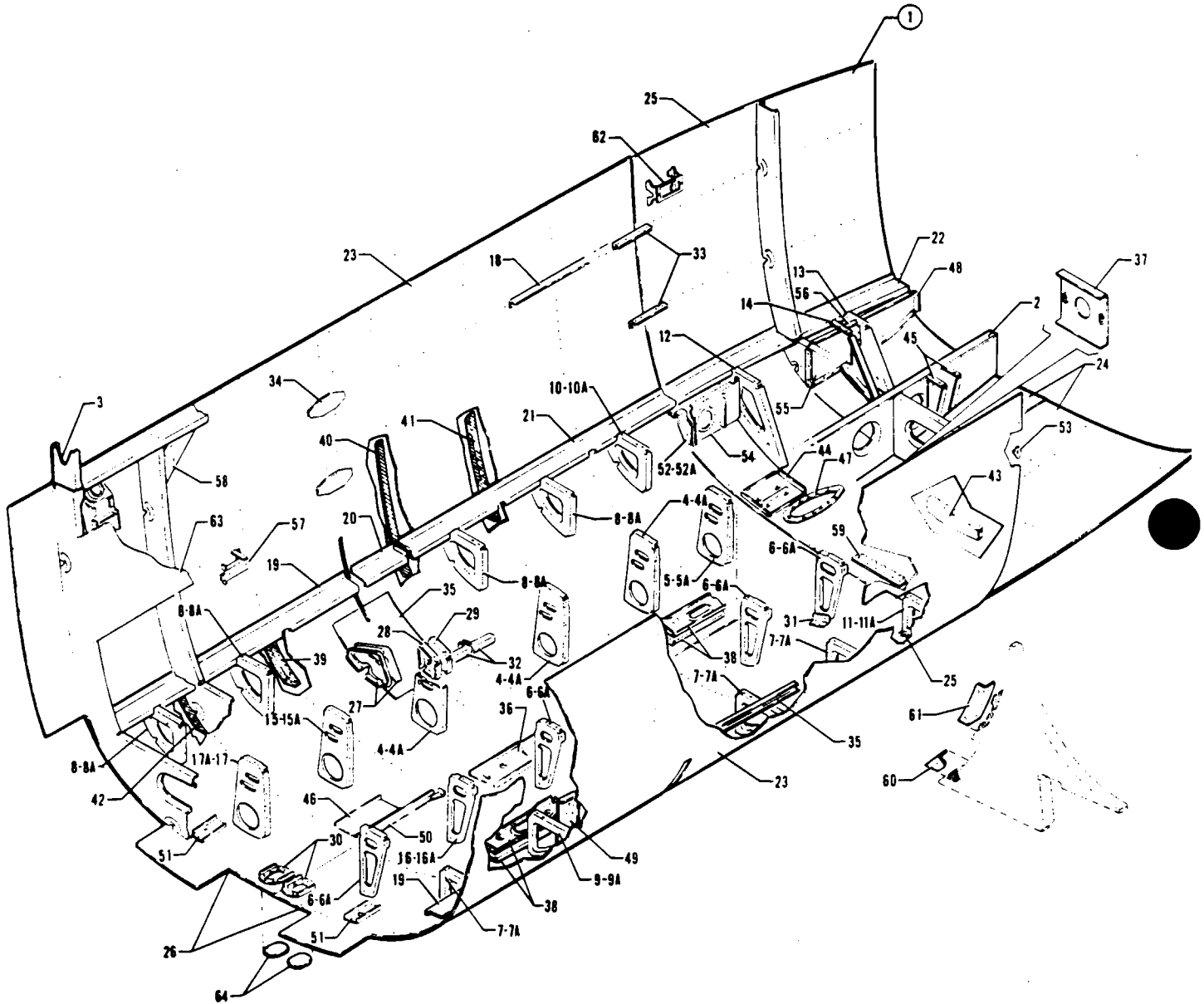


Figure 16. Fuselage Lower Rear Section Assembly

---

# PIPER PARTS CATALOG

---

## CODE EXPLANATIONS FOR FIGURE 16

- A - See Figure 18 for component parts.
- B - See Figure 17 for component parts.
- C - Used if pilot door is installed.

**PIPER PARTS CATALOG**

Figure and Index Number	Part Number	Code	NOMENCLATURE	No. Req.	SERIAL NUMBERS AFFECTED
16-1	44852-00		SECTION ASSEMBLY - Lower rear fuselage	1	
-2	41360-02	A	* FRAME ASSEMBLY - Fuselage cabin, lower, rear	1	
-3	41300-02	B	* FRAME ASSEMBLY - Fuselage cabin, lower, center	1	
-4	41130-02		* BULKHEAD ASSEMBLY - Inboard seat track, right. Sta 169.66, 187.75 and 197.35	3	
-4a	406 789		* * NUT - Anchor, seat track (136R-02)	1	
-5	41130-03		* BULKHEAD ASSEMBLY - Inboard seat track, right. Sta. 208 69	1	
-5a	406 789		* * NUT - Anchor, seat track (136R-02)	1	
-6	41180-00		* BULKHEAD ASSEMBLY - Inboard seat track, left, Sta. 145.62, 168.25, 197.35 and 208.69	4	
-6a	406 789		* * NUT - Anchor, seat track (136R-02)	1	
-7	71699-02		* BULKHEAD ASSEMBLY - Seat track, left, Sta. 197.35, 186.50 and 145.62	3	
-7a	406 812		* * NUT - Anchor, seat track (NAS687A3K)	1	
-8	71699-03		* BULKHEAD ASSEMBLY - Seat track, right, Sta. 145.12, 156.92, 185.75 and 197.35	4	
-8a	406 812		* * NUT - Anchor, seat track (NAS687A3K)	1	
-9	71699-04		* BULKHEAD ASSEMBLY - Seat track, left, Sta. 156.92	1	
-9a	406 812		* * NUT - Anchor, seat track (NAS687A3K)	1	
-10	71699-06		* BULKHEAD ASSEMBLY - Seat track, right, Sta. 208.69	1	
-10a	406 812		* * NUT - Anchor, seat track (NAS687A3K)	1	
-11	71699-05		* BULKHEAD ASSEMBLY - Seat track, left, Sta. 208.69	1	
-11a	406 812		* * NUT - Anchor, seat track (NAS687A3K)	1	
-12	82089-02		* BULKHEAD ASSEMBLY - Right, Sta. 221.68	1	
-13	40687-04		* BULKHEAD ASSEMBLY - Right, Sta. 236.19	1	
-14	42375-04		* BULKHEAD ASSEMBLY - Seat support, Sta. 234.56	1	
-15	41130-06		* BULKHEAD ASSEMBLY - Inboard seat track, right. Sta. 156.92	1	
-15a	406 789		* * NUT - Anchor, seat track (136R-02)	1	
-16	42847-00		* BULKHEAD ASSEMBLY - Inboard seat track, left. Sta. 156.92	1	
-16a	406 789		* * NUT - Anchor, seat track (136R-02)	1	
-17	41130-08		* BULKHEAD ASSEMBLY - Inboard seat track, right. Sta. 145.62	1	
-17a	406 789		* * NUT - Anchor, seat track (136R-02)	1	
-18	41331-28		* STRINGER - Fuselage, lower rear (6' length)	AR	
-19	40868-04		* CHANNEL - Floorboard support, Sta. 140 to Sta. 174, left	1	
	40868-05		* CHANNEL - Floorboard support, Sta. 140 to Sta. 174, right	1	
-20	40868-06		* CHANNEL - Floorboard support, Sta. 174 to Sta. 181, left	1	
	40868-07		* CHANNEL - Floorboard support, Sta. 174 to Sta. 181, right	1	
-21	40868-08		* CHANNEL - Floorboard support, Sta. 181 to Sta. 215, left	1	
	40868-09		* CHANNEL - Floorboard support, Sta. 181 to Sta. 215, right	1	
-22	40868-10		* CHANNEL - Floorboard support, Sta. 215 to Sta. 244, right	1	
-23	40887-04		* SKIN - Fuselage, lower side, left Sta. 135 to Sta. 215	1	
	40887-15		* SKIN - Fuselage, lower side, right, Sta. 135 to Sta. 215	1	
-24	40887-10		* SKIN - Fuselage, bottom, left, Sta. 203 to Sta. 244	1	
	40887-11		* SKIN - Fuselage, bottom, right, Sta. 203 to Sta. 244	1	
-25	40887-18		* SKIN - Fuselage, lower side, right, Sta. 215 to Sta. 244	1	

When ordering, always specify Part Number, Description and Serial Number of Aircraft

**PIPER PARTS CATALOG**

Figure and Index Number	Part Number	Code	NOMENCLATURE	No. Req.	SERIAL NUMBERS AFFECTED
16-26	41684-04		* SKIN ASSEMBLY - Fuselage, bottom, left, Sta 135 to Sta 203	1	
	41684-03		* SKIN ASSEMBLY - Fuselage, bottom, right, Sta. 135 to Sta. 203	1	
-27	42978-00		* BRACKET - Cable pulley, aileron balance, left forward and right rear	2	
	42978-01		* BRACKET - Cable pulley, aileron balance, left rear and right forward	2	
-28	41049-02		* BRACKET - Cable pulley, aileron, front	1	
-29	41049-04		* BRACKET ASSEMBLY - Cable pulley, aileron, rear	1	
-30	41427-00		* PLATE ASSEMBLY - Access hole reinforcement	2	
-31	41571-00		* ANGLE - Bulkhead attachment, Sta 208.69	1	
-32	41177-00		* ANGLE ASSEMBLY - Fuselage, left forward and right rear, Sta 174	2	
	41177-01		* ANGLE ASSEMBLY - Fuselage, right forward and left rear, Sta 174	2	
-33	40859-00		* ANGLE - Stringer splice, right	2	
-34	41176-00		* GUSSET - Bulkhead, Sta. 174	6	
-35	42979-00		* PLATE - Fuselage reinforcement, Sta 174	2	
-36	30304-00		* BRACKET ASSEMBLY - Antenna mounting (4 1/2" x 7 1/2" L)	1	
-37	71738-02		* PLATE ASSEMBLY - Antenna	1	
-38	41106-00		* BRACKET - Elevator pulley, upper	2	
	41106-01		* BRACKET - Elevator pulley, lower	2	
-39	43645-04		* ANGLE - Wing fillet bulkhead, left, Sta 162.6	1	
	43645-05		* ANGLE - Wing fillet bulkhead, right, Sta. 162.6	1	
-40	43646-02		* ANGLE - Wing fillet bulkhead, left, Sta. 181	1	
	43646-03		* ANGLE - Wing fillet bulkhead, right, Sta. 181	1	
-41	43649-02		* ANGLE - Wing fillet bulkhead, left, Sta 191.7	1	
	44582-03	C	* ANGLE - Wing fillet bulkhead, left, Sta. 191.7	1	
	43649-03		* ANGLE - Wing fillet bulkhead, right, Sta. 191.7	1	
-42	43683-04		* ANGLE - Wing fillet bulkhead, left, Sta. 151.3	1	
	43683-05		* ANGLE - Wing fillet bulkhead, right, Sta. 151.3	1	
-43	43779-00		* CHANNEL - Cabin vent door support	1	
-44	43845-00		* PLATE ASSEMBLY - Reinforcement, Sta. 215, left	1	
	43845-01		* PLATE ASSEMBLY - Reinforcement, Sta. 215, right	1	
-45	52722-00		* SUPPORT ASSEMBLY - Floorboard	2	
-46	71635-02		* PLATE - Antenna mounting	1	
-47	43888-00		* PLATE ASSEMBLY - Relief tube venturi attachment	1	
-48	52726-00		* SUPPORT - Floorboard, Sta. 236.19 to Sta 244	1	
-49	42079-00		* REINFORCEMENT - Pulley bracket	1	
-50	43594-02		* ANGLE ASSEMBLY - Antenna mounting plate, rear	1	
-51	52660-00		* CHANNEL - Antenna reinforcement	2	
-52	52729-00		* BRACKET ASSEMBLY - Seat track support, Sta. 215	1	
-52a	406 807		* * NUT - Anchor, seat track (NAS682A3)	1	
-53	484 217		* RECEPTACLE - (212-12ND)	2	
-54	52739-00		* SUPPORT ASSEMBLY - Floorboard, Sta 215 to Sta. 226.68	1	
-55	52724-00		* SUPPORT - Floorboard, Sta. 229 to 234.56	1	
-56	52725-00		* SUPPORT - Floorboard, Sta. 234.56 to 236.19	1	
-57	52697-00		BRACKET ASSEMBLY - Folding table, left	1	
	52697-01		BRACKET ASSEMBLY - Folding table, right	1	
-58	52557-00		BRACKET ASSEMBLY - Table support, left	1	
	52557-01		BRACKET ASSEMBLY - Table support, right	1	
-59	43778-04		HINGE - Half, cabin vent door support	1	
-60	44582-04	C	ANGLE - Wing fillet bulkhead, left, Sta. 191.7	1	
-61	44643-00	C	REINFORCEMENT - Wing fillet bulkhead, left, Sta. 191.7	1	
-62	42496-00		SUPPORT ASSEMBLY - Ash tray	1	
-63	52585-00		PANEL - Air vent protector	2	
-64	20370-00		PLATE - Cover	2	

When ordering, always specify Part Number, Description and Serial Number of Aircraft

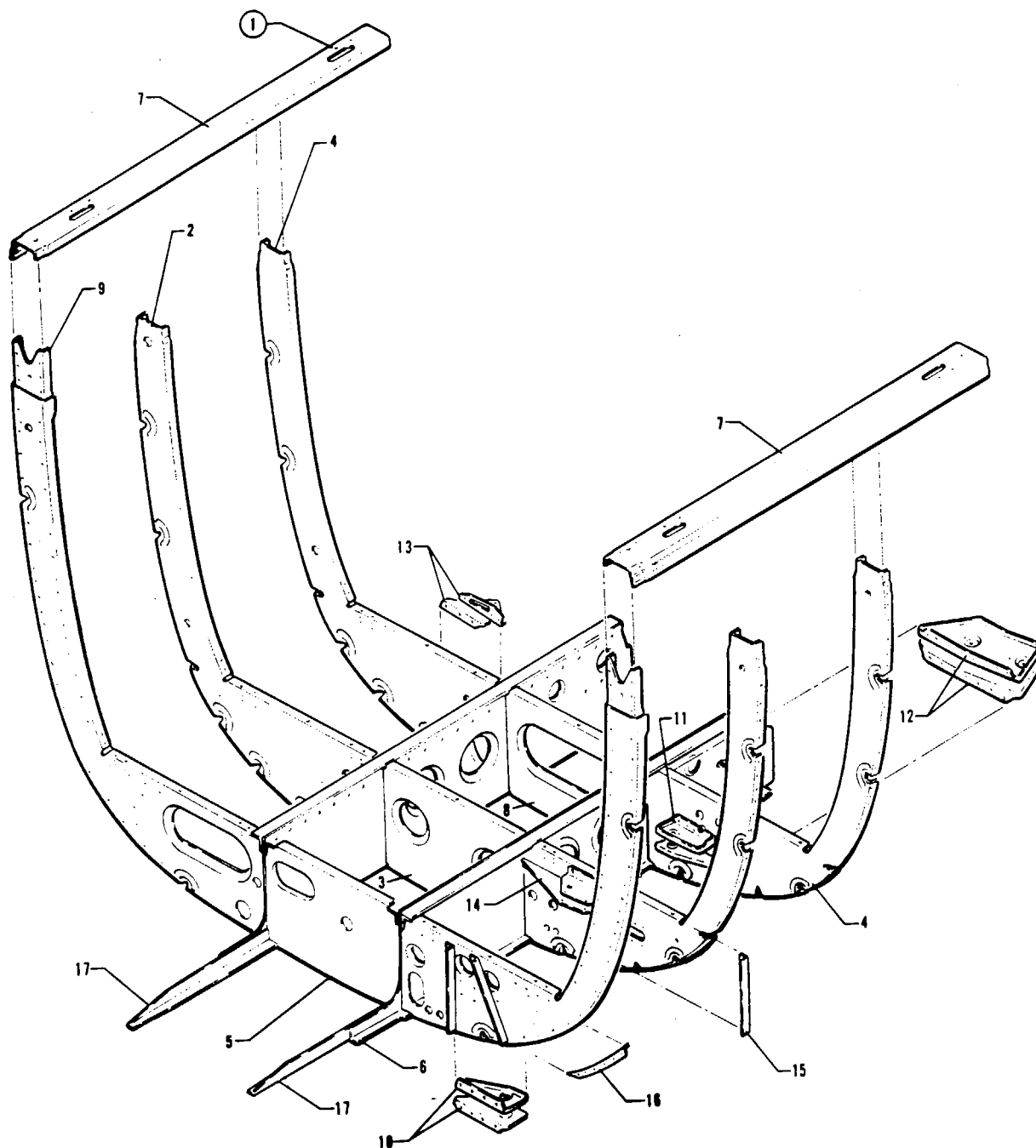


Figure 17. Fuselage Lower Center Frame Assembly



---

# PIPER PARTS CATALOG

---

CODE EXPLANATIONS FOR FIGURE 17

**PIPER PARTS CATALOG**

Figure and Index Number	Part Number	Code	NOMENCLATURE	No. Req.	SERIAL NUMBERS AFFECTED
17-1	41300-02		FRAME ASSEMBLY - Fuselage cabin, lower, center	1	
-2	41232-04		* BULKHEAD ASSEMBLY - Fuselage bottom, Sta. 151.3, left	1	
	41232-02		* BULKHEAD ASSEMBLY - Fuselage bottom, Sta. 151.3, right	1	
-3	41232-06		* BULKHEAD ASSEMBLY - Fuselage bottom, Sta. 151.3, center	1	
-4	41233-07		* BULKHEAD ASSEMBLY - Fuselage bottom, Sta. 162.6, left	1	
	41233-03		* BULKHEAD ASSEMBLY - Fuselage bottom, Sta. 162.6, right	1	
-5	40995-07		* BULKHEAD ASSEMBLY - Fuselage, lower center frame, Sta. 140, center	1	
-6	41119-02		* BEAM ASSEMBLY - Longitudinal, Sta. 135 to Sta. 174, left	1	
	41119-03		* BEAM ASSEMBLY - Longitudinal, Sta. 135 to Sta. 174, right	1	
-7	40715-40		* CHANNEL ASSEMBLY - Window, lower center fuselage frame, left	1	
	44954-00		* CHANNEL ASSEMBLY - Window, lower center fuselage frame, right	1	
-8	41233-05		* BULKHEAD ASSEMBLY - Fuselage bottom, Sta. 162.6, center	1	
-9	40995-18		* BULKHEAD ASSEMBLY - Fuselage, lower center frame, Sta. 140, left	1	
	40995-17		* BULKHEAD ASSEMBLY - Fuselage, lower center frame, Sta. 140, right	1	
-10	41120-03		** BRACKET - Rudder cable pulley, Sta. 140, upper, left	1	
	41120-04		** BRACKET - Rudder cable pulley, Sta. 140, lower, left	1	
-11	41120-02		BRACKET - Rudder cable pulley, Sta. 162.6, upper, left	1	
	41120-04		BRACKET - Rudder cable pulley, Sta. 162.6, lower, left	1	
-12	71814-02		BRACKET - Aileron pulley, Sta. 162.6, upper, left	1	
	41299-00		BRACKET - Aileron pulley, Sta. 162.6, lower, left	1	
-13	40944-00		BRACKET - Aileron trim pulley, Sta. 162.6, lower, right	1	
-14	42478-05		BRACKET ASSEMBLY - Aileron servo pulley	1	
-15	41898-00		ANGLE - Bulkhead reinforcement	1	
-16	43648-04		ANGLE - Wing fillet bulkhead, left, Sta. 140	1	
	43648-05		ANGLE - Wing fillet bulkhead, right, Sta. 140	1	
-17	41066-00		ANGLE ASSEMBLY - Longitudinal beam reinforcement, left	1	
	41066-01		ANGLE ASSEMBLY - Longitudinal beam reinforcement, right	1	

When ordering, always specify Part Number, Description and Serial Number of Aircraft

PIPER PARTS CATALOG

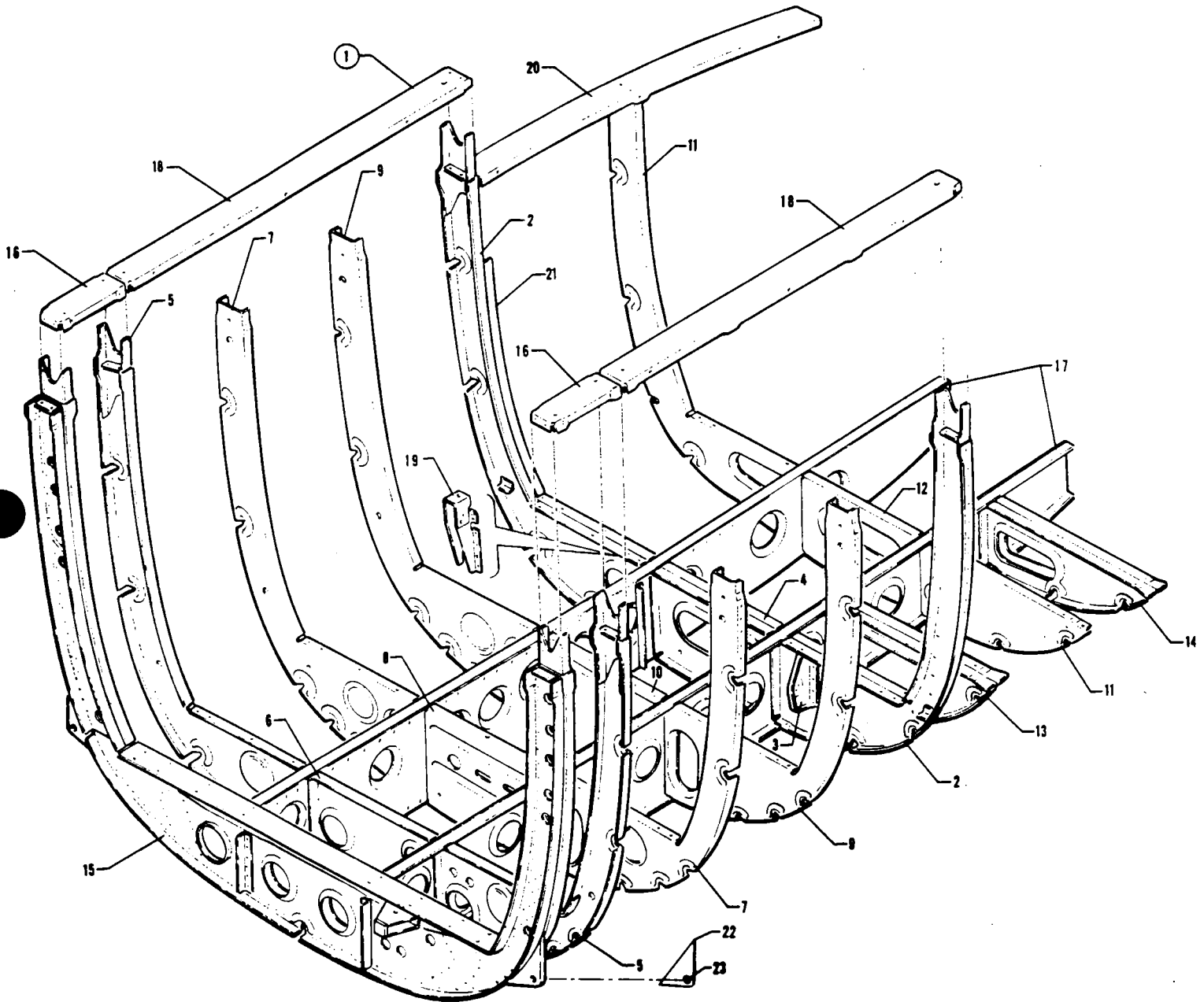


Figure 18 Fuselage Lower Rear Frame Assembly

---

# PIPER PARTS CATALOG

CODE EXPLANATIONS FOR FIGURE 18

## PIPER PARTS CATALOG

Figure and Index Number	Part Number	Code	NOMENCLATURE	No. Req.	SERIAL NUMBERS AFFECTED
18-1	41360-02		FRAME ASSEMBLY - Fuselage cabin, lower, rear	1	
-2	40890-09		* BULKHEAD ASSEMBLY - Fuselage, bottom, left, Sta. 215	1	
	52754-04		* BULKHEAD ASSEMBLY - Fuselage, bottom, right, Sta. 215	1	
-3	40759-00		* BRACKET - Rudder cable pulley, Sta. 215, bottom, left	1	
-4	40890-06		* BULKHEAD ASSEMBLY - Fuselage, Sta. 215, bottom, center	1	
-5	41315-02		* BULKHEAD ASSEMBLY - Fuselage bottom, Sta. 181, left	1	
	41315-04		* BULKHEAD ASSEMBLY - Fuselage bottom, Sta. 181, right	1	
-6	41315-06		* BULKHEAD ASSEMBLY - Fuselage bottom, Sta. 181, center	1	
-7	41354-08		* BULKHEAD ASSEMBLY - Fuselage bottom, Sta. 191.7, left	1	
	41354-06		* BULKHEAD ASSEMBLY - Fuselage bottom, Sta. 191.7, right	1	
-8	41354-10		* BULKHEAD ASSEMBLY - Fuselage bottom, Sta. 191.7, center	1	
-9	41354-04		* BULKHEAD ASSEMBLY - Fuselage bottom, Sta. 203, left	1	
	41354-02		* BULKHEAD ASSEMBLY - Fuselage bottom, Sta. 203, right	1	
-10	41354-10		* BULKHEAD ASSEMBLY - Fuselage bottom, Sta. 203, center	1	
-11	40884-05		* BULKHEAD ASSEMBLY - Fuselage, Sta. 229, bottom, left	1	
	40884-09		* BULKHEAD ASSEMBLY - Fuselage, Sta. 229, bottom, right	1	
-12	40884-06		* BULKHEAD ASSEMBLY - Fuselage, Sta. 229, bottom, center	1	
-13	41050-08		* BULKHEAD ASSEMBLY - Fuselage, lower frame, Sta. 220.2, left	1	
-14	41112-08		* BULKHEAD ASSEMBLY - Fuselage, lower frame, Sta. 236.7, left	1	
-15	41178-00		* BULKHEAD ASSEMBLY - Fuselage, lower frame, Sta. 174	1	
-16	40715-16		* CHANNEL - Window, lower aft frame, Sta. 174 to Sta. 181, left	1	
	40715-17		* CHANNEL - Window, lower aft frame, Sta. 174 to Sta. 181, right	1	
-17	41119-08		* BEAM ASSEMBLY - Longitudinal, Sta. 174 to Sta. 244, left	1	
	41119-19		* BEAM ASSEMBLY - Longitudinal, Sta. 174 to Sta. 244, right	1	
-18	40715-20		* CHANNEL - Window, lower aft frame, Sta. 181 to Sta. 215, left	1	
	40715-21		* CHANNEL - Window, lower aft frame, Sta. 181 to Sta. 215, right	1	
-19	52738-00		BRACKET ASSEMBLY - Seat track support, Sta. 215	1	
-20	40715-13		CHANNEL - Window, lower aft frame, Sta. 215 to Sta. 244, right	1	
-21	43520-00		ANGLE - Bulkhead reinforcement, Sta. 215	1	
-22	72962-13		SHIM - Aft spar attachment, left and right (.060 thick)	AR 2	
-23	49999-56		BUSHING - Aft spar attachment ( 365 L.)	2	

When ordering, always specify Part Number, Description and Serial Number of Aircraft

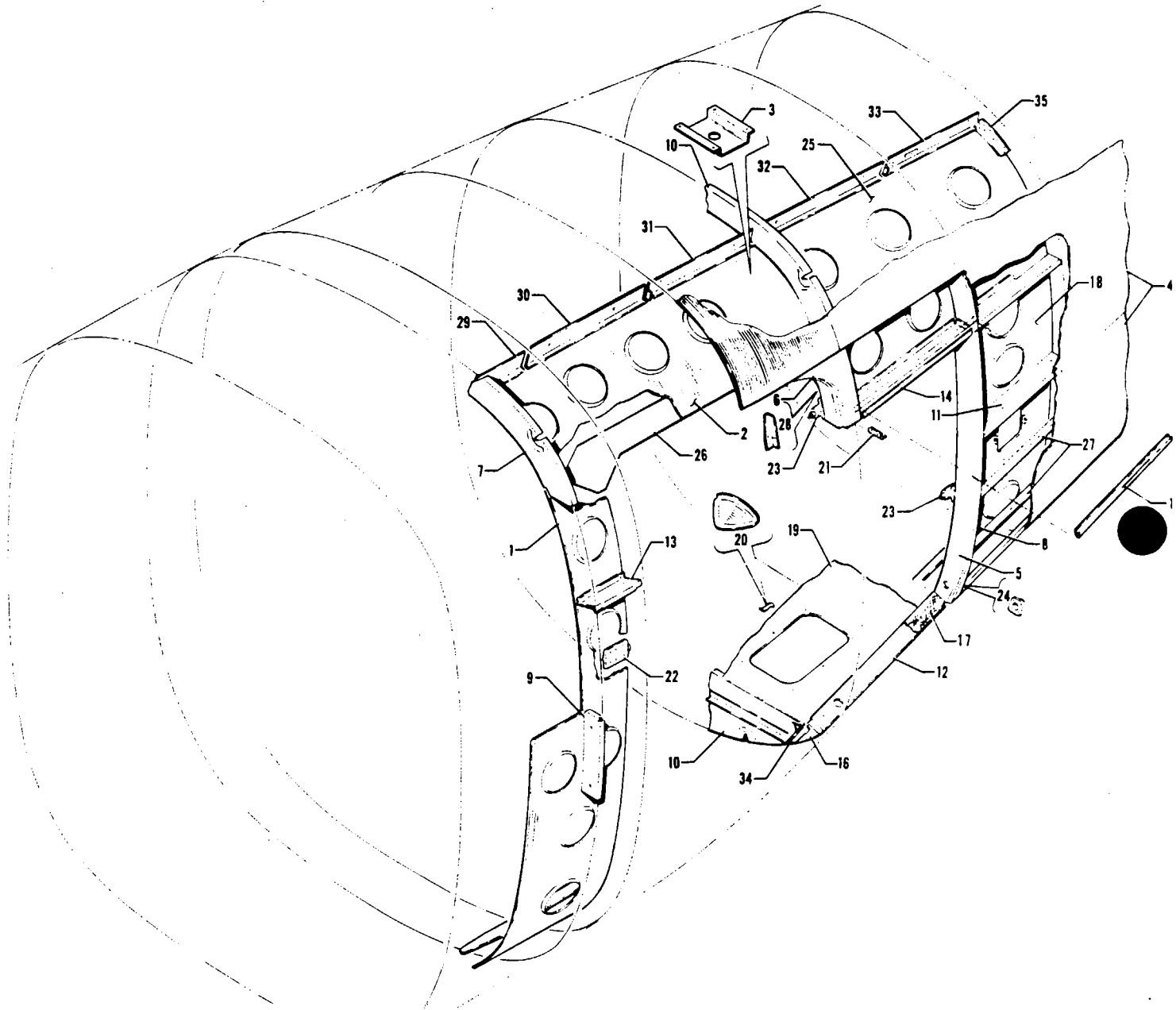


Figure 19. Cargo Door Fuselage Frame Installation

---

# PIPER PARTS CATALOG

CODE EXPLANATIONS FOR FIGURE 19

**PIPER PARTS CATALOG**

Figure and Index Number	Part Number	Code	NOMENCLATURE	No. Req.	SERIAL NUMBERS AFFECTED
19-	44439		DRAWING - Cargo Door Fuselage Modification Installation		
-1	44439-14		SKIN ASSEMBLY - Inner, lower front	1	
-2	44439-12		SKIN ASSEMBLY - Inner, upper front	1	
-3	55297-04		* BRACKET - Oxygen and light mounting	1	
-4	40766-24		SKIN - Fuselage, top, Sta. 244 to Sta. 352	1	
	40766-07		SKIN - Fuselage, bottom, Sta. 244 to Sta. 352	1	
-5	44586-00		FRAME - Fuselage, center, Sta. 261.38	1	
-6	43090-02		FRAME - Door, entrance, bottom	1	
	43090-03		FRAME - Door, entrance, top	1	
-7	44547-00		BULKHEAD - Fuselage, top, Sta. 209.50	1	
-8	44530-03		BULKHEAD - Fuselage, center, Sta. 261.38	1	
-9	44536-00		BULKHEAD - Fuselage, lower, Sta. 209.50	1	
-10	43627-13		BULKHEAD ASSEMBLY - Upper, Sta. 244	1	
	43627-11		BULKHEAD ASSEMBLY - Lower, Sta. 244	1	
-11	44554-00		CHANNEL - Fuselage reinforcement, lower, Sta. 261.38 to Sta. 274	1	
	44567-00		CHANNEL - Fuselage reinforcement, upper, Sta. 261.38 to Sta. 274	1	
-12	44520-00		CHANNEL ASSEMBLY - Floorboard support, Sta. 244 to Sta. 261.38	1	
-13	44538-00		CHANNEL - Fuselage reinforcement, Sta. 209.50 to Sta. 215	1	
-14	44553-00		CHANNEL - Cargo door upper frame	1	
-15	53056-00		GUTTER - Rain, cargo door	1	
-16	44540-00		PLATE ASSEMBLY - Door support	1	
-17	55601-02		SILL - Cargo door	1	
-18	44439-04		SKIN - Inner rear	1	
-19	01509-02		PLATE ASSEMBLY - Floorboard, aft section	1	
-20	42926-00		* PLATE - Cover, Sta. 274	1	
-21	44584-00		CLIP - Channel attachment, Sta. 244	1	
-22	43586-06		BRACKET ASSEMBLY - Door support attachment	1	
-23	43586-11		BRACKET ASSEMBLY - Door support attachment Sta. 244	1	
	43586-07		BRACKET ASSEMBLY - Door support attachment Sta. 261.38	1	
-24	44501-00		GUIDE ASSEMBLY - Door latch pin	1	
-25	44569-00		GUSSET - Fuselage skin, Sta. 244 to Sta. 274	1	
-26	52376-02		GUSSET ASSEMBLY - Door frame, upper	1	
-27	40860-13		STRINGER - Aft fuselage section (6' length)	AR	
-28	44931-00		ANGLE ASSEMBLY - Door frame reinforcement, Sta. 244	1	
-29	44519-00		ANGLE ASSEMBLY - Reinforcement, Sta. 209.5 to Sta. 215	1	
-30	44518-00		ANGLE ASSEMBLY - Reinforcement, Sta. 215 to Sta. 229	1	
-31	44544-00		ANGLE ASSEMBLY - Reinforcement, Sta. 229 to Sta. 244	1	
-32	44543-00		ANGLE ASSEMBLY - Reinforcement, Sta. 244 to Sta. 261.38	1	
-33	44537-00		ANGLE ASSEMBLY - Reinforcement, Sta. 261.38 to Sta. 274	1	
-34	44541-00		ANGLE - Panel attachment, Sta. 244	1	
-35	44552-00		ANGLE - Bulkhead attachment, Sta. 274	1	

When ordering, always specify Part Number, Description and Serial Number of Aircraft



# PIPER PARTS CATALOG

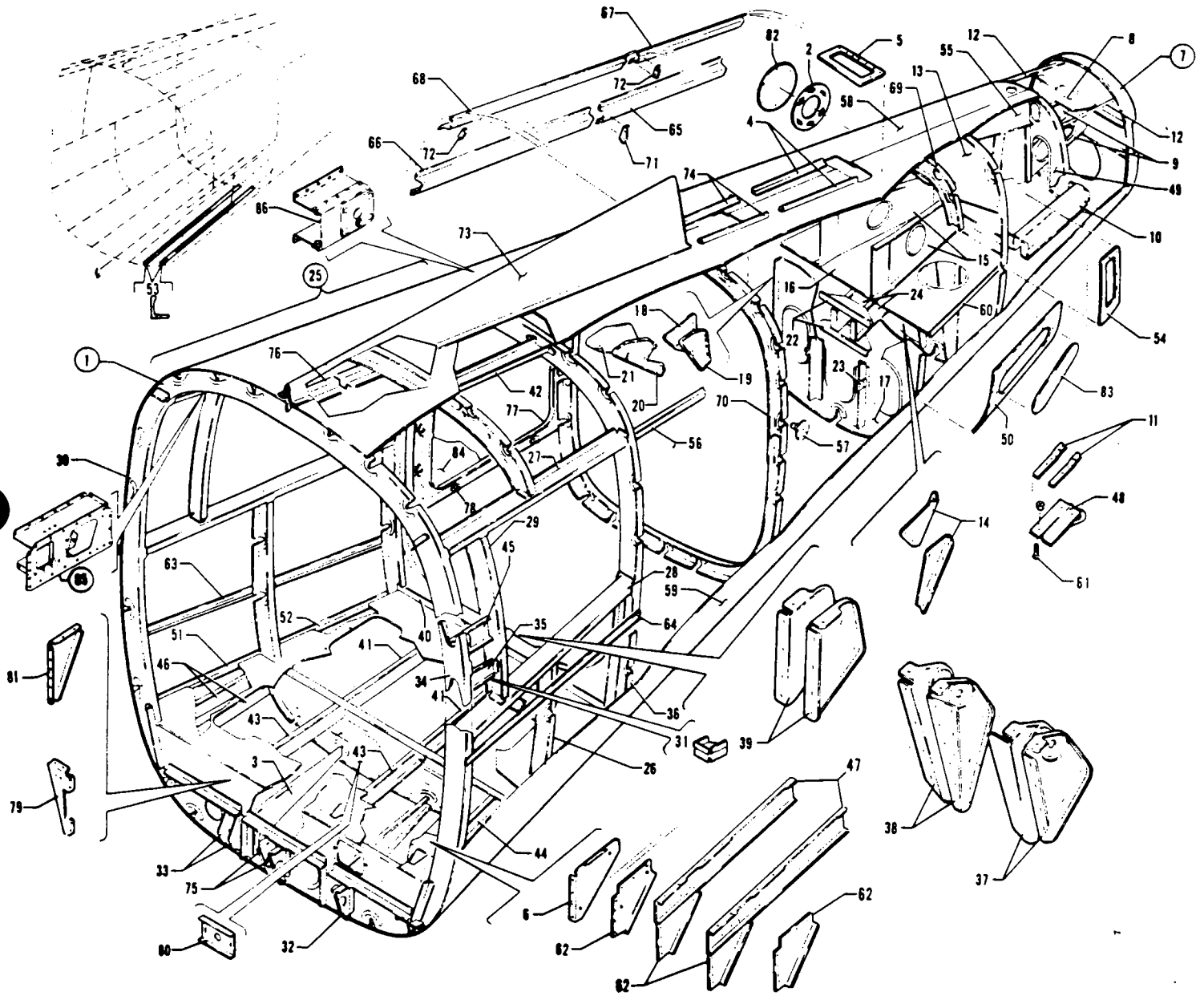


Figure 20 Fuselage Aft Section

---

# PIPER PARTS CATALOG

## CODE EXPLANATIONS FOR FIGURE 20

A - See Figure 19 if cargo door is installed.

**PIPER PARTS CATALOG**

Figure and Index Number	Part Number	Code	NOMENCLATURE	No. Req.	SERIAL NUMBERS AFFECTED
20.1	44566-04		AFT SECTION - Fuselage	1	
-2	17317-03		* PLATE ASSEMBLY - Access hole reinforcing	1	
-3	44489-00		* PLATE - Fuselage, aft, longitudinal beam, left	1	
	44489-01		* PLATE - Fuselage, aft, longitudinal beam, right	1	
-4	40787-00		* ANGLE - Fin fairing attachment, left	1	
	40787-01		* ANGLE - Fin fairing attachment, right	1	
-5	40688-00		* DOUBLER - Fuselage, aft, opening, Sta 317.75	1	
-6	01761-02		* BRACKET ASSEMBLY - Floor support	1	
-7	40638-00		* BULKHEAD ASSEMBLY - Frame assembly, aft fuselage, Sta. 352	1	
-8	40645-00		* * PLATE - Aft fuselage bracket attachment, Sta. 350	1	
-9	40646-00		* * BRACKET - Aft fuselage support, Sta. 342.5 to Sta. 352, left	1	
	40646-01		* * BRACKET - Aft fuselage support, Sta. 342.5 to Sta. 352, right	1	
-10	44416-00		* * CHANNEL ASSEMBLY - Aft fuselage, Sta. 342.25 to Sta. 352	1	
-11	40793-00		* * * PLATE - Tail skid reinforcement, left	1	
	40793-01		* * * PLATE - Tail skid reinforcement, right	1	
-12	40640-00		* ANGLE ASSEMBLY - Aft fuselage access panel, Sta. 342.25 to Sta. 352, left	1	
	40640-01		* ANGLE ASSEMBLY - Aft fuselage access panel, Sta. 342.25 to Sta. 352, right	1	
-13	40655-00		* BULKHEAD ASSEMBLY - Aft fuselage, Sta. 332	1	
-14	40730-02		* * BRACKET - Rudder tab pulley, Sta. 332, left	1	
	40730-03		* * BRACKET - Rudder tab pulley, Sta. 332, right	1	
-15	40632-00		* * STIFFENER - Bulkhead, Sta. 317.75 to Sta. 332, left	1	
	40632-01		* * STIFFENER - Bulkhead, Sta. 317.75 to Sta. 332, right	1	
-16	40709-02		* * PLATE - Bulkhead stiffener, Sta. 317.75 to Sta. 332	1	
-17	40682-08		* BULKHEAD ASSEMBLY - Aft fuselage, Sta. 317.75	1	
-18	40683-00		* * BRACKET - Rudder cable pulley, Sta. 317.75	1	
-19	41676-00		* * BRACKET - Rudder cable pulley, Sta. 317.75	1	
-20	40685-00		* * BRACKET - Rudder cable pulley, Sta. 317.75	1	
-21	41677-00		* * BRACKET - Rudder cable pulley, Sta. 317.75	1	
-22	40689-02		* * ANGLE - Aft fuselage channel attachment, Sta. 317.75, bottom	1	
	40689-03		* * ANGLE - Aft fuselage channel attachment, Sta. 317.75, top	1	
-23	42595-00		* * PLATE - Tube support, Sta. 317.75	2	
-24	40704-00		* BRACKET ASSEMBLY - Elevator bellcrank, Sta. 317.75, left	1	
	40704-01		* BRACKET ASSEMBLY - Elevator bellcrank, Sta. 317.75, right	1	
-25	44565-02		* FRAME ASSEMBLY - Aft section, Sta. 244 to Sta. 274	1	
-26	44556-00		* * BULKHEAD ASSEMBLY - Aft fuselage, Sta. 261.38, bottom	1	
	44535-00		* * BULKHEAD - Aft fuselage, Sta. 261.38, top	1	
-27	40715-42		* * CHANNEL ASSEMBLY - Aft fuselage, Sta. 244 to Sta. 274, left	1	
	40715-43		* * CHANNEL ASSEMBLY - Aft fuselage, Sta. 244 to Sta. 274, right	1	
-28	40715-44	A	* * CHANNEL ASSEMBLY - Aft fuselage, Sta. 244 to Sta. 274, left	1	
	40715-45		* * CHANNEL ASSEMBLY - Aft fuselage, Sta. 244 to Sta. 274, right	1	
-29	40732-04	A	* * BULKHEAD - Aft fuselage, Sta. 249.38, left	1	
	40732-06		* * BULKHEAD ASSEMBLY - Aft fuselage, Sta. 249.38, right	1	
-30	43627-09	A	* * BULKHEAD ASSEMBLY - Aft fuselage, Sta. 244, left	1	
	43627-07		* * BULKHEAD ASSEMBLY - Aft fuselage, Sta. 244, right	1	
-31	42162-00		* * * REINFORCEMENT ASSEMBLY - Door support chain bracket, left	1	
-32	40720-00		* * * BRACKET - Rudder pulley, Sta. 244, left	1	
-33	40744-03		* * * BRACKET - Elevator and rudder trim pulley, Sta. 244, inboard, right	1	
	40744-02		* * * BRACKET - Elevator and rudder trim pulley, Sta. 244, outboard, right	1	
-34	42149-00		* * * CHANNEL - Bulkhead reinforcement, Sta. 244, left	1	

When ordering, always specify Part Number, Description and Serial Number of Aircraft

**PIPER PARTS CATALOG**

Figure and Index Number	Part Number	Code	NOMENCLATURE	No. Req.	SERIAL NUMBERS AFFECTED
20-35	43529-00		* * * CHANNEL - Reinforcement, left	1	
-36	40768-12		* * BULKHEAD ASSEMBLY - Aft fuselage, Sta. 274	1	
-37	40794-03		* * * BRACKET - Rudder cable pulley, Sta. 274, left	1	
	40794-02		* * * BRACKET - Rudder cable pulley, Sta. 274, right	1	
-38	40795-03		* * * BRACKET - Rudder cable pulley, Sta. 274, left	1	
	40795-02		* * * BRACKET - Rudder cable pulley, Sta. 274, right	1	
-39	40654-00		* * * BRACKET - Elevator cable pulley, bottom, Sta. 274, left	1	
	40654-01		* * * BRACKET - Elevator cable pulley, bottom, Sta. 274, right	1	
-40	42925-00		* * * ANGLE ASSEMBLY - Floorboard support	1	
-41	44482-02		* * CHANNEL - Aft section floorboard support, Sta. 261.38 to Sta. 274, left	1	
	42278-02		* * CHANNEL - Aft section floorboard support, Sta. 261.38 to Sta. 274, right	1	
-42	43098-06		* * CHANNEL ASSEMBLY - Coat rack	1	
-43	53561-02		* * CHANNEL ASSEMBLY - Aft section floorboard support, Sta. 244 to Sta. 259, left	1	
	44482-05		* * CHANNEL ASSEMBLY - Aft section floorboard support, Sta. 244 to Sta. 259, right	1	
-44	53561-04		* * CHANNEL ASSEMBLY - Aft section floorboard support, Sta. 244 to Sta. 259, left	1	
-45	42821-02	A	* * BRACKET - Light switch mounting	1	
-46	44482-07		* * CHANNEL ASSEMBLY - Aft section floorboard support, Sta. 244 to Sta. 261.38, right, B. L. 17	1	
	82086-03		* * CHANNEL ASSEMBLY - Aft section floorboard support, Sta. 244 to Sta. 261.38, right, B. L. 15.12	1	
-47	53561-06		* * CHANNEL ASSEMBLY - Seat attachment support, Sta. 244 to Sta. 261.38, left B. L. 17	1	
	82086-02		* * CHANNEL ASSEMBLY - Seat attachment support, Sta. 244 to Sta. 261.38, left, B. L. 14.82	1	
-48	40790-00		* SKID ASSEMBLY - Tail	1	
-49	40639-07		* BULKHEAD ASSEMBLY - Frame assembly, aft fuselage, Sta. 342.25	1	
-50	40799-00		* REINFORCEMENT ASSEMBLY - Fuselage aft section, left	1	
	40799-01		* REINFORCEMENT ASSEMBLY - Fuselage aft section, right	1	
-51	40857-06		* ANGLE - Aft section floorboard support, left	1	
	40857-07		* ANGLE - Aft section floorboard support, right	1	
-52	40857-08		* ANGLE - Aft section floorboard support, left	1	
	40857-09		* ANGLE - Aft section floorboard support, right	1	
-53	45040-00		* SECTION - Extrusion, left	6'	
-54	40692-00		* DOUBLER - Aft fuselage opening, Sta. 332	2	
-55	40633-00		* STIFFENER - Aft fuselage bulkhead, Sta. 332 to Sta. 342, left	1	
	40633-01		* STIFFENER - Aft fuselage bulkhead, Sta. 332 to Sta. 342, right	1	
-56	40860-13		* STRINGER - Aft fuselage section (6' length)	AR	
-57	41995-00		* FITTING ASSEMBLY - Static line vent	2	
-58	40766-21		* SKIN - Aft fuselage, Sta. 244 to Sta. 352, top, right	1	
	40766-25		* SKIN - Aft fuselage, Sta. 244 to Sta. 352, top, left	1	
-59	40766-16	A	* SKIN - Aft fuselage, Sta. 244 to Sta. 352, bottom, left	1	
	40766-23		* SKIN - Aft fuselage, Sta. 244 to Sta. 352, bottom, right	1	
-60	40778-00		* ANGLE - Aft fuselage stiffener support, Sta. 317.75 to Sta. 332, left	1	
	40778-01		* ANGLE - Aft fuselage stiffener support, Sta. 317.75 to Sta. 322, right	1	
-61	410 041		* SCREW - (MS24694-S55)	4	
	404 887		* NUT - (MS20365-1032C)	4	

When ordering, always specify Part Number, Description and Serial Number of Aircraft

**PIPER PARTS CATALOG**

Figure and Index Number	Part Number	Code	NOMENCLATURE	No. Req.	SERIAL NUMBERS AFFECTED
20-62	42516-00		* GUSSET - Floor support	4	
-63	43013-04	A	* SUPPORT - Side panel, left	1	
	43013-05		* SUPPORT - Side panel, right	1	
-64	43013-06	A	* SUPPORT - Side panel, left	1	
-65	52820-06		* BRACKET ASSEMBLY - Oxygen bottle support	1	
-66	52820-07		* BRACKET ASSEMBLY - Oxygen bottle support	1	
-67	52820-08		* BRACKET ASSEMBLY - Oxygen bottle support	1	
-68	52820-09		* BRACKET ASSEMBLY - Oxygen bottle support	1	
-69	40716-00		* BULKHEAD - Aft fuselage, Sta 325	1	
-70	40748-06		* BULKHEAD ASSEMBLY - Aft fuselage, Sta 296	1	
-71	52819-00		* CLIP - Oxygen bottle support	1	
-72	80033-07		* CLIP - Oxygen bottle support	2	
-73	46132-00		* FIN ASSEMBLY - Dorsal, Sta 244 to Sta 296	1	
-74	40786-00		* ANGLE - Fin fairing attachment, left	1	
	40786-01		* ANGLE - Fin fairing attachment, right	1	
-75	40719-00		* BRACKET - Elevator pulley, Sta 244, left	1	
	40719-01		* BRACKET - Elevator pulley, Sta 244, right	1	
-76	52751-00		* CHANNEL ASSEMBLY - Support	1	
-77	53817-00		* FRAME ASSEMBLY - Access, right	1	
-78	484 293		* * RECEPTACLE - (214-16D)	15	
-79	53258-02		* BRACKET ASSEMBLY - Floor support, forward	1	
	53258-04		* BRACKET ASSEMBLY - Floor support, rear	1	
-80	49733-02		* PLATE ASSEMBLY - Antenna	1	
-81	53259-00		BRACKET ASSEMBLY - Floor support	1	
-82	17318-03		COVER - Fuselage aft section access, right	1	
-83	40872-00		COVER - Fuselage aft section access	2	
-84	45904-01		COVER ASSEMBLY - Fuselage access, right	1	
-85	44774-09		BRACKET - Shoulder harness, 9th seat	1	
	74206-09		BRACE - Shoulder harness, 9th seat	1	
	74206-08		BRACKET - Shoulder harness, 9th seat	1	
-86	43811-00		BRACKET ASSEMBLY - Shoulder harness, 10th and 11th seat	2	
	494 338		Wedjit - Shoulder harness, 10th and 11th seat	2	
	73104-03		BRACKET - Shoulder harness, 10th seat	1	
	80033-07		CLIP - Shoulder harness support, 10th seat	1	

When ordering, always specify Part Number, Description and Serial Number of Aircraft

1D24

**INTENTIONALLY LEFT BLANK**

# PIPER PARTS CATALOG

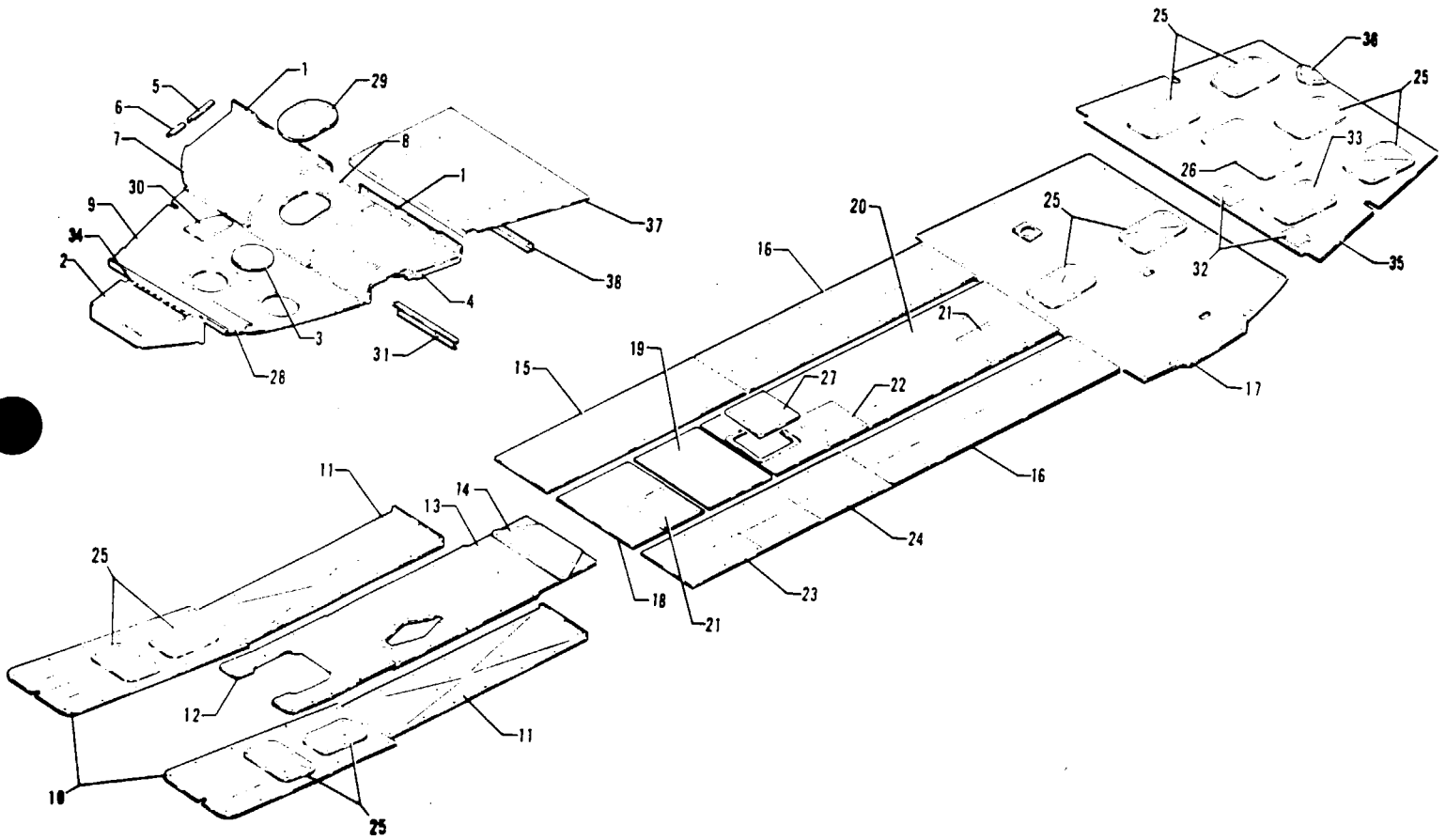


Figure 21. Floorboard Installation

---

# PIPER PARTS CATALOG

---

CODE EXPLANATIONS FOR FIGURE 21

A - See Figure 19 if cargo door is installed.



## PIPER PARTS CATALOG

Figure and Index Number	Part Number	Code	NOMENCLATURE	No. Req.	SERIAL NUMBERS AFFECTED
21-	52334 41674 74194		DRAWING - Floorboard Installation DRAWING - Baggage Compartment Floorboard Installation DRAWING - Forward Baggage Compartment Modification Installation		
-1	40864-00 40864-01		CHANNEL ASSEMBLY - Floorboard support, left, Sta 35 CHANNEL ASSEMBLY - Floorboard support, right, Sta. 35	1 1	
-2	53959-00		BRACKET ASSEMBLY - Battery mounting	1	
-3	41494-00		COVER - Floorboard	2	
-4	41680-00		ANGLE ASSEMBLY - Floorboard attachment	1	
-5	41688-00		ANGLE ASSEMBLY - Floorboard attachment	1	
-6	41689-00		ANGLE ASSEMBLY - Floorboard attachment	1	
-7	41467-00  41493-00		FLOORBOARD - Baggage compartment, left, Sta. 21.31 to Sta. 34.81  FLOORBOARD - Baggage compartment, right, Sta. 21.31 to Sta. 34.81	  1 1	
-8	41445-00		FLOORBOARD ASSEMBLY - Baggage compartment, center, Sta. 21.31 to Sta. 34.81	1	
-9	43307-00		FLOORBOARD ASSEMBLY - Baggage compartment, center, Sta. 8.28 to Sta. 22	1	
-10	52049-00 52049-01		FLOORBOARD ASSEMBLY - Left, Sta. 57 to Sta. 87.50 FLOORBOARD ASSEMBLY - Right, Sta. 57 to Sta. 87.50	1 1	
-11	44905-00 44905-01		FLOORBOARD - Outboard, Sta. 87.50 to Sta. 123, left FLOORBOARD - Outboard, Sta. 87.50 to Sta. 123, right	1 1	
-12	44926-00		FLOORBOARD - Sta. 80.58 to Sta. 99.62	1	
-13	74233-02		FLOORBOARD ASSEMBLY - Sta. 99 to Sta. 129.30	1	
-14	52304-00		FLOORBOARD - Center, Sta. 128.68 to Sta. 135	1	
-15	41616-01		FLOORBOARD ASSEMBLY - Outboard, Sta. 140 to Sta. 174	1	
-16	41489-02		FLOORBOARD ASSEMBLY - Outboard, Sta. 174 to Sta. 215	2	
-17	52750-04		FLOORBOARD ASSEMBLY - Sta. 215 to Sta. 244	1	
-18	44956-04		FLOORBOARD ASSEMBLY - Center, Sta. 140 to Sta. 151.30	1	
-19	44956-03		FLOORBOARD ASSEMBLY - Center, Sta. 151.30 to Sta. 162.60	1	
-20	44956-06		FLOORBOARD ASSEMBLY - Center, Sta. 162.60 to Sta. 215	1	
-21	44720-00		PLATE - Floorboard access	2	
-22	44733-00		PLATE - Floorboard access	1	
-23	44734-00		PLATE - Floorboard access	2	
-24	44949-00		PLATE - Floorboard access	1	
-25	40788-00		PLATE - Floorboard access	10	
-26	43634-00		PLATE - Cover	1	
-27	43727-00		PLATE - Cover	1	
-28	43312-00		PLATE - Cover, baggage compartment	1	
-29	41868-00		PLATE - Floorboard	1	
-30	44418-00		PLATE - Access, transponder cable	1	
-31	40984-00		CHANNEL ASSEMBLY - Floorboard attachment, Sta. 52.62	1	
-32	41216-00		PLATE - Floorboard cover	2	
-33	40788-03		PLATE - Floorboard access	1	
-34	53967-03		HINGE - Battery door	1	
-35	01509-04	A	PLATE ASSEMBLY - Fuselage aft section	1	
-36	42926-00		* PLATE - Cover	1	
-37	74180-02		FLOORBOARD - Baggage compartment, Sta. 35 to Sta. 52.90	1	
-38	74110-02		ANGLE ASSEMBLY - Floorboard support	1	

When ordering, always specify Part Number, Description and Serial Number of Aircraft

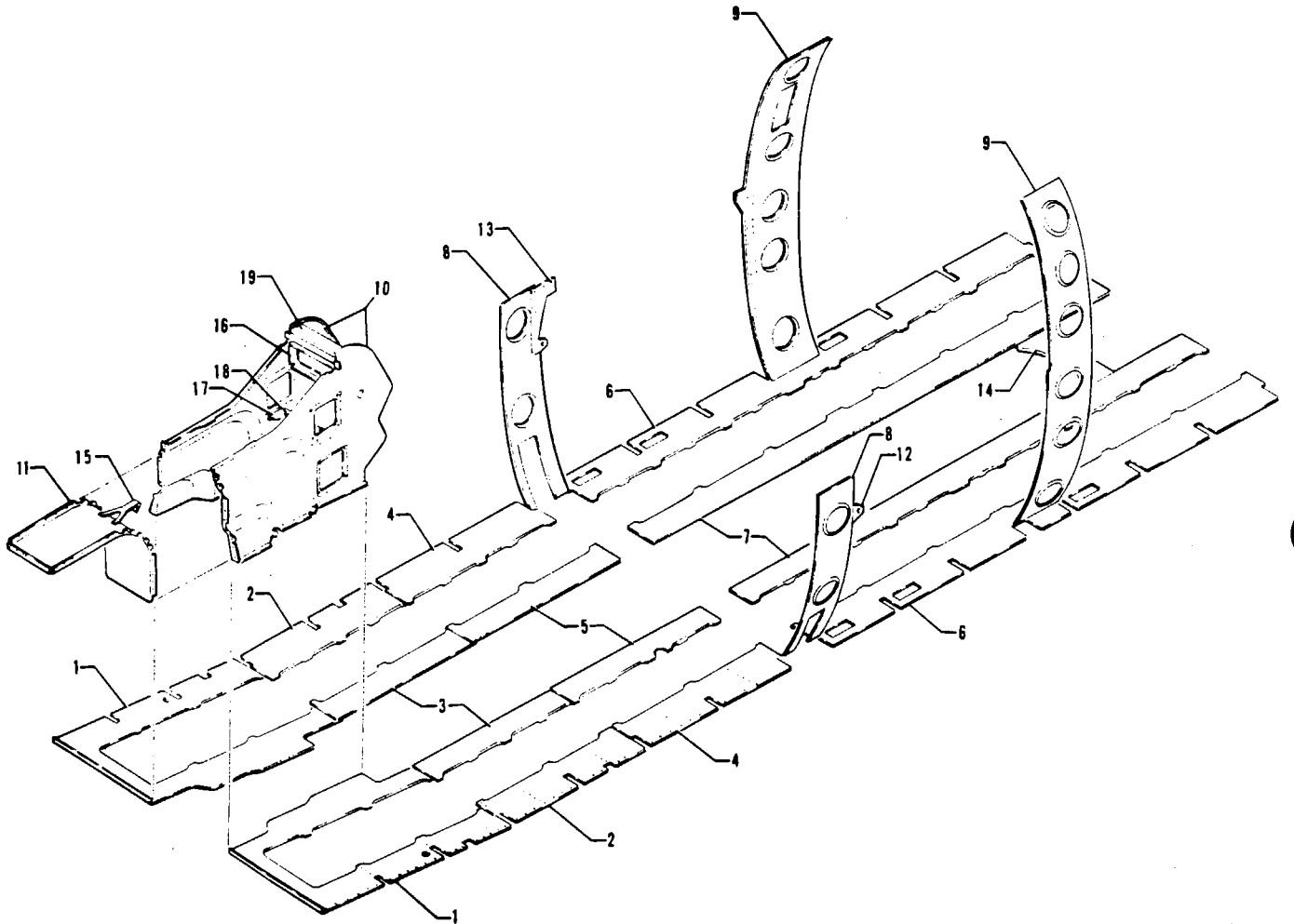


Figure 22. Structure Installation, Sta. 57 to Sta. 215

---

# PIPER PARTS CATALOG

---

CODE EXPLANATIONS FOR FIGURE 22

**PIPER PARTS CATALOG**

Figure and Index Number	Part Number	Code	NOMENCLATURE	No. Req.	SERIAL NUMBERS AFFECTED
22-	52315 41718 52323 49250		DRAWING - Floorboard Support Installation DRAWING - Pedestal Housing Installation DRAWING - Fuselage Inner Skin Installation, Sta. 135 to Sta. 140 DRAWING - Fuselage Inner Skin Installation, Sta. 174 to Sta. 181		
-1	41006-00 41006-05		SUPPORT ASSEMBLY - Floorboard, outboard, left, Sta. 57 to Sta. 87.50 SUPPORT ASSEMBLY - Floorboard, outboard, right, Sta. 57 to Sta. 87.50	1 1	
-2	44892-00 44892-01		SUPPORT ASSEMBLY - Floorboard, outboard, left, Sta. 87.50 to Sta. 111 SUPPORT ASSEMBLY - Floorboard, outboard, right, Sta. 87.50 to Sta. 111	1 1	
-3	41004-00 41004-01		SUPPORT ASSEMBLY - Floorboard, inboard, left, Sta. 87.50 to Sta. 111 SUPPORT ASSEMBLY - Floorboard, inboard, right, Sta. 87.50 to Sta. 111	1 1	
-4	44878-00 44878-01		SUPPORT ASSEMBLY - Floorboard, outboard, left, Sta. 111 to Sta. 135 SUPPORT ASSEMBLY - Floorboard, outboard, right, Sta. 111 to Sta. 135	1 1	
-5	44885-00 44885-01		SUPPORT ASSEMBLY - Floorboard, inboard, left, Sta. 111 to Sta. 135 SUPPORT ASSEMBLY - Floorboard, inboard, right, Sta. 111 to Sta. 135	1 1	
-6	41205-04 41205-05		SUPPORT ASSEMBLY - Floorboard, outboard, left, Sta. 140 to Sta. 215 SUPPORT ASSEMBLY - Floorboard, outboard, right, Sta. 140 to Sta. 215	1 1	
-7	41614-00 41615-00		SUPPORT ASSEMBLY - Floorboard, inboard, left, Sta. 140 to Sta. 215 SUPPORT ASSEMBLY - Floorboard, inboard, right, Sta. 140 to Sta. 215	1 1	
-8	40996-06 40996-07		PLATE ASSEMBLY - Fuselage, inner left, Sta. 135 to Sta. 140 PLATE ASSEMBLY - Fuselage, inner right, Sta. 135 to Sta. 140	1 1	
-9	41235-06 41236-07		SKIN - Fuselage, inner left, Sta. 174 to Sta. 180 SKIN - Fuselage, inner right, Sta. 174 to Sta. 180	1 1	
-10	43179-00 43179-01		BULKHEAD ASSEMBLY - Pedestal side, left BULKHEAD ASSEMBLY - Pedestal side, right	1 1	
-11	41103-00		BULKHEAD - Wheel well	1	
-12	52807-00		PLATE ASSEMBLY - Inner skin, left	1	
-13	52808-00		REINFORCEMENT ASSEMBLY - Inner skin, right	1	
-14	44281-00		STIFFENER - Bulkhead, Sta. 203	1	
-15	41624-00		BRACKET ASSEMBLY - Vacuum manifold	1	
-16	40878-00		CHANNEL ASSEMBLY - Control lever support	1	
-17	40918-00		BRACKET ASSEMBLY - Engine control support	1	
-18	40905-00		* KEEPER - Engine control cable	1	
-19	41545-00		BRACKET ASSEMBLY - Pedestal cover attachment	1	

When ordering, always specify Part Number, Description and Serial Number of Aircraft

PIPER PARTS CATALOG

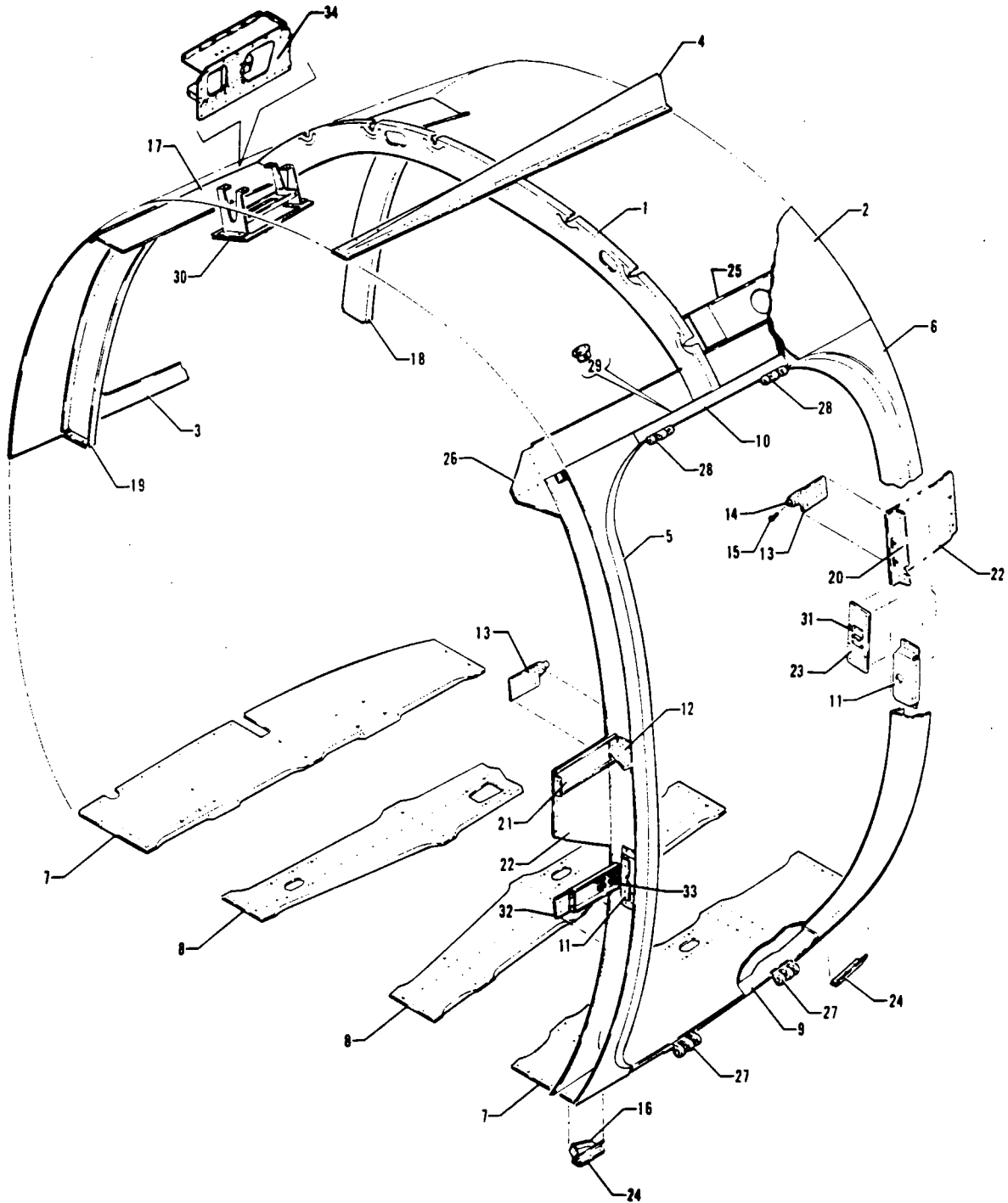


Figure 23 Structure Installation. Sta. 215 to Sta. 244

---

# PIPER PARTS CATALOG

---

## CODE EXPLANATIONS FOR FIGURE 23

A - See Figure 19 if cargo door is installed.

**PIPER PARTS CATALOG**

Figure and Index Number	Part Number	Code	NOMENCLATURE	No. Req.	SERIAL NUMBERS AFFECTED
23-	41190 52315 71929		DRAWING - Cabin Door Frame Installation DRAWING - Floorboard Support Installation DRAWING - Fuselage Modification		
-1	41081-00		BULKHEAD ASSEMBLY - Fuselage, Sta. 229	1	
-2	40887-24 40887-25		SKIN - Top, left, Sta. 215 to Sta. 244 SKIN - Top, right, Sta. 215 to Sta. 244	1 1	
-3	40887-17		SKIN - Upper side, right	1	
-4	46133-00		FIN - Dorsal, Sta. 215 to Sta. 244	1	
-5	43089-00		FRAME - Door entrance, Sta. 215	1	
-6	43090-00	A	FRAME - Door entrance, Sta. 244	1	
-7	41200-00  52758-04		SUPPORT ASSEMBLY - Floorboard, outboard, left, Sta. 215 to Sta. 244  SUPPORT ASSEMBLY - Floorboard, outboard, right, Sta. 215 to Sta. 244	1  1	
-8	41022-00  41201-06		SUPPORT ASSEMBLY - Floorboard, inboard, left, Sta. 215 to Sta. 244  SUPPORT ASSEMBLY - Floorboard, inboard, right, Sta. 215 to Sta. 244	1  1	
-9	41189-00		CHANNEL ASSEMBLY - Door sill support	1	
-10	40702-00		CHANNEL ASSEMBLY - Door header	1	
-11	54187-02 54186-02		REINFORCEMENT ASSEMBLY - Door frame latch plate, front REINFORCEMENT ASSEMBLY - Door frame latch plate, rear	1 1	
-12	42160-06		REINFORCEMENT ASSEMBLY - Door support chain bracket	1	
-13	43586-06 43586-07		BRACKET ASSEMBLY - Door support cable attachment, front BRACKET ASSEMBLY - Door support cable attachment, rear	1 1	
-14	14175-114		* BUSHING - Door support bracket	1	
-15	419 981		* SCREW - Socket set (8-32 x 1/2)	1	
-16	43610-00		BRACKET - Panel support	1	
-17	40715-11		CHANNEL - Window, Sta. 215 to Sta. 244	1	
-18	41404-03		BULKHEAD ASSEMBLY - Fuselage, Sta. 241.25	1	
-19	41372-03		BULKHEAD ASSEMBLY - Fuselage, Sta. 217.75	1	
-20	43767-00		ANGLE ASSEMBLY - Door frame reinforcement, Sta. 244	1	
-21	43165-02		CHANNEL - Door frame reinforcement	1	
-22	43768-02 43769-00		PLATE - Door support reinforcement, Sta. 215 PLATE - Door support reinforcement, Sta. 244	1 1	31-8253001 to 31-8253015 incl.
-23	54663-02		REINFORCEMENT - Door frame	1	
-24	41188-03 41188-02		ANGLE - Inner door frame, front, 2.75" ANGLE - Inner door frame, rear, 3.75"	1 1	
-25	55297-02	A	BRACKET ASSEMBLY - Oxygen and light mounting	1	
-26	41110-04		GUSSET ASSEMBLY - Door frame, upper	1	
-27	41065-00		HINGE HALF - Entrance, lower door	2	
-28	41420-02		HINGE HALF - Entrance, upper door	2	
-29	453 732		BUSHING - (SB375-4)	1	
-30	44746-05		BRACKET ASSEMBLY - Reading light mounting, Sta. 220	1	
-31	54659-02		RECEPTACLE - Door latch safety pin	1	
-32	48348-00		BRACKET ASSEMBLY - Door snubber attachment, forward	1	
-33	74244-02		REINFORCEMENT ASSEMBLY - Door snubber attachment	1	
-34	44774-09 44774-08 74206-07 74206-11 74206-06 74206-10		BRACKET - Shoulder harness, 7th seat BRACKET - Shoulder harness, 8th seat BRACE - Shoulder harness, 7th seat BRACE - Shoulder harness, 8th seat BRACKET - Shoulder harness, 7th seat BRACKET - Shoulder harness, 8th seat	1 1 1 1 1 1	

When ordering, always specify Part Number, Description and Serial Number of Aircraft

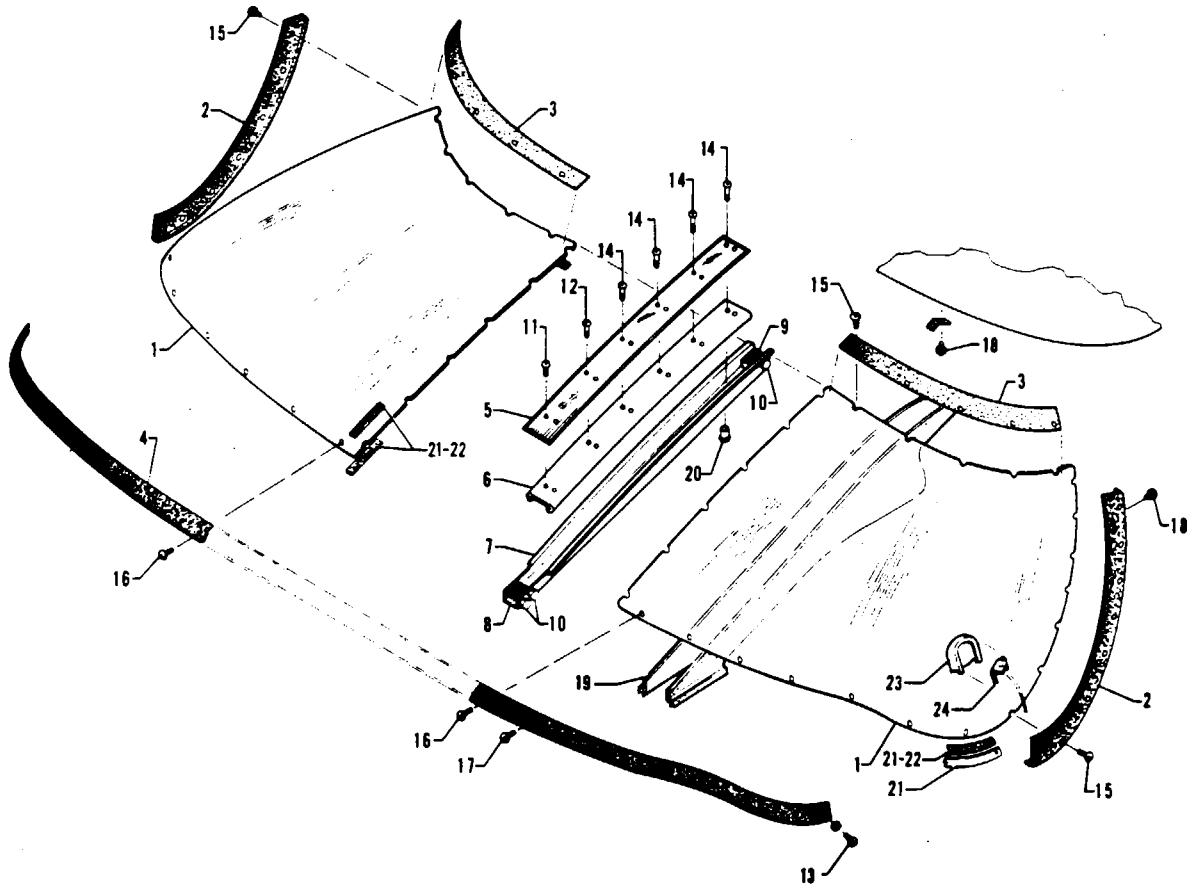


Figure 24. Windshield Installation



---

# PIPER PARTS CATALOG

---

## CODE EXPLANATIONS FOR FIGURE 24

- A - Used if heated windshield is installed.
- B - Used if heated windshield is not installed.
- C - Used if windshield wiper with unheated windshield is installed.

**PIPER PARTS CATALOG**

Figure and Index Number	Part Number	Code	NOMENCLATURE	No. Req.	SERIAL NUMBERS AFFECTED
24-	41738 42637		DRAWING - Windshield Installation DRAWING - Heated Windshield Installation		
-1	41590-00 41543-02 41543-00 41590-01	C	WINDSHIELD - Left WINDSHIELD - Left WINDSHIELD - Left, heated WINDSHIELD - Right	1 1 1 1	
-2	41738-02 41738-03		STRIP - Retaining, windshield, side, left STRIP - Retaining, windshield, side, right	1 1	
-3	41738-04 41738-05		STRIP - Retaining, windshield, top, left STRIP - Retaining, windshield, top, right	1 1	
-4	41673-00		COLLAR - Windshield	1	
-5	41672-00		TRIM STRIP - Windshield center	1	
-6	40936-00		PLATE - Windshield center support	1	
-7	40909-00		CHANNEL ASSEMBLY - Windshield center	1	
-8	40907-03		BLOCK - Windshield channel, center, bottom	1	
-9	40907-02		BLOCK - Windshield channel, center, top	1	
-10	400 450 404 835		BOLT - (AN3-17A) NUT - (MS20364-1032C)	3 3	
-11	415 261		SCREW - (8-32 x 3/4 L.)	2	
-12	415 267		SCREW - (8-32 x 1 1/2 L.)	2	
-13	415 537		SCREW - (MS35206-247)	2	
-14	415 269		SCREW - (8-32 x 2 L.)	8	
-15	415 381 404 910		SCREW - (MS51957-46) NUT - (MS20365-832C)	30 30	
-16	414 427 494 118		SCREW - (MS24693-52B) WASHER - (A-3135-017-443)	18 18	
-17	414 427 494 118		SCREW - (MS24693-52B) WASHER - (A-3135-017-443)	16 16	
-18	415 729 404 909		SCREW - (MS35206-228) NUT - (MS20365-632C)	28 28	
-19	43522-00		COVER - Windshield channel trim	1	
-20	18359-00		NUT - Windshield, center	10	
-21	914 047		SEALANT - Quart Kit (24 Fl. Oz.) PR-1221B-2	1	
-22	924 355 180 400	A B	TAPE - Vinyl sponge roll (542) 1" x 1/6" TAPE - Vinyl sponge roll (163) 1" x 1/32"	1 1	
-23	43762-00	A	COVER - Heated windshield terminal	1	
-24	43763-00	A	BRACKET - Windshield terminal cover	1	

When ordering, always specify Part Number, Description and Serial Number of Aircraft

PIPER PARTS CATALOG

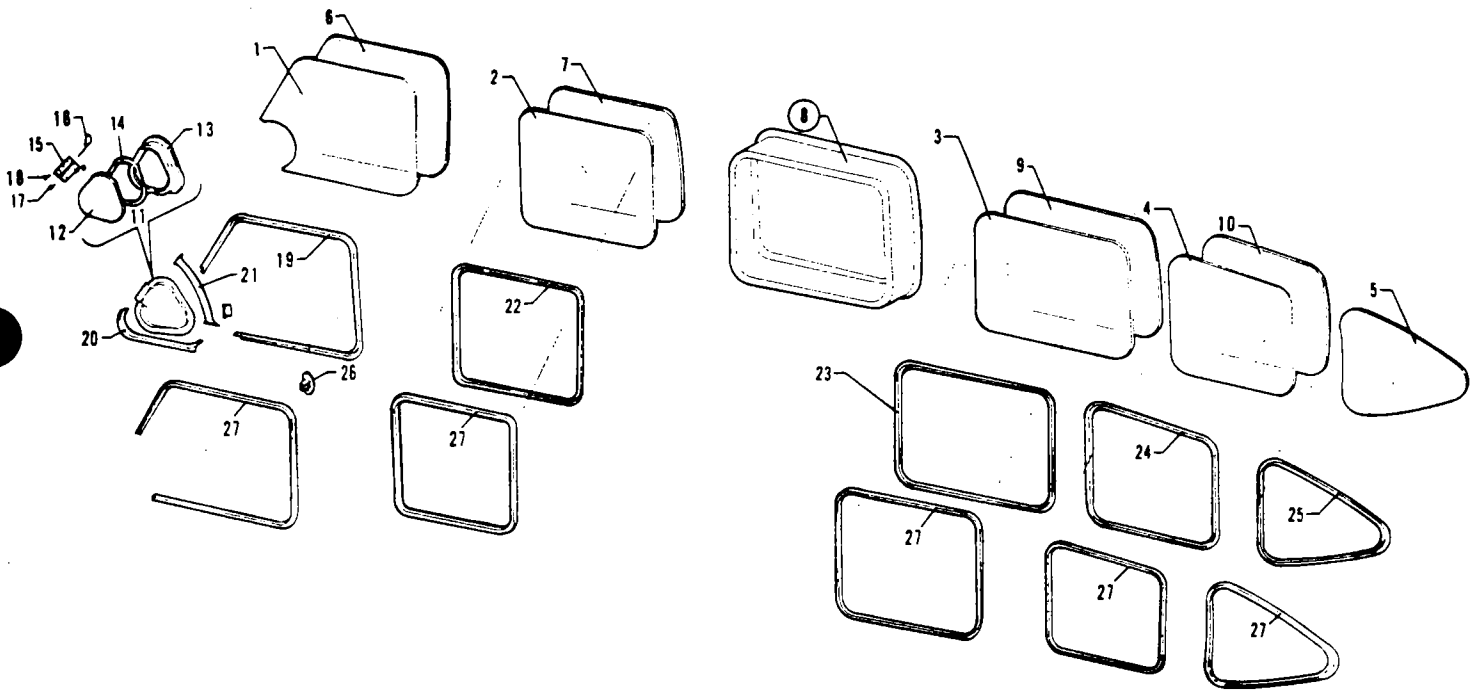


Figure 25. Window Installation

---

# PIPER PARTS CATALOG

---

## CODE EXPLANATIONS FOR FIGURE 25

- A - See Figure 33 if pilot door is installed.
- B - See Figure 26 for component parts.

## PIPER PARTS CATALOG

Figure and Index Number	Part Number	Code	NOMENCLATURE	No. Req.	SERIAL NUMBERS AFFECTED
25	54710 74144		DRAWING - Window Installation DRAWING - Cabin Interior Finishing Installation		
-1	55267-06	A	WINDOW - Front, left and right, inner (clear)	2	
	55267-07	A	WINDOW - Front, left and right, inner (tinted)	2	
-2	55266-09		WINDOW - Intermediate, inner, left and right (clear)	2	
	55266-10		WINDOW - Intermediate, inner, left and right (tinted green)	2	
	55266-28		WINDOW - Intermediate, inner, left and right (tinted gray)	2	
-3	55258-04		WINDOW - Inner, center front and rear, left side, center rear, right side (clear)	3	
	55258-05		WINDOW - Inner, center front and rear, left side, center rear, right side (tinted green)	3	
	55258-31		WINDOW - Inner, center front and rear, left side, center rear, right side (tinted gray)	3	
-4	55254-04		WINDOW - Aft, forward right, inner (clear)	1	
	55254-05		WINDOW - Aft, forward right, inner (tinted green)	1	
	55254-15		WINDOW - Aft, forward right, inner (tinted gray)	1	
-5	55254-16		WINDOW - Aft (clear)	2	
	55254-17		WINDOW - Aft (tinted green)	2	
	55254-18		WINDOW - Aft (tinted gray)	2	
-6	41293-02	A	WINDOW - Front, left, outer	1	
	41293-03		WINDOW - Front, right, outer	1	
-7	52355-02		WINDOW - Intermediate, left and right, outer	2	
-8		B	WINDOW ASSEMBLY - Emergency Exit	1	
-9	41294-02		WINDOW - Center front and rear, left side, center rear, right side, outer	3	
-10	41295-09		WINDOW - Aft, forward, right, outer	1	
-11	43480-02	A	WINDOW ASSEMBLY - Storm, left	1	
	43480-03		WINDOW ASSEMBLY - Storm, right	1	
-12	41284-00	A	* WINDOW - Storm, left	1	
	41284-01		* WINDOW - Storm, right	1	
-13	42669-00	A	* RING ASSEMBLY - Storm window support, left	1	
	42669-01		* RING ASSEMBLY - Storm window support, right	1	
-14	187 528		* * SEAL - Support ring (PN3103-11)	1	
-15	53060-04		* HINGE ASSEMBLY - Storm window	1	
-16	43796-00		* * PIN - Storm window hinge	1	
-17	18359-00		* NUT - Storm window hinge	3	
	415 535		* SCREW - (MS35206-245)	3	
-18	415 533		* SCREW - (MS35206-243)	3	
-19	54710-04		RETAINER - Outer window, front, left	1	
	54710-05		RETAINER - Outer window, front, right	1	
-20	41282-00		RETAINER - Storm window moulding, left	1	
	41282-01		RETAINER - Storm window moulding, right	1	
-21	41279-02		PLATE - Storm window interior trim	2	
-22	54710-06		RETAINER - Outer window, intermediate windows, left and right	2	
-23	54710-07		RETAINER - Outer window, center front and rear, left side, center rear, right side	3	
-24	54710-08		RETAINER - Outer window, aft, forward, right	1	
-25	54710-10		RETAINER - Aft window, left	1	
	54710-11		RETAINER - Aft window, right	1	
-26	71711-04		PLATE - Storm window latch	1	
-27	45506-00		MOULDING - Inner window, extruded (72" L.)	AR	

When ordering, always specify Part Number, Description and Serial Number of Aircraft



---

# PIPER PARTS CATALOG

---

CODE EXPLANATIONS FOR FIGURE 26

PIPER PARTS CATALOG

Figure and Index Number	Part Number	Code	NOMENCLATURE	No. Req.	SERIAL NUMBERS AFFECTED
26-	55259 41633		DRAWING - Window Installation DRAWING - Emergency Exit Window Mechanism Installation		
-1	41048-03		LINK - Emergency exit cable, bottom	1	
-2	41294-02		WINDOW - Emergency exit, outer	1	
-3	55258-04		WINDOW - Emergency exit, inner (clear)	1	
	55258-05		WINDOW - Emergency exit, inner (tinted green)	1	
	55258-31		WINDOW - Emergency exit, inner (tinted gray)	1	
-4	41426-08		FRAME ASSEMBLY - Emergency exit window	1	
-5	54710-07		RETAINER - Window, outer	1	
-6	80363-02		PLACARD - Emergency exit	1	
-7	55259-33		MOULDING - Emergency exit window	1	
-8	41285-00		PLATE - Emergency exit window lock	4	
-9	45506-00		MOULDING - Window, extruded (72" L.)	AR	
-10	187 531		MOULDING - Emergency exit window (VS80545-1 Rev. B)	AR	
-11	400 935		BOLT - (AN24-52A)	1	
	407 585		WASHER - (AN960-416L)	1	
	404 836		NUT - (MS20364-428C)	1	
-12	414 750		SCREW - (6-32 x 5/8)	6	
	494 102		WASHER - (C-394)	6	
-13	415 535		SCREW - (MS35206-245)	8	
	407 120		WASHER - (AN960-B8)	8	
-14	13945-93		STRIP - Weather, emergency exit	2	
-15	56983-02		STRIP - Weather, emergency exit	2	
-16	43864-00		PLATE ASSEMBLY - Striker plate attachment	4	
-17	43575-04		CABLE ASSEMBLY - Emergency exit release, top front	1	
-18	41048-03		LINK - Emergency exit cable, top	1	
-19	424 174		PIN - (MS20392-2C11)	4	
	407 564		WASHER - (AN960-10)	4	
	407 584		WASHER - (AN960-10L)	4	
	424 051		PIN - Cotter (MS24665-132)	4	
-20	53181-00		MOULDING - Emergency exit release	1	
-21	41307-00		COVER ASSEMBLY - Emergency exit release	1	
-22	20534-00		PULLEY - Emergency exit release	4	
-23	43570-00		GUARD - Pulley	1	
-24	42571-10		BUSHING - Emergency exit window	1	
-25	415 535		SCREW - (MS35206-245)	1	
	407 563		WASHER - (AN960-8)	1	
	404 910		NUT - (MS20365-832C)	1	
-26	415 533		SCREW - (MS35206-243)	3	
	404 910		NUT - (MS20365-832C)	3	
-27	407 569		WASHER - (AN960-816)	1	
	424 052		COTTER PIN - (MS24665-134)	1	
-28	419 690		SCREW - (6 x 1/2 L.)	2	
	494 102		WASHER - (C-394)	2	
-29	14843-34		BUSHING - Emergency exit window	1	
-30	14175-108		BUSHING - Emergency exit window	3	
-31	424 173		PIN - Flat head (MS20392-2C9)	4	
	407 564		WASHER - (AN960-10)	4	
	424 051		COTTER PIN - (MS24665-132)	4	
-32	415 535		SCREW - (MS35206-245)	8	
	404 910		NUT - (MS20365-832C)	8	
-33	43200-00		LATCH ASSEMBLY Emergency exit	4	
-34	40976-00		* BRACKET - Emergency exit pawl	1	
-35	22612-00		* ARM - Door lock, emergency exit window	1	
-36	22613-00		* RIVET - Door lock, emergency exit window	1	
-37	407 565		* WASHER - (AN960-416)	1	
	407 585		* WASHER - (AN960-416L)	1	

When ordering, always specify Part Number, Description and Serial Number of Aircraft



## PIPER PARTS CATALOG

Figure and Index Number	Part Number	Code	NOMENCLATURE	No. Req.	SERIAL NUMBERS AFFECTED
26-38	43575-02		CABLE ASSEMBLY - Emergency exit release, top rear	1	
-39	400 441		BOLT - (AN3-7A)	1	
	407 584		WASHER - (AN960-10L)	3	
	404 887		NUT - (MS20365-1032C)	1	
-40	453 694		BUTTON - Plug (D3005-B)	4	
-41	43574-00		CABLE ASSEMBLY - Emergency exit release, bottom rear	1	
-42	43575-03		CABLE ASSEMBLY - Emergency exit release, bottom front	1	
-43	461 131		TERMINAL - Fork (NAS645-16RS)	1	
-44	454 867		CLIP - Safety (NAS651-16S)	4	
-45	452 009		BARREL - Turnbuckle (NAS649-B16S)	2	
-46	43568-00		PULLEY - Emergency exit cable	1	
-47	42571-11		BUSHING - Emergency exit cable	1	
-48	42571-12		BUSHING - Emergency exit cable	1	
-49	42571-13		BUSHING - Emergency exit cable	1	
-50	407 565		WASHER - (AN960-416)	3	
	407 585		WASHER - (AN960-416L)	3	
-51	43573-00		BRACKET - Emergency exit handle	1	
-52	415 538		SCREW - (MS35206-248)	2	
	404 910		NUT - (MS20365-832C)	2	
-53	40979-00		HANDLE ASSEMBLY - Emergency exit release	1	
-54	40977-00		BRACKET - Emergency exit pulley	3	
-55	424 177		PIN - Flat head (MS20392-2C17)	3	
	407 565		WASHER - (AN960-416)	6	
	407 584		WASHER - (AN960-10L)	3	
	424 051		COTTER PIN - (MS24665-132)	1	
-56	424 175		PIN - Flat head (MS20392-2C13)	1	
	407 564		WASHER - (AN960-10)	1	
	424 051		COTTER PIN - (MS24665-132)	1	
-57	424 052		COTTER PIN - (MS24665-134)	5	

When ordering, always specify Part Number, Description and Serial Number of Aircraft

# PIPER PARTS CATALOG

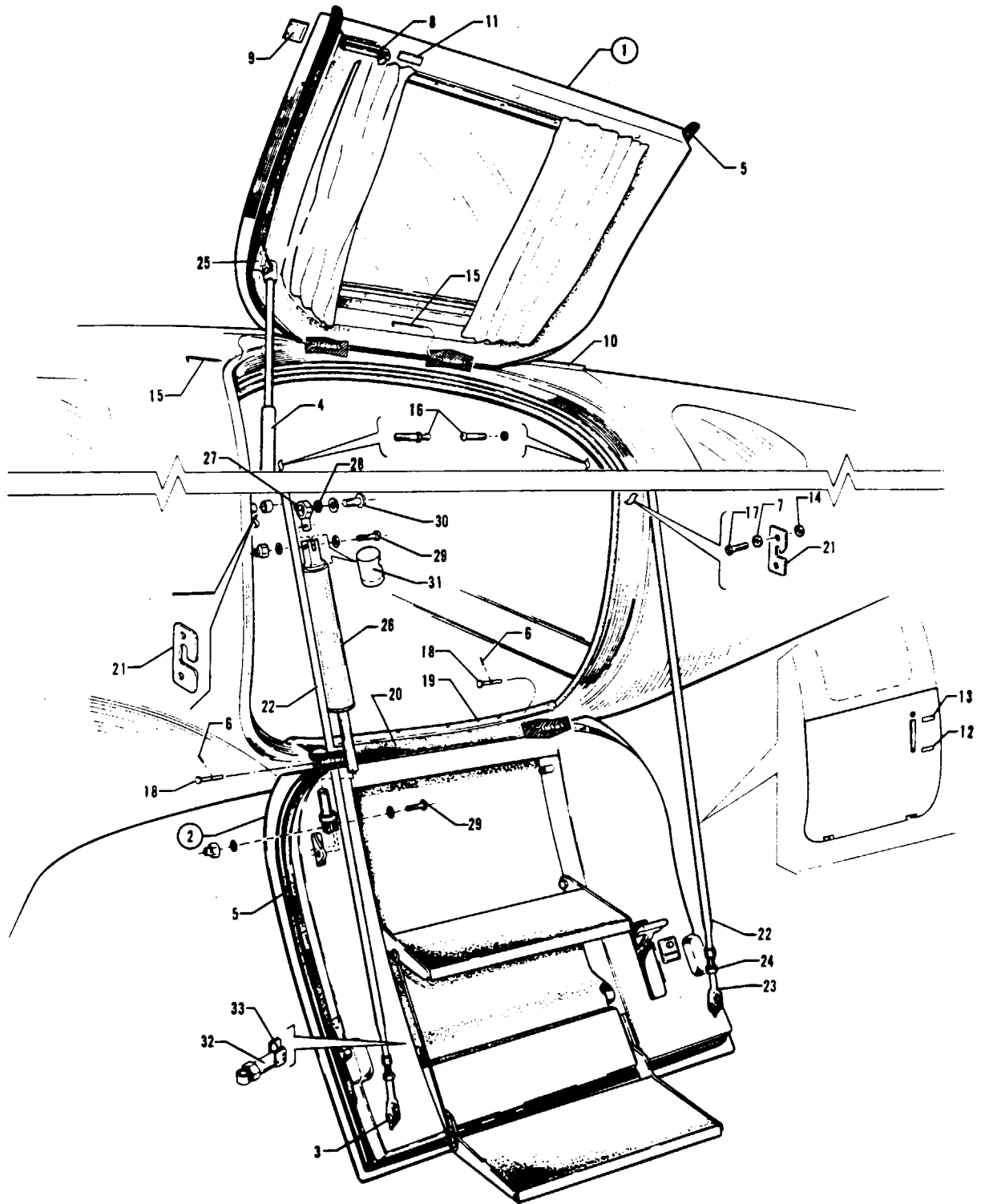


Figure 27. Cabin Entrance Door Installation

---

# PIPER PARTS CATALOG

---

## CODE EXPLANATIONS FOR FIGURE 27

- A - See Figure 28 for component parts.
- B - See Figure 29 for component parts.
- C - See Figure 31 if cargo door is installed.
- D - Serial number of aircraft must be supplied when ordering this part.
- E - Used on aircraft that comply with C.A.A. (United Kingdom) requirements.

PIPER PARTS CATALOG

Figure and Index Number	Part Number	Code	NOMENCLATURE	No. Req.	SERIAL NUMBERS AFFECTED
27-	53335		DRAWING - Cabin Entrance Door Installation		
-1	54714-16	A,D	DOOR ASSEMBLY - Entrance, upper, complete (clear window)	1	
	54714-17	A,D	DOOR ASSEMBLY - Entrance, upper, complete (tinted green window)	1	
	54714-14	A,D	DOOR ASSEMBLY - Entrance, upper, complete (tinted gray window)	1	
-2	53296-17	B,D	DOOR ASSEMBLY - Entrance, lower, complete	1	31-8253001 to 31-8353007 incl.
	53296-19	B,D	DOOR ASSEMBLY - Entrance, lower, complete	1	31-8453001 and up
-3	43584-00		NUT - Special	2	
	407 134		WASHER - (AN936-A8)	2	
	407 566		WASHER - (AN960-516)	4	
	416 987		SCREW - (AN526-1032R-4)	2	
-4	74044-03		SUPPORT ASSEMBLY - Upper door	1	
-5	187 527		EXTRUSION - Seal (130342)	14	
-6	480 688		PIN - Roll (59-012-062-0500)	2	
-7	42245-02		WASHER - Door latch plate	4	
-8	71188-02		LATCH ASSEMBLY - Door	1	
-9	54245-02		PLATE - Door latch striker	1	
-10	44349-00		GUTTER - Rain	1	
-11	71450-05	E	DECAL - "OPEN—LOCK"	1	
-12	71450-04	E	DECAL - "PULL HERE"	1	
-13	71450-03	E	DECAL - "PRESS HERE"	1	
-14	80122-111		WASHER - Door latch	AR	
-15	43515-00		PIN - Door hinge	2	
-16	74072-02		STUD - Ball, door support, upper, front	1	
	400 909		BOLT - (AN24-19A) Rear	1	
	407 565		WASHER - (AN960-416) Rear	1	
-17	410 076		SCREW - (MS24694-S103)	4	
-18	43481-00		PIN - Special, door hinge	2	
-19	43321-00		STRIP - Seal retainer	1	
-20	43325-00		COVER - Lower door hinge	1	
-21	41256-02		PLATE - Door latch	2	
-22	44523-04		CABLE ASSEMBLY - Lower door support, front	1	
	44523-03	C	CABLE ASSEMBLY - Lower door support, rear	1	
-23	52847-00		* CLEVIS - Special	2	
-24	52846-00		* NUT - Special	2	
-25	74069-03		PLATE ASSEMBLY - Support, upper cabin door (with ball stud)	1	
-26	487 043		SNUBBER - Lower cabin door (500890-1)	1	31-8253001 to 31-8253012 incl
	487 038		SNUBBER - Lower cabin door (500890-2)	1	31-8353001 and up
-27	74196-04		ADAPTER ASSEMBLY - Snubber attachment	1	
-28	452 353		* BEARING - (LSS-4)	1	
-29	400 675		BOLT - (AN23-13)	2	
	407 584		WASHER - (AN960-10L)	4	
	406 702		NUT - (22K1-02)	2	
-30	400 919		BOLT - (AN24-29A)	1	31-8253001 to 31-8253012 incl.
	400 905		BOLT - (AN24-15A)	1	31-8353001 and up
	407 565		WASHER - (AN960-416)	1	
	14175-46		BUSHING	1	
-31	73106-02		COVER - Snubber attachment	1	
-32	71974-02		PULL-OUT ASSEMBLY - Door steps extender	1	31-8353001 and up
-33	71974-14		SPACER - Door steps extender	1	31-8353001 and up

When ordering, always specify Part Number, Description and Serial Number of Aircraft



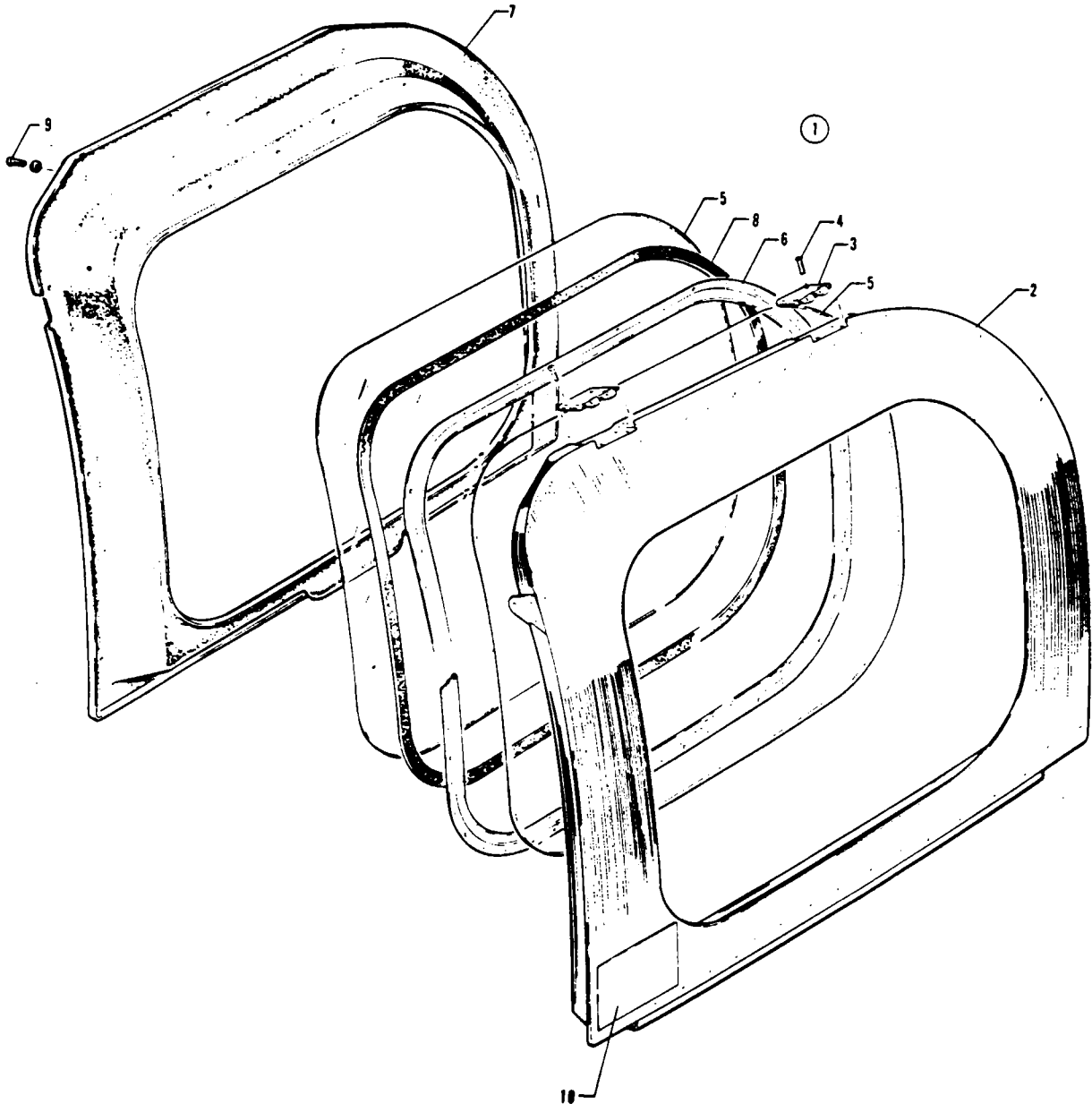


Figure 28. Upper Cabin Entrance Door Assembly

---

# PIPER PARTS CATALOG

---

CODE EXPLANATIONS FOR FIGURE 28

A - Used on aircraft that comply with C.A.A. (United Kingdom) requirements.

**PIPER PARTS CATALOG**

Figure and Index Number	Part Number	Code	NOMENCLATURE	No. Req.	SERIAL NUMBERS AFFECTED
28-1	54714-16		DOOR ASSEMBLY - Entrance, upper, complete (clear window)	1	
	54714-17		DOOR ASSEMBLY - Entrance, upper, complete (tinted green window)	1	
	54714-14		DOOR ASSEMBLY - Entrance, upper, complete (tinted gray window)	1	
-2	41529-08		* DOOR ASSEMBLY - Entrance, upper	1	
-3	41420-03		* * HINGE HALF - Upper door	2	
-4	416 785		* * SCREW - (AN507-1032R8)	8	
-5	41295-02		* WINDOW - Cabin door, outer	1	
	54714-05		* WINDOW - Cabin door, inner (clear)	1	
	54714-06		* WINDOW - Cabin door, inner (tinted green)	1	
	54714-15		* WINDOW - Cabin door, inner (tinted gray)	1	
-6	54714-07		* RETAINER - Cabin door window, outboard	1	
-7	54714-04		* MOULDING ASSEMBLY - Entrance door window	1	
-8	45506-00		* MOULDING - Window, extruded (72" long)	1	
-9	415 245		* SCREW - (6-32 x 5/8)	10	
	494 102		* WASHER - (C-394)	10	
-10	71450-02	A	DECAL - "DOOR-OPEN"	1	

When ordering, always specify Part Number, Description and Serial Number of Aircraft



# PIPER PARTS CATALOG

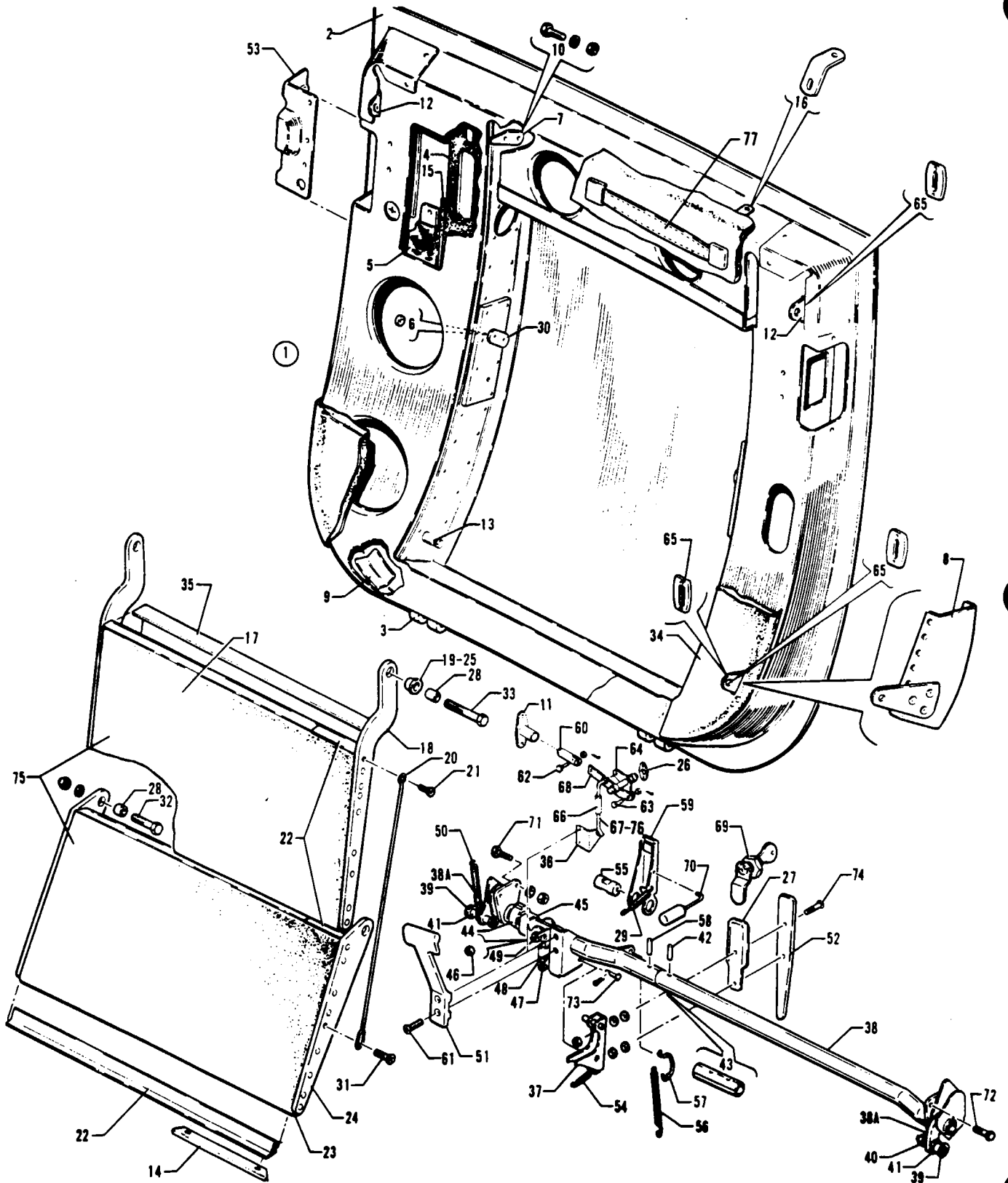


Figure 29 Lower Cabin Entrance Door Assembly

REVISED, JUNE 1984

PA-31-350 T1020

---

# PIPER PARTS CATALOG

---

## CODE EXPLANATIONS FOR FIGURE 29

- A - Serial number of aircraft must be supplied when ordering this part.
- B - If matching cabin, baggage and nacelle locks are desired, order Part No. 25163-11; if matching cabin, baggage, pilot door and nacelle locker locks are desired, order Part No. 25163-12.

**PIPER PARTS CATALOG**

Figure and Index Number	Part Number	Code	NOMENCLATURE	No. Req.	SERIAL NUMBERS AFFECTED
29-1	53296-17	A	DOOR ASSEMBLY - Entrance, lower, complete	1	31-8253001 to 31-8353007 incl.
	53296-19	A	DOOR ASSEMBLY - Entrance, lower, complete	1	31-8453001 and up
-2	41367-12		* DOOR ASSEMBLY - Entrance, lower	1	
-3	41363-02		* * HINGE - Lower entrance door	2	
-4	42248-00		* * WEATHER SEAL - Door handle cutout	1	
-5	43937-00		* * SEAL ASSEMBLY - Cabin door handle	1	
-6	14843-55		* * BUSHING - Door step	1	
-7	41245-00		* * STOP - Door step, rear	1	
	81262-107		* * STOP - Door step, front	1	
-8	74237-02		* * BRACKET ASSEMBLY - Door snubber attachment	1	
-9	43511-00		* * ANGLE - Door reinforcement	1	
-10	400 443		* * BOLT - (AN3-12A)	4	
-11	54266-02		* * GUIDE ASSEMBLY - Door latch pin	1	
-12	43585-00		* * BRACKET - Door support cable	2	
-13	41413-45		* BUSHING - Door step	1	
	401 269		* BOLT - (AN3-10A)	1	
-14	71140-02		* STRIP - Step tread protector	4	
-15	43510-00		* SEAL - Door handle	1	
-16	43541-00		* PLATE - Striker, door ajar switch	1	
-17	44351-13	A	* STEP ASSEMBLY - Lower	1	31-8253001 to 31-8253012 incl.
	44351-14	A	* STEP ASSEMBLY - Lower	1	31-8353001 and up
-18	41314-00		* * ARM ASSEMBLY - Door lower step, front	1	
	41314-01		* * ARM ASSEMBLY - Door lower step, rear	1	
-19	453 733		* * * BUSHING - Step arm (NAS77-6-25)	1	
-20	42238-00		* * ROD - Step connecting	1	31-8253001 to 31-8253012 incl.
	73105-02		* * ROD - Step connecting	1	31-8353001 and up
-21	402 741		* * BOLT - (NAS333CPA10)	1	
-22	44348-02		* STRIP - Door step protector	4	
-23	44351-12	A	* STEP ASSEMBLY - Upper	1	
-24	41355-00		* * ARM ASSEMBLY - Door upper step, front	1	
	41355-01		* * ARM ASSEMBLY - Door upper step, rear	1	
-25	453 733		* * * BUSHING - Step arm (NAS77-6-25)	1	
-26	54237-02		* PLATE - Bellcrank bearing	2	
-27	43509-00		* PLATE - Door handle lock	1	
-28	14843-107		* BUSHING - Door step	4	
-29	487 494		* SPRING - (LE-031D-5-MW)	1	
-30	81262-108		* LINK - Door step	2	31-8253001 to 31-8253012 incl.
-31	420 741		* BOLT - (NAS333CPA-10)	2	
-32	401 311		* BOLT - (AN4-11A)	2	
-33	401 312		* BOLT - (AN4-12A)	2	
-34	74157-02		* PANEL - Cabin door trim	1	31-8253001 to 31-8353007 incl.
	02045-02		* PANEL - Cabin door trim, aft	1	31-8453001 and up
	02045-03		* PANEL - Cabin door trim, center	1	31-8453001 and up
	02045-04		* PANEL - Cabin door trim, forward	1	31-8453001 and up
-35	74157-03		* COVER - Step assembly	2	
-36	54240-02		* ARM - Bellcrank actuating	1	31-8253001 to 31-8353007 incl.
-37	43069-00		* ACTUATOR ASSEMBLY - Door latch mechanism	1	
-38	42240-04		* TUBE ASSEMBLY - Door mechanism, front	1	
	42239-04		* TUBE ASSEMBLY - Door mechanism, rear	1	31-8253001 to 31-8353007 incl.
	42239-06		* TUBE ASSEMBLY - Door mechanism, rear	1	31-8453001 and up
-38a	41258-00		* * HOOK - Latch, door mechanism, forward and aft	2	
-39	42245-03		* * WASHER - Door mechanism	1	
	410 050		* * SCREW - Door mechanism (MS24694-S63)	1	
	404 835		* * NUT - (MS20364-1032C)	1	
-40	41413-41		* * BUSHING - Door mechanism	1	
-41	20737-44		* * BUSHING - Door mechanism	1	
-42	480 731		* * PIN - Roll (59-028-125-0750)	1	
-43	82352-103		* * TUBE - Door mechanism connector	1	

When ordering, always specify Part Number, Description and Serial Number of Aircraft

PIPER PARTS CATALOG

Figure and Index Number	Part Number	Code	NOMENCLATURE	No. Req.	SERIAL NUMBERS AFFECTED
29-44	43062-00		* PLATE ASSEMBLY - Safety latch rocker, door mechanism, rear	1	
.45	43063-00		* ARM ASSEMBLY - Safety latch rocker, door mechanism, rear	1	
.46	61402-103		* BUSHING - Door mechanism, rear	2	
.47	416 133		* SCREW - (AN501-10-14) Door mechanism, rear	1	
.48	404 224		* NUT - (AN315-3R) Door mechanism, rear	1	
.49	415 633		* SCREW - (MS35206-333)	1	
	404 910		* NUT - (MS20365-832C)	1	
	407 585		* WASHER - (AN960-416L)	2	
	407 563		* WASHER - (AN960-8)	2	
.50	53827-00		* SPRING - Door latch	2	
.51	71415-03		* HANDLE - Door, inner	1	
.52	43546-00		* HANDLE - Door, outer	1	
.53	43690-03		* COVER - Door latch mechanism, front	1	
	43690-02		* COVER - Door latch mechanism, rear	1	
.54	83302-69		* SPRING - Door latch	1	
.55	43065-00		* BUSHING - Safety latch eccentric	1	
.56	83302-71		* SPRING - Door latch	1	
.57	73078-02		* HOOK - Door latch mechanism, rear	1	
.58	480 731		* PIN - Roll (59-028-125-0750)	1	
.59	43066-00		* BRACKET ASSEMBLY - Safety latch stop	1	
.60	54242-02		* PIN - Door latch safety	1	31-8253001 to 31-8353007 incl
	45266-02		* PIN - Door latch safety	1	31-8453001 and up
.61	416 800		* SCREW - (MS24693-S278)	2	
	406 870		* RIVNUT - (A10K75)	2	
.62	424 175		* PIN - (MS20392-2C13)	1	31-8253001 to 31-8353007 incl.
	424 140		* PIN - (MS20392-1C7)	1	31-8453001 and up
	407 584		* WASHER - (AN960-10L)	1	31-8253001 to 31-8353007 incl
	407 583		* WASHER - (AN960-8L)	1	31-8453001 and up
	424 051		* COTTERPIN - (MS24665-132)	1	
.63	424 174		* PIN - (MS20392-2C7)	1	
	407 584		* WASHER - (AN960-10L)	1	
	424 051		* COTTER PIN - (MS24665-132)	1	
.64	54243-02		* BELLCRANK ASSEMBLY - Door pin	1	31-8253001 to 31-8353007 incl.
	02042-02		* BELLCRANK ASSEMBLY - Door pin	1	31-8453001 and up
.65	44312-00		* COVER - Cable attachment trim	3	
.66	54244-02		* ROD ASSEMBLY - Door latch bellcrank	1	31-8253001 to 31-8353007 incl.
.67	54244-03		* ROD ASSEMBLY - Door latch bellcrank	1	31-8253001 to 31-8353007 incl.
.68	54265-02		* LINK - Door plunger actuating	1	31-8253001 to 31-8353007 incl
	02037-02		* LINK - Door plunger actuating	1	31-8453001 and up
.69	752 369	B	* LOCK ASSEMBLY - Cabin door (with 2 keys)	1	
.70	43064-00		* ROD ASSEMBLY - Safety latch actuator	1	
.71	400 438		* BOLT - (AN3-4A)	2	
.72	400 438		* BOLT - (AN3-4A)	2	
	407 564		* WASHER - (AN960-10)	2	
	404 887		* NUT - (MS20365-1032C)	2	
.73	424 183		* PIN - (MS20392-2C29)	1	
	424 095		* COTTER PIN - (MS24665-151)	1	
.74	415 283		* SCREW - (10-32 x 1" oval head)	2	
	404 835		* NUT - (MS20364-1032C)	2	
.75	53296-13		* TREAD - Door step	2	
.76	02039-02		* ROD ASSEMBLY - Door latch bellcrank	1	31-8453001 and up
.77	53214-02		* HANDLE ASSEMBLY	1	31-8453001 and up

When ordering, always specify Part Number, Description and Serial Number of Aircraft

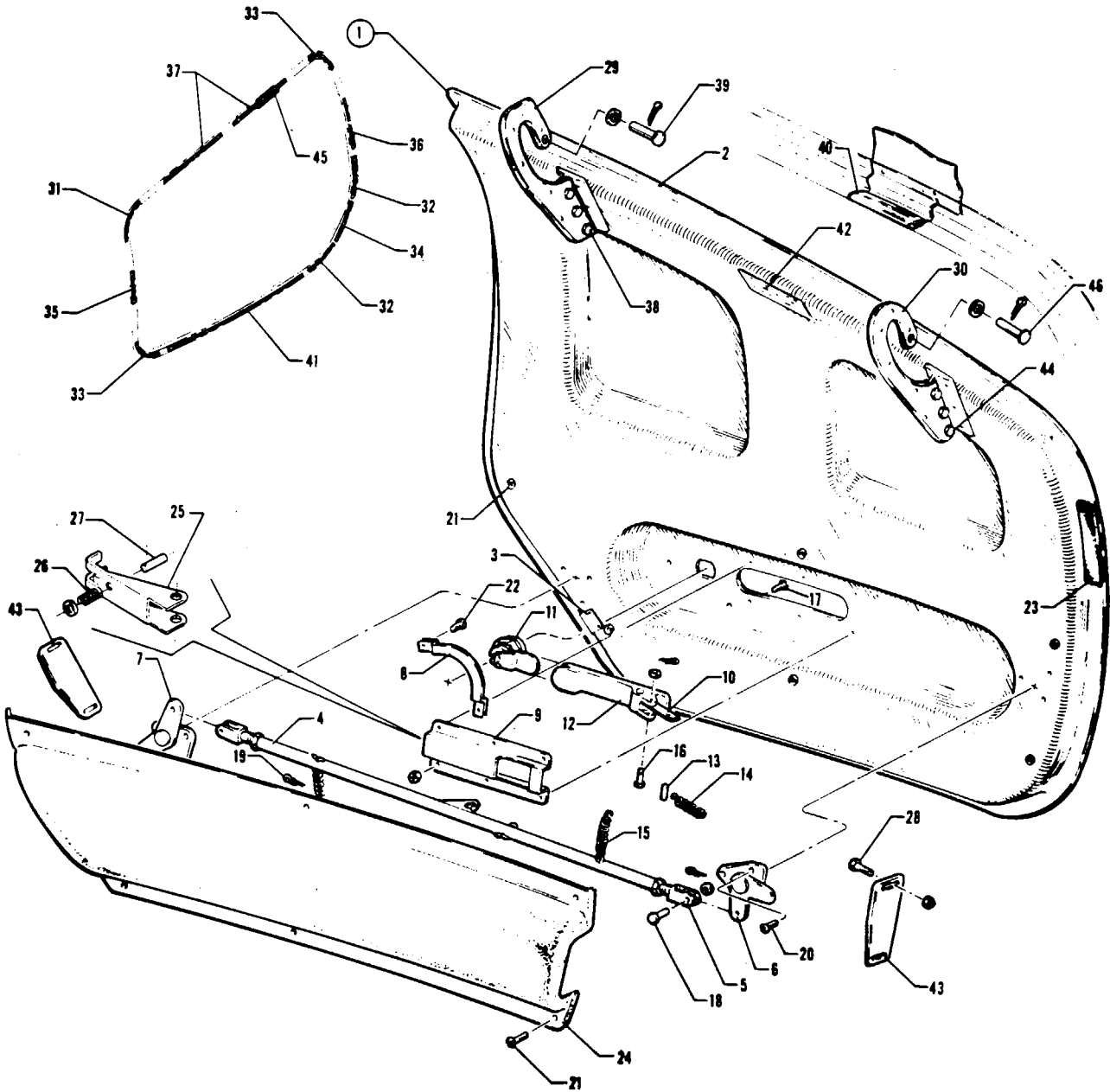


Figure 30. Forward Baggage Door Installation

# PIPER PARTS CATALOG

## CODE EXPLANATIONS FOR FIGURE 30

- A - If matching cabin, baggage and nacelle locker locks are desired, order Part No. 25163-11; if matching cabin, baggage, pilot door and nacelle locker locks are desired, order Part No. 25163-12.

PIPER PARTS CATALOG

Figure and Index Number	Part Number	Code	NOMENCLATURE	No. Req.	SERIAL NUMBERS AFFECTED
30-	53433		DRAWING - Forward Baggage Door Installation		
-1	40198-04		BAGGAGE DOOR ASSEMBLY - (Complete) Forward	1	
-2	40197-00		* BAGGAGE DOOR ASSEMBLY	1	
-3	44321-00		* * PLATE - Striker, switch	1	
-4	40195-00		* TUBE ASSEMBLY - Baggage door, latch	1	
-5	30576-00		* * CLEVIS - Baggage door latch, tube assembly	2	
-6	40194-03		* ARM ASSEMBLY - Baggage door lock, forward	1	
-7	40353-00		* ARM ASSEMBLY - Baggage door lock, aft	1	
-8	30852-00		* PLATE ASSEMBLY - Baggage door lock guide	1	
-9	30580-00		* BRACKET - Baggage door handle	1	
-10	60054-14		* LINK - Baggage door spring	1	
-11	752 350	A	* LOCK ASSEMBLY - Baggage door (with 2 keys)	1	
-12	22641-02		* HANDLE - Baggage door	1	
-13	480 691		* ROLL PIN - Baggage door (52-028-125-0875)	1	
-14	14635-03		* SPRING - Baggage door	1	
-15	83302-23		* SPRING - Baggage door	2	
-16	424 186		* PIN - (MS20392-2C35)	1	
	19513-53		* WASHER	2	
	424 051		* COTTER PIN - (MS24665-132)	1	
-17	415 518		* SCREW - (MS35206-228)	6	
	404 909		* NUT - (MS20365-632C)	6	
-18	424 176		* PIN - (MS20392-2C15)	2	
	407 584		* WASHER - (AN960-10L)	2	
	424 051		* COTTER PIN - (MS24665-132)	2	
-19	424 051		* COTTER PIN - (MS24665-132)	2	
-20	414 756		* SCREW - (MS24693-S30)	6	
-21	406 848		* RIVNUT - (A6K75)	6	
	415 520		* SCREW - (MS35206-230)	6	
-22	415 518		* SCREW - (MS35206-228)	2	
-23	85512-28		* STRIP - Seal, baggage door moulding	1	
-24	40196-00		* COVER - Baggage door, sahara beige	1	
-25	28467-03		* BRACKET - Baggage door handle	1	
-26	83302-67		* SPRING - Baggage door handle	1	
-27	424 145		* PIN - (MS20392-1C17)	1	
	407 562		* WASHER - (AN960-6)	1	
	424 051		* COTTER PIN - (MS24665-132)	1	
-28	415 520		SCREW - (MS35206-230)	4	
	404 829		NUT - (MS20364-632C)	4	
-29	42541-00		HINGE - Baggage door, rear	1	
-30	30603-00		HINGE ASSEMBLY - Baggage door, forward	1	
-31	25244-02		STRIP - Seal, baggage door moulding	1	
-32	25244-03		STRIP - Seal, baggage door moulding	2	
-33	25244-04		STRIP - Seal, baggage door moulding	2	
-34	25243-02		STRIP - Seal, baggage door moulding	1	
-35	25243-05		STRIP - Seal, baggage door moulding	1	
-36	25243-08		STRIP - Seal, baggage door moulding	1	
-37	25243-09		STRIP - Seal, baggage door moulding	2	
-38	400 440		BOLT - (AN3-6A)	3	
	407 564		WASHER - (AN960-10)	3	
	404 887		NUT - (MS20365-1032C)	3	
-39	424 183		PIN - (MS20392-2C31)	1	
	407 564		WASHER - (AN960-10)	1	
	424 051		COTTER PIN - (MS24665-132)	1	

When ordering, always specify Part Number, Description and Serial Number of Aircraft

## PIPER PARTS CATALOG

Figure and Index Number	Part Number	Code	NOMENCLATURE	No. Req.	SERIAL NUMBERS AFFECTED
30-40	149-111		EXTRUSION - Nylon (40-101)	4'	
-41	25243-03		STRIP - Seal, baggage door moulding	1	
-42	47545-00		PLACARD - Baggage door, baggage capacity	1	
-43	40207-00		PLATE - Baggage door lock	2	
-44	401 266		BOLT - (AN3-5A)	3	
	407 564		WASHER - (AN960-10)	3	
	404 887		NUT - (MS20365-1032C)	3	
-45	23183-00		MOULDING - Baggage door seal	9'	
-46	424 182		PIN - (MS20392-2C29)	1	
	407 564		WASHER - (AN960-10)	1	
	424 051		COTTER PIN - (MS24665-132)	1	

When ordering, always specify Part Number, Description and Serial Number of Aircraft



# PIPER PARTS CATALOG

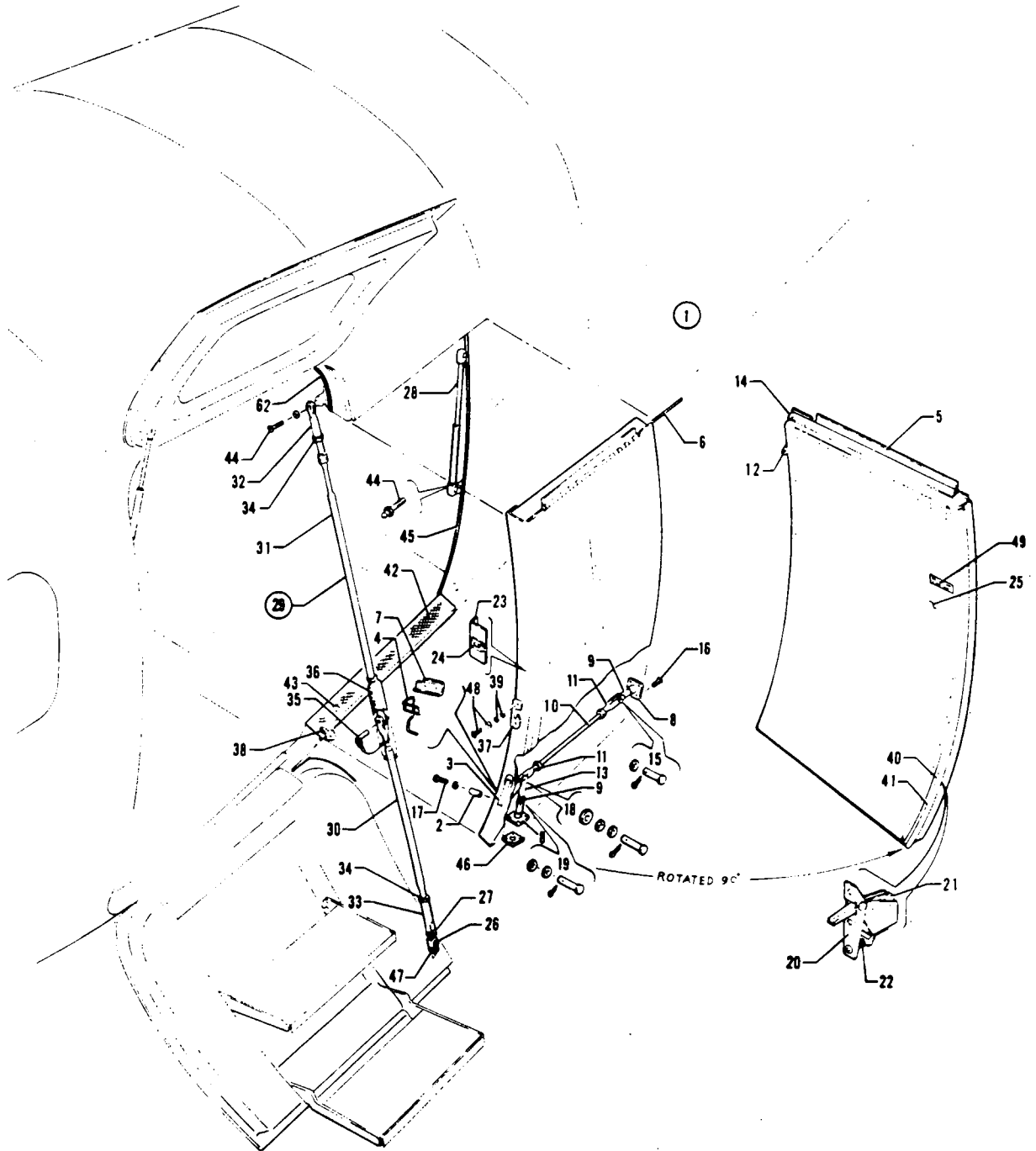


Figure 31. Cargo Door Assembly and Installation

---

# PIPER PARTS CATALOG

CODE EXPLANATIONS FOR FIGURE 31

**PIPER PARTS CATALOG**

Figure and Index Number	Part Number	Code	NOMENCLATURE	No. Req.	SERIAL NUMBERS AFFECTED
31-	53330		DRAWING - Cargo Door Installation		
-1	44581-08		DOOR ASSEMBLY - Cargo	1	
-2	63900-22		* BUSHING - Cargo door handle	1	
-3	44534-00		* HANDLE - Cargo door latch	1	
-4	44497-00		* SPRING - Latch retainer (587 267)	1	
-5	44528-06		* HINGE - Half, cargo door	1	
	44528-07		* HINGE - Half, fuselage	1	
-6	56951-04		* * PIN - Cargo door hinge	1	
-7	44498-00		* PLATE - Door spring retainer	1	
-8	44503-00		* GUIDE ASSEMBLY - Door latch pin, front	1	
	44504-00		* GUIDE ASSEMBLY - Door latch pin, rear	1	
-9	44506-00		* PIN - Door latch, front	1	
	44507-00		* PIN - Door latch, rear	1	
-10	44510-00		* ROD ASSEMBLY - Cargo door latch	1	
-11	454 901		* * CLEVIS - (MS27975-4)	1	
-12	74070-02		* PLATE ASSEMBLY - Cargo door support	1	
-13	81262-110		* LINK - Door latch pin	1	
-14	187 527		* SEAL - Extrusion (130342)	6	
-15	424 175		* PIN - (MS20392-2C13)	1	
	407 584		* WASHER - (AN960-10L)	2	
	424 095		* PIN - Cotter (MS24665-151)	1	
-16	410 055		* SCREW - (MS24694-C4)	8	
-17	400 882		* BOLT - (AN23-30A)	1	
	407 682		* WASHER - (AN960-C10L)	1	
-18	424 178		* PIN - (MS20392-2C19)	1	
	407 584		* WASHER - (AN960-10L)	2	
	407 800		* WASHER - (AN970-3)	1	
	424 095		* PIN - Cotter (MS24665-151)	1	
-19	424 178		* PIN - (MS20392-2C19)	1	
	407 584		* WASHER - (AN960-10L)	2	
	424 095		* PIN - Cotter (MS24665-151)	1	
-20	54190-03		* SWITCH ASSEMBLY - Door ajar	1	
-21	487 819		* * SWITCH - (MS25253-3)	1	
-22	83303-02		* SPRING - Switch adjusting	1	
-23	54663-02		* REINFORCEMENT - Door frame	1	
-24	54659-02		* RECEPTACLE - Door latch safety pin	1	
-25	72955-03		PANEL ASSEMBLY - Cargo door trim	1	
-26	53893-00		LINK - Door support cable	1	
-27	411 528		SCREW - (MS35207-259)	1	
	407 134		WASHER - (AN936-A8)	1	
	43584-00		NUT - Special	1	
-28	74044-02		SUPPORT ASSEMBLY - Cargo door	1	
-29	44564-02		CABLE ASSEMBLY - Door support (complete)	1	
-30	44562-00		* CABLE ASSEMBLY - Door support, lower	1	
-31	44563-00		* CABLE ASSEMBLY - Door support, upper	1	
-32	44561-00		* TERMINAL - Cable end	1	
-33	52847-00		* CLEVIS - Special	1	
-34	52846-00		* NUT - Special	2	
-35	53909-00		* PIN ASSEMBLY - Cargo door cable	1	
-36	53968-03		* BOOT - Cable assembly	1	
-37	41256-02		PLATE - Door latch	1	
-38	402 070		BOLT - Eye (AN45-4A)	1	
-39	80122-111		WASHER - Door latch	AR	
-40	147 120		STRIP - (6' length) (844)	AR	
-41	71100-04		WINDLACING - Cargo door	1	

When ordering, always specify Part Number, Description and Serial Number of Aircraft

## PIPER PARTS CATALOG

Figure and Index Number	Part Number	Code	NOMENCLATURE	No. Req.	SERIAL NUMBERS AFFECTED
31-42	55601-02		SILL - Cargo door	1	
-43	416 691		SCREW - (6 x 3/8 L., Type A, PH)	4	
	494 102		WASHER - (C-394)	4	
-44	400 914		BOLT - (AN24-24A) Front	1	
	74072-02		STUD - Ball, rear	1	
	407 565		WASHER - (AN960-416)	1	
-45	71100-03		WEATHER STRIP ASSEMBLY - Cargo door	1	
-46	44502-00		PLATE - Door pin	1	
-47	411 528		SCREW - (MS35207-259)	1	
	407 134		WASHER - (AN936-A8)	1	
	407 566		WASHER - (AN960-516)	2	
	43584-00		NUT - Special	1	
-48	410 076		SCREW - (MS24694-S103)	2	
	42245-02		WASHER - Countersunk	2	
-49	80999-02		DECAL - Seat requirements	1	

When ordering, always specify Part Number, Description and Serial Number of Aircraft

# PIPER PARTS CATALOG

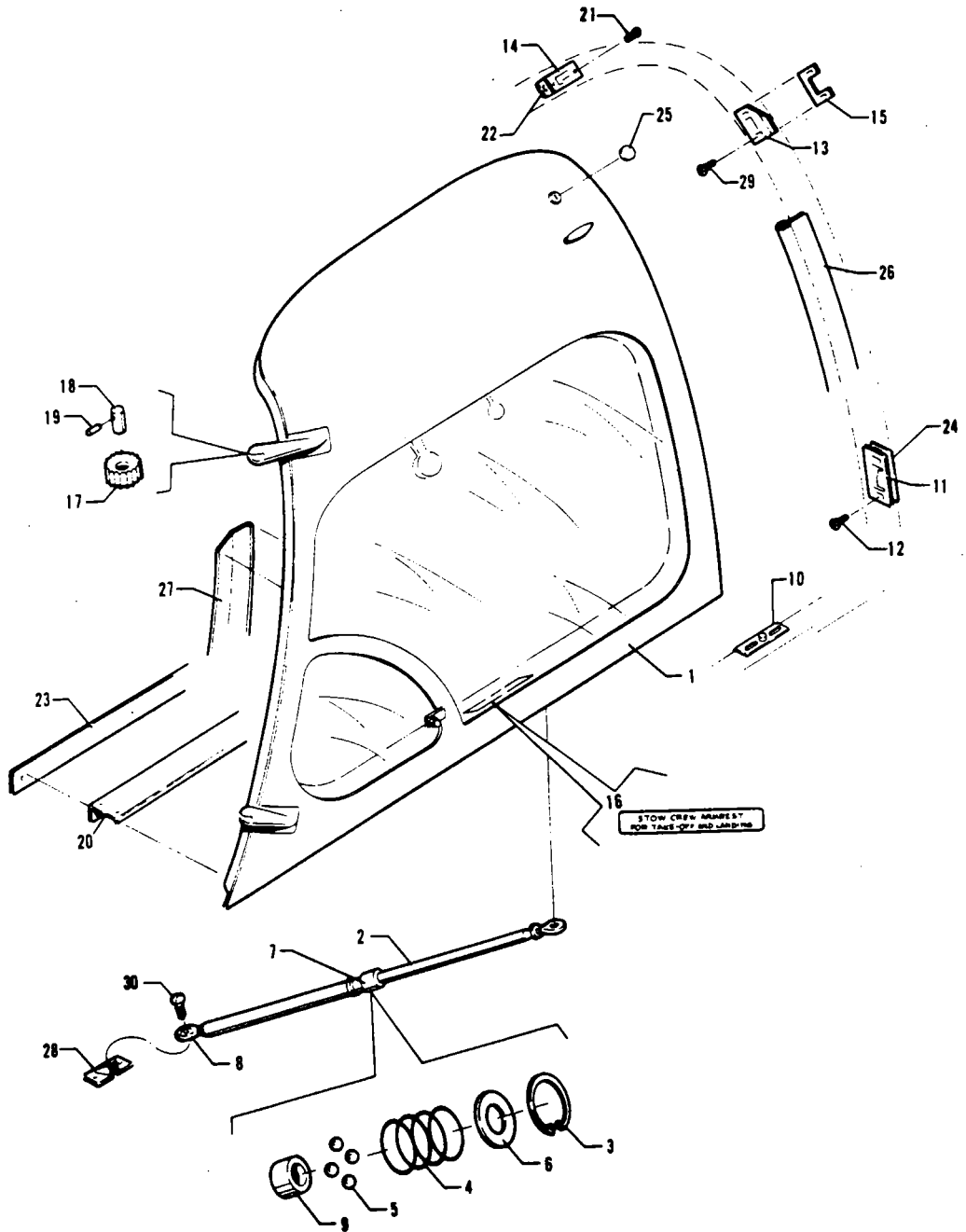


Figure 32. Pilot Door Installation

# PIPER PARTS CATALOG

## CODE EXPLANATIONS FOR FIGURE 32

- A - See Figure 33 for component parts.
- B - Used on aircraft that comply with C.A.A. (United Kingdom) requirements.

PIPER PARTS CATALOG

Figure and Index Number	Part Number	Code	NOMENCLATURE	No. Req.	SERIAL NUMBERS AFFECTED
32-	53448 55265		DRAWING - Pilot Door Installation DRAWING - Pilot Door Frame Molding Installation		
-1	54612-06	A	DOOR ASSEMBLY - Pilot, complete (clear window)	1	
	54612-07	A	DOOR ASSEMBLY - Pilot, complete (tinted window)	1	
-2	43853-02		SUPPORT ASSEMBLY - Door	1	
-3	484 783		* RING - Snap (N5000-77)	1	
-4	43850-00		* SPRING - Support assembly	1	
-5	452 036		* BEARING - Ball (MS19059-8)	4	
-6	40559-21		* WASHER - Support assembly	1	
-7	43851-00		* SLEEVE - Door support adjusting	1	
-8	452 383		* BEARING - Rod end (24166-00)	1	
-9	14843-114		* BUSHING - Door support (Teflon)	1	
-10	54358-02		BRACKET ASSEMBLY - Pilot door	1	
-11	44585-00		PLATE - Door lock lower striker	1	
-12	414 551		SCREW - (MS24693-S271)	2	
-13	44668-00		CATCH - Pilot door latch	1	
-14	44669-00		CATCH - Pilot door lock, top	1	
-15	44776-00		SHIM - Pilot door latch catch	AR	
-16	54098-00	B	PLACARD - Armrest stowage	1	
-17	21741-00		BUSHING - Serrated door hinge, eccentric	2	
	21741-02		BUSHING - Serrated door hinge, concentric	2	
-18	20830-00		PIN - Door hinge	2	
-19	480 688		PIN - Roll (59-012-062-0500)	2	
-20	44681-02		SILL - Pilot door	1	
-21	411 531		SCREW - (MS35207-262)	4	
-22	53629-00		SHIM - Pilot door striker	AR	
-23	55265-05		MOULDING - Pilot door trim, bottom	1	
-24	53628-00		SHIM - Pilot door catch	AR	
-25	44640-00		COVER ASSEMBLY - Lock	1	
-26	53438-04		WINDLACING ASSEMBLY - Pilot door, rear	1	
-27	55265-04		MOULDING ASSEMBLY - Door support	1	
-28	44557-00		BRACKET ASSEMBLY - Door support	1	
-29	414 763		SCREW - (MS24693-S50)	2	
-30	400 699		BOLT - (AN24-12)	1	

When ordering, always specify Part Number, Description and Serial Number of Aircraft

# PIPER PARTS CATALOG

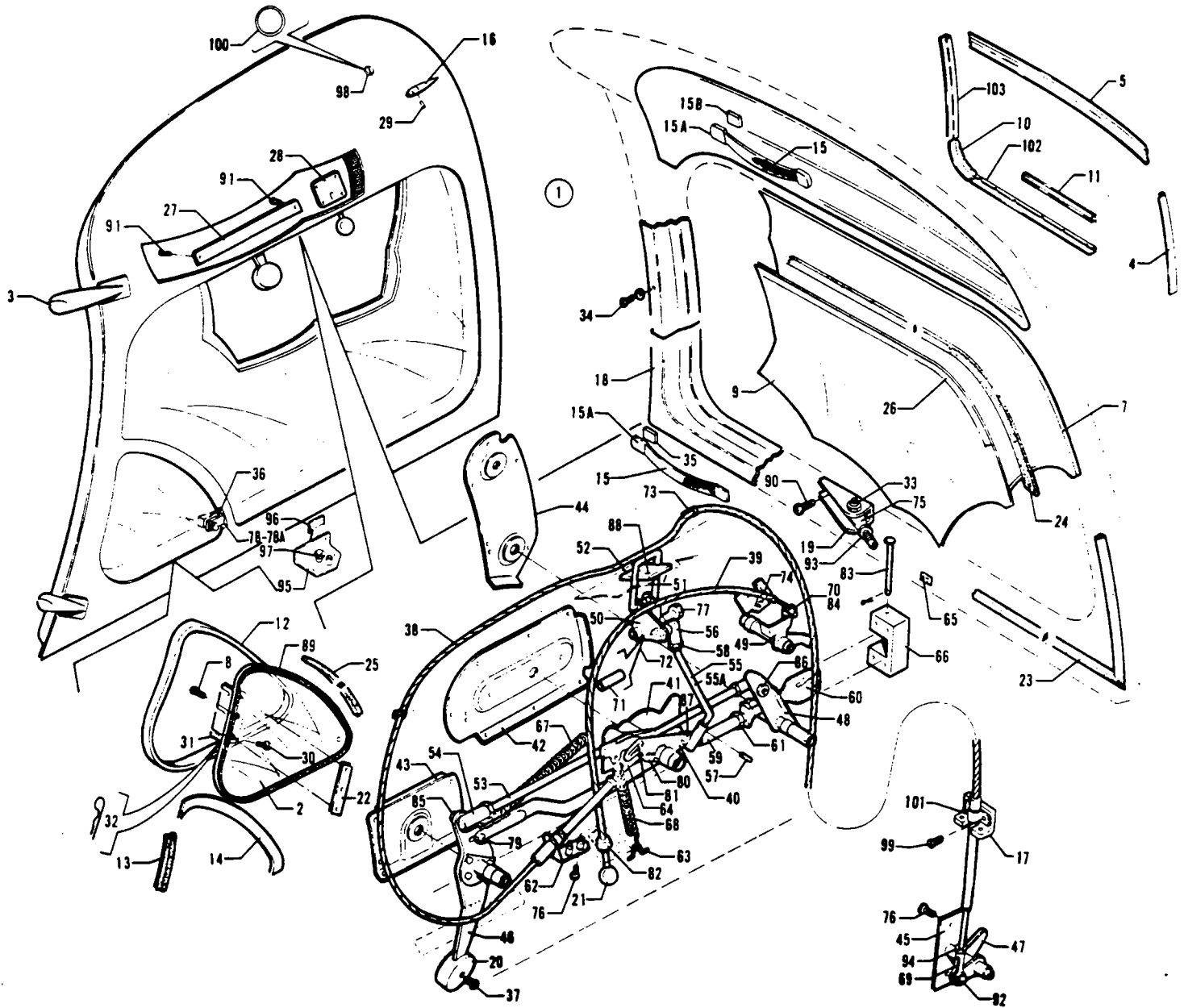


Figure 33. Pilot Door Assembly (Complete)



---

# PIPER PARTS CATALOG

---

## CODE EXPLANATIONS FOR FIGURE 33

**A** - When ordering, specify color beige or white.

**B** - If matching cabin, baggage, pilot door and nacelle locker locks are desired, order Part No. 25163-12.

## PIPER PARTS CATALOG

Figure and Index Number	Part Number	Code	NOMENCLATURE	No. Req.	SERIAL NUMBERS AFFECTED
33-	54612 44625		DRAWING - Pilot Door Assembly (Complete) DRAWING - Pilot Door Latch and Lock Mechanism Installation		
-1	54612-06		DOOR ASSEMBLY - Pilot, complete (clear window)	1	
	54612-07		DOOR ASSEMBLY - Pilot, complete (tinted window)	1	
-2	44574-05		* WINDOW - Storm	1	
-3	44648-00		* HINGE - Pilot door, lower	1	
	44722-00		* HINGE - Pilot door, upper	1	
-4	44749-17		* RETAINER - Pilot door window, forward	1	
-5	44749-18		* RETAINER - Pilot door window, top	1	
-6	54606-05		* SHIM - Storm window ring	1	
-7	44749-21		* WINDOW - Pilot door, outer	1	
-8	415 535		* SCREW - (MS35206-245)	3	
	18359-00		* NUT - Storm window	3	
-9	44749-20		* WINDOW - Pilot door, inner, clear	1	
	44749-22		* WINDOW - Pilot door, inner, tinted	1	
-10	44749-24		* RETAINER - Pilot door window	1	
-11	44749-27		* EXTRUSION - Pilot door window	1	
-12	54606-03		* RING - Storm window support	1	
-13	187 528		* SEAL - Support ring (P. N. 3103-11)	3	
-14	54606-02		* PLATE - Storm window support	1	
-15	53214-02	A	* HANDLE ASSEMBLY - Pilot door	2	
-15a	763 246		* * CAP - Decorative (321)	2	
-15b	762 570		* * RETAINER - Door handle, top (324)	2	
-16	44726-00		* HANDLE - Pilot door	1	
-17	18132-00		* LUG - Control cable support bracket	1	
-18	44749-28		* MOULDING ASSEMBLY - Pilot door	1	
-19	44659-00		* BRACKET - Pilot door support	1	
-20	41415-00		* KNOB - Pilot door (open-closed)	1	
-21	471 064		* KNOB - Theft lock (222, 3/4") Black	1	
-22	54606-06		* SHIM - Storm window hinge	AR	
-23	19063-02		* MOULDING - Pilot door	11'	
-24	45506-00		* MOULDING - Window, extruded (6' L.)	1	
-25	80045-11		* STRIP - Rubber	2'	
-26	189 745		* TAPE - Vinyl (9 Mil.) 3/4"	AR	
-27	44673-00		* PLACARD - Pilot door (open-closed)	1	
-28	44674-00		* PLACARD - Pilot door (theft lock)	1	
-29	480 731		* PIN - Roll (59-028-125-0750)	1	
-30	415 535		* SCREW - (MS35206-245)	3	
-31	53060-03		* HINGE ASSEMBLY - Storm window	1	
-32	43796-00		* * PIN - Storm window hinge, removable	1	
-33	400 869		* BOLT - (AN23-17A)	1	
	407 674		* WASHER - (AN960-C10)	2	
	404 835		* NUT - (MS20364-1032C)	1	
-34	415 246		* SCREW - (6-32 x 3/4") Oval	20	
	494 102		* WASHER - (C-394)	20	
-35	484 464		* RETAINER - Handle (383)	2	
-36	460 044		* FASTENER - (62-99-191-10)	1	
-37	414 779		* SCREW - (MS24693-S49)	1	
-38	22860-03		* CABLE ASSEMBLY - Flexible, pilot door	1	
-39	44775-00		* CABLE ASSEMBLY - Pilot door lock mechanism	1	
-40	44583-00		* BELLCRANK ASSEMBLY - Pilot door latch	1	
-41	44591-00		* STOP ASSEMBLY - Pilot door latch bellcrank	1	
-42	44593-00		* PLATE ASSEMBLY - Inner, pilot door bellcrank	1	
-43	44596-00		* PLATE ASSEMBLY - Inner, pilot door handle	1	
-44	44615-00		* PLATE ASSEMBLY - Inner, pilot door latch	1	

When ordering, always specify Part Number, Description and Serial Number of Aircraft

## PIPER PARTS CATALOG

Figure and Index Number	Part Number	Code	NOMENCLATURE	No. Req.	SERIAL NUMBERS AFFECTED
33-45	44652-00		* PLATE ASSEMBLY - Pilot door	1	
-46	44597-00		* ARM ASSEMBLY - Pilot door handle	1	
-47	44656-06		* ARM ASSEMBLY - Pilot door lock	1	
-48	44611-00		* LATCH ASSEMBLY - Pilot door	1	
-49	44612-00		* LOCK ASSEMBLY - Pilot door	1	
-50	44621-00		* LOCK BAR ASSEMBLY - Pilot door	1	
-51	44618-00		* * LOCK BAR - Pilot door	1	
-52	44617-00		* GUIDE - Pilot door lock bar	1	
-53	44631-00		* ROD ASSEMBLY - Pilot door actuating, front	1	
	44630-00		* ROD ASSEMBLY - Pilot door actuating, rear	1	
-54	469 138		* * JOINT - Ball (R-107)	1	
-55	44633-00		* ROD ASSEMBLY - Top lock, pilot door	1	
-55a	44633-02		* * ROD - Top lock, pilot door	1	
-56	469 148		* * JOINT - Ball (F-103) Top lock	2	
-57	480 723		* * PIN - Roll (59-012-062-0375)	1	
-58	404 224		* * NUT - (AN315-3R)	1	
-59	44632-00		* TUBE ASSEMBLY - Pilot door latch	1	
-60	19644-00		* * LATCH - Pilot door	1	
-61	404 227		* * NUT - (AN316-6R)	1	
-62	44641-00		* CLIP ASSEMBLY - Door cable attachment	1	
-63	44657-00		* HOOK - Pilot door	1	
-64	44658-00		* TERMINAL - Pilot door	1	
-65	80298-02		* PLACARD - Latch	1	
-66	44697-00		* BLOCK - Door latch guide	1	
-67	83302-83		* SPRING - Pilot door latch	1	
-68	587 272		* SPRING - (LE-055D-9)	1	
-69	452 568		* BEARING - Rod end (PS10020-2-5RX)	1	
-70	407 584		* WASHER - (AN960-10L)	1	
-71	42129-29		* BUSHING - Lock bar assembly	1	
-72	80012-20		* BUSHING - Lock bar assembly	2	
-73	454 929		* CLAMP - (PS10017-2-4)	2	
-74	454 928		* CLAMP - (PS10017-2-3)	1	
-75	452 357		* BEARING - Rod end (M34-14)	1	
-76	415 544		* SCREW - (MS35206-244)	6	
-77	400 453		* BOLT - (AN3-21A)	1	
	407,584		* WASHER - (AN960-10L)	1	
	404 887		* NUT - (MS20365-1032C)	1	
-78	53880-00		* PLATE - Storm window fastener	1	
-78a	71711-04		* PLATE - Storm window latch	1	
-79	424 177		* PIN - (MS20392-2C17)	1	
	407 564		* WASHER - (AN960-10)	1	
	424 032		* PIN - Cotter (MS24665-170)	1	
-80	424 181		* PIN - (MS20392-2C25)	1	
	407 584		* WASHER - (AN960-10L)	1	
	424 032		* PIN - Cotter (MS24665-170)	1	
-81	400 673		* BOLT - (AN23-11)	1	
	404 120		* NUT - (AN310-C3)	1	
	424 032		* PIN - Cotter (MS24665-170)	1	
-82	404 330		* NUT - (AN316-6R)	2	
	407 143		* WASHER - (AN936-B616)	1	
-83	424 197		* PIN - (MS20392-2C59)	1	
	424 051		* PIN - Cotter (MS24665-132)	1	
-84	411 532		* SCREW - (MS35207-263)	1	
	404 887		* NUT - (MS20365-1032C)	1	
-85	404 836		* NUT - (MS20364-428C)	1	
-86	404 530		* NUT - (MS21042-4)	1	
-87	404 887		* NUT - (MS20365-1032C)	2	

When ordering, always specify Part Number, Description and Serial Number of Aircraft

## PIPER PARTS CATALOG

Figure and Index Number	Part Number	Code	NOMENCLATURE	No. Req.	SERIAL NUMBERS AFFECTED
33-88	410 242		* SCREW - (MS23694-S7)	3	
	407 583		* WASHER - (AN960-8L)	3	
	404 910		* NUT - (MS20365-832C)	3	
-89	189 729		* TAPE - PVC, PMS-K0003, Type 1 (1/8" x 1/2")	3'	
-90	411 533		* SCREW - (MS35207-264)	2	
-91	420 189		* RIVET - (MS20470A3-9) Dull black	6	
	406 385		* NUT - (A 1553-012-01)	6	
-92	400 440		* BOLT - (AN3-6A)	1	
	407 584		* WASHER - (AN960-10L)	1	
	404 887		* NUT - (MS35206-244)	1	
-93	404 321		* NUT - (AN316-C4R)	1	
-94	404 224		* NUT - (AN315-3R)	2	
-95	54357-02		* BRACKET ASSEMBLY - Pilot door handle	1	
-96	54360-02		* HANDLE ASSEMBLY - Pilot door latch	1	
-97	80122-151		* WASHER - Pilot door latch	1	
	424 052		* COTTER PIN - (MS23665-134)	1	
-98	25163-13	B	* LOCK ASSEMBLY - Pilot door (with 2 keys)	1	
-99	415 535		* SCREW - (MS35206-245)	2	
-100	484 823		* RING - "O" (2-017)	1	
-101	18219-00		* CLAMP - Control cable attachment	1	
-102	44749-15		* RETAINER - Pilot door window, lower	1	
-103	44749-16		* RETAINER - Pilot door window, rear	1	

When ordering, always specify Part Number, Description and Serial Number of Aircraft

**1F24**

**INTENTIONALLY LEFT BLANK**

PIPER PARTS CATALOG

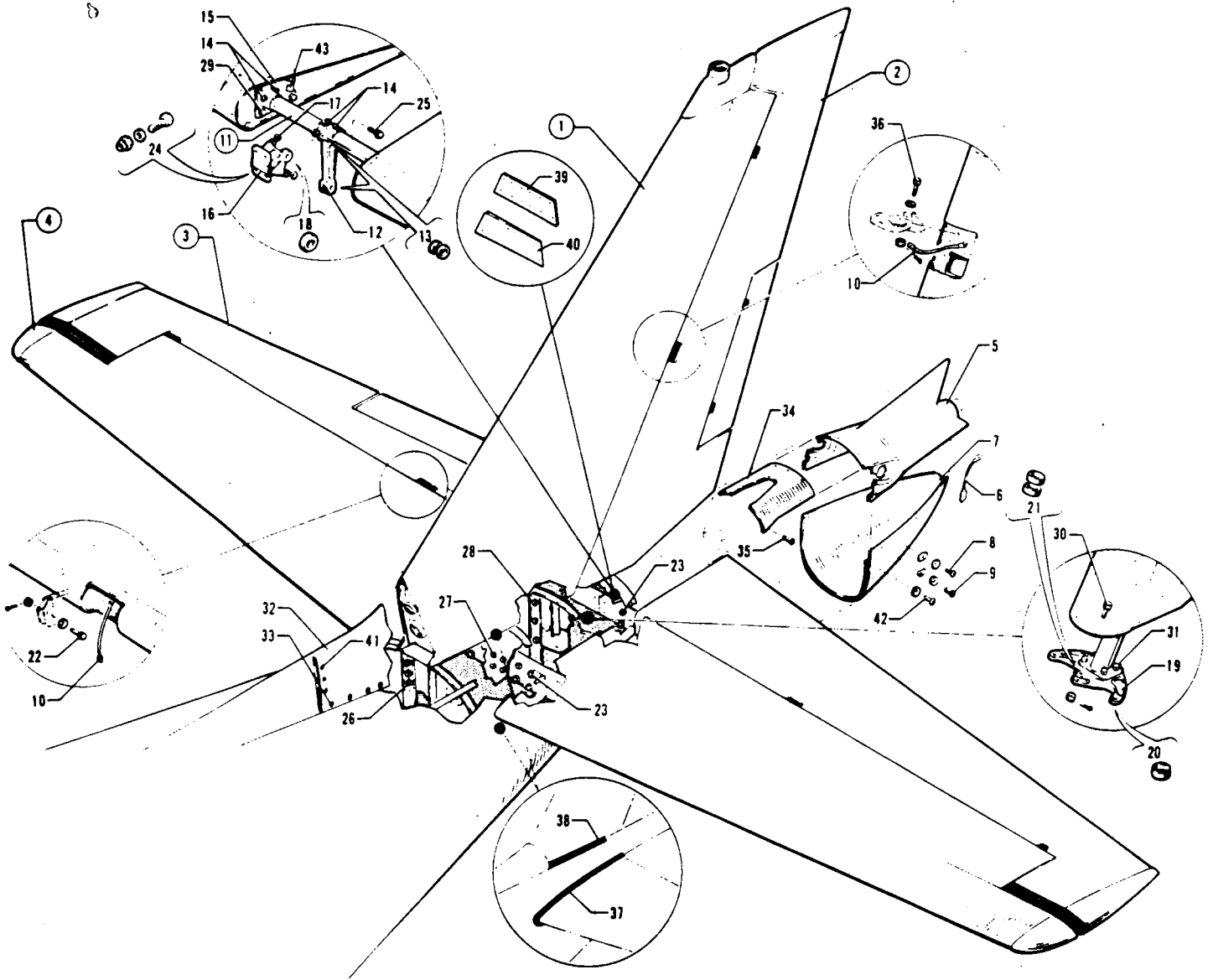


Figure 34. Tail Surfaces Installation

---

# PIPER PARTS CATALOG

---

## CODE EXPLANATIONS FOR FIGURE 34

- A - See Figure 35 for component parts.
- B - See Figure 36 for component parts.
- C - See Figure 38 for component parts.
- D - See Figure 37 for component parts.

3

PIPER PARTS CATALOG

Figure and Index Number	Part Number	Code	NOMENCLATURE	No. Req.	SERIAL NUMBERS AFFECTED
34-	40180		DRAWING - Tail Surfaces Installation		
-1	40170-27	A	FIN ASSEMBLY - Tail surface	1	
-2	40046-38	B	RUDDER ASSEMBLY - Tail surface	1	
-3	54232-24	C	ELEVATOR ASSEMBLY - Tail surface, left	1	
	54232-35	C	ELEVATOR ASSEMBLY - Tail surface, right	1	
-4	40155-26	D	STABILIZER ASSEMBLY - Tail surface, left	1	
	40155-27	D	STABILIZER ASSEMBLY - Tail surface, right	1	
-5	40365-14		FAIRING ASSEMBLY - Top, fuselage tail	1	
-6	48460-00		* STRAP ASSEMBLY - Lightning protection	1	
-7	40365-13		FAIRING ASSEMBLY - Bottom, fuselage tail	1	
-8	414 748		SCREW - (MS24693-S28)	10	
	494 071		WASHER - (A3236-012-1)	10	
	406 824		NUT - (NAS686A06)	10	
-9	414 748		SCREW - (MS24693-S28)	2	
	494 071		WASHER - (A3236-012-1)	2	
	406 819		NUT - (NAS687A06)	2	
-10	49972-03		STRAP ASSEMBLY - Lightning protection	6	
-11	40070-05		TUBE ASSEMBLY - Elevator torque	1	
-12	40006-00		* HORN ASSEMBLY - Elevator torque	1	
-13	14843-106		* * BUSHING	4	
-14	402 321		* BOLT - (AN174-22A)	6	
	407 565		* WASHER - (AN960-416)	6	
	404 888		* NUT - (MS20365-428C)	6	
-15	40066-00		* BRACKET - Elevator torque tube	2	
-16	40249-00		HINGE ASSEMBLY - Elevator center	1	
-17	71533-02		* SCREW - Stop	2	
	506 619		* NUT - (MS21340-22)	2	
-18	452 386		* BEARING - (NAS506-4)	1	
-19	40253-00		HORN ASSEMBLY - Rudder	1	
-20	61402-93		* BUSHING	2	
-21	14843-106		* BUSHING	2	
-22	402 310		BOLT - (AN174-12) Inboard hinges	2	
	402 303		BOLT - (AN174-11) Outboard and center hinges	4	
	407 565		WASHER - (AN960-416)	6	
	404 101		NUT - (AN310-4)	6	
	424 052		COTTER PIN - (MS24665-134)	6	
-23	401 189		BOLT - (AN5-11A)	16	
	407 566		WASHER - (AN960-516)	16	
	400 889		NUT - (MS20365-524C)	16	
-24	401 310		BOLT - (AN4-10A)	4	
	407 565		WASHER - (AN960-416)	8	
	404 888		NUT - (MS20365-428C)	4	
-25	402 313		BOLT - (AN174-13)	1	
	407 565		WASHER - (AN960-416) (under nut)	2	
	401 101		NUT - (AN310-4)	1	
	424 051		COTTER PIN - (MS24665-132)	1	
-26	401 187		BOLT - (AN5-7A)	6	
	407 566		WASHER - (AN960-516)	6	
	404 889		NUT - (MS20365-524C)	6	
-27	401 188		BOLT - (AN5-10A)	4	
	407 566		WASHER - (AN960-516)	4	
	404 889		NUT - (MS20365-524C)	4	

When ordering, always specify Part Number, Description and Serial Number of Aircraft



**PIPER PARTS CATALOG**

Figure and Index Number	Part Number	Code	NOMENCLATURE	No. Req.	SERIAL NUMBERS AFFECTED
34-28	401 187		BOLT - (AN5-7A)	6	
	407 566		WASHER - (AN960-516)	6	
	404 889		NUT - (MS20365-524C)	6	
-29	401 266		BOLT - (AN3-5A)	8	
	407 584		WASHER - (AN960-10L)	8	
-30	400 706		BOLT - (AN24-19)	1	
	404 393		NUT - (AN320-4)	1	
	424 051		COTTER PIN - (MS24665-132)	1	
-31	400 003		BOLT - (AN4-6A)	4	
	407 565		WASHER - (AN960-416)	4	
	404 888		NUT - (MS20365-428C)	4	
-32	46218-00		FAIRING ASSEMBLY - Fin	1	
-33	414 748		SCREW - (MS24693-S28)	20	
	494 071		WASHER - (A3236-012-1)	20	
	406 362		NUT - (CB095-632-1)	20	
-34	40770-00		PLATE - Access. Sta. 342.25 to Sta. 352	1	
-35	415 520		SCREW - (MS35206-230)	15	
-36	400 107		BOLT - (AN4-12)	2	
	407 565		WASHER - (AN960-416)	2	
	404 101		NUT - (AN310-4)	2	
	424 051		COTTER PIN - (MS24665-132)	2	
	20666-02		MOULDING - Stabilizer skin (475 159)	2	
-37	71059-06		ANGLE - Fin, drag, left	1	
	71059-07		ANGLE - Fin, drag, right	1	
-39	43709-02		SHIM - Flat (.032 thickness)	AR	
	43709-03		SHIM - Flat (.064 thickness)	AR	
	43709-04		SHIM - Flat (.091 thickness)	AR	
-40	43713-02		SHIM - Tapered (.064 thickness)	AR	
	43713-03		SHIM - Tapered (.091 thickness)	AR	
-41	414 763		SCREW - (MS24693-S50)	6	
-42	414 748		SCREW - (MS24693-S28)	16	
	494 071		WASHER - (A3236-012-1)	16	
	54931-02		SHIM - Elevator torque tube	AR	

When ordering, always specify Part Number, Description and Serial Number of Aircraft

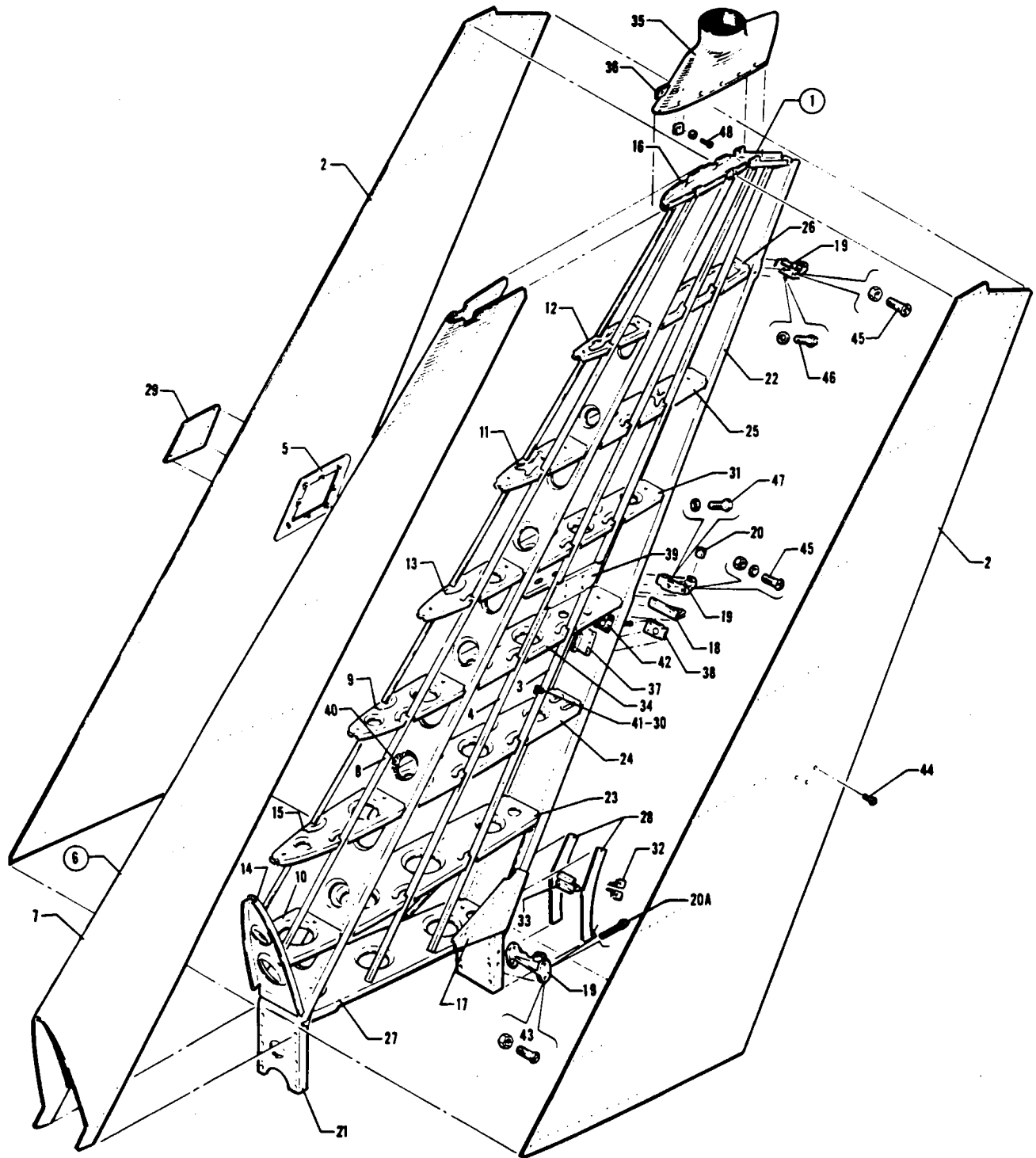


Figure 35. Fin Assembly

---

# PIPER PARTS CATALOG

---

## CODE EXPLANATIONS FOR FIGURE 35

- A - See Figure 93 for component parts.
- B - Used if Ground Recognition Beacon is installed.

**PIPER PARTS CATALOG**

Figure and Index Number	Part Number	Code	NOMENCLATURE	No. Req.	SERIAL NUMBERS AFFECTED
35-1	40170-27		FIN ASSEMBLY - Tail surfaces	1	
-2	40170-30		* SKIN ASSEMBLY - Fin, left	1	
	40170-29		* SKIN ASSEMBLY - Fin, right	1	
-3	40170-02		* * STRINGER - Fin, skin assembly, left	1	
	40170-03		* * STRINGER - Fin, skin assembly, right	1	
-4	40170-04		* * STRINGER - Fin, skin assembly, left	1	
	40170-05		* * STRINGER - Fin, skin assembly, right	1	
-5	42303-00		* * REINFORCEMENT PLATE - Fin, skin assembly, right	1	
-6	40170-14		* LEADING EDGE ASSEMBLY - Fin	1	
-7	40170-13		* * SKIN ASSEMBLY - Fin, leading edge	1	
-8	40170-06		* * STRINGER - Fin, leading edge, left	1	
	40170-07		* * STRINGER - Fin, leading edge, right	1	
-9	40126-02		* * RIB - Fin, leading edge, W.L. 55	1	
-10	40080-02		* * RIB - Fin, leading edge, W.L. 36.75	1	
-11	40094-03		* * RIB - Fin, leading edge, W.L. 74.5	1	
-12	40094-05		* * RIB - Fin, leading edge, W.L. 84.5	1	
-13	40095-03		* * RIB - Fin, leading edge, W.L. 64.75	1	
-14	40096-00		* * RIB - Fin, leading edge, W.L. 30.125 to W.L. 44.75	1	
-15	40125-00		* * RIB - Fin, leading edge, W.L. 46	1	
-16	40104-03		* RIB ASSEMBLY - Fin tip, rear	1	
	40104-05		* RIB ASSEMBLY - Fin tip, front	1	
-17	40170-24		* GUSSET - Fin, Sta. 342.25, W.L. 27.5, left	1	
	40170-23		* GUSSET - Fin, Sta. 342.25, W.L. 27.5, right	1	
-18	40002-00		* PLATE - Fin, rudder tab screw guide	1	
-19	40219-00		* HINGE ASSEMBLY - Rudder attachment, lower	1	
	40233-00		* HINGE ASSEMBLY - Rudder attachment, center	1	
	48055-00		* HINGE ASSEMBLY - Rudder attachment, upper	1	
-20	452 386		* * BEARING - Fin, hinge assembly (NAS-506-4)	1	
-20a	71533-02		* * SCREW - Stop, lower hinge	2	
	404 678		* * NUT - (AN345-10), lower hinge	2	
-21	40026-02		* SPAR ASSEMBLY - Fin, front	1	
-22	40026-03		* SPAR ASSEMBLY - Fin, rear	1	
-23	40080-04		* RIB ASSEMBLY - Fin, main, W.L. 36.75	1	
-24	74027-02		* RIB ASSEMBLY - Fin, main, W.L. 46	1	
-25	40094-02		* RIB - Fin, main, W.L. 74.5	1	
-26	40094-04		* RIB - Fin, main, W.L. 84.5	1	
-27	44294-00		* RIB ASSEMBLY - Fin, main, bottom	1	
-28	40108-00		* PLATE - Fin, bottom rear spar reinforcement	2	
-29	42301-00		* PLATE - Fin, access hole cover	1	
-30	415 493		* SCREW - (MS35206-228)	1	
	404 909		* NUT - (MS20365-632C)	1	
-31	40095-04		* RIB ASSEMBLY - Fin, main, W.L. 64.85	1	
-32	40344-00		* CLIP - Fin, bottom rear and forward spar stiffener	8	
-33	40342-02		* CHANNEL - Fin, bottom rear spar stiffener	1	
	40342-03		* CHANNEL - Fin, bottom, forward spar stiffener	1	
-34	40126-04		* RIB ASSEMBLY - Fin, main, W.L. 55	1	
-35	44943-03		* TIP ASSEMBLY - Fin	1	
	49511-02	B	* TIP ASSEMBLY - Fin	1	
-36	42819-00		* * FITTING - Antenna attachment, left	1	
	42819-01		* * FITTING - Antenna attachment, right	1	
-37	40777-00		* BRACKET ASSEMBLY - Rudder trim tab rheostat	1	
-38	40781-00		* PLATE - Fin spar filler	1	
-39	48613-02		* BRACKET - Antenna mounting, left	1	
	48613-03		* BRACKET - Antenna mounting, right	1	
-40	463 376		* GROMMET - Caterpillar (G51H, Type "A") Front spar	1	
-41	454 927		* CLAMP - (PS10017-2-2)	1	
-42	40038-00	A	* SCREW ASSEMBLY - Rudder trim tab	1	

When ordering, always specify Part Number, Description and Serial Number of Aircraft

**PIPER PARTS CATALOG**

Figure and Index Number	Part Number	Code	NOMENCLATURE	No. Req.	SERIAL NUMBERS AFFECTED
35-43	400 053		* SCREW - (AN3-6)	4	
	404 887		* NUT - (MS20365-1032C)	4	
-44	414 507		* SCREW - (MS24693-S26)	3	
-45	411 211		* SCREW - (NAS221-11)	2	
	407 584		* WASHER - (AN960-10L)	1	
	404 887		* NUT - (MS20365-1032C)	2	
-46	400 438		* BOLT - (AN3-4A)	1	
-47	401 266		* BOLT - (AN3-5A)	1	
	407 584		* WASHER - (AN960-10L)	1	
-48	414 748		* SCREW - Tip attachment (MS24693-S28)	12	
	494 071		* WASHER - Tip attachment (A3236-012-1)	12	
	406 355		* NUT - Tip attachment (A6052-632-1)	12	

When ordering, always specify Part Number, Description and Serial Number of Aircraft

# PIPER PARTS CATALOG

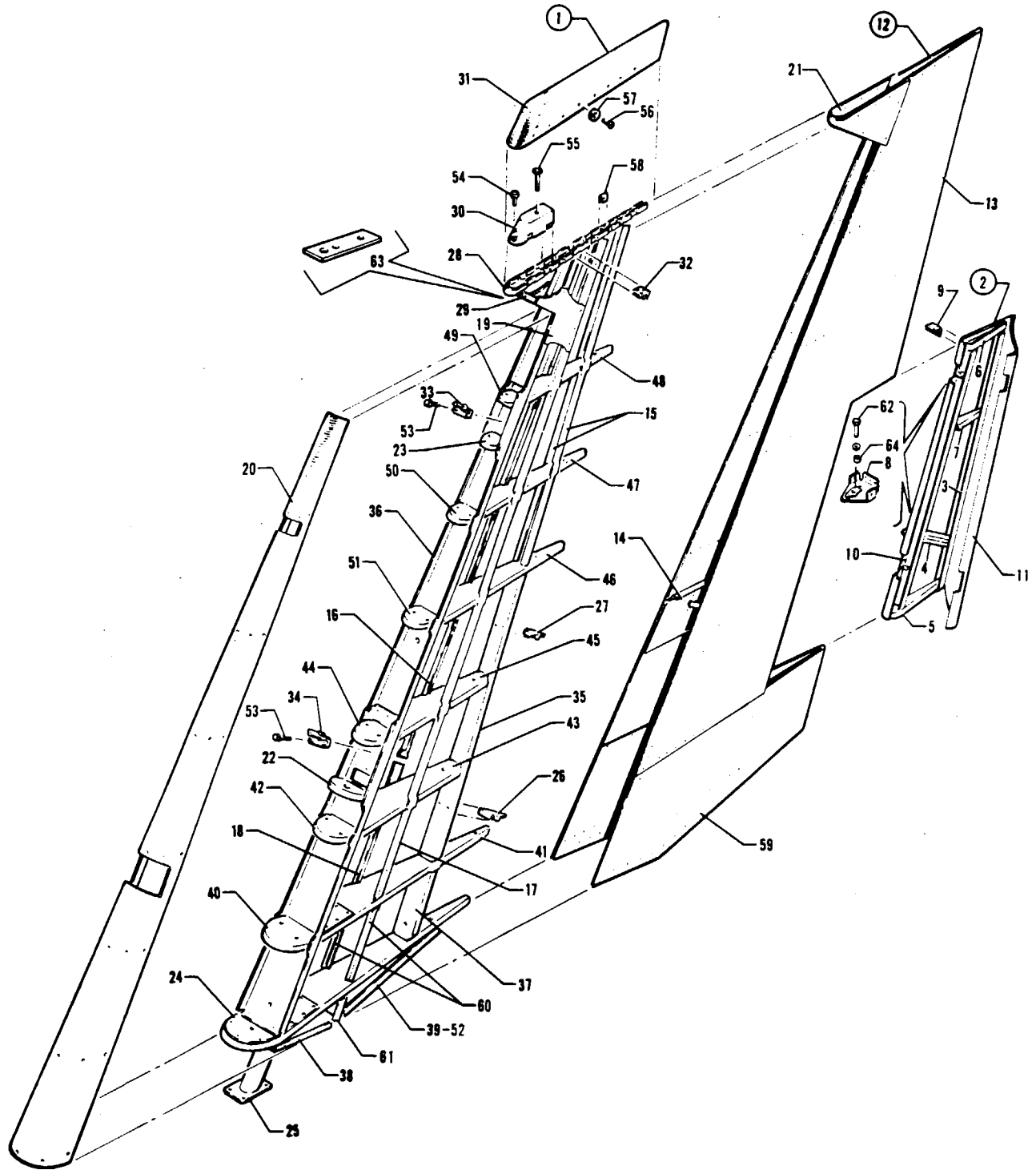


Figure 36. Rudder Assembly

---

# PIPER PARTS CATALOG

CODE EXPLANATIONS FOR FIGURE 36

PIPER PARTS CATALOG

Figure and Index Number	Part Number	Code	NOMENCLATURE	No. Req.	SERIAL NUMBERS AFFECTED
36-1	40046-38		RUDDER ASSEMBLY	1	
-2	40008-00		* TAB ASSEMBLY - Rudder	1	
-3	40340-00		* * CHANNEL - Rudder tab	1	
-4	40015-00		* * HORN ASSEMBLY - Rudder tab	1	
-5	40014-02		* * RIB - Rudder tab, bottom	1	
-6	40014-03		* * RIB - Rudder tab, top	1	
-7	40013-04		* * RIB - Rudder tab	1	
-8	40012-03		* * HINGE ASSEMBLY - Tab, top	1	
	40012-02		* * HINGE ASSEMBLY - Tab, bottom	1	
-9	40010-00		* * CLIP - Rudder tab spar attachment	1	
-10	40009-00		* * SPAR - Rudder tab	1	
-11	40008-02		* * SKIN - Tab assembly	1	
-12	40046-36		* SKIN ASSEMBLY - Rudder	1	
-13	40046-35		* * SKIN - Rudder side	1	
-14	40046-16		* * PLATE - Rudder tab control rod, opening reinforcement, right	1	
-15	40046-05		* * CHANNEL - Rudder skin reinforcement	2	
-16	40046-07		* * CHANNEL - Rudder skin reinforcement, right	1	
-17	40046-08		* * CHANNEL - Rudder skin reinforcement, left	1	
-18	40046-09		* * CHANNEL - Rudder skin reinforcement, right	1	
-19	40046-32		* * GUSSET - Rudder reinforcement, left	1	
	40046-33		* * GUSSET - Rudder reinforcement, right	1	
-20	40046-11		* SKIN - Rudder leading edge	1	
-21	40046-04		* SKIN - Rudder leading edge, upper	1	
-22	46959-00		* RIB - Rudder, leading edge, W.L. 50.00	1	
-23	40023-03		* RIB - Rudder, leading edge, W.L. 81.75	1	
-24	40039-00		* RIB - Rudder butt	1	
-25	40040-09		* TUBE ASSEMBLY - Rudder torque	1	
-26	40042-02		* BRACKET ASSEMBLY - Rudder tab hinge, bottom	1	
-27	40043-00		* BRACKET ASSEMBLY - Rudder tab hinge, top	1	
-28	40044-00		* RIB ASSEMBLY - Rudder tip	1	
-29	40045-06		* CHANNEL ASSEMBLY - Rudder tip support	1	
-30	54159-00		* BALANCE WEIGHT - Rudder	1	
-31	40363-12		* TIP - Rudder	1	
-32	40048-00		* CLIP - Rudder spar	1	
-33	51108-04		* HINGE ASSEMBLY - Rudder, upper	1	
-34	51109-04		* HINGE ASSEMBLY - Rudder, lower	1	
-35	40067-00		* SPAR - Rudder stub	1	
-36	40068-08		* SPAR ASSEMBLY - Rudder	1	
-37	40069-00		* CHANNEL - Rudder skin support	1	
-38	40077-02		* ANGLE - Rudder skin support	2	
-39	40077-03		* ANGLE - Rudder skin support, right	1	
-40	40078-02		* RIB - Rudder, leading edge, W.L. 36.75	1	
-41	40078-03		* RIB - Rudder, main, W.L. 36.75	1	
-42	40079-02		* RIB - Rudder, leading edge, W.L. 46	1	
-43	40079-03		* RIB - Rudder, main, W.L. 46	1	
-44	40079-04		* RIB - Rudder, leading edge, W.L. 55	1	
-45	40079-05		* RIB - Rudder, main, W.L. 55	1	
-46	40083-02		* RIB - Rudder, main, W.L. 64.75	1	
-47	40083-03		* RIB - Rudder, main, W.L. 74.5	1	
-48	40083-04		* RIB - Rudder, main, W.L. 84.50	1	
-49	40083-05		* RIB - Rudder, leading edge, W.L. 84.50	1	
-50	40083-06		* RIB - Rudder, leading edge, W.L. 74.50	1	
-51	40083-07		* RIB - Rudder, leading edge, W.L. 64.75	1	
-52	40077-04		* ANGLE - Rudder skin support, left	1	
-53	400 438		* BOLT - Rudder hinge attachment (AN3-4A)	4	

When ordering, always specify Part Number, Description and Serial Number of Aircraft



**PIPER PARTS CATALOG**

Figure and Index Number	Part Number	Code	NOMENCLATURE	No. Req.	SERIAL NUMBERS AFFECTED
36-54	400 441		* BOLT - Rudder balance weight attachment (AN3-7A)	1	
-55	400 463		* BOLT - Rudder balance weight attachment (AN3-40A)	1	
-56	414 748		* SCREW - Rudder tip attachment (MS24693-S28)	16	
-57	494 071		* WASHER - Rudder tip attachment (AN3236-012-1)	16	
-58	406 355		* NUT - Rudder tip attachment (A6052-632-1)	16	
-59	40046-20		* SKIN - Rudder	1	
-60	40046-18		* CHANNEL - Rudder skin reinforcement, left	1	
	40046-19		* CHANNEL - Rudder skin reinforcement, right	1	
-61	40021-00		* CHANNEL - Rudder skin support	1	
-62	400 440		* BOLT - (AN3-6A)	2	
	81342-09		* WASHER	2	
-63	53892-02		* WEIGHT - Rudder	2	
-64	41413-51		* BUSHING	2	

When ordering, always specify Part Number, Description and Serial Number of Aircraft

# PIPER PARTS CATALOG

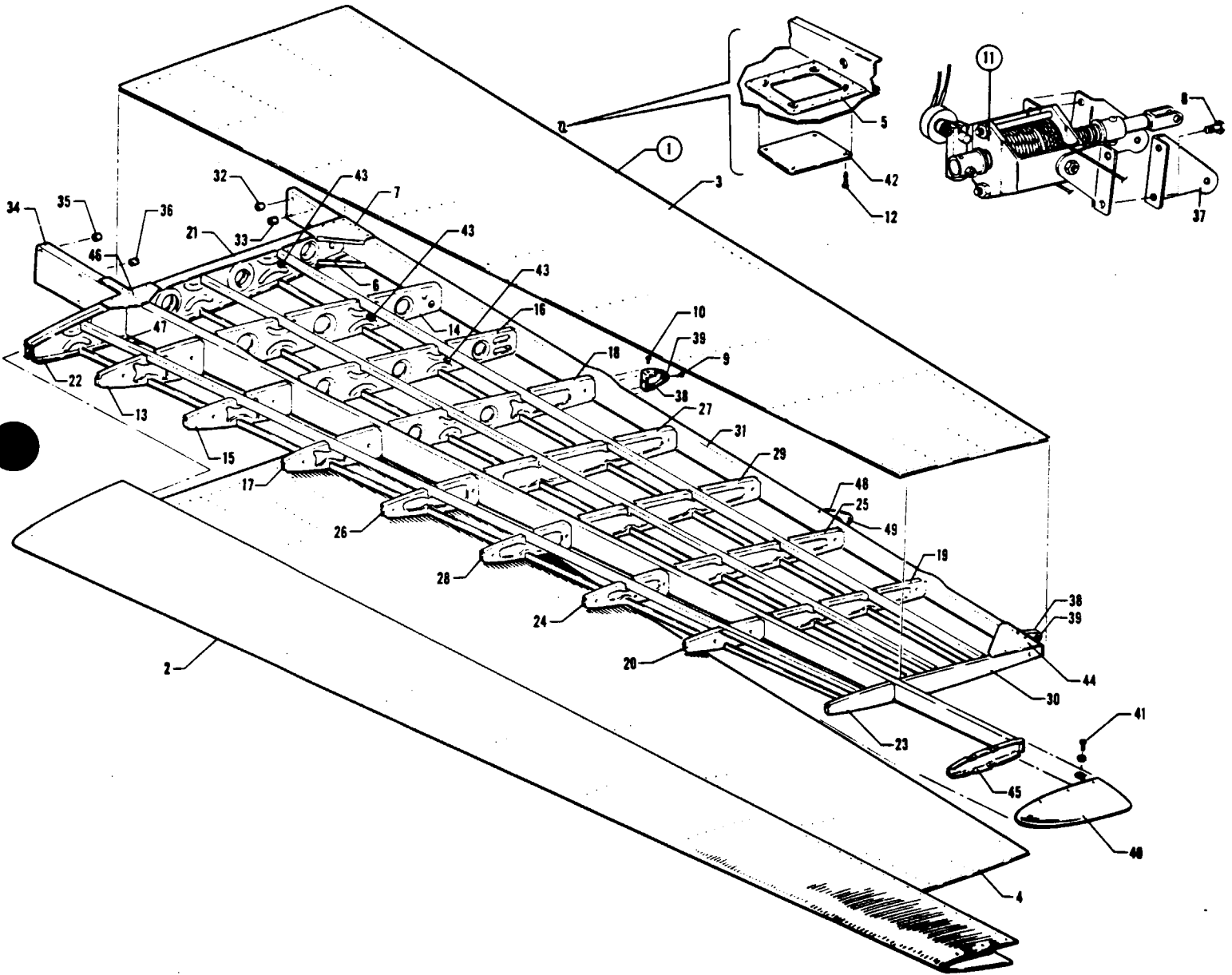


Figure 37. Stabilizer Assembly

---

# PIPER PARTS CATALOG

---

CODE EXPLANATIONS FOR FIGURE 37

A - See Figure 95 for component parts.

PIPER PARTS CATALOG

Figure and Index Number	Part Number	Code	NOMENCLATURE	No. Req.	SERIAL NUMBERS AFFECTED
37-1	40155-26		STABILIZER ASSEMBLY - Left	1	
	40155-27		STABILIZER ASSEMBLY - Right	1	
-2	40155-14		* SKIN ASSEMBLY - Stabilizer, leading edge, left	1	
	40155-15		* SKIN ASSEMBLY - Stabilizer, leading edge, right	1	
-3	40155-16		* SKIN ASSEMBLY - Stabilizer, top, left	1	
	40155-19		* SKIN ASSEMBLY - Stabilizer, top, right	1	
-4	40155-18		* SKIN ASSEMBLY - Stabilizer, bottom, left	1	
	40155-17		* SKIN ASSEMBLY - Stabilizer, bottom, right	1	
-5	42317-00		* * PLATE ASSEMBLY - Access hole reinforcing, right	1	
-6	42258-00		* GUSSET - Stabilizer, bottom, left	1	
	42258-01		* GUSSET - Stabilizer, bottom, right	1	
-7	42226-00		* GUSSET - Stabilizer, top, left	1	
	42226-01		* GUSSET - Stabilizer, top, right	1	
-8	400 440		* BOLT - Elevator trim screw (AN3-6A)	4	
-9	400 440		* BOLT - (AN3-6A)	2	
	407 584		* WASHER - (AN960-10L)	2	
-10	411 211		* SCREW - (NAS221-11)	2	
	407 584		* WASHER - (AN960-10L)	2	
	404 887		* NUT - (MS20365-1032C)	2	
-11	53850-00	A	* SCREW ASSEMBLY - Elevator trim tab, right	1	
-12	414 763		* SCREW - (MS24693-S50)	4	
-13	40053-02		* RIB - Stabilizer, front, Sta. 19.5	1	
-14	40053-03		* RIB - Stabilizer, rear, Sta. 19.5	1	
-15	40055-02		* RIB - Stabilizer, front, Sta. 28.5	1	
-16	40055-03		* RIB - Stabilizer, rear, Sta. 28.5	1	
-17	40057-02		* RIB - Stabilizer, front, Sta. 38	1	
-18	40057-03		* RIB - Stabilizer, rear, Sta. 38, left	1	
	43213-00		* RIB ASSEMBLY - Stabilizer, rear, Sta. 38, right	1	
-19	40087-02		* RIB - Stabilizer, rear, Sta. 78	1	
-20	40087-03		* RIB - Stabilizer, front, Sta. 78	1	
-21	42230-10		* RIB ASSEMBLY - Stabilizer, rear, Sta. 12.62, left	1	
	42230-11		* RIB ASSEMBLY - Stabilizer, rear, Sta. 12.62, right	1	
-22	42230-12		* RIB ASSEMBLY - Stabilizer, front, Sta. 12.62, left	1	
	42230-13		* RIB ASSEMBLY - Stabilizer, front, Sta. 12.62, right	1	
-23	40091-00		* RIB - Stabilizer tip, Sta. 92	1	
-24	40100-02		* RIB - Stabilizer, front, Sta. 68	1	
-25	40100-03		* RIB - Stabilizer, rear, Sta. 68	1	
-26	40102-02		* RIB - Stabilizer, front, Sta. 48	1	
-27	40102-03		* RIB - Stabilizer, rear, Sta. 48	1	
-28	40102-04		* RIB - Stabilizer, front, Sta. 58	1	
-29	40102-05		* RIB - Stabilizer, rear, Sta. 58	1	
-30	41795-00		* RIB - Stabilizer tip, Sta. 91.12	1	
-31	40122-02		* SPAR ASSEMBLY - Stabilizer, left	1	
	40122-03		* SPAR ASSEMBLY - Stabilizer, right	1	
-32	61402-90		* * BUSHING - Stabilizer, spar assembly	2	
-33	453 780		* * BUSHING - Stabilizer, spar assembly (NAS77-5-38)	4	
-34	40122-16		* SPAR ASSEMBLY - Stabilizer, left	1	
	40122-15		* SPAR ASSEMBLY - Stabilizer, right	1	
-35	453 729		* * BUSHING - Stabilizer, spar assembly (NAS77-5-23)	2	
-36	453 781		* * BUSHING - Stabilizer, spar assembly (NAS77-5-43)	4	
-37	43206-00		* ANGLE - Elevator tab pulley, left	1	
	43206-01		* ANGLE - Elevator tab pulley, right	1	
-38	40237-00		* HINGE ASSEMBLY - Elevator attachment, inboard	1	
	71700-02		* HINGE ASSEMBLY - Elevator attachment, outboard	1	
-39	452 386		* * BEARING - Stabilizer hinge assembly (NAS506-4)	1	

When ordering, always specify Part Number, Description and Serial Number of Aircraft

**PIPER PARTS CATALOG**

Figure and Index Number	Part Number	Code	NOMENCLATURE	No. Req.	SERIAL NUMBERS AFFECTED
37-40	40364-02		* TIP - Stabilizer, Sta. 92	1	
-41	414 748		* SCREW - Flat head (MS24693-S28)	6	
	494 071		* WASHER - (A3236-012-1)	6	
	406 355		* NUT - (A6052-632-1)	6	
-42	42316-00		* PLATE - Stabilizer, access hole cover, right	1	
-43	434 126		* GROMMET - Stabilizer wire, right (MS35489-4)	3	
-44	74037-02		* GUSSET - Stabilizer reinforcement	2	
-45	43210-00		* RIB - Stabilizer (B. L. 104.75)	1	
-46	42227-00		* GUSSET - Stabilizer, front spar, top, left	1	
	42227-01		* GUSSET - Stabilizer, front spar, top, right	1	
-47	42257-00		* GUSSET - Stabilizer, front spar, bottom, left	1	
	42257-01		* GUSSET - Stabilizer, front spar, bottom, right	1	
-48	71700-03		* HINGE ASSEMBLY - Elevator (B. L. 65.75)	1	
-49	452 386		* * BEARING - Elevator hinge (NAS506-4)	1	

When ordering, always specify Part Number, Description and Serial Number of Aircraft

# PIPER PARTS CATALOG

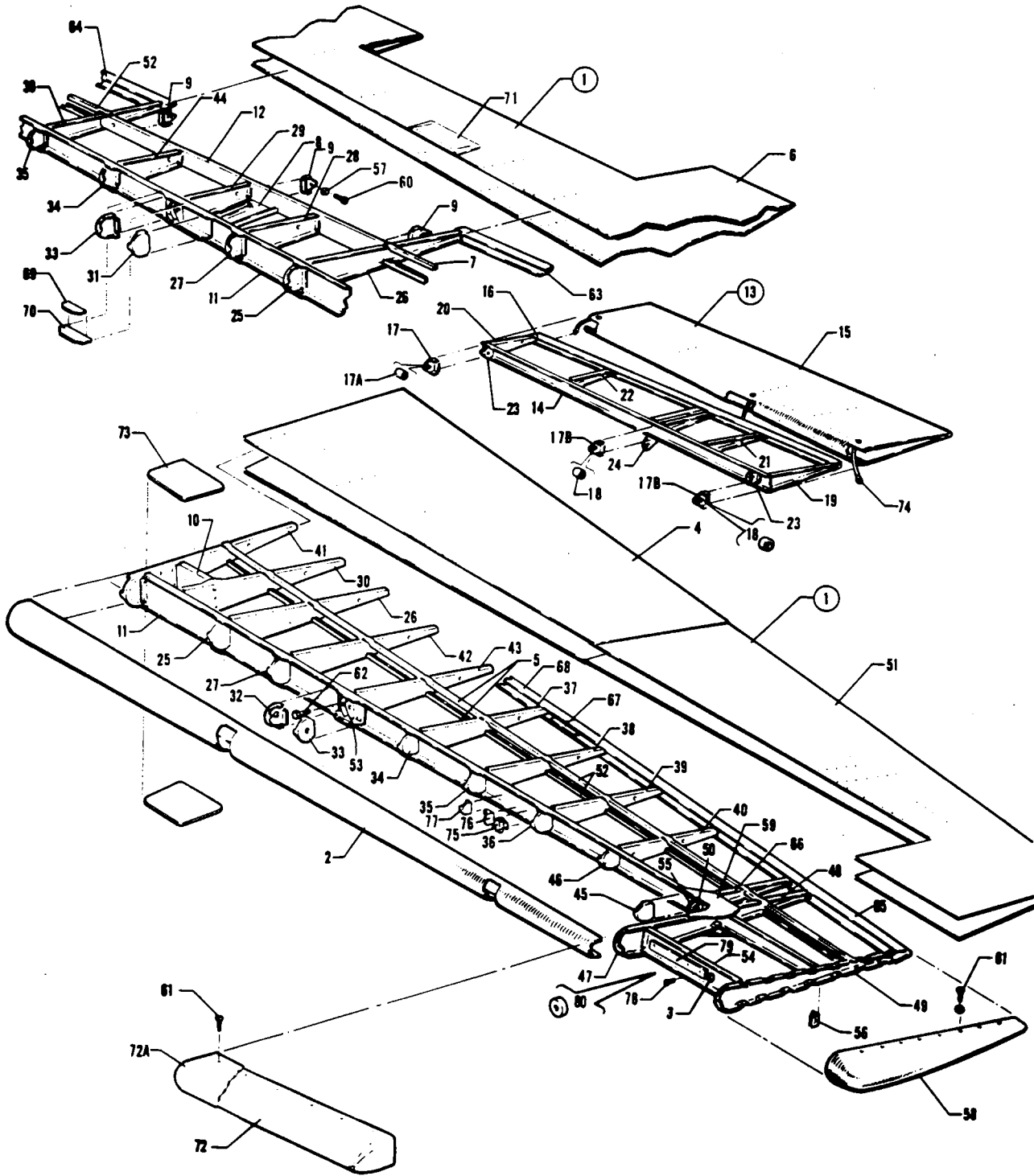


Figure 38. Elevator Assembly

---

# PIPER PARTS CATALOG

CODE EXPLANATIONS FOR FIGURE 38

PIPER PARTS CATALOG

Figure and Index Number	Part Number	Code	NOMENCLATURE	No. Req.	SERIAL NUMBERS AFFECTED
38-1	54232-24		ELEVATOR ASSEMBLY - Left	1	
	54232-35		ELEVATOR ASSEMBLY - Right	1	
-2	54232-06		* SKIN - Elevator leading edge, left	1	
	54232-07		* SKIN - Elevator leading edge, right	1	
-3	43332-00		* WASHER - Balance (.035 thick)	1	
-4	40140-12		* SKIN ASSEMBLY - Elevator, left	1	
-5	40140-07		* * CHANNEL - Elevator, center, left	2	
-6	40140-13		* SKIN ASSEMBLY - Elevator, right	1	
-7	40140-08		* * CHANNEL - Elevator, center, right	2	
-8	40140-11		* * PLATE - Reinforcement, tab control rod hole, right	1	
-9	40042-08		* BRACKET ASSEMBLY - Tab hinge, inboard, right	1	
	40042-09		* BRACKET ASSEMBLY - Tab hinge, center, right	1	
	40042-10		* BRACKET ASSEMBLY - Tab hinge, outboard, right	1	
-10	40060-00		* CHANNEL - Elevator, inboard	1	
-11	40075-14		* SPAR ASSEMBLY - Elevator, leading edge, left	1	
	40075-16		* SPAR ASSEMBLY - Elevator, leading edge, right	1	
-12	40076-00		* SPAR - Elevator stud, center, right	1	
-13	42480-04		* TAB ASSEMBLY - Elevator, right	1	
-14	43217-02		* * SPAR - Elevator tab, leading edge	1	
-15	42480-03		* * SKIN - Elevator tab	1	
-16	16754-02		* * CHANNEL - Elevator tab, trailing edge	1	
-17	40012-22		* * HINGE ASSEMBLY - Elevator tab, inboard	1	
-17a	453 794		* * * BEARING - Elevator tab hinge assembly (NAS77-5-19)	1	
-17b	40012-12		* * HINGE ASSEMBLY - Elevator tab, center	1	
	40012-13		* * HINGE ASSEMBLY - Elevator tab, outboard	1	
-18	453 794		* * * BEARING - Elevator tab hinge assembly (NAS77-5-19)	1	
-19	43211-02		* * RIB - Elevator tab, B. L. 19.75	1	
-20	43212-02		* * RIB - Elevator tab, B. L. 57.12	1	
-21	40050-02		* * RIB - Elevator tab, B. L. 28.50	1	
-22	40050-05		* * RIB - Elevator tab, B. L. 48	1	
-23	43211-03		* * RIB - Elevator tab, inboard	1	
	43212-03		* * RIB - Elevator tab, outboard	1	
-24	43221-00		* * HORN ASSEMBLY - Elevator tab, B. L. 35.69	1	
-25	40052-02		* RIB - Elevator nose, leading edge, B. L. 19.5	1	
-26	40052-03		* RIB - Elevator, B. L. 19.5	1	
-27	40054-02		* RIB - Elevator nose, leading edge, B. L. 28.5	1	
-28	40054-03		* RIB - Elevator, B. L. 28.5, right	1	
-29	40056-00		* RIB - Elevator, B. L. 37.8, right	1	
-30	40058-00		* RIB - Elevator, B. L. 12	1	
-31	40059-08		* RIB - Elevator nose, leading edge, right	1	
-32	40059-03		* RIB - Elevator nose, leading edge, left	1	
-33	40059-04		* RIB - Elevator nose, leading edge	1	
-34	40086-02		* RIB - Elevator, leading edge, B. L. 48	1	
-35	40086-03		* RIB - Elevator, leading edge, B. L. 58	1	
-36	40086-08		* RIB - Elevator, leading edge, B. L. 68	1	
-37	40086-05		* RIB - Elevator, B. L. 48, left	1	
-38	40086-06		* RIB - Elevator, B. L. 58	1	
-39	40086-07		* RIB - Elevator, B. L. 68	1	
-40	40088-00		* RIB - Elevator, B. L. 77.8	1	
-41	40090-00		* RIB - Elevator, B. L. 7.42 canted	1	
-42	40098-00		* RIB - Elevator, B. L. 28.5, left	1	
-43	40099-00		* RIB - Elevator, B. L. 37.8, left	1	
-44	40173-00		* RIB - Elevator, B. L. 48, right	1	
-45	40059-07		* RIB - Elevator nose, B. L. 89	1	
-46	42214-00		* RIB - Elevator nose, B. L. 77.88	1	
-47	43745-00		* RIB - Elevator, B. L. 92.38	1	

When ordering, always specify Part Number, Description and Serial Number of Aircraft



## PIPER PARTS CATALOG

Figure and Index Number	Part Number	Code	NOMENCLATURE	No. Req.	SERIAL NUMBERS AFFECTED
38-48	42218-04		* RIB - Elevator, B. L. 92.38	1	
-49	43743-00		* RIB ASSEMBLY - Elevator, B. L. 104.75, left	1	
	43743-01		* RIB ASSEMBLY - Elevator, B. L. 104.75, right	1	
-50	42231-04		* BRACKET ASSEMBLY - Elevator, outboard hinge	1	
-51	43757-16		* SKIN ASSEMBLY - Elevator, B. L. 58 to 104.75, left	1	
	43757-15		* SKIN ASSEMBLY - Elevator, B. L. 58 to 104.75, right	1	
-52	43757-05		* CHANNEL - Elevator, B. L. 58 to 104.75	2	
-53	44955-05		* HINGE ASSEMBLY - Elevator, Sta. 38.125	1	
-54	43744-04		* CHANNEL - Elevator, B. L. 92.38 to 104.75	1	
-55	49758-02		* BRACKET ASSEMBLY - Elevator, outboard hinge	1	
-56	43752-00		* CLIP - Elevator spar attachment	1	
-57	41413-51		* BUSHING - Elevator, right	3	
-58	43741-00		* TIP ASSEMBLY - Elevator, left	1	
	43741-01		* TIP ASSEMBLY - Elevator, right	1	
-59	42225-00		* GUSSET - Elevator, B. L. 92.38	2	
-60	400 440		* BOLT - (AN3-6A) right	3	
	407 564		* WASHER - (AN960-10) right	3	
-61	414 748		* SCREW - (MS24693-S28)	26	
	494 071		* WASHER - (A3236-012-1)	26	
	406 355		* NUT - (A6052-632-1)	26	
-62	400 438		* BOLT - (AN3-4A)	2	
-63	40140-24		* CHANNEL - Trailing edge, inboard, right	1	
-64	40140-25		* CHANNEL - Trailing edge, outboard, right	1	
-65	40140-23		* CHANNEL - Trailing edge, left	1	
-66	42417-00		* RIB - Elevator, B. L. 89	1	
-67	40140-27		* SPLICE - Channel, trailing edge, left, B. L. 51.25	1	
-68	40140-26		* CHANNEL - Trailing edge, left	1	
-69	44974-00		* PLATE - Elevator, antiservo, right	1	
-70	43232-00		* PLATE - Elevator, antiservo, right	1	
-71	43384-00		* PLATE - Spar reinforcement cover, right	1	
-72	43748-00		* TIP ASSEMBLY - Elevator leading edge	1	
-72a	44322-02		* BOOT - Top, elevator leading edge	1	
-73	40140-10		* PLATE - Spar reinforcement, inboard	2	
-74	49972-04		* STRAP ASSEMBLY - Lightning protection	3	
-75	53885-02		* HINGE ASSEMBLY - Elevator center, outboard left, inboard right	1	
-76	53885-04		* HINGE - Elevator center, inboard left outboard, right	1	
-77	54227-02		* RIB - Elevator nose	1	
-78	400 440		* BOLT - (AN3-6A)	8	
	407 584		* WASHER - (AN960-10L) (inboard bolt)	2	
-79	53104-00		* WEIGHT - Balance	1	
-80	43332-00		WASHER - Balance (.035 thick)	AR	
	80122-122		WASHER - Balance (.040 thick)	AR	

When ordering, always specify Part Number, Description and Serial Number of Aircraft

1G21 THRU 1G24  
INTENTIONALLY LEFT BLANK

# PIPER PARTS CATALOG

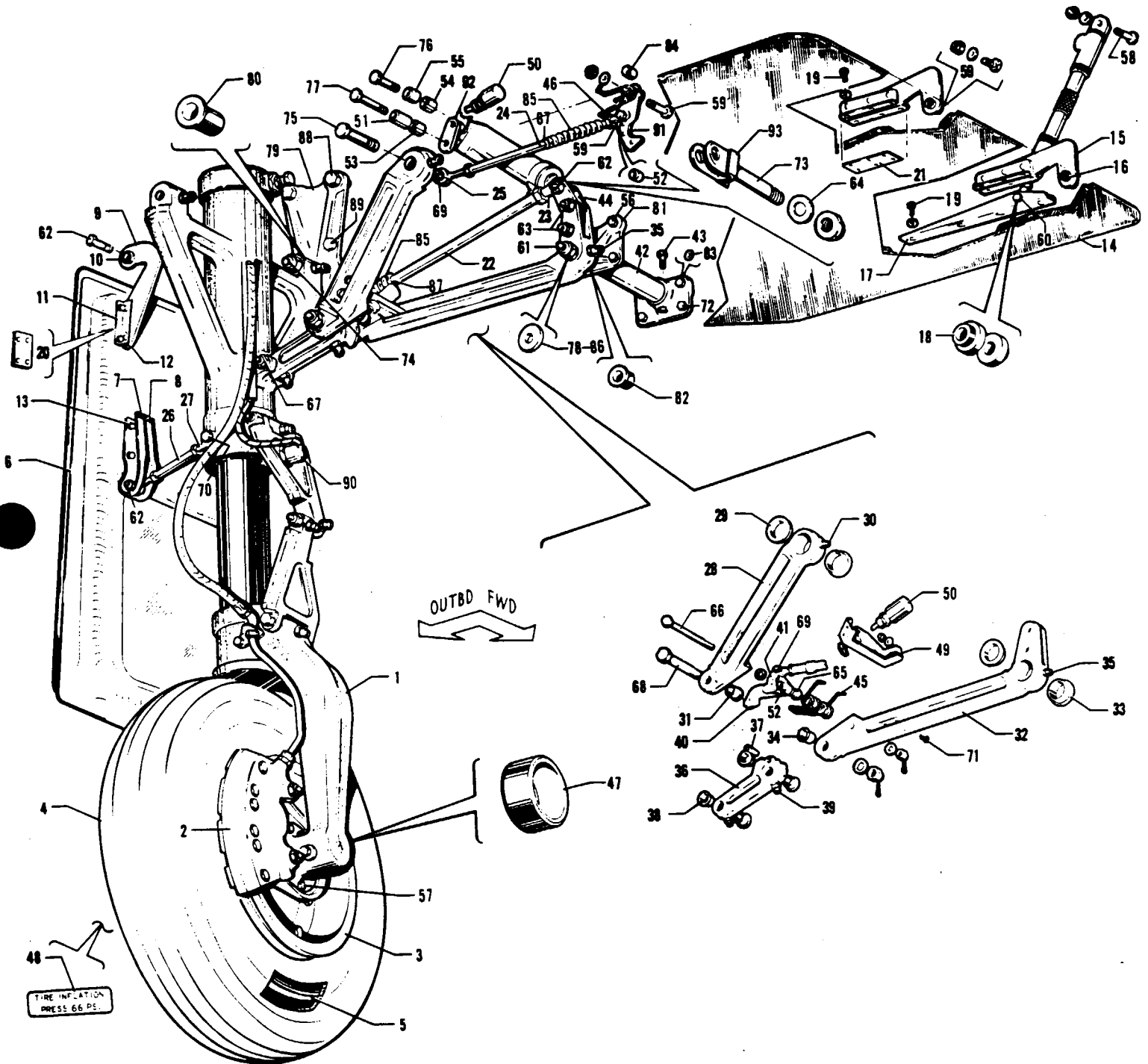


Figure 39 Main Landing Gear Installation

---

# PIPER PARTS CATALOG

---

## CODE EXPLANATIONS FOR FIGURE 39

- A - See Figure 40 for component parts
- B - See Figure 41 for component parts
- C - See Figure 42 for component parts.
- D - See Figure 43 for component parts.
- E - See Figure 44 for component parts.
- F - Used if Cleveland wheels, Part No. 40-130 and Cleveland brakes, Part No. 30-95A are installed.
- G - Used if Cleveland wheels, Part No. 40-141 and Cleveland brakes, Part No. 30-123 are installed.
- H - Used if air conditioning or heated lift detector is installed.

**PIPER PARTS CATALOG**

Figure and Index Number	Part Number	Code	NOMENCLATURE	No. Req.	SERIAL NUMBERS AFFECTED
39-	42053		DRAWING - Main Landing Gear Installation		
-1	45504-02	A F	STRUT ASSEMBLY - Main landing gear, left	1	31-8253001 to 31-8353007 incl
	45504-24	A F	STRUT ASSEMBLY - Main landing gear, left	1	31-8453001 and up
	45504-12	A G	STRUT ASSEMBLY - Main landing gear, left	1	31-8253001 to 31-8353007 incl
	45504-26	A G	STRUT ASSEMBLY - Main landing gear, left	1	31-8453001 and up
	45504-03	A F	STRUT ASSEMBLY - Main landing gear, right	1	31-8253001 to 31-8353007 incl
	45504-25	A F	STRUT ASSEMBLY - Main landing gear, right	1	31-8453001 and up
	45504-13	A G	STRUT ASSEMBLY - Main landing gear, right	1	31-8253001 to 31-8353007 incl
	45504-27	A G	STRUT ASSEMBLY - Main landing gear, right	1	31-8453001 and up
-2	551 731	E	BRAKE ASSEMBLY - (30-95A L. H. Cleveland), left	1	
	551 730	E	BRAKE ASSEMBLY - (30-95A R. H. Cleveland), right	1	
	551 744	D	BRAKE ASSEMBLY - (30-123 Cleveland) Heavy duty	2	
-3	551 769	C	WHEEL ASSEMBLY - (40-130 Cleveland)	2	
	551 793	B	WHEEL ASSEMBLY - (40-141 Cleveland) Heavy duty	1	
-4	761 979		TIRE - (6 50 x 10, 8 ply) B. F. Goodrich	2	
	761 997		TIRE - (6 50 x 10, 8 ply) McCreary Airhawk	2	
	762 035		TIRE - (6 50 x 10, 8 ply) Goodyear Flight Custom II	2	
-5	451 738		TUBE - (6 50 x 10 Reg.)	2	
-6	42059-06		DOOR ASSEMBLY - Main landing gear, outboard	2	
-7	42025-00		* BRACKET ASSEMBLY - Gear door actuator, rear	2	
-8	42025-01		* BRACKET ASSEMBLY - Gear door actuator, forward	2	
-9	42059-07		* HINGE ASSEMBLY - Door, main gear, outboard	2	
-10	25704-00		* * BEARING - Hinge assembly	1	
-11	46121-02		* * ANGLE - Hinge attachment, rear	2	
-12	46121-03		* * ANGLE - Hinge attachment, forward	2	
-13	400 438		* BOLT - (AN3-4A)	16	
-14	47529-30		DOOR ASSEMBLY - Main landing gear, inboard, left	1	
	47529-31		DOOR ASSEMBLY - Main landing gear, inboard, right	1	
-15	47529-32		* HINGE ASSEMBLY - Door, main landing gear, inboard	2	
-16	25704-00		* * BEARING - Door hinge, main landing gear	1	
-17	43711-00		* BRACKET ASSEMBLY - Main gear door, inboard	1	
-18	20737-37		* * BUSHING - Main gear door bracket assembly	2	
-19	401 266		* BOLT - (AN3-5A)	16	
	407 564		* WASHER - (AN960-10)	16	
-20	48070-00		SHIM - Landing gear door hinge	AR	
-21	48071-00		SHIM - Landing gear door hinge	AR	
-22	41949-02		ROD ASSEMBLY - Landing gear lock, main	2	31-8253001 to 31-8253012 incl
	72682-12		CABLE ASSEMBLY - Landing gear lock, main	2	31-8353001 and up
-23	452 383		* BEARING - (24166-00)	2	31-8253001 to 31-8253012 incl
	74087-02		* BEARING	2	31-8353001 and up
-24	41949-03		ROD ASSEMBLY - Landing gear lock, main	2	31-8253001 to 31-8253012 incl
	72682-10		CABLE ASSEMBLY - Landing gear lock, main	2	31-8353001 and up
-25	452 383		* BEARING - (24166-00)	2	31-8253001 to 31-8253012 incl
	74087-02		* BEARING	2	31-8353001 and up
-26	41297-00		ROD ASSEMBLY - Main landing gear, outboard door	4	
-27	452 441		* BEARING - (M 44-14)	2	
-28	40280-00		LINK ASSEMBLY - Main gear side, aft, left	1	
	40280-01		LINK ASSEMBLY - Main gear side, aft, right	1	
-29	753 468		* BUSHING - (NAS77-8-38)	2	
-30	460 823		* FITTING - Lubrication (MS15001-1)	1	
-31	753 469		* BUSHING - (NAS77-8-72)	1	
-32	40279-08		LINK ASSEMBLY - Main gear side, forward, left	1	
	40279-09		LINK ASSEMBLY - Main gear side, forward, right	1	
-33	753 470		* BUSHING - (NAS77-18-50)	2	

When ordering, always specify Part Number, Description and Serial Number of Aircraft

**PIPER PARTS CATALOG**

Figure and Index Number	Part Number	Code	NOMENCLATURE	No. Req.	SERIAL NUMBERS AFFECTED
39-34	753 469		* BUSHING - (NAS77-8-72)	1	
-35	460 823		* FITTING - Lubrication (MS15001-1)	1	
-36	40284-00		LINK ASSEMBLY - Landing gear side brace, lower	2	
-37	40376-00		* PIN - Main landing gear lock	1	
-38	453 777		* BUSHING - (NAS77-8-44)	4	
-39	460 691		* FITTING - Lubrication (AN944-101)	2	
-40	41983-00		HOOK ASSEMBLY - Main landing gear downlock, left	1	
	41983-01		HOOK ASSEMBLY - Main landing gear downlock, right	1	
-41	41982-03		* CLIP - Main gear downlock hook, forward	1	
	41982-02		* CLIP - Main gear downlock hook, aft	1	
-42	43286-02		SHAFT ASSEMBLY - Main landing gear brace pivot	2	
-43	400 012		* BOLT - (AN4-17A)	1	
	407 565		* WASHER - (AN960-416)	1	
	424 888		* NUT - (MS20365-428C)	1	
-44	42042-00		ARM - Main gear retraction	2	
-45	41952-00		SPRING - Main landing gear downlock	2	
-46	41979-00		SPRING - Landing gear uplock	2	
-47	40337-00	F	SPACER - Landing gear wheel bearing	2	
	40337-02	G	SPACER - Landing gear wheel bearing	2	
-48	41398-07		PLACARD - Tire inflation, main	2	
-49	41985-00		BRACKET - Main landing gear downlock switch, left	1	
	41985-01		BRACKET - Main landing gear downlock switch, right	1	
-50	487 862		SWITCH - Micro (1CH21-4)	4	
-51	42129-06		BUSHING - Main landing gear	2	
-52	42129-07		BUSHING - Main landing gear	2	
-53	42129-08		BUSHING - Main landing gear	2	
-54	42129-09		BUSHING - Main landing gear	2	
-55	42129-10		BUSHING - Main landing gear	2	
-56	401 311		BOLT - (AN4-11A)	16	
	407 585		WASHER - (AN960-416L)	32	
	404 888		NUT - (MS20365-428C)	16	
-57	401 187		BOLT - (AN5-7A)	12	
	404 889		NUT - (MS20365-524C)	12	
-58	401 270		BOLT - (AN3-11A)	2	
	407 564		WASHER - (AN960-10)	2	
	404 887		NUT - (MS20365-1032C)	2	
-59	400 008		BOLT - (AN4-13A)	8	
	407 565		WASHER - (AN960-416)	8	
	404 888		NUT - (MS20365-428C)	8	
-60	400 444		BOLT - (AN3-13A)	2	
	407 564		WASHER - (AN960-10)	2	
	404 887		NUT - (MS20365-1032C)	2	
-61	404 103		NUT - (AN310-6)	2	
	407 567		WASHER - (AN960-616)	2	
	424 060		COTTER PIN - (MS24665-285)	2	
-62	401 311		BOLT - (AN4-11A)	10	
	407 565		WASHER - (AN960-416)	10	
	404 888		NUT - (MS20365-428C)	10	
-63	400 209		BOLT - (AN6-14)	4	
	407 567		WASHER - (AN960-616)	4	
	404 103		NUT - (AN310-6)	4	
	424 060		COTTER PIN - (MS24665-285)	4	
-64	407 565		WASHER - (AN960-416)	2	
	404 888		NUT - (MS20365-428C)	2	
-65	407 566		WASHER - (AN960-516)	4	
-66	400 188		BOLT - (AN5-46)	2	
	407 566		WASHER - (AN960-516)	2	
	404 102		NUT - (AN310-5)	2	
	424 052		COTTER PIN - (MS24665-134)	2	

When ordering, always specify Part Number, Description and Serial Number of Aircraft

**PIPER PARTS CATALOG**

Figure and Index Number	Part Number	Code	NOMENCLATURE	No. Req.	SERIAL NUMBERS AFFECTED
39-67	402 517		BOLT - (AN178-26)	2	
	407 569		WASHER - (AN960-816)	2	
	404 105		NUT - (AN310-8)	2	
	424 060		COTTER PIN - (MS24665-285)	2	
-68	402 526		BOLT - (AN178-34)	2	
	407 569		WASHER - (AN960-816)	2	
	404 105		NUT - (AN310-8)	2	
	424 060		COTTER PIN - (MS23665-285)	2	
-69	401 310		BOLT - (AN4-10A)	4	
	407 565		WASHER - (AN960-416)	4	
	404 888		NUT - (MS20365-428C)	4	
-70	43972-00		BOLT - Special nylon insert	4	
	407 565		WASHER - (AN960-416)	8	
-71	415 536		SCREW - (MS35206-246)	8	
	407 563		WASHER - (AN960-8)	8	
	404 910		NUT - (MS20365-832C)	8	
-72	400 003		BOLT - (AN4-6A)	8	
	407 565		WASHER - (AN960-416)	8	
-73	41789-00		FORK - Main gear lock rod attachment	2	
-74	400 384		BOLT - (AN10-36)	4	
	407 571		WASHER - (AN960-1016)	AR	
	80122-128		WASHER	AR	
	80122-154		WASHER	AR	
	404 107		NUT - (AN310-10)	4	
	424 068		COTTER PIN - (MS23665-355)	4	
-75	400 309		BOLT - (AN8-30)	2	
	407 569		WASHER - (AN960-816)	AR	
	404 105		NUT - (AN310-8)	2	
	424 060		COTTER PIN - (MS24665-285)	2	
-76	401 195		BOLT - (AN5-17A)	2	
	40559-34		WASHER	4	
	404 889		NUT - (MS20365-524C)	2	
-77	401 404		BOLT - (AN6-24A)	2	
	407 567		WASHER - (AN960-616)	2	
	404 890		NUT - (MS20365-624C)	2	
-78	85012-105		WASHER - Main gear link assembly	2	
-79	40288-00		TRUNNION ASSEMBLY - Landing gear, aft	2	
	40290-00		TRUNNION ASSEMBLY - Landing gear, forward	2	
-80	453 768		* BUSHING - Trunnion (NAS77-10-94)	1	
-81	40294-00		FITTING ASSEMBLY - Main gear side brace, aft	2	
	40309-00		FITTING ASSEMBLY - Main gear side brace, forward	2	
-82	453 770		* BUSHING - Fitting assembly (NAS77-8-84) aft	1	
	453 778		* BUSHING - Fitting assembly (NAS77-18-88) forward	1	
-83	43300-02		SHIM - Landing gear pivot shaft (.040)	AR	
	43300-03		SHIM - Landing gear pivot shaft (.032)	AR	
	43300-04		SHIM - Landing gear pivot shaft (.025)	AR	
	43300-05		SHIM - Landing gear pivot shaft (.020)	AR	
	43300-06		SHIM - Landing gear pivot shaft (.012)	AR	
-84	42129-04		BUSHING - Main landing gear	2	
-85	453 206		BOOT - Dust (ONN-401-4-13-2)	4	
-86	80122-129		WASHER - (.020 thickness)	AR	
	80122-130		WASHER - (.032 thickness)	AR	
	80122-131		WASHER - (.042 thickness)	AR	
	85012-125		WASHER - (.012 thickness)	AR	
	80122-155		WASHER - (.010 thickness)	AR	
-87	454 924		CLAMP - Boot (A3122-10-1)	4	

When ordering, always specify Part Number, Description and Serial Number of Aircraft

**PIPER PARTS CATALOG**

Figure and Index Number	Part Number	Code	NOMENCLATURE	No. Req.	SERIAL NUMBERS AFFECTED
39-88	401 188		BOLT - (AN5-10A) Top	8	
	401 189		BOLT - (AN5-11A) Bottom	8	
	407 586		WASHER - (AN960-516L)	32	
	404 889		NUT - (MS20365-524C)	16	
-89	401 310		BOLT - (AN4-10A) Forward	4	
	407 585		WASHER - (AN960-416L) Forward	8	
	404 888		NUT - (MS20365-428C) Forward	4	
-90	487 862		SWITCH - Micro (1CH21-4), left	1	
	487 862	H	SWITCH - Micro (1CH21-4), right	1	
-91	41797-03		HOOK ASSEMBLY - Landing gear uplock, main	2	
-92	42041-00		CRANK ASSEMBLY - Main gear uplock	2	
-93	73344-02		STOP - Downlock cable fork, left	1	31-8353001 and up
	73344-03		STOP - Downlock cable fork, right	1	31-8353001 and up

When ordering, always specify Part Number, Description and Serial Number of Aircraft



PIPER PARTS CATALOG

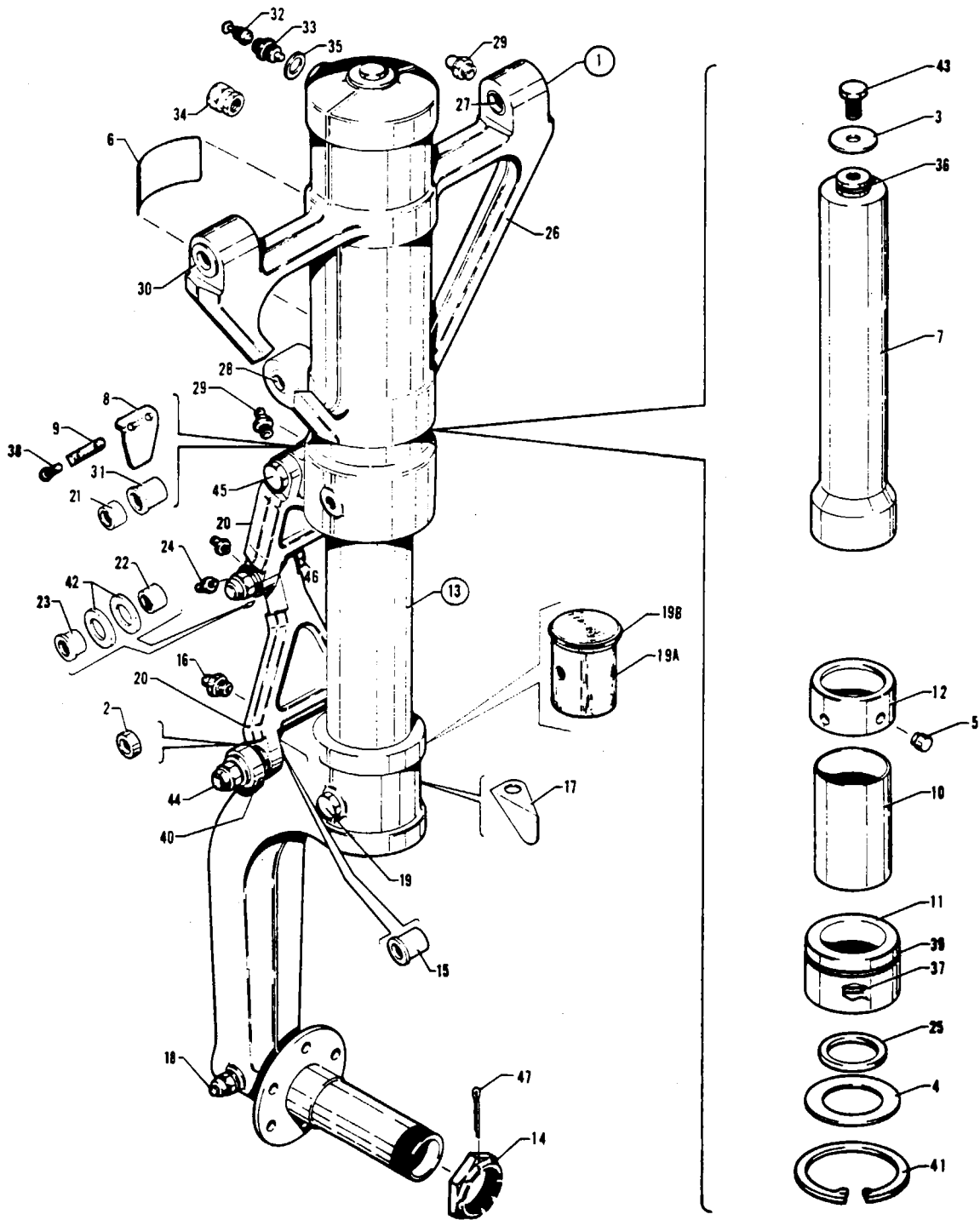


Figure 40. Main Gear Strut Assembly

---

# PIPER PARTS CATALOG

---

## CODE EXPLANATIONS FOR FIGURE 40

- A - When ordering, ascertain if bushing is notched or unnotched on the end and O.D.
- B - When ordering, ascertain if bearing is notched or unnotched on the end and O.D.
- C - Used if Cleveland wheels, Part No. 40-130 and Cleveland brakes, Part No. 30-95A are installed.
- D - Used if Cleveland wheels, Part No. 40-141 and Cleveland brakes, Part No. 30-123 are installed.

## PIPER PARTS CATALOG

Figure and Index Number	Part Number	Code	NOMENCLATURE	No. Req.	SERIAL NUMBERS AFFECTED
40-1	45504-02	C	STRUT ASSEMBLY - Main gear, left	1	31-8253001 to 31-8353007 incl
	45504-24	C	STRUT ASSEMBLY - Main gear, left	1	31-8453001 and up
	45504-12	D	STRUT ASSEMBLY - Main gear, left	1	31-8253001 to 31-8353007 incl
	45504-26	D	STRUT ASSEMBLY - Main gear, left	1	31-8453001 and up
	45504-03	C	STRUT ASSEMBLY - Main gear, right	1	31-8253001 to 31-8353007 incl
	45504-25	C	STRUT ASSEMBLY - Main gear, right	1	31-8453001 and up
	45504-13	D	STRUT ASSEMBLY - Main gear, right	1	31-8253001 to 31-8353007 incl
	45504-27	D	STRUT ASSEMBLY - Main gear, right	1	31-8453001 and up
-2	14175-106		* BUSHING - Main gear, retraction bearing spacer	1	
-3	19513-95		* WASHER - Orifice tube bolt	1	
-4	19513-96		* WASHER - Wiper strip retainer	1	
-5	01821-07		* PIN - Main gear bearing retainer	4	
-6	40292-04		* PLACARD - Oleo service instructions	1	
-7	44933-04		* TUBE ASSEMBLY - Main gear orifice (includes orifice plate and retaining ring)	1	
-8	40242-00		* DEFLECTOR - Anti-retraction switch, left	1	
	40242-01		* DEFLECTOR - Anti-retraction switch, right	1	
-9	40243-00		* PLATE - Anti-retraction switch attachment	1	
-10	40244-00		* TUBE - Main gear spacer	1	
-11	40246-00		* BEARING - Main gear, bottom	1	31-8253001 to 31-8353007 incl
	40246-02		* BEARING - Main gear, bottom	1	31-8453001 and up
-12	40247-00	B	* BEARING - Main gear, top (3.248 O.D.) unnotched	1	
	40247-02	B	* BEARING - Main gear, top (3.268 O.D.) notched	1	
-13	45504-06	C	* FORK ASSEMBLY - Main gear, left (includes piston tube, fork and axle)	1	
	45504-04	D	* FORK ASSEMBLY - Main gear, left (includes piston tube, fork and axle)	1	
	45504-07	C	* FORK ASSEMBLY - Main gear, right (includes piston tube, fork and axle)	1	
	45504-05	D	* FORK ASSEMBLY - Main gear, right (includes piston tube, fork and axle)	1	
-14	45334-00	D	* * NUT - Axle	1	
	404 469	C	* * NUT - Axle (MS21025-24)	1	
-15	43256-02	A	* * BUSHING - Main gear fork (.514 O.D.) notched	2	
	20737-40	A	* * BUSHING - Main gear fork (.5015 O.D.) unnotched	2	
-16	460 691		* * FITTING - Lubrication (AN944-101)	1	
-17	41219-00		* * BRACKET - Main gear brake line, left	1	
	41219-01		* * BRACKET - Main gear brake line, right	1	
-18	401 410		* * BOLT - Axle attachment (AN6-31A)	1	
	407 567		* * WASHER - Axle attachment (AN960-616)	1	
	404 890		* * NUT - Axle attachment (MS20365-624C)	1	
-19	401 420		* * BOLT - Fork attachment (AN6-40A)	1	
	404 890		* * NUT - Fork attachment (MS20365-624C)	1	
-19a	45332-00		* * PLUG - Main gear piston tube	1	
-19b	484 781		* * GASKET - "O" Ring (MS28775-140)	1	
-20	40257-00		* LINK ASSEMBLY - Main gear torque	2	
-21	453 786		* * BUSHING - Main gear link (NAS75-6-011)	2	
-22	453 809		* * BUSHING - Main gear link (NAS75-7-011)	1	
-23	453 775		* * BUSHING - Main gear link (NAS77-7-35)	1	
-24	460 691		* * FITTING - Lubrication (AN944-101)	1	
-25	494 722		* WIPER - (4550A-02750-4)	1	
-26	40327-00		* HOUSING ASSEMBLY - Main gear	1	
-27	43256-05	B	* * BUSHING - Main gear housing (.7628 O.D.) notched	2	
	61402-99	B	* * BUSHING - Main gear housing (.7518 O.D.) unnotched	2	
-28	43256-03	B	* * BUSHING - Main gear housing (.6378 O.D.) notched	2	
	61402-98	B	* * BUSHING - Main gear housing (.6268 O.D.) unnotched	2	
-29	460 691		* * FITTING - Lubrication (AN944-101)	3	

When ordering, always specify Part Number, Description and Serial Number of Aircraft

PIPER PARTS CATALOG

Figure and Index Number	Part Number	Code	NOMENCLATURE	No. Req.	SERIAL NUMBERS AFFECTED
40-30	43256-04	B	* BUSHING - Main gear housing (.7628 O.D.) notched	2	
	20737-23	B	* BUSHING - Main gear housing (.7518 O.D.) unnotched	2	
-31	43256-02	B	* BUSHING - Main gear housing (.5140 O.D.) notched	2	
	20737-40	B	* BUSHING - Main gear housing (.5015 O.D.) unnotched	2	
-32	455 124		* CORE - Air valve (AN809-1)	1	
-33	453 124		* BODY - Air valve (AN812-1)	1	
-34	454 053		* CAP - Air valve (AN813-1B)	1	
-35	751 834		* GASKET - Air valve (AN901-5)	1	
-36	752 713		* PACKING - "O" Ring (AN6227-15)	1	
-37	484 760		* PACKING - "O" Ring (AN6227-38)	1	31-8253001 to 31-8353007 incl.
	486 305		* SEAL - Poly pak (1870-2750)	1	31-8453001 and up
-38	416 098		* SCREW - Switch mounting plate (MS35265-45)	2	
-39	462 051		* GASKET - "O" Ring (AN6230-14)	1	
-40	452 429		* BEARING - Main gear (6NBF817YJ)	1	
-41	484 762		* RING - Retaining (5000-350)	1	
-42	407 568		* WASHER - (AN960-716)	1	
	407 591		* WASHER - (AN960-716L)	AR	
-43	401 388		* BOLT - Orifice tube (AN6H-5A)	1	
-44	402 377		* BOLT - Torque link, lower (AN176-51)	1	
	407 567		* WASHER - Torque link, lower (AN960-616)	1	
	404 103		* NUT - Torque link, lower (AN310-6)	1	
	424 059		* PIN - Torque link, lower (MS24665-283)	1	
-45	402 370		* BOLT - Torque link, upper (AN176-42)	1	
	407 567		* WASHER - Torque link, upper (AN960-616)	1	
	404 103		* NUT - Torque link, upper (AN310-6)	1	
	424 059		* PIN - Torque link, upper (MS24665-283)	1	
-46	400 263		* BOLT - Torque link, center (AN7-22)	1	
	407 591		* WASHER - Torque link, center (AN960-716L)	2	
	404 104		* NUT - Torque link, center (AN310-7)	1	
	424 059		* PIN - Torque link, center (MS24665-283)	1	
-47	424 071		COTTER PIN - (MS24665-360)	2	

When ordering, always specify Part Number, Description and Serial Number of Aircraft

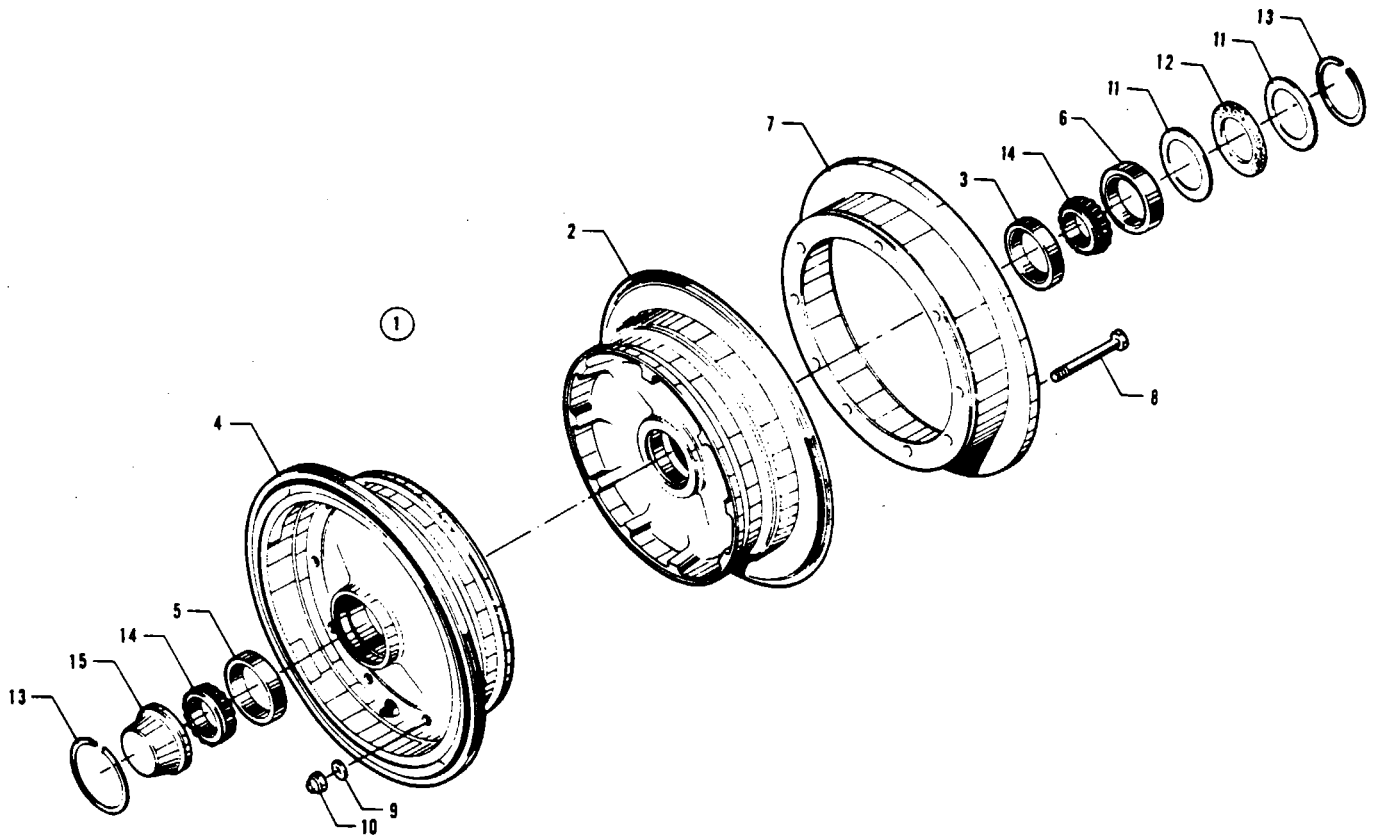


Figure 41. Main Wheel Assembly (Cleveland/Heavy Duty)

---

# PIPER PARTS CATALOG

---

CODE EXPLANATIONS FOR FIGURE 41

**PIPER PARTS CATALOG**

Figure and Index Number	Part Number	Code	NOMENCLATURE	No. Req.	SERIAL NUMBERS AFFECTED
41-1	551 793		WHEEL ASSEMBLY - Main (40-141) Cleveland, heavy duty	2	
-2	763 704		* WHEEL HALF ASSEMBLY - Inner (161-72)	1	
-3	757 896		* * CUP - Bearing (LM501310)	1	
-4	763 705		* WHEEL HALF ASSEMBLY - Outer (162-67)	1	
-5	757 896		* * CUP - Bearing (LM501310)	1	
-6	762 326		* SPACER - (67-39)	1	
-7	754 642		* DISC ASSEMBLY - Brake (164-77)	1	
-8	401 375		* BOLT - (AN5-35A)	9	
-9	407 566		* WASHER - (AN960-516)	18	
-10	404 889		* NUT - (MS20365-524C)	9	
-11	763 703		* RING - Grease seal (153-19)	2	
-12	762 325		* FELT - Grease seal (154-26)	1	
-13	762 614		* RING - Snap (155-44)	2	
-14	757 895		* BEARING CONE - (LM501349)	2	
-15	763 235		* CAP - Hub (158-13)	1	

When ordering, always specify Part Number, Description and Serial Number of Aircraft

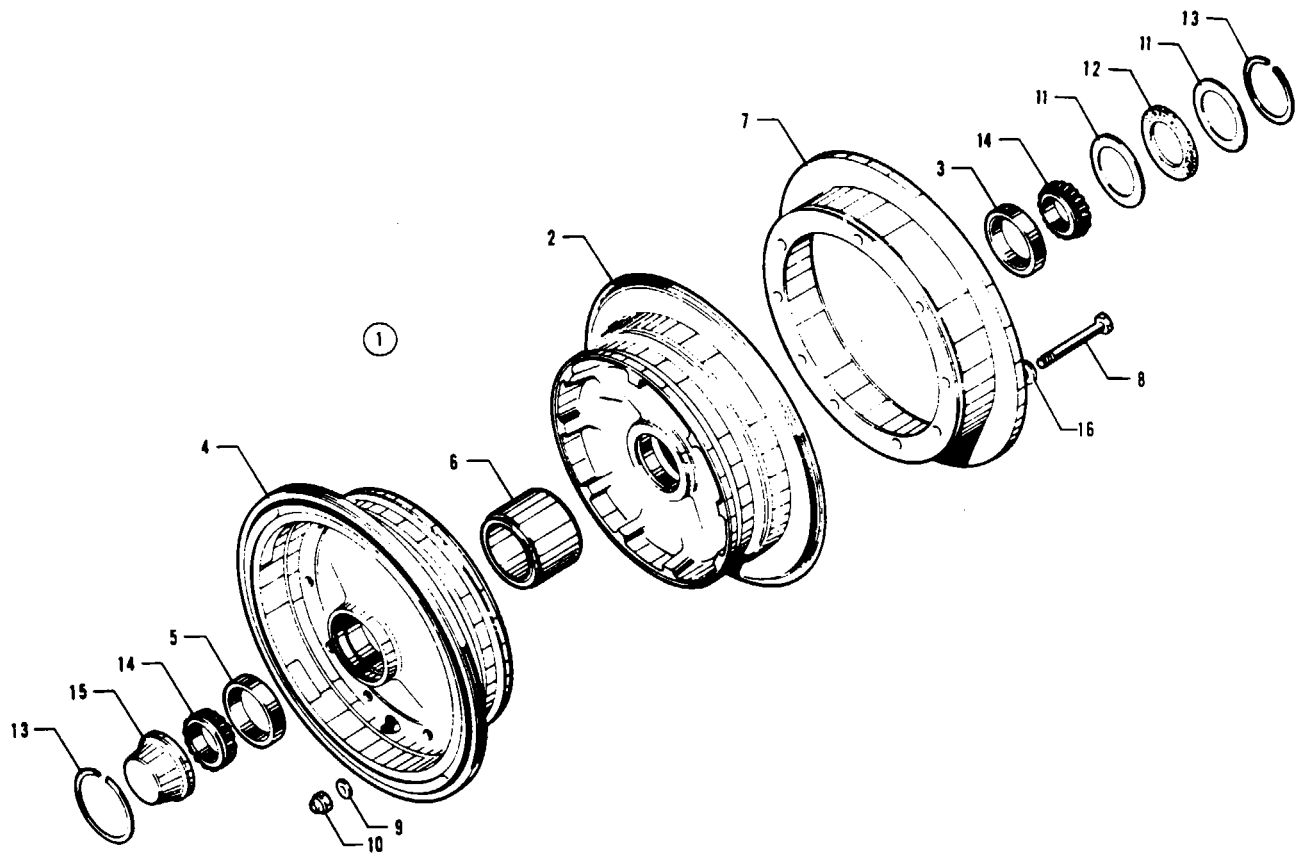


Figure 42. Main Wheel Assembly (Cleveland/Standard)



---

# PIPER PARTS CATALOG

---

CODE EXPLANATIONS FOR FIGURE 42

**PIPER PARTS CATALOG**

Figure and Index Number	Part Number	Code	NOMENCLATURE	No. Req.	SERIAL NUMBERS AFFECTED
42-1	551 769		WHEEL ASSEMBLY - Main (40-130) Cleveland	2	
-2	753 219		* WHEEL HALF ASSEMBLY - Inner (161-19)	1	
-3	753 969		* * CUP - Bearing (LM29710)	1	
-4	753 220		* WHEEL HALF ASSEMBLY - Outer (162-35)	1	
-5	753 969		* * CUP - Bearing (LM29710)	1	
-6	756 276		* SPACER - (67-14)	1	
-7	754 632		* DISC ASSEMBLY - Brake (164-79)	1	
-8	401 330		* BOLT - (AN4-32A)	9	
-9	407 565		* WASHER - (AN960-416)	9	
-10	404 888		* NUT - (AN365-428)	9	
-11	755 963		* RING - Grease seal (153-16)	2	
-12	751 818		* FELT - Grease seal (154-16)	1	
-13	752 830		* RING - Snap (3023)	2	
-14	753 448		* BEARING CONE - (LM29749)	2	
-15	751 511		* CAP - Hub (3026)	1	
-16	407 585		* WASHER - (AN960-416L)	9	

When ordering, always specify Part Number, Description and Serial Number of Aircraft

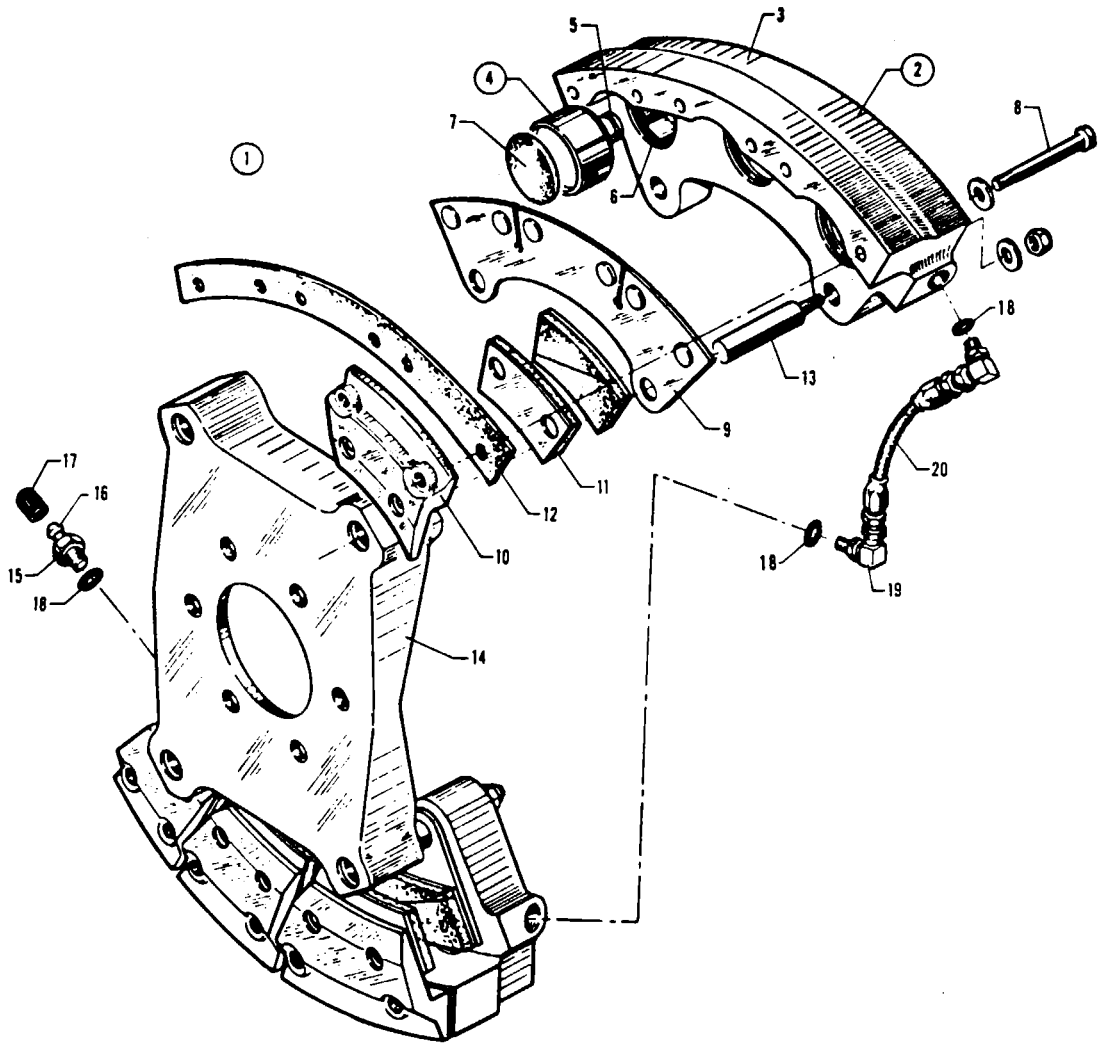


Figure 43. Main Wheel Brake Assembly (Cleveland/Heavy Duty)

---

# PIPER PARTS CATALOG

CODE EXPLANATIONS FOR FIGURE 43

PIPER PARTS CATALOG

Figure and Index Number	Part Number	Code	NOMENCLATURE	No. Req.	SERIAL NUMBERS AFFECTED
43-1	551 744		BRAKE ASSEMBLY - (30-123) Cleveland, heavy duty	2	
-2	763 332		* CYLINDER ASSEMBLY - (91-108)	2	
-3	763 333		* * CYLINDER - (61-87)	1	
-4	763 499		* * PISTON ASSEMBLY - (92-36)	3	
-5	757 741		* * * SPRING - Friction (82-20)	1	
-6	484 698		* * * "O" RING - Piston (AN6227-27)	1	
-7	755 488		* * * INSULATOR - Piston (88-2)	1	
-8	758 519		* * BOLT - (103-118)	6	
	407 565		* * WASHER - (AN960-416)	6	
-9	763 500		* * PLATE ASSEMBLY - Pressure (73-37)	1	
-10	763 422		* * PLATE ASSEMBLY - Back (74-32)	3	
-11	761 212		* * LINING - (66-68)	6	
-12	762 421		* * SHIM - (68-30)	1	
-13	758 523		* * BOLT - Anchor (69-4)	2	
	407 585		* * WASHER - (AN960-416L)	2	
	404 888		* * NUT - (MS20365-428C)	2	
-14	763 501		* PLATE ASSEMBLY - Torque (75-141)	1	
-15	756 149		* SEAT - Bleeder (81-2)	1	
-16	752 965		* SCREW - Bleeder (79-3)	1	
-17	753 850		* CAP - Bleeder (183-1)	1	
-18	484 701		* "O" RING - (AN6227-7)	3	
-19	754 857		* FITTING - Elbow (104-31)	2	
-20	755 285		* HOSE ASSEMBLY - (207-8)	1	

When ordering, always specify Part Number, Description and Serial Number of Aircraft

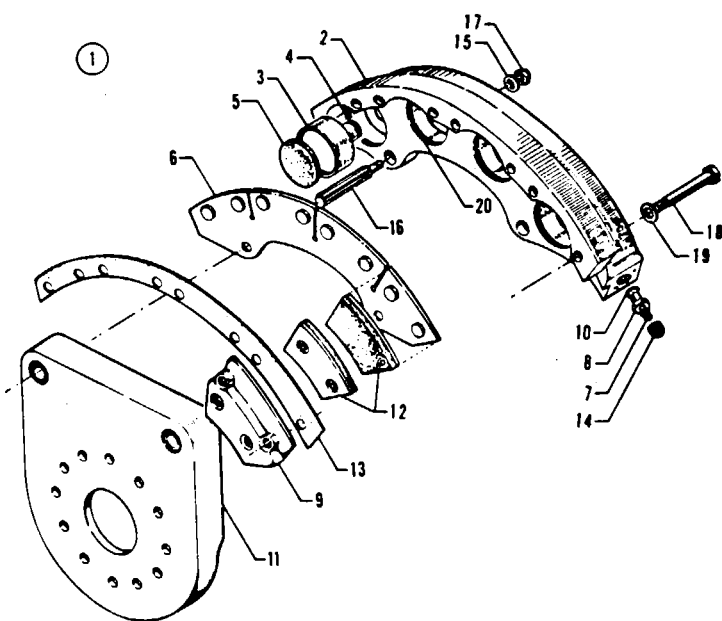


Figure 44. Main Wheel Brake Assembly (Cleveland/Standard)

---

# PIPER PARTS CATALOG

---

CODE EXPLANATIONS FOR FIGURE 44

PIPER PARTS CATALOG

Figure and Index Number	Part Number	Code	NOMENCLATURE	No. Req.	SERIAL NUMBERS AFFECTED
44-1	551 731		BRAKE ASSEMBLY - (30-95A L.H.) Cleveland	1	
	551 730		BRAKE ASSEMBLY - (30-95A R.H.) Cleveland	1	
-2	763 233		* CYLINDER - Brake (61-49)	1	
-3	763 420		* PISTON ASSEMBLY - (92-37)	4	
-4	757 741		* * FRICTION SPRING - (82-20)	1	
-5	752 094		* * INSULATOR - (88-1)	1	
-6	763 421		* PLATE ASSEMBLY - Pressure (73-40)	1	
-7	752 965		* SCREW - Bleeder (79-3)	1	
-8	756 149		* SEAT - Bleeder (81-2)	1	
-9	763 422		* PLATE ASSEMBLY - Back (74-32)	4	
-10	484 701		* "O" RING - (AN6227-7)	1	
-11	757 470		* PLATE ASSEMBLY - Torque (075-11100), left	1	
	757 471		* PLATE ASSEMBLY - Torque (075-11150), right	1	
-12	761 211		* LINING - (66-66)	8	
-13	762 250		* SHIM - Back plate (68-28)	1	
-14	753 850		* CAP - Bleeder (183-1)	1	
-15	407 585		* WASHER - (AN960-416L)	2	
-16	753 407		* BOLT - Anchor (69-4)	2	
-17	404 888		* NUT - (AN365-428)	2	
-18	751 470		* BOLT - (AN4H-21A)	8	
-19	407 585		* WASHER - (AN960-416L)	8	
-20	762 513		* "O" RING - (MS28775-132)	4	

When ordering, always specify Part Number, Description and Serial Number of Aircraft





PIPER PARTS CATALOG

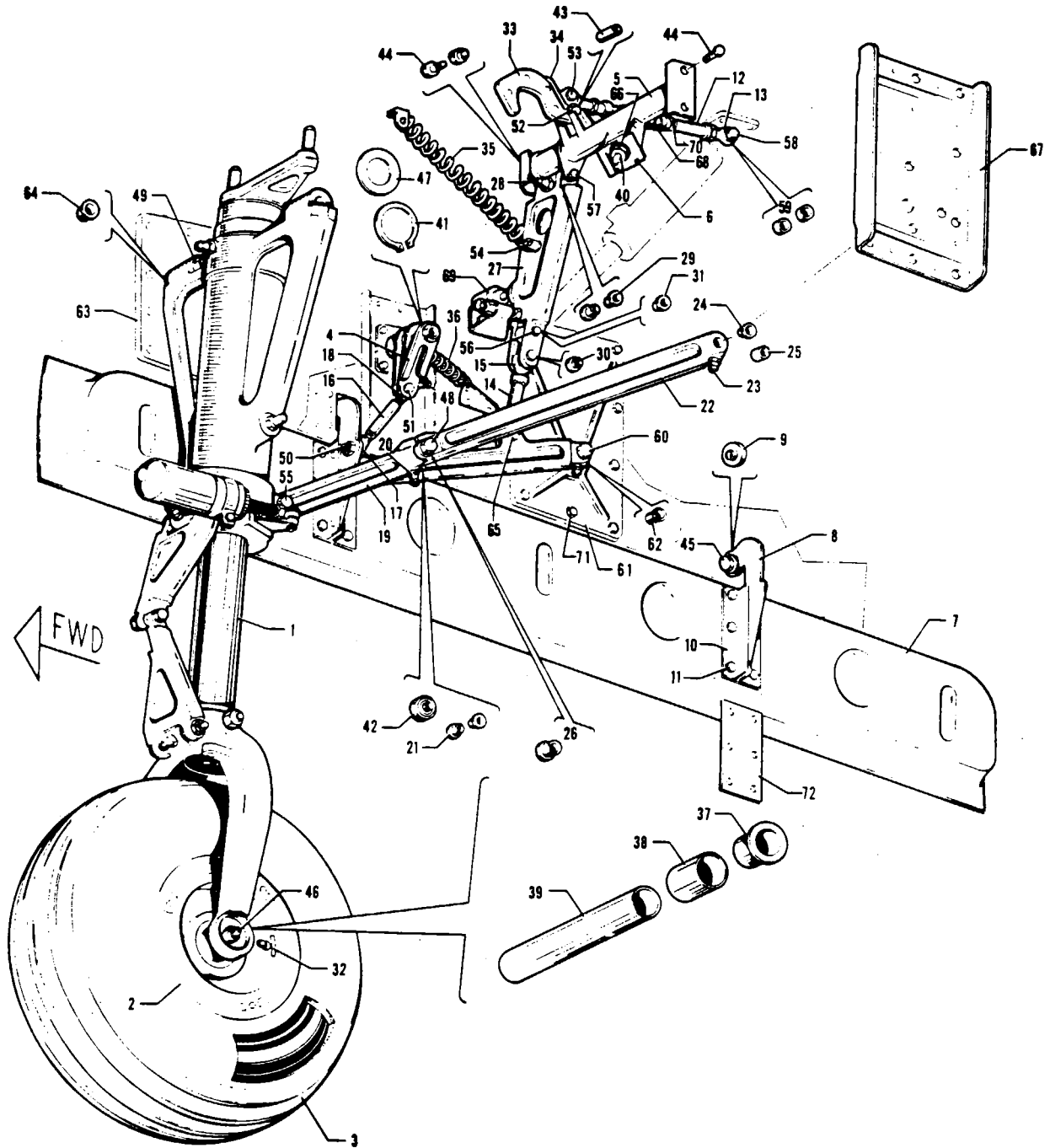


Figure 45. Nose Landing Gear Installation

---

# PIPER PARTS CATALOG

---

## CODE EXPLANATIONS FOR FIGURE 45

- A - See Figure 46 for component parts.
- B - See Figure 47 for component parts.

**PIPER PARTS CATALOG**

Figure and Index Number	Part Number	Code	NOMENCLATURE	No. Req.	SERIAL NUMBERS AFFECTED
45-	41950		DRAWING - Nose Landing Gear Installation		
-1	55214-02	A	STRUT ASSEMBLY - Nose gear	1	31-8253001 to 31-8353007 incl. 31-8453001 and up
	55214-03	A	STRUT ASSEMBLY - Nose gear	1	
-2	551 791	B	WHEEL ASSEMBLY - Nose gear (40-140)	1	
-3	761 972		TIRE - (6.00 x 6.6 Ply) B F. Goodrich	1	
	761 995		TIRE - (6.00 x 6.6 Ply) McCreary Airhawk	1	
	762 033		TIRE - (6.00 x 6.6 Ply) Goodyear Flight Custom II	1	
	451 735		TUBE - (6.00 x 6. Reg. balanced)	1	
-4	41794-00		ARM ASSEMBLY - Nose landing gear door actuator, left	1	
	41794-01		ARM ASSEMBLY - Nose landing gear door actuator, right	1	
-5	41770-00		TUBE ASSEMBLY - Nose landing gear idler link support	1	
-6	41771-00		* BRACKET - Nose gear up switch	1	
-7	41610-18		DOOR ASSEMBLY - Nose landing gear, left	1	
	41610-19		DOOR ASSEMBLY - Nose landing gear, right	1	
-8	41611-02		* HINGE ASSEMBLY - Nose landing gear door, forward	1	
	41611-03		* HINGE ASSEMBLY - Nose landing gear door, aft	1	
-9	25704-00		* BEARING - Hinge assembly	1	
-10	41612-04		* ANGLE - Nose landing gear door hinge attachment	4	
-11	400 438		* BOLT - (AN3-4A)	12	
-12	41949-00		ROD ASSEMBLY - Landing gear lock, nose	1	31-8253001 to 31-8253012 incl.
	72682-14		CABLE ASSEMBLY - Landing gear lock, nose	1	31-8353001 and up
-13	452 383		* BEARING - (24166-00)	2	31-8253001 to 31-8253012 incl.
	74087-02		* BEARING	2	31-8353001 and up
-14	41790-00		ROD ASSEMBLY - Nose gear idler link	1	
-15	452 412		* BEARING - (HMX-4S)	2	
-16	41793-00		ROD ASSEMBLY - Nose landing gear door	2	
-17	452 439		* BEARING - (PS10020-17-1R)	1	
-18	452 412		* BEARING - (HMX-4S)	1	
-19	40317-00		LINK ASSEMBLY - Nose gear drag brace, lower	1	
-20	460 691		* FITTING - Lubrication (AN944-101)	2	
-21	453 776		* BUSHING - (NAS77-7-38)	4	
-22	40335-00		LINK ASSEMBLY - Nose gear drag brace, upper, left side	1	
	40336-00		LINK ASSEMBLY - Nose gear drag brace, upper, right side	1	
-23	460 823		* FITTING - Lubrication (MS15001)	1	
-24	453 776		* BUSHING - (NAS77-7-38)	1	
-25	753 471		* BUSHING - (NAS75-7-014)	1	
-26	453 723		* BUSHING - (NAS77-7-68)	1	
-27	46933-00		LINK ASSEMBLY - Nose gear idler	1	
-28	460 691		* FITTING - Lubrication (AN944-101)	1	
-29	453 774		* BUSHING - (NAS77-4-50)	2	
-30	20737-32		* BUSHING - Nose gear idler	2	
-31	20737-30		* BUSHING - Nose gear idler	2	
-32	41398-02		PLACARD - Tire inflation, nose	1	
-33	41797-02		HOOK ASSEMBLY - Landing gear uplock, nose	1	
-34	41796-00		SPRING - Nose landing gear uplock hook	1	
-35	83302-54		SPRING - Coil, nose landing gear	1	
-36	83302-32		SPRING - Coil, nose landing gear	2	
-37	752 731		PLUG - Axle, nose landing gear (PAC31798-00)	2	
-38	31786-02		SPACER - Wheel, nose landing gear	2	
-39	31797-02		AXLE - Nose landing gear	1	
-40	487 862		SWITCH - Micro (1CH21-4) gear up	1	
-41	484 768		RING - Snap (5100-62)	2	
-42	452 440		BEARING - (7NBC1015-YJ)	1	
-43	42129-04		BUSHING - Nose landing gear	1	

When ordering, always specify Part Number, Description and Serial Number of Aircraft

## PIPER PARTS CATALOG

Figure and Index Number	Part Number	Code	NOMENCLATURE	No. Req.	SERIAL NUMBERS AFFECTED
45-44	400 002		BOLT - (AN4-5A)	4	
	407 565		WASHER - (AN960-416)	8	
	404 888		NUT - (MS20365-428C)	4	
-45	401 311		BOLT - (AN4-11A)	2	
	407 565		WASHER - (AN960-416)	2	
	404 888		NUT - (MS20365-428C)	2	
-46	401 455		BOLT - (AN6-74A)	1	
	404 838		NUT - (MS20364-624C)	1	
-47	407 601		WASHER - (AN960-1016L)	2	
-48	402 437		BOLT - (AN177-37)	1	
	407 568		WASHER - (AN960-716)	1	
-49	404 104		NUT - (AN310-7)	1	
	424 059		COTTER PIN - (MS24665-283)	1	
	400 365		BOLT - (AN9-32)	2	
	407 957		WASHER - (AN960-916L)	AR	
	404 106		NUT - (AN310-9)	2	
	424 067		COTTER PIN - (MS24665-353)	2	
-50	400 441		BOLT - (AN3-7A)	2	
	407 564		WASHER - (AN960-10)	2	
	404 887		NUT - (MS20365-1032C)	2	
-51	400 105		BOLT - (AN4-10)	2	
	407 565		WASHER - (AN960-416)	2	
	404 101		NUT - (AN310-4)	2	
	424 052		COTTER PIN - (MS24665-134)	2	
-52	400 108		BOLT - (AN4-13)	1	
	407 565		WASHER - (AN960-416)	2	
	404 101		NUT - (AN310-4)	1	
	424 052		COTTER PIN - (MS24665-134)	1	
-53	400 106		BOLT - (AN4-11)	1	
	407 565		WASHER - (AN960-416)	1	
	407 585		WASHER - (AN960-416L)	1	
	404 101		NUT - (AN310-4)	1	
	424 052		COTTER PIN - (MS24665-134)	2	
	402 031		BOLT - Eye (AN42B-4)	1	
-54	407 564		WASHER - (AN960-10)	1	
	404 887		NUT - (MS20365-1032C)	1	
	402 426		BOLT - (AN177-26)	1	
	407 568		WASHER - (AN960-716)	1	
-55	404 104		NUT - (AN310-7)	1	
	424 059		COTTER PIN - (MS24665-283)	1	
	400 108		BOLT - (AN4-13)	2	
	407 585		WASHER - (AN960-416L)	2	
-56	407 565		WASHER - (AN960-416)	2	
	404 101		NUT - (AN310-4)	2	
	424 052		COTTER PIN - (MS24665-134)	1	
	400 124		BOLT - (AN4-33)	1	
	404 101		NUT - (AN310-4)	1	
-57	424 052		COTTER PIN - (MS24665-134)	1	
	41792-00		BOLT - Hydraulic actuator, uplock rod	1	
	407 565		WASHER - (AN960-416)	2	
-58	404 888		NUT - (MS20365-428C)	1	
	42129-03		BUSHING - Hydraulic actuator, uplock rod	2	
-59	402 422		BOLT - (AN177-23)	2	
	407 591		WASHER - (AN960-716L)	AR	
	407 568		WASHER - (AN960-716)	AR	
	404 104		NUT - (AN310-7)	2	
	424 059		COTTER PIN - (MS24665-283)	2	

When ordering, always specify Part Number, Description and Serial Number of Aircraft

## PIPER PARTS CATALOG

Figure and Index Number	Part Number	Code	NOMENCLATURE	No. Req.	SERIAL NUMBERS AFFECTED
45-61	40325-00		BRACKET ASSEMBLY - Nose gear drag link attachment, left	1	
	40325-01		BRACKET ASSEMBLY - Nose gear drag link attachment, right	1	
-62	453 736		* BUSHING - (NAS77-7-40)	1	
-63	41038-00		PLATE ASSEMBLY - Nose gear trunnion support, left	1	
	41038-01		PLATE ASSEMBLY - Nose gear trunnion support, right	1	
-64	453 782		* BUSHING - (NAS77-9-36)	1	
-65	400 107		BOLT - (AN4-12)	1	
	407 565		WASHER - (AN960-416)	1	
	404 101		NUT - (AN310-4)	1	
	424 052		COTTER PIN - (MS24665-134)	1	
-66	494 125		WASHER - Micro switch (EN10013)	2	
-67	41054-00		BRACKET - Drag link reinforcement, left	1	
	41054-01		BRACKET - Drag link reinforcement, right	1	
-68	453 206		BOOT - Dust (OMN-401-4-13-2)	1	
-69	487 862		SWITCH - Micro (1CH21-4)	1	
-70	454 924		CLAMP - Boot (A3122-10-1)	1	
-71	400 440		BOLT - (AN3-6A) Center	5	
	400 441		BOLT - (AN3-7A) Top and bottom	6	
	407 564		WASHER - (AN960-10)	11	
	404 887		NUT - (MS20365-1032C)	11	
-72	53853-00		SHIM - Nose landing gear door (.032 thick)	AR	
	53853-02		SHIM - Nose landing gear door (.064 thick)	AR	

When ordering, always specify Part Number, Description and Serial Number of Aircraft



---

# PIPER PARTS CATALOG

---

## CODE EXPLANATIONS FOR FIGURE 46

- A - When ordering, ascertain if bushing is notched or unnotched on the end and O.D.
- B - Prior to ordering, ascertain if shimmy dampener is clamp mounted or if shimmy dampener incorporates a mounting lug. If shimmy dampener incorporates a mounting lug order clamp P/N 73009-02.
- C - Prior to ordering, ascertain shimmy dampener vendor and order accordingly.
- D - Used if Gar-Kenyon shimmy dampener assembly is installed



PIPER PARTS CATALOG

Figure and Index Number	Part Number	Code	NOMENCLATURE	No. Req.	SERIAL NUMBERS AFFECTED
46-1	55214-02		STRUT ASSEMBLY - Nose gear	1	31-8253001 to 31-8353007 incl.
	55214-03		STRUT ASSEMBLY - Nose gear	1	31-8453001 and up
-2	74125-02		* SLEEVE - Nose gear steering arm	1	
-3	452 663		* BEARING - Nose gear steering (TRA2031)	AR	
-4	71844-02	B C	* DAMPENER ASSEMBLY - Nose wheel shimmy (Gar-Kenyon)	1	
	456 014	C	* DAMPENER ASSEMBLY - Nose wheel shimmy (Cleveland)	1	
-5	452 357		* BEARING - Shimmy dampener (M34-14)	1	
-6	47150-00		* BRACKET ASSEMBLY - Shimmy dampener attachment	1	
-6a	47150-02		* BRACKET ASSEMBLY - Shimmy dampener attachment	1	
-6b	73009-02	D	* CLAMP - Shimmy dampener	1	
-7	71094-03		* SPRING - Nose gear steering arm	1	
-8	55194-02		* WASHER - Nose gear steering arm	1	
-9	55201-02		* BRACKET ASSEMBLY - Nose gear aligner guide	1	
-10	31773-03		* WASHER - Nose gear lower bearing	1	
-11	31777-00		* SPACER - Nose gear bearing	1	
-12	01821-06		* PIN - Bearing retainer	4	
-13	751 363		* BEARING - Nose gear, upper (PAC 31779-00)	1	
-14	45328-00		* BEARING - Nose gear, lower	1	31-8253001 to 31-8353007 incl.
	45328-03		* BEARING - Nose gear, lower	1	31-8453001 and up
-15	45333-03		* FORK ASSEMBLY - Nose gear (complete) (includes fork, piston tube and plug)	1	
-16	751 367		* * BUSHING - Nose gear fork (PAC 31785-00)	2	
-17	752 765		* * PLUG - Nose gear piston (PAC31791-00)	1	
-18	484 695		* * PACKING - "O" Ring (AN6227-25)	1	
-19	402 360		* * BOLT - Nose gear fork attachment (AN176-33A)	1	
	407 567		* * WASHER - Nose gear fork attachment (AN960-616)	1	
	404 838		* * NUT - Nose gear fork attachment (MS20364-624C)	1	
-20	404 915		* NUT - (MS20365-1216C)	1	
-21	55215-02		* STOP ASSEMBLY - Steering arm	2	
-22	45318-00		* LINK ASSEMBLY - Nose gear torque	2	
-23	453 815		* * BUSHING - Nose gear torque link (NAS77-4-42)	1	
-23a	453 808		* * BUSHING - (NAS75-5-011)	2	
-24	45330-02		* TUBE ASSEMBLY - Nose gear orifice	1	
-25	40258-03		* PLATE - Nose gear orifice	1	
-26	484 756		* RING - Snap (NAS50-131)	1	
-27	45331-00		* PLACARD - Tow turn limits	1	
-28	45316-03		* HOUSING ASSEMBLY - Nose gear	1	
-29	460 691		* * FITTING - Lubrication (AN944-101)	4	
-30	43262-00	A	* * BUSHING - Nose gear housing (.7625 O D ) notched	2	
	31766-02	A	* * BUSHING - Nose gear housing (.7525 O.D.) unnotched	2	
-31	40250-02	A	* * BUSHING - Nose gear housing, top and bottom (3.1285/3.1275 O.D.) unnotched	2	
	40250-03	A	* * BUSHING - Nose gear housing, top and bottom (3.1385/3.1375 O.D.) notched	2	
-32	43256-07	A	* * BUSHING - Nose gear housing (.5748 O.D.) notched	2	
	453 735	A	* * BUSHING - Nose gear housing (NAS75-7-016) (.5638 O D ) unnotched	2	
-33	40263-00		* * STUD - Nose gear door pick-up	2	
-34	45314-05		* CYLINDER ASSEMBLY - Nose gear strut	1	
-35	460 691		* * FITTING - Lubrication (AN944-101)	1	
-36	21831-04		* * BUSHING - Nose gear strut cylinder	1	
-37	43256-06	A	* * BUSHING - Nose gear strut cylinder (4496 O.D.) notched	2	
	453 744	A	* * BUSHING - Nose gear strut cylinder (NAS77-5-42) (.4386 O.D.) unnotched	2	
-38	455 124		* CORE - Air valve (AN809-1)	1	
-39	453 124		* BODY - Air valve (AN812-1)	1	
-40	454 053		* CAP - Air valve (AN813-1B)	1	
-41	751 834		* GASKET - Air valve (AN901-5A)	1	
-42	460 690		* FITTING - Lubrication (AN944-201A)	1	

When ordering, always specify Part Number, Description and Serial Number of Aircraft

## PIPER PARTS CATALOG

Figure and Index Number	Part Number	Code	NOMENCLATURE	No. Req.	SERIAL NUMBERS AFFECTED
46-43	752 722		* GASKET - "O" Ring (AN6230-6)	1	
-44	752 713		* PACKING - "O" Ring (AN6227-15)	1	
-45	484 782		* SEAL - (AN6227-32)	1	31-8253001 to 31-8353007 incl
	686 012		* SEAL - (18702000)	1	31-8453001 and up
-46	40292-02		* PLACARD - Oleo service instructions	1	
-47	494 721		* WIPER - (4550A-2000-4)	1	
-48	402 344		* BOLT - Nose gear torque link (AN175-32)	2	
	404 102		* NUT - Nose gear torque link (AN310-5)	2	
	424 052		* PIN - Nose gear torque link (MS24665-134)	2	
-49	402 312		* BOLT - Nose gear torque link, center (AN174-14)	1	
	407 565		* WASHER - Nose gear torque link, center (AN960-416)	1	
	407 585		* WASHER - Nose gear torque link, center (AN960-416L)	2	
	404 101		* NUT - Nose gear torque link, center (AN310-4)	1	
	424 052		* PIN - Nose gear torque link, center (MS24665-134)	1	
-50	400 015		* BOLT - Shimmy dampener attachment (AN4-22A)	1	
	407 565		* WASHER - Shimmy dampener attachment (AN960-416)	2	
	404 888		* NUT - Shimmy dampener attachment (MS20365-428C)	1	
	14843-116		* BUSHING - Shimmy dampener attachment	1	
	424 051		* PIN - Shimmy dampener attachment (MS24665-132)	1	
-51	401 269		* BOLT - Shimmy dampener attachment (AN3-10A)	1	
	407 584		* WASHER - Shimmy dampener attachment (AN960-10L)	1	
	404 887		* NUT - Shimmy dampener attachment (MS20365-1032C)	1	
-52	55195-02		* FOLLOWER - Cam. nose gear steering	1	
-53	400 743		* BOLT - Nose gear steering bushing (AN25-38)	2	
	407 566		* WASHER - Nose gear steering bushing (AN960-516)	AR	
	404 394		* NUT - Nose gear steering bushing (AN320-5)	2	
	424 051		* PIN - Nose gear steering bushing (MS24665-132)	2	
-54	484 759		* RING - Retainer (NAS51-300)	1	
-55	484 757		* RING - Retainer (NAS50-262)	1	
-56	419 600		* SCREW - Drive (MS21318-15)	2	
-57	401 302		* BOLT - (AN4H-5A)	3	
-58	401 419		* BOLT - (AN6H-40A)	1	
	407 567		* WASHER - (AN960-616)	1	
-59	42740-00		* INDICATOR - Tow turn	1	
-60	71360-02		* RING - Piston	1	
-61	55193-10		* ARM ASSEMBLY - Nose gear steering	1	
-62	560 007		* * FITTING - Lubrication (1877)	1	
-63	55192-05		* PLATE ASSEMBLY - Nose gear steering	1	
-64	560 007		* * FITTING - Lubrication (1877)	1	
-65	401 263		* BOLT - Shimmy dampener bracket (AN3H-3A)	2	
	407 584		* WASHER - Shimmy dampener bracket (AN960-10L)	2	
-66	14976-12		BUSHING - Nose gear steering, inner	2	
-67	14976-13		BUSHING - Nose gear steering, outer (3/4" O.D.)	2	
	14976-21		BUSHING - Nose gear steering, outer (11/16" O.D.)	2	
	14976-23		BUSHING - Nose gear steering, outer (5/8" O.D.)	2	
	14976-102		BUSHING - Nose gear steering, outer (13/16" O.D.)	2	
	56977-06		BUSHING - Nose gear steering, outer (7/8" O.D.)	2	
	56977-07		BUSHING - Nose gear steering, outer (15/16" O.D.)	2	
	14175-113		BUSHING - Nose gear steering, outer (1" O.D.)	2	

When ordering, always specify Part Number, Description and Serial Number of Aircraft

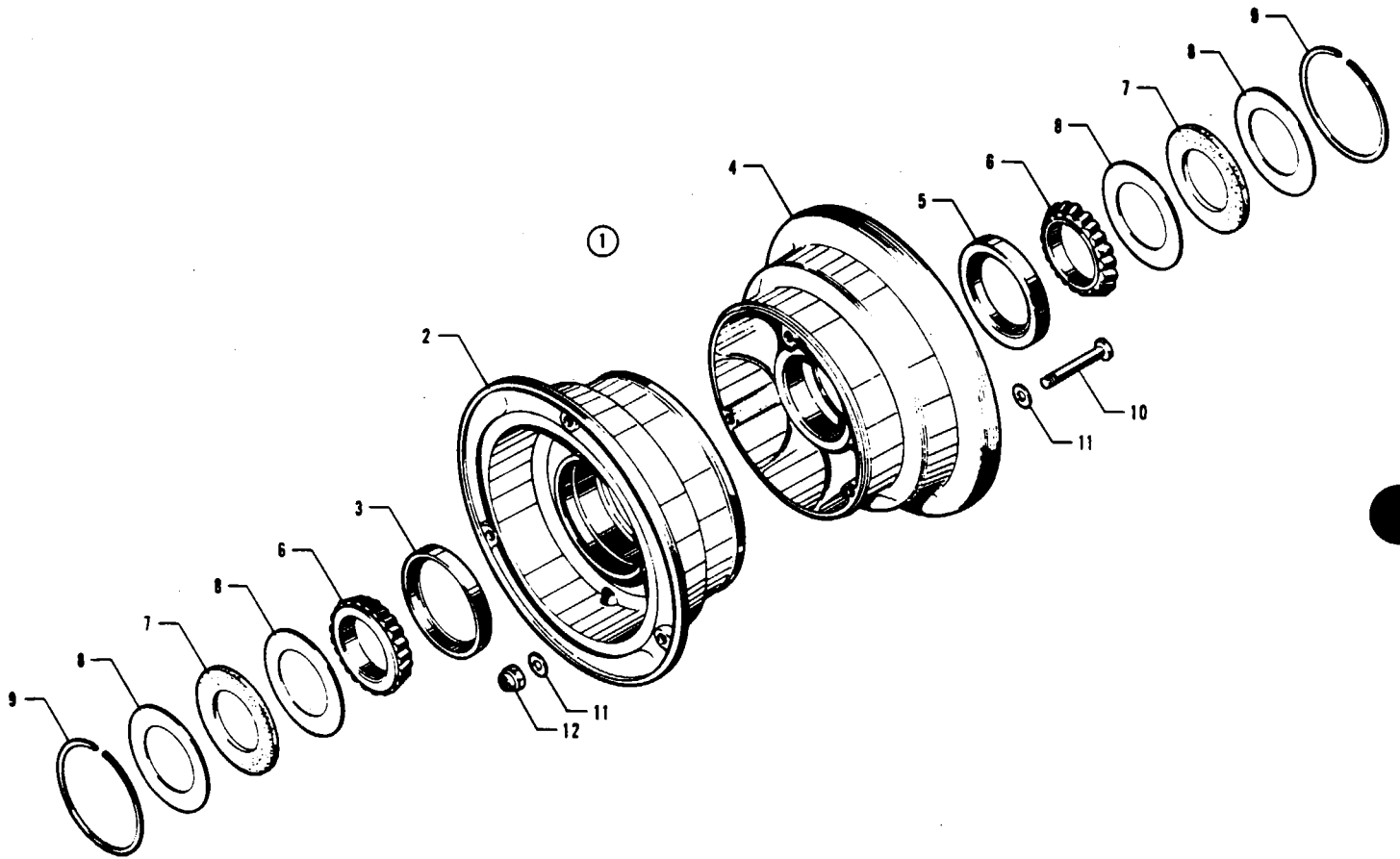


Figure 47. Nose Wheel Assembly

---

# PIPER PARTS CATALOG

---

CODE EXPLANATIONS FOR FIGURE 47

PIPER PARTS CATALOG

Figure and Index Number	Part Number	Code	NOMENCLATURE	No. Req.	SERIAL NUMBERS AFFECTED
47-1	551 791		WHEEL ASSEMBLY - Nose (40-140)	1	
-2	763 715		* WHEEL HALF ASSEMBLY - Outer (162-77) (with valve hole)	1	
-3	751 494		* * CUP - Bearing (13836)	1	
-4	763 717		* WHEEL HALF ASSEMBLY - Inner (161-82)	1	
-5	751 494		* * CUP - Bearing (13836)	1	
-6	751 489		* BEARING CONE - (13889)	2	
-7	751 819		* FELT - Grease seal (154-14)	2	
-8	755 964		* RING - Grease seal (153-9)	4	
-9	752 830		* RING - Snap (3023)	2	
-10	751 405		* BOLT - (AN5-35A)	6	
-11	407 566		* WASHER - (AN960-516)	12	
-12	404 889		* NUT - (AN365-524)	6	

When ordering, always specify Part Number, Description and Serial Number of Aircraft

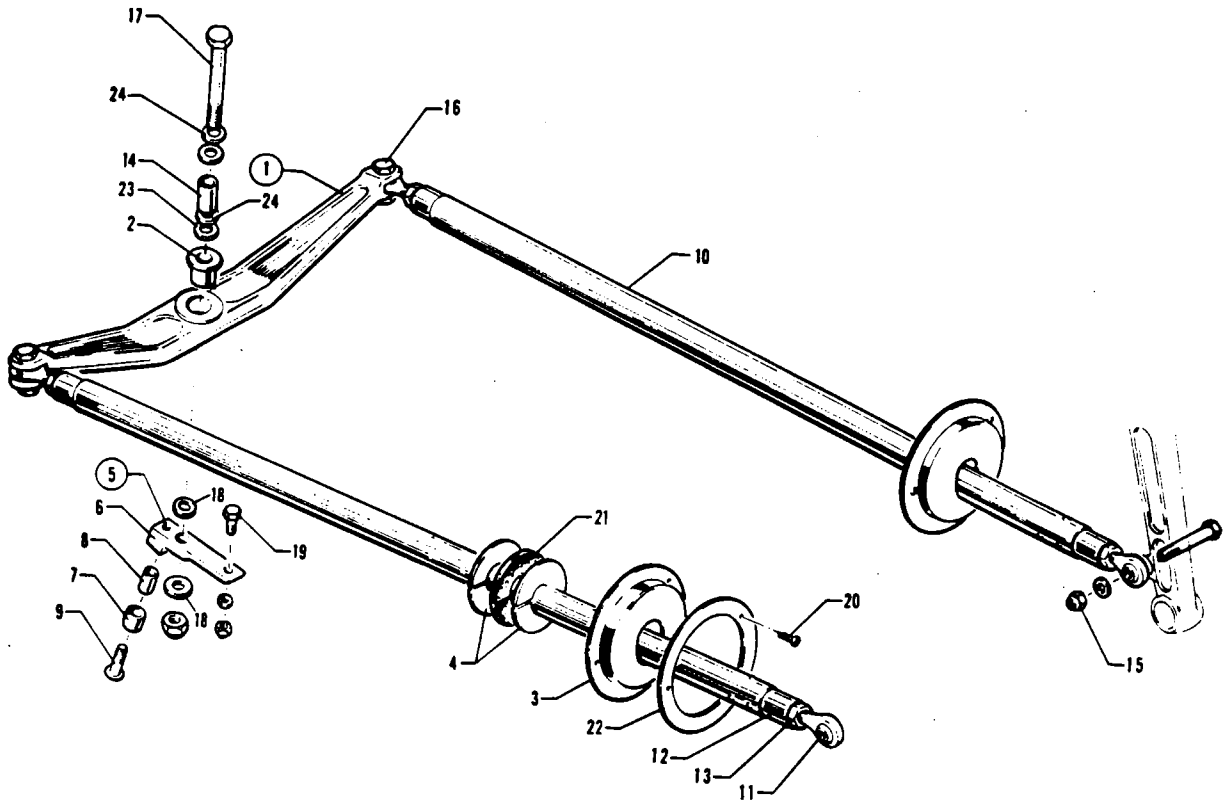


Figure 48. Nose Gear Steering Mechanism Installation

---

# PIPER PARTS CATALOG

---

CODE EXPLANATIONS FOR FIGURE 48

PIPER PARTS CATALOG

Figure and Index Number	Part Number	Code	NOMENCLATURE	No. Req.	SERIAL NUMBERS AFFECTED
48-	41485		DRAWING - Rudder Pedal and Nose Gear Steering Mechanism Installation		
-1	40305-00		BELLCRANK ASSEMBLY - Nose wheel steering	1	
-2	21831-02		* BEARING - Bellcrank assembly	1	
-3	42924-00		RETAINER - Tube seal, Sta. 81	2	
-4	42679-00		SEAL - Tube, Sta. 81	4	
-5	55220-02		ALIGNER ASSEMBLY - Nose gear	1	
-6	55219-02		* BRACKET - Nose gear aligner	1	
-7	56977-02		* BUSHING - Nose gear aligner	1	
-8	56977-03		* BUSHING - Nose gear aligner	1	
-9	411 349		* SCREW - Nylon insert (AN526-428-R14)	1	
-10	41437-00		TUBE ASSEMBLY - Nose gear steering	2	
-11	452 412		* BEARING - Magnfluxed (HMX-4S)	2	
-12	41438-00		* PLUG - Nose gear steering tube	2	
-13	52846-00		* NUT - Special	2	
-14	14976-17		BUSHING - Bellcrank assembly	1	
-15	401 318		BOLT - (AN4-20A)	2	
	407 565		WASHER - (AN960-416)	2	
	404 836		NUT - (MS20364-428C)	2	
-16	403 628		BOLT - (NAS 6204-11)	2	
	407 565		WASHER - (AN960-416)	2	
	404 836		NUT - (MS20364-428C)	2	
-17	401 411		BOLT - (AN6-33A)	1	
	407 567		WASHER - (AN960-616)	2	
	404 838		NUT - (MS20364-624C)	1	
-18	407 587		WASHER - (AN960-616L)	2	
-19	401 266		BOLT - (AN3-5A)	1	
	407 564		WASHER - (AN960-10)	1	
	404 835		NUT - (MS20364-1032C)	1	
-20	415 149		SCREW - (AN526-632R8)	6	
-21	42601-00		SPACER - Seal, Sta. 81	2	
-22	42675-00		RING - Tube seal, Sta. 81	2	
-23	407 567		WASHER - (AN960-616)	AR	
-24	407 686		WASHER - (AN960-816L)	AR	

When ordering, always specify Part Number, Description and Serial Number of Aircraft



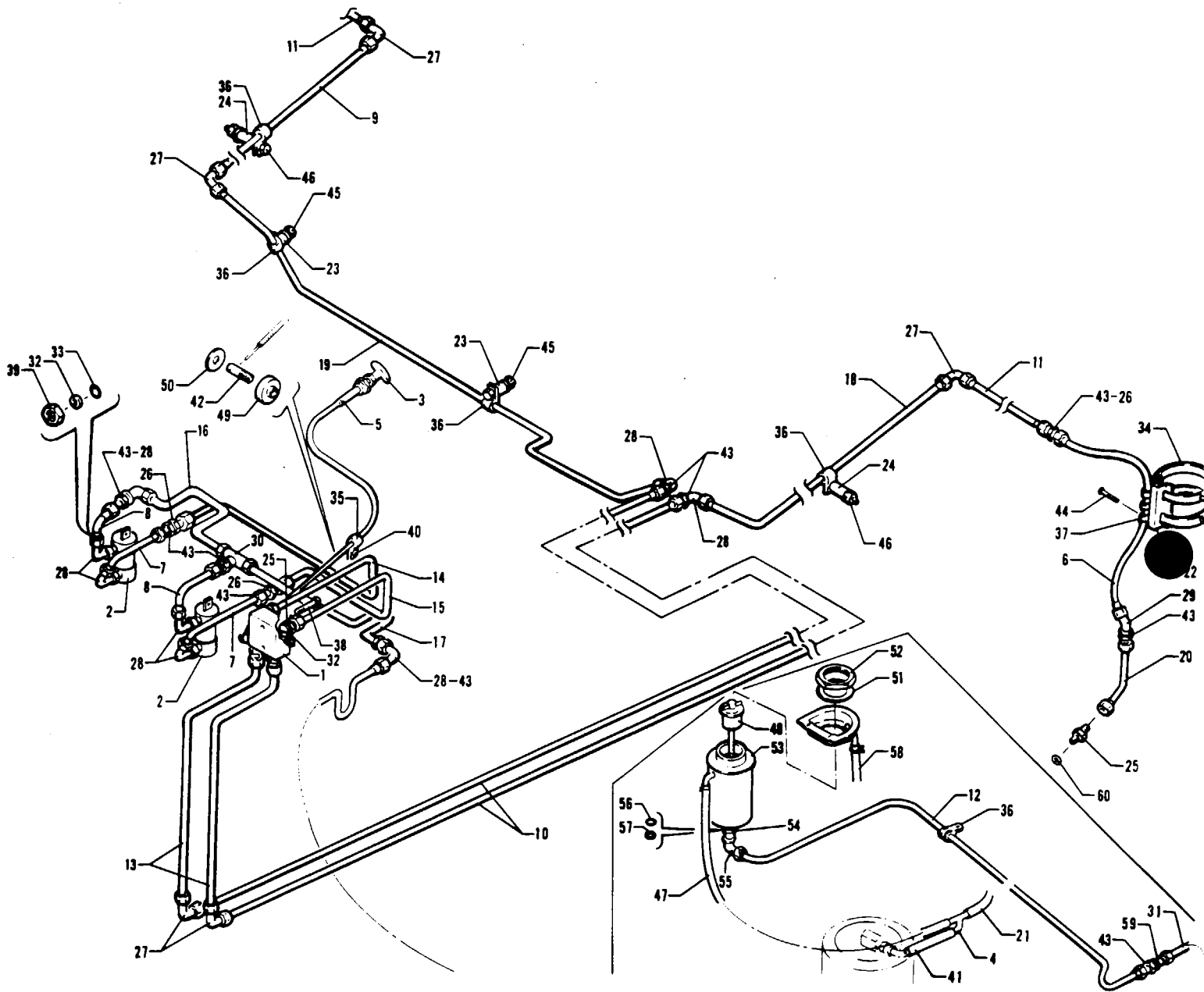


Figure 49. Brake System Installation

---

# PIPER PARTS CATALOG

---

## CODE EXPLANATIONS FOR FIGURE 49

- A - See Figure 51 for component parts.
- B - See Figure 50 if dual brake is installed.
- C - Used if Cleveland brakes 30-95A are installed.
- D - Used if Cleveland brakes 30-123 are installed.

PIPER PARTS CATALOG

Figure and Index Number	Part Number	Code	NOMENCLATURE	No. Req.	SERIAL NUMBERS AFFECTED
49-	52374		DRAWING - Hydraulic Brake System Installation		
-1	492 152	A	VALVE - Parking brake (060-00301)	1	
-2	455 971	A	MASTER CYLINDER ASSEMBLY - Brake (10-23A)	2	
-3	471 080		KNOB - Tee, parking brake (KN578A)	1	
-4	16632-00		TUBE ASSEMBLY - Drain connector	1	
-5	16775-03		CABLE ASSEMBLY - Parking brake	1	
-6	17766-73		HOSE ASSEMBLY - Main gear brake line	2	
-7	565 226		HOSE ASSEMBLY - Brake cylinder, lower port (80026-06)	2	
-8	565 225		HOSE ASSEMBLY - Brake cylinder, upper port (80026-07)	2	
-9	22673-78		TUBE ASSEMBLY - Hydraulic brake	1	
-10	42300-08		TUBE ASSEMBLY - Hydraulic brake	2	
-11	42300-03		TUBE ASSEMBLY - Hydraulic brake	2	
-12	49626-02		TUBE ASSEMBLY - Hydraulic brake (35.91" L.)	1	
-13	42067-00		TUBE ASSEMBLY - Hydraulic brake	2	
-14	42068-00		TUBE ASSEMBLY - Hydraulic brake	1	
-15	42069-00		TUBE ASSEMBLY - Hydraulic brake	1	
-16	53992-00	B	TUBE ASSEMBLY - Hydraulic brake	1	
-17	42095-00	B	TUBE ASSEMBLY - Hydraulic brake	1	
-18	42180-00		TUBE ASSEMBLY - Hydraulic brake	1	
-19	42181-00		TUBE ASSEMBLY - Hydraulic brake	1	
-20	47556-02	C	TUBE ASSEMBLY - Main gear brake line, left and right	2	
	755 322	D	HOSE ASSEMBLY - Main gear brake line, left and right	2	
-21	80027-09		TUBE - Reservoir drain (32" L.)	1	
-22	41220-00		BRACKET ASSEMBLY - Main gear brake line	2	
-23	42129-11		BUSHING - Hydraulic brake tube	2	
-24	42129-12		BUSHING - Hydraulic brake tube	2	
-25	491 050		UNION - (AN815-4D)	4	
-26	491 060		UNION - (AN832-4D)	4	
-27	458 880		ELBOW - (AN821-4D)	5	
-28	458 900		ELBOW - (AN833-4D)	4	
-29	458 910		ELBOW - (AN837-4D)	2	
-30	488 383	B	TEE - (AN834-4D)	1	
-31	53267-00		TUBE ASSEMBLY - Hydraulic brake	1	
-32	462 027		GASKET - (AN6290-4)	6	
-33	484 752		RING - (AN6291-4)	4	
-34	554 874		CLAMP - (QS200-M56S)	4	
-35	454 887		CLAMP - (A4886S-3-1)	1	
-36	454 929		CLAMP - (A4980S-4-91)	4	
-37	454 933		CLAMP - (A4980S-8-91)	6	
-38	417 703		SCREW - (AN526-1032R26)	2	
-39	477 676		NUT - (AN6289D4)	4	
-40	411 532		SCREW - (MS35207-263)	1	
	407 564		WASHER - (AN960-10)	1	
	404 887		NUT - (MS20365-1032C)	1	
-41	22369-14		TUBE - Powerpak drain	1	
-42	42809-00		STUD - Swivel fitting	1	
-43	477 618		NUT - (AN924-4D)	12	
	407 568		WASHER - (AN960-716)	12	
-44	411 530		SCREW - (MS35207-261)	6	

When ordering, always specify Part Number, Description and Serial Number of Aircraft

PIPER PARTS CATALOG

Figure and Index Number	Part Number	Code	NOMENCLATURE	No. Req.	SERIAL NUMBERS AFFECTED
49-45	416 998		SCREW - (AN526-103R 18)	2	
	407 564		WASHER - (AN960-10)	2	
	404 887		NUT - (MS20365-1032C)	2	
-46	411 539		SCREW - (MS35207-270)	2	
	407 564		WASHER - (AN960-10)	2	
	404 887		NUT - (MS20365-1032C)	2	
-47	80027-08		TUBE - Reservoir drain (18" L)	1	
-48	44490-00		GAUGE ASSEMBLY - Hydraulic fluid level (550 571)	1	
-49	70371-02		FITTING - Swivel	1	
-50	407 584		WASHER - (AN960-10L)	1	
	404 100		NUT - (AN310-3)	1	
	424 051		PIN - Cotter (MS24665-132)	1	
-51	43840-00		GASKET - Hydraulic reservoir	1	
-52	43712-00		NUT - Hex, hydraulic reservoir	1	
-53	48028-00		RESERVOIR ASSEMBLY - Brake cylinder	1	
-54	477 676		NUT - (AN6289-D-4)	1	
-55	458 900		ELBOW - (AN833-4D)	1	
-56	484 752		RING - (AN6291-4)	1	
-57	462 027		GASKET - (AN6290-4)	1	
-58	19790-29		TUBE ASSEMBLY - Hydraulic reservoir drain	1	
-59	458 900		ELBOW - (AN833-4D)	1	
-60	462 027	C	GASKET - (AN6290-4)	2	
	484 701	D	"O" RING - (AN6227-7)	2	

When ordeways specify Part Number, Description and Serial Number of Aircraft

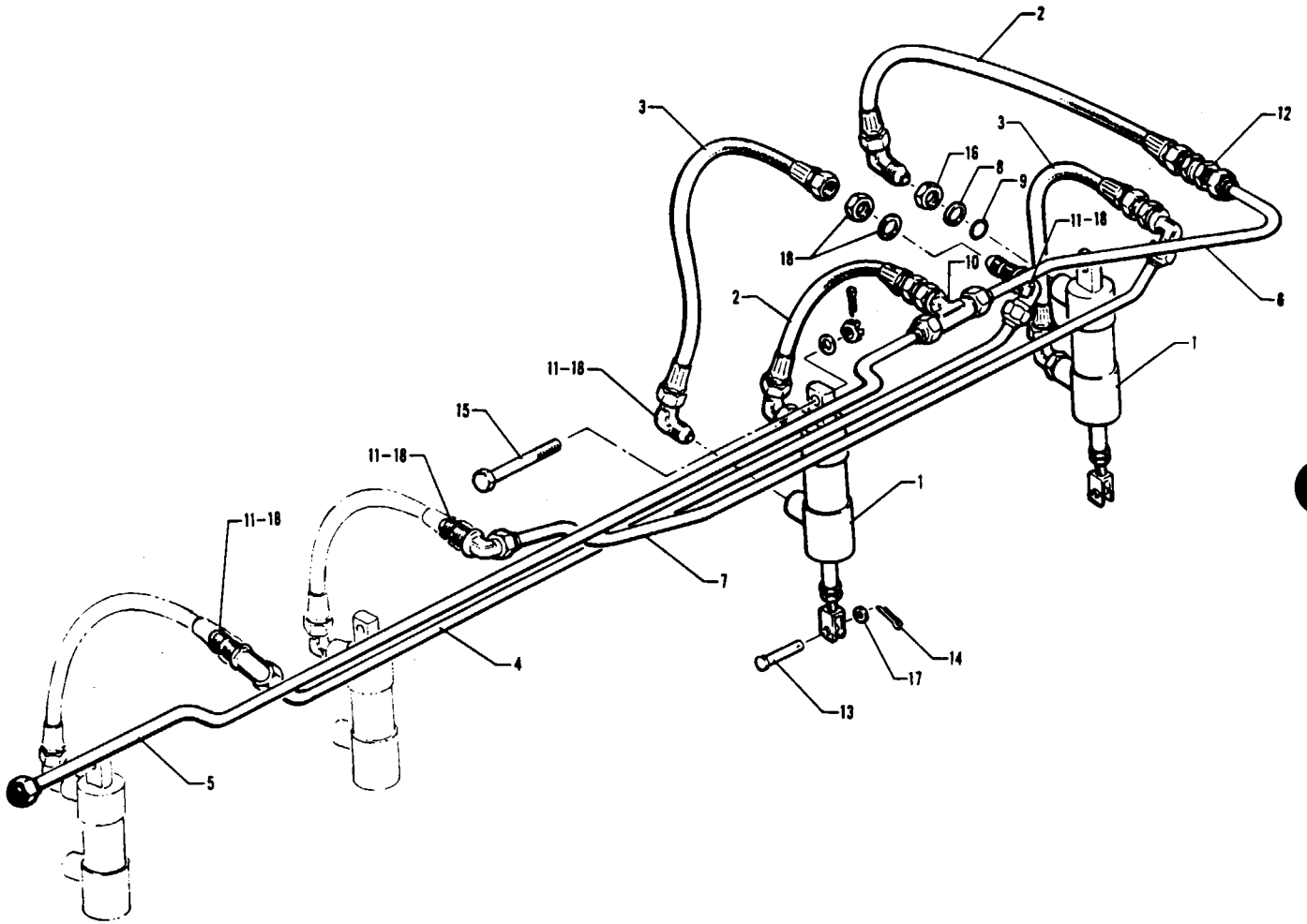


Figure 50. Dual Brake Installation

---

# PIPER PARTS CATALOG

---

CODE EXPLANATIONS FOR FIGURE 50

A - See Figure 51 for component parts.

PIPER PARTS CATALOG

Figure and Index Number	Part Number	Code	NOMENCLATURE	No. Req.	SERIAL NUMBERS AFFECTED
50-	42386		DRAWING - Dual Brake Installation		
-1	455 971	A	MASTER CYLINDER ASSEMBLY - Brake (10-23A)	2	
-2	565 225		HOSE ASSEMBLY - Brake cylinder, upper port (80026-07)	2	
-3	565 226		HOSE ASSEMBLY - Brake cylinder, lower port (80026-06)	2	
-4	42062-00		TUBE ASSEMBLY - Hydraulic brake	1	
-5	42063-00		TUBE ASSEMBLY - Hydraulic brake	1	
-6	42064-00		TUBE ASSEMBLY - Hydraulic brake	1	
-7	42065-00		TUBE ASSEMBLY - Hydraulic brake	1	
-8	484 752		RING - (AN6291-4)	4	
-9	462 027		GASKET - (AN6290-4)	4	
-10	488 383		TEE - (AN834-4D)	1	
-11	458 900		ELBOW - (AN833-4D)	8	
-12	491 060		UNION - (AN832-4D)	1	
-13	424 176		PIN - Flat head (MS20392-2C15)	2	
-14	424 051		COTTER PIN - (MS24665-132)	2	
-15	400 116		BOLT - (AN4-23)	2	
	407 565		WASHER - (AN960-416)	2	
	404 101		NUT - (AN310-4)	2	
	424 052		COTTER PIN - (MS24665-134)	2	
-16	477 676		NUT - (AN6289-D4)	4	
-17	407 584		WASHER - (AN960-10L)	2	
-18	477 618		NUT - (AN924-4D)	6	
	407 568		WASHER - (AN960-716)	6	

When ordering, always specify Part Number, Description and Serial Number of Aircraft

1123 THRU 1124  
INTENTIONALLY LEFT BLANK



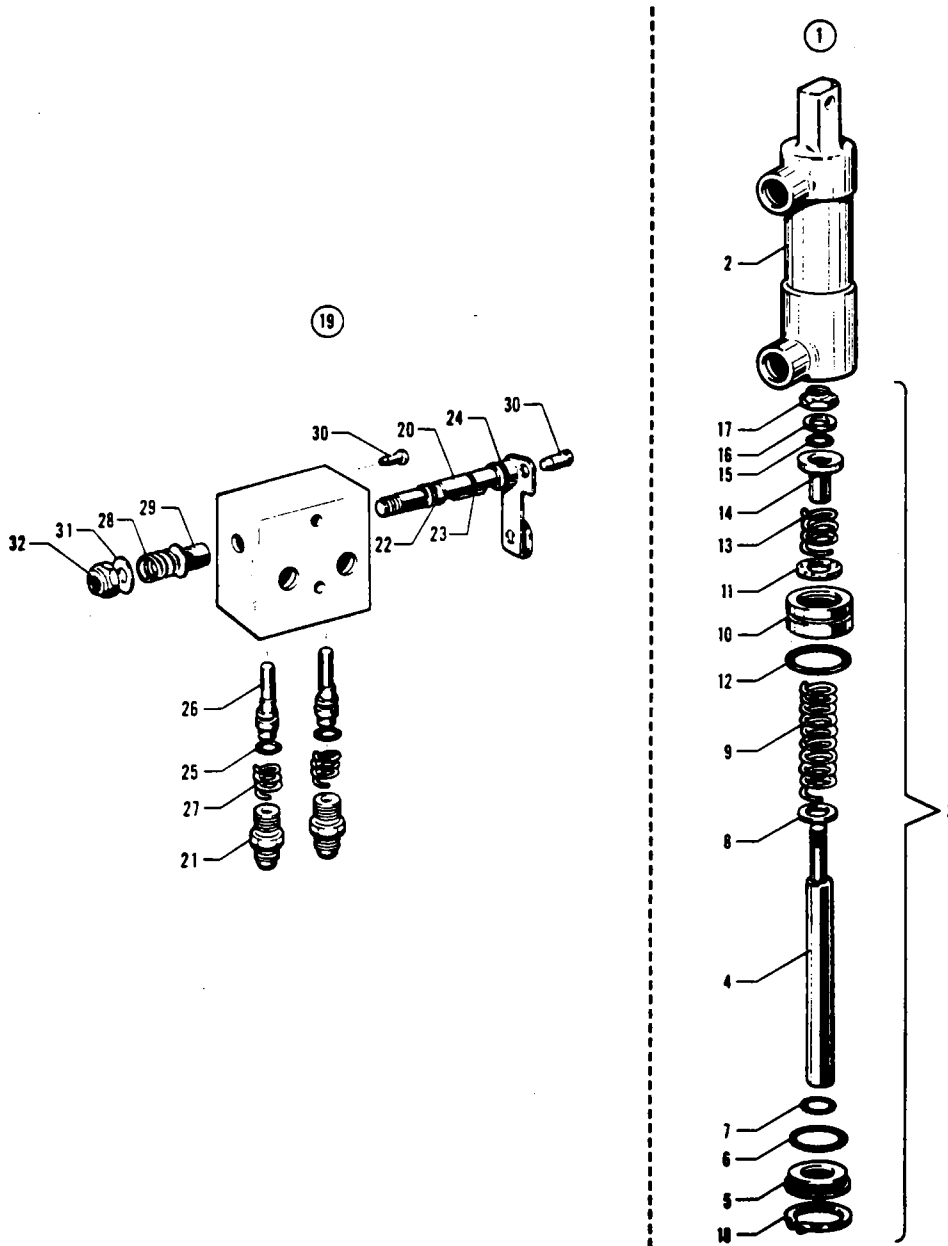


Figure 51. Master Cylinder and Parking Brake Valve

---

# PIPER PARTS CATALOG

CODE EXPLANATIONS FOR FIGURE 51

PIPER PARTS CATALOG

Figure and Index Number	Part Number	Code	NOMENCLATURE	No. Req.	SERIAL NUMBERS AFFECTED
51-1	455 971		MASTER CYLINDER ASSEMBLY - Brake (10-23A)	2	
-2	763 309		* CYLINDER ASSEMBLY - Hydraulic (144-36)	1	
-3	762 573		* ROD ASSEMBLY - Piston (182-24)	1	
-4	755 953		* * ROD - Piston (142-7)	1	
-5	751 890		* * GLAND - Packing (141-8)	1	
-6	484 730		* * "O" RING - (AN6227-14)	1	
-7	484 701		* * "O" RING - (AN6227-7)	1	
-8	407 567		* * WASHER - (AN960-616)	1	
-9	756 259		* * SPRING - (82-19)	1	
-10	763 441		* * PISTON - (148-26)	1	
-11	753 215		* * WASHER - (95-251)	1	
-12	484 730		* * "O" RING - (AN6227-14)	1	
-13	756 119		* * SPRING - (82-10)	1	
-14	756 508		* * VALVE - (146-5)	1	
-15	752 735		* * "O" RING - (AN6227-3) (484 707)	1	
-16	407 564		* * WASHER - (AN960-10)	1	
-17	404 835		* * NUT - (AN364-1032)	1	
-18	755 955		* RING - Retaining (1RR3000-100) (155-11)	1	
-19	492 152		VALVE ASSEMBLY - Parking brake (060-00301)	1	
-20	757 879		* CAM ASSEMBLY - Valve (181-00301)	1	
-21	476 648		* FITTING - Tube (AN816-4D)	2	
-22	752 735		* "O" RING - (AN6227-3) (484 707)	1	
-23	484 700		* "O" RING - (AN6227-5)	1	
-24	484 708		* "O" RING - (AN6227-6)	1	
-25	755 908		* "O" RING - (AN6227-1)	2	
-26	753 110		* VALVE - (146-2)	2	
-27	762 333		* SPRING - (82-44)	2	
-28	756 119		* SPRING - (82-10)	1	
-29	751 445		* BUSHING - (145-7)	1	
-30	757 238		* PIN - (177-2)	2	
-31	407 564		* WASHER - (AN960-10)	2	
-32	404 835		* NUT - (AN364-1032)	1	

When ordering, always specify Part Number, Description and Serial Number of Aircraft

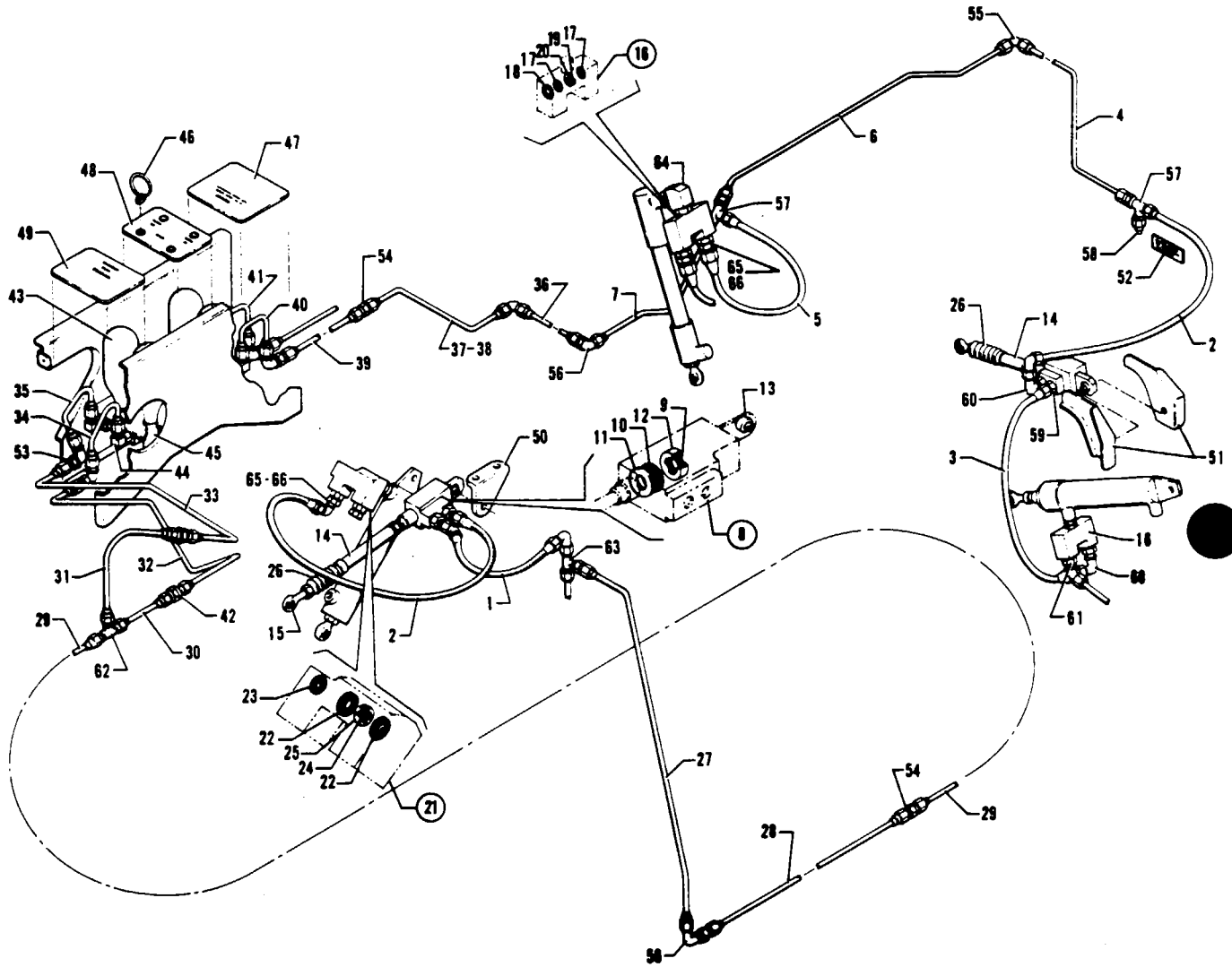


Figure 52. Emergency Gear Extension System Installation

---

# PIPER PARTS CATALOG

---

CODE EXPLANATIONS FOR FIGURE 52

PIPER PARTS CATALOG

Figure and Index Number	Part Number	Code	NOMENCLATURE	No. Req.	SERIAL NUMBERS AFFECTED
52-	74114		DRAWING - Emergency Gear Extension System Installation		
-1	71528-04		HOSE ASSEMBLY - Flexible	1	
-2	71528-07		HOSE ASSEMBLY - Flexible	3	
-3	71528-03		HOSE ASSEMBLY - Flexible	2	
-4	71517-02		LINE ASSEMBLY - Emergency Gear Extension	2	
-5	71528-02		HOSE ASSEMBLY - Flexible	2	
-6	71518-02		LINE ASSEMBLY - Emergency Gear Extension, left	1	
	71518-03		LINE ASSEMBLY - Emergency Gear Extension, right	1	
-7	74231-02		LINE ASSEMBLY - Emergency Gear Extension, left	1	
	74231-03		LINE ASSEMBLY - Emergency Gear Extension, right	1	
-8	551 968		ACTUATOR - Emergency unlock release (WTC2215-1)	3	
-9	752 584		* "O" RING - (MS28775-113)	1	
-10	484 848		* "O" RING - (MS28775-016)	1	
-11	762 615		* RETAINER - Back-up (MS28774-016)	1	
-12	762 425		* SEAL - Double Delta (S30661-113N)	1	
-13	758 527		* BEARING - (LHB-3SBY-1M)	1	
-14	71228-02		ROD ASSEMBLY - Main gear emergency uplock release	2	
	71228-03		ROD ASSEMBLY - Nose gear emergency uplock release	1	
-15	452 383		* BEARING - Rod end (PAC24166-00)	1	
-16	491 948		VALVE ASSEMBLY - Shuttle (WTC2216-1)	4	
-17	484 788		* "O" RING - (MS28775-012)	2	
-18	484 950		* "O" RING - (MS28778-4)	1	
-19	484 675		* "O" RING - (MS28775-006)	1	
-20	762 424		* SEAL - Double Delta (S30661-007N)	1	
-21	491 949		VALVE ASSEMBLY - Shuttle (WTC2217-1)	1	
-22	484 788		* "O" RING - (MS28775-012)	2	
-23	484 950		* "O" RING - (MS28778-4)	1	
-24	484 675		* "O" RING - (MS28775-006)	1	
-25	762 424		* SEAL - Double Delta (S30661-007N)	1	
-26	453 206		BOOT - (OMN-401-4-13-2)	3	
-27	74117-02		LINE ASSEMBLY - Emergency Gear Extension, nose	1	
-28	74118-02		LINE ASSEMBLY - Emergency Gear Extension, nose	1	
-29	56959-16		LINE ASSEMBLY - Emergency Gear Extension, nose	1	
-30	80004-56		LINE ASSEMBLY - Emergency Gear Extension, nose	1	
-31	82073-02		LINE ASSEMBLY - Emergency Gear Extension, nose	1	
-32	74225-02		LINE ASSEMBLY - Emergency Gear Extension, nose (from pilot side nose nitrogen cylinder)	1	
-33	74226-02		LINE ASSEMBLY - Emergency Gear Extension, nose (from copilot side nitrogen cylinder)	1	
-34	01244-02		LINE ASSEMBLY - Emergency Gear Extension, nose (from pilot side nitrogen cylinder)	1	
-35	01242-02		LINE ASSEMBLY - Emergency Gear Extension, nose (from copilot side nitrogen cylinder)	1	
-36	56959-18		LINE ASSEMBLY - Emergency Gear Extension, main gear	2	
-37	74230-02		LINE ASSEMBLY - Emergency Gear Extension, left	1	
-38	74229-02		LINE ASSEMBLY - Emergency Gear Extension, right	1	
-39	56959-17		LINE ASSEMBLY - Emergency Gear Extension, main gear	2	
-40	74228-02		LINE ASSEMBLY - Emergency Gear Extension, left main gear nitrogen cylinder	1	
-41	74227-02		LINE ASSEMBLY - Emergency Gear Extension, right main gear nitrogen cylinder	1	
-42	492 163		VALVE - Check (2C5040)	2	
-43	455 973		CYLINDER - Nitrogen (CC-508-3)	4	
-44	558 785		ADAPTER - (RA-2000-4)	4	
-45	467 029		INFLATOR ASSEMBLY - (1812-138-50)	4	

When ordering, always specify Part Number, Description and Serial Number of Aircraft

PIPER PARTS CATALOG

Figure and Index Number	Part Number	Code	NOMENCLATURE	No. Req.	SERIAL NUMBERS AFFECTED
52-46	01246-02		HANDLE - Emergency Gear Extension, nose nitrogen cylinders	1	
-47	01247-02		PLATE - Caution	1	
-48	01247-03		PLATE - Actuator functions	1	
-49	01247-04		PLATE - Emergency gear extend	1	
-50	71310-02		BRACKET - Unlock release actuator attachment	1	
-51	71483-02		BRACKET - Unlock release actuator attachment, forward	2	
	71483-03		BRACKET - Unlock release actuator attachment, aft	2	
-52	71516-03		DECAL - Test port	3	
-53	458 900		ELBOW - (AN833-4D)	4	
	407 568		WASHER - (AN960-716)	4	
	477 618		NUT - (AN924-4D)	4	
-54	484 351		REDUCER - (AN919-2D)	3	
-55	458 879		ELBOW - (AN821-3D)	4	
-56	458 899		ELBOW - (AN833-3D)	3	
	407 567		WASHER - (AN960-616)	3	
	477 617		NUT - (AN924-3D)	3	
-57	588 528		TEE - (AN804D3)	4	
	407 567		WASHER - (AN960-616)	4	
	477 617		NUT - (AN924-3D)	4	
-58	553 988		CAP - (AN929-3D)	2	
-59	491 049		UNION - (AN815-3D)	4	
	462 026		GASKET - (AN6290-3)	4	
	484 753		RING - Back-up (AN6291-3)	4	
-60	458 899		ELBOW - (AN833-3D)	4	
	462 026		GASKET - (AN6290-3)	4	
	484 753		RING - Back-up (AN6291-3)	4	
	477 678		NUT - (AN6289D3)	4	
-61	491 050		UNION - (AN815-4D)	2	
	462 027		GASKET - (AN6290-4)	2	
-62	488 383		TEE - (AN834-4D)	1	
-63	488 522		TEE - (AN834-3D)	1	
	407 567		WASHER - (AN960-616)	1	
	477 617		NUT - (AN924-3D)	1	
-64	71459-02		ELBOW - Special	2	
	462 027		GASKET - (AN6290-4)	2	
	484 752		RING - Back-up (AN6291-4)	2	
	477 676		NUT - (AN6289D4)	2	
-65	491 059		UNION - (AN832-3D)	3	
	407 685		WASHER - (AN960C616L)	3	
	477 617		NUT - (AN924-3D)	3	
	477 678		NUT - (AN6289D3) right gear	1	
	484 753		RING - (AN6291-3) right gear	1	
-66	462 026		GASKET - (AN6290-3)	3	

When ordering, always specify Part Number, Description and Serial Number of Aircraft

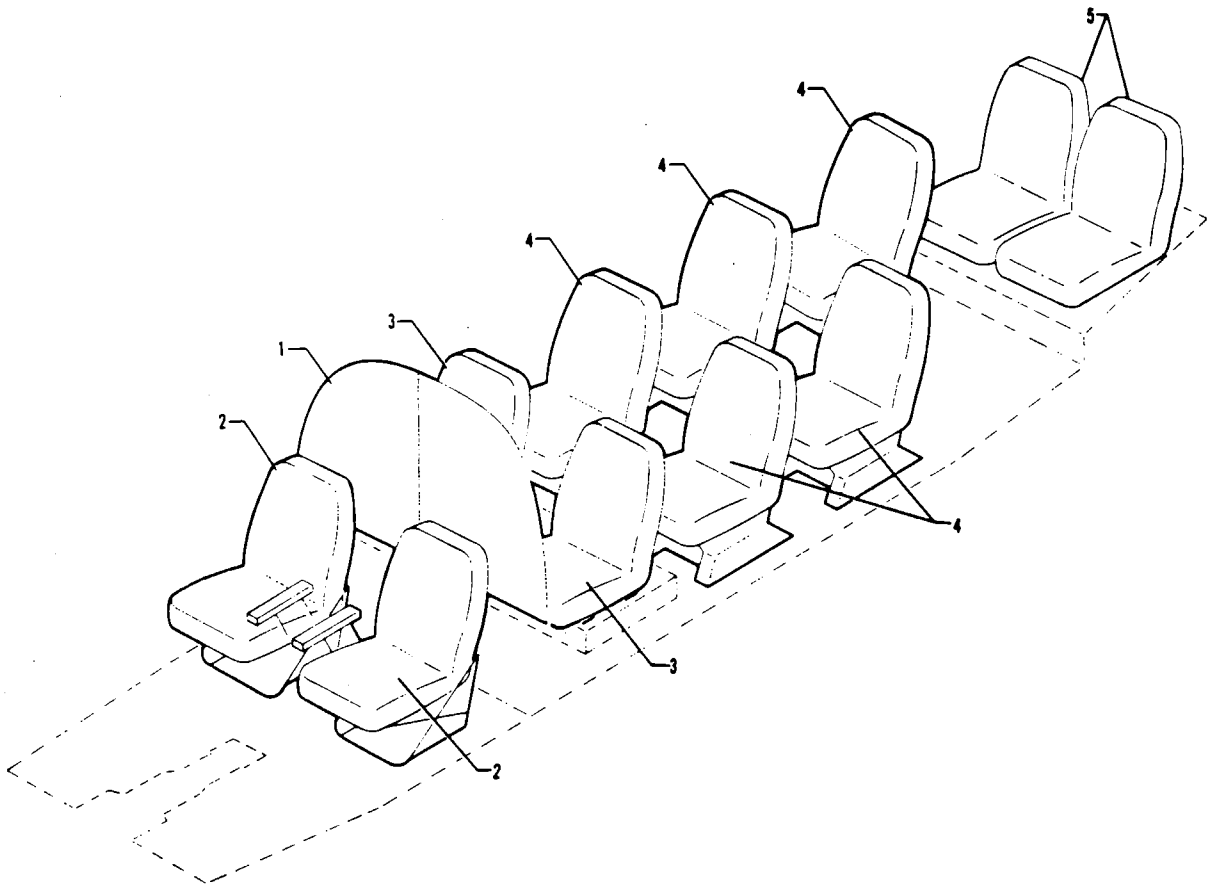


Figure 53. Cabin Furnishings Installation-Commuter Version



---

# PIPER PARTS CATALOG

---

## CODE EXPLANATIONS FOR FIGURE 53

- A - Serial number of aircraft must be supplied when ordering this part.
- B - See Figure 60 for component parts.
- C - See Figure 58 for component parts.
- D - See Figure 63 for component parts.
- E - See Figure 61 for component parts.
- F - See Figure 62 for component parts.
- G - Used on serial numbers 31-8253001 to 31-8253012 inclusive, 31-8353002, 31-8353004 and 31-8353005.
- H - Used on serial numbers 31-8353001, 31-8353003, 31-8353006 and 31-8353007.

**PIPER PARTS CATALOG**

Figure and Index Number	Part Number	Code	NOMENCLATURE	No. Req.	SERIAL NUMBERS AFFECTED
53	74166		DRAWING - Seats Installation		
-1		C	CABIN PRIVACY CURTAIN INSTALLATION	1	
-2	82146-02	A.B	SEAT ASSEMBLY - Pilot (complete)	1	
	82146-03	A.B	SEAT ASSEMBLY - Co-pilot (complete)	1	
-3	82043-02	A.E.G	SEAT ASSEMBLY - Passenger (complete) third and fourth position	2	
	53269-22	A.E.H	SEAT ASSEMBLY - Passenger (complete) third position	1	
	53269-23	A.E.H	SEAT ASSEMBLY - Passenger (complete) fourth position	1	
-4	82058-02	A.F.G	SEAT ASSEMBLY - Passenger (complete) fifth, sixth, seventh, eighth and ninth position	5	
	55430-30	A.F.H	SEAT ASSEMBLY - Passenger (complete) fifth and seventh position	2	
	55430-31	A.F.H	SEAT ASSEMBLY - Passenger (complete) sixth, and eighth position	2	
	55430-23	A.F.H	SEAT ASSEMBLY - Passenger (complete) ninth position	1	
-5	82072-02	A.D	SEAT ASSEMBLY - Passenger (complete) left	1	
	82072-03	A.D	SEAT ASSEMBLY - Passenger (complete) right	1	

When ordering, always specify Part Number, Description and Serial Number of Aircraft

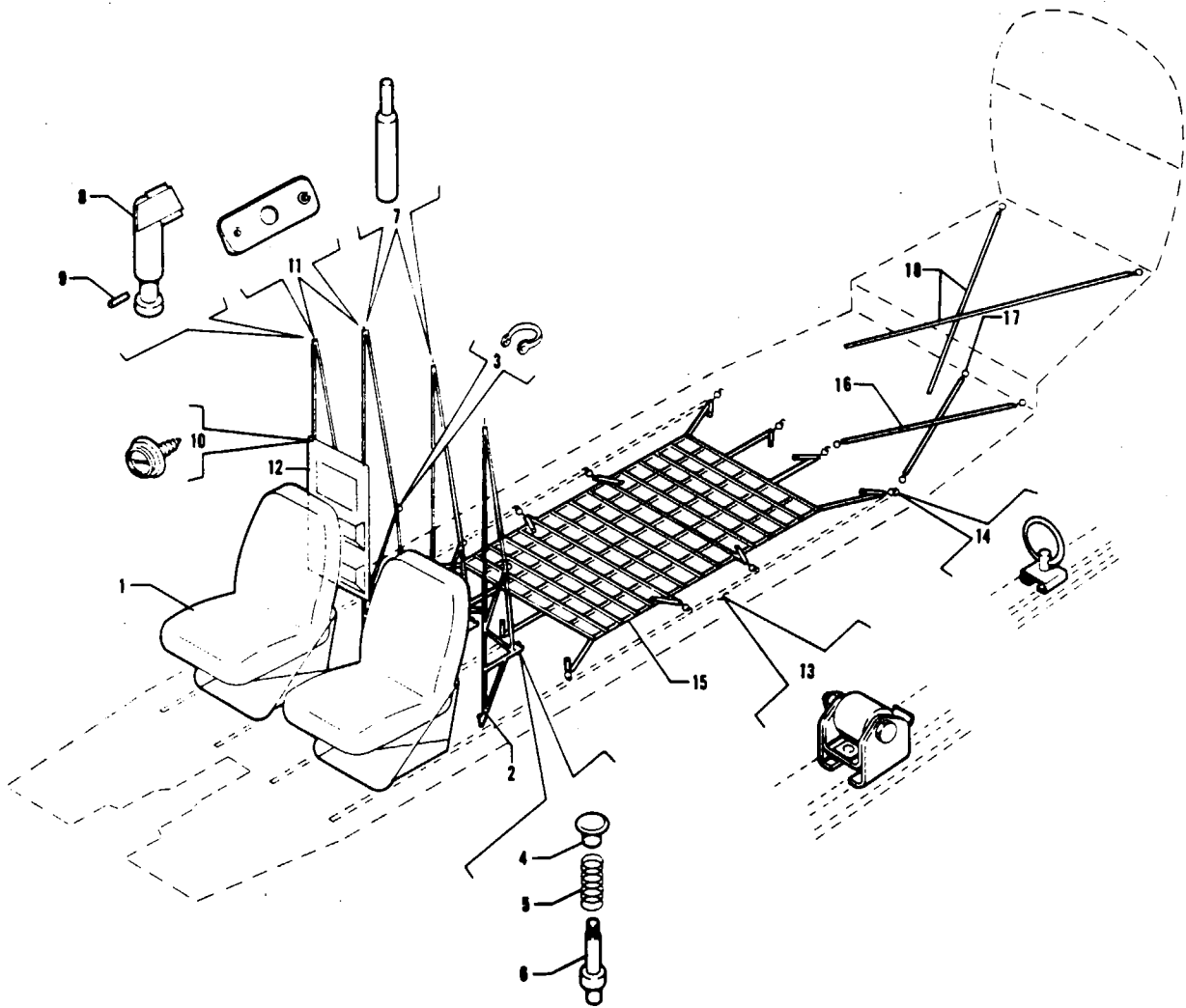


Figure 54. Cabin Furnishings Installation - Cargo Version

---

# PIPER PARTS CATALOG

---

CODE EXPLANATIONS FOR FIGURE 54

A - See Figure 60 for component parts.

**PIPER PARTS CATALOG**

Figure and Index Number	Part Number	Code	NOMENCLATURE	No. Req.	SERIAL NUMBERS AFFECTED
54-	52411 52414 53668 52477 52480 53638		DRAWING - Cargo Straps Installation DRAWING - Cargo Net Installation (132 in long net) DRAWING - Cargo Net Installation (96 in long net) DRAWING - Cargo Roller Installation DRAWING - Cargo Barrier Installation DRAWING - Cargo Equipment Storage Container Installation		
-1		A	SEAT ASSEMBLY - Front, (complete), left	1	
		A	SEAT ASSEMBLY - Front, (complete), right	1	
-2	52470-02 52470-03		BARRIER ASSEMBLY - Cargo, inboard BARRIER ASSEMBLY - Cargo, outboard	2 2	
-3	52471-00		* RING - Cargo strap attachment	2	
-4	571 144		* KNOB - (8113-10-STK)	2	
-5	587 289		* SPRING - (LC-035E-12)	2	
-6	52096-00		* PIN - Seat latch	2	
-7	52405-00		* PIN - Cargo barrier, top, inboard	1	
-8	52468-00		* FITTING ASSEMBLY - Cargo barrier attachment, top, outboard	1	
-9	480 697		* PIN - Roll (59-022-094-0875)	1	
-10	487 560		* STUD - (XX-10369-12)	1	
-11	44965-00 44966-00		COVER - Cargo barrier trim, inboard COVER - Cargo barrier trim, outboard	2 2	
-12	53637-00		CONTAINER ASSEMBLY - Cargo equipment storage	1	
-13	52465-00		ROLLER ASSEMBLY - Cargo	AR	
-14	46654-00		RING ASSEMBLY - Baggage tie down	AR	
-15	52413-00 53666-00		NET ASSEMBLY - Cargo (132 in, long) NET ASSEMBLY - Cargo (96 in, long)	1 1	
-16	44935-00		STRAP ASSEMBLY - Cargo	2	
-17	54350-02		RING ASSEMBLY - Cargo strap tie down	2	
-18	44935-03		STRAP ASSEMBLY - Cargo	2	

When ordering, always specify Part Number, Description and Serial Number of Aircraft

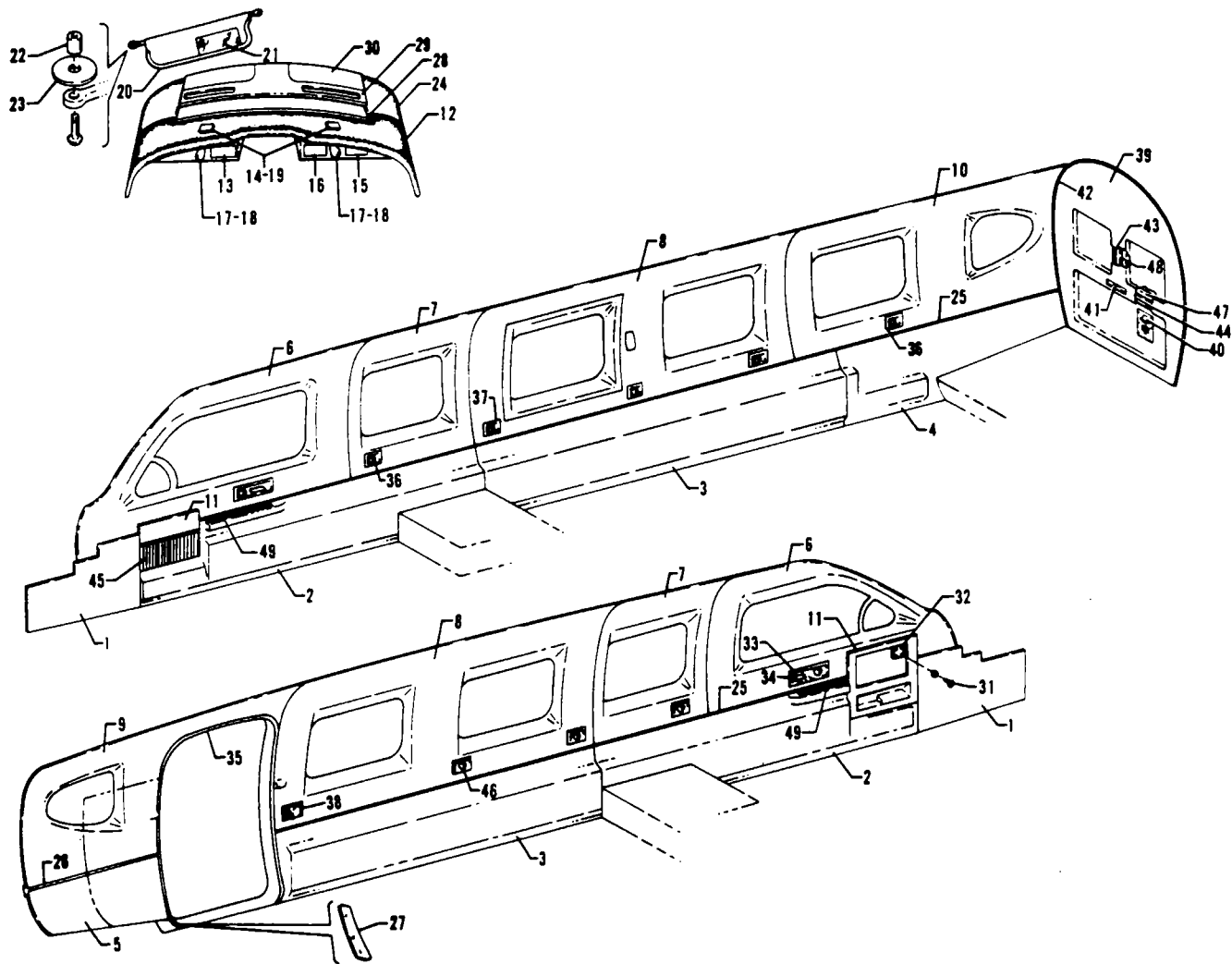


Figure 55. Cabin Interior Finishing Installation

---

# PIPER PARTS CATALOG

---

## CODE EXPLANATIONS FOR FIGURE 55

- A - Serial Number of aircraft must be supplied when ordering this part.
- B - Used if cargo door is installed.
- C - Used if pilot door is installed.
- D - See Figure 32 if pilot door is installed.

# PIPER PARTS CATALOG

Figure and Index Number	Part Number	Code	NOMENCLATURE	No. Req.	SERIAL NUMBERS AFFECTED
55.	74144		DRAWING - Cabin Interior Finishing Installation		
-1	53142-03	A	PANEL ASSEMBLY - Trim, forward, left	1	
	53157-04	A	PANEL ASSEMBLY - Trim, forward, right	1	
-2	74152-02		PANEL - Trim, lower forward, left	1	
	74152-03		PANEL - Trim, lower forward, right	1	
-3	74153-02		PANEL - Trim, lower center, left	1	
	74153-03		PANEL - Trim, lower center, right	1	
-4	74154-03		PANEL - Trim, lower rear, right	1	
-5	74135-02		PANEL - Trim, lower rear, left	1	
	74136-02	B	PANEL - Trim, lower rear, left	1	
-6	55267-20	D	MOULDING - Window, front, left	1	
	55267-21		MOULDING - Window, front, right	1	
-7	55266-36		MOULDING - Window, intermediate, left	1	
	55266-35		MOULDING - Window, intermediate, right	1	
	55266-08	C	MOULDING - Window, intermediate, left	1	
-8	55258-32		MOULDING - Windows, center, left	1	
	55259-28		MOULDING - Windows, center, right	1	
-9	55287-12		MOULDING - Window, aft, left	1	
	55315-07	B	MOULDING - Cargo door trim	1	
-10	55254-19		MOULDING - Window, aft right	1	
-11	49713-02		PANEL - Switch and circuit protector trim, left	1	
	55948-03		PANEL - Switch and circuit protector trim, right	1	
-12	53956-12		PANEL ASSEMBLY - Instrument panel trim	1	
-13	71066-02		* PLACARD - Operation category	1	
-14	53703-00		* PLACARD - Map light	2	
-15	80615-02		* PLACARD - Operation category	1	
-16	80584-02		* PLACARD - Speed control	1	
-17	472 868		* LIGHT ASSEMBLY - (A1719-24)	2	
-18	753 476		* * BULB - (313)	1	
-19	487 876		* SWITCH - (S-2012SD06-0)	2	
-20	71608-04		VISOR ASSEMBLY - Sun, left	1	
	71608-05		VISOR ASSEMBLY - Sun, right	1	
-21	74127-02		POWER SETTING TABLE	1	
-22	61402-105		BUSHING - Sun Visor	2	
-23	54374-03		WASHER - Sun Visor	2	
-24	53360-02		COVER - Windshield anti-glare	1	
-25	43943-00		EXTRUSION - Side panel (6' length)	AR	
-26	41322-00		EXTRUSION - Side Panel (6' length)	AR	
-27	57258-02		PLATE - Carpet trim	1	
-28	43078-00		STRIP - Access panel trim	1	31-8253001 to 31-8253017 incl.
-29	53369-13		PANEL ASSEMBLY - Instrument access	1	31-8253001 to 31-8253017 incl.
	74199-02		PANEL ASSEMBLY - Instrument access	1	31-8353001 and up
-30	53369-11		* PLATE ASSEMBLY - Left	1	31-8253001 to 31-8253017 incl.
	53369-12		* PLATE ASSEMBLY - Right	1	31-8253001 to 31-8253017 incl.
-31	415 408		SCREW - (MS51957-31B)	4	
	406 526		NUT - (C8090-632-1)	4	
-32	53641-00		COVER PLATE	1	
-33	55877-04		COVER - Fresh air and ash tray, left	1	
	55877-05		COVER - Fresh air and ash tray, right	1	
-34	484 154		TRAY - Ash (2A-21560)	2	
-35	71100-02		WINDLACE ASSEMBLY - Cabin door	1	
-36	55334-02		COVER - Air outlet valve	6	
-37	55596-02		COVER - Air outlet valve	2	
-38	74161-02		COVER - Air outlet valve	1	

When ordering, always specify Part Number, Description and Serial Number of Aircraft



## PIPER PARTS CATALOG

Figure and Index Number	Part Number	Code	NOMENCLATURE	No. Req.	SERIAL NUMBERS AFFECTED
55-39	74155-03		PANEL ASSEMBLY - Aft close-out	1	
-40	73095-02		* PLACARD - Cargo loading	1	
-41	73082-02		* PLACARD - Aft baggage capacity	1	
-42	13945-80		STRIP - Rubber, rear close-out panel	1	
-43	42369-05		CHANNEL ASSEMBLY - Rear panel support	1	
-44	42369-09		CHANNEL ASSEMBLY - Rear panel support	1	
-45	53796-06		PANEL ASSEMBLY - Trim, right	1	
-46	492 203		VALVE ASSEMBLY - Air (2541)	11	
-47	13945-78		STRIP - Rubber, rear close-out panel	1	
-48	13945-79		STRIP - Rubber, rear close-out panel	1	
-49	73094-02		PAD ASSEMBLY - Armrest	2	

When ordering, always specify Part Number, Description and Serial Number of Aircraft

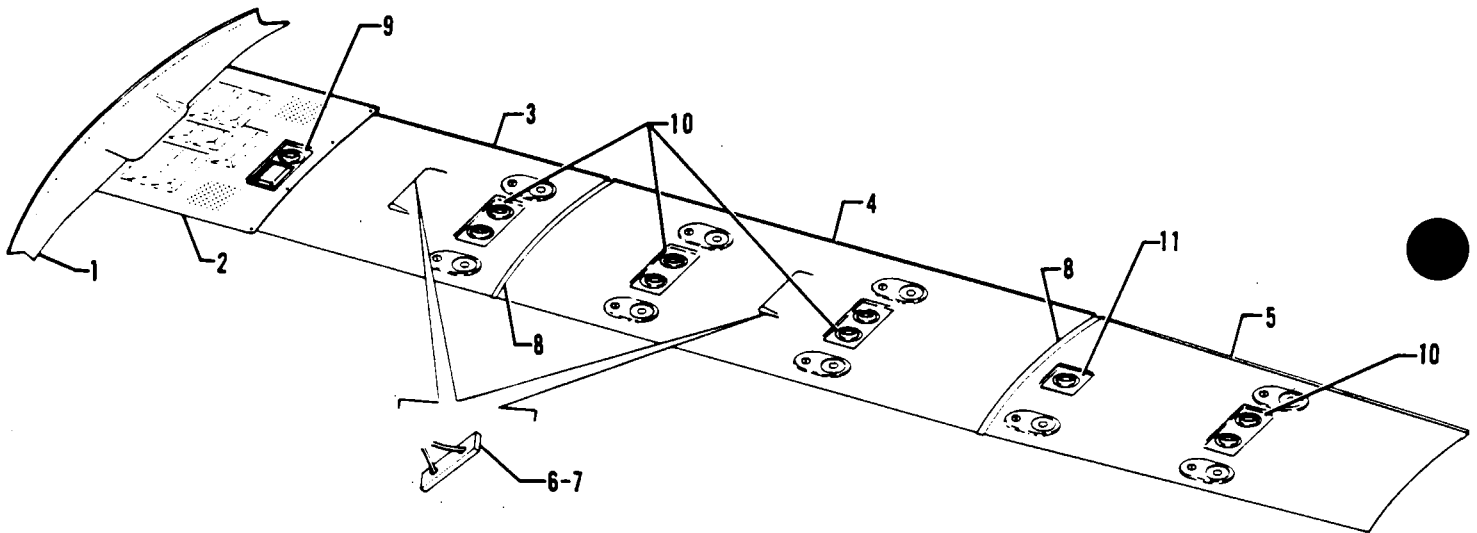


Figure 56. Cabin Headliner Installation

---

# PIPER PARTS CATALOG

CODE EXPLANATIONS FOR FIGURE 56

**PIPER PARTS CATALOG**

Figure and Index Number	Part Number	Code	NOMENCLATURE	No. Req.	SERIAL NUMBERS AFFECTED
56-	74146		DRAWING - Cabin Headliner Installation		
-1	71152-06		PANEL - Overhead switch and meter	1	
-2	71149-02		PANEL - Overhead switch	1	
-3	74147-02		PANEL - Headliner, forward	1	
-4	74148-03		PANEL - Headliner, center	1	
-5	74149-02		PANEL - Headliner, aft	1	
-6	572 554		SIGN ASSEMBLY - No Smoking and Fasten Seat Belts	2	
-7	758 472		* BULB - (A-9906-7)	5	
-8	74146-07		CAP - Trim	2	
-9	55294-02		COVER - Oxygen outlet and light trim	1	
-10	55292-02		COVER - Oxygen outlet trim	4	
-11	55286-02		COVER - Oxygen outlet trim	1	

When ordering, always specify Part Number, Description and Serial Number of Aircraft

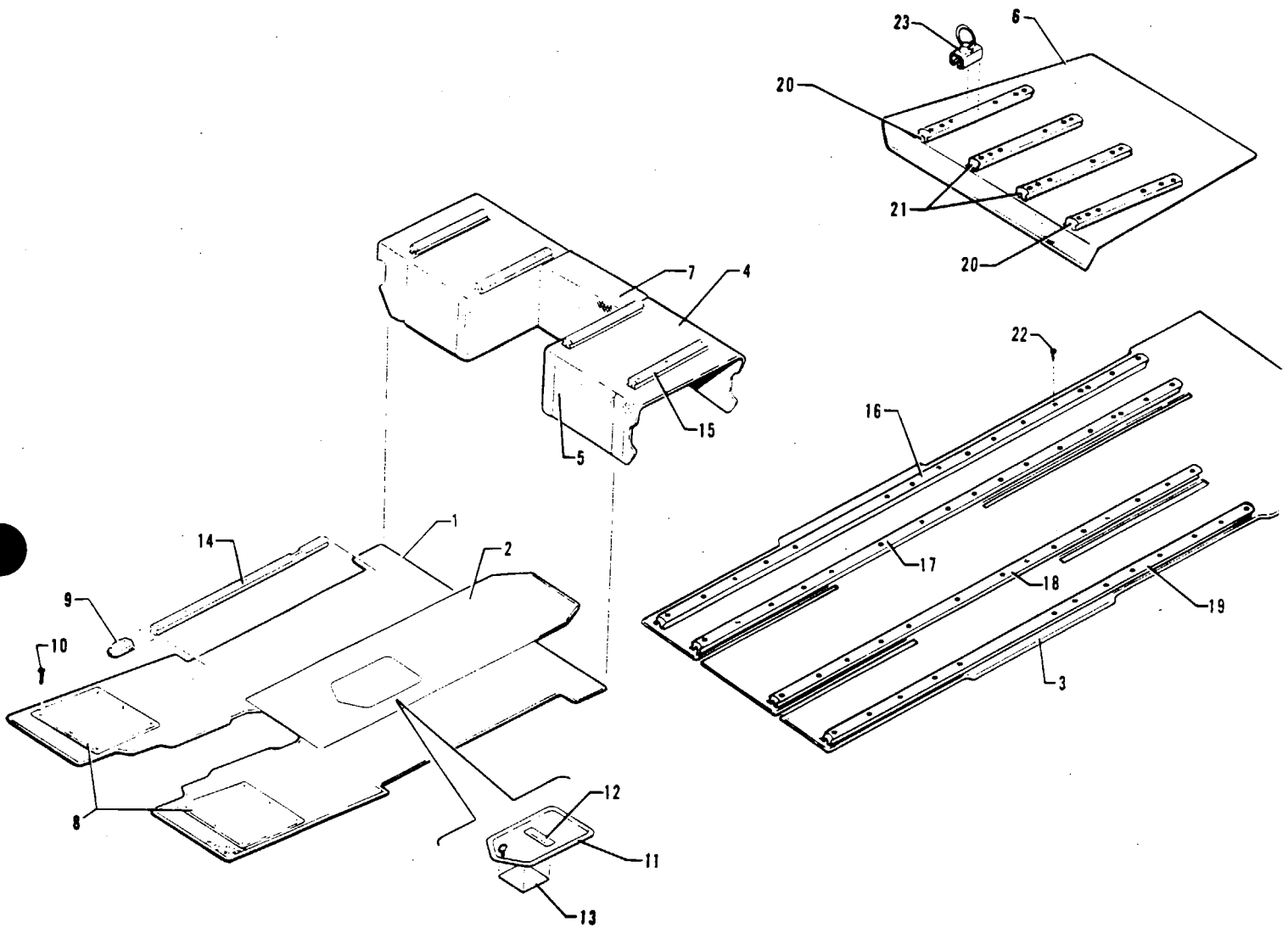


Figure 57. Cabin Carpet Installation

---

# PIPER PARTS CATALOG

---

## CODE EXPLANATIONS FOR FIGURE 57

- A - Serial number of aircraft must be supplied when ordering this part.
- B - Used on serial numbers 31-8253001 to 31-8253012 inclusive, 31-8353002, 31-8353004 and 31-8353005. Also used on serial numbers 31-8453001 and up.
- C - Used on serial numbers 31-8353001, 31-8353003, 31-8353006 and 31-8353007.

**PIPER PARTS CATALOG**

Figure and Index Number	Part Number	Code	NOMENCLATURE	No. Req.	SERIAL NUMBERS AFFECTED
57-	74159		DRAWING - Carpet Installation		
-1	74159-04	A	CARPET ASSEMBLY - Crew compartment, left	1	
	74159-05	A	CARPET ASSEMBLY - Crew compartment, right	1	
-2	74159-03	A	CARPET ASSEMBLY - Crew compartment, center	1	
-3	74159-08	A	CARPET ASSEMBLY - Passenger compartment	1	
-4	74159-07	A	CARPET ASSEMBLY - Spar box, top and sides	1	
-5	74159-18	A	CARPET ASSEMBLY - Spar box, front, left	1	
	74159-06	A	CARPET ASSEMBLY - Spar box, front, right	1	
-6	74159-09	A,B	CARPET ASSEMBLY - Aft compartment	1	
	55331-10	A,C	CARPET ASSEMBLY - Aft compartment	1	
-7	74219-02		KICK PLATE - Spar box	1	
-8	41703-00		PLATE - Heel	2	
-9	25552-00		COVER - Seat track end	8	
-10	514 765		SCREW - (MS24693-S52)	12	
-11	74232-02	A	COVER ASSEMBLY - Emergency gear extension actuators	1	
-12	21225-00		* PLACARD - Emergency gear extension access	1	
-13	74184-02		* PLACARD - Emergency gear extension instructions	1	
-14	44936-00		TRACK - Seat, crew	4	
-15	71727-02		TRACK - Seat, spar box	4	
-16	82053-03	B	TRACK - Seat, outboard right	1	
	44944-04	C	TRACK - Seat, outboard right	1	
-17	82053-05	B	TRACK - Seat, inboard right	1	
	44944-04	C	TRACK - Seat, inboard right	1	
-18	82053-04		TRACK - Seat, inboard left	1	
-19	82053-02		TRACK - Seat, outboard left	1	
-20	01503-04		TRACK - Seat, outboard	2	
-21	01503-05		TRACK - Seat, inboard	2	
-22	410 032		SCREW - Seat track (MS24694-S58)	AR	
-23	46654-00	C	RING ASSEMBLY - Baggage tie down, Sta. 259 69	2	

When ordering, always specify Part Number, Description and Serial Number of Aircraft

**1J24**

**INTENTIONALLY LEFT BLANK**



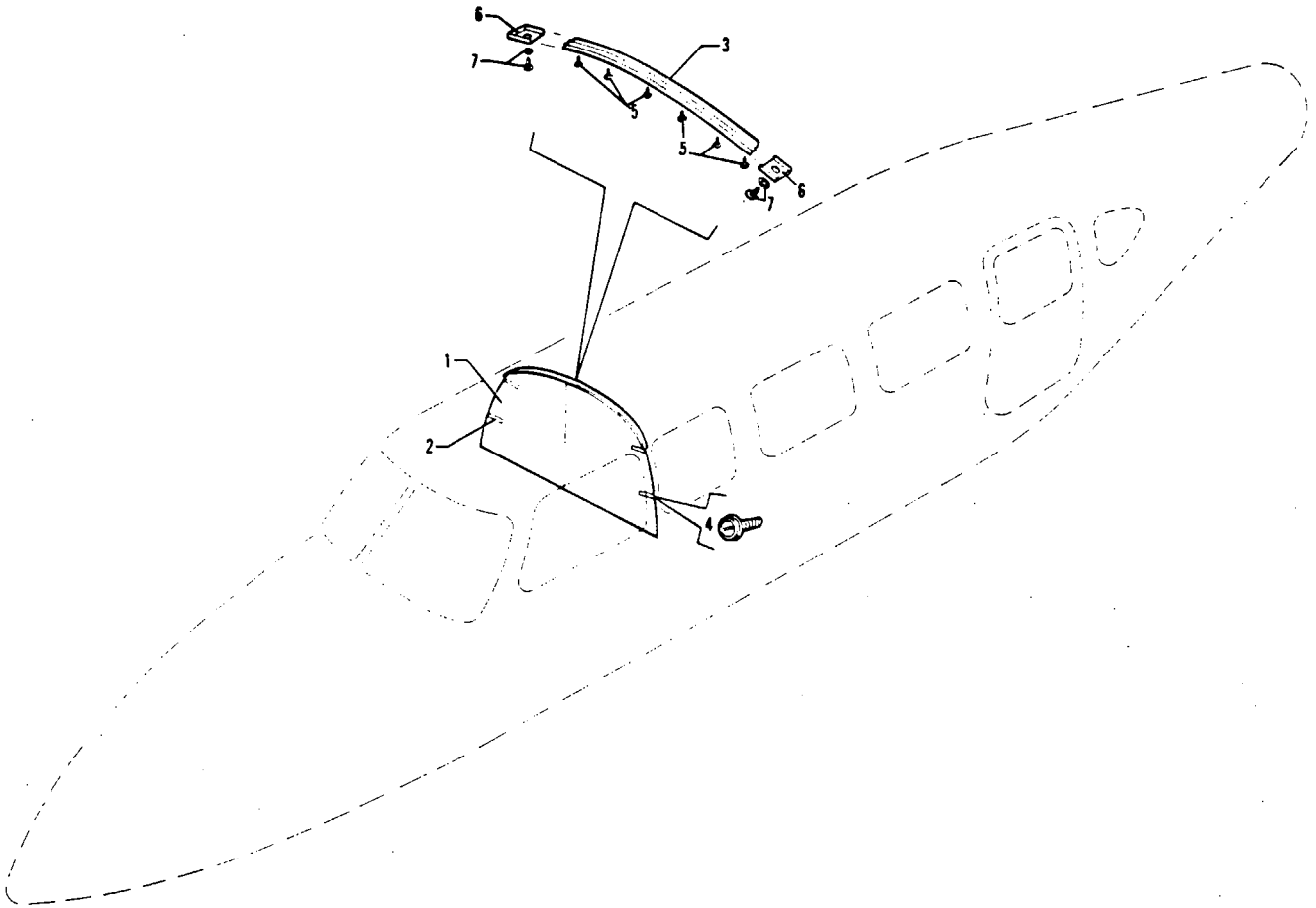


Figure 58. Cabin Privacy Curtain Installation

---

# PIPER PARTS CATALOG

---

CODE EXPLANATIONS FOR FIGURE 58

## PIPER PARTS CATALOG

Figure and Index Number	Part Number	Code	NOMENCLATURE	No. Req.	SERIAL NUMBERS AFFECTED
58-	74160		DRAWING - Forward Curtain Installation		
-1	74156-02		CURTAIN ASSEMBLY - Forward cabin, left	1	
	74156-03		CURTAIN ASSEMBLY - Forward cabin, right	1	
-2	74160-03		STRAP - Tie back	4	
-3	74150-03		TRACK - Curtain, forward	1	
-4	419 953		SCREW - (6 x 1/2 L.)	4	
	494 102		WASHER - (C-394)	4	
-5	415 500		SCREW - (MS35206-234) Ni fin	6	
-6	49124-02		COVER - Curtain track trim	2	
-7	494 102		WASHER - (C-394)	2	
	419 690		SCREW - (6 x 1/2, Type A, Oval Hd., Ni fin)	2	

When ordering, always specify Part Number, Description and Serial Number of Aircraft

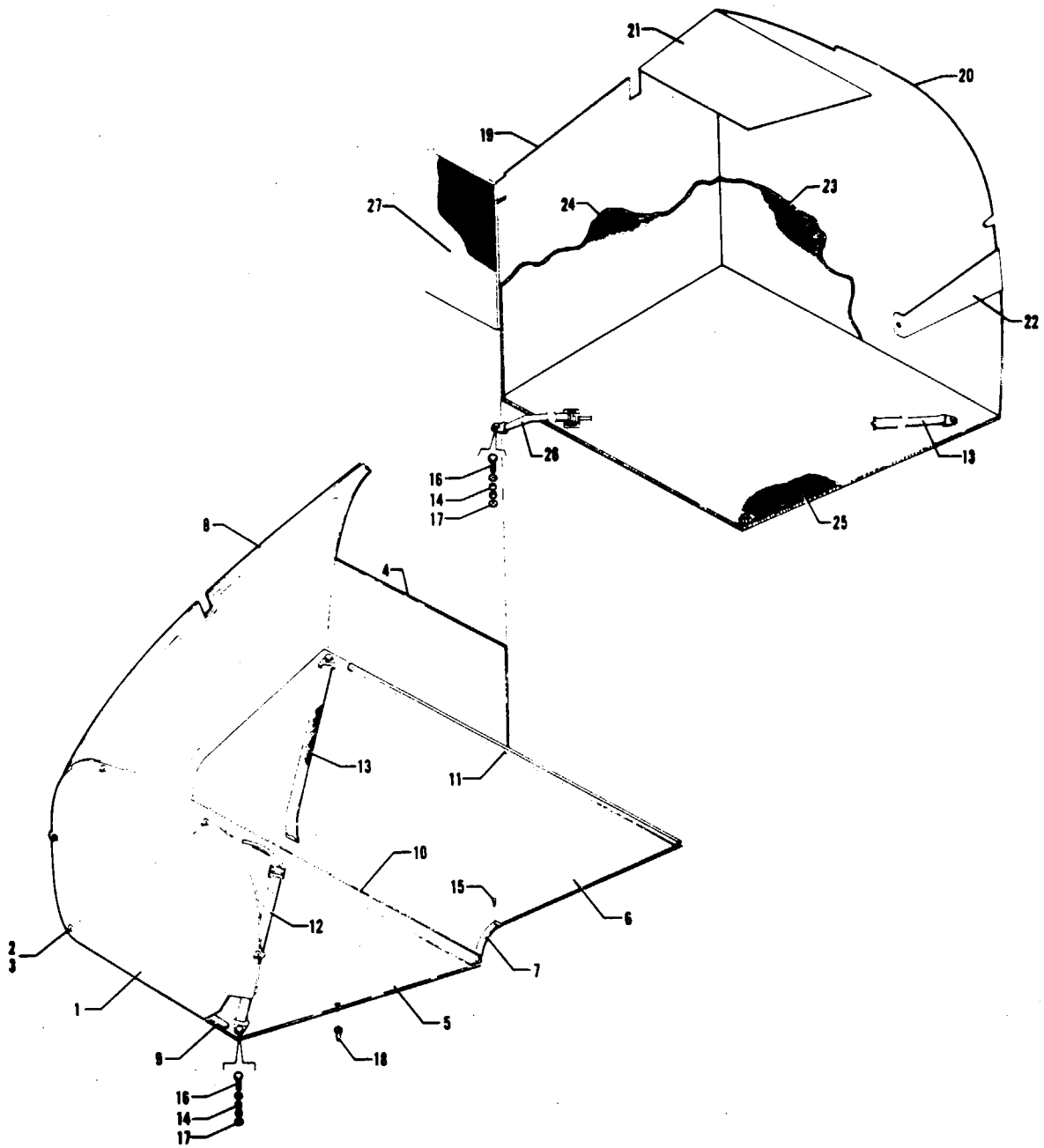


Figure 59. Forward Baggage Compartment Finishing Installation

---

# PIPER PARTS CATALOG

---

CODE EXPLANATIONS FOR FIGURE 59

**PIPER PARTS CATALOG**

Figure and Index Number	Part Number	Code	NOMENCLATURE	No. Req.	SERIAL NUMBERS AFFECTED
59-	53397		DRAWING - Baggage Compartment Installation		
	74194		DRAWING - Baggage Compartment Modification Installation		
	74172		DRAWING - Baggage Compartment Carpet Installation		
-1	53957-00		PANEL ASSEMBLY - Baggage compartment, front	1	
-2	487 583		* STUD - (2600-1)	6	
-3	494 060		* WASHER - (2600-LW)	6	
-4	42295-03		PANEL - Baggage compartment, center	1	
-5	53395-06		CARPET - Baggage compartment, forward	1	
-6	53395-07		CARPET - Baggage compartment, center	1	
-7	53388-00		COVER - Carpet edge trim	1	
-8	43265-02		PANEL - Baggage compartment, right	1	
-9	20663-15		TRIM STRIP - Baggage compartment	1	
-10	43644-00		TRIM STRIP - Carpet attachment	1	
-11	44248-00		TRIM STRIP - Center baggage	1	
-12	43375-02		STRAP ASSEMBLY - Baggage tie down, buckle end, fawn	2	
-13	43376-02		STRAP ASSEMBLY - Baggage tie down, tip end, fawn	3	
-14	14175-45		BUSHING - Baggage tie down strap	6	
-15	419 806		SCREW - (MS21207C6-8)	3	
-16	400 440		BOLT - (AN3-6A)	6	
-17	80122-07		WASHER - Baggage tie down strap	12	
-18	406 863		RIVNUT - (A8K-75)	12	
-19	74080-03		PANEL - Baggage compartment, right, Sta. 35 to Sta. 52.90	1	
-20	74080-02		PANEL - Baggage compartment, rear	1	
-21	74080-04		COVER ASSEMBLY - Baggage compartment, top	1	
-22	74080-11		BRACKET ASSEMBLY - Panel support	1	
-23	74172-05		CARPET - Baggage compartment, rear	1	
-24	74172-04		CARPET - Baggage compartment, rear, right	1	
-25	74172-03		CARPET - Baggage compartment, rear, floor	1	
-26	43375-06		STRAP ASSEMBLY - Baggage tie down, buckle end, fawn	1	
-27	149 111		EXTRUSION - Nylon (40-101)	AR	

When ordering, always specify Part Number, Description and Serial Number of Aircraft

# PIPER PARTS CATALOG

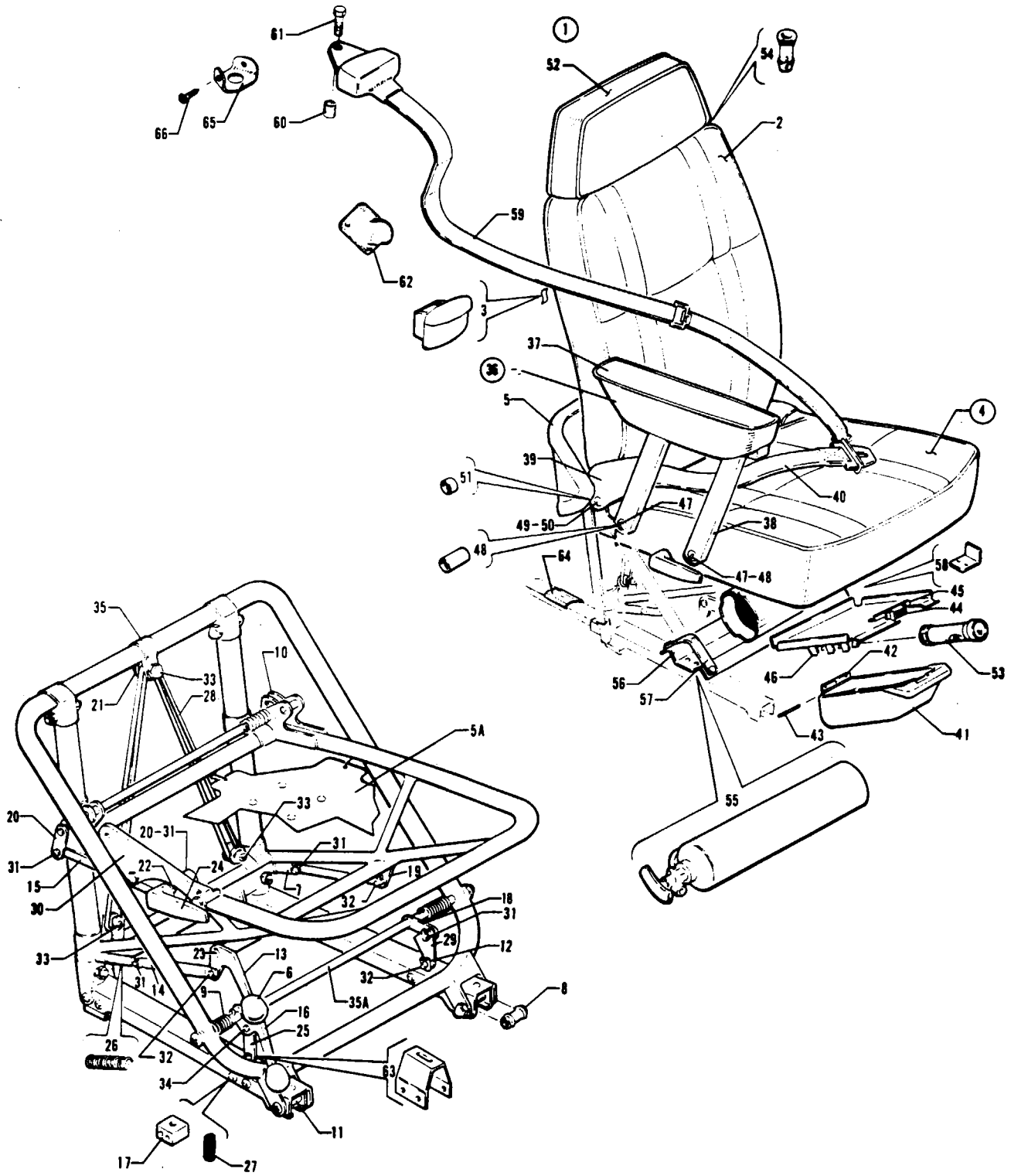


Figure 60. Seat Assembly-Crew

---

# PIPER PARTS CATALOG

CODE EXPLANATIONS FOR FIGURE 60

A - Serial Number of aircraft must be supplied when ordering this part.



**PIPER PARTS CATALOG**

Figure and Index Number	Part Number	Code	NOMENCLATURE	No. Req.	SERIAL NUMBERS AFFECTED
60-	74166		DRAWING - Seats Installation		
-1	82146-02	A	SEAT ASSEMBLY - Pilot (complete)	1	
	82146-03	A	SEAT ASSEMBLY - Co-pilot (complete)	1	
-2	82153-02	A	* BACK ASSEMBLY - Seat, left	1	
	82153-03	A	* BACK ASSEMBLY - Seat, right	1	
-3	27754-02		* * TRAY ASSEMBLY - Ash	1	
-4	82150-02		* BOTTOM ASSEMBLY - Seat, left	1	
	82150-03	A	* BOTTOM ASSEMBLY - Seat, right	1	
-5	82150-14	A	* * COVER - Seat bottom trim	1	
-5a	587 600		* * SUSPENSION - Elastaseat (P-151)	1	
-6	471 065		* * KNOB - Seat handle (187-1 3/8" x 1") black	2	
-7	12073-03		* * PLUNGER - Seat catch	2	
-8	18968-00		* * ROLLER - Seat	4	
-9	19336-00		* * SPRING - Seat catch, outboard	2	
	19336-01		* * SPRING - Seat catch, inboard	2	
-10	19365-02		* * CAM - Reclining seat	2	
-11	41413-38		* * BUSHING - Seat roller	6	
-12	53899-00		* * PLUNGER - Seat latch	2	
-13	41691-00		* * LEVER - Seat position	1	
-14	41693-02		* * TUBE - Seat position mechanism	2	
-15	41693-03		* * TUBE - Seat position mechanism	1	
-16	41694-00		* * LEVER - Seat track latch, left	1	
	41694-01		* * LEVER - Seat track latch, right	1	
-17	53900-00		* * GUIDE - Seat latch	2	
-18	41698-02		* * LINK - Seat mechanism	1	
-19	41698-03		* * LINK - Seat mechanism	1	
-20	41698-04		* * LINK - Seat mechanism	2	
-21	41699-00		* * PULLEY - Seat position mechanism	3	
-22	41965-00		* * TUBE - Seat handle attachment, left	1	
	41965-01		* * TUBE - Seat handle attachment, right	1	
-23	41968-00		* * TUBE - Seat mechanism	1	
-24	32380-00		* * HANDLE - Seat recliner	1	
-25	60054-43		* * LINK - Seat mechanism (2.31" L.)	1	
-26	50111-00		* * SPRING - Seat plunger	2	
-27	83302-61		* * SPRING - Seat plunger	2	
-28	31322-09		* * RING - Shock cord	1	
-29	60054-43		* * LINK - Seat mechanism (2.31" L.)	1	
-30	53071-00		* * BRACKET ASSEMBLY - Armrest assembly, right seat	1	
	53071-01		* * BRACKET ASSEMBLY - Armrest assembly, left seat	1	
-31	424 143		* * PIN - (MS20392-1C13)	5	
	407 562		* * WASHER - (AN960-6)	5	
	424 051		* * COTTER PIN - (MS24665-132)	5	
-32	424 142		* * PIN - (MS20392-1C11)	4	
	407 562		* * WASHER - (AN960-6)	4	
	424 051		* * COTTER PIN - (MS24665-132)	4	
-33	400 867		* * BOLT - (AN23-15A)	3	
	407 564		* * WASHER - (AN960-10)	3	
	477 707		* * NUT - (26C-02) Top	1	
	404 887		* * NUT - (MS20365-1032C) Bottom	2	
-34	424 143		* * PIN - (MS20392-1C13)	1	
	81342-64		* * WASHER	1	
	407 562		* * WASHER - (AN960-6)	1	
	424 051		* * COTTER PIN - (MS24665-132)	1	

When ordering, always specify Part Number, Description and Serial Number of Aircraft

## PIPER PARTS CATALOG

Figure and Index Number	Part Number	Code	NOMENCLATURE	No. Req.	SERIAL NUMBERS AFFECTED
60-35	80002-84		* * CLAMP - Pulley	1	
.35a	41980-02		* * TUBE - Seat latch mechanism	1	
.36	49099-04	A	* ARMREST ASSEMBLY - Seat, left	1	
	49099-05	A	* ARMREST ASSEMBLY - Seat, right	1	
.37	49086-04	A	* * PAD ASSEMBLY - Armrest, left	1	
	49086-05	A	* * PAD ASSEMBLY - Armrest, right	1	
.38	52904-02		* * SUPPORT ASSEMBLY - Armrest	1	
.39	49102-02	A	* SHROUD ASSEMBLY - Safety belt fitting	2	
.40	54534-05		* BELT ASSEMBLY - Safety, black	1	
.41	53255-04		* CONTAINER ASSEMBLY - Oxygen mask, pilot	1	
	53255-05		* CONTAINER ASSEMBLY - Oxygen mask, copilot	1	
.42	43123-00		* * HINGE - Oxygen mask container	2	
.43	81761-65		* * PIN - Oxygen mask container	1	
.44	454-294		* * CATCH - Magnetic (9798)	1	
.45	43353-00		* * ANGLE - Container catch	1	
.46	554-914		* * CLIP - Flashlight (40)	1	
.47	400-907		* BOLT - (AN24-17A)	2	
.48	80012-116		* BUSHING - Armrest support	2	
.49	44114-00		* WASHER - Cover	2	
.50	400-919		* BOLT - (AN24-29A)	2	
	407-565		* WASHER - (AN960-416)	2	
	477-709		* NUT - (26C-048) Chrome	2	
.51	41413-26		* BUSHING - Seat belt attachment	2	
.52	01052-02	A	* HEADREST ASSEMBLY - Pilot seat	1	
	01052-03	A	* HEADREST ASSEMBLY - Co-pilot seat	1	
.53	460-928		FLASHLIGHT - (2D Cell)	1	
.54	99361-00		RECEPTACLE - Headrest	4	
.55	459-839		EXTINGUISHER - Fire (GH-2 1/2) General Fire Extinguisher Corp.	1	
.56	52718-00		BRACKET ASSEMBLY - Fire extinguisher	1	
.57	52717-00		STRAP ASSEMBLY - Fire extinguisher	1	
.58	52716-00		ANGLE - Fire extinguisher retaining	1	
.59	54534-07		HARNES ASSEMBLY - Shoulder, inertia reel, black	2	
.60	29999-10		BUSHING - Shoulder harness retainer	1	
.61	400-003		BOLT - (AN4-6A)	1	
	407-565		WASHER - (AN960-416)	1	
.62	55433-02		COVER - Shoulder harness, left	1	
	55433-03		COVER - Shoulder harness, right	1	
.63	55842-02		BRACKET - Seat frame	2	
.64	52338-00		STOP - Seat	4	
.65	54499-02		RETAINER - Shoulder harness boot	2	
.66	419-882		SCREW - (4 x 1/4, Type "A")	4	

When ordering, always specify Part Number, Description and Serial Number of Aircraft

# PIPER PARTS CATALOG

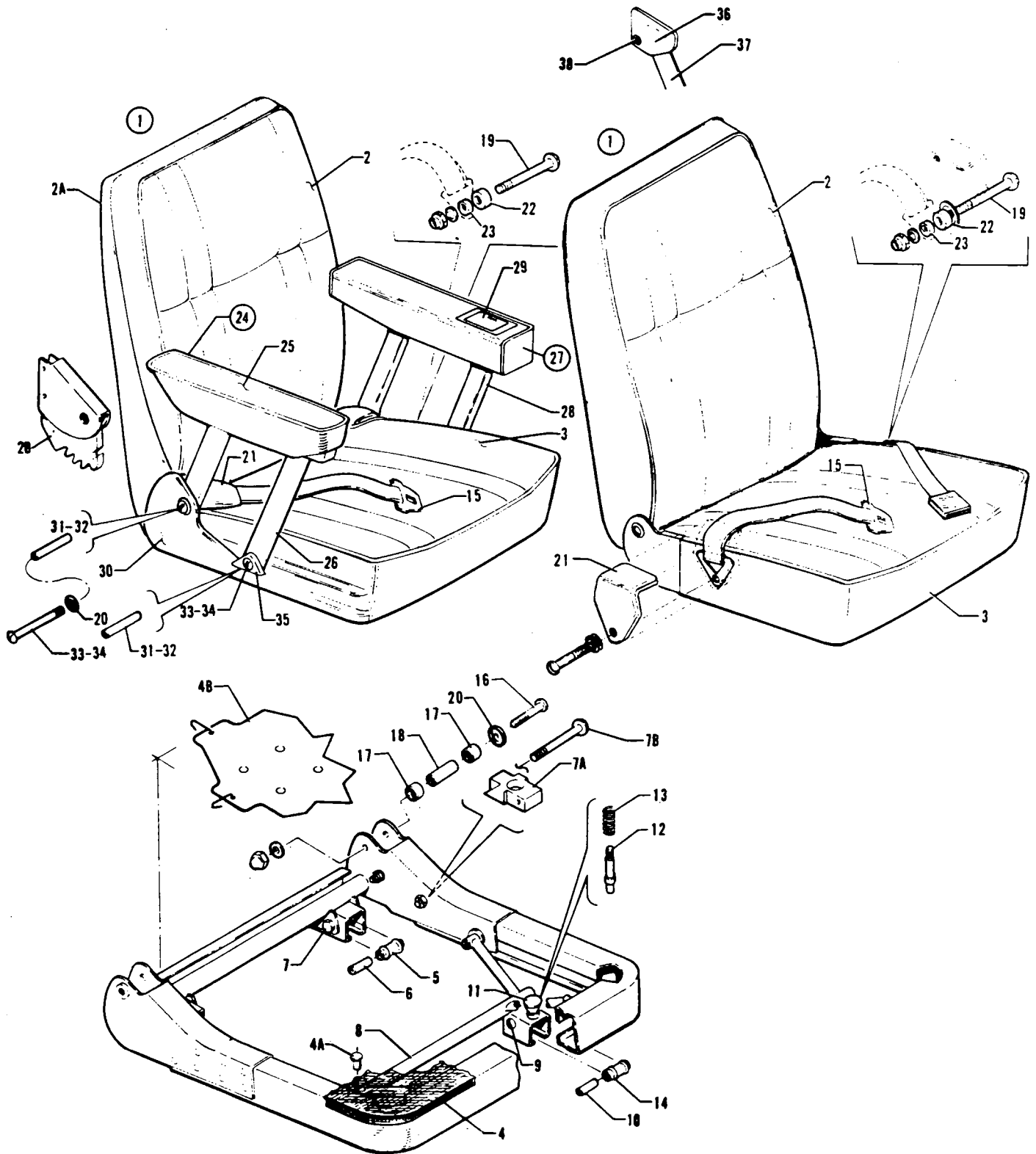


Figure 61. Seat Assembly - Third and Fourth

---

# PIPER PARTS CATALOG

---

## CODE EXPLANATIONS FOR FIGURE 61

- A - Serial number of aircraft must be supplied when ordering this part.
- B - Not used if shoulder harness inertia reel is installed
- C - Used on serial numbers 31-8253001 to 31-8253012 inclusive, 31-8353002, 31-8353004 and 31-8353005. Also used on serial numbers 31-8453001 and up.
- D - Used on serial numbers 31-8353001, 31-8353003, 31-8353006 and 31-8353007

PIPER PARTS CATALOG

Figure and Index Number	Part Number	Code	NOMENCLATURE	No. Req.	SERIAL NUMBERS AFFECTED
61-	74166		DRAWING - Seats Installation		
-1	82043-02	A.C	SEAT ASSEMBLY - Third and/or fourth (complete) without armrest	2	
	53269-22	A.D	SEAT ASSEMBLY - Third (complete) with armrest	1	
	53269-23	A.D	SEAT ASSEMBLY - Fourth (complete) with armrest	1	
-2	82021-02	A.C	* BACK ASSEMBLY - Seat, third and/or fourth	1	
	49474-02	A.D	* BACK ASSEMBLY - Seat, third	1	
	49474-03	A.D	* BACK ASSEMBLY - Seat, fourth	1	
-2a	49324-10	A.D	* * PANEL ASSEMBLY - Seat back trim, third	1	
	49324-11	A.D	* * PANEL ASSEMBLY - Seat back trim, fourth	1	
-2b	71656-05	D	* * DETENT - Seat hinge	2	
-3	82035-02	A.C	* BOTTOM ASSEMBLY - Seat, third and/or fourth	1	
	49458-04	A.D	* BOTTOM ASSEMBLY - Seat, third with armrest	1	
	49458-05	A.D	* BOTTOM ASSEMBLY - Seat, fourth with armrest	1	
-4	82035-03	C	* * NETTING - Nylon	1	
-4a	460 042	C	* * FASTENER - (294660-1)	16	
-4b	587 600	D	* * SUSPENSION - Elastaseat (P-151)	1	
-5	18968-00		* * ROLLER - Seat	2	
-6	41413-38		* * BUSHING - Seat roller	4	
-7	400 012		* * BOLT - Seat roller (AN4-17A)	4	
	407 565		* * WASHER - Seat roller (AN960-416)	4	
	407 585		* * WASHER - Seat roller (AN960-416L)	4	
	404 836		* * NUT - Seat roller (MS20364-428C)	4	
-7a	52387-00	D	* * STOP - Seat bottom	2	
-7b	400 878	D	* * BOLT - (AN23-26A)	2	
	407 584	D	* * WASHER - (AN960-10L)	2	
	404 835	D	* * NUT - (MS20364-1032C)	2	
-8	82036-02	C	* SUPPORT ASSEMBLY - Seat bottom frame	1	
	52301-00	D	* SUPPORT ASSEMBLY - Seat bottom frame	1	
-9	400 915		* * * BOLT - (AN24-25A)	2	
	404 836		* * * NUT - (MS20364-428C)	2	
-10	41413-38		* * * BUSHING - Seat roller	2	
-11	571 078		* * * KNOB - Black (3702-S)	2	
-12	53808-00		* * * PIN - Seat track latch	2	
-13	587 289		* * * SPRING - (LC-035E-12)	2	
-14	18968-00		* * * ROLLER - Seat	2	
-15	25801-10	B	* BELT ASSEMBLY - Safety, black	1	
-16	400 917	C	* BOLT - (AN24-27A)	2	
	400 920	D	* BOLT - (AN24-30A)	2	
	407 565		* WASHER - (AN960-416)	2	
	477 709		* NUT - (26C-048) Chrome	2	
-17	49982-47	C	* BUSHING	4	
	49982-31	D	* BUSHING	4	
-18	14175-111		* BUSHING	2	
-19	400 924		* BOLT - Seat belt attachment (AN24-34A)	2	
	407 565		* WASHER - Seat belt attachment (AN960-416)	2	
	404 836		* NUT - Seat belt attachment (MS20364-428C)	2	
-20	44114-00	C	* WASHER - Trim	2	
	44114-00	D	* WASHER - Trim	4	
-21	49102-02	A	* SHROUD ASSEMBLY - Safety belt	2	
-22	29999-11		* BUSHING - Seat belt attachment	2	
-23	29999-10		* BUSHING - Seat belt attachment	2	
-24	49099-02	A.D	* ARMREST ASSEMBLY - Inboard, left (complete)	1	
	49099-03	A.D	* ARMREST ASSEMBLY - Inboard, right (complete)	1	
-25	49086-02	A.D	* * PAD ASSEMBLY - Armrest, left, inboard	1	
	49086-03	A.D	* * PAD ASSEMBLY - Armrest, right, inboard	1	

When ordering, always specify Part Number, Description and Serial Number of Aircraft

## PIPER PARTS CATALOG

Figure and Index Number	Part Number	Code	NOMENCLATURE	No. Req.	SERIAL NUMBERS AFFECTED
61-26	52904-00	D	* * SUPPORT ASSEMBLY - Armrest, inboard	1	
-27	71158-12	A D	* ARMREST ASSEMBLY - Outboard, left (complete)	1	
	71158-13	A D	* ARMREST ASSEMBLY - Outboard, right (complete)	1	
-28	58382-04	D	* * SUPPORT - Armrest, left, outboard	1	
	58382-05	D	* * SUPPORT - Armrest, right, outboard	1	
-29	489 424	D	* * ASHTRAY - (3130-4)	1	
-30	48537-14	D	* PANEL ASSEMBLY - Armrest trim, left	1	
	48537-15	D	* PANEL ASSEMBLY - Armrest trim, right	1	
-31	49982-27	D	* BUSHING - Armrest, forward, inboard	1	
	49982-28	D	* BUSHING - Armrest, aft, inboard	1	
-32	56957-41	D	* BUSHING - Armrest, forward, outboard ( 48 L )	1	
	29999-11	D	* BUSHING - Armrest, forward, outboard (.25 L.)	1	
	56957-40	D	* BUSHING - Armrest, aft, outboard	1	
-33	400 890	D	* BOLT - Armrest attachment, inboard (AN24-30A)	2	
-34	400 907	D	* BOLT - Armrest attachment, outboard, forward (AN24-17A)	1	
	400 924	D	* BOLT - Armrest attachment, outboard, aft (AN24-34A)	1	
-35	52917-00	D	* COVER - Armrest bracket trim	1	
-36	55433-02	C	COVER - Trim, inertia reel, left	1	
	55433-03	C	COVER - Trim, inertia reel, right	1	
-37	54534-09	C	INERTIA REEL ASSEMBLY - (Includes shoulder harness and lap belt)	2	
-38	460 008	C	POST - (BS-10412)	2	
	415 497	C	SCREW - (MS35206-232) nickel finish	2	

When ordering, always specify Part Number, Description and Serial Number of Aircraft

# PIPER PARTS CATALOG

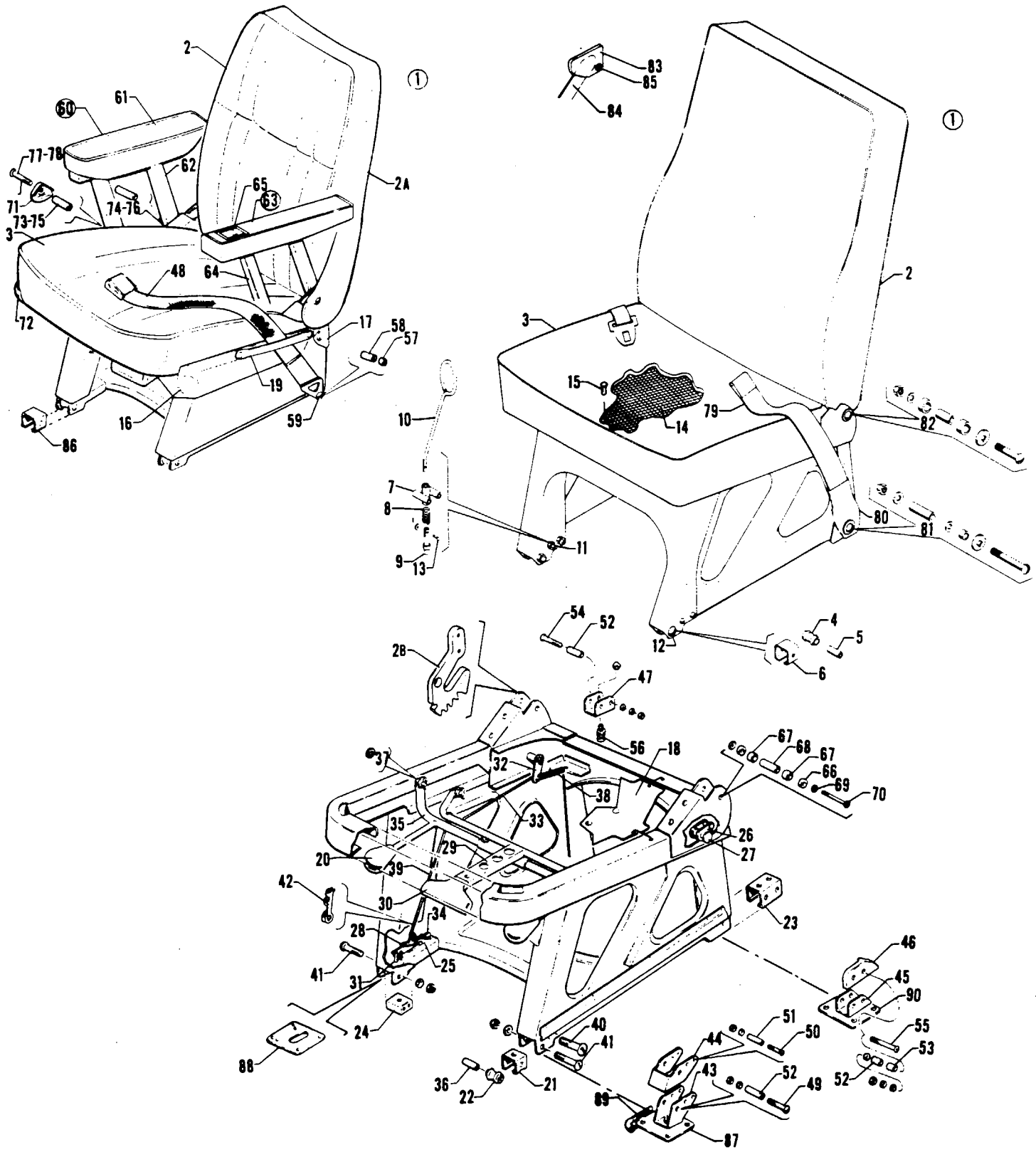


Figure 62. Seat Assembly - Fifth, Sixth, Seventh, Eighth and Ninth

---

# PIPER PARTS CATALOG

---

## CODE EXPLANATIONS FOR FIGURE 62

- A - Serial number of aircraft must be supplied when ordering this part.
- B - Not used if shoulder harness inertia reel is installed.
- C - Used on serial numbers 31-8253001 to 31-8253012 inclusive, 31-8353002, 31-8353004 and 31-8353005. Also used on serial numbers 31-8453001 and up.
- D - Used on serial numbers 31-8353001, 31-8353003, 31-8353006 and 31-8353007.
- E - Used on fifth, sixth, seventh and/or eighth seat only.
- F - Used on ninth seat only.



## PIPER PARTS CATALOG

Figure and Index Number	Part Number	Code	NOMENCLATURE	No. Req.	SERIAL NUMBERS AFFECTED
62-	74166		DRAWING - Seats Installation		
-1	82058-02	A.C	SEAT ASSEMBLY - Passenger (complete) without armrest	5	
	55430-30	A.D	SEAT ASSEMBLY - Fifth and seventh (complete) with armrest	2	
	55430-31	A.D	SEAT ASSEMBLY - Sixth and eighth (complete) with armrest	2	
	55430-23	A.D	SEAT ASSEMBLY - Ninth (complete) with armrest	1	
-2	82021-02	A.C	* BACK ASSEMBLY - Seat	1	
	49474-02	A.D	* BACK ASSEMBLY - Seat, fifth and seventh	1	
	49474-03	A.D	* BACK ASSEMBLY - Seat, sixth, eighth and/or ninth	1	
-2a	49324-10	A.D	* * PANEL ASSEMBLY - Seat back trim, fifth and seventh	1	
	49324-11	A.D	* * PANEL ASSEMBLY - Seat back trim, sixth, eighth and/or ninth	1	
-2b	71656-05	D	* * DETENT - Seat hinge	2	
-3	82029-02	A.C	* BOTTOM ASSEMBLY - Seat	1	
	49396-02	A.D	* BOTTOM ASSEMBLY - Seat, fifth and seventh	1	
	49396-03	A.D	* BOTTOM ASSEMBLY - Seat, sixth and eighth	1	
	49396-05	A.D	* BOTTOM ASSEMBLY - Seat, ninth	1	
-4	18968-00	C	* * ROLLER - Seat	4	
-5	41413-38	C	* * BUSHING - Seat roller	4	
-6	12074-03	C	* * BRACKET - Seat roller	2	
-7	53900-00	C	* * GUIDE - Seat latch	2	
-8	83302-61	C	* * SPRING	2	
-9	53899-00	C	* * PLUNGER - Seat latch	2	
-10	82055-02	C	* * ROD - Seat latch mechanism, left	1	
	82055-03	C	* * ROD - Seat latch mechanism, right	1	
-11	400 882	C	* * BOLT - (AN23-30A)	4	
	407 584	C	* * WASHER - (AN960-10L)	4	
	477 707	C	* * NUT - (26C-02)	4	
-12	400 920	C	* * BOLT - (AN24-30A)	4	
	407 585	C	* * WASHER - (AN960-416L)	4	
	477 708	C	* * NUT - (26C-048)	4	
-13	424 141	C	* * PIN - (MS20392-1C9)	2	
	407 561	C	* * WASHER - (AN960-4)	2	
	424 051	C	* * COTTER PIN - (MS24665-132)	2	
-14	82029-08		* * NETTING - Nylon	1	
-15	460 042	C	* * FASTENER - (294660-1)	18	
-16	49092-06	A.D.E	* * COVER - Seat bottom frame trim, forward	1	
	49092-34	A.D.F	* * COVER - Seat bottom frame trim, forward	1	
-17	49092-07	A.D	* * COVER - Seat bottom frame trim, aft	1	
-18	587 600	D	* * SUSPENSION - Elastaseat (P-151)	1	
-19	49092-08	D	* * LOOP ASSEMBLY - Seat belt	1	
-20	571 091	D.E	* * KNOB - (225)	2	
-21	12074-03	D.E	* * BRACKET - Seat roller, forward	2	
-22	18968-00	D.E	* * ROLLER - Seat	4	
-23	47615-00	D.E	* * BRACKET - Seat roller	2	
-24	41695-02	D.E	* * GUIDE - Seat latch	2	
-25	41763-00	D.E	* * BRACKET - Seat track lock	2	
-26	42074-00	D.E	* * PAWL ASSEMBLY - Seat recliner	2	
-27	42098-00	D.E	* * PLUG - Seat recliner mechanism tube	2	
-28	42282-00	D.E	* * SPRING - Seat track latch	2	
-29	44029-02	D.E	* * HANDLE ASSEMBLY - Seat track latch release	1	
-30	45255-00	D.E	* * HANDLE - Seat track latch release	1	
-31	47678-00	D.E	* * PLUNGER - Seat latch	2	
-32	47959-00	D.E	* * ARM ASSEMBLY - Seat recliner mechanism	2	
-33	54179-04	D.E	* * ROD - Seat recliner mechanism	2	
-34	47963-00	D.E	* * LINK - Seat track lock	2	
-35	54182-02	D.E	* * TUBE ASSEMBLY - Seat recliner release	1	

When ordering, always specify Part Number, Description and Serial Number of Aircraft

PIPER PARTS CATALOG

Figure and Index Number	Part Number	Code	NOMENCLATURE	No. Req.	SERIAL NUMBERS AFFECTED
62-36	41413-38	D,E	* * BUSHING - Seat roller	4	
-37	80122-06	D,E	* * WASHER - Seat recliner release	2	
-38	83303-03	D,E	* * SPRING - Seat recliner	2	
-39	54179-02	D,E	* * ROD - Seat latch, left	1	
	54179-03	D,E	* * ROD - Seat latch, right	1	
-40	400 882	D,E	* * BOLT - Seat latch guide attachment (AN23-30A)	4	
	407 584	D,E	* * WASHER - (AN960-10L)	4	
	477 707	D,E	* * NUT - (26C-02)	4	
-41	400 920	D,E	* * BOLT - Seat roller attachment (AN24-30A)	4	
	407 585	D,E	* * WASHER - (AN960-416L)	4	
	477 709	D,E	* * NUT - (26C-048) Chrome	4	
-42	554 671	D,E	* * CLIP - (HS-99339-2L) (with 5/32" dia. rod) left	3	
	554 670	D,E	* * CLIP - (HS-99339-2R) (with 5/32" dia. rod) right	3	
-43	42558-00	D,F	* * BRACKET ASSEMBLY - Seat attachment, forward	2	
-44	42561-00	D,F	* * COVER - Seat attachment	2	
-45	46711-00	D,F	* * BRACKET - Seat attachment, aft, left	1	
-46	46704-00	D,F	* * COVER - Seat attachment trim, left	1	
-47	42570-00	D,F	* * BRACKET - Seat attachment, right	1	
-48	25801-02	D	* * BELT ASSEMBLY - Safety	1	
-49	400 920	D,F	* * BOLT - (AN24-30A)	2	
	407 585	D,F	* * WASHER - (AN960-416L)	2	
	404 836	D,F	* * NUT - (MS20364-428C)	2	
-50	400 882	D,F	* * BOLT - (AN23-30A)	4	
	407 584	D,F	* * WASHER - (AN960-10L)	4	
	404 835	D,F	* * NUT - (MS20364-1032C)	4	
-51	14976-97	D,F	* * BUSHING - Seat attachment	4	
-52	42571-02	D,F	* * BUSHING - Seat attachment	4	
-53	14843-108	D,F	* * BUSHING - Seat attachment, left, rear	1	
-54	400 922	D,F	* * BOLT - (AN24-32A)	1	
	407 565	D,F	* * WASHER - (AN960-416)	2	
	477 708	D,F	* * NUT - (26C-048)	1	
-55	400 932	D,F	* * BOLT - (AN24-46A)	1	
	407 565	D,F	* * WASHER - (AN960-416)	3	
	477 708	D,F	* * NUT - (26C-048)	1	
-56	487 712	D,F	* * STUD - (295460-3-4)	2	
	404,888	D,F	* * NUT - (MS20365-428C)	2	
-57	41413-26	D	* * BUSHING - Seat belt attachment	2	
-58	41413-38	D	* * BUSHING - Seat belt attachment	2	
-59	400 926	D	* * BOLT - Seat belt attachment (AN24-36A)	2	
	44114-00	D	* * WASHER - Trim	2	
	407 565	D	* * WASHER - (AN960-416)	2	
	407 585	D	* * WASHER - (AN960-416L)	2	
	477 708	D	* * NUT - (26C-048)	2	
-60	49099-02	A,D,E	* * ARMREST ASSEMBLY - Inboard, left (complete)	1	
	49099-03	A,D	* * ARMREST ASSEMBLY - Inboard, right (complete)	1	
-61	49086-02	A,D,E	* * PAD ASSEMBLY - Armrest, left inboard	1	
	49086-03	A,D	* * PAD ASSEMBLY - Armrest, right, inboard	1	
-62	52904-00	D	* * SUPPORT ASSEMBLY - Armrest, inboard	1	
-63	71158-16	A,D,E	* * ARMREST ASSEMBLY - Outboard, left (complete)	1	
	71158-17	A,D,E	* * ARMREST ASSEMBLY - Outboard, right (complete)	1	
-64	58382-08	D,E	* * SUPPORT - Armrest, left, outboard	1	
	58382-09	D,E	* * SUPPORT - Armrest, right, outboard	1	
-65	489 424	D,E	* * ASHTRAY - (3130-4)	1	
-66	41413-26	D	* * BUSHING - Seat attachment	2	
-67	49982-31	D	* * BUSHING - Seat attachment	4	
-68	14175-111	D	* * BUSHING - Seat attachment	2	
-69	44114-00	D	* * WASHER - Trim	2	

When ordering, always specify Part Number, Description and Serial Number of Aircraft

## PIPER PARTS CATALOG

Figure and Index Number	Part Number	Code	NOMENCLATURE	No. Req.	SERIAL NUMBERS AFFECTED
62-70	400 920	D	* BOLT - Seat back attachment (AN24-30A)	2	
	407 565	D	* WASHER - (AN960-416)	2	
	477 709	D	* NUT - (26C-048) Chrome	2	
-71	52917-00	D	* COVER - Armrest bracket trim	1	
-72	48537-14	A, D, E	* PANEL ASSEMBLY - Armrest trim, left	1	
	48537-15	A, D	* PANEL ASSEMBLY - Armrest trim, right	1	
-73	49982-27	D	* BUSHING - Inboard armrest attachment, forward	1	
-74	49982-28	D	* BUSHING - Inboard armrest attachment, aft	1	
-75	56957-41	D, E	* BUSHING - Outboard armrest attachment, forward, outboard	1	
	29999-11	D, E	* BUSHING - Outboard armrest attachment, forward, inboard	1	
-76	56957-40	D, E	* BUSHING - Outboard armrest attachment, aft	1	
-77	400 890	D	* BOLT - Inboard armrest attachment (AN23-40A)	1	
-78	400 907	D, E	* BOLT - Outboard armrest attachment, forward (AN24-17A)	1	
	400 924	D, E	* BOLT - Outboard armrest attachment, aft (AN24-34A)	1	
-79	25801-02	B, C	* BELT ASSEMBLY - Safety, black	1	
-80	49102-02	A, C	* SHROUD ASSEMBLY - Safety belt fitting	2	
-81	400 926	C	* BOLT - Seat belt attachment (AN24-36A)	2	
	44114-00	C	* WASHER - Trim	2	
	41413-26	C	* BUSHING - Seat belt attachment (.19 L)	2	
	41413-38	C	* BUSHING - Seat belt attachment (1 053)	2	
	407 565	C	* WASHER - (AN960-416)	2	
	407 585	C	* WASHER - (AN960-416L)	2	
	477 708	C	* NUT - (26C-048)	2	
-82	400 917	C	* BOLT - (AN24-27A)	2	
	44114-00	C	* WASHER - Trim	2	
	49982-47	C	* BUSHING - (.19 L)	4	
	14175-111	C	* BUSHING - (1 156 L.)	2	
	407 565	C	* WASHER - (AN960-416)	2	
	477 709	C	* NUT - (26C-048)	2	
-83	55433-02	C	COVER - Trim, inertia reel, left	2	
	55433-03	C	COVER - Trim, inertia reel, right	3	
-84	54534-10	C	INERTIA REEL ASSEMBLY - (Includes shoulder harness and lap belt)	5	
-85	460 008	C	POST - (BS-10412)	5	
	415 497	C	SCREW - (MS35206-232) nickel finish	5	
-86	18842-00	D, E	STOP - Seat, Sta. 153.83	1	
	43759-00	D, E	STOP - Seat, Sta. 174.29	1	
	18842-00	D, F	STOP - Seat, Sta. 208.90	2	
-87	41214-03	D, F	PLATE - Seat attachment, forward	2	
-88	41215-00	D, F	PLATE - Seat attachment, closure, forward	2	
-89	46696-00	D, F	PLATE - Wedjit trim	4	
-90	494 338	D, F	WEDJIT ASSEMBLY - (295 307)	2	

When ordering, always specify Part Number, Description and Serial Number of Aircraft

# PIPER PARTS CATALOG

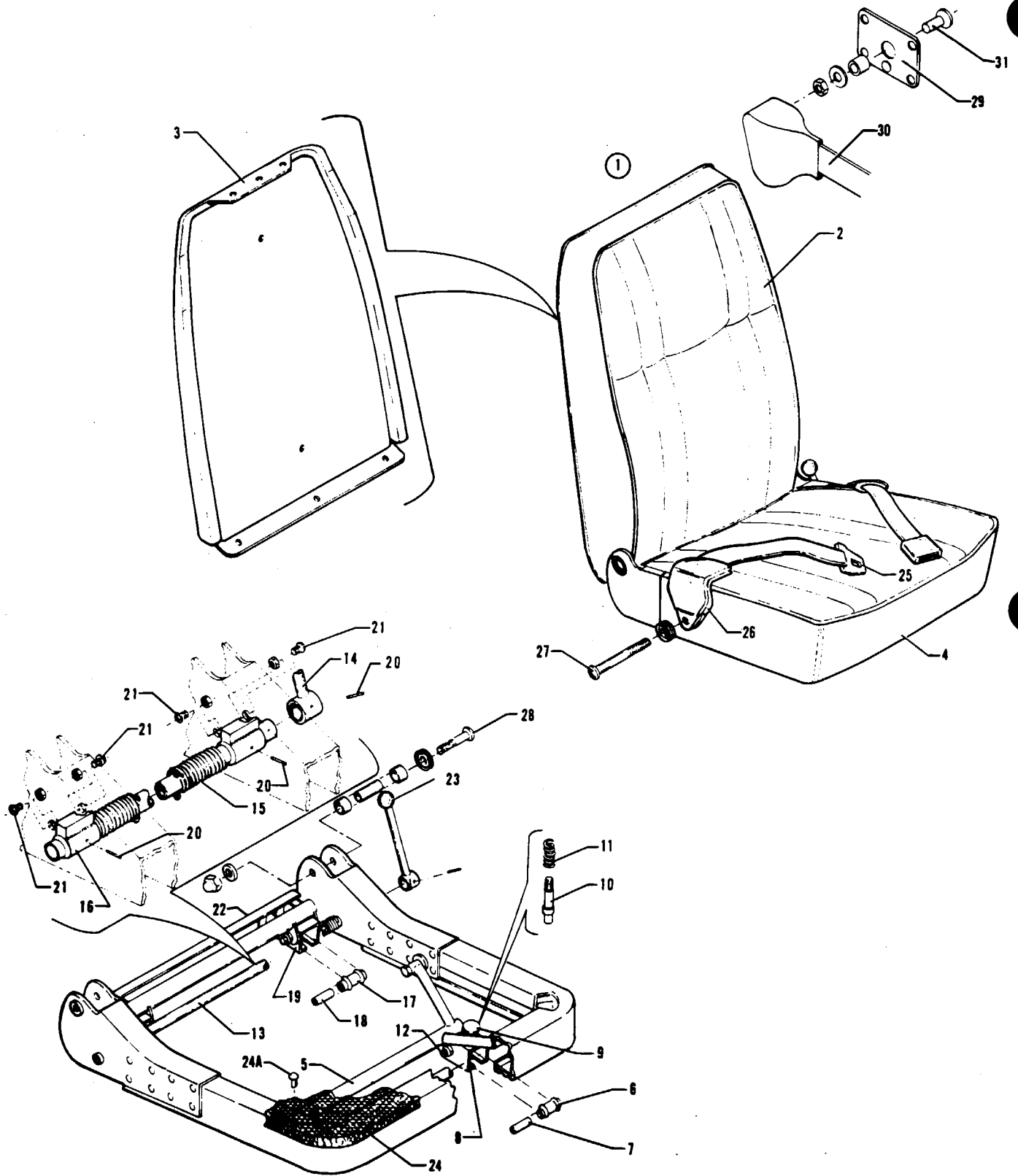


Figure 63. Seat Assembly - Tenth and Eleventh

---

# PIPER PARTS CATALOG

---

## CODE EXPLANATIONS FOR FIGURE 63

- A - Serial number of aircraft must be supplied when ordering this part.
- B - Not used if shoulder harness inertia reel is installed.

PIPER PARTS CATALOG

Figure and Index Number	Part Number	Code	NOMENCLATURE	No. Req.	SERIAL NUMBERS AFFECTED
63-	74166		DRAWING - Seats Installation		
-1	82072-02	A	SEAT ASSEMBLY - Passenger, left (complete)	1	
	82072-03	A	SEAT ASSEMBLY - Passenger, right (complete)	1	
-2	82021-09	A	* BACK ASSEMBLY - Seat	1	
-3	82090-02	A	* * PANEL ASSEMBLY - Seat back	1	
-4	82070-02	A	* BOTTOM ASSEMBLY - Seat, left	1	
	82070-03	A	* BOTTOM ASSEMBLY - Seat, right	1	
-5	82064-02		* * SUPPORT ASSEMBLY - Seat bottom frame	1	
-6	18968-00		* * * ROLLER - Seat	2	
-7	41413-38		* * * BUSHING - Seat roller	2	
-8	01448-02		* * * BRACKET - Seat roller	2	
-9	571 078		* * * KNOB - Black (3702S)	2	
-10	53808-00		* * * PIN - Seat stop	2	
-11	587 289		* * * SPRING - (LC-035E-12)	2	
-12	400 915		* * * BOLT - (AN24-25A)	2	
	404 836		* * * NUT - (MS20364-428C)	2	
-13	01325-02		* * TUBE - Seat back release, left seat	1	
	01325-03		* * TUBE - Seat back release, right seat	1	
-14	82065-02		* * LEVER ASSEMBLY - Seat back release	1	
-15	19336-00		* * SPRING - Seat back release, inboard	1	
	19336-01		* * SPRING - Seat back release, outboard	1	
-16	82066-02		* * STOP ASSEMBLY - Release mechanism	2	
-17	18968-00		* * ROLLER - Seat	2	
-18	41413-38		* * BUSHING - Seat roller	2	
-19	47615-03		* * BRACKET - Seat roller	2	
-20	480 701		* * PIN - Roll (59-028-125-0625)	2	
-21	411 529		* * SCREW - (MS35207-260)	2	
	404 835		* * NUT - (MS20364-1032C)	2	
-22	400 012		* * BOLT - (AN4-17A)	4	
	407 565		* * WASHER - (AN960-416)	4	
	407 585		* * WASHER - (AN960-416L)	4	
	404 836		* * NUT - (MS20364-428C)	4	
-23	571 091		* * KNOB - Seat release tube (225)	1	
-24	82035-03		* * NETTING - Nylon	1	
-24a	460 042		* * FASTENER - (294660-1)	16	
-25	25801-10	B	* BELT ASSEMBLY - Safety, black	1	
-26	49102-02	A	* SHROUD ASSEMBLY - Safety belt fitting	2	
-27	400 924		* BOLT - Seat belt attachment (AN24-34A)	2	
	44114-00		* WASHER - Trim	2	
	29999-10		* BUSHING - Seat belt attachment (.19 L.)	2	
	29999-11		* BUSHING - Seat belt attachment (.25 L.)	2	
	407 565		* WASHER - (AN960-416)	2	
	404 836		* NUT - (MS20364-428C)	2	
-28	400 920		* BOLT - (AN24-30A)	2	
	44114-00		* WASHER - Trim	2	
	49982-47		* BUSHING - (.29 L.)	4	
	14175-111		* BUSHING - (1.156 L.)	2	
	407 565		* WASHER - (AN960-416)	2	
	477 709		* NUT - (26C-048)	2	
-29	494 338		WEDJIT - Shoulder harness mounting (295307)	2	
-30	54534-11		INERTIA REEL ASSEMBLY - (Includes shoulder harness and lap belt)	2	
-31	487 712		STUD - (295460-3-4)	2	
	29999-27		BUSHING	2	
	407 565		WASHER - (AN960-416)	2	
	404 836		NUT - (MS20364-428C)	2	

When ordering, always specify Part Number, Description and Serial Number of Aircraft

**1K23 THRU 1L24  
INTENTIONALLY LEFT BLANK**



# PARTS CATALOG

CARD 2 OF 3

PA-31-350 T1020

# PIPER AIRCRAFT CORPORATION



# PIPER PARTS CATALOG

## AEROFICHE EXPLANATION AND REVISION STATUS

The Parts Catalog information incorporated in this set of Aerofiche cards has been arranged in accordance with the general specifications of Aerofiche adopted by the General Aircraft Manufacturer's Association.

### Conversion of Aerofiche alpha/numeric code numbers:

First number is the Aerofiche card identifier.

Letter is the horizontal line reference per card.

Second number is the vertical line reference per card.

Example: 2J16 = Aerofiche card number two of given set, Grid location J16.

To aid in locating the various sections and related information desired, the following is provided:

A complete Catalog Table of Contents is given at Grid 1A8 of Aerofiche card number 1 of this set. Each additional card in this set will have a Table of Contents for all sections on that particular card. This table will start at Grid A3.

## REVISIONS

The information compiled in this Aerofiche Parts Catalog will be kept current by revisions distributed periodically. These revisions will supersede all previous revisions and will be complete Aerofiche card replacements and shall supersede Aerofiche cards of the same number in the set.

Current Revisions to this PA-31-350 T1020 Parts Catalog issued September 16, 1981 are as follows:

761 775 (PR811214).....	Dated December 1981
761 775 (PR821013).....	Dated October 1982
761 775 (PR830314).....	Dated March 1983
761 775 (PR840111).....	Dated January 1984
761 775 (PR840815).....	Dated June 1984
761 775 (IR860428).....	Dated April 1986 (Interim*)

## \* INTERIM CHANGE

**Revisions appear on figure 71 of card 2. There are no other changes included in this parts catalog.**

**Please discard your current card 2 and replace it with this revised one. DO NOT DISCARD CARDS 1 or 3.**

NOTE: Refer to the last card of the Piper - Parts Price List - Aerofiche for a check list of current revision dates and card effectivities for this parts catalog.

# TABLE OF CONTENTS

FIGURE NUMBER	FIGURE TITLE	GRID NUMBER
<b>SECTION VI INSTRUMENTS GROUP</b>		
64	Instrument Panel Installation .....	2A6
65	Dual Instrument Panel Installation .....	2A11
66	Miscellaneous Air and Fluid Lines Installation .....	2A15
67	Dual Instrument Air System Installation .....	2A19
68	Instrument Pressure System Installation .....	2B1
69	Static Pressure System Installation .....	2B5
70	Tachometer Shaft Installation .....	2B8
<b>SECTION VII POWER PLANT GROUP</b>		
71	Power Plant Installation .....	2B11
72	Engine Baffle Installation .....	2B15
73	Oil Cooler and Breather System Installation .....	2B18
74	Three Blade Propeller Assembly .....	2C1
75	Propeller Synchrophaser System Installation .....	2C5
76	Engine Controls Installation .....	2C8
77	Engine Cowl Installation .....	2C12
78	Cowl Flap Actuating Mechanism Installation .....	2C15
79	Nacelle Installation .....	2C18
80	Nacelle Locker Door Assembly and Installation .....	2D1
<b>SECTION VIII FUEL SYSTEM GROUP</b>		
81	Left Engine Fuel System Installation .....	2D4
82	Right Engine Fuel System Installation .....	2D9
83	Fuel Flow and Pressure Gauge Installation .....	2D14
84	Fuel System Components .....	2D17
85	Fuel Controls Installation .....	2D20
86	Main Fuel Cell and Liner Installation .....	2E1
87	Auxiliary Fuel Cell and Liner Installation .....	2E5
<b>SECTION IX CONTROL SYSTEM GROUP</b>		
88	Pedestal Installation .....	2E9
89	Pedestal Control Assembly .....	2E13
90	Aileron Control Installation .....	2E17
91	Aileron Trim Installation .....	2E21
92	Rudder Control Installation .....	2F1
93	Rudder Trim Installation .....	2F5
94	Elevator Control Installation .....	2F9
95	Elevator Trim Installation .....	2F13
96	Flap Control Installation .....	2F17
97	Control Wheel Installation .....	2F20
98	Rudder Pedal Installation .....	2G1

# TABLE OF CONTENTS

FIGURE NUMBER	FIGURE TITLE	GRID NUMBER
<b>SECTION X</b>		
<b>HYDRAULIC SYSTEM GROUP</b>		
99	Forward Hydraulic System Installation .....	2G5
100	Aft Hydraulic System Installation .....	2G9
101	Hydraulic Pumps Installation .....	2G12
102	Hydraulic System Components (Wiebel) .....	2G16
103	Hydraulic Powerpak Assembly (Wiebel) .....	2G20
104	Hydraulic Powerpak Components (Wiebel) .....	2H1
105	Landing Gear Selector Mechanism Installation.....	2H4
<b>SECTION XI</b>		
<b>ENVIRONMENTAL GROUP</b>		
106	Heater and Defroster System Installation .....	2H7
107	Heater Installation .....	2H10
108	Heater Assembly .....	2H13
109	Heater Components .....	2H16
110	Ventilation System Installation .....	2H19
111	Air Distribution Duct Installation .....	2H22
112	Cabin Exhaust Vent and Blower Installation .....	2I1
113	Air Conditioning Evaporator Installation .....	2I4
114	Air Conditioning Freon System Installation .....	2I7
115	Air Conditioning Condenser and Scoop Installation .....	2I10
116	Forward Pneumatic Deicing System Installation .....	2I13
117	Aft Pneumatic Deicing System Installation.....	2I17
117A	Oxygen System Installation.....	2I20
<b>SECTION XII</b>		
<b>ELECTRICAL SYSTEM GROUP</b>		
118	Forward Electrical System Installation .....	2J1
119	Aft Electrical System Installation.....	2J5
120	Instrument Panel Electrical Installation .....	2J8
121	Primary and Auxiliary Electrical Power Installation .....	2J11
122	Switch and Circuit Breaker System Installation .....	2J15
123	Overhead Switch Panel Assembly .....	2J18
124	Landing Light Installation .....	2J21
125	Propeller Electrical Deicer Installation .....	2K1
126	Electrical Windshield Wiper Installation .....	2K4
127	Strobe Lights Installation.....	2K7
<b>SECTION XIII</b>		
<b>ELECTRONICS GROUP</b>		
128	Piper Automatic Locator (ELT) Installation (Narco Avionics).....	2K10
129	Antenna Cable, Speaker, Static Wick, Ramp Hailer and Mike Installation.....	2K13
129A	Bendix Radar Installation (RDR-230 HP) .....	2K16
130	King AutoPilot (KAP-200) and King AutoPilot F/D (KFC-200)Installations .....	2K19
130A	Century 41 Autopilot and F/D Autopilot Installation .....	2L1

# TABLE OF CONTENTS

FIGURE NUMBER	FIGURE TITLE	GRID NUMBER
	SECTION XIV MISCELLANEOUS GROUP	
131	Placards and Exterior Stencils .....	2L5
	Optional Equipment Kits and Repair Kits .....	2L9

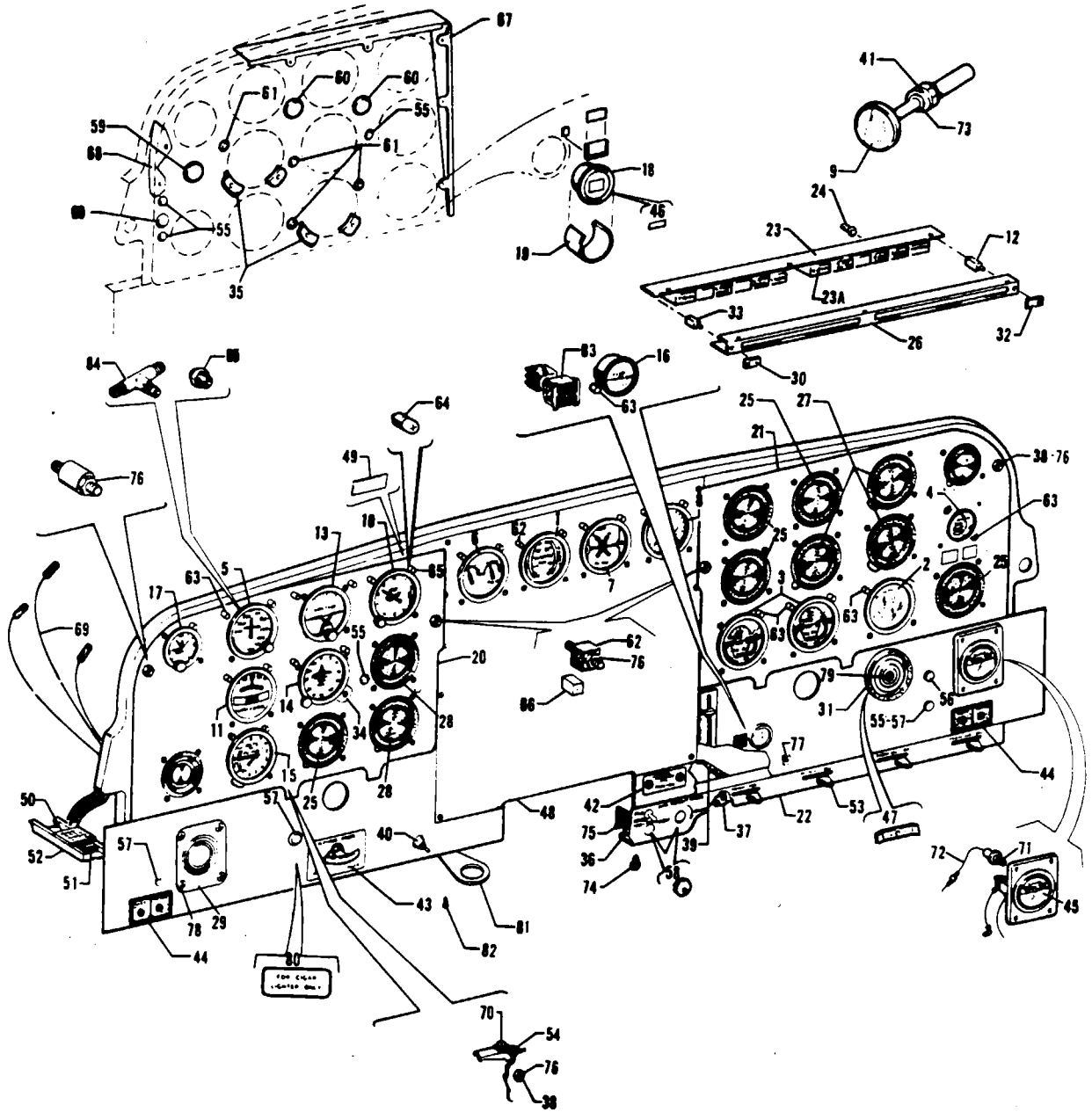


Figure 64. Instrument Panel Installation

---

# PIPER PARTS CATALOG

---

## CODE EXPLANATIONS FOR FIGURE 64

- A - When ordering, specify color black or beige.
- B - Used if AutoPilot is not installed.
- C - Used on aircraft that comply with C.A.A. (United Kingdom) requirements.
- D - If special instruments and/or avionics are installed, check part number stamped on back of panel and order that part number.
- E - Used on aircraft that comply with D.C.A. (Australian) requirements.
- V - These parts must be ordered from Service Spares Department, Piper Aircraft Corporation, Vero Beach, Florida.

## PIPER PARTS CATALOG

Figure and Index Number	Part Number	Code	NOMENCLATURE	No. Req.	SERIAL NUMBERS AFFECTED
64-	52489		DRAWING - Instrument Panel Installation		
-1	548 302		TACHOMETER ASSEMBLY - Dual (PS50048-13-1)	1	
-2	548 013		GAUGE ASSEMBLY - Dual fuel pressure (PS50116-3)	1	
-3	41506-02		GAUGE ASSEMBLY - Engine, oil pressure and temperature, cylinder head temperature (A.I.D. 18P2.00 or Edo-Aire 22-804-00)	2	
	74240-02		GAUGE ASSEMBLY - Engine, oil pressure and temperature, cylinder head temperature	2	
-4	46320-00		GAUGE ASSEMBLY - Gyro pressure	1	
-5	41507-15		GAUGE ASSEMBLY - Airspeed indicator, knots	1	
	46566-08	E	GAUGE ASSEMBLY - Airspeed indicator, knots	1	
-6	19697-10		GAUGE ASSEMBLY - Manifold pressure	1	
-7	548 036		GAUGE ASSEMBLY - Exhaust gas temperature (PS50101-33L)	1	
8	52346-04		GAUGE ASSEMBLY - Dual fuel flow	1	
-9	41707-00		GAUGE ASSEMBLY - Outside air temperature	1	
-10	548 331	V	INSTRUMENT - Altimeter, sensitive (scale in inches of mercury and millibars)	1	
-11	32737-06		INSTRUMENT ASSEMBLY - Turn and bank (Mitchell)	1	
	980024-501		INSTRUMENT ASSEMBLY - Turn coordinator (United Instruments) (9000-N11)	1	
-12	588 171		SWITCH - Annunciator Hi/Lo (MPA103D)	1	
-13	755 428	B	INDICATOR ASSEMBLY - Attitude gyro	1	
	53707-00	B.C	INDICATOR ASSEMBLY - Attitude gyro	1	
-14	755 427	B	INDICATOR ASSEMBLY - Directional gyro	1	
-15	550 684		INDICATOR ASSEMBLY - Rate of Climb (0-4000 ft/min)	1	
	467 482		INDICATOR ASSEMBLY - Instantaneous Vertical Speed (SLZ9851D6LP)	1	
-16	71128-11		INDICATOR - Wing flap	1	
-17	450 706		CLOCK ASSEMBLY - (W-33-7510ET)	1	
	29692-02		CLOCK ASSEMBLY - Digital	1	
-18	47990-02		COMPASS ASSEMBLY - (Includes compass card and holder)	1	
-19	11473-101		GASKET - Compass assembly	1	
-20	54379-02	D	PANEL - Instrument	1	
-21	54429-02	D	PANEL - Instrument, right	1	
-22	52485-04		PANEL - Cabin air control	1	
-23	55930-07		LIGHT ASSEMBLY - Annunciator display	1	
-23a	763 398		* CAP ASSEMBLY - "TRIM"	1	
	763 399		* CAP ASSEMBLY - "L. PNEU. INOP."	1	
	763 400		* CAP ASSEMBLY - "L. LOW FUEL FLOW"	1	
	764 601		* CAP ASSEMBLY - "L. ALT. INOP."	1	
	764 602		* CAP ASSEMBLY - "R. ALT. INOP."	1	
	764 603		* CAP ASSEMBLY - "R. LOW FUEL FLOW"	1	
	764 604		* CAP ASSEMBLY - "R. PNEU. INOP."	1	
	764 605		* CAP ASSEMBLY - "CABIN DR. UNSAFE"	1	
	764 606		* CAP ASSEMBLY - "NOSE/BAG DR. AJAR"	1	
	764 607		* CAP ASSEMBLY - "L. FUEL BOOST INOP."	1	
	764 608		* CAP ASSEMBLY - "R. FUEL BOOST INOP."	1	
	764 609		* CAP ASSEMBLY - "FLAP"	1	
	764 610		* CAP ASSEMBLY - "HTR FAIL"	1	
	653 181		* CAP ASSEMBLY - Blank, green bar	AR	
-24	472 058		* BULB - (387) 28V	18	
-25	41678-06	A	PLATE - Cover	5	

When ordering, always specify Part Number, Description and Serial Number of Aircraft

## PIPER PARTS CATALOG

Figure and Index Number	Part Number	Code	NOMENCLATURE	No. Req.	SERIAL NUMBERS AFFECTED
64-26	49234-02		BRACKET - Annunciator mounting	1	
-27	41678-04	A	PLATE - Cover	3	
-28	52798-00	A	PLATE - Cover	1	
-29	53973-03		PLATE - Cover	1	
-30	80755-02		PLACARD - Annunciator test	1	
-31	53864-02		PLATE - Cover	1	
-32	80614-02		PLACARD - Annunciator Hi/Lo	1	
-33	588 172		SWITCH - Annunciator test (MPA103F)	1	
-34	52826-02		COVER - Instrument mounting	1	
-35	52826-03		COVER - Instrument mounting	4	
-36	41377-06		CHANNEL ASSEMBLY - Cabin air control	1	
-37	41373-00		BRACKET - Cabin air control	4	
-38	475 183		MOUNT - (SL2337-08)	6	
-39	22433-00		ARM ASSEMBLY - Control cable actuator	4	
-40	587 965		SWITCH - Avionics Power (7101K)	1	
-41	42596-00		SPACER - Outside air temperature gauge	1	
-42	40575-00		PLACARD - Alternate air	1	
-43	41429-02		PLACARD - Parking brake	1	
-44	41347-00		PLACARD - Mike and phone jacks	2	
-45	43816-00		VOLTMETER ASSEMBLY - (550 767)	1	
-46	41345-00		PLACARD - Heated windshield	1	
-47	42640-00		CLIP ASSEMBLY - Cover plate	1	
-48	54562-02	D	PANEL ASSEMBLY - Engine instrument mounting	1	
-49	80584-02		PLACARD - Speed control , knots, black	1	
	80584-03		PLACARD - Speed control, knots, beige	1	
-50	475 162		MODULE - (A6SMM20T-1)	5	
-51	554 868		CLAMP - End, terminal module (AMMC-2)	2	
-52	41194-02		TRACK - Terminal strip mounting	1	
-53	22287-00		KNOB ASSEMBLY - Control	4	
-54	42034-00		STRAP - Ground	4	
-55	453 691		BUTTON - Plug (SS-48151)	3	
-56	453 694		BUTTON - Plug (D3005 "B")	1	
-57	453 709		BUTTON - Plug (SS-48152)	3	
-58	453 661		BUTTON - Plug (SS-51051)	2	
-59	453 817		BUTTON - Plug (SS-51338) Black finish	2	
-60	453 891		BUTTON - Plug (SS-50705) Black finish	3	
-61	26870-00		BUTTON - Plug	4	
-62	475 109		MOUNT - (J-7219-22)	2	
-63	472 742		LIGHT - Bolt (Glar Ban) (P-65-3-CW-28)	29	
-64	472 028		* BULB - Bolt light (327)	1	
-65	757 877		* CAP ASSEMBLY - Blue lens (5952-2CW)	1	
-66	55693-02		BRACKET - Instrument panel spacer	2	
-67	55279-04		BRACKET - Cover, left	1	
	55279-03		BRACKET - Cover, right	1	
-68	71479-02		BRACKET ASSEMBLY - Support, left	1	
	71479-03		BRACKET ASSEMBLY - Support, right	1	
-69	556 743		WIRE AND NUT ASSEMBLY - (5954-8ND-2)	29	
-70	415 535		SCREW - (MS35206-245)	4	
	404 833		NUT - (MS20364-832C)	4	
-71	453 791		BULB - (PS10008-356)	1	
-72	47755-00		SOCKET ASSEMBLY - Light	1	
-73	81342-101		WASHER - Temperature gauge mounting	1	
-74	414 507		SCREW - (MS24693-S26)	2	

When ordering, always specify Part Number, Description and Serial Number of Aircraft



**PIPER PARTS CATALOG**

Figure and Index Number	Part Number	Code	NOMENCLATURE	No. Req.	SERIAL NUMBERS AFFECTED
64-75	415 517		SCREW - (MS35206-227)	5	
-76	406 704		NUT - Cap (22K1-82) hex	2	
	407 563		WASHER - (AN960-8)	6	
	404 833		NUT - (MS20364-832C)	4	
-77	59105-02		PLACARD - Flap system test	1	
-78	415 520		SCREW - (MS35206-230) Dull black nickel	4	
-79	414 508		SCREW - (MS24693-S28) Dull black nickel	1	
-80	80247-02		PLACARD - Cigar lighter	1	
-81	54628-03		HOLDER - Crew cup	2	
-82	411 533		SCREW - (MS35207-264)	2	
	407 564		WASHER - (AN960-10)	2	
	80012-06		BUSHING	2	
	408 813		WASHER - Spring (3502-10-79-0511)	2	
	19513-38		WASHER	2	
-83	71047-02		SWITCH ASSEMBLY - Ground clearance	1	
-84	488 316		TEE - (MS20826-4D)	1	
-85	476 647		NIPPLE - (AN816-3D)	1	

When ordering, always specify Part Number, Description and Serial Number of Aircraft

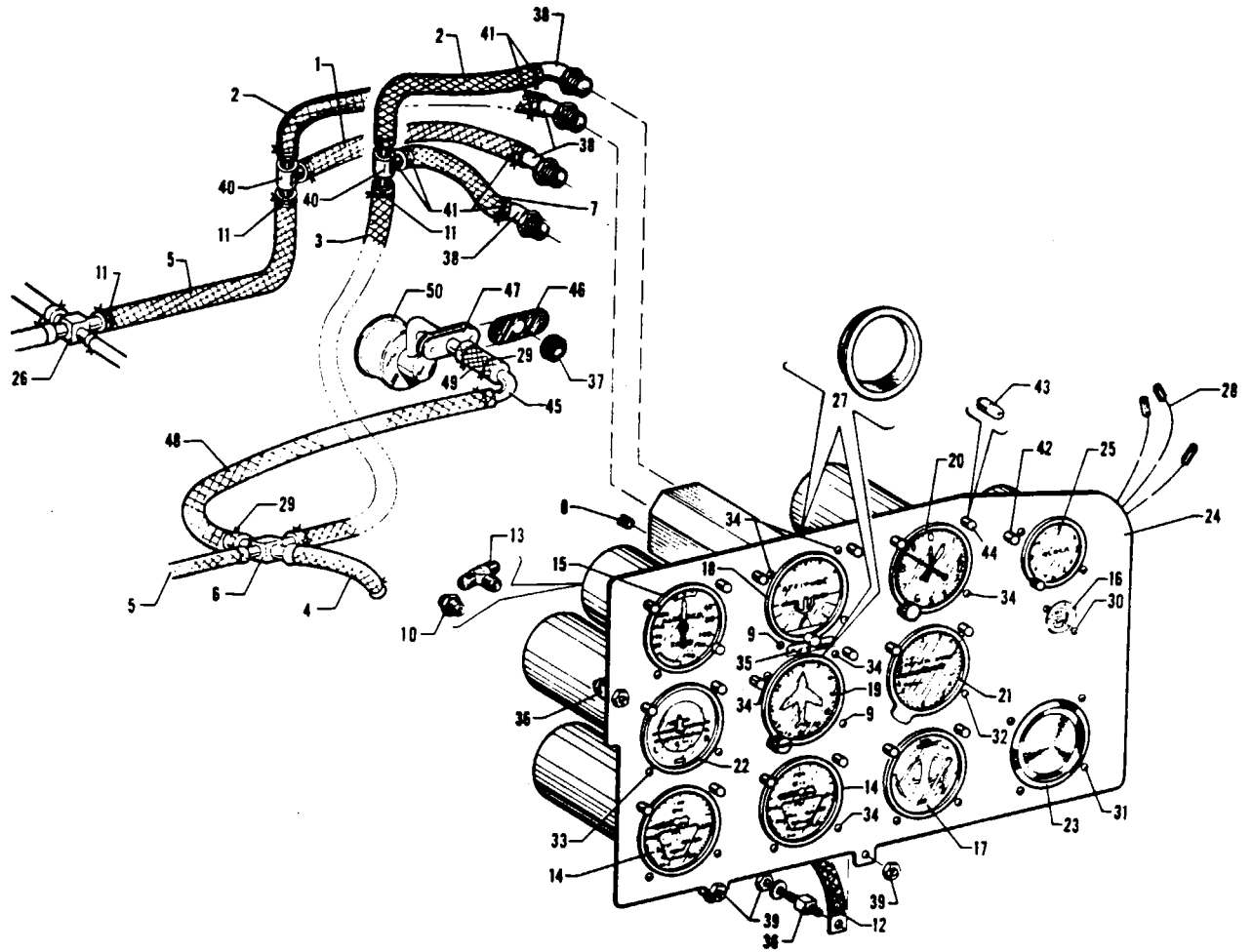


Figure 65. Dual Instrument Panel Installation

---

# PIPER PARTS CATALOG

---

## CODE EXPLANATIONS FOR FIGURE 65

- A - Used if electric gyros are installed.
- B - Used if air gyros are installed.
- C - Used on aircraft that comply with D.C.A. (Australian) requirements.
- D - If special instruments and/or avionics are installed, check part number stamped on back of panel and order that part number.
- E - When ordering, specify color black or beige.
- F - Used only if attitude gyro P/N 71181-02 is installed.

## PIPER PARTS CATALOG

Figure and Index Number	Part Number	Code	NOMENCLATURE	No. Req.	SERIAL NUMBERS AFFECTED
65.	52364		DRAWING - Dual Instrument Panel Installation (with Electric Gyros)		
	52488		DRAWING - Dual Instrument Panel Installation (with Air Gyros)		
-1	82371-51		HOSE - Directional gyro to vent	1	
-2	16633-81		HOSE - Gyro horizon to check valve	2	
-3	61541-43		HOSE - Connector, check valve	1	
-4	49998-32		HOSE - Tee to check valve	1	
-5	16633-79		HOSE - Tee to vent	2	
-6	455 404		FITTING - (1K38-10-8-8)	1	
-7	16633-83		HOSE - Directional gyro to check valve	AR	
-8	24712-02		PLUG - Gyro horizon and directional gyro	AR	
-9	514 752		SCREW - (MS24693-S32) Dull black nickel	3	
-10	476 647		NIPPLE - (AN816-3D)	1	
-11	454 987		CLAMP - (SAE 12)	8	
-12	42034-00		CLAMP - Ground	2	
-13	488 316		TEE - (MS20826-4D)	1	
-14	41506-02		GAUGE ASSEMBLY - Engine, oil pressure and temperature, cylinder head temperature (A.I.D. 18P2 00 or Edo-Aire 22-804-00)	2	
	74240-02		GAUGE ASSEMBLY - Engine, oil pressure and temperature, cylinder head temperature	2	
-15	41507-15		GAUGE ASSEMBLY - Airspeed indicator, knots	1	
	46566-08	C	GAUGE ASSEMBLY - Airspeed indicator, knots	1	
-16	46320-00		GAUGE ASSEMBLY - Gyro pressure	1	
-17	548 013		GAUGE ASSEMBLY - Dual fuel pressure (PS50116-3)	1	
-18	755 428		INDICATOR ASSEMBLY - Attitude gyro, air	1	
	53707-00		INDICATOR ASSEMBLY - Attitude gyro, air, (with covered adjusting knob)	1	
	55684-02		INDICATOR ASSEMBLY - Attitude gyro, electric (R. C. Allen)	1	
	46912-00		INDICATOR ASSEMBLY - Attitude gyro, electric (A.I.M.)	1	
	71181-02		INDICATOR ASSEMBLY - Attitude gyro, electric (AERITALIA)	1	
	71549-02		INDICATOR ASSEMBLY - Attitude gyro, electric, (with covered adjusting knob)	1	
-19	755 427		INDICATOR ASSEMBLY - Directional gyro, air	1	
	55683-02		INDICATOR ASSEMBLY - Directional gyro, electric (R. C. Allen)	1	
	46911-00		INDICATOR ASSEMBLY - Directional gyro, electric (A.I.M.)	1	
	71183-02		INDICATOR ASSEMBLY - Directional gyro, electric (AERITALIA)	1	
-20	32281-03		INSTRUMENT - Altimeter, sensitive (scale in inches of mercury)	1	
	32281-04		INSTRUMENT - Altimeter, sensitive (scale in millibars)	1	
	548 331		INSTRUMENT - Altimeter, sensitive (scale in inches of mercury and millibars)	1	
-21	550 684		INDICATOR ASSEMBLY - Rate of climb (0-4000 ft./min.)	1	
	755 450		INDICATOR ASSEMBLY - Instantaneous vertical speed (SLZ9068D6WB)	1	
	467 482		INDICATOR ASSEMBLY - Instantaneous vertical speed (SLZ9851D6LP)	1	

When ordering, always specify Part Number, Description and Serial Number of Aircraft

**PIPER PARTS CATALOG**

Figure and Index Number	Part Number	Code	NOMENCLATURE	No. Req.	SERIAL NUMBERS AFFECTED
65-22	32737-06 980024-501		INSTRUMENT ASSEMBLY - Turn and bank (Mitchell) INSTRUMENT - Turn coordinator (United Instruments) (9000-N11)	1 1	
-23	41678-06	E	PLATE - Cover	1	
-24	54429-02	D	PANEL - Instrument, right	1	
-25	450 706		CLOCK - (W-33-751OET)	1	
-26	460 855		FITTING - (1K38-8-8-8-4)	1	
-27	40885-02	B	SPACER - Gyro mounting (5/8" thick)	1	
	40885-03	A	SPACER - Gyro mounting (1/2" thick)	2	
-28	556 743		WIRE AND NUT ASSEMBLY - (5954-8ND-2)	20	
-29	554 802		CLAMP - (SAE 14) Type "E"	4	
-30	514 748		SCREW - (MS24693-S28) Dull black nickel	2	
-31	514 748		SCREW - (MS24693-S28) Dull black nickel	4	
	477 828		NUT - (NAS 487-20)	4	
-32	514 750		SCREW - (MS24693-S30) Dull black nickel	1	
	477 828		NUT - (NAS 487-20)	1	
-33	514 749		SCREW - (MS24693-S29) Dull black nickel	2	
-34	514 750		SCREW - (MS24693-S30) Dull black nickel	13	
-35	74106-02	F	PLACARD - "Pull to erect"	1	
-36	475 109		MOUNT - (J-7219-22)	4	
-37	434 135		GROMMET - Pressure regulator (AN931-8-13)	1	
-38	558 913		ELBOW - (1K9-4-6)	4	
-39	477 793		NUT - Cap (26C-02)	8	
	407 563		WASHER - (AN960-8)	14	
	404 833		NUT - (MS20364-832C)	8	
-40	488 520		TEE - (1K30-8-6-6)	2	
-41	454 832		CLAMP - (SAE 10)	8	
-42	472 742		LIGHT - Bolt (P-65-3-CW-28)	20	
-43	472 028		* BULB - Bolt light (327)	1	
-44	757 877		* CAP ASSEMBLY - Blue lens (5952-2CW)	1	
-45	43409-00		ELBOW - Hose fitting	1	
-46	43408-00		GASKET - Pressure regulator	1	
-47	43407-00		PLATE - Pressure regulator	1	
-48	82371-102		HOSE - Pressure regulator	1	
-49	82371-35		HOSE - Pressure regulator	1	
-50	484 135		REGULATOR - (2H30-8)	1	

When ordering, always specify Part Number, Description and Serial Number of Aircraft

# PIPER PARTS CATALOG

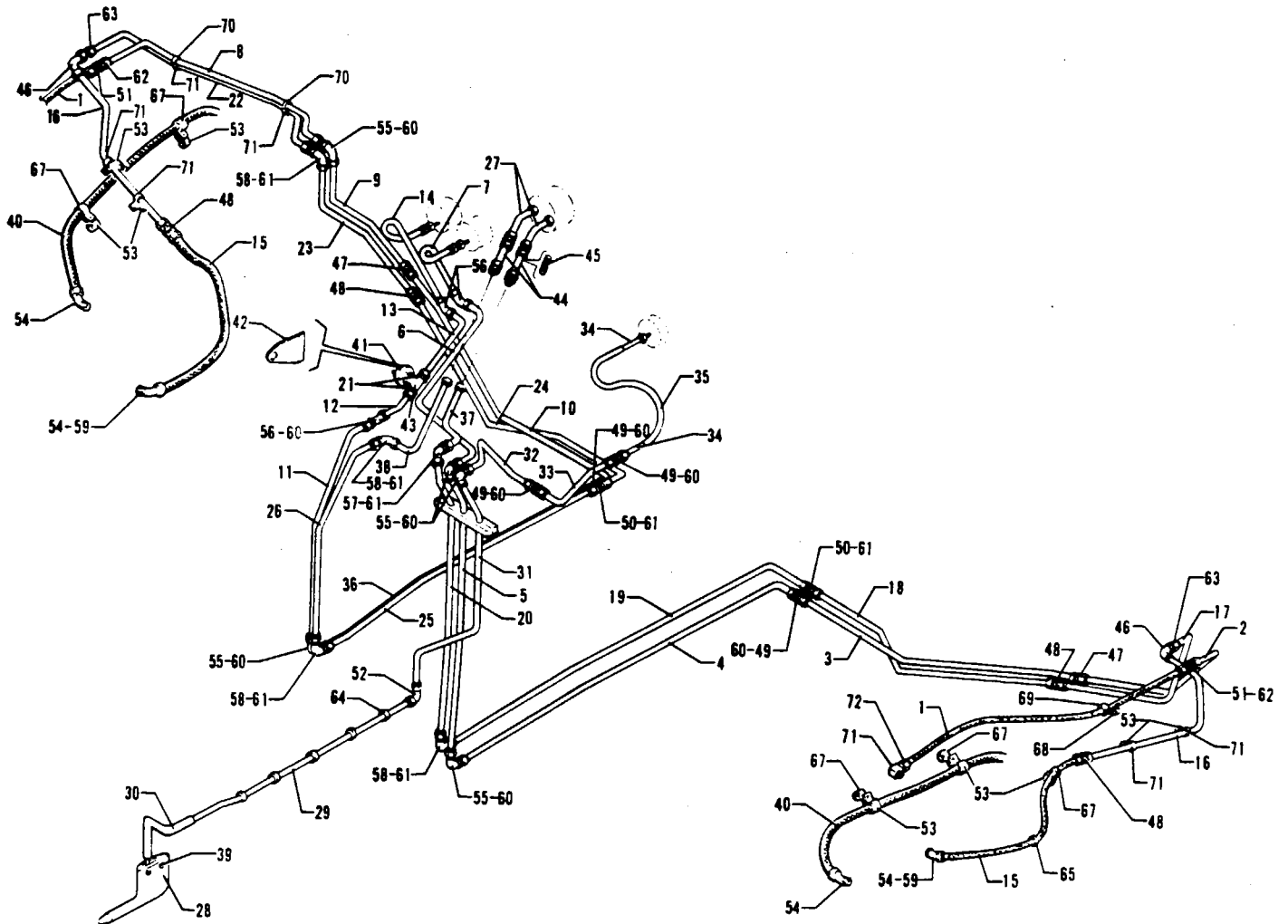


Figure 66. Miscellaneous Air and Fluid Lines Installation

---

# PIPER PARTS CATALOG

---

CODE EXPLANATIONS FOR FIGURE 66



## PIPER PARTS CATALOG

Figure and Index Number	Part Number	Code	NOMENCLATURE	No. Req.	SERIAL NUMBERS AFFECTED
66-	52395		DRAWING - Miscellaneous Air and Fluid Lines Installation		
-1	23745-14		HOSE ASSEMBLY - Flexible, oil pressure line	2	
-2	41918-00		TUBE ASSEMBLY - Oil pressure line, left	1	
-3	22673-72		TUBE ASSEMBLY - Oil pressure line, left	1	
-4	52969-00		TUBE ASSEMBLY - Oil pressure line, left	1	
-5	41916-00		TUBE ASSEMBLY - Oil pressure line, left	1	
-6	54705-02		TUBE ASSEMBLY - Oil pressure line, left	1	
-7	17766-99		HOSE ASSEMBLY - Flexible, oil pressure line, left	1	
-8	74086-02		TUBE ASSEMBLY - Oil pressure line, right	1	
-9	41905-00		TUBE ASSEMBLY - Oil pressure line, right	1	
-10	22673-72		TUBE ASSEMBLY - Oil pressure line, right	1	
-11	41989-00		TUBE ASSEMBLY - Oil pressure line, right	1	
-12	71739-02		TUBE ASSEMBLY - Oil pressure line, right	1	
-13	80024-47		TUBE ASSEMBLY - Oil pressure line, right	1	
-14	17766-98		HOSE ASSEMBLY - Flexible, oil pressure line, right	1	
-15	17766-100		HOSE ASSEMBLY - Flexible, manifold pressure line	2	
-16	42304-00		TUBE ASSEMBLY - Manifold pressure line	2	
-17	41919-00		TUBE ASSEMBLY - Manifold pressure line, left	1	
-18	52378-00		TUBE ASSEMBLY - Manifold pressure line, left	1	
-19	52978-00		TUBE ASSEMBLY - Manifold pressure line, left	1	
-20	41917-00		TUBE ASSEMBLY - Manifold pressure line, left	1	
-21	476 647		NIPPLE - Pressure sensing switch (AN816-3D)	2	
-22	71364-02		TUBE ASSEMBLY - Manifold pressure line, right	1	
-23	41904-00		TUBE ASSEMBLY - Manifold pressure line, right	1	
-24	42123-00		TUBE ASSEMBLY - Manifold pressure line, right	1	
-25	52967-00		TUBE ASSEMBLY - Manifold pressure line, right	1	
-26	41988-00		TUBE ASSEMBLY - Manifold pressure line, right	1	
-27	43405-00		TUBE ASSEMBLY - Manifold pressure	2	
-28	42530-03		TUBE ASSEMBLY - Heated pitot	1	
-29	43923-00		TUBE ASSEMBLY - Instrument air pressure	1	
-30	83161-25		HOSE - Pitot pressure line	1	
-31	41536-00		TUBE ASSEMBLY - Instrument air pressure	1	
-32	42126-00		TUBE ASSEMBLY - Pitot pressure line	1	
-33	42127-00		TUBE ASSEMBLY - Pitot pressure line	1	
-34	17881-04		LINE ASSEMBLY - Pitot pressure line	2	
-35	83161-25		HOSE - Pitot pressure line	1	
-36	80024-13		TUBE ASSEMBLY - Oil pressure line, right	1	
-37	43398-00		TUBE ASSEMBLY - Manifold pressure, left	1	
-38	43402-00		TUBE ASSEMBLY - Manifold pressure, right	1	
-39	407 102		WASHER - (AN935-6)	4	
-40	39997-02		HOSE ASSEMBLY - Differential pressure controller	2	
-41	41511-00		SWITCH ASSEMBLY - Pressure sensing, engine hour meter	1	
-42	41625-00		BRACKET - Pressure sensing switch	1	
-43	488 474		TEE - Pressure sensing switch (AN917-1D)	1	
-44	43404-00		FILTER ASSEMBLY - Manifold pressure gauge	2	
-45	754 817		* FILTER - Manifold pressure gauge line	1	
-46	458 934		ELBOW - (AN833-4)	2	
-47	491 049		UNION - (AN815-3D)	2	
-48	491 050		UNION - (AN815-4D)	4	
-49	491 059		UNION - (AN832-3D)	4	
-50	491 060		UNION - (AN832-4D)	2	
-51	491 067		UNION - (AN832-3)	2	
-52	458 879		ELBOW - (AN821-3D)	1	
-53	454 868		CLAMP - (PS10017-2-12)	10	
-54	458 891		ELBOW - (AN823-4D)	5	
-55	458 899		ELBOW - (AN833-3D)	5	
-56	458 909		ELBOW - (AN837-3D)	3	

When ordering, always specify Part Number, Description and Serial Number of Aircraft



**PIPER PARTS CATALOG**

Figure and Index Number	Part Number	Code	NOMENCLATURE	No. Req.	SERIAL NUMBERS AFFECTED
66-57	458 910		ELBOW - (AN837-4D)	1	
-58	458 900		ELBOW - (AN833-4D)	4	
-59	453 618		BUSHING - Reducer (AN912-3D)	2	
-60	477 617		NUT - (AN924-3D)	10	
	407 567		WASHER - (AN960-616)	10	
-61	477 618		NUT - (AN924-4D)	7	
	407 568		WASHER - (AN960-716)	7	
-62	477 628		NUT - (AN924-3)	2	
	407 567		WASHER - (AN960-616)	2	
-63	477 629		NUT - (AN924-4)	2	
	407 568		WASHER - (AN960-716)	2	
-64	434 168		GROMMET - (MS35489-5S)	10	
-65	434 157		GROMMET - (MS35489-16S)	1	
-66	454 929		CLAMP - (PS10017-2-4)	6	
-67	454 933		CLAMP - (PS10017-2-8)	6	
-68	454 935		CLAMP - (PS10017-2-10)	2	
-69	454 862		CLAMP - (PS10017-2-14)	2	
-70	454 928		CLAMP - (PS10017-2-3)	2	
-71	19053-00		ELBOW	2	
-72	458 888		ELBOW - (MS20823-3D)	2	

When ordering, always specify Part Number, Description and Serial Number of Aircraft

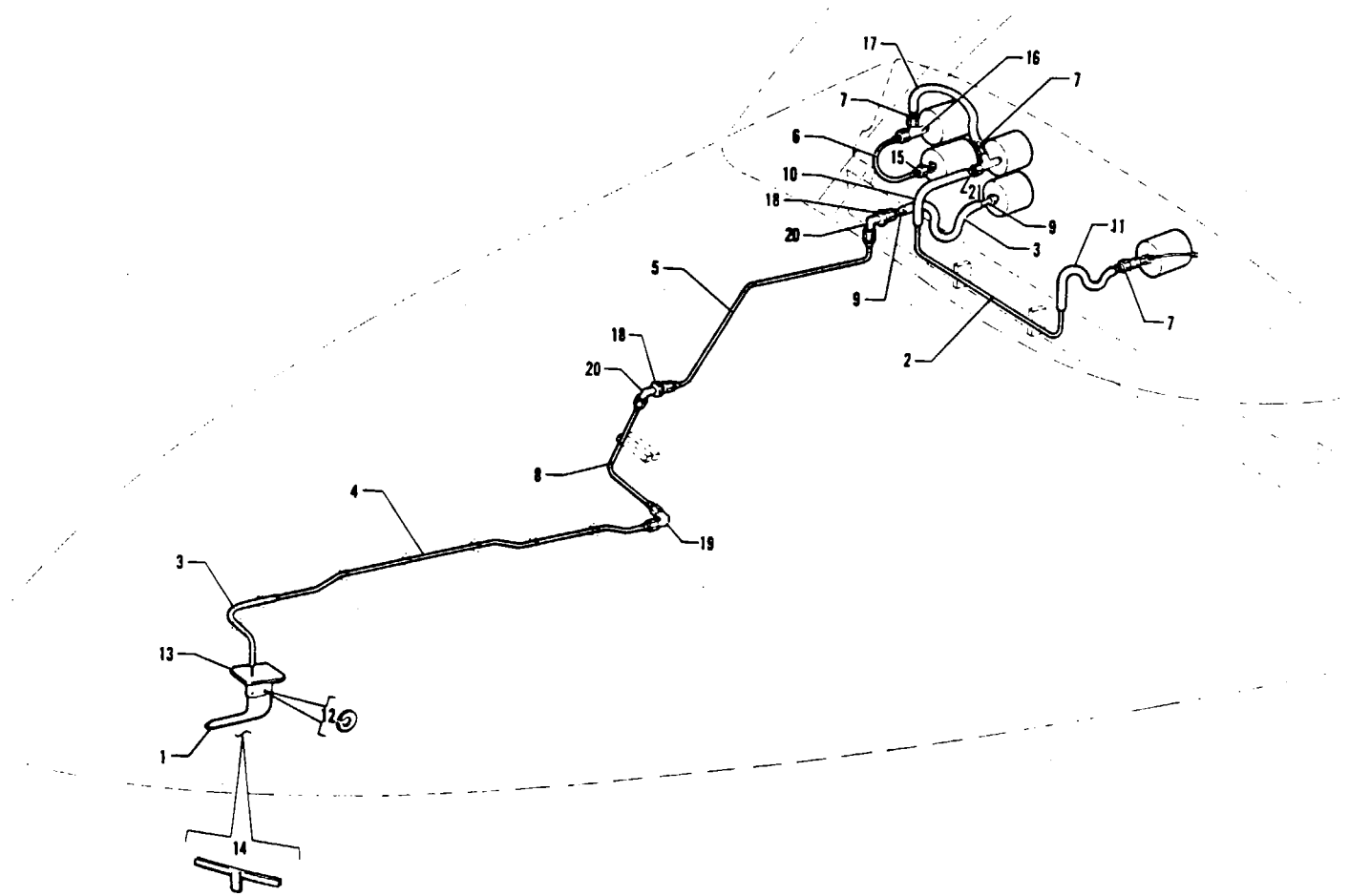


Figure 67. Dual Instrument Air System Installation

---

# PIPER PARTS CATALOG

---

## CODE EXPLANATIONS FOR FIGURE 67

- A - Used if Instantaneous Vertical Speed Indicator, Part No. 467 482 (SLZ9851D6LP), is installed.
- B - Used if Instantaneous Vertical Speed Indicator, Part No. 467 482 (SLZ9851D6LP), is not installed.

**PIPER PARTS CATALOG**

Figure and Index Number	Part Number	Code	NOMENCLATURE	No. Req.	SERIAL NUMBERS AFFECTED
67-	44266		DRAWING - Dual Instrument Air System Installation		
-1	42530-03		TUBE ASSEMBLY - Heated pitot	1	
-2	44236-00		TUBE - Instrument static air	1	
-3	83161-25		HOSE - Instrument air pressure	2	
-4	43923-00		TUBE ASSEMBLY - Instrument air pressure (fittings one end)	1	
-5	42523-00		TUBE ASSEMBLY - Instrument air pressure	1	
-6	44246-00	B	TUBE ASSEMBLY - Static air	1	
	74067-02	A	TUBE ASSEMBLY - Static air	1	
-7	17881-06		LINE ASSEMBLY - Static air	3	
-8	52380-00		TUBE ASSEMBLY - Instrument air pressure	1	
-9	17881-04		TUBE - Instrument air pressure	2	
-10	49998-21		HOSE - Static air	1	
-11	49998-20		HOSE - Static air	1	
-12	407 041		WASHER - (MS35338-41)	4	
-13	41466-01		MAST ASSEMBLY - Pitot tube	1	
-14	43561-00		COVER ASSEMBLY - Pitot tube	1	
-15	476 648		NIPPLE - (AN816-4D)	1	
-16	488 316		TEE - (MS20826-4D)	1	
-17	49998-22		HOSE - Static air	1	
-18	477 617		NUT - (AN924-3D)	2	
	407 567		WASHER - (AN960-616)	2	
-19	458 879		ELBOW - (AN821-3D)	1	
-20	458 889		ELBOW - (AN833-3D)	2	
-21	46722-00		LINE ASSEMBLY - Static air	1	

When ordering, always specify Part Number, Description and Serial Number of Aircraft

**2A22 THRU 2A24**  
**INTENTIONALLY LEFT BLANK**

# PIPER PARTS CATALOG

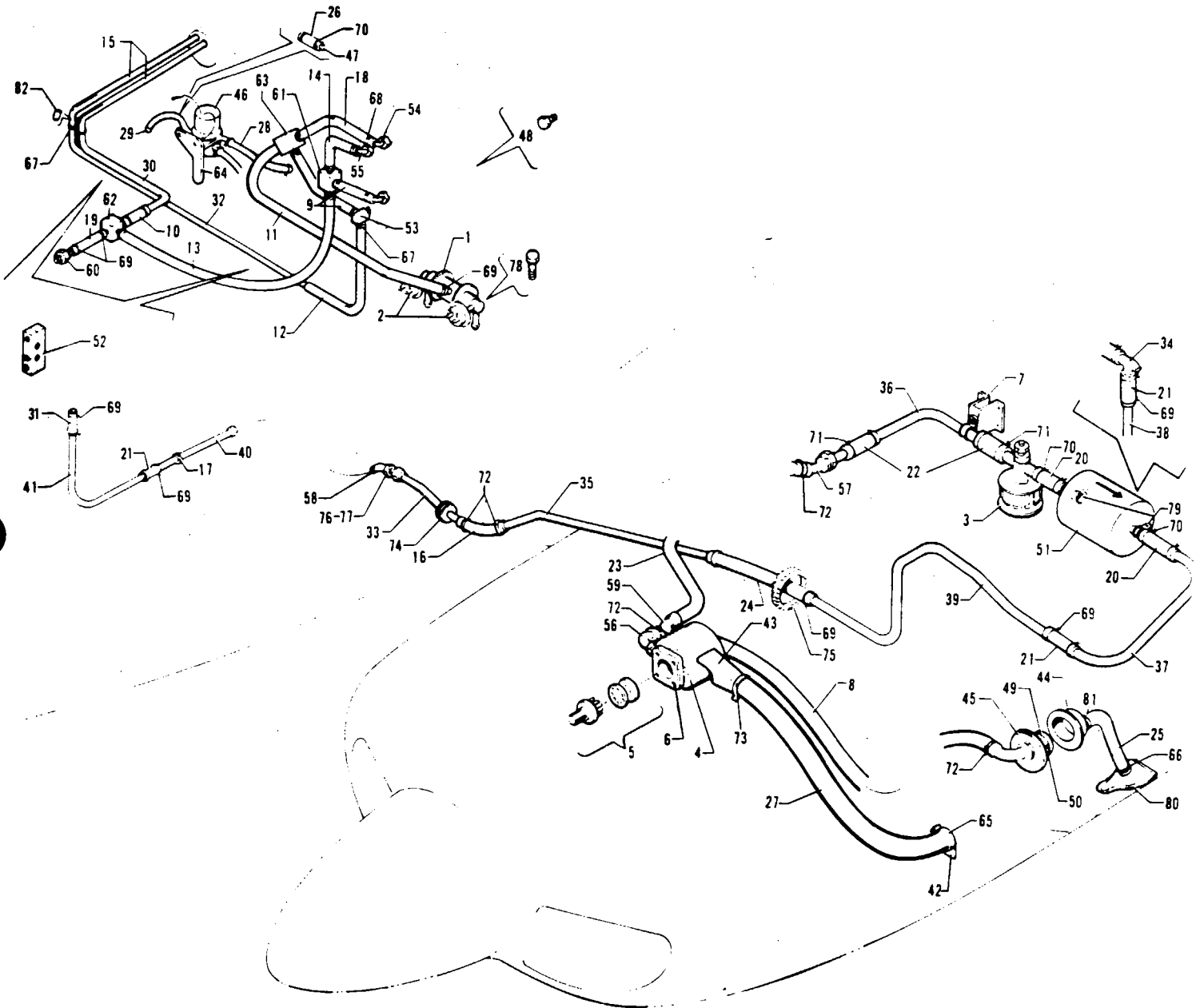


Figure 68. Instrument Pressure System Installation

---

# PIPER PARTS CATALOG

---

## CODE EXPLANATIONS FOR FIGURE 68

- A - See Figure 116 if Pneumatic De-Icing System is installed.
- B - Used if dual instruments are installed.
- C - Used if dual instruments or Pneumatic De-Icing System is installed.
- D - Used with Pneumatic Pumps 211CC and 212CW only.
- E - Used on Pneumatic Pumps 441CC-7 and 442CW-6 only.
- F - Not used if dual instruments are installed.
- G - Used if single instruments are installed.

**PIPER PARTS CATALOG**

Figure and Index Number	Part Number	Code	NOMENCLATURE	No. Req.	SERIAL NUMBERS AFFECTED
68-	44456 54697		DRAWING - Instrument Pressure System Installation DRAWING - Gyro, AutoPilot and De-icer Lines Installation		
-1	43139-04		VALVE ASSEMBLY - Manifold and check	1	
-2	53897-00		* SWITCH - Pressure	2	
-3	492 243	A,G	VALVE - Pressure relief (2H30-6)	2	
	492 242	A,B	VALVE - Pressure relief (2H30-1)	2	
-4	26749-07		PUMP ASSEMBLY - Dry pneumatic (211CC) left	1	
	26749-09	C	PUMP ASSEMBLY - Dry pneumatic (441CC-7) left	1	
	26749-08		PUMP ASSEMBLY - Dry pneumatic (212CW) right	1	
	26749-10	C	PUMP ASSEMBLY - Dry pneumatic (442CW-6) right	1	
-5	753 910	D	* COUPLING ASSEMBLY KIT - Vacuum pump drive (no. 350)	1	
	757 865	E	* COUPLING ASSEMBLY KIT - Vacuum pump drive (no.352)	1	
-6	751 859		* * GASKET - Pneumatic pump mtg. (B3-1-2)	1	
-7	44421-00	A	BRACKET ASSEMBLY - Instrument air support	2	
-8	49997-09		HOSE - Pneumatic pump to air filter, left	1	
	49997-08		HOSE - Pneumatic pump to air filter, right	1	
-9	16633-49		HOSE - Directional gyro to tee	2	
-10	16633-75		HOSE - Pressure gauge line to tee	1	
-11	82371-111		HOSE - Manifold check valve	1	
-12	82371-112		HOSE - Gyro gauge pressure	1	
-13	16633-78		HOSE - Gyro tee to outlet vent	1	
-14	16633-80		HOSE - Attitude gyro to tee	1	
-15	61541-30		HOSE - Pressure gauge	2	
-16	61541-42		HOSE - Manifold check valve line	2	
-17	434 156		GROMMET - (MS35489-14S)	2	
-18	82371-51		HOSE - Attitude gyro to tee	1	
-19	82371-23		HOSE - Pressure tube connector	1	
-20	82371-35	A	HOSE - Relief valve and inline filter attachment	4	
-21	82371-47	A	HOSE - Inline filter tube and manifold	4	
-22	82371-106	A	HOSE - Relief valve connector	4	
-23	49997-05		HOSE - Relief valve to pneumatic pump	2	
-24	82371-54		HOSE - Pressure tube connector, left	1	
	82371-25		HOSE - Pressure tube connector, right	1	
-25	56952-15		HOSE - Air filter box to scoop	2	
-26	82371-47	F	HOSE - Pneumatic relay port	1	
-27	10525-86	C	HOSE - Pump cooling	2	
-28	82371-92		HOSE - Pneumatic relay	1	
-29	82371-93		HOSE - Pneumatic relay	1	
-30	54709-02		TUBE - Pneumatic pressure gauge	1	
-31	61541-45		HOSE - Manifold check valve line	2	
-32	53996-00		TUBE - Gyro gauge pressure	1	
-33	41788-00		TUBE ASSEMBLY - Pressure, left	1	
	41798-00		TUBE ASSEMBLY - Pressure, right	1	
-34	43140-00	A	TUBE ASSEMBLY - Inline filter, right	1	
-35	41787-00		TUBE - Pressure		
-36	44396-03	A	TUBE ASSEMBLY - Instrument air	2	
-37	44417-00	A	TUBE ASSEMBLY - Instrument air, left	1	
-38	44442-00		TUBE - Instrument air, right	1	
-39	44443-00		TUBE - Instrument air, left	1	
-40	54668-02		TUBE ASSEMBLY - Pressure	2	
-41	54673-02		TUBE - Pressure	2	
-42	43092-00	C	TAKE - OFF ASSEMBLY - Pump duct	2	
-43	43093-00	C	SHROUD - Pneumatic pump cooling	2	

When ordering, always specify Part Number, Description and Serial Number of Aircraft



**PIPER PARTS CATALOG**

Figure and Index Number	Part Number	Code	NOMENCLATURE	No. Req.	SERIAL NUMBERS AFFECTED
68-44	43798-00		BOX ASSEMBLY - Pneumatic air filter	2	
-45	43799-00		PLATE ASSEMBLY - Pneumatic air filter cover	2	
-46	52307-00		VALVE ASSEMBLY - Pneumatic relay shutoff	1	
-47	42150-00	F	PLUG - Pneumatic relay port hose	1	
-48	24712-02		PLUG - Gyro port	AR	
-49	460 853		FILTER - Air (1J1-3)	2	
-50	751 815		* FILTER - Air (B3-5-1)	1	
-51	460 866	A	FILTER - Inline (1J4-6)	2	
-52	54799-02		BLOCK ASSEMBLY - Tube retaining	2	
-53	460 856		FITTING - Gyro inlet (1K40-4-4-6)	1	
-54	458 945		ELBOW - (1K1-4-6)	1	
-55	558 913		ELBOW - (1K9-4-6)	1	
-56	558 926		ELBOW - (1K1-6-12)	2	
	558 925	C	ELBOW - (1K1-8-12) 90 degree	2	
-57	558 933	A	ELBOW - (1K36-12-12)	2	
-58	458 905		ELBOW - (AN833-8D)	2	
-59	558 932		ELBOW - (1K9-6-12)	2	
	558 931	C	ELBOW - (1K9-8-12)	2	
-60	451 921		ADAPTER - (AN807-8D)	1	
-61	488 520		TEE - (1K30-8-6-6)	1	
-62	488 548		TEE - (1K30-8-4-8)	1	
-63	488 520		TEE - (1K30-8-6-6)	1	
-64	52306-00		BRACKET - Pneumatic relay attachment	1	
-65	454 994	C	CLAMP - (H2-1160)	2	
-66	554 919		CLAMP - (SAE 20, Type "E")	2	
-67	454 983		CLAMP - (SAE 8, Type "E")	8	
-68	454 832		CLAMP - (SAE 10, Type "E")	8	
-69	454 987		CLAMP - (SAE 12, Type "E")	26	
-70	554 802		CLAMP - (SAE 14, Type "E")	12	
-71	554 806		CLAMP - (SAE TY E-18)	8	
-72	554 888		CLAMP - (SAE TY F-6)	12	
-73	80002-85	C	CLAMP - Oil cooler hose	2	
-74	434 137		GROMMET - (MS35489-15)	2	
-75	189 625		GROMMET - Pressure line (MS21266-IN) 12 3/4" L	AR	
-76	477 621		NUT - (AN924-8D)	3	
-77	407 593		WASHER - (AN960-PD1216)	3	
-78	400 438		BOLT - (AN3-4A)	2	
-79	400 437		BOLT - (AN3-3A)	4	
	404 887		NUT - (MS20365-1032C)	4	
-80	43894-00		INLET ASSEMBLY - Air, recessed	2	
-81	554 971		CLAMP - (SAE TY F-16SS)	2	
-82	479 403	D	ORIFICE - (1K94-1)	1	

When ordering, always specify Part Number, Description and Serial Number of Aircraft

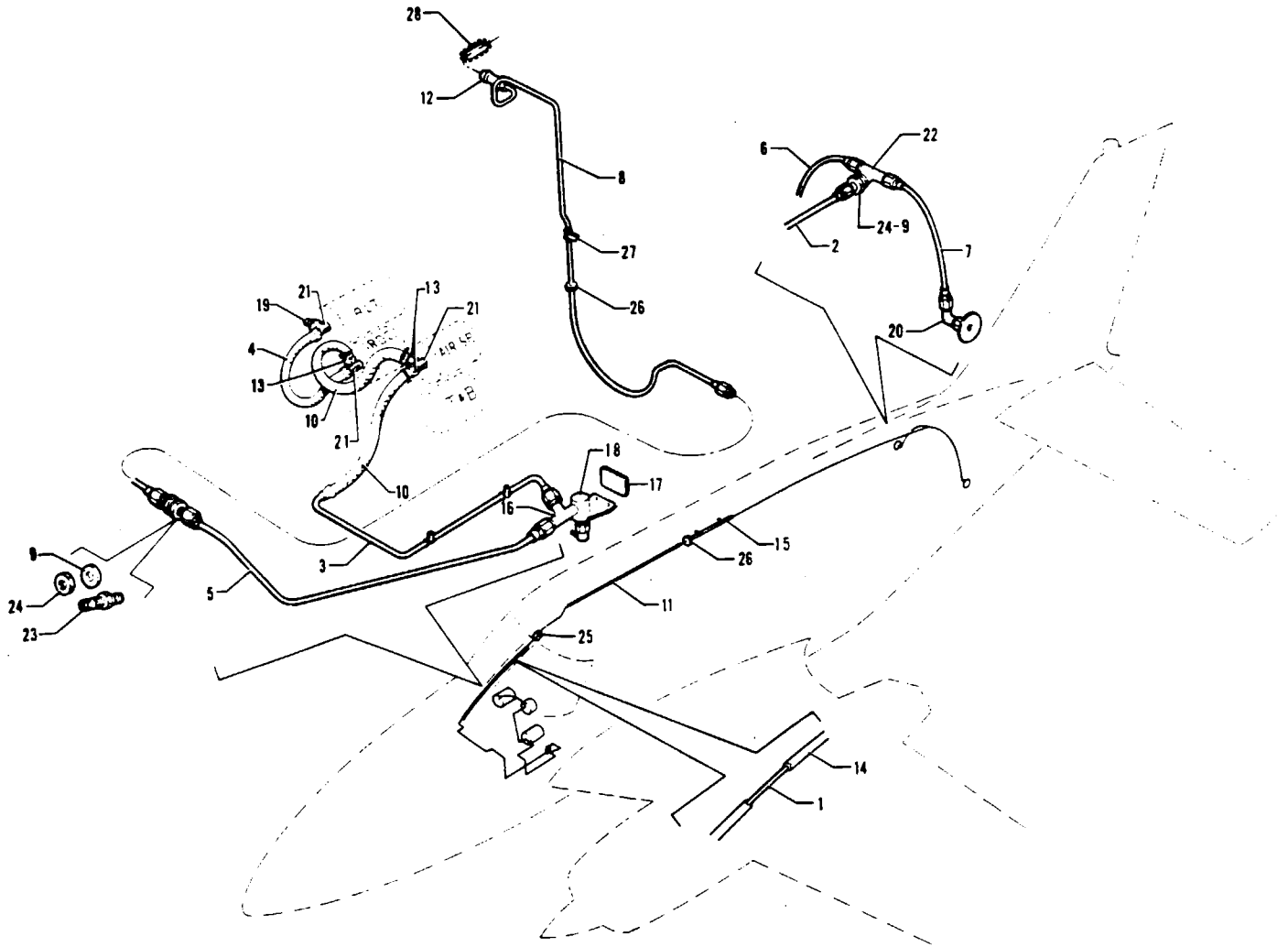


Figure 69. Static Pressure System Installation

---

# PIPER PARTS CATALOG

---

CODE EXPLANATIONS FOR FIGURE 69

A - Used on aircraft that comply with C.A.A. (United Kingdom) requirements.

**PIPER PARTS CATALOG**

Figure and Index Number	Part Number	Code	NOMENCLATURE	No. Req.	SERIAL NUMBERS AFFECTED
69-	44261		DRAWING - Static Pressure System Installation		
-1	44237-00		TUBE - Static pressure	1	
-2	44238-03		TUBE ASSEMBLY - Static pressure	1	
-3	44240-00		TUBE ASSEMBLY - Airspeed	1	
-4	44246-00		TUBE ASSEMBLY - Altimeter to rate of climb	1	
-5	44247-00		TUBE ASSEMBLY - Static pressure	1	
-6	44252-02		TUBE ASSEMBLY - Static pressure	1	
-7	44252-03		TUBE ASSEMBLY - Static pressure	1	
-8	44848-00		TUBE ASSEMBLY - Static pressure	1	
-9	407 698		WASHER - (AN960-D716)	3	
-10	49998-19		HOSE - Alternate air source	2	
-11	49998-18		HOSE - Static pressure	1	
-12	49998-23		HOSE - Static pressure	1	
-13	17881-06		LINE ASSEMBLY - Static air	3	
-14	80006-04		SLEEVE - Static pressure line	1	
-15	80006-25		SLEEVE - Static pressure line	1	
-16	488 316		TEE - (MS20826-4D)	1	
-17	41472-00		PLACARD - Alternate static source	1	
	53739-00	A	PLACARD - Alternate static source	1	
-18	492 100		VALVE ASSEMBLY - (CCA-7450) Alternate static source	1	
-19	454 173		CAP - Altimeter (AN929-4)	1	
-20	458 894		ELBOW - (MS20822-4D)	2	
-21	488 316		TEE - (MS20826-4D)	3	
-22	488 383		TEE - (AN834-4D)	3	
-23	491 060		UNION - (AN832-4D)	1	
-24	477 618		NUT - (AN924-4D)	2	
-25	434 134		GROMMET - (MS35489-11)	1	
-26	434 128		GROMMET - (MS35489-6)	16	
-27	454 929		CLAMP - (PS10017-2-4)	3	
-28	189 625		GROMMET - Caterpillar (MS21266-1N) 4.00 L.	1	

When ordering, always specify Part Number, Description and Serial Number of Aircraft



Figure 70. Tachometer Shaft Installation

---

# PIPER PARTS CATALOG

---

## CODE EXPLANATIONS FOR FIGURE 70

A - See Figure 75 if Propeller Synchrophaser is installed.

PIPER PARTS CATALOG

Figure and Index Number	Part Number	Code	NOMENCLATURE	No. Req.	SERIAL NUMBERS AFFECTED
70-	52787		DRAWING - Tachometer Shaft Installation		
-1	486 637		SHAFT ASSEMBLY - Tachometer, left engine (PS50044-20)	1	
	486 556		SHAFT ASSEMBLY - Tachometer, right engine (PS50044-11)	1	
-2	486 628	A	SHAFT ASSEMBLY - Tachometer, right engine (PS50044-17)	1	
-3	52785-03		ADAPTER - Dual drive	1	
-4	52786-00		PLUG - Drive adapter	1	
-5	52788-00		COLLAR - Dual drive adapter	1	
-6	52789-00		NUT - Special	1	
-7	454 931		CLAMP - (PS10017-2-5)	8	
-8	454 935		CLAMP - (PS10017-2-10)	2	
-9	52783-00		REINFORCEMENT - Firewall	1	
-10	407 575		WASHER - (AN960-1416)	1	

When ordering, always specify Part Number, Description and Serial Number of Aircraft

# PIPER PARTS CATALOG

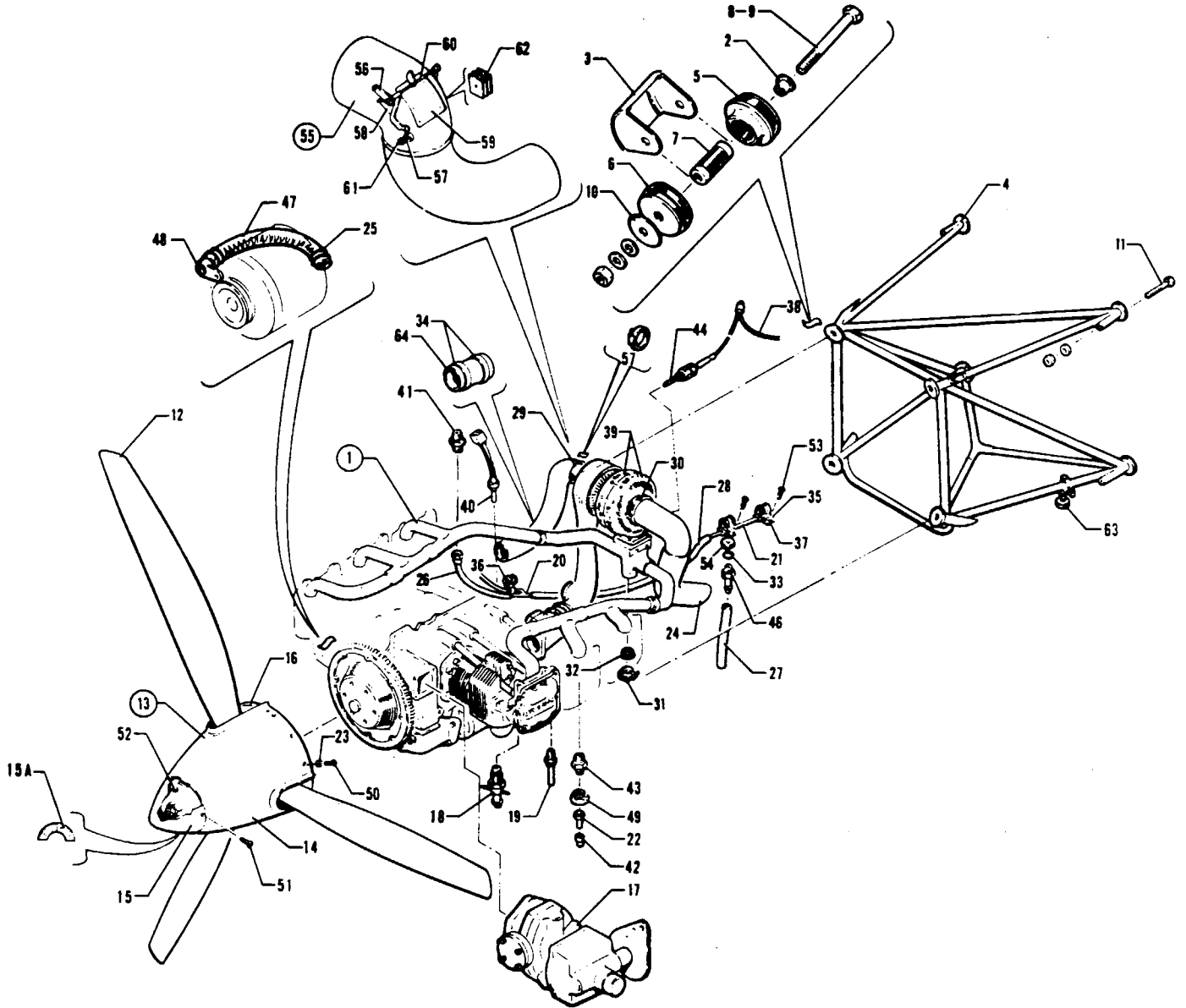


Figure 71. Power Plant Installation



---

# PIPER PARTS CATALOG

---

## CODE EXPLANATIONS FOR FIGURE 71

- A - Secure from Lycoming Division-Avco Corporation, Williamsport, Penna.
- B - See Figure 74 for component parts.
- C - See Figure 75 if propeller synchrophaser system installation is installed.

**PIPER PARTS CATALOG**

Figure and Index Number	Part Number	Code	NOMENCLATURE	No. Req.	SERIAL NUMBERS AFFECTED
71-	52682		DRAWING - Power Plant Installation		
-1		A	ENGINE ASSEMBLY - Lycoming, left (TIO-540-J2B)	1	
		A	ENGINE ASSEMBLY - Lycoming, right (LTIO-540-J2B)	1	
-2	20737-20		BUSHING - Shoulder, engine mount	4	
-3	24754-05		SHIELD ASSEMBLY - Heat	4	
-4	40007-07		MOUNT ASSEMBLY - Engine	2	
-5	475 117		MOUNT ASSEMBLY - Top rear, bottom front (J9612-8)	8	
-6	475 116		MOUNT ASSEMBLY - Top front, bottom rear (J7763-1)	8	
-7	587 307		SPACER - Mount (J-10931-5)	8	
-8	400 277		BOLT - (AN7-40) Top	4	
	407 568		WASHER - (AN960-716) Top	8	
	477 664		NUT - (32FL-720) Top	4	
-9	400 277		BOLT - (AN7-40) Bottom	4	
	407 568		WASHER - (AN960-716) Bottom	4	
	477 664		NUT - (32FL-720) Bottom	4	
-10	85012-101		WASHER - Mount assembly	8	
-11	401 421		BOLT - (AN6-41A)	8	
	407 567		WASHER - (AN960-616)	8	
	404 890		NUT - (MS20365-624C)	8	
-12	550 967	B	PROPELLER ASSEMBLY - Hartzell (HC-E3YR-2ATF/FC8468-6R) left	1	
	550 968	B	PROPELLER ASSEMBLY - Hartzell (HC-E3YR-2ALT/ FJC8468-6R) right	1	
-13	74207-02		SPINNER ASSEMBLY - Propeller, left engine	1	
	74207-03		SPINNER ASSEMBLY - Propeller, right engine	1	
-14	43940-308		* SPINNER ASSEMBLY - Left engine (polished)	1	
	43940-309		* SPINNER ASSEMBLY - Right engine (polished)	1	
-15	43929-302		* CAP ASSEMBLY - Spinner (polished)	1	
-15a	55316-02		* * DECAL - Pressure-Temperature	1	
-16	43933-08		BULKHEAD ASSEMBLY - Spinner, rear, left engine	1	
	43933-07		BULKHEAD ASSEMBLY - Spinner, rear, right engine	1	
-17	24622-24		GOVERNOR ASSEMBLY - Hartzell, left (F-6-24Z)	1	
	24622-23	C	GOVERNOR ASSEMBLY - Hartzell, right (F-6-24LZ)	1	
-18	14184-00		VALVE ASSEMBLY - Oil drain, inboard	2	
-19	41287-00		VALVE ASSEMBLY - Fuel drain, inboard	2	
-20	16632-00		TUBE ASSEMBLY - Drain connector	2	
-21	54396-02		TUBE ASSEMBLY - Drain	2	
-22	42047-00		TUBE - Induction fuel drain	2	
-23	494 119		WASHER - Nyromatic (3/16 x 3/8 x .032)	30	
-24	40310-09		TAIL PIPE ASSEMBLY - Bottom (488 043)	2	
	40310-10		TAIL PIPE ASSEMBLY - Top (488 061)	2	
-25	454 985		CLAMP - Alternate air hose (SAE TY A-1)	4	
-26	17766-97		HOSE ASSEMBLY - Fuel pump drain	2	
-27	16633-61		HOSE - Drain	2	
-28	16633-62		HOSE - Drain	2	
-29	53551-00		COUPLING - Nose, induction	2	
-30	557 369		COUPLING - (AOQ NH1005798-10)	2	
-31	455 302		COUPLING - (18276-225-M)	2	
-32	462 062		GASKET - (24096-225-N)	2	
-33	462 027		GASKET - (AN6290-4)	2	
-34	554 726		CLAMP - (SAE TY F-64)	4	
-35	454 868		CLAMP - (PS10017-2-12)	4	
-36	454 933		CLAMP - (PS10017-2-8)	2	
-37	454 929		CLAMP - (PS10017-2-4)	6	
-38	494 686		WIRE - Extension (3199127)	2	

When ordering, always specify Part Number, Description and Serial Number of Aircraft

## PIPER PARTS CATALOG

Figure and Index Number	Part Number	Code	NOMENCLATURE	No. Req.	SERIAL NUMBERS AFFECTED
71-39	452 940		BLANKET - Insulation, turbocharger housing, lower half (6-727341-3)	2	
	452 941		BLANKET - Insulation, turbocharger housing, upper rear (6-727341-5)	2	
	452 939		BLANKET - Insulation, turbocharger housing, upper forward (6-727341-7)	2	
-40	53583-00		BULB ASSEMBLY - Oil temperature	1	
-41	476 648		NIPPLE - (AN816-4D)	2	
-42	486 897		SLEEVE - (MS20819-4D)	2	
-43	458 891		ELBOW - (AN823-4D)	2	
-44	55841-02		PROBE - Exhaust, gas temperature	2	
-45	554 897		CLAMP - (SAE TY F-80)	2	
-46	451 853		ADAPTER - (AN807-4D)	2	
-47	10525-95		HOSE - Alternator air, left	1	
	29998-11		HOSE - Alternator air, right	1	
-48	42366-00		TUBE ASSEMBLY - Alternator air take-off, left	1	
	53848-00		TUBE ASSEMBLY - Alternator air take-off, right	1	
-49	477 612		NUT - (AN818-4D)	2	
-50	415 379		SCREW - (MS51958-63)	30	
-51	414 781		SCREW - (MS24693-C50)	12	
-52	416 131		SCREW - (AN501-A10-8)	2	
	404 835		NUT - (MS20364-1032C)	2	
-53	411 532		SCREW - (MS35207-263)	6	
	404 887		NUT - (MS20365-1032C)	6	
-54	477 618		NUT - (AN924-4D)	2	
-55	54916-02		TUBE ASSEMBLY - Air induction (Side mounted magnet)	2	
-56	53492-00		* ARM ASSEMBLY - Induction air door	1	
-57	26978-00		* SPRING - Induction air door	1	
-58	53478-05		* BRACKET ASSEMBLY - Induction air door, front	1	
	53478-04		* BRACKET ASSEMBLY - Induction air door, rear	1	
-59	53479-06		* DOOR ASSEMBLY - Induction air	1	
-60	53472-00		* SHAFT ASSEMBLY - Induction air door	1	
-61	55221-02		* SHAFT ASSEMBLY - Induction air door	1	
-62	55224-02		* CATCH - Magnetic	1	
-63	44184-03		SUPPORT ASSEMBLY - Bottom cowl support	4	
-64	42172-00		HOSE - Coupling, induction	2	

When ordering, always specify Part Number, Description and Serial Number of Aircraft

# PIPER PARTS CATALOG

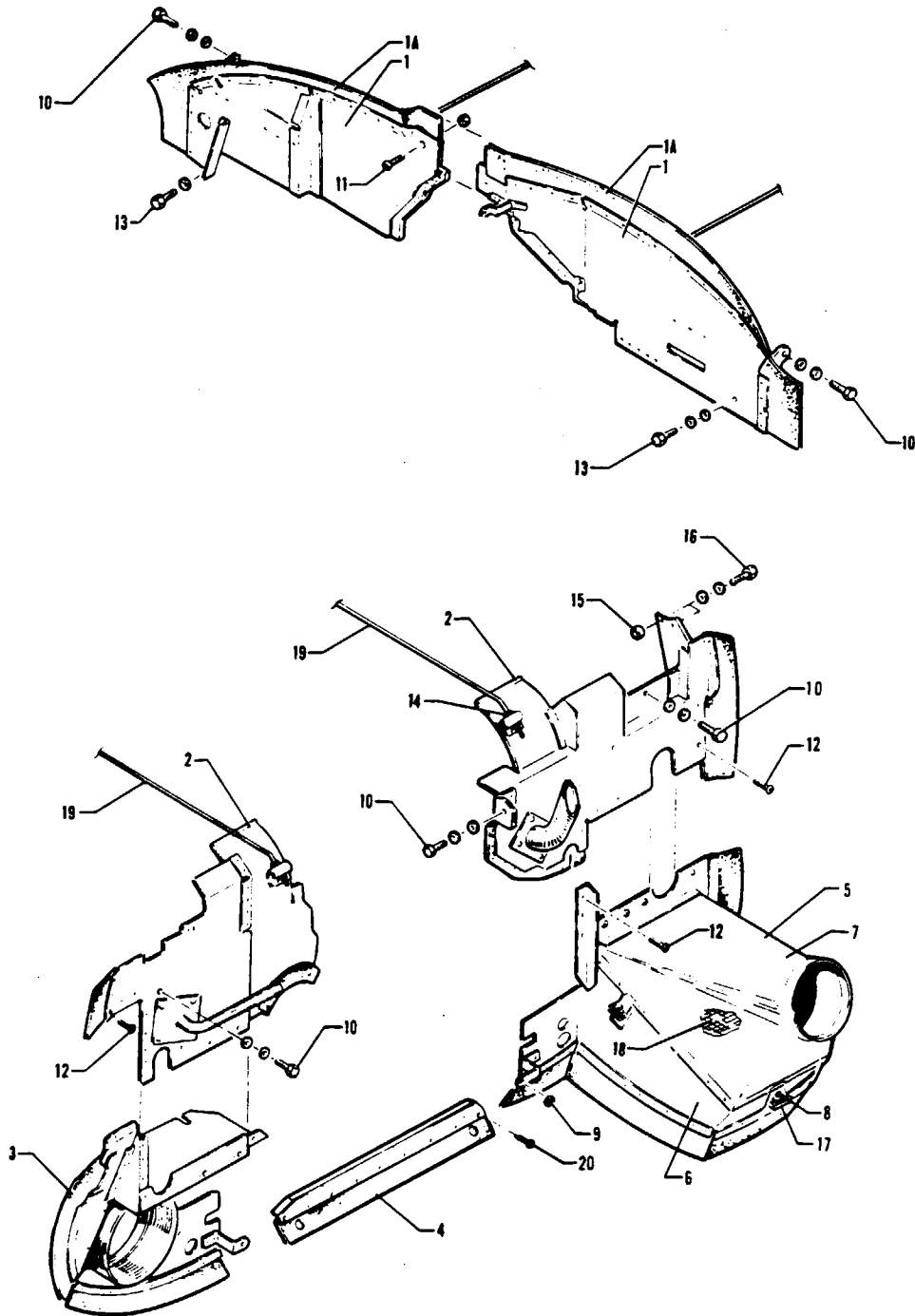


Figure 72. Engine Baffle Installation

---

# PIPER PARTS CATALOG

---

CODE EXPLANATIONS FOR FIGURE 72

A - Used if air conditioning is installed.

**PIPER PARTS CATALOG**

Figure and Index Number	Part Number	Code	NOMENCLATURE	No. Req.	SERIAL NUMBERS AFFECTED
72-	41987		DRAWING - Engine Baffle Installation		
-1	41605-15		BAFFLE ASSEMBLY - Engine, left front	2	
	41606-15		BAFFLE ASSEMBLY - Engine, right front	2	
-1a	71646-08		* STRIP - Baffle, left front	1	
	71646-07		* STRIP - Baffle, right front	1	31-8253001 to 31-8253017 incl.
	71646-10		* STRIP - Baffle, right front	1	31-8353001 and up
-2	41974-09		BAFFLE ASSEMBLY - Engine, top, left rear	2	
	41607-15		BAFFLE ASSEMBLY - Engine, top, right rear	2	
-3	52777-02		BAFFLE ASSEMBLY - Engine, bottom	2	
	52777-02	A	BAFFLE ASSEMBLY - Engine, bottom, left engine	1	
	52777-04	A	BAFFLE ASSEMBLY - Engine, bottom, right engine	1	
-4	41927-08		BAFFLE ASSEMBLY - Engine, center, rear	2	
-5	41594-02		PLENUM ASSEMBLY - Air filter (complete)	2	
-6	41704-00		* PLENUM ASSEMBLY - Air filter	1	
-7	41549-05		* DUCT ASSEMBLY - Air filter	1	
-8	415 450		SCREW - (AN526-832R10)	6	
-9	408 811		WASHER - Lock, shakeproof (1214-00-00-0511)	4	
-10	418 419		SCREW - Cap (1/4-20 UNC2A x 1/2 L.)	10	
	408 811		WASHER - Lock, shakeproof (1214-00-00-0511)	10	
	407 565		WASHER - (AN960-416)	10	
-11	415 754		SCREW - (AN515-832R8)	2	
	404 910		NUT - (MS20365-832C)	2	
-12	415 449		SCREW - (AN526-832R8)	36	
	404 910		NUT - (MS20365-832C)	36	
-13	418 421		SCREW - Cap (1/4-20 UNC2A x 5/8 L.)	4	
	408 811		WASHER - Lock, shakeproof (1214-00-00-0511)	4	
	407 565		WASHER - (AN960-416)	4	
-14	404 909		NUT - (MS20365-632C)	8	
-15	61402-81		BUSHING	4	
-16	418 418		SCREW - Cap (1/4-20 UNC2A x 3/4 L.)	4	
	408 811		WASHER - Lock, shakeproof (1214-00-00-0511)	4	
	407 565		WASHER - (AN960-416)	4	
-17	52451-00		BRACKET ASSEMBLY - Air filter attachment	6	
-18	460 817		FILTER - Air (P10-6590)	2	
-19	71562-03		ROD - Baffle tie, outboard left, inboard right	2	
	71562-02		ROD - Baffle tie, outboard right, inboard left	2	
-20	415 450		SCREW - (AN526-832R10)	2	
	404 910		NUT - (MS20365-832C)	2	

When ordering, always specify Part Number, Description and Serial Number of Aircraft

# PIPER PARTS CATALOG

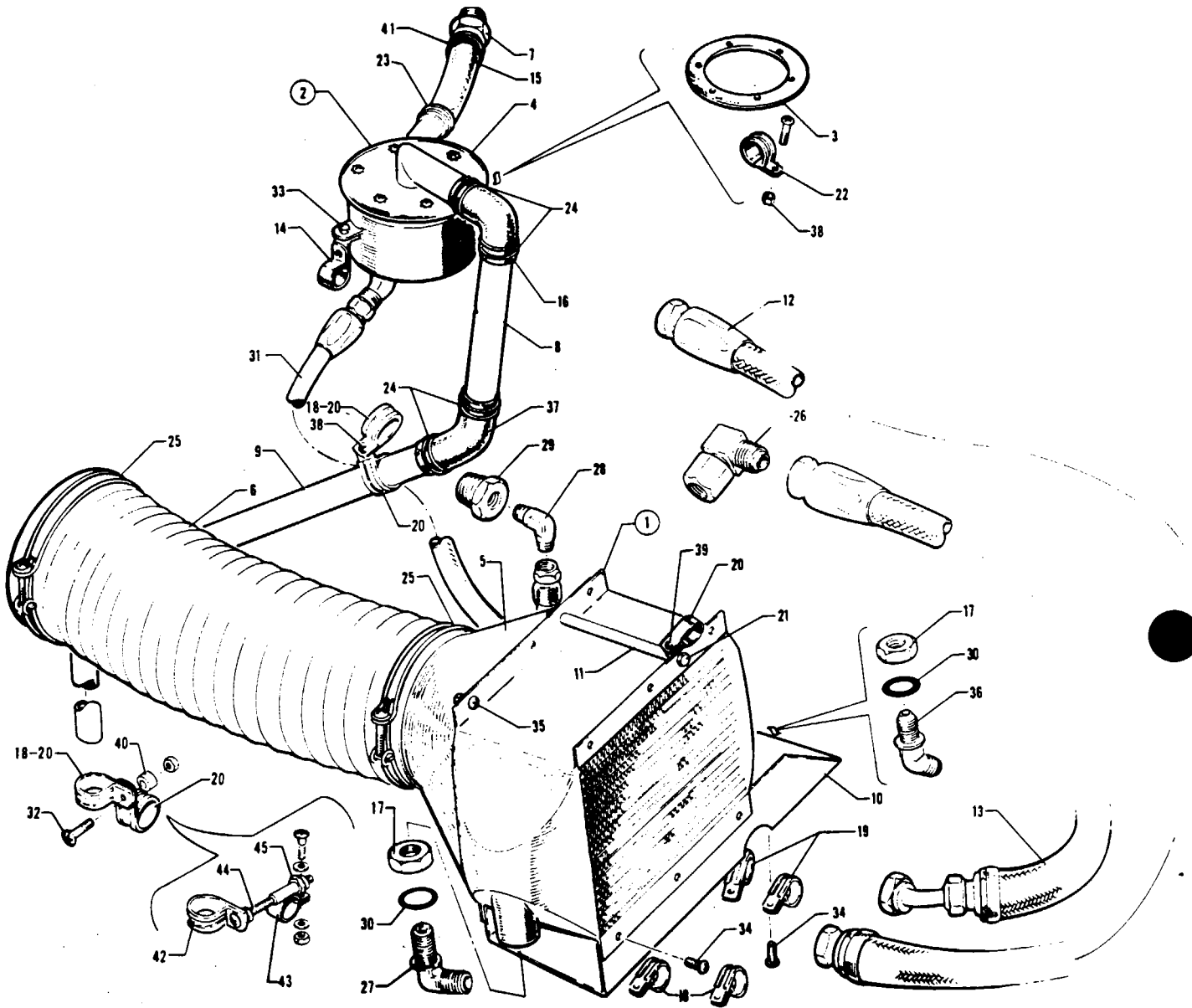


Figure 73. Oil Cooler and Breather System Installation

---

# PIPER PARTS CATALOG

---

CODE EXPLANATIONS FOR FIGURE 73



## PIPER PARTS CATALOG

Figure and Index Number	Part Number	Code	NOMENCLATURE	No. Req.	SERIAL NUMBERS AFFECTED
73-	52654		DRAWING - Oil Cooler and Breather System Installation		
-1	41635-00		COOLER ASSEMBLY - Oil	2	
-2	42409-00		SEPARATOR ASSEMBLY - Oil	2	
-3	42414-00		* GASKET - Oil separator	1	
-4	42422-00		* COVER ASSEMBLY - Oil separator	1	
-5	54927-02		DUCT ASSEMBLY - Oil cooler	2	
-6	48244-02		HOSE - Air duct, oil cooler	2	
-7	42412-00		ADAPTER - Oil separator	2	
-8	71830-02		TUBE - Crankcase breather vent, left	1	
	42410-00		TUBE - Crankcase breather vent, right	1	
-9	71832-02		TUBE - Crankcase breather, left engine	1	
	42408-00		TUBE - Crankcase breather, right engine	1	
-10	41559-00		BRACKET ASSEMBLY - Oil cooler mounting	2	
-11	41572-00		SPACER ASSEMBLY - Oil cooler	2	
-12	39995-05		HOSE - Oil cooler, inlet (30- length)	2	
-13	39995-02		HOSE - Oil cooler, outlet (26 75- length)	2	
-14	53689-00		CLAMP - Oil separator	2	
-15	82371-104		HOSE - Oil separator	2	
-16	45850-00		ELBOW - Moulded, oil separator	2	
-17	477 621		NUT - (AN924-8D)	4	
-18	454 868		CLAMP - (PS10017-2-12) Left	4	
	454 868		CLAMP - (PS10017-2-12) Right	2	
-19	454 862		CLAMP - (PS10017-2-14) Left and right	6	
-20	454 977		CLAMP - (PS10017-2-16) Left	3	
	454 977		CLAMP - (PS10017-2-16) Right	5	
-21	400 463		BOLT - (AN3-40A)	2	
	407 564		WASHER - (AN960-10)	4	
	404 887		NUT - (MS20365-1032C)	2	
-22	454 933		CLAMP - (PS10017-2-8)	2	
-23	454 997		CLAMP - (SAE TY A-1 1 1/16)	2	
-24	454 981		CLAMP - (SAE TY A-1 5/16)	8	
-25	554 848		CLAMP - (SAE TY F-96SS)	4	
-26	558 898		ELBOW - 90 Degrees (RASC-2000-8)	2	
-27	41622-00		ELBOW - (458 860)	2	
-28	458 895		ELBOW - (AN822-6D)	2	
-29	453 772		BUSHING - (AN912-9D)	2	
-30	462 031		GASKET - (AN6290-8)	4	
-31	39999-10		HOSE - Separator	2	
-32	411 534		SCREW - (MS35207-265)	2	
	404 887		NUT - (MS20365-1032C)	2	
-33	415 535		SCREW - (MS35206-245)	4	
	404 910		NUT - (MS20365-832C)	4	
-34	411 532		SCREW - (MS35207-263)	26	
-35	400 438		BOLT - (AN3-4A)	6	
	407 564		WASHER - (AN960-10)	6	
	404 887		NUT - (MS20365-1032C)	6	
-36	458 914		ELBOW - (AN837-8D)	2	
-37	45850-00		ELBOW - Moulded, breather vent	2	
-38	411 532		SCREW - (MS35207-263)	2	
	404 887		NUT - (MS20365-1032C)	2	
-39	415 533		SCREW - (MS35206-243)	2	
	404 910		NUT - (MS20365-832C)	2	
-40	14843-74		BUSHING - Breather tube	2	
-41	554 947		CLAMP - (SAE TY F-10SS)	2	

When ordering, always specify Part Number, Description and Serial Number of Aircraft

**PIPER PARTS CATALOG**

Figure and Index Number	Part Number	Code	NOMENCLATURE	No. Req.	SERIAL NUMBERS AFFECTED
73-42	454 852		CLAMP - (PS10017-2-18) Left	1	
-43	44184-04		CLAMP ASSEMBLY - Engine mount to breather tube, left	1	
-44	411 544		SCREW - (MS35207-275) Left	1	
	404 224		NUT - (AN315-3R) Left	2	
-45	404 887		NUT - (MS20365-1032C) Left	1	

When ordering, always specify Part Number, Description and Serial Number of Aircraft

**2B22 THRU 2B24  
INTENTIONALLY LEFT BLANK**

PIPER PARTS CATALOG

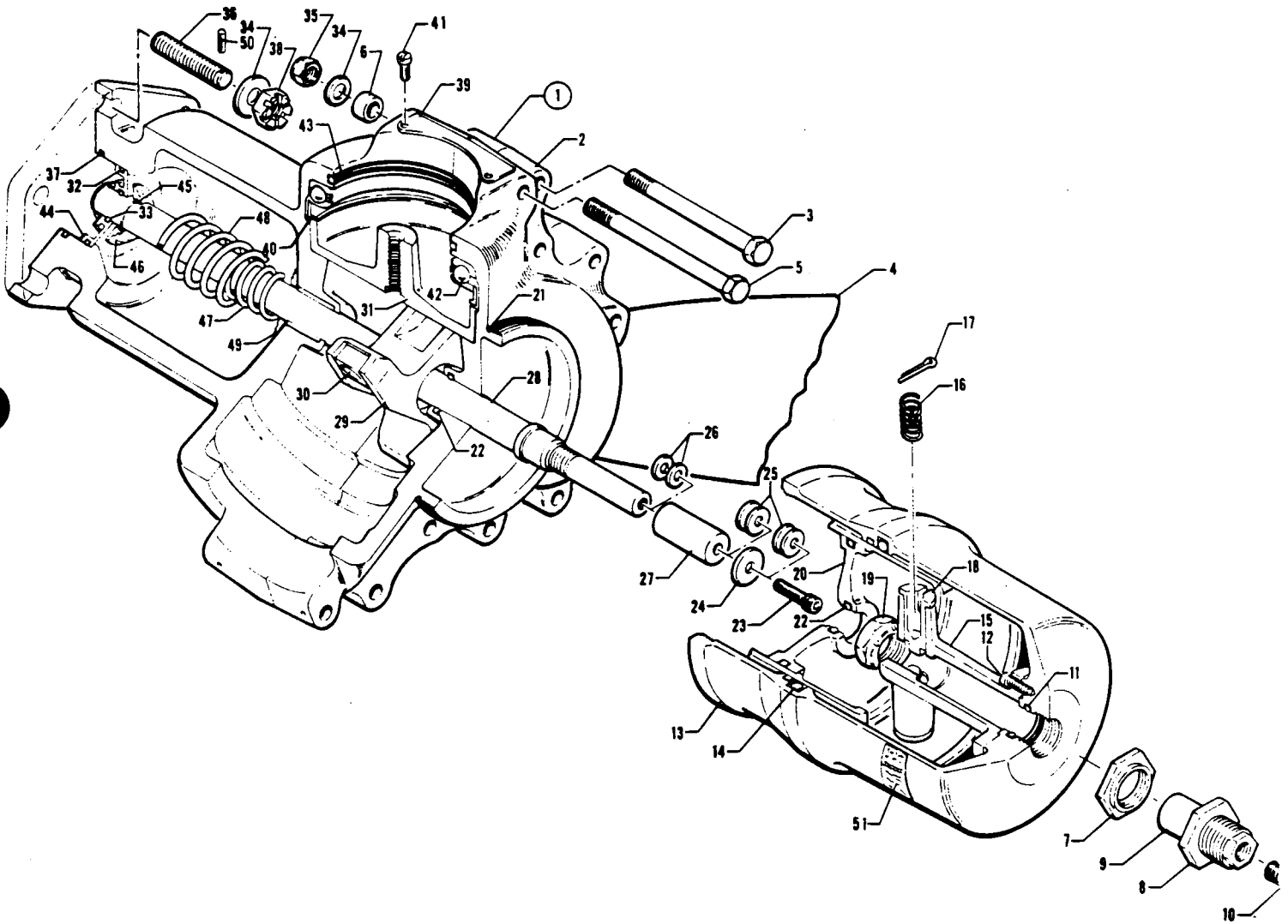


Figure 74. Three Blade Propeller Assembly

---

# PIPER PARTS CATALOG

---

## CODE EXPLANATIONS FOR FIGURE 74

- A - Parts included in Propeller Repair Kit, Part No. 760 246.
- B - Used with Hartzell Propeller HC-E3YR-2ATF/FC8468-6R.
- C - Used with Hartzell Propeller HC-E3YR-2ALTF/FJC8468-6R.

PIPER PARTS CATALOG

Figure and Index Number	Part Number	Code	NOMENCLATURE	No. Req.	SERIAL NUMBERS AFFECTED
74-1	550 967		PROPELLER ASSEMBLY - Hartzell (HC-E3YR-2ATF/FC8468-6R) left	1	
	550 968		PROPELLER ASSEMBLY - Hartzell (HC-E3YR-2ALT/FJC8468-6R) right	1	
-2	755 226		* HUB ASSEMBLY - Propeller (D-3261-2F)	1	
-3	753 461		* BOLT - Hex head (A-2431)	9	
-4	758 202	B	* BLADE - Propeller (FC8468-6R)	3	
	758 232	C	* BLADE - Propeller (FJC8468-6R)	3	
-5	753 462		* BOLT - Hex head (A-2433)	6	
-6	767 593		* SPACER - (A-2246-3)	6	
-7	752 515		* NUT - Check (A-2405)	1	
-8	752 510		* NUT - Check (A-2405-1)	1	
-9	756 293		* STOP - Low pitch (A-2404-1)	1	
-10	756 510		* AIR VALVE - Schrader (A625)	1	
-11	755 933	A	* "O" RING - Stop seal (PRP-914-17)	1	
-12	756 286		* SCREW - Filister head (AN501A416-10)	4	
-13	753 982		* CYLINDER UNIT - (B-2423-1)	1	
-14	755 977	A	* "O" RING - Cylinder (A-3223)	1	
-15	753 467		* BRACKET - High stop (B-2406-1)	1	
-16	756 242	A	* SPRING - High stop (A-884-4)	2	
-17	424 061	A	* COTTER PIN - High stop (MS24665-287)	2	
-18	757 251		* PIN - High stop (A-2407-2)	4	
-19	752 531		* NUT - Flexlock, piston (AN364-1018)	1	
-20	757 250		* PISTON UNIT - (B-2486)	1	
-21	755 935	A	* "O" RING - Cylinder mounting (PRP-909-25)	1	
-22	752 713	A	* "O" RING - Seal (PRP-902-15)	2	
-23	756 291		* SCREW - Socket head cap (A-3205)	1	
-24	756 606		* WASHER - Feathering stop (A-2411-1)	1	
-25	407 676		* WASHER - (AN960C-516)	AR	
	407 677		* WASHER - (AN960C-516L)	AR	
-26	756 603		* WASHER - High pitch adjustment (A-2435)	AR	
	756 604		* WASHER - High pitch adjustment (A-2435-1)	AR	
-27	756 289		* SLEEVE - High stop (A-2499-10)	1	
-28	756 040		* ROD UNIT - Piston (B-2491-4S)	1	
-29	754 808	B	* FORK - Pitch change (B-3252)	1	
	754 813	C	* FORK - Pitch change (B-3252L)	1	
-30	758 205		* BLOCK - Pitch change (A-3253-2)	3	
-31	757 249		* PLATE UNIT - Preload (B-2256)	3	
-32	755 931	A	* "O" RING - Plug (PRP-909-4)	1	
-33	755 932	A	* "O" RING - Plug (PRP-902-13)	1	
-34	407 567	A	* WASHER - Hub (AN960-616)	15	
-35	752 511	A	* NUT - Elastic (A-2043)	15	
-36	757 583		* STUD - Flange (A-2067)	6	
-37	755 800	A	* "O" RING - Shaft (PRP-909-6)	1	
-38	752 530		* NUT - Castle (A-2069)	6	
-39	756 607		* WEIGHT - Balance (A-2424)	AR	
-40	755 968		* RING - Bearing guide (A-2204)	3	
-41	756 294		* SCREW - Weight (AN501-A10-10)	AR	
-42	753 463		* BEARING - Split (A-2202)	2	
-43	755 934		* "O" RING - Blade (PRP-902-42)	3	
-44	757 486		* PLUG - Shaft (A-2481-3)	1	
-45	760 454		* KEEPER - (A2272)	1	
-46	762 533		* RETAINER - Spring (A-2269-1)	1	

When ordering, always specify Part Number, Description and Serial Number of Aircraft

**PIPER PARTS CATALOG**

Figure and Index Number	Part Number	Code	NOMENCLATURE	No. Req.	SERIAL NUMBERS AFFECTED
74-47	762 281		• SPRING - Feathering (B-2381)	1	
-48	762 282		• SPRING - Feathering (B-2380)	1	
-49	755 052		• GUIDE - Spring (A-2293)	1	
-50	763 417		• PIN - Roll (31-S-094-0750)	6	
-51	46348-07		• DECAL - Propeller, pressure temperature	1	

When ordering, always specify Part Number, Description and Serial Number of Aircraft

# PIPER PARTS CATALOG

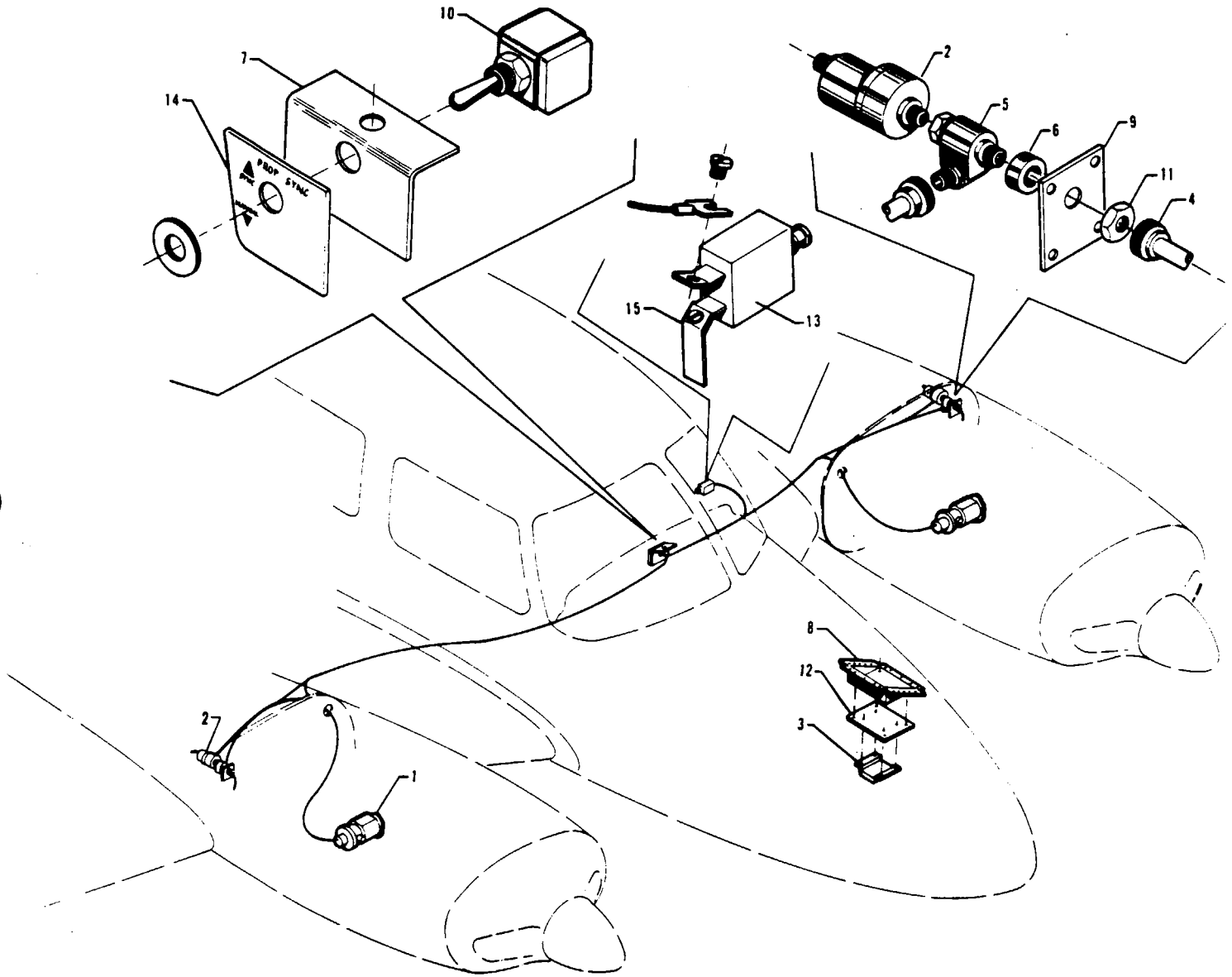


Figure 75. Propeller Synchrohaser System Installation



---

# PIPER PARTS CATALOG

---

CODE EXPLANATIONS FOR FIGURE 75

A - Refer to Figure 70 for right engine dual drive adapter and associated parts.

# PIPER PARTS CATALOG

Figure and Index Number	Part Number	Code	NOMENCLATURE	No. Req.	SERIAL NUMBERS AFFECTED
75-	49694		DRAWING - Propeller Synchrophaser System Installation		
-1	24622-26		GOVERNOR ASSEMBLY - Right (F-8-48LZ)	1	
-2	763 434		PULSE GENERATOR ASSEMBLY - (A-4478)	2	
-3	763 249		COMPUTER ASSEMBLY - (C-4362-1)	1	
-4	486 630		SHAFT - Tachometer (PS50044-19), left engine	1	
-5	52785-05		ADAPTER - Dual drive, left engine	1	
		A	ADAPTER - Dual drive, right engine	1	
-6	52788-00		COLLAR - Dual drive adapter	1	
-7	54637-02		BRACKET - Propeller synchrophaser control	1	
-8	52939-00		BRACKET ASSEMBLY - Computer mounting	1	
-9	52783-00		REINFORCEMENT - Firewall	1	
-10	487 896		SWITCH - (2FB54-73)	1	
-11	52789-00		NUT - Special	1	
-12	49436-02		PLATE - Computer mounting	1	
-13	454 656		CIRCUIT BREAKER - (PS50120-3-7)	1	
-14	80372-02		PLACARD - Propeller synchrophaser control	1	
-15	16439-00		BAR - Bus	1	

When ordering, always specify Part Number, Description and Serial Number of Aircraft

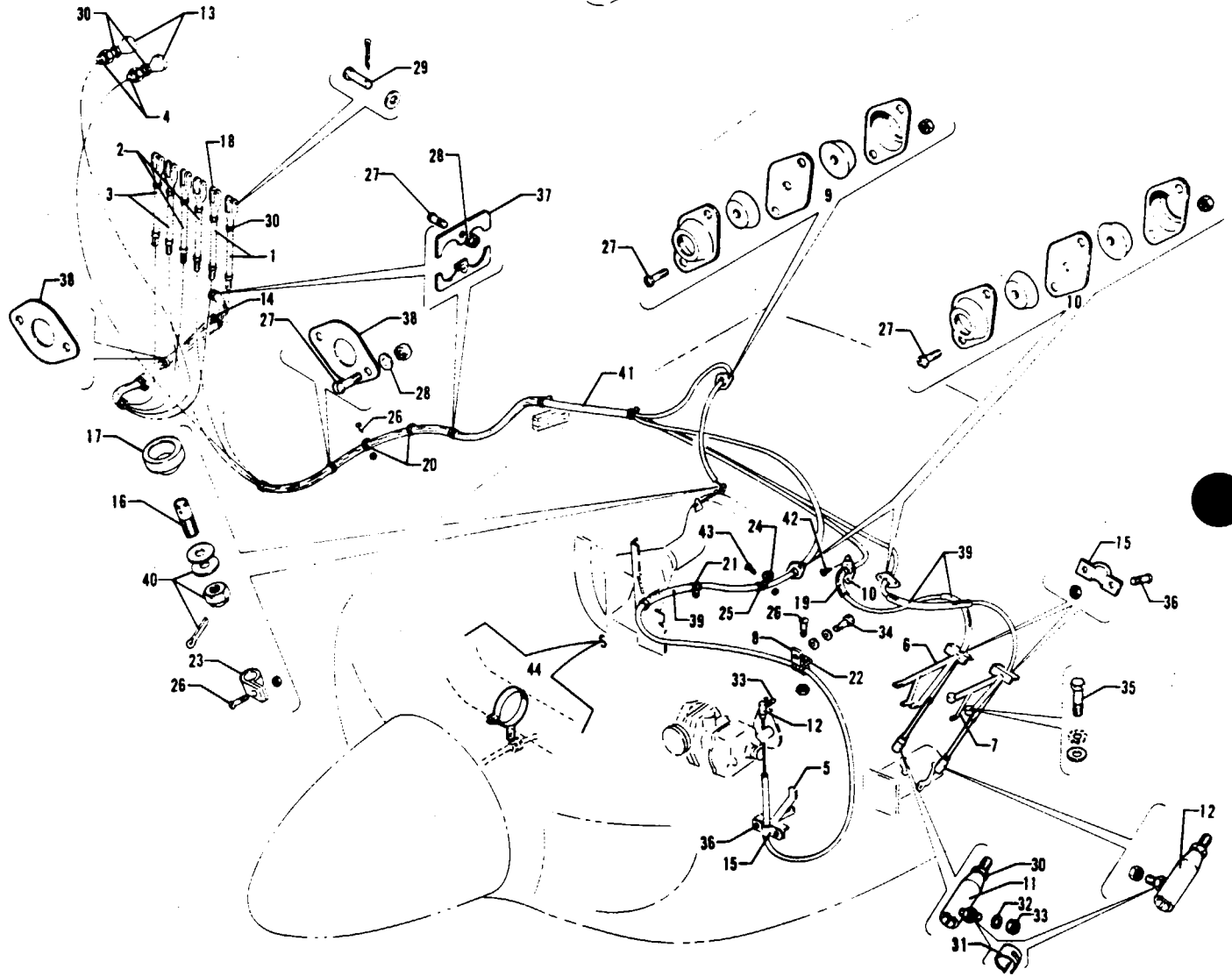


Figure 76. Engine Controls Installation

---

# PIPER PARTS CATALOG

---

CODE EXPLANATIONS FOR FIGURE 76

## PIPER PARTS CATALOG

Figure and Index Number	Part Number	Code	NOMENCLATURE	No. Req.	SERIAL NUMBERS AFFECTED
76-	52350		DRAWING - Engine Controls Installation		
-1	24894-18		CABLE ASSEMBLY - Throttle, left engine	1	
	24894-02		CABLE ASSEMBLY - Throttle, right engine	1	
-2	24894-10		CABLE ASSEMBLY - Propeller pitch, left engine	1	
	24894-17		CABLE ASSEMBLY - Propeller pitch, right engine	1	
-3	24894-18		CABLE ASSEMBLY - Mixture, left engine	1	
	24894-02		CABLE ASSEMBLY - Mixture, right engine	1	
-4	17969-15		CABLE ASSEMBLY - Alternate air	2	
-5	16604-00		BRACKET ASSEMBLY - Propeller pitch control	2	
-6	41368-00		BRACKET ASSEMBLY - Support, mixture control	2	
-7	41369-05		BRACKET ASSEMBLY - Support, throttle control	2	
-8	42115-00		BRACKET - Support, propeller pitch control	2	
-9	22103-02		PLATE - Firewall seal grommet	4	
	22105-03		GASKET - Firewall seal	2	
	22104-03		GROMMET - Firewall seal	4	
-10	22103-02		PLATE - Firewall seal grommet	12	
	22104-08		GROMMET - Firewall seal	12	
	22105-10		GASKET - Firewall seal	6	
-11	31747-00		JOINT ASSEMBLY - Ball (469 141)	2	
-12	54175-00		JOINT - Ball (BL-103)	4	
-13	571 088		KNOB - Red (3702-S)	2	
-14	149 111		EXTRUSION - Nylon (40-101)	4	
-15	18219-02		CLAMP - Control cable attachment	6	
-16	70371-03		STUD - Swivel, alternate air box	2	
-17	70371-02		FITTING - Swivel, alternate air box	2	
-18	554 757		CLEVIS - (MS35812-1)	6	
-19	16633-37		NOSE - Flexible, cable guard	2	
-20	454 868		CLAMP - (PS10017-2-12)	8	
-21	454 929		CLAMP - (PS10017-2-4)	3	
-22	454 928		CLAMP - (PS10017-2-3)	2	
-23	454 887		CLAMP - (PS10017-1-3)	2	
-24	454 933		CLAMP - (PS10017-2-8) Right engine	1	
-25	454 935		CLAMP - (PS10017-2-10) Right engine	1	
-26	411 532		SCREW - (MS35207-263)	7	
	404 887		NUT - (MS20365-1032C)	7	
-27	415 535		SCREW - (MS35206-245)	22	
	404 910		NUT - (MS20365-832C)	22	
-28	407 563		WASHER - (AN960-8)	12	
-29	424 177		PIN - (MS20392-2C17)	6	
	407 564		WASHER - (AN960-10)	6	
	424 051		COTTER PIN - (MS24665-132)	6	
-30	404 224		NUT - (AN315-3R)	14	
-31	55447-02		RETAINER - Ball joint	6	
-32	407 584		WASHER - (AN960-10L)	2	
-33	404 835		NUT - (MS20364-1032C)	6	
-34	418 420		SCREW - Cap (1/4-20NC-3 x 1/2)	2	
	407 044		WASHER - Lock (MS35338-44)	2	
	407 585		WASHER - (AN960-416L)	2	
-35	418 433		BOLT - (MS35291-13)	4	
	407 127		WASHER - (AN936-B416)	4	
	407 565		WASHER - (AN960-416)	4	
-36	415 535		SCREW - (MS35206-245)	12	
	404 833		NUT - (MS20364-832C)	12	
-37	41848-04		PLATE - Cable attachment	4	
-38	41849-00		PLATE - Cable attachment	8	
-39	16633-89		HOSE - Flexible, cable guard	8	

When ordering, always specify Part Number, Description and Serial Number of Aircraft

## PIPER PARTS CATALOG

Figure and Index Number	Part Number	Code	NOMENCLATURE	No. Req.	SERIAL NUMBERS AFFECTED
76-40	81342-18		WASHER - Swivel, alternate air	2	
	404 392		NUT - (AN320-3)	2	
	424 051		COTTER PIN - (MS24665-132)	2	
-41	80000-05		HOSE - Flexible, cable guard	2	
-42	415 533		SCREW - (MS35206-243)	6	
	404 910		NUT - (MS20365-832C)	6	
-43	411 533		SCREW - (MS35207-264) Right	1	
-44	52104-00		CLAMP ASSEMBLY - Support	2	

When ordering, always specify Part Number, Description and Serial Number of Aircraft

# PIPER PARTS CATALOG

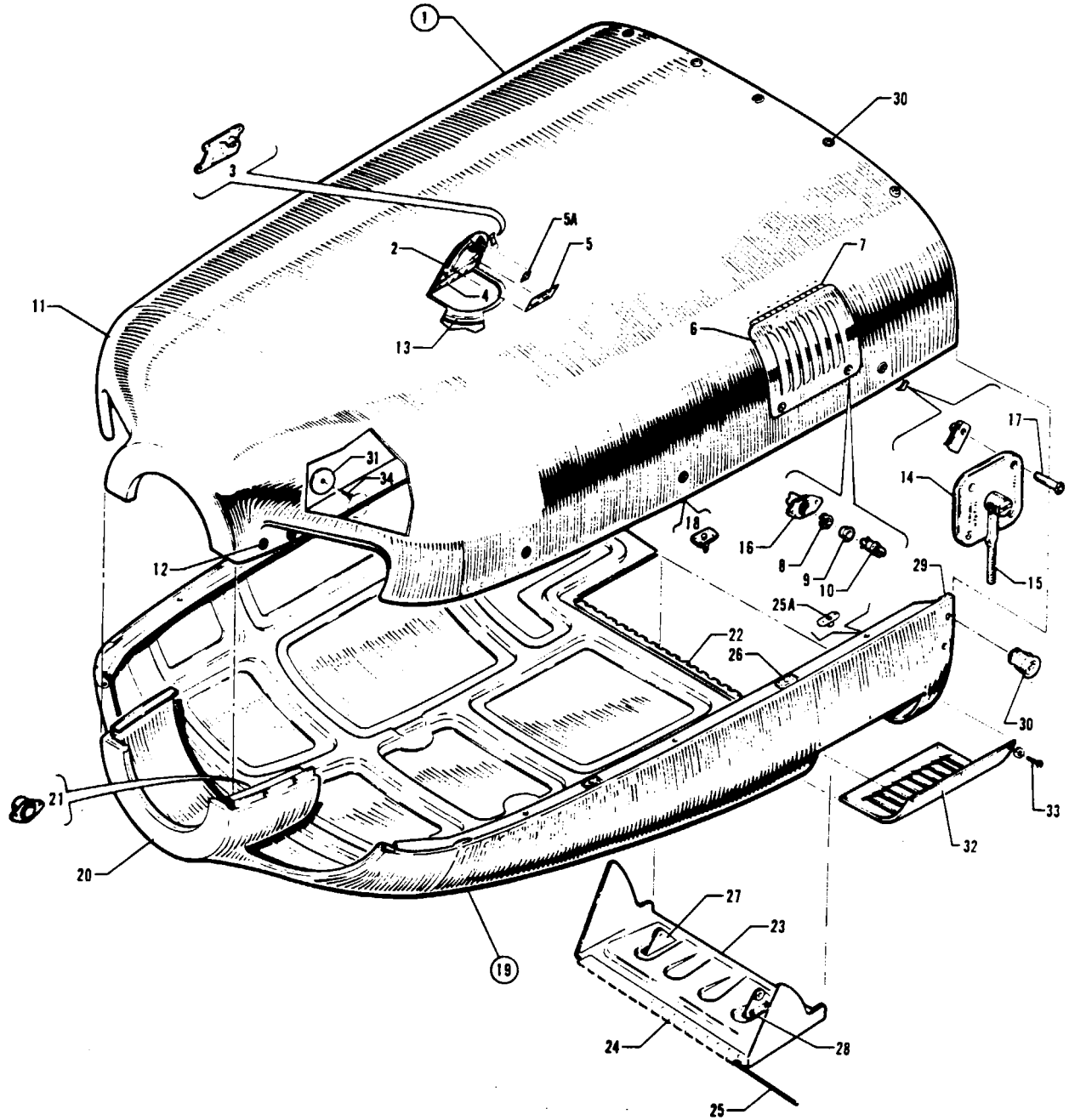


Figure 77. Engine Cowl Installation

---

# PIPER PARTS CATALOG

---

CODE EXPLANATIONS FOR FIGURE 77



**PIPER PARTS CATALOG**

Figure and Index Number	Part Number	Code	NOMENCLATURE	No. Req.	SERIAL NUMBERS AFFECTED
77-	42137		DRAWING - Engine Cowl Installation		
-1	41834-06		COWL ASSEMBLY - Upper	2	
-2	41144-00		* PLATE ASSEMBLY - Oil filter access	1	
-3	472 017		* * LATCH - Access assembly (KM-610-32)	1	
-4	41143-02		* * HINGE - Access plate assembly	1	
-5	80454-02		* * PLACARD - Lubrication	1	
-5a	80455-02		* * PLACARD - Oil capacity (12 qt.)	1	
-6	41800-00		* LOUVER ASSEMBLY - Top cowl, left	1	
	41800-01		* LOUVER ASSEMBLY - Top cowl, right	1	
-7	41800-05		* * HINGE - Louver assembly	1	
-8	484 755		* * RING - Snap (R4G)	2	
-9	463 416		* * GROMMET - (4002N)	2	
-10	587 548		* * STUD - (4002-3W)	2	
-11	41838-08		* NOSE COWL ASSEMBLY - Upper	1	
-12	487 728		* * STUD - (FX10-1558-2R)	4	
-13	43413-00		* PLATE - Cutout reinforcement	1	
-14	565 251		* HOUSING ASSEMBLY - (H767-K868)	6	
-15	453 198		* BOLT - Eye (H897-1)	6	
-16	484 312		* RECEPTACLE - (244-16D)	4	
-17	417 776		* SCREW - (AN520-10R10)	24	
	406 714		* NUT - (RM52LHA 4972-10-02)	24	
-18	41812-00		* PIN ASSEMBLY - Cowl	6	
-19	41836-09		COWL ASSEMBLY - Lower, left engine	1	
	52009-07		COWL ASSEMBLY - Lower, right engine	1	
-20	41838-20		* NOSE COWL ASSEMBLY - Lower, left	1	
	44984-00		* NOSE COWL ASSEMBLY - Lower, right	1	
-21	484 301		* * RECEPTACLE - (FX10-1502)	4	
-22	41829-00		* HINGE HALF - Lower cowl assembly	1	
-23	41803-00		* FLAP ASSEMBLY - Cowl	1	
-24	41829-00		* * HINGE HALF - Cowl flap assembly	1	
-25	81761-63		* PIN - Hinge, cowl flap actuating	2	
-25a	406 827		* NUT - Anchor (NAS686A4K)	6	
-26	41808-00		* RECEPTACLE - Retainer pin	6	
-27	53423-00		BRACKET ASSEMBLY - Cowl flap, outboard left, inboard right	2	
	53423-01		BRACKET ASSEMBLY - Cowl flap, outboard right, inboard left	2	
-28	415 449		SCREW - (MS35206-245)	8	
	404 910		NUT - (MS20365-832C)	8	
-29	189 743		TAPE - (T-18) 1 inch	7 1/4	
-30	487 704		STUD - (FX10-1558-1P)	13	
-31	474 641		MIRROR - Left nacelle, inboard (G300)	1	
-32	49277-02		LOUVER - Right cowl, bottom, inboard	1	
	49277-03		LOUVER - Right cowl, bottom, outboard	1	
-33	415 533		SCREW - (MS35206-243)	16	
	407 563		WASHER - (AN960-8)	16	
	404 833		NUT - (MS20364-832C)	16	
-34	415 517		SCREW - (MS35206-227)	1	

When ordering, always specify Part Number, Description and Serial Number of Aircraft

PIPER PARTS CATALOG

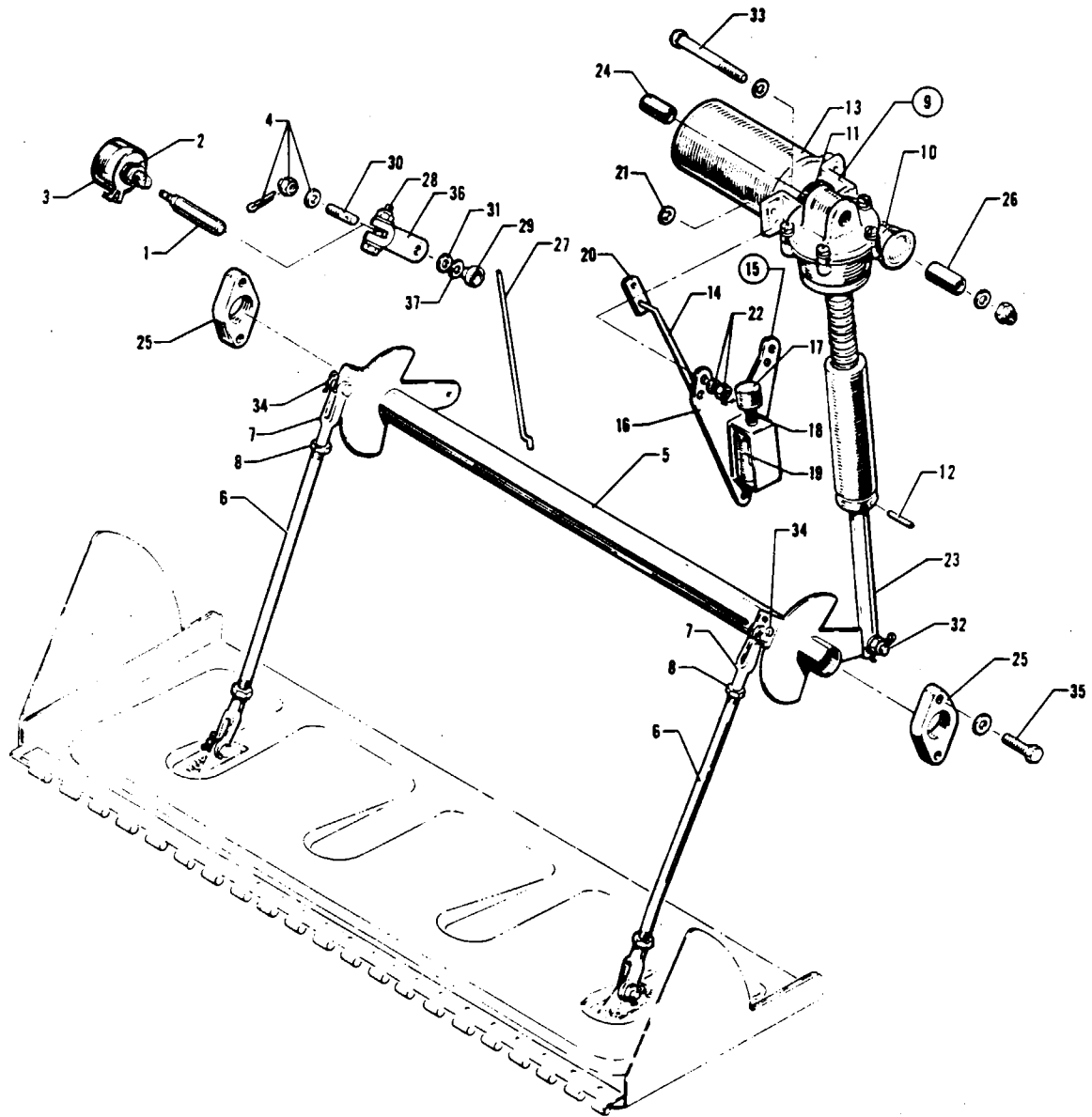


Figure 78. Cowl Flap Actuating Mechanism Installation

---

# PIPER PARTS CATALOG

---

CODE EXPLANATIONS FOR FIGURE 78

## PIPER PARTS CATALOG

Figure and Index Number	Part Number	Code	NOMENCLATURE	No. Req.	SERIAL NUMBERS AFFECTED
78-	53451		DRAWING - Cowl Flap Actuating Mechanism Installation		
-1	40958-00		SHAFT - Rheostat. cowl flap actuating	2	
-2	407 143		WASHER - (AN936-B616)	2	
-3	41229-00		RHEOSTAT - Cowl flap actuating	2	
-4	407 584		WASHER - (AN960-10L)	2	
	404 100		NUT - (AN310-3)	2	
	424 051		COTTER PIN - (MS24665-132)	2	
-5	41807-00		TUBE ASSEMBLY - Torque. cowl flap	2	
-6	41817-05		ROD ASSEMBLY - Cowl flap, inboard left, outboard right	2	
	53417-00		ROD ASSEMBLY - Cowl flap, inboard right, outboard left	2	
-7	454 901		* CLEVIS - (MS27975-4)	2	
-8	404 322		* NUT - Check (AN316-4R)	2	
-9	42574-00		TRANSMISSION ASSEMBLY - Cowl flap actuating, complete	2	
-10	53801-02		* TRANSMISSION ASSEMBLY - Cowl flap actuating (489 490)	1	
-11	757 833		* * COUPLING - Transmission	1	
-12	480 707		* PIN - Roll (59-022-094-1000)	1	
-13	475 194		* MOTOR - Flap actuating (MO581177A)	1	
-14	21418-02		* ROD - Motor brake support	1	
-15	24948-02		* BRAKE AND ARM ASSEMBLY - (Complete)	1	
-16	24932-00		* * ARM - Spring attachment	1	
-17	24933-00		* * PLUNGER - Brake solenoid	1	
-18	83302-61		* * SPRING - Solenoid plunger	1	
-19	43988-03		* * SOLENOID - Motor brake	1	
-20	60054-18		* LINK - Spring attachment	1	
-21	407 564		* WASHER - (AN960-10)	2	
-22	407 104		* WASHER - (AN935-10)	2	
	405 312		* NUT - (10-32 Hex)	2	
-23	42904-00		* ROD - Transmission push	1	
-24	42129-23		* BUSHING - Cowl flap actuating	1	
-25	41820-00		BEARING - Torque tube	4	
-26	42129-02		BUSHING - Cowl flap actuating	2	
-27	22470-14		CONTROL WIRE - Potentiometer connecting	2	
-28	416 095		SCREW - (MS35265-32)	2	
	404 909		NUT - (MS20365-632C)	2	
-29	91193-00		FITTING - Swivel, potentiometer	2	
-30	42809-00		STUD - Swivel, potentiometer actuating	2	
-31	408 803		WASHER - Spring (3515-14-06)	2	
-32	400 054		BOLT - (AN3-7)	2	
	407 584		WASHER - (AN960-10L)	2	
	404 100		NUT - (AN310-3)	2	
	424 051		COTTER PIN - (MS24665-132)	2	
-33	401 274		BOLT - (AN3-15A)	2	
	407 584		WASHER - (AN960-10L)	2	
	407 564		WASHER - (AN960-10)	2	
	407 567		WASHER - (AN960-616)	2	
	407 587		WASHER - (AN960-616L)	4	
	404 887		NUT - (MS20365-1032C)	2	
-34	424 174		PIN - Clevis (MS20392-2C11)	8	
	407 584		WASHER - (AN960-10L)	8	
	424 051		COTTER PIN - (MS24665-132)	8	
-35	401 307		BOLT - (AN4-4A)	8	
	407 044		WASHER - (MS35338-44)	8	
-36	42785-00		ARM - Potentiometer actuator	2	
-37	407 565		WASHER - (AN960-416)	2	

When ordering, always specify Part Number, Description and Serial Number of Aircraft

# PIPER PARTS CATALOG

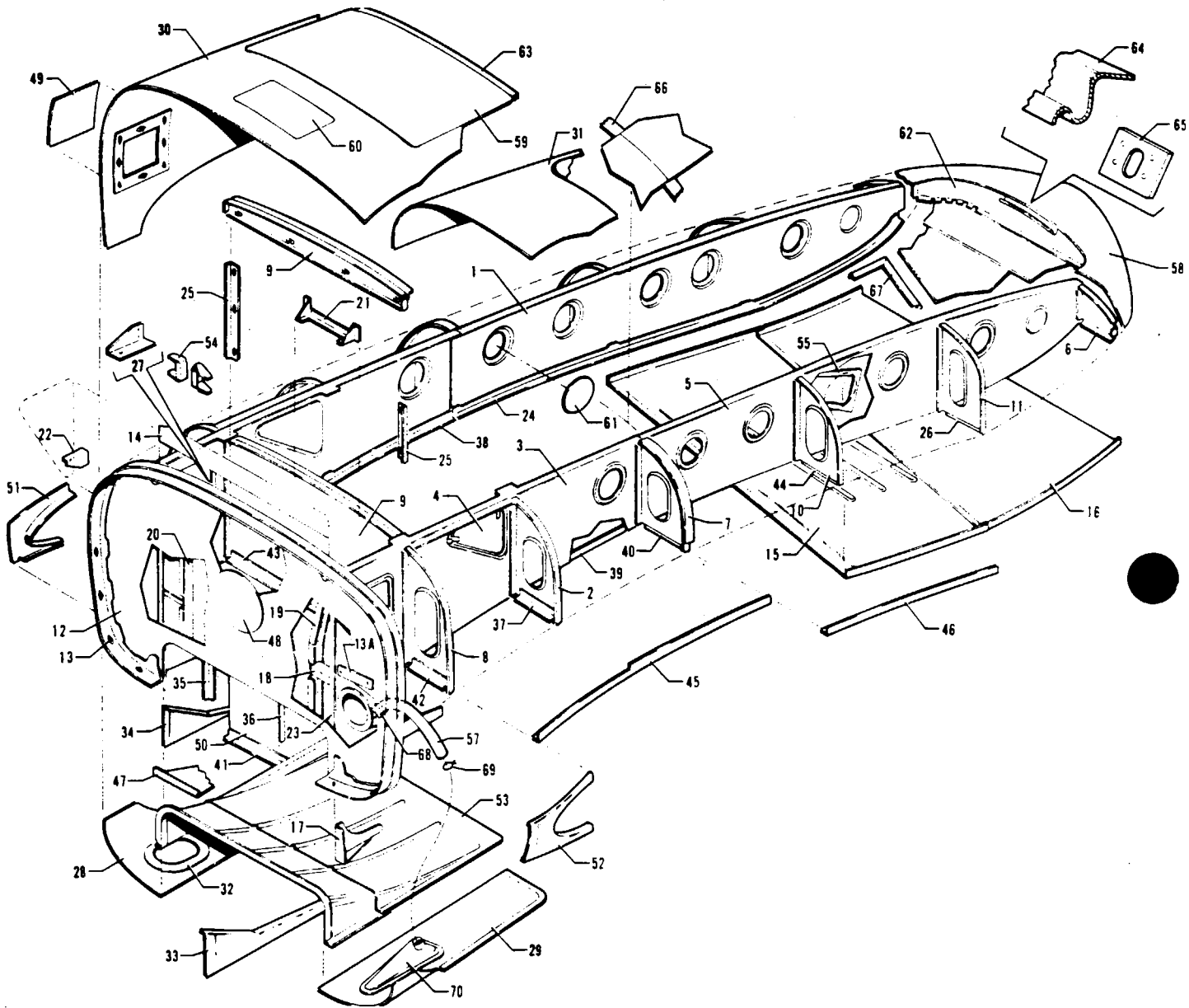


Figure 79. Nacelle Installation

---

# PIPER PARTS CATALOG

---

CODE EXPLANATIONS FOR FIGURE 79

## PIPER PARTS CATALOG

Figure and Index Number	Part Number	Code	NOMENCLATURE	No. Req.	SERIAL NUMBERS AFFECTED
79-	44455		DRAWING - Nacelle Installation		
-1	44495-00		FRAME ASSEMBLY - Left nacelle	1	
	44495-01		FRAME ASSEMBLY - Right nacelle	1	
-2	44494-00		* BULKHEAD - Inboard, Sta. 135, left nacelle	1	
	44494-01		* BULKHEAD - Inboard, Sta. 135, right nacelle	1	
	44419-02		* BULKHEAD - Outboard, Sta. 135, left nacelle	1	
	44419-03		* BULKHEAD - Outboard, Sta. 135, right nacelle	1	
-3	44437-04		* BULKHEAD ASSEMBLY - Inboard, longitudinal, left nacelle	1	
	44437-05		* BULKHEAD ASSEMBLY - Inboard, longitudinal, right nacelle	1	
	44438-04		* BULKHEAD ASSEMBLY - Outboard, longitudinal, left nacelle	1	
	44438-05		* BULKHEAD ASSEMBLY - Outboard, longitudinal, right nacelle	1	
-4	44441-00		* COVER ASSEMBLY - Bulkhead, left nacelle, outboard	1	
	44441-01		* COVER ASSEMBLY - Bulkhead, left nacelle, inboard	1	
-5	44437-06		* BULKHEAD - Inboard, longitudinal, left nacelle	1	
	44437-07		* BULKHEAD - Inboard, longitudinal, right nacelle	1	
	44438-06		* BULKHEAD - Outboard, longitudinal, left nacelle	1	
	44438-07		* BULKHEAD - Outboard, longitudinal, right nacelle	1	
-6	44457-00		* BULKHEAD - Inboard, Sta. 210, left nacelle	1	
	44457-01		* BULKHEAD - Inboard, Sta. 210, right nacelle	1	
	44458-00		* BULKHEAD - Outboard, Sta. 210, left nacelle	1	
	44458-01		* BULKHEAD - Outboard, Sta. 210, right nacelle	1	
-7	44461-00		* BULKHEAD ASSEMBLY - Inboard, Sta. 154, left nacelle	1	
	44461-01		* BULKHEAD ASSEMBLY - Inboard, Sta. 154, right nacelle	1	
	44462-04		* BULKHEAD ASSEMBLY - Outboard, Sta. 154, left nacelle	1	
	44462-05		* BULKHEAD ASSEMBLY - Outboard, Sta. 154, right nacelle	1	
-8	44474-08		* BULKHEAD - Inboard, Sta. 121, left nacelle	1	
	44474-09		* BULKHEAD - Inboard, Sta. 121, right nacelle	1	
	44474-02		* BULKHEAD - Outboard, Sta. 121, left nacelle	1	
	44474-03		* BULKHEAD - Outboard, Sta. 121, right nacelle	1	
-9	44474-06		* BULKHEAD ASSEMBLY - Sta. 121, left nacelle	1	
	44474-07		* BULKHEAD ASSEMBLY - Sta. 121, right nacelle	1	
-10	44475-00		* BULKHEAD - Inboard, Sta. 174, left nacelle	1	
	44475-01		* BULKHEAD - Inboard, Sta. 174, right nacelle	1	
	44476-02		* BULKHEAD - Outboard, Sta. 174, left nacelle	1	
	44476-03		* BULKHEAD - Outboard, Sta. 174, right nacelle	1	
-11	44491-02		* BULKHEAD - Inboard, Sta. 192, left nacelle	1	
	44491-03		* BULKHEAD - Inboard, Sta. 192, right nacelle	1	
	44492-02		* BULKHEAD - Outboard, Sta. 192, left nacelle	1	
	44492-03		* BULKHEAD - Outboard, Sta. 192, right nacelle	1	
-12	40676-13		* FIREWALL ASSEMBLY - Sta. 111.50, left nacelle	1	
	40676-14		* FIREWALL ASSEMBLY - Sta. 111.50, right nacelle	1	
-13	484 301		* RECEPTACLE - (FX10-1502)	13	
-13a	53822-00		* PLATE - Firewall cover	1	
-14	40677-00		* CHANNEL - Firewall reinforcement	1	
-15	44493-04		* FLOOR - Locker, front, left nacelle	1	
	44493-05		* FLOOR - Locker, front, right nacelle	1	
-16	44493-02		* FLOOR - Locker, rear, left nacelle	1	
	44493-03		* FLOOR - Locker, rear, right nacelle	1	
-17	40553-00		* BRACKET ASSEMBLY - Engine mount attachment, outboard top, inboard bottom	2	
	40553-01		* BRACKET ASSEMBLY - Engine mount attachment, inboard top, outboard bottom	2	
-18	40668-00		* BRACKET - Hydraulic filter support	2	
-19	41815-00		* BRACKET ASSEMBLY - Torque tube support, left	1	
	41815-01		* BRACKET ASSEMBLY - Torque tube support, right	1	
-20	41819-00		* BRACKET - Torque tube support, left	1	
	41819-01		* BRACKET - Torque tube support, right	1	

When ordering, always specify Part Number, Description and Serial Number of Aircraft

**PIPER PARTS CATALOG**

Figure and Index Number	Part Number	Code	NOMENCLATURE	No. Req.	SERIAL NUMBERS AFFECTED
79-21	44397-00		* BRACKET - Air filter	1	
-22	44420-02		* BRACKET - Pneumatic air support, right	1	
-23	41632-00		* ANGLE - Nacelle longitudinal bulkhead, inboard	1	
	41587-00		* ANGLE - Nacelle longitudinal bulkhead, outboard	1	
-24	44437-12		* ANGLE - Inboard, longitudinal, left nacelle	1	
	44437-13		* ANGLE - Inboard, longitudinal, right nacelle	1	
	44438-12		* ANGLE - Outboard, longitudinal, left nacelle	1	
	44438-13		* ANGLE - Outboard, longitudinal, right nacelle	1	
-25	44467-00		* ANGLE ASSEMBLY - Plate attachment, inboard Sta. 121, right nacelle	1	
	44468-00		* ANGLE ASSEMBLY - Plate attachment, outboard Sta. 121, right nacelle	1	
-26	44491-04		* ANGLE - Bulkhead attachment, inboard, Sta. 192	1	
	44492-04		* ANGLE - Bulkhead attachment, outboard, Sta. 192	1	
-27	44420-03		* BRACKET - Pneumatic air support, left	1	
-28	41667-08		SKIN - Bottom inboard, left nacelle	1	
	41667-09		SKIN - Bottom inboard, right nacelle	1	
-29	41667-06		SKIN - Bottom outboard, left nacelle	1	
	41667-07		SKIN - Bottom outboard, right nacelle	1	
-30	44465-04		SKIN ASSEMBLY - Left nacelle, Sta. 111.50 to Sta. 154	1	
	44465-15		SKIN ASSEMBLY - Right nacelle, Sta. 111.50 to Sta. 154	1	
-31	44484-00		SKIN ASSEMBLY - Left nacelle, Sta. 154 to Sta. 210	1	
	44484-01		SKIN ASSEMBLY - Right nacelle, Sta. 154 to Sta. 210	1	
-32	20372-03		PLATE ASSEMBLY - Access hole reinforcement, nacelle	2	
-33	40667-00		ANGLE - Shear plate mounting, left nacelle, wing Sta. 89.31	1	
	40667-01		ANGLE - Shear plate mounting, right nacelle, wing Sta. 89.31	1	
-34	40670-00		ANGLE - Shear plate mounting, left nacelle, wing Sta. 65.69	1	
	40670-01		ANGLE - Shear plate mounting, right nacelle, wing Sta. 65.69	1	
-35	42297-00		ANGLE - Longitudinal bulkhead, outboard, left nacelle	1	
	42297-01		ANGLE - Longitudinal bulkhead, outboard, right nacelle	1	
-36	42298-00		ANGLE - Longitudinal bulkhead, inboard, left nacelle	1	
	42298-01		ANGLE - Longitudinal bulkhead, inboard, right nacelle	1	
-37	44419-04		ANGLE - Bulkhead attachment, Sta. 135	4	
-38	44437-10		ANGLE - Longitudinal bulkhead, inboard, left nacelle	1	
	44437-11		ANGLE - Longitudinal bulkhead, inboard, right nacelle	1	
-39	44438-10		ANGLE - Longitudinal bulkhead, outboard, left nacelle	1	
	44438-11		ANGLE - Longitudinal bulkhead, outboard, right nacelle	1	
-40	44462-08		ANGLE - Bulkhead attachment, Sta. 154	4	
-41	44469-00		ANGLE - Plate attachment, right nacelle, Sta. 121	1	
-42	44474-14		ANGLE - Bulkhead attachment, inboard, Sta. 121	2	
	44474-12		ANGLE - Bulkhead attachment, outboard, Sta. 121	2	
-43	44474-10		ANGLE - Bulkhead attachment, left nacelle, Sta. 121	1	
-44	44476-04		ANGLE - Bulkhead attachment, inboard, Sta. 174	2	
	53119-00		ANGLE - Bulkhead attachment, outboard, Sta. 174	2	
-45	44483-04		ANGLE - Skin attachment, inboard, left nacelle	1	
	44483-05		ANGLE - Skin attachment, inboard, right nacelle	1	
	44483-06		ANGLE - Skin attachment, outboard, left nacelle	1	
	44483-07		ANGLE - Skin attachment, outboard, right nacelle	1	
-46	44483-02		ANGLE - Skin attachment, inboard, left nacelle	1	
	44483-03		ANGLE - Skin attachment, inboard, right nacelle	1	
	44483-08		ANGLE - Skin attachment, outboard, left nacelle	1	
	44483-09		ANGLE - Skin attachment, outboard, right nacelle	1	
-47	40671-00		PLATE ASSEMBLY - Firewall shear, left nacelle	1	
	40671-01		PLATE ASSEMBLY - Firewall shear, right nacelle	1	
-48	40675-00		PLATE - Firewall access cover	2	
-49	44398-02		PLATE - Access	7	
-50	44472-00		PLATE - Bulkhead center, right nacelle, Sta. 121	1	

When ordering, always specify Part Number, Description and Serial Number of Aircraft



## PIPER PARTS CATALOG

Figure and Index Number	Part Number	Code	NOMENCLATURE	No. Req.	SERIAL NUMBERS AFFECTED
79-51	41663-00		PLATE - Skin attachment, inboard, left nacelle	1	
	41663-01		PLATE - Skin attachment, inboard, right nacelle	1	
-52	41664-00		PLATE - Skin attachment, outboard, left nacelle	1	
	41664-01		PLATE - Skin attachment, outboard, right nacelle	1	
-53	41604-00		SHIELD ASSEMBLY - Exhaust heat, left nacelle	1	
	41604-01		SHIELD ASSEMBLY - Exhaust heat, right nacelle	1	
-54	41810-00		BRACKET - Transmission mounting	4	
-55	44546-06		BRACKET ASSEMBLY - Door holder support	2	
-56	43798-00		BOX ASSEMBLY - Pneumatic air filter	2	
-57	56952-15		HOSE - Pneumatic air filter box	2	
-58	44444-00		TIP ASSEMBLY - Locker, left nacelle	1	
	44444-01		TIP ASSEMBLY - Locker, right nacelle	1	
-59	44465-08		COVER - Access	2	
-60	44465-09		COVER - Access	2	
-61	44529-00		PLATE - Cover	12	
-62	44724-00		CHANNEL - Nacelle tip	2	
-63	44515-00		CHANNEL - Nacelle skin attachment	2	
-64	44508-00		STRIKER - Nacelle locker door	2	
-65	44406-00		CATCH ASSEMBLY - Nacelle locker door	2	
-66	44511-00		STRIP - Nacelle skin attachment	2	
-67	187 610		MOULDING - Rubber (1923)	12	
-68	554 623		CLAMP - Filter box hose (PS10017-20-16)	2	
-69	554 919		CLAMP - Filter box hose (SAE 20, Type "E")	2	
-70	43894-00		INLET ASSEMBLY - Air, recessed	2	

When ordering, always specify Part Number, Description and Serial Number of Aircraft

**2C23 THRU 2C24  
INTENTIONALLY LEFT BLANK**

# PIPER PARTS CATALOG

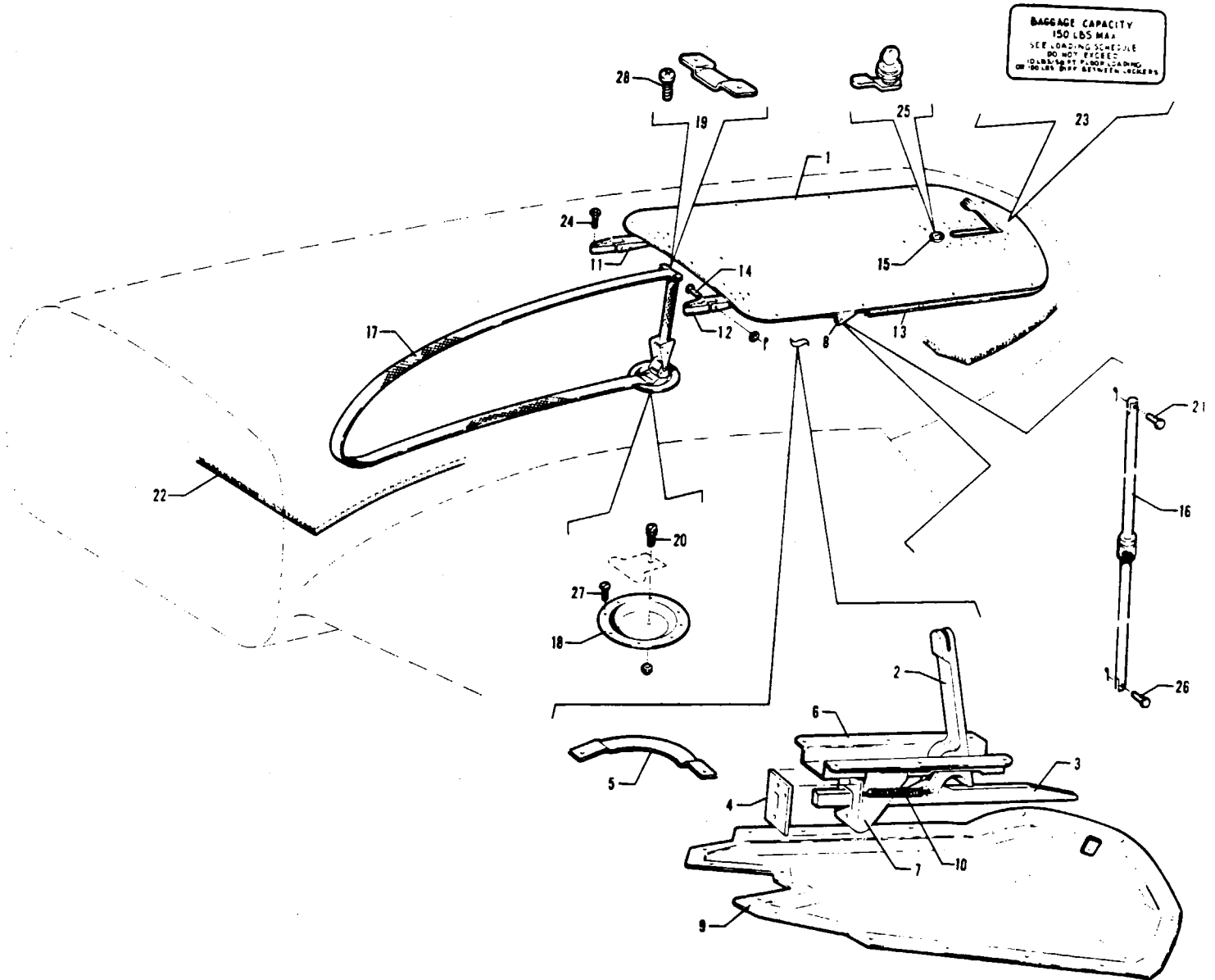


Figure 80. Nacelle Locker Door Assembly and Installation

---

# PIPER PARTS CATALOG

---

## CODE EXPLANATIONS FOR FIGURE 80

- A - Serial number of aircraft must be supplied when ordering this part.
- B - Used in right nacelle only when air conditioning is installed.
- C - If matching cabin, baggage and nacelle locker locks are desired, order P/N 25163-11; for matching cabin, baggage, pilot door and nacelle locker locks, order P/N 25163-12.

PIPER PARTS CATALOG

Figure and Index Number	Part Number	Code	NOMENCLATURE	No. Req.	SERIAL NUMBERS AFFECTED
80-	44455 71590 53469		DRAWING - Nacelle Installation DRAWING - Nacelle Locker Door Support Installation DRAWING - Nacelle Locker Carpet and Baggage Strap Installation		
.1	44524-00		DOOR ASSEMBLY - Nacelle locker	2	
.2	22641-03		* HANDLE - Nacelle locker door	1	
.3	44424-00		* LATCH - Nacelle locker door	1	
.4	44425-00		* PLATE - Locker door latch guide	1	
.5	30852-00		* PLATE ASSEMBLY - Door lock guide	1	
.6	30580-02		* BRACKET - Locker door handle	1	
.7	44427-00		* BRACKET - Locker door latch	1	
.8	71589-02		* BRACKET - Locker door support	1	
.9	44436-00		* COVER - Locker door latch	1	
.10	83302-47		* SPRING - Coil, door handle	1	
.11	44433-00		* HINGE - Locker door, inboard, left nacelle, outboard, right nacelle	1	
	44433-01		* HINGE - Locker door, outboard, left nacelle, inboard, right nacelle	1	
.12	44434-00		* HINGE - Locker door, inboard, left nacelle, outboard, right nacelle	1	
	44434-01		* HINGE - Locker door, outboard, left nacelle, inboard, right nacelle	1	
.13	44431-00		* SEAL - Nacelle locker door	10	
.14	424 185		* PIN - (MS20392-2C33)	2	
	407 584		* WASHER - (AN960-10L)	2	
	424 051		* PIN - Cotter (MS24665-132)	2	
.15	25590-00		* WASHER	1	
.16	457 156		SUPPORT ASSEMBLY - Nacelle locker door (FA34-PI-25)	2	
.17	44517-00		STRAP ASSEMBLY - Baggage, nacelle locker	4	
.18	44415-00		PLATE - Anchor, baggage strap	4	
.19	44413-00		GUIDE - Baggage tie down strap	4	
.20	47378-00		STUD - Strap attachment	4	
	404 888		NUT - (MS20365-428C)	4	
.21	424 141		PIN - (MS20392-1C9)	2	
	587 177		SPACER - (NAS 43HT 1-8)	2	
	424 051		PIN - Cotter (MS24665-132)	2	
.22	53469-06	A, B	CARPET - Nacelle locker	1	
	53469-07	A	CARPET - Nacelle locker, left and right nacelle	2	
.23	44719-00		PLACARD - Nacelle locker baggage	2	
.24	414 769		SCREW - (MS24693-S53)	12	
	477 706		NUT - Cap (27CL-82)	12	
.25	752 350	C	LOCK ASSEMBLY - Nacelle lockers (with 2 keys)	2	
	01773-02		LATCH ASSEMBLY - Nacelle lockers, non-locking	2	
.26	424 173		PIN - (MS20392-2C9)	2	
	587 186		SPACER - (NAS 43HT 3-8)	2	
	424 051		PIN - Cotter (MS24665-132)	2	
.27	414 508		SCREW - (MS24693-S28)	32	
.28	411 533		SCREW - (MS35207-264)	8	

When ordering, always specify Part Number, Description and Serial Number of Aircraft

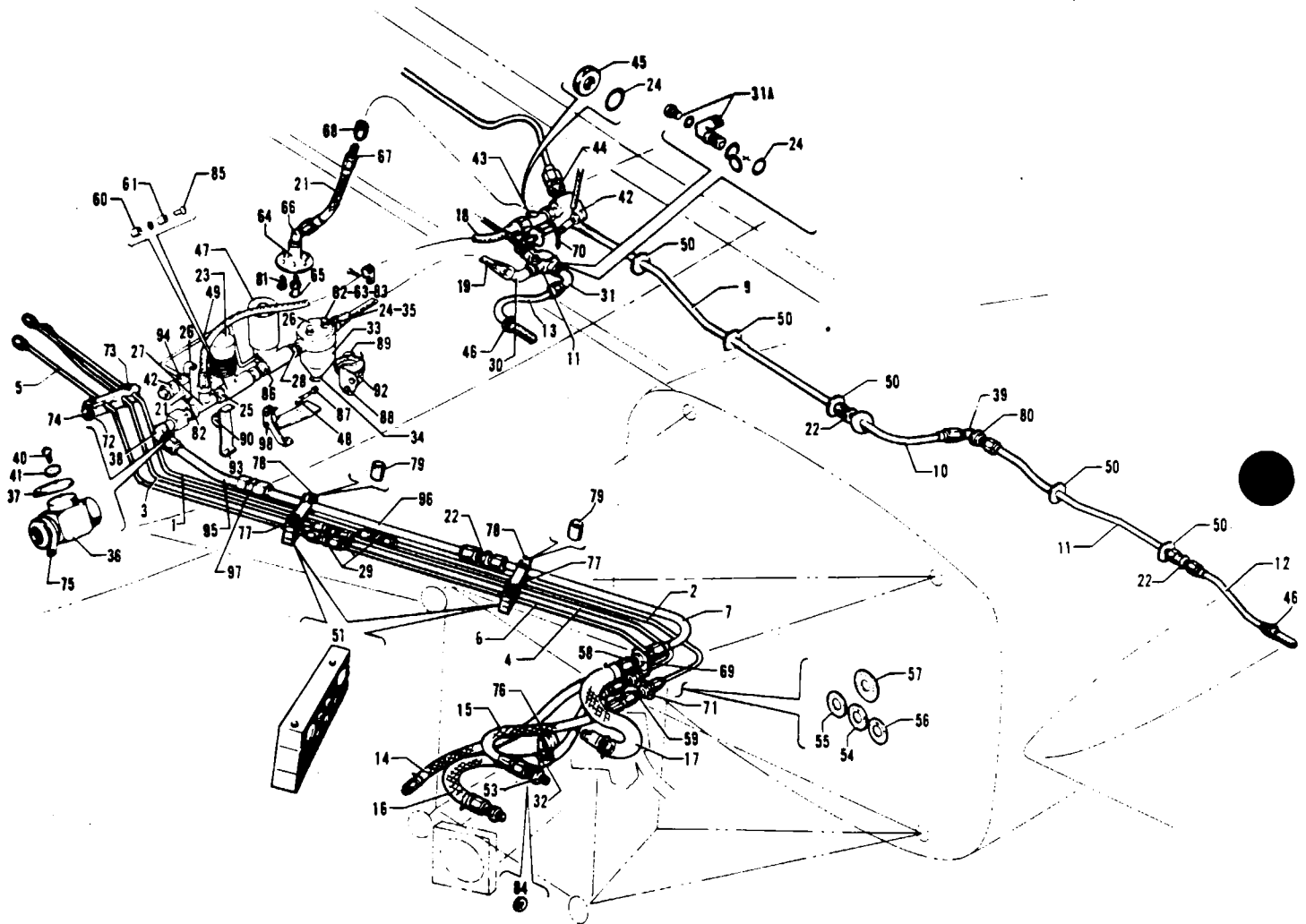


Figure 81. Left Engine Fuel System Installation

---

# PIPER PARTS CATALOG

---

## CODE EXPLANATIONS FOR FIGURE 81

- A - See Figure 84 for component parts.
- B - Used if auxiliary (outboard) fuel cells are installed.

## PIPER PARTS CATALOG

Figure and Index Number	Part Number	Code	NOMENCLATURE	No. Req.	SERIAL NUMBERS AFFECTED
81-	54300		DRAWING - Fuel System Installation		
-1	22673-22		TUBE ASSEMBLY - Instrument air, deck pressure	1	
-2	22673-20		TUBE ASSEMBLY - Instrument air, deck pressure	1	
-3	22673-41		TUBE ASSEMBLY - Fuel pressure	1	
-4	22673-40		TUBE ASSEMBLY - Fuel pressure	1	
-5	22673-60		TUBE ASSEMBLY - Fuel flow pressure	1	
-6	22673-100		TUBE ASSEMBLY - Fuel flow pressure	1	
-7	41650-00		TUBE ASSEMBLY - Fuel	1	
-8	41649-00	B	TUBE ASSEMBLY - Fuel	1	
-9	41647-00	B	TUBE ASSEMBLY - Fuel	1	
-10	41648-00	B	TUBE ASSEMBLY - Fuel	1	
-11	492 239	A	VALVE ASSEMBLY - Fuel selector (3487-00-1) Dukes	1	
-12	41656-00	B	STRAINER ASSEMBLY - Fuel tank finger (outboard)	1	
-13	41657-00		STRAINER ASSEMBLY - Fuel tank finger (inboard)	1	
-14	39995-13		HOSE ASSEMBLY - Fuel flow pressure	1	
-15	17766-93		HOSE ASSEMBLY - Instrument air, deck pressure	1	
-16	23745-15		HOSE ASSEMBLY - Fuel pressure	1	
-17	39995-34		HOSE ASSEMBLY - Fuel (565 498)	1	
-18	39997-09		HOSE ASSEMBLY - Fuel (25" L.)	1	
-19	41230-04		HOSE ASSEMBLY - Fuel	1	
-20	17766-90		HOSE ASSEMBLY - Drain, emergency fuel pump	1	
-21	17766-101		HOSE ASSEMBLY - Crossfeed drain	1	
-22	491 053		UNION - (AN815-8D)	3	
-23	42113-05	A	PUMP ASSEMBLY - Fuel emergency	1	
-24	462 061		GASKET - (MS29512-8)	11	
-25	477 621		NUT - Emergency fuel pump (AN924-8D)	8	
-26	458 894		ELBOW - Emergency fuel pump (AN822-4D)	1	
-27	41618-02		TEE - Emergency fuel pump	1	
-28	41617-02		UNION - Emergency fuel pump	1	
-29	491 048		UNION - (AN815-2D)	3	
-30	41623-00		ELBOW - Fuel valve (458 861)	1	
-31	41622-00		ELBOW - Fuel valve (458 860)	1	
-31a	581 978		PLUG - (AN814-8DL)	1	
	484 846		"O" RING - (MS29512-08)	1	
	41622-00	B	ELBOW - Fuel valve (458 860)	1	
-32	454 868		CLAMP - (PS10017-2-12)	1	
-33	74134-02	A	FILTER ASSEMBLY - Fuel	1	
-34	492 100		* VALVE - Drain, fuel filter (CCA-7450)	1	
-35	41620-00		UNION - Fuel filter assembly	1	
-36	492 111	A	VALVE - Fuel shutoff, left (PA-757A)	1	
-37	41626-00		ARM - Valve actuator	1	
-38	458 898		ELBOW - Fuel shutoff, left (AN822-8D)	1	
-39	458 914	B	ELBOW - (AN837-8D) 45 degrees	1	
-40	415 752		SCREW - Fuel shutoff, left (AN815-832R6)	2	
-41	407 120		WASHER - Tooth lock (AN936-B8)	2	
-42	492 110	A	VALVE - Fuel, crossfeed (800411-00) Left	1	
-43	41618-00		TEE - Crossfeed valve	1	
-44	491 053		UNION - Crossfeed valve (AN815-8D)	1	
-45	477 621		NUT - Crossfeed valve (AN924-8D)	1	
-46	554 552		CLAMP - (PS10017-23-10)	2	
-47	481 801		PUMP - Fuel boost (PS50109-6)	1	
-48	14976-106		BUSHING - Emergency pump mount	1	
-49	23195-17		LINE ASSEMBLY - Fuel	1	

When ordering, always specify Part Number, Description and Serial Number of Aircraft



## PIPER PARTS CATALOG

Figure and Index Number	Part Number	Code	NOMENCLATURE	No. Req.	SERIAL NUMBERS AFFECTED
81-50	41586-00		GROMMET - Fuel line	6	
-51	41580-05		BLOCK - Retaining, fuel line	2	
-52	434 144		GROMMET - (MS35489-23)	1	
-53	484 351		REDUCER - (AN919-2D)	1	
-54	40849-07		PLACARD - "Fuel Pressure"	1	
-55	40849-08		PLACARD - "Fuel Flow Pressure"	1	
-56	40849-09		PLACARD - "Instrument Air Deck Pressure"	1	
-57	40849-11		PLACARD - "Fuel Supply"	1	
-58	491 068		UNION - (AN832-8)	1	
-59	23319-00		UNION - Flared tube	3	
-60	434 129		GROMMET - (MS35489-9)	3	
-61	41413-15		BUSHING - Emergency fuel pump	3	
-62	41413-16		BUSHING - Fuel filter	2	
-63	434 166		GROMMET - Fuel filter (MS35489-40)	2	
-64	41683-05		VALVE ASSEMBLY - Fuel drain	1	
-65	492 100		* VALVE - Fuel drain (CCA-7450)	1	
-66	458 891		* ELBOW - Fuel drain (AN823-4D)	1	
-67	484 297		REDUCER - Crossfeed (B-4TRTX-D)	1	
-68	477 624		NUT - Crossfeed (AN818-8D)	1	
-69	477 691		NUT - (AN924-8)	1	
-70	415 541		SCREW - (MS35206-251)	4	
	404 910		NUT - (MS20365-832C)	4	
-71	477 628		NUT - (AN924-3)	3	
-72	400 441		BOLT - (AN3-7A)	2	
	404 887		NUT - (MS20365-1032C)	2	
-73	401 273		BOLT - (AN3-14A)	2	
	404 887		NUT - (MS20365-1032C)	2	
-74	41584-00		BLOCK ASSEMBLY - Tube retaining	1	
-75	42335-00		CLAMP - Fuel shutoff valve	2	
-76	554 885		CLAMP - (PS10017-2-24)	1	
-77	400 453		BOLT - (AN3-21A)	2	
	407 564		WASHER - (AN960-10)	2	
	404 887		NUT - (MS20365-1032C)	2	
-78	401 274		BOLT - (AN3-15A)	2	
	407 564		WASHER - (AN960-10)	2	
	404 887		NUT - (MS20365-1032C)	2	
-79	80012-59		SPACER - Control cable clamp	2	
-80	407 573		WASHER - (AN960-1216)	1	
	477 621		NUT - (AN924-8D)	1	
-81	415 533		SCREW - (MS35206-243)	6	
-82	434 135		GROMMET - (MS35489-14)	1	
-83	418 448		SCREW - Cap (MS35291-33)	2	
	81342-08		WASHER - Fuel filter mount	2	
	407 144		WASHER - Lock (AN936-B516)	2	
-84	462 027		GASKET - (AN6290-4)	1	
-85	418 431		SCREW - Cap (MS35291-6)	3	
	85012-65		WASHER - Fuel pump mount	3	
	407 127		WASHER - Lock (AN936-B416)	3	
-86	41617-02		UNION - Special	1	
-87	418 351		SCREW - (1/4-20NC 3 x 1)	1	
	85012-65		WASHER - Emergency pump mount	1	
	407 127		WASHER - (AN936-B416)	1	
	41413-15		BUSHING - Emergency pump mount	1	

When ordering, always specify Part Number, Description and Serial Number of Aircraft

**PIPER PARTS CATALOG**

Figure and Index Number	Part Number	Code	NOMENCLATURE	No. Req.	SERIAL NUMBERS AFFECTED
81-88	400 002		BOLT - (AN4-5A)	2	
	41413-15		BUSHING - Boost pump mount	2	
	85012-65		WASHER - Boost pump mount	2	
	407 127		WASHER - Lock (AN936-B416)	2	
	404 888		NUT - (MS20365-428C)	2	
	434 129		GROMMET - (MS35489-9)	2	
	407 585		WASHER - (AN960-416L)	4	
-89	554 649		CLAMP - (PS10017-20-48)	1	
-90	47222-00		CLIP - Pressure switch	1	
-91	48762-00		SWITCH - Pressure	1	
-92	54326-02		BRACKET - Fuel boost pump	1	
-93	54335-02		BRACKET ASSEMBLY - Valve, fuel shutoff	1	
-94	458 872		ELBOW - (MS20822-2D)	1	
-95	41230-06		HOSE ASSEMBLY - Fuel	1	
-96	80004-18		TUBE ASSEMBLY - Fuel	1	
-97	491 053		UNION - (AN815-8D)	1	
-98	418 431		SCREW - Cap (MS35291-6)	2	
	41413-15		BUSHING - Emergency pump mount	2	
	434 175		GROMMET - (MS35489-38)	2	
	85012-65		WASHER - Emergency pump mount	2	
	407 127		WASHER - Lock (AN936-B416)	2	

When ordering, always specify Part Number, Description and Serial Number of Aircraft

# PIPER PARTS CATALOG

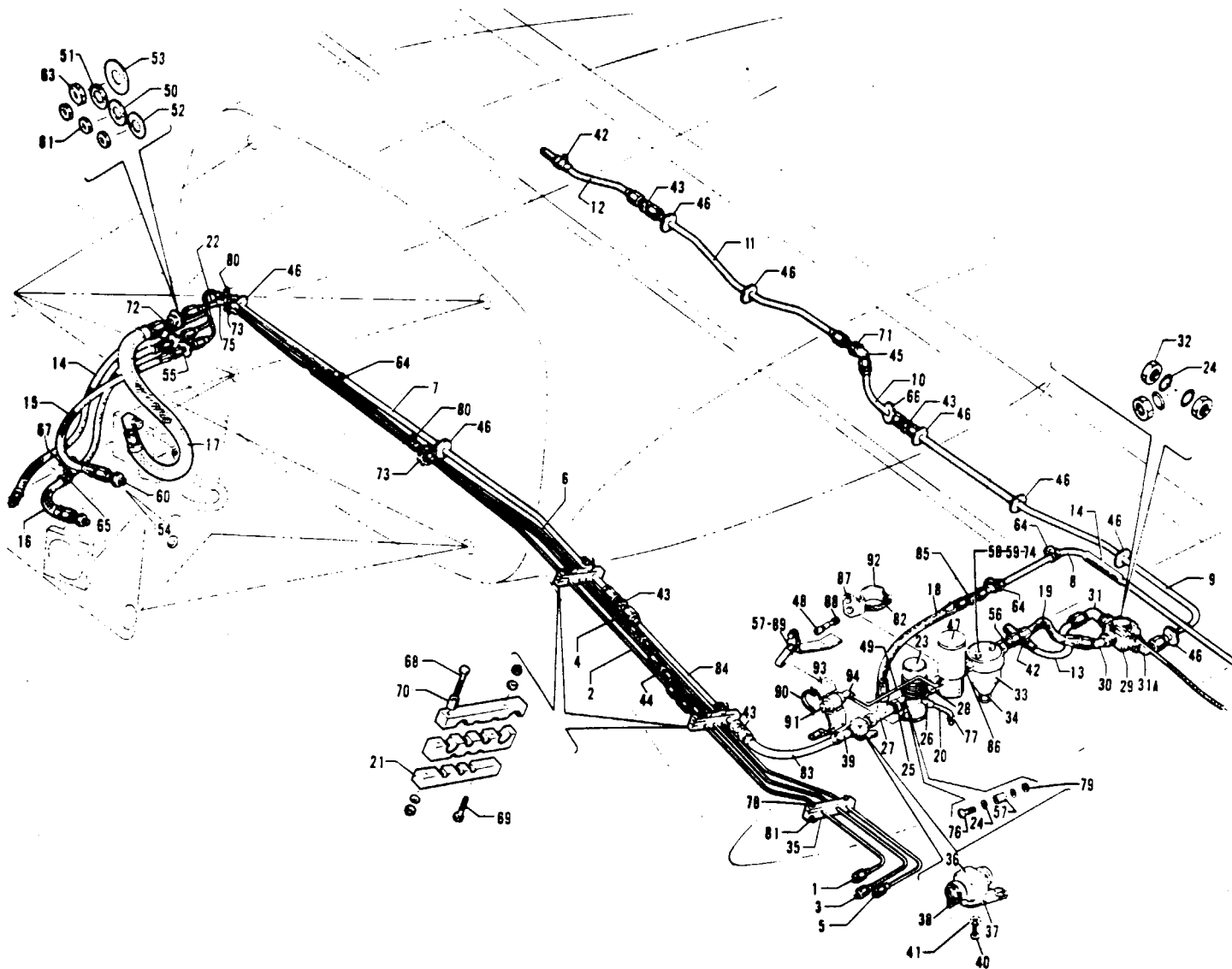


Figure 82. Right Engine Fuel System Installation

---

# PIPER PARTS CATALOG

---

## CODE EXPLANATIONS FOR FIGURE 82

- A - See Figure 84 for component parts.
- B - Used if auxiliary (outboard) fuel cells are installed.

PIPER PARTS CATALOG

Figure and Index Number	Part Number	Code	NOMENCLATURE	No. Req.	SERIAL NUMBERS AFFECTED
82-	54300		DRAWING - Fuel System Installation		
-1	22673-28		TUBE ASSEMBLY - Instrument air, deck pressure	1	
-2	22673-26		TUBE ASSEMBLY - Instrument air, deck pressure	1	
-3	22673-47		TUBE ASSEMBLY - Fuel pressure	1	
-4	22673-45		TUBE ASSEMBLY - Fuel pressure	1	
-5	22673-66		TUBE ASSEMBLY - Fuel flow pressure	1	
-6	22673-64		TUBE ASSEMBLY - Fuel flow pressure	1	
-7	41653-00		TUBE ASSEMBLY - Fuel	1	
-8	52045-00		TUBE ASSEMBLY - Fuel	1	
-9	41647-01	B	TUBE ASSEMBLY - Fuel	1	
-10	41648-00	B	TUBE ASSEMBLY - Fuel	1	
-11	41649-00	B	TUBE ASSEMBLY - Fuel	1	
-12	41656-00	B	STRAINER ASSEMBLY - Fuel tank finger (outboard)	1	
-13	41657-00		STRAINER ASSEMBLY - Fuel tank finger (inboard)	1	
-14	39995-13		HOSE ASSEMBLY - Fuel flow pressure	1	
-15	17766-93		HOSE ASSEMBLY - Instrument air, deck pressure	1	
-16	23745-15		HOSE ASSEMBLY - Fuel pressure	1	
-17	39995-34		HOSE ASSEMBLY - Fuel (565 498)	1	
-18	39997-10		HOSE ASSEMBLY - Fuel (18" L)	1	
-19	41230-04		HOSE ASSEMBLY - Fuel	1	
-20	17766-90		HOSE ASSEMBLY - Drain, emergency fuel pump	1	
-21	41580-05		BLOCK - Retaining, fuel line	2	
-22	41655-00		TUBE ASSEMBLY - Fuel	1	
-23	42113-05	A	PUMP ASSEMBLY - Emergency fuel	1	
-24	462 061		GASKET - Emergency fuel pump (MS29512-8)	12	
-25	477 621		NUT - Emergency fuel pump (AN924-8D)	3	
-26	458 894		ELBOW - Emergency fuel pump (AN822-4D)	1	
-27	41618-02		TEE - Emergency fuel pump	1	
-28	41617-02		UNION - Emergency fuel pump	1	
-29	492 239	A	VALVE ASSEMBLY - Fuel selector (3487-00-1) Dukes	1	
-30	41623-00		ELBOW - Fuel valve (458 861)	1	
-31	41622-00		ELBOW - Fuel valve (458 860)	1	
-31a	581 978		PLUG - (AN814-8DL)	1	
	484 846		"O" RING - (MS29512-08)	1	
	41622-00	B	ELBOW - Fuel valve (458 860)	1	
-32	477 621		NUT - (AN924-8D)	3	
-33	74134-03	A	FILTER ASSEMBLY - Fuel	1	
-34	492 100		* VALVE - Drain, fuel filter (CCA-7450)	1	
-35	41584-00		BLOCK ASSEMBLY - Tube retaining	1	
-36	492 111	A	VALVE - Shutoff, right (PA-757A)	1	
-37	41626-00		ARM - Valve actuator	1	
-38	42335-00		CLAMP - Fuel shutoff valve	2	
-39	458 886		ELBOW - Fuel shutoff, right (AN823-8D)	1	
-40	415 752		SCREW - Fuel shutoff, right (AN515-832R6)	2	
-41	407 120		WASHER - Tooth lock (AN936-B8)	2	
-42	554 552		CLAMP - (PS10017-23-10)	2	
-43	491 053		UNION - (AN815-8D)	4	
-44	491 048		UNION - (AN815-2D)	3	
-45	458 914	B	ELBOW - 45 Degrees (AN837-8D)	1	
-46	41586-00		GROMMET - Fuel line	8	
-47	481 802		PUMP - Fuel boost (PS50109-7)	1	
-48	14976-106		BUSHING - Emergency pump mount	1	
-49	23195-17		LINE ASSEMBLY - Fuel	1	

When ordering, always specify Part Number, Description and Serial Number of Aircraft

**PIPER PARTS CATALOG**

Figure and Index Number	Part Number	Code	NOMENCLATURE	No. Req.	SERIAL NUMBERS AFFECTED
82-50	40849-07		PLACARD - "Fuel Pressure"	1	
-51	40849-08		PLACARD - "Fuel Flow Pressure"	1	
-52	40849-09		PLACARD - "Instrument Air Deck Pressure"	1	
-53	40849-11		PLACARD - "Fuel Supply"	1	
-54	462 027		GASKET - (AN6290-4)	1	
-55	23319-00		UNION - Flared tube	3	
-56	41620-00		UNION - Fuel filter assembly	1	
-57	41413-15		BUSHING - Emergency fuel pump	3	
-58	41413-16		BUSHING - Fuel filter	2	
-59	434 166		GROMMET - Fuel filter (MS35489-40)	2	
-60	484 351		REDUCER - (AN919-2D)	1	
-61	477 628		NUT - (AN924-3)	3	
-62	454 931		CLAMP - (PS10017-2-5)	1	
-63	477 691		NUT - (AN924-8)	1	
-64	454 933		CLAMP - (PS10017-2-8)	3	
-65	554 885		CLAMP - (PS10017-2-24)	1	
-66	434 144		GROMMET - (MS35489-23)	1	
-67	454 868		CLAMP - (PS10017-2-12)	1	
-68	400 453		BOLT - (AN3-21A)	2	
	407 564		WASHER - (AN960-10)	2	
	404 887		NUT - (MS20365-1032C)	2	
-69	401 274		BOLT - (AN3-15A)	2	
	407 564		WASHER - (AN960-10)	2	
	404 887		NUT - (MS20365-1032C)	2	
-70	80012-59		SPACER - Control cable clamp	2	
-71	407 573		WASHER - (AN960-1216)	1	
	477 621		NUT - (AN924-8D)	1	
-72	491 068		UNION - (AN832-8)	1	
-73	189 625		GROMMET - Caterpillar-(G51H, Type "A") 12 3/4" L.	AR	
-74	418 448		SCREW - Cap (MS35291-33)	2	
	407 127		WASHER - Lock (AN936-B416)	2	
	81342-08		WASHER - Fuel filter mount	2	
-75	458 881		ELBOW - (AN821-8D)	1	
-76	418 431		SCREW - Cap (MS35291-6)	3	
	407 127		WASHER - Lock (AN936-B416)	3	
	85012-65		WASHER - Fuel pump mount	3	
-77	434 135		GROMMET - (MS35489-14)	1	
-78	401 273		BOLT - (AN3-14A)	2	
	404 887		NUT - (MS20365-1032C)	2	
-79	434 129		GROMMET - (MS35489-9)	3	
-80	454 862		CLAMP - (PS10017-2-14)	2	
-81	400 441		BOLT - (AN3-7A)	2	
	404 887		NUT - (MS20365-1032C)	2	
-82	554 649		CLAMP - (PS10017-20-48)	1	
-83	41230-06		HOSE ASSEMBLY - Fuel	1	
-84	80004-18		TUBE ASSEMBLY - Fuel	1	
-85	491 053		UNION - (AN815-8D)	1	
-86	41617-02		UNION - Fuel boost to emergency	1	
-87	400 002		BOLT - (AN4-5A)	2	
	41413-15		BUSHING - Boost pump mount	2	
	85012-65		WASHER - Boost pump mount	2	
	407 127		WASHER - Lock (AN936-B416)	2	
	404 888		NUT - (MS20365-428C)	2	
	434 129		GROMMET - (MS35489-9)	2	
	407 585		WASHER - (AN960-416L)	4	

When ordering, always specify Part Number, Description and Serial Number of Aircraft

**PIPER PARTS CATALOG**

Figure and Index Number	Part Number	Code	NOMENCLATURE	No. Req.	SERIAL NUMBERS AFFECTED
82-88	418 351		SCREW - Cap (1/4-20NC 3 x 1)	1	
	85012-65		WASHER - Emergency pump mount	1	
	407 127		WASHER - Lock (AN936-B416)	1	
	41413-15		BUSHING - Emergency pump mount	1	
-89	418 431		SCREW - Cap (MS35291-6)	2	
	41413-15		BUSHING - Emergency pump mount	2	
	434 175		GROMMET - (MS35489-38)	2	
	85012-65		WASHER - Emergency pump mount	2	
	407 127		WASHER - Lock (AN936-B416)	2	
-90	47222-00		CLIP - Pressure switch	1	
-91	48762-00		SWITCH - Pressure	1	
-92	54326-03		BRACKET - Fuel boost pump	1	
-93	54341-02		BRACKET ASSEMBLY - Valve, fuel shutoff	1	
-94	458 872		ELBOW - (MS20822-2D)	1	

When ordering, always specify Part Number, Description and Serial Number of Aircraft

# PIPER PARTS CATALOG

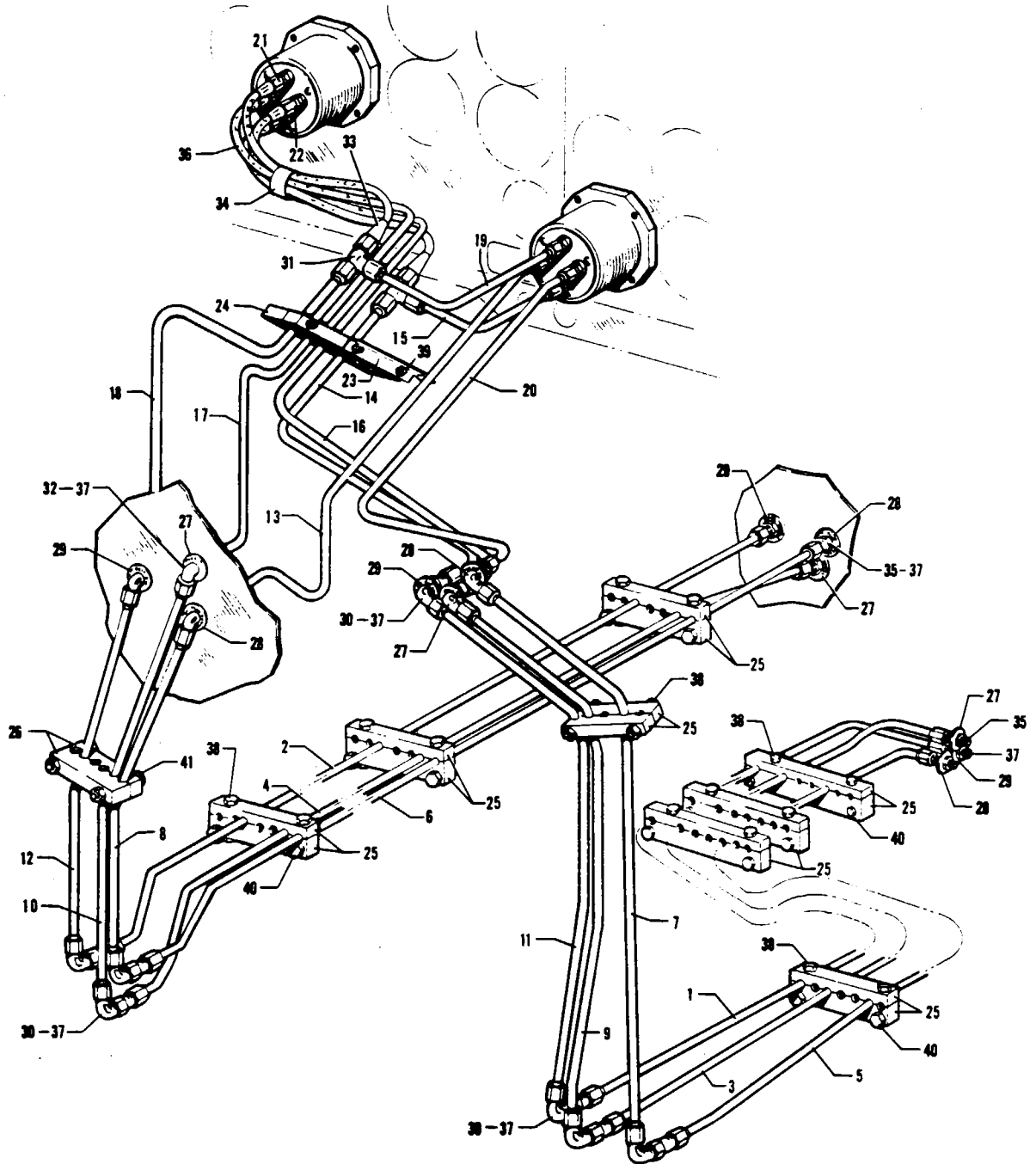


Figure 83. Fuel Flow and Pressure Gauge Installation

2D14



---

# PIPER PARTS CATALOG

---

CODE EXPLANATIONS FOR FIGURE 83

## PIPER PARTS CATALOG

Figure and Index Number	Part Number	Code	NOMENCLATURE	No. Req.	SERIAL NUMBERS AFFECTED
83-	54300		DRAWING - Fuel System Installation		
-1	80024-07		TUBE ASSEMBLY - Instrument air, deck pressure, left	1	
-2	80024-08		TUBE ASSEMBLY - Instrument air, deck pressure, right	1	
-3	80024-09		TUBE ASSEMBLY - Fuel pressure, left	1	
-4	80024-10		TUBE ASSEMBLY - Fuel pressure, right	1	
-5	80024-11		TUBE ASSEMBLY - Fuel flow pressure, left	1	
-6	80024-12		TUBE ASSEMBLY - Fuel flow pressure, right	1	
-7	22673-71		TUBE ASSEMBLY - Fuel flow pressure, left	1	
-8	22673-69		TUBE ASSEMBLY - Fuel flow pressure, right	1	
-9	22673-53		TUBE ASSEMBLY - Fuel pressure, left	1	
-10	22673-51		TUBE ASSEMBLY - Fuel pressure, right	1	
-11	80004-11		TUBE ASSEMBLY - Instrument air, deck pressure, left	1	
-12	22673-34		TUBE ASSEMBLY - Instrument air, deck pressure, right	1	
-13	22673-100		TUBE ASSEMBLY - Fuel flow, right	1	
-14	22673-10		TUBE ASSEMBLY - Instrument air, deck pressure, left	1	
-15	22673-32		TUBE ASSEMBLY - Instrument air, deck pressure, left	1	
-16	22673-49		TUBE ASSEMBLY - Fuel pressure, left	1	
-17	22673-69		TUBE ASSEMBLY - Fuel pressure, right	1	
-18	22673-14		TUBE ASSEMBLY - Instrument air, deck pressure, right	1	
-19	22673-28		TUBE ASSEMBLY - Instrument air, deck pressure, right	1	
-20	22673-100		TUBE ASSEMBLY - Fuel flow pressure, left	1	
-21	476 649		NIPPLE - (AN816-2D)	2	
-22	54209-02		NIPPLE - Pressure snubber	2	
-23	54706-02		ANGLE - Line support	1	
-24	41630-00		BLOCK - Tube retaining	2	
-25	41584-00		BLOCK ASSEMBLY - Tube retaining	8	
-26	53606-00		BLOCK ASSEMBLY - Tube retaining	1	
-27	40849-07		PLACARD - "Fuel Pressure"	4	
-28	40849-08		PLACARD - "Fuel Flow Pressure"	4	
-29	40849-09		PLACARD - Instrument air, deck pressure	4	
-30	458 876		ELBOW - (AN833-2D) 90 Degrees	11	
-31	488 318		TEE - (AN824-2D)	2	
-32	488 519		TEE - (AN804-2D)	1	
-33	491 048		UNION - (AN815-2D)	4	
-34	487 624		STRAP ASSEMBLY - (P.V.C.G.-123)	1	
-35	491 058		UNION - (AN832-2D)	6	
-36	80048-04		HOSE ASSEMBLY - Fuel pressure	4	
-37	477 619		NUT - (AN924-2D)	18	
	407 566		WASHER - (AN960-516)	18	
-38	401 273		BOLT - (AN3-14A)	16	
	404 887		NUT - (MS20365-1032C)	16	
-39	415 523		SCREW - (MS35206-233)	3	
	404 909		NUT - (MS20365-632C)	3	
-40	400 441		BOLT - (AN3-7A)	14	
	404 887		NUT - (MS20365-1032C)	14	
-41	401 269		BOLT - (AN3-10A)	2	
	404 887		NUT - (MS20365-1032C)	2	

When ordering, always specify Part Number, Description and Serial Number of Aircraft

# PIPER PARTS CATALOG

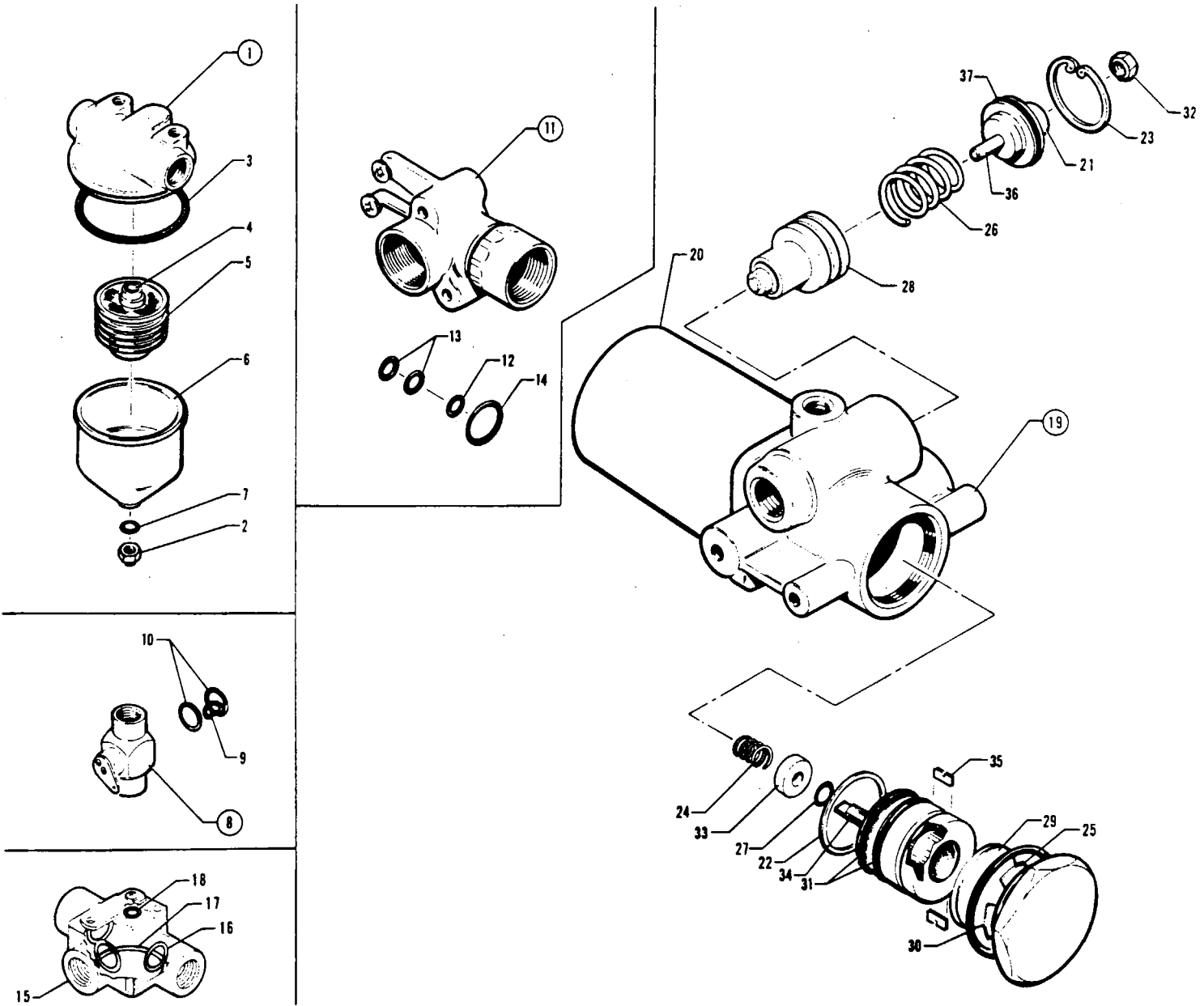


Figure 84. Fuel System Components

---

# PIPER PARTS CATALOG

CODE EXPLANATIONS FOR FIGURE 84

**PIPER PARTS CATALOG**

Figure and Index Number	Part Number	Code	NOMENCLATURE	No. Req.	SERIAL NUMBERS AFFECTED
84-1	74134-02		FILTER ASSEMBLY - Fuel, left	1	
	74134-03		FILTER ASSEMBLY - Fuel, right	1	
-2	752 517		* NUT - Container	1	
-3	757 255		* PACKING - "O" Ring, head and stud assembly	1	
-4	753 986		* CARTRIDGE ASSEMBLY - Fuel filter	1	
-5	751 821		* * FILTER - Cartridge assembly	5	
-6	753 987		* CONTAINER - Fuel filter	1	
-7	751 898		* GASKET - Container nut	1	
-8	492 111		VALVE - Fuel shutoff (PA-757A)	2	
-9	757 257		* PACKING - "O" Ring, shutoff valve	1	
-10	757 256		* PACKING - "O" Ring, shutoff valve	2	
-11	492 110		VALVE ASSEMBLY - Fuel crossfeed (800411-00)	1	
-12	757 258		* PACKING - "O" Ring, fuel crossfeed	1	
-13	752 742		* PACKING - "O" Ring, fuel crossfeed	2	
-14	752 760		* PACKING - "O" Ring, fuel crossfeed	1	
-15	492 239		VALVE ASSEMBLY - Fuel selector (3487-00-1) Dukes	2	
-16	755 909		* PACKING - "O" Ring, fuel selector	3	
-17	757 259		* PACKING - "O" Ring, fuel selector	1	
-18	756 069		* PACKING - "O" Ring, fuel selector	1	
-19	42113-05		PUMP ASSEMBLY - Emergency fuel	2	
-20	761 621		* MOTOR ASSEMBLY - Fuel pump	1	
-21	751 918		* GUIDE - Adjustment	1	
-22	762 524		* RING - Blade retainer	1	
-23	755 973		* RING - Retaining	1	
-24	756 298		* SPRING - Seal	1	
-25	757 578		* SPRING - Fuel pump assembly	1	
-26	756 296		* SPRING - Valve	1	
-27	757 324		* PACKING - "O" Ring	1	
-28	757 329		* PISTON ASSEMBLY	1	
-29	757 315		* PLATE - Wear, fuel pump assembly	1	
-30	757 259		* PACKING - "O" Ring	1	
-31	757 260		* PACKING - "O" Ring	2	
-32	752 518		* NUT - Lock, valve	1	
-33	756 608		* WASHER - Seal (Brass)	1	
-34	756 062		* ROTOR - Fuel pump assembly	1	
-35	758 130		* BLADE - Fuel pump assembly	2	
-36	757 622		* SCREW - Valve adjustment	1	
-37	755 843		* PACKING - "O" Ring	1	

When ordering, always specify Part Number, Description and Serial Number of Aircraft

# PIPER PARTS CATALOG

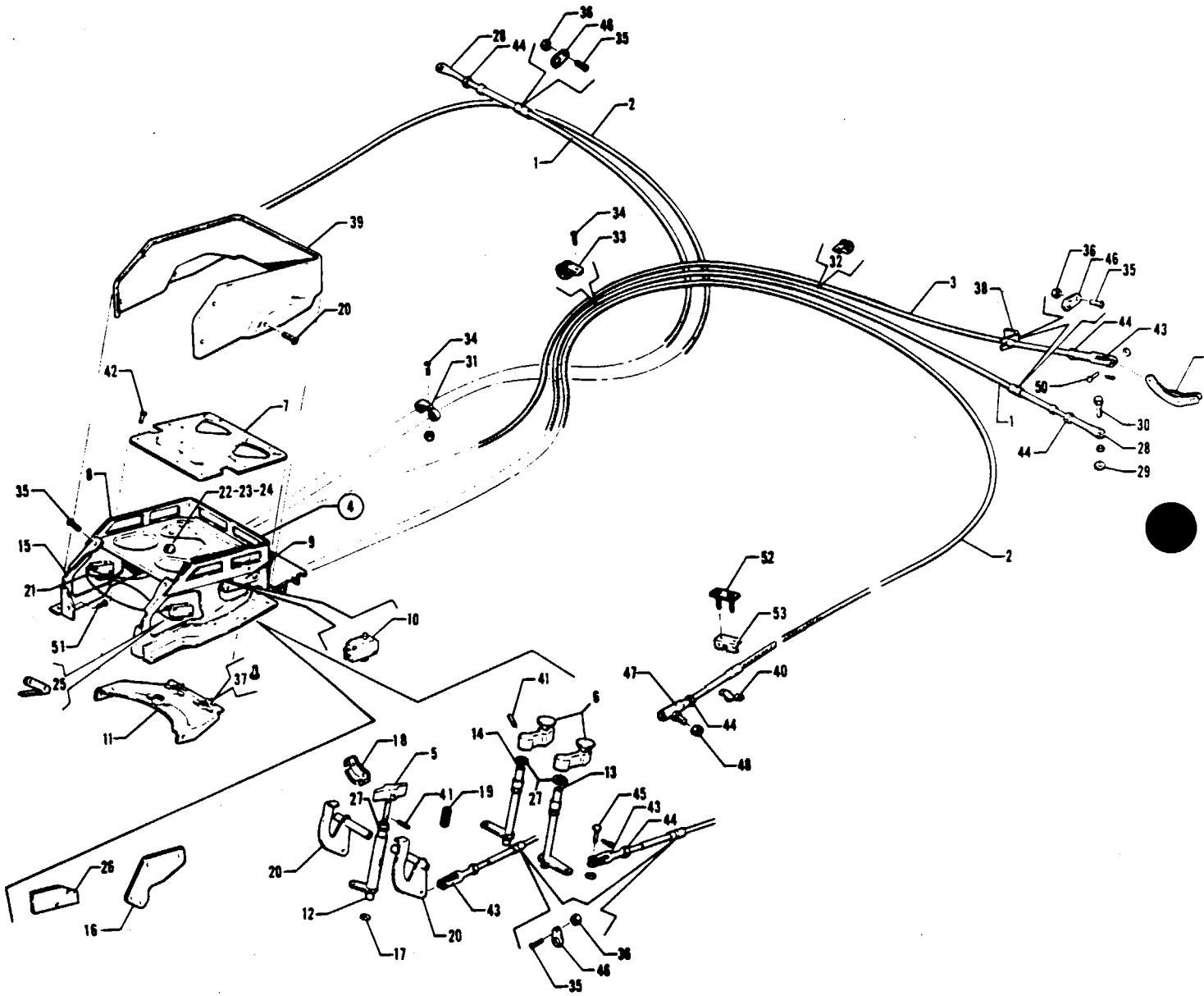


Figure 85. Fuel Controls Installation

---

# PIPER PARTS CATALOG

---

## CODE EXPLANATIONS FOR FIGURE 85

A - Used if auxiliary (outboard) fuel cells are installed.

**PIPER PARTS CATALOG**

Figure and Index Number	Part Number	Code	NOMENCLATURE	No. Req.	SERIAL NUMBERS AFFECTED
85-	52326		DRAWING - Fuel Controls Installation		
-1	42628-04		CABLE ASSEMBLY - "Push-Pull" control, flexible	2	
-2	42628-05		CABLE ASSEMBLY - "Push-Pull" control, flexible	2	
-3	42628-06		CABLE ASSEMBLY - "Push-Pull" control, flexible	1	
-4	53814-02		CONSOLE ASSEMBLY - Fuel control	1	
	53814-00	A	CONSOLE ASSEMBLY - Fuel control	1	
-5	53821-00		* HANDLE ASSEMBLY - Crossfeed	1	
-6	53890-05		* HANDLE ASSEMBLY - Fuel selector valve control	2	
-7	54139-03		* PLACARD ASSEMBLY - Fuel control	1	
	54139-00	A	* PLACARD ASSEMBLY - Fuel control	1	
-8	52216-00		* RAIL - Fuel control console	1	
-9	52220-00	A	* PLATE ASSEMBLY - Fuel control switch	1	
-10	487 804	A	* * LIMIT SWITCH - Fuel control (MS25253-1)	4	
-11	52259-00		* BRACKET ASSEMBLY - Fuel control mounting, lower	1	
-12	53824-00		* SHAFT ASSEMBLY - Fuel control	1	
-13	52263-02		* SHAFT ASSEMBLY - Fuel control	1	
-14	52263-03		* SHAFT ASSEMBLY - Fuel control	1	
-15	52280-00		* HOUSING ASSEMBLY - Fuel control console	1	
-16	53811-00		* PLATE ASSEMBLY - Fuel control mounting, left	1	
	53811-01		* PLATE ASSEMBLY - Fuel control mounting, right	1	
-17	81232-77		* DISC - Shaft assembly, fuel control	1	
-18	54148-00		* LOCK - Crossfeed control	1	
-19	83302-88		* SPRING - Fuel control shaft	1	
-20	53810-00		* LEVER ASSEMBLY - Fuel control, left	1	
	53810-01		* LEVER ASSEMBLY - Fuel control, right	1	
-21	487 819		* LIMIT SWITCH - (MS25253-3)	2	
-22	472 694		* LIGHT - Indicator (L1010)	1	
-23	472 331		* LENS - (A040195) Amber	1	
-24	472 028		* LAMP - (PS10008-327)	1	
-25	46541-00		* PLATE - Switch actuator, left	1	
	46541-01		* PLATE - Switch actuator, right	1	
-26	41059-00		* PLATE - Switch insulator	2	
-27	56975-10		* WASHER	AR	
-28	44658-00		TERMINAL - Fuel selector	2	
-29	41413-60		BUSHING - Fuel selector	2	
-30	400 440		BOLT - (AN3-6A)	2	
	407 565		WASHER (AN960-416)	4	
	404 887		NUT - (MS20365-1032C)	2	
-31	454 929		CLAMP - (PS10017-2-4)	9	
-32	454 932		CLAMP - (PS10017-2-7)	1	
-33	454 933		CLAMP - (PS10017-2-8)	1	
-34	411 583		SCREW - (MS35207-263)	8	
	404 887		NUT - (MS20365-1032C)	8	
-35	415 535		SCREW - (MS35206-245)	12	
-36	404 910		NUT - (MS20365-832C)	5	
-37	515 714		SCREW - Dull black (MS35206-245)	7	
-38	52232-00		BRACKET - Fuel control cable	1	
-39	53863-02		COVER - Fuel control console	1	
-40	18219-00		CLAMP - Control cable attachment	2	
-41	480 682		PIN - Roll (59-022-094-0750)	3	
-42	515 713		SCREW - Dull black (MS35206-243)	8	
-43	24091-03		CLEVIS - Fuel selector valve control rod	6	
-44	404 224		NUT - (AN315-3R)	10	
-45	424 176		PIN - (MS20392-2C15)	5	
	407 584		WASHER - (AN960-10L)	5	
	424 051		COTTER PIN - (MS24665-132)	5	
-46	52244-00		RETAINER - Fuel control cable	8	

When ordering, always specify Part Number, Description and Serial Number of Aircraft



**PIPER PARTS CATALOG**

Figure and Index Number	Part Number	Code	NOMENCLATURE	No. Req.	SERIAL NUMBERS AFFECTED
85-47	31747-00		JOINT - Ball	2	
-48	404 835		NUT - (MS20364-1032C)	2	
-49	52245-00		ARM ASSEMBLY - Crossfeed valve	1	
-50	424 175		PIN - (MS20392-2C13)	1	
	407 584		WASHER - (AN960-10L)	1	
	424 051		COTTER PIN - (MS24665-132)	1	
-51	415 518		SCREW - (MS35206-228)	2	
-52	54345-02		PLATE ASSEMBLY - Bolt	2	
	404 833		NUT - (MS20364-832C)	4	
-53	18132-00		LUG - Control cable support bracket	2	

When ordering, always specify Part Number, Description and Serial Number of Aircraft

**2D24**

**INTENTIONALLY LEFT BLANK**

PIPER PARTS CATALOG

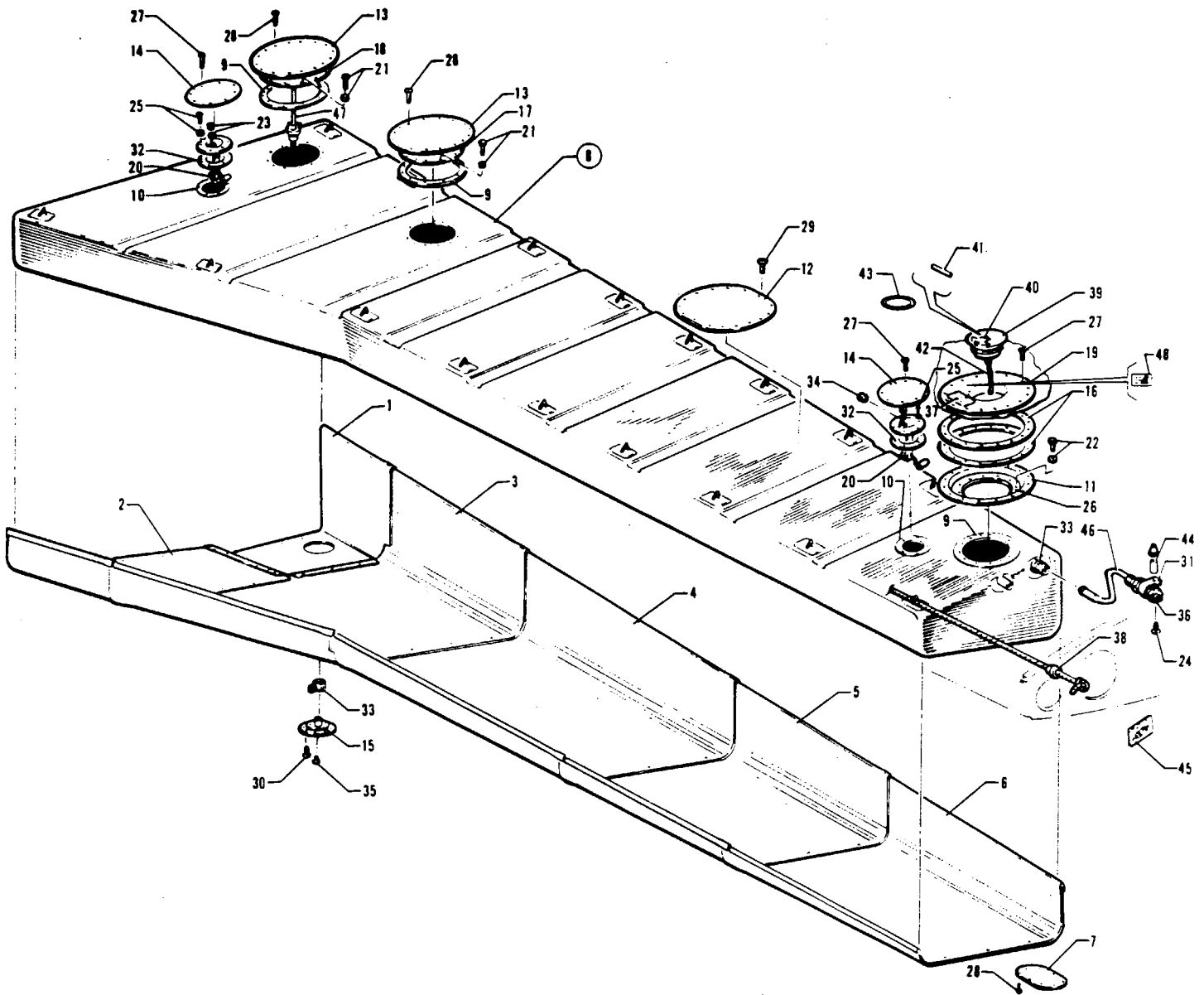


Figure 86 Main Fuel Cell and Liner Installation

---

# PIPER PARTS CATALOG

---

## CODE EXPLANATIONS FOR FIGURE 86

- A - Used if safety walk has been installed on wing.
- B - Used on non-locking fuel cap only.

**PIPER PARTS CATALOG**

Figure and Index Number	Part Number	Code	NOMENCLATURE	No. Req.	SERIAL NUMBERS AFFECTED
86-	40539 53427		DRAWING - Main Fuel Cell Liner Installation DRAWING - Main Fuel Cell Installation		
-1	40537-18 40537-19		LINER - Fuel cell, Sta. 30 to Sta. 39, back, left LINER - Fuel cell, Sta. 30 to Sta. 39, back, right	1 1	
-2	40537-10 40537-11		LINER - Fuel cell, Sta. 30 to Sta. 39, front, left LINER - Fuel cell, Sta. 30 to Sta. 39, front, right	1 1	
-3	40537-08 40537-09		LINER - Fuel cell, Sta. 39.5 to Sta. 58.5, left LINER - Fuel cell, Sta. 39.5 to Sta. 58.5, right	1 1	
-4	40537-06 40537-07		LINER - Fuel cell, Sta. 58.5 to Sta. 87.5, left LINER - Fuel cell, Sta. 58.5 to Sta. 87.5, right	1 1	
-5	40537-04 40537-05		LINER - Fuel cell, Sta. 87.5 to Sta. 109.5, left LINER - Fuel cell, Sta. 87.5 to Sta. 109.5, right	1 1	
-6	40537-02 40537-03		LINER - Fuel cell, Sta. 109.5 to Sta. 134.5, left LINER - Fuel cell, Sta. 109.5 to Sta. 134.5, right	1 1	
-7	20370-00		PLATE - Fuel cell access hole cover	2	
-8	71028-02 71028-03		FUEL CELL ASSEMBLY - Main, left FUEL CELL ASSEMBLY - Main, right	1 1	
-9	755 016		* GASKET - Fuel cell	2	
-10	755 017		* GASKET - Fuel sender unit	2	
-11	40524-00		BRACKET ASSEMBLY - Fuel cell filler neck	2	
-12	40544-02 53907-00		COVER - Fuel cell access (6.76 x 8.26) COVER - Fuel cell access (8.34 x 10.08)	2 2	
-13	40545-04 44817-03	A	COVER - Fuel cell access COVER ASSEMBLY - Fuel cell access, inboard, left	4 1	
-14	40546-08 44816-04	A	COVER - Fuel cell access COVER ASSEMBLY - Fuel cell access, inboard, left	4 1	
-15	40549-03		PLATE ASSEMBLY - Fuel drain valve	2	
-16	40555-00		GASKET - Fuel cell	4	
-17	40558-00		COVER - Fuel cell	2	
-18	40558-02		COVER - Fuel cell	2	
-19	53797-00		ADAPTER - Filler can	2	
-20	40648-02 40648-03		GAUGE ASSEMBLY - Main fuel cell, outboard (6427512) GAUGE ASSEMBLY - Main fuel cell, inboard (6427511)	2 2	
-21	401 307 407 136		BOLT - (AN4-4A) WASHER - (AN936-A416)	48 48	
-22	400 002 407 136		BOLT - (AN4-5A) WASHER - (AN936-A416)	24 24	
-23	407 043 405 312		WASHER - (MS35338-43) HEX NUT - (10-32)	4 4	
-24	415 537		SCREW - (MS35206-247)	2	
-25	411 532 494 063		SCREW - (MS35207-263) WASHER - (3/8 O.D. x 3/16 I.D.)	20 20	
-26	42191-00		PLATE - Fuel cell attachment	2	
-27	414 763		SCREW - (MS24693-S50)	72	
-28	414 779		SCREW - (MS24693-S49)	80	
-29	414 761		SCREW - (MS24693-S48)	48	
-30	415 535		SCREW - (MS35206-245)	12	
-31	454 977		CLAMP - (PS10017-2-16)	2	
-32	42470-00		GASKET - Fuel sender	4	
-33	554 678		CLAMP - (PS10017-23-6)	4	
-34	434 126		GROMMET - (MS35489-4)	4	
-35	492 100		VALVE - Drain (CCA-7450)	2	
-36	492 108		VALVE - Check (366-00N)	2	
-37	42332-00		DECAL Fuel cell quantity, main	2	

When ordering, always specify Part Number, Description and Serial Number of Aircraft

**PIPER PARTS CATALOG**

Figure and Index Number	Part Number	Code	NOMENCLATURE	No. Req.	SERIAL NUMBERS AFFECTED
86-38	453 732		BUSHING - Snap (PS10064-375-4)	44	
-39	554 257		CAP ASSEMBLY - Non-locking (431-139)	2	
	763 388		CAP ASSEMBLY - Locking (431-326-1-3)	2	
-40	755 241		* HANDLE - Fuel tank cap (431-15)	1	
-41	757 313		* PIN - Fuel tank cap (416-9-1)	1	
-42	472 059	B	* RETAINER - (452-16-6)	1	
-43	762 515		* RING - "O" (MS29513-338)	1	
-44	86102-12		BUSHING - Check valve clamp	2	
-45	53983-02		PLACARD - Fuel vent check valve, left	1	
	53983-03		PLACARD - Fuel vent check valve, right	1	
-46	45711-00		TUBE ASSEMBLY - Fuel cell vent	2	
-47	54751-02		PROBE ASSEMBLY - Low level fuel sensor	2	
-48	456 682		DECAL - "Avgas only" (000002)	2	

When ordering, always specify Part Number, Description and Serial Number of Aircraft

# PIPER PARTS CATALOG

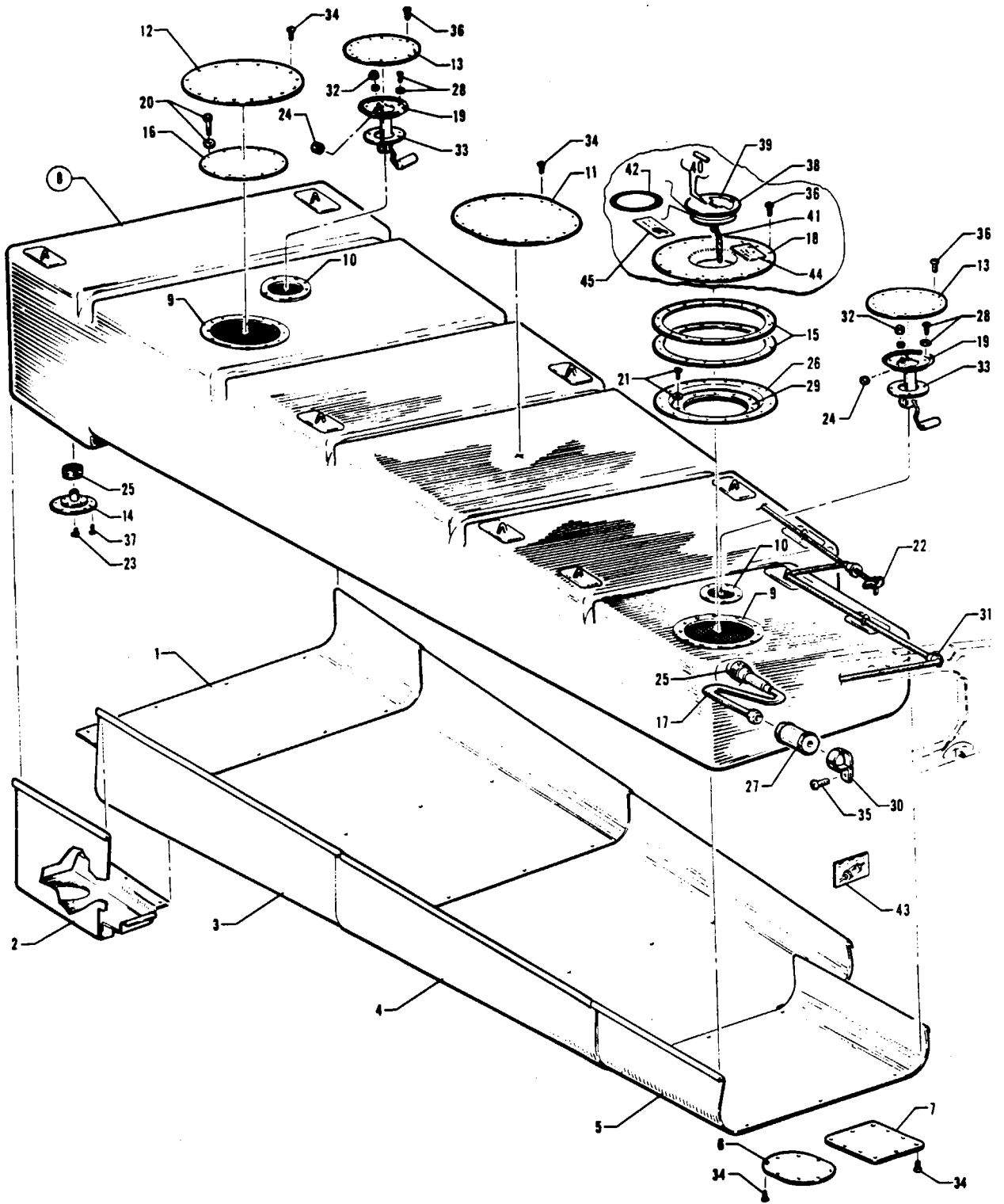


Figure 87 Auxiliary Fuel Cell and Liner Installation

---

# PIPER PARTS CATALOG

---

CODE EXPLANATIONS FOR FIGURE 87

A - Used on non-locking fuel cap only.



**PIPER PARTS CATALOG**

Figure and Index Number	Part Number	Code	NOMENCLATURE	No. Req.	SERIAL NUMBERS AFFECTED
87-	40657 40718		DRAWING - Auxiliary Fuel Cell Installation DRAWING - Auxiliary Fuel Cell Liner Installation		
-1	40538-10 40538-11		LINER - Fuel cell, Sta. 87 to Sta. 97, rear, left LINER - Fuel cell, Sta. 87 to Sta. 97, rear, right	1 1	
-2	40538-12 40538-13		LINER - Fuel cell, Sta. 87 to Sta. 97, front, left LINER - Fuel cell, Sta. 87 to Sta. 97, front, right	1 1	
-3	40538-06 40538-07		LINER - Fuel cell, Sta. 97.5 to Sta. 121.5, left LINER - Fuel cell, Sta. 97.5 to Sta. 121.5, right	1 1	
-4	40538-04 40538-05		LINER - Fuel cell, Sta. 121.5 to Sta. 147.5, left LINER - Fuel cell, Sta. 121.5 to Sta. 147.5, right	1 1	
-5	40538-02 40538-03		LINER - Fuel cell, Sta. 147.5 to Sta. 160.5, left LINER - Fuel cell, Sta. 147.5 to Sta. 160.5, right	1 1	
-6	20370-00		PLATE - Fuel cell access hole cover (5.25" L.)	2	
-7	45544-00		PLATE - Fuel cell access hole cover (6.62" L.)	2	
-8	71027-02 71027-03		FUEL CELL ASSEMBLY - Auxiliary, left FUEL CELL ASSEMBLY - Auxiliary, right	1 1	
-9	755 016		* GASKET - Fuel cell	2	
-10	755 017		* GASKET - Fuel sender unit	2	
-11	40544-02		COVER - Fuel cell access	2	
-12	40545-04		COVER - Fuel cell access	2	
-13	40546-08		COVER - Fuel cell access	4	
-14	40549-03		PLATE ASSEMBLY - Fuel drain valve	2	
-15	40555-00		GASKET - Fuel cell	4	
-16	40558-00		COVER - Fuel cell	2	
-17	40564-00		TUBE ASSEMBLY - Fuel cell vent	2	
-18	53797-00		ADAPTER - Filler cap	1	
-19	40648-04 40648-05		GAUGE ASSEMBLY - Auxiliary fuel cell, outboard (6427514) GAUGE ASSEMBLY - Auxiliary fuel cell, inboard (6427513)	2 2	
-20	401 307 407 136		BOLT - (AN4-4A) WASHER - (AN936-A416)	24 24	
-21	400 002 407 136		BOLT - (AN4-5A) WASHER - (AN936-A416)	24 24	
-22	407 565		WASHER - (AN960-416)	8	
-23	492 100		VALVE - Drain (CCA-7450)	2	
-24	434 126		GROMMET - (MS35489-4)	4	
-25	554 678		CLAMP - (PS10017-23-6)	4	
-26	40524-00		BRACKET ASSEMBLY - Fuel cell filler neck	2	
-27	492 108		VALVE - Check (366-00N)	2	
-28	411 532 494 063		SCREW - (MS35207-263) WASHER - (3/8 O.D. x 3/16 I.D.)	20 20	
-29	42191-00		PLATE - Fuel cell attachment	2	
-30	454 852		CLAMP - (PS10017-2-18)	2	
-31	453 732		BUSHING - (PS10064-375-4)	30	
-32	405 312 407 043		NUT - Hex (10-32) WASHER - (MS35338-43)	4 4	
-33	42470-00		GASKET - Fuel sender	4	
-34	414 761		SCREW - (MS24693-S48)	86	
-35	415 538		SCREW - (MS35206-248)	2	
-36	414 763		SCREW - (MS24693-S50)	72	
-37	415 535		SCREW - (MS35206-245)	12	
-38	554 257 763 388		CAP ASSEMBLY - Non-locking (431-139) CAP ASSEMBLY - Locking (431-326-1-3)	2 2	
-39	755 241		* HANDLE - Fuel tank cap (431-15)	1	

When ordering, always specify Part Number, Description and Serial Number of Aircraft

**PIPER PARTS CATALOG**

Figure and Index Number	Part Number	Code	NOMENCLATURE	No. Req.	SERIAL NUMBERS AFFECTED
87-40	757 313		* PIN - Fuel tank cap (416-9-1)	1	
-41	472 059	A	* RETAINER - (452-16-6)	1	
-42	762 515		* RING - "O" (MS29513-338)	1	
-43	53983-03		PLACARD - Fuel vent check valve, left	1	
	53983-02		PLACARD - Fuel vent check valve, right	1	
-44	42333-00		DECAL - Fuel cell quantity, auxiliary	2	
-45	456 682		DECAL - "Avgas only" (000002)	2	

When ordering, always specify Part Number, Description and Serial Number of Aircraft

# PIPER PARTS CATALOG

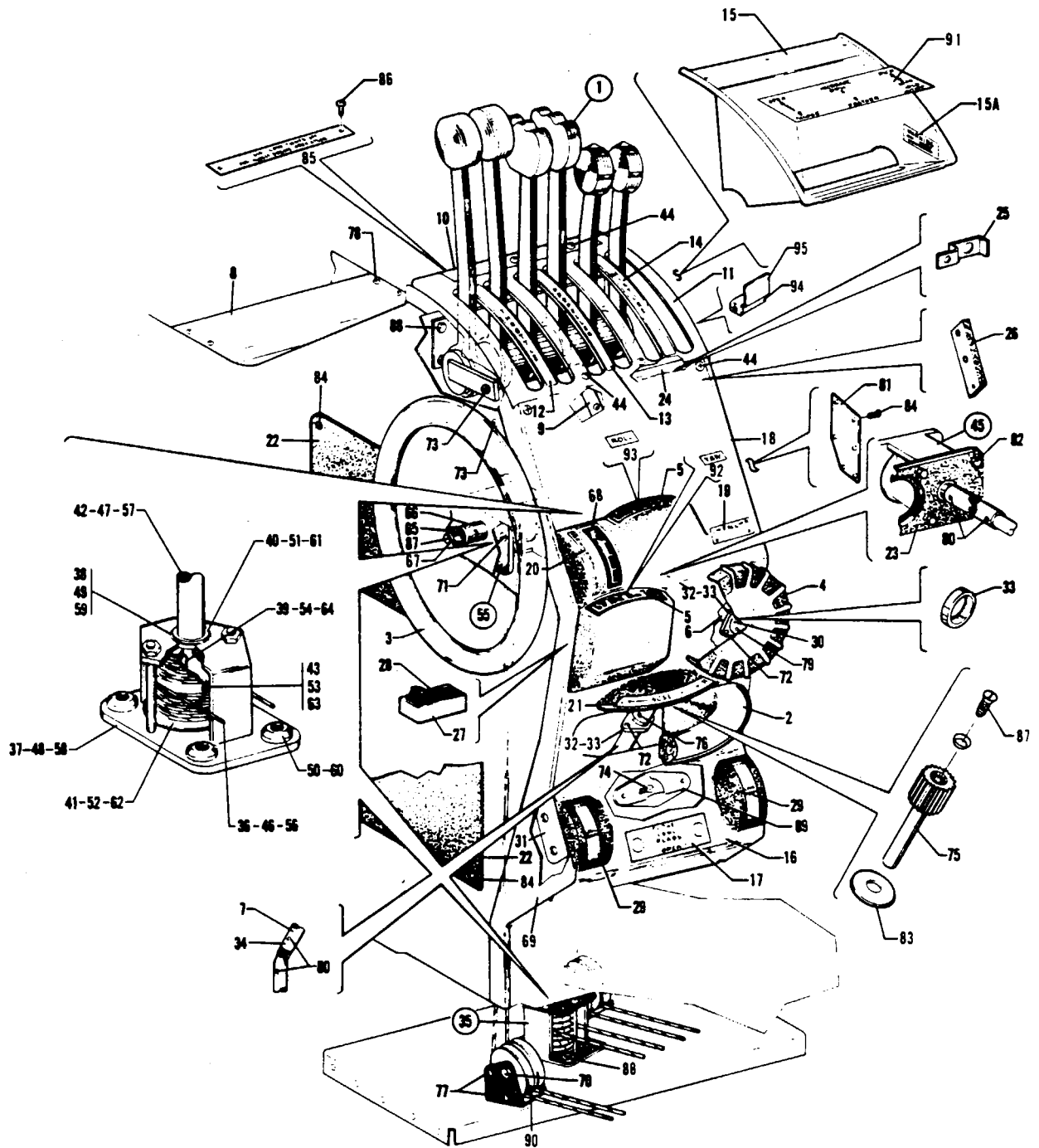


Figure 88. Pedestal Installation

---

# PIPER PARTS CATALOG

---

## CODE EXPLANATIONS FOR FIGURE 88

- A - See Figure 89 for component parts.
- B - Used if King KAP-200 Autopilot is installed.
- C - Used if King KAP-200 Autopilot or King KFC-200 Autopilot or Century 41 Autopilot or Century 41 F/D Autopilot is not installed.
- D - Used if King KAP-200 Autopilot or King KFC-200 Autopilot or Century 41 Autopilot or Century 41 F/D Autopilot is installed.
- E - Used on aircraft that comply with C.A.A. (United Kingdom) requirements.
- F - Used on aircraft that do not comply with C.A.A. (United Kingdom) requirements.
- G - Used if air conditioning is installed.
- H - Used if King KFC-200 F/D Autopilot is installed.

## PIPER PARTS CATALOG

Figure and Index Number	Part Number	Code	NOMENCLATURE	No. Req.	SERIAL NUMBERS AFFECTED
88-	52349		DRAWING - Pedestal Installation		
-1	43438-00	A,C	CONTROL ASSEMBLY - Pedestal	1	
	71112-02	A,D	CONTROL ASSEMBLY - Pedestal	1	
	48072-03	A,B,E	CONTROL ASSEMBLY - Pedestal	1	
	48072-05	A,E,H	CONTROL ASSEMBLY - Pedestal	1	
-2	43750-00		WHEEL ASSEMBLY - Rudder trim control (494 576)	1	
-3	43751-00		WHEEL ASSEMBLY - Elevator trim control (494 577)	1	
-4	43749-00		KNOB ASSEMBLY - Aileron trim control (571 104)	1	
-5	41510-00		INDICATOR - Trim	2	
-6	41523-07		SHAFT - Trim control	1	
-7	41523-08		SHAFT - Trim control	1	
-8	41556-00		CHANNEL ASSEMBLY - Pedestal reinforcement	1	
-9	41459-00	F	CHANNEL ASSEMBLY - Pedestal cover support	2	
-10	53860-02	F	PLATE - Pedestal cover top	1	
-11	53798-00	F	PLATE ASSEMBLY - Pedestal cover face	1	
-12	40583-03	F	* PLACARD - Throttle control	1	
-13	40584-03	F	* PLACARD - Propeller control	1	
-14	40594-03	F	* PLACARD - Mixture control	1	
-15	53757-00	E	COVER ASSEMBLY - Pedestal, front, upper	1	
-15a	48075-00	E	* PLACARD - Quadrant warning (581 748)	2	
-16	53791-00		COVER ASSEMBLY - Bottom pedestal	1	
-17	43183-00		* PLACARD - Cowl flap	1	
-18	53437-04	C	COVER ASSEMBLY - Center pedestal	1	
	53437-06	D	COVER ASSEMBLY - Center pedestal	1	
-19	43185-00		* PLACARD - Trim control, lateral	1	
-20	40579-00		* PLACARD - Trim control, longitudinal	1	
-21	43184-00		* PLACARD - Trim control, directional	1	
-22	41273-00		COVER - Side pedestal	3	
-23	41462-00		BRACKET ASSEMBLY - Trim drum mounting	1	
-24	43186-00		BRACKET ASSEMBLY - Aileron trim indicator	1	
-25	43166-00		* BRACKET - Lamp mounting, trim indicator	2	
-26	42960-00		* STRIP - Spacer	2	
-27	42798-00		BRACKET - Retaining, rudder trim indicator	1	
-28	11473-104		PLATE - Rudder trim indicator	1	
-29	43145-00		INDICATOR - Cowl flap	2	
-30	19513-101		WASHER - Shaft, trim control	1	
-31	43168-00		BRACKET ASSEMBLY - Cowl flap indicator	1	
-32	41477-00		BLOCK ASSEMBLY - Trim controls bearing	2	
-33	452 434		* BEARING - (FF-503-6)	1	
-34	43246-00		JOINT ASSEMBLY - Universal	2	
-35	41395-02		SCREW ASSEMBLY - Rudder trim	1	
-36	41734-30		* CABLE ASSEMBLY - Rudder trim	1	
-37	40035-03		* BRACKET ASSEMBLY - Rudder trim drum support	1	
-38	452 381		* * BEARING - (FF-609-1)	2	
-39	17089-00		* PIN - Cable, rudder trim	1	
-40	41393-00		* BUSHING - Rudder trim drum	1	
-41	41394-00		* DRUM - Rudder trim	1	
-42	41523-05		* SHAFT - Rudder trim	1	
-43	480 711		* PIN - Roll (59-040-187-1375)	1	
-44	515 738		SCREW - (AN526-632R6) Dull black nickel	15	
-45	41396-04		SCREW ASSEMBLY - Aileron trim	1	
-46	41734-26		* CABLE ASSEMBLY - Aileron trim	1	
-47	41523-03		* SHAFT - Aileron trim	1	
-48	40035-00		* BRACKET ASSEMBLY - Aileron trim	1	
-49	452 381		* * BEARING - (FF-609-1)	2	
-50	477 684		* * NUT - Spline (22ND8-02)	4	
-51	41393-00		* BUSHING - Aileron trim	1	

When ordering, always specify Part Number, Description and Serial Number of Aircraft

**PIPER PARTS CATALOG**

Figure and Index Number	Part Number	Code	NOMENCLATURE	No. Req.	SERIAL NUMBERS AFFECTED
88-52	41394-00		* DRUM - Aileron trim	1	
-53	480 711		* PIN - Roll (59-040-187-1375)	1	
-54	17089-00		* PIN - Cable, aileron trim	1	
-55	52067-02		SCREW ASSEMBLY - Elevator trim	1	
-56	41734-76		* CABLE ASSEMBLY - Elevator trim	1	
-57	41523-06		* SHAFT - Elevator trim	1	
-58	40035-00		* BRACKET ASSEMBLY - Elevator trim	1	
-59	452 381		* * BEARING - (FF-609-1)	2	
-60	477 684		* * NUT - Spline (22ND8-02)	4	
-61	41393-00		* BUSHING - Elevator trim	1	
-62	41394-00		* DRUM - Elevator trim	1	
-63	480 711		* PIN - Roll (59-040-187-1375)	1	
-64	17089-00		* PIN - Cable, elevator trim	1	
-65	42379-00		* SHAFT - Trim wheel attachment	1	
-66	480 729		* PIN - Roll (59-028-125-0375)	1	
-67	49979-02		* WASHER - Spacer (494 195)	1	
-68	53444-00		INDICATOR - Elevator trim (550 461)	1	
-69	52347-00	F	COVER - Side pedestal, left	1	
	52347-01	F	COVER - Side pedestal, right	1	
	53793-02	E	COVER - Side pedestal, left	1	
	53793-03	E	COVER - Side pedestal, right	1	
-70	400 008		BOLT - (AN4-13A)	2	
	407 565		WASHER - (AN960-416)	2	
	404 888		NUT - (MS20365-428C)	2	
-71	510 239		SCREW - (AN509-10R6) Dull black nickel	4	
	404 887		NUT - (MS20365-1032C)	4	
-72	414 748		SCREW - (MS24693-S28)	4	
	404 887		NUT - (MS20365-1032C)	4	
-73	514 748		SCREW - (MS24693-S28) Dull black nickel	10	
-74	515 739		SCREW - (AN526-632R6) Dull black nickel	2	
-75	42379-00		SHAFT - Trim wheel attachment	1	
-76	480 729		PIN - Roll (59-028-125-0375)	1	
-77	424 510		PIN - (NAS427-K16)	3	
-78	411 532		SCREW - (MS35207-263)	2	
	407 562		WASHER - (AN960-10)	2	
-79	480 731		PIN - Roll (59-028-125-0750)	1	
-80	480 705		PIN - Roll (59-028-125-0500)	4	
-81	43623-00		COVER - Pedestal, right side	1	
-82	400 437		BOLT - (AN3-3A)	4	
	407 584		WASHER - (AN960-10L)	4	
-83	49979-02		WASHER - Spacer (494 195)	1	
-84	514 747		SCREW - (AN507-632R6) Dull black nickel	14	
-85	52141-00	G	PLACARD - Air conditioning	1	
-86	415 493	G	SCREW - (MS35206-228)	2	
-87	414 763		SCREW - (MS24693-S50)	2	
	494 081		WASHER - (A3135-017-1)	2	
-88	400 438		BOLT - (AN3-4A)	7	
-89	52351-00		RECEPTACLE ASSEMBLY - Fuel control light	1	
-90	481 626		PULLEY - Aileron and elevator trim (MS20219-2)	4	
-91	48052-00	E	PLACARD - Throttle quadrant (581 746)	1	
-92	53769-00	E	PLACARD - Yaw	1	
-93	53770-00	E	PLACARD - Roll	1	
-94	71052-02		POTENTIOMETER ASSEMBLY - Trim indicators	2	
-95	71054-02		BRACKET - Potentiometer assembly	1	

When ordering, always specify Part Number, Description and Serial Number of Aircraft

# PIPER PARTS CATALOG

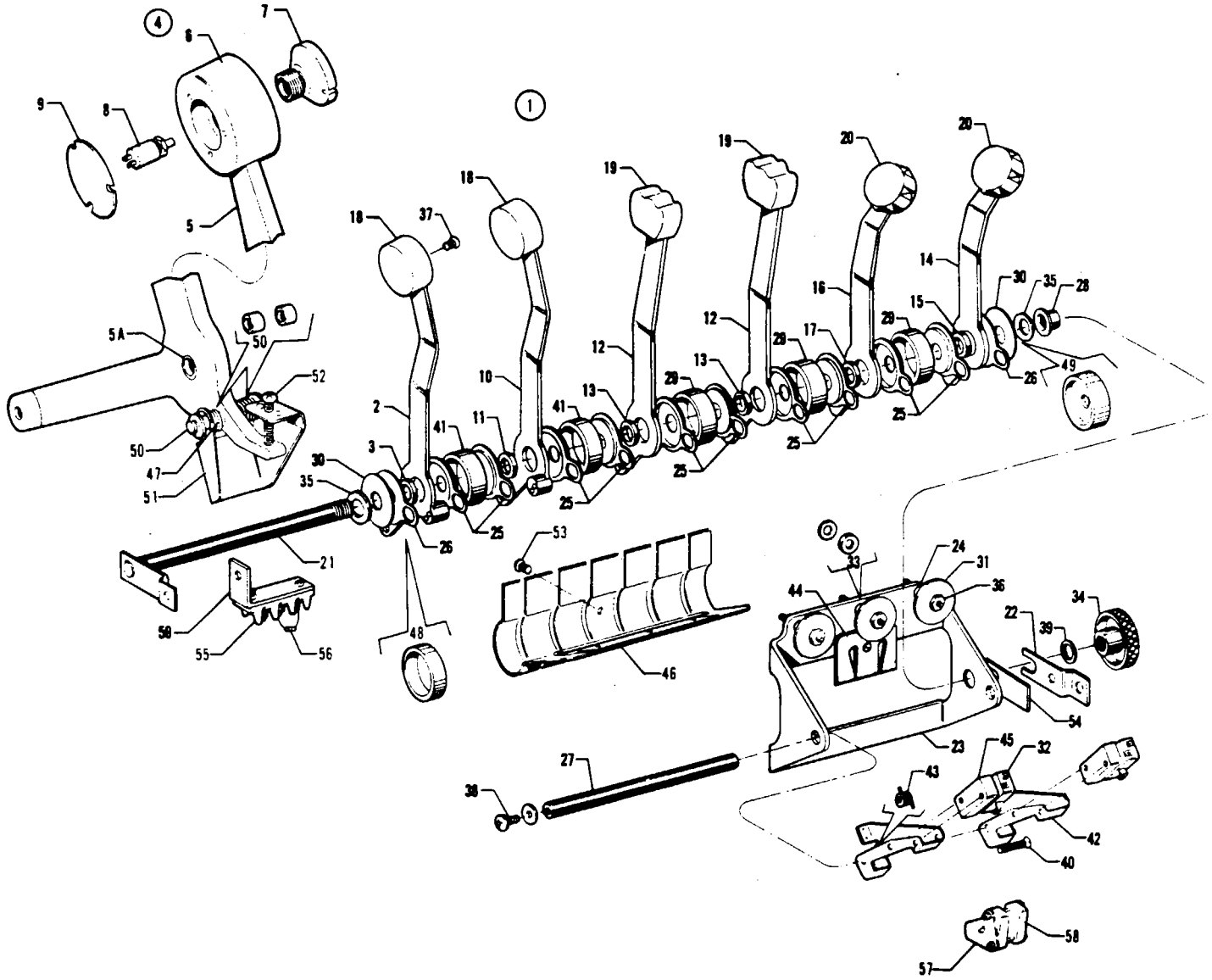


Figure 89. Pedestal Control Assembly

---

# PIPER PARTS CATALOG

---

## CODE EXPLANATIONS FOR FIGURE 89

- A - Used if King KAP-200 or King KFC-200 Autopilot or Century 41 Autopilot or Century 41 F/D Autopilot is not installed.
- B - Used if King KAP-200 or King KFC-200 Autopilot or Century 41 Autopilot or Century 41 F/D Autopilot is installed.
- C - Used on aircraft that comply with C.A.A. (United Kingdom) requirements.
- D - Used if King KFC-200 Autopilot F/D is installed.
- E - Used if King KAP-200 Autopilot is installed.



PIPER PARTS CATALOG

Figure and Index Number	Part Number	Code	NOMENCLATURE	No. Req.	SERIAL NUMBERS AFFECTED
89-1	43438-00	A	CONTROL ASSEMBLY - Pedestal	1	
	71112-02	B	CONTROL ASSEMBLY - Pedestal	1	
	48072-03	C,E	CONTROL ASSEMBLY - Pedestal	1	
	48072-05	C,D	CONTROL ASSEMBLY - Pedestal	1	
-2	43454-00	A	* LEVER ASSEMBLY - Throttle	1	
	48045-00	A,C	* LEVER ASSEMBLY - Throttle	1	
-3	452 359		* * BEARING - (A-306-11)	1	
-4	52024-02	B,C	* LEVER ASSEMBLY - Throttle (complete)	1	
	71042-02	B	* LEVER ASSEMBLY - Throttle (complete)	1	
	71042-03	C,D	* LEVER ASSEMBLY - Throttle (complete)	1	
-5	43454-06		* * LEVER ASSEMBLY - Throttle	1	
	48045-06	C	* * LEVER ASSEMBLY - Throttle	1	
-5a	452 359		* * * BEARING - (A-306-11)	1	
-6	52017-00		* * KNOB - Throttle control and switch housing	1	
-7	52020-00		* * GUARD - Switch	1	
-8	487 904	B,C	* * SWITCH - "Go Around" (39-1)	1	
-9	52018-00		* DISC - Throttle control knob	1	
-10	43454-02		* LEVER ASSEMBLY - Throttle	1	
	48045-02	C	* LEVER ASSEMBLY - Throttle	1	
-11	452 359		* * BEARING - (A-306-11)	1	
-12	71594-02		* LEVER ASSEMBLY - Propeller control	2	
-13	452 359		* * BEARING - (A-306-11)	2	
-14	41476-00		* LEVER ASSEMBLY - Mixture control	1	
-15	452 359		* * BEARING - (A-306-11)	1	
-16	41476-02		* LEVER ASSEMBLY - Mixture control	1	
-17	452 359		* * BEARING - (A-306-11)	1	
-18	41415-00		* KNOB - Throttle control	2	
-19	41416-00		* KNOB - Propeller control	2	
-20	41417-00		* KNOB - Mixture control	2	
-21	41526-00		* SHAFT ASSEMBLY - Pedestal controls	1	
	48049-00	C	* SHAFT ASSEMBLY - Pedestal controls	1	
-22	41525-00		* BRACKET - Pedestal control shaft	1	
-23	40891-00		* BRACKET ASSEMBLY - Engine control lever	1	
	48042-00	C	* BRACKET ASSEMBLY - Engine control lever	1	
-24	19936-00		* STUD - Control lever stop	3	
-25	17852-02		* PLATE - Friction, pedestal controls	10	
-26	17852-03		* PLATE - Friction, pedestal controls	2	
	17852-02	C	* PLATE - Friction, pedestal controls	2	
-27	17850-00		* TUBE - Pedestal control keeper	1	
	17850-03	C	* TUBE - Pedestal control keeper	1	
-28	17848-00		* BEARING - Pedestal control shaft	1	
	17848-03	C	* BEARING - Pedestal control shaft	1	
-29	14175-37		* BUSHING - Pedestal controls	3	
-30	81342-68		* WASHER - Pedestal controls	2	
-31	81342-100		* WASHER - Pedestal controls	3	
-32	487 940		* SWITCH - (MS25253-2)	2	
-33	404 224		* NUT - (AN315-3R)	1	
	407 584		* WASHER - (AN960-10L)	1	
-34	471 044		* KNOB - Black (646) pedestal shaft assembly	1	
-35	408 833		* WASHER - Shakeproof (3702-18-29-2514)	2	
-36	404 224		* NUT - (AN315-3R)	3	
-37	414 779		* SCREW - (MS24693-S49)	6	
-38	411 532		* SCREW - (MS35207-263)	2	
	407 043		* WASHER - (MS35338-43)	1	
	416 785	C	* SCREW - (MS24693-S272)	2	
	407 129	C	* WASHER - (AN936-D10)	2	

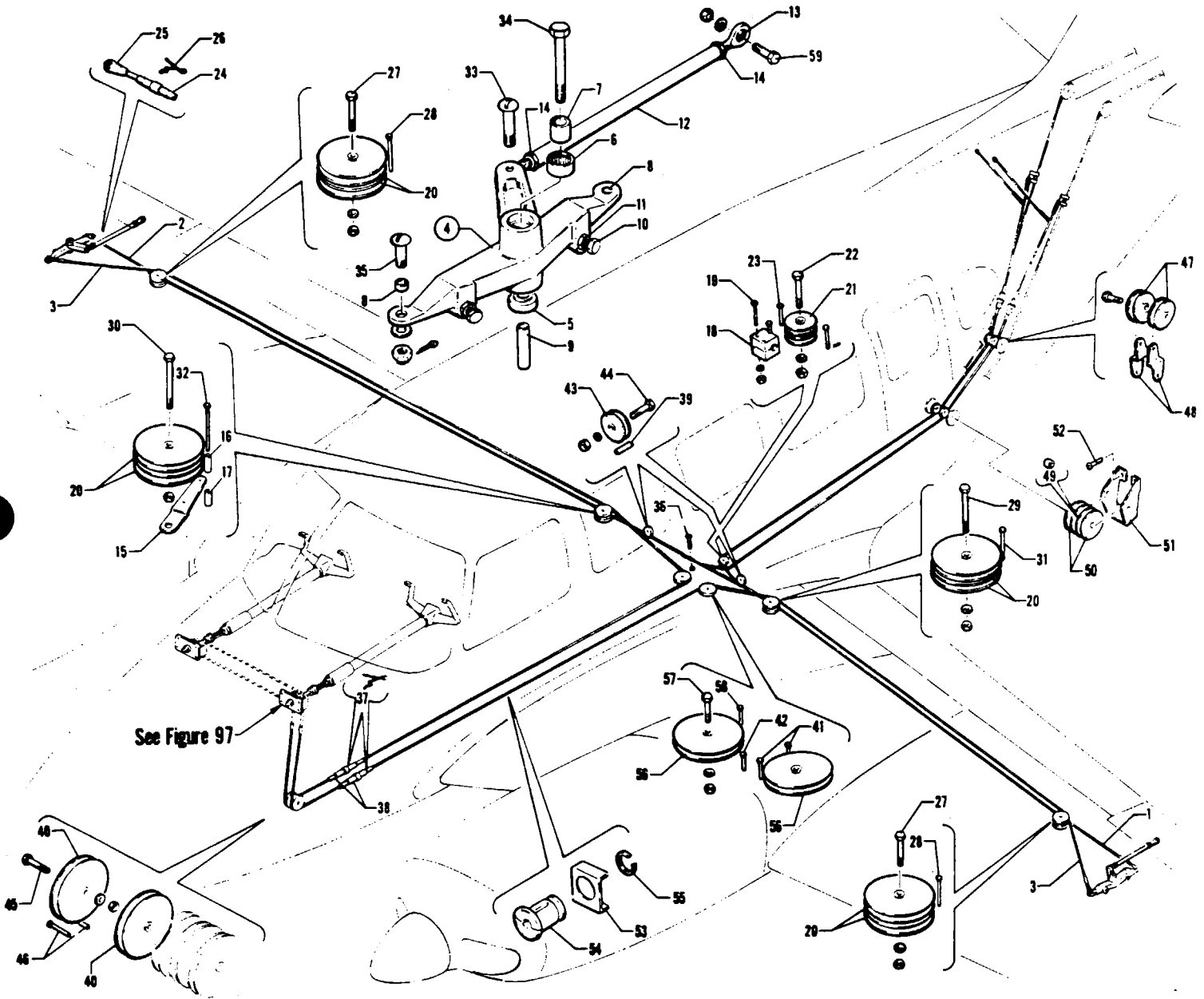
When ordering, always specify Part Number, Description and Serial Number of Aircraft

**PIPER PARTS CATALOG**

Figure and Index Number	Part Number	Code	NOMENCLATURE	No. Req.	SERIAL NUMBERS AFFECTED
89-39	407 566		* WASHER - (AN960-516)	1	
-40	414 705		* SCREW - (MS24693-S11)	4	
	406 638		* NUT - Hex (H10-04)	4	
-41	43455-00		* BUSHING - Pedestal controls	2	
	14175-37	C	* BUSHING - Pedestal controls	2	
-42	43435-00		* BRACKET ASSEMBLY - Throttle switch, left	1	
	43435-02		* BRACKET ASSEMBLY - Throttle switch, right	1	
-43	43457-00		* SPRING - Throttle switch	2	
-44	71599-02		* PLATE ASSEMBLY - Friction	1	
-45	43981-00		* BLOCK - Spacer	2	
-46	48043-00	C	* COVER ASSEMBLY - Control lever	1	
-47	48048-00	C	* SPRING - Throttle switch	2	
-48	49982-13	C	* BUSHING - Pedestal control shaft, left	1	
-49	43455-03	C	* BUSHING - Pedestal control shaft, right	1	
-50	415 539	C	* SCREW - (MS35206-249)	2	
	80012-57	C	* BUSHING	4	
	404 833	C	* NUT - (MS20364-832C)	2	
-51	48050-00	C	* BRACKET ASSEMBLY - Throttle switch	2	
-52	415 522	C	* SCREW - (MS35206-232)	1	
-53	419 927		* SCREW - (4 x 1/4 L., Type "A")	2	
-54	54214-02		* SHIM - Control assembly (.020 thick)	AR	
	54214-03		* SHIM - Control assembly (.040 thick)	AR	
-55	488 421		BLOCK - Terminal (MS27212-1-3)	1	
-56	44040-00		DIODE ASSEMBLY - Throttle switch	1	
-57	48041-00	C	BRACKET - Micro switch	1	
-58	487 940	C	SWITCH - Micro (MS25253-3)	2	
-59	43456-00		BRACKET ASSEMBLY - Terminal block mounting	1	

When ordering, always specify Part Number, Description and Serial Number of Aircraft

PIPER PARTS CATALOG



See Figure 97

Figure 90. Aileron Control Installation

---

# PIPER PARTS CATALOG

CODE EXPLANATIONS FOR FIGURE 90

**PIPER PARTS CATALOG**

Figure and Index Number	Part Number	Code	NOMENCLATURE	No. Req.	SERIAL NUMBERS AFFECTED
90-	41963 41565		DRAWING - Control System Installation DRAWING - Aileron Installation		
-1	74034-02		CABLE ASSEMBLY - Aileron balance, left	1	
-2	74035-02		CABLE ASSEMBLY - Aileron balance, right	1	
-3	41754-06		CABLE ASSEMBLY - Control, aileron, left	1	
	41754-07		CABLE ASSEMBLY - Control, aileron, right	1	
-4	40339-00		BELLCRANK ASSEMBLY - Aileron, left (452 432)	1	
	40339-01		BELLCRANK ASSEMBLY - Aileron, right (452 433)	1	
-5	452 344		* BEARING - (5035)	1	
-6	452 361		* BEARING - (B-86)	1	
-7	452 362		* BEARING - Race (1RA-5)	1	
-8	80022-74		* BUSHING - Aileron bellcrank	2	
-9	80022-87		* BUSHING - Aileron bellcrank	1	
-10	71698-02		* SCREW - Special	2	
-11	405 580		* NUT - Hex (1/4-20NC-3) cadmium plated	2	
-12	40599-03		ROD ASSEMBLY - Aileron control	2	
-13	24166-02		* BEARING ASSEMBLY - Rod, aileron control	2	
-14	404 322		* NUT - (AN316-4R)	2	
-15	40494-00		GUARD - Aileron pulley, right	1	
-16	42571-04		BUSHING - Pulley, right, Sta. 30	1	
-17	42571-05		BUSHING - Pulley, right, Sta. 30	1	
-18	42337-00		FAIRLEAD - Aileron balance cable	2	
-19	415 633		SCREW - (MS35206-333)	2	
	407 563		WASHER - (AN960-8)	2	
	404 910		NUT - (MS20365-832C)	2	
-20	481 627		PULLEY - Control cable (MS24566-4B)	8	
-21	481 626		PULLEY - (MS20219-2)	2	
-22	400 008		BOLT - (AN4-13A)	1	
	407 565		WASHER - (AN960-416)	1	
	404 888		NUT - (MS20365-428C)	1	
-23	424 154		PIN - (MS20392-1C33)	3	
	424 051		COTTER PIN - (MS24665-132)	3	
-24	452 011		BARREL - Turnbuckle (NAS649-B32S)	4	
-25	461 133		FORK - Turnbuckle (NAS645-32RS)	4	
-26	454 867		CLIP - Turnbuckle locking (NAS651-16S)	8	
-27	400 009		BOLT - (AN4-14A)	2	
	407 565		WASHER - (AN960-416)	2	
	404 888		NUT - (MS20365-428C)	2	
-28	424 514		PIN - (NAS427-K20)	2	
-29	400 008		BOLT - (AN4-13A)	1	
	407 565		WASHER - (AN960-416)	1	
	404 888		NUT - (MS20365-428C)	1	
-30	400 016		BOLT - (AN4-23A)	1	
	404 888		NUT - (MS20365-428C)	1	
-31	424 512		PIN - (NAS427-K18)	1	
-32	424 527		PIN - (NAS427-K32)	1	
-33	402 303		BOLT - (AN174-11)	2	
	407 565		WASHER - (AN960-416) (under nut)	4	
	404 393		NUT - (AN320-4)	2	
	424 051		COTTER PIN - (MS24665-132)	2	
-34	401 366		BOLT - (AN5-27A)	2	
	407 566		WASHER - (AN960-516)	2	
-35	400 700		BOLT - (AN24-13)	4	
	407 585		WASHER - (AN960-416L)	4	
	404 393		NUT - (AN320-4)	4	
	424 051		COTTER PIN - (MS24665-132)	4	

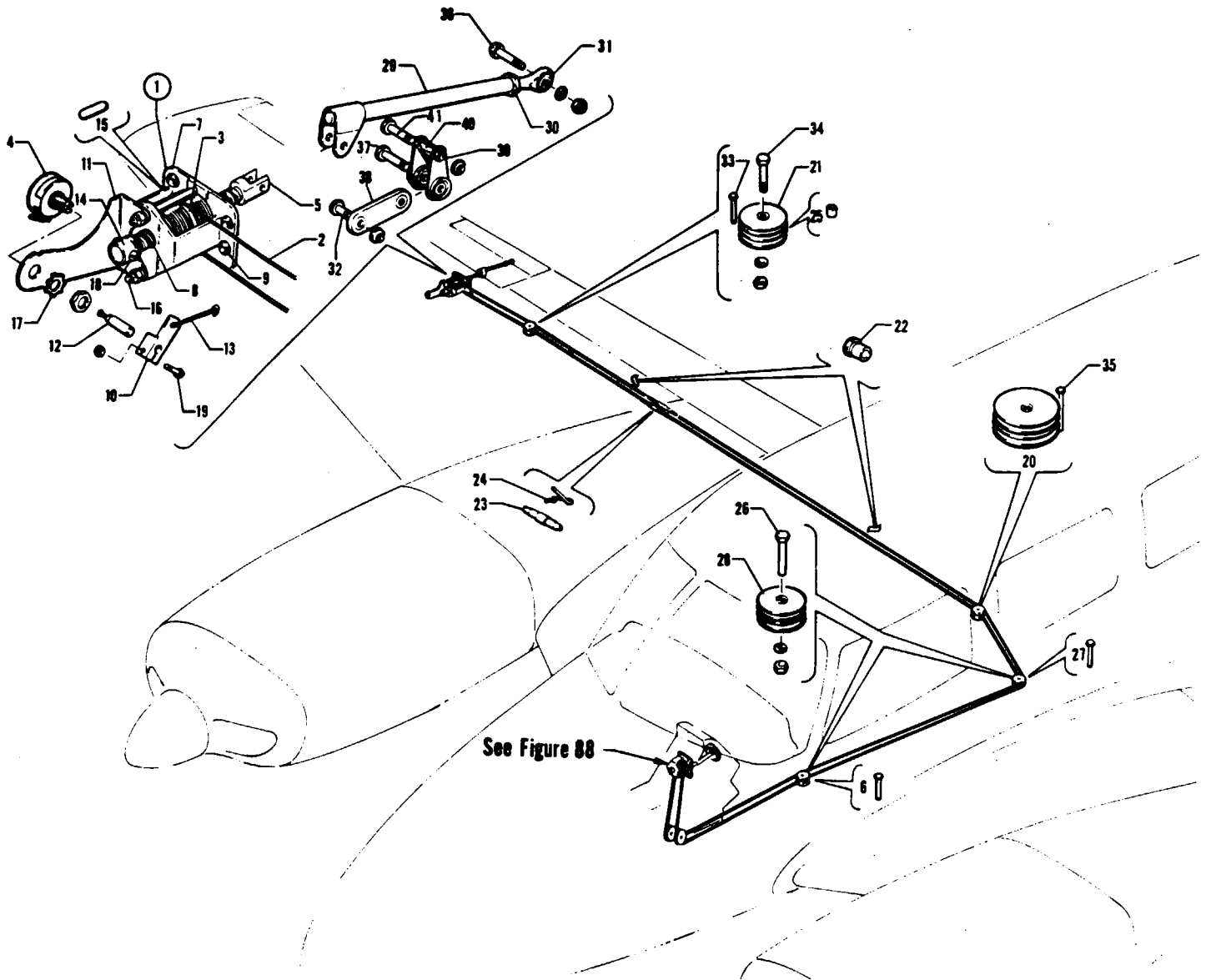
When ordering, always specify Part Number, Description and Serial Number of Aircraft

## PIPER PARTS CATALOG

Figure and Index Number	Part Number	Code	NOMENCLATURE	No. Req.	SERIAL NUMBERS AFFECTED
90-36	400 673		BOLT - (AN23-11)	1	
	404 392		NUT - (AN320-3)	1	
-37	454 867		CLIP - Turnbuckle (NAS651-16S)	4	
-38	452 011		BARREL - Turnbuckle (NAS649B-32S)	2	
-39	424 506		PIN - (NAS427-K12)	2	
-40	481 627		PULLEY - (MS24566-4B)	2	
-41	424 508		PIN - (NAS427-K14)	2	
-42	424 510		PIN - (NAS427-K16)	1	
-43	481 651		PULLEY - (MS20220-1)	2	
-44	401 189		BOLT - (AN5-11A)	2	
	407 566		WASHER - (AN960-516)	2	
	404 837		NUT - (MS20364-524C)	2	
-45	401 310		BOLT - (AN4-10A)	1	
	407 565		WASHER - (AN960-416)	1	
	404 836		NUT - (MS20364-428C)	1	
-46	424 507		PIN - (NAS427-K13)	2	
-47	481 626		PULLEY - (MS20219-2)	2	
-48	41451-00		BRACKET ASSEMBLY - Cable pulley, left, Sta. 274	1	
	41451-01		BRACKET ASSEMBLY - Cable pulley, right, Sta. 274	1	
-49	41413-30		BUSHING - Spacer, aileron cable pulley	1	
-50	481 626		PULLEY - (MS20219-2)	2	
-51	41449-00		GUARD - Cable pulley, Sta. 244	1	
-52	415 518		SCREW - (MS35206-228)	2	
-53	11151-02		BRACKET - Fairlead	2	
-54	40701-03		SEGMENT - Cable fairlead	4	
-55	40081-00		RING - Snap, fairlead	2	
-56	481 627		PULLEY - (MS24566-4B)	2	
-57	401 310		BOLT - (AN4-10A)	2	
	407 565		WASHER - (AN960-416)	2	
	404 836		NUT - (MS20364-428C)	2	
-58	424 507		PIN - (NAS427-K13)	1	
-59	402 317		BOLT - (AN174-11A)	2	
	407 565		WASHER - (AN960-416)	2	
	404 888		NUT - (MS20365-428C)	2	

When ordering, always specify Part Number, Description and Serial Number of Aircraft

# PIPER PARTS CATALOG



See Figure 88

Figure 91. Aileron Trim Installation

---

# PIPER PARTS CATALOG

---

CODE EXPLANATIONS FOR FIGURE 91



**PIPER PARTS CATALOG**

Figure and Index Number	Part Number	Code	NOMENCLATURE	No. Req.	SERIAL NUMBERS AFFECTED
91-	41565 41716		DRAWING - Aileron Installation DRAWING - Trim Tab System Installation		
-1	48809-03		SCREW ASSEMBLY - Aileron trim tab, right	1	
-2	41734-02		* CABLE ASSEMBLY - Aileron trim	1	
-3	17088-00		* DRUM - Trim tab	1	
-4	41229-00		* RHEOSTAT ASSEMBLY - Trim tab	1	
-5	51271-02		* SCREW - Aileron trim tab	1	
-6	424 505		* PIN - (NAS427-K11)	1	
-7	40035-00		* BRACKET ASSEMBLY - Trim drum support	1	
-8	452 381		* * BEARING - (FF-609-1)	2	
-9	477 684		* * NUT - Spline (22ND8-02)	4	
-10	42785-06		* ARM - Trim rheostat actuator	1	
-11	40928-00		* BRACKET - Trim tab rheostat	1	
-12	40958-00		* SHAFT - Trim tab rheostat	1	
-13	40930-02		* ROD - Trim tab screw	1	
-14	48437-02		* BUSHING - Trim tab screw stop ( .66 L.)	1	
-15	17089-00		* PIN - Aileron trim cable	1	
-16	410 253		* SCREW - (AN509-8R-38)	2	
	407 563		* WASHER - (AN960-8)	2	
	404 910		* NUT - (MS20365-832C)	2	
-17	407 143		* WASHER - (AN936-B616)	1	
-18	400 868		* BOLT - Clevis (AN23-16A)	2	
	404 887		* NUT - (MS20365-1032C)	2	
-19	416 094		* BOLT - (AN500-6-12)	1	
	404 909		* NUT - (MS20365-632C)	1	
-20	481 626		PULLEY - Sta. 30, right (MS20219-2)	2	
-21	481 640		PULLEY - Aileron cable (MS24566-1B)	2	
-22	453 732		BUSHING - Snap (PS10064-375-4)	4	
-23	452 015		BARREL - Turnbuckle (NAS649-B8S)	2	
-24	454 867		CLIP - Turnbuckle locking (NAS651-16S)	4	
-25	80022-113		BUSHING - Aileron tab control	1	
-26	401 269		BOLT - (AN3-10A)	2	
	407 564		WASHER - (AN960-10)	2	
	404 835		NUT - (MS20364-1032C)	2	
-27	424 506		PIN - (NAS427-K12)	1	
-28	481 640		PULLEY - (MS24566-1B)	4	
-29	41859-08		TUBE ASSEMBLY - Aileron tab control, right	1	
-30	404 322		* NUT - (AN316-4R)	1	
-31	452 357		* BEARING - Aileron tab control (M34-14)	1	
-32	401 269		BOLT - (AN3-10A)	1	
	404 887		NUT - (MS20365-1032C)	1	
-33	424 513		PIN - (NAS427-K19)	1	
-34	400 444		BOLT - (AN3-13A)	1	
	407 564		WASHER - (AN960-10)	1	
	404 887		NUT - (MS20365-1032C)	1	
-35	424 510		PIN - (NAS427-K16)	1	
-36	400 441		BOLT - (AN3-7A)	1	
	407 564		WASHER - (AN960-10)	1	
	404 887		NUT - (MS20365-1032C)	1	
-37	400 450		BOLT - (AN3-17A)	1	
	407 800		WASHER - (AN970-3)	2	31-8253001 to 31-8253009 incl.
	407 564		WASHER - (AN960-10)	2	31-8253010 and up
	404 887		NUT - (MS20365-1032C)	1	

When ordering, always specify Part Number, Description and Serial Number of Aircraft

PIPER PARTS CATALOG

Figure and Index Number	Part Number	Code	NOMENCLATURE	No. Req.	SERIAL NUMBERS AFFECTED
91-38	48807-02		LINK ASSEMBLY - Aileron tab control, right	1	31-8253001 to 31-8253009 incl.
	72858-02		LINK ASSEMBLY - Aileron tab control, right	1	31-8253010 and up
-39	48808-02		LINK ASSEMBLY - Aileron tab idler, right	1	
-40	29999-21		BUSHING - Aileron link assembly, right	1	
-41	400 450		BOLT - (AN3-17A)	1	
	404 887		NUT - (MS20365-1032C)	1	

When ordering, always specify Part Number, Description and Serial Number of Aircraft

# PIPER PARTS CATALOG

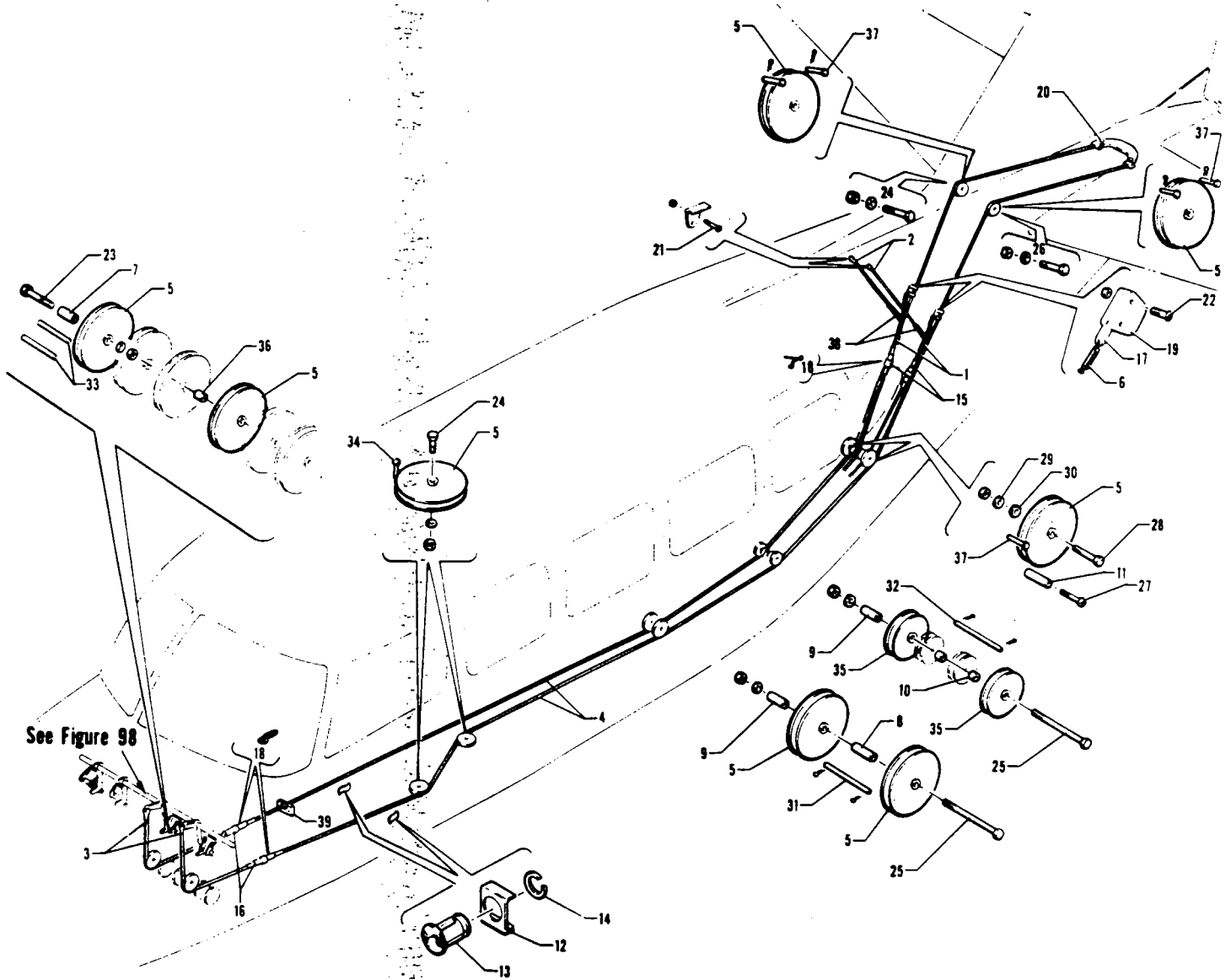


Figure 92. Rudder Control Installation

---

# PIPER PARTS CATALOG

---

CODE EXPLANATIONS FOR FIGURE 92

**PIPER PARTS CATALOG**

Figure and Index Number	Part Number	Code	NOMENCLATURE	No. Req.	SERIAL NUMBERS AFFECTED
92-	41963		DRAWING - Control System Installation		
-1	24631-07		CABLE ASSEMBLY - Connector, rudder cable support, left	1	
	24631-08		CABLE ASSEMBLY - Connector, rudder cable support, right	1	
-2	41925-00		CABLE ASSEMBLY - Support, rudder cable, left	1	
	41925-02		CABLE ASSEMBLY - Support, rudder cable, right	1	
-3	41947-03		CABLE ASSEMBLY - Rudder control, forward	2	
-4	41953-03		CABLE ASSEMBLY - Rudder control, left rear	1	
	41953-04		CABLE ASSEMBLY - Rudder control, right rear	1	
-5	481 627		PULLEY - (MS24566-4B)	10	
-6	24629-00		SPRING - Control cable connector	2	
-7	41413-11		BUSHING - Spacer, rudder cable pulley	1	
-8	41413-20		BUSHING - Spacer, rudder cable pulley	1	
-9	41413-21		BUSHING - Spacer, rudder cable pulley	2	
-10	41413-29		BUSHING - Spacer, rudder cable pulley	1	
-11	41413-31		BUSHING - Spacer, rudder cable pulley	2	
-12	11151-02		BRACKET - Fairlead	2	
-13	40701-03		SEGMENT - Cable fairlead	4	
-14	40081-00		RING - Snap, fairlead	2	
-15	452 015		BARREL - Turnbuckle (NAS649B-8S)	2	
-16	452 011		BARREL - Turnbuckle (NAS649B-32S)	2	
-17	52168-00		PLATE - Cable attachment (1.29 L)	2	
	52168-03		PLATE - Cable attachment (2.00 L)	2	
-18	454 867		CLIP - Turnbuckle (NAS651-16S)	4	
-19	52167-00		PLATE - Cable attachment	4	
-20	400 675		BOLT - (AN23-13)	2	
	407 564		WASHER - (AN960-10)	2	
	404 392		NUT - (AN320-3)	2	
	424 051		COTTER PIN - (MS24665-132)	2	
-21	415 518		SCREW - (MS35206-228)	4	
	404 829		NUT - (MS20364-632C)	4	
-22	415 521		SCREW - (MS35206-231)	4	
	404 909		NUT - (MS20365-632C)	4	
-23	400 012		BOLT - (AN4-17A)	1	
	407 565		WASHER - (AN960-416)	1	
	404 836		NUT - (MS20364-428C)	1	
-24	401 310		BOLT - (AN4-10A)	3	
	407 565		WASHER - (AN960-416)	3	
	404 836		NUT - (MS20364-428C)	3	
-25	401 334		BOLT - (AN4-36A)	2	
	407 565		WASHER - (AN960-416)	2	
	404 836		NUT - (MS20364-428C)	2	
-26	401 311		BOLT - (AN4-11A)	1	
	407 565		WASHER - (AN960-416)	2	
	404 836		NUT - (MS20364-428C)	1	
-27	415 514		SCREW - (MS35206-234)	1	
-28	400 009		BOLT - (AN4-14A) Inboard	1	
	400 912		BOLT - (AN24-22A) Outboard	1	
	407 565		WASHER - (AN960-416)	2	
	404 836		NUT - (MS20364-428C)	2	
-29	407 565		WASHER - (AN960-416)	2	
-30	407 585		WASHER - (AN960-416L)	2	
-31	41576-02		PIN - Rudder cable guard, forward	1	
	424 051		COTTER PIN - (MS24665-132)	2	
-32	41576-03		PIN - Rudder cable guard, rear	1	
	424 051		COTTER PIN - (MS24665-132)	2	
-33	424 522		PIN - (NAS427-K27)	2	

When ordering, always specify Part Number, Description and Serial Number of Aircraft

**PIPER PARTS CATALOG**

Figure and Index Number	Part Number	Code	NOMENCLATURE	No. Req.	SERIAL NUMBERS AFFECTED
92-34	424 149		PIN - (MS20392-1C25)	2	
	424 051		COTTER PIN - (MS24665-132)	2	
-35	41001-03		PULLEY - Control cable	2	
-36	41413-10		BUSHING - Spacer, elevator cable pulley	1	
-37	424 507		PIN - (NAS427-K13)	6	
-38	487 291		SPRING - Cable (180C 2 1/2)	4	
-39	44188-00		BLOCK - Deflector	1	

When ordering, always specify Part Number, Description and Serial Number of Aircraft

# PIPER PARTS CATALOG

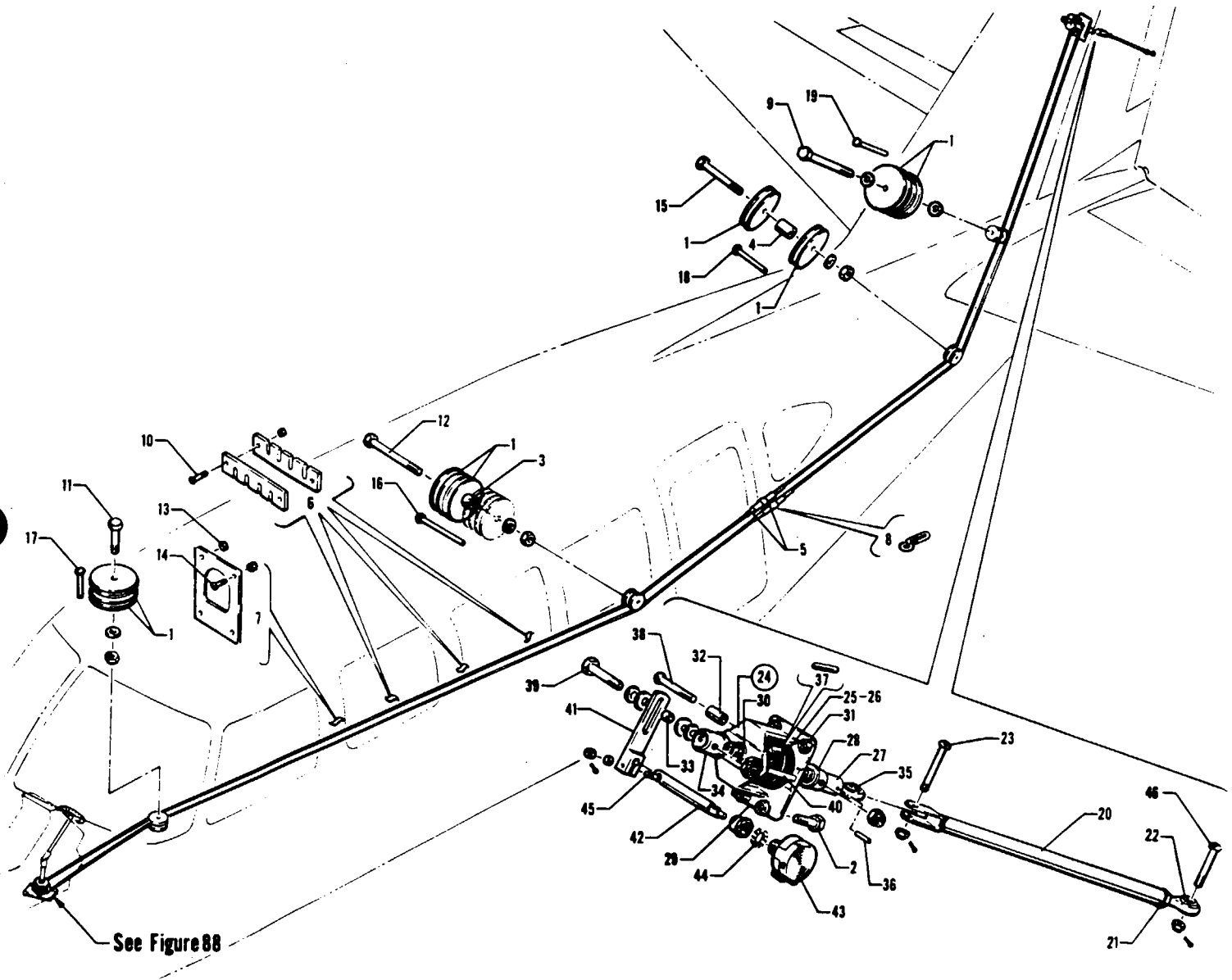


Figure 93. Rudder Trim Installation

---

# PIPER PARTS CATALOG

---

CODE EXPLANATIONS FOR FIGURE 93

A - Component part of Fin Assembly.



**PIPER PARTS CATALOG**

Figure and Index Number	Part Number	Code	NOMENCLATURE	No. Req.	SERIAL NUMBERS AFFECTED
93-	41716		DRAWING - Trim Tab System Installation		
-1	481 640	A	PULLEY - (MS24566-1B)	8	
-2	401 266		BOLT - (AN3-5A)	4	
-3	41413-17		BUSHING - Spacer, rudder trim pulley	1	
-4	41413-19		BUSHING - Spacer, rudder trim pulley	1	
-5	452 015		BARREL - Turnbuckle (NAS649B-8S)	2	
-6	40619-00		BLOCK - Rub, rudder trim	6	
-7	43377-00		BLOCK - Rub, wing spar	1	
-8	454 867		CLIP - Turnbuckle (NAS651-16S)	4	
-9	401 270		BOLT - (AN3-11A)	1	
	407 564		WASHER - (AN960-10)	1	
	407 584		WASHER - (AN960-10L)	1	
-10	415 688		SCREW - (4-40 x 1/2 L., Rd. Hd.)	6	
	404 908		NUT - (MS20365-440C)	6	
-11	401 269		BOLT - (AN3-10A)	1	
	407 564		WASHER - (AN960-10)	1	
	404 835		NUT - (MS20364-1032C)	1	
-12	400 450		BOLT - (AN3-17A)	1	
	407 564		WASHER - (AN960-10)	1	
	404 835		NUT - (MS20364-1032C)	1	
-13	407 564	WASHER - (AN960-10)	2		
-14	415 536	SCREW - (MS35206-246)	4		
	404 833	NUT - (MS20364-832C)	4		
-15	401 273	BOLT - (AN3-14A)	1		
	407 584	WASHER - (AN960-10L)	1		
	404 835	NUT - (MS20364-1032C)	1		
-16	424 520	PIN - (NAS427-K25)	1		
-17	424 505	PIN - (NAS427-K11)	1		
-18	424 513	PIN - (NAS427-K19)	1		
-19	424 506	PIN - (NAS427-K12)	1		
-20	40105-00	TUBE ASSEMBLY - Rudder tab control	1		
-21	404 322	* NUT - (AN316-4R)	1		
-22	452 480	* BEARING - Rod end (MVV34-14B)	1		
-23	400 055	BOLT - (AN3-10)	1		
	404 100	NUT - (AN310-3)	1		
	424 051	COTTER PIN - (MS24665-132)	1		
-24	40038-00	A	SCREW ASSEMBLY - Rudder trim tab	1	
-25	41734-06		* CABLE ASSEMBLY - Screw, rudder trim tab	1	
-26	17088-00		* DRUM - Screw, rudder trim tab	1	
-27	40029-00		* SCREW - Rudder trim tab	1	
-28	40027-00		* BUSHING - Screw, rudder trim tab	1	
-29	40035-00		* BRACKET ASSEMBLY - Rudder trim	1	
-30	452 381		* * BEARING - (FF-609-1)	2	
-31	477 684		* * NUT - Spline (22ND8-02)	4	
-32	80022-103		* BUSHING - Rudder trim	1	
-33	14976-105		* BUSHING - Rudder trim	1	
-34	40870-00		* BUSHING - Rudder trim	1	
-35	452 427		* BEARING - Rod end (F33-14)	1	
-36	480 735		* PIN - Roll (79-028-125-0500)	2	
-37	17089-00		* PIN - Screw, rudder trim	1	

When ordering, always specify Part Number, Description and Serial Number of Aircraft

PIPER PARTS CATALOG

Figure and Index Number	Part Number	Code	NOMENCLATURE	No. Req.	SERIAL NUMBERS AFFECTED
93-38	400 873		* BOLT - Clevis (AN23-21A)	1	
	404 887		* NUT - (MS20365-1032C)	1	
-39	400 443		* BOLT - (AN3-12A)	1	
	407 584		* WASHER - (AN960-10L)	2	
	404 887		* NUT - (MS20365-1032C)	1	
	407 585		* WASHER - (AN960-416L)	2	
-40	410 251		* SCREW - (AN509-8R36)	2	
	407 563		* WASHER - (AN960-8)	4	
	404 910		* NUT - (MS20365-832C)	2	
-41	42803-02		* ARM - Trim rheostat actuator	1	
-42	40958-02	A	SHAFT - Trim tab rheostat	1	
-43	41229-00	A	RHEOSTAT - Pick-a-shaft	1	
-44	407 143	A	WASHER - (AN936-B616)	1	
-45	416 094	A	SCREW - (AN500-6-12)	1	
	404 909	A	NUT - (MS20365-632C)	1	
-46	400 441		BOLT - (AN3-7A)	1	
	404 887		NUT - (MS20365-1032C)	1	

When ordering, always specify Part Number, Description and Serial Number of Aircraft

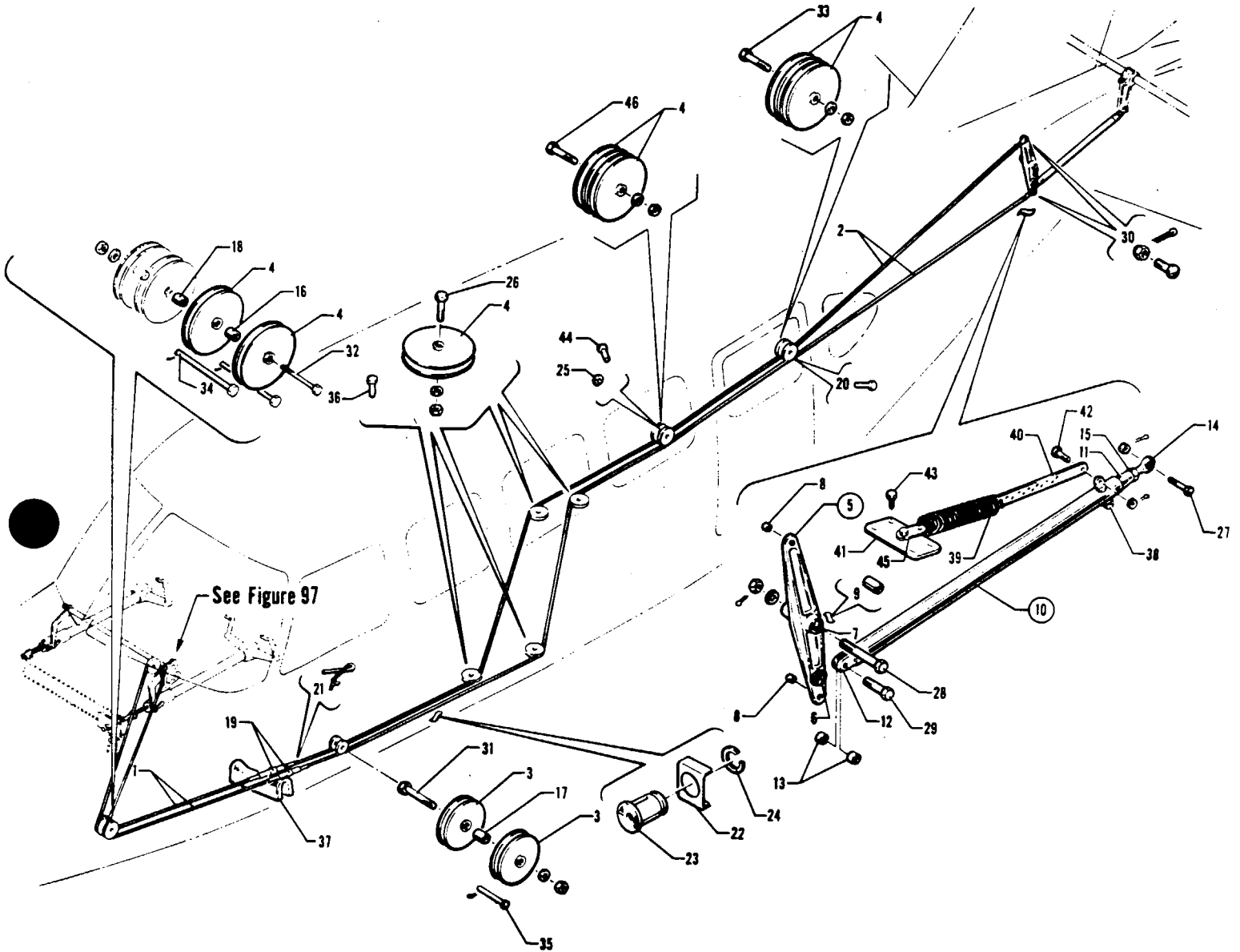


Figure 94. Elevator Control Installation

---

# PIPER PARTS CATALOG

---

CODE EXPLANATIONS FOR FIGURE 94

## PIPER PARTS CATALOG

Figure and Index Number	Part Number	Code	NOMENCLATURE	No. Req.	SERIAL NUMBERS AFFECTED
94-	41963		DRAWING - Control System Installation		
-1	41942-00		CABLE ASSEMBLY - Elevator control, forward (up)	1	
	41942-02		CABLE ASSEMBLY - Elevator control, forward (down)	1	
-2	41947-06		CABLE ASSEMBLY - Elevator control, rear (up)	1	
	41947-05		CABLE ASSEMBLY - Elevator control, rear (down)	1	
-3	41001-03		PULLEY - Elevator control cable	2	
-4	481 627		PULLEY - (MS24566-48)	10	
-5	40307-00		BELLCRANK ASSEMBLY - Elevator	1	
-6	49265-02		* BEARING - Spherical	1	
-7	452 344		* BEARING - (5035)	2	
-8	61402-101		* BUSHING - Bellcrank	2	
-9	61402-102		* BUSHING - Bellcrank	1	
-10	40847-00		TUBE ASSEMBLY - Elevator control	1	
-11	17235-00		* FITTING - Elevator control tube	1	
-12	19086-03		* FITTING ASSEMBLY - Elevator control tube	1	
-13	41413-03		* * BUSHING - Elevator control tube fitting	2	
-14	49261-02		* BEARING - Rod end	1	
-15	404 226		* NUT - (AN315-5R)	1	
-16	41413-10		BUSHING - Spacer, elevator cable pulley	1	
-17	41413-12		BUSHING - Spacer, elevator cable pulley	1	
-18	41413-14		BUSHING - Spacer, elevator trim pulley	1	
-19	452 011		BARREL - Turnbuckle (NAS649B-32S)	2	
-20	424 515		PIN - (NAS427-K21)	1	
-21	454 867		CLIP - Turnbuckle (NAS651-16S)	4	
-22	11151-02		BRACKET - Fairlead, cable (up) 1.000 wide	1	
	11151-05		BRACKET - Fairlead, cable (down) .900 wide	1	
-23	40701-00		SEGMENT - Cable fairlead	4	
-24	40081-00		RING - Snap, fairlead	2	
-25	19513-103		WASHER - Spacer	1	
-26	401 310		BOLT - (AN4-10A)	4	
	407 565		WASHER - (AN960-416)	4	
	404 836		NUT - (MS20364-428C)	4	
-27	402 317		BOLT - (AN174-11A)	1	
	404 888		NUT - (MS20365-428C)	1	
-28	400 168		BOLT - (AN5-25)	1	
	407 566		WASHER - (AN960-516)	1	
	404 889		NUT - (MS20365-524C)	1	
-29	402 311		BOLT - (AN174-12A)	1	
	404 888		NUT - (MS20365-428C)	1	
-30	400 053		BOLT - (AN3-6)	2	
	404 100		NUT - (AN310-3)	2	
	424 051		COTTER PIN - (MS24665-132)	2	
-31	401 318		BOLT - (AN4-20A)	1	
	407 565		WASHER - (AN960-416)	1	
	404 836		NUT - (MS20364-428C)	1	
-32	401 335		BOLT - (AN4-40A)	1	
	407 565		WASHER - (AN960-416)	1	
	404 836		NUT - (MS20364-428C)	1	
-33	400 009		BOLT - (AN4-14A)	1	
	407 565		WASHER - (AN960-416)	1	
	404 836		NUT - (MS20364-428C)	1	
-34	424 541		PIN - Elevator and rudder cable (NAS427-K62)	2	
-35	424 164		PIN - (MS20392-1C55)	1	
	424 051		COTTER PIN - (MS24665-132)	1	
-36	424 507		PIN - (NAS427-K13)	4	

When ordering, always specify Part Number, Description and Serial Number of Aircraft

## PIPER PARTS CATALOG

Figure and Index Number	Part Number	Code	NOMENCLATURE	No. Req.	SERIAL NUMBERS AFFECTED
94-37	40963-00		GUARD - Cable	1	
-38	402 038		BOLT - Eye (AN42B-13A)	1	
	407 564		WASHER - (AN960-10)	1	
	404 887		NUT - (MS20365-1032C)	1	
-39	71056-02		SPRING - Elevator bungee	1	
-40	71086-03		LINK - Elevator bungee (6" L.)	1	
-41	53387-00		PLATE - Bungee spring attachment	1	
-42	400 051		BOLT - (AN3-4)	1	
	407 564		WASHER - (AN960-10)	1	
	400 100		NUT - (AN310-3)	1	
	424 051		PIN - Cotter (MS24665-132)	1	
-43	400 438		BOLT - (AN3-4A)	5	
	407 584		WASHER - (AN960-10L)	5	
	404 887		NUT - (MS20365-1032C)	5	
-44	424 518		PIN - (NAS427-K23)	1	
-45	56981-02		LINK - Bungee spring attachment	1	
-46	401 315		BOLT - (AN4-15A)	1	
	407 565		WASHER - (AN960-416)	1	
	404 836		NUT - (MS20364-428C)	1	

When ordering, always specify Part Number, Description and Serial Number of Aircraft

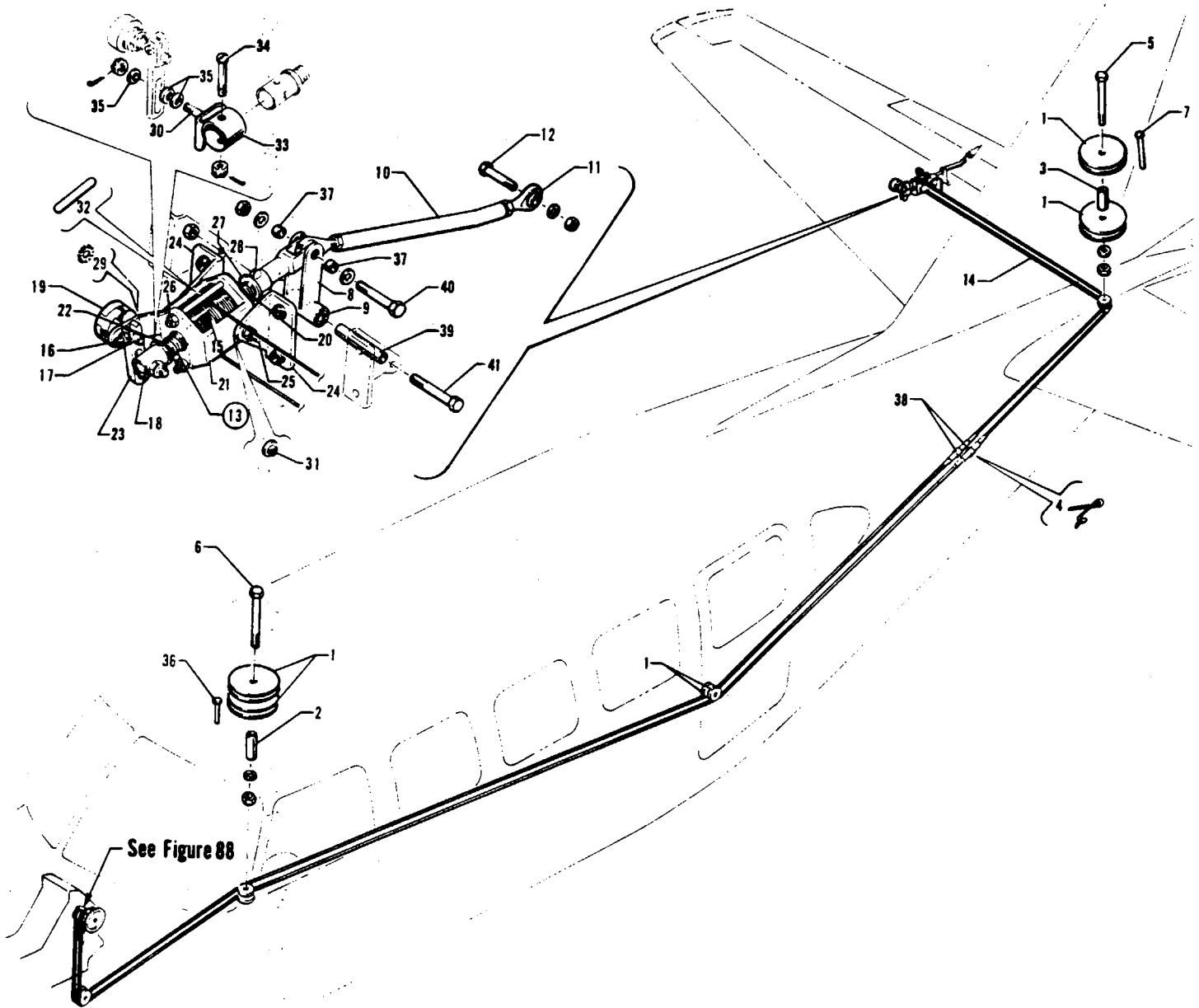


Figure 95. Elevator Trim Installation

---

# PIPER PARTS CATALOG

---

CODE EXPLANATIONS FOR FIGURE 95

A - Component part of Stabilizer Assembly.



**PIPER PARTS CATALOG**

Figure and Index Number	Part Number	Code	NOMENCLATURE	No. Req.	SERIAL NUMBERS AFFECTED
95-	41716		DRAWING - Trim Tab System Installation		
-1	481 640		PULLEY - (MS24566-1B)	6	
-2	80012-112		BUSHING - Spacer, elevator trim pulley	1	
-3	41413-18		BUSHING - Spacer, elevator trim pulley	1	
-4	454 867		CLIP - turnbuckle (NAS651-16S)	4	
-5	400 450		BOLT - (AN3-17A)	1	
	407 584		WASHER - (AN960-10L)	1	
	404 835		NUT - (MS20364-1032C)	1	
-6	400 450		BOLT - (AN3-17A)	1	
	407 564		WASHER - (AN960-10)	1	
	404 835		NUT - (MS20364-1032C)	1	
-7	424 052		PIN - (NAS427-K25)	1	
-8	43224-00		ARM ASSEMBLY - Elevator, right	1	
-9	452 347		* BEARING - (B-47)	2	
-10	43203-00		ROD ASSEMBLY - Elevator tab, right	1	
-11	452 480		* BEARING - Rod end (MVV34-14B)	2	
-12	401 269		BOLT - (AN3-10A) Right	1	
	407 564		WASHER - (AN960-10) Right	1	
	404 887		NUT - (MS20365-1032C) Right	1	
-13	53850-00	A	SCREW ASSEMBLY - Elevator anti-servo tab	1	
-14	41734-78		* CABLE ASSEMBLY - Elevator trim tab	1	
-15	17088-00		* DRUM - Elevator trim tab	1	
-16	415 522		* SCREW - (MS35206-232)	1	
	404 909		* NUT - (MS20365-632C)	1	
-17	40958-00		* SHAFT - Trim tab rheostat	1	
-18	48437-02		* BUSHING - Trim tab screw stop	1	
-19	41229-00		* RHEOSTAT ASSEMBLY - Trim tab	1	
-20	43198-02		* SCREW - Elevator trim tab	1	
-21	43202-03		* BRACKET ASSEMBLY - Elevator trim drum	1	
-22	452 381		* * BEARING - (FF-609-1)	2	
-23	42803-03		* ARM - Trim rheostat actuator	1	
-24	44151-00		* ANGLE ASSEMBLY - Elevator tab drum, left	1	
	44151-01		* ANGLE ASSEMBLY - Elevator tab drum, right	1	
-25	402 726		* BOLT - (NAS333CPA-6)	2	
	407 564		* WASHER - (AN960-10)	4	
	80122-11		* WASHER	2	
	404 887		* NUT - (MS20365-1032C)	2	
-26	410 253		* SCREW - (MS24694-S35)	2	
	404 910		* NUT - (MS20365-832C)	2	
-27	40027-00		* BUSHING - Elevator trim tab	1	
-28	400 677		* BOLT - (AN23-15)	1	
	407 564		* WASHER - (AN960-10)	1	
	404 887		* NUT - (MS20365-1032C)	1	
-29	407 143		* WASHER - Lock (AN936-B616)	1	
	43553-00		* CLIP - Trim tab sender	1	
-30	400 051		* BOLT - (AN3-4)	1	
	404 392		* NUT - (AN320-3)	1	
	424 051		* COTTER PIN - (MS24665-132)	1	
-31	44150-00		* BUSHING - Spacer	2	

When ordering, always specify Part Number, Description and Serial Number of Aircraft

**PIPER PARTS CATALOG**

Figure and Index Number	Part Number	Code	NOMENCLATURE	No. Req.	SERIAL NUMBERS AFFECTED
95-32	17089-00		* PIN - Elevator trim cable	1	
-33	49398-02		* BRACKET ASSEMBLY - Elevator trim tab	1	
-34	400 869		* BOLT - (AN23-17A)	1	
	404 835		* NUT - (MS20364-1032C)	1	
-35	41413-60		* BUSHING	1	
	407 584		* WASHER - (AN960-10L)	2	
-36	424 505		PIN - (NAS427-K11)	1	
-37	42571-07		BUSHING - Elevator, right		
-38	452 015		BARREL - Turnbuckle (NAS649B-8S)	2	
-39	42571-08		BUSHING - Elevator, right	1	
-40	402 288		BOLT - (AN173-13A) Right	1	
	407 564		WASHER - (AN960-10) Right	2	
	404 887		NUT - (MS20365-1032C) Right	1	
-41	402 298		BOLT - (AN173-23A) Right	1	
	404 887		NUT - (MS20365-1032C) Right	1	

When ordering, always specify Part Number, Description and Serial Number of Aircraft

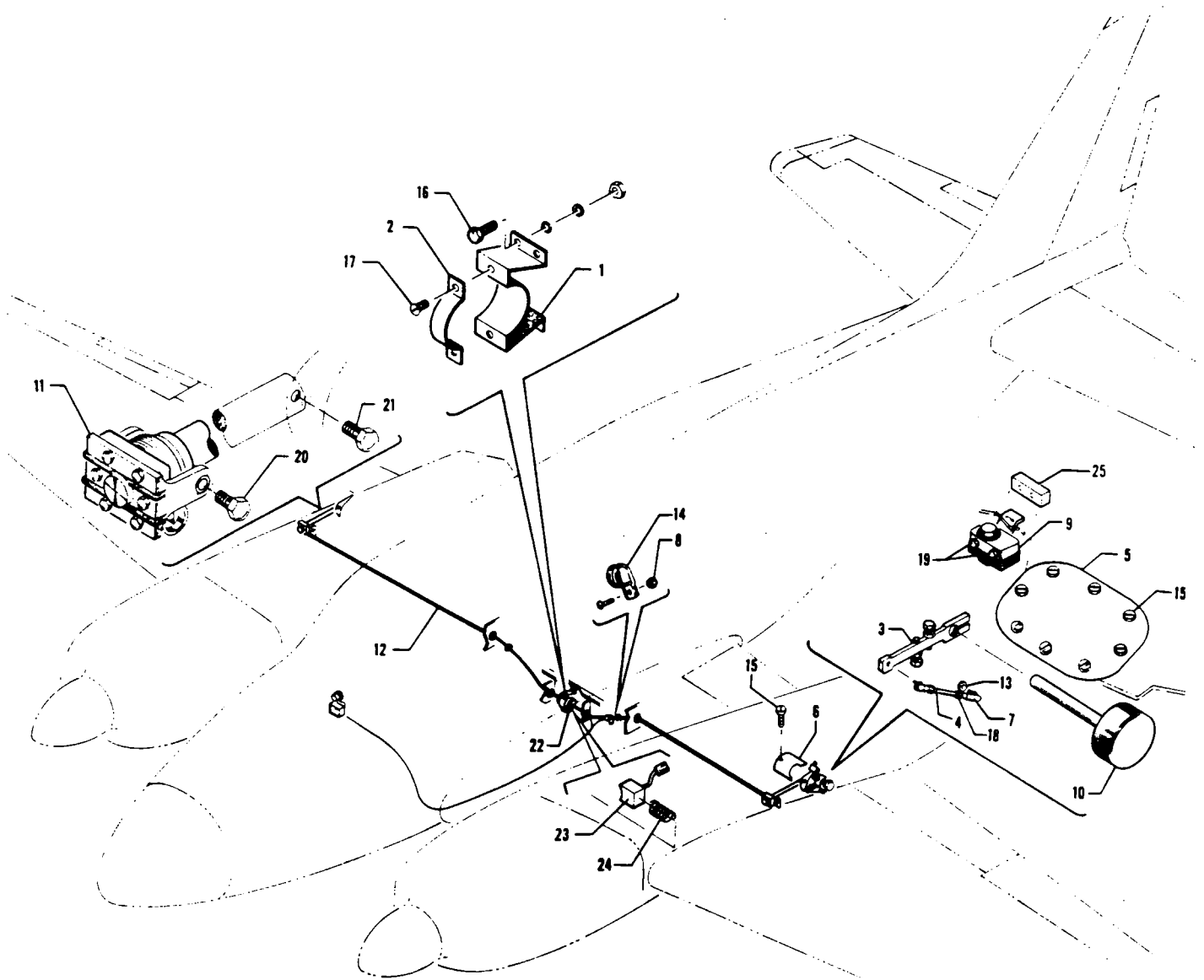


Figure 96. Flap Control Installation

---

# PIPER PARTS CATALOG

---

CODE EXPLANATIONS FOR FIGURE 96

## PIPER PARTS CATALOG

Figure and Index Number	Part Number	Code	NOMENCLATURE	No. Req.	SERIAL NUMBERS AFFECTED
96	4148E		DRAWING - Flap Installation		
-1	41358-00		BRACKET ASSEMBLY - Flap actuating motor, left	1	
-2	29254-02		MOUNTING CLAMP - Flap actuating motor, left	1	
-3	49415-06		ACTUATOR ASSEMBLY - Flap position and limit switch, left	1	
	49415-07		ACTUATOR ASSEMBLY - Flap position and limit switch, right	1	
-4	43555-00		ROD - Flap position and limit switch	2	
-5	40607-00		PLATE - Wing access	2	
-6	40608-04		PLATE - Flap actuator access, left	1	
	40608-05		PLATE - Flap actuator access, right	1	
-7	54175-00		JOINT - Ball (BL-103)	4	
-8	400 446		SCREW - (AN3-16A)	2	
	41413-55		BUSHING	2	
	404 887		NUT - (MS20365-1032C)	2	
-9	487 927		SWITCH - (6PL41)	2	
-10	74243-02		POTENTIOMETER ASSEMBLY	2	
-11	451 813		ACTUATOR ASSEMBLY - (8407)	2	
-12	486 667		SHAFT ASSEMBLY - Flexible (8412-6)	2	
-13	404 887		NUT - (MS20365-1032C)	4	
-14	454 932		CLAMP - (PS10017-2-7)	2	
-15	415 533		SCREW - (MS35206-243)	44	
-16	400 438		BOLT - (AN3-4A)	4	
	407 584		WASHER - (AN960-10L)	4	
	404 887		NUT - (MS20365-1032C)	4	
-17	411 534		SCREW - (MS35207-265)	2	
-18	405 312		NUT - Hex (10-32)	4	
-19	415 514		SCREW - (MS35206-234) Left	4	
	404 909		NUT - (MS20365-632C) Left	4	
-20	400 698		BOLT - (AN24-11)	4	
	407 585		WASHER - (AN960-416L)	4	
	404 393		NUT - (AN320-4)	4	
	424 052		COTTER PIN - (AN380-2-3)	4	
-21	400 110		BOLT - (AN4-15)	2	
	407 565		WASHER - (AN960-416)	2	
	404 101		NUT - (AN310-4)	2	
	424 052		COTTER PIN - (MS24665-134)	2	
-22	475 212		MOTOR - Flap actuator (8405 M1)	1	
-23	758 451		* BRUSH ASSEMBLY - Flap motor (8405-8)	2	
-24	762 354		* SPRING - Flap motor brush (8405-24)	2	
-25	49718-02		BLOCK - Rub, right (Phenolic)	1	

When ordering, always specify Part Number, Description and Serial Number of Aircraft

# PIPER PARTS CATALOG

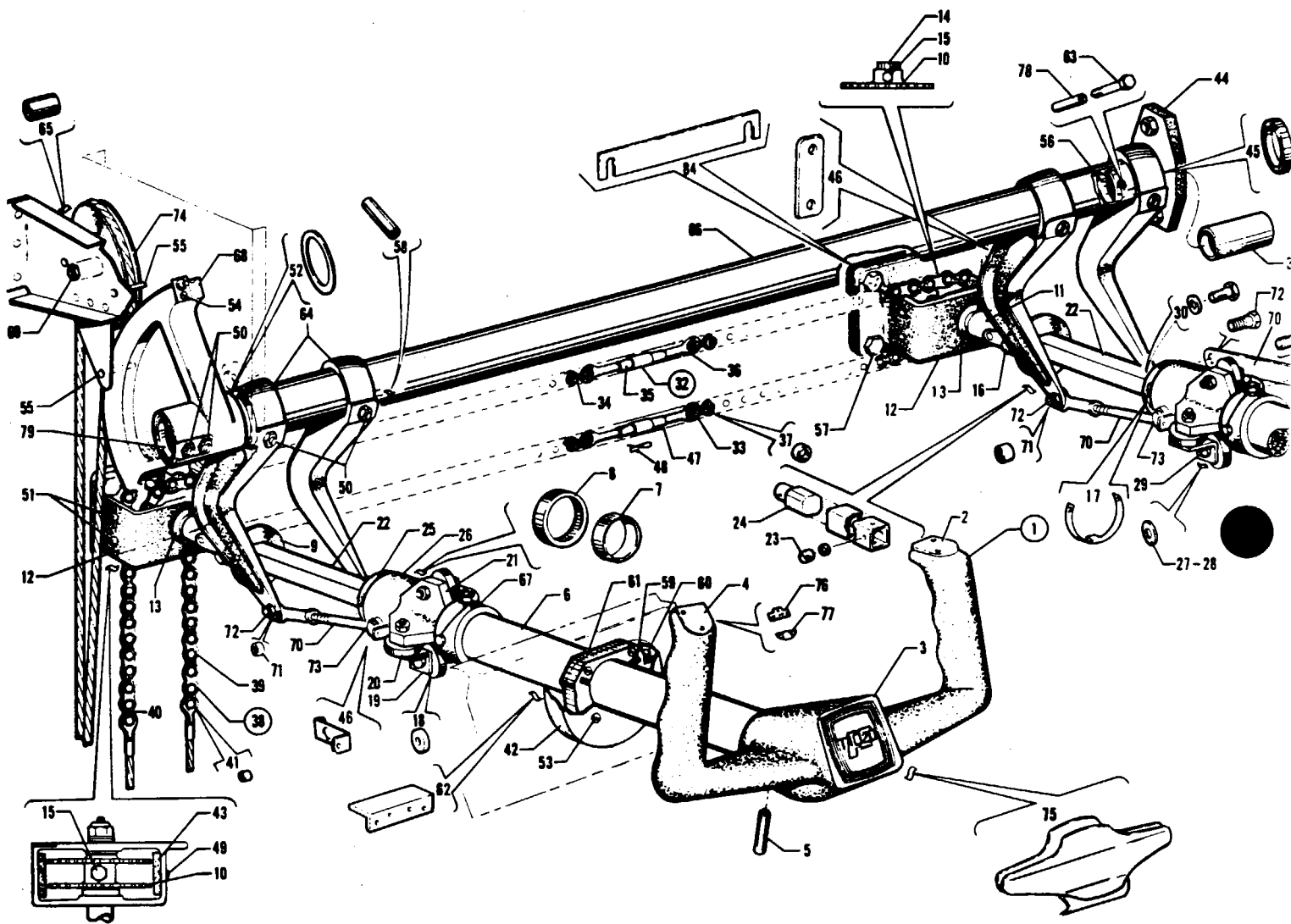


Figure 97. Control Wheel Installation

---

# PIPER PARTS CATALOG

---

## CODE EXPLANATIONS FOR FIGURE 97

- A - Used with flat aluminum link assembly.
- B - Used with rod end bearing link assembly.
- C - When ordering, specify color black or beige.

**PIPER PARTS CATALOG**

Figure and Index Number	Part Number	Code	NOMENCLATURE	No. Req.	SERIAL NUMBERS AFFECTED
97-	41546		DRAWING - Elevator and Aileron Controls Mechanism Installation		
-1	43052-11		WHEEL ASSEMBLY - Control, black	2	
-2	53856-03	C	* PLATE - Control wheel, cover	1	
-3	01207-03		* MEDALLION - Control wheel (T1020)	1	
-4	53856-00	C	* PLATE - Control wheel, cover	1	
-5	480 710		* PIN - Roll (59-040-187-1875)	1	
-6	46349-05		TUBE ASSEMBLY - Control, left	1	
	46349-06		TUBE ASSEMBLY - Control, right	1	
-7	53971-00		* SPACER - Housing control shaft	1	
-8	452 458		* BEARING - Control tube assembly (B543)	2	
-9	40950-00		* COLLAR - Control wheel stop	1	
-10	40983-00		* SPROCKET - Double, left	1	
	20999-00		* SPROCKET - Right	1	
-11	46203-02		* UNIVERSAL ASSEMBLY - Control wheel shaft	1	
-12	29197-02		* BRACKET ASSEMBLY - Control tube	2	
-13	453 824		* * BUSHING - Control wheel shaft (NAS77A7-25)	2	
-14	21001-00		* BUSHING - Spacer, right	1	
-15	401 270		* BOLT - (AN3-11A)	1	
	407 564		* WASHER - (AN960-10)	1	
	406 636		* NUT - (H10-3 Hex)	1	
-16	400 443		* BOLT - (AN3-12A)	1	
	407 564		* WASHER - (AN960-10)	1	
	404 835		* NUT - (MS20364-1032C)	1	
-17	53785-00		* STRAP - Safety wire restraining	1	
-18	20956-00		* BUSHING - Control shaft	4	
-19	20957-00		* ANGLE - Control shaft support	2	
-20	25358-00		* BEARING ASSEMBLY - Ball	4	
-21	41852-00		* FITTING - Roller attachment	1	
-22	74028-02		* TUBE ASSEMBLY - Control shaft	1	
-23	21470-00		* * BLOCK - Guide, control wheel tube	4	
	81342-78		* * WASHER - Guide block	AR	
-24	42938-00		* * STUD - Control shaft	1	
-25	42943-00		* COLLAR - Control shaft	1	
-26	42945-00		* HOUSING - Control shaft bearing	1	
-27	81342-89		* WASHER - (.012 thickness)	AR	
	81342-90		* WASHER - (.016 thickness)	AR	
	81342-91		* WASHER - (.020 thickness)	AR	
-28	81342-92		* WASHER - (.064 thickness)	4	
-29	400 444		* BOLT - (AN3-13A)	4	
	407 564		* WASHER - (AN960-10)	8	
	404 835		* NUT - (MS20364-1032C)	4	
-30	401 264		* BOLT - (AN3H-4A)	2	
	407 584		* WASHER - (AN960-10L)	2	
-31	55817-02		SHIM - Control shaft	AR	
-32	21619-02		CHAIN ASSEMBLY - Upper control column	1	
-33	13445-03		* CHAIN ASSEMBLY - Roller, left	1	
	13445-04		* CHAIN ASSEMBLY - Roller, right	1	
-34	472 684		* LINK - Connector	4	
-35	452 011		* BARREL - Turnbuckle (NAS649B-32S)	1	
-36	459 930		* EYE - Turnbuckle (NAS648-22-RS) Left	2	
	459 928		* EYE - Turnbuckle (NAS648-22-LS) Right	4	
-37	80012-95		* BUSHING - Eye	4	
-38	41532-00		CHAIN ASSEMBLY - Aileron control	1	

When ordering, always specify Part Number, Description and Serial Number of Aircraft



## PIPER PARTS CATALOG

Figure and Index Number	Part Number	Code	NOMENCLATURE	No. Req.	SERIAL NUMBERS AFFECTED
97-39	13445-06		* CHAIN ASSEMBLY - Roller	1	
-40	472 684		* LINK - Connector	2	
-41	80012-95		* BUSHING - Eye	2	
-42	42537-02		COVER - Control wheel shaft	2	
-43	40954-02		GUARD - Aileron chain, left	1	
	40954-03		GUARD - Aileron chain, right	1	
-44	44272-00		BEARING ASSEMBLY - Torque tube end	2	
-45	452 512		* BEARING - (KP16BS A1405)	1	
-46	42540-02		STOP - Bolt (1.94" long between bends)	4	
	54945-02		STOP - Bolt (.96" long between bends)	4	
-47	452 011		BARREL - Turnbuckle (NAS649B-32S)	1	
-48	454 867		CLIP - Turnbuckle (NAS651-16S)	4	
-49	419 883		SCREW - (4 x 1/4" L.) R. H., Type "Z"	2	
-50	415 528		SCREW - (MS35206-238)	6	
	407 562		WASHER - (AN960-6)	12	
	404 909		NUT - (MS20365-632C)	6	
-51	419 886		SCREW - (4 x 3/8" L.) R. H., Type "Z"	2	
-52	40559-35		WASHER - Torque tube (.062 thick)	1	
	40559-40		WASHER - Torque tube (.032 thick)	1	
-53	415 538		SCREW - (MS35206-248)	4	
-54	415 535		SCREW - (MS35206-245)	2	
	407 042		WASHER - (MS35338-42)	2	
-55	424 519		PIN - (NAS427-K24)	3	
-56	44270-02		TUBE - Torque extension	1	
-57	401 266		BOLT - (AN3-5A)	8	
	407 584		WASHER - (AN960-10L)	8	
-58	480 743		PIN - Roll (59-048-250-1750)	6	
-59	42538-00		SLIDE - Control shaft	6	
-60	415 521		SCREW - (MS35206-231)	2	
	407 562		WASHER - (AN960-6)	AR	
	404 829		NUT - (MS20364-632C)	2	
-61	42536-00		COLLAR - Control shaft	2	
-62	40796-00		STOP - Control wheel, left	1	
	40796-02		STOP - Control wheel, right	1	
-63	415 158		SCREW - (AN526-632R26)	2	
	407 562		WASHER - (AN960-6)	4	
	404 909		NUT - (MS20365-632C)	2	
-64	42756-00		CONTROL ARM - Elevator actuator, left	2	
	42756-01		CONTROL ARM - Elevator actuator, right	2	
-65	42571-06		BUSHING - Elevator control	1	
-66	42901-02		TUBE - Torque, elevator control	1	
-67	42942-00		RING - Control shaft	2	
-68	40323-02		SECTOR - Elevator control	1	
-69	401 193		BOLT - (AN5-15A)	1	
	407 566		WASHER - (AN960-516)	1	
	404 889		NUT - (MS20365-524C)	1	
-70	42944-00		LINK ASSEMBLY - Control shaft, left inboard, right outboard	2	
	28546-02		LINK ASSEMBLY - Control shaft, left outboard, right inboard	2	
-71	453 790		* BUSHING - (NAS76A6-008)	2	
-72	42964-00	A	BOLT - Special (453 191) Front	2	
	400 106	B	BOLT - (AN4-11) Front	2	
-73	42965-00	A	BOLT - Special (453 192) Rear	2	
	401 191	B	BOLT - (AN5H-7A) Rear	2	
	40559-41	B	WASHER - Flat	2	
	407 825	B	WASHER - Shakeproof (3512-20-03-0511)	2	

When ordering, always specify Part Number, Description and Serial Number of Aircraft

**PIPER PARTS CATALOG**

Figure and Index Number	Part Number	Code	NOMENCLATURE	No Req	SERIAL NUMBERS AFFECTED
97-74	481 652		PULLEY (MS20220-2)	1	
75	43618-08		CLIP ASSEMBLY - Map	1	
76	43362-00		PLACARD - "MIKE A P OFF"	1	
	43364-00		PLACARD - "MIKE"	1	
77	43360-00		PLACARD - "DOWN-UP"	1	
78	480 767		PIN Roll (59-048-250-1250)	2	
79	44271-00		TUBE - Torque extension	1	

When ordering, always specify Part Number, Description and Serial Number of Aircraft

PIPER PARTS CATALOG

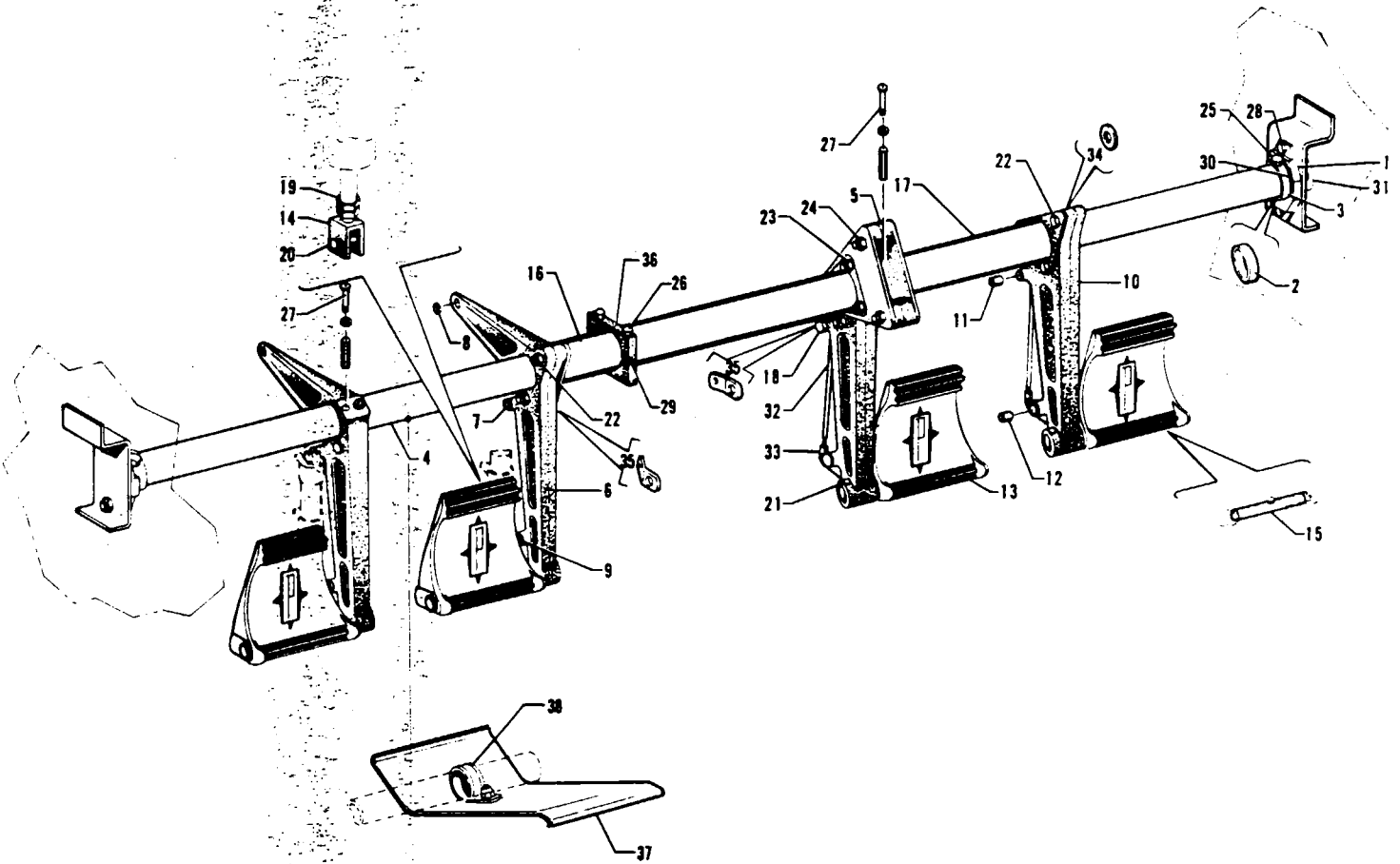


Figure 98. Rudder Pedal Installation

2G1

---

# PIPER PARTS CATALOG

---

CODE EXPLANATIONS FOR FIGURE 98

## PIPER PARTS CATALOG

Figure and Index Number	Part Number	Code	NOMENCLATURE	No. Req.	SERIAL NUMBERS AFFECTED
98-	41485		DRAWING - Rudder Pedal and Nose Gear Steering Mechanism Installation		
-1	40968-04		BEARING ASSEMBLY - Torque tube end	2	
-2	452 431		* BEARING - (B-208)	1	
-3	41453-00		COLLAR - Brake and rudder pedal torque tube	2	
-4	41465-00		TUBE - Brake and rudder pedal torque	1	
-5	40313-00		LINK - Rudder pedal torque tube	2	
-6	40298-03		ARM ASSEMBLY - Rudder pedal, left inboard	1	
	40298-02		ARM ASSEMBLY - Rudder pedal, left outboard	1	
-7	80012-108		* BUSHING - Rudder pedal arm assembly	1	
-8	80012-109		* BUSHING - Rudder pedal arm assembly	1	
-9	80012-110		* BUSHING - Rudder pedal arm assembly	1	
-10	40302-02		ARM ASSEMBLY - Rudder pedal, right inboard	1	
	40302-03		ARM ASSEMBLY - Rudder pedal, right outboard	1	
-11	80012-108		* BUSHING - Rudder pedal arm assembly	1	
-12	80012-110		* BUSHING - Rudder pedal arm assembly	1	
-13	44182-02		PEDAL - Brake and rudder, left	2	
	44182-03		PEDAL - Brake and rudder, right	2	
-14	12605-00		CLEVIS - Brake cylinder	2	
-15	41402-00		TUBE - Brake and rudder pedal spacer	4	
-16	41423-03		TUBE ASSEMBLY - Interconnecting torque, center	1	
-17	41435-03		TUBE ASSEMBLY - Interconnecting torque, right	1	
-18	400 116		BOLT - (AN4-23)	4	
	407 565		WASHER - (AN960-416)	4	
	404 101		NUT - (AN310-4)	4	
	424 051		COTTER PIN - (MS24665-132)	4	
-19	404 322		NUT - (AN316-4R)	4	
-20	424 176		PIN - Flat head (AN393-15)	4	
	407 584		WASHER - (AN960-10L)	4	
	424 051		COTTER PIN - (MS24665-132)	4	
-21	424 185		PIN - Flat head (AN393-33)	4	
	407 584		WASHER - (AN960-10L)	4	
	424 051		COTTER PIN - (MS24665-132)	4	
-22	400 451		BOLT - (AN3-20A)	6	
	407 584		WASHER - (AN960-10L)	6	
	404 835		NUT - (MS20364-1032C)	6	
-23	410 042		SCREW - (AN509-10R-12)	6	
	407 564		WASHER - (AN960-10)	6	
	404 835		NUT - (MS20364-1032C)	6	
-24	400 018		BOLT - (AN4-25A)	2	
	407 565		WASHER - (AN960-416)	2	
	404 836		NUT - (MS20364-428C)	2	
-25	400 446		BOLT - (AN3-16A)	2	
	407 564		WASHER - (AN960-10)	2	
	404 835		NUT - (MS20364-1032C)	2	
-26	400 451		BOLT - (AN3-20A)	2	
-27	480 744		PIN - Roll (59-048-250-1875)	4	
	415 161		SCREW - (AN526-632R34)	4	
	407 562		WASHER - (AN960-6)	8	
	404 829		NUT - (MS20364-832C)	4	
-28	400 003		BOLT - (AN4-6A)	4	

When ordering, always specify Part Number, Description and Serial Number of Aircraft

**PIPER PARTS CATALOG**

Figure and Index Number	Part Number	Code	NOMENCLATURE	No. Req.	SERIAL NUMBERS AFFECTED
98-29	81102-35		WASHER - Square, shim (.012)	AR	
	81102-36		WASHER - Square, shim (.020)	AR	
	81102-37		WASHER - Square, shim (.037)	AR	
-30	40559-06		WASHER - Collar, torque tube	2	
-31	481 096		PLATE - Patch (A6914-1024-1)	1	
-32	42143-00		LINK ASSEMBLY - Rudder pedal	2	
-33	12605-00		* CLEVIS - Rudder pedal link assembly	1	
-34	81342-89		WASHER - (.012 thickness)	AR	
	81342-90		WASHER - (.016 thickness)	AR	
	81342-91		WASHER - (.020 thickness)	AR	
-35	45511-00		CLIP - Rudder balance cable	2	
-36	41473-00		BLOCK - Torque tube bearing	2	
-37	54174-02		GUARD - Rudder torque tube, left	2	
-38	554 963		CLAMP - (PS10017-8-24)	2	

When ordering, always specify Part Number, Description and Serial Number of Aircraft

# PIPER PARTS CATALOG

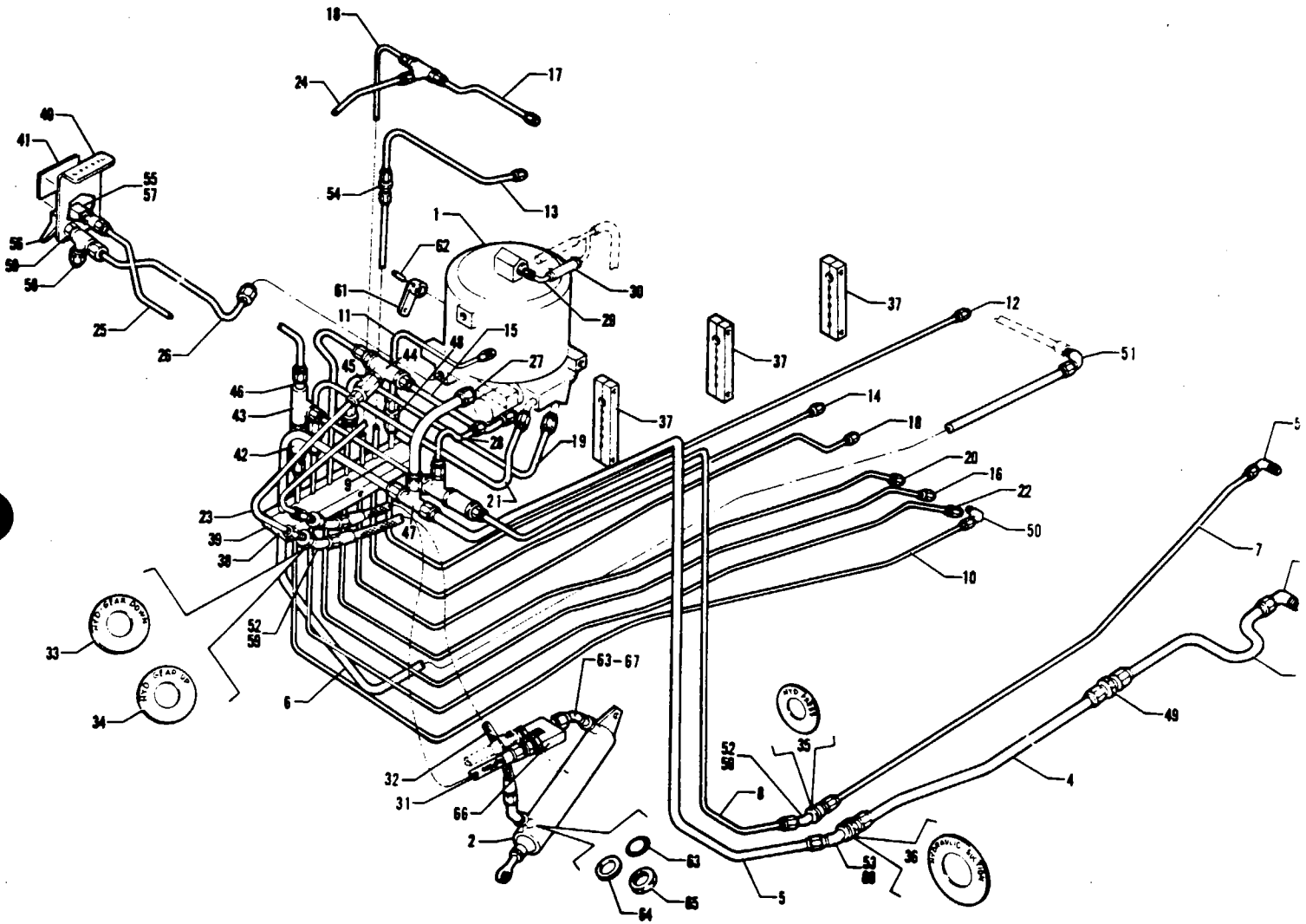


Figure 99. Forward Hydraulic System Installation

---

# PIPER PARTS CATALOG

---

## CODE EXPLANATIONS FOR FIGURE 99

- A - See Figure 103 and 104 for component parts.
- B - See Figure 102 for component parts.
- C - See Figure 52 for component parts.



**PIPER PARTS CATALOG**

Figure and Index Number	Part Number	Code	NOMENCLATURE	No. Req.	SERIAL NUMBERS AFFECTED
99-	52375 74174		DRAWING - Hydraulic System Installation DRAWING - Hydraulic System Modification		
-1	481 171	A	POWERPAK - (Wiebel 2135-1)	1	
-2	451 825	B	ACTUATOR - Hydraulic (Wiebel 2115-1)	1	
-3	52385-00		TUBE ASSEMBLY - Hydraulic, engine pump suction	1	
-4	52386-00		TUBE ASSEMBLY - Hydraulic, engine pump suction	1	
-5	74177-02		TUBE ASSEMBLY - Hydraulic, engine pump suction	1	
-6	52987-00		TUBE ASSEMBLY - Hydraulic, engine pump suction	1	
-7	40822-03		TUBE ASSEMBLY - Hydraulic, engine pump pressure	1	
-8	74178-02		TUBE ASSEMBLY - Hydraulic, engine pump pressure	1	
-9	80024-06		TUBE ASSEMBLY - Hydraulic, engine pump pressure	1	
-10	52993-00		TUBE ASSEMBLY - Hydraulic, engine pump pressure	1	
-11	40850-00		TUBE ASSEMBLY - Hydraulic, hand pump suction	1	
-12	40852-00		TUBE ASSEMBLY - Hydraulic, hand pump suction	1	
-13	40854-00		TUBE ASSEMBLY - Hydraulic, hand pump pressure	1	
-14	40855-00		TUBE ASSEMBLY - Hydraulic, hand pump pressure	1	
-15	40837-00		TUBE ASSEMBLY - Hydraulic, gear up	1	
-16	40838-00		TUBE ASSEMBLY - Hydraulic, gear up	1	
-17	40844-00		TUBE ASSEMBLY - Hydraulic, gear down	1	
-18	40845-00		TUBE ASSEMBLY - Hydraulic, gear down	1	
-19	40833-00		TUBE ASSEMBLY - Hydraulic, door open	1	
-20	40834-00		TUBE ASSEMBLY - Hydraulic, door open	1	
-21	40826-00		TUBE ASSEMBLY - Hydraulic, door close	1	
-22	40827-00		TUBE ASSEMBLY - Hydraulic, door close	1	
-23	41061-00		TUBE ASSEMBLY - Hydraulic, gear up	1	
-24	41063-00		TUBE ASSEMBLY - Hydraulic, gear down	1	
-25	44982-00		TUBE ASSEMBLY - Hydraulic pressure	1	
-26	44977-00		TUBE ASSEMBLY - Hydraulic drain	1	
-27	40802-00		TUBE ASSEMBLY - Hydraulic, engine pump suction	1	
-28	40812-00		TUBE ASSEMBLY - Hydraulic, engine pump pressure	1	
-29	46722-00		LINE ASSEMBLY - Static pressure	1	
-30	22369-14		TUBE - Plastic	1	
-31	17766-03		HOSE ASSEMBLY - Flexible, hydraulic pressure	1	
-32	17766-92		HOSE ASSEMBLY - Flexible, hydraulic suction	1	
-33	40849-02		PLACARD - Identification fitting (HYD Gear Down)	1	
-34	40849-03		PLACARD - Identification fitting (HYD Gear Up)	1	
-35	40849-06		PLACARD - Identification fitting (HYD Press)	1	
-36	40849-10		PLACARD - Identification fitting (HYD Suction)	1	
-37	40919-00		BLOCK - Tube retaining	6	
-38	40923-02		BLOCK - Hydraulic tube retaining	2	
-39	40923-03		BLOCK - Hydraulic tube retaining	2	
-40	44983-00		BRACKET ASSEMBLY - Hydraulic valve support	1	
-41	48030-00		PLACARD - Hydraulic system	1	
-42	492 106		VALVE - Hydraulic check (AN6249-4D)	2	
-43	488 351		TEE - (AN784D4)	1	
-44	488 510		TEE - (AN938D4)	2	
-45	484 459		VALVE - Restrictor (1143-A0610)	1	
-46	491 050		UNION - (AN815-4D)	6	
-47	488 509		TEE - (AN824-8D)	1	
-48	491 051		UNION - (AN815-5D)	1	
-49	491 053		UNION - (AN815-8D)	1	
-50	458 880		ELBOW - (AN821-4D) 90 Degrees	2	
-51	458 881		ELBOW - (AN821-8D) 90 Degrees	2	
-52	458 910		ELBOW - (AN837-4D) 45 Degrees	5	
-53	458 914		ELBOW - (AN837-8D) 45 Degrees	1	

When ordering, always specify Part Number, Description and Serial Number of Aircraft

## PIPER PARTS CATALOG

Figure and Index Number	Part Number	Code	NOMENCLATURE	No. Req.	SERIAL NUMBERS AFFECTED
99-54	492 170		VALVE - Check (2C9326)	1	
-55	492 190		VALVE - (2C5836)	1	
-56	492 191		VALVE - (7-1470-3)	1	
-57	454 173		CAP - (AN929-4)	1	
-58	454 299		CAP - (AN929-6)	1	
-59	477 618		NUT - (AN924-4D)	4	
	407 568		WASHER - (AN960-716)	4	
-60	477 621		NUT - (AN924-8D)	1	
	407 573		WASHER - (AN960-1216)	1	
-61	763 009		ARM ASSEMBLY - Powerpak actuating (Wiebel)	1	
-62	480 705		ROLL PIN - (59-028-125-0500)	1	
-63	462 027		GASKET - (AN6290-4)	9	
-64	484 752		RING - (AN6291-4)	2	
-65	477 676		NUT - (AN6289-D4)	2	
-66	491 949	C	SHUTTLE VALVE ASSEMBLY - (WTC2217-1)	1	
-67	491 060		UNION - (AN832-4D)	1	
	477 618		NUT - (AN924-4D)	1	

When ordering, always specify Part Number, Description and Serial Number of Aircraft

PIPER PARTS CATALOG

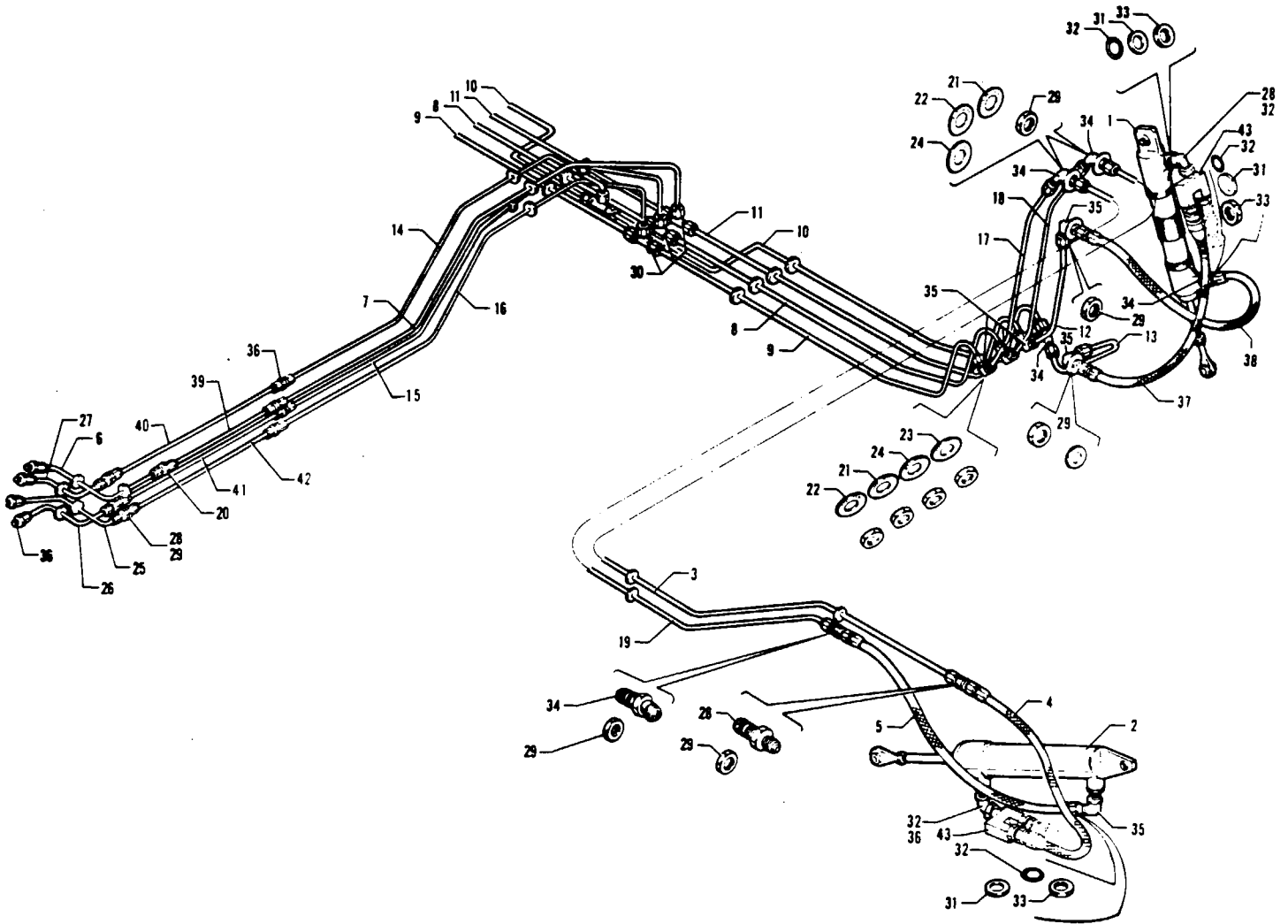


Figure 100 Aft Hydraulic System Installation

---

# PIPER PARTS CATALOG

---

CODE EXPLANATIONS FOR FIGURE 100

- A - See Figure 102 for component parts.
- B - See Figure 52 for component parts.

**PIPER PARTS CATALOG**

Figure and Index Number	Part Number	Code	NOMENCLATURE	No. Req.	SERIAL NUMBERS AFFECTED
100-	52375		DRAWING - Hydraulic System Installation		
-1	455 961	A	CYLINDER - Lock (Wiebel 2114-1)	2	
-2	451 825	A	ACTUATOR - Hydraulic (Wiebel 2115-1)	2	
-3	40848-00		TUBE ASSEMBLY - Hydraulic, gear down, left	1	
	40848-01		TUBE ASSEMBLY - Hydraulic, gear down, right	1	
-4	17766-27		HOSE ASSEMBLY - Flexible, hydraulic anti-retraction valve	2	
-5	17766-91		HOSE ASSEMBLY - Flexible, hydraulic anti-retraction valve	2	
-6	40828-00		TUBE ASSEMBLY - Hydraulic, door close	1	
-7	52975-00		TUBE ASSEMBLY - Hydraulic, door close	1	
-8	40830-02		TUBE ASSEMBLY - Hydraulic, gear down, right	1	
	40830-09		TUBE ASSEMBLY - Hydraulic, gear down, left	1	
-9	40830-03		TUBE ASSEMBLY - Hydraulic, gear up, right	1	
	40830-07		TUBE ASSEMBLY - Hydraulic, gear up, left	1	
-10	42204-00		TUBE ASSEMBLY - Hydraulic, door open, left	1	
	42204-01		TUBE ASSEMBLY - Hydraulic, door open, right	1	
-11	40830-08		TUBE ASSEMBLY - Hydraulic, door close, left	1	
	40830-05		TUBE ASSEMBLY - Hydraulic, door close, right	1	
-12	40832-00		TUBE ASSEMBLY - Hydraulic, door close	2	
-13	40836-00		TUBE ASSEMBLY - Hydraulic, door open, left	1	
	40836-01		TUBE ASSEMBLY - Hydraulic, door open, right	1	
-14	52979-00		TUBE ASSEMBLY - Hydraulic, door open	1	
-15	52994-00		TUBE ASSEMBLY - Hydraulic, gear down	1	
-16	52995-00		TUBE ASSEMBLY - Hydraulic, gear up	1	
-17	17766-02		HOSE ASSEMBLY - Hydraulic, gear up	2	
-18	17766-02		HOSE ASSEMBLY - Hydraulic, gear down	2	
-19	40841-00		TUBE ASSEMBLY - Hydraulic, gear up, left	1	
	40841-01		TUBE ASSEMBLY - Hydraulic, gear up, right	1	
-20	491 050		UNION - (AN815-4D)	1	
-21	40849-02		PLACARD - Fitting identification (HYD Gear Down)	4	
-22	40849-03		PLACARD - Fitting identification (HYD Gear Up)	4	
-23	40849-04		PLACARD - Fitting identification (HYD Door Open)	4	
-24	40849-05		PLACARD - Fitting identification (HYD Door Close)	4	
-25	42103-00		TUBE ASSEMBLY - Hydraulic, gear up	1	
-26	42102-00		TUBE ASSEMBLY - Hydraulic, gear down	1	
-27	42104-00		TUBE ASSEMBLY - Hydraulic, door open	1	
-28	491 060		UNION - (AN832-4D)	5	
-29	477 618		NUT - (AN924-4D)	23	
	407 568		WASHER - (AN960-716)	23	
-30	488 320		TEE - (AN824-4D)	4	
-31	484 752		RING - (AN6291-4)	8	
-32	462 027		GASKET - (AN6290-4)	8	
-33	477 676		NUT - (AN6289-D4)	8	
-34	458 910		ELBOW - (AN837-4D) 45 Degrees	12	
-35	458 900		ELBOW - (AN833-4D) 90 Degrees	14	
-36	491 050		UNION - (AN815-4D)	8	
-37	17766-02		HOSE ASSEMBLY - Hydraulic pressure, door open	2	
-38	17766-04		HOSE ASSEMBLY - Hydraulic pressure, door close	2	
-39	80024-50		TUBE ASSEMBLY - Hydraulic, door close	1	
-40	80024-49		TUBE ASSEMBLY - Hydraulic, door open	1	
-41	80024-48		TUBE ASSEMBLY - Hydraulic, gear down	1	
-42	80024-51		TUBE ASSEMBLY - Hydraulic, gear up	1	
-43	491 948	B	SHUTTLE VALVE ASSEMBLY - (WTC2216-1)	4	

When ordering, always specify Part Number, Description and Serial Number of Aircraft

# PIPER PARTS CATALOG

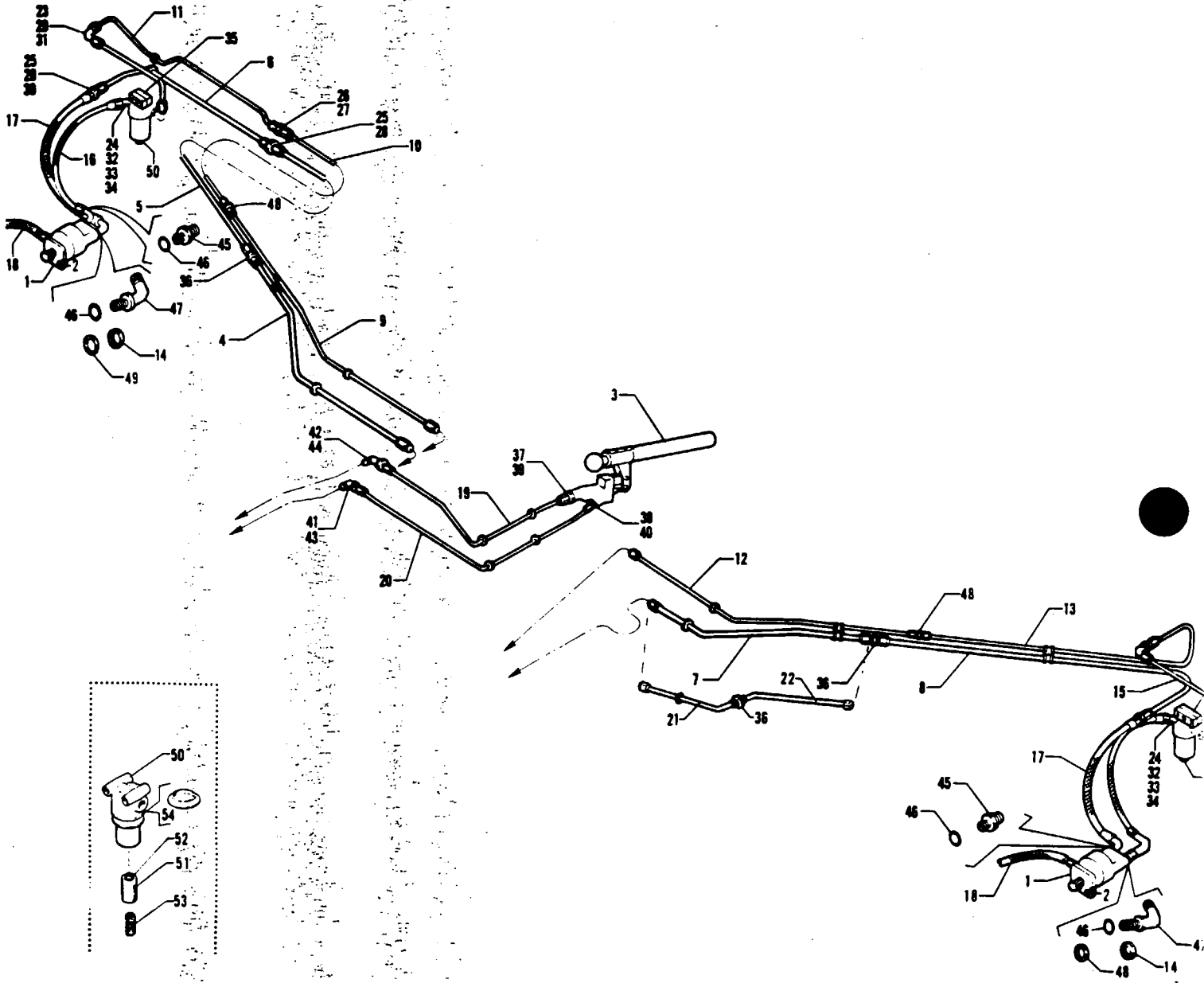


Figure 101. Hydraulic Pumps Installation

---

# PIPER PARTS CATALOG

---

## CODE EXPLANATIONS FOR FIGURE 101

- A - See Figure 102 for component parts.
- B - Used if Purolator Filter is installed.
- C - Used if Bendix Filter is installed.

**PIPER PARTS CATALOG**

Figure and Index Number	Part Number	Code	NOMENCLATURE	No. Req.	SERIAL NUMBERS AFFECTED
101-	52375		DRAWING - Hydraulic System Installation		
-1	26802-08		PUMP ASSEMBLY - Hydraulic (1213 HBG TYPE 310) (CW and CCW)	2	
	26802-10		PUMP ASSEMBLY - Hydraulic (4102-589002) (CW), left	1	
	26802-11		PUMP ASSEMBLY - Hydraulic (4102-589004) (CCW), right	1	
-2	462 023		* GASKET - Seal (AN4045-1)	1	
-3	481 771	A	PUMP - Hand (Wiebel 2112-1)	1	
-4	52397-00		TUBE ASSEMBLY - Hydraulic, engine pump suction	1	
-5	40806-00		TUBE ASSEMBLY - Hydraulic, engine pump suction	1	
-6	40807-00		TUBE ASSEMBLY - Hydraulic, engine pump suction	1	
-7	52384-00		TUBE ASSEMBLY - Hydraulic, engine pump suction, (25.65" L)	1	
-8	40811-00		TUBE ASSEMBLY - Hydraulic, engine pump suction	1	
-9	53828-00		TUBE ASSEMBLY - Hydraulic, engine pump pressure	1	
-10	40817-00		TUBE ASSEMBLY - Hydraulic, engine pump pressure	1	
-11	40818-00		TUBE ASSEMBLY - Hydraulic, engine pump pressure	1	
-12	52398-00		TUBE ASSEMBLY - Hydraulic, engine pump pressure	1	
-13	54750-02		TUBE ASSEMBLY - Hydraulic, engine pump pressure	1	
-14	477 733		NUT - (AN6289-D8)	2	
-15	40819-00		TUBE ASSEMBLY - Hydraulic, engine pump pressure	2	
-16	23745-13		HOSE ASSEMBLY - Flexible, hydraulic pressure	2	
-17	39995-04		HOSE ASSEMBLY - Flexible, hydraulic suction	2	
-18	17766-90		HOSE ASSEMBLY - Flexible, hydraulic pump drain	2	
-19	52961-00		TUBE ASSEMBLY - Hydraulic, hand pump suction	1	
-20	52966-00		TUBE ASSEMBLY - Hydraulic, hand pump pressure	1	
-21	55313-02		LINE ASSEMBLY - Hydraulic, engine pump suction, (8.25" L)	1	
-22	55312-03		LINE ASSEMBLY - Hydraulic, engine pump suction, (16.01" L)	1	
-23	458 934		ELBOW - (AN833-4) 90 Degrees	4	
-24	40910-00		ELBOW - 45 Degrees	2	
-25	491 068		UNION - (AN832-8)	3	
-26	491 060		UNION - (AN832-4D)	1	
-27	477 618		NUT - (AN924-4D)	1	
	407 568		WASHER - (AN960-718)	1	
-28	477 691		NUT - (AN924-8)	3	
	407 563		WASHER - (AN960-1216)	3	
-29	40849-06		PLACARD - Identification fitting (HYD Press)	2	
-30	40849-10		PLACARD - Identification fitting (HYD Suction)	2	
-31	477 629		NUT - (AN924-4)	2	
	407 568		WASHER - (AN960-716)	2	
-32	484 752		RING - (AN6291-4)	4	
-33	462 027		GASKET - (AN6290-4)	4	
-34	477 713		NUT (AN6289-4)	4	
-35	40920-00		BLOCK - Back-up	2	
-36	491 053		UNION - (AN815-8D)	3	
-37	462 028		GASKET - (AN6290-5)	1	
-38	462 026		GASKET - (AN6290-3)	1	
-39	491 051		UNION - (AN815-5D)	1	
-40	491 049		UNION - (AN815-3D)	1	
-41	458 899		ELBOW - (AN833-3D) 90 Degrees	1	
-42	458 878		ELBOW - (AN833-5D) 90 Degrees	1	
-43	477 617		NUT - (AN924-3D)	1	
	409 567		WASHER - (AN960-616)	1	
-44	477 623		NUT - (AN924-5D)	1	
	407 567		WASHER - (AN960-816)	1	
-45	484 283		REDUCER - (AN919-10D)	2	
-46	462 031		GASKET - (AN6290-8)	4	
-47	458 905		ELBOW - (AN833-8D)	2	

When ordering, always specify Part Number, Description and Serial Number of Aircraft



**PIPER PARTS CATALOG**

Figure and Index Number	Part Number	Code	NOMENCLATURE	No. Req.	SERIAL NUMBERS AFFECTED
101-48	491 050		UNION - (AN815-4D)	2	
-49	484 827		RING - (AN6291-8)	2	
-50	460 635		FILTER ASSEMBLY - Oil (AN6234-1)	2	
-51	751 759		* ELEMENT - Filter (AN6235-1A)	1	
-52	484 701		* * PACKING - -O- Ring (AN6227-7)	1	
-53	756 164		* SPRING - (572 755)	1	
-54	752 604	B	* "O" RING - (MS28778-16)	1	
	751 869	C	* "O" RING - (AN6227-B22)	1	

When ordering, always specify Part Number, Description and Serial Number of Aircraft

# PIPER PARTS CATALOG

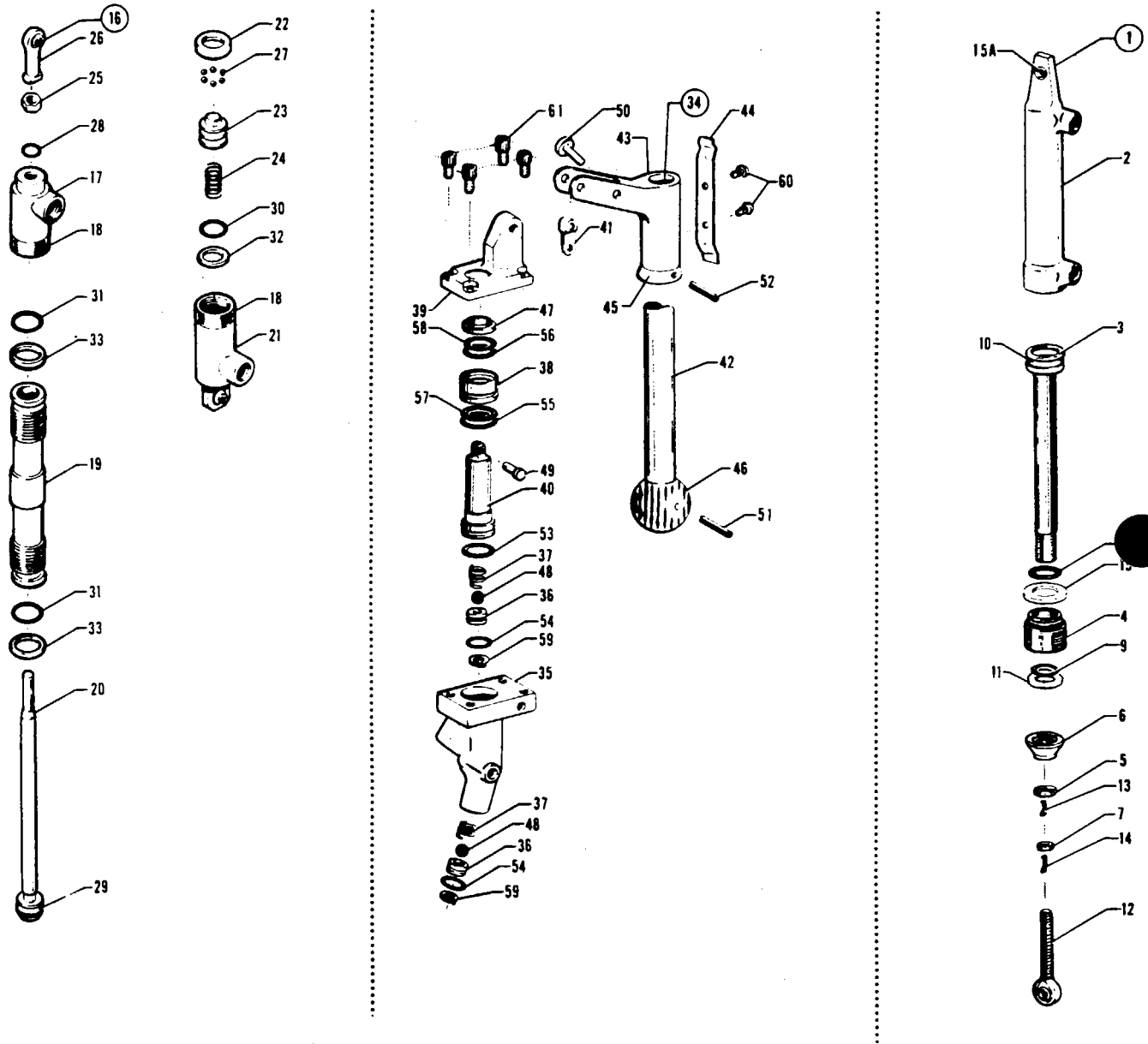


Figure 102. Hydraulic System Components (Wiebel)

---

# PIPER PARTS CATALOG

---

CODE EXPLANATIONS FOR FIGURE 102

PIPER PARTS CATALOG

Figure and Index Number	Part Number	Code	NOMENCLATURE	No. Req.	SERIAL NUMBERS AFFECTED
102-1	451 825		ACTUATOR - Hydraulic (Wiebel 2115-1)	3	
-2	763 211		* CYLINDER ASSEMBLY - (2115001-1)	1	
-3	757 499		* PISTON - (2115002-1)	1	
-4	763 208		* CAP - End (2115003-1)	1	
-5	752 568		* NUT - (2115005-1)	1	
-6	762 313		* STOP - (2115006-1)	1	
-7	404 528		* NUT - (MS21042-6)	1	
-8	752 588		* "O" RING - (MS28775-124)	1	
-9	762 548		* RING - Seal (7114FS-160-T)	1	
-10	762 549		* RING - Seal (7216MS-160-T)	1	
-11	762 285		* SCRAPER - (S-11065-3)	1	
-12	762 554		* ROD END - (MXK-46-16A)	1	
-13	764 560		* LOCK - (NAS659-1)	1	
-14	761 115		* KEY - (2115004-1)	1	
-15	762 541		* RETAINER - Back-up (MS28774-124)	1	
-15a	453 045		* BUSHING - (NAS77-5-15)	2	
-16	455 961		CYLINDER - Lock (Wiebel 2114-1)	2	
-17	763 209		* CAP - End (2114001-1)	1	
-18	752 569		* NUT - (2114002-1)	2	
-19	758 377		* BARREL - (2114003-1)	1	
-20	757 500		* PISTON - (2114004-1)	1	
-21	754 854		* FITTING ASSEMBLY - (2114005-1)	1	
-22	762 535		* RACE - (2114006-1)	1	
-23	763 404		* PLUNGER - (2114007-1)	1	
-24	762 308		* SPRING - (2114008-1)	1	
-25	752 570		* NUT - (10081 ESLOK)	1	
-26	755 961		* ROD END - (F-34-14)	1	
-27	753 445		* BALL - (MS150453)	6	
-28	762 550		* RING - Seal (7011FS-160-T)	1	
-29	762 551		* RING - Seal (7111MS-160-T)	1	
-30	757 266		* "O" RING - (MS28775-015)	1	
-31	757 229		* "O" RING - (MS28775-018)	2	
-32	762 539		* RETAINER - Back-up (MS28774-015)	1	
-33	755 960		* RETAINER - Back-up (MS28774-018)	2	
-34	481 771		PUMP - Hand (Wiebel 2112-1)	1	
-35	758 385		* BODY ASSEMBLY - Hand pump (2112001-1)	1	
-36	762 316		* SEAT - (2112002-1)	2	
-37	762 302		* SPRING - (2112003-1)	2	
-38	755 095		* GLAND - (2112004-1)	1	
-39	758 386		* BRACKET ASSEMBLY - (2112005-1)	1	
-40	763 405		* PLUNGER - (2112006-1)	1	
-41	761 205		* LINK - (211007-1)	1	
-42	755 276		* HANDLE - (2112008-1)	1	
-43	761 204		* LEVER ASSEMBLY - (2112009-1)	1	
-44	762 309		* SPRING - (2112010-1)	1	
-45	762 314		* STOP - (2112011-1)	1	
-46	755 096		* GRIP - (2112012-1)	1	
-47	762 285		* SCRAPER - (S-11065-3)	1	
-48	753 484		* BALL - (MS150457)	2	
-49	757 496		* PIN - Quick click (3/16 x 437)	1	
-50	757 497		* PIN - Quick click (3/16 x 750)	2	
-51	757 236		* PIN - Spring (MS171537)	1	
-52	757 494		* PIN - Spring (MS171532)	1	
-53	762 552		* RING - Seal (7115MS-160-T)	1	
-54	755 941		* "O" RING - (MS28775-011)	2	
-55	757 233		* "O" RING - (MS28775-021)	1	
-56	757 223		* "O" RING - (MS28775-114)	1	
-57	762 540		* RETAINER - Back-up (MS28774-021)	1	

When ordering, always specify Part Number, Description and Serial Number of Aircraft

**PIPER PARTS CATALOG**

Figure and Index Number	Part Number	Code	NOMENCLATURE	No. Req.	SERIAL NUMBERS AFFECTED
102-58 -59 -60 -61	762 542 755 962 762 292 762 291		<ul style="list-style-type: none"> <li>• RETAINER - Back-up (MS28774-114)</li> <li>• RETAINER - Snap Ring (5000-43H)</li> <li>• SCREW - Drive (AN535-4-3)</li> <li>• SCREW - (NAS 1351C4-10)</li> </ul>	1 2 2 4	

When ordering, always specify Part Number, Description and Serial Number of Aircraft

# PIPER PARTS CATALOG

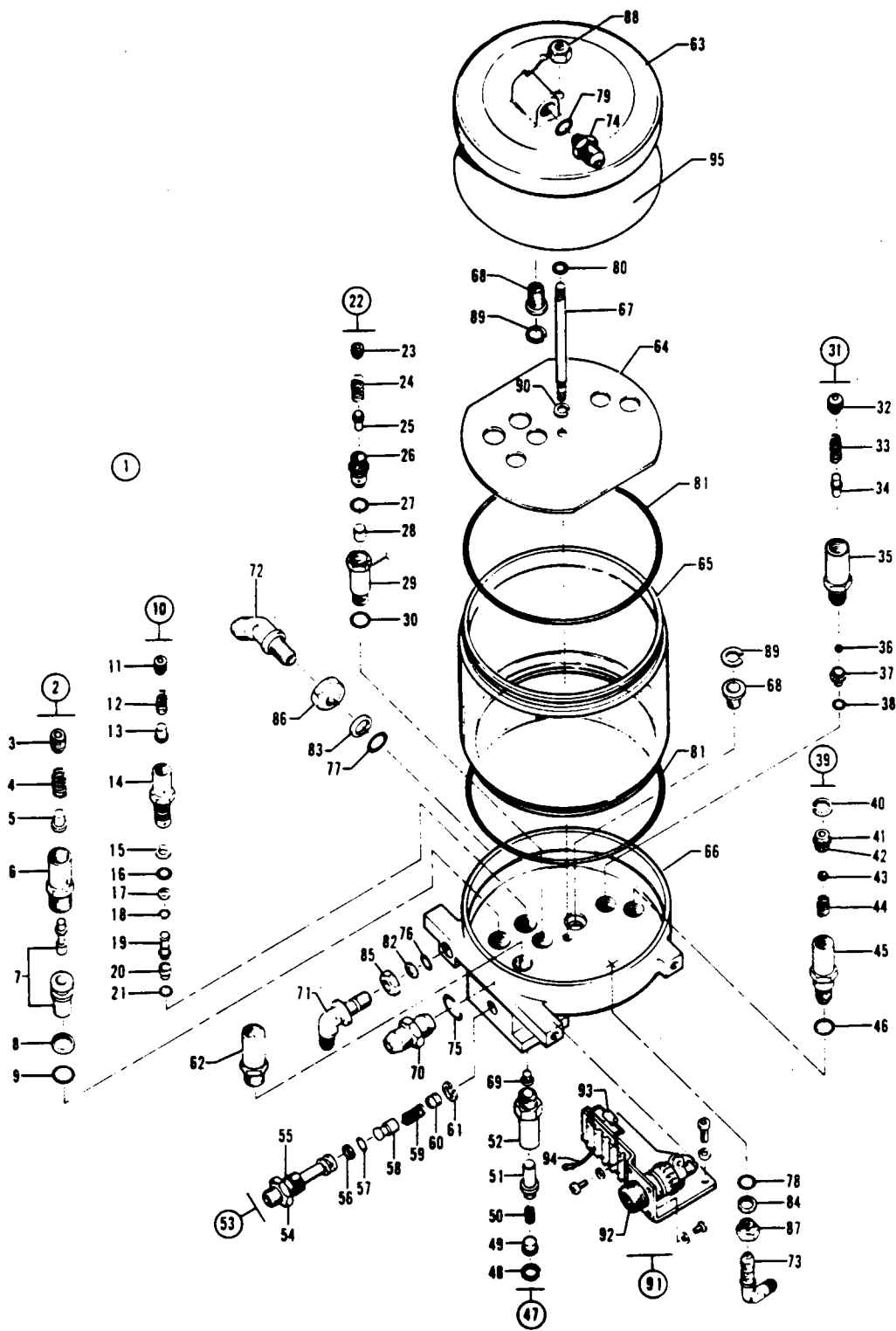


Figure 103. Hydraulic Powerpak Assembly (Wiebel)

---

# PIPER PARTS CATALOG

---

CODE EXPLANATIONS FOR FIGURE 103

A - See Figure 104 for balance of powerpak components.

**PIPER PARTS CATALOG**

Figure and Index Number	Part Number	Code	NOMENCLATURE	No. Req.	SERIAL NUMBERS AFFECTED
103-1	481 171	A	POWERPAK ASSEMBLY - New (Wiebel 2135-1)	1	
-2	756 549		* PRIMARY RELIEF VALVE ASSEMBLY - (2135-101)	1	
-3	762 286		* * SCREW - Adjusting (2135008-1)	1	
-4	762 298		* * SPRING - (2135010-1)	1	
-5	758 387		* * BUTTON - Guide (2135009-1)	1	
-6	758 379		* * BODY - Relief valve (2135007-1)	1	
-7	763 408		* * POPPET AND SEAT - (2135006-1)	1	
-8	762 536		* * RETAINER - Back-up (MS28774-013)	1	
-9	757 277		* * "O" RING - (MS28775-013)	1	
-10	756 550		* PRIORITY VALVE ASSEMBLY - (2135-102)	1	
-11	762 286		* * SCREW - Adjusting (2135008-1)	1	
-12	762 299		* * SPRING - (2135012-1)	1	
-13	758 387		* * BUTTON - Guide (2135009-1)	1	
-14	758 380		* * BODY - Priority valve (2135011-1)	1	
-15	762 536		* * RETAINER - Back-up (MS28774-013)	1	
-16	757 277		* * "O" RING - (MS28775-013)	1	
-17	762 537		* * RETAINER - Back-up (MS28774-006)	1	
-18	757 268		* * "O" RING - (MS28775-006)	1	
-19	763 406		* * POPPET - (2135013-1)	1	
-20	762 293		* * SEAT - Poppet (2135014-1)	1	
-21	757 270		* * "O" RING - (MS28775-012)	1	
-22	756 551		* DOOR VENT VALVE ASSEMBLY - (2135-106)	1	
-23	762 287		* * SCREW - Adjusting (2135045-1)	1	
-24	762 300		* * SPRING - (2135044-1)	1	
-25	762 311		* * STEM - Guide (2135043-1)	1	
-26	762 296		* * SLEEVE - (2135042-1)	1	
-27	757 263		* * "O" RING - (MS28775-010)	1	
-28	757 498		* * PISTON - (2135041-1)	1	
-29	758 381		* * BODY - Vent valve (2135040-1)	1	
-30	757 265		* * "O" RING - (MS28778-3)	1	
-31	756 552		* HAND PUMP RELIEF VALVE ASSEMBLY - (2135-107)	1	
-32	762 288		* * SCREW - Adjusting (2135028-1)	1	
-33	762 301		* * SPRING - (2135029-1)	1	
-34	762 312		* * STEM - Guide (2135031-1)	1	
-35	758 382		* * BODY - Relief valve (2135030-1)	1	
-36	753 445		* * BALL - (MS150453)	1	
-37	762 317		* * SEAT - Ball (2135032-1)	1	
-38	755 941		* * "O" RING - (MS28775-011)	1	
-39	756 553		* TIME DELAY CHECK VALVE ASSEMBLY - (2135-105)	1	
-40	755 962		* * RING - Snap (5000-43H)	1	
-41	755 941		* * "O" RING - (MS28775-011)	1	
-42	762 316		* * SEAT - (2112002-1)	1	
-43	753 484		* * BALL - (MS150457)	1	
-44	762 302		* * SPRING - (2112003-1)	1	
-45	758 383		* * BODY - Delay valve (2135027-1)	1	
-46	757 265		* * "O" RING - (MS28778-3)	1	
-47	763 204		* CARTRIDGE ASSEMBLY - Handle return (2135-104)	2	
-48	755 980		* * RING - Snap (5000-50H)	1	
-49	758 388		* * BUTTON - Plug (2135024-1)	1	
-50	762 303		* * SPRING - (2135023-1)	1	
-51	763 402		* * PLUNGER - (2135022-1)	1	
-52	758 384		* * BODY - Handle return (2135021-1)	1	
-53	756 554		* ENGINE PUMP CHECK VALVE ASSEMBLY - (2135-108)	1	
-54	754 853		* * FITTING - (2135035-1)	1	
-55	757 266		* * "O" RING - (MS28775-015)	1	
-56	762 536		* * RETAINER - Back-up (MS28774-013)	1	

When ordering, always specify Part Number, Description and Serial Number of Aircraft



**PIPER PARTS CATALOG**

Figure and Index Number	Part Number	Code	NOMENCLATURE	No. Req.	SERIAL NUMBERS AFFECTED
103-57	757 277		* * "O" RING - (MS28775-013)	1	
-58	763 407		* * POPPET - (2135038-1)	1	
-59	762 304		* * SPRING - (2135037-1)	1	
-60	758 389		* * BUTTON - Plug (2135036-1)	1	
-61	762 546		* * RING - Snap (5000-31H)	1	
-62	754 851		* STAND PIPE FILTER - (2135039-1)	1	
-63	763 210		* COVER - Reservoir (2135004-1)	1	
-64	763 401		* PLATE - Baffle (2135046-1)	1	
-65	762 545		* RESERVOIR - (2135058-1)	1	
-66	758 378		* BODY - Powerpak (2135001-1)	1	
-67	762 553		* ROD - (2135033-1)	1	
-68	754 852		* FILTER - (2135034-1)	2	
-69	762 289		* SCREW - Stop (2135018-1)	2	
-70	491 053		* UNION - (AN815-8D)	1	
-71	458 901		* ELBOW - (AN833-6D)	1	
-72	458 911		* ELBOW - (AN837-5D)	1	
-73	458 899		* ELBOW - (AN833-3D)	1	
-74	491 050		* UNION - (AN815-4D)	1	
-75	757 275		* "O" RING - (MS28778-8)	1	
-76	755 940		* "O" RING - (MS28778-6)	1	
-77	757 284		* "O" RING - (MS28778-5)	1	
-78	757 265		* "O" RING - (MS28778-3)	1	
-79	757 276		* "O" RING - (MS28778-4)	1	
-80	752 587		* "O" RING - (MS28775-009)	1	
-81	752 589		* "O" RING - (2-257N-304-75)	2	
-82	753 486		* RETAINER - Back-up (MS28777-8)	1	
-83	757 283		* RETAINER - Back-up (MS28777-5)	1	
-84	753 490		* RETAINER - Back-up (MS28777-3)	1	
-85	752 521		* NUT - (AN6289-D6)	1	
-86	752 525		* NUT - (AN6289-D5)	1	
-87	752 524		* NUT - (AN6289-D3)	1	
-88	752 520		* NUT - (NAS509-5)	1	
-89	755 980		* RETAINER - Snap ring (5000-50H)	2	
-90	762 547		* RETAINER - Snap ring (5133-37)	1	
-91	758 390		* BRACKET ASSEMBLY - Receptacle and capacitor (2135055-102)	1	
-92	762 555		* * RECEPTACLE ASSEMBLY - (2135055-103)	1	
-93	763 212		* * CAPACITOR ASSEMBLY - (2135055-104)	1	
-94	755 057		* GROUND WIRE ASSEMBLY - (2135055-105)	1	
-95	763 411		* PLATE - Deflector (2135060-1)	1	

When ordering, always specify Part Number, Description and Serial Number of Aircraft

**2G24**

**INTENTIONALLY LEFT BLANK**

PIPER PARTS CATALOG

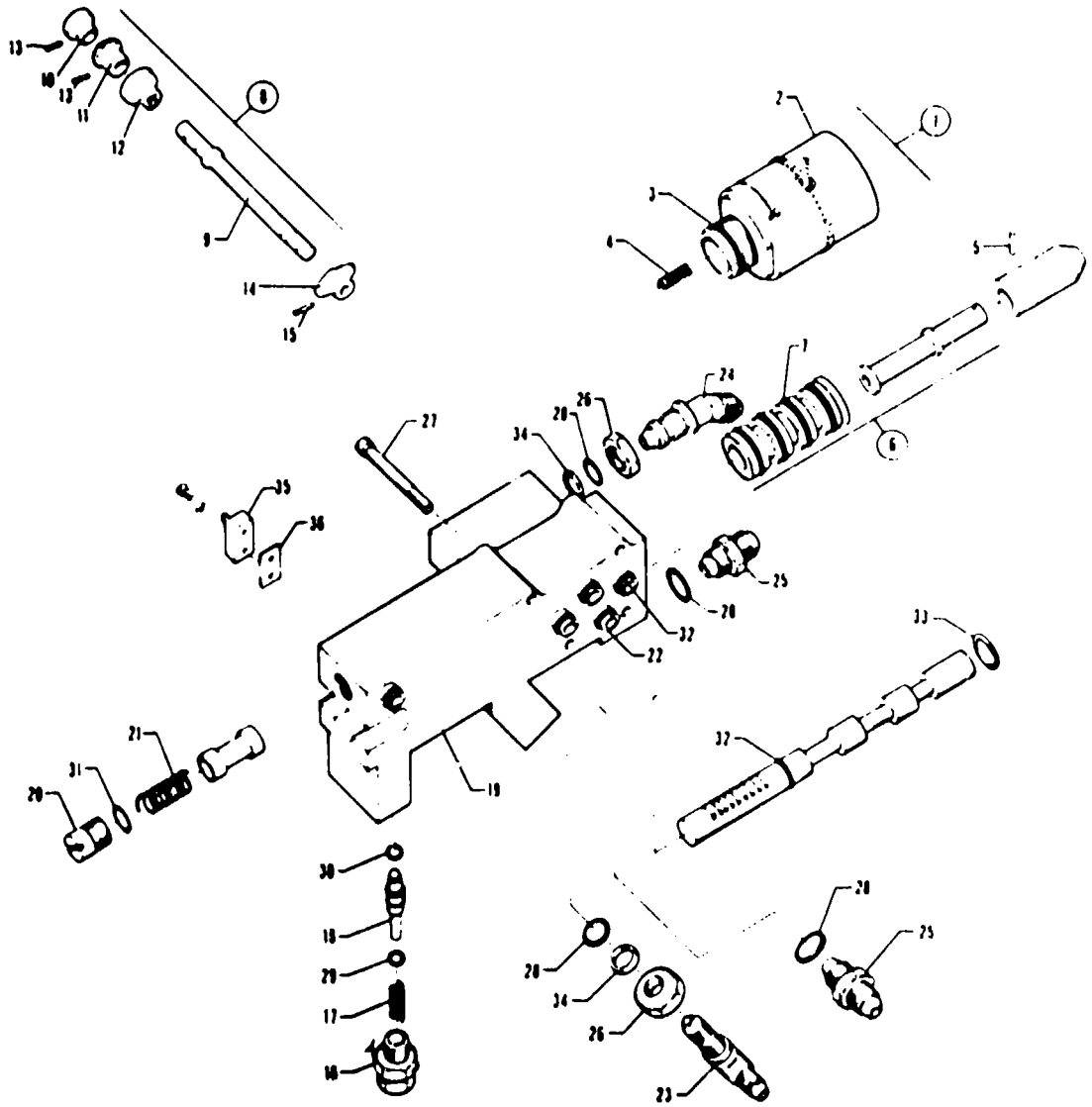


Figure 104 Hydraulic Powerpak Components (Wiebel)

---

# PIPER PARTS CATALOG

---

CODE EXPLANATIONS FOR FIGURE 104

**PIPER PARTS CATALOG**

Figure and Index Number	Part Number	Code	NOMENCLATURE	No. Req.	SERIAL NUMBERS AFFECTED
104-1	756 555		SOLENOID VALVE ASSEMBLY - (2135-109)	1	
-2	762 310		* SOLENOID ASSEMBLY - (2135015-1)	1	
-3	757 229		* "O" RING - (MS28775-018)	1	
-4	762 305		* SPRING - Plunger return (2135053-1)	1	
-5	757 495		* PIN - (2135054-1)	1	
-6	762 297		* SLEEVE AND SPOOL - (2135005-1)	1	
-7	757 269		* "O" RING - (MS28775-016)	4	
-8	762 294		INPUT SHAFT ASSEMBLY - (2135-103)	1	
-9	762 295		* SHAFT - Input (2135020-1)	1	
-10	763 207		* CAM - Switch (2135048-1)	1	
-11	755 054		* GEAR - Spur (2135026-1)	1	
-12	763 205		* CAM - Detent (2135025-1)	1	
-13	757 291		* ROLLPIN - (MS171528)	2	
-14	763 206		CAM - Rocker (2135019-1)	1	
-15	757 291		ROLLPIN - (MS171528)	1	
-16	762 543		RETAINER - (2135016-1)	1	
-17	762 306		SPRING - (2135057-1)	1	
-18	763 403		PLUNGER - (2135017-1)	1	
-19	761 656		MANIFOLD ASSEMBLY - (2135002-1)	1	
-20	762 544		RETAINER - (2135049-1)	1	
-21	762 307		SPRING - (2135050-1)	1	
-22	761 983		TUBE - Transfer (2135051-1)	5	
-23	458 900		ELBOW - (AN833-4D)	1	
-24	458 910		ELBOW - (AN837-4D)	1	
-25	491 050		UNION - (AN815-4D)	2	
-26	477 676		NUT - (AN6289-D4)	2	
-27	762 290		SCREW - (NAS1351C4-28)	4	
-28	757 276		"O" RING - (AN28778-4)	4	
-29	757 263		"O" RING - (MS28775-010)	1	
-30	757 279		"O" RING - (MS28775-008)	1	
-31	757 270		"O" RING - (MS28775-012)	1	
-32	755 941		"O" RING - (MS28775-011)	11	
-33	757 277		"O" RING - (MS28775-013)	1	
-34	762 538		RETAINER - Back-up (MS28777-4)	2	
-35	762 315		SWITCH ASSEMBLY - (2135055-101)	1	
-36	763 409		PLATE - Insulating (2135055-11)	1	

When ordering, always specify Part Number, Description and Serial Number of Aircraft

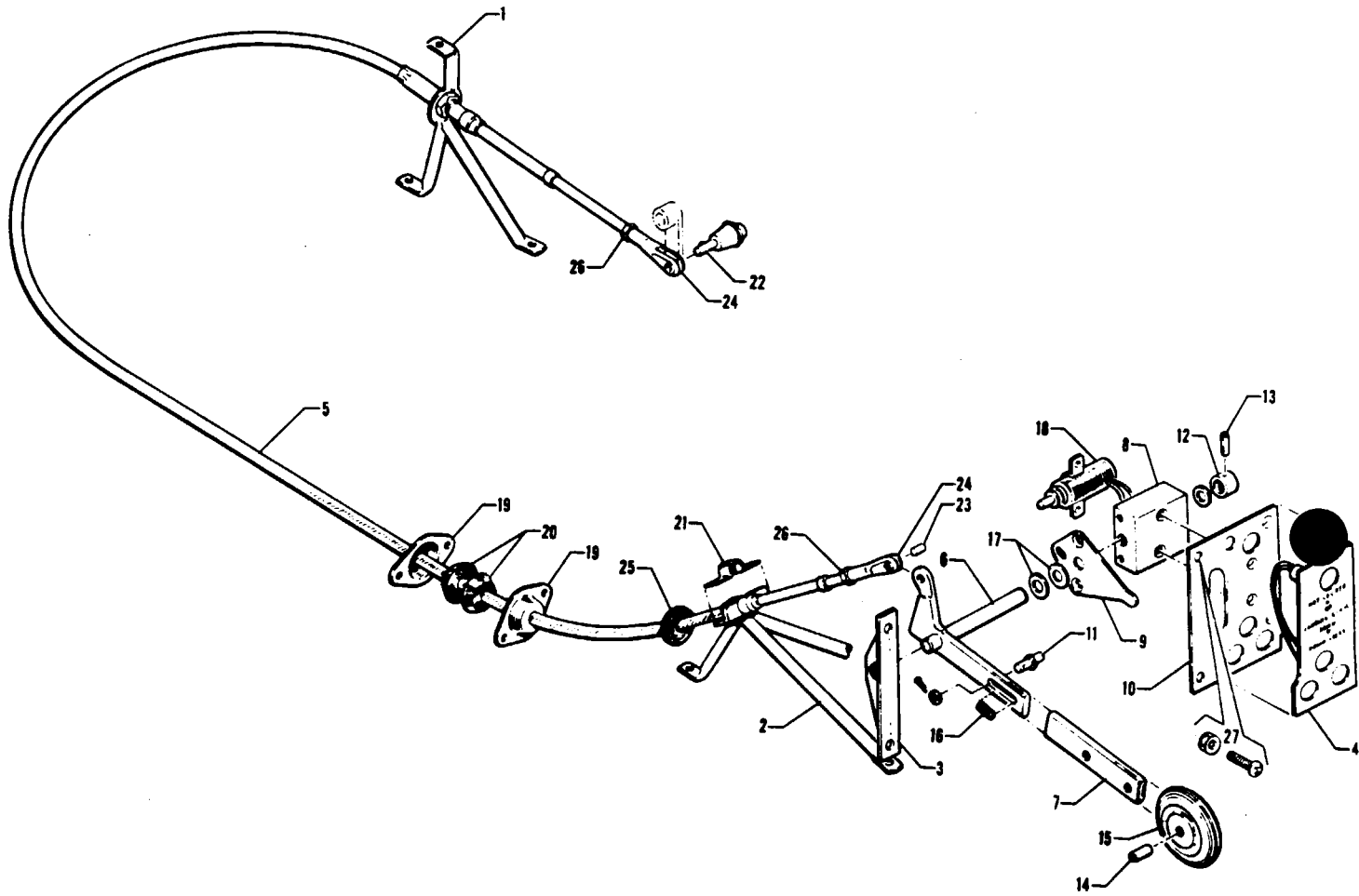


Figure 105. Landing Gear Selector Mechanism Installation

---

# PIPER PARTS CATALOG

---

CODE EXPLANATIONS FOR FIGURE 105

**PIPER PARTS CATALOG**

Figure and Index Number	Part Number	Code	NOMENCLATURE	No. Req.	SERIAL NUMBERS AFFECTED
105-	44169		DRAWING - Landing Gear Selector Mechanism Installation		
-1	44166-00		BRACKET ASSEMBLY - Powerpak control	1	
-2	46258-05		BRACKET ASSEMBLY - Hydraulic powerpak control	1	
-3	46256-04		ANGLE ASSEMBLY - Gear selector mounting	1	
-4	44187-00		PANEL ASSEMBLY - Electroluminescent	1	
-5	55416-02		CABLE ASSEMBLY - Flexible push-pull control (554-401)	1	
-6	46259-05		LEVER ASSEMBLY - Landing gear control	1	
-7	41089-00		SLEEVE - Gear selector handle	1	
-8	44162-00		BLOCK - Gear selector lever mounting	1	
-9	41139-00		STOP - Gear selector lever	1	
-10	44161-00		PLATE ASSEMBLY - Gear selector mounting	1	
-11	41228-00		PIN - Stop, gear selector handle	1	
	407 984		WASHER - (AN960-10L)	1	
	424 050		PIN - Cotter (AN380-2-1)	1	
-12	46255-00		BUSHING - Gear selector mechanism	1	
-13	480 705		PIN - Roll (59-028-125-0500)	1	
	408 815		WASHER - (3502-18-04)	1	
-14	480 738		PIN - Roll (59-040-187-0500)	1	
-15	571 077		KNOB - (OAS294-078-1)	1	
-16	487 464		SPRING - (LC-026B-11)	1	
-17	407 566		WASHER - (AN960-516)	AR	
	407 586		WASHER - (AN960-516L)	AR	
-18	487 155		SOLENOID ASSEMBLY - (L-3011)	1	
-19	22103-02		PLATE - Firewall seal grommet	2	
-20	22104-15		GROMMET	2	
-21	18219-05		CLAMP - Control cable attachment	1	
-22	53599-00		PIN - Cable attachment	1	
-23	424 175		PIN - (MS20392-2C13)	1	
	407 584		WASHER - (AN960-10L)	1	
	424 051		PIN - Cotter (MS24665-132)	1	
-24	488 327		TERMINAL - (AN665-21R)	1	
-25	434 134		GROMMET - (MS35489-11)	1	
-26	404 224		NUT - (AN315-3R)	2	
-27	515 714		SCREW - (PS10084-47-2)	1	
	404 910		NUT - (MS20365-832C)	1	

When ordering, always specify Part Number, Description and Serial Number of Aircraft



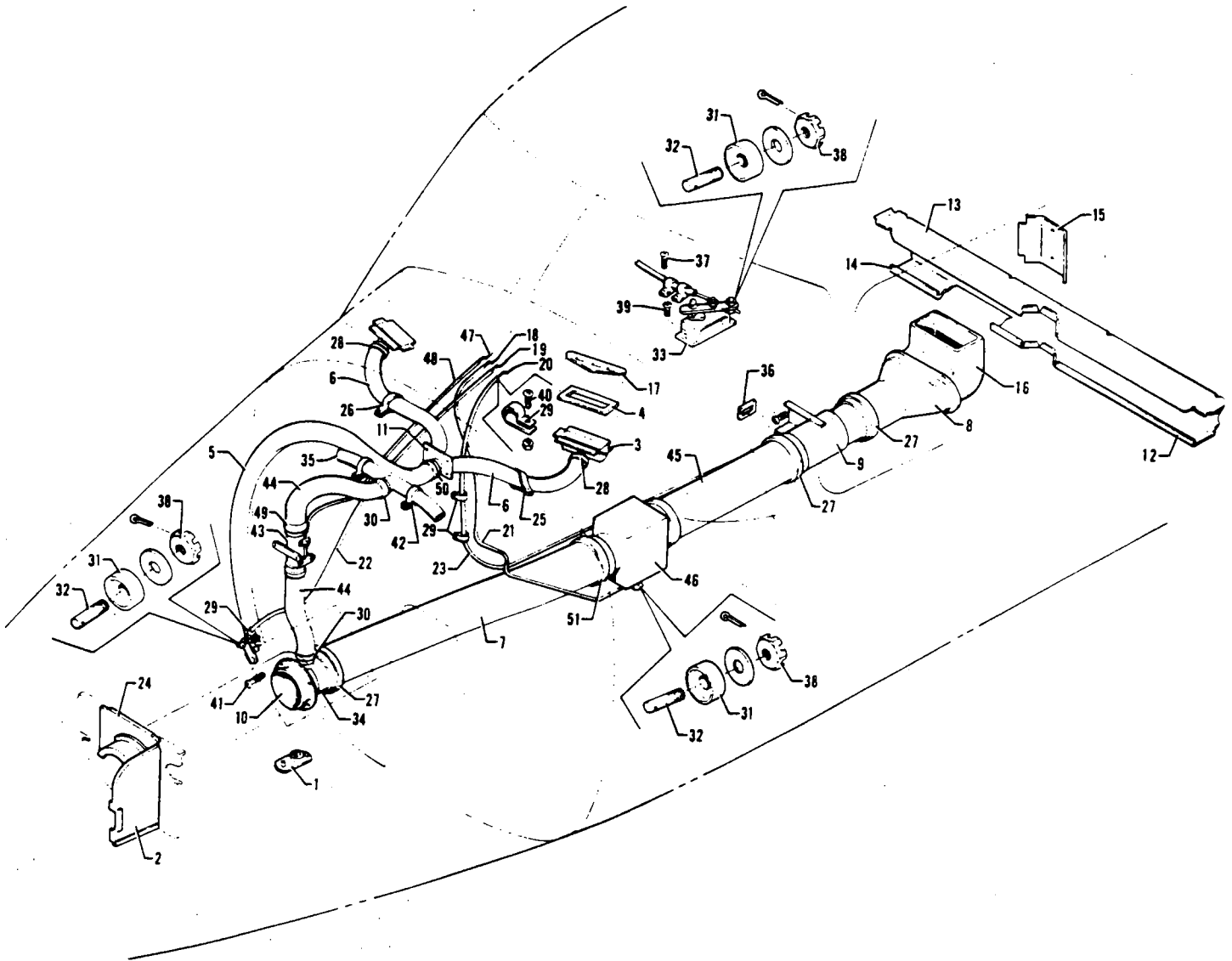


Figure 106. Heater and Defroster System Installation

---

# PIPER PARTS CATALOG

---

CODE EXPLANATIONS FOR FIGURE 106

A - See Figure 109 for component parts.

**PIPER PARTS CATALOG**

Figure and Index Number	Part Number	Code	NOMENCLATURE	No. Req.	SERIAL NUMBERS AFFECTED
106-	52551 52537		DRAWING - Heater and Defroster Installation DRAWING - Heat Duct Installation		
-1	44823-00		PLATE ASSEMBLY - Heater exhaust tube	1	
-2	44814-00		PLATE ASSEMBLY - Lower fuselage	1	
-3	41958-04		BOX ASSEMBLY - Defroster air	2	
-4	41957-00		* GASKET - Defroster air box	1	
-5	22502-72		DUCT - Defroster air	1	
-6	565 322		DUCT - Defroster air (OLSH-100-12-80-6)	2	
-7	56952-23		DUCT - Heater air distribution, forward	1	
-8	52497-00		DUCT ASSEMBLY - Heat	1	
-9	52512-00		DUCT ASSEMBLY - Heat	1	
-10	52458-05		TUBE ASSEMBLY - Air distribution	1	
-11	43951-05		DUCT ASSEMBLY - Defroster	1	
-12	52327-03		PANEL - Heat duct	1	
-13	52327-04		PANEL - Heat duct	1	
-14	52298-00		PLATE - Heat duct	1	
-15	52335-00		PLATE - Heat duct	1	
-16	52494-00		ELBOW ASSEMBLY - Heat duct	1	
-17	42778-00		PLATE - Defroster outlet trim	2	
-18	22470-19		WIRE - Heater inlet valve	1	
-19	22470-11		WIRE - Defroster air control	1	
-20	22470-17		WIRE - Cockpit heat control	1	
-21	22472-26		HOUSING - Heater inlet valve wire	1	
-22	22472-21		HOUSING - Defroster air control wire	1	
-23	22472-23		HOUSING - Cockpit heat control wire	1	
-24	44891-00		PLATE ASSEMBLY - Bulkhead (Sta. 28.62)	1	
-25	487 679		STRAP - (PS10017-3-3-12F)	1	
-26	487 746		STRAP - (PS10017-3-12-12F)	1	
-27	554 834		CLAMP - (SAE TY F-40)	3	
-28	554 929		CLAMP - (SAE TY A-1 11/16)	4	
-29	454 887		CLAMP - (PS10017-1-3)	7	
-30	554 701		CLAMP - (SAE TY F-16)	2	
-31	70371-02		FITTING - Control wire heat distribution	3	
-32	70371-03		STUD - Control wire heat distribution	3	
-33	757 726	A	SWITCH ASSEMBLY - Adjustable duct (250 Degrees) (68D01)	1	
-34	54005-00		TUBE ASSEMBLY - Air distribution	1	
-35	54007-00		TUBE ASSEMBLY - Air distribution	1	
-36	24671-00		GASKET - Cabin heat distribution duct	1	
-37	411 532		SCREW - (MS35207-263)	4	
-38	404 392		NUT - (AN320-3)	3	
	81342-19		WASHER	3	
	424 051		COTTER PIN - (MS24665-132)	3	
-39	415 521		SCREW - (MS35206-231)	2	
-40	411 532		SCREW - (MS35207-263)	7	
	404 887		NUT - (MS20365-1032C)	7	
-41	415 535		SCREW - (MS35206-245)	4	
-42	454 977		CLAMP - Tube assembly (PS10017-2-16)	2	
-43	71478-02		VALVE ASSEMBLY - Air duct	1	
-44	56952-21		HOSE - Air duct, upper	1	
	56952-22		HOSE - Air duct, lower	1	
-45	56952-24		DUCT - Heater air distribution, aft	1	
-46	43974-06		BOX ASSEMBLY - Heater air distribution	1	
-47	22470-20		WIRE - Air duct control	1	
-48	22472-28		HOUSING - Air duct control wire	1	
-49	554 623		CLAMP - (PS10017-20-16)	2	
-50	454 912		CLAMP - (A3122-34-1)	2	
-51	454 914		CLAMP - (A3122-50-1J)	2	

When ordering, always specify Part Number, Description and Serial Number of Aircraft

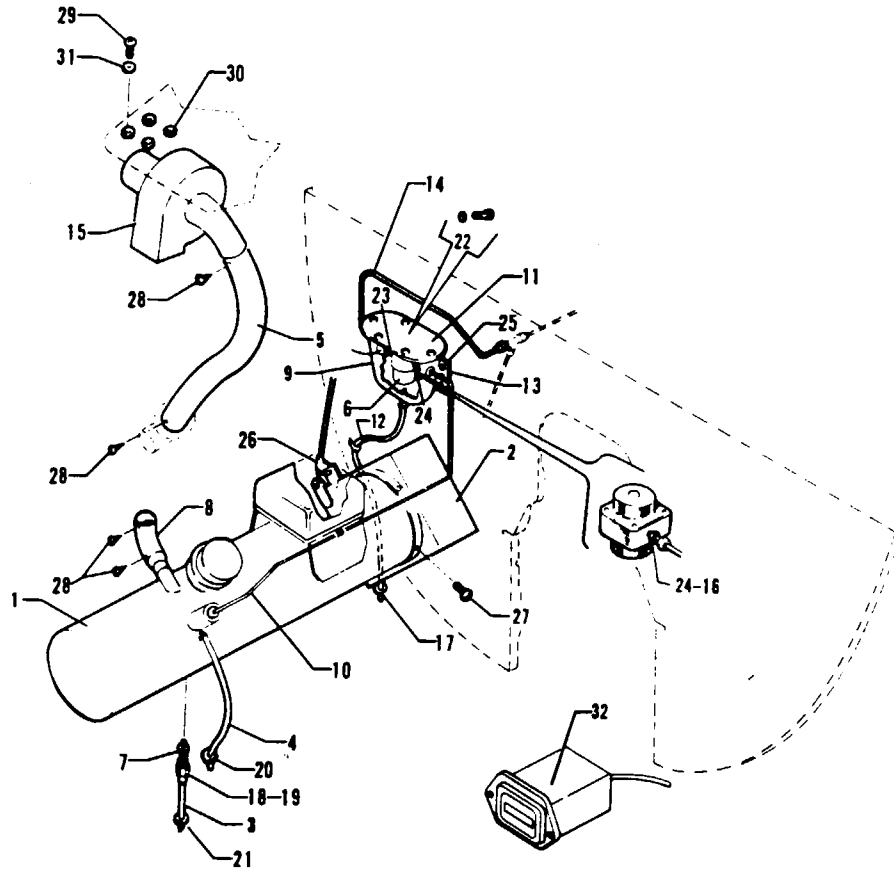


Figure 107 Heater Installation

---

# PIPER PARTS CATALOG

---

## CODE EXPLANATIONS FOR FIGURE 107

- A - See Figure 108 for component parts.
- B - See Figure 109 for component parts.

**PIPER PARTS CATALOG**

Figure and Index Number	Part Number	Code	NOMENCLATURE	No. Req.	SERIAL NUMBERS AFFECTED
107-	52551		DRAWING - Heater and Defroster Installation		
-1	755 311	A	HEATER ASSEMBLY - (65D79-3)	1	
-2	53108-06		BOX ASSEMBLY - Heat distribution	1	
-3	41775-00		TUBE - Heater drain	1	
-4	22369-34		TUBE - Heater drain	1	
-5	56985-03		TUBE - Flexible, heater	1	
-6	756 560		FUEL REGULATOR AND SHUTOFF VALVE	1	
-7	476 686		NIPPLE - (AN816-4)	1	
-8	762 022		TUBE - Housing outlet	1	
-9	43493-03		SHROUD ASSEMBLY - Heater fuel valve	1	
-10	54004-00		LINE ASSEMBLY - Heater fuel	1	
-11	43492-00		COVER ASSEMBLY - Heater valve shroud	1	
-12	71522-03		HOSE ASSEMBLY - Heater fuel regulator vent	1	
-13	23765-02		BRACKET - Heater fuel regulator mounting	1	
-14	80024-23		LINE ASSEMBLY - Heater fuel	1	
-15	758 048	B	COMBUSTION AIR BLOWER & MOTOR ASSEMBLY	1	
-16	477 895		NUT - (TSE01-13) Tru seal	2	
-17	434 135		GROMMET - (MS35489-14)	1	
-18	477 634		COUPLING - Nut (AN818-4)	1	
-19	486 906		SLEEVE - (MS20819-4)	1	
-20	434 129		GROMMET - (MS35489-9)	1	
-21	434 128		GROMMET - (MS35489-6)	1	
-22	400 438		BOLT - (AN3-4A)	2	
	407 043		WASHER - (MS35338-43)	2	
-23	476 649		NIPPLE - (AN816-2D)	1	
-24	476 648		NIPPLE - (AN816-4D)	1	
-25	415 518		SCREW - (MS35206-228)	6	
-26	454 887		CLAMP - (PS10017-1-3)	1	
-27	415 533		SCREW - (MS35206-243)	4	
	407 563		WASHER - (AN960-8)	4	
	407 042		WASHER - Lock (MS35338-42)	4	
-28	419 691		SCREW - (6 x 3/8 L. Type "A")	4	
-29	411 532		SCREW - (MS35207-263)	3	
	404 835		NUT - (MS20364-1032C)	3	
-30	434 126		GROMMET - (MS35489-4)	4	
-31	407 564		WASHER - (AN960-10)	8	
-32	51006-00		METER ASSEMBLY - Hour, heater	1	

When ordering, always specify Part Number, Description and Serial Number of Aircraft

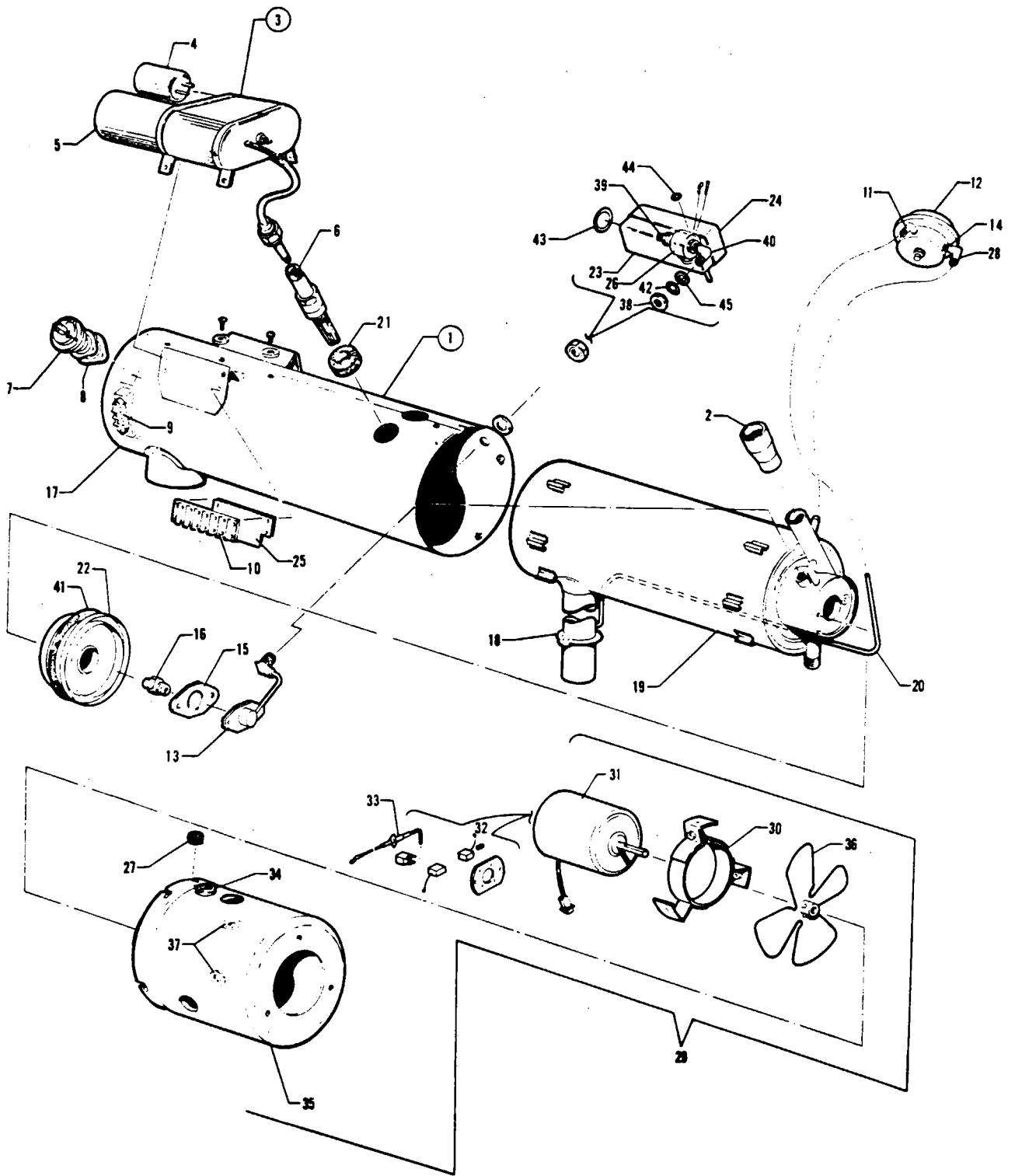


Figure 108. Heater Assembly

---

# PIPER PARTS CATALOG

---

CODE EXPLANATIONS FOR FIGURE 108



## PIPER PARTS CATALOG

Figure and Index Number	Part Number	Code	NOMENCLATURE	No. Req.	SERIAL NUMBERS AFFECTED
108-1	755 311		HEATER ASSEMBLY - (65D79-3)	1	
-2	751 274		* ADAPTER	1	
-3	755 464		* IGNITION ASSEMBLY	1	
-4	756 577		* * VIBRATOR - Ignition (solid state)	1	
-5	757 888		* * COIL - Ignition	1	
-6	757 334		* PLUG - Spark	1	
-7	762 393		* SWITCH - Limit	1	
-8	751 874		* GASKET - Limit switch	AR	
-9	756 178		* SWITCH - Cycling	1	
-10	761 946		* STRIP - Terminal	1	
-11	754 771		* ELBOW	1	
-12	757 602		* SWITCH - Pressure	1	
-13	754 833		* FUEL FEED AND NOZZLE HOLDER	1	
-14	752 560		* NIPPLE	1	
-15	751 922		* GASKET - Valve assembly	1	
-16	752 543		* NOZZLE - Fuel spray	1	
-17	752 137		* JACKET ASSEMBLY - Heater	1	
-18	755 098		* GASKET - Asbestos	1	
-19	761 952		* TUBE - Combustion	1	
-20	761 944		* * TUBE - Combustion air switch	1	
-21	434 139		* GROMMET - (MS35489-18)	1	
-22	755 243		* HEAD ASSEMBLY - Combustion	1	
-23	758 299		* BOX ASSEMBLY - Fuel shroud, lower	1	
-24	758 300		* BOX - Fuel shroud, upper	1	
-25	755 401		* INSULATOR - Terminal strip	1	
-26	762 215		* SOLENOID ASSEMBLY - Fuel	1	
-27	434 145		* GROMMET - (MS35489-35)	1	
-28	754 782		* ELBOW	1	
-29	758 233		* BLOWER ASSEMBLY - Vent air	1	
-30	758 234		* * BRACKET ASSEMBLY - Motor	1	
-31	761 529		* * MOTOR ASSEMBLY - Vent air blower	1	
-32	757 419		* * * PLATE ASSEMBLY - Brush	1	
-33	757 969		* * * CAPACITOR AND CABLE ASSEMBLY	1	
-34	434 128		* * GROMMET - (MS35489-6)	1	
-35	755 266		* * HOUSING - Blower	1	
-36	754 828		* * FAN - Vent air blower	1	
-37	756 646		* * WASHER	3	
-38	752 563		* NUT - Fuel shroud	1	
-39	755 615		* NIPPLE	1	
-40	754 779		* ELBOW - Fuel inlet	1	
-41	751 920		* GASKET - Combustion head	1	
-42	755 022		* GASKET - Fuel shroud	1	
-43	434 160		* GROMMET - (MS35489-8S)	1	
-44	434 128		* GROMMET - (MS35489-6)	1	
-45	407 597		* WASHER - (AN960-916L)	1	

When ordering, always specify Part Number, Description and Serial Number of Aircraft

PIPER PARTS CATALOG

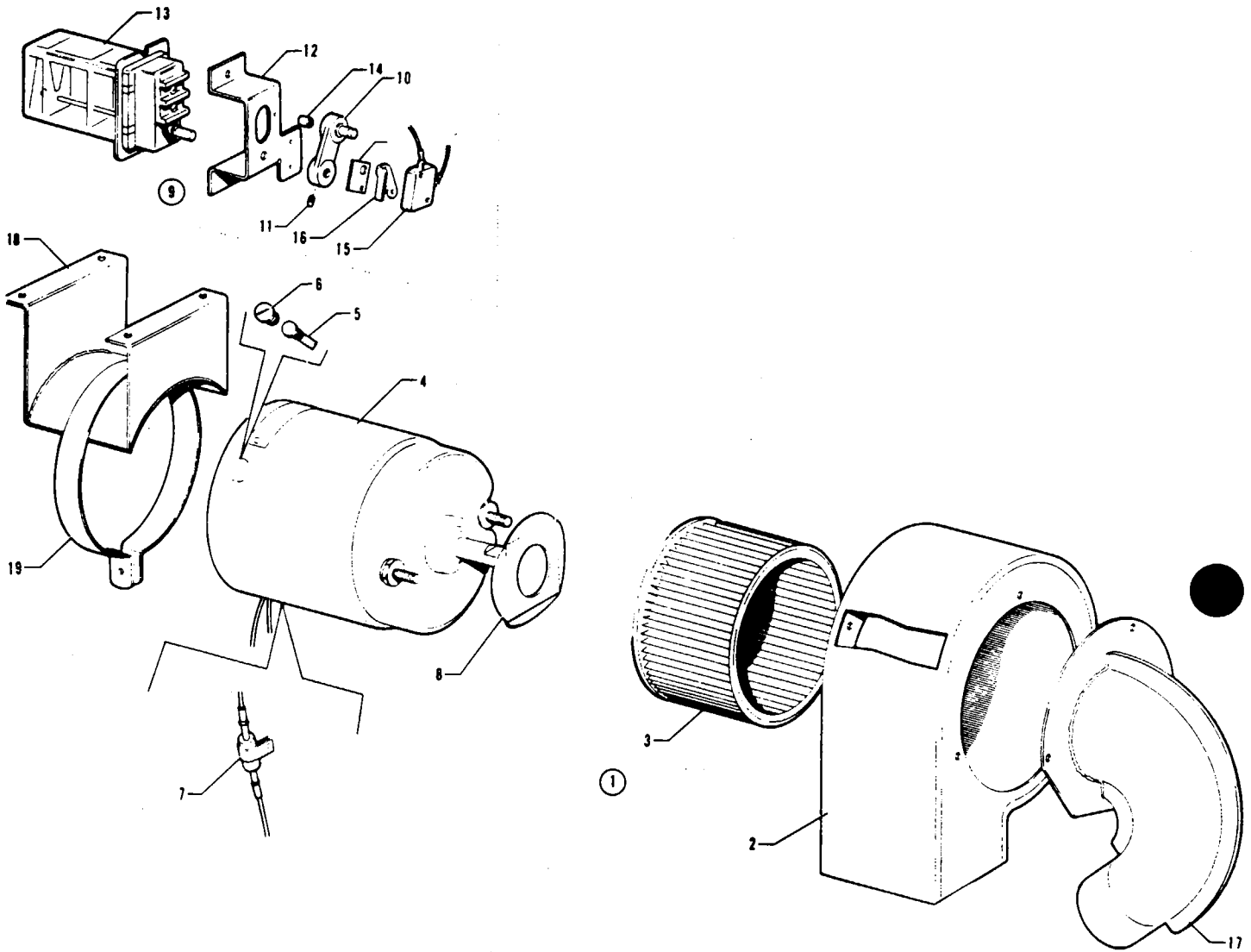


Figure 109. Heater Components

---

# PIPER PARTS CATALOG

---

CODE EXPLANATIONS FOR FIGURE 109

PIPER PARTS CATALOG

Figure and Index Number	Part Number	Code	NOMENCLATURE	No Req	SERIAL NUMBERS AFFECTED
109 1	758 048		COMBUSTION AIR BLOWER & MOTOR ASSEMBLY (89D22 2)	1	
2	755 253		* HOUSING Blower outer half	1	
	755 252		* HOUSING Blower inner half	1	
3	751 817		* FAN Combustion air blower	1	
4	761 608		* MOTOR ASSEMBLY Combustion air blower	1	
5	753 391		* BRUSH ASSEMBLY Motor	1	
6	753 392		* CAP	1	
7	758 013		* CAPACITOR	1	
8	756 184		* SPACER Motor	1	
9	757 726		SWITCH ASSEMBLY Adjustable duct (250 Degrees)	1	
10	752 367		* LEVER Switch	1	
11			* SCREW (AN565D8H3)	1	
12			* BRACKET ASSEMBLY Switch	1	
13	756 262		* SWITCH Adjustable duct	1	
14			* SPACER	1	
15	487 940		SWITCH Micro (MS25253 2)	1	
16	46541 01		PLATE Switch actuator	1	
17	52517 00		ADAPTER ASSEMBLY Heater blower	1	
18	52461 00		BRACKET ASSEMBLY Combustion air blower	1	
19	454 808		CLAMP (SAE TY F 60)	1	
20	53918 02		PLATE Insulator	1	

When ordering, always specify Part Number, Description and Serial Number of Aircraft

PIPER PARTS CATALOG

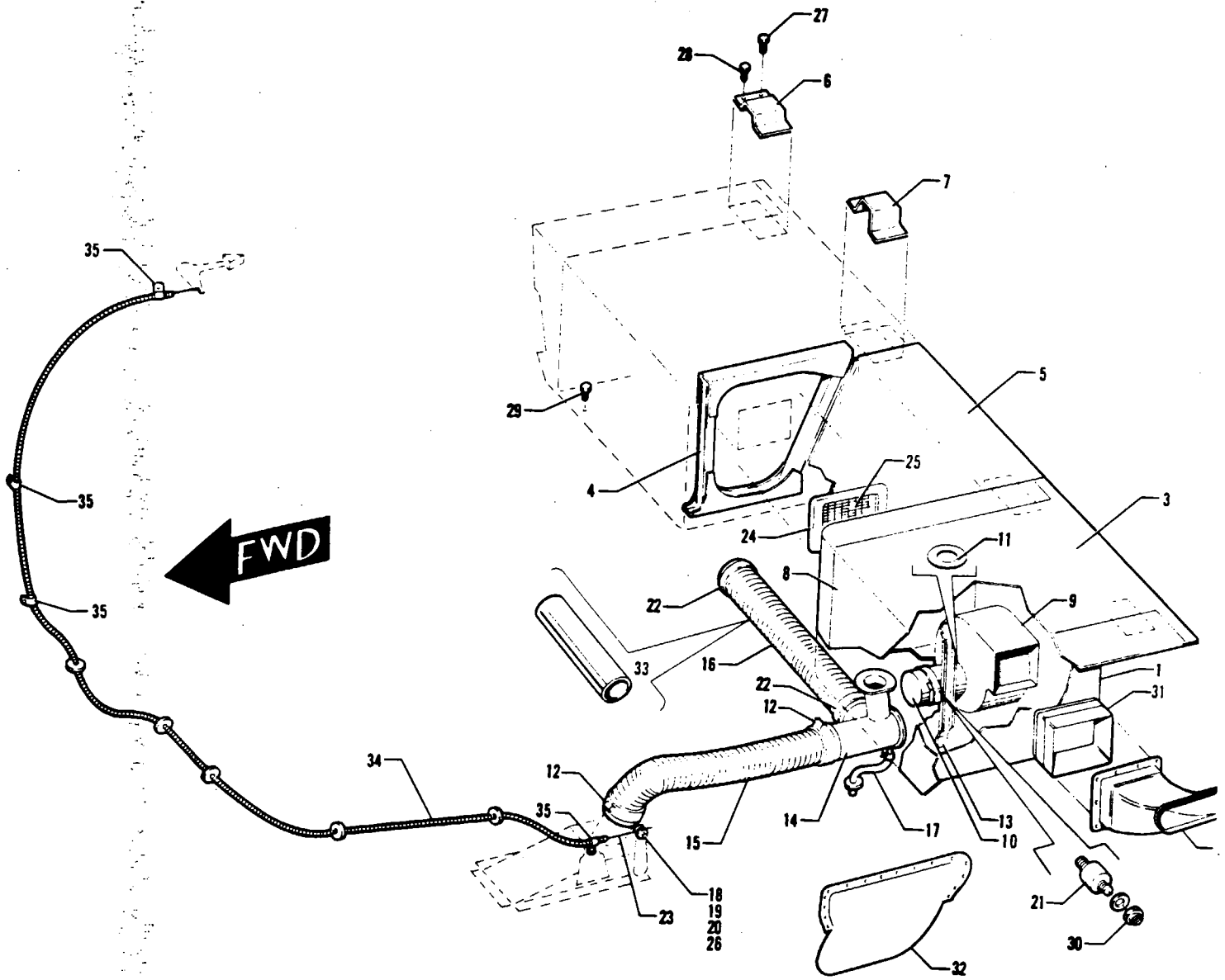


Figure 110. Ventilation System Installation

---

# PIPER PARTS CATALOG

---

CODE EXPLANATIONS FOR FIGURE 110

**PIPER PARTS CATALOG**

Figure and Index Number	Part Number	Code	NOMENCLATURE	No. Req.	SERIAL NUMBERS AFFECTED
110-	52524 52343		DRAWING - Outside Air System Installation DRAWING - Air Box Installation		
-1	53039-02 53039-03		BOX ASSEMBLY - Air, left BOX ASSEMBLY - Air, right	1 1	
-2	55870-02		* DUCT ASSEMBLY - Lower fan exhaust	1	
-3	52664-00 52664-01		COVER - Air box access, top, left COVER - Air box access, top, right	1 1	
-4	71697-02		FRAME ASSEMBLY - Seat track support	4	
-5	52665-00		COVER ASSEMBLY - Main spar	1	
-6	52633-02 52633-03		BRACKET ASSEMBLY - Air box support, outboard, left BRACKET ASSEMBLY - Air box support, outboard, right	1 1	
-7	52633-04 52633-05		BRACKET ASSEMBLY - Air box support, inboard, left BRACKET ASSEMBLY - Air box support, inboard, right	1 1	
-8	52663-02 52663-03		COVER - Air box access, front, left COVER - Air box access, front, right	1 1	
-9	453 010 453 009		BLOWER ASSEMBLY - Ventilating, left BLOWER ASSEMBLY - Ventilating, right	1 1	
-10	764 382		* KIT - Blower motor replacement, left and right	2	
-11	755 105		* GASKET - Vibration (1483-30-1)	1	
-12	554 834		CLAMP - (SAE TY F-40)	2	
-13	52629-06 52629-05		BRACKET ASSEMBLY - Blower support, left BRACKET ASSEMBLY - Blower support, right	1 1	
-14	52248-00		BOX ASSEMBLY - Outside air	1	
-15	49997-17		HOSE - Air inlet	1	
-16	49990-22		HOSE - Air inlet (1.75" L.)	2	
-17	22369-14		HOSE - Plastic	1	
-18	70371-03		STUD - Control wire, air box	1	
-19	70371-02		FITTING - Control wire, outside air	1	
-20	81342-19		WASHER - Outside air box	1	
-21	475 109		MOUNT - Air distribution motor (J-7219-22)	6	
-22	554 945		CLAMP - (SAE TY F-28)	4	
-23	22470-18		WIRE - Outside air control	1	
-24	52956-00		COVER - Air box grill	2	
-25	52955-00		GRILL - Air box	2	
-26	404 392 424 051		NUT - (AN320-3) COTTER PIN - (MS24665-132)	1 1	
-27	400 441 407 564 404 887		BOLT - (AN3-7A) WASHER - (AN960-10) NUT - (MS20365-1032C)	8 8 8	
-28	401 269 407 564 404 887		BOLT - (AN3-10A) WASHER - (AN960-10) NUT - (MS20365-1032C)	6 6 8	
-29	400 438 407 584		BOLT - (AN3-4A) WASHER - (AN960-10L)	4 4	
-30	404 833 407 563		NUT - (MS20364-832C) WASHER - (AN960-8)	12 12	
-31	53027-06		CONNECTOR ASSEMBLY - Duct	2	
-32	54469-02 54469-03		DUCT ASSEMBLY - Upper fan exhaust, left DUCT ASSEMBLY - Upper fan exhaust, right	1 1	
-33	86142-49		TUBING - Air inlet	1	
-34	22472-24		HOUSING - Outside air control wire	1	
-35	454 887		CLAMP - (PS10017-1-3)	4	

When ordering, always specify Part Number, Description and Serial Number of Aircraft

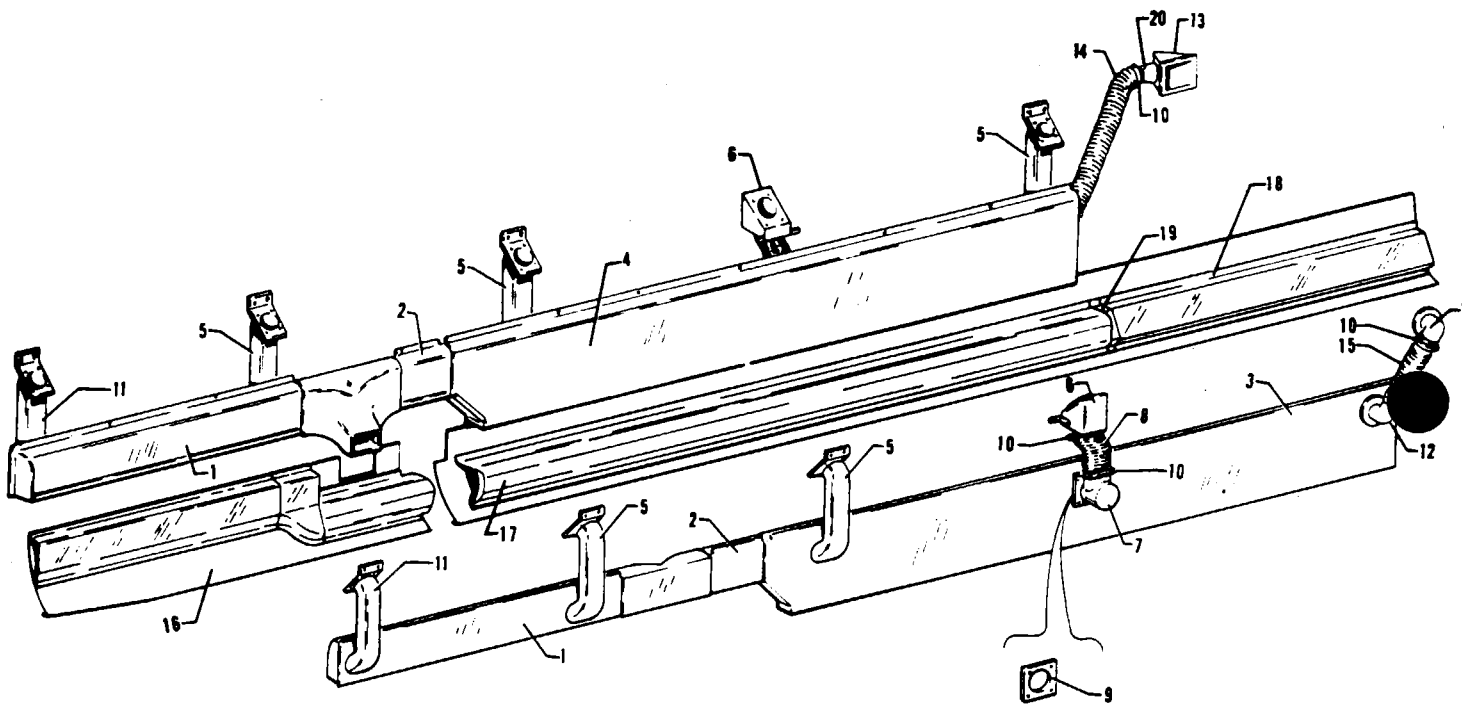


Figure 111. Air Distribution Duct Installation



---

# PIPER PARTS CATALOG

---

CODE EXPLANATIONS FOR FIGURE 111

PIPER PARTS CATALOG

Figure and Index Number	Part Number	Code	NOMENCLATURE	No Req	SERIAL NUMBERS AFFECTED
111	55869		DRAWING Air Distribution Duct Installation		
1	55852 12		DUCT ASSEMBLY Fresh air left	1	
	55852 11		DUCT ASSEMBLY Fresh air right	1	
2	55852 04		DUCT ASSEMBLY Fresh air	2	
3	55868 18		DUCT ASSEMBLY Fresh air left	1	
4	55868 19		DUCT ASSEMBLY Fresh air right	1	
5	55867 02		DUCT ASSEMBLY Fresh air vent	5	
6	49266 02		BOX ASSEMBLY Fresh air vent upper	2	
7	55939 02		BOX ASSEMBLY Fresh air vent lower	2	
8	10525 107		HOSE Fresh air vent	2	
9	49272 02		SEAL Fresh air box	2	
10	454 818		CLAMP (SAE TY F 32)	8	
11	55867 08		DUCT ASSEMBLY Fresh air vent	2	
12	74105 05		DUCT ASSEMBLY Fresh air vent	3	
13	55933 02		BOX ASSEMBLY Fresh air vent	1	
14	56952 39		HOSE Fresh air vent	1	
15	56952 36		HOSE Fresh air vent	1	
16	52169 02		DUCT ASSEMBLY Hot air forward left	1	
	52169 03		DUCT ASSEMBLY Hot air forward right	1	
17	52187 04		DUCT ASSEMBLY Hot air aft left	1	
	52187 05		DUCT ASSEMBLY Hot air center right	1	
18	74158 02		DUCT ASSEMBLY Hot air aft right	1	
19	74164 02		CONNECTOR Hot air ducts	1	
20	59312 20		ADAPTER ASSEMBLY Air distribution right	1	

When ordering, always specify Part Number, Description and Serial Number of Aircraft

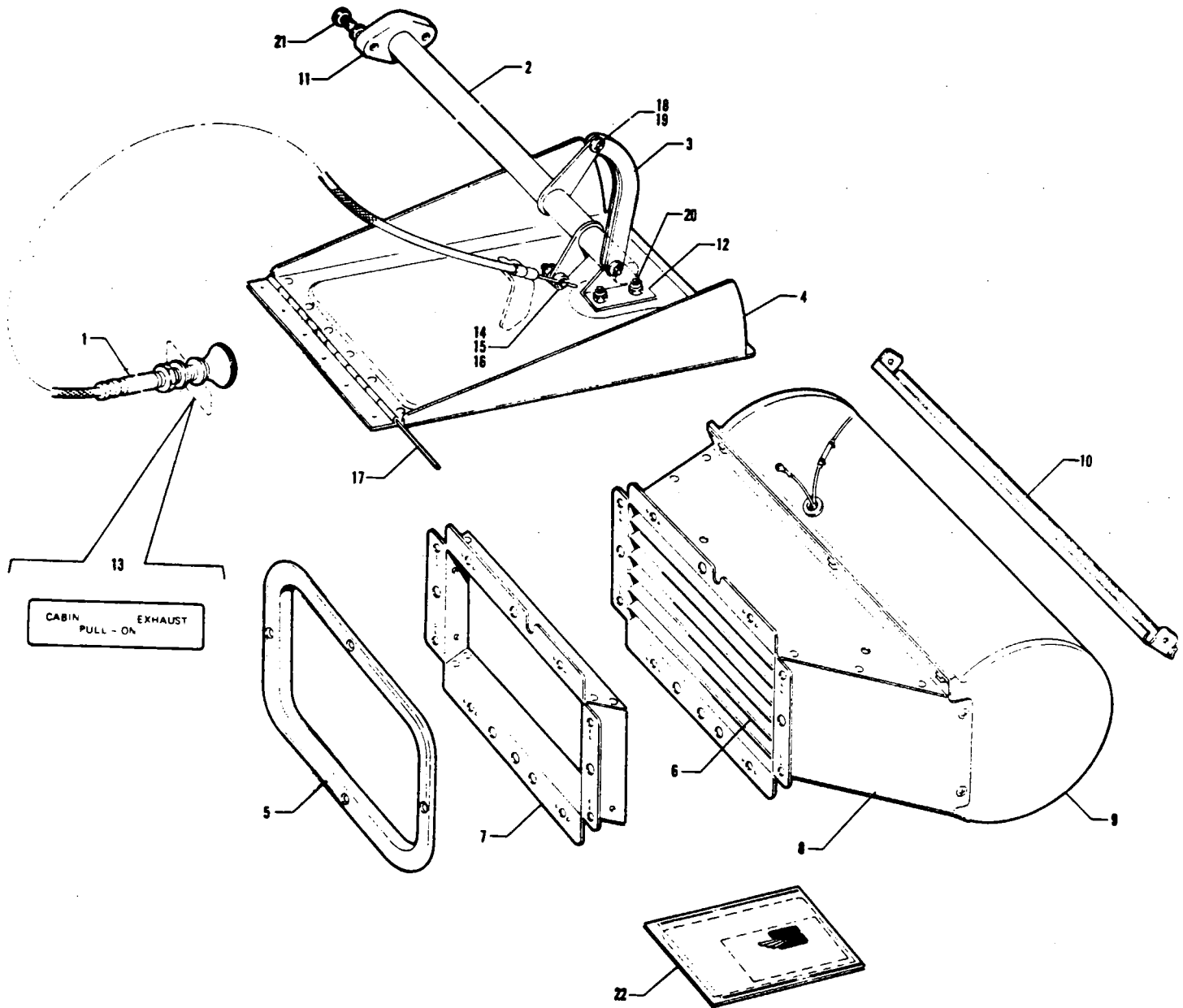


Figure 112. Cabin Exhaust Vent and Blower Installation

---

# PIPER PARTS CATALOG

---

CODE EXPLANATIONS FOR FIGURE 112

A - Used if ground ventilation fan has been installed.

**PIPER PARTS CATALOG**

Figure and Index Number	Part Number	Code	NOMENCLATURE	No. Req.	SERIAL NUMBERS AFFECTED
112-	43827 52516		DRAWING - Cabin Exhaust Vent Installation DRAWING - Ground Ventilation Fan Installation		
-1	43866-04		CABLE ASSEMBLY - Control, cabin exhaust vent	1	
-2	43782-00		ROD ASSEMBLY - Torque, cabin vent door	1	
-3	43781-00		ARM - Control, cabin vent door	2	
-4	43778-00		DOOR ASSEMBLY - Cabin vent	1	
-5	43625-00		RETAINER - Carpet	1	
-6	43822-00		GRILL - Ventilating fan	1	
-7	43834-00		BRACKET ASSEMBLY - Grill attachment	1	
-8	43630-00	A	DUCT ASSEMBLY - Ventilation fan	1	
-9	452 959		FAN - Ventilation (Dukes 1163-00-1)	1	
-10	43624-00	A	CHANNEL - Blower support	1	
-11	41820-00		BEARING - Torque tube	2	
-12	41804-02		ANGLE - Cabin vent door	1	
-13	43854-00		PLACARD - Cabin exhaust	1	
-14	70371-02		FITTING - Swivel	1	
-15	70371-03		STUD - Swivel	1	
-16	81342-19		WASHER - Swivel fitting	1	
	404 392		NUT - (AN320-3)	1	
	424 051		COTTER PIN - (MS24665-132)	1	
-17	86092-92		PIN - Cabin vent door	1	
-18	424 171		PIN - (AN393-7)	2	
	407 584		WASHER - (AN960-10L)	4	
	424 051		COTTER PIN - (MS24665-132)	2	
-19	407 584		WASHER - (AN960-10L)	AR	
-20	415 533		SCREW - (MS35206-243)	2	
	404 910		NUT - (MS20365-832C)	2	
-21	401 307		BOLT - (AN4-4A)	4	
	407 044		WASHER - (MS35338-44)	4	
-22	43996-00		KIT ASSEMBLY - Ventilation fan cover	1	

When ordering, always specify Part Number, Description and Serial Number of Aircraft

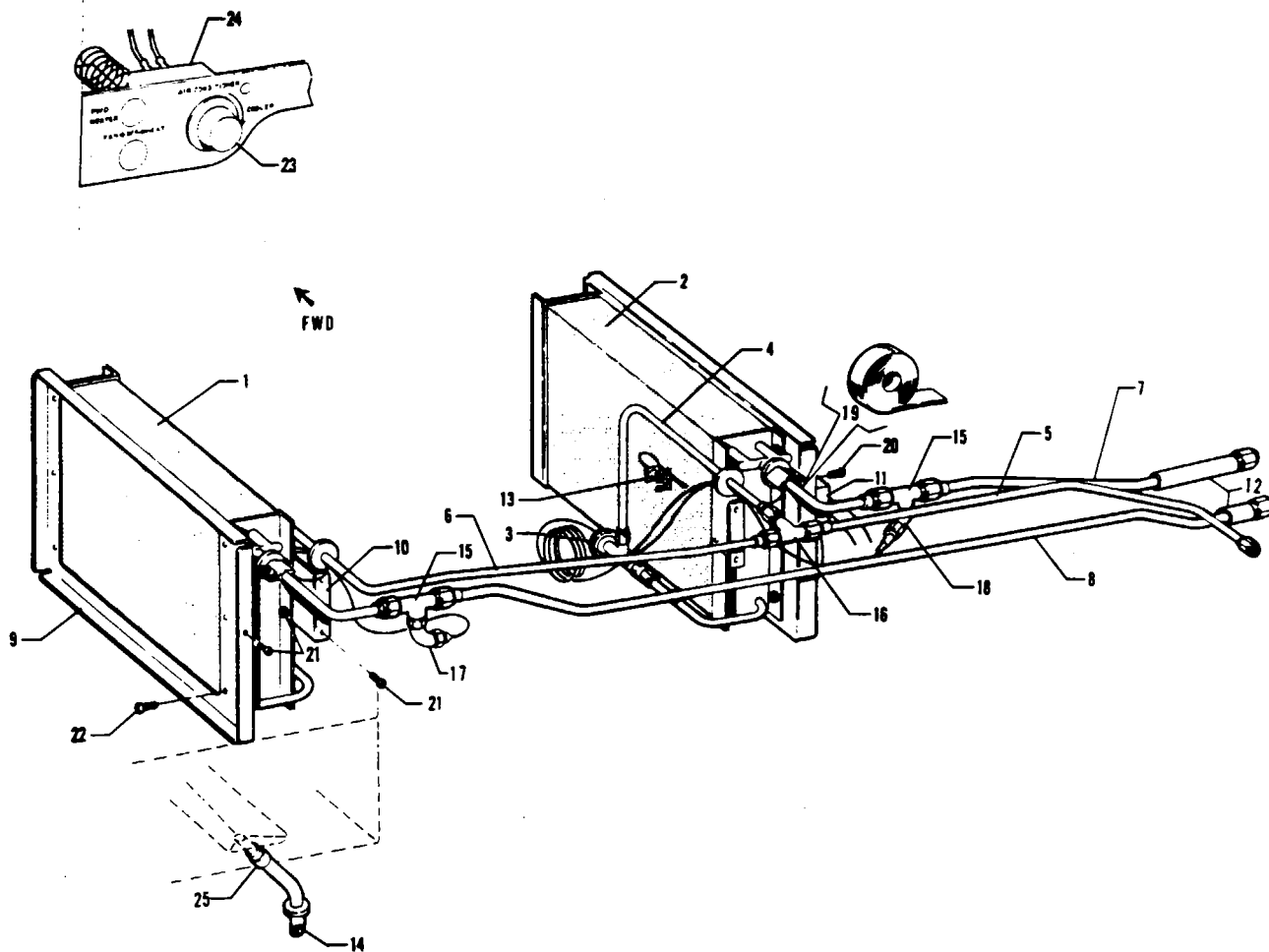


Figure 113. Air Conditioning Evaporator Installation

---

# PIPER PARTS CATALOG

---

CODE EXPLANATIONS FOR FIGURE 113

## PIPER PARTS CATALOG

Figure and Index Number	Part Number	Code	NOMENCLATURE	No. Req.	SERIAL NUMBERS AFFECTED
113-	52705		DRAWING - Air Conditioning Evaporator Installation		
-1	52671-02		EVAPORATOR ASSEMBLY - (Complete) Left	1	
-2	52670-02		EVAPORATOR ASSEMBLY - (Complete) Right	1	
-3	492 192		VALVE - Thermostatic expansion (226EFNP35)	2	
-4	52678-00		LINE ASSEMBLY - Freon pressure	1	
-5	52679-00		LINE ASSEMBLY - Freon pressure	1	
-6	52680-00		LINE ASSEMBLY - Freon pressure	1	
-7	52685-00		LINE ASSEMBLY - Freon suction	1	
-8	52686-00		LINE ASSEMBLY - Freon suction	1	
-9	52635-04		BRACKET ASSEMBLY - Evaporator support, left	1	
	52635-05		BRACKET ASSEMBLY - Evaporator support, right	1	
-10	52636-00		BRACKET ASSEMBLY - Evaporator support (2.88 long)	2	
	54385-02		BRACKET ASSEMBLY - Evaporator support, left (3.28 long)	1	
	54385-03		BRACKET ASSEMBLY - Evaporator support, right (3.28 long)	1	
-11	74051-02		SWITCH ASSEMBLY - Temperature control	1	
-12	82371-114		HOSE - Flexible	2	
-13	44843-00		FASTENER - Evaporator line	2	
-14	22369-12		TUBE - Plastic	2	
-15	47651-00		TEE - Freon (special)	2	
-16	488 319		TEE - (AN824-6D)	1	
-17	458 894		ELBOW - (MS20822-4D)	1	
-18	458 894		ELBOW - (MS20822-4D)	1	
-19	189 777		TAPE - Insulating (1/8" x 2) (30' roll)	AR	
-20	415 520		SCREW - (MS35206-230)	2	
-21	415 535		SCREW - (MS35206-245)	18	
-22	411 532		SCREW - (MS35207-263)	16	
-23	571 112		KNOB - (105D)	1	
-24	74040-02		SWITCH ASSEMBLY - Temperature control	1	
-25	454 983		CLAMP - (SAE TY E-8)	2	

When ordering, always specify Part Number, Description and Serial Number of Aircraft



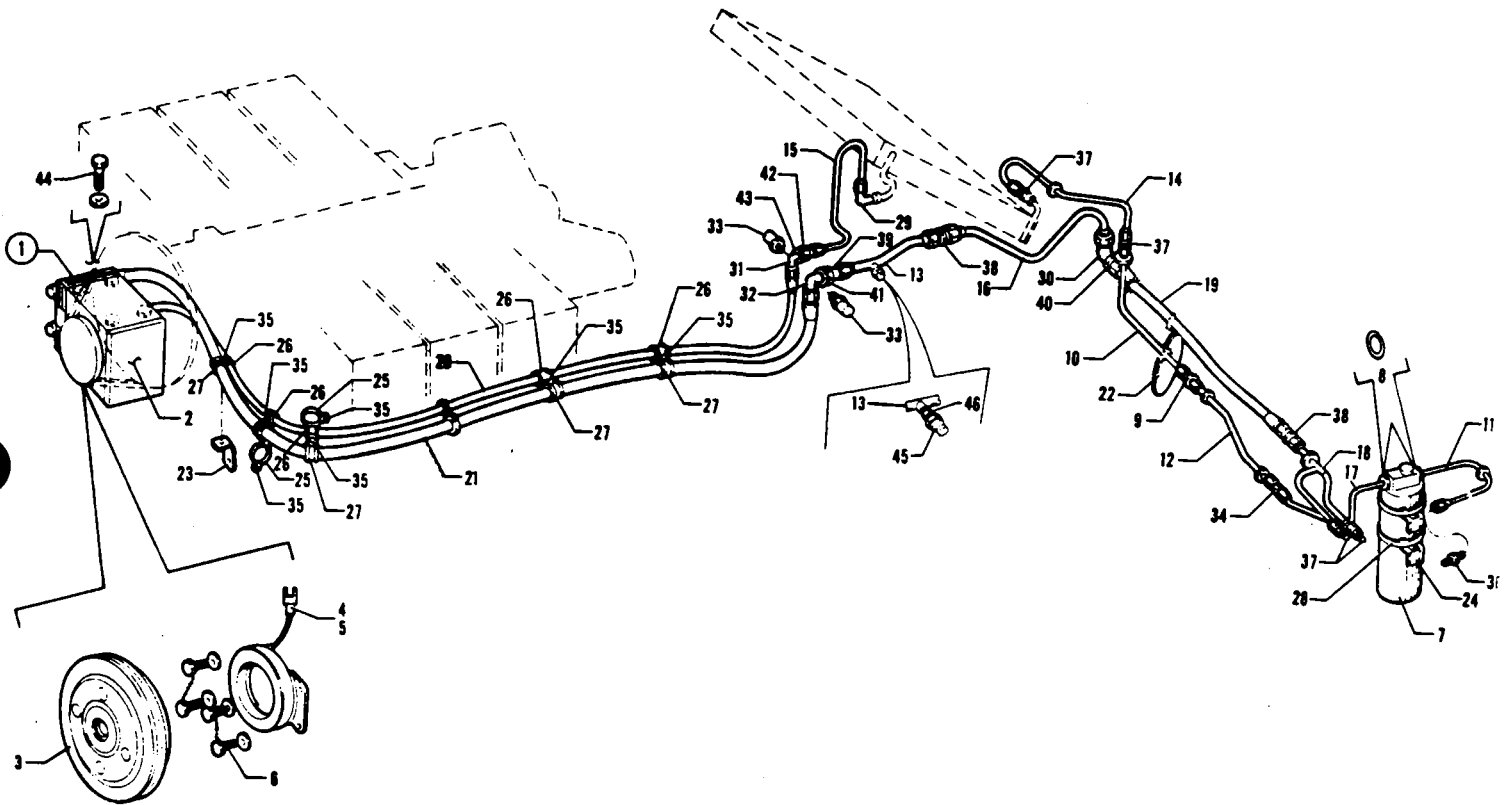


Figure 114. Air Conditioning Freon System Installation

---

# PIPER PARTS CATALOG

---

CODE EXPLANATIONS FOR FIGURE 114

**PIPER PARTS CATALOG**

Figure and Index Number	Part Number	Code	NOMENCLATURE	No. Req.	SERIAL NUMBERS AFFECTED
114-	52066		DRAWING - Freon System Installation		
-1	46334-00		COMPRESSOR ASSEMBLY - Freon (complete)	1	
-2	47854-00		* COMPRESSOR - Freon	1	
-3	46336-00		* CLUTCH ASSEMBLY - Magnetic	1	
-4	488 478		* TERMINAL - (1189 ATL)	1	
-5	581 482		* PLUG - (1619P)	1	
-6	401 919		* BOLT - (MS20074-04-04)	4	
	80122-123		* WASHER	4	
-7	456 622		DEHYDRATOR ASSEMBLY - (3046236)	1	
-8	484 794		RING - "O" (2-11C147-7)	2	
-9	491 053		UNION - (AN815-8D)	1	
-10	44831-00		LINE ASSEMBLY - Freon	1	
-11	44836-00		LINE ASSEMBLY - Freon	1	
-12	44838-00		LINE ASSEMBLY - Freon	1	
-13	71550-02		LINE ASSEMBLY - Freon	1	
-14	44866-00		LINE ASSEMBLY - Freon	1	
-15	44888-00		LINE ASSEMBLY - Freon	1	
-16	44896-00		LINE ASSEMBLY - Freon	1	
-17	44967-00		LINE ASSEMBLY - Freon	1	
-18	52472-00		LINE ASSEMBLY - Freon	1	
-19	56200-02		HOSE ASSEMBLY - Flexible	1	
-20	56200-03		HOSE ASSEMBLY - Flexible	1	
-21	56200-04		HOSE ASSEMBLY - Flexible	1	
-22	40468-02		PLATE - Cover	1	
-23	42115-00		BRACKET - Support	1	
-24	44833-02		BRACKET - Receiver dehydrator mounting	1	
-25	52104-00		CLAMP ASSEMBLY - Hose support	2	
-26	454 868		CLAMP - (PS10017-2-12)	5	
-27	554 775		CLAMP - (PS10017-2-15)	5	
-28	554 927		CLAMP - (TY F-48)	2	
-29	458 881		ELBOW - (AN821-8D)	1	
-30	458 852		ELBOW - (AN833-12D)	1	
-31	52097-02		ELBOW - Special	1	
-32	52097-03		ELBOW - Special	1	
-33	460 574		FITTING - Service valve (VU1-4A)	2	
-34	484 359		REDUCER - (AN919-12D)	1	
-35	411 532		SCREW - (MS35207-263)	7	
	404 887		NUT - (MS20365-1032C)	7	
-36	491 052		UNION - (AN815-6D)	1	
-37	491 053		UNION - (AN815-8D)	4	
-38	491 073		UNION - (AN815-12D)	2	
-39	407 576		WASHER - (AN960-1716)	1	
-40	477 738		NUT - (AN924-12D)	1	
-41	477 737		NUT - (AN924-12)	1	
-42	477 691		NUT - (AN924-8)	1	
-43	407 573		WASHER - (AN960-1216)	1	
-44	418 757		SCREW - Cap (MS90728-62)	4	
	407 046		WASHER - (MS35338-46)	4	
-45	588 018		SWITCH - Low pressure (20PS000FC040K010D)	1	
-46	460 682		FITTING - Male (48 x 4)	1	

When ordering, always specify Part Number, Description and Serial Number of Aircraft

# PIPER PARTS CATALOG

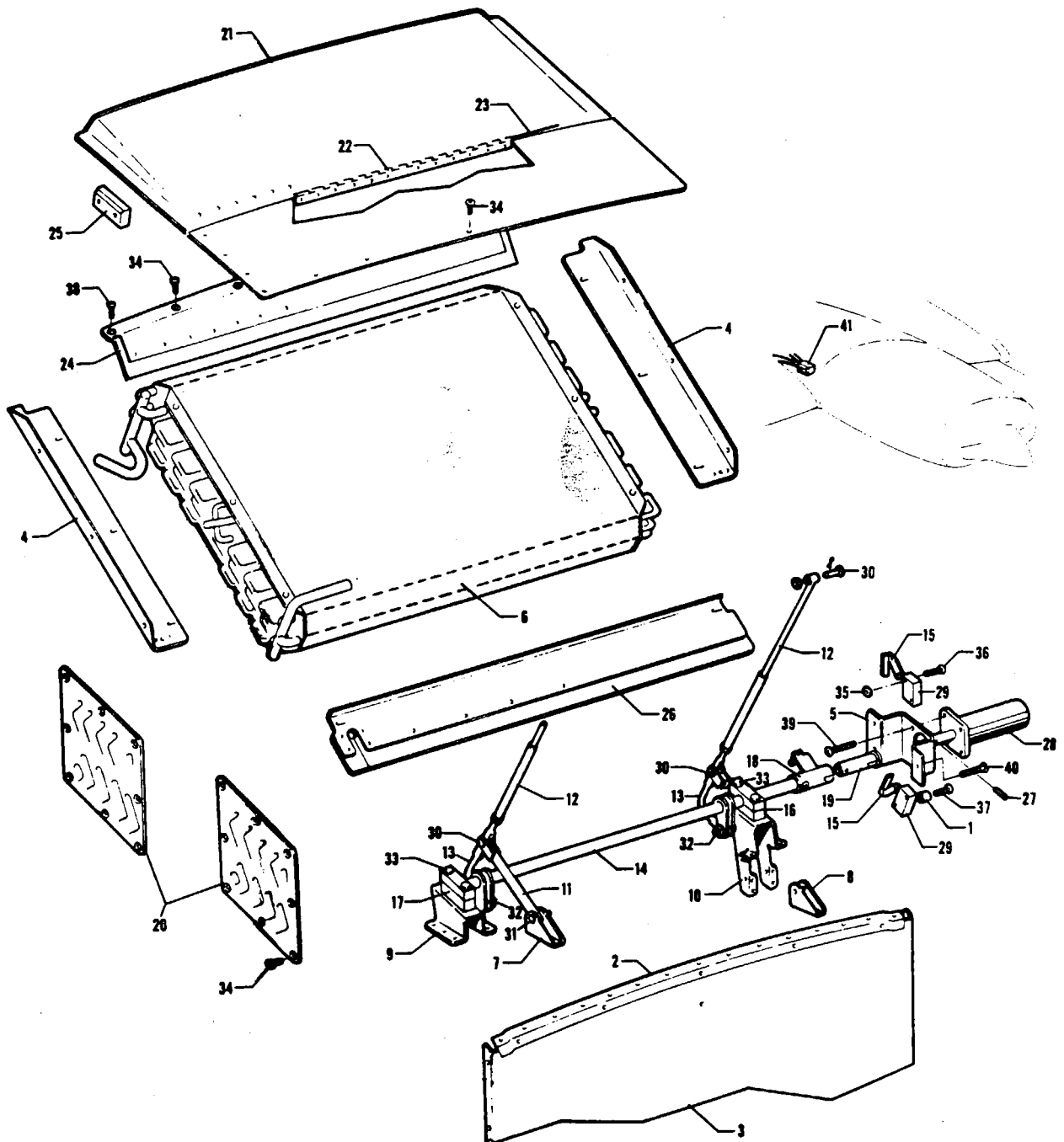


Figure 115. Air Conditioning Condenser and Scoop Installation

---

# PIPER PARTS CATALOG

---

CODE EXPLANATIONS FOR FIGURE 115

## PIPER PARTS CATALOG

Figure and Index Number	Part Number	Code	NOMENCLATURE	No. Req.	SERIAL NUMBERS AFFECTED
115-	52065		DRAWING - Condenser and Scoop Equipment Installation		
-1	41413-46		BUSHING - Condenser and scoop motor bracket	2	
-2	44803-03		ANGLE ASSEMBLY - Nacelle center, Sta. 136.75	1	
-3	44803-04		BULKHEAD - Nacelle center, Sta. 136.75	1	
-4	44851-00		BRACKET ASSEMBLY - Condenser, inboard	1	
	44851-01		BRACKET ASSEMBLY - Condenser, outboard	1	
-5	44859-00		BRACKET - Scoop torque tube motor	1	
-6	44860-00		CONDENSER ASSEMBLY - Complete	1	
-7	44990-02		BRACKET - Scoop mechanism swivel	1	
-8	44990-03		BRACKET - Scoop mechanism swivel	1	
-9	44992-00		BRACKET ASSEMBLY - Torque tube, inboard	1	
-10	44993-00		BRACKET ASSEMBLY - Torque tube, outboard	1	
-11	44994-00		TUBE ASSEMBLY - Scoop mechanism swivel	2	
-12	44995-00		ARM ASSEMBLY - Condenser scoop actuating	2	
-13	49313-02		ARM - Condenser scoop, lower actuating	2	
-14	44997-00		TUBE ASSEMBLY - Scoop torque	1	
-15	46541-01		PLATE - Switch actuator	2	
-16	47819-00		BLOCK - Torque tube bearing	1	
-17	47820-00		BLOCK - Torque tube bearing	1	
-18	47821-04		SLEEVE ASSEMBLY - Scoop torque tube	1	
-19	47830-00		BUSHING - Scoop torque tube	1	
-20	52001-00		OUTLET - Condenser air, inboard	2	
	52001-01		OUTLET - Condenser air, outboard	2	
-21	52050-00		SCOOP ASSEMBLY - Condenser air inlet (complete)	1	
-22	52046-00		HINGE - Condenser scoop assembly	2	
-23	86092-98		PIN - Condenser scoop assembly	1	
-24	52052-00		BAFFLE ASSEMBLY - Condenser	1	
-25	52056-00		RUB BLOCK - Condenser scoop	2	
-26	52070-00		SEAL ASSEMBLY - Condenser	1	
-27	86092-96		PIN - Torque tube	1	
-28	475 198		MOTOR - (317A246)	1	
-29	487 804		SWITCH - (MS25253-1)	2	
-30	424 177		PIN - (MS20392-2C17)	4	
	407 564		WASHER - (AN960-10)	4	
	424 051		COTTER PIN - (MS24665-132)	4	
-31	424 182		PIN - (MS20392-2C27)	2	
	407 564		WASHER - (AN960-10)	2	
	424 051		COTTER PIN - (MS24665-132)	2	
-32	424 173		PIN - (MS20392-2C9)	2	
	407 564		WASHER - (AN960-10)	2	
	424 051		COTTER PIN - (MS24665-132)	2	
-33	400 444		BOLT - (AN3-13A)	4	
-34	414 779		SCREW - (MS24693-S49)	54	
-35	407 561		WASHER - (AN960-4)	2	
-36	415 508		SCREW - (MS35206-218)	2	
	407 040		WASHER - Lock (MS35338-40)	2	
	404 596		NUT - (MS20341-4S)	2	
-37	415 510		SCREW - (MS35206-220)	2	
	407 040		WASHER - (MS35338-40)	2	
	404 596		NUT - (MS20341-4S)	2	
-38	414 763		SCREW - (MS24693-S50)	2	
-39	415 505		SCREW - (MS35206-215)	5	
	404 908		NUT - (MS20365-440C)	5	
-40	411 530		SCREW - (MS35207-261)	3	
-41	44972-00		RELAY ASSEMBLY - Nacelle scoop	1	

When ordering, always specify Part Number, Description and Serial Number of Aircraft

# PIPER PARTS CATALOG

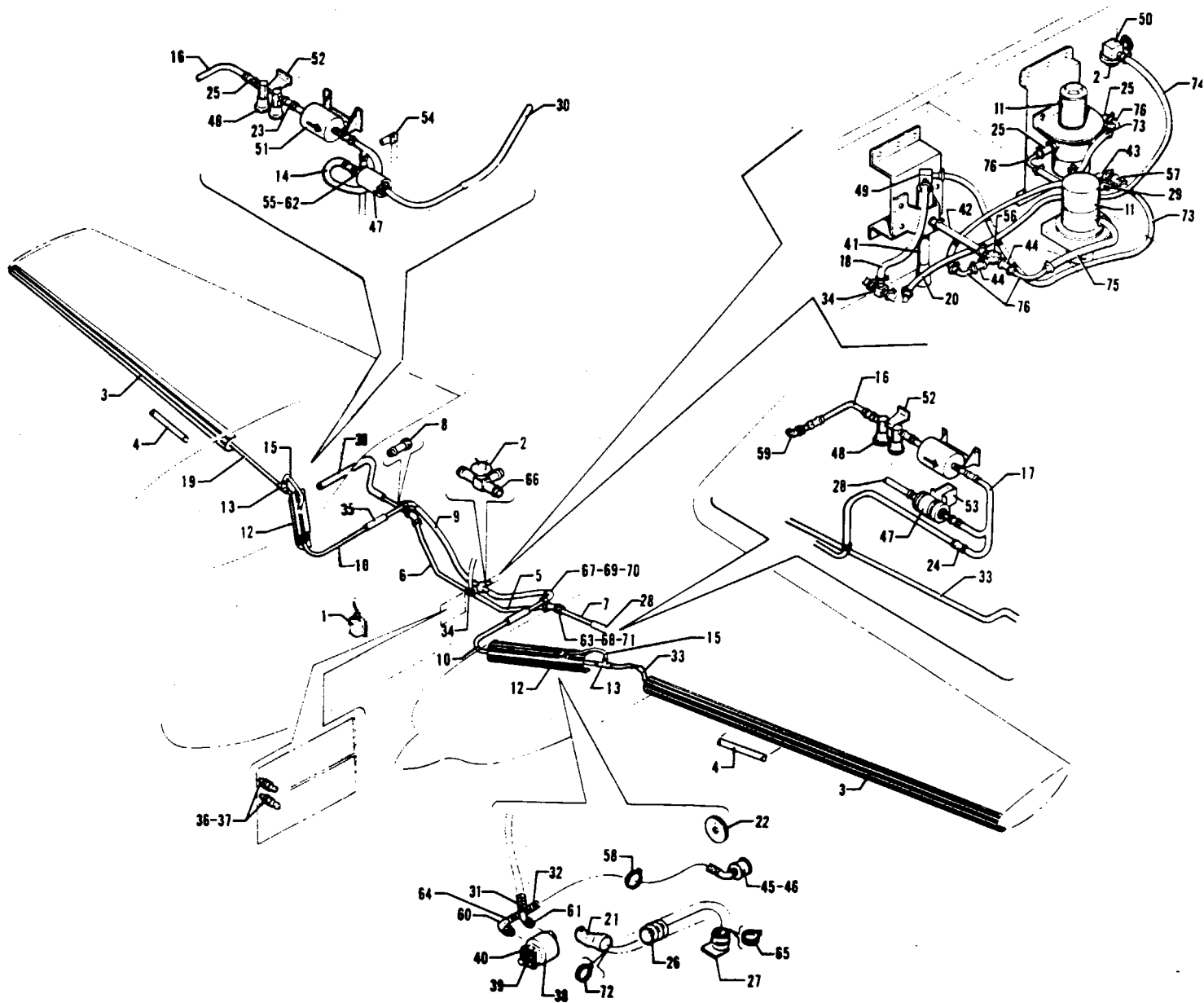


Figure 116. Forward Pneumatic De-icing System Installation

---

# PIPER PARTS CATALOG

---

CODE EXPLANATIONS FOR FIGURE 116



## PIPER PARTS CATALOG

Figure and Index Number	Part Number	Code	NOMENCLATURE	No. Req.	SERIAL NUMBERS AFFECTED
116-	49850 49848		DRAWING - Pneumatic De-icing System Installation DRAWING - Engine Compartment De-icing Installation		
-1	488 704		TIMER - De-icer (479-1)	1	
-2	587 842		SWITCH - Pressure (1D1194-1)	2	
-3	758 237		DE-ICER - Left wing (25S-7D5026-01)	1	
	758 238		DE-ICER - Right wing (25S-7D5026-02)	1	
-4	44275-03		STRIP - Flow	2	
-5	43462-00		TUBE ASSEMBLY - De-icing (5/8 I.D. x 30.60 L.)	1	
-6	71627-02		TUBE ASSEMBLY - De-icing	1	
-7	42877-00		TUBE ASSEMBLY - De-icing	2	
-8	54924-02		TUBE ASSEMBLY - De-icing	2	
-9	54925-07		TUBE ASSEMBLY - De-icing, left	1	
	54925-10		TUBE ASSEMBLY - De-icing, right	1	
-10	54925-11		TUBE ASSEMBLY - De-icing	2	
-11	492 279		VALVE - De-icer (2H59-8)	2	
-12	758 491		BOOT - De-icer, left wing inboard (25S-7D5026-07)	1	
	758 492		BOOT - De-icer, right wing inboard (25S-7D5026-08)	1	
-13	488 520		TEE - (1K30-8-6-6)	2	
-14	44430-00		TUBE ASSEMBLY - De-icing, right	1	
-15	16633-86		HOSE - De-icing	2	
-16	44396-02		TUBE - De-icing	2	
-17	44414-00		TUBE ASSEMBLY - De-icing, left	1	
-18	82371-45		HOSE - De-icing	1	
-19	54926-03		TUBE - De-icing, right (3/8" x 45" L.)	1	
-20	16633-79		HOSE - De-icing (1/2 I.D. x 19 L.)	1	
-21	43093-00		SHROUD - Pump cooling	2	
-22	43799-00		PLATE ASSEMBLY - Pneumatic air filter cover	2	
-23	82371-35		HOSE - De-icing	6	
-24	82371-47		HOSE - De-icing	2	
-25	82371-106		HOSE - De-icing	4	
-26	10525-86		HOSE - Oil cooler	2	
-27	43092-00		TAKE-OFF ASSEMBLY - Pump duct	2	
-28	82371-137		HOSE - De-icing, left	1	
-29	56972-131		HOSE - De-icing	1	
-30	82371-137		HOSE - De-icing, right	1	
-31	49997-05		HOSE - De-icing	2	
-32	49997-09		HOSE - Air filter, left	1	
	49997-08		HOSE - Air filter, right	1	
-33	49850-07		HOSE - De-icing	1	
-34	588 534		TEE - (1K30-10-10-8)	1	
-35	82371-135		HOSE - Split	2	
-36	71085-02		LIGHT ASSEMBLY - De-icer indicator	1	
-37	472 028		* BULB - De-icer indicator (327)	2	
-38	26749-09		PUMP ASSEMBLY - Dry pneumatic, left (441CCW)	1	
	26749-10		PUMP ASSEMBLY - Dry pneumatic, right (442CW)	1	
-39	757 865		* COUPLING ASSEMBLY KIT - Vacuum pump drive (No. 352)	1	
-40	751 859		* * GASKET - Pump mounting (B3-1-2)	1	
-41	71176-02		EJECTOR ASSEMBLY - Pneumatic de-icing	1	
-42	16633-64		HOSE - Deicing (1/2 I.D. x 30 L.)	1	
-43	80007-39		HOSE - Deicing (1/4 I.D. x 5 L.)	1	
-44	82371-23		HOSE - Deicing (1/2 I.D. x 3 L.)	2	
-45	460 853		FILTER - Air (1J1-3)	2	
-46	751 815		* FILTER - Air (B3-5-1)	1	
-47	492 120		VALVE - Check (MS28050-04)	2	
-48	492 271		VALVE - Relief (2H22-11)	2	
-49	49054-02		FITTING - De-icer	1	
-50	49856-02		ELBOW - Special	1	

When ordering, always specify Part Number, Description and Serial Number of Aircraft

## PIPER PARTS CATALOG

Figure and Index Number	Part Number	Code	NOMENCLATURE	No. Req.	SERIAL NUMBERS AFFECTED
116-51	460 866		FILTER - Inline (1J4-6)	2	
-52	43033-02		BRACKET - Relief valve	2	
-53	44408-00		BRACKET - Check valve, left	1	
-54	44473-00		BRACKET - Check valve, right	1	
-55	43072-00		ADAPTER - De-icer	4	
-56	588 536		TEE - (1K14-8-8-8)	1	
-57	588 621		TEE - (1K30-8-4-4)	1	
-58	487 722		STRAP ASSEMBLY - (668-3-6FR) left	1	
-59	558 933		ELBOW - (1K36-12-12) 45 degree	2	
-60	558 925		ELBOW - (1K1-8-12) 90 degree	2	
-61	558 931		ELBOW - (1K9-8-12)	2	
-62	462 053		GASKET - (AN6290-10)	4	
-63	477 704		NUT - (AN924-10D)	2	
-64	454 921		CLAMP - (QS100-M10)	8	
-65	454 994		CLAMP - (H2-1160)	2	
-66	71164-02		TEE - Special	1	
-67	558 907		ELBOW - (1K13-8-8)	2	
-68	458 858		ELBOW - (AN837-10D)	2	
-69	477 621		NUT - (AN924-8D)	2	
-70	407 573		WASHER - (AN960-1216)	2	
-71	407 575		WASHER - (AN960-1416)	2	
-72	80002-85		CLAMP - Pump cooling hose	2	
-73	16633-79		HOSE - Deicing (1/2 I.D. x 19 L.)	2	
-74	82371-72		HOSE - Deicing (1/2 I.D. x 12 L.)	1	
-75	82371-47		HOSE - Deicing (1/2 I.D. x 2 1/2 L.)	1	
-76	71689-02		TUBE - Deicing	4	

When ordering, always specify Part Number, Description and Serial Number of Aircraft

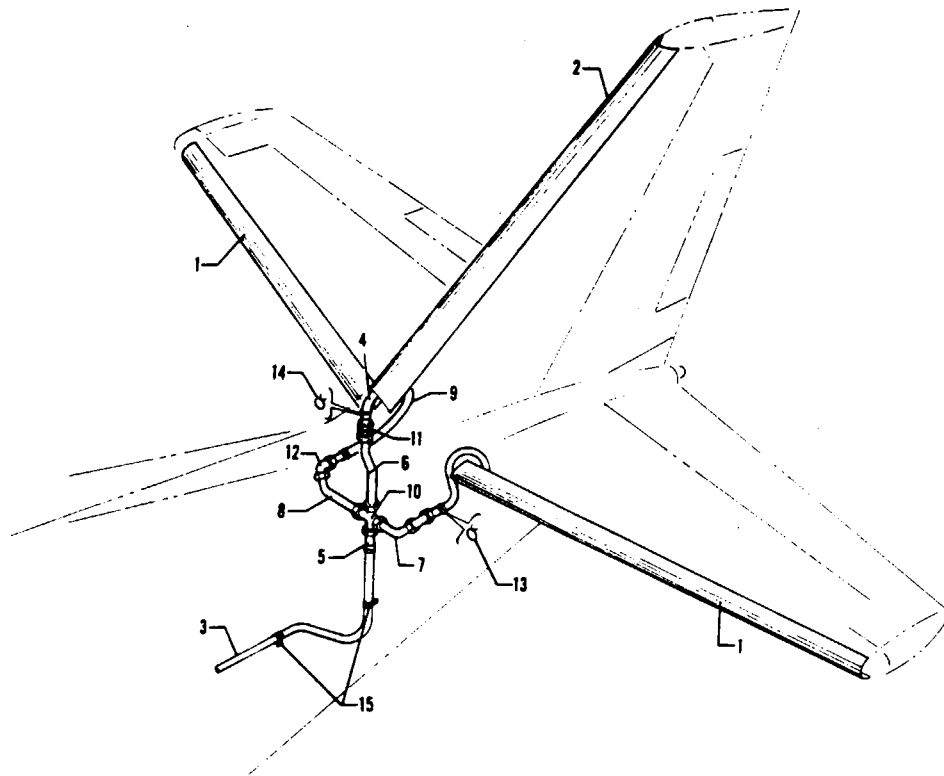


Figure 117. Aft Pneumatic De-Icing System Installation

---

# PIPER PARTS CATALOG

---

CODE EXPLANATIONS FOR FIGURE 117

**PIPER PARTS CATALOG**

Figure and Index Number	Part Number	Code	NOMENCLATURE	No. Req.	SERIAL NUMBERS AFFECTED
117-	49850		DRAWING - Pneumatic De-icing System Installation		
-1	758 239		DE-ICER - Horizontal stabilizer, left	1	
	758 240		DE-ICER - Horizontal stabilizer, right	1	
-2	758 241		DE-ICER - Vertical fin	1	
-3	54925-06		TUBE - De-icer (3/8 I.D. x 202" L)	1	
-4	54925-05		TUBE - De-icer (3/8 I.D. x 30" L)	1	
-5	42704-00		TUBE ASSEMBLY - De-icer	3	
-6	42621-00		TUBE ASSEMBLY - De-icer	1	
-7	42635-00		TUBE ASSEMBLY - De-icer	1	
-8	42636-00		TUBE ASSEMBLY - De-icer	1	
-9	16633-86		HOSE - De-icer	2	
-10	455 420		CROSS - (AN827-6D)	1	
-11	451 852		ADAPTER - (AN807-6D)	1	
	407 570		WASHER - (AN960-916)	1	
	477 620		NUT - (AN924-6D)	1	
-12	458 901		ELBOW - (AN833-6D)	2	
	407 570		WASHER - (AN960-916)	2	
	477 620		NUT - (AN924-6D)	2	
-13	454 832		CLAMP - (SAE 10) Type "E"	4	
-14	454 983		CLAMP - (SAE 8) Type "E"	2	
-15	454 933		CLAMP - (PS10017-2-8)	2	

When ordering, always specify Part Number, Description and Serial Number of Aircraft

# PIPER PARTS CATALOG

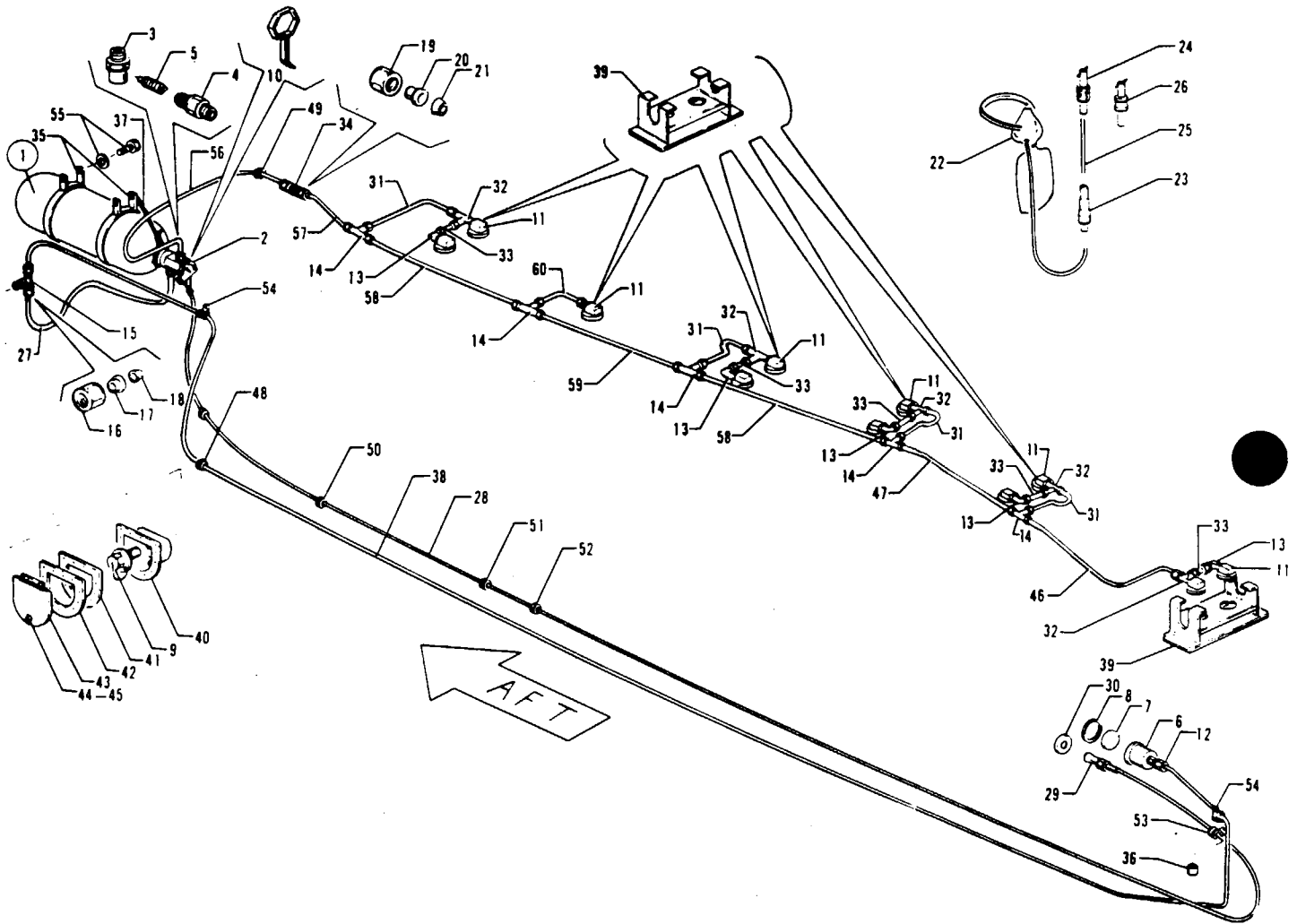


Figure 117A. Oxygen System Installation

---

# PIPER PARTS CATALOG

---

## CODE EXPLANATIONS FOR FIGURE 117A

- A - Used if 115 cu. ft. oxygen bottle is installed.
- B - Used if 22 cu. ft. oxygen bottle is installed.
- C - Nuts and ferrules supplied with fittings.
- D - Used if boom mike is installed.
- E - Used if boom mike is not installed.

**PIPER PARTS CATALOG**

Figure and Index Number	Part Number	Code	NOMENCLATURE	No. Req.	SERIAL NUMBERS AFFECTED
117A-	55355 74195		DRAWING - Oxygen System Installation DRAWING - Oxygen System Modification		
-1	455 974		CYLINDER AND REGULATOR ASSEMBLY - (800112-13) (115 cu. ft.)	1	
	455 975		CYLINDER AND REGULATOR ASSEMBLY - (800112-20) (22 cu. ft.)	1	
-2	756 038	A	* REGULATOR ASSEMBLY - Oxygen (800114-04)	1	
	762 577	B	* REGULATOR ASSEMBLY - Oxygen (800114-09)	1	
-3	756 507		* * VALVE ASSEMBLY - Relief (5043-14)	1	
-4	756 505		* * VALVE ASSEMBLY - Charging (800216-00)	1	
-5	753 947		* * * CORE - Charging valve (57524)	1	
-6	461 915		GAUGE ASSEMBLY - Oxygen (includes mounting bracket) (800435-00)	1	
-7	752 355		* LENS - Oxygen gauge	1	
-8	753 433		* BEZEL - Oxygen gauge	1	
-9	491 973	A	VALVE ASSEMBLY - Recharge (26875-115)	1	
	491 982	B	VALVE ASSEMBLY - Recharge (26875-22)	1	
-10	453 502		BRACKET ASSEMBLY - Control cable (800356-00)	1	
-11	479 451		OUTLET ASSEMBLY - Oxygen (23599-10)	11	
-12	74011-06	C	CONNECTOR - Female	1	
-13	74011-03	C	ELBOW - Male	5	
-14	74011-10	C	TEE - Low pressure	5	
-15	74011-08	C	TEE - High pressure	1	
-16	752 504		NUT - Flareless fitting (1/8")	AR	
-17	751 811		FERRULE - Flareless fitting, front (1/8")	AR	
-18	751 812		FERRULE - Flareless fitting, rear (1/8")	AR	
-19	752 505		NUT - Flareless fitting (1/4")	AR	
-20	751 813		FERRULE - Flareless fitting, front (1/4")	AR	
-21	751 814		FERRULE - Flareless fitting, rear (1/4")	AR	
-22	474 111	D	MASK ASSEMBLY - Oxygen, duo-seal mask with microphone, 2.0 L. P. M. (crew)	AR	
	479 445	E	MASK ASSEMBLY - Oxygen, duo-seal mask with microphone and remote switch, 2.0 L. P. M. (crew)	AR	
	474 085		MASK ASSEMBLY - Oxygen, sky mask, 2.0 L. P. M. (passengers)	AR	
	474 086		MASK ASSEMBLY - Oxygen, sky mask, therapeutic, 7.5 L. P. M.	AR	
-23	752 122		* INDICATOR - Flow	1	
-24	753 974		* COUPLING - Oxygen plug-in, 2.0 L. P. M.	1	
-25	753 074		* TUBING - Plastic, oxygen mask (5' length)	1	
-26	753 941		COUPLING - Oxygen plug-in, 7.5 L. P. M.	AR	
-27	589 844		LINE - Oxygen, high pressure (800214-05)	1	
-28	43866-03		CABLE ASSEMBLY - Push-pull control	1	
-29	571 073		* KNOB - (KN679D-1)	1	
-30	583 578		DECAL - Control cable (10000337)	1	
-31	56728-46		LINE - Oxygen, low pressure	4	
-32	74011-07	C	TEE - Male run	5	
-33	49222-06		LINE - Oxygen, low pressure	5	
-34	74011-02	C	UNION	1	
-35	453 501	A	BRACKET ASSEMBLY - Oxygen cylinder (25048)	2	
	74238-02	B	BRACKET ASSEMBLY - Oxygen cylinder	2	
-36	14175-47		BUSHING - Control cable	1	
-37	25397-04		CABLE ASSEMBLY - Oxygen cylinder	1	
-38	589 878		LINE - Oxygen, high pressure (10004893)	1	
-39	55293-02		BRACKET ASSEMBLY - Oxygen outlet mounting	6	
-40	25697-02		PLATE ASSEMBLY - Access, oxygen recharge	1	
-41	25394-00		PLATE ASSEMBLY - Oxygen recharge valve doubler	1	
-42	25603-00		PLATE - Reinforcement	1	
-43	19802-05		PLATE ASSEMBLY - Access, oxygen recharge	1	

When ordering, always specify Part Number, Description and Serial Number of Aircraft



**PIPER PARTS CATALOG**

Figure and Index Number	Part Number	Code	NOMENCLATURE	No. Req.	SERIAL NUMBERS AFFECTED
117A-44	487 584		* STUD - (2600-2)	1	
-45	494 060		* LOCKWASHER - (2600-LW)	1	
-46	49222-18		LINE - Oxygen, low pressure	1	
-47	56728-37		LINE - Oxygen, low pressure	1	
-48	434 125		GROMMET - (MS35489-2)	18	
-49	434 128		GROMMET - (MS35489-6)	AR	
-50	434 129		GROMMET - (MS35489-9)	4	
-51	434 138		GROMMET - (MS35489-17)	12	
-52	189 623		GROMMET - (PS10003-7N)	1	
-53	454 929		CLAMP - (PS10017-2-4)	3	
-54	454 927		CLAMP - (PS10017-2-2)	2	
-55	400 438		BOLT - (AN3-4A)	4	
	19513-72		WASHER - Oxygen cylinder support cable	1	
-56	49222-16	A	LINE - Oxygen, low pressure	1	
	56728-13	B	LINE - Oxygen, low pressure	1	
-57	56728-41		LINE - Oxygen, low pressure	1	
-58	56728-35		LINE - Oxygen, low pressure	2	
-59	56728-33		LINE - Oxygen, Low pressure	1	
-60	56728-45		LINE - Oxygen, low pressure	1	

When ordering, always specify Part Number, Description and Serial Number of Aircraft

**2124**

**INTENTIONALLY LEFT BLANK**

PIPER PARTS CATALOG

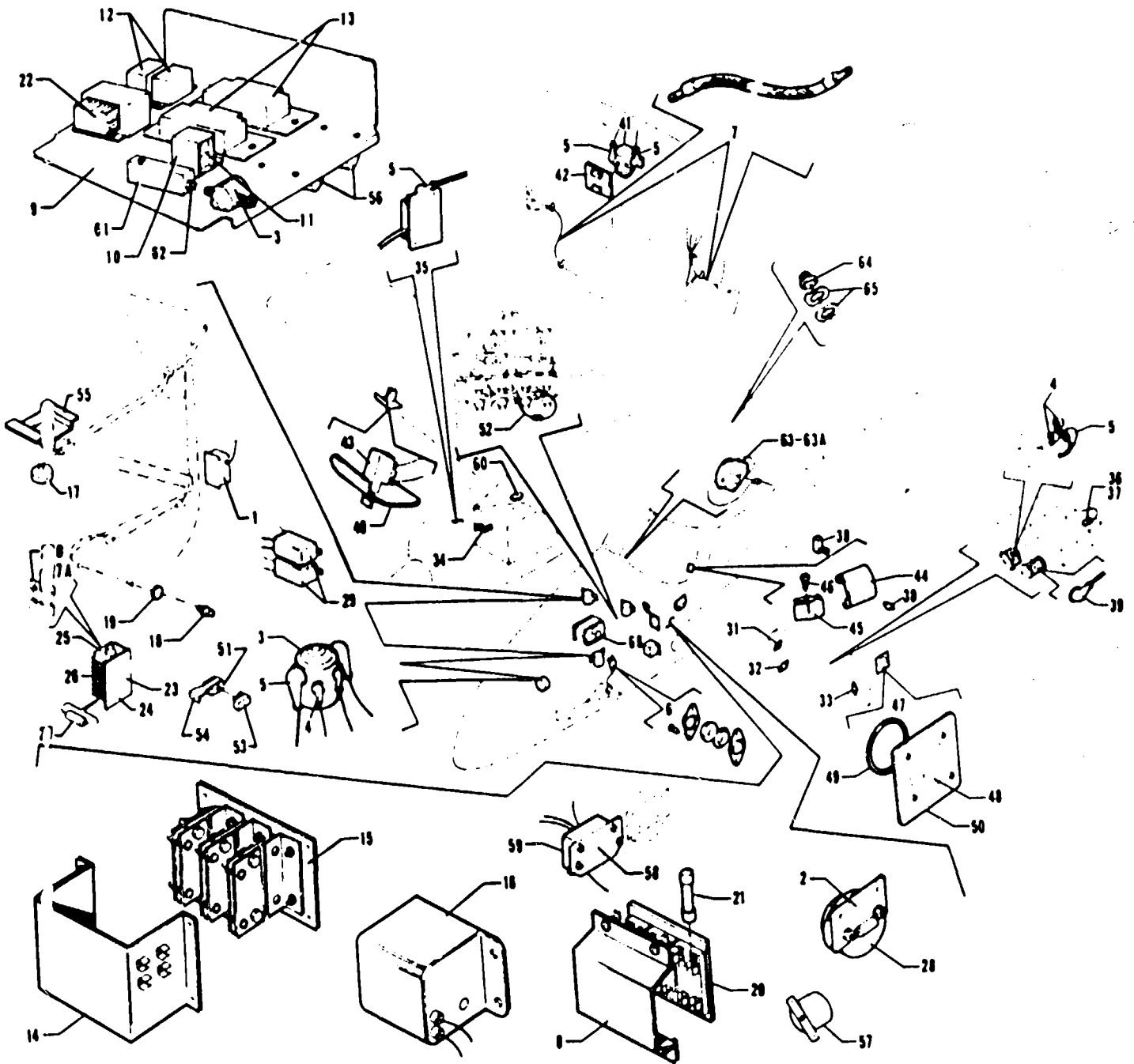


Figure 118 Forward Electrical System Installation

---

# PIPER PARTS CATALOG

---

CODE EXPLANATIONS FOR FIGURE 118

**PIPER PARTS CATALOG**

Figure and Index Number	Part Number	Code	NOMENCLATURE	No. Req.	SERIAL NUMBERS AFFECTED
118-	44929 42637 52661 43347		DRAWING - Electrical Details, Forward Fuselage DRAWING - Heated Windshield Installation DRAWING - Ice Detection Light Installation DRAWING - Wing Panel Electrical Details		
-1	552 501		AMPLIFIER - (8502) Calco	1	
-2	44235-00		PLATE - Stall warning horn mounting	1	
-3	487 167		SOLENOID - Landing light (26898-05)	2	
-4	23969-02		NIPPLE - Electric terminal	4	
-5	23969-03		NIPPLE - Electric terminal	6	
-6	22103-03		GROMMET HOLDER - Nose gear limit switch, harness	2	
	22104-08		GROMMET - Nose gear limit switch, harness	2	
-7	71644-10		CABLE ASSEMBLY - Starter, right	1	
	71644-03		CABLE ASSEMBLY - Starter, left	1	
-8	43582-00		COVER ASSEMBLY - Fuse holder	1	
-9	74057-02		SHELF ASSEMBLY - Electrical	1	
-10	43756-00		BRACKET - Relay assembly	1	
-11	43758-00		RELAY ASSEMBLY - Ground gear warning horn	1	
-12	484 182		RELAY - Overvoltage (B-00266-2)	2	
-13	550 390		REGULATOR - Voltage (B-00286-1) 24 volt	2	
-14	41533-06		COVER ASSEMBLY - Shunt plate	1	
-15	41534-00		PLATE ASSEMBLY - Shunt	1	
-16	492 687		VIBRATOR - Starting (10-357487-242)	1	
-17	71429-02		LIGHT ASSEMBLY - Forward baggage	1	
-18	487 878		SWITCH - Baggage light (9251)	1	
-19	407 566		WASHER - (AN960-516)	1	
-20	43580-00		PLATE ASSEMBLY - Fuse holder	1	
-21	461 623		FUSE - (AGC-5)	11	
-22	49353-03		CONTROLLER ASSEMBLY - Annunciator	1	
-23	57900-02		CONTROL ASSEMBLY - Dimmer	1	
-24	58253-02		* HEAT SINK - Dimmer control	2	
-25	489 439		* TRANSISTOR - (2N6282)	4	
-26	484 560		* RESISTOR - (RCR076180KS) 180 ohms	4	
-27	484 561		* RESISTOR - (RCR076510KS) 510 ohms	4	
-27a	461 659		* FUSE - (GMW/FM01) 5 amp	6	
	461 660		* FUSEHOLDER - (HWA)	6	
-27b	72850-02		* PLACARD - Dimmer control	1	
-28	565 323		HORN - Stall warning (02054-4) 28 volt	1	
-29	584 016		RELAY - Heater reset (267F)	2	
-30	22103-03		GROMMET HOLDER	2	
	22104-05		GROMMET - Wing harness, left	1	
	22104-07		GROMMET - Wing harness, right	1	
	22105-07		GASKET - Grommet harness	2	
-31	22103-02		GROMMET HOLDER - Firewall seal, forward	2	
	22103-03		GROMMET HOLDER - Firewall seal, aft	2	
	22105-06		GASKET - Firewall seal, forward	2	
	22104-04		GROMMET - Firewall seal	4	
-32	22103-02		GROMMET HOLDER - Firewall seal, forward	2	
	22103-03		GROMMET HOLDER - Firewall seal, aft	2	
	22105-07		GASKET - Firewall seal, forward	2	
	22104-06		GROMMET - Firewall seal	4	
-33	22103-02		GROMMET HOLDER - Firewall seal, forward	2	
	22103-03		GROMMET HOLDER - Firewall seal, aft	2	
	22105-07		GASKET - Firewall seal, forward	2	
	22104-06		GROMMET - Firewall seal	4	
-34	17604-33		CABLE ASSEMBLY - Ground to engine	4	
-35	43843-00		FILTER ASSEMBLY - Alternator	2	

When ordering, always specify Part Number, Description and Serial Number of Aircraft

**PIPER PARTS CATALOG**

Figure and Index Number	Part Number	Code	NOMENCLATURE	No. Req.	SERIAL NUMBERS AFFECTED
118-36	460 664		FITTING - (AN4076-1) Cylinder head temperature	2	
-37	453 751		BULB - Cylinder head temperature (AN5546-1)	2	
-38	487 929		SWITCH - Main gear door ajar (BZ-2RQ181-A2)	2	
-39	23969-04		NIPPLE - Electrical terminal	2	
-40	19807-00		PLATE - Lift detector mounting	1	
-41	487 167		SOLENOID - Heated windshield (26898-05)	1	
-42	555 799		TIMER - Heated windshield (HYLZ-8882-1)	1	
-43	450 742		LIFT DETECTOR - (C-52207-4) Non-heated	1	
	456 556		LIFT DETECTOR - (187-2) Heated	1	
-44	43762-00		COVER - Terminal heated windshield	1	
-45	43763-00		BRACKET - Windshield terminal cover	1	
-46	411 528		SCREW - (MS35207-259)	1	
-47	44402-00		LIGHT ASSEMBLY - Wing inspection	1	
-48	472 049		* LAMP - (PS10008-4593)	1	
-49	42109-00		* GASKET - Wing inspection light	1	
-50	44398-03		* PLATE - Wing inspection light	1	
-51	71707-02		SWITCH ASSEMBLY - Baggage door ajar	1	
-52	44040-00		DIODE ASSEMBLY - Gear warning horn	1	
-53	552 506		ACTUATOR - Baggage door ajar (76-1210)	1	
-54	71705-04		BRACKET ASSEMBLY - Switch, door ajar	1	
-55	71610-02		BRACKET - Baggage light	1	
-56	71620-02		CHIME ASSEMBLY - No smoking, fasten set belts	1	
-57	565 274		HORN - Landing gear warning (AC-155) 24 volt	1	
-58	53780-00		PLATE - Time delay mounting	1	
-59	588 083		SWITCH - Time delay, stall warning (PS50125-2)	1	
-60	22105-02		GASKET - Firewall seal, right	1	
	52784-00		COVER - Firewall, right	1	
-61	48171-02		BOX ASSEMBLY - Voltage clamper (complete)	1	
-62	456 705		* DIODE - (1N2984B)	1	
-63	54368-02		SWITCH ASSEMBLY - Low fuel warning	1	
-63a	587 966		* RELAY - Low fuel warning switch (PS50110-1)	1	
-64	71624-02		SPEAKER ASSEMBLY - Chimes	1	
-65	71675-02		GASKET - Speaker	1	
	71674-02		PLATE ASSEMBLY - Speaker	1	

When ordering, always specify Part Number, Description and Serial Number of Aircraft



---

# PIPER PARTS CATALOG

---

CODE EXPLANATIONS FOR FIGURE 119



## PIPER PARTS CATALOG

Figure and Index Number	Part Number	Code	NOMENCLATURE	No. Req.	SERIAL NUMBERS AFFECTED
119	74169 44930		DRAWING - Lighting Details, Aft Fuselage DRAWING - Electrical Details, Aft Fuselage		
-1	74128-02		LIGHT ASSEMBLY - Reading	9	
-2	472 985		* LIGHT ASSEMBLY - (2510)	1	
-3	472 029		* * BULB - Reading (PS10008-303)	1	
-4	587 788		SWITCH - Reading lights (J4004-W)	9	
-5	688 151		SWITCH - Reading lights and door step light (T1GL54-1S-WH)	1	
-6	572 587		LIGHT ASSEMBLY - Cabin door step (A-390)	2	
-6a	763 393		* CUP ASSEMBLY - Housing and lens (A394)	1	
-6b	761 285		* LAMP - Cabin door step (A322-28)	1	
-7	411 545		SCREW - (MS35207-276)	4	
-8	49518-02		LIGHT ASSEMBLY - Ground recognition beacon	1	
-8a	761 290		* LENS - Ground recognition beacon light (A-2376-1)	1	
-9	758 418		* BULB - (AN3120-1047)	1	
-10	49517-02		FLASHER ASSEMBLY - Ground recognition beacon	1	
-11	451 841		ACTUATOR - Door ajar switch (JV-5)	1	
-12	487 819		SWITCH ASSEMBLY - Door ajar (MS25253-3)	1	
-13	472 788		LIGHT ASSEMBLY - Dome (B-8110-1)	2	
-14	761 238		* LENS - Cabin dome light (B-5846-1)	2	
-15	758 151		* BULB - (MS15584-15)	2	
-16	54190-02		SWITCH ASSEMBLY - Door ajar, forward	1	
	54190-03		SWITCH ASSEMBLY - Door ajar, rear	1	
-17	487 819		* SWITCH - (MS25253-3)	1	
-18	83303-02		* SPRING - Switch adjusting	1	
-19	487 084		SOLENOID - (124-314111)	2	
-20	414 508		SCREW - (MS24693-S28)	4	
	404 909		NUT - (MS20365-632C)	4	
-21	71455-02		LIGHT ASSEMBLY - Aft cabin door	1	
-22	71455-07		* FRAME - Aft cabin door light	1	
-23	71455-10		* LENS - Aft cabin door light	1	
-24	71455-05		* PLATE ASSEMBLY - Aft cabin door light	1	
-25	553 508		* * BULB - (464)	1	

When ordering, always specify Part Number, Description and Serial Number of Aircraft

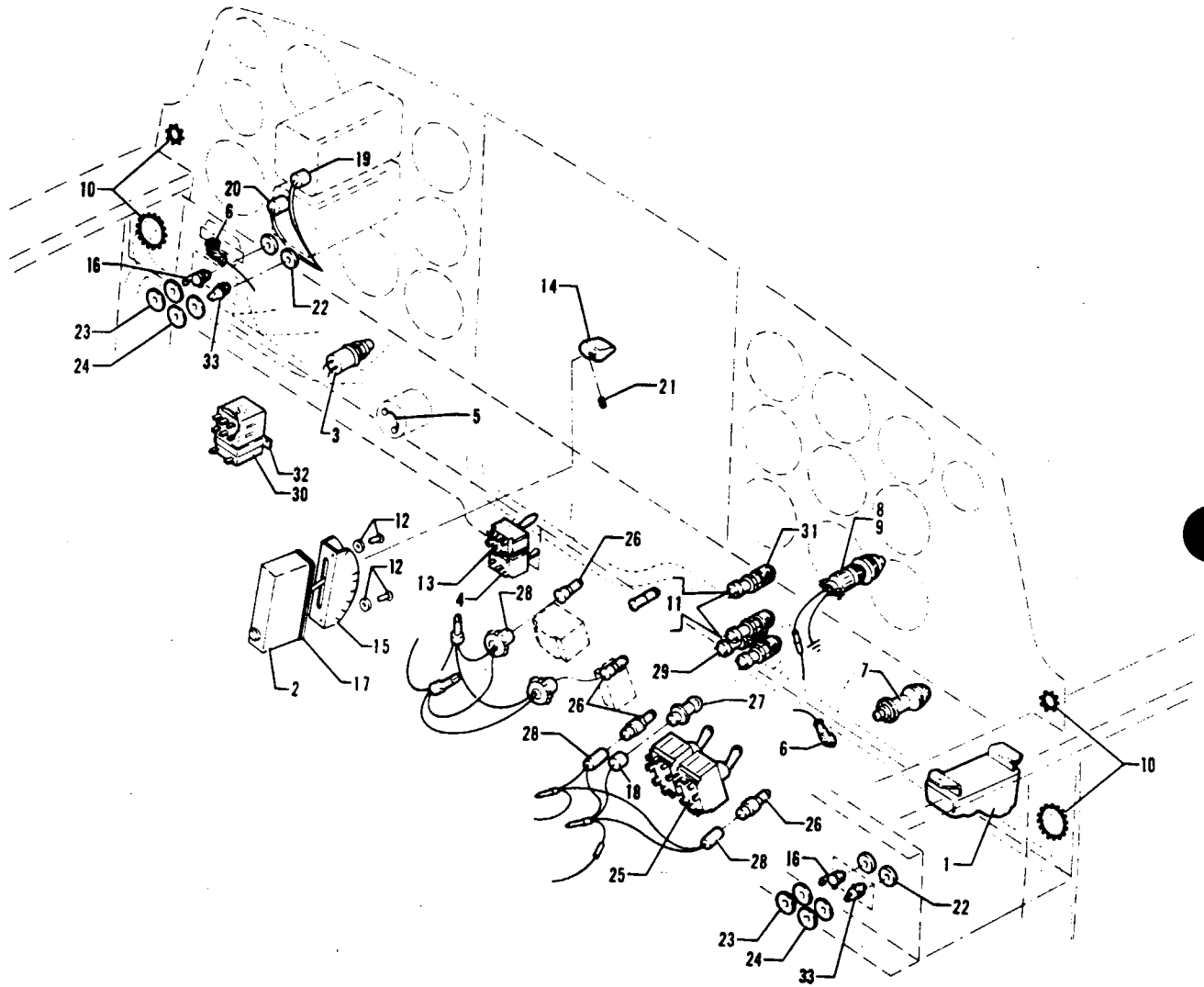


Figure 120. Instrument Panel Electrical Installation

---

# PIPER PARTS CATALOG

---

CODE EXPLANATIONS FOR FIGURE 120

**PIPER PARTS CATALOG**

Figure and Index Number	Part Number	Code	NOMENCLATURE	No. Req.	SERIAL NUMBERS AFFECTED
120-	52427		DRAWING - Fuselage Harness Installation		
-1	467 477		INVERTER - (71254-8)	1	
-2	553 235		CONTROL BOX - Wing flap (8411)	1	
-3	59106-02		SWITCH ASSEMBLY - Flap test	1	
-4	587 979		SWITCH - Heater start reset (6FA54-73)	1	
-5	70127-02		RESISTOR ASSEMBLY - Wing flap indicator	1	
-6	23969-02		NIPPLE - Electrical terminal	4	
-7	572 553		LIGHTER ASSEMBLY - (207959) 28 volt	1	
-8	44170-00		PLUG ASSEMBLY - Mitchell turn and bank	1	
	74060-02		PLUG ASSEMBLY - United Instruments turn and bank	1	
-9	21788-03		PLUG ASSEMBLY - R.C. Allen turn and bank	1	
-10	189 625		GROMMET - Harness (MS21266-1N) 12 3/4" L	AR	
-11	472 028		BULB - (PS10008-327)	4	
-12	517 808		SCREW - (PS10084-50)	2	
	407 135		WASHER - (AN936-A10)	2	
-13	487 898		SWITCH - Heater (2GM54-73)	1	
-14	23943-00		KNOB - Flap switch	1	
-15	71649-02		GUARD ASSEMBLY - Flap switch	1	
-16	468 006		JACK - Phone (11)	2	
-17	55858-02		SHIM - Flap switch	1	
-18	487 120		SOCKET - Lamp (5655149)	1	
-19	52363-02		HARNESS ASSEMBLY - Attitude gyro (electric)	1	
-20	52363-03		HARNESS ASSEMBLY - Directional gyro (electric)	1	
-21	419 984		SCREW - Set (10-32 x 1/4 L)	1	
-22	18397-02		BUSHING - Panel, mike and phone jacks	4	
-23	80122-78		WASHER - Panel, mike and phone jacks	4	
-24	85012-94		WASHER - Panel, mike and phone jacks	4	
-25	487 960		SWITCH - Cowl flap (HM27S-73)	2	
-26	472 047		BULB - Indicator (PS10008-335)	4	
-27	453 791		BULB - Fuel control panel (PS10008-356)	1	
-28	487 170		SOCKET - Lamp (16-240)	4	
-29	472 740		LIGHT ASSEMBLY - Gear down, green (801-1030-0332-504) (less bulb)	3	
-30	484 207		RELAY - (T154-2C-24VDC)	1	
-31	472 739		LIGHT ASSEMBLY - Gear unlock, red (801-1030-0331-504) (less bulb)	1	
-32	52188-00		CLAMP - Relay	1	
-33	468 002		JACK - Mike (S-12B)	2	

When ordering always specify Part Number, Description and Serial Number of Aircraft

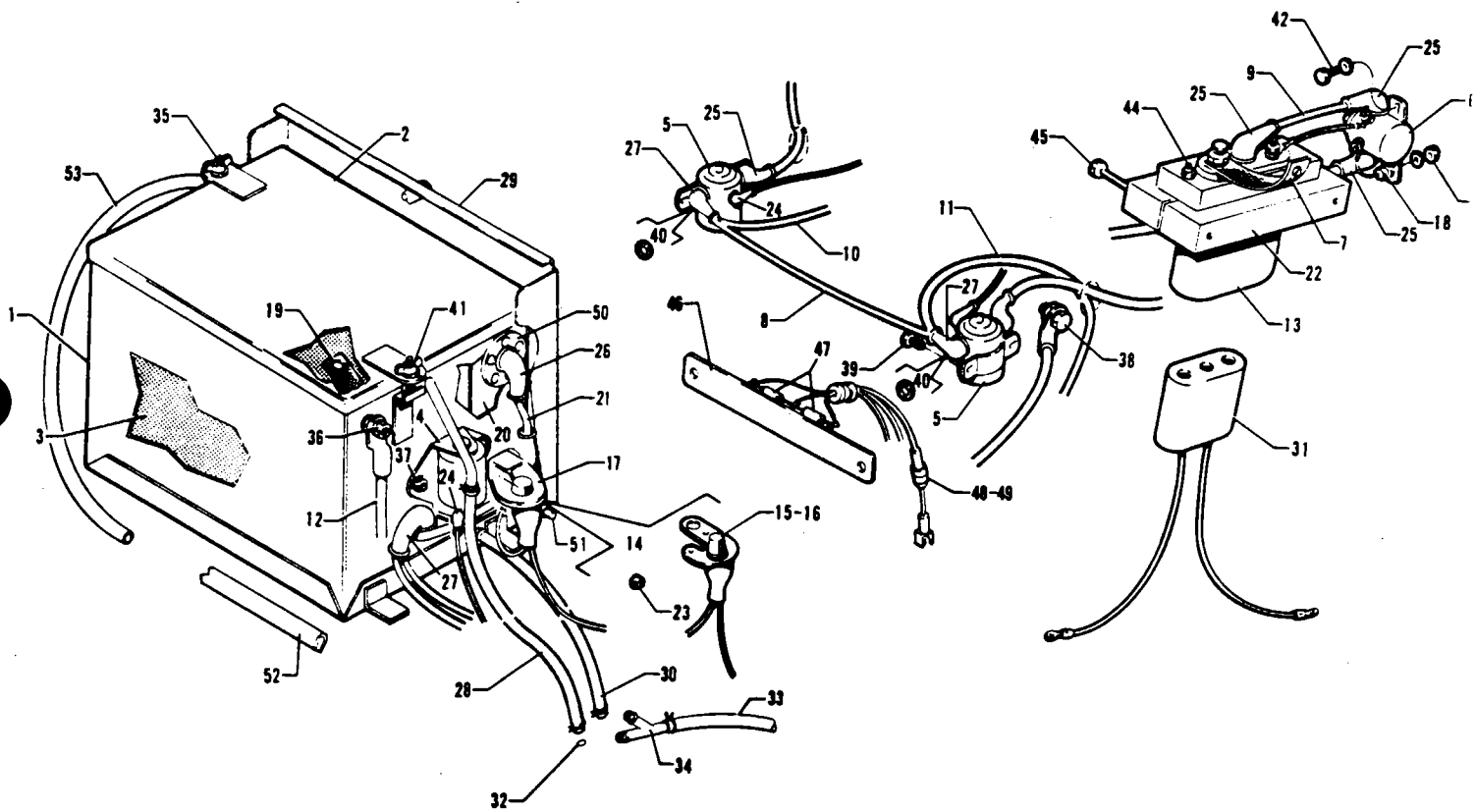


Figure 121. Primary and Auxiliary Electrical Power Installation

---

# PIPER PARTS CATALOG

---

## CODE EXPLANATIONS FOR FIGURE 121

- A - Used if 17 Ampere/ Hour Battery is installed.
- B - Used if 25 Ampere/ Hour Battery is installed.
- C - Used on aircraft that comply with C.A.A. (United Kingdom) requirements.

**PIPER PARTS CATALOG**

Figure and Index Number	Part Number	Code	NOMENCLATURE	No. Req	SERIAL NUMBERS AFFECTED
121	41544		DRAWING - Power Installation, Electrical, Primary and Auxiliary		
-1	53960-00		BOX ASSEMBLY - Battery	1	
-2	53955-02	A	LID ASSEMBLY - Battery box	1	
	53955-03	B	LID ASSEMBLY - Battery box	1	
-3	450 031		BATTERY - (PS-12-24)	1	
	450 032		BATTERY - (PS12-9)	1	
-4	455 211		CONTACTOR - Battery box (6041-H202A)	1	
-5	487 152		SOLENOID - Left and right starter (26898-03)	2	
-6	487 167		SOLENOID - Auxiliary power (26898-05)	1	
-7	17604-34		CABLE ASSEMBLY - Auxiliary power ground	1	
-8	44716-03		CABLE - Solenoid	1	
-9	71644-05		WIRE ASSEMBLY - Auxiliary power receptacle	1	
-10	71644-09		WIRE ASSEMBLY - Auxiliary power solenoid	1	
-11	71644-04		WIRE ASSEMBLY - Solenoid to contactor	1	
-12	71644-12		WIRE ASSEMBLY - Battery ground	1	
-13	44259-00		RECEPTACLE - Auxiliary power	1	
-14	44009-00		LINK ASSEMBLY - Bus bar, battery box	1	
-15	465 256		* HOLDER - Fuse (HKP-GG)	1	
-16	461 623		* FUSE - (AGC-5)	1	
-17	43680-00		COVER ASSEMBLY - Master contactor	1	
-18	456 706		DIODE - (1N2154) Auxiliary power	1	
-19	14069-02		TERMINAL ASSEMBLY - Battery box	2	
-20	17555-00		PLATE - Battery box insulator	1	
-21	71644-11		WIRE ASSEMBLY - Battery box terminal	1	
-22	74075-02		BLOCK - Power receptacle mounting	2	
-23	477 721		NUT - Cap nylon (6-32)	1	
-24	23969-02		NIPPLE - Electrical terminal (476 680)	3	
-25	23969-04		NIPPLE - Electrical terminal (476 682)	5	
-26	23969-05		NIPPLE - Electrical terminal (476 683)	2	
-27	453 171		BOOT - Electrical terminal (5466)	3	
-28	80006-11		TUBE - Plastic, battery box vent (6.38" Length)	1	
	80006-03		TUBE - Plastic, battery box vent (14.50" Length)	1	
-29	53969-00		DOOR ASSEMBLY - Battery	1	
-30	80006-11		TUBE - Plastic, battery box drain (7.75" Length)	1	
-31	757 862		CABLE ASSEMBLY - External power (X8349-312)	1	
-32	454 983		CLAMP - (SAE 8, Type "E")	6	
-33	80006-02		TUBE - Plastic, drain	1	
-34	54684-02		TUBE ASSEMBLY - Drain	1	
-35	417 784		SCREW - (AN520-10R22)	2	
	407 043		WASHER - Lock (MS35338-43)	2	
	405 312		NUT - (10-32)	2	
-36	407 045		WASHER - Lock (MS35338-45)	2	
	404 638		NUT - (AN340-B516)	2	
-37	400 100		BOLT - (AN4-3)	2	
	407 044		WASHER - Lock (MS35338-44)	2	
	404 888		NUT - (MS20365-428C)	2	
-38	401 185		BOLT - (AN5-5A)	1	
	404 226		NUT - (AN315-5R)	1	
	407 137		WASHER - Lock (AN936-A516)	1	
	407 677		WASHER - (AN960C-516L)	1	

When ordering, always specify Part Number, Description and Serial Number of Aircraft

# PIPER PARTS CATALOG

Figure and Index Number	Part Number	Code	NOMENCLATURE	No. Req.	SERIAL NUMBERS AFFECTED
121-39	400 438		BOLT - (AN3-4A)	4	
	407 564		WASHER - (AN960-10)	4	
-40	407 043		WASHER - Lock (MS35338-43)	4	
-41	404 752		NUT - Wing (AN350-1032)	2	
	407 564		WASHER - (AN960-10)	2	
-42	401 307		BOLT - (AN4-4A)	1	
	407 565		WASHER - (AN960-416)	1	
-43	407 044		WASHER - Lock (MS35338-44)	1	
	404 225		NUT - (AN315-4R)	1	
-44	416 794		SCREW - (MS24693-S275)	2	
	404 887		NUT - (MS20365-1032C)	2	
-45	400 459		BOLT - (AN3-3A)	2	
	407 564		WASHER - (AN960-10)	2	
-46	48060-00	C	PLATE ASSEMBLY - Diode mounting	1	
-47	456 758		* DIODE - (1N4005)	2	
-48	461 628	C	* FUSE HOLDER - (HHJ-A)	1	
-49	461 618	C	* FUSE - (AGC-3)	1	
-50	81342-56		WASHER	1	
	407 566		WASHER - (AN960-516)	5	
	407 045		WASHER - Lock (MS35338-45)	3	
	404 638		NUT - (AN340-B516)	5	
-51	86092-107		PIN - Hinge	1	
-52	149 111		EXTRUSION - (40-101)	1	
-53	80006-18		TUBE - Plastic, battery box air intake (25" Length)	1	

When ordering, always specify Part Number, Description and Serial Number of Aircraft



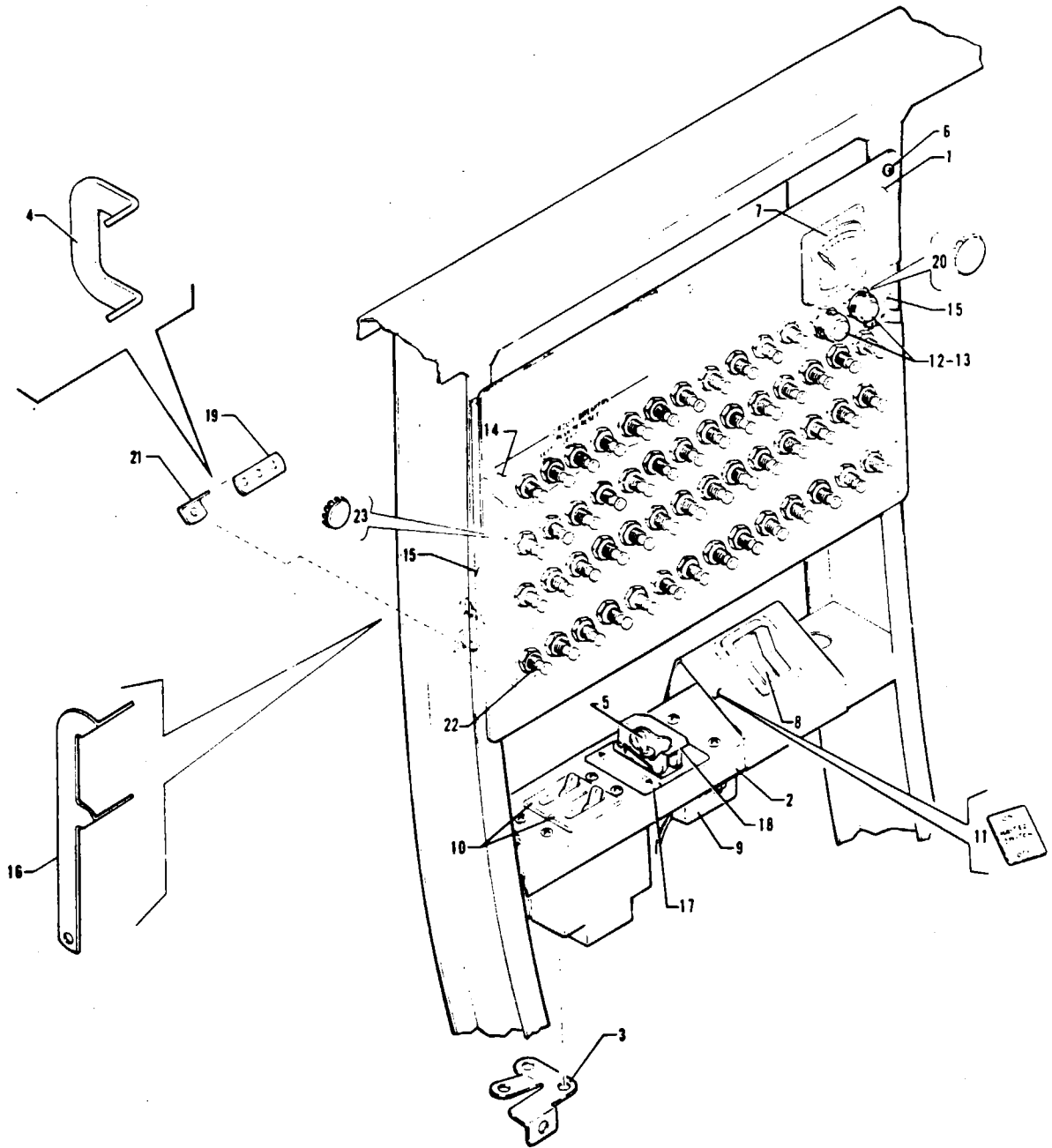


Figure 122. Switch and Circuit Breaker System Installation

---

# PIPER PARTS CATALOG

---

CODE EXPLANATIONS FOR FIGURE 122

## PIPER PARTS CATALOG

Figure and Index Number	Part Number	Code	NOMENCLATURE	No. Req.	SERIAL NUMBERS AFFECTED
122-	55986		DRAWING - Switch and Circuit Protector System Installation		
-1	44619-06		PANEL ASSEMBLY - Circuit breaker mounting	1	
-2	52696-06		CHANNEL ASSEMBLY - Switch mounting	1	
-3	54641-02		LINK - Bus bar	1	
-4	54250-04		LINK - Bus bar, circuit protector	1	
-5	454 691		CIRCUIT BREAKER - Emergency avionics bus power (PS50120-7-1) 50 Amp (switch type)	1	
-6	415 408		SCREW - (MS51957-31B)	6	
-7	751 298		AMMETER - Deicer	1	
-8	71187-02		SWITCH - Master, left	1	
	71187-03		SWITCH - Master, right	1	
-9	587 857		SWITCH - (A00258-2) "Alternator Inop."	2	
-10	454 712		SWITCH - Circuit protector (616-290-102)	2	
-11	52698-00		PLACARD - Master switch	1	
-12	472 061		LIGHT - Indicator (801-1030-0334-504) (less bulb)	2	
-13	472 028		BULB - (327)	2	
-14	80675-02		PLACARD - Circuit breaker, illuminated (co-pilot)	1	
	71087-04		PLACARD - Circuit breaker, illuminated (pilot)	1	
-15	44651-00		BLOCK - Spacer	2	
-16	54463-02		LINK - Bus bar	1	
-17	80558-02		PLACARD - Emergency avionics bus bar	1	
-18	49196-02		GUARD - Switch	1	
-19	31506-04		LINK - Bus bar, circuit breaker (2.75" L.)	AR	
	31506-05		LINK - Bus bar, circuit breaker (3.50" L.)	AR	
	31506-06		LINK - Bus bar, circuit breaker (2.00" L.)	AR	
	31506-07		LINK - Bus bar, circuit breaker (4.25" L.)	AR	
-20	581 807		BUTTON - Plug (P-562)	2	
-21	53405-00		LINK - Bus bar, circuit breaker	1	
-22	454 656		CIRCUIT BREAKER - (PS50120-3-7) 5 amp	AR	
	454 680		CIRCUIT BREAKER - (PS50120-3-9) 7.5 amp	AR	
	454 657		CIRCUIT BREAKER - (PS50120-3-12) 10 amp	AR	
	454 658		CIRCUIT BREAKER - (PS50120-3-14) 15 amp	AR	
	454 659		CIRCUIT BREAKER - (PS50120-3-16) 20 amp	AR	
	454 695		CIRCUIT BREAKER - (PS50120-3-24)	AR	
	454 663		CIRCUIT BREAKER - (PS50120-3-19)	AR	
	454 693		CIRCUIT BREAKER - (PS50120-3-22) 1 amp	AR	
-23	581 656		BUTTON - Plug (P-375)	AR	

When ordering, always specify Part Number, Description and Serial Number of Aircraft

PIPER PARTS CATALOG

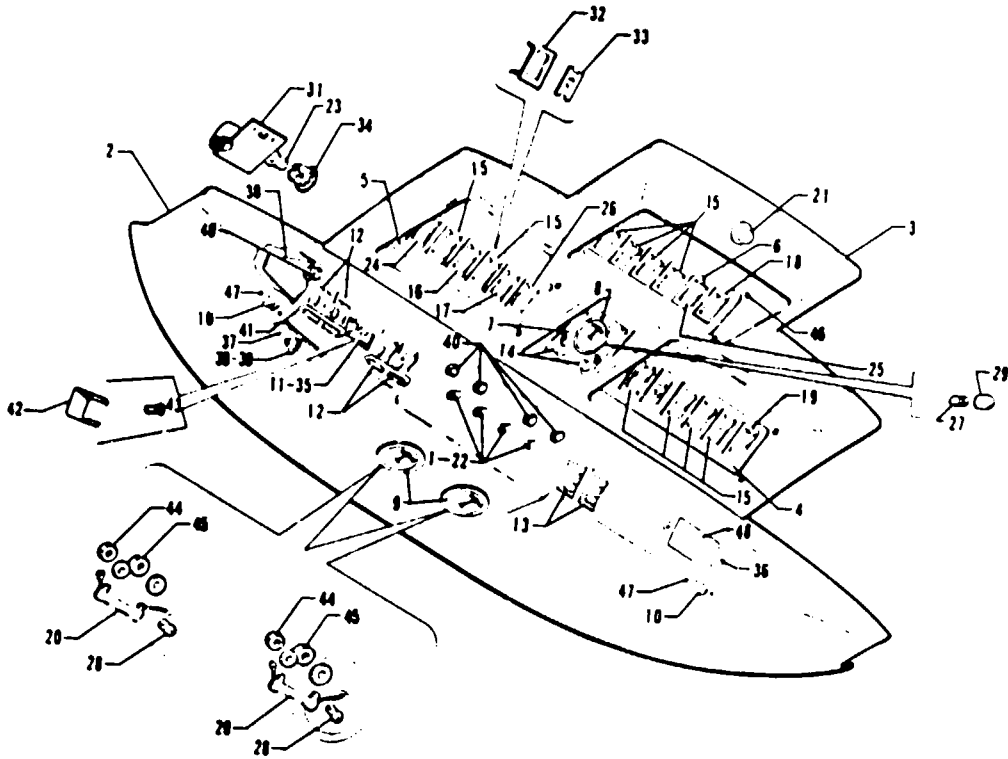


Figure 123. Overhead Switch Panel Assembly

REVISED: DECEMBER 1981

2J18

PA-31-350 T1020

---

# PIPER PARTS CATALOG

---

## CODE EXPLANATIONS FOR FIGURE 123

- A - Used on aircraft that comply with C.A.A. (United Kingdom) requirements.
- B - When ordering, specify color ~~beige~~ or white.

PIPER PARTS CATALOG

Figure and Index Number	Part Number	Code	NOMENCLATURE	No. Req.	SERIAL NUMBERS AFFECTED
123-	71154 71151 55582		DRAWING - Overhead Switch Panel Assembly DRAWING - Overhead Switch Panel Assembly, Center DRAWING - "No Smoking" and "Fasten Belts" Sign Installation		
-1	481 374		RHEOSTAT - Placard lighting	4	
-2	71152-06		PANEL - Overhead trim	1	
-3	71149-02	B	PANEL - Overhead switch	1	
-4	46895-00		PANEL - Electroluminescent (558 950)	1	
-5	47875-00		PANEL - Electroluminescent (558 981)	1	
-6	44627-02		PANEL - Electroluminescent (579 138)	1	
-7	71147-03		PANEL - Ammeter and alternator test switches	1	
-8	41505-00		AMMETER - (550 690)	1	
-9	43242-02		GAUGE ASSEMBLY - Fuel quantity (550 434)	2	
-10	487 777		SWITCH - Map light (5518)	2	
-11	487 882		SWITCH - Starter (4TP12-7)	1	
-12	588 214		SWITCH - Magneto (8906K3264)	4	
-13	588 283		SWITCH - Fuel pump (T1LA64-1S-WH-FN-BL-5/32)	2	
-14	487 938		SWITCH - Alternator test (46-200B-D.P.D.T.)	2	
-15	47664-02		SWITCH - (T1LA54-1S-WH) (487 772)	11	
-16	47664-03		SWITCH - (T1GL54-1S-WH) (487 773)	1	
-17	47664-11		SWITCH - (T1GM54-1F-WH) (588 098)	1	
-18	47664-06		SWITCH - (T1GM54-1F-WH) (587 815)	1	
-19	47664-14		SWITCH - (T1L5E-1S-WH) (588 200)	1	
-20	43496-00		RESISTOR ASSEMBLY - Fuel gauge (484 429)	2	
-21	46987-00		SWITCH ASSEMBLY - Dome light	1	
-22	571 192		KNOB - Rheostat (RB-67-O-SB-M)	4	
-23	472 052		LAMP - Panel (PS10008-304)	2	
-24	688 151		SWITCH - Exit light (T1GL54-1S-WH)	1	
-25	56953-06		SWITCH - Fan (T1GL54-1S-WH) (588 159)	1	
-26	47667-12		SWITCH - (T1GM54-1F-WH) (588 102)	1	
-27	472 078		BULB - Ammeter (PS10008-1450)	1	
-28	453 792		LAMP - Fuel gauge (PS10008-1828)	2	
-29	560 690		FILTER - Lamp (1813/27 B-1)	1	
-30	71614-02		BRACKET - Overhead switch mounting	1	
-31	43028-00		BRACKET ASSEMBLY - Map light, left	1	
	43028-01		BRACKET ASSEMBLY - Map light, right	1	
-32	453 424		BRACKET - "F" narrow snap-in	AR	
-33	32510-00		PLATE - Cover (581 445)	AR	
-34	487 144		SOCKET - Plug bottom (12-240)	2	
-35	71637-02		PLACARD - Starter switch	1	
-36	514 747		SCREW - (PS10084-24-2)	2	
	404 909		NUT - (MS20365-632C)	2	
-37	53978-00	A	PLACARD - Starter energized	1	
-38	54078-00	A	LIGHT ASSEMBLY - Starter energized	1	
-39	758 293	A	* BULB - (FB-59)	1	
-40	472 742		LIGHT - Bolt (P-65-3-CW) Radatron	5	
	472 829		LIGHT - Bolt (20-0121-15-B;24) Grimes	5	
-41	53916-00		GUARD - Switch	2	
-42	54173-00		INSULATOR - Starter switch	1	
-43	414 756		SCREW - (MS24693-S30)	2	
-44	407 042		WASHER - (MS35338-42)	2	
	405 100		NUT - Hex (8-32)	2	
-45	407 043		WASHER - (MS35338-43)	2	
	405 312		NUT - Hex (10-32)	2	
-46	515 716		SCREW - (PS10084-41-2)	12	
	407 132		WASHER - (AN936-A4)	12	
	404 596		NUT - (MS20341-4S)	12	
-47	515 715		SCREW - (PS10084-42-2)	4	
	406 346		NUT - (A1181-632-1)	4	
-48	51006-00		METER ASSEMBLY - Engine hour	1	

When ordering, always specify Part Number, Description and Serial Number of Aircraft

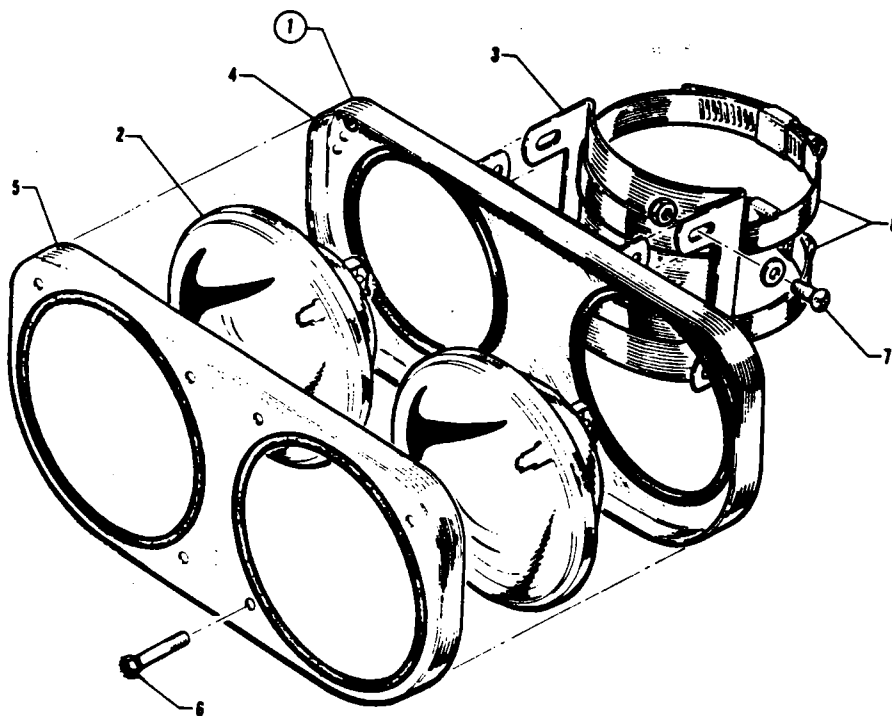


Figure 124. Landing Light Installation

---

# PIPER PARTS CATALOG

CODE EXPLANATIONS FOR FIGURE 124



**PIPER PARTS CATALOG**

Figure and Index Number	Part Number	Code	NOMENCLATURE	No. Req.	SERIAL NUMBERS AFFECTED
124-1	43048-00		LIGHT ASSEMBLY - Landing	1	
-2	472 769		* LIGHT - (4596) 250 Watt, 28 Volt	2	
-3	43020-00		* BRACKET - Landing light assembly	1	
-4	43021-00		* PLATE ASSEMBLY - Landing light	1	
-5	43022-00		* PLATE ASSEMBLY - Landing light face	1	
-6	415 745		* SCREW - (AN515-632R18)	6	
-7	415 146		* SCREW - (AN526-632R7)	4	
	407 562		* WASHER - (AN960-6)	8	
	404 829		* NUT - (MS20364-632C)	4	
-8	554 901		CLAMP - (64SS)	2	

When ordering, always specify Part Number, Description and Serial Number of Aircraft

2J24

INTENTIONALLY LEFT BLANK

# PIPER PARTS CATALOG

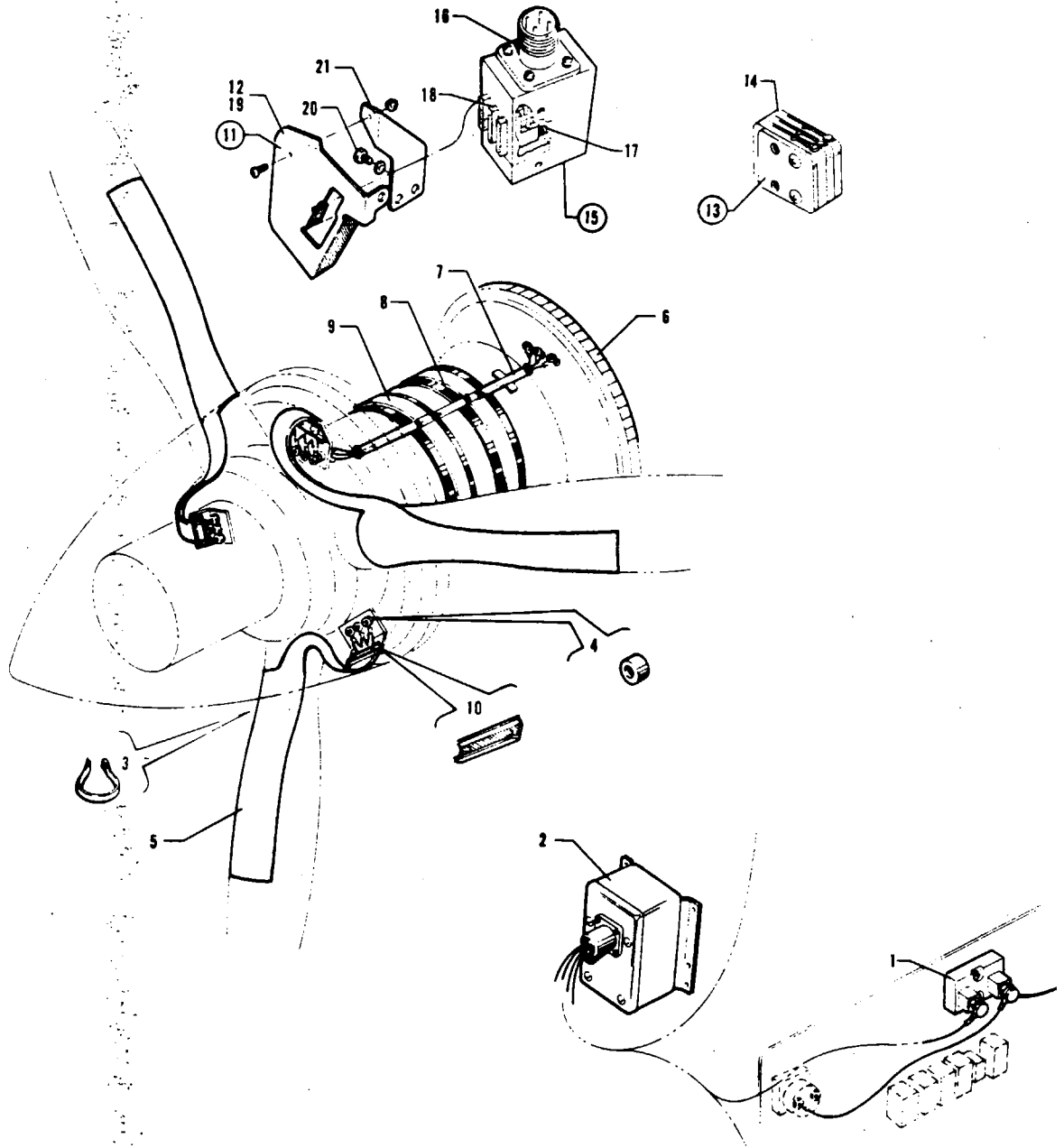


Figure 125. Propeller Electric De-icer Installation

---

# PIPER PARTS CATALOG

---

CODE EXPLANATIONS FOR FIGURE 125

A - It is recommended that new springs, item 17, be installed when replacing brushes.

**PIPER PARTS CATALOG**

Figure and Index Number	Part Number	Code	NOMENCLATURE	No. Req.	SERIAL NUMBERS AFFECTED
125-	43947		DRAWING - Propeller Electric De-icer Installation		
-1	757 541		SHUNT	1	
-2	761 990		TIMER	1	
-3	757 673		STRAP - Tie	6	
-4	758 487		BUSHING - (1E1442)	18	
-5	758 101		BOOT - Propeller de-icer, left engine	3	
	758 154		BOOT - Propeller de-icer, right engine	3	
-6	757 584		STARTER GEAR SLIP RING ASSEMBLY - Left engine	1	
	757 728		STARTER GEAR SLIP RING ASSEMBLY - Right engine	1	
-7	752 008		WIRE HARNESS - Slip ring	6	
-8	757 585		SPACER - Rubber	12	
-9	554 992		CLAMP - (QS-200-M88S)	4	
-10	757 809		CLIP - Lead	6	
-11	758 167		BRUSH BLOCK AND BRACKET ASSEMBLY - Left engine	1	
-12	758 104		* BRACKET - Brush holder (4E1594)	1	
-13	758 433		* MODULAR BRUSH ASSEMBLY - (3E2046-1)	1	
-14	758 434		* * BRUSH MODULE ASSEMBLY - (3E2011-1)	1	
	758 435		* * BRUSH MODULE ASSEMBLY - (3E2011-2)	1	
	758 436		* * BRUSH MODULE ASSEMBLY - (3E2011-3)	1	
-15	758 212		BRUSH BLOCK ASSEMBLY - (4E1908-1) Right engine	1	
-16	756 056		* RETAINER ASSEMBLY - Brush (3E1789)	1	
-17	757 626		* * SPRING - (1E1136)	3	
-18	758 175	A	* * BRUSH - (3E1443-1)	3	
-19	758 235		BRACKET - Brush holder, right engine (3E1807)	1	
-20	401 985		BOLT - (AN76A-5)	4	
	407 678		WASHER - (AN960C-616)	4	
-21	43497-00		BRACKET - Brush holder support, left engine	1	

When ordering, always specify Part Number, Description and Serial Number of Aircraft

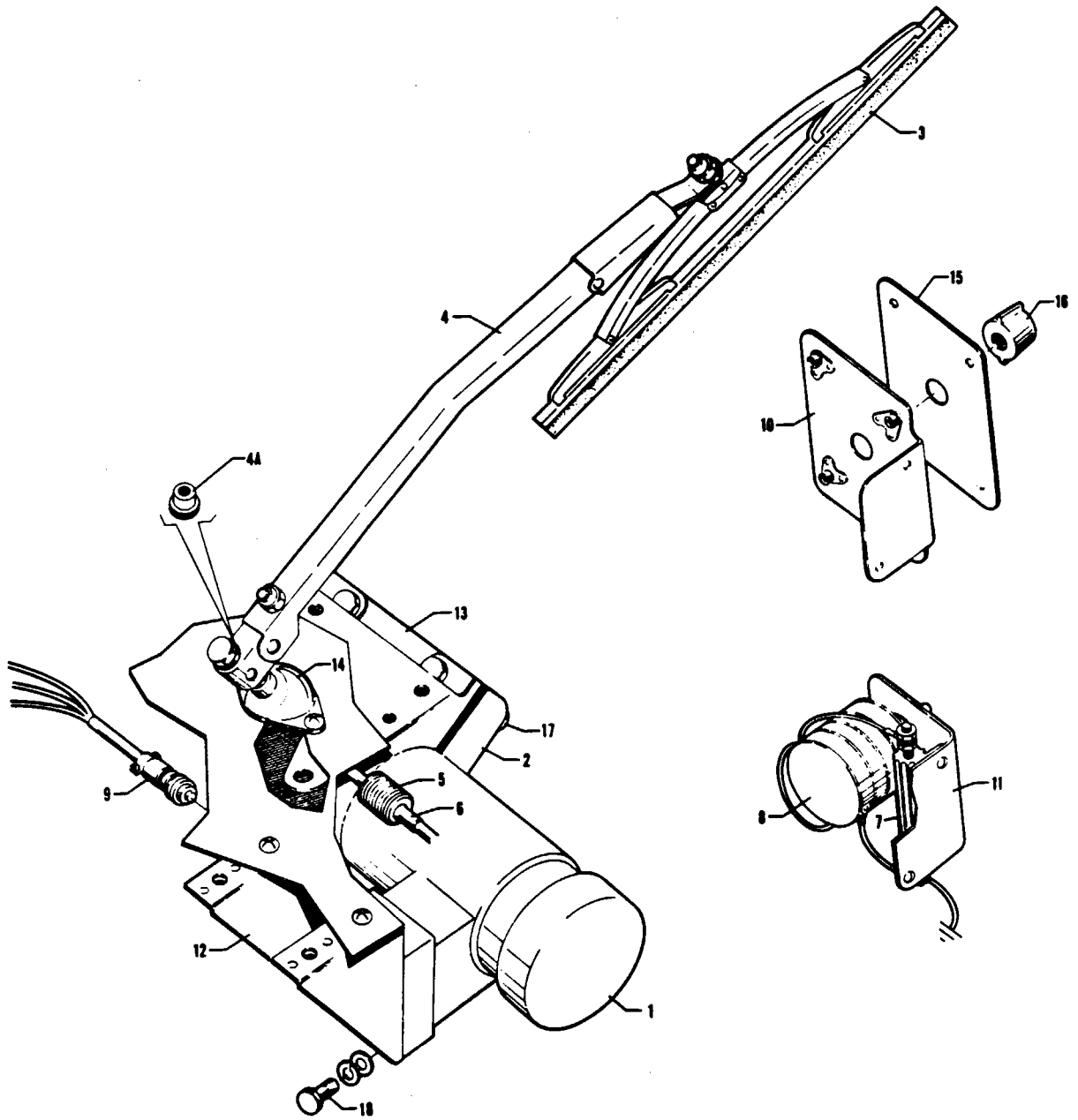


Figure 126. Electric Windshield Wiper Installation

---

# PIPER PARTS CATALOG

---

CODE EXPLANATIONS FOR FIGURE 126

PIPER PARTS CATALOG

Figure and Index Number	Part Number	Code	NOMENCLATURE	No. Req.	SERIAL NUMBERS AFFECTED
126	44115		DRAWING - Electric Windshield Wiper Installation		
1	475 197		MOTOR - Windshield wiper	1	
2	555 356		CONVERTER - Windshield wiper (50 Degree sweep)	1	
3	452 918		BLADE - Windshield wiper	1	
4	551 920		ARM - Windshield wiper	1	
4a	764 807		* SLEEVE - Splined wiper arm (W-20362)	1	
5	476 701		NIPPLE - Windshield wiper	1	
6	555 355		COUPLING - Windshield wiper	1	
7	484 452		RESISTOR - Windshield wiper	1	
8	487 977		SWITCH - Windshield wiper	1	
9	44113-00		HARNES ASSEMBLY - Electric windshield wiper	1	
10	44110-00		BRACKET ASSEMBLY - Windshield wiper switch attachment	1	
11	44112-00		BRACKET - Resistor mounting	1	
12	45881-00		BRACKET ASSEMBLY - Windshield wiper motor	1	
13	45892-00		BRACKET ASSEMBLY - Windshield wiper mounting	1	
14	45889-00		COVER - Windshield wiper shaft	1	
15	80504-02		PLACARD - Windshield wiper switch knots black	1	
	80504-03		PLACARD - Windshield wiper switch knots beige	1	
16	571 116		KNOB - (106) Black	1	
17	401 273		BOLT - (AN3-14A)	4	
	407 564		WASHER - (AN960-10)	4	
	404 887		NUT - (MS20365-1032C)	4	
18	401 307		BOLT - (AN4-4A)	4	
	407 044		WASHER - (MS35338-44)	4	
	407 565		WASHER - (AN960-416)	4	

When ordering, always specify Part Number, Description and Serial Number of Aircraft



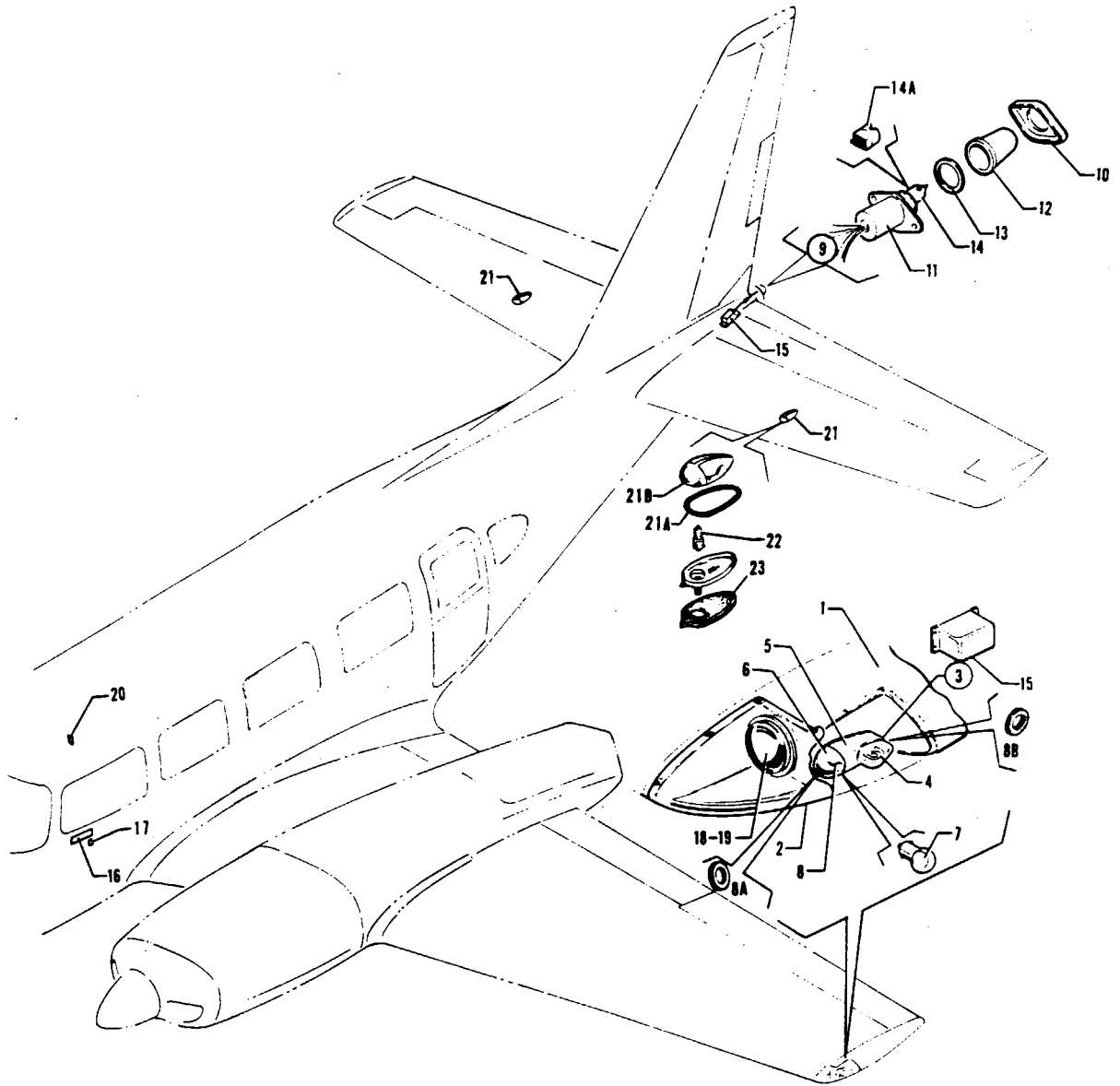


Figure 127. Strobe Lights Installation

---

# PIPER PARTS CATALOG

---

## CODE EXPLANATIONS FOR FIGURE 127

- A - Used if wing tip incorporates both a navigation and strobe light assembly and a recognition light assembly.
- B - Used if wing tip incorporates a navigation and strobe light assembly only.

**PIPER PARTS CATALOG**

Figure and Index Number	Part Number	Code	NOMENCLATURE	No. Req.	SERIAL NUMBERS AFFECTED
127-	55802 74201	A	DRAWING - Recognition Lights Installation DRAWING - Tell-Tail Light Installation		
-1	44587-22	B	TIP ASSEMBLY - Wing, left	1	
	55802-12	A	TIP ASSEMBLY - Wing, left	1	
	44587-23	B	TIP ASSEMBLY - Wing, right	1	
	55802-13	A	TIP ASSEMBLY - Wing, right	1	
-2	44587-04	B	PLEXIGLASS - Wing tip, left	1	
	55802-16	A	PLEXIGLASS - Wing tip, left	1	
	44587-05	B	PLEXIGLASS - Wing tip, right	1	
	55802-15	A	PLEXIGLASS - Wing tip, right	1	
-3	572 605		NAVIGATION AND STROBE LIGHT ASSEMBLY - Tip, red (shielded) (A650-PR-D-M-28)	1	
	572 604		NAVIGATION AND STROBE LIGHT ASSEMBLY - Tip, green (shielded) (A650-PG-D-M-28)	1	
-4	762 003		* LIGHT ASSEMBLY - Wing tip strobe	1	
-5	761 253		* LENS AND RETAINER ASSEMBLY - Wing tip strobe	1	
-6	472 710		* LIGHT ASSEMBLY - Wing, type "E", green	1	
	472 709		* LIGHT ASSEMBLY - Wing, type "E", red	1	
-7	753 478		* * BULB - Light assembly	1	
-8	751 201		* * LENS - Green	1	
	751 202		* * LENS - Red	1	
-8a	755 075		* GASKET - Navigation light (W1283)	1	
-8b	755 076		* GASKET - Wing strobe (A-427-4)	1	
-9	51213-02		NAVIGATION AND STROBE LIGHT ASSEMBLY - Tail	1	
-10	756 072		* RETAINER - Light lens	1	
-11	761 207		* LIGHT ASSEMBLY - Strobe and socket base, tail	1	
-12	761 184		* LENS ASSEMBLY - Light	1	
-13	755 021		* GASKET - Light assembly	1	
-14	761 183		* LAMP - Navigation light assembly (round base)	1	
	761 208		* LAMP - Navigation light assembly (Rectangular base)	1	
-14a	762 320		* SHIELD - Rectangular based lamp	1	
-15	481 214		POWER SUPPLY - Strobe light	3	
-16	48625-00		PLACARD - Strobe light	1	
-17	47664-10	A	SWITCH - Recognition and strobe lights	1	
-18	472 981	A	LIGHT ASSEMBLY - Recognition (30-1290-5)	2	
-19	761 214		* LAMP - (LP1982SP) 28V., 75W.	1	
-20	454 677	A	CIRCUIT BREAKER - (PS50120-3-10) 7.5 amp	1	
-21	572 585		LIGHT ASSEMBLY - Tail flood, left (00033096-7)	1	
	572 586		LIGHT ASSEMBLY - Tail flood, right (00033096-8)	1	
-21a	755 108		* GASKET - Flood light (00003006-1)	1	
-21b	761 292		* LENS - Tail flood light, left (00003027-5)	1	
	761 293		* LENS - Tail flood light, right (00003027-6)	1	
-22	472 184		LAMP - Flood light (DA-27)	2	
-23	755 077		GASKET - Flood light (00033045-1)	2	

When ordering, always specify Part Number, Description and Serial Number of Aircraft

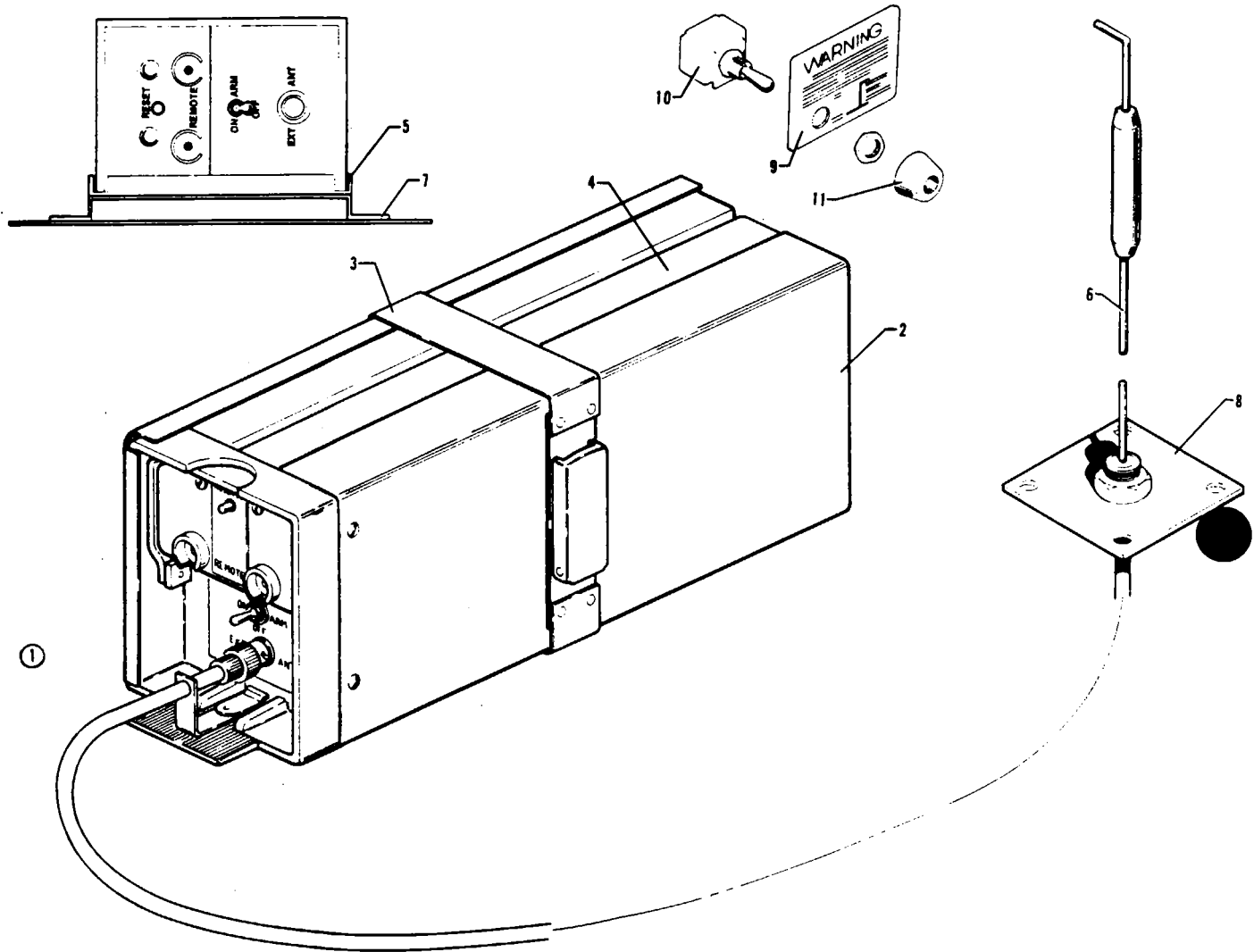


Figure 128. Piper Automatic Locator (ELT) Installation (Narco Avionics)

---

# PIPER PARTS CATALOG

---

CODE EXPLANATIONS FOR FIGURE 128

## PIPER PARTS CATALOG

Figure and Index Number	Part Number	Code	NOMENCLATURE	No. Req.	SERIAL NUMBERS AFFECTED
128-	49736		DRAWING - Piper Automatic Locator (ELT) Installation		
-1	54800-54		TRANSMITTER ASSEMBLY - Automatic locator (ELT 10) (includes alkaline battery pack)	1	
-2	758 452		* BATTERY PACK - Transmitter assembly (57674-0001)	1	
-3	762 357		* STRAP - Transmitter assembly (57682-0101)	1	
-4	763 019		* ANTENNA - Blade, portable (57667-0001)	1	
-5	758 453		* BASE - Transmitter assembly (57666-0001)	1	
-6	597 257		ANTENNA ASSEMBLY - E.L.T. (01652-0101)	1	
-7	39273-02		BRACKET ASSEMBLY - E.L.T., mounting	1	
-8	60704-02		BRACKET - Doubler	1	
-9	80687-02		PLACARD - Warning, E.L.T.	1	
-10	587 965		SWITCH - (7101-K)	1	
-11	477 829		NUT - Dress (8025)	1	

When ordering, always specify Part Number, Description and Serial Number of Aircraft

PIPER PARTS CATALOG

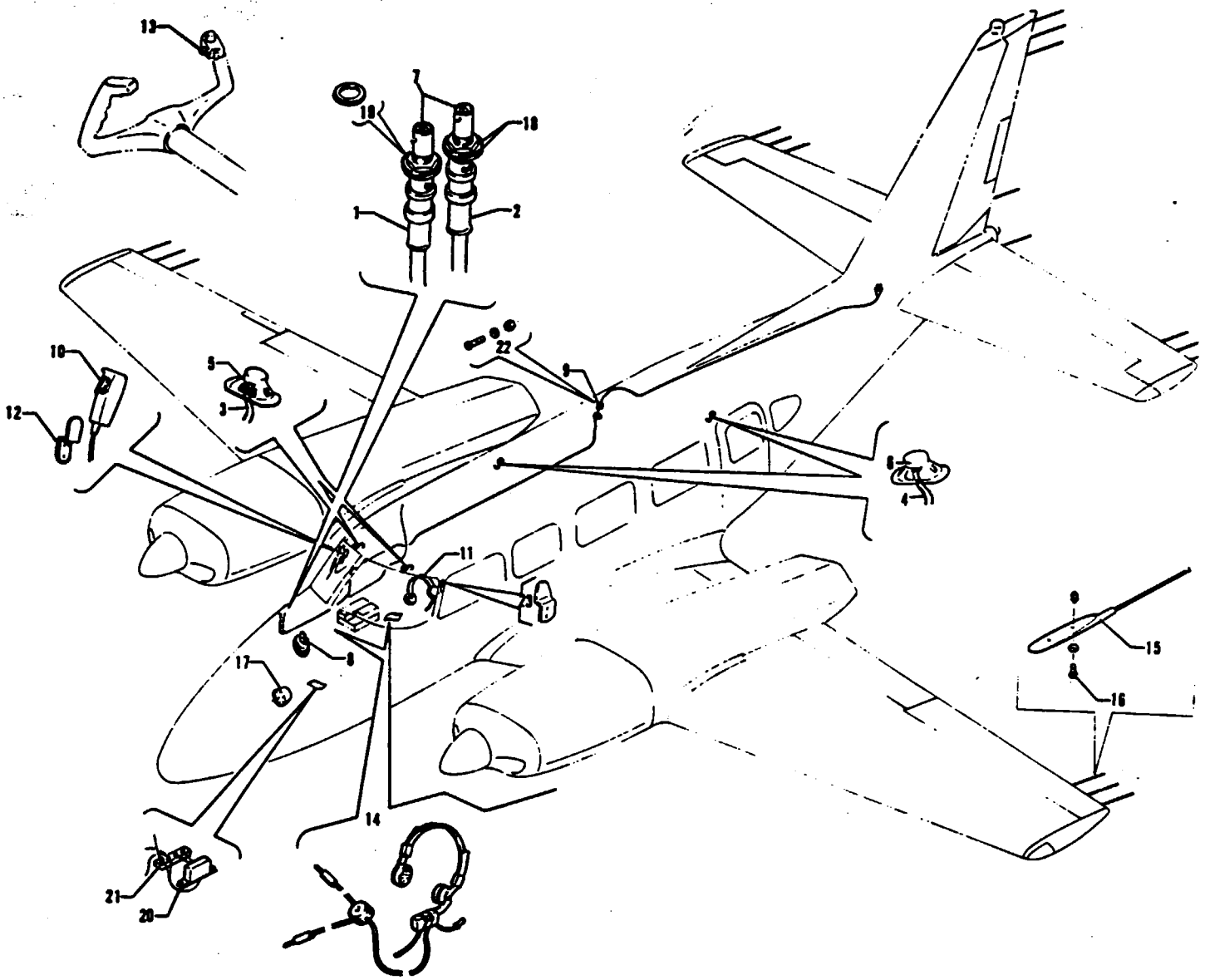


Figure 129. Antenna Cable, Speaker, Static Wicks, Ramp Hailer and Mike Installation

---

# PIPER PARTS CATALOG

---

CODE EXPLANATIONS FOR FIGURE 129

- A - Used with Shure Brothers microphone.
- B - Used with Telex microphone.



## PIPER PARTS CATALOG

Figure and Index Number	Part Number	Code	NOMENCLATURE	No. Req.	SERIAL NUMBERS AFFECTED
129-	71579		DRAWING - Antenna Cable and Speaker Installation		
	71065		DRAWING - Static Wicks Installation		
	42842	B	DRAWING - Copilot Headset and Mike Installation		
	43773	A	DRAWING - Copilot Headset and Mike Installation		
	25617	A	DRAWING - Pilot Headset and Mike Installation		
	52913	B	DRAWING - Pilot Headset and Mike Installation		
	43369		DRAWING - Boom Mike Installation		
	54398		DRAWING - Copilot Boom Mike Installation		
-1	49985-84		CABLE ASSEMBLY - Antenna, co-ax	1	
-2	49985-82		CABLE ASSEMBLY - Co-ax	1	
-3	80017-29		WIRE ASSEMBLY - Shielded, single	1	
-4	80017-31		WIRE ASSEMBLY - Shielded, single, left rear speaker	1	
	71900-08		WIRE ASSEMBLY - Shielded, single, right rear speaker	1	
-5	54848-03		SPEAKER ASSEMBLY - Radio, left, front	1	
	54848-04		SPEAKER ASSEMBLY - Radio, right, front	1	
-6	54848-05		SPEAKER ASSEMBLY - Radio, Sta. 197.35, left, rear	1	
	71578-02		SPEAKER ASSEMBLY - Radio, Sta. 133.65, right, rear	1	
-7	453 839		CONNECTOR - (UF-492 D/U)	2	
-8	487 722		STRAP - (PS10017-3-3-6F)	1	
-9	454 928		CLAMP - (PS10017-2-3)	3	
-10	474 649		MICROPHONE - (Telex Model 66C)	AR	
	474 657		MICROPHONE - (Telex Model 100T)	AR	
	474 656		MICROPHONE - (Shure CM-16TF)	AR	
	474 655		MICROPHONE - (Narco M-700A)	AR	
-11	464 327		HEADPHONE - (P23, 300 ohms)	AR	
	464 362		HEADSET - (Telex Model 61650-03)	AR	
-12	453 415		BRACKET ASSEMBLY - Microphone (used with Telex Model 66C)	1	
	453 445		BRACKET ASSEMBLY - Microphone (used with Shure)	1	
-13	487 904		SWITCH ASSEMBLY - Boom mike	1	
-14	27004-00		HEADSET AND BOOM MIKE ASSEMBLY - (464 369)	1	
-15	456 802		WICK - Static (ESD-3)	18	
-16	415 520		SCREW - (MS35206-230)	36	
	407 041		WASHER - (MS35338-41)	36	
-17	585 111		SPEAKER ASSEMBLY - Ramp hailer (MIS 8)	1	
-18	80122-139		WASHER - Special	4	
-19	80122-140		WASHER - Special	2	
-20	484 491		RESISTOR - (15 ohm, 12.5 w.)	1	
-21	588 342		TERMINAL BLOCK - (MS27212-2-4)	1	
-22	415 149		SCREW - (MS35207-263)	4	
	404 887		NUT - (MS20365-1032C)	4	
-23	565 446		BRACKET - Boom mike headset (XP-96208)	1	

When ordering, always specify Part Number, Description and Serial Number of Aircraft

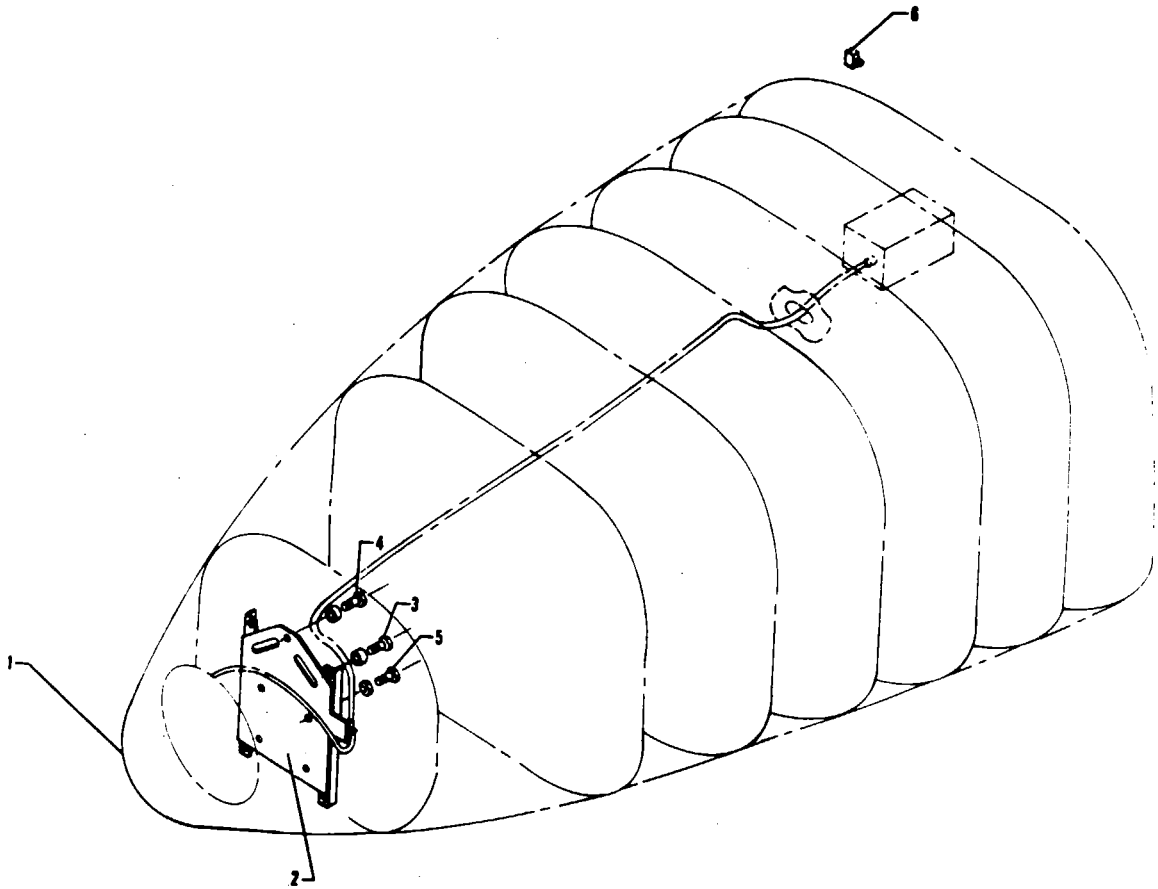


Figure 129A. Bendix Radar Installation (RDR-230 HP)

---

# PIPER PARTS CATALOG

---

CODE EXPLANATIONS FOR FIGURE 129A

## PIPER PARTS CATALOG

Figure and Index Number	Part Number	Code	NOMENCLATURE	No. Req.	SERIAL NUMBERS AFFECTED
129A-	74205		DRAWING - Bendix Radar Installation (RDR-230 HP)		
-1	44276-11		CONE ASSEMBLY - Fuselage nose	1	
-2	71945-02		BRACKET ASSEMBLY - Equipment mounting	1	
-3	400 451		BOLT - (AN3-20A)	4	
	71944-02		SPACER	4	
-4	400 446		BOLT - (AN3-16A)	1	
	71944-03		SPACER	1	
-5	400 004		BOLT - (AN4-7A)	4	
	404 888		NUT - (MS20365-428C)	4	
-6	454 656		CIRCUIT BREAKER - (PS50120-3-7)	1	

When ordering, always specify Part Number, Description and Serial Number of Aircraft

# PIPER PARTS CATALOG

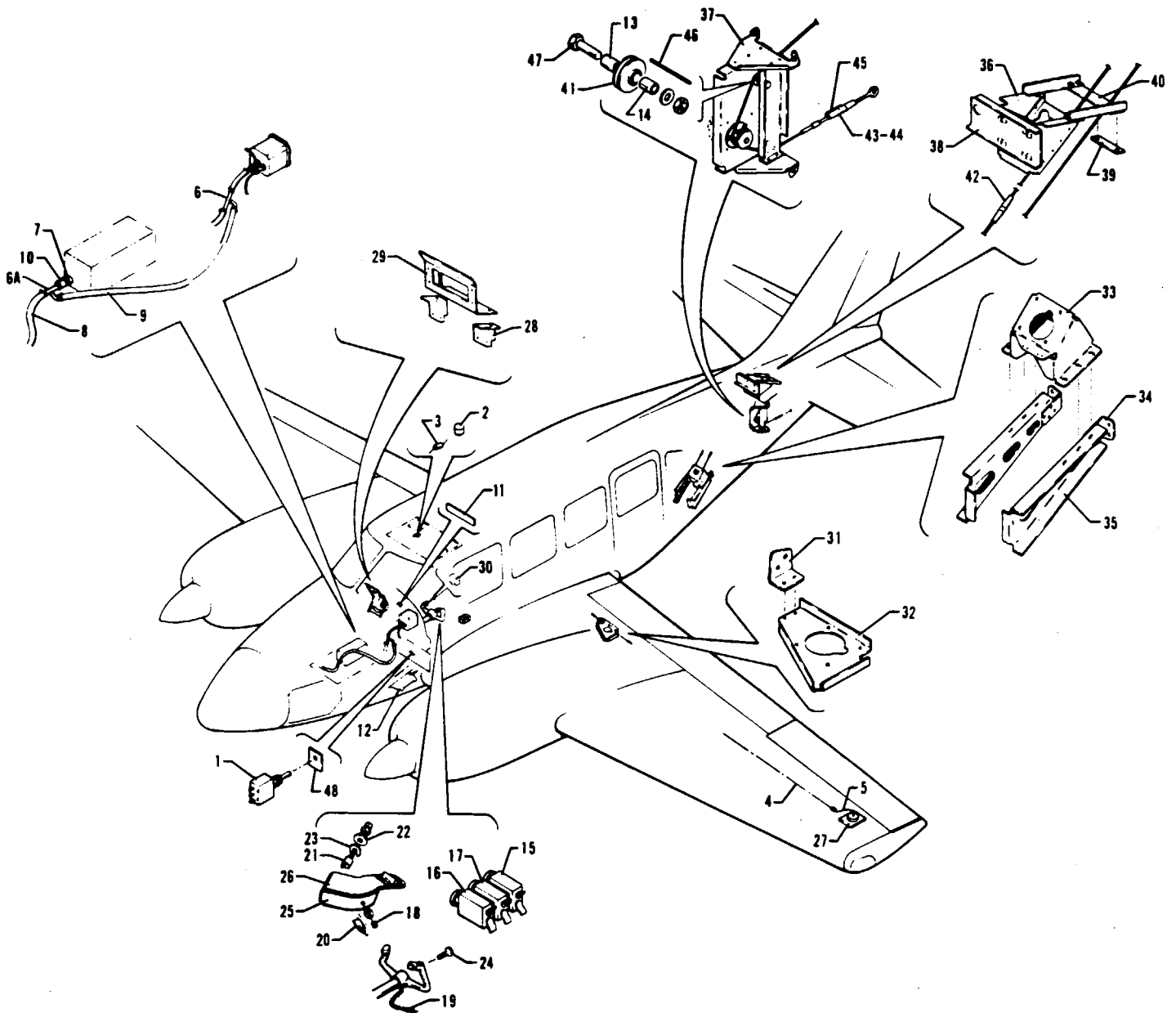


Figure 130. King AutoPilot (KAP-200) and King AutoPilot F/D (KFC-200) Installations (See Code "A")

---

# PIPER PARTS CATALOG

---

## CODE EXPLANATIONS FOR FIGURE 130

- A - This installation is relative only to associated Piper Aircraft Corporation parts that are used when installing King (KAP-200) AutoPilot and King (KFC-200) AutoPilot, F/D. All King equipment and components must be procured from King Radio Corporation, 400 N. Rogers Road, Olathe, Kansas, 66061.
- B - Used if Yaw Damper is not installed.
- C - Used if Yaw Damper is installed.

## PIPER PARTS CATALOG

Figure and Index Number	Part Number	Code	NOMENCLATURE	No. Req.	SERIAL NUMBERS AFFECTED
130-	71040		DRAWING - King Autopilot (KAP-200) and King Autopilot F/D (KFC-200) Installation		
-1	588 139		SWITCH - Test, accelerometer (7105S)	1	
-2	565 367		HORN - Trim warning (SC-628)	1	
-3	456 753		DIODE - (IN4003)	1	
-4	71864-02		HARNES ASSEMBLY - Flux detector	1	
-5	54558-02		HARNES ASSEMBLY - Flux detector	2	
-6	16632-00		TUBE ASSEMBLY - Drain connector	1	
-6a	588 494		TEE - Hose connector (1K14-4-4-4)	1	
-7	17881-06		LINE ASSEMBLY - Static air	1	
-8	49998-30		HOSE - Static air (13" L.)	1	
-9	49998-43		HOSE - Static air (48" L.)	1	
-10	49998-26		HOSE - Static air (3" L.)	1	
-11	80704-02		PLACARD - Preflight test	1	
-12	71015-02		BOX - Relay	1	
-13	56977-04		BUSHING	2	
-14	56977-05		BUSHING	2	
-15	454 695		CIRCUIT BREAKER - (PS50120-3-24)	1	
-16	454 657		CIRCUIT BREAKER - (PS50120-3-12)	1	
-17	454 656	B	CIRCUIT BREAKER - (PS50120-3-7)	1	
	454 656	C	CIRCUIT BREAKER - (PS50120-3-7)	2	
-18	454 277		CAP - (30B1012) (A/P Sync.)	1	
	454 277		CAP - (30B1012) (Boom Mike and A/P Sync.)	2	
-19	49568-04		CORD - Coiled	2	
-20	487 904		SWITCH - (39-1) (A/P Sync.)	1	
	487 904		SWITCH - (39-1) (Boom Mike and A/P Sync.)	2	
-21	688 148		SWITCH - (MPA-306F) (Trim interrupt and disconnect)	1	
-22	15660-02		ADAPTER - Trim switch	1	
-23	15661-02		ADAPTER - Trim switch	1	
-24	26870-00		BUTTON - Plug	1	
-25	49655-02		BRACKET ASSEMBLY - Switch	1	
-26	80669-02		PLACARD - Control wheel	1	
-27	54541-02		PLATE ASSEMBLY - Flux detector	1	
-28	49812-02		BRACKET - Control panel, upper	1	
	49812-03		BRACKET - Control panel, lower	1	
-29	49813-02	B	BRACKET - Control panel	1	
	49813-03	C	BRACKET - Control panel	1	
-30	487 904		SWITCH - Transponder remote ident (39-1)	1	
-31	49811-02		BRACKET - Aileron support	1	
-32	49763-03		BRACKET - Aileron, servo mounting	1	
-33	49785-02	C	BRACKET ASSEMBLY - Rudder servo	1	
-34	49803-03	C	BRACKET - End support, inboard	1	
	49803-02	C	BRACKET - End support, outboard	1	
-35	49789-02	C	BRACKET - Mounting, rudder servo, left	1	
	49790-02	C	BRACKET - Mounting, rudder servo, right	1	
-36	49781-02		BRACKET ASSEMBLY - Elevator trim servo	1	
-37	44975-03		BRACKET ASSEMBLY - Elevator servo mounting	1	
-38	52023-00		PLATE ASSEMBLY - Elevator trim servo	1	
-39	52013-00		STRIP - Rub, elevator trim cable	1	
-40	52014-00		STRIP - Rub, elevator trim cable	1	
-41	481 617		PULLEY - (MS20219-1)	2	
-42	489 873		TURNBUCKLE - (MS21251-B2S)	1	

When ordering, always specify Part Number, Description and Serial Number of Aircraft

**PIPER PARTS CATALOG**

Figure and Index Number	Part Number	Code	NOMENCLATURE	No. Req.	SERIAL NUMBERS AFFECTED
130-43	452 015		BARREL - Turnbuckle (NAS649-88S)	1	
-44	459 958		EYE - Turnbuckle (NAS648-8RS)	1	
-45	454 867		CLIP - Turnbuckle (NAS651-16S)	4	
-46	424 522		PIN - (NAS427K-27)	2	
-47	400 014		BOLT - (AN4-21A)	2	
	407 565		WASHER - (AN960-416)	4	
	404 888		NUT - (MS20365-428C)	2	
-48	71386-02		PLACARD - Accelerometer test switch	1	

When ordering, always specify Part Number, Description and Serial Number of Aircraft



**2K23 THRU 2K24  
INTENTIONALLY LEFT BLANK**

# PIPER PARTS CATALOG

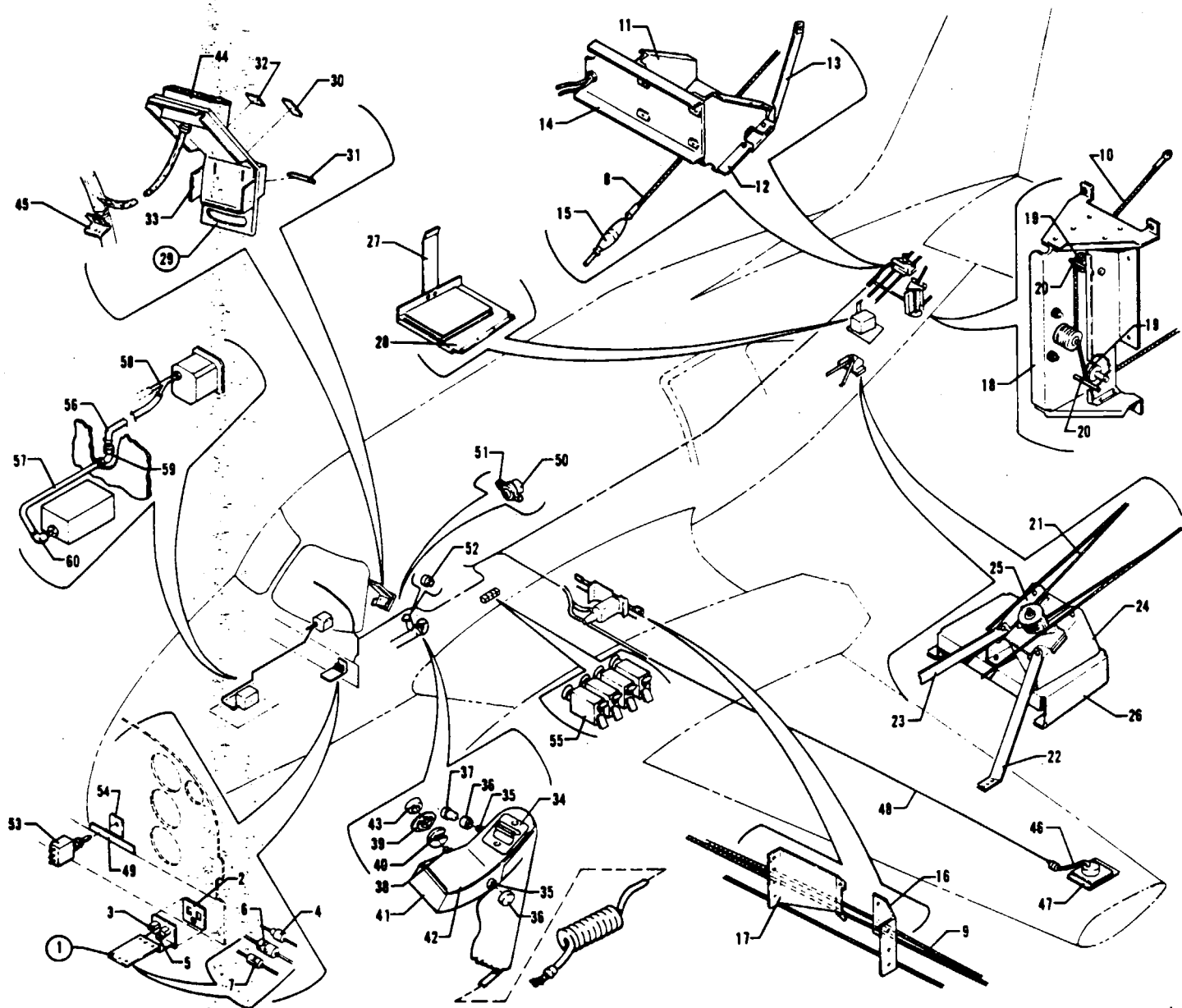


Figure 130A. Century 41 AutoPilot and F/D AutoPilot Installation  
(See Code "A")

---

# PIPER PARTS CATALOG

---

## CODE EXPLANATIONS FOR FIGURE 130A

- A - This installation is relative only to associated Piper Aircraft Corporation parts that are used when installing Mitchell Century 41 AutoPilot. All Mitchell equipment and components must be procured from an authorized Mitchell Service Center or from Edo-Aire Mitchell, Post Office Box 610, Municipal Airport, Mineral Wells, Texas 76067.
- B - Used if Flight Director is installed.
- C - Used if Flight Director is not installed.
- D - Used if RMI is installed.
- E - Used if RMI is not installed.
- F - Used if Yaw Damper is installed.
- G - Used if Yaw Damper is not installed.
- H - Used if Boom Mike is installed.
- J - Used if Boom Mike is not installed.
- K - Used only if Edo-Aire Mitchell Attitude Gyro P/N 52C77-4 is installed.

## PIPER PARTS CATALOG

Figure and Index Number	Part Number	Code	NOMENCLATURE	No. Req.	SERIAL NUMBERS AFFECTED
130A-	71941		DRAWING - Century 41 Autopilot System Installation		
-1	71080-02	C,E	PANEL ASSEMBLY - Function switch (complete)	1	
	71080-06	C,D	PANEL ASSEMBLY - Function switch (complete)	1	
	71080-03	B,E	PANEL ASSEMBLY - Function switch (complete)	1	
	71080-07	B,D	PANEL ASSEMBLY - Function switch (complete)	1	
-2	80622-02	C,E	* PLACARD - Function switch panel	1	
	80623-02	B,E	* PLACARD - Function switch panel	1	
	71650-02	B,D	* PLACARD - Function switch panel	1	
	71651-02	C,D	* PLACARD - Function switch panel	1	
-3	587 967		* SWITCH - (SC2CXL191-96)	2	
-4	456 758		* DIODE - (IN4005)	4	
-5	587 994	E	* SWITCH - Gyro slaving (7303)	1	
	587 984	D	* SWITCH - Gyro slaving (7301)	1	
-6	484 427		* RESISTOR - (4785) 68 ohm	2	
-7	484 545		* RESISTOR - (4580) 50 ohm	2	
-8	42484-03		CABLE ASSEMBLY - Elevator trim	1	
-9	54567-03		CABLE ASSEMBLY - Roll servo	1	
-10	54569-02		CABLE ASSEMBLY - Pitch servo	1	
-11	54530-02		BRACKET - Elevator trim servo, left	1	
-12	54446-02		BRACKET - Elevator trim servo, right	1	
-13	54447-02		BRACKET - Elevator trim servo	1	
-14	52023-00		PLATE ASSEMBLY - Elevator trim servo	1	
-15	489 873		TURNBUCKLE - (MS21251-B2S)	1	
	454 867		CLIP - (NAS651-16S)	2	
-16	54458-02		BRACKET - Aileron servo	1	
-17	54457-02		BRACKET - Aileron servo	1	
-18	44975-02		BRACKET ASSEMBLY - Servo mounting	1	
-19	481 617		PULLEY - Pitch servo (MS20219-1)	2	
-20	424 522		PIN - (NAS427K-27)	2	
-21	54567-02	F	CABLE ASSEMBLY - Rudder servo	1	
-22	54455-02	F	BRACKET - Rudder servo	1	
-23	54454-02	F	BRACKET - Rudder servo	1	
-24	54453-02	F	BRACKET - Rudder servo	1	
-25	54451-02	F	BRACKET - Rudder servo	1	
-26	54449-02	F	BRACKET - Rudder servo	1	
-27	54529-02	F	BRACKET - Yaw damper	1	
-28	54531-02	F	BRACKET - Yaw damper	1	
-29	53437-06		COVER ASSEMBLY - Pedestal, center	1	
-30	40579-00		* PLACARD - Trim control, longitudinal	1	
-31	43184-00		* PLACARD - Trim control, directional	1	
-32	43185-00		* PLACARD - Trim control, lateral	1	
-33	49401-02	G	BRACKET ASSEMBLY - Flight programmer mounting	1	
	49401-03	F	BRACKET ASSEMBLY - Flight programmer mounting	1	
-34	596 717		SWITCH - Trim (200-1902-00)	1	
-35	487 904	H	SWITCH - (39-1)	2	
	487 904	J	SWITCH - (39-1)	1	
-36	454 277	H	CAP - (30B1012)	2	
	454 277	J	CAP - (30B1012)	1	
-37	412 673	J	SCREW - (AN515-B6R5)	1	
	404 829	J	NUT - (MS20364-632C)	1	
-38	688 148		SWITCH - (MPA-306F)	1	
-39	15660-02		ADAPTER - Trim switch	1	
-40	15661-02		ADAPTER - Trim switch	1	
-41	49655-02		BRACKET ASSEMBLY - Control wheel	1	
-42	80669-02		PLACARD - Control wheel	1	
-43	553 522		BUTTON - Cap (C-22-2)	1	

When ordering, always specify Part Number, Description and Serial Number of Aircraft

## PIPER PARTS CATALOG

Figure and Index Number	Part Number	Code	NOMENCLATURE	No. Req.	SERIAL NUMBERS AFFECTED
130A-44	74122-02	F	PLATE - Mounting, autopilot control	1	
	74122-03	G	PLATE - Mounting, autopilot control	1	
-45	43181-00		ANGLE ASSEMBLY - Autopilot harness support	1	
-46	54558-02		HARNESS ASSEMBLY - Flux sensor	1	
-47	54541-02		PLATE ASSEMBLY - Flux detector	1	
-48	71864-02		HARNESS ASSEMBLY - Flux detector	1	
-49	80704-02		PLACARD - Preflight test	1	
-50	565 367		HORN - Trim warning (SC628)	1	
-51	597 583		BRACKET - Trim warning horn (047-3748-01)	1	
-52	487 904		SWITCH - Transponder remote ident (39-1)	1	
-53	587 888	K	SWITCH - Stow (CKC 7201)	1	
-54	74107-02	K	PLACARD - Stow switch	1	
-55	454 656	F	CIRCUIT BREAKER - (PS50120-3-7)	4	
	454 656	G	CIRCUIT BREAKER - (PS50120-3-7)	3	
-56	17766-100		HOSE - Airspeed indicator to bulkhead	1	
-57	17766-109		HOSE - Bulkhead to flight computer	1	
-58	44253-00		CONNECTOR - Hose "Y"	1	
-59	458 900		FITTING - Bulkhead (AN833-4D)	1	
	407 568		WASHER - (AN960-716)	1	
	477 618		NUT - (AN924-4D)	1	
-60	458 894		ELBOW - (MS20822-4D)	1	

When ordering, always specify Part Number, Description and Serial Number of Aircraft

# PIPER PARTS CATALOG

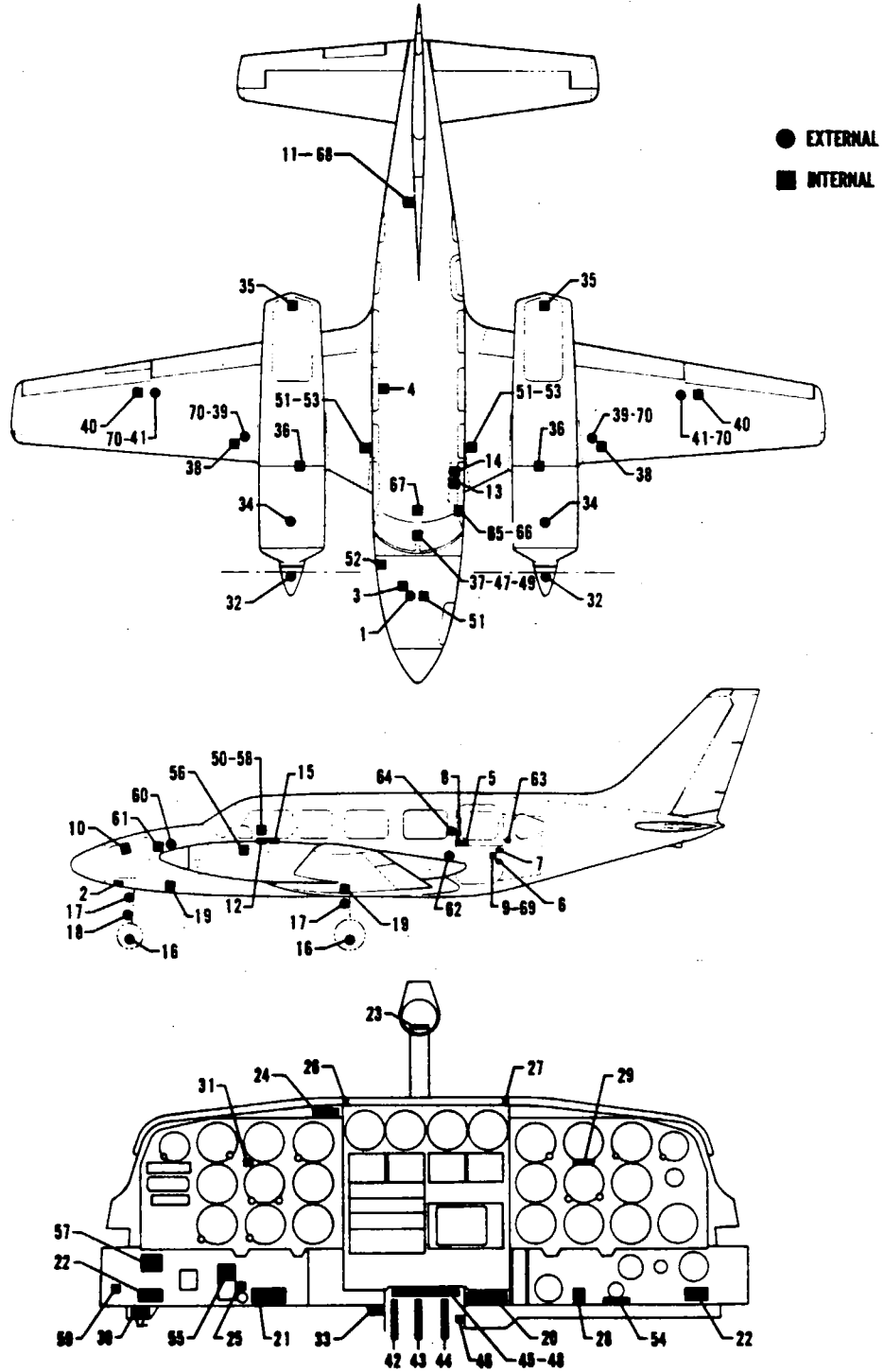


Figure 131. Placards and Exterior Stencils

---

# PIPER PARTS CATALOG

---

## CODE EXPLANATIONS FOR FIGURE 131

- A - Used on aircraft that comply with C.A.A. (United Kingdom) requirements.
- B - Used only if attitude gyro P/N 71181-02 is installed.
- C - Used if auxiliary (outboard) fuel cells are installed.

PIPER PARTS CATALOG

Figure and Index Number	Part Number	Code	NOMENCLATURE	No Req.	SERIAL NUMBERS AFFECTED
131-1	48023-00		PLACARD - Brake Reservoir (internal)	1	
	48022-00		DECAL - Brake Reservoir (external)	1	
-2	43809-00		PLACARD - Starting Procedure, External Power	1	
-3	40843-00		PLACARD - Hydraulic Line Routing, STA 57	1	
-4	80363-02		PLACARD - Emergency Exit	1	
-5	71450-05	A	DECAL - "Open - Lock"	1	
-6	71450-04	A	DECAL - "Pull Here"	1	
-7	71450-03	A	DECAL - "Press Here"	1	
-8	71450-02	A	DECAL - "Door - Open"	1	
-9	43067-00		PLACARD - Door Handle Latch	1	
-10	47545-00		PLACARD - Baggage Capacity	1	
-11	73095-02		PLACARD - Cargo Loading	1	
-12	54098-00	A	PLACARD - Armrest Stowage	1	
-13	44673-00		PLACARD - Pilot Door (open-closed)	1	
-14	44674-00		PLACARD - Pilot Door (theft lock)	1	
-15	80298-02		PLACARD - Latch	1	
-16	41398-07		PLACARD - Tire Inflation, Main	2	
	41398-02		PLACARD - Tire Inflation, Nose	1	
-17	40292-04		PLACARD - Oleo Service Instructions, Main	2	
	40292-02		PLACARD - Oleo Service Instructions, Nose	1	
-18	45331-00		PLACARD - Tow Turn Limits	1	
-19	71516-03		DECAL - Test Port (Emergency gear extension)	3	
-20	40575-00		PLACARD - Alternate Air Controls	1	
-21	41429-02		PLACARD - Parking Brake	1	
-22	41347-00		PLACARD - Mike and Phone Jacks	2	
-23	41345-00		PLACARD - Heated Windshield	1	
-24	80584-02		PLACARD - Speed Control, Knots, black	1	
	80584-03		PLACARD - Speed Control, Knots, beige	1	
-25	80247-02		PLACARD - Cigar Lighter	1	
-26	80755-02		PLACARD - Annunciator Test	1	
-27	80614-02		PLACARD - Annunciator Hi, Low	1	
-28	59105-02		PLACARD - Flap Test	1	
-29	74106-02	B	PLACARD - "Pull To Erect"	1	
-30	41472-00		PLACARD - Alternate Static Source	1	
	53739-00	A	PLACARD - Alternate Static Source	1	
-31	80704-02		PLACARD - Preflight test	1	
-32	46348-07		DECAL - Propeller, Pressure Temperature	2	
-33	80372-02		PLACARD - Propeller Synchrophaser Control	1	
-34	80454-02		PLACARD - Lubrication	2	
	80455-02		PLACARD - Oil Capacity (12 qt.)	2	
-35	44719-00		PLACARD - Nacelle Locker Baggage	2	
-36	40849-07		PLACARD - Fuel Pressure	2	
	40849-08		PLACARD - Fuel Flow Pressure	2	
	40849-09		PLACARD - Instrument Air Deck Pressure	2	
	40849-11		PLACARD - Fuel Supply	2	
-37	54139-03		PLACARD ASSEMBLY - Fuel Control	1	
	54139-00	C	PLACARD ASSEMBLY - Fuel Control	1	
-38	53983-02		PLACARD - Fuel Vent Check Valve, Left	1	
	53983-03		PLACARD - Fuel Vent Check Valve, Right	1	
-39	42332-00		DECAL - Fuel Cell Quantity, Main	2	
-40	53983-03	C	PLACARD - Fuel Vent Check Valve, Auxiliary, Left	1	
	53983-02	C	PLACARD - Fuel Vent Check Valve, Auxiliary, Right	1	
-41	42333-00	C	DECAL - Fuel Cell Capacity, Auxiliary	2	
-42	40583-03		PLACARD - Throttle Control	1	
-43	40584-03		PLACARD - Propeller Control	1	
-44	40594-03		PLACARD - Mixture Control	1	
-45	48052-00	A	PROPELLER - Throttle Quadrant	1	
-46	48075-00	A	PLACARD - Quadrant Warning	1	

When ordering, always specify Part Number, Description and Serial Number of Aircraft



# PIPER PARTS CATALOG

Figure and Index Number	Part Number	Code	NOMENCLATURE	No. Req.	SERIAL NUMBERS AFFECTED
131-47	43183-00		PLACARD - Cowl Flap	1	
	43185-00		PLACARD - Trim Control, Lateral	1	
	40579-00		PLACARD - Trim Control, Longitudinal	1	
	43184-00		PLACARD - Trim Control, Directional	1	
-48	52141-00		PLACARD - Air conditioning	1	
-49	53769-00	A	PLACARD - Yaw	1	
	53770-00	A	PLACARD - Roll	1	
-50	43362-00		PLACARD - "Mike A/P Off"	1	
	43364-00		PLACARD - "Mike"	1	
	43360-00		PLACARD - "Down-Up", Trim Control	1	
-51	40849-02		PLACARD - Hydraulic Gear Down	AR	
	40849-03		PLACARD - Hydraulic Gear Up	AR	
	40849-06		PLACARD - Hydraulic Pressure	AR	
	40849-10		PLACARD - Hydraulic Suction	AR	
-52	48030-00		PLACARD - Hydraulic System Fill Ports	1	
-53	40849-04		PLACARD - Hydraulic Door Open	AR	
	40849-05		PLACARD - Hydraulic Door Close	AR	
-54	43854-00		PLACARD - Cabin Exhaust	1	
-55	80504-02		PLACARD - Windshield Wiper Switch, Knots, black	1	
	80504-03		PLACARD - Windshield Wiper Switch, Knots, beige	1	
-56	48625-00		PLACARD - Strobe Lights	1	
-57	80687-02		PLACARD - E.L.T. Warning	1	
-58	80669-02		PLACARD - Control Wheel	1	
-59	71386-02		PLACARD - Accelerometer Test Switch	1	
-60	49172-02		DECAL - Access Panel	1	
-61	80495-02		PLACARD - Access Panel	1	
-62	79315-00		DECAL - "Piper Aire"	1	
-63	43029-00		PLACARD - "Radar Equipped"	1	
-64	49809-02		DECAL - Piper Logo	1	
-65	80558-02		PLACARD - Emergency Avionics Bus	1	
-66	52698-00		PLACARD - Master Switch	1	
-67	21225-02		PLACARD - Emergency Gear Extension Access	1	
	74184-02		PLACARD - Emergency Gear Extension Instructions	1	
-68	73082-02		PLACARD - Aft baggage capacity	1	
-69	80999-02		DECAL - Seat requirements	1	
-70	456 682		DECAL - "Avgas only" (000002)	4	

When ordering, always specify Part Number, Description and Serial Number of Aircraft

---

**PIPER PARTS CATALOG**

---

**THIS SPACE INTENTIONALLY LEFT BLANK**

Optional Equipment Kits and Repair Kits

---

# PIPER PARTS CATALOG

---

## CODE EXPLANATIONS FOR OPTIONAL EQUIPMENT KITS AND REPAIR KITS

A - Used with Eastern Industries Hydraulic Pump, Part No. 26802-08 (1213HBG, Type 310).

## PIPER PARTS CATALOG

Figure and Index Number	Part Number	Code	NOMENCLATURE	No. Req.	SERIAL NUMBERS AFFECTED
<b>OPTIONAL EQUIPMENT KITS</b>					
	72263-02		CARD - Passenger briefing		
	74216-02		PLOTTER ASSEMBLY - Weight and Balance		
	760 736		PROPELLER ELECTRIC DE-ICER		
	760 431		STATIC WICKS INSTALLATION		
	757 114		DUAL TOW BRAKE INSTALLATION		
	764 019		HEATED WINDSHIELD INSTALLATION		
	760 827		ELECTRIC WINDSHIELD WIPER INSTALLATION		
	760 828		ICE DETECTION LIGHT INSTALLATION		
	763 972		PROPELLER SYNCHROPHASER INSTALLATION		
	760 832		ICE SHIELD INSTALLATION		
	764 062		CARGO TRANSPORT CONVERSION		
	764 908		MAP CLIP INSTALLATION		
<b>REPAIR KITS</b>					
	757 125	A	HYDRAULIC PUMP SEALS AND RINGS		
	760 630	A	HYDRAULIC PUMP CENTERPLATE ASSEMBLY		
	760 631	A	HYDRAULIC PUMP SHAFTS		
	760 400	A	HYDRAULIC PUMP MISCELLANEOUS HARDWARE		
	760 632	A	HYDRAULIC PUMP DRIVE SIDE ASSEMBLY		
	760 633	A	HYDRAULIC PUMP REAR SIDE ASSEMBLY		
	760 246		PROPELLER REPAIR KIT		
	914 046		CARTRIDGE - Semkit sealer B2 (6 oz.)		
	914 047		CARTRIDGE - Semkit sealer B2 (2 1/2 oz.)		
<b>SPECIAL TOOLS</b>					
	71505-02		TOOL ASSEMBLY - Flap check, left		
	71505-03		TOOL ASSEMBLY - Flap check, right		
	71694-02		TOOL ASSEMBLY - Rudder and rudder trim tab check		
	71695-02		TOOL ASSEMBLY - Elevator and elevator trim tab check		
	71817-03		TOOL - Aileron bellcrank neutral positioning		
	71834-02		TOOL ASSEMBLY - Nose wheel alignment		
	71973-02		TOOL ASSEMBLY - Jack pad		
	72025-00		TOOL ASSEMBLY - Aileron check, left		
	72159-00		TOOL ASSEMBLY - Aileron check, right		
	764 963		JANITROL HEATER PRESSURE CHECK KIT		

When ordering, always specify Part Number, Description and Serial Number of Aircraft

2L12 THRU 2L24  
INTENTIONALLY LEFT BLANK



# PARTS CATALOG

CARD 3 OF 3

PA-31-350 T1020

# PIPER AIRCRAFT CORPORATION

# PIPER PARTS CATALOG

## AEROFICHE EXPLANATION AND REVISION STATUS

The Parts Catalog information incorporated in this set of Aerofiche cards has been arranged in accordance with the general specifications of Aerofiche adopted by the General Aircraft Manufacturer's Association.

### Conversion of Aerofiche alpha/numeric code numbers:

First number is the Aerofiche card identifier.

Letter is the horizontal line reference per card.

Second number is the vertical line reference per card.

Example: 2J16 = Aerofiche card number two of given set, Grid location J16.

To aid in locating the various sections and related information desired, the following is provided:

A complete Catalog Table of Contents is given at Grid 1A8 of Aerofiche card number 1 of this set. Each additional card in this set will have a Table of Contents for all sections on that particular card. This table will start at Grid A3.

## REVISIONS

The information compiled in this Aerofiche Parts Catalog will be kept current by revisions distributed periodically. These revisions will supersede all previous revisions and will be complete Aerofiche card replacements and shall supersede Aerofiche cards of the same number in the set.

Current Revisions to this PA-31-350 T1020 Parts Catalog issued September 16, 1981 are as follows:

761 775 (PR811214).....	Dated December 1981
761 775 (PR821013).....	Dated October 1982
761 775 (PR830314).....	Dated March 1983
761 775 (PR840111).....	Dated January 1984
761 775 (PR840615).....	Dated June 1984
761 775 (IR860428).....	Dated April 1986 (Interim*)

## \* INTERIM CHANGE

Revisions appear on figure 71 of card 2. There are no other changes included in this parts catalog.

Please discard your current card 2 and replace it with this revised one. **DO NOT DISCARD CARDS 1 or 3.**

NOTE: Refer to the last card of the Piper - Parts Price List - Aerofiche for a check list of current revision dates and card effectivities for this parts catalog.

# TABLE OF CONTENTS

FIGURE NUMBER

FIGURE TITLE  
NUMERICAL INDEX

GRID NUMBER

3A4



# NUMERICAL INDEX

Part Number	Figure and Index No.
01052-02	60-52
01052-03	60-52
01207-03	97-3
01242-02	52-35
01244-02	52-34
01246-02	52-46
01247-02	52-47
01247-03	52-48
01247-04	52-49
01325-02	63-13
01325-03	63-13
01448-02	63-8
01503-05	57-20
01503-03	57-21
01509-02	19-19
01509-04	21-35
01761-02	20-6
01773-02	80-25
01821-06	46-12
01821-07	40-5
02037-02	29-68
02039-02	29-76
02042-02	29-64
02045-02	29-34
02045-03	29-34
02045-04	29-34
10525-86	68-27
10525-86	116-26
10525-95	71-47
10525-107	111-8
11151-02	90-53
11151-02	92-12
11151-02	94-22
11151-05	94-22
11473-101	64-19
11473-104	88-28
12073-03	60-7
12074-03	62-6
12074-03	62-21
12605-00	98-14
12605-00	98-33
13445-03	97-33
13445-04	97-33
13445-06	97-39
13945-78	55-47
13945-79	55-48
13945-80	55-42
13945-93	26-14

Part Number	Figure and Index No.
14069-02	121-19
14175-37	89-29
14175-37	89-41
14175-45	59-14
14175-46	27-30
14175-47	117A-36
14175-106	40-2
14175-108	26-30
14175-111	61-18
14175-111	62-18
14175-111	62-68
14175-111	62-82
14175-111	63-28
14175-113	46-67
14175-114	23-14
14184-00	71-18
14635-03	30-14
14843-34	26-29
14843-55	29-6
14843-74	73-40
14843-106	34-13
14843-106	34-21
14843-107	29-28
14843-108	62-53
14843-114	32-9
14843-116	46-50
14976-12	46-66
14976-13	46-67
14976-17	48-14
14976-21	46-67
14976-23	46-67
14976-97	62-51
14976-102	46-67
14976-105	93-33
14976-106	81-88
14976-106	82-88
15660-02	130-22
15660-02	130A-39
15661-02	130-23
15661-02	130A-40
16439-00	75-15
16604-00	76-5
16632-00	49-4
16632-00	71-20
16632-00	130-6
16633-37	76-19
16633-49	68-9
16633-61	71-27

Part Number	Figure and Index No.
16633-62	71-28
16633-64	116-42
16633-75	68-10
16633-78	68-13
16633-79	65-5
16633-79	116-20
16633-79	116-73
16633-80	68-14
16633-81	65-2
16633-83	65-7
16633-86	116-15
16633-86	117-9
16633-89	76-39
16754-02	38-16
16775-03	49-5
17088-00	91-3
17088-00	93-26
17088-00	95-15
17089-00	88-39
17089-00	88-54
17089-00	88-64
17089-00	91-15
17089-00	93-37
17089-00	95-32
17235-00	94-11
17315-00	2-69
17315-06	2-69
17317-03	20-2
17318-02	2-66
17318-03	20-82
17413-03	10-16
17555-00	121-20
17604-33	118-34
17604-34	121-7
17758-08	14-13
17766-02	100-17
17766-02	100-18
17766-02	100-37
17766-03	99-31
17766-04	100-38
17766-27	100-4
17766-73	49-6
17766-90	81-20
17766-90	82-20
17766-90	101-18
17766-91	100-5
17766-92	99-32
17766-93	81-15

Part Number	Figure and Index No.
17766-93	82-15
17766-97	71-26
17766-98	66-14
17766-99	66-7
17766-100	66-15
17766-100	130A-56
17766-101	81-22
17766-109	130A-57
17848-00	89-28
17848-03	89-28
17850-00	89-27
17850-03	89-27
17852-02	89-25
17852-02	89-26
17852-03	89-26
17881-04	66-34
17881-04	67-9
17881-06	67-7
17881-06	69-13
17881-06	130-7
17969-15	76-4
18132-00	33-17
18132-00	85-53
18219-00	33-101
18219-00	85-40
18219-02	76-15
18219-05	105-21
18359-00	24-20
18359-00	25-17
18359-00	33-7
18397-02	120-22
18457-00	4-1
18842-00	62-86
18968-00	60-8
18968-00	61-5
18968-00	61-14
18968-00	62-4
18968-00	62-22
18968-00	63-6
18968-00	63-17
19053-00	66-71
19063-02	33-23
19086-03	94-12
19336-00	60-9
19336-00	63-15
19336-01	60-9
19336-01	63-15
19365-02	60-10

# PIPER PARTS CATALOG

Part Number	Figure and Index No.
19513-38	64-82
19513-53	30-16
19513-64	2-46
19513-72	117A-55
19513-95	40-3
19513-96	40-4
19513-101	88-30
19513-103	94-25
19644-00	33-60
19697-10	64-6
19790-29	49-58
19799-00	2-73
19802-05	117A-43
19803-04	2-71
19807-00	118-40
19936-00	89-24
20370-00	2-19
20370-00	14-65
20370-00	15-72
20370-00	16-64
20370-00	86-7
20370-00	87-6
20372-03	4-9
20372-03	14-14
20372-03	79-32
20372-07	4-9
20534-00	26-22
20663-15	59-9
20666-02	34-37
20737-20	71-2
20737-23	40-30
20737-30	45-31
20737-32	45-30
20737-37	39-18
20737-40	40-15
20737-40	40-31
20737-44	29-41
20830-00	32-18
20956-00	97-18
20957-00	97-19
20999-00	97-10
21001-00	97-14
21225-00	57-12
21225-02	131-67
21418-02	78-14
21470-00	97-23
21619-02	97-32
21741-00	32-17
21741-02	32-17
21788-03	120-9
21831-02	48-2
21831-04	46-36
22103-02	76-9
22103-02	76-10
22103-02	105-19
22103-02	118-31
22103-02	118-32
22103-02	118-33

Part Number	Figure and Index No.
22103-03	118-6
22103-03	118-30
22103-03	118-31
22103-03	118-32
22103-03	118-33
22104-03	76-9
22104-04	118-31
22104-05	118-30
22104-06	118-32
22104-06	118-33
22104-07	118-30
22104-08	76-10
22104-08	118-6
22104-15	105-20
22105-02	118-60
22105-03	76-9
22105-06	118-31
22105-07	118-30
22105-07	118-32
22105-07	118-33
22105-10	76-10
22287-00	64-53
22369-11	14-68
22369-12	113-14
22369-14	49-41
22369-14	99-30
22369-14	110-17
22369-34	107-4
22433-00	64-39
22470-11	106-19
22470-14	78-27
22470-17	106-20
22470-18	110-23
22470-19	106-18
22470-20	106-47
22472-21	106-22
22472-23	106-23
22472-24	110-34
22472-26	106-21
22472-28	106-48
22482-00	14-51
22482-00	14-66
22502-72	106-5
22612-00	26-35
22613-00	26-36
22641-02	30-12
22641-03	80-2
22673-10	83-14
22673-14	83-18
22673-20	81-2
22673-22	81-1
22673-26	82-2
22673-28	82-1
22673-28	83-19
22673-32	83-15
22673-34	83-12
22673-40	81-4
22673-41	81-3

Part Number	Figure and Index No.
22673-45	82-4
22673-47	82-3
22673-49	83-16
22673-51	83-10
22673-53	83-9
22673-60	81-5
22673-64	82-6
22673-66	82-5
22673-69	83-8
22673-69	83-17
22673-71	83-7
22673-72	66-3
22673-72	66-10
22673-78	49-9
22673-100	81-6
22673-100	83-20
22673-100	83-13
22860-03	33-38
23183-00	30-45
23195-17	81-49
23195-17	82-49
23319-00	81-59
23319-00	82-55
23745-13	101-16
23745-14	66-1
23745-15	81-16
23745-15	82-16
23765-02	107-13
23943-00	120-14
23969-02	118-4
23969-02	120-6
23969-02	121-24
23969-03	118-5
23969-04	118-39
23969-04	121-25
23969-05	121-26
24091-03	85-43
24166-02	90-13
24622-23	71-17
24622-24	71-17
24622-26	75-1
24629-00	92-6
24631-07	92-1
24631-08	92-1
24671-00	106-36
24712-02	65-8
24712-02	68-48
24754-05	71-3
24894-02	76-1
24894-02	76-3
24894-10	76-2
24894-17	76-2
24894-18	76-1
24894-18	76-3
24932-00	78-16
24933-00	78-17
24948-02	78-15
25163-13	33-98

Part Number	Figure and Index No.
25243-02	30-34
25243-03	30-41
25243-05	30-35
25243-08	30-36
25243-09	30-37
25244-02	30-31
25244-03	30-32
25244-04	30-33
25358-00	97-20
25394-00	117A-41
25397-04	117A-37
25552-00	57-9
25590-00	80-15
25597-00	3-9
25603-00	117A-42
25697-02	117A-40
25704-00	39-10
25704-00	39-16
25704-00	45-9
25801-02	62-48
25801-02	62-79
25801-10	61-15
25801-10	63-25
26749-07	68-4
26749-08	68-4
26749-09	68-4
26749-09	115-38
26749-10	68-4
26749-10	116-38
26802-08	101-1
26802-10	101-1
26802-11	101-1
26870-00	64-61
26870-00	130-24
26978-00	71-57
27004-00	129-14
27065-02	5-32
27754-02	60-3
28467-03	30-25
28546-02	97-70
29127-02	97-12
29254-02	96-2
29692-02	64-17
29998-11	71-47
29999-10	60-60
29999-10	61-23
29999-10	63-27
29999-11	61-22
29999-11	61-32
29999-11	62-75
29999-11	63-27
29999-21	91-40
29999-27	63-31
30304-00	14-30
30304-00	16-36
30576-00	30-5
30580-00	30-9
30580-02	80-6

# PIPER PARTS CATALOG

Part Number	Figure and Index No.
30603-00	30-30
30679-04	15-68
30762-00	11-50
30852-00	30-8
30852-00	80-5
31322-09	60-28
31506-03	122-19
31506-04	122-19
31506-05	122-19
31506-06	122-19
31506-07	122-19
31747-00	76-11
31747-00	85-47
31766-02	46-30
31773-03	46-10
31777-00	46-11
31786-02	45-38
31797-02	45-39
32281-03	65-20
32281-04	65-20
32380-00	60-24
32510-00	123-33
32737-06	64-11
32737-06	65-22
39273-02	128-7
39995-02	73-13
39995-04	101-17
39995-05	73-12
39995-13	81-14
39995-13	82-14
39995-34	81-17
39995-34	82-17
39997-02	66-40
39997-09	81-18
39997-10	82-18
39999-10	73-31
40002-00	35-18
40006-00	34-12
40007-07	71-4
40008-00	36-2
40008-02	36-11
40009-00	36-10
40010-00	36-9
40012-02	36-8
40012-03	36-8
40012-12	38-17b
40012-13	38-17b
40012-22	38-17
40013-04	36-7
40014-02	36-5
40014-03	36-6
40015-00	36-4
40021-00	36-61
40023-03	36-23
40026-02	35-21
40026-03	35-22
40027-00	93-28
40027-00	95-27

Part Number	Figure and Index No.
40029-00	93-27
40035-00	88-48
40035-00	88-58
40035-00	91-7
40035-00	93-29
40035-03	88-37
40038-00	35-42
40038-00	93-24
40039-00	36-24
40040-09	36-25
40042-02	36-26
40042-08	38-9
40042-09	38-9
40042-10	38-9
40043-00	36-27
40044-00	36-28
40045-06	36-29
40046-04	36-21
40046-05	36-15
40046-07	36-16
40046-08	36-17
40046-09	36-18
40046-11	36-20
40046-16	36-14
40046-18	36-60
40046-19	36-60
40046-20	36-59
40046-32	36-19
40046-33	36-19
40046-35	36-13
40046-36	36-12
40046-38	34-2
40046-38	36-1
40048-00	36-32
40050-02	38-21
40050-05	38-22
40052-02	38-25
40052-03	38-26
40053-02	37-13
40053-03	37-14
40054-02	38-27
40054-03	38-28
40055-02	37-15
40055-03	37-16
40056-00	38-29
40057-02	37-17
40057-03	37-18
40058-00	38-30
40059-03	38-32
40059-04	38-33
40059-07	38-45
40059-08	38-31
40060-00	38-10
40066-00	34-15
40067-00	36-35
40068-08	36-36
40069-00	36-37
40070-05	34-11

Part Number	Figure and Index No.
40071-00	7-85
40075-14	38-11
40075-16	38-11
40076-00	38-12
40077-02	36-38
40077-03	36-39
40077-04	36-52
40078-02	36-40
40078-03	36-41
40079-02	36-42
40079-03	36-43
40079-04	36-44
40079-05	36-45
40080-02	35-10
40080-04	35-23
40081-00	7-86
40081-00	90-55
40081-00	92-14
40081-00	94-24
40083-02	36-46
40083-03	36-47
40083-04	36-48
40083-05	36-49
40083-06	36-50
40083-07	36-51
40086-02	38-34
40086-03	38-35
40086-05	38-37
40086-06	38-38
40086-07	38-39
40086-08	38-36
40087-02	37-19
40087-03	37-20
40088-00	38-40
40090-00	38-41
40091-00	37-23
40094-02	35-25
40094-03	35-11
40094-04	35-26
40094-05	35-12
40095-03	35-13
40095-04	35-31
40096-00	35-14
40098-00	38-42
40099-00	38-43
40100-02	37-24
40100-03	37-25
40102-02	37-26
40102-03	37-27
40102-04	37-28
40102-05	37-29
40104-03	35-16
40104-05	35-16
40105-00	93-20
40108-00	35-28
40109-00	8-14
40109-00	8-15
40109-01	8-14

Part Number	Figure and Index No.
40109-01	8-15
40110-01	8-16
40110-03	8-16
40112-02	8-17
40112-03	8-17
40113-00	8-6
40113-01	8-6
40114-00	8-7
40114-00	8-8
40114-01	8-7
40114-01	8-8
40115-00	8-18
40115-01	8-18
40116-00	8-19
40117-00	8-20
40118-00	8-20
40122-02	37-31
40122-03	37-31
40122-15	37-34
40122-16	37-34
40125-00	35-15
40126-02	35-9
40126-04	35-34
40127-02	8-22
40127-03	8-22
40127-04	8-23
40127-05	8-23
40128-02	8-24
40128-03	8-25
40129-02	8-26
40129-03	8-26
40130-00	8-27
40130-01	8-27
40132-02	8-28
40132-03	8-28
40132-04	8-29
40132-05	8-29
40135-00	8-4
40137-02	9-11
40137-03	9-11
40137-04	9-12
40137-05	9-12
40138-00	8-5
40140-07	38-5
40140-08	38-7
40140-10	38-73
40140-11	38-8
40140-12	38-4
40140-13	38-6
40140-23	38-65
40140-24	38-63
40140-25	38-64
40140-26	38-68
40140-27	38-67
40142-00	8-45
40144-02	9-13
40144-03	9-13
40144-04	9-14

## PIPER PARTS CATALOG

Part Number	Figure and Index No.
40144-05	9-14
40144-06	9-15
40144-07	9-15
40145-00	8-32
40147-02	9-16
40147-03	9-16
40147-04	9-17
40147-05	9-17
40147-06	9-18
40147-07	9-18
40147-08	9-19
40147-09	9-19
40147-10	9-20
40147-11	9-20
40149-00	8-42
40152-00	8-33
40153-00	8-43
40155-14	37-2
40155-15	37-2
40155-16	37-3
40155-17	37-4
40155-18	37-4
40155-19	37-3
40155-26	34-4
40155-26	37-1
40155-27	34-4
40155-27	37-1
40157-00	9-21
40157-01	9-21
40162-10	9-41
40162-11	9-41
40163-00	8-34
40165-00	9-22
40165-01	9-22
40166-00	9-23
40166-01	9-23
40166-02	9-24
40166-03	9-24
40167-00	9-25
40167-01	9-25
40167-02	9-26
40167-03	9-26
40167-04	9-27
40167-05	9-27
40167-06	9-28
40167-07	9-28
40167-08	9-29
40167-09	9-29
40167-10	9-30
40167-11	9-30
40167-12	9-31
40167-13	9-31
40168-00	9-32
40168-01	9-32
40168-02	9-33
40168-03	9-33
40170-02	35-3
40170-03	35-3

Part Number	Figure and Index No.
40170-04	35-4
40170-05	35-4
40170-06	35-8
40170-07	35-8
40170-13	35-7
40170-14	35-6
40170-23	35-17
40170-24	35-17
40170-27	34-1
40170-27	35-1
40170-29	35-2
40170-30	35-2
40172-00	8-42
40173-00	38-44
40177-02	9-39
40177-03	9-39
40177-04	9-40
40177-05	9-40
40178-00	8-40
40178-02	8-41
40182-00	8-19
40183-00	8-36
40183-01	8-36
40184-00	8-37
40184-01	8-37
40185-06	9-6
40185-07	9-6
40185-08	9-7
40185-09	9-7
40185-14	9-10
40185-15	9-10
40185-16	9-5
40185-17	9-3
40185-18	9-2
40185-19	9-2
40185-20	9-4
40185-21	9-4
40185-36	9-9
40185-37	9-9
40185-38	9-8
40185-39	9-8
40185-42	9-1
40185-43	9-1
40190-16	8-38
40190-17	8-38
40194-03	30-6
40195-00	30-4
40196-00	30-24
40197-00	30-2
40198-04	30-1
40200-06	8-31
40200-07	8-31
40200-08	8-12
40200-09	8-12
40200-16	8-3
40200-17	8-3
40200-18	8-9
40200-18	8-10

Part Number	Figure and Index No.
40200-19	8-9
40200-19	8-10
40200-28	8-2
40200-29	8-2
40200-42	8-1
40200-43	8-1
40200-44	8-48
40200-47	8-11
40200-48	8-11
40200-50	8-13
40200-51	8-13
40206-00	14-73
40206-01	14-73
40207-00	30-43
40208-00	14-74
40209-00	14-82
40210-06	14-72
40219-00	35-19
40233-00	35-19
40237-00	37-38
40242-00	40-8
40242-01	40-8
40243-00	40-9
40244-00	40-10
40246-00	40-11
40246-02	40-11
40247-00	40-12
40247-02	40-12
40249-00	34-16
40250-02	46-31
40250-03	46-31
40253-00	34-19
40257-00	40-20
40258-03	46-25
40263-00	46-33
40279-08	39-32
40279-09	39-32
40280-00	39-28
40280-01	39-28
40284-00	39-36
40288-00	39-79
40290-00	39-79
40292-02	46-46
40292-02	131-17
40292-04	40-6
40292-04	131-17
40294-00	39-81
40298-02	98-6
40298-03	98-6
40302-02	98-10
40302-03	98-10
40305-00	48-1
40307-00	94-5
40309-00	39-81
40310-09	71-24
40310-10	71-24
40313-00	98-5
40317-00	45-19

Part Number	Figure and Index No.
40319-00	2-22
40323-02	97-68
40325-00	45-61
40325-01	45-61
40327-00	40-26
40335-00	45-22
40336-00	45-22
40337-00	39-47
40337-02	39-47
40339-00	90-4
40339-01	90-4
40340-00	36-3
40342-02	35-33
40342-03	35-33
40344-00	35-32
40346-00	14-63
40347-00	14-64
40353-00	30-7
40358-20	6-2
40358-21	6-2
40362-30	7-9
40362-31	7-9
40363-12	36-31
40364-02	37-40
40365-13	34-7
40365-14	34-5
40376-00	39-37
40378-06	5-2
40378-07	5-2
40378-10	3-26
40378-11	3-26
40383-02	6-5
40383-03	6-5
40383-08	7-12
40383-09	7-12
40383-34	7-11
40383-35	7-11
40383-40	6-6
40383-41	6-6
40389-00	7-13
40389-01	7-13
40396-00	4-2
40404-14	6-7
40404-15	6-7
40405-08	6-9
40405-09	6-9
40405-22	6-8
40405-23	6-8
40419-18	6-10
40419-19	6-10
40419-24	7-18
40419-25	7-18
40423-16	6-11
40423-17	6-11
40423-22	7-22
40423-23	7-22
40434-00	7-48
40434-01	7-48

# PIPER PARTS CATALOG

Part Number	Figure and Index No.	Part Number	Figure and Index No.	Part Number	Figure and Index No.	Part Number	Figure and Index No.
40435-18	6-12	40489-23	7-39	40534-08	3-7	40560-05	7-76
40435-19	6-12	40490-06	6-24	40534-09	3-7	40560-11	7-74
40435-20	7-27	40490-07	6-24	40535-12	4-3	40560-12	7-74
40435-21	7-27	40490-12	7-40	40535-13	4-3	40561-00	7-77
40438-00	7-49	40490-13	7-40	40536-06	4-4	40561-01	7-77
40438-01	7-49	40492-03	7-41	40536-07	4-4	40563-00	2-17
40439-00	7-50	40492-04	5-36	40537-02	86-6	40564-00	87-17
40439-01	7-50	40492-05	5-36	40537-03	86-6	40567-00	2-13
40446-04	6-13	40492-06	5-34	40537-04	86-5	40568-00	3-16
40446-05	6-13	40492-07	5-34	40537-05	86-5	40569-00	2-12
40446-08	6-14	40492-22	7-41	40537-06	86-4	40570-00	3-17
40446-09	6-14	40492-23	4-20	40537-07	86-4	40575-00	64-42
40446-20	7-28	40492-24	4-20	40537-08	86-3	40575-00	131-20
40446-21	7-28	40494-00	90-15	40537-09	86-3	40579-00	88-20
40450-00	6-25	40500-00	7-57	40537-10	86-2	40579-00	130A-30
40450-01	6-25	40500-01	7-57	40537-11	86-2	40579-00	131-47
40455-18	6-15	40502-02	7-58	40537-18	86-1	40583-03	88-12
40455-19	6-15	40502-03	7-58	40537-19	86-1	40583-03	131-42
40455-24	7-30	40502-04	7-59	40538-02	87-5	40584-03	88-13
40455-25	7-30	40502-05	7-59	40538-03	87-5	40584-03	131-43
40456-02	3-2	40506-12	5-10	40538-04	87-4	40585-08	5-7
40456-03	3-2	40506-13	5-10	40538-05	87-4	40585-09	5-7
40460-00	3-3	40507-02	7-62	40538-06	87-3	40585-10	5-8
40464-00	3-4	40507-03	7-62	40538-07	87-3	40585-11	5-8
40465-00	7-53	40509-02	7-63	40538-10	87-1	40585-13	4-6
40466-00	7-54	40509-03	7-63	40538-11	87-1	40585-16	5-25
40466-01	7-54	40509-04	7-64	40538-12	87-2	40585-20	5-26
40468-00	2-15	40509-05	7-64	40538-13	87-2	40585-28	5-16
40468-02	114-22	40513-00	7-67	40544-02	86-12	40585-29	5-16
40470-10	6-17	40513-00	7-68	40544-02	87-11	40586-44	3-11
40470-11	6-17	40513-01	7-67	40545-04	86-13	40586-44	4-21
40470-24	7-31	40513-01	7-68	40545-04	87-12	40586-44	5-29
40470-25	7-31	40515-00	7-84	40546-08	86-14	40587-00	2-14
40474-02	7-46	40519-00	87-7	40546-08	87-13	40587-01	2-14
40474-03	7-46	40519-01	87-7	40549-03	86-15	40594-03	88-14
40475-06	7-34	40522-04	4-16	40549-03	87-14	40594-03	131-44
40475-07	7-34	40522-05	4-16	40550-00	7-70	40599-03	90-12
40475-12	5-4	40522-08	4-16	40550-01	7-70	40607-00	2-80
40475-13	5-4	40522-09	4-16	40553-00	79-17	40607-00	96-5
40479-02	5-5	40524-00	86-11	40553-01	79-17	40608-04	96-6
40479-03	5-5	40524-00	87-26	40555-00	86-16	40608-05	96-6
40480-00	7-35	40526-05	4-17	40555-00	87-15	40616-16	7-89
40480-01	7-35	40530-02	5-12	40558-00	86-17	40616-17	7-89
40484-00	6-30	40530-03	5-12	40558-00	87-16	40616-18	7-90
40485-00	7-55	40530-04	7-42	40558-02	86-18	40616-19	7-90
40486-16	7-36	40530-05	7-42	40559-06	98-30	40617-00	15-38
40486-17	7-36	40530-08	5-13	40559-21	32-6	40619-00	93-6
40486-20	6-20	40530-09	5-13	40559-34	39-76	40620-00	15-43
40486-21	6-20	40530-10	7-44	40559-35	97-52	40620-01	15-43
40487-06	5-6	40530-11	7-44	40559-40	97-52	40625-00	7-99
40487-06	6-1	40530-14	7-43	40559-41	97-73	40626-00	5-9
40487-07	5-6	40530-15	7-43	40559-42	2-48	40626-01	5-9
40487-07	6-1	40530-16	7-45	40559-43	2-48	40628-00	4-13
40488-00	6-21	40530-17	7-45	40560-02	7-73	40628-01	4-13
40488-01	6-21	40532-06	3-25	40560-03	7-73	40629-00	2-9
40489-10	6-22	40532-06	5-14	40560-04	7-75	40629-01	2-9
40489-11	6-22	40533-00	3-6	40560-04	7-76	40632-00	20-15
40489-22	7-39	40533-01	3-6	40560-05	7-75	40632-01	20-15

# PIPER PARTS CATALOG

Part Number	Figure and Index No.
40633-00	20-55
40633-01	20-55
40635-00	4-10
40635-01	4-10
40636-00	2-10
40636-01	2-10
40638-00	20-7
40639-07	20-49
40640-00	20-12
40640-01	20-12
40645-00	20-8
40646-00	20-9
40646-01	20-9
40648-02	86-20
40648-03	86-20
40648-04	87-19
40648-05	87-19
40652-00	7-47
40654-00	20-39
40654-01	20-39
40655-00	20-13
40656-10	15-78
40656-12	15-78
40658-00	7-56
40659-02	5-17
40659-06	5-28
40659-07	5-28
40659-10	5-17
40659-16	5-18
40659-17	5-18
40667-00	79-33
40667-01	79-33
40668-00	79-18
40670-00	79-34
40670-01	79-34
40671-00	79-47
40671-01	79-47
40675-00	79-48
40676-13	79-12
40676-14	79-12
40677-00	79-14
40682-08	20-17
40683-00	20-18
40685-00	20-20
40687-04	16-13
40688-00	20-5
40689-02	20-22
40689-03	20-22
40692-00	20-54
40701-00	94-23
40701-03	90-54
40701-03	92-13
40702-00	23-10
40704-00	20-24
40704-01	20-24
40709-02	20-16
40715-06	12-25
40715-07	12-25

Part Number	Figure and Index No.
40715-10	12-26
40715-11	23-10
40715-13	18-20
40715-14	12-27
40715-15	12-27
40715-16	18-16
40715-17	18-16
40715-19	12-28
40715-20	18-18
40715-21	18-18
40715-23	12-29
40715-40	17-7
40715-42	20-27
40715-43	20-27
40715-44	20-28
40715-45	20-28
40715-50	12-28
40716-00	20-69
40717-00	11-16
40719-00	20-75
40719-01	20-75
40720-00	20-32
40722-04	4-14
40722-05	4-14
40722-06	4-12
40722-14	4-15
40722-15	4-15
40724-00	11-34
40724-01	11-34
40730-02	20-14
40730-03	20-14
40732-04	20-29
40732-06	20-29
40738-00	12-5
40738-00	12-10
40738-00	12-12
40738-00	13-21
40738-01	12-5
40738-01	12-10
40738-01	12-12
40744-02	20-33
40744-03	20-33
40748-06	20-70
40752-00	12-56
40759-00	18-3
40764-00	11-19
40764-01	11-19
40766-07	19-4
40766-16	20-59
40766-21	20-58
40766-23	20-59
40766-24	19-4
40766-25	20-58
40768-12	20-36
40769-02	15-3
40769-03	15-3
40769-05	11-2
40769-08	11-2

Part Number	Figure and Index No.
40769-10	15-4
40770-00	34-34
40772-00	15-5
40772-01	15-5
40774-00	11-3
40775-00	15-66
40776-00	7-52
40777-00	35-37
40778-00	20-60
40778-01	20-60
40781-00	35-38
40786-00	20-74
40786-01	20-74
40787-00	20-4
40787-01	20-4
40788-00	21-25
40788-03	21-33
40790-00	20-48
40793-00	20-11
40793-01	20-11
40794-02	20-37
40794-03	20-37
40795-02	20-38
40795-03	20-38
40796-00	97-62
40796-02	97-62
40798-00	12-2
40799-00	20-50
40799-01	20-50
40802-00	99-27
40806-00	101-5
40807-00	101-6
40811-00	101-8
40812-00	99-28
40817-00	101-10
40818-00	101-11
40819-00	101-15
40822-03	99-7
40826-00	99-21
40827-00	99-22
40828-00	100-6
40830-02	100-8
40830-03	100-9
40830-05	100-11
40830-07	100-9
40830-08	100-11
40830-09	100-8
40832-00	100-12
40833-00	99-19
40834-00	99-20
40836-00	100-13
40836-01	100-13
40837-00	99-15
40838-00	99-16
40841-00	100-19
40841-01	100-19
40843-00	15-65
40843-00	131-3

Part Number	Figure and Index No.
40844-00	99-17
40845-00	99-18
40847-00	94-10
40848-00	100-3
40848-01	100-3
40849-02	99-33
40849-02	100-21
40849-02	131-51
40849-03	99-34
40849-03	100-22
40849-03	131-51
40849-04	100-23
40849-04	131-53
40849-05	100-24
40849-05	131-53
40849-06	99-35
40849-06	101-29
40849-06	131-51
40849-07	81-54
40849-07	82-50
40849-07	83-27
40849-07	131-36
40849-08	81-55
40849-08	82-51
40849-08	83-28
40849-08	131-36
40849-09	81-56
40849-09	82-52
40849-09	83-29
40849-09	131-36
40849-10	99-36
40849-10	101-30
40849-10	131-51
40849-11	81-57
40849-11	82-53
40849-11	131-36
40850-00	99-11
40852-00	99-12
40854-00	99-13
40855-00	99-14
40857-06	20-51
40857-07	20-51
40857-08	20-52
40857-09	20-52
40859-00	12-54
40859-00	16-33
40860-13	19-27
40860-13	20-56
40862-00	15-64
40862-01	15-64
40864-00	21-1
40864-01	21-1
40863-08	15-6
40865-00	15-7
40866-00	15-6
40867-06	11-4
40868-04	16-19
40868-05	16-19

# PIPER PARTS CATALOG

Part Number	Figure and Index No.
40868-06	16-20
40868-07	16-20
40868-08	16-21
40868-09	16-21
40868-10	16-22
40868-15	14-15
40868-16	14-15
40870-00	93-34
40872-00	20-83
40878-00	22-16
40884-05	18-11
40884-06	18-12
40884-09	18-11
40885-02	65-27
40885-03	65-27
40887-04	16-23
40887-05	12-41
40887-06	14-16
40887-07	14-16
40887-10	16-24
40887-11	16-24
40887-14	12-40
40887-15	16-23
40887-17	23-3
40887-18	16-25
40887-19	11-28
40887-20	11-28
40887-21	12-42
40887-24	23-2
40887-25	23-2
40887-26	11-29
40887-27	11-29
40887-28	14-17
40887-35	12-40
40890-05	18-2
40890-06	18-4
40890-09	18-2
40891-00	89-23
40894-02	12-33
40894-03	12-47
40896-00	12-13
40897-03	12-21
40899-00	12-24
40899-01	12-24
40900-04	12-22
40900-05	12-22
40905-00	22-18
40907-02	24-9
40907-03	24-8
40908-00	11-33
40909-00	24-7
40910-00	101-24
40913-00	15-39
40918-00	22-17
40919-00	99-37
40920-00	101-35
40923-02	99-38
40923-03	99-39

Part Number	Figure and Index No.
40928-00	91-11
40930-02	91-13
40936-00	24-6
40944-00	17-13
40950-00	97-9
40953-00	15-70
40954-02	97-43
40954-03	97-43
40958-00	78-1
40958-00	91-12
40958-02	93-42
40958-00	95-17
40959-07	15-52
40962-02	15-8
40962-03	15-8
40963-00	94-37
40964-00	15-33
40968-04	98-1
40971-10	12-7
40971-11	12-5
40976-00	26-34
40977-00	26-54
40979-00	26-53
40983-00	97-10
40984-00	21-21
40985-00	15-53
40986-50	15-56
40988-00	15-55
40990-00	15-44
40990-01	15-44
40995-07	17-5
40995-17	17-9
40995-18	17-9
40996-06	22-8
40996-07	22-8
40998-00	15-45
40999-00	15-73
40999-01	15-79
40999-03	15-80
41001-03	92-35
41001-03	94-3
41003-00	15-10
41004-00	22-3
41004-01	22-3
41005-02	15-10
41006-00	22-1
41006-05	22-1
41010-03	15-32
41013-00	15-69
41014-00	15-62
41014-01	15-62
41022-00	23-8
41027-10	2-6
41028-00	2-18
41033-00	15-46
41038-00	45-63
41038-01	45-63
41040-00	11-27

Part Number	Figure and Index No.
41040-01	11-27
41045-00	11-20
41047-00	12-8
41048-03	26-18
41048-03	26-1
41049-02	16-28
41049-04	16-29
41050-08	18-13
41054-00	45-67
41054-01	45-67
41059-00	85-26
41061-00	99-23
41063-00	99-24
41065-00	23-27
41066-00	17-17
41066-01	17-17
41070-00	14-45
41073-00	11-6
41075-00	11-5
41078-03	12-9
41081-00	23-1
41089-00	105-7
41090-02	15-51
41090-03	15-51
41095-00	15-13
41097-08	11-50
41099-00	12-11
41102-00	15-11
41103-00	22-11
41104-05	12-15
41104-06	12-16
41104-07	12-17
41106-00	16-38
41106-01	16-38
41110-04	23-26
41112-08	18-14
41115-00	12-19
41116-00	12-20
41116-01	12-20
41118-00	10-2
41118-00	11-1
41119-02	17-6
41119-03	17-6
41119-08	18-17
41119-19	18-17
41120-02	17-11
41120-03	17-10
41120-04	17-10
41120-04	17-11
41123-00	15-60
41124-00	15-61
41125-00	15-14
41126-00	15-14
41130-02	16-4
41130-03	16-5
41130-06	16-15
41130-08	16-17
41139-00	105-9

Part Number	Figure and Index No.
41143-02	77-4
41144-00	77-2
41145-04	14-86
41145-05	14-86
41166-04	15-15
41166-13	15-16
41169-00	11-9
41169-01	11-9
41170-03	11-7
41170-22	11-55
41172-00	11-10
41173-00	12-18
41176-00	16-34
41177-00	16-32
41177-01	16-32
41178-00	18-15
41180-00	16-6
41183-00	12-57
41188-02	23-24
41188-03	23-24
41189-00	23-9
41192-00	12-58
41194-02	64-52
41200-00	23-7
41201-04	23-8
41205-04	22-6
41205-05	22-6
41207-00	12-30
41208-00	12-31
41209-00	15-17
41211-00	11-30
41214-03	62-87
41215-00	62-88
41216-00	21-32
41219-00	40-17
41219-01	40-17
41220-00	49-22
41222-00	15-17
41228-00	105-11
41229-00	78-3
41229-00	91-4
41229-00	93-43
41229-00	95-19
41230-04	81-19
41230-04	82-19
41230-06	81-95
41230-06	82-83
41232-02	17-2
41232-04	17-2
41232-06	17-3
41233-03	17-4
41233-05	17-8
41233-07	17-4
41234-00	12-43
41235-06	22-9
41236-07	22-9
41238-00	15-34
41245-00	29-7

# PIPER PARTS CATALOG

Part Number	Figure and Index No.
41256-02	27-21
41256-02	31-37
41258-00	29-38a
41264-00	15-58
41267-04	11-14
41268-00	11-18
41268-01	11-18
41269-00	14-8
41269-01	14-8
41272-00	11-17
41273-00	88-22
41278-00	14-11
41279-02	25-21
41282-00	25-20
41282-01	25-20
41284-00	25-12
41284-01	25-12
41285-00	26-8
41287-00	71-19
41293-02	25-6
41293-03	25-6
41294-02	25-9
41294-02	26-2
41295-02	28-5
41295-09	25-10
41297-00	39-26
41299-00	17-12
41300-02	10-7
41300-02	16-3
41300-02	17-1
41307-00	26-21
41314-00	29-18
41314-01	29-18
41315-02	18-5
41315-04	18-5
41315-06	18-6
41316-00	15-40
41322-00	55-26
41331-28	11-26
41331-28	12-38
41331-28	16-18
41345-00	64-46
41345-00	131-23
41347-00	64-44
41347-00	131-22
41354-02	18-9
41354-04	18-9
41354-06	18-7
41354-08	18-7
41354-10	18-8
41354-10	18-10
41355-00	29-24
41355-01	29-24
41358-00	96-1
41360-02	10-8
41360-02	16-2
41360-02	18-1
41363-00	29-3

Part Number	Figure and Index No.
41363-02	29-3
41367-12	29-2
41368-00	76-6
41369-05	76-7
41372-03	23-19
41373-00	64-37
41377-06	64-36
41393-00	88-40
41393-00	88-51
41393-00	88-61
41394-00	88-41
41394-00	88-52
41394-00	88-62
41395-02	88-35
41396-04	88-45
41398-02	45-32
41398-02	131-16
41398-07	39-48
41398-07	131-16
41402-00	98-15
41404-03	23-18
41413-03	94-13
41413-05	2-50
41413-10	92-36
41413-10	94-16
41413-11	92-7
41413-12	94-17
41413-14	94-18
41413-15	81-61
41413-15	81-98
41413-15	81-87
41413-15	81-88
41413-15	82-57
41413-15	82-87
41413-15	82-88
41413-15	82-89
41413-16	81-62
41413-16	82-58
41413-17	93-3
41413-18	95-3
41413-19	93-4
41413-20	92-8
41413-21	92-9
41413-26	60-51
41413-26	62-57
41413-26	62-66
41413-26	62-81
41413-29	92-10
41413-30	90-49
41413-31	92-11
41413-36	2-37
41413-36	115-1
41413-37	2-53
41413-38	60-11
41413-38	61-6
41413-38	61-10
41413-38	62-5
41413-38	62-36

Part Number	Figure and Index No.
41413-38	62-58
41413-38	62-81
41413-41	29-40
41413-45	29-11
41413-46	14-80
41413-51	2-8
41413-51	36-64
41413-51	38-57
41413-55	96-8
41413-57	7-96
41413-60	85-29
41413-60	95-35
41413-38	63-7
41413-38	63-18
41415-00	33-20
41415-00	89-18
41416-00	89-19
41417-00	89-20
41420-02	23-28
41420-03	28-3
41423-03	98-16
41426-08	26-4
41427-00	14-47
41427-00	15-12
41427-00	16-30
41429-02	64-43
41429-02	131-21
41435-03	98-17
41437-00	48-10
41438-00	48-12
41439-00	15-47
41445-00	21-8
41449-00	90-51
41451-00	90-48
41451-01	90-48
41453-00	98-3
41458-00	9-46
41459-00	88-9
41462-00	88-23
41465-00	98-4
41466-00	14-25
41466-01	67-13
41467-00	21-7
41472-00	69-17
41472-00	131-30
41473-00	98-36
41476-00	89-14
41476-02	89-16
41477-00	88-32
41489-02	21-16
41493-00	21-7
41494-00	21-3
41505-00	123-8
41506-02	64-3
41506-02	65-14
41507-15	64-5
41507-15	65-15
41510-00	88-5

Part Number	Figure and Index No.
41511-00	66-41
41523-03	88-47
41523-05	88-42
41523-06	88-57
41523-07	88-6
41523-08	88-7
41525-00	89-22
41526-00	89-21
41529-08	28-2
41532-00	97-38
41533-06	118-14
41534-00	118-15
41536-00	66-31
41543-00	24-1
41543-02	24-1
41545-00	22-19
41549-05	72-7
41555-00	15-49
41555-01	15-49
41556-00	88-8
41559-00	73-10
41568-00	11-22
41571-00	16-31
41572-00	73-11
41576-02	92-31
41576-03	92-32
41580-05	81-21
41580-05	82-47
41583-00	83-23
41584-00	81-74
41584-00	82-35
41584-00	83-25
41585-00	14-26
41586-00	81-50
41586-00	82-46
41587-00	79-23
41590-00	24-1
41590-01	24-1
41594-02	72-5
41601-00	3-10
41601-03	3-10
41603-00	11-40
41603-00	14-6
41603-02	14-49
41604-00	79-53
41604-01	79-53
41605-15	72-1
41606-15	72-1
41607-15	72-2
41610-18	45-7
41610-19	45-7
41611-02	45-8
41611-03	45-8
41612-04	45-10
41614-00	22-7
41615-00	22-7
41616-01	21-15
41617-02	81-28



# PIPER PARTS CATALOG

Part Number	Figure and Index No.
41617-02	81-86
41617-02	82-28
41617-02	82-86
41618-00	81-43
41618-02	81-27
41618-02	82-27
41620-00	81-35
41620-00	82-56
41622-00	73-27
41622-00	81-31
41622-00	81-31a
41622-00	82-31
41622-00	82-31a
41623-00	81-30
41623-00	82-30
41624-00	22-15
41625-00	66-42
41626-00	81-37
41626-00	82-37
41630-00	83-24
41632-00	79-23
41635-00	73-1
41636-02	6-27
41636-03	6-27
41636-04	6-26
41636-05	6-26
41646-16	6-18
41646-17	6-18
41647-00	81-9
41647-01	82-9
41648-00	81-10
41648-00	82-10
41649-00	81-11
41649-00	82-11
41650-00	81-7
41653-00	82-7
41655-00	82-22
41656-00	81-12
41656-00	82-12
41657-00	81-13
41657-00	82-13
41663-00	79-51
41663-01	79-51
41664-00	79-52
41664-01	79-52
41667-06	79-29
41667-07	79-29
41667-08	79-28
41667-09	79-28
41669-00	7-87
41670-00	11-41
41670-01	11-41
41672-00	24-5
41673-00	24-4
41676-00	20-19
41677-00	20-21
41678-04	64-27
41678-06	64-25

Part Number	Figure and Index No.
41678-06	64-23
41680-00	21-4
41683-05	81-64
41684-03	16-26
41684-04	16-26
41688-00	21-5
41689-00	21-6
41691-00	60-13
41693-02	60-14
41693-03	60-15
41694-00	60-16
41694-01	60-16
41695-02	62-24
41698-02	60-18
41698-03	60-19
41698-04	60-20
41699-00	60-21
41703-00	57-8
41704-00	72-6
41707-00	64-9
41734-02	91-2
41734-06	93-25
41734-26	88-46
41734-30	88-36
41734-76	88-56
41734-78	95-14
41738-02	24-2
41738-03	24-2
41738-04	24-3
41738-05	24-3
41754-06	90-3
41754-07	90-3
41763-00	62-25
41770-00	45-5
41771-00	45-6
41775-00	107-3
41787-00	68-35
41788-00	68-33
41789-00	39-73
41790-00	45-14
41792-00	45-58
41793-00	45-16
41794-00	45-4
41794-01	45-4
41795-00	37-30
41796-00	45-34
41797-02	45-33
41797-03	39-91
41798-00	68-33
41800-00	77-6
41800-01	77-6
41800-05	77-7
41803-00	77-23
41804-02	112-12
41807-00	78-5
41808-00	78-26
41810-00	79-54
41812-00	77-18

Part Number	Figure and Index No.
41815-00	79-19
41815-01	79-19
41817-05	78-6
41819-00	79-20
41819-01	79-20
41820-00	78-25
41820-00	112-11
41829-00	77-22
41829-00	77-24
41834-06	77-1
41836-09	77-19
41838-08	77-11
41838-20	77-20
41840-03	2-67
41841-00	14-41
41848-04	76-37
41849-00	76-38
41852-00	97-21
41859-08	91-29
41860-00	8-46
41868-00	21-29
41898-00	17-15
41904-00	66-23
41905-00	66-9
41916-00	66-5
41917-00	66-20
41918-00	66-2
41919-00	66-17
41925-00	92-2
41925-02	92-2
41927-08	72-4
41942-00	94-1
41942-02	94-1
41945-02	15-35
41947-03	92-3
41947-05	94-2
41947-06	94-2
41949-00	45-12
41949-02	39-22
41949-03	39-24
41952-00	39-45
41953-03	92-4
41953-04	92-4
41957-00	106-4
41958-04	106-3
41965-00	60-22
41965-01	60-22
41968-00	60-23
41974-09	72-2
41979-00	39-46
41980-02	60-35a
41982-02	39-41
41982-03	39-41
41983-00	39-40
41983-01	39-40
41985-00	39-49
41985-01	39-49
41988-00	66-26

Part Number	Figure and Index No.
41989-00	66-11
41995-00	20-57
42003-00	2-61
42003-01	2-61
42008-00	2-74
42025-00	39-7
42025-01	39-8
42034-00	64-54
42034-00	65-12
42037-00	9-45
42037-01	9-45
42041-00	39-92
42042-00	39-44
42047-00	71-22
42059-06	39-6
42059-07	39-9
42060-00	2-23
42062-00	50-4
42063-00	50-5
42064-00	50-6
42065-00	50-7
42067-00	49-13
42068-00	49-14
42069-00	49-15
42074-00	62-26
42078-04	9-34
42078-05	9-34
42079-00	16-49
42095-00	49-17
42098-00	62-27
42102-00	100-26
42103-00	100-25
42104-00	100-27
42108-00	15-76
42109-00	118-49
42110-00	84-1
42113-05	81-23
42113-05	82-23
42113-05	84-19
42115-00	76-8
42115-00	114-23
42117-00	4-11
42117-01	4-11
42118-00	2-11
42118-01	2-11
42123-00	66-24
42126-00	66-32
42127-00	66-33
42128-00	25-7
42129-02	78-26
42129-03	45-59
42129-04	39-84
42129-04	45-43
42129-06	39-51
42129-07	39-52
42129-08	39-53
42129-09	39-54
42129-10	39-55

## PIPER PARTS CATALOG

Part Number	Figure and Index No.
42129-11	49-23
42129-12	49-24
42129-23	84-24
42129-29	33-71
42130-00	2-68
42130-01	2-68
42135-00	11-48
42143-00	98-32
42149-00	20-34
42150-00	68-47
42160-06	23-12
42162-00	20-31
42172-00	71-64
42173-00	2-72
42180-00	49-18
42181-00	49-19
42191-00	86-26
42191-00	87-29
42204-00	100-10
42204-01	100-10
42214-00	38-46
42218-04	38-48
42224-03	2-62
42224-04	2-62
42225-00	38-59
42226-00	37-7
42226-01	37-7
42227-00	37-46
42227-01	37-46
42230-10	37-21
42230-11	37-21
42230-12	37-22
42230-13	37-22
42231-04	38-50
42238-00	29-20
42239-04	29-38
42239-06	29-38
42240-04	29-38
42245-02	27-7
42245-02	31-48
42245-03	29-39
42248-00	29-4
42257-00	37-47
42257-01	37-47
42258-00	37-6
42258-01	37-6
42259-00	15-77
42278-02	20-41
42279-03	2-77
42279-04	2-77
42279-05	2-77
42282-00	62-28
42295-03	59-4
42297-00	79-35
42297-01	79-35
42298-00	79-36
42298-01	79-36
42300-03	49-11

Part Number	Figure and Index No.
42300-08	49-10
42301-00	35-23
42303-00	35-5
42304-00	66-16
42308-00	2-78
42316-00	37-42
42317-00	37-5
42324-00	12-55
42332-00	86-37
42332-00	131-39
42333-00	87-44
42333-00	131-41
42335-00	81-75
42335-00	82-38
42337-00	90-18
42342-00	2-64
42342-01	2-64
42345-00	14-31
42366-00	71-48
42367-00	12-23
42369-05	55-43
42369-09	55-44
42375-04	16-14
42379-00	88-65
42379-00	88-75
42408-00	73-9
42409-00	73-2
42410-00	73-8
42412-00	73-7
42414-00	73-3
42417-00	38-66
42422-00	73-4
42426-00	3-19
42426-01	3-19
42455-08	3-20
42455-09	3-20
42455-10	3-21
42455-11	3-21
42455-12	3-22
42455-13	3-22
42461-00	11-37
42461-01	11-37
42465-00	5-19
42465-01	5-19
42470-00	86-32
42470-00	87-33
42478-05	17-14
42480-03	38-15
42480-04	38-13
42484-03	130A-8
42496-00	16-62
42512-00	14-3
42513-00	14-54
42516-00	20-62
42523-00	67-5
42530-03	66-28
42530-03	67-1
42531-00	14-76

Part Number	Figure and Index No.
42533-00	14-77
42534-00	14-78
42536-00	97-61
42537-02	97-42
42538-00	97-59
42539-00	14-79
42540-02	97-46
42541-00	30-29
42546-00	14-83
42546-01	14-83
42558-00	62-43
42561-00	62-44
42570-00	62-47
42571-02	62-52
42571-04	90-16
42571-05	90-17
42571-06	97-65
42571-07	95-43
42571-08	95-39
42571-10	26-24
42571-11	26-47
42571-12	26-48
42571-13	26-49
42574-00	78-9
42589-00	5-31
42590-00	4-18
42594-02	15-48
42595-00	20-23
42596-00	64-41
42601-00	48-21
42621-00	117-6
42628-04	85-1
42628-05	85-2
42628-06	85-3
42635-00	117-7
42636-00	117-8
42638-00	4-22
42639-00	14-28
42640-00	64-47
42669-00	25-13
42669-01	25-13
42675-00	48-22
42679-00	48-4
42704-00	117-5
42740-00	46-59
42756-00	97-64
42756-01	97-64
42778-00	106-17
42785-00	78-36
42785-06	91-10
42798-00	88-27
42803-02	93-41
42803-03	95-23
42809-00	49-42
42809-00	78-30
42819-00	35-36
42819-01	35-36
42821-02	20-45

Part Number	Figure and Index No.
42847-00	16-16
42877-00	116-7
42884-02	11-39
42884-03	11-39
42887-00	11-38
42901-02	97-66
42904-00	78-23
42912-04	11-45
42912-05	11-35
42924-00	48-3
42925-00	20-40
42926-00	19-20
42926-00	21-36
42938-00	97-24
42942-00	97-67
42943-00	97-25
42944-00	97-70
42945-00	97-26
42960-00	88-26
42964-00	97-72
42965-00	97-73
42978-00	16-27
42978-01	16-27
42979-00	16-35
42997-00	15-54
43004-00	2-65
43013-04	20-63
43013-05	20-63
43013-06	20-64
43020-00	124-3
43021-00	124-4
43022-00	124-5
43028-00	123-31
43028-01	123-31
43029-00	131-63
43033-02	116-52
43048-00	124-1
43052-11	97-1
43062-00	29-44
43063-00	29-45
43064-00	29-70
43065-00	29-55
43066-00	29-59
43067-00	131-9
43069-00	29-37
43072-00	116-55
43078-00	55-28
43089-00	23-5
43090-00	23-6
43090-02	19-6
43090-03	19-6
43092-00	68-42
43092-00	116-27
43093-00	68-43
43093-00	116-21
43098-06	20-42
43123-00	60-42
43133-00	14-81

# PIPER PARTS CATALOG

Part Number	Figure and Index No.
43139-04	68-1
43140-00	68-34
43145-00	88-29
43165-02	23-21
43166-00	88-25
43168-00	88-31
43179-00	22-10
43179-01	22-10
43181-00	130A-45
43183-00	88-17
43183-00	131-47
43184-00	88-21
43184-00	130A-31
43184-00	131-47
43185-00	88-19
43185-00	130A-32
43185-00	131-47
43186-00	88-24
43198-02	95-20
43200-00	26-33
43202-03	95-21
43203-00	95-10
43206-00	37-37
43206-01	37-37
43210-00	37-45
43211-02	38-19
43211-03	38-23
43212-02	38-20
43212-03	38-23
43213-00	37-18
43217-02	38-14
43221-00	38-24
43224-00	95-8
43232-00	38-70
43242-02	123-9
43246-00	88-34
43256-02	40-15
43256-02	40-31
43256-03	40-28
43256-04	40-30
43256-05	40-27
43256-06	46-37
43256-07	46-32
43262-00	46-30
43265-02	59-8
43286-02	39-42
43300-02	39-83
43300-03	39-83
43300-04	39-83
43300-05	39-83
43300-06	39-83
43307-00	21-9
43312-00	21-28
43321-00	27-19
43325-00	27-20
43332-00	38-3
43332-00	38-80
43353-00	60-45

Part Number	Figure and Index No.
43360-00	97-77
43360-00	131-50
43362-00	97-76
43362-00	131-50
43364-00	97-76
43364-00	131-50
43375-02	59-12
43375-06	59-26
43376-02	59-13
43377-00	93-7
43384-00	38-71
43398-00	66-37
43402-00	66-38
43404-00	66-44
43405-00	66-27
43407-00	65-47
43408-00	65-46
43409-00	65-45
43413-00	77-13
43435-00	89-42
43435-02	89-42
43438-00	88-1
43438-00	89-1
43454-00	89-2
43454-02	89-10
43454-06	89-5
43455-00	89-41
43455-03	89-49
43456-00	89-59
43457-00	89-43
43462-00	116-5
43480-02	25-11
43480-03	25-11
43481-00	27-18
43492-00	107-11
43493-03	107-9
43496-00	123-20
43497-00	25-16
43497-00	125-21
43506-04	11-15
43508-00	2-26
43509-00	29-27
43510-00	29-15
43511-00	29-9
43515-00	27-15
43517-00	149-3
43519-00	13-22
43520-00	18-21
43529-00	20-35
43541-00	29-16
43546-00	29-52
43553-00	95-29
43555-00	96-4
43561-00	67-14
43568-00	26-46
43569-00	11-25
43570-00	26-23
43573-00	26-51

Part Number	Figure and Index No.
43574-00	26-41
43575-02	26-38
43575-03	26-42
43575-04	26-17
43580-00	118-20
43582-00	118-8
43584-00	27-3
43584-00	31-47
43585-00	29-12
43586-06	19-22
43586-06	23-13
43586-07	19-23
43586-07	23-13
43586-11	19-23
43594-02	16-50
43594-04	12-53
43610-00	23-16
43618-08	97-75
43623-00	88-81
43624-00	112-10
43625-00	112-5
43627-07	20-30
43627-09	20-30
43627-11	19-10
43627-13	19-10
43630-00	112-8
43634-00	21-26
43644-00	59-10
43645-00	2-57
43645-01	2-57
43645-04	16-39
43645-05	16-39
43646-02	16-40
43646-03	16-40
43646-04	2-55
43646-05	2-55
43648-00	2-58
43648-01	2-58
43648-04	17-16
43648-05	17-16
43649-02	16-41
43649-03	16-41
43649-04	2-56
43649-05	2-56
43680-00	121-17
43683-00	2-60
43683-01	2-60
43683-04	16-42
43683-05	16-42
43689-00	11-42
43690-02	29-53
43690-03	29-53
43709-02	34-39
43709-03	34-39
43709-04	34-39
43711-00	39-17
43712-00	49-52
43713-02	34-40

Part Number	Figure and Index No.
43713-03	34-40
43727-00	21-27
43741-00	38-58
43741-01	38-58
43743-00	38-49
43743-01	38-49
43744-04	38-54
43745-00	38-47
43748-00	38-72
43749-00	88-4
43750-00	88-2
43751-00	88-3
43752-00	38-56
43756-00	118-10
43757-05	38-52
43757-15	38-51
43757-16	38-51
43758-00	118-11
43759-00	62-86
43762-00	24-23
43762-00	118-44
43763-00	24-24
43763-00	118-45
43767-00	23-20
43768-02	23-22
43769-00	23-22
43778-00	112-4
43778-04	16-59
43779-00	16-43
43781-00	112-3
43782-00	112-2
43796-00	25-16
43796-00	33-32
43798-00	68-44
43798-00	79-56
43799-00	68-45
43799-00	116-44
43809-00	14-56
43809-00	131-2
43811-00	20-86
43816-00	64-45
43822-00	112-6
43831-00	11-43
43833-00	11-44
43834-00	112-7
43840-00	49-51
43843-00	118-35
43845-00	16-44
43845-01	16-44
43850-00	32-4
43851-00	32-7
43853-02	32-2
43854-00	112-13
43854-00	131-54
43864-00	26-16
43866-03	117A-28
43866-04	112-1
43888-00	16-47

# PIPER PARTS CATALOG

Part Number	Figure and Index No.
43894-00	68-80
43894-00	79-70
43898-00	14-70
43898-01	14-70
43898-08	14-70
43898-09	14-70
43899-04	14-4
43899-05	14-4
43908-00	15-75
43910-00	4-5
43910-01	4-5
43911-00	5-15
43911-01	5-15
43923-00	66-29
43923-00	67-4
43929-302	71-15
43933-07	71-16
43933-08	71-16
43936-00	5-11
43936-01	5-11
43937-00	29-5
43940-308	71-14
43940-309	71-14
43943-00	55-25
43951-05	106-11
43961-00	7-100
43961-01	7-100
43972-00	39-70
43974-06	106-46
43981-00	89-45
43988-03	78-19
43996-00	112-22
44000-00	15-74
44009-00	121-14
44029-02	62-29
44040-00	89-56
44040-00	118-52
44107-00	14-53
44109-02	11-24
44110-00	126-10
44112-00	126-11
44113-00	126-9
44114-00	60-49
44114-00	61-20
44114-00	62-59
44114-00	62-69
44114-00	62-81
44114-00	62-82
44114-00	63-27
44114-00	63-28
44150-00	95-37
44151-00	95-24
44151-01	95-24
44155-00	2-25
44161-00	105-10
44162-00	105-8
44166-00	105-1
44170-00	120-8

Part Number	Figure and Index No.
44182-02	98-13
44182-03	98-13
44184-03	71-63
44184-04	73-43
44187-00	105-4
44188-00	15-71
44188-00	92-39
44215-00	14-42
44235-00	118-2
44236-00	67-2
44237-00	69-1
44238-02	69-2
44240-00	69-3
44246-00	67-6
44246-00	69-4
44247-00	69-5
44248-00	59-11
44252-02	69-6
44252-03	69-7
44253-00	130A-58
44259-00	121-13
44270-02	97-56
44271-00	97-79
44272-00	97-44
44275-02	5-33
44275-03	116-4
44276-11	129A-1
44277-05	10-10
44281-00	22-14
44294-00	35-27
44312-00	29-65
44321-00	30-3
44322-02	38-72a
44348-02	29-22
44349-00	27-10
44351-12	29-23
44351-13	29-17
44351-14	29-17
44379-00	14-75
44396-02	116-16
44396-03	68-36
44397-00	79-21
44398-02	79-49
44398-03	118-50
44402-00	118-47
44406-00	79-65
44408-00	116-53
44413-00	80-19
44414-00	116-17
44415-00	80-18
44416-00	20-10
44417-00	68-37
44418-00	21-30
44419-02	79-2
44419-03	79-2
44419-04	79-37
44420-02	79-22
44420-03	79-27

Part Number	Figure and Index No.
44421-00	68-7
44424-00	80-3
44425-00	80-4
44427-00	80-7
44430-00	116-14
44431-00	80-13
44433-00	80-11
44433-01	80-11
44434-00	80-12
44434-01	80-12
44436-00	80-9
44437-04	79-3
44437-05	79-3
44437-06	79-5
44437-07	79-5
44437-10	79-38
44437-11	79-38
44437-12	79-24
44437-13	79-24
44438-04	79-3
44438-05	79-3
44438-06	79-5
44438-07	79-5
44438-10	79-39
44438-11	79-39
44438-12	79-24
44438-13	79-24
44439-04	19-18
44439-04	19-41
44439-12	19-2
44439-14	19-1
44441-00	79-4
44441-01	79-4
44442-00	68-38
44443-00	68-39
44444-00	79-58
44444-01	79-58
44448-00	3-14
44457-00	79-6
44457-01	79-6
44458-00	79-6
44458-01	79-6
44461-00	79-7
44461-01	79-7
44462-04	79-7
44462-05	79-7
44462-08	79-40
44465-04	79-30
44465-08	79-59
44465-09	79-60
44465-15	79-30
44467-00	79-25
44468-00	79-25
44469-00	79-41
44472-00	79-50
44473-00	116-54
44474-02	79-8
44474-03	79-8

Part Number	Figure and Index No.
44474-06	79-9
44474-07	79-9
44474-08	79-8
44474-09	79-8
44474-10	79-43
44474-12	79-42
44474-14	79-42
44475-00	79-10
44475-01	79-10
44475-02	79-10
44476-03	79-10
44476-04	79-44
44482-02	20-41
44482-05	20-43
44482-07	20-46
44483-02	79-46
44483-03	79-46
44483-04	79-45
44483-05	79-45
44483-06	79-45
44483-07	79-45
44483-08	79-46
44483-09	79-46
44484-00	79-31
44484-01	79-31
44489-00	20-3
44489-01	20-3
44490-00	49-48
44491-02	79-11
44491-03	79-11
44491-04	79-26
44492-02	78-11
44492-03	79-11
44492-04	79-26
44493-02	79-16
44493-03	79-16
44493-04	79-15
44493-05	79-15
44494-00	79-2
44494-01	79-2
44495-00	79-1
44495-01	79-1
44497-00	31-4
44498-00	31-7
44501-00	19-24
44502-00	31-46
44503-00	31-8
44504-00	31-8
44506-00	31-9
44507-00	31-9
44508-00	79-64
44510-00	31-10
44511-00	79-66
44515-00	79-63
44517-00	80-17
44518-00	19-30
44519-00	19-29
44520-00	19-12

# PIPER PARTS CATALOG

Part Number	Figure and Index No.
44523-03	27-22
44523-04	27-22
44524-00	80-1
44528-06	31-5
44528-07	31-5
44529-00	79-61
44530-03	19-8
44534-00	31-3
44535-00	20-26
44536-00	19-9
44537-00	19-33
44538-00	19-13
44540-00	19-16
44541-00	19-34
44543-00	19-32
44544-00	19-31
44546-06	79-55
44547-00	19-7
44552-00	19-35
44553-00	19-14
44554-00	19-11
44556-00	20-26
44557-00	32-28
44558-00	13-23
44561-00	31-32
44562-00	31-30
44563-00	31-31
44564-02	31-29
44565-02	20-25
44566-04	10-9
44566-04	20-1
44567-00	19-11
44569-00	19-25
44572-00	13-16
44573-00	13-16
44574-05	33-2
44578-03	19-38
44578-04	19-38
44582-02	2-56
44582-03	16-41
44582-04	16-60
44583-00	33-40
44584-00	19-21
44585-00	32-11
44586-00	19-5
44587-04	127-2
44587-05	127-2
44587-22	2-1
44587-22	127-1
44587-23	2-1
44587-23	127-1
44589-00	13-12
44591-00	33-41
44593-00	33-42
44596-00	33-43
44597-00	33-46
44600-00	13-17
44611-00	33-48

Part Number	Figure and Index No.
44612-00	33-49
44615-00	33-44
44617-00	33-52
44618-00	33-51
44619-06	122-1
44621-00	33-50
44627-02	123-6
44630-00	33-53
44631-00	33-53
44632-00	33-59
44633-00	33-55
44633-02	33-55a
44640-00	32-25
44641-00	33-62
44643-00	16-61
44644-00	10-17
44645-00	10-19
44646-00	10-18
44648-00	33-3
44651-00	122-15
44652-00	33-45
44654-00	2-16
44655-02	2-28
44656-06	33-47
44657-00	33-63
44658-00	33-64
44658-00	85-28
44659-00	33-19
44666-00	13-1
44667-00	13-5
44668-00	32-13
44669-00	32-14
44670-00	13-18
44672-08	6-3
44672-09	6-3
44673-00	33-27
44673-00	131-13
44674-00	33-28
44674-00	131-14
44677-00	5-3
44677-01	5-3
44681-02	32-20
44687-04	13-24
44691-00	7-16
44691-01	7-16
44694-00	2-21
44696-00	13-19
44697-00	33-66
44710-00	3-24
44710-01	3-24
44711-00	3-27
44711-01	3-27
44716-03	121-8
44719-00	80-23
44719-00	131-35
44722-00	33-3
44723-02	3-13
44723-03	3-13

Part Number	Figure and Index No.
44723-05	3-15
44723-06	3-15
44723-11	3-1
44723-12	3-1
44724-00	79-62
44726-00	33-16
44733-00	21-22
44734-00	21-23
44740-04	3-5
44740-04	7-1
44740-05	3-5
44740-05	7-1
44743-02	13-6
44743-03	13-10
44743-04	13-3
44743-07	13-11
44743-08	13-2
44743-09	13-8
44743-10	13-9
44743-11	13-7
44743-14	13-10
44744-00	7-98
44746-05	12-52
44746-05	23-30
44747-02	3-12
44747-02	5-1
44747-03	3-12
44747-03	5-1
44749-15	33-102
44749-16	33-103
44749-17	33-4
44749-18	33-5
44749-20	33-9
44749-21	33-7
44749-22	33-9
44749-24	33-10
44749-27	33-11
44749-28	33-17
44749-28	33-18
44758-00	14-34
44758-01	14-34
44767-00	5-38
44773-00	12-59
44774-08	12-62
44774-08	23-34
44774-09	12-62
44774-09	20-85
44774-09	23-34
44774-13	12-51
44774-14	12-51
44775-00	33-39
44776-00	32-15
44790-03	12-3
44791-00	13-20
44801-00	14-39
44875-00	2-86
44801-01	14-39
44802-00	14-85

Part Number	Figure and Index No.
44803-03	115-2
44803-04	115-3
44804-00	14-40
44804-01	14-40
44807-00	14-84
44807-01	14-84
44814-00	106-2
44816-04	86-14
44817-03	86-13
44821-00	14-48
44823-00	106-1
44827-00	15-15
44831-00	114-10
44833-02	114-24
44836-00	114-11
44838-00	114-12
44843-00	113-13
44848-00	69-8
44851-00	115-4
44851-01	115-4
44852-00	10-6
44852-00	16-1
44859-00	115-5
44860-00	115-6
44866-00	114-14
44870-00	15-50
44872-00	2-3
44877-00	15-42
44877-01	15-42
44878-00	22-4
44878-01	22-4
44879-00	2-7
44879-00	2-24
44883-05	15-18
44885-00	22-5
44885-01	22-5
44888-00	114-15
44890-05	15-19
44890-06	15-19
44890-07	15-20
44891-00	106-24
44892-00	22-2
44892-01	22-2
44896-00	114-16
44903-00	113-11
44905-00	21-11
44905-01	21-11
44926-00	21-12
44931-00	19-28
44933-04	40-7
44935-00	54-16
44935-03	54-18
44936-00	57-14
44940-00	14-29
44943-03	35-35
44944-04	57-16
44944-04	57-17
44946-02	15-36

## PIPER PARTS CATALOG

Part Number	Figure and Index No.
44946-03	15-36
44946-04	12-32
44946-05	12-32
44949-00	21-24
44954-00	17-7
44955-05	38-53
44956-03	21-19
44956-04	21-18
44956-05	21-20
44965-00	54-11
44966-00	54-11
44967-00	114-17
44972-00	115-41
44974-00	38-69
44975-02	130A-18
44975-03	130-37
44977-00	99-26
44982-00	99-25
44983-00	99-40
44984-00	77-20
44990-02	115-7
44990-03	115-8
44992-00	115-9
44993-00	115-10
44994-00	115-11
44995-00	115-12
44997-00	115-14
45040-00	20-53
45155-00	2-20
45165-02	7-8
45165-03	7-8
45165-18	7-7
45165-19	7-7
45255-00	62-30
45266-02	29-60
45314-05	46-34
45316-03	46-28
45318-00	46-22
45327-00	40-15
45328-00	46-14
45328-03	46-14
45330-02	46-24
45331-00	46-27
45331-00	131-18
45333-03	46-15
45332-00	40-19a
45379-07	7-4
45380-00	7-65
45380-01	7-65
45381-14	7-6
45381-15	7-6
45384-00	7-82
45385-00	7-69
45385-01	7-69
45409-02	7-32
45409-03	7-32
45412-07	4-12
45412-08	4-8

Part Number	Figure and Index No.
45412-09	4-8
45412-10	4-6
45421-02	7-37
45421-03	7-37
45434-02	7-38
45434-03	7-38
45439-02	7-14
45439-03	7-14
45449-08	7-23
45449-09	7-23
45458-02	7-17
45458-03	7-17
45460-02	7-33
45460-03	7-33
45467-12	7-20
45467-13	7-20
45467-14	7-21
45467-15	7-21
45467-16	7-19
45467-17	7-19
45477-02	7-24
45477-03	7-24
45477-04	7-25
45477-05	7-25
45477-06	7-26
45477-07	7-26
45497-33	7-29
45497-34	7-29
45501-00	7-51
45501-01	7-51
45504-02	39-1
45504-02	40-1
45504-03	39-1
45504-03	40-1
45504-04	40-13
45504-05	40-13
45504-06	40-13
45504-07	40-13
45504-12	39-1
45504-12	40-1
45504-13	39-1
45504-13	40-1
45504-24	39-1
45504-24	40-1
45504-25	39-1
45504-25	40-1
45504-26	39-1
45504-26	40-1
45504-27	39-1
45504-27	40-1
45506-00	26-9
45506-00	28-8
45506-00	33-24
45511-00	98-35
45539-00	5-30
45544-00	87-7
45545-00	4-11a
45545-01	4-11a

Part Number	Figure and Index No.
45647-10	5-27
45691-02	7-60
45691-03	7-60
45691-04	7-61
45691-05	7-61
45711-00	86-46
45809-10	7-5
45824-00	7-78
45824-01	7-78
45825-00	7-81
45825-01	7-81
45838-00	7-79
45838-01	7-79
45850-00	73-16
45850-00	73-37
45881-00	126-12
45889-00	126-14
45892-00	126-13
45904-01	20-84
45955-00	7-80
45955-01	7-80
45968-12	7-2
45968-13	7-2
45968-14	7-3
45968-15	7-3
45997-00	3-8
45997-01	3-8
46012-00	4-24
46121-02	39-11
46121-03	39-12
46132-00	20-73
46133-00	23-4
46203-02	97-11
46218-00	34-32
46255-00	105-12
46256-04	105-3
46258-05	105-2
46259-05	105-6
46320-00	64-4
46320-00	65-16
46334-00	114-1
46336-00	114-3
46348-07	74-51
46348-07	131-32
46349-05	97-7
46349-06	97-7
46357-00	7-71
46357-00	7-72
46357-01	7-71
46357-01	7-72
46541-00	85-25
46541-01	85-25
46541-01	109-16
46541-01	115-15
46566-08	64-5
46566-08	65-15
46654-00	54-14
46654-00	57-23

Part Number	Figure and Index No.
46696-00	62-89
46704-00	62-46
46711-00	62-45
46722-00	99-29
46895-00	123-4
46911-00	65-19
46912-00	65-18
46933-00	45-27
46959-00	36-22
46987-00	123-21
47150-00	46-6
47150-02	46-6a
47222-00	81-90
47222-00	82-90
47378-00	80-20
47494-00	25A-49
47529-30	39-14
47529-31	39-14
47529-32	39-15
47545-00	30-42
47545-00	131-10
47556-02	49-20
47615-00	62-23
47651-00	113-15
47664-02	123-15
47664-03	123-16
47664-06	123-18
47664-10	127-17
47664-11	123-17
47664-12	123-26
47664-14	123-19
47678-00	62-31
47744-00	4-7
47745-00	4-25
47755-00	64-72
47819-00	115-16
47820-00	115-17
47821-04	115-18
47830-00	115-19
47854-00	114-2
47875-00	123-5
47959-00	62-32
47963-00	62-34
47990-02	64-18
48022-00	11-53
48022-00	131-1
48023-00	11-36
48028-00	49-53
48030-00	99-41
48030-00	131-52
48041-00	89-57
48042-00	89-23
48043-00	89-46
48045-00	89-2
48045-02	89-10
48045-06	89-5
48048-00	89-47
48049-00	89-21

# PIPER PARTS CATALOG

Part Number	Figure and Index No.
48050-00	89-51
48052-00	88-91
48052-00	131-45
48055-00	35-19
48060-00	121-46
48070-00	39-20
48071-00	39-21
48072-03	88-1
48072-03	89-1
48072-05	88-1
48072-05	89-1
48075-00	88-15a
48075-00	131-46
48171-02	118-61
48244-02	73-6
48348-00	23-32
48437-02	91-14a
48437-02	95-18
48460-00	34-6
48537-14	61-30
48537-14	62-72
48537-15	61-30
48537-15	62-72
48613-02	35-39
48613-03	35-39
48616-02	5-35
48625-00	127-16
48625-00	131-56
48762-00	81-91
48762-00	82-91
48807-02	91-38
48808-02	91-39
48809-03	91-1
49054-02	116-49
49086-02	61-25
49086-02	62-61
49086-03	61-25
49086-03	62-61
49086-04	60-37
49086-05	60-37
49092-06	62-16
49092-07	62-17
49092-08	62-19
49092-34	62-16
49099-02	61-24
49099-02	62-60
49099-03	61-24
49099-03	62-60
49099-04	60-36
49099-05	60-36
49102-02	60-39
49102-02	61-21
49102-02	62-80
49102-02	63-26
49124-02	58-6
49172-02	131-60
49196-02	122-18
49222-06	117A-33

Part Number	Figure and Index No.
49222-16	117A-56
49222-18	117A-46
49234-02	64-26
49235-02	11-8
49235-03	11-8
49261-02	94-14
49265-02	94-6
49266-02	111-6
49272-02	111-9
49277-02	77-32
49277-03	77-32
49313-02	115-13
49324-10	61-2a
49324-10	62-2a
49324-11	61-2a
49324-11	62-2a
49351-02	2-44
49351-03	2-44
49352-02	2-86
49353-03	118-22
49396-02	62-3
49396-03	62-3
49396-05	62-3
49398-02	95-33
49401-02	130A-33
49401-03	130A-33
49415-06	96-3
49415-07	96-3
49436-02	75-12
49456-03	7-95
49457-04	7-93
49457-05	7-93
49458-04	61-3
49458-05	61-3
49474-02	61-2
49474-02	62-2
49474-03	61-2
49474-03	62-2
49511-02	35-35
49517-02	119-10
49518-02	119-8
49568-04	130-19
49626-02	49-12
49655-02	130-25
49655-02	130A-41
49713-02	55-11
49718-02	96-25
49733-02	20-80
49758-02	38-55
49763-03	130-32
49781-02	130-36
49785-02	130-33
49789-02	130-35
49790-02	130-35
49803-02	130-34
49803-03	130-34
49809-02	131-64
49811-02	130-31

Part Number	Figure and Index No.
49812-02	130-28
49812-03	130-28
49813-02	130-29
49813-03	130-29
49850-07	116-33
49856-02	116-50
49972-02	8-47
49972-03	34-10
49972-04	38-74
49979-02	88-67
49979-02	88-83
49982-13	89-48
49982-27	61-31
49982-27	62-73
49982-28	61-31
49982-28	62-74
49982-31	61-17
49982-31	62-67
49982-31	63-28
49982-47	61-17
49982-47	62-82
49985-82	129-2
49985-84	129-1
49990-22	110-16
49997-05	68-23
49997-05	116-31
49997-08	68-8
49997-08	116-32
49997-09	68-8
49997-09	116-32
49997-17	110-15
49998-18	69-11
49998-19	69-10
49998-20	67-11
49998-21	67-10
49998-22	67-17
49998-23	69-12
49998-26	130-10
49998-30	130-8
49998-32	65-4
49998-43	130-9
49999-04	7-10
49999-36	6-4
49999-56	14-88
49999-56	18-23
49999-57	6-32
49999-57	7-104
49999-58	6-32
49999-58	7-104
50111-00	60-26
50128-06	3-11a
50166-00	4-28
50224-02	3-28
50224-03	3-28
50242-00	6-23
50242-01	6-23
50243-00	6-19
50243-01	6-19

Part Number	Figure and Index No.
50244-00	6-16
50244-01	6-16
51006-00	107-32
51006-00	123-48
51108-04	36-33
51109-04	36-34
51213-02	127-9
51271-02	91-5
52001-00	115-20
52001-01	115-20
52009-07	77-19
52013-00	130-39
52014-00	130-40
52017-00	89-6
52018-00	89-9
52020-00	89-7
52023-00	130-38
52023-00	130A-14
52024-02	89-4
52028-02	15-37
52028-03	15-37
52029-00	15-9
52030-00	15-31
52030-06	15-28
52031-00	15-9
52034-00	15-31
52045-00	82-8
52046-00	115-22
52049-00	21-10
52049-01	21-10
52050-00	115-21
52052-00	115-24
52054-03	3-18
52054-04	2-5
52056-00	115-25
52060-02	15-21
52060-03	15-21
52068-00	15-41
52070-00	115-26
52072-00	4-27
52080-09	12-39
52080-09	14-7
52084-05	15-30
52084-06	15-29
52084-07	15-29
52085-00	12-44
52088-00	12-44
52092-00	12-45
52094-00	12-45
52096-00	54-6
52097-02	114-31
52097-03	114-32
52104-00	76-44
52104-00	114-25
52107-00	14-22
52111-01	14-23
52111-02	14-23
52114-00	14-24

## PIPER PARTS CATALOG

Part Number	Figure and Index No.
52114-01	14-24
52118-00	14-18
52119-02	14-35
52119-03	14-35
52119-06	14-36
52119-07	14-36
52119-10	14-37
52119-11	14-38
52124-00	14-21
52124-01	14-21
52127-00	14-20
52127-01	14-20
52129-00	14-19
52129-01	14-19
52132-00	14-33
52135-00	14-12
52137-00	10-5
52137-00	14-2
52137-00	15-1
52141-00	88-85
52141-00	131-48
52148-03	10-4
52146-03	14-1
52157-05	15-23
52157-06	15-22
52157-07	15-22
52167-00	92-19
52168-00	92-17
52168-03	92-17
52169-02	111-18
52169-03	111-16
52175-00	13-15
52187-04	111-17
52187-05	111-17
52188-00	120-32
52190-05	15-25
52190-06	15-24
52190-07	15-24
52202-00	14-57
52203-00	14-44
52216-00	85-8
52220-00	85-9
52232-00	85-38
52244-00	85-48
52245-00	85-49
52247-00	14-58
52248-00	110-14
52249-00	14-59
52259-00	85-11
52263-02	85-13
52263-03	85-14
52272-00	58-24
52275-00	14-61
52275-01	14-61
52280-00	85-15
52289-08	15-26
52289-05	15-27
52289-07	15-26

Part Number	Figure and Index No.
52297-00	124-8
52298-00	106-14
52299-00	15-67
52299-01	15-67
52301-00	61-8
52304-00	21-14
52306-00	68-64
52307-00	68-46
52327-03	106-12
52327-04	106-13
52335-00	106-15
52338-00	60-64
52346-04	64-8
52347-00	88-69
52347-01	88-69
52351-00	88-89
52361-00	2-70
52361-01	2-70
52363-02	120-19
52363-03	120-20
52370-00	2-59
52370-01	2-59
52372-00	14-48
52372-01	14-46
52376-02	19-26
52378-00	66-18
52380-00	67-8
52384-00	101-7
52385-00	99-3
52386-00	99-4
52387-00	61-7a
52397-00	101-4
52398-00	101-12
52405-00	54-7
52413-00	54-15
52451-00	72-17
52458-05	106-10
52461-00	109-18
52465-00	54-13
52468-00	54-8
52469-00	76-8
52470-02	54-2
52470-03	54-2
52471-00	54-3
52472-00	114-18
52485-04	64-22
52494-00	106-16
52497-00	106-8
52500-03	10-1
52512-00	106-9
52517-00	109-17
52557-00	16-58
52557-01	16-58
52585-00	16-63
52629-05	110-13
52629-06	110-13
52633-02	110-6
52633-03	110-6

Part Number	Figure and Index No.
52633-04	110-7
52633-05	110-7
52635-04	113-9
52635-05	113-9
52636-00	113-10
52660-00	16-51
52663-02	110-8
52663-03	110-8
52664-00	110-3
52664-01	110-3
52665-00	110-5
52670-02	113-2
52671-02	113-1
52678-00	113-4
52679-00	113-5
52680-00	113-6
52683-00	15-28
52685-00	113-7
52686-00	113-8
52696-06	122-2
52697-00	16-57
52697-01	16-57
52698-00	122-11
52713-00	12-60
52716-00	60-58
52717-00	60-57
52718-00	60-56
52722-00	16-45
52724-00	16-55
52725-00	16-56
52726-00	16-48
52729-00	16-52
52738-00	18-19
52739-00	16-54
52751-00	20-78
52754-04	18-2
52758-00	23-7
52775-00	12-4
52775-00	12-6
52775-01	12-4
52775-01	12-6
52777-02	72-3
52777-04	72-3
52783-00	70-9
52783-00	75-9
52784-00	118-60
52785-03	70-3
52785-05	75-5
52786-00	70-4
52788-00	70-5
52788-00	75-6
52789-00	70-8
52789-00	75-11
52798-00	64-28
52807-00	22-12
52808-00	22-13
52819-00	20-71
52820-06	20-65

Part Number	Figure and Index No.
52820-07	20-66
52820-08	20-67
52820-09	20-68
52826-02	64-34
52826-03	64-35
52839-03	137-3
52846-00	27-24
52846-00	31-34
52846-00	48-13
52847-00	27-23
52847-00	31-33
52904-00	61-26
52904-00	62-62
52904-02	60-38
52917-00	61-35
52917-00	62-71
52939-00	75-8
52955-00	110-25
52956-00	110-24
52961-00	101-19
52966-00	101-20
52967-00	66-25
52969-00	66-4
52975-00	100-7
52978-00	66-19
52979-00	100-14
52987-00	99-6
52993-00	99-10
52994-00	100-15
52995-00	100-16
53027-06	110-31
53039-02	110-1
53039-03	110-1
53056-00	19-39
53060-03	33-31
53060-04	25-15
53071-00	60-30
53071-01	60-30
53104-00	38-79
53108-06	107-2
53119-00	79-44
53130-00	2-63
53130-01	2-63
53142-03	55-1
53157-04	55-1
53168-00	3-23
53169-00	5-23
53170-00	5-22
53170-01	5-22
53171-00	3-29
53172-00	4-19
53181-00	26-20
53214-02	29-77
53214-02	33-15
53255-04	60-41
53255-05	60-41
53258-02	20-79
53258-04	20-79



# PIPER PARTS CATALOG

Part Number	Figure and Index No.
53259-00	20-81
53267-00	49-31
53269-22	53-3
53269-22	61-1
53269-23	53-3
53269-23	61-1
53296-13	29-30
53296-17	27-2
53296-17	29-1
53296-19	27-2
53296-19	29-1
53358-00	5-37
53360-02	55-24
53369-11	55-30
53369-12	55-30
53369-13	55-29
53387-00	94-41
53388-00	59-7
53395-06	59-5
53395-07	59-6
53417-00	78-6
53423-00	77-27
53423-01	77-27
53437-04	88-18
53437-06	88-18
53437-06	130A-29
53438-04	32-26
53444-00	88-68
53469-06	80-22
53469-07	80-22
53472-00	71-60
53479-06	71-59
53492-00	71-56
53551-00	71-29
53561-02	20-43
53561-04	20-44
53561-06	20-47
53599-00	105-22
53606-00	83-26
53628-00	32-24
53629-00	32-22
53637-00	54-12
53641-00	55-32
53657-00	13-4
53666-00	54-15
53687-00	12-61
53689-00	73-14
53703-00	55-14
53707-00	64-13
53707-00	65-18
53739-00	69-17
53739-00	131-30
53757-00	88-15
53769-00	88-92
53769-00	131-49
53770-00	88-93
53770-00	131-49
53780-00	118-58

Part Number	Figure and Index No.
53785-00	97-17
53791-00	88-16
53793-02	88-69
53793-03	88-69
53796-06	55-45
53797-00	86-19
53797-00	87-18
53798-00	88-11
53801-02	78-10
53808-00	61-12
53810-00	85-20
53810-01	85-20
53811-00	85-16
53811-01	85-16
53814-00	85-4
53817-00	20-77
53821-00	84-5
53822-00	79-13a
53824-00	84-12
53827-00	29-50
53828-00	101-9
53848-00	71-48
53850-00	37-11
53850-00	95-13
53853-00	45-72
53853-02	45-72
53856-00	97-4
53856-03	97-2
53860-02	88-10
53863-02	85-39
53864-02	64-31
53865-02	14-62
53865-03	14-62
53876-03	140-56
53880-00	33-78
53885-02	38-75
53885-04	38-76
53890-05	85-6
53892-02	36-63
53893-00	31-26
53897-00	68-2
53899-00	60-12
53900-00	60-17
53905-00	5-24
53906-00	5-21
53906-01	5-21
53907-00	86-12
53908-00	5-20
53908-01	5-20
53909-00	31-35
53910-00	14-43
53910-01	14-43
53914-00	5-39
53914-01	5-39
53916-00	123-41
53918-02	109-20
53955-02	121-2
53955-03	121-2

Part Number	Figure and Index No.
53956-12	55-12
53957-00	59-1
53959-00	21-2
53960-00	121-1
53967-03	21-34
53968-03	31-36
53969-00	121-29
53971-00	97-7
53973-03	64-29
53978-00	123-37
53983-02	86-43
53983-02	87-41
53983-02	131-38
53983-02	131-40
53983-03	86-43
53983-03	87-41
53983-03	131-38
53983-03	131-40
53992-00	49-16
53996-00	68-32
54000-00	15-59
54000-00	15-63
54004-00	107-10
54005-00	106-34
54007-00	106-35
54078-00	123-38
54098-00	32-16
54098-00	131-12
54139-00	85-7
54139-00	131-37
54148-00	85-18
54159-00	36-30
54173-00	123-42
54174-02	98-37
54175-00	76-12
54175-00	96-7
54179-02	62-39
54179-03	62-39
54179-04	62-33
54182-02	62-35
54186-02	23-11
54187-02	23-11
54188-02	13-14
54190-02	119-16
54190-03	31-20
54190-03	119-16
54209-02	83-22
54214-02	89-54
54214-03	89-54
54227-02	38-77
54232-06	38-2
54232-07	38-2
54232-24	34-3
54232-24	38-1
54232-35	34-3
54232-35	38-1
54237-02	29-26
54240-02	29-36

Part Number	Figure and Index No.
54242-02	29-60
54243-02	29-64
54244-02	29-66
54244-03	29-67
54245-02	27-9
54250-04	122-4
54265-02	29-68
54266-02	29-11
54305-02	14-50
54305-05	14-60
54325-02	2-43
54325-03	2-43
54326-02	81-92
54326-03	82-92
54329-02	6-28
54331-02	2-2
54331-03	2-2
54332-02	7-91
54332-03	7-91
54335-02	81-93
54336-02	8-21
54336-07	8-21
54339-02	8-30
54339-03	8-30
54340-02	8-39
54340-03	8-39
54341-02	82-93
54343-02	6-29
54343-03	6-29
54344-02	7-10a
54344-03	7-10a
54345-02	85-52
54350-02	54-17
54357-02	33-95
54358-02	32-10
54360-02	33-96
54368-02	118-63
54374-03	55-23
54375-02	13-13
54379-02	64-20
54385-02	113-10
54385-03	113-10
54395-03	2-89
54396-02	71-21
54429-02	64-21
54429-02	65-24
54446-02	130A-12
54447-02	130A-13
54449-02	130A-26
54451-02	130A-25
54453-02	130A-24
54454-02	130A-23
54455-02	130A-22
54457-02	130A-17
54458-02	130A-16
54483-02	122-16
54467-02	12-34
54469-02	110-32

# PIPER PARTS CATALOG

Part Number	Figure and Index No.
54469-03	110-32
54490-02	14-52
54499-02	60-65
54509-02	11-54
54516-04	11-21
54529-02	130A-27
54530-02	130A-11
54531-02	130A-28
54534-05	60-40
54534-07	60-59
54534-09	61-37
54534-10	62-84
54534-11	63-30
54540-02	4-26
54541-02	130-27
54541-02	130A-47
54558-02	130-5
54558-02	130A-46
54562-02	64-48
54567-02	130A-21
54567-03	130A-9
54569-02	130A-10
54606-02	33-14
54606-03	33-12
54606-05	33-6
54606-06	33-22
54612-06	32-1
54612-06	33-1
54612-07	32-1
54612-07	33-1
54628-03	64-81
54637-02	75-7
54641-02	122-3
54659-02	23-31
54659-02	31-24
54663-02	23-23
54663-02	31-23
54668-02	68-40
54673-02	68-41
54684-02	121-34
54705-02	66-6
54706-02	83-23
54709-02	68-30
54710-07	26-5
54714-04	28-7
54714-05	28-5
54714-06	28-5
54714-07	28-6
54714-14	27-1
54714-14	28-1
54714-15	28-5
54714-16	27-1
54714-16	28-1
54714-17	27-1
54714-17	28-1
54750-02	101-13
54751-02	86-47
54799-02	68-52

Part Number	Figure and Index No.
54800-54	128-1
54820-02	12-48
54820-03	12-48
54848-03	129-5
54848-04	129-5
54848-05	129-6
54916-02	71-57
54924-02	116-8
54925-05	117-4
54925-06	117-3
54925-07	116-9
54925-10	116-9
54925-11	116-10
54927-02	73-5
54931-02	34-43
54932-02	14-32
54945-02	97-46
55195-02	46-52
55201-02	46-9
55214-02	45-1
55214-02	46-1
55214-03	45-1
55214-03	46-1
55219-02	48-6
55220-02	48-5
55221-02	71-61
55224-02	71-62
55258-04	26-3
55258-05	25A-5
55258-05	26-3
55258-12	55-9
55258-32	55-8
55259-28	55-8
55259-33	26-7
55260-02	12-46
55265-04	32-27
55265-05	32-23
55266-08	55-7
55266-35	55-7
55266-36	55-7
55267-20	55-6
55267-21	55-6
55274-02	31-27
55279-03	64-67
55279-04	64-67
55286-02	56-11
55292-02	56-10
55293-02	117A-39
55294-02	56-9
55297-02	23-25
55297-04	19-3
55312-03	101-22
55313-02	101-21
55315-07	55-9
55316-02	71-15a
55331-10	57-6
55334-02	55-36
55393-02	10-3

Part Number	Figure and Index No.
55393-02	12-1
55416-02	105-5
55430-23	53-4
55430-23	62-1
55430-30	53-4
55430-30	62-1
55430-31	53-4
55430-31	62-1
55433-02	61-36
55433-02	62-83
55433-03	60-62
55433-03	61-36
55433-03	62-83
55567-04	70-16
55596-02	55-37
55598-02	16-70
55601-02	19-40
55601-02	31-42
55683-02	65-19
55684-02	65-18
55693-02	64-66
55770-02	11-51
55802-12	127-1
55802-13	127-1
55802-15	127-2
55802-16	127-2
55817-02	97-31
55841-02	71-44
55842-02	60-63
55852-04	111-2
55858-02	120-17
55867-02	111-5
55867-08	111-11
55868-18	111-3
55868-19	111-4
55870-02	110-2
55877-04	55-33
55877-05	55-33
55930-07	64-23
55939-02	111-7
55948-03	55-11
56200-02	114-19
56200-03	114-20
56200-04	114-21
56728-13	117A-56
56728-33	117A-59
56728-35	117A-58
56728-37	117A-47
56728-41	117A-57
56728-45	117A-60
56728-46	117A-31
56951-04	31-6
56952-15	68-25
56952-15	79-57
56952-21	106-44
56952-22	106-44
56952-23	106-7
56952-24	106-45

Part Number	Figure and Index No.
56952-36	111-15
56953-06	123-25
56957-40	61-32
56957-40	62-76
56957-41	61-32
56957-41	62-75
56972-131	116-29
56975-10	85-27
56977-02	48-7
56977-03	48-8
56977-04	130-13
56977-05	130-14
56981-02	94-45
56983-02	26-15
56985-03	107-5
57258-02	55-27
57900-02	118-23
58253-02	118-24
58382-04	61-28
58382-05	61-28
58382-08	62-64
58382-09	62-64
59105-02	64-77
59105-02	131-28
59312-20	111-20
60054-14	30-10
60054-18	78-20
60054-43	60-25
60054-43	60-29
60704-02	128-8
61402-81	72-15
61402-90	37-32
61402-93	34-20
61402-98	40-28
61402-99	40-27
61402-101	94-8
61402-102	94-9
61402-103	29-46
61402-105	55-22
61541-30	68-15
61541-42	68-16
61541-43	65-3
61541-45	68-83
63900-22	31-2
70371-02	49-49
70371-02	76-17
70371-02	106-31
70371-02	110-19
70371-02	112-14
70371-03	76-16
70371-03	106-32
70371-03	110-18
70371-03	112-15
70768-12	20-36
71027-02	87-8
71027-03	87-8
71028-02	86-8
71028-03	86-8

## PIPER PARTS CATALOG

Part Number	Figure and Index No.
71042-02	89-4
71042-03	89-4
71047-02	64-83
71052-02	88-94
71054-02	88-95
71056-02	94-39
71059-06	34-38
71059-07	34-38
71063-02	5-40
71063-03	5-40
71066-02	55-13
71080-02	130A-1
71080-03	130A-1
71080-06	130A-1
71080-07	130A-1
71085-02	116-36
71086-03	94-40
71087-04	122-14
71099-02	14-9
71100-02	55-35
71100-03	31-45
71100-04	31-41
71109-02	9-35
71109-03	9-35
71109-04	9-36
71109-05	9-36
71112-02	88-1
71112-02	89-1
71116-02	14-10
71118-04	9-44
71118-05	9-44
71128-11	64-16
71139-02	2-13
71140-02	29-14
71147-03	123-7
71149-02	56-2
71149-02	123-3
71152-06	123-2
71158-12	61-27
71158-13	61-27
71158-16	62-63
71158-17	62-63
71164-02	116-66
71176-02	116-41
71181-02	65-18
71183-02	65-19
71187-02	122-8
71187-03	122-8
71188-02	27-8
71360-02	46-60
71364-02	66-22
71386-02	130-48
71386-02	131-59
71415-03	29-51
71450-02	28-10
71450-02	131-8
71450-03	27-13
71450-03	131-7

Part Number	Figure and Index No.
71450-04	27-12
71450-04	131-6
71450-05	27-11
71450-05	131-5
71455-02	119-21
71455-05	119-24
71455-07	119-22
71455-10	119-23
71478-02	106-43
71479-02	64-68
71479-03	64-68
71505-02	Misc.
71505-03	Misc.
71522-03	107-12
71533-02	34-17
71533-02	35-20a
71549-02	65-18
71550-02	114-13
71562-02	72-19
71562-03	72-19
71578-02	129-6
71589-02	80-8
71594-02	89-12
71599-02	89-44
71610-02	118-55
71620-02	118-56
71624-02	118-64
71627-02	116-6
71635-02	12-14
71635-02	16-46
71637-02	123-35
71644-03	118-7
71644-04	121-11
71644-05	121-9
71644-09	121-10
71644-10	118-7
71644-11	121-21
71644-12	121-12
71646-07	72-1a
71646-08	72-1a
71646-10	72-1a
71649-02	120-15
71650-02	130A-2
71650-03	130A-2
71656-05	61-2b
71656-05	62-2b
71673-02	12-50
71673-03	12-49
71674-02	118-65
71675-02	118-65
71689-02	116-76
71694-02	Misc.
71695-02	Misc.
71697-02	110-4
71698-02	90-10
71699-02	16-7
71699-03	16-8
71699-04	16-9

Part Number	Figure and Index No.
71699-05	16-11
71699-06	16-10
71700-02	37-38
71700-03	37-48
71705-04	118-54
71707-02	118-51
71711-04	33-78a
71727-02	57-15
71738-02	16-37
71739-02	66-12
71790-02	15-2
71814-02	17-12
71817-02	Misc.
71830-02	73-8
71832-02	73-9
71834-02	Misc.
71844-02	46-4
71864-02	130-4
71864-02	130A-48
71900-08	129-4
71944-02	129A-3
71944-03	129A-4
71945-02	129A-2
71948-02	14-27
71973-02	Misc.
71974-02	27-32
71974-14	27-33
72025-00	Misc.
72159-00	Misc.
72263-02	Misc.
72682-10	39-24
72682-12	39-22
72682-14	45-12
72781-02	9-37
72781-03	9-37
72781-04	9-38
72781-05	9-38
72850-02	118-27b
72858-02	91-38
72954-02	11-48
72955-03	31-25
72962-04	6-31
72962-05	6-31
72962-06	6-31
72962-07	6-31
72962-08	7-103
72962-09	7-103
72962-10	7-103
72962-11	7-103
72962-12	14-87
72962-13	18-22
73009-02	46-6b
73078-02	29-57
73082-02	55-41
73082-02	131-68
73094-02	55-49
73095-02	55-40
73095-02	131-11

Part Number	Figure and Index No.
73104-03	20-86
73105-02	29-20
73106-02	27-31
73344-02	39-93
73344-03	39-93
74011-02	117A-34
74011-03	117A-13
74011-06	117A-12
74011-07	117A-32
74011-08	117A-15
74011-10	117A-14
74027-02	35-24
74028-02	97-22
74034-02	90-1
74035-02	90-2
74037-02	37-44
74040-02	113-24
74044-02	31-28
74044-03	27-4
74051-02	113-11
74057-02	118-9
74060-02	120-8
74067-02	67-6
74069-03	27-25
74070-02	31-12
74072-02	27-16
74072-02	31-44
74075-02	121-22
74080-02	59-20
74080-03	59-19
74080-04	59-21
74080-11	59-22
74087-02	45-13
74086-02	66-8
74087-02	39-23
74087-02	39-25
74099-06	7-15
74099-07	7-15
74105-05	111-12
74106-02	65-35
74106-02	131-29
74107-02	130A-54
74110-02	21-38
74117-02	52-27
74118-02	52-28
74120-02	9-42
74122-02	130A-44
74122-03	130A-44
74125-02	46-2
74127-02	55-21
74128-02	119-1
74134-02	81-33
74134-03	82-33
74135-02	55-5
74136-02	55-5
74146-07	56-8
74147-02	56-3
74148-03	56-4

# PIPER PARTS CATALOG

Part Number	Figure and Index No.
74149-02	56-5
74150-03	58-3
74152-02	55-2
74152-03	55-2
74153-02	55-3
74153-03	55-3
74154-03	55-4
74155-03	55-39
74156-02	58-1
74156-03	58-1
74157-02	29-34
74157-03	29-35
74158-02	111-18
74159-03	57-2
74159-04	57-1
74159-05	57-1
74159-06	57-5
74159-07	57-4
74159-08	57-3
74159-09	57-6
74159-18	57-5
74160-03	58-2
74161-02	55-38
74164-02	111-19
74165-02	12-37
74172-03	59-25
74172-04	59-24
74172-05	59-23
74177-02	99-5
74178-02	99-8
74180-02	21-37
74184-02	57-13
74184-02	131-67
74187-02	2-88
74188-02	4-5
74196-04	27-27
74199-02	55-29
74206-02	12-64
74206-03	12-64
74206-04	12-63
74206-05	12-63
74206-06	23-34
74206-07	23-34
74206-08	20-85
74206-09	20-85
74206-10	23-34
74206-11	23-34
74207-02	71-13
74207-03	71-13
74216-02	Misc.
74219-02	57-7
74222-02	15-57
74223-02	15-41
74225-02	52-32
74226-02	52-33
74227-02	52-41
74228-02	52-40
74229-02	52-38

Part Number	Figure and Index No.
74230-02	52-37
74231-02	52-7
74231-03	52-7
74232-02	57-11
74233-02	21-13
74237-02	29-8
74238-02	117A-35
74240-02	64-3
74240-02	65-14
74243-02	96-10
74244-02	23-33
79315-00	131-62
80000-05	76-41
80002-84	60-35
80002-85	68-73
80002-85	116-72
80004-11	83-11
80004-18	81-96
80004-18	82-84
80004-56	52-30
80006-02	121-54
80006-03	121-28
80006-04	69-14
80006-11	121-28
80006-11	121-30
80006-18	121-53
80006-25	69-15
80007-39	116-43
80012-06	64-92
80012-20	33-72
80012-57	89-50
80012-59	81-79
80012-59	82-70
80012-95	97-37
80012-95	97-41
80012-108	98-7
80012-108	98-11
80012-109	98-8
80012-110	98-9
80012-110	98-12
80012-112	95-2
80012-116	60-48
80017-29	129-3
80017-31	129-4
80022-74	90-8
80022-87	90-9
80022-103	93-32
80022-113	91-25
80024-06	99-9
80024-07	83-1
80024-08	83-2
80024-09	83-3
80024-10	83-4
80024-11	83-5
80024-12	83-6
80024-13	66-36
80024-23	107-14
80024-47	66-13

Part Number	Figure and Index No.
80024-48	100-41
80024-49	100-40
80024-50	100-39
80024-51	100-42
80027-08	49-47
80027-09	49-21
80033-07	20-72
80033-07	20-86
80045-11	33-25
80048-04	83-36
80122-06	62-37
80122-07	59-17
80122-11	95-25
80122-78	120-23
80122-111	27-14
80122-111	31-39
80122-122	38-80
80122-123	114-6
80122-128	39-74
80122-129	39-86
80122-130	39-86
80122-131	39-86
80122-139	129-18
80122-140	129-19
80122-151	33-97
80122-154	39-74
80122-155	39-86
80247-02	64-80
80247-02	131-25
80298-02	33-65
80298-02	131-15
80363-02	26-6
80363-02	131-4
80372-02	75-14
80372-02	131-33
80454-02	77-5
80454-02	131-34
80455-02	77-5a
80455-02	131-34
80495-02	131-61
80504-02	126-15
80504-02	131-55
80504-03	126-15
80504-03	131-55
80558-02	122-17
80558-02	131-65
80584-02	55-16
80584-02	64-49
80584-02	131-24
80584-03	64-49
80584-03	131-24
80614-02	64-32
80614-02	131-27
80615-02	55-15
80622-02	130A-2
80623-02	130A-2
80669-02	130-26
80669-02	130A-42

Part Number	Figure and Index No.
80669-02	131-58
80675-02	122-14
80687-02	128-9
80687-02	131-57
80704-02	130-11
80704-02	130A-49
80704-02	131-31
80755-02	64-30
80755-02	131-26
80999-02	31-49
80999-02	131-69
81102-35	98-29
81102-36	98-29
81102-37	98-29
81232-77	85-17
81262-107	29-7
81262-108	29-30
81262-110	31-13
81342-08	81-83
81342-08	82-74
81342-09	2-45
81342-09	36-62
81342-09	38-60
81342-18	76-40
81342-19	106-38
81342-19	110-20
81342-19	112-16
81342-56	121-50
81342-64	60-34
81342-68	89-30
81342-78	97-23
81342-89	97-27
81342-89	98-34
81342-90	97-27
81342-90	98-34
81342-91	97-27
81342-91	98-34
81342-91	97-28
81342-100	89-31
81342-101	64-73
81761-63	76-25
81761-65	60-43
82021-02	61-2
82021-02	62-2
82021-09	63-2
82029-02	62-3
82029-08	62-14
82031-03	19-19
82035-02	61-3
82035-03	61-4
82035-03	63-24
82036-02	61-8
82043-02	53-3
82043-02	61-1
82053-02	57-19
82053-03	57-16
82053-04	57-18
82053-05	57-17

# PIPER PARTS CATALOG

Part Number	Figure and Index No.
82055-02	62-10
82055-03	62-10
82058-02	53-4
82058-02	62-1
82064-02	63-5
82065-02	63-14
82066-02	63-16
82070-02	63-4
82070-03	63-4
82072-02	53-5
82072-02	63-1
82072-03	53-5
82072-03	63-1
82073-02	52-31
82086-02	20-47
82086-03	20-46
82089-02	16-12
82090-02	63-3
82146-02	53-2
82146-02	60-1
82146-03	53-2
82146-03	60-1
82150-02	60-4
82150-03	60-4
82150-14	60-5
82153-02	60-2
82153-03	60-2
82352-103	29-43
82371-23	68-19
82371-23	116-44
82371-25	68-24
82371-35	65-49
82371-35	68-20
82371-35	116-23
82371-45	116-18
82371-47	68-21
82371-47	68-26
82371-47	116-24
82371-47	116-75
82371-51	65-1
82371-51	68-18
82371-54	68-24
82371-72	116-74
82371-92	68-28
82371-93	68-29
82371-102	65-48
82371-104	73-15
82371-106	68-22
82371-106	116-25
82371-111	68-11
82371-112	68-12
82371-114	113-21
82371-135	116-35
82371-137	116-28
82371-137	116-30
83161-25	66-30
83161-25	66-35
83161-25	67-3

Part Number	Figure and Index No.
83302-23	30-15
83302-32	45-36
83302-47	80-10
83302-54	45-35
83302-61	60-27
83302-61	62-8
83302-61	78-18
83302-67	30-26
83302-69	29-54
83302-71	29-56
83302-83	33-67
83302-84	121-23
83302-88	85-19
83303-02	31-22
83303-02	119-18
83303-03	62-38
85012-65	81-85
85012-65	81-98
85012-65	81-87
85012-65	81-88
85012-65	82-76
85012-65	82-87
85012-65	82-88
85012-65	82-89
85012-94	120-24
85012-101	71-10
85012-105	39-78
85012-125	39-86
85512-28	30-23
86092-92	112-17
86092-96	115-27
86092-98	115-23
86092-107	121-51
86102-12	86-44
86102-104	2-49
86102-105	2-49
86102-106	2-49
86142-49	110-33
91193-00	78-29
99361-00	60-54
980024-501	64-11
980024-501	65-22
147 120	31-40
149 111	11-52
149 111	30-40
149 111	59-27
149 111	76-14
149 111	121-52
149 205	3-11
180 400	24-22
187 527	27-5
187 527	31-14
187 528	25-14

Part Number	Figure and Index No.
187 528	33-13
187 531	26-10
187 610	79-67
189 623	117A-52
189 625	68-75
189 625	69-28
189 625	82-73
189 625	120-10
189 729	33-89
189 743	77-29
189 745	33-26
189 777	113-19
400 002	45-44
400 002	81-88
400 002	82-87
400 002	86-22
400 002	87-21
400 003	9-43
400 003	34-31
400 003	39-72
400 003	60-61
400 003	98-28
400 004	129A-5
400 008	39-59
400 008	88-70
400 008	90-22
400 008	90-29
400 009	2-85
400 009	90-27
400 009	92-28
400 009	94-33
400 011	2-29
400 012	39-43
400 012	61-7
400 012	63-22
400 012	92-23
400 014	130-47
400 015	46-50
400 016	90-30
400 018	98-24
400 051	94-42
400 051	95-30
400 053	35-43
400 053	94-30
400 054	78-32
400 055	93-23
400 100	94-42
400 100	121-37
400 105	45-51
400 106	45-53
400 106	97-72
400 107	34-36
400 107	45-65
400 108	45-52
400 108	45-56
400 110	96-21
400 116	50-15
400 116	98-18

Part Number	Figure and Index No.
400 124	45-57
400 168	94-28
400 188	39-66
400 209	39-63
400 263	40-46
400 277	71-8
400 277	71-9
400 309	39-75
400 365	45-49
400 384	39-74
400 437	68-79
400 437	88-82
400 438	29-71
400 438	29-72
400 438	35-46
400 438	36-53
400 438	38-62
400 438	39-13
400 438	45-11
400 438	68-78
400 438	73-35
400 438	88-88
400 438	94-43
400 438	96-16
400 438	107-22
400 438	110-29
400 438	117A-55
400 438	121-39
400 440	2-45
400 440	30-38
400 440	33-92
400 440	36-62
400 440	37-8
400 440	37-9
400 440	38-60
400 440	38-78
400 440	45-71
400 440	59-16
400 440	85-30
400 441	2-83
400 441	26-39
400 441	36-54
400 441	45-50
400 441	45-71
400 441	81-72
400 441	81-72
400 441	82-81
400 441	83-40
400 441	91-36
400 441	93-46
400 441	110-27
400 443	29-10
400 443	93-39
400 443	97-16
400 444	39-60
400 444	91-34
400 444	97-29
400 444	115-33

# PIPER PARTS CATALOG

Part Number	Figure and Index No.
400 446	96-28
400 446	98-25
400 446	129A-4
400 450	24-10
400 450	91-37
400 450	91-41
400 450	93-12
400 450	95-5
400 450	95-6
400 451	98-22
400 451	98-26
400 451	129A-3
400 453	2-47
400 453	33-77
400 453	81-77
400 453	82-68
400 455	2-47
400 459	121-45
400 460	2-54
400 463	36-55
400 463	73-21
400 478	2-90
400 621	2-39
400 673	33-81
400 673	90-36
400 675	27-29
400 675	92-20
400 677	95-28
400 698	96-20
400 699	32-30
400 700	90-35
400 706	34-30
400 743	46-53
400 867	60-33
400 868	91-18
400 869	33-33
400 869	95-34
400 873	93-38
400 874	2-90
400 878	61-7b
400 880	2-90
400 882	2-90
400 882	31-17
400 882	62-11
400 882	62-40
400 882	62-50
400 888	2-90
400 889	34-23
400 890	61-33
400 890	62-77
400 905	27-3
400 907	60-47
400 907	61-34
400 907	62-78
400 909	27-16
400 912	92-28
400 914	31-44
400 915	61-9

Part Number	Figure and Index No.
400 915	63-12
400 917	61-16
400 917	62-18
400 917	62-82
400 919	27-30
400 919	60-50
400 920	62-12
400 920	62-41
400 920	62-49
400 920	62-70
400 920	63-28
400 922	62-54
400 924	61-19
400 924	61-34
400 924	62-78
400 926	62-59
400 926	62-81
400 927	63-27
400 932	62-55
400 935	26-11
401 101	34-25
401 185	121-38
401 186	2-35
401 187	34-26
401 187	34-28
401 187	39-57
401 188	34-27
401 188	39-88
401 189	34-23
401 189	39-88
401 189	90-44
401 191	97-73
401 193	97-69
401 195	39-76
401 263	46-65
401 264	97-30
401 266	2-30
401 266	10-20
401 266	30-44
401 266	34-29
401 266	35-47
401 266	39-19
401 266	48-19
401 266	93-2
401 266	97-57
401 269	2-34
401 269	29-13
401 269	46-51
401 269	83-41
401 269	91-26
401 269	91-32
401 269	93-11
401 269	95-12
401 269	110-28
401 270	39-58
401 270	93-9
401 270	97-15
401 273	81-73

Part Number	Figure and Index No.
401 273	82-78
401 273	83-38
401 273	93-15
401 273	126-17
401 274	78-33
401 274	81-78
401 274	82-69
401 302	46-57
401 307	78-35
401 307	86-21
401 307	87-20
401 307	112-21
401 307	121-42
401 307	126-18
401 310	2-84
401 310	34-24
401 310	39-69
401 310	39-89
401 310	90-45
401 310	90-57
401 310	92-24
401 310	94-26
401 311	2-46
401 311	29-32
401 311	39-56
401 311	39-62
401 311	45-45
401 311	92-26
401 312	2-52
401 312	29-33
401 315	94-46
401 318	48-15
401 318	94-31
401 330	42-8
401 334	92-25
401 335	94-32
401 353	2-36
401 353	2-38
401 365	2-37
401 366	90-34
401 375	41-8
401 388	40-43
401 394	2-33
401 395	2-82
401 404	39-77
401 410	40-18
401 411	48-17
401 419	46-58
401 420	40-19
401 421	71-11
401 455	45-46
401 504	2-40
401 919	114-6
401 985	125-20
402 031	45-54
402 038	94-38
402 070	31-38
402 288	95-40

Part Number	Figure and Index No.
402 298	95-41
402 303	34-22
402 303	90-33
402 310	34-22
402 311	94-29
402 312	46-49
402 313	34-25
402 317	90-59
402 317	94-27
402 321	34-14
402 344	46-48
402 360	46-19
402 370	40-45
402 377	40-44
402 422	45-60
402 426	45-55
402 437	45-48
402 517	39-67
402 526	39-68
402 726	95-25
402 741	29-21
403 628	48-16
404 100	49-50
404 100	78-4
404 100	78-32
404 100	93-23
404 100	94-30
404 101	34-22
404 101	34-36
404 101	45-51
404 101	45-52
404 101	45-53
404 101	45-56
404 101	45-57
404 101	45-65
404 101	46-49
404 101	50-15
404 101	96-21
404 101	98-18
404 102	39-66
404 102	46-48
404 103	39-61
404 103	39-63
404 103	40-44
404 103	40-45
404 104	40-46
404 104	45-48
404 104	45-55
404 104	45-60
404 105	39-67
404 105	39-68
404 105	39-75
404 106	45-49
404 107	39-74
404 120	33-81
404 224	29-48
404 224	33-58
404 224	33-94

# PIPER PARTS CATALOG

Part Number	Figure and Index No.
404 224	73-44
404 224	76-30
404 224	85-44
404 224	89-33
404 224	89-36
404 224	105-26
404 225	121-43
404 226	94-15
404 226	121-38
404 227	33-61
404 321	33-93
404 322	78-8
404 322	90-14
404 322	91-30
404 322	93-21
404 322	98-19
404 330	33-82
404 392	76-40
404 392	90-36
404 392	92-20
404 392	95-30
404 392	106-38
404 392	110-26
404 392	112-16
404 393	34-30
404 393	90-33
404 393	90-35
404 393	96-20
404 394	46-53
404 469	40-14
404 528	102-7
404 530	33-86
404 596	115-36
404 596	115-37
404 596	123-46
404 638	121-36
404 638	121-50
404 678	35-20a
404 752	121-41
404 829	30-28
404 829	92-21
404 829	97-60
404 829	98-27
404 829	124-7
404 829	130A-37
404 833	64-70
404 833	64-76
404 833	65-39
404 833	76-36
404 833	76-33
404 833	85-52
404 833	89-50
404 833	93-14
404 833	110-30
404 835	2-47
404 835	24-10
404 835	29-39
404 835	29-74

Part Number	Figure and Index No.
404 835	33-33
404 835	48-19
404 835	51-17
404 835	51-32
404 835	61-7b
404 835	62-50
404 835	63-21
404 835	71-52
404 835	76-33
404 835	85-48
404 835	91-26
404 835	93-11
404 835	93-12
404 835	93-15
404 835	95-5
404 835	95-6
404 835	95-34
404 835	97-16
404 835	97-29
404 835	98-22
404 835	98-23
404 835	98-25
404 835	107-29
404 836	26-11
404 836	33-85
404 836	48-15
404 836	48-16
404 836	61-7
404 836	61-9
404 836	61-19
404 836	62-49
404 836	63-12
404 836	63-22
404 836	63-27
404 836	63-31
404 836	90-45
404 836	90-57
404 836	92-23
404 836	92-24
404 836	92-25
404 836	92-26
404 836	92-28
404 836	94-26
404 836	94-31
404 836	94-32
404 836	94-33
404 836	94-46
404 836	98-24
404 837	90-44
404 838	45-46
404 838	46-19
404 838	48-17
404 887	2-30
404 887	2-34
404 887	2-54
404 887	2-83
404 887	2-90
404 887	7-94

Part Number	Figure and Index No.
404 887	10-20
404 887	20-61
404 887	26-39
404 887	29-72
404 887	30-38
404 887	30-44
404 887	33-77
404 887	33-84
404 887	33-87
404 887	33-92
404 887	35-43
404 887	35-45
404 887	37-10
404 887	39-58
404 887	39-60
404 887	45-50
404 887	45-54
404 887	45-71
404 887	46-51
404 887	49-40
404 887	49-45
404 887	49-46
404 887	60-33
404 887	68-79
404 887	71-53
404 887	73-21
404 887	73-32
404 887	73-35
404 887	73-38
404 887	73-45
404 887	76-26
404 887	78-33
404 887	81-72
404 887	81-73
404 887	81-77
404 887	81-78
404 887	82-68
404 887	82-69
404 887	82-78
404 887	82-81
404 887	83-38
404 887	83-40
404 887	83-41
404 887	85-30
404 887	85-34
404 887	88-71
404 887	88-72
404 887	91-18
404 887	91-34
404 887	91-36
404 887	91-37
404 887	91-32
404 887	93-38
404 887	93-39
404 887	91-41
404 887	93-46
404 887	94-38
404 887	94-43

Part Number	Figure and Index No.
404 887	95-12
404 887	95-25
404 887	95-28
404 887	95-40
404 887	95-41
404 887	96-13
404 887	96-16
404 887	96-8
404 887	106-40
404 887	110-27
404 887	110-28
404 887	114-35
404 887	121-44
404 887	126-17
404 887	129-22
404 888	2-29
404 888	2-46
404 888	2-52
404 888	2-84
404 888	2-85
404 888	34-14
404 888	34-24
404 888	34-31
404 888	39-43
404 888	39-56
404 888	39-59
404 888	39-62
404 888	39-64
404 888	39-69
404 888	39-89
404 888	42-10
404 888	43-13
404 888	44-17
404 888	45-44
404 888	45-45
404 888	45-58
404 888	46-50
404 888	62-56
404 888	80-20
404 888	81-88
404 888	82-87
404 888	88-70
404 888	90-22
404 888	90-27
404 888	90-29
404 888	90-30
404 888	90-59
404 888	94-27
404 888	94-29
404 888	121-37
404 888	130-47
404 888	129A-5
404 889	2-35
404 889	2-36
404 889	2-37
404 889	2-38
404 889	34-26
404 889	34-27

# PIPER PARTS CATALOG

Part Number	Figure and Index No.
404 889	34-28
404 889	39-57
404 889	39-76
404 889	39-88
404 889	41-10
404 889	47-12
404 889	94-28
404 889	97-69
404 890	2-33
404 890	2-82
404 890	39-77
404 890	40-19
404 890	40-44
404 890	71-11
404 891	2-40
404 900	2-39
404 908	93-10
404 908	115-39
404 909	24-18
404 909	30-17
404 909	35-30
404 909	72-14
404 909	78-28
404 909	83-39
404 909	91-19
404 909	92-22
404 909	93-45
404 909	95-16
404 909	96-19
404 909	97-50
404 909	97-63
404 909	119-20
404 909	123-36
404 910	24-15
404 910	26-25
404 910	26-26
404 910	26-32
404 910	26-52
404 910	29-49
404 910	33-88
404 910	39-71
404 910	72-11
404 910	72-12
404 910	72-20
404 910	73-33
404 910	73-39
404 910	76-27
404 910	76-42
404 910	77-28
404 910	81-70
404 910	85-36
404 910	90-19
404 910	91-16
404 910	93-40
404 910	95-26
404 910	111-27
404 910	112-20
404 915	46-20

Part Number	Figure and Index No.
405 100	123-44
405 312	78-22
405 312	86-23
405 312	87-32
405 312	96-18
405 312	121-35
405 312	123-45
405 580	90-11
406 346	123-47
406 355	35-48
406 355	36-58
406 355	37-41
406 355	38-61
406 362	2-42
406 362	34-33
406 385	33-91
406 434	2-31
406 435	122-69
406 526	55-31
406 636	97-15
406 638	89-40
406 702	27-29
406 704	64-76
406 714	77-17
406 789	14-35a
406 789	14-36a
406 789	14-37a
406 789	14-38a
406 789	15-9a
406 789	15-31a
406 789	16-4a
406 789	16-5a
406 789	16-6a
406 789	16-15a
406 789	16-16a
406 789	16-17a
406 807	16-52a
406 809	11-23
406 810	11-12
406 812	15-10a
406 812	16-7a
406 812	16-8a
406 812	16-9a
406 812	16-10a
406 812	16-11a
406 819	34-9
406 820	11-32
406 824	34-8
406 826	11-11
406 827	77-25a
406 834	11-31
406 848	30-21
406 863	14-67
406 863	59-18
406 870	29-61
407 040	115-36
407 040	115-37
407 041	67-12

Part Number	Figure and Index No.
407 041	129-16
407 042	97-54
407 042	107-27
407 042	123-45
407 043	86-23
407 043	87-32
407 043	89-38
407 043	107-22
407 043	121-35
407 043	121-40
407 043	123-45
407 044	76-34
407 044	78-35
407 044	112-21
407 044	121-37
407 044	121-43
407 044	126-18
407 045	121-36
407 045	121-50
407 046	114-44
407 102	66-39
407 104	78-22
407 120	26-13
407 120	81-41
407 120	82-41
407 127	76-35
407 127	81-85
407 127	81-98
407 127	81-87
407 127	81-88
407 127	82-74
407 127	82-76
407 127	82-87
407 127	82-88
407 127	82-89
407 129	89-38
407 132	123-46
407 134	27-3
407 134	31-27
407 134	31-47
407 135	120-12
407 136	86-21
407 136	86-22
407 136	87-20
407 136	87-21
407 137	121-38
407 143	33-82
407 143	78-2
407 143	91-17
407 143	93-44
407 143	95-29
407 144	81-83
407 561	62-13
407 561	115-35
407 562	30-27
407 562	60-31
407 562	60-32
407 562	60-34

Part Number	Figure and Index No.
407 562	88-78
407 562	97-50
407 562	97-60
407 562	97-63
407 562	98-27
407 562	124-7
407 563	26-25
407 563	29-49
407 563	39-71
407 563	64-76
407 563	65-39
407 563	76-28
407 563	77-33
407 563	90-19
407 563	91-16
407 563	93-40
407 563	101-28
407 563	107-27
407 563	110-30
407 564	2-54
407 564	2-83
407 564	7-94
407 564	10-20
407 564	26-19
407 564	26-31
407 564	26-56
407 564	29-72
407 564	30-38
407 564	30-39
407 564	30-44
407 564	30-46
407 564	33-79
407 564	38-60
407 564	39-21
407 564	39-58
407 564	39-60
407 564	45-50
407 564	45-54
407 564	45-71
407 564	48-19
407 564	49-40
407 564	49-45
407 564	49-46
407 564	51-16
407 564	51-31
407 564	60-33
407 564	64-82
407 564	73-21
407 564	73-35
407 564	76-29
407 564	78-21
407 564	78-33
407 564	81-77
407 564	81-78
407 564	82-68
407 564	82-69
407 564	91-26
407 564	91-34



# PIPER PARTS CATALOG

Part Number	Figure and Index No.
407 564	91-36
407 564	91-37
407 564	92-20
407 564	93-9
407 564	93-11
407 564	93-12
407 564	93-13
407 564	94-38
407 564	94-42
407 564	95-6
407 564	95-12
407 564	95-25
407 564	95-28
407 564	95-40
407 564	97-15
407 564	97-16
407 564	97-29
407 564	98-23
407 564	98-25
407 564	107-31
407 564	110-27
407 564	110-28
407 564	115-30
407 564	115-31
407 564	115-32
407 564	121-39
407 564	121-41
407 564	121-45
407 564	126-17
407 565	2-29
407 565	2-52
407 565	9-43
407 565	26-37
407 565	26-50
407 565	26-55
407 565	27-30
407 565	31-44
407 565	34-14
407 565	34-22
407 565	34-24
407 565	34-25
407 565	34-31
407 565	34-36
407 565	39-43
407 565	39-59
407 565	39-62
407 565	39-64
407 565	39-69
407 565	39-70
407 565	39-72
407 565	40-17
407 565	42-9
407 565	43-8
407 565	45-44
407 565	45-45
407 565	45-51
407 565	45-52
407 565	45-53

Part Number	Figure and Index No.
407 565	45-56
407 565	45-58
407 565	45-65
407 565	46-49
407 565	46-50
407 565	48-15
407 565	48-16
407 565	50-15
407 565	60-50
407 565	60-61
407 565	61-7
407 565	61-16
407 565	61-19
407 565	62-54
407 565	62-55
407 565	62-59
407 565	62-70
407 565	62-81
407 565	62-82
407 565	63-22
407 565	63-27
407 565	63-28
407 565	63-31
407 565	72-10
407 565	72-16
407 565	72-13
407 565	76-35
407 565	78-37
407 565	85-30
407 565	87-22
407 565	88-70
407 565	90-22
407 565	90-27
407 565	90-29
407 565	90-33
407 565	90-45
407 565	90-57
407 565	90-59
407 565	92-23
407 565	92-24
407 565	92-25
407 565	92-26
407 565	92-28
407 565	92-29
407 565	94-26
407 565	94-31
407 565	94-32
407 565	94-33
407 565	94-46
407 565	96-21
407 565	98-18
407 565	98-24
407 565	121-42
407 565	126-18
407 565	130-47
407 566	2-35
407 566	2-36
407 566	2-38

Part Number	Figure and Index No.
407 566	27-3
407 566	31-47
407 566	34-23
407 566	34-26
407 566	34-27
407 566	34-28
407 566	39-65
407 566	39-66
407 566	41-9
407 566	46-53
407 566	47-11
407 566	83-37
407 566	89-39
407 566	90-34
407 566	90-44
407 566	94-28
407 566	97-69
407 566	105-17
407 566	118-19
407 566	121-50
407 567	2-33
407 567	2-82
407 567	39-61
407 567	39-63
407 567	39-77
407 567	40-18
407 567	40-44
407 567	40-45
407 567	46-19
407 567	46-58
407 567	48-17
407 567	48-23
407 567	51-8
407 567	52-56
407 567	52-57
407 567	52-63
407 567	66-60
407 567	66-62
407 567	67-18
407 567	71-11
407 567	74-34
407 567	78-33
407 567	101-44
407 568	40-42
407 568	45-48
407 568	45-55
407 568	45-60
407 568	49-43
407 568	50-18
407 568	52-53
407 568	66-61
407 568	66-63
407 568	71-8
407 568	71-9
407 568	99-59
407 568	100-29
407 568	101-27
407 568	101-31

Part Number	Figure and Index No.
407 568	130A-59
407 569	2-39
407 569	26-27
407 569	39-67
407 569	39-68
407 569	39-75
407 570	117-11
407 570	117-12
407 571	39-74
407 573	81-80
407 573	82-71
407 573	99-60
407 573	114-43
407 573	116-70
407 575	70-10
407 575	116-71
407 576	114-39
407 583	29-62
407 583	33-88
407 584	2-34
407 584	2-47
407 584	2-83
407 584	2-90
407 584	26-19
407 584	26-39
407 584	26-55
407 584	27-29
407 584	29-62
407 584	29-63
407 584	30-18
407 584	31-15
407 584	31-18
407 584	31-19
407 584	33-70
407 584	33-77
407 584	33-80
407 584	33-92
407 584	34-29
407 584	35-45
407 584	35-47
407 584	37-9
407 584	37-10
407 584	38-78
407 584	46-51
407 584	46-65
407 584	49-50
407 584	50-17
407 584	61-7b
407 584	62-11
407 584	62-40
407 584	62-50
407 584	76-32
407 584	78-4
407 584	78-32
407 584	78-33
407 584	78-34
407 584	80-14
407 584	85-45

# PIPER PARTS CATALOG

Part Number	Figure and Index No.
407 584	85-50
407 584	88-82
407 584	89-33
407 584	93-9
407 584	93-15
407 584	93-39
407 584	94-43
407 584	95-5
407 584	95-35
407 584	96-16
407 584	97-30
407 584	97-57
407 584	98-20
407 584	98-21
407 584	98-22
407 584	105-23
407 584	110-29
407 584	112-18
407 584	112-19
407 585	2-85
407 585	26-37
407 585	26-50
407 585	26-11
407 585	29-49
407 585	39-56
407 585	39-89
407 585	42-16
407 585	43-13
407 585	44-15
407 585	44-19
407 585	45-53
407 585	45-56
407 585	46-49
407 585	61-7
407 585	62-12
407 585	62-41
407 585	62-49
407 585	62-59
407 585	62-81
407 585	63-22
407 585	76-34
407 585	81-88
407 585	82-87
407 585	90-35
407 585	92-30
407 585	93-39
407 585	96-20
407 586	39-88
407 586	105-17
407 587	48-18
407 587	78-33
407 591	2-40
407 591	40-42
407 591	40-46
407 591	45-60
407 593	68-77
407 597	108-45
407 601	45-47

Part Number	Figure and Index No.
407 674	33-33
407 676	74-25
407 677	74-25
407 677	121-38
407 678	125-20
407 682	31-17
407 685	52-65
407 686	48-24
407 698	69-9
407 800	31-18
407 800	91-37
407 957	45-49
407 984	105-11
408 803	78-31
408 811	72-9
408 811	72-10
408 811	72-16
408 811	72-21
408 813	64-82
408 815	105-13
408 825	2-51
408 825	97-73
408 833	89-35
409 567	101-43
410 032	57-22
410 041	20-61
410 042	98-23
410 050	29-39
410 055	31-16
410 076	27-17
410 076	31-48
410 242	33-88
410 251	93-40
410 253	91-16
410 253	95-26
411 211	35-45
411 211	37-10
411 349	48-9
411 528	31-27
411 528	31-47
411 528	118-46
411 529	63-21
411 530	49-44
411 530	115-40
411 531	32-21
411 532	33-84
411 532	49-40
411 532	71-53
411 532	73-34
411 532	73-38
411 532	76-26
411 532	86-25
411 532	87-28
411 532	88-78
411 532	89-38
411 532	106-37
411 532	106-40
411 532	107-29

Part Number	Figure and Index No.
411 532	113-22
411 532	114-35
411 533	33-90
411 533	64-82
411 533	76-43
411 533	80-28
411 534	73-32
411 534	96-17
411 538	7-94
411 539	49-46
411 544	73-44
411 545	119-7
411 583	85-34
412 673	130A-37
414 425	2-87
414 427	24-16
414 427	24-17
414 507	35-44
414 507	64-74
414 508	64-79
414 508	80-27
414 508	119-20
414 551	32-12
414 705	89-40
414 748	2-42
414 748	34-8
414 748	34-9
414 748	34-33
414 748	34-42
414 748	35-48
414 748	36-56
414 748	37-41
414 748	38-61
414 748	88-72
414 750	26-12
414 756	30-20
414 756	123-43
414 761	86-29
414 761	87-34
414 763	2-79
414 763	32-29
414 763	34-41
414 763	37-12
414 763	86-27
414 763	87-36
414 763	88-87
414 763	115-38
414 769	80-24
414 779	2-27
414 779	2-87
414 779	33-37
414 779	86-28
414 779	89-37
414 779	115-34
414 781	71-51
415 146	124-7
415 149	48-20
415 149	129-22

Part Number	Figure and Index No.
415 158	97-63
415 161	98-27
415 245	28-9
415 246	33-34
415 261	24-11
415 267	24-12
415 269	24-14
415 283	29-74
415 379	71-50
415 381	24-15
415 408	55-31
415 408	122-6
415 419	29-26
415 449	72-12
415 449	77-28
415 450	72-8
415 450	72-20
415 491	62-21
415 493	35-30
415 493	88-86
415 497	61-38
415 497	62-85
415 500	58-5
415 505	115-39
415 508	115-36
415 510	115-37
415 514	92-27
415 514	96-19
415 517	64-75
415 517	77-34
415 518	2-31
415 518	30-17
415 518	30-22
415 518	85-51
415 518	90-52
415 518	92-21
415 518	107-25
415 520	30-21
415 520	30-28
415 520	34-35
415 520	64-78
415 520	113-20
415 520	129-16
415 521	92-22
415 521	97-60
415 521	106-39
415 522	89-52
415 522	95-16
415 523	83-39
415 528	97-50
415 533	2-41
415 533	2-81
415 533	4-23
415 533	25-18
415 533	26-26
415 533	73-39
415 533	76-42
415 533	77-33

# PIPER PARTS CATALOG

Part Number	Figure and Index No.
415 533	81-81
415 533	96-15
415 533	107-27
415 533	112-20
415 535	2-32
415 535	25-17
415 535	26-13
415 535	26-25
415 535	26-32
415 535	33-8
415 535	33-30
415 535	33-99
415 535	64-70
415 535	73-33
415 535	76-27
415 535	76-36
415 535	85-35
415 535	86-30
415 535	87-37
415 535	97-54
415 535	106-41
415 535	113-21
415 536	39-71
415 536	93-14
415 537	24-13
415 537	86-24
415 538	26-52
415 538	87-35
415 538	97-53
415 539	89-50
415 541	81-70
415 544	33-76
415 633	29-49
415 633	90-19
415 688	93-10
415 729	24-18
415 745	124-6
415 752	81-40
415 752	82-40
415 754	72-11
416 094	91-19
416 094	93-45
416 095	78-28
416 098	40-38
416 131	71-52
416 133	29-47
416 691	31-43
416 785	28-4
416 785	89-38
416 794	121-44
416 800	29-61
416 987	27-3
416 998	49-45
417 703	49-38
417 776	77-17
417 784	121-35
418 351	81-87
418 351	82-88

Part Number	Figure and Index No.
418 418	72-16
418 419	72-10
418 420	76-34
418 421	72-13
418 431	81-85
418 431	81-98
418 431	82-76
418 431	82-89
418 433	76-35
418 448	81-83
418 448	82-74
418 757	114-44
419 600	46-56
419 690	26-28
419 690	58-7
419 691	107-28
419 806	59-15
419 882	60-66
419 883	97-49
419 886	97-51
419 927	89-53
419 953	58-4
419 981	23-15
419 984	120-21
420 189	33-91
420 741	29-31
424 032	33-79
424 032	33-80
424 032	33-81
424 050	105-11
424 051	26-19
424 051	26-31
424 051	26-56
424 051	26-55
424 051	29-62
424 051	29-63
424 051	30-16
424 051	30-18
424 051	30-19
424 051	30-27
424 051	30-39
424 051	30-46
424 051	33-83
424 051	34-25
424 051	34-30
424 051	34-36
424 051	46-50
424 051	46-53
424 051	49-50
424 051	50-14
424 051	60-31
424 051	60-32
424 051	60-34
424 051	62-13
424 051	76-29
424 051	76-40
424 051	78-4
424 051	78-32

Part Number	Figure and Index No.
424 051	78-34
424 051	80-14
424 051	80-21
424 051	80-26
424 051	85-45
424 051	85-50
424 051	90-23
424 051	90-33
424 051	90-35
424 051	92-20
424 051	92-31
424 051	92-32
424 051	92-34
424 051	93-23
424 051	94-30
424 051	94-35
424 051	94-42
424 051	95-30
424 051	98-18
424 051	98-20
424 051	98-21
424 051	105-23
424 051	106-38
424 051	110-8
424 051	112-16
424 051	112-18
424 051	115-30
424 051	115-31
424 051	115-32
424 052	26-27
424 052	26-57
424 052	33-97
424 052	34-22
424 052	39-66
424 052	45-51
424 052	45-52
424 052	45-53
424 052	45-56
424 052	45-57
424 052	45-65
424 052	46-48
424 052	46-49
424 052	50-15
424 052	95-7
424 052	96-20
424 052	96-21
424 059	40-44
424 059	40-45
424 059	40-46
424 059	45-48
424 059	45-55
424 059	45-60
424 060	39-61
424 060	39-63
424 060	39-67
424 060	39-68
424 060	39-75
424 061	74-17

Part Number	Figure and Index No.
424 067	45-49
424 068	39-74
424 071	40-47
424 095	29-73
424 095	31-15
424 095	31-18
424 095	31-19
424 140	29-62
424 141	62-13
424 141	80-21
424 142	60-32
424 143	60-31
424 143	60-34
424 145	30-27
424 149	92-34
424 154	90-23
424 164	94-35
424 171	112-18
424 173	26-31
424 173	80-26
424 173	115-32
424 174	26-19
424 174	29-63
424 174	78-34
424 175	26-56
424 175	29-62
424 175	31-15
424 175	85-50
424 175	105-23
424 176	30-18
424 176	50-13
424 176	85-45
424 176	98-20
424 177	26-55
424 177	33-79
424 177	76-29
424 177	115-30
424 178	31-18
424 178	31-19
424 181	33-80
424 182	30-46
424 182	115-31
424 183	29-73
424 183	30-39
424 185	80-14
451 852	117-11
451 853	71-46
451 854	113-19
451 921	68-60
452 009	26-45
452 011	90-24
452 011	90-38
452 011	92-16
452 011	94-19
452 011	97-35
452 011	97-47
452 015	91-23
452 015	92-15

# PIPER PARTS CATALOG

Part Number	Figure and Index No.
452 015	93-5
452 015	95-38
452 015	130-43
452 036	32-5
452 331	8-35
452 344	90-5
452 344	94-7
452 347	95-9
452 353	27-28
452 357	33-75
452 357	46-5
452 357	91-31
452 359	89-3
452 359	89-5a
452 359	89-11
452 359	89-13
452 359	89-15
452 359	89-17
452 361	90-6
452 362	90-7
452 381	88-38
452 381	88-49
452 381	88-59
452 381	91-8
452 381	93-30
452 381	95-22
452 383	32-8
452 383	39-23
452 383	39-25
452 383	45-13
452 383	52-15
452 386	7-66
452 386	7-83
452 386	7-92
452 386	34-18
452 386	35-20
452 386	37-39
452 386	37-49
452 412	45-15
452 412	45-18
452 412	48-11
452 427	93-35
452 429	40-40
452 431	98-2
452 434	88-33
452 439	45-17
452 440	45-42
452 441	39-27
452 458	97-8
452 480	93-22
452 480	95-11
452 512	97-45
452 568	33-69
452 663	46-3
452 918	126-3
452 939	71-39
452 940	71-39
452 941	71-39

Part Number	Figure and Index No.
452 959	112-9
453 009	110-9
453 010	110-9
453 124	40-33
453 124	46-39
453 171	121-27
453 198	77-15
453 206	39-85
453 206	45-68
453 206	52-26
453 415	129-12
453 424	123-32
453 445	129-12
453 501	117A-35
453 502	117A-10
453 618	66-59
453 661	64-58
453 691	64-55
453 694	26-40
453 694	64-56
453 709	64-57
453 723	45-26
453 729	37-35
453 732	7-88
453 732	23-29
453 732	86-38
453 732	87-31
453 732	91-22
453 733	29-19
453 733	29-25
453 735	46-32
453 736	45-62
453 744	46-37
453 751	118-37
453 768	39-80
453 770	39-82
453 772	73-29
453 774	45-29
453 775	40-23
453 776	45-21
453 776	45-24
453 777	39-38
453 778	39-82
453 780	37-33
453 781	37-36
453 782	45-64
453 786	40-21
453 787	8-44
453 790	97-71
453 791	64-71
453 791	120-27
453 792	123-28
453 794	38-17a
453 794	38-18
453 808	46-23a
453 809	40-22
453 815	46-23
453 817	64-59

Part Number	Figure and Index No.
453 824	97-13
453 839	129-7
453 845	102-15a
453 891	64-60
454 053	40-34
454 053	46-40
454 173	69-19
454 173	99-57
454 277	130-18
454 277	130A-36
454 294	60-44
454 299	99-58
454 656	75-13
454 656	122-22
454 656	129A-6
454 656	130-17
454 656	130A-55
454 657	122-22
454 657	130-16
454 658	122-22
454 659	122-22
454 663	122-22
454 677	127-20
454 680	122-22
454 691	122-5
454 693	122-22
454 695	129-25
454 695	130-15
454 712	122-10
454 808	109-19
454 818	111-10
454 832	65-41
454 832	68-68
454 832	117-13
454 852	73-42
454 852	87-30
454 862	66-69
454 862	73-19
454 862	82-80
454 867	26-44
454 867	90-26
454 867	90-37
454 867	91-24
454 867	92-18
454 867	93-8
454 867	94-21
454 867	95-4
454 867	97-48
454 867	130-45
454 867	130A-15
454 868	66-53
454 868	71-35
454 868	73-18
454 868	76-20
454 868	81-32
454 868	82-67
454 868	114-26
454 887	49-35

Part Number	Figure and Index No.
454 887	76-23
454 887	106-29
454 887	107-26
454 887	110-35
454 901	31-11
454 901	78-7
454 912	106-50
454 914	106-51
454 921	116-64
454 924	39-87
454 924	45-70
454 927	35-41
454 927	117A-54
454 928	33-74
454 928	66-70
454 928	76-22
454 928	129-9
454 929	33-73
454 929	49-36
454 929	66-66
454 929	89-27
454 929	71-37
454 929	76-21
454 929	85-31
454 929	117A-53
454 931	70-7
454 931	82-62
454 932	85-32
454 932	96-14
454 933	49-37
454 933	66-67
454 933	71-36
454 933	73-22
454 933	76-24
454 933	82-64
454 933	85-33
454 933	117-15
454 935	66-68
454 935	70-8
454 935	76-25
454 977	73-20
454 977	86-31
454 977	106-42
454 981	73-24
454 982	11-49
454 983	14-69
454 983	68-67
454 983	113-25
454 983	117-14
454 983	121-32
454 985	71-25
454 987	65-11
454 987	68-69
454 994	68-65
454 994	116-65
454 997	73-23
455 124	40-32
455 124	46-38

# PIPER PARTS CATALOG

Part Number	Figure and Index No.
455 211	121-4
455 302	71-31
455 404	65-6
455 420	117-10
455 961	100-1
455 961	102-16
455 971	49-2
455 971	50-1
455 971	51-1
455 973	52-43
455 974	117A-1
455 975	117A-1
456 014	46-4
456 556	118-43
456 622	114-7
456 682	86-48
456 682	87-45
456 682	131-70
456 705	118-62
456 706	121-18
456 753	130-3
456 758	121-47
456 758	130A-4
456 802	129-15
457 156	80-16
458 852	114-30
458 858	116-68
458 872	81-94
458 872	82-94
458 876	83-30
458 878	101-42
458 879	52-55
458 879	66-52
458 879	67-19
458 880	49-27
458 880	99-50
458 881	82-75
458 881	99-51
458 881	114-29
458 886	82-39
458 888	66-72
458 889	67-20
458 891	66-54
458 891	71-43
458 891	81-66
458 894	69-20
458 894	81-26
458 894	82-26
458 894	113-17
458 894	113-18
458 894	130A-60
458 895	73-28
458 898	81-38
458 899	52-56
458 899	52-60
458 899	66-55
458 899	101-41
458 899	103-73

Part Number	Figure and Index No.
458 900	49-28
458 900	49-55
458 900	49-59
458 900	50-11
458 900	52-53
458 900	66-58
458 900	100-35
458 900	104-23
458 900	130A-59
458 901	103-71
458 901	117-12
458 905	68-58
458 905	101-47
458 909	66-56
458 910	49-29
458 910	66-57
458 910	99-52
458 910	100-34
458 910	104-24
458 911	103-72
458 914	73-36
458 914	81-39
458 914	82-45
458 914	99-53
458 934	66-46
458 934	101-23
458 945	68-54
459 839	60-55
459 928	97-36
459 930	97-36
459 958	130-44
460 006	11-13
460 008	61-38
460 008	62-21
460 008	62-85
460 042	61-4a
460 042	62-15
460 042	62-24a
460 044	33-36
460 574	114-33
460 635	101-50
460 684	118-36
460 682	114-46
460 690	46-42
460 691	39-39
460 691	40-16
460 691	40-24
460 691	40-29
460 691	45-20
460 691	45-28
460 691	46-29
460 691	46-35
460 817	72-18
460 823	39-30
460 823	39-35
460 823	45-23
460 853	68-49
460 853	116-45

Part Number	Figure and Index No.
460 855	65-26
460 856	68-53
460 866	68-51
460 866	116-51
460 928	60-53
461 131	26-43
461 133	90-25
461 618	121-49
461 623	118-21
461 623	121-16
461 628	121-48
461 659	118-27a
461 660	118-27a
461 915	117A-6
462 023	101-2
462 023	52-59
462 026	52-60
462 026	52-66
462 026	101-38
462 027	49-32
462 027	49-57
462 027	50-9
462 027	52-61
462 027	52-64
462 027	71-33
462 027	81-84
462 027	82-54
462 027	99-63
462 027	100-32
462 027	101-33
462 028	101-37
462 031	73-30
462 031	101-46
462 051	40-39
462 053	116-62
462 061	81-24
462 061	82-24
462 062	71-32
463 376	35-40
463 400	14-71
463 416	77-9
464 327	129-11
464 362	129-11
465 256	121-15
467 029	52-45
467 477	120-1
467 482	64-15
467 482	65-21
468 002	120-33
468 006	120-16
469 138	33-54
469 148	33-56
471 044	89-34
471 064	33-21
471 065	60-6
471 080	59-3
472 017	14-55
472 017	77-3

Part Number	Figure and Index No.
472 028	64-64
472 028	65-43
472 028	85-24
472 028	116-37
472 028	120-11
472 028	122-13
472 029	119-3
472 047	120-26
472 049	118-48
472 052	123-23
472 058	64-24
472 059	86-42
472 059	87-41
472 061	122-12
472 078	123-27
472 184	127-22
472 331	85-23
472 684	97-34
472 684	97-40
472 694	85-22
472 709	127-6
472 710	127-6
472 739	120-31
472 740	120-29
472 742	64-63
472 742	65-42
472 742	123-40
472 769	124-2
472 788	119-13
472 829	123-40
472 840	125-17
472 868	55-17
472 981	127-18
472 985	119-2
474 085	117A-22
474 086	117A-22
474 111	117A-22
474 641	77-31
474 649	129-10
474 655	129-10
474 656	129-10
474 657	129-10
475 109	64-62
475 109	65-36
475 109	110-21
475 116	71-6
475 117	71-5
475 162	64-50
475 183	64-38
475 194	78-13
475 197	126-1
475 198	115-28
475 212	96-22
476 647	64-85
476 647	65-52
476 647	66-72
476 648	51-21
476 648	67-15

# PIPER PARTS CATALOG

Part Number	Figure and Index No.
476 648	71-41
476 648	107-24
476 649	83-43
476 649	107-23
476 686	107-7
476 701	126-5
477 612	71-49
477 617	52-56
477 617	52-57
477 617	52-63
477 617	52-65
477 617	66-60
477 617	67-18
477 617	101-43
477 618	49-43
477 618	50-18
477 618	52-53
477 618	66-61
477 618	69-24
477 618	71-54
477 618	99-59
477 618	99-67
477 618	100-29
477 618	101-27
477 618	130A-59
477 619	83-37
477 620	117-11
477 620	117-12
477 621	68-76
477 621	73-17
477 621	81-25
477 621	81-45
477 621	81-80
477 621	82-25
477 621	82-32
477 621	82-71
477 621	99-60
477 621	116-69
477 623	101-44
477 624	81-68
477 628	66-62
477 628	81-71
477 628	82-61
477 629	66-63
477 629	101-31
477 634	107-18
477 664	71-8
477 664	71-9
477 676	49-39
477 676	49-54
477 676	50-16
477 676	52-64
477 676	99-65
477 676	100-33
477 676	104-26
477 678	52-60
477 678	52-65
477 679	40-14

Part Number	Figure and Index No.
477 684	88-50
477 684	88-60
477 684	91-9
477 684	93-31
477 691	81-69
477 691	82-63
477 691	101-28
477 691	114-42
477 704	116-63
477 706	80-24
477 707	60-33
477 707	62-11
477 707	62-40
477 708	62-12
477 708	62-54
477 708	62-55
477 708	62-59
477 709	60-50
477 709	61-16
477 709	62-41
477 709	62-70
477 709	62-82
477 709	63-28
477 713	101-34
477 721	121-33
477 733	101-14
477 737	114-41
477 738	114-40
477 793	65-39
477 828	65-31
477 828	65-32
477 829	128-11
477 895	107-16
479 403	68-82
479 445	117A-22
479 451	117A-11
480 682	85-41
480 688	27-6
480 688	32-19
480 691	30-13
480 697	54-9
480 701	63-20
480 705	88-80
480 705	99-62
480 705	105-13
480 707	78-12
480 710	97-5
480 711	88-43
480 711	88-53
480 711	88-63
480 723	33-57
480 729	88-66
480 729	88-76
480 731	29-42
480 731	29-58
480 731	33-29
480 731	88-79
480 735	93-36

Part Number	Figure and Index No.
480 738	105-14
480 743	97-58
480 744	98-27
480 767	97-78
481 096	7-97
481 096	98-31
481 171	99-1
481 171	103-1
481 214	127-15
481 374	123-1
481 617	130-41
481 617	130A-19
481 626	88-90
481 626	90-21
481 626	90-47
481 626	90-50
481 626	91-20
481 627	90-20
481 627	90-40
481 627	90-56
481 627	92-5
481 627	94-4
481 640	91-21
481 640	91-28
481 640	93-1
481 640	95-1
481 651	90-43
481 652	97-74
481 771	101-3
481 771	102-34
481 801	81-47
481 802	82-47
484 135	65-50
484 154	55-34
484 182	118-12
484 207	120-30
484 217	16-53
484 283	101-45
484 293	14-5
484 293	20-78
484 297	81-67
484 301	77-21
484 301	79-13
484 312	77-16
484 351	52-54
484 351	81-53
484 351	82-60
484 359	114-34
484 427	130A-6
484 452	126-7
484 459	99-45
484 464	33-35
484 491	129-20
484 545	130A-7
484 560	118-26
484 561	118-27
484 675	52-19
484 675	52-24

Part Number	Figure and Index No.
484 695	46-18
484 698	43-6
484 700	51-23
484 701	43-18
484 701	44-10
484 701	49-32
484 701	51-7
484 701	101-52
484 708	51-24
484 730	51-6
484 730	51-12
484 752	49-33
484 752	49-56
484 752	50-8
484 752	52-64
484 752	99-64
484 752	100-31
484 752	101-32
484 753	52-59
484 753	52-60
484 753	52-65
484 755	14-71
484 755	77-8
484 756	46-26
484 757	46-55
484 759	46-54
484 760	40-37
484 762	40-41
484 768	45-41
484 781	40-19b
484 782	46-45
484 783	32-3
484 788	52-17
484 788	52-22
484 794	114-8
484 823	33-100
484 827	101-49
484 846	81-31a
484 846	82-31a
484 848	52-10
484 950	52-18
484 950	52-23
486 305	40-37
486 556	70-1
486 628	70-2
486 630	75-4
486 637	70-1
486 667	96-12
486 685	10-21
486 897	71-42
486 906	107-19
487 038	27-26
487 043	27-26
487 084	119-19
487 120	120-18
487 144	123-34
487 152	121-5
487 155	105-18

# PIPER PARTS CATALOG

Part Number	Figure and Index No.
487 167	118-3
487 167	118-41
487 167	121-6
487 170	120-28
487 291	92-38
487 464	105-16
487 560	54-10
487 583	59-2
487 584	117A-44
487 614	2-75
487 624	83-34
487 679	106-25
487 704	77-30
487 712	62-56
487 712	63-31
487 722	116-58
487 722	129-8
487 728	77-12
487 733	14-71
487 746	106-26
487 777	123-10
487 804	85-10
487 804	115-29
487 819	31-21
487 819	85-21
487 819	119-12
487 819	119-17
487 862	39-50
487 862	39-90
487 862	45-40
487 862	45-69
487 876	55-19
487 878	118-18
487 882	123-11
487 896	75-10
487 898	120-13
487 904	89-8
487 904	129-13
487 904	130-20
487 904	130-30
487 904	130A-35
487 904	130A-52
487 927	96-9
487 929	118-38
487 938	123-14
487 940	89-32
487 940	89-58
487 940	109-15
487 960	120-25
487 977	126-8
488 316	64-84
488 316	65-13
488 316	67-16
488 316	69-16
488 316	69-21
488 318	83-31
488 319	113-16
488 320	100-30

Part Number	Figure and Index No.
488 327	105-24
488 351	99-43
488 383	49-30
488 383	50-10
488 383	52-62
488 383	69-22
488 421	89-55
488 474	66-43
488 478	114-4
488 509	99-47
488 510	99-44
488 519	83-32
488 520	65-40
488 520	68-61
488 520	68-63
488 520	116-13
488 522	52-63
488 548	68-62
488 704	116-1
489 424	61-29
489 424	62-65
489 439	118-25
489 873	130-42
489 873	130A-15
491 048	81-29
491 048	82-44
491 048	83-33
491 049	52-59
491 049	66-47
491 049	101-40
491 050	49-25
491 050	52-61
491 050	66-48
491 050	99-46
491 050	100-20
491 050	100-36
491 050	101-48
491 050	103-74
491 050	104-25
491 051	99-48
491 051	101-39
491 052	114-36
491 053	81-44
491 053	81-22
491 053	81-97
491 053	82-43
491 053	82-85
491 053	99-49
491 053	101-36
491 053	103-70
491 053	114-9
491 053	114-37
491 058	83-35
491 059	66-49
491 060	49-26
491 060	50-12
491 060	66-50
491 060	69-23

Part Number	Figure and Index No.
491 060	100-28
491 060	101-26
491 067	66-51
491 068	81-58
491 068	82-72
491 068	101-25
491 073	114-38
491 973	117A-9
491 982	117A-9
492 100	69-18
492 100	81-34
492 100	82-34
492 100	86-35
492 100	87-23
492 106	99-42
492 108	86-36
492 108	87-27
492 110	81-42
492 110	84-11
492 111	81-36
492 111	82-36
492 111	84-8
492 120	116-47
492 152	49-1
492 152	51-19
492 170	99-54
492 190	99-55
492 191	99-56
492 192	113-3
492 203	55-46
492 239	81-11
492 239	82-29
492 239	84-15
492 242	68-3
492 243	68-3
492 271	116-48
492 279	116-11
492 687	118-16
494 060	2-76
494 060	59-3
494 060	117A-45
494 063	86-25
494 063	87-28
494 071	2-42
494 071	34-8
494 071	34-9
494 071	34-33
494 071	34-42
494 071	35-48
494 071	36-57
494 071	37-41
494 071	38-61
494 081	88-87
494 102	25A-46
494 102	26-12
494 102	26-28
494 102	28-9
494 102	31-43

Part Number	Figure and Index No.
494 102	33-34
494 102	58-4
494 102	58-7
494 118	24-16
494 118	24-17
494 119	71-23
494 125	45-66
494 338	20-86
494 338	62-90
494 338	63-29
494 678	129-15
494 686	71-38
494 721	46-47
494 722	40-25
506 619	34-17
510 239	88-71
514 747	88-84
514 748	65-30
514 748	65-31
514 748	88-73
514 749	65-33
514 750	65-32
514 750	65-34
514 752	65-9
515 713	85-42
515 714	85-37
515 714	105-29
515 715	123-47
515 716	123-46
515 738	88-44
515 739	88-74
517 808	120-12
548 013	64-2
548 013	65-17
548 036	64-7
548 302	64-1
548 331	64-10
548 331	65-20
550 390	118-13
550 684	64-15
550 684	65-21
550 967	71-12
550 967	74-1
550 968	71-12
550 968	74-1
551 730	39-2
551 730	44-1
551 731	39-2
551 731	44-1
551 744	39-2
551 744	43-1
551 769	39-3
551 769	42-1
551 791	45-2
551 791	47-1
551 793	39-3
551 793	41-1
551 920	126-4

# PIPER PARTS CATALOG

Part Number	Figure and Index No.
552 506	118-53
553 508	119-25
553 522	130A-43
554 257	86-39
554 257	87-38
554 552	81-46
554 552	82-42
554 623	79-68
554 623	106-49
554 649	81-89
554 649	82-82
554 670	62-42
554 671	62-42
554 678	86-33
554 678	87-25
554 701	106-30
554 726	71-34
554 757	76-18
554 775	114-27
554 802	65-29
554 802	68-70
554 806	68-71
554 834	106-27
554 834	110-12
554 848	73-25
554 868	64-51
554 874	49-34
554 885	81-76
554 885	82-65
554 888	68-72
554 897	71-45
554 901	124-8
554 914	60-46
554 919	68-66
554 919	79-69
554 927	114-28
554 929	106-28
554 945	110-22
554 947	73-41
554 963	98-38
554 971	68-81
554 992	125-9
555 355	126-6
555 356	126-2
555 366	71-30
555 799	118-42
556 743	64-69
556 743	65-28
558 898	79-26
558 907	116-67
558 913	65-38
558 913	68-55
558 925	68-56
558 925	116-60
558 926	68-56
558 931	68-59
558 931	116-61
558 932	68-59

Part Number	Figure and Index No.
558 933	68-57
558 933	116-59
560 690	123-29
565 225	49-8
565 225	50-2
565 226	49-7
565 226	50-3
565 251	77-14
565 274	118-57
565 322	106-6
565 323	118-28
565 367	130-2
565 367	130A-50
565 446	129-23
571 073	117A-29
571 077	105-15
571 078	61-11
571 088	76-13
571 091	62-20
571 112	113-23
571 116	126-16
571 144	54-4
571 192	123-22
572 553	120-7
572 554	56-6
572 604	127-3
572 605	127-3
581 482	114-5
581 656	122-23
581 807	122-20
583 578	117A-30
584 016	118-29
585 111	129-17
587 177	80-21
587 186	80-26
587 272	33-68
587 289	54-5
587 289	61-13
587 307	71-7
587 400	61-4b
587 548	77-10
587 600	60-5a
587 600	62-18
587 842	116-2
587 857	122-9
587 888	130A-53
587 965	64-40
587 965	128-10
587 966	118-63a
587 967	130A-3
587 979	120-4
587 984	130A-5
587 994	130A-5
588 018	113-12
588 018	114-45
588 083	118-59
588 171	64-12
588 172	64-33

Part Number	Figure and Index No.
588 139	130-1
588 214	123-12
588 283	123-13
588 342	129-21
588 388	113-17
588 494	130-6a
588 534	116-34
588 536	116-56
588 621	116-57
589 844	117A-27
589 878	117A-38
596 717	130A-34
597 257	128-6
597 583	130A-51
653 181	64-23a
686 012	46-45
688 148	130-21
688 148	130A-38
751 201	127-8
751 202	127-8
751 274	108-2
751 298	122-7
751 363	46-13
751 367	46-16
751 405	47-10
751 445	51-29
751 489	47-6
751 494	47-3
751 494	47-5
751 759	101-51
751 811	117A-17
751 812	117A-18
751 813	117A-20
751 814	117A-21
751 815	68-50
751 815	116-46
751 817	109-3
751 819	47-7
751 821	84-5
751 834	40-35
751 834	46-41
751 859	68-6
751 859	116-40
751 869	101-54
751 874	108-8
751 890	51-5
751 898	84-7
751 918	84-21
751 920	108-41
751 922	108-15
752 008	125-7
752 122	117A-23
752 137	108-17
752 350	30-11
752 350	80-25
752 355	117A-7
752 367	109-10
752 369	29-69

Part Number	Figure and Index No.
752 504	117A-16
752 505	117A-19
752 510	74-8
752 511	74-35
752 515	74-7
752 517	84-2
752 518	84-32
752 520	103-88
752 521	103-85
752 524	103-87
752 525	103-86
752 530	74-38
752 531	74-19
752 543	108-16
752 560	108-14
752 563	108-38
752 568	102-5
752 569	102-18
752 570	102-25
752 587	103-80
752 588	102-8
752 589	103-81
752 713	40-36
752 713	46-44
752 713	74-22
752 722	46-43
752 731	45-37
752 735	51-15
752 735	51-22
752 742	84-13
752 760	84-14
752 765	46-17
752 830	47-9
752 965	43-16
753 074	117A-25
753 110	51-26
753 215	51-11
753 391	109-5
753 392	109-6
753 433	117A-8
753 445	102-27
753 445	103-36
753 461	74-3
753 462	74-5
753 463	74-42
753 467	74-15
753 468	39-29
753 469	39-31
753 469	39-34
753 470	39-33
753 471	45-25
753 476	55-18
753 478	127-7
753 484	102-48
753 484	103-43
753 486	103-82
753 490	103-84
753 850	43-17



# PIPER PARTS CATALOG

Part Number	Figure and Index No.
753 910	68-5
753 941	117A-26
753 947	117A-5
753 974	117A-24
753 982	74-13
753 986	84-4
753 987	84-6
754 550	102-13
754 642	41-7
754 771	108-11
754 779	108-40
754 782	108-28
754 808	74-29
754 813	74-29
754 817	66-45
754 828	108-36
754 833	108-13
754 851	103-62
754 852	103-68
754 853	103-54
754 854	102-21
754 857	43-19
755 016	86-9
755 016	87-9
755 017	86-10
755 017	87-10
755 021	127-13
755 022	108-42
755 052	74-49
755 054	104-11
755 057	103-94
755 075	127-8a
755 076	127-8b
755 077	127-23
755 095	102-38
755 096	102-46
755 098	108-18
755 105	110-11
755 105	110-12a
755 108	127-21a
755 226	74-2
755 241	86-40
755 241	87-39
755 243	108-22
755 252	109-2
755 253	109-2
755 266	108-35
755 276	102-42
755 285	43-20
755 311	108-1
755 322	49-20
755 401	108-25
755 427	64-14
755 427	65-19
755 428	64-13
755 428	65-18
755 450	65-21
755 464	108-3

Part Number	Figure and Index No.
755 488	43-7
755 615	108-39
755 800	74-37
755 834	84-20
755 835	84-18
755 836	84-19
755 843	84-37
755 908	51-25
755 909	84-16
755 931	74-32
755 932	74-33
755 933	74-11
755 934	74-43
755 935	74-21
755 940	103-76
755 941	102-54
755 941	103-38
755 941	103-41
755 941	104-32
755 953	51-4
755 955	51-18
755 960	102-33
755 961	102-26
755 962	102-59
755 962	103-40
755 963	42-11
755 964	47-8
755 968	74-40
755 973	84-23
755 977	74-14
755 980	103-48
755 980	103-89
756 038	117A-2
756 040	74-28
756 056	125-16
756 062	84-34
756 069	84-18
756 072	127-10
756 119	51-13
756 119	51-28
756 149	43-15
756 149	44-8
756 164	101-53
756 178	108-9
756 184	109-8
756 242	74-16
756 259	51-9
756 262	109-13
756 286	74-12
756 289	74-27
756 291	74-23
756 293	74-9
756 294	74-41
756 296	84-26
756 298	84-24
756 505	117A-4
756 507	117A-3
756 508	51-14

Part Number	Figure and Index No.
756 510	74-10
756 549	103-2
756 550	103-10
756 551	103-22
756 552	103-31
756 553	103-39
756 554	103-53
756 555	104-1
756 560	107-6
756 577	108-4
756 603	74-26
756 604	74-26
756 606	74-24
756 607	74-39
756 608	84-33
756 646	108-37
757 114	Misc.
757 125	Misc.
757 223	102-56
757 229	102-31
757 229	104-3
757 233	102-55
757 236	102-51
757 238	51-30
757 249	74-31
757 250	74-20
757 251	74-18
757 255	84-3
757 256	84-10
757 257	84-9
757 258	84-12
757 259	84-17
757 259	84-30
757 260	84-31
757 263	103-27
757 263	104-29
757 265	103-30
757 265	103-46
757 265	103-78
757 266	102-30
757 266	103-55
757 268	103-18
757 269	104-7
757 270	103-21
757 270	104-31
757 275	103-75
757 276	103-79
757 276	104-28
757 277	103-9
757 277	103-16
757 277	103-57
757 277	104-33
757 279	104-30
757 283	103-83
757 284	103-77
757 291	104-13
757 291	104-15
757 313	86-41

Part Number	Figure and Index No.
757 313	87-40
757 315	84-29
757 324	84-27
757 329	84-28
757 334	108-6
757 419	108-32
757 470	44-11
757 471	44-11
757 486	74-44
757 494	102-52
757 495	104-5
757 496	102-49
757 497	102-50
757 498	103-28
757 499	102-3
757 500	102-20
757 541	125-1
757 578	84-25
757 583	74-36
757 584	125-6
757 585	125-8
757 593	74-6
757 602	108-12
757 622	84-36
757 626	125-17
757 673	125-3
757 726	106-33
757 726	109-9
757 728	125-6
757 741	43-5
757 741	44-4
757 809	125-10
757 833	78-11
757 862	121-31
757 865	68-5
757 865	116-39
757 877	64-65
757 877	65-44
757 879	51-20
757 888	108-5
757 895	41-14
757 896	41-3
757 896	41-5
757 969	108-33
758 013	109-7
758 048	109-1
758 101	125-5
758 104	125-12
758 130	84-35
758 151	119-15
758 154	125-5
758 167	125-11
758 175	125-18
758 202	74-4
758 205	74-30
758 212	125-15
758 232	74-4
758 233	108-29

## PIPER PARTS CATALOG

Part Number	Figure and Index No.
758 234	108-30
758 235	125-19
758 237	116-3
758 238	116-3
758 239	117-1
758 240	117-1
758 241	117-2
758 293	123-39
758 299	108-23
758 300	108-24
758 377	102-19
758 378	103-66
758 379	103-6
758 380	103-14
758 381	103-29
758 382	103-35
758 383	103-45
758 384	103-52
758 385	102-35
758 386	102-39
758 387	103-5
758 387	103-13
758 388	103-49
758 389	103-60
758 390	103-91
758 418	119-9
758 433	125-13
758 434	125-14
758 435	125-14
758 436	125-14
758 451	96-23
758 452	128-2
758 453	128-5
758 472	56-7
758 487	125-4
758 491	116-12
758 492	116-12
758 519	43-8
758 523	43-13
758 527	52-13
760 246	Misc.
760 400	Misc.
760 431	Misc.
760 454	74-45
760 630	Misc.
760 631	Misc.
760 632	Misc.
760 633	Misc.
760 736	Misc.
760 827	Misc.
760 828	Misc.
760 832	Misc.
761 115	102-14
761 183	127-14
761 184	127-12
761 204	102-43
761 205	102-41
761 207	127-11

Part Number	Figure and Index No.
761 208	127-14
761 211	44-12
761 212	43-11
761 214	127-19
761 238	119-14
761 253	127-5
761 285	119-6b
761 290	119-8a
761 292	127-21b
761 293	127-21b
761 529	108-31
761 608	109-4
761 621	84-20
761 656	104-19
761 944	108-20
761 946	108-10
761 952	108-19
761 972	45-3
761 979	39-4
761 983	104-22
761 990	125-2
761 995	45-3
761 997	39-4
762 003	127-4
762 022	107-8
762 033	45-3
762 035	39-4
762 215	108-26
762 281	74-47
762 282	74-48
762 285	102-11
762 285	102-47
762 286	103-3
762 286	103-11
762 287	103-23
762 288	103-32
762 289	103-69
762 290	104-27
762 291	102-61
762 292	102-60
762 293	103-20
762 294	104-8
762 295	104-9
762 296	103-26
762 297	104-6
762 298	103-4
762 299	103-12
762 300	103-24
762 301	103-33
762 302	102-37
762 302	103-44
762 303	103-50
762 304	103-59
762 305	104-4
762 306	104-17
762 307	104-21
762 308	102-24
762 309	102-44

Part Number	Figure and Index No.
762 310	104-2
762 311	103-25
762 312	103-34
762 313	102-6
762 314	102-45
762 315	104-35
762 316	102-36
762 316	103-42
762 317	103-37
762 320	127-14a
762 325	41-12
762 326	41-8
762 333	51-27
762 354	96-24
762 357	128-3
762 393	108-7
762 421	43-12
762 424	52-20
762 424	52-25
762 425	52-12
762 513	44-20
762 515	86-43
762 515	87-42
762 524	84-22
762 533	74-46
762 535	102-22
762 536	103-8
762 536	103-15
762 536	103-56
762 537	103-17
762 538	104-34
762 539	102-32
762 540	102-57
762 541	102-15
762 542	102-58
762 543	104-16
762 544	104-20
762 545	103-65
762 546	103-61
762 547	103-90
762 548	102-9
762 549	102-10
762 550	102-28
762 551	102-29
762 552	102-53
762 553	103-67
762 554	102-12
762 555	103-92
762 570	33-15b
762 573	51-3
762 577	117A-2
762 614	41-13
762 615	52-11
783 009	99-61
763 019	128-4
763 204	103-47
763 205	104-12
763 206	104-14

Part Number	Figure and Index No.
763 207	104-10
763 208	102-4
763 209	102-17
763 210	103-63
763 211	102-2
763 212	103-93
763 233	44-2
763 235	41-15
763 246	33-15a
763 249	75-3
763 309	51-2
763 332	43-2
763 333	43-3
763 388	86-39
763 388	87-38
763 393	119-6a
763 398	64-23a
763 399	64-23a
763 400	64-23a
763 401	103-64
763 402	103-51
763 403	104-18
763 404	102-23
763 405	102-40
763 406	103-19
763 407	103-58
763 408	103-7
763 409	104-36
763 411	103-95
763 417	74-50
763 420	44-3
763 421	44-6
763 422	43-10
763 422	44-9
763 434	75-2
763 441	51-10
763 499	43-4
763 500	43-9
763 501	43-14
763 703	41-11
763 704	41-2
763 705	41-4
763 715	47-2
763 717	47-4
763 972	Misc.
764 019	Misc.
764 062	Misc.
764 382	110-10
764 601	64-23a
764 602	64-23a
764 603	64-23a
764 604	64-23a
764 605	64-23a
764 606	64-23a
764 607	64-23a
764 608	64-23a
764 609	64-23a
764 610	64-23a

# PIPER PARTS CATALOG

Part Number	Figure and Index No.	Part Number	Figure and Index No.	Part Number	Figure and Index No.	Part Number	Figure and Index No.
764 807	126-4a						
764 908	Misc.						
764 963	Misc.						
914 046	Misc.						
914 047	Misc.						
914 047	24-21						
924 355	24-22						

**3B15 THRU 3L24  
INTENTIONALLY LEFT BLANK**