



PARTS CATALOG

CARD 1 OF 3

PA-31T3 T1040

Courtesy of Bomar Flying Service
www.bomar.biz

PIPER AIRCRAFT CORPORATION

PIPER PARTS CATALOG

AEROFICHE EXPLANATION AND REVISION STATUS

The Parts Catalog information incorporated in this set of Aerofiche cards has been arranged in accordance with the general specifications of Aerofiche adopted by the General Aircraft Manufacturer's Association.

Conversion of Aerofiche alpha/numeric code numbers:

First number is the Aerofiche card identifier.

Letter is the horizontal line reference per card.

Second number is the vertical line reference per card.

Example: 2J16 = Aerofiche card number two of given set, Grid location J16.

To aid in locating the various sections and related information desired, the following is provided:

A complete Catalog Table of Contents is given at Grid 1A7 of Aerofiche card number 1 of this set. Each additional card in this set will have a Table of Contents for all sections on that particular card. This table will start at Grid A3.

REVISIONS

The information compiled in this Aerofiche Parts Catalog will be kept current by revisions distributed periodically. These revisions will supersede all previous revisions and will be complete Aerofiche card replacements and shall supersede Aerofiche cards of the same number in the set.

Current Revisions to this PA-31T3 T1040 Parts Catalog issued March 8, 1982 are as follows:

761 761 (PR820714).....	Dated July, 1982
761 761 (PR821112).....	Dated November, 1982
761 761 (PR830412).....	Dated April, 1983
761 761 (PR840110).....	Dated January, 1984
761 761 (PR840711).....	Dated July, 1984

NOTE: Refer to the last card of the Piper - Parts Price List - Aerofiche for a check list of current revision dates and card effectivities for this parts catalog.

INTRODUCTION

This illustrated Parts Catalog is designed to provide simple but positive identification of replacement parts for the Piper Model PA-31T3 T1040, manufactured by the Piper Aircraft Corporation of Lock Haven, Pennsylvania.

NOTE: UNDER NO CIRCUMSTANCES SHALL THIS CATALOG BE USED FOR RIGGING AND INSTALLATION PURPOSES.

It is suggested that this catalog be thoroughly studied to determine its arrangement prior to its utilization.

1. The Catalog is divided into fourteen (14) major sections described as follows:
 - a. Section I to XIII inclusive contain all replacement parts for the complete airplane. Each section is subdivided and each division includes an illustration and a parts listing.
 - b. Section XIV is the *Miscellaneous Group*. This group includes an illustration and parts list for the Placards and Exterior Stencils and a listing of the Optional Equipment Kits, Repair Kits and Special Tools.
2. The following is a brief explanation of the columns in the parts lists: (Refer to EXAMPLE below).
 - a. The "FIGURE AND INDEX NUMBER" column indicates the illustration figure number and its parts index number. EXAMPLE: (2-1), the 2 is the figure number and the 1 is the index number. The figure number appears only at the top of each parts list page.
 - b. The "PART NUMBER" column contains the identifying number of the replacement part and this number must be shown on all Parts Orders.
 - c. The "CODE" column is for the purpose of indicating special uses of the part. An explanation of the letter code used is shown on the grid (page) preceding each parts listing and pertains to that listing only.
 - d. The "NOMENCLATURE" column indicates the part name. This name must be shown on all Parts Orders.
 - e. The "NO. REQ." (Number Required) column represents the total quantity of parts used per aircraft per figure when the part is not indented and the quantity of parts used per assembly when the part is indented. The symbol "AR" listed in this column means "As Required."
 - f. The "SERIAL NUMBERS AFFECTED" column indicated the part application by airplane serial number.

EXAMPLE					
Figure and Index Number	Part Number	Code	NOMENCLATURE	No. Req.	SERIAL NUMBERS AFFECTED
2-1	XXXXX-XX		DOOR ASSEMBLY - Baggage compartment	X	
-2	XXXXX-XX		• TUBE ASSEMBLY - Baggage door latch	X	
-3	XXXXX-XX		• • CLEVIS - Door latch tube assembly	X	
-4	XXXXX-XX		• • CLIP - Door latch tube assembly	X	

In the Nomenclature column, the next higher assembly relationship of items covered is shown by the degree of indentation of each item and is indicated by an asterisk (*). One asterisk signifies one indentation, two signifies two indentions, etc. The example listing above is interpreted as follows:

If the DOOR ASSEMBLY (not indented) is ordered, it will include the three items indented under the Door Assembly.

If the TUBE ASSEMBLY (indented one space) is ordered, it will include the two items indented under the Tube Assembly.

If you want only a CLEVIS or CLIP, you order only that item.

3. The "ATTACHING PARTS" such as nuts, bolts, screws, etc., that are available as commercial hardware items, are not generally supplied by the Piper Aircraft Corporation. This catalog lists, for your convenience, those attaching parts required for main assemblies and installation. The identifying number for these parts appears after the part name.
4. All items of Optional Equipment are contained in the parts list in their proper sequences and sections. These items were not marked optional, since they are fully identified by their descriptions.

PIPER PARTS CATALOG

SPECIAL NOTE

Replacement parts for Optional Autopilot Installations, Optional Avionics and Electronics Installations (i.e. Radar, Radio Altimeter, Encoding Altimeter, Radio Telephone, etc.) are not being listed or illustrated in this catalog.

If replacement parts are required, refer to the Avionics Drawing Index List and the appropriate drawings supplied with each aircraft to determine part number of desired part.

HOW TO IDENTIFY A PART IF YOU KNOW WHAT IT LOOKS LIKE AND KNOW WHERE IT IS LOCATED

1. Refer to Figure 1 to determine the section number in which the part is used.
2. Refer to the Table of Contents and locate the section. Note the figure numbers that illustrate the various subgroups of this main section.
 - a. Select the Figure title you think might contain the part you wish to identify and turn to the (grid) page specified.
3. Find the part on the illustration and note the index number.

NOTE: If you don't find the part on this illustration, try another figure in this group.

4. Refer to the "Figure and Index Number" in the Parts Listing for complete description of the part.

HOW TO ORDER PARTS

In ordering parts for your Piper Airplanes, observe the following instructions which will aid in your getting the right parts required without delay.

- a. Place your order with the distributor or dealer for your territory, since parts are available only through our distributor organization.
- b. Always specify the model and serial number of your airplane.
- c. Always specify part number, name, type and quantity required.
- d. Specify the method of shipment - freight, express, parcel post, air express, air freight or air parcel post. Where the nature of the shipment requires it or when no instructions are given, we reserve the right to ship the most suitable way.

GENERAL INFORMATION

a. Shortages

All orders are checked and rechecked before leaving our Shipping Department. A packing slip is enclosed with the shipment and claims for errors or shortages must be made within three (3) days after receipt of orders.

b. Returned Goods

No material should be returned to us without first securing our written permission. Material sent in without notice will be held at the owner's risk for thirty (30) days and will then be disposed of as we see fit.

Transportation charges must be PREPAID on returned goods or the shipment will be refused.

c. Transportation Liabilities

The Piper Aircraft Corporation cannot be held liable for damages to parts in transit from the factory. If a shipment is received in a damaged condition, have the delivery man or Transportation Company make a notation of the damage and file your claim with the Carrier. In case of concealed damage, do not attempt to remove the part from the shipping container, or endeavor to repair the damage, but call the Carrier and have his Claim Agent inspect the damage before filing your claim with the Carrier.

PIPER PARTS CATALOG

PA-31T3 T1040 SERIAL NUMBER INFORMATION

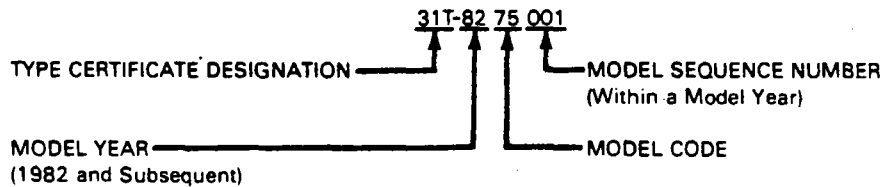
The following information should be kept in mind when ordering from this Catalog:

a. The serial numbers of the aircraft covered by this Parts Catalog are as follows:

- (1) Serial numbers of the 1982 PA-31T3 T1040 Models are 31T-8275001 to 31T-8275025 inclusive.
- (2) Serial numbers of the 1983 PA-31T3 T1040 Models are 31T-8375001 and up.

SERIAL NUMBER EXPLANATION

The Serial Number on the Manufacturer's Identification Plate is based on a 4-number set system. The first number set defines the Type Certificate Designation, the second set is the Model Year, the third set is the Model Code, while the fourth set is the Model Sequence Number (within a model year).



PIPER PARTS CATALOG

STANDARD PAINT CHART

	MFG. NO.	PIPER PART NUMBER	
		QUART	GALLON
EXTERIOR			
POLYURETHANE ENAMEL (Titanine)			
Flat Black	6325	4170 900	1170 900
Juneau White	6373	4170 901	1170 901
Claret	6339	4176 011	1176 011
Silver	6341	4176 012	1176 012
Firethorn	6347	4176 014	1176 014
Saffron	6358	4176 015	1176 015
Dark Blue	6386	4176 017	1176 017
Hickory Brown	6387	4176 018	1176 018
Sandalwood Tan	6818	4176 019	1176 019
Dakota Black	6306-N	4176 181	1176 181
Las Vegas Gold	6328-N	4177 000	1177 000
Lime Green	6326	4177 029	1177 029
Platinum Gray	6817	4177 030	1177 030
Bahama Blue	6348-N	4177 260	1177 260
Madrid Red	6310-N	4177 386	1177 386
Baja Yellow	6327	4177 454	1177 454
Ocala Orange	6307-N	4177 575	1177 575
Dark Green	6844	4177 034	1177 034
Dark Saddle	6845	4176 186	1176 186
Dark Beige	6846	4176 187	1176 187
Light Blue	6847	4177 035	1177 035
Burnished Gold	6848	4177 261	1177 261
Sandalwood Light	6876	4176 189	1176 189
Platinum Light	6877	4176 124	1176 124
Catalyst	6352	4170 807	1170 807
Reducer	6350	4179 141	1179 141
POLYURETHANE PRIMER (Titanine)			
Primer	6351	4170 735	1170 735
Reducer	6350	4179 141	1179 141
Catalyst	6352	4170 807	1170 807
Epoxy Primer	8951	4170 729	1170 729
Epoxy Reducer	8905-A	4179 139	1179 139
Epoxy Converter	8678	4179 825	1179 825

TABLE OF CONTENTS

FIGURE NUMBER	FIGURE TITLE	GRID NUMBER
1	View of Complete Airplane	1A14
SECTION I WING GROUP		
2	Wing Installation	1A15
3	Wing Panel Inboard Parts Installation	1A20
4	Wing Panel Outboard Parts Installation	1B1
5	Wing Panel Leading Edge Assembly	1B5
6	Leading Edge Spar Assembly	1B9
7	Wing Panel Rear Spar Assembly	1B13
8	Aileron Assembly	1B20
9	Flap Assembly	1C1
SECTION II FUSELAGE GROUP		
10	Fuselage Assembly	1C5
11	Fuselage Upper Forward Section Assembly	1C8
12	Fuselage Upper Cabin Section Assembly	1C11
13	Pilot Door Fuselage Frame Installation	1C15
14	Fuselage Lower Forward Section Assembly	1C18
15	Fuselage Lower Forward Frame Assembly	1D1
16	Fuselage Lower Rear Section Assembly	1D6
17	Fuselage Lower Center Frame Assembly	1D10
18	Fuselage Lower Rear Frame Assembly	1D13
19	Fuselage Aft Section (Sta. 243.38 to Sta. 352)	1D16
20	Fuselage Aft Section (Sta. 317.75 to Sta. 352)	1D20
21	Structure Installation (Sta. 57 to Sta. 215)	1E1
22	Structure Installation (Sta. 215 to Sta. 244)	1E4
23	Floorboard Installation	1E7
23A	Cargo Pod Installation	1E10
24	Windshield Installation	1E14
25	Window Installation	1E17
26	Emergency Exit Window Installation	1E20
27	Nose Cone Installation	1F1
28	Cabin Entrance Door Installation	1F4
29	Upper Cabin Entrance Door Assembly	1F8
30	Lower Cabin Entrance Door Assembly	1F11
31	Cargo Door Assembly and Installation	1F15
32	Pilot Door Installation	1F18
33	Pilot Door Assembly (Complete)	1G1
34	Forward Baggage Door Installation	1G6
SECTION III TAIL SURFACES GROUP		
35	Tail Surfaces Installation	1G9
36	Fin Assembly	1G14
37	Rudder Assembly	1G17
38	Stabilizer Assembly	1G21
39	Elevator Assembly	1H1

TABLE OF CONTENTS

FIGURE NUMBER	FIGURE TITLE	GRID NUMBER
SECTION IV LANDING GEAR GROUP		
40	Main Landing Gear Installation	1H6
41	Main Gear Strut Assembly	1H12
42	Main Wheel Assembly	1H16
43	Main Wheel Brake Assembly	1H19
44	Nose Landing Gear Installation	1I1
45	Nose Gear Strut Assembly	1I6
46	Nose Wheel Assembly	1I10
47	Nose Gear Steering Installation	1I13
48	Brake System Installation	1I17
49	Dual Brake Installation	1I21
50	Master Cylinder and Parking Brake Valve	1J1
51	Landing Gear Selector Mechanism Installation	1J4
52	Emergency Gear Extension System Installation	1J7
53	Emergency Gear Extension System Components	1J11
SECTION V CABIN EQUIPMENT GROUP		
54	Cabin Furnishings Installation - (Commuter Version)	1J14
55	Cabin Furnishings Installation - Cargo Version	1J17
56	Cabin Interior Finishing Installation	1J20
57	Cabin Headliner Installation	1K1
58	Cabin Carpet Installation	1K4
59	Forward Baggage Compartment Finishing Installation	1K7
60	Seat Assembly - Crew	1K10
61	Seat Assembly - 3rd and 4th	1K14
62	Seat Assembly - 5th, 6th, 7th, 8th and 9th	1K17
63	Seat Assembly - 10th and 11th	1K20
64	Cabin Privacy Curtain Installation	1L1
SECTION VI INSTRUMENTS GROUP		
65	Instrument Panel Installation	1L4
66	Dual Instrument Panel Installation	1L9
67	Miscellaneous Air and Fluid Lines Installation	1L12
68	Dual Instrument Air System Installation	1L15
69	Static Pressure System Installation	1L18
70	Pressure Driven Instrument Air Lines Installation	1L21

TABLE OF CONTENTS

FIGURE NUMBER	FIGURE TITLE	GRID NUMBER
SECTION VII POWER PLANT GROUP		
71	Power Plant Installation	2A7
72	Air Inlet and Ice Protection Installation	2A12
73	Engine Starter Generator Installation	2A16
74	Starter Generator Assembly (Auxilec, Inc.)	2A19
75	Oil Cooler and Breather System Installation	2B1
76	Engine Compartments Fire Extinguisher System Installation	2B4
77	Engine Cowl Installation	2B7
78	Engine Fire Seal Installation	2B11
79	Nacelle Installation	2B14
80	Engine Nacelle Locker Door Assembly and Installation	2B20
81	Engine Controls Installation	2C1
82	Propeller Assembly	2C5
83	Propeller Synchrophaser System Installation (Motor and Amplifier)	2C8
SECTION VIII FUEL SYSTEM GROUP		
84	Fuel Control Panel Installation	2C11
85	Left Engine Fuel System Installation	2C14
86	Right Engine Fuel System Installation	2C18
87	Fuel System Components	2C22
88	Wing Fuel Pressure and Vent Lines	2D1
89	Wing Tip Fuel Tank Installation	2D5
90	Fuel Scavenger Pump Installation	2D9
91	Main Inboard Fuel Cell and Liner Installation	2D12
92	Main Outboard Fuel Cell and Liner Installation	2D15
SECTION IX CONTROL SYSTEM GROUP		
93	Pedestal Installation	2D18
94	Pedestal Control Assembly	2E1
95	Aileron Control Installation	2E5
96	Aileron Trim Installation	2E9
97	Rudder Control Installation	2E12
98	Rudder Trim Installation	2E16
99	Elevator Control Installation	2E20
100	Elevator Trim Installation	2F1
101	Flap Control Installation	2F5
102	Control Wheel Installation	2F8
103	Rudder Pedal Installation	2F13
SECTION X HYDRAULIC SYSTEM GROUP		
104	Forward Hydraulic System Installation	2F17
105	Aft Hydraulic System Installation	2F21
106	Hydraulic Pumps Installation	2G1
107	Hydraulic System Components	2G5

TABLE OF CONTENTS

FIGURE NUMBER	FIGURE TITLE	GRID NUMBER
SECTION X (Cont.) HYDRAULIC SYSTEM GROUP		
108	Hydraulic Hand Pump Assembly	2G8
109	Hydraulic Powerpak Assembly (Wiebel)	2G11
110	Hydraulic Powerpak Components (Wiebel)	2G15
SECTION XI ENVIRONMENTAL GROUP		
111	Heater and Defroster System Installation (S/N 31T-8275001 to 31T-8275003 incl., 31T-8275005 to 31T-8275016 incl., 31T-8275018 to 31T-8375002 incl., 31T-8375004 and up)	2G18
111A	Heater and Defroster System Installation (S/N 31T-8275004, 31T-8275017, 31T-8375003.)	2G21
112	Heater Installation (S/N 31T-8275001 to 31T-8275003 incl., 31T-8275005 to 31T-8275016 incl., 31T-8275018 to 31T-8375002 incl., 31T-8375004, and up)	2H1
112A	Heater Installation (S/N 31T-8275004, 31T-8275017, 31T-8375003.)	2H5
113	Heater Assembly	2H9
114	Heater Combustion Air Blower and Motor Assembly	2H12
115	Air Distribution Duct Installation	2H15
116	Ventilation System Installation	2H18
117	Cabin Exhaust Vent and Blower Installation	2H22
118	Air Conditioning System Installation - Fuselage	2I1
119	Air Conditioning System Installation - Wing	2I4
120	Freon Compressor Installation	2I8
121	Bleed Air System Installation	2I11
121A	Auxiliary Bleed Air Heat Installation	2I14
122	Pneumatic Air Supply Installation	2I17
123	Oxygen System Installation - Forward Mounted Bottle	2I20
124	Oxygen System Installation - Aft Mounted Bottle	2J1
125	Pneumatic Deicing System Installation	2J5
SECTION XII ELECTRICAL SYSTEM GROUP		
126	Primary and Auxiliary Electrical Power Installation	2J9
127	Forward Electrical System Installation	2J13
128	Instrument Panel Electrical Installation	2J17
129	Aft Electrical System Installation	2J20
130	Circuit Breakers System Installation	2K1
131	Overhead Switch Panel Installation	2K4
132	Landing Light and Ice Detection Light Installation	2K8
133	Navigation, Strobe and Recognition Lights Installation	2K11
134	Propeller Electric Deicer Installation	2K14
135	Electric Windshield Wiper Installation	2K17
SECTION XIII ELECTRONICS GROUP		
136	Piper Automatic Locator (ELT) Installation (Narco Avionics)	2K20

TABLE OF CONTENTS

FIGURE NUMBER	FIGURE TITLE	GRID NUMBER
	SECTION XIV MISCELLANEOUS GROUP	
137	Placards and External Stencils	3A4
	Optional Equipment Kits and Repair Kits	3A8
	NUMERICAL INDEX	3A10

1A12

INTENTIONALLY LEFT BLANK

1A13

INTENTIONALLY LEFT BLANK

PIPER PARTS CATALOG

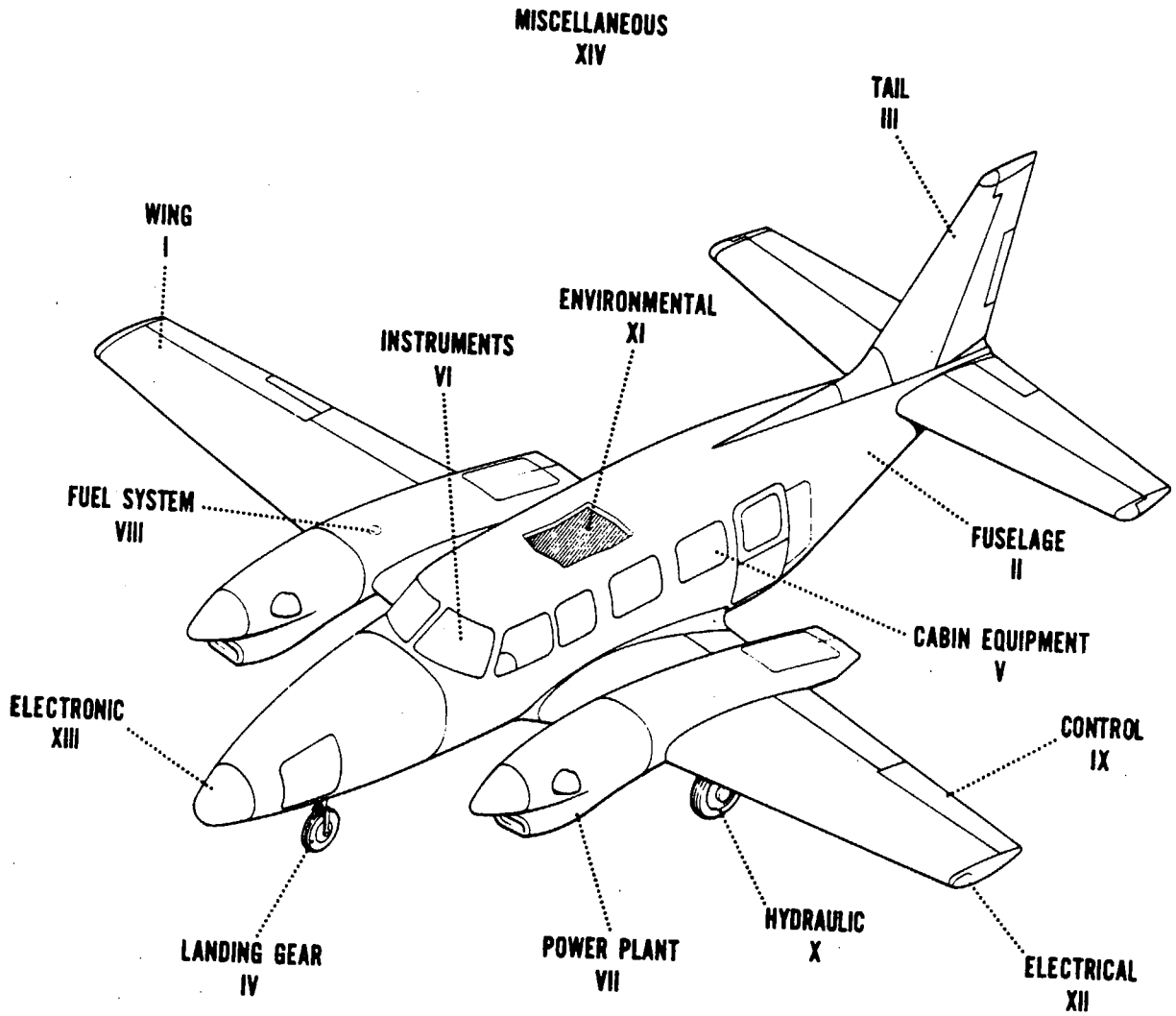


Figure 1. View of Complete Airplane

PIPER PARTS CATALOG

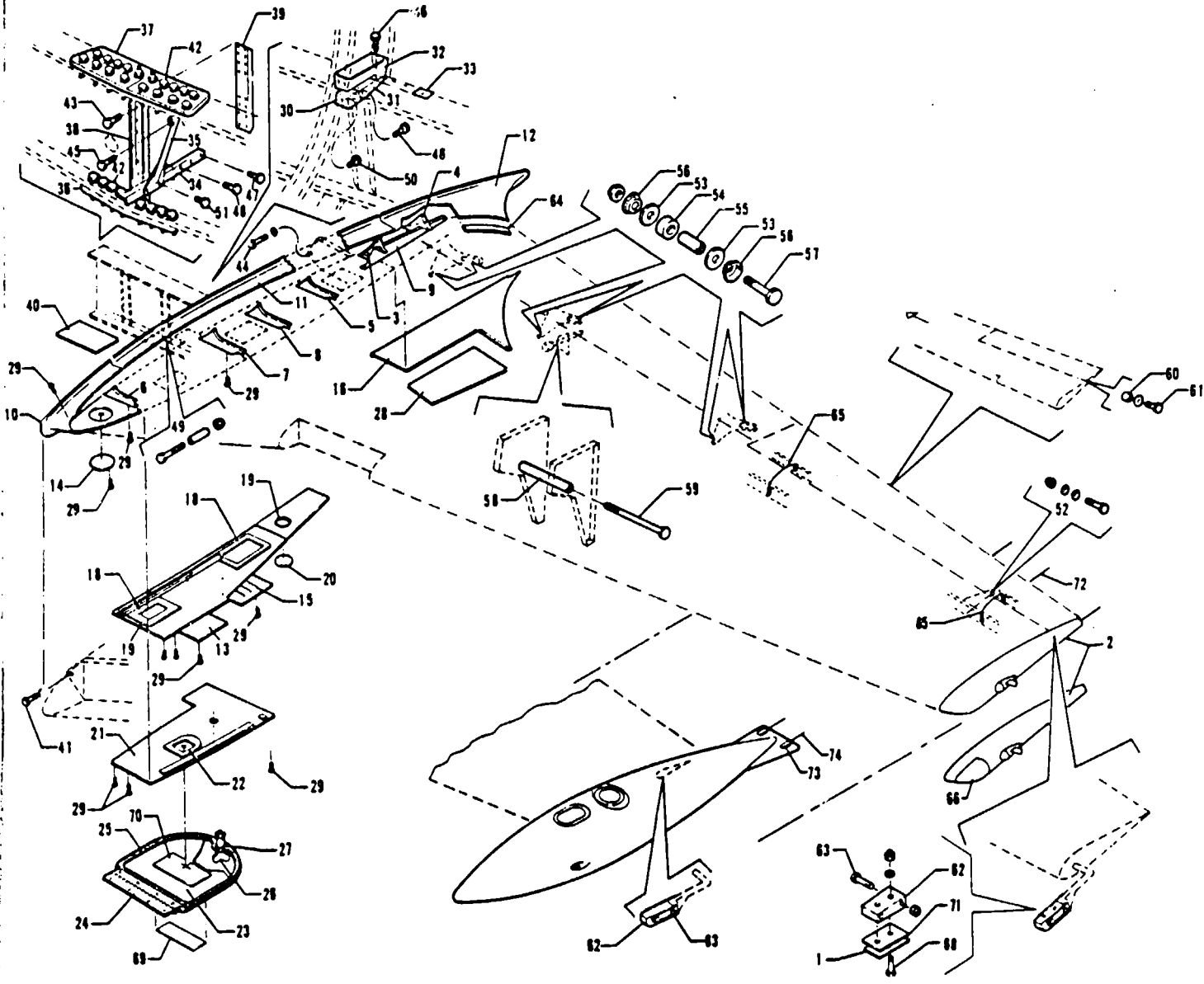


Figure 2. Wing Installation

PIPER PARTS CATALOG

CODE EXPLANATIONS FOR FIGURE 2

- A - Used if tip assembly incorporates navigation, strobe and recognition lights.
- B - Used if tip assembly incorporates navigation and strobe lights only.
- C - Used if pilot door is installed.
- D - Used if Fuel System Quick Drain is installed.
- E - Used if Fuel System Quick Drain is not installed.
- F - Used if wing tip fuel tanks are installed.
- G - Used if wing tip fuel tanks are not installed.
- H - Static discharger base installation requires the application of an epoxy sealant (Piper part no. 179 895) between the discharger base and the wing tip tank.

PIPER PARTS CATALOG

Figure and Index Number	Part Number	Code	NOMENCLATURE	No. Req.	SERIAL NUMBERS AFFECTED
2-	49625 41488 41565		DRAWING - Wing Installation DRAWING - Flap Installation DRAWING - Aileron Installation		
-1	81357-02	G	PLATE - Aileron balance trim (.250 thick)	2	
-2	81799-06	A	TIP ASSEMBLY - Wing, left (less lights)	1	
	81799-07	A	TIP ASSEMBLY - Wing, right (less lights)	1	
	81799-08	B	TIP ASSEMBLY - Wing, left (less lights)	1	
	81799-09	B	TIP ASSEMBLY - Wing, right (less lights)	1	
-3	43646-04		BULKHEAD - Wing fillet, left, Sta. 181	1	
	43646-05		BULKHEAD - Wing fillet, right, Sta. 181	1	
-4	43649-04		BULKHEAD - Wing fillet, left, Sta. 191.7	1	
	44582-02	C	BULKHEAD - Wing fillet, left, Sta. 191.7	1	
	43649-05		BULKHEAD - Wing fillet, right, Sta. 191.7	1	
-5	43645-00		BULKHEAD ASSEMBLY - Wing fillet, left, Sta. 162.6	1	
	43645-01		BULKHEAD ASSEMBLY - Wing fillet, right, Sta. 162.6	1	
-6	52370-00		BULKHEAD ASSEMBLY - Wing fillet, left, Sta. 111.5	1	
	52370-01		BULKHEAD ASSEMBLY - Wing fillet, right, Sta. 111.5	1	
-7	43648-00		BULKHEAD ASSEMBLY - Wing fillet, left, Sta. 140	1	
	43648-01		BULKHEAD ASSEMBLY - Wing fillet, right, Sta. 140	1	
-8	43683-00		BULKHEAD ASSEMBLY - Wing fillet, left, Sta. 151.3	1	
	43683-01		BULKHEAD ASSEMBLY - Wing fillet, right, Sta. 151.3	1	
-9	42003-00		CHANNEL - Wing fillet, left	1	
	42003-01		CHANNEL - Wing fillet, right	1	
-10	42224-04		FILLET ASSEMBLY - Wing root, forward, left	1	
	42224-03		FILLET ASSEMBLY - Wing root, forward, right	1	
-11	53130-00		FILLET ASSEMBLY - Wing root, center, left	1	
	53130-01		FILLET ASSEMBLY - Wing root, center, right	1	
-12	42342-00		FILLET - Wing root, left	1	
	42342-01		FILLET - Wing root, right	1	
-13	41840-03		PLATE ASSEMBLY - Access hole cover	2	
-14	17318-02		PLATE - Access hole cover	2	
-15	43004-00		PLATE - Louvered access hole cover	2	
-16	42279-04		PLATE - Wing fillet, bottom, rear, left	1	
	42279-05	C	PLATE - Wing fillet, bottom, rear, left	1	
	42279-03		PLATE - Wing fillet, bottom, rear, right	1	
-17	42130-00		PLATE ASSEMBLY - Wing fillet, bottom, center, left	1	
	42130-01		PLATE ASSEMBLY - Wing fillet, bottom, center, right	1	
-18	17315-00		* PLATE ASSEMBLY - Access hole reinforcement, rear	1	
	17315-06		* PLATE ASSEMBLY - Access hole reinforcement, front	1	
-19	49351-02		PLATE ASSEMBLY - Antenna access, left	1	
	49351-03		PLATE ASSEMBLY - Antenna access, right	1	
-20	49352-02		PLATE - Cover	2	
-21	52361-00	E	PLATE ASSEMBLY - Wing fillet, bottom access, left	1	
	01100-02	D	PLATE ASSEMBLY - Wing fillet, bottom access, left	1	
	52361-01	E	PLATE ASSEMBLY - Wing fillet, bottom access, right	1	
	01100-03	D	PLATE ASSEMBLY - Wing fillet, bottom access, right	1	
-22	19803-04	E	* PLATE ASSEMBLY - Access door reinforcement	1	
	01056-02	D	* PLATE ASSEMBLY - Access door reinforcement	1	
-23	42173-00	E	* DOOR ASSEMBLY - Wing fillet access	1	
	01054-02	D	* DOOR ASSEMBLY - Fuel drain access	1	
-24	19799-00		* * HINGE ASSEMBLY - Wing fillet access	1	
-25	189 743	E	* * TAPE - Teflon (1" wide x 108' roll)	AR	
	01053-02	D	* * GASKET - Access door	1	

When ordering, always specify Part Number, Description and Serial Number of Aircraft

PIPER PARTS CATALOG

Figure and Index Number	Part Number	Code	NOMENCLATURE	No. Req.	SERIAL NUMBERS AFFECTED
2-26	487 614		** STUD - (2600-2W)	1	
-27	494 060		** WASHER - Lock (2600-LW)	1	
-28	42308-00		SKIN - Wing fillet, inner	2	
-29	414 763		SCREW - (MS24693-S50)	138	
-30	40329-02		FITTING - Main spar attachment, lower, forward	2	
-31	81239-02		FITTING - Main spar attachment, lower, aft	2	
-32	45155-00		FITTING - Main spar attachment, upper	2	
-33	44155-00		SHIM - Washer, square	AR	
-34	42060-00		ANGLE - Longitudinal beam splice	2	
-35	41027-09		BRACE ASSEMBLY - Wing spar	2	
-36	50052-00		PLATE - Main spar attachment, lower	1	
-37	50049-00		PLATE - Main spar attachment, upper	1	
-38	40624-00		CHANNEL - Spar attachment	1	
-39	45541-00		CHANNEL - Spar attachment	1	
-40	41028-00		PLATE - Fuselage access cover	1	
-41	401 505		BOLT - (AN7-11A)	2	
	407 591		WASHER - (AN960-716L)	2	
	407 568		WASHER - (AN960-716)	4	
	404 891		NUT - (MS20365-720C)	2	
-42	401 509		BOLT - (AN7-15A)	36	
	407 568		WASHER - (AN960-716)	72	
	404 891		NUT - (MS20365-720C)	36	
-43	400 441		BOLT - (AN3-7A)	16	
	404 887		NUT - (MS20365-1032C)	16	
-44	401 580		BOLT - (AN9-13A)	2	
	407 597		WASHER - (AN960-916L)	2	
	407 570		WASHER - (AN960-916)	2	
	404 913		NUT - (MS20365-918C)	2	
-45	400 012		BOLT - (AN4-17A)	2	
	407 565		WASHER - (AN960-416)	2	
	407 585		WASHER - (AN960-416L)	2	
	404 888		NUT - (MS20365-428C)	2	
-46	401 353		BOLT - (AN5-12A)	4	
	407 566		WASHER - (AN960-516)	4	
	404 889		NUT - (MS20365-524C)	4	
-47	401 266		BOLT - (AN3-5A)	4	
	407 564		WASHER - (AN960-10)	4	
	404 887		NUT - (MS20365-1032C)	4	
-48	400 440		BOLT - (AN3-6A)	4	
	407 564		WASHER - (AN960-10)	4	
	404 887		NUT - (MS20365-1032C)	4	
-49	401 365		BOLT - (AN5-26A)	2	
	41413-36		BUSHING	2	
	404 889		NUT - (MS20365-524C)	2	
-50	401 186		BOLT - (AN5-6A)	10	
	407 566		WASHER - (AN960-516)	10	
	404 889		NUT - (MS20365-524C)	10	
-51	400 440		BOLT - (AN3-6A)	4	
	407 564		WASHER - (AN960-10)	4	
	407 584		WASHER - (AN960-10L)	4	
	404 887		NUT - (MS20365-1032C)	4	
-52	401 311		BOLT - (AN4-11A)	4	
	19513-64		WASHER	4	
	404 888		NUT - (MS20365-428C)	4	
-53	40559-43		WASHER - Flap, outboard track	8	
	40559-42		WASHER - Flap, inboard and center track	16	

When ordering, always specify Part Number, Description and Serial Number of Aircraft

PIPER PARTS CATALOG

Figure and Index Number	Part Number	Code	NOMENCLATURE	No. Req.	SERIAL NUMBERS AFFECTED
2-54	86102-104		BUSHING - Flap, outboard track	4	
	86102-105		BUSHING - Flap, center track	4	
	86102-106		BUSHING - Flap, inboard track	4	
-55	41413-05		BUSHING - Flap, inboard, center and outboard track	12	
-56	408 837		WASHER - Flap, outboard and inboard track (3512-20-03-0544)	16	
-57	401 312		BOLT - (AN4-12A)	12	
	407 565		WASHER - (AN960-416)	12	
	404 888		NUT - (MS20365-428C)	12	
-58	41413-37		BUSHING - Transmission bracket spacer, left	2	
-59	400 460		BOLT - (AN3-35A)	2	
	407 564		WASHER - (AN960-10)	6	
	404 887		NUT - (MS20365-1032C)	2	
-60	41413-51		BUSHING - Aileron tab, right	1	
-61	400 440		BOLT - (AN3-6A), right	1	
	81342-09		WASHER - Right	1	
-62	29171-02	G	WEIGHT - Aileron balance, left	1	
	81796-02	F	WEIGHT - Aileron balance, left	1	
	29171-03	G	WEIGHT - Aileron balance, right	1	
	81796-03	F	WEIGHT - Aileron balance, right	1	
-63	400 451	G	BOLT - (AN3-20A), left	2	
	400 448	G	BOLT - (AN3-22A), right	2	
	400 451	F	BOLT - (AN3-20A), left and right	4	
	407 584	G	WASHER - (AN960-10L)	4	
	404 835		NUT - (MS20364-1032C)	4	
-64	43508-00		STRIP - Chafing	1	
-65	49972-02		STRAP ASSEMBLY - Lightning protection	4	
-66	49588-10	A	LENS - Wing tip, left	1	
	49588-11	A	LENS - Wing tip, right	1	
-67	400 451		BOLT - (AN3-20A)	4	
	404 835		NUT - (MS20364-1032C)	4	
-68	400 450	G	BOLT - (AN3-17A)	4	
	407 584	G	WASHER - (AN960-10L)	4	
	404 835	G	NUT - (MS20364-1032C)	4	
-69	80984-02	D	PLACARD - "Fuel Drain"	2	
-70	80981-02	D	PLACARD - Fuel drain instructions	2	
-71	54395-02	G	WEIGHT - Aileron balance trim (.062 thick)	AR	
-72	456 795		WICK - Static discharger (16630)	6	
-73	452 058	F,H	BASE - Static discharger (15401)	4	
-74	456 794	F	WICK - Static discharger (15330)	4	

When ordering, always specify Part Number, Description and Serial Number of Aircraft

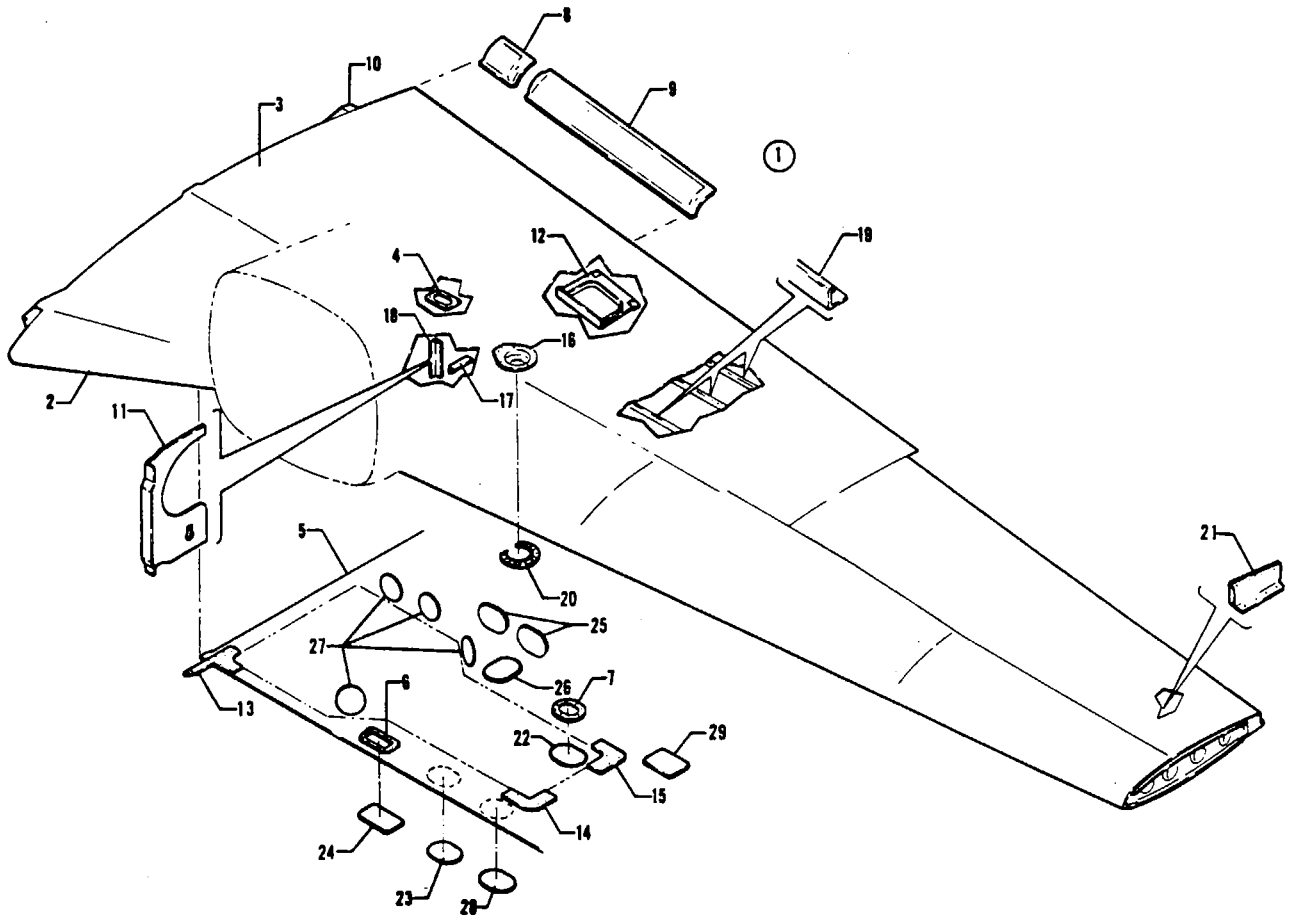


Figure 3. Wing Panel Inboard Parts Installation

PIPER PARTS CATALOG

CODE EXPLANATIONS FOR FIGURE 3

- A - All items on Figures 4, 5, 6, 7, 79, 80, 91 and 92 are component parts of this assembly.
- B - See Figure 5 for component parts.
- C - See Figure 7 for component parts.

PIPER PARTS CATALOG

Figure and Index Number	Part Number	Code	NOMENCLATURE	No. Req.	SERIAL NUMBERS AFFECTED
3-1	50302-32	A	PANEL ASSEMBLY - Wing, left	1	
	50302-33	A	PANEL ASSEMBLY - Wing, right	1	
-2	50304-26	B	* LEADING EDGE ASSEMBLY - Wing, left	1	
	50304-27	B	* LEADING EDGE ASSEMBLY - Wing, right	1	
-3	50302-02		* SKIN ASSEMBLY - Wing inboard, top, left, Sta. 30 to Sta. 87.5	1	
	50302-03		* SKIN ASSEMBLY - Wing inboard, top, right, Sta. 30 to Sta. 87.5	1	
-4	40517-02		* * COVER - Wing	1	
-5	50302-04		* SKIN ASSEMBLY - Wing inboard, bottom, left, Sta. 30 to Sta. 97.5	1	
	50302-05		* SKIN ASSEMBLY - Wing inboard, bottom, right, Sta. 30 to Sta. 97.5	1	
-6	45702-00		* * PLATE ASSEMBLY - Wing access hole reinforcement	2	
-7	40570-00		* * PLATE ASSEMBLY - Wing access hole reinforcement	2	
-8	40533-00		* SPAR ASSEMBLY - False, left, Sta. 30 to Sta. 39.5	1	
	40533-01		* SPAR ASSEMBLY - False, right, Sta. 30 to Sta. 39.5	1	
-9	40534-08		* SPAR ASSEMBLY - False, left, Sta. 39.5 to Sta. 87.5	1	
	40534-09		* SPAR ASSEMBLY - False, right, Sta. 39.5 to Sta. 87.5	1	
-10		C	* FRAME ASSEMBLY - Wing rear, left	1	
		C	* FRAME ASSEMBLY - Wing rear, right	1	
-11	45952-02		* PLATE - Rib attachment, main spar, left	1	
	45952-03		* PLATE - Rib attachment, main spar, right	1	
-12	50218-00		* PLATE ASSEMBLY - Access hole reinforcement, left	1	
	50218-01		* PLATE ASSEMBLY - Access hole reinforcement, right	1	
-13	50225-00		* PLATE - Wing wheel well reinforcement, left	1	
	50225-01		* PLATE - Wing wheel well reinforcement, right	1	
-14	50223-00		* PLATE - Wing wheel well reinforcement, left	1	
	50223-01		* PLATE - Wing wheel well reinforcement, right	1	
-15	50224-00		* PLATE - Wing wheel well reinforcement, left	1	
	50224-01		* PLATE - Wing wheel well reinforcement, right	1	
-16	50202-03		* ADAPTER - Fuel fill connector	1	
-17	40464-00		* ANGLE - Fuel cell liner support	1	
-18	40460-02		* ANGLE - Fuel cell liner support	1	
-19	149 158		* STRINGER - Wing panel (12' length)	AR	
-20	50969-00		* SHIM - Fuel fill connector	1	
-21	54716-02		* BRACKET - Flux detector, left	1	
	54716-03		* BRACKET - Flux detector, right	1	
-22	40567-00		PLATE - Access	4	
-23	45386-00		PLATE - Access	2	
-24	45387-00		PLATE - Access	2	
-25	40607-00		PLATE - Access, false spar	4	
-26	40563-00		PLATE - Access	2	
-27	40468-00		PLATE - Access	8	
-28	45387-00		PLATE - Access, bottom	2	
-29	50222-00		PLATE - Access, left	1	
	50222-01		PLATE - Access, right	1	

When ordering, always specify Part Number, Description and Serial Number of Aircraft

**1A23 THRU 1A24
INTENTIONALLY LEFT BLANK**

PIPER PARTS CATALOG

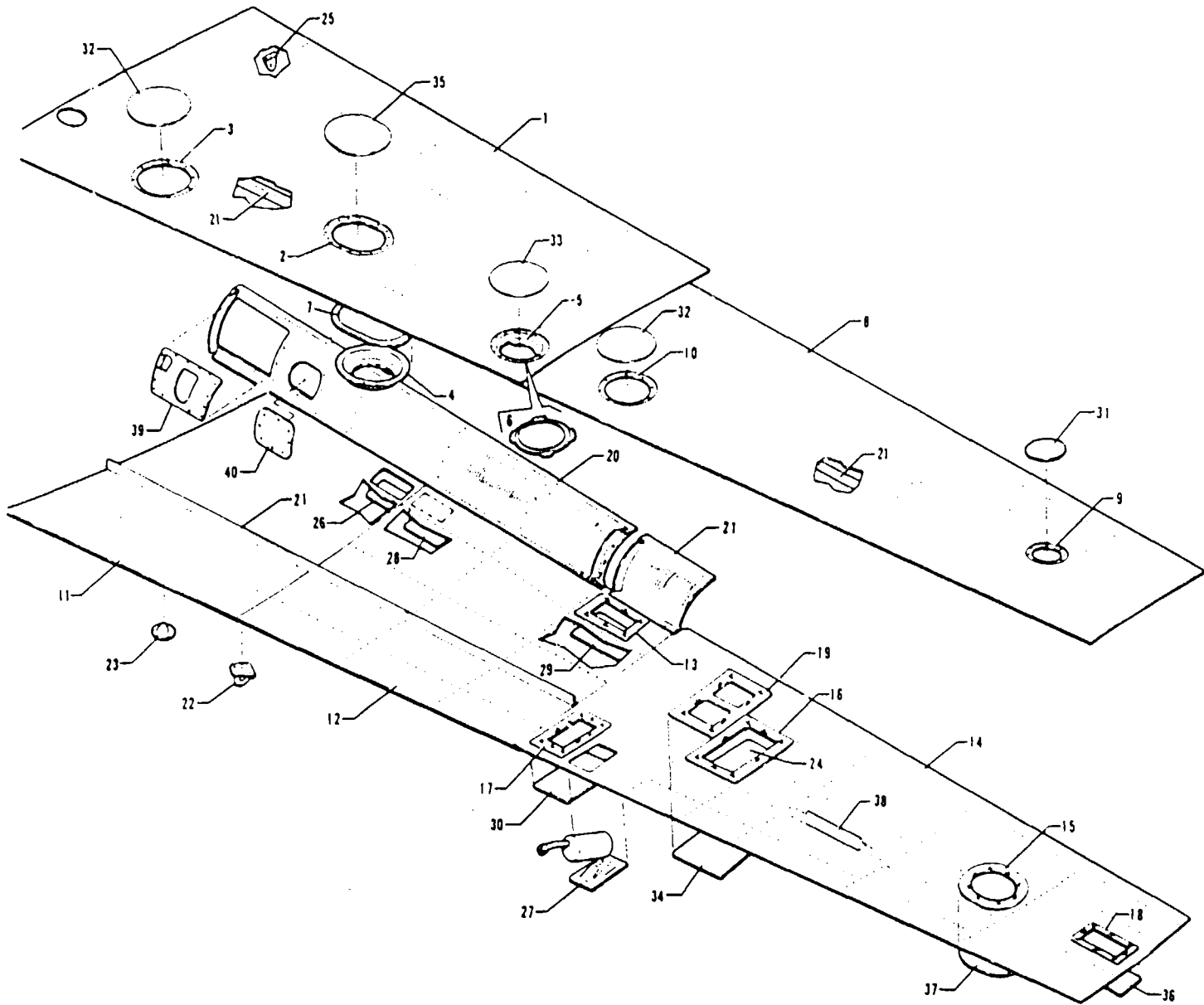


Figure 4. Wing Panel Outboard Parts Installation

PIPER PARTS CATALOG

CODE EXPLANATIONS FOR FIGURE 4

PIPER PARTS CATALOG

Figure and Index Number	Part Number	Code	NOMENCLATURE	No. Req.	SERIAL NUMBERS AFFECTED
4-	50302		DRAWING - Wing Panel Assembly		
-1	50302-06		SKIN ASSEMBLY - Wing outboard, top, left Sta. 87.5 to Sta. 160.5	1	
	50302-07		SKIN ASSEMBLY - Wing outboard, top, right, Sta. 87.5 to Sta. 160.5	1	
-2	40526-05		* PLATE ASSEMBLY - Fuel cell access reinforcement	1	
-3	40532-06		* PLATE ASSEMBLY - Fuel cell access reinforcement	1	
-4	42590-00		* PLATE - Wing, outboard, fuel cell standoff	1	
-5	50325-04		* BRACKET ASSEMBLY - Fuel cell support, left	1	
	50325-05		* BRACKET ASSEMBLY - Fuel cell support, right	1	
-6	54623-02		* PLATE - Fuel cell standoff	1	
-7	53172-00		* SHIM - Fuel cell access plate	1	
-8	50302-14		SKIN ASSEMBLY - Wing outboard, top, left Sta. 160.5 to Sta. 239	1	
	50302-15		SKIN ASSEMBLY - Wing outboard, top, right Sta. 160.5 to Sta. 239	1	
-9	51357-00		* PLATE ASSEMBLY - Access reinforcement, left	1	
	51357-04		* PLATE ASSEMBLY - Access reinforcement, right	1	
-10	50393-00		* PLATE ASSEMBLY - Fuel cell access reinforcement	1	
-11	40722-04		SKIN ASSEMBLY - Wing outboard, bottom, left, Sta. 97.5 to Sta. 121.5	1	
	40722-05		SKIN ASSEMBLY - Wing outboard, bottom, right, Sta. 97.5 to Sta. 121.5	1	
-12	40722-06		SKIN ASSEMBLY - Wing outboard, bottom, left, Sta. 121.5 to Sta. 160.5	1	
	45412-07		SKIN ASSEMBLY - Wing outboard, bottom, right, Sta. 121.5 to Sta. 160.5	1	
-13	40628-00		* PLATE ASSEMBLY - Aileron pulley access reinforcement, left	1	
	40628-01		* PLATE ASSEMBLY - Aileron pulley access reinforcement, right	1	
-14	50302-12		SKIN ASSEMBLY - Wing outboard, bottom, left, Sta. 160.5 to Sta. 239	1	
	50302-13		SKIN ASSEMBLY - Wing outboard, bottom, right, Sta. 160.5 to Sta. 239	1	
-15	20372-03		* PLATE ASSEMBLY - Access hole reinforcement	1	
-16	40635-00		* PLATE ASSEMBLY - Aileron pulley access reinforcement, left	1	
	40635-01		* PLATE ASSEMBLY - Aileron pulley access reinforcement, right	1	
-17	45545-00		* PLATE ASSEMBLY - Fuel cell access reinforcement, left	1	
	45545-01		* PLATE ASSEMBLY - Fuel cell access reinforcement, right	1	
-18	51204-00		* PLATE ASSEMBLY - Strobe access reinforcement	1	
-19	42117-01		* PLATE ASSEMBLY - Aileron pulley access reinforcement, right	1	
-20	40535-06		SPAR ASSEMBLY - Wing false, left, Sta. 87.5 to Sta. 147.5	1	
	40535-11		SPAR ASSEMBLY - Wing false, right, Sta. 87.5 to Sta. 147.5	1	

When ordering, always specify Part Number, Description and Serial Number of Aircraft

PIPER PARTS CATALOG

Figure and Index Number	Part Number	Code	NOMENCLATURE	No. Req.	SERIAL NUMBERS AFFECTED
4-21	40536-06		SPAR ASSEMBLY - Wing false, left, Sta. 147.5 to Sta. 160	1	
	40536-07		SPAR ASSEMBLY - Wing false, right, Sta. 147.5 to Sta. 160	1	
-22	18457-00		RING - Tie down	2	
-23	25597-00		PAD - Jack	2	
-24	40636-00		COVER - Access, left	1	
	40636-01		COVER - Access, right	1	
-25	41601-00		BRACKET - Potentiometer mounting, left, Sta. 97	1	
	41601-03		BRACKET - Potentiometer mounting, right, Sta. 97	1	
-26	42638-00		PLATE - Access	2	
-27	50186-10		VENT ASSEMBLY - Fuel cell, left	1	
	50186-09		VENT ASSEMBLY - Fuel cell, right	1	
-28	46012-00		PLATE - Access, right	1	
-29	40629-00		COVER - Access, left	1	
	40629-01		COVER - Access, right	1	
-30	45544-00		PLATE - Access	2	
-31	51358-00		COVER - Access	2	
-32	40545-04		COVER - Access	4	
-33	50166-00		COVER - Access	2	
-34	42118-00		COVER - Access, right	1	
-35	40544-02		COVER - Access	2	
-36	51205-00		COVER - Access	2	
-37	20370-00		PLATE - Access	2	
-38	149 158		STRINGER - Wing outboard (12' length)	AR	
-39	29188-02		PLATE - Flap actuator access, left	1	
	29188-03		PLATE - Flap actuator access, right	1	
-40	40607-00		PLATE - Wing access	2	

When ordering, always specify Part Number, Description and Serial Number of Aircraft

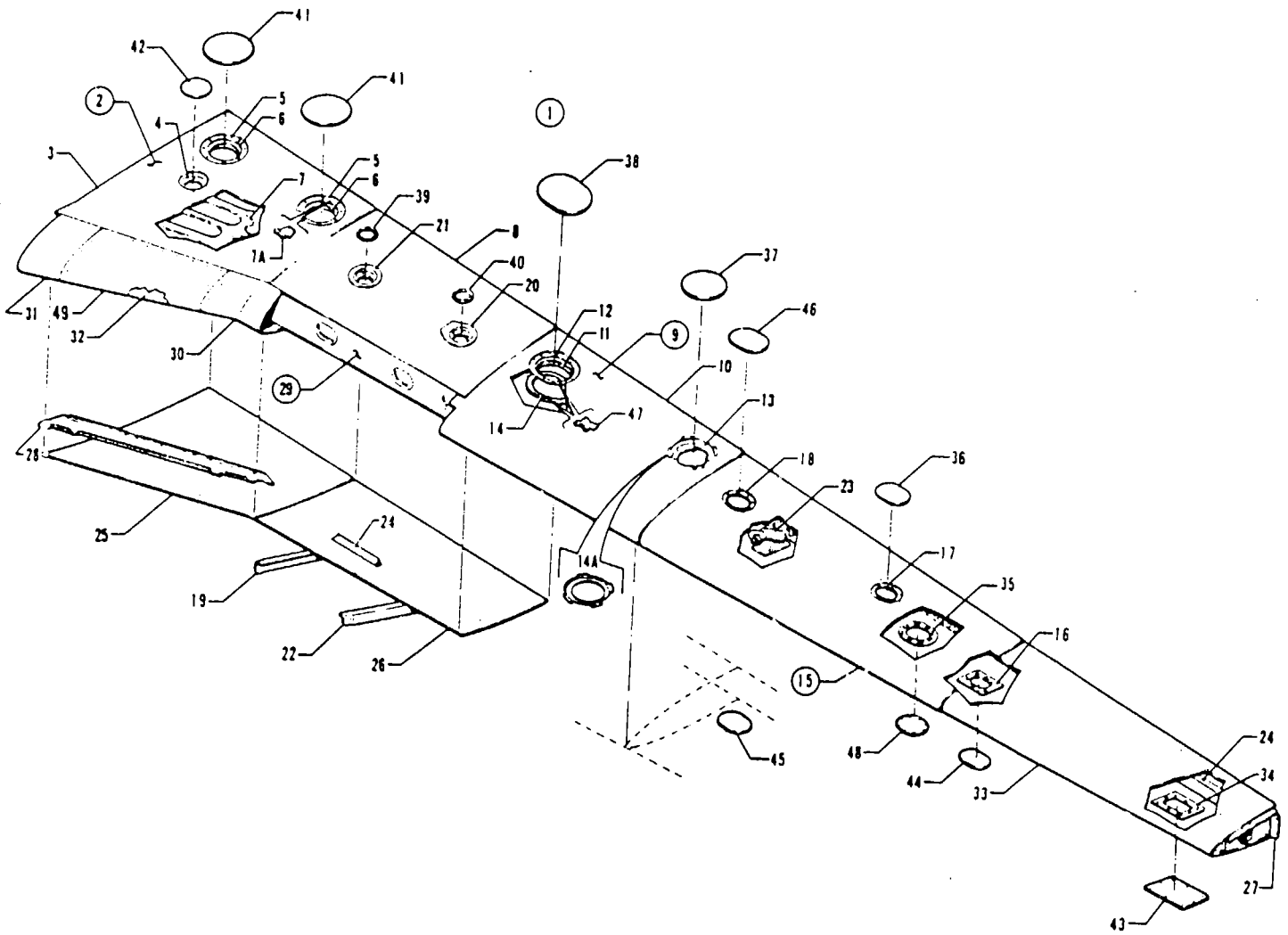


Figure 5. Wing Panel Leading Edge Assembly

PIPER PARTS CATALOG

CODE EXPLANATIONS FOR FIGURE 5

- A - All items on Figures 6 and 91 are components of this assembly.
- B - See Figure 6 for component parts.
- C - Used if Pilot Door is installed.
- D - Used if Inboard Deicer Boots are installed.
- E - Used on aircraft with serial numbers 31T-8275009, 31T-8275013, 31T-8275015 and up.

PIPER PARTS CATALOG

Figure and Index Number	Part Number	Code	NOMENCLATURE	No. Req.	SERIAL NUMBERS AFFECTED
5-1	50304-26	A	LEADING EDGE ASSEMBLY - Wing, complete, left	1	
	50304-27	A	LEADING EDGE ASSEMBLY - Wing, complete, right	1	
-2	50304-12		* SKIN ASSEMBLY - Wing, top, inboard, Sta. 30 to Sta. 58.5, left	1	
	50304-13		* SKIN ASSEMBLY - Wing, top, inboard, Sta. 30 to Sta. 58.5, right	1	
-3	45647-10		** SKIN - Wing, top	1	
-4	54662-02		** PLATE ASSEMBLY - Fuel gauge support	1	
-5	40532-06		** PLATE ASSEMBLY - Fuel cell access reinforcement	2	
-6	42589-00		** PLATE - Fuel cell stand-off	2	
-7	40506-12		** SKIN ASSEMBLY - Inner, left	1	
	40506-13		** SKIN ASSEMBLY - Inner, right	1	
-7a	53358-00		** BRACKET ASSEMBLY - Nut flange, mounting	4	
-8	40585-34		* SKIN - Wing, top, center, Sta. 58.5 to Sta. 97.5	1	
-9	50304-08		* SKIN ASSEMBLY - Wing, center, Sta. 97.5 to Sta. 134.5, left	1	
	50304-09		* SKIN ASSEMBLY - Wing, center, Sta. 97.5 to Sta. 134.5, right	1	
-10	45647-28		** SKIN - Wing, center, Sta. 97.5 to Sta. 134.5, left	1	
	45647-29		** SKIN - Wing, center, Sta. 97.5 to Sta. 134.5, right	1	
-11	53906-00		** PLATE - Fuel cell stand-off, left	1	
	53906-01		** PLATE - Fuel cell stand-off, right	1	
-12	51467-00		** PLATE ASSEMBLY - Fuel cell access reinforcement, left	1	
	51467-01		** PLATE ASSEMBLY - Fuel cell access reinforcement, right	1	
-13	50289-02		** BRACKET ASSEMBLY - Fuel cell filler neck, left	1	
	50289-03		** BRACKET ASSEMBLY - Fuel cell filler neck, right	1	
-14	53905-00		* SHIM - Fuel cell access plate	1	
-14a	54623-02		* PLATE - Fuel cell stand-off	1	
-15	50304-02		* SKIN ASSEMBLY - Wing, Sta. 134.5 to Sta. 189.5, left	1	
	50304-15		* SKIN ASSEMBLY - Wing, Sta. 134.5 to Sta. 189.5, right	1	
-16	50128-04		** PLATE ASSEMBLY - Wing access, Sta. 186, left	1	
	50128-05		** PLATE ASSEMBLY - Wing access, Sta. 186, right	1	
-17	50127-04		** PLATE ASSEMBLY - Wing access, Sta. 167.75, left	1	
	50127-05		** PLATE ASSEMBLY - Wing access, Sta. 167.75, right	1	
-18	51264-04		* PLATE ASSEMBLY - Wing access, left	1	
	51264-05		* PLATE ASSEMBLY - Wing access, right	1	
-19	50098-00		* ANGLE - Nacelle, longitudinal bulkhead, lower, inboard, left	1	
	50098-01		* ANGLE - Nacelle, longitudinal bulkhead, lower, inboard, right	1	
-20	50202-02		* ADAPTER - Fuel fill connector	1	
-21	50197-00		* ADAPTER - Fuel fill connector	1	
-22	50115-00		* ANGLE - Nacelle longitudinal bulkhead, lower, outboard, left	1	
	50115-01		* ANGLE - Nacelle longitudinal bulkhead, lower, outboard, right	1	
-23	51464-06		* VENT ASSEMBLY - Fuel cell, left	1	
	51464-05		* VENT ASSEMBLY - Fuel cell, right	1	
-24	149 158		* STRINGER - Wing, skin (12' length)	AR	
-25	40659-06		* SKIN - Wing, bottom, inboard, Sta. 30 to Sta. 58.5, left	1	
	40659-07		* SKIN - Wing, bottom, inboard, Sta. 30 to Sta. 58.5, right	1	
-26	40585-20		* SKIN - Wing, bottom, center, Sta. 58.5 to Sta. 97.5	1	

When ordering, always specify Part Number, Description and Serial Number of Aircraft

PIPER PARTS CATALOG

Figure and Index Number	Part Number	Code	NOMENCLATURE	No. Req.	SERIAL NUMBERS AFFECTED
5-27	81460-02		* SPAR ASSEMBLY - Wing, main, left	1	
	81460-03		* SPAR ASSEMBLY - Wing, main, right	1	
-28	43936-04		* CHANNEL ASSEMBLY - Leading edge attachment, left	1	
	43936-05		* CHANNEL ASSEMBLY - Leading edge attachment, right	1	
-29	50306-04	B	* SPAR ASSEMBLY - Wing front, complete, left	1	
	50306-05	B	* SPAR ASSEMBLY - Wing front, complete, right	1	
-30	50084-00		* * COVER - Leading edge access, left	1	
	50084-01		* * COVER - Leading edge access, right	1	
-31	40585-10		* * SKIN - Leading edge, inboard, left	1	
	40585-11		* * SKIN - Leading edge, inboard, right	1	
-32	40626-00		* * PANEL - Leading edge access, left	1	
	40626-01		* * PANEL - Leading edge access, right	1	
-33	40585-30		* SKIN - Wing, outboard, Sta. 189.5 to Sta. 239, left	1	
	40585-31		* SKIN - Wing, outboard, Sta. 189.5 to Sta. 239, right	1	
-34	50129-04		* PLATE ASSEMBLY - Wing access, Sta. 225, left	1	
	50129-05		* PLATE ASSEMBLY - Wing access, Sta. 225, right	1	
-35	20372-06		PLATE ASSEMBLY - Access hole reinforcement	2	
-36	50127-06		COVER - Access	2	
-37	50166-00		COVER - Access	2	
-38	51466-00		COVER - Access	2	
-39	50198-00		PLATE - Fuel fill connector	2	
-40	50203-00		PLATE - Fuel fill connector	2	
-41	40545-04		COVER - Access	4	
	44817-03	C	COVER ASSEMBLY - Access, inboard, left	1	
-42	40546-08		COVER ASSEMBLY - Access	2	
	44816-04	C	COVER ASSEMBLY - Access, inboard, left	1	
-43	50129-06		COVER - Access, left	1	
	50129-07		COVER - Access, right	1	
-44	50128-06		COVER - Access	2	
-45	40567-00		PLATE - Access	2	
-46	51264-08		COVER - Access	2	
-47	50263-04		BRACKET ASSEMBLY - Nut flange mounting	4	
-48	20370-00		COVER - Access	2	
-49	71063-02	D,E	SKIN - Leading edge, inboard, left	1	
	71063-03	D,E	SKIN - Leading edge, inboard, right	1	

When ordering, always specify Part Number, Description and Serial Number of Aircraft

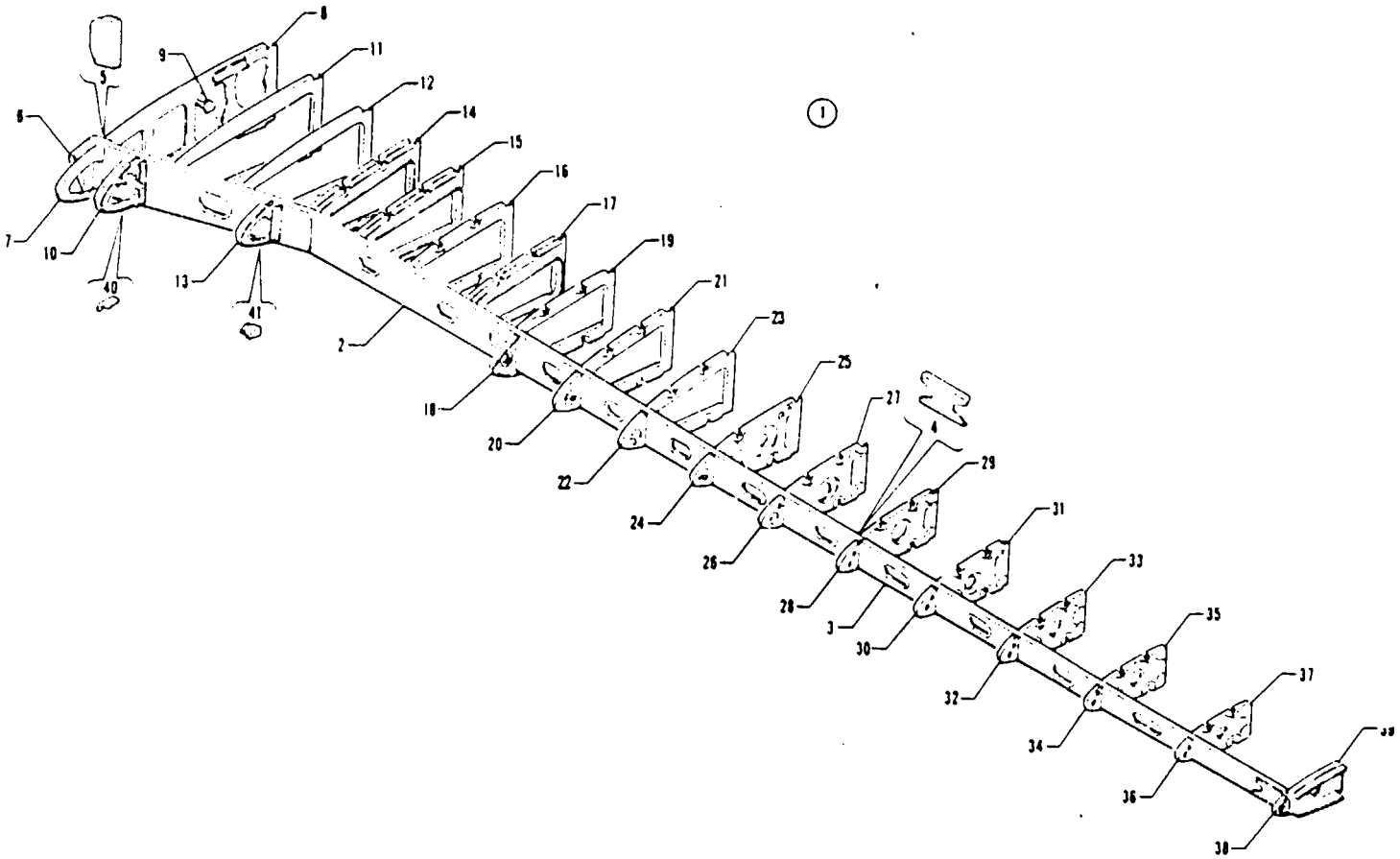


Figure 6. Leading Edge Spar Assembly

PIPER PARTS CATALOG

CODE EXPLANATIONS FOR FIGURE 6

PIPER PARTS CATALOG

Figure and Index Number	Part Number	Code	NOMENCLATURE	No. Req.	SERIAL NUMBERS AFFECTED
6-1	50306-04		SPAR ASSEMBLY - Wing front, complete, left	1	
	50306-05		SPAR ASSEMBLY - Wing front, complete, right	1	
-2	50308-00		* SPAR ASSEMBLY - Left	1	
	50308-01		* SPAR ASSEMBLY - Right	1	
-3	50099-00		* * SPAR ASSEMBLY - Outboard, Sta. 147.5 to Sta. 239, left	1	
	50099-01		* * SPAR ASSEMBLY - Outboard, Sta. 147.5 to Sta. 239, right	1	
-4	50080-00		* * PLATE - Front spar splice, left	1	
	50080-01		* * PLATE - Front spar splice, right	1	
-5	40359-10		* * PLATE ASSEMBLY - Leading edge spar reinforcement, left	1	
	40359-11		* * PLATE ASSEMBLY - Leading edge spar reinforcement, right	1	
-6	49999-03		* * BUSHING - Leading edge spar, inboard, Sta. 25.608	1	
-7	40383-02		* RIB ASSEMBLY - Front spar, nose, Sta. 30, left	1	
	40383-03		* RIB ASSEMBLY - Front spar, nose, Sta. 30, right	1	
-8	50295-02		* RIB ASSEMBLY - Front spar, Sta. 30, left	1	
	50295-03		* RIB ASSEMBLY - Front spar, Sta. 30, right	1	
-9	02245-02		* * BRACKET - Crossfeed control support, left	1	
-10	40450-06		* RIB ASSEMBLY - Front spar, nose, Sta. 34.5, left	1	
	40450-07		* RIB ASSEMBLY - Front spar, nose, Sta. 34.5, right	1	
-11	45439-08		* RIB ASSEMBLY - Front spar, Sta. 39.5, left	1	
	45439-09		* RIB ASSEMBLY - Front spar, Sta. 39.5, right	1	
-12	45449-02		* RIB ASSEMBLY - Front spar, Sta. 49.0, left	1	
	45449-03		* RIB ASSEMBLY - Front spar, Sta. 49.0, right	1	
-13	50062-00		* RIB ASSEMBLY - Front spar, nose, Sta. 54, left	1	
	50062-01		* RIB ASSEMBLY - Front spar, nose, Sta. 54, right	1	
-14	02274-02		* RIB ASSEMBLY - Front spar, Sta. 58.5, left	1	
	02274-03		* RIB ASSEMBLY - Front spar, Sta. 58.5, right	1	
-15	45467-02		* RIB ASSEMBLY - Front spar, Sta. 67.5, left	1	
	45467-03		* RIB ASSEMBLY - Front spar, Sta. 67.5, right	1	
-16	45477-12		* RIB ASSEMBLY - Front spar, Sta. 77.5, left	1	
	45477-13		* RIB ASSEMBLY - Front spar, Sta. 77.5, right	1	
-17	45487-12		* RIB ASSEMBLY - Front spar, Sta. 87.5, left	1	
	45487-13		* RIB ASSEMBLY - Front spar, Sta. 87.5, right	1	
-18	45497-04		* RIB ASSEMBLY - Front spar, nose, Sta. 97.5, left	1	
	45497-05		* RIB ASSEMBLY - Front spar, nose, Sta. 97.5, right	1	
-19	45497-08		* RIB ASSEMBLY - Front spar, Sta. 97.5, left	1	
	45497-09		* RIB ASSEMBLY - Front spar, Sta. 97.5, right	1	
-20	50244-00		* RIB ASSEMBLY - Front spar, nose, Sta. 109.5, left	1	
	50244-01		* RIB ASSEMBLY - Front spar, nose, Sta. 109.5, right	1	
-21	45409-10		* RIB ASSEMBLY - Front spar, Sta. 109.5, left	1	
	45409-11		* RIB ASSEMBLY - Front spar, Sta. 109.5, right	1	
-22	50243-00		* RIB ASSEMBLY - Front spar, nose, Sta. 121.5, left	1	
	50243-01		* RIB ASSEMBLY - Front spar, nose, Sta. 121.5, right	1	
-23	45421-08		* RIB ASSEMBLY - Front spar, Sta. 121.5, left	1	
	45421-09		* RIB ASSEMBLY - Front spar, Sta. 121.5, right	1	
-24	50242-00		* RIB ASSEMBLY - Front spar, nose, Sta. 134.5, left	1	
	50242-01		* RIB ASSEMBLY - Front spar, nose, Sta. 134.5, right	1	
-25	45434-10		* RIB ASSEMBLY - Front spar, Sta. 134.5, left	1	
	45434-11		* RIB ASSEMBLY - Front spar, Sta. 134.5, right	1	
-26	50347-06		* RIB ASSEMBLY - Front spar, nose, Sta. 147.5, left	1	
	50347-07		* RIB ASSEMBLY - Front spar, nose, Sta. 147.5, right	1	
-27	50347-04		* RIB ASSEMBLY - Front spar, Sta. 147.5, left	1	
	50347-05		* RIB ASSEMBLY - Front spar, Sta. 147.5, right	1	

When ordering, always specify Part Number, Description and Serial Number of Aircraft

PIPER PARTS CATALOG

Figure and Index Number	Part Number	Code	NOMENCLATURE	No. Req.	SERIAL NUMBERS AFFECTED
6-28	50359-04		* RIB ASSEMBLY - Front spar, nose, Sta. 160.5, left	1	
	50359-05		* RIB ASSEMBLY - Front spar, nose, Sta. 160.5, right	1	
-29	50359-06		* RIB ASSEMBLY - Front spar, Sta. 160.5, left	1	
	50359-07		* RIB ASSEMBLY - Front spar, Sta. 160.5, right	1	
-30	50374-04		* RIB ASSEMBLY - Front spar, nose, Sta. 174.5, left	1	
	50374-05		* RIB ASSEMBLY - Front spar, nose, Sta. 174.5, right	1	
-31	50374-02		* RIB ASSEMBLY - Front spar, Sta. 174.5, left	1	
	50374-03		* RIB ASSEMBLY - Front spar, Sta. 174.5, right	1	
-32	50389-10		* RIB ASSEMBLY - Front spar, nose, Sta. 189.5, left	1	
	50389-11		* RIB ASSEMBLY - Front spar, nose, Sta. 189.5, right	1	
-33	50389-06		* RIB ASSEMBLY - Front spar, Sta. 189.5, left	1	
	50389-07		* RIB ASSEMBLY - Front spar, Sta. 189.5, right	1	
-34	50389-18		* RIB ASSEMBLY - Front spar, nose, Sta. 205, left	1	
	50389-19		* RIB ASSEMBLY - Front spar, nose, Sta. 205, right	1	
-35	50389-20		* RIB ASSEMBLY - Front spar, Sta. 205, left	1	
	50389-21		* RIB ASSEMBLY - Front spar, Sta. 205, right	1	
-36	50340-04		* RIB ASSEMBLY - Front spar, nose, Sta. 221.5, left	1	
	50340-05		* RIB ASSEMBLY - Front spar, nose, Sta. 221.5, right	1	
-37	50340-14		* RIB ASSEMBLY - Front spar, Sta. 221.5, left	1	
	50340-15		* RIB ASSEMBLY - Front spar, Sta. 221.5, right	1	
-38	50340-06		* RIB ASSEMBLY - Front spar, nose, Sta. 239.62, left	1	
	50340-07		* RIB ASSEMBLY - Front spar, nose, Sta. 239.62, right	1	
-39	50340-16		* RIB ASSEMBLY - Front spar, Sta. 239.62, left	1	
	50340-17		* RIB ASSEMBLY - Front spar, Sta. 239.62, right	1	
-40	50126-00		* BRACKET - Retaining block, Sta. 34.5, left	1	
	50126-01		* BRACKET - Retaining block, Sta. 34.5, right	1	
-41	50124-00		* BRACKET - Retaining block, Sta. 54, left	1	
	50124-01		* BRACKET - Retaining block, Sta. 54, right	1	

When ordering, always specify Part Number, Description and Serial Number of Aircraft

PIPER PARTS CATALOG

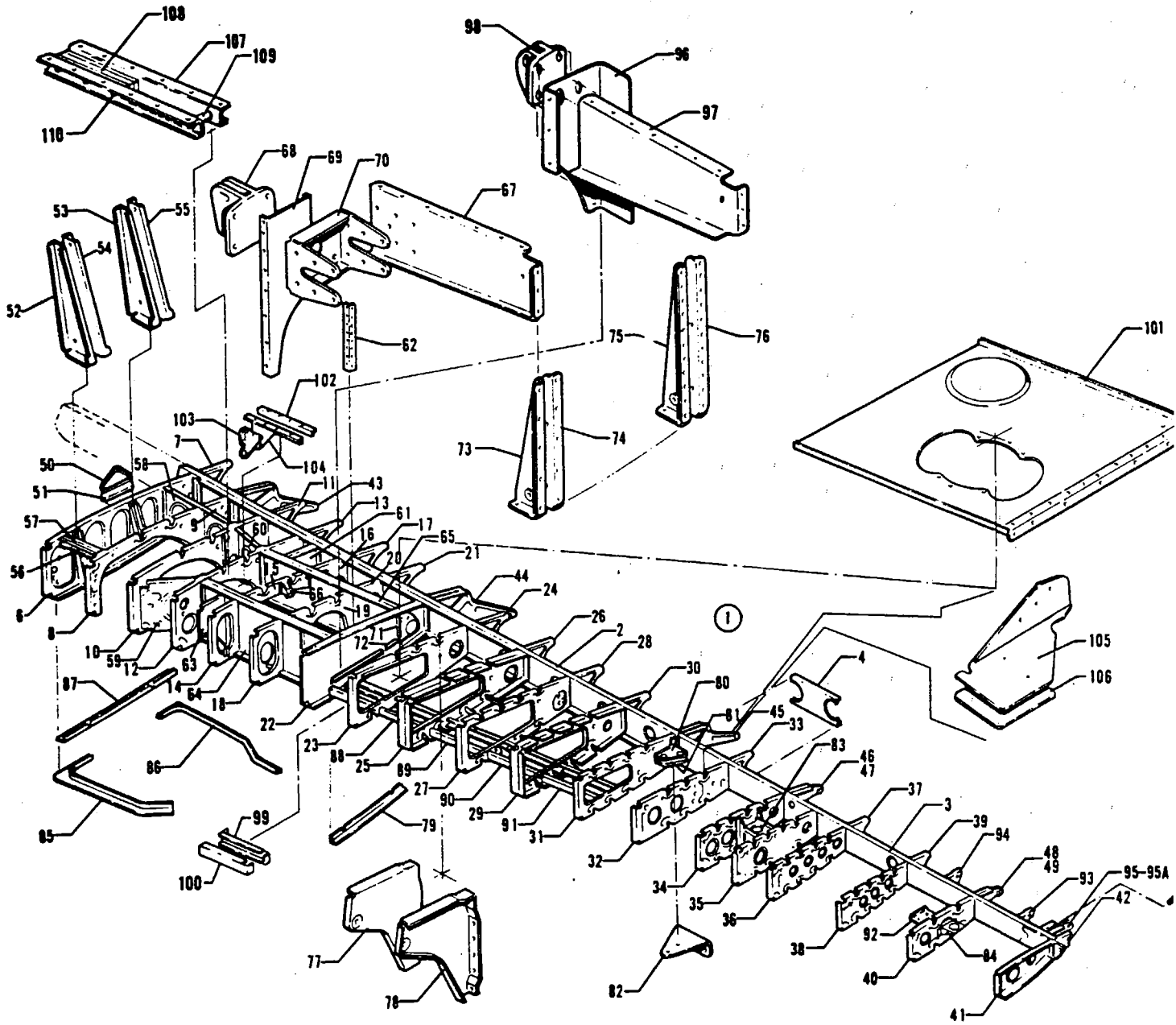


Figure 7. Wing Panel Rear Spar Assembly

PIPER PARTS CATALOG

CODE EXPLANATIONS FOR FIGURE 7

A - Used if wing tip fuel tanks are not installed.

PIPER PARTS CATALOG

Figure and Index Number	Part Number	Code	NOMENCLATURE	No. Req.	SERIAL NUMBERS AFFECTED
7-1	50307-12		FRAME ASSEMBLY - Wing rear, left	1	
	50307-13		FRAME ASSEMBLY - Wing rear, right	1	
-2	50312-20		* SPAR ASSEMBLY - Rear, Sta. 25.94 to Sta. 239, left	1	
	50312-21		* SPAR ASSEMBLY - Rear, Sta. 25.94 to Sta. 239, right	1	
-3	50102-14		* * SPAR ASSEMBLY - Rear, outboard, Sta. 153.92 to Sta. 239, left	1	
	50102-15		* * SPAR ASSEMBLY - Rear, outboard, Sta. 153.92 to Sta. 239, right	1	
-4	40362-14		* * PLATE - Splice, left	1	
	40362-15		* * PLATE - Splice, right	1	
-5	401 266		* BOLT - (AN3-5A)	6	
	407 564		* WASHER - (AN960-10)	6	
-6	50295-04		* RIB ASSEMBLY - Rear spar, Sta. 30, left	1	
	50295-05		* RIB ASSEMBLY - Rear spar, Sta. 30, right	1	
-7	40383-08		* RIB ASSEMBLY - Rear spar, trailing edge, Sta. 30, left	1	
	40383-09		* RIB ASSEMBLY - Rear spar, trailing edge, Sta. 30, right	1	
-8	50339-06		* RIB - Rear spar, Sta. 39.5, left	1	
	50339-07		* RIB - Rear spar, Sta. 39.5, right	1	
-9	50339-02		* RIB ASSEMBLY - Rear spar, trailing edge, Sta. 39.5, left	1	
	50339-03		* RIB ASSEMBLY - Rear spar, trailing edge, Sta. 39.5, right	1	
-10	45449-42		* RIB ASSEMBLY - Rear spar, Sta. 49, left	1	
	45449-43		* RIB ASSEMBLY - Rear spar, Sta. 49, right	1	
-11	45449-14		* RIB ASSEMBLY - Rear spar, trailing edge, Sta. 49, left	1	
	45449-15		* RIB ASSEMBLY - Rear spar, trailing edge, Sta. 49, right	1	
-12	50358-18		* RIB ASSEMBLY - Rear spar, Sta. 58.5, left	1	
	50358-19		* RIB ASSEMBLY - Rear spar, Sta. 58.5, right	1	
-13	50358-02		* RIB ASSEMBLY - Rear spar, trailing edge, Sta. 58.5, left	1	
	50358-03		* RIB ASSEMBLY - Rear spar, trailing edge, Sta. 58.5, right	1	
-14	50367-14		* RIB ASSEMBLY - Rear spar, Sta. 67.5, left	1	
	50367-15		* RIB ASSEMBLY - Rear spar, Sta. 67.5, right	1	
-15	50367-18		* RIB ASSEMBLY - Rear spar, Sta. 67.5, left	1	
	50367-19		* RIB ASSEMBLY - Rear spar, Sta. 67.5, right	1	
-16	50367-10		* RIB ASSEMBLY - Rear spar, Sta. 67.5, left	1	
	50367-11		* RIB ASSEMBLY - Rear spar, Sta. 67.5, right	1	
-17	50367-12		* RIB ASSEMBLY - Rear spar, trailing edge, Sta. 67.5, left	1	
	50367-13		* RIB ASSEMBLY - Rear spar, trailing edge, Sta. 67.5, right	1	
-18	50377-16		* RIB ASSEMBLY - Rear spar, Sta. 77.5, left	1	
	50377-17		* RIB ASSEMBLY - Rear spar, Sta. 77.5, right	1	
-19	50377-06		* RIB ASSEMBLY - Rear spar, Sta. 77.5, left	1	
	50377-07		* RIB ASSEMBLY - Rear spar, Sta. 77.5, right	1	
-20	50377-04		* RIB ASSEMBLY - Rear spar, Sta. 77.5, left	1	
	50377-05		* RIB ASSEMBLY - Rear spar, Sta. 77.5, right	1	

When ordering, always specify Part Number, Description and Serial Number of Aircraft

PIPER PARTS CATALOG

Figure and Index Number	Part Number	Code	NOMENCLATURE	No. Req.	SERIAL NUMBERS AFFECTED
7-21	50377-02		* RIB ASSEMBLY - Rear spar, trailing edge, Sta. 77.5, left	1	
	50377-03		* RIB ASSEMBLY - Rear spar, trailing edge, Sta. 77.5, right	1	
-22	45487-20		* RIB ASSEMBLY - Rear spar, Sta. 87.5, left	1	
	45487-21		* RIB ASSEMBLY - Rear spar, Sta. 87.5, right	1	
-23	45497-20		* RIB ASSEMBLY - Rear spar, Sta. 97.5, left	1	
	45497-21		* RIB ASSEMBLY - Rear spar, Sta. 97.5, right	1	
-24	45497-38		* RIB ASSEMBLY - Rear spar, trailing edge, Sta. 97.5 left	1	
	45497-41		* RIB ASSEMBLY - Rear spar, trailing edge, Sta.97.5, right	1	
-25	45409-14		* RIB ASSEMBLY - Rear spar, Sta. 109.5, left	1	
	45409-15		* RIB ASSEMBLY - Rear spar, Sta. 109.5, right	1	
-26	45409-02		* RIB ASSEMBLY - Rear spar, trailing edge, Sta. 109.5, left	1	
	45409-03		* RIB ASSEMBLY - Rear spar, trailing edge, Sta. 109.5, right	1	
-27	45421-04		* RIB ASSEMBLY - Rear spar, Sta. 121.5, left	1	
	45421-05		* RIB ASSEMBLY - Rear spar, Sta. 121.5, right	1	
-28	45421-02		* RIB ASSEMBLY - Rear spar, trailing edge, Sta. 121.5, left	1	
	45421-03		* RIB ASSEMBLY - Rear spar, trailing edge, Sta. 121.5, right	1	
-29	45434-04		* RIB ASSEMBLY - Rear spar, Sta. 134.5, left	1	
	45434-05		* RIB ASSEMBLY - Rear spar, Sta. 134.5, right	1	
-30	45434-02		* RIB ASSEMBLY - Rear spar, trailing edge, Sta. 134.5, left	1	
	45434-03		* RIB ASSEMBLY - Rear spar, trailing edge, Sta. 134.5, right	1	
-31	45447-04		* RIB ASSEMBLY - Rear spar, Sta. 147.5, left	1	
	45447-05		* RIB ASSEMBLY - Rear spar, Sta. 147.5, right	1	
-32	50380-06		* RIB ASSEMBLY - Rear spar, Sta. 160.5, left	1	
	50380-07		* RIB ASSEMBLY - Rear spar, Sta. 160.5, right	1	
-33	50380-02		* RIB ASSEMBLY - Rear spar, trailing edge, Sta. 160.5, left	1	
	50380-03		* RIB ASSEMBLY - Rear spar, trailing edge, Sta. 160.5, right	1	
-34	50373-00		* RIB ASSEMBLY - Rear spar, Sta. 174.5, left	1	
	50373-01		* RIB ASSEMBLY - Rear spar, Sta. 174.5, right	1	
-35	50382-00		* RIB ASSEMBLY - Rear spar, Sta. 182, left	1	
	50382-01		* RIB ASSEMBLY - Rear spar, Sta. 182, right	1	
-36	50389-04		* RIB ASSEMBLY - Rear spar, Sta. 189.5, left	1	
	50389-05		* RIB ASSEMBLY - Rear spar, Sta. 189.5, right	1	
-37	50389-02		* RIB ASSEMBLY - Rear spar, trailing edge, Sta. 189.5, left	1	
	50389-03		* RIB ASSEMBLY - Rear spar, trailing edge, Sta. 189.5, right	1	
-38	50389-14		* RIB ASSEMBLY - Rear spar, Sta. 205, left	1	
	50389-15		* RIB ASSEMBLY - Rear spar, Sta. 205, right	1	
-39	50389-12		* RIB ASSEMBLY - Rear spar, trailing edge, Sta. 205, left	1	
	50389-13		* RIB ASSEMBLY - Rear spar, trailing edge, Sta. 205, right	1	
-40	50340-02		* RIB ASSEMBLY - Rear spar, Sta. 221.5, left	1	
	50340-03		* RIB ASSEMBLY - Rear spar, Sta. 221.5, right	1	
-41	50340-18		* RIB ASSEMBLY - Rear spar, Sta. 239, left	1	
	50340-19		* RIB ASSEMBLY - Rear spar, Sta. 239, right	1	

When ordering, always specify Part Number, Description and Serial Number of Aircraft

PIPER PARTS CATALOG

Figure and Index Number	Part Number	Code	NOMENCLATURE	No. Req.	SERIAL NUMBERS AFFECTED
7-42	40492-08		* RIB ASSEMBLY - Rear spar, trailing edge, Sta. 239, left	1	
	40492-09		* RIB ASSEMBLY - Rear spar, trailing edge, Sta. 239, right	1	
-43	45379-06		* TRACK ASSEMBLY - Flap, inboard, Sta. 39.5	1	
-44	45809-08		* TRACK ASSEMBLY - Flap, center, Sta. 87.5	1	
-45	45381-00		* TRACK ASSEMBLY - Flap, outboard, Sta. 147.5, left	1	
	45381-01		* TRACK ASSEMBLY - Flap, outboard, Sta. 147.5, right	1	
-46	50067-00		* BRACKET ASSEMBLY - Aileron hinge, inboard, left	1	
	50067-01		* BRACKET ASSEMBLY - Aileron hinge, inboard, right	1	
-47	452 386		* * BEARING - Aileron hinge (NAS506-4)	1	
-48	50119-00		* BRACKET ASSEMBLY - Aileron hinge, outboard, left	1	
	50119-01		* BRACKET ASSEMBLY - Aileron hinge, outboard, right	1	
-49	452 386		* * BEARING - Aileron hinge (NAS506-4)	1	
-50	40509-02		* BRACKET - Aileron pulley, upper left	1	
	40509-03		* BRACKET - Aileron pulley, upper right	1	
-51	40509-05		* BRACKET - Aileron pulley, lower left	1	
	40509-04		* BRACKET - Aileron pulley, lower right	1	
-52	40560-12		* BRACKET ASSEMBLY - Main gear door hinge, forward, left	1	
	40560-11		* BRACKET ASSEMBLY - Main gear door hinge, forward, right	1	
-53	40560-04		* BRACKET ASSEMBLY - Main gear door hinge, forward, left	1	
	40560-05		* BRACKET ASSEMBLY - Main gear door hinge, forward, right	1	
-54	40560-03		* BRACKET ASSEMBLY - Main gear door hinge, aft, left	1	
	40560-02		* BRACKET ASSEMBLY - Main gear door hinge, aft, right	1	
-55	40560-05		* BRACKET ASSEMBLY - Main gear door hinge, aft, left	1	
	40560-04		* BRACKET ASSEMBLY - Main gear door hinge, aft, right	1	
-56	29741-03		* BRACKET ASSEMBLY - Landing gear door cylinder support, forward, left	1	
	29741-02		* BRACKET ASSEMBLY - Landing gear door cylinder support, forward, right	1	
-57	29741-02		* BRACKET ASSEMBLY - Landing gear door cylinder support, aft, left	1	
	29741-03		* BRACKET ASSEMBLY - Landing gear door cylinder support, aft, right	1	
-58	40474-04		* BULKHEAD - Wheel well, rear inboard, left	1	
	40474-05		* BULKHEAD - Wheel well, rear inboard, right	1	
-59	45377-06		* BULKHEAD ASSEMBLY - Wheel well front, left	1	
	45377-07		* BULKHEAD ASSEMBLY - Wheel well front, right	1	
-60	40466-02		* BULKHEAD - Wheel well, rear outboard, left	1	
	40466-03		* BULKHEAD - Wheel well, rear outboard, right	1	
-61	50073-00		* BULKHEAD ASSEMBLY - Wing, Sta. 62.81, left	1	
	50073-01		* BULKHEAD ASSEMBLY - Wing, Sta. 62.81, right	1	
-62	40438-00		* ANGLE - Wing rib rear attachment, left	1	
	40438-01		* ANGLE - Wing rib rear attachment, right	1	
-63	50016-00		* BULKHEAD - Wing, left	1	
	50016-01		* BULKHEAD - Wing, right	1	
-64	50010-00		* BULKHEAD ASSEMBLY - Main gear support, forward, left	1	
	50010-01		* BULKHEAD ASSEMBLY - Main gear support, forward, right	1	
-65	45501-30		* BULKHEAD ASSEMBLY - Main gear support, rear, left	1	
	45501-31		* BULKHEAD ASSEMBLY - Main gear support, rear, right	1	

When ordering, always specify Part Number, Description and Serial Number of Aircraft

PIPER PARTS CATALOG

Figure and Index Number	Part Number	Code	NOMENCLATURE	No. Req.	SERIAL NUMBERS AFFECTED
7-66	40658-00		* BRACKET ASSEMBLY - Main gear up switch	1	
-67	40389-00		* BRACKET - Main landing gear actuator support, forward, left	1	
	40389-01		* BRACKET - Main landing gear actuator support, forward, right	1	
-68	40652-00		* BRACKET - Main gear actuator, forward	1	
-69	40439-00		* CHANNEL - Actuator bracket support, forward, left	1	
	40439-01		* CHANNEL - Actuator bracket support, forward, right	1	
-70	40778-00		* BRACKET - Main gear actuator reinforcement	1	
-71	40463-00		* ANGLE - Fuel cell liner support	1	
-72	40485-00		* ANGLE - Fuel cell liner support	1	
-73	40502-02		* BRACKET ASSEMBLY - Main gear door, outboard hinge, forward, left	1	
	40502-03		* BRACKET ASSEMBLY - Main gear door, outboard hinge, forward, right	1	
-74	40502-05		* BRACKET ASSEMBLY - Main gear door, outboard hinge, aft, left	1	
	40502-04		* BRACKET ASSEMBLY - Main gear door, outboard hinge, aft, right	1	
-75	45691-04		* BRACKET ASSEMBLY - Main gear door, outboard hinge, forward, left	1	
	45691-05		* BRACKET ASSEMBLY - Main gear door, outboard hinge, forward, right	1	
-76	45691-03		* BRACKET ASSEMBLY - Main gear door, outboard hinge, aft, left	1	
	45691-02		* BRACKET ASSEMBLY - Main gear door, outboard hinge, aft, right	1	
-77	50104-23		* BRACKET ASSEMBLY - Flap actuator mounting, inboard, left	1	
	50104-22		* BRACKET ASSEMBLY - Flap actuator mounting, inboard, right	1	
-78	50104-24		* BRACKET ASSEMBLY - Flap actuator mounting, outboard, left	1	
	50104-25		* BRACKET ASSEMBLY - Flap actuator mounting, outboard, right	1	
-79	45825-00		* ANGLE - Main gear door cutout, left	1	
	45825-01		* ANGLE - Main gear door cutout, right	1	
-80	40513-00		* BRACKET - Aileron pulley, top, left	1	
	40513-01		* BRACKET - Aileron pulley, top, right	1	
-81	40513-01		* BRACKET - Aileron pulley, bottom, left	1	
	40513-00		* BRACKET - Aileron pulley, bottom, right	1	
-82	40515-00		* BRACKET - Aileron tab pulley, right	1	
-83	40581-00		* BRACKET ASSEMBLY - Aileron bellcrank, left	1	
	40581-01		* BRACKET ASSEMBLY - Aileron bellcrank, right	1	
-84	51359-00		* BRACKET - Flux detector	1	
-85	45824-00		* ANGLE - Main gear door cutout, forward, left	1	
	45824-01		* ANGLE - Main gear door cutout, forward, right	1	
-86	50323-00		* ANGLE ASSEMBLY - Main gear door cutout, aft, left	1	
	50323-01		* ANGLE ASSEMBLY - Main gear door cutout, aft, right	1	
-87	45955-00		* ANGLE - Main gear door cutout, left	1	
	45955-01		* ANGLE - Main gear door cutout, right	1	
-88	53042-02		* SUPPORT - Fuel cell liner, Sta. 97.5 to Sta. 109.5	2	
-89	53042-03		* SUPPORT - Fuel cell liner, Sta. 109.5 to Sta. 121.5	2	
-90	53042-04		* SUPPORT - Fuel cell liner, Sta. 121.5 to Sta. 134.5	2	
-91	53042-05		* SUPPORT - Fuel cell liner, Sta. 134.5 to Sta. 147.5	2	
-92	52072-00		* BRACKET ASSEMBLY - Flux detector, right	1	
-93	55800-02		* BULKHEAD - Rear spar, trailing edge, Sta. 231, left	1	
	55800-03		* BULKHEAD - Rear spar, trailing edge, Sta. 231, right	1	
-94	55801-02		* BULKHEAD - Rear spar, trailing edge, Sta. 213.9, left	1	
	55801-03		* BULKHEAD - Rear spar, trailing edge, Sta. 213.9, right	1	

When ordering, always specify Part Number, Description and Serial Number of Aircraft

PIPER PARTS CATALOG

Figure and Index Number	Part Number	Code	NOMENCLATURE	No. Req.	SERIAL NUMBERS AFFECTED
7-95	49740-02	A	* BRACKET ASSEMBLY - Aileron hinge, tip, left	1	
	49740-03	A	* BRACKET ASSEMBLY - Aileron hinge, tip, right	1	
-95a	452 386		* * BEARING - Aileron hinge (NAS506-4)	1	
-96	29499-02		* CHANNEL - Actuator bracket support, aft, left	1	
	29499-03		* CHANNEL - Actuator bracket support, aft, right	1	
-97	29521-02		* BRACKET - Main gear actuator support, aft, left	1	
	29521-03		* BRACKET - Main gear actuator support, aft, right	1	
-98	29459-02		* BRACKET - Main gear actuator, aft	1	
-99	53042-06		* SUPPORT - Fuel cell liner, Sta. 87.5 to Sta. 97.5, rear	1	
-100	53042-07		* SUPPORT - Fuel cell liner, Sta. 87.5 to Sta. 97.5, front	1	
-101	43961-02		BRACKET ASSEMBLY - Fuel cell upper support, left	1	
	43961-03		BRACKET ASSEMBLY - Fuel cell upper support, right	1	
-102	40625-00		ANGLE - Sta. 58.50 to Sta. 66.56	4	
-103	40616-00		BRACKET ASSEMBLY - Main landing gear uplock, forward, left	1	
	40616-01		BRACKET ASSEMBLY - Main landing gear uplock, forward, right	1	
-104	40616-03		BRACKET ASSEMBLY - Main landing gear uplock, aft, left	1	
	40616-02		BRACKET ASSEMBLY - Main landing gear uplock, aft, right	1	
-105	71132-02		GUSSET - Flap track reinforcement, inboard, left	1	
	71132-03		GUSSET - Flap track reinforcement, inboard, right	1	
	71132-04		GUSSET - Flap track reinforcement, outboard, right	1	
	71132-05		GUSSET - Flap track reinforcement, outboard, left	1	
-106	56956-14		PLATE - Filler, outboard, left and right	2	
	56956-15		PLATE - Filler, inboard, left and right	2	
-107	49457-02		BUMPER ASSEMBLY - Landing gear, left	1	
	49457-03		BUMPER ASSEMBLY - Landing gear, right	1	
-108	49456-02		* BUMPER - Landing gear	4	
-109	41413-57		* BUSHING - Landing gear bumper	4	
-110	411 538		* SCREW - (MS35207-269)	4	
	407 564		* WASHER - (AN960-10)	8	
	404 887		* NUT - (MS20365-1032C)	4	

When ordering, always specify Part Number, Description and Serial Number of Aircraft

PIPER PARTS CATALOG

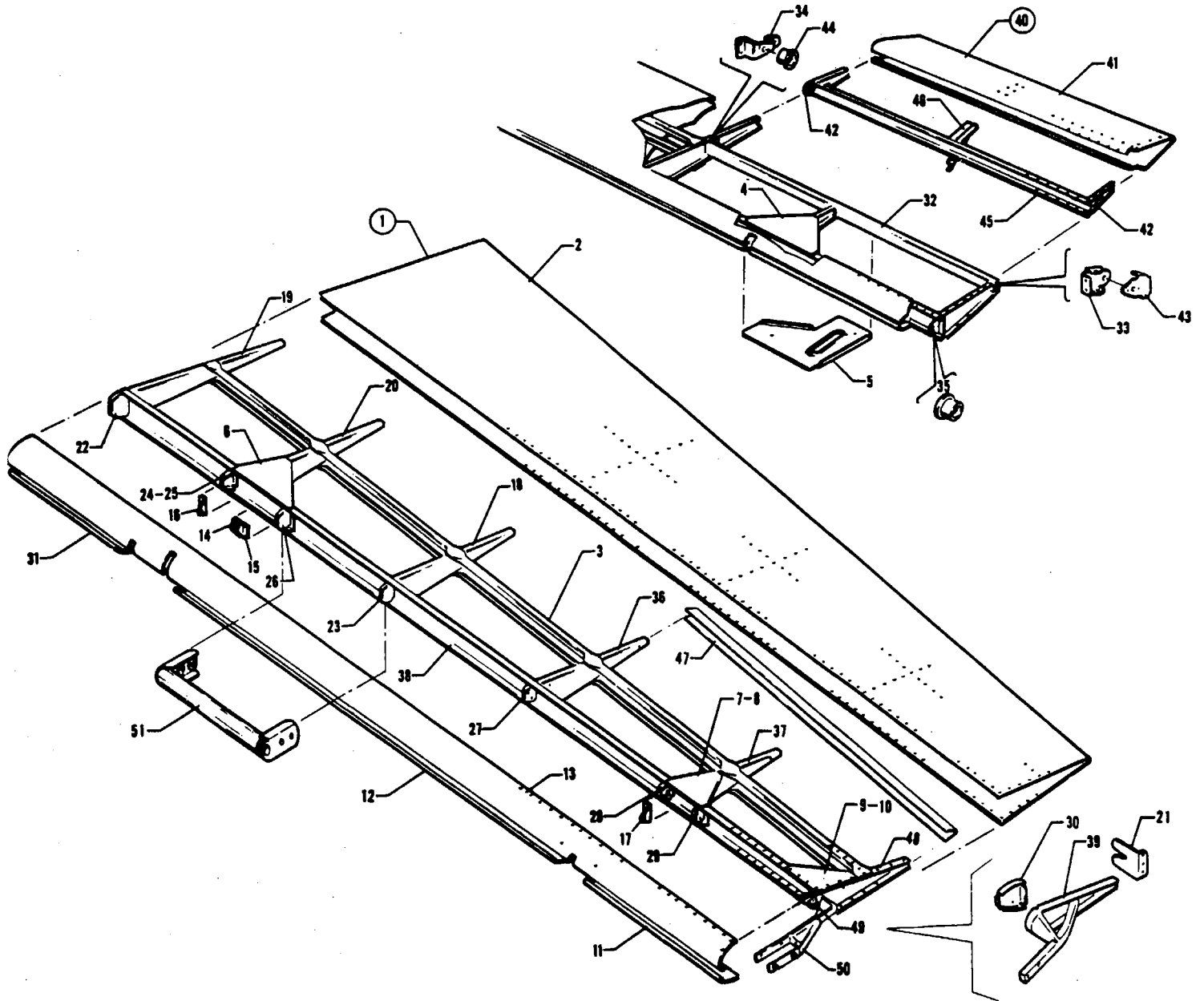


Figure 8. Aileron Assembly

PIPER PARTS CATALOG

CODE EXPLANATIONS FOR FIGURE 8

- A - Used if wing tip fuel tanks are installed.
- B - Used if wing tip fuel tanks are not installed.

PIPER PARTS CATALOG

Figure and Index Number	Part Number	Code	NOMENCLATURE	No. Req.	SERIAL NUMBERS AFFECTED
8-1	40200-52	B	AILERON ASSEMBLY - Left	1	
	40200-60	A	AILERON ASSEMBLY - Left	1	
	40200-53	B	AILERON ASSEMBLY - Right	1	
-2	40200-61	A	AILERON ASSEMBLY - Right	1	
	40200-28	B	* SKIN ASSEMBLY - Aileron, left	1	
	40200-12	A	* SKIN ASSEMBLY - Aileron, left	1	
-3	40200-29	B	* SKIN ASSEMBLY - Aileron, right	1	
	40200-13	A	* SKIN ASSEMBLY - Aileron, right	1	
	40200-16		* * CHANNEL - Aileron skin assembly, left	2	
-4	40200-17		* * CHANNEL - Aileron skin assembly, right	2	
	40135-00		* * GUSSET - Aileron, top, right, Sta. 175	1	
-5	40138-00		* * PLATE - Aileron tab skin reinforcement, bottom, right	1	
	40113-00		* * GUSSET - Aileron, inboard, left, top	1	
-6	40113-01		* * GUSSET - Aileron, inboard, left, bottom	1	
	40114-00		* * GUSSET - Aileron, Sta. 222, left, top	1	
-7	40114-01		* * GUSSET - Aileron, Sta. 222, left, bottom	1	
	40114-01		* * GUSSET - Aileron, Sta. 222, right, top	1	
-8	40114-00		* * GUSSET - Aileron, Sta. 222, right, bottom	1	
	40200-19		* GUSSET - Aileron, outboard, bottom, left	1	
-9	40200-18		* GUSSET - Aileron, outboard, bottom, right	1	
	40200-18		* GUSSET - Aileron, outboard, top, left	1	
-10	40200-19		* GUSSET - Aileron, outboard, top, right	1	
	40200-48	B	* SKIN - Aileron, front bottom outboard, left	1	
-11	40200-10	A	* SKIN - Aileron, front bottom outboard, left	1	
	40200-47	B	* SKIN - Aileron, front bottom outboard, right	1	
-12	40200-11	A	* SKIN - Aileron, front bottom outboard, right	1	
	40200-08	B	* SKIN - Aileron, front bottom center, left	1	
-13	40200-66	A	* SKIN - Aileron, front bottom center, left	1	
	40200-09	B	* SKIN - Aileron, front bottom center, right	1	
-14	40200-67	A	* SKIN - Aileron, front bottom center, right	1	
	40200-50	B	* SKIN - Aileron, front top, left	1	
-15	40200-64	A	* SKIN - Aileron, front top, left	1	
	40200-51	B	* SKIN - Aileron, front top, right	1	
-16	40200-65	A	* SKIN - Aileron, front top, right	1	
	40109-00		* HORN - Aileron, front, inboard, left	1	
-17	40109-01		* HORN - Aileron, front, inboard, right	1	
	40109-01		* HORN - Aileron, front, outboard, left	1	
-18	40109-00		* HORN - Aileron, front, outboard, right	1	
	40110-02		* BRACKET - Aileron, front, Sta. 174.5, left	1	
-19	40110-03		* BRACKET - Aileron, front, Sta. 174.5, right	1	
	40112-02		* BRACKET - Aileron, front, Sta. 221.5, left	1	
-20	40112-03		* BRACKET - Aileron, front, Sta. 221.5, right	1	
	40115-00		* RIB - Aileron, Sta. 189.5, left	1	
-21	40115-01		* RIB - Aileron, Sta. 189.5, right	1	
	40182-00		* RIB - Aileron, Sta. 161.38, left	1	
-22	40116-00		* RIB - Aileron, Sta. 161.38, right	1	
	40117-00		* RIB - Aileron, Sta. 175.12, left	1	
-23	40118-00		* RIB - Aileron, Sta. 175.12, right	1	
	49745-02	B	* REINFORCEMENT - Outboard aileron spar	1	
-24	40127-02		* BULKHEAD - Aileron nose, Sta. 161.38, left	1	
	40127-03		* BULKHEAD - Aileron nose, Sta. 161.38, right	1	

When ordering, always specify Part Number, Description and Serial Number of Aircraft

PIPER PARTS CATALOG

Figure and Index Number	Part Number	Code	NOMENCLATURE	No. Req.	SERIAL NUMBERS AFFECTED
8-23	40127-04	B	* BULKHEAD - Aileron nose, Sta. 189.5, left	1	
	81882-02	A	* BULKHEAD ASSEMBLY - Aileron nose, Sta. 189.5, left	1	
	40127-05	B	* BULKHEAD - Aileron nose, Sta. 189.5, right	1	
	81882-03	A	* BULKHEAD ASSEMBLY - Aileron nose, Sta. 189.5, right	1	
-24	40128-02		* BULKHEAD - Aileron nose, Sta. 171, right	1	
-25	40128-03		* BULKHEAD - Aileron nose, Sta. 173, left	1	
-26	40129-02	B	* BULKHEAD - Aileron nose, Sta. 179, left	1	
	81882-05	A	* BULKHEAD ASSEMBLY - Aileron nose, Sta. 179, left	1	
	40129-03	B	* BULKHEAD - Aileron nose, Sta. 179, right	1	
	81882-04	A	* BULKHEAD ASSEMBLY - Aileron nose, Sta. 179, right	1	
-27	40130-00		* BULKHEAD - Aileron nose, Sta. 205, left	1	
	40130-01		* BULKHEAD - Aileron nose, Sta. 205, right	1	
-28	40132-02		* BULKHEAD - Aileron nose, Sta. 218.4, left	1	
	40132-03		* BULKHEAD - Aileron nose, Sta. 218.4, right	1	
-29	40132-04		* BULKHEAD - Aileron nose, Sta. 222, left	1	
	40132-05		* BULKHEAD - Aileron nose, Sta. 222, right	1	
-30	54340-02	B	* BULKHEAD - Aileron nose, left	1	
	54340-03	B	* BULKHEAD - Aileron nose, right	1	
-31	40200-06		* SKIN - Aileron, front bottom inboard, left	1	
	40200-07		* SKIN - Aileron, front bottom inboard, right	1	
-32	40145-00		* SPAR - Aileron, stub, Sta. 161 to Sta. 189, right	1	
-33	40152-00		* BRACKET ASSEMBLY - Aileron tab attachment, right	1	
-34	40163-00		* BEARING ASSEMBLY - Aileron tab attachment, right	1	
-35	452 331		* * BEARING - Aileron bearing assembly (F-310-3)	1	
-36	40183-00		* RIB - Aileron, Sta. 205, left	1	
	40183-01		* RIB - Aileron, Sta. 205, right	1	
-37	40184-00		* RIB - Aileron, Sta. 222, left	1	
	40184-01		* RIB - Aileron, Sta. 222, right	1	
-38	40190-20	B	* SPAR ASSEMBLY - Aileron, left	1	
	40190-00	A	* SPAR ASSEMBLY - Aileron, left	1	
	40190-21	B	* SPAR ASSEMBLY - Aileron, right	1	
	40190-13	A	* SPAR ASSEMBLY - Aileron, right	1	
-39	49741-02	B	* RIB ASSEMBLY - Aileron balance weight, left	1	
	49741-03	B	* RIB ASSEMBLY - Aileron balance weight, right	1	
-40	40178-00		* TAB ASSEMBLY - Aileron, right	1	
-41	40178-02		* * SKIN - Aileron tab	1	
-42	40172-00		* * RIB - Aileron tab, Sta. 188.6, outboard	1	
	40149-00		* * RIB - Aileron tab, Sta. 118, inboard	1	
-43	40153-00		* * HINGE ASSEMBLY - Aileron tab assembly, Sta. 118	1	
-44	453 787		* * * BEARING - Aileron tab, hinge assembly (NAS77A5-19P)	1	
-45	40142-00		* * SPAR - Aileron tab assembly, Sta. 161 to Sta. 189	1	
-46	41860-00		* * HORN ASSEMBLY - Aileron tab, Sta. 172	1	
-47	40200-44	B	* CHANNEL - Aileron	1	
-48	40119-00	A	* RIB - Aileron, outboard end, left	1	
	40119-01	A	* RIB - Aileron, outboard end, right	1	
-49	40133-00	A	* BULKHEAD - Aileron nose, Sta. 238, left	1	
	40133-01	A	* BULKHEAD - Aileron nose, Sta. 238, right	1	
-50	50034-00	A	* BRACKET ASSEMBLY - Aileron balance weight, left	1	
	50034-01	A	* BRACKET ASSEMBLY - Aileron balance weight, right	1	
-51	81865-06	A	* WEIGHT ASSEMBLY - Aileron balance	2	

When ordering, always specify Part Number, Description and Serial Number of Aircraft

1B24
INTENTIONALLY LEFT BLANK

PIPER PARTS CATALOG

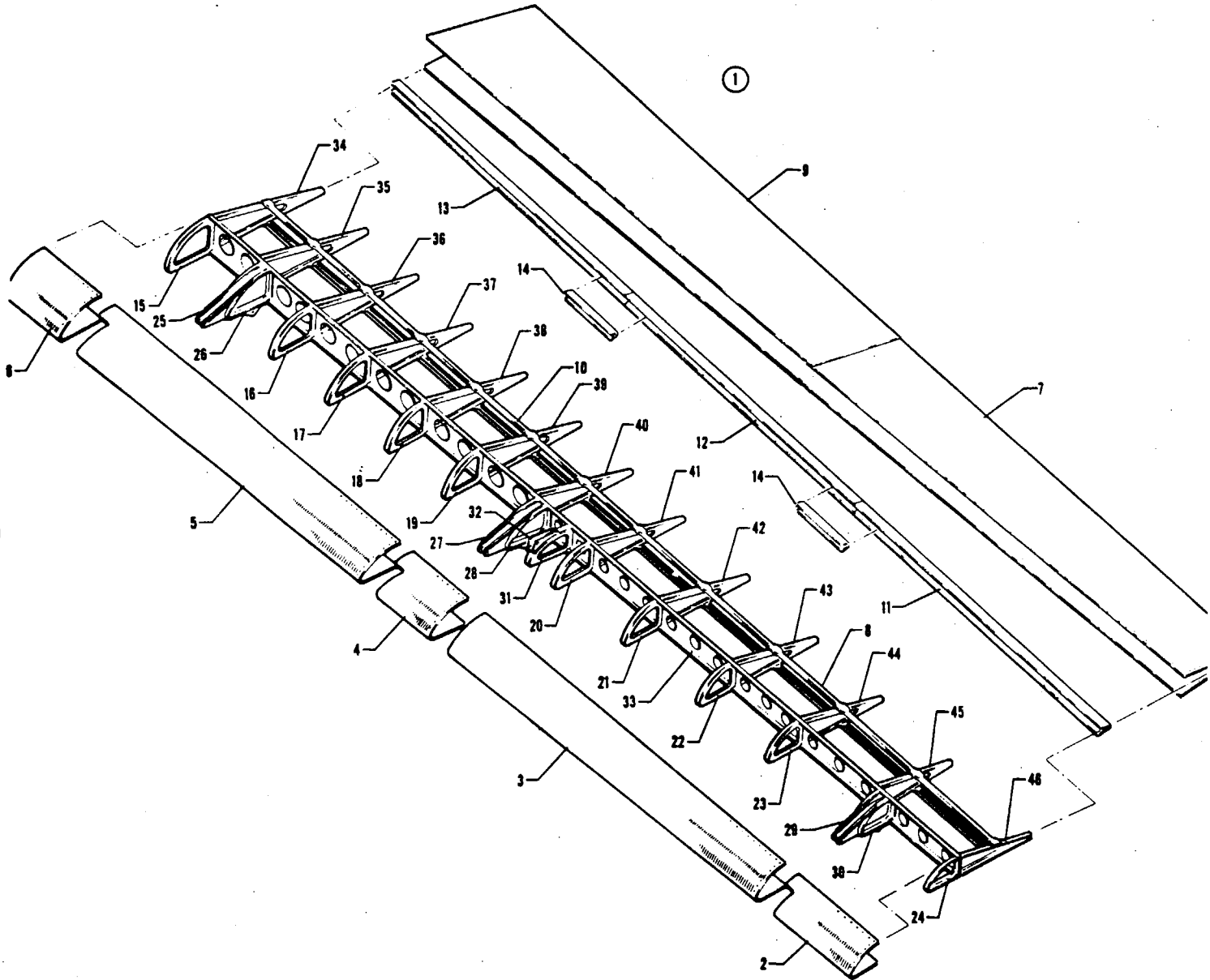


Figure 9. Flap Assembly

PIPER PARTS CATALOG

CODE EXPLANATIONS FOR FIGURE 9

PIPER PARTS CATALOG

Figure and Index Number	Part Number	Code	NOMENCLATURE	No. Req.	SERIAL NUMBERS AFFECTED
9-1	50075-26		FLAP ASSEMBLY - Left	1	
	50075-27		FLAP ASSEMBLY - Right	1	
-2	40185-06		* SKIN - Flap, leading edge, outboard, left	1	
	40185-07		* SKIN - Flap, leading edge, outboard, right	1	
-3	50075-02		* SKIN - Flap, leading edge, Sta. 97.5 to Sta. 147.5, left	1	
	50075-03		* SKIN - Flap, leading edge, Sta. 97.5 to Sta. 147.5, right	1	
-4	50075-34		* SKIN - Flap, leading edge, center, left	1	
	50075-35		* SKIN - Flap, leading edge, center, right	1	
-5	50075-30		* SKIN - Flap, leading edge, Sta. 40 to Sta. 87.5, left	1	
	50075-31		* SKIN - Flap, leading edge, Sta. 40 to Sta. 87.5, right	1	
-6	50075-32		* SKIN - Flap, leading edge, inboard, left	1	
	50075-33		* SKIN - Flap, leading edge, inboard, right	1	
-7	50075-10		* SKIN - Flap, trailing edge, outboard, left	1	
	50075-11		* SKIN - Flap, trailing edge, outboard, right	1	
-8	40185-17		* CHANNEL - Flap, trailing edge, outboard	2	
-9	50075-28		* SKIN - Flap, trailing edge, inboard, left	1	
	50075-29		* SKIN - Flap, trailing edge, inboard, right	1	
-10	40185-16		* CHANNEL - Flap, trailing edge, inboard	2	
-11	50075-09		* CHANNEL - Reinforcement, outboard	1	
-12	50075-08		* CHANNEL - Reinforcement, center	1	
-13	50075-17		* CHANNEL - Reinforcement, inboard	1	
-14	50075-16		* SPLICE - Channel	2	
-15	40137-06		* BULKHEAD - Flap nose, Sta. 30, left	1	
	40137-07		* BULKHEAD - Flap nose, Sta. 30, right	1	
-16	40137-08		* BULKHEAD - Flap nose, Sta. 49, left	1	
	40137-09		* BULKHEAD - Flap nose, Sta. 49, right	1	
-17	40144-08		* BULKHEAD - Flap nose, Sta. 58.5, left	1	
	40144-09		* BULKHEAD - Flap nose, Sta. 58.5, right	1	
-18	40144-10		* BULKHEAD - Flap nose, Sta. 67.5, left	1	
	40144-11		* BULKHEAD - Flap nose, Sta. 67.5, right	1	
-19	40144-12		* BULKHEAD - Flap nose, Sta. 77.5, left	1	
	40144-13		* BULKHEAD - Flap nose, Sta. 77.5, right	1	
-20	40147-12		* BULKHEAD - Flap nose, Sta. 97.5, left	1	
	40147-13		* BULKHEAD - Flap nose, Sta. 97.5, right	1	
-21	40147-14		* BULKHEAD - Flap nose, Sta. 109.5, left	1	
	40147-15		* BULKHEAD - Flap nose, Sta. 109.5, right	1	
-22	40147-16		* BULKHEAD - Flap nose, Sta. 121.5, left	1	
	40147-17		* BULKHEAD - Flap nose, Sta. 121.5, right	1	
-23	40147-18		* BULKHEAD - Flap nose, Sta. 134.5, left	1	
	40147-19		* BULKHEAD - Flap nose, Sta. 134.5, right	1	
-24	40147-20		* BULKHEAD - Flap nose, Sta. 160.5, left	1	
	40147-21		* BULKHEAD - Flap nose, Sta. 160.5, right	1	
-25	40177-10		* BRACKET ASSEMBLY - Flap roller, inboard, Sta. 39.5, left	1	
	40177-11		* BRACKET ASSEMBLY - Flap roller, inboard, Sta. 39.5, right	1	
-26	40177-08		* BRACKET ASSEMBLY - Flap roller, outboard, Sta. 39.5, left	1	
	40177-09		* BRACKET ASSEMBLY - Flap roller, outboard, Sta. 39.5, right	1	
-27	49494-08		* BRACKET ASSEMBLY - Flap roller, inboard, Sta. 87.5, left	1	
	49494-09		* BRACKET ASSEMBLY - Flap roller, inboard, Sta. 87.5, right	1	
-28	49494-06		* BRACKET ASSEMBLY - Flap roller, outboard, Sta. 87.5, left	1	
	49494-07		* BRACKET ASSEMBLY - Flap roller, outboard, Sta. 87.5, right	1	

When ordering, always specify Part Number, Description and Serial Number of Aircraft

PIPER PARTS CATALOG

Figure and Index Number	Part Number	Code	NOMENCLATURE	No. Req.	SERIAL NUMBERS AFFECTED
9-29	40176-10		* BRACKET ASSEMBLY - Flap roller, inboard, Sta. 147.5, left	1	
	40176-11		* BRACKET ASSEMBLY - Flap roller, inboard, Sta. 147.5, right	1	
-30	40178-08		* BRACKET ASSEMBLY - Flap roller, outboard, Sta. 147.5, left	1	
	40178-09		* BRACKET ASSEMBLY - Flap roller, outboard, Sta. 147.5, right	1	
-31	42078-06		* BULKHEAD ASSEMBLY - Flap nose, Sta. 92.94, left	1	
	42078-07		* BULKHEAD ASSEMBLY - Flap nose, Sta. 92.94, right	1	
-32	40124-04		* HORN ASSEMBLY - Flap control, Sta. 92.94	1	
-33	40162-12		* SPAR - Flap, left	1	
	40162-13		* SPAR - Flap, right	1	
-34	40166-00		* RIB - Flap, Sta. 30, left	1	
	40166-01		* RIB - Flap, Sta. 30, right	1	
-35	40157-00		* RIB - Flap, Sta. 39.5, left	1	
	40157-01		* RIB - Flap, Sta. 39.5, right	1	
-36	40166-02		* RIB - Flap, Sta. 49, left	1	
	40166-03		* RIB - Flap, Sta. 49, right	1	
-37	40167-00		* RIB - Flap, Sta. 58.5, left	1	
	40167-01		* RIB - Flap, Sta. 58.5, right	1	
-38	40167-02		* RIB - Flap, Sta. 67.5, left	1	
	40167-03		* RIB - Flap, Sta. 67.5, right	1	
-39	40167-04		* RIB - Flap, Sta. 77.5, left	1	
	40167-05		* RIB - Flap, Sta. 77.5, right	1	
-40	40168-00		* RIB - Flap, Sta. 87.5, left	1	
	40168-01		* RIB - Flap, Sta. 87.5, right	1	
-41	40167-06		* RIB - Flap, Sta. 97.5, left	1	
	40167-07		* RIB - Flap, Sta. 97.5, right	1	
-42	40167-08		* RIB - Flap, Sta. 109.5, left	1	
	40167-09		* RIB - Flap, Sta. 109.5, right	1	
-43	40167-10		* RIB - Flap, Sta. 121.5, left	1	
	40167-11		* RIB - Flap, Sta. 121.5, right	1	
-44	40167-12		* RIB - Flap, Sta. 134.5, left	1	
	40167-13		* RIB - Flap, Sta. 134.5, right	1	
-45	40168-02		* RIB - Flap, Sta. 147.5, left	1	
	40168-03		* RIB - Flap, Sta. 147.5, right	1	
-46	40165-00		* RIB - Flap, Sta. 160.5, left	1	
	40165-01		* RIB - Flap, Sta. 160.5, right	1	

When ordering, always specify Part Number, Description and Serial Number of Aircraft

PIPER PARTS CATALOG

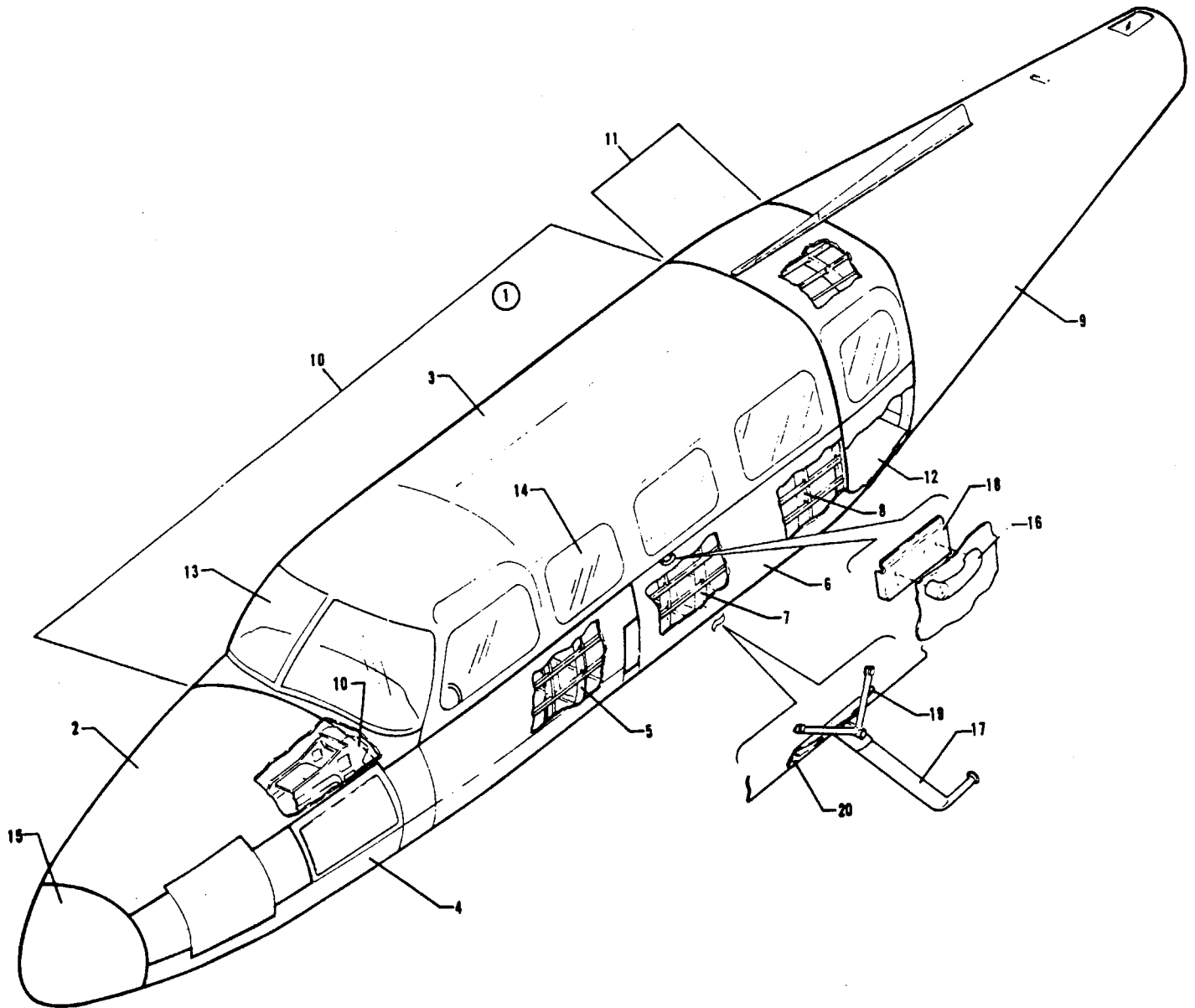


Figure 10. Fuselage Assembly

PIPER PARTS CATALOG

CODE EXPLANATIONS FOR FIGURE 10

- A - See Figure 11 for component parts.
- B - See Figure 12 for component parts.
- C - See Figure 14 for component parts.
- D - See Figure 15 for component parts.
- E - See Figure 16 for component parts.
- F - See Figure 17 for component parts.
- G - See Figure 18 for component parts.
- H - See Figure 19 and 20 for component parts.
- J - See Figure 21 for component parts.
- K - See Figure 22 for component parts.
- L - See Figure 23 for component parts.
- M - See Figure 24 for component parts.
- N - See Figure 25 for component parts.
- O - See Figure 27 for component parts.
- P - Used if pilot door is installed.

PIPER PARTS CATALOG

Figure and Index Number	Part Number	Code	NOMENCLATURE	No. Req.	SERIAL NUMBERS AFFECTED
10-	81470 81465		DRAWING - Fuselage Assembly (Complete) DRAWING - Fuselage Assembly		
-1	81465-02		FUSELAGE ASSEMBLY	1	
-2		A	* UPPER FORWARD SECTION ASSEMBLY - Fuselage	1	
-3		B	* UPPER CABIN SECTION ASSEMBLY - Fuselage	1	
-4		C	* LOWER FORWARD SECTION ASSEMBLY - Fuselage	1	
-5		D	* * LOWER FORWARD FRAME ASSEMBLY - Fuselage	1	
-6		E	* LOWER REAR SECTION ASSEMBLY - Fuselage	1	
-7		F	* * LOWER CENTER FRAME ASSEMBLY - Fuselage	1	
-8		G	* * LOWER REAR FRAME ASSEMBLY - Fuselage	1	
-9		H	* AFT SECTION - Fuselage	1	
-10		J	* STRUCTURE INSTALLATION - Sta. 57 to Sta. 215	1	
-11		K	* STRUCTURE INSTALLATION - Sta. 215 to Sta. 244	1	
-12		L	FLOOR BOARD INSTALLATION	1	
-13		M	WINDSHIELD INSTALLATION	1	
-14		N	WINDOWS INSTALLATION	1	
-15		O	NOSE CONE INSTALLATION	1	
-16	17413-03	P	HANDLE - Cabin assist	1	
-17	44644-00	P	STEP ASSEMBLY - Pilot door	1	
-18	44646-00	P	REINFORCEMENT - Assist handle	1	
-19	44645-00	P	BRACKET ASSEMBLY - Pilot door step	1	
-20	401 266	P	BOLT - (AN3-5A)	8	
	407 564	P	WASHER - (AN960-10)	16	
	404 887	P	NUT - (MS20365-1032C)	8	

When ordering, always specify Part Number, Description and Serial Number of Aircraft

PIPER PARTS CATALOG

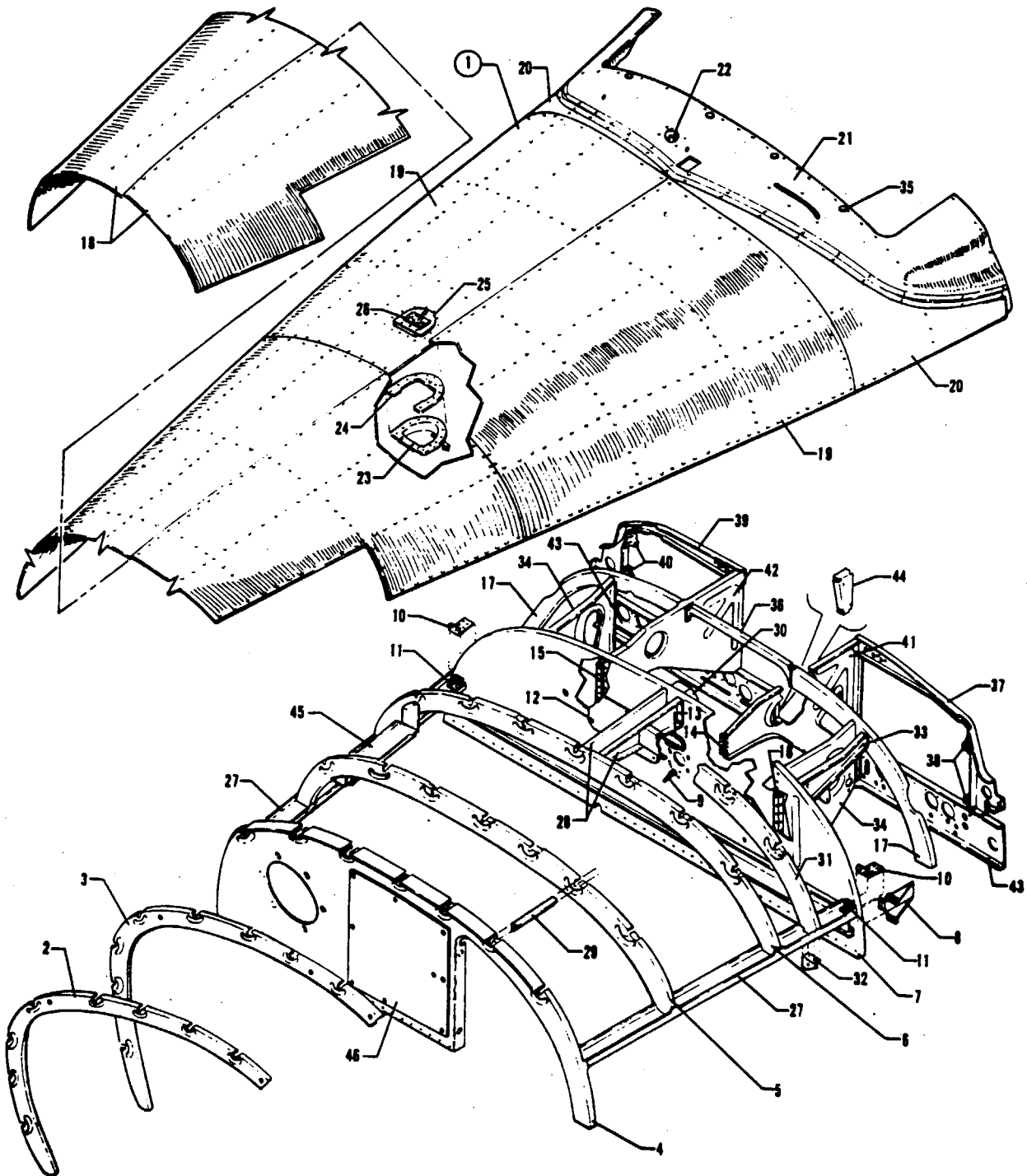


Figure 11. Fuselage Upper Forward Section Assembly

PIPER PARTS CATALOG

CODE EXPLANATIONS FOR FIGURE 11

PIPER PARTS CATALOG

Figure and Index Number	Part Number	Code	NOMENCLATURE	No. Req.	SERIAL NUMBERS AFFECTED
11-1	81480-02		SECTION ASSEMBLY - Upper forward fuselage	1	
-2	45324-05		* BULKHEAD - Upper forward fuselage, Sta. 0	1	
-3	45337-06		* BULKHEAD - Upper forward fuselage, Sta. 13	1	
-4	01415-02		* BULKHEAD ASSEMBLY - Upper forward fuselage, Sta. 25.6	1	
-5	45359-04		* BULKHEAD ASSEMBLY - Upper forward fuselage, Sta. 35	1	
-6	45370-00		* BULKHEAD - Upper forward fuselage, Sta. 46	1	
-7	01493-02		* BULKHEAD ASSEMBLY - Upper forward fuselage, Sta. 57	1	
-8	45854-00		* * BRACKET - Brake valve mounting	1	
-9	49679-02		* * FITTING ASSEMBLY - Instrument air inlet	1	
-10	41268-00		* * CLIP - Fuselage channel, left	1	
	41268-01		* * CLIP - Fuselage channel, right	1	
-11	82157-02		* * CLIP - Fuselage channel, left	1	
	82157-03		* * CLIP - Fuselage channel, right	1	
-12	81725-04		* * COVER - Bulkhead	1	
-13	54516-04		* * PLATE - Reinforcement	1	
-14	81351-02		* * ANGLE - Radio support bracket, left	1	
-15	81652-04		* * ANGLE - Radio support bracket, right	1	
-16	41272-00		* * ANGLE - Bulkhead reinforcement	1	
-17	81649-02		* BULKHEAD ASSEMBLY - Upper forward fuselage, left, Sta. 66.5	1	
	81649-03		* BULKHEAD ASSEMBLY - Upper forward fuselage, right, Sta. 66.5	1	
-18	45864-00		* SKIN - Upper forward fuselage, left, Sta. -24 to Sta. 25.6	1	
	45864-01		* SKIN - Upper forward fuselage, right, Sta. -24 to Sta. 25.6	1	
-19	45871-00		* SKIN - Upper forward fuselage, left, Sta. 25.6 to Sta. 57	1	
	45871-01		* SKIN - Upper forward fuselage, right, Sta. 25.6 to Sta. 57	1	
-20	81482-02		* SKIN - Upper forward fuselage, left, Sta. 57 to Sta. 74.88	1	
	81482-03		* SKIN - Upper forward fuselage, right, Sta. 57 to Sta. 74.88	1	
-21	81659-02		* SKIN ASSEMBLY - Upper forward fuselage, fiberglass	1	
-22	81678-02		* * TUBE ASSEMBLY - Air outlet	1	
-23	43831-00		* PLATE ASSEMBLY - Hydraulic reservoir	1	
-24	43833-00		* PLATE ASSEMBLY - Reinforcement, hydraulic reservoir door	1	
-25	42912-05		* PLATE ASSEMBLY - Access, hydraulic reservoir	1	
-26	48023-00		* * PLACARD - Brake reservoir	1	
-27	45232-04		* CHANNEL - Upper access area, left, Sta. 25.6 to Sta. 57	1	
	45232-03		* CHANNEL - Upper access area, right, Sta. 25.6 to Sta. 57	1	
-28	41040-00		* CHANNEL - Fuselage, left, Sta. 46 to Sta. 57	1	
	41040-01		* CHANNEL - Fuselage, right, Sta. 46 to Sta. 57	1	
-29	45040-00		* STRINGER - Fuselage, upper forward (6' L.)	AR	
-30	40908-00		* BRACKET - Windshield channel	1	
-31	01443-02		* BULKHEAD ASSEMBLY - Upper forward fuselage, Sta. 50.38	1	
-32	01474-02		* ANGLE ASSEMBLY - Panel attachment	1	
-33	82099-02		* BRACKET ASSEMBLY - Elevator pulley	1	
-34	81404-02		* BRACKET ASSEMBLY - Elevator forward control mounting, left	1	
	81404-03		* BRACKET ASSEMBLY - Elevator forward control mounting, right	1	
-35	460 006		* SOCKET - (XB-10224)	4	
-36	81649-06		* BULKHEAD - Upper forward fuselage, center Sta. 66.5	1	
-37	81648-02		* BULKHEAD ASSEMBLY - Instrument panel, left	1	
-38	41168-03		* * BRACKET - Shock mount	2	
-39	81539-02		* BULKHEAD ASSEMBLY - Instrument panel, right	1	
-40	49388-02		* * BRACKET - Shock mount	2	
-41	81238-02		* BRACKET ASSEMBLY - Radio support, left	1	
-42	81652-02		* BRACKET ASSEMBLY - Radio support, right	1	
-43	81505-04		CHANNEL ASSEMBLY - Instrument panel support, left	1	
	81505-06		CHANNEL ASSEMBLY - Instrument panel support, right	1	
-44	81653-02		* BRACKET ASSEMBLY - Instrument panel support, right	1	
-45	49642-02		BRACKET ASSEMBLY - Annunciator control	1	
-46	01415-06		COVER - Bulkhead, right, Sta. 25.6	1	

When ordering, always specify Part Number, Description and Serial Number of Aircraft

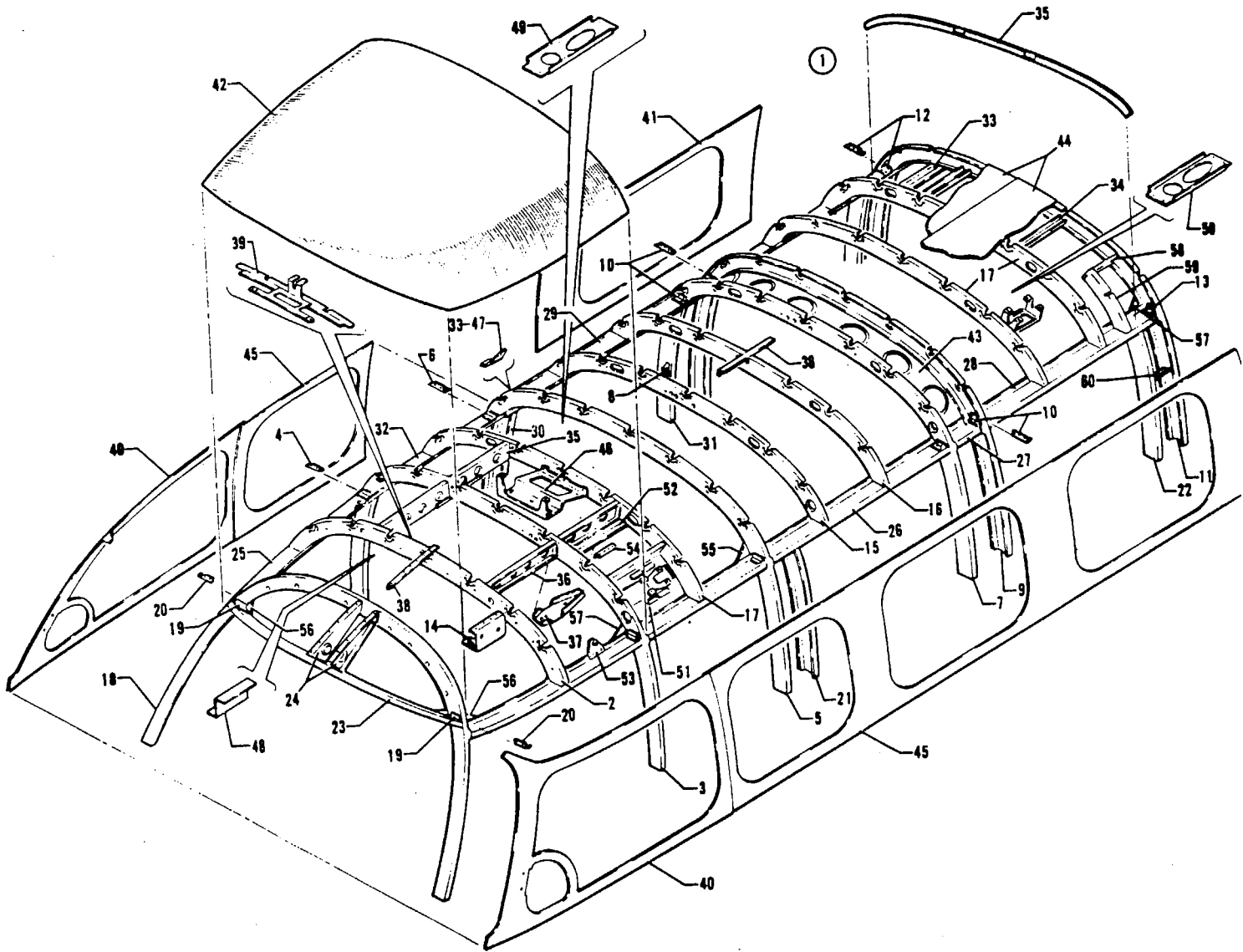


Figure 12. Fuselage Upper Cabin Section Assembly

PIPER PARTS CATALOG

CODE EXPLANATIONS FOR FIGURE 12

A - See Figure 13 if pilot door is installed.

PIPER PARTS CATALOG

Figure and Index Number	Part Number	Code	NOMENCLATURE	No. Req.	SERIAL NUMBERS AFFECTED
12-1	81530-02		SECTION ASSEMBLY - Fuselage, upper cabin	1	
-2	81673-02		* BULKHEAD ASSEMBLY - Fuselage, Sta. 102	1	
-3	44790-03		* BULKHEAD ASSEMBLY - Fuselage, top, Sta. 116	1	
-4	52775-00		* * ANGLE - Fuselage, rear	2	
	52775-01		* * ANGLE - Fuselage, front	2	
-5	40971-11		* BULKHEAD ASSEMBLY - Fuselage, top, Sta. 140	1	
-6	52775-00		* * ANGLE - Fuselage, rear	2	
	52775-01		* * ANGLE - Fuselage, front	2	
-7	40971-10		* BULKHEAD ASSEMBLY - Fuselage, top, Sta. 174	1	
-8	41047-00		* * BEARING - Emergency exit handle	1	
-9	41078-03		* BULKHEAD ASSEMBLY - Fuselage, top, Sta. 181	1	
-10	40738-00		* * ANGLE - Fuselage, rear	2	
	40738-01		* * ANGLE - Fuselage, front	2	
-11	41099-00		* BULKHEAD ASSEMBLY - Fuselage, top, Sta. 215	1	
-12	40738-00		* * ANGLE - Fuselage, right, front	1	
	40738-01		* * ANGLE - Fuselage, right, rear	1	
-13	40896-00		* * ANGLE - Attachment, left, front	1	
-14	01790-02		* BRACKET - Speaker, left	1	
	01790-03		* BRACKET - Speaker, right	1	
-15	41104-05		* BULKHEAD ASSEMBLY - Fuselage, top, Sta. 151.3	1	
-16	41104-06		* BULKHEAD ASSEMBLY - Fuselage, top, Sta. 162.6	1	
-17	41104-07		* BULKHEAD ASSEMBLY - Fuselage, top, Sta. 127.3, Sta. 191.7 and Sta. 203	3	
-18	41173-00		* BULKHEAD ASSEMBLY - Fuselage, canted, Sta. 100 to Sta. 115	1	
-19	41115-00		* * ANGLE - Attachment	2	
-20	41116-00		* * ANGLE - Attachment, left	1	
	41116-01		* * ANGLE - Attachment, right	1	
-21	40897-03		* BULKHEAD ASSEMBLY - Fuselage, Sta. 145.5, left	1	
-22	40900-04		* BULKHEAD ASSEMBLY - Fuselage, Sta. 209.5, left	1	
	40900-05		* BULKHEAD ASSEMBLY - Fuselage, Sta. 209.5, right	1	
-23	42367-00		* BULKHEAD - Windshield, upper support	1	
-24	81609-02		* BULKHEAD ASSEMBLY - Windshield channel, left	1	
	81609-03		* BULKHEAD ASSEMBLY - Windshield channel, right	1	
-25	40715-06	A	* CHANNEL - Window, upper left	1	
	40715-07		* CHANNEL - Window, upper right	1	
-26	40715-10		* CHANNEL - Window, upper left	1	
-27	40715-14		* CHANNEL - Window, upper left	1	
	40715-15		* CHANNEL - Window, upper right	1	
-28	40715-50		* CHANNEL ASSEMBLY - Window, upper left	1	
	40715-19		* CHANNEL ASSEMBLY - Window, upper right	1	
-29	40715-23		* CHANNEL - Window, upper right	1	
-30	81555-03		* CHANNEL - Window, Sta. 143	1	
-31	41208-00		* CHANNEL - Window, Sta. 173.37	1	
-32	44946-04		* CHANNEL - Window, Sta. 116, left	1	
	44946-05		* CHANNEL - Window, Sta. 116, right	1	
-33	40894-02		* BRACKET - Emergency exit cable pulley	1	
-34	52713-00		* CHANNEL - Support	2	
-35	44958-02		* CHANNEL - Cargo barrier reinforcement, left	1	
	44958-03		* CHANNEL - Cargo barrier reinforcement, right	1	
-36	44959-02		* CHANNEL - Cargo barrier reinforcement, left	1	
	44959-03		* CHANNEL - Cargo barrier reinforcement, right	1	
-37	74165-02		* CHANNEL - Cargo barrier reinforcement	2	
-38	149 582		* STRINGER - Fuselage, upper cabin, (12' L)	AR	
-39	54467-02		* BRACKET ASSEMBLY - Light mounting	1	
-40	40887-14	A	* SKIN - Upper side, left	1	
	40887-35		* SKIN - Upper side, right	1	
-41	40887-05		* SKIN - Upper side, right	1	

When ordering, always specify Part Number, Description and Serial Number of Aircraft

PIPER PARTS CATALOG

Figure and Index Number	Part Number	Code	NOMENCLATURE	No. Req.	SERIAL NUMBERS AFFECTED
12-42	40887-21	A	* SKIN - Top	1	
-43	41234-00		* SKIN - Fuselage, inner top	1	
-44	81608-02		* SKIN - Fuselage, upper left	1	
	81605-02		* SKIN - Fuselage, upper right	1	
-45	52092-00		* SKIN - Fuselage, left	1	
	52094-00		* SKIN - Fuselage, right	1	
-46	55260-02		* BRACKET ASSEMBLY - No smoking sign	1	
-47	40894-03		* BRACKET - Emergency exit cable pulley	1	
-48	54820-02		* BRACKET - Speaker, left	1	
	54820-03		* BRACKET - Speaker, right	1	
-49	71673-03		* BRACKET - Overhead speaker, Sta. 127.30 to Sta. 140	1	
-50	71673-02		* BRACKET - Overhead speaker, Sta. 191.7 to Sta. 203	1	
-51	44774-14		* BRACKET ASSEMBLY - Shoulder harness and cargo barrier, outboard, left	1	
	44774-13		* BRACKET ASSEMBLY - Shoulder harness and cargo barrier, outboard, right	1	
-52	42324-00		* CHANNEL ASSEMBLY - Panel support	2	
-53	53687-00		* PLATE ASSEMBLY - Curtain track attachment	2	
-54	81532-02		* ANGLE - Stringer splice	AR	
-55	41192-00		* GUSSET - Fuselage, Sta. 140, left	1	
-56	40752-00		* GUSSET - Bulkhead	2	
-57	44773-00		* GUSSET - Fuselage, Sta. 116	1	
-58	44619-00		ANGLE ASSEMBLY - Reinforcement, Sta. 209.5 to Sta. 215, left	1	
-59	44547-00		BULKHEAD - Fuselage, top, Sta. 209, left	1	
-60	44538-00		CHANNEL - Fuselage reinforcement, Sta. 209.5 to Sta. 215, left	1	

When ordering, always specify Part Number, Description and Serial Number of Aircraft

PIPER PARTS CATALOG

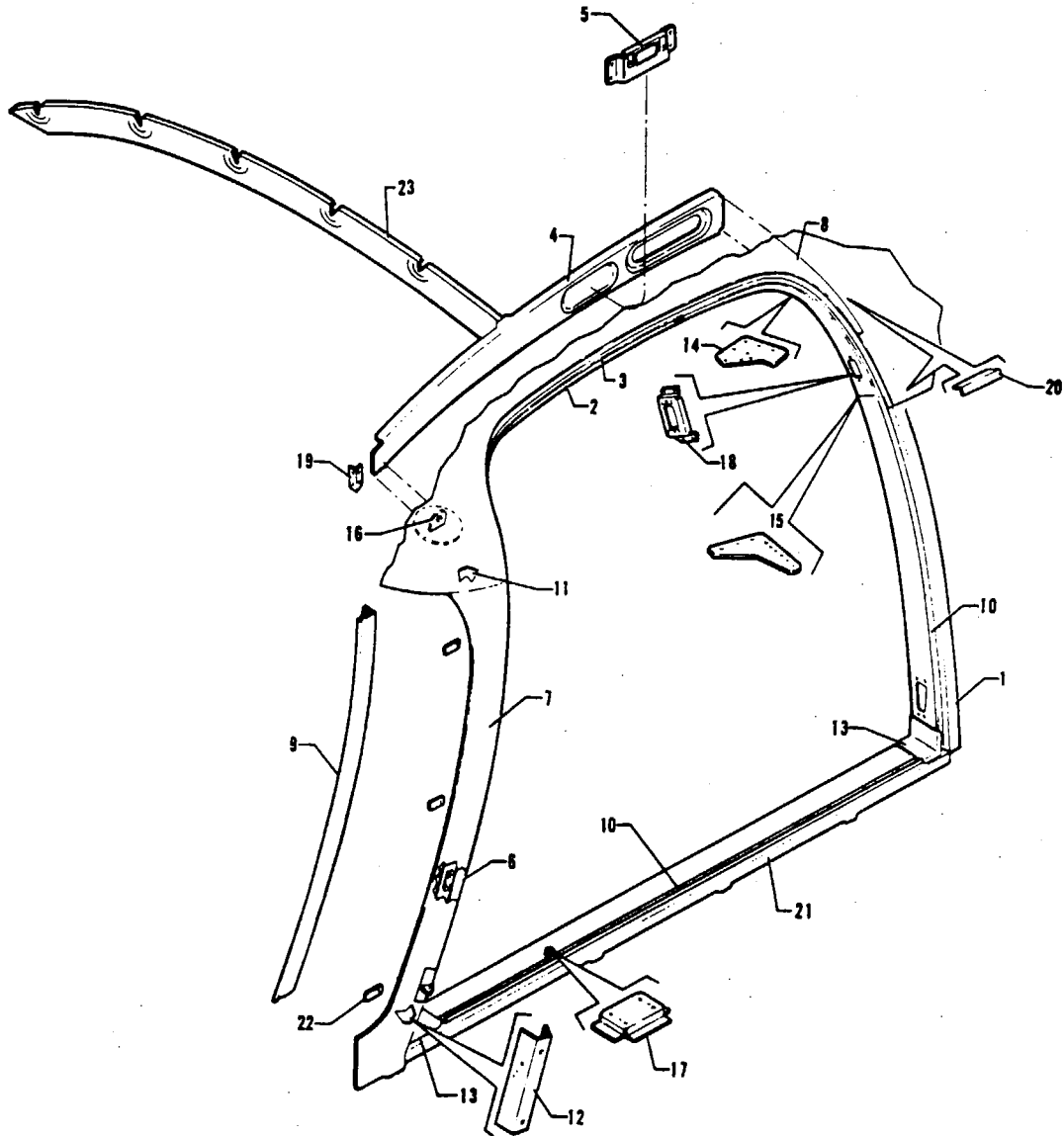


Figure 13. Pilot Door Fuselage Frame Assembly

PIPER PARTS CATALOG

CODE EXPLANATIONS FOR FIGURE 13

PIPER PARTS CATALOG

Figure and Index Number	Part Number	Code	NOMENCLATURE	No. Req.	SERIAL NUMBERS AFFECTED
13-	81888		DRAWING - Pilot Door Frame Installation		
-1	44866-00		FRAME ASSEMBLY - Pilot doot, Sta. 140	1	
-2	44743-08		CHANNEL ASSEMBLY - Pilot door, Sta. 128	1	
-3	44743-04		* STRIKER - Pilot door frame, top	1	
-4	53657-00		CHANNEL ASSEMBLY - Fuselage, pilot door	1	
-5	44867-00		* BRACKET ASSEMBLY - Latch support, lower	1	
-6	44743-02		CHANNEL - Fuselage, pilot door	1	
-7	44743-11		SKIN - Windshield retainer	1	
-8	44743-09		SKIN - Top	1	
-9	44743-10		RETAINER - Windshield	1	
-10	44743-03		STRIKER - Pilot door frame, forward	1	
	44743-14		STRIKER - Pilot door frame, bottom	1	
-11	44743-07		REINFORCEMENT - Hinge bracket, upper	1	
-12	44589-00		REINFORCEMENT - Hinge bracket, lower	1	
-13	54376-02		GUSSET - Door frame, lower front	1	
	54376-02		GUSSET - Door frame, lower rear	1	
-14	54188-02		GUSSET - Bulkhead	1	
-15	52175-00		GUSSET - Fuselage	1	
-16	44572-00		BRACKET ASSEMBLY - Pilot door hinge, upper	1	
	44573-00		BRACKET ASSEMBLY - Pilot door hinge, lower	1	
-17	44600-00		BRACKET ASSEMBLY - Pilot door support, lower	1	
-18	44670-00		BRACKET ASSEMBLY - Latch support, rear	1	
-19	44696-00		ANGLE - Canted bulkhead	1	
-20	81888-03		ANGLE - Stringer	2	
-21	44687-04		CHANNEL ASSEMBLY - Pilot door frame, lower	1	
-22	43519-00		CLIP - Fuselage harness attachment	3	
-23	81896-02		BULKHEAD ASSEMBLY - Fuselage, Sta. 102		

When ordering, always specify Part Number, Description and Serial Number of Aircraft

PIPER PARTS CATALOG

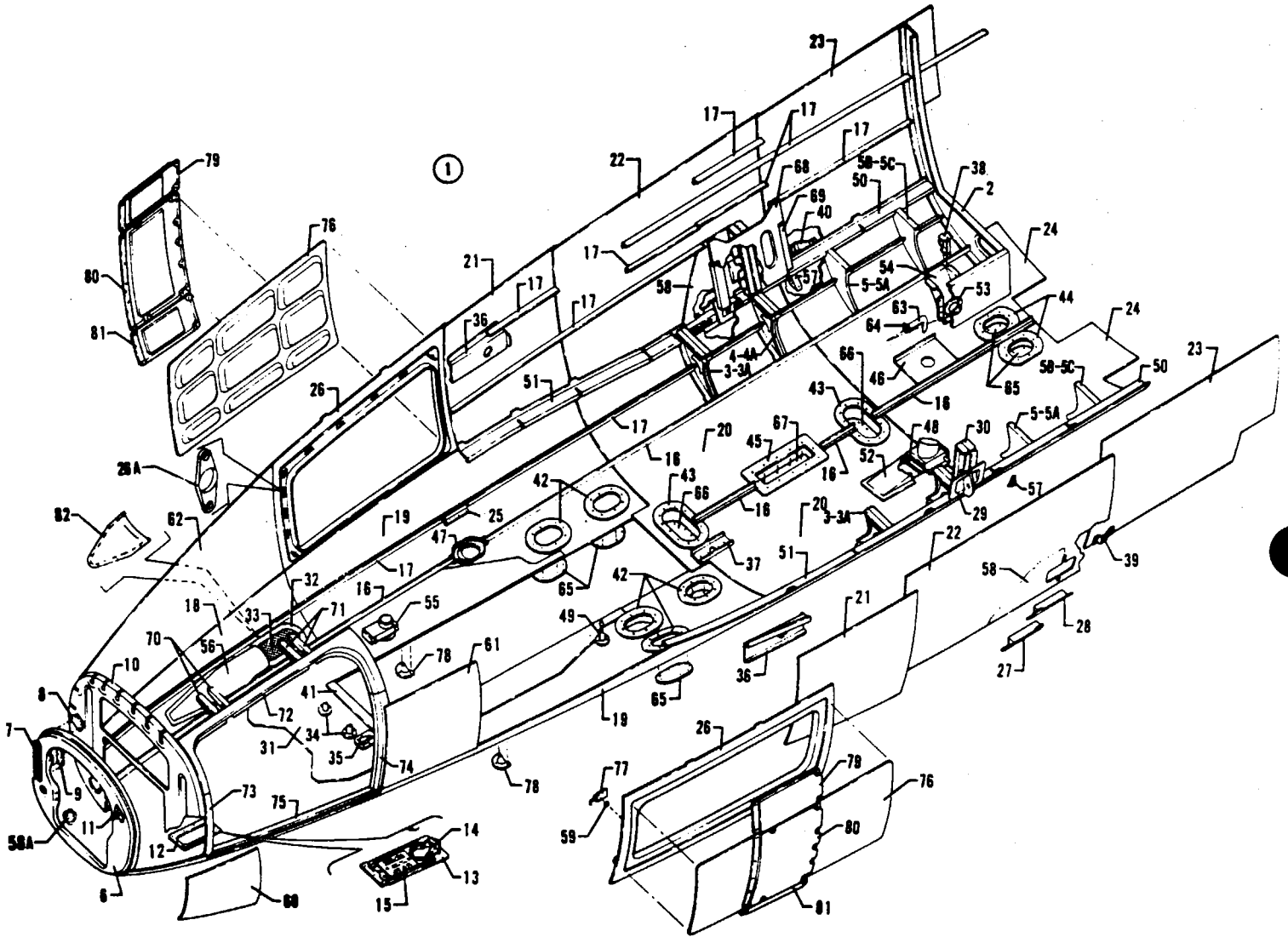


Figure 14. Fuselage Lower Forward Section Assembly

REVISED: JULY 1984

PA-31T3 T1040

PIPER PARTS CATALOG

CODE EXPLANATIONS FOR FIGURE 14

- A - See Figure 15 for component parts.
- B - Used if Air Conditioning System is installed.
- C - Used if Auxiliary Bleed Air Heat System is installed.

PIPER PARTS CATALOG

Figure and Index Number	Part Number	Code	NOMENCLATURE	No. Req.	SERIAL NUMBERS AFFECTED
14-1	81509-02	A	SECTION ASSEMBLY - Lower forward fuselage	1	
-2	81489-02		* FRAME ASSEMBLY - Lower forward fuselage	1	
-3	81666-02		* BULKHEAD ASSEMBLY - Seat track support, outboard, left, Sta. 93.26	1	
	81666-03		* BULKHEAD ASSEMBLY - Seat track support, outboard, right, Sta. 93.26	1	
-3a	406 829		* * NUT - Anchor, seat track (NAS686A3)	1	
-4	81667-02		* BULKHEAD ASSEMBLY - Seat track support, outboard, left, Sta. 104.68	1	
	81667-03		* BULKHEAD ASSEMBLY - Seat track support, outboard, right, Sta. 104.68	1	
-4a	406 829		* * NUT - Anchor, seat track (NAS686A3)	1	
-5	52119-02		* BULKHEAD ASSEMBLY - Seat track support, outboard, left, Sta. 117.26	1	
	52119-03		* BULKHEAD ASSEMBLY - Seat track support, outboard, right, Sta. 117.26	1	
-5a	406 789		* * NUT - Anchor, seat track (136R-02)	1	
-5b	52119-14		* BULKHEAD ASSEMBLY - Seat track support, outboard, left, Sta. 128.68	1	
	52119-15		* BULKHEAD ASSEMBLY - Seat track support, outboard, right, Sta. 128.68	1	
-5c	406 789		* * NUT - Anchor, seat track (136R-02)	1	
-6	50960-03		* BULKHEAD ASSEMBLY - Lower forward fuselage, Sta. -24.375	1	
-7	48665-00		* * HINGE ASSEMBLY - Nose cone	1	
-8	45530-00		* * PLATE - Latch bracket reinforcement	4	
-9	51828-02		* * PLATE ASSEMBLY - Adjustment, radome hinge	1	
-10	50109-03		* BULKHEAD ASSEMBLY - Lower forward fuselage, Sta. -15	1	
-11	45352-00		* BRACKET - Latch	4	
-12	42512-00		* FRAME - Power receptacle door	1	
-13	42513-04		* DOOR ASSEMBLY - Power receptacle	1	
-14	472 017		* * LATCH - Push button (KM610-32)	1	
-15	47757-00		* * PLACARD - Starting procedure, external power	1	
-16	45040-00		* STRINGER - Fuselage, lower forward (6' L) (.69" W.)	AR	
-17	149 562		* STRINGER - Fuselage, lower forward (12' L) (.50" W.)	AR	
-18	45666-06		* SKIN - Fuselage, bottom, Sta. -24 to Sta. 25.6, left	1	
	45666-07		* SKIN - Fuselage, bottom, Sta. -24 to Sta. 25.6, right	1	
-19	29752-02		* SKIN - Fuselage, bottom, Sta. 25.6 to Sta. 76, left	1	
	81526-03	* SKIN - Fuselage, bottom, Sta. 25.6 to Sta. 76, right	1		
-20	29333-04	* SKIN - Fuselage, bottom, Sta. 72.25 to Sta. 111, left	1		
	29333-05	* SKIN - Fuselage, bottom, Sta. 72.25 to Sta. 111, right	1		
-21	45661-04	* SKIN - Fuselage, side, Sta. 57 to Sta. 76, left	1		
	45661-05	* SKIN - Fuselage, side, Sta. 57 to Sta. 76, right	1		
-22	29331-04	* SKIN - Fuselage, side, Sta. 76 to Sta. 111, left	1		
	29331-05	* SKIN - Fuselage, side, Sta. 76 to Sta. 111, right	1		
-23	52114-00	* SKIN - Fuselage, side, Sta. 111 to Sta. 140, left	1		
	52114-01	* SKIN - Fuselage, side, Sta. 111 to Sta. 140, right	1		
-24	52127-00	* SKIN - Fuselage, bottom, Sta. 111 to Sta. 140, left	1		
	52127-01	* SKIN - Fuselage, bottom, Sta. 111 to Sta. 140, right	1		
-25	81532-02	* ANGLE - Stringer splice	3		
-26	45248-00	* FRAME ASSEMBLY - Access area, left	1		
	45248-01	* FRAME ASSEMBLY - Access area, right	1		
-26a	484 293	* * RECEPTACLE - (214-16D)	18		
-27	41145-06	* PLATE ASSEMBLY - Tube support, left, front	1		
	41145-07	* PLATE ASSEMBLY - Tube support, right, front	1		
-28	52275-00	* PLATE - Tube support, left, rear	1		
	52275-01	* PLATE - Tube support, right, rear	1		
-29	29355-02	* PLATE - Front spar attachment	2		

When ordering, always specify Part Number, Description and Serial Number of Aircraft

PIPER PARTS CATALOG

Figure and Index Number	Part Number	Code	NOMENCLATURE	No. Req.	SERIAL NUMBERS AFFECTED
14-30	81540-02		* BULKHEAD ASSEMBLY - Front spar attachment, left	1	
	81540-03		* BULKHEAD ASSEMBLY - Front spar attachment, right	1	
-31	45283-04		* GUSSET - Fuselage bottom	1	
-32	81624-02		* PLATE - Heater screen	1	
-33	81624-03		* SCREEN - Mesh, heater	1	
-34	492 352		* VENT - Battery cooling inlet, left (TBP-2500A)	1	
	492 351		* VENT - Battery cooling outlet, right (TBP-2501A)	1	
-35	41466-06		* MAST ASSEMBLY - Pitot tube	1	
-36	41269-00		* BRACKET ASSEMBLY - Torque tube, lower forward fuselage, Sta. 57, left	1	
	41269-01		* BRACKET ASSEMBLY - Torque tube, lower forward fuselage, Sta. 57, right	1	
-37	43599-00		* BRACKET - Antenna mounting	2	
-38	52132-00		* BRACKET - Heat duct support	1	
-39	81596-02		* BRACKET - Valve cable support, left	1	
-40	81595-02		* BRACKET - Valve cable support, right	1	
-41	41841-00		* PLATE - Gear door stop	1	
-42	20372-03		* PLATE ASSEMBLY - Access hole reinforcement	5	
-43	50550-00		* PLATE ASSEMBLY - Access hole reinforcement	2	
-44	41427-00		* PLATE ASSEMBLY - Access hole reinforcement	2	
-45	81766-02		* PLATE ASSEMBLY - Access hole reinforcement	1	
-46	55771-02		* PLATE ASSEMBLY - Antenna mounting	1	
-47	44821-00		* REINFORCEMENT - Heater exhaust tube	1	
-48	52202-00		* STRIP - Outside air inlet	1	
-49	44107-00		* TUBE ASSEMBLY - Powerpak vent	1	
-50	81665-02		* CHANNEL - Floorboard support, left	1	
	81665-03		* CHANNEL - Floorboard support, right	1	
-51	44804-00		* CHANNEL - Floorboard support, left	1	
	44804-01		* CHANNEL - Floorboard support, right	1	
-52	52203-00		* BOX ASSEMBLY - Outside air inlet	1	
-53	52247-00		* TUBE ASSEMBLY - Air take-off	1	
-54	52249-00		* DUCT - Outside air	1	
-55	81722-02		* BOX ASSEMBLY - Air inlet, lower forward fuselage, Sta. 37	1	
-56	29858-02		* SCOOP - Ram air intake	1	
-57	52372-00		* ANGLE - Wing fillet bulkhead, left	1	
	52372-01		* ANGLE - Wing fillet bulkhead, right	1	
-58	81575-02		* GUSSET - Fuselage front spar fitting	2	
-58a	17758-02		* TUBE ASSEMBLY - Battery vent	2	
-59	81102-20		WASHER - Latch assembly	2	
-60	46144-02		SKIN - Fuselage, left side, Sta. -24 to Sta. -13.38	1	
-61	46144-04		SKIN - Fuselage, left side, Sta. 13.38 to Sta. 25.6	1	
-62	46144-03		SKIN - Fuselage, right side, Sta. -24 to Sta. 25.6	1	
-63	22369-11	B	TUBE - Drain	1	
-64	454 983	B	CLAMP - (SAE TY E-8)	2	
-65	20370-00		COVER PLATE - Access	7	
-66	50551-00		COVER PLATE - Access	2	
-67	81767-02		COVER PLATE - Access	1	
-68	44807-00		PLATE - Fuselage reinforcement, Sta. 99 to Sta. 111, left	1	
	44807-01		PLATE - Fuselage reinforcement, Sta. 99 to Sta. 111, right	1	
-69	44802-00		ANGLE - Fuselage reinforcement	2	
-70	46074-00		BRACKET ASSEMBLY - Baggage door hinge, front	1	
	46074-01		BRACKET ASSEMBLY - Baggage door hinge, rear	1	
-71	46079-00		BRACKET ASSEMBLY - Baggage door hinge, front	1	
	46079-01		BRACKET ASSEMBLY - Baggage door hinge, rear	1	
-72	45970-04		ANGLE - Forward baggage compartment, upper	1	
-73	45970-02		CHANNEL - Forward baggage compartment, Sta. -13	1	
-74	45970-03		CHANNEL - Forward baggage compartment, Sta. 13	1	
-75	46064-00		FRAME - Forward baggage compartment, bottom	1	

When ordering, always specify Part Number, Description and Serial Number of Aircraft

PIPER PARTS CATALOG

Figure and Index Number	Part Number	Code	NOMENCLATURE	No. Req.	SERIAL NUMBERS AFFECTED
14-76	45264-00		COVER ASSEMBLY - Fuselage access area, left, Sta. 25.6 to Sta. 57	1	
	45264-01		COVER ASSEMBLY - Fuselage access area, right, Sta. 25.6 to Sta. 57	1	
-77	55371-02		LATCH ASSEMBLY - Access cover	2	
-78	22482-00		SCOOP - Air	2	
-79	81720-06		SHIELD ASSEMBLY - Prop ice, top, left	1	
	81720-05		SHIELD ASSEMBLY - Prop ice, top, right	1	
-80	81720-04		SHIELD ASSEMBLY - Prop ice, center, left	1	
	81720-03		SHIELD ASSEMBLY - Prop ice, center, right	1	
-81	29974-06		SHIELD ASSEMBLY - Prop ice, bottom, left	1	
	29974-05		SHIELD ASSEMBLY - Prop ice, bottom, right	1	
-82	70713-04	C	FAIRING - Air inlet screen	1	

When ordering, always specify Part Number, Description and Serial Number of Aircraft

**1C23 THRU 1C24
INTENTIONALLY LEFT BLANK**

PIPER PARTS CATALOG

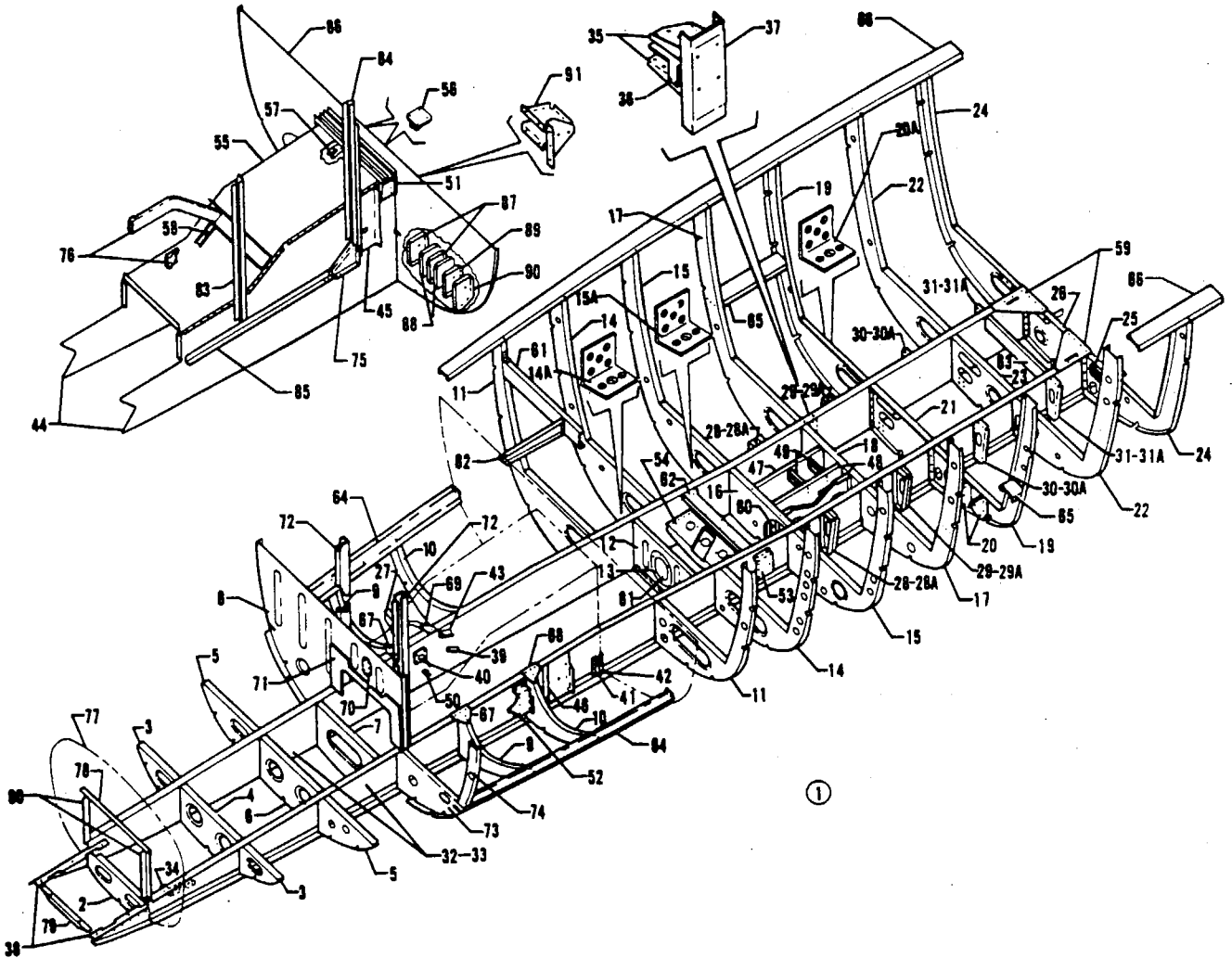


Figure 15. Fuselage Lower Forward Frame Assembly

PIPER PARTS CATALOG

CODE EXPLANATIONS FOR FIGURE 15

- A - Used on aircraft with serial numbers 31T-8275001 to 31T-8275003 inclusive, 31T-8275005 to 31T-8275016 inclusive, 31T-8275018 to 31T-8375002 inclusive, 31T-8375004 and up.
- B - Used on aircraft with serial numbers 31T-8275004, 31T-8275017, 31T-8375003.

PIPER PARTS CATALOG

Figure and Index Number	Part Number	Code	NOMENCLATURE	No. Req.	SERIAL NUMBERS AFFECTED
15-1	81489-02		FRAME ASSEMBLY - Lower forward fuselage	1	
-2	50057-00		* BULKHEAD - Fuselage, lower, Sta. -15	1	
-3	45324-02		* BULKHEAD - Fuselage, left, Sta. 0	1	
	45324-04		* BULKHEAD - Fuselage, right, Sta. 0	1	
-4	45324-03		* BULKHEAD - Fuselage, center, Sta. 0	1	
-5	45337-03		* BULKHEAD - Fuselage, left, Sta. 13	1	
	29863-02		* BULKHEAD ASSEMBLY - Fuselage, right, Sta. 13	1	
-6	45337-04		* BULKHEAD - Fuselage, center, Sta. 13	1	
-7	45346-00		* BULKHEAD - Fuselage, center, Sta. 22	1	
-8	01434-02		* BULKHEAD ASSEMBLY - Fuselage, lower, Sta. 25.6	1	
-9	01138-02		* BULKHEAD - Fuselage, left, Sta. 35	1	
	45361-00		* BULKHEAD ASSEMBLY - Fuselage, right, Sta. 35	1	
-10	81499-03		* BULKHEAD - Fuselage, left, Sta. 46	1	
	45371-00		* BULKHEAD ASSEMBLY - Fuselage, right, Sta. 46	1	
-11	40962-11		* BULKHEAD ASSEMBLY - Fuselage, left, Sta. 66.5	1	
	40962-10		* BULKHEAD ASSEMBLY - Fuselage, right, Sta. 66.5	1	
-12	41102-04		* BULKHEAD ASSEMBLY - Fuselage, center, Sta. 72.25	1	
-13	41427-00		* * PLATE ASSEMBLY - Access hole reinforcement	1	
-14	81506-02		* BULKHEAD ASSEMBLY - Fuselage, left, Sta. 76	1	
	81506-03		* BULKHEAD ASSEMBLY - Fuselage, right, Sta. 76	1	
-14a	01938-03		* * BRACKET ASSEMBLY - Cargo pod, right	1	
-15	81518-02		* BULKHEAD ASSEMBLY - Fuselage, left, Sta. 87.5	1	
	81518-03		* BULKHEAD ASSEMBLY - Fuselage, right, Sta. 87.5	1	
-15a	01938-03		* * BRACKET ASSEMBLY - Cargo pod, right	1	
-16	81518-06		* BULKHEAD ASSEMBLY - Fuselage, center, Sta. 87.5	1	
-17	81488-02		* BULKHEAD ASSEMBLY - Fuselage, left, Sta. 99	1	
	44890-09		* BULKHEAD ASSEMBLY - Fuselage, right, Sta. 99	1	
-18	81488-03		* BULKHEAD ASSEMBLY - Fuselage, center, Sta. 99	1	
-19	81522-02		* BULKHEAD ASSEMBLY - Fuselage, left, Sta. 111	1	
	81522-07		* BULKHEAD ASSEMBLY - Fuselage, right, Sta. 111	1	
-20	40969-00		* * BRACKET - Elevator cable, inboard, left	1	31T-8275001 to 31T-8275025 incl.
	40969-02		* * BRACKET - Elevator cable, inboard, left	1	31T-8375001 and up
	40970-00		* * BRACKET - Elevator cable, outboard, left	1	31T-8275001 to 31T-8275025 incl.
	40970-02		* * BRACKET - Elevator cable, outboard, left	1	31T-8375001 and up
-20a	01938-03		* * BRACKET ASSEMBLY - Cargo pod, right	1	
-21	81522-03		* BULKHEAD ASSEMBLY - Fuselage, center, Sta. 111	1	
-22	81492-02		* BULKHEAD ASSEMBLY - Fuselage, left, Sta. 123	1	
	52084-12		* BULKHEAD ASSEMBLY - Fuselage, right, Sta. 123	1	
-23	81492-03		* BULKHEAD ASSEMBLY - Fuselage, center, Sta. 123	1	
-24	81495-02		* BULKHEAD ASSEMBLY - Fuselage, left, Sta. 135	1	
	52289-07		* BULKHEAD ASSEMBLY - Fuselage, right, Sta. 135	1	
-25	81497-02		* * BRACKET ASSEMBLY - Tube support, left	1	
-26	52289-05		* BULKHEAD ASSEMBLY - Fuselage, center, Sta. 135	1	
-27	81541-02		* BULKHEAD - Heater support, right, Sta. 40.62	1	
-28	81479-02		* BULKHEAD ASSEMBLY - Seat track support, inboard, left, Sta. 93.26	1	
	81635-07		* BULKHEAD ASSEMBLY - Seat track support, inboard, right, Sta. 93.26	1	
-28a	406 816		* * NUT - Anchor, seat track (NAS687A3)	1	
-29	81478-02		* BULKHEAD ASSEMBLY - Seat track support, inboard, left, Sta. 104.68	1	
	81646-02		* BULKHEAD ASSEMBLY - Seat track support, inboard, right, Sta. 104.68	1	
-29a	406 816		* * NUT - Anchor, seat track (NAS687A3)	1	
-30	81483-02		* BULKHEAD ASSEMBLY - Seat track support, inboard, left, Sta. 117.26	1	
	52034-00		* BULKHEAD ASSEMBLY - Seat track support, inboard, right, Sta. 117.26	1	

When ordering, always specify Part Number, Description and Serial Number of Aircraft

PIPER PARTS CATALOG

Figure and Index Number	Part Number	Code	NOMENCLATURE	No. Req.	SERIAL NUMBERS AFFECTED
15-30a	406 789		* * NUT - Anchor, seat track (136R-02)	1	
-31	81483-03		* BULKHEAD ASSEMBLY - Seat track support, inboard, left, Sta. 128.68	1	
	52683-00		* BULKHEAD ASSEMBLY - Seat track support, inboard, right, Sta. 128.68	1	
-31a	406 789		* * NUT - Anchor, seat track (136R-02)	1	
-32	45433-08		* BEAM ASSEMBLY - Longitudinal, complete, left	1	
	45433-09		* BEAM ASSEMBLY - Longitudinal, complete, right	1	
-33	81453-02		* * BEAM ASSEMBLY - Longitudinal, left	1	
	81453-03		* * BEAM ASSEMBLY - Longitudinal, right	1	
-34	41439-00		* * * BRACKET - Power receptacle mounting, left	1	
-35	41555-00		* * * BRACKET - Pulley, left, top	1	
	41555-01		* * * BRACKET - Pulley, left, bottom	1	
-36	42594-02		* * * BRACKET - Pulley, left, bottom	1	
-37	44870-00		* * * CHANNEL - Reinforcement	1	
-38	50459-00		* * * ANGLE ASSEMBLY - Battery shelf support, left	1	
	50459-01		* * * ANGLE ASSEMBLY - Battery shelf support, right	1	
-39	40620-00		* * BRACKET - Spring attachment, longitudinal beam, left	1	
	40620-01		* * BRACKET - Spring attachment, longitudinal beam, right	1	
-40	41033-00		* * FITTING ASSEMBLY - Nose gear door actuator Sta. 39	1	
-41	45194-00		* * BRACKET ASSEMBLY - Nose gear door hinge	2	
-42	45194-01		* * BRACKET ASSEMBLY - Nose gear door hinge	2	
-43	40998-00		* * STOP ASSEMBLY - Nose gear down lock, right	1	
-44	45341-18		* * PLATE ASSEMBLY - Nose gear cover, side, left	1	
	45341-15		* * PLATE ASSEMBLY - Nose gear cover, side, right	1	
-45	46867-00		* * CHANNEL - Wheel well reinforcement, left	1	
-46	46907-00		* * BRACKET - Drag link reinforcement, left	1	
	41054-01		* * BRACKET - Drag link reinforcement, right	1	
-47	29717-02		* BULKHEAD ASSEMBLY - Compressed gas cylinder support, Sta. 87.5 to Sta. 99, right	1	31T-8275001 to 31T-8275006 incl.
	01258-02		* BULKHEAD ASSEMBLY - Compressed gas cylinder support, Sta. 87.5 to Sta. 99, right	1	31T-8275007 and up
-48	40947-04		* BRACKET - Hydraulic hand pump, left	1	
	81753-02		* BRACKET ASSEMBLY - Hydraulic hand pump, right	1	31T-8275001 to 31T-8275006 incl.
	01257-02		* BRACKET ASSEMBLY - Hydraulic hand pump, right	1	31T-8275007 and up
-49	81377-02		* BRACKET ASSEMBLY - Compressed gas cylinder support, forward	1	31T-8275001 to 31T-8275006 incl.
	81378-02		* BRACKET ASSEMBLY - Compressed gas cylinder support, aft	1	31T-8275001 to 31T-8275006 incl.
-50	40617-00		* BRACKET ASSEMBLY - Stop, lower forward frame, Sta. 40.62	2	
-51	40986-00		* BRACKET - Nose gear cover	1	
-52	46949-00		* BRACKET - Nose gear steering pulley, left	1	
-53	47041-00		* BRACKET - Nose gear steering pulley, left	1	
-54	47137-00		* BRACKET ASSEMBLY - Trim drum mounting	1	
-55	01445-02		* PLATE ASSEMBLY - Nose gear cover, top	1	
-56	29459-02		* * BRACKET - Nose gear actuator, left	1	
	40985-00		* * BRACKET - Nose gear actuator, right	1	
-57	29693-02		* * BRACKET ASSEMBLY - Unlock actuator	1	
-58	402 030		* * BOLT - Eye (AN42B-3A)	1	
	407 564		* * WASHER - (AN960-10)	1	
	404 887		* * NUT - (MS20365-1032C)	1	
-59	52299-00		* PLATE ASSEMBLY - Floor gusset, left	1	
	52299-01		* PLATE ASSEMBLY - Floor gusset, right	1	
-60	40964-00		* CHANNEL - Guide, Sta. 87.50	1	
-61	45517-06		* CHANNEL ASSEMBLY - Brake fitting support, Sta. 66.5	1	
-62	45662-00		* CHANNEL - Floorboard support, Sta. 80.68	1	
-63	41010-03		* CHANNEL ASSEMBLY - Floorboard support, Sta. 128.68	1	
-64	01487-02		* CHANNEL ASSEMBLY - Access, lower left, Sta. 25.6 to Sta. 57	1	
	45247-01		* CHANNEL - Access, lower right, Sta. 25.6 to Sta. 57	1	

When ordering, always specify Part Number, Description and Serial Number of Aircraft

PIPER PARTS CATALOG

Figure and Index Number	Part Number	Code	NOMENCLATURE	No. Req.	SERIAL NUMBERS AFFECTED
15-65	82193-02		* CHANNEL - Front spar attachment, left, Sta. 99 to Sta. 111	1	
	82193-03		* CHANNEL - Front spar attachment, right, Sta. 99 to Sta. 111	1	
-66	44946-06		* CHANNEL - Window, Sta. 57 to Sta. 140, left	1	
	44946-07		* CHANNEL - Window, Sta. 57 to Sta. 140, right	1	
-67	45063-00		* CLIP - Bulkhead attachment, left, Sta. 35.00	1	
	45058-00		* CLIP - Bulkhead attachment, right, Sta. 35.00	1	
-68	81502-02		* CLIP - Bulkhead attachment, left, Sta. 46.00	1	
-69	41124-00		* CLIP - Bulkhead attachment, right, Sta. 40.62	1	
-70	48103-00		* PLATE - Access hole cover	1	
-71	01672-02		* PLATE - Bulkhead reinforcement	1	
-72	01674-03		* CHANNEL ASSEMBLY - Bulkhead support, left	1	
	01675-03		* CHANNEL ASSEMBLY - Bulkhead support, right	1	
-73	01426-02		* BULKHEAD ASSEMBLY - Fuselage, lower, left bottom, Sta. 25.6	1	
-74	01428-02		BULKHEAD - Fuselage, lower, left side, Sta. 25.6	1	
-75	01460-02		COVER ASSEMBLY - Nose gear steering bellcrank	1	
-76	45269-00		BRACKET - Powerpak support, left, Sta. 49.6	1	
	45269-01		BRACKET - Powerpak support, right, Sta. 49.6	1	
-77	50109-03		BULKHEAD ASSEMBLY - Lower forward fuselage, upper, Sta. -15	1	
-78	50072-00		ANGLE - Battery shelf support	1	
-79	50540-02		ANGLE ASSEMBLY - Battery shelf support	1	
-80	50950-00		ANGLE ASSEMBLY - Battery box support, left	1	
	50950-01		ANGLE ASSEMBLY - Battery box support, right	1	
-81	20370-00		COVER PLATE - Access	1	
-82	81756-02		BRACKET ASSEMBLY - Brake fitting support, left, Sta. 57 to Sta. 66.5	1	
	81756-03		BRACKET ASSEMBLY - Brake fitting support, right, Sta. 57 to Sta. 66.5	1	
-83	01452-02		CHANNEL ASSEMBLY - Baggage compartment, Sta. 35	1	
-84	01449-02		CHANNEL ASSEMBLY - Baggage compartment, Sta. 50.38	1	
-85	01446-02		ANGLE ASSEMBLY - Floorboard support, Sta. 25.6 to Sta. 47	1	
-86	81525-02	A	BULKHEAD ASSEMBLY - Fuselage, lower left, Sta. 57	1	
	02299-02	B	BULKHEAD ASSEMBLY - Fuselage, lower left, Sta. 57	1	
	81525-03	A	BULKHEAD ASSEMBLY - Fuselage, lower right, Sta. 57	1	
	02299-03	B	BULKHEAD ASSEMBLY - Fuselage, lower right, Sta. 57	1	
-87	40999-01		* BRACKET - Pulley, left, Sta. 57	2	
-88	40999-00		* BRACKET - Pulley, left, Sta. 57	2	
-89	40999-03		* BRACKET - Pulley, left, Sta. 57	1	
-90	40953-00		* BRACKET - Pulley, left, Sta. 57	1	
-91	01001-02		* BRACKET ASSEMBLY - Rudder cable pulley, left, Sta. 57	1	
	01001-03		* BRACKET ASSEMBLY - Rudder cable pulley, right, Sta. 57	1	

When ordering, always specify Part Number, Description and Serial Number of Aircraft

PIPER PARTS CATALOG

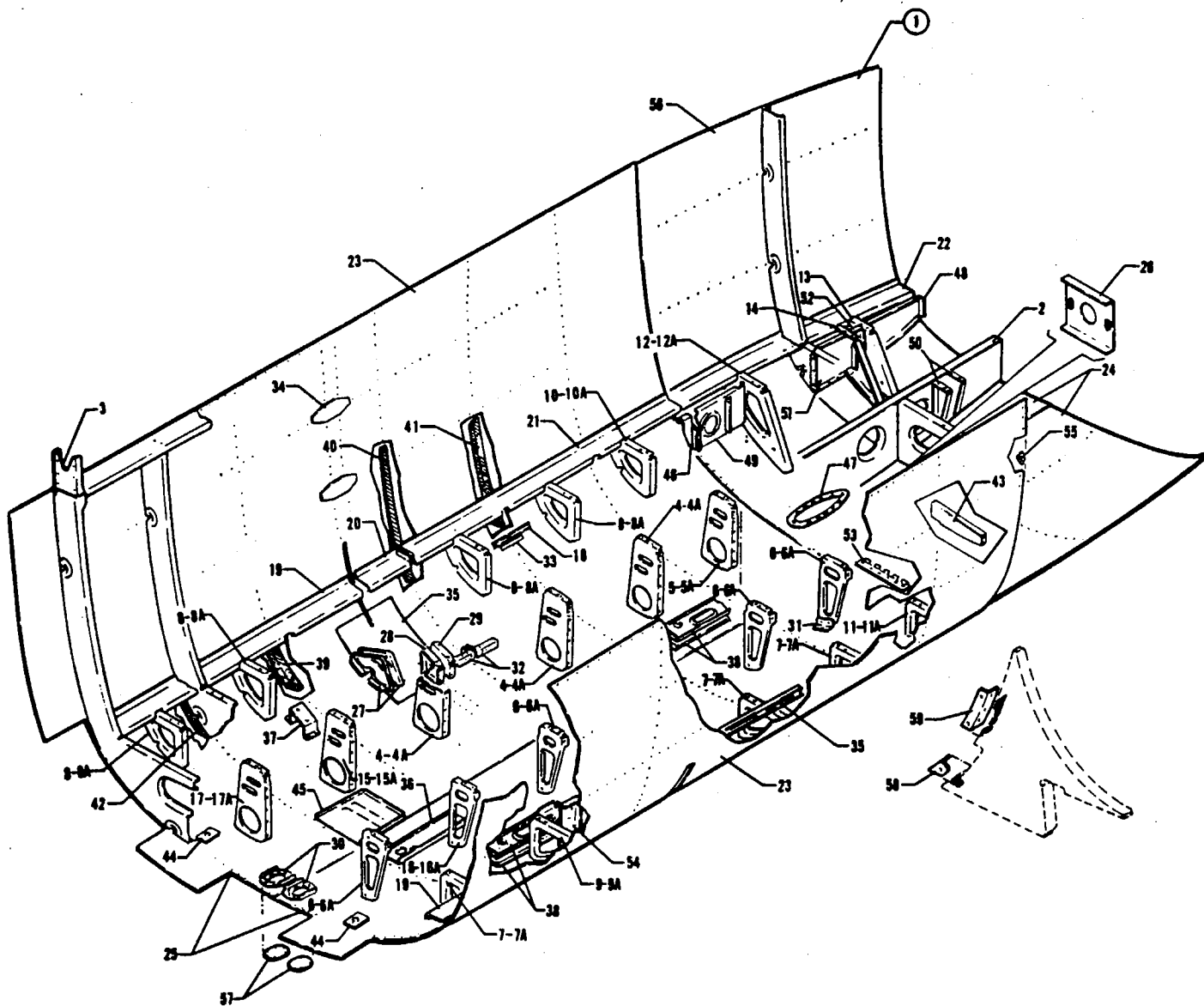


Figure 16. Fuselage Lower Rear Section Assembly

PIPER PARTS CATALOG

CODE EXPLANATIONS FOR FIGURE 16

- A - See Figure 18 for component parts.
- B - See Figure 17 for component parts.
- C - Used if pilot door is installed.

PIPER PARTS CATALOG

Figure and Index Number	Part Number	Code	NOMENCLATURE	No. Req.	SERIAL NUMBERS AFFECTED
16-1	81503-02		SECTION ASSEMBLY - Lower rear fuselage	1	
-2	81494-02	A	* FRAME ASSEMBLY - Fuselage cabin, lower, rear	1	
-3	81461-02	B	* FRAME ASSEMBLY - Fuselage cabin, lower, center	1	
-4	41130-02		* BULKHEAD ASSEMBLY - Inboard seat track, right, Sta. 169.66, 187.75 and 197.35	3	
-4a	406 789		* * NUT - Anchor, seat track (136R-02)	1	
-5	41130-03		* BULKHEAD ASSEMBLY - Inboard seat track, right, Sta. 208.69	1	
-5a	406 789		* * NUT - Anchor, seat track (136R-02)	1	
-6	41180-00		* BULKHEAD ASSEMBLY - Inboard seat track, left, Sta. 145.62, 168.25, 197.35 and 208.69	4	
-6a	406 789		* * NUT - Anchor, seat track (136R-02)	1	
-7	71699-02		* BULKHEAD ASSEMBLY - Seat track, left, Sta. 197.35, 186.50 and 145.62	3	
-7a	406 812		* * NUT - Anchor, seat track (NAS687A3K)	1	
-8	71699-03		* BULKHEAD ASSEMBLY - Seat track, right, Sta. 145.12, 156.92, 185.75 and 197.35	4	
-8a	406 812		* * NUT - Anchor, seat track (NAS687A3K)	1	
-9	71699-04		* BULKHEAD ASSEMBLY - Seat track, left, Sta. 156.92	1	
-9a	406 812		* * NUT - Anchor, seat track (NAS687A3K)	1	
-10	71699-06		* BULKHEAD ASSEMBLY - Seat track, right, Sta. 208.69	1	
-10a	406 812		* * NUT - Anchor, seat track (NAS687A3K)	1	
-11	71699-05		* BULKHEAD ASSEMBLY - Seat track, left, Sta. 208.69	1	
-11a	406 812		* * NUT - Anchor, seat track (NAS687A3K)	1	
-12	82089-02		* BULKHEAD ASSEMBLY - Right, Sta. 221.68	1	
-12a	406 816		* * NUT - Anchor, seat track (NAS687A3)	1	
-13	40687-04		* BULKHEAD ASSEMBLY - Right, Sta. 236.19	1	
-14	42375-04		* BULKHEAD ASSEMBLY - Seat support, Sta. 234.56	1	
-15	41130-06		* BULKHEAD ASSEMBLY - Inboard seat track, right, Sta. 156.92	1	
-15a	406 789		* * NUT - Anchor, seat track (136R-02)	1	
-16	41180-00		* BULKHEAD ASSEMBLY - Inboard seat track, left, Sta. 156.92	1	
-16a	406 789		* * NUT - Anchor, seat track (136R-02)	1	
-17	41130-08		* BULKHEAD ASSEMBLY - Inboard seat track, right, Sta. 145.62	1	
-17a	406 789		* * NUT - Anchor, seat track (136R-02)	1	
-18	149 562		* STRINGER - Fuselage, lower rear (12' L)	AR	
-19	40868-04		* CHANNEL - Floorboard support, Sta. 140 to Sta. 174, left	1	
	40868-05		* CHANNEL - Floorboard support, Sta. 140 to Sta. 174, right	1	
-20	40868-06		* CHANNEL - Floorboard support, Sta. 174 to Sta. 181, left	1	
	40868-07		* CHANNEL - Floorboard support, Sta. 174 to Sta. 181, right	1	
-21	40868-08		* CHANNEL - Floorboard support, Sta. 181 to Sta. 215, left	1	
	40868-09		* CHANNEL - Floorboard support, Sta. 181 to Sta. 215, right	1	
-22	40868-10		* CHANNEL - Floorboard support, Sta. 215 to Sta. 244, right	1	
-23	40887-04		* SKIN - Fuselage, lower side, left Sta. 135 to Sta. 215	1	
	40887-15		* SKIN - Fuselage, lower side, right, Sta. 135 to Sta. 215	1	
-24	40887-10		* SKIN - Fuselage, bottom, left, Sta. 203 to Sta. 244	1	
	40887-11		* SKIN - Fuselage, bottom, right, Sta. 203 to Sta. 244	1	
-25	01367-02		* SKIN ASSEMBLY - Fuselage, bottom, left Sta. 135 to Sta. 203	1	
	01367-03		* SKIN ASSEMBLY - Fuselage, bottom, right, Sta. 135 to Sta. 203	1	
-26	55771-02		* PLATE ASSEMBLY - Antenna	1	
-27	42978-00		* BRACKET - Cable pulley, aileron balance, left forward and right rear	2	
	42978-01		* BRACKET - Cable pulley, aileron balance, left rear and right forward	2	
-28	41049-02		* BRACKET - Cable pulley, aileron, front	1	

When ordering, always specify Part Number, Description and Serial Number of Aircraft

PIPER PARTS CATALOG

Figure and Index Number	Part Number	Code	NOMENCLATURE	No. Req.	SERIAL NUMBERS AFFECTED
16-29	41049-04		* BRACKET ASSEMBLY - Cable pulley, aileron, rear	1	
-30	41427-00		* PLATE ASSEMBLY - Access hole reinforcement	2	
-31	41571-00		* ANGLE - Bulkhead attachment, Sta. 208.69	1	
-32	41177-00		* ANGLE ASSEMBLY - Fuselage, left forward and right rear, Sta. 174	2	
	41177-01		* ANGLE ASSEMBLY - Fuselage, right forward and left rear, Sta. 174	2	
-33	81532-02		* ANGLE - Stringer splice	5	
-34	41176-00		* GUSSET - Bulkhead, Sta. 174	6	
-35	42979-00		* PLATE - Fuselage reinforcement, Sta. 174	2	
-36	42345-02		* BRACKET ASSEMBLY - Marker beacon mounting	1	
-37	50441-00		* BRACKET ASSEMBLY - Pneumatic regulator	1	
-38	41106-00		* BRACKET - Elevator pulley, upper	2	
	41106-01		* BRACKET - Elevator pulley, lower	2	
-39	43645-04		* ANGLE - Wing fillet bulkhead, left, Sta. 162.6	1	
	43645-05		* ANGLE - Wing fillet bulkhead, right, Sta. 162.6	1	
-40	43646-02		* ANGLE - Wing fillet bulkhead, left, Sta. 181	1	
	43646-03		* ANGLE - Wing fillet bulkhead, right, Sta. 181	1	
-41	43649-02		* ANGLE - Wing fillet bulkhead, left, Sta. 191.7	1	
	44582-03	C	* ANGLE - Wing fillet bulkhead, left, Sta. 191.7	1	
	43649-03		* ANGLE - Wing fillet bulkhead, right, Sta. 191.7	1	
-42	43683-04		* ANGLE - Wing fillet bulkhead, left, Sta. 151.3	1	
	43683-05		* ANGLE - Wing fillet bulkhead, right, Sta. 151.3	1	
-43	43779-00		* CHANNEL - Cabin vent door support	1	
-44	43599-00		* BRACKET - Antenna mounting	2	
-45	09378-02		* PLATE - Antenna mounting	1	
-46	52729-00		* BRACKET ASSEMBLY - Seat track support, Sta. 215	1	
-47	43888-00		* PLATE ASSEMBLY - Relief tube venturi attachment	1	
-48	52726-00		* SUPPORT - Floorboard, Sta. 236.19 to Sta. 244	1	
-49	52739-00		* SUPPORT ASSEMBLY - Floorboard, Sta. 215 to Sta. 226.68	1	
-50	52722-00		* SUPPORT ASSEMBLY - Floorboard	2	
-51	52724-00		* SUPPORT - Floorboard, Sta. 229 to 234.56	1	
-52	52725-00		* SUPPORT - Floorboard, Sta. 234.56 to 236.19	1	
-53	43778-04		* HINGE - Half, cabin vent door support	1	
-54	42079-00		* REINFORCEMENT - Pulley bracket	1	
-55	484 217		* RECEPTACLE - (212-12ND)	2	
-56	40887-18		SKIN - Fuselage, lower side, right, Sta. 215 to Sta. 244	1	
-57	20370-00		COVER PLATE - Access	2	
-58	44582-04	C	ANGLE - Wing fillet bulkhead, left, Sta. 191.7	1	
-59	44643-00	C	REINFORCEMENT - Wing fillet bulkhead, left, Sta. 191.7	1	

When ordering, always specify Part Number, Description and Serial Number of Aircraft

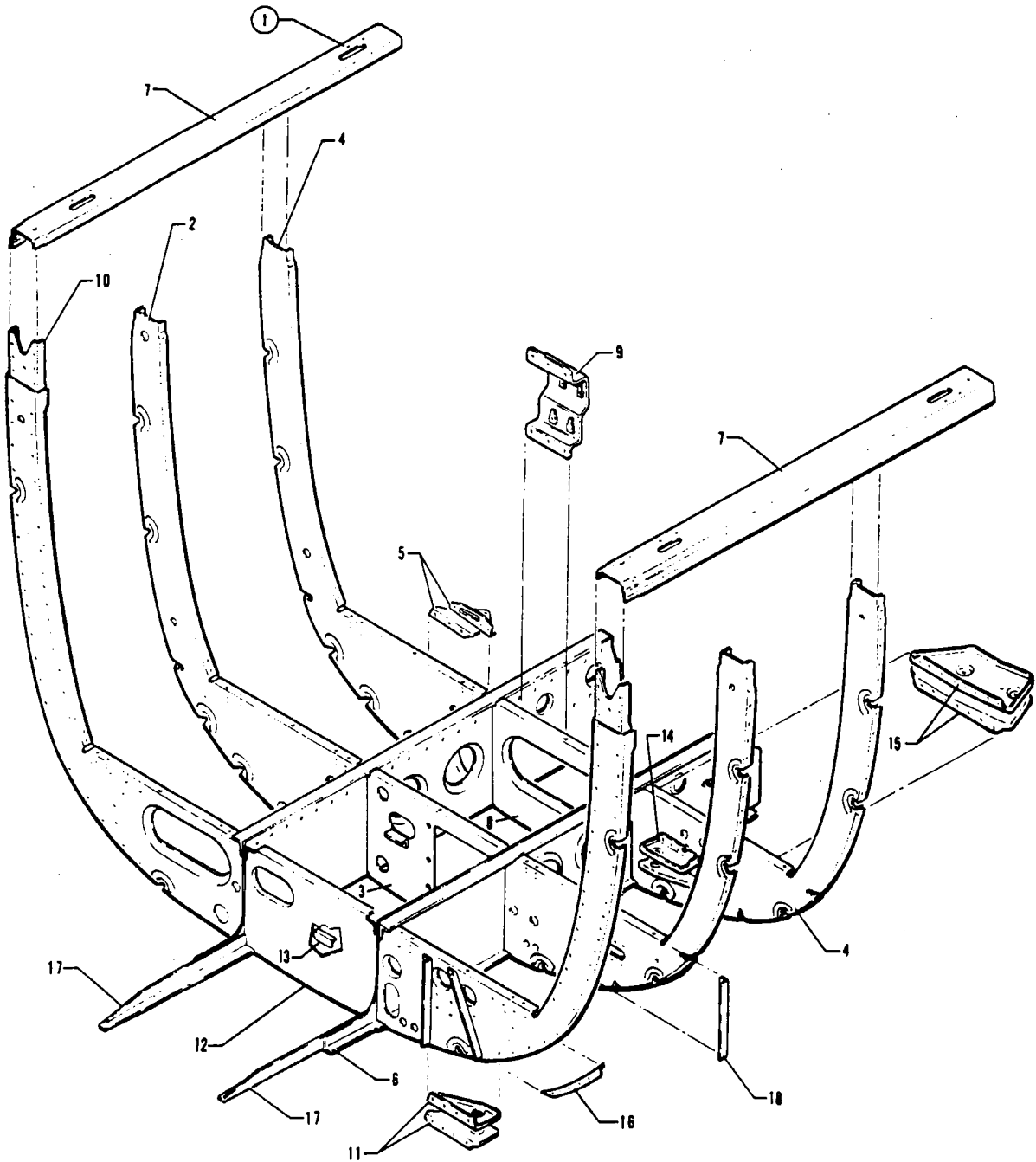


Figure 17. Fuselage Lower Center Frame Assembly

PIPER PARTS CATALOG

CODE EXPLANATIONS FOR FIGURE 17

PIPER PARTS CATALOG

Figure and Index Number	Part Number	Code	NOMENCLATURE	No. Req.	SERIAL NUMBERS AFFECTED
17-1	81461-02		FRAME ASSEMBLY - Fuselage cabin, lower, center	1	
-2	81527-02		* BULKHEAD ASSEMBLY - Fuselage bottom, Sta. 151.3, left	1	
	41232-09		* BULKHEAD ASSEMBLY - Fuselage bottom, Sta. 151.3, right	1	
-3	81527-03		* BULKHEAD ASSEMBLY - Fuselage bottom, Sta. 151.3, center	1	
-4	41233-07		* BULKHEAD ASSEMBLY - Fuselage bottom, Sta. 162.6, left	1	
	41233-09		* BULKHEAD ASSEMBLY - Fuselage bottom, Sta. 162.6, right	1	
-5	40944-00		* * BRACKET - Aileron trim pulley, Sta. 162.6, lower right	1	
	40945-00		* * BRACKET - Aileron trim pulley, Sta. 162.6, upper right	1	
-6	81537-02		* BEAM ASSEMBLY - Longitudinal, Sta. 135 to Sta. 174, left	1	
	81537-03		* BEAM ASSEMBLY - Longitudinal, Sta. 135 to Sta. 174, right	1	
-7	40715-40		* CHANNEL ASSEMBLY - Window, lower center fuselage frame, left	1	
	44954-00		* CHANNEL ASSEMBLY - Window, lower center fuselage frame, right	1	
-8	81458-02		* BULKHEAD ASSEMBLY - Fuselage bottom, Sta. 162.6, center	1	
-9	50409-00		* * BRACKET ASSEMBLY - De-icer equipment	1	
-10	40995-31		* BULKHEAD ASSEMBLY - Fuselage bottom, Sta. 140, left	1	
	40995-17		* BULKHEAD ASSEMBLY - Fuselage bottom, Sta. 140, right	1	
-11	41120-03		* * BRACKET - Rudder cable pulley, Sta. 140, upper, left	1	
	41120-04		* * BRACKET - Rudder cable pulley, Sta. 140, lower, left	1	
-12	81456-02		* BULKHEAD ASSEMBLY - Fuselage bottom, Sta. 140, center	1	
-13	47143-00		* BRACKET - De-icer tee	1	
-14	41120-04		BRACKET - Rudder cable pulley, Sta. 162.6, upper left	1	
	41120-02		BRACKET - Rudder cable pulley, Sta. 162.6, lower left	1	
-15	71814-02		BRACKET - Aileron pulley, Sta. 162.6, upper left	1	
	41299-00		BRACKET - Aileron pulley, Sta. 162.6, lower left	1	
-16	43648-04		ANGLE - Wing fillet bulkhead, Sta. 140, left	1	
	43648-05		ANGLE - Wing fillet bulkhead, Sta. 140, right	1	
-17	41066-00		ANGLE ASSEMBLY - Longitudinal beam reinforcement, left	1	
	41066-01		ANGLE ASSEMBLY - Longitudinal beam reinforcement, right	1	
-18	41898-00		ANGLE - Bulkhead reinforcement	1	

When ordering, always specify Part Number, Description and Serial Number of Aircraft

PIPER PARTS CATALOG

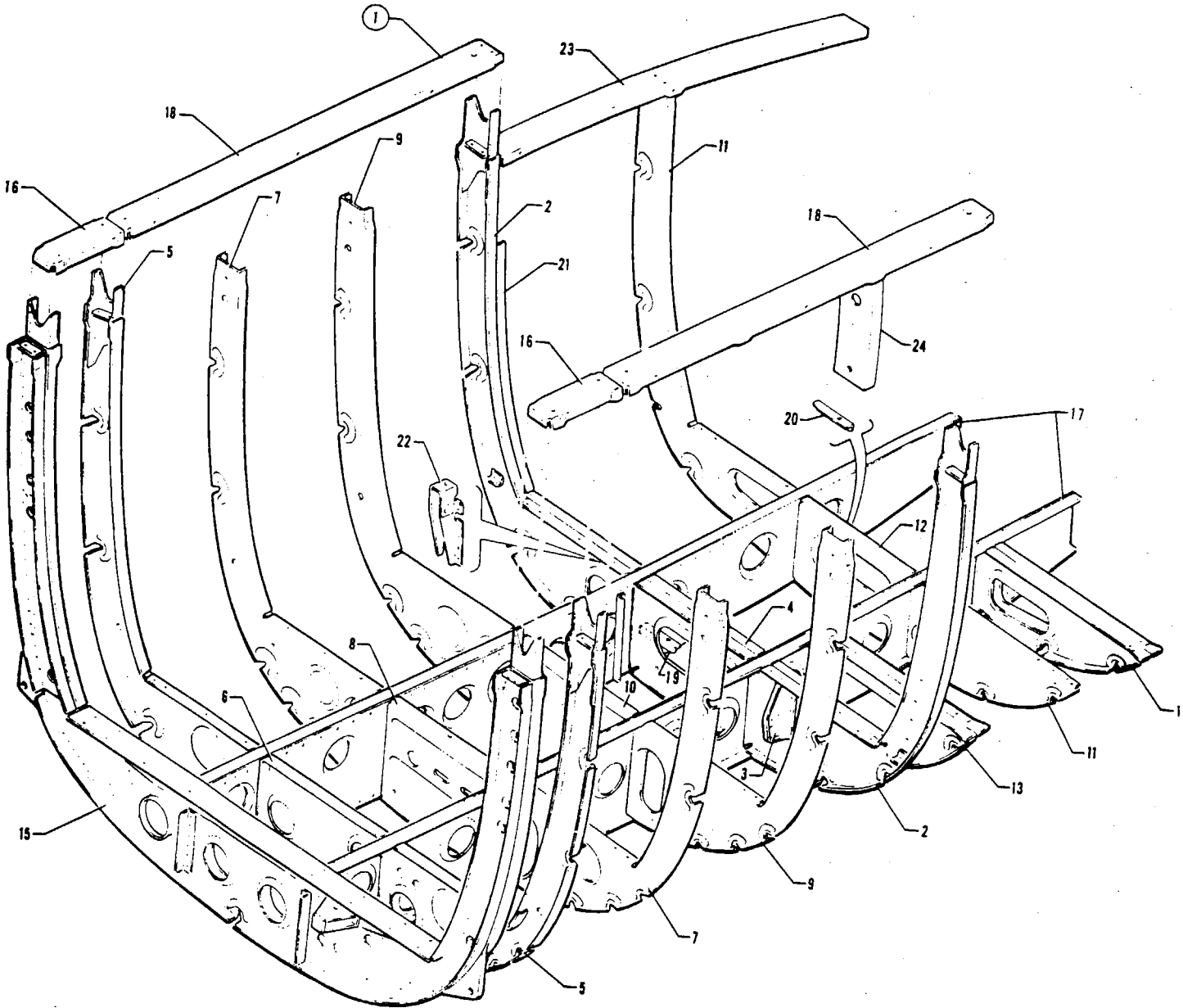


Figure 18. Fuselage Lower Rear Frame Assembly

PIPER PARTS CATALOG

CODE EXPLANATIONS FOR FIGURE 18

PIPER PARTS CATALOG

Figure and Index Number	Part Number	Code	NOMENCLATURE	No. Req.	SERIAL NUMBERS AFFECTED
18-1	81494-02		FRAME ASSEMBLY - Fuselage cabin, lower	1	
-2	40890-05		* BULKHEAD ASSEMBLY - Fuselage, Sta. 215, bottom, left	1	
	52754-00		* BULKHEAD ASSEMBLY - Fuselage, bottom, right, Sta. 215	1	
-3	40759-00		* * BRACKET - Rudder cable pulley, Sta. 215, bottom, left	1	
-4	40890-06		* BULKHEAD ASSEMBLY - Fuselage, Sta. 215, bottom, center	1	
-5	41315-02		* BULKHEAD ASSEMBLY - Fuselage bottom, Sta. 181, left	1	
	41315-04		* BULKHEAD ASSEMBLY - Fuselage bottom, Sta. 181, right	1	
-6	41315-06		* BULKHEAD ASSEMBLY - Fuselage bottom, Sta. 181, center	1	
-7	41354-08		* BULKHEAD ASSEMBLY - Fuselage bottom, Sta. 191.7, left	1	
	41354-06		* BULKHEAD ASSEMBLY - Fuselage bottom, Sta. 191.7, right	1	
-8	41354-10		* BULKHEAD ASSEMBLY - Fuselage bottom, Sta. 191.7, center	1	
-9	81608-02		* BULKHEAD ASSEMBLY - Fuselage bottom, Sta. 203, left	1	
	81608-03		* BULKHEAD ASSEMBLY - Fuselage bottom, Sta. 203, right	1	
-10	81608-06		* BULKHEAD ASSEMBLY - Fuselage bottom, Sta. 203, center	1	
-11	40884-05		* BULKHEAD ASSEMBLY - Fuselage, Sta. 229, bottom, left	1	
	40884-09		* BULKHEAD ASSEMBLY - Fuselage, Sta. 229, bottom, right	1	
-12	40884-06		* BULKHEAD ASSEMBLY - Fuselage, Sta. 229, bottom, center	1	
-13	41050-08		* BULKHEAD ASSEMBLY - Fuselage, lower frame, Sta. 220.2, left	1	
-14	41112-08		* BULKHEAD ASSEMBLY - Fuselage, lower frame, Sta. 236.7, left	1	
-15	41178-15		* BULKHEAD ASSEMBLY - Fuselage, lower frame, Sta. 174	1	
-16	40715-16		* CHANNEL - Window, lower aft frame, Sta. 174 to Sta. 181, left	1	
	40715-17		* CHANNEL - Window, lower aft frame, Sta. 174 to Sta. 181, right	1	
-17	41119-08		* BEAM ASSEMBLY - Longitudinal, Sta. 174 to Sta. 244, left	1	
	41119-19		* BEAM ASSEMBLY - Longitudinal, Sta. 174 to Sta. 244, right	1	
-18	40715-20		* CHANNEL - Window, lower aft frame, Sta. 181 to Sta. 215, left	1	
	40715-21		* CHANNEL - Window, lower aft frame, Sta. 181 to Sta. 215, right	1	
-19	42825-00		* BRACKET - Tube retaining, Sta. 215	1	
-20	42825-03		* BRACKET - Tube retaining, Sta. 229	1	
-21	43520-00		ANGLE - Bulkhead reinforcement, Sta. 215	1	
-22	52738-00		BRACKET ASSEMBLY - Seat track support, Sta. 215	1	
-23	40715-13		CHANNEL - Window, lower aft frame, Sta. 215 to Sta. 244, right	1	
-24	44536-00		BULKHEAD - Fuselage, lower frame, Sta. 209.5	1	

When ordering, always specify Part Number, Description and Serial Number of Aircraft

PIPER PARTS CATALOG

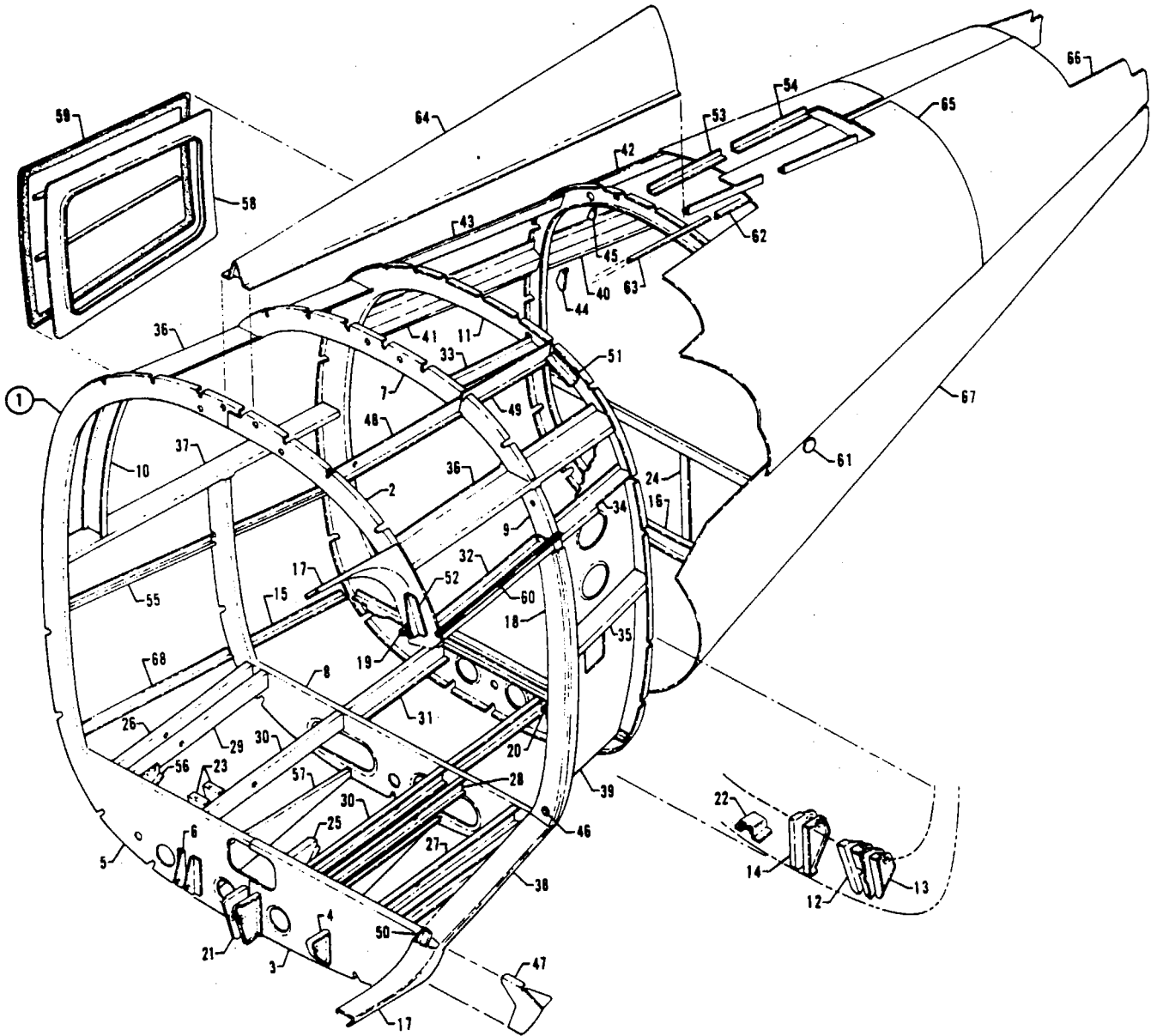


Figure 19. Fuselage Aft Section (Sta. 243.38 to Sta. 352)

PIPER PARTS CATALOG

CODE EXPLANATIONS FOR FIGURE 19

A - See Figure 20 for balance of component parts.

PIPER PARTS CATALOG

Figure and Index Number	Part Number	Code	NOMENCLATURE	No. Req.	SERIAL NUMBERS AFFECTED
19-1	81514-02	A	AFT SECTION - Fuselage, (Sta. 243.38 to Sta. 352)	1	
-2	43627-13		* BULKHEAD ASSEMBLY - Fuselage, Sta. 244, top	1	
-3	81543-08		* BULKHEAD ASSEMBLY - Fuselage, Sta. 244, bottom left	1	
-4	40720-00		* * BRACKET - Rudder pulley, Sta. 244, left	1	
-5	81543-03		* BULKHEAD ASSEMBLY - Fuselage, Sta. 244, right	1	
-6	40744-03		* * BRACKET - Elevator and rudder trim pulley, Sta. 244, inboard, right	1	
	40744-02		* * BRACKET - Elevator and rudder trim pulley, Sta. 244, outboard, right	1	
-7	44535-00		* BULKHEAD - Fuselage, Sta. 261.38, top	1	
-8	82080-02		* BULKHEAD ASSEMBLY - Fuselage, Sta. 261.38, bottom	1	
-9	44530-03		* BULKHEAD - Fuselage, Sta. 261.38, left	1	
-10	40732-06		* BULKHEAD - Fuselage, Sta. 249.38, right	1	
-11	81528-02		* BULKHEAD ASSEMBLY - Fuselage, Sta. 274	1	
-12	40795-02		* * BRACKET - Rudder cable pulley, Sta. 274, inboard, left	1	
	40795-04		* * BRACKET - Rudder cable pulley, Sta. 274, outboard, left	1	
-13	40794-04		* * BRACKET - Rudder cable pulley, Sta. 274, inboard, left	1	
	40794-03		* * BRACKET - Rudder cable pulley, Sta. 274, outboard, left	1	
-14	40654-00		* * BRACKET - Elevator cable pulley, Sta. 274, bottom, left	1	
	40654-01		* * BRACKET - Elevator cable pulley, Sta. 274, bottom, right	1	
-15	40857-08		* ANGLE - Floorboard support, Sta. 261.38 to Sta. 274, left	1	
	40857-09		* ANGLE - Floorboard support, Sta. 261.38 to Sta. 274, right	1	
-16	40748-06		* BULKHEAD ASSEMBLY - Fuselage, Sta. 296	1	
-17	43090-02		* FRAME - Door, entrance, bottom	1	
	43090-03		* FRAME - Door, entrance, top	1	
-18	44586-00		* FRAME - Fuselage, cargo door, Sta. 261.38	1	
-19	43586-11		* BRACKET ASSEMBLY - Door support attachment, Sta. 244	1	
-20	43586-07		* BRACKET ASSEMBLY - Door support attachment, Sta. 261.38	1	
-21	40719-00		* BRACKET - Elevator pulley, Sta. 244, left	1	
	40719-01		* BRACKET - Elevator pulley, Sta. 244, right	1	
-22	51262-00		* BRACKET ASSEMBLY - Elevator trim pulley	1	
-23	53258-02		* BRACKET ASSEMBLY - Floorboard support, forward	1	
	53258-04		* BRACKET ASSEMBLY - Floorboard support, rear	1	
-24	81515-02		* BRACKET - Bungee spring attachment, Sta. 296	1	
-25	01761-02		* BRACKET ASSEMBLY - Floorboard support, Sta. 244, left	1	
	01761-03		* BRACKET ASSEMBLY - Floorboard support, Sta. 244, right	1	
-26	53561-04		* CHANNEL ASSEMBLY - Floorboard support, Sta. 244 to Sta. 261.38, B. L. 17, left	1	
	44482-07		* CHANNEL ASSEMBLY - Floorboard support, Sta. 244 to Sta. 261.38, B. L. 17, right	1	
-27	82086-02		* CHANNEL ASSEMBLY - Floorboard support, Sta. 244 to Sta. 261.38, B. L. 14.82, left	1	
-28	53561-06		* CHANNEL ASSEMBLY - Floorboard support, Sta. 244 to Sta. 261.38, B. L. 8.25, left	1	
-29	82086-03		* CHANNEL ASSEMBLY - Floorboard support, Sta. 244 to Sta. 261.38, B. L. 15.12, right	1	
-30	53561-02		* CHANNEL ASSEMBLY - Floorboard support, Sta. 244 to Sta. 261.38, B. L. 6, left	1	
	44482-05		* CHANNEL ASSEMBLY - Floorboard support, Sta. 244 to Sta. 261.38, B. L. 6, right	1	
-31	44482-02		* CHANNEL - Floorboard support, Sta. 261.38 to Sta. 274, left	1	
	42278-02		* CHANNEL - Floorboard support, Sta. 261.38 to Sta. 274, right	1	
-32	44553-00		* CHANNEL - Cargo door upper frame, Sta. 244 to Sta. 261.38, left	1	
-33	43098-06		* CHANNEL ASSEMBLY - Coat rack	1	
-34	44567-00		* CHANNEL - Fuselage reinforcement, Sta. 261.38 to Sta. 274, left	1	
-35	44554-00		* CHANNEL - Fuselage reinforcement, Sta. 261.38 to Sta. 274, left	1	

When ordering, always specify Part Number, Description and Serial Number of Aircraft

PIPER PARTS CATALOG

Figure and Index Number	Part Number	Code	NOMENCLATURE	No. Req.	SERIAL NUMBERS AFFECTED
19-36	40715-42		* CHANNEL ASSEMBLY - Fuselage, Sta. 244 to Sta. 274, left	1	
	40715-43		* CHANNEL ASSEMBLY - Fuselage, Sta. 244 to Sta. 274, right	1	
-37	40715-45		* CHANNEL ASSEMBLY - Fuselage, Sta. 244 to Sta. 274, right	1	
-38	44520-00		* CHANNEL ASSEMBLY - Floorboard support, Sta. 244 to Sta. 261.38, left	1	
-39	44439-04		* SKIN - Fuselage, inner left, Sta. 244 to Sta. 274	1	
-40	52820-06		* BRACKET ASSEMBLY - Oxygen bottle support	1	
-41	52820-07		* BRACKET ASSEMBLY - Oxygen bottle support	1	
-42	52820-08		* BRACKET ASSEMBLY - Oxygen bottle support	1	
-43	52820-09		* BRACKET ASSEMBLY - Oxygen bottle support	1	
-44	52819-00		* CLIP - Oxygen bottle support	1	
-45	80033-07		* CLIP - Oxygen bottle support	2	
-46	44501-00		* GUIDE ASSEMBLY - Door latch pin	1	
-47	44540-00		* PLATE ASSEMBLY - Door support	1	
-48	44543-00		* ANGLE ASSEMBLY - Reinforcement, Sta. 244 to Sta. 261.38	1	
-49	44537-00		* ANGLE ASSEMBLY - Reinforcement, Sta. 261.38 to Sta. 274	1	
-50	44541-00		* ANGLE - Panel attachment, Sta. 244	1	
-51	44552-00		* ANGLE - Bulkhead attachment, Sta. 274	1	
-52	44931-00		* ANGLE ASSEMBLY - Door frame reinforcement, Sta. 244	1	
-53	40786-00		* ANGLE - Fin fairing attachment, forward, left	1	
	40786-01		* ANGLE - Fin fairing attachment, forward, right	1	
-54	40787-00		* ANGLE - Fin fairing attachment, aft, left	1	
	40787-01		* ANGLE - Fin fairing attachment, aft, right	1	
-55	43013-05		* SUPPORT - Side panel, right	1	
-56	42516-00		* GUSSET - Floor support	5	
-57	44489-00		* PLATE - Fuselage, longitudinal beam, left	1	
	44489-01		* PLATE - Fuselage, longitudinal beam, right	1	
-58	45891-05		* FRAME ASSEMBLY - Aft fuselage, access area, Sta. 274 to Sta. 296, right	1	
-59	45904-01		* COVER ASSEMBLY - Fuselage access, right	1	
-60	53056-00		* GUTTER - Rain, cargo door	1	
-61	41995-00		* FITTING ASSEMBLY - Static vent, line	2	
-62	45040-00		* STRINGER - Fuselage, aft section (6' L.) (.69" W.)	AR	
-63	149 562		* STRINGER - Fuselage, aft section (12' L.) (.50" W.)	AR	
-64	46132-00		* FIN ASSEMBLY - Dorsal, Sta. 244 to Sta. 296	1	
-65	81517-04		* SKIN - Fuselage, Sta. 244 to Sta. 325.13, left, top	1	
	81517-03		* SKIN - Fuselage, Sta. 244 to Sta. 325.13, right, top	1	
-66	81517-06		* SKIN - Fuselage, Sta. 317 to Sta. 352, left, top	1	
	81517-05		* SKIN - Fuselage, Sta. 317 to Sta. 352, right, top	1	
-67	81516-04		* SKIN - Fuselage, Sta. 244 to Sta. 352, left, bottom	1	
	81516-03		* SKIN - Fuselage, Sta. 244 to Sta. 352, right, bottom	1	
-68	40857-07		* ANGLE - Floorboard support, Sta. 244 to Sta. 261.38, right	1	

When ordering, always specify Part Number, Description and Serial Number of Aircraft

PIPER PARTS CATALOG

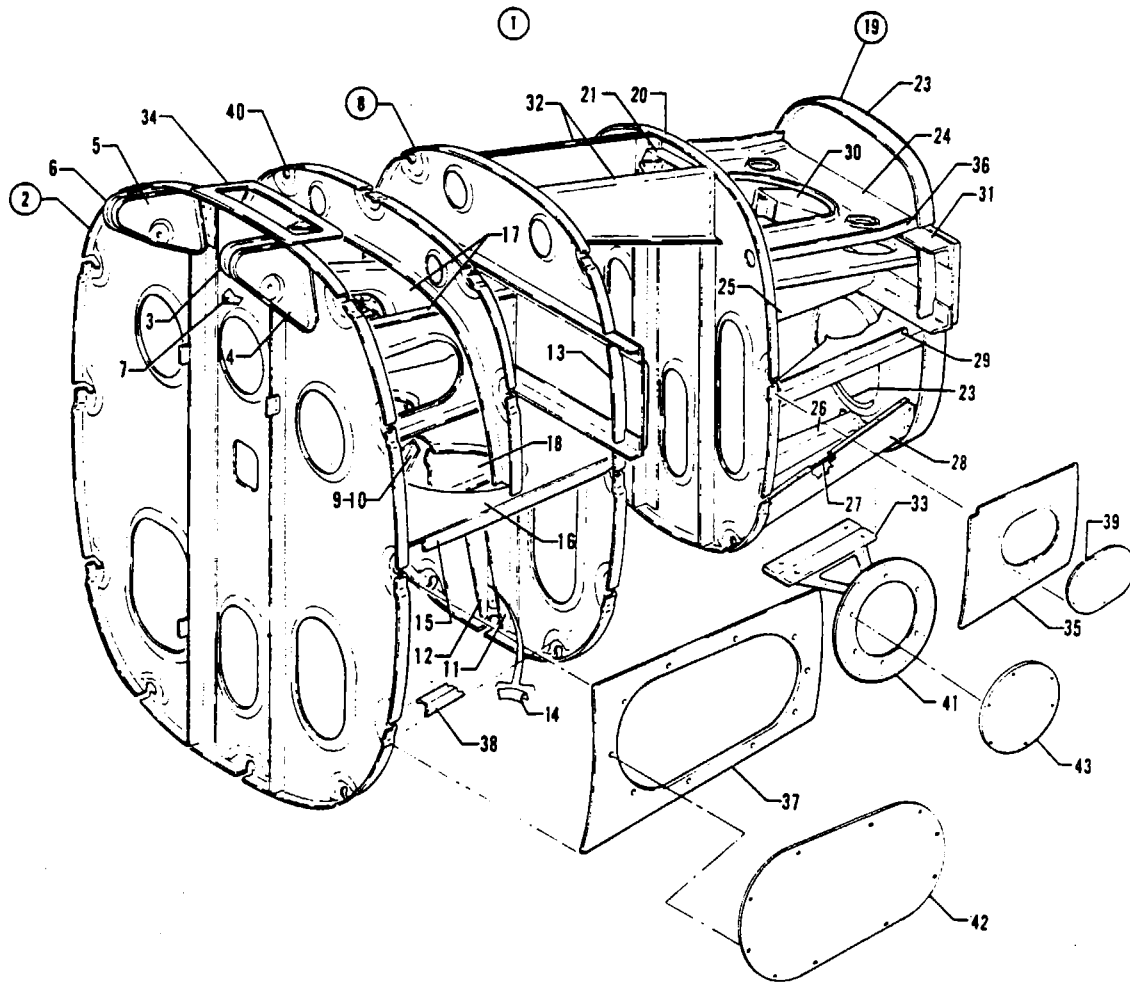


Figure 20. Fuselage Aft Section (Sta. 317.75 to Sta. 352)

PIPER PARTS CATALOG

CODE EXPLANATIONS FOR FIGURE 20

PIPER PARTS CATALOG

Figure and Index Number	Part Number	Code	NOMENCLATURE	No. Req.	SERIAL NUMBERS AFFECTED
20-1	52154-05		FRAME ASSEMBLY - Fuselage, Sta. 317.75 to Sta. 352	1	
-2	81981-02		* BULKHEAD ASSEMBLY - Fuselage, Sta. 317.75	1	
-3	45593-05		* * BRACKET ASSEMBLY - Rudder pulley, left outboard	1	
-4	45593-03		* * BRACKET ASSEMBLY - Rudder pulley, left inboard	1	
-5	45594-02		* * BRACKET ASSEMBLY - Rudder pulley, right inboard	1	
-6	45594-03		* * BRACKET ASSEMBLY - Rudder pulley, right outboard	1	
-7	40630-00		* * DOUBLER - Bulkhead	1	
-8	45583-17		* BULKHEAD ASSEMBLY - Fuselage, Sta. 332	1	
-9	51336-00		* * BRACKET - Rudder tab pulley, right inboard	1	
-10	40730-03		* * BRACKET - Rudder tab pulley, right outboard	1	
-11	45584-00		* * ANGLE - Elevator bellcrank attachment, left	1	
-12	45584-01		* * ANGLE - Elevator bellcrank attachment, right	1	
-13	45947-00		* * ANGLE - Bulkhead, left	1	
	45947-01		* * ANGLE - Bulkhead, right	1	
-14	45583-15		* * MOULDING	1	
-15	45815-00		* ANGLE - Stiffener support, left, Sta. 317.75 to Sta. 332	1	
	45815-01		* ANGLE - Stiffener support, right, Sta. 317.75 to Sta. 332	1	
-16	40709-02		* PLATE - Bulkhead stiffener, Sta. 317.75 to Sta. 332	1	
-17	45610-00		* PLATE - Fuselage reinforcement, left, Sta. 317.75 to Sta. 332	1	
	45610-01		* PLATE - Fuselage reinforcement, right, Sta. 317.75 to Sta. 332	1	
-18	40704-00		* BRACKET ASSEMBLY - Elevator bellcrank, left, Sta. 317.75 to Sta. 332	1	
	40704-01		* BRACKET ASSEMBLY - Elevator bellcrank, right, Sta. 317.75 to Sta. 332	1	
-19	51090-02		FRAME ASSEMBLY - Fuselage aft section, Sta. 342 to Sta. 352	1	
-20	45555-06		* BULKHEAD ASSEMBLY - Fuselage, Sta. 342	1	
-21	40647-00		* * BRACKET - Rudder tab pulley	1	
-22	45564-07		* BULKHEAD ASSEMBLY - Fuselage, Sta. 352	1	
-23	189 379		* * MOULDING - Trim-lok (75-1/16-W-3)	AR	
-24	51086-00		* SUPPORT ASSEMBLY - Rudder pulley, top	1	
-25	51537-00		* BRACKET - Fuselage support, left	1	
	51537-01		* BRACKET - Fuselage support, right	1	
-26	47806-00		* CHANNEL ASSEMBLY - Fuselage, Sta. 342.25 to Sta. 352	1	
-27	40793-00		* * PLATE - Tail skid reinforcement, left	1	
	40793-01		* * PLATE - Tail skid reinforcement, right	1	
-28	45923-00		* CHANNEL - Reinforcement, left, Sta. 342 to Sta. 352	1	
	45923-01		* CHANNEL - Reinforcement, right, Sta. 342 to Sta. 352	1	
-29	45986-05		* PLATE ASSEMBLY - Reinforcement, Sta. 342 to Sta. 352	1	
-30	51088-00		* GUARD ASSEMBLY - Rudder cable	1	
-31	45802-03		* SUPPORT ASSEMBLY - Rudder pulley, bottom	1	
-32	40633-00		STIFFENER - Bulkhead, left, Sta. 332 to Sta. 342	1	
	40633-01		STIFFENER - Bulkhead, right, Sta. 332 to Sta. 342	1	
-33	40790-00		SKID ASSEMBLY - Tail	1	
-34	40688-02		DOUBLER - Opening, Sta. 317.75	1	
-35	45946-00		PLATE ASSEMBLY - Access, left, Sta. 346	1	
	45946-01		PLATE ASSEMBLY - Access, right, Sta. 346	1	

When ordering, always specify Part Number, Description and Serial Number of Aircraft

PIPER PARTS CATALOG

Figure and Index Number	Part Number	Code	NOMENCLATURE	No. Req.	SERIAL NUMBERS AFFECTED
20-36	45930-06		BRACKET - Fuselage, left, Sta. 342 to Sta. 352	1	
	45930-05		BRACKET - Fuselage, right, Sta. 342 to Sta. 352	1	
-37	40799-04		REINFORCEMENT ASSEMBLY - Left	1	
	40799-05		REINFORCEMENT ASSEMBLY - Right	1	
-38	45040-00		STRINGER - Fuselage (6' L) (149 205)	AR	
-39	47255-00		PLATE - Access	2	
-40	45538-00		BULKHEAD - Fuselage, Sta. 325	1	
-41	17317-03		PLATE ASSEMBLY - Access hole reinforcement, right side	1	
-42	17318-02		PLATE ASSEMBLY - Access hole cover, right	1	
-43	40872-00		COVER - Access	2	

When ordering, always specify Part Number, Description and Serial Number of Aircraft

1D24

INTENTIONALLY LEFT BLANK

PIPER PARTS CATALOG

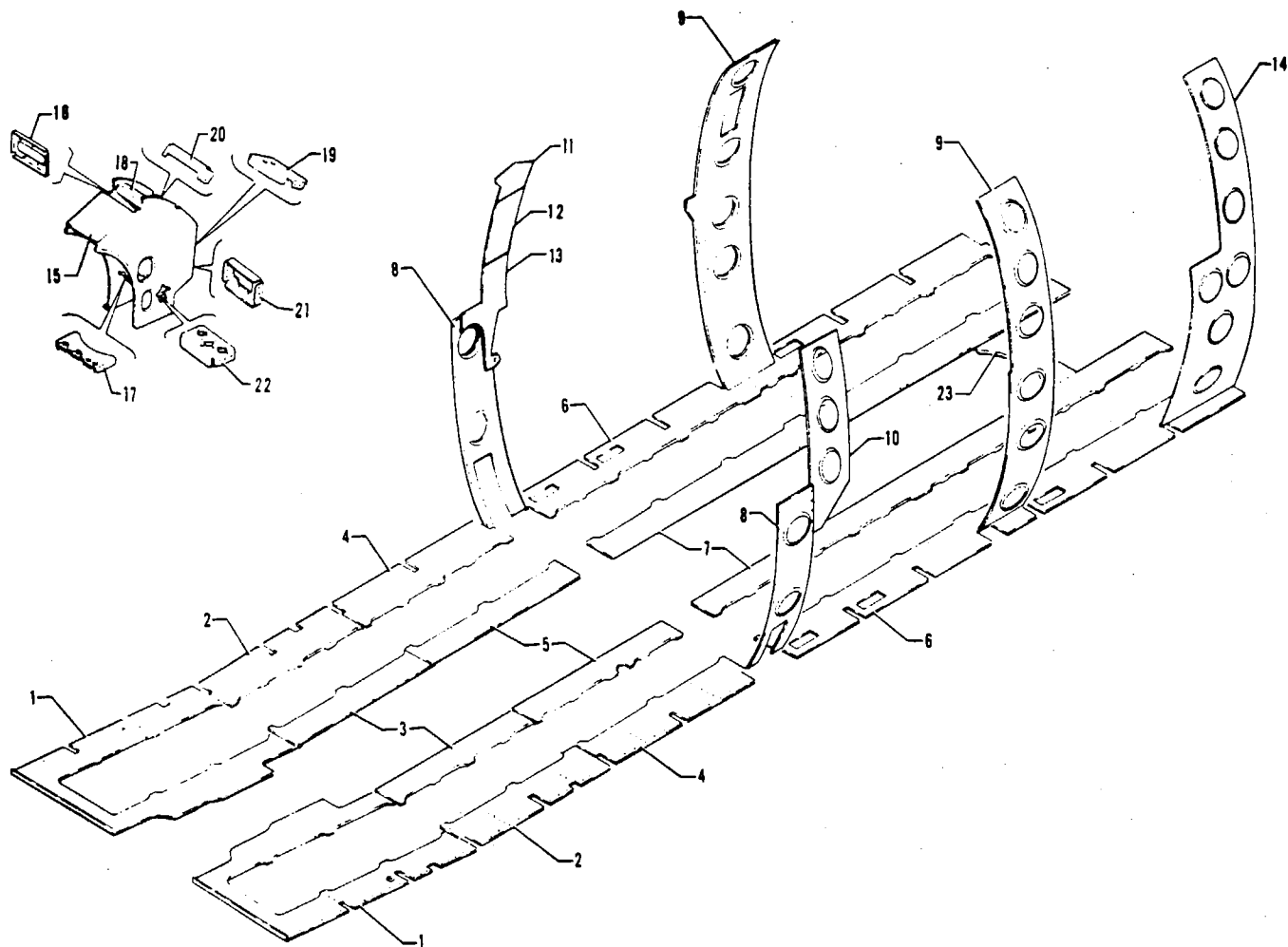


Figure 21. Structure Installation, Sta. 57 to Sta. 215

PIPER PARTS CATALOG

CODE EXPLANATIONS FOR FIGURE 21

- A - Used on aircraft with serial numbers 31T-8275001 to 31T-8275003 inclusive, 31T-8275005 to 31T-8275016 inclusive, 31T-8275018 to 31T-8375002 inclusive, 31T-8375004 and up.
- B - Used on aircraft with serial numbers 31T-8275004, 31T-8275017, 31T-8375003.

PIPER PARTS CATALOG					
Figure and Index Number	Part Number	Code	NOMENCLATURE	No. Req.	SERIAL NUMBERS AFFECTED
21-	81675		DRAWING - Floorboard Support Installation		
	81563		DRAWING - Pedestal Housing Installation		
	52323		DRAWING - Fuselage Inner Skin Installation. Sta. 135 to Sta. 140		
	81535		DRAWING - Fuselage Inner Skin Installation Sta. 140 to Sta. 145.5. left		
	81544		DRAWING - Fuselage Inner Skin Installation. Sta. 137 to Sta. 143. right		
	49250		DRAWING - Fuselage Inner Skin Installation. Sta. 174 to Sta. 181		
.1	41006-08		SUPPORT ASSEMBLY - Floorboard. outboard. left. Sta. 57 to Sta. 87.5	1	
	41006-09	A	SUPPORT ASSEMBLY - Floorboard. outboard. right. Sta. 57 to Sta. 87.5	1	
	41006-13	B	SUPPORT ASSEMBLY - Floorboard. outboard. right. Sta. 57 to Sta. 87.5	1	
.2	81671-02		SUPPORT ASSEMBLY - Floorboard. outboard. left. Sta. 87.5 to Sta. 111	1	
	81671-03		SUPPORT ASSEMBLY - Floorboard. outboard. right. Sta. 87.5 to Sta. 111	1	
.3	81645-02		SUPPORT - Floorboard support. inboard. left. Sta. 87.5 to Sta. 111	1	
	81645-03		SUPPORT - Floorboard support. inboard. right. Sta. 87.5 to Sta. 111	1	
.4	81672-02		SUPPORT ASSEMBLY - Floorboard. outboard. left. Sta. 111 to Sta. 135	1	
	81672-03		SUPPORT ASSEMBLY - Floorboard. outboard. right. Sta. 111 to Sta. 135	1	
.5	81644-02		SUPPORT - Floorboard. inboard. left. Sta. 111 to Sta. 135	1	
	81644-03		SUPPORT - Floorboard. inboard. right. Sta. 111 to Sta. 135	1	
.6	41205-04		SUPPORT ASSEMBLY - Floorboard. outboard. left. Sta. 140 to Sta. 215	1	
	41205-05		SUPPORT ASSEMBLY - Floorboard. outboard. right. Sta. 140 to Sta. 215	1	
.7	41614-00		SUPPORT ASSEMBLY - Floorboard. inboard. left. Sta. 140 to Sta. 215	1	
	41615-00		SUPPORT ASSEMBLY - Floorboard. inboard. right. Sta. 140 to Sta. 215	1	
.8	40996-06		PLATE ASSEMBLY - Floorboard. inner left. Sta. 135 to Sta. 140	1	
	40996-11		PLATE ASSEMBLY - Floorboard. inner right. Sta. 135 to Sta. 140	1	
.9	41235-06		SKIN - Fuselage. inner left. Sta. 174 to Sta. 180	1	
	41236-07		SKIN - Fuselage. inner right. Sta. 174 to Sta. 180	1	
.10	81535-04		SKIN ASSEMBLY - Fuselage. inner left. Sta. 140 to Sta. 145.5	1	
.11	81544-09		SKIN - Fuselage. inner right. Sta. 137 to Sta. 143. top	1	
.12	81544-07		SKIN - Fuselage. inner right. Sta. 137 to Sta. 143. center	1	
.13	01860-02		SKIN ASSEMBLY - Fuselage. inner right. Sta. 137 to Sta. 143. bottom	1	
.14	44439-14		SKIN ASSEMBLY - Fuselage. inner left. Sta. 203 to Sta. 215	1	
.15	81563-02		PEDESTAL HOUSING ASSEMBLY	1	
.16	40878-00		* CHANNEL ASSEMBLY - Control lever support	1	
.17	50279-00		* BRACKET ASSEMBLY - Engine control support	1	
.18	41545-03		* BRACKET ASSEMBLY - Pedestal cover attachment	1	
.19	47011-00		* BRACKET ASSEMBLY - Rudder trim indicator	1	
.20	51366-00		* BRACKET ASSEMBLY - Pedestal cover support	1	
.21	47031-00		* BRACKET ASSEMBLY - Aileron trim mounting	1	
.22	47032-00		* BRACKET - Gear box mounting	1	
.23	44281-00		STIFFENER - Bulkhead. Sta. 203.	1	

When ordering, always specify Part Number, Description and Serial Number of Aircraft

PIPER PARTS CATALOG

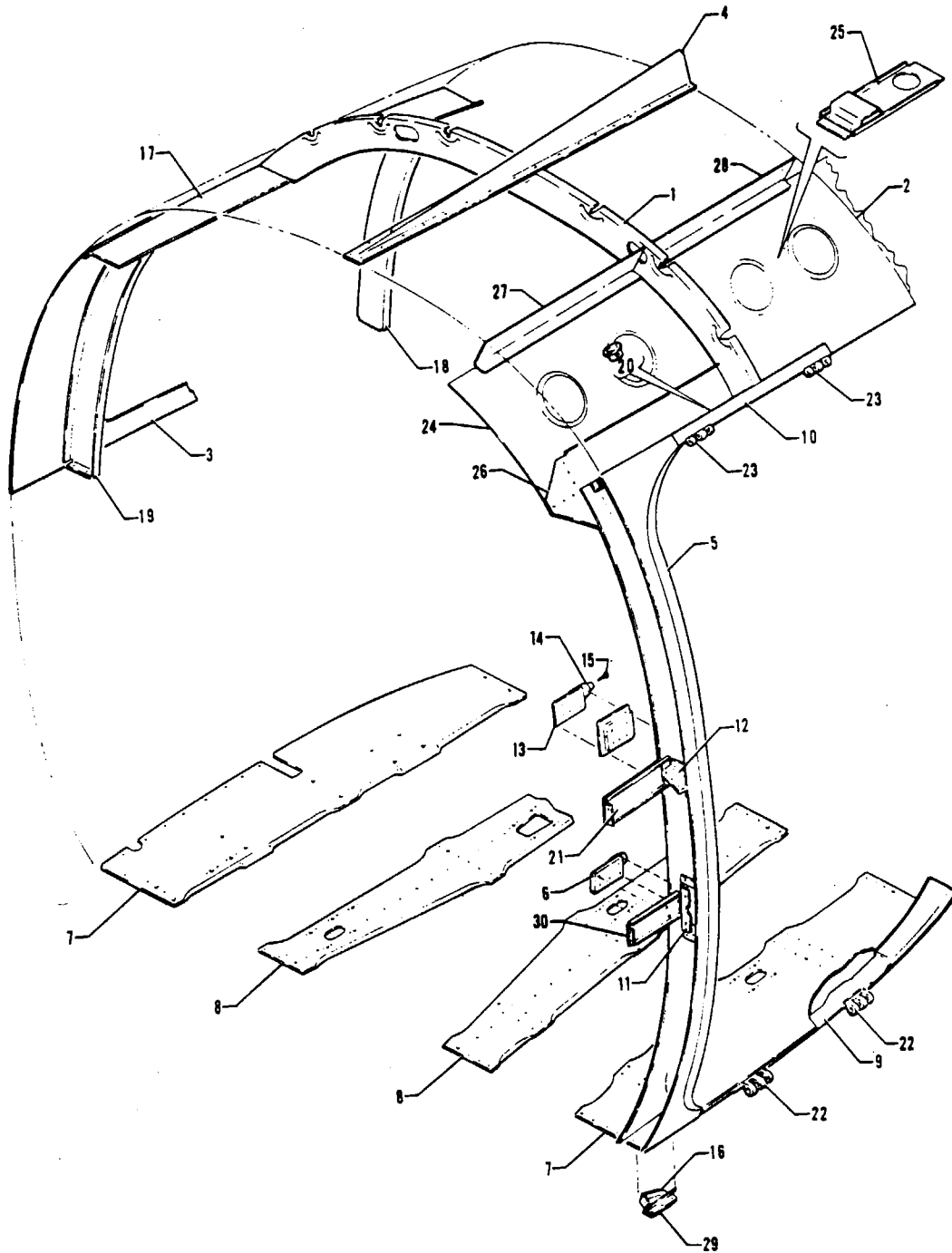


Figure 22. Structure Installation, Sta. 215 to Sta. 244

PIPER PARTS CATALOG

CODE EXPLANATIONS FOR FIGURE 22

PIPER PARTS CATALOG

Figure and Index Number	Part Number	Code	NOMENCLATURE	No. Req.	SERIAL NUMBERS AFFECTED
22-	01366 81675		DRAWING - Cabin Door Frame Installation DRAWING - Floorboard Support Installation		
-1	41081-00		BULKHEAD ASSEMBLY - Fuselage, Sta. 229	1	
-2	81607-02 81607-03		SKIN - Top, left, Sta. 215 to Sta. 244 SKIN - Top, right, Sta. 215 to Sta. 244	1 1	
-3	40887-17		SKIN - Upper side, right	1	
-4	46133-00		FIN - Dorsal, Sta. 215 to Sta. 244	1	
-5	43089-00		FRAME - Door entrance, Sta. 215	1	
-6	48348-00		BRACKET ASSEMBLY - Door snubber attachment	1	
-7	41200-00		SUPPORT ASSEMBLY - Floorboard, outboard, left, Sta. 215 to Sta. 244	1	
	52758-04		SUPPORT ASSEMBLY - Floorboard, outboard, right, Sta. 215 to Sta. 244	1	
-8	41022-00		SUPPORT ASSEMBLY - Floorboard, inboard, left, Sta. 215 to Sta. 244	1	
	41201-06		SUPPORT ASSEMBLY - Floorboard, inboard, right, Sta. 215 to Sta. 244	1	
-9	41189-00		CHANNEL ASSEMBLY - Door sill support	1	
-10	40702-00		CHANNEL ASSEMBLY - Door header	1	
-11	54187-02		REINFORCEMENT ASSEMBLY - Door frame latch plate	1	
-12	42160-06		REINFORCEMENT ASSEMBLY - Door support chain bracket	1	
-13	43586-06		BRACKET ASSEMBLY - Door support attachment	1	
-14	14175-114		* BUSHING - Door support bracket	1	
-15	419 981		* SCREW - Socket set (8-32 x 1/2)	1	
-16	43610-00		BRACKET - Panel support	1	
-17	40715-11		CHANNEL - Window, Sta. 215 to Sta. 244	1	
-18	41404-03		BULKHEAD ASSEMBLY - Fuselage, Sta. 241.25	1	
-19	41372-03		BULKHEAD ASSEMBLY - Fuselage, Sta. 217.75	1	
-20	453 732		BUSHING - (SB375-4)	1	
-21	43165-00		CHANNEL - Door frame reinforcement	1	
-22	41065-00		HINGE HALF - Entrance, lower door	2	
-23	41420-02		HINGE HALF - Entrance, upper door	2	
-24	44439-12		SKIN ASSEMBLY - Fuselage, inner left, Sta. 209.5 to Sta. 274	1	
-25	55297-05		* BRACKET ASSEMBLY - Oxygen and light mounting	1	
-26	52376-02		GUSSET ASSEMBLY - Door frame, upper	1	
-27	44518-00		ANGLE ASSEMBLY - Reinforcement, Sta. 215 to Sta. 229, left	1	
-28	44544-00		ANGLE ASSEMBLY - Reinforcement, Sta. 229 to Sta. 244, right	1	
-29	41188-03		ANGLE - Inner door frame	1	
-30	74244-02		REINFORCEMENT ASSEMBLY - Door snubber attachment	1	

When ordering, always specify Part Number, Description and Serial Number of Aircraft

PIPER PARTS CATALOG

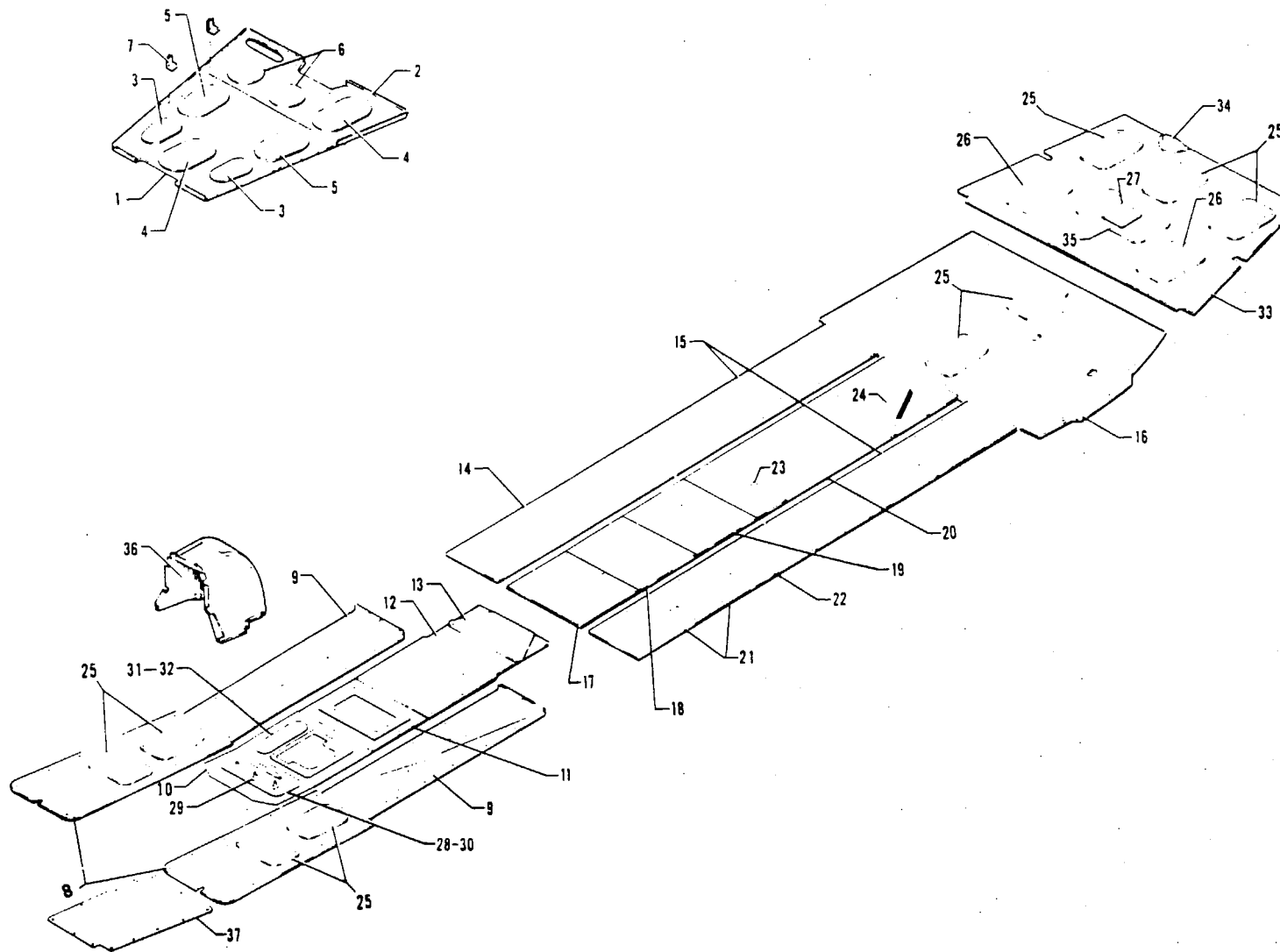


Figure 23. Floorboard Installation

PIPER PARTS CATALOG

CODE EXPLANATIONS FOR FIGURE 23

PIPER PARTS CATALOG

Figure and Index Number	Part Number	Code	NOMENCLATURE	No. Req.	SERIAL NUMBERS AFFECTED
23-	81550 01511		DRAWING - Floorboard Installation DRAWING - Baggage Compartment Floorboard Installation		
-1	50549-07		FLOORBOARD ASSEMBLY - Forward baggage compartment, Sta. -15 to Sta. 13	1	
-2	01483-02		FLOORBOARD ASSEMBLY - Forward baggage compartment, Sta. 13 to Sta. 25.6	1	
-3	45303-00		COVER - Floorboard access	2	
-4	45304-00		COVER - Floorboard access	2	
-5	45302-00		COVER - Floorboard access	2	
-6	45301-00		COVER - Floorboard access	2	
-7	45338-00		CLIP - Floorboard assembly, forward baggage compartment	2	
-8	52049-00		FLOORBOARD ASSEMBLY - Sta. 57 to Sta. 87.5, left	1	
	52049-01		FLOORBOARD ASSEMBLY - Sta. 57 to Sta. 87.5, right	1	
-9	44905-00		FLOORBOARD ASSEMBLY - Sta. 87.5 to Sta. 123, outboard, left	1	
	44905-01		FLOORBOARD ASSEMBLY - Sta. 87.5 to Sta. 123, outboard, right	1	
-10	01128-02		FLOORBOARD ASSEMBLY - Sta. 80.58 to Sta. 99.62, center	1	
-11	81464-03		PLATE ASSEMBLY - Floorboard, Sta. 99 to Sta. 110.98, center	1	
-12	01193-03		PLATE - Floorboard, Sta. 110.36 to Sta. 129.3, center	1	
-13	52304-00		FLOORBOARD - Sta. 128.6 to Sta. 135, center	1	
-14	41616-01		FLOORBOARD ASSEMBLY - Sta. 140 to Sta. 174, outboard, right	1	
-15	41489-02		FLOORBOARD ASSEMBLY - Sta. 174 to Sta. 215, outboard	2	
-16	52750-04		FLOORBOARD ASSEMBLY - Sta. 215 to Sta. 244	1	
-17	81554-02		FLOORBOARD - Sta. 140 to Sta. 151.98, center	1	
-18	81554-03		FLOORBOARD - Sta. 151.5 to Sta. 163.5, center	1	
-19	81556-02		FLOORBOARD - Sta. 162.91 to Sta. 174, center	1	
-20	81556-03		FLOORBOARD - Sta. 173.32 to Sta. 215, center	1	
-21	44734-00		PLATE - Floorboard access, outboard, left	2	
-22	44949-00		PLATE - Floorboard access, outboard, left	1	
-23	44733-00		PLATE - Cover, floorboard access	1	
-24	44720-00		PLATE - Cover, floorboard access	1	
-25	40788-00		PLATE - Cover, floorboard access	9	
-26	01506-02		PLATE - Cover, floorboard access	2	
-27	01510-02		PLATE - Cover, floorboard access	1	
-28	29432-02		PLATE ASSEMBLY - Cover, floorboard access	1	
-29	29434-02		* BOOT - Fuel control cable pressure seal	3	
-30	80020-02		* GASKET - Floorboard cover	1	
-31	29571-02		PLATE ASSEMBLY - Cover, floorboard access	1	
-32	29571-04		* GASKET - Floorboard cover	1	
-33	01509-06		PLATE ASSEMBLY - Floorboard, Sta. 244 to Sta. 274	1	
-34	42926-00		* PLATE - Cover	1	
-35	01507-02		PLATE ASSEMBLY - Cover	1	
-36	45454-04		WELL ASSEMBLY - Nose wheel	1	
-37	01471-02		FLOORBOARD ASSEMBLY - Forward baggage compartment, Sta. 25.6 to Sta. 50.19	1	

When ordering, always specify Part Number, Description and Serial Number of Aircraft

PIPER PARTS CATALOG

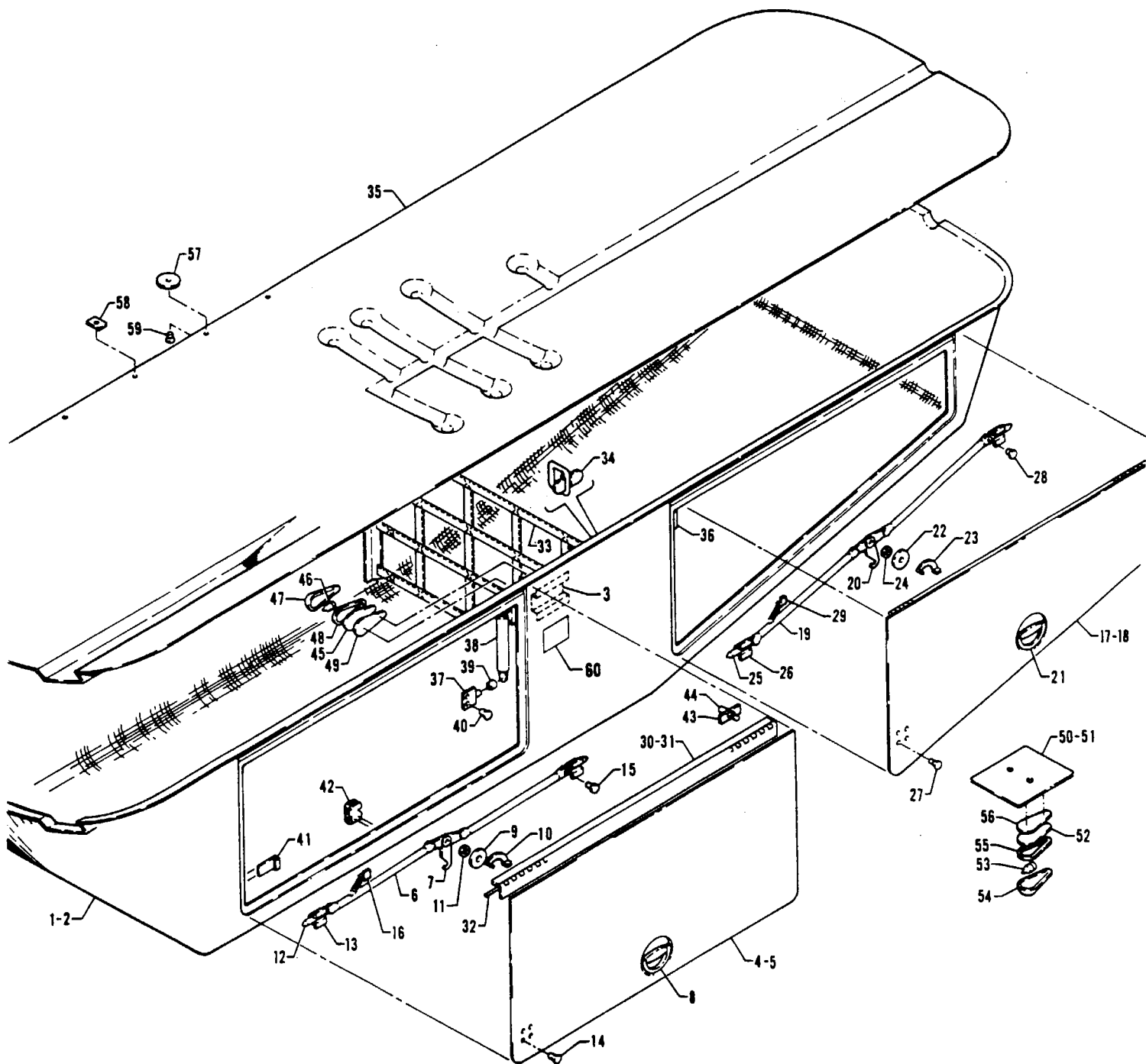


Figure 23A Cargo Pod Installation

PIPER PARTS CATALOG

CODE EXPLANATIONS FOR FIGURE 23A

A - Used on aircraft with serial numbers 31T-8275009, 31T-8275013, 31T-8275015 and up

PIPER PARTS CATALOG

Figure and Index Number	Part Number	Code	NOMENCLATURE	No. Req.	SERIAL NUMBERS AFFECTED
23A-	01950		DRAWING - Cargo Pod Installation		
-1	01900-02		POD ASSEMBLY - Cargo (complete)	1	
-2	01864-02		* SHELL ASSEMBLY - Cargo pod	1	
-3	01962-02		* * BRACKET ASSEMBLY - Light mounting	1	
-4	01900-03		* DOOR ASSEMBLY - Forward (complete)	1	
-5	01881-02		* * DOOR ASSEMBLY - Forward (fiberglass)	1	
-6	01848-02		* * PUSH ROD - Door latch	2	
-7	01849-07		* * PLATE ASSEMBLY - Latch	1	
-8	02236-02		* * HANDLE ASSEMBLY - Door	1	
-9	01932-02		* * PLATE - Latch handle bearing	1	
-10	01933-02		* * PLATE - Latch stop	1	
-11	408 805		* * WASHER - Spring (3502-22-15S)	2	
-12	45266-00		* * PLUNGER - Door	2	
-13	45271-00		* * GUIDE - Latch	2	
-14	410 241		* * SCREW - (MS24694-S6)	9	
	407 583		* * WASHER - (AN960-8L)	9	
	404 833		* * NUT - (MS20364-832C)	9	
	467 208		* * INSERT - (P102C8-2)	9	
	467 209		* * INSERT - (S102D8-4)	9	
-15	424 140		* * PIN - (MS20392-1C7)	2	
	407 582		* * WASHER - (AN960-6L)	2	
	424 032		* * COTTER PIN - (MS24665-170)	2	
-16	01999-02		* * RETAINER -Spring	1	
	42891-00		* * SPRING	1	
	424 052		* * COTTER PIN - (MS24665-134)	1	
-17	01900-04		* DOOR ASSEMBLY - Aft (complete)	1	
-18	01881-03		* * DOOR ASSEMBLY - Aft (fiberglass)	1	
-19	01848-03		* * PUSH ROD - Door latch	2	
-20	01849-08		* * PLATE ASSEMBLY - Latch	1	
-21	02236-02		* * HANDLE ASSEMBLY - Door	1	
-22	01932-02		* * PLATE - Latch handle bearing	1	
-23	01933-02		* * PLATE - Latch stop	1	
-24	408 805		* * WASHER - Spring (3502-22-15S)	1	
-25	45266-00		* * PLUNGER - Door	2	
-26	45271-00		* * GUIDE - Latch	2	
-27	410 241		* * SCREW - (MS24694-S6)	9	
	407 583		* * WASHER - (AN960-8L)	9	
	404 833		* * NUT - (MS20364-832C)	9	
	467 208		* * INSERT - (P102C8-2)	9	
	467 209		* * INSERT - (S102D8-4)	9	
-28	424 140		* * PIN - (MS20392-1C7)	2	
	407 582		* * WASHER - (AN960-6L)	2	
	424 032		* * COTTER PIN - (MS24665-170)	2	
-29	01999-02		* * RETAINER - Spring	1	
	42891-00		* * SPRING	1	
	424 052		* * COTTER PIN - (MS24665-134)	1	
-30	01900-05		* HINGE ASSEMBLY - Door (complete)	2	
-31	01900-06		* * HINGE - Half (MS20001-PH8) (35" L.)	2	
-32	01900-07		* * PIN - (MS20253-P4) (34.64" L.)	1	
-33	01912-02		* NET ASSEMBLY - Cargo	1	
-34	01919-02		* RING ASSEMBLY - Cargo net attachment	4	
-35	01867-02		* COVER ASSEMBLY - Cargo pod (fiberglass)	1	
-36	01920-02		* BRACKET ASSEMBLY - Gas spring attachment. aft door	2	
-37	01920-03		* BRACKET ASSEMBLY - Gas spring attachment. forward door	2	

When ordering, always specify Part Number, Description and Serial Number of Aircraft

PIPER PARTS CATALOG

Figure and Index Number	Part Number	Code	NOMENCLATURE	No. Req.	SERIAL NUMBERS AFFECTED
23A-38	461 927		* SPRING - Gas (03-06-090-102-P1-25)	2	
-39	61402-79		* BUSHING - Gas spring retaining	4	
	407 585		* WASHER - (AN960-416L)	4	
	404 836		* NUT - (MS20364-428C)	4	
-40	410 241		* SCREW - (MS24694-S6)	8	
	407 583		* WASHER - (AN960-8L)	8	
	404 833		* NUT - (MS20364-832C)	8	
	467 208		* INSERT - (P102C8-2)	8	
	467 209		* INSERT - (S102D8-4)	8	
-41	02010-02		* STRIKE - Bayonet latch	4	
-42	01846-02		* STRIKE ASSEMBLY - Hook latch	2	
-43	01967-02		* BRACKET ASSEMBLY - Door switch	2	
-44	487 878		* * SWITCH - (#9251)	1	
-45	572 658		* LIGHT ASSEMBLY - Cargo pod (A700-NM-50/28)	1	
-46	761 294		* * LAMP - (A708-50/28)	1	
-47	761 295		* * LENS - (A702-NM)	1	
-48	755 109		* * GASKET - Inner (A703)	1	
-49	755 110		* * GASKET - Outer (A704)	1	
-50	01966-02		PLATE ASSEMBLY - Light mounting (complete with light)	1	
-51	01963-02		* PLATE ASSEMBLY - Light mounting	1	
-52	572 658		* LIGHT ASSEMBLY - Cargo pod (A700-NM-50/28)	1	
-53	761 294		* * LAMP - (A708-50/28)	1	
-54	761 295		* * LENS - (A702-NM)	1	
-55	755 109		* * GASKET - Inner (A703)	1	
-56	755 110		* * GASKET - Outer (A704)	1	
-57	01938-04		PLATE - Cargo pod attachment (2.00" diameter)	11	
-58	01938-06		PLATE - Cargo pod attachment (1.50" L)	14	
-59	410 244		SCREW - Cargo pod attachment (MS24694-S8)	36	
	494 081		WASHER - (A3135-017-1)	36	
-60	81034-02	A	DECAL - Cargo pod capacity	1	

When ordering, always specify Part Number, Description and Serial Number of Aircraft

PIPER PARTS CATALOG

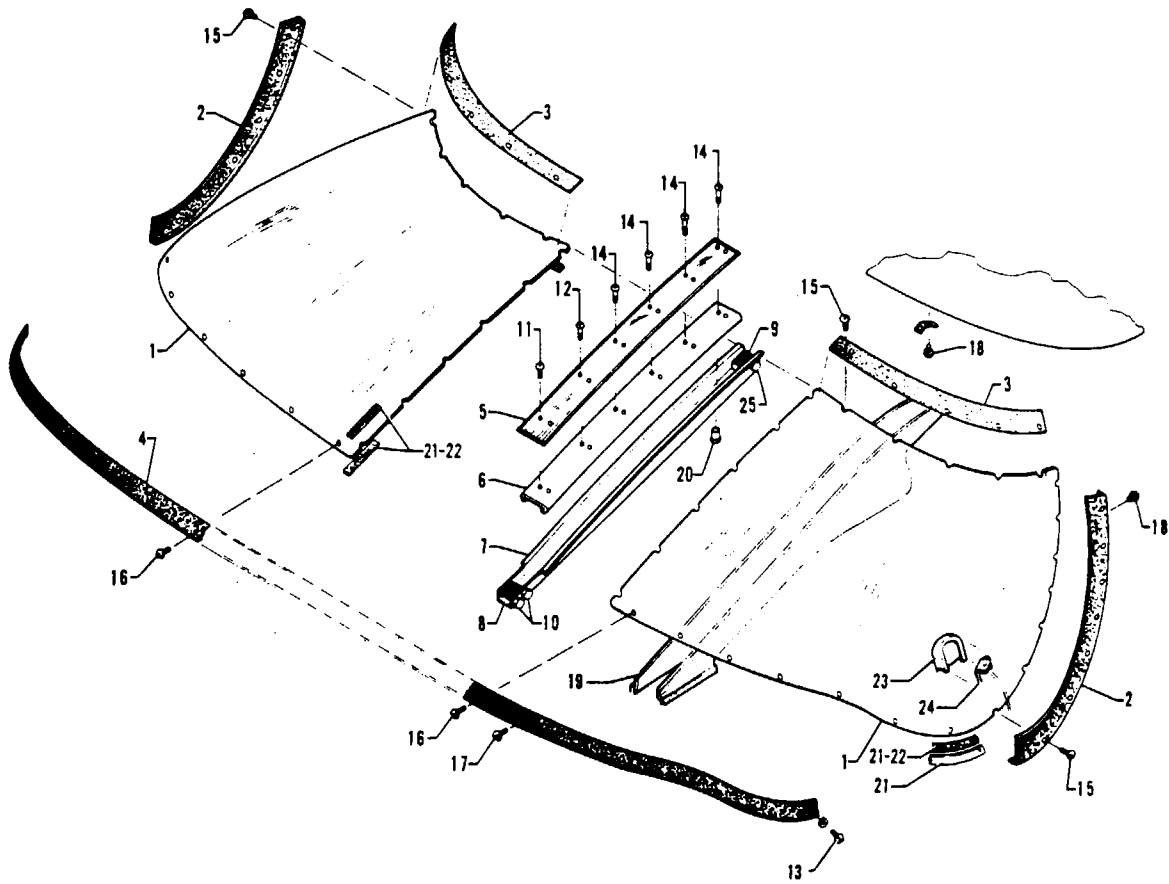


Figure 24. Windshield Installation

PIPER PARTS CATALOG

CODE EXPLANATIONS FOR FIGURE 24

- A - Used if heated windshield is installed.
- B - Used if heated windshield is not installed.
- C - Used if windshield wiper with unheated windshield is installed.

PIPER PARTS CATALOG

Figure and Index Number	Part Number	Code	NOMENCLATURE	No. Req.	SERIAL NUMBERS AFFECTED
24-	81634 81833		DRAWING - Windshield Installation DRAWING - Heated Windshield Installation		
-1	41590-00 41543-02 41543-00 41590-01	C	WINDSHIELD - Left WINDSHIELD - Left WINDSHIELD - Left, heated WINDSHIELD - Right	1 1 1 1	
-2	41738-02 41738-03		STRIP - Retaining, windshield, side, left STRIP - Retaining, windshield, side, right	1 1	
-3	41738-04 41738-05		STRIP - Retaining, windshield, top, left STRIP - Retaining, windshield, top, right	1 1	
-4	41673-00		COLLAR - Windshield	1	
-5	41672-00		TRIM STRIP - Windshield center	1	
-6	40936-00		PLATE - Windshield center support	1	
-7	81626-02		CHANNEL ASSEMBLY - Windshield center	1	
-8	40907-03		BLOCK - Windshield channel, center, bottom	1	
-9	81631-02		BLOCK - Windshield channel, center, top	1	
-10	400 446 407 564		BOLT - (AN3-16A) WASHER - (AN960-10)	2 2	
-11	415 261		SCREW - (8-32 x 3/4 L.)	2	
-12	415 267		SCREW - (8-32 x 1 1/2 L.)	2	
-13	415 537		SCREW - (MS35206-247)	2	
-14	415 269		SCREW - (8-32 x 2 L.)	8	
-15	415 381 404 910		SCREW - (MS51957-46) NUT - (MS20365-832C)	30 30	
-16	414 427 494 118		SCREW - (MS24693-52B) WASHER - (A-3135-017-443)	18 18	
-17	414 427 494 118		SCREW - (MS24693-52B) WASHER - (A-3135-017-443)	16 16	
-18	415 729 404 909		SCREW - (MS35206-228) NUT - (MS20365-632C)	28 28	
-19	43522-00		COVER - Windshield channel trim	1	
-20	18359-00		NUT - Windshield, center	10	
-21	914 047		SEALANT - Quart Kit (24 Fl. Oz.) PR-1221B-2	1	
-22	924 355 180 409	A B	TAPE - Vinyl sponge roll (542) 1" x 1/6" TAPE - Vinyl sponge roll (163) 3/4" x 1/32"	1 1	
-23	43762-00	A	COVER - Heated windshield terminal	1	
-24	43763-00	A	BRACKET - Windshield terminal cover	1	
-25	400 446 407 564 404 835		BOLT - (AN3-16A) WASHER - (AN960-10) NUT - (MS20364-1032C)	1 1 1	

When ordering, always specify Part Number, Description and Serial Number of Aircraft

PIPER PARTS CATALOG

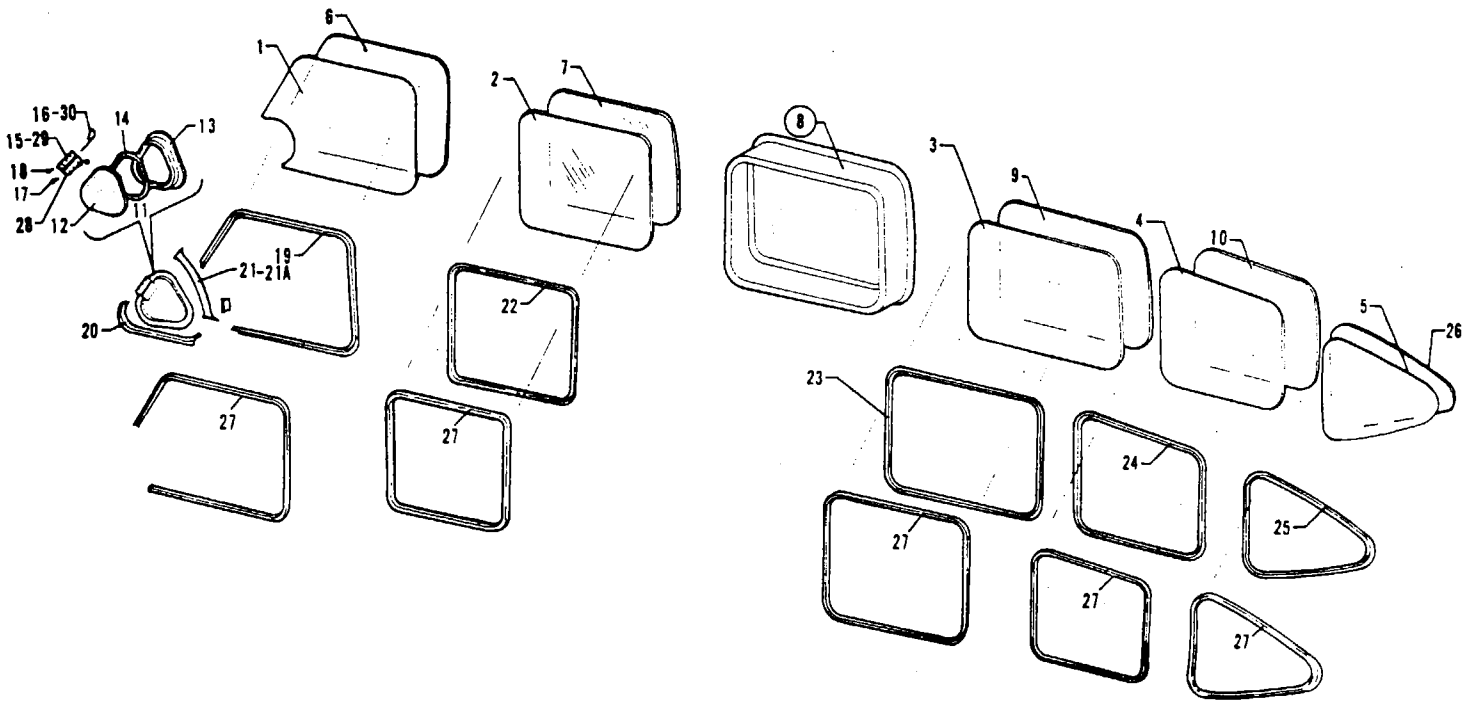


Figure 25. Window Installation

PIPER PARTS CATALOG

CODE EXPLANATIONS FOR FIGURE 25

- A - See Figure 33 if pilot door is installed.
- B - See Figure 26 for component parts.
- C - Used on aircraft that comply with C.A.A. (United Kingdom) requirements.

PIPER PARTS CATALOG

Figure and Index Number	Part Number	Code	NOMENCLATURE	No. Req.	SERIAL NUMBERS AFFECTED
25-	54710 01600 01516		DRAWING - Window Installation DRAWING - Cabin Interior Finishing Installation DRAWING - Inner Window Installation (Green Tinted)		
-1	55267-06	A	WINDOW - Front, left and right, inner (clear)	2	
	55267-07	A	WINDOW - Front, left and right, inner (tinted)	2	
-2	55266-09		WINDOW - Intermediate, inner, left and right (clear)	2	
	55266-10		WINDOW - Intermediate, inner, left and right (tinted green)	2	
	55266-28		WINDOW - Intermediate, inner, left and right (tinted gray)	2	
-3	55258-04		WINDOW - Inner, center front and rear, left side, center rear, right side (clear)	3	
	55258-05		WINDOW - Inner, center front and rear, left side, center rear, right side (tinted green)	3	
	55258-31		WINDOW - Inner, center front and rear, left side, center rear, right side (tinted gray)	3	
-4	55254-04		WINDOW - Aft, forward right, inner (clear)	1	
	55254-05		WINDOW - Aft, forward right, inner (tinted green)	1	
	55254-15		WINDOW - Aft, forward right, inner (tinted gray)	1	
-5	55254-18		WINDOW - Aft, inner right (tinted gray)	1	
-6	41293-02	A	WINDOW - Front, left, outer	1	
	41293-03		WINDOW - Front, right, outer	1	
-7	52355-02		WINDOW - Intermediate, left and right, outer	2	
-8		B	WINDOW ASSEMBLY - Emergency exit	1	
-9	41294-02		WINDOW - Center front and rear, left side, center rear, right side, outer	3	
-10	41295-09		WINDOW - Aft, forward, right, outer	1	
-11	43480-00	A	WINDOW ASSEMBLY - Storm, left	1	
	43480-01		WINDOW ASSEMBLY - Storm, right	1	
-12	41284-00	A	* WINDOW - Storm, left	1	
	41284-01		* WINDOW - Storm, right	1	
-13	42669-00	A	* RING ASSEMBLY - Storm window support, left	1	
	42669-01		* RING ASSEMBLY - Storm window support, right	1	
-14	187 528		* * SEAL - Support ring (PN3103-11)	1	
-15	53060-02		* HINGE ASSEMBLY - Storm window	1	
-16	43796-00		* * PIN - Storm window hinge	1	
-17	18359-00		* NUT - Storm window hinge	3	
	415 535		* SCREW - (MS35206-245)	3	
	415 533		* SCREW - (MS35206-243)	3	
-19	54710-04		RETAINER - Outer window, front, left	1	
	54710-05		RETAINER - Outer window, front, right	1	
-20	41282-00		RETAINER - Storm window moulding, left	1	
	41282-01		RETAINER - Storm window moulding, right	1	
-21	41279-03		PLATE ASSEMBLY - Storm window interior trim, left	1	
	41279-04		PLATE ASSEMBLY - Storm window interior trim, right	1	
-21a	71711-04		* PLATE - Storm window latch	1	
-22	54710-06		RETAINER - Outer window, intermediate windows, left and right	2	
-23	54710-07		RETAINER - Outer window, center front and rear, left side, center rear, right side	3	
-24	54710-08		RETAINER - Outer window, aft, forward, right	1	
-25	54710-11		RETAINER - Aft window, right	1	
-26	41296-01		WINDOW - Aft, outer right (clear)	1	
	41296-03		WINDOW - Aft, outer right (tinted green)	1	
-27	45506-00		MOULDING - Inner window, extruded (72" L.)	AR	
-28	01231-03	C	PLATE - Storm window hinge	1	
-29	01231-02	C	HINGE ASSEMBLY - Storm window	1	
-30	42617-04	C	* PIN - Storm window hinge	1	

When ordering, always specify Part Number, Description and Serial Number of Aircraft

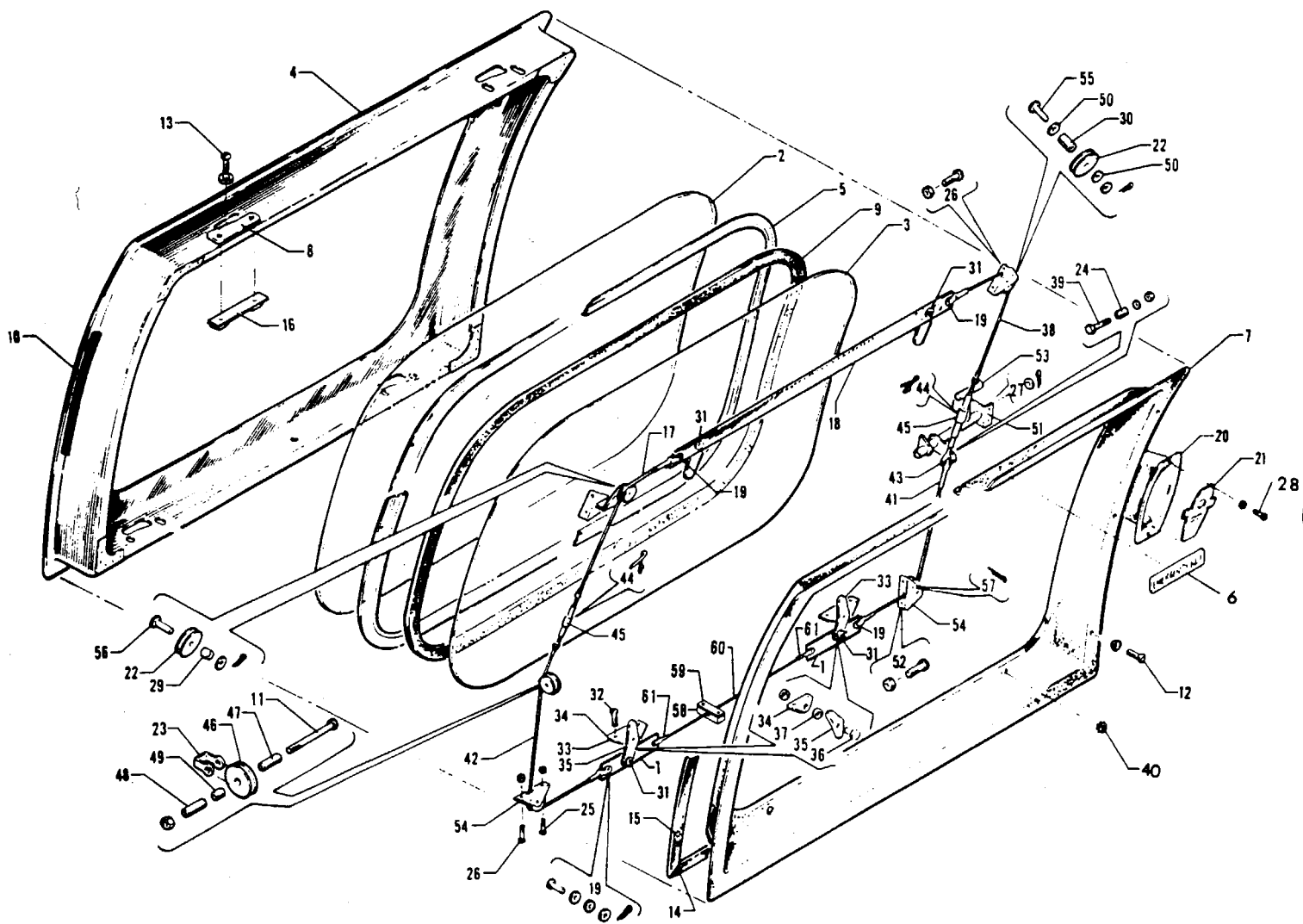


Figure 26. Emergency Exit Window Installation

PIPER PARTS CATALOG

CODE EXPLANATIONS FOR FIGURE 26

PIPER PARTS CATALOG

Figure and Index Number	Part Number	Code	NOMENCLATURE	No. Req.	SERIAL NUMBERS AFFECTED
26-	55259 41633 01516		DRAWING - Window Installation DRAWING - Emergency Exit Window Mechanism Installation DRAWING - Inner Window Installation (Green Tinted)		
-1	52448-00		LINK - Emergency exit cable, bottom	2	
-2	41294-02		WINDOW - Emergency exit, outer	1	
-3	55258-04		WINDOW - Emergency exit, inner (clear)	1	
	55258-05		WINDOW - Emergency exit, inner (tinted green)	1	
	55258-31		WINDOW - Emergency exit, inner (tinted gray)	1	
-4	41426-08		FRAME ASSEMBLY - Emergency exit window	1	
-5	54710-07		RETAINER - Window, outer	1	
-6	80363-02		PLACARD - Emergency exit	1	
-7	55259-33		MOULDING - Emergency exit window	1	
-8	41285-00		PLATE - Emergency exit window lock	4	
-9	45506-00		MOULDING - Window, extruded (72" L.)	AR	
-10	187 531		MOULDING - Emergency exit window (VS80545-1 Rev. B)	AR	
-11	400 935		BOLT - (AN24-52A)	1	
	407 585		WASHER - (AN960-416L)	1	
	404 836		NUT - (MS20364-428C)	1	
-12	414 750		SCREW - (6-32 x 5/8)	6	
	494 102		WASHER - (C-394)	6	
-13	415 535		SCREW - (MS35206-245)	8	
	407 120		WASHER - (AN960-B8)	8	
-14	13945-93		STRIP - Weather, emergency exit	2	
-15	56983-02		STRIP - Weather, emergency exit	2	
-16	43864-00		PLATE ASSEMBLY - Striker plate attachment	4	
-17	43575-04		CABLE ASSEMBLY - Emergency exit release, top front	1	
-18	41048-03		LINK - Emergency exit cable, top	1	
-19	424 174		PIN - (MS20392-2C11)	4	
	407 564		WASHER - (AN960-10)	4	
	407 584		WASHER - (AN960-10L)	4	
	424 051		PIN - Cotter (MS24665-132)	4	
-20	53181-00		MOULDING - Emergency exit release	1	
-21	41307-00		COVER ASSEMBLY - Emergency exit release	1	
-22	20534-00		PULLEY - Emergency exit release	4	
-23	43570-00		GUARD - Pulley	1	
-24	42571-10		BUSHING - Emergency exit window	1	
-25	415 535		SCREW - (MS35206-245)	1	
	407 563		WASHER - (AN960-8)	1	
	404 910		NUT - (MS20365-832C)	1	
-26	415 533		SCREW - (MS35206-243)	3	
	404 910		NUT - (MS20365-832C)	3	
-27	407 569		WASHER - (AN960-816)	1	
	424 052		COTTER PIN - (MS24665-134)	1	
-28	419 690		SCREW - (6 x 1/2 L.)	2	
	494 102		WASHER - (C-394)	2	
-29	14843-34		BUSHING - Emergency exit window	1	
-30	14175-108		BUSHING - Emergency exit window	3	
-31	424 173		PIN - Flat head (MS20392-2C9)	4	
	407 564		WASHER - (AN960-10)	4	
	424 051		COTTER PIN - (MS24665-132)	4	

When ordering, always specify Part Number, Description and Serial Number of Aircraft

PIPER PARTS CATALOG

Figure and Index Number	Part Number	Code	NOMENCLATURE	No. Req.	SERIAL NUMBERS AFFECTED
26-32	415 535		SCREW - (MS35206-245)	8	
	404 910		NUT - (MS20365-832C)	8	
-33	43200-00		LATCH ASSEMBLY - Emergency exit	4	
-34	40976-00		* BRACKET - Emergency exit pawl	1	
-35	22612-00		* ARM - Door lock, emergency exit window	1	
-36	22613-00		* RIVET - Door lock, emergency exit window	1	
-37	407 565		* WASHER - (AN960-416)	1	
	407 585		* WASHER - (AN960-416L)	1	
-38	43575-02		CABLE ASSEMBLY - Emergency exit release, top rear	1	
-39	400 441		BOLT - (AN3-7A)	1	
	407 584		WASHER - (AN960-10L)	3	
	404 887		NUT - (MS20365-1032C)	1	
-40	453 694		BUTTON - Plug (D3005-B)	4	
-41	43574-00		CABLE ASSEMBLY - Emergency exit release, bottom rear	1	
-42	43575-03		CABLE ASSEMBLY - Emergency exit release, bottom front	1	
-43	461 131		TERMINAL - Fork (NAS645-16RS)	1	
-44	454 867		CLIP - Safety (NAS651-16S)	4	
-45	452 009		BARREL - Turnbuckle (NAS649-B16S)	2	
-46	43568-00		PULLEY - Emergency exit cable	1	
-47	42571-11		BUSHING - Emergency exit cable	1	
-48	42571-12		BUSHING - Emergency exit cable	1	
-49	42571-13		BUSHING - Emergency exit cable	1	
-50	407 565		WASHER - (AN960-416)	3	
	407 585		WASHER - (AN960-416L)	3	
-51	43573-00		BRACKET - Emergency exit handle	1	
-52	415 538		SCREW - (MS35206-248)	2	
	404 910		NUT - (MS20365-832C)	2	
-53	40979-00		HANDLE ASSEMBLY - Emergency exit release	1	
-54	40977-00		BRACKET - Emergency exit pulley	3	
-55	424 177		PIN - Flat head (MS20392-2C17)	3	
	407 565		WASHER - (AN960-416)	6	
	407 584		WASHER - (AN960-10L)	3	
	424 051		COTTER PIN - (MS24665-132)	1	
-56	424 175		PIN - Flat head (MS20392-2C13)	1	
	407 584		WASHER - (AN960-10L)	2	
	424 051		COTTER PIN - (MS24665-132)	1	
-57	424 052		COTTER PIN - (MS24665-134)	5	
-58	52447-00		BLOCK ASSEMBLY - Emergency exit cable	1	
-59	52446-00		SPACER - Emergency exit cable block	1	
-60	52449-00		CABLE ASSEMBLY - Emergency exit	1	
-61	488 551		* TERMINAL - (MS20667-3)	2	

When ordering, always specify Part Number, Description and Serial Number of Aircraft

1E24

INTENTIONALLY LEFT BLANK

PIPER PARTS CATALOG

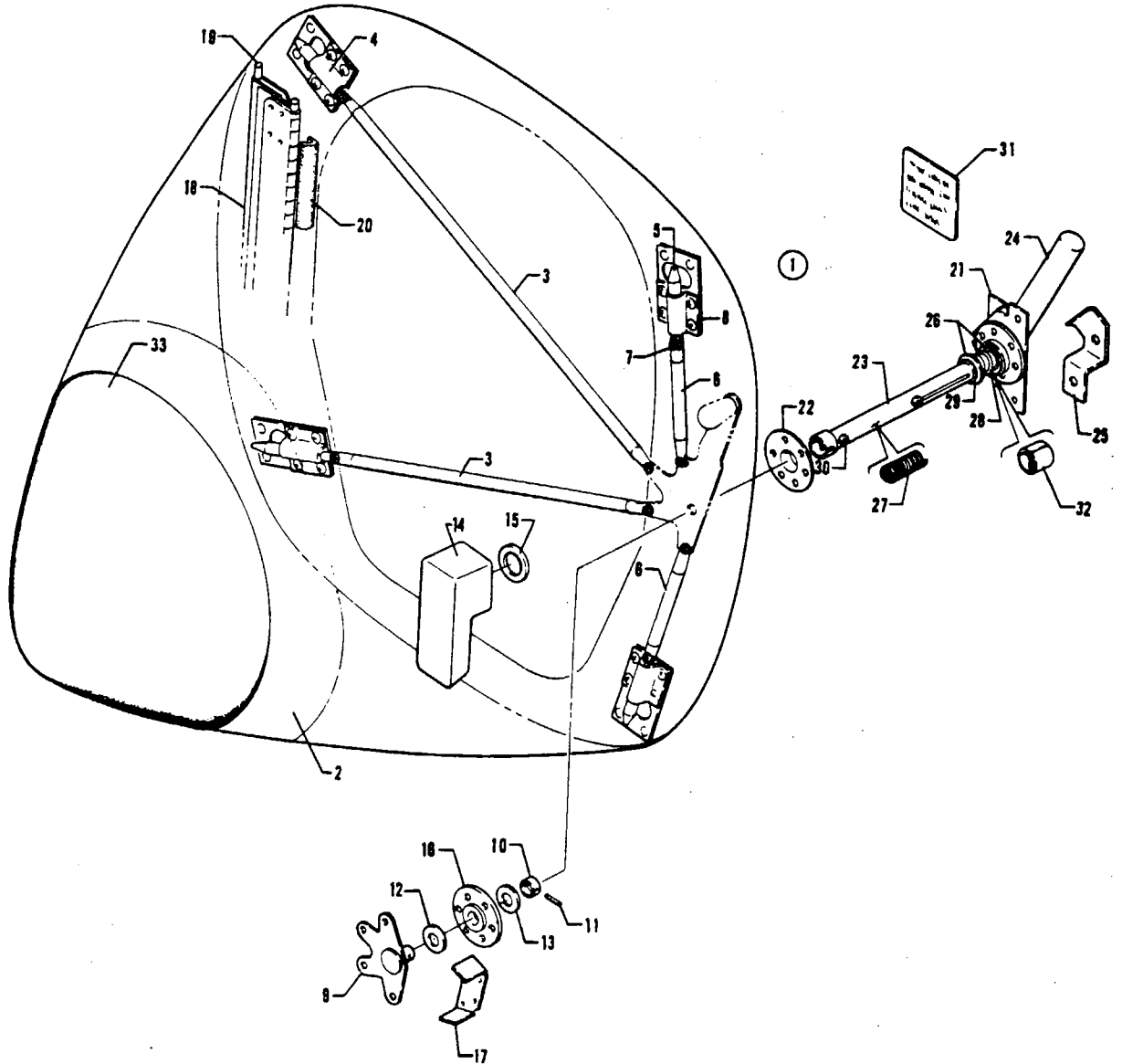


Figure 27. Nose Cone Installation

PIPER PARTS CATALOG

CODE EXPLANATIONS FOR FIGURE 27

- A - Used if lead-acid battery is installed.
- B - Used if nickel-cadmium battery is installed.
- C - If radar is installed, refer to the Avionics Drawing Index List and the appropriate drawings supplied with each aircraft when ordering replacement parts.

PIPER PARTS CATALOG

Figure and Index Number	Part Number	Code	NOMENCLATURE	No. Req.	SERIAL NUMBERS AFFECTED
27-	54627		DRAWING - Nose Cone Installation		
-1	48918-09	A	NOSE CONE ASSEMBLY	1	
	48918-10	B	NOSE CONE ASSEMBLY	1	
		C	NOSE CONE ASSEMBLY - Radar	1	
-2		C	* RADOME - Nose cap	1	
-3	45268-03		* TUBE - Nose cone latch	2	
-4	45271-00		* GUIDE ASSEMBLY - Nose cone latch plunger	4	
-5	45268-00		* PLUNGER - Nose cone latch	4	
-6	45268-02		* TUBE - Nose cone latch	2	
-7	424 140		* PIN - (MS20392-1C7)	8	
	407 582		* WASHER - (AN960-6L)	8	
	424 032		* COTTER PIN - (MS24665-170)	8	
-8	415 535		* SCREW - (MS35206-245)	16	
	404 910		* NUT - (MS20365-832C)	16	
-9	48892-05		* LATCH ASSEMBLY - Nose cone	1	
-10	48898-03		* COLLAR - Nose cone latch	1	
-11	480 414		* PIN - Roll (79-040-187-1250)	1	
-12	494 268		* WASHER - Spring (U500-0170)	1	
-13	407 569		* WASHER - (AN960-816)	1	
-14	51448-00	B	* BOX - Battery air inlet	1	
-15	80122-152	B	* WASHER - Seal, rubber	1	
-16	45267-02		* PLATE - Latch bearing	1	
-17	48920-02		* STOP - Nose cone latch	1	
-18	45282-04		HINGE ASSEMBLY - Nose cone	1	
-19	81761-61		PIN - Nose cone hinge	2	
-20	23183-00		SEAL - Moulded rubatex (6')	AR	
-21	48908-02		PLATE ASSEMBLY - Nose cone latch	1	
-22	45267-04		PLATE - Torque shaft bearing	1	
-23	48903-08		SHAFT ASSEMBLY - Torque	1	
-24	48901-02		HANDLE ASSEMBLY	1	
-25	48899-02		KEEPER	1	
-26	49979-04		WASHER	3	
-27	587 385		SPRING - (CO360-040-2500)	3	
-28	587 386		SPRING - (CO720-055-1750)	1	
-29	484 801		RING - Retaining (5100-56)	2	
-30	424 147		PIN - (AN392-21)	2	
	407 581		WASHER - (AN960-4)	2	
	424 032		COTTER PIN - (MS24665-170)	2	
-31	80385-02		PLACARD - Latching operation	1	
-32	82371-139		STOP - Torque shaft	1	
-33	454 302		RUBBER CAP - Nose (3A5124)	1	

When ordering, always specify Part Number, Description and Serial Number of Aircraft

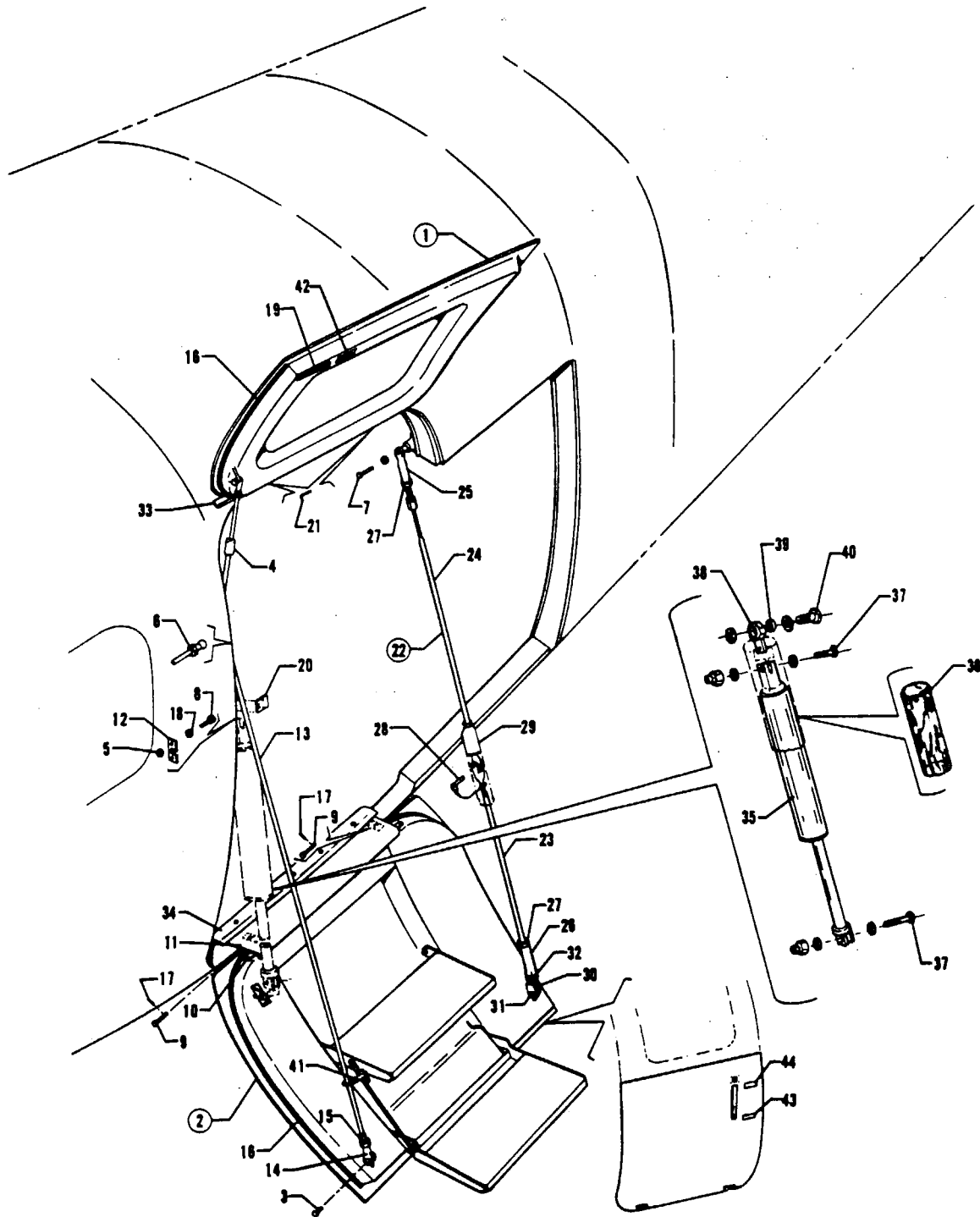


Figure 28. Cabin Entrance Door Installation

PIPER PARTS CATALOG

CODE EXPLANATIONS FOR FIGURE 28

- A - See Figure 29 for component parts.
- B - See Figure 30 for component parts.
- C - Serial number of aircraft must be supplied when ordering this part.
- D - Used on aircraft that comply with C.A.A. (United Kingdom) requirements.

PIPER PARTS CATALOG

Figure and Index Number	Part Number	Code	NOMENCLATURE	No. Req.	SERIAL NUMBERS AFFECTED
28-	01614		DRAWING - Cabin Entrance Door Installation		
-1	54714-14	A,C	DOOR ASSEMBLY - Entrance, upper, complete (tinted gray)	1	
	54714-13	A,C	DOOR ASSEMBLY - Entrance, upper, complete (tinted green)	1	
-2	01613-02	B,C	DOOR ASSEMBLY - Entrance, lower, complete	1	
-3	416 987		SCREW - (AN526-1032R-4)	1	
	407 135		WASHER - (AN936-A10)	1	
	407 566		WASHER - (AN960-516)	2	
	43584-00		NUT - Special	1	
-4	74044-03		SUPPORT ASSEMBLY - Upper door	1	
-5	80122-111		WASHER - Door latch	AR	
-6	74072-02		STUD - Ball, door support front	1	
-7	400 914		BOLT - (AN24-24A) rear	1	
	407 565		WASHER - (AN960-416) rear	1	
-8	410 076		SCREW - (MS24694-S103)	2	
-9	43481-00		PIN - Special, door hinge	2	
-10	43321-00		STRIP - Seal retainer	1	
-11	43325-00		COVER - Lower door hinge	1	
-12	41256-02		PLATE - Door latch	1	
-13	44523-02		CABLE ASSEMBLY - Lower door support, front	1	
-14	52847-00		* CLEVIS - Special	2	
-15	52846-00		* NUT - Special	2	
-16	187 542		EXTRUSION - Seal (KRP-517-4 N/C)	14'	
-17	480 688		PIN - Roll (59-012-062-0500)	2	
-18	42245-02		WASHER - Door latch plate	2	
-19	71188-02		BOLT ASSEMBLY - Door latch	1	
-20	54245-02		PLATE - Door latch striker	1	
-21	43515-00		PIN - Door hinge	2	
-22	44564-02		CABLE ASSEMBLY - Lower door support, rear	1	
-23	44562-00		* CABLE ASSEMBLY - Door support, lower	1	
-24	44563-00		* CABLE ASSEMBLY - Door support, upper	1	
-25	44561-00		* TERMINAL - Cable end	1	
-26	52847-00		* CLEVIS - Special	1	
-27	52846-00		* NUT - Special	2	
-28	53909-00		* PIN ASSEMBLY - Cargo door cable	1	
-29	53968-03		* BOOT - Cable assembly	1	
-30	53893-00		LINK - Door support cable	1	
-31	411 528		SCREW - (MS35207-259)	1	
	407 134		WASHER - (AN936-A8)	1	
	407 566		WASHER - (AN960-516)	1	
	43584-00		NUT - Special	1	
-32	411 528		SCREW - (MS35207-259)	1	
	407 134		WASHER - (AN936-A8)	1	
	43584-00		NUT - Special	1	
-33	44349-00		GUTTER - Rain	1	
-34	54087-00		PLATE - Threshold	1	
-35	487 043		Snubber - Lower door (500890-1)	1	
-36	73106-02		COVER - Snubber attachments	1	
-37	400 675		BOLT - (AN23-13)	2	
	407 584		WASHER - (AN960-10L)	4	
	406 702		NUT - Cap (22K1-02)	2	
-38	74196-04		ADAPTER ASSEMBLY - Snubber attachment	1	

When ordering, always specify Part Number, Description and Serial Number of Aircraft

PIPER PARTS CATALOG

Figure and Index Number	Part Number	Code	NOMENCLATURE	No. Req.	SERIAL NUMBERS AFFECTED
28-39	452 353		* BEARING - (LSS-4)	1	
-40	400 903		BOLT - (AN24-13A)	1	
	407 565		WASHER - (AN960-416)	2	
-41	71974-16		PULL-OUT ASSEMBLY - Door steps extender	1	31T-8275025, 31T-8375002 and up
-42	71450-05	D	DECAL - "OPEN/LOCK"	1	
-43	71450-04	D	DECAL - "PULL HERE"	1	
-44	71450-03	D	DECAL - "TO OPEN PRESS HERE"	1	

When ordering, always specify Part Number, Description and Serial Number of Aircraft

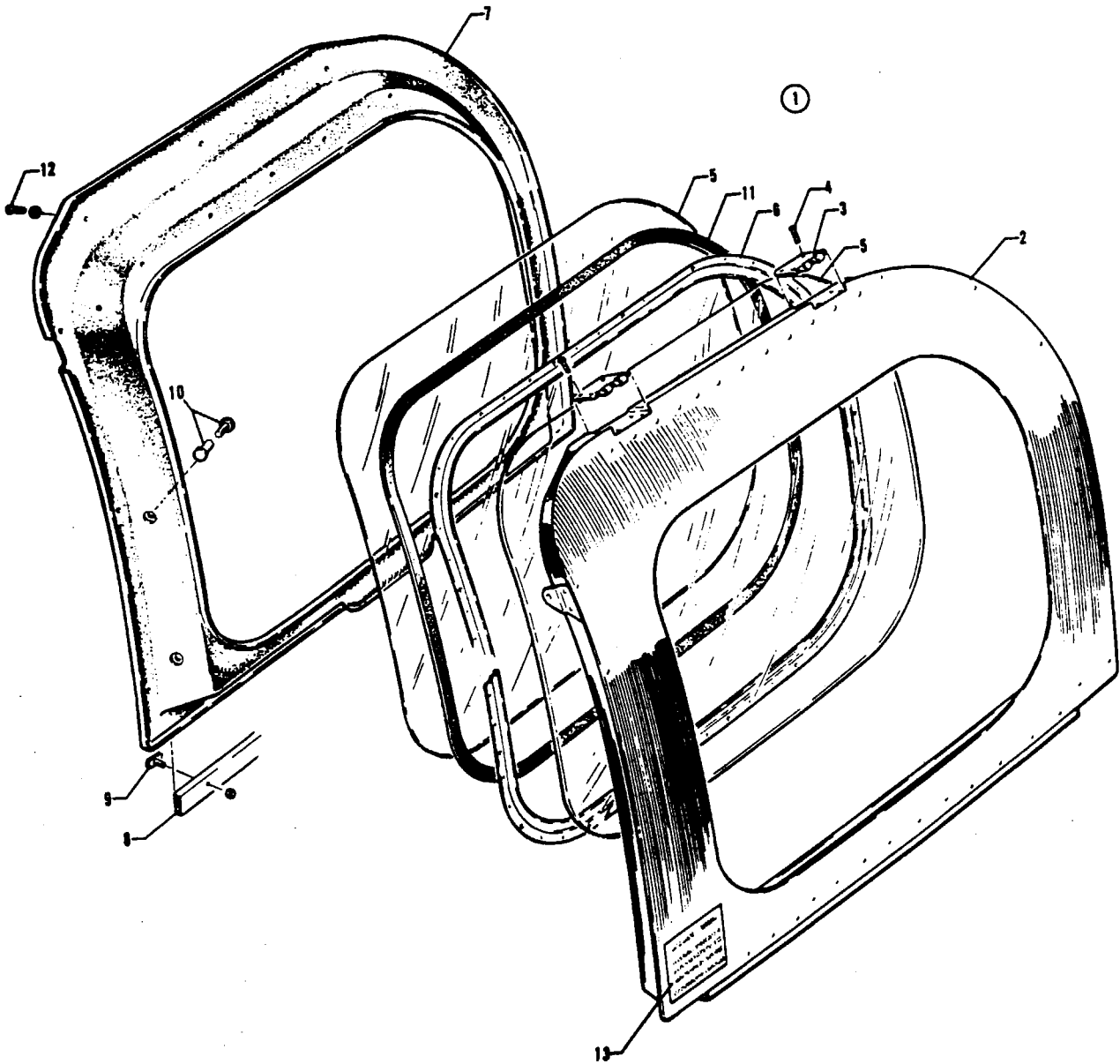


Figure 29. Upper Cabin Entrance Door Assembly

PIPER PARTS CATALOG

CODE EXPLANATIONS FOR FIGURE 29

- A - Used if window curtain is installed.
- B - Used on aircraft that comply with C.A.A. (United Kingdom) requirements.

PIPER PARTS CATALOG

Figure and Index Number	Part Number	Code	NOMENCLATURE	No. Req.	SERIAL NUMBERS AFFECTED
29-1	54714-14		DOOR ASSEMBLY - Entrance, upper, complete (with gray tinted window)	1	
	54714-13	A	DOOR ASSEMBLY - Entrance, upper, complete (with green tinted window)	1	
-2	41529-08		* DOOR ASSEMBLY - Entrance, upper	1	
-3	41420-03		* * HINGE HALF - Upper door	2	
-4	416 785		* * SCREW - (AN507-1032R8)	8	
-5	41295-02		* WINDOW - Cabin door, outer	1	
	54714-15		* WINDOW - Cabin door, inner (tinted gray)	1	
	54714-06		* WINDOW - Cabin door, inner (tinted green)	1	
-6	54714-07		* RETAINER - Cabin door window	1	
-7	54714-04		* MOULDING ASSEMBLY - Entrance door window	1	
-8	149 392	A	* TRACK - Curtain window	3'	
-9	47494-00	A	* STUD ASSEMBLY - Curtain track	10	
	404 596	A	* NUT - (MS20341-4S)	10	
-10	460 039	A	* POST - Moulding (D1983)	6	
	460 038	A	* STUD - Moulding (D4366)	6	
-11	45506-00		* MOULDING - Window, extruded (72" long)	1	
-12	415 245		* SCREW - (6-32 x 5/8)	10	
	494 102		* WASHER - (C-394)	10	
-13	71450-02	B	DECAL - Door - open	1	

When ordering, always specify Part Number, Description and Serial Number of Aircraft

PIPER PARTS CATALOG

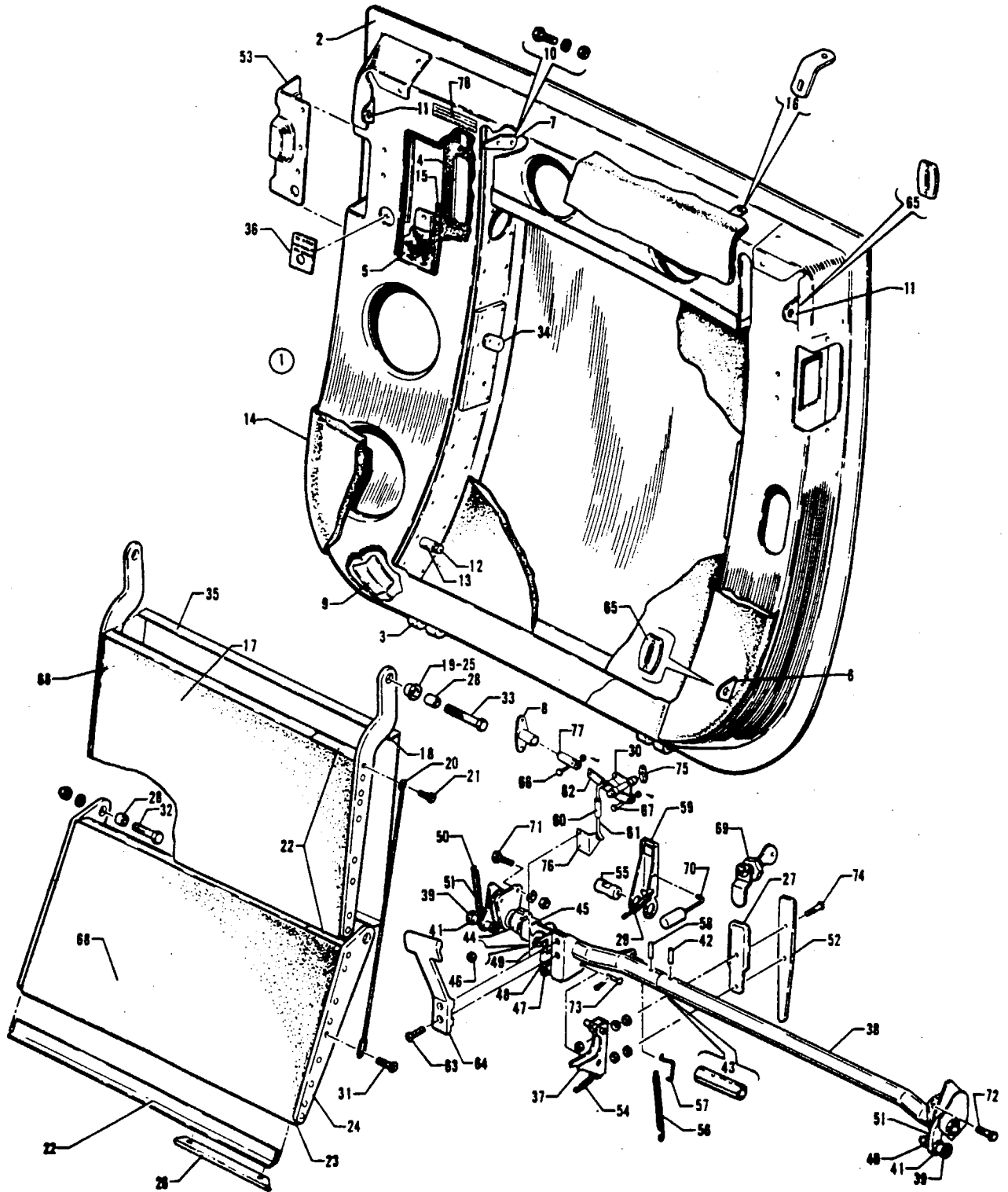


Figure 30. Lower Cabin Entrance Door Assembly

PIPER PARTS CATALOG

CODE EXPLANATIONS FOR FIGURE 30

- A - Serial number of aircraft must be supplied when ordering this part.
- B - If matching cabin, baggage and nacelle locker locks are desired, order Part No. 25163-11; if matching cabin, baggage, pilot door and nacelle locker locks are desired, order Part No. 25163-12.
- C - Used on aircraft that comply with C.A.A. (United Kingdom) requirements.

PIPER PARTS CATALOG

Figure and Index Number	Part Number	Code	NOMENCLATURE	No. Req.	SERIAL NUMBERS AFFECTED
30-1	01613-02	A	DOOR ASSEMBLY - Entrance, lower, complete	1	
-2	41367-12		* DOOR ASSEMBLY - Entrance, lower	1	
-3	41363-02		* * HINGE - Lower entrance door	2	
-4	42248-00		* * WEATHER SEAL - Door handle cutout	1	
-5	43937-00		* * SEAL ASSEMBLY - Cabin door handle	1	
-6	74237-02		* * BRACKET ASSEMBLY - Door snubber attachment	1	
-7	41245-00		* * STOP - Door step, rear	1	
	81262-107		* * STOP - Door step, front	1	
-8	54266-02		* * GUIDE ASSEMBLY - Door latch pin	1	
-9	43511-00		* * ANGLE - Door reinforcement	1	
-10	400 443		* * BOLT - (AN3-12A)	4	
-11	43585-00		* * BRACKET - Door support cable	2	
-12	401 269		* BOLT - (AN3-10A)	1	
-13	41413-45		* BUSHING - Door step	1	
-14	74157-02		* PANEL - Cabin door trim, complete	1	
-15	43510-00		* SEAL - Door handle	1	
-16	43541-00		* PLATE - Striker, door ajar switch	1	
-17	44351-13	A	* STEP ASSEMBLY - Lower	1	31T-8275001 to 31T-8275024 incl. and 31T-8375001
	44351-14	A	* STEP ASSEMBLY - Lower	1	31T-8275025, 31T-8375002 and up
-18	41314-00		* * ARM ASSEMBLY - Door lower step, front	1	
	41314-01		* * ARM ASSEMBLY - Door lower step, rear	1	
-19	453 733		* * * BUSHING - Step arm (NAS77-6-25)	1	
-20	42238-00		* * ROD - Step connecting	1	31T-8275001 to 31T-8275024 incl. and 31T-8375001
	73105-02		* * ROD - Step connecting	1	31T-8275025, 31T-8375002 and up
-21	402 741		* * BOLT - (NAS333CPA10)	1	
-22	44348-02		* STRIP - Door step protector	4	
-23	44351-12		* STEP ASSEMBLY - Upper	1	
-24	41355-00	A	* * ARM ASSEMBLY - Door upper step, front	1	
	41355-01		* * ARM ASSEMBLY - Door upper step, rear	1	
-25	453 733		* * * BUSHING - Step arm (NAS77-6-25)	1	
-26	71140-02		* STRIP - Step tread protector	4	
-27	43509-00		* PLATE - Door handle lock	1	
-28	14843-107		* BUSHING - Door step	4	
-29	487 494		* SPRING - (LE-031D-5-MW)	1	
-30	54243-02		* BELLCRANK ASSEMBLY - Door pin	1	
-31	402 726		* BOLT - (NAS333CPA-6)	2	
-32	401 311		* BOLT - (AN4-11A)	2	
-33	401 312		* BOLT - (AN4-12A)	2	
-34	81262-108		* STOP - Door step	2	
-35	74157-03		* COVER - Step assembly	2	
-36	43067-00		* PLACARD - Door handle latch	1	
-37	43069-00		* ACTUATOR ASSEMBLY - Door latch mechanism	1	
-38	42240-04		* TUBE ASSEMBLY - Door mechanism, front	1	
	42239-04		* TUBE ASSEMBLY - Door mechanism, rear	1	
-39	42245-03		* * WASHER - Door mechanism	1	
-40	41413-41		* * BUSHING - Door mechanism	1	
-41	20737-44		* * BUSHING - Door mechanism	1	
-42	480 731		* * PIN - Roll (59-028-125-0750)	2	
-43	82352-103		* * TUBE - Door mechanism connector	1	
-44	43062-00		* * PLATE ASSEMBLY - Safety latch rocker, door mechanism, rear	1	
-45	43063-00		* * ARM ASSEMBLY - Safety latch rocker, door mechanism, rear	1	

When ordering, always specify Part Number, Description and Serial Number of Aircraft

PIPER PARTS CATALOG

Figure and Index Number	Part Number	Code	NOMENCLATURE	No. Req.	SERIAL NUMBERS AFFECTED
30-46	61402-103		* * BUSHING - Door mechanism, rear	2	
-47	416 133		* * SCREW - (AN501-10-14) Door mechanism, rear	1	
-48	404 224		* * NUT - (AN315-3R) Door mechanism, rear	1	
-49	415 633		* * SCREW - (MS35206-333)	1	
	404 910		* * NUT - (MS20365-832C)	1	
	407 585		* * WASHER - (AN960-416L)	2	
	407 563		* * WASHER - (AN960-8)	2	
-50	53827-00		* * SPRING - Door latch	2	
-51	41258-00		* * HOOK - Latch, door mechanism, forward and aft	2	
-52	43546-00		* HANDLE - Door, outer	1	
-53	43690-03		* COVER - Door latch mechanism, front	1	
	43690-02		* COVER - Door latch mechanism, rear	1	
-54	83302-69		* SPRING - Door latch	1	
-55	43065-00		* BUSHING - Safety latch eccentric	1	
-56	83302-71		* SPRING - Door latch	1	
-57	73078-02		* HOOK - Door latch mechanism, rear	1	
-58	480 731		* PIN - Roll (59-028-125-0750)	2	
-59	43066-00		* BRACKET ASSEMBLY - Safety latch stop	1	
-60	54244-02		* ROD ASSEMBLY - Door latch bellcrank	1	
-61	54244-03		* ROD ASSEMBLY - Door latch bellcrank	1	
-62	54265-02		* LINK - Door plunger actuating	1	
-63	416 800		* SCREW - (MS24693-S278)	2	
	406 870		* RIVNUT - (A10K75)	2	
-64	71415-03		* HANDLE - Door, inner	1	
-65	44312-00		* COVER - Cable attachment trim	3	
-66	424 175		* PIN - (MS20392-2C13)	1	
	407 584		* WASHER - (AN960-10L)	1	
	424 051		* COTTER PIN - (MS24665-132)	1	
-67	424 174		* PIN - (MS20392-2C7)	1	
	407 584		* WASHER - (AN960-10L)	1	
	424 051		* COTTER PIN - (MS24665-132)	1	
-68	01613-03		* TREAD - Step	2	
-69	752 369	B	* LOCK ASSEMBLY - Cabin door (with 2 keys)	1	
-70	43064-00		* ROD ASSEMBLY - Safety latch actuator	1	
-71	400 438		* BOLT - (AN3-4A)	2	
-72	400 438		* BOLT - (AN3-4A)	2	
	407 564		* WASHER - (AN960-10)	2	
	404 887		* NUT - (MS20365-1032C)	2	
-73	424 183		* PIN - (MS20392-2C29)	1	
	424 095		* COTTER PIN - (MS24665-151)	1	
-74	415 283		* SCREW - (10-32 x 1" oval head)	2	
	404 835		* NUT - (MS20364-1032C)	2	
-75	54237-02		* PLATE - Bellcrank bearing	2	
-76	54240-02		* ARM - Bellcrank actuating	1	
-77	54242-02		* PIN - Door latch safety	1	
-78	80363-02	C	PLACARD - Emergency exit	1	

When ordering, always specify Part Number, Description and Serial Number of Aircraft

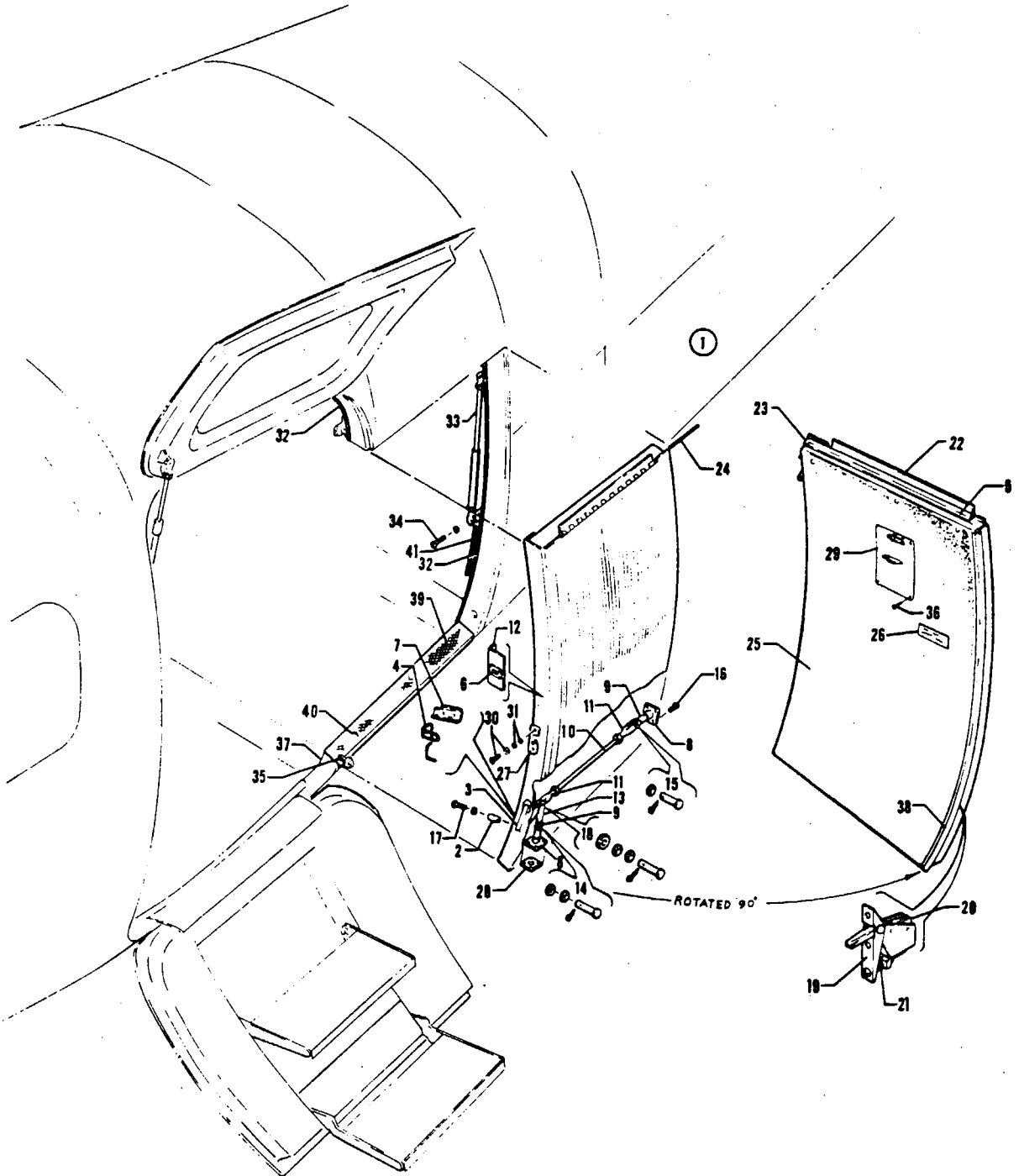


Figure 31. Cargo Door Assembly and Installation

PIPER PARTS CATALOG

CODE EXPLANATIONS FOR FIGURE 31

A - Serial number of aircraft must be supplied when ordering this part.

PIPER PARTS CATALOG

Figure and Index Number	Part Number	Code	NOMENCLATURE	No. Req.	SERIAL NUMBERS AFFECTED
31-	53330		DRAWING - Cargo Door Installation		
-1	44581-08		DOOR ASSEMBLY - Cargo	1	
-2	63900-22		* BUSHING - Cargo door handle	1	
-3	44534-00		* HANDLE - Cargo door latch	1	
-4	44497-00		* SPRING - Latch retainer (587 267)	1	
-5	44528-06		* HINGE - Half, cargo door	1	
-6	54659-02		* RECEPTACLE - Door latch safety pin	1	
-7	44498-00		* PLATE - Door spring retainer	1	
-8	44503-00		* GUIDE ASSEMBLY - Door latch pin, front	1	
	44504-00		* GUIDE ASSEMBLY - Door latch pin, rear	1	
-9	44506-00		* PIN - Door latch, front	1	
	44507-00		* PIN - Door latch, rear	1	
-10	44510-00		* ROD ASSEMBLY - Cargo door latch	1	
-11	454 901		* * CLEVIS - (MS27975-4)	1	
-12	54663-02		* REINFORCEMENT - Door frame	1	
-13	81262-110		* LINK - Door latch pin	1	
-14	424 178		* PIN - (MS20392-2C19)	1	
	407 584		* WASHER - (AN960-10L)	2	
	424 095		* COTTER PIN - (MS24665-151)	1	
-15	424 175		* PIN - (MS20392-2C13)	1	
	407 584		* WASHER - (AN960-10L)	2	
	424 095		* COTTER PIN - (MS24665-151)	1	
-16	410 055		* SCREW - (MS24694-C4)	8	
-17	400 882		* BOLT - (AN23-30A)	1	
	407 682		* WASHER - (AN960-C10L)	1	
-18	424 178		* PIN - (MS20392-2C19)	1	
	407 584		* WASHER - (AN960-10L)	2	
	407 800		* WASHER - (AN970-3)	1	
	424 095		* COTTER PIN - (MS24665-151)	1	
-19	54190-03		* SWITCH ASSEMBLY - Door ajar	1	
-20	487 819		* * SWITCH - (MS25253-3)	1	
-21	83303-02		* * SPRING - Switch adjusting	1	
-22	44528-07		HINGE - Half, fuselage	1	
-23	187 527		SEAL - Extrusion (130342)	6	
-24	56951-04		PIN - Cargo door hinge	1	
-25	72955-03	A	PANEL ASSEMBLY - Cargo door trim, complete	1	
-26	80999-02		DECAL - Seat requirements	1	
-27	41256-02		PLATE - Door latch	1	
-28	44502-00		PLATE - Door pin	1	
-29	80992-02		PLACARD - Cargo loading	1	
-30	410 076		SCREW - (MS24694-S103)	2	
	42245-02		WASHER - Countersunk	2	
-31	80122-111		WASHER - Door latch	AR	
-32	71100-03		WINDLACING - Cargo door frame	1	
-33	74044-02		SUPPORT ASSEMBLY - Cargo door	1	
-34	74072-02		STUD - Ball	1	
-35	402 070		BOLT - Eye (AN45-4A)	1	
-36	519 886		SCREW - (AN530-4R6)	6	
-37	71100-05		WINDLACING - Cargo door frame	1	
-38	71100-04		WINDLACING - Cargo door	1	
-39	55601-02		SILL - Cargo door	1	
-40	416 691		SCREW - (6 x 3/8 L., Type A, PH)	4	
	494 102		WASHER - (C-394)	4	
-41	55335-06		STRIP - Trim, aft	1	

When ordering, always specify Part Number, Description and Serial Number of Aircraft

PIPER PARTS CATALOG

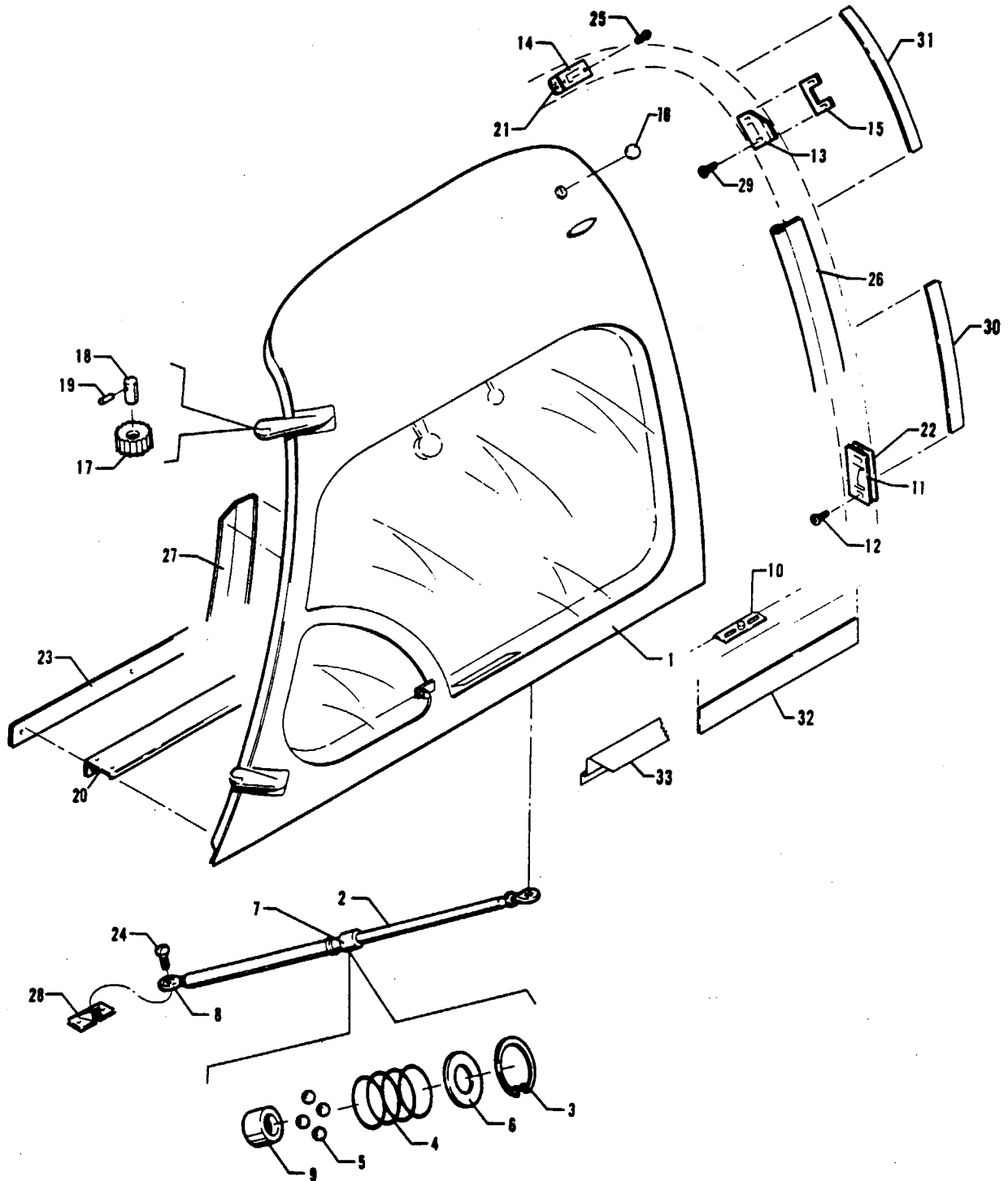


Figure 32. Pilot Door Installation

PIPER PARTS CATALOG

CODE EXPLANATIONS FOR FIGURE 32

A - See Figure 33 for component parts.

PIPER PARTS CATALOG

Figure and Index Number	Part Number	Code	NOMENCLATURE	No. Req.	SERIAL NUMBERS AFFECTED
32-	81891 82004		DRAWING - Pilot Door Installation DRAWING - Pilot Door Frame Moulding Installation		
-1	54612-10	A	DOOR ASSEMBLY - Pilot, complete	1	
-2	43853-02		SUPPORT ASSEMBLY - Door	1	
-3	484 783		* RING - Snap (N5000-77)	1	
-4	43850-00		* SPRING - Support assembly	1	
-5	452 036		* BEARING - Ball (MS19059-8)	4	
-6	40559-21		* WASHER - Support assembly	1	
-7	43851-00		* SLEEVE - Door support adjusting	1	
-8	452 383		* BEARING - Rod end (24166-00)	1	
-9	14843-114		* BUSHING - Door support (Teflon)	1	
-10	54358-02		BRACKET ASSEMBLY - Pilot door	1	
-11	44585-00		PLATE - Door lock lower striker	1	
-12	414 551		SCREW - (MS24693-S271)	2	
-13	44668-00		CATCH - Pilot door latch	1	
-14	44669-00		CATCH - Pilot door lock, top	1	
-15	44776-00		SHIM - Pilot door latch catch	AR	
-16	44640-00		COVER ASSEMBLY - Lock	1	
-17	21741-00		BUSHING - Serrated door hinge, eccentric	2	
	21741-02		BUSHING - Serrated door hinge, concentric	2	
-18	20830-00		PIN - Door hinge	2	
-19	480 688		PIN - Roll (59-012-062-0500)	2	
-20	44681-02		SILL - Pilot door	1	
-21	53629-00		SHIM - Pilot door striker	AR	
-22	53628-00		SHIM - Pilot door catch	AR	
-23	82004-04		MOULDING - Pilot door trim	1	
-24	400 699		BOLT - (AN24-12)	1	
-25	411 531		SCREW - (MS35207-262)	4	
-26	53438-05		WINDLACING ASSEMBLY - Pilot door	1	
-27	55265-04		MOULDING - Door support	1	
-28	44557-00		BRACKET ASSEMBLY - Door support	1	
-29	414 763		SCREW - (MS24693-S50)	2	
-30	01986-02		SHIM - Pilot door	AR	
-31	01986-03		SHIM - Pilot door	AR	
-32	01986-04		SHIM - Pilot door	AR	
-33	80013-44		COVER - Vinyl plastic	1	

When ordering, always specify Part Number, Description and Serial Number of Aircraft

1F21 THRU 1F24
INTENTIONALLY LEFT BLANK

PIPER PARTS CATALOG

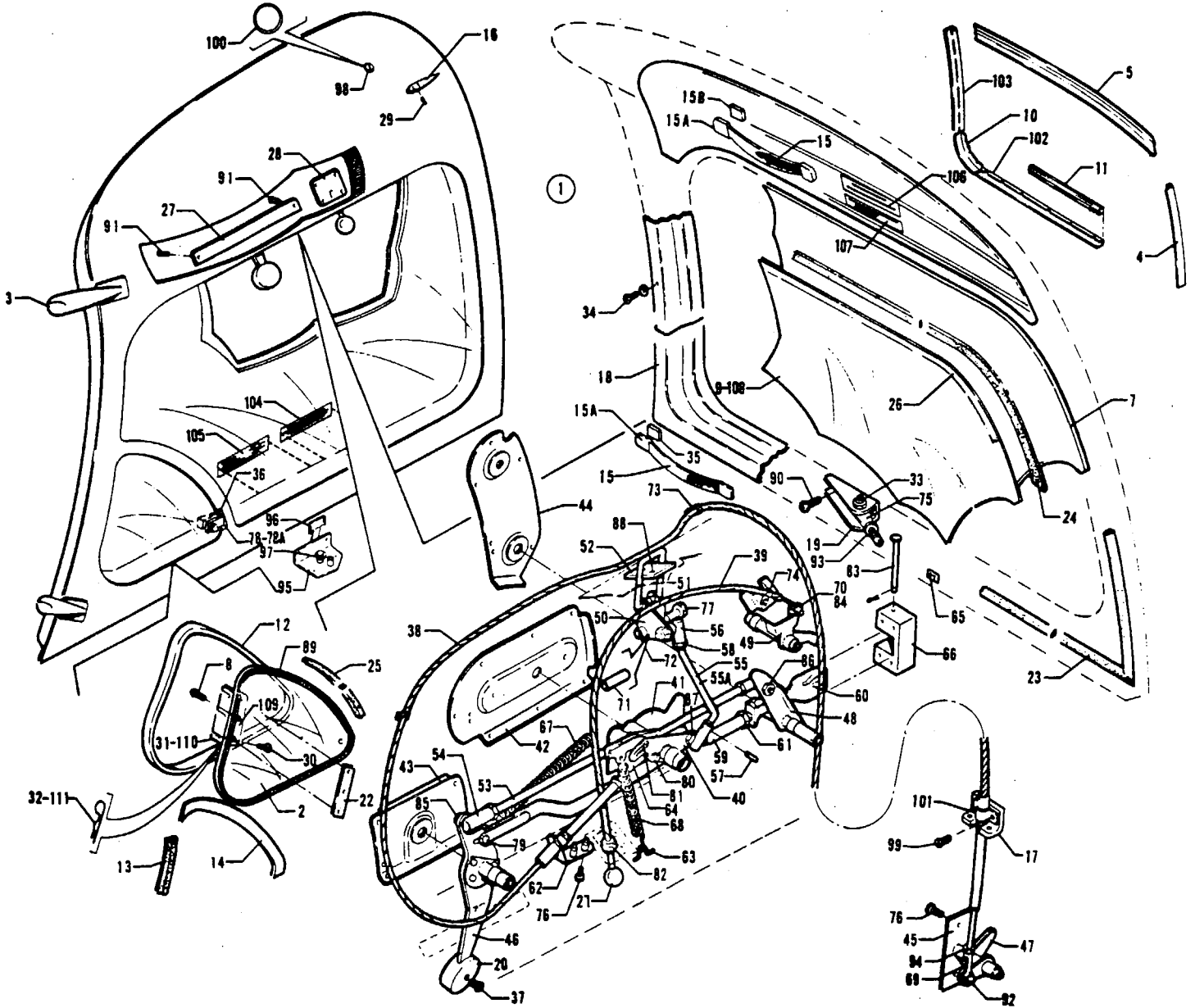


Figure 33. Pilot Door Assembly (Complete)

PIPER PARTS CATALOG

CODE EXPLANATIONS FOR FIGURE 33

- A - When ordering, specify color beige or white.
- B - If matching cabin, baggage, pilot door and nacelle locker locks are desired, order Part No. 25163-12.
- C - Used on aircraft that comply with C.A.A. (United Kingdom) requirements.

PIPER PARTS CATALOG

Figure and Index Number	Part Number	Code	NOMENCLATURE	No. Req.	SERIAL NUMBERS AFFECTED
33-	54612 44625		DRAWING - Pilot Door Assembly (Complete) DRAWING - Pilot Door Latch and Lock Mechanism Installation		
-1	54612-10		DOOR ASSEMBLY - Pilot, complete (clear window)	1	
-2	44574-05		* WINDOW - Storm	1	
-3	44648-00		* HINGE - Pilot door, lower	1	
	44722-00		* HINGE - Pilot door, upper	1	
-4	44749-17		* RETAINER - Pilot door window, forward	1	
-5	44749-18		* RETAINER - Pilot door window, top	1	
-6	54606-05		* SHIM - Storm window ring	1	
-7	44749-21		* WINDOW - Pilot door, outer	1	
-8	415 535		* SCREW - (MS35206-245)	3	
	18359-00		* NUT - Storm window	3	
-9	44749-20		* WINDOW - Pilot door, inner, clear	1	
-10	44749-24		* RETAINER - Pilot door window	1	
-11	44749-27		* EXTRUSION - Pilot door window	1	
-12	54606-03		* RING - Storm window support	1	
-13	187 528		* SEAL - Support ring (P. N. 3103-11)	3	
-14	54606-02		* PLATE - Storm window support	1	
-15	53214-02	A	* HANDLE ASSEMBLY - Pilot door	2	
-15a	763 246		* * CAP - Decorative (321)	2	
-15b	762 570		* * RETAINER - Door handle, top (324)	2	
-16	44726-00		* HANDLE - Pilot door	1	
-17	18132-00		* LUG - Control cable support bracket	1	
-18	44749-28		* MOULDING ASSEMBLY - Pilot door	1	
-19	44659-00		* BRACKET - Pilot door support	1	
-20	41415-00		* KNOB - Pilot door (open-closed)	1	
-21	471 064		* KNOB - Theft lock (222, 3/4") Black	1	
-22	54606-06		* SHIM - Storm window hinge	AR	
-23	19063-02		* MOULDING - Pilot door	11	
-24	45506-00		* MOULDING - Window, extruded (6' L.)	1	
-25	80045-11		* STRIP - Rubber	2	
-26	189 745		* TAPE - Vinyl (9 Mil.) 3/4"	AR	
-27	44673-00		* PLACARD - Pilot door (open-closed)	1	
-28	44674-00		* PLACARD - Pilot door (theft lock)	1	
-29	480 731		* PIN - Roll (59-028-125-0750)	1	
-30	415 535		* SCREW - (MS35206-245)	3	
-31	53060-03		* HINGE ASSEMBLY - Storm window	1	
-32	43796-00		* * PIN - Storm window hinge, removable	1	
-33	400 869		* BOLT - (AN23-17A)	1	
	407 674		* WASHER - (AN960-C10)	2	
	404 835		* NUT - (MS20364-1032C)	1	
-34	415 246		* SCREW - (6-32 x 3/4") Oval	20	
	494 102		* WASHER - (C-394)	20	
-35	484 464		* RETAINER - Handle (383)	2	
-36	460 044		* FASTENER - (62-99-191-10)	1	
-37	414 779		* SCREW - (MS24693-S49)	1	
-38	22860-03		* CABLE ASSEMBLY - Flexible, pilot door	1	
-39	44775-00		* CABLE ASSEMBLY - Pilot door lock mechanism	1	
-40	44583-00		* BELLCRANK ASSEMBLY - Pilot door latch	1	
-41	44591-00		* STOP ASSEMBLY - Pilot door latch bellcrank	1	
-42	44593-00		* PLATE ASSEMBLY - Inner, pilot door bellcrank	1	
-43	44596-00		* PLATE ASSEMBLY - Inner, pilot door handle	1	
-44	44615-00		* PLATE ASSEMBLY - Inner, pilot door latch	1	

When ordering, always specify Part Number, Description and Serial Number of Aircraft

PIPER PARTS CATALOG

Figure and Index Number	Part Number	Code	NOMENCLATURE	No. Req.	SERIAL NUMBERS AFFECTED
33-45	44652-00		* PLATE ASSEMBLY - Pilot door	1	
-46	44597-00		* ARM ASSEMBLY - Pilot door handle	1	
-47	44856-06		* ARM ASSEMBLY - Pilot door lock	1	
-48	44611-00		* LATCH ASSEMBLY - Pilot door	1	
-49	44612-00		* LOCK ASSEMBLY - Pilot door	1	
-50	44621-00		* LOCK BAR ASSEMBLY - Pilot door	1	
-51	44618-00		* * LOCK BAR - Pilot door	1	
-52	44617-00		* GUIDE - Pilot door lock bar	1	
-53	44631-00		* ROD ASSEMBLY - Pilot door actuating, front	1	
	44630-00		* ROD ASSEMBLY - Pilot door actuating, rear	1	
-54	469 138		* * JOINT - Ball (R-107)	1	
-55	44633-00		* ROD ASSEMBLY - Top lock, pilot door	1	
-55a	44633-02		* * ROD - Top lock, pilot door	1	
-56	469 148		* * JOINT - Ball (F-103) Top lock	2	
-57	480 723		* * PIN - Roll (59-012-062-0375)	1	
-58	404 224		* * NUT - (AN315-3R)	1	
-59	44632-00		* TUBE ASSEMBLY - Pilot door latch	1	
-60	19644-00		* * LATCH - Pilot door	1	
-61	404 330		* * NUT - (AN316-6R)	1	
-62	44641-00		* CLIP ASSEMBLY - Door cable attachment	1	
-63	44657-00		* HOOK - Pilot door	1	
-64	44658-00		* TERMINAL - Pilot door	1	
-65	80298-02		* PLACARD - Latch	1	
-66	44697-00		* BLOCK - Door latch guide	1	
-67	83302-83		* SPRING - Pilot door latch	1	
-68	587 272		* SPRING - (LE-055D-9)	1	
-69	452 568		* BEARING - Rod end (PS10020-2-5RX)	1	
-70	407 584		* WASHER - (AN960-10L)	1	
-71	42129-29		* BUSHING - Lock bar assembly	1	
-72	80012-20		* BUSHING - Lock bar assembly	2	
-73	454 929		* CLAMP - (PS10017-2-4)	2	
-74	454 928		* CLAMP - (PS10017-2-3)	1	
-75	452 357		* BEARING - Rod end (M34-14)	1	
-76	415 544		* SCREW - (MS35206-244)	6	
-77	400 453		* BOLT - (AN3-21A)	1	
	407 584		* WASHER - (AN960-10L)	1	
	404 887		* NUT - (MS20365-1032C)	1	
-78	53880-00		* PLATE - Storm window fastener	1	
-78a	71711-04		* PLATE - Storm window latch	1	
-79	424 177		* PIN - (MS20392-2C17)	1	
	407 564		* WASHER - (AN960-10)	1	
	424 032		* PIN - Cotter (MS24665-170)	1	
-80	424 181		* PIN - (MS20392-2C25)	1	
	407 584		* WASHER - (AN960-10L)	1	
	424 032		* PIN - Cotter (MS24665-170)	1	
-81	400 673		* BOLT - (AN23-11)	1	
	404 120		* NUT - (AN310-C3)	1	
	424 032		* PIN - Cotter (MS24665-170)	1	
-82	404 330		* NUT - (AN316-6R)	2	
	407 143		* WASHER - (AN936-B616)	1	
-83	424 197		* PIN - (MS20392-2C59)	1	
	424 051		* PIN - Cotter (MS24665-132)	1	
-84	411 532		* SCREW - (MS35207-263)	1	
	404 887		* NUT - (MS20365-1032C)	1	
-85	404 836		* NUT - (MS20384-428C)	1	
-86	404 530		* NUT - (MS21042-4)	1	
-87	404 887		* NUT - (MS20365-1032C)	2	

When ordering, always specify Part Number, Description and Serial Number of Aircraft

PIPER PARTS CATALOG

Figure and Index Number	Part Number	Code	NOMENCLATURE	No. Req.	SERIAL NUMBERS AFFECTED
33-88	410 242		* SCREW - (MS23694-S7)	3	
	407 583		* WASHER - (AN960-8L)	3	
	404 910		* NUT - (MS20365-832C)	3	
-89	189 729		* TAPE - PVC, PMS-K0003, Type 1 (1/4" x 1/2")	3'	
-90	411 533		* SCREW - (MS35207-264)	2	
-91	420 189		* RIVET - (MS20470A3-9) Dull black	6	
	406 385		* NUT - (A 1553-012-01)	6	
-92	400 440		* BOLT - (AN3-6A)	1	
	407 584		* WASHER - (AN960-10L)	1	
	404 887		* NUT - (MS35206-244)	1	
-93	404 321		* NUT - (AN316-C4R)	1	
-94	404 224		* NUT - (AN316-3R)	2	
-95	54357-02		* BRACKET ASSEMBLY - Pilot door handle	1	
-96	54360-02		* HANDLE ASSEMBLY - Pilot door latch	1	
-97	80122-151		* WASHER - Pilot door latch	1	
	424 052		* COTTER PIN - (MS23665-134)	1	
-98	25163-13	B	* LOCK ASSEMBLY - Pilot door (with 2 keys)	1	
-99	415 535		* SCREW - (MS35206-245)	2	
-100	484 823		* O-RING - (2-017)	1	
-101	18219-00		* CLAMP - Control cable attachment	1	
-102	44749-15		* RETAINER - Pilot door window, lower	1	
-103	44749-16		* RETAINER - Pilot door window, rear	1	
-104	81005-02		* DECAL - Category	1	
-105	81006-02		* DECAL - Limitations	1	
-106	80895-02		* DECAL - Armrest storage	1	
-107	80905-02		* DECAL - Seat requirements	1	
-108	44749-22		WINDOW - Pilot door, inner, tinted	1	
-109	01232-03	C	PLATE - Storm window hinge	1	
-110	01232-02	C	HINGE ASSEMBLY - Storm window	1	
-111	44820-04	C	* PIN - Storm window hinge	1	

When ordering, always specify Part Number, Description and Serial Number of Aircraft

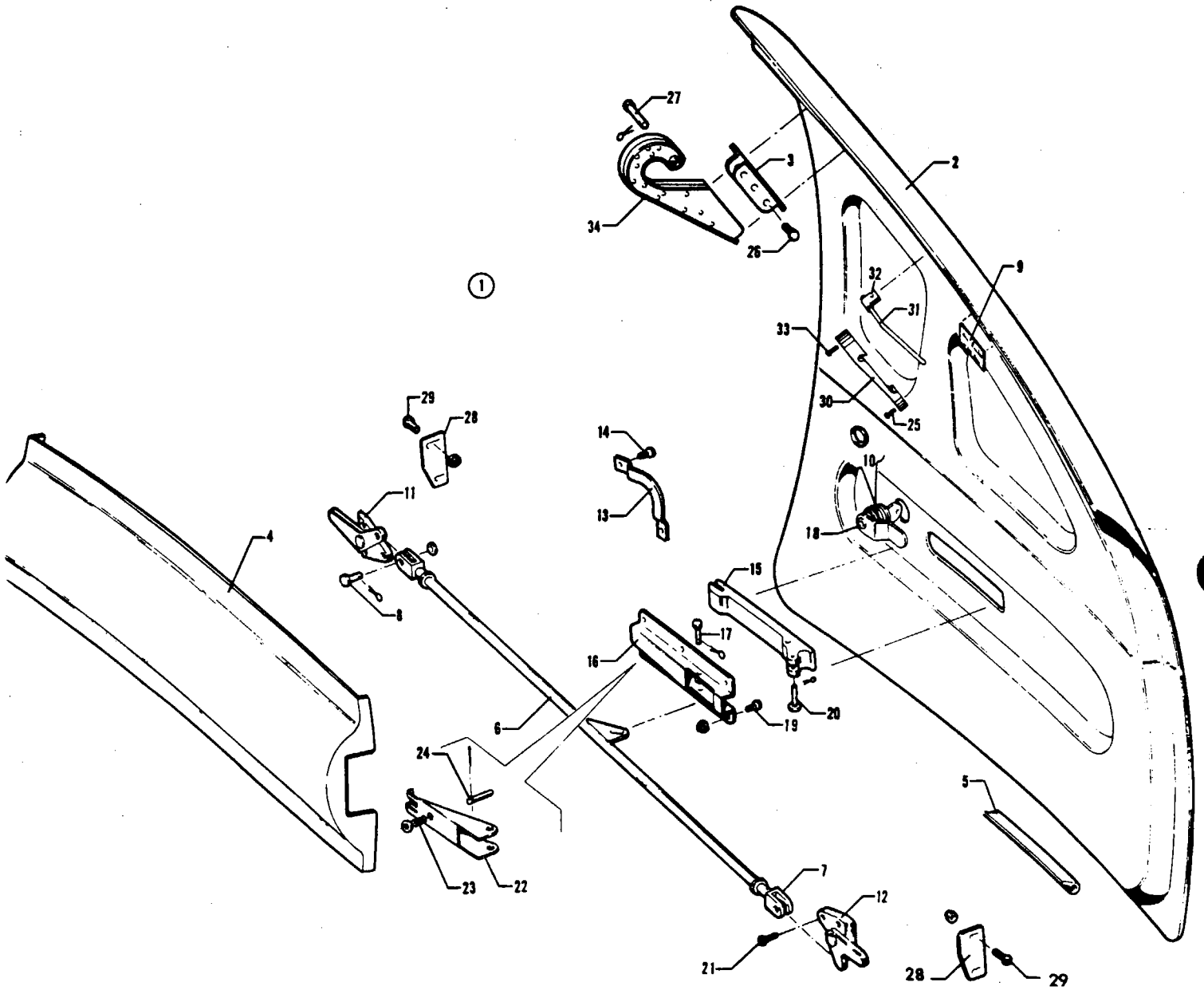


Figure 34. Forward Baggage Door Installation

PIPER PARTS CATALOG

CODE EXPLANATIONS FOR FIGURE 34

A - If matching cabin, baggage and nacelle locker locks are desired, order part no. 25163-11; if matching cabin, baggage, pilot door and nacelle locker locks are desired, order part no. 25163-12.

PIPER PARTS CATALOG

Figure and Index Number	Part Number	Code	NOMENCLATURE	No. Req.	SERIAL NUMBERS AFFECTED
34-	48509		DRAWING - Forward Baggage Compartment Door Installation		
-1	48504-05		DOOR ASSEMBLY - Forward baggage compartment (complete)	1	
-2	46036-00		* DOOR ASSEMBLY - Forward baggage compartment	1	
-3	46301-00		* * ANGLE - Hinge attachment, baggage door	4	
-4	02047-02		* COVER - Forward baggage compartment	1	
-5	187 527		* EXTRUSION - Rubber, baggage door seal (130 342)	9'	
-6	46109-00		* TUBE ASSEMBLY - Baggage door latch	1	
-7	30576-00		* * CLEVIS - Tube assembly, door latch	2	
-8	424 176		* PIN - Clevis, tube assembly (MS20392-2C15)	2	
	407 584		* WASHER - (AN960-10L)	2	
	424 051		* COTTER PIN - (MS24665-132)	2	
-9	80424-02		* PLACARD - Baggage capacity (582 579)	1	
-10	25590-00		* WASHER - Door lock	1	
-11	46106-00		* ARM ASSEMBLY - Baggage door latch, aft	1	
-12	46107-00		* ARM ASSEMBLY - Baggage door latch, forward	1	
-13	30852-00		* PLATE ASSEMBLY - Door lock guide	1	
-14	415 518		* SCREW - (MS35206-228)	2	
-15	22641-02		* HANDLE - Forward baggage door	1	
-16	30580-00		* BRACKET - Baggage door handle	1	
-17	424 186		* PIN - Door handle hinge (MS20392-2C35)	1	
	19513-53		* WASHER - Door handle spacer	2	
	424 051		* COTTER PIN - (MS24665-132)	1	
-18	752 350	A	* LOCK - Forward baggage door (with 2 keys)	1	
-19	415 518		* SCREW - (MS35206-228)	6	
	404 909		* NUT - (MS20365-632C)	6	
-20	424 148		* PIN - (MS20392-1C23)	1	
	424 052		* COTTER PIN - (MS24665-134)	1	
-21	414 756		* SCREW - (MS24693-S30)	6	
-22	28467-03		* BRACKET - Baggage door handle	1	
-23	83302-67		* SPRING - Baggage door handle	1	
-24	424 145		* PIN - (MS20392-1C17)	1	
	407 562		* WASHER - (AN960-6)	1	
	424 051		* COTTER PIN - (MS24665-132)	1	
-25	411 536		SCREW - (MS35207-267)	1	
-26	400 438		BOLT - (AN3-4A)	6	
	407 564		WASHER - (AN960-10)	6	
	404 835		NUT - (MS20364-1032C)	6	
-27	424 188		PIN - (MS20392-2C41)	2	
	407 564		WASHER - (AN960-10)	2	
	424 051		COTTER PIN - (MS24665-132)	2	
-28	48017-00		PLATE - Lock, forward baggage door	2	
-29	415 520		SCREW - (MS35206-230)	4	
	404 909		NUT - (MS20365-632C)	4	
-30	46038-00		BRACKET - Baggage door holder	1	
-31	47998-00		LINK - Baggage holder	1	
-32	46112-00		CLAMP - Baggage door holder	1	
-33	411 537		SCREW - (MS35207-268)	1	
-34	46083-00		HINGE ASSEMBLY - Forward baggage door	2	

When ordering, always specify Part Number, Description and Serial Number of Aircraft

PIPER PARTS CATALOG

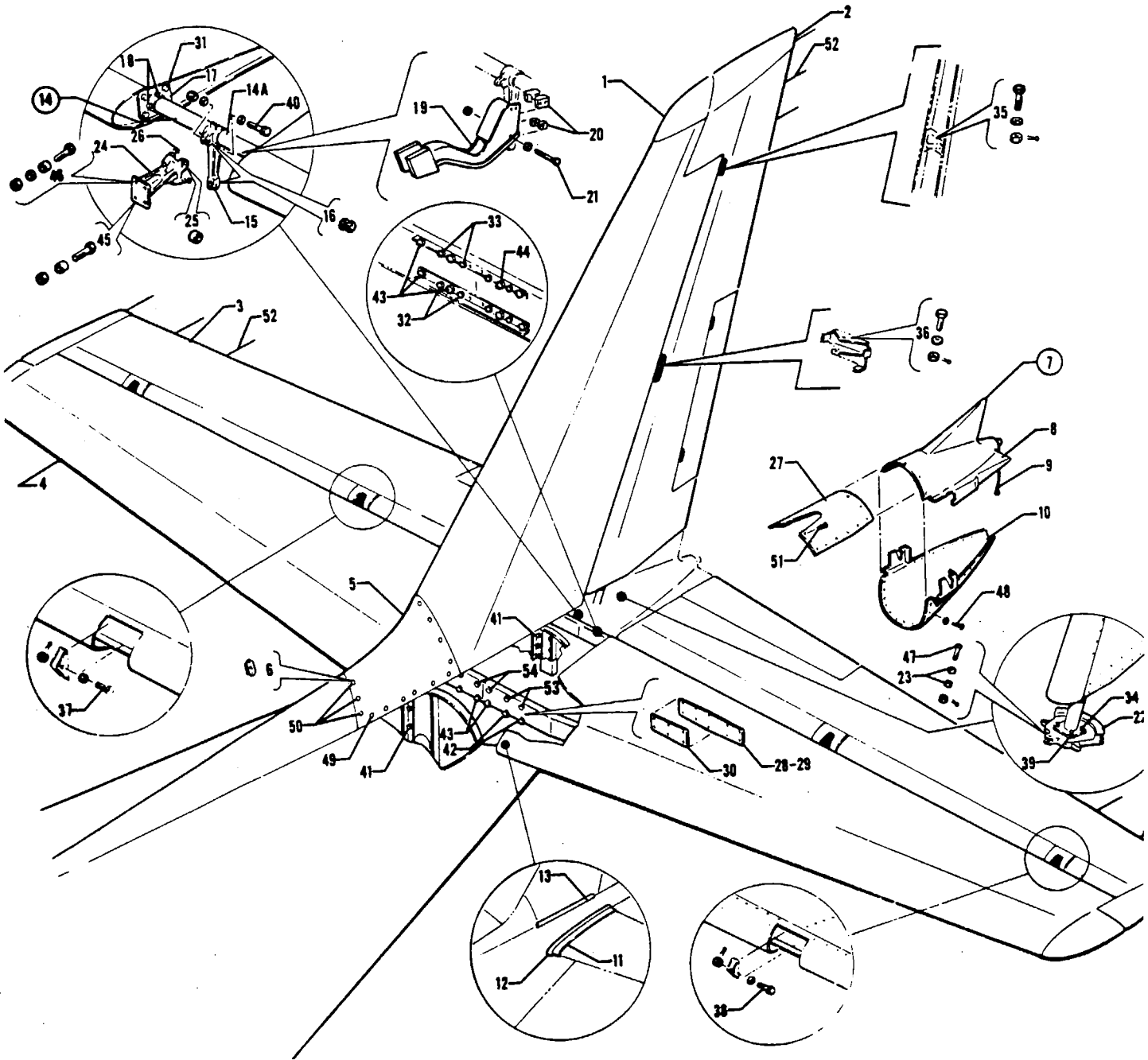


Figure 35 Tail Surfaces Installation

PIPER PARTS CATALOG

CODE EXPLANATIONS FOR FIGURE 35

- A - See Figure 38 for component parts.
- B - See Figure 36 for component parts.
- C - See Figure 37 for component parts.
- D - See Figure 39 for component parts.
- E - Used if tail flood light is installed.
- F - Used on aircraft with serial numbers 31T-8275002, 31T-8275003, 31T-8275009 and up.

PIPER PARTS CATALOG

Figure and Index Number	Part Number	Code	NOMENCLATURE	No. Req.	SERIAL NUMBERS AFFECTED
35-	51100		DRAWING - Tail Surfaces Installation		
-1	51095-00	B	FIN ASSEMBLY - Tail surfaces	1	
-2	51094-00	C	RUDDER ASSEMBLY - Tail surfaces	1	
-3	01042-02	D	ELEVATOR ASSEMBLY - Tail surfaces, left	1	31T-8275001, 31T-8275004 to 31T-8275008 incl.
	01042-12	D.F	ELEVATOR ASSEMBLY - Tail surfaces, left	1	
	01042-03	D	ELEVATOR ASSEMBLY - Tail surfaces, right	1	31T-8275001, 31T-8275004 to 31T-8275008 incl.
	01042-13	D.F	ELEVATOR ASSEMBLY - Tail surfaces, right	1	
-4	46500-38	A	STABILIZER ASSEMBLY - Tail surfaces, left	1	
	46500-40	A.E	STABILIZER ASSEMBLY - Tail surfaces, left	1	
	46500-37	A	STABILIZER ASSEMBLY - Tail surfaces, right	1	
	46500-41	A.E	STABILIZER ASSEMBLY - Tail surfaces, right	1	
-5	46218-00		FAIRING ASSEMBLY - Fin	1	
-6	406 826		* NUT - Anchor (NAS686A08K)	6	
-7	51102-05		FAIRING ASSEMBLY - Fuselage tail	1	
-8	51103-03		* FAIRING ASSEMBLY - Fuselage tail, upper	1	
-9	48460-00		* * STRAP ASSEMBLY - Lightning protection	1	
-10	51354-07		* FAIRING ASSEMBLY - Fuselage tail, lower	1	
-11	46344-02		FAIRING ASSEMBLY - Stabilizer, left	1	
	46344-03		FAIRING ASSEMBLY - Stabilizer, right	1	
-12	49302-02		MOULDING - Stabilizer fairing	2	
-13	49302-03		MOULDING - Fin skin	2	
-14	51608-02		TUBE ASSEMBLY - Elevator torque (complete)	1	31T-8275001, 31T-8275004 to 31T-8275008 incl.
	51608-03	F	TUBE ASSEMBLY - Elevator torque (complete)	1	
-14a	45982-03		* TUBE ASSEMBLY - Elevator torque	1	
-15	40006-04		* * HORN ASSEMBLY - Elevator torque tube	1	
-16	14843-106		* * * BUSHING - Horn assembly	4	
-17	45259-02		* * BRACKET - Elevator torque tube	2	
-18	402 321		* * BOLT - (AN174-22A)	6	
	407 565		* * WASHER - (AN960-416)	12	
	404 888		* * NUT - (MS20365-428C)	6	
-19	51399-11		* ARM ASSEMBLY - Elevator balance weight	1	31T-8275001, 31T-8275004 to 31T-8275008 incl.
	02007-02	F	* ARM ASSEMBLY - Elevator balance weight	1	
-20	51554-03		* BLOCK - Spacer, upper	2	
	51554-02		* BLOCK - Spacer, lower	2	
-21	400 449		* BOLT - (AN3-24A)	3	
	407 564		* WASHER - (AN960-10)	3	
	404 887		* NUT - (MS20365-1032C)	3	
-22	51062-00		SECTOR ASSEMBLY - Rudder	1	
-23	14843-106		* BUSHING	2	
-24	45253-03		HINGE ASSEMBLY - Elevator center	1	
-25	452 386		* BEARING - (NAS506-4)	1	
-26	71533-02		* SCREW - Stop	2	
	506 619		* NUT - (MS21340-22)	2	
-27	45994-00		COVER - Access, Sta. 342.25 to Sta. 352	1	
-28	47920-02		SHIM - Stabilizer (.032 in. thick x 22.31 in. long)	AR	
	47920-03		SHIM - Stabilizer (.062 in. thick x 22.31 in. long)	AR	
	47920-04		SHIM - Stabilizer (.091 in. thick x 22.31 in. long)	AR	

When ordering, always specify Part Number, Description and Serial Number of Aircraft

PIPER PARTS CATALOG

Figure and Index Number	Part Number	Code	NOMENCLATURE	No. Req.	SERIAL NUMBERS AFFECTED
35-29	47919-02		SHIM - Stabilizer, tapered (.064 in. thick x 22.31 in. long)	AR	
	47919-03		SHIM - Stabilizer, tapered (.091 in. thick x 22.31 in. long)	AR	
-30	47921-02		SHIM - Stabilizer, tapered (.064 in. thick x 11.16 in. long)	AR	
	47921-03		SHIM - Stabilizer, tapered (.091 in. thick x 11.16 in. long)	AR	
	47921-04		SHIM - Stabilizer, tapered (.032 in. thick x 11.16 in. long)	AR	
-31	401 266		BOLT - (AN3-5A)	8	
	407 584		WASHER - (AN960-10L)	8	
-32	400 441		BOLT - (AN3-7A)	4	
	406 727		NUT - (RM52LH2935-02)	4	
	484 785		RING - (2935-0)	4	
-33	401 269		BOLT - (AN3-10A)	4	
	406 727		NUT - (RM52LH2935-02)	4	
	484 785		RING - (2935-0)	4	
-34	401 311		BOLT - (AN4-11A)	2	
	407 565		WASHER - (AN960-416)	2	
	404 888		NUT - (MS20365-428C)	2	
-35	402 310		BOLT - (AN174-12)	1	
	407 565		WASHER - (AN960-416)	1	
	404 101		NUT - (AN310-4)	1	
	424 051		COTTER PIN - (MS24665-132)	1	
-36	402 310		BOLT - (AN174-12)	1	
	407 565		WASHER - (AN960-416)	1	
	404 101		NUT - (AN310-4)	1	
	424 053		COTTER PIN - (MS24665-136)	1	
-37	402 310		BOLT - (AN174-12)	2	
	407 565		WASHER - (AN960-416)	2	
	404 101		NUT - (AN310-4)	2	
	424 051		COTTER PIN - (MS24665-132)	2	
-38	402 313		BOLT - (AN174-13)	2	
	407 565		WASHER - (AN960-416)	2	
	404 101		NUT - (AN310-4)	2	
	424 051		COTTER PIN - (MS24665-132)	2	
-39	400 008		BOLT - (AN4-13A)	2	
	407 565		WASHER - (AN960-416)	2	
	404 888		NUT - (MS20365-428C)	2	
-40	402 318		BOLT - (AN174-14A)	1	
	407 565		WASHER - (AN960-416)	2	
	404 888		NUT - (MS20365-428C)	1	
-41	401 187		BOLT - (AN5-7A)	12	
	407 566		WASHER - (AN960-516)	12	
	404 889		NUT - (MS20365-524C)	12	
-42	401 188		BOLT - (AN5-10A)	4	
	406 728		NUT - (RM52LH2935-054)	4	
	484 786		RING - (2935-05)	4	
-43	401 189		BOLT - (AN5-11A)	8	
	407 566		WASHER - (AN960-516)	8	
	406 728		NUT - (RM52LH2935-054)	8	
	484 786		RING - (2935-05)	8	
-44	401 353		BOLT - (AN5-12A)	2	
	407 566		WASHER - (AN960-516)	2	
	406 728		NUT - (RM52LH2935-054)	2	
	484 786		RING - (2935-05)	2	
-45	401 353		BOLT - (AN5-12A)	2	
	406 728		NUT - (RM52LH2935-054)	2	
	484 786		RING - (2935-05)	2	

When ordering, always specify Part Number, Description and Serial Number of Aircraft

PIPER PARTS CATALOG

Figure and Index Number	Part Number	Code	NOMENCLATURE	No. Req.	SERIAL NUMBERS AFFECTED
35-46	401 354		BOLT - (AN5-13A)	2	
	407 566		WASHER - (AN960-516)	2	
	406 728		NUT - (RM52LH2935-054)	2	
	484 786		RING - (2935-05)	2	
-47	400 706		BOLT - (AN24-19)	1	
	404 393		NUT - (AN320-4)	1	
	424 051		COTTER PIN - (MS24665-132)	1	
-48	414 748		SCREW - (MS24693-S28)	16	
	494 071		WASHER - (A3236-012-1)	16	
-49	414 748		SCREW - (MS24693-S28)	20	
	494 071		WASHER - (A3236-012-1)	20	
	406 362		NUT - (C8095-632-1)	20	
-50	414 748		SCREW - (MS24693-S28)	6	
-51	415 520		SCREW - (MS35206-230)	19	
-52	456 795		WICK - Static discharger (16630)	9	
-53	401 353		BOLT - (AN5-12A)	4	
	407 586		WASHER - (AN960-516L)	4	
	407 566		WASHER - (AN960-516)	4	
	406 728		NUT - (RM52LH2935-054)	4	
-54	484 786		RING - (2935-05)	4	
	401 353		BOLT - (AN5-12A)	2	
	407 586		WASHER - (AN960-516L)	2	
	406 728		NUT - (RM52LH2935-054)	2	
	484 786		RING - (2935-05)	2	

When ordering, always specify Part Number, Description and Serial Number of Aircraft

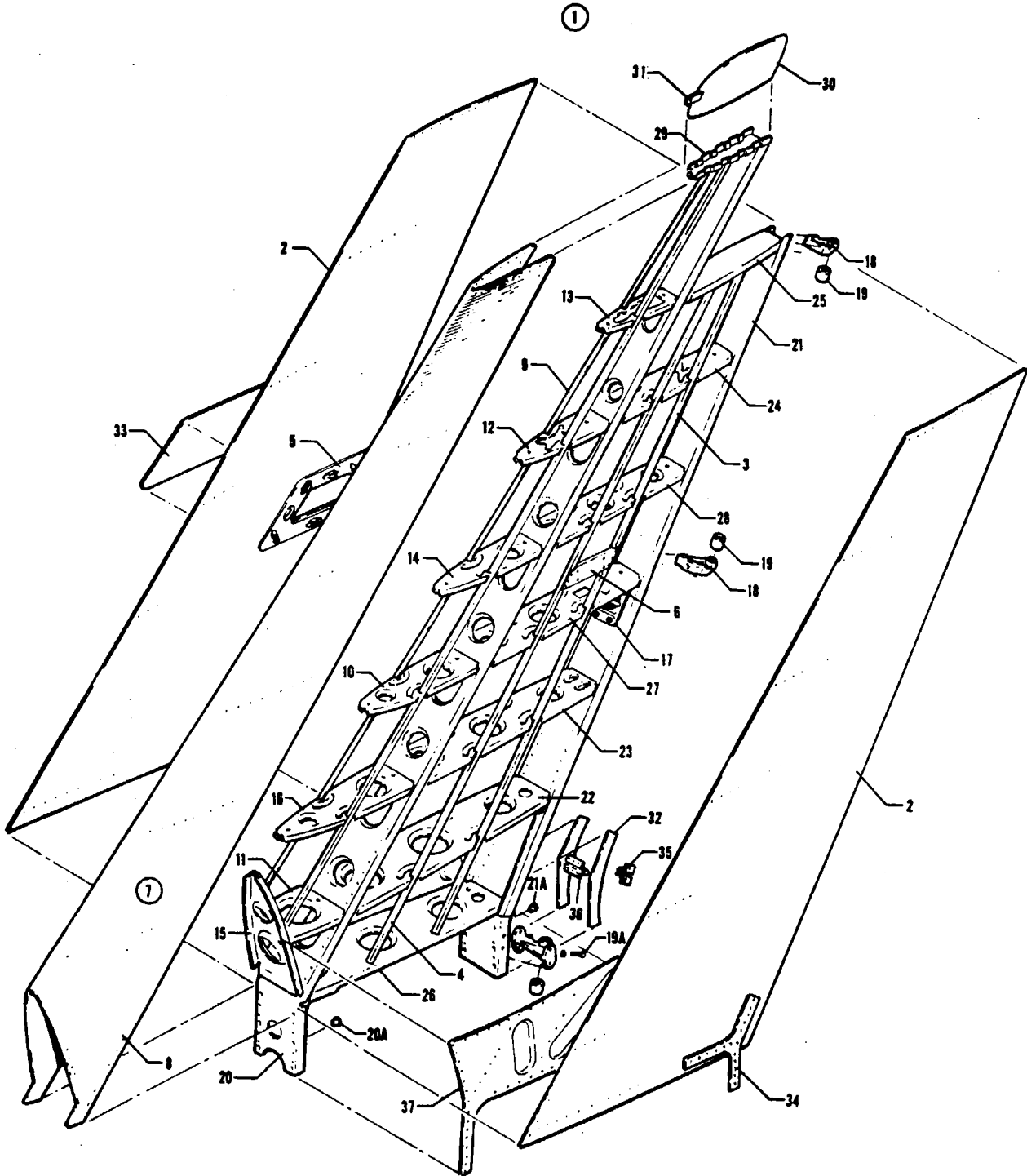


Figure 36. Fin Assembly

PIPER PARTS CATALOG

CODE EXPLANATIONS FOR FIGURE 36

- A - See Figure 98 for component parts.
- B - Used if Ground Recognition Beacon is installed.

PIPER PARTS CATALOG

Figure and Index Number	Part Number	Code	NOMENCLATURE	No. Req.	SERIAL NUMBERS AFFECTED
36-1	51095-00		FIN ASSEMBLY	1	
-2	51095-10		* SKIN ASSEMBLY - Fin, left	1	
	51095-09		* SKIN ASSEMBLY - Fin, right	1	
-3	51095-04		* * STRINGER - Fin, skin assembly, left	1	
	51095-03		* * STRINGER - Fin, skin assembly, right	1	
-4	51095-06		* * STRINGER - Fin, skin assembly, left	1	
	51095-05		* * STRINGER - Fin, skin assembly, right	1	
-5	42303-00		* * REINFORCEMENT ASSEMBLY - Access, right	1	
-6	48613-02		* * BRACKET ASSEMBLY - Antenna mounting, left	1	
	48613-03		* * BRACKET ASSEMBLY - Antenna mounting, right	1	
-7	45700-13		* LEADING EDGE ASSEMBLY - Fin	1	
-8	40170-13		* * SKIN ASSEMBLY - Fin, leading edge	1	
-9	40170-06		* * * STRINGER - Fin, leading edge, left	1	
	40170-07		* * * STRINGER - Fin, leading edge, right	1	
-10	48118-00		* * RIB - Fin, leading edge, W.L. 55	1	
-11	48228-00		* * RIB - Fin, leading edge, W.L. 36.75	1	
-12	40094-03		* * RIB - Fin, leading edge, W.L. 74.50	1	
-13	40094-05		* * RIB - Fin, leading edge, W.L. 84.50	1	
-14	40095-03		* * RIB - Fin, leading edge, W.L. 64.75	1	
-15	40096-00		* * RIB - Fin, leading edge, W.L. 30.175 to W.L. 44.75	1	
-16	40125-02		* * RIB - Fin, leading edge, W.L. 46	1	
-17	46897-06	A	* SCREW ASSEMBLY - Rudder trim tab	1	
-18	40219-00		* HINGE ASSEMBLY - Rudder attachment, lower	1	
	40233-00		* HINGE ASSEMBLY - Rudder attachment, center	1	
	48055-00		* HINGE ASSEMBLY - Rudder attachment, upper	1	
-19	452 386		* * BEARING - Fin hinge assembly (NAS506-4)	1	
-19a	71533-02		* * SCREW - Stop, lower hinge	2	
	404 878		* * NUT - (AN345-10) Lower hinge	2	
-20	45365-06		* SPAR ASSEMBLY - Fin front	1	
-20a	453 845		* * BUSHING - (NAS77-5-15)	6	
-21	40026-19		* SPAR ASSEMBLY - Fin rear	1	
-21a	453 818		* * BUSHING - (NAS77-5-12)	6	
-22	40080-04		* RIB ASSEMBLY - Fin, main, W.L. 36.75	1	
-23	44293-00		* RIB ASSEMBLY - Fin, main, W.L. 46	1	
-24	40094-02		* RIB - Fin, main, W.L. 74.5	1	
-25	51082-00		* RIB ASSEMBLY - Fin, main, W.L. 84.5	1	
-26	44294-00		* RIB - Fin, main, bottom	1	
-27	40128-04		* RIB - Fin, main, W.L. 55	1	
-28	47719-00		* RIB - Fin, main, W.L. 64.75	1	
-29	51074-00		* RIB ASSEMBLY - Fin tip	1	
-30	51490-00		* TIP ASSEMBLY - Fin	1	
	49513-02	B	* TIP ASSEMBLY - Fin	1	
-31	42819-00		* * FITTING - Antenna attachment, left	1	
	42819-01		* * FITTING - Antenna attachment, right	1	
-32	40108-00		* PLATE - Fin, bottom rear spar reinforcement	2	
-33	42301-00		* PLATE - Fin access hole cover, right	1	
-34	51065-00		* PLATE - Fin, reinforcement, left	1	
	51065-01		* PLATE - Fin, reinforcement, right	1	
-35	40344-00		* CLIP - Fin, forward and rear spar stiffener	8	
-36	40342-02		* CHANNEL - Fin, spar stiffener, rear	1	
	40342-03		* CHANNEL - Fin, spar stiffener, forward	1	
-37	46001-00		* GUSSET - Fin, Sta. 342.25, W.L. 27.5, left	1	
	46001-01		* GUSSET - Fin, Sta. 342.25, W.L. 27.5, right	1	

When ordering, always specify Part Number, Description and Serial Number of Aircraft

PIPER PARTS CATALOG

CODE EXPLANATIONS FOR FIGURE 37

PIPER PARTS CATALOG

Figure and Index Number	Part Number	Code	NOMENCLATURE	No. Req.	SERIAL NUMBERS AFFECTED
37-1	51094-00		RUDDER ASSEMBLY	1	
-2	51094-18		* SKIN ASSEMBLY - Rudder, upper	1	
-3	51094-04		* * SKIN - Rudder, upper	1	
-4	51094-10		* * CHANNEL - Reinforcement	2	
-5	51094-12		* * CHANNEL - Reinforcement, left	1	
	51094-13		* * CHANNEL - Reinforcement, right	1	
-6	51094-20		* SKIN ASSEMBLY - Rudder, center, left	1	
-7	51094-05		* * SKIN - Rudder, center, left	1	
-8	51094-08		* * CHANNEL - Reinforcement, left	1	
-9	51094-21		* SKIN ASSEMBLY - Rudder, center, right	1	
-10	51094-06		* * SKIN - Rudder, center, right	1	
-11	51094-11		* * PLATE - Reinforcement, right	1	
-12	51094-09		* * CHANNEL - Reinforcement, right	1	
-13	40046-09		* * CHANNEL - Reinforcement, right	1	
-14	51094-19		* SKIN ASSEMBLY - Rudder, lower	1	
-15	51094-07		* * SKIN - Rudder, lower	1	
-16	40046-18		* * CHANNEL - Reinforcement, left	1	
	40046-19		* * CHANNEL - Reinforcement, right	1	
-17	51094-03		* SKIN - Leading edge, upper	1	
-18	51094-02		* SKIN - Rudder leading edge	1	
-19	51091-03		* TIP ASSEMBLY - Rudder	1	
-20	43332-00		* BALANCE WEIGHT - Rudder	AR	
-21	51097-00		* BALANCE WEIGHT - Rudder	1	
-22	51094-14		* STRINGER - Reinforcement, left	1	
	51094-15		* STRINGER - Reinforcement, right	1	
-23	51076-00		* CHANNEL ASSEMBLY - Balance weight support	1	
-24	51087-00		* CHANNEL - Rudder tip support	1	
-25	51094-16		* GUSSET - Upper rudder hinge	2	
-26	51080-00		* RIB - Rudder, leading edge, W. L. 84.88	1	
-27	40083-10		* RIB - Rudder, main, W. L. 84.88	1	
-28	40023-03		* RIB - Rudder, leading edge, W. L. 81.75	1	
-29	40083-06		* RIB - Rudder, leading edge, W. L. 74.50	1	
-30	40083-09		* RIB - Rudder, main, W. L. 74.50	1	
-31	40083-07		* RIB - Rudder, leading edge, W. L. 64.75	1	
-32	40083-08		* RIB - Rudder, main, W. L. 64.75	1	
-33	40079-04		* RIB - Rudder, leading edge, W. L. 55	1	
-34	51096-03		* RIB - Rudder, main, W. L. 55	1	
-35	48959-00		* RIB ASSEMBLY - Rudder, leading edge, W. L. 50	1	
-36	40079-02		* RIB - Rudder, leading edge, W. L. 46	1	
-37	51096-02		* RIB - Rudder, main, W. L. 46	1	
-38	40078-02		* RIB - Rudder, leading edge, W. L. 36.75	1	
-39	51068-00		* RIB - Rudder, main, W. L. 36.75	1	
-40	51069-00		* RIB - Rudder, bottom, W. L. 34	1	
-41	40039-03		* RIB - Rudder, canted, W. L. 27.38 to W. L. 30.26	1	
-42	51084-00		* RIB ASSEMBLY - Rudder tip	1	
-43	40088-12		* SPAR ASSEMBLY - Rudder	1	
-44	51077-00		* SPAR - Rudder stub	1	
-45	40021-02		* CHANNEL - Rudder skin support	1	
-46	40040-07		* TUBE ASSEMBLY - Rudder torque	1	
-47	51089-02		* BRACKET ASSEMBLY - Rudder servo pivot	1	
-48	51108-00		* HINGE ASSEMBLY - Rudder, upper	1	
-49	51078-04		* HINGE ASSEMBLY - Rudder, lower	1	
-50	40043-03		* BRACKET ASSEMBLY - Rudder tab hinge, upper	1	
-51	40042-14		* BRACKET ASSEMBLY - Rudder tab hinge, lower	1	

When ordering, always specify Part Number, Description and Serial Number of Aircraft

PIPER PARTS CATALOG

Figure and Index Number	Part Number	Code	NOMENCLATURE	No. Req.	SERIAL NUMBERS AFFECTED
37-52	40077-10		*ANGLE - Rudder skin support, left rear	1	
	40077-11		* ANGLE - Rudder skin support, right rear	1	
-53	40077-07		* ANGLE - Rudder skin support, front	2	
-54	40048-00		* CLIP - Rudder spar	1	
-55	41413-51		* BUSHING - Tab assembly	2	
-56	49999-17		* BUSHING - Hinge assembly	2	
-57	400 440		* BOLT - Tab assembly (AN3-6A)	2	
	81342-09		* WASHER - Tab assembly	2	
-58	400 444		* BOLT - (AN3-13A) (1 13/32" L)	2	
	401 273		* BOLT - (AN3-14A) (1 17/32" L)	2	
-59	411 207		* SCREW - (NAS221C-8)	2	
	404 835		* NUT - (MS20364-1032C)	2	
-60	400 438		* BOLT - (AN3-4A)	5	
-61	400 438		* BOLT - (AN3-4A)	2	
	407 564		* WASHER - (AN960-10)	2	
	404 887		* NUT - (MS20365-1032C)	2	
-62	401 270		* BOLT - (AN3-11A)	2	
	407 564		* WASHER - (AN960-10)	4	
	404 887		* NUT - (MS20365-1032C)	2	
-63	414 748		* SCREW - (MS24693-S28)	20	
	494 071		* WASHER - (A3236-012-1)	20	
	406 355		* NUT - (A6052-632-1)	20	
-64	51099-00		* TAB ASSEMBLY - Rudder	1	
-65	51099-02		* * SKIN - Rudder tab	1	
-66	51079-00		* * SPAR - Rudder tab	1	
-67	40014-04		* * RIB - Rudder tab, upper	1	
-68	40013-07		* * RIB - Rudder tab, W.L. 54.94	1	
-69	51075-00		* * RIB - Rudder tab, lower	1	
-70	51117-00		* * HORN ASSEMBLY - Rudder tab	1	
-71	40012-18		* * HINGE ASSEMBLY - Rudder tab, upper	1	
	40012-17		* * HINGE ASSEMBLY - Rudder tab, lower	1	
-72	453 794		* * * BUSHING - (NAS77-5-19)	1	
-73	40340-02		* * CHANNEL - Rudder tab	1	
-74	49972-03		* STRAP ASSEMBLY - Lightning protection	2	
-75	410 320		* SCREW - (MS27039C1-08)	4	
	404 835		* NUT - (MS20364-1032C)	4	
-76	81339-02		* PLATE - Rudder balance	1	

When ordering, always specify Part Number, Description and Serial Number of Aircraft

PIPER PARTS CATALOG

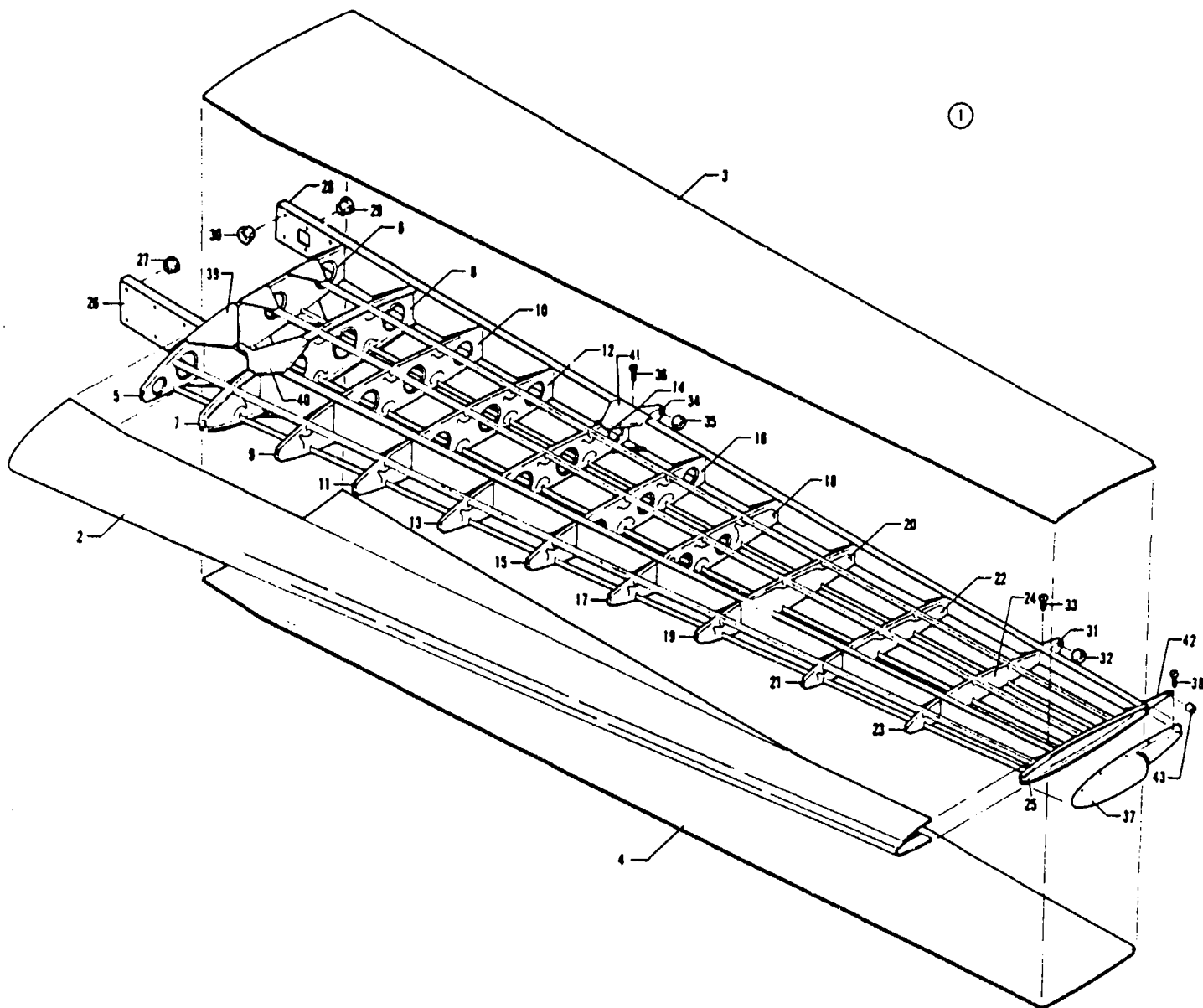


Figure 38. Stabilizer Assembly

PIPER PARTS CATALOG

CODE EXPLANATIONS FOR FIGURE 38

A - Used if tail flood light is installed.

PIPER PARTS CATALOG

Figure and Index Number	Part Number	Code	NOMENCLATURE	No. Req.	SERIAL NUMBERS AFFECTED
38-1	46500-38		STABILIZER ASSEMBLY - Left	1	
	46500-40	A	STABILIZER ASSEMBLY - Left	1	
	46500-37		STABILIZER ASSEMBLY - Right	1	
	46500-41	A	STABILIZER ASSEMBLY - Right	1	
-2	46500-28		* SKIN ASSEMBLY - Stabilizer, leading edge, left	1	
	46500-29		* SKIN ASSEMBLY - Stabilizer, leading edge, right	1	
-3	46500-30		* SKIN ASSEMBLY - Stabilizer, top, left	1	
	46500-44	A	* SKIN ASSEMBLY - Stabilizer, top, left	1	
	46500-31		* SKIN ASSEMBLY - Stabilizer, top, right	1	
	46500-45	A	* SKIN ASSEMBLY - Stabilizer, top, right	1	
-4	46500-32		* SKIN ASSEMBLY - Stabilizer, bottom, left	1	
	46500-33		* SKIN ASSEMBLY - Stabilizer, bottom, right	1	
-5	46521-02		* RIB - Stabilizer, canted, leading edge, B.L. 9 to B.L. 14.383	1	
-6	46521-03		* RIB - Stabilizer, canted, main, B.L. 9 to B.L. 14.383	1	
-7	46496-06		* RIB ASSEMBLY - Stabilizer, leading edge, B.L. 19.5	1	
-8	46496-07		* RIB ASSEMBLY - Stabilizer, main, B.L. 19.5	1	
-9	46492-02		* RIB - Stabilizer, leading edge, B.L. 28.5	1	
-10	46492-03		* RIB - Stabilizer, main, B.L. 28.5	1	
-11	46515-02		* RIB - Stabilizer, leading edge, B.L. 38	1	
-12	46515-03		* RIB - Stabilizer, main, B.L. 38	1	
-13	46510-02		* RIB - Stabilizer, leading edge, B.L. 43	1	
-14	46510-03		* RIB - Stabilizer, main, B.L. 48	1	
-15	46517-02		* RIB - Stabilizer, leading edge, B.L. 58	1	
-16	46517-03		* RIB - Stabilizer, main, B.L. 58	1	
-17	46484-02		* RIB - Stabilizer, leading edge, B.L. 68	1	
-18	46484-03		* RIB - Stabilizer, main, B.L. 68	1	
-19	46520-04		* RIB - Stabilizer, leading edge, B.L. 78	1	
-20	46520-02		* RIB - Stabilizer, main, B.L. 78	1	
-21	46520-05		* RIB - Stabilizer, leading edge, B.L. 90	1	
-22	46520-03		* RIB - Stabilizer, main, B.L. 90	1	
-23	46523-03		* RIB - Stabilizer, leading edge, B.L. 102	1	
-24	46523-02		* RIB - Stabilizer, main, B.L. 102	1	
-25	46530-03		* RIB - Stabilizer, B.L. 114	1	
-26	46538-02		* SPAR ASSEMBLY - Stabilizer, forward	1	
-27	453 729		* * BUSHING - Spar assembly, forward (NAS77-5-23)	6	
-28	46538-24		* SPAR ASSEMBLY - Stabilizer, aft	1	
-29	453 729		* * BUSHING - Spar assembly, aft (NAS77-5-23)	4	
-30	453 819		* * BUSHING - Spar assembly, aft (NAS75-5-007)	2	
-31	45201-00		* HINGE ASSEMBLY - Elevator attachment, outboard	1	
-32	452 386		* * BEARING - Stabilizer hinge assembly (NAS506-4)	1	
-33	411 211		* SCREW - Hinge assembly attachment (NAS221-11)	4	
	407 584		* WASHER - Hinge assembly attachment (AN960-10L)	4	
	404 887		* NUT - Hinge assembly attachment (MS20365-1032C)	4	
-34	45242-00		* HINGE ASSEMBLY - Elevator attachment, inboard	1	
-35	452 386		* * BEARING - Stabilizer hinge assembly (NAS506-4)	1	
-36	411 214		* SCREW - Hinge assembly attachment (NAS221-14)	4	
	407 584		* WASHER - Hinge assembly attachment (AN960-10L)	4	
	404 887		* NUT - Hinge assembly attachment (MS20365-1032C)	4	
-37	46384-08		* TIP - Stabilizer	1	
-38	414 748		* SCREW - Stabilizer tip attachment (AN507-632R8)	10	
	494 071		* WASHER - Stabilizer tip attachment (A3236-012-1)	10	
	406 355		* NUT - Stabilizer tip attachment (A6052-632-1)	10	
-39	46978-00		* GUSSET - Stabilizer, upper left, lower right	1	
	46978-01		* GUSSET - Stabilizer, upper right, lower left	1	
-40	46981-00		* GUSSET - Stabilizer, upper left, lower right	1	
	46981-01		* GUSSET - Stabilizer, upper right, lower left	1	

When ordering, always specify Part Number, Description and Serial Number of Aircraft

PIPER PARTS CATALOG

Figure and Index Number	Part Number	Code	NOMENCLATURE	No. Req.	SERIAL NUMBERS AFFECTED
38-41	46977-00		* GUSSET - Stabilizer, upper left, lower right	1	
	46977-01		* GUSSET - Stabilizer, upper right, lower left	1	
-42	54991-02		* ARM ASSEMBLY - Elevator hinge	1	
-43	452 386		* BEARING - Elevator hinge arm (NAS506-4)	1	

When ordering, always specify Part Number, Description and Serial Number of Aircraft

PIPER PARTS CATALOG

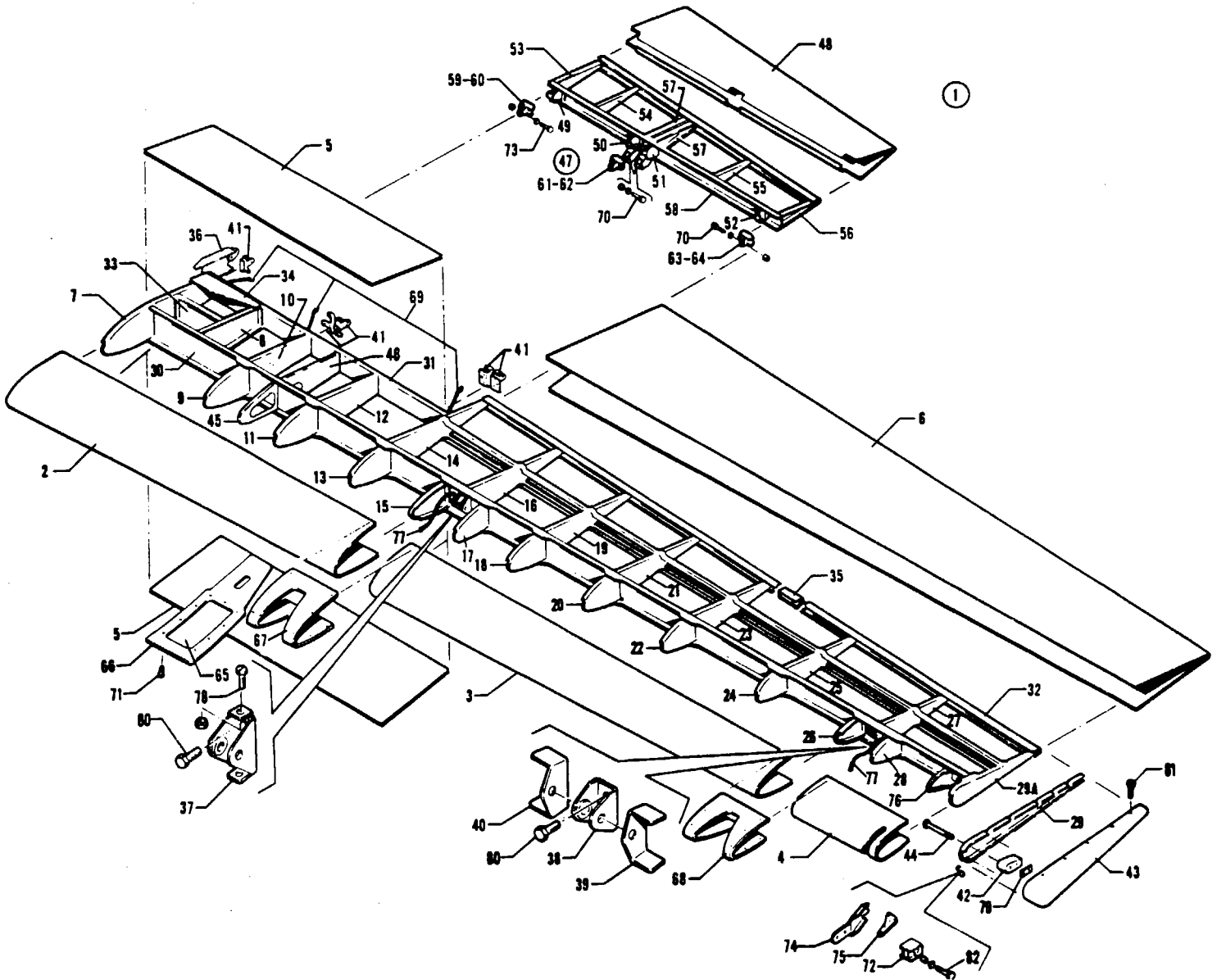


Figure 39. Elevator Assembly

PIPER PARTS CATALOG

CODE EXPLANATIONS FOR FIGURE 39

- A - Used if no autopilot is installed. If aircraft is equipped with any type Autopilot, ascertain elevator part number stamped on identification plate attached to inboard elevator rib and order that part number.
- B - Used on aircraft with serial numbers 31T-8275002, 31T-8275003, 31T-8275009 and up.

PIPER PARTS CATALOG

Figure and Index Number	Part Number	Code	NOMENCLATURE	No. Req.	SERIAL NUMBERS AFFECTED
39-1	01042-02	A	ELEVATOR ASSEMBLY - Left	1	31T-8275001, 31T-8275004 to 31T-8275008 incl.
	01042-12	A,B	ELEVATOR ASSEMBLY - Left	1	
	01042-03	A	ELEVATOR ASSEMBLY - Right	1	31T-8275001, 31T-8275004 to 31T-8275008 incl.
	01042-13	A,B	ELEVATOR ASSEMBLY - Right	1	
-2	01042-06		* SKIN - Elevator, left, B.L. 6.74 to B.L. 45.31	1	
	01042-07		* SKIN - Elevator, right, B.L. 6.74 to B.L. 45.31	1	
-3	46022-06		* SKIN - Leading edge, B.L. 49.81 to B.L. 99.31	1	
-4	55016-10		* SKIN - Leading edge, B.L. 103.81 to B.L. 115.1	1	
-5	01042-08		* SKIN - Inboard, B.L. 7.05 to B.L. 38, top	1	
	01042-09		* SKIN - Inboard, B.L. 7.05 to B.L. 38, bottom	1	
-6	46022-08		* SKIN ASSEMBLY - Outboard, B.L. 38 to B.L. 115.1, left	1	
	46022-23		* SKIN ASSEMBLY - Outboard, B.L. 38 to B.L. 115.1, right	1	
-7	54755-02		* RIB ASSEMBLY - Elevator, B.L. 7.62	1	
-8	45795-00		* RIB - Elevator, intermediate, B.L. 13	1	
-9	01004-15		* RIB ASSEMBLY - Elevator, leading edge, left, B.L. 17.5	1	
	01004-14		* RIB ASSEMBLY - Elevator, leading edge, right, B.L. 17.5	1	
-10	01004-07		* RIB ASSEMBLY - Elevator, intermediate, left B.L. 17.5	1	
	01004-06		* RIB ASSEMBLY - Elevator, intermediate, right B.L. 17.5	1	
-11	45784-02		* RIB - Elevator, leading edge, B.L. 28.5	1	
-12	45784-03		* RIB - Elevator, intermediate, B.L. 28.5	1	
-13	45792-02		* RIB - Elevator, leading edge, B.L. 38	1	
-14	45792-03		* RIB - Elevator, main, B.L. 38	1	
-15	45935-03		* RIB - Elevator, leading edge, B.L. 45.31	1	
-16	45742-00		* RIB ASSEMBLY - Elevator, main, B.L. 48	1	
-17	45935-02		* RIB - Elevator, leading edge, B.L. 49.81	1	
-18	45770-02		* RIB - Elevator, leading edge, B.L. 58	1	
-19	45770-03		* RIB - Elevator, main, B.L. 58	1	
-20	45785-02		* RIB - Elevator, leading edge, B.L. 68	1	
-21	45785-03		* RIB - Elevator, main, B.L. 68	1	
-22	46020-02		* RIB - Elevator, leading edge, B.L. 78	1	
-23	46020-03		* RIB - Elevator, main, B.L. 78	1	
-24	46019-02		* RIB - Elevator, leading edge, B.L. 90	1	
-25	46019-03		* RIB - Elevator, main, B.L. 90	1	
-26	45934-02		* RIB - Elevator, leading edge, B.L. 99.31	1	
-27	46011-00		* RIB ASSEMBLY - Elevator, main, B.L. 102	1	
-28	45934-03		* RIB - Elevator, leading edge, B.L. 103.81	1	
-29	51775-02		* RIB ASSEMBLY - Elevator tip, left, B.L. 115.1	1	
	51775-03		* RIB ASSEMBLY - Elevator tip, right, B.L. 115.1	1	
-29a	45998-05		* * RIB - Elevator tip	1	
-30	01041-02		* SPAR ASSEMBLY - Elevator, leading edge, B.L. 7.62 to B.L. 115.1	1	
-31	45956-06		* SPAR - Elevator stub, B.L. 6.5 to B.L. 38	1	
-32	46022-02		* CHANNEL - Elevator, trailing edge, outboard	1	
	46022-03		* CHANNEL - Elevator, trailing edge, inboard	1	
-33	45807-03		* CHANNEL ASSEMBLY - Elevator, B.L. 7.62 to B.L. 13	1	
-34	45989-00		* CHANNEL - Elevator reinforcement, B.L. 7.62 to B.L. 13	1	
-35	40140-27		* SPLICE - Channel, elevator trailing edge	1	
-36	54993-02		* HINGE ASSEMBLY - Elevator trim tab, inboard	1	
-37	44955-02		* HINGE ASSEMBLY - Elevator, inboard	1	
-38	44963-00		* HINGE ASSEMBLY - Elevator, outboard	1	
-39	44961-00		* HINGE - Elevator, outboard	1	

When ordering, always specify Part Number, Description and Serial Number of Aircraft

PIPER PARTS CATALOG

Figure and Index Number	Part Number	Code	NOMENCLATURE	No. Req.	SERIAL NUMBERS AFFECTED
39-40	44962-00		* HINGE ASSEMBLY - Elevator, outboard	1	
-41	54989-02		* HINGE - Elevator trim tab, inboard	1	
	54988-02		* HINGE - Elevator trim tab, center	2	
	54990-02		* HINGE - Elevator trim tab, outboard	2	
-42	51618-02		* WEIGHT - Elevator tip	1	
-43	46384-04		* TIP - Elevator, left	1	
	46384-03		* TIP - Elevator, right	1	
-44	400 889		* BOLT - Elevator weight (AN23-38A) (used if three balance plates are installed)	2	
	407 584		* WASHER - Elevator weight (AN960-10L)	2	
	404 887		* NUT - Elevator weight (MS20365-1032C)	2	
-45	01004-02		* RIB ASSEMBLY - Elevator, leading edge, left, B.L. 22.44	1	
	01004-03		* RIB ASSEMBLY - Elevator, leading edge, right, B.L. 22.44	1	
-46	01004-08		* RIB ASSEMBLY - Elevator, intermediate, left, B.L. 22.44	1	
	01004-09		* RIB ASSEMBLY - Elevator, intermediate, right, B.L. 22.44	1	
-47	01045-02		* TAB ASSEMBLY - Elevator, left	1	31T-8275001, 31T-8275004 to 31T-8275008 incl.
	01045-12	B	* TAB ASSEMBLY - Elevator left	1	
	01045-03		* TAB ASSEMBLY - Elevator, right	1	31T-8275001, 31T-8275004 to 31T-8275008 incl.
	01045-13	B	* TAB ASSEMBLY - Elevator, right	1	
-48	01045-06		* * SKIN ASSEMBLY - Elevator tab, left	1	31T-8275001, 31T-8275004 to 31T-8275008 incl.
	01045-14	B	* * SKIN ASSEMBLY - Elevator tab, left	1	
	01045-07		* * SKIN ASSEMBLY - Elevator tab, right	1	31T-8275001, 31T-8275004 to 31T-8275008 incl.
	01045-15	B	* * SKIN ASSEMBLY - Elevator tab, right	1	
-49	45932-02		* * RIB - Elevator tab, leading edge, inboard	1	
-50	45932-03		* * RIB - Elevator tab, leading edge, center inboard	1	
-51	45932-04		* * RIB - Elevator tab, leading edge, center outboard	1	
-52	45932-05		* * RIB - Elevator tab, leading edge, outboard	1	
-53	51118-02		* * RIB - Elevator tab, main, B.L. 5.21	1	
-54	51118-04		* * RIB - Elevator tab, main, B.L. 13	1	
-55	45784-05		* * RIB - Elevator tab, main, B.L. 28.5	1	
-56	51118-05		* * RIB - Elevator tab, main, B.L. 37.13	1	
-57	51258-02		* * HORN ASSEMBLY - Elevator tab, inboard	1	
	01039-02		* * HORN ASSEMBLY - Elevator tab, outboard	1	
-58	01038-02		* * SPAR - Elevator tab, leading edge	1	
-59	47782-08		* * HINGE ASSEMBLY - Elevator tab, inboard	1	
-60	452 457		* * * BEARING - (LS-3)	1	
-61	51274-14		* * * HINGE ASSEMBLY - Elevator tab, center, left	1	
	51274-15		* * * HINGE ASSEMBLY - Elevator tab, center, right	1	
-62	452 457		* * * BEARING - (LS-3)	1	
-63	51274-12		* * * HINGE ASSEMBLY - Elevator tab, outboard, left	1	
	51274-13		* * * HINGE ASSEMBLY - Elevator tab, outboard, right	1	
-64	452 457		* * * BEARING - (LS-3)	1	
-65	01043-02		* COVER - Elevator trim access	1	
-66	01044-02		* PLATE ASSEMBLY - Access reinforcement	2	
-67	46034-02		* COVER - Elevator hinge, inboard, left	1	
	46034-03		* COVER - Elevator hinge, inboard, right	1	
-68	46028-00		* COVER - Elevator hinge, outboard, left	1	
	46028-01		* COVER - Elevator hinge, outboard, right	1	

When ordering, always specify Part Number, Description and Serial Number of Aircraft

PIPER PARTS CATALOG

Figure and Index Number	Part Number	Code	NOMENCLATURE	No. Req.	SERIAL NUMBERS AFFECTED
39-69	49972-04		* STRAP ASSEMBLY - Lightning protection	3	
-70	402 256		* BOLT - (AN173-6)	2	
	407 564		* WASHER - (AN960-10)	2	
	506 620		* NUT - (MS17825-3)	2	
	424 097		* COTTER PIN - (MS24665-172)	2	
-71	415 518		* SCREW - (MS35206-228)	10	
-72	54994-02		* HINGE ASSEMBLY - Elevator, outboard	1	
-73	402 260		* BOLT - (AN173-10)	1	
	407 564		* WASHER - (AN960-10)	1	
	407 584		* WASHER - (AN960-10L)	1	
	506 620		* NUT - (MS17825-3)	1	
	424 097		* COTTER PIN - (MS24665-172)	1	
-74	54992-02		* BRACKET - Balance weight attachment	1	
-75	51774-02		* STRAP - Elevator tip rib reinforcement	2	
-76	45998-06		* RIB ASSEMBLY - Elevator hinge reinforcement	1	
-77	49972-05		* STRAP ASSEMBLY - Lightning protection, inboard	1	
	49972-02		* STRAP ASSEMBLY - Lightning protection, outboard	1	
-78	410 319		* SCREW - (MS27039C1-06)	2	
	404 835		* NUT - (MS20364-1032C)	2	
-79	51615-00		* PLATE - Elevator balance weight	AR	
-80	400 438		* BOLT - Elevator hinge (AN3-4A)	4	
-81	414 748		* SCREW - Elevator tip (MS24693-S78)	10	
	494 071		* WASHER - Elevator tip (A3236-012-1)	10	
-82	402 302		BOLT - Elevator hinge (AN174-17A)	2	
	407 585		WASHER - Elevator hinge (AN960-416L)	2	
	39994-05		BUSHING - Elevator hinge	2	

When ordering, always specify Part Number, Description and Serial Number of Aircraft

PIPER PARTS CATALOG

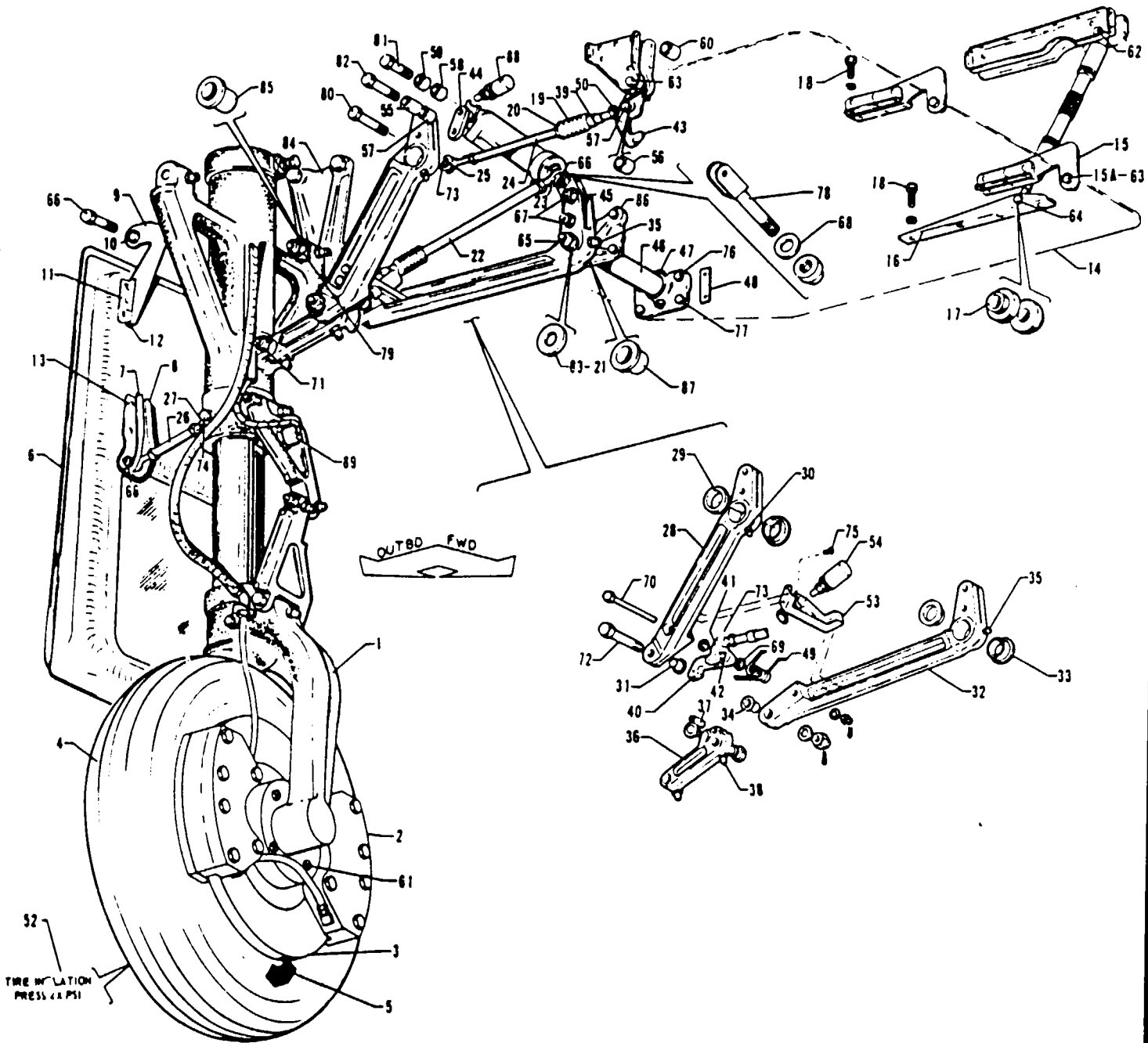


Figure 40 Main Landing Gear Installation

PIPER PARTS CATALOG

CODE EXPLANATIONS FOR FIGURE 40

- A - See Figure 41 for component parts.
- B - See Figure 43 for component parts.
- C - See Figure 42 for component parts.

PIPER PARTS CATALOG

Figure and Index Number	Part Number	Code	NOMENCLATURE	No. Req.	SERIAL NUMBERS AFFECTED
40-	29440		DRAWING - Main Landing Gear Installation		
-1	45504-22	A	STRUT ASSEMBLY - Main landing gear, left	1	
	45504-23	A	STRUT ASSEMBLY - Main landing gear, right	1	
-2	551 745	B	BRAKE ASSEMBLY - Main landing gear (30-142) (Cleveland)	2	
-3	551 795	C	WHEEL ASSEMBLY - Main landing gear (40-167) (Cleveland)	2	
	551 797	C	WHEEL ASSEMBLY - Main landing gear (40-167A) tubeless	2	
-4	451 732		TIRE - (6.50 x 10, 10 ply) Type III McCreary, tube type	2	
	761 977		TIRE - (6.50 x 10, 10 ply) B. F. Goodrich, tube type	2	
	761 998		TIRE - (6.50 x 10, 10 ply) McCreary Airhawk, tube type	2	
	762 036		TIRE - (6.50 x 10, 10 ply) Goodyear Flight Custom II, tube type	2	
	551 602		TIRE - (6.50 x 10, 10 ply) B.F. Goodrich, tubeless type	2	
-5	451 738		TUBE - (6.50 x 10, Reg.)	2	
-6	54528-10		DOOR ASSEMBLY - Main landing gear, outboard	2	
-7	42025-00		* BRACKET ASSEMBLY - Gear door actuator, rear	2	
-8	42025-01		* BRACKET ASSEMBLY - Gear door actuator, forward	2	
-9	42059-07		* HINGE ASSEMBLY - Door, main gear, outboard	2	
-10	25704-00		* * BEARING - Hinge assembly	1	
-11	46121-02		* * ANGLE - Hinge attachment, rear	2	
-12	46121-03		* * ANGLE - Hinge attachment, forward	2	
-13	400 438		* BOLT - (AN3-4A)	16	
-14	47529-30		DOOR ASSEMBLY - Main landing gear, inboard, left	1	
	47529-31		DOOR ASSEMBLY - Main landing gear, inboard, right	1	
-15	47529-32		* HINGE ASSEMBLY - Door, main landing gear, inboard	2	
-15a	25704-00		* * BEARING - Door hinge, main landing gear	1	
-16	43711-00		* BRACKET ASSEMBLY - Main gear door, inboard	1	
-17	20737-37		* * BUSHING - Main gear door bracket assembly	1	
-18	401 266		* BOLT - (AN3-5A)	16	
	407 564		* WASHER - (AN960-10)	16	
-19	453 206		DUST BOOT - (OMN-401-4-13-2)	4	
-20	454 924		CLAMP - (A3122-10-1)	4	
-21	80122-129		WASHER - (.020)	AR	
	80122-130		WASHER - (.032)	AR	
	80122-131		WASHER - (.042)	AR	
-22	41949-02		ROD ASSEMBLY - Landing gear lock, main	2	
-23	452 383		* BEARING - (24166-00)	2	
-24	41949-03		ROD ASSEMBLY - Landing gear lock, main	2	
-25	452 383		* BEARING - (24166-00)	2	
-26	41297-00		ROD ASSEMBLY - Main landing gear, outboard door	4	
-27	452 441		* BEARING - (M44-14)	2	
-28	29507-03		LINK ASSEMBLY - Main gear side, aft, left	1	
	29507-02		LINK ASSEMBLY - Main gear side, aft, right	1	
-29	553 630		* BUSHING - (NAS77-9-38)	2	
-30	460 823		* FITTING - Lubrication (MS15001-1)	1	
-31	453 861		* BUSHING - (NAS77-9-72)	1	
-32	40279-16		LINK ASSEMBLY - Main gear side, forward, left	1	
	40279-17		LINK ASSEMBLY - Main gear side, forward, right	1	
-33	753 470		* BUSHING - (NAS77-18-50)	2	
-34	453 861		* BUSHING - (NAS77-9-72)	1	
-35	460 823		* FITTING - Lubricating (MS15001-1)	1	
-36	57040-02		LINK ASSEMBLY - Landing gear side brace, lower	1	
-37	57040-04		* PIN - Main landing gear lock	1	

When ordering, always specify Part Number, Description and Serial Number of Aircraft

PIPER PARTS CATALOG

Figure and Index Number	Part Number	Code	NOMENCLATURE	No. Req.	SERIAL NUMBERS AFFECTED
40-38	460 691		* FITTING - Lubricating (AN944-101)	2	
-39	488 670		TIE - Cable (TY 25M TY Rap)	2	
-40	51510-00		HOOK ASSEMBLY - Main landing gear downlock, left	1	
	51510-01		HOOK ASSEMBLY - Main landing gear downlock, right	1	
-41	41982-03		* CLIP - Main gear downlock hook, forward	1	
	41982-02		* CLIP - Main gear downlock hook, aft	1	
-42	42129-13		* BUSHING - Main landing gear	2	
-43	41797-03		HOOK ASSEMBLY - Landing gear uplock, main	2	
-44	42041-00		CRANK ASSEMBLY - Main gear uplock	2	
-45	42042-02		ARM - Main gear retraction, hydraulic cylinder attachment, forward	2	
	29505-02		ARM - Main gear retraction, emergency gear extension actuator attachment, aft	2	
-46	43286-02		SHAFT ASSEMBLY - Main landing gear brace pivot	2	
-47	400 012		* BOLT - (AN4-17A)	1	
	407 565		* WASHER - (AN960-416)	1	
	404 888		* NUT - (MS20365-428C)	1	
-48	43300-02		SHIM - Landing gear pivot shaft (.040)	AR	
	43300-03		SHIM - Landing gear pivot shaft (.032)	AR	
	43300-04		SHIM - Landing gear pivot shaft (.025)	AR	
	43300-05		SHIM - Landing gear pivot shaft (.020)	AR	
	43300-06		SHIM - Landing gear pivot shaft (.012)	AR	
-49	81982-02		SPRING - Main landing gear downlock	2	
-50	41979-00		SPRING - Landing gear uplock	2	
-51	401 318		BOLT - (AN4-20A)	2	
	407 565		WASHER - (AN960-416)	4	
	404 888		NUT - (MS20365-428C)	2	
-52	41398-12		PLACARD - Tire inflation, main (583 675)	2	
-53	41985-00		BRACKET - Downlock switch, left	2	
	41985-01		BRACKET - Downlock switch, right	2	
-54	47936-02		SWITCH ASSEMBLY - Gear down, left	1	
	47936-03		SWITCH ASSEMBLY - Gear down, right	1	
-55	42129-06		BUSHING - Main landing gear	2	
-56	42129-07		BUSHING - Main landing gear	4	
-57	42129-08		BUSHING - Main landing gear	2	
-58	42129-09		BUSHING - Main landing gear	2	
-59	42129-10		BUSHING - Main landing gear	2	
-60	42129-04		BUSHING - Main landing gear	2	
-61	402 785		BOLT - (NAS1306-10)	12	
	407 567		WASHER - (AN960-616)	AR	
	407 587		WASHER - (AN960-616L)	AR	
	404 890		NUT - (MS20365-624C)	12	
-62	401 270		BOLT - (AN3-11A)	2	
	407 564		WASHER - (AN960-10)	2	
	404 887		NUT - (MS20365-1032C)	2	
-63	400 008		BOLT - (AN4-13A)	6	
	407 565		WASHER - (AN960-416)	6	
	404 888		NUT - (MS20365-428C)	6	
-64	400 444		BOLT - (AN3-13A)	2	
	407 564		WASHER - (AN960-10)	2	
	404 887		NUT - (MS20365-1032C)	2	
-65	404 103		NUT - (AN310-6)	2	
	407 567		WASHER - (AN960-616)	2	
	424 060		COTTER PIN - (MS24665-285)	2	

When ordering, always specify Part Number, Description and Serial Number of Aircraft

PIPER PARTS CATALOG

Figure and Index Number	Part Number	Code	NOMENCLATURE	No. Req.	SERIAL NUMBERS AFFECTED
40-66	401 311		BOLT - (AN4-11A)	10	
	407 565		WASHER - (AN960-416)	10	
	404 888		NUT - (MS20365-428C)	10	
-67	400 209		BOLT - (AN6-14), Forward	4	
	400 210		BOLT - (AN6-15), Aft	4	
	407 567		WASHER - (AN960-616)	16	
	404 103		NUT - (AN310-6)	8	
	424 060		COTTER PIN - (MS24665-285)	8	
-68	407 566		WASHER - (AN960-516)	2	
	404 889		NUT - (MS20365-524C)	2	
-69	407 566		WASHER - (AN960-516)	4	
-70	400 188		BOLT - (AN5-46)	2	
	407 566		WASHER - (AN960-516)	2	
	404 102		NUT - (AN310-5)	2	
	424 052		COTTER PIN - (MS24665-134)	2	
-71	402 805		BOLT - (NAS1309-34D)	2	
	407 570		WASHER - (AN960-916)	2	
	404 106		NUT - (AN310-9)	2	
	424 068		COTTER PIN - (MS24665-355)	2	
-72	402 807		BOLT - (NAS1309-44D)	2	
	407 570		WASHER - (AN960-916)	2	
	404 106		NUT - (AN310-9)	2	
	424 068		COTTER PIN - (MS24665-355)	2	
-73	401 310		BOLT - (AN4-10A)	4	
	407 565		WASHER - (AN960-416)	4	
	404 888		NUT - (MS20365-428C)	4	
-74	43972-00		BOLT	4	
	407 565		WASHER - (AN960-416)	4	
-75	415 535		SCREW - (MS35206-245)	8	
	407 563		WASHER - (AN960-8)	8	
	404 910		NUT - (MS20365-832C)	8	
-76	400 003		BOLT - (AN4-6A)	4	
	407 565		WASHER - (AN960-416)	4	
-77	401 310		BOLT - (AN4-10A)	4	
	407 565		WASHER - (AN960-416)	4	
-78	41789-02		FORK - Main gear lock rod attachment	2	
-79	402 811		BOLT - (NAS1310-48D)	4	
	407 571		WASHER - (AN960-1016)	AR	
	404 107		NUT - (AN310-10)	4	
	424 068		COTTER PIN - (MS24665-355)	4	
-80	402 807		BOLT - (NAS1309-44D)	2	
	407 570		WASHER - (AN960-916)	2	
	404 106		NUT - (AN310-9)	2	
	424 068		COTTER PIN - (MS24665-355)	2	
-81	401 195		BOLT - (AN5-17A)	2	
	40559-34		WASHER	4	
	404 889		NUT - (MS20365-524C)	2	
-82	401 404		BOLT - (AN6-24A)	2	
	407 567		WASHER - (AN960-616)	2	
	404 890		NUT - (MS20365-824C)	2	
-83	85012-105		WASHER - Main gear link assembly	2	
-84	40288-00		TRUNNION ASSEMBLY - Landing gear, aft	2	
	40290-00		TRUNNION ASSEMBLY - Landing gear, forward	2	
-85	453 768		* BUSHING - Trunnion (NAS77-10-94)	1	

When ordering, always specify Part Number, Description and Serial Number of Aircraft

PIPER PARTS CATALOG

Figure and Index Number	Part Number	Code	NOMENCLATURE	No. Req.	SERIAL NUMBERS AFFECTED
40-86	40294-06		FITTING ASSEMBLY - Main gear side brace, aft	2	
	40309-04		FITTING ASSEMBLY - Main gear side brace, forward	2	
-87	553 613		* BUSHING - Fitting assembly (NAS77-9-84), aft	1	
	453 778		* BUSHING - Fitting assembly (NAS77-18-88), forward	1	
-88	47938-02		SWITCH ASSEMBLY - Gear up, left	1	
	47938-03		SWITCH ASSEMBLY - Gear up, right	1	
-89	29549-02		SWITCH ASSEMBLY - Gear safety	2	

When ordering, always specify Part Number, Description and Serial Number of Aircraft

PIPER PARTS CATALOG

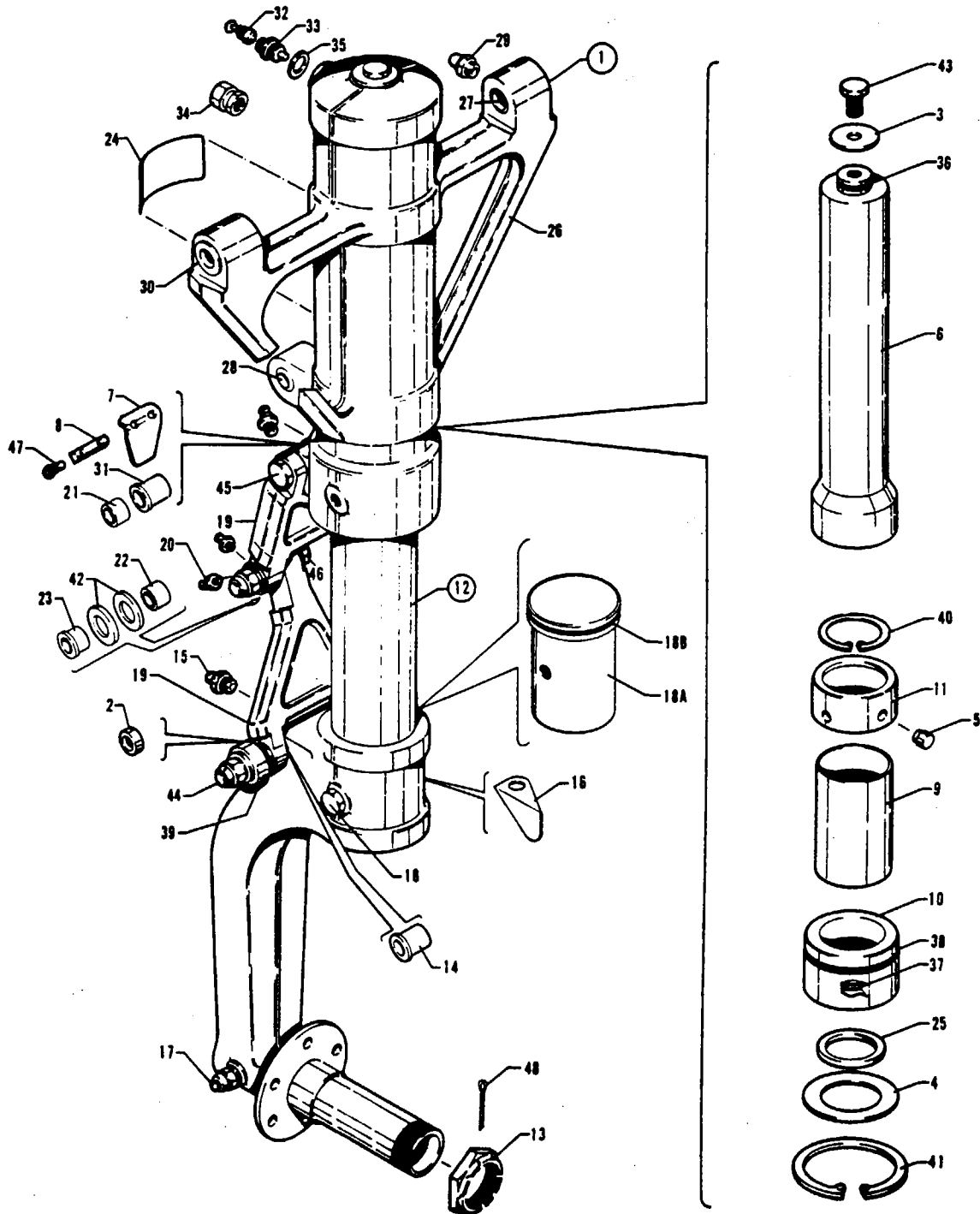


Figure 41. Main Gear Strut Assembly

PIPER PARTS CATALOG

CODE EXPLANATIONS FOR FIGURE 41

- A - When ordering, ascertain if bushing is notched or un-notched on the end and O.D.
- B - When ordering, ascertain if bearing is notched or un-notched on the end and O.D.

PIPER PARTS CATALOG

Figure and Index Number	Part Number	Code	NOMENCLATURE	No. Req.	SERIAL NUMBERS AFFECTED
41-1	45504-22		STRUT ASSEMBLY - Main gear, left	1	
	45504-23		STRUT ASSEMBLY - Main gear, right	1	
-2	14175-106		* BUSHING - Main gear, retraction bearing spacer	1	
-3	19513-95		* WASHER - Orifice tube bolt	1	
-4	19513-98		* WASHER - Wiper strip retainer	1	
-5	01821-07		* PIN - Main gear bearing retainer	4	
-6	29671-02		* TUBE ASSEMBLY - Main gear orifice	1	
-7	40242-03		* DEFLECTOR - Anti-retraction switch, left	1	
	40242-02		* DEFLECTOR - Anti-retraction switch, right	1	
-8	40243-00		* PLATE - Anti-retraction switch attachment	1	
-9	40244-00		* TUBE - Main gear spacer	1	
-10	40246-00		* BEARING - Main gear, bottom	1	
-11	40247-00		* BEARING - Main gear, top	1	
-12	45504-20		* FORK ASSEMBLY - Main gear, left (includes piston tube, fork and axle)	1	
	45504-21		* FORK ASSEMBLY - Main gear, right (includes piston tube, fork and axle)	1	
-13	45334-00		* * NUT - Axle	1	
-14	43256-02	A	* * BUSHING - Main gear fork (.5140 O.D.), notched	2	
	20737-40	A	* * BUSHING - Main gear fork (.5015 O.D.), un-notched	2	
-15	460 823		* * FITTING - Lubrication (MS15001-1)	1	
-16	41219-00		* * BRACKET - Main gear brake line, left	1	
	41219-01		* * BRACKET - Main gear brake line, right	1	
-17	401 410		* * BOLT - Axle attachment (AN6-31A)	1	
	407 567		* * WASHER - Axle attachment (AN960-616)	1	
	404 890		* * NUT - Axle attachment (MS20365-624C)	1	
-18	401 420		* * BOLT - Fork attachment (AN6-40A)	1	
	404 890		* * NUT - Fork attachment (MS20365-624C)	1	
-18a	45332-04		* * PLUG - Main gear piston tube	1	
-18b	580 800		* * O-RING - (MS28775-138)	1	
-19	40257-03		* LINK ASSEMBLY - Main gear torque, upper	1	
	40257-00		* LINK ASSEMBLY - Main gear torque, lower	1	
-20	460 691		* * FITTING - Lubrication (AN944-101)	1	
-21	453 786		* * BUSHING - Main gear link (NAS75-6-011)	2	
-22	453 809		* * BUSHING - Main gear link (NAS75-7-011)	1	
-23	453 775		* * BUSHING - Main gear link (NAS77-7-35)	1	
-24	40292-04		* PLACARD - Oleo service instructions	1	
-25	494 722		* WIPER - (4550A-02750-4)	1	
-26	40327-05		* HOUSING ASSEMBLY - Main gear	1	
-27	43256-05	B	* * BUSHING - Main gear housing (.7628 O.D.), notched	AR	
	61402-99	B	* * BUSHING - Main gear housing (.7518 O.D.), un-notched	2	
-28	29999-28		* * BUSHING - Main gear housing (.6268 O.D.), un-notched	2	
-29	460 691		* * FITTING - Lubrication (AN944-101)	3	
-30	43256-04	B	* * BUSHING - Main gear housing (.7628 O.D.), notched	AR	
	20737-23	B	* * BUSHING - Main gear housing (.7518 O.D.), un-notched	2	
-31	43256-02	B	* * BUSHING - Main gear housing (.5140 O.D.), notched	AR	
	20737-40	B	* * BUSHING - Main gear housing (.5015 O.D.), un-notched	2	
-32	455 124		* CORE - Air valve (AN809-1)	1	
-33	453 124		* BODY - Air valve (AN812-1)	1	
-34	454 053		* CAP - Air valve (AN813-1B)	1	
-35	751 834		* GASKET - Air valve (AN901-5A)	1	
-36	752 713		* PACKING - O-Ring (AN6227-15)	1	
-37	485 036		* RING - (7335FR-160-T)	1	

When ordering, always specify Part Number, Description and Serial Number of Aircraft

PIPER PARTS CATALOG

Figure and Index Number	Part Number	Code	NOMENCLATURE	No. Req.	SERIAL NUMBERS AFFECTED
41-38	485 035		* RING - (723B6MR-987-T)	1	
-39	452 429		* BEARING - Main gear (6NBF817YJ)	1	
-40	484 870		* RING - Retaining (MS16625-3200)	1	
-41	484 762		* RING - Retaining (5000-350)	1	
-42	407 568		* WASHER - (AN960-716)	1	
	407 591		* WASHER - (AN960-716L)	AR	
-43	401 388		* BOLT - Orifice tube (AN6H-5A)	1	
-44	402 377		* BOLT - Torque link, lower (AN176-51)	1	
	407 567		* WASHER - Torque link, lower (AN960-616)	3	
	404 103		* NUT - Torque link, lower (AN310-6)	1	
	424 059		* PIN - Torque link, lower (AN380-3-3)	1	
-45	402 370		* BOLT - Torque link, upper (AN176-42)	1	
	407 567		* WASHER - Torque link, upper (AN960-616)	1	
	404 103		* NUT - Torque link, upper (AN310-6)	1	
	424 059		* PIN - Torque link, upper (AN380-3-3)	1	
-46	400 263		* BOLT - Torque link, center (AN7-22)	1	
	407 591		* WASHER - Torque link, center (AN960-716L)	1	
	404 104		* NUT - Torque link, center (AN310-7)	1	
	424 059		* PIN - Torque link, center (AN380-3-3)	1	
-47	416 098		* SCREW - Switch mounting plate (MS35265-45)	2	
-48	424 071		PIN - Cotter (MS24665-360)	2	

When ordering, always specify Part Number, Description and Serial Number of Aircraft

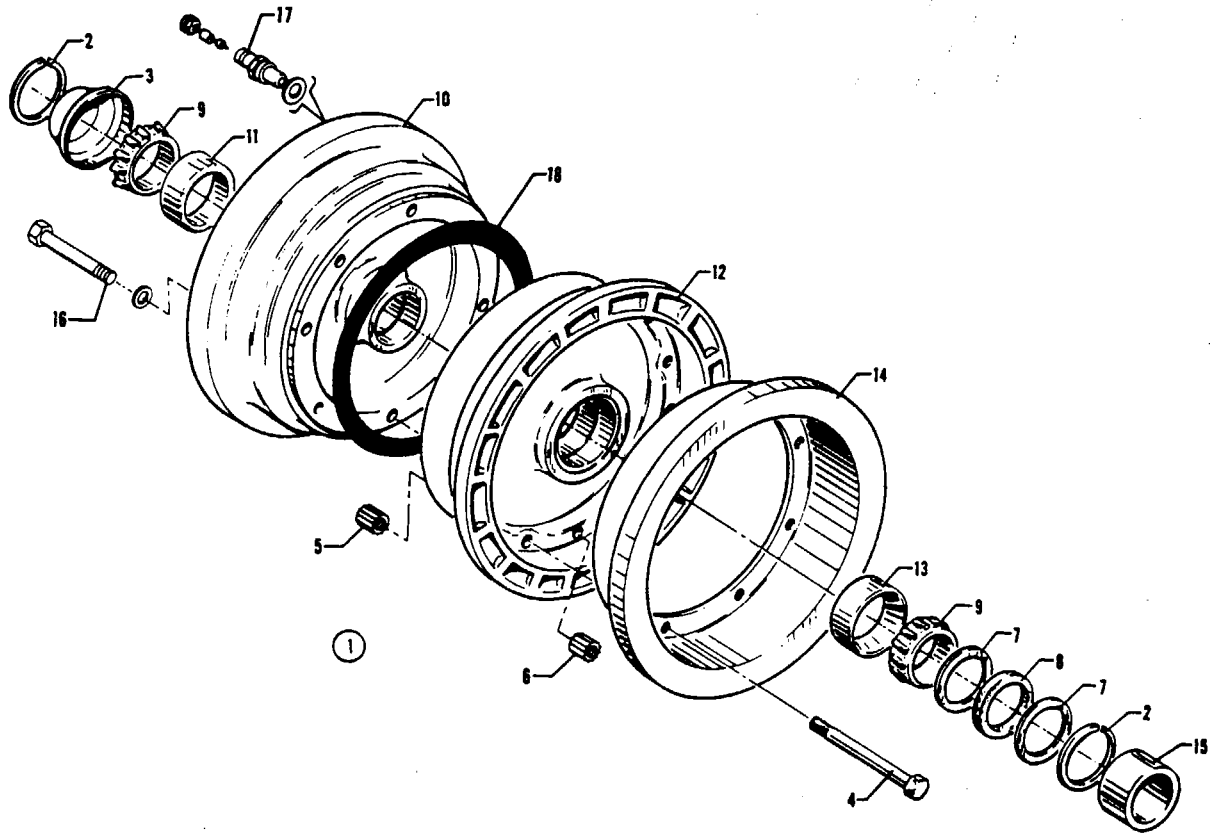


Figure 42. Main Wheel Assembly (Cleveland)

PIPER PARTS CATALOG

CODE EXPLANATIONS FOR FIGURE 42

- A - Used on 40-167 Cleveland Wheel Assembly only.
- B - Used on 40-167A Cleveland Wheel Assembly only.

PIPER PARTS CATALOG

Figure and Index Number	Part Number	Code	NOMENCLATURE	No. Req.	SERIAL NUMBER AFFECTED
42-1	551 795		MAIN WHEEL ASSEMBLY - (40-167) Cleveland	2	
	551 797		MAIN WHEEL ASSEMBLY - Tubeless (40-167A) Cleveland	2	
-2	762 614		* RING - Snap	2	
-3	763 235		* CAB - Hub	1	
-4	401 193		* BOLT - (AN5-15A)	8	
-5	752 574		* NUT - Splined (42ND10-054)	8	
-6	755 629		* NUT - Splined (42ND10-064)	8	
-7	763 703		* WASHER	2	
-8	762 325		* SEAL - Felt, grease	1	
-9	757 895		* BEARING - Cone	2	
-10	763 783	A	* WHEEL HALF ASSEMBLY - Outboard	1	
	763 711	B	* WHEEL HALF ASSEMBLY - Outboard	1	
-11	757 896		* * CUP - Bearing	1	
-12	763 782		* WHEEL HALF ASSEMBLY - Inboard	1	
-13	757 896		* * CUP - Bearing	1	
-14	754 658		* DISC ASSEMBLY - Brake	1	
-15	762 326		* SPACER - Axle	1	
-16	401 400		* BOLT - (AN6-20A)	8	
	407 567		* WASHER - (AN960-616)	8	
-17	756 563	B	* VALVE ASSEMBLY - Inflation	1	
-18	752 619	B	* O-RING	1	

When ordering, always specify Part Number, Description and Serial Number of Aircraft

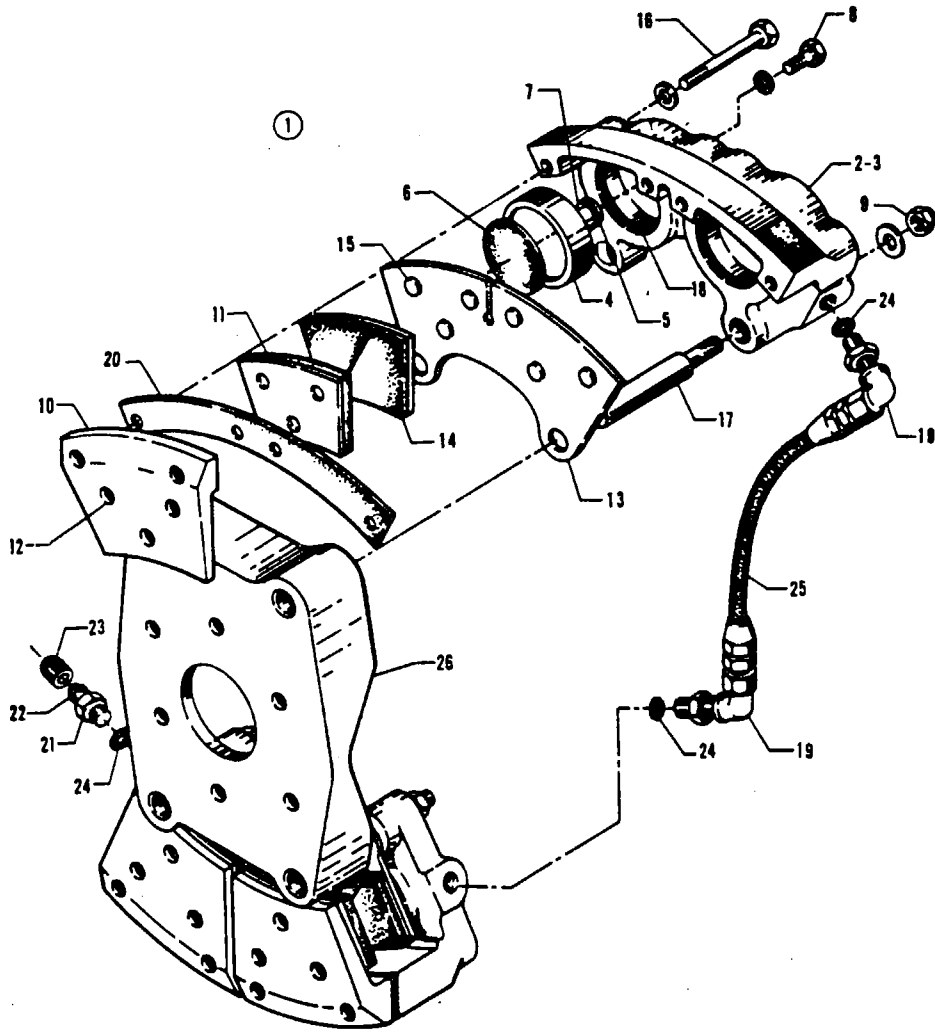


Figure 43. Main Wheel Brake Assembly

PIPER PARTS CATALOG

CODE EXPLANATIONS FOR FIGURE 43

PIPER PARTS CATALOG

Figure and Index Number	Part Number	Code	NOMENCLATURE	No. Req.	SERIAL NUMBERS AFFECTED
43-1	551 745		BRAKE ASSEMBLY - Main wheel (30-142) Cleveland	2	
-2	763 396		* CYLINDER ASSEMBLY - Brake	2	
-3	763 397		** CYLINDER	1	
-4	763 436		** PISTON ASSEMBLY	2	
-5	757 741		*** SPRING - Friction	1	
-6	752 094		*** INSULATOR	1	
-7	755 106		*** GUIDE - Piston	1	
-8	401 266		*** BOLT - (AN3-5A)	1	
	762 494		*** SEAL - Static	1	
-9	407 586		** WASHER - (AN960-516L)	2	
	404 889		* NUT - (MS20365-524C)	2	
-10	763 521		** PLATE ASSEMBLY - Back	2	
-11	761 217		*** LINING - (66-73)	1	
-12	763 437		*** PIN - (177-16)	3	
-13	763 520		** PLATE ASSEMBLY - Pressure	1	
-14	761 217		*** LINING - (66-73)	2	
-15	763 437		*** PIN - (177-16)	6	
-16	758 577		** BOLT - (AN5H-22A)	2	
	407 566		* WASHER - (AN960-516)	2	
-17	758 425		** BOLT - Anchor	2	
-18	484 797		** "O" RING - (MS28775-227)	2	
-19	754 880		** FITTING ASSEMBLY	1	
-20	762 495		** SHIM	1	
-21	756 149		* SEAT - Bleeder	1	
-22	752 965		* SCREW - Bleeder	1	
-23	753 850		* CAP - Bleeder	1	
-24	484 701		** "O" RING - (AN6227-7)	3	
-25	755 341		* HOSE ASSEMBLY - Brake	1	
-26	763 440		* PLATE ASSEMBLY - Torque	1	

When ordering, always specify Part Number, Description and Serial Number of Aircraft

1H22 THRU 1H24
INTENTIONALLY LEFT BLANK

PIPER PARTS CATALOG

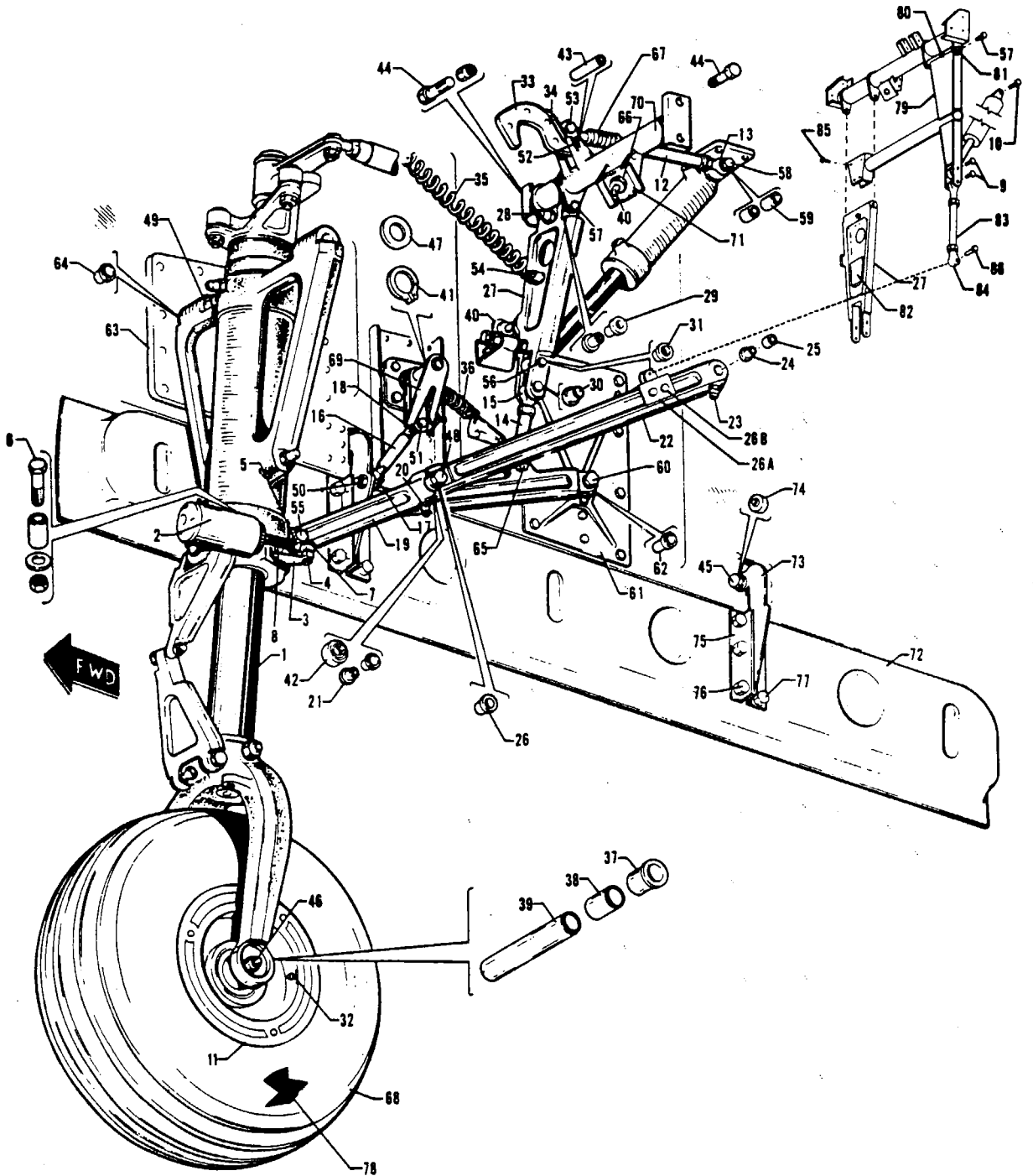


Figure 44. Nose Landing Gear Installation

PIPER PARTS CATALOG

CODE EXPLANATIONS FOR FIGURE 44

- A - See Figure 45 for component parts.
- B - See Figure 46 for component parts.
- C - Used if B.F. Goodrich Nose Wheel Assembly 3-1331 is installed.
- D - Used if B.F. Goodrich Nose Wheel Assembly 3-1078 or Cleveland Nose Wheel Assembly 40-140 is installed.

PIPER PARTS CATALOG

Figure and Index Number	Part Number	Code	NOMENCLATURE	No. Req.	SERIAL NUMBERS AFFECTED
44-	29445		DRAWING - Nose Landing Gear Installation		
-1	45333-07	A	STRUT ASSEMBLY - Nose gear	1	
-2	456 010		* SHOCK ABSORBER - Shimmy dampener (Gar-Kenyon)	1	
	456 014		* SHOCK ABSORBER - Shimmy dampener (Cleveland)	1	
-3	47150-00		* BRACKET - Nose gear shimmy dampener	1	
-4	452 357		* BEARING - (M34-14)	1	
-5	404 225		* NUT - (AN315-4R)	1	
-6	400 015		* BOLT - (AN4-22A)	1	
	14843-116		* BUSHING	1	
	407 565		* WASHER - (AN960-416)	2	
	404 888		* NUT - (MS20365-428C)	1	
-7	400 441		* BOLT - (AN3-7A)	1	
	404 887		* NUT - (MS20365-1032C)	1	
-8	401 263		* BOLT - (AN3H-3A)	2	
	407 584		* WASHER - (AN960-10L)	2	
-9	400 106		BOLT - (AN4-11)	2	
	407 585		WASHER - (AN960-416L)	2	
	404 101		NUT - (AN310-4)	2	
	424 052		COTTER PIN - (MS24665-134)	2	
-10	401 193		BOLT - (AN5-15A)	1	
	407 566		WASHER - (AN960-516)	2	
	42129-03		BUSHING	2	
	404 889		NUT - (MS20365-524C)	1	
-11	551 758	B	WHEEL ASSEMBLY - Nose gear (B. F. Goodrich 3-1331)	1	
	551 790	B	WHEEL ASSEMBLY - Nose gear (B. F. Goodrich 3-1076)	1	
	551 791	B	WHEEL ASSEMBLY - Nose gear (Cleveland 40-140)	1	
-12	41949-00		ROD ASSEMBLY - Landing gear lock, nose	1	
-13	452 383		* BEARING - (24166-00)	2	
-14	41790-00		ROD ASSEMBLY - Nose gear idler link	1	
-15	452 412		* BEARING - (HMX-4S)	2	
-16	41793-00		ROD ASSEMBLY - Nose landing gear door	2	
-17	452 439		* BEARING - (PS10020-17-1R)	1	
-18	452 412		* BEARING - (HMX-4S)	1	
-19	40317-00		LINK ASSEMBLY - Nose gear drag brace, lower	1	
-20	460 691		* FITTING - Lubrication (AN944-101)	2	
-21	453 776		* BUSHING - (NAS77-7-38)	4	
-22	29561-02		LINK ASSEMBLY - Nose gear drag brace, upper, left side	1	
	40336-00		LINK ASSEMBLY - Nose gear drag brace, upper, right side	1	
-23	460 823		* FITTING - Lubrication (MS15001-1)	1	
-24	453 776		* BUSHING - (NAS77-7-38)	1	
-25	753 471		* BUSHING - (NAS75-7-014)	1	
-26	453 723		* BUSHING - (NAS77-7-68)	1	
-26a	29561-03		* CHANNEL ASSEMBLY - Idler link attachment	1	
-26b	401 315		* BOLT - (AN4-15A)	2	
	407 565		* WASHER - (AN960-416)	2	
	404 888		* NUT - (MS20365-428C)	2	
-27	46933-00		LINK ASSEMBLY - Nose gear idler	1	
-28	460 691		* FITTING - Lubrication (AN944-101)	1	
-29	453 774		* BUSHING - (NAS77-4-50)	2	
-30	20737-32		* BUSHING - Nose gear idler	2	
-31	20737-30		* BUSHING - Nose gear idler	2	
-32	41398-08	C	PLACARD - Tire inflation, nose (90PSI)	1	
	41398-06	D	PLACARD - Tire inflation, nose (80PSI)	1	
-33	41797-02		HOOK ASSEMBLY - Landing gear uplock nose	1	
-34	41796-00		SPRING - Nose landing gear uplock hook	1	
-35	83302-54		SPRING - Coil, nose landing gear	1	

When ordering, always specify Part Number, Description and Serial Number of Aircraft

PIPER PARTS CATALOG

Figure and Index Number	Part Number	Code	NOMENCLATURE	No. Req.	SERIAL NUMBERS AFFECTED
44-36	83302-32		SPRING - Coil, nose landing gear	2	
-37	31798-02		PLUG - Axle, nose landing gear	2	
-38	51052-00	C	SPACER - Wheel, nose landing gear	2	
	31786-07	D	SPACER - Wheel, nose landing gear	2	
-39	31797-02		AXLE - Nose landing gear	1	
-40	487 862		SWITCH - Micro (1CH21-4)	2	
-41	484 768		RING - Snap (5100-62)	2	
-42	452 440		BEARING - (7NBC1015YJ)	1	
-43	42129-04		BUSHING - Nose landing gear	1	
-44	400 002		BOLT - (AN4-5A)	4	
	407 565		WASHER - (AN960-416)	8	
	404 888		NUT - (MS20365-428C)	4	
-45	401 311		BOLT - (AN4-11A)	4	
	407 565		WASHER - (AN960-416)	4	
	404 888		NUT - (MS20365-428C)	4	
-46	401 455		BOLT - (AN6-74A)	1	
	404 838		NUT - (MS20364-624C)	1	
-47	407 601		WASHER - (AN960-1016L)	4	
-48	402 437		BOLT - (AN177-37)	1	
	407 568		WASHER - (AN960-716)	1	
	404 104		NUT - (AN310-7)	1	
	424 059		COTTER PIN - (MS24665-283)	1	
-49	400 363		BOLT - (AN9-30)	2	
	407 570		WASHER - (AN960-916)	AR	
	55233-02		WASHER - Nose gear	AR	
	404 106		NUT - (AN310-9)	2	
	424 067		COTTER PIN - (MS24665-353)	2	
-50	400 441		BOLT - (AN3-7A)	2	
	407 564		WASHER - (AN960-10)	2	
	404 887		NUT - (MS20365-1032C)	2	
-51	400 105		BOLT - (AN4-10)	2	
	407 565		WASHER - (AN960-416)	2	
	404 101		NUT - (AN310-4)	2	
	424 052		COTTER PIN - (MS24665-134)	2	
-52	400 108		BOLT - (AN4-13)	1	
	407 565		WASHER - (AN960-416)	2	
	404 101		NUT - (AN310-4)	1	
	424 052		COTTER PIN - (MS24665-134)	1	
-53	400 110		BOLT - (AN4-15)	1	
	407 565		WASHER - (AN960-416)	2	
	407 585		WASHER - (AN960-416L)	1	
	404 101		NUT - (AN310-4)	1	
	424 052		COTTER PIN - (MS24665-134)	1	
-54	402 031		BOLT - (AN42B-4)	1	
	407 564		WASHER - (AN960-10)	1	
	404 887		NUT - (MS20365-1032C)	1	
-55	402 425		BOLT - (AN177-25)	1	
	407 568		WASHER - (AN960-716)	1	
	404 104		NUT - (AN310-7)	1	
	424 059		COTTER PIN - (MS24665-283)	1	
-56	400 108		BOLT - (AN4-13)	2	
	407 585		WASHER - (AN960-416L)	2	
	404 101		NUT - (AN310-4)	2	
	424 052		COTTER PIN - (MS24665-134)	2	

When ordering, always specify Part Number, Description and Serial Number of Aircraft

PIPER PARTS CATALOG

Figure and Index Number	Part Number	Code	NOMENCLATURE	No. Req.	SERIAL NUMBERS AFFECTED
44-57	400 124		BOLT - (AN4-33)	2	
	404 101		NUT - (AN310-4)	2	
	424 052		COTTER PIN - (MS24665-134)	2	
-58	41792-00		BOLT - Hydraulic actuator, uplock rod	1	
	407 565		WASHER - (AN960-416)	2	
	404 888		NUT - (MS20365-428C)	1	
-59	42129-03		BUSHING - Hydraulic actuator, uplock rod	2	
-60	402 422		BOLT - (AN177-23)	2	
	407 591		WASHER - (AN960-716L)	AR	
	404 104		NUT - (AN310-7)	2	
	424 059		COTTER PIN - (MS24665-283)	2	
	407 568		WASHER - (AN960-716)	AR	
-61	40325-00		BRACKET ASSEMBLY - Nose gear drag link attachment, left	1	
	40325-01		BRACKET ASSEMBLY - Nose gear drag link attachment, right	1	
-62	453 736		* BUSHING - (NAS77-7-40)	1	
-63	45192-00		PLATE ASSEMBLY - Nose gear trunnion support, left	1	
	45192-01		PLATE ASSEMBLY - Nose gear trunnion support, right	1	
-64	453 782		* BUSHING - (NAS77-9-36)	1	
-65	400 107		BOLT - (AN4-12)	1	
	407 565		WASHER - (AN960-416)	1	
	404 101		NUT - (AN310-4)	1	
	424 052		COTTER PIN - (MS24665-134)	1	
-66	494 125		WASHER - Micro switch (EN10013)	1	
-67	453 206		BOOT - Nylon dust (ONN-401-4-13-2)	1	
-68	451 730	C	TIRE - (18 x 4.4, 6 ply rating) Type VII, tubeless	1	
	451 748	D	TIRE - (17.5 x 6.25-6, 10 ply rating) tube type	1	
-69	41794-08		ARM ASSEMBLY - Nose landing gear door actuator, left	1	
	41794-09		ARM ASSEMBLY - Nose landing gear door actuator, right	1	
-70	29582-02		TUBE ASSEMBLY - Nose landing gear idler link support	1	
-71	29583-02		* BRACKET - Nose gear up switch	1	
-72	45794-08		DOOR ASSEMBLY - Nose landing gear, left	1	
	45794-09		DOOR ASSEMBLY - Nose landing gear, right	1	
-73	45794-06		HINGE ASSEMBLY - Nose landing gear door, forward	2	
	45794-07		HINGE ASSEMBLY - Nose landing gear door, aft	2	
-74	25704-00		* BEARING - Hinge assembly	1	
-75	41612-04		* ANGLE - Nose landing gear door hinge	2	
-76	400 438		BOLT - Nose landing gear door hinge attachment (AN3-4A)	24	
-77	53853-00		SHIM - Nose landing gear door (.032)	AR	
	53853-02		SHIM - Nose landing gear door (.064)	AR	
-78	451 735	D	TUBE - (6.00 x 6)	1	
-79	29853-18		LINK ASSEMBLY - Nose gear idler	1	
-80	460 691		* FITTING - Lubrication (AN944-101)	1	
-81	453 774		* BUSHING - (NAS77-4-50)	2	
-82	29853-13		SPACER	2	
-83	41790-00		ROD ASSEMBLY - Nose gear idler link	1	
-84	452 412		* BEARING - (HMX-4S)	2	
-85	401 273		BOLT - (AN3-14A)	4	
	407 564		WASHER - (AN960-10)	4	
	404 887		NUT - (MS20365-1032C)	4	
-86	400 105		BOLT - (AN4-10)	1	
	407 565		WASHER - (AN960-416)	1	
	404 101		NUT - (AN310-4)	1	
	424 052		COTTER PIN - (MS24665-134)	1	

When ordering, always specify Part Number, Description and Serial Number of Aircraft

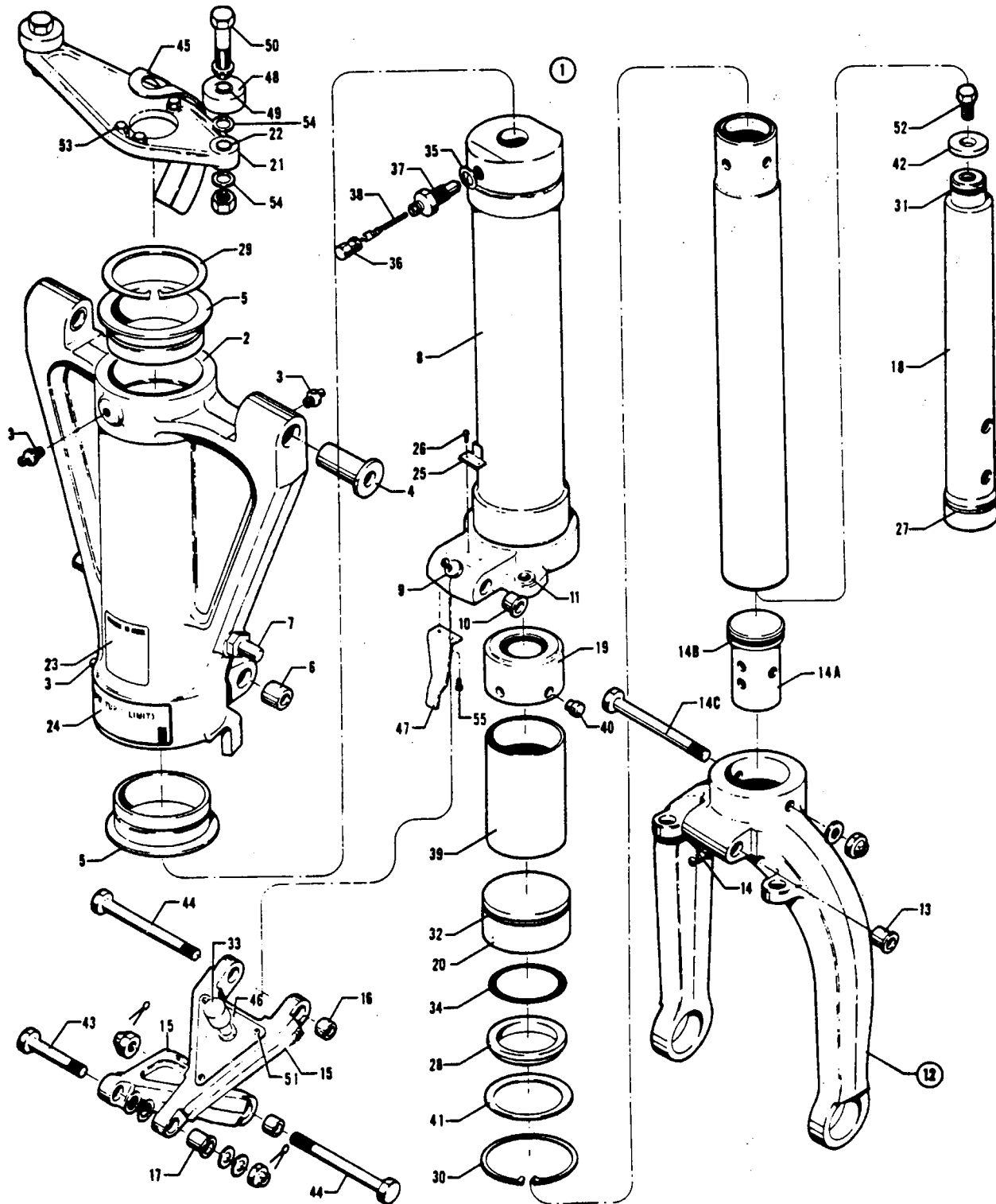


Figure 45. Nose Gear Strut Assembly

PIPER PARTS CATALOG

CODE EXPLANATIONS FOR FIGURE 45

A-When ordering, ascertain if bushing is notched or un-notched on the end and O.D.

PIPER PARTS CATALOG

Figure and Index Number	Part Number	Code	NOMENCLATURE	No. Req.	SERIAL NUMBERS AFFECTED
45-1	45333-07		STRUT ASSEMBLY - Nose gear	1	
-2	45316-03		* HOUSING ASSEMBLY - Nose gear	1	
-3	460 691		* * FITTING - Lubrication (AN944-101)	4	
-4	43262-00	A	* * BUSHING - Nose gear housing (.7625 O.D.), notched	2	
	31766-02	A	* * BUSHING - Nose gear housing (.7525 O.D.), unnotched	2	
-5	40250-02	A	* * BUSHING - Nose gear housing, top and bottom (3.1285/3.1275 O.D.), unnotched	2	
	40250-03	A	* * BUSHING - Nose gear housing, top and bottom (3.1385/3.1375 O.D.), notched	2	
-6	43256-07	A	* * BUSHING - Nose gear housing (.5748 O.D.), notched	2	
	453 735	A	* * BUSHING - Nose gear housing (NAS75-7-016) (.5638 O.D.), unnotched	2	
-7	40283-00		* * STUD - Nose gear door pick-up	2	
-8	45314-00		* CYLINDER ASSEMBLY - Nose gear strut	1	
-9	460 691		* * FITTING - Lubrication (AN944-101)	1	
-10	43256-06	A	* * BUSHING - Nose gear strut cylinder (.4496 O.D.), notched	2	
	453 744	A	* * BUSHING - Nose gear strut cylinder (NAS77-5-42) (.4368 O.D.), unnotched	2	
-11	21831-04		* * BUSHING - Flange (452 379)	1	
-12	45333-03		* FORK ASSEMBLY - Nose gear (complete) (includes fork, piston tube and plug)	1	
-13	751 367		* * BUSHING - Nose gear fork (PAC 31785-00)	2	
-14	460 690		* * FITTING - Lubrication (AN944-201A)	1	
-14a	752 785		* * PLUG - Nose gear piston (PAC 31791-00)	1	
-14b	484 695		* * PACKING - "O" ring (AN6227-25)	1	
-14c	402 360		* * BOLT - Nose gear torque link (AN176-33A)	1	
	407 567		* * WASHER - Nose gear torque link (AN960-616)	1	
	404 838		* * NUT - Nose gear torque link (MS20364-624C)	1	
-15	45318-00		* LINK ASSEMBLY - Nose gear torque, lower	1	
	45318-04		* LINK ASSEMBLY - Nose gear torque, upper	1	
-16	453 808		* * BUSHING - (NAS75-5-011)	2	
-17	453 815		* * BUSHING - (NAS77-4-42)	1	
-18	44865-04		* TUBE ASSEMBLY - Nose gear orifice	1	
-19	751 363		* BEARING - Nose gear, upper (PAC 31779-00)	1	
-20	45328-00		* BEARING - Nose gear, lower	1	
-21	44386-00		* ARM ASSEMBLY - Nose gear steering	1	
-22	14976-11		* * BUSHING - Arm assembly	2	
-23	40292-02		* PLACARD - Oleo service instructions (581 156)	1	
-24	45331-00		* PLACARD - Tow turn limits (581 419)	1	
-25	42740-00		* INDICATOR - Tow turn	1	
-26	419 600		* SCREW - Drive (MS21318-15)	2	
-27	484 674		* RING - Piston (PAC 29219-02)	1	
-28	494 721		* WIPER - (4550A-02000-4)	1	
-29	484 759		* RING - Retainer (NAS51-300)	1	
-30	484 767		* RING - Retainer (NAS50-282)	1	
-31	752 713		* PACKING - "O" ring (AN6227-15)	1	
-32	485 033		* RING - (722C8MR-987-T)	1	
-33	29549-02		* SWITCH ASSEMBLY - Nose gear safety	1	
-34	485 034		* RING - (7329FR-160-T)	1	

When ordering, always specify Part Number, Description and Serial Number of Aircraft

PIPER PARTS CATALOG

Figure and Index Number	Part Number	Code	NOMENCLATURE	No. Req.	SERIAL NUMBERS AFFECTED
45-35	751 834		* GASKET - Air valve (AN901-5A)	1	
-36	454 053		* CAP - Air valve (AN813-1B)	1	
-37	453 124		* BODY - Air valve (AN812-1)	1	
-38	455 124		* CORE - Air valve (AN809-1)	1	
-39	31777-00		* SPACER - Nose gear bearing	1	
-40	01821-06		* PIN - Bearing retainer	4	
-41	31773-03		* WASHER - Nose gear lower bearing	1	
-42	45329-00		* WASHER - Nose gear	1	
-43	402 312		* BOLT - Nose gear torque link, center (AN174-14)	1	
	407 565		* WASHER - Nose gear torque link, center (AN960-416)	2	
	407 585		* WASHER - Nose gear torque link, center (AN960-416L)	2	
	404 101		* NUT - Nose gear torque link, center (AN310-4)	1	
	424 052		* PIN - Nose gear torque link, center (MS24665-134)	1	
-44	402 344		* BOLT - Nose gear torque link (AN175-32)	2	
	407 566		* WASHER - Nose gear torque link (AN960-516)	2	
	404 102		* NUT - Nose gear torque link (AN310-5)	2	
	424 052		* PIN - Nose gear torque link (MS24665-134)	2	
-45	47555-00		* BRACKET ASSEMBLY - Nose gear aligner guide	1	
-46	51196-00		* PLATE - Switch mounting	1	
-47	51197-00		* PLATE - Switch actuator	1	
-48	46783-00		* ROLLER - Nose gear steering, dia. 1.500	AR	
	46783-02		* ROLLER - Nose gear steering, dia. 1.620	AR	
	46783-03		* ROLLER - Nose gear steering, dia. 1.750	AR	
	46783-04		* ROLLER - Nose gear steering, dia. 1.375	AR	
	46783-05		* ROLLER - Nose gear steering, dia. 1.420	AR	
	46783-06		* ROLLER - Nose gear steering, dia. 1.88	AR	
-49	29999-05		* BUSHING - Nose gear steering roller	2	
-50	401 359		* BOLT - (AN5-20A)	2	
	407 566		* WASHER - (AN960-516)	2	
	404 889		* NUT - (MS20365-524C)	2	
-51	415 540		* SCREW - (MS35206-250)	3	
	407 563		* WASHER - (AN960-8)	3	
	404 910		* NUT - (MS20365-832C)	3	
-52	401 388		* BOLT - (AN6H-5A)	1	
-53	401 265		* BOLT - (AN3H-7A)	3	
	407 564		* WASHER - (AN960-10)	3	
-54	407 586		* WASHER - (AN960-516L)	4	
-55	414 763		* SCREW - (MS24693-S50)	2	

When ordering, always specify Part Number, Description and Serial Number of Aircraft

PIPER PARTS CATALOG

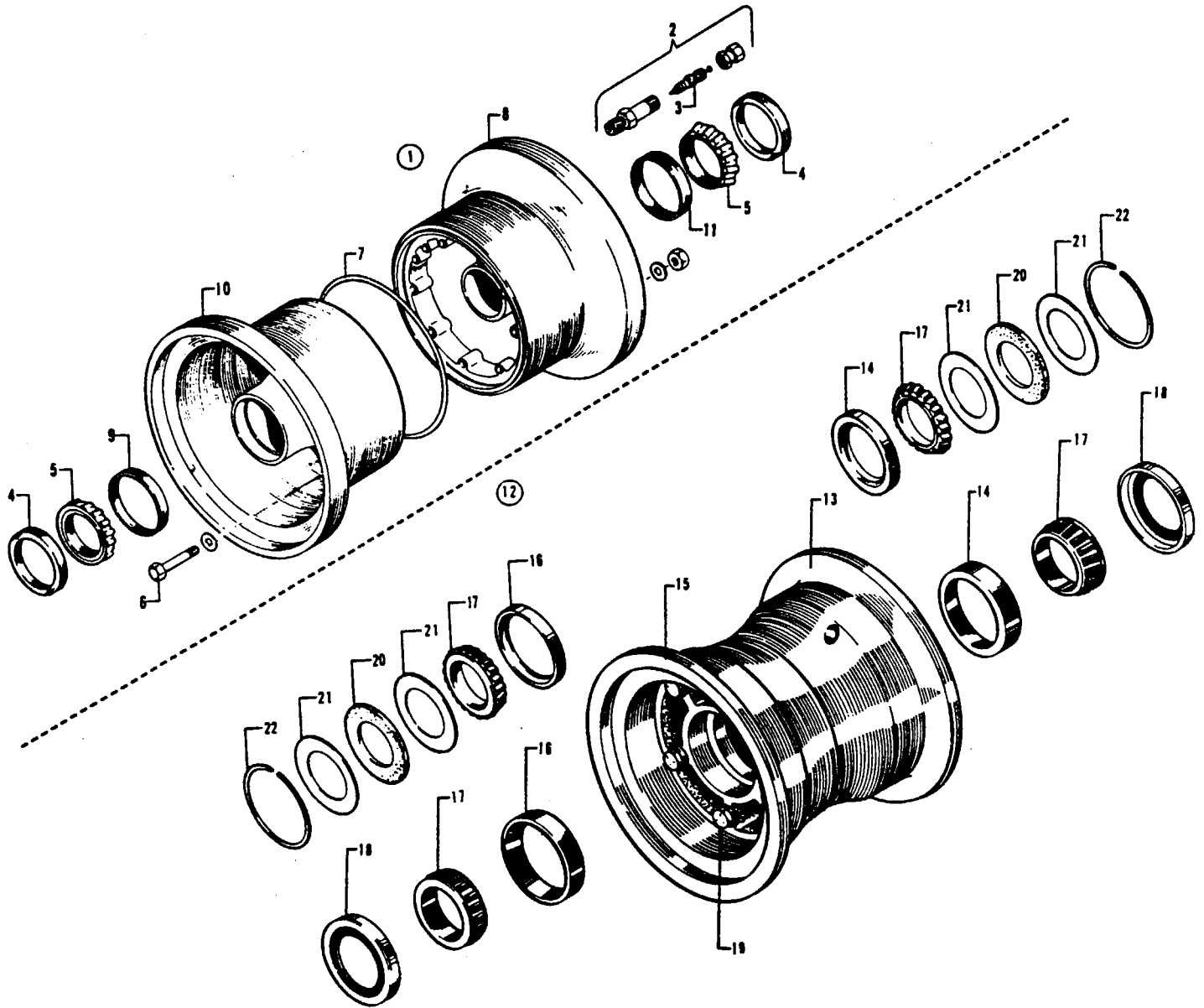


Figure 48. Nose Wheel Assembly

PIPER PARTS CATALOG

CODE EXPLANATIONS FOR FIGURE 46

- A - Used on Cleveland Nose Wheel Assembly 40-140 only.
- B - Used on B.F. Goodrich Nose Wheel Assembly 3-1076 only.

PIPER PARTS CATALOG

Figure and Index Number	Part Number	Code	NOMENCLATURE	No. Req.	SERIAL NUMBERS AFFECTED
46-1	551 758		WHEEL ASSEMBLY - Nose (B.F. Goodrich 3-1331)	1	
-2	756 540		* VALVE ASSEMBLY - Tubeless tire (TR725-03)	1	
-3	756 541		* * VALVE - Inside (TR-C4)	1	
-4	757 761		* GREASE SEAL - (341118)	2	
-5	753 448		* CONE - Bearing (LM29749)	2	
-6	401 363		* BOLT - (AN5-24A)	6	
	407 566		* WASHER - (AN960-516)	12	
	404 975		* NUT - (AN363-524)	6	
-7	757 434		* PACKING - Preformed (68-216)	1	
-8	756 653		* WHEEL HALF ASSEMBLY - Outer (300-439)	1	
-9	753 969		* * CUP - Bearing (LM29710)	1	
-10	756 654		* WHEEL HALF ASSEMBLY - Inner (300-440)	1	
-11	753 969		* * CUP - Bearing (LM29710)	1	
-12	551 790		WHEEL ASSEMBLY - Nose (B. F. Goodrich 3-1076)	1	
	551 791		WHEEL ASSEMBLY - Nose (Cleveland 40-140)	1	
-13	763 725	B	* WHEEL HALF ASSEMBLY - Outer (300-133) (with valve stem hole)	1	
	763 715	A	* WHEEL HALF ASSEMBLY - Outer (162-77) (with valve stem hole)	1	
-14	751 503	B	* * CUP - Bearing (13830)	1	
	751 494	A	* * CUP - Bearing (13836)	1	
-15	763 724	B	* WHEEL HALF ASSEMBLY - Inner (300-134)	1	
	763 717	A	* WHEEL HALF ASSEMBLY - Inner (161-82)	1	
-16	751 503	B	* * CUP - Bearing (13830)	1	
	751 494	A	* * CUP - Bearing (13836)	1	
-17	751 489		* BEARING - Cone (13889)	2	
-18	762 372	B	* SEAL - Grease (68-744)	2	
-19	401 333	B	* BOLT - (AN4-35A)	6	
	401 375	A	* BOLT - (AN5-35A)	6	
	407 565	B	* WASHER - (AN960-416)	6	
	407 566	A	* WASHER - (AN960-516)	12	
	755 603	B	* NUT - (MS21044N4)	6	
	404 889	A	* NUT - (MS20365-524C)	6	
-20	751 819	A	* FELT - Grease seal (154-14)	2	
-21	755 964	A	* RING - Grease seal (153-9)	4	
-22	752 830	A	* RING - Snap (3023)	2	

When ordering, always specify Part Number, Description and Serial Number of Aircraft

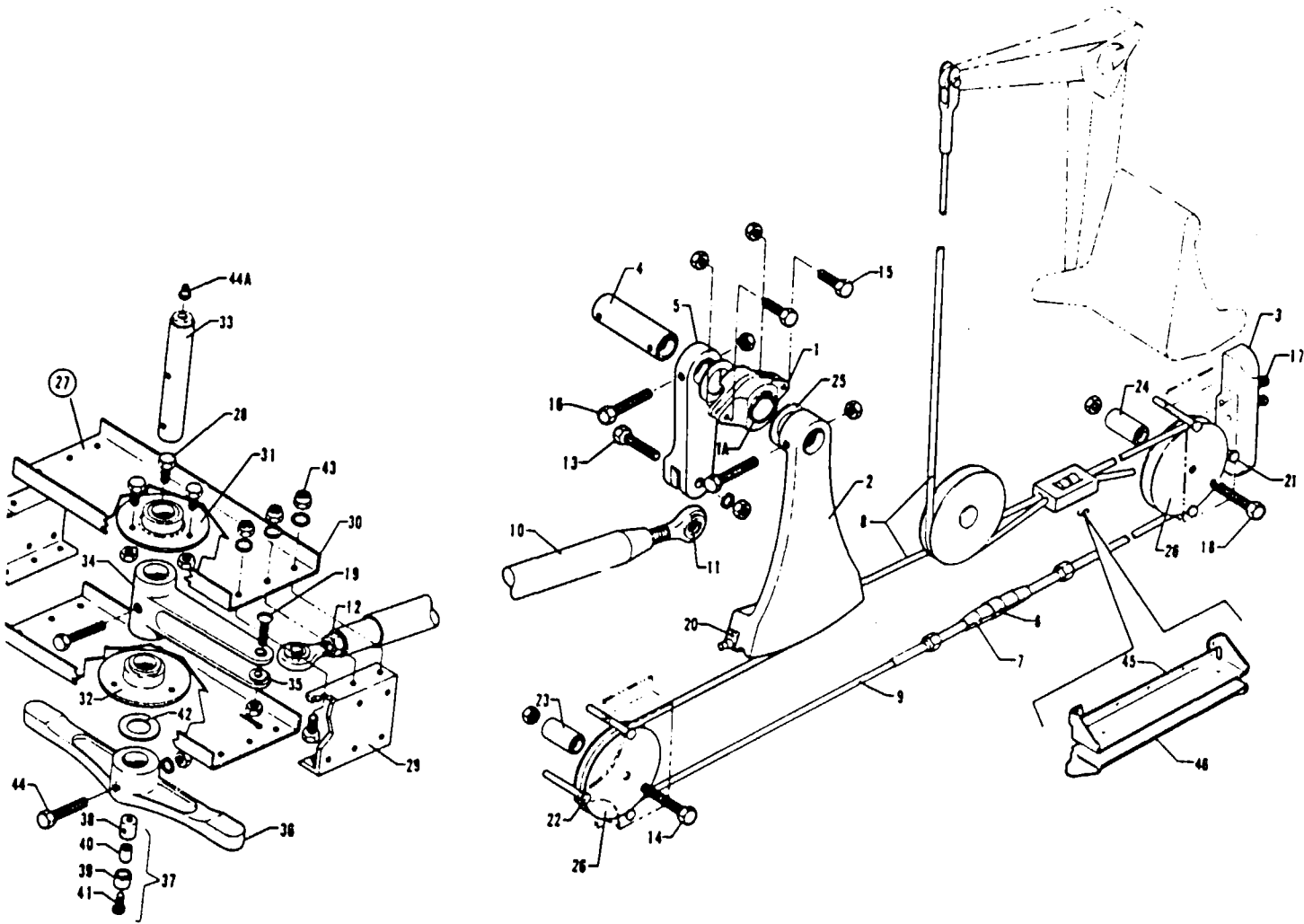


Figure 47. Nose Gear Steering Installation

PIPER PARTS CATALOG

CODE EXPLANATIONS FOR FIGURE 47

PIPER PARTS CATALOG

Figure and Index Number	Part Number	Code	NOMENCLATURE	No. Req.	SERIAL NUMBERS AFFECTED
47-	46863		DRAWING - Nose Gear Steering Installation		
-1	47134-00		BRACKET ASSEMBLY - Nose gear steering	2	
-1a	20737-43		* BUSHING - Nose gear steering bracket	1	
-2	46947-00		SECTOR - Nose gear steering	1	
-3	47881-00		BLOCK - Rub	1	
-4	47080-00		SHAFT - Nose gear steering	1	
-5	46936-00		ARM - Nose gear steering, aft	1	
-6	452 011		TURNBUCKLE - Barrel (NAS649-B32S)	1	
-7	454 867		CLIP - Locking	1	
-8	48436-00		CABLE ASSEMBLY - Rudder and nose gear steering	1	
-9	46845-04		CABLE ASSEMBLY - Rudder	1	
-10	29866-02		TUBE ASSEMBLY - Nose gear steering	1	
-11	452 412		* BEARING - Magnafluxed (HMX-4S)	2	
-12	404 226		* NUT - (AN315-5R)	2	
	407 566		* WASHER - (AN960-516)	1	
-13	401 312		BOLT - (AN4-12A)	1	
	407 565		WASHER - (AN960-416)	1	
	404 888		NUT - (MS20365-428C)	1	
-14	400 011		BOLT - (AN4-16A)	1	
	404 888		NUT - (MS20365-428C)	1	
-15	400 004		BOLT - (AN4-7A)	2	
	404 888		NUT - (MS20365-428C)	2	
-16	400 012		BOLT - (AN4-17A)	2	
	404 888		NUT - (MS20365-428C)	2	
-17	415-522		SCREW - (MS35206-232)	2	
-18	400 009		BOLT - (AN4-14A)	1	
	404 888		NUT - (MS20365-428C)	1	
-19	400 708		BOLT - (AN24-23)	1	
	404 393		NUT - (AN320-4)	1	
	424 051		PIN - Cotter (MS24665-132)	1	
-20	415 535		SCREW - (MS35206-245)	2	
	407 042		WASHER - Lock (MS35338-42)	2	
-21	424 511		PIN - (NAS427K-17)	3	
-22	424 517		PIN - (NAS427K-22)	3	
-23	60998-05		BUSHING	1	
-24	60998-06		BUSHING	1	
-25	407 572		WASHER - (AN960-1616L)	AR	
-26	481 627		PULLEY - (MS24566-48)	2	
-27	47074-02		ARM ASSEMBLY - Nose gear steering	1	
-28	400 438		* BOLT - (AN3-4A)	6	
	407 564		* WASHER - (AN960-10)	6	
	404 887		* NUT - (MS20365-1032C)	6	
-29	47144-00		* CHANNEL - Nose wheel steering	2	
-30	47071-00		* CHANNEL - Nose gear steering bearing	2	
-31	47056-02		* BEARING ASSEMBLY - Nose gear steering	1	
-32	47056-00		* BEARING ASSEMBLY - Nose gear steering	1	
-33	02052-02		* SHAFT ASSEMBLY - Nose gear steering	1	
-34	46961-00		* ARM ASSEMBLY - Nose gear steering	1	
-35	20737-42		* * BUSHING	2	
-36	47047-00		* ACTUATOR - Nose gear steering	1	

When ordering, always specify Part Number, Description and Serial Number of Aircraft

PIPER PARTS CATALOG

Figure and Index Number	Part Number	Code	NOMENCLATURE	No. Req.	SERIAL NUMBERS AFFECTED
47-37	47069-00		* ALIGNER ASSEMBLY - Nose gear	1	
-38	47068-00		* * ALIGNER	1	
-39	14976-15		* * BUSHING	1	
-40	14976-16		* * BUSHING	1	
-41	411 349		* * SCREW - (AN526-428-R14)	1	
-42	407 575		* WASHER - (AN960-1416)	1	
-43	401 266		* BOLT - (AN3-5A)	12	
	407 564		* WASHER - (AN960-10)	24	
	404 887		* NUT - (MS20365-1032C)	12	
-44	402 338		* BOLT - (AN175-16A)	2	
	407 566		* WASHER - (AN960-516)	2	
	404 889		* NUT - (MS20365-524C)	2	
-44a	460 691		* FITTING - Lubrication (AN944-101)	1	
-45	48865-02		BRACKET - Cable guide, top	1	
-46	48869-02		BRACKET - Cable guide, bottom	1	

When ordering, always specify Part Number, Description and Serial Number of Aircraft

PIPER PARTS CATALOG

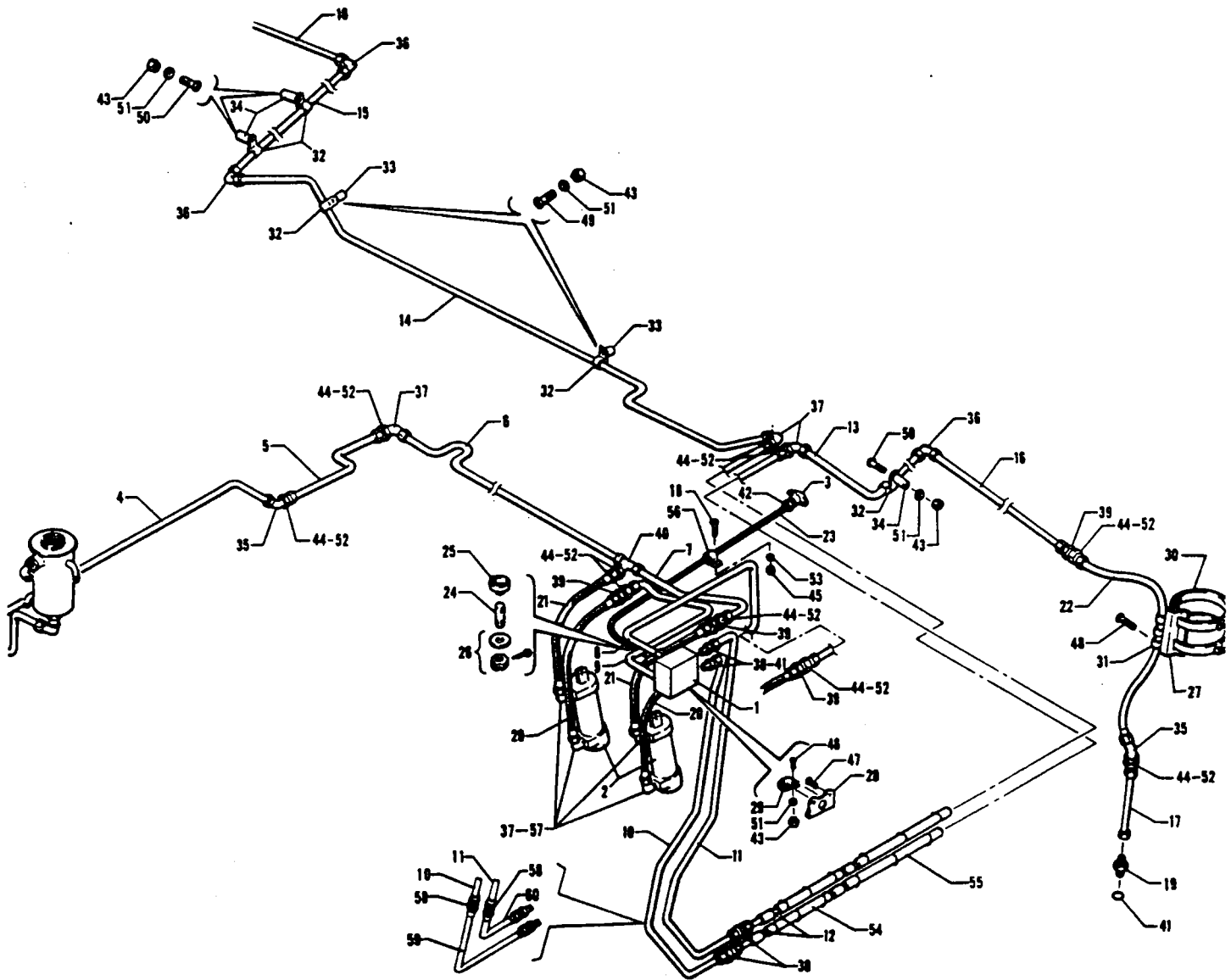


Figure 48. Brake System Installation

PIPER PARTS CATALOG

CODE EXPLANATIONS FOR FIGURE 48

- A - See Figure 50 for component parts.
- B - See Figure 49 if dual brake is installed.

PIPER PARTS CATALOG

Figure and Index Number	Part Number	Code	NOMENCLATURE	No. Req.	SERIAL NUMBERS AFFECTED
48-	81714		DRAWING - Hydraulic Brake System Installation		
-1	492 152	A	VALVE - Parking brake (060-00301)	1	
-2	455 971	A	MASTER CYLINDER ASSEMBLY - Brake (10-23A)	2	
-3	471 080		KNOB - Tee (KN578A)	1	
-4	46413-00		LINE ASSEMBLY - Hydraulic brake	1	
-5	45925-03		LINE ASSEMBLY - Hydraulic brake	1	
-6	45925-02	B	LINE ASSEMBLY - Hydraulic brake	1	
-7	42094-00	B	LINE ASSEMBLY - Hydraulic brake	1	
-8	45921-00		LINE ASSEMBLY - Hydraulic brake	1	
-9	45897-00		LINE ASSEMBLY - Hydraulic brake	1	
-10	81719-02		LINE ASSEMBLY - Hydraulic brake	1	31T-8275001 to 31T-8275005 inc
	46408-00		LINE ASSEMBLY - Hydraulic brake	1	31T-8275006 and up
-11	81718-02		LINE ASSEMBLY - Hydraulic brake	1	31T-8275001 to 31T-8275005 inc
	46407-00		LINE ASSEMBLY - Hydraulic brake	1	31T-8275006 and up
-12	42300-09		LINE ASSEMBLY - Hydraulic brake	2	
-13	46730-00		LINE ASSEMBLY - Hydraulic brake	1	31T-8275001 to 31T-8275005 inc
	81547-02		LINE ASSEMBLY - Hydraulic brake	1	31T-8275006 and up
-14	46724-00		LINE ASSEMBLY - Hydraulic brake	1	
-15	46725-00		LINE ASSEMBLY - Hydraulic brake	1	
-16	42300-03		LINE ASSEMBLY - Hydraulic brake	2	
-17	17766-117		HOSE ASSEMBLY - Hydraulic brake	2	
-18	415 535		SCREW - (MS35206-245)	1	
-19	491 050		UNION - (AN815-4D)	2	
-20	565 226		HOSE ASSEMBLY - Flexible (80026-06)	2	
-21	565 225		HOSE ASSEMBLY - Flexible (80026-07)	2	
-22	17766-73		HOSE ASSEMBLY - Flexible, hydraulic brake	2	
-23	16775-03		CABLE ASSEMBLY - Parking brake	1	
-24	42809-00		STUD - Swivel fitting	1	
-25	70371-02		FITTING - Swivel	1	
-26	424 051		PIN - Cotter (MS24665-132)	1	
	407 584		WASHER - (AN960-10L)	1	
	404 100		NUT - (AN310-3)	1	
-27	41220-00		BRACKET ASSEMBLY	2	
-28	45853-00		BRACKET	1	
-29	454 887		CLAMP - (A4886S-3-1)	1	
-30	554 874		CLAMP - (SAE TY F56SS)	4	
-31	454 933		CLAMP - (A4980S-8-91)	6	
-32	454 929		CLAMP - (A4980S-4-91)	5	
-33	42129-11		BUSHING	2	
-34	42129-12		BUSHING	3	
-35	458 910		ELBOW - 45° (AN837-4D)	3	
-36	458 880		ELBOW - 90° (AN821-4D)	3	
-37	458 900		ELBOW - 90° (AN833-4D)	7	
-38	491 050		UNION - (AN815-4D)	4	
-39	491 060		UNION - (AN832-4D)	5	
-40	488 383	B	TEE - (AN834-4D)	1	
-41	462 027		GASKET - (AN6290-4)	4	
-42	404 224		NUT - (AN315-3R)	1	
-43	404 887		NUT - (MS20365-1032C)	6	
-44	477 618		NUT - (AN924-4D)	12	
-45	404 887		NUT - (MS20365-832C)	1	
-46	411 532		SCREW - (MS35207-263)	1	
-47	417 703		SCREW - (AN526-1032R26)	2	
-48	411 530		SCREW - (MS35207-261)	6	
-49	416 998		SCREW - (AN526-1032R18)	2	
-50	411 539		SCREW - (MS35207-270)	3	

When ordering, always specify Part Number, Description and Serial Number of Aircraft

PIPER PARTS CATALOG

Figure and Index Number	Part Number	Code	NOMENCLATURE	No. Req.	SERIAL NUMBERS AFFECTED
48-51	407 564		WASHER - (AN960-10)	6	
-52	407 568		WASHER - (AN960-716)	12	
-53	407 563		WASHER - (AN960-8)	1	
-54	80000-06		TUBE - Rubber, anti-chafing	2	
-55	80000-07		TUBE - Rubber, anti-chafing	2	
-56	454 887		CLAMP - Brake cable (PS10017-1-3)	1	
-57	462 027		GASKET - (AN6290-4)	4	
	484 752		RING - Back-up (AN6291-4)	4	
	477 678		NUT - (AN6289D4)	4	
-58	491 060		UNION - (AN832-4D)	2	31T-8275006 and up
	407 568		WASHER - (AN960-716)	2	31T-8275006 and up
	477 618		NUT - (AN924-4D)	2	31T-8275006 and up
-59	46828-00		LINE ASSEMBLY - Hydraulic brake	1	31T-8275006 and up
-60	46829-00		LINE ASSEMBLY - Hydraulic brake	1	31T-8275006 and up

When ordering, always specify Part Number, Description and Serial Number of Aircraft

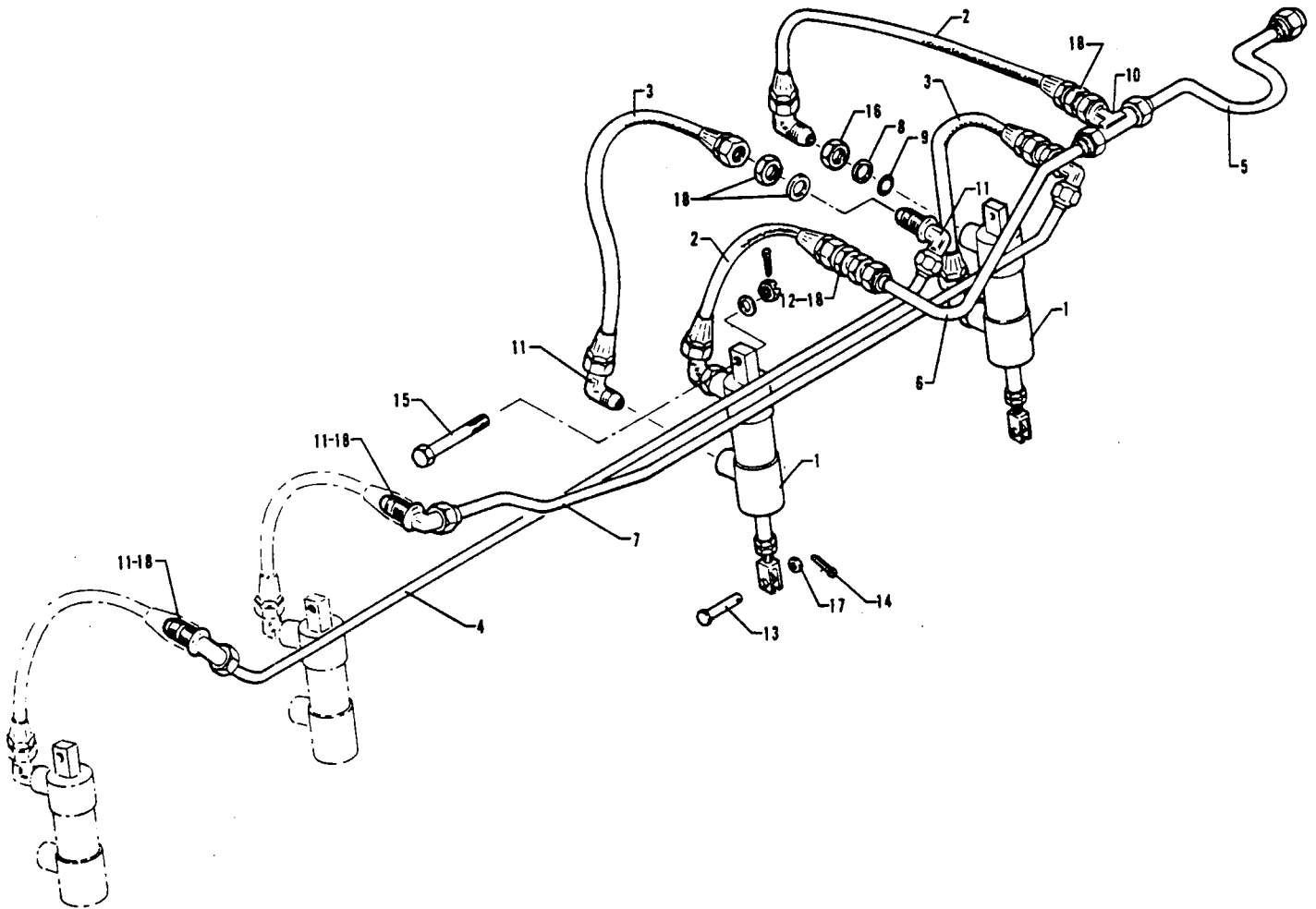


Figure 49. Dual Brake Installation

PIPER PARTS CATALOG

CODE EXPLANATIONS FOR FIGURE 49

A - See Figure 50 for component parts.

PIPER PARTS CATALOG

Figure and Index Number	Part Number	Code	NOMENCLATURE	No. Req.	SERIAL NUMBERS AFFECTED
49-	47245		DRAWING - Dual Brake Installation		
-1	455 971	A	MASTER CYLINDER ASSEMBLY - Brake (10-23A)	2	
-2	565 225		HOSE ASSEMBLY - Brake cylinder, upper port (80026-07)	2	
-3	565 226		HOSE ASSEMBLY - Brake cylinder, lower port (80026-06)	2	
-4	42062-00		TUBE ASSEMBLY - Hydraulic brake	1	
-5	45925-00		TUBE ASSEMBLY - Hydraulic brake	1	
-6	42064-00		TUBE ASSEMBLY - Hydraulic brake	1	
-7	42065-00		TUBE ASSEMBLY - Hydraulic brake	1	
-8	484 752		RING - (AN6291-4)	4	
-9	462 027		GASKET - (AN6290-4)	4	
-10	488 383		TEE - (AN834-4D)	1	
-11	458 900		ELBOW - (AN833-4D)	8	
-12	491 060		UNION - (AN832-4D)	1	
-13	424 176		PIN - Flat head (AN393-15)	2	
-14	424 051		PIN - Cotter (AN380-2-2)	2	
-15	400 116		BOLT - (AN4-23)	2	
	407 565		WASHER - (AN960-416)	2	
	404 101		NUT - (AN310-4)	2	
	424 052		PIN - Cotter (AN380-2-3)	2	
-16	477 676		NUT - (AN6289-D4)	4	
-17	407 584		WASHER - (AN960-10L)	2	
-18	477 618		NUT - (AN924-4D)	6	
	407 568		WASHER - (AN960-716)	6	

When ordering, always specify Part Number, Description and Serial Number of Aircraft

1124

INTENTIONALLY LEFT BLANK

PIPER PARTS CATALOG

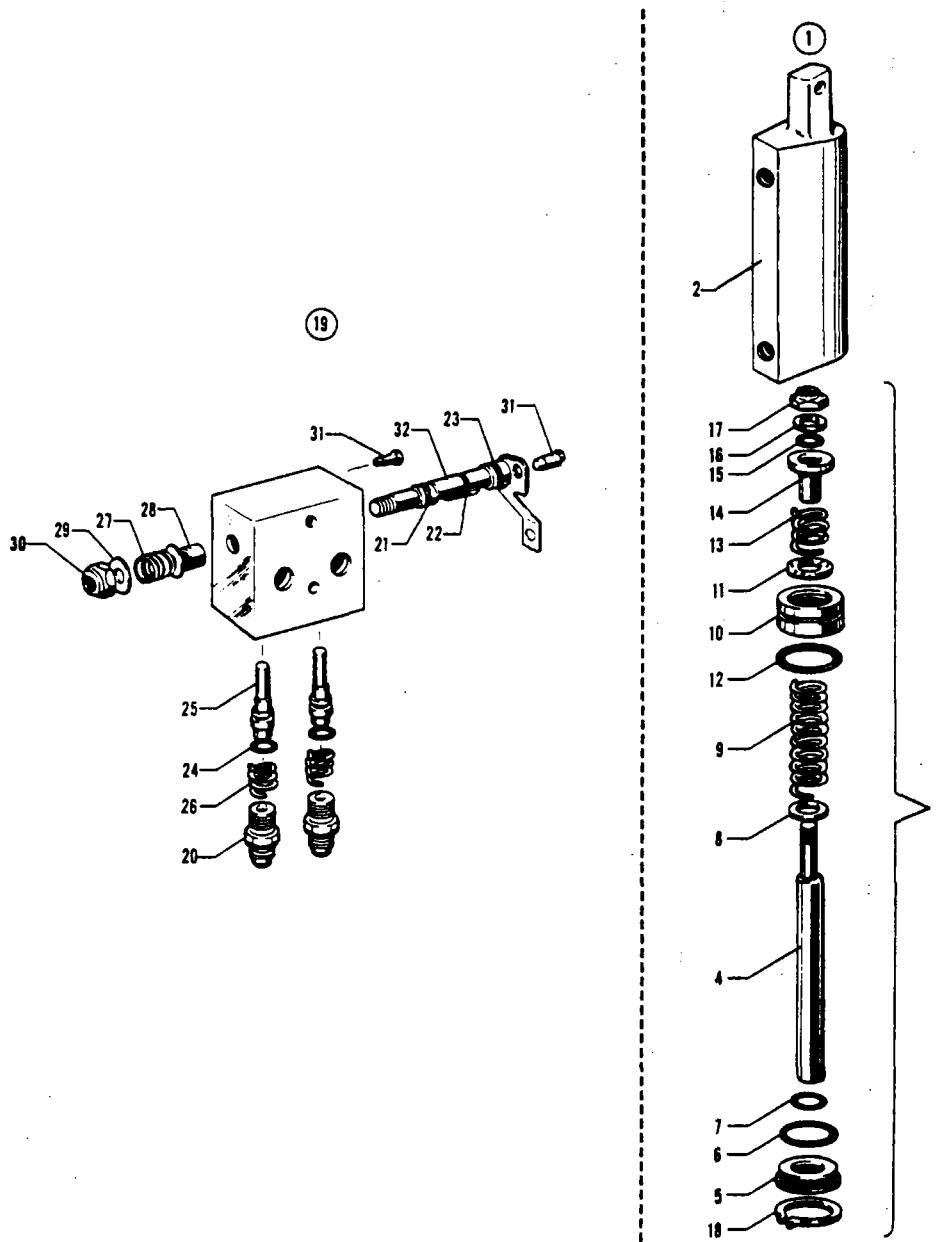


Figure 50. Master Cylinder and Parking Brake Valve

PIPER PARTS CATALOG

CODE EXPLANATIONS FOR FIGURE 50

PIPER PARTS CATALOG

Figure and Index Number	Part Number	Code	NOMENCLATURE	No. Req.	SERIAL NUMBERS AFFECTED
50-1	455 971		MASTER CYLINDER ASSEMBLY - Brake (10-23A)	2	
-2	763 309		* CYLINDER ASSEMBLY - Hydraulic (144-36)	1	
-3	762 573		* ROD ASSEMBLY - Piston (182-24)	1	
-4	755 953		* * ROD - Piston (142-7)	1	
-5	751 890		* * GLAND - Packing (141-8)	1	
-6	484 730		* * O-RING - (AN6227-14)	1	
-7	484 701		* * O-RING - (AN6227-7)	1	
-8	407 567		* * WASHER - (AN960-616)	1	
-9	756 259		* * SPRING - (82-19)	1	
-10	763 441		* * PISTON - (148-26)	1	
-11	753 215		* * WASHER - (95-251)	1	
-12	484 730		* * O-RING - (AN6227-14)	1	
-13	756 119		* * SPRING - (82-10)	1	
-14	756 508		* * VALVE - (146-5)	1	
-15	752 735		* * O-RING - (AN6227-3) (484 707)	1	
-16	407 564		* * WASHER - (AN960-10)	1	
-17	404 835		* * NUT - (AN364-1032)	1	
-18	755 955		* RING - Retaining (IRR3000-100) (155-11)	1	
-19	492 152		VALVE ASSEMBLY - Parking brake (060-00301)	1	
-20	476 648		* FITTING - Tube (AN816-4D)	2	
-21	752 735		* O-RING - (AN6227-3) (484 707)	1	
-22	484 700		* O-RING - (AN6227-5)	1	
-23	484 708		* O-RING - (AN6227-6)	1	
-24	755 908		* O-RING - (AN6227-1)	2	
-25	753 110		* VALVE - (146-2)	2	
-26	762 333		* SPRING - (82-44)	2	
-27	756 119		* SPRING - (82-10)	1	
-28	751 445		* BUSHING - (145-7)	1	
-29	407 564		* WASHER - (AN960-10)	2	
-30	404 835		* NUT - (AN364-1032)	1	
-31	757 238		* PIN - (177-2)	2	
-32	757 879		* CAM ASSEMBLY - Valve (181-00301)	1	

When ordering, always specify Part Number, Description and Serial Number of Aircraft

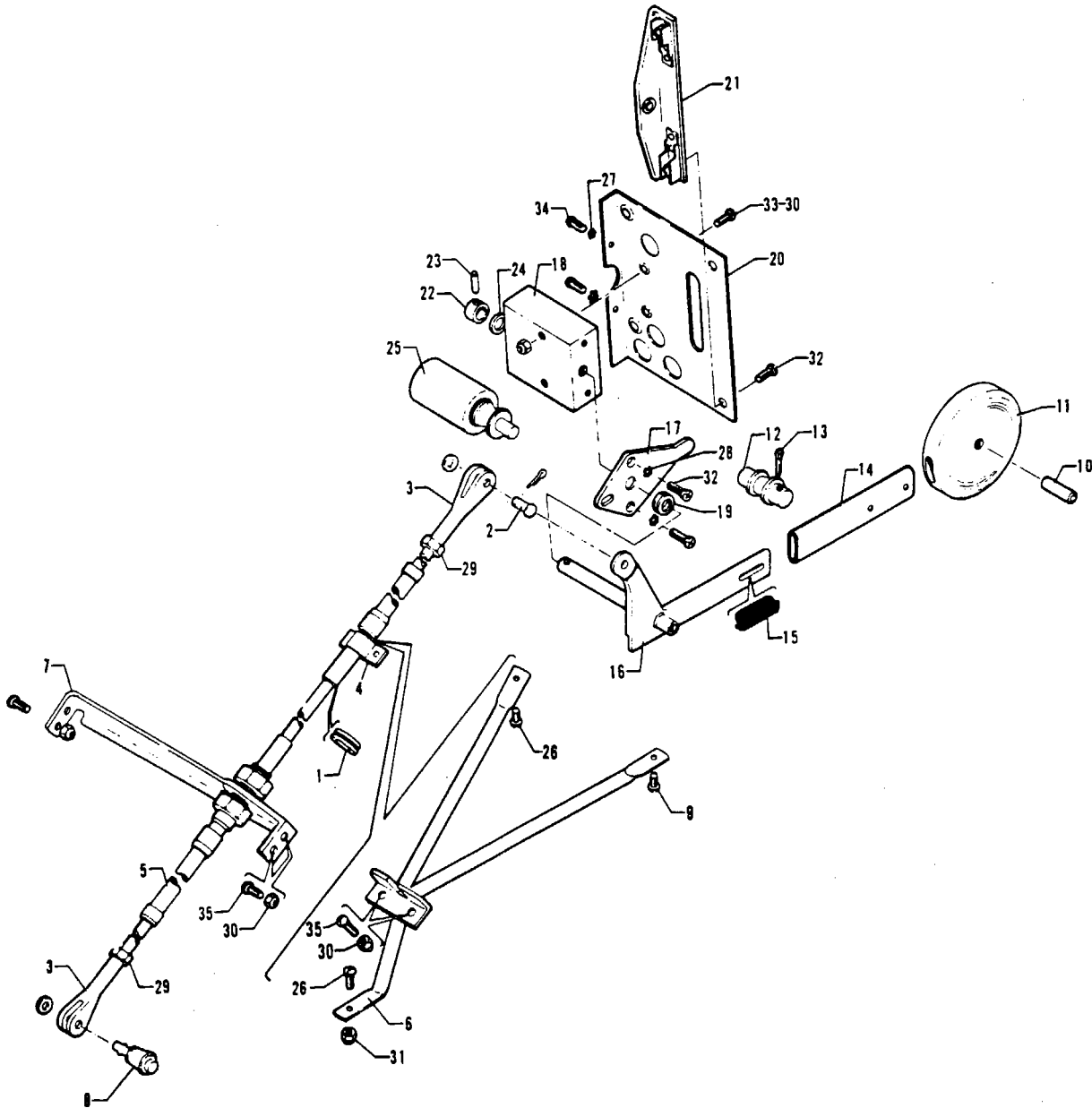


Figure 51. Landing Gear Selector Mechanism Installation

PIPER PARTS CATALOG

CODE EXPLANATIONS FOR FIGURE 51

PIPER PARTS CATALOG

Figure and Index Number	Part number	Code	NOMENCLATURE	No. Req.	SERIAL NUMBERS AFFECTED
51-	01602		DRAWING - Landing Gear Selector Mechanism Installation		
-1	434 134		GROMMET - (MS35489-11)	1	
-2	424 175		PIN - (MS20392-2C13)	1	
	407 584		WASHER - (AN960-10L)	1	
	424 051		PIN - Cotter (MS24665-132)	1	
-3	488 327		TERMINAL - (AN665-21R)	2	
-4	18219-02		CLAMP - Control cable	1	
-5	47132-03		CABLE ASSEMBLY - Flexible, push-pull	1	
-6	46258-00		BRACKET ASSEMBLY - Hydraulic powerpak control	1	
-7	01549-02		BRACKET - Powerpak control	1	
-8	53599-00		PIN - Cable attachment	1	
-9	411 531		SCREW - (MS35207-262)	1	
	407 564		WASHER - (AN960-10)	1	
	477 707		NUT - Cap (26C-02)	1	
-10	480 738		ROLL PIN - (59-040-187-0500)	1	
-11	571 077		KNOB - (OAS294-078-1)	1	
-12	41228-00		STOP PIN	1	
-13	424 051		PIN - Cotter (MS24665-132)	1	
	407 584		WASHER - (AN960-10L)	1	
-14	41089-00		SLEEVE	1	
-15	487 464		SPRING - (LC-026B-11)	1	
-16	46259-00		LEVER ASSEMBLY - Landing gear control	1	
-17	41139-00		STOP - Gear selector lever	1	
-18	41138-00		BLOCK - Lever mounting	1	
-19	407 566		WASHER - (AN960-516)	AR.	
-20	46257-00		PLATE ASSEMBLY - Mounting	1	
-21	46256-00		ANGLE ASSEMBLY - Mounting	1	
-22	46255-00		BUSHING	1	
-23	480 705		ROLL PIN - (59-028-125-0500)	1	
-24	408 815		WASHER - (3502-18-04)	1	
-25	487 155		SOLENOID - (L-3011)	1	
-26	411 532		SCREW - (MS35207-263)	2	
-27	407 134		LOCK WASHER - (AN936-A8)	2	
-28	407 151		LOCK WASHER - (AN936-D8)	2	
-29	404 224		NUT - (AN315-3R)	2	
-30	404 910		NUT - (MS20365-832C)	8	
-31	404 887		NUT - (MS20365-1032)	1	
-32	414 763		SCREW - (MS24693-S50)	6	
-33	414 722		SCREW - (MS24693-S56)	2	
-34	415 533		SCREW - (MS35206-243)	2	
-35	415 535		SCREW - (MS35206-245)	6	

When ordering, always specify Part Number, Description and Serial Number of Aircraft

PIPER PARTS CATALOG

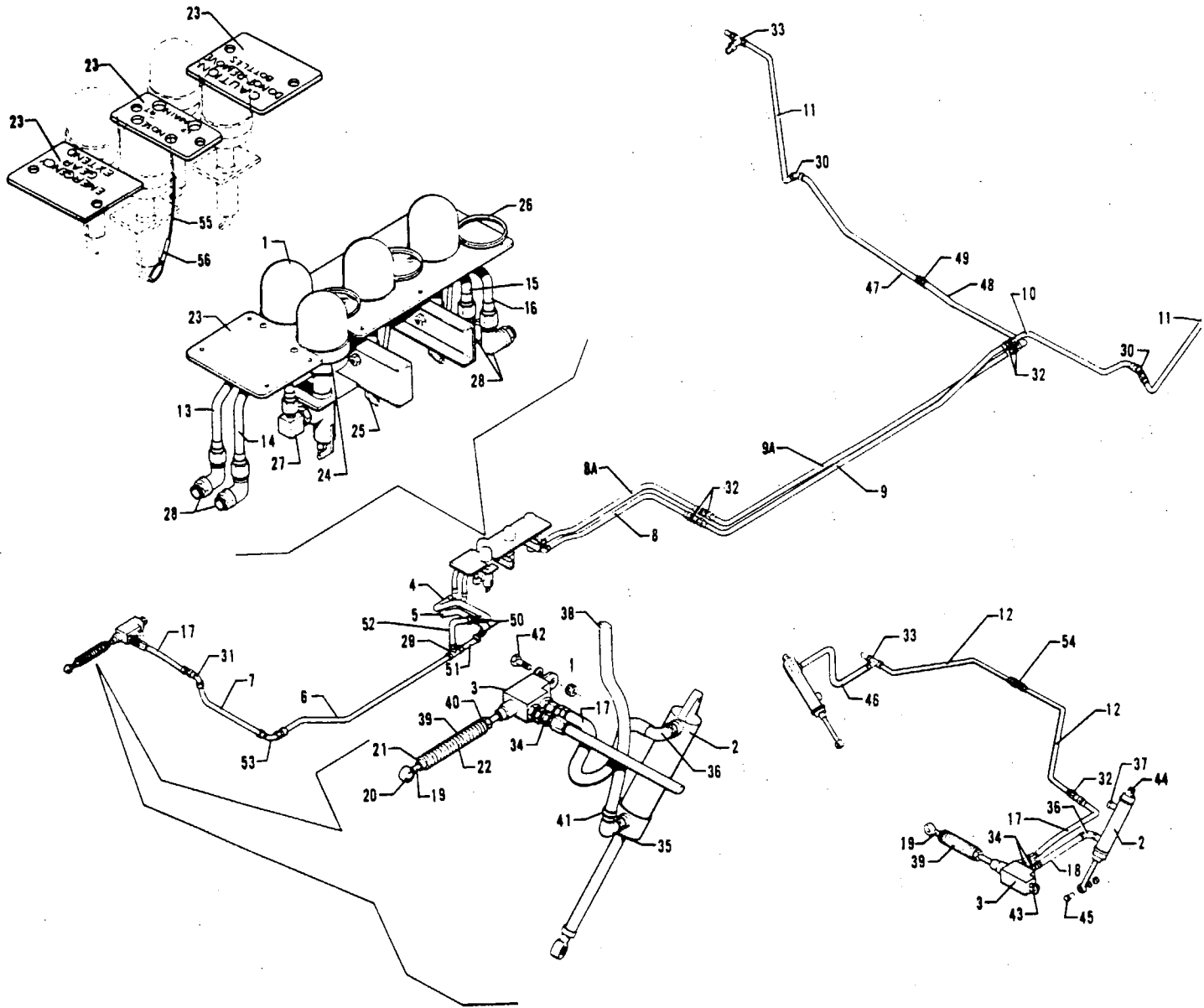


Figure 52. Emergency Gear Extension System Installation

PIPER PARTS CATALOG

CODE EXPLANATIONS FOR FIGURE 52

A - See Figure 53 for component parts.

PIPER PARTS CATALOG

Figure and Index Number	Part Number	Code	NOMENCLATURE	No. Req.	SERIAL NUMBERS AFFECTED
52-	29570 29440 29445		DRAWING - Emergency Gear Extender Installation DRAWING - Main Landing Gear Installation DRAWING - Nose Landing Gear Installation		
-1	455 973		CYLINDER ASSEMBLY - Nitrogen (CC-508-3)	4	
-2	552 514	A	ACTUATOR ASSEMBLY - Emergency extension (WTC2225)	3	
-3	551 968	A	ACTUATOR ASSEMBLY - Emergency uplock release (WTC2215-1)	3	
-4	81781-02		LINE ASSEMBLY - Emergency gear extension, nose	1	
-5	81783-02		LINE ASSEMBLY - Emergency gear extension, nose	1	
-6	81436-02		LINE ASSEMBLY - Emergency gear extension, nose	1	
-7	01156-02		LINE ASSEMBLY - Emergency gear extension, nose	1	
-8	29553-02		LINE ASSEMBLY - Emergency gear extension, main gear	1	
-8a	29554-02		LINE ASSEMBLY - Emergency gear extension, main gear	1	
-9	29545-02		LINE ASSEMBLY - Emergency gear extension, main gear	1	
-9a	29546-02		LINE ASSEMBLY - Emergency gear extension, main gear	1	
-10	29533-02		LINE ASSEMBLY - Emergency gear extension, left main gear	1	
-11	29535-02		LINE ASSEMBLY - Emergency gear extension, left main gear	1	31T-8275001 to 31T-8275006 incl.
	29535-03		LINE ASSEMBLY - Emergency gear extension, right main gear	1	31T-8275001 to 31T-8275006 incl.
	01787-02		LINE ASSEMBLY - Emergency gear extension	2	31T-8275007 and up
-12	29536-02		LINE ASSEMBLY - Emergency gear extension, left main gear	1	31T-8275001 to 31T-8275006 incl.
	29536-03		LINE ASSEMBLY - Emergency gear extension, right main gear	1	31T-8275001 to 31T-8275006 incl.
	01786-02		LINE ASSEMBLY - Emergency gear extension	2	31T-8275007 and up
-13	81428-02		LINE ASSEMBLY - Emergency gear extension, nose	1	31T-8275001 to 31T-8275006 incl.
	01242-02		LINE ASSEMBLY - Emergency gear extension, nose	1	31T-8275007 and up
-14	81431-02		LINE ASSEMBLY - Emergency gear extension, nose	1	31T-8275001 to 31T-8275006 incl.
	01244-02		LINE ASSEMBLY - Emergency gear extension, nose	1	31T-8275007 and up
-15	81427-02		LINE ASSEMBLY - Emergency gear extension, left main gear	1	31T-8275001 to 31T-8275006 incl.
	01244-02		LINE ASSEMBLY - Emergency gear extension, left main gear	1	31T-8275007 and up
-16	81425-02		LINE ASSEMBLY - Emergency gear extension, right main gear	1	31T-8275001 to 31T-8275006 incl.
	01244-02		LINE ASSEMBLY - Emergency gear extension, right main gear	1	31T-8275007 and up
-17	17766-110		HOSE ASSEMBLY - Flexible	4	
-18	17766-91		HOSE ASSEMBLY - Flexible	2	
-19	81947-02		ROD ASSEMBLY - Unlock actuator, nose gear	1	
	71228-02		ROD ASSEMBLY - Unlock actuator, main gear	2	
-20	452 383		* BEARING - Rod end (PAC24166-00)	1	
-21	404 225		* NUT - Jam (AN315-4R)	1	
-22	480 739		* ROLL PIN - (59-040-187-0625)	1	
-23	81447-02		PLATE ASSEMBLY - Emergency gear extension cylinder mounting	1	31T-8275001 to 31T-8275006 incl.
	01247-04		PLATE - Emergency gear extension cylinder mounting, forward	1	31T-8275007 and up
	01247-03		PLATE - Emergency gear extension cylinder mounting, center	1	31T-8275007 and up
	01247-02		PLATE - Emergency gear extension cylinder mounting, aft	1	31T-8275007 and up
-24	554 615		* CLAMP - (MSP6202-3)	4	31T-8275001 to 31T-8275006 incl.
-25	81604-03		EXTENDER ASSEMBLY - Emergency gear	3	31T-8275001 to 31T-8275006 incl.
	81604-02		EXTENDER ASSEMBLY - Emergency gear, copilot side, nose nitrogen cylinder	1	31T-8275001 to 31T-8275006 incl.
	467 029		EXTENDER ASSEMBLY - (COA1812-138-50)	4	31T-8275007 and up
-26	484 648		RING - Key	3	31T-8275001 to 31T-8275006 incl.
	484 648		RING - Key (1.5" Dia.)	2	31T-8275007 and up
	485 043		RING - Key (.625" Dia.)	2	31T-8275007 and up
-27	558 785		ADAPTER - (RA-2000-4)	4	
-28	458 900		ELBOW - (AN833-4D) 90 degree	4	
	407 568		WASHER - (AN960-716)	4	
	477 618		NUT - (AN924-4D)	4	
-29	488 320		TEE - (AN824-4D)	1	

When ordering, always specify Part Number, Description and Serial Number of Aircraft

PIPER PARTS CATALOG

Figure and Index Number	Part Number	Code	NOMENCLATURE	No. Req.	SERIAL NUMBERS AFFECTED
52-30	458 910		ELBOW - (AN837-4D) 45 degree	2	
	407 568		WASHER - (AN960-716)	2	
	477 618		NUT - (AN924-4D)	2	
-31	458 900		ELBOW - (AN833-4D)	1	
	477 618		NUT - (AN924-4D)	1	
-32	491 060		UNION - (AN832-4D)	6	
	407 568		WASHER - (AN960-716)	6	
	477 618		NUT - (AN924-4D)	6	
-33	488 320		TEE - (AN824-4D)	2	31T-8275001 to 31T-8275006 incl.
	488 311		TEE - (AN804-4D)	2	31T-8275007 and up
	407 568		WASHER - (AN960-716)	2	31T-8275007 and up
	477 618		NUT - (AN924-4D)	2	31T-8275007 and up
-34	484 351		REDUCER - (AN919-2D)	6	
	462 026		GASKET - (AN6290-3)	6	
-35	558 850		ELBOW - (AN838-4D)	1	
	462 027		GASKET - (AN6290-4)	1	
	484 752		RING - Back up (AN6291-4)	1	
	477 676		NUT - (AN6289-D4)	1	
-36	81355-02		ELBOW - Special (with Jet insert)	3	
	462 027		GASKET - (AN6290-4)	3	
	484 752		RING - Back up (AN6291-4)	3	
	477 676		NUT - (AN6289-D4)	3	
-37	560 969		FILTER - Air (2148003-1)	2	
-38	80006-51		TUBE - Flexible	1	
-39	453 206		BOOT - Dust (ONN-401-4-13-2)	3	
-40	454 924		CLAMP - Dust boot attachment (A3122-10-1)	3	
-41	554 778		CLAMP - (SAE TY F-4SS)	1	
-42	400 057		BOLT - Unlock actuator attachment (AN3-12)	1	
	407 564		WASHER - (AN960-10)	1	
	404 100		NUT - (AN310-3)	1	
	424 051		COTTER PIN - (MS24665-132)	1	
-43	400 444		BOLT - Unlock actuator attachment (AN3-13A)	2	
	407 564		WASHER - (AN960-10)	2	
	49999-44		BUSHING - Spacer	2	
	404 887		NUT - (MS20365-1032C)	2	
-44	401 193		BOLT - Emergency gear extension actuator attachment (AN5-15A)	2	
	407 566		WASHER - (AN960-516)	4	
	42129-47		BUSHING	4	
	404 889		NUT - (MS20365-524C)	2	
-45	401 312		BOLT - Emergency gear extension actuator arm attachment (AN4-12A)	2	
	407 565		WASHER - (AN960-416)	2	
	404 888		NUT - (MS20365-428C)	2	
-46	17766-113		HOSE ASSEMBLY - Flexible, main gear door emergency extension	2	
-47	82009-02		LINE ASSEMBLY - Emergency gear extension, right main gear	1	
-48	82008-02		LINE ASSEMBLY - Emergency gear extension, right main gear	1	
-49	491 050		UNION - (AN815-4D)	1	
-50	492 163		VALVE - Check (2C5040)	2	
-51	80004-56		TUBE ASSEMBLY - Emergency gear extension, nose	1	
-52	82073-02		LINE ASSEMBLY - Emergency gear extension, nose	1	
-53	458 900		ELBOW - (AN833-4D) 90 degree	1	
	407 568		WASHER - (AN960-716)	1	
	477 618		NUT - (AN924-4D)	1	
-54	491 050		UNION - (AN815-4D)	2	31T-8275007 and up
-55	01222-05		LANYARD	4	31T-8275007 and up
-56	486 879		SLEEVE - (28-1-C)	8	31T-8275007 and up

When ordering, always specify Part Number, Description and Serial Number of Aircraft

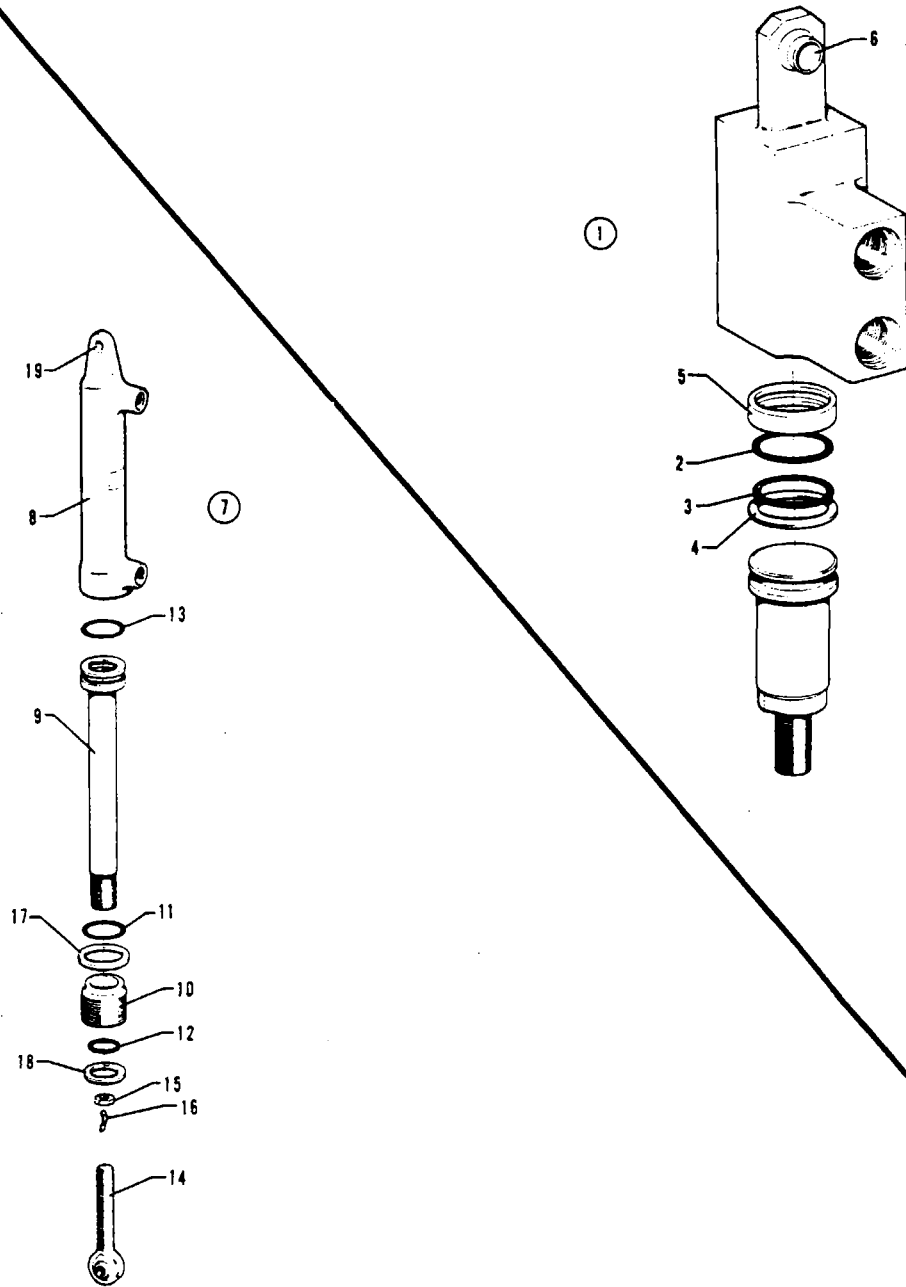


Figure 53. Emergency Gear Extension System Components

PIPER PARTS CATALOG

CODE EXPLANATIONS FOR FIGURE 53

PIPER PARTS CATALOG

Figure and Index Number	Part Number	Code	NOMENCLATURE	No. Req.	SERIAL NUMBERS AFFECTED
53-1	551 968		ACTUATOR ASSEMBLY - Emergency uplock release (WTC2215-1)	3	
-2	752 584		* "O" RING - (MS28775-113)	1	
-3	484 848		* "O" RING - (MS28775-016)	1	
-4	762 615		* RETAINER - Back-up (MS28774-016)	1	
-5	762 425		* SEAL - Double Delta (S30661-113N)	1	
-6	758 527		* BEARING - (LHB-3SBY-1M)	1	
-7	552 514		ACTUATOR ASSEMBLY - Emergency extension (WTC2225)	3	
-8	763 211		* CYLINDER ASSEMBLY - (2115001-1)	1	
-9	763 510		* PISTON - (2225001-1)	1	
-10	763 208		* CAP - End (2115003-1)	1	
-11	752 588		* "O" RING - (MS28775-124)	1	
-12	762 621		* RING - Seal (7114FS-972-T)	1	
-13	762 622		* RING - Seal (7216MS-972-T)	1	
-14	762 554		* ROD END - (MXK-46-16A)	1	
-15	404 528		* NUT - (MS21042-6)	1	
-16	761 115		* KEY - (2115004-1)	1	
-17	762 541		* RING - Back-up (MS28774-124)	1	
-18	762 285		* SCRAPER - (S-11065-3)	1	
-19	453 845		* BUSHING - (NAS77-5-15)	2	

When ordering, always specify Part Number, Description and Serial Number of Aircraft

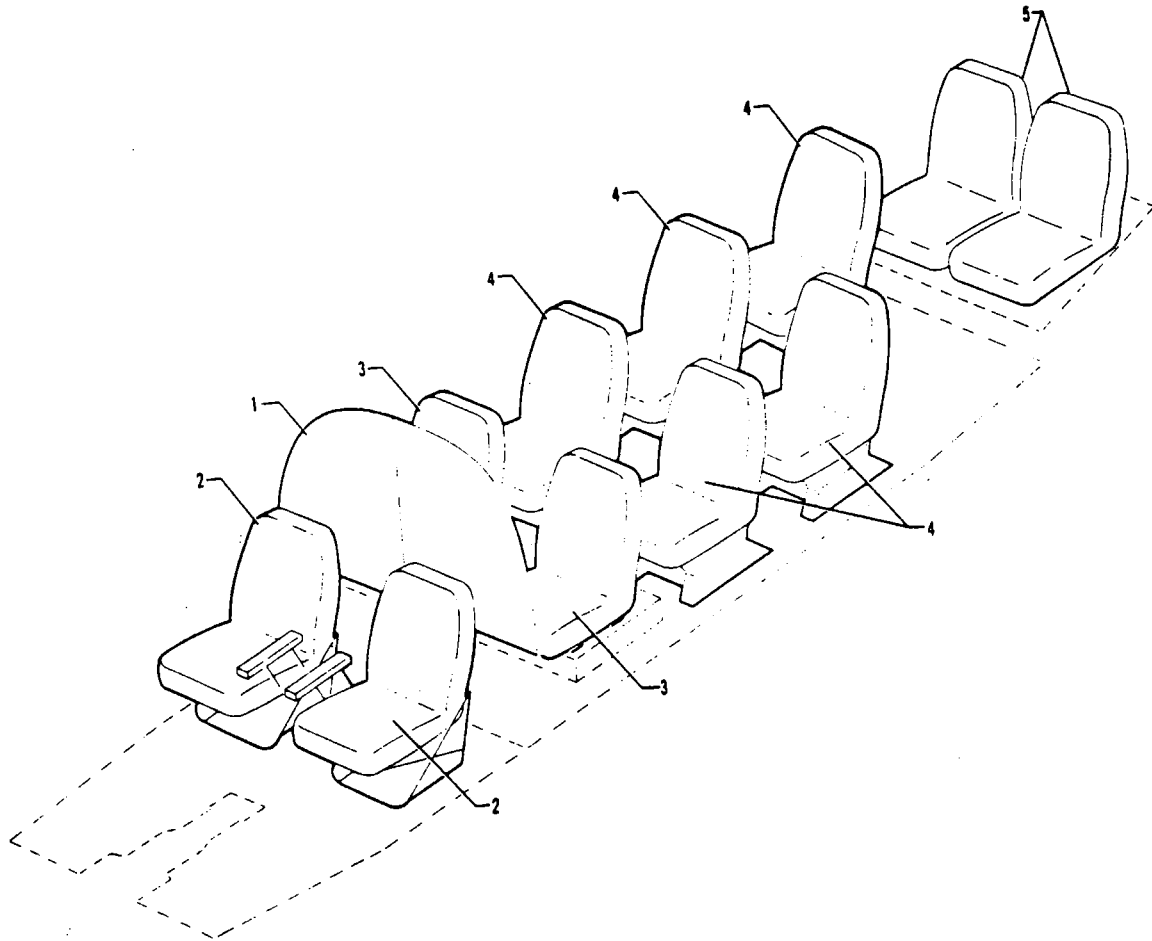


Figure 54. Cabin Furnishings Installation-Commuter Version

PIPER PARTS CATALOG

CODE EXPLANATIONS FOR FIGURE 54

- A - Serial number of aircraft must be supplied when ordering this part.
- B - See Figure 60 for component parts.
- C - See Figure 64 for component parts.
- D - See Figure 61 for component parts.
- E - See Figure 62 for component parts.
- F - See Figure 63 for component parts.

PIPER PARTS CATALOG

Figure and Index Number	Part Number	Code	NOMENCLATURE	No. Req.	SERIAL NUMBERS AFFECTED
54-	82125		DRAWING - Interior Furnishings Installation		
-1		C	CABIN PRIVACY CURTAIN INSTALLATION	1	
-2	82146-02	A,B	SEAT ASSEMBLY - Pilot (complete)	1	
	82146-03	A,B	SEAT ASSEMBLY - Copilot (complete)	1	
-3	82043-02	A,D	SEAT ASSEMBLY - Passenger, third and fourth (complete)	2	
-4	82058-04	A,E	SEAT ASSEMBLY - Passenger (complete)	5	
-5	82072-02	A,F	SEAT ASSEMBLY - Passenger, tenth (complete)	1	
	82072-03	A,F	SEAT ASSEMBLY - Passenger, eleventh (complete)	1	

When ordering, always specify Part Number, Description and Serial Number of Aircraft

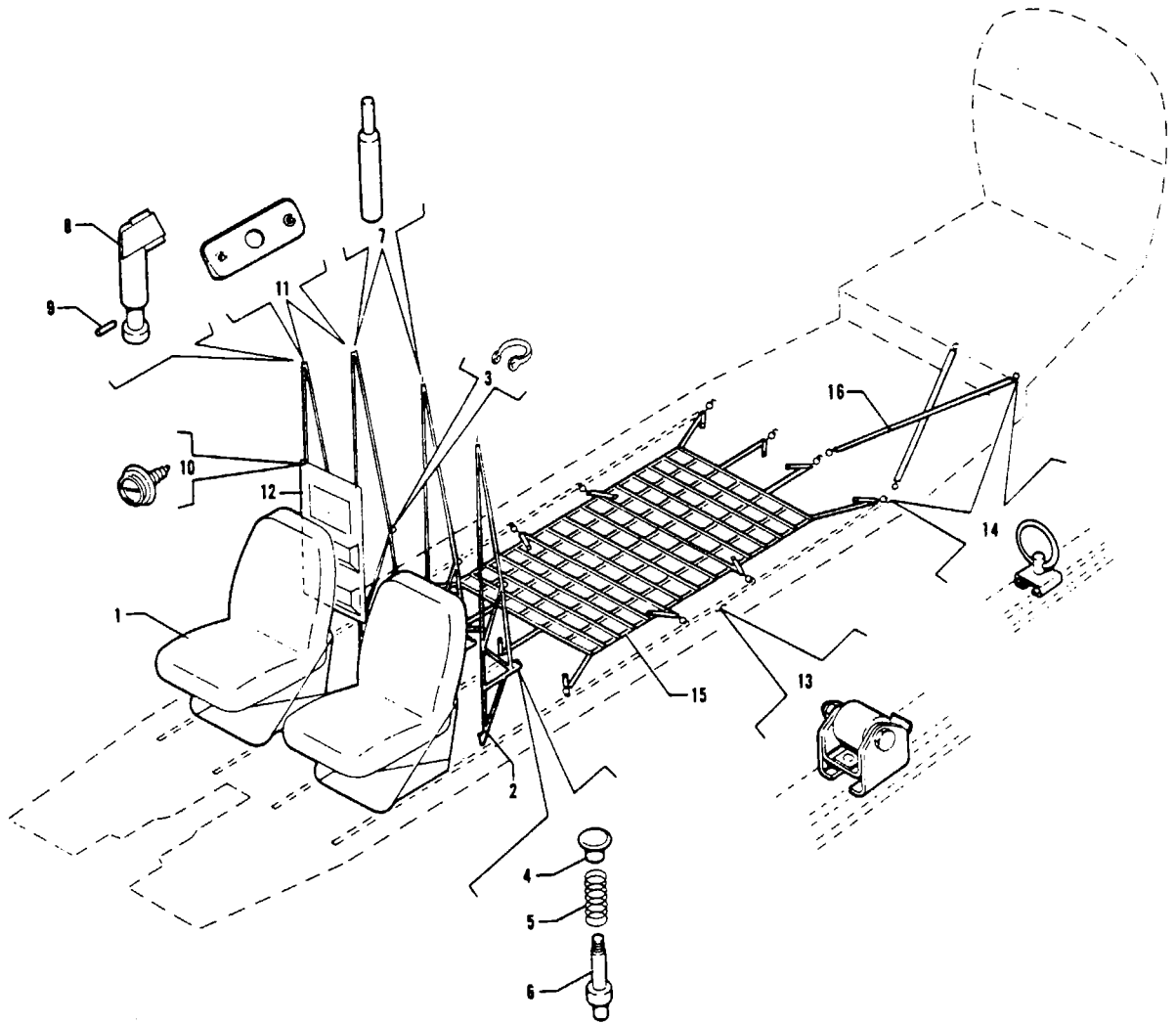


Figure 55. Cabin Furnishings Installation-Cargo Version

PIPER PARTS CATALOG

CODE EXPLANATIONS FOR FIGURE 55

A - See Figure 60 for component parts.

PIPER PARTS CATALOG

Figure and Index Number	Part Number	Code	NOMENCLATURE	No. Req.	SERIAL NUMBERS AFFECTED
55-	01760 52414 53668 52477 52480 53638		DRAWING - Cargo Straps Installation DRAWING - Cargo Net Installation (132 in long net) DRAWING - Cargo Net Installation (96 in long net) DRAWING - Cargo Roller Installation DRAWING - Cargo Barrier Installation DRAWING - Cargo Equipment Storage Container Installation		
-1		A	SEAT ASSEMBLY - Front, (complete), left	1	
		A	SEAT ASSEMBLY - Front, (complete), right	1	
-2	52470-02 52470-03		BARRIER ASSEMBLY - Cargo, inboard BARRIER ASSEMBLY - Cargo, outboard	2 2	
-3	52471-00		* RING - Cargo strap attachment	2	
-4	571 144		* KNOB - (8113-10-STK)	2	
-5	587 289		* SPRING - (LC-035E-12)	2	
-6	52096-00		* PIN - Seat latch	2	
-7	52405-00		* PIN - Cargo barrier, top, inboard	1	
-8	52468-00		* FITTING ASSEMBLY - Cargo barrier attachment, top, outboard	1	
-9	480 697		* PIN - Roll (59-022-094-0875)	1	
-10	487 560		* STUD - (XX-10369-12)	1	
-11	44965-00 01960-02		COVER - Cargo barrier trim, inboard COVER - Cargo barrier trim, outboard	2 2	
-12	53637-00		CONTAINER ASSEMBLY - Cargo equipment storage	1	
-13	52465-00		ROLLER ASSEMBLY - Cargo	AR	
-14	46654-00		RING ASSEMBLY - Baggage tie down	AR	
-15	52413-00 53666-00		NET ASSEMBLY - Cargo (132 in long) NET ASSEMBLY - Cargo (96 in long)	1 1	
-16	44935-00		STRAP ASSEMBLY - Cargo	2	

When ordering, always specify Part Number, Description and Serial Number of Aircraft

PIPER PARTS CATALOG

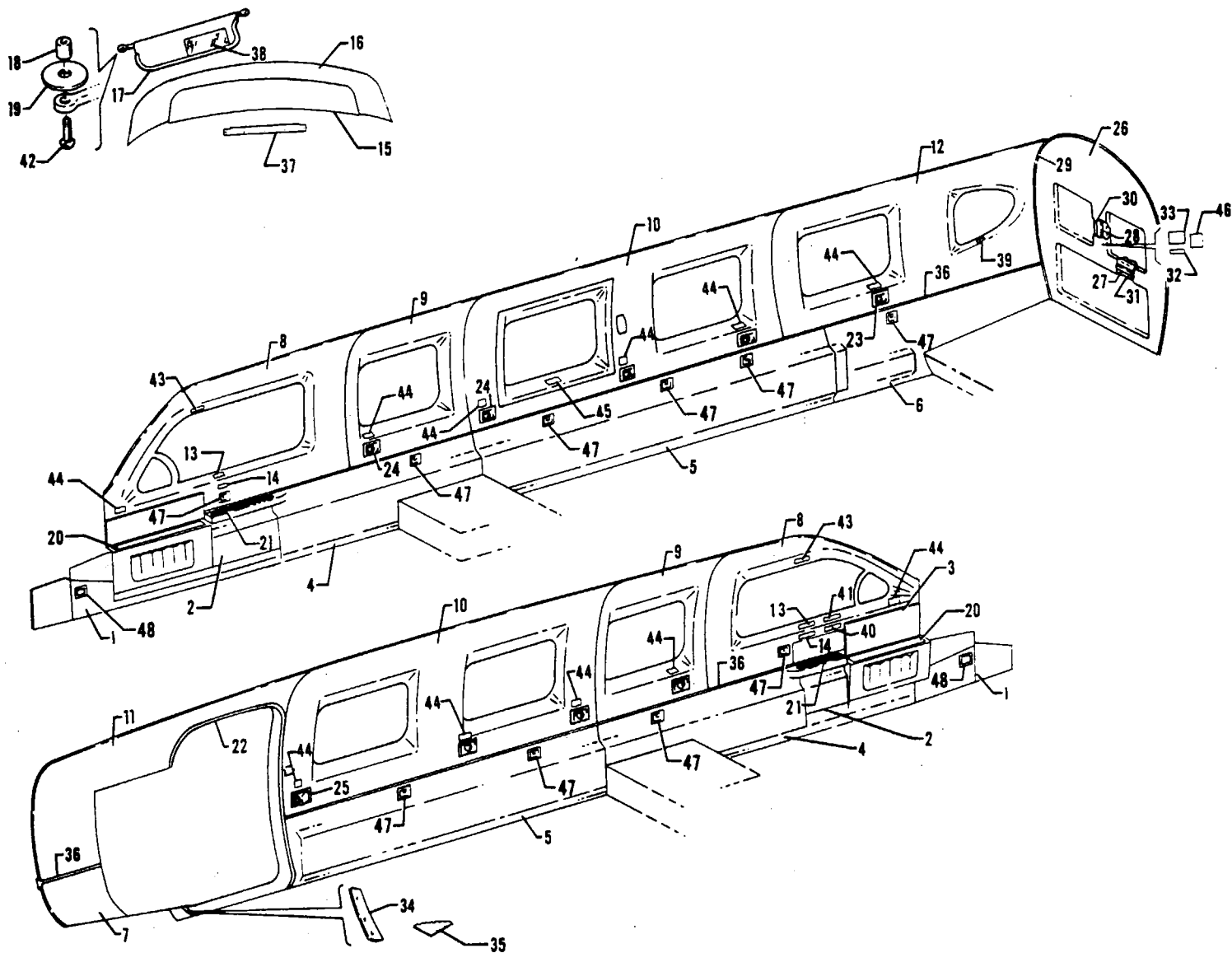


Figure 56. Cabin Interior Finishing Installation

PIPER PARTS CATALOG

CODE EXPLANATIONS FOR FIGURE 56

- A - Serial number of aircraft must be supplied when ordering this part.
- B - See Figure 32 if pilot door is installed.
- C - Used on aircraft that comply with C.A.A. (United Kingdom) requirements.
- D - Used on aircraft with serial numbers 31T-8275001 to 31T-8275003 inclusive, 31T-8275005 to 31T-8275016 inclusive, 31T-8275018 to 31T-8375002 inclusive, 31T-8375004 and up.
- E - Used on aircraft with serial numbers 31T-8275004, 31T-8275017, 31T-8375003.

PIPER PARTS CATALOG

Figure and Index Number	Part Number	Code	NOMENCLATURE	No. Req.	SERIAL NUMBERS AFFECTED
56-	01600		DRAWING - Cabin Interior Finishing Installation		
-1	01541-02	D	PANEL ASSEMBLY - Trim, forward, left	1	
	02316-02	E	PANEL ASSEMBLY - Trim, forward, left	1	
	01541-03	D	PANEL ASSEMBLY - Trim, forward, right	1	
	02316-03	E	PANEL ASSEMBLY - Trim, forward, right	1	
-2	01540-02		PANEL ASSEMBLY - Access, left	1	
	01540-03		PANEL ASSEMBLY - Access, right	1	
-3	01566-02		PANEL - Trim, circuit breaker panel, left	1	
	01567-02		PANEL - Trim, circuit breaker panel, right	1	
-4	01535-02	D	PANEL - Trim, forward, left	1	
	02291-02	E	PANEL - Trim, forward, left	1	
	01535-03	D	PANEL - Trim, forward, right	1	
	02291-03	E	PANEL - Trim, forward, right	1	
-5	01828-04		PANEL - Trim, center, left	1	
	01828-05		PANEL - Trim, center, right	1	
-6	01831-03		PANEL - Trim, rear, right	1	
-7	01822-02		PANEL - Trim, rear, left	1	
-8	81716-06	B	MOULDING - Window, front, left	1	
	81716-07		MOULDING - Window, front, right	1	
-9	55266-36		MOULDING - Window, intermediate, left	1	
	55266-35		MOULDING - Window, intermediate, right	1	
-10	01834-10		MOULDING - Window, center, left	1	
	01789-14		MOULDING - Window, center, right	1	
-11	55315-05		MOULDING - Cargo door trim	1	
-12	01830-10		MOULDING - Window, aft, right	1	
-13	80905-02		DECAL - Seat requirements	2	
-14	80893-02		DECAL - Anti-collision lights warning	2	
-15	81698-02		PANEL ASSEMBLY - Instrument access	1	
-16	53360-02		COVER - Windshield anti-glare	1	
-17	71608-02		VISOR ASSEMBLY - Sun, left	1	
	71608-03		VISOR ASSEMBLY - Sun, right	1	
-18	61402-105		BUSHING - Sun visor	2	
-19	54374-03		WASHER - Sun visor	2	
-20	29638-04		HOLDER - Pencil, left	1	
	29638-05		HOLDER - Pencil, right	1	
-21	73094-02	A	PAD ASSEMBLY - Armrest	2	
-22	71100-03		WINDLACE ASSEMBLY - Cabin and cargo door	1	
-23	55334-02		COVER - Air outlet trim	1	
24	55596-02		COVER - Air outlet trim	7	
-25	01833-02		COVER - Air outlet trim	1	
-26	01835-05		PANEL - Aft close-out	1	
-27	13945-78		STRIP - Rubber, rear close-out panel	1	
-28	13945-79		STRIP - Rubber, rear close-out panel	1	
-29	13945-80		STRIP - Rubber, rear close-out panel	1	
-30	42369-05		CHANNEL ASSEMBLY - Rear panel support	1	
-31	42369-09		CHANNEL ASSEMBLY - Rear panel support	1	
-32	81022-02		PLACARD - Aft baggage capacity	1	
-33	81020-02		PLACARD - Cargo loading	1	
-34	57258-02		PLATE - Carpet trim	1	
-35	55317-02		CARPET ASSEMBLY - Trim, left	1	
-36	41322-00		EXTRUSION - Side panel (6' length)	AR	
-37	55380-02		BRACKET ASSEMBLY - Instrument access panel	1	

When ordering, always specify Part Number, Description and Serial Number of Aircraft

PIPER PARTS CATALOG

Figure and Index Number	Part Number	Code	NOMENCLATURE	No. Req.	SERIAL NUMBERS AFFECTED
56-38	81000-02		PLACARD - Check list	1	
-39	80999-02		PLACARD - Seat requirements	1	
-40	81005-02		DECAL - Category	1	
-41	81006-02		DECAL - Limitations	1	
-42	415 284		SCREW - (10-32 x 1.00") Oval	2	
-43	80895-02		DECAL - Armrest storage	2	
-44	81023-02	C	DECAL - No Smoking	11	
-45	81025-02	C	DECAL - "Push Here"	1	
-46	81027-02	C	DECAL - Baggage tie down	1	
-47	489 415		ASH TRAY - (2A20580)	10	
-48	02320-02	E	BEZEL - Heat deflector	2	

When ordering, always specify Part Number, Description and Serial Number of Aircraft

1J24
INTENTIONALLY LEFT BLANK

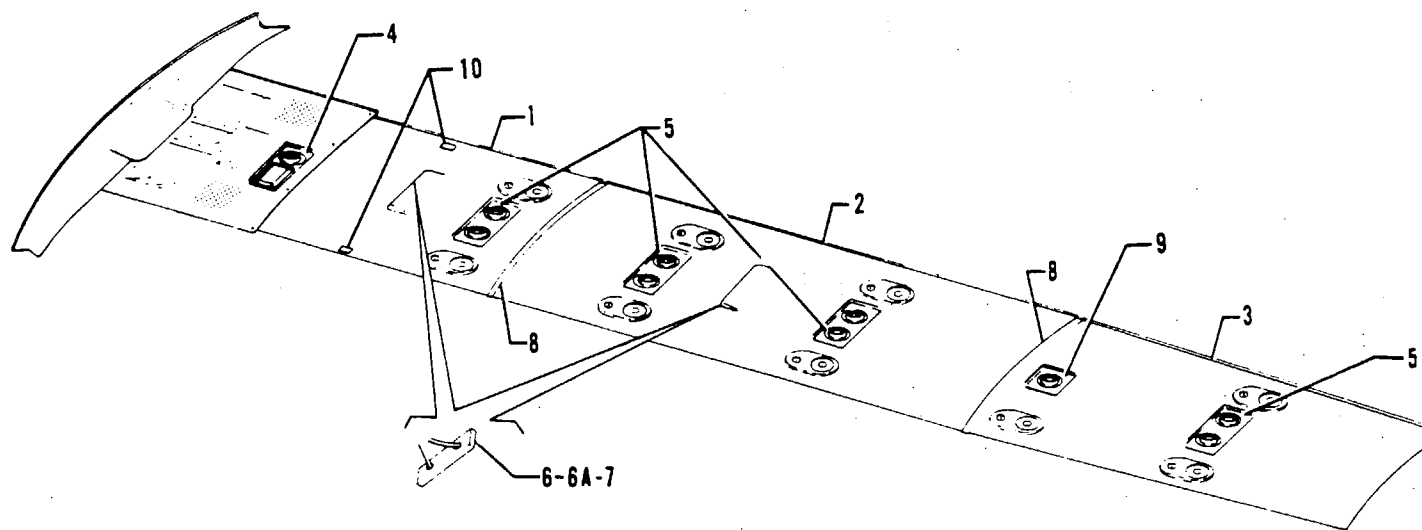


Figure 57. Cabin Headliner Installation

PIPER PARTS CATALOG

CODE EXPLANATIONS FOR FIGURE 57

A - Used on aircraft with serial numbers 31T-8275001 to 31T-8275007 inclusive, 31T-8275010, 31T-8275011, 31T-8275013 and up.

PIPER PARTS CATALOG

Figure and Index Number	Part Number	Code	NOMENCLATURE	No. Req.	SERIAL NUMBERS AFFECTED
57-	01465		DRAWING - Headliner Installation		
-1	74147-02		PANEL - Headliner, forward	1	
-2	74148-03		PANEL - Headliner, center	1	
-3	74149-02		PANEL - Headliner, aft	1	
-4	55294-02		COVER - Oxygen outlet trim	1	
-5	55292-02		COVER - Oxygen outlet trim	4	
-6	572 554	A	SIGN ASSEMBLY - No smoking and fasten seat belts	2	
	486 656		SIGN - No smoking and fasten seat belts	2	31T-8275008, 31T-8275009 and 31T-8275012
-6a	764 853		LENS/BULB HOLDER ASSEMBLY - No smoking and fasten seat belts sign	1	31T-8275008, 31T-8275009 and 31T-8275012
-7	758 472	A	* BULB - (A-9906-7)	5	
	472 028		* BULB - (PS10008-327)	5	31T-8275008, 31T-8275009 and 31T-8275012
-8	74146-07		CAP - Trim	2	
-9	55286-02		COVER - Oxygen outlet trim	1	
-10	01955-02		COVER - Trim, inboard, B.L. 7.75	2	
	01956-02		COVER - Trim, outboard, B.L. 18.75	2	

When ordering, always specify Part Number, Description and Serial Number of Aircraft

PIPER PARTS CATALOG

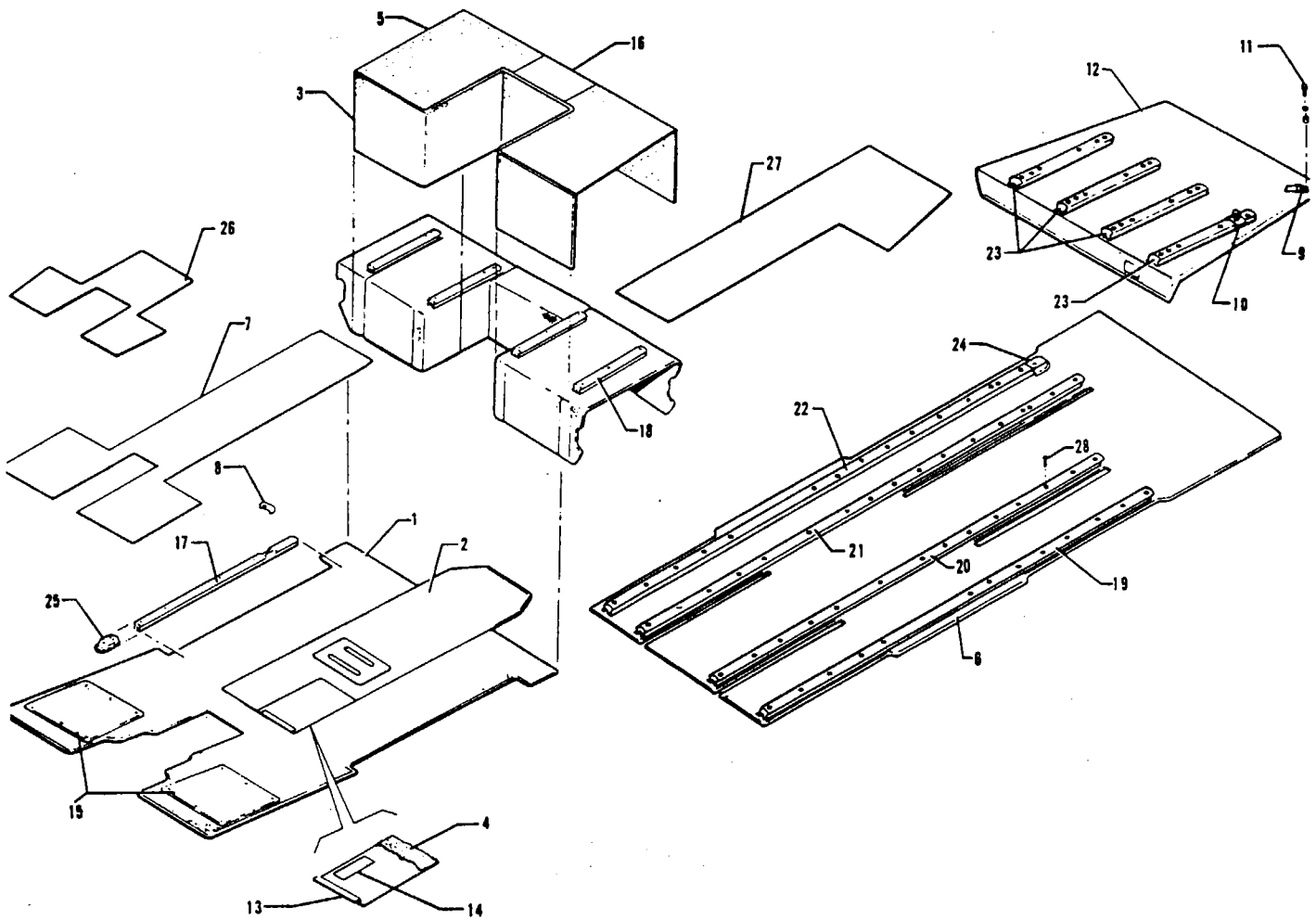


Figure 58. Cabin Carpet Installation

PIPER PARTS CATALOG

CODE EXPLANATIONS FOR FIGURE 58

A - Serial number of aircraft must be supplied when ordering this part.

PIPER PARTS CATALOG

Figure and Index Number	Part Number	Code	NOMENCLATURE	No. Req.	SERIAL NUMBERS AFFECTED
58-	01564		DRAWING - Carpet Installation		
-1	01564-04	A	CARPET ASSEMBLY - Crew compartment	1	
-2	01564-03	A	CARPET ASSEMBLY - Crew compartment, center	1	
-3	01564-06	A	CARPET ASSEMBLY - Air box, left	1	
	01564-05	A	CARPET ASSEMBLY - Air box, right	1	
-4	81285-06	A	CARPET ASSEMBLY - Floorboard, hydraulic hand pump	1	
-5	74159-07	A	CARPET ASSEMBLY - Spar cover	1	
-6	74159-08	A	CARPET ASSEMBLY - Passenger compartment (complete)	1	
-7	82133-04		CARPET ASSEMBLY - Baggage compartment	1	
-8	43759-00		STOP - Seat, crew seats	4	
-9	44935-03		STRAP ASSEMBLY - Baggage	4	
-10	46654-00		RING ASSEMBLY - Baggage tie down	4	
-11	400 441		BOLT - (AN3-7A)	4	
	80122-07		WASHER	8	
	14175-45		BUSHING	2	
-12	55460-06	A	COVER - Carpet	1	
-13	29573-05		PANEL ASSEMBLY - Floor cover, hydraulic hand pump	1	
-14	80848-02		* PLACARD - Emergency gear extension	1	
-15	41703-00		PLATE - Heel	1	
-16	74219-02		KICK PLATE - Spar box	1	
-17	81619-02		TRACK - Seat, crew	4	
-18	71727-02		TRACK - Seat, spar box	4	
-19	82053-02		TRACK - Seat, outboard, left	1	
-20	82053-04		TRACK - Seat, inboard, left	1	
-21	82053-05		TRACK - Seat, inboard, right	1	
-22	82053-03		TRACK - Seat, outboard, right	1	
-23	01503-04		TRACK - Seat, outboard	2	
	01503-05		TRACK - Seat, inboard	2	
-24	25552-00		COVER - Seat track end	4	
-25	25552-00		COVER - Seat track end	4	
-26	01935-02	A	COVER ASSEMBLY - Carpet, crew compartment	1	
-27	01935-03	A	COVER ASSEMBLY - Carpet, passenger compartment	1	
-28	410 032		SCREW - (MS24694-S58)	AR	

When ordering, always specify Part Number, Description and Serial Number of Aircraft

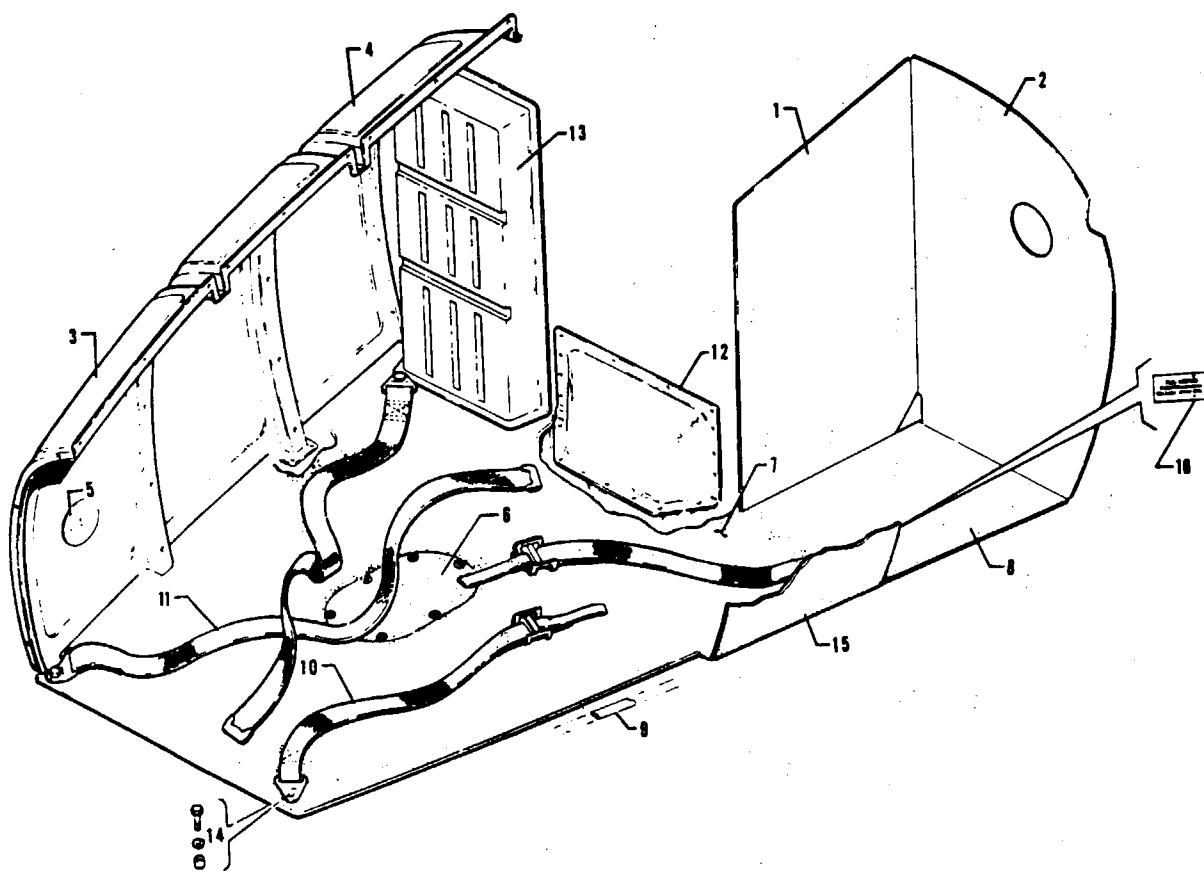


Figure 59. Forward Baggage Compartment Finishing Installation

PIPER PARTS CATALOG

CODE EXPLANATIONS FOR FIGURE 59

- A - Serial number of aircraft must be supplied when ordering this part.
- B - Used on aircraft with serial numbers 31T-8275001 to 31T-8275003 inclusive, 31T-8275005 to 31T-8275016 inclusive, 31T-8275018 to 31T-8375002 inclusive, 31T-8375004 and up.
- C - Used on aircraft with serial numbers 31T-8275004, 31T-8275017, 31T-8375003.

PIPER PARTS CATALOG

Figure and Index Number	Part Number	Code	NOMENCLATURE	No. Req.	SERIAL NUMBERS AFFECTED
59-	01608		DRAWING - Forward Baggage Compartment Installation		
-1	01459-02		PANEL ASSEMBLY - Baggage compartment, inboard left, Sta. 25.6 to Sta. 50.19	1	
-2	01468-02	B	PANEL ASSEMBLY - Baggage compartment, rear, Sta. 50.38	1	
	02315-02	C	PANEL ASSEMBLY - Baggage compartment, rear, Sta. 50.38	1	
-3	48507-02		PANEL - Trim, baggage compartment, front	1	
-4	48507-03		PANEL - Trim, baggage compartment, rear	1	
-5	12761-03		COVER ASSEMBLY - Access	1	
-6	54597-07		COVER ASSEMBLY - Floor access	1	
-7	48543-09	A	CARPET ASSEMBLY - Baggage compartment, front	1	
-8	01608-04	A	CARPET ASSEMBLY - Baggage compartment, rear	1	
-9	80044-10		WELT ASSEMBLY	1	
-10	43375-02		STRAP ASSEMBLY - Baggage tie down	2	
-11	43376-02		STRAP ASSEMBLY - Baggage tie down	2	
-12	47005-03		COVER - Wheel well access	1	
-13	81636-02		DUCT - Heater air inlet	1	
-14	400 440		BOLT - (AN3-6A)	4	
	80122-07		WASHER	8	
	14175-45		BUSHING	4	
-15	01608-06		CARPET ASSEMBLY - Baggage compartment, side Sta. 13 to Sta. 25.6	1	
-16	81018-02		* PLACARD - Access panel	1	

When ordering, always specify Part Number, Description and Serial Number of Aircraft

PIPER PARTS CATALOG

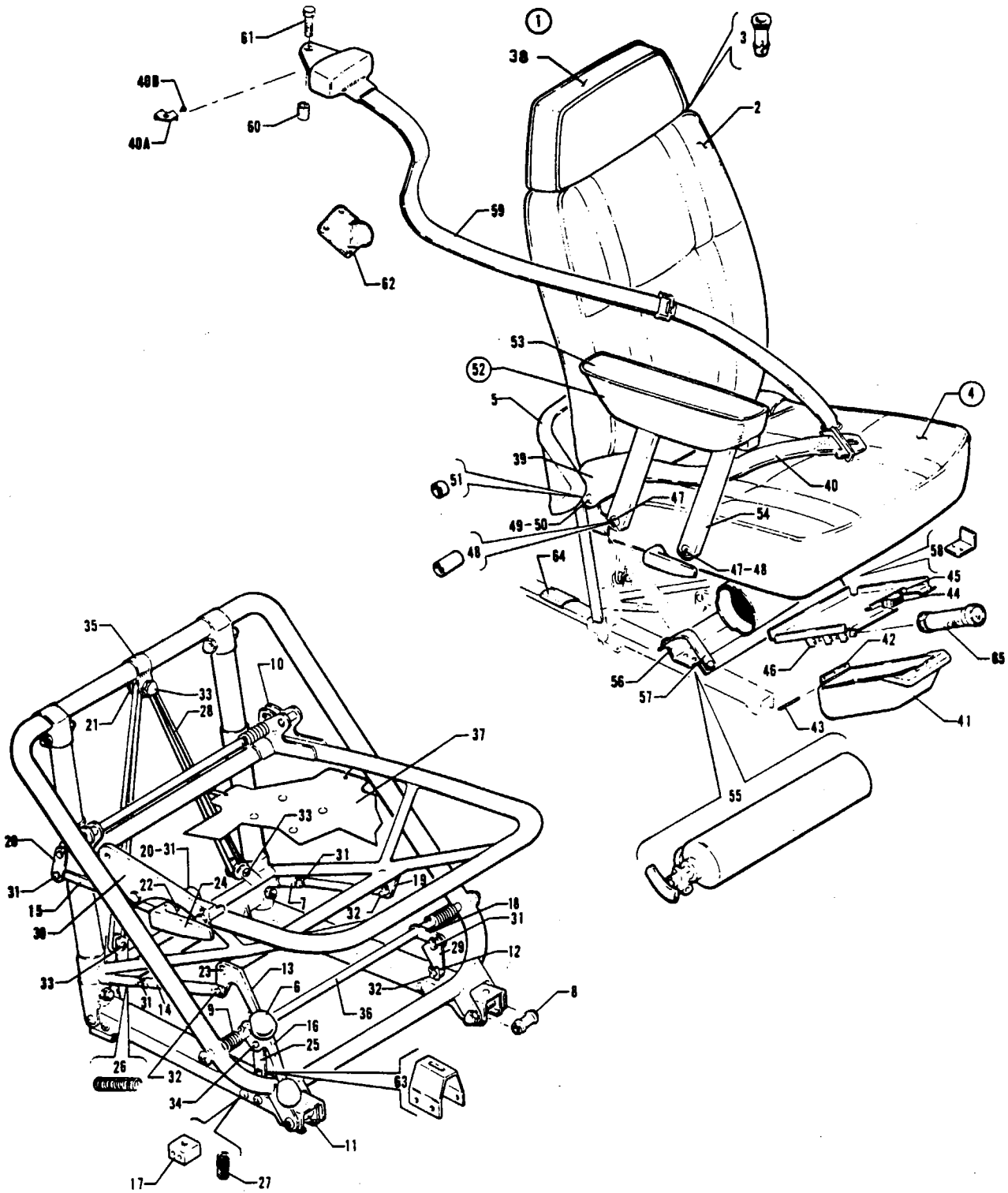


Figure 60. Seat Assembly-Crew

PIPER PARTS CATALOG

CODE EXPLANATIONS FOR FIGURE 60

A - Serial number of aircraft must be supplied when ordering this part.

PIPER PARTS CATALOG

Figure and Index Number	Part Number	Code	NOMENCLATURE	No. Req.	SERIAL NUMBERS AFFECTED
60-	82125		DRAWING - Interior Furnishing Installation		
-1	82146-02	A	SEAT ASSEMBLY - Pilot (complete)	1	
	82146-03	A	SEAT ASSEMBLY - Co-pilot (complete)	1	
-2	82153-02	A	* BACK ASSEMBLY - Seat, left	1	
	82153-03	A	* BACK ASSEMBLY - Seat, right	1	
-3	99361-00		* * RECEPTACLE - Headrest	4	
-4	82150-02	A	* BOTTOM ASSEMBLY - Seat, left	1	
	82150-03	A	* BOTTOM ASSEMBLY - Seat, right	1	
-5	82150-14		* * COVER - Seat bottom trim	1	
-6	471 065		* * KNOB - Seat handle (1B7-1 3/8" x 1") black	2	
-7	12073-03		* * PLUNGER - Seat catch	2	
-8	18968-00		* * ROLLER - Seat	4	
-9	19336-00		* * SPRING - Seat catch, outboard	2	
	19336-01		* * SPRING - Seat catch, inboard	2	
-10	19365-02		* * CAM - Reclining seat	2	
-11	41413-38		* * BUSHING - Seat roller	6	
-12	53899-00		* * PLUNGER - Seat latch	2	
-13	41691-00		* * LEVER - Seat position	1	
-14	41693-02		* * TUBE - Seat position mechanism	2	
-15	41693-03		* * TUBE - Seat position mechanism	1	
-16	41694-00		* * LEVER - Seat track latch, left	1	
	41694-01		* * LEVER - Seat track latch, right	1	
-17	53900-00		* * GUIDE - Seat latch	2	
-18	41698-02		* * LINK - Seat mechanism	1	
-19	41698-03		* * LINK - Seat mechanism	1	
-20	41698-04		* * LINK - Seat mechanism	2	
-21	41699-00		* * PULLEY - Seat position mechanism	3	
-22	41965-00		* * TUBE - Seat handle attachment, left	1	
	41965-01		* * TUBE - Seat handle attachment, right	1	
-23	41968-00		* * TUBE - Seat mechanism	1	
-24	32380-00		* * HANDLE - Seat recliner	1	
-25	80054-43		* * LINK - Seat mechanism (2.31" L.)	1	
-26	50111-00		* * SPRING - Seat plunger	2	
-27	83302-61		* * SPRING - Seat plunger	2	
-28	31322-09		* * RING - Shock cord	1	
-29	60054-43		* * LINK - Seat mechanism (2.31" L.)	1	
-30	53071-00		* * BRACKET ASSEMBLY - Armrest assembly, right seat	1	
	53071-01		* * BRACKET ASSEMBLY - Armrest assembly, left seat	1	
-31	424 143		* * PIN - (MS20392-1C13)	5	
	407 562		* * WASHER - (AN960-6)	5	
	424 051		* * COTTER PIN - (MS24665-132)	5	
-32	424 142		* * PIN - (MS20392-1C11)	4	
	407 562		* * WASHER - (AN960-6)	4	
	424 051		* * COTTER PIN - (MS24665-132)	4	
-33	400 867		* * BOLT - (AN23-15A)	3	
	407 564		* * WASHER - (AN960-10)	3	
	477 707		* * NUT - (26C-02) Top	1	
	404 887		* * NUT - (MS20365-1032C) Bottom	2	
-34	424 143		* * PIN - (MS20392-1C13)	1	
	81342-64		* * WASHER	1	
	407 562		* * WASHER - (AN960-6)	1	
	424 051		* * COTTER PIN - (MS24665-132)	1	

When ordering, always specify Part Number, Description and Serial Number of Aircraft

PIPER PARTS CATALOG

Figure and Index Number	Part Number	Code	NOMENCLATURE	No. Req.	SERIAL NUMBERS AFFECTED
60-35	80002-84		* * CLAMP - Pulley	1	
-36	41980-02		* * TUBE - Seat latch mechanism	1	
-37	587 600		* * SUSPENSION - Elastaseat (P-151)	1	
-38	01052-02	A	* HEADREST ASSEMBLY - Pilot seat	1	
	01052-03	A	* HEADREST ASSEMBLY - Co-pilot seat	1	
-39	49102-02	A	* SHROUD ASSEMBLY - Safety belt fitting	2	
-40	54534-05		* BELT ASSEMBLY - Safety, black	1	
-40a	54499-02		* RETAINER - Shoulder harness boot	1	
-40b	419 882		* SCREW - (4 x 1/4, Type "A")	2	
-41	53255-04		* CONTAINER ASSEMBLY - Oxygen mask, pilot	1	
	53255-05		* CONTAINER ASSEMBLY - Oxygen mask, copilot	1	
-42	43123-00		* * HINGE - Oxygen mask container	2	
-43	81761-65		* * PIN - Oxygen mask container	1	
-44	454 294		* * CATCH - Magnetic (9798)	1	
-45	43353-00		* * ANGLE - Container catch	1	
-46	554 914		* * CLIP - Flashlight (40)	1	
-47	400 907		* BOLT - (AN24-17A)	2	
-48	80012-116		* BUSHING - Armrest support	2	
-49	44114-00		* WASHER - Cover	2	
-50	400 919		* BOLT - (AN24-29A)	2	
	407 565		* WASHER - (AN960-416)	2	
	477 709		* NUT - (26C-048) Chrome	2	
-51	41413-26		* BUSHING - Seat belt attachment	2	
-52	49099-04	A	* ARMREST ASSEMBLY - Seat, left	1	
	49099-05	A	* ARMREST ASSEMBLY - Seat, right	1	
-53	49086-04	A	* * PAD ASSEMBLY - Armrest, left	1	
	49086-05	A	* * PAD ASSEMBLY - Armrest, right	1	
-54	52904-02		* * SUPPORT ASSEMBLY - Armrest	1	
-55	459 834		EXTINGUISHER - Fire (PS50162-2)	1	
-56	52718-00		BRACKET ASSEMBLY - Fire extinguisher	1	
-57	52717-00		STRAP ASSEMBLY - Fire extinguisher	1	
-58	52716-00		ANGLE - Fire extinguisher retaining	1	
-59	54534-07		HARNES ASSEMBLY - Shoulder, inertia reel, black	2	
-60	29999-10		BUSHING - Shoulder harness retainer	2	
-61	400 003		BOLT - (AN4-6A)	2	
	407 565		WASHER - (AN960-416)	2	
-62	55433-02		COVER - Shoulder harness, left	1	
	55433-03		COVER - Shoulder harness, right	1	
-63	55842-02		BRACKET - Seat frame	2	
-64	52338-00		STOP - Seat	4	
-65	460 928		FLASHLIGHT - (2D Cell)	1	

When ordering, always specify Part Number, Description and Serial Number of Aircraft

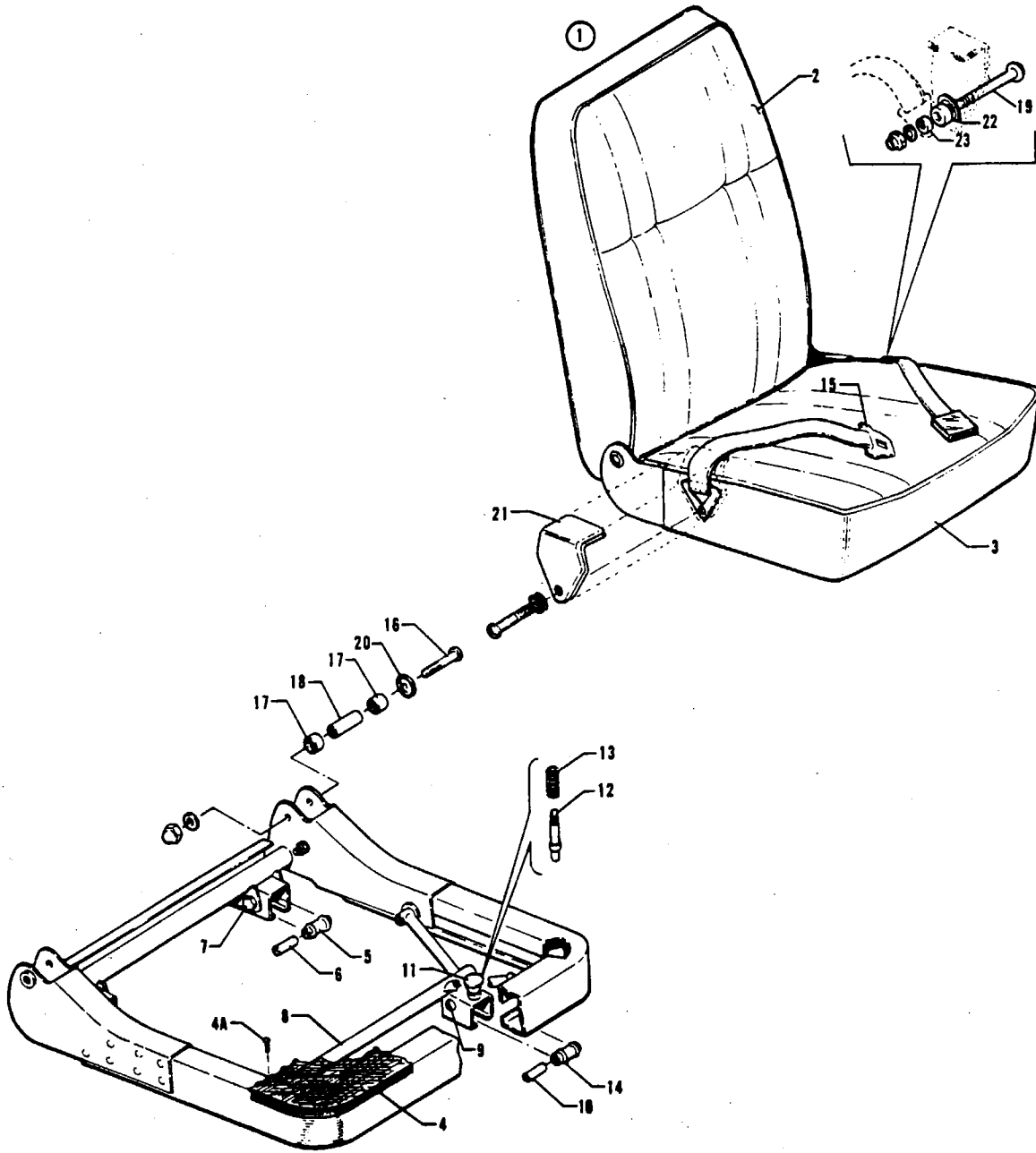


Figure 61. Seat Assembly - Third and Fourth

PIPER PARTS CATALOG

CODE EXPLANATIONS FOR FIGURE 61

A - Serial number of aircraft must be supplied when ordering this part.

PIPER PARTS CATALOG

Figure and Index Number	Part Number	Code	NOMENCLATURE	No. Req.	SERIAL NUMBERS AFFECTED
61-	82125		DRAWING - Interior Furnishing Installation		
-1	82043-02	A	SEAT ASSEMBLY - Third and/or fourth	2	
-2	82021-02	A	* BACK ASSEMBLY - Seat	1	
-3	82035-02	A	* BOTTOM ASSEMBLY - Seat	1	
-4	82035-03		* * NETTING - Nylon	1	
-4a	480 042		* * FASTENER - (294660-1)	16	
-5	18968-00		* * ROLLER - Seat	2	
-6	41413-38		* * BUSHING - Seat roller	4	
-7	400 012		* * BOLT - Seat roller (AN4-17A)	4	
	407 565		* * WASHER - Seat roller (AN960-416)	4	
	407 585		* * WASHER - Seat roller (AN960-416L)	4	
	404 836		* * NUT - Seat roller (MS20364-428C)	4	
-8	82038-02		* * SUPPORT ASSEMBLY - Seat bottom frame	1	
-9	400 915		* * * BOLT - (AN24-25A)	2	
	404 836		* * * NUT - (MS20364-428C)	2	
-10	41413-38		* * * BUSHING - Seat roller	2	
-11	571 078		* * * KNOB - Black (3702-S)	2	
-12	53808-00		* * * PIN - Seat track latch	2	
-13	587 289		* * * SPRING - (LC-035E-12)	2	
-14	18968-00		* * * ROLLER - Seat	2	
-15	25801-10		* BELT ASSEMBLY - Safety, black	1	
-16	400 917		* BOLT - (AN24-27A)	2	
	407 565		* WASHER - (AN960-416)	2	
	477 709		* NUT - (26C-048) Chrome	2	
-17	49982-47		* BUSHING	4	
-18	14175-111		* BUSHING	2	
-19	400 924		* BOLT - Seat belt attachment (AN24-34A)	2	
	407 565		* WASHER - Seat belt attachment (AN960-416)	2	
	404 836		* NUT - Seat belt attachment (MS20364-428C)	2	
-20	44114-00		* WASHER - Trim	2	
-21	49102-02	A	* SHROUD ASSEMBLY - Safety belt	2	
-22	29999-11		* BUSHING - Seat belt attachment	2	
-23	29999-10		* BUSHING - Seat belt attachment	2	

When ordering, always specify Part Number, Description and Serial Number of Aircraft

PIPER PARTS CATALOG

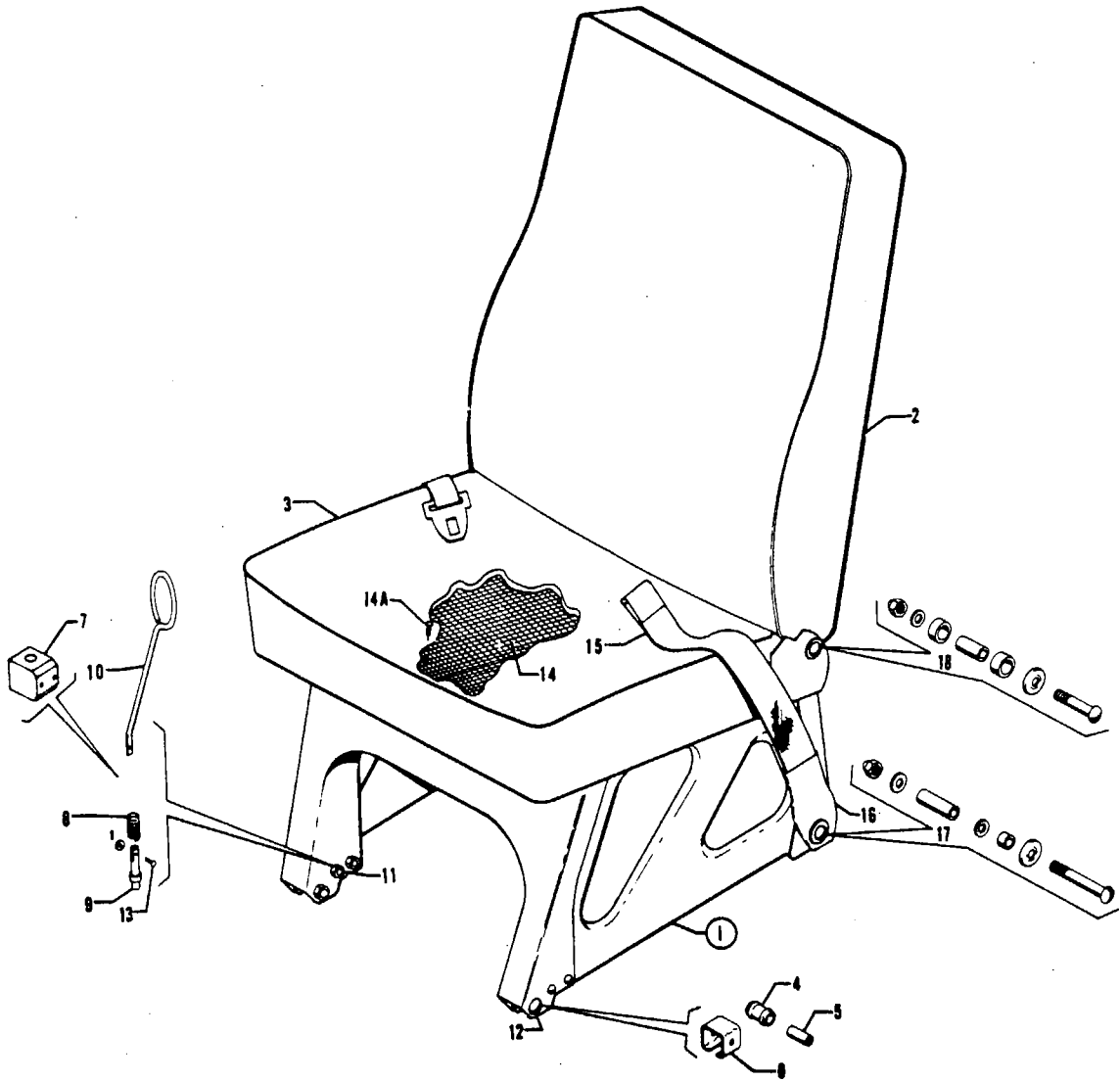


Figure 62. Seat Assembly - Fifth, Sixth, Seventh, Eighth and Ninth

PIPER PARTS CATALOG

CODE EXPLANATIONS FOR FIGURE 62

A - Serial number of aircraft must be supplied when ordering this part.

PIPER PARTS CATALOG

Figure and Index Number	Part Number	Code	NOMENCLATURE	No. Req.	SERIAL NUMBERS AFFECTED
62-	82125		DRAWING - Interior Furnishing Installation		
-1	82058-04	A	SEAT ASSEMBLY - Passenger (complete)	5	
-2	82021-02	A	* BACK ASSEMBLY - Seat	1	
-3	82029-14	A	* BOTTOM ASSEMBLY - Seat	1	
-4	18968-00		* * ROLLER - Seat	4	
-5	41413-38		* * BUSHING - Seat roller	4	
-6	12074-03		* * BRACKET - Seat roller	2	
-7	01772-02		* * GUIDE - Seat latch plunger	2	
-8	83302-61		* * SPRING	2	
-9	53899-00		* * PLUNGER - Seat latch	2	
-10	82055-02		* * ROD - Seat latch mechanism, left	1	
	82055-03		* * ROD - Seat latch mechanism, right	1	
-11	400 882		* * BOLT - (AN23-30A)	4	
	407 584		* * WASHER - (AN960-10L)	4	
	477 707		* * NUT - (26C-02)	4	
-12	400 920		* * BOLT - (AN24-30A)	4	
	407 585		* * WASHER - (AN960-416L)	4	
	477 708		* * NUT - (26C-048)	4	
-13	424 141		* * PIN - (MS20392-1C9)	2	
	407 561		* * WASHER - (AN960-4)	2	
	424 051		* * COTTER FIN - (MS24665-132)	2	
-14	82029-08		* * NETTING - Nylon	1	
-14a	460 042		* * FASTENER - (294660-1)	16	
-15	25801-02		* BELT ASSEMBLY - Safety, black	1	
-16	49102-02	A	* SHROUD ASSEMBLY - Safety belt fitting	2	
-17	400 926		* BOLT - Seat belt attachment (AN24-36A)	2	
	44114-00		* WASHER - Trim	2	
	41413-26		* BUSHING - Seat belt attachment (.19 L.)	2	
	41413-38		* BUSHING - Seat belt attachment (1.053)	2	
	407 565		* WASHER - (AN960-416)	2	
	407 585		* WASHER - (AN960-416L)	2	
	477 708		* NUT - (26C-048)	2	
-18	400 917		* BOLT - (AN24-27A)	2	
	44114-00		* WASHER - Trim	2	
	49982-47		* BUSHING - (.19 L.)	4	
	14175-111		* BUSHING - (1.156 L.)	2	
	407 565		* WASHER - (AN960-416)	2	
	477 709		* NUT - (26C-048)	2	

When ordering, always specify Part Number, Description and Serial Number of Aircraft

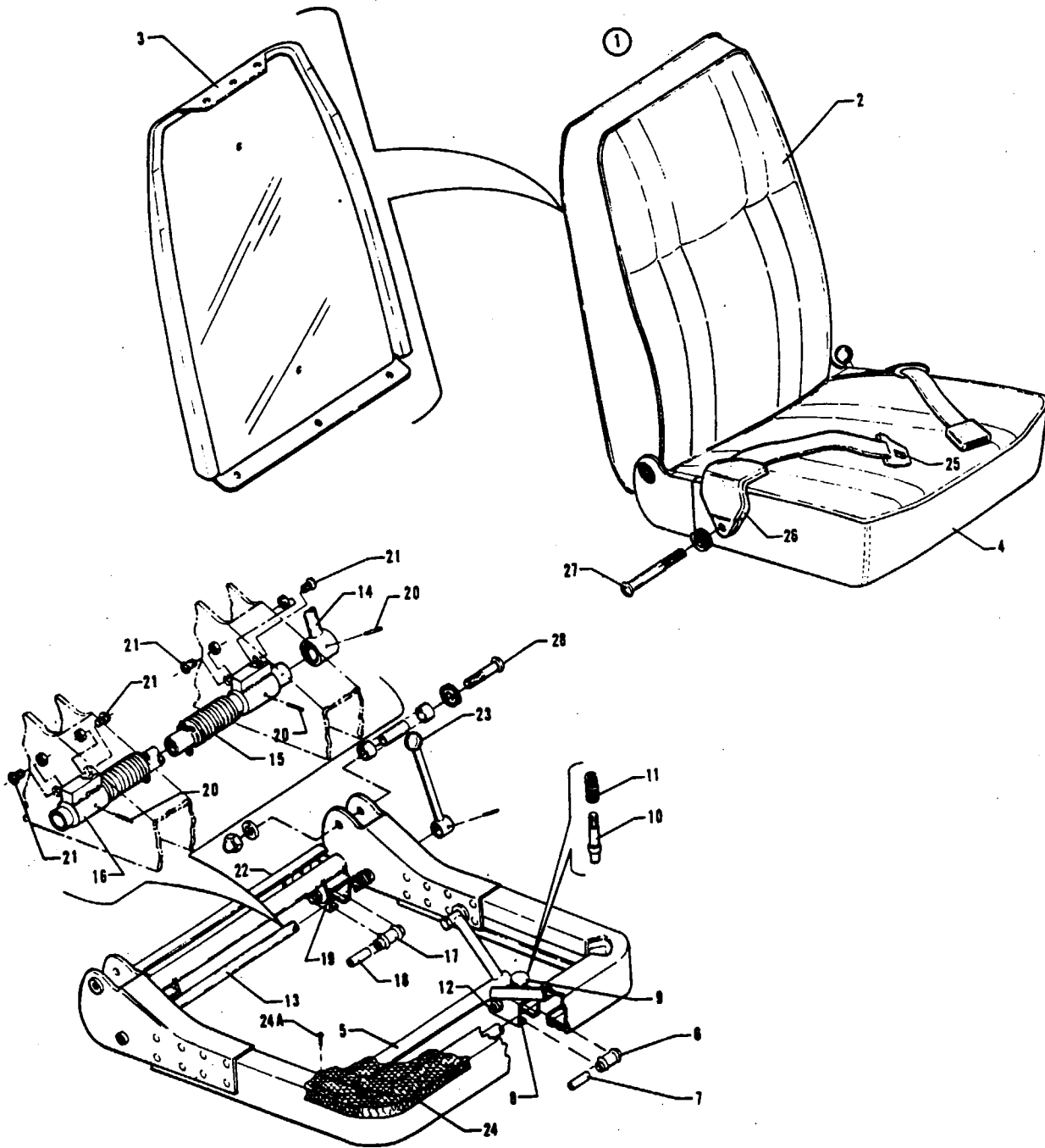


Figure 63. Seat Assembly - Tenth and Eleventh

PIPER PARTS CATALOG

CODE EXPLANATIONS FOR FIGURE 63

A - Serial number of aircraft must be supplied when ordering this part.

PIPER PARTS CATALOG

Figure and Index Number	Part Number	Code	NOMENCLATURE	No. Req.	SERIAL NUMBERS AFFECTED
63-	82125		DRAWING - Interior Furnishing Installation		
-1	82072-02	A	SEAT ASSEMBLY - Passenger, left (complete)	1	
	82072-03	A	SEAT ASSEMBLY - Passenger, right (complete)	1	
-2	82021-09	A	* BACK ASSEMBLY - Seat	1	
-3	82090-02	A	* * PANEL ASSEMBLY - Seat back	1	
-4	82070-02	A	* BOTTOM ASSEMBLY - Seat, left	1	
	82070-03	A	* BOTTOM ASSEMBLY - Seat, right	1	
-5	82064-02		* * SUPPORT ASSEMBLY - Seat bottom frame	1	
-6	18968-00		* * * ROLLER - Seat	2	
-7	41413-38		* * * BUSHING - Seat roller	2	
-8	01448-02		* * * BRACKET - Seat roller	2	
-9	571 078		* * * KNOB - Black (3702S)	2	
-10	53808-00		* * * PIN - Seat stop	2	
-11	587 289		* * * SPRING - (LC-035E-12)	2	
-12	400 915		* * * BOLT - (AN24-25A)	2	
	404 836		* * * NUT - (MS20364-428C)	2	
-13	01325-02		* * TUBE - Seat back release, left seat	1	
	01325-03		* * TUBE - Seat back release, right seat	1	
-14	82065-02		* * LEVER ASSEMBLY - Seat back release	1	
-15	19336-00		* * SPRING - Seat back release, inboard	1	
	19336-01		* * SPRING - Seat back release, outboard	1	
-16	82066-02		* * STOP ASSEMBLY - Release mechanism	2	
-17	18968-00		* * ROLLER - Seat	2	
-18	41413-38		* * BUSHING - Seat roller	2	
-19	47615-03		* * BRACKET - Seat roller	2	
-20	480 701		* * PIN - Roll (59-028-125-0625)	2	
-21	411 529		* * SCREW - (MS35207-260)	2	
	404 835		* * NUT - (MS20364-1032C)	2	
-22	400 012		* * BOLT - (AN4-17A)	4	
	407 565		* * WASHER - (AN960-416)	4	
	407 585		* * WASHER - (AN960-416L)	4	
	404 836		* * NUT - (MS20364-428C)	4	
-23	571 091		* * KNOB - Seat release tube (225)	1	
-24	82035-03		* * NETTING - Nylon	1	
-24a	460 042		* * FASTENER - (294660-1)	18	
-25	25801-10		* BELT ASSEMBLY - Safety, black	1	
-26	49102-02	A	* SHROUD ASSEMBLY - Safety belt fitting	2	
-27	400 924		* BOLT - Seat belt attachment (AN24-34A)	2	
	44114-00		* WASHER - Trim	2	
	29999-10		* BUSHING - Seat belt attachment (.19 L.)	2	
	29999-11		* BUSHING - Seat belt attachment (.25 L.)	2	
	407 565		* WASHER - (AN960-416)	2	
	404 836		* NUT - (MS20364-428C)	2	
-28	400 920		* BOLT - (AN24-30A)	2	
	44114-00		* WASHER - Trim	2	
	49982-47		* BUSHING - (.29 L.)	4	
	14175-111		* BUSHING - (1.156 L.)	2	
	407 565		* WASHER - (AN960-416)	2	
	477 709		* NUT - (26C-048)	2	

When ordering, always specify Part Number, Description and Serial Number of Aircraft

1K23 THRU 1K24
INTENTIONALLY LEFT BLANK

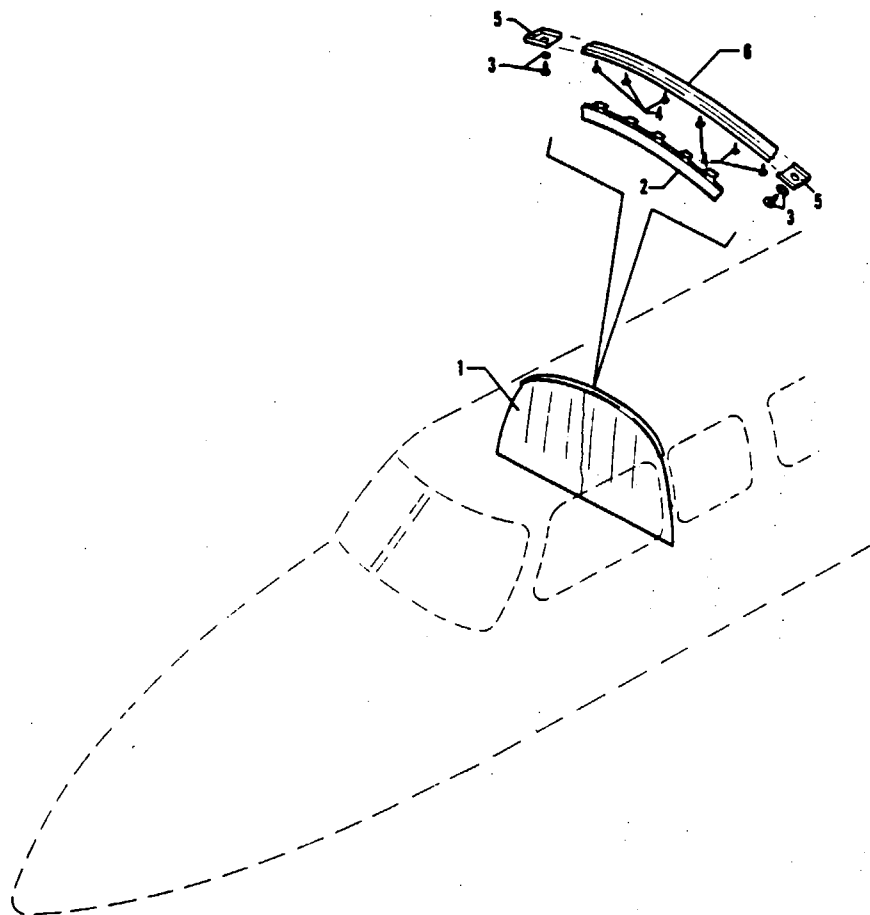


Figure 64. Cabin Privacy Curtain Installation

PIPER PARTS CATALOG

CODE EXPLANATIONS FOR FIGURE 64

A - Serial number of aircraft must be supplied when ordering this part.

PIPER PARTS CATALOG

Figure and Index Number	Part Number	Code	NOMENCLATURE	No. Req.	SERIAL NUMBERS AFFECTED
64-	74160		DRAWING - Forward Divider Curtain Installation		
-1	74156-02 74156-03		CURTAIN ASSEMBLY - Forward cabin, left CURTAIN ASSEMBLY - Forward cabin, right	1 1	
-2			* TAPE - Slider	2'	
-3	419 690 494 102		SCREW - (6 x 1/2, Type A, oval head, nickel finish) WASHER - (C-394)	2 2	
-4	415 500		SCREW - (MS35206-234) Nickel finish	6	
-5	49124-02		COVER - Curtain track trim	2	
-6	74150-03		TRACK - Curtain	1	

When ordering, always specify Part Number, Description and Serial Number of Aircraft

PIPER PARTS CATALOG

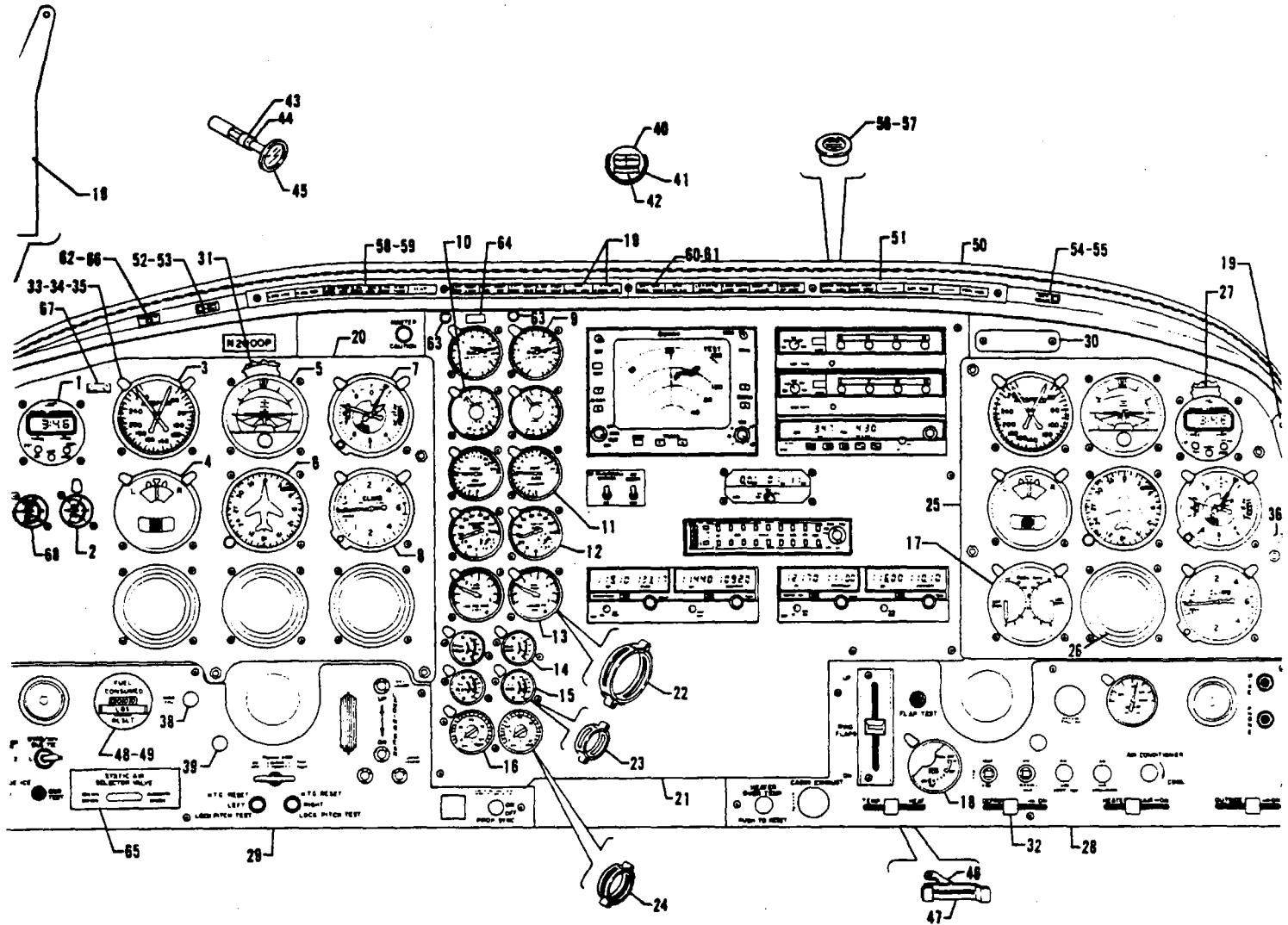


Figure 65 Instrument Panel Installation

PIPER PARTS CATALOG

CODE EXPLANATIONS FOR FIGURE 65

- A - If special instruments and/or avionics are installed, check part number stamped on back of panel and order that part number.
- B - If any type of Autopilot is installed, refer to the Avionics Drawing Index List and the appropriate drawings supplied with each aircraft for replacement parts.
- C - Used on aircraft that comply with C.A.A. (United Kingdom) requirements.
- D - Used if Ni-cad Battery is installed.
- E - Used if Cargo Pod is installed.
- F - Used if Weston torque indicator is installed.
- G - Used on aircraft with serial numbers 31T-8275001, 31T-8275003, 31T-8275005 and up.
- H - Used on aircraft that comply with D.G.A.C. (France) requirements.

PIPER PARTS CATALOG

Figure and Index Number	Part Number	Code	NOMENCLATURE	No. Req.	SERIAL NUMBERS AFFECTED
65-	81650		DRAWING - Instrument Panel Installation		
-1	29692-02		INDICATOR - Clock, digital	1	
-2	46320-00		GAUGE - Gyro pressure	1	
-3	548 686		INDICATOR - Airspeed (PS50099-9-2)	1	
-4	548 451		INDICATOR - Turn and bank (PS50128-15) (ANS-80P) (air driven)	1	
	548 578	C	INDICATOR - Turn and bank (PS50128-20) (ANS-80L) (air driven)	1	
	548 453	H	INDICATOR - Turn coordinator (PS50128-17) (ANS-50) (electric)	1	
-5	548 456	B	INDICATOR - Attitude gyro (PS50127-4) (Aeritalia 8.148.019) (air driven)	1	
	548 459	B	INDICATOR - Attitude gyro (PS50127-7) (R.C. Allen/AID RCA-22-B) (air driven)	1	
	548 461	B	INDICATOR - Attitude gyro (PS50127-9) (Edo-Aire 23-501-06-14) (air driven)	1	
	548 463	B	INDICATOR - Attitude gyro (PS50127-11) (Aviation Instruments 700-4CF(6)) (air driven)	1	
	548 464	B	INDICATOR - Attitude gyro (PS50127-12) (Aeritalia 8.148.036) (air driven)	1	
	51186-00	B	INDICATOR - Attitude gyro (electric) (Aviation Instruments)	1	
	55684-02	B	INDICATOR - Attitude gyro (electric) (R.C. Allen)	1	
	55684-03	B	INDICATOR - Attitude gyro (electric) (R.C. Allen)	1	
	29488-02	C	INDICATOR - Attitude gyro (electric) (with adjusting knob covered)	1	
-6	46911-00	B	INDICATOR - Directional gyro (electric) (Aviation Instruments)	1	
	55683-02	B	INDICATOR - Directional gyro (electric) (R.C. Allen)	1	
-7	548 331		INSTRUMENT - Altimeter, sensitive (scale in inches of mercury and millibars) (PS50008-11-2)	1	
-8	548 602		INDICATOR - Rate of climb (PS50104-5-6)	1	
-9	29146-02		INDICATOR - Engine torque (Bendix)	2	
	548 607		INDICATOR - Engine torque (Weston)	2	
-10	49594-02		GAUGE ASSEMBLY - Interturbine temperature	2	
-11	49677-02		GAUGE ASSEMBLY - Propeller R.P.M.	2	
-12	51000-00		GAUGE ASSEMBLY - Engine R.P.M.	2	
-13	49389-02		GAUGE ASSEMBLY - Fuel flow (3265013-0601)	2	
-14	55569-02		GAUGE ASSEMBLY - Fuel pressure	2	
-15	55571-02		GAUGE ASSEMBLY - Oil pressure	2	
-16	548 101		GAUGE ASSEMBLY - Oil temperature (PS50100-2-3) (Lewis Engineering)	2	
-17	51010-00		GAUGE ASSEMBLY - Fuel quantity, dual	1	
-18	49684-02		INDICATOR - Flap position	1	
-19	01940-02		PLATE - Trim, instrument panel, left	1	
	01940-03		PLATE - Trim, instrument panel, right	1	
-20	81688-02	A	PANEL - Instrument, left (standard)	1	
-21	55634-08	A	PANEL ASSEMBLY - Instrument, center (standard)	1	
-22	554 614		* CLAMP - Instrument mounting (MSP5801A)	10	
	514 791		* SCREW - (PS10084-38-2)	10	
-23	554 616		* CLAMP - Instrument mounting (64386)	4	
	514 750		* SCREW - (PS10084-27-2)	4	
-24	554 615		* CLAMP - Instrument mounting (MSP6202-3)	2	
	486 153		* SCREW - (PS10084-57-2)	2	
-25	55906-02	A	PANEL - Instrument, right	1	
-26	41678-06		PLATE - Cover	10	
-27	41679-02		PLATE - Cover	1	
-28	80929-02		PANEL ASSEMBLY - Electroluminescent, controls, right	1	

When ordering, always specify Part Number, Description and Serial Number of Aircraft

PIPER PARTS CATALOG

Figure and Index Number	Part Number	Code	NOMENCLATURE	No. Req.	SERIAL NUMBERS AFFECTED
65-29	80930-02		PANEL ASSEMBLY - Electroluminescent, controls, left	1	31T-8275002, 31T-8275004
	01741-02	G	PANEL ASSEMBLY - Electroluminescent, controls, left	1	
-30	51147-00		PLATE - Cover	1	
-31	40885-04		SPACER - Gyro mounting	2	
-32	22287-00		KNOB - Control	4	
-33	472 742		LIGHT - Bolt (Glar-Ban) (P-65-3-CW-28)	29	
-34	472 028		* BULB - (PS10008-327)	1	
-35	556 743		WIRE AND NUT ASSEMBLY - Bolt light (5954-8ND-2)	29	
-36	42034-00		STRAP - Ground	4	
-37	475 109		MOUNT - (J-7219-22)	9	
	477 793		NUT - Cap (26C-02)	9	
-38	453 841		BUTTON - Plug (SS-51051) (.43 Dia. hole)	2	
-39	453 810		BUTTON - Plug (SS-48172) (.62 Dia. hole)	7	
-40	47990-03		COMPASS ASSEMBLY - (Includes compass card and holder)	1	
-41	11473-101		GASKET - Compass assembly	1	
-42	41345-00		PLACARD - Compass	1	
-43	42596-00		SPACER - Outside air temperature gauge	1	
-44	81342-101		WASHER - Temperature gauge mounting	1	
-45	41707-00		GAUGE ASSEMBLY - Outside air temperature	1	
-46	22433-00		ARM ASSEMBLY - Control cable actuator	4	
-47	41373-00		BRACKET - Cabin air control	4	
-48	548 088		INDICATOR - Fuel totalizer (3265001-C301)	1	
-49	51035-00		FLANGE ASSEMBLY - Totalizer mounting	1	
-50	81564-02		GLARESHIELD ASSEMBLY - Instrument panel	1	
-51	55357-02		* RETAINER - Light assembly, left	1	
	55357-03		* RETAINER - Light assembly, right	1	
-52	80755-02		* PLACARD - Annunciator test	1	
-53	588 125		* SWITCH - Annunciator test (SA42SDW11-3)	1	
-54	80614-02		* PLACARD - Annunciator Hi-Lo	1	
-55	588 126		* SWITCH - Annunciator Hi-Lo (SA41SEW11-3)	1	
-56	49644-02		* VENTILATOR - Glare shield	6	
-57	424 054		* COTTER PIN - (MS24665-140)	6	
-58	29358-02		* BASE ASSEMBLY - Annunciator lights	4	
-59	29359-04		* CAP ASSEMBLY - Light (L. Eng. Fire)	1	
	29359-05		* CAP ASSEMBLY - Light (R. Eng. Fire)	1	
	29359-43		* CAP ASSEMBLY - Light (Fuel Pressure)	1	
	29359-44		* CAP ASSEMBLY - Light (Oil Pressure)	1	
	29359-42		* CAP ASSEMBLY - Light (Oil Temperature)	1	
	29359-28		* CAP ASSEMBLY - Light (Start)	1	
	29359-26		* CAP ASSEMBLY - Light (Ignition)	1	
	29359-27		* CAP ASSEMBLY - Light (Beta)	1	
	29359-41		* CAP ASSEMBLY - Light (Generator Inop.)	1	
	29359-20		* CAP ASSEMBLY - Light (Annunciator Power)	1	
	29359-46		* CAP ASSEMBLY - Light (Deice Off)	1	
	29359-23		* CAP ASSEMBLY - Light (Cabin Door Unsafe)	1	
	29359-24		* CAP ASSEMBLY - Light (Nose/Baggage Door Ajar)	1	
	29359-03		* CAP ASSEMBLY - Light (Oil Door)	1	
	29359-49		* CAP ASSEMBLY - Light (Deicer Door)	1	
	29359-34		* CAP ASSEMBLY - Light (External Power)	1	
	29359-12		* CAP ASSEMBLY - Light (Flap)	1	
-60	29359-19	D	CAP ASSEMBLY - Light (Battery overtemp.)	1	
-61	29359-13		CAP ASSEMBLY - Light (L. Fire Extng. INOP.)	1	
	29359-14		CAP ASSEMBLY - Light (R. Fire Extng. INOP.)	1	
-62	472 786	C	LIGHT ASSEMBLY - Windshield temp. (red) (800-1030-0331-504)	1	

When ordering, always specify Part Number, Description and Serial Number of Aircraft

PIPER PARTS CATALOG

Figure and Index Number	Part Number	Code	NOMENCLATURE	No. Req.	SERIAL NUMBERS AFFECTED
65-63	587 849	F	SWITCH - Torque test (30-1)	2	
-64	80949-02	F	PLACARD - Torque test	1	
-65	80526-03	C	PLACARD - Static pressure	1	
-66	81016-02	C	PLACARD - Windshield temp.	1	
-67	81054-02	E	PLACARD - Stall speeds	1	
-68	46319-03		GAUGE - Pneumatic pressure	1	

When ordering, always specify Part Number, Description and Serial Number of Aircraft

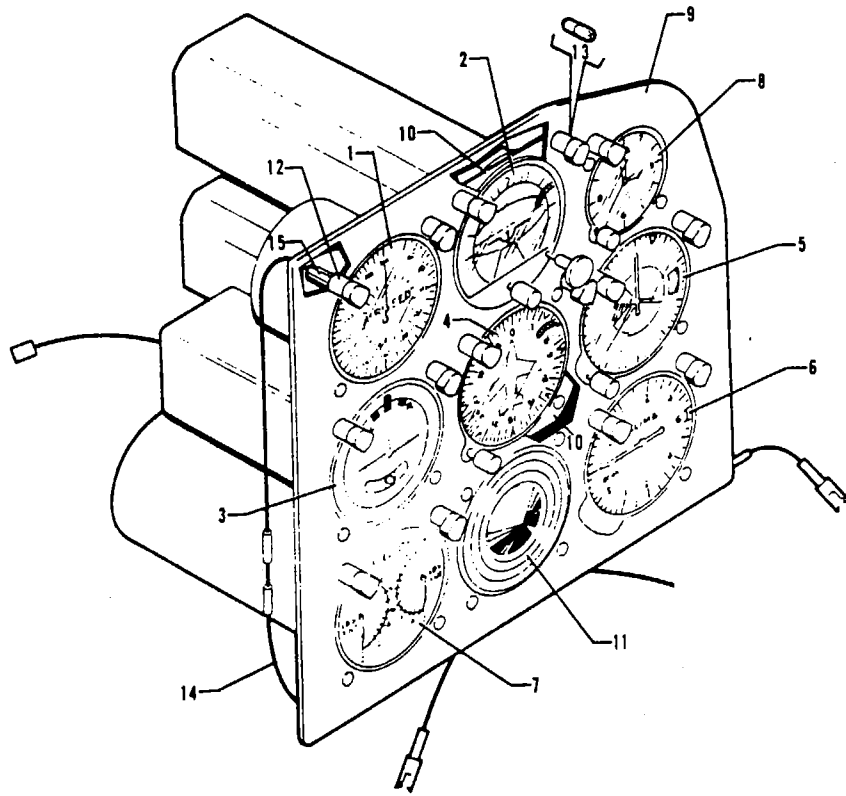


Figure 66. Dual Instrument Panel Installation

PIPER PARTS CATALOG

CODE EXPLANATIONS FOR FIGURE 66

- A - Used if wing tip fuel tanks are installed.
- B - Used if wing tip fuel tanks are not installed.

PIPER PARTS CATALOG

Figure and Index Number	Part Number	Code	NOMENCLATURE	No. Req.	SERIAL NUMBERS AFFECTED
66-	01285		DRAWING - Dual Instrument Panel Installation		
-1	548 686	B	INDICATOR - Airspeed (PS50099-9-2)	1	
	548 543	A	INDICATOR - Airspeed (PS50099-6-2)	1	
-2	55684-02		INDICATOR - Attitude gyro (electric) (R.C. Allen)	1	
	55684-03		INDICATOR - Attitude gyro (electric) (R. C. Allen)	1	
	46912-00		INDICATOR - Attitude gyro (electric) (A.I.M.)	1	
	548 459		INDICATOR - Attitude gyro (Pressure Driven) (PS50127-7/ R.C. Allen/AID RCA22-2)	1	
-3	548 452		INDICATOR - Turn coordinator (electric) (PS50128-16/ Mitchell 52D75-10)	1	
	43220-00		INDICATOR - Turn and bank (R.C. Allen) (electric)	1	
	548 757		INDICATOR - Turn and bank (electric) (PS50128-22/ United Instrument 9561)	1	
-4	46911-00		INDICATOR - Directional gyro (Aviation Instruments) (electric)	1	
	55683-02		INDICATOR - Directional gyro (R.C. Allen) (electric)	1	
	548 435		INDICATOR - Directional gyro (Pressure Driven) (PS50126-5/ Edo-Aire 40008-26)	1	
-5	548 331		INDICATOR - Altimeter, sensitive (scale in inches of mercury and millibars) (PS50008-11-2)	1	
-6	550 808		INDICATOR - Rate of climb (PS50104-3-3)	1	
	548 602		INDICATOR - Rate of climb (PS50104-5-6)	1	
-7	51010-00		GAUGE - Fuel quantity, dual	1	
-8	51478-00		INDICATOR - Clock	1	
	29692-02		INDICATOR - Clock, digital	1	
-9	55906-03		PANEL - Instrument, right	1	
-10	40885-04		SPACER - Gyro mounting	2	
-11	41678-06		PLATE - Cover	1	
-12	472 742		LIGHT - Bolt (Glar-Ban) (P-65-3-CW-28)	15	
-13	472 028		* BULB - Bolt lite (327)	1	
-14	51014-00		HARNES ASSEMBLY - Bolt lite	1	
-15	556 743		* WIRE AND NUT ASSEMBLY - Bolt lite (5954-8ND-2)	18	

When ordering, always specify Part Number, Description and Serial Number of Aircraft

PIPER PARTS CATALOG

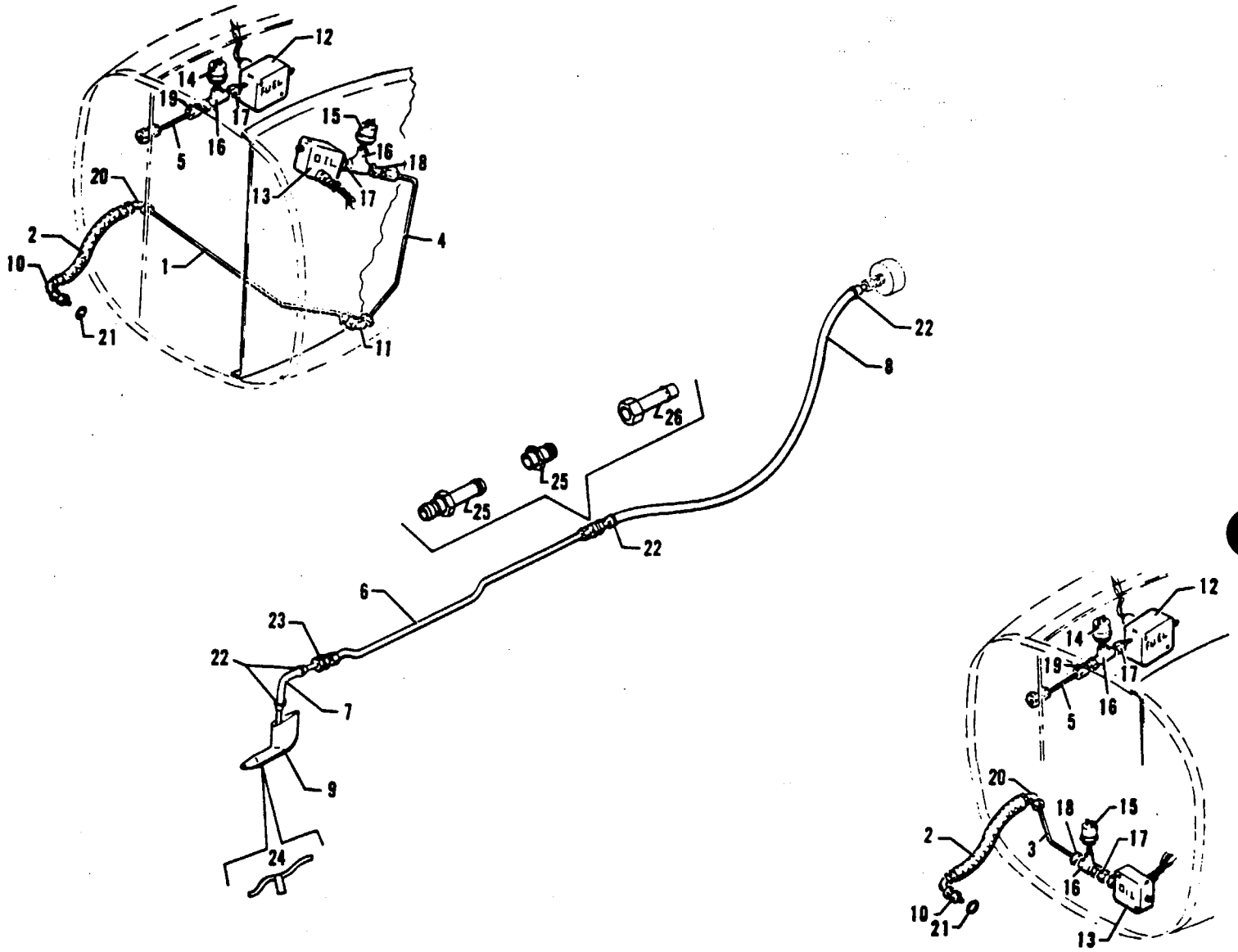


Figure 67. Miscellaneous Air and Fluid Lines Installation

PIPER PARTS CATALOG

CODE EXPLANATIONS FOR FIGURE 67

A - Used only if union is installed.

PIPER PARTS CATALOG

Figure and Index Number	Part Number	Code	NOMENCLATURE	No. Req.	SERIAL NUMBERS AFFECTED
67-	50573		DRAWING - Miscellaneous Air and Fluid Lines Installation		
-1	50581-00		LINE ASSEMBLY - Oil pressure	1	
-2	39995-22		HOSE ASSEMBLY - Oil pressure	2	
-3	49738-02		LINE ASSEMBLY - Oil pressure, left	1	
-4	49737-02		LINE ASSEMBLY - Oil pressure, right	1	
-5	80024-52		LINE ASSEMBLY - Fuel pressure	2	
-6	54855-02		LINE ASSEMBLY - Instrument air pressure	1	
-7	49998-09		HOSE - Instrument air, pressure	1	
-8	49998-10		HOSE - Instrument air, pressure	1	
-9	46771-00		TUBE ASSEMBLY - Heated pitot	1	
-10	50527-00		REDUCER - Oil pressure	2	
-11	458 900		ELBOW - (AN833-4D)	1	
	477 618		NUT - (AN924-4D)	11	
-12	55819-02		TRANSDUCER - Fuel pressure	2	
-13	55818-02		TRANSDUCER - Oil pressure	2	
-14	587 778		SWITCH ASSEMBLY - Fuel pressure (PAC 50887-00)	2	
-15	587 961		SWITCH - Oil pressure (M-4011-35)	2	
-16	488 474		TEE - (AN917-1D)	4	
-17	476 643		NIPPLE - (AN911-1D)	4	
-18	476 648		NIPPLE - (AN816-4D)	2	
-19	476 647		NIPPLE - (AN816-3D)	2	
-20	458 934		ELBOW - (AN833-4)	2	
	407 568		WASHER - (AN960-716)	2	
	477 629		NUT - (AN924-4)	2	
-21	484 841		O-RING - (NAS1593-213)	2	
-22	454 983		CLAMP - (SAE TY E-8)	4	
-23	451 853		ADAPTER - (AN807-4D)	1	
	407 568		WASHER - (AN960-716)	1	
	477 618		NUT - (AN924-4D)	1	
-24	43561-00		COVER ASSEMBLY - Pitot tube	1	
-25	451 853		ADAPTER - (AN807-4D)	1	
	491 060		UNION - (AN832-4D)	1	
	407 568		WASHER - (AN960-716)	1	
	477 618		NUT - (AN924-4D)	1	
-26	46723-00	A	TUBE ASSEMBLY - Instrument air	1	

When ordering, always specify Part Number, Description and Serial Number of Aircraft

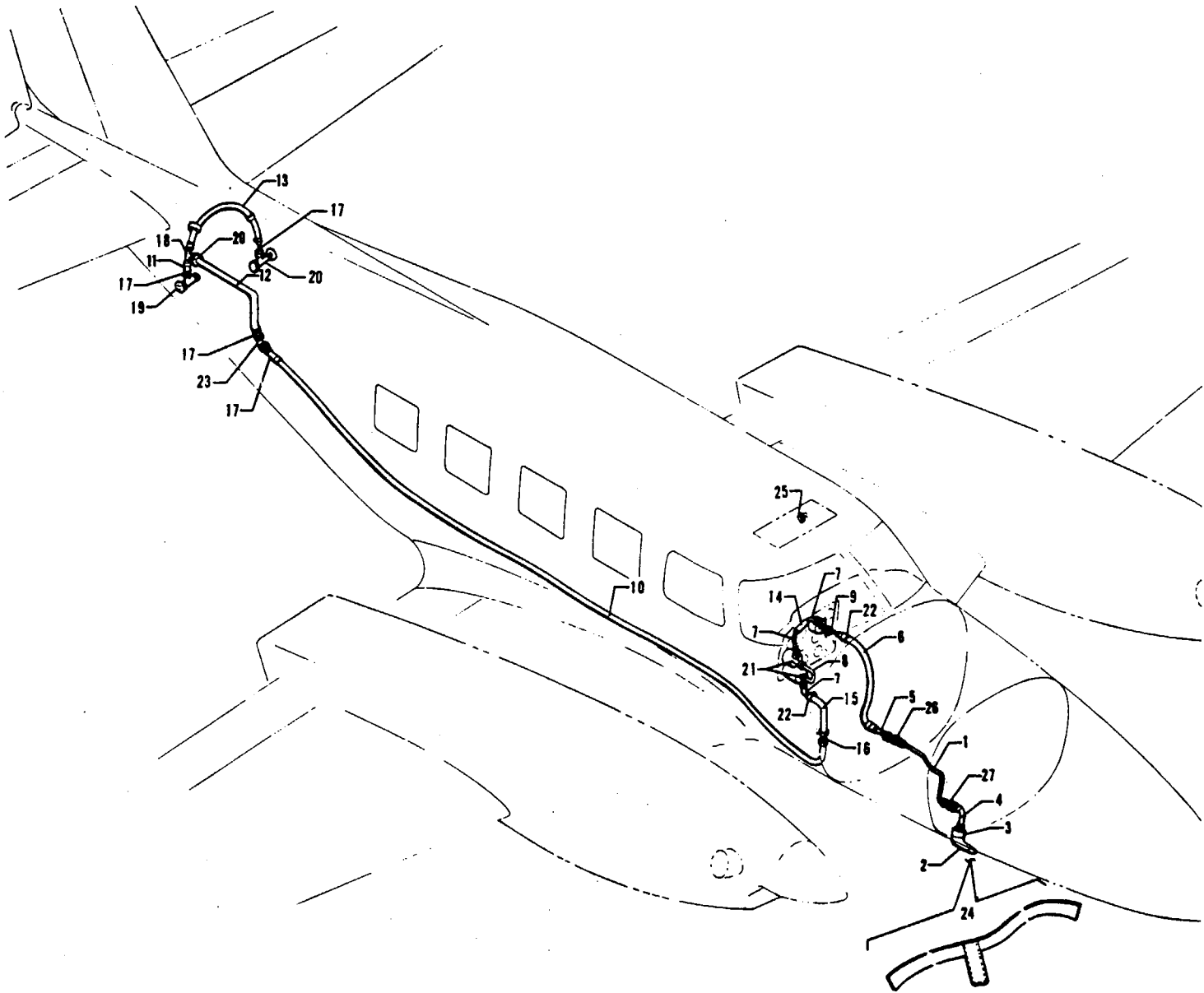


Figure 68. Dual Instrument Air System Installation

PIPER PARTS CATALOG

CODE EXPLANATIONS FOR FIGURE 68

PIPER PARTS CATALOG

Figure and Index Number	Part Number	Code	NOMENCLATURE	No. Req.	SERIAL NUMBERS AFFECTED
68-	01285		DRAWING - Dual Instrument Panel Installation		
-1	54855-02		LINE ASSEMBLY - Instrument air pressure, right	1	
-2	46771-00		TUBE ASSEMBLY - Heated pitot	1	
-3	41486-05		MAST ASSEMBLY - Pitot tube	1	
-4	49998-09		HOSE - Instrument air pressure	1	
-5	46723-00		LINE ASSEMBLY - Static pressure	1	
-6	49998-10		HOSE - Instrument air pressure	1	
-7	46722-00		LINE ASSEMBLY - Static pressure	3	
-8	46713-00		LINE ASSEMBLY - Static pressure	1	
-9	17881-06		LINE ASSEMBLY - Static pressure (fittings one end)	1	
-10	80007-48		HOSE - Static pressure	1	
-11	80007-04		HOSE - Static pressure	1	
-12	80007-03		HOSE - Static pressure	1	
-13	80007-02		HOSE - Static pressure	1	
-14	80007-10		HOSE - Static pressure	1	
-15	80007-13		HOSE - Static pressure	1	
-16	45222-00		TUBE ASSEMBLY - Static air	1	
-17	46810-00		LINE ASSEMBLY - Static air	4	
-18	47652-00		TEE - Static air	1	
-19	41995-00		FITTING ASSEMBLY - Static line vent	2	
-20	488 314		TEE - (MS20826-6D)	2	
	454 299		CAP - (AN929-6)	2	
-21	488 316		TEE - (MS20826-4D)	2	
-22	554 778		CLAMP - (SAE TY F-4SS)	14	
-23	458 913		ELBOW - (AN837-6D)	1	
	407 570		WASHER - (AN960-916)	2	
	477 620		NUT - (AN924-6D)	1	
-24	43561-00		COVER ASSEMBLY - Pitot tube	1	
-25	47664-02		SWITCH - Right pitot heat	1	
-26	491 060		UNION - (AN832-4D)	1	
	407 568		WASHER - (AN960-716)	1	
	477 618		NUT - (AN924-4D)	1	
-27	451 853		ADAPTER - (AN807-4D)	1	
	407 568		WASHER - (AN960-716)	1	
	477 618		NUT - (AN924-4D)	1	

When ordering, always specify Part Number, Description and Serial Number of Aircraft

PIPER PARTS CATALOG

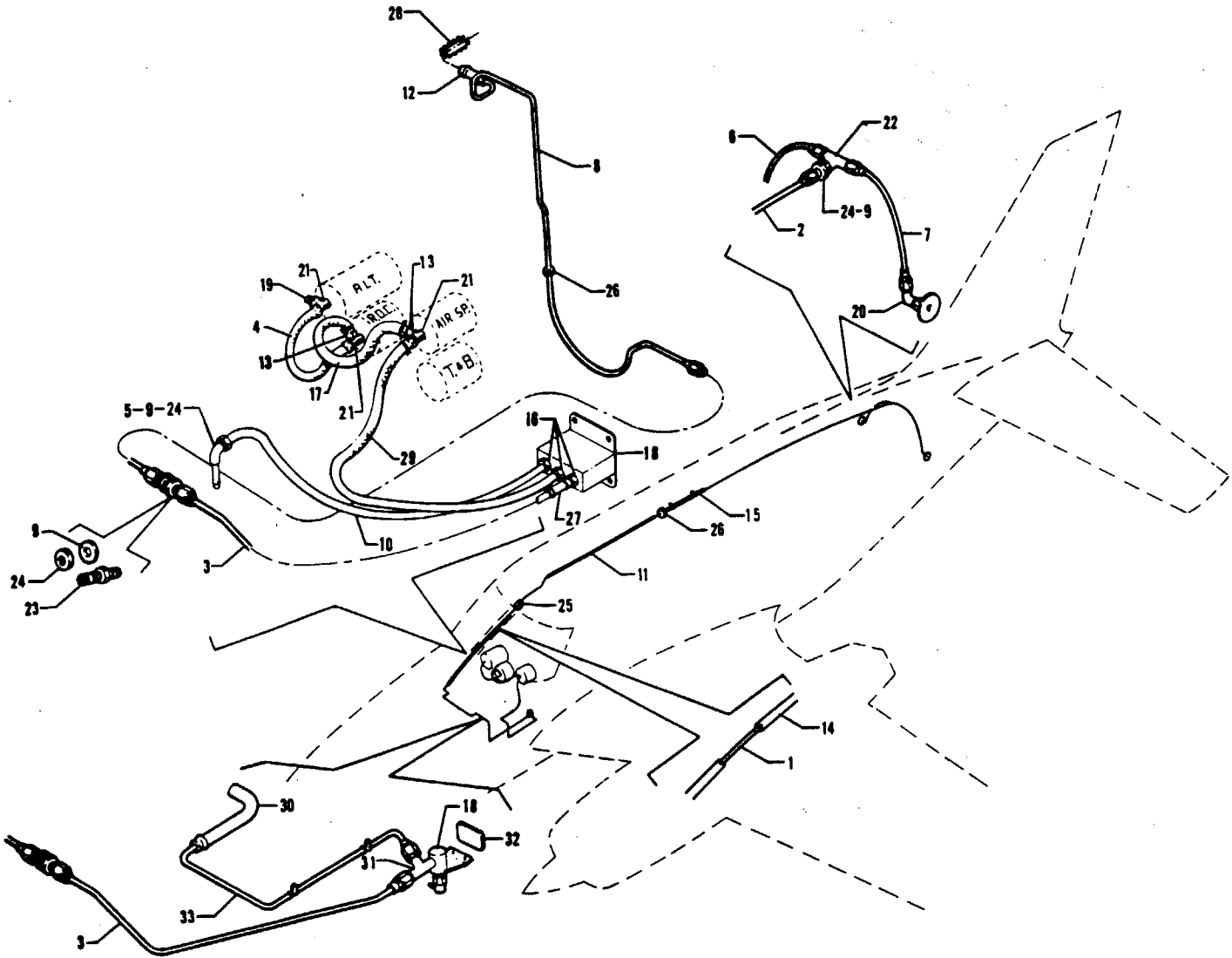


Figure 69. Static Pressure System Installation

PIPER PARTS CATALOG

CODE EXPLANATIONS FOR FIGURE 69

A - Used on aircraft with serial numbers 31T-8275001, 31T-8275003, 31T-8275005 and up.

PIPER PARTS CATALOG

Figure and Index Number	Part Number	Code	NOMENCLATURE	No. Req.	SERIAL NUMBERS AFFECTED
69-	01738		DRAWING - Static Pressure System Installation		
-1	44237-03		TUBE - Static pressure	1	
-2	44238-02		TUBE ASSEMBLY - Static pressure	1	
-3	44247-00		TUBE ASSEMBLY - Static air	1	31T-8275002, 31T-8275004
	01746-02	A	LINE ASSEMBLY - Static air	1	
-4	44246-00		TUBE ASSEMBLY - Altimeter to rate of climb	1	
-5	558 927	A	ELBOW - (AN848-4D)	1	
-6	44252-02		TUBE ASSEMBLY - Static pressure	1	
-7	44252-03		TUBE ASSEMBLY - Static pressure	1	
-8	44848-00		TUBE ASSEMBLY - Static pressure	1	
-9	407 568		WASHER - (AN960-716)	4	
-10	80007-12	A	HOSE - Alternate air source	1	
-11	49998-20		HOSE - Static pressure	1	31T-8275002, 31T-8275004
	80007-29	A	HOSE - Static pressure	1	
-12	49998-23		HOSE - Static pressure	1	31T-8275002, 31T-8275004
	80007-15	A	HOSE - Static pressure	1	
-13	17881-06		LINE ASSEMBLY - Static air	3	
-14	80006-04		SLEEVE - Static pressure line	1	
-15	80006-25		SLEEVE - Static pressure line	1	
-16	451 857	A	ADAPTER - (AN840-4D)	3	
-17	49998-19		HOSE - Static pressure	1	31T-8275002, 31T-8275004
	80007-11	A	HOSE - Static pressure	1	
-18	492 100		VALVE ASSEMBLY - (CCA-7450) Alternate static source	1	31T-8275002, 31T-8275004
	51049-00	A	VALVE ASSEMBLY - Static pressure selector	1	
-19	454 173		CAP - Altimeter (AN929-4)	1	
-20	458 894		ELBOW - (MS20822-4D)	2	
-21	488 316		TEE - (MS20826-4D)	3	
-22	488 383		TEE - (AN834-4D)	1	
-23	491 060		UNION - (AN832-4D)	1	
-24	477 618		NUT - (AN924-4D)	3	
-25	434 134		GROMMET - (MS35489-11)	1	
-26	434 128		GROMMET - (MS35489-6)	16	
-27	80007-08	A	HOSE - Static pressure	1	
-28	189 625		GROMMET - Caterpillar (MS21266-1N) 4.00 L.	1	
-29	80007-14	A	HOSE - Static pressure	1	
-30	49998-19		HOSE - Alternate air source	1	31T-8275002, 31T-8275004
-31	488 316		TEE - (MS20826-4D)	1	31T-8275002, 31T-8275004
-32	41472-00		PLACARD - Alternate static source	1	31T-8275002, 31T-8275004
-33	44240-00		TUBE ASSEMBLY - Airspeed	1	31T-8275002, 31T-8275004

When ordering, always specify Part Number, Description and Serial Number of Aircraft

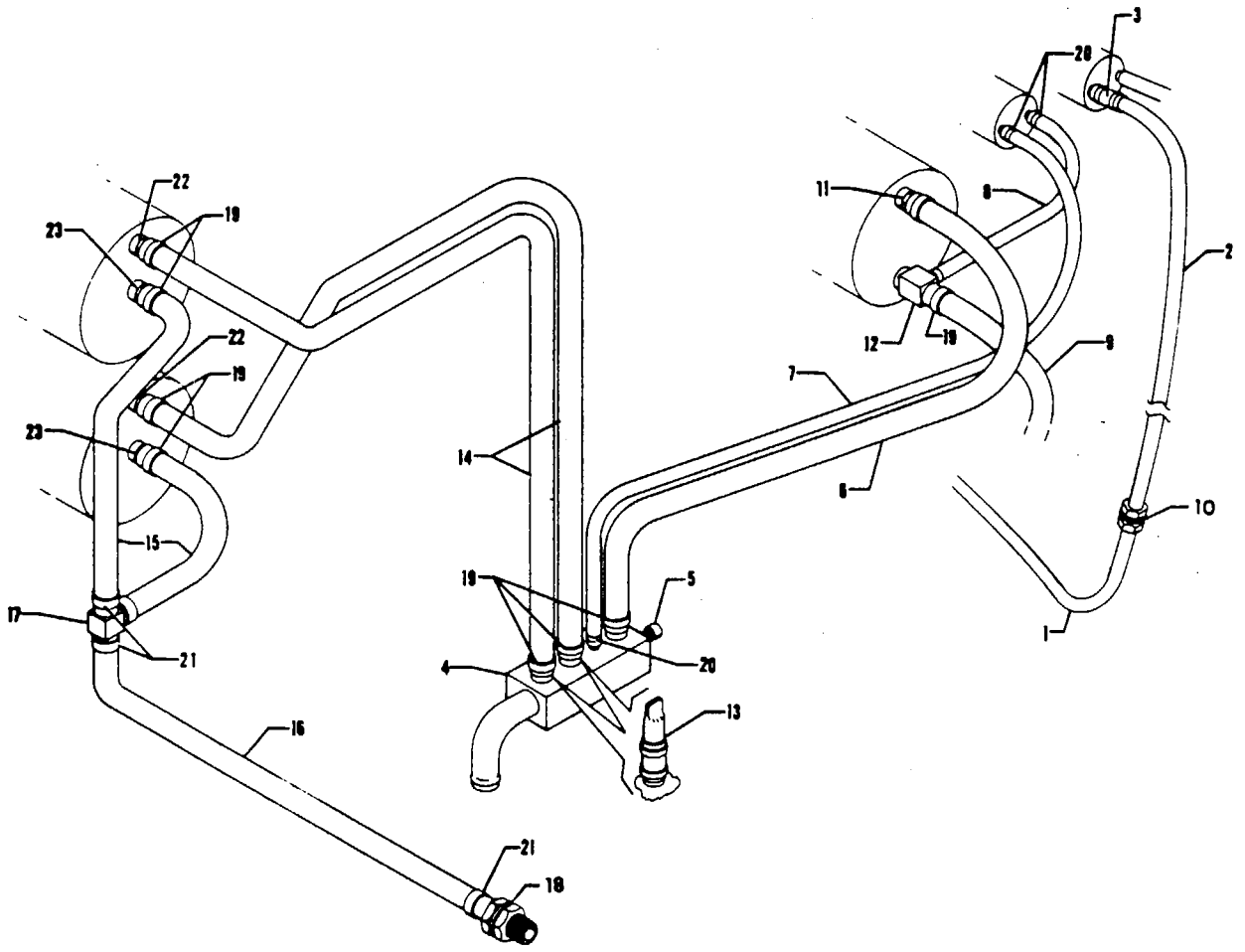


Figure 70. Pressure Driven Instruments Air Lines Installation

PIPER PARTS CATALOG

CODE EXPLANATIONS FOR FIGURE 70

- A - Used if Pressure Driven Turn and Bank indicator only is installed.
- B - Used if Pressure Driven Attitude Gyro, Directional Gyro and Turn and Bank Indicator are installed.
- C - Used if Pressure Driven Attitude Gyro and Turn and Bank Indicator only are installed.

PIPER PARTS CATALOG

Figure and Index Number	Part Number	Code	NOMENCLATURE	No. Req.	SERIAL NUMBERS AFFECTED
70-	81663 82024		DRAWING - Fuselage Pneumatic System Installation DRAWING - CoPilot Gyro Air Lines Installation		
-1	80004-16		LINE ASSEMBLY - Pneumatic pressure	1	
-2	80004-17		LINE ASSEMBLY - Pneumatic pressure	1	
-3	80007-17		HOSE - Flexible	1	
-4	81504-02		MANIFOLD ASSEMBLY - Instrument air	1	
-5	49638-02		* BOLT - Turn and bank pressure adjustment	1	
-6	80007-51		HOSE - Manifold to turn and bank	1	
-7	83181-38		HOSE - Manifold to gyro pressure gauge	1	
-8	61541-33		HOSE - Turn and bank to gyro pressure gauge	1	
-9	80007-03		HOSE - Turn and bank to bulkhead	1	
-10	458 910		UNION - (AN837-4D)	1	
	407 568		WASHER - (AN960-716)	1	
	477 618		NUT - (AN924-4D)	1	
-11	451 939		ADAPTER - (1K10-4-8)	1	
-12	560 835		TEE - (1K31-4-6-4)	1	
-13	50558-00	A,C	PLUG	2	
	82371-47	A,C	HOSE - Flexible	2	
	454 921	A,C	CLAMP - (SAE TY F-10)	4	
-14	16633-68	B	HOSE - Flexible, manifold to gyro	2	
	16633-68	C	HOSE - Flexible, manifold to gyro	1	
-15	80007-22	B	HOSE - Flexible, gyro to tee	2	
-16	80007-26	B	HOSE - Flexible, tee to bulkhead	1	
	80007-24	C	HOSE - Flexible, tee to bulkhead	1	
-17	488 520	B	TEE - (1K30-B-6-6)	1	
-18	451 921	B	ADAPTER - (AN807-8D)	1	
	451 852	C	ADAPTER - (AN807-6D)	1	
	407 593	B	WASHER - (AN960-PD1216)	1	
	407 598	C	WASHER - (AN960-PD916)	1	
	477 621	B	NUT - (AN924-8D)	1	
	477 620	C	NUT - (AN924-6D)	1	
-19	554 871		CLAMP - (SAE TY F-6SS)	11	
-20	554 778		CLAMP - (SAE TY F-4SS)	4	
-21	554 664	B	CLAMP - (PS10017-20-8)	2	
-22	458 945		ELBOW - (1K1-4-6)	2	
-23	558 913		ELBOW - (1K9-4-6)	2	

When ordering, always specify Part Number, Description and Serial Number of Aircraft

1L24
INTENTIONALLY LEFT BLANK



PARTS CATALOG

CARD 2 OF 3

PA-31T3 T1040

PIPER AIRCRAFT CORPORATION

2A1

(PART NUMBER 761 761)

PIPER PARTS CATALOG

AEROFICHE EXPLANATION AND REVISION STATUS

The Parts Catalog information incorporated in this set of Aerofiche cards has been arranged in accordance with the general specifications of Aerofiche adopted by the General Aircraft Manufacturer's Association.

Conversion of Aerofiche alpha/numeric code numbers:

First number is the Aerofiche card identifier.

Letter is the horizontal line reference per card.

Second number is the vertical line reference per card.

Example: 2J16 = Aerofiche card number two of given set, Grid location J16.

To aid in locating the various sections and related information desired, the following is provided:

A complete Catalog Table of Contents is given at Grid 1A7 of Aerofiche card number 1 of this set. Each additional card in this set will have a Table of Contents for all sections on that particular card. This table will start at Grid A3.

REVISIONS

The information compiled in this Aerofiche Parts Catalog will be kept current by revisions distributed periodically. These revisions will supersede all previous revisions and will be complete Aerofiche card replacements and shall supersede Aerofiche cards of the same number in the set.

Current Revisions to this PA-31T3 T1040 Parts Catalog issued March 8, 1982 are as follows:

761 761 (PR820714).....	Dated July, 1982
761 761 (PR821112).....	Dated November, 1982
761 761 (PR830412).....	Dated April, 1983
761 761 (PR840110).....	Dated January, 1984
761 761 (PR840711).....	Dated July, 1984

NOTE: Refer to the last card of the Piper - Parts Price List - Aerofiche for a check list of current revision dates and card effectivities for this parts catalog.

TABLE OF CONTENTS

FIGURE NUMBER	FIGURE TITLE	GRID NUMBER
SECTION VII POWER PLANT GROUP		
71	Power Plant Installation	2A7
72	Air Inlet and Ice Protection Installation	2A12
73	Engine Starter Generator Installation	2A16
74	Starter Generator Assembly (Auxilec, Inc.)	2A19
75	Oil Cooler and Breather System Installation	2B1
76	Engine Compartments Fire Extinguisher System Installation	2B4
77	Engine Cowl Installation	2B7
78	Engine Fire Seal Installation	2B11
79	Nacelle Installation	2B14
80	Engine Nacelle Locker Door Assembly and Installation	2B20
81	Engine Controls Installation	2C1
82	Propeller Assembly	2C5
83	Propeller Synchrophaser System Installation (Motor and Amplifier)	2C8
SECTION VIII FUEL SYSTEM GROUP		
84	Fuel Control Panel Installation	2C11
85	Left Engine Fuel System Installation	2C14
86	Right Engine Fuel System Installation	2C18
87	Fuel System Components	2C22
88	Wing Fuel Pressure and Vent Lines	2D1
89	Wing Tip Fuel Tank Installation	2D5
90	Fuel Scavenger Pump Installation	2D9
91	Main Inboard Fuel Cell and Liner Installation	2D12
92	Main Outboard Fuel Cell and Liner Installation	2D15
SECTION IX CONTROL SYSTEM GROUP		
93	Pedestal Installation	2D18
94	Pedestal Control Assembly	2E1
95	Aileron Control Installation	2E5
96	Aileron Trim Installation	2E9
97	Rudder Control Installation	2E12
98	Rudder Trim Installation	2E16
99	Elevator Control Installation	2E20
100	Elevator Trim Installation	2F1
101	Flap Control Installation	2F5
102	Control Wheel Installation	2F8
103	Rudder Pedal Installation	2F13
SECTION X HYDRAULIC SYSTEM GROUP		
104	Forward Hydraulic System Installation	2F17
105	Aft Hydraulic System Installation	2F21
106	Hydraulic Pumps Installation	2G1
107	Hydraulic System Components	2G5

TABLE OF CONTENTS

FIGURE NUMBER	FIGURE TITLE	GRID NUMBER
SECTION X (Cont.) HYDRAULIC SYSTEM GROUP		
108	Hydraulic Hand Pump Assembly	2G8
109	Hydraulic Powerpak Assembly (Wiebel)	2G11
110	Hydraulic Powerpak Components (Wiebel)	2G15
SECTION XI ENVIRONMENTAL GROUP		
111	Heater and Defroster System Installation (S/N 31T-8275001 to 31T-8275003 incl. 31T-8275005 to 31T-8275016 incl., 31T-8275018 to 31T-8375002 incl., 31T-8375004 and up)	2G18
111A	Heater and Defroster System Installation (S/N 31T-8275004, 31T-8275017, 31T-8375003)	2G21
112	Heater Installation (S/N 31T-8275001 to 31T-8275003 incl., 31T-8275005 to 31T-8275016 incl., 31T-8275018 to 31T-8375002 incl., 31T-8375004, and up)	2H1
112A	Heater Installation (S/N 31T-8275004, 31T-8275017, 31T-8375003.)	2H5
113	Heater Assembly	2H9
114	Heater Combustion Air Blower and Motor Assembly	2H12
115	Air Distribution Duct Installation	2H15
116	Ventilation System Installation	2H18
117	Cabin Exhaust Vent and Blower Installation	2H22
118	Air Conditioning System Installation - Fuselage	2I1
119	Air Conditioning System Installation - Wing	2I4
120	Freon Compressor Installation	2I8
121	Bleed Air System Installation	2I11
121A	Auxiliary Bleed Air Heat Installation	2I14
122	Pneumatic Air Supply Installation	2I17
123	Oxygen System Installation - Forward Mounted Bottle	2I20
124	Oxygen System Installation - Aft Mounted Bottle	2J1
125	Pneumatic Deicing System Installation	2J5
SECTION XII ELECTRICAL SYSTEM GROUP		
126	Primary and Auxiliary Electrical Power Installation	2J9
127	Forward Electrical System Installation	2J13
128	Instrument Panel Electrical Installation	2J17
129	Aft Electrical System Installation	2J20
130	Circuit Breakers System Installation	2K1
131	Overhead Switch Panel Installation	2K4
132	Landing Light and Ice Detection Light Installation	2K8
133	Navigation, Strobe and Recognition Lights Installation	2K11
134	Propeller Electric Deicer Installation	2K14
135	Electric Windshield Wiper Installation	2K17
SECTION XIII ELECTRONICS GROUP		
136	Piper Automatic Locator (ELT) Installation (Narco Avionics)	2K20

2A5

INTENTIONALLY LEFT BLANK

2A6

INTENTIONALLY LEFT BLANK

PIPER PARTS CATALOG

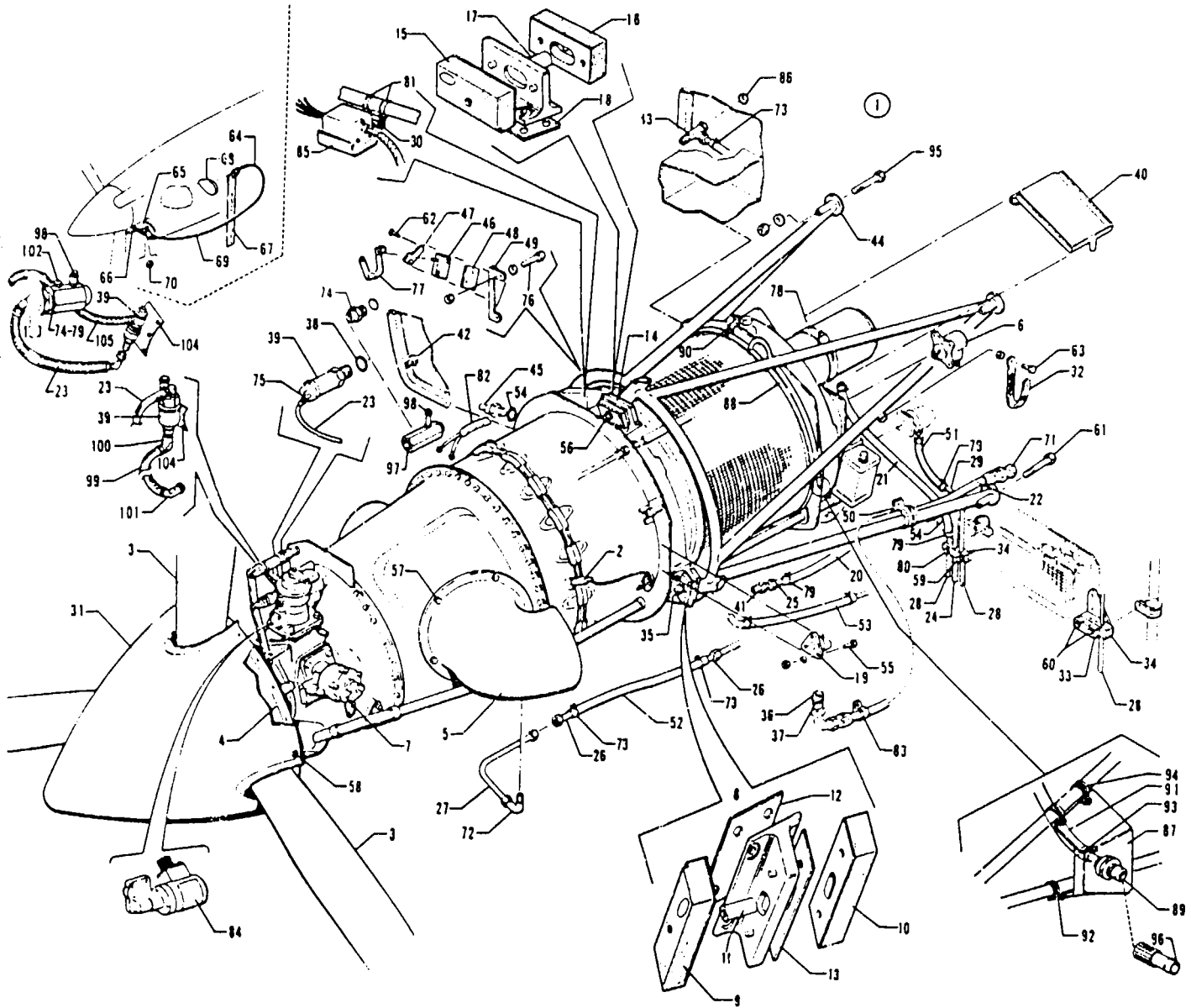


Figure 71. Power Plant Installation

PIPER PARTS CATALOG

CODE EXPLANATIONS FOR FIGURE 71

- A - See Figure 82 for propeller components or Figure 134 for deicer components and propeller mounting hardware.
- B - Do not use gasket supplied with this part. Order and install gasket, part no. 484 860.
- C - Used if Auto Ignition System is installed.
- D - Used if Bendix torque transmitter is installed.
- E - Used if Kulite torque transmitter is installed.
- F - Used on aircraft that comply with C.A.A. (United Kingdom) requirements.
- G - Used on aircraft with serial numbers 31T-8275011, 31T-8275014 and up.

PIPER PARTS CATALOG

Figure and Index Number	Part Number	Code	NOMENCLATURE	No. Req.	SERIAL NUMBERS AFFECTED
71-	81990		DRAWING - Power Plant Installation		
-1			ENGINE ASSEMBLY - Pratt and Whitney (Model PT6A-11, Specification 784)	2	
-2	755 492		* IGNITER - Spark (CH34055)	2	
-3	82000-02	A	PROPELLER ASSEMBLY - Hartzell (complete with deicer)	2	
-4	758 398		* BULKHEAD ASSEMBLY - Spinner (D-4258)	1	
-5	50055-00		STUB ASSEMBLY - Exhaust	4	
-6	50196-00		GENERATOR ASSEMBLY - Tachometer	4	
-7	50898-00		GOVERNOR ASSEMBLY - Overspeed	2	
-8	475 100		MOUNT ASSEMBLY - Engine (LM-423-5A1), bottom	4	
-9	761 603		* MOUNT - Front (LM-423-3)	1	
-10	761 604		* MOUNT - Rear (LM-423-4)	1	
-11	757 791		* SPACER ASSEMBLY - (LM-423-2)	1	
-12	755 036		* GASKET - (LM-423-5)	1	
-13	755 038		* GASKET - (LM-423-39)	2	
-14	475 176		MOUNT ASSEMBLY - Engine (LM-423-SA12), top	2	
-15	761 612		* MOUNT - Front (LM-423-41)	1	
-16	761 613		* MOUNT - Rear (LM-423-42)	1	
-17	757 791		* SPACER ASSEMBLY - (LM-423-2)	1	
-18	755 036		* GASKET - (LM-423-5)	1	
-19	50642-00		DETECTOR ASSEMBLY - Fire	4	
-20	61541-32		HOSE - Flexible	2	
-21	61541-25		HOSE - Flexible	2	
-22	39995-33		HOSE - Flexible	2	
-23	39995-39		HOSE - Torque, flexible	2	31T-8275001 to 31T-8275010 incl., 31T-8275012 and 31T-8275013
	39995-40	G	HOSE - Torque, flexible	2	
-24	50522-00		LINE ASSEMBLY - Shut-down drain	2	
-25	50553-02		LINE ASSEMBLY - Fuel	4	
-26	50553-03		LINE ASSEMBLY	6	
-27	50554-00		LINE ASSEMBLY - Shut-down drain, left	1	
	01154-02		LINE ASSEMBLY - Shut-down drain, right	1	
-28	50509-00		TUBE - Drain (5.50" L.)	3	
-29	50512-03		TUBE - Drain (10.50" L.)	7	
-30	475 168		ISOLATOR - Ignition exciter (C2-H-312-1)	1	
-31	51085-00		SPINNER - Propeller	2	
-32	17604-33		CABLE ASSEMBLY - Ground to engine	2	
-33	50518-00		BLOCK ASSEMBLY - Tube retaining, right engine, front	1	
	50517-00		BLOCK ASSEMBLY - Tube retaining, right engine, rear	1	
	50518-00		BLOCK ASSEMBLY - Tube retaining, left engine, front	1	
	50517-04		BLOCK ASSEMBLY - Tube retaining, left engine, rear	1	
-34	50517-00		BLOCK ASSEMBLY - Tube retaining, left engine	1	
	50518-00		BLOCK ASSEMBLY - Tube retaining, right engine	1	
-35	50615-00		BOLT - Engine mount	24	
	407 567		WASHER - (AN960-616)	48	
-36	51314-00		ADAPTER - Oil drain	2	
-37	484 859		"O" RING - (NAS1593-016)	2	
-38	484 861		"O" RING - (NAS1593-12)	2	31T-8275001 to 31T-8275010 incl., 31T-8275012 and 31T-8275013
-39	29287-02		TRANSMITTER - Torque (Bendix)	2	
	489 502		TRANSMITTER - Torque (Kulite)	2	
-40	51038-00		SHIELD ASSEMBLY - Oil drip	2	
-41	491 050		UNION - (AN815-4D)	2	
	484 842		"O" RING - (MS29512-04)	2	

When ordering, always specify Part Number, Description and Serial Number of Aircraft

PIPER PARTS CATALOG

Figure and Index Number	Part Number	Code	NOMENCLATURE	No. Req.	SERIAL NUMBERS AFFECTED
71-42	491 066		UNION - (AN832-6) left engine	1	
	458 864		ELBOW - (AN837-6) right engine	1	
	407 570		WASHER - (AN960-916)	2	
	477 631		NUT - (AN924-6)	2	
-43	488 489		TEE - (AN804-6)	2	
-44	50014-10		MOUNT ASSEMBLY - Engine	2	
	50014-11	F	MOUNT ASSEMBLY - Engine	2	
-45	453 854	B	BULB - Oil temperature bulb (MS28034-3)	2	
-46	487 940		SWITCH - Micro (MS25253-2)	2	
-47	54412-02		PLATE - Switch actuating	2	
-48	50859-00		PLATE - Switch insulator	2	
-49	54410-02		BRACKET ASSEMBLY - Beta switch mounting	2	
-50	554 689		CLAMP - (452S16-18-10)	2	
-51	39998-04		HOSE ASSEMBLY - Flexible	2	
-52	16633-24		HOSE - Flexible	2	
-53	39996-06		HOSE - Flexible	2	
-54	484 860		GASKET - Oil temperature bulb (NAS1595-4)	2	
-55	401 266		BOLT - (AN3-5A)	6	
	407 564		WASHER - (AN960-10)	6	
	404 887		NUT - (MS20365-1032C)	6	
-56	401 530		BOLT - (AN7-30A)	6	
	477 782		NUT - Flexloc (32FE-720)	6	
-57	403 098		BOLT - (AN4C-5A)	24	
	407 675		WASHER - (AN960-C416)	24	
	404 974		NUT - (AN363-C428)	24	
-58	415 379		SCREW - (MS51958-63)	30	
-59	415 632		SCREW - (MS35206-332)	2	
	407 042		LOCKWASHER - (MS35338-42)	2	
-60	415 542		SCREW - (MS35206-252)	4	
	407 042		LOCKWASHER - (MS35338-42)	4	
-61	401 417		BOLT - (AN6-37A)	4	
	407 567		WASHER - (AN960-616)	4	
	404 890		NUT - (MS20365-624C)	4	
-62	415 509		SCREW - (MS35206-219)	4	
	406 638		NUT - Hex (H10-4)	4	
-63	401 307		BOLT - (AN4-4A)	2	
	404 888		NUT - (MS20365-428C)	2	
-64	82078-03		COVER ASSEMBLY - Engine ground protection	2	
-65	82082-02		* COVER ASSEMBLY - Engine air inlet	1	
-66	82069-02		* BRACE ASSEMBLY - Propeller anti-spin	1	
-67	51526-00		* STRAP ASSEMBLY - Ground protection warning	2	
-68	51456-00		* PLUG ASSEMBLY - Exhaust stub	2	
-69	51461-00		* CABLE ASSEMBLY - Engine ground protection	2	
-70	407 565		* WASHER - (AN960-416)	2	
-71	582 083		PLUG - (AN806-8D)	2	
-72	558 987		ELBOW - (RAS-2000-C-6)	2	
-73	454 832		CLAMP - (SAE TY E-10)	6	
-74	51593-00		ADAPTER - Torque transmitter	2	31T-8275001 to 31T-8275010 incl. 31T-8275012 and 31T-8275013
	70778-03	G	MANIFOLD - Torquemeter, oil pressure	2	
	484 841		"O" RING - (NAS1593-213)	2	
	49981-10		WASHER - (.032 thickness)	AR	
	49981-11		WASHER - (.064 thickness)	AR	
-75	458 934		ELBOW - (AN833-4)	2	31T-8275001 to 31T-8275010 incl. 31T-8275012 and 31T-8275013
	484 860		GASKET - (NAS1595-4)	2	31T-8275001 to 31T-8275010 incl. 31T-8275012 and 31T-8275013

When ordering, always specify Part Number, Description and Serial Number of Aircraft

PIPER PARTS CATALOG

Figure and Index Number	Part Number	Code	NOMENCLATURE	No. Req.	SERIAL NUMBERS AFFECTED
71-75	477 629		NUT - (AN924-4)	2	31T-8275001 to 31T-8275010 incl. 31T-8275012 and 31T-8275013
.76	401 266		BOLT - (AN3-5A) top	2	
	400 440		BOLT - (AN3-6A) bottom	2	
	407 564		WASHER - (AN960-10)	4	
	404 887		NUT - (MS20365-1032C)	4	
.77	451 841		ACTUATOR - (JV-5)	2	
.78	554 992		CLAMP - (QS200M88S)	2	
.79	454 983		CLAMP - (SAE TY E-8)	10	
.80	415 542		SCREW - (MS35206-252)	2	
	407 042		LOCKWASHER - (MS35338-42)	2	
.81	554 941		CLAMP - Ignition exciter support (PS10017-2-20)	2	
.82	554 383		CABLE - I. T. T. thermocouple (3199061) (Lewis Eng.)	2	
	554 241		CABLE - I. T. T. thermocouple (00040-0063) (Rosemont Eng.)	2	
.83	454 977		CLAMP - (PS10017-2-16)	2	
.84	756 548		VALVE ASSEMBLY - Lock pitch governor (1310-511)	2	
.85	51579-02		BRACKET - Ignition exciter mounting, right	1	
.86	407 570		WASHER - (AN960-916) left engine	1	
	49979-04		WASHER - Right engine	1	
.87	55061-02		BRACKET ASSEMBLY - Wash ring attachment, left	1	
	01861-02		BRACKET ASSEMBLY - Wash ring attachment, right	1	
.88	55076-10		WASH RING ASSEMBLY - Left engine	1	
	55076-11		WASH RING ASSEMBLY - Right engine	1	
.89	55010-02		FITTING - Engine wash ring adapter	2	
.90	55091-03		CLIP - Wash ring attachment	10	
.91	80007-43		HOSE - Rubber, left	1	
	16633-26		HOSE - Rubber, right	1	
.92	454 977		CLAMP - (PS10017-2-16)	4	
.93	554 778		CLAMP - (SAE TY F-455)	4	
.94	554 775		CLAMP - (PS10017-2-15)	4	
.95	401 414		BOLT - (AN6-34A)	4	
	407 567		WASHER - (AN960-616)	4	
	404 890		NUT - (MS20365-624C)	4	
.96	763 357		COUPLING - Female, quick disconnect (N-109B)	2	
.97	29481-02	C	MANIFOLD - Torque transmitter/autoignition	2	
.98	57100-02	C	SWITCH - Gauge pressure, autoignition (8G1150)	2	
	484 842	C	O-RING - (MS29512-4)	2	
.99	39995-39	D.G	HOSE - Torque transmitter to manifold	2	
.100	458 938	D.G	ELBOW - (AN837-4)	4	
	484 860	D.G	GASKET - (NAS1595-4)	4	
	477 629	D.G	NUT - (AN924-4)	4	
.101	558 785	D.G	ELBOW - (RA-2000-4)	2	
.102	582 807	E	PLUG - (MS9015-04)	2	
	484 860	E	O-RING - (NAS1595-4)	2	
.103	491 055	E	UNION - (AN815-4)	2	
	484 860	E	O-RING - (NAS1595-4)	2	
.104	81813-02	E	PLATE - Torque transmitter mounting	2	
	82170-02	D	BRACKET ASSEMBLY - Torque transmitter mounting	2	
.105	39995-41	E	HOSE ASSEMBLY - Torque, flexible	2	

When ordering, always specify Part Number, Description and Serial Number of Aircraft

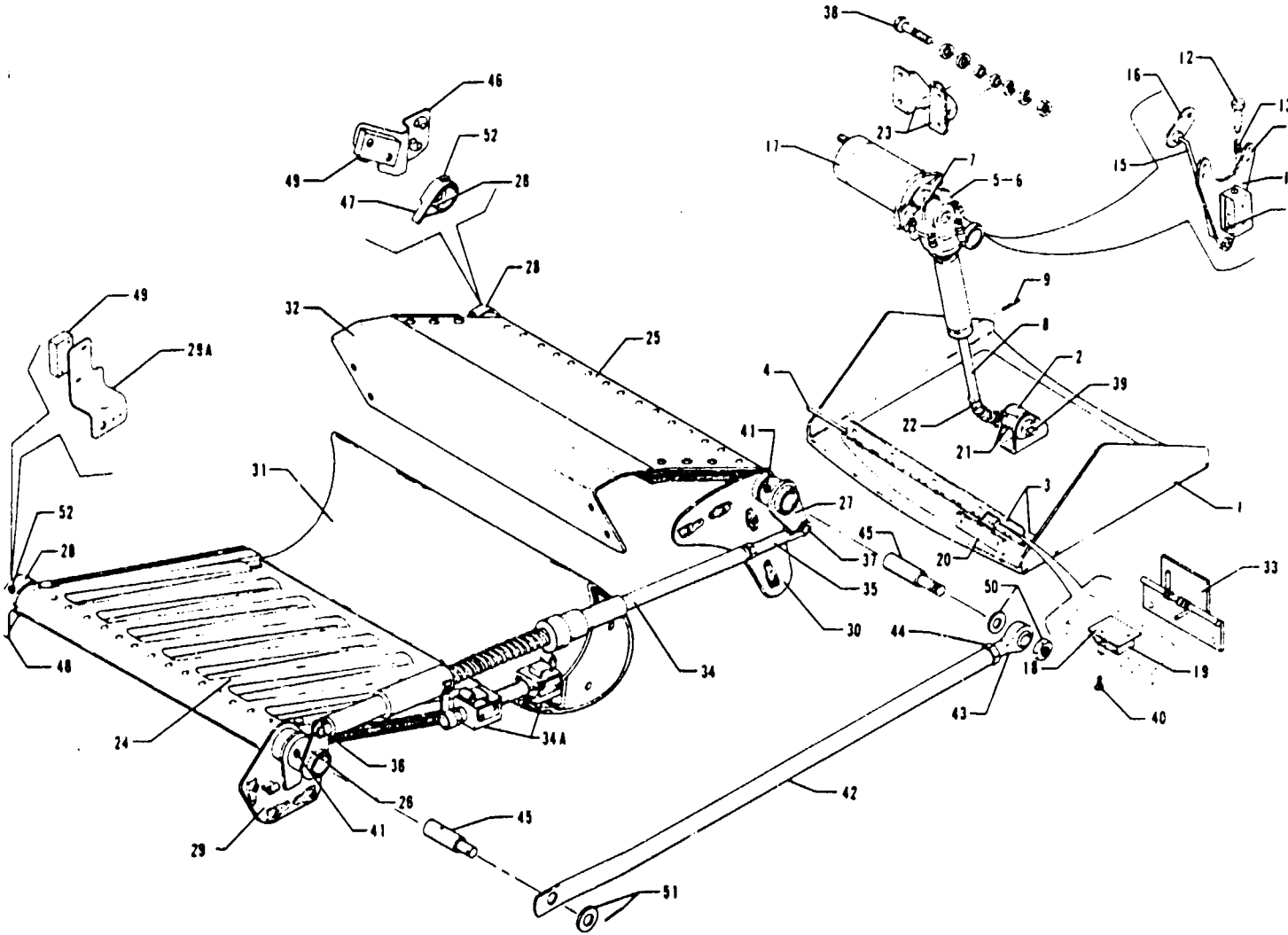


Figure 72. Air Inlet and Ice Protection Installation

PIPER PARTS CATALOG

CODE EXPLANATIONS FOR FIGURE 72

PIPER PARTS CATALOG

Figure and Index Number	Part Number	Code	NOMENCLATURE	No. Req.	SERIAL NUMBERS AFFECTED
72-	81869		DRAWING - Air Inlet and Ice Protection Installation		
-1	50574-00		DOOR ASSEMBLY - Oil cooler exhaust	2	
-2	51674-02		* BRACKET ASSEMBLY - Oil cooler door	1	
-3	50574-05		* HINGE - Half	2	
-4	50574-07		* PIN - Hinge	1	
-5	50165-02		TRANSMISSION ASSEMBLY - Oil cooler	2	
-6	53801-00		* TRANSMISSION ASSEMBLY	2	
-7	757 833		* * COUPLING - Transmission	1	
-8	50150-00		* ROD ASSEMBLY - Transmission push	1	
-9	480 740		* PIN - Roll (59-012-062-1000)	1	
-10	24948-02		* BRAKE AND ARM ASSEMBLY	1	
-11	24932-00		* * ARM	1	
-12	24933-00		* * PLUNGER	1	
-13	83302-61		* * SPRING	1	
-14	43988-03		* * SOLENOID	1	
-15	21418-02		* ROD	1	
-16	60054-18		* LINK	1	
-17	475 194		* MOTOR ASSEMBLY - (MO581177A)	1	
-18	51283-00		PLATE - Switch	2	
-19	487 819		SWITCH - (MS25253-3)	2	
-20	51281-00		SPACER - Cowl flap switch	2	
-21	50189-00		SLEEVE - Oil cooler door transmission	2	
	404 330		NUT - (AN316-6R)	2	
-22	83302-80		SPRING	2	
-23	50815-00		BRACKET - Transmission mounting, left	1	
	50815-01		BRACKET - Transmission mounting, right	1	
-24	01092-02		VANE ASSEMBLY - Forward (complete)	2	
-25	01099-02		VANE ASSEMBLY - Aft (complete)	2	
-26	81902-06		ARM ASSEMBLY - Forward vane actuator	2	
-27	81899-05		ARM ASSEMBLY - Aft vane actuator	2	
-28	01092-08		SLEEVE	4	
-29	81914-12		PLATE ASSEMBLY - Mounting, forward vane, left	2	
	81914-15		PLATE ASSEMBLY - Mounting, forward vane, right	2	
-29a	01924-02		* BRACKET - Forward vane switch, right	1	
-30	81907-02		PLATE ASSEMBLY - Mounting, aft vane, left	2	
	81907-07		PLATE ASSEMBLY - Mounting, aft vane, right	2	
-31	81836-02		VANE ASSEMBLY - Directional	2	
-32	81944-02		ANGLE - Deflector stop	2	
-33	51287-02		HINGE ASSEMBLY - Cowl flap switch	2	
-34	02124-02		ACTUATOR ASSEMBLY - Electric	2	
-34a	764 841		* SWITCH - Actuator (8497-15)	2	
-35	01470-02		CLEVIS - Actuator attachment	2	
	404 330		NUT - (AN316-6R)	2	
-36	424 209		PIN - (MS20392-3-25)	2	
	407 585		WASHER - (AN960-416L)	6	
	424 051		COTTER PIN - (MS24665-132)	2	
-37	424 205		PIN - (MS20392-3C17)	2	
	407 585		WASHER - (AN960-416L)	2	
	424 051		COTTER PIN - (MS24665-132)	2	
-38	42129-02		BUSHING	2	
	400 446		BOLT - (AN3-16A)	2	
	407 587		WASHER - (AN960-616L)	4	
	407 584		WASHER - (AN960-10L)	4	
	404 887		NUT - (MS20365-1032C)	2	

When ordering, always specify Part Number, Description and Serial Number of Aircraft

PIPER PARTS CATALOG

Figure and Index Number	Part Number	Code	NOMENCLATURE	No. Req.	SERIAL NUMBERS AFFECTED
72-39	400 057		BOLT - (AN3-12)	2	
	407 564		WASHER - (AN960-10)	8	
	404 100		NUT - (AN310-3)	2	
	424 052		COTTER PIN - (MS24665-134)	2	
-40	415 509		SCREW - (MS35206-219)	4	
-41	415 295		SCREW - (MS27039-0820)	4	
	407 563		WASHER - (AN960-8)	4	
	404 910		NUT - (MS20365-832C)	4	
-42	01512-02		TUBE ASSEMBLY - Cowl reinforcement	2	
-43	452 775		* BEARING - Rod end (MXK46-16A)	1	
-44	404 330		* NUT - Check (AN316-6R)	1	
-45	01514-03		END - Torque tube, forward	2	
	01514-02		END - Torque tube, aft	2	
-46	01915-02		BRACKET ASSEMBLY - Aft vane switch	2	
-47	01951-02		TAB - Aft vane switch actuator	2	
-48	01571-02		TAB - Forward vane switch actuator	2	
-49	487 927		SWITCH - (6PL41)	4	
-50	407 565		WASHER - (AN960-416)	AR	
	404 888		NUT - (MS20365-428C)	2	
-51	407 567		WASHER - (AN960-616)	AR	
	424 059		COTTER PIN - (MS24665-283)	2	
-52	400 008		BOLT - (AN4-13A)	4	
	407 565		WASHER - (AN960-416)	4	
	404 888		NUT - (MS20365-428C)	4	

When ordering, always specify Part Number, Description and Serial Number of Aircraft

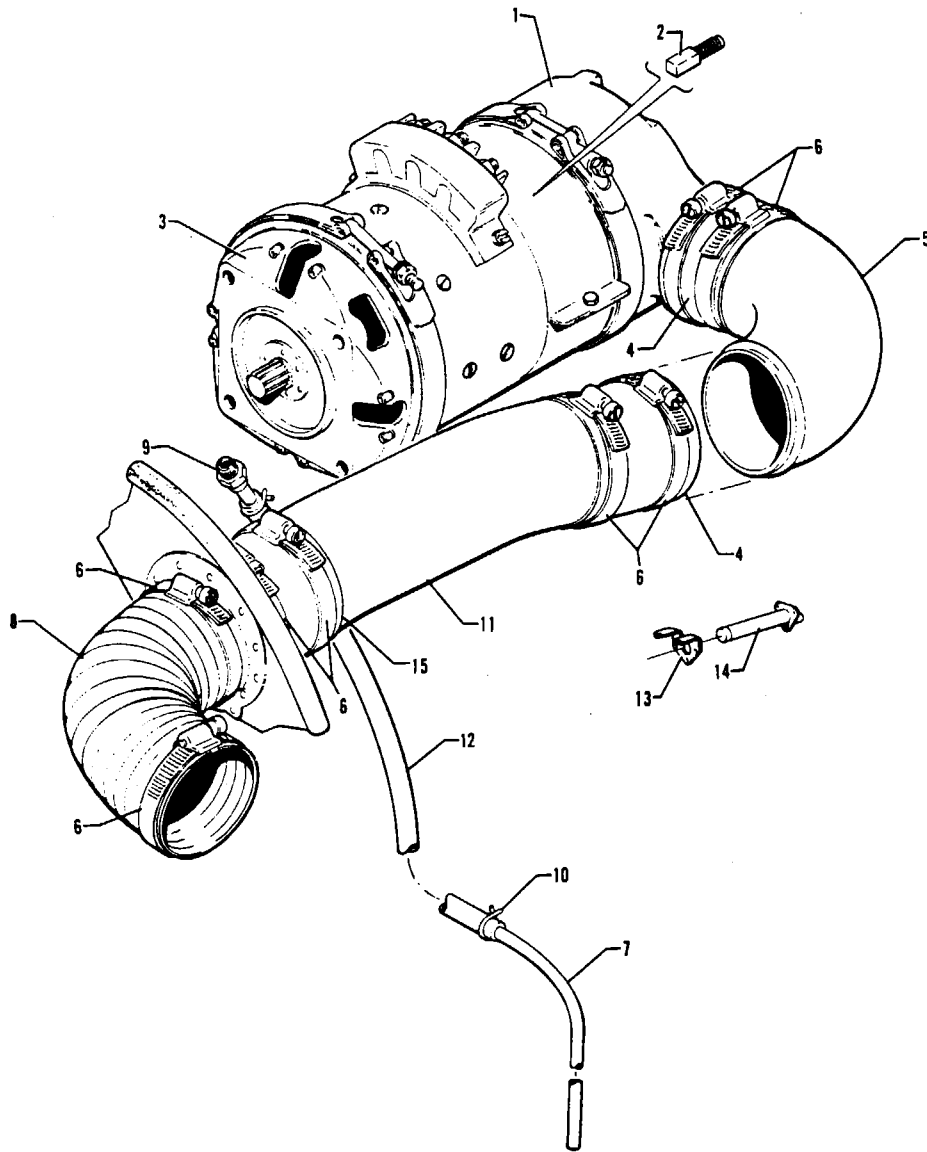


Figure 73. Engine Starter Generator Installation

PIPER PARTS CATALOG

CODE EXPLANATIONS FOR FIGURE 73

- A - See Figure 74 for component parts.
- B - Used on Lear Siegler Starter Generator only.

PIPER PARTS CATALOG

Figure and Index Number	Part Number	Code	NOMENCLATURE	No. Req.	SERIAL NUMBERS AFFECTED
73-	81990 51131		DRAWING - Power Plant Installation DRAWING - Starter Generator Installation		
-1	51130-02		STARTER GENERATOR ASSEMBLY - Aft unit (quick disconnect) (Lear Siegler)	2	
	764 803	A	STARTER GENERATOR ASSEMBLY - (8013C-1 Auxilec, Inc.)	2	
-2	758 344	B	* BRUSH - Starter generator (30010-1026)	8	
-3	51130-03	B	STARTER GENERATOR QUAD KIT - Forward unit	2	
-4	42172-06		COUPLING - Starter generator cooling	4	
-5	51126-00		ELBOW ASSEMBLY - Starter generator cooling	2	
-6	554 972		CLAMP - Starter generator cooling (SAE TY F-52)	16	
-7	50512-04		TUBE - Starter generator drain	2	
-8	29998-12		HOSE - Air duct	2	
-9	451 857		ADAPTER - Drain (AN840-4D)	2	
-10	454 983		CLAMP - (SAE TY E-8)	4	
-11	51125-00		DUCT - Starter generator cooling	2	
-12	61541-30		HOSE - Starter generator drain	2	
-13	29569-02		BRACKET - Fire detector mounting	2	
-14	50642-00		DETECTOR ASSEMBLY - Fire	2	
-15	42172-08		COUPLING - Starter generator cooling	2	

When ordering, always specify Part Number, Description and Serial Number of Aircraft

PIPER PARTS CATALOG

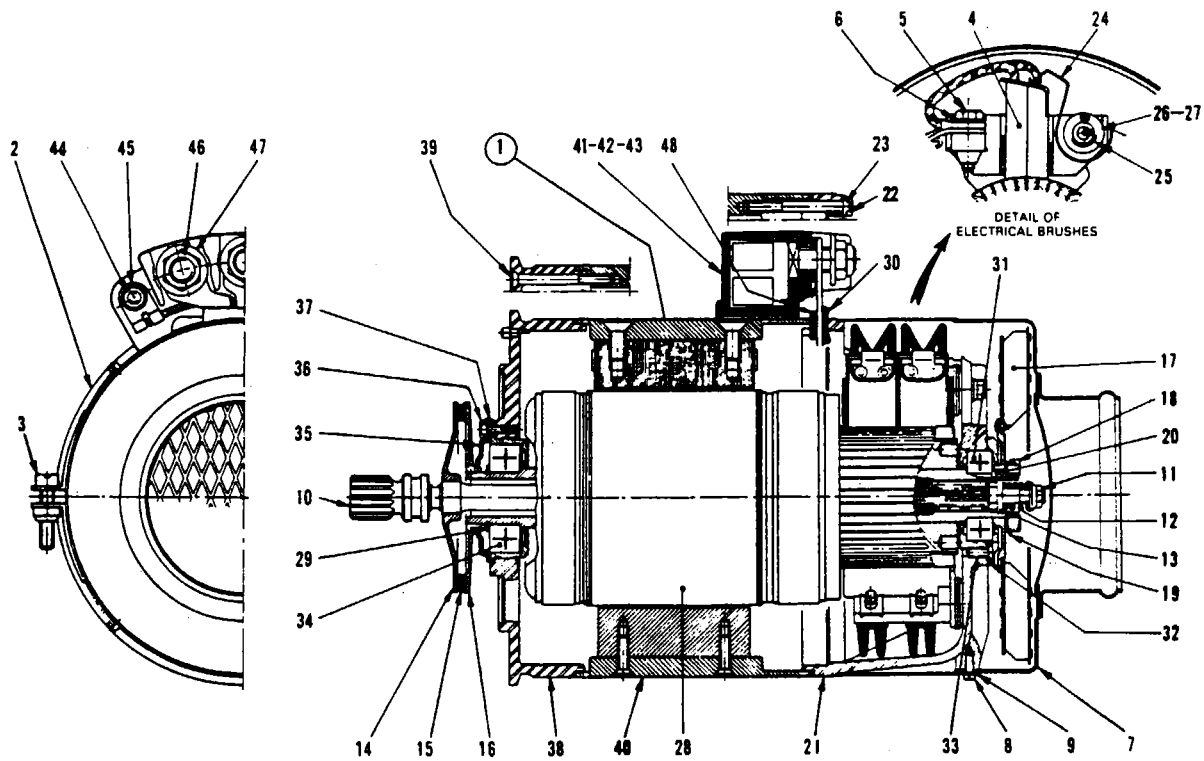
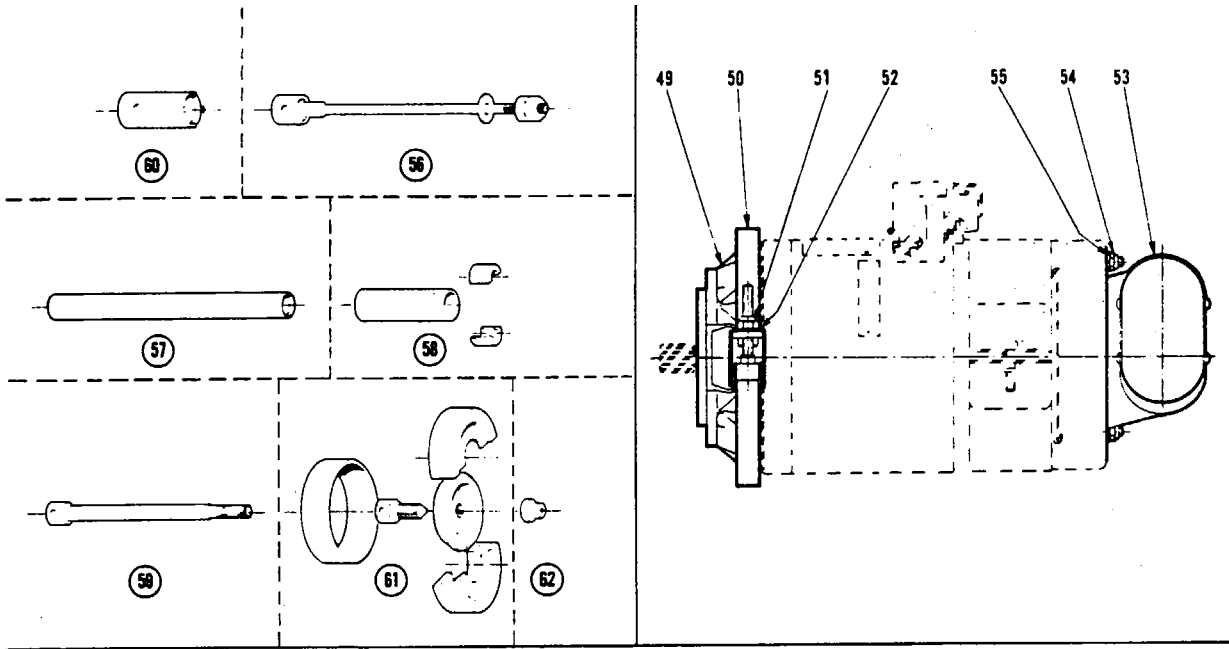


Figure 74. Starter Generator Assembly (Auxilec, Inc.)

PIPER PARTS CATALOG

CODE EXPLANATIONS FOR FIGURE 74

- A - This kit contains sufficient parts to overhaul five (5) starter generators.
- B - These parts are included in Starter Generator Maintenance Kit P/N 764 143 and Starter Generator Overhaul Kit P/N 764 144.
- C - These parts are included in Starter Generator Overhaul Kit 764 144.
- D - This Kit contains sufficient parts to maintain one (1) starter generator.

PIPER PARTS CATALOG

Figure and Index Number	Part Number	Code	NOMENCLATURE	No. Req.	SERIAL NUMBERS AFFECTED
74-	51131		DRAWING - Starter Generator Installation		
-1	764 803		STARTER GENERATOR ASSEMBLY (8013C-1) (Less mounting adapter and air inlet)	2	
-2	758 564	B	* BRUSH BAND - (505254)	1	
-3	762 474		** SCREW - (408838)	1	
-4	758 535	B	* BRUSH ASSEMBLY - (408768B1)	8	
-5	762 475	B	* SCREW - (DZQ1QG040015UL)	8	
-6	763 769	B	* WASHER - Flat (JEAA040UL)	8	
-7	763 382	B	* COVER - (P801862)	1	
-8	762 476	B	* SCREW - (22296AG030008L)	4	
-9	763 770	B	* WASHER - Flat (JEAA030UL)	4	
-10	762 477	C	* SHAFT - Drive (409697)	1	
-11	755 622	C	* NUT - (6PH135M)	1	
-12	762 478	C	* SPRING - (409704)	1	
-13	763 771	C	* WASHER - (409703)	1	
-14	754 654		* DISC - Damper (505419)	1	
-15	754 655	B	* DISC - Fibrous (408740)	1	
-16	754 656		* DISC - Damper (409210)	1	
-17	754 878	B	* FAN - (505237)	1	
-18	755 623	B	* NUT - (409145)	1	
-19	763 772	B	* WASHER - (49648)	1	
-20	764 145	B	* KEY - Machine (4V6775)	1	
-21	763 383		* COMMUTATOR BEARING ASSEMBLY - (505810)	1	
-22	762 479		* SCREW - (DZQ1QG040040UL)	8	
-23	763 773		* WASHER - Key (46100)	8	
-24	762 480		* SPRING - Brush (408779)	8	
-25	763 519		* PIN - (HSCA010016U)	4	
-26	763 774		* WASHER - (409987)	4	
-27	762 481		* SPACER - Sleeve (47601)	4	
-28	763 042	C	* ARMATURE - (505801)	1	
-29	763 384	B	* CIR CLIP - (7101-0200A120T)	1	
-30	755 104		* GASKET - (409057)	1	
-31	758 565	B	* BALL BEARING - (409833)	1	
-32	763 385	B	* CLAMP - (409564)	1	
-33	762 482	B	* SCREW - (DDQ1KD040010UL)	4	
-34	758 566	B	* BALL BEARING - (102626N1)	1	
-35	763 386	B	* CLAMP - (408732-1)	1	
-36	762 483	B	* SCREW - (DZQ1QG030008UL)	4	
-37	763 775	B	* WASHER - Key (P073811)	4	
-38	754 879	C	* FLANGE - Mounting (505268-2)	1	
-39	762 484	C	* SCREW - (DDQ1KD040040UL)	8	
-40	762 485		* STATOR ASSEMBLY - (800201)	1	
-41	762 045	C	** TERMINAL BOARD - (800202)	1	
-42	762 486	C	** SCREW - (DZQ1QG050012UL)	2	
-43	763 776	C	** WASHER - Key (401219)	2	
-44	755 624	C	** NUT - (F22NTM02)	2	
-45	763 777	C	** WASHER - Flat (JEAA050UL)	2	
-46	755 625	C	** NUT - (F52NTE084)	3	
-47	763 778	C	** WASHER - Flat (521001-24)	3	
-48	755 498		** INSULATOR - (408777)	1	
-49	761 771		MOUNTING ADAPTER - (603871)	2	
-50	763 387	C	CLAMPING BAND ASSEMBLY - (408743)	2	

When ordering, always specify Part Number, Description and Serial Number of Aircraft

PIPER PARTS CATALOG

Figure and Index Number	Part Number	Code	NOMENCLATURE	No. Req.	SERIAL NUMBERS AFFECTED
74-51	755 626		* NUT - (6PA10CC)	1	
-52	763 779		* WASHER - Flat (JECC060U)	1	
-53	763 043		AIR INLET ASSEMBLY - (P601793)	2	
-54	755 624		* NUT - (F22NTM02)	3	
-55	763 777		* WASHER - Flat (JEAA050UL)	3	
-56	762 046		TOOL - Starter generator maintenance (E3487)	AR	
-57	762 047		TOOL - Starter generator maintenance (E3390)	AR	
-58	762 048		TOOL - Starter generator maintenance (E3370)	AR	
-59	764 146		KEY - Starter generator maintenance (E3392)	AR	
-60	764 147		KEY - Starter generator maintenance (405394)	AR	
-61	764 503		EXTRACTOR - Starter generator maintenance (A1003)	AR	
-62	764 504		END PIECE - Starter generator maintenance (4B09378)	AR	
-63	764 142		KIT - Balancing wire (800196)	AR	
-64	764 143	D	KIT - Starter generator maintenance (800219)	AR	
-65	764 144	A	KIT - Starter generator overhaul (800220)	AR	

When ordering, always specify Part Number, Description and Serial Number of Aircraft

**2A23 THRU 2A24
INTENTIONALLY LEFT BLANK**

PIPER PARTS CATALOG

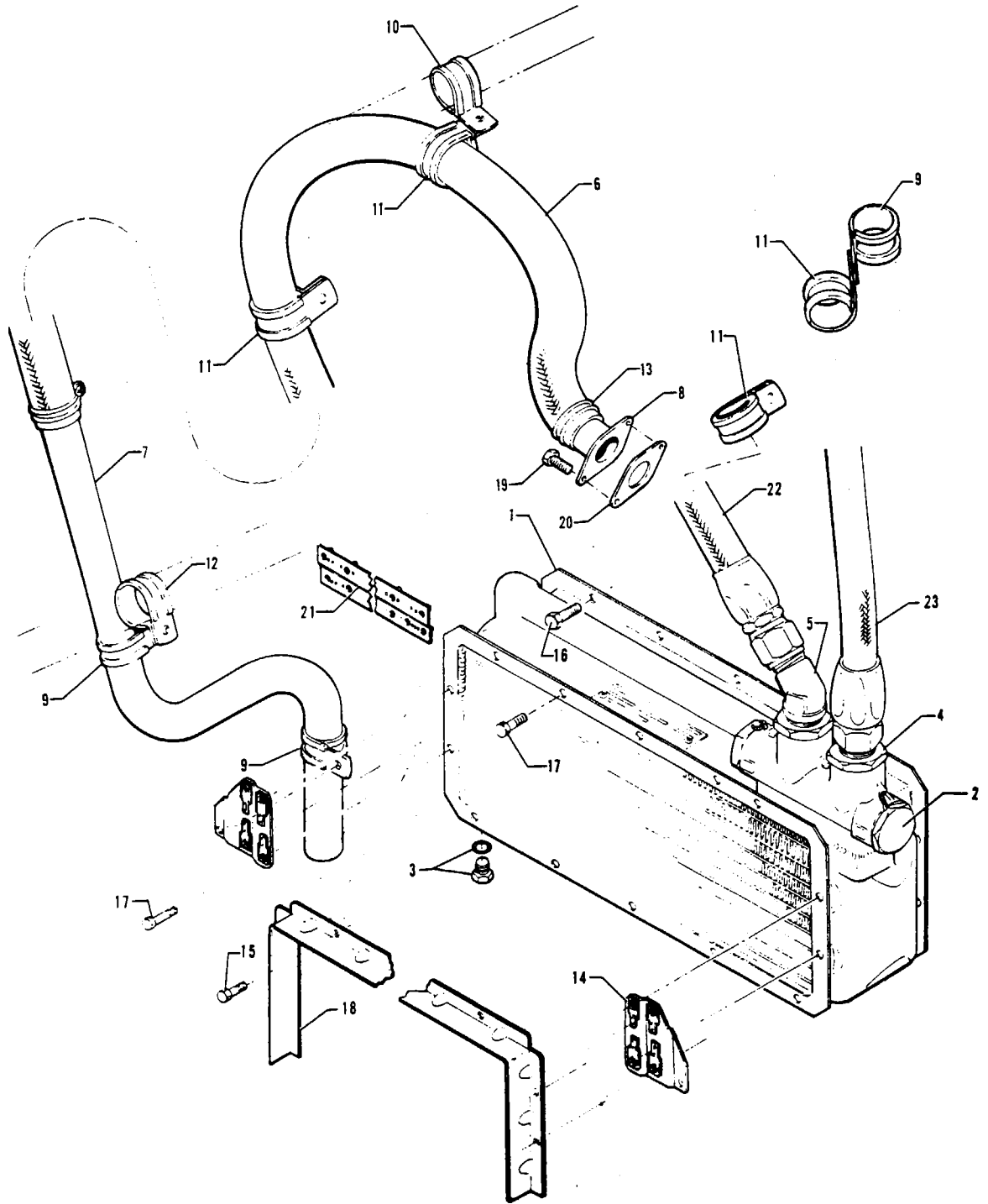


Figure 75. Oil Cooler and Breather System Installation

PIPER PARTS CATALOG

CODE EXPLANATIONS FOR FIGURE 75

- A - Used if Harrison Radiator Co. oil cooler assembly is installed.
- B - Used if Niagara oil cooler assembly is installed.
- C - Used if Stewart Warner oil cooler assembly is installed.

PIPER PARTS CATALOG

Figure and Index Number	Part Number	Code	NOMENCLATURE	No. Req.	SERIAL NUMBERS AFFECTED
75-	81869 81990		DRAWING - Air Inlet and Ice Protection System Installation DRAWING - Power Plant Installation		
-1	51173-03		COOLER ASSEMBLY - Oil	2	
-2	756 571	A	* VALVE - Thermostatic by-pass (8537927)	1	
	756 597	B	* VALVE - Thermostatic by-pass (40026A)	1	
	756 598	C	* VALVE - Thermostatic by-pass (G724067)	1	
-3	763 457	A	* PLUG - Drain (8529791)	1	
	763 567	B	* PLUG - Drain (AN814-8CL)	1	
	763 568	C	* PLUG - Drain (724057)	1	
	752 602	A	* O-RING - Drain plug (8534162)	1	
	752 626	B	* O-RING - Drain plug (30059A-1)	1	
	752 627	C	* O-RING - Drain plug (718768-29)	1	
-4	476 725		NIPPLE - (MS9095-12)	2	
	484 861		O-RING - (NAS1595-12)	2	
-5	558 872		ELBOW - (AN837-12D)	2	
	484 861		O-RING - (NAS1595-12)	2	
	477 738		NUT - (AN924-12D)	2	
-6	49998-33		HOSE - Oil breather	2	
-7	01292-02		TUBE - Oil breather	2	
-8	50673-00		TUBE ASSEMBLY - Breather take-off	2	
-9	454 977		CLAMP - (PS10017-2-16)	6	
-10	454 862		CLAMP - (PS10017-2-14)	2	
-11	554 776		CLAMP - (PS10017-2-22)	8	
-12	454 852		CLAMP - (PS10017-2-18)	2	
-13	454 803		CLAMP - (S1-3800)	4	
-14	81945-02		PLATE ASSEMBLY - Drain support, inboard left and outboard right	2	
	81945-03		PLATE ASSEMBLY - Drain support, inboard right and outboard left	2	
-15	415 544		SCREW - (MS35206-244)	10	
-16	400 438		BOLT - (AN3-4A)	10	
-17	414 779		SCREW - (MS24693-S49)	14	
-18	81930-03		HOOD ASSEMBLY - Oil cooler inlet	2	
-19	401 263		BOLT - Breather take-off (AN3H-3A)	4	
-20	54026-00		GASKET - Breather tube	2	
-21	81924-02		NUT PLATE ASSEMBLY - Oil cooler	2	
-22	80060-02		HOSE ASSEMBLY - Oil cooler inlet	2	
-23	39995-17		HOSE ASSEMBLY - Oil cooler outlet	2	

When ordering, always specify Part Number, Description and Serial Number of Aircraft

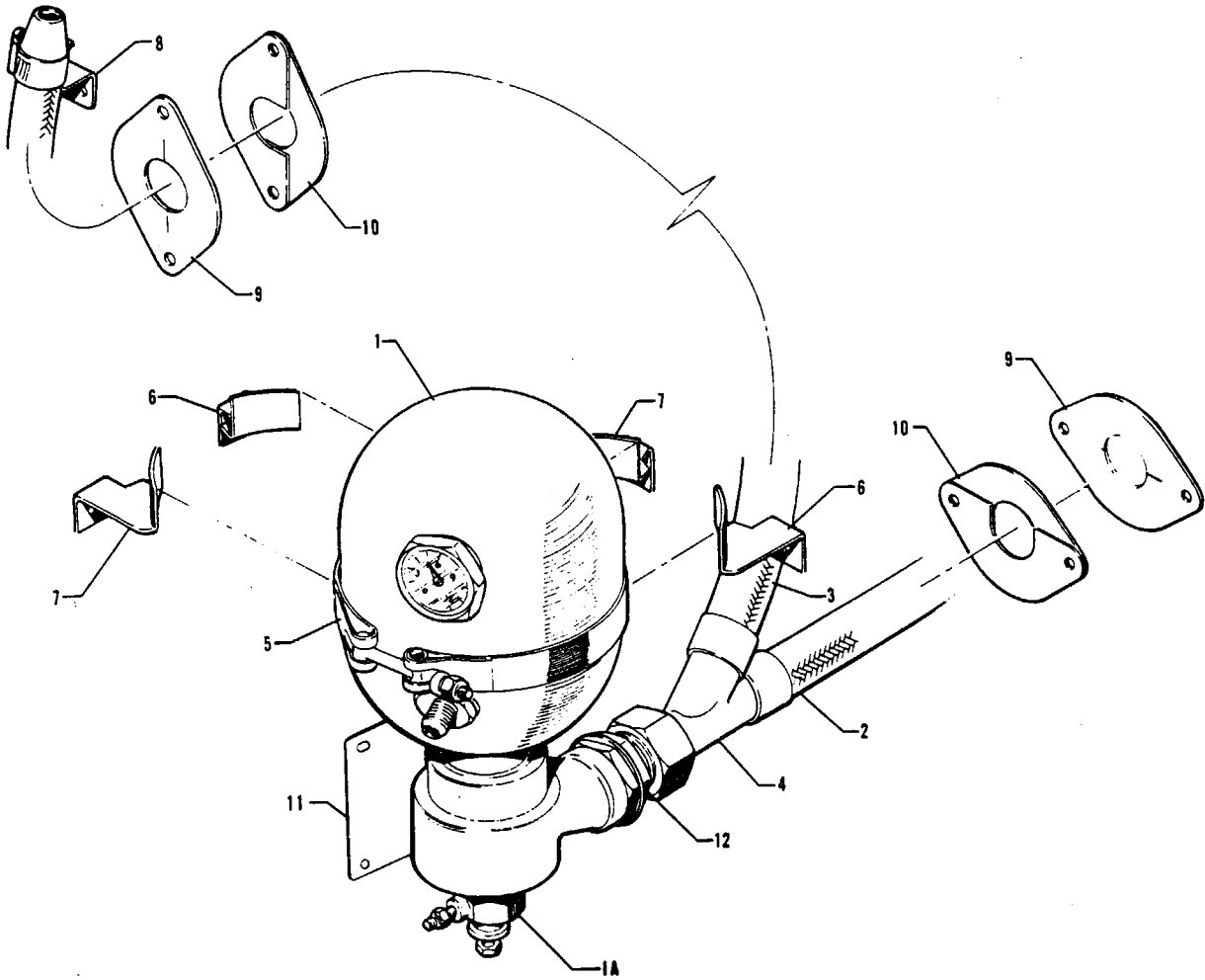


Figure 76. Engine Compartment Fire Extinguisher System Installation

PIPER PARTS CATALOG

CODE EXPLANATIONS FOR FIGURE 76

PIPER PARTS CATALOG

Figure and Index Number	Part Number	Code	NOMENCLATURE	No. Req.	SERIAL NUMBERS AFFECTED
76-	50906		DRAWING - Engine Compartment Fire Extinguisher System Installation		
-1	754 781		EXTINGUISHER - 60 cu. in. (30104100)	2	
-1a	764 650		* CARTRIDGE ASSEMBLY - Squib (13083-5)	1	
-2	754 604		DISCHARGE TUBE - (49-702-1)	2	
-3	754 605		DISCHARGE TUBE - (34975618)	2	
-4	754 606		DISCHARGE FITTING ASSEMBLY - (35240003)	2	
-5	757 995		CLAMP - (38-701)	2	
-6	757 996		CLIP - Extinguisher (13265)	4	
-7	757 997		CLIP - Extinguisher (13265-1)	4	
-8	758 011		CLIP - Mounting (33540030)	2	
-9	50909-00		GASKET - Fire seal, fire extinguisher tube	4	
-10	50908-00		PLATE - Fire seal, fire extinguisher tube	8	
-11	01139-02		PLATE - Fire extinguisher mounting	2	
-12	491 098		UNION - (AN832-12)	2	
	407 576		WASHER - (AN960-1716)	2	
	477 737		NUT - (AN924-12)	2	

When ordering, always specify Part Number, Description and Serial Number of Aircraft

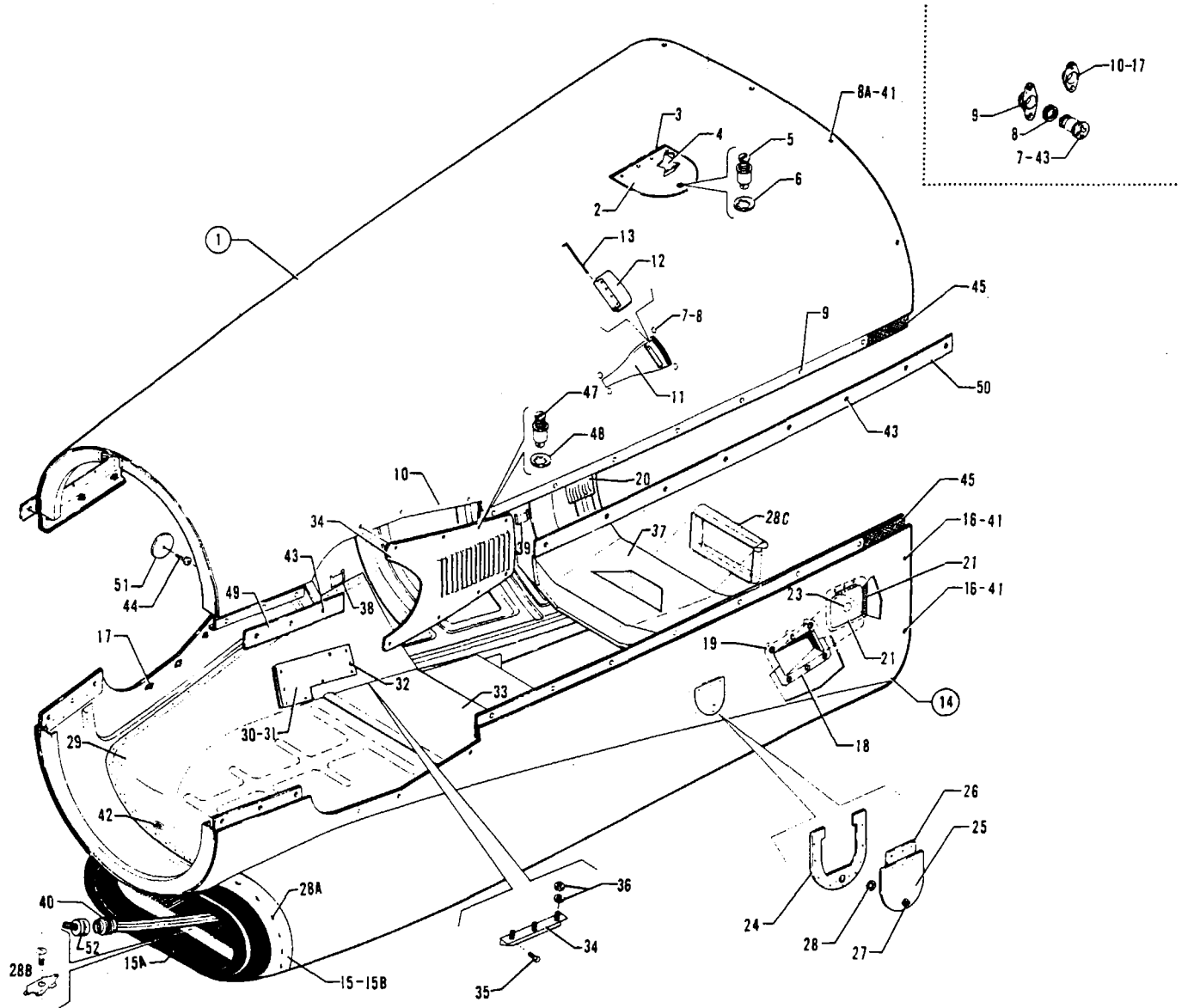


Figure 77. Engine Cowl Installation

PIPER PARTS CATALOG

CODE EXPLANATIONS FOR FIGURE 77

- A - No longer available. Order Air Inlet Deicer Lip Replacement Kit 764 956 if deicer lip incorporates screws (item 28B) around the inside of the deicer lip. If deicer lip does not incorporate screws (item 28B) around the inside of the deicer lip, order part for serial numbers 31T-8275003, 31T-8375002 and up.
- B - Also used on serial numbers 31T-8275001, 31T-8275002, 31T-8275004 to 31T-8375001 inclusive if Air Inlet Deicer Lip Replacement Kit 764 956 has been installed.
- C - Used on aircraft with serial numbers 31T-8275001 to 31T-8275009 inclusive, 31T-8275011 and up.
- D - Used on aircraft with serial numbers 31T-8275003, 31T-8375002 and up.

PIPER PARTS CATALOG

Figure and Index Number	Part Number	Code	NOMENCLATURE	No. Req.	SERIAL NUMBERS AFFECTED
77-	81808		DRAWING - Engine Cowl Installation		
-1	50278-00		COWL ASSEMBLY - Upper	2	
-2	46355-04		* PLATE ASSEMBLY - Oil filter access	1	
-3	41143-02		* * HINGE	1	
-4	50560-00		* * PLACARD - Engine oil specifications	1	
-5	487 644		* * STUD - (2700-4)	1	
-6	494 088		* * WASHER - (27S5-1)	1	
-7	487 704		* STUD - (FX10-1558-1P)	4	
-8	484 764		* RING - Retaining (FX10-1525)	4	
-8a	01898-02		* WASHER - Reinforcement	5	
-9	484 301		* RECEPTACLE - (FX10-1502)	20	
-10	484 342		* RECEPTACLE - (212-12D)	8	
-11	51506-08		* SCOOP ASSEMBLY - Air	1	
-12	51506-10		* * DOOR ASSEMBLY - Air scoop	1	
-13	51506-11		* * PIN - Hinge	1	
-14	81790-30	C	COWL ASSEMBLY - Lower, left	1	
	81790-32		COWL ASSEMBLY - Lower, left	1	31T-8275010
	81790-31	C	COWL ASSEMBLY - Lower, right	1	
	81790-33		COWL ASSEMBLY - Lower, right	1	31T-8275010
-15	01127-02	A	* LIP ASSEMBLY - Engine air scoop deicer	1	31T-8275001, 31T-8275002, 31T-8275004 to 31T-8375001 incl
	01127-03	B,D	* LIP ASSEMBLY - Engine air scoop deicer	1	
-15a	464 437		* * BOOT - Inlet deicer lip (5E1990-1)	1	
-15b	01126-04		* * ADAPTER ASSEMBLY - Air inlet (fiberglass)	1	
-16	01898-02		* WASHER - Reinforcement	4	
-17	484 342		* RECEPTACLE - (212-12D)	8	
-18	50962-12		* SCOOP ASSEMBLY - Bleed air intercooler, left cowl	1	
	50962-13		* SCOOP ASSEMBLY - Bleed air intercooler, right cowl	1	
-19	484 342		* * RECEPTACLE - (212-12D)	6	
-20	51486-00		* LOUVER - Left engine cowl	1	
	51486-01		* LOUVER - Right engine cowl	1	
-21	50107-20		* REINFORCEMENT - Fuel filter access, left	1	
	01683-02		* REINFORCEMENT - Fuel filter access, right	1	
-22	51063-00		* PLATE ASSEMBLY - Fuel filter access	1	
-23	25054-00		* * LATCH ASSEMBLY - Fuel filter access plate	1	
-24	42913-00		* PLATE ASSEMBLY - Reinforcement	1	
-25	42912-02		* PLATE - Access engine wash ring	1	
-26	42912-03		* HINGE - Wash ring access plate	1	
-27	487 583		* STUD - (2600-1)	1	
-28	494 060		* LOCK WASHER - (2600LW)	1	
-28a	414 740		* SCREW - Inlet lip attachment (MS24693-C29)	15	
	406 824		* NUT - Anchor (NAS686A06)	15	
-28b	414 740		* SCREW - Inlet lip attachment (MS24693-C29)	14	31T-8275001, 31T-8275002, 31T-8275004 to 31T-8375001 incl.
	406 824		* NUT - Anchor (NAS686A06)	14	31T-8275001, 31T-8275002, 31T-8275004 to 31T-8375001 incl.
-28c	189 771		* TAPE - Tadpole	AR	
-29	81954-22	C	* FIRE SHIELD ASSEMBLY - Lower cowl, forward	1	
	81954-40		* FIRESHIELD ASSEMBLY - Lower cowl, forward, left	1	31T-8275010
	81954-41		* FIRESHIELD ASSEMBLY - Lower cowl, forward, right	1	31T-8275010
-30	81954-10		* * PLATE - Access	2	
-31	81954-13		* * SEAL - Access plate	2	
-32	411 513		* * SCREW - (MS35207-244)	20	

When ordering, always specify Part Number, Description and Serial Number of Aircraft

PIPER PARTS CATALOG

Figure and Index Number	Part Number	Code	NOMENCLATURE	No. Req.	SERIAL NUMBERS AFFECTED
77-33	81954-23	C	* PLATE ASSEMBLY - Fireshield, forward	1	
	81954-33	C	* PLATE ASSEMBLY - Fireshield, forward	1	31T-8275010
-34	01559-02	C	* ANGLE ASSEMBLY - Fireshield plate attachment, left	1	
	01626-02	C	* ANGLE ASSEMBLY - Fireshield plate attachment, left	1	31T-8275010
	01559-03	C	* ANGLE ASSEMBLY - Fireshield plate attachment, right	1	
	01626-03	C	* ANGLE ASSEMBLY - Fireshield plate attachment, right	1	31T-8275010
-35	415 544	C	* SCREW - (MS35206-244)	6	
	415 544	C	* SCREW - (MS35206-244)	4	31T-8275010
-36	407 563	C	* WASHER - (AN960-8)	6	
	407 563	C	* WASHER - (AN960-8)	4	31T-8275010
	404 833	C	* NUT - (MS20364-832C)	6	
	404 833	C	* NUT - (MS20364-832C)	4	31T-8275010
-37	81967-36	C	* FIRE SHIELD ASSEMBLY - Lower cowl, aft	1	
	81967-37	C	* FIRE SHIELD ASSEMBLY - Lower cowl, aft	1	31T-8275010
-38	01123-02		* BRACKET - Forward fireshield, left side	1	
	01123-03		* BRACKET - Forward fireshield, right side	1	
-39	01124-02		* BRACKET - Aft fireshield, left side	1	
	01124-03		* BRACKET - Aft fireshield, right side	1	
-40	555 806		PLUG - Cowl deicer (206153-1) (thermostat circuit) 4 pin	1	
	556 991		PLUG - Cowl deicer (206207-1) (heater circuit) 3 pin	1	
-41	487 704		STUD - (FX10-1558-1P)	18	
-42	434 154		GROMMET - (MS35489-11S)	2	
-43	487 728		STUD - (FX10-1558-2P) aft strip (.48L)	32	
	487 704		STUD - (FX10-1558-1P) forward strip (.41L)	12	
-44	415 517		SCREW - (MS35206-227)	1	
-45	189 743		TAPE - Teflon (T-18)	16'	
-46	51916-02		LOUVER ASSEMBLY - Cowling	4	
-47	587 617		* STUD ASSEMBLY - (27S3-4)	8	
-48	494 088		* WASHER - Retaining (27S5-1)	8	
-49	50803-02		STRIP - Cowl attachment, forward	4	
-50	50804-02		STRIP - Cowl attachment, aft	4	
-52	555 807		RECEPTACLE - Cowl deicer, wing harness (thermostat circuit) (206060-1) 4 pin	2	
	556 988		RECEPTACLE - Cowl deicer, wing harness (heater circuit) (206037-2) 3 pin	2	

When ordering, always specify Part Number, Description and Serial Number of Aircraft

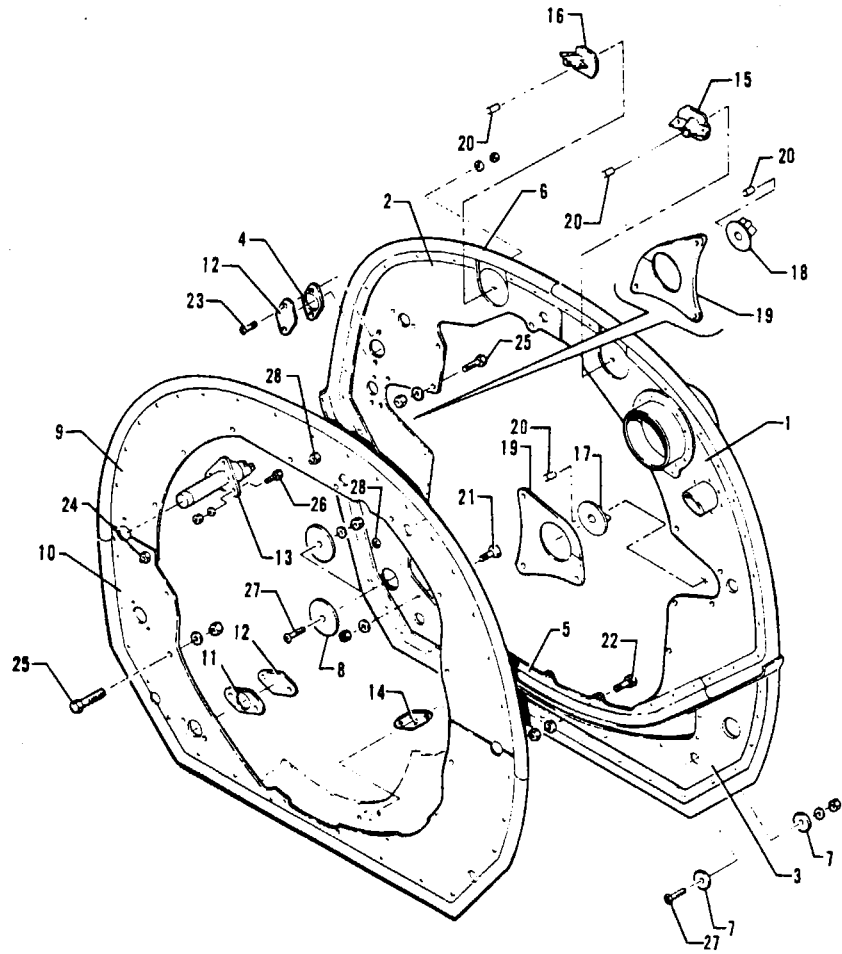


Figure 78. Engine Fire Seal Installation

PIPER PARTS CATALOG

CODE EXPLANATIONS FOR FIGURE 78

PIPER PARTS CATALOG

Figure and Index Number	Part Number	Code	NOMENCLATURE	No. Req.	SERIAL NUMBERS AFFECTED
78-	81990		DRAWING - Power Plant Installation		
-1	51129-04		FIRE SEAL ASSEMBLY - Cowl, top, left, Sta. 89.70	2	
-2	50352-05		FIRE SEAL ASSEMBLY - Cowl, top, right, Sta. 89.70	2	
-3	81956-02		FIRE SEAL ASSEMBLY - Cowl, bottom, Sta. 89.70	2	
-4	50335-06		SEAL - Fire seal	2	
-5	50486-02		FIRE SEAL	2	
-6	189 771		TAPE - Tadpole (25" L.)	AR	
-7	80122-10		WASHER	4	
-8	80122-137		WASHER	4	
-9	50329-02		FIRE SEAL ASSEMBLY - Cowl, top, left, Sta. 73.97	1	
	50329-03		FIRE SEAL ASSEMBLY - Cowl, top, right, Sta. 73.97	1	
-10	01953-02		FIRE SEAL ASSEMBLY - Cowl, bottom, left, Sta. 73.97	1	
	01953-03		FIRE SEAL ASSEMBLY - Cowl, bottom, right, Sta. 73.97	1	
-11	50909-00		GASKET - Fire seal	2	
-12	50910-00		COVER - Fire seal	4	
-13	50642-00		DETECTOR ASSEMBLY - Fire	4	
-14	50336-05		RETAINER - Seal, left	1	
-15	55638-03		BRACKET ASSEMBLY - Fire shield seal, top	2	
	55638-02		BRACKET ASSEMBLY - Fire shield seal, bottom	2	
-16	55639-03		BRACKET ASSEMBLY - Fire shield seal, top	2	
	55639-02		BRACKET ASSEMBLY - Fire shield seal, bottom	2	
-17	55861-03		BRACKET ASSEMBLY - Fire shield seal, top	2	
	55861-02		BRACKET ASSEMBLY - Fire shield seal, bottom	2	
-18	55886-03		BRACKET ASSEMBLY - Fire shield seal, outboard left and inboard right	2	
	55886-02		BRACKET ASSEMBLY - Fire shield seal, inboard left and outboard right	2	
-19	55887-02		FIRE SEAL - Engine mount	4	
-20	189 743		TAPE - Teflon (1" W. x 4" L.)	AR	
-21	400 002		BOLT - (AN4-5A)	4	
	407 585		WASHER - (AN960-416L)	4	
	404 888		NUT - (MS20365-428C)	4	
-22	400 002		BOLT - (AN4-5A)	6	
	407 565		WASHER - (AN960-416)	6	
	404 888		NUT - (MS20365-428C)	6	
-23	411 532		SCREW - (MS35207-263)	32	
	407 564		WASHER - (AN960-10)	32	
	404 887		NUT - (MS20365-1032C)	32	
-24	400 438		BOLT - (AN3-4A)	2	
	407 564		WASHER - (AN960-10)	2	
	404 887		NUT - (MS20365-1032C)	2	
-25	401 307		BOLT - (AN4-4A)	56	
	407 585		WASHER - (AN960-416L)	56	
	404 888		NUT - (MS20365-428C)	56	
-26	401 266		BOLT - (AN3-5A)	12	
	407 564		WASHER - (AN960-10)	12	
	404 887		NUT - (MS20365-1032C)	12	
-27	411 531		SCREW - (MS35207-262)	10	
	407 564		WASHER - (AN960-10)	10	
	404 887		NUT - (MS20365-1032C)	10	
-28	411 530		SCREW - (MS35207-261)	6	
	407 564		WASHER - (AN960-10)	6	
	404 887		NUT - (MS20365-1032C)	6	

When ordering, always specify Part Number, Description and Serial Number of Aircraft

PIPER PARTS CATALOG

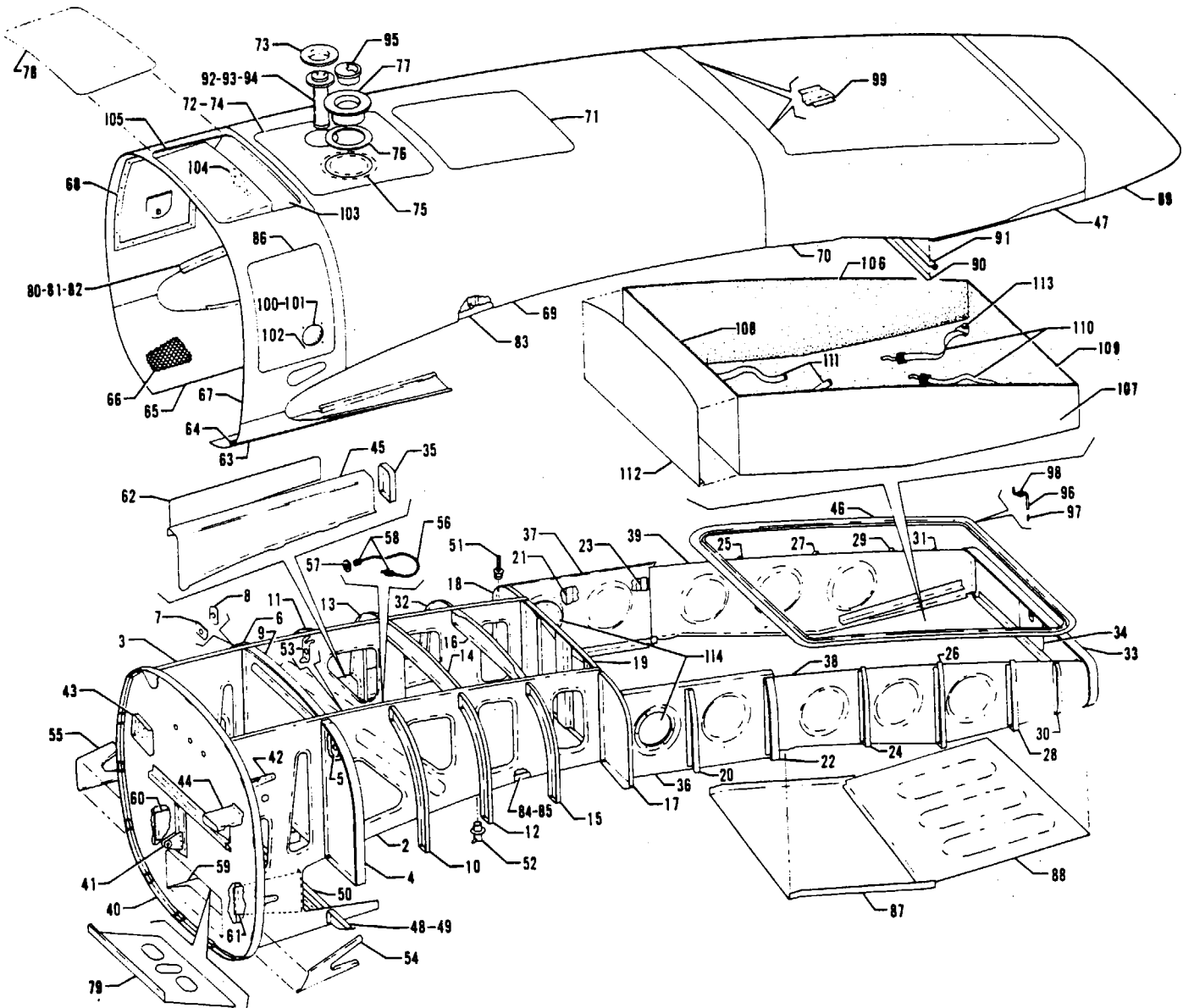


Figure 79. Nacelle Installation

PIPER PARTS CATALOG

CODE EXPLANATIONS FOR FIGURE 79

- A - Refer to Figure 80 for locker door assembly and installation.
- B - Used if wing ice detection light is installed.
- C - Used if air conditioning is installed.
- D - Serial number of aircraft must be supplied when ordering this part.
- E - Used on aircraft that comply with C.A.A. (United Kingdom) requirements.

PIPER PARTS CATALOG

Figure and Index Number	Part Number	Code	NOMENCLATURE	No. Req.	SERIAL NUMBERS AFFECTED
79-	81870	A	DRAWING - Nacelle Installation		
-1	81860-02		FRAME ASSEMBLY - Nacelle, left	1	
	81860-03		FRAME ASSEMBLY - Nacelle, right	1	
-2	81880-06		* BULKHEAD ASSEMBLY - Longitudinal, outboard, left nacelle	1	
	81880-07		* BULKHEAD ASSEMBLY - Longitudinal, outboard, right nacelle	1	
-3	81880-08		* BULKHEAD ASSEMBLY - Longitudinal, inboard, left nacelle	1	
	81880-09		* BULKHEAD ASSEMBLY - Longitudinal, inboard, right nacelle	1	
-4	81838-06		* BULKHEAD ASSEMBLY - Outboard, left nacelle, Sta. 121.5	1	
	81838-07		* BULKHEAD ASSEMBLY - Outboard, right nacelle, Sta. 121.5	1	
-5	50422-03		* * FITTING - Flange, fuel line, right nacelle	1	
-6	81838-04		* BULKHEAD ASSEMBLY - Inboard, left nacelle, Sta. 121.5	1	
	81838-05		* BULKHEAD ASSEMBLY - Inboard, right nacelle, Sta. 121.5	1	
-7	50422-02		* * FITTING - Flange, fuel line, left and right nacelle	1	
-8	50422-03		* * FITTING - Flange, fuel line, left nacelle	1	
-9	81838-02		* BULKHEAD ASSEMBLY - Center, left nacelle, Sta. 121.5	1	
	81838-03		* BULKHEAD ASSEMBLY - Center, right nacelle, Sta. 121.5	1	
-10	56548-02		* BULKHEAD ASSEMBLY - Outboard, left nacelle, Sta. 130	1	
	56548-03		* BULKHEAD ASSEMBLY - Outboard, right nacelle, Sta. 130	1	
-11	56547-02		* BULKHEAD ASSEMBLY - Inboard, left nacelle, Sta. 130	1	
	56547-03		* BULKHEAD ASSEMBLY - Inboard, right nacelle, Sta. 130	1	
-12	56550-06		* BULKHEAD - Outboard, left nacelle, Sta. 138.5	1	
	56550-07		* BULKHEAD - Outboard, right nacelle, Sta. 138.5	1	
-13	56550-02		* BULKHEAD - Inboard, left nacelle, Sta. 138.5	1	
	56550-03		* BULKHEAD - Inboard, right nacelle, Sta. 138.5	1	
-14	56550-04		* BULKHEAD - Center, left and right nacelle, Sta. 138.5	1	
-15	56551-02		* BULKHEAD - Outboard, left nacelle, Sta. 147	1	
	56551-03		* BULKHEAD - Outboard, right nacelle, Sta. 147	1	
-16	56551-06		* BULKHEAD ASSEMBLY - Center, left and right nacelle, Sta. 147	1	
-17	81901-04		* BULKHEAD - Outboard, left nacelle, Sta. 155.5	1	
	81901-05		* BULKHEAD - Outboard, right nacelle, Sta. 155.5	1	
-18	81901-08		* BULKHEAD - Inboard, left nacelle, Sta. 155.5	1	
	81901-09		* BULKHEAD - Inboard, right nacelle, Sta. 155.5	1	
-19	81901-02		* BULKHEAD ASSEMBLY - Center, left nacelle, Sta. 155.5	1	
	81901-03		* BULKHEAD ASSEMBLY - Center, right nacelle, Sta. 155.5	1	
-20	81917-02		* BULKHEAD - Outboard, left nacelle, Sta. 164	1	
	81917-03		* BULKHEAD - Outboard, right nacelle, Sta. 164	1	
-21	81917-04		* BULKHEAD - Inboard, left nacelle, Sta. 164	1	
	81917-05		* BULKHEAD - Inboard, right nacelle, Sta. 164	1	
-22	81925-04		* BULKHEAD ASSEMBLY - Outboard, left nacelle, Sta. 173.5	1	
	81925-03		* BULKHEAD ASSEMBLY - Outboard, right nacelle, Sta. 173.5	1	
-23	81925-06		* BULKHEAD ASSEMBLY - Inboard, left nacelle, Sta. 173.5	1	
	81925-05		* BULKHEAD ASSEMBLY - Inboard, right nacelle, Sta. 173.5	1	
-24	56566-02		* BULKHEAD - Outboard, left nacelle, Sta. 185	1	
	56566-03		* BULKHEAD - Outboard, right nacelle, Sta. 185	1	
-25	56566-04		* BULKHEAD - Inboard, left nacelle, Sta. 185	1	
	56566-05		* BULKHEAD - Inboard, right nacelle, Sta. 185	1	
-26	56568-02		* BULKHEAD - Outboard, left nacelle, Sta. 194.25	1	
	56568-03		* BULKHEAD - Outboard, right nacelle, Sta. 194.25	1	
-27	56568-04		* BULKHEAD - Inboard, left nacelle, Sta. 194.25	1	
	56568-05		* BULKHEAD - Inboard, right nacelle, Sta. 194.25	1	
-28	56570-02		* BULKHEAD - Outboard, left nacelle, Sta. 203	1	
	56570-03		* BULKHEAD - Outboard, right nacelle, Sta. 203	1	
-29	56570-03		* BULKHEAD - Inboard, left nacelle, Sta. 203	1	
	56570-02		* BULKHEAD - Inboard, right nacelle, Sta. 203	1	

When ordering, always specify Part Number, Description and Serial Number of Aircraft

PIPER PARTS CATALOG

Figure and Index Number	Part Number	Code	NOMENCLATURE	No. Req.	SERIAL NUMBERS AFFECTED
79-30	56572-02		* BULKHEAD - Outboard, left nacelle, Sta. 209	1	
	56572-03		* BULKHEAD - Outboard, right nacelle, Sta. 209	1	
-31	56572-03		* BULKHEAD - Inboard, left nacelle, Sta. 209	1	
	56572-02		* BULKHEAD - Inboard, right nacelle, Sta. 209	1	
-32	56551-08		* BULKHEAD - Inboard, left nacelle, Sta. 147	1	
	56551-09		* BULKHEAD - Inboard, right nacelle, Sta. 147	1	
-33	56574-02		* BULKHEAD ASSEMBLY - Nacelle, Sta. 213	1	
-34	56574-05		* * COVER - Bulkhead assembly, Sta. 213	1	
-35	50159-02		* BULKHEAD - Tunnel, left nacelle, Sta. 145	1	
	50159-03		* BULKHEAD - Tunnel, right nacelle, Sta. 145	1	
-36	81936-06		* BULKHEAD ASSEMBLY - Longitudinal, outboard, left nacelle	1	
	81936-07		* BULKHEAD ASSEMBLY - Longitudinal, outboard, right nacelle	1	
-37	81937-06		* BULKHEAD ASSEMBLY - Longitudinal, inboard, left nacelle	1	
	81937-07		* BULKHEAD ASSEMBLY - Longitudinal, inboard, right nacelle	1	
-38	56564-10		* BULKHEAD ASSEMBLY - Longitudinal, rear, outboard, left nacelle	1	
	56564-09		* BULKHEAD ASSEMBLY - Longitudinal, rear, outboard, right nacelle	1	
-39	56565-10		* BULKHEAD ASSEMBLY - Longitudinal, rear, inboard, left nacelle	1	
	56565-09		* BULKHEAD ASSEMBLY - Longitudinal, rear, inboard, right nacelle	1	
-40	50210-28		* FIREWALL ASSEMBLY - Left nacelle, Sta. 109.5	1	
	50210-27		* FIREWALL ASSEMBLY - Right nacelle, Sta. 109.5	1	
-41	50213-00		* * BRACKET ASSEMBLY - Ice protection actuator	1	
-42	40553-08		* BRACKET ASSEMBLY - Engine mount attachment; left nacelle - upper outboard and lower inboard; right nacelle - upper inboard and lower outboard	2	
	40553-07		* BRACKET ASSEMBLY - Engine mount attachment; left nacelle - lower outboard and upper inboard; right nacelle - lower inboard and upper outboard	2	
-43	51034-00		* BRACKET - Fuel flow transmitter	1	
-44	51166-00		* BRACKET ASSEMBLY - Fuel filter	1	
-45	56637-02		* TUNNEL ASSEMBLY - Inboard, left nacelle	1	
	56637-03		* TUNNEL ASSEMBLY - Inboard, right nacelle	1	
-46	56260-02		* STRIKER ASSEMBLY - Nacelle locker door	1	
-47	56240-20		* SKIN - Bottom, left nacelle	1	
	56240-21		* SKIN - Bottom, right nacelle	1	
-48	50305-06		BULKHEAD - Bottom, outboard, left nacelle, Sta. 121.5	1	
	50305-07		BULKHEAD - Bottom, outboard, right nacelle, Sta. 121.5	1	
-49	50305-02		BULKHEAD - Bottom, inboard, left nacelle, Sta. 121.5	1	
	50305-03		BULKHEAD - Bottom, inboard, right nacelle, Sta. 121.5	1	
-50	50305-04		BULKHEAD - Bottom, center, left nacelle, Sta. 121.5	1	
	50305-05		BULKHEAD - Bottom, center, right nacelle, Sta. 121.5	1	
	50305-09	E	BULKHEAD - Bottom, center, right nacelle, Sta. 121.5	1	
-51	54694-02		STRAINER ASSEMBLY - Fuel, inboard	2	
-52	51475-00		FITTING - Flange, fuel line	2	
-53	50498-02		BRACKET - Support, pressurization and pneumatic lines, left nacelle	1	
	50498-03		BRACKET - Support, pressurization and pneumatic lines, right nacelle	1	
-54	50220-00		PLATE - Skin attachment, outboard, left nacelle	1	
	50220-01		PLATE - Skin attachment, outboard, right nacelle	1	
-55	50125-00		PLATE - Skin attachment, inboard, left nacelle	1	
	50125-01		PLATE - Skin attachment, inboard, right nacelle	1	

When ordering, always specify Part Number, Description and Serial Number of Aircraft

PIPER PARTS CATALOG

Figure and Index Number	Part Number	Code	NOMENCLATURE	No. Req.	SERIAL NUMBERS AFFECTED
79-56	50945-00		LINE ASSEMBLY - Fuel probe wires conduit, left	1	
	50945-01		LINE ASSEMBLY - Fuel probe wires conduit, right	1	
-57	460 060		GASKET - (MS29512-6)	2	
-58	491 052		FITTING - (AN815-6D)	4	
-59	50526-00		DUCT - Oil cooler	2	
-60	50076-00		PLATE - Longitudinal bulkhead, inboard, left nacelle	1	
	50076-01		PLATE - Longitudinal bulkhead, inboard, right nacelle	1	
-61	50158-00		PLATE - Longitudinal bulkhead, outboard, left nacelle	1	
	50158-01		PLATE - Longitudinal bulkhead, outboard, right nacelle	1	
-62	50294-00		COVER - Tunnel access, left nacelle	1	
	50294-01		COVER - Tunnel access, right nacelle	1	
-63	50604-10		SKIN - Bottom outboard, left nacelle	1	
	50604-23		SKIN - Bottom outboard, right nacelle	1	
	50604-15	C	SKIN ASSEMBLY - Bottom outboard, right nacelle	1	
-64	50604-16	C	* MESH - Wire	1	
-65	50604-12		SKIN - Bottom inboard, left nacelle	1	
	50604-25		SKIN - Bottom inboard, right nacelle	1	
	50604-17	C	SKIN ASSEMBLY - Bottom inboard, right nacelle	1	
-66	50604-18	C	* MESH - Wire	1	
-67	81923-02		SKIN ASSEMBLY - Upper forward, left nacelle	1	
	81923-03		SKIN ASSEMBLY - Upper forward, right nacelle	1	
-68	50180-00		* PLATE ASSEMBLY - Access reinforcement, inboard left, outboard right	1	
	50180-01		* PLATE ASSEMBLY - Access reinforcement, outboard left, inboard right	1	
-69	81923-06		SKIN - Upper center, left nacelle	1	
	81923-07		SKIN - Upper center, right nacelle	1	
-70	01357-02		SKIN - Upper rear, left nacelle	1	
	01357-03		SKIN - Upper rear, right nacelle	1	
-71	56628-06		COVER - Access, aft	2	
-72	56628-05		COVER ASSEMBLY - Access, left nacelle	1	
	56628-15		COVER ASSEMBLY - Access, right nacelle	1	
-73	54726-02		* PLATE ASSEMBLY - Fuel sender support	1	
-74	56628-12		* COVER - Access, left nacelle	1	
	56628-13		* COVER - Access, right nacelle	1	
-75	50424-00		* PLATE - Fuel filler reinforcement	1	
-76	58183-02		* GASKET - Fuel filler	1	
-77	58180-02		* ADAPTER ASSEMBLY - Fuel filler	1	
-78	50229-12		COVER - Access, forward	2	
-79	50235-04		PLATE ASSEMBLY - Firewall shear, left nacelle	1	
	50235-01		PLATE ASSEMBLY - Firewall shear, right nacelle	1	
-80	50293-17		ANGLE ASSEMBLY - Nacelle skin attachment, aft inboard, left nacelle	1	
	50293-18		ANGLE ASSEMBLY - Nacelle skin attachment, aft inboard, right nacelle	1	
-81	50293-08		ANGLE ASSEMBLY - Nacelle skin attachment, center inboard, left nacelle	1	
	50293-09		ANGLE ASSEMBLY - Nacelle skin attachment, center inboard, right nacelle	1	
-82	81975-02		ANGLE ASSEMBLY - Nacelle skin attachment, forward inboard, left nacelle	1	
	81975-03		ANGLE ASSEMBLY - Nacelle skin attachment, forward inboard, right nacelle	1	
-83	56545-04		ANGLE - Nacelle skin attachment, outboard, left nacelle	1	
	56545-05		ANGLE - Nacelle skin attachment, outboard, right nacelle	1	

When ordering, always specify Part Number, Description and Serial Number of Aircraft

PIPER PARTS CATALOG

Figure and Index Number	Part Number	Code	NOMENCLATURE	No. Req.	SERIAL NUMBERS AFFECTED
79-84	81927-02		ANGLE - Longitudinal bulkhead, inboard, left nacelle	1	
	81927-03		ANGLE - Longitudinal bulkhead, inboard, right nacelle	1	
-85	81927-04		ANGLE - Longitudinal bulkhead, outboard, left nacelle	1	
	81927-05		ANGLE - Longitudinal bulkhead, outboard, right nacelle	1	
-86	50443-00		COVER - Access, outboard, left nacelle, inboard, right nacelle	2	
	50443-02	B	COVER - Access, outboard, left nacelle	1	
	29791-02	E	COVER - Access, outboard, left nacelle	1	
	29791-03	E	COVER - Access, inboard, right nacelle	1	
	50474-00		COVER ASSEMBLY - Access, inboard, left nacelle, outboard right nacelle	2	
-87	56540-02		SPAR COVER - Left nacelle	1	
	56540-03		SPAR COVER - Right nacelle	1	
-88	56540-04		FLOOR PAN - Left nacelle	1	
	56540-05		FLOOR PAN - Right nacelle	1	
-89	56512-02		TIP ASSEMBLY - Nacelle	2	
-90	56240-37		PLATE - Reinforcement	2	
-91	187 610		MOULDING - Rubber (1923)	5'	
-92	50946-02		SENSOR ASSEMBLY - Nacelle fuel	2	
-93	752 617		* O-RING - Sensor (MYS-470)	1	
-94	50856-00		GASKET - Fuel sensor	2	
-95	553 886		CAP - Filler (457-542)	2	
-96	80007-42		HOSE - Drain	4	
-97	42138-00		TUBE ASSEMBLY - Drain	4	
-98	434 135		GROMMET - (MS35489-14)	4	
-99	57252-02		BRACKET - Hinge support	4	
-100	472 049		LAMP - Wing ice detection (PS10008-4593)	2	
-101	42109-00		GASKET - Ice detection light	2	
-102	415 518		SCREW - (MS35206-228)	8	
	404 909		NUT - (MS20365-632C)	8	
-103	81933-02	C	COVER ASSEMBLY - Condensor duct, right nacelle	1	
-104	81938-02	C	* BRACKET ASSEMBLY - Condensor duct support	1	
-105	81933-04	C	COVER - Condensor duct, right nacelle	1	
-106	81994-04	D	CARPET - Nacelle locker, side, inboard, left nacelle	1	
	81994-05	D	CARPET - Nacelle locker, side, inboard, right nacelle	1	
-107	81994-06	D	CARPET - Nacelle locker, side, outboard, left nacelle	1	
	81994-07	D	CARPET - Nacelle locker, side, outboard, right nacelle	1	
-108	81994-08	D	CARPET - Nacelle locker, front, left nacelle	1	
	81994-11	D	CARPET - Nacelle locker, front, right nacelle	1	
-109	81994-09	D	CARPET - Nacelle locker, bottom and rear, left nacelle	1	
	81994-13	D	CARPET - Nacelle locker, bottom and rear, right nacelle	1	
-110	43375-02		STRAP ASSEMBLY - Baggage tie down, nacelle (buckle end)	4	
-111	43376-02		STRAP ASSEMBLY - Baggage tie down, nacelle (tip end)	4	
-112	81984-02		BULKHEAD - Cargo barrier, left nacelle	1	
	81984-03		BULKHEAD - Cargo barrier, right nacelle	1	
-113	400 440		BOLT - (AN3-6A)	8	
	14175-45		BUSHING	8	
	80122-07		WASHER	16	
-114	81936-08		COVER - Access	4	

When ordering, always specify Part Number, Description and Serial Number of Aircraft

PIPER PARTS CATALOG

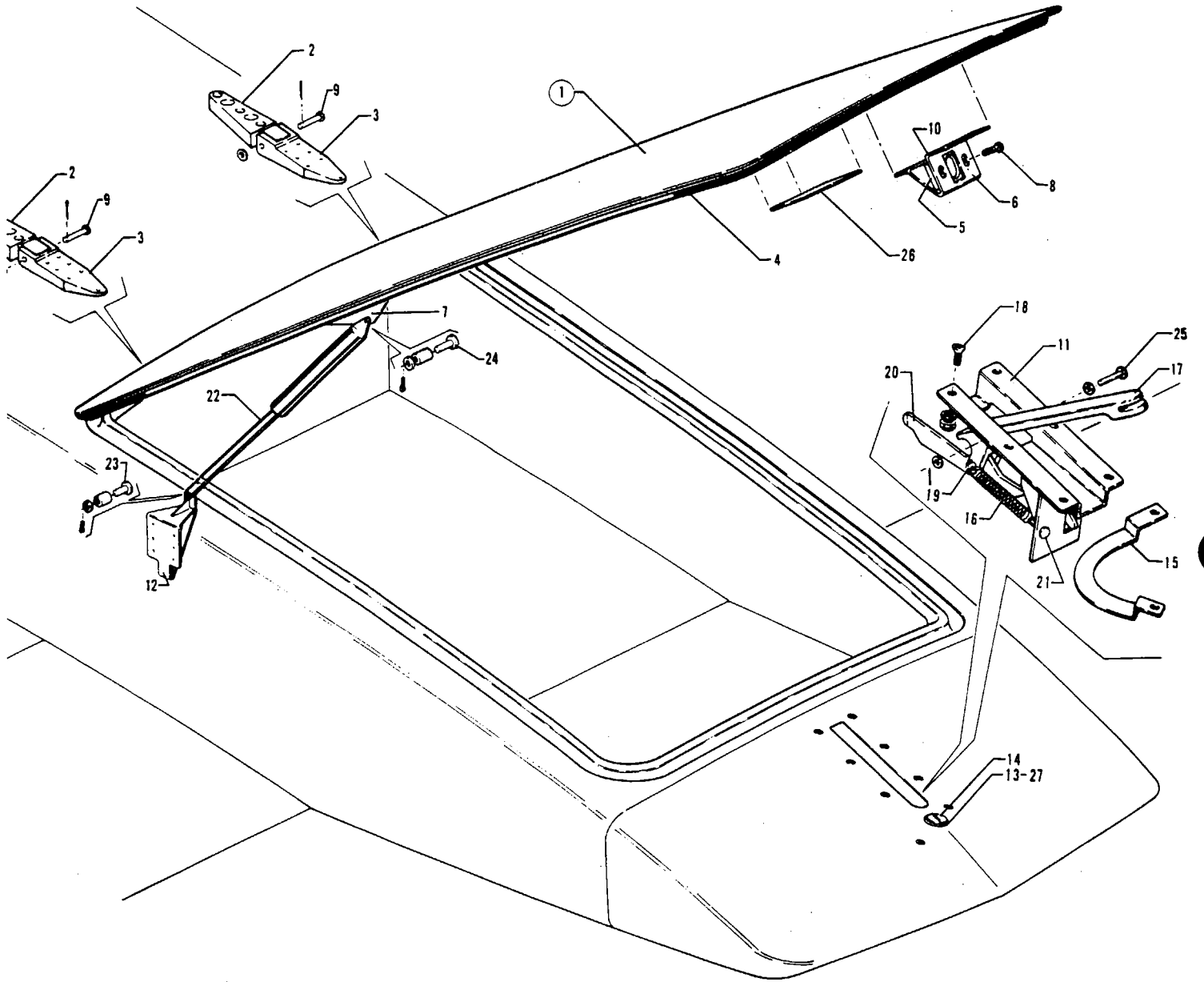


Figure 80. Engine Nacelle Locker Door Assembly and Installation

PIPER PARTS CATALOG

CODE EXPLANATIONS FOR FIGURE 80

- A - If matching cabin, baggage and nacelle locker locks are desired, order part number 25163-11; if matching cabin, baggage, pilot door and nacelle locker locks are desired, order part number 25163-12.

PIPER PARTS CATALOG

Figure and Index Number	Part Number	Code	NOMENCLATURE	No. Req.	SERIAL NUMBERS AFFECTED
80-	81870		DRAWING - Nacelle Installation		
-1	01750-02		DOOR ASSEMBLY - Nacelle locker	2	
-2	56773-03		* HINGE - Nacelle locker door; inboard, left nacelle; outboard, right nacelle	1	
	56773-02		* HINGE - Nacelle locker door; outboard, left nacelle; inboard, right nacelle	1	
-3	56635-02		* HINGE - Nacelle locker door; inboard, left nacelle; outboard, right nacelle	1	
	56635-03		* HINGE - Nacelle locker door; outboard, left nacelle; inboard, right nacelle	1	
-4	44431-00		* SEAL - Nacelle locker door	10	
-5	72584-02		* CATCH ASSEMBLY - Nacelle locker door	1	
-6	01749-02		* BRACKET - Nacelle door catch	1	
-7	01751-02		* BRACKET - Nacelle door	1	
-8	415 535		* SCREW - (MS35206-245)	2	
	407 610		* WASHER - (AN960-C8)	2	
-9	424 185		* PIN - (MS20392-2C33)	2	
	407 584		* WASHER - (AN960-10L)	2	
	424 051		* COTTER PIN - (MS24665-132)	2	
-10	72584-04		* PLATE - Nacelle locker door catch	1	
-11	44782-02		BRACKET ASSEMBLY - Locker door latch	1	
-12	70140-02		BRACKET ASSEMBLY - Door support	2	
-13	25590-00		WASHER - Door lock trim	2	
-14	752 350	A	LOCK ASSEMBLY - Nacelle lockers (with 2 keys)	2	
	01773-02		LATCH ASSEMBLY - Nacelle lockers, (non-locking)	2	
-15	30852-00		PLATE ASSEMBLY - Door lock guide	2	
-16	83302-47		SPRING - Coil, door handle	2	
-17	22641-03		HANDLE - Nacelle locker door	2	
-18	414 507		SCREW - (MS24693-S26)	16	
	407 562		WASHER - (AN960-6)	16	
	404 831		NUT - (MS20364-632C)	16	
-19	424 148		PIN - (MS20392-1C23)	2	
	424 051		COTTER PIN - (MS24665-132)	2	
-20	59990-03		LATCH - Nacelle locker door	1	
-21	424 140		PIN - (MS20392-1C7)	2	
-22	457 156		SUPPORT ASSEMBLY - Nacelle locker door (FA34-P1-25)	2	
-23	424 141		PIN - (MS20392-1C9)	2	
	587 177		SPACER - (NAS43HT1-8)	2	
	407 562		WASHER - (AN960-6)	2	
	424 051		COTTER PIN - (MS24665-132)	2	
-24	424 172		PIN - (MS20392-2C9)	2	
	587 186		SPACER - (NAS43HT3-8)	2	
	407 564		WASHER - (AN960-10)	2	
	424 051		COTTER PIN - (MS24665-132)	2	
-25	424 185		PIN - (MS20392-2C33)	4	
	19513-53		WASHER	4	
	424 051		COTTER PIN - (MS24665-132)	4	
-26	80945-02		DECAL - Nacelle locker, baggage capacity	2	
-27	407 579		WASHER - Lock retaining (AN960-1216L)	2	

When ordering, always specify Part Number, Description and Serial Number of Aircraft

2B23 THRU 2B24
INTENTIONALLY LEFT BLANK

PIPER PARTS CATALOG

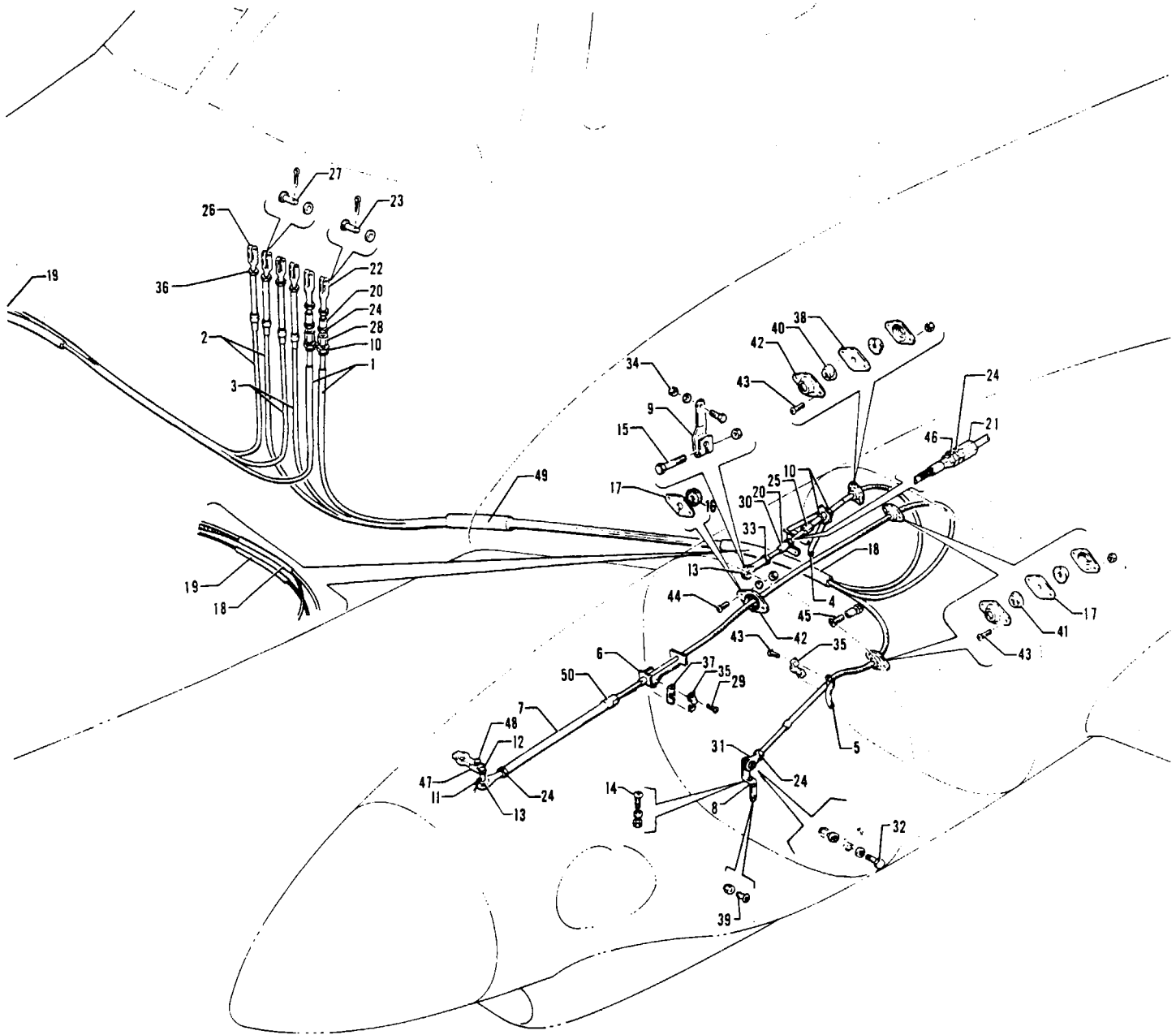


Figure 81. Engine Controls Installation

PIPER PARTS CATALOG

CODE EXPLANATIONS FOR FIGURE 81

- A - Used if Propeller Synchrophaser is installed.
- B - Used if Propeller Synchrophaser is not installed.

PIPER PARTS CATALOG

Figure and Index Number	Part Number	Code	NOMENCLATURE	No. Req.	SERIAL NUMBERS AFFECTED
81-	49640		DRAWING - Engine Controls Installation		
-1	50541-10		CABLE ASSEMBLY - Throttle, left engine	1	
	50541-11		CABLE ASSEMBLY - Throttle, right engine	1	
-2	29697-02		CABLE ASSEMBLY - Start, left and right engine	1	
-3	29697-08		CABLE ASSEMBLY - Propeller pitch, left engine	1	
	29697-09		CABLE ASSEMBLY - Propeller pitch, right engine	1	
-4	51672-02		BRACKET ASSEMBLY - Throttle control	2	
-5	49643-02		BRACKET ASSEMBLY - Support, start control cable	2	
-6	51544-00		BRACKET ASSEMBLY - Propeller control	2	
-7	51944-06		TUBE ASSEMBLY - Propeller control	2	
-8	49664-02		BRACKET - Start control lever	2	
-9	50239-02		ARM - Throttle lever	2	
-10	404 228		NUT - (AN315-7R)	8	
	407 139		WASHER - (AN936-A716)	8	
-11	14976-72		BUSHING - Control rod bearing	2	
-12	400 443		BOLT - (AN3-12A)	2	
	407 564		WASHER - (AN960-10)	2	
	404 887		NUT - (MS20365-1032C)	2	
-13	452 335		BEARING - (F34-14)	4	
-14	415 535		SCREW - (MS35206-245)	2	
	407 583		WASHER - (AN960-8L)	2	
	407 584		WASHER - (AN960-10L)	2	
	404 910		NUT - (MS20365-832C)	2	
-15	401 310		BOLT - (AN4-10A)	2	
	404 888		NUT - (MS20365-428C)	2	
-16	22104-07		GROMMET - Firewall seal	2	
-17	22105-05		GASKET - Firewall seal	6	
-18	61541-15		HOSE - Flexible	3	
-19	61541-38		HOSE - Flexible	2	
-20	469 147		CONNECTOR - Ball joint (111-B-0100)	4	
-21	51114-00		STOP - Beta range	2	
-22	454 900		CLEVIS - (AN486-3)	2	
-23	424 178		PIN - (MS20392-2C19)	2	
	407 564		WASHER - (AN960-10)	2	
	424 051		COTTER PIN - (MS24665-132)	2	
-24	404 225		NUT - (AN315-4R)	10	
-25	477 759		SEAL NUT - (211-A-0094)	2	
-26	554 757		CLEVIS - (MS35812-1)	4	
-27	424 177		PIN - (MS20392-2C17)	4	
	407 564		WASHER - (AN960-10)	4	
	424 051		COTTER PIN - (MS24665-132)	4	
-28	477 905		SEAL NUT - (C62113)	2	
-29	415 535		SCREW - (MS35206-245)	2	
	404 910		NUT - (MS20365-832C)	2	
-30	51676-02		NUT - Special	2	
-31	452 568		BEARING - Rod end (PS10020-2-5RX)	1	
-32	401 269		BOLT - (AN3-10A)	1	
	407 564		WASHER - (AN960-10)	2	
	404 887		NUT - (MS20365-1032C)	1	
-33	594 063		WASHER - (5710-66-16)	2	
	404 225		NUT - (AN315-4R)	2	

When ordering, always specify Part Number, Description and Serial Number of Aircraft

PIPER PARTS CATALOG

Figure and Index Number	Part Number	Code	NOMENCLATURE	No. Req.	SERIAL NUMBERS AFFECTED
81-34	401 269		BOLT - (AN3-10A)	2	
	407 564		WASHER - (AN960-10)	4	
	404 887		NUT - (MS20365-1032C)	2	
-35	18219-00		CLAMP - Control cable attachment	4	
-36	404 224		NUT - (AN315-3R)	4	
-37	18132-00		LUG - Control cable support bracket	2	
-38	22105-13		GASKET - Firewall seal	2	
-39	411 530		SCREW - (MS35207-261)	2	
	404 887		NUT - (MS20365-1032C)	2	
-40	22104-15		GROMMET - Firewall seal	4	
-41	22104-08		GROMMET - Firewall seal	8	
-42	22103-02		GROMMET HOLDER - Firewall seal	14	
-43	415 535		SCREW - (MS35206-245)	18	
	404 910		NUT - (MS20365-832C)	18	
-44	415 535		SCREW - (MS35206-245)	4	
	407 583		WASHER - (AN960-8L)	4	
	404 910		NUT - (MS20365-832C)	4	
-45	411 537		SCREW - (MS35207-268)	1	
	80012-112		BUSHING	1	
	404 835		NUT - (MS20364-1032C)	1	
-46	51112-00		BOLT - Special	2	
	404 325		NUT - (AN316-7R)	2	
-47	51623-00		BRACKET ASSEMBLY - Propeller control extension	2	
-48	400 440		BOLT - (AN3-6A)	2	
	407 564		WASHER - (AN960-10)	2	
	404 887		NUT - (MS20365-1032C)	2	
-49	82371-144		HOSE - Flexible	2	
-50	51945-02		NUT - Propeller control lock, right engine	1	
	404 224	A	NUT - (AN315-3R), left engine	1	
	51945-02	B	NUT - Propeller control lock, left engine	1	

When ordering, always specify Part Number, Description and Serial Number of Aircraft

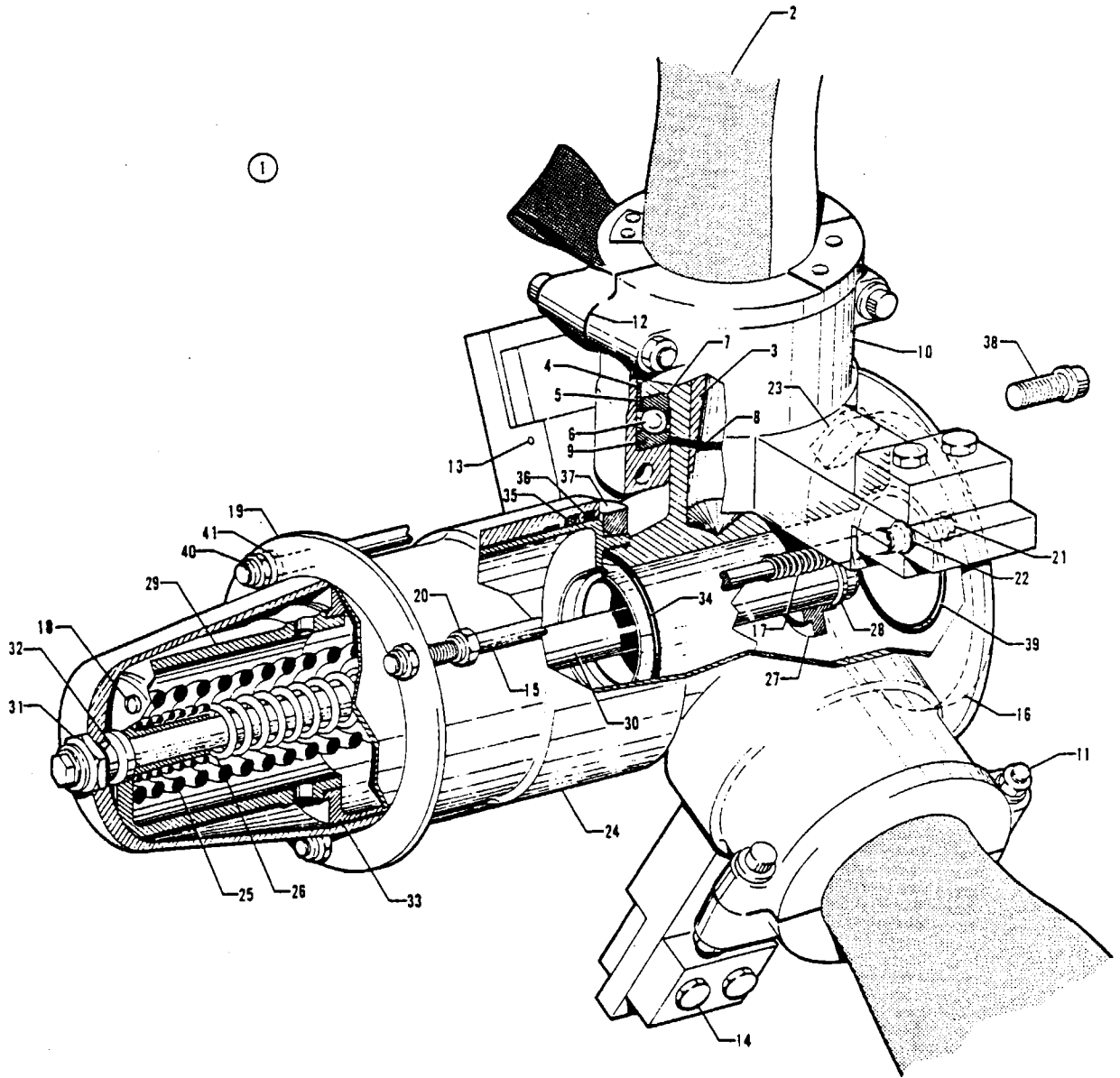


Figure 82. Propeller Assembly

PIPER PARTS CATALOG

CODE EXPLANATIONS FOR FIGURE 82

A - See Figure 71 and Figure 134 for balance of component parts.

PIPER PARTS CATALOG

Figure and Index Number	Part Number	Code	NOMENCLATURE	No. Req.	SERIAL NUMBERS AFFECTED
82-1	82000-02	A	PROPELLER ASSEMBLY - Hartzell (complete with deicer)	2	
-2	758 567		* BLADE - Propeller (T10173K-8) (with deicer boot)	3	
-3	755 247		* HUB SPIDER UNIT - (840-60)	1	
-4	756 657		* WIRE RING - Guide retention (A-1854)	3	
-5	755 031		* GUIDE RING - Bearing (A-1852)	3	
-6	758 278		* BALL SPACER - Bearing (A-1889)	3	
-7	758 279		* BEARING - Blade, split (A-1851-T)	3	
-8	756 090		* "O" RING - Blade (PRP-909-10)	3	
-9	756 087		* RING - Bearing retention (A-1877)	3	
-10	757 999		* CLAMP - (C-1301-1)	3	
-11	758 270		* BOLT - Clamp (A-1372)	6	
	752 552		* NUT - Clamp (A-1373)	6	
-12	755 029		* GASKET - Clamp (A-1306)	6	
-13	757 438		* PIN - Staking, counterweight (A-65)	3	
-14	758 271		* BOLT - (NAS1304-18H)	6	
	407 565		* WASHER - (AN960-416)	6	
-15	756 079		* ROD - Low stop (B-3475A-2)	3	
-16	757 992		* COLLAR - Low stop (B-3001-2)	1	
-17	757 763		* SPRING - Rod, reverse return (A-3099)	3	
-18	416 127		* SCREWS - Feathering stop (AN501A10-5)	4	
-19	756 080		* RING - Rod end (B-3049)	1	
-20	752 553		* NUT - Elastic, low stop (A-2043)	3	
-21	752 554		* NUT - Rod check (A-3439)	6	
-22	756 081		* RING - Snap, tru arc (5100-56)	3	
-23	758 276		* BLOCK ASSEMBLY - carbon (A-3044)	1	
-24	757 439		* PISTON ASSEMBLY - (B-1368-6)	1	
-25	757 764		* SPRING - Outer (B-1453)	1	
-26	757 765		* SPRING - Inner (B-3041)	1	
-27	756 082		* RETAINER - Spring (A-3010)	1	
-28	756 083		* RETAINER - Split (A-867)	1	
-29	757 993		* CUP - Spring retainer (A-1827-1)	1	
-30	757 766		* SPACER - Tube (A-3042A)	1	
-31	752 555		* NUT - Flex lock (A-880-1)	1	
-32	756 084		* "O" RING - (PRP-914-8)	1	
-33	757 994		* CYLINDER - (B-1803-2)	1	
-34	752 803		* "O" RING - Cylinder (PRP-909-13)	1	
-35	756 088		* "O" RING - Piston (PRP-902-50)	1	
-36	757 767		* SEAL - Dust (B-1843)	1	
-37	755 030		* GUIDE COLLAR UNIT - (834-12)	1	
-38	758 610		* BOLT - (B-3339)	8	
	756 656		* WASHER - (A-2048-2)	8	
-39	756 089		* "O" RING - (PRP-909-8)	1	
-40	752 556		* NUT - Elastic (52NTE-064)	3	
-41	404 330		* NUT - Check (AN316-6R)	3	

When ordering, always specify Part Number, Description and Serial Number of Aircraft

PIPER PARTS CATALOG

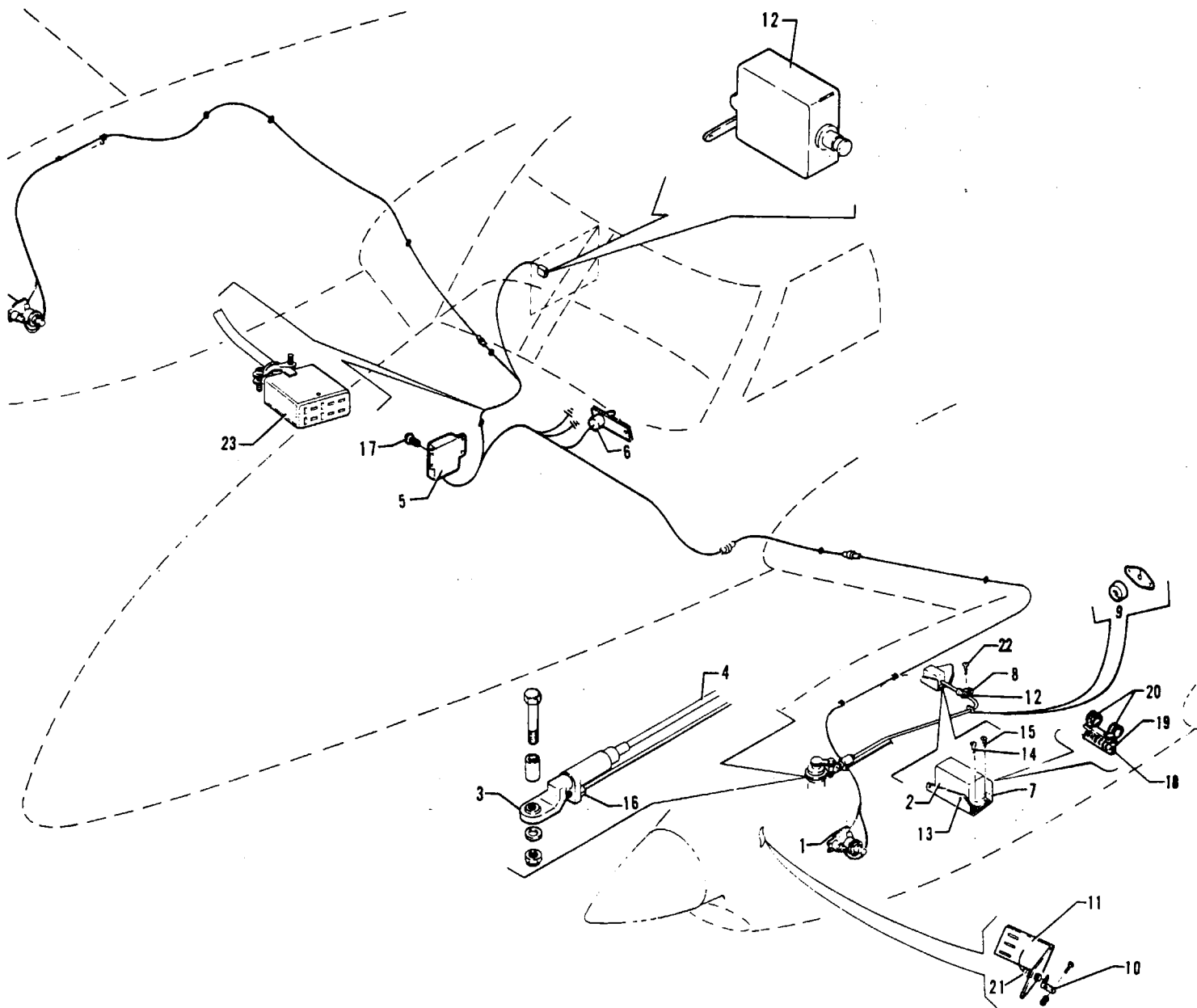


Figure 83. Propeller Synchrophaser System Installation (Motor and Amplifier)

PIPER PARTS CATALOG

CODE EXPLANATIONS FOR FIGURE 83

PIPER PARTS CATALOG

Figure and Index Number	Part Number	Code	NOMENCLATURE	No. Req.	SERIAL NUMBERS AFFECTED
83-	49792		DRAWING - Propeller Synchrophaser System Installation		
-1	49794-02		OVERSPEED GOVERNOR ASSEMBLY	2	
-2	751 309		ACTUATOR ASSEMBLY - Propeller synchrophaser (5485-016)	1	
-3	756 085		ROD END ASSEMBLY - (213446)	1	
-4	754 873		FLEX SHAFT ASSEMBLY - (1551-120)	1	
-5	763 284		CONTROL BOX ASSEMBLY - (6852-914)	1	
-6	757 649		SWITCH ASSEMBLY - (5440-028)	1	
-7	51579-00		BRACKET - Actuator support	1	
-8	18522-20		CLIP - Bent	1	
-9	22105-05		GASKET - Firewall seal	1	
	22104-07		GROMMET - Firewall seal	1	
-10	49833-02		ANGLE - Propeller bulkhead	6	
-11	49832-02		BRACKET - Propeller bulkhead	2	
-12	454 688		CIRCUIT BREAKER - (PS50120-3-32) 3 amp	1	
-13	400 002		BOLT - (AN4-5A)	2	
	407 565		WASHER - (AN960-416)	2	
	404 888		NUT - (MS20365-428C)	2	
-14	400 438		BOLT - (AN3-4A)	3	
	407 564		WASHER - (AN960-10)	3	
	404 887		NUT - (MS20365-1032C)	3	
-15	400 051		BOLT - (AN3-4)	1	
-16	404 225		NUT - (AN315-4R)	1	
-17	415 518		SCREW - (MS35206-228)	8	
-18	415 536		SCREW - (MS35206-246)	3	
	407 563		WASHER - (AN960-8)	3	
	404 910		NUT - (MS20365-832C)	3	
-19	475 168		ISOLATOR - Actuator support (C2-H-312-1)	1	
-20	554 941		CLAMP - Actuator support (PS10027-2-20)	2	
-21	763 447		PICK-UP - (213181)	2	
-22	517 262		SCREW - (MS35207-262)	1	
	407 584		WASHER - (AN960-10L)	1	
	404 887		NUT - (MS20365-1032C)	1	
-23	764 822		SOCKET - Female (10 pin Jones)	1	

When ordering, always specify Part Number, Description and Serial Number of Aircraft

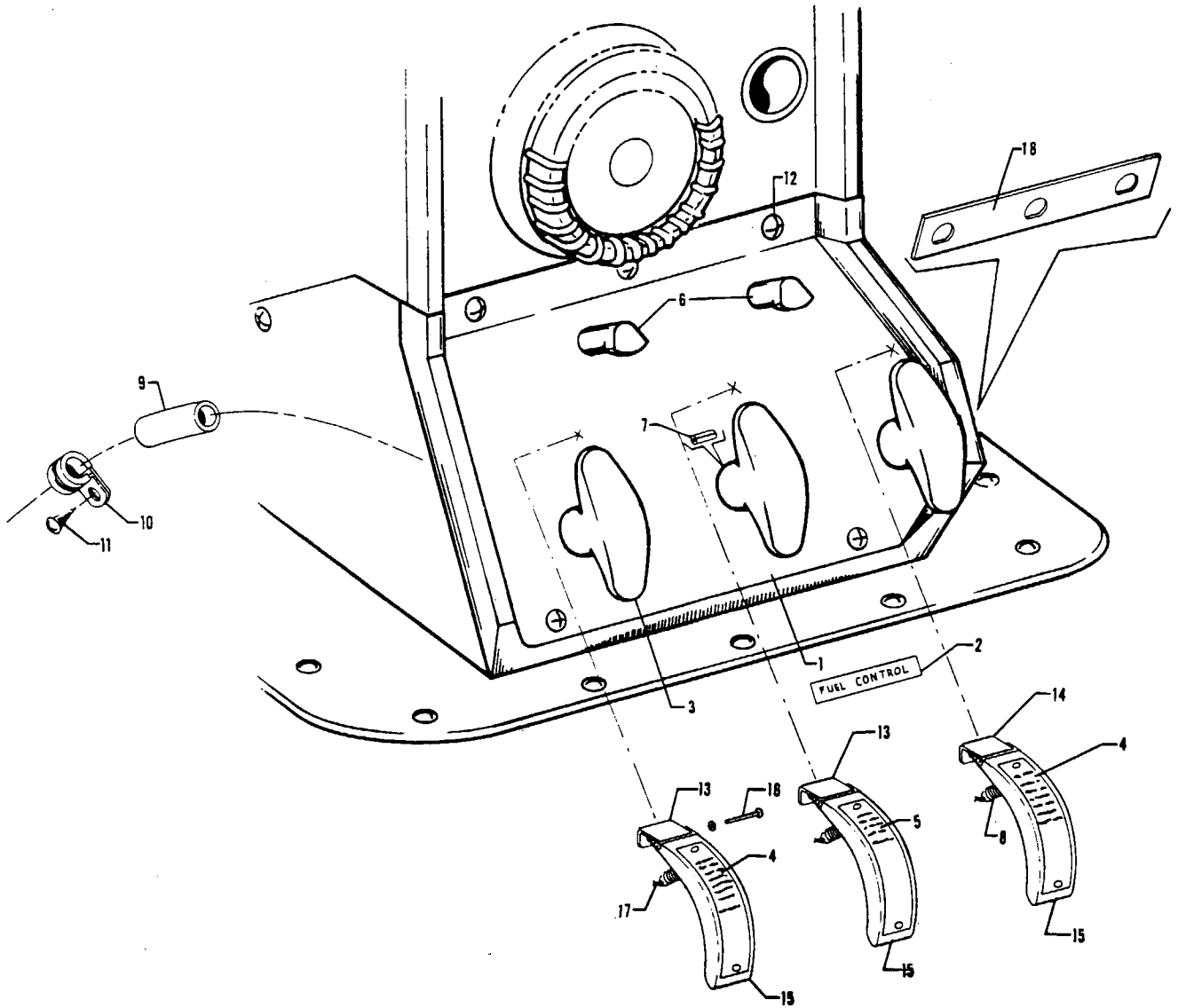


Figure 84. Fuel Control Panel Installation

PIPER PARTS CATALOG

CODE EXPLANATIONS FOR FIGURE 84

- A - Used on aircraft that comply with C.A.A. (United Kingdom) requirements.
- B - Used if wing tip fuel tanks are installed.
- C - Used if wing tip fuel tanks are not installed.

PIPER PARTS CATALOG

Figure and Index Number	Part Number	Code	NOMENCLATURE	No. Req.	SERIAL NUMBERS AFFECTED
84-	29480		DRAWING - Fuel Control Panel Installation		
-1	29496-02		PANEL ASSEMBLY - Fuel control	1	
-2	80962-02		PLACARD - "Fuel Control"	1	
-3	29472-03		HANDLE - Fuel control	1	
-4	80987-02	C	PLACARD - Left firewall shut-off valve control	1	
	81030-02	B	PLACARD - Left firewall shut-off valve control	1	
	80988-02	C	PLACARD - Right firewall shut-off valve control	1	
	81026-02	B	PLACARD - Right firewall shut-off valve control	1	
-5	80964-02		PLACARD - Cross feed control	1	
	80979-02	A	PLACARD - Cross feed control	1	
-6	472 742		LIGHT - Bolt (P-65-3-CW-28)	2	
-7	480 696		PIN - Roll (59-022-094-0625)	3	
-8	83302-87		SPRING - Handle cover	3	
	83302-87	A	SPRING - Handle cover	2	
-9	16633-92		HOSE - Control cable	1	
-10	454 880		CLAMP - Control cable (PS10017-1-4)	3	
-11	415 498		SCREW - (MS35206-245)	3	
	404 909		NUT - (MS20365-832C)	3	
-12	515 739		SCREW - (AN526-632R8)	8	
-13	81795-02		BRACKET - Control handle cover	2	
	81795-02	A	BRACKET - Control handle cover	1	
-14	81965-02		BRACKET ASSEMBLY - Control handle cover	1	
-15	81807-02		COVER - Fuel control handle	3	
	81807-02	A	COVER - Fuel control handle	2	
-16	424 154		PIN - (MS20392-1C33)	3	
	424 154	A	PIN - (MS20392-1C33)	2	
	407 585		WASHER - (AN960-416L)	3	
	407 585	A	WASHER - (AN960-416L)	2	
	424 051		COTTER PIN - (MS24665-132)	3	
	424 051	A	COTTER PIN - (MS24665-132)	2	
-17	424 051		COTTER PIN - (MS24665-132)	3	
	424 051	A	COTTER PIN - (MS24665-132)	2	
-18	02094-02		PLATE - Control cable lock	1	

When ordering, always specify Part Number, Description and Serial Number of Aircraft

PIPER PARTS CATALOG

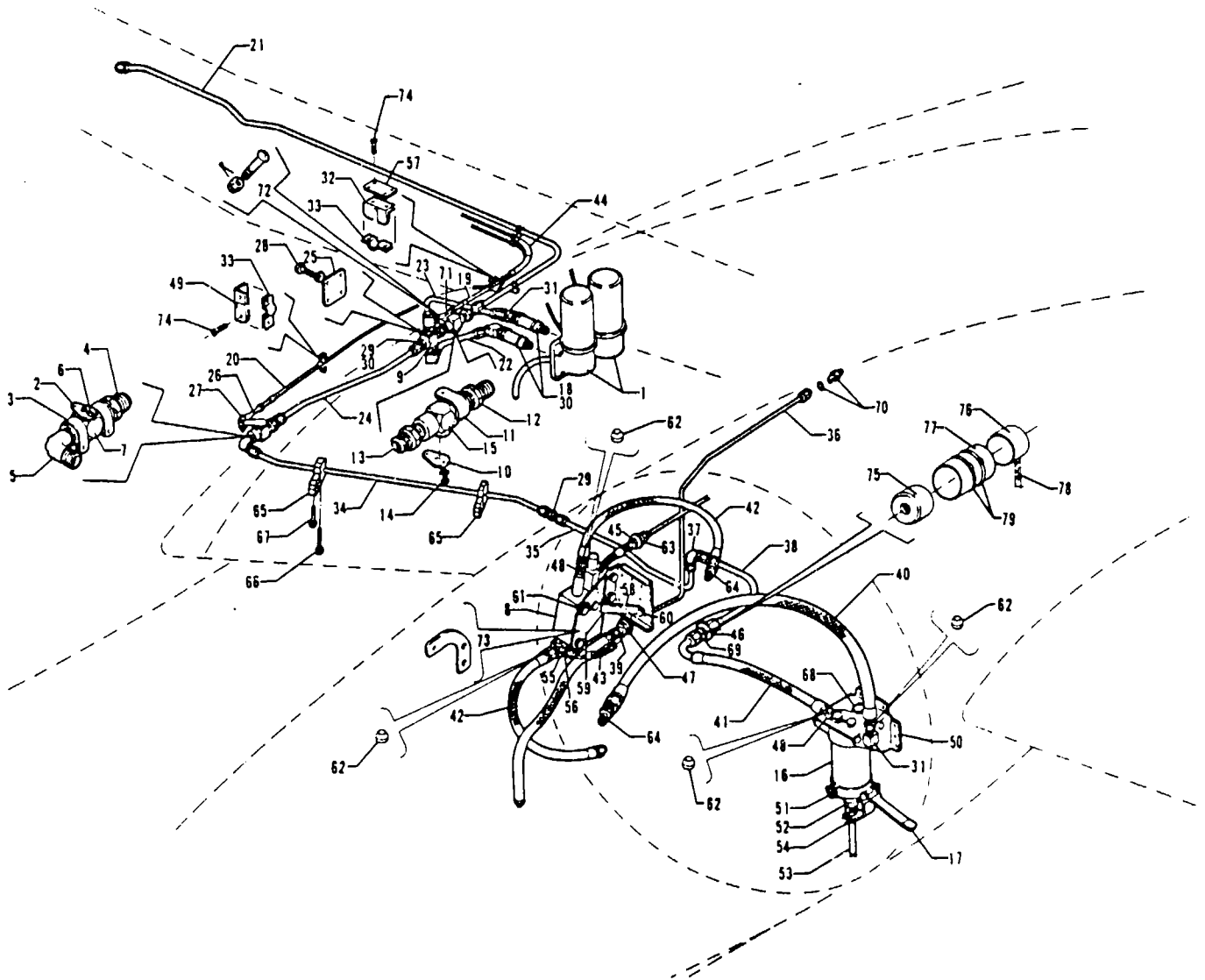


Figure 85. Left Engine Fuel System Installation

PIPER PARTS CATALOG

CODE EXPLANATIONS FOR FIGURE 85

- A - See Figure 87 for component parts.
- B - Used on aircraft that comply with C.A.A. (United Kingdom) requirements.

PIPER PARTS CATALOG

Figure and Index Number	Part Number	Code	NOMENCLATURE	No. Req.	SERIAL NUMBERS AFFECTED
85-	50844		DRAWING - Fuel System Installation		
-1	50595-04		FUEL PUMP ASSEMBLY - Submerged (Lear-Siegler/ RG52400D)	2	
	01748-02		FUEL PUMP ASSEMBLY - Submerged (Airborne/1C54-1)	2	
-2	41626-00		ARM - Valve actuator	1	
-3	42335-00		CLAMP	2	
-4	476 674		NIPPLE - (AN816-8D)	1	
-5	458 898		ELBOW - (AN822-8D)	1	
-6	415 752		SCREW - (AN515-832R6)	2	
	407 120		WASHER - Toothlock (AN936-B8)	2	
-7	492 111	A	VALVE - Fuel shut-off (P4-757A)	1	
-8	489 438		TRANSMITTER - Fuel flow (3268011-0101)	1	
-9	455 421		CROSS - (AN937-8D)	1	
-10	41626-00		ARM - Valve actuator	1	
-11	42335-00		CLAMP	1	
-12	476 674		NIPPLE - (AN816-8D)	1	
-13	451 901		ADAPTER - (R1000-8)	1	
-14	415 499		SCREW - (MS35206-243)	2	
	407 120		WASHER - Toothlock (AN936-B8)	2	
-15	492 111	A	VALVE - Fuel crossover (P4-757A)	1	
-16	51175-00	A	FILTER ASSEMBLY - Fuel	1	
-17	51203-00		LEVER ASSEMBLY - Fuel filter drain	1	
-18	492 245		VALVE - Check (1010-00-1)	2	
-19	29455-02		CABLE ASSEMBLY - Control, crossfeed	1	
-20	29455-03		CABLE ASSEMBLY - Control, fuel shut-off	1	
-21	50883-00		LINE ASSEMBLY - Crossfeed	1	
-22	50514-00		LINE ASSEMBLY - Fuel	1	
-23	50519-00		LINE ASSEMBLY - Fuel	1	
-24	51027-00		TUBE ASSEMBLY - Fuel	1	
-25	51028-00		PLATE - Fuel fitting	1	
-26	469 152		JOINT - Ball (D-103-A)	1	
	404 224		NUT - (AN315-3R)	1	
-27	407 564		WASHER - (AN960-10)	1	
	404 835		NUT - (MS20364-1032C)	1	
-28	400 059		BOLT - (AN3-14)	4	
	407 584		WASHER - (AN960-10L)	4	
-29	491 053		UNION - (AN815-8D)	2	
-30	462 061		"O" RING - (MS29512-8)	6	
-31	558 877		ELBOW - (RAC2000-8CAD)	5	
-32	18132-00		LUG - Control cable support bracket	1	
-33	18219-00		CLAMP - Control cable attachment	2	
-34	50160-00		LINE ASSEMBLY - Fuel	1	
-35	50362-00		LINE ASSEMBLY - Fuel	1	
-36	01198-02		LINE ASSEMBLY - Fuel	1	
-37	458 905		ELBOW - (AN833-8D)	1	
	477 621		NUT - (AN924-8D)	1	
	407 573		WASHER - (AN960-1216)	1	
-38	50398-00		LINE ASSEMBLY - Fuel	1	
-39	491 063		UNION - (AN832-4)	1	
	477 629		NUT - (AN924-4)	1	

When ordering, always specify Part Number, Description and Serial Number of Aircraft

PIPER PARTS CATALOG

Figure and Index Number	Part Number	Code	NOMENCLATURE	No. Req.	SERIAL NUMBERS AFFECTED
85-40	39995-35		HOSE ASSEMBLY - Fuel	1	
-41	80026-04		HOSE ASSEMBLY - Fuel	1	
-42	39995-26		HOSE ASSEMBLY - Fuel	2	
-43	39995-27		HOSE ASSEMBLY - Fuel	1	
-44	16633-93		HOSE - Cover, control cable	1	
-45	40849-07		PLACARD - "Fuel Pressure"	1	
-46	40849-11		PLACARD - "Fuel Supply"	1	
-47	40849-18		PLACARD - "Fuel"	1	
-48	551 882		ADAPTER - (RAC1000-8)	2	
-49	01046-03		LUG - Control cable support	1	
-50	51165-00		BRACKET ASSEMBLY - Fuel filter	1	
-51	51202-00		CLAMP ASSEMBLY - Fuel filter	1	
-52	22179-00		VALVE ASSEMBLY - Fuel strainer drain	1	
-53	16633-50		HOSE ASSEMBLY - Drain	1	
-54	454 983		CLAMP - (8 SAE TY "E")	2	
-55	558 796		ELBOW - (Q300-AC8-F2-R8)	1	
-56	45847-00		NIPPLE ASSEMBLY - Flared tube	1	
-57	01047-03		PLATE - Crossfeed control cable support	1	
-58	49385-02		BRACE - Fuel flow transmitter	1	
-59	49384-02		PLATE - Fuel flow transmitter	1	
-60	400 002		BOLT - (AN4-5A)	1	
	407 565		WASHER - (AN960-416)	2	
	404 825		NUT - (AN363-428C)	1	
-61	401 318		BOLT - (AN4-20A)	2	
	407 565		WASHER - (AN960-416)	4	
	404 836		NUT - (MS20364-428C)	2	
-62	486 301		SEAL - Aluminum (SECO 7-A-8)	4	
-63	491 067		UNION - (AN832-3)	1	
	477 628		NUT - (AN924-3)	1	
-64	491 102		UNION - (AN815-8)	2	
	462 061		O-RING - (MS29512-8)	2	
-65	50414-00		BLOCK ASSEMBLY - Tube retaining	2	
-66	400 451		BOLT - (AN3-20A)	2	
	407 564		WASHER - (AN960-10)	2	
	404 887		NUT - (MS20365-1032C)	2	
-67	400 446		BOLT - (AN3-16A)	2	
	407 584		WASHER - (AN960-10L)	2	
	404 887		NUT - (MS20365-1032C)	2	
-68	401 918		BOLT - (AN74A-3)	3	
-69	491 068		UNION - (AN832-8)	1	
	477 691		NUT - (AN924-8)	1	
-70	492 233		VALVE - Check (366-00)	1	
	462 058		O-RING - (MS29512-04)	1	
-71	42649-00		CLEVIS - Control cable, crossfeed	1	
	404 224		NUT - (AN315-3R)	1	
-72	400 672		BOLT - (AN23-10)	1	
	404 120		NUT - (AN310-C3)	1	
	424 059		PIN - Cotter (MS24665-283)	1	
-73	49386-02		BRACKET - Oil breather attachment	1	
-74	414 763		SCREW - (MS24693-S50)	4	
-75	29194-03	B	CAN ASSEMBLY - Fuel shroud	1	
-76	29194-02	B	CAN ASSEMBLY - Fuel shroud	1	
-77	80007-49	B	HOSE - Flexible	1	
-78	49998-28	B	TUBE - Drain	1	
-79	554 984	B	CLAMP - (SAE TY F-36)	2	

When ordering, always specify Part Number, Description and Serial Number of Aircraft

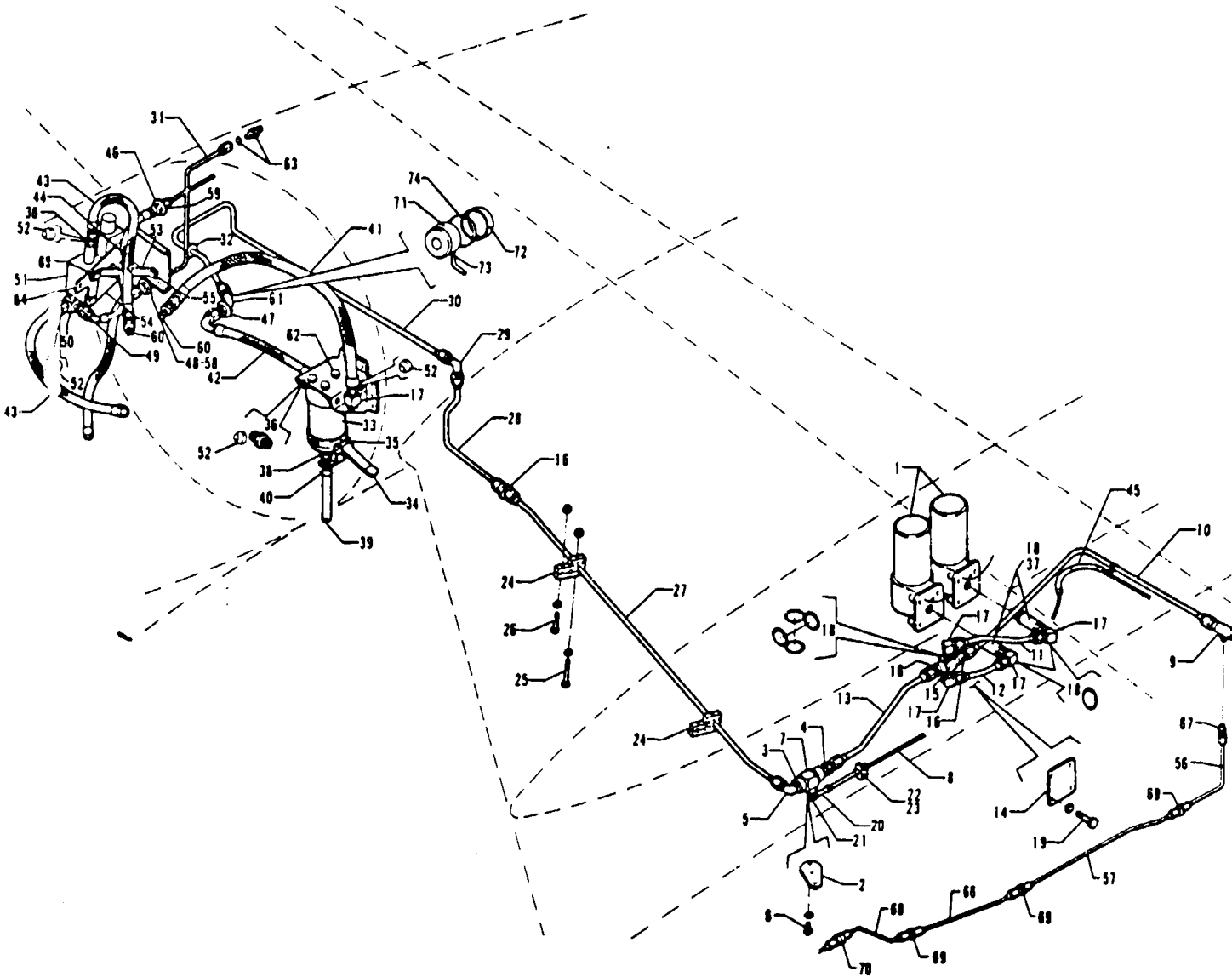


Figure 86. Right Engine Fuel System Installation

PIPER PARTS CATALOG

CODE EXPLANATIONS FOR FIGURE 86

- A - See Figure 87 for component parts.
- B - Used on aircraft that comply with C.A.A. (United Kingdom) requirements.

PIPER PARTS CATALOG

Figure and Index Number	Part Number	Code	NOMENCLATURE	No. Req.	SERIAL NUMBERS AFFECTED
86-	50844		DRAWING - Fuel System Installation		
-1	50595-04		FUEL PUMP ASSEMBLY - Submerged (Lear-Siegler/ RG52400D)	2	
	01748-02		FUEL PUMP ASSEMBLY - Submerged (Airborne/1C54-1)	2	
-2	41626-00		ARM - Valve actuator	1	
-3	42335-00		CLAMP	2	
-4	476 674		NIPPLE - (AN816-8D)	1	
-5	458 898		ELBOW - (AN822-8D)	1	
-6	415 752		SCREW - (AN515-832R6)	2	
	407 120		WASHER - Toothlock (AN936-B8)	2	
-7	492 111	A	VALVE - Fuel shut-off (P4-757A)	1	
-8	29455-04		CABLE ASSEMBLY - Control, fuel shut-off	1	
-9	47651-00		TEE - Heater fuel	1	
-10	01874-02		LINE ASSEMBLY - Fuel	1	
-11	50519-00		LINE ASSEMBLY - Fuel	1	
-12	50514-00		LINE ASSEMBLY - Fuel	1	
-13	82032-02		LINE ASSEMBLY - Fuel	1	
-14	51028-00		PLATE - Fuel fitting	1	
-15	455 421		CROSS - (AN937-8D)	1	
-16	491 053		UNION - (AN815-8D)	3	
-17	558 877		ELBOW - (RAC2000-8CAD)	5	
-18	462 061		"O" RING - (MS29512-8)	6	
-19	400 059		BOLT - (AN3-14)	4	
	407 584		WASHER - (AN960-10L)	4	
-20	469 152		JOINT - Ball (D-103A)	1	
	404 224		NUT - (AN315-3R)	1	
-21	407 564		WASHER - (AN960-10)	1	
	404 835		NUT - (MS20364-1032C)	1	
-22	01046-03		LUG - Control cable support bracket	1	
-23	18219-00		CLAMP - Control cable attachment	1	
-24	50414-00		BLOCK ASSEMBLY - Tube retaining	2	
-25	400 451		BOLT - (AN3-20A)	2	
	407 564		WASHER - (AN960-10)	2	
	404 887		NUT - (MS20365-1032C)	2	
-26	400 455		BOLT - (AN3-16A)	2	
	407 584		WASHER - (AN960-10L)	2	
	404 887		NUT - (MS20365-1032C)	2	
-27	50160-00		LINE ASSEMBLY - Fuel	1	
-28	50138-00		LINE ASSEMBLY - Fuel	1	
-29	458 881		ELBOW - (AN821-8D)	1	
-30	50513-00		LINE ASSEMBLY - Fuel	1	
-31	01198-02		LINE ASSEMBLY - Fuel	1	
-32	434 163		GROMMET - (MS35489-15S)	1	
-33	51175-00	A	FILTER ASSEMBLY - Fuel	1	
-34	51203-00		LEVER ASSEMBLY - Fuel filter drain	1	
-35	51202-00		CLAMP - Fuel filter	1	
-36	551 882		ADAPTER - (RAC1000-8)	2	
-37	492 245		VALVE - Check (1010-00-1)	2	
-38	22179-00		VALVE ASSEMBLY - Fuel strainer drain	1	
-39	16633-50		HOSE ASSEMBLY - Drain	1	
-40	454 983		CLAMP - (8 SAE Type "E")	2	

When ordering, always specify Part Number, Description and Serial Number of Aircraft

PIPER PARTS CATALOG

Figure and Index Number	Part Number	Code	NOMENCLATURE	No. Req.	SERIAL NUMBERS AFFECTED
86-41	39995-35		HOSE ASSEMBLY - Fuel	1	
-42	80026-04		HOSE ASSEMBLY - Fuel	1	
-43	39995-26		HOSE ASSEMBLY - Fuel	2	
-44	39995-27		HOSE ASSEMBLY - Fuel	1	
-45	16633-93		HOSE - Cover, control cable	1	
-46	40849-07		PLACARD - "Fuel Pressure"	1	
-47	40849-11		PLACARD - "Fuel Supply"	1	
-48	40849-18		PLACARD - "Fuel"	1	
-49	45847-00		NIPPLE ASSEMBLY - Flared tube	1	
-50	558 796		ELBOW - (Q300-AC8-F2-R8)	1	
-51	489 438		TRANSMITTER - Fuel flow (3268011-0101)	1	
-52	486 301		SEAL - Aluminum (SECO 7-A-8)	4	
-53	49385-02		BRACE - Fuel flow transmitter	1	
-54	49384-02		PLATE - Fuel flow transmitter	1	
-55	400 002		BOLT - (AN4-5A)	1	
	407 565		WASHER - (AN960-416)	2	
	404 825		NUT - (AN363-428C)	1	
-56	81655-02		LINE ASSEMBLY - Heater fuel	1	
-57	81656-02		LINE ASSEMBLY - Heater fuel	1	
-58	491 063		UNION - (AN832-4)	1	
	477 629		NUT - (AN924-4)	1	
-59	491 067		UNION - (AN832-3)	1	
	477 628		NUT - (AN924-3)	1	
-60	491 102		UNION - (AN815-8)	2	
	462 061		"O" RING - (MS29512-8)	2	
-61	458 848		ELBOW - (AN837-8)	1	
	477 691		NUT - (AN924-8)	1	
	407 573		WASHER - (AN960-1216)	1	
-62	401 918		BOLT - (AN74A-3)	3	
-63	492 233		UNION - Check (366-00)	1	
	462 058		RING - "O" (MS29512-04)	1	
-64	49386-02		BRACKET - Oil breather attachment	1	
-65	401 318		BOLT - (AN4-20A)	2	
	407 565		WASHER - (AN960-416)	4	
	404 836		NUT - (MS20364-428C)	2	
-66	81657-02		LINE ASSEMBLY - Heater fuel	1	
-67	476 648		NIPPLE - (AN816-4D)	1	
-68	81658-02		LINE ASSEMBLY - Heater fuel	1	
-69	491 050		UNION - (AN815-4D)	3	
-70	491 060		UNION - (AN832-4D)	1	
	477 618		NUT - (AN924-4D)	1	
-71	29194-04	B	CAN ASSEMBLY - Fuel shroud	1	
-72	29807-02	B	CAP ASSEMBLY - Fuel shroud	1	
-73	49998-28	B	TUBE - Drain	1	
-74	554 984	B	CLAMP - (SAE TY F-36)	1	

When ordering, always specify Part Number, Description and Serial Number of Aircraft

PIPER PARTS CATALOG

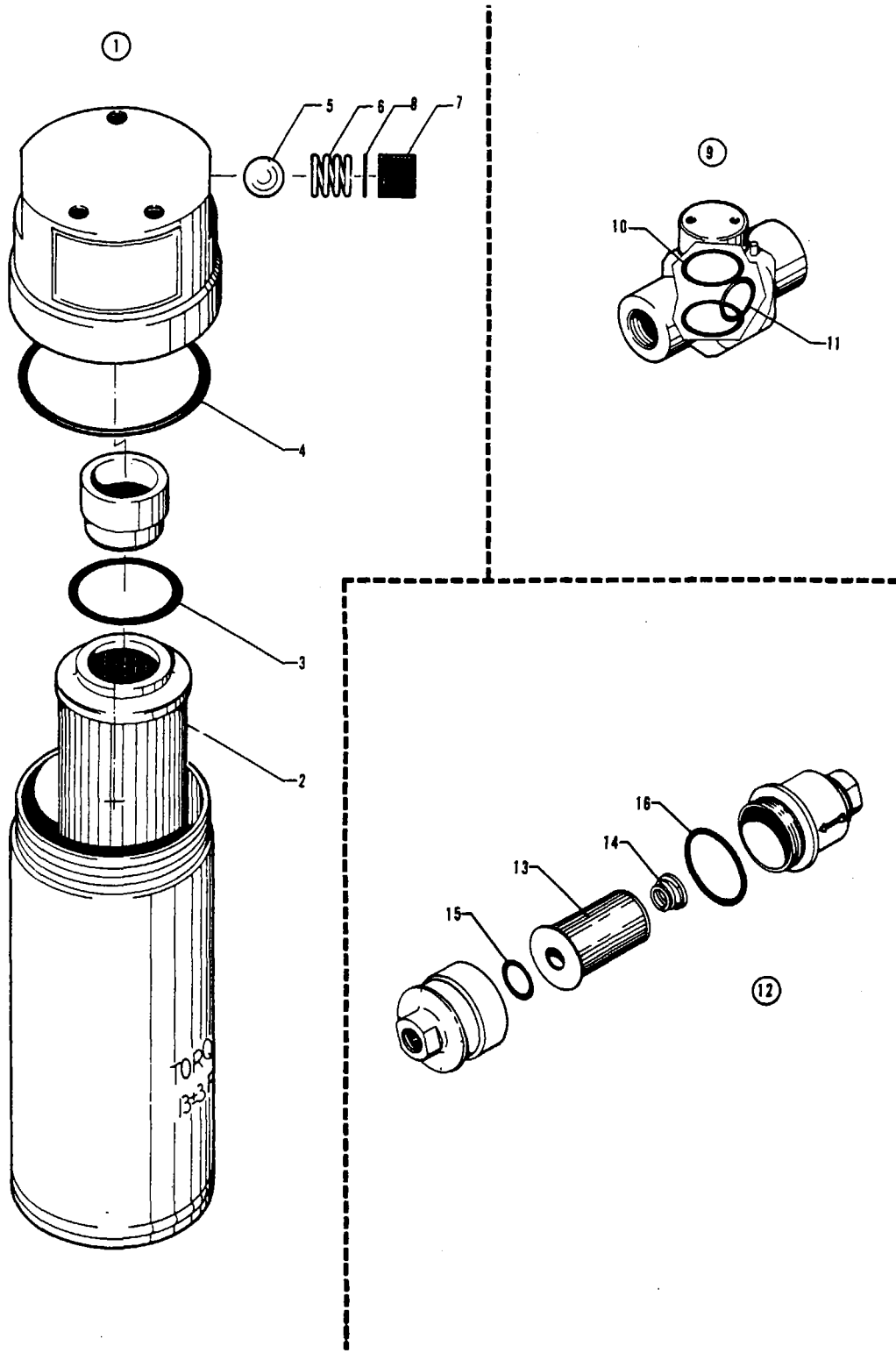


Figure 87. Fuel System Components

PIPER PARTS CATALOG

CODE EXPLANATIONS FOR FIGURE 87

PIPER PARTS CATALOG

Figure and Index Number	Part Number	Code	NOMENCLATURE	No. Req.	SERIAL NUMBERS AFFECTED
87-1	51175-00		FILTER ASSEMBLY - Fuel	2	
-2	754 780		* ELEMENT ASSEMBLY - Filter (45971)	1	
-3	756 077		* O-RING - (4214-69)	1	
-4	756 078		* O-RING - (4142-69)	1	
-5	758 269		* BALL - (42259)	1	
-6	757 759		* SPRING - (42276)	1	
-7	757 435		* PLUG - (42257)	1	
-8	757 760		* SHIM - (42266)	AR	
-9	492 111		VALVE - Fuel shut-off and crossfeed	3	
-10	757 256		* PACKING - O-ring, shut-off valve	2	
-11	757 257		* PACKING - O-ring, shut-off valve	1	
-12	460 593		FILTER ASSEMBLY - Heater fuel	1	
-13	754 783		* ELEMENT - Fuel filter (AN6237-1)	1	
-14	764 804		* SPRING AND CAP ASSEMBLY - (053654)	1	
-15	752 620		* O-RING - (MS29513-114)	1	
-16	752 621		* O-RING - (MS29513-222)	1	

When ordering, always specify Part Number, Description and Serial Number of Aircraft

PIPER PARTS CATALOG

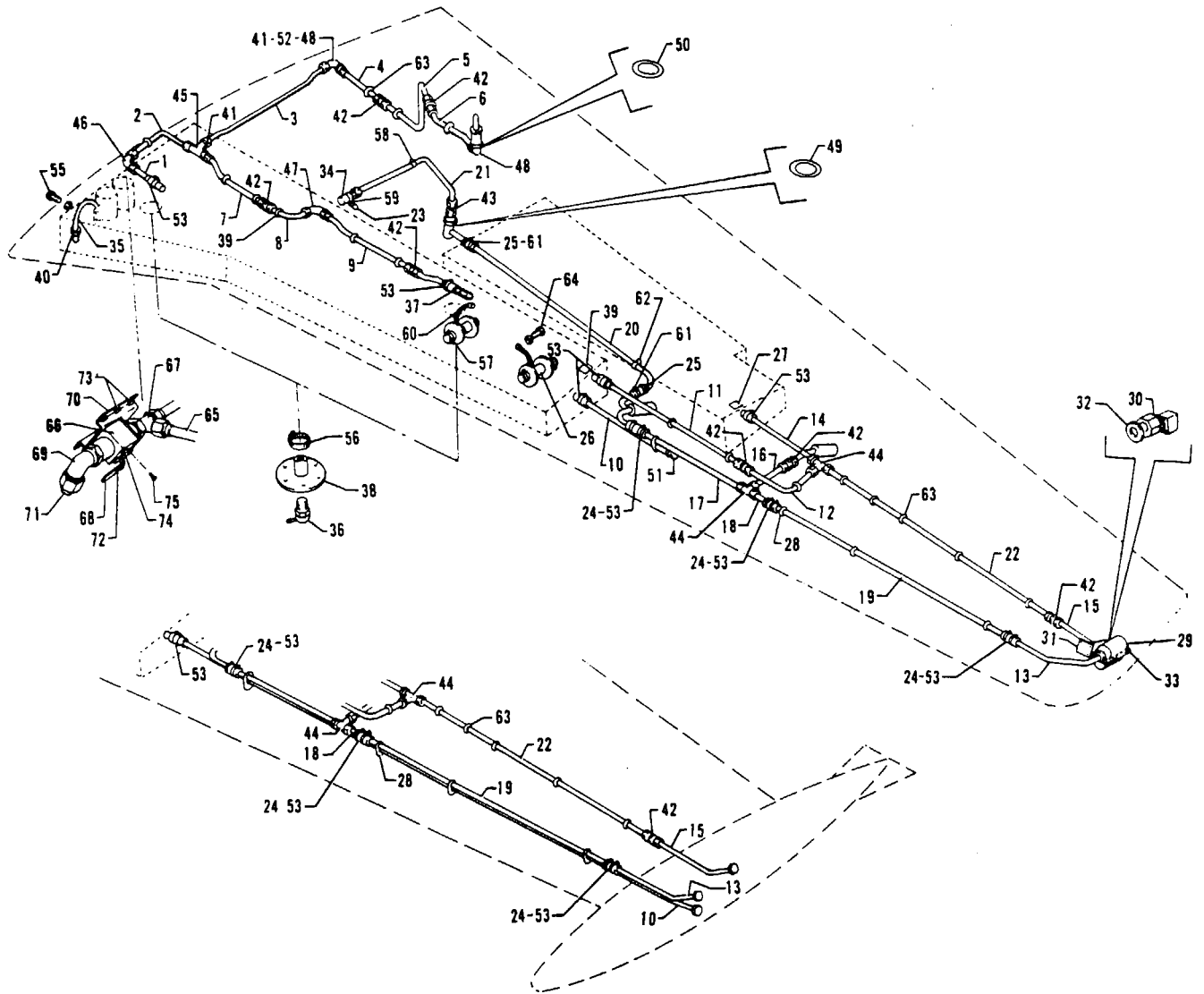


Figure 88. Wing Fuel Pressure and Vent Lines

PIPER PARTS CATALOG

CODE EXPLANATIONS FOR FIGURE 88

- A - Used if Fuel System Quick Drain is not installed.
- B - Used if Fuel System Quick Drain is installed.
- C - Used if Lear-Siegler Fuel Pump is installed.
- D - Used if wing tip fuel tanks are not installed.
- E - Used if wing tip fuel tanks are installed.

PIPER PARTS CATALOG

Figure and Index Number	Part Number	Code	NOMENCLATURE	No. Req.	SERIAL NUMBERS AFFECTED
38-	81952	D	DRAWING - Wing Fuel System Installation		
	50546	E	DRAWING - Wing Panel Fuel System Installation		
	01107		DRAWING - Fuel Drain Installation		
-1	50442-00	A	LINE ASSEMBLY - Fuel cell finger	2	
-2	50413-00		LINE ASSEMBLY - Fuel, left	1	
	50413-01		LINE ASSEMBLY - Fuel, right	1	
-3	50439-00		LINE ASSEMBLY - Fuel	2	
-4	50438-00		LINE ASSEMBLY - Fuel	2	
-5	81758-02		LINE ASSEMBLY - Fuel, left	1	
	81758-03		LINE ASSEMBLY - Fuel, right	1	
-6	81757-02		LINE ASSEMBLY - Fuel	2	
-7	50451-00		LINE ASSEMBLY - Fuel, left	1	
	50451-01		LINE ASSEMBLY - Fuel, right	1	
-8	41648-00		LINE ASSEMBLY - Fuel	2	
-9	41649-00		LINE ASSEMBLY - Fuel	2	
-10	80004-38	D	LINE ASSEMBLY - Fuel	2	
	50415-00	E	LINE ASSEMBLY - Fuel	2	
-11	49539-02		LINE ASSEMBLY - Fuel	2	
-12	49543-02		LINE ASSEMBLY - Fuel, left	1	
	49543-03		LINE ASSEMBLY - Fuel, right	1	
-13	49544-02	D	LINE ASSEMBLY - Float valve, left	1	
	49544-03	D	LINE ASSEMBLY - Float valve, right	1	
	51192-00	E	LINE ASSEMBLY - Fuel vent	2	
-14	49542-02		LINE ASSEMBLY - Fuel	2	
-15	80004-39	D	LINE ASSEMBLY - Float valve	2	
	49545-02	E	LINE ASSEMBLY - Fuel	2	
-16	80024-22		LINE ASSEMBLY - Fuel	2	
-17	80043-04		LINE ASSEMBLY - Fuel	2	
-18	80043-05		LINE ASSEMBLY - Fuel	2	
-19	51190-00		LINE ASSEMBLY - Fuel	2	
-20	51476-00		LINE ASSEMBLY - Nacelle fuel vent	2	
-21	50500-00	D	LINE ASSEMBLY - Nacelle fuel vent, left	1	
	29504-02	E	LINE ASSEMBLY - Nacelle fuel vent, left	1	
	50500-01	D	LINE ASSEMBLY - Nacelle fuel vent, right	1	
	29504-03	E	LINE ASSEMBLY - Nacelle fuel vent, right	1	
-22	49541-02		LINE ASSEMBLY - Fuel	2	
-23	42129-50		BUSHING	2	
-24	82371-23		HOSE - Fuel	6	
-25	83161-42		HOSE - Connector	4	
-26	54678-02		TUBE - Fuel cell connector	4	
-27	80042-90		PLATE - Reinforcement	4	
-28	50238-00		PLATE - Fuel line support	16	
-29	49535-02	D	HOUSING ASSEMBLY - Float valve, left	1	
	49535-03	D	HOUSING ASSEMBLY - Float valve, right	1	
-30	492 309	D	* VALVE - Float (1341-00-5/PAC 29319-06)	1	
-31	49538-04	D	* BRACKET ASSEMBLY - Mounting, housing, left	1	
	49538-05	D	* BRACKET ASSEMBLY - Mounting, housing, right	1	
-32	49536-02	D	* GASKET - Valve	1	
-33	49537-02	D	* GASKET - Housing	1	
-34	492 310	D	VALVE - Float (1348-00-1/PAC 29319-02)	2	
	81227-02	E	VALVE - Float (79-1382)	2	
-35	51457-00	C	DRAIN ASSEMBLY - Fuel pump	4	
-36	492 100		VALVE - Drain (CCA-7450)	4	
-37	50953-00		STRAINER ASSEMBLY - Fuel tank finger	2	
-38	40549-02		PLATE ASSEMBLY - Fuel drain valve	4	
-39	434 144		GROMMET - (MS35489-23)	2	

When ordering, always specify Part Number, Description and Serial Number of Aircraft

PIPER PARTS CATALOG

Figure and Index Number	Part Number	Code	NOMENCLATURE	No. Req.	SERIAL NUMBERS AFFECTED
88-40	434 130	C	GROMMET - (MS35489-13)	4	
-41	407 573		WASHER - (AN960-1216)	6	
-42	491 053		UNION - (AN815-8D)	14	
-43	491 057		UNION - (AN815-10D)	2	
-44	488 509		TEE - (AN824-8D)	4	
-45	488 506		TEE - (AN804-8D)	2	
-46	458 881		ELBOW - (AN821-8D) 90°	2	
-47	458 914		ELBOW - (AN837-8D) 45°	2	
-48	458 905		ELBOW - (AN833-8D) 90°	4	
-49	484 677		O-RING - (MS29512-10)	2	
-50	484 846		O-RING - (MS29512-08)	4	
-51	582 913	D	PLUG - (AN806-D12)	2	
-52	477 621		NUT - (AN924-8D)	8	
-53	554 871		CLAMP - (SAE TY F-6SS)	12	
-54	554 552		CLAMP - (PS10017-23-10)	10	
-55	401 302		BOLT - (AN4H-5A)	16	
	407 565		WASHER - (AN960-416)	16	
-56	554 639		CLAMP - (H-12)	4	
-57	554 629		CLAMP - (HTM-200)	16	
-58	554 684		CLAMP - (AN742-F10)	2	
-59	554 745		CLAMP - (AN742-F20)	2	
-60	54679-02		CLAMP ASSEMBLY - Ground shielding	4	
-61	554 946		CLAMP - (SAE TY F-8SS)	8	
-62	554 683		CLAMP - (PS10017-17-10)	4	
-63	41586-00		GROMMET	30	
-64	401 307		BOLT - (AN4-4A)	4	
	407 136		WASHER - (AN936-A416)	8	
-65	01120-02	B	LINE ASSEMBLY - Fuel cell finger	2	
-66	491 995	B	VALVE ASSEMBLY - Quick drain (1555-00-1)	2	
-67	01106-02	B	TEE - Special	2	
	484 677	B	O-RING - (MS29512-10)	2	
	477 704	B	NUT - (AN924-10D)	2	
-68	01114-02	B	HANDLE - Quick drain shut-off	2	
-69	01105-02	B	ELBOW - Special	2	
	462 066	B	O-RING - (MS29512-12)	2	
	477 738	B	NUT - (AN924-12D)	2	
-70	01108-02	B	BRACKET ASSEMBLY - Valve mounting	2	
-71	653 178	B	CAP ASSEMBLY - (AN929-12)	2	
-72	80983-02	B	PLACARD - "Off"	2	
-73	403 052	B	BOLT - (AN3-C5A)	6	
	407 564	B	WASHER - (AN960-10)	6	
-74	401 278	B	BOLT - (AN3-C20A)	2	
	407 564	B	WASHER - (AN960-10)	2	
-75	415 532	B	SCREW - (MS35206-242)	1	
	407 563	B	WASHER - (AN960-8)	1	

When ordering, always specify Part Number, Description and Serial Number of Aircraft

PIPER PARTS CATALOG

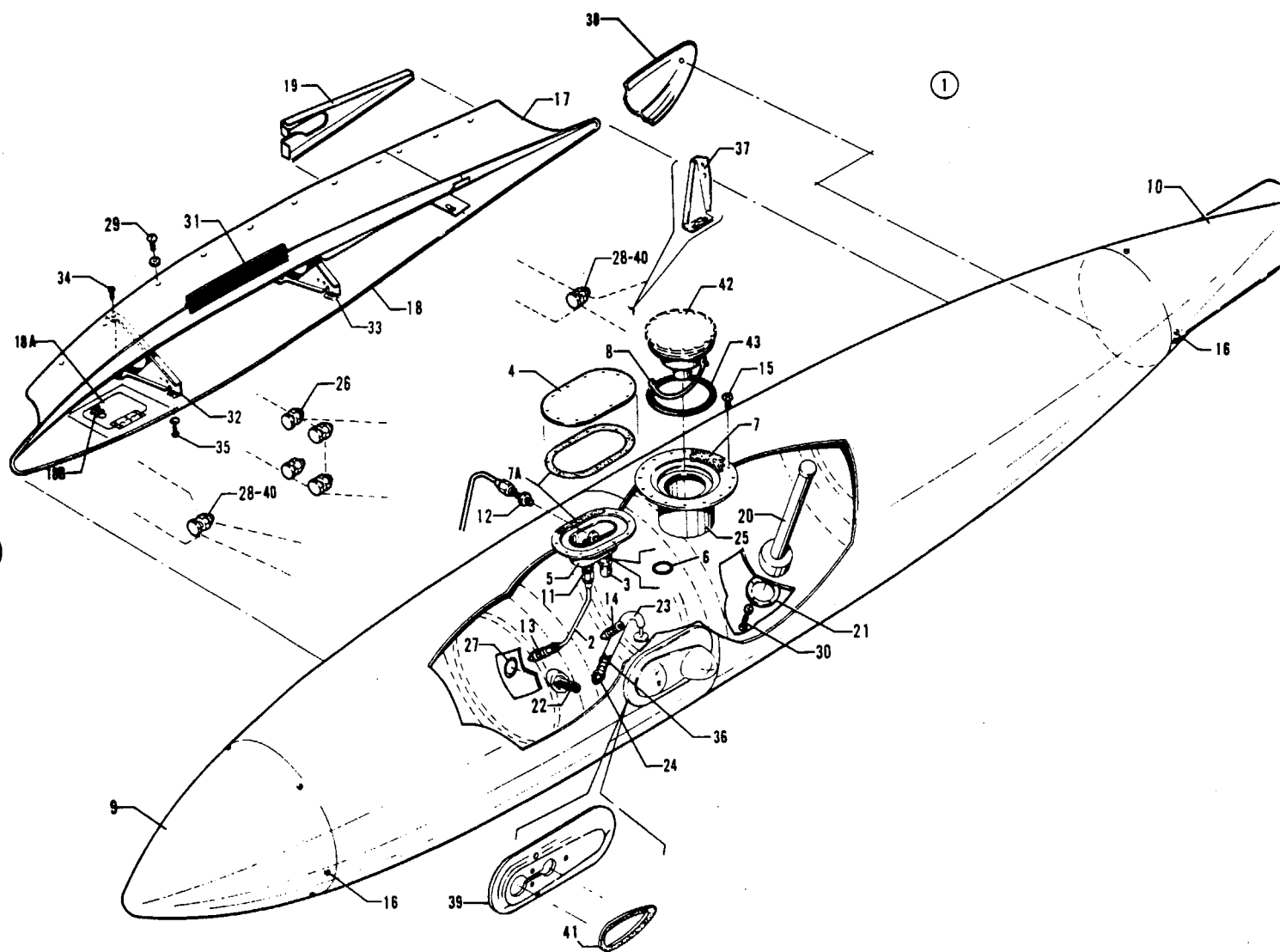


Figure 89. Wing Tip Fuel Tank Installation

PIPER PARTS CATALOG

CODE EXPLANATIONS FOR FIGURE 89

- A - Used if recognition lights are installed.
- B - See Figure 133 for recognition light components.

PIPER PARTS CATALOG

Figure and Index Number	Part Number	Code	NOMENCLATURE	No. Req.	SERIAL NUMBERS AFFECTED
89-	50211		DRAWING - Wing Tip Tank Installation		
-1	55896-02	A	TANK ASSEMBLY - Wing tip, left (with recognition light)	1	
	55896-28		TANK ASSEMBLY - Wing tip, left (solid nose cone)	1	
	55896-03	A	TANK ASSEMBLY - Wing tip, right (with recognition light)	1	
	55896-29		TANK ASSEMBLY - Wing tip, right (solid nose cone)	1	
-2	51189-00		* LINE ASSEMBLY - Tip tank vent relief, left	1	
	51189-01		* LINE ASSEMBLY - Tip tank vent relief, right	1	
-3	492 281		* VALVE ASSEMBLY - Float, fuel (3622-00-1/PAC 29319-05)	1	
-4	50984-00		* COVER - Vent well	1	
-5	50985-00		* WELL ASSEMBLY - Vent	1	
-6	484 677		* GASKET - "O" Ring (MS29512-10)	1	
-7	57149-11		* GASKET - Filler cap adapter	1	
-7a	57149-10		* GASKET - Vent well	2	
-8	472 059		* LANYARD - (452-16-6)	1	
-9	50980-305		* CONE - Tip tank, forward	1	
	55896-26	A.B	* CONE ASSEMBLY - Tip tank, forward (complete with recognition light) left	1	
	55896-27	A.B	* CONE ASSEMBLY - Tip tank, forward (complete with recognition light) right	1	
-10	55896-10		* CONE ASSEMBLY - Tip tank, aft	1	
-11	491 074		* UNION - (AN832-8D)	1	
	477 621		* NUT - (AN924-8D)	1	
-12	491 049		* UNION - (AN815-3D)	1	
	477 617		* NUT - (AN924-3D)	1	
-13	491 074		* UNION - (AN832-8D)	1	
	462 061		* GASKET - (MS29512-08)	1	
-14	484 359		* REDUCER - (AN919-12D)	1	
	491 060		* GASKET - (MS29512-06)	1	
-15	414 761		* SCREW - (MS24693-S48)	16	
-16	414 779		* SCREW - (MS24693-S49)	10	
-17	50155-38		FAIRING ASSEMBLY - Tip tank, left, aft	1	
	50155-39		FAIRING ASSEMBLY - Tip tank, right, aft	1	
-18	50155-40		FAIRING ASSEMBLY - Tip tank, left, forward	1	
	50155-41		FAIRING ASSEMBLY - Tip tank, right, forward	1	
-18a	54526-02		* PLATE ASSEMBLY - Fuel filter access, left	1	
	54526-03		* PLATE ASSEMBLY - Fuel filter access, right	1	
-18b	25054-00		* LATCH ASSEMBLY - Access plate	1	
-19	40510-02		RIB - Fairing attachment, left	1	
	40510-03		RIB - Fairing attachment, right	1	
-20	50946-03		SENSOR ASSEMBLY - Fuel tank	2	
-21	50856-00		GASKET - Fuel sensor	2	
-22	50416-03		STRAINER ASSEMBLY - Fuel	2	
-23	80007-37		TUBE - Drain	2	
-24	22179-00		VALVE ASSEMBLY - Fuel strainer drain	2	
-25	551 969		ADAPTER ASSEMBLY - Fuel filler cap (457 461)	1	
-26	401 266		BOLT - (AN3-5A)	8	
	407 564		WASHER - (AN960-10)	8	
	404 887		NUT - (MS20365-1032C)	8	
-27	462 065		GASKET - (MS29512-16)	2	
-28	400 003		BOLT - (AN4-6A)	4	
	407 565		WASHER - (AN960-416)	4	
	404 888		NUT - (MS20365-428C)	4	

When ordering, always specify Part Number, Description and Serial Number of Aircraft

PIPER PARTS CATALOG

Figure and Index Number	Part Number	Code	NOMENCLATURE	No. Req.	SERIAL NUMBERS AFFECTED
89-29	414 508		SCREW - (MS24693-S28)	42	
	494 071		WASHER - (A3236-012-1)	42	
	406 362		NUT - (C8095-632-1)	42	
-30	415 498		SCREW - (MS35206-245)	10	
	407 042		WASHER - (MS35338-42)	10	
-31	187 555		BEADING - Extruded	AR	
-32	51622-04		BRACKET ASSEMBLY - Tip tank fairing support, left front	1	
	51622-05		BRACKET ASSEMBLY - Tip tank fairing support, right front	1	
-33	51622-02		BRACKET ASSEMBLY - Tip tank fairing support, left rear	1	
	51622-03		BRACKET ASSEMBLY - Tip tank fairing support, right rear	1	
-34	414 763		SCREW - (MS24693-S50)	8	
	407 566		WASHER - (AN960-516)	8	
	407 563		WASHER - (AN960-8)	8	
	404 910		NUT - (MS20365-832C)	8	
-35	414 508		SCREW - (MS24693-S28)	2	
	494 071		WASHER - (A3236-012-1)	2	
-36	454 983		CLAMP - (SAE TY E-8)	4	
-37	51823-03		BRACKET ASSEMBLY - Support, tip tank fairing, left	1	
	51823-02		BRACKET ASSEMBLY - Support, tip tank fairing, right	1	
-38	51905-08		PLATE - Tip tank trim, left	1	
	51905-09		PLATE - Tip tank trim, right	1	
-39	29726-02		PLATE - Strobe light mounting	2	
-40	19513-64		WASHER - Shim	AR	
-41	02098-02		GASKET - Strobe light mounting	2	
-42	554 482		CAP ASSEMBLY - (457-766)	2	
-43	762 516		* RING - "O" (457-98-1)	1	

When ordering, always specify Part Number, Description and Serial Number of Aircraft

PIPER PARTS CATALOG

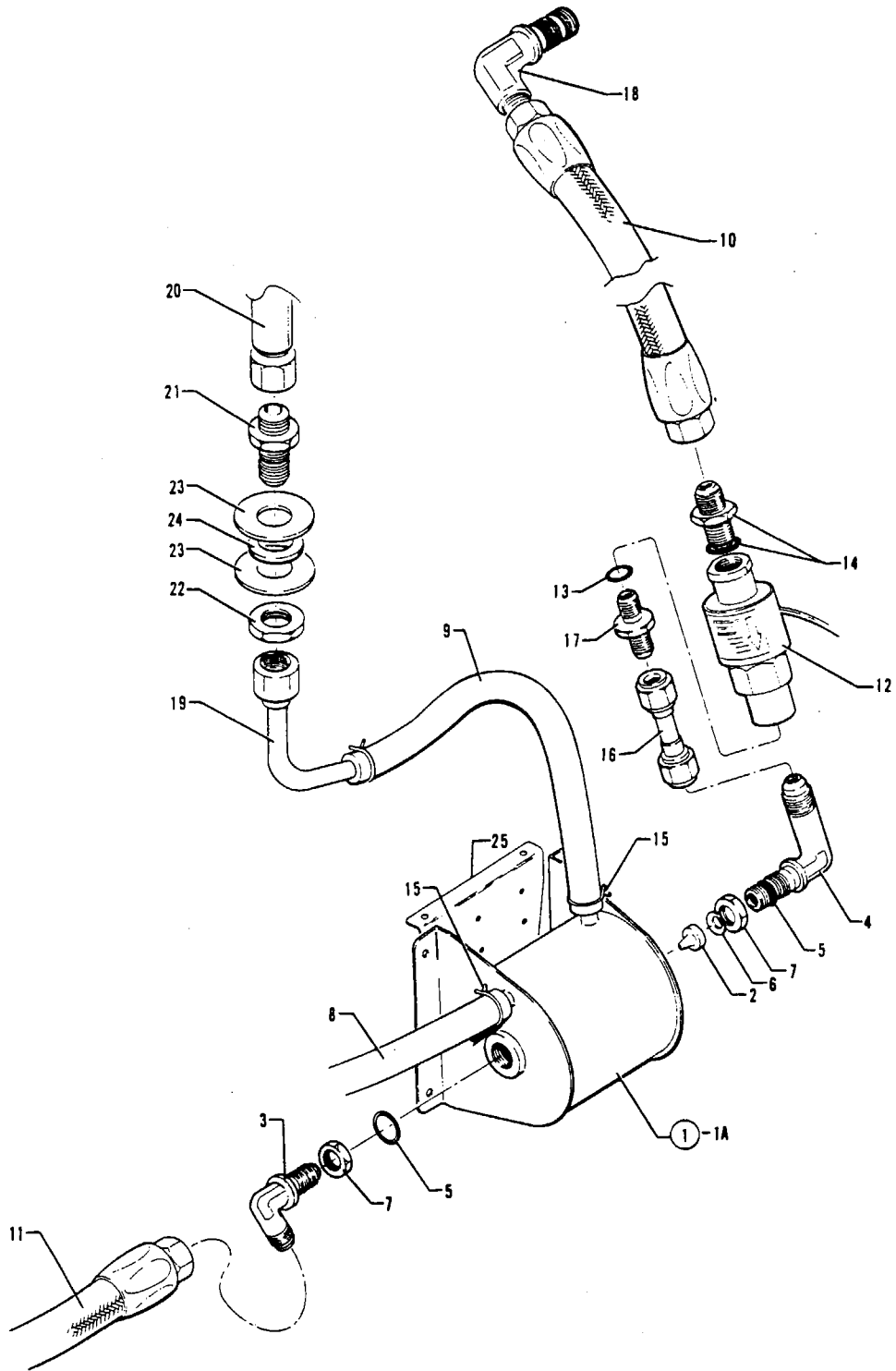


Figure 90. Fuel Scavenger Pump Installation

PIPER PARTS CATALOG

CODE EXPLANATIONS FOR FIGURE 90

PIPER PARTS CATALOG

Figure and Index Number	Part Number	Code	NOMENCLATURE	No. Req.	SERIAL NUMBERS AFFECTED
90-	81990		DRAWING - Power Plant Installation		
-1	51504-04		PUMP ASSEMBLY - Fuel scavenger	2	
-1a	51495-00		* CANISTER ASSEMBLY - Scavenger pump	1	
-2	51491-00		* JET - Fuel scavenger pump	1	
-3	458 934		* ELBOW - (AN833-4)	1	
-4	50479-00		* ELBOW - Fuel scavenger pump	1	
-5	484 842		* O-RING - (MS29512-04)	2	
-6	494 247		* WASHER - Spring (80375-015-S)	AR	
-7	477 629		* NUT - (AN924-4)	2	
-8	82371-163		HOSE - Flexible	2	
-9	61541-32		HOSE - Flexible	2	
-10	39995-16		HOSE ASSEMBLY - Flexible (19.62" L.)	2	
	39995-39		HOSE ASSEMBLY - Flexible (12.12" L.)	2	
-11	39995-43		HOSE ASSEMBLY - Flexible	2	
-12	492 234		VALVE - Solenoid (3623-00-3)	2	
-13	484 842		O-RING - (MS29512-04)	2	
-14	491 055		UNION - (AN815-4)	2	
	484 842		O-RING - (MS29512-04)	2	
-15	454 983		CLAMP - (SAE TY E-8)	8	
-16	80024-46		TUBE ASSEMBLY - Fuel	2	
-17	491 055		UNION - (AN815-4)	2	
-18	49623-02		ELBOW - Special	2	
-19	46722-00		LINE ASSEMBLY - Fitting, fire seal	2	
-20	39997-11		LINE ASSEMBLY - Fuel dump valve	2	
-21	491 063		UNION - (AN832-4)	2	
-22	477 629		NUT - (AN924-4)	2	
-23	81102-41		WASHER	4	
-24	407 591		WASHER - (AN960-716L)	2	
-25	01145-02		BRACKET - Mounting, fuel scavenger pump	2	

When ordering, always specify Part Number, Description and Serial Number of Aircraft

PIPER PARTS CATALOG

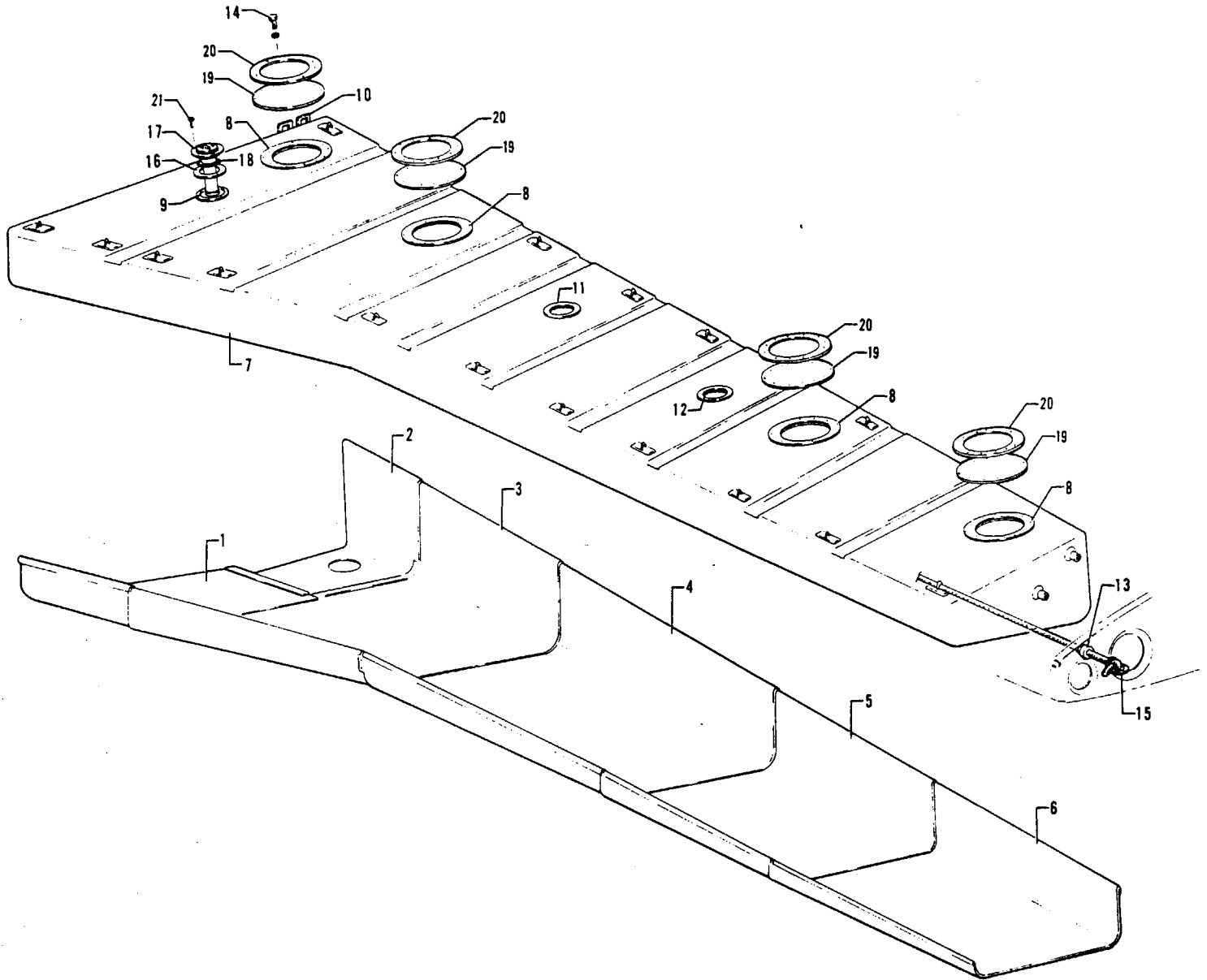


Figure 91. Main Inboard Fuel Cell and Liner Installation

PIPER PARTS CATALOG

CODE EXPLANATIONS FOR FIGURE 91

PIPER PARTS CATALOG

Figure and Index Number	Part Number	Code	NOMENCLATURE	No. Req.	SERIAL NUMBERS AFFECTED
91-	40539 50288		DRAWING - Main Fuel Cell Liner Installation DRAWING - Main Fuel Cell Installation		
-1	40537-10		LINER - Fuel cell, left forward, Sta. 30.0 to Sta. 39.5	1	
	40537-11		LINER - Fuel cell, right forward, Sta. 30.0 to Sta. 39.5	1	
-2	40537-18		LINER - Fuel cell, left rear, Sta. 30.0 to Sta. 39.5	1	
	40537-19		LINER - Fuel cell, right rear, Sta. 30.0 to Sta. 39.5	1	
-3	40537-08		LINER - Fuel cell, left, Sta. 39.5 to Sta. 58.5	1	
	40537-09		LINER - Fuel cell, right, Sta. 39.5 to Sta. 58.5	1	
-4	40537-06		LINER - Fuel cell, left, Sta. 58.5 to Sta. 87.5	1	
	40537-07		LINER - Fuel cell, right, Sta. 58.5 to Sta. 87.5	1	
-5	40537-16		LINER - Fuel cell, left, Sta. 87.5 to Sta. 109.5	1	
	40537-17		LINER - Fuel cell, right, Sta. 87.5 to Sta. 109.5	1	
-6	40537-14		LINER - Fuel cell, left, Sta. 109.5 to Sta. 134.5	1	
	40537-15		LINER - Fuel cell, right, Sta. 109.5 to Sta. 134.5	1	
-7	52778-06		FUEL CELL ASSEMBLY - Main, left	1	
	52778-07		FUEL CELL ASSEMBLY - Main, right	1	
-8	755 016		* GASKET - Fuel cell (2F1-2-14523)	4	
-9	755 017		* GASKET - Fuel cell (2F1-2-33849)	1	
-10	755 018		* GASKET - Fuel cell (2F1-2-36746)	2	
-11	755 040		* GASKET - Fuel cell (2F1-2-14516)	1	
-12	755 041		* GASKET - Fuel cell (2F1-2-14515)	1	
-13	453 732		BUSHING - Snap (PS10064-375-4)	44	
-14	400 002		BOLT - (AN4-5A)	96	
	407 136		WASHER - (AN936-A416)	96	
-15	407 565		WASHER - (AN960-416)	8	
-16	50856-00		GASKET - Fuel sender	2	
-17	50946-04		SENSOR ASSEMBLY - Fuel tank sender (PBA 1020-1)	2	
-18	752 617		* "O" RING - Sensor (MYS 470)	1	
-19	40558-00		COVER - Fuel cell	8	
-20	42191-00		PLATE - Fuel cell attachment	8	
-21	48659-08		SCREW ASSEMBLY - Seal	10	

When ordering, always specify Part Number, Description and Serial Number of Aircraft

PIPER PARTS CATALOG

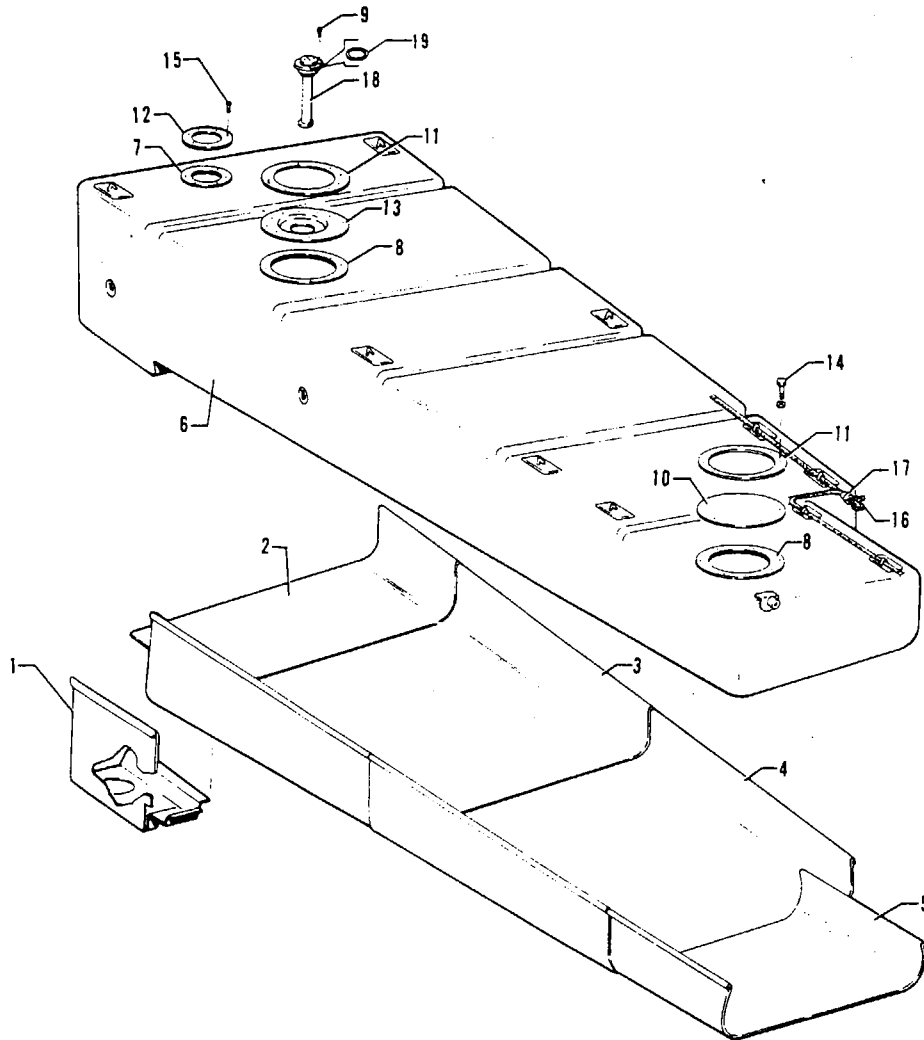


Figure 92. Main Outboard Fuel Cell and Liner Installation

PIPER PARTS CATALOG

CODE EXPLANATIONS FOR FIGURE 92

PIPER PARTS CATALOG

Figure and Index Number	Part Number	Code	NOMENCLATURE	No. Req.	SERIAL NUMBERS AFFECTED
92-	46029 50316		DRAWING - Main Outboard Fuel Cell Liner Installation DRAWING - Main Outboard Fuel Cell Installation		
-1	45712-18 45712-19		LINER - Fuel cell, left forward, Sta. 87.5 to Sta. 97.5 LINER - Fuel cell, right forward, Sta. 87.5 to Sta. 97.5	1 1	
-2	45712-16 45712-17		LINER - Fuel cell, left aft, Sta. 87.5 to Sta. 97.5 LINER - Fuel cell, right aft, Sta. 87.5 to Sta. 97.5	1 1	
-3	45712-12 45712-13		LINER - Fuel cell, left, Sta. 97.5 to Sta. 121.5 LINER - Fuel cell, right, Sta. 97.5 to Sta. 121.5	1 1	
-4	45712-10 45712-11		LINER - Fuel cell, left, Sta. 121.5 to Sta. 147.5 LINER - Fuel cell, right, Sta. 121.5 to Sta. 147.5	1 1	
-5	40538-02 40538-03		LINER - Fuel cell, left, Sta. 147.5 to Sta. 160.5 LINER - Fuel cell, right, Sta. 147.5 to Sta. 160.5	1 1	
-6	50219-02 50219-03		FUEL CELL ASSEMBLY - Main outboard, left FUEL CELL ASSEMBLY - Main outboard, right	1 1	
-7	755 025 755 041		* FLANGE - Nut, fuel cell (2F1-3-36383) * GASKET - Fuel cell (2F1-1-14515)	1 1	
-8	755 026 755 016		* FLANGE - Nut, fuel cell (2F1-3-36386) * GASKET - Fuel cell (2F1-2-14523)	2 2	
-9	48659-08		SCREW ASSEMBLY - Fuel sensor	5	
-10	40558-00		COVER - Fuel cell	2	
-11	42191-00		PLATE - Fuel cell attachment	4	
-12	50203-00		PLATE - Fuel fill connector	2	
-13	51041-00		PLATE ASSEMBLY - Fuel sensor support	2	
-14	400 002 407 136		BOLT - (AN4-5A) WASHER - (AN936-A416)	48 48	
-15	403 098 407 136		BOLT - (AN4-C5A) WASHER - (AN936-A416)	12 12	
-16	407 565		WASHER - (AN960-416)	8	
-17	453 732		BUSHING - Snap (PS10064-375-4)	30	
-18	50946-05		SENSOR ASSEMBLY - Fuel tank unit (PBA1020-2)	2	
-19	752 617		* "O" RING - Sensor (MYS 470)	1	

When ordering, always specify Part Number, Description and Serial Number of Aircraft

PIPER PARTS CATALOG

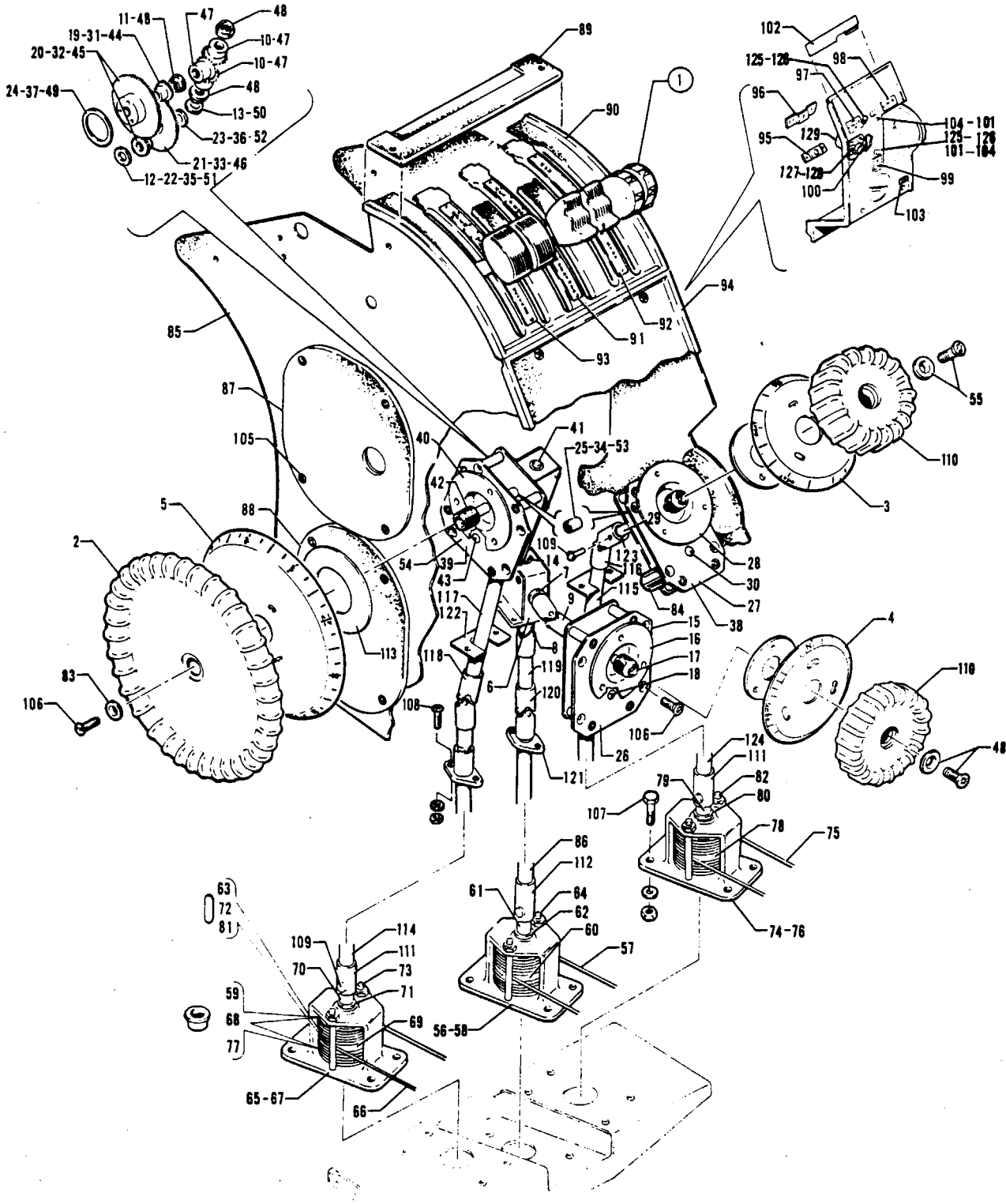


Figure 93. Pedestal Installation

PIPER PARTS CATALOG

CODE EXPLANATIONS FOR FIGURE 93

- A - See Figure 94 for component parts.
- B - Used if no Autopilot is installed. For aircraft equipped with any type Autopilot F/D, refer to the Avionics Drawing Index List and the appropriate drawings supplied with each aircraft when ordering replacement parts.
- C - Used if windshield wiper is installed.
- D - Used on aircraft that comply with C.A.A. (United Kingdom) requirements.

PIPER PARTS CATALOG

Figure and Index Number	Part Number	Code	NOMENCLATURE	No. Req.	SERIAL NUMBERS AFFECTED
93-	29966		DRAWING - Pedestal Installation		
-1	01605-02	A,B	CONTROL ASSEMBLY - Pedestal	1	31T-8275001 to 31T-8375002 incl.
	01826-02	A,B	CONTROL ASSEMBLY - Pedestal	1	31T-8375003 and up
-2	43751-00		WHEEL ASSEMBLY - Elevator trim control	1	
-3	47601-00		INDICATOR ASSEMBLY - Rudder trim	1	
-4	47603-00		INDICATOR ASSEMBLY - Aileron trim	1	
-5	48014-00		INDICATOR ASSEMBLY - Elevator trim	1	
-6	47102-00		BOX ASSEMBLY - Aileron trim gear	1	
-7	47085-02		* SHAFT - Gear box	1	
-8	47085-03		* SHAFT - Gear box	1	
-9	469 132		* JOINT - Universal (MS20270-B8)	1	
-10	45367-00		* GEAR - Bevel	3	
-11	453 825		* BUSHING - (NAS77A-4-12)	3	
-12	494 183		* WASHER - (W-12)	AR	
-13	407 565		* WASHER - (AN960-416)	2	
-14	581 656		* PLUG - Hole (P-375)	1	
-15	47116-02		BOX ASSEMBLY - Aileron trim indicator	1	
-16	47157-00		* HUB ASSEMBLY - Trim indicator mounting	1	
-17	47090-02		* SHAFT - Aileron trim gear box	1	
-18	47117-00		* SHAFT - Aileron trim gear box	1	
-19	45405-00		* GEAR - Aileron trim gear box	2	
-20	54940-02		* GEAR ASSEMBLY - Aileron trim gear box	1	
-21	47109-02		* GEAR - Aileron trim gear box	1	
-22	494 183		* WASHER - Spacer (W-12)	2	
-23	494 184		* WASHER - Spacer (W-14)	1	
-24	494 038		* WASHER - Spacer (RE-11)	1	
-25	39991-13		* BUSHING - Spacer	1	
-26	54938-02		* PLATE ASSEMBLY - Aileron trim gear box	1	
-27	47116-03		BOX ASSEMBLY - Rudder trim indicator	1	
-28	47157-00		* HUB ASSEMBLY - Trim indicator mounting	1	
-29	47090-03		* SHAFT - Rudder trim gear box	1	
-30	47117-00		* SHAFT - Rudder trim gear box	1	
-31	45405-00		* GEAR - Rudder trim gear box	2	
-32	54940-02		* GEAR ASSEMBLY - Rudder trim gear box	1	
-33	47109-02		* GEAR - Rudder trim gear box	1	
-34	39991-13		* BUSHING - Spacer	1	
-35	494 183		* WASHER - (W-12)	2	
-36	494 184		* WASHER - (W-14)	1	
-37	494 038		* WASHER - (RE-11)	1	
-38	54938-02		* PLATE ASSEMBLY - Rudder trim gear box	1	
-39	46890-00		BOX ASSEMBLY - Elevator trim indicator	1	
-40	47157-00		* HUB ASSEMBLY - Trim indicator mounting	1	
-41	47085-03		* SHAFT - Elevator trim gear box	1	
-42	47091-00		* SHAFT - Elevator trim gear box	1	
-43	47117-00		* SHAFT - Elevator trim gear box	1	
-44	45405-00		* GEAR - Elevator trim gear box	2	
-45	54940-02		* GEAR ASSEMBLY - Elevator trim gear box	1	
-46	47109-02		* GEAR - Elevator trim gear box	1	
-47	45367-00		* GEAR - Bevel	3	
-48	453 825		* BUSHING - (NAS77A-4-12)	3	
-49	494 038		* WASHER - (RE-11)	1	
-50	407 565		* WASHER - (AN960-416)	1	
-51	494 183		* WASHER - (W-12)	AR	

When ordering, always specify Part Number, Description and Serial Number of Aircraft

PIPER PARTS CATALOG

Figure and Index Number	Part Number	Code	NOMENCLATURE	No. Req.	SERIAL NUMBERS AFFECTED
93-52	494 184		* WASHER - (W-14)	1	
-53	39991-13		* BUSHING - Spacer	1	
-54	54938-02		* PLATE ASSEMBLY - Elevator trim gear box	1	
-55	80030-02		WASHER - Countersunk	2	
	414 763		SCREW - (AN507-832R8)	2	
-56	46927-13		SCREW ASSEMBLY - Aileron trim	1	
-57	41734-70		* CABLE ASSEMBLY - Aileron trim	1	
-58	46910-00		* BRACKET ASSEMBLY - Trim drum support	1	
-59	452 381		* * BEARING - (FF-609-1)	2	
-60	41394-00		* DRUM - Trim	1	
-61	46913-05		* SHAFT - Trim control	1	
-62	41393-00		* BUSHING - Shaft	1	
-63	17089-00		* PIN - Cable	1	
-64	410 251		* SCREW - (MS24694-S33)	2	
	407 563		* WASHER - (AN960-8)	2	
	404 910		* NUT - (MS20365-832C)	2	
-65	46927-15		SCREW ASSEMBLY - Elevator trim	1	
-66	41734-72		* CABLE ASSEMBLY - Elevator trim	1	
-67	46910-00		* BRACKET ASSEMBLY - Trim drum support	1	
-68	452 381		* * BEARING - (FF-609-1)	2	
-69	41394-00		* DRUM - Trim	1	
-70	46913-04		* SHAFT - Trim control	1	
-71	41393-00		* BUSHING - Shaft	1	
-72	17089-00		* PIN - Cable	1	
-73	410 251		* SCREW - (MS24694-S33)	2	
	407 563		* WASHER - (AN960-8)	2	
	404 910		* NUT - (MS20365-832C)	2	
-74	46927-14		SCREW ASSEMBLY - Rudder trim	1	
-75	41734-71		* CABLE ASSEMBLY - Rudder trim	1	
-76	46910-00		* BRACKET ASSEMBLY - Trim drum support	1	
-77	452 381		* * BEARING - (FF-609-1)	2	
-78	41394-00		* DRUM - Trim	1	
-79	46913-04		* SHAFT - Trim control	1	
-80	41393-00		* BUSHING - Shaft	1	
-81	17089-00		* PIN - Cable	1	
-82	410 251		* SCREW - (MS24694-S33)	2	
	407 563		* WASHER - (AN960-8)	2	
	404 910		* NUT - (MS20365-832C)	2	
-83	494 081		WASHER - (A3135-017-1)	1	
-84	41413-76		BUSHING	4	
-85	48491-02		COVER - Pedestal, left side, black	1	31T-8275001 to 31T-8375002 incl.
	48491-04		COVER - Pedestal, left side, black	1	31T-8375003 and up
	48488-03		COVER - Pedestal, right side, black	1	31T-8275001 to 31T-8375002 incl.
	48488-05		COVER - Pedestal right side, black	1	31T-8375003 and up
-86	47660-02		SHAFT - Aileron trim control	1	
-87	48494-00		COVER - Pedestal access, left, black	1	
	48484-00		COVER - Pedestal access, right, black	1	
-88	48499-00		COVER - Pedestal access, black	2	
	48499-02		COVER - Pedestal access, right, black (with two 1.125 holes)	1	
-89	48482-00		COVER - Pedestal, front, top, black	1	
-90	48500-03		COVER - Pedestal, front, upper, black	1	
-91	40584-03		* PLACARD - Propeller control	1	

When ordering, always specify Part Number, Description and Serial Number of Aircraft

PIPER PARTS CATALOG

Figure and Index Number	Part Number	Code	NOMENCLATURE	No. Req.	SERIAL NUMBERS AFFECTED
93-92	50240-00		* PLACARD - Start control	1	
-93	80332-02		* PLACARD - Power lever control	1	
-94	29492-13	B	COVER ASSEMBLY - Pedestal, front	1	
-95	01284-02		* BRACKET - Light retaining	1	
-96	47735-00		* BRACKET - Light retaining	1	
-97	47736-00	B	* PLACARD - Elevator trim	1	
-98	47737-00	B	* PLACARD - Rudder trim	1	
-99	47738-00		* PLACARD - Aileron trim	1	
-100	01283-02		* PLATE - Pedestal lighting	1	
-101	472 991		* LIGHT ASSEMBLY - (271-8430-0171-702)	2	
-102	01282-02		* PLATE - Pedestal lighting	1	
-103	80247-02		* PLACARD - Cigar lighter	1	
-104	472 150		* BULB - (7341)	2	
-105	415 149		SCREW - (AN526-632R8)	41	
-106	414 763		SCREW - (MS24693-S50)	8	
-107	400 438		BOLT - (AN3-4A)	12	
	407 564		WASHER - (AN960-10)	12	
	404 887		NUT - (MS20365-1032C)	12	
-108	415 537		SCREW - (MS35206-243)	6	
-109	424 145		PIN - Flat head (MS20392-1C17)	10	
	424 051		PIN - Cotter (MS24665-132)	10	
-110	47148-00		KNOB ASSEMBLY - Rudder and aileron control	2	
-111	47659-02		SLEEVE - Trim control shaft	2	
-112	47659-03		SLEEVE - Trim control shaft	1	
-113	47607-00		SPACER - Mount, elevator trim indicator	2	
-114	47660-03		SHAFT - Elevator trim control	1	
-115	47089-02		SHAFT ASSEMBLY - Rudder trim	1	
-116	469 132		* JOINT - Universal (MS20270-B8)	2	
-117	47089-03		SHAFT ASSEMBLY - Elevator trim	1	
-118	469 132		* JOINT - Universal (MS20270-B8)	2	
-119	47092-00		SHAFT ASSEMBLY - Aileron trim	1	
-120	469 132		* JOINT - Universal (MS20270-B8)	2	
-121	452 577		BEARING - Trim shaft (S743)	3	
-122	47160-00		GUIDE - Trim shaft	2	
-123	47159-00		BUSHING - Trim shaft	2	
-124	47660-04		SHAFT - Rudder trim control	1	
-125	472 742	D	LIGHT - Bolt (Glar-Ban) (P-65-3-W-28)	2	
-126	472 028	D	* BULB - (PS10008-327)	1	
-127	81015-02	C	PLACARD - Windshield wiper	1	
-128	571 116	C	KNOB - Windshield wiper switch (106)	1	
-129	487 977	C	SWITCH - Windshield wiper (XW21527)	1	

When ordering, always specify Part Number, Description and Serial Number of Aircraft

2D23 THRU 2D24
INTENTIONALLY LEFT BLANK

PIPER PARTS CATALOG

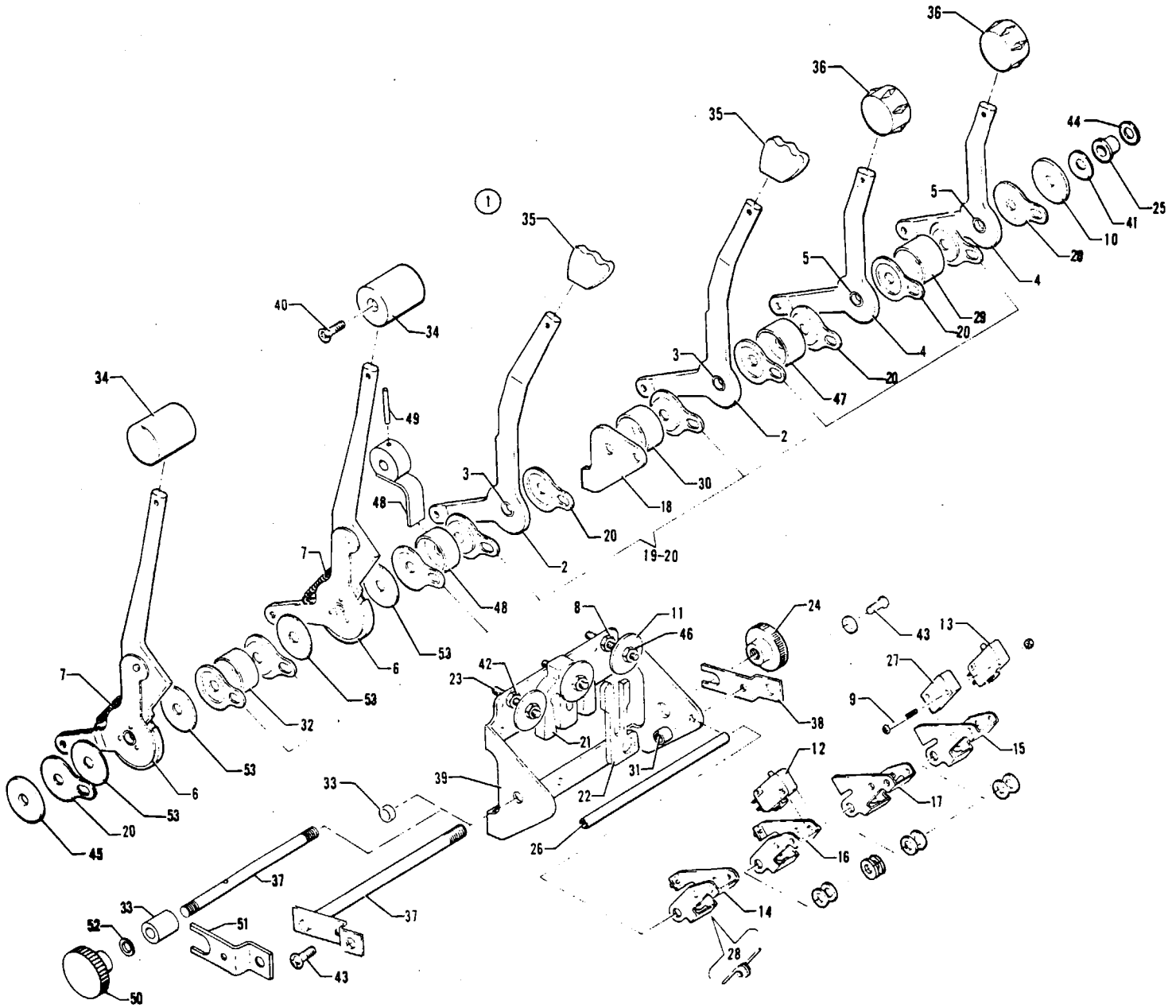


Figure 94. Pedestal Control Assembly

PIPER PARTS CATALOG

CODE EXPLANATIONS FOR FIGURE 94

A - Used if no Autopilot is installed. For aircraft equipped with any type Autopilot, refer to the Avionics Drawing Index List and the appropriate drawings supplied with each aircraft when ordering replacement parts.

PIPER PARTS CATALOG

Figure and index Number	Part Number	Code	NOMENCLATURE	No. Req.	SERIAL NUMBERS AFFECTED
94-1	01605-02	A	CONTROL ASSEMBLY - Pedestal	1	31T-8275001 to 31T-8375002 incl.
	01826-02	A	CONTROL ASSEMBLY - Pedestal	1	31T-8375003 and up
-2	51116-02		* LEVER ASSEMBLY - Propeller control, left	1	
	51116-04		* LEVER ASSEMBLY - Propeller control, right	1	
-3	452 359		* * BEARING - (A-306-11)	1	
-4	41475-04		* LEVER ASSEMBLY - Start control	2	
-5	452 359		* * BEARING - (A-306-11)	1	
-6	51246-00	A	* LEVER ASSEMBLY - Throttle control	2	
-7	83302-49		* * SPRING - Coil	1	
-8	404 224		* NUT - (AN315-3R)	1	
	59995-02		* WASHER	1	
-9	414 705		* SCREW - (MS24693-S11)	8	
	406 638		* NUT - Hex (H10-04)	8	
-10	81342-68		* WASHER - (.040 thick)	1	
	81342-109		* WASHER - (.091 thick)	1	
-11	81342-100		* WASHER	3	
-12	487 940		* SWITCH - "E" Type (MS25253-2)	2	
-13	487 819		* SWITCH - "E" Type (MS25253-3)	2	
-14	50287-00		* BRACKET ASSEMBLY - Switch	1	
-15	50287-01		* BRACKET ASSEMBLY - Switch	1	
-16	50287-02		* BRACKET ASSEMBLY - Switch	1	
-17	50287-03		* BRACKET ASSEMBLY - Switch	1	
-18	49628-02		* BRACKET - Pedestal control support	1	31T-8275001 to 31T-8375002 incl.
-19	17852-02		* PLATE - Friction, concave	7	31T-8275001 to 31T-8375002 incl.
-20	17852-03		* PLATE - Friction, flat	5	31T-8275001 to 31T-8375002 incl.
	17852-03		* PLATE - Friction, flat	12	31T-8375003 and up
-21	43551-02		* PLATE - Friction	1	
-22	50280-00		* PLATE - Friction	1	
-23	19936-00		* STUD - Control lever stop	3	
-24	471 044		* KNOB - Black (646)	1	31T-8275001 to 31T-8375002 incl.
	571 223		* KNOB - Black (254-002)	1	31T-8375003 and up
-25	17848-00		* BEARING - Pedestal control shaft	1	
-26	51054-00		* ROD - Pedestal control keeper	1	
-27	43981-00		* SPACER - Throttle and mixture switch	4	
-28	43457-02		* SPRING	4	
-29	43455-00		* BUSHING - Pedestal control shaft	1	
-30	43455-02		* BUSHING - Pedestal control shaft	1	31T-8275001 to 31T-8375002 incl.
	43455-07		* BUSHING - Pedestal control shaft	1	31T-8375003 and up
-31	80012-17		* BUSHING	1	
-32	43455-06		* BUSHING - Pedestal control shaft (.540 L.)	1	
-33	64076-25		* BUSHING - Spacer, rod	1	31T-8275001 to 31T-8375002 incl.
	29999-29		* BUSHING - Spacer, rod	1	31T-8375003 and up
-34	51433-00		* KNOB - Throttle control	2	
-35	41416-00		* KNOB - Propeller control	2	
-36	41417-00		* KNOB - Mixture control	2	
-37	41526-00		* SHAFT ASSEMBLY - Pedestal controls	1	31T-8275001 to 31T-8375002 incl.
	01825-02		* SHAFT ASSEMBLY - Pedestal controls	1	31T-8375003 and up
-38	41525-00		* BRACKET - Pedestal control shaft	1	
-39	40891-04		* BRACKET ASSEMBLY - Engine control lever	1	
-40	414 779		* SCREW - (MS24693-S49)	6	
-41	408 816		* WASHER - (3802-18-04-2114) Copper	1	
	408 833		* WASHER - (3702-18-29-2514) Bronze	1	

When ordering, always specify Part Number, Description and Serial Number of Aircraft

PIPER PARTS CATALOG

Figure and Index Number	Part Number	Code	NOMENCLATURE	No. Req.	SERIAL NUMBERS AFFECTED
94-42	404 224		* NUT - (AN315-3R)	2	
	407 564		* WASHER - (AN960-10)	2	
-43	411 532		* SCREW - (MS35207-263)	2	
	407 043		* WASHER - (MS35338-43)	1	
	407 565		* WASHER - (AN960-416)	9	
	407 585		* WASHER - (AN960-416L)	2	
-44	407 566		* WASHER - (AN960-516)	1	
-45	81342-109		* WASHER	1	
-46	404 224		* NUT - (AN315-3R)	3	
-47	43455-00		* BUSHING - Pedestal control shaft	1	
-48	43455-02		* BUSHING - Pedestal control shaft	1	31T-8275001 to 31T-8375002 incl.
	01824-02		* BRACKET ASSEMBLY - Pedestal control shaft	1	31T-8375003 and up
-49	480 796		* PIN - (NAS561-3-18)	1	31T-8375003 and up
-50	571 222		* KNOB - (254-000LF)	1	31T-8375003 and up
-51	01823-02		* BRACKET - Pedestal control shaft	1	31T-8375003 and up
-52	407 566		* WASHER - (AN960-516)	1	31T-8375003 and up
-53	85012-120		* WASHER	4	31T-8375003 and up

When ordering, always specify Part Number, Description and Serial Number of Aircraft

PIPER PARTS CATALOG

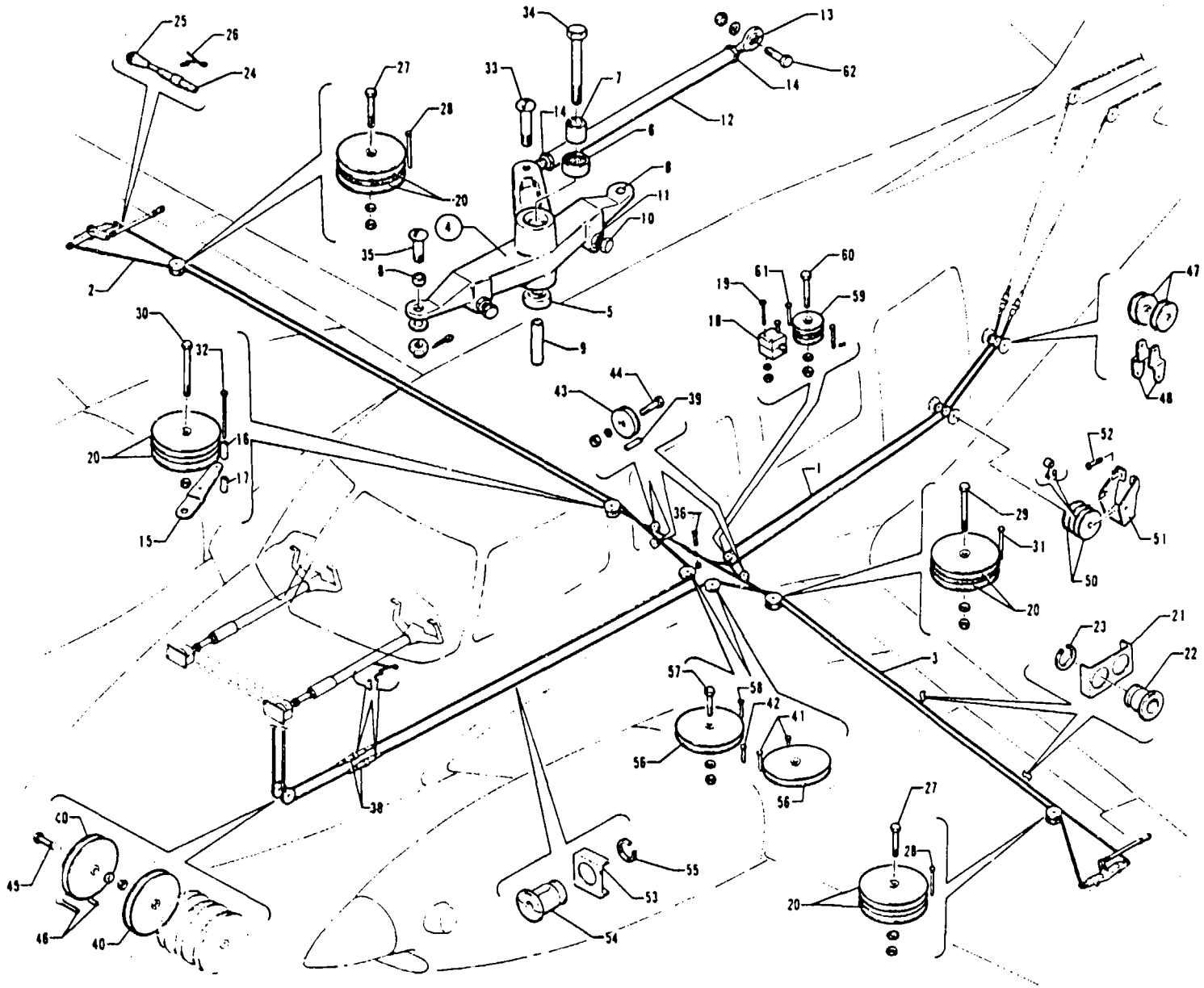


Figure 95. Aileron Control Installation

PIPER PARTS CATALOG

CODE EXPLANATIONS FOR FIGURE 95

PIPER PARTS CATALOG

Figure and Index Number	Part Number	Code	NOMENCLATURE	No. Req.	SERIAL NUMBERS AFFECTED
95-	46880 41565		DRAWING - Control System Installation DRAWING - Aileron Installation		
-1	55406-02		CABLE ASSEMBLY - Aileron balance, left	1	
-2	55408-02		CABLE ASSEMBLY - Aileron balance, right	1	
-3	41754-06		CABLE ASSEMBLY - Control, aileron, left	1	
	41754-07		CABLE ASSEMBLY - Control, aileron, right	1	
-4	40339-10		BELLCRANK ASSEMBLY - Aileron, left (452 432)	1	
	40339-11		BELLCRANK ASSEMBLY - Aileron, right (452 433)	1	
-5	452 344		* BEARING - (5035)	1	
-6	452 361		* BEARING - (B-86)	1	
-7	452 362		* BEARING - Race (1RA-5)	1	
-8	80022-74		* BUSHING - Aileron bellcrank	2	
-9	80022-87		* BUSHING - Aileron bellcrank	1	
-10	71698-02		* SCREW - Special	2	
-11	405 581		* NUT - Hex (1/4-20NC3) cadmium plated	2	
-12	40599-03		ROD ASSEMBLY - Aileron control	2	
-13	24166-02		* BEARING ASSEMBLY - Rod, aileron control	2	
-14	404 322		* NUT - (AN316-4R)	2	
-15	40494-00		GUARD - Aileron pulley, right	1	
-16	42571-04		BUSHING - Pulley, right, Sta. 30	1	
-17	42571-05		BUSHING - Pulley, right, Sta. 30	1	
-18	42337-00		FAIRLEAD - Aileron balance cable	2	
-19	415 633		SCREW - (MS35206-333)	2	
	407 563		WASHER - (AN960-8)	2	
	404 910		NUT - (MS20365-832C)	2	
-20	481 627		PULLEY - Control cable (MS24566-4B)	8	
-21	41669-00		BRACKET - Fairlead, Sta. 58.5 to Sta. 121.5	4	
-22	40071-00		SEGMENT - Cable fairlead	16	
-23	40081-00		RING - Fairlead snap	8	
-24	452 011		BARREL - Turnbuckle (NAS649-832S)	4	
-25	461 133		FORK - Turnbuckle (NAS645-32RS)	4	
-26	454 867		CLIP - Turnbuckle locking (NAS651-16S)	8	
-27	400 009		BOLT - (AN4-14A)	2	
	407 565		WASHER - (AN960-416)	2	
	404 888		NUT - (MS20365-428C)	2	
-28	424 514		PIN - (NAS427-K20)	2	
-29	400 008		BOLT - (AN4-13A)	1	
	407 565		WASHER - (AN960-416)	1	
	404 888		NUT - (MS20365-428C)	1	
-30	400 016		BOLT - (AN4-23A)	1	
	404 888		NUT - (MS20365-428C)	1	
-31	424 512		PIN - (NAS427-K18)	1	
-32	424 527		PIN - (NAS427-K32)	1	
-33	402 303		BOLT - Clevis (AN174-11)	2	
	407 565		WASHER - (AN960-416)	4	
	404 393		NUT - (AN320-4)	2	
	424 051		COTTER PIN - (MS24665-132)	4	
-34	401 366		BOLT - (AN5-27A)	2	
	407 566		WASHER - (AN960-516)	2	
-35	400 700		BOLT - (AN24-13)	4	
	407 585		WASHER - (AN960-416L)	4	
	404 393		NUT - (AN320-4)	4	
	424 051		COTTER PIN - (MS24665-132)	4	

When ordering, always specify Part Number, Description and Serial Number of Aircraft

PIPER PARTS CATALOG

Figure and Index Number	Part Number	Code	NOMENCLATURE	No. Req.	SERIAL NUMBERS AFFECTED
95-36	400 673		BOLT - (AN23-11)	1	
	404 392		NUT - (AN320-3)	1	
	424 051		COTTER PIN - (MS24665-132)	1	
-37	454 867		CLIP - Turnbuckle (NAS651-16S)	4	
-38	489 910		BARREL - Turnbuckle (MS21251-B5S)	2	
-39	424 506		PIN - (NAS427-K12)	3	
-40	481 627		PULLEY - (MS24566-4B)	2	
-41	424 508		PIN - (NAS427-K14)	2	
-42	424 509		PIN - (NAS427-K15)	1	
-43	481 651		PULLEY - (MS20220-1)	3	
-44	401 189		BOLT - (AN5-11A)	3	
	407 566		WASHER - (AN960-516)	2	
	404 837		NUT - (MS20364-524C)	2	
-45	401 310		BOLT - (AN4-10A)	1	
	407 565		WASHER - (AN960-416)	1	
	404 836		NUT - (MS20364-428C)	1	
-46	424 507		PIN - (NAS427-K13)	2	
-47	481 626		PULLEY - (MS20219-2)	2	
-48	41451-00		BRACKET ASSEMBLY - Cable pulley, left, Sta. 274	1	
	41451-01		BRACKET ASSEMBLY - Cable pulley, right, Sta. 274	1	
-49	41413-30		BUSHING - Spacer, aileron cable pulley	1	
-50	481 626		PULLEY - (MS20219-2)	2	
-51	41449-00		GUARD - Cable pulley, Sta. 244	1	
-52	415 518		SCREW - (MS35206-228)	2	
	407 562		WASHER - (AN960-6)	2	
	404 909		NUT - (MS20365-632C)	2	
-53	11151-03		BRACKET - Fairlead	2	
-54	40701-04		SEGMENT - Cable fairlead	4	
-55	40081-00		RING - Snap, fairlead	2	
-56	481 627		PULLEY - (MS24566-4B)	2	
-57	401 310		BOLT - (AN4-10A)	2	
	407 565		WASHER - (AN960-416)	2	
	404 836		NUT - (MS20364-428C)	2	
-58	424 507		PIN - (NAS427-K13)	1	
-59	481 626		PULLEY - (MS20219-2)	2	
-60	400 008		BOLT - (AN4-13A)	1	
	407 565		WASHER - (AN960-416)	1	
	404 888		NUT - (MS20365-428C)	1	
-61	424 154		PIN - (MS20392-1C33)	3	
	424 051		COTTER PIN - (AN380-2-2)	3	
-62	402 317		BOLT - (AN174-11A)	2	
	404 888		NUT - (MS20365-428C)	2	

When ordering, always specify Part Number, Description and Serial Number of Aircraft

PIPER PARTS CATALOG

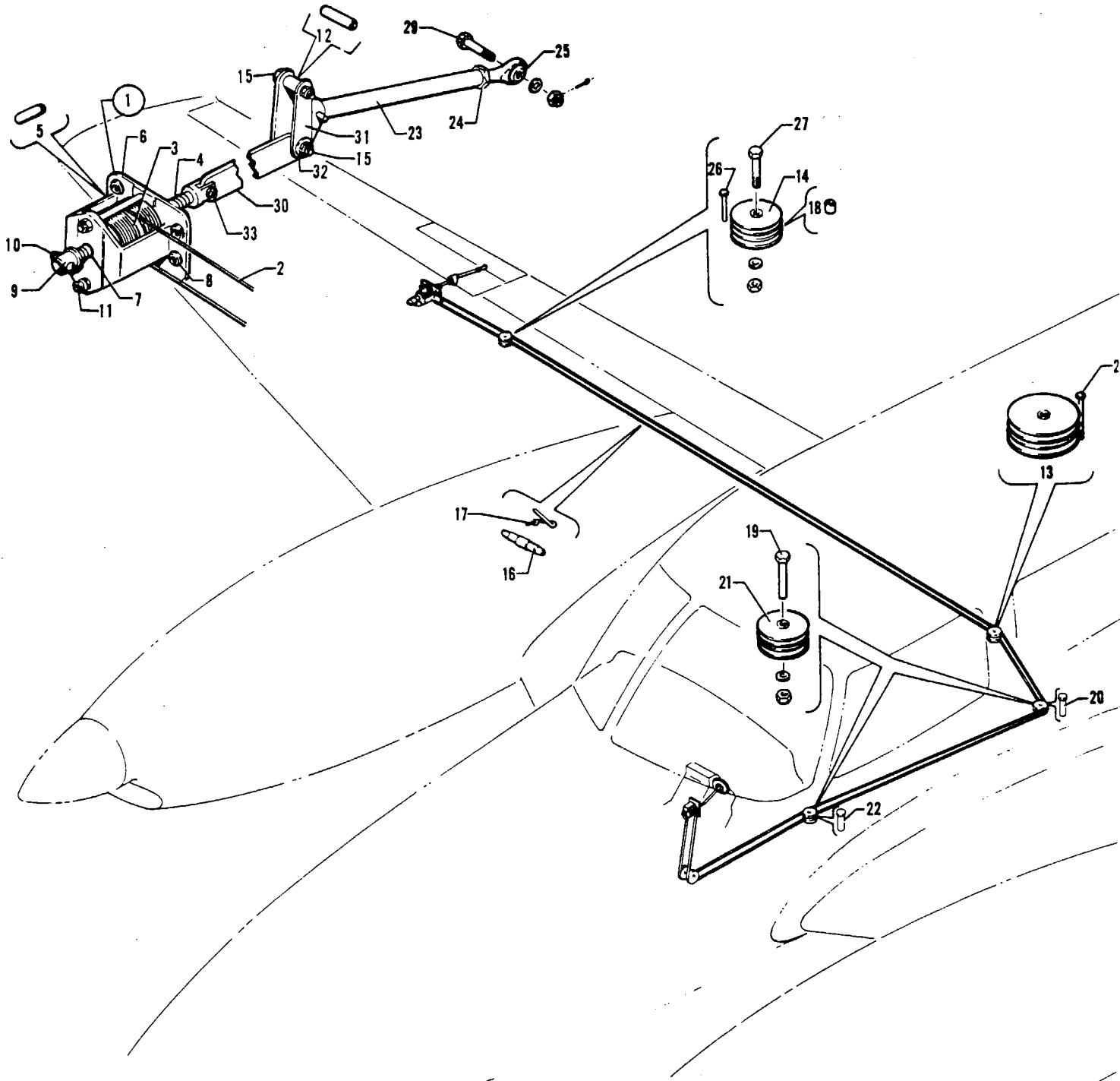


Figure 96. Aileron Trim Installation

PIPER PARTS CATALOG

CODE EXPLANATIONS FOR FIGURE 96

PIPER PARTS CATALOG

Figure and Index Number	Part Number	Code	NOMENCLATURE	No. Req.	SERIAL NUMBERS AFFECTED
96-	41565 51436		DRAWING - Aileron Installation DRAWING - Trim Tab Installation		
-1	48809-02		SCREW ASSEMBLY - Aileron trim tab, right	1	
-2	41734-02		* CABLE ASSEMBLY - Aileron trim	1	
-3	17088-00		* DRUM - Trim tab	1	
-4	51271-02		* SCREW - Aileron trim tab	1	
-5	17089-00		* PIN - Aileron trim cable	1	
-6	40035-00		* BRACKET ASSEMBLY - Trim drum support	1	
-7	452 381		* * BEARING - (FF-609-1)	2	
-8	477 684		* * NUT - Spline (22ND8-02)	4	
-9	48437-02		* BUSHING - Trim tab screw stop	1	
-10	400 868		* BOLT - Clevis (AN23-16A)	1	
	404 887		* NUT - (MS20365-1032C)	1	
-11	410 253		* SCREW - (MS24694-S35)	2	
	407 563		* WASHER - (AN960-8)	2	
	404 910		* NUT - (MS20365-832C)	2	
-12	29999-21		BUSHING - Aileron link assembly, right	1	
-13	481 626		PULLEY - Sta. 30, right (MS20219-2)	2	
-14	481 640		PULLEY - Aileron cable (MS24566-1B)	2	
-15	400 450		BOLT - (AN3-17A)	2	
	404 887		NUT - (MS20365-1032C)	2	
-16	452 015		BARREL - Turnbuckle (NAS649-B8S)	2	
-17	454 867		CLIP - Turnbuckle locking (NAS651-16S)	4	
-18	80022-113		BUSHING - Aileron tab control	1	
-19	401 269		BOLT - (AN3-10A)	2	
	407 564		WASHER - (AN960-10)	2	
	404 835		NUT - (MS20364-1032C)	2	
-20	424 506		PIN - (NAS427-K12)	1	
-21	481 640		PULLEY - (MS24566-1B)	4	
-22	424 505		PIN - (NAS427-K11)	1	
-23	41859-06		TUBE ASSEMBLY - Aileron tab control, right	1	
-24	404 322		* NUT - (AN316-4R)	1	
-25	452 357		* BEARING - Aileron tab control (M34-14)	1	
-26	424 513		PIN - (NAS427-K19)	1	
-27	400 444		BOLT - (AN3-13A)	1	
	407 564		WASHER - (AN960-10)	1	
	404 887		NUT - (MS20365-1032C)	1	
-28	424 510		PIN - (NAS427-K16)	1	
-29	402 257		BOLT - (AN173-7)	1	
	407 564		WASHER - (AN960-10)	3	
	506 620		NUT - (MS17825-3)	1	
	424 051		COTTER PIN - (MS24665-132)	1	
-30	48807-02		LINK ASSEMBLY - Aileron tab control, right	1	
-31	48808-02		LINK ASSEMBLY - Aileron tab control, right	1	
-32	407 800		WASHER - (AN970-3)	2	
-33	401 269		BOLT - (AN3-10A)	1	
	404 887		NUT - (MS20365-1032C)	1	

When ordering, always specify Part Number, Description and Serial Number of Aircraft

PIPER PARTS CATALOG

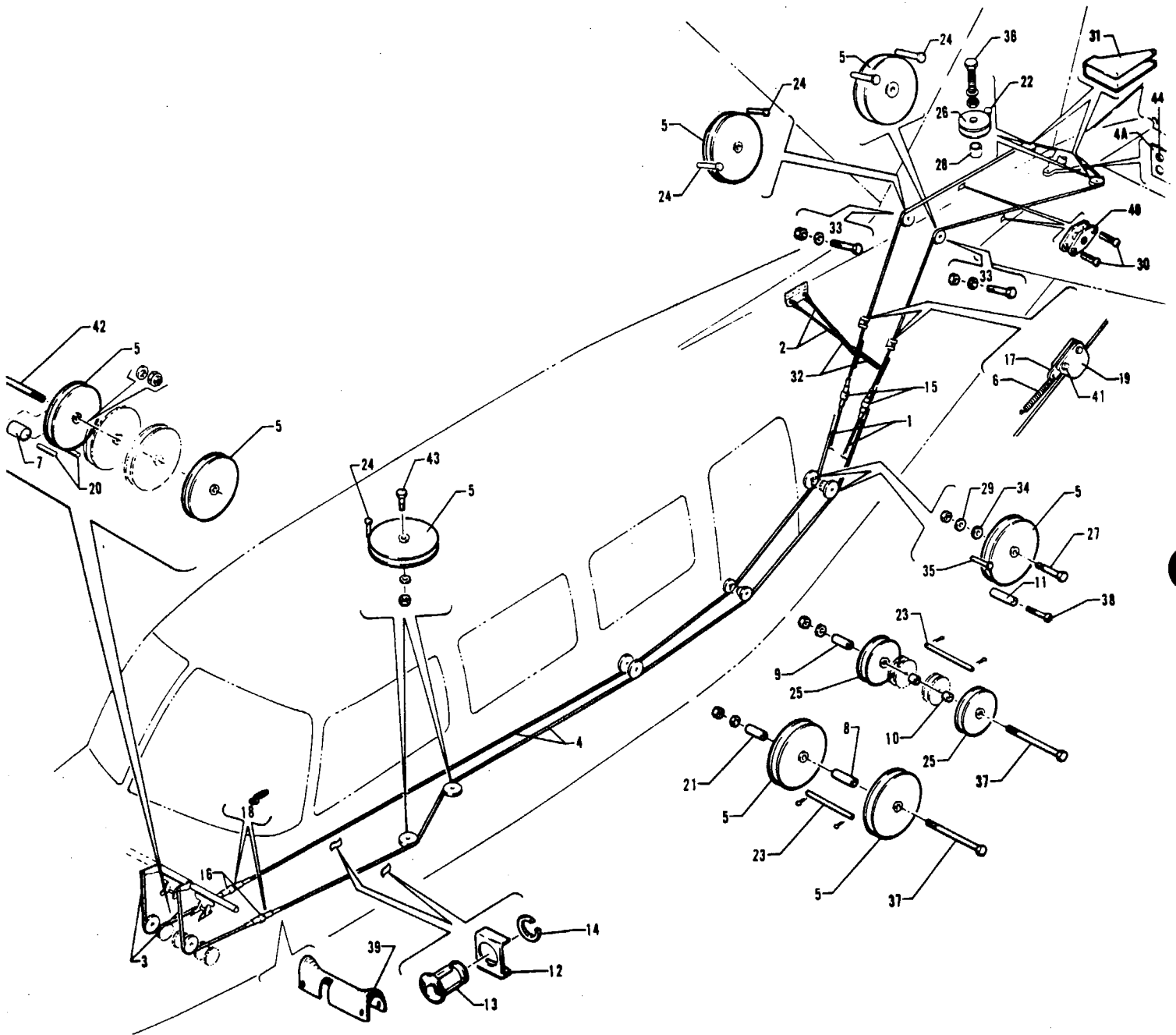


Figure 97. Rudder Control Installation

PIPER PARTS CATALOG

CODE EXPLANATIONS FOR FIGURE 97

PIPER PARTS CATALOG

Figure and Index Number	Part Number	Code	NOMENCLATURE	No. Req.	SERIAL NUMBERS AFFECTED
97-	46880		DRAWING - Control System Installation		
-1	24631-07		CABLE ASSEMBLY - Connector, rudder cable support, left	1	
	24631-08		CABLE ASSEMBLY - Connector, rudder cable support, right	1	
-2	01101-02		CABLE ASSEMBLY - Support, rudder cable	2	
-3	41947-03		CABLE ASSEMBLY - Rudder cable, forward, left	1	
	48436-00		CABLE ASSEMBLY - Rudder and nose gear steering, forward right	1	
-4	46845-14		CABLE ASSEMBLY - Rudder, rear, inboard	1	
	46845-15		CABLE ASSEMBLY - Rudder, rear, outboard	1	
-4a	40956-00		* PLATE - Cable attachment	2	
-5	481 627		PULLEY - (MS24566-4B)	10	
-6	24629-00		SPRING - Control cable connector	2	
-7	41413-11		BUSHING - Spacer, rudder cable pulley	1	
-8	41413-20		BUSHING - Spacer, rudder cable pulley	1	
-9	41413-21		BUSHING - Spacer, rudder cable pulley	1	
-10	41413-29		BUSHING - Spacer, rudder cable pulley	1	
-11	41413-31		BUSHING - Spacer, rudder cable pulley	2	
-12	11151-03		BRACKET - Fairlead	1	
-13	40701-04		SEGMENT - Cable fairlead	4	
-14	40081-00		RING - Snap, fairlead	2	
-15	452 015		BARREL - Turnbuckle (NAS649B-8S)	2	
-16	489 910		BARREL - Turnbuckle (MS21251-B5S)	2	
-17	52168-00		PLATE - Cable attachment	2	
-18	454 867		CLIP - Turnbuckle (NAS651-16S)	4	
-19	52167-00		PLATE - Cable attachment	4	
-20	424 521		PIN - (NAS427-K26)	2	
-21	41413-21		BUSHING	2	
-22	424 513		PIN - (NAS427-K-19)	2	
-23	41576-02		PIN - Rudder cable guard, forward	2	
	424 051		COTTER PIN - (MS24665-132)	4	
-24	424 507		PIN - (NAS427-K13)	6	
-25	41001-03		PULLEY - Control	2	
-26	51105-00		PULLEY - Rudder	2	
-27	400 009		BOLT - (AN4-14A)	2	
	407 565		WASHER - (AN960-416)	2	
	404 836		NUT - (MS20364-428C)	2	
-28	42129-26		BUSHING - Rudder control	2	
-29	407 565		WASHER - (AN960-416)	2	
-30	415 688		SCREW - (4-40 x 1/2 in., recessed head)	4	
-31	51093-00		BRACKET - Rudder cable pulley	2	
-32	487 291		SPRING - Cable (180C, 2 1/2)	4	
-33	401 310		BOLT - (AN4-10A)	2	
	404 888		NUT - (MS20365-428C)	2	
-34	407 585		WASHER - (AN960-416L)	2	
-35	424 507		PIN - (NAS427-K13)	2	
-36	401 193		BOLT - (AN5-15A)	2	
	407 566		WASHER - (AN960-516)	4	
	404 889		NUT - (MS20365-524C)	2	
-37	401 334		BOLT - (AN4-36A)	2	
	407 565		WASHER - (AN960-416)	2	
	404 836		NUT - (MS20364-428C)	2	
-38	415 628		SCREW - (MS35206-328)	2	
-39	40963-02		GUARD - Cable	1	
-40	20623-00		PLATE - Cable rub	4	

When ordering, always specify Part Number, Description and Serial Number of Aircraft

PIPER PARTS CATALOG

Figure and Index Number	Part Number	Code	NOMENCLATURE	No. Req.	SERIAL NUMBERS AFFECTED
97-41	415 521		SCREW - (MS35206-231)	4	
	404 909		NUT - (MS20365-632C)	4	
-42	400 012		BOLT - (AN4-17A)	1	
	407 565		WASHER - (AN960-416)	1	
	404 836		NUT - (MS20364-428C)	1	
-43	401 310		BOLT - (AN4-10A)	2	
	407 565		WASHER - (AN960-416)	2	
	404 836		NUT - (MS20364-428C)	2	

When ordering, always specify Part Number, Description and Serial Number of Aircraft

PIPER PARTS CATALOG

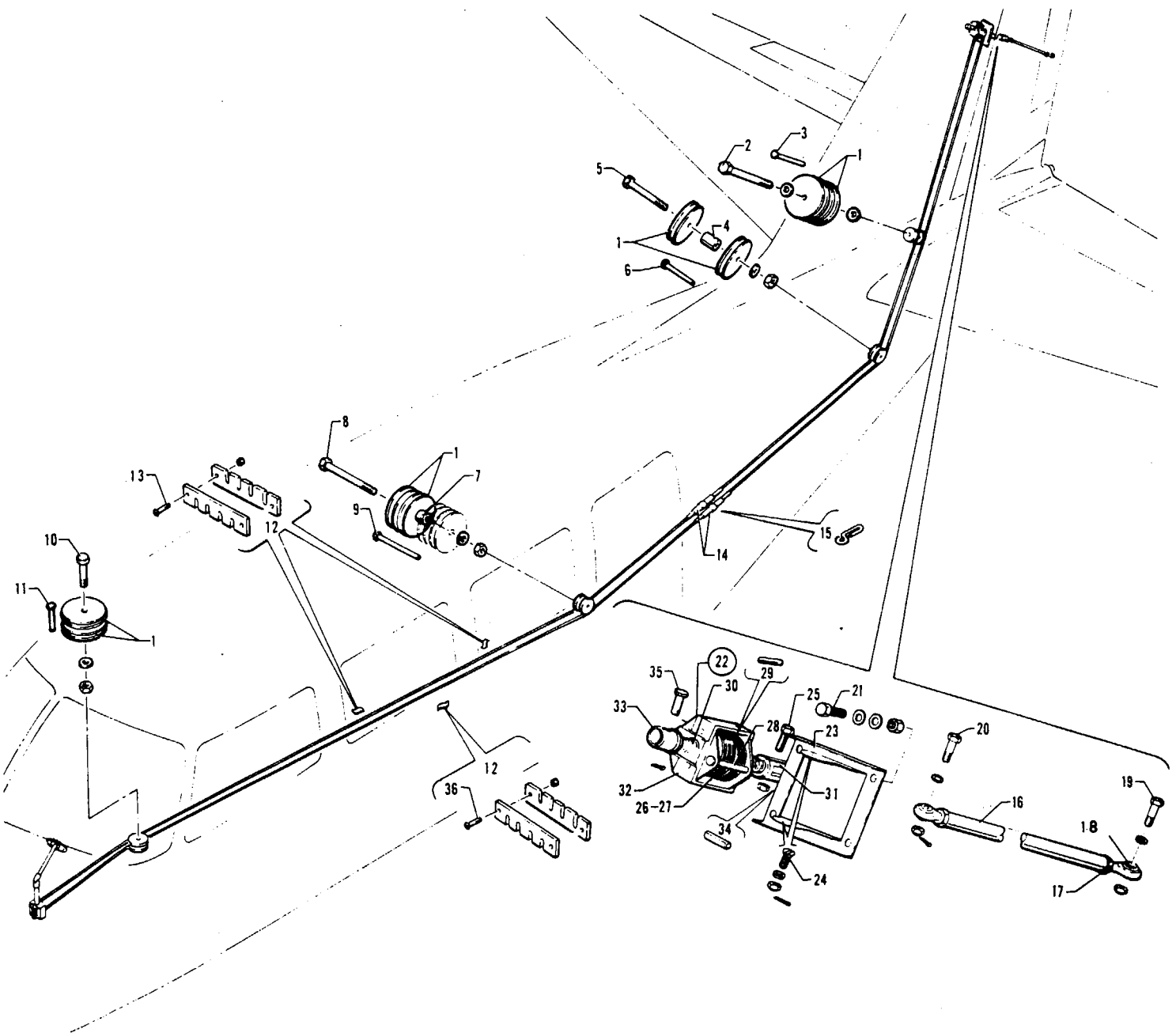


Figure 98. Rudder Trim Installation

PIPER PARTS CATALOG

CODE EXPLANATIONS FOR FIGURE 98

PIPER PARTS CATALOG

Figure and Index Number	Part Number	Code	NOMENCLATURE	No. Req.	SERIAL NUMBERS AFFECTED
98-	51436		DRAWING - Trim Tab System Installation		
-1	481 640		PULLEY - (MS24566-1B)	8	
-2	401 270		BOLT - (AN3-11A)	1	
	407 564		WASHER - (AN960-10)	1	
	407 584		WASHER - (AN960-10L)	1	
-3	424 506		PIN - (NAS427-K12)	1	
-4	41413-19		BUSHING - Spacer, rudder trim pulley	1	
-5	401 273		BOLT - (AN3-14A)	1	
	407 584		WASHER - (AN960-10L)	1	
	404 835		NUT - (MS20364-1032C)	1	
-6	424 513		PIN - (NAS427-K19)	1	
-7	41413-17		BUSHING - Spacer, rudder trim pulley	1	
-8	400 450		BOLT - (AN3-17A)	1	
	407 564		WASHER - (AN960-10)	1	
	404 835		NUT - (MS20364-1032C)	1	
-9	424 520		PIN - (NAS427-K25)	1	
-10	401 269		BOLT - (AN3-10A)	1	
	407 564		WASHER - (AN960-10)	1	
	404 835		NUT - (MS20364-1032C)	1	
-11	424 505		PIN - (NAS427-K11)	1	
-12	40619-00		BLOCK - Rub, rudder trim	6	
-13	415 688		SCREW - (4-40 x 1/2 L. Rd. head)	4	
	404 908		NUT - (MS20365-440C)	4	
-14	452 015		BARREL - Turnbuckle (NAS649B-8S)	2	
-15	454 867		CLIP - Turnbuckle (NAS651-16S)	4	
-16	51064-04		TUBE ASSEMBLY - Rudder trim tab	1	
-17	404 224		* NUT - (AN315-4R)	2	
-18	452 480		* BEARING - Rod end (MVV34-14B)	2	
-19	402 260		BOLT - (AN173-10)	1	
	407 564		WASHER - (AN960-10)	3	
	506 620		NUT - (MS17825-3)	1	
	424 051		COTTER PIN - (MS24665-132)	1	
-20	402 262		BOLT - (AN173-12)	1	
	407 564		WASHER - (AN960-10)	2	
	404 100		NUT - (AN310-3)	1	
	424 051		PIN - Cotter (MS24665-132)	1	
-21	401 266		BOLT - (AN3-5A)	4	
	407 564		WASHER - (AN960-10)	8	
	404 887		NUT - (MS20365-1032C)	4	
-22	46897-06		SCREW ASSEMBLY - Rudder trim tab	1	
-23	46862-00		* BRACKET ASSEMBLY - Rudder trim screw	1	
-24	402 735		* BOLT - (NAS333CP5)	2	
	407 564		* WASHER - (AN960-10)	4	
	404 100		* NUT - (AN310-3)	2	
	424 051		* PIN - Cotter (MS24665-132)	2	
-25	400 441		* BOLT - (AN3-7A)	1	
	404 887		* NUT - (MS20365-1032C)	1	
-26	41734-06		* CABLE ASSEMBLY - Screw, rudder trim tab	1	
-27	17088-00		* DRUM - Screw, rudder trim tab	1	
-28	424 163		* PIN - (MS20392-1C53)	2	
	424 051		* PIN - (MS24665-132)	2	
-29	17089-00		* PIN - Rudder trim cable	1	
-30	51067-00		* SCREW - Rudder trim tab	1	
-31	46868-02		* CLEVIS - Rudder trim screw	1	
-32	16276-03		* BRACKET ASSEMBLY - Control cable drum	1	

When ordering, always specify Part Number, Description and Serial Number of Aircraft

PIPER PARTS CATALOG

Figure and Index Number	Part Number	Code	NOMENCLATURE	No. Req.	SERIAL NUMBERS AFFECTED
98-33	48437-04		* BUSHING - Screw, rudder trim tab	1	
-34	480 743		* PIN - Roll (59-048-250-1750)	1	
-35	424 181		* PIN - (MS20392-2C25)	1	
-36	415 689		SCREW - (4-40 x 5/8" L)	2	
	404 908		NUT - (MS20365-440C)	2	

When ordering, always specify Part Number, Description and Serial Number of Aircraft

PIPER PARTS CATALOG

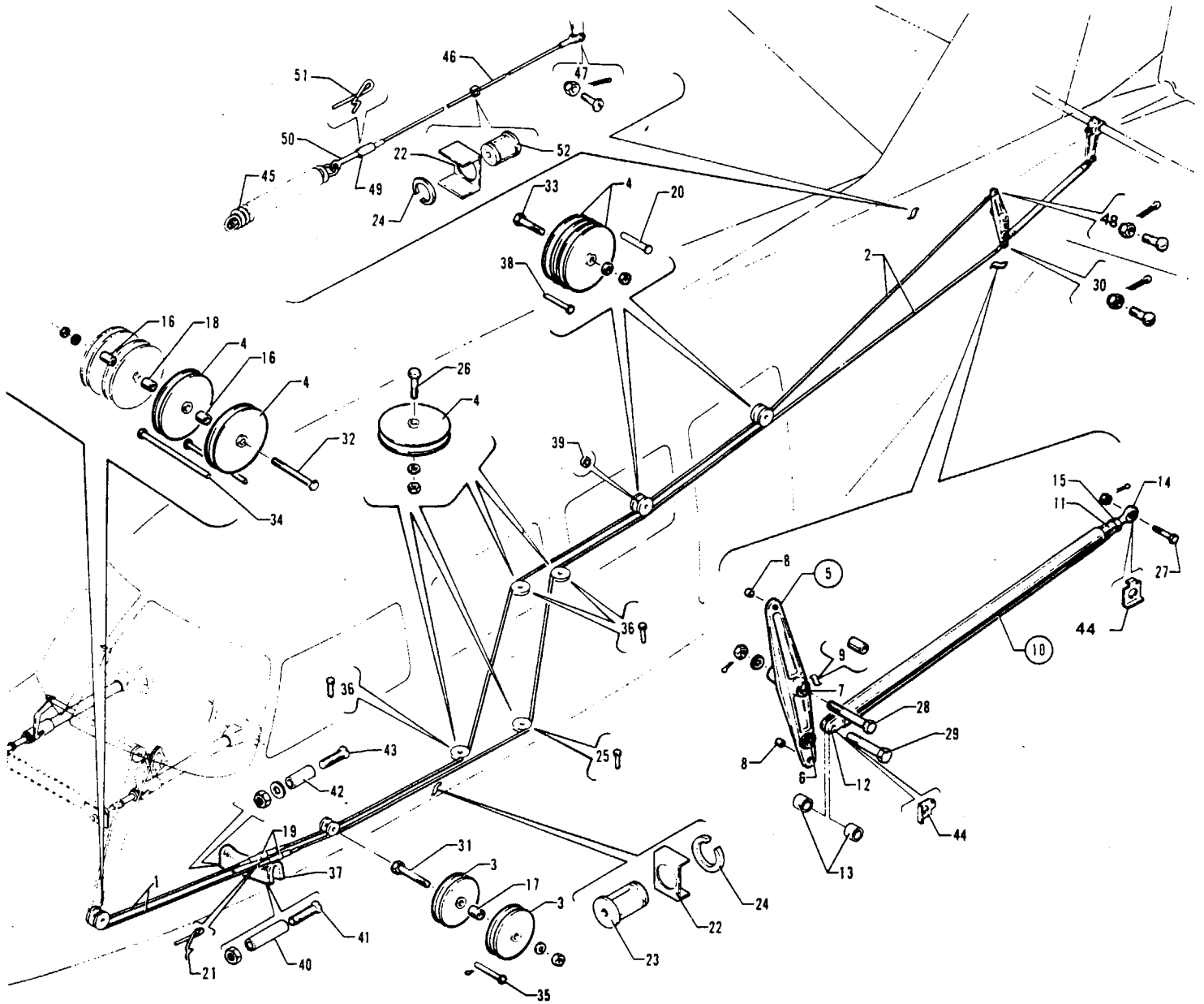


Figure 99. Elevator Control Installation

PIPER PARTS CATALOG

CODE EXPLANATIONS FOR FIGURE 99

PIPER PARTS CATALOG

Figure and Index Number	Part Number	Code	NOMENCLATURE	No. Req.	SERIAL NUMBERS AFFECTED
99-	46880		DRAWING - Control System Installation		
-1	41942-00		CABLE ASSEMBLY - Elevator control, forward (up)	1	
	41942-02		CABLE ASSEMBLY - Elevator control, forward (down)	1	
-2	41947-11		CABLE ASSEMBLY - Elevator control, rear (up)	1	
	41947-10		CABLE ASSEMBLY - Elevator control, rear (down)	1	
-3	41001-03		PULLEY - Elevator control cable	2	
-4	481 627		PULLEY - (MS24566-4B)	10	
-5	40307-00		BELLCRANK ASSEMBLY - Elevator	1	
-6	49265-02		* BEARING - Spherical	1	
-7	452 344		* BEARING - (5035)	2	
-8	61402-101		* BUSHING - Bellcrank	2	
-9	61402-102		* BUSHING - Bellcrank	1	
-10	40847-07		TUBE ASSEMBLY - Elevator control	1	
-11	17235-00		* FITTING - Elevator control tube	1	
-12	19086-03		* FITTING ASSEMBLY - Control tube	1	
-13	41413-03		* * BUSHING - Elevator control tube fitting	2	
-14	49261-02		* BEARING - Rod end (HMX-4S)	1	
-15	404 226		* NUT - (AN315-5R)	1	
-16	41413-10		BUSHING - Spacer, elevator cable pulley	2	
-17	41413-12		BUSHING - Spacer, elevator cable pulley	1	
-18	41413-14		BUSHING - Spacer, elevator trim pulley	1	
-19	489 910		BARREL - Turnbuckle (MS21251-B5S)	2	
-20	424 515		PIN - (NAS427-K21)	1	
-21	454 867		CLIP - Turnbuckle (NAS651-16S)	4	
-22	11151-03		BRACKET - Fairlead	3	
-23	40701-04		SEGMENT - Cable fairlead	4	
-24	40081-00		RING - Snap, fairlead	3	
-25	424 507		PIN - (NAS427-K13)	1	
-26	401 310		BOLT - (AN4-10A)	4	
	407 565		WASHER - (AN960-416)	4	
	404 836		NUT - (MS20365-428C)	4	
-27	402 317		BOLT - (AN174-11A)	1	
	404 888		NUT - (MS20365-428C)	1	
-28	400 168		BOLT - (AN5-25)	1	
	407 566		WASHER - (AN960-516)	1	
	404 889		NUT - (MS20365-524C)	1	
-29	402 311		BOLT - (AN174-12A)	1	
	404 888		NUT - (MS20365-428C)	1	
-30	400 053		BOLT - (AN3-6)	1	
	404 100		NUT - (AN310-3)	1	
	424 051		COTTER PIN - (MS24665-132)	1	
-31	401 318		BOLT - (AN4-20A)	1	
	407 565		WASHER - (AN960-416)	1	
	404 836		NUT - (MS20364-428C)	1	
-32	401 335		BOLT - (AN4-40A)	1	
	407 565		WASHER - (AN960-416)	1	
	404 836		NUT - (MS20364-428C)	1	

When ordering, always specify Part Number, Description and Serial Number of Aircraft

PIPER PARTS CATALOG

Figure and Index Number	Part Number	Code	NOMENCLATURE	No. Req.	SERIAL NUMBERS AFFECTED
99-33	400 009		BOLT - (AN4-14A)	2	
	407 565		WASHER - (AN960-416)	2	
	404 836		NUT - (MS20364-428C)	2	
-34	424 541		PIN - Elevator and rudder cable (NAS427-K62)	2	
-35	424 164		PIN - (MS20392-1C55)	1	31T-8275001 to 31T-8275025 incl.
	424 523		PIN - Pulley guard (NAS427-K28)	1	31T-8375001 and up
	424 051		COTTER PIN - (MS24665-132)	1	31T-8275001 to 31T-8275025 incl.
-36	424 507		PIN - (NAS427-K13)	3	
-37	40963-02		GUARD - Cable	1	
-38	424 518		PIN - (NAS427-K23)	1	
-39	80012-94		BUSHING	1	
-40	41413-53		BUSHING - Cable guard	2	
-41	415 542		SCREW - (MS35206-252)	2	
	404 910		NUT - (MS20365-832C)	2	
-42	41413-50		BUSHING - Cable guard	1	
-43	415 632		SCREW - (MS35206-332)	1	
	407 563		WASHER - (AN960-8)	2	
	404 910		NUT - (MS20365-832C)	1	
-44	54794-02		STOP - Bolt	2	
-45	51484-00		SPRING - Elevator control cable	1	
-46	51757-04		CABLE ASSEMBLY - Control, elevator	1	
-47	400 052		BOLT - (AN3-5)	1	
	407 564		WASHER - (AN960-10)	1	
	404 100		NUT - (AN310-3)	1	
	424 051		COTTER PIN - (MS24665-132)	1	
-48	400 053		BOLT - (AN3-6)	1	
	404 100		NUT - (AN310-3)	1	
	424 051		COTTER PIN - (MS24665-132)	1	
-49	452 009		BARREL - Turnbuckle (NAS649-B16S)	1	
-50	459 932		EYE - Turnbuckle (NAS647-16RS)	1	
-51	454 867		CLIP - Turnbuckle (NAS651-16S)	2	
-52	40701-03		SEGMENT - Cable fairlead	2	

When ordering, always specify Part Number, Description and Serial Number of Aircraft

2E24

INTENTIONALLY LEFT BLANK

PIPER PARTS CATALOG

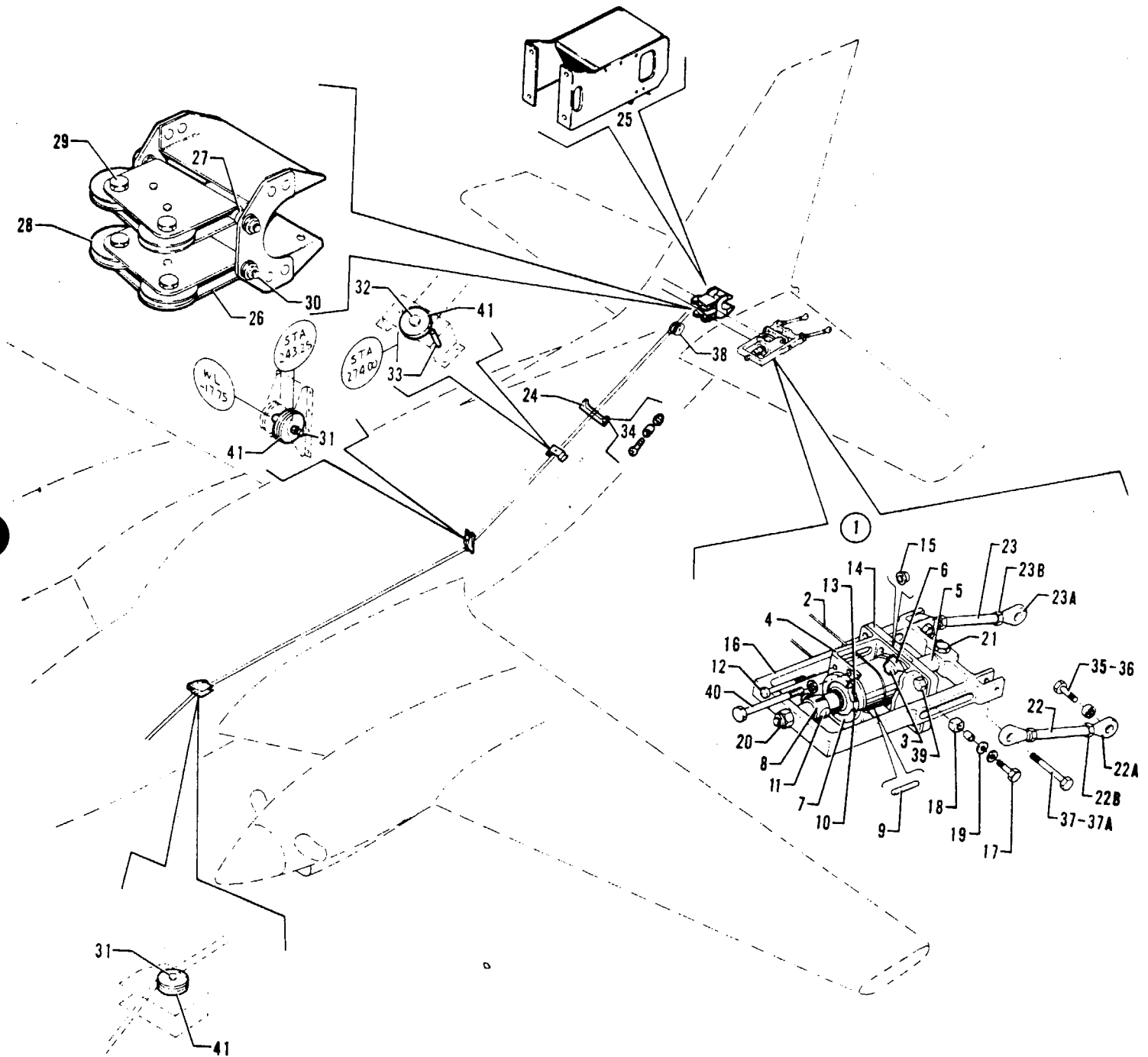


Figure 100. Elevator Trim Installation

PIPER PARTS CATALOG

CODE EXPLANATIONS FOR FIGURE 100

- A - Used if no Autopilot is installed. On aircraft equipped with any type Autopilot, refer to the Avionics Drawing Index List and the appropriate drawings with each aircraft when ordering replacement parts.
- B - Used if King KFC-250 Autopilot Flight Director is installed.

PIPER PARTS CATALOG

Figure and Index Number	Part Number	Code	NOMENCLATURE	No. Req.	SERIAL NUMBERS AFFECTED
100-	51436 51100		DRAWING - Trim Tab System Installation DRAWING - Tail Surface Installation		
-1	82190-02 08548-03 82190-03	A B A	SCREW ASSEMBLY - Elevator trim tab, left SCREW ASSEMBLY - Elevator trim tab, left SCREW ASSEMBLY - Elevator trim tab, right	1 1 1	
-2	80420-02 08548-06 41734-46	A B A	* CABLE ASSEMBLY - Elevator trim tab, left * CABLE ASSEMBLY - Elevator trim tab, left * CABLE ASSEMBLY - Elevator trim tab, right	1 1 1	
-3	51340-00		* DRUM - Elevator trim tab	1	
-4	51268-00		* BRACKET - Control cable drum	1	
-5	82160-02		* SCREW - Elevator trim	1	
-6	51339-00		* RETAINER - Bearing	1	
-7	51343-00		* RETAINER - Bearing	1	
-8	48437-04		* BUSHING	1	
-9	17089-00		* PIN	1	
-10	452 600		* BEARING - (B-538-ZZ)	2	
-11	401 269 404 887		* BOLT - (AN3-10A) * NUT - (MS20365-1032C)	1 1	
-12	416 091		* SCREW - (MS35265-42)	4	
-13	49981-09		* WASHER - Spacer	AR	
-14	82175-02		* PLATE ASSEMBLY - Bearing	1	
-15	452 381		* * BEARING - (FF-609-1)	1	
-16	82169-02		* BRACKET - Elevator trim screw	1	
-17	82189-02 407 104 86102-113		* BOLT * WASHER - (AN935-10) * BUSHING	2 2 2	
-18	82163-02		* SLIDER	2	
-19	81342-13		* WASHER - Special	2	
-20	404 888 407 585		* NUT - (MS20365-428C) * WASHER - (AN960-416L)	1 1	
-21	01931-02 407 584 404 887		* BOLT * WASHER - (AN960-10L) * NUT - (MS20365-1032C)	1 1 1	
-22	51266-00		ROD ASSEMBLY - Elevator trim, outboard	2	
-22a	452 480		* BEARING - (MNV34-14B)	2	
-22b	404 322		* NUT - (AN316-4R)	2	
-23	01715-02		ROD ASSEMBLY - Elevator trim, inboard	2	
-23a	452 483		* BEARING - (HF-4M)	2	
-23b	404 322		* NUT - (AN316-4R)	2	
-24	47720-02		GUARD - Cable	1	
-25	49962-02		BRACKET ASSEMBLY - Elevator trim	1	
-26	51250-00		BRACKET ASSEMBLY - Elevator trim	2	
-27	49999-43 64076-21		BUSHING - (.375 L.) BUSHING - (.750 L.)	2 2	
-28	481 640		PULLEY - (MS24566-1B)	4	
-29	400 440 404 887		BOLT - (AN3-6A) NUT - (MS20365-1032C)	4 4	
-30	400 082 407 584 404 100 424 051		BOLT - (AN3-43) WASHER - (AN960-10L) NUT - (AN310-3) PIN - Cotter (MS24665-132)	2 2 2 2	
-31	400 450 407 564 404 835		BOLT - (AN3-17A) WASHER - (AN960-10) NUT - (MS20364-1032C)	1 1 1	
-32	400 440		BOLT - (AN3-6A)	1	
-33	424 500		PIN - (NAS427-K6)	2	

When ordering, always specify Part Number, Description and Serial Number of Aircraft

PIPER PARTS CATALOG

Figure and Index Number	Part Number	Code	NOMENCLATURE	No. Req.	SERIAL NUMBERS AFFECTED
100-34	415 541		SCREW - (MS35206-251)	2	
	49999-32		BUSHING	2	
	404 910		NUT - (MS20365-832C)	2	
-35	402 260		BOLT - (AN173-10) outboard	2	
	407 584		WASHER - (AN960-10L) outboard	2	
	407 564		WASHER - (AN960-10) outboard	2	
	506 620		NUT - (MS17825-3) outboard	2	
-36	424 097		COTTER PIN - (MS24665-172) outboard	2	
	402 306		BOLT - (AN174-10) inboard	2	
	407 565		WASHER - (AN960-416) inboard	4	
	407 585		WASHER - (AN960-416L) inboard	2	
	506 621		NUT - (MS17825-4) inboard	2	
-37	424 097		COTTER PIN - (MS24665-172) inboard	2	
	402 261		BOLT - (AN173-11) outboard	2	
	407 564		WASHER - (AN960-10) outboard	AR	
	407 584		WASHER - (AN960-10L) outboard	AR	
	506 620		NUT - (MS17825-3) outboard	2	
-37a	424 097		COTTER PIN - (MS24665-172) outboard	2	
	402 303		BOLT - (AN174-11) inboard	2	
	407 565		WASHER - (AN960-416) inboard	4	
	506 621		NUT - (MS17825-4) inboard	2	
-38	424 097		COTTER PIN - (MS24665-172) inboard	2	
	481 640		PULLEY - (MS24566-1B)	4	
-39	401 269		BOLT - (AN3-10A)	8	
	407 564		WASHER - (AN960-10)	8	
	404 887		NUT - (MS20365-1032C)	8	
-40	401 282		BOLT - (AN3-27A)	4	
	407 564		WASHER - (AN960-10)	8	
	404 887		NUT - (MS20365-1032C)	4	
-41	481 640		PULLEY - (MS24566-1B)	5	

When ordering, always specify Part Number, Description and Serial Number of Aircraft

PIPER PARTS CATALOG

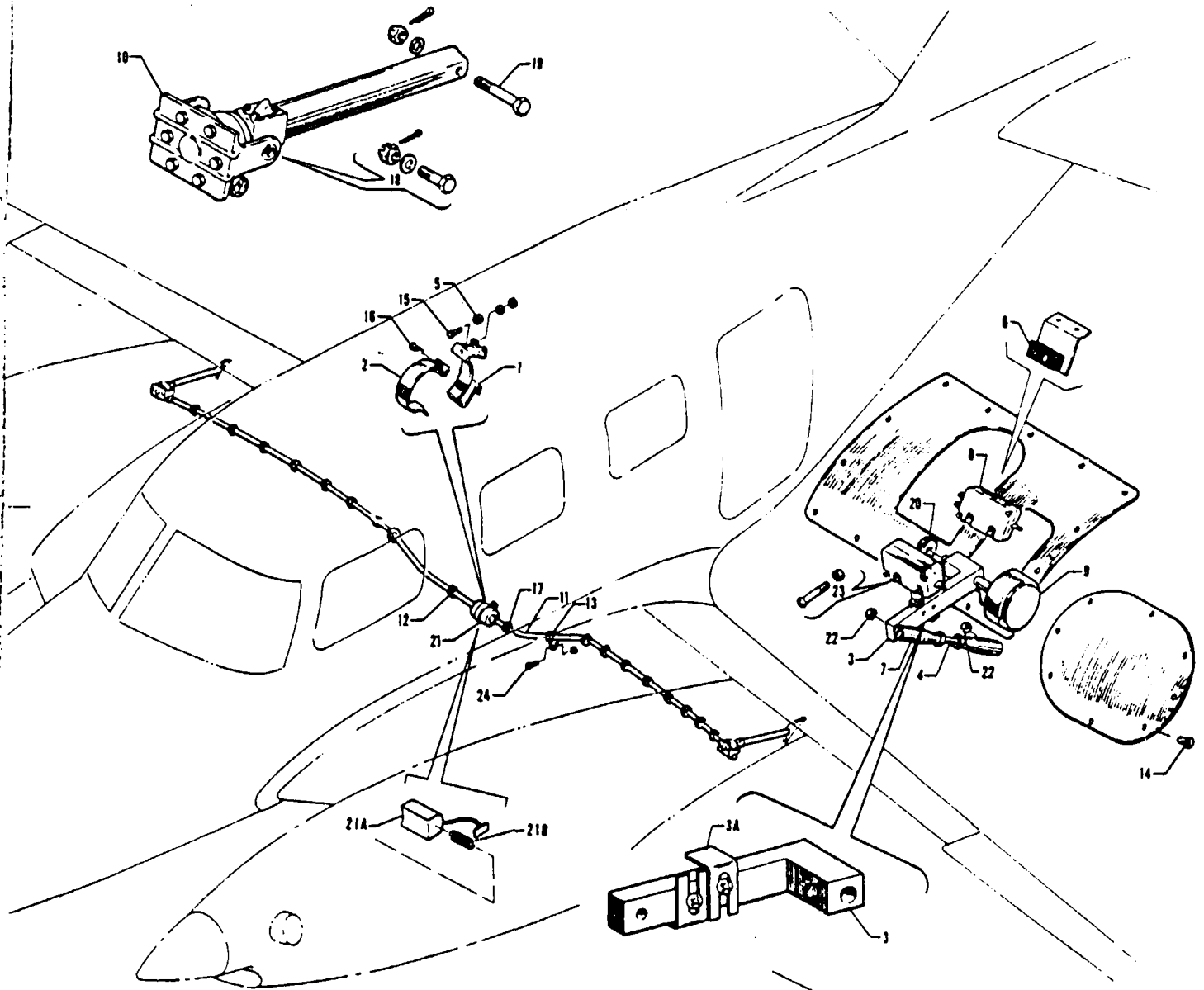


Figure 101. Flap Control Installation

PIPER PARTS CATALOG

CODE EXPLANATIONS FOR FIGURE 101

PIPER PARTS CATALOG

Figure and Index Number	Part Number	Code	NOMENCLATURE	No. Req.	SERIAL NUMBERS AFFECTED
101-	41488		DRAWING - Flap Installation		
-1	41358-00		BRACKET ASSEMBLY - Flap actuating motor, left	1	
-2	29254-02		CLAMP ASSEMBLY - Flap actuating motor, left	1	
-3	29209-02		ACTUATOR ASSEMBLY - Flap position and limit switch	2	
-3a	29205-02		* CLIP - Switch actuator	2	
-4	43555-00		ROD - Flap position and limit switch	2	
-5	434 123		GROMMET - (MS35489-33)	4	
-6	49718-02		BLOCK - Rub, right (Phenolic)	1	
-7	54175-00		JOINT - Ball (BL-103)	4	
-8	487 927		SWITCH - (6PL41)	2	
-9	55699-02		POTENTIOMETER ASSEMBLY	2	
-10	451 813		ACTUATOR ASSEMBLY - (8407)	2	
-11	486 542		SHAFT ASSEMBLY - Flexible (8412-3)	2	
-12	434 132		GROMMET - (MS35489-19)	12	
-13	454 932		CLAMP - (A4980S-7-91)	2	
-14	415 533		SCREW - (MS35206-243)	44	
-15	400 438		BOLT - (AN3-4A)	4	
	407 584		WASHER - (AN960-10L)	4	
	404 887		NUT - (MS20365-1032C)	4	
-16	411 534		SCREW - (MS35207-265)	2	
-17	189 625		GROMMET - (MS21266-1N)	AR	
-18	400 698		BOLT - (AN24-11)	4	
	407 585		WASHER - (AN960-416L)	4	
	404 393		NUT - (AN320-4)	4	
	424 052		COTTER PIN - (MS24665-134)	4	
-19	400 110		BOLT - (AN4-15)	2	
	407 565		WASHER - (AN960-416)	2	
	404 101		NUT - (AN310-4)	2	
	424 052		COTTER PIN - (MS24665-134)	2	
-20	434 128		GROMMET - (MS35489-6)	2	
-21	475 212		MOTOR - Flap control (8405MI)	1	
-21a	758 451		* BRUSH ASSEMBLY - Flap motor (8405-8)	2	
-21b	762 354		* SPRING - Flap motor brush (8405-24)	2	
-22	404 887		NUT - (MS20365-1032C) Left and right	4	
-23	415 628		SCREW - (MS35206-328) Left	4	
	404 909		NUT - (MS20365-632C) Left	4	
-24	400 446		BOLT - (AN3-16A)	2	
	404 887		NUT - (MS20365-1032C)	2	

When ordering, always specify Part Number, Description and Serial Number of Aircraft

PIPER PARTS CATALOG

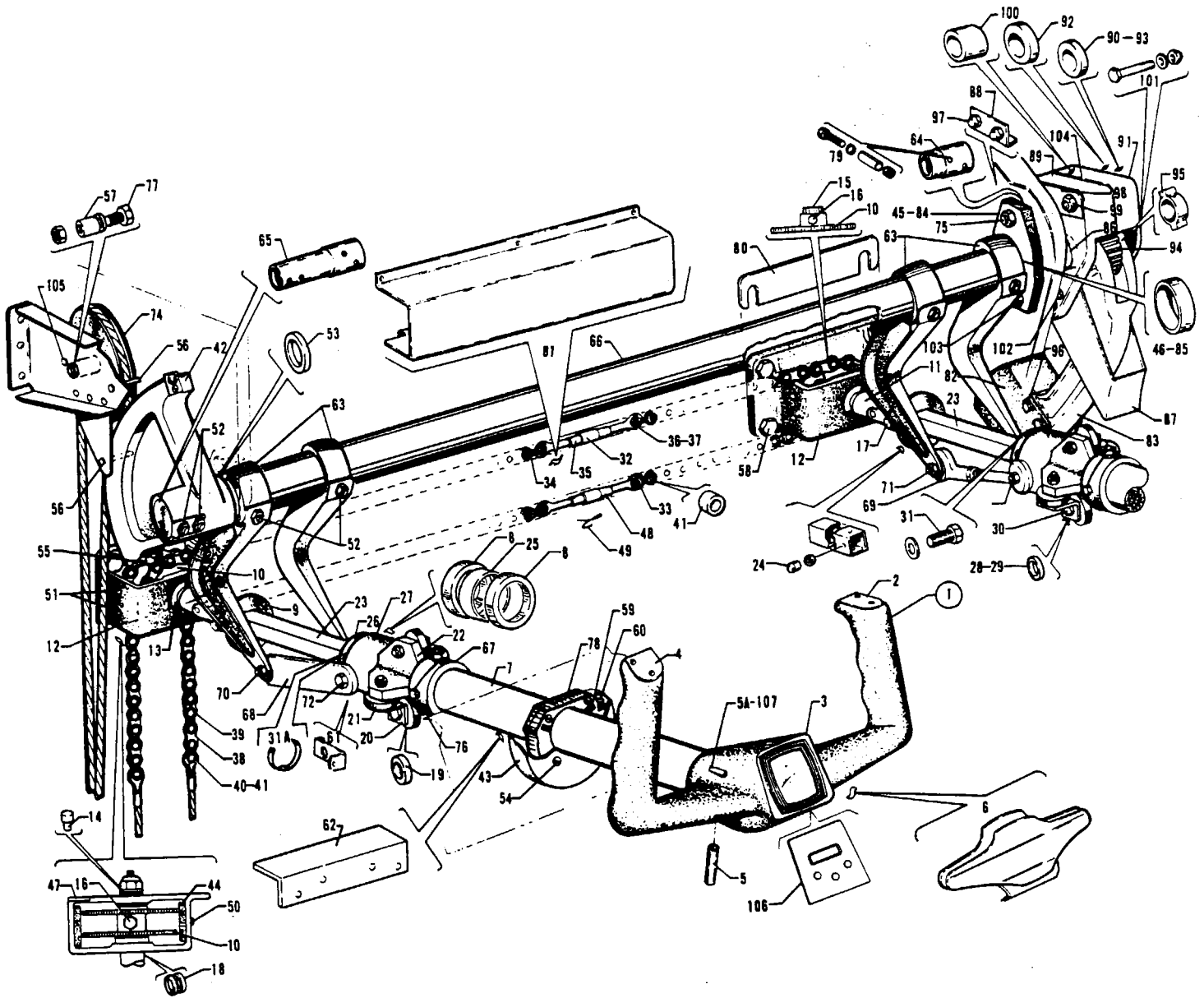


Figure 102. Control Wheel Installation

PIPER PARTS CATALOG

CODE EXPLANATIONS FOR FIGURE 102

PIPER PARTS CATALOG

Figure and Index Number	Part Number	Code	NOMENCLATURE	No. Req.	SERIAL NUMBERS AFFECTED
102-	49563		DRAWING - Elevator and Aileron Controls Mechanism Installation		
-1	43052-10		WHEEL ASSEMBLY - Control, black	2	
-2	53856-03		* PLATE - Control wheel cover	1	
-3	01207-02		* MEDALLION - Control wheel	1	
-4	53856-00		* PLATE - Control wheel cover	1	
-5	480 710		* PIN - Roll (59-040-187-1875)	2	
-6	43618-08		CLIP ASSEMBLY - Map	1	
-7	46349-07		TUBE ASSEMBLY - Control, left	1	
	46349-08		TUBE ASSEMBLY - Control, right	1	
-8	452 458		* BEARING - Control tube assembly (B-543)	2	
-9	40950-00		* COLLAR - Control wheel stop	1	
-10	40983-00		* SPROCKET - Double, left	1	
	20999-00		* SPROCKET - Right	1	
-11	46203-02		* UNIVERSAL ASSEMBLY - Control wheel shaft	1	
-12	29197-02		* BRACKET ASSEMBLY - Control wheel shaft bearing	1	
-13	453 824		* * BUSHING - (NAS77A7-25)	2	
-14	23322-00		* * PIN - Stop, aileron	1	
-15	21001-00		* BUSHING - Spacer, right	1	
-16	402 868		* BOLT - (NAS464-3A12)	1	
	407 564		* WASHER - (AN960-10)	1	
	406 636		* NUT - (H10-3 Hex)	1	
-17	402 867		* BOLT - (NAS464-3A14)	1	
	407 564		* WASHER - (AN960-10)	1	
	404 835		* NUT - (MS20364-1032C)	1	
-18	407 568		* WASHER - (AN960-716)	2	
-19	20956-00		* BUSHING - Control shaft	4	
-20	20957-00		* ANGLE - Control shaft support	2	
-21	25358-00		* BEARING ASSEMBLY - Ball	4	
-22	41852-00		* FITTING - Roller attachment	1	
-23	01623-02		* TUBE ASSEMBLY - Control shaft	1	
-24	21470-00		* * BLOCK - Guide, control wheel tube	4	
	81342-78		* * WASHER - Guide block	AR	
-25	42938-00		* * STUD - Control shaft	1	
-26	42943-00		* COLLAR - Control shaft	1	
-27	42945-00		* HOUSING - Control shaft bearing	1	
-28	81342-89		* WASHER - (.012 thickness)	AR	
	81342-90		* WASHER - (.016 thickness)	AR	
	81342-91		* WASHER - (.020 thickness)	AR	
-29	81342-92		* WASHER - (.064 thickness)	4	
-30	400 444		* BOLT - (AN3-13A)	4	
	407 564		* WASHER - (AN960-10)	8	
	404 835		* NUT - (MS20364-1032C)	4	
-31	401 264		* BOLT - (AN3-H4A)	2	
	407 584		* WASHER - (AN960-10L)	2	
-31a	53785-00		* STRAP - Safety wire retaining	1	
-31b	53971-00		* SPACER - Housing control shaft	1	
-32	21619-02		CHAIN ASSEMBLY - Upper control column	1	
-33	13445-03		* CHAIN ASSEMBLY - Roller, left	1	
	13445-04		* CHAIN ASSEMBLY - Roller, right	1	
-34	472 684		* LINK - Connector	4	
-35	489 910		* BARREL - Turnbuckle (MS21251-B5S)	1	

When ordering, always specify Part Number, Description and Serial Number of Aircraft

PIPER PARTS CATALOG

Figure and Index Number	Part Number	Code	NOMENCLATURE	No. Req.	SERIAL NUMBERS AFFECTED
102-36	459 930		* EYE - Turnbuckle, left (NAS648-22-RS)	2	
	459 928		* EYE - Turnbuckle, right (NAS648-22-LS)	2	
-37	80012-95		* BUSHING - Eye	4	
-38	41532-00		CHAIN ASSEMBLY - Aileron control	1	
-39	13445-06		* CHAIN ASSEMBLY - Roller	1	
-40	472 684		* LINK - Connector	2	
-41	80012-95		* BUSHING - Eye	1	
-42	40323-02		SECTOR - Elevator control	1	
-43	42537-02		COVER - Control shaft	2	
-44	40954-02		GUARD - Aileron chain, left	1	
	40954-03		GUARD - Aileron chain, right	1	
-45	44272-00		BEARING ASSEMBLY - Torque tube end, left	1	
	44272-04		BEARING ASSEMBLY - Torque tube end, right	1	
-46	452 512		* BEARING - (KP16BSA1405)	1	
-47	424 163		PIN - (MS20392-1C53)	1	
	40559-36		WASHER	1	
	424 039		COTTER PIN - (MS24665-69)	1	
-48	452 011		BARREL - Turnbuckle (NAS649B32S)	1	
-49	454 867		CLIP - Locking, turnbuckle (NAS651-16S)	4	
-50	419 883		SCREW - (4 x 1/4 L, P.K. Type Z, Rd. slotted head, nickel finish)	2	
-51	419 886		SCREW - (4 x 3/8 L.P.K. Type Z, Rd. slotted head, nickel finish)	2	
-52	480 743		PIN - Roll (59-048-250-1750)	6	
	415 528		SCREW - (MS35206-238)	6	
	407 562		WASHER - (AN960-6)	12	
	404 909		NUT - (MS20365-632C)	6	
-53	40559-35		WASHER - Torque tube	1	
-54	415 539		SCREW - (MS35206-249)	4	
-55	415 535		SCREW - (MS35206-245)	2	
	407 042		WASHER - (MS35338-42)	2	
-56	424 519		PIN - (NAS427-K24)	2	
-57	42571-06		BUSHING	1	
-58	401 266		BOLT - (AN3-5A)	8	
	407 584		WASHER - (AN960-10L)	8	
-59	42538-00		SLIDE - Control shaft	6	
-60	415 521		SCREW - (MS35206-231)	2	
	404 829		NUT - (MS20364-632C)	2	
-61	54945-02		STOP - Bolt	4	
-62	40796-00		STOP - Control wheel, left	1	
	40796-02		STOP - Control wheel, right	1	
-63	42756-00		CONTROL ARM - Elevator actuator, left	2	
	42756-01		CONTROL ARM - Elevator actuator, right	2	
-64	49550-02		TUBE - Torque extension	1	
-65	44271-00		TUBE - Torque extension	1	
-66	42901-02		TUBE - Torque, elevator control	1	
-67	42942-00		RING - Control shaft	2	
-68	42944-00		LINK ASSEMBLY - Control shaft, outboard	2	
-69	28546-02		LINK ASSEMBLY - Control shaft, inboard	2	
-70	42964-00		BOLT - (Special)	2	
	407 567		WASHER - (AN960-616)	2	
	407 565		WASHER - (AN960-416)	2	
	29989-07		WASHER	2	
	404 101		NUT - (AN310-4)	2	
	424 051		PIN - Cotter (MS24665-132)	2	
-71	401 312		BOLT - (AN4-12A)	2	
	407 585		WASHER - (AN960-416L)	2	
	407 565		WASHER - (AN960-416)	2	
	404 888		NUT - (MS20365-428C)	2	

When ordering, always specify Part Number, Description and Serial Number of Aircraft

PIPER PARTS CATALOG

Figure and Index Number	Part Number	Code	NOMENCLATURE	No. Req.	SERIAL NUMBERS AFFECTED
102-72	42965-00		BOLT - (Special)	2	
	407 567		WASHER - (AN960-616)	2	
-73	401 191		BOLT - (AN5-H7A)	2	
	40559-41		WASHER	2	
	408 825		WASHER - Shakeproof (3512-20-03-0511)	2	
-74	481 652		PULLEY - (MS20220-2)	1	
-75	410 071		SCREW - Flat head (MS24694-S98), left	1	
	400 015		BOLT - (AN4-22A) Right	1	
	407 565		WASHER - (AN960-416) Right	1	
	404 888		NUT - (MS20365-428C)	2	
-76	401 263		BOLT - (AN3-H3A)	8	
-77	401 194		BOLT - (AN5-16A)	1	
	407 566		WASHER - (AN960-516)	2	
	404 889		NUT - (MS20365-524C)	1	
-78	42536-00		COLLAR - Control shaft	2	
-79	480 767		PIN - Roll (59-048-250-1250)	2	
	415 158		SCREW - (AN526-632R26)	2	
	407 562		WASHER - (AN960-6)	4	
	404 909		NUT - (MS20365-632C)	2	
-80	55817-02		SHIM - Control shaft	AR	
-81	49231-02		COVER - Control chain and sprocket	1	
-82	81963-02		BOBWEIGHT	1	
-83	49556-02		ARM - Bobweight	1	
-84	401 318		BOLT - (AN4-20A)	1	
	407 565		WASHER - (AN960-416)	1	
	404 888		NUT - (MS20365-428C)	1	
-85	39991-17		BUSHING	1	
-86	49549-02		SHAFT - Bobweight arm	1	
-87	49551-02		STOP - Bobweight	1	
-88	49552-03		STOP - Bobweight	1	
-89	49554-02		FITTING ASSEMBLY - Support, inner	1	
-90	553 667		* BUSHING - (NAS77-8-19) .6265 O.D.	1	
-91	49553-04		FITTING ASSEMBLY - Support, outer	1	
-92	553 667		* BUSHING - (NAS77-8-19) .6265 O.D.	1	
-93	415 543		SCREW - (MS35206-253)	1	
	40559-02		WASHER	1	
	404 910		NUT - (MS20365-832C)	1	
-94	49582-02		GEAR - Arm assembly	2	
-95	553 666		BEARING - Gear (18502 GBB16)	1	
-96	400 446		BOLT - (AN3-16A)	4	
	404 835		NUT - (MS20364-1032C)	4	
-97	400 438		BOLT - (AN3-4A)	2	
	407 800		WASHER - (AN970-3)	2	
-98	29143-02		SHIM - Tapered	AR	
-99	416 633		SCREW - (MS24693-S273)	4	
	404 887		NUT - (MS20365-1032C)	4	
-100	410 071		SCREW - Flat head (MS24694-S98), left	1	
	410 074		SCREW - (MS24694-S103) Right	1	
	407 585		WASHER - (AN960-416) Right	1	
	404 888		NUT - (MS20365-428C)	2	
-101	29143-03		SHIM - Support fitting	1	

When ordering, always specify Part Number, Description and Serial Number of Aircraft

PIPER PARTS CATALOG

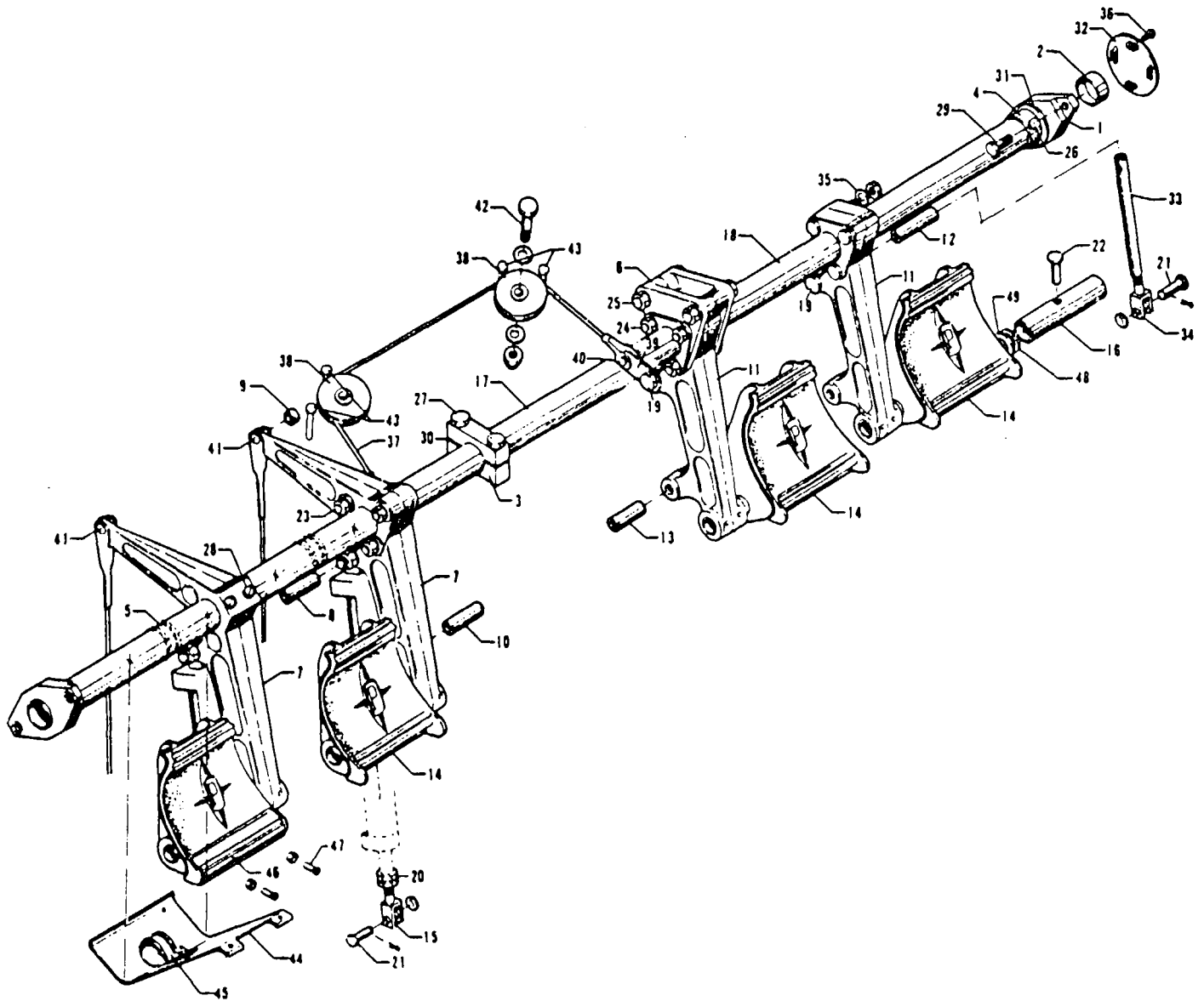


Figure 103. Rudder Pedal Installation

PIPER PARTS CATALOG

CODE EXPLANATIONS FOR FIGURE 103

PIPER PARTS CATALOG

Figure and Index Number	Part Number	Code	NOMENCLATURE	No. Req.	SERIAL NUMBERS AFFECTED
103-	46473		DRAWING - Rudder Pedal Installation		
-1	40968-04		BEARING ASSEMBLY - Torque tube end	2	
-2	452 431		* BEARING - (B-208)	1	
-3	41473-00		BLOCK - Torque tube bearing	2	
-4	41453-00		COLLAR - Brake and rudder pedal torque tube	2	
-5	41465-00		TUBE - Brake and rudder pedal torque	1	
-6	40313-00		LINK - Rudder pedal torque tube	2	
-7	40298-03		ARM ASSEMBLY - Rudder pedal, left, inboard	1	
	40298-02		ARM ASSEMBLY - Rudder pedal, left, outboard	1	
-8	80012-108		* BUSHING - Rudder pedal arm assembly	2	
-9	80012-109		* BUSHING - Rudder pedal arm assembly	2	
-10	80012-110		* BUSHING - Rudder pedal arm assembly	2	
-11	40302-02		ARM ASSEMBLY - Rudder pedal, right, inboard	1	
	40302-03		ARM ASSEMBLY - Rudder pedal, right, outboard	1	
-12	80012-108		* BUSHING - Rudder pedal arm assembly	2	
-13	80012-110		* BUSHING - Rudder pedal arm assembly	2	
-14	44182-04		PEDAL - Brake and rudder, left	2	
	44182-05		PEDAL - Brake and rudder, right	2	
-15	12605-00		CLEVIS - Brake cylinder	2	
-16	41402-00		TUBE - Brake and rudder pedal spacer	4	
-17	41423-03		TUBE ASSEMBLY - Interconnecting torque, center	1	
-18	41435-03		TUBE ASSEMBLY - Interconnecting torque, right	1	
-19	400 116		BOLT - (AN4-23)	4	
	407 565		WASHER - (AN960-416)	4	
	404 101		NUT - (AN310-4)	4	
	424 051		PIN - Cotter (MS24665-132)	4	
-20	404 322		NUT - (AN316-4R)	4	
-21	424 176		PIN - Flat head (AN393-15)	4	
	407 584		WASHER - (AN960-10L)	4	
	424 051		PIN - Cotter (AN380-2-2)	4	
-22	424 185		PIN - Flat head (AN393-33)	4	
	407 584		WASHER - (AN960-10L)	4	
	424 051		PIN - Cotter (AN380-2-2)	4	
-23	400 451		BOLT - (AN3-20A)	6	
	407 584		WASHER - (AN960-10L)	6	
	404 835		NUT - (MS20364-1032C)	6	
-24	410 042		SCREW - (AN509-10R-12)	6	
	407 564		WASHER - (AN960-10)	6	
	404 835		NUT - (MS20364-1032C)	6	
-25	400 018		BOLT - (AN4-25A)	2	
	407 565		WASHER - (AN960-416)	2	
	404 836		NUT - (MS20364-428C)	2	
-26	400 446		BOLT - (AN3-16A)	2	
	407 564		WASHER - (AN960-10)	2	
	404 835		NUT - (MS20364-1032C)	2	
-27	400 451		BOLT - (AN3-20A)	2	
-28	480 744		PIN - Roll (59-048-250-1875)	4	
	415 161		SCREW - (AN526-632R34)	4	
	407 562		WASHER - (AN960-6)	8	
	404 829		NUT - (MS20364-632C)	4	
-29	400 003		BOLT - (AN4-6A)	4	
-30	81102-35		WASHER - Square, shim (.012)	AR	
	81102-36		WASHER - Square, shim (.020)	AR	
	81102-37		WASHER - Square, shim (.032)	AR	

When ordering, always specify Part Number, Description and Serial Number of Aircraft

PIPER PARTS CATALOG

Figure and Index Number	Part Number	Code	NOMENCLATURE	No. Req.	SERIAL NUMBERS AFFECTED
103-31	40559-06		WASHER - Collar, torque tube	2	
-32	46082-00		COVER ASSEMBLY - Rudder pedal tube access	1	
-33	42143-00		LINK ASSEMBLY - Rudder pedal	2	
-34	12605-00		* CLEVIS - Rudder pedal link assembly	1	
-35	81342-89		WASHER - (.012 thickness)	AR	
	81342-90		WASHER - (.016 thickness)	AR	
	81342-91		WASHER - (.020 thickness)	AR	
-36	414 747		SCREW - (MS24693-S26)	4	
-37	48138-00		CABLE ASSEMBLY - Rudder balance	1	
-38	481 626		PULLEY - Rudder balance cable (MS20219-2)	2	
-39	45511-00		CLIP - Cable attachment	2	
-40	424 173		PIN - Flat head (MS20392-2C9)	2	
	407 564		WASHER - (AN960-10)	2	
	424 051		PIN - Cotter (MS24665-132)	2	
-41	400 673		BOLT - (AN23-11)	2	
	407 584		WASHER - (AN960-10L)	2	
	404 100		NUT - (AN310-3)	2	
	424 051		PIN - Cotter (MS24665-132)	2	
-42	401 310		BOLT - (AN4-10A)	2	
	407 565		WASHER - (AN960-416)	4	
	404 888		NUT - (MS20365-428C)	2	
-43	424 503		PIN - (NAS427-K9)	4	
-44	54174-02		GUARD - Rudder torque tube, left, inboard	1	
	54174-03		GUARD - Rudder torque tube, left outboard	1	
-45	554 963		CLAMP - (PS10017-8-24)	2	
-46	29166-03		PAD - Brake and rudder pedal	4	
-47	416 804		SCREW - (MS24693-S279)	8	
	404 835		NUT - (MS20364-1032C)	8	
-48	29989-09		WASHER - Felt	4	
-49	407 595		WASHER - (AN960-1416L)	4	

When ordering, always specify Part Number, Description and Serial Number of Aircraft

PIPER PARTS CATALOG

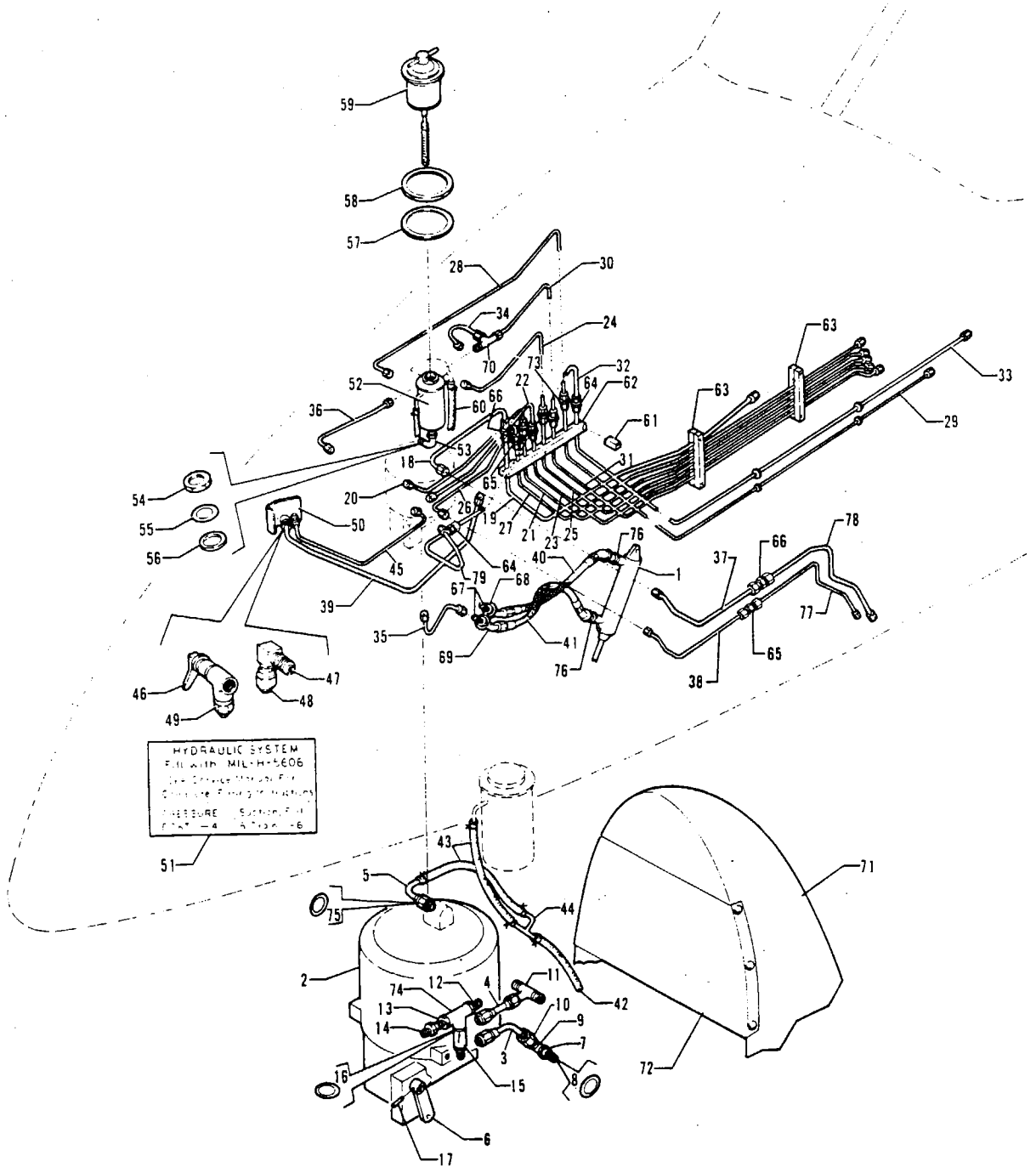


Figure 104. Forward Hydraulic System Installation

PIPER PARTS CATALOG

CODE EXPLANATIONS FOR FIGURE 104

- A - See Figure 107 for component parts.
- B - See Figure 109 and 110 for component parts.

PIPER PARTS CATALOG

Figure and Index Number	Part Number	Code	NOMENCLATURE	No. Req.	SERIAL NUMBERS AFFECTED
104-	01620		DRAWING - Hydraulic System Installation		
-1	451 825	A	ACTUATOR - (Wiebel 2115-1)	1	
-2	481 171	B	POWERPAK - New (Wiebel 2135-1)	1	
-3	45858-00		LINE ASSEMBLY - Hydraulic	1	
-4	45877-00		LINE ASSEMBLY - Hydraulic	1	
-5	46722-00		LINE ASSEMBLY - Hydraulic	1	
-6	40879-07		ARM ASSEMBLY - Powerpak actuating (Ozone)	1	
	763 009		ARM ASSEMBLY - Powerpak actuating (Wiebel)	1	
-7	492 163		CHECK VALVE - (2C5040)	2	
-8	462 027		GASKET - (AN6290-4)	4	
-9	455 422		CROSS - (AN937-D4)	1	
-10	491 050		UNION - (AN815-4D)	2	
-11	488 509		TEE - (AN824-8D)	1	
-12	491 050		UNION - (AN815-4D)	1	
	462 027		GASKET - (AN6290-4)	1	
-13	477 676		NUT - (AN6289-D4)	1	
	462 027		GASKET - (AN6290-4)	1	
	484 752		RING - (AN6291-04)	1	
-14	491 060		UNION - (AN832-4D)	1	
	462 027		GASKET - (AN6290-4)	1	
-15	484 459		RESTRICTOR - Check valve (1143-A0610)	1	
-16	462 027		GASKET - (AN6290-4)	1	
-17	480 705		ROLL PIN - (59-028-125-0500)	1	
-18	45886-00		LINE ASSEMBLY - Hydraulic, engine pump suction	1	
-19	50028-00		LINE ASSEMBLY - Hydraulic, engine pump suction	1	
-20	01563-02		LINE ASSEMBLY - Hydraulic, door close	1	
-21	40827-03		LINE ASSEMBLY - Hydraulic, door close	1	
-22	01568-02		LINE ASSEMBLY - Hydraulic, gear up	1	
-23	46444-00		LINE ASSEMBLY - Hydraulic, gear up	1	
-24	01565-02		LINE ASSEMBLY - Hydraulic, door open	1	
-25	40834-03		LINE ASSEMBLY - Hydraulic, door open	1	
-26	45859-00		LINE ASSEMBLY - Hydraulic, engine pump pressure	1	
-27	50152-00		LINE ASSEMBLY - Hydraulic, engine pump pressure	1	
-28	01552-02		LINE ASSEMBLY - Hydraulic, hand pump pressure	1	
-29	40855-00		LINE ASSEMBLY - Hydraulic, hand pump pressure	1	
-30	01556-02		LINE ASSEMBLY - Hydraulic, gear down	1	
-31	46440-00		LINE ASSEMBLY - Hydraulic, gear down	1	
-32	01619-02		LINE ASSEMBLY - Hydraulic, hand pump suction	1	
-33	40852-00		LINE ASSEMBLY - Hydraulic, hand pump suction	1	
-34	45856-00		LINE ASSEMBLY - Hydraulic, gear down	1	
-35	45857-00		LINE ASSEMBLY - Hydraulic, gear up	1	
-36	45868-00		LINE ASSEMBLY - Hydraulic	1	
-37	01569-02		LINE ASSEMBLY - Hydraulic suction	1	
-38	01558-02		LINE ASSEMBLY - Hydraulic pressure	1	
-39	01690-02		LINE ASSEMBLY - Powerpak drain	1	
-40	17766-03		HOSE ASSEMBLY - Flexible	1	
-41	17766-04		HOSE ASSEMBLY - Flexible	1	
-42	80006-14		TUBE - Reservoir overflow	1	
-43	80006-13		TUBE - Overflow	2	
-44	16632-00		TUBE - Overflow	1	
-45	01689-02		LINE ASSEMBLY - Hydraulic	1	

When ordering, always specify Part Number, Description and Serial Number of Aircraft

PIPER PARTS CATALOG

Figure and Index Number	Part Number	Code	NOMENCLATURE	No. Req.	SERIAL NUMBERS AFFECTED
104-46	492 191		VALVE - Suction, fill (7-1470-3)	1	
-47	492 190		VALVE - Pressure port (2C5836)	1	
-48	454 173		CAP - (AN929-4)	1	
-49	454 299		CAP ASSEMBLY - Pressure seal (AN929-6)	1	
-50	48033-00		BRACKET ASSEMBLY - Hydraulic valve support	1	
-51	48030-00		PLACARD - Hydraulic system	1	
-52	48028-00		RESERVOIR ASSEMBLY - Hydraulic	1	
-53	458 900		* ELBOW - (AN833-4D)	1	
-54	477 676		* NUT - (AN6289-D4)	1	
-55	462 027		* GASKET - (AN6290-4)	1	
-56	484 752		* RING - (AN6291-4)	1	
-57	43840-00		GASKET - Hydraulic reservoir	1	
-58	43712-00		NUT - Hex.	1	
-59	44490-00		GAUGE ASSEMBLY - Hydraulic fluid level	1	
-60	19790-35		TUBE	1	
-61	40923-02		BLOCK - Hydraulic tube retaining	2	
-62	40923-03		BLOCK - Hydraulic tube retaining	2	
-63	40919-00		BLOCK - Hydraulic tube retaining	4	
-64	491 051		UNION - (AN815-5D)	2	
-65	491 050		UNION - (AN815-4D)	6	
-66	491 053		UNION - (AN815-8D)	2	
-67	458 910		ELBOW - 45 degrees (AN837-4D)	2	
	407 568		WASHER - (AN960-716)	2	
	477 618		NUT - (AN924-4D)	2	
-68	40849-02		PLACARD - "Hyd. - Gear Down"	1	
-69	40849-03		PLACARD - "Hyd. - Gear Up"	1	
-70	488 320		TEE - (AN824-4D)	1	
-71	01827-02		COVER ASSEMBLY - Hydraulic powerpak	1	
-72	47065-03		COVER ASSEMBLY - Front, hydraulic powerpak	1	
-73	492 170		VALVE - Check (2C9326)	1	
-74	488 510		TEE - (AN938-D4)	1	
-75	462 029		GASKET - (AN6290-6)	1	
-76	458 910		ELBOW - (AN837-4D) 45 degrees	2	
	462 027		GASKET - (AN6290-4)	2	
	484 752		RING - (AN6291-4)	2	
	477 676		NUT - (AN6289-D4)	2	
-77	01610-02		LINE ASSEMBLY - Hydraulic pressure	1	
-78	01611-02		LINE ASSEMBLY - Hydraulic suction	1	
-79	01550-02		LINE ASSEMBLY - Hydraulic, hand pump suction	1	

When ordering, always specify Part Number, Description and Serial Number of Aircraft

PIPER PARTS CATALOG

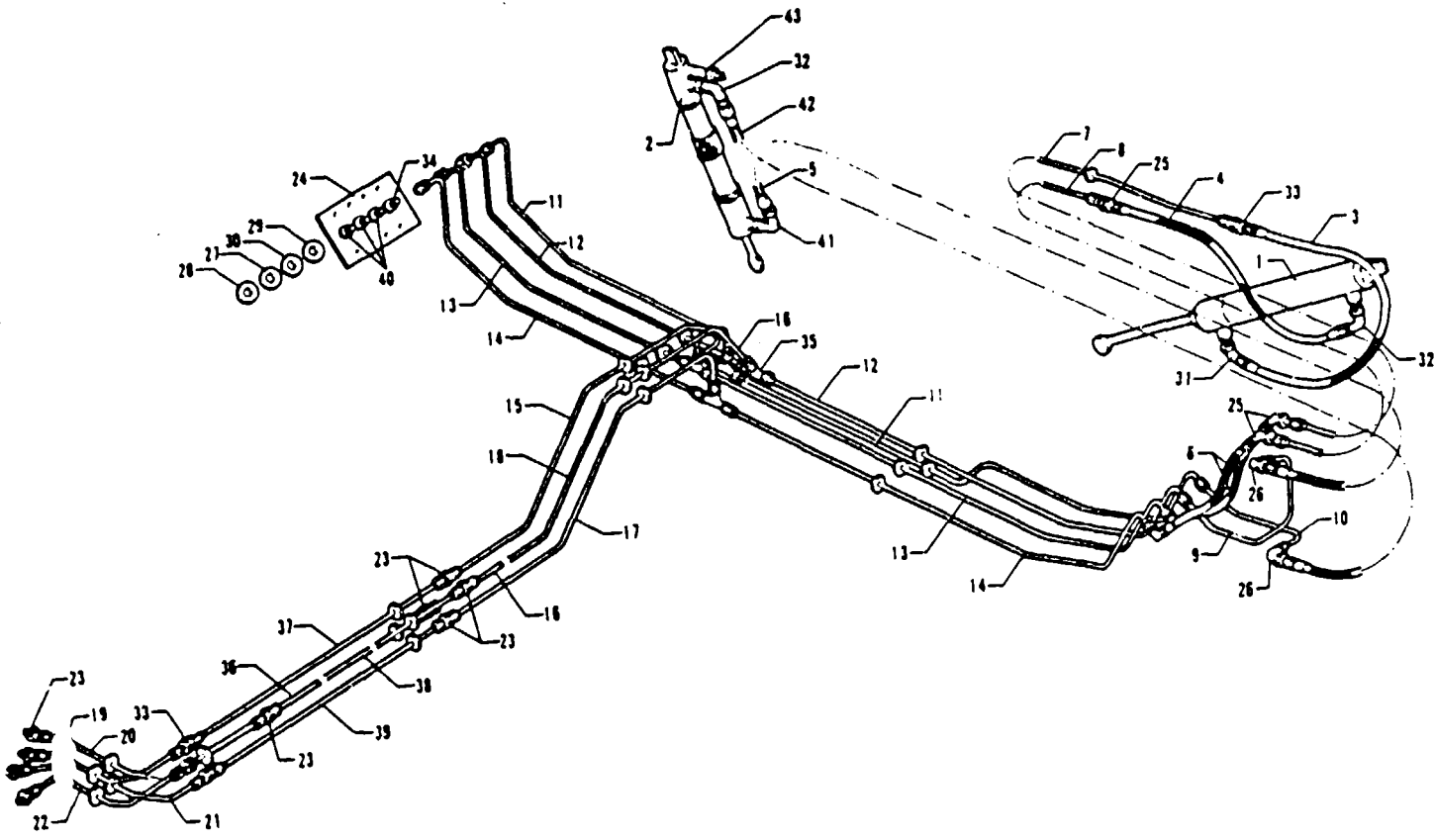


Figure 105. Aft Hydraulic System Installation

PIPER PARTS CATALOG

CODE EXPLANATIONS FOR FIGURE 105

A - See Figure 107 for component parts.

PIPER PARTS CATALOG

Figure and Index Number	Part Number	Code	NOMENCLATURE	No. Req.	SERIAL NUMBERS AFFECTED
105-	01620		DRAWING - Hydraulic System Installation		
-1	552 546	A	ACTUATOR - (Wiebel 2145-3)	2	
-2	551 971	A	CYLINDER - Hydraulic lock (Weibel WTC 2218-1)	2	
-3	17766-27		HOSE ASSEMBLY - Flexible	2	
-4	17766-91		HOSE ASSEMBLY - Flexible	2	
-5	17766-31		HOSE ASSEMBLY - Flexible, left	1	
	39999-25		HOSE ASSEMBLY - Flexible, right	1	
-6	17766-02		HOSE ASSEMBLY - Flexible	4	
-7	40848-00		LINE ASSEMBLY - Hydraulic, left	1	
	40848-01		LINE ASSEMBLY - Hydraulic, right	1	
-8	40841-00		LINE ASSEMBLY - Hydraulic, left	1	
	40841-01		LINE ASSEMBLY - Hydraulic, right	1	
-9	40832-00		LINE ASSEMBLY - Hydraulic, door close	2	
-10	40836-00		LINE ASSEMBLY - Hydraulic, door open, left	1	
	40836-01		LINE ASSEMBLY - Hydraulic, door open, right	1	
-11	42204-00		LINE ASSEMBLY - Hydraulic, door open, left	1	
	01908-02		LINE ASSEMBLY - Hydraulic, door open, right	1	
-12	40830-08		LINE ASSEMBLY - Hydraulic, door close, left	1	
	01961-02		LINE ASSEMBLY - Hydraulic, door close, right	1	
-13	40830-09		LINE ASSEMBLY - Hydraulic, gear down, left	1	
	40830-02		LINE ASSEMBLY - Hydraulic, gear down, right	1	
-14	40830-07		LINE ASSEMBLY - Hydraulic, gear up, left	1	
	40830-03		LINE ASSEMBLY - Hydraulic, gear up, right	1	
-15	48310-00		LINE ASSEMBLY - Hydraulic, door open	1	
-16	48309-00		LINE ASSEMBLY - Hydraulic, door close	1	
-17	52858-00		LINE ASSEMBLY - Hydraulic, gear up	1	
-18	52857-00		LINE ASSEMBLY - Hydraulic, gear down	1	
-19	42104-00		LINE ASSEMBLY - Hydraulic, door open	1	
-20	40828-00		LINE ASSEMBLY - Hydraulic, door close	1	
-21	42103-00		LINE ASSEMBLY - Hydraulic, gear up	1	
-22	42102-00		LINE ASSEMBLY - Hydraulic, gear down	1	
-23	491 050		UNION - (AN815-4D)	9	
-24	43876-02		PLATE - Hydraulic line attachment	2	
-25	458 910		ELBOW - 45 degrees (AN837-4D)	6	
	477 618		NUT - (AN924-4D)	6	
	407 568		WASHER - (AN960-716)	6	
-26	458 900		ELBOW - 90 degrees (AN833-4D)	4	
	477 618		NUT - (AN924-4D)	4	
	407 568		WASHER - (AN960-716)	4	
-27	40849-02		PLACARD - "Hyd. - Gear down"	4	
-28	40849-03		PLACARD - "Hyd. - Gear up"	4	
-29	40849-04		PLACARD - "Hyd. - Door open"	4	
-30	40849-05		PLACARD - "Hyd. - Door close"	4	
-31	458 910		ELBOW - (AN837-4D)	2	
	477 676		NUT - (AN6289-D4)	2	
	462 027		GASKET - (AN6290-4)	2	
	484 752		RING - (AN6291-4)	2	
-32	458 900		ELBOW - (AN833-4D)	4	
	477 676		NUT - (AN6289-D4)	4	
	462 027		GASKET - (AN6290-4)	4	
	484 752		RING - (AN6291-4)	4	

When ordering, always specify Part Number, Description and Serial Number of Aircraft

PIPER PARTS CATALOG

Figure and Index Number	Part Number	Code	NOMENCLATURE	No. Req.	SERIAL NUMBERS AFFECTED
105-33	491 060		UNION - (AN832-4D)	5	
	407 568		WASHER - (AN960-716)	5	
	477 618		NUT - (AN924-4D)	5	
-34	458 910		ELBOW - (AN837-4D)	2	
	407 139		WASHER - (AN936-A716)	2	
	477 618		NUT - (AN924-4D)	2	
-35	488 320		TEE - (AN824-4D)	4	
-36	80024-53		TUBE ASSEMBLY - Hydraulic, door close	1	
-37	80024-54		TUBE ASSEMBLY - Hydraulic, door open	1	
-38	80024-55		TUBE ASSEMBLY - Hydraulic, gear down	1	
-39	80024-56		TUBE ASSEMBLY - Hydraulic, gear up	1	
-40	458 900		ELBOW - (AN833-4D)	6	
	407 139		WASHER - (AN936-A716)	6	
	477 618		NUT - (AN924-4D)	6	
-41	458 900		ELBOW - (AN833-4D)	2	
	477 676		NUT - (AN6289-D4)	2	
	462 027		GASKET - (AN6290-4)	2	
	484 752		RING - (AN6291-4)	2	
-42	17766-02		HOSE ASSEMBLY - Flexible	2	
-43	484 351		REDUCER - (AN919-2D)	2	
	462 026		GASKET - (AN6290-3)	2	

When ordering, always specify Part Number, Description and Serial Number of Aircraft

PIPER PARTS CATALOG

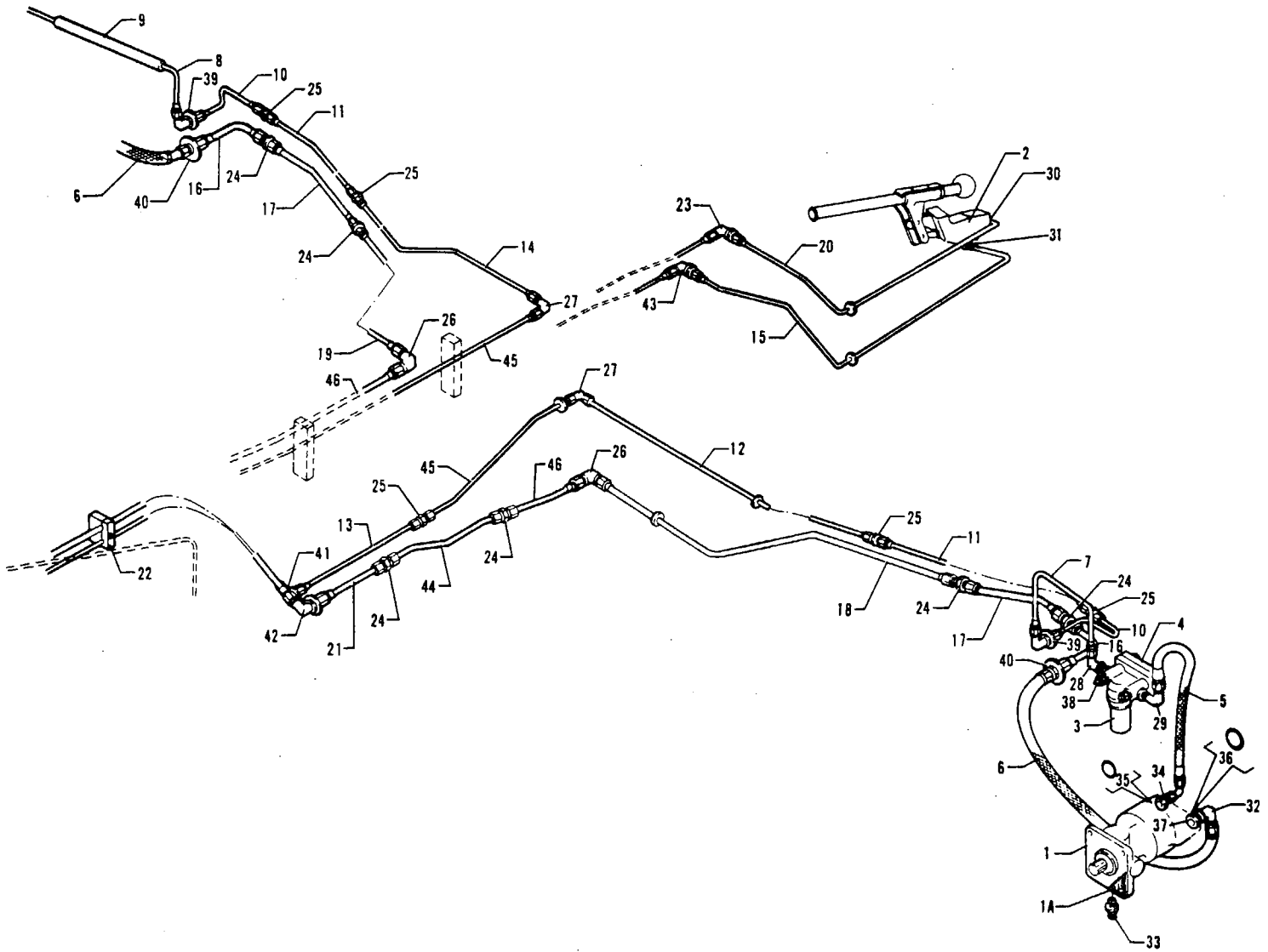


Figure 106. Hydraulic Pumps Installation

PIPER PARTS CATALOG

CODE EXPLANATIONS FOR FIGURE 106

- A - See Figure 108 for component parts.
- B - See Figure 107 for component parts.

PIPER PARTS CATALOG

Figure and Index Number	Part Number	Code	NOMENCLATURE	No. Req.	SERIAL NUMBERS AFFECTED
106-	01620		DRAWING - Hydraulic System Installation		
-1	26802-08		PUMP - (1213-HBG, Type 310)	2	
	26802-11		PUMP - (4102-589004)	2	
-1a	462 023		* GASKET - Seal (AN4045-1)	1	
-2	481 771	A	PUMP - Hand (Wiebel 2112-1)	1	
-3	460 635	B	FILTER - (AN6234-1)	2	
-4	40920-00		BLOCK - Back-up	4	
-5	39995-24		HOSE ASSEMBLY - Flexible	2	
-6	39995-23		HOSE ASSEMBLY - Flexible, left	1	
	39995-15		HOSE ASSEMBLY - Flexible, right	1	
-7	50477-00		LINE ASSEMBLY - Hydraulic pressure	1	
-8	50478-00		LINE ASSEMBLY - Hydraulic pressure	1	
-9	16633-38		HOSE - Flexible	1	
-10	50154-00		LINE ASSEMBLY - Hydraulic pressure, left	1	
	50154-01		LINE ASSEMBLY - Hydraulic pressure, right	1	
-11	50157-00		LINE ASSEMBLY - Hydraulic pressure, left	1	
	50157-01		LINE ASSEMBLY - Hydraulic pressure, right	1	
-12	40823-00		LINE ASSEMBLY - Hydraulic pressure	1	
-13	45502-00		LINE ASSEMBLY - Hydraulic pressure	1	
-14	50163-00		LINE ASSEMBLY - Hydraulic pressure	1	
-15	81785-02		LINE ASSEMBLY - Hydraulic pressure	1	
-16	51778-02		LINE ASSEMBLY - Hydraulic suction, left	1	
	51778-03		LINE ASSEMBLY - Hydraulic suction, right	1	
-17	80004-20		LINE ASSEMBLY - Hydraulic suction, left	1	
	80004-19		LINE ASSEMBLY - Hydraulic suction, right	1	
-18	81597-02		LINE ASSEMBLY - Hydraulic suction	1	
-19	40805-00		LINE ASSEMBLY - Hydraulic suction	1	
-20	81784-02		LINE ASSEMBLY - Hydraulic suction	1	
-21	40809-00		LINE ASSEMBLY - Hydraulic suction	1	
-22	47158-00		BLOCK ASSEMBLY - Retaining	1	
-23	458 878		ELBOW - 90° (AN833-5D)	1	
	407 569		WASHER - (AN960-816)	1	
	477 623		NUT - (AN924-5D)	1	
-24	491 053		UNION - (AN815-8D)	7	
-25	491 050		UNION - (AN815-4D)	5	
-26	458 881		ELBOW - (AN821-8D)	2	
-27	458 880		ELBOW - (AN821-4D)	2	
-28	50479-00		ELBOW - 90°	2	
	477 713		NUT - (AN6289-4)	2	
	462 027		GASKET - (AN6290-4)	2	
	484 752		RING - (AN6291-4)	2	
-29	458 934		ELBOW - 90° (AN833-4)	2	
	477 713		NUT - (AN6289-4)	2	
	462 027		GASKET - (AN6290-4)	2	
	484 752		RING - (AN6291-4)	2	
-30	458 878		ELBOW - (AN833-5D)	1	
	462 028		GASKET - (AN6290-5)	1	
	407 569		WASHER - (AN960-816)	1	
	477 623		NUT - (AN924-5D)	1	
-31	458 899		ELBOW - (AN833-3D)	1	
	462 026		GASKET - (AN6290-3)	1	
	407 567		WASHER - (AN960-616)	1	
	477 617		NUT - (AN924-3D)	1	
-32	458 905		ELBOW - 90° (AN833-8D)	2	
-33	458 891		ELBOW - 45° (AN823-4D)	2	

When ordering, always specify Part Number, Description and Serial Number of Aircraft

PIPER PARTS CATALOG

Figure and Index Number	Part Number	Code	NOMENCLATURE	No. Req.	SERIAL NUMBERS AFFECTED
106-34	484 283		REDUCER - (AN919-10D)	2	
-35	462 031		GASKET - (AN6290-8)	4	
-36	484 827		RING - (AN6291-8)	2	
-37	477 733		NUT - (AN6289-D8)	2	
-38	400 019		BOLT - (AN4-26A)	4	
	407 565		WASHER - (AN960-416)	4	
	404 888		NUT - (MS20365-428C)	4	
-39	458 934		ELBOW - (AN833-4)	2	
	40849-06		PLACARD - "Hydraulic Pressure"	2	
	407 568		WASHER - (AN960-716)	2	
	477 629		NUT - (AN924-4)	2	
-40	491 068		UNION - (AN832-8)	2	
	40849-10		PLACARD - "Hydraulic Suction"	2	
	49979-16		WASHER	2	
	477 691		NUT - (AN924-8)	2	
-41	458 900		ELBOW - 90 degrees (AN833-4D)	1	
	40849-06		PLACARD - "Hydraulic Pressure"	1	
	407 568		WASHER - (AN960-716)	1	
	477 618		NUT - (AN924-4D)	1	
-42	458 905		ELBOW - 90 degrees (AN833-8D)	1	
	40849-10		PLACARD - "Hydraulic Suction"	1	
	407 573		WASHER - (AN960-1216)	1	
	477 621		NUT - (AN924-8D)	1	
-43	458 899		ELBOW - 90 degrees (AN833-3D)	1	
	407 567		WASHER - (AN960-616)	1	
	477 617		NUT - (AN924-3D)	1	
-44	80004-59		LINE ASSEMBLY - Hydraulic suction	1	
-45	80024-60		LINE ASSEMBLY - Hydraulic pressure	2	
-46	01368-02		LINE ASSEMBLY - Hydraulic suction, left	1	
	80004-51		LINE ASSEMBLY - Hydraulic suction, right	1	

When ordering, always specify Part Number, Description and Serial Number of Aircraft

PIPER PARTS CATALOG

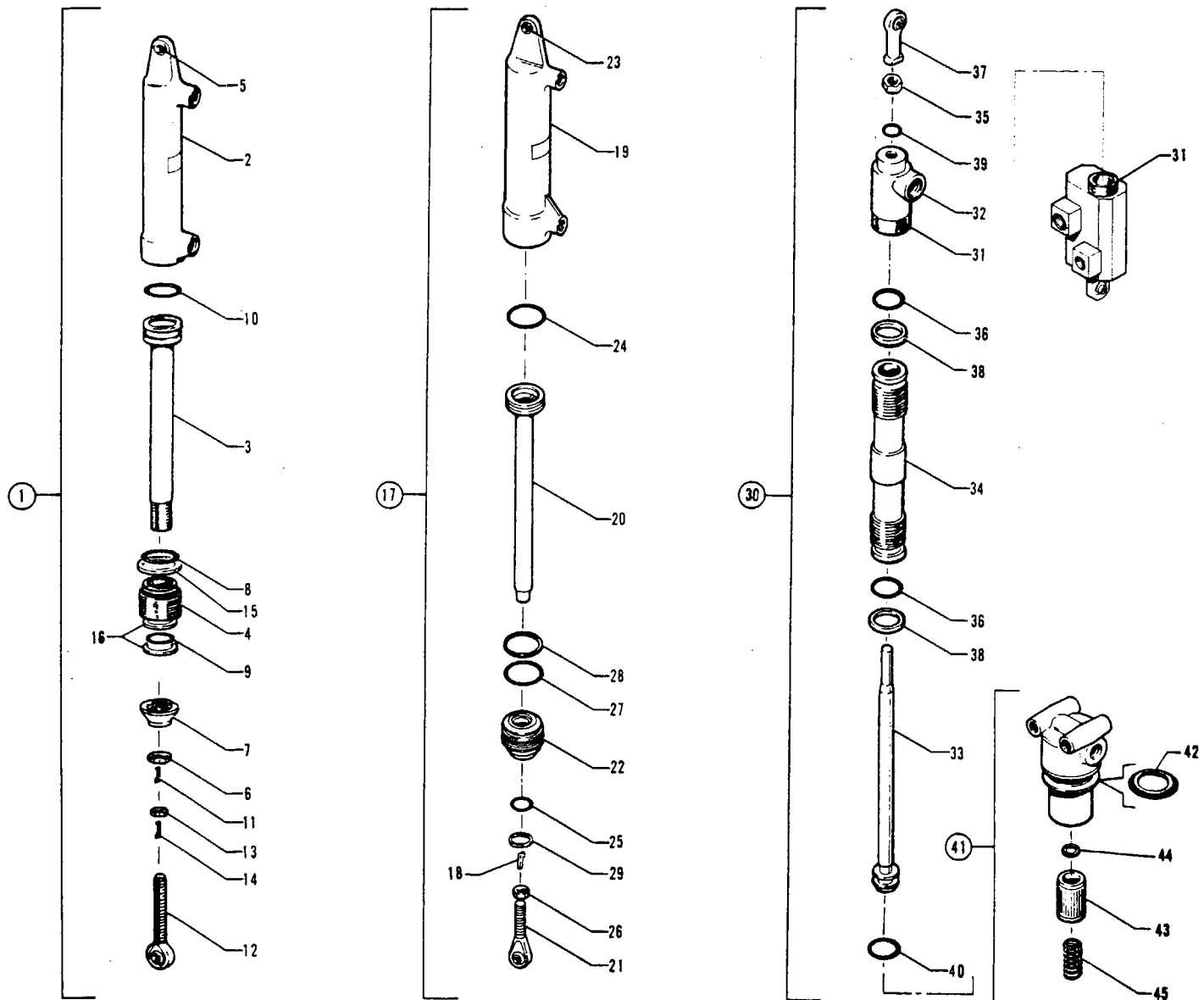


Figure 107. Hydraulic System Components

PIPER PARTS CATALOG

CODE EXPLANATIONS FOR FIGURE 107

- A - Used if Purolator filter is installed.
- B - Used if Bendix filter is installed.

PIPER PARTS CATALOG

Figure and Index Number	Part Number	Code	NOMENCLATURE	No. Req.	SERIAL NUMBERS AFFECTED
107-1	451 825		ACTUATOR - Hydraulic (Wiebel (WTC2115-1)	1	
-2	763 211		* CYLINDER ASSEMBLY - (2115001-1)	1	
-3	757 499		* PISTON - (2115002-1)	1	
-4	763 208		* CAP - End (2115003-1)	1	
-5	453 845		* BUSHING - (NAS77-5-15)	2	
-6	752 568		* NUT - (2115005-1)	1	
-7	762 313		* STOP - (2115006-1)	1	
-8	752 588		* "O" RING - (MS28775-124)	1	
-9	762 548		* RING - Seal (7114FS-160-T)	1	
-10	762 549		* RING - Seal (7216MS-160-T)	1	
-11	754 550		* LOCK - (NAS559-1)	1	
-12	762 554		* ROD END - (MXK-46-16A)	1	
-13	404 528		* NUT - (MS21042-6)	1	
-14	761 115		* KEY - (2115004-1)	1	
-15	762 541		* RING - Back-up (MS28774-124)	1	
-16	762 285		* SCRAPER - (S-11065-3)	1	
-17	552 546		ACTUATOR - Hydraulic (Wiebel WTC2145-3)	2	
-18	761 115		* KEY - (2115004-1)	1	
-19	763 213		* CYLINDER ASSEMBLY - (2145001-1)	1	
-20	763 410		* PISTON - (2145002-1)	1	
-21	758 440		* ROD END - (HMXX-5)	1	
-22	763 214		* CAP - End (2145003-1)	1	
-23	453 845		* BUSHING - (NAS77-5-15)	2	
-24	762 556		* RING - Seal (7218MS-160-T)	1	
-25	762 548		* RING - Seal (7114FS-160-T)	1	
-26	404 528		* NUT - (MS21042-6)	1	
-27	752 590		* PACKING - (MS28775-125)	1	
-28	762 557		* RETAINER - Back-up (MS28774-125)	1	
-29	762 285		* SCRAPER - (S11065-3)	1	
-30	551 971		CYLINDER - Lock (Wiebel WTC2118-1)	2	
-31	752 569		* NUT - (2114002-1)	2	
-32	763 209		* CAP - End (2114001-1)	1	
-33	757 500		* PISTON - (2114004-1)	1	
-34	758 377		* BARREL - (2114003-1)	1	
-35	752 570		* NUT - Lock (10081 ESLOCK)	1	
-36	757 229		* PACKING - (MS28775-018)	2	
-37	452 734		* ROD END - (F34-14M)	1	
-38	755 960		* RING - Back-up (MS28774-018)	2	
-39	762 550		* RING - Seal (7011FS-106-T)	1	
-40	762 551		* RING - Seal (7111MS-106-T)	1	
-41	460 635		FILTER ASSEMBLY - Oil (AN6234-1)	2	
-42	751 836	A	* GASKET - (AN6290-16)	1	
	751 869	B	* "O" RING - (AN6227-B22)	1	
-43	751 759		* ELEMENT - Filter (AN6235-1A)	1	
-44	484 701		* * PACKING - "O" Ring (AN6227-7)	1	
-45	756 164		* SPRING - (572 755)	1	

When ordering, always specify Part Number, Description and Serial Number of Aircraft

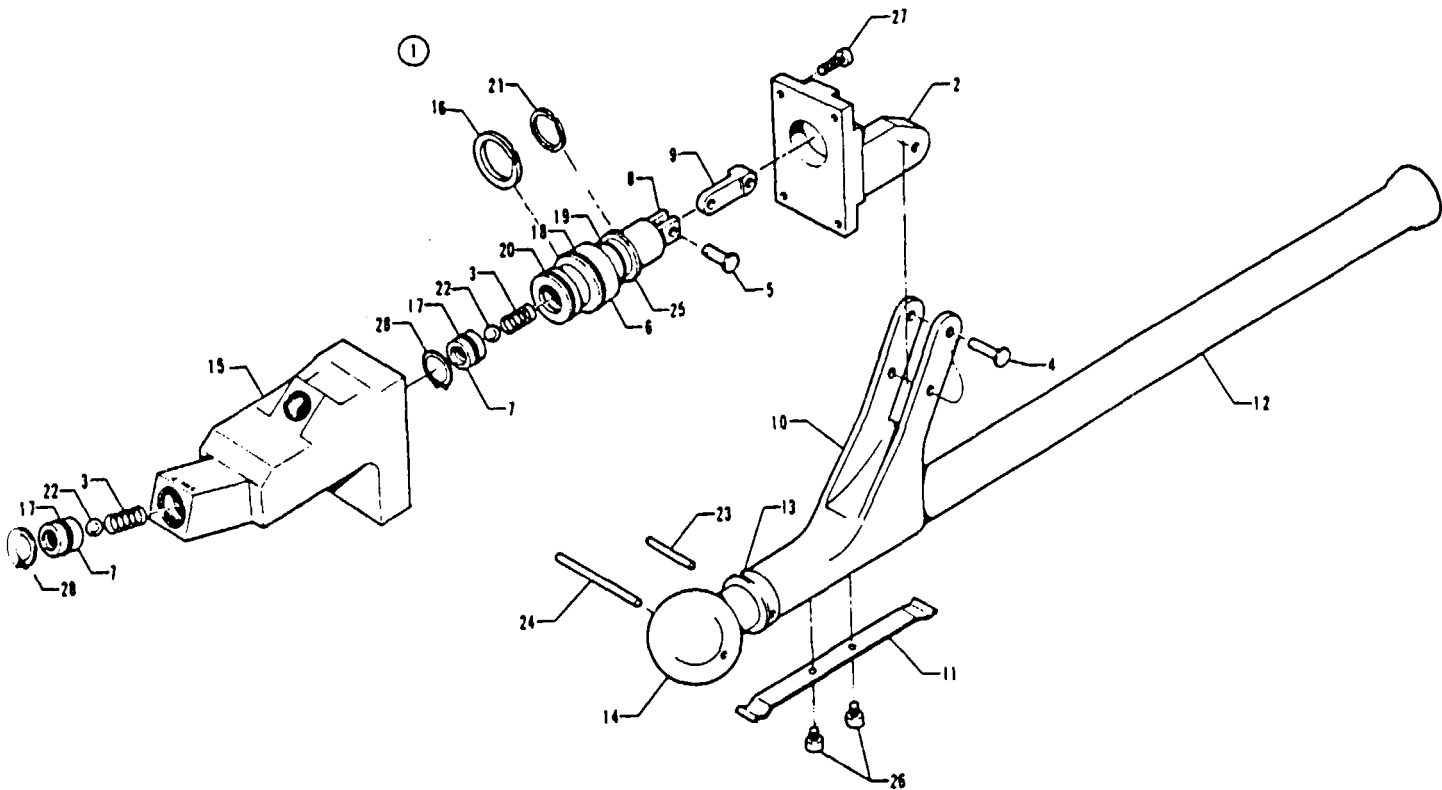


Figure 108. Hydraulic Hand Pump Assembly

PIPER PARTS CATALOG

CODE EXPLANATIONS FOR FIGURE 108

PIPER PARTS CATALOG

Figure and Index Number	Part Number	Code	NOMENCLATURE	No. Req.	SERIAL NUMBERS AFFECTED
108-1	481 771		PUMP - Hand (Wiebel 2112-1)	1	
-2	758 386		* BRACKET ASSEMBLY - (2112005-1)	1	
-3	762 302		* SPRING - (2112003-1)	2	
-4	757 497		* PIN - Quick click (3/16 x .750)	2	
-5	757 496		* PIN - Quick click (3/16 x .437)	1	
-6	755 055		* GLAND - (2112004-1)	1	
-7	762 316		* SEAT - (2112002-1)	2	
-8	763 405		* PLUNGER - (2112006-1)	1	
-9	761 205		* LINK - (2112007-1)	1	
-10	761 204		* LEVER ASSEMBLY - (2112009-1)	1	
-11	762 309		* SPRING - (2112010-1)	1	
-12	755 276		* HANDLE - (2112008-1)	1	
-13	762 314		* STOP - (2112011-1)	1	
-14	755 056		* GRIP - (2112012-1)	1	
-15	758 385		* BODY - Hand pump (2112001-1)	1	
-16	762 540		* RING - Back-up (MS28774-021)	1	
-17	755 941		* PACKING - (MS28775-011)	2	
-18	757 233		* PACKING - (MS28775-021)	1	
-19	757 223		* PACKING - (MS28775-114)	1	
-20	762 552		* RING - Seal (7115MS-160-T)	1	
-21	762 542		* RING - Back-up (MS28774-114)	1	
-22	753 484		* BALL - (MS510457)	2	
-23	757 494		* PIN - Spring - (MS171532)	1	
-24	757 236		* PIN - Spring - (MS171537)	1	
-25	762 285		* SCRAPER - (S-11065-3)	1	
-26	762 292		* SCREW - (AN535-4-3)	2	
-27	762 291		* SCREW - (NAS1351C4-10)	4	
-28	755 962		* RETAINER - (5000-43H)	2	

When ordering, always specify Part Number, Description and Serial Number of Aircraft

PIPER PARTS CATALOG

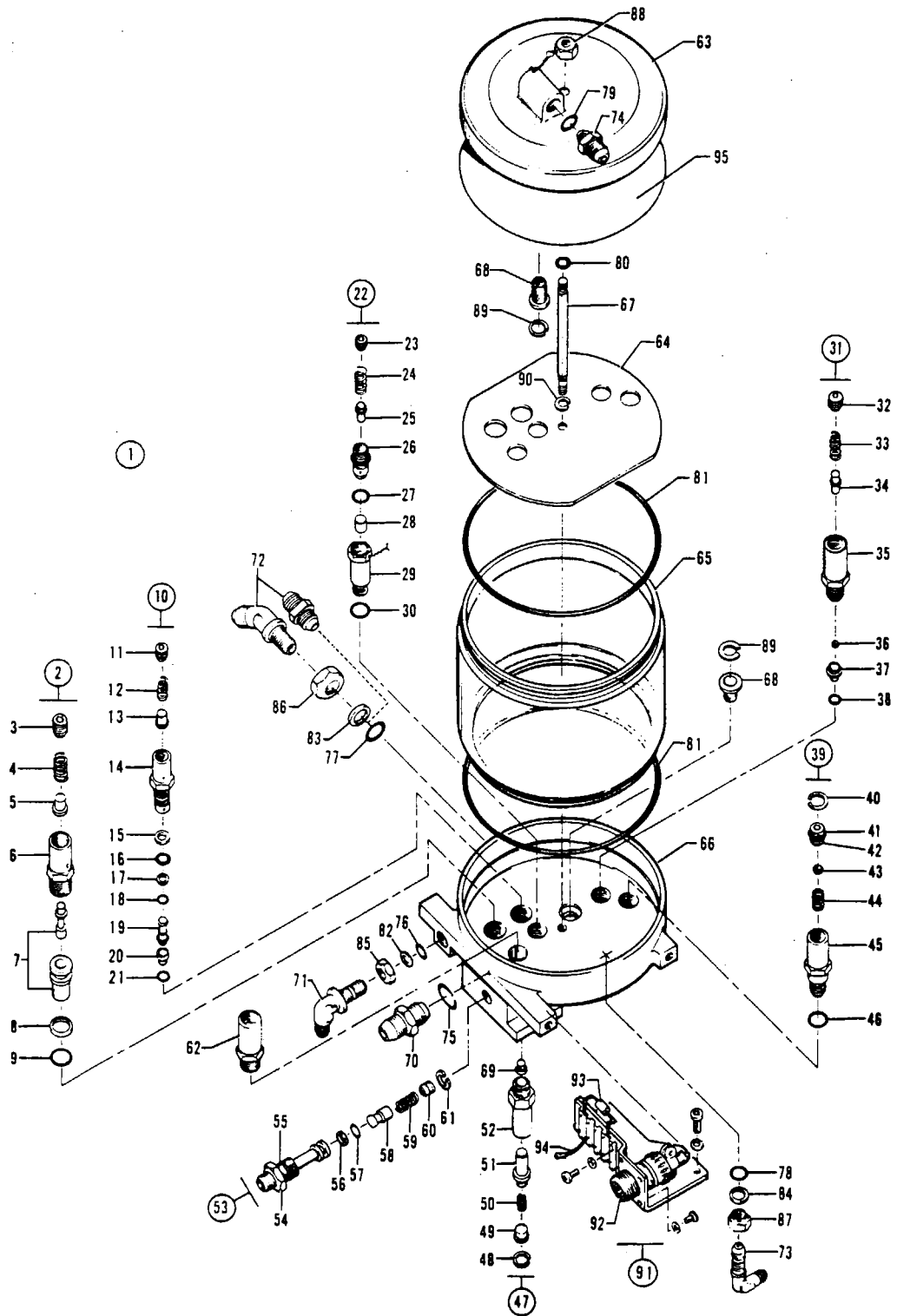


Figure 109. Hydraulic Powerpak Assembly (Wiebel)

PIPER PARTS CATALOG

CODE EXPLANATIONS FOR FIGURE 109

A - See Figure 110 for balance of powerpak components.

PIPER PARTS CATALOG

Figure and Index Number	Part Number	Code	NOMENCLATURE	No. Req.	SERIAL NUMBERS AFFECTED
109-1	481 171	A	POWERPAK ASSEMBLY - New (Wiebel 2135-1)	1	
-2	756 549		* PRIMARY RELIEF VALVE ASSEMBLY - (2135-101)	1	
-3	762 286		* * SCREW - Adjusting (2135008-1)	1	
-4	762 298		* * SPRING - (2135010-1)	1	
-5	758 387		* * BUTTON - Guide (2135009-1)	1	
-6	758 379		* * BODY - Relief valve (2135007-1)	1	
-7	763 408		* * POPPET AND SEAT - (2135006-1)	1	
-8	762 536		* * RETAINER - Back-up (MS28774-13)	1	
-9	757 277		* * "O" RING - (MS28775-013)	1	
-10	756 550		* PRIORITY VALVE ASSEMBLY - (2135-102)	1	
-11	762 286		* * SCREW - Adjusting (2135008-1)	1	
-12	762 299		* * SPRING - (2135012-1)	1	
-13	758 387		* * BUTTON - Guide (2135009-1)	1	
-14	758 380		* * BODY - Priority valve (2135011-1)	1	
-15	762 536		* * RETAINER - Back-up (MS28774-013)	1	
-16	757 277		* * "O" RING - (MS28775-013)	1	
-17	762 537		* * RETAINER - Back-up (MS28774-006)	1	
-18	757 268		* * "O" RING - (MS28775-006)	1	
-19	763 406		* * POPPET - (2135013-1)	1	
-20	762 293		* * SEAT - Poppet (2135014-1)	1	
-21	757 270		* * "O" RING - (MS28775-012)	1	
-22	756 551		* DOOR VENT VALVE ASSEMBLY - (2135-106)	1	
-23	762 287		* * SCREW - Adjusting (2135045-1)	1	
-24	762 300		* * SPRING - (2135044-1)	1	
-25	762 311		* * STEM - Guide (2135043-1)	1	
-26	762 296		* * SLEEVE - (2135042-1)	1	
-27	757 263		* * "O" RING - (MS28775-010)	1	
-28	757 498		* * PISTON - (2135041-1)	1	
-29	758 381		* * BODY - Vent valve (2135040-1)	1	
-30	757 265		* * "O" RING - (MS28778-3)	1	
-31	756 552		* HAND PUMP RELIEF VALVE ASSEMBLY - (2135-107)	1	
-32	762 288		* * SCREW - Adjusting (2135028-1)	1	
-33	762 301		* * SPRING - (2135029-1)	1	
-34	762 312		* * STEM - Guide (2135031-1)	1	
-35	758 382		* * BODY - Relief valve (2135030-1)	1	
-36	753 455		* * BALL - (MS150453)	1	
-37	762 317		* * SEAT - Ball (2135032-1)	1	
-38	755 941		* * "O" RING - (MS28775-011)	1	
-39	756 553		* TIME DELAY CHECK VALVE ASSEMBLY - (2135-105)	1	
-40	755 962		* * RING - Snap (5000-43H)	1	
-41	755 941		* * "O" RING - (MS28775-011)	1	
-42	762 316		* * SEAT - (2112002-1)	1	
-43	753 484		* * BALL - (MS150457)	1	
-44	762 302		* * SPRING - (2112003-1)	1	
-45	758 383		* * BODY - Delay valve (2135027-1)	1	
-46	757 265		* * "O" RING - (MS28778-3)	1	
-47	763 204		* CARTRIDGE ASSEMBLY - Handle return (2135-104)	2	
-48	755 980		* * RING - Snap (5000-50H)	1	
-49	758 388		* * BUTTON - Plug (2135024-1)	1	
-50	762 303		* * SPRING - (2135023-1)	1	
-51	763 402		* * PLUNGER - (2135022-1)	1	
-52	758 384		* * BODY - Handle return (2135021-1)	1	
-53	756 554		* ENGINE PUMP CHECK VALVE ASSEMBLY - (2135-108)	1	
-54	754 853		* * FITTING - (2135035-1)	1	
-55	757 266		* * "O" RING - (MS28775-015)	1	
-56	762 536		* * RETAINER - Back-up (MS28774-013)	1	
-57	757 277		* * "O" RING - (MS28775-013)	1	
-58	763 407		* * POPPET - (2135038-1)	1	

When ordering, always specify Part Number, Description and Serial Number of Aircraft

PIPER PARTS CATALOG

Figure and Index Number	Part Number	Code	NOMENCLATURE	No. Req.	SERIAL NUMBERS AFFECTED
109-59	762 304		* * SPRING - (2135037-1)	1	
-60	758 389		* * BUTTON - Plug (2135036-1)	1	
-61	762 546		* * RING - Snap (5000-31H)	1	
-62	754 851		* STAND PIPE FILTER - (2135039-1)	1	
-63	763 210		* COVER - Reservoir (2135004-1)	1	
-64	763 401		* PLATE - Baffle (2135046-1)	1	
-65	762 545		* RESERVOIR - (2135058-1)	1	
-66	758 378		* BODY - Powerpak (2135001-1)	1	
-67	762 553		* ROD - (2135033-1)	1	
-68	754 852		* FILTER - (2135034-1)	2	
-69	762 289		* SCREW - (2135018-1)	2	
-70	491 053		* UNION - (AN815-8D)	1	
-71	458 901		* ELBOW - (AN833-6D)	1	
-72	458 911		* ELBOW - (AN837-5D)	1	
-73	458 899		* ELBOW - (AN833-3D)	1	
-74	491 050		* UNION - (AN815-4D)	1	
-75	757 275		* "O" RING - (MS28778-8)	1	
-76	755 940		* "O" RING - (MS28778-6)	1	
-77	757 284		* "O" RING - (MS28778-5)	1	
-78	757 265		* "O" RING - (MS28778-3)	1	
-79	757 276		* "O" RING - (MS28778-4)	1	
-80	752 587		* "O" RING - (MS28775-009)	1	
-81	752 589		* "O" RING - (2-257N-304-75)	2	
-82	753 486		* RETAINER - Back-up (MS28777-6)	1	
-83	757 283		* RETAINER - Back-up (MS28777-5)	1	
-84	753 490		* RETAINER - Back-up (MS28777-3)	1	
-85	752 521		* NUT - (AN6289-D6)	1	
-86	752 525		* NUT - (AN6289-D5)	1	
-87	752 524		* NUT - (AN6289-D3)	1	
-88	752 520		* NUT - (NAS509-5)	1	
-89	755 980		* RETAINER - Snap ring (5000-50H)	2	
-90	762 547		* RETAINER - Snap ring (5133-37)	1	
-91	758 390		* BRACKET ASSEMBLY - Receptacle and capacitor (2135055-102)	1	
-92	762 555		* * RECEPTACLE ASSEMBLY - (2135055-103)	1	
-93	763 212		* * CAPACITOR ASSEMBLY - (2135055-104)	1	
-94	755 057		* GROUND WIRE ASSEMBLY - (2135055-105)	1	
-95	763 411		* PLATE - Deflector (2135060-1)	1	

When ordering, always specify Part Number, Description and Serial Number of Aircraft

PIPER PARTS CATALOG

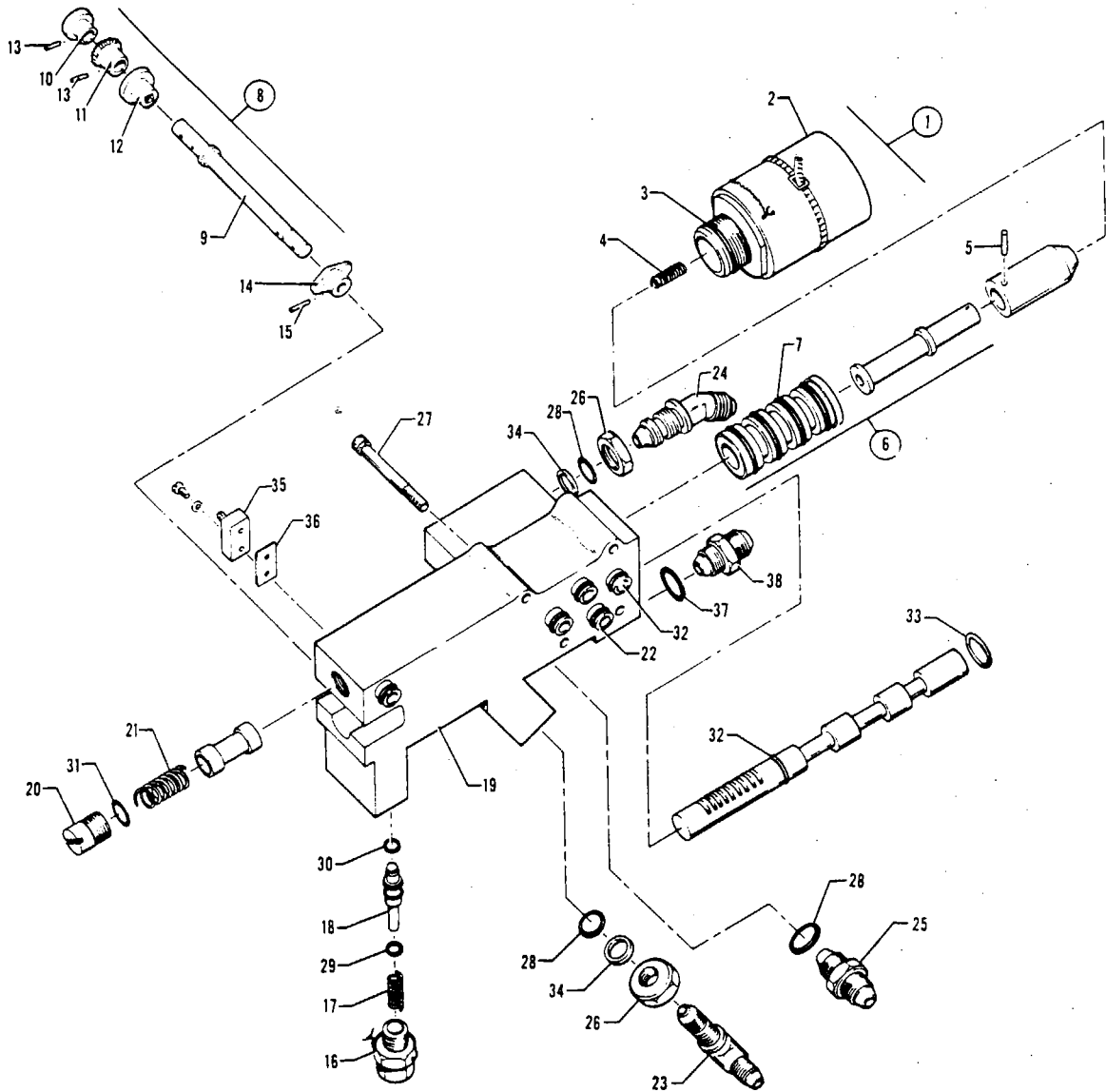


Figure 110. Hydraulic Powerpak Components (Wiebel)

PIPER PARTS CATALOG

CODE EXPLANATIONS FOR FIGURE 110

PIPER PARTS CATALOG

Figure and Index Number	Part Number	Code	NOMENCLATURE	No. Req.	SERIAL NUMBERS AFFECTED
110-1	756 555		SOLENOID VALVE ASSEMBLY - (2135-109)	1	
-2	762 310		* SOLENOID ASSEMBLY - (2135015-1)	1	
-3	757 229		* "O" RING - (MS28775-018)	1	
-4	762 305		* SPRING - Plunger return (2135053-1)	1	
-5	757 495		* PIN - (2135054-1)	1	
-6	762 297		* SLEEVE AND SPOOL - (2135005-1)	1	
-7	757 269		* "O" RING - (MS28775-016)	4	
-8	762 294		INPUT SHAFT ASSEMBLY - (2135-103)	1	
-9	762 295		* SHAFT - Input (2135020-1)	1	
-10	763 207		* CAM - Switch (2135048-1)	1	
-11	755 054		* GEAR - Spur (2135026-1)	1	
-12	763 205		* CAM - Detent (2135025-1)	1	
-13	757 291		* ROLL PIN - (MS171528)	2	
-14	763 206		CAM - Rocker (2135019-1)	1	
-15	757 291		ROLL PIN - (MS171528)	1	
-16	762 543		RETAINER - (2135016-1)	1	
-17	762 306		SPRING - (2135057-1)	1	
-18	763 403		PLUNGER - (2135017-1)	1	
-19	761 656		MANIFOLD ASSEMBLY - (2135002-1)	1	
-20	762 544		RETAINER - (2135049-1)	1	
-21	762 307		SPRING - (2135050-1)	1	
-22	761 983		TUBE - Transfer (2135051-1)	5	
-23	458 900		ELBOW - (AN833-4D)	1	
-24	458 910		ELBOW - (AN837-4D)	1	
-25	491 050		UNION - (AN815-4D)	1	
-26	477 676		NUT - (AN6289-D4)	2	
-27	762 290		SCREW - (NAS1351C4-28)	4	
-28	757 276		"O" RING - (AN28778-4)	3	
-29	757 263		"O" RING - (MS28775-010)	1	
-30	757 279		"O" RING - (MS28775-008)	1	
-31	757 270		"O" RING - (MS28775-012)	1	
-32	755 941		"O" RING - (MS28775-011)	11	
-33	757 277		"O" RING - (MS28775-013)	1	
-34	762 538		RETAINER - Back-up (MS28777-4)	2	
-35	762 315		SWITCH ASSEMBLY - (2135055-101)	1	
-36	763 409		PLATE - Insulating (2135055-11)	1	
-37	757 276		"O" RING - (AN28778-4)	1	
-38	491 050		UNION - (AN815-4D)	1	

When ordering, always specify Part Number, Description and Serial Number of Aircraft

PIPER PARTS CATALOG

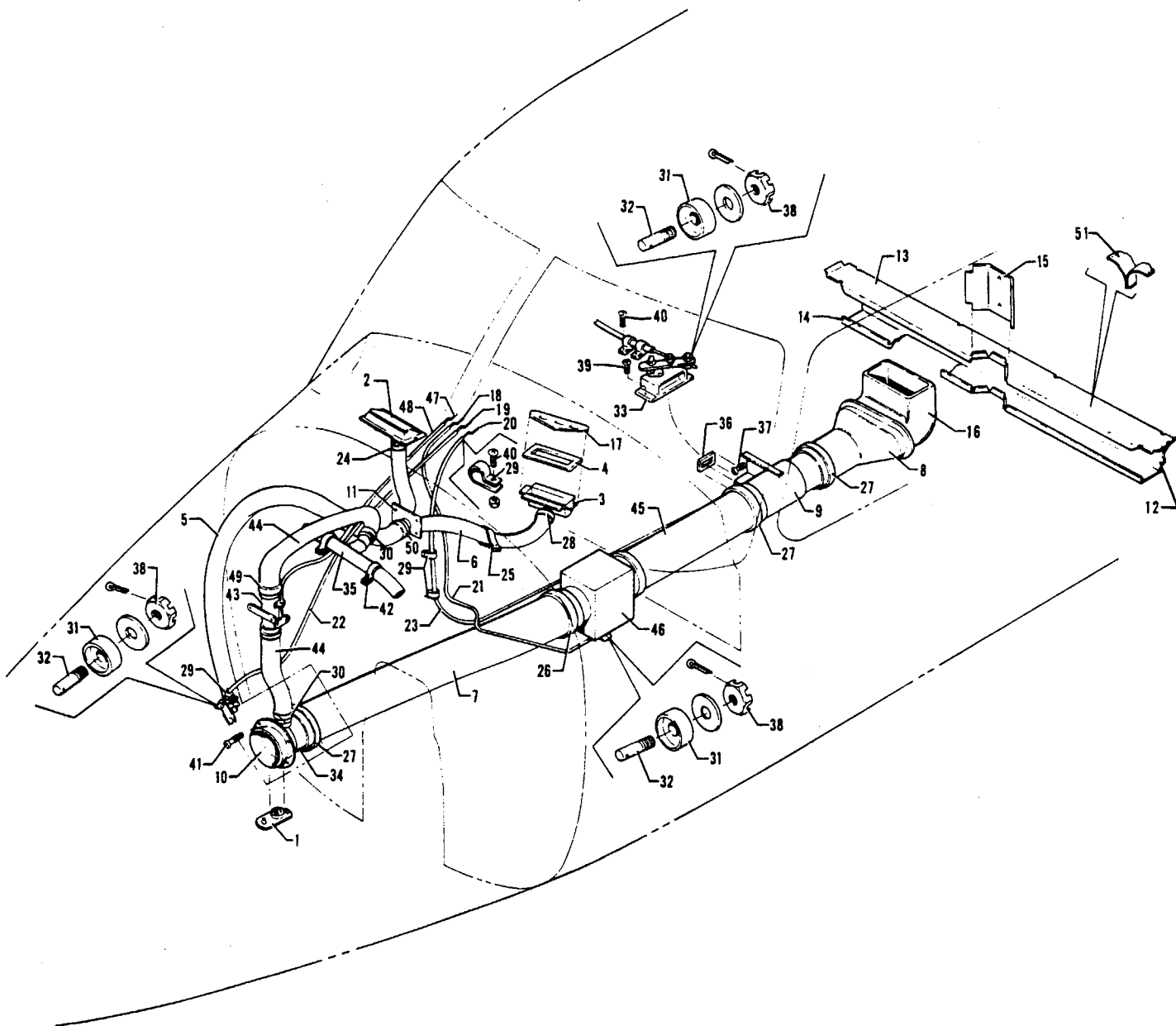


Figure 111 Heater and Defroster System Installation
(See Code "A")

PIPER PARTS CATALOG

CODE EXPLANATIONS FOR FIGURE 111

- A - Used on aircraft with serial numbers 31T-8275001 to 31T-8275003 inclusive, 31T-8275005 to 31T-8275016 inclusive, 31T-8275018 to 31T-8375002 inclusive, 31T-8375004 and up.
- B - See Figure 114 for component parts.

PIPER PARTS CATALOG

Figure and Index Number	Part Number	Code	NOMENCLATURE	No. Req.	SERIAL NUMBERS AFFECTED
111-	81565 52537		DRAWING - Heater and Defroster Installation DRAWING - Heat Duct Installation		
-1	44823-00		PLATE ASSEMBLY - Heater exhaust tube	1	
-2	77735-18		OUTLET - Defroster air, right	1	
-3	41958-04		BOX ASSEMBLY - Defroster air, left	1	
-4	41957-00		* GASKET - Defroster air box	1	
-5	22502-72		DUCT - Defroster air	1	
-6	565 322		DUCT - Defroster air (OLSH-100-12-80-6)	1	
-7	56952-23		DUCT - Heater air distribution, forward	1	
-8	52497-00		DUCT ASSEMBLY - Heat	1	
-9	52512-00		DUCT ASSEMBLY - Heat	1	
-10	52458-05		TUBE ASSEMBLY - Air distribution	1	
-11	43951-05		DUCT ASSEMBLY - Defroster	1	
-12	52327-03		PANEL - Heat duct	1	
-13	81467-04		PLATE ASSEMBLY - Heat duct	1	
-14	81473-02		PLATE - Heat duct	1	
-15	52335-00		PLATE - Heat duct	1	
-16	52494-00		ELBOW ASSEMBLY - Heat duct	1	
-17	42778-00		PLATE - Defroster outlet trim	1	
-18	22470-19		WIRE - Heater inlet valve	1	
-19	22470-11		WIRE - Defroster air control	1	
-20	22470-17		WIRE - Cockpit heat control	1	
-21	22472-26		HOUSING - Heater inlet valve wire	1	
-22	22472-21		HOUSING - Defroster air control wire	1	
-23	22472-23		HOUSING - Cockpit heat control wire	1	
-24	77736-10		DUCT - Defroster air	1	
-25	487 679		STRAP - (PS10017-3-3-12F)	1	
-26	454 914		CLAMP - (A3122-50-1J)	2	
-27	554 834		CLAMP - (SAE TY F-40)	3	
-28	554 929		CLAMP - (SAE TY A-1 11/16)	4	
-29	454 887		CLAMP - (PS10017-1-3)	13	
-30	554 701		CLAMP - (SAE TY F-16)	2	
-31	70371-02		FITTING - Control wire heat distribution	3	
-32	70371-03		STUD - Control wire heat distribution	3	
-33	757 726	B	SWITCH ASSEMBLY - Adjustable duct (250 Degrees) (68D01)	1	
-34	54005-00		TUBE ASSEMBLY - Air distribution	1	
-35	01260-02		TUBE ASSEMBLY - Air distribution	1	
-36	24671-00		GASKET - Cabin heat distribution duct	1	
-37	411 532		SCREW - (MS35207-263)	2	
-38	404 392		NUT - (AN320-3)	3	
	81342-19		WASHER	3	
	424 051		COTTER PIN - (MS24665-132)	3	
-39	415 521		SCREW - (MS35206-231)	2	
-40	411 532		SCREW - (MS35207-263)	13	
	404 887		NUT - (MS20365-1032C)	13	
-41	415 535		SCREW - (MS35206-245)	4	
-42	454 977		CLAMP - Tube assembly (PS10017-2-16)	2	
-43	71478-02		VALVE ASSEMBLY - Air duct	1	
-44	56952-17		HOSE - Air duct, upper	1	
	56952-22		HOSE - Air duct, lower	1	
-45	22502-16		DUCT - Heater air distribution, aft	1	
-46	43974-06		BOX ASSEMBLY - Heater air distribution	1	
-47	22470-20		WIRE - Air duct control	1	
-48	22472-28		HOUSING - Air duct control wire	1	
-49	554 623		CLAMP - (PS10017-20-16)	2	
-50	454 912		CLAMP - (A3122-34-1)	2	
-51	02035-02		DEFLECTOR ASSEMBLY - Air duct	1	31T-8275012 and up

When ordering, always specify Part Number, Description and Serial Number of Aircraft

PIPER PARTS CATALOG

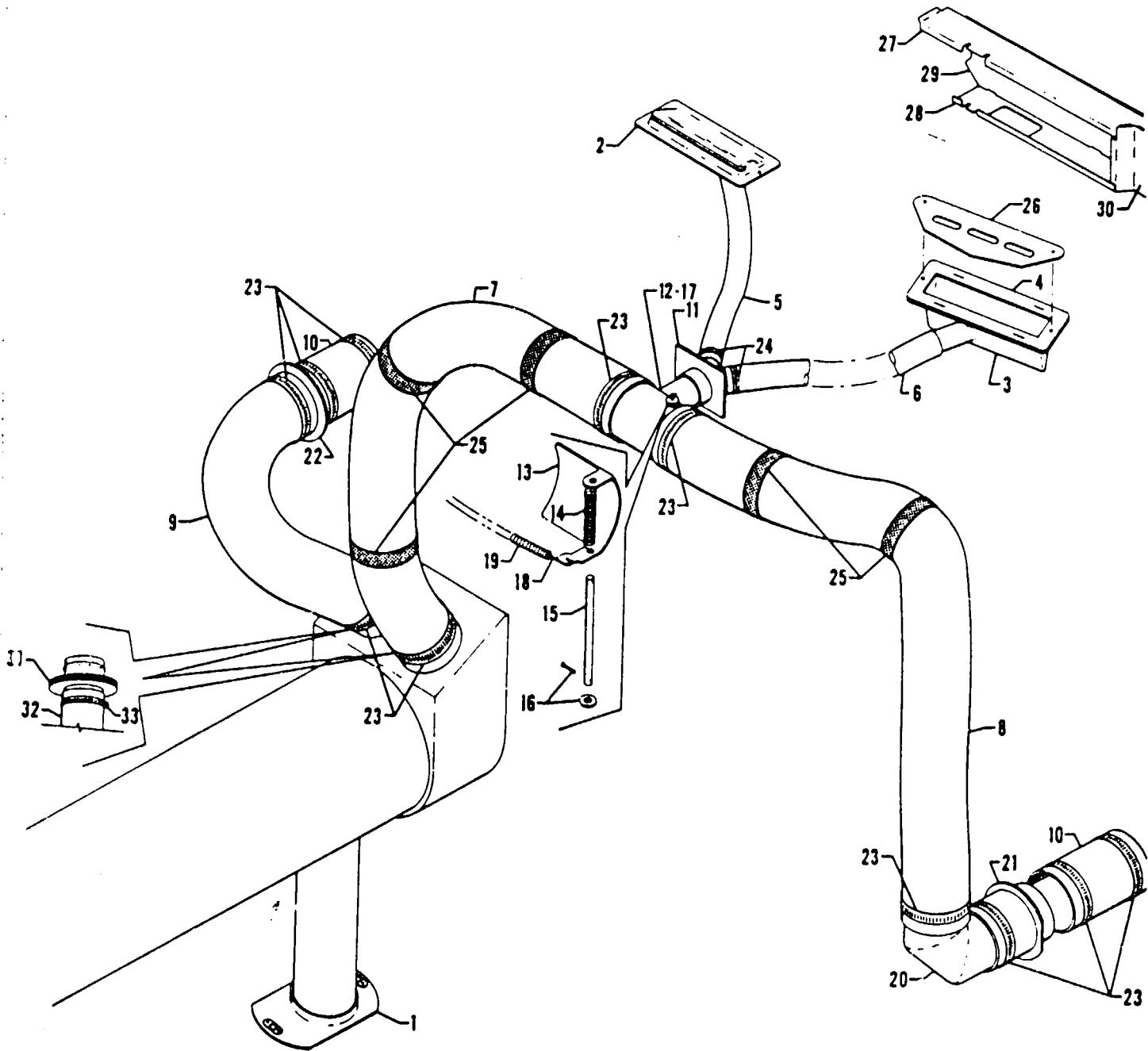


Figure 111A. Heater and Defroster System Installation.
(See Code "A")

PIPER PARTS CATALOG

CODE EXPLANATIONS FOR FIGURE 111A

- A - Used on aircraft with serial numbers 31T-8275004, 31T-8275017, 31T-8375003.
- B - Used if Auxiliary Bleed Air Heat System is not installed.
- C - Used if Auxiliary Bleed Air Heat System is installed.

PIPER PARTS CATALOG

Figure and Index Number	Part Number	Code	NOMENCLATURE	No. Req.	SERIAL NUMBERS AFFECTED
111A-	02323		DRAWING - Heater and Defroster Installation		
-1	44823-00		PLATE ASSEMBLY - Heater exhaust tube	1	
-2	77735-18		OUTLET - Defroster air, right	1	
-3	41958-04		BOX ASSEMBLY - Defroster air, left	1	
-4	41957-00		* GASKET - Defroster air box	1	
-5	77736-10		DUCT - Defroster air, right	1	
-6	565 322		DUCT - Defroster air, left (OLSH-100-12-80-6)	1	
-7	29998-18		HOSE - Air duct	1	
-8	29998-19		HOSE - Air duct	1	
-9	29998-20		HOSE - Air duct	1	
-10	29998-14		HOSE - Air duct	2	
-11	43951-05		DUCT ASSEMBLY - Defroster	1	
-12	02310-02		TUBE ASSEMBLY - Defroster control (complete)	1	
-13	02305-02		* VALVE - Defroster control	1	
-14	02308-02		* SPRING - Defroster control	1	
-15	02309-02		* PIN - Defroster control	1	
-16	407 564		* WASHER - (AN960-10)	2	
	424 032		* COTTER PIN - (MS24665-170)	2	
-17	02333-02		COVER - Insulating (cloth)	1	
-18	22470-19		WIRE - Defroster control	1	
-19	22472-26		HOUSING - Defroster control	1	
-20	02369-03		TUBE ASSEMBLY - Air supply	1	
-21	02369-02		TUBE ASSEMBLY - Air supply	1	
-22	50466-00		TUBE ASSEMBLY - Air supply	1	
-23	554 926		CLAMP - (SAE TY F-44)	11	
-24	554 929		CLAMP - (SAE TY A-1 11/16)	4	
-25	487 679		STRAP - (PS10017-3-3-12F)	5	
-26	42778-00		PLATE - Defroster outlet trim	1	
-27	81467-02		PLATE ASSEMBLY - Heat duct	1	
-28	81473-03	B	PLATE - Heat duct	1	
	81473-02	C	PLATE - Heat duct	1	
-29	52327-03		PANEL - Heat duct	1	
-30	52335-00		PLATE - Heat duct	1	
-31	02359-02	C	VALVE ASSEMBLY - Check	2	
-32	29998-15	C	HOSE - Duct	2	
-33	554 926	C	CLAMP - (SAE TY F-44SS)	4	

When ordering, always specify Part Number, Description and Serial Number of Aircraft

2G24
INTENTIONALLY LEFT BLANK

PIPER PARTS CATALOG

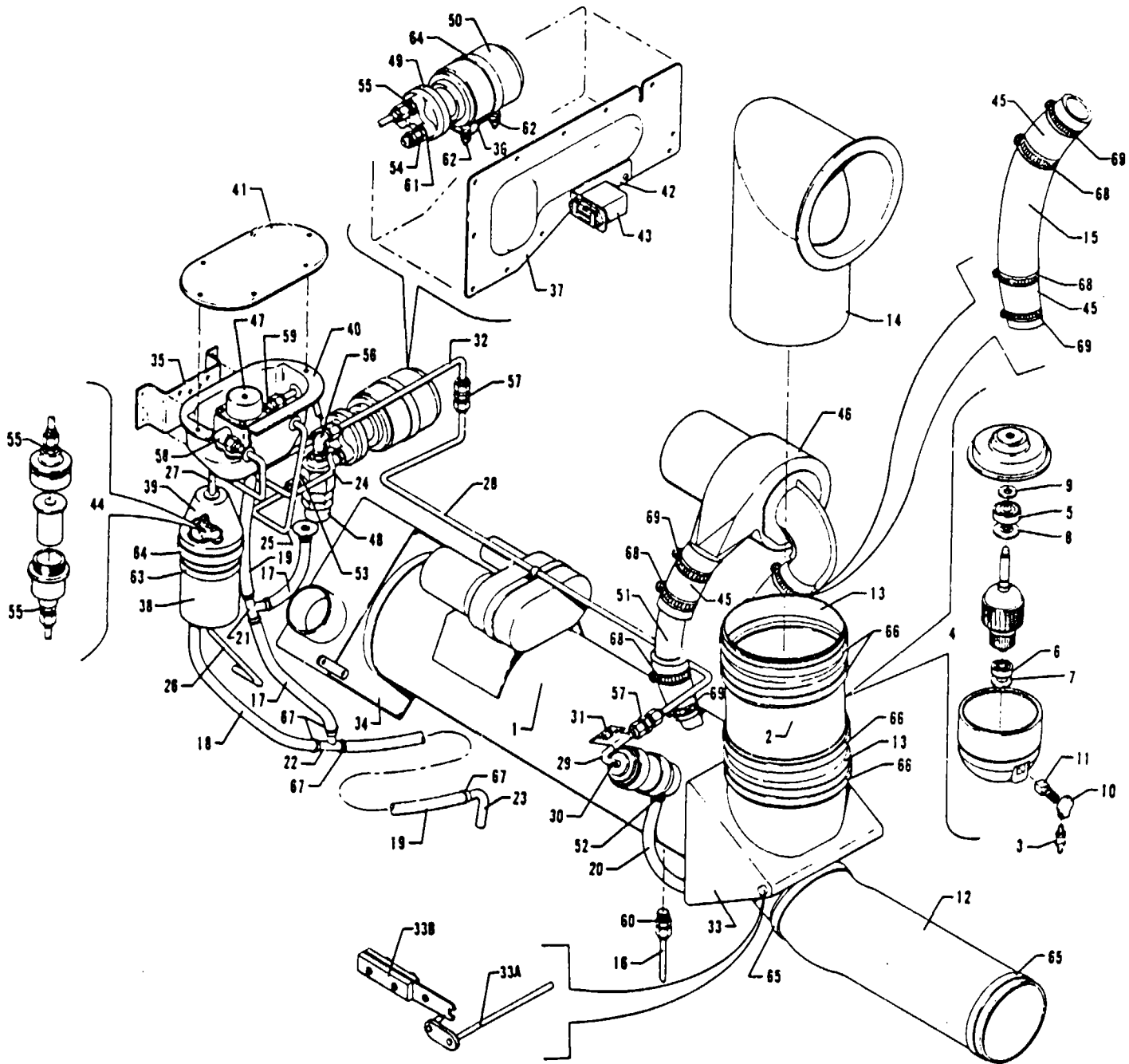


Figure 112. Heater Installation
(See Code "A")

PIPER PARTS CATALOG

CODE EXPLANATIONS FOR FIGURE 112

- A - Used on aircraft with serial numbers 31T-8275001 to 31T-8275003 inclusive, 31T-8275005 to 31T-8275016 inclusive, 31T-8275018 to 31T-8375002 inclusive, 31T-8375004 and up.
- B - See Figure 114 for component parts.
- C - See Figure 87 for component parts.
- D - See Figure 113 for component parts.

PIPER PARTS CATALOG

Figure and Index Number	Part Number	Code	NOMENCLATURE	No. Req.	SERIAL NUMBERS AFFECTED
112-	81565		DRAWING - Heater and Defroster Installation		
-1		D	HEATER ASSEMBLY	1	
-2	48365-02		FAN ASSEMBLY - Recirculating	1	
-3	754 818		* FILTER - Radio (1591)	1	
-4	753 803		* MOTOR ASSEMBLY - D.C. (M2916DJA)	1	
-5	758 160		* * BEARING - Ball, annular (K 271B-200L)	1	
-6	758 161		* * BEARING - Ball, annular (K 271B-38L)	1	
-7	757 619		* * SPRING - Loading (K 129-25)	1	
-8	757 620		* * SHIELD - Bearing (536-2)	1	
-9	757 621		* * SLINGER - Flat (461)	1	
-10	757 897		* * CAP - Electric contact (417-H3)	2	
-11	758 162		* * BRUSH - Electric contact (420A-24)	2	
-12	22502-65		DUCT - Fresh air inlet	1	
-13	46333-00		COUPLING - Fresh air	2	
-14	81560-02		TUBE ASSEMBLY - Fresh air inlet	1	
-15	01736-02		TUBE - Combustion air	1	
-16	41775-02		TUBE - Drain, heater	1	
-17	80006-10		TUBE - Fuel drain, plastic	2	
-18	80006-31		TUBE - Fuel drain, plastic	1	
-19	22369-03		TUBE - Fuel drain, plastic	2	
-20	22369-09		TUBE - Fuel drain, plastic	1	
-21	47652-00		TUBE ASSEMBLY - Drain connector	1	
-22	54684-02		TUBE - Drain connector	1	
-23	54684-07		TUBE - Drain	1	
-24	81627-02		LINE ASSEMBLY - Heater fuel	1	
-25	81628-02		LINE ASSEMBLY - Heater fuel	1	
-26	81629-02		LINE ASSEMBLY - Heater fuel	1	
-27	81630-02		LINE ASSEMBLY - Heater fuel	1	
-28	81593-02		LINE ASSEMBLY - Heater fuel	1	
-29	81592-02		LINE ASSEMBLY - Heater fuel	1	
-30	560 806		* FILTER - Fuel (in line)	1	
-31	80596-02		* PLACARD - Filter servicing instructions	1	
-32	49955-02		LINE ASSEMBLY - Heater fuel	1	
-33	81559-02		BOX ASSEMBLY - Heater air inlet	1	
-33a	81559-14		* ROD ASSEMBLY - Heater air box	1	
-33b	01615-02		* ARM ASSEMBLY - Heater air box	1	
-34	53108-06		BOX ASSEMBLY - Heat distribution	1	
-35	23765-02		BRACKET - Heater fuel regulator mounting	1	
-36	51304-04		BRACKET ASSEMBLY - Heater fuel pump mounting	1	
-37	81578-02		COVER ASSEMBLY - Heater fuel pump access	1	
-38	49279-02		SHROUD ASSEMBLY - Heater fuel filter	1	
-39	49274-02		COVER - Heater fuel filter shroud	1	
-40	49336-04		SHROUD ASSEMBLY - Heater fuel valve	1	
-41	49338-02		COVER ASSEMBLY - Heater fuel valve shroud	1	
-42	49407-04		BRACKET - Hour meter	1	
-43	51006-00		HOUR METER - Heater	1	
-44	460 593	C	FILTER ASSEMBLY - Heater fuel	1	
-45	49990-18		HOSE - Connector	4	
-46		B	COMBUSTION AIR BLOWER AND MOTOR ASSEMBLY	1	
-47	756 560		VALVE ASSEMBLY - Fuel regulator and shut-off	1	
-48	756 561		VALVE - Relief	1	
-49	757 432		FUEL PUMP - Heater	1	
-50	761 686		* MOTOR - Heater fuel pump	1	
-51	01735-02		TUBE - Combustion air blower	1	
-52	454 833		CLAMP - (SAE TY E-6)	1	

When ordering, always specify Part Number, Description and Serial Number of Aircraft

PIPER PARTS CATALOG

Figure and Index Number	Part Number	Code	NOMENCLATURE	No. Req.	SERIAL NUMBERS AFFECTED
112-53	50579-00		UNION - Special	1	
	462 058		GASKET - (MS29512-4)	1	
-54	491 060		UNION - (AN832-4D)	1	
	477 618		NUT - (AN924-4D)	1	
-55	491 050		UNION - (AN815-4D)	3	
	477 618		GASKET - (MS29512-4)	3	
-56	458 900		ELBOW - (AN833-4D)	1	
	477 618		NUT - (AN924-4D)	1	
-57	491 050		UNION - (AN815-4D)	2	
-58	458 894		ELBOW - (MS20822-4D)	1	
-59	488 316		TEE - (AN826-4D)	1	
-60	476 686		NIPPLE - (AN816-4)	1	
	477 634		NUT - (AN818-4)	1	
	486 897		SLEEVE - (MS20819-4D)	1	
-61	477 618		GASKET - (MS29512-4)	3	
-62	401 266		BOLT - (AN3-5A)	4	
	85012-79		WASHER	4	
	404 887		NUT - (MS20365-1032C)	4	
	434 126		GROMMET - (MS35489-4)	4	
-63	80051-06		CLAMP - Fuel filter shroud	1	
-64	554 834		CLAMP - (SAE TY F-40)	2	
-65	554 726		CLAMP - (SAE TY F-64)	2	
-66	554 946		CLAMP - (SAE TY F-8SS)	4	
-67	454 983		CLAMP - (SAE TY E-8)	10	
-68	554 988		CLAMP - (QS200M36S)	4	
-69	01747-02		CLAMP - Hose	4	

When ordering, always specify Part Number, Description and Serial Number of Aircraft

PIPER PARTS CATALOG

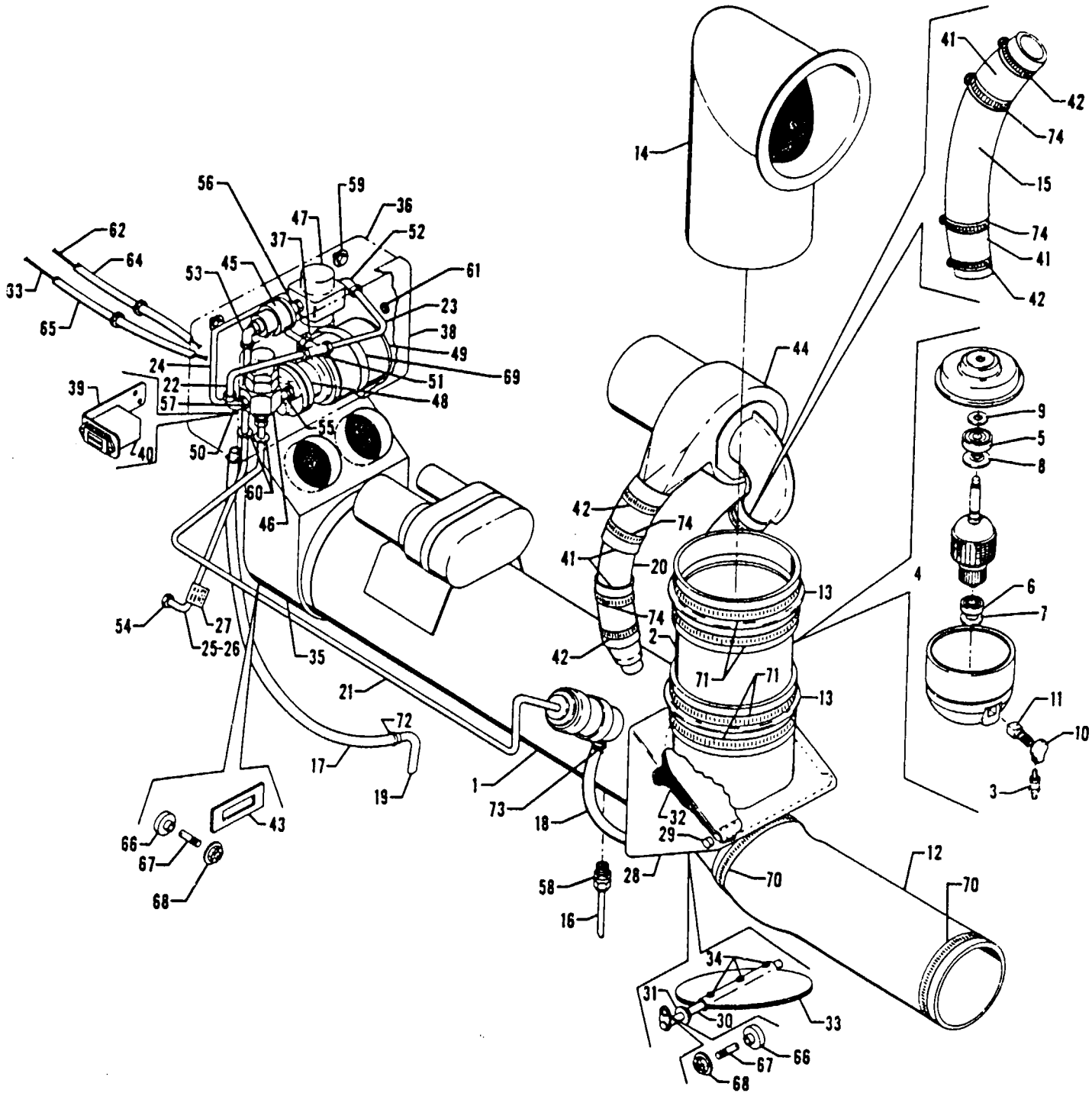


Figure 112A Heater Installation
(See Code "A")

PIPER PARTS CATALOG

CODE EXPLANATIONS FOR FIGURE 112A

- A - Used on aircraft with serial numbers 31T-8275004, 31T-8275017, 31T-8375003.
- B - See Figure 113 for component parts.
- C - See Figure 114 for component parts.
- D - See Figure 87 for component parts.

PIPER PARTS CATALOG

Figure and Index Number	Part Number	Code	NOMENCLATURE	No. Req.	SERIAL NUMBERS AFFECTED
112A-	02323		DRAWING - Heater and Defroster Installation		
-1		B	HEATER ASSEMBLY	1	
-2	48365-02		FAN ASSEMBLY - Recirculating	1	
-3	754 818		* FILTER - Radio (1591)	1	
-4	753 803		* MOTOR ASSEMBLY - D.C. (M2916DJA)	1	
-5	758 160		* * BEARING - Ball, annular (K271B-200L)	1	
-6	758 161		* * BEARING - Ball, annular (K271B-38L)	1	
-7	757 619		* * SPRING - Loading (K129-25)	1	
-8	757 620		* * SHIELD - Bearing (536-2)	1	
-9	757 621		* * SLINGER - Flat (461)	1	
-10	757 897		* * CAP - Electric contact (417-H3)	2	
-11	758 162		* * BRUSH - Electric contact (420A-24)	2	
-12	22502-65		DUCT - Fresh air inlet	1	
-13	46333-00		COUPLING - Fresh air	2	
-14	81560-02		TUBE ASSEMBLY - Fresh air inlet	1	
-15	01736-02		TUBE - Combustion air	1	
-16	41775-02		TUBE - Drain, heater	1	
-17	22369-04		TUBE - Fuel drain, plastic	1	
-18	22369-09		TUBE - Fuel drain, plastic	1	
-19	54684-07		TUBE - Drain	1	
-20	01735-02		TUBE - Combustion air blower	1	
-21	02297-02		LINE ASSEMBLY - Heater fuel	1	
-22	02294-02		LINE ASSEMBLY - Heater fuel	1	
-23	02295-02		LINE ASSEMBLY - Heater fuel	1	
-24	02296-02		LINE ASSEMBLY - Heater fuel	1	
-25	02293-02		LINE ASSEMBLY - Heater fuel	1	
-26	560 806		* FILTER - Fuel (in line)	1	
-27	80596-02		* PLACARD - Filter servicing instructions	1	
-28	81559-20		BOX ASSEMBLY - Heater air inlet	1	
-29	81559-10		* ROD - Heater air box	1	
-30	81559-27		* ROD ASSEMBLY - Heater air box	1	
-31	453 825		* BUSHING - (NAS77-5-12)	1	
-32	81559-04		* VALVE ASSEMBLY - Air inlet, upper	1	
-33	81559-29		* VALVE ASSEMBLY - Air inlet, lower	1	
-34	415 522		* SCREW - (MS35206-232)	3	
	407 562		* WASHER - (AN960-6)	3	
	404 902		* NUT - (MS20365-632C)	3	
-35	02317-02		BOX ASSEMBLY - Heat distribution	1	
-36	02303-02		BOX ASSEMBLY - Heater fuel control	1	
-37	51304-04		* BRACKET ASSEMBLY - Heater fuel pump mounting	1	
-38	02302-02		COVER ASSEMBLY - Heater fuel control box	1	
-39	49407-04		BRACKET - Hour meter mounting	1	
-40	51006-00		HOUR METER - Heater	1	
-41	49990-18		HOSE - Connector	4	
-42	01747-02		CLAMP - Hose	4	
-43	24671-00		GASKET - Heat distribution box	1	
-44		C	COMBUSTION AIR BLOWER AND MOTOR ASSEMBLY	1	
-45	460 593	D	FILTER ASSEMBLY - Heater fuel	1	
-46	756 561		VALVE - Relief	1	
-47	756 560		VALVE ASSEMBLY - Fuel regulator and shut-off	1	
-48	757 432		FUEL PUMP - Heater	1	
-49	761 686		* MOTOR - Heater fuel pump	1	

When ordering, always specify Part Number, Description and Serial Number of Aircraft

PIPER PARTS CATALOG

Figure and Index Number	Part Number	Code	NOMENCLATURE	No. Req.	SERIAL NUMBERS AFFECTED
112A-50	50479-00		ELBOW - Special	1	
-51	488 320		TEE - (AN824-4D)	1	
-52	458 894		ELBOW - (MS20822-4D)	1	
-53	458 900		ELBOW - (AN833-4D)	1	
	462 058		GASKET - (MS29512-4)	1	
	477 618		NUT - (AN924-4D)	1	
-54	458 900		ELBOW - (AN833-4D)	1	
	477 618		NUT - (AN924-4D)	1	
-55	491 060		UNION - (AN832-4D)	1	
	462 058		GASKET - (MS29512-4)	2	
	477 618		NUT - (AN924-4D)	2	
-56	451 869		ADAPTER - (R100-4)	1	
	462 058		GASKET - (MS29512-4)	1	
-57	462 058		GASKET - (MS29512-4)	1	
	477 618		NUT - (AN924-4D)	1	
-58	476 648		NIPPLE - (AN816-4D)	1	
	477 612		NUT - (AN818-4D)	1	
	486 897		SLEEVE - (MS20819-4D)	1	
-59	400 103		BOLT - (AN4-6)	3	
	81342-104		WASHER	3	
-60	434 155		GROMMET - (MS35489-7S)	5	
-61	434 117		GROMMET - (MS35489-4S)	1	
-62	22470-17		WIRE - Air inlet box control	1	
-63	22470-19		WIRE - Air duct control	1	
-64	22472-23		HOUSING - Air inlet box control wire	1	
-65	22472-26		HOUSING - Air duct control wire	1	
-66	70371-02		FITTING - Control wire	2	
-67	70371-03		STUD - Control wire	2	
-68	81342-19		WASHER	2	
	404 392		NUT - (AN320-3)	2	
	424 051		COTTER PIN - (MS24665-132)	2	
-69	554 834		CLAMP - (SAE TY F-40)	1	
-70	554 726		CLAMP - (SAE TY F-64)	2	
-71	554 946		CLAMP - (SAE TY F-8SS)	4	
-72	454 983		CLAMP - (SAE TY E-8)	2	
-73	454 833		CLAMP - (SAE TY E-6)	1	
-74	554 988		CLAMP - (QS200M36S)	4	

When ordering, always specify Part Number, Description and Serial Number of Aircraft

PIPER PARTS CATALOG

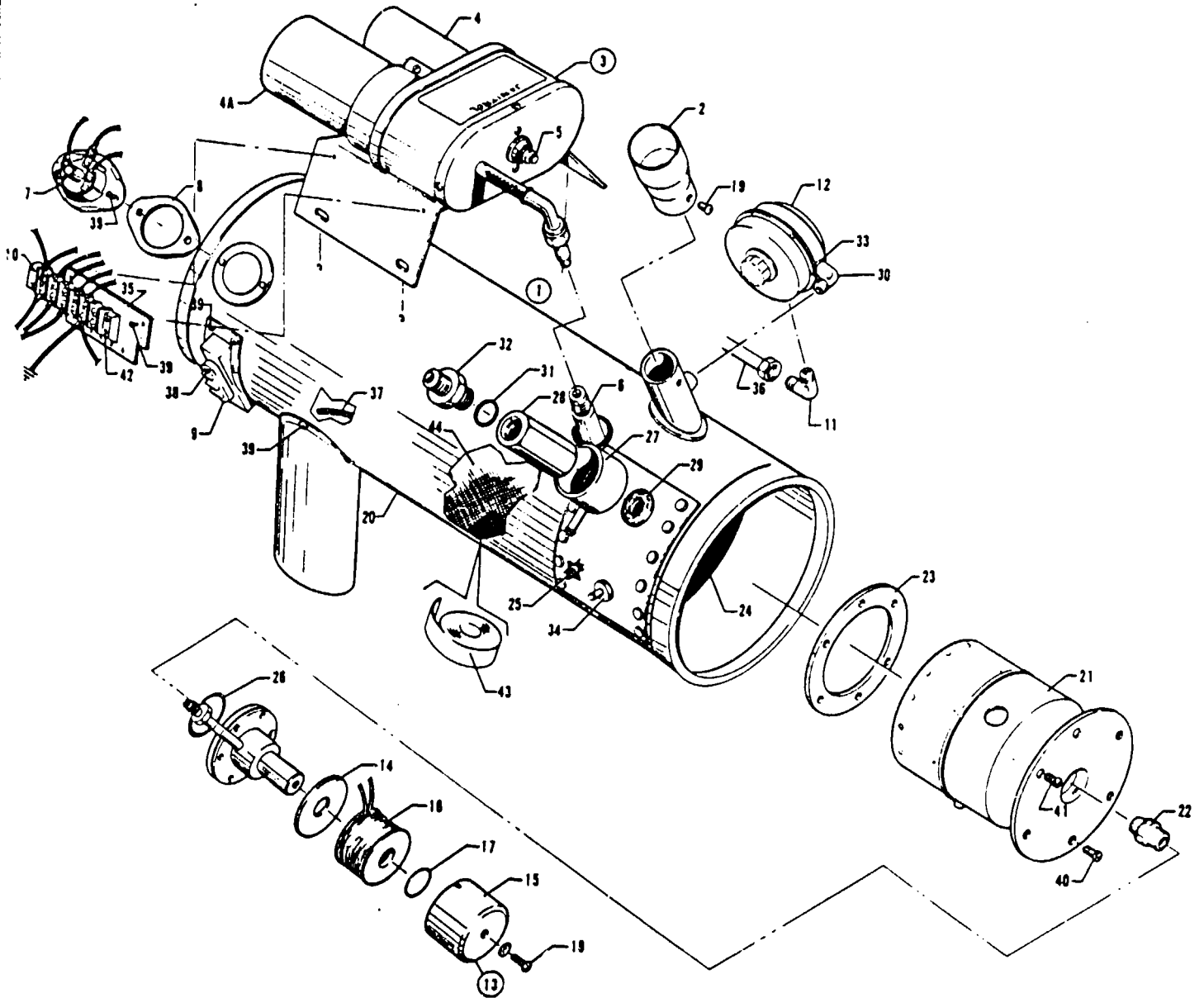


Figure 113. Heater Assembly

REVISED: APRIL 1983

PIPER PARTS CATALOG

CODE EXPLANATIONS FOR FIGURE 113

PIPER PARTS CATALOG

Figure and Index Number	Part Number	Code	NOMENCLATURE	No. Req.	SERIAL NUMBERS AFFECTED
113-1	755 346		HEATER ASSEMBLY - (23E62-2)	1	
-2	751 274		* ADAPTER	1	
-3	755 464		* IGNITION ASSEMBLY	1	
-4	756 577		* * VIBRATOR	1	
-4a	757 888		* * COIL - Ignition	1	
-5	754 812		* * FILTER - Noise	1	
-6	763 495		* PLUG - Spark	1	
-7	762 463		* SWITCH - Limit	1	
-8	751 874		* GASKET - Limit switch	2	
-9	756 178		* SWITCH - Cycling	1	
-10	761 946		* STRIP - Terminal	1	
-11	754 771		* ELBOW	1	
-12	757 756		* SWITCH - Pressure	1	
-13	754 866		* FUEL FEED, NOZZLE HOLDER AND SOLENOID VALVE ASSEMBLY	1	
-14	755 864		* * PLATE - Solenoid base	1	
-15	753 900		* * COVER - Solenoid	1	
-16	763 300		* * COIL - Solenoid	1	
-17	752 608		* * "O" RING	1	
-18	415 533		* * SCREW - (MS35206-243)	1	
	407 042		* * LOCKWASHER - (MS35338-42)	1	
-19	762 274		* SCREW	1	
-20	752 140		* JACKET ASSEMBLY - Heater	1	
-21	755 343		* HEAD ASSEMBLY - Combustion	1	
-22	755 630		* NOZZLE - Fuel spray	1	
-23	751 920		* GASKET - Head	1	
-24	762 051		* TUBE ASSEMBLY - Combustion	1	
-25	755 087		* GASKET - Access cover	1	
-26	752 606		* "O" RING	1	
-27	756 183		* SHROUD ASSEMBLY - Fuel filter	1	
-28	754 867		* FILTER ASSEMBLY - Fuel	1	
-29	755 086		* GASKET - Fuel shroud	1	
-30	754 782		* ELBOW - Pressure switch	1	
-31	752 607		* "O" RING	1	
-32	762 607		* REDUCER	1	
-33	752 560		* NIPPLE	1	
-34	434 200		* GROMMET - (MS35489-1)	1	
-35	755 401		* INSULATOR - Terminal board	1	
-36	762 052		* TUBE ASSEMBLY - Pressure	1	
-37	755 098		* GASKET ASSEMBLY - Exhaust stack	1	
-38	757 797		* SCREW	4	
-39	757 795		* SCREW	14	
-40	757 796		* SCREW	5	
-41	414 761		* SCREW - (MS24693-S48)	1	
-42	757 798		* SCREW	2	
-43	924 289		TAPE - Pressure sensitive (roll)	1	
-44	181 337		INSULATION - (779440250) 40" wide	AR	

When ordering, always specify Part Number, Description and Serial Number of Aircraft

PIPER PARTS CATALOG

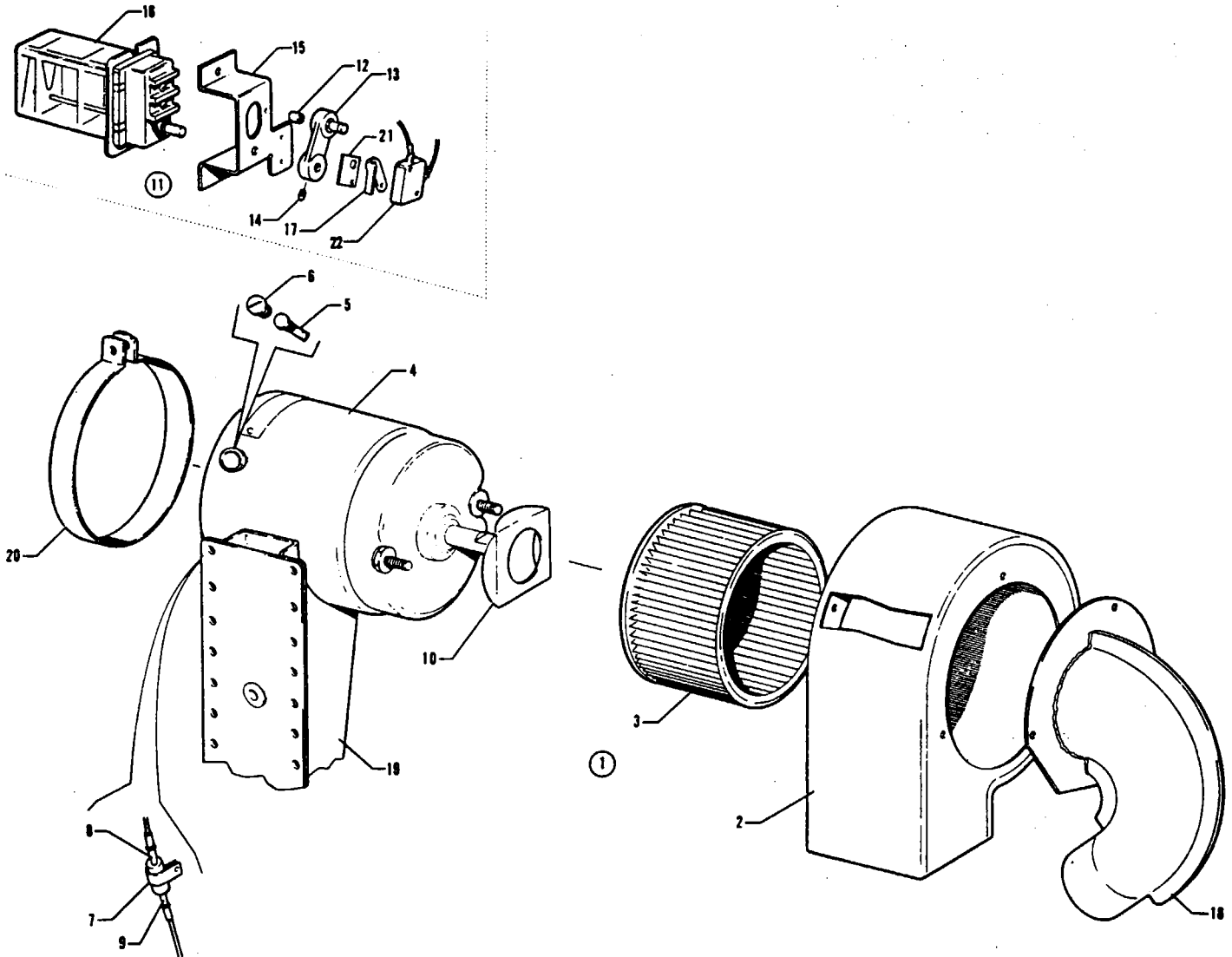


Figure 114. Heater Combustion Air Blower and Motor Assembly

PIPER PARTS CATALOG

CODE EXPLANATIONS FOR FIGURE 114

PIPER PARTS CATALOG

Figure and Index Number	Part Number	Code	NOMENCLATURE	No. Req.	SERIAL NUMBERS AFFECTED
114-1	758 048		COMBUSTION AIR BLOWER & MOTOR ASSEMBLY (89D22-2)	1	
-2	755 253		* HOUSING - Blower, outer half	1	
	755 252		* HOUSING - Blower, inner half	1	
-3	751 817		* FAN - Combustion air blower	1	
-4	761 608		* MOTOR ASSEMBLY - Combustion air blower	1	
-5	753 391		* * BRUSH ASSEMBLY - Motor	1	
-6	753 392		* * CAP	1	
-7	758 013		* * CAPACITOR	1	
-8	762 455		* * SLEEVE - High temperature	1	
-9	762 456		* * SLEEVE - High temperature	1	
-10	756 184		* SPACER - Motor	1	
-11	757 726		SWITCH ASSEMBLY - Adjustable duct (250 Degrees) (88D01)	1	
-12			* SPACER	1	
-13	752 367		* LEVER - Switch	1	
-14			* SCREW - (AN565D8H3)	1	
-15			* BRACKET ASSEMBLY - Switch	1	
-16	756 262		* SWITCH - Adjustable duct	1	
-17	46541-01		PLATE - Switch actuator	1	
-18	81587-02		ADAPTER ASSEMBLY - Heater blower	1	
-19	81557-02		BRACKET ASSEMBLY - Combustion air blower	1	
-20	554 972		CLAMP - (SAE TY F-52)	1	
-21	53918-02		PLATE - Insulator	1	
-22	487 940		SWITCH - Micro (MS25253-2)	1	

When ordering, always specify Part Number, Description and Serial Number of Aircraft

PIPER PARTS CATALOG

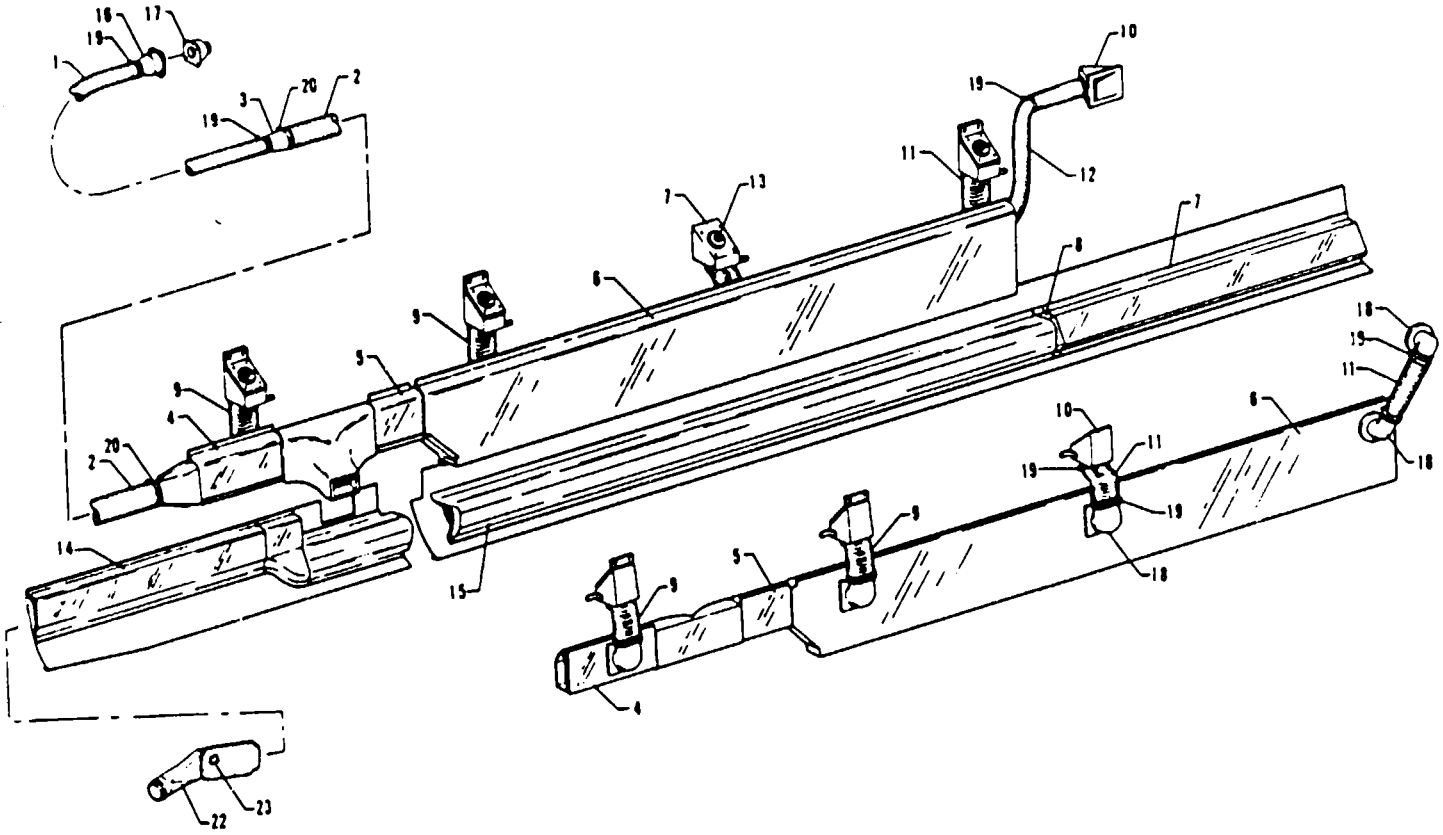


Figure 115. Air Distribution Duct Installation

PIPER PARTS CATALOG

CODE EXPLANATIONS FOR FIGURE 115

- A - Used on aircraft with serial numbers 31T-8275001 to 31T-8275003 inclusive, 31T-8275005 to 31T-8275016 inclusive, 31T-8275018 to 31T-8375002 inclusive, 31T-8375004 and up.
- B - Used on aircraft with serial numbers 31T-8275004, 31T-8275017, 31T-8375003.

PIPER PARTS CATALOG

Figure and Index Number	Part Number	Code	NOMENCLATURE	No. Req.	SERIAL NUMBERS AFFECTED
115-	81763		DRAWING - Air Distribution Duct Installation		
-1	80005-22		HOSE - Ventilating air, left	1	
	80005-23		HOSE - Ventilating air, right	1	
-2	80005-24		HOSE - Ventilating air	2	
-3	81221-02		TUBE ASSEMBLY - Reducer	2	
-4	01612-02		DUCT ASSEMBLY - Fresh air, left	1	
	01612-03		DUCT ASSEMBLY - Fresh air, right	1	
-5	55852-04		DUCT ASSEMBLY - Fresh air	2	
-6	55864-16		DUCT ASSEMBLY - Fresh air, left	1	
	55864-17		DUCT ASSEMBLY - Fresh air, right	1	
-7	74158-02		DUCT ASSEMBLY - Hot air, right	1	
-8	74164-02		CONNECTOR - Hot air ducts	1	
-9	10525-107		HOSE - Fresh air vent	5	
-10	55933-02		BOX ASSEMBLY - Fresh air vent, upper	8	
-11	10525-108		HOSE - Fresh air vent	3	
-12	56952-39		HOSE - Fresh air vent, right	1	
-13	492 203		VALVE ASSEMBLY - Air vent, clear (2541)	AR	
-14	81764-02	A	DUCT ASSEMBLY - Hot air, left	1	
	02288-02	B	DUCT ASSEMBLY - Hot air, left	1	
	81764-03	A	DUCT ASSEMBLY - Hot air, right	1	
	02288-03	B	DUCT ASSEMBLY - Hot air, right	1	
-15	52187-04	A	DUCT ASSEMBLY - Hot air, left	1	
	52187-06	B	DUCT ASSEMBLY - Hot air, left	1	
	52187-05	A	DUCT ASSEMBLY - Hot air, right	1	
	52187-07	B	DUCT ASSEMBLY - Hot air, right	1	
-16	46272-00		ADAPTER ASSEMBLY - Air valve	2	
-17	492 140		VALVE ASSEMBLY - Air vent (2473)	2	
-18	74105-05		DUCT ASSEMBLY - Fresh air vent	9	
-19	554 925		CLAMP - (SAE TY F-24)	22	
-20	554 984		CLAMP - (SAE TY F-36)	4	
-21	02290-02	B	DUCT ASSEMBLY - Hot air, left	1	
	02290-03	B	DUCT ASSEMBLY - Hot air, right	1	
-22	02319-02	B	* DEFLECTOR - Heat	1	

When ordering, always specify Part Number, Description and Serial Number of Aircraft

PIPER PARTS CATALOG

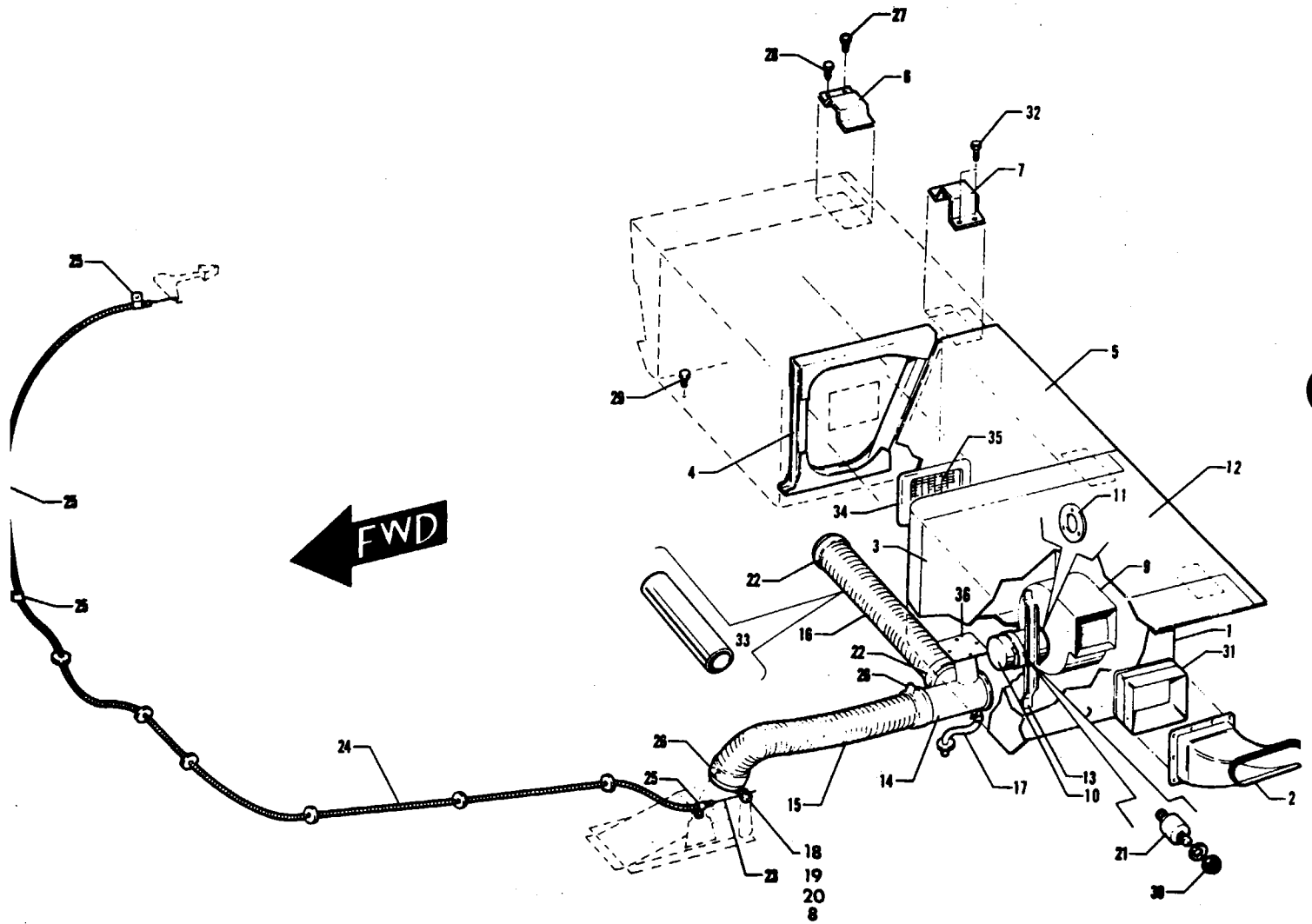


Figure 116. Ventilation System Installation

PIPER PARTS CATALOG

CODE EXPLANATIONS FOR FIGURE 116

- A - No longer available. Order complete Blower Assembly, Part No. 453 009 (Dukes, Inc. #1482-00-3) or Part No. 453 010 (Dukes, Inc. #1483-00-3), as a replacement. If Blower Assembly Part No. 453 009 or Part No. 453 010 has previously been installed, order Blower Motor Replacement Kit 764 382.
- B - Also used on aircraft with Serial Numbers 31T-8275001 to 31T-8275014 inclusive, 31T-8275017 and 31T-8275025 if Blower Assembly, Part No. 453 009 (Dukes, Inc. #1482-00-3) or Part No. 453 010 (Dukes, Inc. #1483-00-3) has been installed.
- C - Used on aircraft with serial numbers 31T-8275015, 31T-8275016, 31T-8375001 and up.
- D - Used if Auxiliary Bleed Air Heat System is installed.

PIPER PARTS CATALOG

Figure and Index Number	Part Number	Code	NOMENCLATURE	No. Req.	SERIAL NUMBERS AFFECTED
116-	52524 81496		DRAWING - Outside Air System Installation DRAWING - Air Box Installation		
-1	53039-02 81747-02		BOX ASSEMBLY - Air, left BOX ASSEMBLY - Air, right	1 1	
-2	55870-02		* DUCT ASSEMBLY - Lower fan exhaust	1	
-3	52663-02 52663-03		COVER - Air box access, front, left COVER - Air box access, front, right	1 1	
-4	71697-02		FRAME ASSEMBLY - Seat track support	1	
-5	52665-00		COVER ASSEMBLY - Main spar	1	
-6	81455-02 81455-03		BRACKET ASSEMBLY - Air box support, outboard, left BRACKET ASSEMBLY - Air box support, outboard, right	1 1	
-7	81459-02 81459-03		BRACKET ASSEMBLY - Air box support, inboard, left BRACKET ASSEMBLY - Air box support, inboard, right	1 1	
-8	404 392 424 051		NUT - (AN320-3) COTTER PIN - (MS24665-132)	1 1	
-9	453 010 453 009		BLOWER ASSEMBLY - Ventilating, left BLOWER ASSEMBLY - Ventilating, right	1 1	
-10	475 214	A	* MOTOR - Blower, right (F0017249 FT)	1	31T-8275001 to 31T-8275014 incl., 31T-8275017, 31T-8275025
	475 213	A	* MOTOR - Blower, left (F0017248 FT)	1	31T-8275001 to 31T-8275014 incl., 31T-8275017, 31T-8275025
	764 382	B.C	* KIT - Blower motor replacement	1	
-11	755 105		* GASKET - Vibration (1483-30-1)	1	
-12	52664-04 81746-02		COVER ASSEMBLY - Air box access, top, left COVER ASSEMBLY - Air box access, top, right	1 1	
-13	52696-06 52696-05		BRACKET ASSEMBLY - Blower support, left BRACKET ASSEMBLY - Blower support, right	1 1	
-14	52248-00		BOX ASSEMBLY - Outside air	1	
-15	49997-17		HOSE - Air inlet	1	
-16	49990-30		HOSE - Air inlet	2	
-17	22369-14		HOSE - Plastic	1	
-18	70371-03		STUD - Control wire, air box	1	
-19	70371-02		FITTING - Control wire, outside air	1	
-20	81342-19		WASHER - Outside air box	1	
-21	475 109		MOUNT - Air distribution motor (J-7219-22)	6	
-22	554 945		CLAMP - (SAE TY F-28)	4	
-23	22470-18		WIRE - Outside air control	1	
-24	22472-24		HOUSING - Outside air control wire	1	
-25	454 887		CLAMP - (PS10017-1-3)	4	
-26	554 834		CLAMP - (SAE TY F-40)	2	
-27	400 441 407 564 404 887		BOLT - (AN3-7A) WASHER - (AN960-10) NUT - (MS20365-1032C)	6 6 6	
-28	401 269 407 564 404 887		BOLT - (AN3-10A) WASHER - (AN960-10) NUT - (MS20365-1032C)	6 6 6	
-29	400 438 407 584		BOLT - (AN3-4A) WASHER - (AN960-10L)	4 4	

When ordering, always specify Part Number, Description and Serial Number of Aircraft

PIPER PARTS CATALOG

Figure and Index Number	Part Number	Code	NOMENCLATURE	No. Req.	SERIAL NUMBERS AFFECTED
116-30	407 563		WASHER - (AN960-8)	12	
	404 833		NUT - (MS20364-832C)	12	
-31	53027-06		CONNECTOR ASSEMBLY - Duct	2	
-32	401 509		BOLT - (AN7-15A)	4	
	407 568		WASHER - (AN960-716)	4	
	404 891		NUT - (MS20365-720C)	4	
-33	86142-49		TUBING - Air inlet	1	
-34	52956-00		COVER - Air box grill	2	
-35	52955-00		GRILL - Air box	2	
-36	02420-02	D	PLATE - Seal	1	

When ordering, always specify Part Number, Description and Serial Number of Aircraft

PIPER PARTS CATALOG

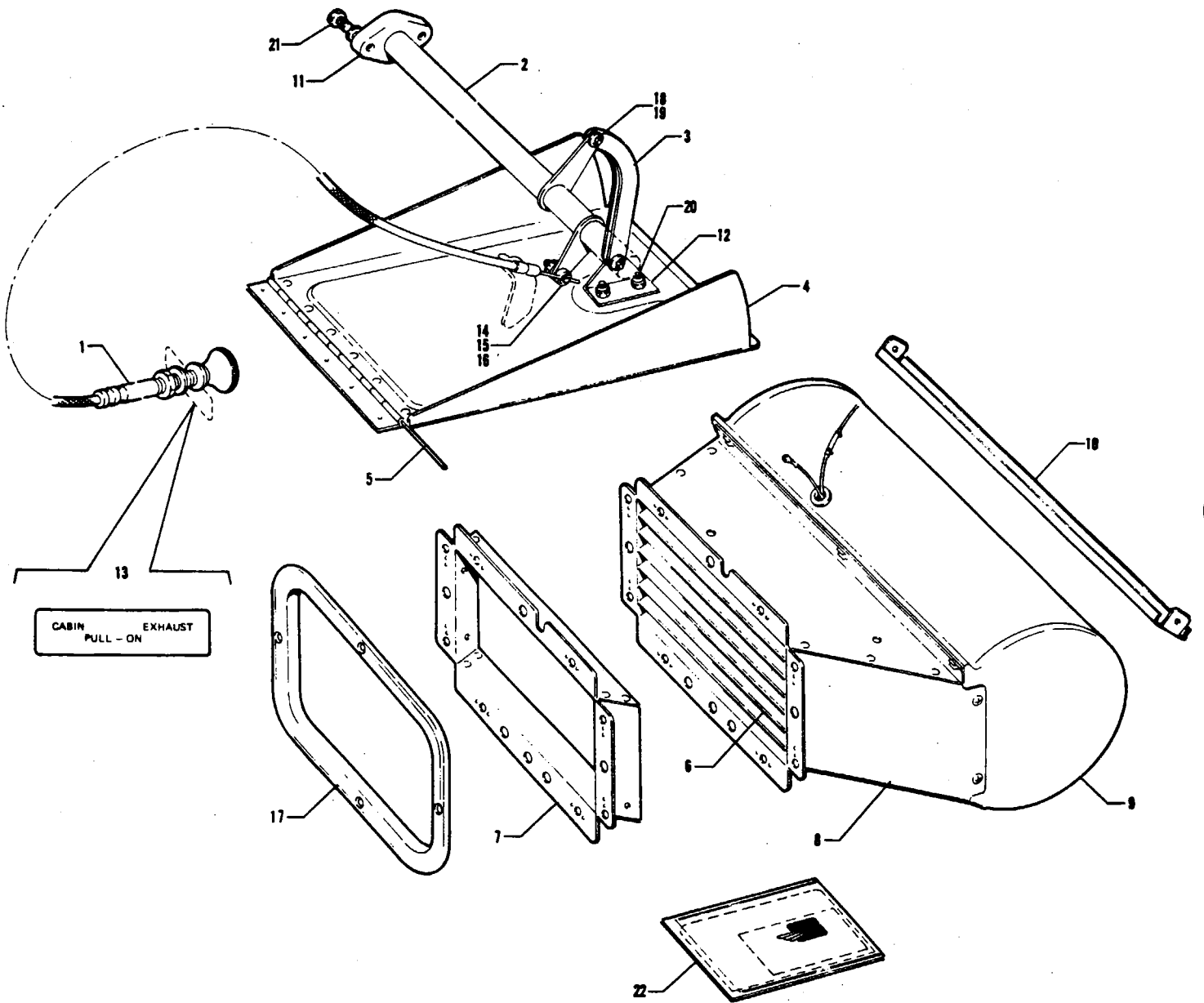


Figure 117. Cabin Exhaust Vent and Blower Installation

PIPER PARTS CATALOG

CODE EXPLANATIONS FOR FIGURE 117

A - Used if ground ventilation fan has been installed.

PIPER PARTS CATALOG

Figure and Index Number	Part Number	Code	NOMENCLATURE	No. Req.	SERIAL NUMBERS AFFECTED
117-	43827 81780		DRAWING - Cabin Exhaust Vent Installation DRAWING - Ground Ventilation Fan Installation		
-1	43866-04		CABLE ASSEMBLY - Control, cable exhaust vent	1	
-2	43782-00		ROD ASSEMBLY - Torque, cabin vent door	1	
-3	43781-00		ARM - Control, cabin vent door	2	
-4	43778-00		DOOR ASSEMBLY - Cabin vent	1	
-5	86092-92		* PIN - Cabin door vent	1	
-6	43822-00		GRILL - Ventilating fan	1	
-7	43834-00		BRACKET ASSEMBLY - Grill attachment	1	
-8	01762-02	A	DUCT ASSEMBLY - Ventilation fan	1	
-9	452 959		FAN - Ventilation (Dukes 1163-00-1)	1	
-10	43624-00	A	CHANNEL - Blower support	1	
-11	41820-00		BEARING - Torque tube	2	
-12	41804-02		ANGLE - Cabin vent door	1	
-13	43854-00		PLACARD - Cabin exhaust	1	
-14	70371-02		FITTING - Swivel	1	
-15	70371-03		STUD - Swivel	1	
-16	81342-19		WASHER - Swivel fitting	1	
	404 392		NUT - (AN320-3)	1	
	424 061		COTTER PIN - (MS24665-132)	1	
-17	43625-00		RETAINER - Carpet	1	
-18	424 171		PIN - (MS20392-2C7)	2	
	407 584		WASHER - (AN960-10L)	4	
	424 051		COTTER PIN - (MS24665-132)	2	
-19	407 584		WASHER - (AN960-10L)	AR	
-20	415 533		SCREW - (MS35206-243)	2	
	404 910		NUT - (MS20365-832C)	2	
-21	401 307		BOLT - (AN4-4A)	4	
	407 044		WASHER - (MS35338-44)	4	
	407 585		WASHER - (AN960-416L)	4	
-22	43996-00		KIT ASSEMBLY - Ventilation fan cover	1	

When ordering, always specify Part Number, Description and Serial Number of Aircraft

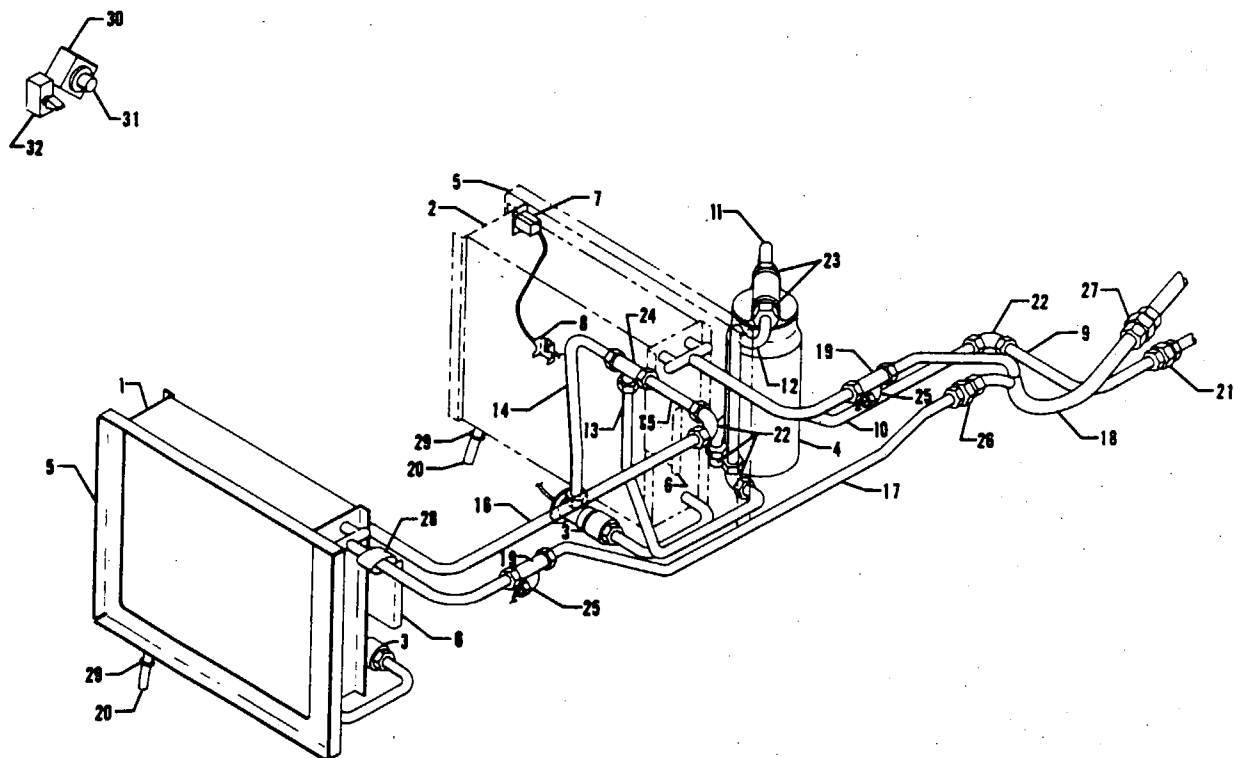


Figure 118. Air Conditioning System Installation - Fuselage

PIPER PARTS CATALOG

CODE EXPLANATIONS FOR FIGURE 118

PIPER PARTS CATALOG

Figure and Index Number	Part Number	Code	NOMENCLATURE	No. Req.	SERIAL NUMBERS AFFECTED
118-	81744		DRAWING - Freon System Installation, Fuselage		
-1	52671-02		EVAPORATOR ASSEMBLY - Left (complete)	1	
-2	01174-02		EVAPORATOR ASSEMBLY - Right (complete)	1	
-3	492 192		VALVE - Thermostatic expansion (226EFNP35)	2	
-4	456 622		RECEIVER - Dehydrator - (3046236)	1	
-5	52635-04		BRACKET ASSEMBLY - Evaporator support, left	1	
	52635-11		BRACKET ASSEMBLY - Evaporator support, right	1	
-6	54385-02		BRACKET ASSEMBLY - Evaporator support, left	1	
	54385-03		BRACKET ASSEMBLY - Evaporator support, right	1	
-7	74051-02		SWITCH ASSEMBLY - Freeze control	1	
-8	44843-00		FASTENER - Switch probe	2	
-9	01270-02		LINE ASSEMBLY - Freon	1	
-10	01271-02		LINE ASSEMBLY - Freon	1	
-11	81738-02		LINE ASSEMBLY - Freon	1	
-12	81737-02		LINE ASSEMBLY - Freon	1	
-13	01268-02		LINE ASSEMBLY - Freon	1	
-14	01269-02		LINE ASSEMBLY - Freon	1	
-15	80024-63		LINE ASSEMBLY - Freon	1	
-16	52680-00		LINE ASSEMBLY - Freon	1	
-17	01171-02		LINE ASSEMBLY - Freon	1	
-18	01170-02		LINE ASSEMBLY - Freon	1	
-19	47651-00		TEE - Special	2	
	486 301		SEAL - Aluminum (Seco 7-A-8)	4	
-20	22369-12		TUBE - Plastic, overboard drain	2	
-21	484 359		REDUCER - (AN919-12D)	1	
	486 301		SEAL - Aluminum (Seco 7-A-8)	1	
	486 300		SEAL - Aluminum (Seco 7-A-6)	1	
-22	458 882		ELBOW - (AN821-6D)	4	
	486 300		SEAL - Aluminum (Seco 7-A-6)	8	
-23	484 851		"O" RING - (2-011C557-70)	2	
-24	488 319		TEE - (AN824-6D)	1	
	486 300		SEAL - Aluminum (Seco 7-A-6)	3	
-25	458 894		ELBOW - (MS20822-4D)	2	
-26	491 053		UNION - (AN815-8D)	1	
	486 301		SEAL - Aluminum (Seco 7-A-8)	2	
-27	491 073		UNION - (AN815-12D)	1	
	486 302		SEAL - Aluminum (Seco 7-A-12)	2	
-28	189 777		TAPE - Insulating (1/8" x 2" wide) (30' roll)	AR	
-29	454 983		CLAMP - SAE TY E-8	2	
-30	74040-02		SWITCH ASSEMBLY - Temperature control	1	
-31	571 112		KNOB - (105D)	1	
-32	688 179		SWITCH - Air conditioner selector (2GL54-NWH3XPA1)	1	

When ordering, always specify Part Number, Description and Serial Number of Aircraft

PIPER PARTS CATALOG

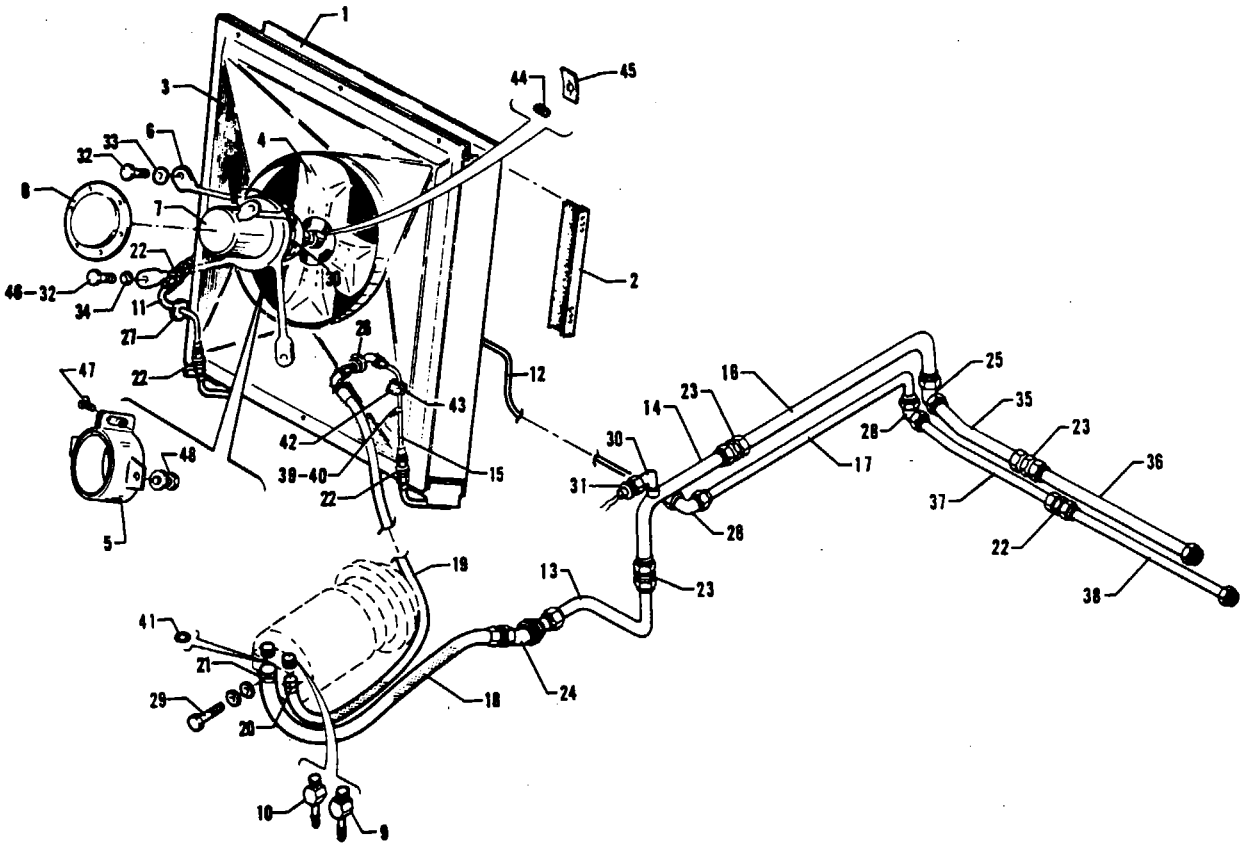


Figure 119. Air Conditioning System Installation - Wing

PIPER PARTS CATALOG

CODE EXPLANATIONS FOR FIGURE 119

PIPER PARTS CATALOG

Figure and Index Number	Part Number	Code	NOMENCLATURE	No. Req.	SERIAL NUMBERS AFFECTED
119-	81734 50366		DRAWING - Freon System Installation, Wing DRAWING - Freon Condenser Installation		
-1	50365-00		CONDENSER ASSEMBLY - (Complete)	1	
-2	50144-00 50144-01		BAFFLE ASSEMBLY - Condenser, inboard BAFFLE ASSEMBLY - Condenser, outboard	1 1	
-3	50940-00		SHROUD - Condenser fan	1	
-4	460 102		IMPELLER - Condenser fan	1	
-5	29234-02		CLAMP ASSEMBLY - Condenser motor mounting	1	
-6	29235-02		BRACKET ASSEMBLY - Condenser fan mounting	1	
-7	51349-00		MOTOR	1	
-8	51128-00		COVER - Fan, motor firewall	1	
-9	460 586		FITTING - Compressor (7-08042)	1	
-10	460 587		FITTING - Compressor (7-12044)	1	
-11	51275-00		LINE ASSEMBLY - Freon	1	
-12	81726-02		LINE ASSEMBLY - Freon	1	
-13	01141-02		LINE ASSEMBLY - Freon	1	
-14	01142-02		LINE ASSEMBLY - Freon	1	
-15	51276-02		LINE ASSEMBLY - Freon	1	
-16	81730-02		LINE ASSEMBLY - Freon	1	
-17	81727-02		LINE ASSEMBLY - Freon	1	
-18	80011-11		HOSE ASSEMBLY - Flexible	1	
-19	80011-12		HOSE ASSEMBLY - Flexible	1	
-20	554 990		CLAMP - (PHC 68)	1	
-21	554 976		CLAMP - (PHC 1012)	1	
-22	491 053 486 301		UNION - (AN815-8D) SEAL - Aluminum (Seco 7-A-8)	4 8	
-23	491 073 486 302		UNION - (AN815-12D) SEAL - Aluminum (Seco 7-A-12)	3 6	
-24	458 846 486 302 407 576 477 737		ELBOW - (AN837-12) SEAL - Aluminum (Seco 7-A-12) WASHER - (AN960-1716) NUT - (AN924-12)	1 2 2 1	
-25	558 813 486 302		ELBOW - (AN821-12D) SEAL - Aluminum (Seco 7-A-12)	1 2	
-26	458 848 486 301 407 573 477 691		ELBOW - (AN837-8) SEAL - Aluminum (Seco 7-A-8) WASHER - (AN960-1216) NUT - (AN924-8)	1 2 1 1	
-27	434 163		GROMMET - (MS35489-15S)	1	
-28	458 881 486 301		ELBOW - (AN821-8D) SEAL - Aluminum (Seco 7-A-8)	2 4	
-29	553 308 407 046 407 567		BOLT - Metric (DIN931-10, M10X50) WASHER - Lock (MS35338-46) WASHER - (AN960-616)	1 1 1	
-30	458 927		ELBOW - (49X4)	1	
-31	588 018		SWITCH - Low pressure (20PS000FC040K010D)	1	
-32	400 438		BOLT - (AN3-4A)	2	
-33	407 800		WASHER - (AN970-3)	2	
-34	407 564		WASHER - (AN960-10)	2	
-35	81729-02		LINE ASSEMBLY - Freon	1	
-36	80024-62		LINE ASSEMBLY - Freon	1	
-37	81728-02		LINE ASSEMBLY - Freon	1	
-38	80024-61		LINE ASSEMBLY - Freon	1	

When ordering, always specify Part Number, Description and Serial Number of Aircraft

PIPER PARTS CATALOG

Figure and Index Number	Part Number	Code	NOMENCLATURE	No. Req.	SERIAL NUMBERS AFFECTED
119-39	484 951		"O" RING - (MS28778-6)	1	
-40	29651-02		SWITCH ASSEMBLY - High pressure	1	
-41	484 856		"O" RING - (2-211C147-7)	2	
-42	688 104		THERMAL SWITCH - (M1-170-150-1-7-4)	1	
-43	29619-02		BRACKET ASSEMBLY - Thermal switch	1	
-44	486 222		SCREW - Set (M73FS1032-6P) (#10 x 32 thread)	1	
	764 802		SCREW - Set (AN566A428H5) (1/4 x 28 thread)	2	
-45	506 501		NUT - (C9635-012-1)	1	
-46	401 266		BOLT - (AN3-5A)	2	
-47	400 003		BOLT - (AN4-6A)	2	
	19513-84		WASHER	4	
-48	411 531		SCREW - (MS35207-262)	1	

When ordering, always specify Part Number, Description and Serial Number of Aircraft

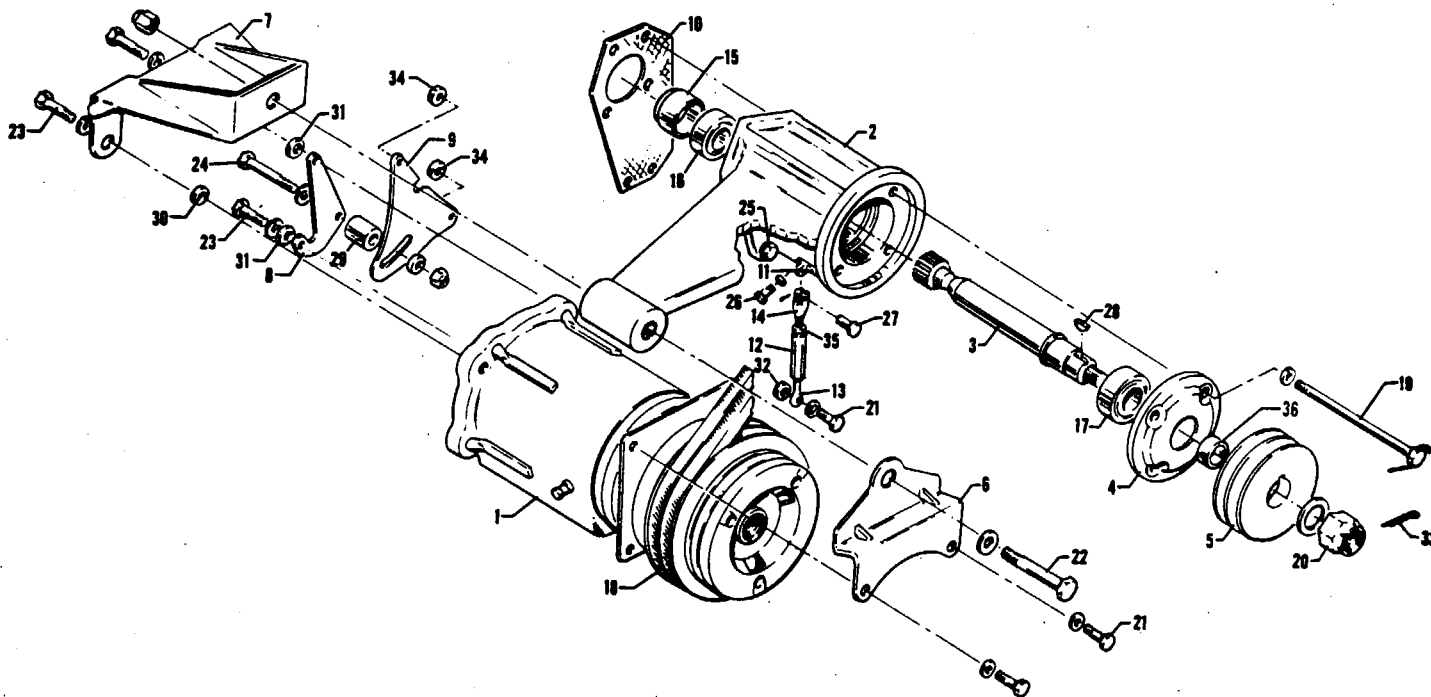


Figure 120. Freon Compressor Installation

PIPER PARTS CATALOG

CODE EXPLANATIONS FOR FIGURE 120

PIPER PARTS CATALOG

Figure and Index Number	Part Number	Code	NOMENCLATURE	No. Req.	SERIAL NUMBERS AFFECTED
120-	81990		DRAWING - Power Plant Installation		
-1	50135-03		COMPRESSOR ASSEMBLY - Freon, metric (complete)	1	
-2	49204-02		HOUSING - Compressor drive	1	
-3	49202-02		SHAFT ASSEMBLY - Compressor drive quill	1	
-4	49200-02		CAP - Compressor drive	1	
-5	49201-02		PULLEY - Compressor drive	1	
-6	50046-00		BRACKET ASSEMBLY - Compressor attachment	1	
-7	50053-00		BRACKET ASSEMBLY - Compressor attachment	1	
-8	50069-00		PLATE - Compressor attachment	1	
-9	50087-00		PLATE - Compressor attachment	1	
-10	50068-00		GASKET - Drive housing	1	
-11	49315-02		BRACKET - Compressor	1	
-12	50033-00		TURNBUCKLE - Compressor adjustment	1	
-13	50043-00		BOLT ASSEMBLY - Special eye	1	
-14	41132-00		CLEVIS - Male thread	1	
-15	49199-02		SPACER - Compressor drive	1	
-16	452 664		BEARING - (203PP)	1	
-17	452 691		BEARING - (205PP)	1	
-18	49370-02		KIT ASSEMBLY - Compressor drive belts	1	
-19	50169-00		BOLT - Special	4	
	407 044		LOCK WASHER - (MS35338-44)	4	
-20	407 569		WASHER - (AN960-816)	1	
	404 105		NUT - (AN310-8)	1	
-21	553 306		BOLT - Metric (DIN 931-10, M8x20)	3	
	407 045		LOCK WASHER - (MS35338-45)	3	
-22	401 406		BOLT - (AN6-26A)	1	
	407 587		WASHER - (AN960-616L)	1	
	404 890		NUT - (MS20365-624C)	1	
-23	553 307		BOLT - Metric (DIN 933-10, M10x30)	3	
	594 059		LOCKWASHER - Metric (DIN127-10)	3	
-24	401 362		BOLT - (AN5-23A)	1	
	80122-25		WASHER	1	
	407 566		WASHER - (AN960-516)	1	
	404 995		NUT - (MS21044-C5)	1	
-25	400 004		BOLT - (AN4-7A)	2	
	407 044		LOCK WASHER - (MS35338-44)	2	
-26	401 307		BOLT - (AN4-4A)	2	
	407 044		LOCK WASHER - (MS35338-44)	2	
-27	424 174		PIN - Flat head (MS20392-2C11)	1	
	407 584		WASHER - (AN960-10L)	1	
	424 051		COTTER PIN - (MS24665-132)	1	
-28	424 910		WOODRUFF KEY - (404)	1	
-29	80022-134		BUSHING	1	
-30	29999-12		BUSHING	1	
-31	29999-13		BUSHING	2	
-32	80008-02		BUSHING - Shoulder	1	
-33	424 060		COTTER PIN - (MS24665-285)	1	
-34	49982-41		BUSHING	2	
-35	404 321		NUT - (AN316-C4R)	1	
-36	42129-45		SPACER - Compressor drive assembly	1	

When ordering, always specify Part Number, Description and Serial Number of Aircraft

PIPER PARTS CATALOG

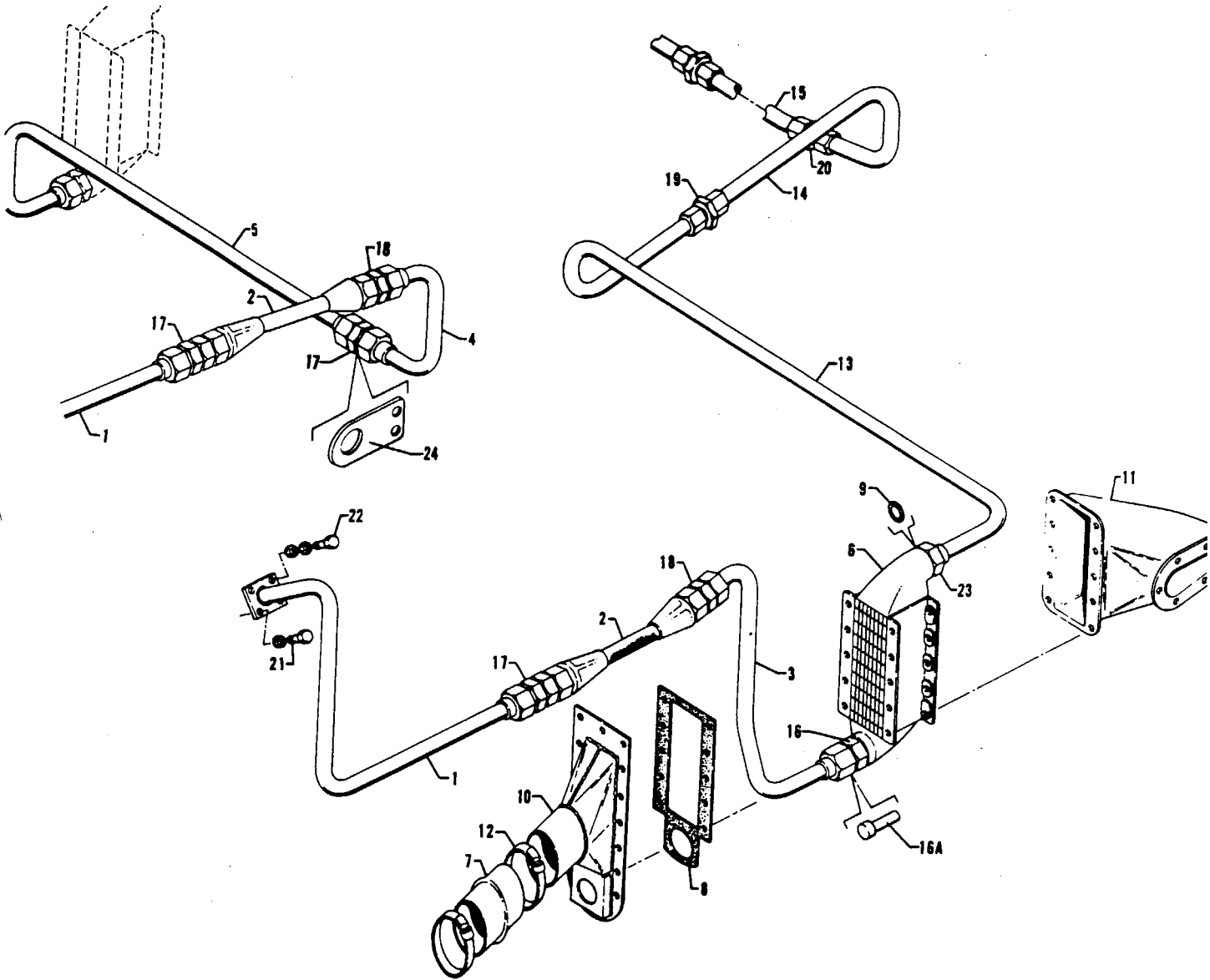


Figure 121. Bleed Air System Installation

PIPER PARTS CATALOG

CODE EXPLANATIONS FOR FIGURE 121

- A - Nuts and Ferrules supplied with fitting.
- B - See Figure 121A if Auxiliary Bleed Air Heat System is installed.

PIPER PARTS CATALOG

Figure and Index Number	Part Number	Code	NOMENCLATURE	No. Req.	SERIAL NUMBERS AFFECTED
121-	81664		DRAWING - Wing Pneumatic System Installation		
-1	50564-00		LINE ASSEMBLY - Bleed air high pressure	2	
-2	80026-02		HOSE ASSEMBLY - Flexible	2	
-3	50599-00	B	LINE ASSEMBLY - Bleed air high pressure	1	
-4	01160-02		LINE ASSEMBLY - Bleed air high pressure	1	
-5	01159-02		LINE ASSEMBLY - Bleed air high pressure	1	
-6	50544-00		INTERCOOLER ASSEMBLY - Bleed air	2	
-7	50390-00		COUPLING - Bleed air intercooler	2	
-8	50386-00		GASKET - Bleed air intercooler	2	
-9	484 816		"O" RING - (3-912-S604-7)	4	
-10	50959-00		DUCT ASSEMBLY - Air inlet, left	1	
	50959-01		DUCT ASSEMBLY - Air inlet, right	1	
-11	51134-00		DUCT ASSEMBLY - Air discharge, left	1	
	51134-01		DUCT ASSEMBLY - Air discharge, right	1	
-12	50972-00		CLAMP - Air inlet	4	
-13	81643-02	B	LINE ASSEMBLY - Bleed air, left	1	
	81643-03		LINE ASSEMBLY - Bleed air, right	1	
-14	81640-02		LINE ASSEMBLY - Bleed air, left	1	
	81640-03		LINE ASSEMBLY - Bleed air, right	1	
-15	81637-02		LINE ASSEMBLY - Bleed air	2	
-16	02142-04		FITTING - Bleed air (special)	2	
-16a	02142-03		INSERT - Fitting	2	
-17	491 098		UNION - (AN832-12)	3	
	477 737		NUT - (AN924-12)	3	
-18	491 097		UNION - (AN815-12)	2	
-19	491 102		UNION - (AN815-8)	4	
-20	491 140	A	UNION - (A-810-6)	2	
-21	402 309		BOLT - (AN174CH-5A)	4	
	407 565		WASHER - (AN960-416)	4	
-22	402 309		BOLT - (AN174CH-5A)	4	
	407 565		WASHER - (AN960-416)	8	
-23	584 224		REDUCER - (AN919-19)	2	
-24	01233-02		PLATE	1	

When ordering, always specify Part Number, Description and Serial Number of Aircraft

PIPER PARTS CATALOG

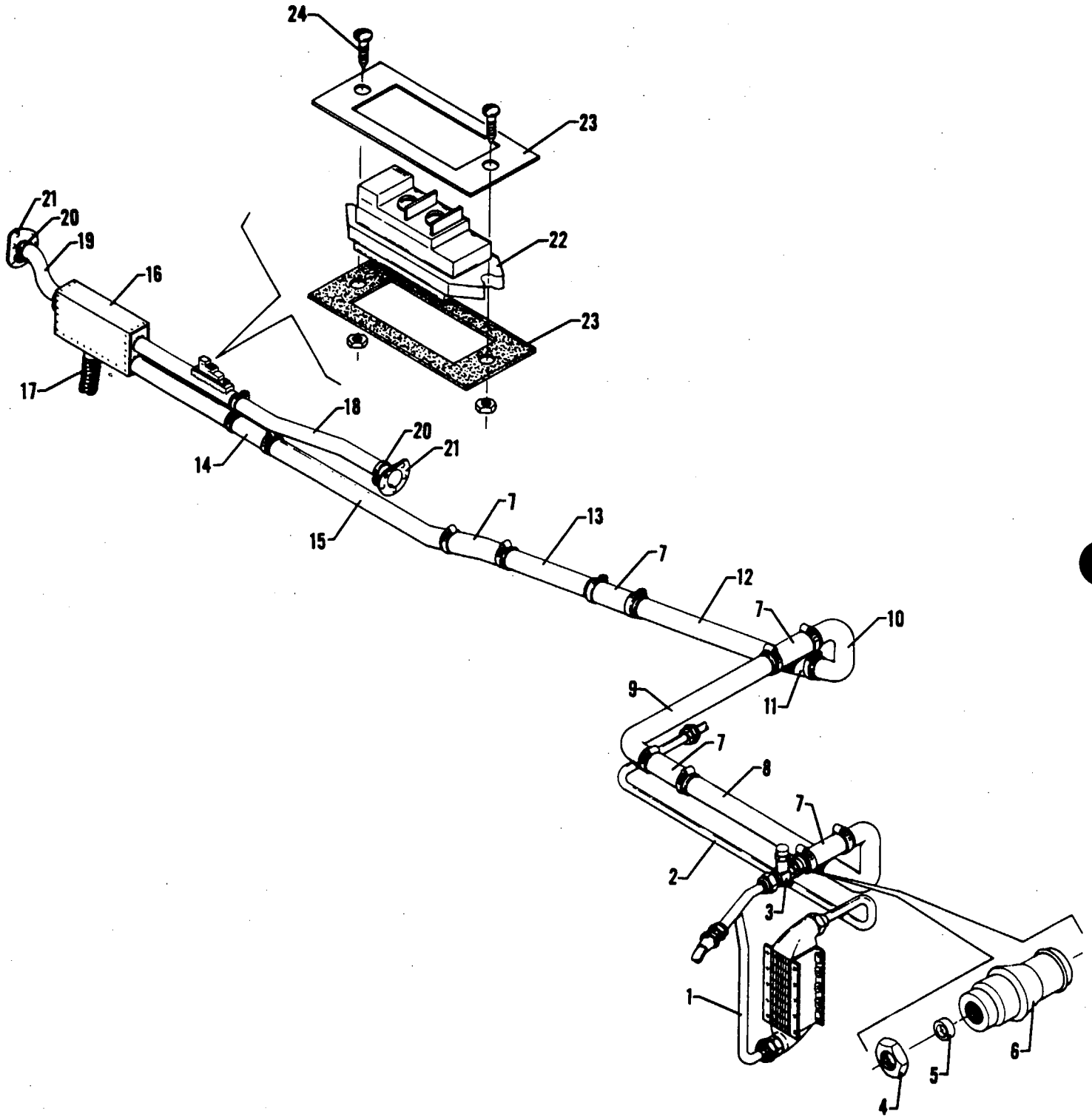


Figure 121A. Auxiliary Bleed Air Heat Installation

PIPER PARTS CATALOG

CODE EXPLANATIONS FOR FIGURE 121A

PIPER PARTS CATALOG

Figure and Index Number	Part Number	Code	NOMENCLATURE	No. Req.	SERIAL NUMBERS AFFECTED
121A-	02350		DRAWING - Bleed Air Emergency Heat Installation		
-1	02337-02		LINE ASSEMBLY - Bleed air, left	1	
-2	02336-02		LINE ASSEMBLY - Bleed air, left	1	
-3	756 595		SOLENOID VALVE - Bleed air (4706-18)	1	
-4	477 737		NUT - (AN924-12)	1	
-5	02353-02		ORIFICE - Bleed air	1	
-6	02352-02		ADAPTER - Bleed air	1	
-7	49990-11		HOSE - Inner connection	5	
	454 950		CLAMP - Inner connection (C3122-18)	10	
	80034-35		STRIP - Insulation	5	
	49990-33		HOSE - Outer connection	5	
	554 798		CLAMP - Outer connection (SAE TY F-24SS)	10	
-8	02341-02		TUBE ASSEMBLY - Bleed air heat, left	1	
-9	02343-02		TUBE ASSEMBLY - Bleed air heat, left	1	
-10	02345-02		TUBE ASSEMBLY - Bleed air heat, left	1	
-11	49990-34		HOSE - Inner connection	1	
	454 950		CLAMP - Inner connection (C3122-18)	2	
	49990-35		HOSE - Outer connection	1	
	554 798		CLAMP - Outer connection (SAE TY F-24SS)	2	
-12	02347-02		TUBE ASSEMBLY - Bleed air heat, left	1	
-13	02349-02		TUBE ASSEMBLY - Bleed air heat, left	1	
-14	49990-11		HOSE - Inner connection	1	
	454 950		CLAMP - Inner connection (C3122-18)	2	
	80034-35		STRIP - Insulation	1	
	49990-35		HOSE - Outer connection	1	
	554 798		CLAMP - Outer connection (SAE TY F-24SS)	2	
-15	02339-02		TUBE ASSEMBLY - Bleed air heat	1	
-16	02354-02		BOX ASSEMBLY - Mixing	1	
-17	85052-48		DUCT - Fresh air intake	1	
-18	80005-28		HOSE - Duct, left	1	
-19	80005-29		HOSE - Duct, right	1	
-20	554 798		CLAMP - (SAE TY F-24SS)	4	
-21	02355-02		TUBE ASSEMBLY - Adapter	2	
-22	757 603		SWITCH - Duct (C07D32)	1	
-23	70957-06		GASKET - Duct switch	1	
	70957-14		PLATE - Hold down	1	
-24	419 919		SCREW - (#8 x 5/8" sheet metal)	2	
	408 376		NUT - (NAS395-14-1)	2	

When ordering, always specify Part Number, Description and Serial Number of Aircraft

PIPER PARTS CATALOG

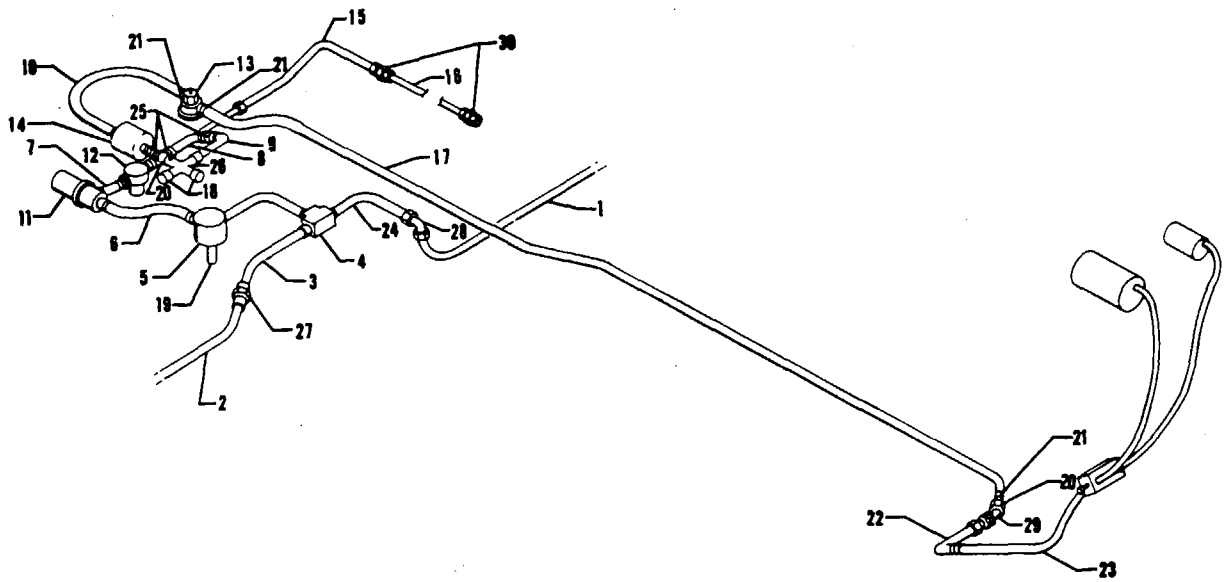


Figure 122. Pneumatic Air Supply Installation

PIPER PARTS CATALOG

CODE EXPLANATIONS FOR FIGURE 122

- A - Sold by the foot length.
- B - Used if Pneumatic De-icer System is not installed.

PIPER PARTS CATALOG

Figure and Index Number	Part Number	Code	NOMENCLATURE	No. Req.	SERIAL NUMBERS AFFECTED
122-	81663		DRAWING - Fuselage Pneumatic System Installation		
-1	82178-02		LINE ASSEMBLY - Pneumatic, left	1	
-2	81703-02		LINE ASSEMBLY - Pneumatic, right	1	
-3	81705-02		LINE ASSEMBLY - Pneumatic, right	1	
-4	29930-07		VALVE ASSEMBLY - Check	1	
-5	81601-02		ACCUMULATOR ASSEMBLY - Condensation	1	
-6	49998-17		HOSE - Flexible	1	
-7	61541-10		HOSE - Flexible	1	
-8	51335-02		LINE ASSEMBLY - Pneumatic	1	
-9	81709-02		LINE ASSEMBLY - Pneumatic	1	
-10	49998-32		HOSE - Flexible	1	
-11	484 228		REGULATOR - Pressure (1H52-13W)	1	
-12	492 252		RELIEF VALVE - Pressure regulator (2H30-17)	1	
-13	584 220		REGULATOR - Pressure, gyro air (2H30-10)	1	
-14	460 857		FILTER - Instrument air (1J4-4)	1	
-15	29912-03		LINE ASSEMBLY - Pneumatic pressure	1	
-16	289 512	A	TUBING - (4225-435 Synflex N2) Pneumatic pressure	AR	
-17	82371-167		HOSE - Instrument air, flexible (92.0" L.)	1	
-18	554 341	B	CAP ASSEMBLY - (AN929-8)	2	
-19	80027-10		TUBE - Drain, accumulator	1	
-20	50529-00		LINE ASSEMBLY - Instrument air	2	
-21	554 946		CLAMP - (SAE TY F-8SS)	14	
-22	81706-02		LINE ASSEMBLY - Instrument air	1	
-23	82371-93		HOSE - Flexible	1	
-24	29689-02		LINE ASSEMBLY - Pneumatic, left	1	
-25	82371-23		HOSE - Flexible	3	
-26	82026-02		RESTRICTOR - Pneumatic	1	
-27	491 053		UNION - (AN815-8D)	1	
-28	458 881		ELBOW - (AN821-8D)	1	
-29	458 914		ELBOW - (AN837-8D)	1	
	407 573		WASHER - (AN960-1216)	1	
	477 621		NUT - (AN924-8D)	1	
-30	556 392		UNION - (15-4-N-SG)	2	
	467 479		INSERT - (P-4)	4	
	477 852		NUT - (SG-4)	2	

When ordering, always specify Part Number, Description and Serial Number of Aircraft

PIPER PARTS CATALOG

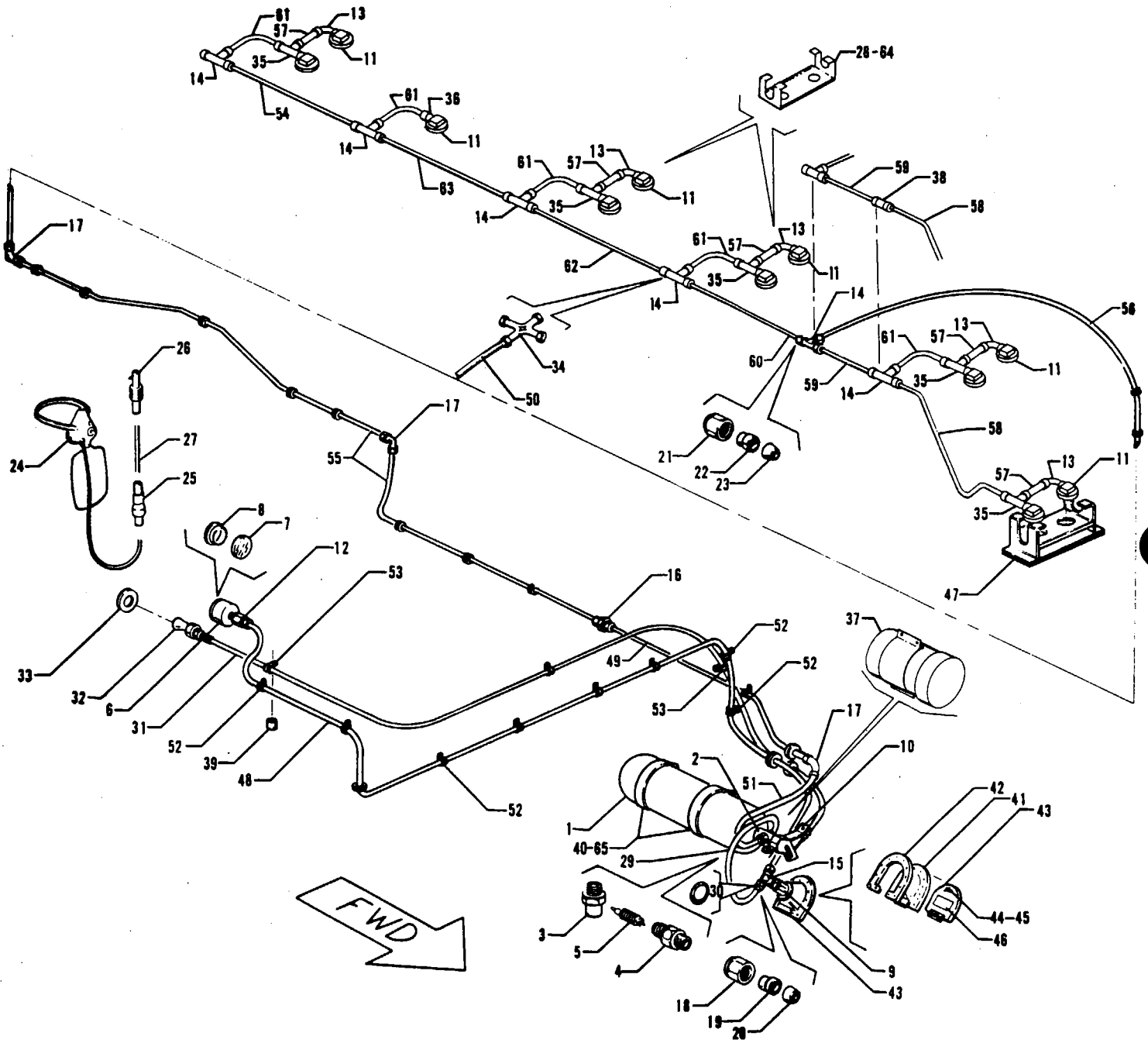


Figure 123. Oxygen System Installation (Forward Mounted Bottle)

PIPER PARTS CATALOG

CODE EXPLANATIONS FOR FIGURE 123

- A - Nuts and Ferrules supplied with fitting.
- B - Used if cargo interior is installed.

PIPER PARTS CATALOG

Figure and Index Number	Part Number	Code	NOMENCLATURE	No. Req.	SERIAL NUMBERS AFFECTED
123-	81897		DRAWING - Oxygen System Installation		
-1	763 241		CYLINDER AND REGULATOR ASSEMBLY (22 cu. ft.)	1	
-2	762 584		* REGULATOR ASSEMBLY - Oxygen	1	
-3	756 507		* * RELIEF VALVE - Regulator	1	
-4	756 505		* * VALVE ASSEMBLY - Charging	1	
-5	753 947		* * * CORE - Charging valve	1	
-6	461 915		GAUGE ASSEMBLY - Oxygen (includes mounting bracket) (800435-01)	1	
-7	752 355		* LENS - Oxygen gauge	1	
-8	753 433		* BEZEL - Oxygen gauge	1	
-9	491 982		VALVE ASSEMBLY - Recharge (26875-22)	1	
-10	453 502		BRACKET ASSEMBLY - Control cable (800356-00)	1	
-11	479 451		OUTLET ASSEMBLY - Oxygen (23599-10)	AR	
-12		A	CONNECTOR - Female (33516-206)	1	
-13	74011-03	A	ELBOW	5	
-14	74011-10	A	TEE - Low pressure	6	
-15	74011-08	A	TEE - High pressure	1	
-16	74011-11	A	UNION	1	
-17	74011-09	A	ELBOW	3	
-18	752 504		NUT - Flareless fitting (1/8")	AR	
-19	751 811		FERRULE - Flareless fitting, front (1/8")	AR	
-20	751 812		FERRULE - Flareless fitting, rear (1/8")	AR	
-21	752 505		NUT - Flareless fitting (1/4")	AR	
-22	751 813		FERRULE - Flareless fitting, front (1/4")	AR	
-23	751 814		FERRULE - Flareless fitting, rear (1/4")	AR	
-24	474 138		MASK ASSEMBLY - Oxygen, Duo-Seal Mask with microphone, 2.5 L.P.M. (crew)	AR	
	474 137		MASK ASSEMBLY - Oxygen, Airline Type, 2.5 L.P.M. (passenger and copilot)	AR	
-25	752 122		* INDICATOR - Flow	1	
-26	753 939		* COUPLING - Oxygen plug-in, 2.5 L.P.M.	1	
-27	753 074		* TUBING - Plastic, oxygen mask (5' length)	1	
-28	01606-02		BRACKET - Oxygen outlet mounting	4	
-29	589 843		TUBE ASSEMBLY - High pressure (800214-02)	1	
-30	755 946		* "O" RING - Tube assembly	1	
-31	17969-11		CABLE ASSEMBLY - Push-pull control	1	
-32	571 073		KNOB - (KN679D-1)	1	
-33	583 578		DECAL - Control cable (10000337)	1	
-34	74011-05	A	CROSS - Union	4	
-35	74011-07	A	TEE	5	
-36	74011-04		CONNECTOR - Male	8	
-37	49380-09		SHROUD ASSEMBLY	1	
-38	74011-11	A,B	UNION	1	
-39	14175-47		BUSHING - Control cable	1	
-40	55969-03		CLAMP ASSEMBLY - Oxygen cylinder	2	
-41	42910-00		PLATE - Oxygen recharge valve mounting	1	
-42	42913-00		PLATE ASSEMBLY - Oxygen recharge valve doubler	1	
-43	42912-00		PLATE ASSEMBLY - Access, oxygen recharge	1	
-44	487 583		* STUD - (2600-1)	1	
-45	494 060		* WASHER - Lock (2600LW)	1	
-46	42971-00		* PLACARD - Oxygen recharge	1	
-47	55293-02		BRACKET ASSEMBLY - Oxygen outlet mounting	1	
-48	589 877		LINE - Oxygen, high pressure (10000904)	1	

When ordering, always specify Part Number, Description and Serial Number of Aircraft

PIPER PARTS CATALOG

Figure and Index Number	Part Number	Code	NOMENCLATURE	No. Req.	SERIAL NUMBERS AFFECTED
123-49	42189-17		LINE - Oxygen, low pressure	1	
-50	49222-11		LINE - Oxygen, low pressure	3	
-51	42189-64		LINE - Oxygen, low pressure	1	
-52	454 927		CLAMP - (PS10017-2-2)	8	
-53	454 929		CLAMP - (PS10017-2-4)	8	
-54	56728-35		LINE - Oxygen, low pressure	1	
-55	49222-02		LINE - Oxygen, low pressure	2	
-56	49222-04		LINE - Oxygen, low pressure	1	
-57	49222-06		LINE - Oxygen, low pressure	5	
-58	49222-18		LINE - Oxygen, low pressure	1	
-59	49222-11		LINE - Oxygen, low pressure	1	
-60	49222-20		LINE - Oxygen, low pressure	1	
-61	42189-22		LINE - Oxygen, low pressure	5	
-62	56728-35		LINE - Oxygen, low pressure	1	
-63	56728-33		LINE - Oxygen, low pressure	1	
-64	01606-03		BRACKET - Oxygen outlet mounting, Sta. 247.75	1	
-65	85512-51		STRIP - Sponge rubber (8.00" L.)	2	

When ordering, always specify Part Number, Description and Serial Number of Aircraft

2124

INTENTIONALLY LEFT BLANK

PIPER PARTS CATALOG

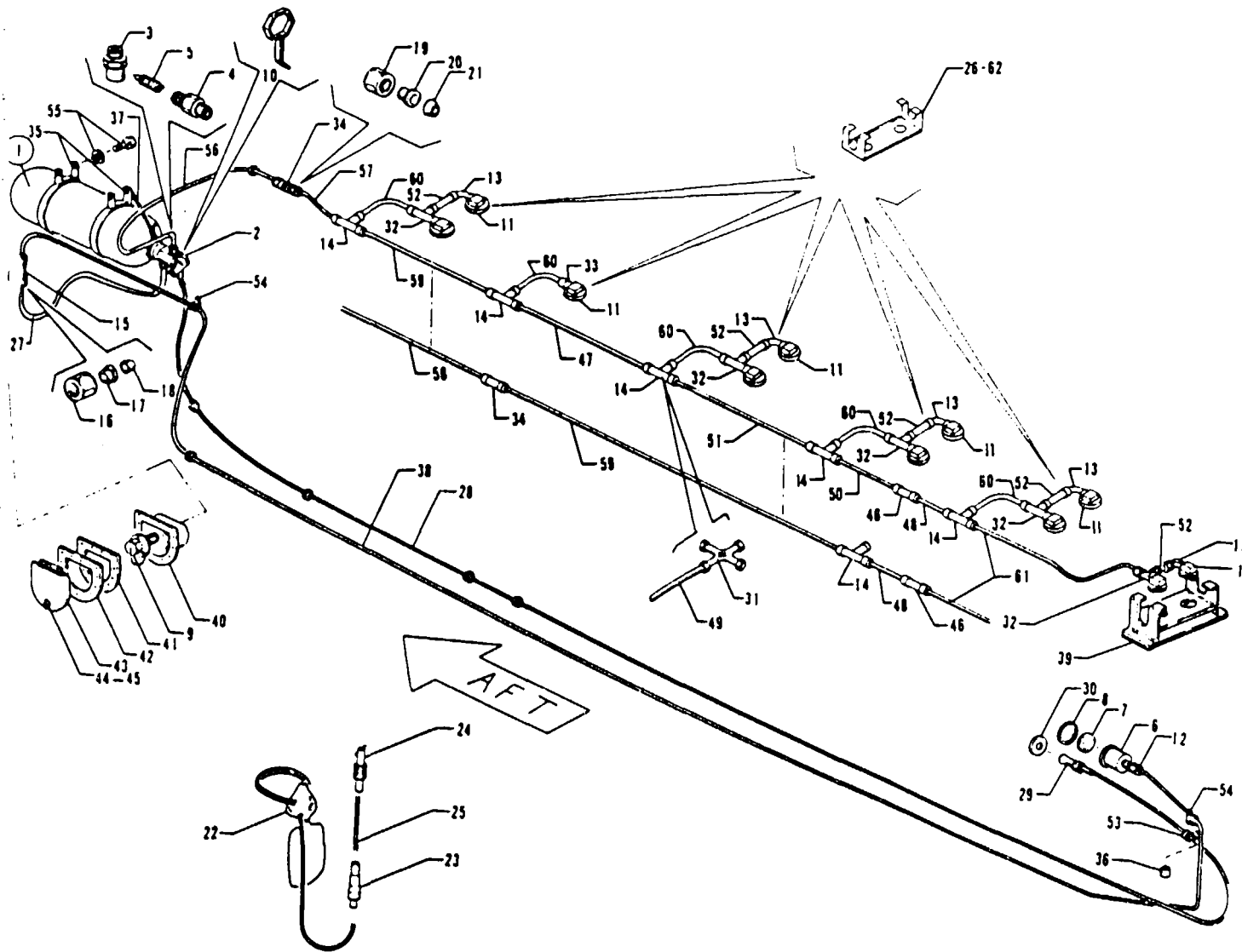


Figure 124. Oxygen System Installation (Aft Mounted Bottle)

PIPER PARTS CATALOG

CODE EXPLANATIONS FOR FIGURE 124

- A - Used if 115 cu. ft. oxygen bottle is installed.
- B - Used if 22 cu. ft. oxygen bottle is installed.
- C - Nuts and Ferrules supplied with fitting.
- D - Used if cargo interior is installed.
- E - Used if commuter interior is installed.

PIPER PARTS CATALOG

Figure and Index Number	Part Number	Code	NOMENCLATURE	No. Req.	SERIAL NUMBERS AFFECTED
124-	82130		DRAWING - Oxygen System Installation		
-1	763 241		CYLINDER AND REGULATOR ASSEMBLY (22 cu. ft.)	1	
	764 666		CYLINDER AND REGULATOR ASSEMBLY (115 cu. ft.)	1	
-2	762 584		* REGULATOR ASSEMBLY - Oxygen	1	
-3	756 507		* * RELIEF VALVE - Regulator	1	
-4	756 505		* * VALVE ASSEMBLY - Charging	1	
-5	753 947		* * * CORE - Charging valve	1	
-6	461 915		GAUGE ASSEMBLY - Oxygen (includes mounting bracket) (800435-01)	1	
-7	752 355		* LENS - Oxygen gauge	1	
-8	753 433		* BEZEL - Oxygen gauge	1	
-9	491 973	A	VALVE ASSEMBLY - Recharge (26875-115)	1	
	491 982	B	VALVE ASSEMBLY - Recharge (26875-22)	1	
-10	453 502		BRACKET ASSEMBLY - Control cable (800356-00)	1	
-11	479 451		OUTLET ASSEMBLY - Oxygen (23599-10)	AR	
-12		C	CONNECTOR - Female (33516-206)	1	
-13	74011-03	C	ELBOW	5	
-14	74011-10	C	TEE - Low pressure	6	
-15	74011-08	C	TEE - High pressure	1	
-16	752 504		NUT - Flareless fitting (1/8")	AR	
-17	751 811		FERRULE - Flareless fitting, front (1/8")	AR	
-18	751 812		FERRULE - Flareless fitting, rear (1/8")	AR	
-19	752 505		NUT - Flareless fitting (1/4")	AR	
-20	751 813		FERRULE - Flareless fitting, front (1/4")	AR	
-21	751 814		FERRULE - Flareless fitting, rear (1/4")	AR	
-22	474 138		MASK ASSEMBLY - Oxygen, Duo-Seal Mask with microphone, 2.5 L.P.M. (crew)	AR	
	474 137		MASK ASSEMBLY - Oxygen, Airline Type, 2.5 L.P.M. (passenger and co-pilot)	AR	
-23	752 122		* INDICATOR - Flow	1	
-24	753 939		* COUPLING - Oxygen plug-in, 2.5 L.P.M.	1	
-25	753 074		* TUBING - Plastic, oxygen mask (5' length)	1	
-26	01606-02		BRACKET - Oxygen outlet mounting	4	
-27	589 844		LINE - Oxygen, high pressure (800214-05)	1	
-28	43866-03		CABLE ASSEMBLY - Push-pull control	1	
-29	571 073		KNOB - (KN679D-1)	1	
-30	583 578		DECAL - Control cable (10000337)	1	
-31	74011-05	C	CROSS	4	
-32	74011-07	C	TEE - Male run	5	
-33	74011-04	C	CONNECTOR - Male	8	
-34	74011-02	C	UNION	2	
-35	453 501	A	BRACKET ASSEMBLY - Oxygen cylinder (25048)	2	
	01206-02	B	BRACKET ASSEMBLY - Oxygen cylinder	2	
-36	14175-47		BUSHING - Control cable	1	
-37	25397-04		CABLE ASSEMBLY - Oxygen cylinder	1	
-38	589 878		LINE - Oxygen, high pressure (10004893)	1	
-39	55293-02		BRACKET ASSEMBLY - Oxygen outlet mounting	1	
-40	25697-02		PLATE ASSEMBLY - Access, oxygen recharge	1	
-41	25394-00		PLATE ASSEMBLY - Oxygen recharge valve doubler	1	
-42	25603-00		PLATE - Reinforcement	1	
-43	19802-05		PLATE ASSEMBLY - Access, oxygen recharge	1	
-44	487 584		* STUD - (2600-2)	1	
-45	494 060		* LOCKWASHER - (2600LW)	1	
-46	74011-11	C	UNION	1	

When ordering, always specify Part Number, Description and Serial Number of Aircraft

PIPER PARTS CATALOG

Figure and Index Number	Part Number	Code	NOMENCLATURE	No. Req.	SERIAL NUMBERS AFFECTED
124-47	56728-33		LINE - Oxygen, low pressure	1	
-48	49222-11		LINE - Oxygen, low pressure	3	
-49	49222-13		LINE - Oxygen, low pressure	2	
-50	49222-20		LINE - Oxygen, low pressure	2	
-51	56728-35		LINE - Oxygen, low pressure	1	
-52	49222-06		LINE - Oxygen, low pressure	5	
-53	454 929		CLAMP - (PS10017-2-4)	1	
-54	454 927		CLAMP - (PS10017-2-2)	2	
-55	400 438		BOLT - (AN3-4A)	4	
	19513-72		WASHER - Oxygen cylinder bracket, forward	1	
-56	49222-16		LINE - Oxygen, low pressure	1	
-57	49222-23	E	LINE - Oxygen, low pressure	1	
-58	49222-25	D	LINE - Oxygen, low pressure	1	
-59	49222-28	D	LINE - Oxygen, low pressure	1	
	56728-35	E	LINE - Oxygen, low pressure	1	
-60	42189-22		LINE - Oxygen, low pressure	5	
-61	49222-18		LINE - Oxygen, low pressure	1	
-62	01606-03		BRACKET - Oxygen outlet mounting, Sta. 247.75	1	

When ordering, always specify Part Number, Description and Serial Number of Aircraft

PIPER PARTS CATALOG

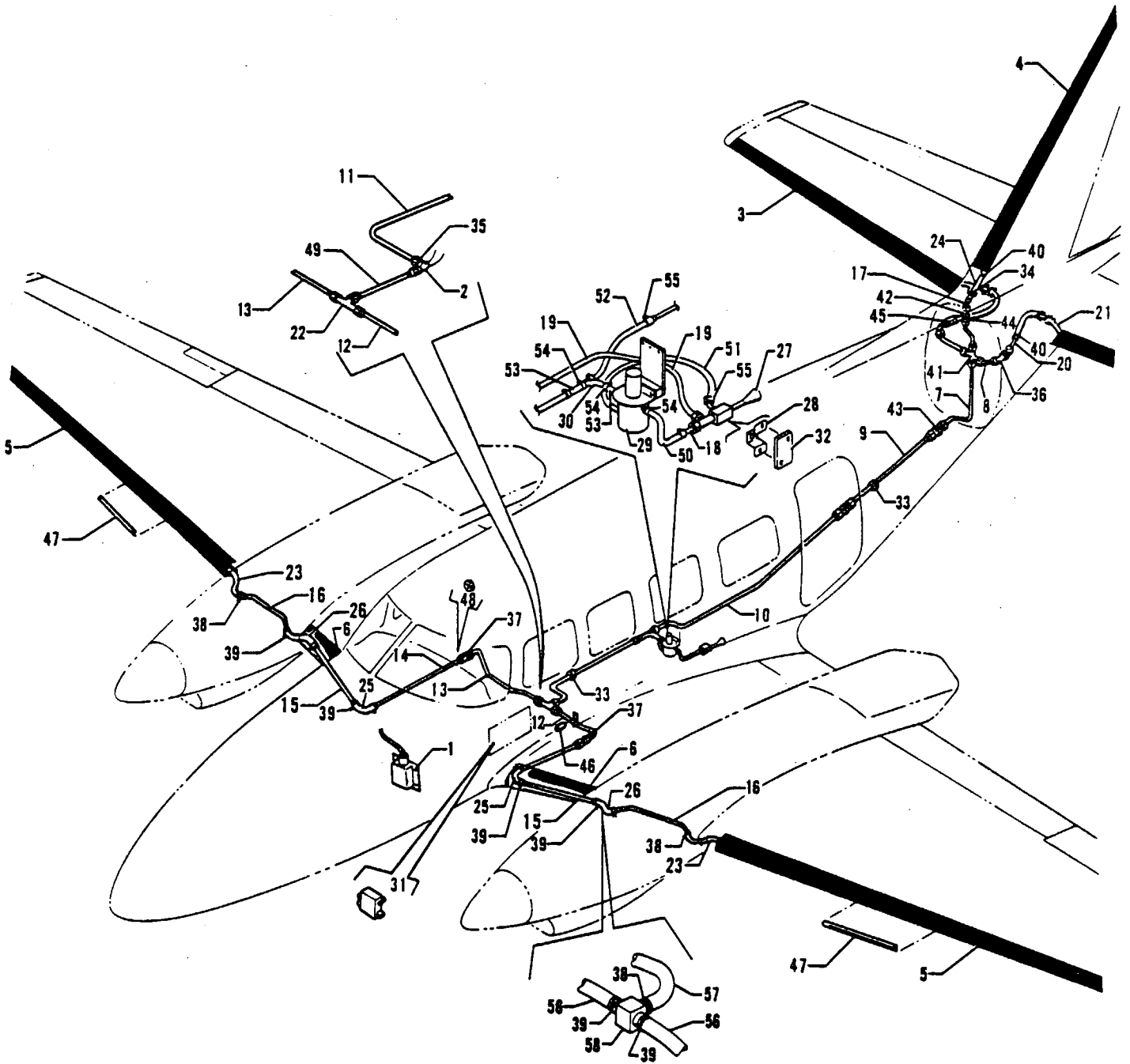


Figure 125. Pneumatic De-icing System Installation

PIPER PARTS CATALOG

CODE EXPLANATIONS FOR FIGURE 125

- A - Used if Inboard Deicer Boots are not installed.
- B - Used if Inboard Deicer Boots are installed.
- C - Used on aircraft with serial numbers 31T-8275009, 31T-8275013, 31T-8275015 and up.

PIPER PARTS CATALOG

Figure and Index Number	Part Number	Code	NOMENCLATURE	No. Req.	SERIAL NUMBERS AFFECTED
125-	50918		DRAWING - Pneumatic Deicing System Installation		
-1	488 699		TIMER - Deicer (B-00325-1)	1	
-2	587 842		SWITCH - Pressure (1D1194-1)	1	
-3	758 239		DEICER - Horizontal stabilizer, left (25S-7D5026-03)	1	
	758 240		DEICER - Horizontal stabilizer, right (25S-7D5026-04)	1	
-4	758 241		DEICER - Vertical fin (25S-7D5026-05)	1	
-5	758 237		DEICER - Left wing, outboard (25S-7D5026-01)	1	
	758 238		DEICER - Right wing, outboard (25S-7D5026-02)	1	
-6	553 383	C	DEICER - Left wing, inboard (25S-7D5026-07)	1	
	553 384	C	DEICER - Right wing, inboard (25S-7D5026-08)	1	
-7	42621-00		TUBE ASSEMBLY - Deicer, top	1	
	42632-00		TUBE ASSEMBLY - Deicer, bottom	1	
-8	42635-00		TUBE ASSEMBLY - Deicer, left	1	
	42636-00		TUBE ASSEMBLY - Deicer, right	1	
-9	42706-02		TUBE ASSEMBLY - Deicer	1	
-10	80004-55		TUBE ASSEMBLY - Deicer	1	
-11	81708-02		TUBE ASSEMBLY - Deicer	1	
-12	81298-02		TUBE ASSEMBLY - Deicer	1	
-13	81299-02		TUBE ASSEMBLY - Deicer	1	
-14	81300-02		TUBE ASSEMBLY - Deicer, left	1	
	81300-03		TUBE ASSEMBLY - Deicer, right	1	
-15	42709-00		TUBE ASSEMBLY - Deicer	2	
-16	50913-00		TUBE ASSEMBLY - Deicer, left	1	
	50914-00		TUBE ASSEMBLY - Deicer, right	1	
-17	42657-00		TUBE ASSEMBLY - Deicer	1	
-18	50529-00		TUBE ASSEMBLY - Deicer	1	
-19	01417-02		TUBE ASSEMBLY - Deicer, pneumatic air supply	1	
-20	42704-00		TUBE ASSEMBLY - Deicer	2	
-21	82371-124		HOSE - Flexible	2	
-22	488 506		TEE - Deicer (AN804-8D)	1	
-23	16633-25		HOSE - Flexible	2	
-24	16633-28		HOSE - Flexible	1	
-25	82371-114		HOSE - Flexible	2	
-26	49998-17	A	HOSE	2	
-27	81570-02		EJECTOR ASSEMBLY - Deicer	1	
-28	81569-02		BRACKET - Ejector mounting	1	
-29	492 279		VALVE - Deice (2H59-8)	1	
-30	29664-07		TUBE ASSEMBLY - Deicer	1	
-31	454 682		CIRCUIT PROTECTOR - (819-205-102)	1	
-32	81569-03		SHIM - Ejector mounting bracket	1	
-33	434 158		GROMMET - (MS35489-125)	2	
-34	434 138		GROMMET - (MS35489-17)	1	
-35	51975-02		ELBOW - Deicer	1	
-36	458 901		ELBOW - (AN833-6D)	2	
-37	491 074		UNION - (AN832-8D)	2	
-38	454 832	A	CLAMP - (SAE TY E-10)	2	
	454 832	B	CLAMP - (SAE TY E-10)	6	
-39	454 987	A	CLAMP - (SAE TY E-12)	8	
	454 987	B	CLAMP - (SAE TY E-12)	12	
-40	554 778		CLAMP - (SAE TY F-4SS)	6	
-41	455 420		CROSS - (AN827-6D)	1	
-42	491 062		UNION - (AN832-6D)	1	
	407 570		WASHER - (AN960-916)	1	
-43	491 052		UNION - (AN815-6D)	2	
-44	477 620		NUT - (AN924-6D)	2	
-45	407 570		WASHER - (AN960-916)	2	

When ordering, always specify Part Number, Description and Serial Number of Aircraft

PIPER PARTS CATALOG

Figure and Index Number	Part Number	Code	NOMENCLATURE	No. Req.	SERIAL NUMBERS AFFECTED
125-46	82732-34		BUSHING	1	
-47	44275-03		STRIP - Flow	2	
-48	407 573		WASHER - (AN960-1216)	2	
	477 621		NUT - (AN924-8D)	2	
-49	80004-54		TUBE ASSEMBLY - Deicer	1	
-50	61541-10		HOSE - Flexible	1	
-51	82371-149		HOSE - Flexible	1	
-52	82371-93		HOSE - Flexible	1	
-53	82371-23		HOSE - Flexible	2	
-54	554 946		CLAMP - (SAE TY F-8SS)	6	
-55	554 871		CLAMP - (SAE TY F-6SS)	4	
-56	49998-15	B.C	HOSE - Flexible	4	
-57	16633-86	B.C	HOSE - Tee to inboard deicer	2	
-58	588 386	B.C	TEE - (1K-30-8-8-6)	2	

When ordering, always specify Part Number, Description and Serial Number of Aircraft

PIPER PARTS CATALOG

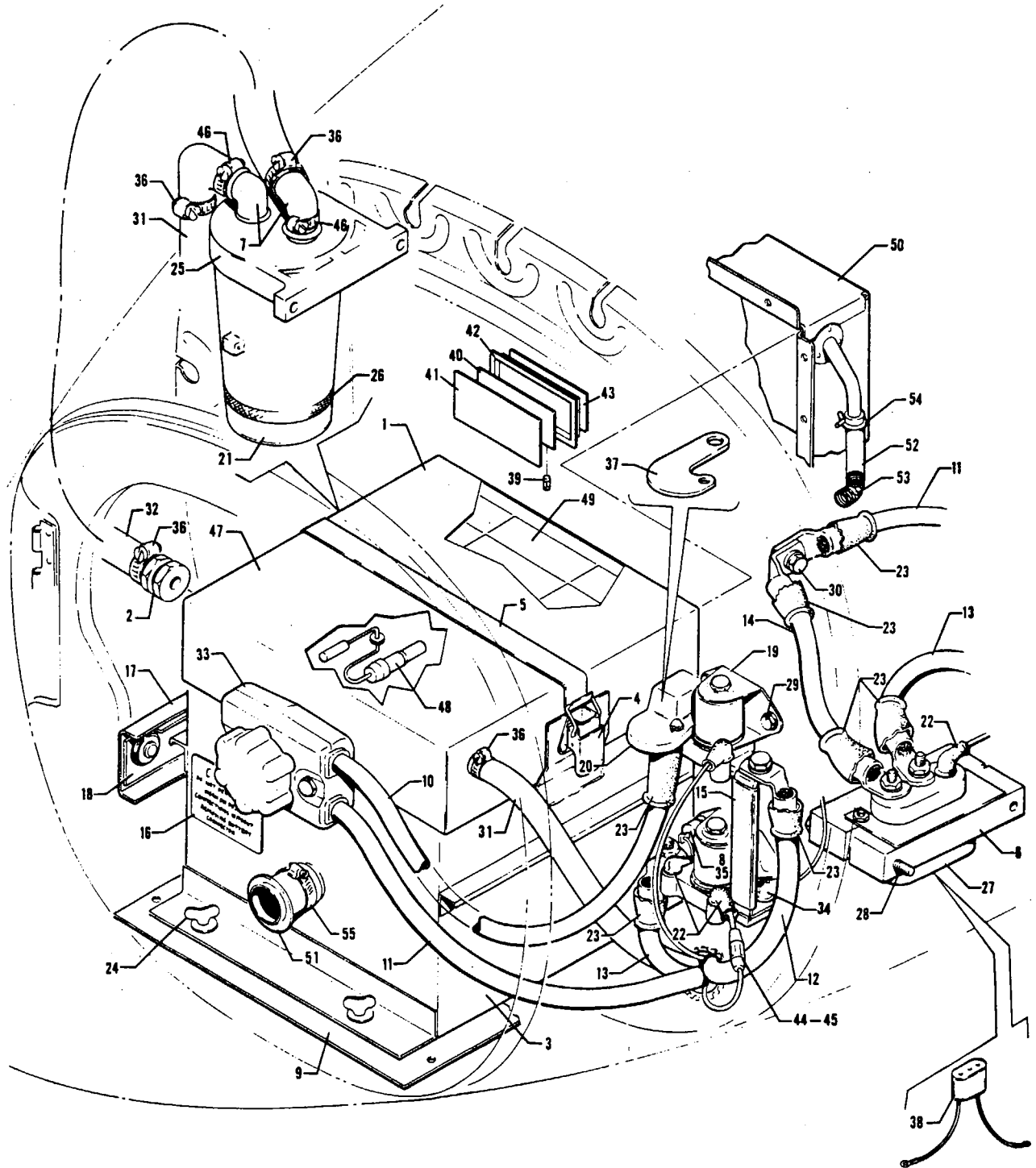


Figure 126. Primary and Auxiliary Electrical Power Installation

PIPER PARTS CATALOG

CODE EXPLANATIONS FOR FIGURE 126

- A - Used if Nickel Cadmium battery is installed only.
- B - Used if Marathon battery is installed.

PIPER PARTS CATALOG

Figure and Index Number	Part Number	Code	NOMENCLATURE	No. Req.	SERIAL NUMBERS AFFECTED
126-	29292		DRAWING - Primary and Auxiliary Power Supply Installation		
-1	29291-02		BATTERY ASSEMBLY - Lead-Acid, 24 volt (with cover)	1	
-2	29290-03		* NIPPLE - Vent, teflon	1	
	80122-109		* WASHER	2	
	29288-03		* NUT - Teflon	1	
-3	29186-02		BOX ASSEMBLY - Battery	1	
-4	472 147		* LATCH - (TL803B)	2	
-5	29193-02		STRAP - Battery box cover	1	
-6	41440-00		BLOCK - Power receptacle mounting	2	
-7	492 350		ADAPTER - Vent (TBP-1006M)	2	
-8	456 706		DIODE - Auxiliary power (IN2154)	1	
-9	50731-00		SHELF ASSEMBLY - Battery	1	
-10	29293-02		CABLE ASSEMBLY - Electrical power	1	
-11	29293-03		CABLE ASSEMBLY - Electrical power	1	
-12	29293-44		CABLE ASSEMBLY - Electrical power	1	
-13	29293-05		CABLE ASSEMBLY - Electrical power	1	
-14	29293-06		CABLE ASSEMBLY - Electrical power	1	
-15	50737-03		LINK ASSEMBLY - Bus bar	1	
-16	50743-00		PLACARD - Battery caution (581 855)	1	
-17	50965-00		CHANNEL ASSEMBLY - Battery roll-out, left	1	
	50965-05		CHANNEL ASSEMBLY - Battery roll-out, right	1	
-18	50968-00		CHANNEL ASSEMBLY - Battery roll-out, inner, left	1	
	50968-01		CHANNEL ASSEMBLY - Battery roll-out, inner, right	1	
-19	455 211		CONTACTOR - Battery box (6041-H202A)	2	
-20	43680-03		COVER - Master contactor	1	
-21	468 027		JAR - Battery exhaust/overflow (TBP-505P)	1	
-22	23969-02		NIPPLE - Electrical terminal (hole dia. .16)	AR	
-23	23969-04		NIPPLE - Electrical terminal (hole dia. .43)	AR	
	23969-05		NIPPLE - Electrical terminal (hole dia. .56)	AR	
-24	587 564		STUD - (4002-9W)	2	
	463 416		GROMMET - (4002-N)	2	
-25	557 065		COVER - Jar (TBP-600-3-11N)	1	
-26	579 132		PAD - Jar (TBP-008P)	1	
-27	44259-00		RECEPTACLE - External power	1	
-28	400 459		BOLT - (AN3-34A)	2	
	407 564		WASHER - (AN980-10)	2	
-29	401 307		BOLT - (AN4-4A)	3	
	404 888		NUT - (MS20365-428C)	3	
-30	401 310		BOLT - (AN4-10A)	1	
	407 043		WASHER - (MS35338-43)	1	
	404 225		NUT - (AN315-4R)	1	
-31	80006-55		TUBE - Battery vent	2	
-32	80006-54		TUBE - Battery vent	1	
-33	555 393		CONNECTOR - (BD6-3)	1	
-34	23969-03		NIPPLE - Electrical terminal (hole dia. .31)	AR	
-35	404 225		NUT - (AN315-4R)	1	
	407 044		WASHER - (MS35338-44)	1	
-36	554 575		CLAMP - (PS10017-23-4)	6	
-37	42398-02		LINK - Bus bar	1	
-38	757 862		CABLE ASSEMBLY - External power (X8349-312)	1	
-39	461 623		FUSE - AGC-5, 5 amp	AR	
	461 632		FUSE - AGC-7.5, 7.5 amp	4	

When ordering, always specify Part Number, Description and Serial Number of Aircraft

PIPER PARTS CATALOG

Figure and Index Number	Part Number	Code	NOMENCLATURE	No. Req.	SERIAL NUMBERS AFFECTED
126-40	29335-02		PLATE ASSEMBLY - Fuse	1	
-41	49167-05		SHEET - Rubber	1	
-42	29339-04		COVER ASSEMBLY - Fuse plate	1	
-43	81019-02		* PLACARD - Fuse functions	1	
-44	461 628		FUSE HOLDER - (HHJ-A)	1	
-45	461 623		FUSE - (AGC-5) 5 amp	1	
-46	554 837		CLAMP - (SAE TY A-2)	2	
-47	29152-02		BATTERY ASSEMBLY - Nickel Cadmium, 24 volt (Saft)	1	
	29152-03		BATTERY ASSEMBLY - Nickel Cadmium, 24 volt (Marathon)	1	
-48	51611-00	A	* THERMOSTAT ASSEMBLY - Battery	1	
-49	763 302	A	* CELL ASSEMBLY - Battery (Saft)	20	
	763 313	A	* CELL ASSEMBLY - Battery (Marathon)	20	
-50	51449-00	A	COVER ASSEMBLY - Battery	1	
-51	51353-00	A	TUBE ASSEMBLY - Air intake	1	
	51353-04	A,B	TUBE ASSEMBLY - Air intake	1	
-52	13586-88	A	TUBE - Battery drain	2	
-53	83302-84	A	SPRING - Reinforcement	2	
-54	454 983	A	CLAMP - (SAE TY E-8)	4	
-55	554 971	A	CLAMP - (SAE TY F-16SS)	1	

When ordering, always specify Part Number, Description and Serial Number of Aircraft

PIPER PARTS CATALOG

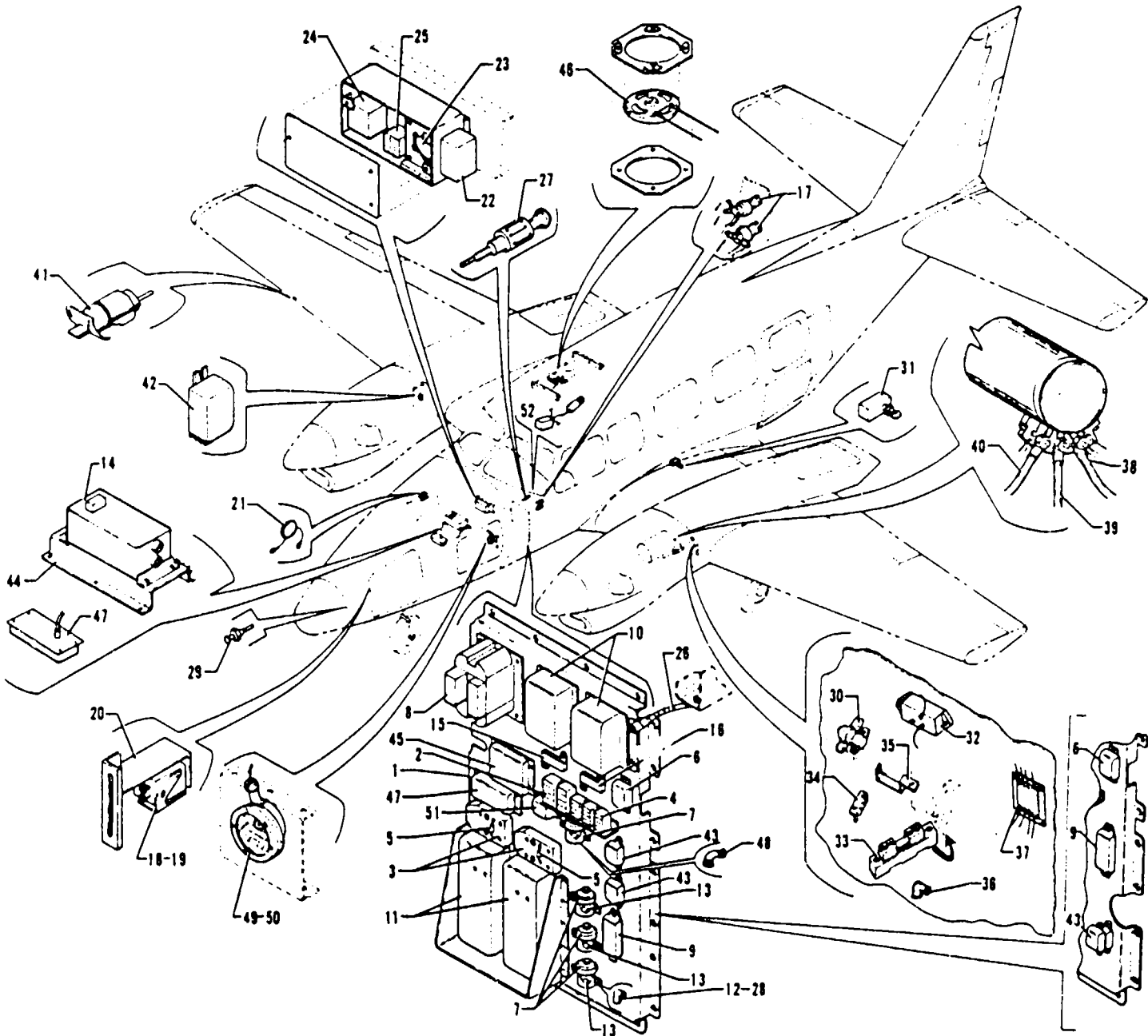


Figure 127. Forward Electrical System Installation

PIPER PARTS CATALOG

CODE EXPLANATIONS FOR FIGURE 127

- A - Used if air conditioning system is installed.
- B - Used on aircraft that comply with C.A.A. (United Kingdom) requirements.
- C - No longer available. Order Air Inlet and Prop Deicer Timer Replacement Kit 764 954 as a replacement. If Timer #950DO123-001, has previously been installed, order part for serial numbers 31T-8375002 and up.
- D - Also used on aircraft with serial numbers 31T-8275001 to 31T-8375001 inclusive if Air Inlet and Prop Deicer Timer Replacement Kit 764 954 has been installed.
- E - Used on aircraft with serial numbers 31T-8275001 to 31T-8275003 inclusive, 31T-8275005 to 31T-8275016 inclusive, 31T-8275018 to 31T-8375002 inclusive, 31T-8375004 and up.
- F - Used on aircraft with serial numbers 31T-8275004, 31T-8275017, 31T-8375003.

PIPER PARTS CATALOG

Figure and Index Number	Part Number	Code	NOMENCLATURE	No. Req.	SERIAL NUMBERS AFFECTED
127-	81805 81804		DRAWING - Forward Fuselage Electrical Details DRAWING - Wing and Engine Electrical Details		
-1	01498-02	E	SHELF ASSEMBLY - Electrical	1	
	02324-02	F	SHELF ASSEMBLY - Electrical	1	
-2	584 153		RELAY - Compressor clutch and heater over temp. (285XAX101)	2	
-3	484 110		RELAY - Power control, deice (PRD11DGO)	2	
-4	484 211		RELAY - Stall warning heat, ground blower motor and lighting circuit (1245-2C-24D)	3	
-5	456 763		DIODE - (IN4006)	2	
-6	584 187		RELAY - Combustion blower motor (A283XCX209)	1	
-7	487 167		SOLENOID - (PAC 26898-5)	4	
-8	29301-02		CONTROLLER ASSEMBLY - Dimmer	1	
-9	467 094		INVERTER - E.L. Panels (X17512) Wico	1	
	467 477		INVERTER - E.L. Panels (#71254-8) Astronics	1	
-10	584 152		REGULATOR - Voltage (VR1528-3DC)	2	
-11	456 654	C	TIMER - Prop and lip deicer (950D0123)	2	31T-8275001 to 31T-8375001 incl.
	488 756	D	TIMER - Prop and lip deicer (950D0123-001)	2	31T-8375002 and up
-12	23969-02		NIPPLE - Electrical terminal (hole dia. .16)	AR	
-13	49432-02		DIODE ASSEMBLY - Reverse voltage arrester	3	
-14	29442-02		CONTROLLER ASSEMBLY - Annunciator lights	1	
-15	484 552		RESISTOR - Stall warning voltage drop (B50F15R) 15 ohm 50 watt	1	
-16	484 452		RESISTOR - Windshield wiper (W20538-150)	1	
-17	468 006		JACK - Phone, external (11)	1	
	468 002		JACK - Mike, external (S12B)	1	
-18	47094-00		SWITCH ASSEMBLY - Baggage compartment door ajar	1	
-19	487 804		* SWITCH - (MS25253-1)	2	
-20	46804-00		COVER - Door ajar switches	1	
-21	47989-00		CAPACITOR ASSEMBLY - 100 Volt, .05 MFD	1	
-22	565 326		HORN - Gear warning (AC-155F)	1	
-23	565 323		HORN - Stall warning (02054-4)	1	
-24	487 090		HORN - Annunciator display warning (SC648AN)	1	
-25	484 211		RELAY - Gear warning horn (1245-2C-24D)	1	
-26	49972-14		STRAP - Grounding	1	
-27	572 553		LIGHTER - Cigar, pedestal (207959)	1	
-28	23969-03		NIPPLE - Electrical terminal (hole dia. .31)	AR	
-29	487 878		SWITCH - Nose cone ajar (9251)	1	
-30	455 211		CONTACTOR - Generator (6041H202A)	2	
-31	688 147		SWITCH - Main gear door (BZ2RQ181-T)	2	
-32	486 398		SENSOR - Overload (7236-1-200)	2	
-33	54839-02		SHUNT ASSEMBLY - Ammeter	2	
-34	50784-00		BUS BAR - Ground	2	
-35	50869-00		LINK - Bus Bar	2	
-36	23969-05		NIPPLE - Electrical terminal (hole dia. .56)	2	
-37	461 623		FUSE - (AGC-5), 5 amp	8	
-38	29293-14		CABLE ASSEMBLY - Starter-generator ground, left	1	
	29293-15		CABLE ASSEMBLY - Starter-generator ground, right	1	
-39	29293-16		CABLE ASSEMBLY - Starter-generator to overload sensor, left	1	
	29293-17		CABLE ASSEMBLY - Starter-generator to overload sensor, right	1	
-40	29293-23		CABLE ASSEMBLY - Starter - generator to starter solenoid, left	1	
	29293-25		CABLE ASSEMBLY - Starter - generator to starter solenoid, right	1	
-41	81699-02		DETECTOR - Lift (187-2), heated	1	
-42	484 178	A	RELAY - Condenser blower motor (KUP11D55-24V)	1	
-43	484 178		RELAY - Autoignition (KUP11D55-24V)	2	
-44	01497-02		BRACKET ASSEMBLY - Annunciator lights controller	1	

When ordering, always specify Part Number, Description and Serial Number of Aircraft

PIPER PARTS CATALOG

Figure and Index Number	Part Number	Code	NOMENCLATURE	No. Req.	SERIAL NUMBERS AFFECTED
127-45	454 624		CHIME ASSEMBLY - Seat belt (950D0115)	1	
-46	585 094		SPEAKER - Seat belt chimes (R28A8)	1	
-47	556 780		TIMER - Windshield heat (HYLZ-50310)	1	
	556 757	B	TIMER - Windshield heat (HYLZ-50657)	1	
-48	23969-04		NIPPLE - Electrical terminal (hole dia. .43)	2	
-49	472 785		LIGHT ASSEMBLY - Baggage (B-2270A-10)	1	
-50	472 057		* BULB - Baggage light	1	
-51	488 750		TIMER - Heater (B00369-2)	1	
-52	493 132	B	MONITOR - Voltage (BVM 28) (includes switch)	1	

When ordering, always specify Part Number, Description and Serial Number of Aircraft

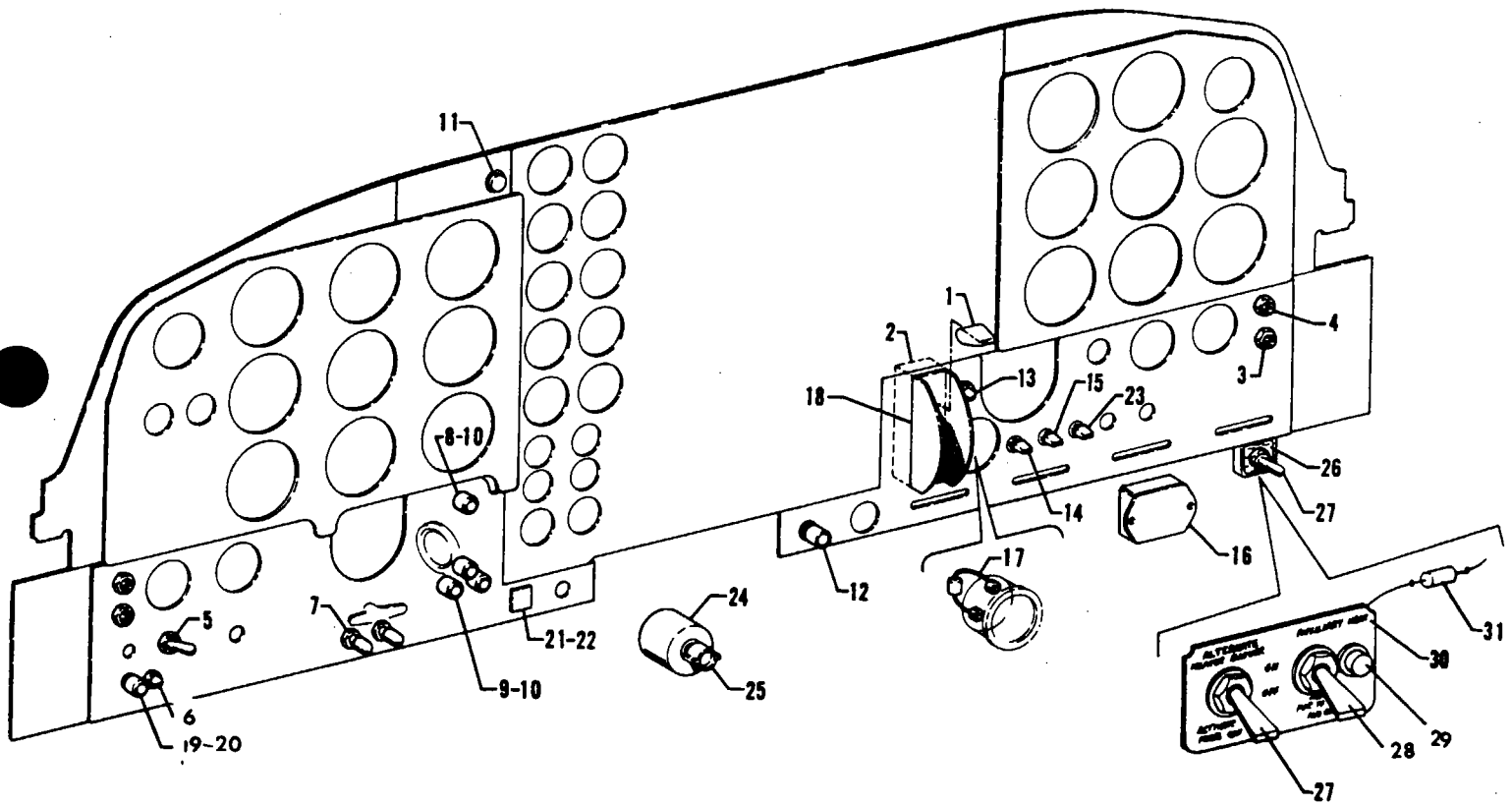


Figure 128. Instrument Panel Harness Installation

PIPER PARTS CATALOG

CODE EXPLANATIONS FOR FIGURE 128

- A - Used on aircraft that comply with C.A.A. (United Kingdom) requirements.
- B - Used on aircraft with serial numbers 31T-8275004, 31T-8275017, 31T-8375003.
- C - Used if Auxiliary Bleed Air Heat System is installed.

PIPER PARTS CATALOG

Figure and Index Number	Part Number	Code	NOMENCLATURE	No. Req.	SERIAL NUMBERS AFFECTED
128-	81805		DRAWING - Forward Fuselage Electrical Details		
-1	23943-00		KNOB - Flap selector switch	1	
-2	553 235		BOX ASSEMBLY - Flap control (8411)	1	
-3	468 006		JACK - Phone (11)	2	
-4	468 002		JACK - Mike (S12B)	2	
-5	587 802		SWITCH - Gyro bus tie (2GL54-73)	1	
	484 775		RING - Lock (U-108)	1	
	407 096		WASHER - (MS35338-98)	1	
-6	588 125		SWITCH - Ground test (SA42SDW11-3)	1	
-7	587 930		SWITCH - Pitch tests and H.T.G. reset (2TL1-7E)	2	
-8	472 739	A	LIGHT ASSEMBLY - Gear unlocked (red) (801-1030-0331-504)	1	
	472 786		LIGHT ASSEMBLY - Gear unlocked (red) (800-1030-0331-504)	1	
-9	472 740		LIGHT ASSEMBLY - Gear down (green) (801-1030-0332-504)	3	
-10	472 028		BULB - (PS10008-327)	4	
-11	587 908		SWITCH - Master caution (513-0107-001)	1	
	554 240		CAP - Master caution switch (301-1471)	1	
	472 028		BULB - (PS10008-327)	1	
-12	588 216		SWITCH - Heater overtemp/reset (513-0101-604)	1	
	653 076		CAP - Overtemp/reset switch (188-5073)	1	
-13	587 849		SWITCH - Flap test and cabin call (30-1)	2	
-14	688 130		SWITCH - Heat and fan (2GM54-NWH3XPA1)	1	
-15	688 132		SWITCH - Recirc. fan selector (2FB54-NWH3XPA1)	1	
-16	488 721		TIMER - Stall warning (B-00348-1)	1	
-17	49432-03		RESISTOR ASSEMBLY - Flap indicator	1	
-18	51677-02		GUARD - Flap switch	1	
-19	472 061		LIGHT ASSEMBLY - Surface deice (801-1030-0334-504)	1	
-20	472 028		BULB - Surface deice light (PS10008-327)	1	
-21	588 155		SWITCH ASSEMBLY - Gear warning mute (451-850-7101-001)	1	
-22	472 028		BULB - Gear warning mute switch (PS10008-327)	2	
-23	688 132		SWITCH - Ground ventilation fan (2FB54-NWH3XPA1)	1	
-24	487 977		SWITCH - Windshield wiper (XW21527)	1	
-25	571 116		KNOB - Windshield wiper switch (106), black	1	
-26	81072-02	B	PLACARD - Heater blower switch	1	
-27	688 132	B	SWITCH - Heater blower (2FB54-NWH3XPA1)	1	
-28	688 132	C	SWITCH - Auxiliary bleed air heat (2FB54-NWH3XPA1)	1	
-29	472 805	C	LIGHT ASSEMBLY - Auxiliary bleed air heat on (102S1-A-STD-FB59)	1	
-30	81073-02	C	PLACARD - Auxiliary bleed air heat	1	
-31		C	RESISTOR - (300 ohm, 8 watt)	1	

When ordering, always specify Part Number, Description and Serial Number of Aircraft

PIPER PARTS CATALOG

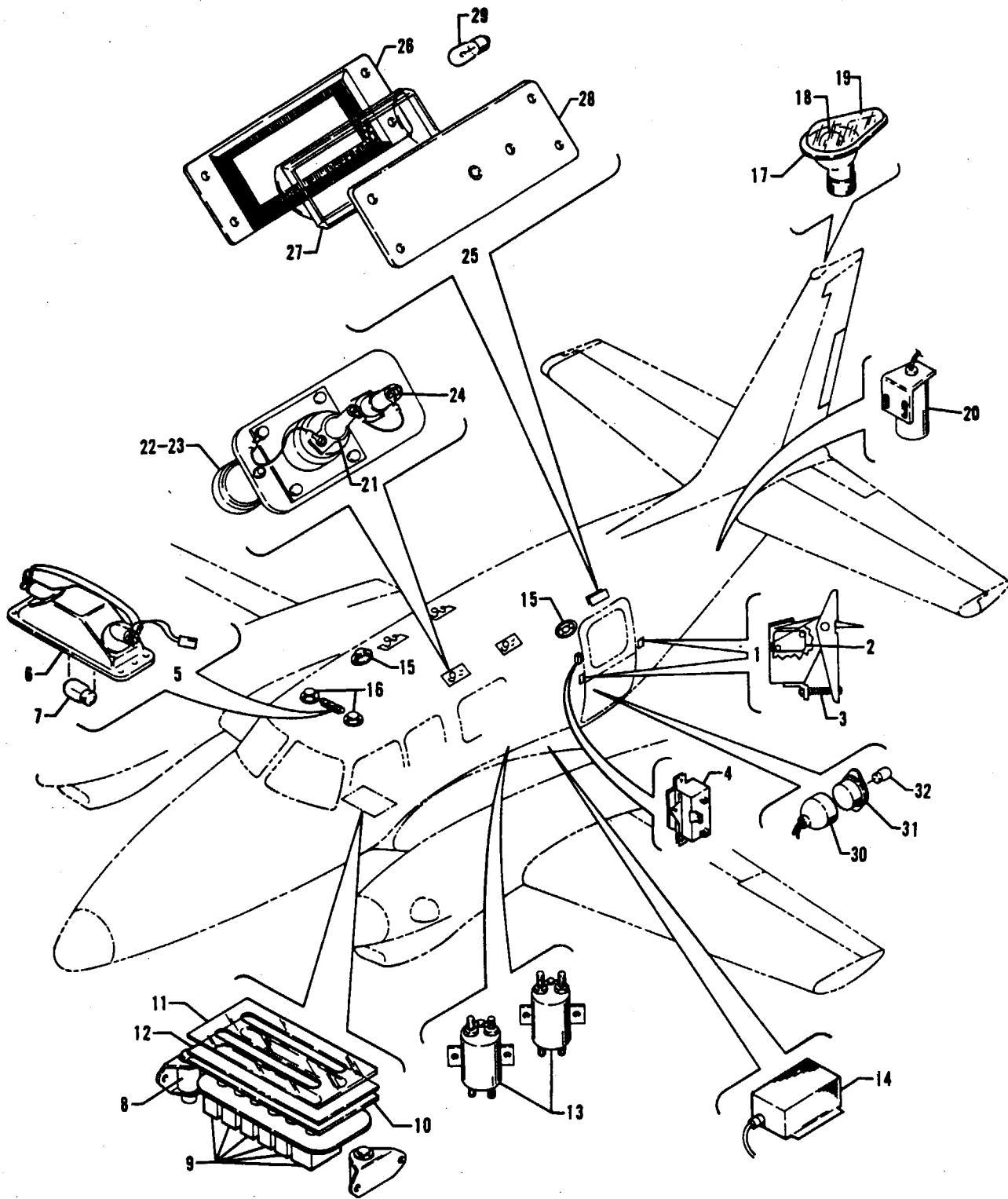


Figure 129. Aft Electrical System Installation

PIPER PARTS CATALOG

CODE EXPLANATIONS FOR FIGURE 129

- A - Used if Cargo Pod is not installed.
- B - Used if Cargo Pod is installed.
- C - Used on aircraft that comply with D.G.A.C. (France) requirements.

PIPER PARTS CATALOG

Figure and Index Number	Part Number	Code	NOMENCLATURE	No. Req.	SERIAL NUMBERS AFFECTED
129-	81752 81474		DRAWING - Aft Fuselage Electrical Details DRAWING - Main Circuit Breakers and Starter Solenoid Installation		
-1	54190-02		SWITCH ASSEMBLY - Door ajar, forward	1	
	54190-03		SWITCH ASSEMBLY - Door ajar, aft	1	
-2	487 819		* SWITCH - (MS25253-3)	1	
-3	83303-02		* SPRING - Switch adjusting	1	
-4	47664-03	A	SWITCH - Rear exit light (TIGL54-1SWH)	1	
	47664-17	B	SWITCH - Ramp/rear exit lights (A-TIGL54-2L-D-WHXPI1)	1	
	453 424		BRACKET - Switch, snap-in	1	
-5	472 788		LIGHT ASSEMBLY - Dome (B-8110-1)	1	
-6	761 238		* LENS - Cabin dome light (B-5846-1)	2	
-7	758 151		* BULB - (MS15584-15)	2	
-8	455 211		SOLENOID - Starter (6041-H202A)	2	
-9	454 747		CIRCUIT PROTECTOR - (170-001-200) 200 amp	2	
	454 746		CIRCUIT PROTECTOR - (170-001-180) 180 amp	1	
	454 645		CIRCUIT PROTECTOR - (45-2-S-N2-100) 100 amp	1	
	454 745		CIRCUIT PROTECTOR - (45-2-S-N2-70) 70 amp	2	
	454 662		CIRCUIT PROTECTOR - (PS50120-3-25) 50 amp	6	
	454 660		CIRCUIT PROTECTOR - (PS50120-3-17) 25 amp	1	
-10	29347-05		PLATE ASSEMBLY - Circuit protector cover	1	
-11	29347-07		COVER - Circuit protector (clear acrylic)	1	
	02371-03	C	COVER ASSEMBLY - Circuit protector (clear acrylic)	1	
-12	80947-02		PLACARD - Circuit protector functions	1	
-13	487 084		SOLENOID - Flap motor (124-314111)	2	
-14	551 992		AMPLIFIER - Flap control (8482)	1	
-15	54848-06		SPEAKER ASSEMBLY - Cabin, forward	1	
	54848-05		SPEAKER ASSEMBLY - Cabin, aft	1	
-16	29212-02		SPEAKER ASSEMBLY - Radio, right	1	
	29212-03		SPEAKER ASSEMBLY - Radio, left	1	
-17	49518-02		LIGHT ASSEMBLY - Ground recognition beacon (Grimes)	1	
	01185-02		LIGHT ASSEMBLY - Ground recognition beacon (Whelen)	1	
-18	758 418		* BULB - (AN3120-1047) Grimes	1	
	761 294		* BULB - (A708-50/28) Whelen	1	
-19	761 290		* LENS - Recognition light (A-2376-1) Grimes	1	
	761 295		* LENS - Recognition light (A702-NM) Whelen	1	
-20	49517-03		FLASHER ASSEMBLY - Ground recognition	1	
-21	01551-02		LIGHT ASSEMBLY - Reading	9	
-22	472 985		* LIGHT ASSEMBLY - (2510)	1	
-23	472 029		* * BULB - (PS10008-303)	1	
-24	587 788		* SWITCH - (J4004-W)	1	
-25	71455-02		LIGHT ASSEMBLY - Aft cabin door	1	
-26	71455-07		* FRAME - Aft cabin door light	1	
-27	71455-10		* LENS - Aft cabin door light	1	
-28	71455-05		* PLATE ASSEMBLY - Aft cabin door light	1	
-29	553 508		* * BULB - (464)	1	
-30	572 587		LIGHT ASSEMBLY - Door step (A-390)	2	
-31	763 393		* CUP ASSEMBLY - Housing and lens (A394)	1	
-32	761 285		* LAMP - Door step light (A322-28)	1	

When ordering, always specify Part Number, Description and Serial Number of Aircraft

2J23 THRU 2J24
INTENTIONALLY LEFT BLANK

PIPER PARTS CATALOG

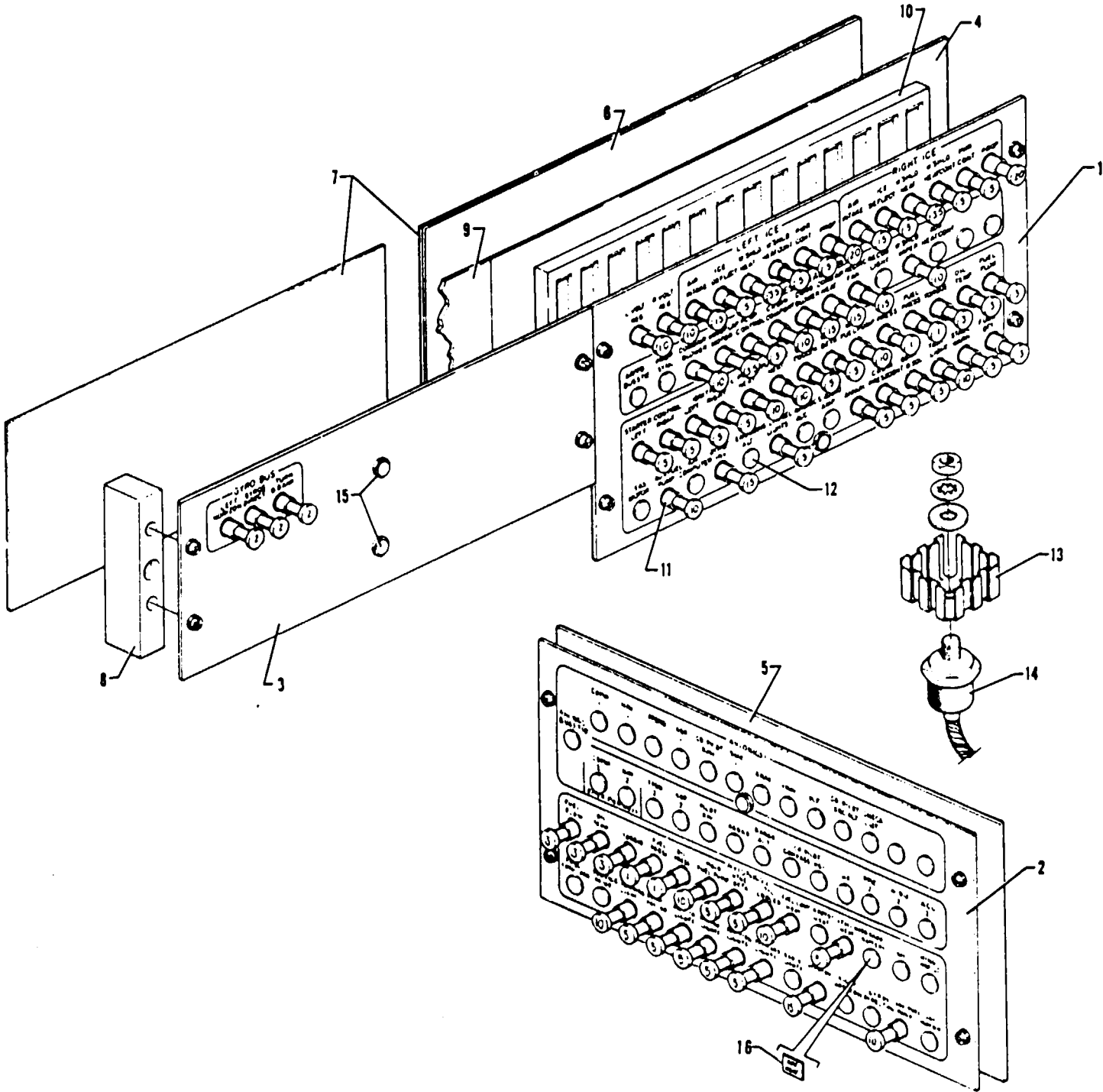


Figure 130. Circuit Breaker System Installation

PIPER PARTS CATALOG

CODE EXPLANATIONS FOR FIGURE 130

A - Used if Auxiliary Bleed Air Heat System is installed.

PIPER PARTS CATALOG

Figure and Index Number	Part Number	Code	NOMENCLATURE	No. Req.	SERIAL NUMBERS AFFECTED
130-	81477		DRAWING - Circuit Breaker System Installation		
-1	81545-02		PANEL ASSEMBLY - Electroluminescent, circuit protector, left, forward	1	
-2	80859-02		PANEL ASSEMBLY - Electroluminescent, circuit protector, right	1	
-3	80936-02		PANEL ASSEMBLY - Electroluminescent, circuit protector, left, aft	1	
-4	29371-02		PLATE ASSEMBLY - Circuit protector mounting, left, forward	1	
-5	29372-02		PLATE ASSEMBLY - Circuit protector mounting, right	1	
-6	49964-02		PLATE - Insulator, left and right (Phenolic)	2	
-7	49167-02		SHEET - Rubber	3	
-8	29383-03		BLOCK - Spacer, Sta. 87.5 right, Sta. 76 left and right	3	
	29383-02		BLOCK - Spacer, Sta. 87.5 left	1	
	55602-05		BLOCK - Spacer, Sta. 99 left	1	
-9	82042-02		PLATE ASSEMBLY - Circuit protector mounting, left, aft	1	
-10	55566-02		RETAINER - Circuit protector (24" long)	AR	
-11	454 687		CIRCUIT PROTECTOR - (PS50120-3-31) 2 amp	AR	
	454 688		CIRCUIT PROTECTOR - (PS50120-3-32) 3 amp	AR	
	454 682		CIRCUIT PROTECTOR - (PS50120-3-26) 5 amp	AR	
	454 722		CIRCUIT PROTECTOR - (PS50120-3-35) 7.5 amp	AR	
	454 683		CIRCUIT PROTECTOR - (PS50120-3-27) 10 amp	AR	
	454 684		CIRCUIT PROTECTOR - (PS50120-3-28) 15 amp	AR	
	453 474		CIRCUIT PROTECTOR - (819-230-102) 30 amp	AR	
	454 696		CIRCUIT PROTECTOR - (819-235-102) 35 amp	AR	
-12	581 657		PLUG - Hole (P-437)	AR	
-13	464 426		HEAT SINK - (UP-D08B)	4	
-14	456 821		DIODE - (ST1630P)	4	
-15	488 590		THREDSTUD - (77-06-106-13)	6	
	477 825		NUT - Cap (6-32 black)	6	
-16	81075-02	A	PLACARD - Auxiliary Heat	1	

When ordering, always specify Part Number, Description and Serial Number of Aircraft

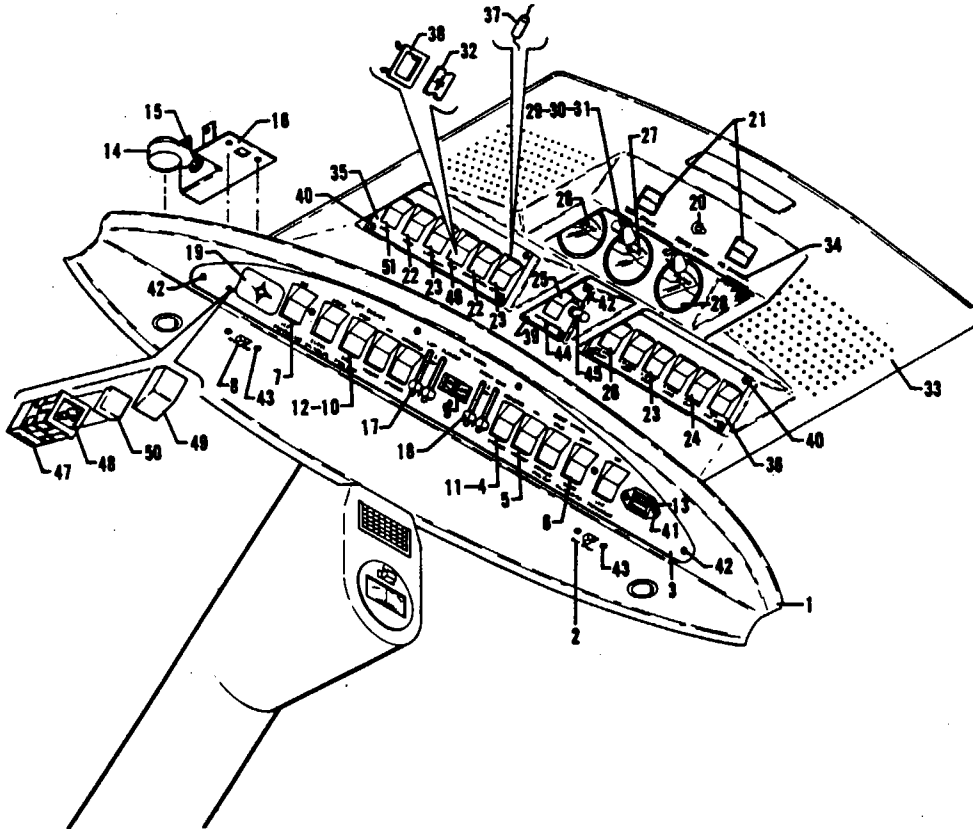


Figure 131. Overhead Switch Panel Installation

PIPER PARTS CATALOG

CODE EXPLANATIONS FOR FIGURE 131

- A - Used if Autoignition System is installed.
- B - Used if Engine Compartment Fire Extinguishers are not installed.
- C - Used if Wing Tip Recognition Lights are installed.
- D - Used if Engine Compartment Fire Extinguishers are installed.
- E - Used if Cargo Pod is installed.
- F - Used if Cargo Pod is not installed.

PIPER PARTS CATALOG

Figure and Index Number	Part Number	Code	NOMENCLATURE	No. Req.	SERIAL NUMBERS AFFECTED
131-	81484 81928		DRAWING - Engine Control Panel Assembly DRAWING - Overhead Meter and Switch Panel Assembly		
-1	81590-02		PANEL ASSEMBLY - Overhead switch	1	
-2	80897-02		* DECAL - Map light	2	
-3	81485-02 80932-02	A	PANEL - Electroluminescent, overhead instrument PANEL - Electroluminescent, overhead instrument	1 1	
-4	688 180		SWITCH - Starter/generator (4TP1-1)	2	
-5	587 783		SWITCH - Ignition (1TP1-2)	2	
-6	587 787		SWITCH - Oil cooler door (4TP1-7)	2	
-7	587 786		SWITCH - Ice protection (4TP1-3)	2	
-8	487 777		SWITCH - Map light (5518)	2	
-9	47664-13		SWITCH - Instrument panel lights (T1GM54-1F-WH)	1	
-10	587 784		SWITCH - Fuel pump (2TP1-1)	2	
-11	554 289		CAP - Switch, starter/generator (12 PA5-Y), yellow	2	
-12	554 288		CAP - Switch, fuel pump (12 PA5-R), red	2	
-13	51006-00		ENGINE HOUR METER	1	
-14	472 868 572 577		LIGHT ASSEMBLY - Map (A719-24) (Grimes) LIGHT ASSEMBLY - Map (A315-28V) (Whelen)	2 2	
-15	753 476 472 027		* BULB - (313) (Grimes) * BULB - (PS10008-1495) (Whelen)	1 1	
-16	72439-02 72439-03		BRACKET ASSEMBLY - Map light, left BRACKET ASSEMBLY - Map light, right	1 1	
-17	484 597		SLIDE CONTROL - Instrument panel lights (type V470)	4	
-18	571 186		KNOB - Slide control (SC-10-WL)	4	
-19	80997-02	B	PLACARD - Cover	1	
-20	587 788		SWITCH - Dome light (J4004-W)	1	
-21	587 967		SWITCH - Belts and no smoking lights (SC2CXL191-96)	2	
-22	47664-02		SWITCH - Anti-collision and ice detection lights (T1LA54-1S-WH)	2	
-23	47664-03		SWITCH - Position and landing lights, left pitot heat (T1GL54-1S-WH)	3	
-24	47664-08		SWITCH - Surface deice light (T1GL5E-1S-WH)	1	
-25	588 272		SWITCH - Battery master (2TP1-3)	1	
-26	47664-02		SWITCH - Left windshield heat (T1LA54-1S-WH)	1	
-27	51051-00		INDICATOR - Electrical system monitor	1	
-28	51050-00		INSTRUMENT - Ammeter	2	
-29	472 742		BOLT LIGHT - (P-65-3-CW-28)	3	
-30	472 028		* BULB - Bolt light (PS10008-327)	1	
-31	556 743		WIRE AND NUT ASSEMBLY - Bolt light (5954-8ND-2)	3	
-32	32510-00		COVER - Switch	AR	
-33	81697-02		PANEL ASSEMBLY - Overhead meter and switch	1	
-34	80908-02		* DECAL - Seat belts dome light and no smoking	1	
-35	47875-00		PANEL - Electroluminescent, light switch, left	1	
-36	50774-00		PANEL - Electroluminescent, light switch, right	1	
-37	484 564		RESISTOR - Position lights switch (50 ohm, 2 watt)	1	
-38	453 424		BRACKET - "F", narrow snap-in	AR	
-39	80832-02		PANEL - Electroluminescent, battery master	1	
-40	515 144 407 132 404 596		SCREW - (4-40 x 1/2, round head, black) WASHER - (AN936-A4) NUT - (MS20341-4S)	8 8 8	
-41	515 709		SCREW - (PS10084-43-2)	2	
-42	515 710		SCREW - (PS10084-44-2)	11	
-43	515 715 404 909		SCREW - (PS10084-42-2) NUT - (MS20365-632C)	4 4	

When ordering, always specify Part Number, Description and Serial Number of Aircraft

PIPER PARTS CATALOG

Figure and Index Number	Part Number	Code	NOMENCLATURE	No. Req.	SERIAL NUMBERS AFFECTED
131-44	415 533		SCREW - (MS35206-243)	2	
-45	588 125		SWITCH - Generator trip (SA-42SDW11-3)	2	
-46	47664-02		SWITCH - Taxi light (T1LA54-1S-WH)	1	
	47664-12	C	SWITCH - Taxi/recognition lights (T1GM54-1S-WH)	1	
-47	688 100	D	SWITCH - Fire extinguisher (AML21CBA2AA)	2	
-48	472 149	D	LAMP - Fire extinguisher switch (AML91LA85)	2	
-49	463 621	D	GUARD - Fire extinguisher switch (AML76C10T01P)	2	
-50	29585-02	D	BUTTON - Switch, left fire extinguisher	1	
	29585-03	D	BUTTON - Switch, right fire extinguisher	1	
-51	47664-03	F	SWITCH - Exit lights (T1GL54-1S-WH)	1	
	47664-17	E	SWITCH - Ramp/exit lights (A-T1GL54-2L-D-WHXPI1)	1	

When ordering, always specify Part Number, Description and Serial Number of Aircraft

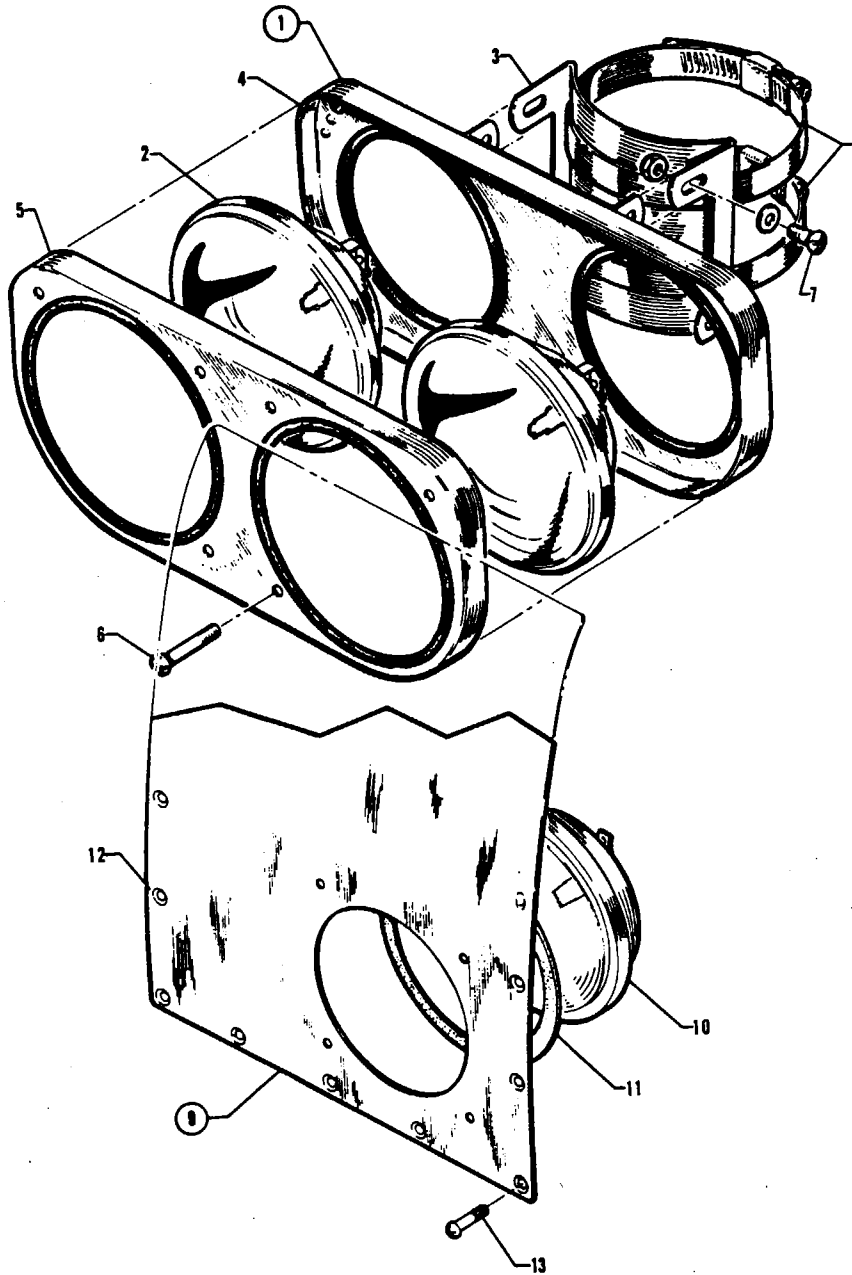


Figure 132. Landing Light and Ice Detection Light Installation

PIPER PARTS CATALOG

CODE EXPLANATIONS FOR FIGURE 132

PIPER PARTS CATALOG

Figure and Index Number	Part Number	Code	NOMENCLATURE	No. Req.	SERIAL NUMBERS AFFECTED
132-	50592		DRAWING - Ice Detection Light Installation		
-1	43048-00		LIGHT ASSEMBLY - Landing	1	
-2	472 789		* LIGHT - (4596) 250 Watt, 28 Volt	2	
-3	43020-00		* BRACKET - Landing light assembly	1	
-4	43021-00		* PLATE ASSEMBLY - Landing light	1	
-5	43022-00		* PLATE ASSEMBLY - Landing light face	1	
-6	415 628		* SCREW - (AN515-632R18)	6	
-7	415 146		* SCREW - (AN526-632R7)	4	
	407 562		* WASHER - (AN960-6)	8	
	404 829		* NUT - (MS20364-632C)	4	
-8	554 901		CLAMP - (64SS)	2	
-9	50587-02		LIGHT ASSEMBLY - Wing inspection	1	
-10	472 049		* LAMP - (PS10008-4593)	1	
-11	42109-00		* GASKET - Wing inspection light	1	
-12	50443-02		* COVER - Wing inspection light	1	
-13	414 779		SCREW - (MS24693-S49)	20	

When ordering, always specify Part Number, Description and Serial Number of Aircraft

PIPER PARTS CATALOG

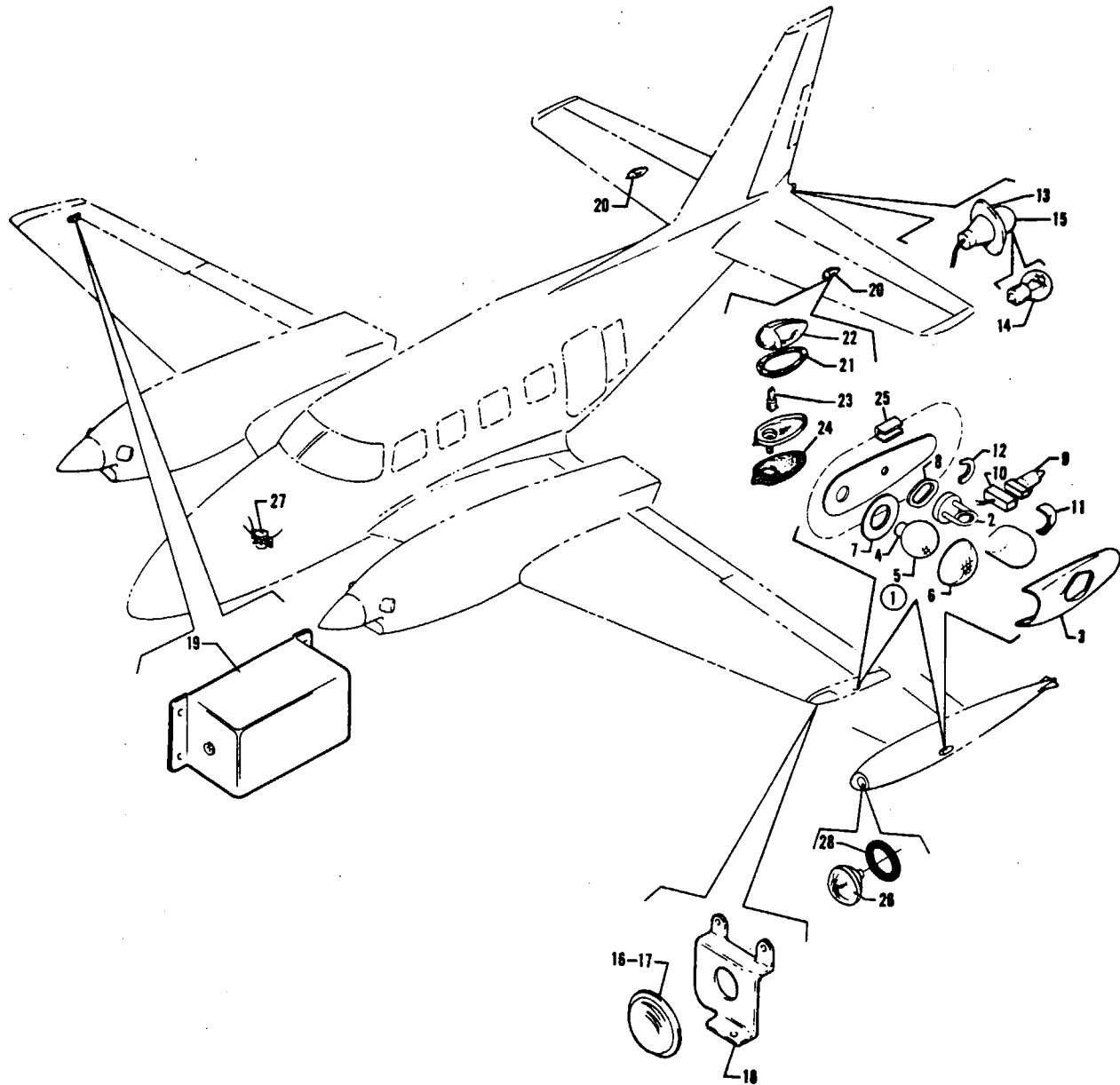


Figure 133. Navigation, Strobe and Recognition Lights Installation

PIPER PARTS CATALOG

CODE EXPLANATIONS FOR FIGURE 133

A - Used on aircraft that comply with C.A.A. (United Kingdom) requirements.

PIPER PARTS CATALOG

Figure and Index Number	Part Number	Code	NOMENCLATURE	No. Req.	SERIAL NUMBERS AFFECTED
133-1	29479-02		NAVIGATION AND STROBE LIGHT ASSEMBLY - Tip, red (with tail position light) (unshielded)	1	
	572 531		NAVIGATION AND STROBE LIGHT ASSEMBLY - Tip, green (with tail position light) (unshielded)	1	
	572 593		NAVIGATION AND STROBE LIGHT ASSEMBLY - Tip, red (with tail position light) (shielded)	1	
	572 592		NAVIGATION AND STROBE LIGHT ASSEMBLY - Tip, green (with tail position light) (shielded)	1	
		A	NAVIGATION AND STROBE LIGHT ASSEMBLY - Tip, red (A600-PR-D-M-R-28) (red strobe shielded)	1	
		A	NAVIGATION AND STROBE LIGHT ASSEMBLY - Tip, green (A600-PG-D-M-R-28) (red strobe shielded)	1	
-2	762 003		* LIGHT ASSEMBLY - Wing tip strobe	1	
-3	761 253		* LENS AND RETAINER ASSEMBLY - Wing tip strobe (clear lens, shielded)	1	
	584 232	A	* LENS AND RETAINER ASSEMBLY - Wing tip strobe (red lens, shielded)	1	
-4	472 710		* LIGHT ASSEMBLY - Wing, type "E", green	1	
	472 709		* LIGHT ASSEMBLY - Wing, type "E", red	1	
-5	753 478		* * BULB - Light assembly	1	
-6	751 201		* * LENS - Green	1	
	751 202		* * LENS - Red	1	
-7	755 075		* GASKET - Navigation light	1	
-8	755 076		* GASKET - Strobe light	1	
-9	761 208		* LAMP - Navigation light, tail position	1	
-10	762 426		* SOCKET ASSEMBLY - Navigation light, tail position	1	
-11	761 255		* LENS - Navigation light, tail position	1	
-12	755 096		* GASKET - Navigation light, tail position	1	
-13	43346-04		LIGHT ASSEMBLY - Nav, tail	1	
-14	753 477		* BULB - (1683)	1	
-15	751 203		* LENS - Clear	1	
-16	472 942		LIGHT ASSEMBLY - Recognition (30-1290-1)	2	
-17	761 214		* LAMP - (LP1982SP) 28 volt, 75 watt	1	
-18	49611-02		BRACKET - Mounting, recognition light, left	1	
	49611-03		BRACKET - Mounting, recognition light, right	1	
-19	481 214		POWER SUPPLY - Strobe light, wing (A490A-TS-DF-14/28)	2	
-20	761 226		LIGHT ASSEMBLY - Tail flood, left (00033014-3)	1	
	572 586		LIGHT ASSEMBLY - Tail flood, right (00033096-8)	1	
-21	755 080		* GASKET - Flood light (S1380-1-2)	1	
-22	761 251		* LENS - Tail flood light, left	1	
	761 252		* LENS - Tail flood light, right	1	
-23	472 184		LAMP - Flood light (DA-27)	2	
-24	755 077		GASKET - Flood light (00033045-1)	2	
-25	187 537		MOULDING - Weather seal (Neoprene)	FT	
-26	472 071		LAMP - Recognition lights (PS10008-4594)	2	
-27	487 167		SOLENOID - Recognition lights	1	
-28	55896-30		SEAL - Rubber, recognition lights	2	

When ordering, always specify Part Number, Description and Serial Number of Aircraft

PIPER PARTS CATALOG

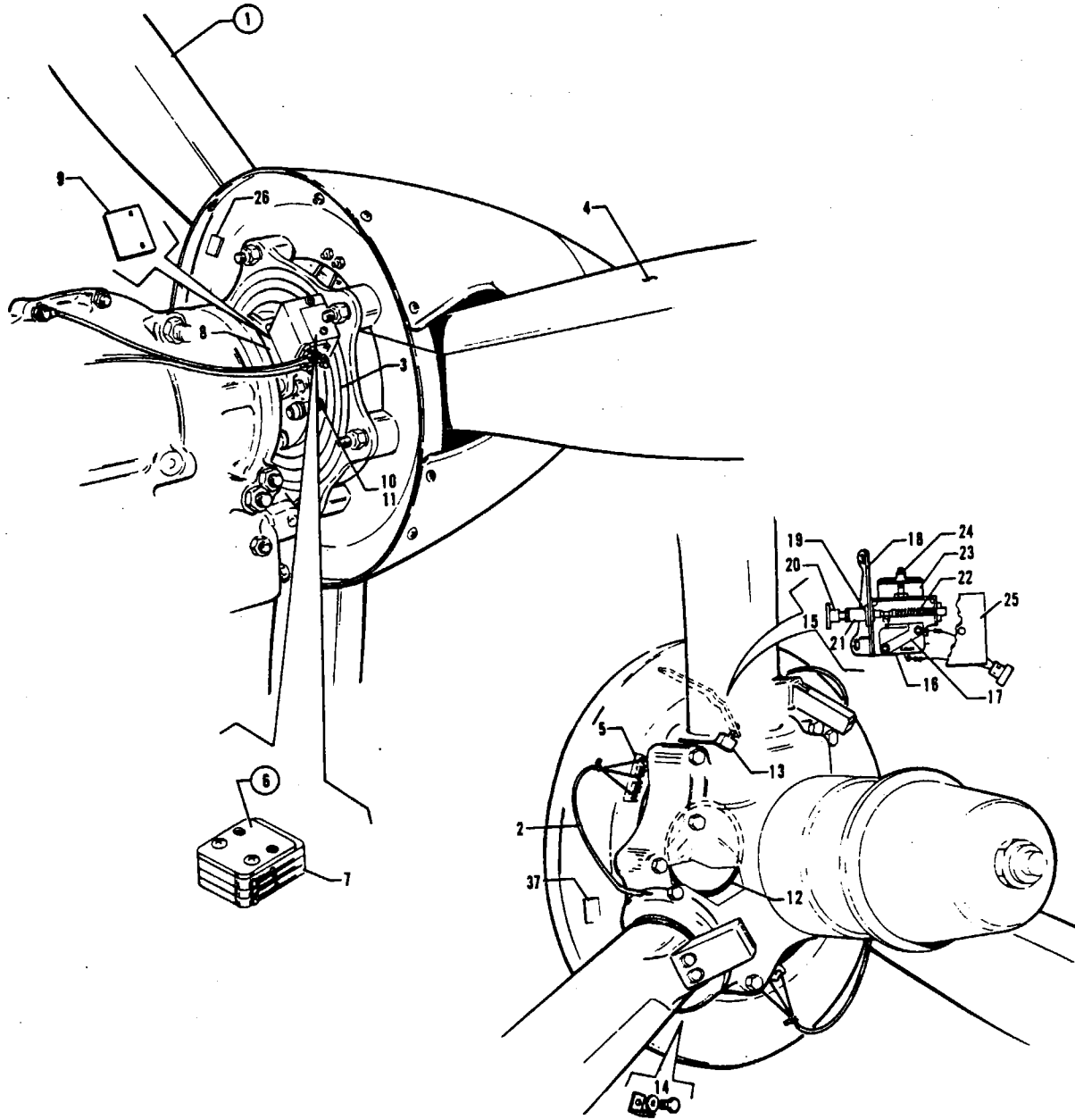


Figure 134. Propeller Electric De-Icer Installation

PIPER PARTS CATALOG

CODE EXPLANATIONS FOR FIGURE 134

PIPER PARTS CATALOG

Figure and Index Number	Part Number	Code	NOMENCLATURE	No. Req.	SERIAL NUMBERS AFFECTED
134-	81990		DRAWING - Power Plant Installation		
-1	82000-02		PROPELLER ASSEMBLY - (Complete)	2	
-2	755 335		* HARNESS ASSEMBLY - (3E2050)	3	
-3	762 487		* SLIP RING ASSEMBLY - (4E2442-1)	1	
-4	758 568		* BOOT - Propeller deicer (4E2200-10)	3	
-5	762 375		* STRIP - Terminal (1E1150-3)	3	
-6	758 556		MODULAR BRUSH ASSEMBLY - (3E2090-1)	2	
-7	758 435		* BRUSH MODULE ASSEMBLY - (3E2011-2)	1	
	758 436		* BRUSH MODULE ASSEMBLY - (3E2011-3)	1	
-8	758 274		BRACKET - Brush assembly mounting (3E1418-3)	2	
-9	757 611		SHIM - (1E1157)	2	
-10	756 656		WASHER - (A-2048-2)	16	
-11	758 610		BOLT - (B-3339)	16	
-12	756 089		"O" RING - Shaft (PRP-909-8)	1	
-13	758 276		BLOCK ASSEMBLY - Carbon (A-3044)	1	
-14	401 306		BOLT - (AN4-3A)	1	
	407 044		WASHER - Lock (MS35338-44)	1	
-15	49534-02		SWITCH ASSEMBLY - Beta system	2	
-16	487 925		* SWITCH - Micro (V3-1)	1	
-17	451 841		* ACTUATOR - Switch (JV-5)	1	
-18	49533-02		* BRACKET ASSEMBLY - Beta switch	1	
-19	31796-00		* * BUSHING - Bracket	1	
-20	51058-00		* CAP ASSEMBLY - Plunger	1	
-21	51057-00		* PLUNGER - Switch actuator	1	
-22	587 389		* SPRING - (LC-020C-11)	1	
-23	54566-02		* ANGLE ASSEMBLY - Switch adjusting	1	
-24	400 438		* BOLT - (AN3-4A)	1	
-25	49532-02		* COVER ASSEMBLY - Beta switch	1	
-26	583 410		PLACARD - Spinner bulkhead (WAR-001)	4	

When ordering, always specify Part Number, Description and Serial Number of Aircraft

PIPER PARTS CATALOG

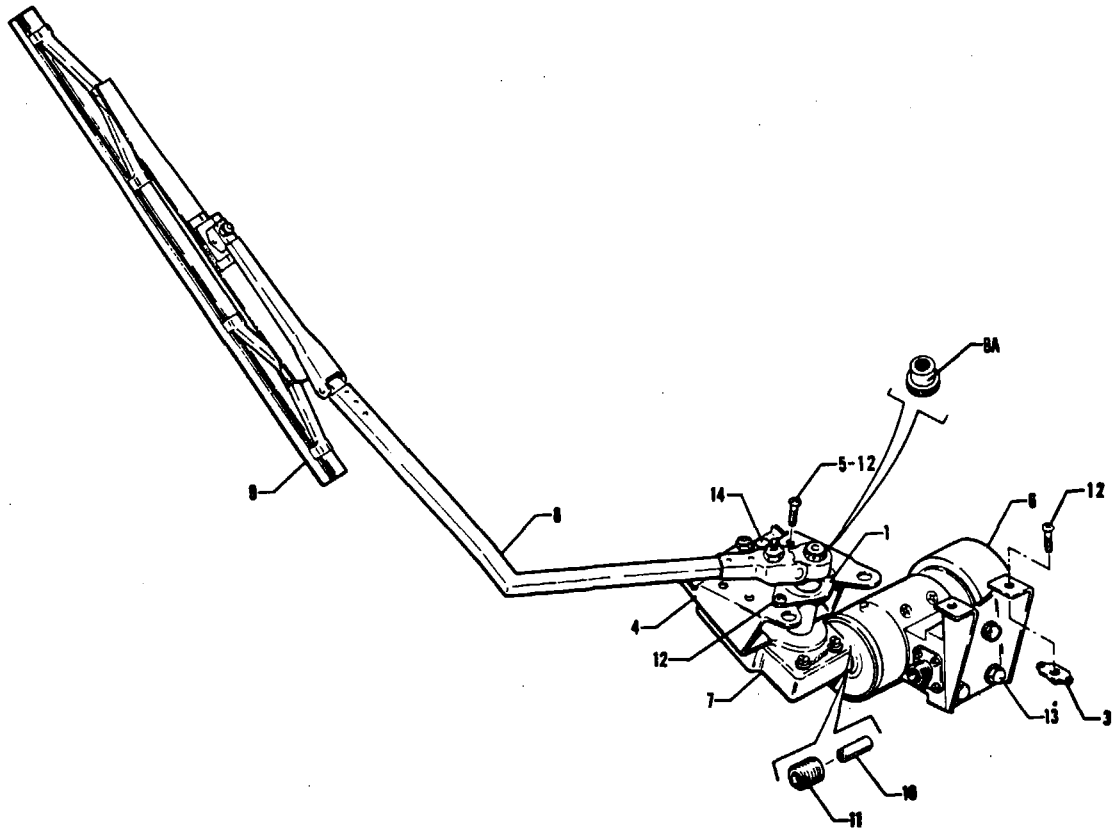


Figure 135. Electric Windshield Wiper Installation

PIPER PARTS CATALOG

CODE EXPLANATIONS FOR FIGURE 135

PIPER PARTS CATALOG

Figure and Index Number	Part Number	Code	NOMENCLATURE	No. Req.	SERIAL NUMBERS AFFECTED
135-	81765		DRAWING - Windshield Wiper Installation, Electric		
-1	45889-00		COVER - Windshield wiper shaft	1	
-2	01618-02		BRACKET ASSEMBLY - Windshield wiper motor	1	
-3	406 826		* NUT - Anchor (NAS686A08K)	2	
-4	45892-00		BRACKET ASSEMBLY - Windshield wiper mounting	1	
-5	406 820		* NUT - Anchor (NAS687A08)	4	
-6	475 197		MOTOR - (XW20173-G2)	1	
-7	555 356		CONVERTER - (XW20345-275-50)	1	
-8	551 920		ARM - (XW21559-1)	1	
-8a	764 807		* SLEEVE - Splined, wiper arm (W-20362)	1	
-9	452 918		BLADE - (XW21558-12A)	1	
-10	555 355		COUPLING - (W20398-2)	1	
-11	476 701		NIPPLE - (W20395-2)	1	
-12	415 535		SCREW - (MS35206-245)	6	
-13	401 307		BOLT - (AN4-4A)	4	
	407 044		LOCKWASHER - (MS35338-44)	4	
	407 565		WASHER - (AN960-416)	4	
-14	401 273		BOLT - (AN3-14A)	4	
	407 564		WASHER - (AN960-10)	4	
	404 887		NUT - (MS20365-1032C)	4	

When ordering, always specify Part Number, Description and Serial Number of Aircraft

PIPER PARTS CATALOG

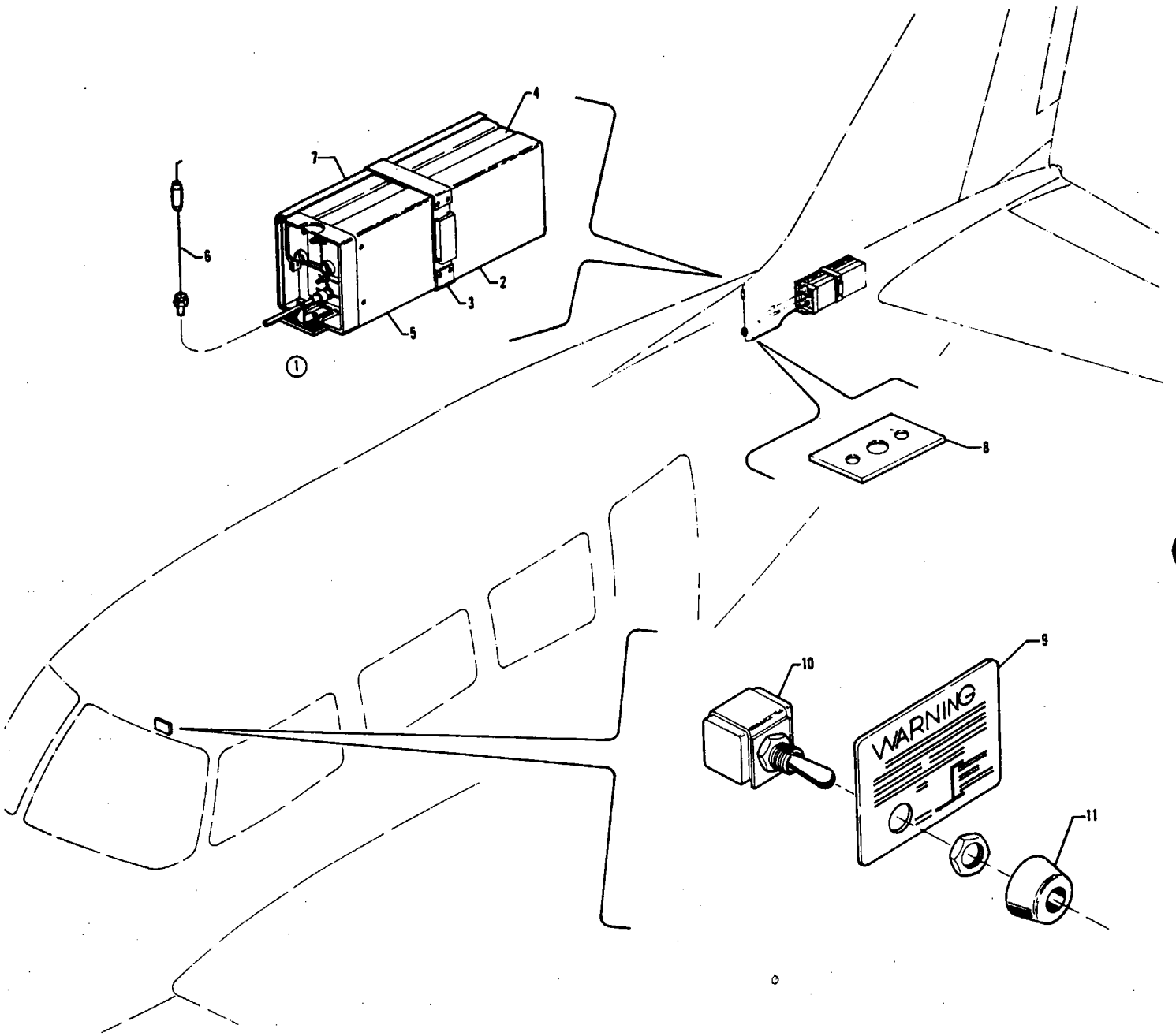


Figure 136. Piper Automatic Locator (ELT) Installation (Narco Avionics)

PIPER PARTS CATALOG

CODE EXPLANATIONS FOR FIGURE 136

PIPER PARTS CATALOG

Figure and Index Number	Part Number	Code	NOMENCLATURE	No. Req.	SERIAL NUMBERS AFFECTED
136-	49736		DRAWING - Piper Automatic Locator (ELT) Installation		
-1	54800-54		TRANSMITTER ASSEMBLY - Automatic locator (ELT 10) (includes alkaline battery pack)	1	
-2	758 452		* BATTERY PACK - Transmitter assembly (57874-0001)	1	
-3	782 357		* STRAP - Transmitter assembly (57682-0101)	1	
-4	763 019		* ANTENNA - Blade, portable (57667-0001)	1	
-5	758 453		* BASE - Transmitter assembly (57866-0001)	1	
-6	597 257		ANTENNA ASSEMBLY - E.L.T. (01652-0101)	1	
-7	39273-02		BRACKET ASSEMBLY - E.L.T. mounting	1	
-8	60704-02		BRACKET - Doubler	1	
-9	80687-02		PLACARD - Warning, E.L.T.	1	
-10	587 965		SWITCH - (7101-K)	1	
-11	477 829		NUT - Dress (8025)	1	

When ordering, always specify Part Number, Description and Serial Number of Aircraft

**2K23 THRU 2L24
INTENTIONALLY LEFT BLANK**



PARTS CATALOG

CARD 3 OF 3

PA-31T3 T1040

PIPER AIRCRAFT CORPORATION

PIPER PARTS CATALOG

AEROFICHE EXPLANATION AND REVISION STATUS

The Parts Catalog information incorporated in this set of Aerofiche cards has been arranged in accordance with the general specifications of Aerofiche adopted by the General Aircraft Manufacturer's Association.

Conversion of Aerofiche alpha/numeric code numbers:

First number is the Aerofiche card identifier.

Letter is the horizontal line reference per card.

Second number is the vertical line reference per card.

Example: 2J16 = Aerofiche card number two of given set, Grid location J16.

To aid in locating the various sections and related information desired, the following is provided:

A complete Catalog Table of Contents is given at Grid 1A7 of Aerofiche card number 1 of this set. Each additional card in this set will have a Table of Contents for all sections on that particular card. This table will start at Grid A3.

REVISIONS

The information compiled in this Aerofiche Parts Catalog will be kept current by revisions distributed periodically. These revisions will supersede all previous revisions and will be complete Aerofiche card replacements and shall supersede Aerofiche cards of the same number in the set.

Current Revisions to this PA-31T3 T1040 Parts Catalog issued March 8, 1982 are as follows:

761 761 (PR820714).....	Dated July, 1982
761 761 (PR821112).....	Dated November, 1982
761 761 (PR830412).....	Dated April, 1983
761 761 (PR840110).....	Dated January, 1984
761 761 (PR840711).....	Dated July, 1984

NOTE: Refer to the last card of the Piper - Parts Price List - Aerofiche for a check list of current revision dates and card effectivities for this parts catalog.

TABLE OF CONTENTS

FIGURE NUMBER	FIGURE TITLE	GRID NUMBER
	SECTION XIV MISCELLANEOUS GROUP	
137	Placards and External Stencils.....	3A4
	Optional Equipment Kits and Repair Kits	3A8
	NUMERICAL INDEX	3A10

PIPER PARTS CATALOG

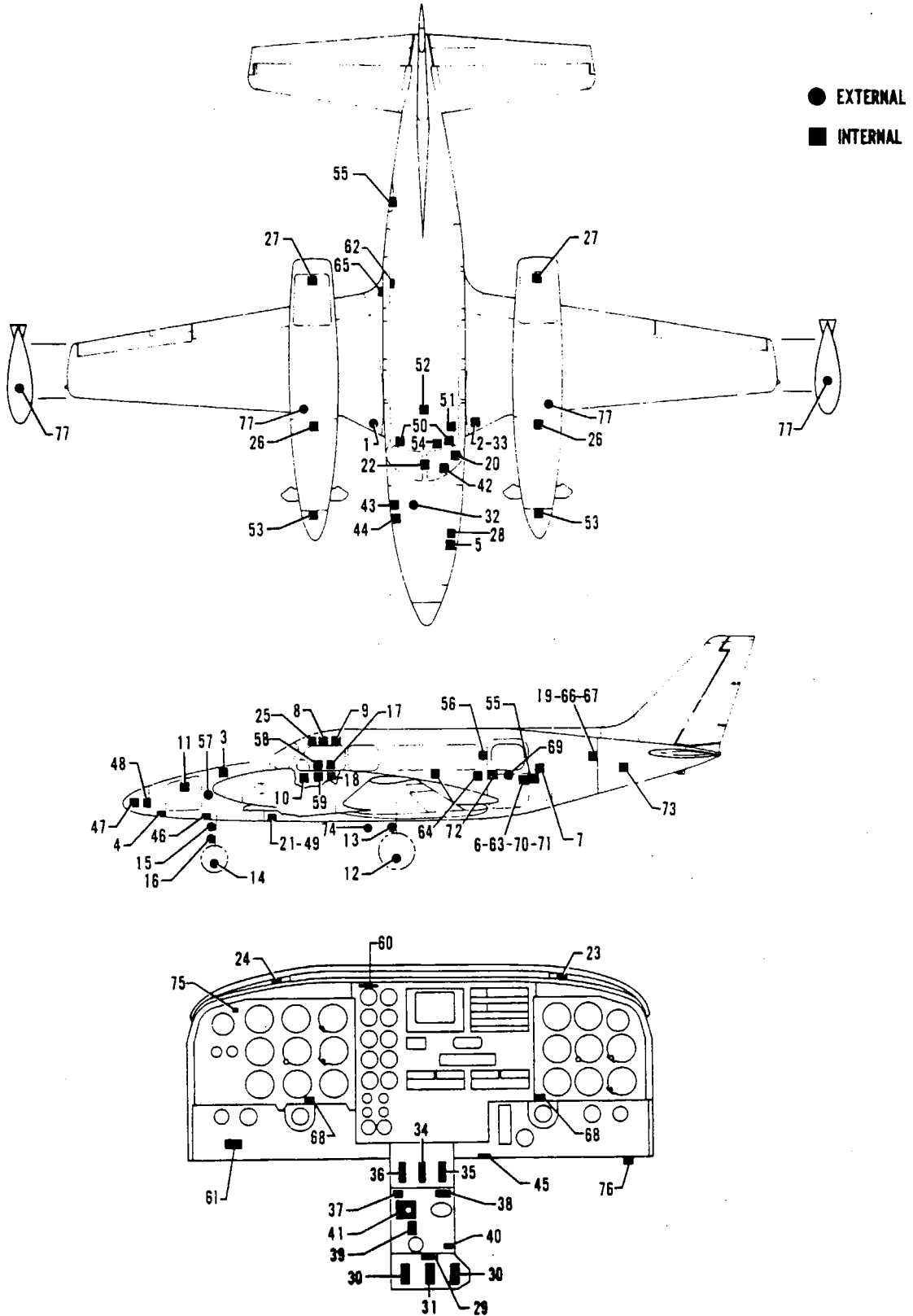


Figure 137. Placards and Exterior Stencils

PIPER PARTS CATALOG

CODE EXPLANATIONS FOR FIGURE 137

- A - Used if fuel system quick drain is installed.
- B - Used if pilot door is installed.
- C - Used if B.F. Goodrich Nose Wheel Assembly 3-1076 or Cleveland Nose Wheel Assembly 40-140 is installed.
- D - Used if B.F. Goodrich Nose Wheel Assembly 3-1331 is installed.
- E - Used if engine compartment fire extinguishers are not installed.
- F - Used on aircraft that comply with C.A.A. (United Kingdom) requirements.
- G - Used if wing tip fuel tanks are installed.
- H - Used if wing tip fuel tanks are not installed.
- J - Used if Weston torque indicator is installed.
- K - Used on aircraft with serial numbers 31T-8275009, 31T-8275013, 31T-8275015 and up.
- L - Used if cargo pod is installed.
- M - Used on aircraft with serial numbers 31T-8275004, 31T-8275017, 31T-8375003.

PIPER PARTS CATALOG

Figure and Index Number	Part Number	Code	NOMENCLATURE	No. Req.	SERIAL NUMBERS AFFECTED
137-1	80984-02	A	PLACARD - Fuel drain	2	
-2	80981-02	A	PLACARD - Fuel drain instructions	2	
-3	48023-00		PLACARD - Brake reservoir fill	1	
-4	47757-00		PLACARD - Starting procedure, external power	1	
-5	80385-02		PLACARD - Latching operation	1	
-6	43067-00		PLACARD - Door handle latch	1	
-7	80992-02		PLACARD - Cargo loading	1	
-8	44673-00	B	PLACARD - Pilot door (open-closed)	1	
-9	44674-00	B	PLACARD - Pilot door (theft lock)	1	
-10	80298-02	B	PLACARD - Latch	1	
-11	80424-02		PLACARD - Baggage capacity	1	
-12	41398-12		PLACARD - Tire inflation, main	2	
-13	40292-04		PLACARD - Oleo service instructions, main	2	
-14	41398-06	C	PLACARD - Tire inflation, nose	1	
	41398-08	D	PLACARD - Tire inflation, nose	1	
-15	40292-02		PLACARD - Oleo service instructions, nose	1	
-16	45331-00		PLACARD - Tow turn limits	1	
-17	80905-02		DECAL - Seat requirements	2	
-18	80893-02		DECAL - Anti-collision lights warning	2	
-19	81022-02		PLACARD - Aft baggage capacity	1	
-20	81000-02		PLACARD - Check list	1	
-21	80848-02		PLACARD - Emergency gear extension	1	
-22	41345-00		PLACARD - Compass	1	
-23	80614-02		PLACARD - Annunciator Hi-Lo	1	
-24	80755-02		PLACARD - Annunciator test	1	
-25	80895-02		PLACARD - Armrest storage	1	
-26	50560-00		PLACARD - Engine oil specifications	2	
-27	80945-02		DECAL - Nacelle locker, baggage capacity	2	
-28	81018-02		PLACARD - Access panel	1	
-29	80962-02		PLACARD - Fuel control	1	
-30	80987-02	H	PLACARD - Left firewall shut-off valve control	1	
	81030-02	G	PLACARD - Left firewall shut-off valve control	1	
	80988-02	H	PLACARD - Right firewall shut-off valve control	1	
	81026-02	G	PLACARD - Right firewall shut-off valve control	1	
-31	80964-02		PLACARD - Cross feed control	1	
	80979-02	F	PLACARD - Cross feed control	1	
-32	48022-00		DECAL - Brake reservoir	1	
-33	80983-02	A	DECAL - OFF	2	
-34	40584-03		PLACARD - Propeller control	1	
-35	50240-00		PLACARD - Start control	1	
-36	80332-02		PLACARD - Power lever control	1	
-37	47736-00		PLACARD - Elevator trim	1	
-38	47737-00		PLACARD - Rudder trim	1	
-39	47738-00		PLACARD - Aileron trim	1	
-40	80247-02		PLACARD - Cigar lighter	1	
-41	81015-02		PLACARD - Windshield wiper	1	
-42	01207-02		MEDALLION - Control wheel	1	
-43	48030-00		PLACARD - Hydraulic reservoir	1	
-44	80596-02		PLACARD - Filter servicing instructions	1	
-45	43854-00		PLACARD - Cabin exhaust	1	
-46	42971-00		PLACARD - Oxygen recharge	1	
-47	50743-00		PLACARD - Battery caution	1	
-48	81019-02		PLACARD - Fuse functions	1	
-49	80947-02		PLACARD - Circuit protector functions	1	
-50	80897-02		DECAL - Map light	2	
-51	80997-02	E	PLACARD - Cover	1	

When ordering, always specify Part Number, Description and Serial Number of Aircraft

PIPER PARTS CATALOG

Figure and Index Number	Part Number	Code	NOMENCLATURE	No. Req.	SERIAL NUMBERS AFFECTED
137-52	80908-02		DECAL - Seat belts, dome lights and no smoking	1	
-53	583 410		PLACARD - Spinner bulkhead	4	
-54	80687-02		PLACARD - Warning, E.L.T.	1	
-55	80999-02		PLACARD - Seat requirements	2	
-56	49809-02		DECAL - Piper logo	1	
-57	49172-02		DECAL - Access panel	1	
-58	81006-02		DECAL - Limitations	1	
-59	81005-02		DECAL - Category	1	
-60	80949-02	J	PLACARD - Torque test	1	
-61	80526-03	F	PLACARD - Static pressure	1	
-62	80839-02	F	DECAL - "Cut Here In Emergency", bottom	2	
	80839-03	F	DECAL - "Cut Here In Emergency", top	2	
-63	80363-02	F	PLACARD - Emergency exit	1	
-64	81023-02	F	DECAL - No smoking	11	
-65	81025-02	F	DECAL - "Push Here"	1	
-66	81027-02	F	DECAL - Baggage tie down	1	
-67	81020-02		PLACARD - Cargo loading	1	
-68	81035-02	F	PLACARD - "Controls not to be left unattended"	2	
-69	71450-05	F	DECAL - "Open/Lock"	1	
-70	71450-04	F	DECAL - "Pull Here"	1	
-71	71450-03	F	DECAL - "To Open Press Here"	1	
-72	71450-02	F	DECAL - Door - Open	1	
-73	81043-02		PLACARD - Oxygen cylinder retest	1	
-74	81034-02	K,L	DECAL - Cargo pod capacity	1	
-75	81054-02	L	DECAL - Stall speeds	1	
-76	81072-02	M	PLACARD - Heater blower switch	1	
-77	456 683		DECAL - "Jet Fuel Only" GAMA #3	AR	

When ordering, always specify Part Number, Description and Serial Number of Aircraft

PIPER PARTS CATALOG

CODE EXPLANATIONS FOR OPTIONAL EQUIPMENT KITS AND REPAIR KITS

- A - Used with Eastern Industries Hydraulic Pump, P/N 26802-08 (1213-HBG, Type 310).
- B - This kit is used when installing static discharger base to wing tip tanks. This kit contains sufficient quantities of a two part epoxy mix to repair replace approx. 20 discharger bases.

PIPER PARTS CATALOG

Figure and Index Number	Part Number	Code	NOMENCLATURE	No. Req.	SERIAL NUMBERS AFFECTED
OPTIONAL EQUIPMENT KITS					
	72263-02 49633-06 764 908		CARD - Passenger briefing PLOTTER ASSEMBLY - Weight and balance MAP CLIP INSTALLATION (Control Wheel Mounted)		
REPAIR KITS					
	757 125	A	HYDRAULIC PUMP SEALS AND RINGS		
	760 630	A	HYDRAULIC PUMP CENTERPLATE ASSEMBLY		
	760 631	A	HYDRAULIC PUMP SHAFTS		
	760 400	A	HYDRAULIC PUMP MISCELLANEOUS HARDWARE		
	760 632	A	HYDRAULIC PUMP DRIVE SIDE ASSEMBLY		
	760 633	A	HYDRAULIC PUMP REAR SIDE ASSEMBLY		
	760 798		PROPELLER REPAIR KIT (HC-B3TN-3B)		
	914 046		CARTRIDGE - Semkit sealer PR-1221-B2 (6 oz.)		
	914 047		CARTRIDGE - Semkit sealer PR-1221-B2 (2½ oz.)		
	179 895	B	EPOXY SEALANT (Static discharger)		
SPECIAL TOOLS					
	51512-00		POINTER ASSEMBLY - Rigging		
	51513-00		LOCATOR PIN ASSEMBLY - Rigging template		
	51514-00		WRENCH ASSEMBLY - Propeller attachment bolt		
	51515-00		SLING ASSEMBLY - Engine (PT6-28)		
	51516-00		SHIM - Beta rigging		
	51517-00		TOOL ASSEMBLY - Governor adjusting		
	51518-00		TEMPLATE - Beta rigging		
	51519-00		PULLER ASSEMBLY - Feedback ring		
	51520-00		COWL ASSEMBLY - Ground		
	761 948		TENSIOMETER - Compressor belt tension		
	764 963		JANITROL HEATER PRESSURE CHECK KIT		

When ordering, always specify Part Number, Description and Serial Number of Aircraft

NUMERICAL INDEX

Part Number	Figure and Index No.
01001-02	15-91
01001-03	15-91
01004-02	39-45
01004-03	39-45
01004-06	39-10
01004-07	39-10
01004-08	39-46
01004-09	39-46
01004-14	39-9
01004-15	39-9
01038-02	39-58
01039-02	39-57
01041-02	39-30
01042-02	35-3
01042-02	39-1
01042-03	35-3
01042-03	39-1
01042-06	39-2
01042-07	39-2
01042-08	39-5
01042-09	39-5
01042-12	35-3
01042-12	39-1
01042-13	35-3
01042-13	39-1
01043-02	39-65
01044-02	39-66
01045-02	39-47
01045-03	39-47
01045-06	39-48
01045-07	39-48
01045-12	39-47
01045-13	39-47
01045-14	39-48
01045-15	39-48
01046-03	85-49
01046-03	86-22
01047-03	85-57
01052-02	60-38
01052-03	60-38
01053-02	2-25
01054-02	2-23
01056-02	2-22
01092-02	72-24
01092-08	72-28
01099-02	72-25
01100-02	2-21
01100-03	2-21

Part Number	Figure and Index No.
01101-02	97-2
01105-02	88-69
01106-02	88-67
01108-02	88-70
01114-02	88-68
01120-02	88-65
01123-02	77-38
01123-03	77-38
01124-02	77-39
01124-03	77-39
01126-04	77-15b
01127-02	77-15
01127-03	77-15
01128-02	23-10
01138-02	15-9
01139-02	76-11
01141-02	119-13
01142-02	119-14
01145-02	90-25
01154-02	71-27
01156-02	52-7
01159-02	121-5
01160-02	121-4
01170-02	118-18
01171-02	118-17
01174-02	118-2
01185-02	129-17
01193-03	23-12
01198-02	85-36
01198-02	86-31
01206-02	124-35
01207-02	102-3
01207-02	137-42
01222-05	52-55
01231-02	25-29
01231-03	25-28
01232-02	33-110
01232-03	33-109
01233-02	121-24
01242-02	52-13
01244-02	52-14
01244-02	52-15
01244-02	52-16
01247-02	52-23
01247-03	52-23
01247-04	52-23
01257-02	15-48
01258-02	15-47

Part Number	Figure and Index No.
01260-02	111-35
01268-02	118-13
01269-02	118-14
01270-02	118-9
01271-02	118-10
01282-02	93-102
01283-02	93-100
01284-02	93-95
01292-02	75-7
01325-02	63-13
01325-03	63-13
01357-02	79-70
01357-03	79-70
01367-02	16-25
01367-03	16-25
01368-02	106-46
01415-02	11-4
01415-06	11-46
01417-02	125-19
01426-02	15-73
01428-02	15-74
01434-02	15-8
01443-02	11-31
01445-02	15-55
01446-02	15-85
01448-02	63-8
01449-02	15-84
01452-02	15-83
01459-02	59-1
01460-02	15-75
01468-02	59-2
01470-02	72-35
01471-02	23-37
01474-02	11-32
01483-02	23-2
01487-02	15-64
01493-02	11-7
01497-02	127-44
01498-02	127-1
01503-04	58-23
01503-05	58-23
01506-02	23-26
01507-02	23-35
01509-06	23-33
01510-02	23-27
01512-02	72-42
01514-02	72-45
01514-03	72-45

Part Number	Figure and Index No.
01535-02	56-4
01535-03	56-4
01540-02	56-2
01540-03	56-2
01541-02	56-1
01541-03	56-1
01549-02	51-7
01550-02	104-79
01551-02	129-21
01552-02	104-28
01556-02	104-30
01558-02	104-38
01559-02	77-34
01559-03	77-34
01563-02	104-20
01564-03	58-2
01564-04	58-1
01564-05	58-3
01564-06	58-3
01565-02	104-24
01566-02	56-3
01567-02	56-3
01568-02	104-22
01569-02	104-37
01571-02	72-48
01605-02	93-1
01605-02	94-1
01606-02	123-28
01606-02	124-26
01606-03	123-64
01606-03	124-62
01608-04	59-8
01608-06	59-15
01610-02	104-77
01611-02	104-78
01612-02	115-4
01612-03	115-4
01613-02	28-2
01613-02	30-1
01613-03	30-68
01615-02	112-33b
01618-02	135-2
01619-02	104-32
01623-02	102-23
01626-02	77-34
01626-03	77-34
01672-02	15-71
01674-03	15-72

PIPER PARTS CATALOG

Part Number	Figure and Index No.
01675-03	15-72
01683-02	77-21
01689-02	104-45
01690-02	104-39
01715-02	100-23
01735-02	112-51
01735-02	112A-20
01736-02	112-15
01736-02	112A-15
01741-02	65-29
01746-02	69-3
01747-02	112-69
01747-02	112A-42
01748-02	85-1
01748-02	86-1
01749-02	80-6
01750-02	80-1
01751-02	80-7
01761-02	19-25
01761-03	19-25
01762-02	117-8
01772-02	62-7
01773-02	80-14
01786-02	52-12
01787-02	52-11
01789-14	56-10
01790-02	12-14
01790-03	12-14
01821-06	45-40
01821-07	41-5
01822-02	56-7
01823-02	94-51
01824-02	94-48
01825-02	94-37
01826-02	93-1
01826-02	94-1
01827-02	104-71
01828-04	56-5
01828-05	56-5
01830-10	56-12
01831-03	56-6
01833-02	56-25
01834-10	56-10
01835-05	56-26
01846-02	23A-42
01848-02	23A-6
01848-03	23A-19
01849-07	23A-7
01849-08	23A-20
01860-02	21-13
01861-02	71-87
01864-02	23A-2
01867-02	23A-35
01874-02	86-10
01881-02	23A-5
01881-03	23A-18
01898-02	77-16
01898-02	77-8a

Part Number	Figure and Index No.
01900-02	23A-1
01900-03	23A-4
01900-04	23A-17
01900-05	23A-30
01900-06	23A-31
01900-07	23A-32
01908-02	105-11
01912-02	23A-33
01915-02	72-46
01919-02	23A-34
01920-02	23A-36
01920-03	23A-37
01924-02	72-29a
01931-02	100-21
01932-02	23A-9
01932-02	23A-22
01933-02	23A-10
01933-02	23A-23
01935-02	58-26
01935-03	58-27
01938-03	15-14a
01938-03	15-15a
01938-03	15-20a
01938-04	23A-57
01938-06	23A-58
01940-02	65-19
01940-03	65-19
01951-02	72-47
01953-02	78-10
01953-03	78-10
01955-02	57-10
01956-02	57-10
01960-02	55-11
01961-02	105-12
01962-02	23A-3
01963-02	23A-51
01966-02	23A-50
01967-02	23A-43
01986-02	32-30
01986-03	32-31
01986-04	32-32
01999-02	23A-16
01999-02	23A-29
02007-02	35-19
02010-02	23A-41
02035-02	111-51
02047-02	34-4
02052-02	47-33
02094-02	84-18
02098-02	89-41
02124-02	72-34
02142-03	121-16a
02142-04	121-16
02236-02	23A-8
02236-02	23A-21
02245-02	6-9
02274-02	6-14
02274-03	6-14

Part Number	Figure and Index No.
02288-02	115-14
02288-03	115-14
02290-02	115-21
02290-03	115-21
02291-02	56-4
02291-03	56-4
02293-02	112A-25
02294-02	112A-22
02295-02	112A-23
02296-02	112A-24
02297-02	112A-21
02299-02	15-86
02299-03	15-86
02302-02	112A-38
02303-02	112A-36
02305-02	111A-13
02308-02	111A-14
02309-02	111A-15
02310-02	111A-12
02315-02	59-2
02316-02	56-1
02316-03	56-1
02317-02	112A-35
02319-02	115-22
02320-02	56-48
02324-02	127-1
02333-02	111A-17
02236-02	121A-2
02337-02	121A-1
02339-02	121A-15
02341-02	121A-8
02343-02	121A-9
02345-02	121A-10
02347-02	121A-12
02349-02	121A-13
02352-02	121A-6
02353-02	121A-5
02354-02	121A-16
02355-02	121A-21
02359-02	111A-31
02369-02	111A-21
02369-03	111A-20
02371-03	129-11
02420-02	116-36
08548-03	100-1
08548-06	100-2
09378-02	16-45
10525-107	115-9
10525-108	115-11
11151-03	95-53
11151-03	97-12
11151-03	99-22
11473-101	65-41
12073-03	60-7
12074-03	62-6
12605-00	103-15
12605-00	103-34
12761-03	59-5

Part Number	Figure and Index No.
13445-03	102-33
13445-04	102-33
13445-06	102-39
13586-88	126-52
13945-78	56-27
13945-79	56-28
13945-80	56-29
13945-93	26-14
14175-45	58-11
14175-45	59-14
14175-45	79-113
14175-47	123-39
14175-47	124-36
14175-106	41-2
14175-108	26-30
14175-111	61-18
14175-111	62-18
14175-111	63-28
14175-114	22-14
14843-34	26-29
14843-106	35-16
14843-106	35-23
14843-107	30-28
14843-114	32-9
14843-116	44-6
14976-11	45-22
14976-15	47-39
14976-16	47-40
14976-72	81-11
16276-03	98-32
16632-00	104-44
16633-24	71-52
16633-25	125-23
16633-26	71-91
16633-28	125-24
16633-38	106-9
16633-50	85-53
16633-50	86-39
16633-68	70-14
16633-86	125-57
16633-92	84-9
16633-93	85-44
16633-93	86-45
16775-03	48-23
17088-00	96-3
17088-00	98-27
17089-00	93-63
17089-00	93-72
17089-00	93-81
17089-00	96-5
17089-00	98-29
17089-00	100-9
17235-00	99-11
17315-00	2-18
17315-06	2-18
17317-03	20-41
17318-02	2-14
17318-02	20-42

PIPER PARTS CATALOG

Part Number	Figure and Index No.
17413-03	10-16
17604-33	71-32
17758-02	14-58a
17766-02	105-6
17766-02	105-42
17766-03	104-40
17766-04	104-41
17766-27	105-3
17766-31	105-5
17766-73	48-22
17766-91	52-18
17766-91	105-4
17766-110	52-17
17766-113	52-46
17766-117	48-17
17848-00	94-25
17852-02	94-19
17852-03	94-20
17881-06	68-9
17881-06	69-13
17969-11	123-31
18132-00	33-17
18132-00	81-37
18132-00	85-32
18219-00	33-101
18219-00	81-35
18219-00	85-33
18219-00	86-23
18219-02	51-4
18359-00	24-20
18359-00	25-17
18359-00	33-8
18457-00	4-22
18522-20	83-8
18968-00	60-8
18968-00	61-5
18968-00	61-14
18968-00	62-4
18968-00	63-6
18968-00	63-17
19063-02	33-23
19086-03	99-12
19336-00	60-9
19336-00	63-15
19336-01	60-9
19336-01	63-15
19365-02	60-10
19513-53	34-17
19513-53	80-25
19513-64	2-52
19513-64	89-40
19513-64	119-47
19513-72	124-55
19513-95	41-3
19513-96	41-4
19644-00	33-60
19790-35	104-60
19799-00	2-24

Part Number	Figure and Index No.
19802-05	124-43
19803-04	2-22
19936-00	94-23
20370-00	4-37
20370-00	5-48
20370-00	14-65
20370-00	15-81
20370-00	16-57
20372-03	4-15
20372-03	14-42
20372-06	5-35
20534-00	26-22
20623-00	97-40
20737-23	41-30
20737-30	44-31
20737-32	44-30
20737-37	40-17
20737-40	41-14
20737-40	41-31
20737-42	47-35
20737-43	47-1a
20737-44	30-41
20830-00	32-18
20956-00	102-19
20957-00	102-20
20999-00	102-10
21001-00	102-15
21418-02	72-15
21470-00	102-24
21619-02	102-32
21741-00	32-17
21741-02	32-17
21831-04	45-11
22103-02	81-42
22104-07	81-16
22104-07	83-9
22104-08	81-41
22104-15	81-40
22105-05	81-17
22105-05	83-9
22105-13	81-38
22179-00	85-52
22179-00	86-38
22179-00	89-24
22287-00	65-32
22369-03	112-19
22369-04	112A-17
22369-09	112-20
22369-09	112A-18
22369-11	14-63
22369-12	118-20
22369-14	116-17
22433-00	65-46
22470-11	111-19
22470-17	111-20
22470-17	112A-62
22470-18	116-23
22470-19	111-18

Part Number	Figure and Index No.
22470-19	111A-18
22470-19	112A-63
22470-20	111-47
22472-21	111-22
22472-23	111-23
22472-23	112A-64
22472-24	116-24
22472-26	111-21
22472-26	111A-19
22472-26	112A-65
22472-28	111-48
22482-00	14-78
22502-16	111-45
22502-65	112-12
22502-65	112A-12
22502-72	111-5
22612-00	26-35
22613-00	26-36
22641-02	34-15
22641-03	80-17
22860-03	33-38
23183-00	27-20
23322-00	102-14
23765-02	112-35
23943-00	128-1
23969-02	126-22
23969-02	127-12
23969-03	126-34
23969-03	127-28
23969-04	126-23
23969-04	127-48
23969-05	126-23
23969-05	127-36
24166-02	95-13
24629-00	97-6
24631-07	97-1
24631-08	97-1
24671-00	111-36
24671-00	112A-43
24932-00	72-11
24933-00	72-12
24948-02	72-10
25054-00	77-23
25054-00	89-18b
25163-13	33-98
25358-00	102-21
25394-00	124-41
25397-04	124-37
25552-00	58-24
25552-00	58-25
25590-00	34-10
25590-00	80-13
25597-00	4-23
25603-00	124-42
25697-02	124-40
25704-00	40-10
25704-00	40-15a
25704-00	44-74

Part Number	Figure and Index No.
25801-02	62-15
25801-10	61-15
25801-10	63-25
26802-08	106-1
26802-11	106-1
28467-03	34-22
28546-02	102-69
29143-02	102-98
29143-03	102-101
29146-02	65-9
29152-02	126-47
29152-03	126-47
29166-03	103-46
29171-02	2-62
29171-03	2-62
29186-02	126-3
29188-02	4-39
29188-03	4-39
29193-02	126-5
29194-02	85-76
29194-03	85-75
29194-04	86-71
29197-02	102-12
29205-02	101-3a
29209-02	101-3
29212-02	129-16
29212-03	129-16
29234-02	119-5
29235-02	119-6
29254-02	101-2
29287-02	71-39
29288-03	126-2
29290-03	126-2
29291-02	126-1
29293-02	126-10
29293-03	126-11
29293-05	126-13
29293-06	126-14
29293-14	127-38
29293-15	127-38
29293-16	127-39
29293-17	127-39
29293-23	127-40
29293-25	127-40
29293-44	126-12
29301-02	127-8
29331-04	14-22
29331-05	14-22
29333-04	14-20
29333-05	14-20
29335-02	126-40
29339-04	126-42
29347-05	129-10
29347-07	129-11
29355-02	14-29
29358-02	65-58
29359-03	65-59
29359-04	65-59

PIPER PARTS CATALOG

Part Number	Figure and Index No.
29359-05	65-59
29359-12	65-59
29359-13	65-61
29359-14	65-61
29359-19	65-60
29359-20	65-59
29359-23	65-59
29359-24	65-59
29359-26	65-59
29359-27	65-59
29359-28	65-59
29359-34	65-59
29359-41	65-59
29359-42	65-59
29359-43	65-59
29359-44	65-59
29359-46	65-59
29359-49	65-59
29371-02	130-4
29372-02	130-5
29383-02	130-8
29383-03	130-8
29432-02	23-28
29434-02	23-29
29442-02	127-14
29455-02	85-19
29455-03	85-20
29455-04	86-8
29459-02	7-98
29459-02	15-56
29472-03	84-3
29479-02	133-1
29481-02	71-97
29488-02	65-5
29492-13	93-94
29496-02	84-1
29499-02	7-96
29499-03	7-96
29504-02	88-21
29504-03	88-21
29505-02	40-45
29507-02	40-28
29507-03	40-28
29521-02	7-97
29521-03	7-97
29533-02	52-10
29535-02	52-11
29535-03	52-11
29536-02	52-12
29536-03	52-12
29545-02	52-9
29546-02	52-9a
29549-02	40-89
29549-02	45-33
29553-02	52-8
29554-02	52-8a
29561-02	44-22
29561-03	44-26a

Part Number	Figure and Index No.
29569-02	73-13
29571-02	23-31
29571-04	23-32
29573-05	58-13
29582-02	44-70
29583-02	44-71
29585-02	131-50
29585-03	131-50
29619-02	119-43
29638-04	56-20
29638-05	56-20
29651-02	119-40
29664-07	125-30
29671-02	41-6
29689-02	122-24
29692-02	65-1
29692-02	66-8
29693-02	15-57
29697-02	81-2
29697-08	81-3
29697-09	81-3
29717-02	15-47
29726-02	89-39
29741-02	7-56
29741-02	7-57
29741-03	7-56
29741-03	7-57
29752-02	14-19
29791-02	79-86
29791-03	79-86
29807-02	86-72
29853-13	44-82
29853-18	44-79
29858-02	14-56
29863-02	15-5
29866-02	47-10
29912-03	122-15
29998-15	111A-32
29930-07	122-4
29974-05	14-81
29974-06	14-81
29989-07	102-70
29989-09	103-48
29998-12	73-8
29998-14	111A-10
29998-18	111A-7
29998-19	111A-8
29998-20	111A-9
29999-05	45-49
29999-10	60-60
29999-10	61-23
29999-10	63-27
29999-11	61-22
29999-11	63-27
29999-12	120-30
29999-13	120-31
29999-21	96-12
29999-28	41-28

Part Number	Figure and Index No.
29999-29	94-33
30576-00	34-7
30580-00	34-16
30852-00	34-13
30852-00	80-15
31322-09	60-28
31766-02	45-4
31773-03	45-41
31777-00	45-39
31786-07	44-38
31796-00	134-19
31797-02	44-39
31798-02	44-37
32380-00	60-24
32510-00	131-32
39273-02	136-7
39991-13	93-25
39991-13	93-34
39991-13	93-53
39991-17	102-85
39994-05	39-82
39995-15	106-6
39995-16	90-10
39995-17	75-23
39995-22	67-2
39995-23	106-6
39995-24	106-5
39995-25	105-5
39995-26	85-42
39995-26	86-43
39995-27	85-43
39995-27	86-44
39995-33	71-22
39995-35	85-40
39995-35	86-41
39995-39	71-23
39995-39	71-99
39995-39	90-10
39995-40	71-23
39995-41	71-105
39995-43	90-11
39996-06	71-53
39997-11	90-20
39998-04	71-51
40006-04	35-15
40012-17	37-71
40012-18	37-71
40013-07	37-68
40014-04	37-67
40021-02	37-45
40023-03	37-28
40026-19	36-21
40035-00	96-6
40039-03	37-41
40040-07	37-46
40042-14	37-51
40043-03	37-50
40046-09	37-13

Part Number	Figure and Index No.
40046-18	37-16
40046-19	37-16
40048-00	37-54
40068-12	37-43
40071-00	95-22
40077-07	37-53
40077-10	37-52
40077-11	37-52
40078-02	37-38
40079-02	37-36
40079-04	37-33
40080-04	36-22
40081-00	95-23
40081-00	95-55
40081-00	97-14
40081-00	99-24
40083-06	37-29
40083-07	37-31
40083-08	37-32
40083-09	37-30
40083-10	37-27
40094-02	36-24
40094-03	36-12
40094-05	36-13
40095-03	36-14
40096-00	36-15
40108-00	36-32
40109-00	8-14
40109-00	8-15
40109-01	8-14
40109-01	8-15
40110-02	8-16
40110-03	8-16
40112-02	8-17
40112-03	8-17
40113-00	8-6
40113-01	8-6
40114-00	8-7
40114-00	8-8
40114-01	8-7
40114-01	8-8
40115-00	8-18
40115-01	8-18
40116-00	8-19
40117-00	8-20
40118-00	8-20
40119-00	8-48
40119-01	8-48
40124-04	9-32
40125-02	36-16
40126-04	36-27
40127-02	8-22
40127-03	8-22
40127-04	8-23
40127-05	8-23
40128-02	8-24
40128-03	8-25
40129-02	8-26

PIPER PARTS CATALOG

Part Number	Figure and Index No.
40129-03	8-26
40130-00	8-27
40130-01	8-27
40132-02	8-28
40132-03	8-28
40132-04	8-29
40132-05	8-29
40133-00	8-49
40133-01	8-49
40135-00	8-4
40137-06	9-15
40137-07	9-15
40137-08	9-16
40137-09	9-16
40138-00	8-5
40140-27	39-35
40142-00	8-45
40144-08	9-17
40144-09	9-17
40144-10	9-18
40144-11	9-18
40144-12	9-19
40144-13	9-19
40145-00	8-32
40147-12	9-20
40147-13	9-20
40147-14	9-21
40147-15	9-21
40147-16	9-22
40147-17	9-22
40147-18	9-23
40147-19	9-23
40147-20	9-24
40147-21	9-24
40149-00	8-42
40152-00	8-33
40153-00	8-43
40157-00	9-35
40157-01	9-35
40162-12	9-33
40162-13	9-33
40163-00	8-34
40165-00	9-46
40165-01	9-46
40166-00	9-34
40166-01	9-34
40166-02	9-36
40166-03	9-36
40167-00	9-37
40167-01	9-37
40167-02	9-38
40167-03	9-38
40167-04	9-39
40167-05	9-39
40167-06	9-41
40167-07	9-41
40167-08	9-42
40167-09	9-42

Part Number	Figure and Index No.
40167-10	9-43
40167-11	9-43
40167-12	9-44
40167-13	9-44
40168-00	9-40
40168-01	9-40
40168-02	9-45
40168-03	9-45
40170-06	36-9
40170-07	36-9
40170-13	36-8
40172-00	8-42
40176-08	9-30
40176-09	9-30
40176-10	9-29
40176-11	9-29
40177-08	9-26
40177-09	9-26
40177-10	9-25
40177-11	9-25
40178-00	8-40
40178-02	8-41
40182-00	8-19
40183-00	8-36
40183-01	8-36
40184-00	8-37
40184-01	8-37
40185-06	9-2
40185-07	9-2
40185-16	9-10
40185-17	9-8
40190-00	8-38
40190-13	8-38
40190-20	8-38
40190-21	8-38
40200-06	8-31
40200-07	8-31
40200-08	8-12
40200-09	8-12
40200-10	8-11
40200-11	8-11
40200-12	8-2
40200-13	8-2
40200-16	8-3
40200-17	8-3
40200-18	8-9
40200-18	8-10
40200-19	8-9
40200-19	8-10
40200-28	8-2
40200-29	8-2
40200-44	8-47
40200-47	8-11
40200-48	8-11
40200-50	8-13
40200-51	8-13
40200-52	8-1
40200-53	8-1

Part Number	Figure and Index No.
40200-60	8-1
40200-61	8-1
40200-64	8-13
40200-65	8-13
40200-66	8-12
40200-67	8-12
40219-00	36-18
40233-00	36-18
40242-02	41-7
40242-03	41-7
40243-00	41-8
40244-00	41-9
40246-00	41-10
40247-00	41-11
40250-02	45-5
40250-03	45-5
40257-00	41-19
40257-03	41-19
40263-00	45-7
40279-16	40-32
40279-17	40-32
40288-00	40-84
40290-00	40-84
40292-02	45-23
40292-02	137-15
40292-04	41-24
40292-04	137-13
40294-06	40-86
40298-02	103-7
40298-03	103-7
40302-02	103-11
40302-03	103-11
40307-00	99-5
40309-04	40-86
40313-00	103-6
40317-00	44-19
40323-02	102-42
40325-00	44-61
40325-01	44-61
40327-05	41-26
40329-02	2-30
40336-00	44-22
40339-10	95-4
40339-11	95-4
40340-02	37-73
40342-02	36-36
40342-03	36-36
40344-00	36-35
40359-10	6-5
40359-11	6-5
40362-14	7-4
40362-15	7-4
40383-02	6-7
40383-03	6-7
40383-08	7-7
40383-09	7-7
40389-00	7-67
40389-01	7-67

Part Number	Figure and Index No.
40438-00	7-62
40438-01	7-62
40439-00	7-69
40439-01	7-69
40450-06	6-10
40450-07	6-10
40460-02	3-18
40463-00	7-71
40464-00	3-17
40465-00	7-72
40466-02	7-60
40466-03	7-60
40468-00	3-27
40474-04	7-58
40474-05	7-58
40492-08	7-42
40492-09	7-42
40494-00	95-15
40502-02	7-73
40502-03	7-73
40502-04	7-74
40502-05	7-74
40506-12	5-7
40506-13	5-7
40509-02	7-50
40509-03	7-50
40509-04	7-51
40509-05	7-51
40510-02	89-19
40510-03	89-19
40513-00	7-80
40513-00	7-81
40513-01	7-80
40513-01	7-81
40515-00	7-82
40517-02	3-4
40526-05	4-2
40532-06	4-3
40532-06	5-5
40533-00	3-8
40533-01	3-8
40534-08	3-9
40534-09	3-9
40535-06	4-20
40535-11	4-20
40536-06	4-21
40536-07	4-21
40537-06	91-4
40537-07	91-4
40537-08	91-3
40537-09	91-3
40537-10	91-1
40537-11	91-1
40537-14	91-6
40537-15	91-6
40537-16	91-5
40537-17	91-5
40537-18	91-2

PIPER PARTS CATALOG

Part Number	Figure and Index No.
40537-19	91-2
40538-02	92-5
40538-03	92-5
40544-02	4-35
40545-04	4-32
40545-04	5-41
40546-08	5-42
40549-02	88-38
40553-07	79-42
40553-08	79-42
40558-00	91-19
40558-00	92-10
40559-02	102-93
40559-06	103-31
40559-21	32-6
40559-34	40-81
40559-35	102-53
40559-36	102-47
40559-41	102-73
40559-42	2-53
40559-43	2-53
40560-02	7-54
40560-03	7-54
40560-04	7-53
40560-04	7-55
40560-05	7-53
40560-05	7-55
40560-11	7-52
40560-12	7-52
40561-00	7-83
40561-01	7-83
40563-00	3-26
40567-00	3-22
40567-00	5-45
40570-00	3-7
40584-03	93-91
40584-03	137-34
40585-10	5-31
40585-11	5-31
40585-20	5-26
40585-30	5-33
40585-31	5-33
40585-34	5-8
40599-03	95-12
40607-00	3-25
40607-00	4-40
40616-00	7-103
40616-01	7-103
40616-02	7-104
40616-03	7-104
40617-00	15-50
40619-00	98-12
40620-00	15-39
40620-01	15-39
40624-00	2-38
40625-00	7-102
40626-00	5-32
40626-01	5-32

Part Number	Figure and Index No.
40628-00	4-13
40628-01	4-13
40629-00	4-29
40629-01	4-29
40630-00	20-7
40633-00	20-32
40633-01	20-32
40635-00	4-16
40635-01	4-16
40636-00	4-24
40636-01	4-24
40647-00	20-21
40652-00	7-68
40654-00	19-14
40654-01	19-14
40658-00	7-66
40659-06	5-25
40659-07	5-25
40687-04	16-13
40688-02	20-34
40701-03	99-52
40701-04	95-54
40701-04	97-13
40701-04	99-23
40702-00	22-10
40704-00	20-18
40704-01	20-18
40709-02	20-16
40715-06	12-25
40715-07	12-25
40715-10	12-26
40715-11	22-17
40715-13	18-23
40715-14	12-27
40715-15	12-27
40715-16	18-16
40715-17	18-16
40715-19	12-28
40715-20	18-18
40715-21	18-18
40715-23	12-29
40715-40	17-7
40715-42	19-36
40715-43	19-36
40715-45	19-37
40715-50	12-28
40719-00	19-21
40719-01	19-21
40720-00	19-4
40722-04	4-11
40722-05	4-11
40722-06	4-12
40730-03	20-10
40732-06	19-10
40738-00	12-10
40738-00	12-12
40738-01	12-10
40738-01	12-12

Part Number	Figure and Index No.
40744-02	19-6
40744-03	19-6
40748-06	19-16
40752-00	12-56
40759-00	18-3
40776-00	7-70
40786-00	19-53
40786-01	19-53
40787-00	19-54
40787-01	19-54
40788-00	23-25
40790-02	20-33
40793-00	20-27
40793-01	20-27
40794-03	19-13
40794-04	19-13
40795-02	19-12
40795-04	19-12
40796-00	102-62
40796-02	102-62
40799-04	20-37
40799-05	20-37
40805-00	106-19
40809-00	106-21
40823-00	106-12
40827-03	104-21
40828-00	105-20
40830-02	105-13
40830-03	105-14
40830-07	105-14
40830-08	105-12
40830-09	105-13
40832-00	105-9
40834-03	104-25
40836-00	105-10
40836-01	105-10
40841-00	105-8
40841-01	105-8
40847-07	99-10
40848-00	105-7
40848-01	105-7
40849-02	104-68
40849-02	105-27
40849-03	104-69
40849-03	105-28
40849-04	105-29
40849-05	105-30
40849-06	106-39
40849-06	106-41
40849-07	85-45
40849-07	86-46
40849-10	106-40
40849-10	106-42
40849-11	85-46
40849-11	86-47
40849-18	85-47
40849-18	86-48
40852-00	104-33

Part Number	Figure and Index No.
40855-00	104-29
40857-07	19-68
40857-08	19-15
40857-09	19-15
40868-04	16-19
40868-05	16-19
40868-06	16-20
40868-07	16-20
40868-08	16-21
40868-09	16-21
40868-10	16-22
40872-00	20-43
40878-00	21-16
40879-07	104-6
40884-05	18-11
40884-06	18-12
40884-09	18-11
40885-04	65-31
40885-04	66-10
40887-04	16-23
40887-05	12-41
40887-10	16-24
40887-11	16-24
40887-14	12-40
40887-15	16-23
40887-17	22-3
40887-18	16-56
40887-21	12-42
40887-35	12-40
40890-05	18-2
40890-06	18-4
40891-04	94-39
40894-02	12-33
40894-03	12-47
40896-00	12-13
40897-03	12-21
40900-04	12-22
40900-05	12-22
40907-03	24-8
40908-00	11-30
40919-00	104-63
40920-00	106-4
40923-02	104-61
40923-03	104-62
40936-00	24-6
40944-00	17-5
40945-00	17-5
40947-04	15-48
40950-00	102-9
40953-00	15-90
40954-02	102-44
40954-03	102-44
40956-00	97-4a
40962-10	15-11
40962-11	15-11
40963-02	97-39
40963-02	99-37
40964-00	15-60

PIPER PARTS CATALOG

Part Number	Figure and Index No.
40968-04	103-1
40969-00	15-20
40969-02	15-20
40970-00	15-20
40970-02	15-20
40971-10	12-7
40971-11	12-5
40976-00	26-34
40977-00	26-54
40979-00	26-53
40983-00	102-10
40985-00	15-56
40986-00	15-51
40995-17	17-10
40995-31	17-10
40996-06	21-8
40996-11	21-8
40998-00	15-43
40999-00	15-88
40999-01	15-87
40999-03	15-89
41001-03	97-25
41001-03	99-3
41006-08	21-1
41006-09	21-1
41006-13	21-1
41010-03	15-63
41022-00	22-8
41027-09	2-35
41028-00	2-40
41033-00	15-40
41040-00	11-28
41040-01	11-28
41047-00	12-8
41048-03	26-18
41049-02	16-28
41049-04	16-29
41050-08	18-13
41054-01	15-46
41065-00	22-22
41066-00	17-17
41066-01	17-17
41078-03	12-9
41081-00	22-1
41089-00	51-14
41099-00	12-11
41102-04	15-12
41104-05	12-15
41104-06	12-16
41104-07	12-17
41106-00	16-38
41106-01	16-38
41112-08	18-14
41115-00	12-19
41116-00	12-20
41116-01	12-20
41119-08	18-17
41119-19	18-17

Part Number	Figure and Index No.
41120-02	17-14
41120-03	17-11
41120-04	17-11
41120-04	17-14
41124-00	15-69
41130-02	16-4
41130-03	16-5
41130-06	16-15
41130-08	16-17
41132-00	120-14
41138-00	51-18
41139-00	51-17
41143-02	77-3
41145-06	14-27
41145-07	14-27
41168-03	11-38
41173-00	12-18
41176-00	16-34
41177-00	16-32
41177-01	16-32
41178-15	18-15
41180-00	16-6
41180-00	16-16
41188-03	22-29
41189-00	22-9
41192-00	12-55
41200-00	22-7
41201-06	22-8
41205-04	21-6
41205-05	21-6
41208-00	12-31
41219-00	41-16
41219-01	41-16
41220-00	48-27
41228-00	51-12
41232-09	17-2
41233-07	17-4
41233-09	17-4
41234-00	12-43
41235-06	21-9
41236-07	21-9
41245-00	30-7
41256-02	28-12
41256-02	31-27
41258-00	30-51
41268-00	11-10
41268-01	11-10
41269-00	14-36
41269-01	14-36
41272-00	11-16
41279-03	25-21
41279-04	25-21
41282-00	25-20
41282-01	25-20
41284-00	25-12
41284-01	25-12
41285-00	26-8
41293-02	25-6

Part Number	Figure and Index No.
41293-03	25-6
41294-02	25-9
41294-02	26-2
41295-02	29-5
41295-09	25-10
41296-01	25-26
41296-03	25-26
41297-00	40-26
41299-00	17-15
41307-00	26-21
41314-00	30-18
41314-01	30-18
41315-02	18-5
41315-04	18-5
41315-06	18-6
41322-00	56-36
41345-00	65-42
41345-00	137-22
41354-06	18-7
41354-08	18-7
41354-10	18-8
41355-00	30-24
41355-01	30-24
41358-00	101-1
41363-02	30-3
41367-12	30-2
41372-03	22-19
41373-00	65-47
41393-00	93-62
41393-00	93-71
41393-00	93-80
41394-00	93-60
41394-00	93-69
41394-00	93-78
41398-06	44-32
41398-06	137-14
41398-08	44-32
41398-08	137-14
41398-12	40-52
41398-12	137-12
41402-00	103-16
41404-03	22-18
41413-03	99-13
41413-05	2-55
41413-10	99-16
41413-11	97-7
41413-12	99-17
41413-14	99-18
41413-17	98-7
41413-19	98-4
41413-20	97-8
41413-21	97-9
41413-21	97-21
41413-26	60-51
41413-26	62-17
41413-29	97-10
41413-30	95-49
41413-31	97-11

Part Number	Figure and Index No.
41413-36	2-49
41413-37	2-58
41413-38	60-11
41413-38	61-6
41413-38	61-10
41413-38	62-5
41413-38	62-17
41413-38	63-7
41413-38	63-18
41413-41	30-40
41413-45	30-13
41413-50	99-42
41413-51	2-60
41413-51	37-55
41413-53	99-40
41413-57	7-109
41413-76	93-84
41415-00	33-20
41416-00	94-35
41417-00	94-36
41420-02	22-23
41420-03	29-3
41423-03	103-17
41426-08	26-4
41427-00	14-44
41427-00	15-13
41427-00	16-30
41435-03	103-18
41439-00	15-34
41440-00	126-6
41449-00	95-51
41451-00	95-48
41451-01	95-48
41453-00	103-4
41465-00	103-5
41466-05	68-3
41466-06	14-35
41472-00	69-32
41473-00	103-3
41475-04	94-4
41489-02	23-15
41525-00	94-38
41526-00	94-37
41529-08	29-2
41532-00	102-38
41543-00	24-1
41543-02	24-1
41545-03	21-18
41555-00	15-35
41555-01	15-35
41571-00	16-31
41576-02	97-23
41586-00	88-63
41590-00	24-1
41590-01	24-1
41601-00	4-25
41601-03	4-25
41612-04	44-75

PIPER PARTS CATALOG

Part Number	Figure and Index No.
41614-00	21-7
41615-00	21-7
41616-01	23-14
41626-00	85-2
41626-00	85-10
41626-00	86-2
41648-00	88-8
41649-00	88-9
41669-00	95-21
41672-00	24-5
41673-00	24-4
41678-06	65-26
41678-06	66-11
41679-02	65-27
41691-00	60-13
41693-02	60-14
41693-03	60-15
41694-00	60-16
41694-01	60-16
41698-02	60-18
41698-03	60-19
41698-04	60-20
41699-00	60-21
41703-00	58-15
41707-00	65-45
41734-02	96-2
41734-06	98-26
41734-46	100-2
41734-70	93-57
41734-71	93-75
41734-72	93-66
41738-02	24-2
41738-03	24-2
41738-04	24-3
41738-05	24-3
41754-06	95-3
41754-07	95-3
41775-02	112-16
41775-02	112A-16
41789-02	40-78
41790-00	44-14
41790-00	44-83
41792-00	44-58
41793-00	44-16
41794-08	44-69
41794-09	44-69
41796-00	44-34
41797-02	44-33
41797-03	40-43
41804-02	117-12
41820-00	117-11
41840-03	2-13
41841-00	14-41
41852-00	102-22
41859-06	96-23
41860-00	8-46
41898-00	17-18
41942-00	99-1

Part Number	Figure and Index No.
41942-02	99-1
41947-03	97-3
41947-10	99-2
41947-11	99-2
41949-00	44-12
41949-02	40-22
41949-03	40-24
41957-00	111-4
41957-00	111A-4
41958-04	111-3
41958-04	111A-3
41965-00	60-22
41965-01	60-22
41968-00	60-23
41979-00	40-50
41980-02	60-36
41982-02	40-41
41982-03	40-41
41985-00	40-53
41985-01	40-53
41995-00	19-61
41995-00	68-19
42003-00	2-9
42003-01	2-9
42025-00	40-7
42025-01	40-8
42034-00	65-36
42041-00	40-44
42042-02	40-45
42059-07	40-9
42060-00	2-34
42062-00	49-4
42064-00	49-6
42065-00	49-7
42078-06	9-31
42078-07	9-31
42079-00	16-54
42094-00	48-7
42102-00	105-22
42103-00	105-21
42104-00	105-19
42109-00	79-101
42109-00	132-11
42117-01	4-19
42118-00	4-34
42129-02	72-38
42129-03	44-10
42129-03	44-59
42129-04	40-60
42129-04	44-43
42129-06	40-55
42129-07	40-56
42129-08	40-57
42129-09	40-58
42129-10	40-59
42129-11	48-33
42129-12	48-34
42129-13	40-42

Part Number	Figure and Index No.
42129-26	97-28
42129-29	33-71
42129-45	120-36
42129-47	52-44
42129-50	88-23
42130-00	2-17
42130-01	2-17
42138-00	79-97
42143-00	103-33
42160-06	22-12
42172-06	73-4
42172-08	73-15
42173-00	2-23
42189-17	123-49
42189-22	123-61
42189-22	124-60
42189-64	123-51
42191-00	91-20
42191-00	92-11
42204-00	105-11
42224-03	2-10
42224-04	2-10
42235-00	85-3
42238-00	30-20
42239-04	30-38
42240-04	30-38
42245-02	28-18
42245-02	31-30
42245-03	30-39
42248-00	30-4
42278-02	19-31
42279-03	2-16
42279-04	2-16
42279-05	2-16
42300-03	48-16
42300-09	48-12
42301-00	36-33
42303-00	36-5
42308-00	2-28
42324-00	2-12
42324-00	12-52
42324-01	2-12
42335-00	85-11
42335-00	86-3
42337-00	95-18
42342-00	2-12
42342-01	2-12
42345-02	16-36
42367-00	12-23
42369-05	56-30
42369-09	56-31
42375-04	16-14
42398-02	126-37
42512-00	14-12
42513-04	14-13
42516-00	19-56
42536-00	102-78
42537-02	102-43

Part Number	Figure and Index No.
42538-00	102-59
42571-04	95-16
42571-05	95-17
42571-06	102-57
42571-10	26-24
42571-11	26-47
42571-12	26-48
42571-13	26-49
42589-00	5-6
42590-00	4-4
42594-02	15-36
42596-00	65-43
42617-04	25-30
42621-00	125-7
42632-00	125-7
42635-00	125-8
42636-00	125-8
42638-00	4-26
42649-00	85-71
42657-00	125-17
42669-00	25-13
42669-01	25-13
42704-00	125-20
42706-02	125-9
42709-00	125-15
42740-00	45-25
42756-00	102-63
42756-01	102-63
42778-00	111-17
42778-00	111A-26
42809-00	48-24
42819-00	36-31
42819-01	36-31
42825-00	18-19
42825-03	18-20
42891-00	23A-16
42891-00	23A-29
42901-02	102-66
42910-00	123-41
42912-00	123-43
42912-02	77-25
42912-03	77-26
42912-05	11-25
42913-00	77-24
42913-00	123-42
42926-00	23-34
42938-00	102-25
42942-00	102-67
42943-00	102-26
42944-00	102-68
42945-00	102-27
42964-00	102-70
42965-00	102-72
42971-00	123-46
42971-00	137-46
42978-00	16-27
42978-01	16-27
42979-00	16-35

PIPER PARTS CATALOG

Part Number	Figure and Index No.
43004-00	2-15
43013-05	19-55
43020-00	132-3
43021-00	132-4
43022-00	132-5
43048-00	132-1
43052-10	102-1
43062-00	30-44
43063-00	30-45
43064-00	30-70
43065-00	30-55
43066-00	30-59
43067-00	30-36
43067-00	137-6
43069-00	30-37
43089-00	22-5
43090-02	19-17
43090-03	19-17
43098-06	19-33
43123-00	60-42
43165-00	22-21
43200-00	26-33
43220-00	66-3
43256-02	41-14
43256-02	41-31
43256-04	41-30
43256-05	41-27
43256-06	45-10
43256-07	45-6
43262-00	45-4
43286-02	40-46
43300-02	40-48
43300-03	40-48
43300-04	40-48
43300-05	40-48
43300-06	40-48
43321-00	28-10
43325-00	28-11
43332-00	37-20
43346-04	133-13
43353-00	60-45
43375-02	59-10
43375-02	79-110
43376-02	59-11
43376-02	79-111
43455-00	94-29
43455-00	94-47
43455-02	94-30
43455-02	94-48
43455-06	94-32
43455-07	94-30
43457-02	94-28
43480-00	25-11
43480-01	25-11
43481-00	28-9
43508-00	2-64
43509-00	30-27
43510-00	30-15

Part Number	Figure and Index No.
43511-00	30-9
43515-00	28-21
43519-00	13-22
43520-00	18-21
43522-00	24-19
43541-00	30-16
43546-00	30-52
43551-02	94-21
43555-00	101-4
43561-00	67-24
43561-00	68-24
43568-00	26-46
43570-00	26-23
43573-00	26-51
43574-00	26-41
43575-02	26-38
43575-03	26-42
43575-04	26-17
43584-00	28-3
43584-00	28-31
43584-00	28-32
43585-00	30-11
43586-06	22-13
43586-07	19-20
43586-11	19-19
43599-00	14-37
43599-00	16-44
43610-00	22-16
43618-08	102-6
43624-00	117-10
43625-00	117-17
43627-13	19-2
43645-00	2-5
43645-01	2-5
43645-04	16-39
43645-05	16-39
43646-02	16-40
43646-03	16-40
43646-04	2-3
43646-05	2-3
43648-00	2-7
43648-01	2-7
43648-04	17-16
43648-05	17-16
43649-02	16-41
43649-03	16-41
43649-04	2-4
43649-05	2-4
43680-03	126-20
43683-00	2-8
43683-01	2-8
43683-04	16-42
43683-05	16-42
43690-02	30-53
43690-03	30-53
43711-00	40-16
43712-00	104-58
43751-00	93-2

Part Number	Figure and Index No.
43759-00	58-8
43762-00	24-23
43763-00	24-24
43778-00	117-4
43778-04	16-53
43779-00	16-43
43781-00	117-3
43782-00	117-2
43796-00	25-16
43796-00	33-32
43822-00	117-6
43831-00	11-23
43833-00	11-24
43834-00	117-7
43840-00	104-57
43850-00	32-4
43851-00	32-7
43853-02	32-2
43854-00	117-13
43854-00	137-45
43864-00	26-16
43866-03	124-28
43866-04	117-1
43876-02	105-24
43888-00	16-47
43936-04	5-28
43936-05	5-28
43937-00	30-5
43951-05	111-11
43951-05	111A-11
43961-02	7-101
43961-03	7-101
43972-00	40-74
43974-06	111-46
43981-00	94-27
43988-03	72-14
43996-00	117-22
44107-00	14-49
44114-00	60-49
44114-00	61-20
44114-00	62-17
44114-00	62-18
44114-00	63-27
44114-00	63-28
44155-00	2-33
44182-04	103-14
44182-05	103-14
44237-03	69-1
44238-02	69-2
44240-00	69-33
44246-00	69-4
44247-00	69-3
44252-02	69-6
44252-03	69-7
44259-00	126-27
44271-00	102-65
44272-00	102-45
44272-04	102-45

Part Number	Figure and Index No.
44275-03	125-47
44281-00	21-23
44293-00	36-23
44294-00	36-26
44312-00	30-65
44348-02	30-22
44349-00	28-33
44351-12	30-23
44351-13	30-17
44351-14	30-17
44386-00	45-21
44431-00	80-4
44439-04	19-39
44439-12	22-24
44439-14	21-14
44482-02	19-31
44482-05	19-30
44482-07	19-26
44489-00	19-57
44489-01	19-57
44490-00	104-59
44497-00	31-4
44498-00	31-7
44501-00	19-46
44502-00	31-28
44503-00	31-8
44504-00	31-8
44506-00	31-9
44507-00	31-9
44510-00	31-10
44518-00	22-27
44519-00	12-58
44520-00	19-38
44523-02	28-13
44528-06	31-5
44528-07	31-22
44530-03	19-9
44534-00	31-3
44535-00	19-7
44536-00	18-24
44537-00	19-49
44538-00	12-60
44540-00	19-47
44541-00	19-50
44543-00	19-48
44544-00	22-28
44547-00	12-59
44552-00	19-51
44553-00	19-32
44554-00	19-35
44557-00	32-28
44561-00	28-25
44562-00	28-23
44563-00	28-24
44564-02	28-22
44567-00	19-34
44572-00	13-16
44573-00	13-16

PIPER PARTS CATALOG

Part Number	Figure and Index No.
44574-05	33-2
44581-08	31-1
44582-02	2-4
44582-03	16-41
44582-04	16-58
44583-00	33-40
44585-00	32-11
44586-00	19-18
44589-00	13-12
44591-00	33-41
44593-00	33-42
44596-00	33-43
44597-00	33-46
44600-00	13-17
44611-00	33-48
44612-00	33-49
44615-00	33-44
44617-00	33-52
44618-00	33-51
44621-00	33-50
44630-00	33-53
44631-00	33-53
44632-00	33-59
44633-00	33-55
44633-02	33-55a
44640-00	32-16
44641-00	33-62
44643-00	16-59
44644-00	10-17
44645-00	10-19
44646-00	10-18
44648-00	33-3
44652-00	33-45
44656-06	33-47
44657-00	33-63
44658-00	33-64
44659-00	33-19
44666-00	13-1
44667-00	13-5
44668-00	32-13
44669-00	32-14
44670-00	13-18
44673-00	33-27
44673-00	137-8
44674-00	33-28
44674-00	137-9
44681-02	32-20
44687-04	13-21
44696-00	13-19
44697-00	33-66
44720-00	23-24
44722-00	33-3
44726-00	33-16
44733-00	23-23
44734-00	23-21
44743-02	13-6
44743-03	13-10
44743-04	13-3

Part Number	Figure and Index No.
44743-07	13-11
44743-08	13-2
44743-09	13-8
44743-10	13-9
44743-11	13-7
44743-14	13-10
44749-15	33-102
44749-16	33-103
44749-17	33-4
44749-18	33-5
44749-20	33-9
44749-21	33-7
44749-22	33-108
44749-24	33-10
44749-27	33-11
44749-28	33-18
44773-00	12-57
44774-13	12-51
44774-14	12-51
44775-00	33-39
44776-00	32-15
44782-02	80-11
44790-03	12-3
44802-00	14-69
44804-00	14-51
44804-01	14-51
44807-00	14-68
44807-01	14-68
44816-04	5-42
44817-03	5-41
44820-04	33-111
44821-00	14-47
44823-00	111-1
44823-00	111A-1
44843-00	118-8
44848-00	69-8
44865-04	45-18
44870-00	15-37
44890-09	15-17
44905-00	23-9
44905-01	23-9
44931-00	19-52
44935-00	55-16
44935-03	58-9
44946-04	12-32
44946-05	12-32
44946-06	15-66
44946-07	15-66
44949-00	23-22
44954-00	17-7
44955-02	39-37
44958-02	12-35
44958-03	12-35
44959-02	12-36
44959-03	12-36
44961-00	39-39
44962-00	39-40
44963-00	39-38

Part Number	Figure and Index No.
44965-00	55-11
45040-00	11-29
45040-00	14-16
45040-00	19-62
45040-00	20-38
45058-00	15-67
45063-00	15-67
45155-00	2-32
45192-00	44-63
45192-01	44-63
45194-00	15-41
45194-01	15-42
45201-00	38-31
45222-00	68-16
45232-03	11-27
45232-04	11-27
45242-00	38-34
45247-01	15-64
45248-00	14-26
45248-01	14-26
45253-03	35-24
45259-02	35-17
45264-00	14-76
45264-01	14-76
45266-00	23A-12
45266-00	23A-25
45266-00	27-5
45267-02	27-16
45267-04	27-22
45268-02	27-6
45268-03	27-3
45269-00	15-76
45269-01	15-76
45271-00	23A-13
45271-00	23A-26
45271-00	27-4
45282-04	27-18
45283-04	14-31
45301-00	23-6
45302-00	23-5
45303-00	23-3
45304-00	23-4
45314-00	45-8
45316-03	45-2
45318-00	45-15
45318-04	45-15
45324-02	15-3
45324-03	15-4
45324-04	15-3
45324-05	11-2
45328-00	45-20
45329-00	45-42
45331-00	45-24
45331-00	137-16
45332-04	41-18a
45333-03	45-12
45333-07	44-1
45333-07	45-1

Part Number	Figure and Index No.
45334-00	41-13
45337-03	15-5
45337-04	15-6
45337-06	11-3
45338-00	23-7
45341-15	15-44
45341-18	15-44
45346-00	15-7
45352-00	14-11
45359-04	11-5
45361-00	15-9
45365-06	36-20
45367-00	93-10
45367-00	93-47
45370-00	11-6
45371-00	15-10
45377-06	7-59
45377-07	7-59
45379-06	7-43
45381-00	7-45
45381-01	7-45
45386-00	3-23
45387-00	3-24
45387-00	3-28
45405-00	93-19
45405-00	93-31
45405-00	93-44
45409-02	7-26
45409-03	7-26
45409-10	6-21
45409-11	6-21
45409-14	7-25
45409-15	7-25
45412-07	4-12
45421-02	7-28
45421-03	7-28
45421-04	7-27
45421-05	7-27
45421-08	6-23
45421-09	6-23
45433-08	15-32
45433-09	15-32
45434-02	7-30
45434-03	7-30
45434-04	7-29
45434-05	7-29
45434-10	6-25
45434-11	6-25
45439-08	6-11
45439-09	6-11
45447-04	7-31
45447-05	7-31
45449-02	6-12
45449-03	6-12
45449-14	7-11
45449-15	7-11
45449-42	7-10
45449-43	7-10

PIPER PARTS CATALOG

Part Number	Figure and Index No.
45454-04	23-36
45467-02	6-15
45467-03	6-15
45477-12	6-16
45477-13	6-16
45487-12	6-17
45487-13	6-17
45487-20	7-22
45487-21	7-22
45497-04	6-18
45497-05	6-18
45497-08	6-19
45497-09	6-19
45497-20	7-23
45497-21	7-23
45497-38	7-24
45497-41	7-24
45501-30	7-65
45501-31	7-65
45502-00	106-13
45504-20	41-12
45504-21	41-12
45504-22	40-1
45504-22	41-1
45504-23	40-1
45504-23	41-1
45506-00	25-27
45506-00	26-9
45506-00	29-11
45506-00	33-24
45511-00	103-39
45517-06	15-61
45530-00	14-8
45538-00	20-40
45541-00	2-39
45544-00	4-30
45545-00	4-17
45545-01	4-17
45555-06	20-20
45564-07	20-22
45583-15	20-14
45583-17	20-8
45584-00	20-11
45584-01	20-12
45593-03	20-4
45593-05	20-3
45594-02	20-5
45594-03	20-6
45610-00	20-17
45610-01	20-17
45647-10	5-3
45647-28	5-10
45647-29	5-10
45661-04	14-21
45661-05	14-21
45662-00	15-62
45666-06	14-18
45666-07	14-18

Part Number	Figure and Index No.
45691-02	7-76
45691-03	7-76
45691-04	7-75
45691-05	7-75
45700-13	36-7
45702-00	3-6
45712-10	92-4
45712-11	92-4
45712-12	92-3
45712-13	92-3
45712-16	92-2
45712-17	92-2
45712-18	92-1
45712-19	92-1
45742-00	39-16
45770-02	39-18
45770-03	39-19
45784-02	39-11
45784-03	39-12
45784-05	39-55
45785-02	39-20
45785-03	39-21
45792-02	39-13
45792-03	39-14
45794-06	44-73
45794-07	44-73
45794-08	44-72
45794-09	44-72
45795-00	39-8
45802-03	20-31
45807-03	39-33
45809-08	7-44
45815-00	20-15
45815-01	20-15
45824-00	7-85
45824-01	7-85
45825-00	7-79
45825-01	7-79
45847-00	85-56
45847-00	86-49
45853-00	48-28
45854-00	11-8
45856-00	104-34
45857-00	104-35
45858-00	104-3
45859-00	104-26
45864-00	11-18
45864-01	11-18
45868-00	104-36
45871-00	11-19
45871-01	11-19
45877-00	104-4
45886-00	104-18
45889-00	135-1
45891-05	19-58
45892-00	135-4
45897-00	48-9
45904-01	19-59

Part Number	Figure and Index No.
45921-00	48-8
45923-00	20-28
45923-01	20-28
45925-00	49-5
45925-02	48-6
45925-03	48-5
45930-05	20-36
45930-06	20-36
45932-02	39-49
45932-03	39-50
45932-04	39-51
45932-05	39-52
45934-02	39-26
45934-03	39-28
45935-02	39-17
45935-03	39-15
45946-00	20-35
45946-01	20-35
45947-00	20-13
45947-01	20-13
45952-02	3-11
45952-03	3-11
45955-00	7-87
45955-01	7-87
45956-06	39-31
45970-02	14-73
45970-03	14-74
45970-04	14-72
45982-03	35-14a
45986-05	20-29
45989-00	39-34
45994-00	35-27
45998-05	39-29a
45998-06	39-76
46001-00	36-37
46001-01	36-37
46011-00	39-27
46012-00	4-28
46019-02	39-24
46019-03	39-25
46020-02	39-22
46020-03	39-23
46022-02	39-32
46022-03	39-32
46022-06	39-3
46022-08	39-6
46022-23	39-6
46028-00	39-68
46028-01	39-68
46034-02	39-67
46034-03	39-67
46036-00	34-2
46038-00	34-30
46064-00	14-75
46074-00	14-70
46074-01	14-70
46079-00	14-71
46079-01	14-71

Part Number	Figure and Index No.
46082-00	103-32
46083-00	34-34
46106-00	34-11
46107-00	34-12
46109-00	34-6
46112-00	34-32
46121-02	40-11
46121-03	40-12
46132-00	19-64
46133-00	22-4
46144-02	14-60
46144-03	14-62
46144-04	14-61
46203-02	102-11
46218-00	35-5
46228-00	36-11
46255-00	51-22
46256-00	51-21
46257-00	51-20
46258-00	51-6
46259-00	51-16
46272-00	115-16
46301-00	34-3
46319-03	65-68
46320-00	65-2
46333-00	112-13
46333-00	112A-13
46344-02	35-11
46344-03	35-11
46349-07	102-7
46349-08	102-7
46355-04	77-2
46384-03	39-43
46384-04	39-43
46384-08	38-37
46407-00	48-11
46408-00	48-10
46413-00	48-4
46440-00	104-31
46444-00	104-23
46484-02	38-17
46484-03	38-18
46492-02	38-9
46492-03	38-10
46496-06	38-7
46496-07	38-8
46500-28	38-2
46500-29	38-2
46500-30	38-3
46500-31	38-3
46500-32	38-4
46500-33	38-4
46500-37	35-4
46500-37	38-1
46500-38	35-4
46500-38	38-1
46500-40	35-4
46500-40	38-1

PIPER PARTS CATALOG

Part Number	Figure and Index No.
46500-41	35-4
46500-41	38-1
46500-44	38-3
46500-45	38-3
46510-02	38-13
46510-03	38-14
46515-02	38-11
46515-03	38-12
46517-02	38-15
46517-03	38-16
46520-02	38-20
46520-03	38-22
46520-04	38-19
46520-05	38-21
46521-02	38-5
46521-03	38-6
46523-02	38-24
46523-03	38-23
46530-03	38-25
46538-02	38-26
46538-24	38-28
46541-01	114-17
46654-00	55-14
46654-00	58-10
46713-00	68-8
46722-00	68-7
46722-00	90-19
46722-00	104-5
46723-00	67-26
46723-00	68-5
46724-00	48-14
46725-00	48-15
46730-00	48-13
46771-00	67-9
46771-00	68-2
46783-00	45-48
46783-02	45-48
46783-03	45-48
46783-04	45-48
46783-05	45-48
46783-06	45-48
46804-00	127-20
46810-00	68-17
46828-00	48-59
46829-00	48-60
46845-04	47-9
46845-14	97-4
46845-15	97-4
46862-00	98-23
46867-00	15-45
46868-02	98-31
46890-00	93-39
46897-06	36-17
46897-06	98-22
46907-00	15-46
46910-00	93-58
46910-00	93-67
46910-00	93-76

Part Number	Figure and Index No.
46911-00	65-6
46911-00	66-4
46912-00	66-2
46913-00	93-70
46913-04	93-79
46913-05	93-61
46927-13	93-56
46927-14	93-74
46927-15	93-65
46933-00	44-27
46936-00	47-5
46947-00	47-2
46949-00	15-52
46959-00	37-35
46961-00	47-34
46977-00	38-41
46977-01	38-41
46978-00	38-39
46978-01	38-39
46981-00	38-40
46981-01	38-40
47005-03	59-12
47011-00	21-19
47031-00	21-21
47032-00	21-22
47041-00	15-53
47047-00	47-36
47056-00	47-32
47056-02	47-31
47065-03	104-72
47068-00	47-38
47069-00	47-37
47071-00	47-30
47074-02	47-27
47080-00	47-4
47085-02	93-7
47085-03	93-8
47085-03	93-41
47089-02	93-115
47089-03	93-117
47090-02	93-17
47090-03	93-29
47091-00	93-42
47092-00	93-119
47094-00	127-18
47102-00	93-6
47109-02	93-21
47109-02	93-33
47109-02	93-46
47116-02	93-15
47116-03	93-27
47117-00	93-18
47117-00	93-30
47117-00	93-43
47132-03	51-5
47134-00	47-1
47137-00	15-54
47143-00	17-13

Part Number	Figure and Index No.
47144-00	47-29
47148-00	93-110
47150-00	44-3
47157-00	93-16
47157-00	93-28
47157-00	93-40
47158-00	106-22
47159-00	93-123
47160-00	93-122
47255-00	20-39
47494-00	29-9
47529-30	40-14
47529-31	40-14
47529-32	40-15
47555-00	44-45
47601-00	93-3
47603-00	93-4
47607-00	93-113
47615-03	63-19
47651-00	86-9
47651-00	118-19
47652-00	68-18
47652-00	112-21
47659-02	93-111
47659-03	93-112
47660-02	93-86
47660-03	93-114
47660-04	93-124
47664-02	68-25
47664-02	131-22
47664-02	131-26
47664-02	131-46
47664-03	129-4
47664-03	131-23
47664-03	131-51
47664-08	131-24
47664-12	131-46
47664-13	131-9
47664-17	129-4
47664-17	131-51
47719-00	36-28
47720-02	100-24
47735-00	93-96
47736-00	93-97
47736-00	137-37
47737-00	93-98
47737-00	137-38
47738-00	93-99
47738-00	137-39
47757-00	14-15
47757-00	137-4
47782-08	39-59
47806-00	20-26
47875-00	131-35
47881-00	47-3
47919-02	35-29
47919-03	35-29
47920-02	35-28

Part Number	Figure and Index No.
47920-03	35-28
47920-04	35-28
47921-02	35-30
47921-03	35-30
47921-04	35-30
47936-02	40-54
47936-03	40-54
47938-02	40-88
47938-03	40-88
47989-00	127-21
47990-03	65-40
47998-00	34-31
48014-00	93-5
48017-00	34-28
48022-00	137-32
48023-00	11-26
48023-00	137-3
48028-00	104-52
48030-00	104-51
48030-00	137-43
48033-00	104-50
48055-00	36-18
48103-00	15-70
48118-00	36-10
48138-00	103-37
48309-00	105-16
48310-00	105-15
48348-00	22-6
48365-02	112-2
48365-02	112A-2
48436-00	47-8
48436-00	97-3
48437-02	96-9
48437-04	98-33
48437-04	100-8
48460-00	35-9
48482-00	93-89
48484-00	93-87
48488-03	93-85
48488-05	93-85
48491-02	93-85
48491-04	93-85
48494-00	93-87
48499-00	93-88
48499-02	93-88
48500-03	93-90
48504-05	34-1
48507-02	59-3
48507-03	59-4
48543-09	59-7
48613-02	36-6
48613-03	36-6
48659-08	91-21
48659-08	92-9
48665-00	14-7
48807-02	96-30
48808-02	96-31
48809-02	96-1

PIPER PARTS CATALOG

Part Number	Figure and Index No.
48868-02	47-45
48869-02	47-46
48892-05	27-9
48898-03	27-10
48899-02	27-25
48901-02	27-24
48903-08	27-23
48908-02	27-21
48918-09	27-1
48918-10	27-1
48920-02	27-17
49086-04	60-53
49086-05	60-53
49099-04	60-52
49099-05	60-52
49102-02	60-39
49102-02	61-21
49102-02	62-16
49102-02	63-26
49124-02	64-5
49167-02	130-7
49167-05	126-41
49172-02	137-57
49199-02	120-15
49200-02	120-4
49201-02	120-5
49202-02	120-3
49204-02	120-2
49222-02	123-55
49222-04	123-56
49222-06	123-57
49222-06	124-52
49222-11	123-50
49222-11	123-59
49222-11	124-48
49222-13	124-49
49222-16	124-56
49222-18	123-58
49222-18	124-61
49222-20	123-60
49222-20	124-50
49222-23	124-57
49222-25	124-58
49222-28	124-59
49231-02	102-81
49261-02	99-14
49265-02	99-6
49274-02	112-39
49279-02	112-38
49302-02	35-12
49302-03	35-13
49315-02	120-11
49336-04	112-40
49338-02	112-41
49351-02	2-19
49351-03	2-19
49352-02	2-20
49370-02	120-18

Part Number	Figure and Index No.
49380-09	123-37
49384-02	85-59
49384-02	86-54
49385-02	85-58
49385-02	86-53
49386-02	85-73
49386-02	86-64
49388-02	11-40
49389-02	65-13
49407-04	112-42
49407-04	112A-39
49432-02	127-13
49432-03	128-17
49456-02	7-108
49457-02	7-107
49457-03	7-107
49494-06	9-28
49494-07	9-28
49494-08	9-27
49494-09	9-27
49513-02	36-30
49517-03	129-20
49518-02	129-17
49532-02	134-25
49533-02	134-18
49534-02	134-15
49535-02	88-29
49535-03	88-29
49536-02	88-32
49537-02	88-33
49538-04	88-31
49538-05	88-31
49539-02	88-11
49541-02	88-22
49542-02	88-14
49543-02	88-12
49543-03	88-12
49544-02	88-13
49544-03	88-13
49545-02	88-15
49549-02	102-86
49550-02	102-64
49551-02	102-87
49552-03	102-88
49553-04	102-91
49554-02	102-89
49556-02	102-83
49582-02	102-94
49588-10	2-66
49588-11	2-66
49594-02	65-10
49611-02	133-18
49611-03	133-18
49623-02	90-18
49628-02	94-18
49633-06	Misc.
49638-02	70-5
49642-02	11-45

Part Number	Figure and Index No.
49643-02	81-5
49644-02	65-56
49664-02	81-8
49677-02	65-11
49679-02	11-9
49684-02	65-18
49718-02	101-6
49737-02	67-4
49738-02	67-3
49740-02	7-95
49740-03	7-95
49741-02	8-39
49741-03	8-39
49745-02	8-21
49794-02	83-1
49809-02	137-56
49832-02	83-11
49833-02	83-10
49955-02	112-32
49962-02	100-25
49964-02	130-6
49972-02	2-65
49972-02	39-77
49972-03	37-74
49972-04	39-69
49972-05	39-77
49972-14	127-26
49979-04	27-26
49979-04	71-86
49979-16	106-40
49981-09	100-13
49981-10	71-74
49981-11	71-74
49982-41	120-34
49982-47	61-17
49982-47	62-18
49982-47	63-28
49990-11	121A-7
49990-11	121A-14
49990-18	112-45
49990-18	112A-41
49990-30	116-16
49990-33	121A-7
49990-34	121A-11
49990-35	121A-11
49990-35	121A-14
49997-17	116-15
49998-09	67-7
49998-09	68-4
49998-10	67-8
49998-10	68-6
49998-15	125-56
49998-17	122-6
49998-17	125-26
49998-19	69-17
49998-19	69-30
49998-20	69-11
49998-23	69-12

Part Number	Figure and Index No.
49998-28	85-78
49998-28	86-73
49998-32	122-10
49998-33	75-6
49999-03	6-6
49999-17	37-56
49999-32	100-34
49999-43	100-27
49999-44	52-43
50010-00	7-64
50010-01	7-64
50014-10	71-44
50014-11	71-44
50016-00	7-63
50016-01	7-63
50028-00	104-19
50033-00	120-12
50034-00	8-50
50034-01	8-50
50043-00	120-13
50046-00	120-6
50049-00	2-37
50052-00	2-36
50053-00	120-7
50055-00	71-5
50057-00	15-2
50062-00	6-13
50062-01	6-13
50067-00	7-46
50067-01	7-46
50068-00	120-10
50069-00	120-8
50072-00	15-78
50073-00	7-61
50073-01	7-61
50075-02	9-3
50075-03	9-3
50075-08	9-12
50075-09	9-11
50075-10	9-7
50075-11	9-7
50075-16	9-14
50075-17	9-13
50075-26	9-1
50075-27	9-1
50075-28	9-9
50075-29	9-9
50075-30	9-5
50075-31	9-5
50075-32	9-6
50075-33	9-6
50075-34	9-4
50075-35	9-4
50076-00	79-60
50076-01	79-60
50080-00	6-4
50080-01	6-4
50084-00	5-30

PIPER PARTS CATALOG

Part Number	Figure and Index No.
50084-01	5-30
50087-00	120-9
50098-00	5-19
50098-01	5-19
50099-00	6-3
50099-01	6-3
50102-14	7-3
50102-15	7-3
50104-22	7-77
50104-23	7-77
50104-24	7-78
50104-25	7-78
50107-20	77-21
50109-03	14-10
50109-03	15-77
50111-00	60-26
50115-00	5-22
50115-01	5-22
50119-00	7-48
50119-01	7-48
50124-00	6-41
50124-01	6-41
50125-00	79-55
50125-01	79-55
50126-00	6-40
50126-01	6-40
50127-04	5-17
50127-05	5-17
50127-06	5-36
50128-04	5-16
50128-05	5-16
50128-06	5-44
50129-04	5-34
50129-05	5-34
50129-06	5-43
50129-07	5-43
50135-03	120-1
50138-00	86-28
50144-00	119-2
50144-01	119-2
50150-00	72-8
50152-00	104-27
50154-00	106-10
50154-01	106-10
50155-38	89-17
50155-39	89-17
50155-40	89-18
50155-41	89-18
50157-00	106-11
50157-01	106-11
50158-00	79-61
50158-01	79-61
50159-02	79-35
50159-03	79-35
50160-00	85-34
50160-00	86-27
50163-00	106-14
50165-02	72-5

Part Number	Figure and Index No.
50166-00	4-33
50166-00	5-37
50169-00	120-19
50180-00	79-68
50180-01	79-68
50186-09	4-27
50186-10	4-27
50189-00	72-21
50196-00	71-6
50197-00	5-21
50198-00	5-39
50202-02	5-20
50202-03	3-16
50203-00	5-40
50203-00	92-12
50210-27	79-40
50210-28	79-40
50213-00	79-41
50218-00	3-12
50218-01	3-12
50219-02	92-6
50219-03	92-6
50220-00	79-54
50220-01	79-54
50222-00	3-29
50222-01	3-29
50223-00	3-14
50223-01	3-14
50224-00	3-15
50224-01	3-15
50225-00	3-13
50225-01	3-13
50229-12	79-78
50235-01	79-79
50235-04	79-79
50238-00	88-28
50239-02	81-9
50240-00	93-92
50240-00	137-35
50242-00	6-24
50242-01	6-24
50243-00	6-22
50243-01	6-22
50244-00	6-20
50244-01	6-20
50263-04	5-47
50278-00	77-1
50279-00	21-17
50280-00	94-22
50287-00	94-14
50287-01	94-15
50287-02	94-16
50287-03	94-17
50289-02	5-13
50289-03	5-13
50293-08	79-81
50293-09	79-81
50293-17	79-80

Part Number	Figure and Index No.
50293-18	79-80
50294-00	79-62
50294-01	79-62
50295-02	6-8
50295-03	6-8
50295-04	7-6
50295-05	7-6
50302-02	3-3
50302-03	3-3
50302-04	3-5
50302-05	3-5
50302-06	4-1
50302-07	4-1
50302-12	4-14
50302-13	4-14
50302-14	4-8
50302-15	4-8
50302-32	3-1
50302-33	3-1
50304-02	5-15
50304-08	5-9
50304-09	5-9
50304-12	5-2
50304-13	5-2
50304-15	5-15
50304-26	3-2
50304-26	5-1
50304-27	3-2
50304-27	5-1
50305-02	79-49
50305-03	79-49
50305-04	79-50
50305-05	79-50
50305-06	79-48
50305-07	79-48
50305-09	79-50
50306-04	5-29
50306-04	6-1
50306-05	5-29
50306-05	6-1
50307-12	7-1
50307-13	7-1
50308-00	6-2
50308-01	6-2
50312-20	7-2
50312-21	7-2
50323-00	7-86
50323-01	7-86
50325-04	4-5
50325-05	4-5
50329-02	78-9
50329-03	78-9
50335-06	78-4
50336-05	78-14
50339-02	7-9
50339-03	7-9
50339-06	7-8
50339-07	7-8

Part Number	Figure and Index No.
50340-02	7-40
50340-03	7-40
50340-04	6-36
50340-05	6-36
50340-06	6-38
50340-07	6-38
50340-14	6-37
50340-15	6-37
50340-16	6-39
50340-17	6-39
50340-18	7-41
50340-19	7-41
50347-04	6-27
50347-05	6-27
50347-06	6-26
50347-07	6-26
50352-05	78-2
50358-02	7-13
50358-03	7-13
50358-18	7-12
50358-19	7-12
50359-04	6-28
50359-05	6-28
50359-06	6-29
50359-07	6-29
50360-02	7-33
50360-03	7-33
50360-06	7-32
50360-07	7-32
50362-00	85-35
50365-00	119-1
50367-10	7-16
50367-11	7-16
50367-12	7-17
50367-13	7-17
50367-14	7-14
50367-15	7-14
50367-18	7-15
50367-19	7-15
50373-00	7-34
50373-01	7-34
50374-02	6-31
50374-03	6-31
50374-04	6-30
50374-05	6-30
50377-02	7-21
50377-03	7-21
50377-04	7-20
50377-05	7-20
50377-06	7-19
50377-07	7-19
50377-16	7-18
50377-17	7-18
50382-00	7-35
50382-01	7-35
50386-00	121-8
50389-02	7-37
50389-03	7-37

PIPER PARTS CATALOG

Part Number	Figure and Index No.
50389-04	7-36
50389-05	7-36
50389-06	6-33
50389-07	6-33
50389-10	6-32
50389-11	6-32
50389-12	7-39
50389-13	7-39
50389-14	7-38
50389-15	7-38
50389-18	6-34
50389-19	6-34
50389-20	6-35
50389-21	6-35
50390-00	121-7
50393-00	4-10
50398-00	85-38
50409-00	17-9
50413-00	88-2
50413-01	88-2
50414-00	85-65
50414-00	86-24
50415-00	88-10
50416-03	89-22
50422-02	79-7
50422-03	79-5
50422-03	79-8
50424-00	79-75
50438-00	88-4
50439-00	88-3
50441-00	16-37
50442-00	88-1
50443-00	79-86
50443-02	79-86
50443-02	132-12
50451-00	88-7
50451-01	88-7
50459-00	15-38
50459-01	15-38
50466-00	111A-22
50474-00	79-86
50477-00	106-7
50478-00	106-8
50479-00	90-4
50479-00	106-28
50479-00	112A-50
50486-02	78-5
50498-02	79-53
50498-03	79-53
50500-00	88-21
50500-01	88-21
50509-00	71-28
50512-03	71-29
50512-04	73-7
50513-00	86-30
50514-00	85-22
50514-00	86-12
50517-00	71-33

Part Number	Figure and Index No.
50517-00	71-34
50517-04	71-33
50518-00	71-33
50518-00	71-34
50519-00	85-23
50519-00	86-11
50522-00	71-24
50526-00	79-59
50527-00	67-10
50529-00	122-20
50529-00	125-18
50540-02	15-79
50541-10	81-1
50541-11	81-1
50544-00	121-6
50549-07	23-1
50550-00	14-43
50551-00	14-66
50553-02	71-25
50553-03	71-26
50554-00	71-27
50558-00	70-13
50560-00	77-4
50560-00	137-26
50564-00	121-1
50574-00	72-1
50574-05	72-3
50574-07	72-4
50579-00	112-53
50581-00	67-1
50587-02	132-9
50595-04	85-1
50595-04	86-1
50599-00	121-3
50604-10	79-63
50604-12	79-65
50604-15	79-63
50604-16	79-64
50604-17	79-65
50604-18	79-66
50604-23	79-63
50604-25	79-65
50615-00	71-35
50642-00	71-19
50642-00	73-14
50642-00	78-13
50673-00	75-8
50731-00	126-9
50737-03	126-15
50743-00	126-16
50743-00	137-47
50774-00	131-36
50784-00	127-34
50803-02	77-49
50804-02	77-50
50815-00	72-23
50815-01	72-23
50856-00	79-94

Part Number	Figure and Index No.
50856-00	89-21
50856-00	91-16
50859-00	71-48
50869-00	127-35
50883-00	85-21
50898-00	71-7
50908-00	76-10
50909-00	76-9
50909-00	78-11
50910-00	78-12
50913-00	125-16
50914-00	125-16
50940-00	119-3
50945-00	79-56
50945-01	79-56
50946-02	79-92
50946-03	89-20
50946-04	91-17
50946-05	92-18
50950-00	15-80
50950-01	15-80
50953-00	88-37
50959-00	121-10
50959-01	121-10
50960-03	14-6
50962-12	77-18
50962-13	77-18
50965-00	126-17
50965-05	126-17
50968-00	126-18
50968-01	126-18
50969-00	3-20
50972-00	121-12
50980-305	89-9
50984-00	89-4
50985-00	89-5
51000-00	65-12
51006-00	112-43
51006-00	112A-40
51006-00	131-13
51010-00	65-17
51010-00	66-7
51014-00	66-14
51027-00	85-24
51028-00	85-25
51028-00	86-14
51034-00	79-43
51035-00	65-49
51038-00	71-40
51041-00	92-13
51049-00	69-18
51050-00	131-28
51051-00	131-27
51052-00	44-38
51054-00	94-26
51057-00	134-21
51058-00	134-20
51062-00	35-22

Part Number	Figure and Index No.
51063-00	77-22
51064-04	98-16
51065-00	36-34
51065-01	36-34
51067-00	98-30
51068-00	37-39
51069-00	37-40
51074-00	36-29
51075-00	37-69
51076-00	37-23
51077-00	37-44
51078-04	37-49
51079-00	37-66
51080-00	37-26
51082-00	36-25
51084-00	37-42
51085-00	71-31
51086-00	20-24
51087-00	37-24
51088-00	20-30
51089-02	37-47
51090-02	20-19
51091-03	37-19
51093-00	97-31
51094-00	35-2
51094-00	37-1
51094-02	37-18
51094-03	37-17
51094-04	37-3
51094-05	37-7
51094-06	37-10
51094-07	37-15
51094-08	37-8
51094-09	37-12
51094-10	37-4
51094-11	37-11
51094-12	37-5
51094-13	37-5
51094-14	37-22
51094-15	37-22
51094-16	37-25
51094-18	37-2
51094-19	37-14
51094-20	37-6
51094-21	37-9
51095-00	35-1
51095-00	36-1
51095-03	36-3
51095-04	36-3
51095-05	36-4
51095-06	36-4
51095-09	36-2
51095-10	36-2
51096-02	37-37
51096-03	37-34
51097-00	37-21
51099-00	37-64
51099-02	37-65

PIPER PARTS CATALOG

Part Number	Figure and Index No.
51102-05	35-7
51103-03	35-8
51105-00	97-26
51108-00	37-48
51112-00	81-46
51114-00	81-21
51116-02	94-2
51116-04	94-2
51117-00	37-70
51118-02	39-53
51118-04	39-54
51118-05	39-56
51125-00	73-11
51126-00	73-5
51128-00	119-8
51129-04	78-1
51130-02	73-1
51130-03	73-3
51134-00	121-11
51134-01	121-11
51147-00	65-30
51165-00	85-50
51166-00	79-44
51173-03	75-1
51175-00	85-16
51175-00	86-33
51175-00	87-1
51186-00	65-5
51189-00	89-2
51189-01	89-2
51190-00	88-19
51192-00	88-13
51196-00	45-46
51197-00	45-47
51202-00	85-51
51202-00	86-35
51203-00	85-17
51203-00	86-34
51204-00	4-18
51205-00	4-36
51246-00	94-6
51250-00	100-26
51258-02	39-57
51262-00	19-22
51264-04	5-18
51264-05	5-18
51264-08	5-46
51266-00	100-22
51268-00	100-4
51271-02	96-4
51274-12	39-63
51274-13	39-63
51274-14	39-61
51274-15	39-61
51275-00	119-11
51276-02	119-15
51281-00	72-20
51283-00	72-18

Part Number	Figure and Index No.
51287-02	72-33
51304-04	112-36
51304-04	112A-37
51314-00	71-36
51335-02	122-8
51336-00	20-9
51339-00	100-6
51340-00	100-3
51343-00	100-7
51349-00	119-7
51353-00	126-51
51353-04	126-51
51354-07	35-10
51357-00	4-9
51357-04	4-9
51358-00	4-31
51359-00	7-84
51366-00	21-20
51399-11	35-19
51433-00	94-34
51448-00	27-14
51449-00	126-50
51456-00	71-68
51457-00	88-35
51461-00	71-69
51464-05	5-23
51464-06	5-23
51466-00	5-38
51467-00	5-12
51467-01	5-12
51475-00	79-52
51476-00	88-20
51478-00	66-8
51484-00	99-45
51486-00	77-20
51486-01	77-20
51490-00	36-30
51491-00	90-2
51495-00	90-1a
51504-04	90-1
51506-08	77-11
51506-10	77-12
51506-11	77-13
51510-00	40-40
51510-01	40-40
51512-00	Misc.
51513-00	Misc.
51514-00	Misc.
51515-00	Misc.
51516-00	Misc.
51517-00	Misc.
51518-00	Misc.
51519-00	Misc.
51520-00	Misc.
51526-00	71-67
51537-00	20-25
51537-01	20-25
51544-00	81-6

Part Number	Figure and Index No.
51554-02	35-20
51554-03	35-20
51579-00	83-7
51579-02	71-85
51593-00	71-74
51608-02	35-14
51608-03	35-14
51611-00	126-48
51615-00	39-79
51618-02	39-42
51622-02	89-33
51622-03	89-33
51622-04	89-32
51622-05	89-32
51623-00	81-47
51672-02	81-4
51674-02	72-2
51676-02	81-30
51677-02	128-18
51757-04	99-46
51774-02	39-75
51775-02	39-29
51775-03	39-29
51778-02	106-16
51778-03	106-16
51823-02	89-37
51823-03	89-37
51828-02	14-9
51905-08	89-38
51905-09	89-38
51916-02	77-46
51944-06	81-7
51945-02	81-50
51975-02	125-35
52034-00	15-30
52049-00	23-8
52049-01	23-8
52072-00	7-92
52084-12	15-22
52092-00	12-45
52094-00	12-45
52096-00	55-6
52114-00	14-23
52114-01	14-23
52119-02	14-5
52119-03	14-5
52119-14	14-5b
52119-15	14-5b
52127-00	14-24
52127-01	14-24
52132-00	14-38
52154-05	20-1
52167-00	97-19
52168-00	97-17
52175-00	13-15
52187-04	115-15
52187-05	115-15
52187-06	115-15

Part Number	Figure and Index No.
52187-07	115-15
52202-00	14-48
52203-00	14-52
52247-00	14-53
52248-00	116-14
52249-00	14-54
52275-00	14-28
52275-01	14-28
52289-05	15-26
52289-07	15-24
52299-00	15-59
52299-01	15-59
52304-00	23-13
52327-03	111-12
52327-03	111A-29
52335-00	111-15
52335-00	111A-30
52338-00	60-64
52355-02	25-7
52361-00	2-21
52361-01	2-21
52370-00	2-6
52370-01	2-6
52372-00	14-57
52372-01	14-57
52376-02	22-26
52405-00	55-7
52413-00	55-15
52446-00	26-59
52447-00	26-58
52448-00	26-1
52449-00	26-60
52458-05	111-10
52465-00	55-13
52468-00	55-8
52470-02	55-2
52470-03	55-2
52471-00	55-3
52494-00	111-16
52497-00	111-8
52512-00	111-9
52635-04	118-5
52635-11	118-5
52663-02	116-3
52663-03	116-3
52664-04	116-12
52665-00	116-5
52671-02	118-1
52680-00	118-16
52683-00	15-31
52696-05	116-13
52696-06	116-13
52713-00	12-34
52716-00	60-58
52717-00	60-57
52718-00	60-56
52722-00	16-50
52724-00	16-51

PIPER PARTS CATALOG

Part Number	Figure and Index No.
52725-00	16-52
52726-00	16-48
52729-00	16-46
52738-00	18-22
52739-00	16-49
52750-04	23-16
52754-00	18-2
52758-04	22-7
52775-00	12-4
52775-00	12-6
52775-01	12-4
52775-01	12-6
52778-06	91-7
52778-07	91-7
52819-00	19-44
52820-06	19-40
52820-07	19-41
52820-08	19-42
52820-09	19-43
52846-00	28-15
52846-00	28-27
52847-00	28-14
52847-00	28-26
52857-00	105-18
52858-00	105-17
52904-02	60-54
52955-00	116-35
52956-00	116-34
53027-06	116-31
53039-02	116-1
53042-02	7-88
53042-03	7-89
53042-04	7-90
53042-05	7-91
53042-06	7-99
53042-07	7-100
53056-00	19-60
53060-02	25-15
53060-03	33-31
53071-00	60-30
53071-01	60-30
53108-06	112-34
53130-00	2-11
53130-01	2-11
53172-00	4-7
53181-00	26-20
53214-02	33-15
53255-04	60-41
53255-05	60-41
53258-02	19-23
53258-04	19-23
53358-00	5-7a
53360-02	56-16
53438-05	32-26
53561-02	19-30
53561-04	19-26
53561-06	19-28
53599-00	51-8

Part Number	Figure and Index No.
53628-00	32-22
53629-00	32-21
53637-00	55-12
53657-00	13-4
53666-00	55-15
53687-00	12-53
53785-00	102-31a
53801-00	72-6
53808-00	61-12
53808-00	63-10
53827-00	30-50
53853-00	44-77
53853-02	44-77
53856-00	102-4
53856-03	102-2
53880-00	33-78
53893-00	28-30
53899-00	60-12
53899-00	62-9
53900-00	60-17
53905-00	5-14
53906-00	5-11
53906-01	5-11
53909-00	28-28
53918-02	114-21
53968-03	28-29
53971-00	102-31b
54005-00	111-34
54026-00	75-20
54087-00	28-34
54174-02	103-44
54174-03	103-44
54175-00	101-7
54187-02	22-11
54188-02	13-14
54190-02	129-1
54190-03	31-19
54190-03	129-1
54237-02	30-75
54240-02	30-76
54242-02	30-77
54243-02	30-30
54244-02	30-60
54244-03	30-61
54245-02	28-20
54265-02	30-62
54266-02	30-8
54340-02	8-30
54340-03	8-30
54357-02	33-95
54358-02	32-10
54360-02	33-96
54374-03	56-19
54375-02	13-13
54376-02	13-13
54385-02	118-6
54385-03	118-6
54395-02	2-71

Part Number	Figure and Index No.
54410-02	71-49
54412-02	71-47
54467-02	12-39
54499-02	60-40a
54516-04	11-13
54526-02	89-18a
54526-03	89-18a
54528-10	40-6
54534-05	60-40
54534-07	60-59
54566-02	134-23
54597-07	59-6
54606-02	33-14
54606-03	33-12
54606-05	33-6
54606-06	33-22
54612-10	32-1
54612-10	33-1
54623-02	4-6
54623-02	5-14a
54659-02	31-6
54662-02	5-4
54663-02	31-12
54678-02	88-26
54679-02	88-60
54684-02	112-22
54684-07	112-23
54684-07	112A-19
54694-02	79-51
54710-04	25-19
54710-05	25-19
54710-06	25-22
54710-07	25-23
54710-07	26-5
54710-08	25-24
54710-11	25-25
54714-04	29-7
54714-06	29-5
54714-07	29-6
54714-13	28-1
54714-13	29-1
54714-14	28-1
54714-14	29-1
54714-15	29-5
54716-02	3-21
54716-03	3-21
54726-02	79-73
54755-02	39-7
54794-02	99-44
54800-54	136-1
54820-02	12-48
54820-03	12-48
54839-02	127-33
54848-05	129-15
54848-06	129-15
54855-02	67-6
54855-02	68-1
54938-02	93-26

Part Number	Figure and Index No.
54938-02	93-38
54938-02	93-54
54940-02	93-20
54940-02	93-32
54940-02	93-45
54945-02	102-61
54988-02	39-41
54989-02	39-41
54990-02	39-41
54991-02	38-42
54992-02	39-74
54993-02	39-36
54994-02	39-72
55010-02	71-89
55016-10	39-4
55061-02	71-87
55076-10	71-88
55076-11	71-88
55091-03	71-90
55233-02	44-49
55254-04	25-4
55254-05	25-4
55254-15	25-4
55254-18	25-5
55258-04	25-3
55258-04	26-3
55258-05	25-3
55258-05	26-3
55258-31	25-3
55258-31	26-3
55259-33	26-7
55260-02	12-46
55265-04	32-27
55266-09	25-2
55266-10	25-2
55266-28	25-2
55266-35	56-9
55266-36	56-9
55267-06	25-1
55267-07	25-1
55286-02	57-9
55292-02	57-5
55293-02	123-47
55293-02	124-39
55294-02	57-4
55297-05	22-25
55315-05	56-11
55317-02	56-35
55334-02	56-23
55335-06	31-41
55357-02	65-51
55357-03	65-51
55371-02	14-77
55380-02	56-37
55406-02	95-1
55408-02	95-2
55433-02	60-62
55433-03	60-62

PIPER PARTS CATALOG

Part Number	Figure and Index No.
55460-06	58-12
55566-02	130-10
55569-02	65-14
55571-02	65-15
55596-02	56-24
55601-02	31-39
55602-05	130-8
55634-08	65-21
55638-02	78-15
55638-03	78-15
55639-02	78-16
55639-03	78-16
55683-02	65-6
55683-02	66-4
55684-02	65-5
55684-02	66-2
55684-03	65-5
55684-03	66-2
55699-02	101-9
55771-02	14-46
55771-02	16-26
55800-02	7-93
55800-03	7-93
55801-02	7-94
55801-03	7-94
55817-02	102-80
55818-02	67-13
55819-02	67-12
55842-02	60-63
55852-04	115-5
55861-02	78-17
55861-03	78-17
55864-16	115-6
55864-17	115-6
55870-02	116-2
55886-02	78-18
55886-03	78-18
55887-02	78-19
55896-02	89-1
55896-03	89-1
55896-10	89-10
55896-26	89-9
55896-27	89-9
55896-28	89-1
55896-29	89-1
55896-30	133-28
55906-02	65-25
55906-03	66-9
55933-02	115-10
55969-03	123-40
56240-20	79-47
56240-21	79-47
56240-37	79-90
56260-02	79-46
56512-02	79-89
56540-02	79-87
56540-03	79-87
56540-04	79-88

Part Number	Figure and Index No.
56540-05	79-88
56545-04	79-83
56545-05	79-83
56547-02	79-11
56547-03	79-11
56548-02	79-10
56548-03	79-10
56550-02	79-13
56550-03	79-13
56550-04	79-14
56550-06	79-12
56550-07	79-12
56551-02	79-15
56551-03	79-15
56551-06	79-16
56551-08	79-32
56551-09	79-32
56564-09	79-38
56564-10	79-38
56565-09	79-39
56565-10	79-39
56566-02	79-24
56566-03	79-24
56566-04	79-25
56566-05	79-25
56568-02	79-26
56568-03	79-26
56568-04	79-27
56568-05	79-27
56570-02	79-28
56570-02	79-29
56570-03	79-28
56570-03	79-29
56572-02	79-30
56572-02	79-31
56572-03	79-30
56572-03	79-31
56574-02	79-33
56574-05	79-34
56628-05	79-72
56628-06	79-71
56628-12	79-74
56628-13	79-74
56628-15	79-72
56635-02	80-3
56635-03	80-3
56637-02	79-45
56637-03	79-45
56728-33	123-63
56728-33	124-47
56728-35	123-54
56728-35	123-62
56728-35	124-51
56728-35	124-59
56773-02	80-2
56773-03	80-2
56951-04	31-24
56952-17	111-44

Part Number	Figure and Index No.
56952-22	111-44
56952-23	111-7
56952-39	115-12
56956-14	7-106
56956-15	7-106
56983-02	26-15
57040-02	40-36
57040-04	40-37
57100-02	71-98
57149-10	89-7a
57149-11	89-7
57252-02	79-99
57258-02	56-34
58180-02	79-77
58183-02	79-76
59990-03	80-20
59995-02	94-8
60054-18	72-16
60054-43	60-25
60054-43	60-29
60704-02	136-8
60998-05	47-23
60998-06	47-24
61402-79	23A-39
61402-99	41-27
61402-101	99-8
61402-102	99-9
61402-103	30-46
61402-105	56-18
61541-10	122-7
61541-10	125-50
61541-15	81-18
61541-25	71-21
61541-30	73-12
61541-32	71-20
61541-32	90-9
61541-33	70-8
61541-38	81-19
63900-22	31-2
64076-21	100-27
64076-25	94-33
70140-02	80-12
70371-02	48-25
70371-02	111-31
70371-02	112A-66
70371-02	116-19
70371-02	117-14
70371-03	111-32
70371-03	112A-67
70371-03	116-18
70371-03	117-15
70713-04	14-82
70778-03	71-74
70957-06	121A-23
70957-14	121A-23
71063-02	5-49
71063-03	5-49
71100-03	31-32

Part Number	Figure and Index No.
71100-03	56-22
71100-04	31-38
71100-05	31-37
71132-02	7-105
71132-03	7-105
71132-04	7-105
71132-05	7-105
71140-02	30-26
71188-02	28-19
71228-02	52-19
71415-03	30-64
71450-02	29-13
71450-02	137-72
71450-03	28-44
71450-03	137-71
71450-04	28-43
71450-04	137-70
71450-05	28-42
71450-05	137-69
71455-02	129-25
71455-05	129-28
71455-07	129-26
71455-10	129-27
71478-02	111-43
71533-02	35-26
71533-02	36-19a
71608-02	56-17
71608-03	56-17
71673-02	12-50
71673-03	12-49
71697-02	116-4
71698-02	95-10
71699-02	16-7
71699-03	16-8
71699-04	16-9
71699-05	16-11
71699-06	16-10
71711-04	25-21a
71711-04	33-78a
71727-02	58-18
71814-02	17-15
71974-16	28-41
72263-02	Misc.
72439-02	131-16
72439-03	131-16
72584-02	80-5
72584-04	80-10
72955-03	31-25
73078-02	30-57
73094-02	56-21
73105-02	30-20
73106-02	28-36
74011-02	124-34
74011-03	123-13
74011-03	124-13
74011-04	123-36
74011-04	124-33
74011-05	123-34

PIPER PARTS CATALOG

Part Number	Figure and Index No.
74011-05	124-31
74011-07	123-35
74011-07	124-32
74011-08	123-15
74011-08	124-15
74011-09	123-17
74011-10	123-14
74011-10	124-14
74011-11	123-16
74011-11	123-38
74011-11	124-46
74040-02	118-30
74044-02	31-33
74044-03	28-4
74051-02	118-7
74072-02	28-6
74072-02	31-34
74105-05	115-18
74146-07	57-8
74147-02	57-1
74148-03	57-2
74149-02	57-3
74150-03	64-6
74156-02	64-1
74156-03	64-1
74157-02	30-14
74157-03	30-35
74158-02	115-7
74159-07	58-5
74159-08	58-6
74164-02	115-8
74165-02	12-37
74196-04	28-38
74219-02	58-16
74237-02	30-6
74244-02	22-30
77735-18	111-2
77735-18	111A-2
77736-10	111-24
77736-10	111A-5
80000-06	48-54
80000-07	48-55
80002-84	60-35
80004-16	70-1
80004-17	70-2
80004-19	106-17
80004-20	106-17
80004-38	88-10
80004-39	88-15
80004-51	106-46
80004-54	125-49
80004-55	125-10
80004-56	52-51
80004-59	106-44
80005-22	115-1
80005-23	115-1
80005-24	115-2
80005-28	121A-18

Part Number	Figure and Index No.
80005-29	121A-19
80006-04	69-14
80006-10	112-17
80006-13	104-43
80006-14	104-42
80006-25	69-15
80006-31	112-18
80006-51	52-38
80006-54	126-32
80006-55	126-31
80007-02	68-13
80007-03	68-12
80007-03	70-9
80007-04	68-11
80007-08	69-27
80007-10	68-14
80007-11	69-17
80007-12	69-10
80007-13	68-15
80007-14	69-29
80007-15	69-12
80007-17	70-3
80007-22	70-15
80007-24	70-16
80007-26	70-16
80007-29	69-11
80007-37	89-23
80007-42	79-96
80007-43	71-91
80007-48	68-10
80007-49	85-77
80007-51	70-6
80008-02	120-32
80011-11	119-18
80011-12	119-19
80012-17	94-31
80012-20	33-72
80012-94	99-39
80012-95	102-37
80012-95	102-41
80012-108	103-8
80012-108	103-12
80012-109	103-9
80012-110	103-10
80012-110	103-13
80012-112	81-45
80012-116	60-48
80013-44	32-33
80020-02	23-30
80022-74	95-8
80022-87	95-9
80022-113	96-18
80022-134	120-29
80024-22	88-16
80024-46	90-16
80024-52	67-5
80024-53	105-36
80024-54	105-37

Part Number	Figure and Index No.
80024-55	105-38
80024-56	105-39
80024-60	106-45
80024-61	119-38
80024-62	119-36
80024-63	118-15
80026-02	121-2
80026-04	85-41
80026-04	86-42
80027-10	122-19
80030-02	93-55
80033-07	19-45
80034-35	121A-7
80034-35	121A-14
80042-90	88-27
80043-04	88-17
80043-05	88-18
80044-10	59-9
80045-11	33-25
80051-06	112-63
80060-02	75-22
80122-07	58-11
80122-07	59-14
80122-07	79-113
80122-10	78-7
80122-25	120-24
80122-109	126-2
80122-111	28-5
80122-111	31-31
80122-129	40-21
80122-130	40-21
80122-131	40-21
80122-137	78-8
80122-151	33-97
80122-152	27-15
80247-02	93-103
80247-02	137-40
80298-02	33-65
80298-02	137-10
80332-02	93-93
80332-02	137-36
80363-02	26-6
80363-02	30-78
80363-02	137-63
80385-02	27-31
80385-02	137-5
80420-02	100-2
80424-02	34-9
80424-02	137-11
80526-03	65-65
80526-03	137-61
80596-02	112-31
80596-02	112A-27
80596-02	137-44
80614-02	65-54
80614-02	137-23
80687-02	136-9
80687-02	137-54

Part Number	Figure and Index No.
80755-02	65-52
80755-02	137-24
80832-02	131-39
80839-02	137-62
80839-03	137-62
80848-02	58-14
80848-02	137-21
80859-02	130-2
80893-02	56-14
80893-02	137-18
80895-02	33-106
80895-02	56-43
80895-02	137-25
80897-02	131-2
80897-02	137-50
80905-02	33-107
80905-02	56-13
80905-02	137-17
80908-02	131-34
80908-02	137-52
80929-02	65-28
80930-02	65-29
80932-02	131-3
80936-02	130-3
80945-02	80-26
80945-02	137-27
80947-02	129-12
80947-02	137-49
80949-02	65-64
80949-02	137-60
80962-02	84-2
80962-02	137-29
80964-02	84-5
80964-02	137-31
80979-02	84-5
80979-02	137-31
80981-02	2-70
80981-02	137-2
80983-02	88-72
80983-02	137-33
80984-02	2-69
80984-02	137-1
80987-02	84-4
80987-02	137-30
80988-02	84-4
80988-02	137-30
80992-02	31-29
80992-02	137-7
80997-02	131-19
80997-02	137-51
80999-02	31-26
80999-02	56-39
80999-02	137-55
81000-02	56-38
81000-02	137-20
81005-02	33-104
81005-02	56-40
81005-02	137-59

PIPER PARTS CATALOG

Part Number	Figure and Index No.
81006-02	33-105
81006-02	56-41
81006-02	137-58
81015-02	93-127
81015-02	137-41
81016-02	65-66
81018-02	59-16
81018-02	137-28
81019-02	126-43
81019-02	137-48
81020-02	56-33
81020-02	137-67
81022-02	56-32
81022-02	137-19
81023-02	56-44
81023-02	137-64
81025-02	56-45
81025-02	137-65
81026-02	84-4
81026-02	137-30
81027-02	56-46
81027-02	137-66
81030-02	84-4
81030-02	137-30
81034-02	23A-60
81034-02	137-74
81035-02	137-68
81043-02	137-73
81054-02	65-67
81054-02	137-75
81072-02	128-26
81072-02	137-76
81073-02	128-30
81075-02	130-16
81102-20	14-59
81102-35	103-30
81102-36	103-30
81102-37	103-30
81102-41	90-23
81221-02	115-3
81227-02	88-34
81238-02	11-41
81239-02	2-31
81262-107	30-7
81262-108	30-34
81262-110	31-13
81285-06	58-4
81298-02	125-12
81299-02	125-13
81300-02	125-14
81300-03	125-14
81339-02	37-76
81342-09	2-61
81342-09	37-57
81342-13	100-19
81342-19	111-38
81342-19	112A-68
81342-19	116-20

Part Number	Figure and Index No.
81342-19	117-16
81342-64	60-34
81342-68	94-10
81342-78	102-24
81342-89	102-28
81342-89	103-35
81342-90	102-28
81342-90	103-35
81342-91	102-28
81342-91	103-35
81342-92	102-29
81342-100	94-11
81342-101	65-44
81342-104	112A-59
81342-109	94-10
81342-109	94-45
81351-02	11-14
81355-02	52-36
81357-02	2-1
81377-02	15-49
81378-02	15-49
81404-02	11-34
81404-03	11-34
81425-02	52-16
81427-02	52-15
81428-02	52-13
81431-02	52-14
81436-02	52-6
81447-02	52-23
81453-02	15-33
81453-03	15-33
81455-02	116-6
81455-03	116-6
81456-02	17-12
81458-02	17-8
81459-02	116-7
81459-03	116-7
81460-02	5-27
81460-03	5-27
81461-02	16-3
81461-02	17-1
81464-03	23-11
81465-02	10-1
81467-02	111A-27
81467-04	111-13
81473-02	111-14
81473-02	111A-28
81473-03	111A-28
81478-02	15-29
81479-02	15-28
81480-02	11-1
81482-02	11-20
81482-03	11-20
81483-02	15-30
81483-03	15-31
81485-02	131-3
81488-02	15-17
81488-03	15-18

Part Number	Figure and Index No.
81489-02	14-2
81489-02	15-1
81492-02	15-22
81492-03	15-23
81494-02	16-2
81494-02	18-1
81495-02	15-24
81497-02	15-25
81499-03	15-10
81502-02	15-68
81503-02	16-1
81504-02	70-4
81505-04	11-43
81505-06	11-43
81506-02	15-14
81506-03	15-14
81509-02	14-1
81514-02	19-1
81515-02	19-24
81516-03	19-67
81516-04	19-67
81517-03	19-65
81517-04	19-65
81517-05	19-66
81517-06	19-66
81518-02	15-15
81518-03	15-15
81518-06	15-16
81522-02	15-19
81522-03	15-21
81522-07	15-19
81525-02	15-86
81525-03	15-86
81526-03	14-19
81527-02	17-2
81527-03	17-3
81528-02	19-11
81530-02	12-1
81532-02	12-54
81532-02	14-25
81532-02	16-33
81535-04	21-10
81537-02	17-6
81537-03	17-6
81539-02	11-39
81540-02	14-30
81540-03	14-30
81541-02	15-27
81543-03	19-5
81543-08	19-3
81544-07	21-12
81544-09	21-11
81545-02	130-1
81547-02	48-13
81554-02	23-17
81554-03	23-18
81555-03	12-30
81556-02	23-19

Part Number	Figure and Index No.
81556-03	23-20
81557-02	114-19
81559-02	112-33
81559-04	112A-32
81559-10	112A-29
81559-14	112-33a
81559-20	112A-28
81559-27	112A-30
81559-29	112A-33
81560-02	112-14
81560-02	112A-14
81563-02	21-15
81564-02	65-50
81569-02	125-28
81569-03	125-32
81570-02	125-27
81575-02	14-58
81578-02	112-37
81587-02	114-18
81590-02	131-1
81592-02	112-29
81593-02	112-28
81595-02	14-40
81596-02	14-39
81597-02	106-18
81601-02	122-5
81604-02	52-25
81604-03	52-25
81605-02	12-44
81606-02	12-44
81607-02	22-2
81607-03	22-2
81608-02	18-9
81608-03	18-9
81608-06	18-10
81609-02	12-24
81609-03	12-24
81619-02	58-17
81624-02	14-32
81624-03	14-33
81626-02	24-7
81627-02	112-24
81628-02	112-25
81629-02	112-26
81630-02	112-27
81631-02	24-9
81635-07	15-28
81636-02	59-13
81637-02	121-15
81640-02	121-14
81640-03	121-14
81643-02	121-13
81643-03	121-13
81644-02	21-5
81644-03	21-5
81645-02	21-3
81645-03	21-3
81646-02	15-29

PIPER PARTS CATALOG

Part Number	Figure and Index No.
81648-02	11-37
81649-02	11-17
81649-03	11-17
81649-06	11-36
81652-02	11-42
81652-04	11-15
81653-02	11-44
81655-02	86-56
81656-02	86-57
81657-02	86-66
81658-02	86-68
81659-02	11-21
81665-02	14-50
81665-03	14-50
81666-02	14-3
81666-03	14-3
81667-02	14-4
81667-03	14-4
81671-02	21-2
81671-03	21-2
81672-02	21-4
81672-03	21-4
81673-02	12-2
81678-02	11-22
81688-02	65-20
81697-02	131-33
81698-02	56-15
81699-02	127-41
81703-02	122-2
81705-02	122-3
81706-02	122-22
81708-02	125-11
81709-02	122-9
81716-06	56-8
81716-07	56-8
81718-02	48-11
81719-02	48-10
81720-03	14-80
81720-04	14-80
81720-05	14-79
81720-06	14-79
81722-02	14-55
81725-04	11-12
81726-02	119-12
81727-02	119-17
81728-02	119-37
81729-02	119-35
81730-02	119-16
81737-02	118-12
81738-02	118-11
81746-02	116-12
81747-02	116-1
81753-02	15-48
81756-02	15-82
81756-03	15-82
81757-02	88-6
81758-02	88-5
81758-03	88-5

Part Number	Figure and Index No.
81761-61	27-19
81761-65	60-43
81764-02	115-14
81764-03	115-14
81766-02	14-45
81767-02	14-67
81781-02	52-4
81783-02	52-5
81784-02	106-20
81785-02	106-15
81790-30	77-14
81790-31	77-14
81790-32	77-14
81790-33	77-14
81795-02	84-13
81796-02	2-62
81796-03	2-62
81799-06	2-2
81799-07	2-2
81799-08	2-2
81799-09	2-2
81807-02	84-15
81813-02	71-104
81836-02	72-31
81838-02	79-9
81838-03	79-9
81838-04	79-6
81838-05	79-6
81838-06	79-4
81838-07	79-4
81860-02	79-1
81860-03	79-1
81865-06	8-51
81880-06	79-2
81880-07	79-2
81880-08	79-3
81880-09	79-3
81882-02	8-23
81882-03	8-23
81882-04	8-26
81882-05	8-26
81888-03	13-20
81896-02	13-23
81899-05	72-27
81901-02	79-19
81901-03	79-19
81901-04	79-17
81901-05	79-17
81901-08	79-18
81901-09	79-18
81902-06	72-26
81907-02	72-30
81907-07	72-30
81914-12	72-29
81914-15	72-29
81917-02	79-20
81917-03	79-20
81917-04	79-21

Part Number	Figure and Index No.
81917-05	79-21
81923-02	79-67
81923-03	79-67
81923-06	79-69
81923-07	79-69
81924-02	75-21
81925-03	79-22
81925-04	79-22
81925-05	79-23
81925-06	79-23
81927-02	79-84
81927-03	79-84
81927-04	79-85
81927-05	79-85
81930-03	75-18
81933-02	79-103
81933-04	79-105
81936-06	79-36
81936-07	79-36
81936-08	79-114
81937-06	79-37
81937-07	79-37
81938-02	79-104
81944-02	72-32
81945-02	75-14
81945-03	75-14
81947-02	52-19
81954-10	77-30
81954-13	77-31
81954-22	77-29
81954-23	77-33
81954-33	77-33
81954-40	77-29
81954-41	77-29
81956-02	78-3
81963-02	102-82
81965-02	84-14
81967-36	77-37
81967-37	77-37
81975-02	79-82
81975-03	79-82
81981-02	20-2
81982-02	40-49
81984-02	79-112
81984-03	79-112
81994-04	79-106
81994-05	79-106
81994-06	79-107
81994-07	79-107
81994-08	79-108
81994-09	79-109
81994-11	79-108
81994-13	79-109
82000-02	71-3
82000-02	82-1
82000-02	134-1
82004-04	32-23
82008-02	52-48

Part Number	Figure and Index No.
82009-02	52-47
82021-02	61-2
82021-02	62-2
82021-09	63-2
82026-02	122-26
82029-08	62-14
82029-14	62-3
82032-02	86-13
82035-02	61-3
82035-03	61-4
82035-03	63-24
82036-02	61-8
82042-02	130-9
82043-02	54-3
82043-02	61-1
82053-02	58-19
82053-03	58-22
82053-04	58-20
82053-05	58-21
82055-02	62-10
82055-03	62-10
82058-04	54-4
82058-04	62-1
82064-02	63-5
82065-02	63-14
82066-02	63-16
82069-02	71-66
82070-02	63-4
82070-03	63-4
82072-02	54-5
82072-02	63-1
82072-03	54-5
82072-03	63-1
82073-02	52-52
82078-03	71-64
82080-02	19-8
82082-02	71-65
82086-02	19-27
82086-03	19-29
82089-02	16-12
82090-02	63-3
82099-02	11-33
82133-04	58-7
82146-02	54-2
82146-02	60-1
82146-03	54-2
82146-03	60-1
82150-02	60-4
82150-03	60-4
82150-14	60-5
82153-02	60-2
82153-03	60-2
82157-02	11-11
82157-03	11-11
82160-02	100-5
82163-02	100-18
82169-02	100-16
82170-02	71-104

PIPER PARTS CATALOG

Part Number	Figure and Index No.
82175-02	100-14
82178-02	122-1
82189-02	100-17
82190-02	100-1
82190-03	100-1
82193-02	15-65
82193-03	15-65
82352-103	30-43
82371-23	88-24
82371-23	122-25
82371-23	125-53
82371-47	70-13
82371-93	122-23
82371-93	125-52
82371-114	125-25
82371-124	125-21
82371-139	27-32
82371-144	81-49
82371-149	125-51
82371-163	90-8
82371-167	122-17
82732-34	125-46
83161-36	70-7
83161-42	88-25
83302-32	44-36
83302-47	80-16
83302-49	94-7
83302-54	44-35
83302-61	60-27
83302-61	62-8
83302-61	72-13
83302-67	34-23
83302-69	30-54
83302-71	30-56
83302-80	72-22
83302-83	33-67
83302-84	126-53
83302-87	84-8
83303-02	31-21
83303-02	129-3
85012-79	112-62
85012-105	40-83
85012-120	94-53
85052-48	121A-17
85512-51	123-65
86092-92	117-5
86102-104	2-54
86102-105	2-54
86102-106	2-54
86102-113	100-17
86142-49	116-33
99361-00	60-3
149 158	3-19

Part Number	Figure and Index No.
149 158	4-38
149 158	5-24
149 392	29-8
149 562	12-38
149 562	14-17
149 562	16-18
149 562	19-63
179 895	Misc.
180 409	24-22
181 337	113-44
187 527	31-23
187 527	34-5
187 528	25-14
187 528	33-13
187 531	26-10
187 537	133-25
187 542	28-16
187 555	89-31
187 610	79-91
189 379	20-23
189 625	69-28
189 625	101-17
189 729	33-89
189 743	2-25
189 743	77-45
189 743	78-20
189 745	33-26
189 771	77-28c
189 771	78-6
189 777	118-28
289 512	122-16
400 002	44-44
400 002	78-21
400 002	78-22
400 002	83-13
400 002	85-60
400 002	86-55
400 002	91-14
400 002	92-14
400 003	40-76
400 003	60-61
400 003	89-28
400 003	103-29
400 003	119-47
400 004	47-15
400 004	120-25
400 008	35-39
400 008	40-63
400 008	72-52
400 008	95-29
400 008	95-60
400 009	47-18
400 009	95-27
400 009	97-27
400 009	99-33
400 011	47-14
400 012	2-45
400 012	40-47

Part Number	Figure and Index No.
400 012	47-16
400 012	61-7
400 012	63-22
400 012	97-42
400 015	44-6
400 015	102-75
400 016	95-30
400 018	103-25
400 019	106-38
400 051	83-15
400 052	99-47
400 053	99-30
400 053	99-48
400 057	52-42
400 057	72-39
400 059	85-28
400 059	86-19
400 082	100-30
400 103	112A-59
400 105	44-51
400 105	44-86
400 106	44-9
400 107	44-65
400 108	44-52
400 108	44-56
400 110	44-53
400 110	101-19
400 116	49-15
400 116	103-19
400 124	44-57
400 168	99-28
400 188	40-70
400 209	40-67
400 210	40-67
400 263	41-46
400 363	44-49
400 438	30-71
400 438	30-72
400 438	34-26
400 438	37-60
400 438	37-61
400 438	39-80
400 438	40-13
400 438	44-76
400 438	47-28
400 438	75-16
400 438	78-24
400 438	83-14
400 438	93-107
400 438	101-15
400 438	102-97
400 438	116-29
400 438	119-32
400 438	124-55
400 438	134-24
400 440	2-48
400 440	2-51
400 440	2-61

Part Number	Figure and Index No.
400 440	33-92
400 440	37-57
400 440	59-14
400 440	71-76
400 440	79-113
400 440	81-48
400 440	100-29
400 440	100-32
400 441	2-43
400 441	26-39
400 441	35-32
400 441	44-7
400 441	44-50
400 441	58-11
400 441	98-25
400 441	116-27
400 443	30-10
400 443	81-12
400 444	37-58
400 444	40-64
400 444	52-43
400 444	96-27
400 444	102-30
400 446	24-10
400 446	24-25
400 446	72-38
400 446	85-67
400 446	101-24
400 446	102-96
400 446	103-26
400 448	2-63
400 449	35-21
400 450	2-68
400 450	96-15
400 450	98-8
400 450	100-31
400 451	2-63
400 451	2-67
400 451	85-66
400 451	86-25
400 451	103-23
400 451	103-27
400 453	33-77
400 455	86-26
400 459	126-28
400 460	2-59
400 672	85-72
400 673	33-81
400 673	95-36
400 673	103-41
400 675	28-37
400 698	101-18
400 699	32-24
400 700	95-35
400 706	35-47
400 708	47-19
400 867	60-33
400 868	96-10

PIPER PARTS CATALOG

Part Number	Figure and Index No.
400 869	33-33
400 882	31-17
400 882	62-11
400 889	39-44
400 903	28-40
400 907	60-47
400 914	28-7
400 915	61-9
400 915	63-12
400 917	61-16
400 917	62-18
400 919	60-50
400 920	62-12
400 920	63-28
400 924	61-19
400 924	63-27
400 926	62-17
400 935	26-11
401 186	2-50
401 187	35-41
401 188	35-42
401 189	35-43
401 189	95-44
401 191	102-73
401 193	42-4
401 193	44-10
401 193	52-44
401 193	97-36
401 194	102-77
401 195	40-81
401 263	44-8
401 263	75-19
401 263	102-76
401 264	102-31
401 265	45-53
401 266	2-47
401 266	7-5
401 266	10-20
401 266	35-31
401 266	40-18
401 266	43-8
401 266	47-43
401 266	71-55
401 266	71-76
401 266	78-26
401 266	89-26
401 266	98-21
401 266	102-58
401 266	112-62
401 266	119-46
401 269	30-12
401 269	35-33
401 269	81-32
401 269	81-34
401 269	96-19
401 269	96-33
401 269	98-10
401 269	100-11

Part Number	Figure and Index No.
401 269	100-39
401 269	116-28
401 270	37-62
401 270	40-62
401 270	98-2
401 273	37-58
401 273	44-85
401 273	98-5
401 273	135-14
401 278	88-74
401 282	100-40
401 302	88-55
401 306	134-14
401 307	71-63
401 307	78-25
401 307	88-64
401 307	117-21
401 307	120-26
401 307	126-29
401 307	135-13
401 310	40-73
401 310	40-77
401 310	81-15
401 310	95-45
401 310	95-57
401 310	97-33
401 310	97-43
401 310	99-26
401 310	103-42
401 310	126-30
401 311	2-52
401 311	30-32
401 311	35-34
401 311	40-66
401 311	44-45
401 312	2-57
401 312	30-33
401 312	47-13
401 312	52-45
401 312	102-71
401 315	44-26b
401 318	40-51
401 318	85-61
401 318	86-65
401 318	99-31
401 318	102-84
401 333	46-19
401 334	97-37
401 335	99-32
401 353	2-46
401 353	35-44
401 353	35-45
401 353	35-53
401 353	35-54
401 354	35-46
401 359	45-50
401 362	120-24
401 363	46-6

Part Number	Figure and Index No.
401 365	2-49
401 366	95-34
401 375	46-19
401 388	41-43
401 388	45-52
401 400	42-16
401 404	40-82
401 406	120-22
401 410	41-17
401 414	71-95
401 417	71-61
401 420	41-18
401 455	44-46
401 505	2-41
401 509	2-42
401 509	116-32
401 530	71-56
401 580	2-44
401 918	85-68
401 918	86-62
402 030	15-58
402 031	44-54
402 070	31-35
402 256	39-70
402 257	96-29
402 260	39-73
402 260	98-19
402 260	100-35
402 261	100-37
402 262	98-20
402 302	39-82
402 303	95-33
402 303	100-37a
402 306	100-36
402 309	121-21
402 309	121-22
402 310	35-35
402 310	35-36
402 310	35-37
402 311	99-29
402 312	45-43
402 313	35-38
402 317	95-62
402 317	99-27
402 318	35-40
402 321	35-18
402 338	47-44
402 344	45-44
402 360	45-14c
402 370	41-45
402 377	41-44
402 422	44-60
402 425	44-55
402 437	44-48
402 726	30-31
402 735	98-24
402 741	30-21
402 785	40-61

Part Number	Figure and Index No.
402 805	40-71
402 807	40-72
402 807	40-80
402 811	40-79
402 867	102-17
402 868	102-16
403 052	88-73
403 098	71-57
403 098	92-15
404 100	48-26
404 100	52-42
404 100	72-39
404 100	98-20
404 100	98-24
404 100	99-30
404 100	99-47
404 100	99-48
404 100	100-30
404 100	103-41
404 101	35-35
404 101	35-36
404 101	35-37
404 101	35-38
404 101	44-9
404 101	44-51
404 101	44-52
404 101	44-53
404 101	44-56
404 101	44-57
404 101	44-65
404 101	44-86
404 101	45-43
404 101	49-15
404 101	101-19
404 101	102-70
404 101	103-19
404 102	40-70
404 102	45-44
404 103	40-65
404 103	40-67
404 103	41-44
404 103	41-45
404 104	41-46
404 104	44-48
404 104	44-55
404 104	44-60
404 105	120-20
404 106	40-71
404 106	40-72
404 106	40-80
404 106	44-49
404 107	40-79
404 120	33-81
404 120	85-72
404 224	30-48
404 224	33-58
404 224	33-94
404 224	48-42

PIPER PARTS CATALOG

Part Number	Figure and Index No.
404 224	51-29
404 224	81-36
404 224	81-50
404 224	85-26
404 224	85-71
404 224	86-20
404 224	94-8
404 224	94-42
404 224	94-46
404 224	98-17
404 225	44-5
404 225	52-21
404 225	81-24
404 225	81-33
404 225	83-16
404 225	126-30
404 225	126-35
404 226	47-12
404 226	99-15
404 228	81-10
404 321	33-93
404 321	120-35
404 322	95-14
404 322	96-24
404 322	100-22b
404 322	100-23b
404 322	103-20
404 325	81-46
404 330	33-61
404 330	33-82
404 330	72-21
404 330	72-35
404 330	72-44
404 330	82-41
404 392	95-36
404 392	111-38
404 392	112A-68
404 392	116-8
404 392	117-16
404 393	35-47
404 393	47-19
404 393	95-33
404 393	95-35
404 393	101-18
404 528	53-15
404 528	107-13
404 528	107-26
404 530	33-86
404 596	29-9
404 596	131-40
404 678	36-19a
404 825	85-60
404 825	86-55
404 829	102-60
404 829	103-28
404 829	132-7
404 831	80-18
404 833	23A-14

Part Number	Figure and Index No.
404 833	23A-27
404 833	23A-40
404 833	77-36
404 833	116-30
404 835	2-63
404 835	2-67
404 835	2-68
404 835	24-25
404 835	30-74
404 835	33-33
404 835	34-26
404 835	37-59
404 835	37-75
404 835	39-78
404 835	50-17
404 835	50-30
404 835	63-21
404 835	81-45
404 835	85-27
404 835	86-21
404 835	96-19
404 835	98-5
404 835	98-8
404 835	98-10
404 835	100-31
404 835	102-17
404 835	102-30
404 835	102-96
404 835	103-23
404 835	103-24
404 835	103-26
404 835	103-47
404 836	23A-39
404 836	26-11
404 836	33-85
404 836	61-7
404 836	61-9
404 836	61-19
404 836	63-12
404 836	63-22
404 836	63-27
404 836	85-61
404 836	86-65
404 836	95-45
404 836	95-57
404 836	97-27
404 836	97-37
404 836	97-42
404 836	97-43
404 836	99-26
404 836	99-31
404 836	99-32
404 836	99-33
404 836	103-25
404 837	95-44
404 838	44-46
404 838	45-14c
404 887	2-43

Part Number	Figure and Index No.
404 887	2-47
404 887	2-48
404 887	2-51
404 887	2-59
404 887	7-110
404 887	10-20
404 887	15-58
404 887	26-39
404 887	30-72
404 887	33-77
404 887	33-84
404 887	33-87
404 887	33-92
404 887	35-21
404 887	37-61
404 887	37-62
404 887	38-33
404 887	38-36
404 887	39-44
404 887	40-62
404 887	40-64
404 887	44-7
404 887	44-50
404 887	44-54
404 887	44-85
404 887	47-28
404 887	47-43
404 887	48-43
404 887	48-45
404 887	51-31
404 887	52-43
404 887	60-33
404 887	71-55
404 887	71-76
404 887	72-38
404 887	78-23
404 887	78-24
404 887	78-26
404 887	78-27
404 887	78-28
404 887	81-12
404 887	81-32
404 887	81-34
404 887	81-39
404 887	81-48
404 887	83-14
404 887	83-22
404 887	85-66
404 887	85-67
404 887	86-25
404 887	86-26
404 887	89-26
404 887	93-107
404 887	96-10
404 887	96-15
404 887	96-27
404 887	96-33
404 887	98-21

Part Number	Figure and Index No.
404 887	98-25
404 887	100-11
404 887	100-21
404 887	100-29
404 887	100-39
404 887	100-40
404 887	101-15
404 887	101-22
404 887	101-24
404 887	102-99
404 887	111-40
404 887	112-62
404 887	116-27
404 887	116-28
404 887	135-14
404 888	2-45
404 888	2-52
404 888	2-57
404 888	35-18
404 888	35-34
404 888	35-39
404 888	35-40
404 888	40-47
404 888	40-51
404 888	40-63
404 888	40-66
404 888	40-73
404 888	44-6
404 888	44-26b
404 888	44-44
404 888	44-45
404 888	44-58
404 888	47-13
404 888	47-14
404 888	47-15
404 888	47-16
404 888	47-18
404 888	52-45
404 888	71-63
404 888	72-50
404 888	72-52
404 888	78-21
404 888	78-22
404 888	78-25
404 888	81-15
404 888	83-13
404 888	89-28
404 888	95-27
404 888	95-29
404 888	95-30
404 888	95-60
404 888	95-62
404 888	97-33
404 888	99-27
404 888	99-29
404 888	100-20
404 888	102-71
404 888	102-75

PIPER PARTS CATALOG

Part Number	Figure and Index No.
404 888	102-84
404 888	102-100
404 888	103-42
404 888	106-38
404 888	126-29
404 889	2-46
404 889	2-49
404 889	2-50
404 889	35-41
404 889	40-68
404 889	40-81
404 889	43-9
404 889	44-10
404 889	45-50
404 889	46-19
404 889	47-44
404 889	52-44
404 889	97-36
404 889	99-28
404 889	102-77
404 890	40-61
404 890	40-82
404 890	41-17
404 890	41-18
404 890	71-61
404 890	71-95
404 890	120-22
404 891	2-41
404 891	2-42
404 891	116-32
404 902	112A-34
404 908	98-13
404 908	98-36
404 909	24-18
404 909	34-19
404 909	34-29
404 909	79-102
404 909	84-11
404 909	95-52
404 909	97-41
404 909	101-23
404 909	102-52
404 909	102-79
404 909	131-43
404 910	24-15
404 910	26-25
404 910	26-26
404 910	26-32
404 910	26-52
404 910	27-8
404 910	30-49
404 910	33-88
404 910	40-75
404 910	45-51
404 910	51-30
404 910	72-41
404 910	81-14
404 910	81-29

Part Number	Figure and Index No.
404 910	81-43
404 910	81-44
404 910	83-18
404 910	89-34
404 910	93-64
404 910	93-73
404 910	93-82
404 910	95-19
404 910	96-11
404 910	99-41
404 910	99-43
404 910	100-34
404 910	102-93
404 910	117-20
404 913	2-44
404 974	71-57
404 975	46-6
404 995	120-24
405 581	95-11
406 355	37-63
406 355	38-38
406 362	35-49
406 362	89-29
406 376	121A-24
406 385	33-91
406 636	102-16
406 638	71-62
406 638	94-9
406 702	28-37
406 727	35-32
406 727	35-33
406 728	35-42
406 728	35-43
406 728	35-44
406 728	35-45
406 728	35-46
406 728	35-53
406 728	35-54
406 789	14-5a
406 789	14-5c
406 789	15-30a
406 789	15-31a
406 789	16-4a
406 789	16-5a
406 789	16-6a
406 789	16-15a
406 789	16-16a
406 789	16-17a
406 812	16-7a
406 812	16-8a
406 812	16-9a
406 812	16-10a
406 812	16-11a
406 816	15-28a
406 816	15-29a
406 816	16-12a
406 820	135-5
406 824	77-28a

Part Number	Figure and Index No.
406 824	77-28b
406 826	35-6
406 826	135-3
406 829	14-3a
406 829	14-4a
406 870	30-63
407 042	47-20
407 042	71-59
407 042	71-60
407 042	71-80
407 042	89-30
407 042	102-55
407 042	113-18
407 043	94-43
407 043	126-30
407 044	117-21
407 044	120-19
407 044	120-25
407 044	120-26
407 044	126-35
407 044	134-14
407 044	135-13
407 045	120-21
407 046	119-29
407 096	128-5
407 104	100-17
407 120	26-13
407 120	85-14
407 120	85-6
407 120	86-6
407 132	131-40
407 134	28-31
407 134	28-32
407 134	51-27
407 135	28-3
407 136	88-64
407 136	91-14
407 136	92-14
407 136	92-15
407 139	81-10
407 139	105-34
407 139	105-40
407 143	33-82
407 151	51-28
407 561	27-30
407 561	62-13
407 562	34-24
407 562	60-31
407 562	60-32
407 562	60-34
407 562	80-18
407 562	80-23
407 562	95-52
407 562	102-52
407 562	102-79
407 562	103-28
407 562	112A-34
407 562	132-7

Part Number	Figure and Index No.
407 563	26-25
407 563	30-49
407 563	40-75
407 563	45-51
407 563	48-53
407 563	72-41
407 563	77-36
407 563	83-18
407 563	88-75
407 563	89-34
407 563	93-64
407 563	93-73
407 563	93-82
407 563	95-19
407 563	96-11
407 563	99-43
407 563	116-30
407 564	2-47
407 564	2-48
407 564	2-51
407 564	2-59
407 564	7-5
407 564	7-110
407 564	10-20
407 564	15-58
407 564	24-10
407 564	24-25
407 564	26-19
407 564	26-31
407 564	30-72
407 564	33-79
407 564	34-26
407 564	34-27
407 564	35-21
407 564	37-61
407 564	37-62
407 564	39-70
407 564	39-73
407 564	40-18
407 564	40-62
407 564	40-64
407 564	44-50
407 564	44-54
407 564	44-85
407 564	45-53
407 564	47-28
407 564	47-43
407 564	48-51
407 564	50-16
407 564	50-29
407 564	51-9
407 564	52-42
407 564	52-43
407 564	60-33
407 564	71-55
407 564	71-76
407 564	72-39
407 564	78-23

PIPER PARTS CATALOG

Part Number	Figure and Index No.
407 564	78-24
407 564	78-26
407 564	78-27
407 564	78-28
407 564	80-24
407 564	81-12
407 564	81-23
407 564	81-27
407 564	81-32
407 564	81-34
407 564	81-48
407 564	83-14
407 564	85-27
407 564	85-66
407 564	86-21
407 564	86-25
407 564	88-73
407 564	88-74
407 564	89-26
407 564	93-107
407 564	94-42
407 564	96-19
407 564	96-27
407 564	96-29
407 564	98-2
407 564	98-8
407 564	98-10
407 564	98-19
407 564	98-20
407 564	98-21
407 564	98-24
407 564	99-47
407 564	100-31
407 564	100-35
407 564	100-37
407 564	100-39
407 564	100-40
407 564	102-16
407 564	102-17
407 564	102-30
407 564	103-24
407 564	103-26
407 564	103-40
407 564	111A-16
407 564	116-27
407 564	116-28
407 564	119-34
407 564	126-28
407 564	135-14
407 565	2-45
407 565	2-57
407 565	26-37
407 565	26-50
407 565	26-55
407 565	28-7
407 565	28-40
407 565	35-18
407 565	35-34

Part Number	Figure and Index No.
407 565	35-35
407 565	35-36
407 565	35-37
407 565	35-38
407 565	35-39
407 565	35-40
407 565	40-47
407 565	40-51
407 565	40-63
407 565	40-66
407 565	40-73
407 565	40-74
407 565	40-76
407 565	40-77
407 565	44-6
407 565	44-26b
407 565	44-44
407 565	44-45
407 565	44-51
407 565	44-52
407 565	44-53
407 565	44-58
407 565	44-65
407 565	44-86
407 565	45-43
407 565	46-19
407 565	47-13
407 565	49-15
407 565	52-45
407 565	60-50
407 565	60-61
407 565	61-7
407 565	61-16
407 565	61-19
407 565	62-17
407 565	62-18
407 565	63-22
407 565	63-27
407 565	63-28
407 565	71-70
407 565	72-50
407 565	72-52
407 565	78-22
407 565	82-14
407 565	83-13
407 565	85-60
407 565	85 61
407 565	86-55
407 565	86-65
407 565	88-55
407 565	89-28
407 565	91-15
407 565	92-16
407 565	93-13
407 565	93-50
407 565	94-43
407 565	95-27
407 565	95-29

Part Number	Figure and Index No.
407 565	95-33
407 565	95-45
407 565	95-57
407 565	95-60
407 565	97-27
407 565	97-29
407 565	97-37
407 565	97-42
407 565	97-43
407 565	99-26
407 565	99-31
407 565	99-32
407 565	99-33
407 565	100-36
407 565	100-37a
407 565	101-19
407 565	102-70
407 565	102-71
407 565	102-75
407 565	102-84
407 565	103-19
407 565	103-25
407 565	103-42
407 565	106-38
407 565	121-21
407 565	121-22
407 565	135-13
407 566	2-46
407 566	2-50
407 566	28-3
407 566	28-31
407 566	35-41
407 566	35-43
407 566	35-44
407 566	35-46
407 566	35-53
407 566	40-68
407 566	40-69
407 566	40-70
407 566	43-16
407 566	44-10
407 566	45-44
407 566	45-50
407 566	46-6
407 566	46-19
407 566	47-12
407 566	47-44
407 566	51-19
407 566	52-44
407 566	89-34
407 566	94-44
407 566	94-52
407 566	95-34
407 566	95-44
407 566	97-36
407 566	99-28
407 566	102-77
407 566	120-24

Part Number	Figure and Index No.
407 567	40-61
407 567	40-65
407 567	40-67
407 567	40-82
407 567	41-17
407 567	41-44
407 567	41-45
407 567	42-16
407 567	45-14c
407 567	50-8
407 567	71-35
407 567	71-61
407 567	71-95
407 567	72-51
407 567	102-70
407 567	102-72
407 567	106-31
407 567	106-43
407 567	119-29
407 568	2-41
407 568	2-42
407 568	41-42
407 568	44-48
407 568	44-55
407 568	44-60
407 568	48-52
407 568	48-58
407 568	49-18
407 568	52-28
407 568	52-30
407 568	52-32
407 568	52-33
407 568	52-53
407 568	67-20
407 568	67-23
407 568	67-25
407 568	68-26
407 568	68-27
407 568	69-9
407 568	70-10
407 568	102-18
407 568	104-67
407 568	105-25
407 568	105-26
407 568	105-33
407 568	106-39
407 568	106-41
407 568	116-32
407 569	26-27
407 569	27-13
407 569	106-23
407 569	106-30
407 569	120-20
407 570	2-44
407 570	40-71
407 570	40-72
407 570	40-80
407 570	44-49

PIPER PARTS CATALOG

Part Number	Figure and Index No.
407 570	68-23
407 570	71-42
407 570	71-86
407 570	125-42
407 570	125-45
407 571	40-79
407 572	47-25
407 573	85-37
407 573	86-61
407 573	88-41
407 573	106-42
407 573	119-26
407 573	122-29
407 573	125-48
407 575	47-42
407 576	76-12
407 576	119-24
407 579	80-27
407 582	23A-15
407 582	23A-28
407 582	27-7
407 583	23A-14
407 583	23A-27
407 583	23A-40
407 583	33-88
407 583	81-14
407 583	81-44
407 584	2-51
407 584	2-63
407 584	2-68
407 584	26-19
407 584	26-39
407 584	26-55
407 584	26-56
407 584	28-37
407 584	30-66
407 584	30-67
407 584	31-14
407 584	31-15
407 584	31-18
407 584	33-70
407 584	33-77
407 584	33-80
407 584	33-92
407 584	34-8
407 584	35-31
407 584	38-33
407 584	38-36
407 584	39-44
407 584	39-73
407 584	44-8
407 584	48-26
407 584	49-17
407 584	51-2
407 584	51-13
407 584	62-11
407 584	72-38
407 584	80-9

Part Number	Figure and Index No.
407 584	81-14
407 584	83-22
407 584	85-28
407 584	85-67
407 584	86-19
407 584	86-26
407 584	98-2
407 584	98-5
407 584	100-21
407 584	100-30
407 584	100-35
407 584	100-37
407 584	101-15
407 584	102-31
407 584	102-58
407 584	103-21
407 584	103-22
407 584	103-23
407 584	103-41
407 584	116-29
407 584	117-18
407 584	117-19
407 584	120-27
407 585	2-45
407 585	23A-39
407 585	26-11
407 585	26-37
407 585	26-50
407 585	30-49
407 585	39-82
407 585	44-9
407 585	44-53
407 585	44-56
407 585	45-43
407 585	61-7
407 585	62-12
407 585	62-17
407 585	63-22
407 585	72-36
407 585	72-37
407 585	78-21
407 585	78-25
407 585	84-16
407 585	94-43
407 585	95-35
407 585	97-34
407 585	100-20
407 585	100-36
407 585	101-18
407 585	102-71
407 585	102-100
407 585	117-21
407 586	35-53
407 586	35-54
407 586	43-9
407 586	45-54
407 587	40-61
407 587	72-38

Part Number	Figure and Index No.
407 587	120-22
407 591	2-41
407 591	41-42
407 591	41-46
407 591	44-60
407 591	90-24
407 593	70-18
407 595	103-49
407 597	2-44
407 598	70-18
407 601	44-47
407 610	80-8
407 674	33-33
407 675	71-57
407 682	31-17
407 800	31-18
407 800	96-32
407 800	102-97
407 800	119-33
408 805	23A-11
408 805	23A-24
408 815	51-24
408 816	94-41
408 825	102-73
408 833	94-41
408 837	2-56
410 032	58-28
410 042	103-24
410 055	31-16
410 071	102-75
410 071	102-100
410 074	102-100
410 076	28-8
410 076	31-30
410 241	23A-14
410 241	23A-27
410 241	23A-40
410 242	33-88
410 244	23A-59
410 251	93-64
410 251	93-73
410 251	93-82
410 253	96-11
410 319	39-78
410 320	37-75
411 207	37-59
411 211	38-33
411 214	38-36
411 349	47-41
411 513	77-32
411 528	28-31
411 528	28-32
411 529	63-21
411 530	48-48
411 530	78-28
411 530	81-39
411 531	32-25
411 531	51-9

Part Number	Figure and Index No.
411 531	78-27
411 531	119-48
411 532	33-84
411 532	48-46
411 532	51-26
411 532	78-23
411 532	94-43
411 532	111-37
411 532	111-40
411 533	33-90
411 534	101-16
411 536	34-25
411 537	34-33
411 537	81-45
411 538	7-110
411 539	48-50
414 427	24-16
414 427	24-17
414 507	80-18
414 508	89-29
414 508	89-35
414 551	32-12
414 705	94-9
414 722	51-33
414 740	77-28a
414 740	77-28b
414 747	103-36
414 748	35-48
414 748	35-49
414 748	35-50
414 748	37-63
414 748	38-38
414 748	39-81
414 750	26-12
414 756	34-21
414 761	89-15
414 761	113-41
414 763	2-29
414 763	32-29
414 763	45-55
414 763	51-32
414 763	85-74
414 763	89-34
414 763	93-55
414 763	93-106
414 779	33-37
414 779	75-17
414 779	89-16
414 779	94-40
414 779	132-13
415 146	132-7
415 149	93-105
415 158	102-79
415 161	103-28
415 245	29-12
415 246	33-34
415 261	24-11
415 267	24-12

PIPER PARTS CATALOG

Part Number	Figure and Index No.
415 269	24-14
415 283	30-74
415 284	56-42
415 295	72-41
415 379	71-58
415 381	24-15
415 498	84-11
415 498	89-30
415 499	85-14
415 500	64-4
415 509	71-62
415 509	72-40
415 517	77-44
415 518	34-14
415 518	34-19
415 518	39-71
415 518	79-102
415 518	83-17
415 518	95-52
415 520	34-29
415 520	35-51
415 521	97-41
415 521	102-60
415 521	111-39
415 522	47-17
415 522	112A-34
415 528	102-52
415 532	88-75
415 533	25-18
415 533	26-26
415 533	51-34
415 533	101-14
415 533	113-18
415 533	117-20
415 533	131-44
415 535	25-17
415 535	26-13
415 535	26-25
415 535	26-32
415 535	27-8
415 535	33-8
415 535	33-30
415 535	33-99
415 535	40-75
415 535	47-20
415 535	48-18
415 535	51-35
415 535	80-8
415 535	81-14
415 535	81-29
415 535	81-43
415 535	81-44
415 535	102-55
415 535	111-41
415 535	135-12
415 536	83-18
415 537	24-13
415 537	93-108

Part Number	Figure and Index No.
415 538	26-52
415 539	102-54
415 540	45-51
415 541	100-34
415 542	71-60
415 542	71-80
415 542	99-41
415 543	102-93
415 544	33-76
415 544	75-15
415 544	77-35
415 628	97-38
415 628	101-23
415 628	132-6
415 632	71-59
415 632	99-43
415 633	30-49
415 633	95-19
415 688	97-30
415 688	98-13
415 689	98-36
415 729	24-18
415 752	85-6
415 752	86-6
416 091	100-12
416 098	41-47
416 127	82-18
416 133	30-47
416 633	102-99
416 691	31-40
416 785	29-4
416 800	30-63
416 804	103-47
416 987	28-3
416 998	48-49
417 703	48-47
419 600	45-26
419 690	26-28
419 690	64-3
419 882	60-40b
419 883	102-50
419 886	102-51
419 919	121A-24
419 981	22-15
420 189	33-91
424 032	23A-15
424 032	23A-28
424 032	27-7
424 032	27-30
424 032	33-79
424 032	33-80
424 032	33-81
424 032	111A-16
424 039	102-47
424 051	26-19
424 051	26-31
424 051	26-55
424 051	26-56

Part Number	Figure and Index No.
424 051	30-66
424 051	30-67
424 051	33-83
424 051	34-8
424 051	34-17
424 051	34-24
424 051	34-27
424 051	35-35
424 051	35-37
424 051	35-38
424 051	35-47
424 051	47-19
424 051	48-26
424 051	49-14
424 051	51-2
424 051	51-13
424 051	52-42
424 051	60-31
424 051	60-32
424 051	60-34
424 051	62-13
424 051	72-36
424 051	72-37
424 051	80-9
424 051	80-19
424 051	80-23
424 051	80-24
424 051	80-25
424 051	81-23
424 051	81-27
424 051	84-16
424 051	84-17
424 051	93-109
424 051	95-33
424 051	95-35
424 051	95-36
424 051	95-61
424 051	96-29
424 051	97-23
424 051	98-19
424 051	98-20
424 051	98-24
424 051	98-28
424 051	99-30
424 051	99-35
424 051	99-47
424 051	99-48
424 051	100-30
424 051	102-70
424 051	103-19
424 051	103-21
424 051	103-22
424 051	103-40
424 051	103-41
424 051	111-38
424 051	112A-68
424 051	116-8
424 051	117-16

Part Number	Figure and Index No.
424 051	117-18
424 051	120-27
424 052	23A-16
424 052	23A-29
424 052	26-27
424 052	26-57
424 052	33-97
424 052	34-20
424 052	40-70
424 052	44-9
424 052	44-51
424 052	44-52
424 052	44-53
424 052	44-56
424 052	44-57
424 052	44-65
424 052	44-86
424 052	45-43
424 052	45-44
424 052	49-15
424 052	72-39
424 052	101-18
424 052	101-19
424 053	35-36
424 054	65-57
424 059	41-44
424 059	41-45
424 059	41-46
424 059	44-48
424 059	44-55
424 059	44-60
424 059	72-51
424 059	85-72
424 060	40-65
424 060	40-67
424 060	120-33
424 067	44-49
424 068	40-71
424 068	40-72
424 068	40-79
424 068	40-80
424 071	41-48
424 095	30-73
424 095	31-14
424 095	31-15
424 095	31-18
424 097	39-70
424 097	39-73
424 097	100-35
424 097	100-36
424 097	100-37
424 097	100-37a
424 140	23A-15
424 140	23A-28
424 140	27-7
424 140	80-21
424 141	62-13
424 141	80-23

PIPER PARTS CATALOG

Part Number	Figure and Index No.
424 142	60-32
424 143	60-31
424 143	60-34
424 145	34-24
424 145	93-109
424 147	27-30
424 148	34-20
424 148	80-19
424 154	84-16
424 154	95-61
424 163	98-28
424 163	102-47
424 164	99-35
424 171	117-18
424 172	80-24
424 173	26-31
424 173	103-40
424 174	26-19
424 174	30-67
424 174	120-27
424 175	26-56
424 175	30-66
424 175	31-15
424 175	51-2
424 176	34-8
424 176	49-13
424 176	103-21
424 177	26-55
424 177	33-79
424 177	81-27
424 178	31-14
424 178	31-18
424 178	81-23
424 181	33-80
424 181	98-35
424 183	30-73
424 185	80-9
424 185	80-25
424 185	103-22
424 186	34-17
424 188	34-27
424 197	33-83
424 205	72-37
424 209	72-36
424 500	100-33
424 503	103-43
424 505	96-22
424 505	98-11
424 506	95-39
424 506	96-20
424 506	98-3
424 507	95-46
424 507	95-58
424 507	97-24
424 507	97-35
424 507	99-25
424 507	99-36
424 508	95-41

Part Number	Figure and Index No.
424 509	95-42
424 510	96-28
424 511	47-21
424 512	95-31
424 513	96-26
424 513	97-22
424 513	98-6
424 514	95-28
424 515	99-20
424 517	47-22
424 518	99-38
424 519	102-56
424 520	98-9
424 521	97-20
424 523	99-35
424 527	95-32
424 541	99-34
424 910	120-28
434 117	112A-61
434 123	101-5
434 126	112-62
434 128	69-26
434 128	101-20
434 130	88-40
434 132	101-12
434 134	51-1
434 134	69-25
434 135	79-98
434 138	125-34
434 144	88-39
434 154	77-42
434 155	112A-60
434 158	125-33
434 163	86-32
434 163	119-27
434 200	113-34
451 730	44-68
451 732	40-4
451 735	44-78
451 738	40-5
451 748	44-68
451 813	101-10
451 825	104-1
451 825	107-1
451 841	71-77
451 841	134-17
451 852	70-18
451 853	67-23
451 853	67-25
451 853	68-27
451 857	69-16
451 857	73-9
451 869	112A-56
451 901	85-13
451 921	70-18
451 939	70-11
452 009	26-45
452 009	99-49

Part Number	Figure and Index No.
452 011	47-6
452 011	95-24
452 011	102-48
452 015	96-16
452 015	97-15
452 015	98-14
452 036	32-5
452 058	2-73
452 331	8-35
452 335	81-13
452 344	95-5
452 344	99-7
452 353	28-39
452 357	33-75
452 357	44-4
452 357	96-25
452 359	94-3
452 359	94-5
452 361	95-6
452 362	95-7
452 381	93-59
452 381	93-68
452 381	93-77
452 381	96-7
452 381	100-15
452 383	32-8
452 383	40-23
452 383	40-25
452 383	44-13
452 383	52-20
452 386	7-47
452 386	7-49
452 386	7-95a
452 386	35-25
452 386	36-19
452 386	38-32
452 386	38-35
452 386	38-43
452 412	44-15
452 412	44-18
452 412	44-84
452 412	47-11
452 429	41-39
452 431	103-2
452 439	44-17
452 440	44-42
452 441	40-27
452 457	39-60
452 457	39-62
452 457	39-64
452 458	102-8
452 480	98-18
452 480	100-22a
452 483	100-23a
452 512	102-46
452 568	33-69
452 568	81-31
452 577	93-121

Part Number	Figure and Index No.
452 600	100-10
452 664	120-16
452 691	120-17
452 734	107-37
452 775	72-43
452 918	135-9
452 959	117-9
453 009	116-9
453 010	116-9
453 124	41-33
453 124	45-37
453 206	40-19
453 206	44-67
453 206	52-39
453 424	129-4
453 424	131-38
453 474	130-11
453 501	124-35
453 502	123-10
453 502	124-10
453 694	26-40
453 723	44-26
453 729	38-27
453 729	38-29
453 732	22-20
453 732	91-13
453 732	92-17
453 733	30-19
453 733	30-25
453 735	45-6
453 736	44-62
453 744	45-10
453 768	40-85
453 774	44-29
453 774	44-81
453 775	41-23
453 776	44-21
453 776	44-24
453 778	40-87
453 782	44-64
453 786	41-21
453 787	8-44
453 794	37-72
453 808	45-16
453 809	41-22
453 810	65-39
453 815	45-17
453 818	36-21a
453 819	38-30
453 824	102-13
453 825	93-11
453 825	93-48
453 825	112A-31
453 841	65-38
453 845	36-20a
453 845	53-19
453 845	107-5
453 845	107-23

PIPER PARTS CATALOG

Part Number	Figure and Index No.
453 854	71-45
453 861	40-31
453 861	40-34
454 053	41-34
454 053	45-36
454 173	69-19
454 173	104-48
454 294	60-44
454 299	68-20
454 299	104-49
454 302	27-33
454 624	127-45
454 645	129-9
454 660	129-9
454 662	129-9
454 682	125-31
454 682	130-11
454 683	130-11
454 684	130-11
454 687	130-11
454 688	83-12
454 688	130-11
454 696	130-11
454 722	130-11
454 745	129-9
454 746	129-9
454 747	129-9
454 803	75-13
454 832	71-73
454 832	125-38
454 833	112-52
454 833	112A-73
454 852	75-12
454 862	75-10
454 867	26-44
454 867	47-7
454 867	95-26
454 867	95-37
454 867	96-17
454 867	97-18
454 867	98-15
454 867	99-21
454 867	99-51
454 867	102-49
454 880	84-10
454 887	48-29
454 887	48-56
454 887	111-29
454 887	116-25
454 900	81-22
454 901	31-11
454 912	111-50
454 914	111-26
454 921	70-13
454 924	40-20
454 924	52-40
454 927	123-52
454 927	124-54

Part Number	Figure and Index No.
454 928	33-74
454 929	33-73
454 929	48-32
454 929	123-53
454 929	124-53
454 932	101-13
454 933	48-31
454 950	121A-7
454 950	121A-11
454 950	121A-14
454 977	71-83
454 977	71-92
454 977	75-9
454 977	111-42
454 983	14-64
454 983	67-22
454 983	71-79
454 983	73-10
454 983	85-54
454 983	86-40
454 983	89-36
454 983	90-15
454 983	112-67
454 983	112A-72
454 983	118-29
454 983	126-54
454 987	125-39
455 124	41-32
455 124	45-38
455 211	126-19
455 211	127-30
455 211	129-8
455 211	125-41
455 421	85-9
455 421	86-15
455 422	104-9
455 971	48-2
455 971	49-1
455 971	50-1
455 973	52-1
456 010	44-2
456 014	44-2
456 622	118-4
456 654	127-11
456 683	137-77
456 706	126-8
456 763	127-5
456 794	2-74
456 795	2-72
456 795	35-52
456 821	130-14
457 156	80-22
458 846	119-24
458 848	86-61
458 848	119-26
458 864	71-42
458 878	106-23
458 878	106-30

Part Number	Figure and Index No.
458 880	48-36
458 880	106-27
458 881	86-29
458 881	88-46
458 881	106-26
458 881	119-28
458 881	122-28
458 882	118-22
458 891	106-33
458 894	69-20
458 894	112-58
458 894	112A-52
458 894	118-25
458 898	85-5
458 898	86-5
458 899	106-31
458 899	106-43
458 899	109-73
458 900	48-37
458 900	49-11
458 900	52-28
458 900	52-31
458 900	52-53
458 900	67-11
458 900	104-53
458 900	105-26
458 900	105-32
458 900	105-40
458 900	105-41
458 900	106-41
458 900	110-23
458 900	112-56
458 900	112A-53
458 900	112A-54
458 901	109-71
458 901	125-36
458 905	85-37
458 905	88-48
458 905	106-32
458 905	106-42
458 910	48-35
458 910	52-30
458 910	70-10
458 910	104-67
458 910	104-76
458 910	105-25
458 910	105-31
458 910	105-34
458 910	110-24
458 911	109-72
458 913	68-23
458 914	88-47
458 914	122-29
458 927	119-30
458 934	67-20
458 934	71-75
458 934	90-3
458 934	106-29

Part Number	Figure and Index No.
458 934	106-39
458 938	71-100
458 945	70-22
459 834	60-55
459 928	102-36
459 930	102-36
459 932	99-50
460 006	11-35
460 038	29-10
460 039	29-10
460 042	61-4a
460 042	62-14a
460 042	63-24a
460 044	33-36
460 060	79-57
460 102	119-4
460 586	119-9
460 587	119-10
460 593	87-12
460 593	112-44
460 593	112A-45
460 635	106-3
460 635	107-41
460 690	45-14
460 691	40-38
460 691	41-20
460 691	41-29
460 691	44-20
460 691	44-28
460 691	44-80
460 691	45-3
460 691	45-9
460 691	47-44a
460 823	40-30
460 823	40-35
460 823	41-15
460 823	44-23
460 857	122-14
460 928	60-65
461 131	26-43
461 133	95-25
461 623	126-39
461 623	126-45
461 623	127-37
461 628	126-44
461 632	126-39
461 915	123-6
461 915	124-6
461 927	23A-38
462 023	106-1a
462 026	52-34
462 026	105-43
462 026	106-31
462 027	48-41
462 027	48-57
462 027	49-9
462 027	52-35
462 027	52-36

PIPER PARTS CATALOG

Part Number	Figure and Index No.
462 027	104-8
462 027	104-12
462 027	104-13
462 027	104-14
462 027	104-16
462 027	104-55
462 027	104-76
462 027	105-31
462 027	105-32
462 027	105-41
462 027	106-28
462 027	106-29
462 028	106-30
462 029	104-75
462 031	106-35
462 058	85-70
462 058	86-63
462 058	112-53
462 058	112A-53
462 058	112A-55
462 058	112A-56
462 058	112A-57
462 061	85-30
462 061	85-64
462 061	86-18
462 061	86-60
462 061	89-13
462 065	89-27
462 066	88-69
463 416	126-24
463 621	131-49
464 426	130-13
464 437	77-15a
467 029	52-25
467 094	127-9
467 208	23A-14
467 208	23A-27
467 208	23A-40
467 209	23A-14
467 209	23A-27
467 209	23A-40
467 477	127-9
467 479	122-30
468 002	127-17
468 002	128-4
468 006	127-17
468 006	128-3
468 027	126-21
469 132	93-9
469 132	93-116
469 132	93-118
469 132	93-120
469 138	33-54
469 147	81-20
469 148	33-56
469 152	85-26
469 152	86-20
471 044	94-24

Part Number	Figure and Index No.
471 064	33-21
471 065	60-6
471 080	48-3
472 017	14-14
472 027	131-15
472 028	57-7
472 028	65-34
472 028	66-13
472 028	93-126
472 028	128-10
472 028	128-11
472 028	128-20
472 028	128-22
472 028	131-30
472 029	129-23
472 049	79-100
472 049	132-10
472 057	127-50
472 059	89-8
472 061	128-19
472 071	133-26
472 147	126-4
472 149	131-48
472 150	93-104
472 184	133-23
472 684	102-34
472 684	102-40
472 709	133-4
472 710	133-4
472 739	128-8
472 740	128-9
472 742	65-33
472 742	66-12
472 742	84-6
472 742	93-125
472 742	131-29
472 769	132-2
472 785	127-49
472 786	65-62
472 786	128-8
472 788	129-5
472 805	128-29
472 868	131-14
472 942	133-16
472 985	129-22
472 991	93-101
474 137	123-24
474 137	124-22
474 138	123-24
474 138	124-22
474 658	77-51
475 100	71-8
475 109	65-37
475 109	116-21
475 168	71-30
475 168	83-19
475 176	71-14
475 194	72-17

Part Number	Figure and Index No.
475 197	135-6
475 212	101-21
475 213	116-10
475 214	116-10
476 643	67-17
476 647	67-19
476 648	50-20
476 648	67-18
476 648	86 67
476 648	112A-58
476 674	85-4
476 674	85-12
476 674	86-4
476 686	112-60
476 701	135-11
476 725	75-4
477 612	112A-58
477 617	89-12
477 617	106-31
477 617	106-43
477 618	48-44
477 618	48-58
477 618	49-18
477 618	52-28
477 618	52-30
477 618	52-31
477 618	52-32
477 618	52-33
477 618	52-53
477 618	67-11
477 618	67-23
477 618	67-25
477 618	68-26
477 618	68-27
477 618	69-24
477 618	70-10
477 618	86-70
477 618	104-67
477 618	105-25
477 618	105-26
477 618	105-33
477 618	105-34
477 618	105-40
477 618	106-41
477 618	112-54
477 618	112-55
477 618	112-56
477 618	112-61
477 618	112A-53
477 618	112A-54
477 618	112A-55
477 618	112A-57
477 620	68-23
477 620	70-18
477 620	125-44
477 621	70-18
477 621	85-37
477 621	88-52

Part Number	Figure and Index No.
477 621	89-11
477 621	106-42
477 621	122-29
477 621	125-48
477 623	106-23
477 623	106-30
477 628	85-63
477 628	86-59
477 629	67-20
477 629	71-75
477 629	71-100
477 629	85-39
477 629	86-58
477 629	90-7
477 629	90-22
477 629	106-39
477 631	71-42
477 634	112-60
477 676	48-57
477 676	49-16
477 676	52-35
477 676	52-36
477 676	104-13
477 676	104-54
477 676	104-76
477 676	105-31
477 676	105-32
477 676	105-41
477 676	110-26
477 684	96-8
477 691	85-69
477 691	86-61
477 691	106-40
477 691	119-26
477 704	88-67
477 707	51-9
477 707	60-33
477 707	62-11
477 708	62-12
477 708	62-17
477 709	60-50
477 709	61-16
477 709	62-18
477 709	63-28
477 713	106-28
477 713	106-29
477 733	106-37
477 737	76-12
477 737	119-24
477 737	121-17
477 737	121A-4
477 738	75-5
477 738	88-69
477 759	81-25
477 782	71-56
477 793	65-37
477 825	130-15
477 829	136-11

PIPER PARTS CATALOG

Part Number	Figure and Index No.
477 852	122-30
477 905	81-28
479 451	123-11
479 451	124-11
480 414	27-11
480 688	28-17
480 688	32-19
480 696	84-7
480 697	55-9
480 701	63-20
480 705	51-23
480 705	104-17
480 710	102-5
480 723	33-57
480 731	30-42
480 731	30-58
480 731	33-29
480 738	51-10
480 739	52-22
480 740	72-9
480 743	98-34
480 743	102-52
480 744	103-28
480 767	102-79
480 796	94-49
481 171	104-2
481 171	109-1
481 214	133-19
481 626	95-47
481 626	95-50
481 626	95-59
481 626	96-13
481 626	103-38
481 627	47-26
481 627	95-20
481 627	95-40
481 627	95-56
481 627	97-5
481 627	99-4
481 640	96-14
481 640	96-21
481 640	98-1
481 640	100-28
481 640	100-38
481 640	100-41
481 651	95-43
481 652	102-74
481 771	106-2
481 771	108-1
484 110	127-3
484 178	127-42
484 178	127-43
484 211	127-4
484 211	127-25
484 217	16-55
484 228	122-11
484 283	106-34
484 293	14-26a

Part Number	Figure and Index No.
484 301	77-9
484 342	77-10
484 342	77-17
484 342	77-19
484 351	52-34
484 351	105-43
484 359	89-14
484 359	118-21
484 452	127-16
484 459	104-15
484 464	33-35
484 552	127-15
484 564	131-37
484 597	131-17
484 648	52-26
484 674	45-27
484 677	88-49
484 677	88-67
484 677	89-6
484 695	45-14b
484 700	50-22
484 701	43-24
484 701	50-7
484 701	107-44
484 708	50-23
484 730	50-6
484 730	50-12
484 752	48-57
484 752	49-8
484 752	52-35
484 752	52-36
484 752	104-13
484 752	104-56
484 752	104-76
484 752	105-31
484 752	105-32
484 752	105-41
484 752	106-28
484 752	106-29
484 757	45-30
484 759	45-29
484 762	41-41
484 764	77-8
484 768	44-41
484 775	128-5
484 783	32-3
484 785	35-32
484 785	35-33
484 786	35-42
484 786	35-43
484 786	35-44
484 786	35-45
484 786	35-46
484 786	35-53
484 786	35-54
484 797	43-18
484 801	27-29
484 816	121-9

Part Number	Figure and Index No.
484 823	33-100
484 827	106-36
484 841	67-21
484 841	71-74
484 842	71-41
484 842	71-98
484 842	90-5
484 842	90-13
484 842	90-14
484 846	88-50
484 848	53-3
484 851	118-23
484 856	119-41
484 859	71-37
484 860	71-54
484 860	71-75
484 860	71-100
484 860	71-102
484 860	71-103
484 861	71-38
484 861	75-4
484 861	75-5
484 870	41-40
484 951	119-39
485 033	45-32
485 034	45-34
485 035	41-38
485 036	41-37
485 043	52-26
486 153	65-24
486 222	119-44
486 300	118-21
486 300	118-22
486 300	118-24
486 301	85-62
486 301	86-52
486 301	118-19
486 301	118-21
486 301	118-26
486 301	119-22
486 301	119-26
486 301	119-28
486 302	118-27
486 302	119-23
486 302	119-24
486 302	119-25
486 398	127-32
486 542	101-11
486 656	57-6
486 879	52-56
486 897	112-60
486 897	112A-58
487 043	28-35
487 084	129-13
487 090	127-24
487 155	51-25
487 167	127-7
487 167	133-27

Part Number	Figure and Index No.
487 291	97-32
487 464	51-15
487 494	30-29
487 560	55-10
487 583	77-27
487 583	123-44
487 584	124-44
487 614	2-26
487 644	77-5
487 679	111-25
487 679	111A-25
487 704	77-7
487 704	77-41
487 704	77-43
487 728	77-43
487 777	131-8
487 804	127-19
487 819	31-20
487 819	72-19
487 819	94-13
487 819	129-2
487 862	44-40
487 878	23A-44
487 878	127-29
487 925	134-16
487 927	72-49
487 927	101-8
487 940	71-46
487 940	94-12
487 940	114-22
487 977	93-129
487 977	128-24
488 311	52-33
488 314	68-20
488 316	68-21
488 316	69-21
488 316	69-31
488 316	112-59
488 319	118-24
488 320	52-29
488 320	52-33
488 320	104-70
488 320	105-35
488 320	112A-51
488 327	51-3
488 383	48-40
488 383	49-10
488 383	69-22
488 474	67-16
488 489	71-43
488 506	88-45
488 506	125-22
488 509	88-44
488 509	104-11
488 510	104-74
488 520	70-17
488 551	26-61
488 590	130-15

PIPER PARTS CATALOG

Part Number	Figure and Index No.
488 670	40-39
488 699	125-1
488 721	128-16
488 750	127-51
488 756	127-11
489 415	56-47
489 438	85-8
489 438	86-51
489 502	71-39
489 910	95-38
489 910	97-16
489 910	99-19
489 910	102-35
491 049	89-12
491 050	48-19
491 050	48-38
491 050	52-49
491 050	52-54
491 050	71-41
491 050	86 69
491 050	104-10
491 050	104-12
491 050	104-65
491 050	105-23
491 050	106-25
491 050	109-74
491 050	110-25
491 050	110-38
491 050	112-55
491 050	112-57
491 051	104-64
491 052	79-58
491 052	125-43
491 053	85-29
491 053	86-16
491 053	88-42
491 053	104-66
491 053	106-24
491 053	109-70
491 053	118-26
491 053	119-22
491 053	122-27
491 055	71-103
491 055	90-14
491 055	90-17
491 057	88-43
491 060	48-39
491 060	48-58
491 060	49-12
491 060	52-32
491 060	67-25
491 060	68-26
491 060	69-23
491 060	86-70
491 060	89-14
491 060	104-14
491 060	105-33
491 060	112-54

Part Number	Figure and Index No.
491 060	112A-55
491 062	125-42
491 063	85-39
491 063	86-58
491 063	90-21
491 066	71-42
491 067	85-63
491 067	86-59
491 068	85-69
491 068	106-40
491 073	118-27
491 073	119-23
491 074	89-11
491 074	89-13
491 074	125-37
491 097	121-18
491 098	76-12
491 098	121-17
491 102	85-64
491 102	86-60
491 102	121-19
491 140	121-20
491 973	124-9
491 982	123-9
491 982	124-9
491 995	88-66
492 100	69-18
492 100	88-36
492 111	85-7
492 111	85-15
492 111	86-7
492 111	87-9
492 140	115-17
492 152	48-1
492 152	50-19
492 163	52-50
492 163	104-7
492 170	104-73
492 190	104-47
492 191	104-46
492 192	118-3
492 203	115-13
492 233	85-70
492 233	86-63
492 234	90-12
492 245	85-18
492 245	86-37
492 252	122-12
492 279	125-29
492 281	89-3
492 309	88-30
492 310	88-34
492 350	126-7
492 351	14-34
492 352	14-34
493 132	127-52
494 038	93-24
494 038	93-37

Part Number	Figure and Index No.
494 038	93-49
494 060	2-27
494 060	77-28
494 060	123-45
494 060	124-45
494 071	35-48
494 071	35-49
494 071	37-63
494 071	38-38
494 071	39-81
494 071	89-29
494 071	89-35
494 081	23A-59
494 081	93-83
494 088	77-6
494 088	77-48
494 102	26-12
494 102	26-28
494 102	29-12
494 102	31-40
494 102	33-34
494 102	64-3
494 118	24-16
494 118	24-17
494 125	44-66
494 183	93-12
494 183	93-22
494 183	93-35
494 183	93-51
494 184	93-23
494 184	93-36
494 184	93-52
494 247	90-6
494 268	27-12
494 721	45-28
494 722	41-25
506 501	119-45
506 619	35-26
506 620	39-70
506 620	39-73
506 620	96-29
506 620	98-19
506 620	100-35
506 620	100-37
506 621	100-36
506 621	100-37a
514 750	65-23
514 791	65-22
515 144	131-40
515 709	131-41
515 710	131-42
515 715	131-43
515 739	84-12
517 262	83-22
519 886	31-36
548 088	65-48
548 101	65-16
548 331	65-7

Part Number	Figure and Index No.
548 331	66-5
548 435	66-4
548 451	65-4
548 452	66-3
548 453	65-4
548 456	65-5
548 459	65-5
548 459	66-2
548 461	65-5
548 463	65-5
548 464	65-5
548 543	66-1
548 578	65-4
548 602	65-8
548 602	66-6
548 607	65-9
548 686	65-3
548 686	66-1
548 757	66-3
550 808	66-6
551 602	40-4
551 745	40-2
551 745	43-1
551 758	44-11
551 758	46-1
551 790	44-11
551 790	46-12
551 791	44-11
551 791	46-12
551 795	40-3
551 795	42-1
551 797	40-3
551 797	42-1
551 882	85-48
551 882	86-36
551 920	135-8
551 968	52-3
551 968	53-1
551 969	89-25
551 971	105-2
551 971	107-30
551 992	129-14
552 514	52-2
552 514	53-7
552 546	105-1
552 546	107-17
553 235	128-2
553 306	120-21
553 307	120-23
553 308	119-29
553 383	125-6
553 384	125-6
553 508	129-29
553 613	40-87
553 630	40-29
553 666	102-95
553 667	102-90
553 667	102-92

PIPER PARTS CATALOG

Part Number	Figure and Index No.
553 886	79-95
554 240	128-11
554 241	71-82
554 288	131-12
554 289	131-11
554 341	122-18
554 383	71-82
554 482	89-42
554 552	88-54
554 575	126-36
554 614	65-22
554 615	52-24
554 615	65-24
554 616	65-23
554 623	111-49
554 629	88-57
554 639	88-56
554 664	70-21
554 683	88-62
554 684	88-58
554 689	71-50
554 701	111-30
554 726	112-65
554 726	112A-70
554 745	88-59
554 757	81-26
554 775	71-94
554 776	75-11
554 778	52-41
554 778	68-22
554 778	70-20
554 778	71-93
554 778	125-40
554 798	121A-7
554 798	121A-11
554 798	121A-14
554 798	121A-20
554 834	111-27
554 834	112-64
554 834	112A-69
554 834	116-26
554 837	126-46
554 871	70-19
554 871	88-53
554 871	125-55
554 874	48-30
554 901	132-8
554 914	60-46
554 925	115-19
554 926	111A-23
554 926	111A-33
554 929	111A-24
554 929	111-28
554 941	71-81
554 941	83-20
554 945	116-22
554 946	88-61
554 946	112-66

Part Number	Figure and Index No.
554 946	112A-71
554 946	122-21
554 946	125-54
554 963	103-45
554 971	126-55
554 972	73-6
554 972	114-20
554 976	119-21
554 984	85-79
554 984	86-74
554 984	115-20
554 988	112-68
554 988	112A-74
554 990	119-20
554 992	71-78
555 355	135-10
555 356	135-7
555 393	126-33
555 806	77-40
555 807	77-52
556 392	122-30
556 743	65-35
556 743	66-15
556 743	131-31
556 757	127-47
556 780	127-47
556 988	77-52
556 991	77-40
557 065	126-25
558 785	52-27
558 785	71-101
558 796	85-55
558 796	86-50
558 813	119-25
558 850	52-35
558 872	75-5
558 877	85-31
558 877	86-17
558 913	70-23
558 927	69-5
558 987	71-72
560 806	112-30
560 806	112A-26
560 835	70-12
560 969	52-37
565 225	48-21
565 225	49-2
565 226	48-20
565 226	49-3
565 322	111-6
565 322	111A-6
565 323	127-23
565 326	127-22
571 073	123-32
571 073	124-29
571 077	51-11
571 078	61-11
571 078	63-9

Part Number	Figure and Index No.
571 091	63-23
571 112	118-31
571 116	93-128
571 116	128-25
571 144	55-4
571 186	131-18
571 222	94-50
571 223	94-24
572 531	133-1
572 553	127-27
572 554	57-6
572 577	131-14
572 586	133-20
572 587	129-30
572 592	133-1
572 593	133-1
572 658	23A-45
572 658	23A-52
579 132	126-26
580 800	41-18b
581 656	93-14
581 657	130-12
582 083	71-71
582 807	71-102
582 913	88-51
583 410	134-26
583 410	137-53
583 578	123-33
583 578	124-30
584 152	127-10
584 153	127-2
584 187	127-6
584 220	122-13
584 224	121-23
584 232	133-3
585 094	127-46
587 177	80-23
587 186	80-24
587 272	33-68
587 289	55-5
587 289	61-13
587 289	63-11
587 385	27-27
587 386	27-28
587 389	134-22
587 564	126-24
587 600	60-37
587 617	77-47
587 778	67-14
587 783	131-5
587 784	131-10
587 786	131-7
587 787	131-6
587 788	129-24
587 788	131-20
587 802	128-5
587 842	125-2
587 849	65-63

Part Number	Figure and Index No.
587 849	128-13
587 908	128-11
587 930	128-7
587 961	67-15
587 965	136-10
587 967	131-21
588 018	119-31
588 125	65-53
588 125	128-6
588 125	131-45
588 126	65-55
588 155	128-21
588 216	128-12
588 272	131-25
588 386	125-58
589 843	123-29
589 844	124-27
589 877	123-48
589 878	124-38
594 059	120-23
594 063	81-33
597 257	136-6
653 076	128-12
653 178	88-71
688 100	131-47
688 104	119-42
688 130	128-14
688 132	128-15
688 132	128-23
688 132	128-27
688 132	128-28
688 147	127-31
688 179	118-32
688 180	131-4
751 201	133-6
751 202	133-6
751 203	133-15
751 274	113-2
751 309	83-2
751 363	45-19
751 367	45-13
751 445	50-28
751 489	46-17
751 494	46-14
751 494	46-16
751 503	46-14
751 503	46-16
751 759	107-43
751 811	123-19
751 811	124-17
751 812	123-20
751 812	124-18
751 813	123-22
751 813	124-20
751 814	123-23
751 814	124-21
751 817	114-3
751 819	46-20

PIPER PARTS CATALOG

Part Number	Figure and Index No.
751 834	41-35
751 834	45-35
751 836	107-42
751 869	107-42
751 874	113-8
751 890	50-5
751 920	113-23
752 094	43-6
752 122	123-25
752 122	124-23
752 140	113-20
752 350	34-18
752 350	80-14
752 355	123-7
752 355	124-7
752 367	114-13
752 369	30-69
752 504	123-18
752 504	124-16
752 505	123-21
752 505	124-19
752 520	109-88
752 521	109-85
752 524	109-87
752 525	109-86
752 552	82-11
752 553	82-20
752 554	82-21
752 555	82-31
752 556	82-40
752 560	113-33
752 568	107-6
752 569	107-31
752 570	107-35
752 574	42-5
752 584	53-2
752 587	109-80
752 588	53-11
752 588	107-8
752 589	109-81
752 590	107-27
752 602	75-3
752 606	113-26
752 607	113-31
752 608	113-17
752 617	79-93
752 617	91-18
752 617	92-19
752 619	42-18
752 620	87-15
752 621	87-16
752 626	75-3
752 627	75-3
752 713	41-36
752 713	45-31
752 735	50-15
752 735	50-21
752 765	45-14a

Part Number	Figure and Index No.
752 803	82-34
752 830	46-22
752 965	43-22
753 074	123-27
753 074	124-25
753 110	50-25
753 215	50-11
753 391	114-5
753 392	114-6
753 433	123-8
753 433	124-8
753 448	46-5
753 455	109-36
753 470	40-33
753 471	44-25
753 476	131-15
753 477	133-14
753 478	133-5
753 484	108-22
753 484	109-43
753 486	109-82
753 490	109-84
753 803	112-4
753 803	112A-4
753 850	43-23
753 900	113-15
753 939	123-26
753 939	124-24
753 947	123-5
753 947	124-5
753 969	46-9
753 969	46-11
754 550	107-11
754 604	76-2
754 605	76-3
754 606	76-4
754 654	74-14
754 655	74-15
754 656	74-16
754 658	42-14
754 771	113-11
754 780	87-2
754 781	76-1
754 782	113-30
754 783	87-13
754 812	113-5
754 818	112-3
754 818	112A-3
754 851	109-62
754 852	109-68
754 853	109-54
754 866	113-13
754 867	113-28
754 873	83-4
754 878	74-17
754 879	74-38
754 880	43-19
755 016	91-8

Part Number	Figure and Index No.
755 016	92-8
755 017	91-9
755 018	91-10
755 025	92-7
755 026	92-8
755 029	82-12
755 030	82-37
755 031	82-5
755 036	71-12
755 036	71-18
755 038	71-13
755 040	91-11
755 041	91-12
755 041	92-7
755 054	110-11
755 055	108-6
755 056	108-14
755 057	109-94
755 075	133-7
755 076	133-8
755 077	133-24
755 080	133-21
755 086	113-29
755 087	113-25
755 096	133-12
755 098	113-37
755 104	74-30
755 105	116-11
755 106	43-7
755 109	23A-48
755 109	23A-55
755 110	23A-49
755 110	23A-56
755 247	82-3
755 252	114-2
755 253	114-2
755 276	108-12
755 335	134-2
755 341	43-25
755 343	113-21
755 346	113-1
755 401	113-35
755 464	113-3
755 492	71-2
755 498	74-48
755 603	46-19
755 622	74-11
755 623	74-18
755 624	74-44
755 624	74-54
755 625	74-46
755 626	74-51
755 629	42-6
755 630	113-22
755 864	113-14
755 908	50-24
755 940	109-76
755 941	108-17

Part Number	Figure and Index No.
755 941	109-38
755 941	109-41
755 941	110-32
755 946	123-30
755 953	50-4
755 955	50-18
755 960	107-38
755 962	108-28
755 962	109-40
755 964	46-21
755 980	109-48
755 980	109-89
756 077	87-3
756 078	87-4
756 079	82-15
756 080	82-19
756 081	82-22
756 082	82-27
756 083	82-28
756 084	82-32
756 085	83-3
756 087	82-9
756 088	82-35
756 089	82-39
756 089	134-12
756 090	82-8
756 119	50-13
756 119	50-27
756 149	43-21
756 164	107-45
756 178	113-9
756 183	113-27
756 184	114-10
756 259	50-9
756 262	114-16
756 505	123-4
756 505	124-4
756 507	123-3
756 507	124-3
756 508	50-14
756 540	46-2
756 541	46-3
756 548	71-84
756 549	109-2
756 550	109-10
756 551	109-22
756 552	109-31
756 553	109-39
756 554	109-53
756 555	110-1
756 560	112-47
756 560	112A-47
756 561	112-48
756 561	112A-46
756 563	42-17
756 571	75-2
756 577	113-4
756 595	121A-3

PIPER PARTS CATALOG

Part Number	Figure and Index No.
756 597	75-2
756 598	75-2
756 653	46-8
756 654	46-10
756 656	82-38
756 656	134-10
756 657	82-4
757 125	Misc.
757 223	108-19
757 229	107-36
757 229	110-3
757 233	108-18
757 236	108-24
757 238	50-31
757 256	87-10
757 257	87-11
757 263	109-27
757 263	110-29
757 265	109-30
757 265	109-46
757 265	109-78
757 266	109-55
757 268	109-18
757 269	110-7
757 270	109-21
757 270	110-31
757 275	109-75
757 276	109-79
757 276	110-28
757 276	110-37
757 277	109-9
757 277	109-16
757 277	109-57
757 277	110-33
757 279	110-30
757 283	109-83
757 284	109-77
757 291	110-13
757 291	110-15
757 432	112-49
757 432	112A-48
757 434	46-7
757 435	87-7
757 438	82-13
757 439	82-24
757 494	108-23
757 495	110-5
757 496	108-5
757 497	108-4
757 498	109-28
757 499	107-3
757 500	107-33
757 603	121A-22
757 611	134-9
757 619	112-7
757 619	112A-7
757 620	112-8
757 620	112A-8

Part Number	Figure and Index No.
757 621	112-9
757 621	112A-9
757 649	83-6
757 726	111-33
757 726	114-11
757 741	43-5
757 756	113-12
757 759	87-6
757 760	87-8
757 761	46-4
757 763	82-17
757 764	82-25
757 765	82-26
757 766	82-30
757 767	82-36
757 791	71-11
757 791	71-17
757 795	113-39
757 796	113-40
757 797	113-38
757 798	113-42
757 833	72-7
757 862	126-38
757 879	50-32
757 888	113-4a
757 895	42-9
757 896	42-11
757 896	42-13
757 897	112-10
757 897	112A-10
757 992	82-16
757 993	82-29
757 994	82-33
757 995	76-5
757 996	76-6
757 997	76-7
757 999	82-10
758 011	76-8
758 013	114-7
758 048	114-1
758 151	129-7
758 160	112-5
758 160	112A-5
758 161	112-6
758 161	112A-6
758 162	112-11
758 162	112A-11
758 237	125-5
758 238	125-5
758 239	125-3
758 240	125-3
758 241	125-4
758 269	87-5
758 270	82-11
758 271	82-14
758 274	134-8
758 276	82-23
758 276	134-13

Part Number	Figure and Index No.
758 278	82-6
758 279	82-7
758 344	73-2
758 377	107-34
758 378	109-66
758 379	109-6
758 380	109-14
758 381	109-29
758 382	109-35
758 383	109-45
758 384	109-52
758 385	108-15
758 386	108-2
758 387	109-5
758 387	109-13
758 388	109-49
758 389	109-60
758 390	109-91
758 398	71-4
758 418	129-18
758 425	43-17
758 435	134-7
758 436	134-7
758 440	107-21
758 451	101-21a
758 452	136-2
758 453	136-5
758 472	57-7
758 527	53-6
758 535	74-4
758 556	134-6
758 564	74-2
758 565	74-31
758 566	74-34
758 567	82-2
758 568	134-4
758 577	43-16
758 610	82-38
758 610	134-11
760 400	Misc.
760 630	Misc.
760 631	Misc.
760 632	Misc.
760 633	Misc.
760 798	Misc.
761 115	53-16
761 115	107-14
761 115	107-18
761 204	108-10
761 205	108-9
761 208	133-9
761 214	133-17
761 217	43-11
761 217	43-14
761 226	133-20
761 238	129-6
761 251	133-22
761 252	133-22

Part Number	Figure and Index No.
761 253	133-3
761 255	133-11
761 285	129-32
761 290	129-19
761 294	23A-46
761 294	23A-53
761 294	129-18
761 295	23A-47
761 295	23A-54
761 295	129-19
761 603	71-9
761 604	71-10
761 608	114-4
761 612	71-15
761 613	71-16
761 656	110-19
761 686	112-50
761 686	112A-49
761 771	74-49
761 946	113-10
761 948	Misc.
761 977	40-4
761 983	110-22
761 998	40-4
762 003	133-2
762 036	40-4
762 045	74-41
762 046	74-56
762 047	74-57
762 048	74-58
762 051	113-24
762 052	113-36
762 274	113-19
762 285	53-18
762 285	107-16
762 285	107-29
762 285	108-25
762 286	109-3
762 286	109-11
762 287	109-23
762 288	109-32
762 289	109-69
762 290	110-27
762 291	108-27
762 292	108-26
762 293	109-20
762 294	110-8
762 295	110-9
762 296	109-26
762 297	110-6
762 298	109-4
762 299	109-12
762 300	109-24
762 301	109-33
762 302	108-3
762 302	109-44
762 303	109-50
762 304	109-59

PIPER PARTS CATALOG

Part Number	Figure and Index No.
762 305	110-4
762 306	110-17
762 307	110-21
762 309	108-11
762 310	110-2
762 311	109-25
762 312	109-34
762 313	107-7
762 314	108-13
762 315	110-35
762 316	108-7
762 316	109-42
762 317	109-37
762 325	42-8
762 326	42-15
762 333	50-26
762 354	101-21b
762 357	136-3
762 372	46-18
762 375	134-5
762 425	53-5
762 426	133-10
762 455	114-8
762 456	114-9
762 463	113-7
762 474	74-3
762 475	74-5
762 476	74-8
762 477	74-10
762 478	74-12
762 479	74-22
762 480	74-24
762 481	74-27
762 482	74-33
762 483	74-36
762 484	74-39
762 485	74-40
762 486	74-42
762 487	134-3
762 494	43-8
762 495	43-20
762 516	89-43
762 536	109-8
762 536	109-15
762 536	109-56
762 537	109-17
762 538	110-34
762 540	108-16
762 541	53-17
762 541	107-15
762 542	108-21
762 543	110-16
762 544	110-20
762 545	109-65
762 546	109-61
762 547	109-90
762 548	107-9
762 548	107-25

Part Number	Figure and Index No.
762 549	107-10
762 550	107-39
762 551	107-40
762 552	108-20
762 553	109-67
762 554	53-14
762 554	107-12
762 555	109-92
762 556	107-24
762 557	107-28
762 570	33-15b
762 573	50-3
762 584	123-2
762 584	124-2
762 607	113-32
762 614	42-2
762 615	53-4
762 621	53-12
762 622	53-13
763 009	104-6
763 019	136-4
763 042	74-28
763 043	74-53
763 204	109-47
763 205	110-12
763 206	110-14
763 207	110-10
763 208	53-10
763 208	107-4
763 209	107-32
763 210	109-63
763 211	53-8
763 211	107-2
763 212	109-93
763 213	107-19
763 214	107-22
763 235	42-3
763 241	123-1
763 241	124-1
763 246	33-15a
763 284	83-5
763 300	113-16
763 302	126-49
763 309	50-2
763 313	126-49
763 357	71-96
763 382	74-7
763 383	74-21
763 384	74-29
763 385	74-32
763 386	74-35
763 387	74-50
763 393	129-31
763 396	43-2
763 397	43-3
763 401	109-64
763 402	109-51
763 403	110 18

Part Number	Figure and Index No.
763 405	108-8
763 406	109-19
763 407	109-58
763 408	109-7
763 409	110-36
763 410	107-20
763 411	109-95
763 436	43-4
763 437	43-12
763 437	43-15
763 440	43-26
763 441	50-10
763 447	83-21
763 457	75-3
763 495	113-6
763 510	53-9
763 519	74-25
763 520	43-13
763 521	43-10
763 567	75-3
763 568	75-3
763 703	42-7
763 711	42-10
763 715	46-13
763 717	46-15
763 724	46-15
763 725	46-13
763 769	74-6
763 770	74-9
763 771	74-13
763 772	74-19
763 773	74-23
763 774	74-26
763 775	74-37
763 776	74-43
763 777	74-45
763 777	74-55
763 778	74-47
763 779	74-52
763 782	42-12
763 783	42-10
763 853	57-6a
764 142	74-63
764 143	74-64
764 144	74-65
764 145	74-20
764 146	74-59
764 147	74-60
764 382	116-10
764 503	74-61
764 504	74-62
764 650	76-1a
764 666	124-1
764 802	119-44
764 803	73-1
764 803	74-1
764 804	87-14
764 807	135-8a

Part Number	Figure and Index No.
764 822	83-23
764 841	72-34a
764 908	Misc.
764 963	Misc.
914 046	Misc.
914 047	24-21
914 047	Misc.
924 289	113-43
924 355	24-22

3B23 THRU 3L24
INTENTIONALLY LEFT BLANK